

**SK-DRG**

**Slovak  
Diagnosis  
Related  
Groups**

**System 2021**

**Definičná príručka  
Zväzok 5  
Prílohy**

© 2020 by Úrad pre dohľad nad zdravotnou starostlivosťou - Centrum pre klasifikačný systém a Institut für das Entgeltsystem im Krankenhaus GmbH (InEK), Siegburg, Nemecko

Všetky práva vyhradené.

Definičné príručky pre SK-DRG systém sú chránené podľa autorského zákona. Každé využitie presahujúce hranice medzinárodne platných zákonov o autorských právach a podmienok "Zmluvy o spolupráci pri zavádzaní systému DRG v Slovenskej republike" medzi Institut für das Entgeltsystem im Krankenhaus GmbH a Úradom pre dohľad nad zdravotnou starostlivosťou (ÚDZS) je bez písomného súhlasu ÚDZS neprípustné.



# Obsah

## 1 Zväzok 5 Prílohy

<b>Príloha A</b>	Kódy diagnóz-/MDC-/DRG-Index	1
<b>Príloha B</b>	Kódy výkonov-/MDC-/DRG-Index	159
<b>Globálne tabuľky výkonov</b>		908
<b>Prehľad funkcií</b>		909
<b>Príloha C</b>	Prítomnosť CC, vyradenie CC, stanovenie CCL a PCCL	912
<b>Príloha D</b>	Overovanie demografických a klinických údajov	970
<b>Slovník pojmov</b>		1023

# Príloha A

## Kódy diagnóz-/MDC-/DRG-Index

Táto príloha obsahuje zoznam všetkých kódov diagnóz MKCH-10-SK-2021, ktoré sa používajú v SK-DRG systéme 2021 na definovanie hlavných diagnostických kategórií (MDC) a DRG-skupín. Hlavná alebo vedľajšia diagnóza môže byť relevantná pre zaraďovací algoritmus priamo (výskytom v tabuľke) alebo môže byť súčasťou niektorej funkcie (napr. Funkcia polytrauma [PTR]). Relevantnosť vedľajších diagnóz pre zaraďovanie v rámci CCL-systému nemá pre prílohu A žiaden význam. (porovnaj s prílohou C tejto publikácie).

V niektorých prípadoch je jeden kód priradený DRG skupinám viacerých základných-DRG. Vyskytuje sa to predovšetkým vtedy, keď sa diagnóza použije na stanovenie stupňa obtiažnosti operačnej základnej-DRG, kedy je základná-DRG bližšie definovaná diagnózami, aby bolo možné zaznamenať údaje hospitalizačného prípadu správne zaradiť do jednej z viacerých operačných-DRG, alebo ak ide o MDC 18A alebo MDC 21A a diagnóza sa použije nielen pre jednu z týchto MDC, ale aj pre jednu medicínsku DRG inej MDC.

Zaraďovanie pri polytraume je ťažšie ako pri inom MDC-zaraďovaní.

ICD	MDC	DRG	ICD	MDC	DRG	ICD	MDC	DRG
A00.0	06	G46A, G46B, G46C, G50Z, G67A, G67B, G67C	A03.1	06	G46A, G46B, G46C, G50Z, G67A, G67B, G67C	A05.1	15	TPN, VTPN
	Pre	A07D, A09E, A11F, A13F		15	TPN, VTPN		18B	T64A, T64B, T64C
A00.1	06	G46A, G46B, G46C, G50Z, G67A, G67B, G67C	A03.2	06	G46A, G46B, G46C, G50Z, G67A, G67B, G67C	A05.2	06	G46A, G46B, G46C, G50Z, G67A, G67B, G67C, G67D
	Pre	A07D, A09E, A11F, A13F		15	TPN, VTPN		15	TPN, VTPN
A00.9	06	G46A, G46B, G46C, G50Z, G67A, G67B, G67C	A03.3	06	G46A, G46B, G46C, G50Z, G67A, G67B, G67C	A05.3	06	G46A, G46B, G46C, G50Z, G67A, G67B, G67C, G67D
	Pre	A07D, A09E, A11F, A13F		15	TPN, VTPN		15	TPN, VTPN
A01.0	05	F62A	A03.8	06	G46A, G46B, G46C, G50Z, G67A, G67B, G67C	A05.4	06	G46A, G46B, G46C, G50Z, G67A, G67B, G67C, G67D
	06	G67A		15	TPN, VTPN	A05.8	06	G46A, G46B, G46C, G50Z, G67A, G67B, G67C, G67D
	15	TPN, VTPN	A03.9	06	G46A, G46B, G46C, G50Z, G67A, G67B, G67C	A05.9	06	G46A, G46B, G46C, G50Z, G67A, G67B, G67C, G67D
	17	R60B, R60C, R61A, R62A, R63B, R63C, R63D, R63F		15	TPN, VTPN	A06.0	06	G46A, G46B, G46C, G50Z, G67A, G67B, G67C
	18B	T01B, T60A, T60B, T60C, T60D, T60E, T60F, T61A	A04.0	06	G46A, G46B, G46C, G50Z, G67A, G67B, G67C		Pre	A07D, A09E, A11F, A13F
	Pre	A07D, A09E, A11F, A13F		15	TPN, VTPN	A06.1	06	G46A, G46B, G46C, G50Z, G67A, G67B, G67C
A01.1	05	F62A	A04.1	06	G46A, G46B, G46C, G50Z, G67A, G67B, G67C		Pre	A07D, A09E, A11F, A13F
	06	G67A		15	TPN, VTPN	A06.2	06	G46A, G46B, G46C, G50Z, G67A, G67B, G67C
	15	TPN, VTPN	A04.2	06	G46A, G46B, G46C, G50Z, G67A, G67B, G67C		Pre	A07D, A09E, A11F, A13F
	17	R60B, R60C, R61A, R62A, R63B, R63C, R63D, R63F		15	TPN, VTPN	A06.3	18B	T64A, T64B, T64C
	18B	T01B, T60A, T60B, T60C, T60D, T60E, T60F, T61A	A04.3	06	G40Z, G46A, G46B, G46C, G48A, G48B, G50Z, G67A, G67B, G67C		Pre	A07D, A09E, A11F, A13F
	Pre	A07D, A09E, A11F, A13F		15	TPN, VTPN	A06.4	07	H63A, H63B, H63C, H78Z
A01.2	05	F62A	A04.4	06	G40Z, G46A, G46B, G46C, G48A, G48B, G50Z, G67A, G67B, G67C		Pre	A07D, A09E, A11F, A13F
	06	G67A		15	TPN, VTPN	A06.5	04	E62A, E62B, E77A, E77B, E77C, E77D, E77F
	15	TPN, VTPN	A04.5	06	G40Z, G46A, G46B, G46C, G48A, G48B, G50Z, G67A, G67B, G67C		Pre	A07D, A09E, A11F, A13F
	17	R60B, R60C, R61A, R62A, R63B, R63C, R63D, R63F		15	TPN, VTPN	A06.6	01	B72A, B72B
	18B	T01B, T60A, T60B, T60C, T60D, T60E, T60F, T61A	A04.6	06	G40Z, G46A, G46B, G46C, G48A, G48B, G50Z, G67A, G67B, G67C		Pre	A07D, A09E, A11F, A13F
	Pre	A07D, A09E, A11F, A13F		15	TPN, VTPN	A06.7	09	J61A, J61B, J61C, J68A, J68B
A01.3	05	F62A		18A	S63A, S63B		Pre	A07D, A09E, A11F, A13F
	06	G67A	A04.7	06	G40Z, G46A, G46B, G46C, G48A, G48B, G50Z, G67A, G67B, G67C	A06.8	18B	T64A, T64B, T64C
	15	TPN, VTPN		15	TPN, VTPN		Pre	A07D, A09E, A11F, A13F
	17	R60B, R60C, R61A, R62A, R63B, R63C, R63D, R63F		18A	S63A, S63B	A06.9	18B	T64A, T64B, T64C
	18B	T01B, T60A, T60B, T60C, T60D, T60E, T60F, T61A		Pre	A07D, A09E, A11F, A13F		Pre	A07D, A09E, A11F, A13F
	Pre	A07D, A09E, A11F, A13F		06	G40Z, G46A, G46B, G46C, G48A, G48B, G50Z, G67A, G67B, G67C	A07.0	06	G46A, G46B, G46C, G50Z, G67A, G67B, G67C
A01.4	15	TPN, VTPN		15	TPN, VTPN		Pre	A07D, A09E, A11F, A13F
	18B	T64A, T64B, T64C	A04.81	06	G46A, G46B, G46C, G50Z, G67A, G67B, G67C, G67D	A07.1	06	G46A, G46B, G46C, G50Z, G67A, G67B, G67C
	Pre	A07D, A09E, A11F, A13F		15	TPN, VTPN		Pre	A07D, A09E, A11F, A13F
A02.0	06	G46A, G46B, G46C, G50Z, G67A, G67B, G67C		18A	S63A, S63B	A07.2	06	G46A, G46B, G46C, G50Z, G67A, G67B, G67C
	15	TPN, VTPN		Pre	A07D, A09E, A11F, A13F		18A	S63A, S63B
	18A	S63A, S63B	A04.89	06	G46A, G46B, G46C, G50Z, G67A, G67B, G67C, G67D		Pre	A07D, A09E, A11F, A13F
A02.1	05	F62A		15	TPN, VTPN	A07.3	06	G46A, G46B, G46C, G50Z, G67A, G67B, G67C
	06	G67A		17	R62A		18A	S63A, S63B
	15	TPN, VTPN		18A	S63A, S63B		Pre	A07D, A09E, A11F, A13F
	17	R60B, R60C, R61A, R62A, R63B, R63C, R63D, R63F		Pre	A07D, A09E, A11F, A13F	A07.8	06	G46A, G46B, G46C, G50Z, G67A, G67B, G67C
	18A	S63A, S63B		06	G46A, G46B, G46C, G50Z, G67A, G67B, G67C, G67D		Pre	A07D, A09E, A11F, A13F
	18B	T01B, T60A, T60B, T60C, T60D, T60E, T60F, T61A		15	TPN, VTPN	A07.9	06	G46A, G46B, G46C, G50Z, G67A, G67B, G67C
	Pre	A07D, A09E, A11F, A13F		18A	S63A, S63B		Pre	A07D, A09E, A11F, A13F
A02.2	15	TPN, VTPN		18A	S63A, S63B	A08.0	06	G46A, G46B, G46C, G50Z, G67A, G67B, G67C
	18A	S63A, S63B		15	TPN, VTPN		15	P65C, P66C, P67B, P67C
	18B	T64A, T64B, T64C		18A	S63A, S63B		18A	S63A, S63B
A02.8	15	TPN, VTPN		06	G46A, G46B, G46C, G50Z, G67A, G67B, G67C, G67D		06	G46A, G46B, G46C, G50Z, G67A, G67B, G67C
	18A	S63A, S63B		15	TPN, VTPN	A08.1	06	G46A, G46B, G46C, G50Z, G67A, G67B, G67C
	18B	T64A, T64B, T64C		06	G46A, G46B, G46C, G50Z, G67A, G67B, G67C, G67D		15	TPN, VTPN
A02.9	15	TPN, VTPN		18A	S63A, S63B		18A	S63A, S63B
	18A	S63A, S63B		06	G46A, G46B, G46C, G50Z, G67A, G67B, G67C, G67D			
	18B	T64A, T64B, T64C		06	G46A, G46B, G46C, G50Z, G67A, G67B, G67C, G67D			
A03.0	06	G46A, G46B, G46C, G50Z, G67A, G67B, G67C		06	G46A, G46B, G46C, G50Z, G67A, G67B, G67C, G67D			
	15	TPN, VTPN		15	TPN, VTPN			

ICD	MDC	DRG	ICD	MDC	DRG	ICD	MDC	DRG
A08.2	06	G46A, G46B, G46C, G50Z, G67A, G67B, G67C	A16.0	04	E41Z, E42Z, E76A, E76B, E76C	A18.1	11	L63A, L63B, L63C, L63D, L63E, L63F, L74Z
	15	P65C, P66C, P67B, P67C		15	TPN, VTPN		18A	S63A, S63B
	18A	S63A, S63B		18A	S63A		Pre	A07D, A09E, A11F, A13F
A08.3	06	G46A, G46B, G46C, G50Z, G67A, G67B, G67C, G67D	A16.1	04	E41Z, E42Z, E76A, E76B, E76C	A18.2	04	E41Z, E42Z, E76A, E76B, E76C
	18A	S63A, S63B		15	TPN, VTPN		18A	S63A
A08.4	06	G46A, G46B, G46C, G50Z, G67A, G67B, G67C, G67D		18A	S63A		Pre	A07D, A09E, A11F, A13F
	18A	S63A, S63B		Pre	A07D, A09E, A11F, A13F	A18.3	06	G46A, G46B, G46C, G50Z, G64A, G64B, G64C, G70A, G70B
A08.5	06	G46A, G46B, G46C, G50Z, G67A, G67B, G67C, G67D	A16.2	04	E41Z, E42Z, E76A, E76B, E76C		18A	S63A, S63B
	15	TPN, VTPN		15	TPN, VTPN		Pre	A07D, A09E, A11F, A13F
	18A	S63A, S63B		18A	S63A	A18.4	09	J08A, J08B, J08C, J61A, J61B, J61C, J68A, J68B
A09.0	06	G46A, G46B, G46C, G50Z, G67A, G67B, G67C, G67D	A16.3	04	E41Z, E42Z, E76A, E76B, E76C		18A	S63A, S63B
	15	TPN, VTPN		18A	S63A		Pre	A07D, A09E, A11F, A13F
A09.9	06	G46A, G46B, G46C, G50Z, G67A, G67B, G67C, G67D	A16.4	04	E41Z, E42Z, E76A, E76B, E76C	A18.5	02	C60Z
	18A	S65A, S65B		Pre	A07D, A09E, A11F, A13F		15	TPN, VTPN
A15.0	04	E41Z, E42Z, E76A, E76B, E76C	A16.5	04	E41Z, E42Z, E76A, E76B, E76C		18A	S63A, S63B
	15	TPN, VTPN		18A	S63A	A18.6	03	D66Z
	18A	S63A		Pre	A07D, A09E, A11F, A13F		18A	S63A, S63B
	Pre	A07D, A09E, A11F, A13F	A16.6	04	E41Z, E42Z, E76A, E76B, E76C		Pre	A07D, A09E, A11F, A13F
A15.1	04	E41Z, E42Z, E76A, E76B, E76C		18A	S63A	A18.7	10	K64A, K64B, K64C, K64D
	15	TPN, VTPN		Pre	A07D, A09E, A11F, A13F		18A	S63A, S63B
	18A	S63A	A16.7	04	E41Z, E42Z, E76A, E76B, E76C		Pre	A07D, A09E, A11F, A13F
	Pre	A07D, A09E, A11F, A13F		18A	S63A	A18.8	04	E41Z, E42Z, E76A, E76B, E76C
A15.2	04	E41Z, E42Z, E76A, E76B, E76C		Pre	A07D, A09E, A11F, A13F		18A	S63A
	15	TPN, VTPN		04	E41Z, E42Z, E76A, E76B, E76C	A19.0	04	E41Z, E42Z, E76A, E76B, E76C
	18A	S63A		15	TPN, VTPN		05	F62A
	Pre	A07D, A09E, A11F, A13F	A16.8	04	E41Z, E42Z, E76A, E76B, E76C		06	G67A
A15.3	04	E41Z, E42Z, E76A, E76B, E76C		18A	S63A		17	R60B, R60C, R61A, R62A, R63B, R63C, R63D, R63F
	15	TPN, VTPN		Pre	A07D, A09E, A11F, A13F		18A	S63A
	18A	S63A		Pre	A07D, A09E, A11F, A13F		Pre	A07D, A09E, A11F, A13F
	Pre	A07D, A09E, A11F, A13F	A16.9	04	E41Z, E42Z, E76A, E76B, E76C	A19.1	04	E41Z, E42Z, E76A, E76B, E76C
A15.4	04	E41Z, E42Z, E76A, E76B, E76C		15	TPN, VTPN		05	F62A
	18A	S63A		18A	S63A		06	G67A
	Pre	A07D, A09E, A11F, A13F		Pre	A07D, A09E, A11F, A13F		17	R60B, R60C, R61A, R62A, R63B, R63C, R63D, R63F
A15.5	04	E41Z, E42Z, E76A, E76B, E76C	A17.0	04	E41Z, E42Z, E76A, E76B, E76C		18A	S63A
	18A	S63A		15	TPN, VTPN		Pre	A07D, A09E, A11F, A13F
	Pre	A07D, A09E, A11F, A13F		18A	S63A	A19.2	04	E41Z, E42Z, E76A, E76B, E76C
A15.6	04	E41Z, E42Z, E76A, E76B, E76C		Pre	A07D, A09E, A11F, A13F		05	F62A
	18A	S63A	A17.1	04	E41Z, E42Z, E76A, E76B, E76C		06	G67A
	Pre	A07D, A09E, A11F, A13F		15	TPN, VTPN		17	R60B, R60C, R61A, R62A, R63B, R63C, R63D, R63F
A15.7	04	E41Z, E42Z, E76A, E76B, E76C		18A	S63A		18A	S63A
	15	TPN, VTPN		Pre	A07D, A09E, A11F, A13F		Pre	A07D, A09E, A11F, A13F
	18A	S63A	A17.8	04	E41Z, E42Z, E76A, E76B, E76C	A19.8	04	E41Z, E42Z, E76A, E76B, E76C
	Pre	A07D, A09E, A11F, A13F		15	TPN, VTPN		05	F62A
A15.8	04	E41Z, E42Z, E76A, E76B, E76C		18A	S63A		06	G67A
	18A	S63A		Pre	A07D, A09E, A11F, A13F		17	R60B, R60C, R61A, R62A, R63B, R63C, R63D, R63F
	Pre	A07D, A09E, A11F, A13F	A17.9	04	E41Z, E42Z, E76A, E76B, E76C		18A	S63A
A15.9	04	E41Z, E42Z, E76A, E76B, E76C		15	TPN, VTPN		Pre	A07D, A09E, A11F, A13F
	15	TPN, VTPN		18A	S63A			
	18A	S63A	A18.0	08	I08A, I08B, I08C, I08D, I08E, I12A, I12B, I12C, I13A, I13B, I64A, I64B, I64C			
	Pre	A07D, A09E, A11F, A13F		18A	S63A, S63B			
				Pre	A07D, A09E, A11F, A13F			

ICD	MDC	DRG	ICD	MDC	DRG	ICD	MDC	DRG
A19.9	04	E41Z, E42Z, E76A, E76B, E76C	A22.8	18B	T64A, T64B, T64C	A27.8	01	B72A, B72B
	05	F62A		Pre	A07D, A09E, A11F, A13F		15	TPN, VTPN
	06	G67A	A22.9	18B	T64A, T64B, T64C		Pre	A07D, A09E, A11F, A13F
	17	R60B, R60C, R61A, R62A, R63B, R63C, R63D, R63F		Pre	A07D, A09E, A11F, A13F	A27.9	15	TPN, VTPN
	18A	S63A	A23.0	18B	T64A, T64B, T64C		18B	T64A, T64B, T64C
	Pre	A07D, A09E, A11F, A13F		Pre	A07D, A09E, A11F, A13F		Pre	A07D, A09E, A11F, A13F
A20.0	18B	T64A, T64B, T64C	A23.1	18B	T64A, T64B, T64C	A28.0	15	TPN, VTPN
	Pre	A07D, A09E, A11F, A13F		Pre	A07D, A09E, A11F, A13F		18B	T64A, T64B, T64C
A20.1	18B	T64A, T64B, T64C	A23.2	18B	T64A, T64B, T64C		Pre	A07D, A09E, A11F, A13F
	Pre	A07D, A09E, A11F, A13F		Pre	A07D, A09E, A11F, A13F	A28.1	15	TPN, VTPN
A20.2	04	E62A, E62B, E77A, E77B, E77C, E77D, E77F	A23.3	18B	T64A, T64B, T64C		16	Q60A, Q60B, Q60C
	Pre	A07D, A09E, A11F, A13F		Pre	A07D, A09E, A11F, A13F		Pre	A07D, A09E, A11F, A13F
A20.3	01	B72A, B72B	A23.8	18B	T64A, T64B, T64C	A28.2	15	TPN, VTPN
	Pre	A07D, A09E, A11F, A13F		Pre	A07D, A09E, A11F, A13F		18B	T64A, T64B, T64C
A20.7	05	F62A	A23.9	18B	T64A, T64B, T64C		Pre	A07D, A09E, A11F, A13F
	06	G67A		Pre	A07D, A09E, A11F, A13F	A28.8	15	TPN, VTPN
	17	R60B, R60C, R61A, R62A, R63B, R63C, R63D, R63F	A24.0	05	F62A		18B	T64A, T64B, T64C
	18B	T01B, T60A, T60B, T60C, T60D, T60E, T60F, T61A		06	G67A	A28.9	15	TPN, VTPN
	Pre	A07D, A09E, A11F, A13F		17	R60B, R60C, R61A, R62A, R63B, R63C, R63D, R63F		18B	T64A, T64B, T64C
A20.8	18B	T64A, T64B, T64C		18B	T01B, T60A, T60B, T60C, T60D, T60E, T60F, T61A		Pre	A07D, A09E, A11F, A13F
	Pre	A07D, A09E, A11F, A13F	A24.1	Pre	A07D, A09E, A11F, A13F	A30.0	18B	T64A, T64B, T64C
A20.9	18B	T64A, T64B, T64C		05	F62A		Pre	A07D, A09E, A11F, A13F
	Pre	A07D, A09E, A11F, A13F		06	G67A	A30.1	18B	T64A, T64B, T64C
A21.0	18B	T64A, T64B, T64C		17	R60B, R60C, R61A, R62A, R63B, R63C, R63D, R63F		Pre	A07D, A09E, A11F, A13F
	Pre	A07D, A09E, A11F, A13F		18B	T01B, T60A, T60B, T60C, T60D, T60E, T60F, T61A	A30.2	18B	T64A, T64B, T64C
A21.1	18B	T64A, T64B, T64C		Pre	A07D, A09E, A11F, A13F		Pre	A07D, A09E, A11F, A13F
	Pre	A07D, A09E, A11F, A13F	A24.2	18B	T64A, T64B, T64C	A30.3	18B	T64A, T64B, T64C
A21.2	04	E62A, E62B, E77A, E77B, E77C, E77D, E77F		Pre	A07D, A09E, A11F, A13F		Pre	A07D, A09E, A11F, A13F
	Pre	A07D, A09E, A11F, A13F	A24.3	18B	T64A, T64B, T64C	A30.4	18B	T64A, T64B, T64C
A21.3	06	G46A, G46B, G46C, G50Z, G71Z		Pre	A07D, A09E, A11F, A13F		Pre	A07D, A09E, A11F, A13F
	Pre	A07D, A09E, A11F, A13F	A24.4	18B	T64A, T64B, T64C	A30.5	18B	T64A, T64B, T64C
A21.7	05	F62A		Pre	A07D, A09E, A11F, A13F		Pre	A07D, A09E, A11F, A13F
	06	G67A	A25.0	18B	T64A, T64B, T64C	A30.8	18B	T64A, T64B, T64C
	17	R60B, R60C, R61A, R62A, R63B, R63C, R63D, R63F		Pre	A07D, A09E, A11F, A13F		Pre	A07D, A09E, A11F, A13F
	18B	T01B, T60A, T60B, T60C, T60D, T60E, T60F, T61A	A25.1	18B	T64A, T64B, T64C	A30.9	18B	T64A, T64B, T64C
	Pre	A07D, A09E, A11F, A13F		Pre	A07D, A09E, A11F, A13F		Pre	A07D, A09E, A11F, A13F
A21.81	18B	T64A, T64B, T64C	A25.9	18B	T64A, T64B, T64C	A31.0	04	E41Z, E42Z, E76A, E76B, E76C
	Pre	A07D, A09E, A11F, A13F		Pre	A07D, A09E, A11F, A13F		18A	S63A
A21.82	18B	T64A, T64B, T64C	A26.0	15	TPN, VTPN		Pre	A07D, A09E, A11F, A13F
	Pre	A07D, A09E, A11F, A13F		18B	T64A, T64B, T64C	A31.1	09	J08A, J08B, J08C, J61A, J61B, J61C, J68A, J68B
A21.89	18B	T64A, T64B, T64C		Pre	A07D, A09E, A11F, A13F		18A	S63A, S63B
	Pre	A07D, A09E, A11F, A13F	A26.7	Pre	A07D, A09E, A11F, A13F		Pre	A07D, A09E, A11F, A13F
A21.9	18B	T64A, T64B, T64C		05	F62A	A31.80	18A	S63A, S63B
	Pre	A07D, A09E, A11F, A13F		06	G67A		18B	T64A, T64B, T64C
A22.0	09	J08A, J08B, J08C, J61A, J61B, J61C, J68A, J68B		15	TPN, VTPN		Pre	A07D, A09E, A11F, A13F
	Pre	A07D, A09E, A11F, A13F	A26.8	17	R60B, R60C, R61A, R62A, R63B, R63C, R63D, R63F	A31.88	18A	S63A, S63B
A22.1	04	E62A, E62B, E77A, E77B, E77C, E77D, E77F		18B	T01B, T60A, T60B, T60C, T60D, T60E, T60F, T61A		18B	T64A, T64B, T64C
	Pre	A07D, A09E, A11F, A13F	A26.9	Pre	A07D, A09E, A11F, A13F		Pre	A07D, A09E, A11F, A13F
A22.2	06	G46A, G46B, G46C, G50Z, G71Z		Pre	A07D, A09E, A11F, A13F	A31.9	18A	S63A, S63B
	Pre	A07D, A09E, A11F, A13F	A27.0	Pre	A07D, A09E, A11F, A13F		18B	T64A, T64B, T64C
A22.7	05	F62A		05	F62A		Pre	A07D, A09E, A11F, A13F
	06	G67A		06	G67A	A32.0	15	TPN, VTPN
	17	R60B, R60C, R61A, R62A, R63B, R63C, R63D, R63F		15	TPN, VTPN		18B	T64A, T64B, T64C
	18B	T01B, T60A, T60B, T60C, T60D, T60E, T60F, T61A		17	R60B, R60C, R61A, R62A, R63B, R63C, R63D, R63F	A32.1	Pre	A07D, A09E, A11F, A13F
	Pre	A07D, A09E, A11F, A13F		18B	T01B, T60A, T60B, T60C, T60D, T60E, T60F, T61A		01	B72A, B72B
	Pre	A07D, A09E, A11F, A13F		Pre	A07D, A09E, A11F, A13F		15	TPN, VTPN
	Pre	A07D, A09E, A11F, A13F		Pre	A07D, A09E, A11F, A13F	A32.7	Pre	A07D, A09E, A11F, A13F
	Pre	A07D, A09E, A11F, A13F		Pre	A07D, A09E, A11F, A13F		05	F62A
	Pre	A07D, A09E, A11F, A13F		Pre	A07D, A09E, A11F, A13F		06	G67A
	Pre	A07D, A09E, A11F, A13F		Pre	A07D, A09E, A11F, A13F		15	TPN, VTPN
	Pre	A07D, A09E, A11F, A13F		Pre	A07D, A09E, A11F, A13F		17	R60B, R60C, R61A, R62A, R63B, R63C, R63D, R63F
	Pre	A07D, A09E, A11F, A13F		Pre	A07D, A09E, A11F, A13F		18B	T01B, T60A, T60B, T60C, T60D, T60E, T60F, T61A
	Pre	A07D, A09E, A11F, A13F		Pre	A07D, A09E, A11F, A13F		Pre	A07D, A09E, A11F, A13F



ICD	MDC	DRG	ICD	MDC	DRG	ICD	MDC	DRG
A32.8	15	TPN, VTPN	A39.4	05	F62A	A40.81	05	F62A
	18B	T64A, T64B, T64C		06	G67A		06	G67A
	Pre	A07D, A09E, A11F, A13F		15	TPN, VTPN		15	TPN, VTPN
A32.9	15	TPN, VTPN		17	R60B, R60C, R61A, R62A, R63B, R63C, R63D, R63F		17	R60B, R60C, R61A, R62A, R63B, R63C, R63D, R63F
	18B	T64A, T64B, T64C		18B	T01B, T60A, T60B, T60C, T60F, T61A		18A	S63A, S63B
	Pre	A07D, A09E, A11F, A13F		Pre	A07D, A09E, A11F, A13F		18B	T01B, T60A, T60B, T60C, T60D, T60E, T60F, T61A
A33	15	TPN, VTPN		Pre	A07D, A09E, A11F, A13F		22	Y02A
	Pre	963Z, A07D, A09E, A11F, A13F	A39.5	05	F75A, F75B, F75C, F75D		Pre	A07D, A09E, A11F, A13F
A34	14	O04A, O04B, O61Z		15	TPN, VTPN	A40.89	05	F62A
	Pre	A07D, A09E, A11F, A13F		Pre	A07D, A09E, A11F, A13F		06	G67A
A35	15	TPN, VTPN	A39.8	05	F62A		15	TPN, VTPN
	18B	T64A, T64B, T64C		06	G67A		17	R60B, R60C, R61A, R62A, R63B, R63C, R63D, R63F
	Pre	A07D, A09E, A11F, A13F		17	R60B, R60C, R61A, R62A, R63B, R63C, R63D, R63F		18A	S63A, S63B
A36.0	03	D66Z		18B	T01B, T60A, T60B, T60C, T60F, T61A		18B	T01B, T60A, T60B, T60C, T60D, T60E, T60F, T61A
	Pre	A07D, A09E, A11F, A13F		Pre	A07D, A09E, A11F, A13F		22	Y02A
A36.1	03	D66Z		Pre	A07D, A09E, A11F, A13F		Pre	A07D, A09E, A11F, A13F
	Pre	A07D, A09E, A11F, A13F	A39.9	05	F62A	A40.9	05	F62A
A36.2	03	D66Z		06	G67A		06	G67A
	Pre	A07D, A09E, A11F, A13F		17	R60B, R60C, R61A, R62A, R63B, R63C, R63D, R63F		15	TPN, VTPN
A36.3	09	J61A, J61B, J61C, J68A, J68B		18B	T01B, T60A, T60B, T60C, T60F, T61A		17	R60B, R60C, R61A, R62A, R63B, R63C, R63D, R63F
	Pre	A07D, A09E, A11F, A13F		Pre	A07D, A09E, A11F, A13F		18A	S63A, S63B
A36.8	18B	T64A, T64B, T64C		05	F62A		18B	T01B, T60A, T60B, T60C, T60D, T60E, T60F, T61A
	Pre	A07D, A09E, A11F, A13F	A40.0	06	G67A		22	Y02A
A36.9	18B	T64A, T64B, T64C		15	TPN, VTPN		Pre	A07D, A09E, A11F, A13F
	Pre	A07D, A09E, A11F, A13F		17	R60B, R60C, R61A, R62A, R63B, R63C, R63D, R63F	A41.0	05	F62A
A37.0	04	E70A, E70B		18A	S63A, S63B		06	G67A
	15	TPN, VTPN		18B	T01B, T60A, T60B, T60C, T60D, T60E, T60F, T61A		15	TPN, VTPN
	Pre	A07D, A09E, A11F, A13F		22	Y02A		17	R60B, R60C, R61A, R62A, R63B, R63C, R63D, R63F
A37.1	04	E70A, E70B		Pre	A07D, A09E, A11F, A13F		18A	S63A, S63B
	15	TPN, VTPN	A40.1	05	F62A		18B	T01B, T60A, T60B, T60C, T60D, T60E, T60F, T61A
	Pre	A07D, A09E, A11F, A13F		06	G67A		22	Y02A
A37.8	04	E70A, E70B		15	TPN, VTPN	A41.1	05	F62A
	15	TPN, VTPN		17	R60B, R60C, R61A, R62A, R63B, R63C, R63D, R63F		06	G67A
	Pre	A07D, A09E, A11F, A13F		18A	S63A, S63B		15	TPN, VTPN
A37.9	04	E70A, E70B		18B	T01B, T60A, T60B, T60C, T60D, T60E, T60F, T61A		17	R60B, R60C, R61A, R62A, R63B, R63C, R63D, R63F
	15	TPN, VTPN	A40.2	05	F62A		18A	S63A, S63B
	Pre	A07D, A09E, A11F, A13F		06	G67A		18B	T01B, T60A, T60B, T60C, T60D, T60E, T60F, T61A
A38	18B	T64A, T64B, T64C		15	TPN, VTPN		22	Y02A
	Pre	A07D, A09E, A11F, A13F		17	R60B, R60C, R61A, R62A, R63B, R63C, R63D, R63F	A41.2	Pre	A07D, A09E, A11F, A13F
A39.0	01	B72A, B72B		18A	S63A, S63B		05	F62A
	15	TPN, VTPN		18B	T01B, T60A, T60B, T60C, T60D, T60E, T60F, T61A		06	G67A
	Pre	A07D, A09E, A11F, A13F		22	Y02A		15	TPN, VTPN
A39.1	05	F62A		Pre	A07D, A09E, A11F, A13F		17	R60B, R60C, R61A, R62A, R63B, R63C, R63D, R63F
	06	G67A		05	F62A		18A	S63A, S63B
	15	TPN, VTPN		06	G67A		18B	T01B, T60A, T60B, T60C, T60D, T60E, T60F, T61A
	17	R60B, R60C, R61A, R62A, R63B, R63C, R63D, R63F		15	TPN, VTPN		22	Y02A
	18B	T01B, T60A, T60B, T60C, T60F, T61A		17	R60B, R60C, R61A, R62A, R63B, R63C, R63D, R63F	A41.3	Pre	A07D, A09E, A11F, A13F
	Pre	A07D, A09E, A11F, A13F		18A	S63A, S63B		05	F62A
A39.2	05	F62A		18B	T01B, T60A, T60B, T60C, T60D, T60E, T60F, T61A		06	G67A
	06	G67A	A40.3	22	Y02A		15	TPN, VTPN
	15	TPN, VTPN		Pre	A07D, A09E, A11F, A13F		17	R60B, R60C, R61A, R62A, R63B, R63C, R63D, R63F
	17	R60B, R60C, R61A, R62A, R63B, R63C, R63D, R63F		05	F62A		18A	S63A, S63B
	18B	T01B, T60A, T60B, T60C, T60F, T61A		06	G67A		18B	T01B, T60A, T60B, T60C, T60D, T60E, T60F, T61A
	Pre	A07D, A09E, A11F, A13F		15	TPN, VTPN		22	Y02A
A39.3	05	F62A		17	R60B, R60C, R61A, R62A, R63B, R63C, R63D, R63F		Pre	A07D, A09E, A11F, A13F
	06	G67A		18A	S63A, S63B		05	F62A
	15	TPN, VTPN		18B	T01B, T60A, T60B, T60C, T60D, T60E, T60F, T61A		06	G67A
	17	R60B, R60C, R61A, R62A, R63B, R63C, R63D, R63F		22	Y02A		15	TPN, VTPN
	18B	T01B, T60A, T60B, T60C, T60F, T61A		Pre	A07D, A09E, A11F, A13F		17	R60B, R60C, R61A, R62A, R63B, R63C, R63D, R63F
	Pre	A07D, A09E, A11F, A13F					18A	S63A, S63B
							18B	T01B, T60A, T60B, T60C, T60D, T60E, T60F, T61A
							22	Y02A
							Pre	A07D, A09E, A11F, A13F

ICD	MDC	DRG	ICD	MDC	DRG	ICD	MDC	DRG	
A41.4	05	F62A	A41.9	05	F62A	A48.1	04	E62A, E62B, E77A, E77B, E77C, E77D, E77F	
	06	G67A		06	G67A		15	TPN, VTPN	
	15	TPN, VTPN		15	P65C, P66C, P67B, P67C		18A	S63A, S63B	
	17	R60B, R60C, R61A, R62A, R63B, R63C, R63D, R63F		18A	S63A, S63B		22	Y02A, Y02B	
	18A	S63A, S63B		18B	T01B, T60A, T60B, T60C, T60D, T60E, T60F, T61A		Pre	A07D, A09E, A11F, A13F	
	18B	T01B, T60A, T60B, T60C, T60D, T60E, T60F, T61A		22	Y02A		A48.2	04	E62A, E62B, E77A, E77B, E77C, E77D, E77E, E77F, E77G
	22	Y02A		Pre	A07D, A09E, A11F, A13F		15	TPN, VTPN	
	Pre	A07D, A09E, A11F, A13F		A42.0	04		E62A, E62B, E77A, E77B, E77C, E77D, E77F	18A	S63A, S63B
	A41.51	05		F62A	Pre		A07D, A09E, A11F, A13F	22	Y02A, Y02B
		06		G67A	A42.1		06	G46A, G46B, G46C, G50Z, G71Z	Pre
15		TPN, VTPN	Pre	A07D, A09E, A11F, A13F	A48.3	05	F62A		
17		R60B, R60C, R61A, R62A, R63B, R63C, R63D, R63F	A42.2	09	J08A, J08B, J08C, J61A, J61B, J61C, J68A, J68B	06	G67A		
18A		S63A, S63B	Pre	A07D, A09E, A11F, A13F	17	R60B, R60C, R61A, R62A, R63B, R63C, R63D, R63F			
18B		T01B, T60A, T60B, T60C, T60D, T60E, T60F, T61A	A42.7	05	F62A	18B	T01B, T60A, T60B, T60C, T60D, T60E, T60F, T61A		
22		Y02A	06	G67A	Pre	A07D, A09E, A11F, A13F			
Pre		A07D, A09E, A11F, A13F	17	R60B, R60C, R61A, R62A, R63B, R63C, R63D, R63F	A48.4	18B	T64A, T64B, T64C		
A41.52		05	F62A	18B	T01B, T60A, T60B, T60C, T60F, T61A	Pre	A07D, A09E, A11F, A13F		
		06	G67A	Pre	A07D, A09E, A11F, A13F	A48.8	18B	T64A, T64B, T64C	
	15	TPN, VTPN	A42.8	18B	T64A, T64B, T64C	A49.0	18B	T64A, T64B, T64C	
	17	R60B, R60C, R61A, R62A, R63B, R63C, R63D, R63F	Pre	A07D, A09E, A11F, A13F	A49.1	15	P65C, P66C, P67B, P67C		
	18A	S63A, S63B	A42.9	18B	T64A, T64B, T64C	18B	T64A, T64B, T64C		
	18B	T01B, T60A, T60B, T60C, T60D, T60E, T60F, T61A	Pre	A07D, A09E, A11F, A13F	A49.2	18B	T64A, T64B, T64C		
	22	Y02A	A43.0	04	E41Z, E42Z, E76A, E76B, E76C	A49.3	18B	T64A, T64B, T64C	
	Pre	A07D, A09E, A11F, A13F	18A	S63A, S63B	A49.8	18B	T64A, T64B, T64C		
	A41.53	05	F62A	Pre	A07D, A09E, A11F, A13F	A49.9	18B	T64A, T64B, T64C	
		06	G67A	A43.1	09	J08A, J08B, J08C, J61A, J61B, J61C, J68A, J68B	A50.0	15	TPN, VTPN
15		TPN, VTPN	18A	S63A, S63B	18B	T64A, T64B, T64C			
17		R60B, R60C, R61A, R62A, R63B, R63C, R63D, R63F	Pre	A07D, A09E, A11F, A13F	A50.1	15	TPN, VTPN		
18A		S63A, S63B	A43.8	18A	S63A, S63B	18B	T64A, T64B, T64C		
18B		T01B, T60A, T60B, T60C, T60D, T60E, T60F, T61A	Pre	A07D, A09E, A11F, A13F	A50.2	15	TPN, VTPN		
22		Y02A	18B	T64A, T64B, T64C	18B	T64A, T64B, T64C			
Pre		A07D, A09E, A11F, A13F	A43.9	18A	S63A, S63B	A50.3	02	C60Z	
A41.58		05	F62A	Pre	A07D, A09E, A11F, A13F	15	TPN, VTPN		
		06	G67A	A44.0	05	F62A	A50.4	01	B72A, B72B
	15	TPN, VTPN	06	G67A	15	TPN, VTPN			
	17	R60B, R60C, R61A, R62A, R63B, R63C, R63D, R63F	17	R60B, R60C, R61A, R62A, R63B, R63C, R63D, R63F	A50.5	18B	T64A, T64B, T64C		
	18A	S63A, S63B	18B	T01B, T60A, T60B, T60C, T60D, T60E, T60F, T61A	A50.6	18B	T64A, T64B, T64C		
	18B	T01B, T60A, T60B, T60C, T60D, T60E, T60F, T61A	Pre	A07D, A09E, A11F, A13F	A50.7	18B	T64A, T64B, T64C		
	22	Y02A	A44.1	18B	T64A, T64B, T64C	A50.9	18B	T64A, T64B, T64C	
	Pre	A07D, A09E, A11F, A13F	Pre	A07D, A09E, A11F, A13F	A51.0	12	M62Z		
	A41.81	05	F62A	Pre	A07D, A09E, A11F, A13F	13	N04Z, N05A, N05B, N14Z, N21Z, N25Z, N61Z		
		06	G67A	A44.8	18B	T64A, T64B, T64C	18A	S63A, S63B	
15		TPN, VTPN	Pre	A07D, A09E, A11F, A13F	A51.1	06	G46A, G46B, G46C, G50Z, G71Z		
17		R60B, R60C, R61A, R62A, R63B, R63C, R63D, R63F	A44.9	18B	T64A, T64B, T64C	18A	S63A, S63B		
18A		S63A, S63B	A46	09	J11A, J11B, J64A, J64B	18A	S63A, S63B		
18B		T01B, T60A, T60B, T60C, T60D, T60E, T60F, T61A	15	TPN, VTPN	18B	T64A, T64B, T64C			
22		Y02A	Pre	A07D, A09E, A11F, A13F	18A	S63A, S63B			
Pre		A07D, A09E, A11F, A13F	A48.0	05	F62A	18B	T64A, T64B, T64C		
A41.89		05	F62A	06	G67A	A51.9	18A	S63A, S63B	
		06	G67A	15	TPN, VTPN	18B	T64A, T64B, T64C		
	15	TPN, VTPN	17	R60B, R60C, R61A, R62A, R63B, R63C, R63D, R63F	A52.0	05	F75A, F75B, F75C, F75D		
	17	R60B, R60C, R61A, R62A, R63B, R63C, R63D, R63F	18B	T01B, T60A, T60B, T60C, T60D, T60E, T60F, T61A	18A	S63A, S63B			
	18A	S63A, S63B	Pre	A07D, A09E, A11F, A13F	A52.1	01	B72A, B72B		
	18B	T01B, T60A, T60B, T60C, T60D, T60E, T60F, T61A	A48.0	05	F62A	18A	S63A, S63B		
	22	Y02A	06	G67A	A52.2	01	B72A, B72B		
	Pre	A07D, A09E, A11F, A13F	15	TPN, VTPN	18A	S63A, S63B			
	A41.89	05	F62A	17	R60B, R60C, R61A, R62A, R63B, R63C, R63D, R63F	A52.3	01	B72A, B72B	
		06	G67A	18B	T01B, T60A, T60B, T60C, T60D, T60E, T60F, T61A	18A	S63A, S63B		
15		TPN, VTPN	Pre	A07D, A09E, A11F, A13F					

ICD	MDC	DRG	ICD	MDC	DRG	ICD	MDC	DRG
A52.7	18A	S63A, S63B	A63.8	12	M62Z	A75.2	18B	T64A, T64B, T64C
	18B	T64A, T64B, T64C		13	N04Z, N05A, N05B, N14Z, N21Z, N25Z, N61Z	Pre	A07D, A09E, A11F, A13F	
A52.8	18A	S63A, S63B	A64	12	M62Z	A75.3	18B	T64A, T64B, T64C
	18B	T64A, T64B, T64C		13	N04Z, N05A, N05B, N14Z, N21Z, N25Z, N61Z	Pre	A07D, A09E, A11F, A13F	
A52.9	18A	S63A, S63B	A65	18B	T64A, T64B, T64C	A75.9	18B	T64A, T64B, T64C
	18B	T64A, T64B, T64C	A66.0	09	J67A, J67B, J68A, J68B	Pre	A07D, A09E, A11F, A13F	
A53.0	18A	S63A, S63B	A66.1	09	J67A, J67B, J68A, J68B	A77.0	18B	T64A, T64B, T64C
	18B	T64A, T64B, T64C	A66.2	09	J61A, J61B, J61C, J68A, J68B	Pre	A07D, A09E, A11F, A13F	
A53.9	18A	S63A, S63B	A66.3	09	J61A, J61B, J61C, J68A, J68B	A77.1	18B	T64A, T64B, T64C
	18B	T64A, T64B, T64C	A66.4	09	J61A, J61B, J61C, J68A, J68B	Pre	A07D, A09E, A11F, A13F	
A54.0	12	M62Z	A66.5	03	D66Z	A77.2	18B	T64A, T64B, T64C
	13	N04Z, N05A, N05B, N14Z, N21Z, N25Z, N61Z	A66.6	08	I08A, I08B, I08C, I08D, I08E, I13A, I13B, I76A, I76B	Pre	A07D, A09E, A11F, A13F	
A54.1	12	M62Z	A66.7	18B	T64A, T64B, T64C	A77.3	18B	T64A, T64B, T64C
	13	N04Z, N05A, N05B, N14Z, N21Z, N25Z, N61Z	A66.8	18B	T64A, T64B, T64C	Pre	A07D, A09E, A11F, A13F	
A54.2	12	M62Z	A66.9	18B	T64A, T64B, T64C	A77.8	18B	T64A, T64B, T64C
	13	N04Z, N05A, N05B, N14Z, N21Z, N25Z, N61Z	A67.0	09	J67A, J67B, J68A, J68B	Pre	A07D, A09E, A11F, A13F	
A54.3	02	C60Z	A67.1	09	J67A, J67B, J68A, J68B	A77.9	18B	T64A, T64B, T64C
A54.4	08	I08A, I08B, I08C, I08D, I08E, I13A, I13B, I76A, I76B	A67.2	18B	T64A, T64B, T64C	Pre	A07D, A09E, A11F, A13F	
A54.5	03	D62Z, D63Z	A67.3	09	J67A, J67B, J68A, J68B	A78	05	F62A
A54.6	06	G46A, G46B, G46C, G50Z, G71Z	A67.9	18B	T64A, T64B, T64C	06	G67A	
A54.8	18B	T64A, T64B, T64C	A68.0	18B	T64A, T64B, T64C	17	R60B, R60C, R61A, R62A, R63B, R63C, R63D, R63F	
A54.9	18B	T64A, T64B, T64C	A68.1	18B	T64A, T64B, T64C	18B	T01B, T60A, T60B, T60C, T60F, T61A	
A55	12	M62Z	A68.9	18B	T64A, T64B, T64C	Pre	A07D, A09E, A11F, A13F	
	13	N04Z, N05A, N05B, N14Z, N21Z, N25Z, N61Z	A69.0	03	D62Z, D63Z	A79.0	18B	T64A, T64B, T64C
A56.0	12	M62Z	A69.1	03	D62Z, D63Z	Pre	A07D, A09E, A11F, A13F	
	13	N04Z, N05A, N05B, N14Z, N21Z, N25Z, N61Z	A69.21	18B	T64A, T64B	A79.1	18B	T64A, T64B, T64C
A56.1	12	M62Z	A69.22	18B	T64A, T64B	Pre	A07D, A09E, A11F, A13F	
	13	N04Z, N05A, N05B, N14Z, N21Z, N25Z, N61Z	A69.23	18B	T64A, T64B	A79.8	18B	T64A, T64B, T64C
A56.2	12	M62Z	A69.24	18B	T64A, T64B	Pre	A07D, A09E, A11F, A13F	
	13	N04Z, N05A, N05B, N14Z, N21Z, N25Z, N61Z	A69.25	18B	T64A, T64B	A79.9	18B	T64A, T64B, T64C
A56.3	06	G46A, G46B, G46C, G50Z, G71Z	A69.26	18B	T64A, T64B	Pre	A07D, A09E, A11F, A13F	
A56.4	03	D62Z, D63Z	A69.27	18B	T64A, T64B	A80.0	01	B72A, B72B
A56.8	12	M62Z	A69.29	18B	T64A, T64B	Pre	A07D, A09E, A11F, A13F	
	13	N04Z, N05A, N05B, N14Z, N21Z, N25Z, N61Z	A69.8	18B	T64A, T64B, T64C	A80.1	01	B72A, B72B
A57	12	M62Z	A69.9	18B	T64A, T64B, T64C	Pre	A07D, A09E, A11F, A13F	
	13	N04Z, N05A, N05B, N14Z, N21Z, N25Z, N61Z	A70	04	E62A, E62B, E77A, E77B, E77C, E77D, E77E, E77F, E77G	A80.2	01	B72A, B72B
A58	12	M62Z	A71.0	02	C60Z	Pre	A07D, A09E, A11F, A13F	
	13	N04Z, N05A, N05B, N14Z, N21Z, N25Z, N61Z	A71.1	02	C60Z	A80.3	01	B72A, B72B
A59.0	12	M62Z		15	TPN, VTPN	Pre	A07D, A09E, A11F, A13F	
	13	N04Z, N05A, N05B, N14Z, N21Z, N25Z, N61Z	A71.9	02	C60Z	A80.4	18B	T63A, T63B, T63C
A59.8	18B	T64A, T64B, T64C	A74.0	02	C63Z	Pre	A07D, A09E, A11F, A13F	
A59.9	18B	T64A, T64B, T64C		18A	S63A, S63B	A80.9	01	B72A, B72B
A60.0	12	M62Z	A74.81	15	TPN, VTPN	Pre	A07D, A09E, A11F, A13F	
	13	N04Z, N05A, N05B, N14Z, N21Z, N25Z, N61Z		18A	S63A, S63B	A81.0	01	B17A, B48Z, B85A, B85B, B85C
A60.1	18A	S63A, S63B	A74.82	15	TPN, VTPN	Pre	A07D, A09E, A11F, A13F	
	12	M62Z		18A	S63A, S63B	A81.1	01	B17A, B48Z, B85A, B85B, B85C
	13	N04Z, N05A, N05B, N14Z, N21Z, N25Z, N61Z	A74.83	15	TPN, VTPN	Pre	A07D, A09E, A11F, A13F	
A60.9	18A	S63A, S63B		18B	T63A, T63B, T63C	A81.2	01	B48Z, B85A, B85B, B85C, B85D
	12	M62Z	A74.84	15	TPN, VTPN		18A	S63A, S63B
	13	N04Z, N05A, N05B, N14Z, N21Z, N25Z, N61Z		18A	S63A, S63B	Pre	A07D, A09E, A11F, A13F	
	18A	S63A, S63B	A74.89	15	TPN, VTPN	A81.8	01	B48Z, B85A, B85B, B85C, B85D
	12	M62Z		18A	S63A, S63B		18A	S65A, S65B
	13	N04Z, N05A, N05B, N14Z, N21Z, N25Z, N61Z	A74.9	18A	S63A, S63B	Pre	A07D, A09E, A11F, A13F	
	18A	S63A, S63B		18B	T63A, T63B, T63C	A81.9	01	B48Z, B85A, B85B, B85C, B85D
	12	M62Z	A75.0	18B	T64A, T64B, T64C		18A	S65A, S65B
	13	N04Z, N05A, N05B, N14Z, N21Z, N25Z, N61Z	Pre	A07D, A09E, A11F, A13F	A82.0	01	B72A, B72B	
	18A	S63A, S63B	A75.1	18B	T64A, T64B, T64C	Pre	A07D, A09E, A11F, A13F	
			Pre	A07D, A09E, A11F, A13F	A82.1	01	B72A, B72B	
					Pre	A07D, A09E, A11F, A13F		

Dg

ICD	MDC	DRG	ICD	MDC	DRG	ICD	MDC	DRG
A82.9	01	B72A, B72B	A90	18B	T63A, T63B, T63C	B00.0	09	J61A, J61B, J61C, J68A, J68B
	Pre	A07D, A09E, A11F, A13F		Pre	A07D, A09E, A11F, A13F		15	TPN, VTPN
A83.0	01	B72A, B72B	A91	18B	T63A, T63B, T63C		18A	S63A, S63B
	Pre	A07D, A09E, A11F, A13F		Pre	A07D, A09E, A11F, A13F	B00.1	15	TPN, VTPN
A83.1	01	B72A, B72B	A92.0	18B	T63A, T63B, T63C		18A	S63A, S63B
	Pre	A07D, A09E, A11F, A13F		Pre	A07D, A09E, A11F, A13F		18B	T63A, T63B, T63C
A83.2	01	B72A, B72B	A92.1	18B	T63A, T63B, T63C	B00.2	03	D40Z, D67Z
	Pre	A07D, A09E, A11F, A13F		Pre	A07D, A09E, A11F, A13F		15	TPN, VTPN
A83.3	01	B72A, B72B	A92.2	01	B72A, B72B		18A	S63A, S63B
	Pre	A07D, A09E, A11F, A13F		Pre	A07D, A09E, A11F, A13F	B00.3	01	B73Z
A83.4	01	B72A, B72B	A92.3	18B	T63A, T63B, T63C		15	TPN, VTPN
	Pre	A07D, A09E, A11F, A13F		Pre	A07D, A09E, A11F, A13F		18A	S63A, S63B
A83.5	01	B72A, B72B	A92.4	18B	T63A, T63B, T63C		Pre	A07D, A09E, A11F, A13F
	Pre	A07D, A09E, A11F, A13F		Pre	A07D, A09E, A11F, A13F	B00.4	01	B72A, B72B
A83.6	01	B72A, B72B	A92.8	18B	T63A, T63B, T63C		15	TPN, VTPN
	Pre	A07D, A09E, A11F, A13F		Pre	A07D, A09E, A11F, A13F		18A	S63A, S63B
A83.8	01	B72A, B72B	A92.9	18B	T63A, T63B, T63C		Pre	A07D, A09E, A11F, A13F
	Pre	A07D, A09E, A11F, A13F		Pre	A07D, A09E, A11F, A13F	B00.5	02	C60Z
A83.9	01	B72A, B72B	A93.0	18B	T63A, T63B, T63C		15	TPN, VTPN
	Pre	A07D, A09E, A11F, A13F		Pre	A07D, A09E, A11F, A13F		18A	S63A, S63B
A84.0	01	B72A, B72B	A93.1	18B	T63A, T63B, T63C	B00.7	05	F62A
	Pre	A07D, A09E, A11F, A13F		Pre	A07D, A09E, A11F, A13F		06	G67A
A84.1	01	B72A, B72B	A93.2	18B	T63A, T63B, T63C		15	TPN, VTPN
	Pre	A07D, A09E, A11F, A13F		Pre	A07D, A09E, A11F, A13F		17	R60B, R60C, R61A, R62A, R63B, R63C, R63D, R63F
A84.8	01	B72A, B72B	A93.8	18B	T63A, T63B, T63C		18A	S63A, S63B
	Pre	A07D, A09E, A11F, A13F		Pre	A07D, A09E, A11F, A13F		18B	T01B, T60A, T60B, T60C, T60D, T60E, T60F, T61A
A84.9	01	B72A, B72B	A94	18B	T63A, T63B, T63C		15	TPN, VTPN
	Pre	A07D, A09E, A11F, A13F		Pre	A07D, A09E, A11F, A13F	B00.8	15	TPN, VTPN
A85.0	01	B72A, B72B	A95.0	18B	T63A, T63B, T63C		18A	S63A, S63B
	18A	S65A, S65B		Pre	A07D, A09E, A11F, A13F		18B	T63A, T63B, T63C
	Pre	A07D, A09E, A11F, A13F	A95.1	18B	T63A, T63B, T63C	B00.9	09	J61A, J61B, J61C, J68A, J68B
A85.1	01	B72A, B72B		Pre	A07D, A09E, A11F, A13F		15	TPN, VTPN
	18A	S65A, S65B	A95.9	18B	T63A, T63B, T63C		18A	S63A, S63B
	Pre	A07D, A09E, A11F, A13F		Pre	A07D, A09E, A11F, A13F	B01.0	01	B73Z
A85.2	01	B72A, B72B	A96.0	15	TPN, VTPN		15	TPN, VTPN
	Pre	A07D, A09E, A11F, A13F		18B	T63A, T63B, T63C		Pre	A07D, A09E, A11F, A13F
A85.8	01	B72A, B72B		Pre	A07D, A09E, A11F, A13F	B01.1	01	B72A, B72B
	18A	S65A, S65B	A96.1	15	TPN, VTPN		15	TPN, VTPN
	Pre	A07D, A09E, A11F, A13F		18B	T63A, T63B, T63C		Pre	A07D, A09E, A11F, A13F
A86	01	B72A, B72B		Pre	A07D, A09E, A11F, A13F	B01.2	04	E62A, E62B, E77A, E77B, E77C, E77D, E77E, E77F, E77G
	15	TPN, VTPN	A96.2	15	TPN, VTPN		15	TPN, VTPN
	18A	S65A, S65B		18B	T63A, T63B, T63C		Pre	A07D, A09E, A11F, A13F
	Pre	A07D, A09E, A11F, A13F		Pre	A07D, A09E, A11F, A13F	B01.8	15	TPN, VTPN
A87.0	01	B73Z		Pre	A07D, A09E, A11F, A13F		18B	T63A, T63B, T63C
	15	TPN, VTPN	A96.8	15	TPN, VTPN	B01.9	15	TPN, VTPN
	18A	S63A, S63B		18B	T63A, T63B, T63C		18B	T63A, T63B, T63C
	Pre	A07D, A09E, A11F, A13F		Pre	A07D, A09E, A11F, A13F	B02.0	01	B72A, B72B
A87.1	01	B73Z		Pre	A07D, A09E, A11F, A13F		15	TPN, VTPN
	18A	S63A, S63B	A96.9	15	TPN, VTPN		18A	S63A, S63B
	Pre	A07D, A09E, A11F, A13F		18B	T63A, T63B, T63C	B02.1	01	B73Z
A87.2	01	B73Z		Pre	A07D, A09E, A11F, A13F		15	TPN, VTPN
	Pre	A07D, A09E, A11F, A13F	A98.0	18B	T63A, T63B, T63C		18A	S63A, S63B
A87.8	01	B73Z		Pre	A07D, A09E, A11F, A13F		Pre	A07D, A09E, A11F, A13F
	18A	S63A, S63B	A98.1	18B	T63A, T63B, T63C	B02.2	01	B81A, B81B
	Pre	A07D, A09E, A11F, A13F		Pre	A07D, A09E, A11F, A13F		15	TPN, VTPN
A87.9	01	B73Z		Pre	A07D, A09E, A11F, A13F		18A	S63A, S63B
	18A	S63A, S63B	A98.3	15	TPN, VTPN		Pre	A07D, A09E, A11F, A13F
	Pre	A07D, A09E, A11F, A13F		18B	T63A, T63B, T63C	B02.3	02	C60Z
A88.0	01	B72A, B72B		Pre	A07D, A09E, A11F, A13F		15	TPN, VTPN
	Pre	A07D, A09E, A11F, A13F	A98.4	18B	T63A, T63B, T63C		18A	S63A, S63B
A88.1	01	B81A, B81B		Pre	A07D, A09E, A11F, A13F	B02.7	15	TPN, VTPN
	Pre	A07D, A09E, A11F, A13F	A98.5	11	L63A, L63B, L63C, L63D, L63E, L63F, L74Z		18A	S63A, S63B
A88.8	01	B72A, B72B		15	TPN, VTPN		18B	T63A, T63B, T63C
	18A	S65A, S65B		Pre	A07D, A09E, A11F, A13F	B02.8	15	TPN, VTPN
	Pre	A07D, A09E, A11F, A13F	A98.8	18B	T63A, T63B, T63C		18A	S63A, S63B
A89	01	B72A, B72B		Pre	A07D, A09E, A11F, A13F		18B	T63A, T63B, T63C
	15	TPN, VTPN	A99	18B	T63A, T63B, T63C		15	TPN, VTPN
	18A	S65A, S65B		Pre	A07D, A09E, A11F, A13F		18A	S63A, S63B
	Pre	A07D, A09E, A11F, A13F					18B	T63A, T63B, T63C

ICD	MDC	DRG	ICD	MDC	DRG	ICD	MDC	DRG
B02.9	09	J64A, J64B, J68A, J68B	B17.2	07	H63A, H63B, H63C, H78Z	B20.9	14	O01C, O01D, O01F
	15	TPN, VTPN		15	TPN, VTPN		15	TPN, VTPN
	18A	S63A, S63B		Pre	A07D, A09E, A11F, A13F		18A	S63A, S63B
B03	18B	T63A, T63B, T63C	B17.8	07	H63A, H63B, H63C, H78Z		20	V60A, V60B
B04	18B	T63A, T63B, T63C		15	TPN, VTPN		Pre	A07D, A09E, A11F, A13F
B05.0	01	B72A, B72B	B17.9	07	H63A, H63B, H63C, H78Z	B21.0	14	O01C, O01D, O01F
	15	TPN, VTPN		15	TPN, VTPN		15	TPN, VTPN
	18A	S63A, S63B	B18.0	07	H63A, H63B, H63C, H78Z		18A	S62Z
	Pre	A07D, A09E, A11F, A13F		15	TPN, VTPN		20	V60A, V60B
B05.1	01	B73Z	B18.1	07	H63A, H63B, H63C, H78Z		Pre	A07D, A09E, A11F, A13F
	15	TPN, VTPN		15	TPN, VTPN	B21.1	14	O01C, O01D, O01F
	18A	S63A, S63B	B18.2	07	H63A, H63B, H63C, H78Z		15	TPN, VTPN
	Pre	A07D, A09E, A11F, A13F		15	TPN, VTPN		18A	S62Z
B05.2	04	E62A, E62B, E77A, E77B, E77C, E77D, E77E, E77F, E77G		Pre	A07D, A09E, A11F, A13F		20	V60A, V60B
	15	TPN, VTPN	B18.8	07	H63A, H63B, H63C, H78Z		Pre	A07D, A09E, A11F, A13F
	18A	S63A, S63B		15	TPN, VTPN	B21.2	14	O01C, O01D, O01F
B05.3	03	D62Z, D63Z	B18.9	07	H63A, H63B, H63C, H78Z		15	TPN, VTPN
	15	TPN, VTPN		15	TPN, VTPN		18A	S62Z
	18A	S63A, S63B	B19.0	07	H63A, H63B, H63C, H78Z		20	V60A, V60B
B05.4	15	TPN, VTPN		15	TPN, VTPN	B21.3	14	O01C, O01D, O01F
	18A	S63A, S63B	B19.9	07	H63A, H63B, H63C, H78Z		15	TPN, VTPN
B05.8	18B	T63A, T63B, T63C	B20.0	14	O01C, O01D, O01F		18A	S62Z
	15	TPN, VTPN		15	TPN, VTPN		20	V60A, V60B
	18A	S63A, S63B		18A	S63A, S63B	B21.7	14	O01C, O01D, O01F
	18B	T63A, T63B, T63C		20	V60A, V60B		15	TPN, VTPN
B05.9	18A	S63A, S63B	B20.1	14	O01C, O01D, O01F		18A	S62Z
	18B	T63A, T63B, T63C		15	TPN, VTPN		20	V60A, V60B
B06.0	01	B72A, B72B		18A	S63A, S63B	B21.8	14	O01C, O01D, O01F
	15	TPN, VTPN		20	V60A, V60B		15	TPN, VTPN
B06.8	15	TPN, VTPN	B20.2	14	O01C, O01D, O01F		18A	S62Z
	18B	T63A, T63B, T63C		15	TPN, VTPN		20	V60A, V60B
B06.9	18B	T63A, T63B, T63C		18A	S63A, S63B		Pre	A07D, A09E, A11F, A13F
B07	09	J67A, J67B, J68A, J68B		20	V60A, V60B	B21.9	14	O01C, O01D, O01F
B08.0	18B	T63A, T63B, T63C		Pre	A07D, A09E, A11F, A13F		15	TPN, VTPN
B08.1	09	J67A, J67B, J68A, J68B	B20.3	14	O01C, O01D, O01F		18A	S62Z
B08.2	18B	T63A, T63B, T63C		15	TPN, VTPN		20	V60A, V60B
B08.3	18B	T63A, T63B, T63C		18A	S63A, S63B		Pre	A07D, A09E, A11F, A13F
B08.4	18B	T63A, T63B, T63C		20	V60A, V60B	B22.0	14	O01C, O01D, O01F
B08.5	03	D62Z, D63Z		Pre	A07D, A09E, A11F, A13F		15	TPN, VTPN
	15	TPN, VTPN	B20.4	14	O01C, O01D, O01F		18A	S65A, S65B
B08.8	18B	T63A, T63B, T63C		15	TPN, VTPN		20	V60A, V60B
B09	15	P65C, P66C, P67B, P67C		18A	S63A, S63B	B22.1	14	O01C, O01D, O01F
	18B	T63A, T63B, T63C		20	V60A, V60B		15	TPN, VTPN
B15.0	07	H63A, H63B, H63C, H78Z		Pre	A07D, A09E, A11F, A13F		18A	S65A, S65B
	15	TPN, VTPN	B20.5	14	O01C, O01D, O01F		20	V60A, V60B
	Pre	A07D, A09E, A11F, A13F		15	TPN, VTPN		Pre	A07D, A09E, A11F, A13F
B15.9	07	H63A, H63B, H63C, H78Z		18A	S63A, S63B	B22.2	14	O01C, O01D, O01F
	15	TPN, VTPN		20	V60A, V60B		15	TPN, VTPN
B16.0	07	H63A, H63B, H63C, H78Z		Pre	A07D, A09E, A11F, A13F		18A	S65A, S65B
	15	TPN, VTPN	B20.6	14	O01C, O01D, O01F		20	V60A, V60B
	Pre	A07D, A09E, A11F, A13F		15	TPN, VTPN		Pre	A07D, A09E, A11F, A13F
B16.1	07	H63A, H63B, H63C, H78Z		18A	S63A, S63B	B22.7	14	O01C, O01D, O01F
	15	TPN, VTPN		20	V60A, V60B		15	TPN, VTPN
B16.2	07	H63A, H63B, H63C, H78Z		Pre	A07D, A09E, A11F, A13F		18A	S65A, S65B
	15	TPN, VTPN	B20.7	14	O01C, O01D, O01F		20	V60A, V60B
	Pre	A07D, A09E, A11F, A13F		15	TPN, VTPN		Pre	A07D, A09E, A11F, A13F
B16.9	07	H63A, H63B, H63C, H78Z		18A	S63A, S63B	B23.0	14	O01C, O01D, O01F
	15	TPN, VTPN		20	V60A, V60B		15	TPN, VTPN
B17.0	07	H63A, H63B, H63C, H78Z		Pre	A07D, A09E, A11F, A13F		18A	S65A, S65B
	15	TPN, VTPN	B20.8	14	O01C, O01D, O01F		20	V60A, V60B
	Pre	A07D, A09E, A11F, A13F		15	TPN, VTPN		Pre	A07D, A09E, A11F, A13F
B17.1	07	H63A, H63B, H63C, H78Z		18A	S63A, S63B			
	15	TPN, VTPN		20	V60A, V60B			
	18A	S63A, S63B		Pre	A07D, A09E, A11F, A13F			
	Pre	A07D, A09E, A11F, A13F						

ICD	MDC	DRG	ICD	MDC	DRG	ICD	MDC	DRG
B23.1	14	O01C, O01D, O01F	B30.8	02	C63Z	B37.4	12	M62Z
	15	TPN, VTPN	B30.9	02	C63Z		13	N04Z, N05A, N05B, N14Z, N21Z, N25Z, N61Z
	18A	S65A, S65B	B33.0	04	E62A, E62B, E77A, E77B, E77C, E77D, E77E, E77F, E77G	B37.5	15	TPN, VTPN
	20	V60A, V60B					01	B72A, B72B
	Pre	A07D, A09E, A11F, A13F	B33.1	18B	T63A, T63B, T63C		15	TPN, VTPN
B23.2	14	O01C, O01D, O01F	B33.2	05	F75A, F75B, F75C, F75D		18A	S63A, S63B
	15	TPN, VTPN		15	TPN, VTPN		Pre	A07D, A09E, A11F, A13F
	18A	S65A, S65B		Pre	A07D, A09E, A11F, A13F	B37.6	05	F15Z, F36A, F36B, F61A, F61B
	20	V60A, V60B	B33.3	18B	T63A, T63B, T63C		15	TPN, VTPN
	Pre	A07D, A09E, A11F, A13F	B33.4	18B	T63A, T63B, T63C		18A	S63A, S63B
B23.8	14	O01C, O01D, O01F		Pre	A07D, A09E, A11F, A13F	B37.7	Pre	A07D, A09E, A11F, A13F
	15	TPN, VTPN	B33.8	18B	T63A, T63B, T63C		05	F62A
	18A	S65A, S65B	B34.0	15	TPN, VTPN		06	G67A
	20	V60A, V60B		18B	T63A, T63B, T63C		17	R60B, R60C, R61A, R62A, R63B, R63C, R63D, R63F
	Pre	A07D, A09E, A11F, A13F	B34.1	18B	T63A, T63B, T63C		18A	S63A, S63B
B24	14	O01C, O01D, O01F	B34.2	18B	T63A, T63B, T63C		18B	T01B, T60A, T60B, T60C, T60F, T61A
	15	TPN, VTPN	B34.3	18B	T63A, T63B, T63C		Pre	A07D, A09E, A11F, A13F
	18A	S65A, S65B	B34.4	18A	S63A, S63B	B37.81	06	G46A, G46B, G46C, G50Z, G67A, G67B, G67C
	20	V60A, V60B		18B	T63A, T63B, T63C		15	TPN, VTPN
	Pre	A07D, A09E, A11F, A13F	B34.8	18B	T63A, T63B, T63C		18A	S63A, S63B
B25.0	04	E62A, E77A, E77B, E77C, E77D, E77F	B34.9	18A	S63A, S63B		18B	T64A, T64B, T64C
	15	TPN, VTPN		18B	T63A, T63B, T63C	B37.88	18A	S63A, S63B
	18A	S63A, S63B	B35.0	09	J67A, J67B, J68A, J68B		18B	T64A, T64B, T64C
	Pre	A07D, A09E, A11F, A13F		18A	S63A, S63B	B37.9	18A	S63A, S63B
B25.1	15	TPN, VTPN	B35.1	09	J67A, J67B, J68A, J68B		18B	T64A, T64B, T64C
	18A	S63A, S63B		18A	S63A, S63B	B38.0	04	E62A, E62B, E77A, E77B, E77C, E77D, E77E, E77F, E77G
	18B	T63A, T63B	B35.2	09	J67A, J67B, J68A, J68B		15	TPN, VTPN
	Pre	A07D, A09E, A11F, A13F		18A	S63A, S63B		18A	S63A, S63B
B25.2	15	TPN, VTPN	B35.3	09	J02A, J02B, J02C, J03A, J03B, J04A, J04B, J08A, J08B, J08C, J67A, J67B, J68A, J68B		Pre	A07D, A09E, A11F, A13F
	18A	S63A, S63B		18A	S63A, S63B	B38.1	04	E62A, E62B, E77A, E77B, E77C, E77D, E77E, E77F, E77G
	18B	T63A, T63B	B35.4	09	J67A, J67B, J68A, J68B		15	TPN, VTPN
	Pre	A07D, A09E, A11F, A13F		18A	S63A, S63B		18A	S63A, S63B
B25.80	15	TPN, VTPN	B35.5	09	J67A, J67B, J68A, J68B		Pre	A07D, A09E, A11F, A13F
	18A	S63A, S63B		18A	S63A, S63B		04	E62A, E62B, E77A, E77B, E77C, E77D, E77E, E77F, E77G
	18B	T63A, T63B	B35.6	09	J67A, J67B, J68A, J68B		15	TPN, VTPN
B25.88	15	TPN, VTPN		18A	S63A, S63B		18A	S63A, S63B
	18A	S63A, S63B	B35.8	09	J67A, J67B, J68A, J68B		Pre	A07D, A09E, A11F, A13F
	18B	T63A, T63B		18A	S63A, S63B	B38.2	04	E62A, E62B, E77A, E77B, E77C, E77D, E77E, E77F, E77G
B25.9	15	TPN, VTPN	B35.9	09	J67A, J67B, J68A, J68B		15	TPN, VTPN
	18A	S63A, S63B		18A	S63A, S63B		18A	S63A, S63B
	18B	T63A, T63B	B36.0	09	J67A, J67B, J68A, J68B		Pre	A07D, A09E, A11F, A13F
B26.0	12	M62Z		18A	S63A, S63B	B38.3	09	J61A, J61B, J61C, J68A, J68B
	15	TPN, VTPN	B36.1	09	J67A, J67B, J68A, J68B		15	TPN, VTPN
B26.1	01	B73Z		18A	S63A, S63B		18A	S63A, S63B
	15	TPN, VTPN	B36.2	09	J67A, J67B, J68A, J68B	B38.4	01	B72A, B72B
	Pre	A07D, A09E, A11F, A13F		18A	S63A, S63B		15	TPN, VTPN
B26.2	01	B72A, B72B	B36.3	09	J67A, J67B, J68A, J68B		18A	S63A, S63B
	15	TPN, VTPN		18A	S63A, S63B		Pre	A07D, A09E, A11F, A13F
	Pre	A07D, A09E, A11F, A13F	B36.8	09	J67A, J67B, J68A, J68B	B38.7	05	F62A
B26.3	07	H62A, H62B, H62C		18A	S63A, S63B		06	G67A
	15	TPN, VTPN	B36.9	09	J67A, J67B, J68A, J68B		15	TPN, VTPN
B26.8	15	TPN, VTPN		18A	S63A, S63B		17	R60B, R60C, R61A, R62A, R63B, R63C, R63D, R63F
	18B	T63A, T63B, T63C	B37.0	03	D40Z, D67Z		18A	S63A, S63B
B26.9	18B	T63A, T63B, T63C		18A	S63A, S63B		18B	T01B, T60A, T60B, T60C, T60F, T61A
B27.0	15	TPN, VTPN	B37.1	04	E62A, E62B, E77A, E77B, E77C, E77D, E77F		Pre	A07D, A09E, A11F, A13F
	18B	T63A, T63B, T63C		15	TPN, VTPN	B38.8	15	TPN, VTPN
B27.1	15	TPN, VTPN		18A	S63A, S63B		18A	S63A, S63B
	18B	T63A, T63B, T63C		Pre	A07D, A09E, A11F, A13F		18B	T64A, T64B, T64C
B27.8	15	TPN, VTPN	B37.2	09	J67A, J67B, J68A, J68B		18A	S63A, S63B
	18B	T63A, T63B, T63C		15	TPN, VTPN	B38.9	18A	S63A, S63B
B27.9	15	TPN, VTPN		18A	S63A, S63B		18B	T64A, T64B, T64C
	18B	T63A, T63B, T63C	B37.3	13	N04Z, N05A, N05B, N14Z, N21Z, N25Z, N61Z		18B	T64A, T64B, T64C
B30.0	02	C63Z						
B30.1	02	C63Z						
	15	TPN, VTPN						
B30.2	02	C63Z						
B30.3	02	C63Z						
	15	TPN, VTPN						

ICD	MDC	DRG	ICD	MDC	DRG	ICD	MDC	DRG
B39.0	04	E74Z	B42.0	04	E62A, E62B, E77A, E77B, E77C, E77D, E77E, E77F, E77G	B45.7	05	F62A
	15	TPN, VTPN					06	G67A
	18A	S63A, S63B					15	TPN, VTPN
	Pre	A07D, A09E, A11F, A13F					17	R60B, R60C, R61A, R62A, R63B, R63C, R63D, R63F
B39.1	04	E74Z	B42.1	18B	T64A, T64B, T64C		18A	S63A, S63B
	15	TPN, VTPN	B42.7	05	F62A		18B	T01B, T60A, T60B, T60C, T60F, T61A
	18A	S63A, S63B		06	G67A		Pre	A07D, A09E, A11F, A13F
	Pre	A07D, A09E, A11F, A13F		17	R60B, R60C, R61A, R62A, R63B, R63C, R63D, R63F	B45.8	15	TPN, VTPN
B39.2	04	E74Z		18B	T01B, T60A, T60B, T60C, T60F, T61A		18A	S63A, S63B
	15	TPN, VTPN		Pre	A07D, A09E, A11F, A13F		18B	T64A, T64B, T64C
	18A	S63A, S63B		18B	T64A, T64B, T64C	B45.9	15	TPN, VTPN
	Pre	A07D, A09E, A11F, A13F	B42.8	18B	T64A, T64B, T64C		18A	S63A, S63B
B39.3	05	F62A	B42.9	18B	T64A, T64B, T64C		18B	T64A, T64B, T64C
	06	G67A	B43.0	18B	T64A, T64B, T64C	B46.0	04	E62A, E62B, E77A, E77B, E77C, E77D, E77E, E77F, E77G
	17	R60B, R60C, R61A, R62A, R63B, R63C, R63D, R63F	B43.1	18B	T64A, T64B, T64C		15	TPN, VTPN
	18A	S63A, S63B		Pre	A07D, A09E, A11F, A13F		Pre	A07D, A09E, A11F, A13F
	18B	T01B, T60A, T60B, T60C, T60F, T61A	B43.2	18B	T64A, T64B, T64C		15	TPN, VTPN
	Pre	A07D, A09E, A11F, A13F	B43.8	18B	T64A, T64B, T64C	B46.1	01	B72A, B72B
B39.4	18A	S63A, S63B	B43.9	18B	T64A, T64B, T64C		15	TPN, VTPN
	18B	T64A, T64B, T64C	B44.0	04	E62A, E62B, E77A, E77B, E77C, E77D, E77E, E77F		Pre	A07D, A09E, A11F, A13F
	Pre	A07D, A09E, A11F, A13F		15	TPN, VTPN	B46.2	15	TPN, VTPN
B39.5	18A	S63A, S63B		18A	S63A, S63B		18B	T64A, T64B, T64C
	18B	T64A, T64B, T64C		Pre	A07D, A09E, A11F, A13F		Pre	A07D, A09E, A11F, A13F
	Pre	A07D, A09E, A11F, A13F	B44.1	04	E62A, E62B, E77A, E77B, E77C, E77D, E77F	B46.3	15	TPN, VTPN
B39.9	18A	S63A, S63B		15	TPN, VTPN		18B	T64A, T64B, T64C
	18B	T64A, T64B, T64C		18A	S63A, S63B	B46.4	05	F62A
	Pre	A07D, A09E, A11F, A13F		Pre	A07D, A09E, A11F, A13F		06	G67A
B40.0	04	E62A, E62B, E77A, E77B, E77C, E77D, E77E, E77F, E77G		Pre	A07D, A09E, A11F, A13F		15	TPN, VTPN
	15	TPN, VTPN	B44.2	15	TPN, VTPN		17	R60B, R60C, R61A, R62A, R63B, R63C, R63D, R63F
	Pre	A07D, A09E, A11F, A13F		18A	S63A, S63B		18B	T01B, T60A, T60B, T60C, T60F, T61A
B40.1	04	E62A, E62B, E77A, E77B, E77C, E77D, E77E, E77F, E77G		18B	T64A, T64B, T64C		Pre	A07D, A09E, A11F, A13F
	15	TPN, VTPN	B44.7	05	F62A	B46.5	15	TPN, VTPN
	Pre	A07D, A09E, A11F, A13F		06	G67A		18B	T64A, T64B, T64C
B40.2	04	E62A, E62B, E77A, E77B, E77C, E77D, E77E, E77F, E77G		15	TPN, VTPN	B46.8	15	TPN, VTPN
	15	TPN, VTPN		17	R60B, R60C, R61A, R62A, R63B, R63C, R63D, R63F		18B	T64A, T64B, T64C
	Pre	A07D, A09E, A11F, A13F		18A	S63A, S63B	B46.9	15	TPN, VTPN
B40.3	15	TPN, VTPN		18B	T01B, T60A, T60B, T60C, T60F, T61A		18B	T64A, T64B, T64C
	18B	T64A, T64B, T64C	B44.8	15	TPN, VTPN	B47.0	15	TPN, VTPN
B40.7	15	TPN, VTPN		18A	S63A, S63B		18B	T64A, T64B, T64C
	18B	T64A, T64B, T64C	B44.9	15	TPN, VTPN	B47.1	15	TPN, VTPN
	Pre	A07D, A09E, A11F, A13F		18A	S63A, S63B	B47.9	18B	T64A, T64B, T64C
B40.8	15	TPN, VTPN		18B	T64A, T64B, T64C	B48.0	18B	T64A, T64B, T64C
	18B	T64A, T64B, T64C	B45.0	04	E62A, E62B, E77A, E77B, E77C, E77D, E77E, E77F, E77G	B48.1	18B	T64A, T64B, T64C
B40.9	15	TPN, VTPN		15	TPN, VTPN	B48.2	15	TPN, VTPN
	18B	T64A, T64B, T64C		18A	S63A, S63B		18B	T64A, T64B, T64C
B41.0	15	TPN, VTPN		Pre	A07D, A09E, A11F, A13F	B48.3	18B	T64A, T64B, T64C
	18B	T64A, T64B, T64C	B45.1	01	B72A, B72B	B48.4	18B	T64A, T64B, T64C
	Pre	A07D, A09E, A11F, A13F		15	TPN, VTPN	B48.7	15	TPN, VTPN
B41.7	05	F62A		18A	S63A, S63B		18A	S63A, S63B
	06	G67A		Pre	A07D, A09E, A11F, A13F		18B	T64A, T64B, T64C
	15	TPN, VTPN	B45.2	15	TPN, VTPN		18B	T64A, T64B, T64C
	17	R60B, R60C, R61A, R62A, R63B, R63C, R63D, R63F		18A	S63A, S63B	B50.0	01	B72A, B72B
	18B	T01B, T60A, T60B, T60C, T60F, T61A		18B	T64A, T64B, T64C		15	TPN, VTPN
	Pre	A07D, A09E, A11F, A13F	B45.3	15	TPN, VTPN		Pre	A07D, A09E, A11F, A13F
B41.8	15	TPN, VTPN		18A	S63A, S63B	B50.8	05	F62A
	18B	T64A, T64B, T64C		18B	T64A, T64B, T64C		06	G67A
B41.9	15	TPN, VTPN		Pre	A07D, A09E, A11F, A13F		15	TPN, VTPN
	18B	T64A, T64B, T64C					17	R60B, R60C, R61A, R62A, R63B, R63C, R63D, R63F
	18B	T64A, T64B, T64C					18B	T01B, T60A, T60B, T60C, T60D, T60E, T60F, T61A
							Pre	A07D, A09E, A11F, A13F

Dg

ICD	MDC	DRG	ICD	MDC	DRG	ICD	MDC	DRG
B50.9	15	TPN, VTPN	B57.3	18B	T64A, T64B, T64C	B67.0	07	H63A, H63B, H63C, H78Z
	18B	T64A, T64B, T64C		Pre	A07D, A09E, A11F, A13F		Pre	A07D, A09E, A11F, A13F
	Pre	A07D, A09E, A11F, A13F	B57.4	18B	T64A, T64B, T64C	B67.1	04	E62A, E62B, E77A, E77B, E77C, E77D, E77E, E77F, E77G
B51.0	05	F62A		Pre	A07D, A09E, A11F, A13F			
	06	G67A	B57.5	18B	T64A, T64B, T64C			
	15	TPN, VTPN		Pre	A07D, A09E, A11F, A13F	B67.2	18B	T64A, T64B, T64C
	17	R60B, R60C, R61A, R62A, R63B, R63C, R63D, R63F	B58.0	02	C66Z		Pre	A07D, A09E, A11F, A13F
	18B	T01B, T60A, T60B, T60C, T60D, T60E, T60F, T61A		15	TPN, VTPN	B67.3	18B	T64A, T64B, T64C
	Pre	A07D, A09E, A11F, A13F	B58.1	07	H63A, H63B, H63C, H78Z		Pre	A07D, A09E, A11F, A13F
B51.8	15	TPN, VTPN		15	TPN, VTPN	B67.4	18B	T64A, T64B, T64C
	18B	T64A, T64B, T64C		18A	S63A, S63B		Pre	A07D, A09E, A11F, A13F
	Pre	A07D, A09E, A11F, A13F	B58.2	01	B72A, B72B	B67.5	07	H63A, H63B, H63C, H78Z
B51.9	15	TPN, VTPN		15	TPN, VTPN		Pre	A07D, A09E, A11F, A13F
	18B	T64A, T64B, T64C		18A	S63A, S63B	B67.6	18B	T64A, T64B, T64C
	Pre	A07D, A09E, A11F, A13F	B58.3	04	E62A, E62B, E77A, E77B, E77C, E77D, E77E, E77F, E77G		Pre	A07D, A09E, A11F, A13F
B52.0	15	TPN, VTPN		15	TPN, VTPN	B67.7	18B	T64A, T64B, T64C
	18B	T64A, T64B, T64C		18A	S63A, S63B		Pre	A07D, A09E, A11F, A13F
	Pre	A07D, A09E, A11F, A13F	B58.8	15	TPN, VTPN	B68.0	06	G46A, G46B, G46C, G50Z, G67A, G67B, G67C, G67D
B52.8	05	F62A		18A	S63A, S63B		06	G46A, G46B, G46C, G50Z, G67A, G67B, G67C, G67D
	06	G67A		Pre	A07D, A09E, A11F, A13F	B68.1	06	G46A, G46B, G46C, G50Z, G67A, G67B, G67C, G67D
	15	TPN, VTPN	B58.9	15	TPN, VTPN		06	G46A, G46B, G46C, G50Z, G67A, G67B, G67C, G67D
	17	R60B, R60C, R61A, R62A, R63B, R63C, R63D, R63F		18A	S63A, S63B	B69.0	01	B72A, B72B
	18B	T01B, T60A, T60B, T60C, T60D, T60E, T60F, T61A		18B	T64A, T64B, T64C		Pre	A07D, A09E, A11F, A13F
	Pre	A07D, A09E, A11F, A13F	B59	04	E62A, E77A, E77B, E77C, E77D, E77F	B69.1	02	C63Z
B52.9	15	TPN, VTPN		15	TPN, VTPN		Pre	A07D, A09E, A11F, A13F
	18B	T64A, T64B, T64C		18A	S63A, S63B	B69.8	06	G46A, G46B, G46C, G50Z, G67A, G67B, G67C, G67D
	Pre	A07D, A09E, A11F, A13F	B60.0	18A	S63A, S63B		06	G46A, G46B, G46C, G50Z, G67A, G67B, G67C, G67D
B53.0	15	TPN, VTPN		18B	T64A, T64B, T64C	B70.0	06	G46A, G46B, G46C, G50Z, G67A, G67B, G67C, G67D
	18B	T64A, T64B, T64C		Pre	A07D, A09E, A11F, A13F	B70.1	06	G46A, G46B, G46C, G50Z, G67A, G67B, G67C, G67D
	Pre	A07D, A09E, A11F, A13F	B60.1	18A	S63A, S63B		06	G46A, G46B, G46C, G50Z, G67A, G67B, G67C, G67D
B53.1	15	TPN, VTPN		18B	T64A, T64B, T64C	B71.0	06	G46A, G46B, G46C, G50Z, G67A, G67B, G67C, G67D
	18B	T64A, T64B, T64C		Pre	A07D, A09E, A11F, A13F	B71.1	06	G46A, G46B, G46C, G50Z, G67A, G67B, G67C, G67D
	Pre	A07D, A09E, A11F, A13F	B60.2	18A	S63A, S63B		06	G46A, G46B, G46C, G50Z, G67A, G67B, G67C, G67D
B53.8	15	TPN, VTPN		18B	T64A, T64B, T64C	B71.8	06	G46A, G46B, G46C, G50Z, G67A, G67B, G67C, G67D
	18B	T64A, T64B, T64C		Pre	A07D, A09E, A11F, A13F	B71.9	06	G46A, G46B, G46C, G50Z, G67A, G67B, G67C, G67D
	Pre	A07D, A09E, A11F, A13F	B60.8	18A	S63A, S63B	B72	18B	T64A, T64B, T64C
B54	15	TPN, VTPN		18B	T64A, T64B, T64C	B73	18B	T64A, T64B, T64C
	18B	T64A, T64B, T64C	B64	18B	T64A, T64B, T64C	B74.0	18B	T64A, T64B, T64C
	Pre	A07D, A09E, A11F, A13F	B65.0	11	L63A, L63B, L63C, L63D, L63E, L63F, L74Z	B74.1	18B	T64A, T64B, T64C
B55.0	05	F62A		Pre	A07D, A09E, A11F, A13F	B74.2	18B	T64A, T64B, T64C
	06	G67A		Pre	A07D, A09E, A11F, A13F	B74.3	18B	T64A, T64B, T64C
	17	R60B, R60C, R61A, R62A, R63B, R63C, R63D, R63F	B65.1	07	H63A, H63B, H63C, H78Z	B74.4	18B	T64A, T64B, T64C
	18A	S63A, S63B		Pre	A07D, A09E, A11F, A13F	B74.8	18B	T64A, T64B, T64C
	18B	T01B, T60A, T60B, T60C, T60F, T61A	B65.2	18B	T64A, T64B, T64C	B74.9	18B	T64A, T64B, T64C
	Pre	A07D, A09E, A11F, A13F		Pre	A07D, A09E, A11F, A13F	B75	18B	T64A, T64B, T64C
B55.1	09	J61A, J61B, J61C, J68A, J68B	B65.3	09	J61A, J61B, J61C, J68A, J68B	B76.0	06	G46A, G46B, G46C, G50Z, G67A, G67B, G67C, G67D
	Pre	A07D, A09E, A11F, A13F	B65.8	18B	T64A, T64B, T64C		06	G46A, G46B, G46C, G50Z, G67A, G67B, G67C, G67D
B55.2	09	J61A, J61B, J61C, J68A, J68B	B65.9	18B	T64A, T64B, T64C	B76.1	06	G46A, G46B, G46C, G50Z, G67A, G67B, G67C, G67D
	Pre	A07D, A09E, A11F, A13F	B66.0	07	H63A, H63B, H63C, H78Z		06	G46A, G46B, G46C, G50Z, G67A, G67B, G67C, G67D
B55.9	18B	T64A, T64B, T64C	B66.1	07	H63A, H63B, H63C, H78Z	B76.8	06	G46A, G46B, G46C, G50Z, G67A, G67B, G67C, G67D
	Pre	A07D, A09E, A11F, A13F	B66.2	18B	T64A, T64B, T64C		06	G46A, G46B, G46C, G50Z, G67A, G67B, G67C, G67D
B56.0	18B	T64A, T64B, T64C	B66.3	07	H63A, H63B, H63C, H78Z	B76.9	06	G46A, G46B, G46C, G50Z, G67A, G67B, G67C, G67D
	Pre	A07D, A09E, A11F, A13F	B66.4	04	E62A, E62B, E77A, E77B, E77C, E77D, E77E, E77F, E77G		06	G46A, G46B, G46C, G50Z, G67A, G67B, G67C, G67D
B56.1	18B	T64A, T64B, T64C		Pre	A07D, A09E, A11F, A13F	B77.0	06	G46A, G46B, G46C, G50Z, G67A, G67B, G67C, G67D
	Pre	A07D, A09E, A11F, A13F	B66.5	07	H63A, H63B, H63C, H78Z		06	G46A, G46B, G46C, G50Z, G67A, G67B, G67C, G67D
B56.9	18B	T64A, T64B, T64C	B66.8	18B	T64A, T64B, T64C	B77.8	06	G46A, G46B, G46C, G50Z, G67A, G67B, G67C, G67D
	Pre	A07D, A09E, A11F, A13F	B66.9	18B	T64A, T64B, T64C			
B57.0	05	F75A, F75B, F75C, F75D						
	Pre	A07D, A09E, A11F, A13F						
B57.1	18B	T64A, T64B, T64C						
	Pre	A07D, A09E, A11F, A13F						
B57.2	05	F75A, F75B, F75C, F75D						
	Pre	A07D, A09E, A11F, A13F						



ICD	MDC	DRG	ICD	MDC	DRG	ICD	MDC	DRG
B77.9	06	G46A, G46B, G46C, G50Z, G67A, G67B, G67C, G67D	C00.0	03	D06B, D08A, D08B, D09Z, D25A, D25B, D28Z, D60A, D60B, D60C	C00.9	03	D06B, D08A, D08B, D09Z, D25A, D25B, D28Z, D60A, D60B, D60C
B78.0	06	G46A, G46B, G46C, G50Z, G67A, G67B, G67C, G67D		06	G17A, G38Z, G67A		06	G17A, G38Z, G67A
	18A	S63A, S63B		08	I54Z		08	I54Z
B78.1	06	G46A, G46B, G46C, G50Z, G67A, G67B, G67C, G67D		15	TPN, VTPN		15	TPN, VTPN
	18A	S63A, S63B		Pre	A07D, A09A, A09E, A11B, A11F, A13F		Pre	A07D, A09A, A09E, A11B, A11F, A13F
B78.7	06	G46A, G46B, G46C, G50Z, G67A, G67B, G67C, G67D	C00.1	03	D06B, D08A, D08B, D09Z, D25A, D25B, D28Z, D60A, D60B, D60C	C01	03	D06B, D08A, D08B, D09Z, D25A, D25B, D28Z, D60A, D60B, D60C
	18A	S63A, S63B		06	G17A, G38Z, G67A		06	G17A, G38Z, G67A
B78.9	06	G46A, G46B, G46C, G50Z, G67A, G67B, G67C, G67D		08	I54Z		08	I54Z
	18A	S63A, S63B		15	TPN, VTPN		15	TPN, VTPN
B79	06	G46A, G46B, G46C, G50Z, G67A, G67B, G67C, G67D		Pre	A07D, A09A, A09E, A11B, A11F, A13F		Pre	A07D, A09A, A09E, A11B, A11F, A13F
B80	06	G46A, G46B, G46C, G50Z, G67A, G67B, G67C, G67D	C00.2	03	D06B, D08A, D08B, D09Z, D25A, D25B, D28Z, D60A, D60B, D60C	C02.0	03	D06B, D08A, D08B, D09Z, D25A, D25B, D28Z, D60A, D60B, D60C
B81.0	06	G46A, G46B, G46C, G50Z, G67A, G67B, G67C, G67D		06	G17A, G38Z, G67A		06	G17A, G38Z, G67A
B81.1	06	G46A, G46B, G46C, G50Z, G67A, G67B, G67C, G67D		08	I54Z		08	I54Z
B81.2	06	G46A, G46B, G46C, G50Z, G67A, G67B, G67C, G67D		15	TPN, VTPN		15	TPN, VTPN
B81.3	06	G46A, G46B, G46C, G50Z, G67A, G67B, G67C, G67D		Pre	A07D, A09A, A09E, A11B, A11F, A13F		Pre	A07D, A09A, A09E, A11B, A11F, A13F
B81.4	18B	T64A, T64B, T64C	C00.3	03	D06B, D08A, D08B, D09Z, D25A, D25B, D28Z, D60A, D60B, D60C	C02.1	03	D06B, D08A, D08B, D09Z, D25A, D25B, D28Z, D60A, D60B, D60C
B81.8	06	G46A, G46B, G46C, G50Z, G67A, G67B, G67C, G67D		06	G17A, G38Z, G67A		06	G17A, G38Z, G67A
B82.0	06	G46A, G46B, G46C, G50Z, G67A, G67B, G67C, G67D		08	I54Z		08	I54Z
B82.9	06	G46A, G46B, G46C, G50Z, G67A, G67B, G67C, G67D		15	TPN, VTPN		15	TPN, VTPN
				Pre	A07D, A09A, A09E, A11B, A11F, A13F		Pre	A07D, A09A, A09E, A11B, A11F, A13F
B83.0	18B	T64A, T64B, T64C	C00.4	03	D06B, D08A, D08B, D09Z, D25A, D25B, D28Z, D60A, D60B, D60C	C02.2	03	D06B, D08A, D08B, D09Z, D25A, D25B, D28Z, D60A, D60B, D60C
B83.1	18B	T64A, T64B, T64C		06	G17A, G38Z, G67A		06	G17A, G38Z, G67A
B83.2	18B	T64A, T64B, T64C		08	I54Z		08	I54Z
B83.3	18B	T64A, T64B, T64C		15	TPN, VTPN		15	TPN, VTPN
B83.4	18B	T64A, T64B, T64C		Pre	A07D, A09A, A09E, A11B, A11F, A13F		Pre	A07D, A09A, A09E, A11B, A11F, A13F
B83.8	18B	T64A, T64B, T64C		03	D06B, D08A, D08B, D09Z, D25A, D25B, D28Z, D60A, D60B, D60C		03	D06B, D08A, D08B, D09Z, D25A, D25B, D28Z, D60A, D60B, D60C
B83.9	18B	T64A, T64B, T64C		06	G17A, G38Z, G67A		06	G17A, G38Z, G67A
B85.0	09	J67A, J67B, J68A, J68B	C00.5	03	D06B, D08A, D08B, D09Z, D25A, D25B, D28Z, D60A, D60B, D60C	C02.3	03	D06B, D08A, D08B, D09Z, D25A, D25B, D28Z, D60A, D60B, D60C
B85.1	09	J67A, J67B, J68A, J68B		06	G17A, G38Z, G67A		06	G17A, G38Z, G67A
B85.2	09	J67A, J67B, J68A, J68B		08	I54Z		08	I54Z
B85.3	09	J67A, J67B, J68A, J68B		15	TPN, VTPN		15	TPN, VTPN
B85.4	09	J67A, J67B, J68A, J68B		Pre	A07D, A09A, A09E, A11B, A11F, A13F		Pre	A07D, A09A, A09E, A11B, A11F, A13F
B86	09	J67A, J67B, J68A, J68B		03	D06B, D08A, D08B, D09Z, D25A, D25B, D28Z, D60A, D60B, D60C		03	D06B, D08A, D08B, D09Z, D25A, D25B, D28Z, D60A, D60B, D60C
B87.0	09	J67A, J67B, J68A, J68B		06	G17A, G38Z, G67A		06	G17A, G38Z, G67A
B87.1	09	J67A, J67B, J68A, J68B		08	I54Z		08	I54Z
B87.2	09	J67A, J67B, J68A, J68B	C00.6	03	D06B, D08A, D08B, D09Z, D25A, D25B, D28Z, D60A, D60B, D60C	C02.4	03	D06B, D08A, D08B, D09Z, D25A, D25B, D28Z, D60A, D60B, D60C
B87.3	09	J67A, J67B, J68A, J68B		06	G17A, G38Z, G67A		06	G17A, G38Z, G67A
B87.4	09	J67A, J67B, J68A, J68B		08	I54Z		08	I54Z
B87.8	09	J67A, J67B, J68A, J68B		15	TPN, VTPN		15	TPN, VTPN
B87.9	09	J67A, J67B, J68A, J68B		Pre	A07D, A09A, A09E, A11B, A11F, A13F		Pre	A07D, A09A, A09E, A11B, A11F, A13F
B88.0	09	J67A, J67B, J68A, J68B		03	D06B, D08A, D08B, D09Z, D25A, D25B, D28Z, D60A, D60B, D60C		03	D06B, D08A, D08B, D09Z, D25A, D25B, D28Z, D60A, D60B, D60C
B88.1	09	J67A, J67B, J68A, J68B		06	G17A, G38Z, G67A		06	G17A, G38Z, G67A
B88.2	09	J67A, J67B, J68A, J68B	C00.8	03	D06B, D08A, D08B, D09Z, D25A, D25B, D28Z, D60A, D60B, D60C	C02.8	03	D06B, D08A, D08B, D09Z, D25A, D25B, D28Z, D60A, D60B, D60C
B88.3	09	J67A, J67B, J68A, J68B		06	G17A, G38Z, G67A		06	G17A, G38Z, G67A
B88.8	18A	S63A, S63B		08	I54Z		08	I54Z
	18B	T64A, T64B, T64C		15	TPN, VTPN		15	TPN, VTPN
B88.9	09	J67A, J67B, J68A, J68B		Pre	A07D, A09A, A09E, A11B, A11F, A13F		Pre	A07D, A09A, A09E, A11B, A11F, A13F
B89	18B	T64A, T64B, T64C		03	D06B, D08A, D08B, D09Z, D25A, D25B, D28Z, D60A, D60B, D60C		03	D06B, D08A, D08B, D09Z, D25A, D25B, D28Z, D60A, D60B, D60C
B97.0	15	TPN, VTPN		06	G17A, G38Z, G67A		06	G17A, G38Z, G67A
B97.1	15	TPN, VTPN		08	I54Z		08	I54Z
B97.4	04	E65A, E65B, E65C, E69B		15	TPN, VTPN		15	TPN, VTPN
B99	15	P65C, P66C, P67B, P67C		Pre	A07D, A09A, A09E, A11B, A11F, A13F		Pre	A07D, A09A, A09E, A11B, A11F, A13F
	18B	T64A, T64B, T64C		03	D06B, D08A, D08B, D09Z, D25A, D25B, D28Z, D60A, D60B, D60C	C02.9	03	D06B, D08A, D08B, D09Z, D25A, D25B, D28Z, D60A, D60B, D60C
				06	G17A, G38Z, G67A		06	G17A, G38Z, G67A
				08	I54Z		08	I54Z
				15	TPN, VTPN		15	TPN, VTPN
				Pre	A07D, A09A, A09E, A11B, A11F, A13F		Pre	A07D, A09A, A09E, A11B, A11F, A13F

Dg







ICD	MDC	DRG	ICD	MDC	DRG	ICD	MDC	DRG
C18.9	06	G17A, G19A, G38Z, G40Z, G46A, G46B, G46C, G47Z, G60A, G60B, G67A	C22.3	06	G17A, G38Z, G67A	C25.1	06	G17A, G38Z, G67A
	08	I54Z		07	H02A, H07A, H08A, H09B, H38Z, H61A, H61B, H78Z		07	H02A, H07A, H08A, H09B, H38Z, H61A, H61B, H78Z
	15	TPN, VTPN		08	I54Z		08	I54Z
C19	Pre	A07D, A09A, A09E, A11B, A11F, A13F	C22.4	15	TPN, VTPN	C25.2	15	TPN, VTPN
	06	G17A, G19A, G38Z, G40Z, G46A, G46B, G46C, G47Z, G60A, G60B, G67A		Pre	A07D, A09A, A09E, A11B, A11F, A13F		Pre	A07D, A09A, A09E, A11B, A11F, A13F
	08	I54Z		06	G17A, G38Z, G67A		06	G17A, G38Z, G67A
C20	15	TPN, VTPN	07	H02A, H07A, H08A, H09B, H38Z, H61A, H61B, H78Z	07	H02A, H07A, H08A, H09B, H38Z, H61A, H61B, H78Z		
	Pre	A07D, A09A, A09E, A11B, A11F, A13F	08	I54Z	08	I54Z		
	06	G17A, G19A, G38Z, G40Z, G46A, G46B, G46C, G47Z, G60A, G60B, G67A	15	TPN, VTPN	15	TPN, VTPN		
C21.0	08	I54Z	C22.7	Pre	A07D, A09A, A09E, A11B, A11F, A13F	C25.3	Pre	A07D, A09A, A09E, A11B, A11F, A13F
	15	TPN, VTPN		06	G17A, G38Z, G67A		06	G17A, G38Z, G67A
	Pre	A07D, A09A, A09E, A11B, A11F, A13F		07	H02A, H07A, H08A, H09B, H38Z, H61A, H61B, H78Z		07	H02A, H07A, H08A, H09B, H38Z, H61A, H61B, H78Z
C21.1	06	G17A, G19A, G38Z, G40Z, G46A, G46B, G46C, G47Z, G60A, G60B, G67A	C22.9	08	I54Z	C25.4	08	I54Z
	08	I54Z		15	TPN, VTPN		15	TPN, VTPN
	15	TPN, VTPN		Pre	A07D, A09A, A09E, A11B, A11F, A13F		Pre	A07D, A09A, A09E, A11B, A11F, A13F
C21.2	Pre	A07D, A09A, A09E, A11B, A11F, A13F	C23	06	G17A, G38Z, G67A	C25.7	06	G17A, G38Z, G67A
	06	G17A, G19A, G38Z, G40Z, G46A, G46B, G46C, G47Z, G60A, G60B, G67A		07	H02A, H07A, H08A, H09B, H38Z, H61A, H61B, H78Z		07	H02A, H07A, H08A, H09B, H38Z, H61A, H61B, H78Z
	08	I54Z		08	I54Z		08	I54Z
C21.8	15	TPN, VTPN	C24.0	15	TPN, VTPN	C25.8	15	TPN, VTPN
	Pre	A07D, A09A, A09E, A11B, A11F, A13F		Pre	A07D, A09A, A09E, A11B, A11F, A13F		Pre	A07D, A09A, A09E, A11B, A11F, A13F
	06	G17A, G19A, G38Z, G40Z, G46A, G46B, G46C, G47Z, G60A, G60B, G67A		06	G17A, G38Z, G67A		06	G17A, G38Z, G67A
C22.0	07	H02A, H07A, H08A, H09B, H38Z, H61A, H61B, H78Z	C24.1	07	H02A, H07A, H08A, H09B, H38Z, H61A, H61B, H78Z	C25.9	07	H02A, H07A, H08A, H09B, H38Z, H61A, H61B, H78Z
	08	I54Z		08	I54Z		08	I54Z
	15	TPN, VTPN		15	TPN, VTPN		15	TPN, VTPN
C22.1	Pre	A07D, A09A, A09E, A11B, A11F, A13F	C24.8	Pre	A07D, A09A, A09E, A11B, A11F, A13F	C26.0	Pre	A07D, A09A, A09E, A11B, A11F, A13F
	06	G17A, G38Z, G67A		06	G17A, G38Z, G67A		06	G17A, G19A, G38Z, G40Z, G46A, G46B, G46C, G47Z, G60A, G60B, G67A
	07	H02A, H07A, H08A, H09B, H38Z, H61A, H61B, H78Z		07	H02A, H07A, H08A, H09B, H38Z, H61A, H61B, H78Z		07	H02A, H07A, H08A, H09B, H38Z, H61A, H61B, H78Z
C22.2	08	I54Z	C24.9	08	I54Z	C26.1	08	I54Z
	15	TPN, VTPN		15	TPN, VTPN		15	TPN, VTPN
	Pre	A07D, A09A, A09E, A11B, A11F, A13F		Pre	A07D, A09A, A09E, A11B, A11F, A13F		Pre	A07D, A09A, A09E, A11B, A11F, A13F
C22.2	06	G17A, G38Z, G67A	C25.0	06	G17A, G38Z, G67A	C26.1	06	G17A, G38Z, G67A
	07	H02A, H07A, H08A, H09B, H38Z, H61A, H61B, H78Z		07	H02A, H07A, H08A, H09B, H38Z, H61A, H61B, H78Z		08	I54Z
	08	I54Z		08	I54Z		15	TPN, VTPN
C22.2	15	TPN, VTPN	C25.0	15	TPN, VTPN	C26.1	17	R01A, R01B, R01C, R01D, R03Z, R11A, R11B, R11C, R61A, R61B, R61C, R61D, R61E, R61F, R61G, R61H
	Pre	A07D, A09A, A09E, A11B, A11F, A13F		Pre	A07D, A09A, A09E, A11B, A11F, A13F		Pre	A07D, A09A, A09E, A11B, A11F, A13F
	06	G17A, G38Z, G67A		06	G17A, G38Z, G67A		Pre	A07D, A09A, A09E, A11B, A11F, A13F

Dg

ICD	MDC	DRG	ICD	MDC	DRG	ICD	MDC	DRG
C26.8	06	G17A, G19A, G38Z, G40Z, G46A, G46B, G46C, G47Z, G60A, G60B, G67A	C31.9	03	D06B, D08A, D08B, D09Z, D25A, D25B, D28Z, D35Z, D60A, D60B, D60C	C34.1	04	E05B, E71A, E71B
	08	I54Z		06	G17A, G38Z, G67A		06	G17A, G38Z, G67A
	15	TPN, VTPN		08	I54Z		08	I54Z
	Pre	A07D, A09A, A09E, A11B, A11F, A13F		15	TPN, VTPN		15	TPN, VTPN
C26.9	06	G17A, G19A, G38Z, G40Z, G46A, G46B, G46C, G47Z, G60A, G60B, G67A	C32.0	03	D06B, D08A, D08B, D09Z, D25A, D25B, D28Z, D60A, D60B, D60C	C34.2	04	E05B, E71A, E71B
	08	I54Z		06	G17A, G38Z, G67A		06	G17A, G38Z, G67A
	15	TPN, VTPN		08	I54Z		08	I54Z
	Pre	A07D, A09A, A09E, A11B, A11F, A13F		15	TPN, VTPN		15	TPN, VTPN
C30.0	03	D06B, D08A, D08B, D09Z, D25A, D25B, D28Z, D35Z, D60A, D60B, D60C	C32.1	03	D06B, D08A, D08B, D09Z, D25A, D25B, D28Z, D60A, D60B, D60C	C34.3	04	E05B, E71A, E71B
	06	G17A, G38Z, G67A		06	G17A, G38Z, G67A		06	G17A, G38Z, G67A
	08	I54Z		08	I54Z		08	I54Z
	15	TPN, VTPN		15	TPN, VTPN		15	TPN, VTPN
C30.1	Pre	A07D, A09A, A09E, A11B, A11F, A13F	C32.2	Pre	A07D, A09A, A09E, A11B, A11F, A13F	C34.8	Pre	A07D, A09A, A09E, A11B, A11F, A13F
	03	D06B, D08A, D08B, D09Z, D25A, D25B, D28Z, D35Z, D60A, D60B, D60C		03	D06B, D08A, D08B, D09Z, D25A, D25B, D28Z, D60A, D60B, D60C		04	E05B, E71A, E71B
	06	G17A, G38Z, G67A		06	G17A, G38Z, G67A		06	G17A, G38Z, G67A
	08	I54Z		08	I54Z		08	I54Z
C31.0	15	TPN, VTPN	C32.3	15	TPN, VTPN	C37	15	TPN, VTPN
	Pre	A07D, A09A, A09E, A11B, A11F, A13F		Pre	A07D, A09A, A09E, A11B, A11F, A13F		Pre	A07D, A09A, A09E, A11B, A11F, A13F
	03	D06B, D08A, D08B, D09Z, D25A, D25B, D28Z, D35Z, D60A, D60B, D60C		03	D06B, D08A, D08B, D09Z, D25A, D25B, D28Z, D60A, D60B, D60C		06	G17A, G38Z, G67A
	06	G17A, G38Z, G67A		06	G17A, G38Z, G67A		08	I54Z
C31.1	08	I54Z	C32.8	08	I54Z	C38.0	08	I54Z
	15	TPN, VTPN		15	TPN, VTPN		15	TPN, VTPN
	Pre	A07D, A09A, A09E, A11B, A11F, A13F		Pre	A07D, A09A, A09E, A11B, A11F, A13F		Pre	A07D, A09A, A09E, A11B, A11F, A13F
	03	D06B, D08A, D08B, D09Z, D25A, D25B, D28Z, D35Z, D60A, D60B, D60C		03	D06B, D08A, D08B, D09Z, D25A, D25B, D28Z, D60A, D60B, D60C		05	F75A, F75B, F75C, F75D
C31.2	06	G17A, G38Z, G67A	C32.9	06	G17A, G38Z, G67A	C38.1	06	G17A, G38Z, G67A
	08	I54Z		08	I54Z		08	I54Z
	15	TPN, VTPN		15	TPN, VTPN		15	TPN, VTPN
	Pre	A07D, A09A, A09E, A11B, A11F, A13F		Pre	A07D, A09A, A09E, A11B, A11F, A13F		Pre	A07D, A09A, A09E, A11B, A11F, A13F
C31.3	03	D06B, D08A, D08B, D09Z, D25A, D25B, D28Z, D35Z, D60A, D60B, D60C	C33	04	E05B, E71A, E71B	C38.2	04	E05B, E71A, E71B
	06	G17A, G38Z, G67A		06	G17A, G38Z, G67A		06	G17A, G38Z, G67A
	08	I54Z		08	I54Z		08	I54Z
	15	TPN, VTPN		15	TPN, VTPN		15	TPN, VTPN
C31.8	Pre	A07D, A09A, A09E, A11B, A11F, A13F	C34.0	Pre	A07D, A09A, A09E, A11B, A11F, A13F	C38.3	Pre	A07D, A09A, A09E, A11B, A11F, A13F
	03	D06B, D08A, D08B, D09Z, D25A, D25B, D28Z, D35Z, D60A, D60B, D60C		04	E05B, E71A, E71B		04	E05B, E71A, E71B
	06	G17A, G38Z, G67A		06	G17A, G38Z, G67A		06	G17A, G38Z, G67A
	08	I54Z		08	I54Z		08	I54Z
C31.8	15	TPN, VTPN	C34.0	15	TPN, VTPN	C38.4	15	TPN, VTPN
	Pre	A07D, A09A, A09E, A11B, A11F, A13F		Pre	A07D, A09A, A09E, A11B, A11F, A13F		Pre	A07D, A09A, A09E, A11B, A11F, A13F
	03	D06B, D08A, D08B, D09Z, D25A, D25B, D28Z, D35Z, D60A, D60B, D60C		04	E05B, E71A, E71B		04	E05B, E71A, E71B
	06	G17A, G38Z, G67A		06	G17A, G38Z, G67A		06	G17A, G38Z, G67A
C31.8	08	I54Z	C34.0	08	I54Z	C38.4	08	I54Z
	15	TPN, VTPN		15	TPN, VTPN		15	TPN, VTPN
	Pre	A07D, A09A, A09E, A11B, A11F, A13F		Pre	A07D, A09A, A09E, A11B, A11F, A13F		Pre	A07D, A09A, A09E, A11B, A11F, A13F
	03	D06B, D08A, D08B, D09Z, D25A, D25B, D28Z, D35Z, D60A, D60B, D60C		04	E05B, E71A, E71B		04	E05B, E71A, E71B
C31.8	06	G17A, G38Z, G67A	C34.0	06	G17A, G38Z, G67A	C38.4	06	G17A, G38Z, G67A
	08	I54Z		08	I54Z		08	I54Z
	15	TPN, VTPN		15	TPN, VTPN		15	TPN, VTPN
	Pre	A07D, A09A, A09E, A11B, A11F, A13F		Pre	A07D, A09A, A09E, A11B, A11F, A13F		Pre	A07D, A09A, A09E, A11B, A11F, A13F

Dg

ICD	MDC	DRG	ICD	MDC	DRG	ICD	MDC	DRG		
C38.8	04	E05B, E71A, E71B	C41.1	06	G17A, G38Z, G67A	C43.4	06	G17A, G38Z, G67A		
	06	G17A, G38Z, G67A		08	I06C, I54Z, I65A, I65B, I65C		08	I54Z		
	08	I54Z		15	TPN, VTPN		09	J01Z, J10A, J61A, J61B, J61C, J68A		
	15	TPN, VTPN		Pre	A07D, A09A, A09E, A11B, A11F, A13F		15	TPN, VTPN		
	Pre	A07D, A09A, A09E, A11B, A11F, A13F		C41.2	06		G17A, G38Z, G67A	Pre	A07D, A09A, A09E, A11B, A11F, A13F	
C39.0	03	D06B, D08A, D08B, D09Z, D25A, D25B, D28Z, D60A, D60B, D60C	08		I06C, I54Z, I65A, I65B, I65C	C43.5	06	G17A, G38Z, G67A		
	06	G17A, G38Z, G67A	15		TPN, VTPN		08	I54Z		
	08	I54Z	Pre		A07D, A09A, A09E, A11B, A11F, A13F		09	J01Z, J06Z, J07A, J07B, J10A, J14A, J14B, J16Z, J23Z, J25Z, J26Z, J61A, J61B, J61C, J68A		
	15	TPN, VTPN	C41.30		06		G17A, G38Z, G67A	15	TPN, VTPN	
	Pre	A07D, A09A, A09E, A11B, A11F, A13F		08	I06C, I54Z, I65A, I65B, I65C		Pre	A07D, A09A, A09E, A11B, A11F, A13F		
C39.8	04	E05B, E71A, E71B		15	TPN, VTPN	C43.6	06	G17A, G38Z, G67A		
	06	G17A, G38Z, G67A		Pre	A07D, A09A, A09E, A11B, A11F, A13F		08	I54Z		
	08	I54Z		C41.31	06		G17A, G38Z, G67A	09	J01Z, J06Z, J07A, J07B, J10A, J14A, J14B, J16Z, J23Z, J25Z, J26Z, J61A, J61B, J61C, J68A	
	15	TPN, VTPN	08		I06C, I54Z, I65A, I65B, I65C		15	TPN, VTPN		
	Pre	A07D, A09A, A09E, A11B, A11F, A13F	15		TPN, VTPN		Pre	A07D, A09A, A09E, A11B, A11F, A13F		
C39.9	04	E05B, E71A, E71B	Pre		A07D, A09A, A09E, A11B, A11F, A13F	C43.7	06	G17A, G38Z, G67A		
	06	G17A, G38Z, G67A	C41.32		06		G17A, G38Z, G67A	08	I02B, I02C, I54Z	
	08	I54Z		08	I06C, I54Z, I65A, I65B, I65C		09	J01Z, J02A, J02B, J02C, J03A, J03B, J04A, J04B, J08A, J08B, J08C, J10A, J61A, J61B, J61C, J68A		
	15	TPN, VTPN		15	TPN, VTPN		15	TPN, VTPN		
	Pre	A07D, A09A, A09E, A11B, A11F, A13F		Pre	A07D, A09A, A09E, A11B, A11F, A13F		Pre	A07D, A09A, A09E, A11B, A11F, A13F		
C40.0	06	G17A, G38Z, G67A		C41.4	06	G17A, G38Z, G67A	C43.8	06	G17A, G38Z, G67A	
	08	I06C, I54Z, I65A, I65B, I65C	08		I02B, I02C, I06C, I37Z, I54Z, I65A, I65B, I65C	08		I54Z		
	15	TPN, VTPN	15		TPN, VTPN	09		J01Z, J06Z, J07A, J07B, J10A, J14A, J14B, J16Z, J23Z, J25Z, J26Z, J61A, J61B, J61C, J68A		
	Pre	A07D, A09A, A09E, A11B, A11F, A13F	Pre		A07D, A09A, A09E, A11B, A11F, A13F	15		TPN, VTPN		
	C40.1	06	G17A, G38Z, G67A		C41.8	06		G17A, G38Z, G67A	C43.9	06
08		I06C, I32A, I32B, I32C, I32D, I32E, I32F, I32G, I54Z, I65A, I65B, I65C	08	I06C, I54Z, I65A, I65B, I65C		08	I54Z			
15		TPN, VTPN	15	TPN, VTPN		09	J01Z, J10A, J61A, J61B, J61C, J68A			
Pre		A07D, A09A, A09E, A11B, A11F, A13F	Pre	A07D, A09A, A09E, A11B, A11F, A13F		15	TPN, VTPN			
C40.2		06	G17A, G38Z, G67A	C41.9		06	G17A, G38Z, G67A	Pre		A07D, A09A, A09E, A11B, A11F, A13F
	08	I01Z, I02B, I02C, I03A, I03B, I04Z, I06C, I54Z, I65A, I65B, I65C	08		I06C, I54Z, I65A, I65B, I65C	C43.9	06	G17A, G38Z, G67A		
	15	TPN, VTPN	15		TPN, VTPN		08	I54Z		
	Pre	A07D, A09A, A09E, A11B, A11F, A13F	Pre		A07D, A09A, A09E, A11B, A11F, A13F		09	J01Z, J10A, J61A, J61B, J61C, J68A		
	C40.3	06	G17A, G38Z, G67A		C43.0		06	G17A, G38Z, G67A	C44.0	06
08		I01Z, I03A, I03B, I04Z, I06C, I54Z, I65A, I65B, I65C	08	I54Z			08	I54Z		
15		TPN, VTPN	09	J01Z, J10A, J61A, J61B, J61C, J68A		09	J01Z, J10A, J61A, J61B, J61C, J68A			
Pre		A07D, A09A, A09E, A11B, A11F, A13F	15	TPN, VTPN		15	TPN, VTPN			
C40.8		06	G17A, G38Z, G67A	C43.1		02	C02A, C65Z	C44.1		02
	08	I01Z, I03A, I03B, I04Z, I06C, I54Z, I65A, I65B, I65C	06		G17A, G38Z, G67A	06	G17A, G38Z, G67A			
	15	TPN, VTPN	08		I54Z	08	I54Z			
	Pre	A07D, A09A, A09E, A11B, A11F, A13F	15		TPN, VTPN	15	TPN, VTPN			
	C40.9	06	G17A, G38Z, G67A		C43.2	06	G17A, G38Z, G67A		C44.2	06
08		I06C, I54Z, I65A, I65B, I65C	08	I54Z		08	I54Z			
15		TPN, VTPN	09	J01Z, J10A, J61A, J61B, J61C, J68A		09	J01Z, J10A, J61A, J61B, J61C, J68A			
Pre		A07D, A09A, A09E, A11B, A11F, A13F	15	TPN, VTPN		15	TPN, VTPN			
C41.01		06	G17A, G38Z, G67A	C43.3		06	G17A, G38Z, G67A	C44.2		18A
	08	I06C, I54Z, I65A, I65B, I65C	08		I54Z	Pre	A07D, A09A, A09E, A11B, A11F, A13F			
	Pre	A07D, A09A, A09E, A11B, A11F, A13F	09		J01Z, J10A, J61A, J61B, J61C, J68A	06	G17A, G38Z, G67A			
	C41.02	06	G17A, G38Z, G67A		C43.3	09	J01Z, J10A, J61A, J61B, J61C, J68A		08	I54Z
		08	I06C, I54Z, I65A, I65B, I65C			15	TPN, VTPN		09	J01Z, J10A, J61A, J61B, J61C, J68A
Pre		A07D, A09A, A09E, A11B, A11F, A13F	Pre	A07D, A09A, A09E, A11B, A11F, A13F		15	TPN, VTPN			
C41.02		06	G17A, G38Z, G67A	C43.3		Pre	A07D, A09A, A09E, A11B, A11F, A13F	18A	S62Z	
		08	I06C, I54Z, I65A, I65B, I65C			Pre	A07D, A09A, A09E, A11B, A11F, A13F	Pre	A07D, A09A, A09E, A11B, A11F, A13F	
	Pre	A07D, A09A, A09E, A11B, A11F, A13F								

ICD	MDC	DRG	ICD	MDC	DRG	ICD	MDC	DRG
C44.3	06	G17A, G38Z, G67A	C45.1	06	G17A, G19A, G38Z, G40Z, G46A, G46B, G46C, G47Z, G60A, G60B, G67A	C46.9	06	G17A, G38Z, G67A
	08	I54Z		08	I54Z		08	I54Z
	09	J01Z, J10A, J61A, J61B, J61C, J68A		15	TPN, VTPN		15	TPN, VTPN
	15	TPN, VTPN		Pre	A07D, A09A, A09E, A11B, A11F, A13F		Pre	A07D, A09A, A09E, A11B, A11F, A13F
	18A	S62Z		Pre	A07D, A09A, A09E, A11B, A11F, A13F		Pre	A07D, A09A, A09E, A11B, A11F, A13F
C44.4	06	G17A, G38Z, G67A	C45.2	05	F75A, F75B, F75C, F75D	C47.0	06	G17A, G38Z, G67A
	08	I54Z		06	G17A, G38Z, G67A		08	I06C, I54Z, I65A, I65B, I65C
	09	J01Z, J10A, J61A, J61B, J61C, J68A		08	I54Z		15	TPN, VTPN
	15	TPN, VTPN		15	TPN, VTPN		Pre	A07D, A09A, A09E, A11B, A11F, A13F
	18A	S62Z		Pre	A07D, A09A, A09E, A11B, A11F, A13F		Pre	A07D, A09A, A09E, A11B, A11F, A13F
C44.5	06	G17A, G38Z, G67A	C45.7	06	G17A, G38Z, G67A	C47.1	06	G17A, G38Z, G67A
	08	I54Z		08	I06C, I54Z, I65A, I65B, I65C		08	I06C, I32A, I32B, I32C, I32D, I32E, I32F, I32G, I54Z, I65A, I65B, I65C
	09	J01Z, J10A, J61A, J61B, J61C, J68A		15	TPN, VTPN		15	TPN, VTPN
	15	TPN, VTPN		Pre	A07D, A09A, A09E, A11B, A11F, A13F		Pre	A07D, A09A, A09E, A11B, A11F, A13F
	18A	S62Z		Pre	A07D, A09A, A09E, A11B, A11F, A13F		Pre	A07D, A09A, A09E, A11B, A11F, A13F
C44.6	06	G17A, G38Z, G67A	C45.9	06	G17A, G38Z, G67A	C47.2	06	G17A, G38Z, G67A
	08	I54Z		08	I06C, I54Z, I65A, I65B, I65C		08	I06C, I37Z, I54Z, I65A, I65B, I65C
	09	J01Z, J10A, J61A, J61B, J61C, J68A		15	TPN, VTPN		15	TPN, VTPN
	15	TPN, VTPN		Pre	A07D, A09A, A09E, A11B, A11F, A13F		Pre	A07D, A09A, A09E, A11B, A11F, A13F
	18A	S62Z		Pre	A07D, A09A, A09E, A11B, A11F, A13F		Pre	A07D, A09A, A09E, A11B, A11F, A13F
C44.7	06	G17A, G38Z, G67A	C46.0	06	G17A, G38Z, G67A	C47.3	06	G17A, G38Z, G67A
	08	I54Z		08	I54Z		08	I06C, I54Z, I65A, I65B, I65C
	09	J01Z, J10A, J61A, J61B, J61C, J68A		09	J01Z, J10A, J61A, J61B, J61C, J68A		15	TPN, VTPN
	15	TPN, VTPN		18A	S62Z		Pre	A07D, A09A, A09E, A11B, A11F, A13F
	18A	S62Z		Pre	A07D, A09A, A09E, A11B, A11F, A13F		Pre	A07D, A09A, A09E, A11B, A11F, A13F
C44.8	06	G17A, G38Z, G67A	C46.1	06	G17A, G38Z, G67A	C47.4	06	G17A, G38Z, G67A
	08	I54Z		08	I54Z		08	I06C, I54Z, I65A, I65B, I65C
	09	J01Z, J02A, J02B, J02C, J03A, J03B, J04A, J04B, J08A, J08B, J08C, J10A, J61A, J61B, J61C, J68A		09	J01Z, J10A, J61A, J61B, J61C, J68A		15	TPN, VTPN
	15	TPN, VTPN		18A	S62Z		Pre	A07D, A09A, A09E, A11B, A11F, A13F
	18A	S62Z		Pre	A07D, A09A, A09E, A11B, A11F, A13F		Pre	A07D, A09A, A09E, A11B, A11F, A13F
C44.9	06	G17A, G38Z, G67A	C46.2	03	D06B, D08A, D08B, D09Z, D25A, D25B, D28Z, D60A, D60B, D60C	C47.5	06	G17A, G38Z, G67A
	08	I54Z		06	G17A, G38Z, G67A		08	I06C, I37Z, I54Z, I65A, I65B, I65C
	09	J01Z, J10A, J61A, J61B, J61C, J68A		08	I54Z		15	TPN, VTPN
	15	TPN, VTPN		18A	S62Z		Pre	A07D, A09A, A09E, A11B, A11F, A13F
	18A	S62Z		Pre	A07D, A09A, A09E, A11B, A11F, A13F		Pre	A07D, A09A, A09E, A11B, A11F, A13F
C45.0	04	E05B, E71A, E71B	C46.3	06	G17A, G38Z, G67A	C47.6	06	G17A, G38Z, G67A
	06	G17A, G38Z, G67A		08	I54Z		08	I06C, I54Z, I65A, I65B, I65C
	08	I54Z		17	R01A, R01B, R01C, R01D, R03Z, R11A, R11B, R11C, R61A, R61B, R61C, R61D, R61E, R61F, R61G, R61H		15	TPN, VTPN
	15	TPN, VTPN		18A	S62Z		Pre	A07D, A09A, A09E, A11B, A11F, A13F
	Pre	A07D, A09A, A09E, A11B, A11F, A13F		Pre	A07D, A09A, A09E, A11B, A11F, A13F		Pre	A07D, A09A, A09E, A11B, A11F, A13F
C44.3	06	G17A, G38Z, G67A	C46.7	06	G17A, G38Z, G67A	C47.8	06	G17A, G38Z, G67A
	08	I54Z		08	I54Z		08	I06C, I54Z, I65A, I65B, I65C
	09	J01Z, J10A, J61A, J61B, J61C, J68A		09	J01Z, J10A, J61A, J61B, J61C, J68A		15	TPN, VTPN
	15	TPN, VTPN		18A	S62Z		Pre	A07D, A09A, A09E, A11B, A11F, A13F
	18A	S62Z		Pre	A07D, A09A, A09E, A11B, A11F, A13F		Pre	A07D, A09A, A09E, A11B, A11F, A13F
C44.3	06	G17A, G38Z, G67A	C46.8	06	G17A, G38Z, G67A	C47.9	06	G17A, G38Z, G67A
	08	I54Z		08	I54Z		08	I06C, I54Z, I65A, I65B, I65C
	09	J01Z, J10A, J61A, J61B, J61C, J68A		09	J01Z, J10A, J61A, J61B, J61C, J68A		15	TPN, VTPN
	15	TPN, VTPN		18A	S62Z		Pre	A07D, A09A, A09E, A11B, A11F, A13F
	18A	S62Z		Pre	A07D, A09A, A09E, A11B, A11F, A13F		Pre	A07D, A09A, A09E, A11B, A11F, A13F



ICD	MDC	DRG	ICD	MDC	DRG	ICD	MDC	DRG
C48.1	06	G17A, G19A, G38Z, G40Z, G46A, G46B, G46C, G47Z, G60A, G60B, G67A	C49.8	06	G17A, G38Z, G67A	C50.6	06	G17A, G38Z, G67A
	08	I54Z		08	I01Z, I02B, I02C, I03A, I03B, I04Z, I06C, I27A, I27B, I27C, I54Z, I65A, I65B, I65C		08	I54Z
	15	TPN, VTPN		15	TPN, VTPN		09	J01Z, J06Z, J07A, J07B, J08A, J08B, J08C, J10A, J14A, J14B, J16Z, J23Z, J25Z, J26Z, J62A, J62B
	Pre	A07D, A09A, A09E, A11B, A11F, A13F		Pre	A07D, A09A, A09E, A11B, A11F, A13F		Pre	TPN, VTPN
C48.2	06	G17A, G19A, G38Z, G40Z, G46A, G46B, G46C, G47Z, G60A, G60B, G67A	C49.9	06	G17A, G38Z, G67A	C50.8	06	G17A, G38Z, G67A
	08	I54Z		08	I06C, I54Z, I65A, I65B, I65C		08	I54Z
	15	TPN, VTPN		15	TPN, VTPN		09	J01Z, J06Z, J07A, J07B, J08A, J08B, J08C, J10A, J14A, J14B, J16Z, J23Z, J25Z, J26Z, J62A, J62B
	Pre	A07D, A09A, A09E, A11B, A11F, A13F		Pre	A07D, A09A, A09E, A11B, A11F, A13F		Pre	TPN, VTPN
C48.8	06	G17A, G19A, G38Z, G40Z, G46A, G46B, G46C, G47Z, G60A, G60B, G67A	C50.0	06	G17A, G38Z, G67A	C50.9	06	G17A, G38Z, G67A
	08	I54Z		08	I54Z		08	I54Z
	15	TPN, VTPN		09	J01Z, J06Z, J07A, J07B, J10A, J14A, J14B, J16Z, J23Z, J25Z, J26Z, J62A, J62B		09	J01Z, J06Z, J07A, J07B, J08A, J08B, J08C, J10A, J14A, J14B, J16Z, J23Z, J25Z, J26Z, J62A, J62B
	Pre	A07D, A09A, A09E, A11B, A11F, A13F		Pre	A07D, A09A, A09E, A11B, A11F, A13F		Pre	A07D, A09A, A09E, A11B, A11F, A13F
C49.0	06	G17A, G38Z, G67A	C50.1	06	G17A, G38Z, G67A	C51.0	06	G17A, G38Z, G67A
	08	I06C, I27A, I27B, I27C, I54Z, I65A, I65B, I65C		08	I54Z		08	I54Z
	15	TPN, VTPN		09	J01Z, J06Z, J07A, J07B, J08A, J08B, J08C, J10A, J14A, J14B, J16Z, J23Z, J25Z, J26Z, J62A, J62B		09	J01Z, J06Z, J07A, J07B, J08A, J08B, J08C, J10A, J14A, J14B, J16Z, J23Z, J25Z, J26Z, J62A, J62B
	Pre	A07D, A09A, A09E, A11B, A11F, A13F		Pre	A07D, A09A, A09E, A11B, A11F, A13F		Pre	A07D, A09A, A09E, A11B, A11F, A13F
C49.1	06	G17A, G38Z, G67A	C50.2	06	G17A, G38Z, G67A	C51.1	06	G17A, G38Z, G67A
	08	I06C, I27A, I27B, I27C, I32A, I32B, I32C, I32D, I32E, I32F, I32G, I54Z, I65A, I65B, I65C		08	I54Z		08	I54Z
	15	TPN, VTPN		09	J01Z, J06Z, J07A, J07B, J08A, J08B, J08C, J10A, J14A, J14B, J16Z, J23Z, J25Z, J26Z, J62A, J62B		13	N03A, N03B, N38Z, N60A, N60B
	Pre	A07D, A09A, A09E, A11B, A11F, A13F		Pre	A07D, A09A, A09E, A11B, A11F, A13F		Pre	A07D, A09A, A09E, A11B, A11F, A13F
C49.2	06	G17A, G38Z, G67A	C50.3	06	G17A, G38Z, G67A	C51.2	06	G17A, G38Z, G67A
	08	I01Z, I02B, I02C, I03A, I03B, I04Z, I06C, I27A, I27B, I27C, I37Z, I54Z, I65A, I65B, I65C		08	I54Z		08	I54Z
	15	TPN, VTPN		09	J01Z, J06Z, J07A, J07B, J08A, J08B, J08C, J10A, J14A, J14B, J16Z, J23Z, J25Z, J26Z, J62A, J62B		13	N03A, N03B, N38Z, N60A, N60B
	Pre	A07D, A09A, A09E, A11B, A11F, A13F		Pre	A07D, A09A, A09E, A11B, A11F, A13F		Pre	A07D, A09A, A09E, A11B, A11F, A13F
C49.3	06	G17A, G38Z, G67A	C50.4	06	G17A, G38Z, G67A	C51.8	06	G17A, G38Z, G67A
	08	I06C, I27A, I27B, I27C, I54Z, I65A, I65B, I65C		08	I54Z		08	I54Z
	15	TPN, VTPN		09	J01Z, J06Z, J07A, J07B, J08A, J08B, J08C, J10A, J14A, J14B, J16Z, J23Z, J25Z, J26Z, J62A, J62B		13	N03A, N03B, N38Z, N60A, N60B
	Pre	A07D, A09A, A09E, A11B, A11F, A13F		Pre	A07D, A09A, A09E, A11B, A11F, A13F		Pre	A07D, A09A, A09E, A11B, A11F, A13F
C49.4	06	G17A, G38Z, G67A	C50.5	06	G17A, G38Z, G67A	C51.9	06	G17A, G38Z, G67A
	08	I06C, I27A, I27B, I27C, I54Z, I65A, I65B, I65C		08	I54Z		08	I54Z
	15	TPN, VTPN		09	J01Z, J06Z, J07A, J07B, J08A, J08B, J08C, J10A, J14A, J14B, J16Z, J23Z, J25Z, J26Z, J62A, J62B		13	N03A, N03B, N38Z, N60A, N60B
	Pre	A07D, A09A, A09E, A11B, A11F, A13F		Pre	A07D, A09A, A09E, A11B, A11F, A13F		Pre	A07D, A09A, A09E, A11B, A11F, A13F
C49.5	06	G17A, G38Z, G67A	C50.6	06	G17A, G38Z, G67A	C52	06	G17A, G38Z, G67A
	08	I02B, I02C, I06C, I27A, I27B, I27C, I37Z, I54Z, I65A, I65B, I65C		08	I54Z		08	I54Z
	15	TPN, VTPN		09	J01Z, J06Z, J07A, J07B, J08A, J08B, J08C, J10A, J14A, J14B, J16Z, J23Z, J25Z, J26Z, J62A, J62B		13	N03A, N03B, N38Z, N60A, N60B
	Pre	A07D, A09A, A09E, A11B, A11F, A13F		Pre	A07D, A09A, A09E, A11B, A11F, A13F		Pre	A07D, A09A, A09E, A11B, A11F, A13F
C49.6	06	G17A, G38Z, G67A	C50.7	06	G17A, G38Z, G67A	C52	06	G17A, G38Z, G67A
	08	I02B, I02C, I06C, I27A, I27B, I27C, I54Z, I65A, I65B, I65C		08	I54Z		08	I54Z
	15	TPN, VTPN		09	J01Z, J06Z, J07A, J07B, J08A, J08B, J08C, J10A, J14A, J14B, J16Z, J23Z, J25Z, J26Z, J62A, J62B		13	N03A, N03B, N38Z, N60A, N60B
	Pre	A07D, A09A, A09E, A11B, A11F, A13F		Pre	A07D, A09A, A09E, A11B, A11F, A13F		Pre	A07D, A09A, A09E, A11B, A11F, A13F

Dg

ICD	MDC	DRG	ICD	MDC	DRG	ICD	MDC	DRG
C53.0	06	G17A, G38Z, G67A	C55	06	G17A, G38Z, G67A	C57.9	06	G17A, G38Z, G67A
	08	I54Z		08	I54Z		08	I54Z
	13	N03A, N03B, N38Z, N60A, N60B		13	N03A, N03B, N38Z, N60A, N60B		13	N03A, N03B, N38Z, N60A, N60B
	15	TPN, VTPN		15	TPN, VTPN		15	TPN, VTPN
	Pre	A07D, A09A, A09E, A11B, A11F, A13F		Pre	A07D, A09A, A09E, A11B, A11F, A13F		Pre	A07D, A09A, A09E, A11B, A11F, A13F
C53.1	06	G17A, G38Z, G67A	C56	06	G17A, G38Z, G67A	C58	06	G17A, G38Z, G67A
	08	I54Z		08	I54Z		08	I54Z
	13	N03A, N03B, N38Z, N60A, N60B		13	N01A, N01B, N01C, N01D, N01E, N02A, N02B, N02C, N38Z, N60A, N60B		13	N03A, N03B, N38Z, N60A, N60B
	15	TPN, VTPN		15	TPN, VTPN		Pre	A07D, A09A, A09E, A11B, A11F, A13F
	Pre	A07D, A09A, A09E, A11B, A11F, A13F		Pre	A07D, A09A, A09E, A11B, A11F, A13F, A15C		Pre	A07D, A09A, A09E, A11B, A11F, A13F
C53.8	06	G17A, G38Z, G67A	C57.0	06	G17A, G38Z, G67A	C60.0	06	G17A, G38Z, G67A
	08	I54Z		08	I54Z		08	I54Z
	13	N03A, N03B, N38Z, N60A, N60B		13	N01A, N01B, N01C, N01D, N01E, N02A, N02B, N02C, N38Z, N60A, N60B		12	M09A, M09B, M60A, M60B, M60C
	15	TPN, VTPN		15	TPN, VTPN		15	TPN, VTPN
	Pre	A07D, A09A, A09E, A11B, A11F, A13F		Pre	A07D, A09A, A09E, A11B, A11F, A13F		Pre	A07D, A09A, A09E, A11B, A11F, A13F
C53.9	06	G17A, G38Z, G67A	C57.1	06	G17A, G38Z, G67A	C60.1	06	G17A, G38Z, G67A
	08	I54Z		08	I54Z		08	I54Z
	13	N03A, N03B, N38Z, N60A, N60B		13	N01A, N01B, N01C, N01D, N01E, N02A, N02B, N02C, N38Z, N60A, N60B		12	M09A, M09B, M60A, M60B, M60C
	15	TPN, VTPN		15	TPN, VTPN		15	TPN, VTPN
	Pre	A07D, A09A, A09E, A11B, A11F, A13F		Pre	A07D, A09A, A09E, A11B, A11F, A13F		Pre	A07D, A09A, A09E, A11B, A11F, A13F
C54.0	06	G17A, G38Z, G67A	C57.2	06	G17A, G38Z, G67A	C60.2	06	G17A, G38Z, G67A
	08	I54Z		08	I54Z		08	I54Z
	13	N03A, N03B, N38Z, N60A, N60B		13	N01A, N01B, N01C, N01D, N01E, N02A, N02B, N02C, N38Z, N60A, N60B		12	M09A, M09B, M60A, M60B, M60C
	15	TPN, VTPN		15	TPN, VTPN		15	TPN, VTPN
	Pre	A07D, A09A, A09E, A11B, A11F, A13F		Pre	A07D, A09A, A09E, A11B, A11F, A13F		Pre	A07D, A09A, A09E, A11B, A11F, A13F
C54.1	06	G17A, G38Z, G67A	C57.3	06	G17A, G38Z, G67A	C60.8	06	G17A, G38Z, G67A
	08	I54Z		08	I54Z		08	I54Z
	13	N03A, N03B, N38Z, N60A, N60B		13	N01A, N01B, N01C, N01D, N01E, N02A, N02B, N02C, N38Z, N60A, N60B		12	M09A, M09B, M60A, M60B, M60C
	15	TPN, VTPN		15	TPN, VTPN		15	TPN, VTPN
	Pre	A07D, A09A, A09E, A11B, A11F, A13F		Pre	A07D, A09A, A09E, A11B, A11F, A13F		Pre	A07D, A09A, A09E, A11B, A11F, A13F
C54.2	06	G17A, G38Z, G67A	C57.4	06	G17A, G38Z, G67A	C60.9	06	G17A, G38Z, G67A
	08	I54Z		08	I54Z		08	I54Z
	13	N03A, N03B, N38Z, N60A, N60B		13	N01A, N01B, N01C, N01D, N01E, N02A, N02B, N02C, N38Z, N60A, N60B		12	M09A, M09B, M60A, M60B, M60C
	15	TPN, VTPN		15	TPN, VTPN		15	TPN, VTPN
	Pre	A07D, A09A, A09E, A11B, A11F, A13F		Pre	A07D, A09A, A09E, A11B, A11F, A13F		Pre	A07D, A09A, A09E, A11B, A11F, A13F
C54.3	06	G17A, G38Z, G67A	C57.7	06	G17A, G38Z, G67A	C61	06	G17A, G38Z, G67A
	08	I54Z		08	I54Z		08	I54Z
	13	N03A, N03B, N38Z, N60A, N60B		13	N01A, N01B, N01C, N01D, N01E, N02A, N02B, N02C, N38Z, N60A, N60B		12	M09A, M09B, M60A, M60B, M60C
	15	TPN, VTPN		15	TPN, VTPN		Pre	A07D, A09A, A09E, A11B, A11F, A13F
	Pre	A07D, A09A, A09E, A11B, A11F, A13F		Pre	A07D, A09A, A09E, A11B, A11F, A13F		Pre	A07D, A09A, A09E, A11B, A11F, A13F
C54.8	06	G17A, G38Z, G67A	C57.8	06	G17A, G38Z, G67A	C62.0	06	G17A, G38Z, G67A
	08	I54Z		08	I54Z		08	I54Z
	13	N03A, N03B, N38Z, N60A, N60B		13	N03A, N03B, N38Z, N60A, N60B		12	M09A, M09B, M60A, M60B, M60C
	15	TPN, VTPN		15	TPN, VTPN		15	TPN, VTPN
	Pre	A07D, A09A, A09E, A11B, A11F, A13F		Pre	A07D, A09A, A09E, A11B, A11F, A13F		Pre	A07D, A09A, A09E, A11B, A11F, A13F, A15C
C54.9	06	G17A, G38Z, G67A		06	G17A, G38Z, G67A	C62.1	06	G17A, G38Z, G67A
	08	I54Z		08	I54Z		08	I54Z
	13	N03A, N03B, N38Z, N60A, N60B		13	N03A, N03B, N38Z, N60A, N60B		12	M09A, M09B, M60A, M60B, M60C
	15	TPN, VTPN		15	TPN, VTPN		15	TPN, VTPN
	Pre	A07D, A09A, A09E, A11B, A11F, A13F		Pre	A07D, A09A, A09E, A11B, A11F, A13F		Pre	A07D, A09A, A09E, A11B, A11F, A13F, A15C



ICD	MDC	DRG	ICD	MDC	DRG	ICD	MDC	DRG
C69.8	02	C02A, C65Z	C71.4	01	B02A, B02B, B02C, B02D, B03A, B03B, B66A, B66B, B66C, B66D	C72.2	01	B02A, B02B, B02C, B02D, B03A, B03B, B66A, B66B, B66C, B66D
	06	G17A, G38Z, G67A		06	G17A, G38Z, G67A		06	G17A, G38Z, G67A
	08	I54Z		08	I54Z		08	I54Z
	15	TPN, VTPN		15	TPN, VTPN		15	TPN, VTPN
	Pre	A07D, A09A, A09E, A11B, A11F, A13F		Pre	A07D, A09A, A09E, A11B, A11F, A13F		Pre	A07D, A09A, A09E, A11B, A11F, A13F
C69.9	02	C02A, C65Z	C71.5	01	B02A, B02B, B02C, B02D, B03A, B03B, B66A, B66B, B66C, B66D	C72.3	01	B02A, B02B, B02C, B02D, B03A, B03B, B66A, B66B, B66C, B66D
	06	G17A, G38Z, G67A		06	G17A, G38Z, G67A		06	G17A, G38Z, G67A
	08	I54Z		08	I54Z		08	I54Z
	15	TPN, VTPN		15	TPN, VTPN		15	TPN, VTPN
	Pre	A07D, A09A, A09E, A11B, A11F, A13F		Pre	A07D, A09A, A09E, A11B, A11F, A13F		Pre	A07D, A09A, A09E, A11B, A11F, A13F
C70.0	01	B02A, B02B, B02C, B02D, B03A, B03B, B66A, B66B, B66C, B66D	C71.6	01	B02A, B02B, B02C, B02D, B03A, B03B, B66A, B66B, B66C, B66D	C72.4	01	B02A, B02B, B02C, B02D, B03A, B03B, B66A, B66B, B66C, B66D
	06	G17A, G38Z, G67A		06	G17A, G38Z, G67A		06	G17A, G38Z, G67A
	08	I54Z		08	I54Z		08	I54Z
	15	TPN, VTPN		15	TPN, VTPN		15	TPN, VTPN
	Pre	A07D, A09A, A09E, A11B, A11F, A13F		Pre	A07D, A09A, A09E, A11B, A11F, A13F		Pre	A07D, A09A, A09E, A11B, A11F, A13F
C70.1	01	B02A, B02B, B02C, B02D, B03A, B03B, B66A, B66B, B66C, B66D	C71.7	01	B02A, B02B, B02C, B02D, B03A, B03B, B66A, B66B, B66C, B66D	C72.5	01	B02A, B02B, B02C, B02D, B03A, B03B, B66A, B66B, B66C, B66D
	06	G17A, G38Z, G67A		06	G17A, G38Z, G67A		06	G17A, G38Z, G67A
	08	I54Z		08	I54Z		08	I54Z
	15	TPN, VTPN		15	TPN, VTPN		15	TPN, VTPN
	Pre	A07D, A09A, A09E, A11B, A11F, A13F		Pre	A07D, A09A, A09E, A11B, A11F, A13F		Pre	A07D, A09A, A09E, A11B, A11F, A13F
C70.9	01	B02A, B02B, B02C, B02D, B03A, B03B, B66A, B66B, B66C, B66D	C71.8	01	B02A, B02B, B02C, B02D, B03A, B03B, B66A, B66B, B66C, B66D	C72.8	01	B02A, B02B, B02C, B02D, B03A, B03B, B66A, B66B, B66C, B66D
	06	G17A, G38Z, G67A		06	G17A, G38Z, G67A		06	G17A, G38Z, G67A
	08	I54Z		08	I54Z		08	I54Z
	15	TPN, VTPN		15	TPN, VTPN		15	TPN, VTPN
	Pre	A07D, A09A, A09E, A11B, A11F, A13F		Pre	A07D, A09A, A09E, A11B, A11F, A13F		Pre	A07D, A09A, A09E, A11B, A11F, A13F
C71.0	01	B02A, B02B, B02C, B02D, B03A, B03B, B66A, B66B, B66C, B66D	C71.9	01	B02A, B02B, B02C, B02D, B03A, B03B, B66A, B66B, B66C, B66D	C72.9	01	B02A, B02B, B02C, B02D, B03A, B03B, B66A, B66B, B66C, B66D
	06	G17A, G38Z, G67A		06	G17A, G38Z, G67A		06	G17A, G38Z, G67A
	08	I54Z		08	I54Z		08	I54Z
	15	TPN, VTPN		15	TPN, VTPN		15	TPN, VTPN
	Pre	A07D, A09A, A09E, A11B, A11F, A13F		Pre	A07D, A09A, A09E, A11B, A11F, A13F		Pre	A07D, A09A, A09E, A11B, A11F, A13F
C71.1	01	B02A, B02B, B02C, B02D, B03A, B03B, B66A, B66B, B66C, B66D	C72.0	01	B02A, B02B, B02C, B02D, B03A, B03B, B66A, B66B, B66C, B66D	C73	06	G17A, G38Z, G67A
	06	G17A, G38Z, G67A		06	G17A, G38Z, G67A		08	I54Z
	08	I54Z		08	I54Z		10	K06A, K06C, K64A, K64B, K64C, K64D
	15	TPN, VTPN		15	TPN, VTPN		15	TPN, VTPN
	Pre	A07D, A09A, A09E, A11B, A11F, A13F		Pre	A07D, A09A, A09E, A11B, A11F, A13F		Pre	A07D, A09A, A09E, A11B, A11F, A13F
C71.2	01	B02A, B02B, B02C, B02D, B03A, B03B, B66A, B66B, B66C, B66D	C72.1	01	B02A, B02B, B02C, B02D, B03A, B03B, B66A, B66B, B66C, B66D	C74.0	06	G17A, G38Z, G67A
	06	G17A, G38Z, G67A		06	G17A, G38Z, G67A		08	I54Z
	08	I54Z		08	I54Z		10	K03A, K03B, K64A, K64B, K64C
	15	TPN, VTPN		15	TPN, VTPN		15	TPN, VTPN
	Pre	A07D, A09A, A09E, A11B, A11F, A13F		Pre	A07D, A09A, A09E, A11B, A11F, A13F		Pre	A07D, A09A, A09E, A11B, A11F, A13F
C71.3	01	B02A, B02B, B02C, B02D, B03A, B03B, B66A, B66B, B66C, B66D				C74.1	06	G17A, G38Z, G67A
	06	G17A, G38Z, G67A					08	I54Z
	08	I54Z					10	K03A, K03B, K64A, K64B, K64C
	15	TPN, VTPN					15	TPN, VTPN
	Pre	A07D, A09A, A09E, A11B, A11F, A13F					Pre	A07D, A09A, A09E, A11B, A11F, A13F

ICD	MDC	DRG	ICD	MDC	DRG	ICD	MDC	DRG
C74.9	06	G17A, G38Z, G67A	C76.1	04	E05B, E71A, E71B	C77.2	06	G17A, G38Z, G67A
	08	I54Z		06	G17A, G38Z, G67A		08	I54Z
	10	K03A, K03B, K64A, K64B, K64C		08	I54Z		15	TPN, VTPN
	15	TPN, VTPN		15	TPN, VTPN		17	R04A, R04B, R12A, R12B, R12C, R13Z, R14Z, R62A, R62B, R62C
	Pre	A07D, A09A, A09E, A11B, A11F, A13F		Pre	A07D, A09A, A09E, A11B, A11F, A13F		Pre	A07D, A09A, A09E, A11B, A11F, A13F
C75.0	06	G17A, G38Z, G67A	C76.2	06	G17A, G19A, G38Z, G40Z, G46A, G46B, G46C, G47Z, G60A, G60B, G67A	C77.3	06	G17A, G38Z, G67A
	08	I54Z		08	I54Z		08	I54Z
	10	K06A, K06C, K64A, K64B, K64C, K64D		15	TPN, VTPN		15	TPN, VTPN
	15	TPN, VTPN		Pre	A07D, A09A, A09E, A11B, A11F, A13F		17	R04A, R04B, R12A, R12B, R12C, R13Z, R14Z, R62A, R62B, R62C
	Pre	A07D, A09A, A09E, A11B, A11F, A13F		Pre	A07D, A09A, A09E, A11B, A11F, A13F		Pre	A07D, A09A, A09E, A11B, A11F, A13F
C75.1	01	B02A, B02B, B02C, B02D	C76.3	06	G17A, G38Z, G67A	C77.4	06	G17A, G38Z, G67A
	06	G17A, G38Z, G67A		08	I54Z		08	I54Z
	08	I54Z		12	M09A, M09B, M60A, M60B, M60C		15	TPN, VTPN
	10	K64A, K64B, K64C, K64D		13	N03A, N03B, N38Z, N60A, N60B		17	R04A, R04B, R12A, R12B, R12C, R13Z, R14Z, R62A, R62B, R62C
	15	TPN, VTPN		15	TPN, VTPN		Pre	A07D, A09A, A09E, A11B, A11F, A13F
Pre	A07D, A09A, A09E, A11B, A11F, A13F	Pre	A07D, A09A, A09E, A11B, A11F, A13F	Pre	A07D, A09A, A09E, A11B, A11F, A13F			
C75.2	01	B02A, B02B, B02C, B02D, B66A, B66B, B66C, B66D	C76.4	06	G17A, G38Z, G67A	C77.5	06	G17A, G38Z, G67A
	06	G17A, G38Z, G67A		08	I54Z		08	I54Z
	08	I54Z		15	TPN, VTPN		15	TPN, VTPN
	15	TPN, VTPN		17	R04A, R04B, R12A, R12B, R12C, R13Z, R14Z, R62A, R62B, R62C		17	R04A, R04B, R12A, R12B, R12C, R13Z, R14Z, R62A, R62B, R62C
	Pre	A07D, A09A, A09E, A11B, A11F, A13F		Pre	A07D, A09A, A09E, A11B, A11F, A13F		Pre	A07D, A09A, A09E, A11B, A11F, A13F
C75.3	01	B02A, B02B, B02C, B02D, B03A, B03B, B66A, B66B, B66C, B66D	C76.5	06	G17A, G38Z, G67A	C77.8	06	G17A, G38Z, G67A
	06	G17A, G38Z, G67A		08	I54Z		08	I54Z
	08	I54Z		15	TPN, VTPN		15	TPN, VTPN
	15	TPN, VTPN		17	R04A, R04B, R12A, R12B, R12C, R13Z, R14Z, R62A, R62B, R62C		17	R04A, R04B, R12A, R12B, R12C, R13Z, R14Z, R62A, R62B, R62C
	Pre	A07D, A09A, A09E, A11B, A11F, A13F		Pre	A07D, A09A, A09E, A11B, A11F, A13F		Pre	A07D, A09A, A09E, A11B, A11F, A13F
C75.4	01	B03A, B03B, B66A, B66B, B66C, B66D	C76.7	06	G17A, G38Z, G67A	C77.9	06	G17A, G38Z, G67A
	06	G17A, G38Z, G67A		08	I54Z		08	I54Z
	08	I54Z		15	TPN, VTPN		15	TPN, VTPN
	15	TPN, VTPN		17	R04A, R04B, R12A, R12B, R12C, R13Z, R14Z, R62A, R62B, R62C		17	R04A, R04B, R12A, R12B, R12C, R13Z, R14Z, R62A, R62B, R62C
	Pre	A07D, A09A, A09E, A11B, A11F, A13F		Pre	A07D, A09A, A09E, A11B, A11F, A13F		Pre	A07D, A09A, A09E, A11B, A11F, A13F
C75.5	01	B03A, B03B, B66A, B66B, B66C, B66D	C76.8	06	G17A, G38Z, G67A	C78.0	04	E05B, E71A, E71B
	06	G17A, G38Z, G67A		08	I54Z		06	G17A, G38Z, G67A
	08	I54Z		15	TPN, VTPN		08	I54Z
	15	TPN, VTPN		17	R04A, R04B, R12A, R12B, R12C, R13Z, R14Z, R62A, R62B, R62C		15	TPN, VTPN
	Pre	A07D, A09A, A09E, A11B, A11F, A13F		Pre	A07D, A09A, A09E, A11B, A11F, A13F		Pre	A07D, A09A, A09E, A11B, A11F, A13F
C75.8	06	G17A, G38Z, G67A	C77.0	06	G17A, G38Z, G67A	C78.1	04	E05B, E71A, E71B
	08	I54Z		08	I54Z		06	G17A, G38Z, G67A
	10	K64A, K64B, K64C		15	TPN, VTPN		08	I54Z
	15	TPN, VTPN		17	R04A, R04B, R12A, R12B, R12C, R13Z, R14Z, R62A, R62B, R62C		15	TPN, VTPN
	Pre	A07D, A09A, A09E, A11B, A11F, A13F		Pre	A07D, A09A, A09E, A11B, A11F, A13F		Pre	A07D, A09A, A09E, A11B, A11F, A13F
C75.9	06	G17A, G38Z, G67A	C77.1	06	G17A, G38Z, G67A	C78.2	04	E05B, E71A, E71B
	08	I54Z		08	I54Z		06	G17A, G38Z, G67A
	10	K64A, K64B, K64C, K64D		15	TPN, VTPN		08	I54Z
	15	TPN, VTPN		17	R04A, R04B, R12A, R12B, R12C, R13Z, R14Z, R62A, R62B, R62C		15	TPN, VTPN
	Pre	A07D, A09A, A09E, A11B, A11F, A13F		Pre	A07D, A09A, A09E, A11B, A11F, A13F		Pre	A07D, A09A, A09E, A11B, A11F, A13F
C76.0	03	D06B, D08A, D08B, D09Z, D25A, D25B, D28Z, D60A, D60B, D60C	C77.2	06	G17A, G38Z, G67A	C78.2	04	E05B, E71A, E71B
	06	G17A, G38Z, G67A		08	I54Z		06	G17A, G38Z, G67A
	08	I54Z		15	TPN, VTPN		08	I54Z
	15	TPN, VTPN		17	R04A, R04B, R12A, R12B, R12C, R13Z, R14Z, R62A, R62B, R62C		15	TPN, VTPN
	Pre	A07D, A09A, A09E, A11B, A11F, A13F		Pre	A07D, A09A, A09E, A11B, A11F, A13F		Pre	A07D, A09A, A09E, A11B, A11F, A13F

Dg

ICD	MDC	DRG	ICD	MDC	DRG	ICD	MDC	DRG				
C78.3	04	E05B, E71A, E71B	C79.3	01	B03A, B03B, B66A, B66B, B66C, B66D, B70A, B70B, B70C, B70E	C79.84	06	G17A, G38Z, G67A				
	06	G17A, G38Z, G67A		06	G17A, G38Z, G67A		08	I54Z				
	08	I54Z		08	I54Z		15	TPN, VTPN				
	15	TPN, VTPN		15	TPN, VTPN		17	R04A, R04B, R12A, R12B, R12C, R13Z, R14Z, R62A, R62B, R62C				
C78.4	Pre	A07D, A09A, A09E, A11B, A11F, A13F	C79.4	06	G17A, G38Z, G67A	C79.88	Pre	A07D, A09A, A09E, A11B, A11F, A13F				
	06	G17A, G19A, G38Z, G40Z, G46A, G46B, G46C, G47Z, G60A, G60B, G67A		01	B03A, B03B, B66A, B66B, B66C, B66D		06	G17A, G38Z, G67A				
	08	I54Z		06	G17A, G38Z, G67A		08	I54Z				
	15	TPN, VTPN		08	I54Z		15	TPN, VTPN				
C78.5	Pre	A07D, A09A, A09E, A11B, A11F, A13F	C79.5	06	G17A, G38Z, G67A	C79.9	17	R04A, R04B, R12A, R12B, R12C, R13Z, R14Z, R62A, R62B, R62C				
	06	G17A, G19A, G38Z, G40Z, G46A, G46B, G46C, G47Z, G60A, G60B, G67A		06	G17A, G38Z, G67A		Pre	A07D, A09A, A09E, A11B, A11F, A13F				
	08	I54Z		08	I01Z, I03A, I03B, I04Z, I37Z, I54Z, I65A, I65B, I65C		06	G17A, G38Z, G67A				
	15	TPN, VTPN		15	TPN, VTPN		08	I54Z				
C78.6	Pre	A07D, A09A, A09E, A11B, A11F, A13F	C79.6	17	R61F, R61G, R62A, R62B	C80.0	17	R04A, R04B, R12A, R12B, R12C, R13Z, R14Z, R62A, R62B, R62C				
	06	G01Z, G02Z, G17A, G19A, G38Z, G40Z, G46A, G46B, G46C, G47Z, G60A, G60B, G67A		Pre	A07D, A09A, A09E, A11B, A11F, A13F		Pre	A07D, A09A, A09E, A11B, A11F, A13F, A15C				
	08	I54Z		06	G17A, G38Z, G67A		06	G17A, G38Z, G67A				
	15	TPN, VTPN		08	I54Z		08	I54Z				
C78.7	Pre	A07D, A09A, A09E, A11B, A11F, A13F	C79.7	13	N01A, N01B, N01C, N01D, N01E, N02A, N02B, N02C, N38Z, N60A, N60B	C80.9	17	R04A, R04B, R12A, R12B, R12C, R13Z, R14Z, R62A, R62B, R62C				
	06	G01Z, G02Z, G17A, G38Z, G67A		15	TPN, VTPN		Pre	A07D, A09A, A09E, A11B, A11F, A13F, A15C				
	07	H07A, H08A, H09B, H61A, H61B, H78Z		Pre	A07D, A09A, A09E, A11B, A11F, A13F		06	G17A, G38Z, G67A				
	08	I54Z		06	G17A, G38Z, G67A		08	I54Z				
C78.8	15	TPN, VTPN	C79.81	08	I54Z	C81.0	17	R04A, R04B, R12A, R12B, R12C, R13Z, R14Z, R62A, R62B, R62C				
	Pre	A07D, A09A, A09E, A11B, A11F, A13F		10	K03A, K03B, K64A, K64B, K64C, K64D		Pre	A07D, A09A, A09E, A11B, A11F, A13F, A15C				
	06	G17A, G19A, G38Z, G40Z, G46A, G46B, G46C, G47Z, G60A, G60B, G67A		15	TPN, VTPN		06	G17A, G38Z, G67A				
	08	I54Z		Pre	A07D, A09A, A09E, A11B, A11F, A13F		08	I54Z				
C79.0	15	TPN, VTPN	C79.82	09	J01Z, J06Z, J07A, J07B, J10A, J14A, J14B, J16Z, J23Z, J25Z, J26Z, J62A, J62B	C81.1	15	TPN, VTPN				
	Pre	A07D, A09A, A09E, A11B, A11F, A13F		15	TPN, VTPN		17	R01A, R01B, R01C, R01D, R03Z, R11A, R11B, R11C, R61A, R61B, R61C, R61D, R61E, R61F, R61G, R61H				
	06	G17A, G38Z, G67A		Pre	A07D, A09A, A09E, A11B, A11F, A13F		Pre	A07D, A09A, A09E, A11B, A11F, A13A, A13F, A15C				
	08	I54Z		06	G17A, G38Z, G67A		06	G17A, G38Z, G67A				
C79.1	11	L02A, L02B, L02C, L03Z, L10Z, L13A, L13B, L38Z, L62A, L62B	C79.83	08	I54Z	C81.2	08	I54Z				
	15	TPN, VTPN		12	M09A, M09B, M60A, M60B, M60C		15	TPN, VTPN				
	Pre	A07D, A09A, A09E, A11B, A11F, A13F		13	N03A, N03B, N38Z, N60A, N60B		17	R01A, R01B, R01C, R01D, R03Z, R11A, R11B, R11C, R61A, R61B, R61C, R61D, R61E, R61F, R61G, R61H				
	06	G17A, G38Z, G67A		15	TPN, VTPN		Pre	A07D, A09A, A09E, A11B, A11F, A13A, A13F, A15C				
C79.2	08	I54Z	C79.84	Pre	A07D, A09A, A09E, A11B, A11F, A13F	C81.2	06	G17A, G38Z, G67A				
	09	J01Z, J06Z, J07A, J07B, J10A, J14A, J14B, J16Z, J23Z, J25Z, J26Z, J62A, J62B		06	G17A, G38Z, G67A		08	I54Z				
	15	TPN, VTPN		08	I54Z		15	TPN, VTPN				
	Pre	A07D, A09A, A09E, A11B, A11F, A13F		17	R04A, R04B, R12A, R12B, R12C, R13Z, R14Z, R62A, R62B, R62C		17	R01A, R01B, R01C, R01D, R03Z, R11A, R11B, R11C, R61A, R61B, R61C, R61D, R61E, R61F, R61G, R61H				
C79.3	Pre	A07D, A09A, A09E, A11B, A11F, A13F	C79.85	Pre	A07D, A09A, A09E, A11B, A11F, A13F	C81.2	Pre	A07D, A09A, A09E, A11B, A11F, A13A, A13F, A15C				
	06	G17A, G38Z, G67A		06	G17A, G38Z, G67A		C81.2	C81.2	C81.2			
	08	I54Z		08	I54Z					C81.2	C81.2	C81.2
	15	TPN, VTPN		15	TPN, VTPN							















ICD	MDC	DRG	ICD	MDC	DRG	ICD	MDC	DRG
C96.0	06	G17A, G38Z, G67A	D00.2	06	G19A, G38Z, G40Z, G46A, G46B, G46C, G47Z, G60A, G60B	D03.3	08	I54Z
	08	I54Z		08	I54Z		09	J01Z, J67A, J67B, J68A, J68B
	15	TPN, VTPN		Pre	A09A, A11B	Pre	A09A, A11B	
	17	R04A, R04B, R12A, R12B, R12C, R13Z, R14Z, R62A, R62B, R62C		D01.0	06	G19A, G38Z, G40Z, G46A, G46B, G46C, G47Z, G60A, G60B	D03.4	08
Pre	A07D, A09A, A09E, A11B, A11F, A13A, A13F	08	I54Z		09	J01Z, J67A, J67B, J68A, J68B		
C96.2	06	G17A, G38Z, G67A	D01.1	06	G19A, G38Z, G40Z, G46A, G46B, G46C, G47Z, G60A, G60B	D03.5	08	I54Z
	08	I54Z		08	I54Z		09	J01Z, J67A, J67B, J68A, J68B
	15	TPN, VTPN	Pre	A09A, A11B	Pre	A09A, A11B		
	17	R01A, R01B, R01C, R01D, R03Z, R11A, R11B, R11C, R61A, R61B, R61C, R61D, R61E, R61F, R61G	D01.2	06	G19A, G38Z, G40Z, G46A, G46B, G46C, G47Z, G60A, G60B	D03.6	08	I54Z
Pre	A07D, A09A, A09E, A11B, A11F, A13A, A13F	08		I54Z	09		J01Z, J67A, J67B, J68A, J68B	
C96.4	06	G17A, G38Z, G67A	D01.3	06	G19A, G38Z, G40Z, G46A, G46B, G46C, G47Z, G60A, G60B	D03.7	08	I54Z
	08	I54Z		08	I54Z		09	J01Z, J02A, J02B, J02C, J03A, J03B, J04A, J04B, J08A, J08B, J08C, J67A, J67B, J68A, J68B
	15	TPN, VTPN	Pre	A09A, A11B	Pre	A09A, A11B		
	17	R01A, R01B, R01C, R01D, R03Z, R11A, R11B, R11C, R61A, R61B, R61C, R61D, R61E, R61F, R61G	D01.4	06	G19A, G38Z, G40Z, G46A, G46B, G46C, G47Z, G60A, G60B	D03.8	08	I54Z
Pre	A07D, A09A, A09E, A11B, A11F, A13A, A13F	08		I54Z	09		J01Z, J67A, J67B, J68A, J68B	
C96.5	10	K63A, K63B, K63C	D01.5	07	H09B, H61A, H61B, H78Z	D03.9	08	I54Z
	Pre	A07D, A09A, A09E, A11B, A11F, A13F		08	I54Z		09	J01Z, J67A, J67B, J68A, J68B
C96.6	10	K63A, K63B, K63C	D01.7	06	G19A, G38Z, G40Z, G46A, G46B, G46C, G47Z, G60A, G60B	D04.0	08	I54Z
	Pre	A07D, A09A, A09E, A11B, A11F, A13F		08	I54Z		09	J01Z, J67A, J67B, J68A, J68B
C96.7	06	G17A, G38Z, G67A	D01.9	06	G19A, G38Z, G40Z, G46A, G46B, G46C, G47Z, G60A, G60B	D04.1	02	C02A, C63Z
	08	I54Z		08	I54Z		08	I54Z
	15	TPN, VTPN	Pre	A09A, A11B	Pre	A09A, A11B		
	17	R01A, R01B, R01C, R01D, R03Z, R11A, R11B, R11C, R61A, R61B, R61C, R61D, R61E, R61F, R61G, R61H	D02.0	03	D09Z, D25A, D25B, D28Z, D60A, D60B, D60C	D04.2	08	I54Z
Pre	A07D, A09A, A09E, A11B, A11F, A13A, A13F	08		I54Z	09		J01Z, J67A, J67B, J68A, J68B	
C96.8	06	G17A, G38Z, G67A	D02.1	04	E05B, E71A, E71B	D04.3	08	I54Z
	08	I54Z		08	I54Z		09	J01Z, J67A, J67B, J68A, J68B
	15	TPN, VTPN	Pre	A09A, A11B	Pre	A09A, A11B		
	17	R01A, R01B, R01C, R01D, R03Z, R11A, R11B, R11C, R61A, R61B, R61C, R61D, R61E, R61F, R61G	D02.2	04	E05B, E71A, E71B	D04.4	08	I54Z
Pre	A07D, A09A, A09E, A11B, A11F, A13A, A13F	08		I54Z	09		J01Z, J67A, J67B, J68A, J68B	
C96.9	06	G17A, G38Z, G67A	D02.3	04	E05B, E71A, E71B	D04.5	08	I54Z
	08	I54Z		08	I54Z		09	J01Z, J67A, J67B, J68A, J68B
	15	TPN, VTPN	Pre	A09A, A11B	Pre	A09A, A11B		
	17	R01A, R01B, R01C, R01D, R03Z, R11A, R11B, R11C, R61A, R61B, R61C, R61D, R61E, R61F, R61G, R61H	D02.4	04	E05B, E71A, E71B	D04.6	08	I54Z
Pre	A07D, A09A, A09E, A11B, A11F, A13A, A13F	08		I54Z	09		J01Z, J67A, J67B, J68A, J68B	
C97	06	G17A, G38Z, G67A	D03.0	08	I54Z	D04.7	08	I54Z
	08	I54Z		09	J01Z, J67A, J67B, J68A, J68B		09	J01Z, J02A, J02B, J02C, J03A, J03B, J04A, J04B, J08A, J08B, J08C, J67A, J67B, J68A, J68B
D00.0	03	D09Z, D25A, D25B, D28Z, D60A, D60B, D60C	D03.1	02	C63Z	D04.8	08	I54Z
	08	I54Z		08	I54Z		09	J01Z, J67A, J67B, J68A, J68B
D00.1	06	G19A, G38Z, G40Z, G46A, G46B, G46C, G47Z, G60A, G60B	D03.2	08	I54Z	D04.9	08	I54Z
	08	I54Z		09	J01Z, J67A, J67B, J68A, J68B		09	J01Z, J67A, J67B, J68A, J68B
	Pre	A09A, A11B		Pre	A09A, A11B	D05.0	08	I54Z
						09	J01Z, J06Z, J07A, J07B, J08A, J08B, J08C, J14A, J14B, J16Z, J23Z, J25Z, J26Z, J62A, J62B	
						Pre	A09A, A11B	
						D05.1	08	I54Z
						09	J01Z, J06Z, J07A, J07B, J08A, J08B, J08C, J14A, J14B, J16Z, J23Z, J25Z, J26Z, J62A, J62B	
						Pre	A09A, A11B	

ICD	MDC	DRG	ICD	MDC	DRG	ICD	MDC	DRG		
D05.7	08	I54Z	D09.7	08	I54Z	D12.6	06	G46A, G46B, G46C, G50Z, G71Z		
	09	J01Z, J06Z, J07A, J07B, J08A, J08B, J08C, J14A, J14B, J16Z, J23Z, J25Z, J26Z, J62A, J62B		17	R04A, R04B, R12A, R12B, R12C, R13Z, R14Z, R62A, R62B, R62C		15	TPN, VTPN		
	Pre	A09A, A11B		Pre	A09A, A11B	D12.7	06	G46A, G46B, G46C, G50Z, G71Z		
D05.9	08	I54Z	D09.9	08	I54Z		15	TPN, VTPN		
	09	J01Z, J06Z, J07A, J07B, J08A, J08B, J08C, J14A, J14B, J16Z, J23Z, J25Z, J26Z, J62A, J62B		17	R04A, R04B, R12A, R12B, R12C, R13Z, R14Z, R62A, R62B, R62C		Pre	A09A, A11B		
	Pre	A09A, A11B		Pre	A09A, A11B	D12.8	06	G46A, G46B, G46C, G50Z, G71Z		
D06.0	08	I54Z	D10.0	03	D40Z, D67Z		15	TPN, VTPN		
	13	N04Z, N05A, N05B, N14Z, N21Z, N25Z, N62A, N62B		15	TPN, VTPN		Pre	A09A, A11B		
	Pre	A09A, A11B		Pre	A09A, A11B	D12.9	06	G46A, G46B, G46C, G50Z, G71Z		
D06.1	08	I54Z	D10.1	03	D40Z, D67Z		15	TPN, VTPN		
	13	N04Z, N05A, N05B, N14Z, N21Z, N25Z, N62A, N62B		15	TPN, VTPN		Pre	A09A, A11B		
	Pre	A09A, A11B		Pre	A09A, A11B	D13.0	06	G46A, G46B, G46C, G50Z, G71Z		
D06.7	08	I54Z	D10.2	03	D40Z, D67Z		15	TPN, VTPN		
	13	N04Z, N05A, N05B, N14Z, N21Z, N25Z, N62A, N62B		15	TPN, VTPN		Pre	A09A, A11B		
	Pre	A09A, A11B		Pre	A09A, A11B	D13.1	06	G46A, G46B, G46C, G50Z, G71Z		
D06.9	08	I54Z	D10.3	03	D40Z, D67Z		15	TPN, VTPN		
	13	N04Z, N05A, N05B, N14Z, N21Z, N25Z, N62A, N62B		15	TPN, VTPN		Pre	A09A, A11B		
	Pre	A09A, A11B		Pre	A09A, A11B	D13.2	06	G46A, G46B, G46C, G50Z, G71Z		
D07.0	08	I54Z	D10.4	03	D66Z		15	TPN, VTPN		
	13	N04Z, N05A, N05B, N14Z, N21Z, N25Z, N62A, N62B		Pre	A09A, A11B		Pre	A09A, A11B		
	Pre	A09A, A11B		D10.5	03	D66Z		06	G46A, G46B, G46C, G50Z, G71Z	
D07.1	08	I54Z		15	TPN, VTPN		15	TPN, VTPN		
	13	N04Z, N05A, N05B, N14Z, N21Z, N25Z, N62A, N62B		Pre	A09A, A11B		Pre	A09A, A11B		
	Pre	A09A, A11B		D10.6	03	D66Z		D13.3	06	G46A, G46B, G46C, G50Z, G71Z
D07.2	08	I54Z		15	TPN, VTPN		15	TPN, VTPN		
	13	N04Z, N05A, N05B, N14Z, N21Z, N25Z, N62A, N62B		Pre	A09A, A11B		Pre	A09A, A11B		
	Pre	A09A, A11B		D10.7	03	D66Z		D13.4	07	H63A, H63B, H63C, H78Z
D07.3	08	I54Z		15	TPN, VTPN		15	TPN, VTPN		
	13	N04Z, N05A, N05B, N14Z, N21Z, N25Z, N62A, N62B		Pre	A09A, A11B		Pre	A09A, A11B		
	Pre	A09A, A11B		D10.9	03	D66Z		D13.5	07	H63A, H63B, H63C, H78Z
D07.4	08	I54Z		15	TPN, VTPN		15	TPN, VTPN		
	12	M09A, M09B, M60A, M60B, M60C		Pre	A09A, A11B		Pre	A09A, A11B		
	Pre	A09A, A11B		D11.0	03	D66Z		D13.6	07	H62A, H62B, H62C
D07.5	08	I54Z		15	TPN, VTPN		15	TPN, VTPN		
	12	M09A, M09B, M60A, M60B, M60C		Pre	A09A, A11B		Pre	A09A, A11B		
	Pre	A09A, A11B		D11.7	03	D66Z		D13.7	10	K64A, K64B, K64C, K64D
D07.6	08	I54Z		15	TPN, VTPN		15	TPN, VTPN		
	12	M09A, M09B, M60A, M60B, M60C		Pre	A09A, A11B		Pre	A09A, A11B		
	Pre	A09A, A11B		D11.9	03	D66Z		D13.9	06	G46A, G46B, G46C, G50Z, G71Z
D09.0	08	I54Z		15	TPN, VTPN		15	TPN, VTPN		
	11	L02A, L02B, L02C, L03Z, L10Z, L13A, L13B, L38Z, L62A, L62B		Pre	A09A, A11B		Pre	A09A, A11B		
	Pre	A09A, A11B		D12.0	06	G46A, G46B, G46C, G50Z, G71Z		D14.0	03	D66Z
D09.1	08	I54Z		15	TPN, VTPN		15	TPN, VTPN		
	11	L02A, L02B, L02C, L03Z, L10Z, L13A, L13B, L38Z, L62A, L62B		Pre	A09A, A11B		Pre	A09A, A11B		
	Pre	A09A, A11B		D12.1	06	G46A, G46B, G46C, G50Z, G71Z		D14.1	03	D66Z
D09.2	02	C02A, C63Z		15	TPN, VTPN		15	TPN, VTPN		
	08	I54Z		Pre	A09A, A11B		Pre	A09A, A11B		
	Pre	A09A, A11B		D12.2	06	G46A, G46B, G46C, G50Z, G71Z		D14.2	04	E71A, E71B
D09.3	08	I54Z		15	TPN, VTPN		15	TPN, VTPN		
	17	R04A, R04B, R12A, R12B, R12C, R13Z, R14Z, R62A, R62B, R62C		Pre	A09A, A11B		Pre	A09A, A11B		
	Pre	A09A, A11B		D12.3	06	G46A, G46B, G46C, G50Z, G71Z		D14.3	04	E71A, E71B
				15	TPN, VTPN		15	TPN, VTPN		
				Pre	A09A, A11B		Pre	A09A, A11B		
				D12.4	06	G46A, G46B, G46C, G50Z, G71Z		D14.4	04	E71A, E71B
				15	TPN, VTPN		15	TPN, VTPN		
				Pre	A09A, A11B		Pre	A09A, A11B		
				D12.5	06	G46A, G46B, G46C, G50Z, G71Z		D15.0	15	TPN, VTPN
				15	TPN, VTPN		16	Q60A, Q60B, Q60C		
				Pre	A09A, A11B		Pre	A09A, A11B		
				15	TPN, VTPN		05	F75A, F75B, F75C, F75D		
				Pre	A09A, A11B		15	TPN, VTPN		
							Pre	A09A, A11B		

ICD	MDC	DRG	ICD	MDC	DRG	ICD	MDC	DRG
D15.2	04	E71A, E71B	D18.00	09	J11A, J11B, J11C, J67A, J67B, J68A, J68B	D21.0	08	I76A, I76B
	15	TPN, VTPN		15	TPN, VTPN		15	TPN, VTPN
	Pre	A09A, A11B		Pre	A09A, A11B		Pre	A09A, A11B
D15.7	04	E71A, E71B	D18.01	09	J11A, J11B, J11C, J67A, J67B, J68A, J68B	D21.1	08	I32A, I32B, I32C, I32D, I32E, I32F, I32G, I76A, I76B
	15	TPN, VTPN		Pre	A09A, A11B		15	TPN, VTPN
	Pre	A09A, A11B		Pre	A09A, A11B		Pre	A09A, A11B
D15.9	04	E71A, E71B	D18.02	01	B81A, B81B	D21.2	08	I76A, I76B
	15	TPN, VTPN		Pre	A09A, A11B		15	TPN, VTPN
	Pre	A09A, A11B		Pre	A09A, A11B		Pre	A09A, A11B
D16.0	08	I76A, I76B	D18.03	07	H63A, H63B, H63C, H78Z	D21.3	08	I76A, I76B
	15	TPN, VTPN		Pre	A09A, A11B		15	TPN, VTPN
	Pre	A09A, A11B		Pre	A09A, A11B		Pre	A09A, A11B
D16.1	08	I32A, I32B, I32C, I32D, I32E, I32F, I32G, I76A, I76B	D18.04	06	G46A, G46B, G46C, G50Z, G67A, G67B, G67C, G67D	D21.4	08	I76A, I76B
	15	TPN, VTPN		Pre	A09A, A11B		15	TPN, VTPN
	Pre	A09A, A11B		Pre	A09A, A11B		Pre	A09A, A11B
D16.2	08	I76A, I76B	D18.08	09	J11A, J11B, J11C, J67A, J67B, J68A, J68B	D21.5	08	I76A, I76B
	15	TPN, VTPN		Pre	A09A, A11B		15	TPN, VTPN
	Pre	A09A, A11B		Pre	A09A, A11B		Pre	A09A, A11B
D16.3	08	I76A, I76B	D18.10	15	TPN, VTPN	D21.6	08	I76A, I76B
	15	TPN, VTPN		16	Q60A, Q60B, Q60C, Q60D, Q60E		15	TPN, VTPN
	Pre	A09A, A11B		Pre	A09A, A11B		Pre	A09A, A11B
D16.41	08	I76A, I76B	D18.11	15	TPN, VTPN	D21.9	08	I76A, I76B
	15	TPN, VTPN		16	Q60A, Q60B, Q60C, Q60D, Q60E		15	TPN, VTPN
	Pre	A09A, A11B		Pre	A09A, A11B		Pre	A09A, A11B
D16.42	08	I76A, I76B	D18.12	15	TPN, VTPN	D22.0	09	J67A, J67B, J68A, J68B
	15	TPN, VTPN		16	Q60A, Q60B, Q60C, Q60D, Q60E		Pre	A09A, A11B
	Pre	A09A, A11B		Pre	A09A, A11B		Pre	A09A, A11B
D16.5	03	D40Z, D67Z	D18.13	15	TPN, VTPN	D22.1	02	C63Z
	15	TPN, VTPN		16	Q60A, Q60B, Q60C, Q60D, Q60E		Pre	A09A, A11B
	Pre	A09A, A11B		Pre	A09A, A11B		Pre	A09A, A11B
D16.6	08	I76A, I76B	D18.18	15	TPN, VTPN	D22.2	09	J67A, J67B, J68A, J68B
	15	TPN, VTPN		16	Q60A, Q60B, Q60C, Q60D, Q60E		Pre	A09A, A11B
	Pre	A09A, A11B		Pre	A09A, A11B		Pre	A09A, A11B
D16.70	04	E71A, E71B	D18.19	15	TPN, VTPN	D22.3	09	J67A, J67B, J68A, J68B
	15	TPN, VTPN		16	Q60A, Q60B, Q60C, Q60D, Q60E		Pre	A09A, A11B
	Pre	A09A, A11B		Pre	A09A, A11B		Pre	A09A, A11B
D16.71	04	E71A, E71B	D19.0	04	E71A, E71B	D22.4	09	J67A, J67B, J68A, J68B
	15	TPN, VTPN		15	TPN, VTPN		Pre	A09A, A11B
	Pre	A09A, A11B		16	Q60A, Q60B, Q60C, Q60D, Q60E		Pre	A09A, A11B
D16.72	04	E71A, E71B	D19.1	06	G46A, G46B, G46C, G50Z, G71Z	D22.5	09	J67A, J67B, J68A, J68B
	15	TPN, VTPN		15	TPN, VTPN		Pre	A09A, A11B
	Pre	A09A, A11B		Pre	A09A, A11B		Pre	A09A, A11B
D16.8	08	I76A, I76B	D19.7	15	TPN, VTPN	D22.6	09	J67A, J67B, J68A, J68B
	15	TPN, VTPN		17	R04A, R04B, R12A, R12B, R12C, R13Z, R14Z, R62A, R62B, R62C		Pre	A09A, A11B
	Pre	A09A, A11B		Pre	A09A, A11B		Pre	A09A, A11B
D16.9	08	I76A, I76B	D19.9	15	TPN, VTPN	D22.7	09	J02A, J02B, J02C, J03A, J03B, J04A, J04B, J08A, J08B, J08C, J67A, J67B, J68A, J68B
	15	TPN, VTPN		17	R04A, R04B, R12A, R12B, R12C, R13Z, R14Z, R62A, R62B, R62C		Pre	A09A, A11B
	Pre	A09A, A11B		Pre	A09A, A11B		Pre	A09A, A11B
D17.0	09	J67A, J67B, J68A, J68B	D20.0	06	G46A, G46B, G46C, G50Z, G71Z	D22.9	09	J67A, J67B, J68A, J68B
	Pre	A09A, A11B		15	TPN, VTPN		Pre	A09A, A11B
D17.1	09	J67A, J67B, J68A, J68B		Pre	A09A, A11B	D23.0	09	J67A, J67B, J68A, J68B
	Pre	A09A, A11B		Pre	A09A, A11B		Pre	A09A, A11B
D17.2	09	J67A, J67B, J68A, J68B	D20.1	06	G46A, G46B, G46C, G50Z, G71Z	D23.1	02	C63Z
	Pre	A09A, A11B		15	TPN, VTPN		Pre	A09A, A11B
D17.3	09	J67A, J67B, J68A, J68B		Pre	A09A, A11B	D23.2	09	J67A, J67B, J68A, J68B
	Pre	A09A, A11B		Pre	A09A, A11B		Pre	A09A, A11B
D17.4	04	E71A, E71B		Pre	A09A, A11B	D23.3	09	J67A, J67B, J68A, J68B
	Pre	A09A, A11B		Pre	A09A, A11B		Pre	A09A, A11B
D17.5	06	G46A, G46B, G46C, G50Z, G71Z		Pre	A09A, A11B	D23.4	09	J67A, J67B, J68A, J68B
	Pre	A09A, A11B		Pre	A09A, A11B		Pre	A09A, A11B
D17.6	12	M64Z		Pre	A09A, A11B	D23.5	09	J67A, J67B, J68A, J68B
	Pre	A09A, A11B		Pre	A09A, A11B		Pre	A09A, A11B
D17.7	09	J67A, J67B, J68A, J68B		Pre	A09A, A11B	D23.6	09	J67A, J67B, J68A, J68B
	Pre	A09A, A11B		Pre	A09A, A11B		Pre	A09A, A11B
D17.9	09	J67A, J67B, J68A, J68B		Pre	A09A, A11B	D23.7	09	J02A, J02B, J02C, J03A, J03B, J04A, J04B, J08A, J08B, J08C, J67A, J67B, J68A, J68B
	Pre	A09A, A11B		Pre	A09A, A11B		Pre	A09A, A11B
	Pre	A09A, A11B		Pre	A09A, A11B	D23.9	09	J67A, J67B, J68A, J68B
	Pre	A09A, A11B		Pre	A09A, A11B		Pre	A09A, A11B
	Pre	A09A, A11B		Pre	A09A, A11B	D24	09	J67A, J67B
	Pre	A09A, A11B		Pre	A09A, A11B		15	TPN, VTPN
	Pre	A09A, A11B		Pre	A09A, A11B		Pre	A09A, A11B

ICD	MDC	DRG	ICD	MDC	DRG	ICD	MDC	DRG
D25.0	13	N04Z, N05A, N05B, N14Z, N21Z, N25Z, N62A, N62B	D29.7	12	M64Z	D32.9	01	B02A, B02B, B02C, B02D, B66A, B66B, B66C, B66D
	15	TPN, VTPN		15	TPN, VTPN		15	TPN, VTPN
	Pre	A09A, A11B		Pre	A09A, A11B		Pre	A07D, A09A, A09E, A11B, A11F, A13F
D25.1	13	N04Z, N05A, N05B, N14Z, N21Z, N25Z, N62A, N62B	D29.9	12	M64Z	D33.0	01	B02A, B02B, B02C, B02D, B66A, B66B, B66C, B66D
	15	TPN, VTPN		15	TPN, VTPN		15	TPN, VTPN
	Pre	A09A, A11B		Pre	A09A, A11B		Pre	A07D, A09A, A09E, A11B, A11F, A13F
D25.2	13	N04Z, N05A, N05B, N14Z, N21Z, N25Z, N62A, N62B	D30.0	11	L02A, L02B, L02C, L03Z, L10Z, L13A, L13B, L38Z, L62A, L62B	D33.1	01	B02A, B02B, B02C, B02D, B66A, B66B, B66C, B66D
	15	TPN, VTPN		15	TPN, VTPN		15	TPN, VTPN
	Pre	A09A, A11B		Pre	A09A, A11B		Pre	A07D, A09A, A09E, A11B, A11F, A13F
D25.9	13	N04Z, N05A, N05B, N14Z, N21Z, N25Z, N62A, N62B	D30.1	11	L02A, L02B, L02C, L03Z, L10Z, L13A, L13B, L38Z, L62A, L62B	D33.2	01	B02A, B02B, B02C, B02D, B66A, B66B, B66C, B66D
	15	TPN, VTPN		15	TPN, VTPN		15	TPN, VTPN
	Pre	A09A, A11B		Pre	A09A, A11B		Pre	A07D, A09A, A09E, A11B, A11F, A13F
D26.0	13	N04Z, N05A, N05B, N14Z, N21Z, N25Z, N62A, N62B	D30.2	11	L02A, L02B, L02C, L03Z, L10Z, L13A, L13B, L38Z, L62A, L62B	D33.3	01	B02A, B02B, B02C, B02D, B66A, B66B, B66C, B66D
	15	TPN, VTPN		15	TPN, VTPN		15	TPN, VTPN
	Pre	A09A, A11B		Pre	A09A, A11B		Pre	A07D, A09A, A09E, A11B, A11F, A13F
D26.1	13	N04Z, N05A, N05B, N14Z, N21Z, N25Z, N62A, N62B	D30.3	11	L02A, L02B, L02C, L03Z, L10Z, L13A, L13B, L38Z, L62A, L62B	D33.4	01	B02A, B02B, B02C, B02D, B66A, B66B, B66C, B66D
	15	TPN, VTPN		15	TPN, VTPN		15	TPN, VTPN
	Pre	A09A, A11B		Pre	A09A, A11B		Pre	A07D, A09A, A09E, A11B, A11F, A13F
D26.7	13	N04Z, N05A, N05B, N14Z, N21Z, N25Z, N62A, N62B	D30.4	11	L02A, L02B, L02C, L03Z, L10Z, L13A, L13B, L38Z, L62A, L62B	D33.7	01	B02A, B02B, B02C, B02D, B66A, B66B, B66C, B66D
	15	TPN, VTPN		15	TPN, VTPN		15	TPN, VTPN
	Pre	A09A, A11B		Pre	A09A, A11B		Pre	A07D, A09A, A09E, A11B, A11F, A13F
D26.9	13	N04Z, N05A, N05B, N14Z, N21Z, N25Z, N62A, N62B	D30.7	11	L02A, L02B, L02C, L03Z, L10Z, L13A, L13B, L38Z, L62A, L62B	D33.9	01	B02A, B02B, B02C, B02D, B66A, B66B, B66C, B66D
	15	TPN, VTPN		15	TPN, VTPN		15	TPN, VTPN
	Pre	A09A, A11B		Pre	A09A, A11B		Pre	A07D, A09A, A09E, A11B, A11F, A13F
D27	13	N04Z, N05A, N05B, N14Z, N21Z, N25Z, N62A, N62B	D30.9	11	L02A, L02B, L02C, L03Z, L10Z, L13A, L13B, L38Z, L62A, L62B	D34	10	K64A, K64B, K64C, K64D
	15	TPN, VTPN		15	TPN, VTPN		15	TPN, VTPN
	Pre	A09A, A11B		Pre	A09A, A11B		Pre	A09A, A11B
D28.0	13	N04Z, N05A, N05B, N14Z, N21Z, N25Z, N62A, N62B	D31.0	02	C63Z	D35.0	05	F67B
	15	TPN, VTPN		15	TPN, VTPN		10	K64A, K64B, K64C, K64D
	Pre	A09A, A11B		Pre	A09A, A11B		15	TPN, VTPN
D28.1	13	N04Z, N05A, N05B, N14Z, N21Z, N25Z, N62A, N62B	D31.1	02	C63Z	D35.1	10	K64A, K64B, K64C, K64D
	15	TPN, VTPN		15	TPN, VTPN		15	TPN, VTPN
	Pre	A09A, A11B		Pre	A09A, A11B		Pre	A09A, A11B
D28.2	13	N04Z, N05A, N05B, N14Z, N21Z, N25Z, N62A, N62B	D31.2	02	C63Z	D35.2	01	B02A, B02B, B02C, B02D
	15	TPN, VTPN		15	TPN, VTPN		10	K64A, K64B, K64C, K64D
	Pre	A09A, A11B		Pre	A09A, A11B		15	TPN, VTPN
D28.7	13	N04Z, N05A, N05B, N14Z, N21Z, N25Z, N62A, N62B	D31.3	02	C63Z	D35.3	01	B02A, B02B, B02C, B02D, B66A, B66B, B66C, B66D
	15	TPN, VTPN		15	TPN, VTPN		15	TPN, VTPN
	Pre	A09A, A11B		Pre	A09A, A11B		Pre	A09A, A11B
D28.9	13	N04Z, N05A, N05B, N14Z, N21Z, N25Z, N62A, N62B	D31.4	02	C63Z	D35.4	01	B02A, B02B, B02C, B02D, B66A, B66B, B66C, B66D
	15	TPN, VTPN		15	TPN, VTPN		15	TPN, VTPN
	Pre	A09A, A11B		Pre	A09A, A11B		Pre	A09A, A11B
D29.0	12	M64Z	D31.5	02	C63Z	D35.5	01	B66A, B66B, B66C, B66D
	15	TPN, VTPN		15	TPN, VTPN		15	TPN, VTPN
	Pre	A09A, A11B		Pre	A09A, A11B		Pre	A09A, A11B
D29.1	12	M64Z	D31.6	02	C63Z	D35.6	01	B66A, B66B, B66C, B66D
	15	TPN, VTPN		15	TPN, VTPN		15	TPN, VTPN
	Pre	A09A, A11B		Pre	A09A, A11B		Pre	A09A, A11B
D29.2	12	M64Z	D31.9	02	C63Z			
	15	TPN, VTPN		15	TPN, VTPN			
	Pre	A09A, A11B		Pre	A09A, A11B			
D29.3	12	M64Z	D32.0	01	B02A, B02B, B02C, B02D, B66A, B66B, B66C, B66D			
	15	TPN, VTPN		15	TPN, VTPN			
	Pre	A09A, A11B		Pre	A07D, A09A, A09E, A11B, A11F, A13F			
D29.4	12	M64Z	D32.1	01	B02A, B02B, B02C, B02D, B66A, B66B, B66C, B66D			
	15	TPN, VTPN		15	TPN, VTPN			
	Pre	A09A, A11B		Pre	A07D, A09A, A09E, A11B, A11F, A13F			



ICD	MDC	DRG	ICD	MDC	DRG	ICD	MDC	DRG
D35.7	10	K64A, K64B, K64C, K64D	D38.1	04	E05B, E71A, E71B	D41.3	11	L02A, L02B, L02C, L03Z, L10Z, L13A, L13B, L38Z, L62A, L62B
	15	TPN, VTPN		15	TPN, VTPN		15	TPN, VTPN
	Pre	A09A, A11B		Pre	A09A, A11B		Pre	A09A, A11B, A15C
D35.8	10	K64A, K64B, K64C, K64D	D38.2	04	E05B, E71A, E71B	D41.4	11	L02A, L02B, L02C, L03Z, L10Z, L13A, L13B, L38Z, L62A, L62B
	15	TPN, VTPN		15	TPN, VTPN		15	TPN, VTPN
	Pre	A09A, A11B		Pre	A09A, A11B		Pre	A09A, A11B, A15C
D35.9	10	K64A, K64B, K64C, K64D	D38.3	04	E05B, E71A, E71B	D41.7	11	L02A, L02B, L02C, L03Z, L10Z, L13A, L13B, L38Z, L62A, L62B
	15	TPN, VTPN		15	TPN, VTPN		15	TPN, VTPN
	Pre	A09A, A11B		Pre	A09A, A11B		Pre	A09A, A11B, A15C
D36.0	15	TPN, VTPN	D38.4	04	E05B, E71A, E71B	D41.9	11	L02A, L02B, L02C, L03Z, L10Z, L13A, L13B, L38Z, L62A, L62B
	16	Q60A, Q60B, Q60C, Q60D, Q60E		15	TPN, VTPN		15	TPN, VTPN
	Pre	A09A, A11B		Pre	A09A, A11B		Pre	A09A, A11B, A15C
D36.1	01	B66A, B66B, B66C, B66D	D38.5	04	E05B, E71A, E71B	D42.0	01	B02A, B02B, B02C, B02D, B66A, B66B, B66C, B66D
	15	TPN, VTPN		15	TPN, VTPN		15	TPN, VTPN
	Pre	A09A, A11B		Pre	A09A, A11B		Pre	A09A, A11B, A15C
D36.7	15	TPN, VTPN	D38.6	04	E05B, E71A, E71B	D42.1	01	B02A, B02B, B02C, B02D, B66A, B66B, B66C, B66D
	17	R04A, R04B, R12A, R12B, R12C, R13Z, R14Z, R62A, R62B, R62C		15	TPN, VTPN		15	TPN, VTPN
	Pre	A09A, A11B		Pre	A09A, A11B		Pre	A09A, A11B, A15C
D36.9	15	TPN, VTPN	D39.0	13	N03A, N03B, N38Z, N60A, N60B	D42.9	01	B02A, B02B, B02C, B02D, B66A, B66B, B66C, B66D
	17	R04A, R04B, R12A, R12B, R12C, R13Z, R14Z, R62A, R62B, R62C		15	TPN, VTPN		15	TPN, VTPN
	Pre	A09A, A11B		Pre	A09A, A11B		Pre	A09A, A11B, A15C
D37.0	03	D09Z, D25A, D25B, D28Z, D60A, D60B, D60C	D39.1	13	N01A, N01B, N01C, N01D, N01E, N02A, N02B, N02C, N38Z, N60A, N60B	D43.0	01	B02A, B02B, B02C, B02D, B66A, B66B, B66C, B66D
	15	TPN, VTPN		15	TPN, VTPN		15	TPN, VTPN
	Pre	A09A, A11B		Pre	A09A, A11B		Pre	A09A, A11B, A15C
D37.1	06	G19A, G38Z, G46A, G46B, G46C, G50Z, G60A, G60B	D39.2	13	N03A, N03B, N38Z, N60A, N60B	D43.1	01	B02A, B02B, B02C, B02D, B66A, B66B, B66C, B66D
	15	TPN, VTPN		15	TPN, VTPN		15	TPN, VTPN
	Pre	A09A, A11B		Pre	A09A, A11B		Pre	A09A, A11B, A15C
D37.2	06	G19A, G38Z, G46A, G46B, G46C, G50Z, G60A, G60B	D39.7	13	N03A, N03B, N38Z, N60A, N60B	D43.2	01	B02A, B02B, B02C, B02D, B66A, B66B, B66C, B66D
	15	TPN, VTPN		15	TPN, VTPN		15	TPN, VTPN
	Pre	A09A, A11B		Pre	A09A, A11B		Pre	A09A, A11B, A15C
D37.3	06	G19A, G38Z, G46A, G46B, G46C, G50Z, G60A, G60B	D40.0	12	M09A, M09B, M60A, M60B, M60C	D43.3	01	B02A, B02B, B02C, B02D, B66A, B66B, B66C, B66D
	15	TPN, VTPN		15	TPN, VTPN		15	TPN, VTPN
	Pre	A09A, A11B		Pre	A09A, A11B, A15C		Pre	A09A, A11B, A15C
D37.4	06	G19A, G38Z, G46A, G46B, G46C, G50Z, G60A, G60B	D40.1	12	M09A, M09B, M60A, M60B, M60C	D43.4	01	B02A, B02B, B02C, B02D, B66A, B66B, B66C, B66D
	15	TPN, VTPN		15	TPN, VTPN		15	TPN, VTPN
	Pre	A09A, A11B		Pre	A09A, A11B, A15C		Pre	A09A, A11B, A15C
D37.5	06	G19A, G38Z, G46A, G46B, G46C, G50Z, G60A, G60B	D40.7	12	M09A, M09B, M60A, M60B, M60C	D43.7	01	B02A, B02B, B02C, B02D, B66A, B66B, B66C, B66D
	15	TPN, VTPN		15	TPN, VTPN		15	TPN, VTPN
	Pre	A09A, A11B		Pre	A09A, A11B, A15C		Pre	A09A, A11B, A15C
D37.6	07	H09B, H61A, H61B, H78Z	D40.9	12	M09A, M09B, M60A, M60B, M60C	D43.9	01	B02A, B02B, B02C, B02D, B66A, B66B, B66C, B66D
	15	TPN, VTPN		15	TPN, VTPN		15	TPN, VTPN
	Pre	A09A, A11B		Pre	A09A, A11B, A15C		Pre	A09A, A11B, A15C
D37.70	06	G19A, G38Z, G46A, G46B, G46C, G50Z, G60A, G60B	D41.0	11	L02A, L02B, L02C, L03Z, L10Z, L13A, L13B, L38Z, L62A, L62B	D44.0	10	K64A, K64B, K64C, K64D
	15	TPN, VTPN		15	TPN, VTPN		15	TPN, VTPN
	Pre	A09A, A11B		Pre	A09A, A11B, A15C		Pre	A09A, A11B, A15C
D37.78	06	G19A, G38Z, G46A, G46B, G46C, G50Z, G60A, G60B	D41.1	11	L02A, L02B, L02C, L03Z, L10Z, L13A, L13B, L38Z, L62A, L62B	D44.1	05	F67B
	15	TPN, VTPN		15	TPN, VTPN		10	K03A, K03B, K64A, K64B, K64C, K64D
	Pre	A09A, A11B		Pre	A09A, A11B, A15C		15	TPN, VTPN
D37.9	06	G19A, G38Z, G46A, G46B, G46C, G50Z, G60A, G60B	D41.2	11	L02A, L02B, L02C, L03Z, L10Z, L13A, L13B, L38Z, L62A, L62B	D44.2	10	K64A, K64B, K64C, K64D
	15	TPN, VTPN		15	TPN, VTPN		15	TPN, VTPN
	Pre	A09A, A11B		Pre	A09A, A11B, A15C		Pre	A09A, A11B, A15C
D38.0	03	D09Z, D25A, D25B, D28Z, D60A, D60B, D60C		15	TPN, VTPN		15	TPN, VTPN
	15	TPN, VTPN		Pre	A09A, A11B, A15C		Pre	A09A, A11B, A15C
	Pre	A09A, A11B						



ICD	MDC	DRG	ICD	MDC	DRG	ICD	MDC	DRG
D52.1	16	Q61A, Q61B, Q61C, Q61D, Q61E	D56.9	16	Q61A, Q61B, Q61C, Q61D, Q61E	D60.0	15	TPN, VTPN
	18A	S65A, S65B		Pre	A09A, A11B		16	Q61A, Q61B, Q61C, Q61D, Q61E
	Pre	A09A, A11B	D57.0	15	TPN, VTPN		18A	S65A, S65B
D52.8	16	Q61A, Q61B, Q61C, Q61D, Q61E		16	Q61B, Q61C, Q61D		Pre	A07D, A09A, A09E, A11B, A11F, A13F
	18A	S65A, S65B	D57.1	16	Q61A, Q61B, Q61C, Q61D, Q61E	D60.1	15	TPN, VTPN
	Pre	A09A, A11B		Pre	A09A, A11B		16	Q61A, Q61B, Q61C, Q61D, Q61E
D52.9	16	Q61A, Q61B, Q61C, Q61D, Q61E	D57.2	16	Q61A, Q61B, Q61C, Q61D, Q61E		18A	S65A, S65B
	18A	S65A, S65B		Pre	A09A, A11B		Pre	A07D, A09A, A09E, A11B, A11F, A13F
	Pre	A09A, A11B	D57.3	16	Q61A, Q61B, Q61C, Q61D, Q61E	D60.8	15	TPN, VTPN
D53.0	16	Q61A, Q61B, Q61C, Q61D, Q61E		Pre	A09A, A11B		16	Q61A, Q61B, Q61C, Q61D, Q61E
	18A	S65A, S65B	D57.8	16	Q61A, Q61B, Q61C, Q61D, Q61E		18A	S65A, S65B
	Pre	A09A, A11B		Pre	A09A, A11B		Pre	A07D, A09A, A09E, A11B, A11F, A13F
D53.1	16	Q61A, Q61B, Q61C, Q61D, Q61E	D58.0	16	Q61A, Q61B, Q61C, Q61D, Q61E	D60.9	15	TPN, VTPN
	18A	S65A, S65B		Pre	A09A, A11B		16	Q61A, Q61B, Q61C, Q61D, Q61E
	Pre	A09A, A11B	D58.1	16	Q61A, Q61B, Q61C, Q61D, Q61E		18A	S65A, S65B
D53.2	16	Q61A, Q61B, Q61C, Q61D, Q61E		Pre	A09A, A11B		Pre	A07D, A09A, A09E, A11B, A11F, A13F
	18A	S65A, S65B	D58.2	16	Q61A, Q61B, Q61C, Q61D, Q61E	D61.0	15	TPN, VTPN
	Pre	A09A, A11B		Pre	A09A, A11B		16	Q61B, Q61C, Q61D
D53.8	16	Q61A, Q61B, Q61C, Q61D, Q61E	D58.8	16	Q61A, Q61B, Q61C, Q61D, Q61E		Pre	A07D, A09A, A09E, A11B, A11F, A13F
	18A	S65A, S65B		Pre	A09A, A11B	D61.10	15	TPN, VTPN
	Pre	A09A, A11B	D58.9	16	Q61A, Q61B, Q61C, Q61D, Q61E		16	Q61B, Q61C, Q61D
D53.9	16	Q61A, Q61B, Q61C, Q61D, Q61E		Pre	A09A, A11B		18A	S65A, S65B
	18A	S65A, S65B	D59.0	16	Q61B, Q61C, Q61D		Pre	A07D, A09A, A09E, A11B, A11F, A13F
	Pre	A09A, A11B		18A	S65A, S65B	D61.18	15	TPN, VTPN
D55.0	15	TPN, VTPN	D59.1	16	Q61B, Q61C, Q61D		16	Q61B, Q61C, Q61D
	16	Q61A, Q61B, Q61C, Q61D, Q61E		18A	S65A, S65B		18A	S65A, S65B
	Pre	A09A, A11B	D59.2	16	Q61A, Q61B, Q61C, Q61D, Q61E		Pre	A07D, A09A, A09E, A11B, A11F, A13F
D55.1	15	TPN, VTPN		Pre	A09A, A11B	D61.19	15	TPN, VTPN
	16	Q61A, Q61B, Q61C, Q61D, Q61E	D59.3	16	Q61A, Q61B, Q61C, Q61D, Q61E		16	Q61B, Q61C, Q61D
	Pre	A09A, A11B		18A	S65A, S65B		18A	S65A, S65B
D55.2	16	Q61A, Q61B, Q61C, Q61D, Q61E	D59.4	16	Q61A, Q61B, Q61C, Q61D, Q61E		Pre	A07D, A09A, A09E, A11B, A11F, A13F
	Pre	A09A, A11B		18A	S65A, S65B	D61.3	15	TPN, VTPN
D55.3	16	Q61A, Q61B, Q61C, Q61D, Q61E	D59.5	16	Q61A, Q61B, Q61C, Q61D, Q61E		16	Q61B, Q61C, Q61D
	Pre	A09A, A11B		Pre	A09A, A11B		18A	S65A, S65B
D55.8	16	Q61A, Q61B, Q61C, Q61D, Q61E		11	L72Z	D61.2	15	TPN, VTPN
	Pre	A09A, A11B	D59.6	16	Q61A, Q61B, Q61C, Q61D, Q61E		16	Q61B, Q61C, Q61D
D55.9	16	Q61A, Q61B, Q61C, Q61D, Q61E		15	TPN, VTPN		18A	S65A, S65B
	Pre	A09A, A11B	D59.8	16	Q61A, Q61B, Q61C, Q61D, Q61E		Pre	A07D, A09A, A09E, A11B, A11F, A13F
D56.0	16	Q61A, Q61B, Q61C, Q61D, Q61E		Pre	A09A, A11B	D61.8	15	TPN, VTPN
	Pre	A09A, A11B	D59.9	16	Q61A, Q61B, Q61C, Q61D, Q61E		16	Q61B, Q61C, Q61D
D56.1	16	Q61A, Q61B, Q61C, Q61D, Q61E		18A	S65A, S65B		18A	S65A, S65B
	Pre	A09A, A11B		Pre	A09A, A11B		Pre	A07D, A09A, A09E, A11B, A11F, A13F
D56.2	16	Q61A, Q61B, Q61C, Q61D, Q61E		Pre	A09A, A11B	D61.9	15	TPN, VTPN
	Pre	A09A, A11B		18A	S65A, S65B		16	Q61B, Q61C, Q61D
D56.3	16	Q61A, Q61B, Q61C, Q61D, Q61E		Pre	A09A, A11B		18A	S65A, S65B
	Pre	A09A, A11B		16	Q61A, Q61B, Q61C, Q61D, Q61E		Pre	A07D, A09A, A09E, A11B, A11F, A13F
D56.4	16	Q61A, Q61B, Q61C, Q61D, Q61E		18A	S65A, S65B	D62	16	Q61A, Q61B, Q61C, Q61D, Q61E
	Pre	A09A, A11B		Pre	A09A, A11B		18A	S65A, S65B
D56.8	16	Q61A, Q61B, Q61C, Q61D, Q61E		Pre	A09A, A11B		Pre	A09A, A11B
	Pre	A09A, A11B				D63.0	Pre	A09A, A11B
						D63.8	Pre	A09A, A11B

ICD	MDC	DRG	ICD	MDC	DRG	ICD	MDC	DRG
D64.0	15	TPN, VTPN	D68.0	03	D30A	D69.52	16	Q60A, Q60B, Q60C
	16	Q61A, Q61B, Q61C, Q61D, Q61E		06	G67A		18A	S65A, S65B
	18A	S65A, S65B		10	K62A		18B	T64A, T64B
D64.1	Pre	A09A, A11B	D68.1	15	TPN, VTPN	D69.53	Pre	A07D, A09A, A09E, A11B, A11F, A13F
	15	TPN, VTPN		16	Q60A, Q60B, Q60C		07	H08A
	16	Q61A, Q61B, Q61C, Q61D, Q61E		Pre	A07D, A09A, A09E, A11B, A11F, A13F		10	K62A
D64.2	18A	S65A, S65B	D68.2	03	D30A	D69.57	16	Q60A, Q60B, Q60C
	Pre	A09A, A11B		06	G67A		18A	S65A, S65B
	15	TPN, VTPN		10	K62A		18B	T64A, T64B
D64.3	16	Q61A, Q61B, Q61C, Q61D, Q61E	D68.30	15	TPN, VTPN	D69.58	Pre	A07D, A09A, A09E, A11B, A11F, A13F
	18A	S65A, S65B		16	Q60A, Q60B, Q60C		16	Q60A, Q60B, Q60C
	Pre	A09A, A11B		Pre	A07D, A09A, A09E, A11B, A11F, A13F		17	R62A
D64.4	15	TPN, VTPN	D68.31	15	TPN, VTPN	D69.59	18A	S65A, S65B
	16	Q61A, Q61B, Q61C, Q61D, Q61E		16	Q60A, Q60B, Q60C		18B	T64A, T64B
	18A	S65A, S65B		Pre	A07D, A09A, A09E, A11B, A11F, A13F		Pre	A07D, A09A, A09E, A11B, A11F, A13F
D64.8	Pre	A09A, A11B	D68.32	15	TPN, VTPN	D69.60	Pre	A07D, A09A, A09E, A11B, A11F, A13F
	16	Q61A, Q61B, Q61C, Q61D, Q61E		16	Q60A, Q60B, Q60C		16	Q60A, Q60B, Q60C
	18A	S65A, S65B		Pre	A07D, A09A, A09E, A11B, A11F, A13F		18A	S65A, S65B
D64.9	Pre	A09A, A11B	D68.38	15	TPN, VTPN	D69.61	18B	T64A, T64B
	16	Q61A, Q61B, Q61C, Q61D, Q61E		16	Q60A, Q60B, Q60C		Pre	A07D, A09A, A09E, A11B, A11F, A13F
	18A	S65A, S65B		Pre	A07D, A09A, A09E, A11B, A11F, A13F		16	Q60A, Q60B, Q60C, Q60D, Q60E
D65.0	Pre	A09A, A11B	D68.4	15	TPN, VTPN	D69.8	Pre	A07D, A09A, A09E, A11B, A11F, A13F
	16	Q61A, Q61B, Q61C, Q61D, Q61E		16	Q60A, Q60B, Q60C		15	TPN, VTPN
	18A	S65A, S65B		Pre	A07D, A09A, A09E, A11B, A11F, A13F		16	Q60A, Q60B, Q60C, Q60D, Q60E
D65.1	Pre	A09A, A11B	D68.5	16	Q60A, Q60B, Q60C	D69.9	Pre	A07D, A09A, A09E, A11B, A11F, A13F
	16	Q61A, Q61B, Q61C, Q61D, Q61E		16	Q60A, Q60B, Q60C		15	TPN, VTPN
	18A	S65A, S65B		Pre	A07D, A09A, A09E, A11B, A11F, A13F		16	Q60A, Q60B, Q60C, Q60D, Q60E
D65.2	Pre	A09A, A11B	D68.6	15	TPN, VTPN	D70.0	16	Q60A, Q60B, Q60C
	16	Q61A, Q61B, Q61C, Q61D, Q61E		16	Q60A, Q60B, Q60C		06	G67A
	18A	S65A, S65B		Pre	A07D, A09A, A09E, A11B, A11F, A13F		14	O01A, O01B, O01C, O01D, O01E, O01F, O01G, O60A, O60B, O60C
D65.9	Pre	A09A, A11B	D68.8	16	Q60A, Q60B, Q60C	D69.1	15	TPN, VTPN
	16	Q61A, Q61B, Q61C, Q61D, Q61E		16	Q60A, Q60B, Q60C		16	Q60A, Q60B, Q60C
	18A	S65A, S65B		Pre	A07D, A09A, A09E, A11B, A11F, A13F		17	R60B, R60C, R61A, R61B, R61C, R61E, R62A, R63B, R63C, R63D, R63F
D66	Pre	A09A, A11B	D68.9	16	Q60A, Q60B, Q60C, Q60D, Q60E	D69.2	18A	S65A, S65B
	16	Q61A, Q61B, Q61C, Q61D, Q61E		Pre	A07D, A09A, A09E, A11B, A11F, A13F		Pre	A07D, A09A, A09E, A11B, A11F, A13F
	18A	S65A, S65B		Pre	A07D, A09A, A09E, A11B, A11F, A13F		16	Q60A, Q60B, Q60C
D67	Pre	A09A, A11B	D69.0	16	Q60A, Q60B, Q60C	D69.3	16	Q60A, Q60B, Q60C
	16	Q61A, Q61B, Q61C, Q61D, Q61E		16	Q60A, Q60B, Q60C		Pre	A07D, A09A, A09E, A11B, A11F, A13F
	18A	S65A, S65B		Pre	A07D, A09A, A09E, A11B, A11F, A13F		16	Q60A, Q60B, Q60C
D67	Pre	A09A, A11B	D69.1	16	Q60A, Q60B, Q60C	D69.40	16	Q60A, Q60B, Q60C
	16	Q61A, Q61B, Q61C, Q61D, Q61E		16	Q60A, Q60B, Q60C		Pre	A07D, A09A, A09E, A11B, A11F, A13F
	18A	S65A, S65B		Pre	A07D, A09A, A09E, A11B, A11F, A13F		16	Q60A, Q60B, Q60C
D67	Pre	A09A, A11B	D69.2	16	Q60A, Q60B, Q60C	D69.41	16	Q60A, Q60B, Q60C
	16	Q61A, Q61B, Q61C, Q61D, Q61E		16	Q60A, Q60B, Q60C		Pre	A07D, A09A, A09E, A11B, A11F, A13F
	18A	S65A, S65B		Pre	A07D, A09A, A09E, A11B, A11F, A13F		16	Q60A, Q60B, Q60C
D67	Pre	A09A, A11B	D69.3	16	Q60A, Q60B, Q60C	D69.41	Pre	A07D, A09A, A09E, A11B, A11F, A13F
	16	Q61A, Q61B, Q61C, Q61D, Q61E		16	Q60A, Q60B, Q60C		16	Q60A, Q60B, Q60C
	18A	S65A, S65B		Pre	A07D, A09A, A09E, A11B, A11F, A13F		Pre	A07D, A09A, A09E, A11B, A11F, A13F

ICD	MDC	DRG	ICD	MDC	DRG	ICD	MDC	DRG		
D70.10	06	G67A	D70.18	06	G67A	D72.8	16	Q60A, Q60B, Q60C, Q60D, Q60E		
	14	O01A, O01B, O01C, O01D, O01E, O01F, O01G, O60A, O60B, O60C		14	O01A, O01B, O01C, O01D, O01E, O01F, O01G, O60A, O60B, O60C		Pre	A09A, A11B		
	15	TPN, VTPN		15	TPN, VTPN		D72.9	16	Q60A, Q60B, Q60C, Q60D, Q60E	
	16	Q60A, Q60B, Q60C		16	Q60A, Q60B, Q60C		Pre	A09A, A11B		
	17	R60B, R60C, R61A, R61B, R61C, R61E, R62A, R63B, R63C, R63D, R63F		17	R60B, R60C, R61A, R61B, R61C, R61E, R62A, R63B, R63C, R63D, R63F		D73.0	16	Q60A, Q60B, Q60C, Q60D, Q60E	
	18A	S65A, S65B		18A	S65A, S65B		Pre	A07D, A09A, A09E, A11B, A11F, A13F		
	18B	T64A, T64B		18B	T64A, T64B		D73.1	16	Q60A, Q60B, Q60C	
	Pre	A07D, A09A, A09E, A11B, A11F, A13F		Pre	A07D, A09A, A09E, A11B, A11F, A13F		18A	S65A, S65B		
	D70.11	06		G67A	D70.19		06	G67A	Pre	A07D, A09A, A09E, A11B, A11F, A13F
		14		O01A, O01B, O01C, O01D, O01E, O01F, O01G, O60A, O60B, O60C			14	O01A, O01B, O01C, O01D, O01E, O01F, O01G, O60A, O60B, O60C	D73.2	16
15		TPN, VTPN	15	TPN, VTPN		Pre	A07D, A09A, A09E, A11B, A11F, A13F			
16		Q60A, Q60B, Q60C	16	Q60A, Q60B, Q60C		D73.3	16	Q60A, Q60B, Q60C		
17		R60B, R60C, R61A, R61B, R61C, R61E, R62A, R63B, R63C, R63D, R63F	17	R60B, R60C, R63B, R63C, R63D, R63F		Pre	A07D, A09A, A09E, A11B, A11F, A13F			
18A		S65A, S65B	18A	S65A, S65B		D73.4	16	Q60A, Q60B, Q60C, Q60D, Q60E		
18B		T64A, T64B	18B	T64A, T64B		Pre	A09A, A11B			
Pre		A07D, A09A, A09E, A11B, A11F, A13F	Pre	A07D, A09A, A09E, A11B, A11F, A13F		D73.5	16	Q60A, Q60B, Q60C		
D70.12		06	G67A	D70.3		06	G67A	Pre	A07D, A09A, A09E, A11B, A11F, A13F	
		14	O01A, O01B, O01C, O01D, O01E, O01F, O01G, O60A, O60B, O60C			14	O01A, O01B, O01C, O01D, O01E, O01F, O01G, O60A, O60B, O60C	D73.8	16	Q60A, Q60B, Q60C
	15	TPN, VTPN	15		TPN, VTPN	Pre	A09A, A11B			
	16	Q60A, Q60B, Q60C	16		Q60A, Q60B, Q60C	D73.9	16	Q60A, Q60B, Q60C, Q60D, Q60E		
	17	R60B, R60C, R61A, R61B, R61C, R61E, R62A, R63B, R63C, R63D, R63F	17		R60B, R60C, R63B, R63C, R63D, R63F	Pre	A09A, A11B			
	18A	S65A, S65B	18A		S65A, S65B	D74.0	16	Q61A, Q61B, Q61C, Q61D, Q61E		
	18B	T64A, T64B	Pre		A07D, A09A, A09E, A11B, A11F, A13F	Pre	A07D, A09A, A09E, A11B, A11F, A13F			
	Pre	A07D, A09A, A09E, A11B, A11F, A13F	D70.5		06	G67A	D74.8	16	Q61A, Q61B, Q61C, Q61D, Q61E	
	D70.13	06	G67A		15	TPN, VTPN	Pre	A07D, A09A, A09E, A11B, A11F, A13F		
		14	O01A, O01B, O01C, O01D, O01E, O01F, O01G, O60A, O60B, O60C		16	Q60A, Q60B, Q60C	D74.9	16	Q61A, Q61B, Q61C, Q61D, Q61E	
15		TPN, VTPN	17	R60B, R60C, R61A, R61B, R61C, R61E, R62A, R63B, R63C, R63D, R63F	Pre	A07D, A09A, A09E, A11B, A11F, A13F				
16		Q60A, Q60B, Q60C	18A	S65A, S65B	D75.0	16	Q60A, Q60B, Q60C			
17		R60B, R60C, R61A, R61B, R61C, R61E, R62A, R63B, R63C, R63D, R63F	Pre	A07D, A09A, A09E, A11B, A11F, A13F	Pre	A07D, A09A, A09E, A11B, A11F, A13F				
18A		S65A, S65B	D70.6	06	G67A	D75.1	16	Q60A, Q60B, Q60C		
18B		T64A, T64B	15	TPN, VTPN	Pre	A07D, A09A, A09E, A11B, A11F, A13F				
Pre		A07D, A09A, A09E, A11B, A11F, A13F	16	Q60A, Q60B, Q60C	D75.8	16	Q60A, Q60B, Q60C			
D70.14		06	G67A	17	R60B, R60C, R61A, R61B, R61C, R61E, R62A, R63B, R63C, R63D, R63F	Pre	A07D, A09A, A09E, A11B, A11F, A13F			
		14	O01A, O01B, O01C, O01D, O01E, O01F, O01G, O60A, O60B, O60C	18A	S65A, S65B	D75.9	16	Q60A, Q60B, Q60C		
	15	TPN, VTPN	Pre	A07D, A09A, A09E, A11B, A11F, A13F	18A	S65A, S65B				
	16	Q60A, Q60B, Q60C	D70.7	06	G67A	Pre	A07D, A09A, A09E, A11B, A11F, A13F			
	17	R60B, R60C, R61A, R61B, R61C, R61E, R62A, R63B, R63C, R63D, R63F	15	TPN, VTPN	D76.1	10	K38Z, K63A, K63B, K63C			
	18A	S65A, S65B	16	Q60A, Q60B, Q60C	Pre	A07D, A09A, A09E, A11B, A11F, A13F				
	18B	T64A, T64B	17	R60B, R60C, R63B, R63C, R63D, R63F	D76.2	10	K38Z, K63A, K63B, K63C			
	Pre	A07D, A09A, A09E, A11B, A11F, A13F	18A	S65A, S65B	Pre	A07D, A09A, A09E, A11B, A11F, A13F				
	D70.18	06	G67A	Pre	A07D, A09A, A09E, A11B, A11F, A13F	D76.3	10	K63A, K63B, K63C		
		14	O01A, O01B, O01C, O01D, O01E, O01F, O01G, O60A, O60B, O60C	D71	16	Q60A, Q60B, Q60C	Pre	A07D, A09A, A09E, A11B, A11F, A13F		
15		TPN, VTPN	Pre	A07D, A09A, A09E, A11B, A11F, A13F	D77	Pre	A07D, A09A, A09E, A11B, A11F, A13F			
16		Q60A, Q60B, Q60C	D72.0	16	Q60A, Q60B, Q60C					
17		R60B, R60C, R61A, R61B, R61C, R61E, R62A, R63B, R63C, R63D, R63F	Pre	A07D, A09A, A09E, A11B, A11F, A13F						
18A		S65A, S65B	D72.1	16	Q60A, Q60B, Q60C					
18B		T64A, T64B	Pre	A07D, A09A, A09E, A11B, A11F, A13F						
Pre		A07D, A09A, A09E, A11B, A11F, A13F								

ICD	MDC	DRG	ICD	MDC	DRG	ICD	MDC	DRG
D80.0	15	TPN, VTPN	D81.2	15	TPN, VTPN	D82.9	16	Q60A, Q60B, Q60C, Q60D, Q60E
	16	Q60A, Q60B, Q60C, Q60D, Q60E		16	Q60A, Q60B, Q60C		18A	S65A, S65B
	18A	S65A, S65B		18A	S65A, S65B		Pre	A07D, A09A, A09E, A11B, A11F, A13F
	Pre	A07D, A09A, A09E, A11B, A11F, A13F	D81.3	10	K63A, K63B, K63C	D83.0	15	TPN, VTPN
D80.1	16	Q60A, Q60B, Q60C, Q60D, Q60E		15	TPN, VTPN		16	Q60A, Q60B, Q60C
	18A	S65A, S65B		Pre	A07D, A09A, A09E, A11B, A11F, A13F		18A	S65A, S65B
	Pre	A07D, A09A, A09E, A11B, A11F, A13F	D81.4	15	TPN, VTPN		Pre	A07D, A09A, A09E, A11B, A11F, A13F
D80.2	15	TPN, VTPN		16	Q60A, Q60B, Q60C, Q60D, Q60E	D83.1	15	TPN, VTPN
	16	Q60A, Q60B, Q60C, Q60D, Q60E		Pre	A07D, A09A, A09E, A11B, A11F, A13F		16	Q60A, Q60B, Q60C
	18A	S65A, S65B	D81.5	10	K63A, K63B, K63C		18A	S65A, S65B
	Pre	A07D, A09A, A09E, A11B, A11F, A13F		15	TPN, VTPN		Pre	A07D, A09A, A09E, A11B, A11F, A13F
	Pre	A07D, A09A, A09E, A11B, A11F, A13F	D81.6	15	TPN, VTPN	D83.2	15	TPN, VTPN
D80.3	15	TPN, VTPN		16	Q60A, Q60B, Q60C, Q60D, Q60E		16	Q60A, Q60B, Q60C, Q60D, Q60E
	16	Q60A, Q60B, Q60C, Q60D, Q60E		18A	S65A, S65B		18A	S65A, S65B
	18A	S65A, S65B		Pre	A07D, A09A, A09E, A11B, A11F, A13F	D83.8	15	TPN, VTPN
	Pre	A07D, A09A, A09E, A11B, A11F, A13F	D81.7	15	TPN, VTPN		16	Q60A, Q60B, Q60C
D80.4	15	TPN, VTPN		16	Q60A, Q60B, Q60C, Q60D, Q60E		18A	S65A, S65B
	16	Q60A, Q60B, Q60C, Q60D, Q60E		18A	S65A, S65B		Pre	A07D, A09A, A09E, A11B, A11F, A13F
	18A	S65A, S65B	D81.8	15	TPN, VTPN	D83.9	15	TPN, VTPN
	Pre	A07D, A09A, A09E, A11B, A11F, A13F		16	Q60A, Q60B, Q60C, Q60D, Q60E		16	Q60A, Q60B, Q60C
	Pre	A07D, A09A, A09E, A11B, A11F, A13F		18A	S65A, S65B		18A	S65A, S65B
D80.5	15	TPN, VTPN	D81.9	15	TPN, VTPN		Pre	A07D, A09A, A09E, A11B, A11F, A13F
	16	Q60A, Q60B, Q60C, Q60D, Q60E		16	Q60A, Q60B, Q60C, Q60D, Q60E	D84.0	16	Q60A, Q60B, Q60C, Q60D, Q60E
	18A	S65A, S65B		18A	S65A, S65B		18A	S65A, S65B
	Pre	A07D, A09A, A09E, A11B, A11F, A13F		Pre	A07D, A09A, A09E, A11B, A11F, A13F		Pre	A07D, A09A, A09E, A11B, A11F, A13F
D80.6	16	Q60A, Q60B, Q60C, Q60D, Q60E	D82.0	15	TPN, VTPN	D84.1	16	Q60A, Q60B, Q60C, Q60D, Q60E
	18A	S65A, S65B		16	Q60A, Q60B, Q60C		18A	S65A, S65B
	Pre	A07D, A09A, A09E, A11B, A11F, A13F		18A	S65A, S65B		Pre	A07D, A09A, A09E, A11B, A11F, A13F
	Pre	A07D, A09A, A09E, A11B, A11F, A13F	D82.1	15	TPN, VTPN	D84.8	16	Q60A, Q60B, Q60C
D80.7	16	Q60A, Q60B, Q60C, Q60D, Q60E		16	Q60A, Q60B, Q60C		18A	S65A, S65B
	18A	S65A, S65B		Pre	A07D, A09A, A09E, A11B, A11F, A13F		Pre	A07D, A09A, A09E, A11B, A11F, A13F
	Pre	A07D, A09A, A09E, A11B, A11F, A13F	D82.2	16	Q60A, Q60B, Q60C	D84.9	16	Q60A, Q60B, Q60C
D80.8	16	Q60A, Q60B, Q60C, Q60D, Q60E		18A	S65A, S65B		18A	S65A, S65B
	18A	S65A, S65B		Pre	A07D, A09A, A09E, A11B, A11F, A13F		Pre	A07D, A09A, A09E, A11B, A11F, A13F
	Pre	A07D, A09A, A09E, A11B, A11F, A13F	D82.3	16	Q60A, Q60B, Q60C	D86.0	04	E74Z
D80.9	16	Q60A, Q60B, Q60C, Q60D, Q60E		18A	S65A, S65B		Pre	A07D, A09A, A09E, A11B, A11F, A13F
	18A	S65A, S65B		Pre	A07D, A09A, A09E, A11B, A11F, A13F	D86.1	04	E74Z
	Pre	A07D, A09A, A09E, A11B, A11F, A13F	D82.4	16	Q60A, Q60B, Q60C, Q60D, Q60E		Pre	A07D, A09A, A09E, A11B, A11F, A13F
D81.0	15	TPN, VTPN		18A	S65A, S65B	D86.2	04	E74Z
	16	Q60A, Q60B, Q60C, Q60D, Q60E		Pre	A07D, A09A, A09E, A11B, A11F, A13F		Pre	A07D, A09A, A09E, A11B, A11F, A13F
	18A	S65A, S65B	D82.8	16	Q60A, Q60B, Q60C, Q60D, Q60E	D86.3	04	E74Z
	Pre	A07D, A09A, A09E, A11B, A11F, A13F		18A	S65A, S65B		Pre	A07D, A09A, A09E, A11B, A11F, A13F
D81.1	15	TPN, VTPN		Pre	A07D, A09A, A09E, A11B, A11F, A13F	D86.8	04	E74Z
	16	Q60A, Q60B, Q60C		Pre	A07D, A09A, A09E, A11B, A11F, A13F		Pre	A07D, A09A, A09E, A11B, A11F, A13F
	18A	S65A, S65B		18A	S65A, S65B	D86.9	04	E74Z
	Pre	A07D, A09A, A09E, A11B, A11F, A13F		Pre	A07D, A09A, A09E, A11B, A11F, A13F		Pre	A07D, A09A, A09E, A11B, A11F, A13F

ICD	MDC	DRG	ICD	MDC	DRG	ICD	MDC	DRG
D89.0	15	TPN, VTPN	E06.0	10	K64A, K64B, K64C, K64D	E11.60	05	F27A, F27B, F27C
	16	Q60A, Q60B, Q60C		15	TPN, VTPN		10	K01Z, K60A, K60B, K60C, K60D, K60E
	Pre	A07D, A09A, A09E, A11B, A11F, A13F	E06.1	10	K64A, K64B, K64C, K64D	E11.61	05	F27A, F27B, F27C
D89.1	15	TPN, VTPN	E06.2	10	K64A, K64B, K64C, K64D		10	K01Z, K60A, K60B, K60C, K60D, K60E
	17	R01A, R01B, R01C, R01D, R03Z, R11A, R11B, R11C, R61A, R61B, R61C, R61D, R61E, R61F, R61G, R61H	E06.3	10	K64A, K64B, K64C, K64D	E11.72	05	F27A, F27B, F27C
	Pre	A07D, A09A, A09E, A11B, A11F, A13F	E06.4	10	K64A, K64B, K64C, K64D		10	K01Z, K60A, K60B, K60C, K60D, K60E
D89.2	16	Q60A, Q60B, Q60C		15	TPN, VTPN	E11.73	05	F27A, F27B, F27C
	Pre	A07D, A09A, A09E, A11B, A11F, A13F	E06.5	10	K64A, K64B, K64C, K64D		10	K01Z, K60A, K60B, K60C, K60D, K60E
D89.3	16	Q60A, Q60B, Q60C	E06.9	10	K64A, K64B, K64C, K64D	E11.74	05	F27A, F27B, F27C
	Pre	A07D, A09A, A09E, A11B, A11F, A13F	E07.0	10	K64A, K64B, K64C, K64D		10	K01Z, K60A, K60B, K60C, K60D, K60E
D89.8	16	Q60A, Q60B, Q60C	E07.1	10	K64A, K64B, K64C, K64D	E11.75	05	F27A, F27B, F27C
	Pre	A07D, A09A, A09E, A11B, A11F, A13F		15	TPN, VTPN		10	K01Z, K60A, K60B, K60C, K60D, K60E
D89.9	16	Q60A, Q60B, Q60C, Q60D, Q60E	E07.8	10	K64A, K64B, K64C, K64D	E11.80	10	K60A, K60B, K60C, K60D, K60E
	18A	S65A, S65B	E07.9	10	K64A, K64B, K64C, K64D	E11.81	10	K60A, K60B, K60C, K60D, K60E
	Pre	A07D, A09A, A09E, A11B, A11F, A13F	E10.01	10	K60A, K60B, K60C, K60D, K60E	E11.90	10	K60A, K60B, K60C, K60D, K60E
D90	16	Q60A, Q60B, Q60C	E10.11	10	K60A, K60B, K60C, K60D, K60E	E11.91	10	K60A, K60B, K60C, K60D, K60E
	18B	T64A, T64B		11	L69A, L69B	E12.01	10	K60A, K60B, K60C, K60D, K60E
	Pre	A07D, A09A, A09E, A11B, A11F, A13F	E10.20	11	L69A, L69B	E12.11	10	K60A, K60B, K60C, K60D, K60E
E00.0	10	K64A, K64B, K64C, K64D	E10.21	11	L69A, L69B	E12.20	11	L68A, L68B, L74Z
	15	TPN, VTPN	E10.30	02	C66Z	E12.21	11	L68A, L68B, L74Z
E00.1	10	K64A, K64B, K64C, K64D	E10.31	02	C66Z	E12.30	02	C66Z
	15	TPN, VTPN	E10.40	01	B71A, B71B, B71C, B71D	E12.31	02	C66Z
E00.2	10	K64A, K64B, K64C, K64D	E10.41	01	B71A, B71B, B71C, B71D	E12.40	01	B71A, B71B, B71C, B71D
	15	TPN, VTPN	E10.50	05	F27A, F27B, F27C, F65A, F65B	E12.41	01	B71A, B71B, B71C, B71D
E00.9	10	K64A, K64B, K64C, K64D	E10.51	05	F27A, F27B, F27C, F65A, F65B	E12.50	05	F27A, F27B, F27C, F65A, F65B
	15	TPN, VTPN		05	F27A, F27B, F27C	E12.51	05	F27A, F27B, F27C, F65A, F65B
E01.0	10	K64A, K64B, K64C, K64D	E10.60	05	F27A, F27B, F27C	E12.60	05	F27A, F27B, F27C
E01.1	10	K64A, K64B, K64C, K64D		10	K01Z, K60A, K60B, K60C, K60D, K60E		10	K01Z, K60A, K60B, K60C, K60D, K60E
E01.2	10	K64A, K64B, K64C, K64D	E10.61	05	F27A, F27B, F27C	E12.61	05	F27A, F27B, F27C
E01.8	10	K64A, K64B, K64C, K64D		10	K01Z, K60A, K60B, K60C, K60D, K60E		10	K01Z, K60A, K60B, K60C, K60D, K60E
	15	TPN, VTPN	E10.72	05	F27A, F27B, F27C	E12.72	05	F27A, F27B, F27C
E02	10	K64A, K64B, K64C, K64D		10	K01Z, K60A, K60B, K60C, K60D, K60E		10	K01Z, K60A, K60B, K60C, K60D, K60E
	15	TPN, VTPN	E10.73	05	F27A, F27B, F27C	E12.73	05	F27A, F27B, F27C
E03.0	10	K64A, K64B, K64C, K64D		10	K01Z, K60A, K60B, K60C, K60D, K60E		10	K01Z, K60A, K60B, K60C, K60D, K60E
	15	TPN, VTPN	E10.74	05	F27A, F27B, F27C	E12.74	05	F27A, F27B, F27C
E03.1	10	K64A, K64B, K64C, K64D		10	K01Z, K60A, K60B, K60C, K60D, K60E		10	K01Z, K60A, K60B, K60C, K60D, K60E
	15	TPN, VTPN	E10.75	05	F27A, F27B, F27C	E12.75	05	F27A, F27B, F27C
E03.2	10	K64A, K64B, K64C, K64D		10	K01Z, K60A, K60B, K60C, K60D, K60E		10	K01Z, K60A, K60B, K60C, K60D, K60E
E03.3	10	K64A, K64B, K64C, K64D	E10.80	10	K60A, K60B, K60C, K60D, K60E	E12.80	10	K60A, K60B, K60C, K60D, K60E
E03.4	10	K64A, K64B, K64C, K64D		10	K60A, K60B, K60C, K60D, K60E		10	K60A, K60B, K60C, K60D, K60E
E03.5	01	B66A, B66B, B66C, B66D	E10.81	10	K60A, K60B, K60C, K60D, K60E	E12.81	10	K60A, K60B, K60C, K60D, K60E
	15	TPN, VTPN		10	K60A, K60B, K60C, K60D, K60E	E12.88	10	K60A, K60B, K60C, K60D, K60E
E03.8	10	K64A, K64B, K64C, K64D	E10.90	10	K60A, K60B, K60C, K60D, K60E	E12.90	10	K60A, K60B, K60C, K60D, K60E
E03.9	10	K64A, K64B, K64C, K64D		10	K60A, K60B, K60C, K60D, K60E		10	K60A, K60B, K60C, K60D, K60E
E04.0	10	K64A, K64B, K64C, K64D	E10.91	10	K60A, K60B, K60C, K60D, K60E	E12.91	10	K60A, K60B, K60C, K60D, K60E
E04.1	10	K64A, K64B, K64C, K64D		10	K60A, K60B, K60C, K60D, K60E		10	K60A, K60B, K60C, K60D, K60E
E04.2	10	K64A, K64B, K64C, K64D	E11.01	10	K60A, K60B, K60C, K60D, K60E	E13.01	10	K60A, K60B, K60C, K60D, K60E
E04.8	10	K64A, K64B, K64C, K64D		10	K60A, K60B, K60C, K60D, K60E		10	K60A, K60B, K60C, K60D, K60E
E04.9	10	K64A, K64B, K64C, K64D	E11.11	10	K60A, K60B, K60C, K60D, K60E	E13.11	10	K60A, K60B, K60C, K60D, K60E
E05.0	10	K64A, K64B, K64C, K64D		10	K60A, K60B, K60C, K60D, K60E		10	K60A, K60B, K60C, K60D, K60E
E05.1	10	K64A, K64B, K64C, K64D	E11.20	11	L69A, L69B	E13.20	11	L69A, L69B
E05.2	10	K64A, K64B, K64C, K64D		11	L69A, L69B			
E05.3	10	K64A, K64B, K64C, K64D	E11.21	11	L69A, L69B			
E05.4	10	K64A, K64B, K64C, K64D	E11.30	02	C66Z			
E05.5	10	K64A, K64B, K64C	E11.31	02	C66Z			
E05.8	10	K64A, K64B, K64C, K64D	E11.40	01	B71A, B71B, B71C, B71D			
E05.9	10	K64A, K64B, K64C, K64D	E11.41	01	B71A, B71B, B71C, B71D			
			E11.50	05	F27A, F27B, F27C, F65A, F65B			
			E11.51	05	F27A, F27B, F27C, F65A, F65B			

ICD	MDC	DRG	ICD	MDC	DRG	ICD	MDC	DRG
E13.21	11	L69A, L69B	E14.81	10	K60A, K60B, K60C, K60D, K60E	E27.0	10	K64A, K64B, K64C, K64D
E13.30	02	C66Z	E14.90	10	K60A, K60B, K60C, K60D, K60E	15	TPN, VTPN	
E13.31	02	C66Z	E14.91	10	K60A, K60B, K60C, K60D, K60E	E27.1	10	K64A, K64B, K64C, K64D
E13.40	01	B71A, B71B, B71C, B71D	E15	10	K62A, K62B	15	TPN, VTPN	
E13.41	01	B71A, B71B, B71C, B71D	E16.0	10	K64A, K64B, K64C, K64D	E27.2	10	K64A, K64B, K64C
E13.50	05	F27A, F27B, F27C, F65A, F65B	E16.1	10	K64A, K64B, K64C, K64D	15	TPN, VTPN	
E13.51	05	F27A, F27B, F27C, F65A, F65B	E16.2	10	K62A, K62B	E27.3	10	K64A, K64B, K64C, K64D
E13.60	05	F27A, F27B, F27C	E16.3	10	K64A, K64B, K64C, K64D	15	TPN, VTPN	
E13.61	10	K01Z, K60A, K60B, K60C, K60D, K60E	E16.4	06	G40Z, G46A, G46B, G46C, G47Z, G67A, G67B, G67C, G67D, G73Z	E27.4	10	K64A, K64B, K64C, K64D
E13.72	05	F27A, F27B, F27C	E16.8	10	K64A, K64B, K64C, K64D	15	TPN, VTPN	
E13.73	10	K01Z, K60A, K60B, K60C, K60D, K60E	E16.9	10	K64A, K64B, K64C, K64D	E27.5	10	K64A, K64B, K64C, K64D
E13.74	05	F27A, F27B, F27C	E20.0	10	K64A, K64B, K64C, K64D	15	TPN, VTPN	
E13.75	10	K01Z, K60A, K60B, K60C, K60D, K60E	E20.1	10	K62A, K62B	E27.8	10	K64A, K64B, K64C, K64D
E13.77	05	F27A, F27B, F27C	E20.8	10	K64A, K64B, K64C, K64D	15	TPN, VTPN	
E13.78	10	K01Z, K60A, K60B, K60C, K60D, K60E	E20.9	10	K64A, K64B, K64C, K64D	E28.1	13	N04Z, N05A, N05B, N14Z, N21Z, N25Z, N62A, N62B
E13.80	10	K60A, K60B, K60C, K60D, K60E	E21.0	05	F67B	E28.2	13	N04Z, N05A, N05B, N14Z, N21Z, N25Z, N62A, N62B
E13.81	10	K60A, K60B, K60C, K60D, K60E	E21.1	10	K64A, K64B, K64C, K64D	E28.3	13	N04Z, N05A, N05B, N14Z, N21Z, N25Z, N62A, N62B
E13.82	10	K60A, K60B, K60C, K60D, K60E	E21.2	10	K64A, K64B, K64C, K64D	E28.8	13	N04Z, N05A, N05B, N14Z, N21Z, N25Z, N62A, N62B
E13.83	10	K60A, K60B, K60C, K60D, K60E	E21.3	10	K64A, K64B, K64C, K64D	E28.9	13	N04Z, N05A, N05B, N14Z, N21Z, N25Z, N62A, N62B
E13.84	10	K60A, K60B, K60C, K60D, K60E	E21.4	10	K64A, K64B, K64C, K64D	E29.0	10	K64A, K64B, K64C, K64D
E13.85	10	K60A, K60B, K60C, K60D, K60E	E21.5	10	K64A, K64B, K64C, K64D	15	TPN, VTPN	
E13.86	10	K60A, K60B, K60C, K60D, K60E	E22.0	10	K64A, K64B, K64C, K64D	E29.1	10	K64A, K64B, K64C, K64D
E13.87	10	K60A, K60B, K60C, K60D, K60E	E22.1	10	K64A, K64B, K64C, K64D	E29.8	10	K64A, K64B, K64C, K64D
E13.88	10	K60A, K60B, K60C, K60D, K60E	E22.2	10	K64A, K64B, K64C	E29.9	10	K64A, K64B, K64C, K64D
E13.89	10	K60A, K60B, K60C, K60D, K60E	E22.8	10	K64A, K64B, K64C, K64D	E30.0	10	K64A, K64B, K64C, K64D
E13.90	10	K60A, K60B, K60C, K60D, K60E	E22.9	10	K64A, K64B, K64C, K64D	E30.1	10	K64A, K64B, K64C, K64D
E13.91	10	K60A, K60B, K60C, K60D, K60E	E23.0	10	K64A, K64B, K64C, K64D	E30.8	10	K64A, K64B, K64C, K64D
E14.01	10	K60A, K60B, K60C, K60D, K60E	E23.1	10	K64A, K64B, K64C, K64D	E30.9	10	K64A, K64B, K64C, K64D
E14.11	10	K60A, K60B, K60C, K60D, K60E	E23.2	10	K64A, K64B, K64C, K64D	E31.0	10	K64A, K64B, K64C, K64D
E14.20	11	L69A, L69B	E23.3	10	K64A, K64B, K64C, K64D	E31.1	10	K64A, K64B, K64C, K64D
E14.21	11	L69A, L69B	E23.6	10	K64A, K64B, K64C, K64D	E31.8	10	K64A, K64B, K64C, K64D
E14.30	02	C66Z	E23.7	10	K64A, K64B, K64C, K64D	E31.9	10	K64A, K64B, K64C, K64D
E14.31	02	C66Z	E24.0	10	K64A, K64B, K64C	E32.0	16	Q60A, Q60B, Q60C
E14.40	01	B71A, B71B, B71C, B71D	E24.1	10	K64A, K64B, K64C, K64D	E32.1	15	TPN, VTPN
E14.41	01	B71A, B71B, B71C, B71D	E24.2	10	K64A, K64B, K64C, K64D	16	Q60A, Q60B, Q60C	
E14.50	05	F27A, F27B, F27C, F65A, F65B	E24.3	10	K64A, K64B, K64C, K64D	E32.8	16	Q60A, Q60B, Q60C, Q60D, Q60E
E14.51	05	F27A, F27B, F27C, F65A, F65B	E24.4	10	K64A, K64B, K64C, K64D	E32.9	16	Q60A, Q60B, Q60C, Q60D, Q60E
E14.60	05	F27A, F27B, F27C	E24.8	10	K64A, K64B, K64C, K64D	E34.0	10	K64A, K64B, K64C, K64D
E14.61	10	K01Z, K60A, K60B, K60C, K60D, K60E	E24.9	10	K64A, K64B, K64C, K64D	E34.1	10	K64A, K64B, K64C, K64D
E14.72	05	F27A, F27B, F27C	E25.00	10	K64A, K64B, K64C, K64D	E34.2	10	K64A, K64B, K64C, K64D
E14.73	10	K01Z, K60A, K60B, K60C, K60D, K60E	E25.01	10	K64A, K64B, K64C, K64D	E34.3	10	K64A, K64B, K64C, K64D
E14.74	05	F27A, F27B, F27C	15	TPN, VTPN	15	TPN, VTPN	15	TPN, VTPN
E14.75	10	K01Z, K60A, K60B, K60C, K60D, K60E	E25.08	10	K64A, K64B, K64C, K64D	E34.4	23	Z64A, Z64B
E14.80	10	K60A, K60B, K60C, K60D, K60E	E25.09	10	K64A, K64B, K64C, K64D	E34.50	10	K64A, K64B, K64C, K64D
			E25.8	10	K64A, K64B, K64C, K64D	E34.51	10	K64A, K64B, K64C, K64D
			E25.9	10	K64A, K64B, K64C, K64D	E34.59	10	K64A, K64B, K64C, K64D
			E26.0	05	F67B	E34.8	10	K64A, K64B, K64C, K64D
			E26.1	10	K64A, K64B, K64C, K64D	E34.9	10	K64A, K64B, K64C, K64D
			E26.8	10	K64A, K64B, K64C, K64D	E35.1	15	TPN, VTPN
			E26.9	10	K64A, K64B, K64C, K64D	E40	10	K60A, K60B, K60C, K60D
						18A	S65A, S65B	
						22	Y02A, Y02B	
						E41	10	K60A, K60B, K60C, K60D
						18A	S65A, S65B	
						22	Y02A, Y02B	
						E42	10	K60A, K60B, K60C, K60D
						18A	S65A, S65B	
						22	Y02A, Y02B	



ICD	MDC	DRG	ICD	MDC	DRG	ICD	MDC	DRG	
E43	10	K60A, K60B, K60C, K60D	E53.1	10	K62A, K62B	E61.9	10	K62A, K62B	
	18A	S65A, S65B		18A	S65A, S65B		18A	S65A, S65B	
	22	Y02A, Y02B		22	Y02A, Y02B		22	Y02A, Y02B	
E44.0	10	K60A, K60B, K60C, K60D	E53.8	10	K62A, K62B	E63.0	10	K62A, K62B	
	18A	S65A, S65B		18A	S65A, S65B		18A	S65A, S65B	
	22	Y02A, Y02B		22	Y02A, Y02B		22	Y02A, Y02B	
E44.1	10	K60A, K60B, K60C, K60D	E53.9	10	K62A, K62B	E63.1	10	K62A, K62B	
	18A	S65A, S65B		18A	S65A, S65B		18A	S65A, S65B	
	22	Y02A, Y02B		22	Y02A, Y02B		22	Y02A, Y02B	
E45	10	K62A, K62B	E54	10	K62A, K62B	E63.8	10	K62A, K62B	
	18A	S65A, S65B		18A	S65A, S65B		18A	S65A, S65B	
	22	Y02A, Y02B		22	Y02A, Y02B		22	Y02A, Y02B	
E46	10	K60A, K60B, K60C, K60D	E55.0	08	I69A, I69B	E63.9	10	K62A, K62B	
	15	TPN, VTPN		18A	S65A, S65B		18A	S65A, S65B	
	18A	S65A, S65B		22	Y02A, Y02B		22	Y02A, Y02B	
	22	Y02A, Y02B		E55.9	10	K62A, K62B	E64.0	22	Y02A, Y02B
E50.0	02	C63Z		18A	S65A, S65B	E64.1	22	Y02A, Y02B	
	18A	S65A, S65B		22	Y02A, Y02B	E64.2	22	Y02A, Y02B	
	22	Y02A, Y02B		E56.0	10	K62A, K62B	E64.3	22	Y02A, Y02B
E50.1	02	C63Z		18A	S65A, S65B	E64.8	22	Y02A, Y02B	
	18A	S65A, S65B		22	Y02A, Y02B	E64.9	22	Y02A, Y02B	
	22	Y02A, Y02B		E56.1	10	K62A, K62B	E65	10	K62A, K62B
E50.2	02	C63Z		18A	S65A, S65B	E66.00	10	K62A, K62B	
	18A	S65A, S65B		22	Y02A, Y02B	E66.01	10	K62A, K62B	
	22	Y02A, Y02B		E56.8	10	K62A, K62B	E66.02	10	K62A, K62B
E50.3	02	C63Z		15	P65C, P66C, P67B, P67C	E66.09	10	K62A, K62B	
	18A	S65A, S65B		18A	S65A, S65B	E66.10	10	K62A, K62B	
	22	Y02A, Y02B		22	Y02A, Y02B	E66.11	10	K62A, K62B	
E50.4	02	C63Z		E56.9	10	K62A, K62B	E66.12	10	K62A, K62B
	18A	S65A, S65B		18A	S65A, S65B	E66.19	10	K62A, K62B	
	22	Y02A, Y02B		22	Y02A, Y02B	E66.20	04	E07Z, E63Z	
E50.5	02	C63Z		E58	10	K62A, K62B	E66.21	04	E07Z, E63Z
	18A	S65A, S65B		18A	S65A, S65B	E66.22	04	E07Z, E63Z	
	22	Y02A, Y02B		22	Y02A, Y02B	E66.29	04	E07Z, E63Z	
E50.6	02	C63Z		E59	10	K62A, K62B	E66.80	10	K62A, K62B
	18A	S65A, S65B		18A	S65A, S65B	E66.81	10	K62A, K62B	
	22	Y02A, Y02B		22	Y02A, Y02B	E66.82	10	K62A, K62B	
E50.7	02	C63Z		E60	10	K62A, K62B	E66.89	10	K62A, K62B
	18A	S65A, S65B		18A	S65A, S65B	E66.90	10	K62A, K62B	
	22	Y02A, Y02B		22	Y02A, Y02B	E66.91	10	K62A, K62B	
E50.8	10	K62A, K62B		E61.0	10	K62A, K62B	E66.92	10	K62A, K62B
	18A	S65A, S65B		18A	S65A, S65B	E66.99	10	K62A, K62B	
	22	Y02A, Y02B		22	Y02A, Y02B	E67.0	10	K62A, K62B	
E50.9	10	K62A, K62B		E61.1	10	K62A, K62B	E67.1	10	K62A, K62B
	18A	S65A, S65B		18A	S65A, S65B	E67.2	10	K62A, K62B	
	22	Y02A, Y02B		22	Y02A, Y02B	E67.3	10	K62A, K62B	
E51.1	10	K62A, K62B		E61.2	10	K62A, K62B	E67.8	10	K62A, K62B
	18A	S65A, S65B		18A	S65A, S65B	E70.0	10	K63A, K63B, K63C	
	22	Y02A, Y02B		22	Y02A, Y02B		15	TPN, VTPN	
	Pre	A07D, A09E, A11F, A13F		E61.3	10	K62A, K62B		Pre	A07D, A09E, A11F, A13F
E51.2	10	K60A, K60B, K60C, K60D		18A	S65A, S65B	E70.1	10	K63A, K63B, K63C	
	18A	S65A, S65B		22	Y02A, Y02B		15	TPN, VTPN	
	22	Y02A, Y02B		E61.4	10	K62A, K62B		Pre	A07D, A09E, A11F, A13F
	Pre	A07D, A09E, A11F, A13F		18A	S65A, S65B	E70.2	10	K63A, K63C	
E51.8	10	K60A, K60B, K60C, K60D		22	Y02A, Y02B		15	TPN, VTPN	
	18A	S65A, S65B		E61.5	10	K62A, K62B		Pre	A07D, A09E, A11F, A13F
	22	Y02A, Y02B		18A	S65A, S65B	E70.3	10	K63A, K63B, K63C	
	Pre	A07D, A09E, A11F, A13F		22	Y02A, Y02B		15	TPN, VTPN	
E51.9	10	K60A, K60B, K60C, K60D		E61.6	10	K62A, K62B		Pre	A07D, A09E, A11F, A13F
	18A	S65A, S65B		18A	S65A, S65B	E70.8	10	K63A, K63B, K63C	
	22	Y02A, Y02B		22	Y02A, Y02B		15	TPN, VTPN	
E52	10	K62A, K62B		E61.7	10	K62A, K62B		Pre	A07D, A09E, A11F, A13F
	18A	S65A, S65B		18A	S65A, S65B	E70.9	10	K63A, K63B, K63C	
	22	Y02A, Y02B		22	Y02A, Y02B		15	TPN, VTPN	
E53.0	10	K62A, K62B		E61.8	10	K62A, K62B		Pre	A07D, A09E, A11F, A13F
	18A	S65A, S65B		18A	S65A, S65B	E71.0	10	K63A, K63B, K63C	
	22	Y02A, Y02B		22	Y02A, Y02B		15	TPN, VTPN	
							Pre	A07D, A09E, A11F, A13F	

ICD	MDC	DRG	ICD	MDC	DRG	ICD	MDC	DRG	
E71.1	10	K63A, K63C	E75.1	01	B48Z, B85A, B85B, B85C, B85D	E80.6	07	H63A, H63B, H63C, H78Z	
	15	TPN, VTPN					15	TPN, VTPN	
	Pre	A07D, A09E, A11F, A13F		Pre	A07D, A09E, A11F, A13F	E80.7	07	H63A, H63B, H63C, H78Z	
E71.2	10	K63A, K63B, K63C	E75.2	01	B17A, B48Z, B85A, B85B, B85C	E83.0	10	K63A, K63B, K63C	
	15	TPN, VTPN					15	TPN, VTPN	
	Pre	A07D, A09E, A11F, A13F		Pre	A07D, A09E, A11F, A13F	E83.1	16	Q61A, Q61B, Q61C, Q61D, Q61E	
E71.3	10	K62A, K62B	E75.3	10	K63A, K63B, K63C	E83.2	10	K63A, K63B, K63C	
	15	P65C, P66C, P67B, P67C		Pre	A07D, A09E, A11F, A13F	E83.30	10	K63A, K63B, K63C	
	Pre	A07D, A09E, A11F, A13F	E75.4	01	B48Z, B85A, B85B, B85C, B85D	E83.31	10	K63A, K63B, K63C	
E72.0	10	K63A, K63B, K63C				E83.38	10	K63A, K63B, K63C	
	15	TPN, VTPN		Pre	A07D, A09E, A11F, A13F	E83.39	10	K63A, K63B, K63C	
	Pre	A07D, A09E, A11F, A13F	E75.5	10	K63A, K63B, K63C	E83.4	10	K62A, K62B	
E72.1	10	K63A, K63B, K63C		Pre	A07D, A09E, A11F, A13F	E83.50	10	K62A, K62B	
	15	TPN, VTPN		Pre	A07D, A09E, A11F, A13F		11	L09A, L09B, L38Z, L60A, L60B	
	Pre	A07D, A09E, A11F, A13F	E76.0	10	K63A, K63B, K63C		22	Y02A, Y02B	
E72.2	10	K63A, K63C		15	TPN, VTPN	E83.58	10	K62A, K62B	
	15	TPN, VTPN		Pre	A07D, A09E, A11F, A13F		22	Y02A, Y02B	
	Pre	A07D, A09E, A11F, A13F	E76.1	10	K63A, K63B, K63C	E83.59	10	K62A, K62B	
E72.3	10	K63A, K63B, K63C		15	TPN, VTPN		22	Y02A, Y02B	
	15	TPN, VTPN		Pre	A07D, A09E, A11F, A13F	E83.8	10	K63A, K63B, K63C	
	Pre	A07D, A09E, A11F, A13F	E76.2	10	K63A, K63B, K63C	E83.9	10	K63A, K63B, K63C	
E72.4	10	K63A, K63B, K63C		15	TPN, VTPN	E84.0	04	E60A, E60B	
	15	TPN, VTPN		Pre	A07D, A09E, A11F, A13F		15	TPN, VTPN	
	Pre	A07D, A09E, A11F, A13F	E76.3	10	K63A, K63B, K63C		Pre	A07D, A09E, A11F, A13F	
E72.5	10	K63A, K63B, K63C		15	TPN, VTPN	E84.1	06	G40Z, G46A, G46B, G46C, G47Z, G64A, G64B, G64C, G70A, G70B	
	15	TPN, VTPN		Pre	A07D, A09E, A11F, A13F				
	Pre	A07D, A09E, A11F, A13F	E76.8	10	K63A, K63B, K63C		15	TPN, VTPN	
E72.8	10	K63A, K63C		15	TPN, VTPN		Pre	A07D, A09E, A11F, A13F	
	15	TPN, VTPN		Pre	A07D, A09E, A11F, A13F	E84.80	04	E60A, E60B	
	Pre	A07D, A09E, A11F, A13F	E76.9	10	K63A, K63B, K63C		15	TPN, VTPN	
E72.9	10	K63A, K63B, K63C		15	TPN, VTPN		Pre	A07D, A09E, A11F, A13F	
	15	TPN, VTPN		Pre	A07D, A09E, A11F, A13F	E84.87	04	E60A, E60B	
	Pre	A07D, A09E, A11F, A13F	E77.0	10	K63A, K63B, K63C		15	TPN, VTPN	
E73.0	06	G46A, G46B, G46C, G50Z, G67A, G67B, G67C, G67D		Pre	A07D, A09E, A11F, A13F		Pre	A07D, A09E, A11F, A13F	
			E77.1	10	K63A, K63B, K63C	E84.88	04	E60A, E60B	
E73.1	06	G46A, G46B, G46C, G50Z, G67A, G67B, G67C, G67D		Pre	A07D, A09E, A11F, A13F		15	TPN, VTPN	
			E77.8	10	K63A, K63B, K63C		Pre	A07D, A09E, A11F, A13F	
	Pre	A07D, A09E, A11F, A13F		Pre	A07D, A09E, A11F, A13F	E84.9	04	E60A, E60B	
E73.8	06	G46A, G46B, G46C, G50Z, G67A, G67B, G67C, G67D		Pre	A07D, A09E, A11F, A13F		15	TPN, VTPN	
			E77.9	10	K63A, K63B, K63C		Pre	A07D, A09E, A11F, A13F	
	Pre	A07D, A09E, A11F, A13F	E78.0	10	K63A, K63B, K63C	E85.0	08	I66A, I66B, I66C	
E73.9	06	G46A, G46B, G46C, G50Z, G67A, G67B, G67C, G67D		E78.1	10	K63A, K63B, K63C		Pre	A07D, A09E, A11F, A13F
			E78.2	10	K63A, K63B, K63C	E85.1	08	I66A, I66B, I66C	
	Pre	A07D, A09E, A11F, A13F	E78.3	10	K63A, K63B, K63C		Pre	A07D, A09E, A11F, A13F	
E74.0	10	K63A, K63C		E78.4	10	K62A, K62B	E85.2	08	I66A, I66B, I66C
	15	TPN, VTPN		E78.5	10	K62A, K62B		Pre	A07D, A09E, A11F, A13F
	Pre	A07D, A09E, A11F, A13F	E78.6	10	K63A, K63C	E85.3	08	I66A, I66B, I66C	
E74.1	06	G46A, G46B, G46C, G50Z, G67A, G67B, G67C, G67D		15	TPN, VTPN		Pre	A07D, A09E, A11F, A13F	
			E78.8	10	K63A, K63B, K63C	E85.4	08	I66A, I66B, I66C	
	15	TPN, VTPN		E78.9	10	K63A, K63B, K63C	E85.8	08	I66A, I66B, I66C
	Pre	A07D, A09E, A11F, A13F		15	TPN, VTPN	E85.9	08	I66A, I66B, I66C	
E74.2	10	K63A, K63B, K63C		E79.0	10	K63A, K63B, K63C		10	K62A, K62B
	15	TPN, VTPN		15	TPN, VTPN	E86	15	P65C, P66C, P67B, P67C	
	Pre	A07D, A09E, A11F, A13F	E79.1	10	K63A, K63B, K63C		18A	S65A, S65B	
E74.3	06	G46A, G46B, G46C, G50Z, G67A, G67B, G67C, G67D		15	TPN, VTPN		22	Y02A, Y02B	
			E79.8	10	K63A, K63B, K63C	E87.0	10	K62A, K62B	
	Pre	A07D, A09E, A11F, A13F		15	TPN, VTPN		22	Y02A, Y02B	
E74.4	10	K63A, K63B, K63C		E79.9	10	K63A, K63B, K63C	E87.1	10	K62A, K62B
	Pre	A07D, A09E, A11F, A13F		15	TPN, VTPN		22	Y02A, Y02B	
E74.8	10	K63A, K63B, K63C		E80.0	10	K63A, K63B, K63C	E87.2	10	K62A, K62B
	Pre	A07D, A09E, A11F, A13F		15	TPN, VTPN		15	P65C, P66C, P67B, P67C	
E74.9	10	K63A, K63B, K63C		E80.1	10	K63A, K63B, K63C		22	Y02A, Y02B
	Pre	A07D, A09E, A11F, A13F	E80.2	10	K63A, K63B, K63C	E87.3	10	K62A, K62B	
E75.0	01	B48Z, B85A, B85B, B85C, B85D		15	TPN, VTPN		22	Y02A, Y02B	
	Pre	A07D, A09E, A11F, A13F	E80.3	10	K63A, K63B, K63C	E87.4	10	K62A, K62B	
			E80.4	07	H63A, H63B, H63C, H78Z		22	Y02A, Y02B	
			E80.5	07	H63A, H63B, H63C, H78Z	E87.5	10	K62A, K62B	
							22	Y02A, Y02B	

ICD	MDC	DRG	ICD	MDC	DRG	ICD	MDC	DRG
E87.6	10	K62A, K62B	F02.3	01	B67A	F07.1	01	B63Z
	22	Y02A, Y02B		14	O01A, O01B, O01C, O01D, O01E, O01F, O01G, O60A, O60B, O60C	F07.2	01	B76A, B76B, B76C, B76D, B76E, B76F, B76G
E87.7	22	Y02A, Y02B				F07.8	01	B63Z
E87.8	10	K62A, K62B	F02.4	14	O01A, O01B, O01C, O01D, O01E, O01F, O01G, O60A, O60B, O60C	F07.9	01	B64Z
	22	Y02A, Y02B		15	TPN, VTPN		18A	S65A, S65B
E88.0	10	K63A, K63B, K63C	F03	01	B20D, B63Z	F09	01	B63Z
E88.1	10	K63A, K63B, K63C		14	O01A, O01B, O01C, O01D, O01E, O01F, O01G, O60A, O60B, O60C		18A	S65A, S65B
	15	TPN, VTPN				F10.0	14	O01A, O01B, O01C, O01D, O01E, O01F, O01G, O60A, O60B, O60C
	18A	S65A, S65B					20	V60A, V60B, V60C
E88.2	10	K63A, K63B, K63C		18A	S65A, S65B	F10.1	14	O01A, O01B, O01C, O01D, O01E, O01F, O01G, O60A, O60B, O60C
	15	P65C, P66C, P67B, P67C	F04	01	B63Z		20	V60A, V60B, V60C
E88.3	10	K63A, K63B, K63C		14	O01A, O01B, O01C, O01D, O01E, O01F, O01G, O60A, O60B, O60C	F10.2	14	O01A, O01B, O01C, O01D, O01E, O01F, O01G, O60A, O60B, O60C
E88.8	10	K63A, K63B, K63C					20	V60A, V60B, V60C
E88.9	10	K63A, K63B, K63C				F10.3	14	O01A, O01B, O01C, O01D, O01E, O01F, O01G, O60A, O60B, O60C
	18A	S65A, S65B					20	V60A, V60B
E89.0	10	K64A, K64B, K64C, K64D	F05.0	01	B64Z	F10.4	14	O01A, O01B, O01C, O01D, O01E, O01F, O01G, O60A, O60B, O60C
E89.1	10	K62A, K62B		14	O01A, O01B, O01C, O01D, O01E, O01F, O01G, O60A, O60B, O60C		20	V60A, V60B
E89.2	10	K64A, K64B, K64C, K64D				F10.5	14	O01A, O01B, O01C, O01D, O01E, O01F, O01G, O60A, O60B, O60C
	15	TPN, VTPN	F05.1	01	B64Z		20	V60A, V60B
E89.3	10	K64A, K64B, K64C, K64D		14	O01A, O01B, O01C, O01D, O01E, O01F, O01G, O60A, O60B, O60C	F10.6	14	O01A, O01B, O01C, O01D, O01E, O01F, O01G, O60A, O60B, O60C
E89.4	13	N04Z, N05A, N05B, N14Z, N21Z, N25Z, N62A, N62B					20	V60A, V60B
E89.5	10	K64A, K64B, K64C, K64D				F10.7	14	O01A, O01B, O01C, O01D, O01E, O01F, O01G, O60A, O60B, O60C
E89.6	10	K64A, K64B, K64C, K64D					20	V60A, V60B
	15	TPN, VTPN	F05.8	01	B64Z	F10.8	14	O01A, O01B, O01C, O01D, O01E, O01F, O01G, O60A, O60B, O60C
E89.8	10	K64A, K64B, K64C, K64D		14	O01A, O01B, O01C, O01D, O01E, O01F, O01G, O60A, O60B, O60C		20	V60A, V60B
E89.9	10	K64A, K64B, K64C, K64D				F10.9	14	O01A, O01B, O01C, O01D, O01E, O01F, O01G, O60A, O60B, O60C
F00.0	14	O01A, O01B, O01C, O01D, O01E, O01F, O01G, O60A, O60B, O60C	F05.9	01	B64Z		20	V60A, V60B
				14	O01A, O01B, O01C, O01D, O01E, O01F, O01G, O60A, O60B, O60C	F10.10	01	B63Z
F00.2	14	O01A, O01B, O01C, O01D, O01E, O01F, O01G, O60A, O60B, O60C					14	O01A, O01B, O01C, O01D, O01E, O01F, O01G, O60A, O60B, O60C
F00.9	14	O01A, O01B, O01C, O01D, O01E, O01F, O01G, O60A, O60B, O60C	F06.0	01	B64Z, B67A		20	V60A
				14	O01A, O01B, O01C, O01D, O01E, O01F, O01G, O60A, O60B, O60C	F10.11	14	O01A, O01B, O01C, O01D, O01E, O01F, O01G, O60A, O60B, O60C
F01.0	01	B63Z	F06.1	01	B64Z		20	V63Z
	14	O01A, O01B, O01C, O01D, O01E, O01F, O01G, O60A, O60B, O60C		14	O01A, O01B, O01C, O01D, O01E, O01F, O01G, O60A, O60B, O60C	F11.1	14	O01A, O01B, O01C, O01D, O01E, O01F, O01G, O60A, O60B, O60C
F01.1	01	B63Z					20	V63Z
	14	O01A, O01B, O01C, O01D, O01E, O01F, O01G, O60A, O60B, O60C	F06.2	01	B64Z, B67A	F11.2	14	O01A, O01B, O01C, O01D, O01E, O01F, O01G, O60A, O60B, O60C
F01.2	01	B63Z		14	O01A, O01B, O01C, O01D, O01E, O01F, O01G, O60A, O60B, O60C		20	V63Z
	14	O01A, O01B, O01C, O01D, O01E, O01F, O01G, O60A, O60B, O60C	F06.3	01	B64Z	F11.3	14	O01A, O01B, O01C, O01D, O01E, O01F, O01G, O60A, O60B, O60C
F01.3	01	B63Z					20	V61Z
	14	O01A, O01B, O01C, O01D, O01E, O01F, O01G, O60A, O60B, O60C	F06.4	01	B64Z	F11.4	14	O01A, O01B, O01C, O01D, O01E, O01F, O01G, O60A, O60B, O60C
F01.8	01	B63Z		14	O01A, O01B, O01C, O01D, O01E, O01F, O01G, O60A, O60B, O60C		20	V61Z
	14	O01A, O01B, O01C, O01D, O01E, O01F, O01G, O60A, O60B, O60C	F06.5	01	B64Z		14	O01A, O01B, O01C, O01D, O01E, O01F, O01G, O60A, O60B, O60C
F01.9	01	B63Z		14	O01A, O01B, O01C, O01D, O01E, O01F, O01G, O60A, O60B, O60C		20	V61Z
	14	O01A, O01B, O01C, O01D, O01E, O01F, O01G, O60A, O60B, O60C	F06.6	01	B64Z		14	O01A, O01B, O01C, O01D, O01E, O01F, O01G, O60A, O60B, O60C
F02.0	14	O01A, O01B, O01C, O01D, O01E, O01F, O01G, O60A, O60B, O60C					20	V61Z
F02.1	14	O01A, O01B, O01C, O01D, O01E, O01F, O01G, O60A, O60B, O60C	F06.7	01	B64Z		14	O01A, O01B, O01C, O01D, O01E, O01F, O01G, O60A, O60B, O60C
			F06.8	01	B63Z		20	V61Z
F02.2	14	O01A, O01B, O01C, O01D, O01E, O01F, O01G, O60A, O60B, O60C		18A	S65A, S65B		14	O01A, O01B, O01C, O01D, O01E, O01F, O01G, O60A, O60B, O60C
			F06.9	01	B63Z		20	V61Z
				18A	S65A, S65B			
			F07.0	01	B63Z			
				14	O01A, O01B, O01C, O01D, O01E, O01F, O01G, O60A, O60B, O60C			

Dg



ICD	MDC	DRG	ICD	MDC	DRG	ICD	MDC	DRG
F16.9	14	001A, 001B, 001C, 001D, 001E, 001F, 001G, 060A, 060B, 060C	F19.4	14	001A, 001B, 001C, 001D, 001E, 001F, 001G, 060A, 060B, 060C	F23.2	14	001A, 001B, 001C, 001D, 001E, 001F, 001G, 060A, 060B, 060C
	20	V61Z		20	V61Z		19	U61Z
F17.0	20	V64Z	F19.5	14	001A, 001B, 001C, 001D, 001E, 001F, 001G, 060A, 060B, 060C	F23.3	14	001A, 001B, 001C, 001D, 001E, 001F, 001G, 060A, 060B, 060C
F17.1	20	V64Z		20	V61Z		19	U61Z
F17.2	20	V64Z	F19.6	14	001A, 001B, 001C, 001D, 001E, 001F, 001G, 060A, 060B, 060C	F23.8	14	001A, 001B, 001C, 001D, 001E, 001F, 001G, 060A, 060B, 060C
F17.3	20	V61Z		20	V61Z		19	U61Z
F17.4	20	V61Z	F19.7	14	001A, 001B, 001C, 001D, 001E, 001F, 001G, 060A, 060B, 060C	F23.9	14	001A, 001B, 001C, 001D, 001E, 001F, 001G, 060A, 060B, 060C
F17.5	20	V61Z		20	V61Z		19	U61Z
F17.6	20	V61Z	F19.8	14	001A, 001B, 001C, 001D, 001E, 001F, 001G, 060A, 060B, 060C	F24	19	U61Z
F17.7	20	V61Z		20	V61Z	F25.0	14	001A, 001B, 001C, 001D, 001E, 001F, 001G, 060A, 060B, 060C
F17.8	20	V61Z	F19.9	14	001A, 001B, 001C, 001D, 001E, 001F, 001G, 060A, 060B, 060C		19	U61Z
F17.9	20	V61Z		20	V61Z	F25.1	14	001A, 001B, 001C, 001D, 001E, 001F, 001G, 060A, 060B, 060C
F18.0	14	001A, 001B, 001C, 001D, 001E, 001F, 001G, 060A, 060B, 060C	F20.0	14	001A, 001B, 001C, 001D, 001E, 001F, 001G, 060A, 060B, 060C		19	U61Z
	20	V64Z		19	U61Z	F25.2	14	001A, 001B, 001C, 001D, 001E, 001F, 001G, 060A, 060B, 060C
F18.1	14	001A, 001B, 001C, 001D, 001E, 001F, 001G, 060A, 060B, 060C	F20.1	14	001A, 001B, 001C, 001D, 001E, 001F, 001G, 060A, 060B, 060C		19	U61Z
	20	V64Z		19	U61Z	F25.8	14	001A, 001B, 001C, 001D, 001E, 001F, 001G, 060A, 060B, 060C
F18.2	14	001A, 001B, 001C, 001D, 001E, 001F, 001G, 060A, 060B, 060C	F20.2	14	001A, 001B, 001C, 001D, 001E, 001F, 001G, 060A, 060B, 060C		19	U61Z
	20	V64Z		19	U61Z	F25.9	14	001A, 001B, 001C, 001D, 001E, 001F, 001G, 060A, 060B, 060C
F18.3	14	001A, 001B, 001C, 001D, 001E, 001F, 001G, 060A, 060B, 060C	F20.3	14	001A, 001B, 001C, 001D, 001E, 001F, 001G, 060A, 060B, 060C		19	U61Z
	20	V61Z		19	U61Z	F28	19	U61Z
F18.4	14	001A, 001B, 001C, 001D, 001E, 001F, 001G, 060A, 060B, 060C	F20.4	19	U61Z	F29	14	001A, 001B, 001C, 001D, 001E, 001F, 001G, 060A, 060B, 060C
	20	V61Z	F20.5	14	001A, 001B, 001C, 001D, 001E, 001F, 001G, 060A, 060B, 060C		18A	S65A, S65B
F18.5	14	001A, 001B, 001C, 001D, 001E, 001F, 001G, 060A, 060B, 060C		19	U61Z		19	U61Z
	20	V61Z	F20.6	14	001A, 001B, 001C, 001D, 001E, 001F, 001G, 060A, 060B, 060C	F30.0	14	001A, 001B, 001C, 001D, 001E, 001F, 001G, 060A, 060B, 060C
F18.6	14	001A, 001B, 001C, 001D, 001E, 001F, 001G, 060A, 060B, 060C		19	U61Z		18A	S65A, S65B
	20	V61Z	F20.8	14	001A, 001B, 001C, 001D, 001E, 001F, 001G, 060A, 060B, 060C		19	U63Z
F18.7	14	001A, 001B, 001C, 001D, 001E, 001F, 001G, 060A, 060B, 060C		19	U61Z	F30.1	14	001A, 001B, 001C, 001D, 001E, 001F, 001G, 060A, 060B, 060C
	20	V61Z	F20.9	14	001A, 001B, 001C, 001D, 001E, 001F, 001G, 060A, 060B, 060C		18A	S65A, S65B
F18.8	14	001A, 001B, 001C, 001D, 001E, 001F, 001G, 060A, 060B, 060C		19	U61Z		19	U63Z
	20	V61Z	F21	19	U61Z	F30.2	14	001A, 001B, 001C, 001D, 001E, 001F, 001G, 060A, 060B, 060C
F18.9	14	001A, 001B, 001C, 001D, 001E, 001F, 001G, 060A, 060B, 060C	F22.0	19	U61Z		18A	S65A, S65B
	20	V61Z	F22.8	19	U61Z		19	U63Z
F19.0	14	001A, 001B, 001C, 001D, 001E, 001F, 001G, 060A, 060B, 060C	F22.9	19	U61Z	F30.8	14	001A, 001B, 001C, 001D, 001E, 001F, 001G, 060A, 060B, 060C
	20	V64Z	F23.0	14	001A, 001B, 001C, 001D, 001E, 001F, 001G, 060A, 060B, 060C		19	U63Z
F19.1	14	001A, 001B, 001C, 001D, 001E, 001F, 001G, 060A, 060B, 060C		19	U61Z	F30.9	14	001A, 001B, 001C, 001D, 001E, 001F, 001G, 060A, 060B, 060C
	20	V64Z	F23.1	14	001A, 001B, 001C, 001D, 001E, 001F, 001G, 060A, 060B, 060C		18A	S65A, S65B
F19.2	14	001A, 001B, 001C, 001D, 001E, 001F, 001G, 060A, 060B, 060C		19	U61Z		19	U63Z
	20	V64Z		19	U61Z	F31.0	14	001A, 001B, 001C, 001D, 001E, 001F, 001G, 060A, 060B, 060C
F19.3	14	001A, 001B, 001C, 001D, 001E, 001F, 001G, 060A, 060B, 060C		19	U61Z		19	U63Z
	15	TPN, VTPN						
	20	V61Z						

Dg

ICD	MDC	DRG	ICD	MDC	DRG	ICD	MDC	DRG
F31.1	14	O01A, O01B, O01C, O01D, O01E, O01F, O01G, O60A, O60B, O60C	F40.1	19	U64Z	F50.3	14	O01A, O01B, O01C, O01D, O01E, O01F, O01G, O60A, O60B, O60C
	19	U63Z	F40.2	19	U64Z		19	U66Z
F31.2	14	O01A, O01B, O01C, O01D, O01E, O01F, O01G, O60A, O60B, O60C	F40.8	19	U64Z	F50.4	14	O01A, O01B, O01C, O01D, O01E, O01F, O01G, O60A, O60B, O60C
	19	U63Z	F40.9	19	U64Z		19	U66Z
F31.3	19	U63Z	F41.0	19	U64Z		19	U66Z
F31.4	14	O01A, O01B, O01C, O01D, O01E, O01F, O01G, O60A, O60B, O60C	F41.1	19	U64Z	F50.5	19	U66Z
	19	U63Z	F41.2	19	U64Z	F50.8	14	O01A, O01B, O01C, O01D, O01E, O01F, O01G, O60A, O60B, O60C
F31.5	14	O01A, O01B, O01C, O01D, O01E, O01F, O01G, O60A, O60B, O60C	F41.3	19	U64Z		19	U66Z
	19	U63Z	F41.8	19	U64Z	F50.9	14	O01A, O01B, O01C, O01D, O01E, O01F, O01G, O60A, O60B, O60C
F31.6	14	O01A, O01B, O01C, O01D, O01E, O01F, O01G, O60A, O60B, O60C	F41.9	19	U64Z		19	U66Z
	19	U63Z	F42.0	19	U66Z	F51.0	19	U64Z
F31.7	19	U63Z	F42.1	19	U66Z	F51.1	19	U64Z
F31.8	14	O01A, O01B, O01C, O01D, O01E, O01F, O01G, O60A, O60B, O60C	F42.2	19	U66Z	F51.2	19	U64Z
	19	U63Z	F42.8	19	U66Z	F51.3	19	U64Z
F31.9	14	O01A, O01B, O01C, O01D, O01E, O01F, O01G, O60A, O60B, O60C	F42.9	19	U66Z	F51.4	19	U64Z
	19	U63Z	F43.0	19	U66Z	F51.5	19	U64Z
F32.0	19	U63Z	F43.1	19	U66Z	F51.8	19	U64Z
F32.1	19	U63Z	F43.2	19	U66Z	F51.9	19	U64Z
F32.2	14	O01A, O01B, O01C, O01D, O01E, O01F, O01G, O60A, O60B, O60C	F43.8	19	U66Z	F52.0	19	U66Z
	19	U63Z	F43.9	19	U66Z	F52.1	19	U66Z
F32.3	14	O01A, O01B, O01C, O01D, O01E, O01F, O01G, O60A, O60B, O60C	F44.0	19	U64Z	F52.2	12	M64Z
	19	U63Z	F44.1	19	U64Z		13	N04Z, N05A, N05B, N14Z, N21Z, N25Z, N62B
F32.8	19	U63Z	F44.2	19	U64Z	F52.3	19	U66Z
F32.9	19	U64Z	F44.3	19	U64Z	F52.4	19	U66Z
F33.0	19	U63Z	F44.4	15	P65C, P66C, P67B, P67C	F52.5	13	N04Z, N05A, N05B, N14Z, N21Z, N25Z, N62B
F33.1	19	U63Z		19	U64Z	F52.6	19	U66Z
F33.2	14	O01A, O01B, O01C, O01D, O01E, O01F, O01G, O60A, O60B, O60C	F44.5	19	U64Z	F52.7	19	U66Z
	19	U63Z	F44.6	19	U64Z	F52.8	19	U66Z
F33.3	14	O01A, O01B, O01C, O01D, O01E, O01F, O01G, O60A, O60B, O60C	F44.7	19	U64Z	F52.9	19	U66Z
	19	U63Z	F44.80	19	U64Z	F53.0	14	O04A, O04B, O61Z
F33.4	19	U63Z	F44.81	19	U64Z	F53.1	14	O04A, O04B, O61Z
F33.8	14	O01A, O01B, O01C, O01D, O01E, O01F, O01G, O60A, O60B, O60C	F44.82	19	U64Z	F53.8	14	O04A, O04B, O61Z
	19	U63Z	F44.88	19	U64Z	F53.9	14	O04A, O04B, O61Z
F33.9	14	O01A, O01B, O01C, O01D, O01E, O01F, O01G, O60A, O60B, O60C	F44.9	19	U64Z	F54	19	U66Z
	19	U63Z	F45.0	19	U64Z	F55.0	20	V64Z
F34.0	19	U64Z	F45.1	19	U64Z	F55.1	20	V64Z
F34.1	19	U64Z	F45.2	19	U64Z	F55.2	20	V64Z
F34.8	19	U63Z	F45.30	05	F73Z	F55.3	20	V64Z
F34.9	19	U63Z	F45.31	19	U64Z	F55.4	20	V64Z
F38.0	19	U63Z	F45.32	19	U64Z	F55.5	20	V64Z
F38.1	19	U63Z	F45.33	04	E65A, E65B, E69A, E69B, E69C, E69D, E69E, E69F, E75A, E75B, E75C	F55.6	20	V64Z
F38.8	19	U63Z			L68A, L68B, L74Z	F55.8	20	V64Z
F39	19	U63Z	F45.34	11	L68A, L68B, L74Z	F55.9	20	V64Z
F40.00	19	U64Z	F45.37	19	U64Z	F59	19	U64Z
F40.01	19	U64Z	F45.38	19	U64Z	F60.0	19	U66Z
			F45.39	19	U64Z	F60.1	19	U66Z
			F45.40	19	U64Z	F60.2	19	U66Z
			F45.41	19	U64Z	F60.30	19	U66Z
			F45.8	19	U64Z	F60.31	19	U66Z
			F45.9	19	U64Z	F60.4	19	U66Z
			F48.0	19	U64Z	F60.5	19	U66Z
			F48.1	19	U64Z	F60.6	19	U66Z
			F48.8	19	U64Z	F60.7	19	U66Z
			F48.9	19	U64Z	F60.8	19	U66Z
			F50.0	14	O01A, O01B, O01C, O01D, O01E, O01F, O01G, O60A, O60B, O60C	F60.9	19	U66Z
				19	U66Z	F61	19	U66Z
			F50.1	14	O01A, O01B, O01C, O01D, O01E, O01F, O01G, O60A, O60B, O60C	F62.0	19	U66Z
				19	U66Z	F62.1	19	U66Z
			F50.2	14	O01A, O01B, O01C, O01D, O01E, O01F, O01G, O60A, O60B, O60C	F62.80	19	U66Z
				19	U66Z	F62.88	19	U66Z

ICD	MDC	DRG	ICD	MDC	DRG	ICD	MDC	DRG
F62.9	19	U66Z	F81.8	19	U66Z	F94.9	19	U66Z
F63.0	19	U66Z	F81.9	19	U66Z	F95.0	01	B81A, B81B
F63.1	19	U66Z	F82.0	15	TPN, VTPN	F95.1	01	B81A, B81B
F63.2	19	U66Z		19	U66Z	F95.2	01	B81A, B81B
F63.3	19	U66Z	F82.1	15	TPN, VTPN	F95.8	01	B81A, B81B
F63.8	19	U66Z		19	U66Z	F95.9	01	B81A, B81B
F63.9	19	U66Z	F82.2	15	TPN, VTPN	F98.0	19	U66Z
F64.0	19	U01Z, U66Z		19	U66Z	F98.1	19	U66Z
F64.1	19	U01Z, U66Z	F82.9	15	TPN, VTPN	F98.2	19	U66Z
F64.2	19	U66Z		19	U66Z	F98.3	19	U66Z
F64.8	19	U01Z, U66Z	F83	15	TPN, VTPN	F98.4	19	U66Z
F64.9	19	U01Z, U66Z		19	U66Z	F98.5	01	B81A, B81B
F65.0	19	U66Z	F84.0	14	O01A, O01B, O01C, O01D, O01E, O01F, O01G, O60A, O60B, O60C	F98.6	01	B81A, B81B
F65.1	19	U66Z		19	U66Z	F98.8	19	U66Z
F65.2	19	U66Z	F84.1	14	O01A, O01B, O01C, O01D, O01E, O01F, O01G, O60A, O60B, O60C	F98.9	19	U66Z
F65.3	19	U66Z		19	U66Z	F99	19	U64Z
F65.4	19	U66Z		14	O01A, O01B, O01C, O01D, O01E, O01F, O01G, O60A, O60B, O60C	G00.0	01	B72A, B72B
F65.5	19	U66Z		19	U66Z		15	TPN, VTPN
F65.6	19	U66Z	F84.2	01	B48Z, B85A, B85B, B85C, B85D	Pre	A07D, A09E, A11F, A13F	
F65.8	19	U66Z		14	O01A, O01B, O01C, O01D, O01E, O01F, O01G, O60A, O60B, O60C	G00.1	01	B72A, B72B
F65.9	19	U66Z		19	U66Z		15	TPN, VTPN
F66.0	19	U66Z	F84.3	14	O01A, O01B, O01C, O01D, O01E, O01F, O01G, O60A, O60B, O60C	Pre	A07D, A09E, A11F, A13F	
F66.1	19	U66Z		19	U66Z	G00.2	01	B72A, B72B
F66.2	19	U66Z		15	TPN, VTPN		15	TPN, VTPN
F66.8	19	U66Z	F84.4	14	O01A, O01B, O01C, O01D, O01E, O01F, O01G, O60A, O60B, O60C	Pre	A07D, A09E, A11F, A13F	
F66.9	19	U66Z		19	U66Z	G00.3	01	B72A, B72B
F68.0	19	U64Z		15	TPN, VTPN		15	TPN, VTPN
F68.1	19	U66Z	F84.5	14	O01A, O01B, O01C, O01D, O01E, O01F, O01G, O60A, O60B, O60C	Pre	A07D, A09E, A11F, A13F	
F68.8	19	U66Z		19	U66Z	G00.8	01	B72A, B72B
F69	19	U66Z		15	TPN, VTPN		15	TPN, VTPN
F70.0	01	B81A, B81B	F84.8	14	O01A, O01B, O01C, O01D, O01E, O01F, O01G, O60A, O60B, O60C	Pre	A07D, A09E, A11F, A13F	
F70.1	01	B81A, B81B		19	U66Z	G00.9	01	B72A, B72B
F70.8	01	B81A, B81B		15	TPN, VTPN		15	TPN, VTPN
F70.9	01	B81A, B81B	F84.9	14	O01A, O01B, O01C, O01D, O01E, O01F, O01G, O60A, O60B, O60C	Pre	A07D, A09E, A11F, A13F	
F71.0	01	B81A, B81B		19	U66Z	G01	15	TPN, VTPN
F71.1	01	B81A, B81B		19	U66Z	Pre	A07D, A09E, A11F, A13F	
F71.8	01	B81A, B81B		14	O01A, O01B, O01C, O01D, O01E, O01F, O01G, O60A, O60B, O60C	G02.0	15	TPN, VTPN
F71.9	01	B81A, B81B		19	U66Z	Pre	A07D, A09E, A11F, A13F	
F72.0	01	B81A, B81B	F88	19	U66Z	G02.1	15	TPN, VTPN
F72.1	01	B81A, B81B	F89	19	U66Z	Pre	A07D, A09E, A11F, A13F	
F72.8	01	B81A, B81B	F90.0	19	U66Z	G02.8	15	TPN, VTPN
F72.8	01	B81A, B81B	F90.1	19	U66Z	Pre	A07D, A09E, A11F, A13F	
F72.9	01	B81A, B81B	F90.8	19	U66Z	G03.0	01	B72A, B72B
F73.0	01	B81A, B81B	F90.9	19	U66Z		15	TPN, VTPN
F73.1	01	B81A, B81B	F91.0	19	U66Z	Pre	A07D, A09E, A11F, A13F	
F73.8	01	B81A, B81B	F91.1	19	U66Z	G03.1	01	B72A, B72B
F73.9	01	B81A, B81B	F91.2	19	U66Z		15	TPN, VTPN
F74.0	01	B81A, B81B	F91.3	19	U66Z	Pre	A07D, A09E, A11F, A13F	
F74.1	01	B81A, B81B	F91.8	19	U66Z	G03.2	01	B72A, B72B
F74.8	01	B81A, B81B	F91.9	19	U66Z		15	TPN, VTPN
F74.9	01	B81A, B81B	F92.0	19	U66Z	Pre	A07D, A09E, A11F, A13F	
F78.0	01	B81A, B81B	F92.8	19	U66Z	G03.8	01	B72A, B72B
F78.1	01	B81A, B81B	F92.9	19	U66Z		15	TPN, VTPN
F78.8	01	B81A, B81B	F93.0	19	U66Z	Pre	A07D, A09E, A11F, A13F	
F78.9	01	B81A, B81B	F93.1	19	U66Z	G03.9	01	B72A, B72B
F79.0	01	B81A, B81B	F93.2	19	U66Z		15	TPN, VTPN
F79.1	01	B81A, B81B	F93.3	19	U66Z	Pre	A07D, A09E, A11F, A13F	
F79.8	01	B81A, B81B	F93.8	19	U66Z	G04.0	01	B72A, B72B
F79.9	01	B81A, B81B	F93.9	19	U66Z		15	TPN, VTPN
F80.0	19	U66Z	F94.0	19	U66Z	Pre	A07D, A09E, A11F, A13F	
F80.1	19	U66Z	F94.1	19	U66Z		15	TPN, VTPN
F80.20	19	U66Z	F94.2	19	U66Z		15	TPN, VTPN
F80.28	19	U66Z	F94.8	19	U66Z		15	TPN, VTPN
F80.3	19	U66Z						
F80.8	19	U66Z						
F80.9	19	U66Z						
F81.0	19	U66Z						
F81.1	19	U66Z						
F81.2	19	U66Z						
F81.3	19	U66Z						

ICD	MDC	DRG	ICD	MDC	DRG	ICD	MDC	DRG
G04.1	01	B03A, B48Z, B60A, B60B	G11.8	01	B03A, B03B, B06A, B06B, B17A, B17B, B17C, B17D, B48Z, B68A, B68B, B68C	G23.2	01	B17A, B48Z, B85A, B85B, B85C
	04	E40B, E69A, E77F					Pre	A07D, A09E, A11F, A13F
	06	G67C				G23.8	01	B67A, B67B
	08	I06A, I08C, I09D, I10C, I13A, I13B, I68A, I68B, I69A, I69B	G11.9	01	B03A, B03B, B06A, B06B, B17A, B17B, B17C, B17D, B48Z, B68A, B68B, B68C		Pre	A07D, A09E, A11F, A13F
	09	J02A, J08A, J08B, J08C, J11A				G23.9	01	B67A, B67B
	10	K62A					Pre	A07D, A09E, A11F, A13F
	11	L18A, L18B, L20A, L20B, L38Z, L42A, L74Z	G12.0	01	A07D, A09E, A11F, A13F B03A, B03B, B06A, B06B, B17A, B17B, B17C, B17D, B48Z, B85A, B85B, B85C, B85D	G24.0	01	B48Z, B85A, B85B, B85C, B85D
	18B	T60B				G24.1	01	B48Z, B85A, B85B, B85C, B85D
	Pre	A07D, A09E, A11F, A13F				G24.2	01	B48Z, B85A, B85B, B85C, B85D
G04.2	01	B72A, B72B		15	TPN, VTPN	G24.3	01	B81A, B81B
	18A	S65A, S65B		Pre	A07D, A09E, A11F, A13F	G24.4	01	B81A, B81B
	Pre	A07D, A09E, A11F, A13F	G12.1	01	B03A, B03B, B06A, B06B, B17A, B17B, B17C, B17D, B48Z, B85A, B85B, B85C, B85D	G24.5	02	C61Z
G04.8	01	B72A, B72B				G24.8	01	B81A, B81B
	18A	S65A, S65B				G24.9	01	B81A, B81B
	Pre	A07D, A09E, A11F, A13F				G25.0	01	B81A, B81B
G04.9	01	B72A, B72B		15	TPN, VTPN	G25.1	01	B81A, B81B
	18A	S65A, S65B		Pre	A07D, A09E, A11F, A13F	G25.2	01	B81A, B81B
	Pre	A07D, A09E, A11F, A13F	G12.2	01	B03A, B03B, B06A, B06B, B17A, B17B, B17C, B17D, B48Z, B85A, B85B, B85C, B85D	G25.3	01	B76A, B76B, B76C, B76D, B76E, B76F, B76G
G05.0	15	TPN, VTPN				G25.4	01	B48Z, B85A, B85B, B85C, B85D
	Pre	A07D, A09E, A11F, A13F				G25.5	01	B48Z, B85A, B85B, B85C, B85D
G05.1	15	TPN, VTPN	G12.8	01	B03A, B03B, B06A, B06B, B17A, B17B, B17C, B17D, B48Z, B85A, B85B, B85C, B85D	G25.6	01	B81A, B81B
	Pre	A07D, A09E, A11F, A13F				G25.80	01	B03A, B03B, B06A, B06B, B17A, B17B, B17C, B17D, B48Z, B85A, B85B, B85C, B85D
G05.2	15	TPN, VTPN				G25.81	01	B03A, B03B, B06A, B06B, B17A, B17B, B17C, B17D, B48Z, B85A, B85B, B85C, B85D
	Pre	A07D, A09E, A11F, A13F				G25.88	01	B03A, B03B, B06A, B06B, B17A, B17B, B17C, B17D, B48Z, B85A, B85B, B85C, B85D
G05.8	15	TPN, VTPN		15	TPN, VTPN	G25.9	01	B48Z, B85A, B85B, B85C, B85D
	Pre	A07D, A09E, A11F, A13F	G12.9	01	B03A, B03B, B06A, B06B, B17A, B17B, B17C, B17D, B48Z, B85A, B85B, B85C, B85D	G30.0	01	B63Z
G06.0	01	B02A, B02B, B02C, B02D, B72A, B72B				G30.1	01	B63Z
	15	TPN, VTPN				G30.8	01	B63Z
	Pre	A07D, A09E, A11F, A13F				G30.9	01	B63Z
G06.1	01	B02A, B02B, B02C, B02D, B72A, B72B	G13.0	Pre	A07D, A09E, A11F, A13F	G31.0	01	B63Z
	15	TPN, VTPN	G13.1	Pre	A07D, A09E, A11F, A13F	G31.2	01	B48Z, B85A, B85B, B85C, B85D
	Pre	A07D, A09E, A11F, A13F	G13.2	Pre	A07D, A09E, A11F, A13F	G31.81	01	B17A, B48Z, B76F, B85A, B85B, B85C
G06.2	01	B72A, B72B	G13.8	Pre	A07D, A09E, A11F, A13F	G31.82	01	B17A, B48Z, B76F, B85A, B85B, B85C
	15	TPN, VTPN	G20.00	01	B67A, B67B		Pre	A07D, A09E, A11F, A13F
	Pre	A07D, A09E, A11F, A13F	G20.01	01	B67A, B67B	G31.88	01	B17A, B48Z, B76F, B85A, B85B, B85C
G07	15	TPN, VTPN	G20.10	01	B67A, B67B	G31.9	01	B48Z, B85A, B85B, B85C, B85D
	Pre	A07D, A09E, A11F, A13F		Pre	A07D, A09E, A11F, A13F	G35.0	01	B03A, B03B, B06A, B06B, B17A, B17B, B17C, B17D, B48Z, B68A, B68B, B68C, B68D
G08	01	B81A	G20.11	01	B67A, B67B		14	O01A, O01B, O01C, O01D, O01E, O01F, O01G, O60A, O60B, O60C
	15	TPN, VTPN		Pre	A07D, A09E, A11F, A13F		Pre	A07D, A09E, A11F, A13F
	Pre	A07D, A09E, A11F, A13F	G20.20	01	B67A			
G09	Pre	A07D, A09E, A11F, A13F		Pre	A07D, A09E, A11F, A13F			
G10	01	B48Z, B85A, B85B, B85C, B85D	G20.21	01	B67A			
	Pre	A07D, A09E, A11F, A13F		Pre	A07D, A09E, A11F, A13F			
G11.0	01	B03A, B03B, B06A, B06B, B17A, B17B, B17C, B17D, B48Z, B68A, B68B, B68C	G20.90	01	B67A, B67B			
	Pre	A07D, A09E, A11F, A13F	G20.91	01	B67A, B67B			
G11.1	01	B03A, B03B, B06A, B06B, B17A, B17B, B17C, B17D, B48Z, B68A, B68B, B68C	G21.0	01	B03A, B03B, B06A, B06B, B17A, B17B, B17C, B17D, B67A, B67B			
	Pre	A07D, A09E, A11F, A13F		Pre	A07D, A09E, A11F, A13F			
G11.2	01	B03A, B03B, B06A, B06B, B17A, B17B, B17C, B17D, B48Z, B68A, B68B, B68C	G21.1	01	B03A, B03B, B06A, B06B, B17A, B17B, B17C, B17D, B67A, B67B			
	Pre	A07D, A09E, A11F, A13F		Pre	A07D, A09E, A11F, A13F			
G11.3	01	B03A, B03B, B06A, B06B, B17A, B17B, B17C, B17D, B48Z, B68A, B68B, B68C	G21.2	01	B67A, B67B			
	Pre	A07D, A09E, A11F, A13F		Pre	A07D, A09E, A11F, A13F			
G11.4	01	B03A, B03B, B06A, B06B, B17A, B17B, B17C, B17D, B48Z, B68A, B68B, B68C	G21.3	01	B67A, B67B			
	Pre	A07D, A09E, A11F, A13F		Pre	A07D, A09E, A11F, A13F			
	Pre	A07D, A09E, A11F, A13F	G21.4	01	B67A, B67B			
	Pre	A07D, A09E, A11F, A13F	G21.8	01	B67A, B67B			
	Pre	A07D, A09E, A11F, A13F	G21.9	01	B67A, B67B			
	Pre	A07D, A09E, A11F, A13F	G23.0	01	B67A, B67B			
	Pre	A07D, A09E, A11F, A13F	G23.1	01	B03A, B03B, B06A, B06B, B17A, B17B, B17C, B17D, B67A, B67B			
	Pre	A07D, A09E, A11F, A13F		Pre	A07D, A09E, A11F, A13F			







ICD	MDC	DRG	ICD	MDC	DRG	ICD	MDC	DRG
G51.9	01	B03A, B03B, B06A, B06B, B17A, B17B, B17C, B17D, B20D, B71A, B71B, B71C, B71D	G55.2	15	TPN, VTPN	G60.2	01	B03A, B03B, B06A, B06B, B17A, B17B, B17C, B17D, B71A, B71B, B71C, B71D
G52.0	01	B03A, B03B, B06A, B06B, B17A, B17B, B17C, B17D, B20D, B71A, B71B, B71C, B71D	G56.0	01	B03A, B03B, B06A, B06B, B17A, B17B, B17C, B17D, B82Z	G60.3	01	B03A, B03B, B06A, B06B, B17A, B17B, B17C, B17D, B71A, B71B, B71C, B71D
G52.1	01	B03A, B03B, B06A, B06B, B17A, B17B, B17C, B17D, B20D, B71A, B71B, B71C, B71D	G56.1	01	B03A, B03B, B06A, B06B, B17A, B17B, B17C, B17D, B71A, B71B, B71C, B71D	G60.8	Pre	A07D, A09E, A11F, A13F
G52.2	01	B03A, B03B, B06A, B06B, B17A, B17B, B17C, B17D, B20D, B71A, B71B, B71C, B71D	G56.2	01	B03A, B03B, B06A, B06B, B17A, B17B, B17C, B17D, B71A, B71B, B71C, B71D	G60.9	01	B03A, B03B, B06A, B06B, B17A, B17B, B17C, B17D, B71A, B71B, B71C, B71D
G52.3	01	B03A, B03B, B06A, B06B, B17A, B17B, B17C, B17D, B20D, B71A, B71B, B71C, B71D	G56.3	01	B03A, B03B, B06A, B06B, B17A, B17B, B17C, B17D, B71A, B71B, B71C, B71D	G61.0	Pre	A07D, A09E, A11F, A13F
G52.7	01	B03A, B03B, B06A, B06B, B17A, B17B, B17C, B17D, B20D, B71A, B71B, B71C, B71D	G56.4	01	B03A, B03B, B06A, B06B, B17A, B17B, B17C, B17D, B71A, B71B, B71C, B71D	G61.0	01	B03A, B03B, B06A, B06B, B17A, B17B, B17C, B17D, B71A, B71B, B71C
G52.8	01	B03A, B03B, B06A, B06B, B17A, B17B, B17C, B17D, B20D, B71A, B71B, B71C, B71D	G56.8	01	B03A, B03B, B06A, B06B, B17A, B17B, B17C, B17D, B71A, B71B, B71C, B71D	G61.1	18A	S65A, S65B
G52.9	01	B03A, B03B, B06A, B06B, B17A, B17B, B17C, B17D, B20D, B71A, B71B, B71C, B71D	G56.9	01	B03A, B03B, B06A, B06B, B17A, B17B, B17C, B17D, B71A, B71B, B71C, B71D	G61.1	Pre	A07D, A09E, A11F, A13F
G53.1	15	TPN, VTPN	G57.0	01	B03A, B03B, B06A, B06B, B17A, B17B, B17C, B17D, B71A, B71B, B71C, B71D	G61.1	01	B03A, B03B, B06A, B06B, B17A, B17B, B17C, B17D, B71A, B71B, B71C, B71D
G53.2	15	TPN, VTPN	G57.1	01	B03A, B03B, B06A, B06B, B17A, B17B, B17C, B17D, B71A, B71B, B71C, B71D	G61.8	Pre	A07D, A09E, A11F, A13F
G53.3	15	TPN, VTPN	G57.2	01	B03A, B03B, B06A, B06B, B17A, B17B, B17C, B17D, B71A, B71B, B71C, B71D	G61.8	01	B03A, B03B, B06A, B06B, B17A, B17B, B17C, B17D, B71A, B71B, B71C, B71D
G54.0	01	B03A, B03B, B06A, B06B, B17A, B17B, B17C, B17D, B71A, B71B, B71C, B71D	G57.3	01	B03A, B03B, B06A, B06B, B17A, B17B, B17C, B17D, B71A, B71B, B71C, B71D	G61.9	18A	S65A, S65B
G54.1	01	B03A, B03B, B06A, B06B, B17A, B17B, B17C, B17D, B71A, B71B, B71C, B71D	G57.4	01	B03A, B03B, B06A, B06B, B17A, B17B, B17C, B17D, B71A, B71B, B71C, B71D	G61.9	Pre	A07D, A09E, A11F, A13F
G54.2	01	B03A, B03B, B06A, B06B, B17A, B17B, B17C, B17D, B71A, B71B, B71C, B71D	G57.5	01	B03A, B03B, B06A, B06B, B17A, B17B, B17C, B17D, B71A, B71B, B71C, B71D	G62.0	01	B03A, B03B, B06A, B06B, B17A, B17B, B17C, B17D, B71A, B71B, B71C, B71D
G54.3	01	B03A, B03B, B06A, B06B, B17A, B17B, B17C, B17D, B71A, B71B, B71C, B71D	G57.6	01	B03A, B03B, B06A, B06B, B17A, B17B, B17C, B17D, B71A, B71B, B71C, B71D	G62.1	Pre	A07D, A09E, A11F, A13F
G54.4	01	B03A, B03B, B06A, B06B, B17A, B17B, B17C, B17D, B71A, B71B, B71C, B71D	G57.8	01	B03A, B03B, B06A, B06B, B17A, B17B, B17C, B17D, B71A, B71B, B71C, B71D	G62.1	01	B03A, B03B, B06A, B06B, B17A, B17B, B17C, B17D, B71A, B71B, B71C, B71D
G54.5	01	B03A, B03B, B06A, B06B, B17A, B17B, B17C, B17D, B71A, B71B, B71C, B71D	G57.9	01	B03A, B03B, B06A, B06B, B17A, B17B, B17C, B17D, B71A, B71B, B71C, B71D	G62.2	01	B03A, B03B, B06A, B06B, B17A, B17B, B17C, B17D, B71A, B71B, B71C, B71D
G54.6	01	B03A, B03B, B06A, B06B, B17A, B17B, B17C, B17D, B20D, B71A, B71B, B71C, B71D	G58.0	01	B03A, B03B, B06A, B06B, B17A, B17B, B17C, B17D, B82Z	G62.80	01	B03A, B03B, B06A, B06B, B17A, B17B, B17C, B17D, B71A, B71B, B71C, B71D
G54.7	01	B03A, B03B, B06A, B06B, B17A, B17B, B17C, B17D, B20D, B71A, B71B, B71C, B71D	G58.7	01	B03A, B03B, B06A, B06B, B17A, B17B, B17C, B17D, B71A, B71B, B71C, B71D	G62.88	18A	S65A, S65B
G54.8	01	B03A, B03B, B06A, B06B, B17A, B17B, B17C, B17D, B20D, B71A, B71B, B71C, B71D	G58.8	01	B03A, B03B, B06A, B06B, B17A, B17B, B17C, B17D, B71A, B71B, B71C, B71D	G62.88	Pre	A07D, A09E, A11F, A13F
G54.9	01	B03A, B03B, B06A, B06B, B17A, B17B, B17C, B17D, B20D, B71A, B71B, B71C, B71D	G58.9	01	B03A, B03B, B06A, B06B, B17A, B17B, B17C, B17D, B71A, B71B, B71C, B71D	G62.9	01	B03A, B03B, B06A, B06B, B17A, B17B, B17C, B17D, B71A, B71B, B71C, B71D
G55.1	15	TPN, VTPN	G60.0	01	B03A, B03B, B06A, B06B, B17A, B17B, B17C, B17D, B71A, B71B, B71C, B71D	G62.9	18A	S65A, S65B
			G60.1	Pre	A07D, A09E, A11F, A13F	G63.0	Pre	A07D, A09E, A11F, A13F
						G63.1	Pre	A07D, A09E, A11F, A13F
						G63.2	10	K60B
						G63.3	Pre	A07D, A09E, A11F, A13F
						G63.4	Pre	A07D, A09E, A11F, A13F
						G63.5	Pre	A07D, A09E, A11F, A13F
						G63.6	Pre	A07D, A09E, A11F, A13F

ICD	MDC	DRG	ICD	MDC	DRG	ICD	MDC	DRG
G63.8	Pre	A07D, A09E, A11F, A13F	G72.2	01	B03A, B03B, B06A, B06B, B17A, B17B, B17C, B17D, B81A, B81B	G80.8	01	B03A, B03B, B06A, B06B, B17A, B17B, B17C, B17D, B48Z, B85A, B85B, B85C
G64	01	B03A, B03B, B06A, B06B, B17A, B17B, B17C, B17D, B71A, B71B, B71C, B71D		Pre	A07D, A09E, A11F, A13F		06	G67A
	Pre	A07D, A09E, A11F, A13F	G72.3	01	B03A, B03B, B06A, B06B, B17A, B17B, B17C, B17D, B48Z, B85A, B85B, B85C, B85D		08	I08A, I08B, I08C, I20A, I20B, I27B, I71A
G70.0	01	B03A, B03B, B06A, B06B, B17A, B17B, B48Z, B85A, B85B, B85C		Pre	A07D, A09E, A11F, A13F	G80.9	Pre	A07D, A09E, A11F, A13F
	15	TPN, VTPN		01	B03A, B03B, B06A, B06B, B17A, B17B, B17C, B17D, B48Z, B85A, B85B, B85C, B85D		01	B03A, B03B, B06A, B06B, B17A, B17B, B17C, B17D, B48Z, B85A, B85B, B85C
	Pre	A07D, A09E, A11F, A13F	G72.4	01	B03A, B03B, B06A, B06B, B17A, B17B, B17C, B17D, B48Z, B85A, B85B, B85C, B85D		06	G67A
G70.1	01	B03A, B03B, B06A, B06B, B17A, B17B, B17C, B17D, B71A, B71B, B71C, B71D		Pre	A07D, A09E, A11F, A13F		08	I08A, I08B, I08C, I20A, I20B, I27B, I71A
	Pre	A07D, A09E, A11F, A13F	G72.80	01	B03A, B03B, B06A, B06B, B17A, B17B, B17C, B17D, B48Z, B85A, B85B, B85C, B85D	G81.0	Pre	A07D, A09E, A11F, A13F
G70.2	01	B03A, B03B, B06A, B06B, B17A, B17B, B17C, B17D, B48Z, B85A, B85B, B85C, B85D		Pre	A07D, A09E, A11F, A13F		01	B03A, B03B, B06A, B06B, B17A, B17B, B17C, B17D, B48Z, B85A, B85B, B85C, B85D
	15	TPN, VTPN	G72.88	01	B03A, B03B, B06A, B06B, B17A, B17B, B17C, B17D, B48Z, B85A, B85B, B85C, B85D	G81.1	Pre	A07D, A09E, A11F, A13F
	Pre	A07D, A09E, A11F, A13F		Pre	A07D, A09E, A11F, A13F		01	B03A, B03B, B06A, B06B, B17A, B17B, B17C, B17D, B48Z, B85A, B85B, B85C, B85D
G70.8	01	B03A, B03B, B06A, B06B, B17A, B17B, B17C, B17D, B71A, B71B, B71C, B71D		01	B03A, B03B, B06A, B06B, B17A, B17B, B17C, B17D, B48Z, B85A, B85B, B85C, B85D	G81.9	Pre	A07D, A09E, A11F, A13F
	15	TPN, VTPN	G72.9	01	B03A, B03B, B06A, B06B, B17A, B17B, B17C, B17D, B81A, B81B		01	B03A, B03B, B06A, B06B, B17A, B17B, B17C, B17D, B48Z, B85A, B85B, B85C, B85D
	Pre	A07D, A09E, A11F, A13F		Pre	A07D, A09E, A11F, A13F	G82.00	Pre	A07D, A09E, A11F, A13F
G70.9	01	B03A, B03B, B06A, B06B, B17A, B17B, B17C, B17D, B71A, B71B, B71C, B71D		Pre	A07D, A09E, A11F, A13F		01	B71A, B71B, B71C
	Pre	A07D, A09E, A11F, A13F	G73.0	Pre	A07D, A09E, A11F, A13F		06	G67A
G71.0	01	B03A, B03B, B06A, B06B, B17A, B17B, B17C, B17D, B48Z, B85A, B85B, B85C, B85D	G73.1	Pre	A07D, A09E, A11F, A13F		09	J61A, J61B, J61C
	15	TPN, VTPN	G73.2	Pre	A07D, A09E, A11F, A13F		Pre	B61A, B61B
	Pre	A07D, A09E, A11F, A13F	G73.3	Pre	A07D, A09E, A11F, A13F	G82.01	01	B71A, B71B, B71C
G71.1	01	B03A, B03B, B06A, B06B, B17A, B17B, B17C, B17D, B81A, B81B	G73.4	Pre	A07D, A09E, A11F, A13F		06	G67A
	15	TPN, VTPN	G73.5	Pre	A07D, A09E, A11F, A13F		09	J61A, J61B, J61C
	Pre	A07D, A09E, A11F, A13F	G73.6	Pre	A07D, A09E, A11F, A13F		Pre	B61A, B61B
G71.2	01	B03A, B03B, B06A, B06B, B17A, B17B, B17C, B17D, B48Z, B85A, B85B, B85C, B85D	G73.7	Pre	A07D, A09E, A11F, A13F	G82.02	01	B03A, B48Z, B60A, B60B, B71A, B71B, B71C
	15	TPN, VTPN	G80.0	01	B03A, B03B, B06A, B06B, B17A, B17B, B17C, B17D, B48Z, B85A, B85B, B85C		04	E40B, E69A, E77F
	Pre	A07D, A09E, A11F, A13F		06	G67A		06	G67A, G67C
G71.3	01	B03A, B03B, B06A, B06B, B17A, B17B, B17C, B17D, B48Z, B85A, B85B, B85C, B85D		08	I08A, I08B, I08C, I20A, I20B, I27B, I71A		08	I06A, I08C, I09D, I10C, I13A, I13B, I68A, I68B, I69A, I69B
	15	TPN, VTPN	G80.1	01	B03A, B03B, B06A, B06B, B17A, B17B, B17C, B17D, B48Z, B85A, B85B, B85C		09	J02A, J08A, J08B, J08C, J11A, J61A, J61B, J61C
	Pre	A07D, A09E, A11F, A13F		06	G67A		10	K62A
G71.8	01	B03A, B03B, B06A, B06B, B17A, B17B, B17C, B17D, B48Z, B85A, B85B, B85C, B85D		08	I08A, I08B, I08C, I20A, I20B, I27B, I71A		11	L18A, L18B, L20A, L20B, L38Z, L42A, L74Z
	15	TPN, VTPN	G80.2	Pre	A07D, A09E, A11F, A13F	G82.03	01	B03A, B48Z, B60A, B60B, B71A, B71B, B71C
	Pre	A07D, A09E, A11F, A13F		01	B03A, B03B, B06A, B06B, B17A, B17B, B17C, B17D, B48Z, B85A, B85B, B85C		04	E40B, E69A, E77F
G71.9	01	B03A, B03B, B06A, B06B, B17A, B17B, B17C, B17D, B48Z, B85A, B85B, B85C, B85D		06	G67A		06	G67A, G67C
	15	TPN, VTPN	G80.3	08	I08A, I08B, I08C, I20A, I20B, I27B, I71A		08	I06A, I08C, I09D, I10C, I13A, I13B, I68A, I68B, I69A, I69B
	Pre	A07D, A09E, A11F, A13F		Pre	A07D, A09E, A11F, A13F		09	J02A, J08A, J08B, J08C, J11A, J61A, J61B, J61C
G72.0	01	B03A, B03B, B06A, B06B, B17A, B17B, B17C, B17D, B81A, B81B		01	B03A, B03B, B06A, B06B, B17A, B17B, B17C, B17D, B48Z, B85A, B85B, B85C		10	K62A
	15	TPN, VTPN	G80.4	06	G67A		11	L18A, L18B, L20A, L20B, L38Z, L42A, L74Z
	Pre	A07D, A09E, A11F, A13F		08	I08A, I08B, I08C, I20A, I20B, I27B, I71A		18B	T60B
G72.1	01	B03A, B03B, B06A, B06B, B17A, B17B, B17C, B17D, B81A, B81B		Pre	A07D, A09E, A11F, A13F		01	B03A, B48Z, B60A, B60B, B71A, B71B, B71C
	Pre	A07D, A09E, A11F, A13F		01	B03A, B03B, B06A, B06B, B17A, B17B, B17C, B17D, B48Z, B85A, B85B, B85C		04	E40B, E69A, E77F
	Pre	A07D, A09E, A11F, A13F		06	G67A		06	G67A, G67C
	Pre	A07D, A09E, A11F, A13F		08	I08A, I08B, I08C, I20A, I20B, I27B, I71A		08	I06A, I08C, I09D, I10C, I13A, I13B, I68A, I68B, I69A, I69B
	Pre	A07D, A09E, A11F, A13F		Pre	A07D, A09E, A11F, A13F		09	J02A, J08A, J08B, J08C, J11A, J61A, J61B, J61C
	Pre	A07D, A09E, A11F, A13F		01	B03A, B03B, B06A, B06B, B17A, B17B, B17C, B17D, B48Z, B85A, B85B, B85C		10	K62A
	Pre	A07D, A09E, A11F, A13F		06	G67A		11	L18A, L18B, L20A, L20B, L38Z, L42A, L74Z
	Pre	A07D, A09E, A11F, A13F		08	I08A, I08B, I08C, I20A, I20B, I27B, I71A		18B	T60B
	Pre	A07D, A09E, A11F, A13F		Pre	A07D, A09E, A11F, A13F			

ICD	MDC	DRG	ICD	MDC	DRG	ICD	MDC	DRG			
G82.09	01	B03A, B48Z, B60A, B60B, B71A, B71B, B71C	G82.22	01	B03A, B48Z, B60A, B60B, B71A, B71B, B71C	G82.39	01	B03A, B48Z, B60A, B60B, B71A, B71B, B71C			
	04	E40B, E69A, E77F		04	E40B, E69A, E77F		04	E40B, E69A, E77F			
	06	G67A, G67C		06	G67A, G67C		06	G67A, G67C			
	08	I06A, I08C, I09D, I10C, I13A, I13B, I68A, I68B, I69A, I69B		08	I06A, I08C, I09D, I10C, I13A, I13B, I68A, I68B, I69A, I69B		08	I06A, I08C, I09D, I10C, I13A, I13B, I68A, I68B, I69A, I69B			
	09	J02A, J08A, J08B, J08C, J11A, J61A, J61B, J61C		09	J02A, J08A, J08B, J08C, J11A, J61A, J61B, J61C		09	J02A, J08A, J08B, J08C, J11A, J61A, J61B, J61C			
	10	K62A		10	K62A		10	K62A			
	11	L18A, L18B, L20A, L20B, L38Z, L42A, L74Z		11	L18A, L18B, L20A, L20B, L38Z, L42A, L74Z		11	L18A, L18B, L20A, L20B, L38Z, L42A, L74Z			
	18B	T60B		18B	T60B		15	TPN, VTPN			
	G82.10	01		B71A, B71B, B71C	G82.23		01	B03A, B48Z, B60A, B60B, B71A, B71B, B71C	G82.40	01	B71A, B71B, B71C
		06		G67A			04	E40B, E69A, E77F		06	G67A
		09		J61A, J61B, J61C			06	G67A, G67C		09	J61A, J61B, J61C
G82.11	Pre	B61A, B61B	G82.29	08	I06A, I08C, I09D, I10C, I13A, I13B, I68A, I68B, I69A, I69B	G82.41	15	TPN, VTPN			
	01	B71A, B71B, B71C		09	J02A, J08A, J08B, J08C, J11A, J61A, J61B, J61C		01	B71A, B71B, B71C			
	06	G67A		10	K62A		06	G67A			
G82.12	09	J61A, J61B, J61C	G82.30	11	L18A, L18B, L20A, L20B, L38Z, L42A, L74Z	G82.42	09	J61A, J61B, J61C			
	Pre	B61A, B61B		G82.31	18B		T60B	Pre	B61A, B61B		
	01	B03A, B48Z, B60A, B60B, B71A, B71B, B71C			01		B03A, B48Z, B60A, B60B, B71A, B71B, B71C	01	B03A, B48Z, B60A, B60B, B71A, B71B, B71C		
04	E40B, E69A, E77F	04	E40B, E69A, E77F		04	E40B, E69A, E77F					
G82.13	06	G67A, G67C	G82.32	06	G67A, G67C	G82.43	06	G67A, G67C			
	08	I06A, I08C, I09D, I10C, I13A, I13B, I68A, I68B, I69A, I69B		08	I06A, I08C, I09D, I10C, I13A, I13B, I68A, I68B, I69A, I69B		08	I06A, I08C, I09D, I10C, I13A, I13B, I68A, I68B, I69A, I69B			
	09	J02A, J08A, J08B, J08C, J11A, J61A, J61B, J61C		09	J02A, J08A, J08B, J08C, J11A, J61A, J61B, J61C		09	J02A, J08A, J08B, J08C, J11A, J61A, J61B, J61C			
	10	K62A		10	K62A		10	K62A			
	11	L18A, L18B, L20A, L20B, L38Z, L42A, L74Z		11	L18A, L18B, L20A, L20B, L38Z, L42A, L74Z		11	L18A, L18B, L20A, L20B, L38Z, L42A, L74Z			
	18B	T60B		18B	T60B		18B	T60B			
	G82.19	01		B03A, B48Z, B60A, B60B, B71A, B71B, B71C	G82.33		01	B03A, B48Z, B60A, B60B, B71A, B71B, B71C	G82.49	01	B03A, B48Z, B60A, B60B, B71A, B71B, B71C
		04		E40B, E69A, E77F			04	E40B, E69A, E77F		04	E40B, E69A, E77F
		06		G67A, G67C			06	G67A, G67C		06	G67A, G67C
		08		I06A, I08C, I09D, I10C, I13A, I13B, I68A, I68B, I69A, I69B			08	I06A, I08C, I09D, I10C, I13A, I13B, I68A, I68B, I69A, I69B		08	I06A, I08C, I09D, I10C, I13A, I13B, I68A, I68B, I69A, I69B
		09		J02A, J08A, J08B, J08C, J11A, J61A, J61B, J61C			09	J02A, J08A, J08B, J08C, J11A, J61A, J61B, J61C		09	J02A, J08A, J08B, J08C, J11A, J61A, J61B, J61C
10		K62A	10	K62A		10	K62A				
11		L18A, L18B, L20A, L20B, L38Z, L42A, L74Z	11	L18A, L18B, L20A, L20B, L38Z, L42A, L74Z		11	L18A, L18B, L20A, L20B, L38Z, L42A, L74Z				
18B		T60B	15	TPN, VTPN		15	TPN, VTPN				
G82.20		01	B71A, B71B, B71C	G82.50		18B	T60B	G82.51		18B	T60B
		06	G67A			01	B03A, B48Z, B60A, B60B, B71A, B71B, B71C			01	B71A, B71B, B71C
		09	J61A, J61B, J61C			04	E40B, E69A, E77F			06	G67A
G82.21	Pre	B61A, B61B	G82.51	06	G67A, G67C	G82.51	09	J61A, J61B, J61C			
	01	B71A, B71B, B71C		08	I06A, I08C, I09D, I10C, I13A, I13B, I68A, I68B, I69A, I69B		15	TPN, VTPN			
	06	G67A		09	J02A, J08A, J08B, J08C, J11A, J61A, J61B, J61C		Pre	B61A, B61B			
G82.22	09	J61A, J61B, J61C	G82.51	10	K62A	G82.51	01	B71A, B71B, B71C			
	Pre	B61A, B61B		11	L18A, L18B, L20A, L20B, L38Z, L42A, L74Z		06	G67A			
	18B	T60B		18B	T60B		09	J61A, J61B, J61C			
G82.23	Pre	B61A, B61B	G82.51	18B	T60B	G82.51	Pre	B61A, B61B			
	01	B71A, B71B, B71C		G82.51	18B		T60B	G82.51	Pre	B61A, B61B	
	06	G67A			G82.51		18B		T60B	G82.51	Pre

ICD	MDC	DRG	ICD	MDC	DRG	ICD	MDC	DRG			
G82.52	01	B03A, B48Z, B60A, B60B, B71A, B71B, B71C	G83.88	01	B03A, B03B, B06A, B06B, B17A, B17B, B17C, B17D, B48Z, B85A, B85B, B85C, B85D	G93.0	01	B03A, B03B, B06A, B06B, B17A, B17B, B17C, B17D, B81A, B81B			
	04	E40B, E69A, E77F		01	B03A, B03B, B06A, B06B, B17A, B17B, B17C, B17D, B81A, B81B		15	P65C, P66C, P67B, P67C			
	06	G67A, G67C		G83.9	01		B03A, B03B, B06A, B06B, B17A, B17B, B17C, B17D, B81A, B81B	Pre	A07D, A09E, A11F, A13F		
	08	I06A, I08C, I09D, I10C, I13A, I13B, I68A, I68B, I69A, I69B			G90.00		05	F71A, F71B	G93.1	01	B03A, B03B, B06A, B06B, B17A, B17B, B17C, B17D, B48Z, B85A, B85B, B85C, B85D
	09	J02A, J08A, J08B, J08C, J11A, J61A, J61B, J61C		G90.08			01	B03A, B03B, B06A, B06B, B17A, B17B, B17C, B17D, B71A, B71B, B71C, B71D		G93.2	01
	10	K62A			G90.09		01	B03A, B03B, B06A, B06B, B17A, B17B, B17C, B17D, B71A, B71B, B71C, B71D	G93.3		18A
	11	L18A, L18B, L20A, L20B, L38Z, L42A, L74Z		G90.09			01	B03A, B03B, B06A, B06B, B17A, B17B, B17C, B17D, B71A, B71B, B71C, B71D		23	Z65Z
	15	TPN, VTPN			G90.1		01	B03A, B03B, B06A, B06B, B17A, B17B, B17C, B17D, B81A, B81B	G93.4	01	B03A, B03B, B06A, B06B, B17A, B17B, B17C, B17D, B39A, B39B, B39C, B48Z, B70A, B70B, B70C, B70D, B70E, B70F, B70G, B70H, B70I
	18B	T60B		G90.2			01	B03A, B03B, B06A, B06B, B17A, B17B, B17C, B17D, B71A, B71B, B71C, B71D		G93.5	18A
	G82.53	01			B03A, B48Z, B60A, B60B, B71A, B71B, B71C		G90.3	01	B48Z, B85A, B85B, B85C		G93.6
		04		E40B, E69A, E77F	Pre			A07D, A09E, A11F, A13F	Pre	A07D, A09E, A11F, A13F	
06		G67A, G67C	G90.40	01	B03A, B03B, B06A, B06B, B17A, B17B, B17C, B17D, B71A, B71B, B71C, B71D	G93.7		01	B03A, B03B, B06A, B06B, B17A, B17B, B17C, B17D, B63Z		
08		I06A, I08C, I09D, I10C, I13A, I13B, I68A, I68B, I69A, I69B		G90.41	01			B03A, B03B, B06A, B06B, B17A, B17B, B17C, B17D, B71A, B71B, B71C, B71D	G93.80	01	
09		J02A, J08A, J08B, J08C, J11A, J61A, J61B, J61C	G90.48		01	B03A, B03B, B06A, B06B, B17A, B17B, B17C, B17D, B71A, B71B, B71C, B71D		G93.88		08	
10		K62A		G90.49	01	B03A, B03B, B06A, B06B, B17A, B17B, B17C, B17D, B71A, B71B, B71C, B71D			Pre	A43Z	
11		L18A, L18B, L20A, L20B, L38Z, L42A, L74Z	G90.8		01	B03A, B03B, B06A, B06B, B17A, B17B, B17C, B17D, B71A, B71B, B71C, B71D		G93.9	01	B03A, B03B, B06A, B06B, B17A, B17B, B17C, B17D, B63Z	
18B		T60B		G90.9	01	B03A, B03B, B06A, B06B, B17A, B17B, B17C, B17D, B71A, B71B, B71C, B71D			G94.0	15	
G82.59		01	B03A, B48Z, B60A, B60B, B71A, B71B, B71C		G91.0	01		B48Z, B85A, B85B, B85C, B85D		G94.1	
		04	E40B, E69A, E77F	Pre		A07D, A09E, A11F, A13F		G94.2	15		
		06	G67A, G67C	G91.1		01			B48Z, B85A, B85B, B85C, B85D	G95.0	
	08	I06A, I08C, I09D, I10C, I13A, I13B, I68A, I68B, I69A, I69B	G91.20			01	B20D, B48Z, B85A, B85B, B85C, B85D	G95.1	01		B03A, B84Z
	09	J02A, J08A, J08B, J08C, J11A, J61A, J61B, J61C		G91.21		01	B20D, B48Z, B85A, B85B, B85C, B85D		04	E40B, E69A, E77F	
	10	K62A	G91.29			01	B20D, B48Z, B85A, B85B, B85C, B85D	06	G67C		
	11	L18A, L18B, L20A, L20B, L38Z, L42A, L74Z		G91.3		01	B48Z, B85A, B85B, B85C, B85D	08	I06A, I08C, I09D, I10C, I13A, I13B, I68A, I68B, I69A, I69B		
	15	TPN, VTPN	G91.8			01	B20D, B48Z, B85A, B85B, B85C, B85D	09	J02A, J08A, J08B, J08C, J11A		
	18B	T60B		G91.9		01	B20D, B48Z, B85A, B85B, B85C, B85D	10	K62A		
	G83.0	01	B03A, B03B, B06A, B06B, B17A, B17B, B17C, B17D, B48Z, B85A, B85B, B85C			G92	01	B03A, B03B, B06A, B06B, B17A, B17B, B17C, B17D, B81A, B81B	11	L18A, L18B, L20A, L20B, L38Z, L42A, L74Z	
		15	TPN, VTPN	Pre			A07D, A09E, A11F, A13F	15	TPN, VTPN		
G83.1		01	B03A, B03B, B06A, B06B, B17A, B17B, B17C, B17D, B81A, B81B	G92	01		B03A, B03B, B06A, B06B, B17A, B17B, B17C, B17D, B81A, B81B	18B	T60B		
		15	TPN, VTPN		Pre		A07D, A09E, A11F, A13F	Pre	B61A, B61B		
G83.2		01	B03A, B03B, B06A, B06B, B17A, B17B, B17C, B17D, B81A, B81B	G92	01		B03A, B03B, B06A, B06B, B17A, B17B, B17C, B17D, B81A, B81B				
		15	TPN, VTPN								
G83.3		01	B03A, B03B, B06A, B06B, B17A, B17B, B17C, B17D, B81A, B81B	G92	01		B03A, B03B, B06A, B06B, B17A, B17B, B17C, B17D, B81A, B81B				
		15	TPN, VTPN								
G83.40		01	B03A, B03B, B06A, B06B, B17A, B17B, B17C, B17D, B71A, B71B, B71C	G92	01		B03A, B03B, B06A, B06B, B17A, B17B, B17C, B17D, B81A, B81B				
		15	TPN, VTPN								
G83.41		01	B03A, B03B, B06A, B06B, B17A, B17B, B17C, B17D, B71A, B71B, B71C	G92	01		B03A, B03B, B06A, B06B, B17A, B17B, B17C, B17D, B81A, B81B				
	15	TPN, VTPN									
G83.49	01	B03A, B03B, B06A, B06B, B17A, B17B, B17C, B17D, B71A, B71B, B71C	G92	01	B03A, B03B, B06A, B06B, B17A, B17B, B17C, B17D, B81A, B81B						
	15	TPN, VTPN									
G83.80	01	B03A, B03B, B06A, B06B, B17A, B17B, B17C, B17D, B48Z, B85A, B85B, B85C, B85D	G92	01	B03A, B03B, B06A, B06B, B17A, B17B, B17C, B17D, B81A, B81B						
	Pre	A43Z		Pre	A07D, A09E, A11F, A13F						

ICD	MDC	DRG	ICD	MDC	DRG	ICD	MDC	DRG																									
G95.2	01	B03A, B86Z	G96.8	01	B03A, B03B, B06A, B06B, B17A, B17B, B17C, B17D, B39A, B39B, B39C, B48Z, B70A, B70B, B70C, B70D, B70E, B70F, B70G, B70H, B70I	H11.1	02	C63Z																									
	04	E40B, E69A, E77F		H11.2	02	C63Z																											
	06	G67C		H11.3	02	C62Z																											
	08	I06A, I08C, I09D, I10C, I13A, I13B, I68A, I68B, I69A, I69B		H11.4	02	C63Z																											
	09	J02A, J08A, J08B, J08C, J11A		H11.8	02	C63Z																											
	10	K62A		H11.9	02	C63Z																											
	11	L18A, L18B, L20A, L20B, L38Z, L42A, L74Z		H13.3	15	TPN, VTPN																											
	15	TPN, VTPN		H15.0	02	C63Z																											
	18A	S65A, S65B		H15.1	02	C63Z																											
	18B	T60B		H15.8	02	C63Z																											
	Pre	B61A, B61B		H15.9	02	C63Z																											
	G95.80	01		B03A	G97.0	01	B03A, B03B, B06A, B06B, B17A, B17B, B17C, B17D, B81A, B81B	H16.0	02	C60Z																							
		04		E40B, E69A, E77F		H16.1	02	C63Z																									
		06		G67C		H16.2	02	C63Z																									
		08		I06A, I08C, I09D, I10C, I13A, I13B, I68A, I68B, I69A, I69B		H16.3	02	C60Z																									
09		J02A, J08A, J08B, J08C, J11A	H16.4	02		C63Z																											
10		K62A	H16.8	02		C60Z																											
11		L18A, L18B, L20A, L20B, L38Z, L42A, L73Z, L74Z	H16.9	02		C63Z																											
18B		T60B	H17.0	02		C63Z																											
Pre		B61A, B61B	H17.1	02		C63Z																											
G95.81		01	B03A	G97.1		01	B03A, B03B, B06A, B06B, B17A, B17B, B17C, B17D, B77Z	H17.8	02	C63Z																							
		04	E40B, E69A, E77F			H17.9	02	C63Z																									
		06	G67C			H18.0	02	C63Z																									
		08	I06A, I08C, I09D, I10C, I13A, I13B, I68A, I68B, I69A, I69B			H18.1	02	C63Z																									
		09	J02A, J08A, J08B, J08C, J11A			H18.2	02	C63Z																									
		10	K62A			H18.3	02	C63Z																									
	11	L18A, L18B, L20A, L20B, L38Z, L42A, L73Z, L74Z	H18.4		02	C63Z																											
	18B	T60B	H18.5		02	C63Z																											
	Pre	B61A, B61B	H18.6		02	C63Z																											
	G95.82	01	B03A		G97.2	01	B81A, B81B	H18.7	02	C63Z																							
		04	E40B, E69A, E77F			H18.8	02	C63Z																									
		06	G67C			H18.9	02	C63Z																									
		08	I06A, I08C, I09D, I10C, I13A, I13B, I68A, I68B, I69A, I69B			H19.1	15	TPN, VTPN																									
		09	J02A, J08A, J08B, J08C, J11A			H19.2	15	TPN, VTPN																									
		10	K62A			H20.0	02	C66Z																									
11		L18A, L18B, L20A, L20B, L38Z, L42A, L73Z, L74Z	H20.1	02		C63Z																											
18B		T60B	H20.2	02		C63Z																											
Pre		B61A, B61B	H20.8	02		C63Z																											
G95.83		Pre	B61A, B61B	G97.80		01	B81A, B81B	H20.9	02	C63Z																							
		G95.84	Pre			B61A, B61B	G97.81	01	B81A, B81B	H21.0	02	C62Z																					
			G95.85			Pre		B61A, B61B	G97.88	01	B81A, B81B	H21.1	02	C63Z																			
						G95.88		01		B03A	G97.9	01	B81A, B81B	H21.2	02	C63Z																	
								04		E40B, E69A, E77F		G98	01	B03A, B03B, B06A, B06B, B17A, B17B, B17C, B17D, B63Z	H21.3	02	C63Z																
								06		G67C			18A	S65A, S65B	H21.4	02	C63Z																
	08				I06A, I08C, I09D, I10C, I13A, I13B, I68A, I68B, I69A, I69B			H21.5		02			C63Z																				
	09				J02A, J08A, J08B, J08C, J11A			H21.8		02			C63Z																				
	10				K62A			H21.9		02			C63Z																				
	11				L18A, L18B, L20A, L20B, L38Z, L42A, L74Z			H25.0		02			C64Z																				
	18B				T60B			H25.1		02			C64Z																				
	Pre				B61A, B61B			H25.2		02			C64Z																				
	G95.9				01			B03A, B86Z		H00.0			02	C63Z	H25.8	02	C64Z																
					04			E40B, E69A, E77F					H00.1	02	C64Z	H25.9	02	C64Z															
					06			G67C						H01.0	02	C63Z	H26.0	02	C63Z														
08				I06A, I08C, I09D, I10C, I13A, I13B, I68A, I68B, I69A, I69B	H01.1			02							C63Z	H26.1	02	C62Z															
09		J02A, J08A, J08B, J08C, J11A		H01.8			02	C63Z							H26.2	02	C63Z																
10		K62A	H01.9				02	C63Z	H26.3						02	C64Z																	
11		L18A, L18B, L20A, L20B, L38Z, L42A, L74Z				H02.0	02	C64Z	H26.4		02				C64Z																		
18B		T60B					H02.1	02	C64Z		H26.8	02			C64Z																		
Pre		B61A, B61B						H02.2	02		C64Z	H26.9			02	C64Z																	
G96.0		01							B03A, B03B, B06A, B06B, B17A, B17B, B17C, B17D, B81A, B81B		H02.3	02			C64Z	H27.0	02	C63Z															
		15							TPN, VTPN			H02.4			02	C61Z	H27.1	02	C63Z														
		G96.1							01						B03A, B03B, B06A, B06B, B17A, B17B, B17C, B17D, B81A, B81B	H02.5	02	C64Z	H27.8	02	C63Z												
									01						B03A, B03B, B06A, B06B, B17A, B17B, B17C, B17D, B81A, B81B		H02.6	09	J67A, J67B, J68A, J68B	H27.9	02	C63Z											
									01						B03A, B03B, B06A, B06B, B17A, B17B, B17C, B17D, B81A, B81B			H02.7	02	C64Z	H30.0	02	C63Z										
									01						B03A, B03B, B06A, B06B, B17A, B17B, B17C, B17D, B81A, B81B				H02.8	02	C64Z	H30.1	18A	S65A, S65B									
	01								B03A, B03B, B06A, B06B, B17A, B17B, B17C, B17D, B81A, B81B	H02.9					02					C64Z	H30.2		02	C63Z									
	01								B03A, B03B, B06A, B06B, B17A, B17B, B17C, B17D, B81A, B81B				H04.0		02					C63Z			H30.2	02	C63Z								
	01								B03A, B03B, B06A, B06B, B17A, B17B, B17C, B17D, B81A, B81B					H04.1	02					C63Z				H30.2	02	C63Z							
	01				B03A, B03B, B06A, B06B, B17A, B17B, B17C, B17D, B81A, B81B				H04.2						02					C63Z					H30.2	02	C63Z						
	01			B03A, B03B, B06A, B06B, B17A, B17B, B17C, B17D, B81A, B81B	H04.3										02					C63Z						H30.2	02	C63Z					
	01		B03A, B03B, B06A, B06B, B17A, B17B, B17C, B17D, B81A, B81B	H04.4											02					C63Z							H30.2	02	C63Z				
	01		B03A, B03B, B06A, B06B, B17A, B17B, B17C, B17D, B81A, B81B			H04.5									02					C64Z								H30.2	02	C63Z			
	01		B03A, B03B, B06A, B06B, B17A, B17B, B17C, B17D, B81A, B81B				H04.6								02					C64Z									H30.2	02	C63Z		
	01		B03A, B03B, B06A, B06B, B17A, B17B, B17C, B17D, B81A, B81B					H04.8							02					C64Z										H30.2	02	C63Z	
01	B03A, B03B, B06A, B06B, B17A, B17B, B17C, B17D, B81A, B81B		H04.9								02				C64Z					H30.2											02	C63Z	
01	B03A, B03B, B06A, B06B, B17A, B17B, B17C, B17D, B81A, B81B										H05.0	02			C60Z																H30.2	02	C63Z
01	B03A, B03B, B06A, B06B, B17A, B17B, B17C, B17D, B81A, B81B	15										P65C, P66C, P67B, P67C			H30.2	02																C63Z	
01	B03A, B03B, B06A, B06B, B17A, B17B, B17C, B17D, B81A, B81B											H05.1				02	C63Z															H30.2	02
01	B03A, B03B, B06A, B06B, B17A, B17B, B17C, B17D, B81A, B81B															H05.2	02	C63Z															H30.2
01	B03A, B03B, B06A, B06B, B17A, B17B, B17C, B17D, B81A, B81B																H05.3	02	C63Z			H30.2											
01	B03A, B03B, B06A, B06B, B17A, B17B, B17C, B17D, B81A, B81B									H05.4								02	C63Z		H30.2												
01	B03A, B03B, B06A, B06B, B17A, B17B, B17C, B17D, B81A, B81B												H05.5					02	C62Z				H30.2										
01	B03A, B03B, B06A, B06B, B17A, B17B, B17C, B17D, B81A, B81B													H05.8				02	C63Z					H30.2									
01	B03A, B03B, B06A, B06B, B17A, B17B, B17C, B17D, B81A, B81B								H05.9									02	C63Z						H30.2								
01	B03A, B03B, B06A, B06B, B17A, B17B, B17C, B17D, B81A, B81B				H10.0													02	C63Z							H30.2							
01	B03A, B03B, B06A, B06B, B17A, B17B, B17C, B17D, B81A, B81B			H10.1														02	C63Z								H30.2						
01	B03A, B03B, B06A, B06B, B17A, B17B, B17C, B17D, B81A, B81B					H10.2												02	C63Z									H30.2					
01	B03A, B03B, B06A, B06B, B17A, B17B, B17C, B17D, B81A, B81B						H10.3											02	C63Z										H30.2				
01	B03A, B03B, B06A, B06B, B17A, B17B, B17C, B17D, B81A, B81B							H10.4										02	C63Z											H30.2			
01	B03A, B03B, B06A, B06B, B17A, B17B, B17C, B17D, B81A, B81B		H10.5															02	C63Z	H30.2													
01	B03A, B03B, B06A, B06B, B17A, B17B, B17C, B17D, B81A, B81B										H10.8							02	C63Z												H30.2		
01	B03A, B03B, B06A, B06B, B17A, B17B, B17C, B17D, B81A, B81B	H10.9													02			C63Z	H30.2														
01	B03A, B03B, B06A, B06B, B17A, B17B, B17C, B17D, B81A, B81B											H11.0			02			C63Z														H30.2	

ICD	MDC	DRG	ICD	MDC	DRG	ICD	MDC	DRG
H30.8	02	C63Z	H47.5	01	B03A, B03B, B06A, B06B, B17A, B17B, B17C, B17D, B81A, B81B	H57.8	02	C63Z
H30.9	02	C63Z				H57.9	02	C63Z
	18A	S65A, S65B	H47.6	01	B03A, B03B, B06A, B06B, B17A, B17B, B17C, B17D, B81A, B81B	H58.0	15	TPN, VTPN
H31.0	02	C62Z				H59.0	02	C63Z
H31.1	02	C63Z				H59.8	02	C62Z
H31.2	02	C63Z				H59.9	02	C63Z
H31.3	02	C62Z	H47.7	01	B03A, B03B, B06A, B06B, B17A, B17B, B17C, B17D, B81A, B81B	H60.0	03	D66Z
H31.4	02	C62Z				H60.1	03	D66Z
H31.8	02	C63Z				H60.2	03	D09Z, D25A, D25B, D28Z, D60A, D60B, D60C
H31.9	02	C63Z	H49.0	02	C61Z			
H32.0	15	TPN, VTPN	H49.1	02	C61Z	H60.3	03	D66Z
H33.0	02	C62Z	H49.2	02	C61Z	H60.4	03	D66Z
H33.1	02	C63Z	H49.3	02	C61Z	H60.5	03	D66Z
H33.2	02	C62Z	H49.4	02	C61Z	H60.8	03	D66Z
H33.3	02	C62Z	H49.8	02	C61Z	H60.9	03	D66Z
H33.4	02	C62Z	H49.9	02	C61Z	H61.0	03	D66Z
H33.5	02	C62Z	H50.0	02	C61Z	H61.1	03	D66Z
H34.0	02	C61Z	H50.1	02	C61Z	H61.2	03	D66Z
H34.1	02	C61Z	H50.2	02	C61Z	H61.3	03	D66Z
H34.2	02	C61Z	H50.3	02	C61Z	H61.8	03	D66Z
H34.8	02	C61Z	H50.4	02	C61Z	H61.9	03	D66Z
H34.9	02	C61Z	H50.5	02	C61Z	H62.1	15	TPN, VTPN
H35.0	02	C63Z	H50.6	02	C63Z	H65.0	03	D62Z, D63Z
	18A	S65A, S65B	H50.8	02	C61Z	H65.1	03	D62Z, D63Z
H35.1	02	C63Z	H50.9	02	C63Z	H65.2	03	D62Z, D63Z
H35.2	02	C63Z	H51.0	02	C63Z	H65.3	03	D62Z, D63Z
H35.3	02	C63Z	H51.1	02	C63Z	H65.4	03	D62Z, D63Z
H35.4	02	C63Z	H51.2	01	B03A, B03B, B06A, B06B, B17A, B17B, B17C, B17D, B81A, B81B	H65.5	03	D62Z, D63Z
H35.5	02	C63Z				H65.9	03	D62Z, D63Z
H35.6	02	C62Z				H66.0	03	D62Z, D63Z
H35.7	02	C63Z	H51.8	02	C61Z		15	TPN, VTPN
H35.8	02	C63Z	H51.9	02	C63Z	H66.1	03	D62Z, D63Z
H35.9	02	C63Z	H52.0	02	C63Z	H66.2	03	D62Z, D63Z
H36.0	10	K60B	H52.1	02	C63Z	H66.3	03	D62Z, D63Z
H40.0	02	C64Z	H52.2	02	C63Z	H66.4	03	D62Z, D63Z
H40.1	02	C64Z	H52.3	02	C63Z	H66.9	03	D62Z, D63Z
H40.2	02	C64Z	H52.4	02	C63Z	H68.0	03	D62Z, D63Z
H40.3	02	C64Z	H52.5	02	C63Z	H68.1	03	D66Z
H40.4	02	C64Z	H52.6	02	C63Z	H69.0	03	D66Z
H40.5	02	C64Z	H52.7	02	C63Z	H69.8	03	D66Z
H40.6	02	C64Z	H53.0	02	C63Z	H69.9	03	D66Z
H40.8	02	C64Z	H53.1	02	C63Z	H70.0	03	D06B, D62Z, D63Z
H40.9	02	C64Z	H53.2	02	C61Z	H70.1	03	D06B, D62Z, D63Z
H43.0	02	C63Z	H53.3	02	C63Z	H70.2	03	D62Z, D63Z
H43.1	02	C62Z	H53.4	02	C61Z	H70.8	03	D66Z
H43.2	02	C63Z	H53.5	02	C63Z	H70.9	03	D62Z, D63Z
H43.3	02	C63Z	H53.6	02	C63Z	H71	03	D66Z
H43.8	02	C63Z	H53.8	02	C63Z	H72.0	03	D66Z
H43.9	02	C63Z	H53.9	02	C63Z	H72.1	03	D66Z
H44.0	02	C60Z	H54.0	02	C63Z	H72.2	03	D66Z
H44.1	02	C60Z		10	K60B	H72.8	03	D66Z
H44.2	02	C63Z		18A	S65A, S65B	H72.9	03	D66Z
H44.3	02	C63Z	H54.1	02	C63Z	H73.0	03	D62Z, D63Z
H44.4	02	C63Z		18A	S65A, S65B	H73.1	03	D62Z, D63Z
H44.5	02	C63Z	H54.2	02	C63Z	H73.8	03	D66Z
H44.6	02	C62Z		18A	S65A, S65B	H73.9	03	D66Z
H44.7	02	C62Z	H54.3	02	C63Z	H74.0	03	D66Z
H44.8	02	C63Z		18A	S65A, S65B	H74.1	03	D66Z
H44.9	02	C63Z	H54.4	02	C63Z	H74.2	03	D66Z
H46	02	C61Z		18A	S65A, S65B	H74.3	03	D66Z
H47.0	02	C61Z	H54.5	02	C63Z	H74.4	03	D66Z
H47.1	01	B03A, B03B, B06A, B06B, B17A, B17B, B17C, B17D, B81A, B81B		18A	S65A, S65B	H74.8	03	D66Z
H47.2	02	C61Z	H54.6	02	C63Z	H74.9	03	D66Z
H47.3	02	C61Z		18A	S65A, S65B	H80.0	03	D66Z
H47.4	01	B03A, B03B, B06A, B06B, B17A, B17B, B17C, B17D, B81A, B81B	H54.9	02	C63Z	H80.1	03	D66Z
				18A	S65A, S65B	H80.2	03	D66Z
			H55	02	C61Z	H80.8	03	D66Z
			H57.0	02	C63Z	H80.9	03	D66Z
			H57.1	02	C63Z	H81.0	03	D61A, D61B
						H81.1	03	D61A, D61B



ICD	MDC	DRG	ICD	MDC	DRG	ICD	MDC	DRG
H81.2	03	D61A	I08.1	05	F69A, F69B	I21.1	05	F06C, F06D, F15Z, F24A, F24B, F36A, F36B, F41A, F41B, F52A, F52B, F60A, F60B
H81.3	03	D61A, D61B	I08.2	05	F69A, F69B		18A	S65A
H81.4	03	D61A	I08.3	05	F69A, F69B		Pre	A07D, A09E, A11F, A13F
H81.8	03	D61A, D61B	I08.8	05	F69A, F69B	I21.2	05	F06C, F06D, F15Z, F24A, F24B, F36A, F36B, F41A, F41B, F52A, F52B, F60A, F60B
H81.9	03	D61A, D61B	I08.9	05	F69A, F69B		18A	S65A
H83.0	03	D61A	I09.0	05	F75A, F75B, F75C, F75D		Pre	A07D, A09E, A11F, A13F
H83.1	03	D66Z	I09.1	05	F69A, F69B	I21.3	05	F06C, F06D, F15Z, F24A, F24B, F36A, F36B, F41A, F41B, F52A, F52B, F60A, F60B
H83.2	03	D61A	I09.2	05	F75A, F75B, F75C, F75D		18A	S65A
H83.3	03	D66Z	I09.8	05	F75A, F75B, F75C, F75D		Pre	A07D, A09E, A11F, A13F
H83.8	03	D66Z	I09.9	05	F75A, F75B, F75C, F75D	I21.4	05	F06C, F06D, F15Z, F24A, F24B, F36A, F36B, F41A, F41B, F52A, F52B, F60A, F60B
H83.9	03	D66Z	I10.00	05	F67A, F67B, F67C, F67D		18A	S65A
H90.0	03	D66Z	I10.01	05	F67A, F67B, F67C, F67D		Pre	A07D, A09E, A11F, A13F
H90.1	03	D66Z	I10.10	05	F67A, F67B, F67C, F67D	I21.9	05	F06C, F06D, F15Z, F24A, F24B, F36A, F36B, F41A, F41B, F52A, F52B, F60A, F60B
H90.2	03	D66Z	I10.11	05	F67A, F67B, F67C, F67D		18A	S65A
H90.3	03	D66Z	I10.90	05	F67A, F67B, F67C, F67D		Pre	A07D, A09E, A11F, A13F
H90.4	03	D66Z	I10.91	05	F67A, F67B, F67C, F67D	I22.0	05	F06C, F06D, F15Z, F24A, F24B, F36A, F36B, F41A, F41B, F52A, F52B, F60A, F60B
H90.5	03	D66Z	I11.00	05	F62A, F62B, F62C		18A	S65A
H90.6	03	D66Z	I11.01	05	F62A, F62B, F62C		Pre	A07D, A09E, A11F, A13F
H90.7	03	D66Z	I11.90	05	F67A, F67B, F67C, F67D	I22.1	05	F06C, F06D, F15Z, F24A, F24B, F36A, F36B, F41A, F41B, F52A, F52B, F60A, F60B
H90.8	03	D66Z	I11.91	05	F67A, F67B, F67C, F67D		18A	S65A
H91.0	03	D61A, D61B	I12.00	11	L02B, L09A, L09B, L38Z, L60A, L60B, L60C, L60D, L71Z	I22.8	05	F06C, F06D, F15Z, F24A, F24B, F36A, F36B, F41A, F41B, F52A, F52B, F60A, F60B
H91.1	03	D66Z		15	TPN, VTPN		18A	S65A
H91.2	03	D61A	I12.01	11	L02B, L09A, L09B, L38Z, L60A, L60B, L60C, L60D, L71Z		Pre	A07D, A09E, A11F, A13F
H91.3	03	D66Z		15	TPN, VTPN	I22.9	05	F06C, F06D, F15Z, F24A, F24B, F36A, F36B, F41A, F41B, F52A, F52B, F60A, F60B
H91.8	03	D66Z	I12.90	11	L68A, L68B, L74Z		18A	S65A
H91.9	03	D66Z		15	TPN, VTPN	I23.0	05	F15Z, F24A, F24B, F36A, F36B, F52A, F52B, F75A, F75B, F75C, F75D
H92.0	03	D66Z	I12.91	11	L68A, L68B, L74Z		18A	S65A
H92.1	03	D66Z	I13.00	05	F62A, F62B, F62C	I23.1	05	F15Z, F24A, F24B, F36A, F36B, F52A, F52B, F75A, F75B, F75C, F75D
H92.2	03	D66Z	I13.01	05	F62A, F62B, F62C		18A	S65A
H93.0	03	D66Z	I13.10	11	L02B, L09A, L09B, L38Z, L60A, L60B, L60C, L60D, L71Z		Pre	A07D, A09E, A11F, A13F
H93.01	03	D61A	I13.11	11	L02B, L09A, L09B, L38Z, L60A, L60B, L60C, L60D, L71Z	I23.2	05	F15Z, F24A, F24B, F36A, F36B, F52A, F52B, F75A, F75B, F75C, F75D
H93.02	03	D61A		05	F62A, F62B, F62C		18A	S65A
H93.03	03	D61A	I13.20	05	F62A, F62B, F62C		Pre	A07D, A09E, A11F, A13F
H93.09	03	D61A	I13.21	05	F62A, F62B, F62C	I23.3	05	F15Z, F24A, F24B, F36A, F36B, F52A, F52B, F75A, F75B, F75C, F75D
H93.1	03	D61A	I13.90	05	F67A, F67B, F67C, F67D		18A	S65A
H93.2	03	D66Z	I13.91	05	F67A, F67B, F67C, F67D		Pre	A07D, A09E, A11F, A13F
H93.3	03	D61A	I15.00	05	F67A, F67B, F67C, F67D	I23.3	05	F15Z, F24A, F24B, F36A, F36B, F52A, F52B, F75A, F75B, F75C, F75D
H93.8	03	D66Z		15	TPN, VTPN		18A	S65A
H93.9	03	D66Z	I15.01	05	F67A, F67B, F67C, F67D		Pre	A07D, A09E, A11F, A13F
H95.0	03	D66Z		15	TPN, VTPN	I23.3	05	F15Z, F24A, F24B, F36A, F36B, F52A, F52B, F75A, F75B, F75C, F75D
H95.1	03	D66Z	I15.10	05	F67A, F67B, F67C, F67D		18A	S65A
H95.8	03	D66Z		15	TPN, VTPN		Pre	A07D, A09E, A11F, A13F
H95.9	21B	X62Z	I15.11	05	F67A, F67B, F67C, F67D		18A	S65A
I00	08	I66A, I66B, I66C	I15.20	05	F67A, F67B, F67C, F67D		Pre	A07D, A09E, A11F, A13F
I01.0	05	F75A, F75B, F75C, F75D	I15.21	05	F67A, F67B, F67C, F67D		18A	S65A
I01.1	05	F15Z, F36A, F36B, F61A, F61B	I15.80	05	F67A, F67B, F67C, F67D		Pre	A07D, A09E, A11F, A13F
	Pre	A07D, A09E, A11F, A13F	I15.81	05	F67A, F67B, F67C, F67D		18A	S65A
I01.2	05	F75A, F75B, F75C, F75D	I15.90	05	F67A, F67B, F67C, F67D		Pre	A07D, A09E, A11F, A13F
	Pre	A07D, A09E, A11F, A13F	I15.91	05	F67A, F67B, F67C, F67D		18A	S65A
I01.8	05	F75A, F75B, F75C, F75D	I20.0	05	F72A, F72B		Pre	A07D, A09E, A11F, A13F
I01.9	05	F75A, F75B, F75C, F75D		18A	S65A, S65B		18A	S65A
I02.0	05	F75A, F75B, F75C, F75D	I20.1	05	F72A, F72B		Pre	A07D, A09E, A11F, A13F
I02.9	05	F75A, F75B, F75C, F75D		18A	S65A, S65B		18A	S65A
I05.0	05	F69A, F69B	I20.8	05	F66A, F66B		Pre	A07D, A09E, A11F, A13F
I05.1	05	F69A, F69B		18A	S65A, S65B		18A	S65A
I05.2	05	F69A, F69B	I20.9	05	F66A, F66B		Pre	A07D, A09E, A11F, A13F
I05.8	05	F69A, F69B		18A	S65A, S65B		18A	S65A
I05.9	05	F69A, F69B	I21.0	05	F06C, F06D, F15Z, F24A, F24B, F36A, F36B, F41A, F41B, F52A, F52B, F60A, F60B		Pre	A07D, A09E, A11F, A13F
I06.0	05	F69A, F69B		18A	S65A, S65B		18A	S65A
I06.1	05	F69A, F69B		18A	S65A, S65B		Pre	A07D, A09E, A11F, A13F
I06.2	05	F69A, F69B		18A	S65A, S65B		18A	S65A
I06.8	05	F69A, F69B		18A	S65A, S65B		Pre	A07D, A09E, A11F, A13F
I06.9	05	F69A, F69B		18A	S65A, S65B		18A	S65A
I07.0	05	F69A, F69B		18A	S65A, S65B		Pre	A07D, A09E, A11F, A13F
I07.1	05	F69A, F69B		18A	S65A, S65B		18A	S65A
I07.2	05	F69A, F69B		18A	S65A, S65B		Pre	A07D, A09E, A11F, A13F
I07.8	05	F69A, F69B		18A	S65A, S65B		18A	S65A
I07.9	05	F69A, F69B		18A	S65A, S65B		Pre	A07D, A09E, A11F, A13F
I08.0	05	F69A, F69B		18A	S65A, S65B		18A	S65A

ICD	MDC	DRG	ICD	MDC	DRG	ICD	MDC	DRG
I23.4	05	F15Z, F24A, F24B, F36A, F36B, F52A, F52B, F69A, F69B	I26.9	04	E64A	I35.9	05	F69A, F69B
	18A	S65A		10	K62A	I36.0	05	F69A, F69B
	Pre	A07D, A09E, A11F, A13F		15	TPN, VTPN	I36.1	05	F69A, F69B
I23.5	05	F15Z, F24A, F24B, F36A, F36B, F52A, F52B, F69A, F69B	I27.0	05	F46A, F46B, F75A, F75B, F75C, F75D	I36.2	05	F69A, F69B
	18A	S65A		Pre	A07D, A09E, A11F, A13F	I36.8	05	F69A, F69B
	Pre	A07D, A09E, A11F, A13F		15	TPN, VTPN	I36.9	05	F69A, F69B
I23.6	05	F15Z, F24A, F24B, F36A, F36B, F52A, F52B, F75A, F75B, F75C, F75D	I27.1	05	F75A, F75B, F75C, F75D	I37.0	05	F69A, F69B
	18A	S65A		15	TPN, VTPN		15	TPN, VTPN
	Pre	A07D, A09E, A11F, A13F		Pre	A07D, A09E, A11F, A13F	I37.1	05	F69A, F69B
I23.8	05	F75A, F75B, F75C, F75D	I27.20	05	F75A, F75B, F75C, F75D	I37.2	05	F69A, F69B
	18A	S65A		15	TPN, VTPN	I37.8	05	F69A, F69B
I24.0	05	F72A, F72B	I27.28	05	F75A, F75B, F75C, F75D	I37.9	05	F69A, F69B
	18A	S65A, S65B		15	TPN, VTPN	I38	05	F15Z, F36A, F36B, F61A, F61B
I24.1	05	F75A, F75B, F75C, F75D	I27.8	05	F75A, F75B, F75C, F75D		08	I06A, I06C
	18A	S65A, S65B		15	TPN, VTPN		18A	S63A, S63B
I24.8	05	F72A, F72B	I27.8	05	F75A, F75B, F75C, F75D	I39.0	08	I06A, I06C
	18A	S65A, S65B		15	TPN, VTPN		15	TPN, VTPN
I24.9	05	F72A, F72B	I27.9	05	F75A, F75B, F75C, F75D	I39.1	08	I06A, I06C
	18A	S65A, S65B		15	TPN, VTPN		15	TPN, VTPN
I25.0	05	F66A, F66B	I28.0	05	F75A, F75B, F75C, F75D	I39.2	08	I06A, I06C
	18A	S65A		05	F75A, F75B, F75C, F75D		15	TPN, VTPN
I25.10	05	F50A, F66A, F66B	I28.1	05	F75A, F75B, F75C, F75D	I39.3	08	I06A, I06C
	18A	S65A		05	F75A, F75B, F75C, F75D		15	TPN, VTPN
I25.11	05	F50A, F66A, F66B	I28.8	05	F75A, F75B, F75C, F75D	I39.4	08	I06A, I06C
	18A	S65A		05	F75A, F75B, F75C, F75D		15	TPN, VTPN
I25.12	05	F50A, F66A, F66B	I28.9	05	F75A, F75B, F75C, F75D	I39.8	08	I06A, I06C
	18A	S65A		05	F75A, F75B, F75C, F75D		15	TPN, VTPN
I25.13	05	F50A, F66A, F66B	I30.0	05	F75A, F75B, F75C, F75D	I40.0	05	F75A, F75B, F75C, F75D
	18A	S65A		15	TPN, VTPN		15	TPN, VTPN
I25.14	05	F50A, F66A, F66B	I30.1	05	F75A, F75B, F75C, F75D		18A	S63A, S63B
	18A	S65A		15	TPN, VTPN		Pre	A07D, A09E, A11F, A13F
I25.15	05	F50A, F66A, F66B	I30.8	05	F75A, F75B, F75C, F75D	I40.1	05	F75A, F75B, F75C, F75D
	18A	S65A		15	TPN, VTPN		18A	S63A, S63B
I25.16	05	F50A, F66A, F66B	I30.9	05	F75A, F75B, F75C, F75D	I40.8	05	F75A, F75B, F75C, F75D
	18A	S65A		15	TPN, VTPN		18A	S63A, S63B
I25.19	05	F50A, F66A, F66B	I31.0	05	F75A, F75B, F75C, F75D	I40.9	05	F75A, F75B, F75C, F75D
	18A	S65A		05	F46A, F46B, F75A, F75B, F75C, F75D		15	TPN, VTPN
I25.20	18A	S65A	I31.1	05	F46A, F46B, F75A, F75B, F75C, F75D		18A	S63A, S63B
I25.21	18A	S65A	I31.2	05	F75A, F75B, F75C, F75D	I41.0	15	TPN, VTPN
I25.22	18A	S65A		15	TPN, VTPN	I41.1	15	TPN, VTPN
I25.29	18A	S65A	I31.3	05	F75A, F75B, F75C, F75D	I41.2	15	TPN, VTPN
I25.3	05	F75A, F75B, F75C, F75D		Pre	A07D, A09E, A11F, A13F	I41.8	15	TPN, VTPN
	18A	S65A	I31.8	05	F75A, F75B, F75C, F75D	I42.0	05	F46A, F46B, F50A, F75A, F75B, F75C, F75D
I25.4	05	F75A, F75B, F75C, F75D		15	TPN, VTPN		Pre	A07D, A09E, A11F, A13F
	18A	S65A	I31.9	05	F75A, F75B, F75C, F75D	I42.1	05	F15Z, F24A, F24B, F36A, F36B, F46A, F46B, F50A, F50A, F52A, F52B, F75A, F75B, F75C, F75D
I25.5	05	F50A, F66A, F66B		15	TPN, VTPN		15	P65C, P66C, P67B, P67C
	18A	S65A	I32.0	15	TPN, VTPN		Pre	A07D, A09E, A11F, A13F
	Pre	A07D, A09E, A11F, A13F	I32.1	15	TPN, VTPN	I42.2	05	F46A, F46B, F50A, F75A, F75B, F75C, F75D
I25.6	05	F66A, F66B	I32.8	15	TPN, VTPN	I42.3	05	F46A, F46B, F50A, F75A, F75B, F75C, F75D
	18A	S65A	I33.0	05	F03C, F03D, F03E, F14A, F14B, F15Z, F36A, F36B, F54Z, F61A, F61B	I42.4	05	F46A, F46B, F50A, F75A, F75B, F75C, F75D
I25.8	05	F66A, F66B		08	I06A, I06C		05	F46A, F46B, F50A, F75A, F75B, F75C, F75D
	18A	S65A		15	TPN, VTPN	I42.5	05	F46A, F46B, F50A, F75A, F75B, F75C, F75D
I25.9	05	F66A, F66B		18A	S63A, S63B	I42.6	05	F46A, F46B, F50A, F75A, F75B, F75C, F75D
	18A	S65A	I34.0	05	F69A, F69B	I42.7	05	F46A, F46B, F50A, F75A, F75B, F75C, F75D
I26.0	04	E64A	I34.1	05	F69A, F69B	I42.80	05	F46A, F46B, F50A, F75A, F75B, F75C, F75D
	10	K62A	I34.2	05	F69A, F69B		05	F46A, F46B, F50A, F75A, F75B, F75C, F75D
	15	TPN, VTPN	I34.80	05	F69A, F69B	I42.88	05	F46A, F46B, F50A, F75A, F75B, F75C, F75D
	17	R62A	I34.88	05	F69A, F69B		05	F46A, F46B, F50A, F75A, F75B, F75C, F75D
	22	Y02A, Y02B	I34.9	05	F69A, F69B	I42.9	05	F46A, F46B, F50A, F75A, F75B, F75C, F75D
	Pre	A07D, A09E, A11F, A13F	I35.0	05	F69A, F69B		18A	S63A, S63B
				15	P65C, P66C, P67B, P67C			
			I35.1	05	F69A, F69B			
			I35.2	05	F69A, F69B			
			I35.8	05	F69A, F69B			

ICD	MDC	DRG	ICD	MDC	DRG	ICD	MDC	DRG
I43.1	15	TPN, VTPN	I49.0	05	F15Z, F24A, F24B, F36A, F36B, F46A, F46B, F52A, F52B, F62A, F70A, F70B	I60.0	01	B03A, B03B, B06A, B06B, B17A, B17B, B17C, B17D, B39A, B39B, B39C, B48Z, B70A, B70B, B70C, B70D, B70E, B70G, B70H, B70I
I43.2	15	TPN, VTPN		15	TPN, VTPN		15	TPN, VTPN
I44.0	05	F71A, F71B	I49.1	05	F71A, F71B	I60.1	01	B03A, B03B, B06A, B06B, B17A, B17B, B17C, B17D, B39A, B39B, B39C, B48Z, B70A, B70B, B70C, B70D, B70E, B70G, B70H, B70I
I44.1	05	F70A, F70B		15	P65C, P66C, P67B, P67C		Pre	A07D, A09E, A11F, A13F
I44.2	05	F70A, F70B	I49.2	05	F71A, F71B		01	B03A, B03B, B06A, B06B, B17A, B17B, B17C, B17D, B39A, B39B, B39C, B48Z, B70A, B70B, B70C, B70D, B70E, B70G, B70H, B70I
	15	TPN, VTPN	I49.3	05	F71A, F71B		15	TPN, VTPN
	Pre	A07D, A09E, A11F, A13F		15	P65C, P66C, P67B, P67C	I60.2	01	A07D, A09E, A11F, A13F B03A, B03B, B06A, B06B, B17A, B17B, B17C, B17D, B39A, B39B, B39C, B48Z, B70A, B70B, B70C, B70D, B70E, B70G, B70H, B70I
I44.3	05	F70A, F70B	I49.4	05	F71A, F71B		15	TPN, VTPN
I44.4	05	F71A, F71B	I49.5	05	F71A, F71B		Pre	A07D, A09E, A11F, A13F
	15	TPN, VTPN	I49.8	05	F71A, F71B		01	B03A, B03B, B06A, B06B, B17A, B17B, B17C, B17D, B39A, B39B, B39C, B48Z, B70A, B70B, B70C, B70D, B70E, B70G, B70H, B70I
I44.5	05	F71A, F71B		15	P65C, P66C, P67B, P67C		15	TPN, VTPN
	15	TPN, VTPN	I49.9	05	F71A, F71B		Pre	A07D, A09E, A11F, A13F
I44.6	05	F71A, F71B	I50.00	05	F15Z, F24A, F24B, F36A, F36B, F46A, F46B, F52A, F52B, F62A, F62B, F62C		01	B03A, B03B, B06A, B06B, B17A, B17B, B17C, B17D, B39A, B39B, B39C, B48Z, B70A, B70B, B70C, B70D, B70E, B70G, B70H, B70I
	15	TPN, VTPN		15	TPN, VTPN		15	TPN, VTPN
I44.7	05	F71A, F71B		22	Y02A, Y02B	I60.3	01	A07D, A09E, A11F, A13F B03A, B03B, B06A, B06B, B17A, B17B, B17C, B17D, B39A, B39B, B39C, B48Z, B70A, B70B, B70C, B70D, B70E, B70G, B70H, B70I
	15	TPN, VTPN	I50.01	05	F15Z, F24A, F24B, F36A, F36B, F46A, F46B, F52A, F52B, F62A, F62B, F62C		15	TPN, VTPN
I45.0	05	F71A, F71B		15	TPN, VTPN		Pre	A07D, A09E, A11F, A13F
	15	TPN, VTPN		22	Y02A, Y02B	I60.4	01	B03A, B03B, B06A, B06B, B17A, B17B, B17C, B17D, B39A, B39B, B39C, B48Z, B70A, B70B, B70C, B70D, B70E, B70G, B70H, B70I
I45.1	05	F71A, F71B	I50.11	05	F15Z, F24A, F24B, F36A, F36B, F46A, F46B, F52A, F52B, F62A, F62B, F62C		15	TPN, VTPN
	15	TPN, VTPN		15	TPN, VTPN		Pre	A07D, A09E, A11F, A13F
I45.2	05	F71A, F71B		15	TPN, VTPN		01	B03A, B03B, B06A, B06B, B17A, B17B, B17C, B17D, B39A, B39B, B39C, B48Z, B70A, B70B, B70C, B70D, B70E, B70G, B70H, B70I
	15	TPN, VTPN	I50.12	05	F15Z, F24A, F24B, F36A, F36B, F46A, F46B, F52A, F52B, F62A, F62B, F62C		15	TPN, VTPN
I45.3	05	F70A, F70B		15	TPN, VTPN	I60.5	01	A07D, A09E, A11F, A13F B03A, B03B, B06A, B06B, B17A, B17B, B17C, B17D, B39A, B39B, B39C, B48Z, B70A, B70B, B70C, B70D, B70E, B70G, B70H, B70I
	15	TPN, VTPN	I50.13	05	F15Z, F24A, F24B, F36A, F36B, F46A, F46B, F52A, F52B, F62A, F62B, F62C		15	TPN, VTPN
I45.4	05	F71A, F71B		15	TPN, VTPN		Pre	A07D, A09E, A11F, A13F
	15	TPN, VTPN	I50.14	05	F15Z, F24A, F24B, F36A, F36B, F46A, F46B, F52A, F52B, F62A, F62B, F62C		01	B03A, B03B, B06A, B06B, B17A, B17B, B17C, B17D, B39A, B39B, B39C, B48Z, B70A, B70B, B70C, B70D, B70E, B70G, B70H, B70I
I45.5	05	F70A, F70B		15	TPN, VTPN		15	TPN, VTPN
	15	TPN, VTPN	I50.19	05	F15Z, F24A, F24B, F36A, F36B, F46A, F46B, F52A, F52B, F62A, F62B, F62C	I60.6	01	A07D, A09E, A11F, A13F B03A, B03B, B06A, B06B, B17A, B17B, B17C, B17D, B39A, B39B, B39C, B48Z, B70A, B70B, B70C, B70D, B70E, B70G, B70H, B70I
I45.6	05	F71A, F71B		15	TPN, VTPN		15	TPN, VTPN
	15	TPN, VTPN	I50.9	05	F46A, F46B, F62A, F62B, F62C		Pre	A07D, A09E, A11F, A13F
I45.8	05	F71A, F71B		15	TPN, VTPN		01	B03A, B03B, B06A, B06B, B17A, B17B, B17C, B17D, B39A, B39B, B39C, B48Z, B70A, B70B, B70C, B70D, B70E, B70G, B70H, B70I
	15	TPN, VTPN	I51.0	05	F75A, F75B, F75C, F75D	I60.7	01	A07D, A09E, A11F, A13F B03A, B03B, B06A, B06B, B17A, B17B, B17C, B17D, B39A, B39B, B39C, B48Z, B70A, B70B, B70C, B70D, B70E, B70G, B70H, B70I
I45.9	05	F71A, F71B	I51.1	05	F69A, F69B		15	TPN, VTPN
	15	TPN, VTPN		15	TPN, VTPN		Pre	A07D, A09E, A11F, A13F
I46.0	05	F15Z, F24A, F24B, F36A, F36B, F46A, F46B, F52A, F52B, F62A, F70A, F70B	I51.2	05	F69A, F69B	I60.8	01	B03A, B03B, B06A, B06B, B17A, B17B, B17C, B17D, B39A, B39B, B39C, B48Z, B70A, B70B, B70C, B70D, B70E, B70G, B70H, B70I
	15	TPN, VTPN	I51.3	05	F75A, F75B, F75C, F75D		15	TPN, VTPN
I46.1	05	F70A, F70B	I51.4	05	F61A, F75A, F75B, F75C, F75D		Pre	A07D, A09E, A11F, A13F
	15	TPN, VTPN		15	TPN, VTPN		01	B03A, B03B, B06A, B06B, B17A, B17B, B17C, B17D, B39A, B39B, B39C, B48Z, B70A, B70B, B70C, B70D, B70E, B70G, B70H, B70I
I46.8	05	F70A, F70B	I51.5	05	F75A, F75B, F75C, F75D		15	TPN, VTPN
	15	TPN, VTPN		15	TPN, VTPN	I60.9	01	A07D, A09E, A11F, A13F B03A, B03B, B06A, B06B, B17A, B17B, B17C, B17D, B39A, B39B, B39C, B48Z, B70A, B70B, B70C, B70D, B70E, B70G, B70H, B70I
I46.9	05	F70A, F70B	I51.6	05	F66A, F66B		15	TPN, VTPN
	15	TPN, VTPN		15	TPN, VTPN		Pre	A07D, A09E, A11F, A13F
I47.0	05	F71A, F71B	I51.7	05	F66A, F66B		01	B03A, B03B, B06A, B06B, B17A, B17B, B17C, B17D, B39A, B39B, B39C, B48Z, B70A, B70B, B70C, B70D, B70E, B70G, B70H, B70I
	15	TPN, VTPN	I51.8	05	F66A, F66B		15	TPN, VTPN
I47.1	05	F71A, F71B	I51.9	05	F66A, F66B		Pre	A07D, A09E, A11F, A13F
	15	TPN, VTPN					01	B03A, B03B, B06A, B06B, B17A, B17B, B17C, B17D, B39A, B39B, B39C, B48Z, B70A, B70B, B70C, B70D, B70E, B70G, B70H, B70I
I47.2	05	F15Z, F24A, F24B, F36A, F36B, F46A, F46B, F52A, F52B, F62A, F70A, F70B					15	TPN, VTPN
	15	TPN, VTPN					Pre	A07D, A09E, A11F, A13F
I47.9	05	F70A, F70B					01	B03A, B03B, B06A, B06B, B17A, B17B, B17C, B17D, B39A, B39B, B39C, B48Z, B70A, B70B, B70C, B70D, B70E, B70G, B70H, B70I
	15	TPN, VTPN					15	TPN, VTPN
I48.0	05	F71A, F71B					Pre	A07D, A09E, A11F, A13F
	15	TPN, VTPN					01	B03A, B03B, B06A, B06B, B17A, B17B, B17C, B17D, B39A, B39B, B39C, B48Z, B70A, B70B, B70C, B70D, B70E, B70G, B70H, B70I
I48.1	05	F71A, F71B					15	TPN, VTPN
	15	TPN, VTPN					Pre	A07D, A09E, A11F, A13F
I48.2	05	F71A, F71B					01	B03A, B03B, B06A, B06B, B17A, B17B, B17C, B17D, B39A, B39B, B39C, B48Z, B70A, B70B, B70C, B70D, B70E, B70G, B70H, B70I
	15	TPN, VTPN					15	TPN, VTPN
I48.3	05	F71A, F71B					Pre	A07D, A09E, A11F, A13F
	15	TPN, VTPN					01	B03A, B03B, B06A, B06B, B17A, B17B, B17C, B17D, B39A, B39B, B39C, B48Z, B70A, B70B, B70C, B70D, B70E, B70G, B70H, B70I
I48.4	05	F71A, F71B					15	TPN, VTPN
	15	TPN, VTPN					Pre	A07D, A09E, A11F, A13F
I48.9	05	F71A, F71B					01	B03A, B03B, B06A, B06B, B17A, B17B, B17C, B17D, B39A, B39B, B39C, B48Z, B70A, B70B, B70C, B70D, B70E, B70G, B70H, B70I
	15	TPN, VTPN					15	TPN, VTPN

Dg





ICD	MDC	DRG	ICD	MDC	DRG	ICD	MDC	DRG
177.2	05	F65A, F65B	188.8	16	Q60A, Q60B, Q60C, Q60D, Q60E	J11.1	03	D62Z, D63Z
	15	TPN, VTPN				15	TPN, VTPN	
	Pre	A07D, A09E, A11F, A13F	188.9	16	Q60A, Q60B, Q60C, Q60D, Q60E	J11.8	15	TPN, VTPN
177.3	05	F65A, F65B				18B	T63A, T63B, T63C	
177.4	06	G46A, G46B, G46C, G50Z, G67A, G67B, G67C, G67D	189.0	09	J67A, J67B, J68A, J68B	J12.0	04	E62A, E62B, E77A, E77B, E77C, E77D, E77E, E77F, E77G
177.5	05	F65A, F65B	189.1	09	J64A, J64B		15	TPN, VTPN
	15	TPN, VTPN	189.8	15	TPN, VTPN		22	Y02A, Y02B
177.6	08	I66A, I66B, I66C				J12.1	04	E62A, E62B, E65A, E65B, E65C, E69B, E77A, E77B, E77C, E77D, E77F
177.8	05	F65A, F65B	189.9	16	Q60A, Q60B, Q60C, Q60D, Q60E		15	TPN, VTPN
177.9	05	F65A, F65B	195.0	05	F73Z		22	Y02A, Y02B
178.0	05	F65A, F65B	195.1	05	F73Z		15	TPN, VTPN
178.1	09	J67A, J67B, J68A, J68B	195.2	05	F73Z		22	Y02A, Y02B
178.8	05	F65A, F65B	195.8	05	F73Z	J12.2	04	E62A, E62B, E77A, E77B, E77C, E77D, E77E, E77F, E77G
178.9	05	F65A, F65B					15	TPN, VTPN
179.0	15	TPN, VTPN	197.0	05	F75A, F75B, F75C, F75D		22	Y02A, Y02B
179.2	15	TPN, VTPN				J12.3	04	E62A, E62B, E77A, E77B, E77C, E77D, E77E, E77F, E77G
180.0	05	F63A, F63B	197.1	05	F75A, F75B, F75C, F75D		15	TPN, VTPN
180.1	05	F63A, F63B					22	Y02A, Y02B
	15	TPN, VTPN	197.2	09	J67A, J67B		04	E62A, E62B, E77A, E77B, E77C, E77D, E77E, E77F, E77G
180.2	05	F63A, F63B	197.8	05	F65A, F65B		15	TPN, VTPN
	15	TPN, VTPN				18A	S63A, S63B	
180.3	05	F63A, F63B	197.9	05	F75A, F75B, F75C, F75D		22	Y02A, Y02B
180.8	05	F63A, F63B	198.0	15	TPN, VTPN	J12.8	04	E62A, E62B, E77A, E77B, E77C, E77D, E77E, E77F, E77G
180.9	05	F63A, F63B	198.1	15	TPN, VTPN		15	TPN, VTPN
181	07	H63A, H63B, H63C, H78Z	198.3	07	H40Z		18A	S63A, S63B
	15	TPN, VTPN	199	05	F66A, F66B		22	Y02A, Y02B
182.0	07	H63A, H63B, H63C, H78Z	J00	03	D62Z, D63Z	J12.9	04	E62A, E62B, E77A, E77B, E77C, E77D, E77E, E77F, E77G
	15	TPN, VTPN	J01.0	03	D62Z, D63Z		15	TPN, VTPN
182.1	05	F65A, F65B	J01.1	03	D62Z, D63Z		18A	S63A, S63B
182.2	05	F69A, F69B	J01.2	03	D62Z, D63Z		22	Y02A, Y02B
	15	TPN, VTPN	J01.3	03	D62Z, D63Z	J13	04	E62A, E62B, E77A, E77B, E77C, E77D, E77E, E77F, E77G
182.3	11	L68A, L68B, L74Z	J01.4	03	D62Z, D63Z		15	TPN, VTPN
	15	TPN, VTPN	J01.8	03	D62Z, D63Z		18A	S63A, S63B
182.8	05	F63A, F63B	J01.9	03	D62Z, D63Z		22	Y02A, Y02B
	22	Y02A, Y02B	J02.0	03	D62Z, D63Z		04	E62A, E62B, E77A, E77B, E77C, E77D, E77E, E77F, E77G
182.9	05	F63A, F63B	J02.8	03	D62Z, D63Z		15	TPN, VTPN
183.0	05	F20Z, F39A, F64Z	J02.9	03	D62Z, D63Z		18A	S63A, S63B
183.1	05	F65A, F65B	J03.0	03	D62Z, D63Z		22	Y02A, Y02B
183.2	05	F20Z, F39A, F64Z	J03.8	03	D62Z, D63Z		04	E62A, E62B, E77A, E77B, E77C, E77D, E77E, E77F, E77G
183.9	05	F65A, F65B	J03.9	03	D62Z, D63Z	J14	04	E62A, E62B, E77A, E77B, E77C, E77D, E77E, E77F, E77G
185.0	06	G40Z, G46A, G46B, G46C, G47Z, G67A, G67B, G67C, G67D, G73Z	J04.0	03	D62Z, D63Z		15	TPN, VTPN
	07	H40Z	J04.1	04	E65A, E65B, E69A, E69B, E69C, E69D, E69E, E69F		18A	S63A, S63B
	15	TPN, VTPN	J04.2	03	D64Z		22	Y02A, Y02B
	Pre	A07D, A09E, A11F, A13F	J05.0	03	D64Z	J15.0	04	E62A, E62B, E77A, E77B, E77C, E77D, E77F
185.9	06	G46A, G46B, G46C, G50Z, G71Z	J05.1	03	D64Z		15	TPN, VTPN
			Pre	A07D, A09E, A11F, A13F			17	R62A
186.0	05	F65A, F65B	J06.0	03	D62Z, D63Z		18A	S63A, S63B
186.1	12	M64Z	J06.8	03	D62Z, D63Z		22	Y02A, Y02B
186.2	12	M64Z	J06.9	03	D62Z, D63Z		04	E62A, E62B, E77A, E77B, E77C, E77D, E77E, E77F, E77G
	13	N04Z, N05A, N05B, N14Z, N21Z, N25Z, N62A, N62B	J09	04	E62A, E62B, E77A, E77B, E77C, E77D, E77E, E77F, E77G	J15.1	04	E62A, E62B, E77A, E77B, E77C, E77D, E77E, E77F, E77G
186.3	13	N04Z, N05A, N05B, N14Z, N21Z, N25Z, N62A, N62B					15	TPN, VTPN
186.4	05	F65A, F65B	J10.0	04	E62A, E62B, E77A, E77B, E77C, E77D, E77E, E77F, E77G		17	R62A
186.8	05	F65A, F65B					18A	S63A, S63B
187.00	05	F65A, F65B					22	Y02A, Y02B
187.01	05	F65A, F65B	J10.1	03	D62Z, D63Z	J15.2	04	E62A, E62B, E77A, E77B, E77C, E77D, E77E, E77F, E77G
187.1	05	F65A, F65B					15	TPN, VTPN
187.2	05	F65A, F65B	J10.8	15	TPN, VTPN		15	TPN, VTPN
187.8	05	F66A, F66B					17	R62A
187.9	05	F66A, F66B					18A	S63A, S63B
188.0	06	G46A, G46B, G46C, G50Z, G66Z, G72A, G72B	J11.0	04	E62A, E62B, E77A, E77B, E77C, E77D, E77E, E77F, E77G		22	Y02A, Y02B
188.1	16	Q60A, Q60B, Q60C, Q60D, Q60E					15	TPN, VTPN

ICD	MDC	DRG	ICD	MDC	DRG	ICD	MDC	DRG
J15.3	04	E62A, E62B, E77A, E77B, E77C, E77D, E77E, E77F, E77G	J18.0	04	E62A, E62B, E77A, E77B, E77C, E77D, E77E, E77F, E77G	J32.3	03	D62Z, D63Z
	15	TPN, VTPN		15	TPN, VTPN	J32.4	03	D62Z, D63Z
	17	R62A		18A	S63A, S63B	J32.8	03	D62Z, D63Z
	18A	S63A, S63B		22	Y02A, Y02B	J32.9	03	D62Z, D63Z
	22	Y02A, Y02B	J18.1	04	E62A, E62B, E77A, E77B, E77C, E77D, E77E, E77F, E77G		18A	S65A, S65B
J15.4	04	E62A, E62B, E77A, E77B, E77C, E77D, E77E, E77F, E77G		15	TPN, VTPN	J33.0	03	D66Z
	15	TPN, VTPN		18A	S63A, S63B	J33.1	03	D66Z
	17	R62A		22	Y02A, Y02B	J33.8	03	D66Z
	18A	S63A, S63B	J18.2	04	E64A, E64B, E64C, E64D	J33.9	03	D66Z
	22	Y02A, Y02B	J18.8	04	E62A, E62B, E77A, E77B, E77C, E77D, E77E, E77F, E77G	J34.0	03	D66Z
J15.5	04	E62A, E62B, E77A, E77B, E77C, E77D, E77E, E77F, E77G		15	TPN, VTPN	J34.1	03	D66Z
	15	TPN, VTPN		18A	S63A, S63B	J34.2	03	D65Z
	17	R62A		22	Y02A, Y02B	J34.3	03	D66Z
	18A	S63A, S63B	J18.9	04	E62A, E62B, E77A, E77B, E77C, E77D, E77E, E77F, E77G		15	TPN, VTPN
	22	Y02A, Y02B		15	TPN, VTPN	J34.8	03	D66Z
J15.6	04	E62A, E62B, E77A, E77B, E77C, E77D, E77E, E77F, E77G		18A	S63A, S63B	J35.0	03	D62Z, D63Z
	15	TPN, VTPN		22	Y02A, Y02B	J35.1	03	D66Z
	17	R62A	J20.0	04	E65A, E65B, E69A, E69B, E69C, E69D, E69E, E69F	J35.2	03	D66Z
	18A	S63A, S63B	J20.1	04	E65A, E65B, E69A, E69B, E69C, E69D, E69E, E69F	J35.3	03	D66Z
	22	Y02A, Y02B	J20.2	04	E65A, E65B, E69A, E69B, E69C, E69D, E69E, E69F	J35.8	03	D66Z
J15.7	04	E62A, E62B, E77A, E77B, E77C, E77D, E77E, E77F, E77G	J20.3	04	E65A, E65B, E69A, E69B, E69C, E69D, E69E, E69F	J35.9	03	D66Z
	15	TPN, VTPN	J20.4	04	E65A, E65B, E69A, E69B, E69C, E69D, E69E, E69F	J36	03	D62Z, D63Z
	17	R62A	J20.5	04	E65A, E65B, E69A, E69B, E69C, E69D, E69E, E69F	J37.0	03	D62Z, D63Z
	18A	S63A, S63B		15	P65C, P66C, P67B, P67C	J37.1	03	D62Z, D63Z
	22	Y02A, Y02B	J20.6	04	E65A, E65B, E69A, E69B, E69C, E69D, E69E, E69F	J38.00	03	D66Z
J15.8	04	E62A, E62B, E77A, E77B, E77C, E77D, E77E, E77F, E77G	J20.7	04	E65A, E65B, E69A, E69B, E69C, E69D, E69E, E69F		15	TPN, VTPN
	15	TPN, VTPN	J20.8	04	E65A, E65B, E69A, E69B, E69C, E69D, E69E, E69F	J38.01	03	D66Z
	18A	S63A, S63B		15	P65C, P66C, P67B, P67C	J38.02	03	D66Z
	22	Y02A, Y02B	J20.9	04	E65A, E65B, E69A, E69B, E69C, E69D, E69E, E69F		15	TPN, VTPN
J15.9	04	E62A, E62B, E77A, E77B, E77C, E77D, E77E, E77F, E77G	J21.0	04	E65A, E65B, E65C, E69B, E70A, E70B	J38.03	03	D66Z
	15	TPN, VTPN		15	TPN, VTPN		15	TPN, VTPN
	18A	S63A, S63B	J21.1	04	E70A, E70B	J38.1	03	D66Z
	22	Y02A, Y02B		15	TPN, VTPN	J38.2	03	D66Z
J16.0	04	E62A, E62B, E77A, E77B, E77C, E77D, E77E, E77F, E77G	J21.8	04	E70A, E70B	J38.3	03	D66Z
	15	TPN, VTPN		15	TPN, VTPN	J38.4	03	D66Z
	17	R62A	J21.9	04	E70A, E70B	J38.5	03	D64Z
	18A	S63A, S63B		15	TPN, VTPN	J38.6	03	D66Z
	22	Y02A, Y02B	J22	04	E75A, E75B, E75C		15	TPN, VTPN
J16.8	04	E62A, E62B, E77A, E77B, E77C, E77D, E77E, E77F, E77G		15	P65C, P66C, P67B, P67C	J38.7	03	D66Z
	15	TPN, VTPN	J30.0	03	D62Z, D63Z		15	TPN, VTPN
	17	R62A	J30.1	03	D62Z, D63Z	J39.0	03	D30A, D62Z, D63Z
	18A	S63A, S63B	J30.2	03	D62Z, D63Z		15	TPN, VTPN
	22	Y02A, Y02B	J30.3	03	D62Z, D63Z	Pre	A07D, A09E, A11F, A13F	
J17.0	15	TPN, VTPN	J30.4	03	D62Z, D63Z	J39.1	03	D66Z
J17.1	15	TPN, VTPN	J31.0	03	D62Z, D63Z	J39.2	03	D66Z
	22	Y02A, Y02B		15	P65C, P66C, P67B, P67C	J39.3	03	D62Z, D63Z
J17.2	15	TPN, VTPN	J31.1	03	D62Z, D63Z	J39.80	03	D62Z, D63Z
	22	Y02A, Y02B	J31.2	03	D62Z, D63Z	J39.88	03	D62Z, D63Z
J17.3	15	TPN, VTPN	J32.0	03	D62Z, D63Z	J39.9	03	D62Z, D63Z
	22	Y02A, Y02B	J32.1	03	D62Z, D63Z	J40	04	E65A, E65B, E69A, E69B, E69C, E69D, E69E, E69F
J17.8	15	TPN, VTPN	J32.2	03	D62Z, D63Z		15	P65C, P66C, P67B, P67C
	22	Y02A, Y02B				J41.0	04	E65A, E65B, E69A, E69B, E69C, E69D, E69E, E69F
						J41.1	04	E65A, E65B, E65C
						J41.8	04	E65A, E65B, E65C
						J42	04	E65A, E65B, E65C
						J43.0	04	E65A, E65B, E65C
						J43.1	04	E65A, E65B, E65C
						J43.2	04	E65A, E65B, E65C
						J43.8	04	E65A, E65B, E65C
						J43.9	04	E65A, E65B, E65C
						J44.00	04	E65A, E65B
						J44.01	04	E65A, E65B, E65C
						J44.02	04	E65A, E65B, E65C
						J44.03	04	E65A, E65B, E65C
						J44.09	04	E65A, E65B, E65C
						J44.10	04	E65A, E65B
						J44.11	04	E65A, E65B, E65C

ICD	MDC	DRG	ICD	MDC	DRG	ICD	MDC	DRG
J44.12	04	E65A, E65B, E65C	J68.4	04	E65A, E65B, E65C	J92.9	04	E62A, E62B, E77A, E77B, E77C, E77D, E77E, E77F, E77G
J44.13	04	E65A, E65B, E65C	J68.8	04	E65A, E65B, E65C			
J44.19	04	E65A, E65B, E65C	J68.9	04	E65A, E65B, E65C	J93.0	04	E76A, E76B, E76C
J44.80	04	E65A, E65B	J69.0	04	E62A, E62B, E77A, E77B, E77C, E77D, E77E, E77F, E77G	15	P65C, P66C, P67B, P67C	
J44.81	04	E65A, E65B, E65C		15	TPN, VTPN	Pre	A07D, A09E, A11F, A13F	
J44.82	04	E65A, E65B, E65C	J69.1	04	E62A, E62B, E77A, E77B, E77C, E77D, E77E, E77F, E77G	J93.1	04	E76A, E76B, E76C
J44.83	04	E65A, E65B, E65C		04	E62A, E62B, E77A, E77B, E77C, E77D, E77E, E77F, E77G	18A	S63A, S63B	
J44.89	04	E65A, E65B, E65C		15	TPN, VTPN	J93.8	04	E76A, E76B, E76C
J44.90	04	E65A, E65B	J69.8	04	E62A, E62B, E77A, E77B, E77C, E77D, E77E, E77F, E77G	18A	S63A, S63B	
J44.91	04	E65A, E65B, E65C		15	TPN, VTPN	J93.9	04	E76A, E76B, E76C
J44.92	04	E65A, E65B, E65C		04	E62A, E62B, E77A, E77B, E77C, E77D, E77E, E77F, E77G	18A	S63A, S63B	
J44.93	04	E65A, E65B, E65C	J70.0	04	E75A, E75B, E75C	J94.0	04	E73A, E73B
J44.99	04	E65A, E65B, E65C	J70.1	04	E74Z	15	TPN, VTPN	
J45.0	04	E65A, E65B, E69A, E69B, E69C, E69D, E69E, E69F	J70.2	04	E75A, E75B, E75C	J94.1	04	E62A, E62B, E77A, E77B, E77C, E77D, E77E, E77F, E77G
J45.1	04	E65A, E65B, E69A, E69B, E69C, E69D, E69E, E69F	J70.3	04	E75A, E75B, E75C	J94.2	04	E73A, E73B
J45.8	04	E65A, E65B, E69A, E69B, E69C, E69D, E69E, E69F	J70.4	04	E75A, E75B, E75C	15	TPN, VTPN	
J45.9	04	E65A, E65B, E69A, E69B, E69C, E69D, E69E, E69F	J70.8	04	E75A, E75B, E75C	J94.8	04	E73A, E73B
J46	04	E65A, E65B, E69A, E69B, E69C, E69D, E69E, E69F	J70.9	04	E75A, E75B, E75C	15	TPN, VTPN	
	Pre	A07D, A09E, A11F, A13F	J80	04	E40A, E40B	J94.9	04	E73A, E73B
J47	04	E65A, E65B		Pre	A07D, A09E, A11F, A13F	15	TPN, VTPN	
J60	04	E74Z	J81	05	F62A, F62B, F62C	J95.0	04	E75A, E75B, E75C
J61	04	E74Z	J82	04	E74Z	15	TPN, VTPN	
J62.0	04	E74Z	J84.0	04	E74Z	J95.1	04	E64A, E64B, E64C, E64D
J62.8	04	E74Z	J84.1	04	E74Z	Pre	A07D, A09E, A11F, A13F	
J63.0	04	E74Z		Pre	A07D, A09E, A11F, A13F	J95.2	04	E64A, E64B, E64C, E64D
J63.1	04	E74Z	J84.8	04	E74Z	J95.3	04	E64A, E64B, E64C, E64D
J63.2	04	E74Z		18A	S65A, S65B	J95.4	04	E75A, E75B, E75C
J63.3	04	E74Z	J84.9	04	E74Z	J95.5	04	E75A, E75B, E75C
J63.4	04	E74Z	J85.0	04	E62A, E62B, E77A, E77B, E77C, E77D, E77F	J95.80	04	E76A, E76B, E76C
J63.5	04	E74Z		15	TPN, VTPN	15	TPN, VTPN	
J63.8	04	E74Z		18A	S63A, S63B	J95.81	04	E75A, E75B, E75C
J64	04	E74Z		Pre	A07D, A09E, A11F, A13F	J95.88	04	E75A, E75B, E75C
J65	04	E41Z, E42Z, E76A, E76B, E76C	J85.1	04	E62A, E62B, E77A, E77B, E77C, E77D, E77F	J95.9	04	E75A, E75B, E75C
				15	TPN, VTPN	J96.00	04	E64A, E64B, E64C, E64D
J66.0	04	E74Z		18A	S63A, S63B	J96.01	04	E64A, E64B, E64C, E64D
J66.1	04	E74Z		Pre	A07D, A09E, A11F, A13F	J96.09	04	E64A, E64B, E64C, E64D
J66.2	04	E74Z		Pre	A07D, A09E, A11F, A13F	J96.10	04	E64A, E64B, E64C, E64D
J66.8	04	E74Z	J85.2	04	E62A, E62B, E77A, E77B, E77C, E77D, E77F	J96.11	04	E64A, E64B, E64C, E64D
J67.0	04	E74Z		15	TPN, VTPN	J96.19	04	E64A, E64B, E64C, E64D
	Pre	A07D, A09E, A11F, A13F		18A	S63A, S63B	J96.90	04	E64A, E64B, E64C, E64D
J67.1	04	E74Z		Pre	A07D, A09E, A11F, A13F	J96.91	04	E64A, E64B, E64C, E64D
	Pre	A07D, A09E, A11F, A13F	J85.3	04	E62A, E62B, E77A, E77B, E77C, E77D, E77F	J96.99	04	E64A, E64B, E64C, E64D
J67.2	04	E74Z		15	TPN, VTPN	J98.0	04	E65A, E65B, E69A, E69B, E69C, E69D, E69E, E69F
	Pre	A07D, A09E, A11F, A13F		18A	S63A	J98.1	04	E75A, E75B, E75C
J67.3	04	E74Z		Pre	A07D, A09E, A11F, A13F	J98.2	04	E76A, E76B, E76C
	Pre	A07D, A09E, A11F, A13F	J86.0	04	E01A, E62A, E62B, E77A, E77B, E77C, E77D, E77F	J98.3	04	E75A, E75B, E75C
J67.4	04	E74Z		15	TPN, VTPN	J98.4	04	E75A, E75B, E75C
	Pre	A07D, A09E, A11F, A13F		18A	S63A	J98.50	04	E75A, E75B, E75C
J67.5	04	E74Z		Pre	A07D, A09E, A11F, A13F	J98.58	04	E75A, E75B, E75C
	Pre	A07D, A09E, A11F, A13F		15	TPN, VTPN	J98.6	04	E75A, E75B, E75C
J67.6	04	E74Z		18A	S63A	J98.8	04	E75A, E75B, E75C
	Pre	A07D, A09E, A11F, A13F	J86.9	04	E62A, E62B, E77A, E77B, E77C, E77D, E77F	J98.9	04	E75A, E75B, E75C
J67.7	04	E74Z		15	TPN, VTPN	K00.0	03	D40Z, D67Z
	Pre	A07D, A09E, A11F, A13F		18A	S63A	K00.1	03	D40Z, D67Z
J67.8	04	E74Z		Pre	A07D, A09E, A11F, A13F	K00.2	03	D40Z, D67Z
	Pre	A07D, A09E, A11F, A13F	J90	04	E73A, E73B	K00.3	03	D40Z, D67Z
J67.9	04	E74Z		15	TPN, VTPN	K00.4	03	D40Z, D67Z
	Pre	A07D, A09E, A11F, A13F	J91	15	TPN, VTPN	K00.5	03	D40Z, D67Z
J68.0	04	E75A, E75B, E75C	J92.0	04	E62A, E62B, E77A, E77B, E77C, E77D, E77E, E77F, E77G	K00.6	03	D40Z, D67Z
J68.1	04	E64A, E64B, E64C, E64D				K00.7	03	D40Z, D67Z
J68.2	04	E75A, E75B, E75C				K00.8	03	D40Z, D67Z
J68.3	04	E65A, E65B, E69A, E69B, E69C, E69D, E69E, E69F, E75A, E75B, E75C				K00.9	03	D40Z, D67Z
						K01.0	03	D40Z, D67Z
						K01.1	03	D40Z, D67Z
						K02.0	03	D40Z, D67Z



ICD	MDC	DRG	ICD	MDC	DRG	ICD	MDC	DRG
K02.1	03	D40Z, D67Z	K10.8	03	D40Z, D67Z	K22.4	06	G46A, G46B, G46C, G50Z, G67A, G67B, G67C
K02.2	03	D40Z, D67Z	K10.9	03	D40Z, D67Z		15	TPN, VTPN
K02.3	03	D40Z, D67Z	K11.0	03	D66Z	K22.5	06	G46A, G46B, G46C, G50Z, G67A, G67B, G67C
K02.4	03	D40Z, D67Z	K11.1	03	D66Z	K22.6	06	G40Z, G46A, G46B, G46C, G47Z, G67A, G67B, G67C, G67D, G73Z
K02.5	03	D40Z, D67Z	K11.2	03	D66Z	K22.7	06	G46A, G46B, G46C, G50Z, G67A, G67B, G67C, G67D
K02.8	03	D40Z, D67Z	K11.3	03	D06B, D66Z	K22.8	06	G46A, G46B, G46C, G50Z, G67A, G67B, G67C, G67D
K02.9	03	D40Z, D67Z	K11.4	03	D66Z	K22.9	06	G46A, G46B, G46C, G50Z, G67A, G67B, G67C, G67D
K03.0	03	D40Z, D67Z	K11.5	03	D66Z	K25.0	06	G40Z, G46A, G46B, G46C, G47Z, G67A, G67B, G67C, G67D, G73Z
K03.1	03	D40Z, D67Z	K11.6	03	D66Z		Pre	A07D, A09E, A11F, A13F
K03.2	03	D40Z, D67Z	K11.7	03	D66Z	K25.1	06	G40Z, G46A, G46B, G46C, G47Z, G67A, G67B, G67C, G67D, G73Z
K03.3	03	D40Z, D67Z	K11.8	03	D66Z		Pre	A07D, A09E, A11F, A13F
K03.4	03	D40Z, D67Z	K11.9	03	D66Z	K25.2	06	G40Z, G46A, G46B, G46C, G47Z, G67A, G67B, G67C, G67D, G73Z
K03.5	03	D40Z, D67Z		18A	S65A, S65B		Pre	A07D, A09E, A11F, A13F
K03.6	03	D40Z, D67Z	K12.0	03	D40Z, D67Z	K25.3	06	G40Z, G46A, G46B, G46C, G47Z, G67A, G67B, G67C, G67D, G73Z
K03.7	03	D40Z, D67Z		18A	S65A, S65B		Pre	A07D, A09E, A11F, A13F
K03.8	03	D40Z, D67Z	K12.1	03	D40Z, D67Z	K25.4	06	G40Z, G46A, G46B, G46C, G47Z, G67A, G67B, G67C, G67D, G73Z
K03.9	03	D40Z, D67Z	K12.20	03	D06B, D40Z, D67Z	K25.5	06	G40Z, G46A, G46B, G46C, G47Z, G67A, G67B, G67C, G67D, G73Z
K04.0	03	D40Z, D67Z		Pre	A07D, A09E, A11F, A13F	K25.6	06	G40Z, G46A, G46B, G46C, G47Z, G67A, G67B, G67C, G67D, G73Z
K04.1	03	D40Z, D67Z	K12.21	03	D06B, D40Z, D67Z	K25.7	06	G40Z, G46A, G46B, G46C, G47Z, G67A, G67B, G67C, G67D, G73Z
K04.2	03	D40Z, D67Z		Pre	A07D, A09E, A11F, A13F	K25.9	06	G40Z, G46A, G46B, G46C, G47Z, G67A, G67B, G67C, G67D, G73Z
K04.3	03	D40Z, D67Z	K12.22	03	D06B, D40Z, D67Z	K26.0	06	G40Z, G46A, G46B, G46C, G47Z, G67A, G67B, G67C, G67D, G73Z
K04.4	03	D40Z, D67Z		Pre	A07D, A09E, A11F, A13F		Pre	A07D, A09E, A11F, A13F
K04.5	03	D40Z, D67Z	K12.23	03	D40Z, D67Z	K26.1	06	G40Z, G46A, G46B, G46C, G47Z, G67A, G67B, G67C, G67D, G73Z
K04.6	03	D40Z, D67Z	K12.28	03	D06B, D40Z, D67Z		Pre	A07D, A09E, A11F, A13F
K04.7	03	D40Z, D67Z	K12.29	03	D40Z, D67Z	K26.2	06	G40Z, G46A, G46B, G46C, G47Z, G67A, G67B, G67C, G67D, G73Z
K04.8	03	D40Z, D67Z	K12.3	03	D40Z, D67Z		Pre	A07D, A09E, A11F, A13F
K04.9	03	D40Z, D67Z	K13.0	03	D40Z, D67Z	K26.3	06	G40Z, G46A, G46B, G46C, G47Z, G67A, G67B, G67C, G67D, G73Z
K05.0	03	D40Z, D67Z		18A	S65A, S65B	K26.4	06	G40Z, G46A, G46B, G46C, G47Z, G67A, G67B, G67C, G67D, G73Z
K05.1	03	D40Z, D67Z	K13.1	03	D40Z, D67Z	K26.5	06	G40Z, G46A, G46B, G46C, G47Z, G67A, G67B, G67C, G67D, G73Z
K05.2	03	D40Z, D67Z	K13.2	03	D40Z, D67Z	K26.6	06	G40Z, G46A, G46B, G46C, G47Z, G67A, G67B, G67C, G67D, G73Z
K05.3	03	D40Z, D67Z		18A	S65A, S65B	K26.7	06	G40Z, G46A, G46B, G46C, G47Z, G67A, G67B, G67C, G67D, G73Z
K05.4	03	D40Z, D67Z	K13.3	03	D40Z, D67Z		Pre	A07D, A09E, A11F, A13F
K05.5	03	D40Z, D67Z		18A	S65A, S65B		Pre	A07D, A09E, A11F, A13F
K05.6	03	D40Z, D67Z	K13.4	03	D40Z, D67Z		Pre	A07D, A09E, A11F, A13F
K06.0	03	D40Z, D67Z	K13.5	03	D40Z, D67Z		Pre	A07D, A09E, A11F, A13F
K06.1	03	D40Z, D67Z	K13.6	03	D40Z, D67Z		Pre	A07D, A09E, A11F, A13F
K06.2	03	D40Z, D67Z	K13.7	03	D40Z, D67Z		Pre	A07D, A09E, A11F, A13F
K06.8	03	D40Z, D67Z	K14.0	03	D40Z, D67Z		Pre	A07D, A09E, A11F, A13F
K06.9	03	D40Z, D67Z	K14.1	03	D40Z, D67Z		Pre	A07D, A09E, A11F, A13F
K07.0	03	D40Z, D67Z	K14.2	03	D40Z, D67Z		Pre	A07D, A09E, A11F, A13F
K07.1	03	D40Z, D67Z	K14.3	03	D40Z, D67Z		Pre	A07D, A09E, A11F, A13F
K07.2	15	TPN, VTPN	K14.4	03	D40Z, D67Z		Pre	A07D, A09E, A11F, A13F
K07.3	03	D40Z, D67Z	K14.5	03	D40Z, D67Z		Pre	A07D, A09E, A11F, A13F
K07.4	03	D40Z, D67Z	K14.6	03	D40Z, D67Z		Pre	A07D, A09E, A11F, A13F
K07.5	03	D40Z, D67Z	K14.8	03	D40Z, D67Z		Pre	A07D, A09E, A11F, A13F
K07.6	03	D40Z, D67Z	K14.9	03	D40Z, D67Z		Pre	A07D, A09E, A11F, A13F
K07.8	03	D40Z, D67Z	K20	06	G40Z, G46A, G46B, G46C, G50Z, G67A, G67B, G67C, G67D		Pre	A07D, A09E, A11F, A13F
	15	TPN, VTPN					Pre	A07D, A09E, A11F, A13F
K07.9	03	D40Z, D67Z	K21.0	06	G40Z, G46A, G46B, G46C, G50Z, G67A, G67B, G67C, G67D		Pre	A07D, A09E, A11F, A13F
K08.0	03	D40Z, D67Z					Pre	A07D, A09E, A11F, A13F
K08.1	03	D40Z, D67Z	K21.9	06	G40Z, G46A, G46B, G46C, G50Z, G67A, G67B, G67C, G67D		Pre	A07D, A09E, A11F, A13F
K08.2	03	D40Z, D67Z					Pre	A07D, A09E, A11F, A13F
K08.3	03	D40Z, D67Z	K22.0	06	G46A, G46B, G46C, G50Z, G67A, G67B, G67C		Pre	A07D, A09E, A11F, A13F
K08.81	03	D40Z, D67Z					Pre	A07D, A09E, A11F, A13F
K08.88	03	D40Z, D67Z	K22.1	06	G40Z, G46A, G46B, G46C, G47Z, G67A, G67B, G67C, G67D, G73Z		Pre	A07D, A09E, A11F, A13F
K08.9	03	D40Z, D67Z					Pre	A07D, A09E, A11F, A13F
K09.0	03	D40Z, D67Z	K22.2	06	G46A, G46B, G46C, G50Z, G67A, G67B, G67C		Pre	A07D, A09E, A11F, A13F
K09.1	03	D40Z, D67Z					Pre	A07D, A09E, A11F, A13F
K09.2	03	D40Z, D67Z		18A	S65A, S65B		Pre	A07D, A09E, A11F, A13F
K09.8	03	D40Z, D67Z	K22.3	06	G46A, G46B, G46C, G50Z, G67A, G67B, G67C		Pre	A07D, A09E, A11F, A13F
K09.9	03	D40Z, D67Z					Pre	A07D, A09E, A11F, A13F
K10.0	03	D40Z, D67Z		15	TPN, VTPN		Pre	A07D, A09E, A11F, A13F
K10.1	03	D40Z, D67Z					Pre	A07D, A09E, A11F, A13F
K10.20	03	D06B, D40Z, D67Z					Pre	A07D, A09E, A11F, A13F
K10.21	03	D06B, D40Z, D67Z					Pre	A07D, A09E, A11F, A13F
K10.28	03	D06B, D40Z, D67Z					Pre	A07D, A09E, A11F, A13F
K10.29	03	D40Z, D67Z					Pre	A07D, A09E, A11F, A13F
K10.3	03	D40Z, D67Z					Pre	A07D, A09E, A11F, A13F

ICD	MDC	DRG	ICD	MDC	DRG	ICD	MDC	DRG
K26.9	06	G40Z, G46A, G46B, G46C, G47Z, G67A, G67B, G67C, G67D, G73Z	K29.6	06	G46A, G46B, G46C, G50Z, G67A, G67B, G67C, G67D	K38.3	06	G46A, G46B, G46C, G50Z, G71Z
K27.0	06	G40Z, G46A, G46B, G46C, G47Z, G67A, G67B, G67C, G67D, G73Z	K29.7	06	G46A, G46B, G46C, G50Z, G67A, G67B, G67C, G67D	K38.8	06	G46A, G46B, G46C, G50Z, G72A, G72B
K27.1	06	G40Z, G46A, G46B, G46C, G47Z, G67A, G67B, G67C, G67D, G73Z	K29.8	06	G46A, G46B, G46C, G50Z, G67A, G67B, G67C, G67D	K38.9	06	G46A, G46B, G46C, G50Z, G72A, G72B
K27.2	06	G40Z, G46A, G46B, G46C, G47Z, G67A, G67B, G67C, G67D, G73Z	K29.9	06	G46A, G46B, G46C, G50Z, G67A, G67B, G67C, G67D	K40.00	06	G09Z, G24Z, G46A, G46B, G46C, G50Z, G71Z
K27.3	06	G40Z, G46A, G46B, G46C, G47Z, G67A, G67B, G67C, G67D, G73Z	K30	06	G46A, G46B, G46C, G50Z, G67A, G67B, G67C, G67D	K40.01	06	G09Z, G24Z, G46A, G46B, G46C, G50Z, G71Z
K27.4	06	G40Z, G46A, G46B, G46C, G47Z, G67A, G67B, G67C, G67D, G73Z	K31.0	06	G46A, G46B, G46C, G50Z, G67A, G67B, G67C, G67D	K40.10	06	G09Z, G24Z, G46A, G46B, G46C, G50Z, G71Z
K27.5	06	G40Z, G46A, G46B, G46C, G47Z, G67A, G67B, G67C, G67D, G73Z	K31.1	06	G40Z, G46A, G46B, G46C, G47Z, G67A, G67B, G67C, G73Z	K40.11	15	TPN, VTPN
K27.6	06	G40Z, G46A, G46B, G46C, G47Z, G67A, G67B, G67C, G67D, G73Z	K31.2	06	G46A, G46B, G46C, G50Z, G67A, G67B, G67C, G67D	K40.11	06	G09Z, G24Z, G46A, G46B, G46C, G50Z, G71Z
K27.7	06	G40Z, G46A, G46B, G46C, G47Z, G67A, G67B, G67C, G67D, G73Z	K31.3	06	G46A, G46B, G46C, G50Z, G67A, G67B, G67C, G67D	K40.20	15	TPN, VTPN
K27.9	06	G40Z, G46A, G46B, G46C, G47Z, G67A, G67B, G67C, G67D, G73Z	K31.4	06	G46A, G46B, G46C, G50Z, G67A, G67B, G67C, G67D	K40.20	Pre	A07D, A09E, A11F, A13F
K28.0	06	G40Z, G46A, G46B, G46C, G47Z, G67A, G67B, G67C, G67D, G73Z	K31.5	06	G40Z, G46A, G46B, G46C, G47Z, G67A, G67B, G67C, G73Z	K40.20	06	G09Z, G24Z, G46A, G46B, G46C, G50Z, G71Z
K28.1	06	G40Z, G46A, G46B, G46C, G47Z, G67A, G67B, G67C, G67D, G73Z	K31.6	06	G46A, G46B, G46C, G50Z, G67A, G67B, G67C	K40.21	06	G09Z, G24Z, G46A, G46B, G46C, G50Z, G71Z
K28.2	06	G40Z, G46A, G46B, G46C, G47Z, G67A, G67B, G67C, G67D, G73Z	K31.7	15	TPN, VTPN	K40.30	06	G09Z, G24Z, G46A, G46B, G46C, G50Z, G71Z
K28.3	06	G40Z, G46A, G46B, G46C, G47Z, G67A, G67B, G67C, G67D, G73Z	K31.81	06	G46A, G46B, G46C, G50Z, G67A, G67B, G67C, G67D	K40.31	15	TPN, VTPN
K28.4	06	G40Z, G46A, G46B, G46C, G47Z, G67A, G67B, G67C, G67D, G73Z	K31.82	06	G40Z, G46A, G46B, G46C, G47Z, G67A, G67B, G67C, G67D, G73Z	K40.31	06	G09Z, G24Z, G46A, G46B, G46C, G50Z, G71Z
K28.5	06	G40Z, G46A, G46B, G46C, G47Z, G67A, G67B, G67C, G67D, G73Z	K31.88	06	G46A, G46B, G46C, G50Z, G67A, G67B, G67C, G67D	K40.40	15	TPN, VTPN
K28.6	06	G40Z, G46A, G46B, G46C, G47Z, G67A, G67B, G67C, G67D, G73Z	K31.9	06	G46A, G46B, G46C, G50Z, G67A, G67B, G67C, G67D	K40.40	06	G09Z, G24Z, G46A, G46B, G46C, G50Z, G71Z
K28.7	06	G40Z, G46A, G46B, G46C, G47Z, G67A, G67B, G67C, G67D, G73Z	K35.2	06	G07A, G07B, G07C, G22A, G22B, G22C, G46A, G46B, G46C, G50Z, G71Z	K40.41	15	TPN, VTPN
K28.9	06	G40Z, G46A, G46B, G46C, G47Z, G67A, G67B, G67C, G67D, G73Z	K35.30	15	TPN, VTPN	K40.41	Pre	A07D, A09E, A11F, A13F
K29.0	06	G40Z, G46A, G46B, G46C, G47Z, G67A, G67B, G67C, G67D, G73Z	K35.31	06	G46A, G46B, G46C, G50Z, G72A, G72B	K40.41	06	G09Z, G24Z, G46A, G46B, G46C, G50Z, G71Z
K29.1	06	G46A, G46B, G46C, G50Z, G67A, G67B, G67C, G67D	K35.31	15	TPN, VTPN	K41.1	15	TPN, VTPN
K29.2	06	G46A, G46B, G46C, G50Z, G67A, G67B, G67C, G67D	K35.32	06	G07A, G07B, G07C, G22A, G22B, G22C, G46A, G46B, G46C, G50Z, G71Z	K41.1	06	G09Z, G24Z, G46A, G46B, G46C, G50Z, G71Z
K29.3	06	G46A, G46B, G46C, G50Z, G67A, G67B, G67C, G67D	K35.8	15	TPN, VTPN	K41.2	15	TPN, VTPN
K29.4	06	G46A, G46B, G46C, G50Z, G67A, G67B, G67C, G67D	K36	06	G46A, G46B, G46C, G50Z, G72A, G72B	K41.2	Pre	A07D, A09E, A11F, A13F
K29.5	18A	S65A, S65B	K37	06	G46A, G46B, G46C, G50Z, G72A, G72B	K41.3	06	G09Z, G24Z, G46A, G46B, G46C, G50Z, G71Z
	06	G46A, G46B, G46C, G50Z, G67A, G67B, G67C, G67D	K38.1	15	TPN, VTPN	K41.3	15	TPN, VTPN
	18A	S65A, S65B	K38.2	06	G46A, G46B, G46C, G50Z, G71Z	K41.4	06	G09Z, G24Z, G46A, G46B, G46C, G50Z, G71Z
						K41.4	15	TPN, VTPN
						K41.9	Pre	A07D, A09E, A11F, A13F
						K41.9	06	G09Z, G24Z, G46A, G46B, G46C, G50Z, G71Z
						K42.0	06	G46A, G46B, G46C, G50Z, G71Z
						K42.1	15	TPN, VTPN
						K42.1	06	G46A, G46B, G46C, G50Z, G71Z
						K42.9	15	TPN, VTPN
						K42.9	Pre	A07D, A09E, A11F, A13F
							06	G46A, G46B, G46C, G50Z, G71Z

ICD	MDC	DRG	ICD	MDC	DRG	ICD	MDC	DRG
K43.0	06	G46A, G46B, G46C, G50Z, G71Z	K51.0	06	G40Z, G46A, G46B, G46C, G47Z, G48A, G48B, G64A, G64B, G64C	K55.82	06	G40Z, G46A, G46B, G46C, G47Z, G67A, G67B, G67C, G67D, G73Z
	15	TPN, VTPN						
K43.1	06	G46A, G46B, G46C, G50Z, G71Z	K51.2	06	G40Z, G46A, G46B, G46C, G47Z, G48A, G48B, G64A, G64B, G64C	K55.88	06	G46A, G46B, G46C, G50Z, G71Z
	15	TPN, VTPN				K55.9	06	G46A, G46B, G46C, G50Z, G71Z
	Pre	A07D, A09E, A11F, A13F	K51.3	06	G40Z, G46A, G46B, G46C, G47Z, G48A, G48B, G64A, G64B, G64C	K56.0	06	G40Z, G46A, G46B, G46C, G47Z, G65Z
K43.2	06	G46A, G46B, G46C, G50Z, G71Z	K51.4	06	G40Z, G46A, G46B, G46C, G47Z, G48A, G48B, G64A, G64B, G64C		15	TPN, VTPN
K43.3	06	G46A, G46B, G46C, G50Z, G71Z				K56.1	06	G40Z, G46A, G46B, G46C, G47Z, G65Z
	15	TPN, VTPN	K51.5	06	G40Z, G46A, G46B, G46C, G47Z, G48A, G48B, G64A, G64B, G64C		15	TPN, VTPN
K43.4	06	G46A, G46B, G46C, G50Z, G71Z				K56.2	06	G40Z, G46A, G46B, G46C, G47Z, G65Z
	15	TPN, VTPN	K51.8	06	G40Z, G46A, G46B, G46C, G47Z, G48A, G48B, G64A, G64B, G64C		15	TPN, VTPN
	Pre	A07D, A09E, A11F, A13F				K56.3	06	G40Z, G46A, G46B, G46C, G47Z, G65Z
K43.5	06	G46A, G46B, G46C, G50Z, G71Z	K51.9	06	G40Z, G46A, G46B, G46C, G47Z, G48A, G48B, G64A, G64B, G64C	K56.4	06	G40Z, G46A, G46B, G46C, G47Z, G65Z
K43.6	06	G46A, G46B, G46C, G50Z, G71Z					15	TPN, VTPN
K43.7	06	G46A, G46B, G46C, G50Z, G71Z	K52.0	06	G46A, G46B, G46C, G50Z, G71Z	K56.5	06	G40Z, G46A, G46B, G46C, G47Z, G65Z
K43.9	06	G46A, G46B, G46C, G50Z, G71Z		18A	S65A, S65B	K56.6	06	G40Z, G46A, G46B, G46C, G47Z, G65Z
K44.0	06	G46A, G46B, G46C, G50Z, G67A, G67B, G67C, G67D	K52.1	06	G46A, G46B, G46C, G50Z, G71Z		15	TPN, VTPN
	15	TPN, VTPN		15	TPN, VTPN	K56.7	06	G40Z, G46A, G46B, G46C, G47Z, G65Z
K44.1	06	G46A, G46B, G46C, G50Z, G71Z	K52.2	06	G46A, G46B, G46C, G50Z, G67A, G67B, G67C, G67D		15	TPN, VTPN
	15	TPN, VTPN		18A	S65A, S65B	K57.00	06	G46A, G46B, G46C, G50Z, G67A, G67B, G67C
	Pre	A07D, A09E, A11F, A13F	K52.30	06	G46A, G46B, G46C, G50Z, G67A, G67B, G67C, G67D	K57.01	06	G40Z, G46A, G46B, G46C, G47Z, G67A, G67B, G67C, G67D, G73Z
K44.9	06	G46A, G46B, G46C, G50Z, G67A, G67B, G67C, G67D		15	P65C, P66C, P67B, P67C	K57.02	06	G46A, G46B, G46C, G50Z, G67A, G67B, G67C
K45.0	06	G46A, G46B, G46C, G50Z, G71Z		18A	S65A, S65B	K57.03	06	G40Z, G46A, G46B, G46C, G47Z, G67A, G67B, G67C, G67D, G73Z
K45.1	06	G46A, G46B, G46C, G50Z, G71Z	K52.31	06	G46A, G46B, G46C, G50Z, G67A, G67B, G67C, G67D	K57.10	06	G46A, G46B, G46C, G50Z, G67A, G67B, G67C
	15	TPN, VTPN		15	P65C, P66C, P67B, P67C	K57.11	06	G40Z, G46A, G46B, G46C, G47Z, G67A, G67B, G67C, G67D, G73Z
	Pre	A07D, A09E, A11F, A13F	K52.32	06	G46A, G46B, G46C, G50Z, G67A, G67B, G67C, G67D	K57.12	06	G46A, G46B, G46C, G50Z, G67A, G67B, G67C
K45.8	06	G46A, G46B, G46C, G50Z, G71Z		15	P65C, P66C, P67B, P67C	K57.13	06	G40Z, G46A, G46B, G46C, G47Z, G67A, G67B, G67C, G67D, G73Z
K46.0	06	G46A, G46B, G46C, G50Z, G71Z		18A	S65A, S65B	K57.20	06	G46A, G46B, G46C, G50Z, G67A, G67B, G67C
K46.1	06	G46A, G46B, G46C, G50Z, G71Z	K52.38	06	G46A, G46B, G46C, G50Z, G67A, G67B, G67C, G67D	K57.21	06	G40Z, G46A, G46B, G46C, G47Z, G67A, G67B, G67C, G67D, G73Z
	15	TPN, VTPN		15	P65C, P66C, P67B, P67C	K57.22	06	G46A, G46B, G46C, G50Z, G67A, G67B, G67C
K46.9	06	G46A, G46B, G46C, G50Z, G71Z	K52.8	06	G46A, G46B, G46C, G50Z, G67A, G67B, G67C, G67D	K57.23	06	G40Z, G46A, G46B, G46C, G47Z, G67A, G67B, G67C, G67D, G73Z
K50.0	06	G40Z, G46A, G46B, G46C, G47Z, G48A, G48B, G64A, G64B, G64C		15	P65C, P66C, P67B, P67C	K57.30	06	G46A, G46B, G46C, G50Z, G67A, G67B, G67C
K50.1	06	G40Z, G46A, G46B, G46C, G47Z, G48A, G48B, G64A, G64B, G64C	K52.9	06	G46A, G46B, G46C, G50Z, G67A, G67B, G67C, G67D	K57.31	06	G40Z, G46A, G46B, G46C, G47Z, G67A, G67B, G67C, G67D, G73Z
	18A	S65A, S65B		18A	S65A, S65B	K57.32	06	G46A, G46B, G46C, G50Z, G67A, G67B, G67C
K50.80	06	G40Z, G46A, G46B, G46C, G47Z, G48A, G48B, G64A, G64B, G64C	K55.0	06	G46A, G46B, G46C, G50Z, G64A, G64B, G64C, G70A, G70B	K57.33	06	G40Z, G46A, G46B, G46C, G47Z, G67A, G67B, G67C, G67D, G73Z
K50.81	06	G40Z, G46A, G46B, G46C, G47Z, G48A, G48B, G64A, G64B, G64C		15	TPN, VTPN	K57.40	06	G46A, G46B, G46C, G50Z, G67A, G67B, G67C
K50.82	06	G40Z, G46A, G46B, G46C, G47Z, G48A, G48B, G64A, G64B, G64C	K55.1	06	G46A, G46B, G46C, G50Z, G64A, G64B, G64C, G70A, G70B			
K50.88	06	G40Z, G46A, G46B, G46C, G47Z, G48A, G48B, G64A, G64B, G64C		15	TPN, VTPN			
K50.9	06	G40Z, G46A, G46B, G46C, G47Z, G48A, G48B, G64A, G64B, G64C	K55.21	06	G46A, G46B, G46C, G50Z, G71Z			
				15	TPN, VTPN			
			K55.22	06	G40Z, G46A, G46B, G46C, G47Z, G67A, G67B, G67C, G67D, G73Z			
			K55.81	06	G46A, G46B, G46C, G50Z, G67A, G67B, G67C, G67D			

ICD	MDC	DRG	ICD	MDC	DRG	ICD	MDC	DRG
K57.41	06	G40Z, G46A, G46B, G46C, G47Z, G67A, G67B, G67C, G67D, G73Z	K61.0	06	G46A, G46B, G46C, G50Z, G71Z	K64.3	06	G46A, G46B, G46C, G50Z, G72A, G72B
K57.42	06	G46A, G46B, G46C, G50Z, G67A, G67B, G67C	K61.1	15	TPN, VTPN	K64.4	06	G46A, G46B, G46C, G50Z, G72A, G72B
K57.43	06	G40Z, G46A, G46B, G46C, G47Z, G67A, G67B, G67C, G67D, G73Z	K61.2	06	G46A, G46B, G46C, G50Z, G71Z	K64.5	06	G46A, G46B, G46C, G50Z, G72A, G72B
K57.50	06	G46A, G46B, G46C, G50Z, G67A, G67B, G67C	K61.3	15	TPN, VTPN	K64.8	06	G46A, G46B, G46C, G50Z, G72A, G72B
K57.51	06	G40Z, G46A, G46B, G46C, G47Z, G67A, G67B, G67C, G67D, G73Z	K61.4	06	G46A, G46B, G46C, G50Z, G71Z	K64.9	06	G46A, G46B, G46C, G50Z, G72A, G72B
K57.52	06	G46A, G46B, G46C, G50Z, G67A, G67B, G67C	K62.0	15	TPN, VTPN	K65.0	06	G01Z, G02Z, G07A, G07B, G07C, G22A, G22B, G22C, G38Z, G40Z, G46A, G46B, G46C, G47Z, G48A, G48B, G64A, G64B, G64C, G70A, G70B
K57.53	06	G40Z, G46A, G46B, G46C, G47Z, G67A, G67B, G67C, G67D, G73Z	K62.1	06	G46A, G46B, G46C, G50Z, G71Z	K65.8	15	TPN, VTPN
K57.80	06	G46A, G46B, G46C, G50Z, G67A, G67B, G67C	K62.2	06	G46A, G46B, G46C, G50Z, G71Z	K65.8	Pre	A07D, A09E, A11F, A13F
K57.81	06	G40Z, G46A, G46B, G46C, G47Z, G67A, G67B, G67C, G67D, G73Z	K62.3	06	G46A, G46B, G46C, G50Z, G71Z	K65.8	06	G01Z, G02Z, G07A, G07B, G07C, G22A, G22B, G22C, G38Z, G40Z, G46A, G46B, G46C, G47Z, G64A, G64B, G64C, G70A, G70B
K57.82	06	G46A, G46B, G46C, G50Z, G67A, G67B, G67C	K62.4	15	TPN, VTPN	K65.9	15	TPN, VTPN
K57.83	06	G40Z, G46A, G46B, G46C, G47Z, G67A, G67B, G67C, G67D, G73Z	K62.5	06	G40Z, G46A, G46B, G46C, G47Z, G67A, G67B, G67C, G67D, G73Z	K65.9	06	G01Z, G02Z, G07A, G07B, G07C, G22A, G22B, G22C, G38Z, G40Z, G46A, G46B, G46C, G47Z, G48A, G48B, G64A, G64B, G64C, G70A, G70B
K57.90	06	G46A, G46B, G46C, G50Z, G67A, G67B, G67C	K62.6	15	TPN, VTPN	K66.0	15	TPN, VTPN
K57.91	06	G40Z, G46A, G46B, G46C, G47Z, G67A, G67B, G67C, G67D, G73Z	K62.7	06	G46A, G46B, G46C, G50Z, G71Z	K66.0	06	G46A, G46B, G46C, G50Z, G71Z
K57.92	06	G46A, G46B, G46C, G50Z, G67A, G67B, G67C	K62.8	06	G46A, G46B, G46C, G50Z, G71Z	K66.1	15	TPN, VTPN
K57.93	06	G40Z, G46A, G46B, G46C, G47Z, G67A, G67B, G67C, G67D, G73Z	K62.9	06	G46A, G46B, G46C, G50Z, G71Z	K66.1	Pre	A07D, A09E, A11F, A13F
K58.0	06	G46A, G46B, G46C, G50Z, G67A, G67B, G67C, G67D	K63.0	06	G46A, G46B, G46C, G50Z, G64A, G64B, G64C, G70A, G70B	K66.1	06	G40Z, G46A, G46B, G46C, G48A, G48B, G50Z, G64A, G64B, G64C, G70A, G70B
K58.9	06	G46A, G46B, G46C, G50Z, G67A, G67B, G67C, G67D	K63.1	15	TPN, VTPN	K66.8	15	TPN, VTPN
K59.0	06	G46A, G46B, G46C, G50Z, G67A, G67B, G67C, G67D	K63.1	06	G01Z, G02Z, G38Z, G46A, G46B, G46C, G50Z, G64A, G64B, G64C, G70A, G70B	K66.8	Pre	A07D, A09E, A11F, A13F
K59.1	06	G46A, G46B, G46C, G50Z, G67A, G67B, G67C, G67D	K63.2	06	G46A, G46B, G46C, G50Z, G64A, G64B, G64C, G70A, G70B	K66.8	06	G46A, G46B, G46C, G50Z, G71Z
K59.2	06	G46A, G46B, G46C, G50Z, G67A, G67B, G67C, G67D	K63.3	15	TPN, VTPN	K66.9	15	TPN, VTPN
K59.3	06	G46A, G46B, G46C, G50Z, G71Z	K63.4	Pre	A07D, A09E, A11F, A13F	K66.9	Pre	A07D, A09E, A11F, A13F
K59.4	15	TPN, VTPN	K63.5	06	G46A, G46B, G46C, G50Z, G71Z	K67.0	15	TPN, VTPN
K59.4	06	G46A, G46B, G46C, G50Z, G67A, G67B, G67C, G67D	K63.8	06	G46A, G46B, G46C, G50Z, G71Z	K67.1	Pre	A07D, A09E, A11F, A13F
K59.8	06	G46A, G46B, G46C, G50Z, G67A, G67B, G67C, G67D	K63.9	06	G46A, G46B, G46C, G50Z, G71Z	K67.2	Pre	A07D, A09E, A11F, A13F
K59.9	06	G46A, G46B, G46C, G50Z, G67A, G67B, G67C, G67D	K64.0	06	G46A, G46B, G46C, G50Z, G72A, G72B	K67.3	15	TPN, VTPN
K60.0	06	G46A, G46B, G46C, G50Z, G71Z	K64.1	06	G46A, G46B, G46C, G50Z, G72A, G72B	K67.8	Pre	A07D, A09E, A11F, A13F
K60.1	06	G46A, G46B, G46C, G50Z, G71Z	K64.2	06	G46A, G46B, G46C, G50Z, G72A, G72B	K70.0	15	TPN, VTPN
K60.2	06	G46A, G46B, G46C, G50Z, G71Z				K70.0	07	H40Z, H63A, H63B, H63C, H78Z
K60.3	15	P65C, P66C, P67B, P67C				K70.1	07	H40Z, H60Z, H62A, H62B, H78Z
K60.3	06	G46A, G46B, G46C, G50Z, G71Z				K70.2	07	H40Z, H60Z, H62A, H62B, H78Z
K60.4	06	G46A, G46B, G46C, G50Z, G71Z				K70.3	07	H40Z, H60Z, H62A, H62B, H78Z
K60.5	06	G46A, G46B, G46C, G50Z, G71Z				K70.4	07	H40Z, H60Z, H62A, H62B, H78Z
						K70.9	Pre	A07D, A09E, A11F, A13F
						K70.9	07	H40Z, H60Z, H62A, H62B, H78Z

ICD	MDC	DRG	ICD	MDC	DRG	ICD	MDC	DRG
K71.0	07	H40Z, H63A, H63B, H63C, H78Z	K74.6	07	H40Z, H60Z, H62A, H62B, H78Z	K80.51	07	H64Z
	15	TPN, VTPN		15	TPN, VTPN	K80.80	07	H64Z
K71.1	07	H40Z, H63A, H63B, H63C, H78Z	K75.0	07	H40Z, H63A, H63B, H63C, H78Z	K80.81	07	H64Z
	15	TPN, VTPN		15	TPN, VTPN	K81.0	07	H64Z
K71.2	07	H40Z, H63A, H63B, H63C, H78Z	Pre A07D, A09E, A11F, A13F			K81.1	07	H64Z
	15	TPN, VTPN	K75.1	07	H40Z, H63A, H63B, H63C, H78Z	K81.8	07	H64Z
K71.3	07	H40Z, H63A, H63B, H63C, H78Z	Pre A07D, A09E, A11F, A13F			K81.9	07	H64Z
	15	TPN, VTPN	K75.2	07	H40Z, H63A, H63B, H63C, H78Z	K82.0	07	H64Z
K71.4	07	H40Z, H63A, H63B, H63C, H78Z	Pre A07D, A09E, A11F, A13F			K82.1	07	H64Z
	15	TPN, VTPN	K75.3	07	H40Z, H63A, H63B, H63C, H78Z	K82.2	07	H64Z
K71.5	07	H40Z, H63A, H63B, H63C, H78Z	Pre A07D, A09E, A11F, A13F			K82.3	07	H64Z
	15	TPN, VTPN	K75.4	07	H40Z, H63A, H63B, H63C, H78Z	K82.4	07	H64Z
K71.6	07	H40Z, H63A, H63B, H63C, H78Z	Pre A07D, A09E, A11F, A13F			K82.8	07	H64Z
	15	TPN, VTPN	K75.8	07	H40Z, H63A, H63B, H63C, H78Z	K82.9	07	H64Z
K71.7	07	H40Z, H60Z, H62A, H62B, H78Z	Pre A07D, A09E, A11F, A13F			K83.0	07	H64Z
	15	TPN, VTPN	K75.9	07	H40Z, H63A, H63B, H63C, H78Z	K83.1	07	H64Z
K71.8	07	H40Z, H63A, H63B, H63C, H78Z	Pre A07D, A09E, A11F, A13F			K83.2	15	TPN, VTPN
	15	TPN, VTPN	K76.0	07	H40Z, H63A, H63B, H63C, H78Z	K83.3	07	H64Z
K71.9	07	H40Z, H63A, H63B, H63C, H78Z	Pre A07D, A09E, A11F, A13F			K83.4	07	H64Z
	15	TPN, VTPN	K76.1	07	H40Z, H63A, H63B, H63C, H78Z	K83.5	07	H64Z
K72.0	07	H06A, H63A, H63B, H63C, H78Z	Pre A07D, A09E, A11F, A13F			K83.8	07	H64Z
	15	TPN, VTPN	K76.2	07	H63A, H63B, H63C, H78Z	K83.9	07	H64Z
Pre A07D, A09E, A11F, A13F			Pre A07D, A09E, A11F, A13F			K85.00	07	H07A, H08A, H62A, H62B
K72.1	07	H40Z, H63A, H63B, H63C, H78Z	K76.3	07	H40Z, H63A, H63B, H63C, H78Z	18A	S65A, S65B	
K72.73	Pre	A07D, A09E, A11F, A13F	Pre A07D, A09E, A11F, A13F			K85.01	07	H07A, H08A, H62A, H62B
K72.74	Pre	A07D, A09E, A11F, A13F	K76.4	07	H40Z, H63A, H63B, H63C, H78Z	18A	S65A, S65B	
K72.9	07	H40Z, H63A, H63B, H63C, H78Z	Pre A07D, A09E, A11F, A13F			Pre	A07D, A09E, A11F, A13F	
K73.0	07	H40Z, H63A, H63B, H63C, H78Z	K76.5	07	H40Z, H63A, H63B, H63C, H78Z	K85.10	07	H07A, H08A, H62A, H62B
K73.1	07	H40Z, H63A, H63B, H63C, H78Z	K76.6	07	H40Z, H63A, H63B, H63C, H78Z	18A	S65A, S65B	
K73.2	07	H40Z, H63A, H63B, H63C, H78Z	Pre A07D, A09E, A11F, A13F			K85.11	07	H07A, H08A, H62A, H62B
K73.8	07	H40Z, H63A, H63B, H63C, H78Z	K76.7	07	H40Z, H63A, H63B, H63C, H78Z	18A	S65A, S65B	
K73.9	07	H40Z, H63A, H63B, H63C, H78Z	Pre A07D, A09E, A11F, A13F			Pre	A07D, A09E, A11F, A13F	
K74.0	07	H40Z, H60Z, H62A, H62B, H78Z	K76.8	07	H40Z, H63A, H63B, H63C, H78Z	K85.20	07	H07A, H08A, H62A, H62B
	15	TPN, VTPN	Pre A07D, A09E, A11F, A13F			18A	S65A, S65B	
K74.1	07	H40Z, H63A, H63B, H63C, H78Z	K76.9	07	H40Z, H63A, H63B, H63C, H78Z	K85.21	07	H07A, H08A, H62A, H62B
K74.2	07	H40Z, H60Z, H62A, H62B, H78Z	K77.0	15	TPN, VTPN	18A	S65A, S65B	
	15	TPN, VTPN	K77.11	15	TPN, VTPN	Pre	A07D, A09E, A11F, A13F	
K74.3	07	H40Z, H60Z, H62A, H62B, H78Z	K77.12	15	TPN, VTPN	K85.30	07	H07A, H08A, H62A, H62B
	15	TPN, VTPN	K77.13	15	TPN, VTPN	18A	S65A, S65B	
Pre A07D, A09E, A11F, A13F			K77.14	15	TPN, VTPN	K85.31	07	H07A, H08A, H62A, H62B
K74.4	07	H40Z, H60Z, H62A, H62B, H78Z	K77.8	15	TPN, VTPN	18A	S65A, S65B	
	15	TPN, VTPN	K80.00	07	H64Z	Pre	A07D, A09E, A11F, A13F	
K74.5	07	H40Z, H60Z, H62A, H62B, H78Z	K80.01	07	H64Z	K85.80	07	H07A, H08A, H62A, H62B
	15	TPN, VTPN	K80.10	07	H64Z	18A	S65A, S65B	
	15	TPN, VTPN	K80.11	07	H64Z	Pre	A07D, A09E, A11F, A13F	
	15	TPN, VTPN	K80.20	07	H64Z	K85.90	07	H07A, H08A, H62A, H62B
	15	TPN, VTPN	K80.21	07	H64Z	18A	S65A, S65B	
	15	TPN, VTPN	K80.30	07	H64Z	K85.91	07	H07A, H08A, H62A, H62B
	15	TPN, VTPN	K80.31	07	H64Z	18A	S65A, S65B	
	15	TPN, VTPN	K80.40	07	H64Z	Pre	A07D, A09E, A11F, A13F	
	15	TPN, VTPN	K80.41	07	H64Z	K86.0	07	H07A, H08A, H62A, H62B, H62C
	15	TPN, VTPN	K80.50	07	H64Z	K86.1	07	H07A, H08A, H62A, H62B, H62C
	15	TPN, VTPN				K86.2	07	H07A, H08A, H62A, H62B, H62C
	15	TPN, VTPN				K86.3	07	H07A, H08A, H62A, H62B, H62C
	15	TPN, VTPN				K86.8	07	H07A, H08A, H62A, H62B, H62C
	15	TPN, VTPN				K86.9	07	H07A, H08A, H62A, H62B, H62C
	15	TPN, VTPN				K90.0	06	G40Z, G46A, G46B, G46C, G48A, G48B, G50Z, G67A, G67B, G67C

ICD	MDC	DRG	ICD	MDC	DRG	ICD	MDC	DRG
K90.1	06	G40Z, G46A, G46B, G46C, G48A, G48B, G50Z, G67A, G67B, G67C	L01.0	09	J64A, J64B	L10.2	09	J61A, J61B, J61C, J68A, J68B
K90.2	06	G40Z, G46A, G46B, G46C, G48A, G48B, G50Z, G67A, G67B, G67C	L01.1	09	J64A, J64B	L10.3	15	TPN, VTPN
K90.3	06	G40Z, G46A, G46B, G46C, G48A, G48B, G50Z, G67A, G67B, G67C	L02.0	09	J64A, J64B	L10.4	09	J61A, J61B, J61C, J68A, J68B
K90.3	15	TPN, VTPN	L02.1	09	J64A, J64B	L10.5	09	J08A, J08B, J08C, J61A, J61B, J61C, J68A, J68B
K90.3	06	G40Z, G46A, G46B, G46C, G48A, G48B, G50Z, G67A, G67B, G67C	L02.2	09	J64A, J64B	L10.8	09	J61A, J61B, J61C, J68A, J68B
K90.3	15	TPN, VTPN	L02.3	09	J64A, J64B	L10.9	09	J61A, J61B, J61C, J68A, J68B
K90.31	06	G40Z, G46A, G46B, G46C, G48A, G48B, G50Z, G67A, G67B, G67C	L02.4	09	J64A, J64B	L11.0	09	J67A, J67B, J68A, J68B
K90.4	06	G40Z, G46A, G46B, G46C, G48A, G48B, G50Z, G67A, G67B, G67C	L02.8	09	J64A, J64B	L11.1	09	J67A, J67B, J68A, J68B
K90.8	06	G40Z, G46A, G46B, G46C, G48A, G48B, G50Z, G67A, G67B, G67C	L02.9	09	J64A, J64B	L11.8	09	J08A, J08B, J08C, J61A, J61B, J61C, J68A, J68B
K90.9	06	G40Z, G46A, G46B, G46C, G48A, G48B, G50Z, G67A, G67B, G67C	L03.01	09	J02A, J02B, J02C, J03A, J03B, J08A, J08B, J08C, J64A, J64B	L11.8	15	TPN, VTPN
K90.9	18A	S65A, S65B	L03.02	09	J02A, J02B, J02C, J03A, J03B, J04A, J04B, J08A, J08B, J08C, J64A, J64B	L11.9	09	J08A, J08B, J08C, J61A, J61B, J61C, J68A, J68B
K91.0	06	G46A, G46B, G46C, G50Z, G67A, G67B, G67C	L03.10	09	J02A, J02B, J02C, J03A, J03B, J08A, J08B, J08C, J64A, J64B	L12.0	15	TPN, VTPN
K91.1	06	G46A, G46B, G46C, G50Z, G67A, G67B, G67C	L03.11	18A	S65A, S65B	L12.0	09	J08A, J08B, J08C, J61A, J61B, J61C, J68A, J68B
K91.1	15	TPN, VTPN	L03.11	22	Y02A, Y02B	L12.1	15	TPN, VTPN
K91.2	06	G46A, G46B, G46C, G50Z, G67A, G67B, G67C	L03.11	09	J02A, J02B, J02C, J03A, J03B, J04A, J04B, J08A, J08B, J08C, J64A, J64B	L12.1	09	J61A, J61B, J61C, J68A, J68B
K91.2	06	G46A, G46B, G46C, G50Z, G67A, G67B, G67C	L03.2	09	J02A, J02B, J02C, J03A, J03B, J08A, J08B, J08C, J64A, J64B	L12.2	09	J08A, J08B, J08C, J61A, J61B, J61C, J68A, J68B
K91.3	06	G46A, G46B, G46C, G50Z, G71Z	L03.2	18A	S65A, S65B	L12.3	09	J61A, J61B, J61C, J68A, J68B
K91.4	06	G46A, G46B, G46C, G50Z, G71Z	L03.2	22	Y02A, Y02B	L12.3	15	TPN, VTPN
K91.5	07	H64Z	L03.3	09	J02A, J02B, J02C, J03A, J03B, J08A, J08B, J08C, J64A, J64B	L12.8	09	J61A, J61B, J61C, J68A, J68B
K91.80	06	G46A, G46B, G46C, G50Z, G64A, G64B, G64C, G70A, G70B	L03.3	18A	S65A, S65B	L12.9	09	J61A, J61B, J61C, J68A, J68B
K91.80	Pre	A07D, A09E, A11A, A11C, A13A, A13B, A13C, A13F	L03.9	22	Y02A, Y02B	L13.0	15	TPN, VTPN
K91.88	06	G46A, G46B, G46C, G50Z, G64A, G64B, G64C, G70A, G70B	L03.9	09	J02A, J02B, J02C, J03A, J03B, J08A, J08B, J08C, J64A, J64B	L13.0	09	J61A, J61B, J61C, J68A, J68B
K91.88	06	G46A, G46B, G46C, G50Z, G64A, G64B, G64C, G70A, G70B	L04.0	18A	S65A, S65B	L13.1	15	TPN, VTPN
K91.9	06	G46A, G46B, G46C, G50Z, G71Z	L04.0	22	Y02A, Y02B	L13.1	09	J61A, J61B, J61C, J68A, J68B
K92.0	06	G40Z, G46A, G46B, G46C, G47Z, G67A, G67B, G67C, G67D, G73Z	L04.1	09	J02A, J02B, J02C, J03A, J03B, J08A, J08B, J08C, J64A, J64B	L13.8	09	J61A, J61B, J61C, J68A, J68B
K92.1	06	G40Z, G46A, G46B, G46C, G47Z, G67A, G67B, G67C, G67D, G73Z	L04.1	16	Q60A, Q60B, Q60C, Q60D, Q60E	L13.8	15	TPN, VTPN
K92.2	06	G40Z, G46A, G46B, G46C, G47Z, G67A, G67B, G67C, G67D, G73Z	L04.2	18A	S65A, S65B	L13.9	09	J61A, J61B, J61C, J68A, J68B
K92.2	06	G40Z, G46A, G46B, G46C, G47Z, G67A, G67B, G67C, G67D, G73Z	L04.2	16	Q60A, Q60B, Q60C, Q60D, Q60E	L14	15	TPN, VTPN
K92.8	06	G46A, G46B, G46C, G50Z, G71Z	L04.3	16	Q60A, Q60B, Q60C, Q60D, Q60E	L20.0	09	J61A, J61B, J61C, J68A, J68B
K92.9	06	G46A, G46B, G46C, G50Z, G71Z	L04.3	18A	S65A, S65B	L20.8	09	J61A, J61B, J61C, J68A, J68B
K93.0	Pre	A07D, A09E, A11F, A13F	L04.8	16	Q60A, Q60B, Q60C, Q60D, Q60E	L20.9	09	J61A, J61B, J61C, J68A, J68B
K93.1	15	TPN, VTPN	L04.8	18A	S65A, S65B	L21.0	09	J67A, J67B, J68A, J68B
K93.21	Pre	A07D, A09E, A11F, A13F	L04.8	16	Q60A, Q60B, Q60C, Q60D, Q60E	L21.1	09	J61A, J61B, J61C, J68A, J68B
K93.22	Pre	A07D, A09E, A11F, A13F	L04.9	18A	S65A, S65B	L21.8	09	J67A, J67B, J68A, J68B
K93.23	Pre	A07D, A09E, A11F, A13F	L04.9	16	Q60A, Q60B, Q60C, Q60D, Q60E	L21.9	09	J67A, J67B, J68A, J68B
K93.24	Pre	A07D, A09E, A11F, A13F	L05.0	09	J64A, J64B	L22	09	J67A, J67B, J68A, J68B
L00.0	09	J61A, J61B, J61C, J68A, J68B	L05.9	09	J64A, J64B	L23.0	09	J67A, J67B, J68A, J68B
L00.1	09	J08A, J08B, J08C, J61A, J61B, J68A, J68B	L08.0	09	J64A, J64B	L23.1	09	J67A, J67B, J68A, J68B
L00.1	15	TPN, VTPN	L08.1	15	P65C, P66C, P67B, P67C	L23.2	09	J67A, J67B, J68A, J68B
L00.1	15	TPN, VTPN	L08.1	09	J61A, J61B, J61C, J68A, J68B	L23.3	09	J67A, J67B, J68A, J68B
L00.1	15	TPN, VTPN	L08.8	09	J64A, J64B	L23.4	09	J61A, J61B, J61C, J68A, J68B
L00.1	15	TPN, VTPN	L08.9	09	J64A, J64B	L23.5	09	J67A, J67B, J68A, J68B
L00.1	15	TPN, VTPN	L10.0	09	J61A, J61B, J61C, J68A, J68B	L23.6	09	J67A, J67B, J68A, J68B
L00.1	15	TPN, VTPN	L10.1	09	J08A, J08B, J08C, J61A, J61B, J61C, J68A, J68B	L23.7	09	J67A, J67B, J68A, J68B
L00.1	15	TPN, VTPN	L10.1	09	J08A, J08B, J08C, J61A, J61B, J61C, J68A, J68B	L23.8	09	J61A, J61B, J61C, J68A, J68B
L00.1	15	TPN, VTPN	L10.1	09	J08A, J08B, J08C, J61A, J61B, J61C, J68A, J68B	L23.9	09	J61A, J61B, J61C, J68A, J68B
L00.1	15	TPN, VTPN	L10.1	09	J08A, J08B, J08C, J61A, J61B, J61C, J68A, J68B	L24.0	09	J67A, J67B, J68A, J68B
L00.1	15	TPN, VTPN	L10.1	09	J08A, J08B, J08C, J61A, J61B, J61C, J68A, J68B	L24.2	09	J67A, J67B, J68A, J68B
L00.1	15	TPN, VTPN	L10.1	09	J08A, J08B, J08C, J61A, J61B, J61C, J68A, J68B	L24.3	09	J67A, J67B, J68A, J68B
L00.1	15	TPN, VTPN	L10.1	09	J08A, J08B, J08C, J61A, J61B, J61C, J68A, J68B	L24.4	09	J67A, J67B, J68A, J68B
L00.1	15	TPN, VTPN	L10.1	09	J08A, J08B, J08C, J61A, J61B, J61C, J68A, J68B	L24.5	09	J67A, J67B, J68A, J68B
L00.1	15	TPN, VTPN	L10.1	09	J08A, J08B, J08C, J61A, J61B, J61C, J68A, J68B	L24.6	09	J67A, J67B, J68A, J68B
L00.1	15	TPN, VTPN	L10.1	09	J08A, J08B, J08C, J61A, J61B, J61C, J68A, J68B	L24.7	09	J67A, J67B, J68A, J68B
L00.1	15	TPN, VTPN	L10.1	09	J08A, J08B, J08C, J61A, J61B, J61C, J68A, J68B	L24.8	09	J61A, J61B, J61C, J68A, J68B
L00.1	15	TPN, VTPN	L10.1	09	J08A, J08B, J08C, J61A, J61B, J61C, J68A, J68B	L24.9	09	J61A, J61B, J61C, J68A, J68B
L00.1	15	TPN, VTPN	L10.1	09	J08A, J08B, J08C, J61A, J61B, J61C, J68A, J68B	L25.0	09	J67A, J67B, J68A, J68B
L00.1	15	TPN, VTPN	L10.1	09	J08A, J08B, J08C, J61A, J61B, J61C, J68A, J68B	L25.1	09	J67A, J67B, J68A, J68B
L00.1	15	TPN, VTPN	L10.1	09	J08A, J08B, J08C, J61A, J61B, J61C, J68A, J68B	L25.2	09	J61A, J61B, J61C, J68A, J68B
L00.1	15	TPN, VTPN	L10.1	09	J08A, J08B, J08C, J61A, J61B, J61C, J68A, J68B	L25.3	09	J67A, J67B, J68A, J68B

ICD	MDC	DRG	ICD	MDC	DRG	ICD	MDC	DRG
L25.4	09	J67A, J67B, J68A, J68B	L44.3	09	J67A, J67B, J68A, J68B	L60.4	09	J67A, J67B, J68A, J68B
L25.5	09	J67A, J67B, J68A, J68B	L44.4	09	J61A, J61B, J61C, J68A, J68B	L60.5	09	J67A, J67B, J68A, J68B
L25.8	09	J61A, J61B, J61C, J68A, J68B	L44.8	09	J61A, J61B, J61C, J68A, J68B	L60.8	09	J67A, J67B, J68A, J68B
L25.9	09	J61A, J61B, J61C, J68A, J68B	L44.9	09	J61A, J61B, J61C, J68A, J68B	L60.9	09	J67A, J67B, J68A, J68B
L26	09	J61A, J61B, J61C, J68A, J68B	L50.0	09	J67A, J67B, J68A, J68B	L63.0	09	J67A, J67B, J68A, J68B
L27.0	09	J61A, J61B, J61C, J68A, J68B	L50.1	09	J67A, J67B, J68A, J68B	L63.1	09	J67A, J67B, J68A, J68B
	18A	S65A, S65B	L50.2	09	J67A, J67B, J68A, J68B	L63.2	09	J67A, J67B, J68A, J68B
L27.1	09	J61A, J61B, J61C, J68A, J68B	L50.3	09	J67A, J67B, J68A, J68B	L63.8	09	J67A, J67B, J68A, J68B
	18A	S65A, S65B	L50.4	09	J67A, J67B, J68A, J68B	L63.9	09	J67A, J67B, J68A, J68B
L27.2	09	J67A, J67B, J68A, J68B	L50.5	09	J67A, J67B, J68A, J68B	L64.0	09	J67A, J67B, J68A, J68B
L27.8	09	J67A, J67B, J68A, J68B	L50.6	09	J67A, J67B, J68A, J68B	L64.8	09	J67A, J67B, J68A, J68B
L27.9	09	J67A, J67B, J68A, J68B	L50.8	09	J67A, J67B, J68A, J68B	L64.9	09	J67A, J67B, J68A, J68B
L28.0	09	J61A, J61B, J61C, J68A, J68B	L50.9	09	J67A, J67B, J68A, J68B	L65.0	09	J67A, J67B, J68A, J68B
L28.1	09	J61A, J61B, J61C, J68A, J68B	L51.0	09	J08A, J08B, J08C, J61A, J61B, J61C, J68A, J68B	L65.1	09	J67A, J67B, J68A, J68B
L28.2	09	J61A, J61B, J61C, J68A, J68B				L65.2	09	J67A, J67B, J68A, J68B
L29.0	09	J67A, J67B, J68A, J68B				L65.8	09	J67A, J67B, J68A, J68B
L29.1	12	M64Z	L51.1	09	J08A, J08B, J08C, J61A, J61B, J68A, J68B	L65.9	09	J67A, J67B, J68A, J68B
L29.2	13	N04Z, N05A, N05B, N14Z, N21Z, N25Z, N61Z				L66.0	09	J61A, J61B, J61C, J68A, J68B
L29.3	12	M64Z	L51.20	09	J08A, J08B, J08C, J61A, J61B, J61C, J68A, J68B	L66.1	09	J61A, J61B, J61C, J68A, J68B
	13	N04Z, N05A, N05B, N14Z, N21Z, N25Z, N61Z				L66.2	09	J61A, J61B, J61C, J68A, J68B
L29.8	09	J67A, J67B, J68A, J68B				L66.3	09	J61A, J61B, J61C, J68A, J68B
L29.9	09	J67A, J67B, J68A, J68B	L51.21	09	Pre A07D, A09E, A11F, A13F	L66.4	09	J61A, J61B, J61C, J68A, J68B
L30.0	09	J61A, J61B, J61C, J68A, J68B				L66.8	09	J61A, J61B, J61C, J68A, J68B
L30.1	09	J61A, J61B, J61C, J68A, J68B				L66.9	09	J61A, J61B, J61C, J68A, J68B
L30.2	09	J61A, J61B, J61C, J68A, J68B				L67.0	09	J67A, J67B, J68A, J68B
L30.3	09	J61A, J61B, J61C, J68A, J68B	L51.8	09	J61A, J61B, J61C, J68A, J68B	L67.1	09	J67A, J67B, J68A, J68B
L30.4	09	J61A, J61B, J61C, J68A, J68B				L67.8	09	J67A, J67B, J68A, J68B
L30.5	09	J67A, J67B, J68A, J68B	L51.9	09	J61A, J61B, J61C, J68A, J68B	L67.9	09	J67A, J67B, J68A, J68B
L30.8	09	J61A, J61B, J61C, J68A, J68B				L68.0	09	J67A, J67B, J68A, J68B
L30.9	09	J61A, J61B, J61C, J68A, J68B				L68.1	09	J67A, J67B, J68A, J68B
L40.0	09	J08A, J08B, J08C, J61A, J61B, J61C, J68A, J68B	L52	09	J61A, J61B, J61C, J68A, J68B	L68.2	09	J67A, J67B, J68A, J68B
L40.1	09	J08A, J08B, J08C, J61A, J61B, J61C, J68A, J68B	L53.0	09	J61A, J61B, J61C, J68A, J68B	L68.3	09	J67A, J67B, J68A, J68B
	15	TPN, VTPN	L53.1	09	J61A, J61B, J61C, J68A, J68B	L68.8	09	J67A, J67B, J68A, J68B
L40.2	09	J61A, J61B, J61C, J68A, J68B	L53.2	09	J61A, J61B, J61C, J68A, J68B	L68.9	09	J67A, J67B, J68A, J68B
L40.3	09	J08A, J08B, J08C, J61A, J61B, J61C, J68A, J68B	L53.3	09	J61A, J61B, J61C, J68A, J68B	L70.0	09	J67A, J67B, J68A, J68B
L40.4	09	J08A, J08B, J08C, J61A, J61B, J61C, J68A, J68B	L53.8	09	J61A, J61B, J61C, J68A, J68B	L70.1	09	J61A, J61B, J61C, J68A, J68B
L40.5	08	I08A, I08B, I08C, I08D, I08E, I13A, I13B, I32C, I32D, I66A, I66B, I66C	L53.9	09	J08A, J08B, J08C, J61A, J61B, J61C, J68A, J68B	L70.2	09	J61A, J61B, J61C, J68A, J68B
L40.8	09	J08A, J08B, J08C, J61A, J61B, J61C, J68A, J68B	L55.0	09	J67A, J67B, J68A, J68B	L70.3	09	J61A, J61B, J61C, J68A, J68B
L40.9	09	J08A, J08B, J08C, J61A, J61B, J61C, J68A, J68B	L55.1	09	J67A, J67B, J68A, J68B	L70.4	09	J67A, J67B, J68A, J68B
L41.0	09	J61A, J61B, J61C, J68A, J68B	L55.2	09	J67A, J67B, J68A, J68B	L70.5	09	J67A, J67B, J68A, J68B
L41.1	09	J61A, J61B, J61C, J68A, J68B	L55.8	09	J67A, J67B, J68A, J68B	L70.8	09	J67A, J67B, J68A, J68B
L41.2	09	J61A, J61B, J61C, J68A, J68B	L55.9	09	J67A, J67B, J68A, J68B	L70.9	09	J67A, J67B, J68A, J68B
L41.3	09	J61A, J61B, J61C, J68A, J68B	L56.0	09	J67A, J67B, J68A, J68B	L71.0	09	J67A, J67B, J68A, J68B
L41.4	09	J61A, J61B, J61C, J68A, J68B	L56.1	09	J67A, J67B, J68A, J68B	L71.1	09	J67A, J67B, J68A, J68B
L41.5	09	J08A, J08B, J08C, J61A, J61B, J61C, J68A, J68B	L56.2	09	J67A, J67B, J68A, J68B	L71.8	09	J67A, J67B, J68A, J68B
L41.8	09	J61A, J61B, J61C, J68A, J68B	L56.3	09	J67A, J67B, J68A, J68B	L71.9	09	J67A, J67B, J68A, J68B
L41.9	09	J61A, J61B, J61C, J68A, J68B	L56.4	09	J67A, J67B, J68A, J68B	L72.0	09	J67A, J67B, J68A, J68B
L42	09	J67A, J67B, J68A, J68B	L56.8	09	J67A, J67B, J68A, J68B	L72.1	09	J67A, J67B, J68A, J68B
L43.0	09	J61A, J61B, J61C, J68A, J68B	L56.9	09	J67A, J67B, J68A, J68B	L72.2	09	J67A, J67B, J68A, J68B
L43.1	09	J61A, J61B, J61C, J68A, J68B	L57.0	09	J67A, J67B, J68A, J68B	L72.8	09	J67A, J67B, J68A, J68B
L43.2	09	J61A, J61B, J61C, J68A, J68B	L57.1	09	J61A, J61B, J61C, J68A, J68B	L72.9	09	J67A, J67B, J68A, J68B
L43.3	09	J61A, J61B, J61C, J68A, J68B	L57.2	09	J67A, J67B, J68A, J68B	L73.0	09	J67A, J67B, J68A, J68B
L43.8	09	J61A, J61B, J61C, J68A, J68B	L57.3	09	J67A, J67B, J68A, J68B	L73.1	09	J67A, J67B, J68A, J68B
L43.9	09	J61A, J61B, J61C, J68A, J68B	L57.4	09	J67A, J67B, J68A, J68B	L73.2	09	J61A, J61B, J61C, J68A, J68B
L44.0	09	J08A, J08B, J08C, J61A, J61B, J61C, J68A, J68B	L57.5	09	J67A, J67B, J68A, J68B	L73.8	09	J67A, J67B, J68A, J68B
L44.1	09	J67A, J67B, J68A, J68B	L57.8	09	J67A, J67B, J68A, J68B	L73.9	09	J67A, J67B, J68A, J68B
L44.2	09	J67A, J67B, J68A, J68B	L57.9	09	J67A, J67B, J68A, J68B	L74.0	09	J67A, J67B, J68A, J68B
			L58.0	09	J61A, J61B, J61C, J68A, J68B	L74.1	09	J67A, J67B, J68A, J68B
			L58.1	09	J67A, J67B, J68A, J68B	L74.2	09	J67A, J67B, J68A, J68B
			L58.9	09	J61A, J61B, J61C, J68A, J68B	L74.3	09	J67A, J67B, J68A, J68B
			L59.0	09	J67A, J67B, J68A, J68B	L74.4	09	J67A, J67B, J68A, J68B
			L59.8	09	J67A, J67B, J68A, J68B		15	TPN, VTPN
			L59.9	09	J67A, J67B, J68A, J68B	L74.8	09	J67A, J67B, J68A, J68B
			L60.0	09	J67A, J67B, J68A, J68B	L74.9	09	J67A, J67B, J68A, J68B
			L60.1	09	J67A, J67B, J68A, J68B	L75.0	09	J67A, J67B, J68A, J68B
			L60.2	09	J67A, J67B, J68A, J68B	L75.1	09	J67A, J67B, J68A, J68B
			L60.3	09	J67A, J67B, J68A, J68B	L75.2	09	J67A, J67B, J68A, J68B
						L75.8	09	J67A, J67B, J68A, J68B
						L75.9	09	J67A, J67B, J68A, J68B





ICD	MDC	DRG	ICD	MDC	DRG	ICD	MDC	DRG
L95.8	09	J61A, J61B, J61C, J68A, J68B	M00.10	08	I08A, I08B, I08C, I08D, I08E, I12A, I12B, I12C, I13A, I13B, I76A, I76B	M00.24	08	I08A, I08B, I08C, I08D, I08E, I13A, I13B, I32A, I32B, I32C, I32D, I32E, I32F, I32G, I76A, I76B
L95.9	09	J61A, J61B, J61C, J68A, J68B		15	TPN, VTPN		15	TPN, VTPN
L97	09	J02A, J02B, J02C, J03A, J03B, J04A, J04B, J08A, J08B, J08C, J11A, J11B, J60Z		18A	S65A, S65B		18A	S65A, S65B
	18A	S65A, S65B	M00.11	08	I08A, I08B, I08C, I08D, I08E, I12A, I12B, I12C, I13A, I13B, I76A, I76B	M00.25	08	I01Z, I03A, I03B, I08A, I08B, I08C, I08D, I08E, I12A, I12B, I12C, I13A, I13B, I76A, I76B
L98.0	09	J64A, J64B		15	TPN, VTPN		15	TPN, VTPN
L98.1	09	J61A, J61B, J61C, J68A, J68B		18A	S65A, S65B		18A	S65A, S65B
L98.2	09	J61A, J61B, J61C, J68A, J68B	M00.12	08	I08A, I08B, I08C, I08D, I08E, I12A, I12B, I12C, I13A, I13B, I76A, I76B	M00.26	08	I01Z, I04Z, I08A, I08B, I08C, I08D, I08E, I12A, I12B, I12C, I13A, I13B, I76A, I76B
L98.3	09	J02A, J02B, J02C, J03A, J03B, J08A, J08B, J08C, J64A, J64B		15	TPN, VTPN		15	TPN, VTPN
	18A	S65A, S65B		18A	S65A, S65B		18A	S65A, S65B
	22	Y02A, Y02B	M00.13	08	I08A, I08B, I08C, I08D, I08E, I12A, I12B, I12C, I13A, I13B, I76A, I76B	M00.27	08	I08A, I08B, I08C, I08D, I08E, I13A, I13B, I76A, I76B
L98.4	09	J02A, J02B, J02C, J03A, J03B, J08A, J08B, J08C, J60Z		15	TPN, VTPN		15	TPN, VTPN
L98.5	09	J67A, J67B, J68A, J68B		18A	S65A, S65B		18A	S65A, S65B
L98.6	09	J67A, J67B, J68A, J68B	M00.14	08	I08A, I08B, I08C, I08D, I08E, I13A, I13B, I32A, I32B, I32C, I32D, I32E, I32F, I32G, I76A, I76B	M00.28	08	I08A, I08B, I08C, I08D, I08E, I13A, I13B, I76A, I76B
L98.8	09	J67A, J67B, J68A, J68B		15	TPN, VTPN		15	TPN, VTPN
L98.9	09	J67A, J67B, J68A, J68B		18A	S65A, S65B		18A	S65A, S65B
M00.00	08	I08A, I08B, I08C, I08D, I08E, I12A, I12B, I12C, I13A, I13B, I76A, I76B	M00.15	08	I01Z, I03A, I03B, I08A, I08B, I08C, I08D, I08E, I12A, I12B, I12C, I13A, I13B, I76A, I76B	M00.29	08	I08A, I08B, I08C, I08D, I08E, I13A, I13B, I76A, I76B
	15	TPN, VTPN		15	TPN, VTPN		15	TPN, VTPN
	18A	S65A, S65B		18A	S65A, S65B		18A	S65A, S65B
M00.01	08	I08A, I08B, I08C, I08D, I08E, I12A, I12B, I12C, I13A, I13B, I76A, I76B	M00.16	08	I01Z, I04Z, I08A, I08B, I08C, I08D, I08E, I12A, I12B, I12C, I13A, I13B, I76A, I76B	M00.80	08	I08A, I08B, I08C, I08D, I08E, I12A, I12B, I12C, I13A, I13B, I76A, I76B
	15	TPN, VTPN		15	TPN, VTPN		15	TPN, VTPN
	18A	S65A, S65B		18A	S65A, S65B		18A	S65A, S65B
M00.02	08	I08A, I08B, I08C, I08D, I08E, I12A, I12B, I12C, I13A, I13B, I76A, I76B	M00.17	08	I08A, I08B, I08C, I08D, I08E, I13A, I13B, I76A, I76B	M00.81	08	I08A, I08B, I08C, I08D, I08E, I12A, I12B, I12C, I13A, I13B, I76A, I76B
	15	TPN, VTPN		15	TPN, VTPN		15	TPN, VTPN
	18A	S65A, S65B		18A	S65A, S65B		15	TPN, VTPN
M00.03	08	I08A, I08B, I08C, I08D, I08E, I12A, I12B, I12C, I13A, I13B, I76A, I76B	M00.18	08	I08A, I08B, I08C, I08D, I08E, I13A, I13B, I76A, I76B	M00.82	08	I08A, I08B, I08C, I08D, I08E, I12A, I12B, I12C, I13A, I13B, I76A, I76B
	15	TPN, VTPN		15	TPN, VTPN		15	TPN, VTPN
	18A	S65A, S65B		18A	S65A, S65B		15	TPN, VTPN
M00.04	08	I08A, I08B, I08C, I08D, I08E, I13A, I13B, I32A, I32B, I32C, I32D, I32E, I32F, I32G, I76A, I76B	M00.19	08	I08A, I08B, I08C, I08D, I08E, I13A, I13B, I76A, I76B	M00.83	08	I08A, I08B, I08C, I08D, I08E, I12A, I12B, I12C, I13A, I13B, I76A, I76B
	15	TPN, VTPN		15	TPN, VTPN		15	TPN, VTPN
	18A	S65A, S65B		18A	S65A, S65B		15	TPN, VTPN
M00.05	08	I01Z, I03A, I03B, I08A, I08B, I08C, I08D, I08E, I12A, I12B, I12C, I13A, I13B, I76A, I76B	M00.20	08	I08A, I08B, I08C, I08D, I08E, I12A, I12B, I12C, I13A, I13B, I76A, I76B	M00.84	08	I08A, I08B, I08C, I08D, I08E, I13A, I13B, I32A, I32B, I32C, I32D, I32E, I32F, I32G, I76A, I76B
	15	TPN, VTPN		15	TPN, VTPN		15	TPN, VTPN
	18A	S65A, S65B		18A	S65A, S65B		15	TPN, VTPN
M00.06	08	I01Z, I04Z, I08A, I08B, I08C, I08D, I08E, I12A, I12B, I12C, I13A, I13B, I76A, I76B	M00.21	08	I08A, I08B, I08C, I08D, I08E, I12A, I12B, I12C, I13A, I13B, I76A, I76B	M00.85	08	I01Z, I03A, I03B, I08A, I08B, I08C, I08D, I08E, I12A, I12B, I12C, I13A, I13B, I76A, I76B
	15	TPN, VTPN		15	TPN, VTPN		15	TPN, VTPN
	18A	S65A, S65B		18A	S65A, S65B		15	TPN, VTPN
M00.07	08	I08A, I08B, I08C, I08D, I08E, I13A, I13B, I76A, I76B	M00.22	08	I08A, I08B, I08C, I08D, I08E, I12A, I12B, I12C, I13A, I13B, I76A, I76B	M00.86	08	I01Z, I04Z, I08A, I08B, I08C, I08D, I08E, I12A, I12B, I12C, I13A, I13B, I76A, I76B
	15	TPN, VTPN		15	TPN, VTPN		15	TPN, VTPN
	18A	S65A, S65B		18A	S65A, S65B		15	TPN, VTPN
M00.08	08	I08A, I08B, I08C, I08D, I08E, I13A, I13B, I76A, I76B	M00.23	08	I08A, I08B, I08C, I08D, I08E, I12A, I12B, I12C, I13A, I13B, I76A, I76B	M00.87	08	I08A, I08B, I08C, I08D, I08E, I13A, I13B, I76A, I76B
	15	TPN, VTPN		15	TPN, VTPN		15	TPN, VTPN
	18A	S65A, S65B		18A	S65A, S65B		15	TPN, VTPN
M00.09	08	I08A, I08B, I08C, I08D, I08E, I13A, I13B, I76A, I76B		15	TPN, VTPN	M00.88	08	I08A, I08B, I08C, I08D, I08E, I13A, I13B, I76A, I76B
	15	TPN, VTPN		18A	S65A, S65B		15	TPN, VTPN
	18A	S65A, S65B				M00.89	08	I08A, I08B, I08C, I08D, I08E, I13A, I13B, I76A, I76B
							15	TPN, VTPN
						M00.90	08	I08A, I08B, I08C, I08D, I08E, I12A, I12B, I12C, I13A, I13B, I76A, I76B
							18A	S65A, S65B

Dg

ICD	MDC	DRG	ICD	MDC	DRG	ICD	MDC	DRG
M00.91	08	I08A, I08B, I08C, I08D, I08E, I12A, I12B, I12C, I13A, I13B, I76A, I76B	M01.46	15	TPN, VTPN	M02.32	08	I08A, I08B, I08C, I08D, I08E, I12A, I12B, I12C, I13A, I13B, I66A, I66B, I66C
	18A	S65A, S65B	M01.47	15	TPN, VTPN			
M00.92	08	I08A, I08B, I08C, I08D, I08E, I12A, I12B, I12C, I13A, I13B, I76A, I76B	M01.48	15	TPN, VTPN	M02.33	08	I08A, I08B, I08C, I08D, I08E, I12A, I12B, I12C, I13A, I13B, I66A, I66B, I66C
	18A	S65A, S65B	M01.49	15	TPN, VTPN			
M00.93	08	I08A, I08B, I08C, I08D, I08E, I12A, I12B, I12C, I13A, I13B, I76A, I76B	M01.60	15	TPN, VTPN	M02.34	08	I08A, I08B, I08C, I08D, I08E, I13A, I13B, I32A, I32B, I32C, I32D, I32E, I32F, I32G, I66A, I66B, I66C
	18A	S65A, S65B	M01.61	15	TPN, VTPN			
M00.94	08	I08A, I08B, I08C, I08D, I08E, I13A, I13B, I32A, I32B, I32C, I32D, I32E, I32F, I32G, I76A, I76B	M01.62	15	TPN, VTPN	M02.35	08	I08A, I08B, I08C, I08D, I08E, I12A, I12B, I12C, I13A, I13B, I66A, I66B, I66C
	18A	S65A, S65B	M01.63	15	TPN, VTPN			
M00.95	08	I01Z, I03A, I03B, I08A, I08B, I08C, I08D, I08E, I12A, I12B, I12C, I13A, I13B, I76A, I76B	M01.64	15	TPN, VTPN	M02.36	08	I08A, I08B, I08C, I08D, I08E, I12A, I12B, I12C, I13A, I13B, I66A, I66B, I66C
	18A	S65A, S65B	M01.65	15	TPN, VTPN			
M00.96	08	I01Z, I04Z, I08A, I08B, I08C, I08D, I08E, I12A, I12B, I12C, I13A, I13B, I76A, I76B	M01.66	15	TPN, VTPN	M02.37	08	I08A, I08B, I08C, I08D, I08E, I13A, I13B, I66A, I66B, I66C
	18A	S65A, S65B	M01.67	15	TPN, VTPN			
M00.97	08	I08A, I08B, I08C, I08D, I08E, I13A, I13B, I76A, I76B	M01.68	15	TPN, VTPN	M02.38	08	I08A, I08B, I08C, I08D, I08E, I13A, I13B, I66A, I66B, I66C
	18A	S65A, S65B	M01.69	15	TPN, VTPN			
M00.98	08	I08A, I08B, I08C, I08D, I08E, I13A, I13B, I76A, I76B	M02.00	08	I74A	M02.39	08	I08A, I08B, I08C, I08D, I08E, I13A, I13B, I66A, I66B, I66C
	18A	S65A, S65B	M02.01	08	I74A			
M00.99	08	I08A, I08B, I08C, I08D, I08E, I13A, I13B, I76A, I76B	M02.02	08	I74A	M02.80	08	I74A
	18A	S65A, S65B	M02.03	08	I74A	M02.81	08	I74A
M01.00	15	TPN, VTPN	M02.04	08	I32A, I32B, I32C, I32D, I32E, I32F, I32G, I74A	M02.82	08	I74A
M01.01	15	TPN, VTPN				M02.83	08	I74A
M01.02	15	TPN, VTPN	M02.05	08	I74A	M02.84	08	I32A, I32B, I32C, I32D, I32E, I32F, I32G, I74A
M01.03	15	TPN, VTPN	M02.06	08	I74A			
M01.04	15	TPN, VTPN	M02.07	08	I74A	M02.85	08	I74A
M01.05	15	TPN, VTPN	M02.08	08	I74A	M02.86	08	I74A
M01.06	15	TPN, VTPN	M02.09	08	I74A	M02.87	08	I74A
M01.07	15	TPN, VTPN	M02.10	08	I08A, I08B, I08C, I08D, I08E, I12A, I12B, I12C, I13A, I13B, I69A	M02.88	08	I74A
M01.08	15	TPN, VTPN				M02.89	08	I74A
M01.09	15	TPN, VTPN	M02.11	08	I08A, I08B, I08C, I08D, I08E, I12A, I12B, I12C, I13A, I13B, I69A	M02.90	08	I08A, I08B, I08C, I08D, I08E, I12A, I12B, I12C, I13A, I13B, I74A
M01.10	15	TPN, VTPN						
M01.11	15	TPN, VTPN	M02.12	08	I08A, I08B, I08C, I08D, I08E, I12A, I12B, I12C, I13A, I13B, I69A	M02.91	08	I08A, I08B, I08C, I08D, I08E, I12A, I12B, I12C, I13A, I13B, I74A
M01.12	15	TPN, VTPN						
M01.13	15	TPN, VTPN	M02.13	08	I08A, I08B, I08C, I08D, I08E, I12A, I12B, I12C, I13A, I13B, I69A	M02.92	08	I08A, I08B, I08C, I08D, I08E, I12A, I12B, I12C, I13A, I13B, I74A
M01.14	15	TPN, VTPN						
M01.15	15	TPN, VTPN	M02.14	08	I08A, I08B, I08C, I08D, I08E, I13A, I13B, I32A, I32B, I32C, I32D, I32E, I32F, I32G, I69A	M02.93	08	I08A, I08B, I08C, I08D, I08E, I12A, I12B, I12C, I13A, I13B, I74A
M01.16	15	TPN, VTPN						
M01.17	15	TPN, VTPN	M02.15	08	I08A, I08B, I08C, I08D, I08E, I12A, I12B, I12C, I13A, I13B, I69A	M02.94	08	I08A, I08B, I08C, I08D, I08E, I13A, I13B, I32A, I32B, I32C, I32D, I32E, I32F, I32G, I74A
M01.18	15	TPN, VTPN						
M01.19	15	TPN, VTPN	M02.16	08	I08A, I08B, I08C, I08D, I08E, I12A, I12B, I12C, I13A, I13B, I69A	M02.95	08	I08A, I08B, I08C, I08D, I08E, I12A, I12B, I12C, I13A, I13B, I74A
M01.30	15	TPN, VTPN						
M01.31	15	TPN, VTPN	M02.17	08	I08A, I08B, I08C, I08D, I08E, I13A, I13B, I69A	M02.96	08	I08A, I08B, I08C, I08D, I08E, I12A, I12B, I12C, I13A, I13B, I74A
M01.32	15	TPN, VTPN						
M01.33	15	TPN, VTPN	M02.18	08	I08A, I08B, I08C, I08D, I08E, I13A, I13B, I69A	M02.97	08	I08A, I08B, I08C, I08D, I08E, I13A, I13B, I74A
M01.34	15	TPN, VTPN						
M01.35	15	TPN, VTPN	M02.19	08	I08A, I08B, I08C, I08D, I08E, I13A, I13B, I69A	M02.98	08	I08A, I08B, I08C, I08D, I08E, I13A, I13B, I74A
M01.36	15	TPN, VTPN						
M01.37	15	TPN, VTPN	M02.20	08	I74A	M02.99	08	I08A, I08B, I08C, I08D, I08E, I13A, I13B, I74A
M01.38	15	TPN, VTPN						
M01.39	15	TPN, VTPN	M02.21	08	I74A	M03.00	05	F62A
M01.40	15	TPN, VTPN					06	G67A
M01.41	15	TPN, VTPN	M02.22	08	I74A		17	R60B, R60C, R61A, R62A, R63B, R63C, R63D, R63F
M01.42	15	TPN, VTPN					18B	T61A
M01.43	15	TPN, VTPN	M02.23	08	I74A		05	F62A
M01.44	15	TPN, VTPN					06	G67A
M01.45	15	TPN, VTPN	M02.24	08	I32A, I32B, I32C, I32D, I32E, I32F, I32G, I74A		17	R60B, R60C, R61A, R62A, R63B, R63C, R63D, R63F
							18B	T61A
			M02.25	08	I74A			
			M02.26	08	I74A			
			M02.27	08	I74A			
			M02.28	08	I74A			
			M02.29	08	I74A			
			M02.30	08	I08A, I08B, I08C, I08D, I08E, I12A, I12B, I12C, I13A, I13B, I66A, I66B, I66C			
			M02.31	08	I08A, I08B, I08C, I08D, I08E, I12A, I12B, I12C, I13A, I13B, I66A, I66B, I66C			

ICD	MDC	DRG	ICD	MDC	DRG	ICD	MDC	DRG
M03.02	05	F62A	M05.12	04	E74Z	M05.82	08	I08A, I08B, I08C, I08D, I08E, I12A, I12B, I12C, I13A, I13B, I69A
	06	G67A	M05.13	04	E74Z	M05.83	08	I08A, I08B, I08C, I08D, I08E, I12A, I12B, I12C, I13A, I13B, I69A
	17	R60B, R60C, R61A, R62A, R63B, R63C, R63D, R63F	M05.14	04	E74Z	M05.84	08	I08A, I08B, I08C, I08D, I08E, I13A, I13B, I32C, I32D, I69A
	18B	T61A	M05.15	04	E74Z	M05.85	08	I08A, I08B, I08C, I08D, I08E, I12A, I12B, I12C, I13A, I13B, I69A
M03.03	05	F62A	M05.16	04	E74Z	M05.86	08	I08A, I08B, I08C, I08D, I08E, I12A, I12B, I12C, I13A, I13B, I69A
	06	G67A	M05.17	04	E74Z	M05.87	08	I08A, I08B, I08C, I08D, I08E, I13A, I13B, I20A, I20B, I20D, I69A
	17	R60B, R60C, R61A, R62A, R63B, R63C, R63D, R63F	M05.18	04	E74Z	M05.88	08	I08A, I08B, I08C, I08D, I08E, I13A, I13B, I69A
	18B	T61A	M05.19	04	E74Z	M05.89	08	I08A, I08B, I08C, I08D, I08E, I13A, I13B, I69A
M03.04	05	F62A	M05.20	08	I08A, I08B, I08C, I08D, I08E, I12A, I12B, I12C, I13A, I13B, I20D, I66A, I66B, I66C	M05.90	08	I08A, I08B, I08C, I08D, I08E, I12A, I12B, I12C, I13A, I13B, I20A, I20B, I20D, I69A
	06	G67A	M05.21	08	I08A, I08B, I08C, I08D, I08E, I12A, I12B, I12C, I13A, I13B, I66A, I66B, I66C	M05.91	08	I08A, I08B, I08C, I08D, I08E, I12A, I12B, I12C, I13A, I13B, I69A
	17	R60B, R60C, R61A, R62A, R63B, R63C, R63D, R63F	M05.22	08	I08A, I08B, I08C, I08D, I08E, I12A, I12B, I12C, I13A, I13B, I66A, I66B, I66C	M05.92	08	I08A, I08B, I08C, I08D, I08E, I12A, I12B, I12C, I13A, I13B, I69A
	18B	T61A	M05.23	08	I08A, I08B, I08C, I08D, I08E, I12A, I12B, I12C, I13A, I13B, I66A, I66B, I66C	M05.93	08	I08A, I08B, I08C, I08D, I08E, I12A, I12B, I12C, I13A, I13B, I69A
M03.05	05	F62A	M05.24	08	I08A, I08B, I08C, I08D, I08E, I13A, I13B, I66A, I66B, I66C	M05.94	08	I08A, I08B, I08C, I08D, I08E, I13A, I13B, I69A
	06	G67A	M05.25	08	I08A, I08B, I08C, I08D, I08E, I12A, I12B, I12C, I13A, I13B, I66A, I66B, I66C	M05.95	08	I08A, I08B, I08C, I08D, I08E, I12A, I12B, I12C, I13A, I13B, I69A
	17	R60B, R60C, R61A, R62A, R63B, R63C, R63D, R63F	M05.26	08	I08A, I08B, I08C, I08D, I08E, I12A, I12B, I12C, I13A, I13B, I66A, I66B, I66C	M05.96	08	I08A, I08B, I08C, I08D, I08E, I12A, I12B, I12C, I13A, I13B, I69A
	18B	T61A	M05.27	08	I08A, I08B, I08C, I08D, I08E, I13A, I13B, I20D, I66A, I66B, I66C	M05.97	08	I08A, I08B, I08C, I08D, I08E, I13A, I13B, I20A, I20B, I20D, I69A
M03.06	05	F62A	M05.28	08	I08A, I08B, I08C, I08D, I08E, I13A, I13B, I66A, I66B, I66C	M05.98	08	I08A, I08B, I08C, I08D, I08E, I13A, I13B, I69A
	06	G67A	M05.29	08	I08A, I08B, I08C, I08D, I08E, I13A, I13B, I66A, I66B, I66C	M05.99	08	I08A, I08B, I08C, I08D, I08E, I13A, I13B, I69A
	17	R60B, R60C, R61A, R62A, R63B, R63C, R63D, R63F	M05.30	08	I08A, I08B, I08C, I08D, I08E, I12A, I12B, I12C, I13A, I13B, I20A, I20B, I20D, I66A, I66B, I66C	M06.00	08	I08A, I08B, I08C, I08D, I08E, I12A, I12B, I12C, I13A, I13B, I20A, I20B, I20D, I32C, I32D, I69A
	18B	T61A	M05.31	08	I08A, I08B, I08C, I08D, I08E, I12A, I12B, I12C, I13A, I13B, I66A, I66B, I66C	M06.01	08	I08A, I08B, I08C, I08D, I08E, I12A, I12B, I12C, I13A, I13B, I69A
M03.07	05	F62A	M05.32	08	I08A, I08B, I08C, I08D, I08E, I12A, I12B, I12C, I13A, I13B, I66A, I66B, I66C	M06.02	08	I08A, I08B, I08C, I08D, I08E, I12A, I12B, I12C, I13A, I13B, I69A
	06	G67A	M05.33	08	I08A, I08B, I08C, I08D, I08E, I12A, I12B, I12C, I13A, I13B, I66A, I66B, I66C	M06.03	08	I08A, I08B, I08C, I08D, I08E, I12A, I12B, I12C, I13A, I13B, I69A
	17	R60B, R60C, R61A, R62A, R63B, R63C, R63D, R63F	M05.34	08	I08A, I08B, I08C, I08D, I08E, I13A, I13B, I66A, I66B, I66C	M06.04	08	I08A, I08B, I08C, I08D, I08E, I13A, I13B, I32C, I32D, I69A
	18B	T61A	M05.35	08	I08A, I08B, I08C, I08D, I08E, I12A, I12B, I12C, I13A, I13B, I66A, I66B, I66C	M06.05	08	I08A, I08B, I08C, I08D, I08E, I12A, I12B, I12C, I13A, I13B, I69A
M03.08	05	F62A	M05.36	08	I08A, I08B, I08C, I08D, I08E, I12A, I12B, I12C, I13A, I13B, I66A, I66B, I66C	M06.06	08	I08A, I08B, I08C, I08D, I08E, I12A, I12B, I12C, I13A, I13B, I69A
	06	G67A	M05.37	08	I08A, I08B, I08C, I08D, I08E, I13A, I13B, I20A, I20B, I20D, I66A, I66B, I66C	M06.07	08	I08A, I08B, I08C, I08D, I08E, I13A, I13B, I20A, I20B, I20D, I69A
	17	R60B, R60C, R61A, R62A, R63B, R63C, R63D, R63F	M05.38	08	I08A, I08B, I08C, I08D, I08E, I13A, I13B, I66A, I66B, I66C			
	18B	T61A	M05.39	08	I08A, I08B, I08C, I08D, I08E, I13A, I13B, I66A, I66B, I66C			
M03.09	05	F62A	M05.80	08	I08A, I08B, I08C, I08D, I08E, I12A, I12B, I12C, I13A, I13B, I20A, I20B, I20D, I32C, I32D, I69A			
	06	G67A	M05.81	08	I08A, I08B, I08C, I08D, I08E, I12A, I12B, I12C, I13A, I13B, I69A			
	17	R60B, R60C, R61A, R62A, R63B, R63C, R63D, R63F						
	18B	T61A						
M05.00	08	I08A, I08B, I08C, I08D, I08E, I12A, I12B, I12C, I13A, I13B, I20A, I20B, I20D, I66A, I66B, I66C						
M05.01	08	I08A, I08B, I08C, I08D, I08E, I12A, I12B, I12C, I13A, I13B, I66A, I66B, I66C						
M05.02	08	I08A, I08B, I08C, I08D, I08E, I12A, I12B, I12C, I13A, I13B, I66A, I66B, I66C						
M05.03	08	I08A, I08B, I08C, I08D, I08E, I12A, I12B, I12C, I13A, I13B, I66A, I66B, I66C						
M05.04	08	I08A, I08B, I08C, I08D, I08E, I13A, I13B, I66A, I66B, I66C						
M05.05	08	I08A, I08B, I08C, I08D, I08E, I12A, I12B, I12C, I13A, I13B, I66A, I66B, I66C						
M05.06	08	I08A, I08B, I08C, I08D, I08E, I12A, I12B, I12C, I13A, I13B, I66A, I66B, I66C						
M05.07	08	I08A, I08B, I08C, I08D, I08E, I13A, I13B, I20A, I20B, I20D, I66A, I66B, I66C						
M05.08	08	I08A, I08B, I08C, I08D, I08E, I13A, I13B, I66A, I66B, I66C						
M05.09	08	I08A, I08B, I08C, I08D, I08E, I13A, I13B, I66A, I66B, I66C						
M05.10	04	E74Z						
	08	I20D						
M05.11	04	E74Z						



ICD	MDC	DRG	ICD	MDC	DRG	ICD	MDC	DRG
M08.18	08	I66A, I66B, I66C	M08.74	08	I08A, I08B, I08C, I08D, I08E, I13A, I13B, I66A, I66B, I66C	M09.20	08	I20A, I20B
M08.19	08	I66A, I66B, I66C	M08.75	08	I08A, I08B, I08C, I08D, I08E, I12A, I12B, I12C, I13A, I13B, I66A, I66B, I66C	M09.27	08	I20A, I20B
M08.20	08	I08A, I08B, I08C, I08D, I08E, I12A, I12B, I12C, I13A, I13B, I20A, I20B, I66A, I66B, I66C	M08.76	08	I08A, I08B, I08C, I08D, I08E, I12A, I12B, I12C, I13A, I13B, I66A, I66B, I66C	M09.80	08	I20A, I20B
M08.21	08	I08A, I08B, I08C, I08D, I08E, I12A, I12B, I12C, I13A, I13B, I66A, I66B, I66C	M08.77	08	I08A, I08B, I08C, I08D, I08E, I13A, I13B, I66A, I66B, I66C	M09.87	08	I20A, I20B
M08.22	08	I08A, I08B, I08C, I08D, I08E, I12A, I12B, I12C, I13A, I13B, I66A, I66B, I66C	M08.78	08	I08A, I08B, I08C, I08D, I08E, I13A, I13B, I66A, I66B, I66C	M10.00	08	I69A
M08.23	08	I08A, I08B, I08C, I08D, I08E, I12A, I12B, I12C, I13A, I13B, I66A, I66B, I66C	M08.79	08	I08A, I08B, I08C, I08D, I08E, I13A, I13B, I66A, I66B, I66C	M10.01	08	I69A
M08.24	08	I08A, I08B, I08C, I08D, I08E, I13A, I13B, I66A, I66B, I66C	M08.80	08	I08A, I08B, I08C, I08D, I08E, I12A, I12B, I12C, I13A, I13B, I20A, I20B, I66A, I66B, I66C	M10.02	08	I69A
M08.25	08	I08A, I08B, I08C, I08D, I08E, I12A, I12B, I12C, I13A, I13B, I66A, I66B, I66C	M08.81	08	I08A, I08B, I08C, I08D, I08E, I12A, I12B, I12C, I13A, I13B, I66A, I66B, I66C	M10.03	08	I69A
M08.26	08	I08A, I08B, I08C, I08D, I08E, I12A, I12B, I12C, I13A, I13B, I66A, I66B, I66C	M08.82	08	I08A, I08B, I08C, I08D, I08E, I12A, I12B, I12C, I13A, I13B, I66A, I66B, I66C	M10.04	08	I69A
M08.27	08	I08A, I08B, I08C, I08D, I08E, I13A, I13B, I20A, I20B, I66A, I66B, I66C	M08.83	08	I08A, I08B, I08C, I08D, I08E, I12A, I12B, I12C, I13A, I13B, I66A, I66B, I66C	M10.05	08	I69A
M08.28	08	I08A, I08B, I08C, I08D, I08E, I13A, I13B, I66A, I66B, I66C	M08.84	08	I08A, I08B, I08C, I08D, I08E, I13A, I13B, I66A, I66B, I66C	M10.06	08	I69A
M08.29	08	I08A, I08B, I08C, I08D, I08E, I13A, I13B, I66A, I66B, I66C	M08.85	08	I08A, I08B, I08C, I08D, I08E, I12A, I12B, I12C, I13A, I13B, I66A, I66B, I66C	M10.07	08	I69A
M08.3	08	I08A, I08B, I08C, I08D, I08E, I12A, I12B, I12C, I13A, I13B, I20A, I20B, I66A, I66B, I66C	M08.86	08	I08A, I08B, I08C, I08D, I08E, I12A, I12B, I12C, I13A, I13B, I66A, I66B, I66C	M10.08	08	I69A
M08.40	08	I08A, I08B, I08C, I08D, I08E, I12A, I12B, I12C, I13A, I13B, I20A, I20B, I66A, I66B, I66C	M08.87	08	I08A, I08B, I08C, I08D, I08E, I13A, I13B, I20A, I20B, I66A, I66B, I66C	M10.09	08	I69A
M08.41	08	I08A, I08B, I08C, I08D, I08E, I12A, I12B, I12C, I13A, I13B, I66A, I66B, I66C	M08.88	08	I08A, I08B, I08C, I08D, I08E, I13A, I13B, I66A, I66B, I66C	M10.10	15	TPN, VTPN 21B X64Z
M08.42	08	I08A, I08B, I08C, I08D, I08E, I12A, I12B, I12C, I13A, I13B, I66A, I66B, I66C	M08.89	08	I08A, I08B, I08C, I08D, I08E, I13A, I13B, I66A, I66B, I66C	M10.11	15	TPN, VTPN 21B X64Z
M08.43	08	I08A, I08B, I08C, I08D, I08E, I12A, I12B, I12C, I13A, I13B, I66A, I66B, I66C	M08.90	08	I08A, I08B, I08C, I08D, I08E, I12A, I12B, I12C, I13A, I13B, I20A, I20B, I66A, I66B, I66C	M10.12	15	TPN, VTPN 21B X64Z
M08.44	08	I08A, I08B, I08C, I08D, I08E, I13A, I13B, I66A, I66B, I66C	M08.91	08	I08A, I08B, I08C, I08D, I08E, I12A, I12B, I12C, I13A, I13B, I66A, I66B, I66C	M10.13	15	TPN, VTPN 21B X64Z
M08.45	08	I08A, I08B, I08C, I08D, I08E, I12A, I12B, I12C, I13A, I13B, I66A, I66B, I66C	M08.92	08	I08A, I08B, I08C, I08D, I08E, I12A, I12B, I12C, I13A, I13B, I66A, I66B, I66C	M10.14	15	TPN, VTPN 21B X64Z
M08.46	08	I08A, I08B, I08C, I08D, I08E, I12A, I12B, I12C, I13A, I13B, I66A, I66B, I66C	M08.93	08	I08A, I08B, I08C, I08D, I08E, I12A, I12B, I12C, I13A, I13B, I66A, I66B, I66C	M10.15	15	TPN, VTPN 21B X64Z
M08.47	08	I08A, I08B, I08C, I08D, I08E, I13A, I13B, I20A, I20B, I66A, I66B, I66C	M08.94	08	I08A, I08B, I08C, I08D, I08E, I13A, I13B, I66A, I66B, I66C	M10.16	15	TPN, VTPN 21B X64Z
M08.48	08	I08A, I08B, I08C, I08D, I08E, I13A, I13B, I66A, I66B, I66C	M08.95	08	I08A, I08B, I08C, I08D, I08E, I12A, I12B, I12C, I13A, I13B, I66A, I66B, I66C	M10.17	15	TPN, VTPN 21B X64Z
M08.49	08	I08A, I08B, I08C, I08D, I08E, I13A, I13B, I66A, I66B, I66C	M08.96	08	I08A, I08B, I08C, I08D, I08E, I12A, I12B, I12C, I13A, I13B, I66A, I66B, I66C	M10.18	15	TPN, VTPN 21B X64Z
M08.70	08	I08A, I08B, I08C, I08D, I08E, I12A, I12B, I12C, I13A, I13B, I66A, I66B, I66C	M08.97	08	I08A, I08B, I08C, I08D, I08E, I13A, I13B, I20A, I20B, I66A, I66B, I66C	M10.19	15	TPN, VTPN 21B X64Z
M08.71	08	I08A, I08B, I08C, I08D, I08E, I12A, I12B, I12C, I13A, I13B, I66A, I66B, I66C	M08.98	08	I08A, I08B, I08C, I08D, I08E, I13A, I13B, I66A, I66B, I66C	M10.20	08	I69A
M08.72	08	I08A, I08B, I08C, I08D, I08E, I12A, I12B, I12C, I13A, I13B, I66A, I66B, I66C	M08.99	08	I08A, I08B, I08C, I08D, I08E, I13A, I13B, I66A, I66B, I66C	M10.21	08	I69A
M08.73	08	I08A, I08B, I08C, I08D, I08E, I12A, I12B, I12C, I13A, I13B, I66A, I66B, I66C	M09.00	08	I20A, I20B	M10.22	08	I69A
			M09.07	08	I20A, I20B	M10.23	08	I69A
			M09.10	08	I20A, I20B	M10.24	08	I69A
			M09.17	08	I20A, I20B	M10.25	15	TPN, VTPN
						M10.26	08	I69A
						M10.27	08	I69A
						M10.28	08	I69A
						M10.29	15	TPN, VTPN
						M10.30	11	L68A, L68B, L74Z
						M10.31	11	L68A, L68B, L74Z
						M10.32	11	L68A, L68B, L74Z
						M10.33	11	L68A, L68B, L74Z
						M10.34	11	L68A, L68B, L74Z
						M10.35	11	L68A, L68B, L74Z
						M10.36	11	L68A, L68B, L74Z
						M10.37	11	L68A, L68B, L74Z
						M10.38	11	L68A, L68B, L74Z
						M10.39	11	L68A, L68B, L74Z
						M10.40	08	I69A
						M10.41	08	I69A
						M10.42	08	I69A
						M10.43	08	I69A
						M10.44	08	I69A

Dg

ICD	MDC	DRG	ICD	MDC	DRG	ICD	MDC	DRG
M10.45	08	I69A	M11.99	08	I69A	M12.49	08	I69A, I69B
M10.46	08	I69A	M12.00	08	I08A, I08B, I08C, I08D, I08E, I12A, I12B, I12C, I13A, I13B, I69A, I69B	M12.50	08	I69A, I69B
M10.47	08	I69A				M12.51	08	I69A, I69B
M10.48	08	I69A	M12.01	08	I08A, I08B, I08C, I08D, I08E, I12A, I12B, I12C, I13A, I13B, I69A, I69B	M12.52	08	I69A, I69B
M10.49	08	I69A				M12.53	08	I69A, I69B
M10.90	08	I69A	M12.02	08	I08A, I08B, I08C, I08D, I08E, I12A, I12B, I12C, I13A, I13B, I69A, I69B	M12.54	08	I32A, I32B, I32C, I32D, I32E, I32F, I32G, I69A, I69B
M10.91	08	I69A				M12.55	08	I69A, I69B
M10.92	08	I69A	M12.03	08	I08A, I08B, I08C, I08D, I08E, I12A, I12B, I12C, I13A, I13B, I69A, I69B	M12.56	08	I69A, I69B
M10.93	08	I69A				M12.57	08	I69A, I69B
M10.94	08	I69A	M12.04	08	I08A, I08B, I08C, I08D, I08E, I13A, I13B, I69A, I69B	M12.58	08	I69A, I69B
M10.95	08	I69A				M12.59	08	I69A, I69B
M10.96	08	I69A	M12.05	08	I08A, I08B, I08C, I08D, I08E, I12A, I12B, I12C, I13A, I13B, I69A, I69B	M12.80	08	I74A
M10.97	08	I69A				M12.81	08	I74A
M10.98	08	I69A	M12.06	08	I08A, I08B, I08C, I08D, I08E, I12A, I12B, I12C, I13A, I13B, I69A, I69B	M12.82	08	I74A
M10.99	08	I69A				M12.83	08	I74A
M11.00	08	I69A	M12.07	08	I08A, I08B, I08C, I08D, I08E, I13A, I13B, I69A, I69B	M12.84	08	I32A, I32B, I32C, I32D, I32E, I32F, I32G, I74A
M11.01	08	I69A				M12.85	08	I74A
M11.02	08	I69A	M12.08	08	I08A, I08B, I08C, I08D, I08E, I13A, I13B, I69A, I69B	M12.86	08	I74A
M11.03	08	I69A				M12.87	08	I74A
M11.04	08	I32A, I32B, I32C, I32D, I32E, I32F, I32G, I69A	M12.09	08	I08A, I08B, I08C, I08D, I08E, I13A, I13B, I69A, I69B	M12.88	08	I74A
M11.05	08	I69A				M12.89	08	I74A
M11.06	08	I69A	M12.10	08	I69A, I69B	M13.0	08	I69A
M11.07	08	I69A	M12.11	08	I69A, I69B	M13.11	08	I74A
M11.08	08	I69A	M12.12	08	I69A, I69B	M13.12	08	I74A
M11.09	08	I69A	M12.13	08	I69A, I69B	M13.13	08	I32C, I32D, I74A
M11.10	08	I69A	M12.14	08	I32A, I32B, I32C, I32D, I32E, I32F, I32G, I69A, I69B	M13.14	08	I32A, I32B, I32C, I32D, I32E, I32F, I32G, I74A
M11.11	08	I69A				M13.15	08	I74A
M11.12	08	I69A	M12.15	08	I69A, I69B	M13.16	08	I74A
M11.13	08	I69A	M12.16	08	I69A, I69B	M13.17	08	I74A
M11.14	08	I32A, I32B, I32C, I32D, I32E, I32F, I32G, I69A	M12.17	08	I69A, I69B	M13.18	08	I74A
M11.15	08	I69A	M12.18	08	I69A, I69B	M13.19	08	I74A
M11.16	08	I69A	M12.19	08	I69A, I69B	M13.80	08	I74A
M11.17	08	I69A	M12.20	08	I69A, I69B	M13.81	08	I74A
M11.18	08	I69A	M12.21	08	I69A, I69B	M13.82	08	I74A
M11.19	08	I69A	M12.22	08	I69A, I69B	M13.83	08	I32C, I32D, I74A
M11.20	08	I69A	M12.23	08	I69A, I69B	M13.84	08	I32A, I32B, I32C, I32D, I32G, I74A
M11.21	08	I69A	M12.24	08	I32A, I32B, I32C, I32D, I32E, I32F, I32G, I69A, I69B	M13.85	08	I74A
M11.22	08	I69A				M13.86	08	I74A
M11.23	08	I69A	M12.25	08	I69A, I69B	M13.87	08	I74A
M11.24	08	I32A, I32B, I32C, I32D, I32E, I32F, I32G, I69A	M12.26	08	I69A, I69B	M13.88	08	I74A
M11.25	08	I69A	M12.27	08	I69A, I69B	M13.89	08	I74A
M11.26	08	I69A	M12.28	08	I69A, I69B	M13.90	08	I74A
M11.27	08	I69A	M12.29	08	I69A, I69B		18A	S65A, S65B
M11.28	08	I69A	M12.30	08	I69A	M13.91	08	I74A
M11.29	08	I69A	M12.31	08	I69A		18A	S65A, S65B
M11.80	08	I69A	M12.32	08	I69A	M13.92	08	I74A
M11.81	08	I69A	M12.33	08	I69A		18A	S65A, S65B
M11.82	08	I69A	M12.34	08	I32A, I32B, I32C, I32D, I32E, I32F, I32G, I69A	M13.93	08	I74A
M11.83	08	I69A					18A	S65A, S65B
M11.84	08	I32A, I32B, I32C, I32D, I32E, I32F, I32G, I69A	M12.35	08	I69A	M13.94	08	I32A, I32B, I32C, I32D, I32E, I32F, I32G, I74A
M11.85	08	I69A	M12.36	08	I69A		18A	S65A, S65B
M11.86	08	I69A	M12.37	08	I69A	M13.95	08	I74A
M11.87	08	I69A	M12.38	08	I69A		18A	S65A, S65B
M11.88	08	I69A	M12.39	08	I69A	M13.96	08	I74A
M11.89	08	I69A	M12.40	08	I69A, I69B		18A	S65A, S65B
M11.90	08	I69A	M12.41	08	I69A, I69B	M13.97	08	I74A
M11.91	08	I69A	M12.42	08	I69A, I69B		18A	S65A, S65B
M11.92	08	I69A	M12.43	08	I69A, I69B	M13.98	08	I74A
M11.93	08	I69A	M12.44	08	I32A, I32B, I32C, I32D, I32E, I32F, I32G, I69A, I69B		18A	S65A, S65B
M11.94	08	I32A, I32B, I32C, I32D, I32E, I32F, I32G, I69A				M13.99	08	I74A
M11.95	08	I69A	M12.45	08	I69A, I69B		18A	S65A, S65B
M11.96	08	I69A	M12.46	08	I69A, I69B	M14.8	15	TPN, VTPN
M11.97	08	I69A	M12.47	08	I69A, I69B	M15.0	08	I69A, I69B
M11.98	08	I69A	M12.48	08	I69A, I69B	M15.1	08	I69A, I69B

Dg

ICD	MDC	DRG	ICD	MDC	DRG	ICD	MDC	DRG
M15.2	08	I69A, I69B	M19.93	08	I69A, I69B	M21.76	08	I33Z, I76A, I76B
M15.3	08	I69A, I69B	M19.94	08	I69A, I69B	M21.77	08	I33Z, I76A, I76B
M15.4	08	I69A, I69B	M19.95	08	I69A, I69B	M21.79	08	I33Z, I76A, I76B
M15.8	08	I74A	M19.97	08	I69A, I69B	M21.80	08	I33Z, I76A, I76B
M15.9	08	I69A, I69B	M19.98	08	I69A, I69B	M21.81	08	I33Z, I76A, I76B
M16.0	08	I69A, I69B	M19.99	08	I69A, I69B	M21.82	08	I33Z, I76A, I76B
M16.1	08	I69A, I69B	M20.0	08	I32A, I32B, I32C, I32D, I32E, I32F, I32G, I76A, I76B	M21.83	08	I33Z, I76A, I76B
M16.2	08	I69A, I69B	M20.1	08	I76A, I76B	M21.84	08	I32A, I32B, I32C, I32D, I32E, I32F, I32G, I33Z, I76A, I76B
M16.3	08	I69A, I69B	M20.2	08	I76A, I76B	M21.85	08	I33Z, I76A, I76B
M16.4	08	I69A, I69B	M20.3	08	I76A, I76B	M21.86	08	I33Z, I76A, I76B
M16.5	08	I69A, I69B	M20.4	08	I76A, I76B	M21.87	08	I33Z, I76A, I76B
M16.6	08	I69A, I69B	M20.5	08	I76A, I76B	M21.89	08	I33Z, I76A, I76B
M16.7	08	I69A, I69B	M20.6	08	I76A, I76B	M21.90	08	I76A, I76B
M16.9	08	I69A, I69B	M21.00	08	I33Z, I76A, I76B	M21.91	08	I76A, I76B
M17.0	08	I69A, I69B	M21.01	08	I33Z, I76A, I76B	M21.92	08	I76A, I76B
M17.1	08	I69A, I69B	M21.02	08	I33Z, I76A, I76B	M21.93	08	I76A, I76B
M17.2	08	I69A, I69B	M21.03	08	I33Z, I76A, I76B	M21.94	08	I32A, I32B, I32C, I32D, I32E, I32F, I32G, I76A, I76B
M17.3	08	I69A, I69B	M21.04	08	I33Z, I76A, I76B	M21.95	08	I76A, I76B
M17.4	08	I69A, I69B	M21.05	08	I33Z, I76A, I76B	M21.96	08	I76A, I76B
M17.5	08	I69A, I69B	M21.06	08	I33Z, I76A, I76B	M21.97	08	I76A, I76B
M17.9	08	I69A, I69B	M21.07	08	I33Z, I76A, I76B	M21.99	08	I76A, I76B
M18.0	08	I32A, I32B, I32C, I32D, I32E, I32F, I32G, I69A, I69B	M21.08	08	I33Z, I76A, I76B	M22.0	08	I77Z
M18.1	08	I32A, I32B, I32C, I32D, I32E, I32F, I32G, I69A, I69B	M21.09	08	I33Z, I76A, I76B	M22.1	08	I77Z
M18.2	08	I32A, I32B, I32C, I32D, I32E, I32F, I32G, I69A, I69B	M21.10	08	I33Z, I76A, I76B	M22.2	08	I77Z
M18.3	08	I32A, I32B, I32C, I32D, I32E, I32F, I32G, I69A, I69B	M21.11	08	I33Z, I76A, I76B	M22.3	08	I77Z
M18.4	08	I32A, I32B, I32C, I32D, I32E, I32F, I32G, I69A, I69B	M21.12	08	I33Z, I76A, I76B	M22.4	08	I77Z
M18.5	08	I32A, I32B, I32C, I32D, I32E, I32F, I32G, I69A, I69B	M21.13	08	I33Z, I76A, I76B	M22.8	08	I77Z
M18.9	08	I32A, I32B, I32C, I32D, I32E, I32F, I32G, I69A, I69B	M21.14	08	I33Z, I76A, I76B	M22.9	08	I77Z
M19.01	08	I69A, I69B	M21.15	08	I33Z, I76A, I76B	M23.00	08	I77Z
M19.02	08	I69A, I69B	M21.16	08	I33Z, I76A, I76B	M23.01	08	I77Z
M19.03	08	I69A, I69B	M21.17	08	I33Z, I76A, I76B	M23.02	08	I77Z
M19.04	08	I69A, I69B	M21.18	08	I33Z, I76A, I76B	M23.03	08	I77Z
M19.05	08	I69A, I69B	M21.19	08	I33Z, I76A, I76B	M23.04	08	I77Z
M19.07	08	I69A, I69B	M21.20	08	I33Z, I76A, I76B	M23.05	08	I77Z
M19.08	08	I69A, I69B	M21.21	08	I33Z, I76A, I76B	M23.06	08	I77Z
M19.09	08	I69A, I69B	M21.22	08	I33Z, I76A, I76B	M23.09	08	I77Z
M19.11	08	I69A, I69B	M21.23	08	I33Z, I76A, I76B	M23.10	08	I77Z
M19.12	08	I69A, I69B	M21.24	08	I33Z, I76A, I76B	M23.11	08	I77Z
M19.13	08	I69A, I69B	M21.25	08	I33Z, I76A, I76B	M23.12	08	I77Z
M19.14	08	I69A, I69B	M21.26	08	I33Z, I76A, I76B	M23.13	08	I77Z
M19.15	08	I69A, I69B	M21.27	08	I33Z, I76A, I76B	M23.14	08	I77Z
M19.17	08	I69A, I69B	M21.28	08	I33Z, I76A, I76B	M23.15	08	I77Z
M19.18	08	I69A, I69B	M21.29	08	I33Z, I76A, I76B	M23.16	08	I77Z
M19.19	08	I69A, I69B	M21.30	08	I76A, I76B	M23.19	08	I77Z
M19.21	08	I69A, I69B	M21.33	01	B03A, B03B, B06A, B06B, B17A, B17B, B17C, B17D, B71A, B71B, B71C, B71D	M23.20	08	I77Z
M19.22	08	I69A, I69B	M21.37	08	I76A, I76B	M23.21	08	I77Z
M19.23	08	I69A, I69B	M21.40	08	I76A, I76B	M23.22	08	I77Z
M19.24	08	I69A, I69B	M21.41	08	I76A, I76B	M23.23	08	I77Z
M19.25	08	I69A, I69B	M21.42	08	I76A, I76B	M23.24	08	I77Z
M19.27	08	I69A, I69B	M21.43	08	I76A, I76B	M23.25	08	I77Z
M19.28	08	I69A, I69B	M21.44	08	I76A, I76B	M23.26	08	I77Z
M19.29	08	I69A, I69B	M21.50	01	B03A, B03B, B06A, B06B, B17A, B17B, B17C, B17D, B71A, B71B, B71C, B71D	M23.29	08	I77Z
M19.81	08	I69A, I69B	M21.54	01	B03A, B03B, B06A, B06B, B17A, B17B, B17C, B17D, B71A, B71B, B71C, B71D	M23.30	08	I77Z
M19.82	08	I69A, I69B	M21.57	08	I76A, I76B	M23.31	08	I77Z
M19.83	08	I69A, I69B	M21.60	08	I33Z, I76A, I76B	M23.32	08	I77Z
M19.84	08	I69A, I69B	M21.67	08	I33Z, I76A, I76B	M23.33	08	I77Z
M19.85	08	I69A, I69B	M21.70	08	I33Z, I76A, I76B	M23.34	08	I77Z
M19.87	08	I69A, I69B	M21.71	08	I33Z, I76A, I76B	M23.35	08	I77Z
M19.88	08	I69A, I69B	M21.72	08	I33Z, I76A, I76B	M23.36	08	I77Z
M19.89	08	I69A, I69B	M21.73	08	I33Z, I76A, I76B	M23.39	08	I77Z
M19.91	08	I69A, I69B	M21.74	08	I33Z, I76A, I76B	M23.40	08	I76A, I76B
M19.92	08	I69A, I69B	M21.75	08	I33Z, I76A, I76B	M23.41	08	I76A, I76B
						M23.42	08	I76A, I76B
						M23.43	08	I76A, I76B
						M23.44	08	I76A, I76B
						M23.45	08	I76A, I76B
						M23.46	08	I76A, I76B

Dg

ICD	MDC	DRG	ICD	MDC	DRG	ICD	MDC	DRG
M23.47	08	I76A, I76B	M24.34	08	I32A, I32B, I32C, I32D, I32E, I32F, I32G, I74A, I74B, I74C	M25.07	08	I69A, I69B
M23.49	08	I76A, I76B	M24.35	08	I76A, I76B	M25.08	08	I69A, I69B
M23.50	08	I77Z	M24.36	08	I77Z	M25.09	08	I69A, I69B
M23.51	08	I77Z	M24.37	08	I77Z	M25.10	08	I69A, I69B, I71A, I71B
M23.52	08	I77Z	M24.38	08	I76A, I76B	M25.11	08	I69A, I69B, I71A, I71B
M23.53	08	I77Z	M24.39	08	I74A, I74B, I74C	M25.12	08	I69A, I69B, I71A, I71B
M23.54	08	I77Z	M24.40	08	I08A, I27B, I71A, I76A, I76B	M25.13	08	I69A, I69B, I71A, I71B
M23.55	08	I77Z	M24.41	08	I77Z	M25.14	08	I32A, I32B, I32C, I32D, I32E, I32F, I32G, I69A, I69B, I71A, I71B
M23.56	08	I77Z	M24.42	08	I77Z	M25.15	08	I69A, I69B, I71A, I71B
M23.57	08	I77Z	M24.43	08	I74A, I74B, I74C	M25.16	08	I69A, I69B, I71A, I71B
M23.59	08	I77Z	M24.44	08	I32A, I32B, I32C, I32D, I32E, I32F, I32G, I74A, I74B, I74C	M25.17	08	I69A, I69B, I71A, I71B
M23.60	08	I77Z	M24.45	08	I76A, I76B	M25.18	08	I69A, I69B, I71A, I71B
M23.61	08	I77Z	M24.46	08	I77Z	M25.19	08	I69A, I69B, I71A, I71B
M23.62	08	I77Z	M24.47	08	I77Z	M25.20	08	I76A, I76B
M23.63	08	I77Z	M24.48	08	I76A, I76B	M25.21	08	I76A, I76B
M23.64	08	I77Z	M24.49	08	I76A, I76B	M25.22	08	I76A, I76B
M23.67	08	I77Z	M24.50	08	I08A, I27B, I71A, I76A	M25.23	08	I76A, I76B
M23.69	08	I77Z	M24.51	08	I76A, I76B	M25.24	08	I32A, I32B, I32C, I32D, I32E, I32F, I32G, I76A, I76B
M23.80	08	I77Z	M24.52	08	I76A, I76B	M25.25	08	I76A, I76B
M23.81	08	I77Z	M24.53	08	I76A, I76B	M25.26	08	I77Z
M23.82	08	I77Z	M24.54	08	I32A, I32B, I32C, I32D, I32E, I32F, I32G, I76A, I76B	M25.27	08	I76A, I76B
M23.83	08	I77Z	M24.55	08	I76A, I76B	M25.28	08	I76A, I76B
M23.84	08	I77Z	M24.56	08	I76A, I76B	M25.29	08	I76A, I76B
M23.85	08	I77Z	M24.57	08	I76A, I76B	M25.30	08	I76A, I76B
M23.86	08	I77Z	M24.58	08	I76A, I76B	M25.31	08	I76A, I76B
M23.87	08	I77Z	M24.59	08	I76A, I76B	M25.32	08	I76A, I76B
M23.89	08	I77Z	M24.60	08	I69A, I69B	M25.33	08	I76A, I76B
M23.90	08	I77Z	M24.61	08	I69A, I69B	M25.34	08	I32A, I32B, I32C, I32D, I32E, I32F, I32G, I76A, I76B
M23.91	08	I77Z	M24.62	08	I69A, I69B	M25.35	08	I76A, I76B
M23.92	08	I77Z	M24.63	08	I69A, I69B	M25.36	08	I77Z
M23.93	08	I77Z	M24.64	08	I32A, I32B, I32C, I32D, I32E, I32F, I32G, I69A, I69B	M25.37	08	I76A, I76B
M23.94	08	I77Z	M24.65	08	I69A, I69B	M25.38	08	I76A, I76B
M23.95	08	I77Z	M24.66	08	I69A, I69B	M25.39	08	I76A, I76B
M23.96	08	I77Z	M24.67	08	I69A, I69B	M25.40	08	I76A, I76B
M23.97	08	I77Z	M24.68	08	I69A, I69B	M25.41	08	I76A, I76B
M23.99	08	I77Z	M24.69	08	I69A, I69B	M25.42	08	I76A, I76B
M24.00	08	I76A, I76B	M24.7	08	I76A, I76B	M25.43	08	I76A, I76B
M24.01	08	I76A, I76B	M24.80	08	I76A, I76B	M25.44	08	I32A, I32B, I32C, I32D, I32E, I32F, I32G, I76A, I76B
M24.02	08	I76A, I76B	M24.81	08	I76A, I76B	M25.45	08	I76A, I76B
M24.03	08	I76A, I76B	M24.82	08	I76A, I76B	M25.46	08	I76A, I76B
M24.04	08	I32A, I32B, I32C, I32D, I32E, I32F, I32G, I76A, I76B	M24.83	08	I76A, I76B	M25.47	08	I76A, I76B
M24.05	08	I76A, I76B	M24.84	08	I32A, I32B, I32C, I32D, I32E, I32F, I32G, I76A, I76B	M25.48	08	I76A, I76B
M24.07	08	I76A, I76B	M24.85	08	I76A, I76B	M25.49	08	I76A, I76B
M24.08	08	I76A, I76B	M24.87	08	I76A, I76B	M25.50	08	I69A, I69B, I71A, I71B
M24.09	08	I76A, I76B	M24.88	08	I76A, I76B	M25.51	08	I69A, I69B, I71A, I71B
M24.10	08	I77Z	M24.89	08	I76A, I76B	M25.52	08	I69A, I69B, I71A, I71B
M24.11	08	I77Z	M24.90	08	I76A, I76B	M25.53	08	I69A, I69B, I71A, I71B
M24.12	08	I77Z	M24.91	08	I76A, I76B	M25.54	08	I32A, I32B, I32C, I32D, I32E, I32F, I32G, I69A, I69B, I71A, I71B
M24.13	08	I74A, I74B, I74C	M24.92	08	I76A, I76B	M25.55	08	I69A, I69B, I71A, I71B
M24.14	08	I32A, I32B, I32C, I32D, I32E, I32F, I32G, I74A, I74B, I74C	M24.93	08	I76A, I76B	M25.56	08	I69A, I69B, I71A, I71B
M24.15	08	I76A, I76B	M24.94	08	I32A, I32B, I32C, I32D, I32E, I32F, I32G, I76A, I76B	M25.57	08	I69A, I69B, I71A, I71B
M24.17	08	I77Z	M24.95	08	I76A, I76B	M25.58	08	I69A, I69B, I71A, I71B
M24.18	08	I76A, I76B	M24.97	08	I76A, I76B	M25.59	08	I69A, I69B, I71A, I71B
M24.19	08	I76A, I76B	M24.98	08	I76A, I76B	M25.60	08	I69A, I69B, I71A, I71B
M24.20	08	I72Z, I75A, I75B	M24.99	08	I76A, I76B	M25.61	08	I69A, I69B, I71A, I71B
M24.21	08	I72Z, I75A, I75B	M25.00	08	I69A, I69B	M25.62	08	I69A, I69B, I71A, I71B
M24.22	08	I72Z, I75A, I75B	M25.01	08	I69A, I69B	M25.63	08	I69A, I69B, I71A, I71B
M24.23	08	I72Z, I75A, I75B	M25.02	08	I69A, I69B	M25.64	08	I32A, I32B, I32C, I32D, I32E, I32F, I32G, I69A, I69B, I71A, I71B
M24.24	08	I72Z, I75A, I75B	M25.03	08	I69A, I69B	M25.65	08	I69A, I69B, I71A, I71B
M24.25	08	I72Z, I75A, I75B	M25.04	08	I32A, I32B, I32C, I32D, I32E, I32F, I32G, I69A, I69B	M25.66	08	I69A, I69B, I71A, I71B
M24.27	08	I72Z, I75A, I75B	M25.05	08	I69A, I69B			
M24.28	08	I72Z, I75A, I75B	M25.06	08	I69A, I69B			
M24.29	08	I72Z, I75A, I75B						
M24.30	08	I76A, I76B						
M24.31	08	I77Z						
M24.32	08	I77Z						
M24.33	08	I74A, I74B, I74C						



ICD	MDC	DRG	ICD	MDC	DRG	ICD	MDC	DRG
M25.67	08	I69A, I69B, I71A, I71B	M33.1	08	I08A, I08B, I08C, I08D, I08E, I12A, I12B, I12C, I13A, I13B, I32C, I32D, I66A, I66B, I66C	M40.12	08	I06A, I06B, I06C, I06D, I06E, I09A, I09B, I09C, I09D, I09E, I68A, I68B, I68C, I68D, I68E
M25.68	08	I69A, I69B, I71A, I71B	M33.2	08	I08A, I08B, I08C, I08D, I08E, I12A, I12B, I12C, I13A, I13B, I32C, I32D, I66A, I66B, I66C	M40.13	08	I06A, I06B, I06C, I06D, I06E, I09A, I09B, I09C, I09D, I09E, I68A, I68B, I68C, I68D, I68E
M25.69	08	I69A, I69B, I71A, I71B	M33.9	08	I32C, I32D, I66A, I66B, I66C	M40.14	08	I06A, I06B, I06C, I06D, I06E, I09A, I09B, I09C, I09D, I09E, I68A, I68B, I68C, I68D, I68E
M25.70	08	I76A, I76B	M34.0	08	I08A, I08B, I08C, I08D, I08E, I12A, I12B, I12C, I13A, I13B, I32C, I32D, I66A, I66B, I66C	M40.15	08	I06A, I06B, I06C, I06D, I06E, I09A, I09B, I09C, I09D, I09E, I68A, I68B, I68C, I68D, I68E
M25.71	08	I76A, I76B	M34.1	08	I66A, I66B, I66C	M40.16	08	I06A, I06B, I06C, I06D, I06E, I09A, I09B, I09C, I09D, I09E, I68A, I68B, I68C, I68D, I68E
M25.72	08	I76A, I76B	M34.2	08	I66A, I66B, I66C	M40.17	08	I06A, I06B, I06C, I06D, I06E, I09A, I09B, I09C, I09D, I09E, I68A, I68B, I68C, I68D, I68E
M25.73	08	I76A, I76B	M34.8	08	I32C, I32D, I66A, I66B, I66C	M40.18	08	I06A, I06B, I06C, I06D, I06E, I09A, I09B, I09C, I09D, I09E, I68A, I68B, I68C, I68D, I68E
M25.74	08	I32A, I32B, I32C, I32D, I32E, I32F, I32G, I76A, I76B	M34.9	08	I08A, I08B, I08C, I08D, I08E, I12A, I12B, I12C, I13A, I13B, I32C, I32D, I66A, I66B, I66C	M40.19	08	I06A, I06B, I06C, I06D, I06E, I09A, I09B, I09C, I09D, I09E, I68A, I68B, I68C, I68D, I68E
M25.75	08	I76A, I76B	M35.0	08	I66A, I66B, I66C	M40.20	08	I06A, I06B, I06C, I06D, I06E, I09A, I09B, I09C, I09D, I09E, I68A, I68B, I68C, I68D, I68E
M25.76	08	I77Z	M35.1	08	I08A, I08B, I08C, I08D, I08E, I12A, I12B, I12C, I13A, I13B, I66A, I66B, I66C	M40.21	08	I06A, I06B, I06C, I06D, I06E, I09A, I09B, I09C, I09D, I09E, I68A, I68B, I68C, I68D, I68E
M25.77	08	I76A, I76B	M35.2	08	I08A, I08B, I08C, I08D, I08E, I12A, I12B, I12C, I13A, I13B, I66A, I66B, I66C	M40.22	08	I06A, I06B, I06C, I06D, I06E, I09A, I09B, I09C, I09D, I09E, I68A, I68B, I68C, I68D, I68E
M25.78	08	I76A, I76B	M35.3	08	I08A, I08B, I08C, I08D, I08E, I12A, I12B, I12C, I13A, I13B, I66A, I66B, I66C	M40.23	08	I06A, I06B, I06C, I06D, I06E, I09A, I09B, I09C, I09D, I09E, I68A, I68B, I68C, I68D, I68E
M25.79	08	I76A, I76B	M35.4	08	I72Z, I75A, I75B	M40.24	08	I06A, I06B, I06C, I06D, I06E, I09A, I09B, I09C, I09D, I09E, I68A, I68B, I68C, I68D, I68E
M25.80	08	I69A, I69B, I71A, I71B	M35.5	08	I66A, I66B, I66C	M40.25	08	I06A, I06B, I06C, I06D, I06E, I09A, I09B, I09C, I09D, I09E, I68A, I68B, I68C, I68D, I68E
M25.81	08	I69A, I69B, I71A, I71B	M35.6	09	J61A, J61B, J61C, J68A, J68B	M40.26	08	I06A, I06B, I06C, I06D, I06E, I09A, I09B, I09C, I09D, I09E, I68A, I68B, I68C, I68D, I68E
M25.82	08	I69A, I69B, I71A, I71B	M35.7	08	I72Z, I75A, I75B	M40.27	08	I06A, I06B, I06C, I06D, I06E, I09A, I09B, I09C, I09D, I09E, I68A, I68B, I68C, I68D, I68E
M25.83	08	I69A, I69B, I71A, I71B	M35.8	08	I66A, I66B, I66C	M40.28	08	I06A, I06B, I06C, I06D, I06E, I09A, I09B, I09C, I09D, I09E, I68A, I68B, I68C, I68D, I68E
M25.84	08	I32A, I32B, I32C, I32D, I32E, I32F, I32G, I69A, I69B, I71A, I71B	M35.9	08	I66A, I66B, I66C	M40.29	08	I06A, I06B, I06C, I06D, I06E, I09A, I09B, I09C, I09D, I09E, I68A, I68B, I68C, I68D, I68E
M25.85	08	I69A, I69B, I71A, I71B	M36.1	15	TPN, VTPN	M40.30	08	I06A, I06B, I06C, I06D, I06E, I09A, I09B, I09C, I09D, I09E, I68A, I68B, I68C, I68D, I68E
M25.86	08	I69A, I69B, I71A, I71B	M36.2	15	TPN, VTPN	M40.31	08	I06A, I06B, I06C, I06D, I06E, I09A, I09B, I09C, I09D, I09E, I68A, I68B, I68C, I68D, I68E
M25.87	08	I69A, I69B, I71A, I71B	M36.3	15	TPN, VTPN	M40.32	08	I06A, I06B, I06C, I06D, I06E, I09A, I09B, I09C, I09D, I09E, I68A, I68B, I68C, I68D, I68E
M25.88	08	I69A, I69B, I71A, I71B	M36.8	15	TPN, VTPN	M40.33	08	I06A, I06B, I06C, I06D, I06E, I09A, I09B, I09C, I09D, I09E, I68A, I68B, I68C, I68D, I68E
M25.89	08	I69A, I69B, I71A, I71B	M40.00	08	I06A, I06B, I06C, I06D, I06E, I09A, I09B, I09C, I09D, I09E, I68A, I68B, I68C, I68D, I68E	M40.34	08	I06A, I06B, I06C, I06D, I06E, I09A, I09B, I09C, I09D, I09E, I68A, I68B, I68C, I68D, I68E
M25.90	08	I69A, I69B, I71A, I71B	M40.01	08	I06A, I06B, I06C, I06D, I06E, I09A, I09B, I09C, I09D, I09E, I68A, I68B, I68C, I68D, I68E	M40.35	08	I06A, I06B, I06C, I06D, I06E, I09A, I09B, I09C, I09D, I09E, I68A, I68B, I68C, I68D, I68E
M25.91	08	I69A, I69B, I71A, I71B	M40.02	08	I06A, I06B, I06C, I06D, I06E, I09A, I09B, I09C, I09D, I09E, I68A, I68B, I68C, I68D, I68E			
M25.92	08	I69A, I69B, I71A, I71B	M40.03	08	I06A, I06B, I06C, I06D, I06E, I09A, I09B, I09C, I09D, I09E, I68A, I68B, I68C, I68D, I68E			
M25.93	08	I69A, I69B, I71A, I71B	M40.04	08	I06A, I06B, I06C, I06D, I06E, I09A, I09B, I09C, I09D, I09E, I68A, I68B, I68C, I68D, I68E			
M25.94	08	I32A, I32B, I32C, I32D, I32E, I32F, I32G, I69A, I69B, I71A, I71B	M40.05	08	I06A, I06B, I06C, I06D, I06E, I09A, I09B, I09C, I09D, I09E, I68A, I68B, I68C, I68D, I68E			
M25.95	08	I69A, I69B, I71A, I71B	M40.06	08	I06A, I06B, I06C, I06D, I06E, I09A, I09B, I09C, I09D, I09E, I68A, I68B, I68C, I68D, I68E			
M25.96	08	I69A, I69B, I71A, I71B	M40.07	08	I06A, I06B, I06C, I06D, I06E, I09A, I09B, I09C, I09D, I09E, I68A, I68B, I68C, I68D, I68E			
M25.97	08	I69A, I69B, I71A, I71B	M40.08	08	I06A, I06B, I06C, I06D, I06E, I09A, I09B, I09C, I09D, I09E, I68A, I68B, I68C, I68D, I68E			
M25.98	08	I76A, I76B	M40.09	08	I06A, I06B, I06C, I06D, I06E, I09A, I09B, I09C, I09D, I09E, I68A, I68B, I68C, I68D, I68E			
M25.99	08	I69A, I69B, I71A, I71B	M40.10	08	I06A, I06B, I06C, I06D, I06E, I09A, I09B, I09C, I09D, I09E, I68A, I68B, I68C, I68D, I68E			
M30.0	08	I66A, I66B, I66C	M40.11	08	I06A, I06B, I06C, I06D, I06E, I09A, I09B, I09C, I09D, I09E, I68A, I68B, I68C, I68D, I68E			
M30.1	08	I66A, I66B, I66C						
M30.2	08	I66A, I66B, I66C						
M30.3	08	I66A, I66B, I66C						
M30.8	08	I66A, I66B, I66C						
M31.0	08	I66A, I66B, I66C						
M31.1	11	L72Z						
M31.2	Pre	A07D, A09E, A11F, A13F						
M31.3	08	I65A, I65B, I65C						
M31.4	Pre	A07D, A09E, A11F, A13F						
M31.5	08	I66A, I66B, I66C						
M31.6	Pre	A07D, A09E, A11F, A13F						
M31.7	08	I66A, I66B, I66C						
M31.8	08	I66A, I66B, I66C						
M31.9	08	I66A, I66B, I66C						
M32.0	08	I66A, I66B, I66C						
M32.1	15	TPN, VTPN						
M32.8	08	I32C, I32D, I66A, I66B, I66C						
M32.9	08	I32C, I32D, I66A, I66B, I66C						
M33.0	08	I32C, I32D, I66A, I66B, I66C						













ICD	MDC	DRG	ICD	MDC	DRG	ICD	MDC	DRG
M71.85	08	I72Z, I75A, I75B	M73.00	15	TPN, VTPN	M79.23	01	B03A, B03B, B06A, B06B, B17A, B17B, B17C, B17D, B71A, B71B, B71C, B71D
M71.86	08	I72Z, I75A, I75B	M73.01	15	TPN, VTPN		18A	S65A, S65B
M71.87	08	I72Z, I75A, I75B	M73.02	15	TPN, VTPN	M79.24	01	B03A, B03B, B06A, B06B, B17A, B17B, B17C, B17D, B71A, B71B, B71C, B71D
M71.88	08	I72Z, I75A, I75B	M73.03	15	TPN, VTPN		18A	S65A, S65B
M71.89	08	I72Z, I75A, I75B	M73.04	15	TPN, VTPN	M79.25	01	B03A, B03B, B06A, B06B, B17A, B17B, B17C, B17D, B71A, B71B, B71C, B71D
M71.90	08	I72Z, I75A, I75B	M73.05	15	TPN, VTPN		18A	S65A, S65B
M71.91	08	I72Z, I75A, I75B	M73.06	15	TPN, VTPN	M79.26	01	B03A, B03B, B06A, B06B, B17A, B17B, B17C, B17D, B71A, B71B, B71C, B71D
M71.92	08	I72Z, I75A, I75B	M73.07	15	TPN, VTPN		18A	S65A, S65B
M71.93	08	I72Z, I75A, I75B	M73.08	15	TPN, VTPN	M79.27	01	B03A, B03B, B06A, B06B, B17A, B17B, B17C, B17D, B71A, B71B, B71C, B71D
M71.94	08	I72Z, I75A, I75B	M73.09	15	TPN, VTPN		18A	S65A, S65B
M71.95	08	I72Z, I75A, I75B	M75.0	08	I72Z, I75A, I75B	M79.28	01	B03A, B03B, B06A, B06B, B17A, B17B, B17C, B17D, B71A, B71B, B71C, B71D
M71.96	08	I72Z, I75A, I75B	M75.1	08	I72Z, I75A, I75B		18A	S65A, S65B
M71.97	08	I72Z, I75A, I75B	M75.2	08	I72Z, I75A, I75B	M79.29	01	B03A, B03B, B06A, B06B, B17A, B17B, B17C, B17D, B71A, B71B, B71C, B71D
M71.98	08	I72Z, I75A, I75B	M75.3	08	I72Z, I75A, I75B		18A	S65A, S65B
M71.99	08	I72Z, I75A, I75B	M75.4	08	I72Z, I75A, I75B	M79.30	09	J61A, J61B, J61C, J68A, J68B
M72.0	08	I32A, I32B, I32C, I32D, I32E, I32F, I32G, I72Z, I75A, I75B	M75.5	08	I72Z, I75A, I75B	M79.31	09	J61A, J61B, J61C, J68A, J68B
M72.1	08	I72Z, I75A, I75B	M75.8	08	I72Z, I75A, I75B	M79.32	09	J61A, J61B, J61C, J68A, J68B
M72.2	08	I72Z, I75A, I75B	M75.9	08	I72Z, I75A, I75B	M79.33	09	J61A, J61B, J61C, J68A, J68B
M72.40	08	I72Z, I75A, I75B	M76.0	08	I72Z, I75A, I75B	M79.34	09	J61A, J61B, J61C, J68A, J68B
M72.41	08	I72Z, I75A, I75B	M76.1	08	I72Z, I75A, I75B	M79.35	09	J61A, J61B, J61C, J68A, J68B
M72.42	08	I72Z, I75A, I75B	M76.2	08	I72Z, I75A, I75B	M79.36	09	J61A, J61B, J61C, J68A, J68B
M72.43	08	I72Z, I75A, I75B	M76.3	08	I72Z, I75A, I75B	M79.37	09	J61A, J61B, J61C, J68A, J68B
M72.44	08	I72Z, I75A, I75B	M76.4	08	I72Z, I75A, I75B	M79.38	09	J61A, J61B, J61C, J68A, J68B
M72.45	08	I72Z, I75A, I75B	M76.5	08	I72Z, I75A, I75B	M79.39	09	J61A, J61B, J61C, J68A, J68B
M72.46	08	I72Z, I75A, I75B	M76.6	08	I72Z, I75A, I75B	M79.46	08	I76A, I76B
M72.47	08	I72Z, I75A, I75B	M76.7	08	I72Z, I75A, I75B	M79.50	08	I76A, I76B
M72.48	08	I72Z, I75A, I75B	M76.8	08	I72Z, I75A, I75B	M79.51	08	I76A, I76B
M72.49	08	I72Z, I75A, I75B	M76.9	08	I72Z, I75A, I75B	M79.52	08	I76A, I76B
M72.60	08	I72Z, I75A, I75B	M77.0	08	I72Z, I75A, I75B	M79.53	08	I76A, I76B
	Pre	A07D, A09E, A11F, A13F	M77.1	08	I72Z, I75A, I75B	M79.54	08	I76A, I76B
M72.61	08	I72Z, I75A, I75B	M77.2	08	I72Z, I75A, I75B	M79.55	08	I76A, I76B
	Pre	A07D, A09E, A11F, A13F	M77.3	08	I76A, I76B	M79.56	08	I76A, I76B
M72.62	08	I72Z, I75A, I75B	M77.4	08	I72Z, I75A, I75B	M79.57	08	I76A, I76B
	Pre	A07D, A09E, A11F, A13F	M77.5	08	I72Z, I75A, I75B	M79.58	08	I76A, I76B
M72.63	08	I72Z, I75A, I75B	M77.8	08	I72Z, I75A, I75B	M79.59	08	I76A, I76B
	Pre	A07D, A09E, A11F, A13F	M77.9	08	I72Z, I75A, I75B	M79.60	08	I69A, I69B, I71A, I71B
M72.64	08	I72Z, I75A, I75B	M79.00	08	I79Z	M79.61	08	I69A, I69B, I71A, I71B
	Pre	A07D, A09E, A11F, A13F	M79.01	08	I79Z	M79.62	08	I69A, I69B, I71A, I71B
M72.65	08	I72Z, I75A, I75B	M79.02	08	I79Z	M79.63	08	I69A, I69B, I71A, I71B
	Pre	A07D, A09E, A11F, A13F	M79.03	08	I79Z	M79.64	08	I69A, I69B, I71A, I71B
M72.66	08	I72Z, I75A, I75B	M79.04	08	I79Z	M79.65	08	I69A, I69B, I71A, I71B
	Pre	A07D, A09E, A11F, A13F	M79.05	08	I79Z	M79.66	08	I69A, I69B, I71A, I71B
M72.67	08	I72Z, I75A, I75B	M79.06	08	I79Z	M79.67	08	I69A, I69B, I71A, I71B
	Pre	A07D, A09E, A11F, A13F	M79.07	08	I79Z	M79.69	08	I69A, I69B, I71A, I71B
M72.68	08	I72Z, I75A, I75B	M79.08	08	I79Z	M79.70	08	I79Z
	Pre	A07D, A09E, A11F, A13F	M79.09	08	I08A, I08B, I08C, I08D, I08E, I13A, I13B, I79Z	M79.80	08	I69A, I69B, I71A, I71B
M72.69	08	I72Z, I75A, I75B	M79.10	08	I69A, I69B, I71A, I71B	M79.81	08	I69A, I69B, I71A, I71B
	Pre	A07D, A09E, A11F, A13F	M79.11	08	I69A, I69B, I71A, I71B	M79.82	08	I69A, I69B, I71A, I71B
M72.80	08	I72Z, I75A, I75B	M79.12	08	I69A, I69B, I71A, I71B	M79.83	08	I69A, I69B, I71A, I71B
M72.81	08	I72Z, I75A, I75B	M79.13	08	I69A, I69B, I71A, I71B	M79.84	08	I69A, I69B, I71A, I71B
M72.82	08	I72Z, I75A, I75B	M79.14	08	I69A, I69B, I71A, I71B	M79.85	08	I69A, I69B, I71A, I71B
M72.83	08	I72Z, I75A, I75B	M79.15	08	I69A, I69B, I71A, I71B	M79.86	08	I69A, I69B, I71A, I71B
M72.84	08	I72Z, I75A, I75B	M79.16	08	I69A, I69B, I71A, I71B	M79.87	08	I69A, I69B, I71A, I71B
M72.85	08	I72Z, I75A, I75B	M79.17	08	I69A, I69B, I71A, I71B	M79.88	08	I69A, I69B, I71A, I71B
M72.86	08	I72Z, I75A, I75B	M79.18	08	I69A, I69B, I71A, I71B	M79.89	08	I69A, I69B, I71A, I71B
M72.87	08	I72Z, I75A, I75B	M79.19	08	I69A, I69B, I71A, I71B	M79.90	08	I69A, I69B, I71A, I71B
M72.88	08	I72Z, I75A, I75B	M79.20	01	B03A, B03B, B06A, B06B, B17A, B17B, B17C, B17D, B71A, B71B, B71C, B71D			
M72.89	08	I72Z, I75A, I75B		18A	S65A, S65B			
M72.90	08	I72Z, I75A, I75B	M79.21	01	B03A, B03B, B06A, B06B, B17A, B17B, B17C, B17D, B71A, B71B, B71C, B71D			
M72.91	08	I72Z, I75A, I75B		18A	S65A, S65B			
M72.92	08	I72Z, I75A, I75B		18A	S65A, S65B			
M72.93	08	I72Z, I75A, I75B	M79.22	01	B03A, B03B, B06A, B06B, B17A, B17B, B17C, B17D, B71A, B71B, B71C, B71D			
M72.94	08	I72Z, I75A, I75B		18A	S65A, S65B			
M72.95	08	I72Z, I75A, I75B		18A	S65A, S65B			
M72.96	08	I72Z, I75A, I75B		18A	S65A, S65B			
M72.97	08	I72Z, I75A, I75B		18A	S65A, S65B			
M72.98	08	I72Z, I75A, I75B		18A	S65A, S65B			
M72.99	08	I72Z, I75A, I75B		18A	S65A, S65B			





ICD	MDC	DRG	ICD	MDC	DRG	ICD	MDC	DRG
M83.09	08	I69A	M83.43	08	I69A	M83.92	08	I69A
	22	Y02A, Y02B		22	Y02A, Y02B		22	Y02A, Y02B
M83.10	08	I69A	M83.44	08	I69A	M83.93	08	I69A
	22	Y02A, Y02B		22	Y02A, Y02B		22	Y02A, Y02B
M83.11	08	I69A	M83.45	08	I69A	M83.94	08	I69A
	22	Y02A, Y02B		22	Y02A, Y02B		22	Y02A, Y02B
M83.12	08	I69A	M83.46	08	I69A	M83.95	08	I69A
	22	Y02A, Y02B		22	Y02A, Y02B		22	Y02A, Y02B
M83.13	08	I69A	M83.47	08	I69A	M83.96	08	I69A
	22	Y02A, Y02B		22	Y02A, Y02B		22	Y02A, Y02B
M83.14	08	I69A	M83.48	08	I69A	M83.97	08	I69A
	22	Y02A, Y02B		22	Y02A, Y02B		22	Y02A, Y02B
M83.15	08	I69A	M83.49	08	I69A	M83.98	08	I69A
	22	Y02A, Y02B		22	Y02A, Y02B		22	Y02A, Y02B
M83.16	08	I69A	M83.50	08	I69A	M83.99	08	I69A
	22	Y02A, Y02B		18A	S65A, S65B		22	Y02A, Y02B
M83.17	08	I69A		22	Y02A, Y02B	M84.00	08	I76A, I76B
	22	Y02A, Y02B	M83.51	08	I69A	M84.01	08	I76A, I76B
M83.18	08	I69A		18A	S65A, S65B	M84.02	08	I76A, I76B
	22	Y02A, Y02B		22	Y02A, Y02B	M84.03	08	I76A, I76B
M83.19	08	I69A	M83.52	08	I69A	M84.04	08	I76A, I76B
	22	Y02A, Y02B		18A	S65A, S65B	M84.05	08	I76A, I76B
M83.20	08	I69A		22	Y02A, Y02B	M84.06	08	I76A, I76B
	22	Y02A, Y02B	M83.53	08	I69A	M84.07	08	I76A, I76B
M83.21	08	I69A		18A	S65A, S65B	M84.08	08	I76A, I76B
	22	Y02A, Y02B		22	Y02A, Y02B	M84.09	08	I76A, I76B
M83.22	08	I69A	M83.54	08	I69A	M84.10	08	I13D, I76A, I76B
	22	Y02A, Y02B		18A	S65A, S65B	M84.11	08	I13D, I76A, I76B
M83.23	08	I69A		22	Y02A, Y02B	M84.12	08	I13D, I76A, I76B
	22	Y02A, Y02B	M83.55	08	I69A	M84.13	08	I13D, I76A, I76B
M83.24	08	I69A		18A	S65A, S65B	M84.14	08	I13D, I32B, I32C, I32D, I76A, I76B
	22	Y02A, Y02B		22	Y02A, Y02B			
M83.25	08	I69A	M83.56	08	I69A	M84.15	08	I13D, I76A, I76B
	22	Y02A, Y02B		18A	S65A, S65B	M84.16	08	I13D, I76A, I76B
M83.26	08	I69A		22	Y02A, Y02B	M84.17	08	I13D, I76A, I76B
	22	Y02A, Y02B	M83.57	08	I69A	M84.18	08	I13D, I76A, I76B
M83.27	08	I69A		18A	S65A, S65B	M84.19	08	I13D, I76A, I76B
	22	Y02A, Y02B		22	Y02A, Y02B	M84.20	08	I76A, I76B
M83.28	08	I69A	M83.58	08	I69A	M84.21	08	I76A, I76B
	22	Y02A, Y02B		18A	S65A, S65B	M84.22	08	I76A, I76B
M83.29	08	I69A		22	Y02A, Y02B	M84.23	08	I76A, I76B
	22	Y02A, Y02B	M83.59	08	I69A	M84.24	08	I76A, I76B
M83.30	08	I69A		18A	S65A, S65B	M84.25	08	I76A, I76B
	22	Y02A, Y02B		22	Y02A, Y02B	M84.26	08	I76A, I76B
M83.31	08	I69A	M83.80	08	I69A	M84.27	08	I76A, I76B
	22	Y02A, Y02B		22	Y02A, Y02B	M84.28	08	I76A, I76B
M83.32	08	I69A	M83.81	08	I69A	M84.29	08	I76A, I76B
	22	Y02A, Y02B		22	Y02A, Y02B	M84.30	08	I65A, I65B, I65C
M83.33	08	I69A	M83.82	08	I69A		15	TPN, VTPN
	22	Y02A, Y02B		22	Y02A, Y02B	M84.31	08	I65A, I65B, I65C
M83.34	08	I69A	M83.83	08	I69A		15	TPN, VTPN
	22	Y02A, Y02B		22	Y02A, Y02B	M84.32	08	I65A, I65B, I65C
M83.35	08	I69A	M83.84	08	I69A		15	TPN, VTPN
	22	Y02A, Y02B		22	Y02A, Y02B	M84.33	08	I65A, I65B, I65C
M83.36	08	I69A	M83.85	08	I69A		15	TPN, VTPN
	22	Y02A, Y02B		22	Y02A, Y02B	M84.34	08	I65A, I65B, I65C
M83.37	08	I69A	M83.86	08	I69A		15	TPN, VTPN
	22	Y02A, Y02B		22	Y02A, Y02B	M84.35	08	I65A, I65B, I65C
M83.38	08	I69A	M83.87	08	I69A		15	TPN, VTPN
	22	Y02A, Y02B		22	Y02A, Y02B	M84.36	08	I65A, I65B, I65C
M83.39	08	I69A	M83.88	08	I69A		15	TPN, VTPN
	22	Y02A, Y02B		22	Y02A, Y02B	M84.37	08	I65A, I65B, I65C
M83.40	08	I69A	M83.89	08	I69A		15	TPN, VTPN
	22	Y02A, Y02B		22	Y02A, Y02B	M84.38	08	I65A, I65B, I65C
M83.41	08	I69A	M83.90	08	I69A		15	TPN, VTPN
	22	Y02A, Y02B		22	Y02A, Y02B	M84.39	08	I65A, I65B, I65C
M83.42	08	I69A	M83.91	08	I69A		15	TPN, VTPN
	22	Y02A, Y02B		22	Y02A, Y02B			

ICD	MDC	DRG	ICD	MDC	DRG	ICD	MDC	DRG
M84.40	08	I65A, I65B, I65C	M85.19	08	I76A, I76B	M86.01	05	F61A
	15	TPN, VTPN	M85.2	08	I76A, I76B		08	I08A, I08B, I08C, I08D, I08E, I12A, I12B, I12C, I13A, I13B, I64A, I64B, I64C
	Pre	A07D, A09E, A11F, A13F	M85.30	08	I69A, I69B		15	TPN, VTPN
M84.41	08	I65A, I65B, I65C	M85.31	08	I69A, I69B	M86.02	05	F61A
	15	TPN, VTPN	M85.32	08	I69A, I69B		08	I08A, I08B, I08C, I08D, I08E, I12A, I12B, I12C, I13A, I13B, I64A, I64B, I64C
	Pre	A07D, A09E, A11F, A13F	M85.33	08	I69A, I69B		15	TPN, VTPN
M84.42	08	I65A, I65B, I65C	M85.34	08	I69A, I69B	M86.03	05	F61A
	15	TPN, VTPN	M85.35	08	I69A, I69B		08	I08A, I08B, I08C, I08D, I08E, I12A, I12B, I12C, I13A, I13B, I64A, I64B, I64C
	Pre	A07D, A09E, A11F, A13F	M85.36	08	I69A, I69B		15	TPN, VTPN
M84.43	08	I65A, I65B, I65C	M85.37	08	I69A, I69B	M86.04	05	F61A
	15	TPN, VTPN	M85.38	08	I69A, I69B		08	I08A, I08B, I08C, I08D, I08E, I12A, I12B, I12C, I13A, I13B, I64A, I64B, I64C
	Pre	A07D, A09E, A11F, A13F	M85.39	08	I69A, I69B		15	TPN, VTPN
M84.44	08	I65A, I65B, I65C	M85.40	08	I69A, I69B	M86.05	05	F61A
	15	TPN, VTPN	M85.41	08	I69A, I69B		08	I01Z, I03A, I03B, I04Z, I08A, I08B, I08C, I08D, I08E, I12A, I12B, I12C, I13A, I13B, I64A, I64B, I64C
	Pre	A07D, A09E, A11F, A13F	M85.42	08	I69A, I69B		15	TPN, VTPN
M84.45	08	I65A, I65B, I65C	M85.43	08	I69A, I69B	M86.06	05	F61A
	15	TPN, VTPN	M85.44	08	I69A, I69B		08	I01Z, I04Z, I08A, I08B, I08C, I08D, I08E, I12A, I12B, I12C, I13A, I13B, I64A, I64B, I64C
	Pre	A07D, A09E, A11F, A13F	M85.45	08	I69A, I69B		15	TPN, VTPN
M84.46	08	I65A, I65B, I65C	M85.46	08	I69A, I69B	M86.07	05	F61A
	15	TPN, VTPN	M85.47	08	I69A, I69B		08	I08A, I08B, I08C, I08D, I08E, I13A, I13B, I64A, I64B, I64C
	Pre	A07D, A09E, A11F, A13F	M85.48	08	I69A, I69B		15	TPN, VTPN
M84.47	08	I65A, I65B, I65C	M85.49	08	I69A, I69B	M86.08	05	F61A
	15	TPN, VTPN	M85.50	08	I69A, I69B		08	I08A, I08B, I08C, I08D, I08E, I13A, I13B, I64A, I64B, I64C
	Pre	A07D, A09E, A11F, A13F	M85.51	08	I69A, I69B		15	TPN, VTPN
M84.48	08	I65A, I65B, I65C	M85.52	08	I69A, I69B	M86.09	05	F61A
	15	TPN, VTPN	M85.53	08	I69A, I69B		08	I08A, I08B, I08C, I08D, I08E, I13A, I13B, I64A, I64B, I64C
	Pre	A07D, A09E, A11F, A13F	M85.54	08	I69A, I69B		15	TPN, VTPN
M84.49	08	I65A, I65B, I65C	M85.55	08	I69A, I69B	M86.10	05	F61A
	15	TPN, VTPN	M85.56	08	I69A, I69B		08	I08A, I08B, I08C, I08D, I08E, I12A, I12B, I12C, I13A, I13B, I64A, I64B, I64C
	Pre	A07D, A09E, A11F, A13F	M85.57	08	I69A, I69B		15	TPN, VTPN
M84.80	08	I76A, I76B	M85.58	08	I69A, I69B	M86.11	05	F61A
M84.81	08	I76A, I76B	M85.59	08	I69A, I69B		08	I08A, I08B, I08C, I08D, I08E, I12A, I12B, I12C, I13A, I13B, I64A, I64B, I64C
M84.82	08	I76A, I76B	M85.60	08	I69A, I69B		15	TPN, VTPN
M84.83	08	I76A, I76B	M85.61	08	I69A, I69B	M86.12	05	F61A
M84.84	08	I76A, I76B	M85.62	08	I69A, I69B		08	I08A, I08B, I08C, I08D, I08E, I12A, I12B, I12C, I13A, I13B, I64A, I64B, I64C
M84.85	08	I76A, I76B	M85.63	08	I69A, I69B		15	TPN, VTPN
M84.86	08	I76A, I76B	M85.64	08	I69A, I69B	M86.13	05	F61A
M84.87	08	I76A, I76B	M85.65	08	I69A, I69B		08	I08A, I08B, I08C, I08D, I08E, I12A, I12B, I12C, I13A, I13B, I64A, I64B, I64C
M84.88	08	I76A, I76B	M85.66	08	I69A, I69B		15	TPN, VTPN
M84.89	08	I76A, I76B	M85.67	08	I69A, I69B	M86.14	05	F61A
M84.90	08	I76A, I76B	M85.68	08	I69A, I69B		08	I08A, I08B, I08C, I08D, I08E, I12A, I12B, I12C, I13A, I13B, I64A, I64B, I64C
M84.91	08	I76A, I76B	M85.69	08	I69A, I69B		15	TPN, VTPN
M84.92	08	I76A, I76B	M85.70	08	I76A, I76B		05	F61A
M84.93	08	I76A, I76B	M85.71	08	I76A, I76B		08	I08A, I08B, I08C, I08D, I08E, I12A, I12B, I12C, I13A, I13B, I64A, I64B, I64C
M84.94	08	I76A, I76B	M85.72	08	I76A, I76B		15	TPN, VTPN
M84.95	08	I76A, I76B	M85.73	08	I76A, I76B		05	F61A
M84.96	08	I76A, I76B	M85.74	08	I76A, I76B		08	I08A, I08B, I08C, I08D, I08E, I12A, I12B, I12C, I13A, I13B, I64A, I64B, I64C
M84.97	08	I76A, I76B	M85.75	08	I76A, I76B		15	TPN, VTPN
M84.98	08	I76A, I76B	M85.76	08	I76A, I76B		05	F61A
M84.99	08	I76A, I76B	M85.77	08	I76A, I76B		08	I08A, I08B, I08C, I08D, I08E, I12A, I12B, I12C, I13A, I13B, I64A, I64B, I64C
M85.00	08	I69A, I69B	M85.78	08	I76A, I76B		15	TPN, VTPN
M85.01	08	I69A, I69B	M85.79	08	I76A, I76B	M86.12	05	F61A
M85.02	08	I69A, I69B	M85.80	08	I76A, I76B		08	I08A, I08B, I08C, I08D, I08E, I12A, I12B, I12C, I13A, I13B, I64A, I64B, I64C
M85.03	08	I69A, I69B	M85.81	08	I76A, I76B		15	TPN, VTPN
M85.04	08	I69A, I69B	M85.82	08	I76A, I76B	M86.13	05	F61A
M85.05	08	I69A, I69B	M85.83	08	I76A, I76B		08	I08A, I08B, I08C, I08D, I08E, I12A, I12B, I12C, I13A, I13B, I64A, I64B, I64C
M85.06	08	I69A, I69B	M85.84	08	I76A, I76B		15	TPN, VTPN
M85.07	08	I69A, I69B	M85.85	08	I76A, I76B		05	F61A
M85.08	08	I69A, I69B	M85.86	08	I76A, I76B		08	I08A, I08B, I08C, I08D, I08E, I12A, I12B, I12C, I13A, I13B, I64A, I64B, I64C
M85.09	08	I69A, I69B	M85.87	08	I76A, I76B		15	TPN, VTPN
M85.10	08	I76A, I76B	M85.88	08	I76A, I76B	M86.12	05	F61A
M85.11	08	I76A, I76B	M85.89	08	I76A, I76B		08	I08A, I08B, I08C, I08D, I08E, I12A, I12B, I12C, I13A, I13B, I64A, I64B, I64C
M85.12	08	I76A, I76B	M85.90	08	I76A, I76B		15	TPN, VTPN
M85.13	08	I76A, I76B	M85.91	08	I76A, I76B	M86.13	05	F61A
M85.14	08	I76A, I76B	M85.92	08	I76A, I76B		08	I08A, I08B, I08C, I08D, I08E, I12A, I12B, I12C, I13A, I13B, I64A, I64B, I64C
M85.15	08	I76A, I76B	M85.93	08	I76A, I76B		15	TPN, VTPN
M85.16	08	I76A, I76B	M85.94	08	I76A, I76B	M86.14	05	F61A
M85.17	08	I76A, I76B	M85.95	08	I76A, I76B		08	I08A, I08B, I08C, I08D, I08E, I12A, I12B, I12C, I13A, I13B, I64A, I64B, I64C
M85.18	08	I76A, I76B	M85.96	08	I76A, I76B		15	TPN, VTPN
			M85.97	08	I76A, I76B		05	F61A
			M85.98	08	I76A, I76B		08	I08A, I08B, I08C, I08D, I08E, I12A, I12B, I12C, I13A, I13B, I64A, I64B, I64C
			M85.99	08	I76A, I76B		15	TPN, VTPN
			M86.00	05	F61A		05	F61A
				08	I08A, I08B, I08C, I08D, I08E, I12A, I12B, I12C, I13A, I13B, I64A, I64B, I64C		08	I08A, I08B, I08C, I08D, I08E, I12A, I12B, I12C, I13A, I13B, I64A, I64B, I64C
				15	TPN, VTPN		15	TPN, VTPN



ICD	MDC	DRG	ICD	MDC	DRG	ICD	MDC	DRG
M86.57	05	F61A	M86.82	05	F61A	M86.96	05	F61A
	08	I08A, I08B, I08C, I08D, I08E, I13A, I13B, I64A, I64B, I64C		08	I08A, I08B, I08C, I08D, I08E, I12A, I12B, I12C, I13A, I13B, I64A, I64B, I64C		08	I01Z, I04Z, I08A, I08B, I08C, I08D, I08E, I12A, I12B, I12C, I13A, I13B, I64A, I64B, I64C
	15	TPN, VTPN		15	TPN, VTPN		15	TPN, VTPN
M86.58	05	F61A	M86.83	05	F61A	M86.97	05	F61A
	08	I08A, I08B, I08C, I08D, I08E, I13A, I13B, I64A, I64B, I64C		08	I08A, I08B, I08C, I08D, I08E, I12A, I12B, I12C, I13A, I13B, I64A, I64B, I64C		08	I08A, I08B, I08C, I08D, I08E, I13A, I13B, I64A, I64B, I64C
	15	TPN, VTPN		15	TPN, VTPN		15	TPN, VTPN
M86.59	05	F61A	M86.84	05	F61A	M86.98	05	F61A
	08	I08A, I08B, I08C, I08D, I08E, I13A, I13B, I64A, I64B, I64C		08	I08A, I08B, I08C, I08D, I08E, I13A, I13B, I32A, I32B, I32C, I32D, I32E, I32F, I32G, I64A, I64B, I64C		08	I08A, I08B, I08C, I08D, I08E, I13A, I13B, I64A, I64B, I64C
	15	TPN, VTPN		15	TPN, VTPN		15	TPN, VTPN
M86.60	05	F61A	M86.85	05	F61A	M86.99	05	F61A
	08	I08A, I08B, I08C, I08D, I08E, I12A, I12B, I12C, I13A, I13B, I64A, I64B, I64C		08	I01Z, I03A, I03B, I04Z, I08A, I08B, I08C, I08D, I08E, I12A, I12B, I12C, I13A, I13B, I64A, I64B, I64C		08	I08A, I08B, I08C, I08D, I08E, I13A, I13B, I64A, I64B, I64C
	15	TPN, VTPN		15	TPN, VTPN		15	TPN, VTPN
M86.61	05	F61A	M86.86	05	F61A	M87.00	08	I69A, I69B
	08	I08A, I08B, I08C, I08D, I08E, I12A, I12B, I12C, I13A, I13B, I64A, I64B, I64C		08	I01Z, I04Z, I08A, I08B, I08C, I08D, I08E, I12A, I12B, I12C, I13A, I13B, I64A, I64B, I64C	M87.01	08	I69A, I69B
	15	TPN, VTPN		15	TPN, VTPN	M87.02	08	I69A, I69B
M86.62	05	F61A	M86.87	05	F61A		15	TPN, VTPN
	08	I08A, I08B, I08C, I08D, I08E, I12A, I12B, I12C, I13A, I13B, I64A, I64B, I64C		08	I08A, I08B, I08C, I08D, I08E, I13A, I13B, I64A, I64B, I64C	M87.03	08	I69A, I69B
	15	TPN, VTPN		15	TPN, VTPN	M87.04	08	I69A, I69B
M86.63	05	F61A	M86.88	05	F61A	M87.05	08	I69A, I69B
	08	I08A, I08B, I08C, I08D, I08E, I12A, I12B, I12C, I13A, I13B, I64A, I64B, I64C		08	I08A, I08B, I08C, I08D, I08E, I13A, I13B, I64A, I64B, I64C		15	TPN, VTPN
	15	TPN, VTPN		15	TPN, VTPN	M87.06	08	I69A, I69B
M86.64	05	F61A	M86.89	05	F61A	M87.07	08	I69A, I69B
	08	I08A, I08B, I08C, I08D, I08E, I13A, I13B, I32A, I32B, I32C, I32D, I32E, I32F, I32G, I64A, I64B, I64C		08	I08A, I08B, I08C, I08D, I08E, I13A, I13B, I64A, I64B, I64C		15	TPN, VTPN
	15	TPN, VTPN		15	TPN, VTPN	M87.08	08	I69A, I69B
M86.65	05	F61A	M86.90	05	F61A	M87.09	08	I69A, I69B
	08	I01Z, I03A, I03B, I04Z, I08A, I08B, I08C, I08D, I08E, I12A, I12B, I12C, I13A, I13B, I64A, I64B, I64C		08	I08A, I08B, I08C, I08D, I08E, I12A, I12B, I12C, I13A, I13B, I64A, I64B, I64C		15	TPN, VTPN
	15	TPN, VTPN		15	TPN, VTPN	M87.10	08	I08A, I08B, I08C, I08D, I08E, I13A, I13B, I64A, I64B, I64C
M86.66	05	F61A	M86.91	05	F61A		15	TPN, VTPN
	08	I01Z, I04Z, I08A, I08B, I08C, I08D, I08E, I12A, I12B, I12C, I13A, I13B, I64A, I64B, I64C		08	I08A, I08B, I08C, I08D, I08E, I12A, I12B, I12C, I13A, I13B, I64A, I64B, I64C	M87.11	08	I08A, I08B, I08C, I08D, I08E, I13A, I13B, I64A, I64B, I64C
	15	TPN, VTPN		15	TPN, VTPN		15	TPN, VTPN
M86.67	05	F61A	M86.92	05	F61A	M87.12	08	I08A, I08B, I08C, I08D, I08E, I13A, I13B, I64A, I64B, I64C
	08	I08A, I08B, I08C, I08D, I08E, I13A, I13B, I64A, I64B, I64C		08	I08A, I08B, I08C, I08D, I08E, I12A, I12B, I12C, I13A, I13B, I64A, I64B, I64C		15	TPN, VTPN
	15	TPN, VTPN		15	TPN, VTPN	M87.13	08	I08A, I08B, I08C, I08D, I08E, I13A, I13B, I64A, I64B, I64C
M86.68	05	F61A	M86.93	05	F61A		15	TPN, VTPN
	08	I08A, I08B, I08C, I08D, I08E, I13A, I13B, I64A, I64B, I64C		08	I08A, I08B, I08C, I08D, I08E, I12A, I12B, I12C, I13A, I13B, I64A, I64B, I64C	M87.14	08	I08A, I08B, I08C, I08D, I08E, I13A, I13B, I32A, I32B, I32C, I32D, I32E, I32F, I32G, I64A, I64B, I64C
	15	TPN, VTPN		15	TPN, VTPN		15	TPN, VTPN
M86.69	05	F61A	M86.94	05	F61A	M87.15	08	I08A, I08B, I08C, I08D, I08E, I13A, I13B, I64A, I64B, I64C
	08	I08A, I08B, I08C, I08D, I08E, I13A, I13B, I64A, I64B, I64C		08	I08A, I08B, I08C, I08D, I08E, I13A, I13B, I32A, I32B, I32C, I32D, I32E, I32F, I32G, I64A, I64B, I64C		15	TPN, VTPN
	15	TPN, VTPN		15	TPN, VTPN	M87.16	08	I08A, I08B, I08C, I08D, I08E, I13A, I13B, I64A, I64B, I64C
M86.80	05	F61A	M86.95	05	F61A		15	TPN, VTPN
	08	I08A, I08B, I08C, I08D, I08E, I12A, I12B, I12C, I13A, I13B, I64A, I64B, I64C		08	I01Z, I03A, I03B, I04Z, I08A, I08B, I08C, I08D, I08E, I12A, I12B, I12C, I13A, I13B, I64A, I64B, I64C	M87.17	08	I08A, I08B, I08C, I08D, I08E, I13A, I13B, I64A, I64B, I64C
	15	TPN, VTPN		15	TPN, VTPN		15	TPN, VTPN
M86.81	05	F61A		15	TPN, VTPN	M87.18	08	I08A, I08B, I08C, I08D, I08E, I13A, I13B, I64A, I64B, I64C
	08	I08A, I08B, I08C, I08D, I08E, I12A, I12B, I12C, I13A, I13B, I64A, I64B, I64C					15	TPN, VTPN
	15	TPN, VTPN				M87.19	08	I08A, I08B, I08C, I08D, I08E, I13A, I13B, I64A, I64B, I64C
							15	TPN, VTPN
						M87.20	08	I08A, I08B, I08C, I08D, I08E, I13A, I13B, I64A, I64B, I64C
							15	TPN, VTPN
						M87.21	08	I08A, I08B, I08C, I08D, I08E, I13A, I13B, I64A, I64B, I64C
							15	TPN, VTPN

ICD	MDC	DRG	ICD	MDC	DRG	ICD	MDC	DRG
M87.22	08	I08A, I08B, I08C, I08D, I08E, I13A, I13B, I64A, I64B, I64C	M87.84	08	I08A, I08B, I08C, I08D, I08E, I13A, I13B, I32A, I32B, I32C, I32D, I32E, I32F, I32G, I64A, I64B, I64C	M88.97	08	I69A, I69B
	15	TPN, VTPN				M88.98	08	I69A, I69B
M87.23	08	I08A, I08B, I08C, I08D, I08E, I13A, I13B, I64A, I64B, I64C		15	TPN, VTPN	M88.99	08	I69A, I69B
	15	TPN, VTPN	M87.85	08	I08A, I08B, I08C, I08D, I08E, I13A, I13B, I64A, I64B, I64C	M89.00	01	B03A, B03B, B06A, B06B, B17A, B17B, B17C, B17D, B20D, B71A, B71B, B71C, B71D
M87.24	08	I08A, I08B, I08C, I08D, I08E, I13A, I13B, I32A, I32B, I32C, I32D, I32E, I32F, I32G, I64A, I64B, I64C		15	TPN, VTPN	M89.01	01	B03A, B03B, B06A, B06B, B17A, B17B, B17C, B17D, B20D, B71A, B71B, B71C, B71D
	15	TPN, VTPN	M87.86	08	I08A, I08B, I08C, I08D, I08E, I13A, I13B, I64A, I64B, I64C	M89.02	01	B03A, B03B, B06A, B06B, B17A, B17B, B17C, B17D, B20D, B71A, B71B, B71C, B71D
M87.25	08	I08A, I08B, I08C, I08D, I08E, I13A, I13B, I64A, I64B, I64C		15	TPN, VTPN	M89.03	01	B03A, B03B, B06A, B06B, B17A, B17B, B17C, B17D, B20D, B71A, B71B, B71C, B71D
	15	TPN, VTPN	M87.87	08	I08A, I08B, I08C, I08D, I08E, I13A, I13B, I64A, I64B, I64C	M89.04	01	B03A, B03B, B06A, B06B, B17A, B17B, B17C, B17D, B20D, B71A, B71B, B71C, B71D
M87.26	08	I08A, I08B, I08C, I08D, I08E, I13A, I13B, I64A, I64B, I64C		15	TPN, VTPN	M89.05	01	B03A, B03B, B06A, B06B, B17A, B17B, B17C, B17D, B20D, B71A, B71B, B71C, B71D
	15	TPN, VTPN	M87.88	08	I08A, I08B, I08C, I08D, I08E, I13A, I13B, I64A, I64B, I64C	M89.06	01	B03A, B03B, B06A, B06B, B17A, B17B, B17C, B17D, B20D, B71A, B71B, B71C, B71D
M87.27	08	I08A, I08B, I08C, I08D, I08E, I13A, I13B, I64A, I64B, I64C		15	TPN, VTPN	M89.07	01	B03A, B03B, B06A, B06B, B17A, B17B, B17C, B17D, B20D, B71A, B71B, B71C, B71D
	15	TPN, VTPN	M87.89	08	I08A, I08B, I08C, I08D, I08E, I13A, I13B, I64A, I64B, I64C	M89.08	01	B03A, B03B, B06A, B06B, B17A, B17B, B17C, B17D, B20D, B71A, B71B, B71C, B71D
M87.28	08	I08A, I08B, I08C, I08D, I08E, I13A, I13B, I64A, I64B, I64C		15	TPN, VTPN	M89.09	01	B03A, B03B, B06A, B06B, B17A, B17B, B17C, B17D, B20D, B71A, B71B, B71C, B71D
	15	TPN, VTPN	M87.90	08	I08A, I08B, I08C, I08D, I08E, I13A, I13B, I64A, I64B, I64C	M89.10	08	I76A, I76B
M87.29	08	I08A, I08B, I08C, I08D, I08E, I13A, I13B, I64A, I64B, I64C		15	TPN, VTPN	M89.11	08	I76A, I76B
	15	TPN, VTPN	M87.91	08	I08A, I08B, I08C, I08D, I08E, I13A, I13B, I64A, I64B, I64C	M89.12	08	I76A, I76B
M87.30	08	I08A, I08B, I08C, I08D, I08E, I13A, I13B, I64A, I64B, I64C		15	TPN, VTPN	M89.13	08	I76A, I76B
	15	TPN, VTPN	M87.92	08	I08A, I08B, I08C, I08D, I08E, I13A, I13B, I64A, I64B, I64C	M89.14	08	I76A, I76B
M87.31	08	I08A, I08B, I08C, I08D, I08E, I13A, I13B, I64A, I64B, I64C		15	TPN, VTPN	M89.15	08	I76A, I76B
	15	TPN, VTPN	M87.93	08	I08A, I08B, I08C, I08D, I08E, I13A, I13B, I64A, I64B, I64C	M89.16	08	I76A, I76B
M87.32	08	I08A, I08B, I08C, I08D, I08E, I13A, I13B, I64A, I64B, I64C		15	TPN, VTPN	M89.17	08	I76A, I76B
	15	TPN, VTPN	M87.94	08	I08A, I08B, I08C, I08D, I08E, I13A, I13B, I32A, I32B, I32C, I32D, I32E, I32F, I32G, I64A, I64B, I64C	M89.18	08	I76A, I76B
M87.33	08	I08A, I08B, I08C, I08D, I08E, I13A, I13B, I64A, I64B, I64C		15	TPN, VTPN	M89.19	08	I76A, I76B
	15	TPN, VTPN	M87.95	08	I08A, I08B, I08C, I08D, I08E, I13A, I13B, I64A, I64B, I64C	M89.20	08	I76A, I76B
M87.34	08	I08A, I08B, I08C, I08D, I08E, I13A, I13B, I32A, I32B, I32C, I32D, I32E, I32F, I32G, I64A, I64B, I64C		15	TPN, VTPN	M89.21	08	I76A, I76B
	15	TPN, VTPN	M87.96	08	I08A, I08B, I08C, I08D, I08E, I13A, I13B, I64A, I64B, I64C	M89.22	08	I76A, I76B
M87.35	08	I08A, I08B, I08C, I08D, I08E, I13A, I13B, I64A, I64B, I64C		15	TPN, VTPN	M89.23	08	I76A, I76B
	15	TPN, VTPN	M87.97	08	I08A, I08B, I08C, I08D, I08E, I13A, I13B, I64A, I64B, I64C	M89.24	08	I76A, I76B
M87.36	08	I08A, I08B, I08C, I08D, I08E, I13A, I13B, I64A, I64B, I64C		15	TPN, VTPN	M89.25	08	I76A, I76B
	15	TPN, VTPN	M87.98	08	I08A, I08B, I08C, I08D, I08E, I13A, I13B, I64A, I64B, I64C	M89.26	08	I76A, I76B
M87.37	08	I08A, I08B, I08C, I08D, I08E, I13A, I13B, I64A, I64B, I64C		15	TPN, VTPN	M89.27	08	I76A, I76B
	15	TPN, VTPN	M87.99	08	I08A, I08B, I08C, I08D, I08E, I13A, I13B, I64A, I64B, I64C	M89.28	08	I76A, I76B
M87.38	08	I08A, I08B, I08C, I08D, I08E, I13A, I13B, I64A, I64B, I64C		15	TPN, VTPN	M89.29	08	I76A, I76B
	15	TPN, VTPN	M88.0	08	I69A, I69B	M89.30	08	I76A, I76B
M87.39	08	I08A, I08B, I08C, I08D, I08E, I13A, I13B, I64A, I64B, I64C		15	TPN, VTPN	M89.31	08	I76A, I76B
	15	TPN, VTPN	M88.80	08	I69A, I69B	M89.32	08	I76A, I76B
M87.80	08	I08A, I08B, I08C, I08D, I08E, I13A, I13B, I64A, I64B, I64C		15	TPN, VTPN	M89.33	08	I76A, I76B
	15	TPN, VTPN	M88.81	08	I69A, I69B	M89.34	08	I76A, I76B
M87.81	08	I08A, I08B, I08C, I08D, I08E, I13A, I13B, I64A, I64B, I64C		15	TPN, VTPN	M89.35	08	I76A, I76B
	15	TPN, VTPN	M88.82	08	I69A, I69B	M89.36	08	I76A, I76B
M87.82	08	I08A, I08B, I08C, I08D, I08E, I13A, I13B, I64A, I64B, I64C		15	TPN, VTPN	M89.37	08	I76A, I76B
	15	TPN, VTPN	M88.83	08	I69A, I69B			
M87.83	08	I08A, I08B, I08C, I08D, I08E, I13A, I13B, I64A, I64B, I64C		15	TPN, VTPN			
	15	TPN, VTPN	M88.84	08	I69A, I69B			
			M88.85	08	I69A, I69B			
			M88.86	08	I69A, I69B			
			M88.87	08	I69A, I69B			
			M88.88	08	I69A, I69B			
			M88.89	08	I69A, I69B			
			M88.90	08	I69A, I69B			
			M88.91	08	I69A, I69B			
			M88.92	08	I69A, I69B			
			M88.93	08	I69A, I69B			
			M88.94	08	I69A, I69B			
			M88.95	08	I69A, I69B			
			M88.96	08	I69A, I69B			

ICD	MDC	DRG	ICD	MDC	DRG	ICD	MDC	DRG
M89.38	08	I76A, I76B	M89.95	08	I76A, I76B	M92.8	08	I69A, I69B
M89.39	08	I76A, I76B	M89.96	08	I76A, I76B	M92.9	08	I69A, I69B
M89.40	08	I69A, I69B	M89.97	08	I76A, I76B	M93.0	08	I69A, I69B
M89.41	08	I69A, I69B	M89.98	08	I76A, I76B	M93.1	08	I69A, I69B
M89.42	08	I69A, I69B	M89.99	08	I76A, I76B	M93.2	08	I69A, I69B
M89.43	08	I69A, I69B	M90.00	15	TPN, VTPN	M93.8	08	I69A, I69B
M89.44	08	I69A, I69B	M90.01	15	TPN, VTPN	M93.9	08	I69A, I69B
M89.45	08	I69A, I69B	M90.02	15	TPN, VTPN	M94.0	04	E65A, E65B, E69A, E69B, E69C, E69D, E69E, E69F, E75A, E75B, E75C
M89.46	08	I69A, I69B	M90.03	15	TPN, VTPN	M94.1	08	I76A
M89.47	08	I69A, I69B	M90.04	15	TPN, VTPN	M94.20	08	I69A, I69B
M89.48	08	I69A, I69B	M90.05	15	TPN, VTPN	M94.21	08	I69A, I69B
M89.49	08	I69A, I69B	M90.06	15	TPN, VTPN	M94.22	08	I69A, I69B
M89.50	08	I76A	M90.07	15	TPN, VTPN	M94.23	08	I69A, I69B
	17	R61F, R61G, R62A, R62B	M90.08	15	TPN, VTPN	M94.24	08	I69A, I69B
M89.51	08	I76A, I76B	M90.09	15	TPN, VTPN	M94.25	08	I69A, I69B
	17	R61F, R61G, R62A, R62B	M90.10	15	TPN, VTPN	M94.26	08	I69A, I69B
M89.52	08	I76A, I76B	M90.11	15	TPN, VTPN	M94.27	08	I69A, I69B
	17	R61F, R61G, R62A, R62B	M90.12	15	TPN, VTPN	M94.28	08	I69A, I69B
M89.53	08	I76A, I76B	M90.13	15	TPN, VTPN	M94.29	08	I69A, I69B
	17	R61F, R61G, R62A, R62B	M90.14	15	TPN, VTPN	M94.30	08	I76A, I76B
M89.54	08	I76A, I76B	M90.15	15	TPN, VTPN	M94.31	08	I76A, I76B
	17	R61F, R61G, R62A, R62B	M90.16	15	TPN, VTPN	M94.32	08	I76A, I76B
M89.55	08	I04Z, I76A, I76B	M90.17	15	TPN, VTPN	M94.33	08	I76A, I76B
	17	R61F, R61G, R62A, R62B	M90.18	15	TPN, VTPN	M94.34	08	I76A, I76B
M89.56	08	I04Z, I76A, I76B	M90.19	15	TPN, VTPN	M94.35	08	I76A, I76B
	17	R61F, R61G, R62A, R62B	M90.20	15	TPN, VTPN	M94.36	08	I76A, I76B
M89.57	08	I76A, I76B	M90.21	15	TPN, VTPN	M94.37	08	I76A, I76B
	17	R61F, R61G, R62A, R62B	M90.22	15	TPN, VTPN	M94.38	08	I76A, I76B
M89.58	08	I76A	M90.23	15	TPN, VTPN	M94.39	08	I76A, I76B
	17	R61F, R61G, R62A, R62B	M90.24	15	TPN, VTPN	M94.80	08	I76A, I76B
M89.59	08	I76A, I76B	M90.25	15	TPN, VTPN	M94.81	08	I76A, I76B
	17	R61F, R61G, R62A, R62B	M90.26	15	TPN, VTPN	M94.82	08	I76A, I76B
M89.60	08	I08A, I08B, I08C, I08D, I08E, I13A, I13B, I76A, I76B	M90.27	15	TPN, VTPN	M94.83	08	I76A, I76B
M89.61	08	I08A, I08B, I08C, I08D, I08E, I13A, I13B, I76A, I76B	M90.28	15	TPN, VTPN	M94.84	08	I76A, I76B
M89.62	08	I08A, I08B, I08C, I08D, I08E, I13A, I13B, I76A, I76B	M90.29	15	TPN, VTPN	M94.85	08	I76A, I76B
M89.63	08	I08A, I08B, I08C, I08D, I08E, I13A, I13B, I76A, I76B	M90.70	15	TPN, VTPN	M94.86	08	I76A, I76B
M89.64	08	I08A, I08B, I08C, I08D, I08E, I13A, I13B, I32A, I32B, I32C, I32D, I32E, I32F, I32G, I76A, I76B	M90.71	17	R61F, R61G, R62A, R62B	M94.87	08	I76A, I76B
M89.65	08	I08A, I08B, I08C, I08D, I08E, I13A, I13B, I76A, I76B	M90.72	15	TPN, VTPN	M94.88	08	I76A, I76B
M89.66	08	I08A, I08B, I08C, I08D, I08E, I13A, I13B, I76A, I76B	M90.73	15	TPN, VTPN	M94.89	08	I76A, I76B
M89.67	08	I08A, I08B, I08C, I08D, I08E, I13A, I13B, I76A, I76B	M90.74	15	TPN, VTPN	M94.90	08	I76A, I76B
M89.68	08	I08A, I08B, I08C, I08D, I08E, I13A, I13B, I76A, I76B	M90.75	15	TPN, VTPN	M94.91	08	I76A, I76B
M89.69	08	I08A, I08B, I08C, I08D, I08E, I13A, I13B, I76A, I76B	M90.76	15	TPN, VTPN	M94.92	08	I76A, I76B
M89.70	08	I76A, I76B	M90.77	15	TPN, VTPN	M94.93	08	I76A, I76B
M89.71	08	I76A, I76B	M90.78	15	TPN, VTPN	M94.94	08	I76A, I76B
M89.72	08	I76A, I76B	M90.79	15	TPN, VTPN	M94.95	08	I76A, I76B
M89.73	08	I76A, I76B		17	R61F, R61G, R62A, R62B	M94.96	08	I76A, I76B
M89.74	08	I76A, I76B	M91.0	08	I69A, I69B	M94.97	08	I76A, I76B
M89.75	08	I76A, I76B	M91.1	08	I69A, I69B	M94.98	08	I76A, I76B
M89.76	08	I76A, I76B	M91.2	08	I69A, I69B	M94.99	08	I76A, I76B
M89.77	08	I76A, I76B	M91.3	08	I69A, I69B	M95.0	03	D65Z
M89.78	08	I76A, I76B	M91.8	08	I69A, I69B	M95.1	03	D66Z
M89.79	08	I76A, I76B	M91.9	08	I69A, I69B	M95.2	08	I76A, I76B
M89.80	08	I76A, I76B	M92.0	08	I69A, I69B	M95.3	08	I76A, I76B
M89.81	08	I76A, I76B	M92.1	08	I69A, I69B	M95.4	08	I76A, I76B
M89.82	08	I76A, I76B	M92.2	08	I69A, I69B	M95.5	08	I76A, I76B
M89.83	08	I76A, I76B	M92.3	08	I69A, I69B	M95.8	08	I76A, I76B
M89.84	08	I76A, I76B	M92.4	08	I69A, I69B	M95.9	08	I76A, I76B
M89.85	08	I76A, I76B	M92.5	08	I69A, I69B	M96.0	08	I76A, I76B
M89.86	08	I76A, I76B	M92.6	08	I69A, I69B	M96.1	08	I68A, I68B, I68C, I68D, I68E
M89.87	08	I76A, I76B	M92.7	08	I69A, I69B	M96.2	08	I06A, I06B, I06C, I06D, I06E, I09A, I09B, I09C, I09D, I09E, I68A, I68B, I68C, I68D, I68E
M89.88	08	I76A, I76B				M96.3	08	I06A, I06B, I06C, I06D, I06E, I09A, I09B, I09C, I09D, I09E, I68A, I68B, I68C, I68D, I68E
M89.89	08	I76A, I76B						
M89.90	08	I76A, I76B						
M89.91	08	I76A, I76B						
M89.92	08	I76A, I76B						
M89.93	08	I76A, I76B						
M89.94	08	I76A, I76B						

ICD	MDC	DRG	ICD	MDC	DRG	ICD	MDC	DRG
M96.4	08	I06A, I06B, I06C, I06D, I06E, I09A, I09B, I09C, I09D, I09E, I68A, I68B, I68C, I68D, I68E	N01.7	11	L68A, L68B, L74Z	N05.0	11	L68A, L68B, L74Z
M96.5	08	I06A, I06B, I06C, I06D, I06E, I09A, I09B, I09C, I09D, I09E, I68A, I68B, I68C, I68D, I68E	N01.8	11	L68A, L68B, L74Z		18A	S65A, S65B
M96.6	08	I01Z, I03A, I03B, I04Z, I08A, I08B, I08C, I08D, I08E, I13A, I13B, I73Z	N01.9	11	L68A, L68B, L74Z	N05.1	11	L68A, L68B, L74Z
M96.80	08	I01Z, I03A, I03B, I04Z, I08A, I08B, I08C, I08D, I08E, I13A, I13B, I73Z	N02.0	11	L64A, L74Z		18A	S65A, S65B
M96.81	08	I01Z, I03A, I03B, I04Z, I08A, I08B, I08C, I08D, I08E, I13A, I13B, I73Z	N02.1	11	L64A, L74Z	N05.2	11	L68A, L68B, L74Z
M96.88	08	I01Z, I03A, I03B, I04Z, I08A, I08B, I08C, I08D, I08E, I13A, I13B, I73Z	N02.2	11	L64A, L74Z		18A	S65A, S65B
M96.9	08	I08A, I08B, I08C, I08D, I08E, I13A, I13B, I73Z	N02.3	11	L64A, L74Z	N05.3	11	L68A, L68B, L74Z
N00.0	11	L68A, L68B, L74Z	N02.4	11	L64A, L74Z		18A	S65A, S65B
N00.1	11	L68A, L68B, L74Z	N02.5	11	L64A, L74Z	N05.4	11	L68A, L68B, L74Z
N00.2	11	L68A, L68B, L74Z	N02.6	11	L64A, L74Z		18A	S65A, S65B
N00.3	11	L68A, L68B, L74Z	N02.7	11	L64A, L74Z	N05.5	11	L68A, L68B, L74Z
N00.4	11	L68A, L68B, L74Z	N02.8	11	L64A, L74Z		18A	S65A, S65B
N00.5	11	L68A, L68B, L74Z	N02.9	11	L64A, L74Z	N05.6	11	L68A, L68B, L74Z
N00.6	11	L68A, L68B, L74Z	N03.0	11	L68A, L68B, L74Z		18A	S65A, S65B
N00.7	11	L68A, L68B, L74Z	N03.1	11	L68A, L68B, L74Z	N05.7	11	L68A, L68B, L74Z
N00.8	11	L68A, L68B, L74Z	N03.2	11	L68A, L68B, L74Z		18A	S65A, S65B
N00.9	11	L68A, L68B, L74Z	N03.3	11	L68A, L68B, L74Z	N05.8	11	L68A, L68B, L74Z
N01.0	11	L68A, L68B, L74Z	N03.4	11	L68A, L68B, L74Z		18A	S65A, S65B
N01.1	11	L68A, L68B, L74Z	N03.5	11	L68A, L68B, L74Z	N05.9	11	L68A, L68B, L74Z
N01.2	11	L68A, L68B, L74Z	N03.6	11	L68A, L68B, L74Z		18A	S65A, S65B
N01.3	11	L68A, L68B, L74Z	N03.7	11	L68A, L68B, L74Z	N06.0	11	L68A, L68B, L74Z
N01.4	11	L68A, L68B, L74Z	N03.8	11	L68A, L68B, L74Z		18A	S65A, S65B
N01.5	11	L68A, L68B, L74Z	N03.9	11	L68A, L68B, L74Z	N06.1	11	L68A, L68B, L74Z
N01.6	11	L68A, L68B, L74Z	N04.0	11	L69A, L69B	N06.2	11	L68A, L68B, L74Z
	18A	S65A, S65B	N04.1	11	L69A, L69B	N06.3	11	L68A, L68B, L74Z
	18A	S65A, S65B	N04.2	11	L69A, L69B	N06.4	11	L68A, L68B, L74Z
	18A	S65A, S65B	N04.3	11	L69A, L69B	N06.5	11	L68A, L68B, L74Z
	18A	S65A, S65B	N04.4	11	L69A, L69B	N06.6	11	L68A, L68B, L74Z
	18A	S65A, S65B	N04.5	11	L69A, L69B	N06.7	11	L68A, L68B, L74Z
	18A	S65A, S65B	N04.6	11	L69A, L69B	N06.8	11	L68A, L68B, L74Z
	18A	S65A, S65B	N04.7	11	L69A, L69B	N06.9	11	L68A, L68B, L74Z
	18A	S65A, S65B	N04.8	11	L69A, L69B	N07.0	11	L68A, L68B, L74Z
	18A	S65A, S65B	N04.9	11	L69A, L69B	N07.1	11	L68A, L68B, L74Z
	18A	S65A, S65B		15	TPN, VTPN	N07.2	11	L68A, L68B, L74Z
	18A	S65A, S65B		18A	S65A, S65B	N07.3	11	L68A, L68B, L74Z
	18A	S65A, S65B		18A	S65A, S65B	N07.4	11	L68A, L68B, L74Z
	18A	S65A, S65B		18A	S65A, S65B	N07.5	11	L68A, L68B, L74Z
	18A	S65A, S65B		18A	S65A, S65B	N07.6	11	L68A, L68B, L74Z
	18A	S65A, S65B		18A	S65A, S65B	N07.7	11	L68A, L68B, L74Z
	18A	S65A, S65B		18A	S65A, S65B	N07.8	11	L68A, L68B, L74Z
	18A	S65A, S65B		18A	S65A, S65B	N07.9	11	L68A, L68B, L74Z
	18A	S65A, S65B		18A	S65A, S65B	N08.3	10	K60B
	18A	S65A, S65B		18A	S65A, S65B		15	TPN, VTPN
	18A	S65A, S65B		18A	S65A, S65B	N10	11	L63A, L63B, L63C, L63D, L63E, L63F, L74Z
	18A	S65A, S65B		18A	S65A, S65B		15	TPN, VTPN
	18A	S65A, S65B		18A	S65A, S65B		Pre	A07D, A09E, A11F, A13F
	18A	S65A, S65B		18A	S65A, S65B	N11.0	11	L68A, L68B, L74Z
	18A	S65A, S65B		18A	S65A, S65B	N11.1	11	L63A, L63B, L63C, L63D, L63E, L63F, L74Z
	18A	S65A, S65B		18A	S65A, S65B	N11.8	11	L63A, L63B, L63C, L63D, L63E, L63F, L74Z
	18A	S65A, S65B		18A	S65A, S65B	N11.9	11	L63A, L63B, L63C, L63D, L63E, L63F, L74Z
	18A	S65A, S65B		18A	S65A, S65B	N12	11	L63A, L63B, L63C, L63D, L63E, L63F, L74Z
	18A	S65A, S65B		18A	S65A, S65B		15	TPN, VTPN
	18A	S65A, S65B		18A	S65A, S65B	N13.0	11	L42A, L42B, L64A, L64B, L74Z
	18A	S65A, S65B		18A	S65A, S65B	N13.1	11	L42A, L42B, L64A, L64B, L74Z
	18A	S65A, S65B		18A	S65A, S65B	N13.2	11	L42A, L42B, L64A, L64B, L74Z
	18A	S65A, S65B		18A	S65A, S65B	N13.3	11	L42A, L42B, L64A, L64B, L74Z
	18A	S65A, S65B		18A	S65A, S65B		Pre	A07D, A09E, A11F, A13F
	18A	S65A, S65B		18A	S65A, S65B	N13.4	11	L42A, L42B, L64A, L64B, L74Z
	18A	S65A, S65B		18A	S65A, S65B	N13.5	11	L42A, L42B, L64A, L64B, L74Z
	18A	S65A, S65B		18A	S65A, S65B		15	TPN, VTPN
	18A	S65A, S65B		18A	S65A, S65B	N13.6	11	L63A, L63B, L63C, L63D, L63E, L63F, L74Z
	18A	S65A, S65B		18A	S65A, S65B	N13.7	11	L64A, L64B, L74Z



ICD	MDC	DRG	ICD	MDC	DRG	ICD	MDC	DRG
N13.8	11	L63A, L63B, L63C, L63D, L63E, L63F, L74Z	N18.1	11	L02B, L09A, L09B, L38Z, L60A, L60B, L60C, L60D, L71Z	N31.1	11	L68A, L68B, L74Z
	15	TPN, VTPN		15	TPN, VTPN	N31.2	11	L68A, L68B, L74Z
N13.9	11	L64A, L64B, L74Z	N18.2	11	L02B, L09A, L09B, L38Z, L60A, L60B, L60C, L60D, L71Z	N31.80	11	L68A, L68B, L74Z
	15	TPN, VTPN		15	TPN, VTPN	N31.81	11	L68A, L68B, L74Z
N14.0	11	L68A, L68B, L74Z	N18.3	11	L02B, L09A, L09B, L38Z, L60A, L60B, L60C, L60D, L71Z	N31.82	11	L68A, L68B, L74Z
	18A	S65A, S65B		15	TPN, VTPN	N31.88	11	L68A, L68B, L74Z
N14.1	11	L68A, L68B, L74Z	N18.4	11	L02B, L09A, L09B, L38Z, L60A, L60B, L60C, L60D, L71Z	N31.9	11	L68A, L68B, L74Z
	18A	S65A, S65B		15	TPN, VTPN	N32.0	11	L68A, L68B, L74Z
N14.2	11	L68A, L68B, L74Z	N18.5	10	K60B	N32.1	11	L68A, L68B, L74Z
	18A	S65A, S65B		11	L02B, L09A, L09B, L38Z, L60A, L60B, L60C, L60D, L71Z		15	TPN, VTPN
N14.3	11	L68A, L68B, L74Z		Pre	A07D, A09E, A11F, A13F	N32.2	11	L68A, L68B, L74Z
	18A	S65A, S65B		15	TPN, VTPN		15	TPN, VTPN
N14.4	11	L68A, L68B, L74Z	N18.80	11	L02B, L09A, L09B, L38Z, L60A, L60B, L60C, L60D, L71Z	N32.3	11	L68A, L68B, L74Z
	18A	S65A, S65B		11	L02B, L09A, L09B, L38Z, L60A, L60B, L60C, L60D, L71Z		15	TPN, VTPN
N15.0	11	L68A, L68B, L74Z		Pre	A07D, A09E, A11F, A13F	N32.4	11	L68A, L68B, L74Z
	18A	S65A, S65B		11	L02B, L09A, L09B, L38Z, L60A, L60B, L60C, L60D, L71Z		15	TPN, VTPN
N15.10	11	L63A, L63B, L63C, L63D, L63E, L63F, L74Z	N18.89	11	L02B, L09A, L09B, L38Z, L60A, L60B, L60C, L60D, L71Z	N32.8	11	L68A, L68B, L74Z
	15	TPN, VTPN		15	TPN, VTPN	N32.9	11	L68A, L68B, L74Z
N15.11	11	L63A, L63B, L63C, L63D, L63E, L63F, L74Z	N18.9	11	L02B, L09A, L09B, L38Z, L60A, L60B, L60C, L60D, L71Z	N34.0	11	L63A, L63B, L63C, L63D, L63E, L63F, L74Z
	15	TPN, VTPN		15	TPN, VTPN		15	TPN, VTPN
N15.8	11	L68A, L68B, L74Z	N19	11	L60A, L60B, L60C, L60D, L71Z	N34.1	11	L63A, L63B, L63C, L63D, L63E, L63F, L74Z
	18A	S65A, S65B		15	TPN, VTPN		11	L63A, L63B, L63C, L63D, L63E, L63F, L74Z
N15.9	11	L68A, L68B, L74Z	N20.0	11	L20B, L42A, L42B, L64A, L64B, L74Z	N34.2	11	L63A, L63B, L63C, L63D, L63E, L63F, L74Z
	18A	S65A, S65B		15	TPN, VTPN		11	L63A, L63B, L63C, L63D, L63E, L63F, L74Z
N17.0	05	F62A	N20.1	11	L42A, L42B, L64A, L64B, L74Z	N34.3	11	L63A, L63B, L63C, L63D, L63E, L63F, L74Z
	06	G67A	N20.2	11	L20B, L42A, L42B, L64A, L64B, L74Z		11	L64A, L74Z
	07	H06A		15	TPN, VTPN	N35.0	11	L64A, L74Z
	10	K62A	N20.9	11	L42A, L42B, L64A, L64B, L74Z	N35.1	11	L64A, L74Z
	11	L02B, L09A, L09B, L38Z, L60A, L60B, L60C, L60D, L71Z	N21.0	11	L42A, L42B, L64A, L64B, L74Z	N35.8	11	L64A, L74Z
	15	TPN, VTPN	N21.1	11	L42A, L42B, L64A, L64B, L74Z		15	TPN, VTPN
	Pre	A07D, A09E, A11F, A13F	N21.8	11	L42A, L42B, L64A, L64B, L74Z	N35.9	11	L64A, L74Z
N17.1	05	F62A	N21.9	11	L42A, L42B, L64A, L64B, L74Z	N36.0	11	L68A, L68B, L74Z
	06	G67A	N23	11	L42A, L42B, L64A, L64B, L74Z		15	TPN, VTPN
	07	H06A	N25.0	11	L68A, L68B, L74Z	N36.1	11	L68A, L68B, L74Z
	10	K62A	N25.1	11	L68A, L68B, L74Z		15	TPN, VTPN
	11	L02B, L09A, L09B, L38Z, L60A, L60B, L60C, L60D, L71Z		15	TPN, VTPN	N36.2	11	L68A, L68B, L74Z
	15	TPN, VTPN	N25.8	11	L68A, L68B, L74Z	N36.3	11	L68A, L68B, L74Z
	Pre	A07D, A09E, A11F, A13F	N25.9	11	L68A, L68B, L74Z	N36.8	11	L68A, L68B, L74Z
N17.2	05	F62A	N26	11	L64A, L64B, L74Z	N36.9	11	L68A, L68B, L74Z
	06	G67A	N27.0	11	L68A, L68B, L74Z	N39.0	11	L63A, L63B, L63C, L63D, L63E, L63F, L74Z
	07	H06A	N27.1	11	L68A, L68B, L74Z		15	TPN, VTPN
	10	K62A	N27.9	11	L68A, L68B, L74Z	N39.1	11	L64A, L64B, L74Z
	11	L02B, L09A, L09B, L38Z, L60A, L60B, L60C, L60D, L71Z	N28.0	11	L69A, L69B	N39.2	11	L64A, L64B, L74Z
	15	TPN, VTPN		15	TPN, VTPN	N39.3	11	L64A, L74Z
	Pre	A07D, A09E, A11F, A13F	N28.1	11	L68A, L68B, L74Z	N39.40	11	L64A, L74Z
N17.8	05	F62A	N28.8	11	L68A, L68B, L74Z	N39.41	11	L64A, L74Z
	06	G67A	N28.9	11	L68A, L68B, L74Z	N39.42	11	L64A, L74Z
	07	H06A		18A	S65A, S65B	N39.43	11	L64A, L74Z
	10	K62A	N30.0	11	L63A, L63B, L63C, L63D, L63E, L63F, L74Z	N39.48	11	L64A, L74Z
	11	L02B, L09A, L09B, L38Z, L60A, L60B, L60C, L60D, L71Z		11	L63A, L63B, L63C, L63D, L63E, L63F, L74Z	N39.81	11	L64A, L64B, L74Z
	15	TPN, VTPN	N30.1	11	L64A, L64B, L74Z	N39.88	11	L64A, L64B, L74Z
	Pre	A07D, A09E, A11F, A13F	N30.2	11	L63A, L63B, L63C, L63D, L63E, L63F, L74Z	N39.9	11	L64A, L64B, L74Z
N17.9	05	F62A	N30.3	11	L63A, L63B, L63C, L63D, L63E, L63F, L74Z	N40	12	M61Z
	06	G67A	N30.4	11	L62A, L62B	N41.0	12	M62Z
	07	H06A	N30.8	11	L63A, L63B, L63C, L63D, L63E, L63F, L74Z	N41.1	12	M62Z
	10	K62A		11	L63A, L63B, L63C, L63D, L63E, L63F, L74Z	N41.2	12	M62Z
	11	L02B, L09A, L09B, L38Z, L60A, L60B, L60C, L60D, L71Z	N30.9	11	L63A, L63B, L63C, L63D, L63E, L63F, L74Z	N41.3	12	M62Z
	15	TPN, VTPN	N31.0	11	L68A, L68B, L74Z	N41.8	12	M62Z
	Pre	A07D, A09E, A11F, A13F				N41.9	12	M62Z
						N42.0	12	M64Z
						N42.1	12	M64Z
						N42.2	12	M64Z
						N42.3	08	I54Z
							12	M09A, M09B, M60A, M60B, M60C
							Pre	A09A, A11B
						N42.8	12	M64Z

ICD	MDC	DRG	ICD	MDC	DRG	ICD	MDC	DRG
N42.9	12	M64Z	N72	13	N04Z, N05A, N05B, N14Z, N21Z, N25Z, N61Z	N81.0	13	N04Z, N05A, N05B, N14Z, N21Z, N25Z, N62A, N62B
N43.0	12	M64Z	N73.0	13	N04Z, N05A, N05B, N07Z, N14Z, N21Z, N25Z, N61Z	N81.1	13	N04Z, N05A, N05B, N14Z, N21Z, N25Z, N62A, N62B
N43.1	12	M62Z	N73.1	13	N04Z, N05A, N05B, N07Z, N14Z, N21Z, N25Z, N61Z	N81.2	13	N04Z, N05A, N05B, N14Z, N21Z, N25Z, N62A, N62B
N43.2	12	M64Z	N73.2	13	N04Z, N05A, N05B, N07Z, N14Z, N21Z, N25Z, N61Z	N81.3	13	N04Z, N05A, N05B, N14Z, N21Z, N25Z, N62A, N62B
N43.3	12	M64Z	N73.3	13	N04Z, N05A, N05B, N07Z, N14Z, N21Z, N25Z, N61Z	N81.4	13	N04Z, N05A, N05B, N14Z, N21Z, N25Z, N62A, N62B
N43.4	12	M64Z	N73.4	13	N04Z, N05A, N05B, N07Z, N14Z, N21Z, N25Z, N61Z	N81.5	13	N04Z, N05A, N05B, N14Z, N21Z, N25Z, N62A, N62B
N44.0	12	M64Z	N73.5	13	N04Z, N05A, N05B, N07Z, N14Z, N21Z, N25Z, N61Z	N81.6	13	N04Z, N05A, N05B, N14Z, N21Z, N25Z, N62A, N62B
N44.1	12	M64Z	N73.6	13	N04Z, N05A, N05B, N07Z, N14Z, N21Z, N25Z, N62A, N62B	N81.8	13	N04Z, N05A, N05B, N14Z, N21Z, N25Z, N62A, N62B
N45.0	12	M62Z	N73.8	13	N04Z, N05A, N05B, N07Z, N14Z, N21Z, N25Z, N61Z	N81.9	13	N04Z, N05A, N05B, N14Z, N21Z, N25Z, N62A, N62B
N45.9	12	M62Z	N73.9	13	N04Z, N05A, N05B, N07Z, N14Z, N21Z, N25Z, N61Z	N82.0	13	N04Z, N05A, N05B, N14Z, N21Z, N25Z, N62A, N62B
N46	12	M64Z	N75.0	13	N04Z, N05A, N05B, N14Z, N21Z, N25Z, N62B	N82.1	13	N04Z, N05A, N05B, N14Z, N21Z, N25Z, N62A, N62B
N47	12	M62Z	N75.1	13	N04Z, N05A, N05B, N14Z, N21Z, N25Z, N61Z	N82.1	15	TPN, VTPN
N48.0	12	M64Z	N75.8	13	N04Z, N05A, N05B, N14Z, N21Z, N25Z, N61Z	N82.2	06	G46A, G46B, G46C, G50Z, G64A, G64B, G64C, G70A, G70B
N48.1	12	M62Z	N75.9	13	N04Z, N05A, N05B, N14Z, N21Z, N25Z, N61Z	N82.3	06	G46A, G46B, G46C, G50Z, G64A, G64B, G64C, G70A, G70B
N48.2	12	M62Z	N76.0	13	N04Z, N05A, N05B, N14Z, N21Z, N25Z, N61Z	N82.3	15	TPN, VTPN
N48.30	12	M64Z	N76.1	13	N04Z, N05A, N05B, N14Z, N21Z, N25Z, N61Z	N82.4	06	G46A, G46B, G46C, G50Z, G64A, G64B, G64C, G70A, G70B
N48.31	12	M64Z	N76.2	13	N04Z, N05A, N05B, N14Z, N21Z, N25Z, N61Z	N82.4	15	TPN, VTPN
N48.38	12	M64Z	N76.3	13	N04Z, N05A, N05B, N14Z, N21Z, N25Z, N61Z	N82.5	13	N04Z, N05A, N05B, N14Z, N21Z, N25Z, N62A, N62B
N48.39	12	M64Z	N76.4	13	N04Z, N05A, N05B, N14Z, N21Z, N25Z, N61Z	N82.8	15	TPN, VTPN
N48.4	12	M64Z	N76.5	13	N04Z, N05A, N05B, N14Z, N21Z, N25Z, N61Z	N82.8	13	N04Z, N05A, N05B, N14Z, N21Z, N25Z, N62A, N62B
N48.5	12	M64Z	N76.6	13	N04Z, N05A, N05B, N14Z, N21Z, N25Z, N62A, N62B	N82.9	13	N04Z, N05A, N05B, N14Z, N21Z, N25Z, N62A, N62B
N48.6	12	M62Z	N76.80	13	N04Z, N05A, N05B, N14Z, N21Z, N25Z, N61Z	N83.0	15	TPN, VTPN
N48.8	12	M64Z	N76.88	13	N04Z, N05A, N05B, N14Z, N21Z, N25Z, N61Z	N83.0	13	N04Z, N05A, N05B, N14Z, N21Z, N25Z, N62B
N48.9	12	M62Z	N80.0	13	N04Z, N05A, N05B, N07Z, N14Z, N21Z, N25Z, N62A, N62B	N83.1	13	N04Z, N05A, N05B, N14Z, N21Z, N25Z, N62B
N49.0	12	M62Z	N80.1	13	N04Z, N05A, N05B, N07Z, N14Z, N21Z, N25Z, N62A, N62B	N83.2	13	N04Z, N05A, N05B, N14Z, N21Z, N25Z, N62B
N49.1	12	M62Z	N80.2	13	N04Z, N05A, N05B, N07Z, N14Z, N21Z, N25Z, N62A, N62B	N83.3	13	N04Z, N05A, N05B, N14Z, N21Z, N25Z, N62A, N62B
N49.2	12	M62Z	N80.2	13	N04Z, N05A, N05B, N07Z, N14Z, N21Z, N25Z, N62A, N62B	N83.4	13	N04Z, N05A, N05B, N14Z, N21Z, N25Z, N62A, N62B
N49.80	12	M04A, M37Z, M62Z	N80.3	13	N04Z, N05A, N05B, N07Z, N14Z, N21Z, N25Z, N62A, N62B	N83.5	13	N04Z, N05A, N05B, N14Z, N21Z, N25Z, N62B
N49.88	Pre	A07D, A09E, A11F, A13F	N80.4	13	N04Z, N05A, N05B, N07Z, N14Z, N21Z, N25Z, N62A, N62B	N83.6	13	N04Z, N05A, N05B, N14Z, N21Z, N25Z, N62A, N62B
N49.9	12	M62Z	N80.5	06	G46A, G46B, G46C, G50Z, G67A, G67B, G67C, G67D	N83.7	13	N04Z, N05A, N05B, N14Z, N21Z, N25Z, N62A, N62B
N50.0	12	M64Z	N80.6	09	J67A, J67B, J68A, J68B	N83.8	13	N04Z, N05A, N05B, N14Z, N21Z, N25Z, N62B
N50.1	12	M64Z	N80.8	13	N04Z, N05A, N05B, N07Z, N14Z, N21Z, N25Z, N61Z	N83.9	13	N04Z, N05A, N05B, N14Z, N21Z, N25Z, N62B
N50.8	12	M64Z	N80.9	13	N04Z, N05A, N05B, N07Z, N14Z, N21Z, N25Z, N62A, N62B	N84.0	13	N04Z, N05A, N05B, N14Z, N21Z, N25Z, N62A, N62B
N50.9	12	M64Z				N84.1	13	N04Z, N05A, N05B, N14Z, N21Z, N25Z, N62A, N62B
N60.0	09	J67A, J67B						
N60.1	09	J67A, J67B						
N60.2	09	J67A, J67B						
N60.3	09	J67A, J67B						
N60.4	09	J67A, J67B						
N60.8	09	J67A, J67B						
N60.9	09	J67A, J67B						
N61	09	J67A, J67B						
N62	09	J67A, J67B						
N63	09	J67A, J67B						
N64.0	09	J67A, J67B						
N64.1	09	J67A, J67B						
N64.2	09	J67A, J67B						
N64.3	09	J67A, J67B						
N64.4	09	J67A, J67B						
N64.5	09	J67A, J67B						
N64.8	09	J67A, J67B						
N64.9	09	J67A, J67B						
N70.0	13	N04Z, N05A, N05B, N07Z, N14Z, N21Z, N25Z, N61Z						
N70.1	13	N04Z, N05A, N05B, N07Z, N14Z, N21Z, N25Z, N61Z						
N70.9	13	N04Z, N05A, N05B, N07Z, N14Z, N21Z, N25Z, N61Z						
N71.0	13	N04Z, N05A, N05B, N07Z, N14Z, N21Z, N25Z, N61Z						
N71.1	13	N04Z, N05A, N05B, N07Z, N14Z, N21Z, N25Z, N61Z						
N71.9	13	N04Z, N05A, N05B, N07Z, N14Z, N21Z, N25Z, N61Z						



ICD	MDC	DRG	ICD	MDC	DRG	ICD	MDC	DRG
O04.1	14	962Z, O40Z, O63Z	O10.4	14	962Z, O04A, O04B, O61Z, O65A, O65B, O65C	O21.2	14	962Z, O01A, O01B, O01C, O01D, O01E, O01F, O01G, O04A, O04B, O60A, O60B, O60C, O61Z, O65A, O65B, O65C
O04.2	14	962Z, O40Z, O63Z	O10.9	14	962Z, O04A, O04B, O61Z, O65A, O65B, O65C	O21.8	14	962Z, O01A, O01B, O01C, O01D, O01E, O01F, O01G, O04A, O04B, O60A, O60B, O60C, O61Z, O65A, O65B, O65C
O04.3	14	962Z, O40Z, O63Z	O11	14	962Z, O01A, O01B, O01C, O01D, O01E, O01F, O01G, O04A, O04B, O60A, O60B, O60C, O61Z, O65A, O65B, O65C	O21.9	14	962Z, O01A, O01B, O01C, O01D, O01E, O01F, O01G, O04A, O04B, O60A, O60B, O60C, O61Z, O65A, O65B, O65C
O04.4	14	962Z, O40Z, O63Z	O12.0	14	962Z, O04A, O04B, O61Z, O65A, O65B, O65C	O22.0	14	962Z, O04A, O04B, O61Z, O65A, O65B, O65C
O04.5	14	962Z, O40Z, O63Z	O12.1	14	962Z, O01A, O01B, O01C, O01D, O01E, O01F, O01G, O04A, O04B, O60A, O60B, O60C, O61Z, O65A, O65B, O65C	O22.1	14	962Z, O04A, O04B, O61Z, O65A, O65B, O65C
O04.6	14	962Z, O40Z, O63Z	O12.2	14	962Z, O04A, O04B, O61Z, O65A, O65B, O65C	O22.2	14	962Z, O04A, O04B, O61Z, O65A, O65B, O65C
O04.7	14	962Z, O40Z, O63Z	O13	14	962Z, O01A, O01B, O01C, O01D, O01E, O01F, O01G, O04A, O04B, O60A, O60B, O60C, O61Z, O65A, O65B, O65C	O22.3	14	962Z, O01A, O01B, O01C, O01D, O01E, O01F, O01G, O04A, O04B, O60A, O60B, O60C, O61Z, O65A, O65B, O65C
O04.8	14	962Z, O40Z, O63Z	O14.0	14	962Z, O01A, O01B, O01C, O01D, O01E, O01F, O01G, O04A, O04B, O60A, O60B, O60C, O61Z, O65A, O65B, O65C	O22.4	14	962Z, O04A, O04B, O61Z, O65A, O65B, O65C
O04.9	14	962Z, O40Z, O63Z	O14.1	14	962Z, O01A, O01B, O01C, O01D, O01E, O01F, O01G, O04A, O04B, O60A, O60B, O60C, O61Z, O65A, O65B, O65C	O22.5	14	962Z, O01A, O01B, O01C, O01D, O01E, O01F, O01G, O04A, O04B, O60A, O60B, O60C, O61Z, O65A, O65B, O65C
O05.0	14	962Z, O40Z, O63Z	O14.2	14	Pre A07D, A09E, A11F, A13F 962Z, O01A, O01B, O01C, O01D, O01E, O01F, O01G, O04A, O04B, O60A, O60B, O60C, O61Z, O65A, O65B, O65C	O22.8	14	962Z, O01A, O01B, O01C, O01D, O01E, O01F, O01G, O04A, O04B, O60A, O60B, O60C, O61Z, O65A, O65B, O65C
O05.1	14	962Z, O40Z, O63Z	O14.9	14	Pre A07D, A09E, A11F, A13F 962Z, O01A, O01B, O01C, O01D, O01E, O01F, O01G, O04A, O04B, O60A, O60B, O60C, O61Z, O65A, O65B, O65C	O22.9	14	962Z, O04A, O04B, O61Z, O65A, O65B, O65C
O05.2	14	962Z, O40Z, O63Z	O15.0	14	962Z, O01A, O01B, O01C, O01D, O01E, O01F, O01G, O04A, O04B, O60A, O60B, O60C, O61Z, O65A, O65B, O65C	O23.0	14	962Z, O04A, O04B, O61Z, O65A, O65B, O65C
O05.3	14	962Z, O40Z, O63Z	O15.1	14	Pre A07D, A09E, A11F, A13F 962Z, O01A, O01B, O01C, O01D, O01E, O01F, O01G, O02A, O02B, O60A, O60B, O60C	O23.1	14	962Z, O04A, O04B, O61Z, O65A, O65B, O65C
O05.4	14	962Z, O40Z, O63Z	O15.2	14	Pre A07D, A09E, A11F, A13F 962Z, O04A, O04B, O61Z	O23.2	14	962Z, O04A, O04B, O61Z, O65A, O65B, O65C
O05.5	14	962Z, O40Z, O63Z	O15.9	14	962Z, O01A, O01B, O01C, O01D, O01E, O01F, O01G, O04A, O04B, O60A, O60B, O60C, O61Z, O65A, O65B, O65C	O23.3	14	962Z, O04A, O04B, O61Z, O65A, O65B, O65C
O05.6	14	962Z, O40Z, O63Z	O16	14	962Z, O04A, O04B, O61Z, O65A, O65B, O65C	O23.4	14	962Z, O04A, O04B, O61Z, O65A, O65B, O65C
O05.7	14	962Z, O40Z, O63Z	O20.0	14	962Z, O62Z	O23.5	14	962Z, O04A, O04B, O61Z, O65A, O65B, O65C
O05.8	14	962Z, O40Z, O63Z	O20.8	14	962Z, O62Z	O23.9	14	962Z, O04A, O04B, O61Z, O65A, O65B, O65C
O05.9	14	962Z, O40Z, O63Z	O20.9	14	962Z, O62Z	O24.0	14	962Z, O01A, O01B, O01C, O01D, O01E, O01F, O01G, O04A, O04B, O60A, O60B, O60C, O61Z, O65A, O65B, O65C
O06.0	14	962Z, O40Z, O63Z	O21.0	14	962Z, O62Z	O24.1	14	962Z, O01A, O01B, O01C, O01D, O01E, O01F, O01G, O04A, O04B, O60A, O60B, O60C, O61Z, O65A, O65B, O65C
O06.1	14	962Z, O40Z, O63Z	O21.1	14	962Z, O04A, O04B, O61Z, O65A, O65B, O65C	O24.2	14	962Z, O01A, O01B, O01C, O01D, O01E, O01F, O01G, O04A, O04B, O60A, O60B, O60C, O61Z, O65A, O65B, O65C
O06.2	14	962Z, O40Z, O63Z				O24.3	14	962Z, O01A, O01B, O01C, O01D, O01E, O01F, O01G, O04A, O04B, O60A, O60B, O60C, O61Z, O65A, O65B, O65C
O06.3	14	962Z, O40Z, O63Z						
O06.4	14	962Z, O40Z, O63Z						
O06.5	14	962Z, O40Z, O63Z						
O06.6	14	962Z, O40Z, O63Z						
O06.7	14	962Z, O40Z, O63Z						
O06.8	14	962Z, O40Z, O63Z						
O06.9	14	962Z, O40Z, O63Z						
O07.0	14	962Z, O40Z, O63Z						
O07.1	14	962Z, O40Z, O63Z						
O07.2	14	962Z, O40Z, O63Z						
O07.3	14	962Z, O40Z, O63Z						
O07.4	14	962Z, O40Z, O63Z						
O07.5	14	962Z, O40Z, O63Z						
O07.6	14	962Z, O40Z, O63Z						
O07.7	14	962Z, O40Z, O63Z						
O07.8	14	962Z, O40Z, O63Z						
O07.9	14	962Z, O40Z, O63Z						
O08.0	14	962Z, O04A, O04B, O61Z						
O08.1	14	962Z, O04A, O04B, O61Z						
O08.2	14	962Z, O04A, O04B, O61Z						
O08.3	14	962Z, O04A, O04B, O61Z						
O08.4	14	962Z, O04A, O04B, O61Z						
O08.5	14	962Z, O04A, O04B, O61Z						
O08.6	14	962Z, O04A, O04B, O61Z						
O08.7	14	962Z, O04A, O04B, O61Z						
O08.8	14	962Z, O04A, O04B, O61Z						
O08.9	14	962Z, O04A, O04B, O61Z						
O09.0	14	O01A, O01B, O01C, O01D, O01F, O02A, O60A						
O09.1	14	O01A, O01B, O01C, O01D, O01F, O02A, O60A						
O09.2	14	O01A, O01B, O01C, O01D, O01F, O02A, O60A						
O09.3	14	O01A, O01B, O01C, O01D, O01F, O02A, O60A, O65A						
O09.4	14	O01B, O01C, O01D, O01F, O02A, O60A, O65A, O65B						
O10.0	14	962Z, O04A, O04B, O61Z, O65A, O65B, O65C						
O10.1	14	962Z, O04A, O04B, O61Z, O65A, O65B, O65C						
O10.2	14	962Z, O01A, O01B, O01C, O01D, O01E, O01F, O01G, O04A, O04B, O60A, O60B, O60C, O61Z, O65A, O65B, O65C						
O10.3	14	962Z, O04A, O04B, O61Z, O65A, O65B, O65C						







ICD	MDC	DRG	ICD	MDC	DRG	ICD	MDC	DRG
O88.3	14	962Z, O04A, O04B, O61Z	O98.8	14	962Z, O04A, O04B, O61Z, O65A, O65B, O65C	P04.1	15	P65C, P66C, P67B, P67C
O88.8	14	962Z, O04A, O04B, O61Z	O98.9	14	962Z, O04A, O04B, O61Z, O65A, O65B, O65C	Pre	963Z	
O89.0	14	962Z, O01A, O01B, O01C, O01D, O01E, O01F, O01G, O04A, O04B, O60A, O60B, O60C, O61Z	O99.0	14	962Z, O04A, O04B, O61Z, O65A, O65B, O65C	P04.2	Pre	963Z
O89.1	14	962Z, O04A, O04B, O61Z	O99.1	14	962Z, O04A, O04B, O61Z, O65A, O65B, O65C	P04.3	Pre	963Z
O89.2	14	962Z, O04A, O04B, O61Z	O99.2	14	962Z, O04A, O04B, O61Z, O65A, O65B, O65C	P04.4	15	P65C, P66C, P67B, P67C
O89.3	14	962Z, O04A, O04B, O61Z	O99.3	14	962Z, O04A, O04B, O61Z, O65A, O65B, O65C	Pre	963Z	
O89.4	14	962Z, O04A, O04B, O61Z	O99.4	14	962Z, O04A, O04B, O61Z, O65A, O65B, O65C	P04.5	Pre	963Z
O89.5	14	962Z, O04A, O04B, O61Z	O99.5	14	962Z, O04A, O04B, O61Z, O65A, O65B, O65C	P04.6	Pre	963Z
O89.6	14	962Z, O04A, O04B, O61Z	O99.6	14	962Z, O04A, O04B, O61Z, O65A, O65B, O65C	P04.8	Pre	963Z
O89.8	14	962Z, O04A, O04B, O61Z	O99.7	14	962Z, O04A, O04B, O61Z, O65A, O65B, O65C	P04.9	Pre	963Z
O89.9	14	962Z, O04A, O04B, O61Z	O99.8	14	962Z, O04A, O04B, O61Z, O65A, O65B, O65C	P05.0	Pre	963Z
O90.0	14	962Z, O01A, O01B, O01C, O01D, O01E, O01F, O01G, O04A, O04B, O60A, O60B, O60C, O61Z	P00.0	Pre	963Z	P05.1	Pre	963Z
O90.1	14	962Z, O01A, O01B, O01C, O01D, O01E, O01F, O01G, O04A, O04B, O60A, O60B, O60C, O61Z	P00.1	Pre	963Z	P05.2	Pre	963Z
O90.2	14	962Z, O04A, O04B, O61Z	P00.2	Pre	963Z	P05.9	Pre	963Z
O90.3	14	962Z, O01A, O01B, O01C, O01D, O01E, O01F, O01G, O04A, O04B, O60A, O60B, O60C, O61Z	P00.3	Pre	963Z	P07.00	Pre	963Z
O90.4	14	962Z, O04A, O04B, O61Z	P00.4	Pre	963Z	P07.01	Pre	963Z
O90.5	14	962Z, O04A, O04B, O61Z	P00.5	Pre	963Z	P07.02	Pre	963Z
O90.8	14	962Z, O04A, O04B, O61Z	P00.6	Pre	963Z	P07.10	Pre	963Z
O90.9	14	962Z, O04A, O04B, O61Z	P00.7	Pre	963Z	P07.11	Pre	963Z
O91.00	14	962Z, O04A, O04B, O61Z	P00.8	Pre	963Z	P07.12	Pre	963Z
O91.01	14	962Z, O04A, O04B, O61Z	P00.9	Pre	963Z	P07.2	15	P65C, P66C, P67B, P67C
O91.10	14	962Z, O04A, O04B, O61Z	P01.0	Pre	963Z	Pre	963Z	
O91.11	14	962Z, O04A, O04B, O61Z	P01.1	Pre	963Z	P07.3	Pre	963Z
O91.20	14	962Z, O04A, O04B, O61Z	P01.2	Pre	963Z	P08.0	Pre	963Z
O91.21	14	962Z, O04A, O04B, O61Z	P01.3	Pre	963Z	P08.1	Pre	963Z
O92.00	14	962Z, O04A, O04B, O61Z	P01.4	Pre	963Z	P08.2	Pre	963Z
O92.01	14	962Z, O04A, O04B, O61Z	P01.5	15	P65C, P66C, P67B, P67C	P10.0	15	TPN, VTPN
O92.10	14	962Z, O04A, O04B, O61Z	P01.6	15	P65C, P66C, P67B, P67C	Pre	963Z	
O92.11	14	962Z, O04A, O04B, O61Z	P01.7	Pre	963Z	P10.1	15	TPN, VTPN
O92.20	14	962Z, O04A, O04B, O61Z	P01.8	Pre	963Z	Pre	963Z	
O92.21	14	962Z, O04A, O04B, O61Z	P01.9	Pre	963Z	P10.2	15	TPN, VTPN
O92.30	14	962Z, O04A, O04B, O61Z	P02.0	Pre	963Z	Pre	963Z	
O92.31	14	962Z, O04A, O04B, O61Z	P02.1	15	TPN, VTPN	P10.3	15	TPN, VTPN
O92.40	14	962Z, O04A, O04B, O61Z	P02.2	Pre	963Z	Pre	963Z	
O92.41	14	962Z, O04A, O04B, O61Z	P02.3	Pre	963Z	P10.4	15	TPN, VTPN
O92.50	14	962Z, O04A, O04B, O61Z	P02.4	15	P65C, P66C, P67B, P67C	Pre	963Z	
O92.51	14	962Z, O04A, O04B, O61Z	Pre	963Z	P10.8	15	TPN, VTPN	
O92.60	14	962Z, O04A, O04B, O61Z	P02.5	Pre	963Z	Pre	963Z	
O92.61	14	962Z, O04A, O04B, O61Z	P02.6	Pre	963Z	P10.9	15	TPN, VTPN
O92.70	14	962Z, O04A, O04B, O61Z	P02.7	15	P65C, P66C, P67B, P67C	Pre	963Z	
O92.71	14	962Z, O04A, O04B, O61Z	Pre	963Z	P11.0	Pre	963Z	
O98.0	14	962Z, O04A, O04B, O61Z, O65A, O65B, O65C	P02.8	Pre	963Z	P11.1	15	TPN, VTPN
O98.1	14	962Z, O04A, O04B, O61Z, O65A, O65B, O65C	P02.9	Pre	963Z	Pre	963Z	
O98.2	14	962Z, O04A, O04B, O61Z, O65A, O65B, O65C	P03.0	Pre	963Z	P11.2	15	TPN, VTPN
O98.3	14	962Z, O04A, O04B, O61Z, O65A, O65B, O65C	P03.1	15	TPN, VTPN	Pre	963Z	
O98.4	14	962Z, O04A, O04B, O61Z, O65A, O65B, O65C	P03.2	Pre	963Z	P11.3	01	B03A, B03B, B06A, B06B, B17A, B17B, B17C, B17D, B71A, B71B, B71C, B71D
O98.5	14	962Z, O04A, O04B, O61Z, O65A, O65B, O65C	P03.3	Pre	963Z	P11.4	01	B03A, B03B, B06A, B06B, B17A, B17B, B17C, B17D, B71A, B71B, B71C, B71D
O98.6	14	962Z, O04A, O04B, O61Z, O65A, O65B, O65C	P03.4	Pre	963Z	P11.50	Pre	B61A, B61B
O98.7	14	962Z, O01C, O01D, O01F, O04A, O04B, O61Z, O65A, O65B, O65C	P03.5	Pre	963Z	P11.51	01	B03A, B48Z, B60A, B60B
			P03.6	Pre	963Z	04	E40B, E69A, E77F	
			P03.8	Pre	963Z	06	G67C	
			P03.9	Pre	963Z	08	I06A, I08C, I09D, I10C, I13A, I13B, I68A, I68B, I69A, I69B	
			P04.0	15	TPN, VTPN	09	J02A, J08A, J08B, J08C, J11A	
				Pre	963Z	10	K62A	
						11	L18A, L18B, L20A, L20B, L38Z, L42A, L74Z	
						18B	T60B	
						P11.59	Pre	B61A, B61B
						P11.9	Pre	963Z
						P12.0	Pre	963Z
						P12.1	Pre	963Z
						P12.2	Pre	963Z
						P12.3	Pre	963Z



ICD	MDC	DRG	ICD	MDC	DRG	ICD	MDC	DRG
P12.4	15	P65C, P66C, P67B, P67C	P23.4	15	TPN, VTPN	P35.0	15	TPN, VTPN
	Pre	963Z		Pre	963Z		23	Z65Z
P12.8	Pre	963Z	P23.5	15	TPN, VTPN	P35.1	15	TPN, VTPN
P12.9	Pre	963Z		Pre	963Z		18B	T63A, T63B
P13.0	01	B79Z	P23.6	15	TPN, VTPN	P35.2	05	F62A
P13.1	Pre	963Z		Pre	963Z		06	G67A
P13.2	Pre	963Z	P23.8	15	TPN, VTPN		15	TPN, VTPN
P13.3	Pre	963Z		Pre	963Z		17	R60B, R60C, R61A, R62A, R63B, R63C, R63D, R63F
P13.4	Pre	963Z	P23.9	15	TPN, VTPN		18B	T01B, T60A, T60B, T60C, T60D, T60E, T60F, T61A
P13.8	Pre	963Z		Pre	963Z			
P13.9	Pre	963Z	P24.0	04	E69A, E69B, E69C, E69D	P35.3	07	H63A, H63B, H63C, H78Z
P14.0	01	B03A, B03B, B06A, B06B, B17A, B17B, B17C, B17D, B71A, B71B, B71C, B71D		15	TPN, VTPN		15	TPN, VTPN
			P24.1	15	TPN, VTPN	P35.8	15	TPN, VTPN
				Pre	963Z		18B	T64A, T64B, T64C
P14.1	01	B03A, B03B, B06A, B06B, B17A, B17B, B17C, B17D, B71A, B71B, B71C, B71D	P24.2	15	TPN, VTPN	P35.9	15	TPN, VTPN
				Pre	963Z		18B	T64A, T64B, T64C
P14.2	01	B03A, B03B, B06A, B06B, B17A, B17B, B17C, B17D, B71A, B71B, B71C, B71D	P24.3	15	TPN, VTPN	P36.0	15	TPN, VTPN
				Pre	963Z		Pre	963Z
P14.3	01	B03A, B03B, B06A, B06B, B17A, B17B, B17C, B17D, B71A, B71B, B71C, B71D	P24.8	15	TPN, VTPN	P36.1	15	TPN, VTPN
				Pre	963Z		Pre	963Z
P14.8	01	B03A, B03B, B06A, B06B, B17A, B17B, B17C, B17D, B71A, B71B, B71C, B71D	P24.9	15	TPN, VTPN	P36.2	15	TPN, VTPN
				Pre	963Z		Pre	963Z
P14.9	01	B03A, B03B, B06A, B06B, B17A, B17B, B17C, B17D, B71A, B71B, B71C, B71D	P25.0	15	TPN, VTPN	P36.3	15	TPN, VTPN
				Pre	963Z		Pre	963Z
P15.0	Pre	963Z	P25.1	15	TPN, VTPN	P36.4	15	TPN, VTPN
P15.1	Pre	963Z		Pre	963Z		Pre	963Z
P15.2	Pre	963Z	P25.2	15	TPN, VTPN	P36.5	15	TPN, VTPN
P15.3	Pre	963Z		Pre	963Z		Pre	963Z
P15.4	Pre	963Z	P25.3	15	TPN, VTPN	P36.8	15	TPN, VTPN
P15.5	Pre	963Z		Pre	963Z		Pre	963Z
P15.6	15	TPN, VTPN	P25.8	15	TPN, VTPN	P36.9	15	TPN, VTPN
	Pre	963Z		Pre	963Z		Pre	963Z
P15.8	Pre	963Z	P26.0	15	TPN, VTPN	P37.0	15	TPN, VTPN
P15.9	Pre	963Z		Pre	963Z		18B	T64A, T64B, T64C
P20.0	15	TPN, VTPN	P26.1	15	TPN, VTPN	P37.1	15	TPN, VTPN
	Pre	963Z		Pre	963Z		18B	T64A, T64B, T64C
P20.1	Pre	963Z	P26.8	15	TPN, VTPN	P37.2	05	F62A
P20.9	Pre	963Z		Pre	963Z		06	G67A
P21.0	01	B03A, B03B, B06A, B06B, B17A, B17B, B17C, B17D, B81A, B81B	P26.9	15	TPN, VTPN		15	TPN, VTPN
				Pre	963Z		17	R60B, R60C, R61A, R62A, R63B, R63C, R63D, R63F
	15	P65C, P66C, P67B, P67C	P27.0	04	E69A, E69B, E69C, E69D		18B	T01B, T60A, T60B, T60C, T60D, T60E, T60F, T61A
P21.1	01	B03A, B03B, B06A, B06B, B17A, B17B, B17C, B17D, B81A, B81B		15	TPN, VTPN	P37.3	15	TPN, VTPN
			P27.1	04	E69A, E69B, E69C, E69D		18B	T64A, T64B, T64C
	15	P65C, P66C, P67B, P67C		15	TPN, VTPN	P37.4	15	TPN, VTPN
P21.9	01	B03A, B03B, B06A, B06B, B17A, B17B, B17C, B17D, B81A, B81B	P27.8	04	E69A, E69B, E69C, E69D		18B	T64A, T64B, T64C
				15	TPN, VTPN	P37.5	Pre	963Z
	15	P65C, P66C, P67B, P67C	P27.9	04	E69A, E69B, E69C, E69D	P37.8	15	TPN, VTPN
P22.0	15	TPN, VTPN		15	TPN, VTPN		18B	T64A, T64B, T64C
	Pre	963Z	P28.0	Pre	963Z	P37.9	15	TPN, VTPN
P22.1	Pre	963Z		Pre	963Z		18B	T64A, T64B, T64C
P22.8	04	E69A, E69B, E69C, E69D	P28.1	Pre	963Z	P38	15	P65C, P66C, P67B, P67C
	15	P65C, P66C, P67B, P67C	P28.2	04	E69A, E69B, E69C, E69D		Pre	963Z
P22.9	04	E69A, E69B, E69C, E69D	P28.3	04	E69A, E69B, E69C, E69D	P39.0	15	P65C, P66C, P67B, P67C
P23.0	15	TPN, VTPN		15	P65C, P66C, P67B, P67C		Pre	963Z
	Pre	963Z	P28.4	04	E69A, E69B, E69C, E69D	P39.1	Pre	963Z
P23.1	15	TPN, VTPN		15	P65C, P66C, P67B, P67C	P39.2	Pre	963Z
	Pre	963Z	P28.5	04	E69A, E69B, E69C, E69D	P39.3	15	P65C, P66C, P67B, P67C
P23.2	15	TPN, VTPN		15	TPN, VTPN		Pre	963Z
	Pre	963Z	P28.8	04	E69A, E69B, E69C, E69D	P39.4	15	P65C, P66C, P67B, P67C
P23.3	15	TPN, VTPN		Pre	963Z		Pre	963Z
	Pre	963Z	P28.9	Pre	963Z	P39.8	Pre	963Z
			P29.0	15	TPN, VTPN	P39.9	Pre	963Z
				Pre	963Z	P50.0	Pre	963Z
			P29.1	15	P65C, P66C, P67B, P67C	P50.1	Pre	963Z
				Pre	963Z	P50.2	Pre	963Z
			P29.2	Pre	963Z	P50.3	Pre	963Z
			P29.3	Pre	963Z			
			P29.4	Pre	963Z			
			P29.8	Pre	963Z			
			P29.9	Pre	963Z			

Dg

ICD	MDC	DRG	ICD	MDC	DRG	ICD	MDC	DRG
P50.4	Pre	963Z	P59.3	07	H63A, H63B, H63C, H78Z	P78.0	15	TPN, VTPN
P50.5	Pre	963Z	P59.8	15	P65C, P66C, P67B, P67C	Pre		963Z
P50.8	Pre	963Z		Pre	963Z	P78.1	15	TPN, VTPN
P50.9	Pre	963Z	P59.9	Pre	963Z	Pre		963Z
P51.0	Pre	963Z	P60	15	TPN, VTPN	P78.2	Pre	963Z
P51.8	Pre	963Z		16	Q60A, Q60B, Q60C	P78.3	06	G46A, G46B, G46C, G50Z, G71Z
P51.9	Pre	963Z	P61.0	15	TPN, VTPN		15	P65C, P66C, P67B, P67C
P52.0	15	TPN, VTPN		16	Q60A, Q60B, Q60C	P78.8	06	G46A, G46B, G46C, G50Z, G71Z
	Pre	963Z	P61.1	Pre	963Z			
P52.1	15	TPN, VTPN	P61.2	16	Q61A, Q61B, Q61C, Q61D, Q61E	P78.9	06	G46A, G46B, G46C, G50Z, G71Z
	Pre	963Z				P80.0	Pre	963Z
P52.2	15	TPN, VTPN	P61.3	16	Q61A, Q61B, Q61C, Q61D, Q61E	P80.8	Pre	963Z
	Pre	963Z				P80.9	Pre	963Z
P52.3	15	TPN, VTPN	P61.4	16	Q61A, Q61B, Q61C, Q61D, Q61E	P81.0	Pre	963Z
	Pre	963Z				P81.8	Pre	963Z
P52.4	15	P65C, P66C, P67B, P67C	P61.5	16	Q60A, Q60B, Q60C, Q60D, Q60E	P81.9	Pre	963Z
	Pre	963Z				P83.0	15	TPN, VTPN
P52.5	15	TPN, VTPN	P61.6	16	Q60A, Q60B, Q60C	Pre		963Z
	Pre	963Z	P61.8	Pre	963Z	P83.1	09	J67A, J67B, J68A, J68B
P52.6	Pre	963Z	P61.9	Pre	963Z	P83.2	15	TPN, VTPN
P52.8	Pre	963Z	P70.0	15	TPN, VTPN	Pre		963Z
P52.9	Pre	963Z		Pre	963Z	P83.3	23	Z65Z
P53	15	TPN, VTPN	P70.1	15	TPN, VTPN	P83.4	09	J67A, J67B
	16	Q60A, Q60B, Q60C		Pre	963Z	P83.5	12	M64Z
	Pre	963Z	P70.2	10	K60A, K60B, K60C, K60D, K60E	P83.6	09	J67A, J67B, J68A, J68B
P54.0	Pre	963Z				P83.8	09	J67A, J67B, J68A, J68B
P54.1	Pre	963Z		15	TPN, VTPN	P83.9	09	J67A, J67B, J68A, J68B
P54.2	Pre	963Z	P70.3	10	K63A, K63B, K63C	P90	01	B03A, B03B, B06A, B06B, B17A, B17B, B17C, B17D, B76A, B76B, B76C, B76D, B76E, B76F, B76G
P54.3	Pre	963Z	P70.4	10	K63A, K63B, K63C		15	TPN, VTPN
P54.4	15	TPN, VTPN	P70.8	10	K62A, K62B	P91.0	01	B03A, B03B, B06A, B06B, B17A, B17B, B17C, B17D, B66A, B66B, B66C, B66D
	Pre	963Z	P70.9	10	K62A, K62B		01	B03A, B03B, B06A, B06B, B17A, B17B, B17C, B17D, B66A, B66B, B66C, B66D
P54.5	Pre	963Z	P71.0	10	K62A, K62B	P91.2	01	B03A, B03B, B06A, B06B, B17A, B17B, B17C, B17D, B81A, B81B
P54.6	Pre	963Z	P71.1	10	K62A, K62B		01	B03A, B03B, B06A, B06B, B17A, B17B, B17C, B17D, B66A, B66B, B66C, B66D
P54.8	Pre	963Z		15	P65C, P66C, P67B, P67C	P91.4	01	B03A, B03B, B06A, B06B, B17A, B17B, B17C, B17D, B66A, B66B, B66C, B66D
P54.9	Pre	963Z	P71.2	10	K62A, K62B		01	B03A, B03B, B06A, B06B, B17A, B17B, B17C, B17D, B66A, B66B, B66C, B66D
P55.0	15	P65C, P66C, P67B, P67C	P71.3	10	K62A, K62B	P91.5	01	B03A, B03B, B06A, B06B, B17A, B17B, B17C, B17D, B66A, B66B, B66C, B66D
	16	Q61A, Q61B, Q61C, Q61D, Q61E	P71.4	10	K62A, K62B		01	B03A, B03B, B06A, B06B, B17A, B17B, B17C, B17D, B66A, B66B, B66C, B66D
	Pre	963Z	P71.8	10	K62A, K62B	P91.6	01	B03A, B03B, B06A, B06B, B17A, B17B, B17C, B17D, B66A, B66B, B66C, B66D
P55.1	15	P65C, P66C, P67B, P67C	P71.9	10	K62A, K62B		01	B03A, B03B, B06A, B06B, B17A, B17B, B17C, B17D, B66A, B66B, B66C, B66D
	16	Q61A, Q61B, Q61C, Q61D, Q61E	P72.0	10	K62A, K62B	P91.80	01	B03A, B03B, B06A, B06B, B17A, B17B, B17C, B17D, B66A, B66B, B66C, B66D
	Pre	963Z	P72.1	10	K64A, K64B, K64C, K64D	Pre		A43Z
P55.8	15	P65C, P66C, P67B, P67C		15	TPN, VTPN	P91.88	01	B03A, B03B, B06A, B06B, B17A, B17B, B17C, B17D, B66A, B66B, B66C, B66D
	16	Q61A, Q61B, Q61C, Q61D, Q61E	P72.2	10	K62A, K62B		01	B03A, B03B, B06A, B06B, B17A, B17B, B17C, B17D, B66A, B66B, B66C, B66D
	Pre	963Z	P72.8	10	K62A, K62B	P91.9	01	B03A, B03B, B06A, B06B, B17A, B17B, B17C, B17D, B66A, B66B, B66C, B66D
P55.9	16	Q61A, Q61B, Q61C, Q61D, Q61E	P72.9	10	K62A, K62B		10	K62A, K62B
	Pre	963Z	P74.0	10	K62A, K62B	P92.1	10	K62A, K62B
P56.0	15	TPN, VTPN		15	P65C, P66C, P67B, P67C	P92.2	10	K62A, K62B
	Pre	963Z	P74.1	10	K62A, K62B	P92.3	10	K62A, K62B
P56.9	15	TPN, VTPN		10	K62A, K62B	P92.4	10	K62A, K62B
	Pre	963Z	P74.2	10	K62A, K62B	P92.5	10	K62A, K62B
P57.0	15	TPN, VTPN	P74.3	10	K62A, K62B			
	Pre	963Z	P74.4	10	K62A, K62B			
P57.8	15	TPN, VTPN	P74.5	10	K62A, K62B			
	Pre	963Z	P74.8	10	K62A, K62B			
P57.9	15	TPN, VTPN	P74.9	10	K62A, K62B			
	Pre	963Z	P75	Pre	963Z			
P58.0	Pre	963Z	P76.0	15	P65C, P66C, P67B, P67C			
P58.1	Pre	963Z		Pre	963Z			
P58.2	Pre	963Z	P76.1	06	G46A, G46B, G46C, G50Z, G71Z			
P58.3	Pre	963Z						
P58.4	Pre	963Z	P76.2	06	G40Z, G46A, G46B, G46C, G47Z, G65Z			
P58.5	Pre	963Z						
P58.8	Pre	963Z	P76.8	06	G46A, G46B, G46C, G50Z, G71Z			
P58.9	Pre	963Z						
P59.0	15	P65C, P66C, P67B, P67C	P76.9	06	G46A, G46B, G46C, G50Z, G71Z			
	Pre	963Z						
P59.1	07	H63A, H63B, H63C, H78Z	P77	06	G46A, G46B, G46C, G50Z, G71Z			
	15	TPN, VTPN						
P59.2	07	H63A, H63B, H63C, H78Z		15	TPN, VTPN			
	15	TPN, VTPN						

ICD	MDC	DRG	ICD	MDC	DRG	ICD	MDC	DRG
P92.8	10	K62A, K62B	Q01.8	01	B03A, B03B, B06A, B06B, B17A, B17B, B17C, B17D, B76D, B81A, B81B	Q04.3	01	B03A, B03B, B06A, B06B, B17A, B17B, B17C, B17D, B76D, B81A
P92.9	10	K62A, K62B					06	G18A, G38Z
P93	Pre	963Z					15	TPN, VTPN
P94.0	01	B03A, B03B, B06A, B06B, B17A, B17B, B17C, B17D, B48Z, B85A, B85B, B85C, B85D					Pre	A07D, A09A, A09E, A11B, A11F, A13F
	15	TPN, VTPN	Q01.9	01	B03A, B03B, B06A, B06B, B17A, B17B, B17C, B17D, B76D, B81A, B81B	Q04.4	01	B03A, B03B, B06A, B06B, B17A, B17B, B17C, B17D, B76D, B81A, B81B
P94.1	Pre	963Z					06	G18A, G38Z
P94.2	01	B81A, B81B					15	TPN, VTPN
	15	TPN, VTPN					Pre	A07D, A09A, A09E, A11B, A11F, A13F
P94.8	Pre	963Z					06	G18A, G38Z
P94.9	Pre	963Z					15	TPN, VTPN
P95	Pre	963Z					Pre	A07D, A09A, A09E, A11B, A11F, A13F
P96.0	15	TPN, VTPN	Q02	01	B03A, B03B, B06A, B06B, B17A, B17B, B17C, B17D, B76D, B81A, B81B	Q04.5	01	B03A, B03B, B06A, B06B, B17A, B17B, B17C, B17D, B76D, B81A, B81B
	Pre	963Z					06	G18A, G38Z
P96.1	15	TPN, VTPN					15	TPN, VTPN
	Pre	963Z					Pre	A07D, A09A, A09E, A11B, A11F, A13F
P96.2	15	TPN, VTPN					06	G18A, G38Z
	Pre	963Z	Q03.0	01	B03A, B03B, B06A, B06B, B17A, B17B, B17C, B17D, B76D, B81A, B81B	Q04.6	01	B03A, B03B, B06A, B06B, B17A, B17B, B17C, B17D, B76D, B81A
P96.3	Pre	963Z					15	TPN, VTPN
P96.4	Pre	963Z					Pre	A07D, A09A, A09E, A11B, A11F, A13F
P96.5	Pre	963Z					06	G18A, G38Z
P96.8	Pre	963Z					15	TPN, VTPN
P96.9	Pre	963Z					Pre	A07D, A09A, A09E, A11B, A11F, A13F
Q00.0	01	B03A, B03B, B06A, B06B, B17A, B17B, B17C, B17D, B76D, B81A, B81B	Q03.1	01	B03A, B03B, B06A, B06B, B17A, B17B, B17C, B17D, B76D, B81A	Q04.8	01	B03A, B03B, B06A, B06B, B17A, B17B, B17C, B17D, B76D, B81A
	06	G18A, G38Z					15	TPN, VTPN
	15	TPN, VTPN					Pre	A07D, A09A, A09E, A11B, A11F, A13F
	Pre	A07D, A09A, A09E, A11B, A11F, A13F					06	G18A, G38Z
Q00.1	01	B03A, B03B, B06A, B06B, B17A, B17B, B17C, B17D, B76D, B81A, B81B	Q03.8	01	B03A, B03B, B06A, B06B, B17A, B17B, B17C, B17D, B76D, B81A, B81B	Q04.9	01	B03A, B03B, B06A, B06B, B17A, B17B, B17C, B17D, B76D, B81A
	06	G18A, G38Z					Pre	A07D, A09A, A09E, A11B, A11F, A13F
	15	TPN, VTPN					06	G18A, G38Z
	Pre	A07D, A09A, A09E, A11B, A11F, A13F					15	TPN, VTPN
Q00.2	01	B03A, B03B, B06A, B06B, B17A, B17B, B17C, B17D, B76D, B81A, B81B	Q03.9	01	B03A, B03B, B06A, B06B, B17A, B17B, B17C, B17D, B76D, B81A, B81B	Q05.0	01	B03A, B03B, B06A, B06B, B17A, B17B, B17C, B17D, B76D, B81A, B81B
	06	G18A, G38Z					06	G18A, G38Z
	15	TPN, VTPN					15	TPN, VTPN
	Pre	A07D, A09A, A09E, A11B, A11F, A13F					Pre	A07D, A09A, A09E, A11B, A11F, A13F
Q01.0	01	B03A, B03B, B06A, B06B, B17A, B17B, B17C, B17D, B76D, B81A, B81B	Q04.0	01	B03A, B03B, B06A, B06B, B17A, B17B, B17C, B17D, B76D, B81A	Q05.1	01	B03A, B03B, B06A, B06B, B17A, B17B, B17C, B17D, B76D, B81A, B81B
	06	G18A, G38Z					06	G18A, G38Z
	15	TPN, VTPN					15	TPN, VTPN
	Pre	A07D, A09A, A09E, A11B, A11F, A13F					Pre	A07D, A09A, A09E, A11B, A11F, A13F
Q01.1	01	B03A, B03B, B06A, B06B, B17A, B17B, B17C, B17D, B76D, B81A, B81B	Q04.1	01	B03A, B03B, B06A, B06B, B17A, B17B, B17C, B17D, B76D, B81A, B81B	Q05.2	01	B03A, B03B, B06A, B06B, B17A, B17B, B17C, B17D, B76D, B81A, B81B
	06	G18A, G38Z					06	G18A, G38Z
	15	TPN, VTPN					15	TPN, VTPN
	Pre	A07D, A09A, A09E, A11B, A11F, A13F					Pre	A07D, A09A, A09E, A11B, A11F, A13F
Q01.2	01	B03A, B03B, B06A, B06B, B17A, B17B, B17C, B17D, B76D, B81A, B81B	Q04.2	01	B03A, B03B, B06A, B06B, B17A, B17B, B17C, B17D, B76D, B81A, B81B	Q05.3	01	B03A, B03B, B06A, B06B, B17A, B17B, B17C, B17D, B76D, B81A, B81B
	06	G18A, G38Z					06	G18A, G38Z
	15	TPN, VTPN					15	TPN, VTPN
	Pre	A07D, A09A, A09E, A11B, A11F, A13F					Pre	A07D, A09A, A09E, A11B, A11F, A13F

Dg

ICD	MDC	DRG	ICD	MDC	DRG	ICD	MDC	DRG
Q05.4	01	B03A, B03B, B06A, B06B, B17A, B17B, B17C, B17D, B76D, B81A, B81B	Q06.8	01	B03A, B03B, B06A, B06B, B17A, B17B, B17C, B17D, B76D, B81A, B81B	Q12.2	02	C08A, C63Z
	06	G18A, G38Z		15	TPN, VTPN		15	P65C, P66C, P67B, P67C
	15	TPN, VTPN		Pre	A07D, A09A, A09E, A11B, A11F, A13F		Pre	A09A, A11B
	Pre	A07D, A09A, A09E, A11B, A11F, A13F		Pre	A07D, A09A, A09E, A11B, A11F, A13F	Q12.3	02	C08A, C63Z
Q05.5	01	B03A, B03B, B06A, B06B, B17A, B17B, B17C, B17D, B76D, B81A, B81B	Q06.9	01	B03A, B03B, B06A, B06B, B17A, B17B, B17C, B17D, B76D, B81A, B81B		15	P65C, P66C, P67B, P67C
	15	TPN, VTPN		Pre	A07D, A09A, A09E, A11B, A11F, A13F		Pre	A09A, A11B
	Pre	A07D, A09A, A09E, A11B, A11F, A13F		Pre	A07D, A09A, A09E, A11B, A11F, A13F	Q12.4	02	C08A, C63Z
Q05.6	01	B03A, B03B, B06A, B06B, B17A, B17B, B17C, B17D, B76D, B81A, B81B	Q07.0	01	B03A, B03B, B06A, B06B, B17A, B17B, B17C, B17D, B76D, B81A, B81B		15	P65C, P66C, P67B, P67C
	15	TPN, VTPN		06	G18A, G38Z		Pre	A09A, A11B
	Pre	A07D, A09A, A09E, A11B, A11F, A13F		15	TPN, VTPN	Q12.8	02	C08A, C63Z
	Pre	A07D, A09A, A09E, A11B, A11F, A13F		Pre	A07D, A09A, A09E, A11B, A11F, A13F		15	P65C, P66C, P67B, P67C
Q05.7	01	B03A, B03B, B06A, B06B, B17A, B17B, B17C, B17D, B76D, B81A, B81B	Q07.8	01	B03A, B03B, B06A, B06B, B17A, B17B, B17C, B17D, B76D, B81A, B81B		Pre	A09A, A11B
	15	TPN, VTPN		06	G18A, G38Z	Q12.9	02	C08A, C63Z
	Pre	A07D, A09A, A09E, A11B, A11F, A13F		15	TPN, VTPN		15	P65C, P66C, P67B, P67C
	Pre	A07D, A09A, A09E, A11B, A11F, A13F		Pre	A07D, A09A, A09E, A11B, A11F, A13F	Q13.0	02	C63Z
Q05.8	01	B03A, B03B, B06A, B06B, B17A, B17B, B17C, B17D, B76D, B81A, B81B	Q07.9	01	B03A, B03B, B06A, B06B, B17A, B17B, B17C, B17D, B76D, B81A, B81B		15	P65C, P66C, P67B, P67C
	15	TPN, VTPN		Pre	A07D, A09A, A09E, A11B, A11F, A13F		Pre	A09A, A11B
	Pre	A07D, A09A, A09E, A11B, A11F, A13F		Pre	A07D, A09A, A09E, A11B, A11F, A13F	Q13.1	02	C63Z
Q05.9	01	B03A, B03B, B06A, B06B, B17A, B17B, B17C, B17D, B76D, B81A, B81B	Q10.0	02	C63Z		15	P65C, P66C, P67B, P67C
	15	TPN, VTPN		15	P65C, P66C, P67B, P67C	Q13.2	02	C63Z
	Pre	A07D, A09A, A09E, A11B, A11F, A13F		Pre	A09A, A11B		15	P65C, P66C, P67B, P67C
	Pre	A07D, A09A, A09E, A11B, A11F, A13F		Pre	A09A, A11B	Q13.3	02	C63Z
Q06.0	01	B03A, B03B, B06A, B06B, B17A, B17B, B17C, B17D, B76D, B81A, B81B	Q10.1	02	C63Z		15	P65C, P66C, P67B, P67C
	15	TPN, VTPN		15	P65C, P66C, P67B, P67C	Q13.4	02	C63Z
	Pre	A07D, A09A, A09E, A11B, A11F, A13F		Pre	A09A, A11B		15	P65C, P66C, P67B, P67C
	Pre	A07D, A09A, A09E, A11B, A11F, A13F		Pre	A09A, A11B	Q13.5	02	C63Z
Q06.1	01	B03A, B03B, B06A, B06B, B17A, B17B, B17C, B17D, B76D, B81A, B81B	Q10.2	02	C63Z		15	P65C, P66C, P67B, P67C
	15	TPN, VTPN		15	P65C, P66C, P67B, P67C	Q13.8	02	C63Z
	Pre	A07D, A09A, A09E, A11B, A11F, A13F		Pre	A09A, A11B		15	P65C, P66C, P67B, P67C
	Pre	A07D, A09A, A09E, A11B, A11F, A13F		Pre	A09A, A11B	Q13.9	02	C63Z
Q06.2	01	B03A, B03B, B06A, B06B, B17A, B17B, B17C, B17D, B76D, B81A, B81B	Q10.3	02	C63Z		Pre	A09A, A11B
	15	TPN, VTPN		15	P65C, P66C, P67B, P67C	Q14.0	02	C63Z
	Pre	A07D, A09A, A09E, A11B, A11F, A13F		Pre	A09A, A11B		15	P65C, P66C, P67B, P67C
	Pre	A07D, A09A, A09E, A11B, A11F, A13F		Pre	A09A, A11B	Q14.1	02	C63Z
Q06.3	01	B03A, B03B, B06A, B06B, B17A, B17B, B17C, B17D, B76D, B81A, B81B	Q10.4	02	C63Z		15	P65C, P66C, P67B, P67C
	15	TPN, VTPN		15	P65C, P66C, P67B, P67C	Q14.2	02	C63Z
	Pre	A07D, A09A, A09E, A11B, A11F, A13F		Pre	A09A, A11B		15	P65C, P66C, P67B, P67C
	Pre	A07D, A09A, A09E, A11B, A11F, A13F		Pre	A09A, A11B	Q14.3	02	C63Z
Q06.4	01	B03A, B03B, B06A, B06B, B17A, B17B, B17C, B17D, B76D, B81A, B81B	Q10.5	02	C63Z		15	P65C, P66C, P67B, P67C
	15	TPN, VTPN		15	P65C, P66C, P67B, P67C	Q14.8	02	C63Z
	Pre	A07D, A09A, A09E, A11B, A11F, A13F		Pre	A09A, A11B		15	P65C, P66C, P67B, P67C
	Pre	A07D, A09A, A09E, A11B, A11F, A13F		Pre	A09A, A11B	Q14.9	02	C63Z
	Pre	A07D, A09A, A09E, A11B, A11F, A13F		Pre	A09A, A11B		Pre	A09A, A11B
	Pre	A07D, A09A, A09E, A11B, A11F, A13F		Pre	A09A, A11B	Q15.0	02	C64Z
	Pre	A07D, A09A, A09E, A11B, A11F, A13F		Pre	A09A, A11B		15	TPN, VTPN
	Pre	A07D, A09A, A09E, A11B, A11F, A13F		Pre	A09A, A11B	Q15.8	02	C63Z
	Pre	A07D, A09A, A09E, A11B, A11F, A13F		Pre	A09A, A11B		15	P65C, P66C, P67B, P67C
	Pre	A07D, A09A, A09E, A11B, A11F, A13F		Pre	A09A, A11B	Q15.9	02	C63Z
	Pre	A07D, A09A, A09E, A11B, A11F, A13F		Pre	A09A, A11B		Pre	A09A, A11B
	Pre	A07D, A09A, A09E, A11B, A11F, A13F		Pre	A09A, A11B	Q16.0	03	D66Z
	Pre	A07D, A09A, A09E, A11B, A11F, A13F		Pre	A09A, A11B		15	P65C, P66C, P67B, P67C
	Pre	A07D, A09A, A09E, A11B, A11F, A13F		Pre	A09A, A11B	Q16.1	03	D66Z
	Pre	A07D, A09A, A09E, A11B, A11F, A13F		Pre	A09A, A11B		15	P65C, P66C, P67B, P67C
	Pre	A07D, A09A, A09E, A11B, A11F, A13F		Pre	A09A, A11B		Pre	A09A, A11B

ICD	MDC	DRG	ICD	MDC	DRG	ICD	MDC	DRG
Q16.2	03	D66Z	Q20.2	05	F03C, F03D, F03E, F30Z, F42Z, F46A, F46B, F68A, F68B	Q21.4	05	F03C, F03D, F03E, F46A, F46B, F68A, F68B
	15	P65C, P66C, P67B, P67C		06	G18A, G38Z		10	K62A
	Pre	A09A, A11B		10	K62A		15	TPN, VTPN
Q16.3	03	D66Z		15	TPN, VTPN	Q21.80	05	F03C, F03D, F03E, F46A, F46B, F68A, F68B
	15	P65C, P66C, P67B, P67C		Pre	A07D, A09A, A09E, A11B, A11F, A13F		10	K62A
	Pre	A09A, A11B	Q20.3	05	F03C, F03D, F03E, F30Z, F42Z, F46A, F46B, F68A, F68B		15	TPN, VTPN
Q16.4	03	D66Z		06	G18A, G38Z	Q21.88	05	F03C, F03D, F03E, F46A, F46B, F68A, F68B
	15	P65C, P66C, P67B, P67C		10	K62A		10	K62A
	Pre	A09A, A11B		15	TPN, VTPN		15	TPN, VTPN
Q16.5	03	D66Z		Pre	A07D, A09A, A09E, A11B, A11F, A13F	Q21.9	05	F03C, F03D, F03E, F46A, F46B, F68A, F68B
	15	P65C, P66C, P67B, P67C	Q20.4	05	F03C, F03D, F03E, F30Z, F42Z, F46A, F46B, F68A, F68B		10	K62A
	Pre	A09A, A11B		06	G18A, G38Z		15	TPN, VTPN
Q16.9	03	D66Z		10	K62A	Q21.88	05	F03C, F03D, F03E, F46A, F46B, F68A, F68B
	15	P65C, P66C, P67B, P67C		15	TPN, VTPN		10	K62A
	Pre	A09A, A11B		Pre	A07D, A09A, A09E, A11B, A11F, A13F		15	TPN, VTPN
Q17.0	03	D66Z	Q20.5	05	F03C, F03D, F03E, F30Z, F42Z, F46A, F46B, F68A, F68B	Q21.9	05	F03C, F03D, F03E, F46A, F46B, F68A, F68B
	15	P65C, P66C, P67B, P67C		06	G18A, G38Z		10	K62A
	Pre	A09A, A11B		10	K62A		15	TPN, VTPN
Q17.1	03	D66Z		15	TPN, VTPN	Q22.0	05	F03C, F03D, F03E, F30Z, F42Z, F46A, F46B, F68A, F68B
	Pre	A09A, A11B		Pre	A07D, A09A, A09E, A11B, A11F, A13F		06	G18A, G38Z
Q17.2	03	D66Z	Q20.6	05	F03C, F03D, F03E, F30Z, F42Z, F46A, F46B, F68A, F68B		10	K62A
	Pre	A09A, A11B		06	G18A, G38Z		15	TPN, VTPN
Q17.3	03	D66Z		10	K62A	Q22.1	05	F03C, F03D, F03E, F46A, F46B, F68A, F68B
	15	P65C, P66C, P67B, P67C		15	TPN, VTPN		06	G18A, G38Z
	Pre	A09A, A11B		Pre	A07D, A09A, A09E, A11B, A11F, A13F		10	K62A
Q17.4	03	D66Z		Pre	A07D, A09A, A09E, A11B, A11F, A13F		15	TPN, VTPN
	Pre	A09A, A11B	Q20.8	05	F03C, F03D, F03E, F30Z, F42Z, F46A, F46B, F68A, F68B	Q22.2	05	F03C, F03D, F03E, F46A, F46B, F68A, F68B
Q17.5	03	D66Z		10	K62A		06	G18A, G38Z
	Pre	A09A, A11B		15	TPN, VTPN		10	K62A
Q17.8	03	D66Z		Pre	A07D, A09A, A09E, A11B, A11F, A13F		15	TPN, VTPN
	Pre	A09A, A11B	Q20.9	05	F03C, F03D, F03E, F46A, F46B, F68A, F68B	Q22.3	05	F03C, F03D, F03E, F46A, F46B, F68A, F68B
Q17.9	03	D66Z		10	K62A		10	K62A
	Pre	A09A, A11B		15	TPN, VTPN		15	TPN, VTPN
Q18.0	03	D66Z	Q21.0	05	F03C, F03D, F03E, F46A, F46B, F68A, F68B	Q22.4	05	F03C, F03D, F03E, F46A, F46B, F68A, F68B
	15	P65C, P66C, P67B, P67C		10	K62A		06	G18A, G38Z
	Pre	A09A, A11B		15	TPN, VTPN		10	K62A
Q18.1	03	D66Z		Pre	A07D, A09A, A09E, A11B, A11F, A13F		15	TPN, VTPN
	Pre	A09A, A11B	Q21.1	05	F03C, F03D, F03E, F46A, F46B, F68A, F68B	Q22.5	05	F03C, F03D, F03E, F46A, F46B, F68A, F68B
Q18.2	03	D66Z		10	K62A		06	G18A, G38Z
	Pre	A09A, A11B		15	TPN, VTPN		10	K62A
Q18.3	09	J67A, J67B, J68A, J68B		Pre	A07D, A09A, A09E, A11B, A11F, A13F		15	TPN, VTPN
	Pre	A09A, A11B	Q21.2	05	F03C, F03D, F03E, F46A, F46B, F68A, F68B	Q22.6	05	F03C, F03D, F03E, F30Z, F42Z, F46A, F46B, F68A, F68B
Q18.4	03	D40Z, D67Z		10	K62A		06	G18A, G38Z
	Pre	A09A, A11B		15	TPN, VTPN		10	K62A
Q18.5	03	D40Z, D67Z		Pre	A07D, A09A, A09E, A11B, A11F, A13F		15	TPN, VTPN
	Pre	A09A, A11B	Q21.3	05	F03C, F03D, F03E, F46A, F46B, F68A, F68B	Q22.6	05	F03C, F03D, F03E, F30Z, F42Z, F46A, F46B, F68A, F68B
Q18.6	03	D40Z, D67Z		06	G18A, G38Z		06	G18A, G38Z
	Pre	A09A, A11B		10	K62A		10	K62A
Q18.7	03	D40Z, D67Z		15	TPN, VTPN		15	TPN, VTPN
	Pre	A09A, A11B		Pre	A07D, A09A, A09E, A11B, A11F, A13F		15	TPN, VTPN
Q18.8	03	D66Z		Pre	A07D, A09A, A09E, A11B, A11F, A13F	Q22.5	05	F03C, F03D, F03E, F46A, F46B, F68A, F68B
	Pre	A09A, A11B		05	F03C, F03D, F03E, F46A, F46B, F68A, F68B		06	G18A, G38Z
Q18.9	09	J67A, J67B, J68A, J68B		10	K62A		10	K62A
	Pre	A09A, A11B		15	TPN, VTPN		15	TPN, VTPN
Q20.0	05	F03C, F03D, F03E, F30Z, F42Z, F46A, F46B, F68A, F68B	Q21.4	05	F03C, F03D, F03E, F46A, F46B, F68A, F68B	Q22.6	05	F03C, F03D, F03E, F30Z, F42Z, F46A, F46B, F68A, F68B
	06	G18A, G38Z		10	K62A		06	G18A, G38Z
	10	K62A		15	TPN, VTPN		10	K62A
	15	TPN, VTPN		Pre	A07D, A09A, A09E, A11B, A11F, A13F		15	TPN, VTPN
	Pre	A07D, A09A, A09E, A11B, A11F, A13F	Q21.5	05	F03C, F03D, F03E, F30Z, F42Z, F46A, F46B, F68A, F68B	Q22.6	05	F03C, F03D, F03E, F30Z, F42Z, F46A, F46B, F68A, F68B
Q20.1	05	F03C, F03D, F03E, F30Z, F42Z, F46A, F46B, F68A, F68B		06	G18A, G38Z		06	G18A, G38Z
	06	G18A, G38Z		10	K62A		10	K62A
	10	K62A		15	TPN, VTPN		15	TPN, VTPN
	15	TPN, VTPN		Pre	A07D, A09A, A09E, A11B, A11F, A13F		15	TPN, VTPN
	Pre	A07D, A09A, A09E, A11B, A11F, A13F		Pre	A07D, A09A, A09E, A11B, A11F, A13F		Pre	A07D, A09A, A09E, A11B, A11F, A13F

Dg

ICD	MDC	DRG	ICD	MDC	DRG	ICD	MDC	DRG
Q22.8	05	F03C, F03D, F03E, F46A, F46B, F68A, F68B	Q24.2	05	F03C, F03D, F03E, F46A, F46B, F68A, F68B	Q25.4	05	F03C, F03D, F03E, F46A, F46B, F68A, F68B
	10	K62A		10	K62A		10	K62A
	15	TPN, VTPN		15	TPN, VTPN		Pre	A07D, A09A, A09E, A11B, A11F, A13F
	Pre	A07D, A09A, A09E, A11B, A11F, A13F		Pre	A07D, A09A, A09E, A11B, A11F, A13F	Q25.5	05	F03C, F03D, F03E, F30Z, F42Z, F46A, F46B, F68A, F68B
Q22.9	05	F03C, F03D, F03E, F46A, F46B, F68A, F68B	Q24.3	05	F03C, F03D, F03E, F46A, F46B, F68A, F68B		06	G18A, G38Z
	10	K62A		06	G18A, G38Z		10	K62A
	15	TPN, VTPN		10	K62A		Pre	A07D, A09A, A09E, A11B, A11F, A13F
	Pre	A07D, A09A, A09E, A11B, A11F, A13F		15	TPN, VTPN	Q25.6	05	F03C, F03D, F03E, F46A, F46B, F68A, F68B
Q23.0	05	F03C, F03D, F03E, F46A, F46B, F68A, F68B	Q24.4	05	F03C, F03D, F03E, F46A, F46B, F68A, F68B		06	G18A, G38Z
	06	G18A, G38Z		06	G18A, G38Z		10	K62A
	10	K62A		10	K62A		Pre	A07D, A09A, A09E, A11B, A11F, A13F
	15	TPN, VTPN		15	TPN, VTPN	Q25.7	05	F03C, F03D, F03E, F46A, F46B, F68A, F68B
	Pre	A07D, A09A, A09E, A11B, A11F, A13F		Pre	A07D, A09A, A09E, A11B, A11F, A13F		10	K62A
Q23.1	05	F03C, F03D, F03E, F46A, F46B, F68A, F68B	Q24.5	05	F03C, F03D, F03E, F46A, F46B, F68A, F68B		Pre	A07D, A09A, A09E, A11B, A11F, A13F
	06	G18A, G38Z		10	K62A	Q25.8	05	F03C, F03D, F03E, F46A, F46B, F65A, F65B
	10	K62A		15	TPN, VTPN		10	K62A
	15	TPN, VTPN		Pre	A07D, A09A, A09E, A11B, A11F, A13F		Pre	A07D, A09A, A09E, A11B, A11F, A13F
	Pre	A07D, A09A, A09E, A11B, A11F, A13F		Pre	A07D, A09A, A09E, A11B, A11F, A13F	Q25.9	05	F03C, F03D, F03E, F46A, F46B, F65A, F65B
Q23.2	05	F03C, F03D, F03E, F46A, F46B, F68A, F68B	Q24.6	05	F03C, F03D, F03E, F46A, F46B, F68A, F68B		10	K62A
	06	G18A, G38Z		10	K62A		15	TPN, VTPN
	10	K62A		15	TPN, VTPN		Pre	A07D, A09A, A09E, A11B, A11F, A13F
	15	TPN, VTPN		Pre	A07D, A09A, A09E, A11B, A11F, A13F	Q26.0	05	F03C, F03D, F03E, F46A, F46B, F68A, F68B
	Pre	A07D, A09A, A09E, A11B, A11F, A13F		Pre	A07D, A09A, A09E, A11B, A11F, A13F		06	G18A, G38Z
Q23.3	05	F03C, F03D, F03E, F46A, F46B, F68A, F68B	Q24.8	05	F03C, F03D, F03E, F46A, F46B, F68A, F68B		10	K62A
	06	G18A, G38Z		10	K62A		15	TPN, VTPN
	10	K62A		15	TPN, VTPN		Pre	A07D, A09A, A09E, A11B, A11F, A13F
	15	TPN, VTPN		Pre	A07D, A09A, A09E, A11B, A11F, A13F	Q26.1	05	F03C, F03D, F03E, F46A, F46B, F68A, F68B
	Pre	A07D, A09A, A09E, A11B, A11F, A13F		Pre	A07D, A09A, A09E, A11B, A11F, A13F		10	K62A
Q23.4	05	F03C, F03D, F03E, F30Z, F42Z, F46A, F46B, F68A, F68B	Q24.9	05	F03C, F03D, F03E, F46A, F46B, F68A, F68B		Pre	A07D, A09A, A09E, A11B, A11F, A13F
	06	G18A, G38Z		10	K62A	Q26.2	05	F03C, F03D, F03E, F30Z, F42Z, F46A, F46B, F68A, F68B
	10	K62A		10	K62A		06	G18A, G38Z
	15	TPN, VTPN		15	TPN, VTPN		10	K62A
	Pre	A07D, A09A, A09E, A11B, A11F, A13F		Pre	A07D, A09A, A09E, A11B, A11F, A13F		15	TPN, VTPN
Q23.8	05	F03C, F03D, F03E, F46A, F46B, F68A, F68B	Q25.1	05	F03C, F03D, F03E, F46A, F46B, F68A, F68B		Pre	A07D, A09A, A09E, A11B, A11F, A13F
	10	K62A		10	K62A	Q26.3	05	F03C, F03D, F03E, F46A, F46B, F68A, F68B
	15	TPN, VTPN		15	TPN, VTPN		06	G18A, G38Z
	Pre	A07D, A09A, A09E, A11B, A11F, A13F		Pre	A07D, A09A, A09E, A11B, A11F, A13F		10	K62A
Q23.9	05	F03C, F03D, F03E, F46A, F46B, F68A, F68B	Q25.2	05	F03C, F03D, F03E, F30Z, F42Z, F46A, F46B, F68A, F68B		15	TPN, VTPN
	10	K62A		06	G18A, G38Z		Pre	A07D, A09A, A09E, A11B, A11F, A13F
	15	TPN, VTPN		10	K62A	Q26.4	05	F03C, F03D, F03E, F46A, F46B, F68A, F68B
	Pre	A07D, A09A, A09E, A11B, A11F, A13F		15	TPN, VTPN		10	K62A
Q24.0	05	F03C, F03D, F03E, F46A, F46B, F68A, F68B	Q25.3	05	F03C, F03D, F03E, F46A, F46B, F68A, F68B		Pre	A07D, A09A, A09E, A11B, A11F, A13F
	10	K62A		06	G18A, G38Z	Q26.5	05	F03C, F03D, F03E, F46A, F46B, F68A, F68B
	15	TPN, VTPN		10	K62A		10	K62A
	Pre	A07D, A09A, A09E, A11B, A11F, A13F		15	TPN, VTPN		Pre	A07D, A09A, A09E, A11B, A11F, A13F
Q24.1	05	F03C, F03D, F03E, F46A, F46B, F68A, F68B		Pre	A07D, A09A, A09E, A11B, A11F, A13F		Pre	A07D, A09A, A09E, A11B, A11F, A13F
	10	K62A						
	15	TPN, VTPN						
	Pre	A07D, A09A, A09E, A11B, A11F, A13F						

ICD	MDC	DRG	ICD	MDC	DRG	ICD	MDC	DRG
Q26.6	05	F03C, F03D, F03E, F46A, F46B, F68A, F68B	Q28.09	01	B03A, B03B, B06A, B06B, B17A, B17B, B17C, B17D, B81A, B81B	Q28.31	01	B03A, B03B, B06A, B06B, B17A, B17B, B17C, B17D, B81A, B81B
	10	K62A		10	K62A		10	K62A
	Pre	A07D, A09A, A09E, A11B, A11F, A13F		15	TPN, VTPN		15	TPN, VTPN
Q26.8	05	F03C, F03D, F03E, F46A, F46B, F68A, F68B		Pre	A07D, A09A, A09E, A11B, A11F, A13F	Q28.38	Pre	A07D, A09A, A09E, A11B, A11F, A13F
	10	K62A	Q28.10	01	B03A, B03B, B06A, B06B, B17A, B17B, B17C, B17D, B81A, B81B		01	B03A, B03B, B06A, B06B, B17A, B17B, B17C, B17D, B81A, B81B
	Pre	A07D, A09A, A09E, A11B, A11F, A13F		10	K62A		10	K62A
Q26.9	05	F03C, F03D, F03E, F46A, F46B, F68A, F68B		15	TPN, VTPN		15	TPN, VTPN
	10	K62A		Pre	A07D, A09A, A09E, A11B, A11F, A13F		Pre	A07D, A09A, A09E, A11B, A11F, A13F
	Pre	A07D, A09A, A09E, A11B, A11F, A13F	Q28.11	01	B03A, B03B, B06A, B06B, B17A, B17B, B17C, B17D, B81A, B81B	Q28.39	01	B03A, B03B, B06A, B06B, B17A, B17B, B17C, B17D, B81A, B81B
Q27.0	05	F03C, F03D, F03E, F65A, F65B		10	K62A		10	K62A
	10	K62A		15	TPN, VTPN		15	TPN, VTPN
	Pre	A07D, A09A, A09E, A11B, A11F, A13F		Pre	A07D, A09A, A09E, A11B, A11F, A13F		Pre	A07D, A09A, A09E, A11B, A11F, A13F
Q27.1	05	F03C, F03D, F03E, F65A, F65B	Q28.18	01	B03A, B03B, B06A, B06B, B17A, B17B, B17C, B17D, B81A, B81B	Q28.80	05	F03C, F03D, F03E, F65A, F65B
	10	K62A		10	K62A		10	K62A
	Pre	A07D, A09A, A09E, A11B, A11F, A13F		15	TPN, VTPN		15	P65C, P66C, P67B, P67C
Q27.2	05	F03C, F03D, F03E, F65A, F65B		Pre	A07D, A09A, A09E, A11B, A11F, A13F		Pre	A07D, A09A, A09E, A11B, A11F, A13F
	10	K62A	Q28.19	01	B03A, B03B, B06A, B06B, B17A, B17B, B17C, B17D, B81A, B81B	Q28.81	05	F03C, F03D, F03E, F65A, F65B
	Pre	A07D, A09A, A09E, A11B, A11F, A13F		10	K62A		10	K62A
Q27.3	05	F03C, F03D, F03E, F65A, F65B		15	TPN, VTPN		15	P65C, P66C, P67B, P67C
	10	K62A		Pre	A07D, A09A, A09E, A11B, A11F, A13F		Pre	A07D, A09A, A09E, A11B, A11F, A13F
	Pre	A07D, A09A, A09E, A11B, A11F, A13F	Q28.20	01	B03A, B03B, B06A, B06B, B17A, B17B, B17C, B17D, B81A, B81B	Q28.88	05	F03C, F03D, F03E, F65A, F65B
Q27.4	05	F03C, F03D, F03E, F65A, F65B		10	K62A		10	K62A
	10	K62A		15	TPN, VTPN		15	P65C, P66C, P67B, P67C
	Pre	A07D, A09A, A09E, A11B, A11F, A13F		Pre	A07D, A09A, A09E, A11B, A11F, A13F		Pre	A07D, A09A, A09E, A11B, A11F, A13F
Q27.8	05	F03C, F03D, F03E, F65A, F65B	Q28.21	01	B03A, B03B, B06A, B06B, B17A, B17B, B17C, B17D, B81A, B81B	Q28.9	05	F03C, F03D, F03E, F65A, F65B
	10	K62A		10	K62A		10	K62A
	Pre	A07D, A09A, A09E, A11B, A11F, A13F		15	TPN, VTPN		15	P65C, P66C, P67B, P67C
Q27.9	05	F03C, F03D, F03E, F65A, F65B		Pre	A07D, A09A, A09E, A11B, A11F, A13F		Pre	A07D, A09A, A09E, A11B, A11F, A13F
	10	K62A		10	K62A	Q30.0	03	D66Z
	Pre	A07D, A09A, A09E, A11B, A11F, A13F		15	TPN, VTPN		15	TPN, VTPN
Q28.00	01	B03A, B03B, B06A, B06B, B17A, B17B, B17C, B17D, B81A, B81B	Q28.28	01	B03A, B03B, B06A, B06B, B17A, B17B, B17C, B17D, B81A, B81B		Pre	A07D, A09A, A09E, A11B, A11F, A13F
	10	K62A		10	K62A	Q30.1	03	D66Z
	15	TPN, VTPN		15	TPN, VTPN		Pre	A09A, A11B
	Pre	A07D, A09A, A09E, A11B, A11F, A13F		Pre	A07D, A09A, A09E, A11B, A11F, A13F	Q30.2	03	D66Z
Q28.01	01	B03A, B03B, B06A, B06B, B17A, B17B, B17C, B17D, B81A, B81B	Q28.29	01	B03A, B03B, B06A, B06B, B17A, B17B, B17C, B17D, B81A, B81B	Q30.3	03	D66Z
	10	K62A		10	K62A		Pre	A09A, A11B
	15	TPN, VTPN		15	TPN, VTPN	Q30.8	03	D66Z
	Pre	A07D, A09A, A09E, A11B, A11F, A13F		Pre	A07D, A09A, A09E, A11B, A11F, A13F		Pre	A09A, A11B
Q28.08	01	B03A, B03B, B06A, B06B, B17A, B17B, B17C, B17D, B81A, B81B	Q28.30	01	B03A, B03B, B06A, B06B, B17A, B17B, B17C, B17D, B81A, B81B	Q30.9	03	D66Z
	10	K62A		10	K62A		Pre	A09A, A11B
	15	TPN, VTPN		15	TPN, VTPN	Q31.0	03	D66Z
	Pre	A07D, A09A, A09E, A11B, A11F, A13F		Pre	A07D, A09A, A09E, A11B, A11F, A13F		15	TPN, VTPN
	Pre	A07D, A09A, A09E, A11B, A11F, A13F		Pre	A07D, A09A, A09E, A11B, A11F, A13F		Pre	A07D, A09A, A09E, A11B, A11F, A13F
	Pre	A07D, A09A, A09E, A11B, A11F, A13F		Pre	A07D, A09A, A09E, A11B, A11F, A13F	Q31.1	03	D66Z
	Pre	A07D, A09A, A09E, A11B, A11F, A13F		Pre	A07D, A09A, A09E, A11B, A11F, A13F		15	TPN, VTPN
	Pre	A07D, A09A, A09E, A11B, A11F, A13F		Pre	A07D, A09A, A09E, A11B, A11F, A13F		Pre	A07D, A09A, A09E, A11B, A11F, A13F
	Pre	A07D, A09A, A09E, A11B, A11F, A13F		Pre	A07D, A09A, A09E, A11B, A11F, A13F	Q31.2	03	D66Z
	Pre	A07D, A09A, A09E, A11B, A11F, A13F		Pre	A07D, A09A, A09E, A11B, A11F, A13F		15	TPN, VTPN
	Pre	A07D, A09A, A09E, A11B, A11F, A13F		Pre	A07D, A09A, A09E, A11B, A11F, A13F		Pre	A07D, A09A, A09E, A11B, A11F, A13F

Dg

ICD	MDC	DRG	ICD	MDC	DRG	ICD	MDC	DRG
Q31.3	03	D66Z	Q33.9	04	E75A, E75B, E75C	Q37.9	03	D03Z, D40Z, D67Z
	15	TPN, VTPN		Pre	A07D, A09A, A09E, A11B, A11F, A13F		15	TPN, VTPN
	Pre	A07D, A09A, A09E, A11B, A11F, A13F	Q34.0	04	E75A, E75B, E75C	Q38.0	Pre	A09A, A11B
Q31.5	03	D66Z		Pre	A07D, A09A, A09E, A11B, A11F, A13F	Q38.0	03	D40Z, D67Z
	15	TPN, VTPN	Q34.1	04	E75A, E75B, E75C	Q38.1	Pre	A09A, A11B
	Pre	A07D, A09A, A09E, A11B, A11F, A13F		Pre	A07D, A09A, A09E, A11B, A11F, A13F	Q38.2	03	D40Z, D67Z
Q31.8	03	D66Z	Q34.8	04	E75A, E75B, E75C	Q38.2	Pre	A09A, A11B
	15	TPN, VTPN		Pre	A07D, A09A, A09E, A11B, A11F, A13F	Q38.3	03	D40Z, D67Z
	Pre	A07D, A09A, A09E, A11B, A11F, A13F	Q34.9	04	E75A, E75B, E75C	Q38.3	Pre	A09A, A11B
Q31.9	03	D66Z		Pre	A07D, A09A, A09E, A11B, A11F, A13F	Q38.4	03	D40Z, D67Z
	15	TPN, VTPN	Q35.1	03	D03Z, D40Z, D67Z	Q38.4	Pre	A09A, A11B
	Pre	A07D, A09A, A09E, A11B, A11F, A13F		15	P65C, P66C, P67B, P67C	Q38.5	03	D40Z, D67Z
Q32.0	03	D66Z		Pre	A07D, A09A, A09E, A11B, A11F, A13F	Q38.5	Pre	A09A, A11B
	15	TPN, VTPN	Q35.3	03	D03Z, D40Z, D67Z	Q38.6	03	D40Z, D67Z
	Pre	A07D, A09A, A09E, A11B, A11F, A13F		15	P65C, P66C, P67B, P67C	Q38.6	15	P65C, P66C, P67B, P67C
Q32.1	03	D66Z		Pre	A07D, A09A, A09E, A11B, A11F, A13F	Q38.7	Pre	A09A, A11B
	15	TPN, VTPN	Q35.3	15	P65C, P66C, P67B, P67C	Q38.7	03	D66Z
	Pre	A07D, A09A, A09E, A11B, A11F, A13F		Pre	A07D, A09A, A09E, A11B, A11F, A13F	Q38.7	15	TPN, VTPN
Q32.2	03	D66Z	Q35.5	03	D03Z, D40Z, D67Z	Q38.8	Pre	A09A, A11B
	15	TPN, VTPN		15	P65C, P66C, P67B, P67C	Q38.8	03	D66Z
	Pre	A07D, A09A, A09E, A11B, A11F, A13F		Pre	A07D, A09A, A09E, A11B, A11F, A13F	Q39.0	Pre	A09A, A11B
Q32.3	03	D66Z	Q35.7	03	D03Z, D40Z, D67Z	Q39.0	06	G18A, G38Z, G46A, G46B, G46C, G50Z, G71Z
	15	TPN, VTPN		15	P65C, P66C, P67B, P67C		15	TPN, VTPN
	Pre	A07D, A09A, A09E, A11B, A11F, A13F		Pre	A07D, A09A, A09E, A11B, A11F, A13F	Q39.1	Pre	A07D, A09A, A09E, A11B, A11F, A13F
Q32.4	03	D66Z	Q35.9	03	D03Z, D40Z, D67Z	Q39.1	06	G18A, G38Z, G46A, G46B, G46C, G50Z, G64A, G64B, G64C, G70A, G70B
	15	TPN, VTPN		15	P65C, P66C, P67B, P67C		15	TPN, VTPN
	Pre	A07D, A09A, A09E, A11B, A11F, A13F	Q36.0	03	D03Z, D40Z, D67Z	Q39.1	Pre	A07D, A09A, A09E, A11B, A11F, A13F
Q33.0	04	E75A, E75B, E75C		15	P65C, P66C, P67B, P67C	Q39.2	06	G18A, G38Z, G46A, G46B, G46C, G50Z, G71Z
	15	TPN, VTPN	Q36.1	03	D03Z, D40Z, D67Z		15	TPN, VTPN
	Pre	A07D, A09A, A09E, A11B, A11F, A13F		15	P65C, P66C, P67B, P67C	Q39.2	Pre	A07D, A09A, A09E, A11B, A11F, A13F
Q33.1	04	E75A, E75B, E75C	Q36.9	03	D03Z, D40Z, D67Z	Q39.3	06	G18A, G38Z, G46A, G46B, G46C, G50Z, G71Z
	15	P65C, P66C, P67B, P67C		15	P65C, P66C, P67B, P67C		15	TPN, VTPN
	Pre	A07D, A09A, A09E, A11B, A11F, A13F		Pre	A09A, A11B	Q39.3	Pre	A07D, A09A, A09E, A11B, A11F, A13F
Q33.2	04	E75A, E75B, E75C	Q37.0	03	D03Z, D40Z, D67Z	Q39.4	06	G18A, G38Z, G46A, G46B, G46C, G50Z, G71Z
	15	TPN, VTPN		15	TPN, VTPN		15	TPN, VTPN
	Pre	A07D, A09A, A09E, A11B, A11F, A13F		Pre	A07D, A09A, A09E, A11B, A11F, A13F	Q39.4	Pre	A07D, A09A, A09E, A11B, A11F, A13F
Q33.3	04	E75A, E75B, E75C	Q37.1	03	D03Z, D40Z, D67Z	Q39.5	06	G18A, G38Z, G46A, G46B, G46C, G50Z, G71Z
	15	TPN, VTPN		15	TPN, VTPN		15	P65C, P66C, P67B, P67C
	Pre	A07D, A09A, A09E, A11B, A11F, A13F		Pre	A07D, A09A, A09E, A11B, A11F, A13F	Q39.5	Pre	A07D, A09A, A09E, A11B, A11F, A13F
Q33.4	04	E65A, E65B, E65C	Q37.2	03	D03Z, D40Z, D67Z	Q39.6	06	G18A, G38Z, G46A, G46B, G46C, G50Z, G71Z
	15	TPN, VTPN		15	TPN, VTPN		15	P65C, P66C, P67B, P67C
	Pre	A07D, A09A, A09E, A11B, A11F, A13F		Pre	A07D, A09A, A09E, A11B, A11F, A13F	Q39.6	Pre	A07D, A09A, A09E, A11B, A11F, A13F
Q33.5	04	E75A, E75B, E75C	Q37.3	03	D03Z, D40Z, D67Z	Q39.8	06	G18A, G38Z, G46A, G46B, G46C, G50Z, G71Z
	15	P65C, P66C, P67B, P67C		15	TPN, VTPN		15	P65C, P66C, P67B, P67C
	Pre	A07D, A09A, A09E, A11B, A11F, A13F		Pre	A07D, A09A, A09E, A11B, A11F, A13F	Q39.8	Pre	A07D, A09A, A09E, A11B, A11F, A13F
Q33.6	04	E75A, E75B, E75C	Q37.4	03	D03Z, D40Z, D67Z	Q39.9	06	G18A, G38Z, G46A, G46B, G46C, G50Z, G71Z
	15	TPN, VTPN		15	TPN, VTPN		15	P65C, P66C, P67B, P67C
	Pre	A07D, A09A, A09E, A11B, A11F, A13F		Pre	A07D, A09A, A09E, A11B, A11F, A13F	Q39.9	Pre	A07D, A09A, A09E, A11B, A11F, A13F
Q33.8	04	E75A, E75B, E75C	Q37.5	03	D03Z, D40Z, D67Z			
	15	P65C, P66C, P67B, P67C		15	TPN, VTPN			
	Pre	A07D, A09A, A09E, A11B, A11F, A13F		Pre	A07D, A09A, A09E, A11B, A11F, A13F			
Q33.8	04	E75A, E75B, E75C	Q37.8	03	D03Z, D40Z, D67Z			
	15	P65C, P66C, P67B, P67C		15	TPN, VTPN			
	Pre	A07D, A09A, A09E, A11B, A11F, A13F		Pre	A09A, A11B			



ICD	MDC	DRG	ICD	MDC	DRG	ICD	MDC	DRG
Q40.0	06	G18A, G38Z, G46A, G46B, G46C, G50Z, G64A, G64B, G64C, G70A, G70B	Q42.2	06	G18A, G38Z, G46A, G46B, G46C, G50Z, G64A, G64B, G64C, G70A, G70B	Q43.6	06	G18A, G38Z, G46A, G46B, G46C, G50Z, G71Z
	15	P65C, P66C, P67B, P67C		15	TPN, VTPN		15	P65C, P66C, P67B, P67C
	Pre	A07D, A09A, A09E, A11B, A11F, A13F		Pre	A07D, A09A, A09E, A11B, A11F, A13F		Pre	A07D, A09A, A09E, A11B, A11F, A13F
Q40.1	06	G18A, G38Z, G46A, G46B, G46C, G50Z, G71Z	Q42.3	06	G18A, G38Z, G46A, G46B, G46C, G50Z, G64A, G64B, G64C, G70A, G70B	Q43.7	06	G18A, G38Z, G46A, G46B, G46C, G50Z, G64A, G64B, G64C, G70A, G70B
	15	P65C, P66C, P67B, P67C		15	TPN, VTPN		15	P65C, P66C, P67B, P67C
	Pre	A07D, A09A, A09E, A11B, A11F, A13F		Pre	A07D, A09A, A09E, A11B, A11F, A13F		Pre	A07D, A09A, A09E, A11B, A11F, A13F
Q40.2	06	G18A, G38Z, G46A, G46B, G46C, G50Z, G71Z	Q42.8	06	G18A, G38Z, G46A, G46B, G46C, G50Z, G71Z	Q43.8	06	G18A, G38Z, G46A, G46B, G46C, G50Z, G71Z
	Pre	A07D, A09A, A09E, A11B, A11F, A13F		15	TPN, VTPN		15	P65C, P66C, P67B, P67C
Q40.3	06	G18A, G38Z, G46A, G46B, G46C, G50Z, G71Z		Pre	A07D, A09A, A09E, A11B, A11F, A13F		Pre	A07D, A09A, A09E, A11B, A11F, A13F
	Pre	A07D, A09A, A09E, A11B, A11F, A13F	Q42.9	06	G18A, G38Z, G46A, G46B, G46C, G50Z, G71Z	Q43.9	06	G18A, G38Z, G46A, G46B, G46C, G50Z, G71Z
Q40.8	06	G18A, G38Z, G46A, G46B, G46C, G50Z, G71Z		15	TPN, VTPN		15	P65C, P66C, P67B, P67C
	Pre	A07D, A09A, A09E, A11B, A11F, A13F		Pre	A07D, A09A, A09E, A11B, A11F, A13F		Pre	A07D, A09A, A09E, A11B, A11F, A13F
Q40.9	06	G18A, G38Z, G46A, G46B, G46C, G50Z, G71Z	Q43.0	06	G40Z, G46A, G46B, G46C, G47Z, G67A, G67B, G67C, G67D, G73Z	Q44.0	07	H63A, H63B, H63C, H78Z
	Pre	A07D, A09A, A09E, A11B, A11F, A13F		15	TPN, VTPN		Pre	A07D, A09A, A09E, A11B, A11F, A13F
	Pre	A07D, A09A, A09E, A11B, A11F, A13F		Pre	A07D, A09A, A09E, A11B, A11F, A13F	Q44.1	07	H63A, H63B, H63C, H78Z
Q41.0	06	G18A, G38Z, G46A, G46B, G46C, G50Z, G64A, G64B, G64C, G70A, G70B	Q43.1	06	G18A, G38Z, G46A, G46B, G46C, G50Z, G64A, G64B, G64C, G70A, G70B		Pre	A07D, A09A, A09E, A11B, A11F, A13F
	15	TPN, VTPN		15	TPN, VTPN	Q44.2	06	G18A, G38Z
	Pre	A07D, A09A, A09E, A11B, A11F, A13F		Pre	A07D, A09A, A09E, A11B, A11F, A13F		07	H64Z
Q41.1	06	G18A, G38Z, G46A, G46B, G46C, G50Z, G64A, G64B, G64C, G70A, G70B	Q43.2	06	G18A, G38Z, G46A, G46B, G46C, G50Z, G71Z		15	TPN, VTPN
	15	TPN, VTPN		15	TPN, VTPN	Q44.3	06	G18A, G38Z
	Pre	A07D, A09A, A09E, A11B, A11F, A13F		Pre	A07D, A09A, A09E, A11B, A11F, A13F		07	H64Z
Q41.2	06	G18A, G38Z, G46A, G46B, G46C, G50Z, G64A, G64B, G64C, G70A, G70B	Q43.3	06	G18A, G38Z, G46A, G46B, G46C, G50Z, G64A, G64B, G64C, G70A, G70B		15	TPN, VTPN
	15	TPN, VTPN		15	TPN, VTPN	Q44.4	07	H63A, H63B, H63C, H78Z
	Pre	A07D, A09A, A09E, A11B, A11F, A13F		Pre	A07D, A09A, A09E, A11B, A11F, A13F		Pre	A07D, A09A, A09E, A11B, A11F, A13F
Q41.8	06	G18A, G38Z, G46A, G46B, G46C, G50Z, G71Z	Q43.40	06	G18A, G38Z, G46A, G46B, G46C, G50Z, G71Z	Q44.5	07	H63A, H63B, H63C, H78Z
	15	TPN, VTPN		15	P65C, P66C, P67B, P67C		Pre	A07D, A09A, A09E, A11B, A11F, A13F
	Pre	A07D, A09A, A09E, A11B, A11F, A13F		Pre	A07D, A09A, A09E, A11B, A11F, A13F	Q44.6	07	H63A, H63B, H63C, H78Z
Q41.9	06	G18A, G38Z, G46A, G46B, G46C, G50Z, G71Z	Q43.41	06	G18A, G38Z, G46A, G46B, G46C, G50Z, G71Z		15	TPN, VTPN
	15	TPN, VTPN		15	P65C, P66C, P67B, P67C	Q44.7	07	H63A, H63B, H63C, H78Z
	Pre	A07D, A09A, A09E, A11B, A11F, A13F		Pre	A07D, A09A, A09E, A11B, A11F, A13F		15	TPN, VTPN
Q42.0	06	G18A, G38Z, G46A, G46B, G46C, G50Z, G64A, G64B, G64C, G70A, G70B	Q43.42	06	G18A, G38Z, G46A, G46B, G46C, G50Z, G71Z		Pre	A07D, A09A, A09E, A11B, A11F, A13F
	15	TPN, VTPN		15	P65C, P66C, P67B, P67C	Q45.0	07	H62A, H62B, H62C
	Pre	A07D, A09A, A09E, A11B, A11F, A13F		Pre	A07D, A09A, A09E, A11B, A11F, A13F		15	TPN, VTPN
Q42.1	06	G18A, G38Z, G46A, G46B, G46C, G50Z, G64A, G64B, G64C, G70A, G70B	Q43.49	06	G18A, G38Z, G46A, G46B, G46C, G50Z, G71Z		Pre	A07D, A09A, A09E, A11B, A11F, A13F
	15	TPN, VTPN		15	P65C, P66C, P67B, P67C	Q45.1	07	H62A, H62B, H62C
	Pre	A07D, A09A, A09E, A11B, A11F, A13F		Pre	A07D, A09A, A09E, A11B, A11F, A13F		15	TPN, VTPN
	Pre	A07D, A09A, A09E, A11B, A11F, A13F	Q43.5	06	G18A, G38Z, G46A, G46B, G46C, G50Z, G71Z	Q45.2	07	H62A, H62B, H62C
	Pre	A07D, A09A, A09E, A11B, A11F, A13F		15	P65C, P66C, P67B, P67C		15	TPN, VTPN
	Pre	A07D, A09A, A09E, A11B, A11F, A13F		Pre	A07D, A09A, A09E, A11B, A11F, A13F	Q45.3	07	H62A, H62B, H62C
	Pre	A07D, A09A, A09E, A11B, A11F, A13F		Pre	A07D, A09A, A09E, A11B, A11F, A13F		15	TPN, VTPN
	Pre	A07D, A09A, A09E, A11B, A11F, A13F		Pre	A07D, A09A, A09E, A11B, A11F, A13F		Pre	A07D, A09A, A09E, A11B, A11F, A13F

Dg

ICD	MDC	DRG	ICD	MDC	DRG	ICD	MDC	DRG
Q45.8	06	G18A, G38Z, G46A, G46B, G46C, G50Z, G71Z	Q52.3	13	N04Z, N05A, N05B, N14Z, N21Z, N25Z, N62A, N62B	Q56.2	10	K64A, K64B, K64C, K64D
	Pre	A07D, A09A, A09E, A11B, A11F, A13F		Pre	A09A, A11B		15	TPN, VTPN
Q45.9	06	G18A, G38Z, G46A, G46B, G46C, G50Z, G71Z	Q52.4	13	N04Z, N05A, N05B, N14Z, N21Z, N25Z, N62A, N62B	Q56.3	10	K64A, K64B, K64C, K64D
	Pre	A07D, A09A, A09E, A11B, A11F, A13F		Pre	A09A, A11B		15	TPN, VTPN
Q50.0	13	N04Z, N05A, N05B, N14Z, N21Z, N25Z, N62A, N62B	Q52.5	13	N04Z, N05A, N05B, N14Z, N21Z, N25Z, N62A, N62B	Q56.4	10	K64A, K64B, K64C, K64D
	Pre	A09A, A11B		Pre	A09A, A11B		15	TPN, VTPN
Q50.1	13	N04Z, N05A, N05B, N14Z, N21Z, N25Z, N62A, N62B	Q52.6	13	N04Z, N05A, N05B, N14Z, N21Z, N25Z, N62A, N62B	Q60.0	11	L64A, L64B, L74Z
	Pre	A09A, A11B		Pre	A09A, A11B		15	TPN, VTPN
Q50.2	13	N04Z, N05A, N05B, N14Z, N21Z, N25Z, N62A, N62B	Q52.7	13	N04Z, N05A, N05B, N14Z, N21Z, N25Z, N62A, N62B	Q60.1	06	G18A, G38Z
	Pre	A09A, A11B		Pre	A09A, A11B		11	L68A, L68B, L74Z
Q50.3	13	N04Z, N05A, N05B, N14Z, N21Z, N25Z, N62A, N62B	Q52.8	13	N04Z, N05A, N05B, N14Z, N21Z, N25Z, N62A, N62B		15	TPN, VTPN
	Pre	A09A, A11B		Pre	A09A, A11B	Q60.2	11	L64A, L64B, L74Z
Q50.4	13	N04Z, N05A, N05B, N14Z, N21Z, N25Z, N62A, N62B	Q52.9	13	N04Z, N05A, N05B, N14Z, N21Z, N25Z, N62A, N62B		15	TPN, VTPN
	Pre	A09A, A11B		Pre	A09A, A11B	Q60.3	11	L64A, L64B, L74Z
Q50.5	13	N04Z, N05A, N05B, N14Z, N21Z, N25Z, N62A, N62B	Q53.0	12	M64Z		15	TPN, VTPN
	Pre	A09A, A11B		Pre	A09A, A11B	Q60.4	06	G18A, G38Z
Q50.6	13	N04Z, N05A, N05B, N14Z, N21Z, N25Z, N62A, N62B	Q53.1	12	M64Z		11	L68A, L68B, L74Z
	Pre	A09A, A11B		Pre	A09A, A11B		15	TPN, VTPN
Q51.0	13	N04Z, N05A, N05B, N14Z, N21Z, N25Z, N62A, N62B	Q53.2	12	M64Z	Q60.5	11	L64A, L64B, L74Z
	Pre	A09A, A11B		Pre	A09A, A11B		15	TPN, VTPN
Q51.1	13	N04Z, N05A, N05B, N14Z, N21Z, N25Z, N62A, N62B	Q53.9	12	M64Z	Q60.6	06	G18A, G38Z
	Pre	A09A, A11B		Pre	A09A, A11B		11	L64A, L64B, L74Z
Q51.2	13	N04Z, N05A, N05B, N14Z, N21Z, N25Z, N62A, N62B	Q54.0	12	M64Z		15	TPN, VTPN
	Pre	A09A, A11B		Pre	A09A, A11B	Q61.0	11	L68A, L68B, L74Z
Q51.3	13	N04Z, N05A, N05B, N14Z, N21Z, N25Z, N62A, N62B	Q54.1	12	M64Z		15	P65C, P66C, P67B, P67C
	Pre	A09A, A11B		Pre	A09A, A11B	Q61.1	11	L68A, L68B, L74Z
Q51.4	13	N04Z, N05A, N05B, N14Z, N21Z, N25Z, N62A, N62B	Q54.2	12	M64Z		15	TPN, VTPN
	Pre	A09A, A11B		Pre	A09A, A11B	Q61.2	11	L68A, L68B, L74Z
Q51.5	13	N04Z, N05A, N05B, N14Z, N21Z, N25Z, N62A, N62B	Q54.3	12	M64Z		15	P65C, P66C, P67B, P67C
	Pre	A09A, A11B		Pre	A09A, A11B	Q61.3	11	L68A, L68B, L74Z
Q51.6	13	N04Z, N05A, N05B, N14Z, N21Z, N25Z, N62A, N62B	Q54.4	12	M64Z		15	P65C, P66C, P67B, P67C
	Pre	A09A, A11B		Pre	A09A, A11B	Q61.4	11	L68A, L68B, L74Z
Q51.7	13	N04Z, N05A, N05B, N14Z, N21Z, N25Z, N62A, N62B	Q54.8	12	M64Z		15	P65C, P66C, P67B, P67C
	Pre	A09A, A11B		Pre	A09A, A11B	Q61.5	11	L68A, L68B, L74Z
Q51.8	13	N04Z, N05A, N05B, N14Z, N21Z, N25Z, N62A, N62B	Q54.9	12	M64Z		15	P65C, P66C, P67B, P67C
	Pre	A09A, A11B		Pre	A09A, A11B	Q61.8	11	L68A, L68B, L74Z
Q51.9	13	N04Z, N05A, N05B, N14Z, N21Z, N25Z, N62A, N62B	Q55.0	12	M64Z		15	P65C, P66C, P67B, P67C
	Pre	A09A, A11B		Pre	A09A, A11B	Q61.9	11	L68A, L68B, L74Z
Q52.0	13	N04Z, N05A, N05B, N14Z, N21Z, N25Z, N62A, N62B	Q55.1	12	M64Z		15	P65C, P66C, P67B, P67C
	Pre	A09A, A11B		Pre	A09A, A11B	Q62.0	11	L64A, L64B, L74Z
Q52.1	13	N04Z, N05A, N05B, N14Z, N21Z, N25Z, N62A, N62B	Q55.2	12	M64Z		15	P65C, P66C, P67B, P67C
	Pre	A09A, A11B		Pre	A09A, A11B	Q62.1	11	L64A, L64B, L74Z
Q52.2	13	N04Z, N05A, N05B, N14Z, N21Z, N25Z, N62A, N62B	Q55.3	12	M64Z		15	P65C, P66C, P67B, P67C
	Pre	A09A, A11B		Pre	A09A, A11B	Q62.2	11	L64A, L64B, L74Z
	Pre	A09A, A11B	Q56.0	10	K64A, K64B, K64C, K64D		15	P65C, P66C, P67B, P67C
	Pre	A09A, A11B		Pre	TPN, VTPN		11	L64A, L64B, L74Z
	Pre	A09A, A11B	Q56.1	10	K64A, K64B, K64C, K64D		15	P65C, P66C, P67B, P67C
	Pre	A09A, A11B		Pre	TPN, VTPN		15	P65C, P66C, P67B, P67C
	Pre	A09A, A11B		Pre	A09A, A11B		Pre	A09A, A11B

ICD	MDC	DRG	ICD	MDC	DRG	ICD	MDC	DRG
Q62.3	11	L64A, L64B, L74Z	Q65.5	08	I76A, I76B	Q69.0	08	I32A, I32B, I32C, I32D, I32E, I32F, I32G, I76A, I76B
	15	P65C, P66C, P67B, P67C		15	P65C, P66C, P67B, P67C		Pre	A09A, A11B
	Pre	A09A, A11B		Pre	A09A, A11B	Q69.1	08	I32A, I32B, I32C, I32D, I32E, I32F, I32G, I76A, I76B
Q62.4	11	L64A, L64B, L74Z	Q65.6	08	I76A, I76B		Pre	A09A, A11B
	Pre	A09A, A11B		15	P65C, P66C, P67B, P67C	Q69.2	08	I76A, I76B
Q62.5	11	L64A, L64B, L74Z		Pre	A09A, A11B		Pre	A09A, A11B
	Pre	A09A, A11B	Q65.8	08	I76A, I76B	Q69.9	08	I76A, I76B
Q62.6	11	L64A, L64B, L74Z		Pre	A09A, A11B		Pre	A09A, A11B
	Pre	A09A, A11B	Q65.9	08	I76A, I76B	Q69.9	08	I76A, I76B
Q62.7	11	L64A, L64B, L74Z		Pre	A09A, A11B	Q70.0	08	I32A, I32B, I32C, I32D, I32G, I76A, I76B
	Pre	A09A, A11B	Q66.0	08	I76A, I76B		Pre	A09A, A11B
Q62.8	11	L64A, L64B, L74Z		Pre	A09A, A11B	Q70.1	08	I32A, I32B, I32C, I32D, I32G, I76A, I76B
	Pre	A09A, A11B	Q66.1	08	I76A, I76B		Pre	A09A, A11B
Q63.0	11	L64A, L64B, L74Z		Pre	A09A, A11B	Q70.2	08	I76A, I76B
	Pre	A09A, A11B	Q66.2	08	I76A, I76B		Pre	A09A, A11B
Q63.1	11	L64A, L64B, L74Z		Pre	A09A, A11B	Q70.2	08	I76A, I76B
	Pre	A09A, A11B	Q66.3	08	I76A, I76B		Pre	A09A, A11B
Q63.2	11	L64A, L64B, L74Z		Pre	A09A, A11B	Q70.3	08	I76A, I76B
	Pre	A09A, A11B	Q66.4	08	I76A, I76B		Pre	A09A, A11B
Q63.3	11	L64A, L64B, L74Z		Pre	A09A, A11B	Q70.4	08	I32B, I32C, I32D, I76A, I76B
	Pre	A09A, A11B	Q66.5	08	I76A, I76B		Pre	A09A, A11B
Q63.8	11	L64A, L64B, L74Z		Pre	A09A, A11B	Q70.9	08	I32B, I32C, I32D, I76A, I76B
	Pre	A09A, A11B	Q66.6	08	I76A, I76B		Pre	A09A, A11B
Q63.9	11	L64A, L64B, L74Z		Pre	A09A, A11B	Q71.0	08	I32A, I32B, I32C, I32D, I32G, I33Z, I76A, I76B
	Pre	A09A, A11B	Q66.7	08	I76A, I76B		15	P65C, P66C, P67B, P67C
Q64.0	12	M64Z		Pre	A09A, A11B	Q71.1	08	I32A, I32B, I32C, I32D, I32G, I33Z, I76A, I76B
	13	N04Z, N05A, N05B, N14Z, N21Z, N25Z, N62A, N62B	Q66.8	08	I76A, I76B		15	P65C, P66C, P67B, P67C
	Pre	A09A, A11B		Pre	A09A, A11B	Q71.2	08	I32B, I32C, I32D, I33Z, I76A, I76B
Q64.1	11	L68A, L68B, L74Z		Pre	A09A, A11B		15	P65C, P66C, P67B, P67C
	15	TPN, VTPN	Q66.9	08	I76A, I76B		Pre	A09A, A11B
	Pre	A09A, A11B		Pre	A09A, A11B	Q71.2	08	I32B, I32C, I32D, I33Z, I76A, I76B
Q64.2	11	L68A, L68B, L74Z		Pre	A09A, A11B		15	P65C, P66C, P67B, P67C
	15	TPN, VTPN	Q67.0	08	I76A, I76B		Pre	A09A, A11B
	Pre	A09A, A11B		15	P65C, P66C, P67B, P67C	Q71.3	08	I32A, I32B, I32C, I32D, I32G, I33Z, I76A, I76B
Q64.3	11	L68A, L68B, L74Z		Pre	A09A, A11B		15	P65C, P66C, P67B, P67C
	15	TPN, VTPN	Q67.1	08	I76A, I76B		Pre	A09A, A11B
	Pre	A09A, A11B		Pre	A09A, A11B	Q71.3	08	I32A, I32B, I32C, I32D, I32G, I33Z, I76A, I76B
Q64.4	11	L68A, L68B, L74Z		Pre	A09A, A11B		15	P65C, P66C, P67B, P67C
	15	P65C, P66C, P67B, P67C	Q67.2	08	I76A, I76B		Pre	A09A, A11B
	Pre	A09A, A11B		Pre	A09A, A11B	Q71.4	08	I32B, I32C, I32D, I33Z, I76A, I76B
Q64.5	11	L68A, L68B, L74Z		Pre	A09A, A11B		15	P65C, P66C, P67B, P67C
	15	P65C, P66C, P67B, P67C	Q67.3	08	I76A, I76B		Pre	A09A, A11B
	Pre	A09A, A11B		Pre	A09A, A11B	Q71.5	08	I32B, I32C, I32D, I33Z, I76A, I76B
Q64.6	11	L68A, L68B, L74Z		15	P65C, P66C, P67B, P67C		15	P65C, P66C, P67B, P67C
	15	P65C, P66C, P67B, P67C	Q67.4	08	I76A, I76B		Pre	A09A, A11B
	Pre	A09A, A11B		Pre	A09A, A11B	Q71.6	08	I32A, I32B, I32C, I32D, I32G, I33Z, I76A, I76B
Q64.7	11	L68A, L68B, L74Z		Pre	A09A, A11B		15	P65C, P66C, P67B, P67C
	15	P65C, P66C, P67B, P67C	Q67.5	08	I06A, I06B, I06C, I06D, I06E, I09A, I09B, I09C, I09D, I09E, I76A, I76B		Pre	A09A, A11B
	Pre	A09A, A11B		Pre	A09A, A11B	Q71.8	08	I32B, I32C, I32D, I33Z, I76A, I76B
Q64.8	11	L68A, L68B, L74Z		15	P65C, P66C, P67B, P67C		Pre	A09A, A11B
	Pre	A09A, A11B	Q67.6	04	E75A, E75B, E75C	Q71.9	08	I32B, I32C, I32D, I33Z, I76A, I76B
Q64.9	11	L68A, L68B, L74Z		Pre	A09A, A11B		15	P65C, P66C, P67B, P67C
	Pre	A09A, A11B	Q67.7	04	E75A, E75B, E75C		Pre	A09A, A11B
Q65.0	08	I76A		Pre	A09A, A11B	Q72.0	08	I33Z, I76A, I76B
	15	P65C, P66C, P67B, P67C	Q67.8	08	I76A, I76B		15	P65C, P66C, P67B, P67C
	Pre	A09A, A11B		Pre	A09A, A11B	Q72.1	08	I33Z, I76A, I76B
Q65.1	08	I76A		Pre	A09A, A11B		15	P65C, P66C, P67B, P67C
	15	P65C, P66C, P67B, P67C	Q68.0	08	I76A, I76B	Q72.2	08	I33Z, I76A, I76B
	Pre	A09A, A11B		Pre	A09A, A11B		15	P65C, P66C, P67B, P67C
Q65.2	08	I76A		Pre	A09A, A11B		Pre	A09A, A11B
	15	P65C, P66C, P67B, P67C	Q68.1	08	I32A, I32B, I32C, I32D, I32G, I76A, I76B		15	P65C, P66C, P67B, P67C
	Pre	A09A, A11B		Pre	A09A, A11B	Q72.1	08	I33Z, I76A, I76B
Q65.3	08	I76A, I76B	Q68.2	08	I77Z		15	P65C, P66C, P67B, P67C
	15	P65C, P66C, P67B, P67C		15	P65C, P66C, P67B, P67C	Q72.0	08	I33Z, I76A, I76B
	Pre	A09A, A11B	Q68.3	08	I76A, I76B		15	P65C, P66C, P67B, P67C
Q65.4	08	I76A, I76B		Pre	A09A, A11B	Q72.1	08	I33Z, I76A, I76B
	15	P65C, P66C, P67B, P67C	Q68.4	08	I76A, I76B		15	P65C, P66C, P67B, P67C
	Pre	A09A, A11B		Pre	A09A, A11B	Q72.2	08	I33Z, I76A, I76B
Q65.4	08	I76A, I76B	Q68.5	08	I76A, I76B		15	P65C, P66C, P67B, P67C
	15	P65C, P66C, P67B, P67C		Pre	A09A, A11B		Pre	A09A, A11B
	Pre	A09A, A11B	Q68.8	08	I76A, I76B		Pre	A09A, A11B
	Pre	A09A, A11B		Pre	A09A, A11B		Pre	A09A, A11B

ICD	MDC	DRG	ICD	MDC	DRG	ICD	MDC	DRG
Q72.3	08	I33Z, I76A, I76B	Q76.1	08	I76A, I76B	Q78.1	08	I76A, I76B
	15	P65C, P66C, P67B, P67C		15	TPN, VTPN		15	TPN, VTPN
	Pre	A09A, A11B		Pre	A09A, A11B		Pre	A07D, A09A, A09E, A11B,
Q72.4	08	I33Z, I76A, I76B	Q76.21	08	I68A, I68B, I68C, I68D, I68E			A11F, A13F
	15	P65C, P66C, P67B, P67C		Pre	A09A, A11B	Q78.2	08	I76A, I76B
	Pre	A09A, A11B	Q76.22	08	I68A, I68B, I68C, I68D, I68E		15	TPN, VTPN
Q72.5	08	I33Z, I76A, I76B		Pre	A09A, A11B		Pre	A07D, A09A, A09E, A11B,
	15	P65C, P66C, P67B, P67C	Q76.3	08	I68A, I68B, I68C, I68D, I68E			A11F, A13F
	Pre	A09A, A11B		15	P65C, P66C, P67B, P67C	Q78.3	08	I76A, I76B
Q72.6	08	I33Z, I76A, I76B		Pre	A09A, A11B		15	TPN, VTPN
	15	P65C, P66C, P67B, P67C	Q76.4	08	I68A, I68B, I68C, I68D, I68E		Pre	A07D, A09A, A09E, A11B,
	Pre	A09A, A11B		15	P65C, P66C, P67B, P67C			A11F, A13F
Q72.7	08	I33Z, I76A, I76B		Pre	A09A, A11B	Q78.4	08	I76A, I76B
	15	P65C, P66C, P67B, P67C	Q76.5	08	I76A, I76B		15	TPN, VTPN
	Pre	A09A, A11B		Pre	A09A, A11B		Pre	A07D, A09A, A09E, A11B,
Q72.8	08	I33Z, I76A, I76B	Q76.6	04	E75A, E75B, E75C			A11F, A13F
	15	P65C, P66C, P67B, P67C		Pre	A09A, A11B	Q78.5	08	I76A, I76B
	Pre	A09A, A11B	Q76.7	04	E75A, E75B, E75C		Pre	A07D, A09A, A09E, A11B,
Q72.9	08	I33Z, I76A, I76B		Pre	A09A, A11B			A11F, A13F
	Pre	A09A, A11B	Q76.8	08	I76A, I76B	Q78.6	08	I76A, I76B
Q73.0	08	I33Z, I76A, I76B		Pre	A09A, A11B		15	TPN, VTPN
	Pre	A09A, A11B	Q76.9	08	I76A, I76B		Pre	A07D, A09A, A09E, A11B,
Q73.1	08	I33Z, I76A, I76B		Pre	A09A, A11B			A11F, A13F
	Pre	A09A, A11B	Q77.0	08	I76A, I76B	Q78.8	08	I76A, I76B
Q73.8	08	I33Z, I76A, I76B		15	TPN, VTPN		Pre	A07D, A09A, A09E, A11B,
	Pre	A09A, A11B		Pre	A07D, A09A, A09E, A11B,			A11F, A13F
Q74.0	08	I33Z, I76A			A11F, A13F	Q78.9	08	I76A, I76B
	Pre	A09A, A11B	Q77.1	08	I76A, I76B		15	TPN, VTPN
Q74.1	08	I33Z, I76A		15	TPN, VTPN		Pre	A07D, A09A, A09E, A11B,
	Pre	A09A, A11B		Pre	A07D, A09A, A09E, A11B,			A11F, A13F
Q74.2	08	I33Z, I76A			A11F, A13F	Q79.0	04	E75A, E75B, E75C
	Pre	A09A, A11B	Q77.2	08	I76A, I76B		06	G18A, G38Z
Q74.3	08	I33Z, I76A		15	TPN, VTPN		15	TPN, VTPN
	15	TPN, VTPN		Pre	A07D, A09A, A09E, A11B,		Pre	A07D, A09A, A09E, A11B,
	Pre	A09A, A11B			A11F, A13F	Q79.1	04	E75A, E75B, E75C
Q74.8	08	I33Z, I76A, I76B	Q77.3	08	I76A, I76B		15	TPN, VTPN
	Pre	A09A, A11B		15	TPN, VTPN		Pre	A07D, A09A, A09E, A11B,
Q74.9	08	I33Z, I76A, I76B		Pre	A07D, A09A, A09E, A11B,			A11F, A13F
	Pre	A09A, A11B	Q77.4	08	I76A, I76B	Q79.2	06	G18A, G38Z, G46A, G46B,
Q75.0	08	I76A, I76B		15	TPN, VTPN			G46C, G50Z, G71Z
	15	TPN, VTPN		Pre	A07D, A09A, A09E, A11B,		15	TPN, VTPN
	Pre	A09A, A11B			A11F, A13F		Pre	A07D, A09A, A09E, A11B,
Q75.1	08	I76A, I76B			A11F, A13F	Q79.3	06	G18A, G38Z, G46A, G46B,
	15	TPN, VTPN	Q77.5	08	I76A, I76B			G46C, G50Z, G71Z
	Pre	A09A, A11B		15	TPN, VTPN		15	TPN, VTPN
Q75.2	08	I76A, I76B		Pre	A07D, A09A, A09E, A11B,		Pre	A07D, A09A, A09E, A11B,
	15	TPN, VTPN			A11F, A13F			A11F, A13F
	Pre	A09A, A11B	Q77.6	08	I76A, I76B	Q79.4	06	G18A, G38Z, G46A, G46B,
Q75.3	08	I76A, I76B		15	TPN, VTPN			G46C, G50Z, G71Z
	15	TPN, VTPN		Pre	A07D, A09A, A09E, A11B,		15	TPN, VTPN
	Pre	A09A, A11B			A11F, A13F	Q79.5	06	G18A, G38Z, G46A, G46B,
Q75.4	08	I76A, I76B	Q77.7	08	I76A, I76B			G46C, G50Z, G71Z
	15	TPN, VTPN		15	TPN, VTPN		15	TPN, VTPN
	Pre	A09A, A11B		Pre	A07D, A09A, A09E, A11B,		Pre	A07D, A09A, A09E, A11B,
Q75.5	08	I76A, I76B			A11F, A13F	Q79.6	08	I76A, I76B
	15	TPN, VTPN	Q77.8	08	I76A, I76B		15	TPN, VTPN
	Pre	A09A, A11B		15	TPN, VTPN		Pre	A07D, A09A, A09E, A11B,
Q75.8	08	I76A, I76B		Pre	A07D, A09A, A09E, A11B,			A11F, A13F
	15	TPN, VTPN	Q77.9	08	I76A, I76B		08	I76A, I76B
	Pre	A09A, A11B		15	TPN, VTPN		15	TPN, VTPN
Q75.9	08	I76A, I76B		Pre	A07D, A09A, A09E, A11B,		Pre	A07D, A09A, A09E, A11B,
	15	TPN, VTPN			A11F, A13F	Q79.8	08	I76A, I76B
	Pre	A09A, A11B	Q78.0	08	I76A, I76B		Pre	A07D, A09A, A09E, A11B,
Q76.0	01	B03A, B03B, B06A, B06B,		15	TPN, VTPN			A11F, A13F
		B17A, B17B, B17C, B17D,		Pre	A07D, A09A, A09E, A11B,	Q79.9	08	I76A, I76B
		B81A, B81B			A11F, A13F		Pre	A07D, A09A, A09E, A11B,
	Pre	A09A, A11B						A11F, A13F

ICD	MDC	DRG	ICD	MDC	DRG	ICD	MDC	DRG
Q80.0	09	J08A, J08B, J08C, J61A, J61B, J61C, J68A, J68B	Q82.8	09	J67A, J67B, J68A, J68B	Q86.8	15	TPN, VTPN
	15	TPN, VTPN		Pre	A09A, A11B		23	Z65Z
	Pre	A07D, A09A, A09E, A11B, A11F, A13F	Q82.9	09	J67A, J67B, J68A, J68B		Pre	A07D, A09A, A09E, A11B, A11F, A13F
Q80.1	09	J08A, J08B, J08C, J61A, J61B, J61C, J68A, J68B	Q83.0	09	J67A, J67B	Q87.0	04	E77A, E77B
	15	TPN, VTPN		Pre	A09A, A11B		06	G18A, G38Z
	Pre	A07D, A09A, A09E, A11B, A11F, A13F	Q83.1	09	J67A, J67B		15	TPN, VTPN
Q80.2	09	J08A, J08B, J08C, J61A, J61B, J61C, J68A, J68B		Pre	A09A, A11B		Pre	A07D, A09A, A09E, A11B, A11F, A13F
	15	TPN, VTPN	Q83.2	09	J67A, J67B	Q87.1	04	E77A, E77B
	Pre	A07D, A09A, A09E, A11B, A11F, A13F		Pre	A09A, A11B		06	G18A, G38Z
Q80.3	09	J08A, J08B, J08C, J61A, J61B, J61C, J68A, J68B	Q83.3	09	J67A, J67B		15	TPN, VTPN
	15	TPN, VTPN		Pre	A09A, A11B		Pre	A07D, A09A, A09E, A11B, A11F, A13F
	Pre	A07D, A09A, A09E, A11B, A11F, A13F	Q83.8	09	J01Z, J67A, J67B	Q87.2	04	E77A, E77B
Q80.4	09	J08A, J08B, J08C, J61A, J61B, J61C, J68A, J68B		Pre	A09A, A11B		06	G18A, G38Z
	15	TPN, VTPN	Q83.9	09	J67A, J67B		15	TPN, VTPN
	Pre	A07D, A09A, A09E, A11B, A11F, A13F		Pre	A09A, A11B		Pre	A07D, A09A, A09E, A11B, A11F, A13F
Q80.8	09	J08A, J08B, J08C, J61A, J61B, J61C, J68A, J68B	Q84.0	09	J67A, J67B, J68A, J68B	Q87.3	04	E77A, E77B
	15	TPN, VTPN		Pre	A09A, A11B		06	G18A, G38Z
	Pre	A07D, A09A, A09E, A11B, A11F, A13F	Q84.1	09	J67A, J67B, J68A, J68B		15	TPN, VTPN
Q80.9	09	J08A, J08B, J08C, J61A, J61B, J61C, J68A, J68B		Pre	A09A, A11B		Pre	A07D, A09A, A09E, A11B, A11F, A13F
	15	TPN, VTPN	Q84.2	09	J67A, J67B, J68A, J68B	Q87.4	04	E77A, E77B
	Pre	A07D, A09A, A09E, A11B, A11F, A13F		Pre	A09A, A11B		06	G18A, G38Z
Q81.0	09	J67A, J67B, J68A	Q84.3	09	J67A, J67B, J68A, J68B		15	TPN, VTPN
	Pre	A07D, A09A, A09E, A11B, A11F, A13F		Pre	A09A, A11B		Pre	A07D, A09A, A09E, A11B, A11F, A13F
Q81.1	09	J61A, J61B, J61C, J68A	Q84.4	09	J67A, J67B, J68A, J68B	Q87.5	04	E77A, E77B
	Pre	A07D, A09A, A09E, A11B, A11F, A13F		Pre	A09A, A11B		06	G18A, G38Z
Q81.2	09	J61A, J61B, J61C, J68A	Q84.5	09	J67A, J67B, J68A, J68B		15	TPN, VTPN
	Pre	A07D, A09A, A09E, A11B, A11F, A13F		Pre	A09A, A11B		23	Z65Z
Q81.8	09	J67A, J67B, J68A	Q84.6	09	J67A, J67B, J68A, J68B		Pre	A07D, A09A, A09E, A11B, A11F, A13F
	Pre	A07D, A09A, A09E, A11B, A11F, A13F		Pre	A09A, A11B	Q87.8	04	E77A, E77B
Q81.9	09	J67A, J67B, J68A	Q84.8	09	J67A, J67B, J68A, J68B		06	G18A, G38Z
	Pre	A07D, A09A, A09E, A11B, A11F, A13F		Pre	A09A, A11B		15	TPN, VTPN
Q82.0	09	J02A, J02B, J02C, J03A, J03B, J04A, J04B, J08A, J08B, J08C, J67A, J67B, J68A, J68B	Q84.9	09	J67A, J67B, J68A, J68B		Pre	A07D, A09A, A09E, A11B, A11F, A13F
	15	P65C, P66C, P67B, P67C		Pre	A09A, A11B	Q89.0	15	P65C, P66C, P67B, P67C
	Pre	A07D, A09A, A09E, A11B, A11F, A13F	Q85.0	01	B81A, B81B		16	Q60A, Q60B, Q60C
Q82.1	09	J61A, J61B, J61C, J68A, J68B		15	TPN, VTPN		Pre	A07D, A09A, A09E, A11B, A11F, A13F
	Pre	A07D, A09A, A09E, A11B, A11F, A13F	Q85.1	01	B03A, B03B, B06A, B06B, B17A, B17B, B17C, B17D, B81A, B81B	Q89.1	10	K64A, K64B, K64C, K64D
Q82.2	09	J67A, J67B, J68A, J68B		15	TPN, VTPN		15	TPN, VTPN
	Pre	A07D, A09A, A09E, A11B, A11F, A13F		17	R04A, R04B, R12A, R12B, R12C, R13Z, R14Z, R62A, R62B, R62C		Pre	A07D, A09A, A09E, A11B, A11F, A13F
Q82.3	09	J67A, J67B, J68A, J68B	Q85.8	15	TPN, VTPN	Q89.2	10	K64A, K64B, K64C, K64D
	Pre	A07D, A09A, A09E, A11B, A11F, A13F		17	R04A, R04B, R12A, R12B, R12C, R13Z, R14Z, R62A, R62B, R62C		Pre	A07D, A09A, A09E, A11B, A11F, A13F
Q82.4	09	J67A, J67B, J68A, J68B	Q85.9	15	TPN, VTPN	Q89.3	06	G18A, G38Z, G46A, G46B, G46C, G50Z, G71Z
	15	TPN, VTPN		17	R04A, R04B, R12A, R12B, R12C, R13Z, R14Z, R62A, R62B, R62C		15	P65C, P66C, P67B, P67C
	Pre	A09A, A11B		Pre	A07D, A09A, A09E, A11B, A11F, A13F		Pre	A09A, A11B
Q82.5	09	J67A, J67B, J68A, J68B	Q86.0	06	G18A, G38Z	Q89.4	06	G18A, G38Z
	Pre	A09A, A11B		23	Z65Z		15	TPN, VTPN
				Pre	A07D, A09A, A09E, A11B, A11F, A13F		23	Z65Z
			Q86.1	15	TPN, VTPN	Q89.7	15	TPN, VTPN
				23	Z65Z		23	Z65Z
				Pre	A07D, A09A, A09E, A11B, A11F, A13F		Pre	A07D, A09A, A09E, A11B, A11F, A13F
			Q86.2	15	TPN, VTPN	Q89.8	15	TPN, VTPN
				23	Z65Z		23	Z65Z
				Pre	A07D, A09A, A09E, A11B, A11F, A13F		Pre	A07D, A09A, A09E, A11B, A11F, A13F

ICD	MDC	DRG	ICD	MDC	DRG	ICD	MDC	DRG
Q89.9	23	Z65Z	Q92.1	06	G18A, G38Z	Q93.7	01	B81A, B81B
	Pre	A07D, A09A, A09E, A11B, A11F, A13F		15	TPN, VTPN		15	TPN, VTPN
Q90.0	01	B81A, B81B		23	Z64A, Z64B		Pre	A07D, A09A, A09E, A11B, A11F, A13F
	06	G18A, G38Z		Pre	A07D, A09A, A09E, A11B, A11F, A13F	Q93.8	01	B81A, B81B
	15	TPN, VTPN	Q92.2	06	G18A, G38Z		15	TPN, VTPN
	Pre	A07D, A09A, A09E, A11B, A11F, A13F		15	TPN, VTPN		Pre	A07D, A09A, A09E, A11B, A11F, A13F
Q90.1	01	B81A, B81B		23	Z64A, Z64B	Q93.9	01	B81A, B81B
	06	G18A, G38Z		Pre	A07D, A09A, A09E, A11B, A11F, A13F		15	TPN, VTPN
	15	TPN, VTPN	Q92.3	06	G18A, G38Z		Pre	A07D, A09A, A09E, A11B, A11F, A13F
	Pre	A07D, A09A, A09E, A11B, A11F, A13F		15	TPN, VTPN	Q95.0	23	Z64A, Z64B
Q90.2	01	B81A, B81B		23	Z64A, Z64B		Pre	A07D, A09A, A09E, A11B, A11F, A13F
	06	G18A, G38Z	Q92.4	15	TPN, VTPN	Q95.1	23	Z64A, Z64B
	15	TPN, VTPN		23	Z64A, Z64B		Pre	A07D, A09A, A09E, A11B, A11F, A13F
	Pre	A07D, A09A, A09E, A11B, A11F, A13F		Pre	A07D, A09A, A09E, A11B, A11F, A13F	Q95.2	15	TPN, VTPN
Q90.9	01	B81A, B81B	Q92.5	15	TPN, VTPN		23	Z64A, Z64B
	06	G18A, G38Z		23	Z64A, Z64B		Pre	A07D, A09A, A09E, A11B, A11F, A13F
	15	TPN, VTPN		Pre	A07D, A09A, A09E, A11B, A11F, A13F	Q95.3	15	TPN, VTPN
	Pre	A07D, A09A, A09E, A11B, A11F, A13F	Q92.6	15	TPN, VTPN		23	Z64A, Z64B
Q91.0	01	B81A, B81B		23	Z64A, Z64B		Pre	A07D, A09A, A09E, A11B, A11F, A13F
	06	G18A, G38Z		Pre	A07D, A09A, A09E, A11B, A11F, A13F	Q95.4	15	TPN, VTPN
	15	TPN, VTPN	Q92.7	15	TPN, VTPN		23	Z64A, Z64B
	Pre	A07D, A09A, A09E, A11B, A11F, A13F		23	Z64A, Z64B		Pre	A07D, A09A, A09E, A11B, A11F, A13F
Q91.1	01	B81A, B81B		Pre	A07D, A09A, A09E, A11B, A11F, A13F	Q95.5	15	TPN, VTPN
	06	G18A, G38Z	Q92.8	15	TPN, VTPN		23	Z64A, Z64B
	15	TPN, VTPN		23	Z64A, Z64B		Pre	A07D, A09A, A09E, A11B, A11F, A13F
	Pre	A07D, A09A, A09E, A11B, A11F, A13F		Pre	A07D, A09A, A09E, A11B, A11F, A13F	Q95.8	15	TPN, VTPN
Q91.2	01	B81A, B81B	Q92.9	15	TPN, VTPN		23	Z64A, Z64B
	06	G18A, G38Z		23	Z64A, Z64B		Pre	A07D, A09A, A09E, A11B, A11F, A13F
	15	TPN, VTPN		Pre	A07D, A09A, A09E, A11B, A11F, A13F	Q95.9	15	TPN, VTPN
	Pre	A07D, A09A, A09E, A11B, A11F, A13F	Q93.0	01	B81A, B81B		23	Z64A, Z64B
Q91.3	01	B81A, B81B		15	TPN, VTPN		Pre	A07D, A09A, A09E, A11B, A11F, A13F
	06	G18A, G38Z		Pre	A07D, A09A, A09E, A11B, A11F, A13F	Q96.0	12	M64Z
	15	TPN, VTPN	Q93.1	01	B81A, B81B		13	N04Z, N05A, N05B, N14Z, N21Z, N25Z, N62A, N62B
	Pre	A07D, A09A, A09E, A11B, A11F, A13F		15	TPN, VTPN		15	P65C, P66C, P67B, P67C
Q91.4	01	B81A, B81B		Pre	A07D, A09A, A09E, A11B, A11F, A13F		Pre	A07D, A09A, A09E, A11B, A11F, A13F
	06	G18A, G38Z	Q93.2	01	B81A, B81B	Q96.1	12	M64Z
	15	TPN, VTPN		15	TPN, VTPN		13	N04Z, N05A, N05B, N14Z, N21Z, N25Z, N62A, N62B
	Pre	A07D, A09A, A09E, A11B, A11F, A13F		Pre	A07D, A09A, A09E, A11B, A11F, A13F		15	P65C, P66C, P67B, P67C
Q91.5	01	B81A, B81B	Q93.3	01	B81A, B81B		Pre	A07D, A09A, A09E, A11B, A11F, A13F
	06	G18A, G38Z		15	TPN, VTPN	Q96.2	12	M64Z
	15	TPN, VTPN		Pre	A07D, A09A, A09E, A11B, A11F, A13F		13	N04Z, N05A, N05B, N14Z, N21Z, N25Z, N62A, N62B
	Pre	A07D, A09A, A09E, A11B, A11F, A13F	Q93.4	01	B81A, B81B		15	P65C, P66C, P67B, P67C
Q91.6	01	B81A, B81B		15	TPN, VTPN		Pre	A07D, A09A, A09E, A11B, A11F, A13F
	06	G18A, G38Z		Pre	A07D, A09A, A09E, A11B, A11F, A13F	Q96.3	12	M64Z
	15	TPN, VTPN	Q93.5	01	B81A, B81B		13	N04Z, N05A, N05B, N14Z, N21Z, N25Z, N62A, N62B
	Pre	A07D, A09A, A09E, A11B, A11F, A13F		15	TPN, VTPN		15	P65C, P66C, P67B, P67C
Q91.7	01	B81A, B81B		Pre	A07D, A09A, A09E, A11B, A11F, A13F		Pre	A07D, A09A, A09E, A11B, A11F, A13F
	06	G18A, G38Z	Q93.6	01	B81A, B81B		15	P65C, P66C, P67B, P67C
	15	TPN, VTPN		15	TPN, VTPN		Pre	A07D, A09A, A09E, A11B, A11F, A13F
	Pre	A07D, A09A, A09E, A11B, A11F, A13F		Pre	A07D, A09A, A09E, A11B, A11F, A13F			
Q92.0	06	G18A, G38Z						
	15	TPN, VTPN						
	23	Z64A, Z64B						
	Pre	A07D, A09A, A09E, A11B, A11F, A13F						

ICD	MDC	DRG	ICD	MDC	DRG	ICD	MDC	DRG
Q96.4	12	M64Z	Q98.2	12	M64Z	R00.1	05	F71A, F71B
	13	N04Z, N05A, N05B, N14Z, N21Z, N25Z, N62A, N62B		13	N04Z, N05A, N05B, N14Z, N21Z, N25Z, N62A, N62B	R00.2	05	F71A, F71B
	15	P65C, P66C, P67B, P67C		15	P65C, P66C, P67B, P67C	R00.8	05	F75A, F75B, F75C, F75D
Pre	A07D, A09A, A09E, A11B, A11F, A13F		Pre	A07D, A09A, A09E, A11B, A11F, A13F		R01.0	05	F69A, F69B
Q96.8	12	M64Z	Q98.3	12	M64Z	R01.1	05	F69A, F69B
	13	N04Z, N05A, N05B, N14Z, N21Z, N25Z, N62A, N62B		13	N04Z, N05A, N05B, N14Z, N21Z, N25Z, N62A, N62B	R01.2	05	F75A, F75B, F75C, F75D
	15	P65C, P66C, P67B, P67C		15	P65C, P66C, P67B, P67C	R02	05	F65A, F65B
Pre	A07D, A09A, A09E, A11B, A11F, A13F		Pre	A07D, A09A, A09E, A11B, A11F, A13F		15	TPN, VTPN	
Q96.9	12	M64Z	Q98.4	12	M64Z	R03.0	05	F75A, F75B, F75C, F75D
	13	N04Z, N05A, N05B, N14Z, N21Z, N25Z, N62A, N62B		13	N04Z, N05A, N05B, N14Z, N21Z, N25Z, N62A, N62B	R03.1	05	F75A, F75B, F75C, F75D
	15	P65C, P66C, P67B, P67C		15	P65C, P66C, P67B, P67C	R04.0	03	D62Z
Pre	A07D, A09A, A09E, A11B, A11F, A13F		Pre	A07D, A09A, A09E, A11B, A11F, A13F		R04.1	03	D62Z
Q97.0	12	M64Z	Q98.5	12	M64Z	R04.2	04	E75A, E75B, E75C
	13	N04Z, N05A, N05B, N14Z, N21Z, N25Z, N62A, N62B		13	N04Z, N05A, N05B, N14Z, N21Z, N25Z, N62A, N62B	R04.8	04	E75A, E75B, E75C
	15	P65C, P66C, P67B, P67C		15	P65C, P66C, P67B, P67C	R04.9	04	E69A, E69B, E69C, E69D, E69E, E69F
Pre	A07D, A09A, A09E, A11B, A11F, A13F		Pre	A07D, A09A, A09E, A11B, A11F, A13F		R05	04	E69A, E69B, E69C, E69D, E69E, E69F
Q97.1	12	M64Z	Q98.6	12	M64Z	R06.0	04	E69A, E69B, E69C, E69D, E69E, E69F
	13	N04Z, N05A, N05B, N14Z, N21Z, N25Z, N62A, N62B		13	N04Z, N05A, N05B, N14Z, N21Z, N25Z, N62A, N62B		18A	S65A, S65B
	15	P65C, P66C, P67B, P67C		15	P65C, P66C, P67B, P67C	R06.1	04	E69A, E69B, E69C, E69D, E69E, E69F
Pre	A07D, A09A, A09E, A11B, A11F, A13F		Pre	A07D, A09A, A09E, A11B, A11F, A13F		R06.2	04	E69A, E69B, E69C, E69D, E69E, E69F
Q97.2	12	M64Z	Q98.7	12	M64Z	R06.3	04	E69A, E69B, E69C, E69D, E69E, E69F
	13	N04Z, N05A, N05B, N14Z, N21Z, N25Z, N62A, N62B		13	N04Z, N05A, N05B, N14Z, N21Z, N25Z, N62A, N62B	R06.4	04	E69A, E69B, E69C, E69D, E69E, E69F
	15	P65C, P66C, P67B, P67C		15	P65C, P66C, P67B, P67C		18A	S65A, S65B
Pre	A07D, A09A, A09E, A11B, A11F, A13F		Pre	A07D, A09A, A09E, A11B, A11F, A13F		R06.5	03	D66Z
Q97.3	12	M64Z	Q98.8	12	M64Z	R06.6	04	E75A, E75B, E75C
	13	N04Z, N05A, N05B, N14Z, N21Z, N25Z, N62A, N62B		13	N04Z, N05A, N05B, N14Z, N21Z, N25Z, N62A, N62B	R06.7	03	D66Z
	15	P65C, P66C, P67B, P67C		15	P65C, P66C, P67B, P67C	R06.80	01	B81A, B81B
Pre	A07D, A09A, A09E, A11B, A11F, A13F		Pre	A07D, A09A, A09E, A11B, A11F, A13F		15	P65C, P66C, P67B, P67C	
Q97.8	12	M64Z	Q98.9	12	M64Z	R06.88	04	E69A, E69B, E69C, E69D, E69E, E69F
	13	N04Z, N05A, N05B, N14Z, N21Z, N25Z, N62A, N62B		13	N04Z, N05A, N05B, N14Z, N21Z, N25Z, N62A, N62B		18A	S65A, S65B
	15	P65C, P66C, P67B, P67C		15	P65C, P66C, P67B, P67C	R07.0	03	D66Z
Pre	A07D, A09A, A09E, A11B, A11F, A13F		Pre	A07D, A09A, A09E, A11B, A11F, A13F		R07.1	04	E69A, E69B, E69C, E69D, E69E, E69F
Q97.9	12	M64Z	Q99.0	10	K64A, K64B, K64C, K64D	R07.2	05	F74Z
	13	N04Z, N05A, N05B, N14Z, N21Z, N25Z, N62A, N62B		15	TPN, VTPN	R07.3	05	F74Z
	15	P65C, P66C, P67B, P67C		Pre	A07D, A09A, A09E, A11B, A11F, A13F	R07.4	05	F74Z
Pre	A07D, A09A, A09E, A11B, A11F, A13F		Pre	A07D, A09A, A09E, A11B, A11F, A13F		R09.0	04	E75A, E75B, E75C
Q98.0	12	M64Z	Q99.1	10	K64A, K64B, K64C, K64D	Pre	A07D, A09E, A11F, A13F	
	13	N04Z, N05A, N05B, N14Z, N21Z, N25Z, N62A, N62B		15	TPN, VTPN	R09.1	04	E65A, E65B, E69A, E69B, E69C, E69D, E69E, E69F
	15	P65C, P66C, P67B, P67C		Pre	A07D, A09A, A09E, A11B, A11F, A13F	R09.2	04	E75A, E75B, E75C
Pre	A07D, A09A, A09E, A11B, A11F, A13F		Pre	A07D, A09A, A09E, A11B, A11F, A13F		15	P65C, P66C, P67B, P67C	
Q98.1	12	M64Z	Q99.2	15	TPN, VTPN	R09.3	04	E69A, E69B, E69C, E69D, E69E, E69F
	13	N04Z, N05A, N05B, N14Z, N21Z, N25Z, N62A, N62B		23	Z65Z	R09.8	04	E69A, E69B, E69C, E69D, E69E, E69F
	15	P65C, P66C, P67B, P67C		Pre	A07D, A09A, A09E, A11B, A11F, A13F	R10.0	06	G46A, G46B, G46C, G50Z, G66Z, G72A, G72B
Pre	A07D, A09A, A09E, A11B, A11F, A13F		Pre	A07D, A09A, A09E, A11B, A11F, A13F		R10.1	06	G46A, G46B, G46C, G50Z, G66Z, G72A, G72B
Q98.2	12	M64Z	Q99.8	12	M64Z	R10.2	12	M64Z
	13	N04Z, N05A, N05B, N14Z, N21Z, N25Z, N62A, N62B		13	N04Z, N05A, N05B, N14Z, N21Z, N25Z, N62A, N62B		13	N04Z, N05A, N05B, N14Z, N21Z, N25Z, N62B
	15	P65C, P66C, P67B, P67C		15	P65C, P66C, P67B, P67C	R10.3	06	G46A, G46B, G46C, G50Z, G66Z, G72A, G72B
Pre	A07D, A09A, A09E, A11B, A11F, A13F		Pre	A07D, A09A, A09E, A11B, A11F, A13F		R10.4	06	G46A, G46B, G46C, G50Z, G66Z, G72A, G72B
Q98.3	12	M64Z	Q99.9	23	Z65Z	R11	06	G46A, G46B, G46C, G50Z, G67A, G67B, G67C, G67D
	13	N04Z, N05A, N05B, N14Z, N21Z, N25Z, N62A, N62B		Pre	A07D, A09A, A09E, A11B, A11F, A13F	R12	06	G46A, G46B, G46C, G50Z, G67A, G67B, G67C, G67D
	15	P65C, P66C, P67B, P67C	R00.0	05	F71A, F71B			

ICD	MDC	DRG	ICD	MDC	DRG	ICD	MDC	DRG
R13.0	06	G46A, G46B, G46C, G50Z, G67A, G67B, G67C, G67D	R29.1	01	B81A, B81B	R49.8	03	D66Z
R13.1	06	G46A, G46B, G46C, G50Z, G67A, G67B, G67C, G67D	R29.2	01	B81A, B81B	R50.2	18A	S65A, S65B
R13.9	06	G46A, G46B, G46C, G50Z, G67A, G67B, G67C, G67D	R29.3	01	B81A, B81B		18B	T62A, T62B
R14	06	G46A, G46B, G46C, G50Z, G67A, G67B, G67C, G67D	R29.4	08	I69A, I69B, I71A, I71B	R50.80	18A	S65A, S65B
R15	06	G46A, G46B, G46C, G50Z, G67A, G67B, G67C, G67D	R29.5	01	B81A, B81B	R50.88	18A	S65A, S65B
R16.0	07	H63A, H63B, H63C, H78Z	R29.6	01	B81A, B81B		18B	T62A, T62B
	18A	S65A, S65B	R29.8	01	B81A, B81B	R50.9	18A	S65A, S65B
R16.1	16	Q60A, Q60B, Q60C	R30.0	11	L64A, L74Z		18B	T62A, T62B
	18A	S65A, S65B	R30.1	11	L64A, L74Z	R51	01	B20D, B77Z
R16.2	07	H40Z, H63A, H63B, H63C, H78Z	R30.9	11	L64A, L74Z		18A	S65A, S65B
	15	TPN, VTPN	R31	11	L64A, L74Z	R52.0	23	Z65Z
R17	07	H63A, H63B, H63C, H78Z	R32	11	L64A, L74Z	R52.1	23	Z65Z
R18	23	Z65Z	R33	11	L64A, L74Z	R52.2	23	Z65Z
R19.0	06	G46A, G46B, G46C, G50Z, G67A, G67B, G67C, G67D	R34	11	L60A, L60B, L60C, L60D, L71Z	R52.9	23	Z65Z
R19.1	06	G46A, G46B, G46C, G50Z, G67A, G67B, G67C, G67D	R35	11	L64A, L74Z	R53	18A	S65A, S65B
R19.2	06	G46A, G46B, G46C, G50Z, G67A, G67B, G67C, G67D	R36	11	L64A, L74Z		23	Z65Z
R19.3	06	G46A, G46B, G46C, G50Z, G71Z	R39.0	11	L64A, L74Z	R54	01	B63Z
R19.4	06	G46A, G46B, G46C, G50Z, G67A, G67B, G67C, G67D	R39.1	11	L64A, L74Z	R55	05	F73Z
R19.5	06	G46A, G46B, G46C, G50Z, G67A, G67B, G67C, G67D	R39.2	11	L64A, L74Z	R56.0	01	B75A, B75B
R19.6	03	D66Z	R39.8	11	L64A, L74Z	R56.8	01	B75A, B75B
R19.8	06	G46A, G46B, G46C, G50Z, G67A, G67B, G67C, G67D	R40.0	01	B66A, B66B, B66C, B66D		15	TPN, VTPN
R20.0	01	B20D, B81A, B81B	R40.1	01	B66A, B66B, B66C, B66D	R57.0	05	F62A, F62B, F62C
R20.1	01	B20D, B81A, B81B	R40.2	01	B66A, B66B, B66C, B66D		Pre	A07D, A09E, A11F, A13F
R20.2	01	B20D, B81A, B81B		15	TPN, VTPN	R57.1	05	F62A
R20.3	01	B20D, B81A, B81B	R41.0	01	B64Z		06	G67A
R20.8	01	B20D, B81A, B81B	R41.1	23	Z65Z		18B	T01B, T60A, T60B, T60C, T60D, T60E, T60F, T61A
R21	09	J67A, J67B, J68A, J68B	R41.2	23	Z65Z		22	Y02A, Y02B
	18A	S65A, S65B	R41.3	23	Z65Z		Pre	A07D, A09E, A11F, A13F
R22.0	09	J67A, J67B, J68A, J68B	R41.8	23	Z65Z	R57.2	05	F62A
R22.1	09	J67A, J67B, J68A, J68B	R42	03	D61A, D61B		06	G67A
R22.2	09	J67A, J67B, J68A, J68B	R43.0	01	B81A, B81B		15	P65C, P66C, P67B, P67C
R22.3	09	J67A, J67B, J68A, J68B	R43.1	01	B81A, B81B		18A	S63A, S63B
R22.4	09	J67A, J67B, J68A, J68B	R43.2	01	B81A, B81B		18B	T01B, T60A, T60B, T60C, T60D, T60E, T60F, T61A
R22.7	09	J67A, J67B, J68A, J68B	R43.8	01	B81A, B81B		22	Y02A
R22.9	09	J67A, J67B, J68A, J68B	R44.0	19	U64Z		Pre	A07D, A09E, A11F, A13F
R23.0	23	Z65Z	R44.1	02	C63Z	R57.8	05	F62A
R23.1	23	Z65Z	R44.2	19	U64Z		06	G67A
R23.2	23	Z65Z	R44.3	19	U64Z		18B	T01B, T60A, T60B, T60C, T60D, T60E, T60F, T61A
R23.3	16	Q60A, Q60B, Q60C, Q60D, Q60E	R44.8	19	U64Z		22	Y02A, Y02B
R23.4	09	J67A, J67B, J68A, J68B	R45.0	19	U66Z		Pre	A07D, A09E, A11F, A13F
R23.8	09	J67A, J67B, J68A, J68B	R45.1	19	U66Z	R57.9	05	F73Z
	15	P65C, P66C, P67B, P67C	R45.2	23	Z64A, Z64B	R58	05	F75A, F75B, F75C, F75D
R25.0	01	B81A, B81B	R45.3	23	Z64A, Z64B	R59.0	16	Q60A, Q60B, Q60C, Q60D, Q60E
R25.1	01	B81A, B81B	R45.4	19	U66Z		18A	S65A, S65B
R25.2	08	I69A, I69B, I71A, I71B	R45.5	23	Z64A, Z64B		16	Q60A, Q60B, Q60C
R25.3	01	B81A, B81B	R45.6	23	Z64A, Z64B	R59.1	18A	S65A, S65B
R25.8	01	B81A, B81B	R45.7	19	U66Z		18A	S65A, S65B
R26.0	01	B81A, B81B	R45.8	23	Z64A, Z64B	R59.9	16	Q60A, Q60B, Q60C, Q60D, Q60E
R26.1	01	B81A, B81B	R46.0	23	Z64A, Z64B		18A	S65A, S65B
R26.2	08	I69A, I69B, I71A, I71B	R46.1	23	Z64A, Z64B	R60.0	23	Z65Z
R26.3	23	Z64A, Z64B	R46.2	23	Z64A, Z64B	R60.1	23	Z65Z
R26.8	01	B81A, B81B	R46.3	23	Z64A, Z64B	R60.9	23	Z65Z
R27.0	01	B81A, B81B	R46.4	23	Z64A, Z64B	R61.0	09	J67A, J67B, J68A, J68B
R27.8	01	B81A, B81B	R46.5	23	Z64A, Z64B		18A	S65A, S65B
R29.0	10	K62A, K62B	R46.6	23	Z64A, Z64B	R61.1	09	J67A, J67B, J68A, J68B
			R46.7	23	Z64A, Z64B		18A	S65A, S65B
			R46.8	23	Z64A, Z64B	R61.9	09	J67A, J67B, J68A, J68B
			R47.0	01	B81A, B81B		18A	S65A, S65B
			R47.1	01	B81A, B81B	R62.0	10	K62A, K62B
			R47.8	01	B81A, B81B		18A	S65A, S65B
			R48.0	19	U66Z	R62.8	10	K62A, K62B
			R48.1	19	U66Z		15	P65C, P66C, P67B, P67C
			R48.2	19	U66Z		18A	S65A, S65B
			R48.8	19	U66Z			
			R49.0	03	D66Z			
				15	P65C, P66C, P67B, P67C			
			R49.1	03	D66Z			
			R49.2	03	D66Z			



ICD	MDC	DRG	ICD	MDC	DRG	ICD	MDC	DRG
R62.9	10	K62A, K62B	R76.1	04	E62A, E62B, E77A, E77B, E77C, E77D, E77E, E77F, E77G	R84.7	23	Z65Z
	18A	S65A, S65B				R84.8	23	Z65Z
R63.0	10	K62A, K62B	R76.2	08	I66A, I66B, I66C	R84.9	23	Z65Z
R63.1	10	K62A, K62B	R76.8	16	Q60A, Q60B, Q60C, Q60D, Q60E	R85.0	06	G46A, G46B, G46C, G50Z, G67A, G67B, G67C, G67D
R63.2	10	K62A, K62B				R85.1	06	G46A, G46B, G46C, G50Z, G67A, G67B, G67C, G67D
R63.3	10	K62A, K62B	R76.9	16	Q60A, Q60B, Q60C, Q60D, Q60E	R85.2	06	G46A, G46B, G46C, G50Z, G67A, G67B, G67C, G67D
R63.4	10	K62A, K62B				R85.3	06	G46A, G46B, G46C, G50Z, G67A, G67B, G67C, G67D
	18A	S65A, S65B	R77.0	17	R01A, R01B, R01C, R01D, R03Z, R11A, R11B, R11C, R61A, R61B, R61C, R61D, R61E, R61F, R61G, R61H	R85.4	06	G46A, G46B, G46C, G50Z, G67A, G67B, G67C, G67D
R63.5	10	K62A, K62B				R85.5	06	G46A, G46B, G46C, G50Z, G67A, G67B, G67C, G67D
R63.6	10	K62A, K62B	R77.1	17	R01A, R01B, R01C, R01D, R03Z, R11A, R11B, R11C, R61A, R61B, R61C, R61D, R61E, R61F, R61G, R61H	R85.6	06	G46A, G46B, G46C, G50Z, G67A, G67B, G67C, G67D
R63.8	10	K62A, K62B				R85.7	06	G46A, G46B, G46C, G50Z, G67A, G67B, G67C, G67D
R64	18A	S65A, S65B	R77.2	17	R01A, R01B, R01C, R01D, R03Z, R11A, R11B, R11C, R61A, R61B, R61C, R61D, R61E, R61F, R61G, R61H	R85.8	06	G46A, G46B, G46C, G50Z, G67A, G67B, G67C, G67D
	23	Z65Z				R85.9	06	G46A, G46B, G46C, G50Z, G67A, G67B, G67C, G67D
R65.0	05	F62A	R77.8	17	R01A, R01B, R01C, R01D, R03Z, R11A, R11B, R11C, R61A, R61B, R61C, R61D, R61E, R61F, R61G, R61H	R86.0	12	M64Z
	06	G67A				R86.1	12	M64Z
	15	P65C, P66C, P67B, P67C	R77.9	17	R01A, R01B, R01C, R01D, R03Z, R11A, R11B, R11C, R61A, R61B, R61C, R61D, R61E, R61F, R61G, R61H	R86.2	12	M64Z
	18B	T61A				R86.3	12	M64Z
	22	Y02A	R78.1	23	Z65Z	R86.4	12	M64Z
R65.1			R78.2	23	Z65Z	R86.5	12	M64Z
	05	F62A	R78.3	23	Z65Z	R86.6	12	M64Z
	06	G67A	R78.4	23	Z65Z	R86.7	12	M64Z
	07	H06A	R78.5	23	Z65Z	R86.8	12	M64Z
	10	K62A	R78.6	23	Z65Z	R86.9	12	M64Z
	15	P65C, P66C, P67B, P67C	R78.7	23	Z65Z	R87.0	23	Z65Z
	17	R60B, R60C, R61A, R62A, R63B, R63C, R63D, R63F	R78.8	23	Z65Z	R87.1	23	Z65Z
	18B	T61A	R78.9	23	Z65Z	R87.2	23	Z65Z
	22	Y02A	R79.0	23	Z65Z	R87.3	23	Z65Z
R65.2	05	F62A	R79.8	23	Z65Z	R87.4	23	Z65Z
	06	G67A	R79.9	23	Z65Z	R87.5	23	Z65Z
	10	K62A	R80	11	L64A, L74Z	R87.60	13	N04Z, N05A, N05B, N14Z, N21Z, N25Z, N62B
	15	P65C, P66C, P67B, P67C	R81	10	K60A, K60B, K60C, K60D, K60E	R87.61	13	N04Z, N05A, N05B, N14Z, N21Z, N25Z, N62B
	18B	T61A				R87.62	13	N04Z, N05A, N05B, N14Z, N21Z, N25Z, N62B
	22	Y02A	R82.0	11	L64A, L74Z	R87.63	13	N04Z, N05A, N05B, N14Z, N21Z, N25Z, N62B
R65.3	05	F62A	R82.1	23	Z65Z	R87.64	13	N04Z, N05A, N05B, N14Z, N21Z, N25Z, N62B
	06	G67A	R82.2	07	H63A, H63B, H63C, H78Z	R87.65	13	N04Z, N05A, N05B, N14Z, N21Z, N25Z, N62B
	07	H06A	R82.3	11	L64A, L74Z	R87.66	13	N04Z, N05A, N05B, N14Z, N21Z, N25Z, N62B
	10	K62A	R82.4	10	K62A, K62B	R87.67	13	N04Z, N05A, N05B, N14Z, N21Z, N25Z, N62B
	15	P65C, P66C, P67B, P67C	R82.5	11	L64A, L74Z	R87.7	23	Z65Z
	17	R60B, R60C, R61A, R62A, R63B, R63C, R63D, R63F	R82.6	23	Z65Z	R87.8	23	Z65Z
	18B	T61A	R82.7	11	L64A, L74Z	R87.9	23	Z65Z
	22	Y02A	R82.8	11	L64A, L74Z	R89.0	23	Z65Z
R65.9	05	F62A	R82.9	11	L64A, L74Z	R89.1	23	Z65Z
	06	G67A	R83.0	01	B81A, B81B	R89.2	23	Z65Z
	15	P65C, P66C, P67B, P67C	R83.1	01	B81A, B81B	R89.3	23	Z65Z
	18B	T61A	R83.2	01	B81A, B81B	R89.4	23	Z65Z
	22	Y02A	R83.3	01	B81A, B81B	R89.5	23	Z65Z
R68.0	23	Z65Z	R83.4	01	B81A, B81B	R89.6	23	Z65Z
R68.1	23	Z65Z	R83.5	01	B81A, B81B	R89.7	23	Z65Z
R68.2	03	D66Z	R83.6	01	B81A, B81B	R89.8	23	Z65Z
R68.3	04	E75A, E75B, E75C	R83.7	01	B81A, B81B	R89.9	23	Z65Z
R68.8	23	Z65Z	R83.8	01	B81A, B81B	R90.0	01	B81A, B81B
R70.0	23	Z65Z	R83.9	01	B81A, B81B	R90.8	01	B81A, B81B
R70.1	23	Z65Z	R84.0	23	Z65Z			
R71	16	Q61A, Q61B, Q61C, Q61D, Q61E	R84.1	23	Z65Z			
			R84.2	23	Z65Z			
R72	16	Q60A, Q60B, Q60C, Q60D, Q60E	R84.3	23	Z65Z			
			R84.4	23	Z65Z			
R73.0	10	K62A, K62B	R84.5	23	Z65Z			
R73.9	10	K62A, K62B	R84.6	23	Z65Z			
R74.0	23	Z65Z						
R74.8	23	Z65Z						
R74.9	23	Z65Z						
R76.0	16	Q60A, Q60B, Q60C, Q60D, Q60E						

ICD	MDC	DRG	ICD	MDC	DRG	ICD	MDC	DRG
R91	04	E69A, E69B, E69C, E69D, E69E, E69F	S00.38	09	J65Z	S01.22	03	D65Z
R92	09	J67A, J67B		21A	W61A, W61B		21A	W61A, W61B
R93.0	01	B81A, B81B	S00.40	09	J65Z	S01.23	03	D66Z
R93.1	05	F66A, F66B		21A	W61A, W61B		21A	W61A, W61B
R93.2	07	H64Z	S00.41	09	J65Z	S01.29	03	D66Z
R93.3	06	G46A, G46B, G46C, G50Z, G67A, G67B, G67C, G67D		21A	W61A, W61B		21A	W61A, W61B
R93.4	11	L64A, L74Z	S00.42	09	J67A, J67B, J68A, J68B	S01.30	03	D66Z
R93.5	06	G46A, G46B, G46C, G50Z, G67A, G67B, G67C, G67D		21A	W61A, W61B		21A	W61A, W61B
R93.6	08	I76A, I76B	S00.43	09	J67A, J67B, J68A, J68B	S01.31	03	D66Z
R93.7	08	I76A, I76B		21A	W61A, W61B		21A	W61A, W61B
R93.8	23	Z65Z	S00.44	09	J65Z	S01.33	03	D66Z
R94.0	01	B81A, B81B		21A	W61A, W61B		21A	W61A, W61B
	15	P65C, P66C, P67B, P67C	S00.48	09	J65Z	S01.34	03	D66Z
R94.1	01	B81A, B81B		21A	W61A, W61B		21A	W61A, W61B
R94.2	04	E75A, E75B, E75C	S00.50	09	J65Z	S01.35	03	D66Z
R94.3	05	F75A, F75B, F75C, F75D		21A	W61A, W61B		15	TPN, VTPN
R94.4	11	L64A, L74Z	S00.51	09	J65Z	S01.36	03	D66Z
R94.5	07	H63A, H63B, H63C, H78Z		21A	W61A, W61B		21A	W61A, W61B
R94.6	10	K64A, K64B, K64C, K64D	S00.52	09	J67A, J67B, J68A, J68B	S01.37	03	D66Z
R94.7	10	K64A, K64B, K64C, K64D		21A	W61A, W61B		15	TPN, VTPN
R94.8	11	L64A, L74Z	S00.53	09	J67A, J67B, J68A, J68B		21A	W61A, W61B
R95.0	01	B81A, B81B		21A	W61A, W61B	S01.38	03	D66Z
	15	P65C, P66C, P67B, P67C	S00.54	09	J65Z		15	TPN, VTPN
R95.9	01	B81A, B81B		21A	W61A, W61B		21A	W61A, W61B
	15	P65C, P66C, P67B, P67C	S00.55	09	J65Z	S01.39	03	D66Z
S00.00	09	J65Z		21A	W61A, W61B		15	TPN, VTPN
	21A	W61A, W61B	S00.58	09	J65Z		21A	W61A, W61B
S00.01	09	J65Z		21A	W61A, W61B	S01.41	21A	W61A, W61B
	21A	W61A, W61B	S00.7	09	J65Z		21B	X60Z
S00.02	09	J67A, J67B, J68A, J68B		21A	W61A, W61B	S01.42	03	D40Z, D67Z
	21A	W61A, W61B	S00.80	09	J65Z		21A	W61A, W61B
S00.03	09	J67A, J67B, J68A, J68B		21A	W61A, W61B	S01.43	03	D40Z, D67Z
	21A	W61A, W61B	S00.81	09	J65Z		21A	W61A, W61B
S00.04	09	J65Z		15	P65C, P66C, P67B, P67C	S01.49	21A	W61A, W61B
	21A	W61A, W61B	S00.82	09	J67A, J67B, J68A, J68B		21B	X60Z
S00.05	09	J65Z		21A	W61A, W61B	S01.50	03	D40Z, D67Z
	21A	W61A, W61B	S00.83	09	J67A, J67B, J68A, J68B		15	TPN, VTPN
S00.08	09	J65Z		21A	W61A, W61B		21A	W61A, W61B
	21A	W61A, W61B	S00.84	09	J65Z	S01.51	03	D40Z, D67Z
S00.1	02	C62Z		21A	W61A, W61B		21A	W61A, W61B
	21A	W61A, W61B	S00.85	09	J65Z	S01.52	03	D40Z, D67Z
S00.20	02	C62Z		21A	W61A, W61B		15	TPN, VTPN
	21A	W61A, W61B	S00.88	09	J65Z		21A	W61A, W61B
S00.21	02	C62Z		21A	W61A, W61B	S01.53	03	D40Z, D67Z
	21A	W61A, W61B	S00.90	09	J65Z		15	TPN, VTPN
S00.22	02	C62Z		21A	W61A, W61B	S01.54	03	D40Z, D67Z
	21A	W61A, W61B	S00.91	09	J65Z		15	TPN, VTPN
S00.23	02	C62Z		21A	W61A, W61B		21A	W61A, W61B
	21A	W61A, W61B	S00.92	09	J67A, J67B, J68A, J68B	S01.55	03	D40Z, D67Z
S00.24	02	C62Z		21A	W61A, W61B		15	TPN, VTPN
	21A	W61A, W61B	S00.93	09	J67A, J67B, J68A, J68B		21A	W61A, W61B
S00.28	02	C62Z		21A	W61A, W61B	S01.59	03	D40Z, D67Z
	21A	W61A, W61B	S00.94	09	J65Z		15	TPN, VTPN
S00.30	09	J65Z		21A	W61A, W61B		21A	W61A, W61B
	21A	W61A, W61B	S00.95	09	J65Z	S01.7	21A	W61A, W61B
S00.31	09	J65Z		21A	W61A, W61B		21B	X60Z
	21A	W61A, W61B	S00.98	09	J65Z	S01.80	21A	W61A, W61B
S00.32	09	J67A, J67B, J68A, J68B		21A	W61A, W61B		21B	X60Z
	21A	W61A, W61B	S01.0	21A	W61A, W61B	S01.83		PTR
S00.33	09	J67A, J67B, J68A, J68B		21B	X60Z		08	I02A, I02B, I02C, I02D, I08A, I08B, I08C, I08D, I08E, I13A, I13B, I13C, I20A, I20B, I20C, I22A
	21A	W61A, W61B	S01.1	02	C62Z			
S00.34	09	J65Z		21A	W61A, W61B			
	21A	W61A, W61B	S01.20	03	D65Z		21A	W61A, W61B
S00.35	09	J65Z		21A	W61A, W61B		21B	X01A, X01B
	21A	W61A, W61B	S01.21	03	D65Z	S01.84	21A	W61A, W61B
				21A	W61A, W61B			

ICD	MDC	DRG	ICD	MDC	DRG	ICD	MDC	DRG
S01.85	21A	W61A, W61B	S02.64		PTR	S04.6		PTR
S01.86	08	I02A, I02B, I02C, I02D, I08A, I08B, I08C, I08D, I08E, I13A, I13B, I13C, I20A, I20B, I20C, I22A		03	D40Z, D67Z		03	D66Z
				15	TPN, VTPN		21A	W61A, W61B
	21A	W61A, W61B	S02.65		PTR	S04.7		PTR
S01.87	21B	X01A, X01B		03	D40Z, D67Z		01	B71A, B71B, B71C, B71D
		PTR		15	TPN, VTPN		21A	W61A, W61B
S01.88	21A	W61A, W61B	S02.66		PTR	S04.8		PTR
		PTR		03	D40Z, D67Z		01	B71A, B71B, B71C, B71D
	08	I02A, I02B, I02C, I02D, I08A, I08B, I08C, I08D, I08E, I13A, I13B, I13C, I20A, I20B, I20C, I22A		15	TPN, VTPN		21A	W61A, W61B
			S02.67		PTR	S04.9		PTR
	21A	W61A, W61B		03	D40Z, D67Z		01	B71A, B71B, B71C, B71D
S01.89	21B	X01A, X01B		15	TPN, VTPN		21A	W61A, W61B
		PTR	S02.68		PTR	S05.0		PTR
	08	I02A, I02B, I02C, I02D, I08A, I08B, I08C, I08D, I08E, I13A, I13B, I13C, I20A, I20B, I20C, I22A		03	D40Z, D67Z		02	C62Z
				15	TPN, VTPN		21A	W61A, W61B
	21A	W61A, W61B	S02.69		PTR	S05.1		PTR
S01.9	21B	X01A, X01B		03	D40Z, D67Z		02	C62Z
		PTR		15	TPN, VTPN		21A	W61A, W61B
S02.0	01	B20D, B79Z	S02.7		PTR	S05.2		PTR
	15	TPN, VTPN		03	D40Z, D67Z		02	C01A, C01B, C16Z, C63Z
	21A	W61A, W61B		15	TPN, VTPN		15	TPN, VTPN
S02.1		PTR		21A	W61A, W61B	S05.3		PTR
	01	B20D, B79Z	S02.8		PTR		02	C01A, C01B, C16Z, C63Z
	15	TPN, VTPN		01	B20D, B79Z		15	TPN, VTPN
	21A	W61A	S02.9		PTR		21A	W61A, W61B
S02.2	Pre	A07D, A09E, A11F, A13F		01	B20D, B79Z	S05.4		PTR
		PTR	S03.0		PTR		02	C63Z
	03	D65Z		21A	W61A, W61B		15	TPN, VTPN
	15	TPN, VTPN	S03.1		PTR		21A	W61A, W61B
S02.3	21A	W61A, W61B		03	D40Z, D67Z	S05.6		PTR
		PTR		21A	W61A, W61B		02	C01A, C01B, C16Z, C63Z
	01	B20D, B79Z	S03.2		PTR		15	TPN, VTPN
	15	TPN, VTPN		08	I76A, I76B	S05.7		PTR
	21A	W61A, W61B	S03.3		PTR		21A	W61A, W61B
		PTR		21A	W61A, W61B			PTR
S02.4	Pre	A07D, A09E, A11F, A13F	S03.4		PTR		02	C01A, C01B, C16Z, C63Z
		PTR		03	D40Z, D67Z		15	TPN, VTPN
	03	D40Z, D67Z	S03.5		PTR	S05.8		PTR
	15	TPN, VTPN		08	I76A, I76B		02	C62Z
S02.5	21A	W61A, W61B		21A	W61A, W61B		15	TPN, VTPN
		PTR	S04.0		PTR		21A	W61A, W61B
S02.60	03	D40Z, D67Z		03	D40Z, D67Z	S05.9		PTR
	15	TPN, VTPN		21A	W61A, W61B		02	C62Z
	21A	W61A, W61B	S04.1		PTR		21A	W61A, W61B
		PTR		08	I76A, I76B	S06.0		PTR
	03	D40Z, D67Z	S04.2		PTR		01	B20D, B80Z
S02.61	15	TPN, VTPN		21A	W61A, W61B		15	TPN, VTPN
	21A	W61A, W61B	S04.3		PTR	S06.1		PTR
		PTR		01	B81A, B81B		01	B20D, B78A, B78B
	03	D40Z, D67Z	S04.4		PTR		15	TPN, VTPN
	15	TPN, VTPN		21A	W61A, W61B		21A	W61A, W61B
S02.62	21A	W61A, W61B	S04.5		PTR	S06.20		PTR
		PTR		01	B71A, B71B, B71C, B71D		01	B20D, B78A, B78B
	03	D40Z, D67Z		21A	W61A, W61B		15	TPN, VTPN
	15	TPN, VTPN		21A	W61A, W61B		21A	W61A, W61B
S02.63	21A	W61A, W61B		01	B71A, B71B, B71C, B71D		Pre	A07D, A09E, A11F, A13F
		PTR		21A	W61A, W61B	S06.21		PTR
	03	D40Z, D67Z		21A	W61A, W61B		01	B78A
	15	TPN, VTPN			PTR		15	TPN, VTPN
	21A	W61A, W61B		01	B71A, B71B, B71C, B71D		21A	W61A, W61B
				21A	W61A, W61B		Pre	A07D, A09E, A11F, A13F
					PTR			
				01	B71A, B71B, B71C, B71D			
				21A	W61A, W61B			

Dg

ICD	MDC	DRG	ICD	MDC	DRG	ICD	MDC	DRG
S06.22		PTR	S06.9		PTR	S10.14		PTR
	01	B78A		01	B20D, B78A, B78B		09	J65Z
	15	TPN, VTPN		15	TPN, VTPN		21A	W61A, W61B
	21A	W61A, W61B		21A	W61A, W61B	S10.18		PTR
	Pre	A07D, A09E, A11F, A13F	S07.0		PTR		09	J65Z
S06.23		PTR		15	TPN, VTPN		21A	W61A, W61B
	01	B20D, B78A		21A	W61A, W61B	S10.7		PTR
	15	TPN, VTPN		21B	X60Z		09	J65Z
	21A	W61A, W61B	S07.1		PTR		21A	W61A, W61B
	Pre	A07D, A09E, A11F, A13F		15	TPN, VTPN	S10.80		PTR
S06.28		PTR		21A	W61A, W61B		09	J65Z
	01	B20D, B78A, B78B		21B	X60Z		21A	W61A, W61B
	15	TPN, VTPN	S07.8		PTR	S10.81		PTR
	21A	W61A, W61B		15	TPN, VTPN		09	J65Z
	Pre	A07D, A09E, A11F, A13F		21A	W61A, W61B		21A	W61A, W61B
S06.30		PTR		21B	X60Z	S10.82		PTR
	01	B20D, B78A, B78B	S07.9		PTR		09	J67A, J67B, J68A, J68B
	15	TPN, VTPN		15	TPN, VTPN		21A	W61A, W61B
	21A	W61A, W61B		21A	W61A, W61B	S10.83		PTR
	Pre	A07D, A09E, A11F, A13F		21B	X60Z		09	J67A, J67B, J68A, J68B
S06.31		PTR	S08.0		PTR		21A	W61A, W61B
	01	B20D, B78A		21A	W61A, W61B	S10.84		PTR
	15	TPN, VTPN		21B	X60Z		09	J65Z
	21A	W61A, W61B	S08.1		PTR		21A	W61A, W61B
	Pre	A07D, A09E, A11F, A13F		03	D66Z	S10.85		PTR
S06.32		PTR		21A	W61A, W61B		09	J65Z
	01	B20D, B78A	S08.8		PTR		21A	W61A, W61B
	15	TPN, VTPN		21A	W61A, W61B	S10.88		PTR
	21A	W61A, W61B		21B	X60Z		09	J65Z
	Pre	A07D, A09E, A11F, A13F	S08.9		PTR		21A	W61A, W61B
S06.33		PTR		21A	W61A, W61B	S10.90		PTR
	01	B20D, B78A		21B	X60Z		09	J65Z
	15	TPN, VTPN	S09.0		PTR		21A	W61A, W61B
	21A	W61A, W61B		21A	W61A, W61B	S10.91		PTR
	Pre	A07D, A09E, A11F, A13F		21B	X60Z		09	J65Z
S06.34		PTR	S09.1		PTR		21A	W61A, W61B
	01	B20D, B78A		08	I76A, I76B	S10.92		PTR
	15	TPN, VTPN		21A	W61A, W61B		09	J67A, J67B, J68A, J68B
	21A	W61A, W61B	S09.2		PTR		21A	W61A, W61B
	Pre	A07D, A09E, A11F, A13F		03	D66Z	S10.93		PTR
S06.38		PTR		15	TPN, VTPN		09	J67A, J67B, J68A, J68B
	01	B20D, B78A, B78B		21A	W61A, W61B		21A	W61A, W61B
	15	TPN, VTPN	S09.7		PTR	S10.94		PTR
	21A	W61A, W61B		21A	W61A, W61B		09	J65Z
	Pre	A07D, A09E, A11F, A13F		21B	X60Z		21A	W61A, W61B
S06.4		PTR	S09.8		PTR	S10.95		PTR
	01	B20D, B78A, B78B		21A	W61A, W61B		09	J65Z
	15	TPN, VTPN		21B	X60Z		21A	W61A, W61B
	21A	W61A, W61B	S09.9		PTR	S10.98		PTR
	Pre	A07D, A09E, A11F, A13F		01	B20D, B80Z		09	J65Z
S06.5		PTR		15	TPN, VTPN		21A	W61A, W61B
	01	B20D, B78A, B78B		21A	W61A, W61B	S11.01		PTR
	15	TPN, VTPN	S10.0		PTR		03	D66Z
	21A	W61A, W61B		09	J65Z		15	TPN, VTPN
	Pre	A07D, A09E, A11F, A13F		21A	W61A, W61B		21A	W61A, W61B
S06.6		PTR	S10.10		PTR	S11.02		PTR
	01	B20D, B78A		09	J65Z		04	E66A, E66B
	15	TPN, VTPN		21A	W61A, W61B		15	TPN, VTPN
	21A	W61A	S10.11		PTR		21A	W61A, W61B
	Pre	A07D, A09E, A11F, A13F		09	J65Z	S11.1		PTR
S06.70		PTR		21A	W61A, W61B		10	K64A, K64B, K64C, K64D
S06.71		PTR	S10.12		PTR		15	TPN, VTPN
S06.72		PTR		09	J67A, J67B, J68A, J68B		21A	W61A, W61B
	15	TPN, VTPN		21A	W61A, W61B	S11.21		PTR
S06.79		PTR	S10.13		PTR		03	D66Z
S06.8		PTR		09	J67A, J67B, J68A, J68B		15	TPN, VTPN
	01	B20D, B78A, B78B		21A	W61A, W61B		21A	W61A, W61B
	15	TPN, VTPN						
	21A	W61A, W61B						

ICD	MDC	DRG	ICD	MDC	DRG	ICD	MDC	DRG
S11.22		PTR	S12.23		PTR	S13.15		PTR
	03	D66Z		04	E66A		08	I68A, I68B, I68C, I68D, I68E
	15	TPN, VTPN		08	I10C, I68A, I68B, I68C, I68D, I68E		15	TPN, VTPN
	21A	W61A, W61B		15	TPN, VTPN		21A	W61A, W61B
S11.7		PTR		21A	W61A, W61B	S13.16		Pre A07D, A09E, A11F, A13F
	21A	W61A, W61B		Pre	A07D, A09E, A11F, A13F		08	I68A, I68B, I68C, I68D, I68E
	21B	X60Z	S12.24		PTR		15	TPN, VTPN
S11.80		PTR		04	E66A		21A	W61A, W61B
	21A	W61A, W61B		08	I10C, I68A, I68B, I68C, I68D, I68E	S13.17		Pre A07D, A09E, A11F, A13F
	21B	X60Z		15	TPN, VTPN		08	I68A, I68B, I68C, I68D, I68E
S11.84		W61A, W61B		21A	W61A, W61B		15	TPN, VTPN
S11.85	21A	W61A, W61B		Pre	A07D, A09E, A11F, A13F		21A	W61A, W61B
S11.86	08	I02A, I02B, I02C, I02D, I08A, I08B, I08C, I08D, I08E, I13A, I13B, I13C, I20A, I20B, I20C, I22A	S12.25		PTR		Pre	A07D, A09E, A11F, A13F
	21A	W61A, W61B		04	E66A	S13.18		PTR
	21B	X01A, X01B		08	I10C, I68A, I68B, I68C, I68D, I68E		08	I68A, I68B, I68C, I68D, I68E
S11.87		PTR		15	TPN, VTPN		15	TPN, VTPN
	21A	W61A, W61B		21A	W61A, W61B		21A	W61A, W61B
S11.88		PTR		Pre	A07D, A09E, A11F, A13F	S13.2		PTR
	08	I02A, I02B, I02C, I02D, I08A, I08B, I08C, I08D, I08E, I13A, I13B, I13C, I20A, I20B, I20C, I22A	S12.7		PTR		08	I68A, I68B, I68C, I68D, I68E
	21A	W61A, W61B		04	E66A		15	TPN, VTPN
	21B	X01A, X01B		08	I10C, I68A, I68B, I68C, I68D, I68E	S13.3		PTR
S11.89		PTR		15	TPN, VTPN		08	I68A, I68B, I68C, I68D, I68E
	08	I02A, I02B, I02C, I02D, I08A, I08B, I08C, I08D, I08E, I13A, I13B, I13C, I20A, I20B, I20C, I22A	S12.8		PTR		15	TPN, VTPN
	21A	W61A, W61B		21A	W61A, W61B		21A	W61A, W61B
	21B	X01A, X01B		Pre	A07D, A09E, A11F, A13F	S13.4		PTR
	08	I02A, I02B, I02C, I02D, I08A, I08B, I08C, I08D, I08E, I13A, I13B, I13C, I20A, I20B, I20C, I22A		03	D66Z		08	I68A, I68B, I68C, I68D, I68E
	21A	W61A, W61B		15	TPN, VTPN	S13.5		PTR
	21B	X01A, X01B		21A	W61A, W61B		08	I76A, I76B
S11.9		PTR	S12.9		PTR		21A	W61A, W61B
	21A	W61A, W61B		08	I68A, I68B, I68C, I68D, I68E	S13.6		PTR
	21B	X60Z		15	TPN, VTPN		08	I68A, I68B, I68C, I68D, I68E
S12.0		PTR		21A	W61A, W61B		21A	W61A, W61B
	04	E66A	S13.0		PTR	S14.0		PTR
	08	I10C, I68A, I68B, I68C, I68D, I68E		08	I68A, I68B, I68C, I68D, I68E		15	TPN, VTPN
	15	TPN, VTPN		15	TPN, VTPN		21A	W61A, W61B
	21A	W61A		21A	W61A, W61B		Pre	B61A, B61B
	Pre	A07D, A09E, A11F, A13F	S13.10		PTR	S14.10		PTR
S12.1		PTR		08	I68A, I68B, I68C, I68D, I68E		15	TPN, VTPN
	04	E66A		15	TPN, VTPN		21A	W61A, W61B
	08	I10C, I68A, I68B, I68C, I68D, I68E	S13.11		PTR		Pre	B61A, B61B
	15	TPN, VTPN		08	I68A, I68B, I68C, I68D, I68E	S14.11		PTR
	21A	W61A		15	TPN, VTPN		15	TPN, VTPN
	Pre	A07D, A09E, A11F, A13F		21A	W61A, W61B		21A	W61A, W61B
S12.21		PTR		Pre	A07D, A09E, A11F, A13F	S14.12		PTR
	04	E66A	S13.12		PTR		15	TPN, VTPN
	08	I10C, I68A, I68B, I68C, I68D, I68E		08	I68A, I68B, I68C, I68D, I68E		21A	W61A, W61B
	15	TPN, VTPN		15	TPN, VTPN		Pre	B61A, B61B
	21A	W61A, W61B		21A	W61A, W61B	S14.13		PTR
	Pre	A07D, A09E, A11F, A13F		Pre	A07D, A09E, A11F, A13F		15	TPN, VTPN
S12.22		PTR	S13.13		PTR		21A	W61A, W61B
	04	E66A		08	I68A, I68B, I68C, I68D, I68E	S14.2		PTR
	08	I10C, I68A, I68B, I68C, I68D, I68E		15	TPN, VTPN		01	B71A, B71B, B71C, B71D
	15	TPN, VTPN		21A	W61A, W61B		15	TPN, VTPN
	21A	W61A, W61B		Pre	A07D, A09E, A11F, A13F		21A	W61A, W61B
	Pre	A07D, A09E, A11F, A13F		PTR		S14.3		PTR
	04	E66A		08	I68A, I68B, I68C, I68D, I68E		01	B07Z, B71A, B71B, B71C, B71D
	08	I10C, I68A, I68B, I68C, I68D, I68E	S13.14		PTR		15	TPN, VTPN
	15	TPN, VTPN		08	I68A, I68B, I68C, I68D, I68E		21A	W61A, W61B
	21A	W61A, W61B		15	TPN, VTPN	S14.4		PTR
	Pre	A07D, A09E, A11F, A13F		21A	W61A, W61B		01	B71A, B71B, B71C, B71D
				Pre	A07D, A09E, A11F, A13F		21A	W61A, W61B

ICD	MDC	DRG	ICD	MDC	DRG	ICD	MDC	DRG
S14.5		PTR	S16		PTR	S20.40		PTR
	01	B71A, B71B, B71C, B71D		08	I68A, I68B, I68C, I68D, I68E		09	J65Z
	15	TPN, VTPN		21A	W61A, W61B		21A	W61A, W61B
	21A	W61A, W61B	S17.0		PTR	S20.41		PTR
S14.6		PTR		15	TPN, VTPN		09	J65Z
	01	B71A, B71B, B71C, B71D		21A	W61A, W61B		21A	W61A, W61B
	21A	W61A, W61B		21B	X60Z	S20.42		PTR
S14.70		PTR	S17.8		PTR		09	J67A, J67B, J68A, J68B
	15	TPN, VTPN		15	TPN, VTPN		21A	W61A, W61B
	21A	W61A, W61B		21A	W61A, W61B	S20.43		PTR
S14.71		PTR		21B	X60Z		09	J67A, J67B, J68A, J68B
	15	TPN, VTPN	S17.9		PTR		21A	W61A, W61B
	21A	W61A, W61B		15	TPN, VTPN	S20.44		PTR
S14.72		PTR		21A	W61A, W61B		09	J65Z
	15	TPN, VTPN		21B	X60Z		21A	W61A, W61B
	21A	W61A, W61B	S18		PTR	S20.48		PTR
S14.73		PTR		21A	W61A, W61B		09	J65Z
	15	TPN, VTPN		21B	X60Z		21A	W61A, W61B
	21A	W61A, W61B	S19.7		PTR	S20.7		PTR
S14.74		PTR		21A	W61A, W61B		09	J65Z
	15	TPN, VTPN		21B	X60Z		21A	W61A, W61B
	21A	W61A, W61B	S19.8		PTR	S20.80		PTR
S14.75		PTR		21A	W61A, W61B		09	J65Z
	15	TPN, VTPN		21B	X60Z		21A	W61A, W61B
	21A	W61A, W61B	S19.9		PTR	S20.81		PTR
S14.76		PTR		21A	W61A, W61B		09	J65Z
	15	TPN, VTPN		21B	X60Z		21A	W61A, W61B
	21A	W61A, W61B	S20.0		PTR	S20.82		PTR
S14.77		PTR		09	J65Z		09	J67A, J67B, J68A, J68B
	15	TPN, VTPN		21A	W61A, W61B		21A	W61A, W61B
	21A	W61A, W61B	S20.10		PTR	S20.83		PTR
S14.78		PTR		09	J65Z		09	J67A, J67B, J68A, J68B
	15	TPN, VTPN		21A	W61A, W61B		21A	W61A, W61B
	21A	W61A, W61B	S20.11		PTR	S20.84		PTR
S15.00		PTR		09	J65Z		09	J65Z
	15	TPN, VTPN		21A	W61A, W61B		21A	W61A, W61B
	21A	W61A, W61B	S20.12		PTR	S20.85		PTR
	21B	X60Z		09	J67A, J67B, J68A, J68B		09	J65Z
S15.01		PTR		21A	W61A, W61B		21A	W61A, W61B
	15	TPN, VTPN	S20.13		PTR	S20.88		PTR
	21A	W61A, W61B		09	J67A, J67B, J68A, J68B		09	J65Z
	21B	X60Z		21A	W61A, W61B		21A	W61A, W61B
S15.02		PTR	S20.14		PTR	S21.0		PTR
	15	TPN, VTPN		09	J65Z		21A	W61A, W61B
	21A	W61A, W61B		21A	W61A, W61B		21B	X60Z
	21B	X60Z	S20.18		PTR	S21.1		PTR
S15.03		PTR		09	J65Z		15	TPN, VTPN
	15	TPN, VTPN		21A	W61A, W61B		21A	W61A, W61B
	21A	W61A, W61B	S20.2		PTR		21B	X60Z
	21B	X60Z		09	J65Z	S21.2		PTR
S15.1		PTR		21A	W61A, W61B		15	TPN, VTPN
	21A	W61A, W61B	S20.30		PTR		21A	W61A, W61B
	21B	X60Z		09	J65Z		21B	X60Z
S15.2		PTR		21A	W61A, W61B	S21.7		PTR
	21A	W61A, W61B	S20.31		PTR		15	TPN, VTPN
	21B	X60Z		09	J65Z		21A	W61A, W61B
S15.3		PTR		21A	W61A, W61B		21B	X60Z
	15	TPN, VTPN	S20.32		PTR	S21.80		PTR
	21A	W61A, W61B		09	J67A, J67B, J68A, J68B		15	TPN, VTPN
	21B	X60Z		21A	W61A, W61B		21A	W61A, W61B
S15.7		PTR	S20.33		PTR		21B	X60Z
	21A	W61A, W61B		09	J67A, J67B, J68A, J68B	S21.83		PTR
	21B	X60Z		21A	W61A, W61B		08	I02A, I02B, I02C, I02D, I08A, I08B, I08C, I08D, I08E, I13A, I13B, I13C, I20A, I20B, I20C, I22A
S15.8		PTR	S20.34		PTR		15	TPN, VTPN
	21A	W61A, W61B		09	J65Z		21A	W61A, W61B
	21B	X60Z		21A	W61A, W61B		21B	X01A, X01B
S15.9		PTR	S20.38		PTR			
	21A	W61A, W61B		09	J65Z			
	21B	X60Z		21A	W61A, W61B			

ICD	MDC	DRG	ICD	MDC	DRG	ICD	MDC	DRG
S21.84	21A	W61A, W61B	S22.06		PTR	S23.12		PTR
S21.85	21A	W61A, W61B		04	E66A	08	I68A, I68B, I68C, I68D, I68E	
S21.86	04	E66A		08	I10C, I68A, I68B, I68C, I68D, I68E	15	TPN, VTPN	
	08	I02A, I02B, I02C, I02D, I08A, I08B, I08C, I08D, I08E, I13A, I13B, I13C, I20A, I20B, I20C, I22A		15	TPN, VTPN	21A	W61A, W61B	
	21A	W61A, W61B	S22.1	21A	W61A, W61B	S23.13		PTR
	21B	X01A, X01B		04	E66A	08	I68A, I68B, I68C, I68D, I68E	
S21.87		PTR		08	I10C, I68A, I68B, I68C, I68D, I68E	15	TPN, VTPN	
	15	TPN, VTPN		15	TPN, VTPN	21A	W61A, W61B	
	21A	W61A, W61B		21A	W61A	S23.14		PTR
S21.88		PTR	S22.2		PTR	08	I68A, I68B, I68C, I68D, I68E	
	08	I02A, I02B, I02C, I02D, I08A, I08B, I08C, I08D, I08E, I13A, I13B, I13C, I20A, I20B, I20C, I22A		04	E66A, E66B	15	TPN, VTPN	
	15	TPN, VTPN		15	TPN, VTPN	21A	W61A, W61B	
	21A	W61A, W61B	S22.31	04	E66A, E66B	S23.15		PTR
	21B	X01A, X01B		21A	W61A, W61B	08	I68A, I68B, I68C, I68D, I68E	
S21.89		PTR		21A	W61A, W61B	15	TPN, VTPN	
	08	I02A, I02B, I02C, I02D, I08A, I08B, I08C, I08D, I08E, I13A, I13B, I13C, I20A, I20B, I20C, I22A	S22.32		PTR	21A	W61A, W61B	
	15	TPN, VTPN		04	E66A, E66B	S23.16		PTR
	21A	W61A, W61B		21A	W61A, W61B	08	I68A, I68B, I68C, I68D, I68E	
	21B	X01A, X01B	S22.40	04	E66A, E66B	15	TPN, VTPN	
S21.9		PTR		15	TPN, VTPN	21A	W61A, W61B	
	15	TPN, VTPN	S22.41	21A	W61A, W61B	S23.17		PTR
	21A	W61A, W61B		04	E66A, E66B	08	I68A, I68B, I68C, I68D, I68E	
	21B	X01A, X01B		15	TPN, VTPN	15	TPN, VTPN	
S22.00	21B	X60Z	S22.42	21A	W61A, W61B	21A	W61A, W61B	
		PTR			PTR	S23.2		PTR
	04	E66A		04	E66A, E66B	04	E66A, E66B	
	08	I10C, I68A, I68B, I68C, I68D, I68E	S22.43	21A	W61A, W61B	21A	W61A, W61B	
	15	TPN, VTPN			PTR	S23.3		PTR
	21A	W61A, W61B		04	E66A, E66B	08	I68A, I68B, I68C, I68D, I68E	
S22.01		PTR	S22.44	21A	W61A, W61B	21A	W61A, W61B	
	04	E66A			PTR	S23.4		PTR
	08	I10C, I68A, I68B, I68C, I68D, I68E		04	E66A, E66B	04	E75A, E75B, E75C	
	15	TPN, VTPN		21A	W61A, W61B	21A	W61A, W61B	
	21A	W61A, W61B			PTR	S23.5		PTR
S22.02		PTR		04	E66A, E66B	08	I76A, I76B	
	04	E66A		10	K62A	21A	W61A, W61B	
	08	I10C, I68A, I68B, I68C, I68D, I68E		21A	W61A, W61B	S24.0		PTR
	15	TPN, VTPN			PTR	15	TPN, VTPN	
	21A	W61A, W61B	S22.5	04	E66A	21A	W61A, W61B	
S22.03		PTR		15	TPN, VTPN	Pre	B61A, B61B	
	04	E66A		21A	W61A, W61B	S24.10		PTR
	08	I10C, I68A, I68B, I68C, I68D, I68E		Pre	A07D, A09E, A11F, A13F	15	TPN, VTPN	
	15	TPN, VTPN			PTR	21A	W61A, W61B	
	21A	W61A, W61B		04	E66A	Pre	B61A, B61B	
S22.04		PTR	S22.8	08	I76A, I76B	S24.11		PTR
	04	E66A		15	TPN, VTPN	15	TPN, VTPN	
	08	I10C, I68A, I68B, I68C, I68D, I68E	S22.9	21A	W61A, W61B	21A	W61A, W61B	
	15	TPN, VTPN			PTR	Pre	B61A, B61B	
	21A	W61A, W61B		08	I76A, I76B	S24.12		PTR
S22.05		PTR		21A	W61A, W61B	15	TPN, VTPN	
	04	E66A	S23.0		PTR	21A	W61A, W61B	
	08	I10C, I68A, I68B, I68C, I68D, I68E		08	I68A, I68B, I68C, I68D, I68E	Pre	B61A, B61B	
	15	TPN, VTPN		15	TPN, VTPN	S24.2		PTR
	21A	W61A, W61B		21A	W61A, W61B	01	B71A, B71B, B71C, B71D	
S22.06		PTR			PTR	15	TPN, VTPN	
	04	E66A		08	I68A, I68B, I68C, I68D, I68E	21A	W61A, W61B	
	08	I10C, I68A, I68B, I68C, I68D, I68E	S23.10	21A	W61A, W61B	S24.3		PTR
	15	TPN, VTPN			PTR	01	B71A, B71B, B71C, B71D	
	21A	W61A, W61B		08	I68A, I68B, I68C, I68D, I68E	21A	W61A, W61B	
S22.07		PTR		15	TPN, VTPN	S24.4		PTR
	04	E66A		21A	W61A, W61B	01	B71A, B71B, B71C, B71D	
	08	I10C, I68A, I68B, I68C, I68D, I68E	S23.11		PTR	15	TPN, VTPN	
	15	TPN, VTPN		08	I68A, I68B, I68C, I68D, I68E	21A	W61A, W61B	
	21A	W61A, W61B		15	TPN, VTPN	S24.5		PTR
S22.08		PTR		21A	W61A, W61B	01	B71A, B71B, B71C, B71D	
	04	E66A			PTR	21A	W61A, W61B	
	08	I10C, I68A, I68B, I68C, I68D, I68E		08	I68A, I68B, I68C, I68D, I68E	S24.6		PTR
	15	TPN, VTPN		15	TPN, VTPN	01	B71A, B71B, B71C, B71D	
	21A	W61A, W61B		21A	W61A, W61B	21A	W61A, W61B	

ICD	MDC	DRG	ICD	MDC	DRG	ICD	MDC	DRG
S24.70		PTR	S26.83		PTR	S27.83		PTR
	15	TPN, VTPN		05	F75A, F75B, F75C, F75D		06	G46A, G46B, G46C, G50Z, G71Z
	21A	W61A, W61B		15	TPN, VTPN		15	TPN, VTPN
S24.71		PTR		21A	W61A, W61B		21A	W61A, W61B
	15	TPN, VTPN	S26.88		PTR		Pre	A07D, A09E, A11F, A13F
	21A	W61A, W61B		05	F75A, F75B, F75C, F75D	S27.84		PTR
S24.72		PTR		15	TPN, VTPN		04	E75A, E75B, E75C
	15	TPN, VTPN		21A	W61A, W61B		15	TPN, VTPN
	21A	W61A, W61B	S26.9		PTR		21A	W61A, W61B
S24.73		PTR		05	F75A, F75B, F75C, F75D	S27.88		PTR
	15	TPN, VTPN		15	TPN, VTPN		04	E75A, E75B, E75C
	21A	W61A, W61B	S27.0		PTR		15	TPN, VTPN
S24.74		PTR		04	E66A, E76A, E76B, E76C		21A	W61A, W61B
	15	TPN, VTPN		15	TPN, VTPN	S27.9		PTR
	21A	W61A, W61B		21A	W61A, W61B		15	TPN, VTPN
S24.75		PTR		Pre	A07D, A09E, A11F, A13F		21A	W61A, W61B
	15	TPN, VTPN	S27.1		PTR		21B	X60Z
	21A	W61A, W61B		04	E66A, E76A, E76B, E76C	S28.0		PTR
S24.76		PTR		15	TPN, VTPN		15	TPN, VTPN
	15	TPN, VTPN		21A	W61A, W61B		21A	W61A, W61B
	21A	W61A, W61B		Pre	A07D, A09E, A11F, A13F		21B	X60Z
S24.77		PTR	S27.2		PTR		Pre	A07D, A09E, A11F, A13F
	15	TPN, VTPN		04	E66A, E76A, E76B, E76C	S28.1		PTR
	21A	W61A, W61B		15	TPN, VTPN		15	TPN, VTPN
S25.0		PTR		21A	W61A, W61B		21A	W61A, W61B
	15	TPN, VTPN		Pre	A07D, A09E, A11F, A13F		21B	X60Z
	21A	W61A, W61B	S27.31		PTR	S29.0		PTR
	21B	X60Z		04	E66A, E75A, E75B, E75C		08	I68A, I68B, I68C, I68D, I68E
S25.1		PTR		21A	W61A, W61B		21A	W61A, W61B
	15	TPN, VTPN		Pre	A07D, A09E, A11F, A13F	S29.7		PTR
	21A	W61A, W61B	S27.32		PTR		21A	W61A, W61B
	21B	X60Z		04	E66A, E66B		21B	X60Z
S25.2		PTR		15	TPN, VTPN	S29.8		PTR
	15	TPN, VTPN		21A	W61A, W61B		21A	W61A, W61B
	21A	W61A, W61B		Pre	A07D, A09E, A11F, A13F		21B	X60Z
	21B	X60Z	S27.38		PTR	S29.9		PTR
S25.3		PTR		04	E75A, E75B, E75C		21A	W61A, W61B
	15	TPN, VTPN		15	TPN, VTPN		21B	X60Z
	21A	W61A, W61B		21A	W61A, W61B	S30.0		PTR
	21B	X60Z	S27.4		PTR		09	J65Z
S25.4		PTR		04	E66A, E66B		21A	W61A, W61B
	21A	W61A, W61B		15	TPN, VTPN	S30.1		PTR
	21B	X60Z		21A	W61A, W61B		09	J65Z
S25.5		PTR	S27.5		PTR		21A	W61A, W61B
	21A	W61A, W61B		04	E75A, E75B, E75C	S30.2		PTR
	21B	X60Z		15	TPN, VTPN		12	M64Z
S25.7		PTR		21A	W61A, W61B		13	N04Z, N05A, N05B, N14Z, N21Z, N25Z, N62A, N62B
	21A	W61A, W61B		Pre	A07D, A09E, A11F, A13F		21A	W61A, W61B
	21B	X60Z	S27.6		PTR	S30.7		PTR
S25.8		PTR		04	E75A, E75B, E75C		09	J65Z
	21A	W61A, W61B		15	TPN, VTPN		21A	W61A, W61B
	21B	X60Z		21A	W61A, W61B	S30.80		PTR
S25.9		PTR	S27.7		PTR		09	J65Z
	21A	W61A, W61B		15	TPN, VTPN		21A	W61A, W61B
	21B	X60Z		21A	W61A, W61B	S30.81		PTR
S26.0		PTR		21B	X60Z		09	J65Z
	05	F75A, F75B, F75C, F75D		Pre	A07D, A09E, A11F, A13F		21A	W61A, W61B
	15	TPN, VTPN	S27.81		PTR	S30.82		PTR
	21A	W61A, W61B		04	E66A, E66B		09	J67A, J67B, J68A, J68B
S26.81		PTR		15	TPN, VTPN		21A	W61A, W61B
	05	F75A, F75B, F75C, F75D		21A	W61A, W61B	S30.83		PTR
	15	TPN, VTPN		Pre	A07D, A09E, A11F, A13F		09	J67A, J67B, J68A, J68B
	21A	W61A, W61B	S27.82		PTR		21A	W61A, W61B
S26.82		PTR		04	E75A, E75B, E75C	S30.84		PTR
	05	F75A, F75B, F75C, F75D		15	TPN, VTPN		09	J65Z
	15	TPN, VTPN		21A	W61A, W61B		21A	W61A, W61B
	21A	W61A, W61B						



ICD	MDC	DRG	ICD	MDC	DRG	ICD	MDC	DRG
S30.85		PTR	S31.86	08	I02A, I02B, I02C, I02D, I08A, I08B, I08C, I08D, I08E, I13A, I13B, I13C, I20A, I20B, I20C, I22A	S32.3		PTR
	09	J65Z				08	I66A, I66B	
	21A	W61A, W61B				21A	W61A, W61B	
S30.88		PTR		21A	W61A, W61B	S32.4		PTR
	09	J65Z		21B	X01A, X01B	08	I08C, I08D, I66A, I66B	
	21A	W61A, W61B				21A	W61A, W61B	
S30.90		PTR	S31.87		PTR	S32.5		PTR
	09	J65Z		15	TPN, VTPN	08	I66A, I66B	
	21A	W61A, W61B		21A	W61A, W61B	21A	W61A, W61B	
S30.91		PTR	S31.88		PTR	S32.7		PTR
	09	J65Z		08	I02A, I02B, I02C, I02D, I08A, I08B, I08C, I08D, I08E, I13A, I13B, I13C, I20A, I20B, I20C, I22A	08	I76A	
	21A	W61A, W61B				21A	W61A, W61B	
S30.92		PTR		15	TPN, VTPN	S32.81		PTR
	09	J67A, J67B, J68A, J68B		21A	W61A, W61B	08	I66A, I66B	
	21A	W61A, W61B		21B	X01A, X01B	21A	W61A, W61B	
S30.93		PTR	S31.89		PTR	S32.82		PTR
	09	J67A, J67B, J68A, J68B		08	I02A, I02B, I02C, I02D, I08A, I08B, I08C, I08D, I08E, I13A, I13B, I13C, I20A, I20B, I20C, I22A	08	I68A, I68B, I68C, I68D, I68E	
	21A	W61A, W61B				15	TPN, VTPN	
S30.94		PTR		21A	W61A, W61B	21A	W61A, W61B	
	09	J65Z		21B	X01A, X01B	S32.83		PTR
	21A	W61A, W61B				08	I66A, I66B	
S30.95		PTR		15	TPN, VTPN	21A	W61A, W61B	
	09	J65Z		21A	W61A, W61B	S32.89		PTR
	21A	W61A, W61B		21B	X01A, X01B	08	I66A, I66B	
S30.98		PTR	S32.00		PTR	15	TPN, VTPN	
	09	J65Z		04	E66A	21A	W61A, W61B	
	21A	W61A, W61B		08	I10C, I68A, I68B, I68C, I68D, I68E	Pre	A07D, A09E, A11F, A13F	
S31.0		PTR		15	TPN, VTPN	S33.0		PTR
	21A	W61A, W61B		21A	W61A, W61B	08	I68A, I68B, I68C, I68D, I68E	
	21B	X60Z	S32.01		PTR	15	TPN, VTPN	
S31.1		PTR		04	E66A	21A	W61A, W61B	
	15	TPN, VTPN		08	I10C, I68A, I68B, I68C, I68D, I68E	S33.10		PTR
	21A	W61A, W61B		15	TPN, VTPN	08	I68A, I68B, I68C, I68D, I68E	
	21B	X60Z		21A	W61A, W61B	15	TPN, VTPN	
S31.2		PTR	S32.02		PTR	21A	W61A, W61B	
	12	M64Z		04	E66A	S33.11		PTR
	21A	W61A, W61B		08	I10C, I68A, I68B, I68C, I68D, I68E	08	I68A, I68B, I68C, I68D, I68E	
S31.3		PTR		15	TPN, VTPN	15	TPN, VTPN	
	12	M64Z		21A	W61A, W61B	21A	W61A, W61B	
	15	TPN, VTPN		15	TPN, VTPN	S33.12		PTR
	21A	W61A, W61B	S32.03		PTR	08	I68A, I68B, I68C, I68D, I68E	
S31.4		PTR		04	E66A	15	TPN, VTPN	
	13	N04Z, N05A, N05B, N14Z, N21Z, N25Z, N62A, N62B		08	I10C, I68A, I68B, I68C, I68D, I68E	21A	W61A, W61B	
	21A	W61A, W61B		15	TPN, VTPN	S33.13		PTR
S31.5		PTR	S32.04		PTR	08	I68A, I68B, I68C, I68D, I68E	
	12	M64Z		04	E66A	15	TPN, VTPN	
	13	N04Z, N05A, N05B, N14Z, N21Z, N25Z, N62A, N62B		08	I10C, I68A, I68B, I68C, I68D, I68E	21A	W61A, W61B	
	21A	W61A, W61B		15	TPN, VTPN	S33.14		PTR
S31.7		PTR		21A	W61A, W61B	08	I68A, I68B, I68C, I68D, I68E	
	15	TPN, VTPN	S32.05		PTR	15	TPN, VTPN	
	21A	W61A, W61B		04	E66A	21A	W61A, W61B	
	21B	X60Z		08	I10C, I68A, I68B, I68C, I68D, I68E	S33.15		PTR
S31.80		PTR		15	TPN, VTPN	08	I68A, I68B, I68C, I68D, I68E	
	15	TPN, VTPN		21A	W61A, W61B	15	TPN, VTPN	
	21A	W61A, W61B		15	TPN, VTPN	21A	W61A, W61B	
	21B	X60Z	S32.1		PTR	S33.2		PTR
	08	I02A, I02B, I02C, I02D, I08A, I08B, I08C, I08D, I08E, I13A, I13B, I13C, I20A, I20B, I20C, I22A		04	E66A	08	I68A, I68B, I68C, I68D, I68E	
S31.83		PTR		08	I10C, I68A, I68B, I68C, I68D, I68E	21A	W61A, W61B	
	08	I02A, I02B, I02C, I02D, I08A, I08B, I08C, I08D, I08E, I13A, I13B, I13C, I20A, I20B, I20C, I22A		15	TPN, VTPN	S33.3		PTR
	15	TPN, VTPN	S32.2		PTR	08	I68A, I68B, I68C, I68D, I68E	
	21A	W61A, W61B		08	I68A, I68B, I68C, I68D, I68E	21A	W61A, W61B	
	21B	X01A, X01B		15	TPN, VTPN	S33.4		PTR
S31.84		PTR		21A	W61A, W61B	08	I68A, I68B, I68C, I68D, I68E	
S31.85		PTR		21A	W61A, W61B	21A	W61A, W61B	

Dg

ICD	MDC	DRG	ICD	MDC	DRG	ICD	MDC	DRG
S33.51		PTR	S34.71		PTR	S35.8		PTR
	08	I68A, I68B, I68C, I68D, I68E		15	TPN, VTPN		15	TPN, VTPN
	21A	W61A, W61B		21A	W61A, W61B		21A	W61A, W61B
S33.6		PTR		Pre	A07D, A09E, A11F, A13F		21B	X60Z
	08	I68A, I68B, I68C, I68D, I68E	S34.72		PTR	S35.9	Pre	A07D, A09E, A11F, A13F
	21A	W61A, W61B		15	TPN, VTPN			PTR
S33.7		PTR		21A	W61A, W61B		15	TPN, VTPN
	08	I68A, I68B, I68C, I68D, I68E		Pre	A07D, A09E, A11F, A13F		21A	W61A, W61B
	21A	W61A, W61B	S34.73		PTR		21B	X60Z
S34.0		PTR		15	TPN, VTPN		Pre	A07D, A09E, A11F, A13F
	15	TPN, VTPN		21A	W61A, W61B	S36.00		PTR
	21A	W61A, W61B		Pre	A07D, A09E, A11F, A13F		16	Q60A, Q60B, Q60C
	Pre	A07D, A09E, A11F, A13F, B61A, B61B	S34.74		PTR		21A	W61A, W61B
S34.10		PTR		15	TPN, VTPN		Pre	A07D, A09E, A11F, A13F
	15	TPN, VTPN		21A	W61A, W61B	S36.01		PTR
	21A	W61A, W61B		Pre	A07D, A09E, A11F, A13F		15	TPN, VTPN
	Pre	A07D, A09E, A11F, A13F, B61A, B61B	S34.75		PTR		16	Q60A, Q60B, Q60C
S34.11		PTR		15	TPN, VTPN		21A	W61A, W61B
	15	TPN, VTPN		21A	W61A, W61B		Pre	A07D, A09E, A11F, A13F
	21A	W61A, W61B		Pre	A07D, A09E, A11F, A13F	S36.02		PTR
	Pre	A07D, A09E, A11F, A13F, B61A, B61B	S34.76		PTR		15	TPN, VTPN
S34.18		PTR		15	TPN, VTPN		16	Q60A, Q60B, Q60C
	15	TPN, VTPN		21A	W61A, W61B		21A	W61A, W61B
	21A	W61A, W61B		Pre	A07D, A09E, A11F, A13F		Pre	A07D, A09E, A11F, A13F
	Pre	A07D, A09E, A11F, A13F, B61A, B61B	S34.77		PTR	S36.03		PTR
S34.2		PTR		15	TPN, VTPN		15	TPN, VTPN
	01	B71A, B71B, B71C, B71D		21A	W61A, W61B		16	Q60A, Q60B, Q60C
	15	TPN, VTPN		Pre	A07D, A09E, A11F, A13F		21A	W61A
	21A	W61A, W61B	S34.8		PTR		Pre	A07D, A09E, A11F, A13F
	Pre	A07D, A09E, A11F, A13F		01	B71A, B71B, B71C, B71D	S36.04		PTR
	PTR			21A	W61A, W61B		16	Q60A, Q60B, Q60C, Q60D, Q60E
S34.30		PTR		Pre	A07D, A09E, A11F, A13F		21A	W61A
	15	TPN, VTPN	S35.0		PTR		Pre	A07D, A09E, A11F, A13F
	21A	W61A, W61B		15	TPN, VTPN	S36.08		PTR
	Pre	A07D, A09E, A11F, A13F, B61A, B61B		21A	W61A, W61B		16	Q60A, Q60B, Q60C
S34.31		PTR		21B	X60Z		21A	W61A, W61B
	15	TPN, VTPN	S35.1		PTR		Pre	A07D, A09E, A11F, A13F
	21A	W61A, W61B		15	TPN, VTPN	S36.10		PTR
	Pre	A07D, A09E, A11F, A13F, B61A, B61B		21A	W61A, W61B		07	H63A, H63B, H63C, H78Z
S34.38		PTR		21B	X60Z		15	TPN, VTPN
	15	TPN, VTPN		Pre	A07D, A09E, A11F, A13F		21A	W61A, W61B
	21A	W61A, W61B	S35.2		PTR		Pre	A07D, A09E, A11F, A13F
	Pre	A07D, A09E, A11F, A13F, B61A, B61B		15	TPN, VTPN	S36.11		PTR
S34.4		PTR		21A	W61A, W61B		07	H63A, H63B, H63C, H78Z
	01	B71A, B71B, B71C, B71D		21B	X60Z		15	TPN, VTPN
	15	TPN, VTPN		Pre	A07D, A09E, A11F, A13F		21A	W61A, W61B
	21A	W61A, W61B	S35.3		PTR		Pre	A07D, A09E, A11F, A13F
	Pre	A07D, A09E, A11F, A13F		15	TPN, VTPN	S36.12		PTR
	PTR			21A	W61A, W61B		07	H63A, H63B, H63C, H78Z
S34.5		PTR		21B	X60Z		15	TPN, VTPN
	01	B71A, B71B, B71C, B71D		Pre	A07D, A09E, A11F, A13F		21A	W61A, W61B
	15	TPN, VTPN	S35.4		PTR		Pre	A07D, A09E, A11F, A13F
	21A	W61A, W61B		15	TPN, VTPN	S36.13		PTR
	Pre	A07D, A09E, A11F, A13F		21A	W61A		07	H63A, H63B, H63C, H78Z
	PTR			21B	X60Z		15	TPN, VTPN
S34.6		PTR		Pre	A07D, A09E, A11F, A13F		21A	W61A, W61B
	01	B71A, B71B, B71C, B71D	S35.5		PTR		Pre	A07D, A09E, A11F, A13F
	15	TPN, VTPN		15	TPN, VTPN	S36.14		PTR
	21A	W61A, W61B		21A	W61A, W61B		07	H63A, H63B, H63C, H78Z
	Pre	A07D, A09E, A11F, A13F		21B	X60Z		15	TPN, VTPN
	PTR			Pre	A07D, A09E, A11F, A13F		21A	W61A, W61B
S34.70		PTR	S35.7		PTR		Pre	A07D, A09E, A11F, A13F
	15	TPN, VTPN		15	TPN, VTPN	S36.15		PTR
	21A	W61A, W61B		21A	W61A, W61B		07	H63A, H63B, H63C, H78Z
	Pre	A07D, A09E, A11F, A13F		21B	X60Z		15	TPN, VTPN
				Pre	A07D, A09E, A11F, A13F		21A	W61A, W61B
							Pre	A07D, A09E, A11F, A13F

ICD	MDC	DRG	ICD	MDC	DRG	ICD	MDC	DRG
S36.16		PTR	S36.52		PTR	S37.02		PTR
	07	H63A, H63B, H63C, H78Z		06	G46A, G46B, G46C, G50Z, G71Z		11	L69A, L69B
	15	TPN, VTPN		15	TPN, VTPN		15	TPN, VTPN
	21A	W61A, W61B		21A	W61A, W61B		21A	W61A
	Pre	A07D, A09E, A11F, A13F		Pre	A07D, A09E, A11F, A13F		Pre	A07D, A09E, A11F, A13F
S36.17		PTR	S36.53		PTR	S37.03		PTR
	07	H64Z		06	G46A, G46B, G46C, G50Z, G71Z		11	L69A, L69B
	15	TPN, VTPN		15	TPN, VTPN		21A	W61A
	21A	W61A, W61B		21A	W61A, W61B		Pre	A07D, A09E, A11F, A13F
	Pre	A07D, A09E, A11F, A13F		Pre	A07D, A09E, A11F, A13F		Pre	A07D, A09E, A11F, A13F
S36.18		PTR	S36.54		PTR	S37.1		PTR
	07	H64Z		06	G46A, G46B, G46C, G50Z, G71Z		11	L68A, L68B, L74Z
	15	TPN, VTPN		15	TPN, VTPN		15	TPN, VTPN
	21A	W61A, W61B		21A	W61A, W61B		21A	W61A, W61B
	Pre	A07D, A09E, A11F, A13F		Pre	A07D, A09E, A11F, A13F		Pre	A07D, A09E, A11F, A13F
S36.20		PTR	S36.55		PTR	S37.20		PTR
	07	H62A, H62B, H62C		06	G46A, G46B, G46C, G50Z, G71Z		11	L68A, L68B, L74Z
	21A	W61A, W61B		15	TPN, VTPN		21A	W61A, W61B
	Pre	A07D, A09E, A11F, A13F		21A	W61A, W61B		Pre	A07D, A09E, A11F, A13F
S36.21		PTR	S36.59		PTR	S37.21		PTR
	07	H62A, H62B, H62C		06	G46A, G46B, G46C, G50Z, G71Z		11	L68A, L68B, L74Z
	21A	W61A, W61B		15	TPN, VTPN		21A	W61A, W61B
	Pre	A07D, A09E, A11F, A13F		21A	W61A, W61B		Pre	A07D, A09E, A11F, A13F
S36.22		PTR	S36.6		PTR	S37.22		PTR
	07	H62A, H62B, H62C		06	G46A, G46B, G46C, G50Z, G71Z		11	L68A, L68B, L74Z
	21A	W61A, W61B		15	TPN, VTPN		21A	W61A, W61B
	Pre	A07D, A09E, A11F, A13F		21A	W61A, W61B		Pre	A07D, A09E, A11F, A13F
S36.23		PTR	S36.7		PTR	S37.28		PTR
	07	H62A, H62B, H62C		06	G46A, G46B, G46C, G50Z, G71Z		11	L68A, L68B, L74Z
	21A	W61A, W61B		15	TPN, VTPN		21A	W61A, W61B
	Pre	A07D, A09E, A11F, A13F		21A	W61A, W61B		Pre	A07D, A09E, A11F, A13F
S36.29		PTR	S36.81		PTR	S37.30		PTR
	07	H62A, H62B, H62C		06	G46A, G46B, G46C, G50Z, G71Z		11	L64A, L64B, L74Z
	21A	W61A, W61B		15	TPN, VTPN		21A	W61A, W61B
	Pre	A07D, A09E, A11F, A13F		21A	W61A, W61B		Pre	A07D, A09E, A11F, A13F
S36.3		PTR	S36.82		PTR	S37.31		PTR
	06	G46A, G46B, G46C, G50Z, G71Z		06	G46A, G46B, G46C, G50Z, G71Z		11	L64A, L64B, L74Z
	21A	W61A, W61B		15	TPN, VTPN		21A	W61A, W61B
	Pre	A07D, A09E, A11F, A13F		21A	W61A, W61B		Pre	A07D, A09E, A11F, A13F
S36.40		PTR	S36.83		PTR	S37.32		PTR
	06	G46A, G46B, G46C, G50Z, G71Z		11	L68A, L68B, L74Z		11	L64A, L64B, L74Z
	15	TPN, VTPN		15	TPN, VTPN		21A	W61A, W61B
	21A	W61A, W61B		21A	W61A, W61B		Pre	A07D, A09E, A11F, A13F
	Pre	A07D, A09E, A11F, A13F		Pre	A07D, A09E, A11F, A13F		Pre	A07D, A09E, A11F, A13F
S36.41		PTR	S36.88		PTR	S37.33		PTR
	06	G46A, G46B, G46C, G50Z, G71Z		21A	W61A, W61B		11	L68A, L68B, L74Z
	21A	W61A, W61B		Pre	A07D, A09E, A11F, A13F		21A	W61A, W61B
	Pre	A07D, A09E, A11F, A13F		Pre	A07D, A09E, A11F, A13F		Pre	A07D, A09E, A11F, A13F
S36.49		PTR	S36.9		PTR	S37.38		PTR
	06	G46A, G46B, G46C, G50Z, G71Z		06	G46A, G46B, G46C, G50Z, G71Z		11	L68A, L68B, L74Z
	21A	W61A, W61B		21A	W61A, W61B		21A	W61A, W61B
	Pre	A07D, A09E, A11F, A13F		Pre	A07D, A09E, A11F, A13F		Pre	A07D, A09E, A11F, A13F
S36.50		PTR	S37.00		PTR	S37.4		PTR
	06	G46A, G46B, G46C, G50Z, G71Z		11	L64A, L64B, L74Z		13	N04Z, N05A, N05B, N14Z, N21Z, N25Z, N62A, N62B
	15	TPN, VTPN		21A	W61A, W61B		21A	W61A, W61B
	21A	W61A, W61B		Pre	A07D, A09E, A11F, A13F		Pre	A07D, A09E, A11F, A13F
	Pre	A07D, A09E, A11F, A13F		Pre	A07D, A09E, A11F, A13F		Pre	A07D, A09E, A11F, A13F
S36.51		PTR	S37.01		PTR	S37.5		PTR
	06	G46A, G46B, G46C, G50Z, G71Z		11	L64A, L64B, L74Z		13	N04Z, N05A, N05B, N14Z, N21Z, N25Z, N62A, N62B
	21A	W61A, W61B		21A	W61A, W61B		21A	W61A, W61B
	Pre	A07D, A09E, A11F, A13F		Pre	A07D, A09E, A11F, A13F		Pre	A07D, A09E, A11F, A13F
	Pre	A07D, A09E, A11F, A13F		Pre	A07D, A09E, A11F, A13F		Pre	A07D, A09E, A11F, A13F

ICD	MDC	DRG	ICD	MDC	DRG	ICD	MDC	DRG
S37.7		PTR	S39.7		PTR	S41.89		PTR
	12	M64Z		21A	W61A, W61B		08	I02A, I02B, I02C, I02D, I08A, I08B, I08C, I08D, I08E, I13A, I13B, I13C, I20A, I20B, I20C, I22A
	13	N04Z, N05A, N05B, N14Z, N21Z, N25Z, N62A, N62B		21B	X60Z		21A	W61A, W61B
	21A	W61A, W61B	S39.80		Pre A07D, A09E, A11F, A13F		21B	X01A, X01B
S37.81	Pre	A07D, A09E, A11F, A13F			PTR	S42.00		PTR
		PTR		21A	W61A, W61B		08	I78Z
	10	K64A, K64B, K64C, K64D		21B	X60Z		21A	W61A, W61B
	21A	W61A, W61B	S39.88		Pre A07D, A09E, A11F, A13F			PTR
S37.82	Pre	A07D, A09E, A11F, A13F			PTR	S42.01		PTR
		PTR		21A	W61A, W61B		08	I77Z
	12	M64Z	S39.9		PTR		21A	W61A, W61B
	21A	W61A, W61B		21A	W61A, W61B	S42.02		PTR
S37.83	Pre	A07D, A09E, A11F, A13F		21B	X60Z		08	I77Z
		PTR	S40.0		PTR		21A	W61A, W61B
	12	M64Z		09	J65Z	S42.03		PTR
	21A	W61A, W61B		21A	W61A, W61B		08	I77Z
S37.84	Pre	A07D, A09E, A11F, A13F	S40.7		PTR		21A	W61A, W61B
		PTR		09	J65Z	S42.09		PTR
	12	M64Z		21A	W61A, W61B		08	I75A, I75B
	21A	W61A, W61B	S40.81		PTR		21A	W61A, W61B
S37.88	Pre	A07D, A09E, A11F, A13F		09	J65Z	S42.10		PTR
		PTR	S40.82		PTR		08	I77Z
	12	M64Z		09	J67A, J67B, J68A, J68B		21A	W61A, W61B
	13	N04Z, N05A, N05B, N14Z, N21Z, N25Z, N62A, N62B		21A	W61A, W61B	S42.11		PTR
	21A	W61A, W61B	S40.83		PTR		08	I76A, I76B
S37.9	Pre	A07D, A09E, A11F, A13F		09	J67A, J67B, J68A, J68B		21A	W61A, W61B
		PTR	S40.84		PTR	S42.12		PTR
	12	M64Z		21A	W61A, W61B		08	I77Z
	13	N04Z, N05A, N05B, N14Z, N21Z, N25Z, N62A, N62B	S40.88		PTR		21A	W61A, W61B
	21A	W61A, W61B		09	J65Z	S42.13		PTR
S38.0	Pre	A07D, A09E, A11F, A13F	S40.88		PTR		21A	W61A, W61B
		PTR	S40.9		PTR	S42.14		PTR
	12	M64Z		09	J65Z		08	I77Z
	13	N04Z, N05A, N05B, N14Z, N21Z, N25Z, N62A, N62B		21A	W61A, W61B	S42.19		PTR
	15	TPN, VTPN	S41.0		PTR		08	I76A, I76B
	21A	W61A, W61B		21A	W61A, W61B	S42.20		PTR
S38.1	Pre	A07D, A09E, A11F, A13F	S41.1		PTR		08	I75A, I75B
		PTR		21B	X60Z		21A	W61A, W61B
	15	TPN, VTPN	S41.7		PTR	S42.21		PTR
	21A	W61A, W61B		21A	W61A, W61B		08	I75A, I75B
	21B	X60Z		21B	X60Z		15	TPN, VTPN
S38.2	Pre	A07D, A09E, A11F, A13F			PTR		21A	W61A, W61B
		PTR	S41.80		PTR	S42.22		PTR
	12	M64Z		21A	W61A, W61B		08	I75A, I75B
	13	N04Z, N05A, N05B, N14Z, N21Z, N25Z, N62A, N62B		21B	X60Z		21A	W61A, W61B
	21A	W61A, W61B	S41.84		PTR	S42.23		PTR
S38.3	Pre	A07D, A09E, A11F, A13F	S41.85		PTR		08	I75A, I75B
		PTR	S41.86		PTR		21A	W61A, W61B
	15	TPN, VTPN		08	I02A, I02B, I02C, I02D, I08A, I08B, I08C, I08D, I08E, I13A, I13B, I13C, I20A, I20B, I20C, I22A	S42.24		PTR
	21A	W61A, W61B					08	I75A, I75B
	21B	X60Z		21A	W61A, W61B	S42.29		PTR
S39.0	Pre	A07D, A09E, A11F, A13F			PTR		08	I75A, I75B
		PTR	S41.87		PTR		15	TPN, VTPN
	08	I68A, I68B, I68C, I68D, I68E		21A	W61A, W61B	S42.3		PTR
	21A	W61A, W61B	S41.88		PTR		08	I75A, I75B
S39.6	Pre	A07D, A09E, A11F, A13F		08	I02A, I02B, I02C, I02D, I08A, I08B, I08C, I08D, I08E, I13A, I13B, I13C, I20A, I20B, I20C, I22A		15	TPN, VTPN
		PTR				S42.40		PTR
	12	M64Z		21A	W61A, W61B		08	I77Z
	13	N04Z, N05A, N05B, N14Z, N21Z, N25Z, N62A, N62B		21B	X01A, X01B		21A	W61A, W61B
	21A	W61A, W61B						
	Pre	A07D, A09E, A11F, A13F						

ICD	MDC	DRG	ICD	MDC	DRG	ICD	MDC	DRG
S42.41		PTR	S44.2		PTR	S46.9		PTR
	08	I77Z		01	B71A, B71B, B71C, B71D		08	I77Z
	21A	W61A, W61B		21A	W61A, W61B		21A	W61A, W61B
S42.42		PTR	S44.3		PTR	S47		PTR
	08	I77Z		01	B71A, B71B, B71C, B71D		15	TPN, VTPN
	21A	W61A, W61B		21A	W61A, W61B		21A	W61A, W61B
S42.43		PTR	S44.4		PTR		21B	X60Z
	08	I77Z		01	B71A, B71B, B71C, B71D	S48.0		PTR
	21A	W61A, W61B		21A	W61A, W61B		21A	W61A, W61B
S42.44		PTR	S44.5		PTR		21B	X60Z
	08	I77Z		01	B71A, B71B, B71C, B71D	S48.1		PTR
	21A	W61A, W61B		21A	W61A, W61B		21A	W61A, W61B
S42.45		PTR	S44.7		PTR		21B	X60Z
	08	I77Z		01	B71A, B71B, B71C, B71D	S48.9		PTR
	21A	W61A, W61B		21A	W61A, W61B		21A	W61A, W61B
S42.49		PTR	S44.8		PTR		21B	X60Z
	08	I77Z		01	B71A, B71B, B71C, B71D	S49.7		PTR
	21A	W61A, W61B		21A	W61A, W61B		21A	W61A, W61B
S42.7		PTR	S44.9		PTR		21B	X60Z
	08	I77Z		01	B71A, B71B, B71C, B71D	S49.8		PTR
	21A	W61A, W61B		21A	W61A, W61B		21A	W61A, W61B
S42.8		PTR	S45.0		PTR		21B	X60Z
	08	I77Z		15	TPN, VTPN	S49.9		PTR
	21A	W61A, W61B		21A	W61A, W61B		21A	W61A, W61B
S42.9		PTR		21B	X60Z		21B	X60Z
	08	I77Z	S45.1		PTR	S50.0		PTR
	21A	W61A, W61B		15	TPN, VTPN		09	J65Z
S43.00		PTR		21A	W61A, W61B		21A	W61A, W61B
	08	I78Z		21B	X60Z	S50.1		PTR
	21A	W61A, W61B	S45.2		PTR		09	J65Z
S43.01		PTR		15	TPN, VTPN		21A	W61A, W61B
	08	I78Z		21A	W61A, W61B	S50.7		PTR
	21A	W61A, W61B		21B	X60Z		09	J65Z
S43.02		PTR	S45.3		PTR		21A	W61A, W61B
	08	I78Z		15	TPN, VTPN	S50.81		PTR
	21A	W61A, W61B		21A	W61A, W61B		09	J65Z
S43.03		PTR		21B	X60Z		21A	W61A, W61B
	08	I78Z	S45.7		PTR	S50.82		PTR
	21A	W61A, W61B		15	TPN, VTPN		09	J67A, J67B, J68A, J68B
S43.08		PTR		21A	W61A, W61B		21A	W61A, W61B
	08	I77Z		21B	X60Z	S50.83		PTR
	21A	W61A, W61B	S45.8		PTR		09	J67A, J67B, J68A, J68B
S43.1		PTR		15	TPN, VTPN		21A	W61A, W61B
	08	I77Z		21A	W61A, W61B	S50.84		PTR
	21A	W61A, W61B		21B	X60Z		09	J65Z
S43.2		PTR	S45.9		PTR		21A	W61A, W61B
	08	I78Z		15	TPN, VTPN	S50.88		PTR
	21A	W61A, W61B		21A	W61A, W61B		09	J65Z
S43.3		PTR		21B	X60Z		21A	W61A, W61B
	08	I77Z	S46.0		PTR	S50.9		PTR
	21A	W61A, W61B		08	I77Z		09	J65Z
S43.4		PTR		21A	W61A, W61B		21A	W61A, W61B
	08	I77Z	S46.1		PTR	S51.0		PTR
	21A	W61A, W61B		08	I77Z		21A	W61A, W61B
S43.5		PTR		21A	W61A, W61B		21B	X60Z
	08	I77Z	S46.2		PTR	S51.7		PTR
	21A	W61A, W61B		08	I77Z		21A	W61A, W61B
S43.6		PTR		21A	W61A, W61B		21B	X60Z
	04	E75A, E75B, E75C	S46.3		PTR	S51.80		PTR
	21A	W61A, W61B		08	I77Z		21A	W61A, W61B
S43.7		PTR		21A	W61A, W61B		21B	X60Z
	08	I77Z	S46.7		PTR	S51.84		PTR
	21A	W61A, W61B		08	I77Z		21A	W61A, W61B
S44.0		PTR		21A	W61A, W61B	S51.85		PTR
	01	B71A, B71B, B71C, B71D	S46.8		PTR	S51.86		PTR
	21A	W61A, W61B		08	I77Z		08	I02A, I02B, I02C, I02D, I08A, I08B, I08C, I08D, I08E, I13A, I13B, I13C, I20A, I20B, I20C, I22A
S44.1		PTR		21A	W61A, W61B		21A	W61A, W61B
	01	B71A, B71B, B71C, B71D					21B	X01A, X01B
	21A	W61A, W61B						

ICD	MDC	DRG	ICD	MDC	DRG	ICD	MDC	DRG
S51.87		PTR	S52.59		PTR	S54.3		PTR
	21A	W61A, W61B		08	I74A, I74B, I74C		01	B71A, B71B, B71C, B71D
S51.88		PTR		21A	W61A, W61B		21A	W61A, W61B
	08	I02A, I02B, I02C, I02D, I08A, I08B, I08C, I08D, I08E, I13A, I13B, I13C, I20A, I20B, I20C, I22A	S52.6		PTR	S54.7		PTR
	21A	W61A, W61B		08	I74A, I74B, I74C		01	B71A, B71B, B71C, B71D
	21B	X01A, X01B	S52.7		PTR		21A	W61A, W61B
S51.89		PTR		08	I78Z	S54.8		PTR
	08	I02A, I02B, I02C, I02D, I08A, I08B, I08C, I08D, I08E, I13A, I13B, I13C, I20A, I20B, I20C, I22A	S52.8		PTR		01	B71A, B71B, B71C, B71D
	21A	W61A, W61B		21A	W61A, W61B		21A	W61A, W61B
	21B	X01A, X01B	S52.9		PTR	S54.9		PTR
S51.9		PTR		08	I74A, I74B, I74C		01	B71A, B71B, B71C, B71D
	21A	W61A, W61B	S53.0		PTR		21A	W61A, W61B
	21B	X60Z		08	I78Z	S55.0		PTR
S52.00		PTR		21A	W61A, W61B		15	TPN, VTPN
	08	I74A, I74B, I74C	S53.10		PTR		21A	W61A, W61B
	21A	W61A, W61B		08	I78Z		21B	X60Z
S52.01		PTR		21A	W61A, W61B	S55.1		PTR
	08	I74A, I74B, I74C	S53.11		PTR		15	TPN, VTPN
	21A	W61A, W61B		08	I78Z		21A	W61A, W61B
S52.02		PTR		21A	W61A, W61B	S55.2		PTR
	08	I74A, I74B, I74C	S53.12		PTR		15	TPN, VTPN
	21A	W61A, W61B		08	I78Z		21A	W61A, W61B
S52.09		PTR		21A	W61A, W61B	S55.7		PTR
	08	I74A, I74B, I74C	S53.13		PTR		15	TPN, VTPN
	21A	W61A, W61B		08	I78Z		21A	W61A, W61B
S52.10		PTR		21A	W61A, W61B	S55.8		PTR
	08	I74A, I74B, I74C	S53.14		PTR		15	TPN, VTPN
	21A	W61A, W61B		08	I78Z		21A	W61A, W61B
S52.11		PTR		21A	W61A, W61B	S55.9		PTR
	08	I74A, I74B, I74C	S53.18		PTR		15	TPN, VTPN
	21A	W61A, W61B		08	I78Z		21A	W61A, W61B
S52.12		PTR		21A	W61A, W61B	S56.0		PTR
	08	I74A, I74B, I74C	S53.2		PTR		08	I32A, I32B, I32C, I32D, I32E, I32F, I32G, I74A, I74B, I74C
	21A	W61A, W61B		08	I74A, I74B, I74C		21A	W61A, W61B
S52.19		PTR	S53.3		PTR	S56.1		PTR
	08	I74A, I74B, I74C		08	I74A, I74B, I74C		08	I32A, I32B, I32C, I32D, I32E, I32F, I32G, I74A, I74B, I74C
	21A	W61A, W61B		21A	W61A, W61B		21A	W61A, W61B
S52.20		PTR	S53.40		PTR	S56.2		PTR
	08	I74A, I74B, I74C		08	I74A, I74B, I74C		08	I74A, I74B, I74C
	21A	W61A, W61B		21A	W61A, W61B		21A	W61A, W61B
S52.21		PTR	S53.41		PTR	S56.3		PTR
	08	I74A, I74B, I74C		08	I74A, I74B, I74C		08	I32A, I32B, I32C, I32D, I32E, I32F, I32G, I74A, I74B, I74C
	21A	W61A, W61B		21A	W61A, W61B		21A	W61A, W61B
S52.30		PTR	S53.42		PTR	S56.4		PTR
	08	I74A, I74B, I74C		08	I74A, I74B, I74C		08	I32A, I32B, I32C, I32D, I32E, I32F, I32G, I74A, I74B, I74C
	21A	W61A, W61B		21A	W61A, W61B		21A	W61A, W61B
S52.31		PTR	S53.43		PTR	S56.5		PTR
	08	I74A, I74B, I74C		08	I74A, I74B, I74C		08	I74A, I74B, I74C
	21A	W61A, W61B		21A	W61A, W61B		21A	W61A, W61B
S52.4		PTR	S53.44		PTR	S56.7		PTR
	08	I74A, I74B, I74C		08	I74A, I74B, I74C		08	I74A, I74B, I74C
	21A	W61A, W61B		21A	W61A, W61B		21A	W61A, W61B
S52.50		PTR	S53.48		PTR	S56.8		PTR
	08	I74A, I74B, I74C		08	I74A, I74B, I74C		08	I74A, I74B, I74C
	21A	W61A, W61B		21A	W61A, W61B		21A	W61A, W61B
S52.51		PTR	S54.0		PTR	S57.0		PTR
	08	I74A, I74B, I74C		01	B71A, B71B, B71C, B71D		15	TPN, VTPN
	21A	W61A, W61B		21A	W61A, W61B		21A	W61A, W61B
S52.52		PTR	S54.1		PTR		21B	X60Z
	08	I74A, I74B, I74C		01	B71A, B71B, B71C, B71D			
	21A	W61A, W61B		21A	W61A, W61B			
			S54.2		PTR			
				01	B71A, B71B, B71C, B71D			
				21A	W61A, W61B			

ICD	MDC	DRG	ICD	MDC	DRG	ICD	MDC	DRG
S57.8		PTR	S61.85	21A	W61A, W61B	S62.23		PTR
	15	TPN, VTPN	S61.86	08	I02A, I02B, I02C, I02D, I08A, I08B, I08C, I08D, I08E, I13A, I13B, I13C, I20A, I20B, I20C, I22A		08	I32A, I32B, I32C, I32D, I32E, I32F, I32G, I74A, I74B, I74C
	21A	W61A, W61B					21A	W61A, W61B
	21B	X60Z				S62.24		PTR
S57.9		PTR					08	I32A, I32B, I32C, I32D, I32E, I32F, I32G, I74A, I74B, I74C
	15	TPN, VTPN		21A	W61A, W61B		21A	W61A, W61B
	21A	W61A, W61B		21B	X01A, X01B	S62.30		PTR
	21B	X60Z	S61.87		PTR		08	I32A, I32B, I32C, I32D, I32E, I32F, I32G, I74A, I74B, I74C
S58.0		PTR		21A	W61A, W61B	S62.31		PTR
	21A	W61A, W61B	S61.88		PTR		08	I32A, I32B, I32C, I32D, I32E, I32F, I32G, I74A, I74B, I74C
	21B	X60Z		08	I02A, I02B, I02C, I02D, I08A, I08B, I08C, I08D, I08E, I13A, I13B, I13C, I20A, I20B, I20C, I22A		21A	W61A, W61B
S58.1		PTR				S62.32		PTR
	21A	W61A, W61B		21A	W61A, W61B		08	I32A, I32B, I32C, I32D, I32E, I32F, I32G, I74A, I74B, I74C
	21B	X60Z		21B	X01A, X01B		21A	W61A, W61B
S58.9		PTR	S61.89		PTR	S62.33		PTR
	21A	W61A, W61B		08	I02A, I02B, I02C, I02D, I08A, I08B, I08C, I08D, I08E, I13A, I13B, I13C, I20A, I20B, I20C, I22A		08	I32A, I32B, I32C, I32D, I32E, I32F, I32G, I74A, I74B, I74C
	21B	X60Z					21A	W61A, W61B
S59.7		PTR				S62.34		PTR
	21A	W61A, W61B		21A	W61A, W61B		08	I32A, I32B, I32C, I32D, I32E, I32F, I32G, I74A, I74B, I74C
	21B	X05A, X05B, X60Z		21B	X05A, X05B, X60Z		21A	W61A, W61B
S59.8		PTR	S61.9		PTR	S62.4		PTR
	21A	W61A, W61B		21A	W61A, W61B		08	I32A, I32B, I32C, I32D, I32E, I32F, I32G, I74A, I74B, I74C
	21B	X05A, X05B, X60Z		21B	X05A, X05B, X60Z	S62.50		PTR
S59.9		PTR	S62.0		PTR		08	I32A, I32B, I32C, I32D, I32E, I32F, I32G, I74A, I74B, I74C
	21A	W61A, W61B		08	I32C, I32D, I74A, I74B, I74C		21A	W61A, W61B
	21B	X05A, X05B, X60Z		21A	W61A, W61B	S62.51		PTR
S60.0		PTR					08	I32A, I32B, I32C, I32D, I32E, I32F, I32G, I74A, I74B, I74C
	09	J65Z	S62.10		PTR		21A	W61A, W61B
	21A	W61A, W61B		08	I74A, I74B, I74C	S62.52		PTR
S60.1		PTR		21A	W61A, W61B		08	I32A, I32B, I32C, I32D, I32E, I32F, I32G, I74A, I74B, I74C
	09	J65Z	S62.11		PTR	S62.60		PTR
	21A	W61A, W61B		08	I32C, I32D, I74A, I74B, I74C		08	I32A, I32B, I32C, I32D, I32E, I32F, I32G, I74A, I74B, I74C
S60.2		PTR		21A	W61A, W61B		21A	W61A, W61B
	09	J65Z	S62.12		PTR	S62.61		PTR
	21A	W61A, W61B		08	I32C, I32D, I74A, I74B, I74C		08	I32A, I32B, I32C, I32D, I32E, I32F, I32G, I74A, I74B, I74C
S60.7		PTR		21A	W61A, W61B		21A	W61A, W61B
	09	J65Z	S62.13		PTR	S62.62		PTR
	21A	W61A, W61B		08	I32C, I32D, I74A, I74B, I74C		08	I32A, I32B, I32C, I32D, I32E, I32F, I32G, I74A, I74B, I74C
S60.81		PTR		21A	W61A, W61B		21A	W61A, W61B
	09	J65Z	S62.14		PTR	S62.63		PTR
	21A	W61A, W61B		08	I32C, I32D, I74A, I74B, I74C		08	I32A, I32B, I32C, I32D, I32E, I32F, I32G, I74A, I74B, I74C
S60.82		PTR		21A	W61A, W61B		21A	W61A, W61B
	09	J67A, J67B, J68A, J68B	S62.15		PTR	S62.7		PTR
	21A	W61A, W61B		08	I32C, I32D, I74A, I74B, I74C		08	I32A, I32B, I32C, I32D, I32E, I32F, I32G, I74A, I74B, I74C
S60.83		PTR		21A	W61A, W61B		21A	W61A, W61B
	09	J67A, J67B, J68A, J68B	S62.16		PTR	S62.8		PTR
	21A	W61A, W61B		08	I32C, I32D, I74A, I74B, I74C		08	I32A, I32B, I32C, I32D, I32E, I32F, I32G, I74A, I74B, I74C
S60.84		PTR		21A	W61A, W61B		15	TPN, VTPN
	09	J65Z	S62.17		PTR		21A	W61A, W61B
	21A	W61A, W61B		08	I32C, I32D, I74A, I74B, I74C			
S60.88		PTR		21A	W61A, W61B			
	09	J65Z	S62.19		PTR			
	21A	W61A, W61B		08	I32C, I32D, I74A, I74B, I74C			
S60.9		PTR		21A	W61A, W61B			
	09	J65Z	S62.20		PTR			
	21A	W61A, W61B		08	I32A, I32B, I32C, I32D, I32E, I32F, I32G, I74A, I74B, I74C			
S61.0		PTR		21A	W61A, W61B	S62.21		PTR
	21A	W61A, W61B		08	I32A, I32B, I32C, I32D, I32E, I32F, I32G, I74A, I74B, I74C		08	I32A, I32B, I32C, I32D, I32E, I32F, I32G, I74A, I74B, I74C
	21B	X05A, X05B, X60Z		21A	W61A, W61B		21A	W61A, W61B
S61.1		PTR						
	21A	W61A, W61B	S62.21		PTR			
	21B	X05A, X05B, X60Z		08	I32A, I32B, I32C, I32D, I32E, I32F, I32G, I74A, I74B, I74C			
S61.7		PTR		21A	W61A, W61B			
	21A	W61A, W61B	S62.22		PTR			
	21B	X60Z		08	I32A, I32B, I32C, I32D, I32E, I32F, I32G, I74A, I74B, I74C			
S61.80		PTR		21A	W61A, W61B			
	21A	W61A, W61B						
	21B	X05A, X05B, X60Z						
S61.84		PTR						
	21A	W61A, W61B						

ICD	MDC	DRG	ICD	MDC	DRG	ICD	MDC	DRG
S63.00		PTR	S63.68		PTR	S66.0		PTR
	08	I74A, I74B, I74C		08	I32A, I32B, I32C, I32D, I32E, I32F, I32G, I74A, I74B, I74C		08	I74A, I74B, I74C
	21A	W61A, W61B		21A	W61A, W61B		21A	W61A, W61B
S63.01		PTR	S63.7		PTR	S66.1		PTR
	08	I32C, I32D, I74A, I74B, I74C		08	I32A, I32B, I32C, I32D, I32E, I32F, I32G, I74A, I74B, I74C		08	I74A, I74B, I74C
	21A	W61A, W61B		21A	W61A, W61B		21A	W61A, W61B
S63.02		PTR	S64.0		PTR	S66.2		PTR
	08	I32C, I32D, I74A, I74B, I74C		01	B82Z		08	I74A, I74B, I74C
	21A	W61A, W61B		21A	W61A, W61B		21A	W61A, W61B
S63.03		PTR	S64.1		PTR	S66.3		PTR
	08	I32C, I32D, I74A, I74B, I74C		01	B82Z		08	I74A, I74B, I74C
	21A	W61A, W61B		21A	W61A, W61B		21A	W61A, W61B
S63.04		PTR	S64.2		PTR	S66.4		PTR
	08	I32C, I32D, I74A, I74B, I74C		01	B82Z		08	I74A, I74B, I74C
	21A	W61A, W61B		21A	W61A, W61B		21A	W61A, W61B
S63.08		PTR	S64.3		PTR	S66.5		PTR
	08	I74A, I74B, I74C		01	B82Z		08	I74A, I74B, I74C
	21A	W61A, W61B		21A	W61A, W61B		21A	W61A, W61B
S63.10		PTR	S64.4		PTR	S66.6		PTR
	08	I32A, I32B, I32C, I32D, I32E, I32F, I32G, I74A, I74B, I74C		01	B82Z		08	I74A, I74B, I74C
	21A	W61A, W61B		21A	W61A, W61B		21A	W61A, W61B
S63.11		PTR	S64.7		PTR	S66.7		PTR
	08	I32A, I32B, I32C, I32D, I32E, I32F, I32G, I74A, I74B, I74C		01	B82Z		08	I74A, I74B, I74C
	21A	W61A, W61B		21A	W61A, W61B		21A	W61A, W61B
S63.12		PTR	S64.8		PTR	S66.8		PTR
	08	I32A, I32B, I32C, I32D, I32E, I32F, I32G, I74A, I74B, I74C		01	B82Z		08	I74A, I74B, I74C
	21A	W61A, W61B		21A	W61A, W61B		21A	W61A, W61B
S63.2		PTR	S64.9		PTR	S66.9		PTR
	08	I32A, I32B, I32C, I32D, I32E, I32F, I32G, I74A, I74B, I74C		01	B82Z		08	I74A, I74B, I74C
	21A	W61A, W61B		21A	W61A, W61B		21A	W61A, W61B
S63.3		PTR	S65.0		PTR	S67.0		PTR
	08	I32C, I32D, I74A, I74B, I74C		15	TPN, VTPN		15	TPN, VTPN
	21A	W61A, W61B		21A	W61A, W61B		21A	W61A, W61B
S63.4		PTR	S65.1		PTR	S67.8		PTR
	08	I32A, I32B, I32C, I32D, I32E, I32F, I32G, I74A, I74B, I74C		15	TPN, VTPN		21B	X05A, X05B, X60Z
	21A	W61A, W61B		21A	W61A, W61B		15	TPN, VTPN
S63.50		PTR	S65.2		PTR	S68.0		PTR
	08	I74A, I74B, I74C		15	TPN, VTPN		21A	W61A, W61B
	21A	W61A, W61B		21A	W61A, W61B		21B	X05A, X05B, X60Z
S63.51		PTR	S65.3		PTR	S68.1		PTR
	08	I74A, I74B, I74C		15	TPN, VTPN		21A	W61A, W61B
	21A	W61A, W61B		21A	W61A, W61B		21B	X05A, X05B, X60Z
S63.52		PTR	S65.4		PTR	S68.2		PTR
	08	I74A, I74B, I74C		15	TPN, VTPN		21A	W61A, W61B
	21A	W61A, W61B		21A	W61A, W61B		21B	X05A, X05B, X60Z
S63.53		PTR	S65.5		PTR	S68.3		PTR
	08	I74A, I74B, I74C		15	TPN, VTPN		21A	W61A, W61B
	21A	W61A, W61B		21A	W61A, W61B		21B	X60Z
S63.55		PTR	S65.7		PTR	S68.4		PTR
	08	I74A, I74B, I74C		15	TPN, VTPN		21A	W61A, W61B
	21A	W61A, W61B		21A	W61A, W61B		21B	X60Z
S63.58		PTR	S65.8		PTR	S68.8		PTR
	08	I74A, I74B, I74C		15	TPN, VTPN		21A	W61A, W61B
	21A	W61A, W61B		21A	W61A, W61B		21B	X60Z
S63.60		PTR	S65.9		PTR	S68.9		PTR
	08	I32A, I32B, I32C, I32D, I32E, I32F, I32G, I74A, I74B, I74C		15	TPN, VTPN		21A	W61A, W61B
	21A	W61A, W61B		21A	W61A, W61B		21B	X60Z
S63.61		PTR	S65.9		PTR	S69.7		PTR
	08	I32A, I32B, I32C, I32D, I32E, I32F, I32G, I74A, I74B, I74C		15	TPN, VTPN		21A	W61A, W61B
	21A	W61A, W61B		21A	W61A, W61B		21B	X05A, X05B, X60Z
S63.62		PTR	S65.9		PTR	S69.8		PTR
	08	I32A, I32B, I32C, I32D, I32E, I32F, I32G, I74A, I74B, I74C		15	TPN, VTPN		21A	W61A, W61B
	21A	W61A, W61B		21A	W61A, W61B		21B	X05A, X05B, X60Z
	21A	W61A, W61B		21B	X60Z		21A	W61A, W61B
							21B	X05A, X05B, X60Z



ICD	MDC	DRG	ICD	MDC	DRG	ICD	MDC	DRG
S70.0		PTR	S71.88		PTR	S72.9		PTR
	09	J02A, J02B, J02C, J03A, J03B, J04A, J04B, J08A, J08B, J08C, J65Z		08	I02A, I02B, I02C, I02D, I08A, I08B, I08C, I08D, I08E, I13A, I13B, I13C, I20A, I20B, I20C, I22A		08	I68A, I68B, I68C, I68D
	21A	W61A, W61B		21A	W61A, W61B		21A	W61A, W61B
S70.1		PTR		21B	X01A, X01B	S73.00		PTR
	09	J02A, J02B, J02C, J03A, J03B, J04A, J04B, J08A, J08B, J08C, J65Z	S71.89		PTR		08	I71A, I71B
	15	TPN, VTPN		08	I02A, I02B, I02C, I02D, I08A, I08B, I08C, I08D, I08E, I13A, I13B, I13C, I20A, I20B, I20C, I22A		21A	W61A, W61B
	21A	W61A, W61B		21A	W61A, W61B	S73.01		PTR
S70.7		PTR		21B	X01A, X01B		08	I71A, I71B
	09	J02A, J02B, J02C, J03A, J03B, J04A, J04B, J08A, J08B, J08C, J65Z	S72.00		PTR		21A	W61A, W61B
	21A	W61A, W61B		08	I66A, I66B	S73.02		PTR
	09	J02A, J02B, J02C, J03A, J03B, J04A, J04B, J08A, J08B, J08C, J65Z		21A	W61A, W61B		08	I71A, I71B
	21A	W61A, W61B		21B	X01A, X01B	S73.08		PTR
S70.81		PTR	S72.01		PTR		08	I71A, I71B
	09	J02A, J02B, J02C, J03A, J03B, J04A, J04B, J08A, J08B, J08C, J65Z		08	I66A, I66B		21A	W61A, W61B
	21A	W61A, W61B		21A	W61A, W61B	S73.10		PTR
	09	J02A, J02B, J02C, J03A, J03B, J04A, J04B, J08A, J08B, J08C, J65Z	S72.02		PTR		08	I71A, I71B
	21A	W61A, W61B		08	I66A, I66B		21A	W61A, W61B
S70.82		PTR		21A	W61A, W61B	S73.11		PTR
	09	J02A, J02B, J02C, J03A, J03B, J04A, J04B, J08A, J08B, J08C, J67A, J67B, J68A, J68B	S72.03		PTR		08	I71A, I71B
	21A	W61A, W61B		08	I66A, I66B		21A	W61A, W61B
	09	J02A, J02B, J02C, J03A, J03B, J04A, J04B, J08A, J08B, J08C, J67A, J67B, J68A, J68B	S72.04		PTR	S73.12		PTR
	21A	W61A, W61B		21A	W61A, W61B		08	I71A, I71B
S70.83		PTR		08	I66A, I66B		21A	W61A, W61B
	09	J02A, J02B, J02C, J03A, J03B, J04A, J04B, J08A, J08B, J08C, J67A, J67B, J68A, J68B	S72.05		PTR	S73.18		PTR
	21A	W61A, W61B		08	I66A, I66B		08	I71A, I71B
	09	J02A, J02B, J02C, J03A, J03B, J04A, J04B, J08A, J08B, J08C, J65Z		21A	W61A, W61B		21A	W61A, W61B
	21A	W61A, W61B		08	I66A, I66B	S74.0		PTR
S70.84		PTR	S72.08		PTR		01	B71A, B71B, B71C, B71D
	09	J02A, J02B, J02C, J03A, J03B, J04A, J04B, J08A, J08B, J08C, J65Z		08	I66A, I66B		21A	W61A, W61B
	21A	W61A, W61B		21A	W61A, W61B	S74.1		PTR
	09	J02A, J02B, J02C, J03A, J03B, J04A, J04B, J08A, J08B, J08C, J65Z	S72.10		PTR		01	B71A, B71B, B71C, B71D
	21A	W61A, W61B		08	I66A, I66B		21A	W61A, W61B
S70.88		PTR		21A	W61A, W61B	S74.2		PTR
	09	J02A, J02B, J02C, J03A, J03B, J04A, J04B, J08A, J08B, J08C, J65Z	S72.11		PTR		01	B71A, B71B, B71C, B71D
	21A	W61A, W61B		08	I66A, I66B		21A	W61A, W61B
	09	J02A, J02B, J02C, J03A, J03B, J04A, J04B, J08A, J08B, J08C, J65Z		21A	W61A, W61B	S74.7		PTR
	21A	W61A, W61B		08	I66A, I66B		01	B71A, B71B, B71C, B71D
S70.9		PTR	S72.2		PTR		21A	W61A, W61B
	09	J02A, J02B, J02C, J03A, J03B, J04A, J04B, J08A, J08B, J08C, J65Z		08	I66A, I66B	S74.8		PTR
	21A	W61A, W61B		21A	W61A, W61B		01	B71A, B71B, B71C, B71D
	09	J02A, J02B, J02C, J03A, J03B, J04A, J04B, J08A, J08B, J08C, J65Z	S72.3		PTR		21A	W61A, W61B
	21A	W61A, W61B		08	I04Z, I60Z, I72Z	S75.0		PTR
S71.0		PTR		15	P65C, P66C, P67B, P67C		21A	W61A, W61B
	21A	W61A, W61B		21A	W61A, W61B		21B	X04Z, X60Z
	21B	X04Z, X60Z	S72.40		PTR	S75.1		PTR
S71.1		PTR		08	I04Z, I68A, I68B, I68C, I68D		21A	W61A, W61B
	21A	W61A, W61B		21A	W61A, W61B		21B	X04Z, X60Z
	21B	X04Z, X60Z	S72.41		PTR	S75.2		PTR
S71.7		PTR		08	I04Z, I68A, I68B, I68C, I68D		21A	W61A, W61B
	21A	W61A, W61B		21A	W61A, W61B		21B	X04Z, X60Z
	21B	X04Z, X60Z	S72.42		PTR	S75.7		PTR
S71.80		PTR		08	I04Z, I68A, I68B, I68C, I68D		15	TPN, VTPN
	21A	W61A, W61B		21A	W61A, W61B		21A	W61A, W61B
	21B	X04Z, X60Z	S72.43		PTR		21B	X04Z, X60Z
S71.84		PTR		08	I04Z, I68A, I68B, I68C, I68D	S75.8		PTR
S71.85		PTR		21A	W61A, W61B		15	TPN, VTPN
S71.86		PTR	S72.44		PTR		21A	W61A, W61B
	08	I02A, I02B, I02C, I02D, I08A, I08B, I08C, I08D, I08E, I13A, I13B, I13C, I20A, I20B, I20C, I22A		08	I04Z, I68A, I68B, I68C, I68D		21B	X04Z, X60Z
	21A	W61A, W61B		21A	W61A, W61B	S75.9		PTR
	21B	X01A, X01B	S72.7		PTR		15	TPN, VTPN
	21A	W61A, W61B		08	I04Z, I75A, I75B		21A	W61A, W61B
S71.87		PTR		21A	W61A, W61B		21B	X04Z, X60Z
	21A	W61A, W61B	S72.8		PTR	S76.0		PTR
				08	I68A, I68B, I68C, I68D		08	I71A, I71B
				21A	W61A, W61B		21A	W61A, W61B

ICD	MDC	DRG	ICD	MDC	DRG	ICD	MDC	DRG
S76.1		PTR	S80.82		PTR	S82.18		PTR
	08	I71A, I71B		09	J02A, J02B, J02C, J03A, J03B, J04A, J04B, J08A, J08B, J08C, J67A, J67B, J68A, J68B		08	I75A, I75B
	21A	W61A, W61B					21A	W61A, W61B
S76.2		PTR		21A	W61A, W61B	S82.21		PTR
	08	I71A, I71B	S80.83		PTR		08	I75A, I75B
	21A	W61A, W61B		09	J02A, J02B, J02C, J03A, J03B, J04A, J04B, J08A, J08B, J08C, J67A, J67B, J68A, J68B		21A	W61A, W61B
S76.3		PTR		21A	W61A, W61B	S82.28		PTR
	08	I71A, I71B	S80.84		PTR		08	I75A, I75B
	21A	W61A, W61B		09	J02A, J02B, J02C, J03A, J03B, J04A, J04B, J08A, J08B, J08C, J65Z		21A	W61A, W61B
S76.4		PTR		21A	W61A, W61B	S82.31		PTR
	08	I71A, I71B	S80.88		PTR		08	I75A, I75B
	21A	W61A, W61B		09	J02A, J02B, J02C, J03A, J03B, J04A, J04B, J08A, J08B, J08C, J65Z		21A	W61A, W61B
S76.7		PTR		21A	W61A, W61B	S82.38		PTR
	08	I71A, I71B	S80.88		PTR		08	I77Z
	21A	W61A, W61B		09	J02A, J02B, J02C, J03A, J03B, J04A, J04B, J08A, J08B, J08C, J65Z		21A	W61A, W61B
S77.0		PTR		21A	W61A, W61B	S82.41		PTR
	15	TPN, VTPN	S80.9		PTR		08	I77Z
	21A	W61A, W61B		09	J02A, J02B, J02C, J03A, J03B, J04A, J04B, J08A, J08B, J08C, J65Z		15	TPN, VTPN
	21B	X04Z, X60Z					21A	W61A, W61B
S77.1		PTR		21A	W61A, W61B	S82.42		PTR
	15	TPN, VTPN	S81.0		PTR		08	I77Z
	21A	W61A, W61B		21A	W61A, W61B		21A	W61A, W61B
	21B	X04Z, X60Z		21B	X04Z, X60Z	S82.49		PTR
S77.2		PTR		21A	W61A, W61B		08	I77Z
	15	TPN, VTPN	S81.7		PTR		21A	W61A, W61B
	21A	W61A, W61B		21A	W61A, W61B	S82.5		PTR
	21B	X04Z, X60Z		21B	X04Z, X60Z		08	I77Z
S78.0		PTR		21A	W61A, W61B	S82.5		PTR
	21A	W61A, W61B	S81.7		PTR		21A	W61A, W61B
	21B	X04Z, X60Z		21B	X04Z, X60Z	S82.6		PTR
S78.1		PTR		21A	W61A, W61B		08	I77Z
	21A	W61A, W61B	S81.80		PTR		21A	W61A, W61B
	21B	X04Z, X60Z		21B	X04Z, X60Z	S82.6		PTR
S78.9		PTR		21A	W61A, W61B		08	I77Z
	21A	W61A, W61B	S81.84		PTR		21A	W61A, W61B
	21B	X04Z, X60Z	S81.85		PTR	S82.7		PTR
S79.7		PTR	S81.86		08 I02A, I02B, I02C, I02D, I08A, I08B, I08C, I08D, I08E, I13A, I13B, I13C, I20A, I20B, I20C, I22A		08	I77Z
	21A	W61A, W61B					21A	W61A, W61B
	21B	X04Z, X60Z		21A	W61A, W61B	S82.81		PTR
S79.8		PTR		21B	X01A, X01B		08	I77Z
	21A	W61A, W61B					21A	W61A, W61B
	21B	X04Z, X60Z	S81.87		PTR	S82.82		PTR
S79.9		PTR		21A	W61A, W61B		08	I75A, I75B
	21A	W61A, W61B	S81.88		PTR		21A	W61A, W61B
	21B	X04Z, X60Z		08	I02A, I02B, I02C, I02D, I08A, I08B, I08C, I08D, I08E, I13A, I13B, I13C, I20A, I20B, I20C, I22A	S82.88		PTR
S80.0		PTR					08	I77Z
	09	J02A, J02B, J02C, J03A, J03B, J04A, J04B, J08A, J08B, J08C, J65Z		21A	W61A, W61B	S82.9		PTR
	21A	W61A, W61B		21B	X01A, X01B		08	I77Z
S80.1		PTR	S81.89		PTR	S83.0		PTR
	09	J02A, J02B, J02C, J03A, J03B, J04A, J04B, J08A, J08B, J08C, J65Z		08	I02A, I02B, I02C, I02D, I08A, I08B, I08C, I08D, I08E, I13A, I13B, I13C, I20A, I20B, I20C, I22A		08	I78Z
	21A	W61A, W61B					21A	W61A, W61B
S80.7		PTR		21A	W61A, W61B	S83.10		PTR
	09	J02A, J02B, J02C, J03A, J03B, J04A, J04B, J08A, J08B, J08C, J65Z	S81.9		PTR		08	I75A, I75B
	21A	W61A, W61B		21A	W61A, W61B		21A	W61A, W61B
				21B	X04Z, X60Z	S83.11		PTR
S80.81		PTR					08	I77Z
	09	J02A, J02B, J02C, J03A, J03B, J04A, J04B, J08A, J08B, J08C, J65Z	S82.0		PTR	S83.12		PTR
				08	I77Z		08	I77Z
	21A	W61A, W61B	S82.11		PTR		21A	W61A, W61B
				08	I75A, I75B	S83.13		PTR
				15	TPN, VTPN		08	I77Z
				21A	W61A, W61B	S83.14		PTR
							21A	W61A, W61B

ICD	MDC	DRG	ICD	MDC	DRG	ICD	MDC	DRG
S83.18		PTR	S85.1		PTR	S89.8		PTR
	08	I75A, I75B		15	TPN, VTPN		21A	W61A, W61B
	21A	W61A, W61B		21A	W61A, W61B		21B	X04Z, X60Z
S83.2		PTR	S85.2		PTR	S89.9		PTR
	08	I77Z		15	TPN, VTPN		21A	W61A, W61B
	21A	W61A, W61B		21A	W61A, W61B		21B	X04Z, X60Z
S83.3		PTR	S85.3		PTR	S90.0		PTR
	08	I77Z		21A	W61A, W61B		09	J02A, J02B, J02C, J03A, J03B, J04A, J04B, J08A, J08B, J08C, J65Z
	21A	W61A, W61B		21B	X04Z, X60Z		21A	W61A, W61B
S83.40		PTR	S85.4		PTR	S90.1		PTR
	08	I77Z		21A	W61A, W61B		09	J02A, J02B, J02C, J03A, J03B, J04A, J04B, J08A, J08B, J08C, J65Z
	21A	W61A, W61B		21B	X04Z, X60Z		21A	W61A, W61B
S83.41		PTR	S85.5		PTR	S90.2		PTR
	08	I77Z		21A	W61A, W61B		09	J02A, J02B, J02C, J03A, J03B, J04A, J04B, J08A, J08B, J08C, J65Z
	21A	W61A, W61B		21B	X04Z, X60Z		21A	W61A, W61B
S83.42		PTR	S85.7		PTR	S90.3		PTR
	08	I77Z		15	TPN, VTPN		09	J02A, J02B, J02C, J03A, J03B, J04A, J04B, J08A, J08B, J08C, J65Z
	21A	W61A, W61B		21A	W61A, W61B		21A	W61A, W61B
S83.43		PTR	S85.8		PTR	S90.7		PTR
	08	I77Z		21A	W61A, W61B		09	J02A, J02B, J02C, J03A, J03B, J04A, J04B, J08A, J08B, J08C, J65Z
	21A	W61A, W61B		21B	X04Z, X60Z		21A	W61A, W61B
S83.44		PTR	S85.9		PTR	S90.81		PTR
	08	I77Z		15	TPN, VTPN		09	J02A, J02B, J02C, J03A, J03B, J04A, J04B, J08A, J08B, J08C, J65Z
	21A	W61A, W61B		21A	W61A, W61B		21A	W61A, W61B
S83.50		PTR	S86.0		PTR	S90.82		PTR
	08	I77Z		08	I77Z		09	J02A, J02B, J02C, J03A, J03B, J04A, J04B, J08A, J08B, J08C, J65Z
	21A	W61A, W61B		21A	W61A, W61B		21A	W61A, W61B
S83.51		PTR	S86.1		PTR	S90.83		PTR
	08	I77Z		08	I77Z		09	J02A, J02B, J02C, J03A, J03B, J04A, J04B, J08A, J08B, J08C, J65Z
	21A	W61A, W61B		21A	W61A, W61B		21A	W61A, W61B
S83.52		PTR	S86.2		PTR	S90.84		PTR
	08	I77Z		08	I77Z		09	J02A, J02B, J02C, J03A, J03B, J04A, J04B, J08A, J08B, J08C, J65Z
	21A	W61A, W61B		21A	W61A, W61B		21A	W61A, W61B
S83.53		PTR	S86.3		PTR	S90.88		PTR
	08	I77Z		08	I77Z		09	J02A, J02B, J02C, J03A, J03B, J04A, J04B, J08A, J08B, J08C, J65Z
	21A	W61A, W61B		21A	W61A, W61B		21A	W61A, W61B
S83.54		PTR	S86.7		PTR	S90.89		PTR
	08	I77Z		08	I77Z		09	J02A, J02B, J02C, J03A, J03B, J04A, J04B, J08A, J08B, J08C, J65Z
	21A	W61A, W61B		21A	W61A, W61B		21A	W61A, W61B
S83.6		PTR	S86.8		PTR	S91.0		PTR
	08	I78Z		08	I77Z		21A	W61A, W61B
	21A	W61A, W61B		21A	W61A, W61B		21B	X04Z, X60Z
S83.7		PTR	S86.9		PTR	S91.1		PTR
	08	I77Z		08	I77Z		21A	W61A, W61B
	21A	W61A, W61B		21A	W61A, W61B		21B	X04Z, X60Z
S84.0		PTR	S87.0		PTR	S91.2		PTR
	01	B71A, B71B, B71C, B71D		15	TPN, VTPN		21A	W61A, W61B
	21A	W61A, W61B		21A	W61A, W61B		21B	X04Z, X60Z
S84.1		PTR	S87.8		PTR			
	01	B71A, B71B, B71C, B71D		15	TPN, VTPN			
	21A	W61A, W61B		21A	W61A, W61B			
S84.2		PTR	S88.0		PTR			
	01	B71A, B71B, B71C, B71D		21A	W61A, W61B			
	21A	W61A, W61B		21B	X04Z, X60Z			
S84.7		PTR	S88.1		PTR			
	01	B71A, B71B, B71C, B71D		21A	W61A, W61B			
	21A	W61A, W61B		21B	X04Z, X60Z			
S84.8		PTR	S88.9		PTR			
	01	B71A, B71B, B71C, B71D		21A	W61A, W61B			
	21A	W61A, W61B		21B	X04Z, X60Z			
S84.9		PTR	S89.7		PTR			
	01	B71A, B71B, B71C, B71D		21A	W61A, W61B			
	21A	W61A, W61B		21B	X04Z, X60Z			
S85.0		PTR						
	21A	W61A, W61B						
	21B	X04Z, X60Z						

ICD	MDC	DRG	ICD	MDC	DRG	ICD	MDC	DRG
S91.3		PTR	S93.0		PTR	S94.8		PTR
	21A	W61A, W61B		08	I77Z		01	B71A, B71B, B71C, B71D
	21B	X04Z, X60Z		21A	W61A, W61B		21A	W61A, W61B
S91.7		PTR	S93.10		PTR	S94.9		PTR
	21A	W61A, W61B		08	I74A, I74B, I74C		01	B71A, B71B, B71C, B71D
	21B	X04Z, X60Z		21A	W61A, W61B		21A	W61A, W61B
S91.80		PTR	S93.11		PTR	S95.0		PTR
	21A	W61A, W61B		08	I74A, I74B, I74C		15	TPN, VTPN
	21B	X04Z, X60Z		21A	W61A, W61B		21A	W61A, W61B
S91.84		21A W61A, W61B	S93.12		PTR		21B	X04Z, X60Z
S91.85		21A W61A, W61B		08	I74A, I74B, I74C	S95.1		PTR
S91.86	08	I02A, I02B, I02C, I02D, I08A, I08B, I08C, I08D, I08E, I13A, I13B, I13C, I20A, I20B, I20C, I22A		21A	W61A, W61B		15	TPN, VTPN
			S93.2		PTR		21A	W61A, W61B
				08	I77Z		21B	X04Z, X60Z
				21A	W61A, W61B	S95.2		PTR
	21A	W61A, W61B	S93.30		PTR		15	TPN, VTPN
	21B	X01A, X01B		08	I74A, I74B, I74C		21A	W61A, W61B
S91.87		PTR		21A	W61A, W61B		21B	X04Z, X60Z
	21A	W61A, W61B	S93.31		PTR	S95.7		PTR
S91.88		PTR		08	I74A, I74B, I74C		15	TPN, VTPN
	08	I02A, I02B, I02C, I02D, I08A, I08B, I08C, I08D, I08E, I13A, I13B, I13C, I20A, I20B, I20C, I22A	S93.32		PTR		21A	W61A, W61B
				08	I74A, I74B, I74C		21B	X04Z, X60Z
				21A	W61A, W61B	S95.8		PTR
	21A	W61A, W61B	S93.33		PTR		15	TPN, VTPN
	21B	X01A, X01B		08	I74A, I74B, I74C		21A	W61A, W61B
S91.89		PTR		21A	W61A, W61B		21B	X04Z, X60Z
	08	I02A, I02B, I02C, I02D, I08A, I08B, I08C, I08D, I08E, I13A, I13B, I13C, I20A, I20B, I20C, I22A	S93.34		PTR	S95.9		PTR
				08	I74A, I74B, I74C		15	TPN, VTPN
			S93.38		PTR		21A	W61A, W61B
				08	I74A, I74B, I74C		21B	X04Z, X60Z
				21A	W61A, W61B	S96.0		PTR
S92.0		PTR	S93.40		PTR		08	I74A, I74B, I74C
	08	I20C, I77Z		08	I77Z		21A	W61A, W61B
	21A	W61A, W61B		21A	W61A, W61B	S96.1		PTR
S92.1		PTR	S93.41		PTR		08	I74A, I74B, I74C
	08	I74A, I74B, I74C		08	I77Z	S96.2		PTR
	21A	W61A, W61B		21A	W61A, W61B		08	I74A, I74B, I74C
S92.20		PTR	S93.42		PTR		21A	W61A, W61B
	08	I74A, I74B, I74C		08	I77Z	S96.7		PTR
	21A	W61A, W61B		21A	W61A, W61B		08	I74A, I74B, I74C
S92.21		PTR	S93.43		PTR		21A	W61A, W61B
	08	I74A, I74B, I74C		08	I77Z	S96.8		PTR
	21A	W61A, W61B		21A	W61A, W61B		08	I74A, I74B, I74C
S92.22		PTR	S93.48		PTR		21A	W61A, W61B
	08	I74A, I74B, I74C		08	I77Z	S96.9		PTR
	21A	W61A, W61B		21A	W61A, W61B		08	I77Z
S92.23		PTR	S93.5		PTR	S97.0		PTR
	08	I74A, I74B, I74C		08	I74A, I74B, I74C		15	TPN, VTPN
	21A	W61A, W61B		21A	W61A, W61B		21A	W61A, W61B
S92.28		PTR	S93.6		PTR		21B	X04Z, X60Z
	08	I74A, I74B, I74C		08	I74A, I74B, I74C	S97.1		PTR
	21A	W61A, W61B		21A	W61A, W61B		15	TPN, VTPN
S92.3		PTR	S94.0		PTR		21A	W61A, W61B
	08	I74A, I74B, I74C		01	B71A, B71B, B71C, B71D		21B	X04Z, X60Z
	21A	W61A, W61B		21A	W61A, W61B	S97.8		PTR
S92.4		PTR	S94.1		PTR		15	TPN, VTPN
	08	I74A, I74B, I74C		01	B71A, B71B, B71C, B71D		21A	W61A, W61B
	21A	W61A, W61B		21A	W61A, W61B		21B	X04Z, X60Z
S92.5		PTR	S94.2		PTR	S98.0		PTR
	08	I74A, I74B, I74C		01	B71A, B71B, B71C, B71D		21A	W61A, W61B
	21A	W61A, W61B		21A	W61A, W61B		21B	X04Z, X60Z
S92.7		PTR	S94.3		PTR	S98.1		PTR
	08	I74A, I74B, I74C		01	B71A, B71B, B71C, B71D		21A	W61A, W61B
	21A	W61A, W61B		21A	W61A, W61B		21B	X04Z, X60Z
S92.9		PTR	S94.7		PTR	S98.2		PTR
	08	I74A, I74B, I74C		01	B71A, B71B, B71C, B71D		21A	W61A, W61B
	21A	W61A, W61B		21A	W61A, W61B		21B	X04Z, X60Z

ICD	MDC	DRG	ICD	MDC	DRG	ICD	MDC	DRG
S98.3		PTR	T02.11		PTR	T03.3		PTR
	21A	W61A, W61B		08	I76A, I76B		08	I76A, I76B
	21B	X04Z, X60Z		15	TPN, VTPN		21A	W61A, W61B
S98.4		PTR	T02.20		21A W61A, W61B	T03.4		PTR
	21A	W61A, W61B		08	I77Z		08	I76A, I76B
	21B	X04Z, X60Z		21A	W61A, W61B		21A	W61A, W61B
S99.7		PTR	T02.21		PTR	T03.8		PTR
	21A	W61A, W61B		08	I77Z		08	I76A, I76B
	21B	X04Z, X60Z		21A	W61A, W61B		21A	W61A, W61B
S99.8		PTR	T02.30		PTR	T03.9		PTR
	21A	W61A, W61B		08	I77Z		08	I76A, I76B
	21B	X04Z, X60Z		21A	W61A, W61B		21A	W61A, W61B
S99.9		PTR	T02.31		PTR	T04.0		PTR
	21A	W61A, W61B		08	I77Z		15	TPN, VTPN
	21B	X04Z, X60Z		21A	W61A, W61B		21A	W61A, W61B
T00.0		PTR	T02.40		PTR	T04.1		PTR
	09	J65Z		15	TPN, VTPN		15	TPN, VTPN
	21A	W61A, W61B		21A	W61A, W61B		21A	W61A, W61B
T00.1		PTR	T02.41		21B X60Z	T04.2		PTR
	09	J65Z		15	TPN, VTPN		15	TPN, VTPN
	21A	W61A, W61B		21A	W61A, W61B		21A	W61A, W61B
T00.2		PTR	T02.50		PTR	T04.3		PTR
	09	J65Z		15	TPN, VTPN		15	TPN, VTPN
	21A	W61A, W61B		21A	W61A, W61B		21A	W61A, W61B
T00.3		PTR	T02.51		21B X60Z	T04.4		PTR
	09	J65Z		15	TPN, VTPN		15	TPN, VTPN
	21A	W61A, W61B		21A	W61A, W61B		21A	W61A, W61B
T00.6		PTR	T02.60		PTR	T04.7		PTR
	09	J65Z		15	TPN, VTPN		15	TPN, VTPN
	21A	W61A, W61B		21A	W61A, W61B		21A	W61A, W61B
T00.8		PTR	T02.61		21B X60Z	T04.8		PTR
	09	J65Z		15	TPN, VTPN		15	TPN, VTPN
	21A	W61A, W61B		21A	W61A, W61B		21A	W61A, W61B
T00.9		PTR	T02.70		PTR	T04.9		PTR
	09	J65Z		15	TPN, VTPN		15	TPN, VTPN
	21A	W61A, W61B		21A	W61A, W61B		21A	W61A, W61B
T01.0		PTR	T02.71		PTR	T05.0		PTR
	21A	W61A, W61B		15	TPN, VTPN		21A	W61A, W61B
	21B	X60Z		21A	W61A, W61B		21B	X60Z
T01.1		PTR	T02.80		PTR	T05.1		PTR
	21A	W61A, W61B		08	I76A		21A	W61A, W61B
	21B	X60Z		21A	W61A, W61B		21B	X60Z
T01.2		PTR	T02.81		PTR	T05.2		PTR
	21A	W61A, W61B		08	I76A, I76B		21A	W61A, W61B
	21B	X60Z		21A	W61A, W61B		21B	X60Z
T01.3		PTR	T02.90		PTR	T05.3		PTR
	21A	W61A, W61B		08	I76A, I76B		21A	W61A, W61B
	21B	X04Z, X60Z		21A	W61A, W61B		21B	X60Z
T01.6		PTR	T02.91		PTR	T05.4		PTR
	21A	W61A, W61B		08	I76A, I76B		21A	W61A, W61B
	21B	X60Z		21A	W61A, W61B		21B	X60Z
T01.8		PTR	T03.0		PTR	T05.5		PTR
	21A	W61A, W61B		08	I76A, I76B		21A	W61A, W61B
	21B	X60Z		21A	W61A, W61B		21B	X60Z
T01.9		PTR	T03.1		PTR	T05.6		PTR
	21A	W61A, W61B		08	I76A, I76B		21A	W61A, W61B
	21B	X60Z		21A	W61A, W61B		21B	X60Z
T02.00		PTR	T03.2		PTR	T05.8		PTR
	01	B79Z		08	I76A, I76B		15	TPN, VTPN
	15	TPN, VTPN		21A	W61A, W61B		21A	W61A, W61B
	21A	W61A, W61B		21A	W61A, W61B		21B	X60Z
T02.01		PTR		08	I76A, I76B		21A	W61A, W61B
	01	B79Z		21A	W61A, W61B		21B	X60Z
	15	TPN, VTPN		21A	W61A, W61B			
	21A	W61A, W61B		08	I76A, I76B			
T02.10		PTR		21A	W61A, W61B			
	08	I76A		21A	W61A, W61B			
	21A	W61A, W61B						

Dg

ICD	MDC	DRG	ICD	MDC	DRG	ICD	MDC	DRG
T05.9		PTR	T09.3		PTR	T11.8		PTR
	21A	W61A, W61B		15	TPN, VTPN		21A	W61A, W61B
	21B	X60Z		21A	W61A, W61B		21B	X60Z
T06.0		PTR		Pre	B61A, B61B	T11.9		PTR
	15	TPN, VTPN	T09.4		PTR		21A	W61A, W61B
	21A	W61A, W61B		01	B71A, B71B, B71C, B71D		21B	X60Z
	Pre	B61A, B61B		15	TPN, VTPN	T12.0		PTR
T06.1		PTR		21A	W61A, W61B		08	I77Z
	15	TPN, VTPN	T09.5		PTR		21A	W61A, W61B
	21A	W61A, W61B		08	I76A, I76B	T12.1		PTR
	Pre	B61A, B61B		21A	W61A, W61B		08	I77Z
T06.2		PTR	T09.6		PTR		21A	W61A, W61B
	01	B71A, B71B, B71C, B71D		15	TPN, VTPN	T13.00		PTR
	21A	W61A, W61B		21A	W61A, W61B		09	J65Z
T06.3		PTR		21B	X60Z		21A	W61A, W61B
	15	TPN, VTPN	T09.8		PTR	T13.01		PTR
	21A	W61A, W61B		21A	W61A, W61B		09	J65Z
	21B	X60Z		21B	X60Z		21A	W61A, W61B
T06.4		PTR	T09.9		PTR	T13.02		PTR
	08	I76A, I76B		21A	W61A, W61B		09	J67A, J67B, J68A, J68B
	21A	W61A, W61B		21B	X60Z		21A	W61A, W61B
T06.5		PTR	T10.0		PTR	T13.03		PTR
	21A	W61A, W61B		08	I77Z		09	J67A, J67B, J68A, J68B
	21B	X60Z		21A	W61A, W61B		21A	W61A, W61B
T06.8		PTR	T10.1		PTR	T13.04		PTR
	21A	W61A, W61B		08	I77Z		09	J65Z
	21B	X60Z		21A	W61A, W61B		21A	W61A, W61B
T07		PTR	T11.00		PTR	T13.05		PTR
	21A	W61A, W61B		09	J65Z		09	J02A, J02B, J02C, J03A, J03B, J04A, J04B, J08A, J08B, J08C, J65Z
	21B	X60Z		21A	W61A, W61B		21A	W61A, W61B
T08.0		PTR	T11.01		PTR	T13.08		PTR
	08	I68A, I68B, I68C, I68D, I68E		09	J65Z		09	J65Z
	15	TPN, VTPN		21A	W61A, W61B		21A	W61A, W61B
	21A	W61A, W61B	T11.02		PTR	T13.1		PTR
T08.1		PTR		09	J67A, J67B, J68A, J68B		21A	W61A, W61B
	08	I68A, I68B, I68C, I68D, I68E		21A	W61A, W61B		21A	W61A, W61B
	15	TPN, VTPN	T11.03		PTR		21B	X04Z, X60Z
	21A	W61A, W61B		09	J67A, J67B, J68A, J68B	T13.2		PTR
T09.00		PTR		21A	W61A, W61B		08	I76A, I76B
	09	J65Z	T11.04		PTR		21A	W61A, W61B
	21A	W61A, W61B		09	J65Z	T13.3		PTR
T09.01		PTR		21A	W61A, W61B		01	B71A, B71B, B71C, B71D
	09	J65Z	T11.05		PTR		21A	W61A, W61B
	21A	W61A, W61B		09	J65Z	T13.4		PTR
T09.02		PTR		21A	W61A, W61B		15	TPN, VTPN
	09	J67A, J67B, J68A, J68B	T11.08		PTR		21A	W61A, W61B
	21A	W61A, W61B		09	J65Z		21B	X04Z, X60Z
T09.03		PTR		21A	W61A, W61B	T13.5		PTR
	09	J67A, J67B, J68A, J68B	T11.1		PTR		08	I77Z
	21A	W61A, W61B		21A	W61A, W61B		21A	W61A, W61B
T09.04		PTR		21B	X60Z	T13.6		PTR
	09	J65Z	T11.2		PTR		21A	W61A, W61B
	21A	W61A, W61B		08	I76A, I76B		21B	X04Z, X60Z
T09.05		PTR		21A	W61A, W61B	T13.8		PTR
	09	J65Z	T11.3		PTR		21A	W61A, W61B
	21A	W61A, W61B		01	B71A, B71B, B71C, B71D		21B	X04Z, X60Z
T09.08		PTR		21A	W61A, W61B	T13.9		PTR
	09	J65Z	T11.4		PTR		21A	W61A, W61B
	21A	W61A, W61B		15	TPN, VTPN		21B	X04Z, X60Z
T09.1		PTR		21A	W61A, W61B	T14.00		PTR
	15	TPN, VTPN		21B	X60Z		09	J65Z
	21A	W61A, W61B	T11.5		PTR		21A	W61A, W61B
	21B	X60Z		08	I77Z	T14.01		PTR
T09.2		PTR		21A	W61A, W61B		09	J65Z
	08	I68A, I68B, I68C, I68D, I68E	T11.6		PTR		21A	W61A, W61B
	21A	W61A, W61B		21A	W61A, W61B	T14.02		PTR
				21B	X60Z		09	J67A, J67B, J68A, J68B
							21A	W61A, W61B

ICD	MDC	DRG	ICD	MDC	DRG	ICD	MDC	DRG
T14.03		PTR	T18.8	06	G46A, G46B, G46C, G50Z, G72A, G72B	T21.45	22	Y62A, Y62B
	09	J67A, J67B, J68A, J68B				T21.49	22	Y62A, Y62B
	21A	W61A, W61B	T18.9	06	G46A, G46B, G46C, G50Z, G72A, G72B	T21.50	22	Y62A, Y62B
T14.04		PTR				T21.51	22	Y62A, Y62B
	09	J65Z	T19.0	11	L68A, L68B, L74Z	T21.52	22	Y62A, Y62B
	21A	W61A, W61B	T19.1	11	L68A, L68B, L74Z	T21.53	22	Y62A, Y62B
T14.05		PTR	T19.2	13	N04Z, N05A, N05B, N14Z, N21Z, N25Z, N62A, N62B	T21.54	22	Y62A, Y62B
	09	J65Z				T21.55	22	Y62A, Y62B
	21A	W61A, W61B	T19.3	13	N04Z, N05A, N05B, N14Z, N21Z, N25Z, N62A, N62B	T21.59	22	Y62A, Y62B
T14.08		PTR				T21.60	22	Y01Z, Y62A, Y62B
	09	J65Z	T19.8	12	M64Z	T21.61	22	Y01Z, Y62A, Y62B
	21A	W61A, W61B		13	N04Z, N05A, N05B, N14Z, N21Z, N25Z, N62A, N62B	T21.62	22	Y01Z, Y62A, Y62B
T14.1		PTR				T21.63	22	Y01Z, Y62A, Y62B
	21A	W61A, W61B	T19.9	12	M64Z	T21.64	15	P65C, P66C, P67B, P67C
	21B	X60Z		13	N04Z, N05A, N05B, N14Z, N21Z, N25Z, N62A, N62B		22	Y01Z, Y62A, Y62B
T14.20		PTR				T21.65	22	Y01Z, Y62A, Y62B
	08	I76A, I76B	T20.0	22	Y62A, Y62B	T21.69	22	Y01Z, Y62A, Y62B
	21A	W61A, W61B	T20.1	22	Y62A, Y62B	T21.70	15	TPN, VTPN
T14.21		PTR	T20.20	22	Y01Z, Y62A, Y62B		22	Y61Z, Y62A, Y62B
	08	I76A, I76B	T20.21	22	Y01Z, Y62A, Y62B	T21.71	15	TPN, VTPN
	21A	W61A, W61B	T20.3	15	TPN, VTPN		22	Y61Z, Y62A, Y62B
T14.3		PTR		22	Y61Z, Y62A, Y62B	T21.72	15	TPN, VTPN
	08	I76A, I76B	T20.4	22	Y62A, Y62B		22	Y61Z, Y62A, Y62B
	21A	W61A, W61B	T20.5	22	Y62A, Y62B	T21.73	15	TPN, VTPN
T14.4		PTR	T20.60	22	Y01Z, Y62A, Y62B		22	Y61Z, Y62A, Y62B
	01	B71A, B71B, B71C, B71D	T20.61	22	Y01Z, Y62A, Y62B	T21.74	15	TPN, VTPN
	21A	W61A, W61B	T20.7	15	TPN, VTPN		22	Y61Z, Y62A, Y62B
T14.5		PTR		22	Y61Z, Y62A, Y62B	T21.75	15	TPN, VTPN
	15	TPN, VTPN	T21.00	22	Y62A, Y62B		22	Y61Z, Y62A, Y62B
	21A	W61A, W61B	T21.01	22	Y62A, Y62B	T21.79	15	TPN, VTPN
	21B	X60Z	T21.02	22	Y62A, Y62B		22	Y61Z, Y62A, Y62B
T14.6		PTR	T21.03	22	Y62A, Y62B	T21.80	22	Y01Z, Y62A, Y62B
	08	I76A, I76B	T21.04	22	Y62A, Y62B	T21.81	22	Y01Z, Y62A, Y62B
	21A	W61A, W61B	T21.05	22	Y62A, Y62B	T21.82	22	Y01Z, Y62A, Y62B
T14.7		PTR	T21.09	22	Y62A, Y62B	T21.83	22	Y01Z, Y62A, Y62B
	15	TPN, VTPN	T21.10	22	Y62A, Y62B	T21.84	15	P65C, P66C, P67B, P67C
	21A	W61A, W61B	T21.11	22	Y62A, Y62B		22	Y01Z, Y62A, Y62B
	21B	X60Z	T21.12	22	Y62A, Y62B	T21.85	22	Y01Z, Y62A, Y62B
T14.8		PTR	T21.13	22	Y62A, Y62B	T21.89	22	Y01Z, Y62A, Y62B
	21A	W61A, W61B	T21.14	22	Y62A, Y62B	T21.90	22	Y01Z, Y62A, Y62B
	21B	X60Z	T21.15	22	Y62A, Y62B	T21.91	22	Y01Z, Y62A, Y62B
T14.9		PTR	T21.19	22	Y62A, Y62B	T21.92	22	Y01Z, Y62A, Y62B
	21A	W61A, W61B	T21.20	22	Y01Z, Y62A, Y62B	T21.93	22	Y01Z, Y62A, Y62B
	21B	X60Z	T21.21	22	Y01Z, Y62A, Y62B	T21.94	15	P65C, P66C, P67B, P67C
T15.0	02	C62Z	T21.22	22	Y01Z, Y62A, Y62B		22	Y01Z, Y62A, Y62B
T15.1	02	C62Z	T21.23	22	Y01Z, Y62A, Y62B	T21.95	22	Y01Z, Y62A, Y62B
T15.8	02	C62Z	T21.24	15	P65C, P66C, P67B, P67C	T21.99	22	Y01Z, Y62A, Y62B
T15.9	02	C62Z		22	Y01Z, Y62A, Y62B	T22.00	22	Y62A, Y62B
T16	03	D66Z	T21.25	22	Y01Z, Y62A, Y62B	T22.01	22	Y62A, Y62B
T17.0	03	D65Z	T21.29	22	Y01Z, Y62A, Y62B	T22.02	22	Y62A, Y62B
T17.1	03	D65Z	T21.30	15	TPN, VTPN	T22.03	22	Y62A, Y62B
T17.2	03	D66Z		22	Y61Z, Y62A, Y62B	T22.10	22	Y62A, Y62B
T17.3	03	D66Z	T21.31	15	TPN, VTPN	T22.11	22	Y62A, Y62B
T17.4	04	E75A, E75B, E75C		22	Y61Z, Y62A, Y62B	T22.12	22	Y62A, Y62B
T17.5	04	E75A, E75B, E75C	T21.32	15	TPN, VTPN	T22.13	22	Y62A, Y62B
T17.8	04	E75A, E75B, E75C		22	Y61Z, Y62A, Y62B	T22.20	22	Y01Z, Y62A, Y62B
T17.9	04	E75A, E75B, E75C	T21.33	15	TPN, VTPN	T22.21	22	Y01Z, Y62A, Y62B
T18.0	03	D40Z, D67Z		22	Y61Z, Y62A, Y62B	T22.22	22	Y01Z, Y62A, Y62B
T18.1	06	G46A, G46B, G46C, G50Z, G72A, G72B	T21.34	15	TPN, VTPN	T22.23	22	Y01Z, Y62A, Y62B
				22	Y61Z, Y62A, Y62B	T22.30	15	TPN, VTPN
T18.2	06	G46A, G46B, G46C, G50Z, G72A, G72B	T21.35	15	TPN, VTPN		22	Y61Z, Y62A, Y62B
				22	Y61Z, Y62A, Y62B	T22.31	15	TPN, VTPN
T18.3	06	G46A, G46B, G46C, G50Z, G72A, G72B	T21.39	15	TPN, VTPN		22	Y61Z, Y62A, Y62B
				22	Y61Z, Y62A, Y62B	T22.32	15	TPN, VTPN
T18.4	06	G46A, G46B, G46C, G50Z, G72A, G72B	T21.40	22	Y62A, Y62B		22	Y61Z, Y62A, Y62B
			T21.41	22	Y62A, Y62B	T22.33	15	TPN, VTPN
T18.5	06	G46A, G46B, G46C, G50Z, G72A, G72B	T21.42	22	Y62A, Y62B		22	Y61Z, Y62A, Y62B
			T21.43	22	Y62A, Y62B	T22.40	22	Y62A, Y62B
			T21.44	22	Y62A, Y62B	T22.41	22	Y62A, Y62B

ICD	MDC	DRG	ICD	MDC	DRG	ICD	MDC	DRG
T22.42	22	Y62A, Y62B	T26.3	02	C62Z	T28.6	06	G46A, G46B, G46C, G50Z, G64A, G64B, G64C, G70A, G70B
T22.43	22	Y62A, Y62B		15	TPN, VTPN		15	TPN, VTPN
T22.50	22	Y62A, Y62B	T26.4	02	C62Z		22	Y02A, Y02B
T22.51	22	Y62A, Y62B		15	TPN, VTPN		Pre	A07D, A09E, A11F, A13F
T22.52	22	Y62A, Y62B	T26.5	02	C62Z	T28.7	06	G46A, G46B, G46C, G50Z, G71Z
T22.53	22	Y62A, Y62B		15	TPN, VTPN		15	TPN, VTPN
T22.60	22	Y01Z, Y62A, Y62B	T26.6	02	C62Z		22	Y02A, Y02B
T22.61	22	Y01Z, Y62A, Y62B		15	TPN, VTPN		Pre	A07D, A09E, A11F, A13F
T22.62	22	Y01Z, Y62A, Y62B	T26.7	02	C62Z	T28.8	15	TPN, VTPN
T22.63	22	Y01Z, Y62A, Y62B		15	TPN, VTPN		22	Y62A, Y62B
T22.70	15	TPN, VTPN	T26.8	02	C62Z		Pre	A07D, A09E, A11F, A13F
	22	Y61Z, Y62A, Y62B		15	TPN, VTPN	T28.9	15	TPN, VTPN
T22.71	15	TPN, VTPN	T26.9	02	C62Z		22	Y62A, Y62B
	22	Y61Z, Y62A, Y62B		15	TPN, VTPN		Pre	A07D, A09E, A11F, A13F
T22.72	15	TPN, VTPN	T27.0	04	E75A, E75B, E75C	T28.9	15	TPN, VTPN
	22	Y61Z, Y62A, Y62B		15	TPN, VTPN		22	Y62A, Y62B
T22.73	15	TPN, VTPN		22	Y02A, Y02B		Pre	A07D, A09E, A11F, A13F
	22	Y61Z, Y62A, Y62B	T27.1	Pre	A07D, A09E, A11F, A13F	T29.0	15	TPN, VTPN
T22.80	22	Y01Z, Y62A, Y62B		04	E75A, E75B, E75C		22	Y62A, Y62B
T22.81	22	Y01Z, Y62A, Y62B		15	TPN, VTPN	T29.1	22	Y62A, Y62B
T22.82	22	Y01Z, Y62A, Y62B		22	Y02A, Y02B	T29.20	22	Y01Z, Y62A, Y62B
T22.83	22	Y01Z, Y62A, Y62B		Pre	A07D, A09E, A11F, A13F	T29.21	22	Y01Z, Y62A, Y62B
T22.90	22	Y01Z, Y62A, Y62B	T27.2	15	TPN, VTPN	T29.3	15	TPN, VTPN
T22.91	22	Y01Z, Y62A, Y62B		22	Y62A, Y62B		22	Y61Z, Y62A, Y62B
T22.92	22	Y01Z, Y62A, Y62B		Pre	A07D, A09E, A11F, A13F	T29.4	15	TPN, VTPN
T22.93	22	Y01Z, Y62A, Y62B	T27.3	15	TPN, VTPN		22	Y62A, Y62B
T23.0	22	Y62A, Y62B		22	Y62A, Y62B	T29.5	22	Y62A, Y62B
T23.1	22	Y62A, Y62B		Pre	A07D, A09E, A11F, A13F	T29.60	22	Y01Z, Y62A, Y62B
T23.20	22	Y01Z, Y62A, Y62B	T27.4	04	E75A, E75B, E75C	T29.61	22	Y01Z, Y62A, Y62B
T23.21	22	Y01Z, Y62A, Y62B		15	TPN, VTPN	T29.7	15	TPN, VTPN
T23.3	15	TPN, VTPN		22	Y02A, Y02B		22	Y61Z, Y62A, Y62B
	22	Y61Z, Y62A, Y62B		Pre	A07D, A09E, A11F, A13F	T30.0	22	Y62A, Y62B
T23.4	22	Y62A, Y62B	T27.5	04	E75A, E75B, E75C	T30.1	22	Y62A, Y62B
T23.5	22	Y62A, Y62B		15	TPN, VTPN	T30.20	22	Y01Z, Y62A, Y62B
T23.60	22	Y01Z, Y62A, Y62B		22	Y02A, Y02B	T30.21	22	Y01Z, Y62A, Y62B
T23.61	22	Y01Z, Y62A, Y62B		Pre	A07D, A09E, A11F, A13F	T30.3	22	Y61Z, Y62A, Y62B
T23.7	15	TPN, VTPN	T27.6	15	TPN, VTPN	T30.4	22	Y62A, Y62B
	22	Y61Z, Y62A, Y62B		22	Y62A, Y62B	T30.5	22	Y62A, Y62B
T24.0	22	Y62A, Y62B		Pre	A07D, A09E, A11F, A13F	T30.60	22	Y01Z, Y62A, Y62B
T24.1	22	Y62A, Y62B	T27.7	15	TPN, VTPN	T30.61	22	Y01Z, Y62A, Y62B
T24.20	22	Y01Z, Y62A, Y62B		22	Y62A, Y62B	T30.7	22	Y61Z, Y62A, Y62B
T24.21	22	Y01Z, Y62A, Y62B		Pre	A07D, A09E, A11F, A13F	T31.11	22	Y61Z
T24.3	15	TPN, VTPN	T28.0	03	D66Z	T31.21	22	Y61Z
	22	Y61Z, Y62A, Y62B		15	TPN, VTPN	T31.22	15	TPN, VTPN
T24.4	22	Y62A, Y62B		22	Y02A, Y02B		22	Y01Z, Y61Z
T24.5	22	Y62A, Y62B		Pre	A07D, A09E, A11F, A13F	T31.30	22	Y01Z, Y61Z
T24.60	22	Y01Z, Y62A, Y62B	T28.1	06	G46A, G46B, G46C, G50Z, G64A, G64B, G64C, G70A, G70B	T31.31	22	Y01Z, Y61Z
T24.61	22	Y01Z, Y62A, Y62B		15	TPN, VTPN	T31.32	15	TPN, VTPN
T24.7	15	TPN, VTPN		22	Y02A, Y02B		22	Y01Z, Y61Z
	22	Y61Z, Y62A, Y62B		Pre	A07D, A09E, A11F, A13F	T31.33	15	TPN, VTPN
T25.0	22	Y62A, Y62B		22	Y02A, Y02B		22	Y01Z, Y61Z
T25.1	22	Y62A, Y62B		Pre	A07D, A09E, A11F, A13F	T31.40	22	Y01Z, Y61Z
T25.20	22	Y01Z, Y62A, Y62B	T28.2	06	G46A, G46B, G46C, G50Z, G71Z	T31.41	22	Y01Z, Y61Z
T25.21	22	Y01Z, Y62A, Y62B		15	TPN, VTPN	T31.42	15	TPN, VTPN
T25.3	15	TPN, VTPN		22	Y02A, Y02B		22	Y01Z, Y61Z
	22	Y61Z, Y62A, Y62B		Pre	A07D, A09E, A11F, A13F	T31.43	15	TPN, VTPN
T25.4	22	Y62A, Y62B		22	Y02A, Y02B		22	Y01Z, Y61Z
T25.5	22	Y62A, Y62B	T28.3	15	TPN, VTPN	T31.44	15	TPN, VTPN
T25.60	22	Y01Z, Y62A, Y62B		22	Y62A, Y62B		22	Y01Z, Y61Z
T25.61	22	Y01Z, Y62A, Y62B		Pre	A07D, A09E, A11F, A13F	T31.50	15	TPN, VTPN
T25.7	15	TPN, VTPN	T28.4	15	TPN, VTPN		22	Y01Z, Y61Z
	22	Y61Z, Y62A, Y62B		22	Y62A, Y62B	T31.51	15	TPN, VTPN
T26.0	02	C62Z		Pre	A07D, A09E, A11F, A13F		22	Y01Z, Y61Z
	15	TPN, VTPN	T28.5	03	D66Z	T31.52	15	TPN, VTPN
T26.1	02	C62Z		15	TPN, VTPN		22	Y01Z, Y61Z
	15	TPN, VTPN		22	Y02A, Y02B	T31.53	15	TPN, VTPN
T26.2	02	C62Z		Pre	A07D, A09E, A11F, A13F		22	Y01Z, Y61Z
	15	TPN, VTPN				T31.54	15	TPN, VTPN
							22	Y01Z, Y61Z



ICD	MDC	DRG	ICD	MDC	DRG	ICD	MDC	DRG
T31.55	15	TPN, VTPN	T31.99	15	TPN, VTPN	T32.83	15	TPN, VTPN
	22	Y01Z, Y61Z		22	Y01Z, Y61Z		22	Y01Z, Y61Z
T31.60	15	TPN, VTPN	T32.11	22	Y61Z	T32.84	15	TPN, VTPN
	22	Y01Z, Y61Z	T32.21	22	Y61Z		22	Y01Z, Y61Z
T31.61	15	TPN, VTPN	T32.22	15	TPN, VTPN	T32.85	15	TPN, VTPN
	22	Y01Z, Y61Z		22	Y01Z, Y61Z		22	Y01Z, Y61Z
T31.62	15	TPN, VTPN	T32.30	22	Y01Z, Y61Z	T32.86	15	TPN, VTPN
	22	Y01Z, Y61Z	T32.31	22	Y01Z, Y61Z		22	Y01Z, Y61Z
T31.63	15	TPN, VTPN	T32.32	15	TPN, VTPN	T32.87	15	TPN, VTPN
	22	Y01Z, Y61Z		22	Y01Z, Y61Z		22	Y01Z, Y61Z
T31.64	15	TPN, VTPN	T32.33	15	TPN, VTPN	T32.88	15	TPN, VTPN
	22	Y01Z, Y61Z		22	Y01Z, Y61Z		22	Y01Z, Y61Z
T31.65	15	TPN, VTPN	T32.40	22	Y01Z, Y61Z	T32.90	15	TPN, VTPN
	22	Y01Z, Y61Z	T32.41	22	Y01Z, Y61Z		22	Y01Z, Y61Z
T31.66	15	TPN, VTPN	T32.42	15	TPN, VTPN	T32.91	15	TPN, VTPN
	22	Y01Z, Y61Z		22	Y01Z, Y61Z		22	Y01Z, Y61Z
T31.70	15	TPN, VTPN	T32.43	15	TPN, VTPN	T32.92	15	TPN, VTPN
	22	Y01Z, Y61Z		22	Y01Z, Y61Z		22	Y01Z, Y61Z
T31.71	15	TPN, VTPN	T32.44	15	TPN, VTPN	T32.93	15	TPN, VTPN
	22	Y01Z, Y61Z		22	Y01Z, Y61Z		22	Y01Z, Y61Z
T31.72	15	TPN, VTPN	T32.50	15	TPN, VTPN	T32.94	15	TPN, VTPN
	22	Y01Z, Y61Z		22	Y01Z, Y61Z		22	Y01Z, Y61Z
T31.73	15	TPN, VTPN	T32.51	15	TPN, VTPN	T32.95	15	TPN, VTPN
	22	Y01Z, Y61Z		22	Y01Z, Y61Z		22	Y01Z, Y61Z
T31.74	15	TPN, VTPN	T32.52	15	TPN, VTPN	T32.96	15	TPN, VTPN
	22	Y01Z, Y61Z		22	Y01Z, Y61Z		22	Y01Z, Y61Z
T31.75	15	TPN, VTPN	T32.53	15	TPN, VTPN	T32.97	15	TPN, VTPN
	22	Y01Z, Y61Z		22	Y01Z, Y61Z		22	Y01Z, Y61Z
T31.76	15	TPN, VTPN	T32.54	15	TPN, VTPN	T32.98	15	TPN, VTPN
	22	Y01Z, Y61Z		22	Y01Z, Y61Z		22	Y01Z, Y61Z
T31.77	15	TPN, VTPN	T32.55	15	TPN, VTPN	T32.99	15	TPN, VTPN
	22	Y01Z, Y61Z		22	Y01Z, Y61Z		22	Y01Z, Y61Z
T31.80	15	TPN, VTPN	T32.60	15	TPN, VTPN	T33.0	15	TPN, VTPN
	22	Y01Z, Y61Z		22	Y01Z, Y61Z		21B	X64Z
T31.81	15	TPN, VTPN	T32.61	15	TPN, VTPN	T33.1	15	TPN, VTPN
	22	Y01Z, Y61Z		22	Y01Z, Y61Z		21B	X64Z
T31.82	15	TPN, VTPN	T32.62	15	TPN, VTPN	T33.2	15	TPN, VTPN
	22	Y01Z, Y61Z		22	Y01Z, Y61Z		21B	X64Z
T31.83	15	TPN, VTPN	T32.63	15	TPN, VTPN	T33.3	15	TPN, VTPN
	22	Y01Z, Y61Z		22	Y01Z, Y61Z		21B	X64Z
T31.84	15	TPN, VTPN	T32.64	15	TPN, VTPN	T33.4	15	TPN, VTPN
	22	Y01Z, Y61Z		22	Y01Z, Y61Z		21B	X64Z
T31.85	15	TPN, VTPN	T32.65	15	TPN, VTPN	T33.5	15	TPN, VTPN
	22	Y01Z, Y61Z		22	Y01Z, Y61Z		21B	X05A, X05B, X64Z
T31.86	15	TPN, VTPN	T32.66	15	TPN, VTPN	T33.6	15	TPN, VTPN
	22	Y01Z, Y61Z		22	Y01Z, Y61Z		21B	X64Z
T31.87	15	TPN, VTPN	T32.70	15	TPN, VTPN	T33.7	15	TPN, VTPN
	22	Y01Z, Y61Z		22	Y01Z, Y61Z		21B	X64Z
T31.88	15	TPN, VTPN	T32.71	15	TPN, VTPN	T33.8	15	TPN, VTPN
	22	Y01Z, Y61Z		22	Y01Z, Y61Z		21B	X04Z, X64Z
T31.90	15	TPN, VTPN	T32.72	15	TPN, VTPN	T33.9	15	TPN, VTPN
	22	Y01Z, Y61Z		22	Y01Z, Y61Z		21B	X64Z
T31.91	15	TPN, VTPN	T32.73	15	TPN, VTPN	T34.0	15	TPN, VTPN
	22	Y01Z, Y61Z		22	Y01Z, Y61Z		21B	X64Z
T31.92	15	TPN, VTPN	T32.74	15	TPN, VTPN		Pre	A07D, A09E, A11F, A13F
	22	Y01Z, Y61Z		22	Y01Z, Y61Z	T34.1	15	TPN, VTPN
T31.93	15	TPN, VTPN	T32.75	15	TPN, VTPN		21B	X64Z
	22	Y01Z, Y61Z		22	Y01Z, Y61Z		Pre	A07D, A09E, A11F, A13F
T31.94	15	TPN, VTPN	T32.76	15	TPN, VTPN	T34.2	15	TPN, VTPN
	22	Y01Z, Y61Z		22	Y01Z, Y61Z		21B	X64Z
T31.95	15	TPN, VTPN	T32.77	15	TPN, VTPN		Pre	A07D, A09E, A11F, A13F
	22	Y01Z, Y61Z		22	Y01Z, Y61Z	T34.3	15	TPN, VTPN
T31.96	15	TPN, VTPN	T32.80	15	TPN, VTPN		21B	X64Z
	22	Y01Z, Y61Z		22	Y01Z, Y61Z		Pre	A07D, A09E, A11F, A13F
T31.97	15	TPN, VTPN	T32.81	15	TPN, VTPN	T34.4	15	TPN, VTPN
	22	Y01Z, Y61Z		22	Y01Z, Y61Z		21B	X64Z
T31.98	15	TPN, VTPN	T32.82	15	TPN, VTPN		Pre	A07D, A09E, A11F, A13F
	22	Y01Z, Y61Z		22	Y01Z, Y61Z			

Dg

ICD	MDC	DRG	ICD	MDC	DRG	ICD	MDC	DRG
T34.5	15	TPN, VTPN	T37.2	15	TPN, VTPN	T40.0	15	TPN, VTPN
	21B	X05A, X05B, X64Z		21B	X62Z		21B	X62Z
	Pre	A07D, A09E, A11F, A13F		Pre	A07D, A09E, A11F, A13F		Pre	A07D, A09E, A11F, A13F
T34.6	15	TPN, VTPN	T37.3	15	TPN, VTPN	T40.1	15	TPN, VTPN
	21B	X64Z		21B	X62Z		21B	X62Z
	Pre	A07D, A09E, A11F, A13F		Pre	A07D, A09E, A11F, A13F		Pre	A07D, A09E, A11F, A13F
T34.7	15	TPN, VTPN	T37.4	15	TPN, VTPN	T40.2	15	TPN, VTPN
	21B	X64Z		21B	X62Z		21B	X62Z
	Pre	A07D, A09E, A11F, A13F		Pre	A07D, A09E, A11F, A13F		Pre	A07D, A09E, A11F, A13F
T34.8	15	TPN, VTPN	T37.5	15	TPN, VTPN	T40.3	15	TPN, VTPN
	21B	X04Z, X64Z		21B	X62Z		21B	X62Z
	Pre	A07D, A09E, A11F, A13F		Pre	A07D, A09E, A11F, A13F		Pre	A07D, A09E, A11F, A13F
T34.9	15	TPN, VTPN	T37.8	15	TPN, VTPN	T40.4	15	TPN, VTPN
	21B	X64Z		21B	X62Z		21B	X62Z
	Pre	A07D, A09E, A11F, A13F		Pre	A07D, A09E, A11F, A13F		Pre	A07D, A09E, A11F, A13F
T35.0	15	TPN, VTPN	T37.9	15	TPN, VTPN	T40.5	15	TPN, VTPN
	21B	X64Z		21B	X62Z		21B	X62Z
T35.1	15	TPN, VTPN		Pre	A07D, A09E, A11F, A13F		Pre	A07D, A09E, A11F, A13F
	21B	X64Z	T38.0	15	TPN, VTPN	T40.6	15	TPN, VTPN
	Pre	A07D, A09E, A11F, A13F		21B	X62Z		21B	X62Z
T35.2	15	TPN, VTPN		Pre	A07D, A09E, A11F, A13F		Pre	A07D, A09E, A11F, A13F
	21B	X64Z	T38.1	15	TPN, VTPN	T40.7	15	TPN, VTPN
T35.3	15	TPN, VTPN		21B	X62Z		21B	X62Z
	21B	X64Z		Pre	A07D, A09E, A11F, A13F		Pre	A07D, A09E, A11F, A13F
T35.4	15	TPN, VTPN	T38.2	15	TPN, VTPN	T40.8	15	TPN, VTPN
	21B	X05A, X05B, X64Z		21B	X62Z		21B	X62Z
T35.5	15	TPN, VTPN		Pre	A07D, A09E, A11F, A13F		Pre	A07D, A09E, A11F, A13F
	21B	X04Z, X64Z	T38.3	15	TPN, VTPN	T40.9	15	TPN, VTPN
T35.6	15	TPN, VTPN		21B	X62Z		21B	X62Z
	21B	X64Z		Pre	A07D, A09E, A11F, A13F		Pre	A07D, A09E, A11F, A13F
T35.7	15	TPN, VTPN	T38.4	15	TPN, VTPN	T41.0	15	TPN, VTPN
	21B	X64Z		21B	X62Z		21B	X62Z
T36.0	15	TPN, VTPN		Pre	A07D, A09E, A11F, A13F		Pre	A07D, A09E, A11F, A13F
	21B	X62Z	T38.5	15	TPN, VTPN	T41.1	15	TPN, VTPN
	Pre	A07D, A09E, A11F, A13F		21B	X62Z		21B	X62Z
T36.1	15	TPN, VTPN		Pre	A07D, A09E, A11F, A13F		Pre	A07D, A09E, A11F, A13F
	21B	X62Z	T38.6	15	TPN, VTPN	T41.2	15	TPN, VTPN
	Pre	A07D, A09E, A11F, A13F		21B	X62Z		21B	X62Z
T36.2	15	TPN, VTPN		Pre	A07D, A09E, A11F, A13F		Pre	A07D, A09E, A11F, A13F
	21B	X62Z	T38.7	15	TPN, VTPN	T41.3	15	TPN, VTPN
	Pre	A07D, A09E, A11F, A13F		21B	X62Z		21B	X62Z
T36.3	15	TPN, VTPN		Pre	A07D, A09E, A11F, A13F		Pre	A07D, A09E, A11F, A13F
	21B	X62Z	T38.8	15	TPN, VTPN	T41.4	15	TPN, VTPN
	Pre	A07D, A09E, A11F, A13F		21B	X62Z		21B	X62Z
T36.4	15	TPN, VTPN		Pre	A07D, A09E, A11F, A13F		Pre	A07D, A09E, A11F, A13F
	21B	X62Z	T38.9	15	TPN, VTPN	T41.5	15	TPN, VTPN
	Pre	A07D, A09E, A11F, A13F		21B	X62Z		21B	X62Z
T36.5	15	TPN, VTPN		Pre	A07D, A09E, A11F, A13F		Pre	A07D, A09E, A11F, A13F
	21B	X62Z	T39.0	15	TPN, VTPN	T42.0	15	TPN, VTPN
	Pre	A07D, A09E, A11F, A13F		21B	X62Z		21B	X62Z
T36.6	15	TPN, VTPN		Pre	A07D, A09E, A11F, A13F		Pre	A07D, A09E, A11F, A13F
	21B	X62Z	T39.1	15	TPN, VTPN	T42.1	15	TPN, VTPN
	Pre	A07D, A09E, A11F, A13F		21B	X62Z		21B	X62Z
T36.7	15	TPN, VTPN		Pre	A07D, A09E, A11F, A13F		Pre	A07D, A09E, A11F, A13F
	21B	X62Z	T39.2	15	TPN, VTPN	T42.2	15	TPN, VTPN
	Pre	A07D, A09E, A11F, A13F		21B	X62Z		21B	X62Z
T36.8	15	TPN, VTPN		Pre	A07D, A09E, A11F, A13F		Pre	A07D, A09E, A11F, A13F
	21B	X62Z	T39.3	15	TPN, VTPN	T42.3	15	TPN, VTPN
	Pre	A07D, A09E, A11F, A13F		21B	X62Z		21B	X62Z
T36.9	15	TPN, VTPN		Pre	A07D, A09E, A11F, A13F		Pre	A07D, A09E, A11F, A13F
	21B	X62Z	T39.4	15	TPN, VTPN	T42.4	15	TPN, VTPN
	Pre	A07D, A09E, A11F, A13F		21B	X62Z		21B	X62Z
T37.0	15	TPN, VTPN		Pre	A07D, A09E, A11F, A13F		Pre	A07D, A09E, A11F, A13F
	21B	X62Z	T39.8	15	TPN, VTPN	T42.5	15	TPN, VTPN
	Pre	A07D, A09E, A11F, A13F		21B	X62Z		21B	X62Z
T37.1	15	TPN, VTPN		Pre	A07D, A09E, A11F, A13F		Pre	A07D, A09E, A11F, A13F
	21B	X62Z	T39.9	15	TPN, VTPN	T42.6	15	TPN, VTPN
	Pre	A07D, A09E, A11F, A13F		21B	X62Z		21B	X62Z
				Pre	A07D, A09E, A11F, A13F		Pre	A07D, A09E, A11F, A13F





ICD	MDC	DRG	ICD	MDC	DRG	ICD	MDC	DRG
T60.8	15	TPN, VTPN	T65.4	15	TPN, VTPN	T78.8	21B	X62Z
	21B	X62Z		21B	X62Z	T78.9	21B	X62Z
	Pre	A07D, A09E, A11F, A13F		Pre	A07D, A09E, A11F, A13F	T79.0		PTR
T60.9	15	TPN, VTPN	T65.5	15	TPN, VTPN		04	E64A
	21B	X62Z		21B	X62Z		15	TPN, VTPN
	Pre	A07D, A09E, A11F, A13F		Pre	A07D, A09E, A11F, A13F		21A	W61A, W61B
T61.0	21B	X62Z	T65.6	15	TPN, VTPN		Pre	A07D, A09E, A11F, A13F
	Pre	A07D, A09E, A11F, A13F		21B	X62Z	T79.1		PTR
T61.1	21B	X62Z		Pre	A07D, A09E, A11F, A13F		04	E64A
	Pre	A07D, A09E, A11F, A13F	T65.8	15	TPN, VTPN		15	TPN, VTPN
T61.2	21B	X62Z		21B	X62Z		21A	W61A, W61B
	Pre	A07D, A09E, A11F, A13F	T65.9	15	TPN, VTPN		Pre	A07D, A09E, A11F, A13F
T61.8	21B	X62Z		21B	X62Z	T79.2		PTR
	Pre	A07D, A09E, A11F, A13F	T66	21B	X64Z		21A	W61A, W61B
T61.9	21B	X62Z	T67.0	15	TPN, VTPN		21B	X64Z
	Pre	A07D, A09E, A11F, A13F		21B	X64Z	T79.3		PTR
T62.0	21B	X62Z	T67.1	15	TPN, VTPN		18B	T61A, T61B
	Pre	A07D, A09E, A11F, A13F		21B	X64Z		21A	W61A, W61B
T62.1	21B	X62Z	T67.2	21B	X64Z		22	Y02A, Y02B
	Pre	A07D, A09E, A11F, A13F	T67.3	21B	X64Z	T79.4		PTR
T62.2	21B	X62Z	T67.4	21B	X64Z		21A	W61A, W61B
	Pre	A07D, A09E, A11F, A13F	T67.5	21B	X64Z		21B	X64Z
T62.8	21B	X62Z	T67.6	21B	X64Z		Pre	A07D, A09E, A11F, A13F
	Pre	A07D, A09E, A11F, A13F	T67.7	21B	X64Z	T79.5		PTR
T62.9	21B	X62Z	T67.8	21B	X64Z		11	L60A, L60B, L60C, L60D, L71Z
	Pre	A07D, A09E, A11F, A13F	T67.9	21B	X64Z		21A	W61A, W61B
T63.0	15	TPN, VTPN	T68	21B	X64Z		Pre	A07D, A09E, A11F, A13F
	21B	X62Z		Pre	A07D, A09E, A11F, A13F	T79.6		PTR
	Pre	A07D, A09E, A11F, A13F	T69.0	21B	X04Z, X64Z		08	I76A, I76B
T63.1	15	TPN, VTPN	T69.1	21B	X64Z		15	TPN, VTPN
	21B	X62Z	T69.8	21B	X64Z		21A	W61A, W61B
	Pre	A07D, A09E, A11F, A13F	T69.9	21B	X64Z		Pre	A07D, A09E, A11F, A13F
T63.2	15	TPN, VTPN	T70.0	03	D62Z, D63Z	T79.7		PTR
	21B	X62Z	T70.1	03	D62Z, D63Z		04	E76A, E76B, E76C
	Pre	A07D, A09E, A11F, A13F	T70.2	21B	X64Z		15	TPN, VTPN
T63.3	15	TPN, VTPN	T70.3	21B	X64Z		21A	W61A, W61B
	21B	X62Z	T70.4	21B	X64Z		Pre	A07D, A09E, A11F, A13F
	Pre	A07D, A09E, A11F, A13F	T70.8	21B	X64Z	T79.8		PTR
T63.4	15	TPN, VTPN	T70.9	21B	X64Z		21A	W61A, W61B
	21B	X62Z	T71	15	TPN, VTPN		21B	X64Z
	Pre	A07D, A09E, A11F, A13F		21B	X64Z	T79.9		PTR
T63.5	15	TPN, VTPN	T73.0	21B	X64Z		21A	W61A, W61B
	21B	X62Z	T73.1	15	TPN, VTPN		21B	X64Z
	Pre	A07D, A09E, A11F, A13F		21B	X64Z	T80.0		E64A
T63.6	15	TPN, VTPN	T73.2	21B	X64Z		15	TPN, VTPN
	21B	X62Z	T73.3	21B	X64Z		Pre	A07D, A09E, A11F, A13F
	Pre	A07D, A09E, A11F, A13F	T73.8	21B	X64Z	T80.1		F75A, F75B, F75C, F75D
T63.8	15	TPN, VTPN	T73.9	21B	X64Z	T80.2		T64A, T64B, T64C
	21B	X62Z	T74.0	21A	W61A, W61B		Pre	A07D, A09E, A11F, A13F
	Pre	A07D, A09E, A11F, A13F	T74.1	15	TPN, VTPN	T80.3		PTR
T63.9	15	TPN, VTPN		21A	W61A, W61B		15	TPN, VTPN
	21B	X62Z	T74.2	21A	W61A, W61B		16	Q61B, Q61C, Q61D
	Pre	A07D, A09E, A11F, A13F	T74.3	21A	W61A, W61B		Pre	A07D, A09E, A11F, A13F
T64	15	TPN, VTPN	T74.8	21A	W61A, W61B	T80.4		PTR
	21B	X62Z	T74.9	21A	W61A, W61B		15	TPN, VTPN
	Pre	A07D, A09E, A11F, A13F	T75.0	21B	X64Z		16	Q61A, Q61B, Q61C, Q61D, Q61E
T65.0	15	TPN, VTPN	T75.1	21B	X64Z		Pre	A07D, A09E, A11F, A13F
	21B	X62Z		Pre	A07D, A09E, A11F, A13F	T80.5		PTR
	Pre	A07D, A09E, A11F, A13F	T75.2	21B	X64Z		21B	X60Z
T65.1	15	TPN, VTPN	T75.3	03	D66Z	T80.6		X60Z
	21B	X62Z	T75.4	15	TPN, VTPN	T80.8		PTR
	Pre	A07D, A09E, A11F, A13F		21B	X64Z		16	Q61A, Q61B, Q61C, Q61D, Q61E
T65.2	15	TPN, VTPN	T75.8	21B	X64Z	T80.9		PTR
	21B	X62Z	T78.0	21B	X60Z		16	Q61A, Q61B, Q61C, Q61D, Q61E
	Pre	A07D, A09E, A11F, A13F	T78.1	21B	X62Z	T81.0		PTR
T65.3	15	TPN, VTPN	T78.2	21B	X60Z		21B	X62Z
	21B	X62Z	T78.3	21B	X60Z	T81.1		X62Z
	Pre	A07D, A09E, A11F, A13F		Pre	A07D, A09E, A11F, A13F		22	Y02A, Y02B
			T78.4	21B	X64Z	T81.2		X62Z
						T81.3		PTR
							15	TPN, VTPN
							21B	X62Z

Dg

ICD	MDC	DRG	ICD	MDC	DRG	ICD	MDC	DRG
T81.4	08	I01Z, I03A, I03B	T84.7	08	I08A, I08B, I08C, I08D, I08E, I12A, I12B, I12C, I13A, I13B, I73Z	T86.11	11	L69A, L69B
	18B	T61A, T61B				15	TPN, VTPN	
T81.5	15	TPN, VTPN				Pre	A07D, A09E, A11F, A13F, A60A, A60B, A60C, A60D	
	21B	X62Z	T84.8	08	I08A, I08B, I08C, I08D, I08E, I12A, I12B, I12C, I13A, I13B, I73Z	T86.12	11	L69A, L69B
T81.6	15	TPN, VTPN				15	TPN, VTPN	
	21B	X62Z				Pre	A07D, A09E, A11F, A13F, A60A, A60B, A60C, A60D	
T81.7	05	F65A, F65B	T84.9	08	I08A, I08B, I08C, I08D, I08E, I12A, I12B, I12C, I13A, I13B, I73Z	T86.19	11	L69A, L69B
	22	Y02A, Y02B				15	TPN, VTPN	
T81.8	21B	X62Z				Pre	A07D, A09E, A11F, A13F, A60A, A60B, A60C, A60D	
T81.9	21B	X62Z	T85.0	01	B81A, B81B	T86.2	05	F75A, F75B, F75C, F75D
T82.0	05	F69A, F69B				15	TPN, VTPN	
	15	TPN, VTPN	T85.1	01	B81A, B81B	Pre	A07D, A09E, A11F, A13F, A60A, A60B, A60C, A60D	
T82.1	05	F71A, F71B				T86.3	05	F75A, F75B, F75C, F75D
	15	TPN, VTPN	T85.2	02	C62Z	15	TPN, VTPN	
T82.2	05	F75A, F75B, F75C, F75D				Pre	A07D, A09E, A11F, A13F, A60A, A60B, A60C, A60D	
	15	TPN, VTPN	T85.3	02	C62Z	T86.40	07	H63A, H63B, H63C, H78Z
T82.3	05	F75A, F75B, F75C, F75D				15	TPN, VTPN	
	15	TPN, VTPN	T85.4	09	J01Z, J67A, J67B	Pre	A01B, A07D, A09E, A11F, A13F, A60A, A60B, A60C, A60D	
T82.4	05	F75A, F75B, F75C, F75D				T86.41	07	H63A, H63B, H63C, H78Z
	15	TPN, VTPN	T85.5	15	TPN, VTPN	15	TPN, VTPN	
T82.5	05	F75A, F75B, F75C, F75D				Pre	A01B, A07D, A09E, A11F, A13F, A60A, A60B, A60C, A60D	
	15	TPN, VTPN	T85.6	15	TPN, VTPN	T86.49	07	H63A, H63B, H63C, H78Z
T82.6	05	F75A, F75B, F75C, F75D				15	TPN, VTPN	
	15	TPN, VTPN	T85.71	11	L68A, L68B, L74Z	Pre	A01B, A07D, A09E, A11F, A13F, A60A, A60B, A60C, A60D	
T82.7	05	F61A, F75A, F75B, F75C, F75D				T86.50	15	TPN, VTPN
	15	TPN, VTPN	T85.78	15	TPN, VTPN	21B	X62Z	
T82.8	05	F75A, F75B, F75C, F75D				Pre	A07D, A09E, A11F, A13F, A60A, A60B, A60C, A60D	
	15	TPN, VTPN	T85.81	01	B81A, B81B	T86.51	15	TPN, VTPN
T82.9	05	F75A, F75B, F75C, F75D				21B	X62Z	
	15	TPN, VTPN	T85.82	09	J01Z, J67A, J67B	Pre	A07D, A09E, A11F, A13F, A60A, A60B, A60C, A60D	
T83.0	11	L64A, L64B, L74Z				T86.52	15	TPN, VTPN
	15	TPN, VTPN	T85.88	15	TPN, VTPN	21B	X62Z	
T83.1	11	L64A, L64B, L74Z				Pre	A07D, A09E, A11F, A13F, A60A, A60B, A60C, A60D	
	15	TPN, VTPN	T85.9	15	TPN, VTPN	T86.55	15	TPN, VTPN
T83.2	11	L64A, L64B, L74Z				21B	X62Z	
	15	TPN, VTPN	T86.00	16	Q60A, Q60B, Q60C, Q60D, Q60E	Pre	A07D, A09E, A11F, A13F, A60A, A60B, A60C, A60D	
T83.3	13	N04Z, N05A, N05B, N14Z, N21Z, N25Z, N62B				T86.01	16	Q60A, Q60B, Q60C, Q60D, Q60E
T83.4	11	L64A, L64B, L74Z				Pre	A07D, A09E, A11F, A13F, A36A, A36B, A61Z	
	15	TPN, VTPN	T86.02	16	Q60A, Q60B, Q60C, Q60D, Q60E	T86.59	15	TPN, VTPN
T83.5	11	L69A, L69B				21B	X62Z	
	15	TPN, VTPN	T86.03	16	Q60A, Q60B, Q60C, Q60D, Q60E	Pre	A07D, A09E, A11F, A13F, A60A, A60B, A60C, A60D	
T83.6	11	L64A, L64B, L74Z				T86.81	04	E75A, E75B, E75C
	15	TPN, VTPN	T86.04	16	Q60A, Q60B, Q60C, Q60D, Q60E	15	TPN, VTPN	
T83.8	11	L64A, L64B, L74Z				Pre	A07D, A09E, A11F, A13F, A60A, A60B, A60C, A60D	
	15	TPN, VTPN	T86.09	16	Q60A, Q60B, Q60C, Q60D, Q60E	T86.82	07	H62A, H62B, H62C
T83.9	11	L64A, L64B, L74Z				15	TPN, VTPN	
	15	TPN, VTPN	T86.10	11	L69A, L69B	Pre	A07D, A09E, A11F, A13F, A60A, A60B, A60C, A60D	
T84.0	08	I73Z				T86.83	02	C60Z
	15	TPN, VTPN				Pre	A07D, A09E, A11F, A13F, A36A, A36B, A61Z	
T84.1	08	I73Z				T86.88	15	TPN, VTPN
	15	TPN, VTPN				21B	X62Z	
T84.2	08	I73Z				Pre	A07D, A09E, A11F, A13F, A60A, A60B, A60C, A60D	
	15	TPN, VTPN				T86.9	15	TPN, VTPN
T84.3	08	I73Z				21B	X62Z	
	15	TPN, VTPN				Pre	A07D, A09E, A11F, A13F, A60A, A60B, A60C, A60D	
T84.4	08	I73Z						
	15	TPN, VTPN						
T84.5	08	I01Z, I03A, I03B, I04Z, I08A, I08B, I08C, I08D, I08E, I12A, I12B, I12C, I13A, I13B, I73Z						
	15	TPN, VTPN						
	Pre	A07D, A09E, A11F, A13F						
T84.6	08	I08A, I08B, I08C, I08D, I08E, I12A, I12B, I12C, I13A, I13B, I73Z						
	15	TPN, VTPN						

ICD	MDC	DRG	ICD	MDC	DRG	ICD	MDC	DRG
T87.0	08	I32A, I32B, I32C, I32D, I32E, I32F, I32G, I73Z	U51.10	01	B44A, B44B, B44C, B44D	Z02.8	23	Z64A, Z64B
	Pre	A07D, A09E, A11F, A13F	U51.11	01	B44A, B44B, B44C, B44D	Z02.9	23	Z64A, Z64B
T87.1	08	I73Z	U51.12	01	B44A, B44B, B44C, B44D	Z03.0	04	E62A, E62B, E77A, E77B, E77C, E77D, E77E, E77F, E77G
	Pre	A07D, A09E, A11F, A13F	U51.20	01	B44A, B44B, B44C, B44D		15	P65C, P66C, P67B, P67C
T87.2	08	I73Z	U51.21	01	B44A, B44B, B44C, B44D	Z03.1	17	R04A, R04B, R12A, R12B, R12C, R13Z, R14Z, R62A, R62B, R62C
T87.3	08	I76A, I76B	U51.22	01	B44A, B44B, B44C, B44D		19	U66Z
T87.4	08	I76A	U55.10	15	P65C, P66C, P67B, P67C	Z03.2	19	U66Z
T87.5	08	I76A	U55.11		PTX	Z03.3	01	B80Z
T87.6	08	I76A	U55.12		PTX	Z03.4	05	F74Z
T88.0	18B	T64A, T64B, T64C		15	P65C, P66C, P67B, P67C	Z03.5	05	F74Z
T88.1	15	TPN, VTPN	U55.20	04	E65A	Z03.6	23	Z64A, Z64B
	21B	X62Z		15	P65C, P66C, P67B, P67C	Z03.8	23	Z64A, Z64B
T88.2	21B	X64Z	U55.21		PTX	Z03.9	23	Z64A, Z64B
T88.3	15	TPN, VTPN		04	E65A	Z04.0	23	Z65Z
	21B	X62Z	U55.22		PTX	Z04.1	21B	X64Z
	Pre	A07D, A09E, A11F, A13F		04	E65A	Z04.2	21B	X64Z
T88.4	21B	X62Z		15	P65C, P66C, P67B, P67C	Z04.3	21B	X64Z
T88.5	21B	X62Z	U55.30	04	E65A	Z04.4	23	Z65Z
T88.6	21B	X60Z		15	P65C, P66C, P67B, P67C	Z04.5	21B	X64Z
T88.7	21B	X62Z	U55.31		PTX	Z04.6	23	Z65Z
T88.8	21B	X62Z		04	E65A	Z04.8	23	Z64A, Z64B
T88.9	21B	X62Z		15	P65C, P66C, P67B, P67C	Z08.0	23	Z64A, Z64B
T89.00		PTR	U55.32		PTX	Z08.1	23	Z64A, Z64B
	21A	W61A, W61B		04	E65A	Z08.2	23	Z64A, Z64B
	21B	X60Z		15	P65C, P66C, P67B, P67C	Z08.7	23	Z64A, Z64B
T89.01		PTR	U80.0	05	F61A	Z08.8	23	Z64A, Z64B
	21A	W61A, W61B	U80.1	05	F61A	Z08.9	23	Z64A, Z64B
	21B	X60Z	U80.2	05	F61A	Z09.0	23	Z64A, Z64B
T89.02		PTR	U80.3	05	F61A	Z09.1	23	Z64A, Z64B
	21A	W61A, W61B	U80.4	05	F61A	Z09.2	23	Z64A, Z64B
	21B	X60Z	U80.5	05	F61A	Z09.3	23	Z64A, Z64B
T89.03		PTR	U80.6	05	F61A	Z09.4	23	Z64A, Z64B
	21A	W61A, W61B	U80.7	05	F61A	Z09.7	23	Z64A, Z64B
	21B	X60Z	U80.8	05	F61A	Z09.80	23	Z64A, Z64B
T90.4	21A	W61A, W61B	U81	05	F61A	Z09.88	23	Z64A, Z64B
T90.8	21A	W61A, W61B	U82.0	05	F61A	Z09.9	23	Z64A, Z64B
T90.9	21A	W61A, W61B	U82.1	05	F61A	Z10.0	23	Z64A, Z64B
T91.4	21A	W61A, W61B	U82.2	05	F61A	Z10.1	23	Z64A, Z64B
T91.8	21A	W61A, W61B	U83	05	F61A	Z10.2	23	Z64A, Z64B
T91.9	21A	W61A, W61B	U84	05	F61A	Z10.3	23	Z64A, Z64B
T92.9	21A	W61A, W61B	U85	05	F61A	Z10.8	23	Z64A, Z64B
T93.9	21A	W61A, W61B	U99.01	11	L64A, L74Z	Z11.0	23	Z64A, Z64B
T94.1	21A	W61A, W61B	U99.02	06	G46A, G46B, G46C, G50Z, G67A, G67B, G67C, G67D	Z11.1	23	Z64A, Z64B
T96	21A	W61A, W61B		06	G46A, G46B, G46C, G50Z, G67A, G67B, G67C, G67D	Z11.2	23	Z64A, Z64B
T97	21A	W61A, W61B	U99.03	06	G46A, G46B, G46C, G50Z, G67A, G67B, G67C, G67D	Z11.3	23	Z64A, Z64B
T98.0	21A	W61A, W61B		23	Z66Z	Z11.4	23	Z64A, Z64B
T98.1	21A	W61A, W61B	Z00.5	23	Z66Z	Z11.5	23	Z64A, Z64B
T98.2	21A	W61A, W61B	Z01.0	23	Z64A, Z64B	Z11.6	23	Z64A, Z64B
T98.3	21A	W61A, W61B	Z01.1	23	Z64A, Z64B	Z11.8	23	Z64A, Z64B
U04.9	04	E62A, E62B, E77A, E77B, E77C, E77D, E77E, E77F, E77G	Z01.2	23	Z64A, Z64B	Z11.9	23	Z64A, Z64B
	18A	S63A, S63B	Z01.3	23	Z64A, Z64B	Z12.0	23	Z64A, Z64B
			Z01.4	13	N04Z, N05A, N05B, N14Z, N21Z, N25Z, N62A, N62B	Z12.1	23	Z64A, Z64B
U50.00	01	B44A, B44B, B44C, B44D	Z01.5	23	Z64A, Z64B	Z12.2	23	Z64A, Z64B
U50.01	01	B44A, B44B, B44C, B44D	Z01.80	05	F15Z, F24A, F24B, F36A, F36B, F46A, F46B, F52A, F52B, F62A, F70A, F70B	Z12.3	23	Z64A, Z64B
U50.10	01	B44A, B44B, B44C, B44D			F46A, F46B, F75A, F75B, F75C, F75D	Z12.4	23	Z64A, Z64B
U50.11	01	B44A, B44B, B44C, B44D	Z01.81	05	F46A, F46B, F75A, F75B, F75C, F75D	Z12.5	23	Z64A, Z64B
U50.20	01	B44A, B44B, B44C, B44D		23	Z64A, Z64B	Z12.6	23	Z64A, Z64B
U50.21	01	B44A, B44B, B44C, B44D	Z01.88	23	Z64A, Z64B	Z12.8	23	Z64A, Z64B
U50.30	01	B44A, B44B, B44C, B44D	Z02.0	23	Z64A, Z64B	Z12.9	23	Z64A, Z64B
U50.31	01	B44A, B44B, B44C, B44D	Z02.1	23	Z64A, Z64B	Z13.0	23	Z64A, Z64B
U50.40	01	B44A, B44B	Z02.2	23	Z64A, Z64B	Z13.1	23	Z64A, Z64B
U50.41	01	B44A, B44B	Z02.3	23	Z64A, Z64B	Z13.2	23	Z64A, Z64B
U50.50	01	B44A, B44B	Z02.4	23	Z64A, Z64B	Z13.3	23	Z64A, Z64B
U50.51	01	B44A, B44B	Z02.5	23	Z64A, Z64B	Z13.4	23	Z64A, Z64B
U51.00	01	B44A, B44B, B44C, B44D	Z02.6	23	Z64A, Z64B	Z13.5	23	Z64A, Z64B
U51.01	01	B44A, B44B, B44C, B44D	Z02.7	23	Z64A, Z64B	Z13.6	23	Z64A, Z64B
U51.02	01	B44A, B44B, B44C, B44D						

ICD	MDC	DRG	ICD	MDC	DRG	ICD	MDC	DRG
Z13.7	23	Z64A, Z64B	Z29.28	18A	S65A, S65B	Z38.4	15	P05A, P05B, P05C, P66A, P66B, P66C, P66D, P67B
Z13.8	23	Z64A, Z64B		23	Z64A, Z64B		Pre	963Z
Z13.9	23	Z64A, Z64B	Z29.8	18A	S65A, S65B	Z38.5	15	P05A, P05B, P05C, P66A, P66B, P66C, P66D, P67B
Z20.0	23	Z64A, Z64B		23	Z64A, Z64B		Pre	963Z
Z20.1	15	P65C, P66C, P67B, P67C	Z29.9	23	Z64A, Z64B	Z38.6	15	P05A, P05B, P05C, P66A, P66B, P66C, P66D, P67B
	23	Z64A, Z64B	Z30.0	23	Z64A, Z64B		Pre	963Z
Z20.2	23	Z64A, Z64B	Z30.1	23	Z64A, Z64B	Z38.7	15	P05A, P05B, P05C, P66A, P66B, P66C, P66D, P67B
Z20.3	23	Z64A, Z64B	Z30.2	12	M64Z		Pre	963Z
Z20.4	23	Z64A, Z64B		13	N04Z, N05A, N05B, N14Z, N21Z, N25Z, N62A, N62B	Z38.8	15	P05A, P05B, P05C, P66A, P66B, P66C, P66D, P67B
Z20.5	23	Z64A, Z64B	Z30.3	23	Z64A, Z64B		Pre	963Z
Z20.6	15	TPN, VTPN	Z30.4	23	Z64A, Z64B	Z39.0	14	O04A, O04B, O61Z
	23	Z64A, Z64B	Z30.5	23	Z64A, Z64B	Z39.1	14	O04A, O04B, O61Z
Z20.7	23	Z64A, Z64B	Z30.8	23	Z64A, Z64B	Z39.2	14	O04A, O04B, O61Z
Z20.8	23	Z64A, Z64B	Z30.9	23	Z64A, Z64B	Z40.00	09	J01Z, J67A, J67B
Z20.9	23	Z64A, Z64B	Z31.0	12	M64Z	Z40.01	13	N04Z, N05A, N05B, N14Z, N21Z, N25Z, N62A, N62B
Z21	14	O01A, O01B, O01C, O01D, O01E, O01F, O01G		13	N04Z, N05A, N05B, N14Z, N21Z, N25Z, N62A, N62B	Z40.08	23	Z64A, Z64B
	23	Z64A, Z64B	Z31.1	13	N04Z, N05A, N05B, N14Z, N21Z, N25Z, N62A, N62B	Z40.8	23	Z64A, Z64B
Z22.0	23	Z64A, Z64B		12	M64Z	Z40.9	23	Z64A, Z64B
Z22.1	23	Z64A, Z64B	Z31.2	13	N04Z, N05A, N05B, N14Z, N21Z, N25Z, N62A, N62B	Z41.0	23	Z65Z
Z22.2	23	Z64A, Z64B		13	N04Z, N05A, N05B, N14Z, N21Z, N25Z, N62A, N62B	Z41.1	09	J67A, J67B, J68A, J68B
Z22.3	23	Z64A, Z64B	Z31.3	12	M64Z	Z41.2	12	M62Z
Z22.4	23	Z64A, Z64B		13	N04Z, N05A, N05B, N14Z, N21Z, N25Z, N62A, N62B	Z41.3	13	N04Z, N05A, N05B, N14Z, N21Z, N25Z, N62A, N62B
Z22.5	07	H63A, H63B, H63C, H78Z	Z31.4	12	M64Z	Z41.8	23	Z64A, Z64B
Z22.6	07	H63A, H63B, H63C, H78Z		13	N04Z, N05A, N05B, N14Z, N21Z, N25Z, N62A, N62B	Z41.9	23	Z64A, Z64B
Z22.8	23	Z64A, Z64B	Z31.5	23	Z64A, Z64B	Z42.0	09	J67A, J67B, J68A, J68B
Z22.9	23	Z64A, Z64B	Z31.6	23	Z64A, Z64B	Z42.1	09	J01Z, J67A, J67B, J68A, J68B
Z23.0	23	Z64A, Z64B	Z31.8	23	Z64A, Z64B	Z42.2	09	J67A, J67B, J68A, J68B
Z23.1	23	Z64A, Z64B	Z31.9	23	Z64A, Z64B	Z42.3	09	J67A, J67B, J68A, J68B
Z23.2	23	Z64A, Z64B	Z36.0	14	O65A, O65B, O65C	Z42.4	09	J67A, J67B, J68A, J68B
Z23.3	23	Z64A, Z64B	Z36.1	14	O65A, O65B, O65C	Z42.8	09	J67A, J67B, J68A, J68B
Z23.4	23	Z64A, Z64B	Z36.2	14	O65A, O65B, O65C	Z42.9	09	J67A, J67B, J68A, J68B
Z23.5	23	Z64A, Z64B	Z36.3	14	O65A, O65B, O65C	Z43.0	04	E75A, E75B, E75C
Z23.6	23	Z64A, Z64B	Z36.4	14	O65A, O65B, O65C		22	Y02A, Y02B
Z23.7	23	Z64A, Z64B	Z36.5	14	O65A, O65B, O65C	Z43.1	06	G46A, G46B, G46C, G50Z, G71Z
Z23.8	23	Z64A, Z64B	Z36.8	14	O65A, O65B, O65C	Z43.2	06	G46A, G46B, G46C, G50Z, G71Z
Z24.0	23	Z64A, Z64B	Z36.9	14	O65A, O65B, O65C	Z43.3	06	G46A, G46B, G46C, G50Z, G71Z
Z24.1	23	Z64A, Z64B	Z37.0	14	O02A, O02B, O60A, O60B, O60C, O60D	Z43.4	06	G46A, G46B, G46C, G50Z, G71Z
Z24.2	23	Z64A, Z64B		14	O02A, O02B, O60A, O60B, O60C, O60D	Z43.5	11	L68A, L68B, L74Z
Z24.3	23	Z64A, Z64B	Z37.1	14	O02A, O02B, O60A, O60B, O60C, O60D	Z43.6	11	L68A, L68B, L74Z
Z24.4	23	Z64A, Z64B		14	O01A, O01B, O01C, O01D, O01E, O01F, O01G, O02A, O02B, O60A, O60B, O60C	Z43.7	13	N04Z, N05A, N05B, N14Z, N21Z, N25Z, N62A, N62B
Z24.5	23	Z64A, Z64B	Z37.2	14	O01A, O01B, O01C, O01D, O01E, O01F, O01G, O02A, O02B, O60A, O60B, O60C	Z43.80	23	Z64A, Z64B
Z24.6	23	Z64A, Z64B		14	O01A, O01B, O01C, O01D, O01E, O01F, O01G, O02A, O02B, O60A, O60B, O60C	Z43.88	23	Z64A, Z64B
Z25.0	23	Z64A, Z64B	Z37.3	14	O01A, O01B, O01C, O01D, O01E, O01F, O01G, O02A, O02B, O60A, O60B, O60C	Z43.9	23	Z64A, Z64B
Z25.1	23	Z64A, Z64B		14	O01A, O01B, O01C, O01D, O01E, O01F, O01G, O02A, O02B, O60A, O60B, O60C	Z44.0	08	I73Z
Z25.8	23	Z64A, Z64B	Z37.4	14	O01A, O01B, O01C, O01D, O01E, O01F, O01G, O02A, O02B, O60A, O60B, O60C	Z44.1	08	I73Z
Z26.0	23	Z64A, Z64B		14	O01A, O01B, O01C, O01D, O01E, O01F, O01G, O02A, O02B, O60A, O60B, O60C	Z44.2	23	Z64A, Z64B
Z26.8	23	Z64A, Z64B	Z37.5	14	O01A, O01B, O01C, O01D, O01E, O01F, O01G, O02A, O02B, O60A, O60B, O60C	Z44.3	09	J67A, J67B
Z26.9	23	Z64A, Z64B		14	O01A, O01B, O01C, O01D, O01E, O01F, O01G, O02A, O02B, O60A, O60B, O60C	Z45.0	05	F71A, F71B
Z27.0	23	Z64A, Z64B	Z37.6	14	O01A, O01B, O01C, O01D, O01E, O01F, O01G, O02A, O02B, O60A, O60B, O60C	Z45.1	23	Z64A, Z64B
Z27.1	23	Z64A, Z64B		14	O01A, O01B, O01C, O01D, O01E, O01F, O01G, O02A, O02B, O60A, O60B, O60C	Z45.20	23	Z64A, Z64B
Z27.2	23	Z64A, Z64B	Z37.7	14	O01A, O01B, O01C, O01D, O01E, O01F, O01G, O02A, O02B, O60A, O60B, O60C	Z45.29	23	Z64A, Z64B
Z27.3	23	Z64A, Z64B		14	O01A, O01B, O01C, O01D, O01E, O01F, O01G, O02A, O02B, O60A, O60B, O60C	Z45.3	23	Z64A, Z64B
Z27.4	23	Z64A, Z64B	Z37.9	14	O02A, O02B, O60A, O60B, O60C, O60D	Z45.80	23	Z64A, Z64B
Z27.8	23	Z64A, Z64B		Pre	963Z	Z45.81	23	Z64A, Z64B
Z27.9	23	Z64A, Z64B	Z38.0	Pre	963Z	Z45.82	23	Z64A, Z64B
Z28.0	23	Z64A, Z64B	Z38.1	Pre	963Z	Z45.83	23	Z64A, Z64B
Z28.1	23	Z64A, Z64B	Z38.2	Pre	963Z			
Z28.2	23	Z64A, Z64B	Z38.3	15	P05A, P05B, P05C, P66A, P66B, P66C, P66D, P67B			
Z28.8	23	Z64A, Z64B		Pre	963Z			
Z28.9	23	Z64A, Z64B		Pre	963Z			
Z29.0	23	Z64A, Z64B		Pre	963Z			
Z29.1	18A	S65A, S65B		Pre	963Z			
	23	Z64A, Z64B		Pre	963Z			
Z29.20	18A	S65A, S65B		Pre	963Z			
	23	Z64A, Z64B		Pre	963Z			
Z29.21	15	TPN, VTPN		Pre	963Z			
	18A	S65A, S65B		Pre	963Z			
	23	Z64A, Z64B		Pre	963Z			



ICD	MDC	DRG	ICD	MDC	DRG	ICD	MDC	DRG
Z45.84	23	Z64A, Z64B	Z72.6	23	Z64A, Z64B	Z82.3	23	Z64A, Z64B
Z45.85	23	Z64A, Z64B	Z72.8	23	Z64A, Z64B	Z82.4	23	Z64A, Z64B
Z45.88	23	Z64A, Z64B	Z72.9	23	Z64A, Z64B	Z82.5	23	Z64A, Z64B
Z45.9	23	Z64A, Z64B	Z73.0	23	Z64A, Z64B	Z82.6	23	Z64A, Z64B
Z46.0	23	Z64A, Z64B	Z73.1	23	Z64A, Z64B	Z82.7	23	Z64A, Z64B
Z46.1	23	Z64A, Z64B	Z73.2	23	Z64A, Z64B	Z82.8	23	Z64A, Z64B
Z46.2	23	Z64A, Z64B	Z73.3	23	Z64A, Z64B	Z83.0	23	Z64A, Z64B
Z46.3	23	Z64A, Z64B	Z73.4	23	Z64A, Z64B	Z83.1	23	Z64A, Z64B
Z46.4	23	Z64A, Z64B	Z73.5	23	Z64A, Z64B	Z83.2	23	Z64A, Z64B
Z46.5	06	G46A, G46B, G46C, G50Z, G71Z	Z73.6	23	Z64A, Z64B	Z83.3	23	Z64A, Z64B
			Z73.8	23	Z64A, Z64B	Z83.4	23	Z64A, Z64B
Z46.6	11	L68A, L68B, L74Z	Z73.9	23	Z64A, Z64B	Z83.5	23	Z64A, Z64B
Z46.7	08	I73Z	Z74.0	23	Z64A, Z64B	Z83.6	23	Z64A, Z64B
Z46.8	23	Z64A, Z64B	Z74.1	23	Z64A, Z64B	Z83.7	23	Z64A, Z64B
Z46.9	23	Z64A, Z64B	Z74.2	23	Z64A, Z64B	Z84.0	23	Z64A, Z64B
Z47.8	08	I73Z	Z74.3	23	Z64A, Z64B	Z84.1	23	Z64A, Z64B
Z47.9	08	I73Z	Z74.8	23	Z64A, Z64B	Z84.2	23	Z64A, Z64B
Z48.0	23	Z64A, Z64B	Z74.9	23	Z64A, Z64B	Z84.3	23	Z64A, Z64B
Z48.8	23	Z65Z	Z75.60	15	P65C, P66C, P67B, P67C	Z84.8	23	Z64A, Z64B
Z48.9	23	Z65Z	Z75.64	15	P65C, P66C, P67B, P67C	Z90.3	15	TPN, VTPN
Z49.0	11	L60A, L60B, L60C, L60D, L71Z	Z75.65	15	P65C, P66C, P67B, P67C	Z91.2	23	Z65Z
Z49.1	11	L61Z	Z75.66	15	P65C, P66C, P67B, P67C	Z91.3	23	Z65Z
Z51.4	23	Z65Z	Z75.67	15	P65C, P66C, P67B, P67C	Z91.4	23	Z65Z
Z51.6	23	Z64A, Z64B	Z75.68	15	P65C, P66C, P67B, P67C	Z91.5	23	Z65Z
Z51.83	23	Z65Z	Z75.69	15	P65C, P66C, P67B, P67C	Z91.6	23	Z65Z
Z51.88	23	Z65Z	Z75.70		PTX	Z92.0	23	Z65Z
Z51.9	23	Z65Z		15	P65C, P66C, P67B, P67C	Z92.5	23	Z65Z
Z52.01	23	Z64A, Z64B	Z75.74		PTX	Z93.0	22	Y02A, Y02B
Z52.08	23	Z64A, Z64B		15	P65C, P66C, P67B, P67C	Z94.0	04	E62A, E62B, E77A, E77B, E77C
Z52.1	09	J67A, J67B, J68A, J68B	Z75.75		PTX		05	F61A
Z52.2	08	I76A, I76B		15	P65C, P66C, P67B, P67C		06	G18A, G38Z, G40Z, G48A, G48B, G67A
Z52.3	23	Z64A, Z64B	Z75.76		PTX		10	K62A
Z52.4	23	Z64A, Z64B		15	P65C, P66C, P67B, P67C		18B	T01A, T60A, T60B, T60C, T61A, T63A, T64A, T64B
Z52.5	23	Z64A, Z64B	Z75.77		PTX		Pre	A07D, A09E, A11F, A13F
Z52.6	23	Z02Z, Z64A, Z64B		15	P65C, P66C, P67B, P67C	Z94.1	04	E62A, E62B, E77A, E77B, E77C
Z52.7	23	Z64A, Z64B	Z75.78		PTX		05	F61A
Z52.81	23	Z64A, Z64B		15	P65C, P66C, P67B, P67C		06	G18A, G38Z, G40Z, G48A, G48B, G67A
Z52.82	23	Z64A, Z64B	Z75.79		PTX		10	K62A
Z52.89	23	Z64A, Z64B		15	P65C, P66C, P67B, P67C		18B	T01A, T60A, T60B, T60C, T61A, T63A, T64A, T64B
Z52.9	23	Z64A, Z64B	Z76.0	15	P65C, P66C, P67B, P67C		Pre	A07D, A09E, A11F, A13F
Z53.0	23	Z65Z		23	Z64A, Z64B	Z94.2	04	E40A, E62A, E62B, E65A, E77A, E77B, E77C
Z53.1	23	Z65Z	Z76.1	15	P65C, P66C, P67B, P67C		05	F61A
Z53.2	23	Z65Z		23	Z64A, Z64B		06	G18A, G38Z, G40Z, G48A, G48B, G67A
Z53.8	23	Z65Z	Z76.2	15	P65C, P66C, P67B, P67C		10	K62A
Z53.9	23	Z65Z		23	Z64A, Z64B		18B	T01A, T60A, T60B, T60C, T61A, T63A, T64A, T64B
Z64.1	12	M64Z	Z76.4	15	P65C, P66C, P67B, P67C		Pre	A07D, A09E, A11F, A13F
	13	N04Z, N05A, N05B, N14Z, N21Z, N25Z, N62B	Z76.8	15	P65C, P66C, P67B, P67C	Z94.3	04	E40A, E62A, E62B, E65A, E77A, E77B, E77C
Z65.0	23	Z64A, Z64B		23	Z64A, Z64B		05	F61A
Z65.1	23	Z64A, Z64B	Z76.9	23	Z64A, Z64B		06	G18A, G38Z, G40Z, G48A, G48B, G67A
Z65.2	23	Z64A, Z64B	Z80.0	23	Z64A, Z64B		10	K62A
Z65.3	23	Z64A, Z64B	Z80.1	23	Z64A, Z64B		18B	T01A, T60A, T60B, T60C, T61A, T63A, T64A, T64B
Z65.4	23	Z64A, Z64B	Z80.2	23	Z64A, Z64B		Pre	A07D, A09E, A11F, A13F
Z65.5	23	Z64A, Z64B	Z80.3	09	J01Z, J67A, J67B		04	E40A, E62A, E62B, E65A, E77A, E77B, E77C
Z65.8	23	Z64A, Z64B	Z80.4	23	Z64A, Z64B		05	F61A
Z65.9	23	Z64A, Z64B	Z80.5	23	Z64A, Z64B		06	G18A, G38Z, G40Z, G48A, G48B, G67A
Z71.0	23	Z64A, Z64B	Z80.6	23	Z64A, Z64B		10	K62A
Z71.1	23	Z64A, Z64B	Z80.7	23	Z64A, Z64B		18B	T01A, T60A, T60B, T60C, T61A, T63A, T64A, T64B
Z71.2	23	Z64A, Z64B	Z80.8	23	Z64A, Z64B		Pre	A07D, A09E, A11F, A13F
Z71.3	23	Z64A, Z64B	Z80.9	23	Z64A, Z64B		04	E40A, E62A, E62B, E65A, E77A, E77B, E77C
Z71.4	23	Z64A, Z64B	Z81.0	23	Z64A, Z64B		05	F61A
Z71.5	23	Z64A, Z64B	Z81.1	23	Z64A, Z64B		06	G18A, G38Z, G40Z, G48A, G48B, G67A
Z71.6	23	Z64A, Z64B	Z81.2	23	Z64A, Z64B		10	K62A
Z71.7	23	Z64A, Z64B	Z81.3	23	Z64A, Z64B		18B	T01A, T60A, T60B, T60C, T61A, T63A, T64A, T64B
Z71.8	23	Z64A, Z64B	Z81.4	23	Z64A, Z64B		Pre	A07D, A09E, A11F, A13F
Z71.9	23	Z64A, Z64B	Z81.8	23	Z64A, Z64B			
Z72.3	23	Z64A, Z64B	Z82.0	23	Z64A, Z64B			
Z72.4	23	Z64A, Z64B	Z82.1	23	Z64A, Z64B			
Z72.5	23	Z64A, Z64B	Z82.2	23	Z64A, Z64B			

ICD	MDC	DRG	ICD	MDC	DRG	ICD	MDC	DRG
Z94.4	04	E62A, E62B, E77A, E77B, E77C	Z94.81	04	E62A, E62B, E77A, E77B, E77C	Z94.88	04	E62A, E62B, E77A, E77B, E77C
	05	F61A		05	F61A		05	F61A
	06	G18A, G38Z, G40Z, G48A, G48B, G67A		06	G18A, G38Z, G40Z, G48A, G48B, G67A		06	G40Z, G48A, G48B, G67A
	10	K62A		10	K62A		10	K62A
	18B	T01A, T60A, T60B, T60C, T61A, T63A, T64A, T64B		18B	T01A, T60A, T60B, T60C, T61A, T63A, T64A, T64B		18B	T01A, T60A, T60B, T60C, T61A, T63A
	Pre	A07D, A09E, A11F, A13F		Pre	A07D, A09E, A11F, A13F	Z94.9	05	F61A
Z94.5	05	F61A	Z94.82	04	E62A, E62B, E77A, E77B, E77C		06	G67A
	06	G67A		05	F61A	Z97.0	23	Z65Z
Z94.6	05	F61A		06	G18A, G38Z, G40Z, G48A, G48B, G67A	Z97.2	23	Z65Z
	06	G67A		10	K62A	Z97.3	23	Z65Z
Z94.7	05	F61A		18B	T01A, T60A, T60B, T60C, T61A, T63A, T64A, T64B	Z97.4	23	Z65Z
	06	G67A		Pre	A07D, A09E, A11F, A13F	Z97.5	23	Z65Z
Z94.80	04	E62A, E62B, E77A, E77B, E77C	Z94.83	04	E62A, E62B, E77A, E77B, E77C			
	05	F61A		05	F61A			
	06	G18A, G38Z, G40Z, G48A, G48B, G67A		06	G18A, G38Z, G40Z, G48A, G48B, G67A			
	10	K62A		10	K62A			
	18B	T01A, T60A, T60B, T60C, T61A, T63A		18B	T01A, T60A, T60B, T60C, T61A, T63A, T64A, T64B			

Dg

# Príloha B

## Kódy výkonov-/MDC-/DRG-Index

Táto príloha obsahuje zoznam kódov zdravotných výkonov relevantných pre zaradovanie, ako aj bližšie informácie k MDC a DRG, v ktorých sa tieto kódy vyskytujú. Neoperačné výkony (Non-OP) sú označené prostredníctvom znaku ‡ na konci kódu. Obojstranná šípka ↔ za kódom poukazuje na nutnosť špecifikácie doplňujúceho údajá pre určenie strany (lokalizácie), na ktorej bol výkon vykonaný. Lokalizácia sa vykazuje znakom podľa konkrétnych usmernení vydávanými Centrom pre klasifikačný systém.

Priradenie DRG skupiny kódom výkonov na základe overenia na všetky OP-výkony nie je v prílohe uvedené pre každý jednotlivý zdravotný výkon. Miesto toho sú v zozname kódov výkonov relevantných pre zaradovanie v systéme SK-DRG vymenované všetky DRG-skupiny, ktoré vo svojej definícii obsahujú akékoľvek overovanie na OP-výkon. Prehľad skratiek funkcií, použitých v tejto prílohe, sa nachádza v prehľade funkcií na konci prílohy B. V nasledujúcich príkladoch sa nepristupuje k zaradovaniu do DRG-skupiny na základe overovania každého OP-výkonu - analogicky k zoznamu výkonov relevantných pre zaradovanie.

Jeden kód zdravotného výkonu môže byť priradený k viacerým DRG-skupinám v rozličných MDC. Kódy výkonov pre Non-OP-výkony pôsobia na zaradovanie záznamov inak a sú v prílohe uvedené iným spôsobom.

V tejto prílohe nie sú uvedené všetky kódy zdravotných výkonov podľa Zoznamu zdravotných výkonov pre klasifikačný systém diagnosticko-terapeutických skupín ZZV-DRG-2021. Kódy nepoužívané pre zaradovanie do DRG- skupín sú vynechané. Pokiaľ teda hospitalizačný prípad obsahuje iba kódy výkonov, ktoré nie sú uvedené v prílohe B, nebude podľa pravidiel definovaných touto príručkou takýto hospitalizačný prípad zaradený do jednej z operačných alebo „iných“ DRG, ale do DRG-skupiny medicínskeho segmentu..

Pre záznamy (hospitalizačné prípady) s viacerými výkonmi môže byť táto príručka použitá na získanie informácií o možných operačných-DRG a „iných“ DRG-skupinách pre každý samostatný kód výkonu. Pokiaľ obsahuje záznam OP-výkony, z ktorých však žiaden nie je priradený DRG-skupine v zodpovedajúcej MDC a „chybové“ a „ostatné“ DRG sú overované pred DRG-skupinami zo segmentu „iné“, je zaradený do jednej z chybových-DRG alebo ostatných-DRG 901A-D alebo 902Z. Ak je v operačných-DRG alebo iných-DRG tejto MDC uvedených viacero kódov výkonov, rozhodujúcou pre zaradenie v MDC sa stáva hierarchia v rámci operačných-DRG a iných-DRG.

ZZV	MDC	DRG	ZZV	MDC	DRG	ZZV	MDC	DRG
12a10.0	01	B09A, B09B	12a30.7↔	01	B03A, B03B, B06A, B06B, B09A, B09B, B17A, B17B, B17C	12j20.01‡↔	04	E71A
12a10.1	01	B09A, B09B				05	F03C, F03D, F03E, F05Z, F06C, F06D, F06E, F12F, F15Z, F36A, F36B, F41A, F41B, F46A, F46B, F49A, F49B, F49C, F49D, F49E, F49F, F49G	
12a10.2	01	B09A, B09B						
12a10.3	01	B09A, B09B		08	I28A, I28B		06	G67A
12a10.4	01	B09A, B09B		21A	W04A, W04B	12j20.02‡↔	04	E71A
12a10.5	01	B09A, B09B		21B	X04Z, X06A, X06B, X06C	12m11.0↔	01	B03A, B03B, B06A, B06B, B09A, B09B, B17A, B17B, B17C
12a10.x	01	B09A, B09B	12a30.8↔	01	B03A, B03B, B06A, B06B, B09A, B09B, B17A, B17B, B17C		03	D12A, D12B
12a20.0	01	B03A, B03B, B18Z					04	E02A, E02B, E02C
	08	I10A, I10B, I10C, I10D, I10E		08	I28A, I28B		06	G10Z, G12A, G12B, G12C
	17	R01A, R01B, R01C, R01D, R02Z, R12A, R12B, R12C		21A	W04A, W04B		07	H06A, H06B, H06C
12a20.1	01	B03A, B03B, B18Z		21B	X04Z, X06A, X06B, X06C		08	I28A, I28B
	08	I10A, I10B, I10C, I10D, I10E	12a30.9↔	01	B03A, B03B, B06A, B06B, B09A, B09B, B17A, B17B, B17C		09	J03A, J03B, J04A, J04B, J08A, J08B, J08C, J11A, J11B, J16Z
	17	R01A, R01B, R01C, R01D, R02Z, R12A, R12B, R12C					10	K09A, K09B
12a20.2	01	B03A, B03B, B18Z		08	I28A, I28B		11	L09A, L09B, L09C, L09D, L38Z
	08	I10A, I10B, I10C, I10D, I10E		21A	W04A, W04B		12	M06Z, M09A, M09B, M38Z
	17	R01A, R01B, R01C, R01D, R02Z, R12A, R12B, R12C		21B	X04Z, X06A, X06B, X06C		13	N11A, N11B
12a20.x	01	B03A, B03B, B18Z	12a30.x↔	01	B03A, B03B, B06A, B06B, B09A, B09B, B17A, B17B, B17C		16	Q03A, Q03B
	08	I10A, I10B, I10C, I10D, I10E					01	B03A, B03B, B06A, B06B, B17A, B17B, B17C
	17	R01A, R01B, R01C, R01D, R02Z, R12A, R12B, R12C		08	I28A, I28B		03	D12A, D12B
12a30.0↔	01	B03A, B03B, B06A, B06B, B17A, B17B, B17C		21A	W04A, W04B		04	E02A, E02B, E02C
	03	D12A, D12B	12b10	21B	X06A, X06B, X06C		06	G10Z, G12A, G12B, G12C
	08	I28A, I28B					07	H06A, H06B, H06C
	21A	W04A, W04B		01	B02A, B02B, B02C, B02D, B09A, B09B, B20A, B20B, B20C, B20D, B20E, B20F, B39A, B39B	12m11.1↔	08	I28A, I28B
	21B	X06A, X06B, X06C		10	K03A, K03B		09	J03A, J03B, J04A, J04B, J08A, J08B, J08C, J11A, J11B, J16Z
12a30.1↔	01	B03A, B03B, B06A, B06B, B09A, B09B, B17A, B17B, B17C	12b11	01	B02A, B02B, B02C, B02D, B09A, B09B, B20A, B20B, B20C, B20D, B20E, B20F, B39A, B39B		10	K09A, K09B
	03	D12A, D12B		10	K03A, K03B		11	L09A, L09B, L09C, L09D, L38Z
	08	I28A, I28B					12	M06Z, M09A, M09B, M38Z
	21A	W04A, W04B	12b13↔	01	B09A, B09B		13	N11A, N11B
	21B	X06A, X06B, X06C		08	I28A, I28B		16	Q03A, Q03B
12a30.2↔	01	B03A, B03B, B06A, B06B, B09A, B09B, B17A, B17B, B17C		10	K06A, K06B, K06C, K06D	12m11.2↔	01	B03A, B03B, B06A, B06B, B17A, B17B, B17C
	08	I28A, I28B	12b20				03	D12A, D12B
	21A	W04A, W04B		01	B02A, B02B, B02C, B02D, B09A, B09B, B20A, B20B, B20C, B20D, B20E, B20F, B39A, B39B		04	E02A, E02B, E02C
	21B	X06A, X06B, X06C					06	G10Z, G12A, G12B, G12C
12a30.3↔	01	B03A, B03B, B06A, B06B, B09A, B09B, B17A, B17B, B17C		10	K03A, K03B		07	H06A, H06B, H06C
	08	I28A, I28B	12b21	01	B02A, B02B, B02C, B02D, B09A, B09B, B20A, B20B, B20C, B20D, B20E, B20F, B39A, B39B		08	I28A, I28B
	21A	W04A, W04B					09	J03A, J03B, J04A, J04B, J08A, J08B, J08C, J11A, J11B, J16Z
	21B	X05A, X05B, X06A, X06B, X06C	12b23↔	01	B09A, B09B		10	K09A, K09B
12a30.4↔	01	B03A, B03B, B06A, B06B, B09A, B09B, B17A, B17B, B17C		08	I28A, I28B		11	L09A, L09B, L09C, L09D, L38Z
	08	I28A, I28B		10	K06A, K06B, K06C, K06D		12	M06Z, M09A, M09B, M38Z
	21A	W04A, W04B	12c02↔	01	B09A, B09B		13	N11A, N11B
	21B	X05A, X05B, X06A, X06B, X06C		02	C01A, C01B, C14Z, C16Z		16	Q03A, Q03B
12a30.5	01	B03A, B03B, B06A, B06B, B09A, B09B, B17A, B17B, B17C	12c03↔	01	B09A, B09B			
	08	I28A, I28B		02	C01A, C01B, C14Z, C16Z			
	21A	W04A, W04B	12j00.12‡↔	21A	W04A, W04B			
	21B	X06A, X06B, X06C		21B	X06A, X06B, X06C			
12a30.6↔	01	B03A, B03B, B06A, B06B, B09A, B09B, B17A, B17B, B17C	12j00.30‡	04	E71A			
	08	I28A, I28B		03	D60A			
	21A	W04A, W04B	12j00.31‡↔	04	E65A, E71A			
	21B	X06A, X06B, X06C		03	D60A			
			12j00.32‡↔	04	E65A, E71A			
				03	D60A			
			12j20.00‡↔	04	E65A, E71A			
				04	E71A			

VYK

ZZV	MDC	DRG	ZZV	MDC	DRG	ZZV	MDC	DRG				
12m11.3	01	B03A, B03B, B06A, B06B, B17A, B17B, B17C	12m11.7↔	01	B03A, B03B, B06A, B06B, B17A, B17B, B17C	12m21.2↔	01	B03A, B03B, B06A, B06B, B17A, B17B, B17C				
	03	D12A, D12B		03	D12A, D12B		03	D12A, D12B				
	04	E02A, E02B, E02C		04	E02A, E02B, E02C		04	E02A, E02B, E02C				
	06	G10Z, G12A, G12B, G12C		06	G10Z, G12A, G12B, G12C		06	G10Z, G12A, G12B, G12C				
	07	H06A, H06B, H06C		07	H06A, H06B, H06C		07	H06A, H06B, H06C				
	08	I28A, I28B		08	I28A, I28B		08	I28A, I28B				
	09	J03A, J03B, J04A, J04B, J08A, J08B, J08C, J11A, J11B, J16Z		09	J03A, J03B, J04A, J04B, J08A, J08B, J08C, J11A, J11B, J16Z		09	J03A, J03B, J04A, J04B, J08A, J08B, J08C, J11A, J11B, J16Z				
	10	K09A, K09B		10	K09A, K09B		10	K09A, K09B				
	11	L09A, L09B, L09C, L09D, L38Z		11	L09A, L09B, L09C, L09D, L38Z		11	L09A, L09B, L09C, L09D, L38Z				
	12	M06Z, M09A, M09B, M38Z		12	M06Z, M09A, M09B, M38Z		12	M06Z, M09A, M09B, M38Z				
	13	N11A, N11B		13	N11A, N11B		13	N11A, N11B				
	16	Q03A, Q03B		16	Q03A, Q03B		16	Q03A, Q03B				
	12m11.4	01		B03A, B03B, B06A, B06B, B17A, B17B, B17C	12m13		04	E06A, E06B, E06C, E08A, E08B, E08C	12m21.3	01	B03A, B03B, B06A, B06B, B17A, B17B, B17C	
		03		D12A, D12B			10	K09A, K09B		03	D12A, D12B	
		04		E02A, E02B, E02C			16	Q03A, Q03B		04	E02A, E02B, E02C	
		06		G10Z, G12A, G12B, G12C			17	R01A, R01B, R01C, R01D, R02Z, R12A, R12B, R12C		06	G10Z, G12A, G12B, G12C	
07		H06A, H06B, H06C	12m1x↔	01		B03A, B03B, B06A, B06B, B17A, B17B, B17C	07	H06A, H06B, H06C				
08		I28A, I28B		03		D12A, D12B	08	I28A, I28B				
09		J03A, J03B, J04A, J04B, J08A, J08B, J08C, J11A, J11B, J16Z		04		E02A, E02B, E02C	09	J03A, J03B, J04A, J04B, J08A, J08B, J08C, J11A, J11B, J16Z				
10		K09A, K09B		06		G10Z, G12A, G12B, G12C	10	K09A, K09B				
11		L09A, L09B, L09C, L09D, L38Z		07		H06A, H06B, H06C	11	L09A, L09B, L09C, L09D, L38Z				
12		M06Z, M09A, M09B, M38Z		08		I28A, I28B	12	M06Z, M09A, M09B, M38Z				
13		N11A, N11B		09		J03A, J03B, J04A, J04B, J08A, J08B, J08C, J11A, J11B, J16Z	13	N11A, N11B				
16		Q03A, Q03B		10		K09A, K09B	16	Q03A, Q03B				
12m11.5↔		01		B03A, B03B, B06A, B06B, B17A, B17B, B17C		12m21.0↔	01	B03A, B03B, B06A, B06B, B17A, B17B, B17C		12m21.4	01	B03A, B03B, B06A, B06B, B17A, B17B, B17C
		03		D12A, D12B			03	D12A, D12B			03	D12A, D12B
		04		E02A, E02B, E02C			04	E02A, E02B, E02C			04	E02A, E02B, E02C
		06		G10Z, G12A, G12B, G12C			06	G10Z, G12A, G12B, G12C			06	G10Z, G12A, G12B, G12C
	07	H06A, H06B, H06C		16	Q03A, Q03B		07	H06A, H06B, H06C				
	08	I28A, I28B		01	B03A, B03B, B06A, B06B, B17A, B17B, B17C		08	I28A, I28B				
	09	J03A, J03B, J04A, J04B, J08A, J08B, J08C, J11A, J11B, J16Z		03	D12A, D12B		09	J03A, J03B, J04A, J04B, J08A, J08B, J08C, J11A, J11B, J16Z				
	10	K09A, K09B		04	E02A, E02B, E02C		10	K09A, K09B				
	11	L09A, L09B, L09C, L09D, L38Z	06	G10Z, G12A, G12B, G12C	11		L09A, L09B, L09C, L09D, L38Z					
	12	M06Z, M09A, M09B, M38Z	07	H06A, H06B, H06C	12		M06Z, M09A, M09B, M38Z					
	13	N11A, N11B	08	I28A, I28B	13		N11A, N11B					
	16	Q03A, Q03B	09	J03A, J03B, J04A, J04B, J08A, J08B, J08C, J11A, J11B, J16Z	16		Q03A, Q03B					
	12m11.6↔	01	B03A, B03B, B06A, B06B, B17A, B17B, B17C	12m21.1↔	01		B03A, B03B, B06A, B06B, B17A, B17B, B17C	12m21.5↔	01		B03A, B03B, B06A, B06B, B17A, B17B, B17C	
		03	D12A, D12B		03		D12A, D12B		03		D12A, D12B	
		04	E02A, E02B, E02C		04		E02A, E02B, E02C		04		E02A, E02B, E02C	
		06	G10Z, G12A, G12B, G12C		06		G10Z, G12A, G12B, G12C		06		G10Z, G12A, G12B, G12C	
07		H06A, H06B, H06C	16		Q03A, Q03B	07	H06A, H06B, H06C					
08		I28A, I28B	01		B03A, B03B, B06A, B06B, B17A, B17B, B17C	08	I28A, I28B					
09		J03A, J03B, J04A, J04B, J08A, J08B, J08C, J11A, J11B, J16Z	03		D12A, D12B	09	J03A, J03B, J04A, J04B, J08A, J08B, J08C, J11A, J11B, J16Z					
10		K09A, K09B	04		E02A, E02B, E02C	10	K09A, K09B					
11		L09A, L09B, L09C, L09D, L38Z	06		G10Z, G12A, G12B, G12C	11	L09A, L09B, L09C, L09D, L38Z					
12		M06Z, M09A, M09B, M38Z	07		H06A, H06B, H06C	12	M06Z, M09A, M09B, M38Z					
13		N11A, N11B	08		I28A, I28B	13	N11A, N11B					
16		Q03A, Q03B	09		J03A, J03B, J04A, J04B, J08A, J08B, J08C, J11A, J11B, J16Z	16	Q03A, Q03B					
			10		K09A, K09B							
			11		L09A, L09B, L09C, L09D, L38Z							
			12		M06Z, M09A, M09B, M38Z							
			13		N11A, N11B							
		16	Q03A, Q03B									

ZZV	MDC	DRG	ZZV	MDC	DRG	ZZV	MDC	DRG
12m21.6↔	01	B03A, B03B, B06A, B06B, B17A, B17B, B17C	12n20.2‡	07	H41A, H41B, H41C	12q23.3↔	13	N01A, N01B, N01C, N01D, N01E, N02A, N02B, N02C, N03A, N03B, N07Z, N25Z, N38Z
	03	D12A, D12B	12n21‡	06	G40Z, G46A, G46B, G46C, G47Z, G50Z		03	D12A, D12B
	04	E02A, E02B, E02C					08	I24Z
	06	G10Z, G12A, G12B, G12C	12n30.0‡	06	G40Z, G46A, G46B, G46C, G47Z	12t00.0↔	21A	W04A, W04B
	07	H06A, H06B, H06C					21B	X06A, X06B, X06C
	08	I28A, I28B	12n30.2‡	07	H41A, H41B, H41C	12t00.1↔	08	I24Z
	09	J03A, J03B, J04A, J04B, J08A, J08B, J08C, J11A, J11B, J16Z	12o01.0‡↔	11	L18A, L18B, L19Z, L20A, L20B, L20C, L38Z	12t00.1↔	21A	W04A, W04B
	10	K09A, K09B					21B	X06A, X06B, X06C
	11	L09A, L09B, L09C, L09D, L38Z	12o01.1‡↔	11	L18A, L18B, L19Z, L20A, L20B, L20C, L38Z	12t00.2↔	08	I24Z
	12	M06Z, M09A, M09B, M38Z	12o01.2	11	L18A, L18B, L19Z, L20A, L20B, L20C, L38Z	12t00.2↔	21A	W04A, W04B
	13	N11A, N11B					21B	X06A, X06B, X06C
	16	Q03A, Q03B	12o10‡↔	13	N08Z	12t00.3↔	08	I24Z
12m21.7↔	01	B03A, B03B, B06A, B06B, B17A, B17B, B17C	12o20.0‡↔	11	L42A	12t00.3↔	21A	W04A, W04B
	03	D12A, D12B	12q10.0↔	10	K09A, K09B		21B	X06A, X06B, X06C
	04	E02A, E02B, E02C				12t00.4↔	08	I24Z
	06	G10Z, G12A, G12B, G12C					21A	W04A, W04B
	07	H06A, H06B, H06C	12q10.1↔	13	N01A, N01B, N01C, N01D, N01E, N02A, N02B, N02C, N03A, N03B, N07Z, N25Z, N38Z	12t00.5↔	21B	X06A, X06B, X06C
	08	I28A, I28B					08	I32A, I32B, I32C, I32D, I32E, I32F, I32G
	09	J03A, J03B, J04A, J04B, J08A, J08B, J08C, J11A, J11B, J16Z	12q10.2	13	N01A, N01B, N01C, N01D, N01E, N02A, N02B, N02C, N03A, N03B, N07Z, N25Z, N38Z	12t00.5↔	21A	W04A, W04B
	10	K09A, K09B					21B	X05A, X05B
	11	L09A, L09B, L09C, L09D, L38Z	12q10.3↔	13	N01A, N01B, N01C, N01D, N01E, N02A, N02B, N02C, N03A, N03B, N07Z, N25Z, N38Z	12t00.6↔	08	I24Z
	12	M06Z, M09A, M09B, M38Z					21A	W04A, W04B
	13	N11A, N11B	12q11.0	13	N10Z	12t00.6↔	21B	X04Z
	16	Q03A, Q03B	12q11.1	13	N10Z	12t00.7↔	08	I24Z
12m23	04	E06A, E06B, E06C, E08A, E08B, E08C	12q11.2	14	962Z, O02A, O02B, O40Z	12t00.7↔	10	K09A, K09B
	10	K09A, K09B					21A	W04A, W04B
	16	Q03A, Q03B	12q11.1	13	N10Z	12t00.8↔	21B	X04Z
	17	R01A, R01B, R01C, R01D, R02Z, R12A, R12B, R12C	12q11.2	14	962Z, O02A, O02B, O40Z	12t00.9↔	08	I24Z
12m2x↔	01	B03A, B03B, B06A, B06B, B17A, B17B, B17C	12q11.2	11	L09A, L09B, L09C, L09D, L38Z	12t00.9↔	21A	W04A, W04B
	03	D12A, D12B					21B	X04Z, X06A, X06B, X06C
	04	E02A, E02B, E02C	12q11.x	13	N10Z	12t00.a↔	08	I32A, I32B, I32C, I32D, I32E, I32F, I32G
	06	G10Z, G12A, G12B, G12C					21A	W04A, W04B
	07	H06A, H06B, H06C	12q12.0	09	J03A, J03B, J04A, J04B, J08A, J08B, J08C, J11A, J11B, J16Z	12t00.a↔	21B	X05A, X05B, X06A, X06B, X06C
	08	I28A, I28B				12t00.x↔	08	I24Z
	09	J03A, J03B, J04A, J04B, J08A, J08B, J08C, J11A, J11B, J16Z	12q12.x	09	J03A, J03B, J04A, J04B, J08A, J08B, J08C, J11A, J11B, J16Z	12t00.x↔	21A	W04A, W04B
	10	K09A, K09B					21B	X06A, X06B, X06C
	11	L09A, L09B, L09C, L09D, L38Z				12t10.4	03	D12A, D12B
	12	M06Z, M09A, M09B, M38Z					08	I28A, I28B, I28C
	13	N11A, N11B					09	J03A, J03B, J04A, J04B, J08A, J08B, J08C, J11A, J11B, J16Z
	16	Q03A, Q03B	12q20.1‡	14	962Z, O02A, O02B		10	K09A, K09B
12n01.0‡	07	H41A, H41B, H41C	12q20.2‡	14	962Z		11	L09A, L09B, L09C, L09D, L38Z
12n01.1‡	07	H41A, H41B, H41C	12q20.3‡	14	962Z	12t20.4	12	M06Z, M09A, M09B, M38Z
12n01.2‡	07	H41A, H41B, H41C	12q20.x‡↔	14	962Z		03	D12A, D12B
12n01.3‡	06	G40Z, G46A, G46B, G46C, G47Z	12q23.0↔	10	K09A, K09B		08	I28A, I28B, I28C
							09	J03A, J03B, J04A, J04B, J08A, J08B, J08C, J11A, J11B, J16Z
12n01.4‡	06	G40Z, G46A, G46B, G46C, G47Z					10	K09A, K09B
12n01.x‡	06	G40Z, G46A, G46B, G46C, G47Z	12q23.1↔	13	N01A, N01B, N01C, N01D, N01E, N02A, N02B, N02C, N03A, N03B, N07Z, N25Z, N38Z		11	L09A, L09B, L09C, L09D, L38Z
12n02.a‡	06	G40Z, G48A, G48B, G48C					12	M06Z, M09A, M09B, M38Z
12n02.b‡	06	G40Z, G48A, G48B, G48C						
12n10.0‡	06	G40Z, G46A, G46B, G46C, G47Z, G50Z	12q23.2	13	N01A, N01B, N01C, N01D, N01E, N02A, N02B, N02C, N03A, N03B, N07Z, N25Z, N38Z			
12n10.2‡	07	H41A, H41B, H41C						
12n20.0‡	06	G40Z, G46A, G46B, G46C, G47Z, G50Z						

ZZV	MDC	DRG	ZZV	MDC	DRG	ZZV	MDC	DRG
12i21.b	01	B03A, B03B, B06A, B06B, B17A, B17B, B17C	13a11.0		BOP, KVT, UOP4	13a30.2↔	01	B03A, B03B, B06A, B06B, B17A, B17B, B17C
	04	E02A, E02B, E02C		17	R01A, R01B, R01C, R01D, R02Z, R12A, R12B, R12C		03	D12A, D12B
	08	I27A, I27B, I27C, I27D	13a11.1		BOP, KVT, UOP4		08	I28A, I28B
	09	J03A, J03B, J04A, J04B, J08A, J08B, J08C, J11A, J11B, J16Z		17	R01A, R01B, R01C, R01D, R02Z, R12A, R12B, R12C		21A	W04A, W04B
	10	K09A, K09B	13a11.2		BOP, KVT, UOP4		21B	X05A, X05B, X06A, X06B, X06C
12x60‡	05	F49A, F49D		17	R01A, R01B, R01C, R01D, R02Z, R12A, R12B, R12C	13a30.3↔	01	B03A, B03B, B06A, B06B, B17A, B17B, B17C
12x61‡	05	F49A, F49D, F49F	13a11.3		BOP, KVT, UOP4		08	I28A, I28B
12x62‡	05	F49A, F49D, F49F		17	R01A, R01B, R01C, R01D, R02Z, R12A, R12B, R12C		21A	W04A, W04B
13a10.0		BOP, KVT, UOP4	13a11.4		BOP, KVT, UOP4		21B	X05A, X05B, X06A, X06B, X06C
13a10.1		BOP, KVT, UOP4		17	R01A, R01B, R01C, R01D, R02Z, R12A, R12B, R12C	13a30.4↔	01	B03A, B03B, B06A, B06B, B17A, B17B, B17C
13a10.2		BOP, KVT, UOP4	13a11.5		BOP, KVT, UOP4		08	I28A, I28B
13a10.3		BOP, KVT, UOP4		02	C01A, C01B, C14Z, C16Z		21A	W04A, W04B
13a10.4		BOP, KVT, UOP4		05	F01A, F01B, F01D, F05Z, F07A, F07B, F14A, F14B, F28A, F42Z, F54Z, F59A, F59B		21B	X05A, X05B, X06A, X06B, X06C
13a10.5		BOP, KVT, UOP4		08	I28A, I28B	13a30.5	01	B03A, B03B, B06A, B06B, B17A, B17B, B17C
	01	B03A, B03B, B06A, B06B, B17A, B17B, B17C		10	K09A, K09B		03	D12A, D12B
	02	C01A, C01B, C14Z, C16Z	13a11.6		BOP, KVT, UOP4		08	I28A, I28B
	05	F01A, F01B, F01D, F05Z, F07A, F07B, F14A, F14B, F28A, F42Z, F54Z, F59A, F59B		17	R01A, R01B, R01C, R01D, R02Z, R12A, R12B, R12C		21A	W04A, W04B
	08	I28A, I28B		17	R01A, R01B, R01C, R01D, R02Z, R12A, R12B, R12C		21B	X06A, X06B, X06C
	10	K09A, K09B	13a11.x		BOP, KVT, UOP4	13a30.6↔	01	B03A, B03B, B06A, B06B, B17A, B17B, B17C
13a10.6		BOP, KVT, UOP4		17	R01A, R01B, R01C, R01D, R02Z, R12A, R12B, R12C		08	I28A, I28B
13a10.7		BOP, KVT, UOP4		17	R01A, R01B, R01C, R01D, R02Z, R12A, R12B, R12C		21A	W04A, W04B
	03	D12A, D12B		17	R01A, R01B, R01C, R01D, R02Z, R12A, R12B, R12C		21B	X04Z, X06A, X06B, X06C
	04	E02A, E02B, E02C	13a20.0		BOP, KVT, UOP4	13a30.7↔	01	B03A, B03B, B06A, B06B, B17A, B17B, B17C
	08	I23A		01	B03A, B03B, B18Z		08	I28A, I28B
	09	J03A, J03B, J04A, J04B, J08A, J08B, J08C, J11A, J11B, J16Z		08	I10A, I10B, I10C, I10D, I10E		21A	W04A, W04B
	10	K09A, K09B		17	R01A, R01B, R01C, R01D, R02Z, R12A, R12B, R12C		21B	X04Z, X06A, X06B, X06C
	11	L09A, L09B, L09C, L09D, L38Z	13a20.1		BOP, KVT, UOP4	13a30.8↔	01	B03A, B03B, B06A, B06B, B17A, B17B, B17C
	12	M06Z, M09A, M09B, M38Z		01	B03A, B03B, B18Z		08	I28A, I28B
	21A	W04A, W04B		08	I10A, I10B, I10C, I10D, I10E		21A	W04A, W04B
	21B	X04Z, X05A, X05B, X06A, X06B, X06C		17	R01A, R01B, R01C, R01D, R02Z, R12A, R12B, R12C		21B	X04Z, X06A, X06B, X06C
13a10.8		BOP, KVT, UOP4	13a20.2		BOP, KVT, UOP4	13a30.9↔	01	B03A, B03B, B06A, B06B, B17A, B17B, B17C
	03	D12A, D12B		01	B03A, B03B, B18Z		08	I28A, I28B
	04	E02A, E02B, E02C		08	I10A, I10B, I10C, I10D, I10E		21A	W04A, W04B
	08	I15A, I15B		17	R01A, R01B, R01C, R01D, R02Z, R12A, R12B, R12C		21B	X04Z, X06A, X06B, X06C
	09	J03A, J03B, J04A, J04B, J08A, J08B, J08C, J11A, J11B, J16Z	13a20.3		BOP, KVT, UOP4	13a30.x↔	01	B03A, B03B, B06A, B06B, B17A, B17B, B17C
	10	K09A, K09B		01	B03A, B03B, B18Z		08	I28A, I28B
	11	L09A, L09B, L09C, L09D, L38Z		08	I10A, I10B, I10C, I10D, I10E		21A	W04A, W04B
	12	M06Z, M09A, M09B, M38Z	13a20.x		BOP, KVT, UOP4		21B	X06A, X06B, X06C
	21A	W04A, W04B		01	B03A, B03B, B18Z	13b00		BOP, KVT, UOP4
	21B	X04Z, X05A, X05B, X06A, X06B, X06C		08	I10A, I10B, I10C, I10D, I10E	13b01↔	10	K06A, K06B, K06C, K06D
13a10.9		BOP, KVT, UOP4		17	R01A, R01B, R01C, R01D, R02Z, R12A, R12B, R12C			BOP, KVT, UOP4
	03	D12A, D12B	13a30.0↔		BOP, KVT, UOP4		08	I28A, I28B
	04	E02A, E02B, E02C		01	B03A, B03B, B06A, B06B, B17A, B17B, B17C		10	K06A, K06B, K06C, K06D
	08	I17Z		03	D12A, D12B	13b02↔		BOP, KVT, UOP4
	09	J03A, J03B, J04A, J04B, J08A, J08B, J08C, J11A, J11B, J16Z		08	I28A, I28B		10	K03A, K03B, K14Z
	10	K09A, K09B		21A	W04A, W04B	13b10.0		BOP, KVT, UOP4
	11	L09A, L09B, L09C, L09D, L38Z		21B	X06A, X06B, X06C		01	B02A, B02B, B02C, B20A, B20B, B20C, B20D, B20E, B39A, B39B
	12	M06Z, M09A, M09B, M38Z	13a30.1↔		BOP, KVT, UOP4		10	K03A, K03B
	21A	W04A, W04B		01	B03A, B03B, B06A, B06B, B17A, B17B, B17C	13b10.1		BOP, KVT, UOP4
	21B	X04Z, X05A, X05B, X06A, X06B, X06C		03	D12A, D12B		01	B02A, B02B, B02C, B20A, B20B, B20C, B20D, B20E, B39A, B39B
13a10.x		BOP, KVT, UOP4		08	I28A, I28B		10	K03A, K03B

ZZV	MDC	DRG	ZZV	MDC	DRG	ZZV	MDC	DRG
13b20.0		BOP, KVT, UOP4	13d41	03	D08A, D08B, D18Z, D22A, D22B, D30A, D30B	13k01		BOP, KVT, UOP4
	01	B02A, B02B, B02C, B20A, B20B, B20C, B20D, B20E, B39A, B39B		09	J03A, J03B, J04A, J04B, J08A, J08B, J08C, J11A, J11B, J16Z		04	E06A, E06B, E06C, E08A, E08B, E08C
	10	K03A, K03B					05	F01A, F01B, F01D, F05Z, F07A, F07B, F09A, F09B, F09C, F42Z
	17	R01A, R01B, R01C, R01D, R02Z, R12A, R12B, R12C	13d42	03	D08A, D08B, D18Z, D22A, D22B, D30A, D30B		17	R01A, R01B, R01C, R01D, R02Z, R12A, R12B, R12C
13b20.1		BOP, KVT, UOP4		09	J03A, J03B, J04A, J04B, J08A, J08B, J08C, J11A, J11B, J16Z	13k02.0↔		B03A, B03B, B06A, B06B, B17A, B17B, B17C
	01	B02A, B02B, B02C, B20A, B20B, B20C, B20D, B20E, B39A, B39B					02	C01A, C01B, C14Z, C16Z
	10	K03A, K03B	13h10.0	03	D09Z, D30A, D30B		05	F01A, F01B, F01D, F05Z, F07A, F07B, F42Z, F54Z, F59A, F59B
	17	R01A, R01B, R01C, R01D, R02Z, R12A, R12B, R12C		04	E02A, E02B, E02C		08	I28A, I28B
13c00↔	02	C01A, C01B, C14Z, C16Z	13h10.1	03	D09Z, D30A, D30B		10	K09A, K09B
	21A	W04A, W04B		04	E02A, E02B, E02C	13k02.1↔		B03A, B03B, B06A, B06B, B17A, B17B, B17C
	21B	X06A, X06B, X06C	13h10.2	03	D09Z, D30A, D30B		05	F01A, F01B, F01D, F05Z, F07A, F07B, F42Z, F54Z, F59A, F59B
13c01↔	02	C01A, C01B, C13Z, C16Z		04	E02A, E02B, E02C		08	I28A, I28B
	21A	W04A, W04B	13h10.x	03	D09Z, D30A, D30B		10	K09A, K09B
	21B	X06A, X06B, X06C		04	E02A, E02B, E02C	13k02.1↔		B03A, B03B, B06A, B06B, B17A, B17B, B17C
13c10↔	02	C01A, C01B, C13Z, C16Z	13h20.0	03	D08A, D08B, D18Z, D22A, D22B, D30A, D30B		05	F01A, F01B, F01D, F05Z, F07A, F07B, F42Z, F54Z, F59A, F59B
	03	D09Z, D30A, D30B		09	J03A, J03B, J04A, J04B, J08A, J08B, J08C, J11A, J11B, J16Z		08	I28A, I28B
	21A	W04A, W04B					10	K09A, K09B
	21B	X06A, X06B, X06C	13h21	03	D12A, D12B	13k02.2		B03A, B03B, B06A, B06B, B17A, B17B, B17C
13c11↔		BOP, KVT, UOP4		09	J03A, J03B, J04A, J04B, J08A, J08B, J08C, J11A, J11B, J16Z		05	F01A, F01B, F01D, F05Z, F07A, F07B, F42Z, F54Z, F59A, F59B
	02	C01A, C01B, C07A, C07B, C16Z	13h22	03	D12A, D12B, D39Z		08	I28A, I28B
	21A	W04A, W04B		09	J03A, J03B, J04A, J04B, J08A, J08B, J08C, J11A, J11B, J16Z		10	K09A, K09B
	21B	X06A, X06B, X06C	13j00		BOP, KVT, UOP4	13k02.3		B03A, B03B, B06A, B06B, B17A, B17B, B17C
13c12↔		BOP, KVT, UOP4		04	E06A, E06B, E06C, E08A, E08B, E08C		05	F01A, F01B, F01D, F05Z, F07A, F07B, F42Z, F54Z, F59A, F59B
	02	C01A, C01B, C15Z, C16Z		17	R01A, R01B, R01C, R01D, R02Z, R12A, R12B, R12C		08	I28A, I28B
	21A	W04A, W04B					10	K09A, K09B
	21B	X06A, X06B, X06C	13j01		BOP, KVT, UOP4	13k02.4		B03A, B03B, B06A, B06B, B17A, B17B, B17C
13c13↔		BOP, KVT, UOP4		04	E02A, E02B, E02C		05	F01A, F01B, F01D, F05Z, F07A, F07B, F42Z, F54Z, F59A, F59B
	02	C01A, C01B, C14Z, C16Z		05	F21A, F21B, F21C		08	I28A, I28B
	21A	W04A, W04B		10	K09A, K09B		10	K09A, K09B
	21B	X06A, X06B, X06C		17	R01A, R01B, R01C, R01D, R02Z, R12A, R12B, R12C	13k02.5↔		B03A, B03B, B06A, B06B, B17A, B17B, B17C
13c14↔		BOP, KVT, UOP4		21A	W04A, W04B		05	F01A, F01B, F01D, F05Z, F07A, F07B, F42Z, F54Z, F59A, F59B
	02	C01A, C01B, C16Z, C20A, C20B	13j02↔		BOP, KVT, UOP4		08	I28A, I28B
	21A	W04A, W04B		04	E06A, E06B, E06C, E08A, E08B, E08C		10	K09A, K09B
	21B	X06A, X06B, X06C		21A	W04A, W04B	13k02.6↔		B03A, B03B, B06A, B06B, B17A, B17B, B17C
13c15↔		BOP, KVT, UOP4		21B	X06A, X06B, X06C		05	F01A, F01B, F01D, F05Z, F07A, F07B, F42Z, F54Z, F59A, F59B
	02	C01A, C01B, C15Z, C16Z		22	Y01Z, Y03A, Y03B		08	I28A, I28B
	21A	W04A, W04B	13j03↔		BOP, KVT, UOP4		10	K09A, K09B
	21B	X06A, X06B, X06C		04	E06A, E06B, E06C, E08A, E08B, E08C	13k02.7↔		B03A, B03B, B06A, B06B, B17A, B17B, B17C
13c16↔		BOP, KVT, UOP4		08	I28A, I28B		05	F01A, F01B, F01D, F05Z, F07A, F07B, F42Z, F54Z, F59A, F59B
	02	C01A, C01B, C15Z, C16Z		11	L09A, L09B, L09C, L09D, L38Z		08	I28A, I28B
	21A	W04A, W04B		17	R01A, R01B, R01C, R01D, R02Z, R12A, R12B, R12C		10	K09A, K09B
	21B	X06A, X06B, X06C	13k00		BOP, KVT, UOP4		05	F01A, F01B, F01D, F05Z, F07A, F07B, F42Z, F54Z, F59A, F59B
13c17↔		BOP, KVT, UOP4		04	E06A, E06B, E06C, E08A, E08B, E08C		08	I28A, I28B
	02	C01A, C01B, C10A, C10B, C10C, C16Z		05	F01A, F01B, F01D, F05Z, F07A, F07B, F09A, F09B, F09C, F42Z		10	K09A, K09B
13c18↔		BOP, KVT, UOP4		17	R01A, R01B, R01C, R01D, R02Z, R12A, R12B, R12C			
	02	C01A, C01B, C02A, C02B, C16Z						
	08	I17Z						
	21A	W04A, W04B						
	21B	X06A, X06B, X06C						
13c1x↔		BOP, KVT, UOP4						
	02	C01A, C01B, C14Z, C16Z						
	21A	W04A, W04B						
	21B	X06A, X06B, X06C						
13d21↔		BOP, KVT, UOP4						
	03	D09Z, D30A, D30B						
13d22↔		BOP, KVT, UOP4						
	03	D09Z, D30A, D30B						
13d2x↔		BOP, KVT, UOP4						
	03	D09Z, D30A, D30B						
13d40↔		BOP, KVT, UOP4						
	03	D06A, D06B, D06C						



ZZV	MDC	DRG	ZZV	MDC	DRG	ZZV	MDC	DRG	
13k02.8	01	B03A, B03B, B06A, B06B, B17A, B17B, B17C	13m10.2↔	01	B03A, B03B, B06A, B06B, B17A, B17B, B17C	13m10.6↔	01	B03A, B03B, B06A, B06B, B17A, B17B, B17C	
	04	E02A, E02B, E02C		03	D12A, D12B		03	D12A, D12B	
	08	I27A, I27B, I27C, I27D		04	E02A, E02B, E02C		04	E02A, E02B, E02C	
	09	J03A, J03B, J04A, J04B, J08A, J08B, J08C, J11A, J11B, J16Z		06	G10Z, G12A, G12B, G12C		06	G10Z, G12A, G12B, G12C	
	10	K09A, K09B		07	H06A, H06B, H06C		07	H06A, H06B, H06C	
	13k02.9	06		G10Z, G12A, G12B, G12C	08		I28A, I28B	08	I28A, I28B
		09		J03A, J03B, J04A, J04B, J08A, J08B, J08C, J11A, J11B, J16Z	09		J03A, J03B, J04A, J04B, J08A, J08B, J08C, J11A, J11B, J16Z	09	J03A, J03B, J04A, J04B, J08A, J08B, J08C, J11A, J11B, J16Z
		17		R01A, R01B, R01C, R01D, R02Z, R12A, R12B, R12C	10		K09A, K09B	10	K09A, K09B
		21A		W04A, W04B	11		L09A, L09B, L09C, L09D, L38Z	11	L09A, L09B, L09C, L09D, L38Z
21B		X06A, X06B, X06C	12	M06Z, M09A, M09B, M38Z	12	M06Z, M09A, M09B, M38Z			
13k02.x	06	G10Z, G12A, G12B, G12C	13m10.3	13	N11A, N11B	13m10.7↔	13	N11A, N11B	
	09	J03A, J03B, J04A, J04B, J08A, J08B, J08C, J11A, J11B, J16Z		16	Q03A, Q03B		16	Q03A, Q03B	
	17	R01A, R01B, R01C, R01D, R02Z, R12A, R12B, R12C		01	B03A, B03B, B06A, B06B, B17A, B17B, B17C		01	B03A, B03B, B06A, B06B, B17A, B17B, B17C	
13m00	21A	W04A, W04B	03	D12A, D12B	03	D12A, D12B			
	21B	X06A, X06B, X06C	04	E02A, E02B, E02C	04	E02A, E02B, E02C			
	04	E06A, E06B, E06C, E08A, E08B, E08C	06	G10Z, G12A, G12B, G12C	06	G10Z, G12A, G12B, G12C			
	10	K09A, K09B	07	H06A, H06B, H06C	07	H06A, H06B, H06C			
13m01	17	R01A, R01B, R01C, R01D, R02Z, R12A, R12B, R12C	08	I28A, I28B	08	I28A, I28B			
	16	Q01Z	09	J03A, J03B, J04A, J04B, J08A, J08B, J08C, J11A, J11B, J16Z	09	J03A, J03B, J04A, J04B, J08A, J08B, J08C, J11A, J11B, J16Z			
	17	R01A, R01B, R01C, R01D, R02Z, R12A, R12B, R12C	10	K09A, K09B	10	K09A, K09B			
13m10.0↔	01	B03A, B03B, B06A, B06B, B17A, B17B, B17C	13m10.4	11	L09A, L09B, L09C, L09D, L38Z	13m10.x↔	11	L09A, L09B, L09C, L09D, L38Z	
	03	D12A, D12B		12	M06Z, M09A, M09B, M38Z		12	M06Z, M09A, M09B, M38Z	
	04	E02A, E02B, E02C		13	N11A, N11B		13	N11A, N11B	
	06	G10Z, G12A, G12B, G12C		01	B03A, B03B, B06A, B06B, B17A, B17B, B17C		01	B03A, B03B, B06A, B06B, B17A, B17B, B17C	
	07	H06A, H06B, H06C		03	D12A, D12B		03	D12A, D12B	
	08	I28A, I28B		04	E02A, E02B, E02C		04	E02A, E02B, E02C	
	09	J03A, J03B, J04A, J04B, J08A, J08B, J08C, J11A, J11B, J16Z		06	G10Z, G12A, G12B, G12C		06	G10Z, G12A, G12B, G12C	
	10	K09A, K09B		07	H06A, H06B, H06C		07	H06A, H06B, H06C	
	11	L09A, L09B, L09C, L09D, L38Z		08	I28A, I28B		08	I28A, I28B	
	12	M06Z, M09A, M09B, M38Z		09	J03A, J03B, J04A, J04B, J08A, J08B, J08C, J11A, J11B, J16Z		09	J03A, J03B, J04A, J04B, J08A, J08B, J08C, J11A, J11B, J16Z	
	13	N11A, N11B		10	K09A, K09B		10	K09A, K09B	
	16	Q03A, Q03B		11	L09A, L09B, L09C, L09D, L38Z		11	L09A, L09B, L09C, L09D, L38Z	
	13m10.1↔	01		B03A, B03B, B06A, B06B, B17A, B17B, B17C	13m10.5↔		12	M06Z, M09A, M09B, M38Z	13n00.0
03		D12A, D12B	13	N11A, N11B		13	N11A, N11B		
04		E02A, E02B, E02C	01	B03A, B03B, B06A, B06B, B17A, B17B, B17C		16	Q03A, Q03B		
06		G10Z, G12A, G12B, G12C	03	D12A, D12B		03	D12A, D12B		
07		H06A, H06B, H06C	04	E02A, E02B, E02C		04	E02A, E02B, E02C		
08		I28A, I28B	06	G10Z, G12A, G12B, G12C		06	G10Z, G12A, G12B, G12C		
09		J03A, J03B, J04A, J04B, J08A, J08B, J08C, J11A, J11B, J16Z	07	H06A, H06B, H06C		07	H12A, H12B		
10		K09A, K09B	08	I28A, I28B		08	I28A, I28B		
11		L09A, L09B, L09C, L09D, L38Z	09	J03A, J03B, J04A, J04B, J08A, J08B, J08C, J11A, J11B, J16Z		09	J03A, J03B, J04A, J04B, J08A, J08B, J08C, J11A, J11B, J16Z		
12		M06Z, M09A, M09B, M38Z	10	K09A, K09B		10	K09A, K09B		
13		N11A, N11B	11	L09A, L09B, L09C, L09D, L38Z		11	L09A, L09B, L09C, L09D, L38Z		
16		Q03A, Q03B	12	M06Z, M09A, M09B, M38Z		12	M06Z, M09A, M09B, M38Z		
			13	N11A, N11B		13	N11A, N11B		
				17	R01A, R01B, R01C, R01D, R02Z, R12A, R12B, R12C				
				21A	W04A, W04B				
				21B	X06A, X06B, X06C				

ZZV	MDC	DRG	ZZV	MDC	DRG	ZZV	MDC	DRG
13n00.1		BOP, KVT, UOP4	13n09.2		BOP, KVT, UOP4	13n09.5		BOP, KVT, UOP4
	03	D12A, D12B		05	F21A, F21B, F21C		05	F21A, F21B, F21C
	04	E02A, E02B, E02C		06	G10Z, G12A, G12B, G12C		06	G10Z, G12A, G12B, G12C
	06	G10Z, G12A, G12B, G12C		07	H12A, H12B		07	H12A, H12B
	07	H12A, H12B		09	J03A, J03B, J04A, J04B, J08A, J08B, J08C, J11A, J11B, J16Z		09	J03A, J03B, J04A, J04B, J08A, J08B, J08C, J11A, J11B, J16Z
	08	I28A, I28B		10	K09A, K09B		10	K09A, K09B
	09	J03A, J03B, J04A, J04B, J08A, J08B, J08C, J11A, J11B, J16Z		11	L09A, L09B, L09C, L09D, L38Z		11	L09A, L09B, L09C, L09D, L38Z
	10	K09A, K09B		12	M01A, M01B, M09A, M38Z		12	M01A, M01B, M09A, M38Z
	11	L09A, L09B, L09C, L09D, L38Z		13	N01A, N01B, N01C, N01D, N01E, N02A, N02B, N02C, N03A, N03B, N07Z, N25Z, N38Z		13	N11A, N11B
	12	M06Z, M09A, M09B, M38Z		14	962Z, O02A, O02B		14	962Z, O02A, O02B
	13	N11A, N11B		17	R01A, R01B, R01C, R01D, R02Z, R12A, R12B, R12C		17	R01A, R01B, R01C, R01D, R02Z, R12A, R12B, R12C
	17	R01A, R01B, R01C, R01D, R02Z, R12A, R12B, R12C		21A	W04A, W04B		21A	W04A, W04B
	21A	W04A, W04B		21B	X06A, X06B, X06C		21B	X06A, X06B, X06C
	21B	X06A, X06B, X06C		22	Y01Z, Y03A, Y03B		22	Y01Z, Y03A, Y03B
13n01.0		BOP, KVT, UOP4	13n09.3		BOP, KVT, UOP4	13n09.x		BOP, KVT, UOP4
	06	G10Z, G12A, G12B, G12C		05	F21A, F21B, F21C		05	F21A, F21B, F21C
	07	H12A, H12B		06	G10Z, G12A, G12B, G12C		06	G10Z, G12A, G12B, G12C
13n01.1		BOP, KVT, UOP4		07	H12A, H12B		07	H12A, H12B
	06	G10Z, G12A, G12B, G12C		09	J03A, J03B, J04A, J04B, J08A, J08B, J08C, J11A, J11B, J16Z		09	J03A, J03B, J04A, J04B, J08A, J08B, J08C, J11A, J11B, J16Z
13n01.3		BOP, KVT, UOP4		10	K09A, K09B		10	K09A, K09B
	06	G10Z, G12A, G12B, G12C		11	L09A, L09B, L09C, L09D, L38Z		11	L09A, L09B, L09C, L09D, L38Z
	07	H12A, H12B		12	M01A, M01B, M09A, M38Z		12	M01A, M01B, M09A, M38Z
	10	K09A, K09B		13	N01A, N01B, N01C, N01D, N01E, N02A, N02B, N02C, N03A, N03B, N07Z, N25Z, N38Z		13	N11A, N11B
	17	R01A, R01B, R01C, R01D, R02Z, R12A, R12B, R12C		14	962Z, O02A, O02B		14	962Z, O02A, O02B
	21A	W04A, W04B		17	R01A, R01B, R01C, R01D, R02Z, R12A, R12B, R12C		17	R01A, R01B, R01C, R01D, R02Z, R12A, R12B, R12C
	21B	X06A, X06B, X06C		21A	W04A, W04B		21A	W04A, W04B
13n05		BOP, KVT, UOP4		21B	X06A, X06B, X06C		21B	X06A, X06B, X06C
	06	G15Z, G19A, G19B, G19C, G38Z		22	Y01Z, Y03A, Y03B		22	Y01Z, Y03A, Y03B
13n06.0		BOP, KVT, UOP4	13n09.4		BOP, KVT, UOP4	13n0x		BOP, KVT, UOP4
	06	G01Z, G04A, G04B, G07A, G07B, G07C, G38Z		05	F21A, F21B, F21C		16	Q01Z
13n06.1		BOP, KVT, UOP4		06	G10Z, G12A, G12B, G12C		17	R01A, R01B, R01C, R01D, R02Z, R12A, R12B, R12C
	06	G01Z, G04A, G04B, G07A, G07B, G07C, G38Z		07	H12A, H12B		13n00.0↔	BOP, KVT, UOP4
13n06.2		BOP, KVT, UOP4		09	J03A, J03B, J04A, J04B, J08A, J08B, J08C, J11A, J11B, J16Z		08	I28A, I28B
	06	G01Z, G04A, G04B, G07A, G07B, G07C, G38Z		10	K09A, K09B		10	K03A, K03B
13n07.0		BOP, KVT, UOP4		11	L09A, L09B, L09C, L09D, L38Z		11	L03Z, L04A, L04B, L04C, L10Z, L13A, L13B, L38Z
	06	G13Z, G21A, G21B		12	M01A, M01B, M09A, M38Z		17	R01A, R01B, R01C, R01D, R02Z, R12A, R12B, R12C
13n07.1		BOP, KVT, UOP4		13	N01A, N01B, N01C, N01D, N01E, N02A, N02B, N02C, N03A, N03B, N07Z, N25Z, N38Z		13n00.1↔	BOP, KVT, UOP4
	06	G13Z, G21A, G21B		14	962Z, O02A, O02B		11	L06A, L06B
13n07.2		BOP, KVT, UOP4		17	R01A, R01B, R01C, R01D, R02Z, R12A, R12B, R12C		12	M06Z, M09A, M09B, M38Z
	06	G13Z, G21A, G21B		21A	W04A, W04B		17	R01A, R01B, R01C, R01D, R02Z, R12A, R12B, R12C
13n07.3		BOP, KVT, UOP4		21B	X06A, X06B, X06C		21A	W04A, W04B
	06	G13Z, G21A, G21B		22	Y01Z, Y03A, Y03B		21B	X06A, X06B, X06C
13n08.0		BOP, KVT, UOP4					13n00.4↔	BOP, KVT, UOP4
	06	G01Z, G04A, G04B, G07A, G07B, G07C, G38Z					11	L03Z, L04A, L04B, L04C, L10Z, L13A, L13B, L38Z
13n08.1		BOP, KVT, UOP4					13n00.5↔	BOP, KVT, UOP4
	06	G01Z, G04A, G04B, G07A, G07B, G07C, G38Z					11	L06A, L06B
13n09.0		BOP, KVT, UOP4					12	M06Z, M09A, M09B, M38Z
	03	D12A, D12B					17	R01A, R01B, R01C, R01D, R02Z, R12A, R12B, R12C
	06	G15Z, G19A, G19B, G38Z					21A	W04A, W04B
	17	R01A, R01B, R01C, R01D, R02Z, R12A, R12B, R12C					21B	X06A, X06B, X06C
13n09.1		BOP, KVT, UOP4					13n00.6	BOP, KVT, UOP4
	06	G01Z, G04A, G04B, G07A, G07B, G07C, G38Z					11	L06A, L06B
							12	M06Z, M09A, M09B, M38Z
							13	N11A, N11B
							17	R01A, R01B, R01C, R01D, R02Z, R12A, R12B, R12C

ZZV	MDC	DRG	ZZV	MDC	DRG	ZZV	MDC	DRG
13o00.7		BOP, KVT, UOP4	13q03		BOP, KVT, UOP4	13t10.5↔	01	B03A, B03B, B06A, B06B, B17A, B17B, B17C
	11	L06A, L06B		09	J03A, J03B, J04A, J04B, J08A, J08B, J08C, J11A, J11B, J11C, J16Z		04	E02A, E02B, E02C
	12	M06Z, M09A, M09B, M38Z		13	N09A, N09B		08	I27A, I27B, I27C, I27D
	17	R01A, R01B, R01C, R01D, R02Z, R12A, R12B, R12C		14	962Z, O60A, O60B, O60C, O60D		09	J03A, J03B, J04A, J04B, J08A, J08B, J08C, J11A, J11B, J16Z
	21A	W04A, W04B					10	K09A, K09B
	21B	X06A, X06B, X06C	13q04		BOP, KVT, UOP4	13t10.6↔	01	B03A, B03B, B06A, B06B, B17A, B17B, B17C
13o00.x		BOP, KVT, UOP4		09	J03A, J03B, J04A, J04B, J08A, J08B, J08C, J11A, J11B, J16Z		04	E02A, E02B, E02C
	11	L06A, L06B		13	N09A, N09B		08	I27A, I27B, I27C, I27D
	12	M06Z, M09A, M09B, M38Z		14	962Z, O60A, O60B, O60C, O60D		09	J03A, J03B, J04A, J04B, J08A, J08B, J08C, J11A, J11B, J16Z
	13	N11A, N11B					10	K09A, K09B
	17	R01A, R01B, R01C, R01D, R02Z, R12A, R12B, R12C	13q05		BOP, KVT, UOP4	13t10.7↔	01	B03A, B03B, B06A, B06B, B17A, B17B, B17C
13p00.0		BOP, KVT, UOP4		13	N01A, N01B, N01C, N01D, N01E, N02A, N02B, N02C, N03A, N03B, N07Z, N25Z, N38Z		04	E02A, E02B, E02C
	11	L18A, L18B, L19Z, L20A, L20B, L20C, L38Z					08	I27A, I27B, I27C, I27D
	12	M06Z, M09A, M09B, M38Z	13q0x		BOP, KVT, UOP4		09	J03A, J03B, J04A, J04B, J08A, J08B, J08C, J11A, J11B, J16Z
13p00.1		BOP, KVT, UOP4		13	N01A, N01B, N01C, N01D, N01E, N02A, N02B, N02C, N03A, N03B, N07Z, N25Z, N38Z		10	K09A, K09B
	11	L18A, L18B, L19Z, L20A, L20B, L20C, L38Z					01	B03A, B03B, B06A, B06B, B17A, B17B, B17C
	12	M06Z, M09A, M09B, M38Z	13t10.0		B03A, B03B, B06A, B06B, B17A, B17B, B17C		04	E02A, E02B, E02C
13p01.0		BOP, KVT, UOP4		01	B03A, B03B, B06A, B06B, B17A, B17B, B17C		08	I27A, I27B, I27C, I27D
	11	L18A, L18B, L19Z, L20A, L20B, L20C, L38Z		04	E02A, E02B, E02C		09	J03A, J03B, J04A, J04B, J08A, J08B, J08C, J11A, J11B, J16Z
	12	M06Z, M09A, M09B, M38Z		08	I27A, I27B, I27C, I27D		10	K09A, K09B
13p01.1		BOP, KVT, UOP4		09	J03A, J03B, J04A, J04B, J08A, J08B, J08C, J11A, J11B, J16Z	13t10.x↔	01	B03A, B03B, B06A, B06B, B17A, B17B, B17C
	09	J03A, J03B, J04A, J04B, J08A, J08B, J08C, J11A, J11B, J16Z		10	K09A, K09B		04	E02A, E02B, E02C
	12	M03A, M03B, M03C, M38Z	13t10.1↔		B03A, B03B, B06A, B06B, B17A, B17B, B17C		08	I27A, I27B, I27C, I27D
13p01.1		BOP, KVT, UOP4		01	B03A, B03B, B06A, B06B, B17A, B17B, B17C		09	J03A, J03B, J04A, J04B, J08A, J08B, J08C, J11A, J11B, J16Z
	09	J03A, J03B, J04A, J04B, J08A, J08B, J08C, J11A, J11B, J16Z		04	E02A, E02B, E02C		10	K09A, K09B
	12	M03A, M03B, M03C, M38Z		08	I27A, I27B, I27C, I27D	13t20.0	01	B17A, B17B, B17C
13p02.0↔		BOP, KVT, UOP4		09	J03A, J03B, J04A, J04B, J08A, J08B, J08C, J11A, J11B, J16Z		03	D12A, D12B
	10	K09A, K09B	13t10.2↔		K09A, K09B		04	E02A, E02B, E02C
	12	M04A, M04B, M04C, M04D, M37Z, M38Z		01	B03A, B03B, B06A, B06B, B17A, B17B, B17C		08	I12A, I12B, I12C, I28A, I28B, I28C
13p02.3↔		BOP, KVT, UOP4		04	E02A, E02B, E02C		09	J03A, J03B, J04A, J04B, J08A, J08B, J08C, J11A, J11B, J16Z
	12	M06Z, M09A, M09B, M38Z		08	I27A, I27B, I27C, I27D		10	K09A, K09B
13q00.0↔		BOP, KVT, UOP4		09	J03A, J03B, J04A, J04B, J08A, J08B, J08C, J11A, J11B, J16Z		11	L09A, L09B, L09C, L09D, L38Z
	10	K09A, K09B	13t10.3↔		K09A, K09B		12	M06Z, M09A, M09B, M38Z
	13	N01A, N01B, N01C, N01D, N01E, N02A, N02B, N02C, N03A, N03B, N07Z, N25Z, N38Z		01	B03A, B03B, B06A, B06B, B17A, B17B, B17C	13t20.1↔	01	B17A, B17B, B17C
13q00.1↔		BOP, KVT, UOP4		04	E02A, E02B, E02C		03	D12A, D12B
	13	N01A, N01B, N01C, N01D, N01E, N02A, N02B, N02C, N03A, N03B, N07Z, N25Z, N38Z		08	I27A, I27B, I27C, I27D		04	E02A, E02B, E02C
13q01.0↔		BOP, KVT, UOP4		09	J03A, J03B, J04A, J04B, J08A, J08B, J08C, J11A, J11B, J16Z		08	I12A, I12B, I12C, I13A, I13B, I13C, I13D, I13E
	13	N01A, N01B, N01C, N01D, N01E, N02A, N02B, N02C, N03A, N03B, N07Z, N25Z, N38Z		10	K09A, K09B		09	J03A, J03B, J04A, J04B, J08A, J08B, J08C, J11A, J11B, J16Z
13q01.1		BOP, KVT, UOP4		01	B03A, B03B, B06A, B06B, B17A, B17B, B17C		10	K09A, K09B
	13	N01A, N01B, N01C, N01D, N01E, N02A, N02B, N02C, N03A, N03B, N07Z, N25Z, N38Z	13t10.4		B03A, B03B, B06A, B06B, B17A, B17B, B17C		11	L09A, L09B, L09C, L09D, L38Z
13q01.2		BOP, KVT, UOP4		04	E02A, E02B, E02C		12	M06Z, M09A, M09B, M38Z
	09	J03A, J03B, J04A, J04B, J08A, J08B, J08C, J11A, J11B, J16Z		08	I27A, I27B, I27C, I27D		16	Q03A, Q03B
	13	N09A, N09B		09	J03A, J03B, J04A, J04B, J08A, J08B, J08C, J11A, J11B, J16Z		21A	W04A, W04B
	14	962Z, O02A, O02B		10	K09A, K09B		21B	X06A, X06B, X06C
13q02		BOP, KVT, UOP4						
	09	J03A, J03B, J04A, J04B, J08A, J08B, J08C, J11A, J11B, J16Z		01	B03A, B03B, B06A, B06B, B17A, B17B, B17C			
	13	N09A, N09B		04	E02A, E02B, E02C			
	14	962Z, O60A, O60B, O60C, O60D		08	I27A, I27B, I27C, I27D			

VYK

ZZV	MDC	DRG	ZZV	MDC	DRG	ZZV	MDC	DRG				
13t20.2↔	01	B17A, B17B, B17C	13t20.6↔	01	B17A, B17B, B17C	13t30.4↔	03	D12A, D12B				
	03	D12A, D12B		03	D12A, D12B		04	E02A, E02B, E02C				
	04	E02A, E02B, E02C		04	E02A, E02B, E02C		08	I12A, I12B, I12C, I27A, I27B, I27C, I27D				
	08	I12A, I12B, I12C, I18A, I24Z		08	I08A, I08B, I08C, I08D, I08E, I08F		21A	W04A, W04B				
	09	J03A, J03B, J04A, J04B, J08A, J08B, J08C, J11A, J11B, J16Z		09	J03A, J03B, J04A, J04B, J08A, J08B, J08C, J11A, J11B, J16Z		21B	X06A, X06B, X06C				
	10	K09A, K09B		10	K09A, K09B		13t30.5↔	03	D12A, D12B			
	11	L09A, L09B, L09C, L09D, L38Z		11	L09A, L09B, L09C, L09D, L38Z			04	E02A, E02B, E02C			
	12	M06Z, M09A, M09B, M38Z		12	M06Z, M09A, M09B, M38Z			08	I08A, I08B, I08C, I08D, I08E, I08F, I10A, I10B, I10C, I10D, I10E			
	16	Q03A, Q03B		16	Q03A, Q03B		21A	W04A, W04B				
	21A	W04A, W04B		21A	W04A, W04B		21B	X04Z, X06A, X06B, X06C				
	21B	X05A, X05B, X06A, X06B, X06C		21A	X04Z, X06A, X06B, X06C		13t30.6↔	08	I08A, I08B, I08C, I08D, I08E, I08F			
	13t20.3↔	01		B17A, B17B, B17C	13t20.7↔			01	B17A, B17B, B17C	13t30.7↔	21A	W01A, W01B, W01C, W02A, W02B
		03		D12A, D12B				03	D12A, D12B		21B	X04Z
		04		E02A, E02B, E02C			04	E02A, E02B, E02C	03		D12A, D12B	
		08		I12A, I12B, I12C, I32A, I32B, I32C, I32D, I32E, I32F			08	I12A, I12B, I12C, I13A, I13B, I13C, I13D, I13E, I18A	04	E02A, E02B, E02C		
09		J03A, J03B, J04A, J04B, J08A, J08B, J08C, J11A, J11B, J16Z	09	J03A, J03B, J04A, J04B, J08A, J08B, J08C, J11A, J11B, J16Z		08	I12A, I12B, I12C, I24Z					
10		K09A, K09B	10	K09A, K09B		21A	W04A, W04B					
11		L09A, L09B, L09C, L09D, L38Z	11	L09A, L09B, L09C, L09D, L38Z		21B	X04Z, X06A, X06B, X06C					
12		M06Z, M09A, M09B, M38Z	12	M06Z, M09A, M09B, M38Z		13t30.8↔	03	D12A, D12B				
16		Q03A, Q03B	16	Q03A, Q03B			04	E02A, E02B, E02C				
21A		W04A, W04B	21A	W04A, W04B			08	I12A, I12B, I12C, I13A, I13B, I13C, I13D				
21B		X04Z, X06A, X06B, X06C	21B	X04Z, X06A, X06B, X06C		21A	W04A, W04B					
13t20.4		01	B17A, B17B, B17C	13t20.8↔		01	B17A, B17B, B17C	13t30.9↔	21B	X04Z, X06A, X06B, X06C		
		03	D12A, D12B			03	D12A, D12B		03	D12A, D12B		
		04	E02A, E02B, E02C			04	E02A, E02B, E02C		04	E02A, E02B, E02C		
		08	I08A, I08B, I08C, I08D, I08E, I08F, I10A, I10B, I10C, I10D, I10E			08	I12A, I12B, I12C	08	I12A, I12B, I12C			
	09	J03A, J03B, J04A, J04B, J08A, J08B, J08C, J11A, J11B, J16Z	09		J03A, J03B, J04A, J04B, J08A, J08B, J08C, J11A, J11B, J16Z	21A	W04A, W04B					
	10	K09A, K09B	10		K09A, K09B	21B	X04Z, X06A, X06B, X06C					
	11	L09A, L09B, L09C, L09D, L38Z	11		L09A, L09B, L09C, L09D, L38Z	13t30.a↔	03	D12A, D12B				
	12	M06Z, M09A, M09B, M38Z	12		M06Z, M09A, M09B, M38Z		04	E02A, E02B, E02C				
	16	Q03A, Q03B	16		Q03A, Q03B		08	I32A, I32B, I32C, I32D, I32E, I32F				
	21A	W04A, W04B	21A		W04A, W04B	21A	W04A, W04B					
	21B	X04Z, X06A, X06B, X06C	21B		X04Z, X06A, X06B, X06C	21B	X05A, X05B, X06A, X06B, X06C					
	13t20.5	01	B17A, B17B, B17C		13t30.0↔	01	B17A, B17B, B17C	13t30.b	01	B03A, B03B, B06A, B06B, B17A, B17B, B17C		
		03	D12A, D12B			03	D12A, D12B		04	E02A, E02B, E02C		
		04	E02A, E02B, E02C			04	E02A, E02B, E02C		08	I27A, I27B, I27C, I27D		
		08	I08A, I08B, I08C, I08D, I08E, I08F, I12A, I12B, I12C			08	I17Z	09	J03A, J03B, J04A, J04B, J08A, J08B, J08C, J11A, J11B, J16Z			
09		J03A, J03B, J04A, J04B, J08A, J08B, J08C, J11A, J11B, J16Z	09	J03A, J03B, J04A, J04B, J08A, J08B, J08C, J11A, J11B, J16Z		10	K09A, K09B					
10		K09A, K09B	10	K09A, K09B		13t30.c↔	03	D12A, D12B				
11		L09A, L09B, L09C, L09D, L38Z	11	L09A, L09B, L09C, L09D, L38Z			04	E02A, E02B, E02C				
12		M06Z, M09A, M09B, M38Z	12	M06Z, M09A, M09B, M38Z			08	I32A, I32B, I32C, I32D, I32E, I32F				
16		Q03A, Q03B	16	Q03A, Q03B		21A	W04A, W04B					
21A		W04A, W04B	21A	W04A, W04B		21B	X05A, X05B, X06A, X06B, X06C					
21B		X04Z, X06A, X06B, X06C	21B	X04Z, X06A, X06B, X06C		13t30.x↔	03	D12A, D12B				
13t20.5		01	B17A, B17B, B17C	13t30.1↔			01	B17A, B17B, B17C	04	E02A, E02B, E02C		
		03	D12A, D12B				03	D12A, D12B	08	I12A, I12B, I12C, I16Z, I27A, I27B, I27C, I27D		
		04	E02A, E02B, E02C			04	E02A, E02B, E02C	21A	W04A, W04B			
		08	I08A, I08B, I08C, I08D, I08E, I08F, I12A, I12B, I12C			08	I17Z	21B	X06A, X06B, X06C			
	09	J03A, J03B, J04A, J04B, J08A, J08B, J08C, J11A, J11B, J16Z	09		J03A, J03B, J04A, J04B, J08A, J08B, J08C, J11A, J11B, J16Z	13t30.2↔	03	D12A, D12B				
	10	K09A, K09B	10		K09A, K09B		04	E02A, E02B, E02C				
	11	L09A, L09B, L09C, L09D, L38Z	11		L09A, L09B, L09C, L09D, L38Z		08	I08A, I08B, I08C, I08D, I08E, I08F, I12A, I12B, I12C, I21Z, I31Z				
	12	M06Z, M09A, M09B, M38Z	12		M06Z, M09A, M09B, M38Z	21A	W04A, W04B					
	16	Q03A, Q03B	16		Q03A, Q03B	21B	X06A, X06B, X06C					
	21A	W04A, W04B	21A		W04A, W04B	13t30.3↔	03	D12A, D12B				
	21B	X04Z, X06A, X06B, X06C	21B		X04Z, X06A, X06B, X06C		04	E02A, E02B, E02C				
	13t20.5	01	B17A, B17B, B17C		13t30.2↔		01	B17A, B17B, B17C	08	I12A, I12B, I12C, I21Z, I31Z, I32A, I32B, I32C, I32D, I32E, I32F		
		03	D12A, D12B			03	D12A, D12B	21A	W04A, W04B			
		04	E02A, E02B, E02C			04	E02A, E02B, E02C	21B	X05A, X05B, X06A, X06B, X06C			
		08	I08A, I08B, I08C, I08D, I08E, I08F, I12A, I12B, I12C			08	I17Z	13t30.3↔	03	D12A, D12B		
09		J03A, J03B, J04A, J04B, J08A, J08B, J08C, J11A, J11B, J16Z	09	J03A, J03B, J04A, J04B, J08A, J08B, J08C, J11A, J11B, J16Z		04	E02A, E02B, E02C					
10		K09A, K09B	10	K09A, K09B		08	I12A, I12B, I12C, I27A, I27B, I27C, I27D					
11		L09A, L09B, L09C, L09D, L38Z	11	L09A, L09B, L09C, L09D, L38Z		21A	W04A, W04B					
12		M06Z, M09A, M09B, M38Z	12	M06Z, M09A, M09B, M38Z		21B	X06A, X06B, X06C					
16		Q03A, Q03B	16	Q03A, Q03B		13t30.x↔	03	D12A, D12B				
21A		W04A, W04B	21A	W04A, W04B			04	E02A, E02B, E02C				
21B		X04Z, X06A, X06B, X06C	21B	X04Z, X06A, X06B, X06C			08	I12A, I12B, I12C, I27A, I27B, I27C, I27D				

ZZV	MDC	DRG	ZZV	MDC	DRG	ZZV	MDC	DRG
13x01		BOP, KVT, UOP4	14n14.4‡	07	H41A, H41B, H41C	14q04‡	13	N10Z
	01	B03A, B03B, B06A, B06B, B17A, B17B, B17C	14n14.5‡	07	H41A, H41B, H41C	14q05	13	N01A, N01B, N01C, N01D, N01E, N02A, N02B, N02C, N03A, N03B, N07Z, N25Z, N38Z
	04	E02A, E02B, E02C	14n14.6‡	07	H41A, H41B, H41C			
	08	I27A, I27B, I27C, I27D	14n15.0‡	07	H41A, H41B			
	09	J03A, J03B, J04A, J04B, J08A, J08B, J08C, J11A, J11B, J16Z	14n15.1‡	07	H41A, H41B	14q06	13	N11A, N11B
			14n20.00‡	07	H41A, H41B		14	962Z, O02A, O02B
			14n20.01‡	07	H41A, H41B		21B	X06A, X06B, X06C
	10	K09A, K09B	14n21.00‡	06	G40Z, G48A, G48B, G48C	14q07‡	14	962Z
14a30.0		BOP, KVT, UOP4	14n21.01‡	06	G40Z, G48A, G48B, G48C	14q08‡	14	962Z
	01	B02A, B02B, B02C, B20A, B20B, B20C, B20D, B20E, B39A, B39B	14n21.02‡	06	G40Z, G48A, G48B, G48C	14q0a	13	N11A, N11B
			14n21.03‡	06	G40Z, G48A, G48B, G48C		14	962Z, O02A, O02B
			14n21.04‡	06	G40Z, G48A, G48B, G48C		21B	X06A, X06B, X06C
	17	R01A, R01B, R01C, R01D, R02Z, R12A, R12B, R12C	14n21.05‡	06	G40Z, G47Z	14t30.0↔	03	D12A, D12B
			14n21.0x‡	06	G40Z, G48A, G48B, G48C		08	I24Z
	21A	W04A, W04B	14n21.10‡	06	G40Z, G46A, G46B, G46C, G47Z, G50Z		21A	W04A, W04B
	21B	X06A, X06B, X06C					21B	X06A, X06B, X06C
14a30.1		BOP, KVT, UOP4	14n21.11‡	06	G40Z, G48A, G48B, G48C	14t30.1↔	08	I24Z
	01	B03A, B03B, B18Z	14n21.12‡	06	G40Z, G48A, G48B, G48C		21A	W04A, W04B
	08	I10A, I10B, I10C, I10D, I10E	14n21.21‡	06	G40Z, G48A, G48B, G48C		21B	X06A, X06B, X06C
	17	R01A, R01B, R01C, R01D, R02Z, R12A, R12B, R12C	14n30	06	G10Z, G12A, G12B, G12C	14t30.2↔	08	I24Z
14a30.x	01	B03A, B03B, B18Z		09	J03A, J03B, J04A, J04B, J08A, J08B, J08C, J11A, J11B, J16Z		21A	W04A, W04B
	08	I10A, I10B, I10C, I10D, I10E					21B	X06A, X06B, X06C
	17	R01A, R01B, R01C, R01D, R02Z, R12A, R12B, R12C		11	L09A, L09B, L09C, L09D, L38Z	14t30.3↔	08	I32A, I32B, I32C, I32D, I32E, I32F, I32G
14c00↔	02	C01A, C01B, C13Z, C16Z		13	N25Z		21A	W04A, W04B
	03	D09Z, D30A, D30B		14	962Z, O02A, O02B	14t30.4↔	08	I24Z
	21A	W04A, W04B		21A	W04A, W04B		21A	W04A, W04B
	21B	X06A, X06B, X06C		21B	X06A, X06B		21B	X06A, X06B, X06C
14j02‡	03	D60A		22	Y01Z, Y03A, Y03B	14t30.5↔	08	I24Z
	04	E65A, E71A	14n31.0		BOP, KVT, UOP4		21A	W04A, W04B
14j30.0		BOP, KVT, UOP4		06	G15Z, G19A, G19B, G38Z		21B	X06A, X06B, X06C
	04	E02A, E02B, E02C		07	H12A, H12B	14t30.6↔	08	I24Z
	21A	W04A, W04B		17	R01A, R01B, R01C, R01D, R02Z, R12A, R12B, R12C		21A	W04A, W04B
	21B	X06A, X06B, X06C					21B	X04Z
14j30.1		BOP, KVT, UOP4		21A	W04A, W04B	14t30.7↔	08	I24Z
	03	D12A, D12B		21B	X06A, X06B, X06C		10	K09A, K09B
	04	E02A, E02B, E02C		22	Y01Z, Y03A, Y03B		21A	W04A, W04B
	21A	W04A, W04B	14n31.1		BOP, KVT, UOP4		21B	X04Z
	21B	X06A, X06B, X06C		06	G01Z, G04A, G04B, G07A, G07B, G07C, G38Z	14t30.8↔	08	I24Z
14j30.2	04	E02A, E02B, E02C		17	R01A, R01B, R01C, R01D, R02Z, R12A, R12B, R12C		21A	W04A, W04B
	21A	W04A, W04B					21B	X04Z
	21B	X06A, X06B, X06C		21A	W04A, W04B	14t30.9↔	08	I24Z
14j30.3	03	D12A, D12B		21B	X06A, X06B, X06C		21A	W04A, W04B
	04	E02A, E02B, E02C		21B	X06A, X06B, X06C		21B	X04Z, X06A, X06B, X06C
14n11.01‡	06	G40Z, G46A, G46B, G46C, G47Z	14n31.2		BOP, KVT, UOP4	14t30.a↔	08	I32A, I32B, I32C, I32D, I32E, I32F, I32G
				06	G01Z, G04A, G04B, G07A, G07B, G07C, G38Z		21A	W04A, W04B
14n11.02‡	06	G40Z, G46A, G46B, G46C, G47Z		21A	W04A, W04B		21B	X05A, X05B, X06A, X06B, X06C
14n11.0x‡	06	G40Z, G46A, G46B, G46C, G47Z		21B	X06A, X06B, X06C	14t30.c↔	08	I32A, I32B, I32C, I32D, I32E, I32F, I32G
14n11.1‡	06	G40Z, G46A, G46B, G46C, G47Z	14n32.31‡	07	H41A, H41B, H41C		21A	W04A, W04B
			14n32.32		BOP, KVT, UOP4		21B	X05A, X05B, X06A, X06B, X06C
14n11.2‡	06	G40Z, G46A, G46B, G46C, G47Z		06	G01Z, G04A, G04B, G07A, G07B, G07C, G38Z		21A	W04A, W04B
14n11.3‡	06	G40Z, G46A, G46B, G46C, G47Z		21A	W04A, W04B	14t30.x↔	08	I24Z
				21B	X06A, X06B, X06C		21A	W04A, W04B
14n11.40‡	06	G40Z, G46A, G46B, G46C, G47Z, G50Z	14n32.x		BOP, KVT, UOP4		21B	X06A, X06B, X06C
				06	G01Z, G04A, G04B, G07A, G07B, G07C, G38Z		02	C01A, C01B, C14Z, C16Z
14n11.41‡	06	G40Z, G46A, G46B, G46C		21A	W04A, W04B	15c00↔	21A	W04A, W04B
14n11.4x‡	06	G40Z, G46A, G46B, G46C, G47Z, G50Z		21B	X06A, X06B, X06C		21B	X06A, X06B, X06C
14n12.1‡	06	G40Z, G46A, G46B, G46C, G47Z, G50Z	14o01‡	11	L42A	15c03↔	02	C01A, C01B, C15Z, C16Z
			14o02‡	11	L42A, L64A, L74Z	15x03↔	13	N01A, N01B, N01C, N01D, N01E, N02A, N02B, N02C, N03A, N03B, N07Z, N25Z, N38Z
14n12.5‡	06	G40Z, G46A, G46B, G46C, G47Z, G50Z	14o03.0‡	11	L42A, L64A, L74Z			
			14o03.1‡	11	L42A			
14n13.1‡	06	G40Z, G47Z	14o04‡	11	L40Z	15x04‡	14	962Z
14n13.2‡	06	G40Z, G46A, G46B, G46C, G47Z	14o11.2‡↔	11	L40Z	16006‡	04	E63Z
			14o30.2‡	11	L64A, L74Z			





ZZV	MDC	DRG	ZZV	MDC	DRG	ZZV	MDC	DRG
31314.3‡	06	G40Z, G46A, G46B, G46C, G47Z, G50Z	35314.1‡	05	F49A, F49D	5a112.d		BOP, KOP, KOPV, KVT, UOP4
31314.4‡	06	G40Z, G46A, G46B, G46C, G47Z, G50Z	35314.3‡	05	F49A, F49D	01		B02A, B02B, B02C, B13Z, B20A, B20B, B20C, B20D, B20E, B39A, B39B
31314.5‡	06	G40Z, G46A, G46B, G46C, G47Z, G50Z	35314.4‡	05	F49A, F49D	02		C01A
31314.6‡	07	H41A, H41B, H41C	35314.5‡	05	F49A, F49D	06		G33Z
31314.7‡	07	H41A, H41B, H41C	35314.6‡	05	F49A, F49D	07		H33Z, H38Z
31314.8‡	06	G40Z, G48A, G48B, G48C	35314.7‡	05	F49A, F49D	11		L33Z
31314.9	06	G10Z, G12A, G12B, G12C	35314.8‡	05	F49A, F49D	17		R01A, R01B, R01C, R01D, R02Z, R12A, R12B, R12C
	07	H12A, H12B	35315.0‡	05	F49A, F49D	21A		W01A, W01B, W01C, W36Z
	09	J03A, J03B, J04A, J04B, J08A, J08B, J08C, J11A, J11B, J16Z	35315.1‡	05	F49A, F49D	21B		X33Z
	11	L09A, L09B, L09C, L09D, L38Z	35315.2‡	05	F49A, F49D	23		Z01A
	13	N08Z	35323‡	05	F49A, F49D	Pre		A07A
	14	962Z, O02A, O02B	35324‡	05	F49A, F49D	5a112.e		BOP, KOP, KOPV, KVT, UOP4
	21A	W04A, W04B	35325‡	05	F49A, F49D	01		B02A, B02B, B02C, B13Z, B20A, B20B, B20C, B20D, B20E, B39A, B39B
	21B	X06A, X06B, X06C	35330.1‡	10	K64C	02		C01A
	22	Y01Z, Y03A, Y03B		23	Z64A	06		G33Z
31317.2‡	11	L42A, L64A, L74Z	35330.2‡	10	K64C	07		H33Z, H38Z
35128.3‡	10	K64C	5a110			11		L33Z
	23	Z64A				17		R01A, R01B, R01C, R01D, R02Z, R12A, R12B, R12C
35128.4‡	10	K64C				21A		W01A, W01B, W01C, W36Z
	23	Z64A				21B		X33Z
35128.5‡	10	K64C				23		Z01A
	23	Z64A				Pre		A07A
35128.6‡	10	K64C				5a112.f		BOP, KOP, KOPV, KVT, UOP4
	23	Z64A				01		B02A, B02B, B02C, B13Z, B20A, B20B, B20C, B20D, B20E, B39A, B39B
35301.0‡	05	F49A, F49D				02		C01A
35301.1‡	05	F49A, F49D				06		G33Z
35301.2‡	05	F49A, F49D				07		H33Z, H38Z
35302.0‡	05	F49A, F49D	5a111			11		L33Z
35302.1‡	05	F49A, F49D				17		R01A, R01B, R01C, R01D, R02Z, R12A, R12B, R12C
35302.2‡	05	F49A, F49D				21A		W01A, W01B, W01C, W36Z
35303.0‡	05	F49A, F49D				21B		X33Z
35303.1‡	05	F49A, F49D				23		Z01A
35303.2‡	05	F49A, F49D				Pre		A07A
35304.0‡	05	F49A, F49D				5a112.g		BOP, KOP, KOPV, KVT, UOP4
35304.1‡	05	F49A, F49D				01		B02A, B02B, B02C, B13Z, B20A, B20B, B20C, B20D, B20E, B39A, B39B
35304.2‡	05	F49A, F49D				02		C01A
35305.0‡	05	F49A, F49D				06		G33Z
35305.1‡	05	F49A, F49D				07		H33Z, H38Z
35305.2‡	05	F49A, F49D				11		L33Z
35306.0‡	05	F49A, F49D				17		R01A, R01B, R01C, R01D, R02Z, R12A, R12B, R12C
35306.1‡	05	F49A, F49D				21A		W01A, W01B, W01C, W36Z
35306.2‡	05	F49A, F49D				21B		X33Z
3530x‡	05	F49A, F49D				23		Z01A
35311.0‡	05	F49A, F49D	5a112.2			Pre		A07A
35311.1‡	05	F49A, F49D				BOP, KOP, KOPV, KVT, UOP4		
35311.2‡	05	F49A, F49D				01		B02A, B02B, B02C, B13Z, B20A, B20B, B20C, B20D, B20E, B39A, B39B
35311.3‡	05	F49A, F49D				02		C01A
35311.4‡	05	F49A, F49D				06		G33Z
35311.5‡	05	F49A, F49D				07		H33Z, H38Z
35312.0‡	05	F49A, F49D				11		L33Z
35312.1‡	05	F49A, F49D				17		R01A, R01B, R01C, R01D, R02Z, R12A, R12B, R12C
35312.2‡	05	F49A, F49D				21A		W01A, W01B, W01C, W36Z
35312.3‡	05	F49A, F49D				21B		X33Z
35312.4‡	05	F49A, F49D				23		Z01A
35312.5‡	05	F49A, F49D				Pre		A07A
35313.0‡	05	F49A, F49D						
35313.1‡	05	F49A, F49D						
35313.3‡	05	F49A, F49D						
35313.4‡	05	F49A, F49D						
35313.6‡	05	F49A, F49D						
35313.7‡	05	F49A, F49D						
35313.8‡	05	F49A, F49D						
35314.0‡	05	F49A, F49D						



ZZV	MDC	DRG	ZZV	MDC	DRG	ZZV	MDC	DRG			
5a112.h		BOP, KOP, KOPV, KVT, UOP4	5a113.n		BOP, KOP, KOPV, KVT, UOP4	5a114.m		BOP, KOP, KOPV, KVT, UOP4			
	01	B02A, B02B, B02C, B13Z, B20A, B20B, B20C, B20D, B20E, B39A, B39B		01	B02A, B02B, B02C, B13Z, B20A, B20B, B20C, B20D, B20E, B39A, B39B		01	B02A, B02B, B02C, B13Z, B20A, B20B, B20C, B20D, B20E, B39A, B39B			
	02	C01A		02	C01A		02	C01A			
	06	G33Z		03	D18Z, D25A, D25B, D25C, D25D		03	D18Z, D25A, D25B, D25C, D25D			
	07	H33Z, H38Z		06	G33Z		06	G33Z			
	11	L33Z		07	H33Z, H38Z		07	H33Z, H38Z			
	17	R01A, R01B, R01C, R01D, R02Z, R12A, R12B, R12C		09	J08A, J08B, J08C		09	J08A, J08B, J08C			
	21A	W01A, W01B, W01C, W36Z		11	L33Z		11	L33Z			
	21B	X33Z		17	R01A, R01B, R01C, R01D, R02Z, R12A, R12B, R12C		17	R01A, R01B, R01C, R01D, R02Z, R12A, R12B, R12C			
	23	Z01A		21B	X06A, X06B, X06C, X33Z		21B	X06A, X06B, X06C, X33Z			
	Pre	A07A		23	Z01A		23	Z01A			
	5a113.j			BOP, KOP, KOPV, KVT, UOP4	5a114.j			BOP, KOP, KOPV, KVT, UOP4	5a114.n		BOP, KOP, KOPV, KVT, UOP4
		01		B02A, B02B, B02C, B13Z, B20A, B20B, B20C, B20D, B20E, B39A, B39B			01	B02A, B02B, B02C, B13Z, B20A, B20B, B20C, B20D, B20E, B39A, B39B		01	B02A, B02B, B02C, B13Z, B20A, B20B, B20C, B20D, B20E, B39A, B39B
		02		C01A			02	C01A		02	C01A
03		D18Z, D25A, D25B, D25C, D25D	03	D18Z, D25A, D25B, D25C, D25D		03	D18Z, D25A, D25B, D25C, D25D				
06		G33Z	06	G33Z		06	G33Z				
07		H33Z, H38Z	07	H33Z, H38Z		07	H33Z, H38Z				
09		J08A, J08B, J08C	09	J08A, J08B, J08C		09	J08A, J08B, J08C				
11		L33Z	11	L33Z		11	L33Z				
17		R01A, R01B, R01C, R01D, R02Z, R12A, R12B, R12C	17	R01A, R01B, R01C, R01D, R02Z, R12A, R12B, R12C		17	R01A, R01B, R01C, R01D, R02Z, R12A, R12B, R12C				
21B		X06A, X06B, X06C, X33Z	21B	X06A, X06B, X06C, X33Z		21B	X06A, X06B, X06C, X33Z				
23		Z01A	23	Z01A		23	Z01A				
Pre		A07A, A09B, A11A, A11B, A13B	Pre	A07A, A09B, A11A, A11B, A13B		Pre	A07A, A09B, A11A, A11B, A13B				
5a113.k			BOP, KOP, KOPV, KVT, UOP4	5a114.k			BOP, KOP, KOPV, KVT, UOP4	5a115.j			BOP, KOP, KOPV, KVT, UOP4
		01	B02A, B02B, B02C, B13Z, B20A, B20B, B20C, B20D, B20E, B39A, B39B			01	B02A, B02B, B02C, B13Z, B20A, B20B, B20C, B20D, B20E, B39A, B39B			01	B02A, B02B, B02C, B13Z, B20A, B20B, B20C, B20D, B20E, B39A, B39B
	02	C01A	02		C01A	02	C01A				
	03	D18Z, D25A, D25B, D25C, D25D	03		D18Z, D25A, D25B, D25C, D25D	03	D18Z, D25A, D25B, D25C, D25D				
	06	G33Z	06		G33Z	06	G33Z				
	07	H33Z, H38Z	07		H33Z, H38Z	07	H33Z, H38Z				
	09	J08A, J08B, J08C	09		J08A, J08B, J08C	09	J08A, J08B, J08C				
	11	L33Z	11		L33Z	11	L33Z				
	17	R01A, R01B, R01C, R01D, R02Z, R12A, R12B, R12C	17		R01A, R01B, R01C, R01D, R02Z, R12A, R12B, R12C	17	R01A, R01B, R01C, R01D, R02Z, R12A, R12B, R12C				
	21B	X06A, X06B, X06C, X33Z	21B		X06A, X06B, X06C, X33Z	21B	X06A, X06B, X06C, X33Z				
	23	Z01A	23		Z01A	23	Z01A				
	Pre	A07A, A09B, A11A, A11B, A13B	Pre		A07A, A09B, A11A, A11B, A13B	Pre	A07A, A09B, A11A, A11B, A13B				
	5a113.m		BOP, KOP, KOPV, KVT, UOP4								
		01	B02A, B02B, B02C, B13Z, B20A, B20B, B20C, B20D, B20E, B39A, B39B								
02		C01A									
03		D18Z, D25A, D25B, D25C, D25D									
06		G33Z									
07		H33Z, H38Z									
09		J08A, J08B, J08C									
11		L33Z									
17		R01A, R01B, R01C, R01D, R02Z, R12A, R12B, R12C									
21B		X06A, X06B, X06C, X33Z									
23		Z01A									
Pre		A07A, A09B, A11A, A11B, A13B									

VYK

ZZV	MDC	DRG	ZZV	MDC	DRG	ZZV	MDC	DRG			
5a115.k		BOP, KOP, KOPV, KVT, UOP4	5a116.j		BOP, KOP, KOPV, KVT, UOP4	5a116.n		BOP, KOP, KOPV, KVT, UOP4			
	01	B02A, B02B, B02C, B13Z, B20A, B20B, B20C, B20D, B20E, B39A, B39B		01	B02A, B02B, B02C, B13Z, B20A, B20B, B20C, B20D, B20E, B39A, B39B		01	B02A, B02B, B02C, B13Z, B20A, B20B, B20C, B20D, B20E, B39A, B39B			
	02	C01A		02	C01A		02	C01A			
	03	D18Z, D25A, D25B, D25C, D25D		03	D18Z, D25A, D25B, D25C, D25D		03	D18Z, D25A, D25B, D25C, D25D			
	06	G33Z		06	G33Z		06	G33Z			
	07	H33Z, H38Z		07	H33Z, H38Z		07	H33Z, H38Z			
	09	J08A, J08B, J08C		09	J08A, J08B, J08C		09	J08A, J08B, J08C			
	11	L33Z		11	L33Z		11	L33Z			
	17	R01A, R01B, R01C, R01D, R02Z, R12A, R12B, R12C		17	R01A, R01B, R01C, R01D, R02Z, R12A, R12B, R12C		17	R01A, R01B, R01C, R01D, R02Z, R12A, R12B, R12C			
	21B	X06A, X06B, X06C, X33Z		21B	X06A, X06B, X06C, X33Z		21B	X06A, X06B, X06C, X33Z			
	23	Z01A		23	Z01A		23	Z01A			
	Pre	A07A, A09B, A11A, A11B, A13B		Pre	A07A, A09B, A11A, A11B, A13B		Pre	A07A, A09B, A11A, A11B, A13B			
	5a115.m			BOP, KOP, KOPV, KVT, UOP4	5a116.k			BOP, KOP, KOPV, KVT, UOP4	5a117.j		BOP, KOP, KOPV, KVT, UOP4
		01		B02A, B02B, B02C, B13Z, B20A, B20B, B20C, B20D, B20E, B39A, B39B			01	B02A, B02B, B02C, B13Z, B20A, B20B, B20C, B20D, B20E, B39A, B39B		01	B02A, B02B, B02C, B13Z, B20A, B20B, B20C, B20D, B20E, B39A, B39B
02		C01A	02	C01A		02	C01A				
03		D18Z, D25A, D25B, D25C, D25D	03	D18Z, D25A, D25B, D25C, D25D		03	D18Z, D25A, D25B, D25C, D25D				
06		G33Z	06	G33Z		06	G33Z				
07		H33Z, H38Z	07	H33Z, H38Z		07	H33Z, H38Z				
09		J08A, J08B, J08C	09	J08A, J08B, J08C		09	J08A, J08B, J08C				
11		L33Z	11	L33Z		11	L33Z				
17		R01A, R01B, R01C, R01D, R02Z, R12A, R12B, R12C	17	R01A, R01B, R01C, R01D, R02Z, R12A, R12B, R12C		17	R01A, R01B, R01C, R01D, R02Z, R12A, R12B, R12C				
21B		X06A, X06B, X06C, X33Z	21B	X06A, X06B, X06C, X33Z		21B	X06A, X06B, X06C, X33Z				
23		Z01A	23	Z01A		23	Z01A				
Pre		A07A, A09B, A11A, A11B, A13B	Pre	A07A, A09B, A11A, A11B, A13B		Pre	A07A, A09B, A11A, A11B, A13B				
5a115.n			BOP, KOP, KOPV, KVT, UOP4	5a116.m			BOP, KOP, KOPV, KVT, UOP4	5a117.k			BOP, KOP, KOPV, KVT, UOP4
		01	B02A, B02B, B02C, B13Z, B20A, B20B, B20C, B20D, B20E, B39A, B39B			01	B02A, B02B, B02C, B13Z, B20A, B20B, B20C, B20D, B20E, B39A, B39B			01	B02A, B02B, B02C, B13Z, B20A, B20B, B20C, B20D, B20E, B39A, B39B
	02	C01A	02		C01A	02	C01A				
	03	D18Z, D25A, D25B, D25C, D25D	03		D18Z, D25A, D25B, D25C, D25D	03	D18Z, D25A, D25B, D25C, D25D				
	06	G33Z	06		G33Z	06	G33Z				
	07	H33Z, H38Z	07		H33Z, H38Z	07	H33Z, H38Z				
	09	J08A, J08B, J08C	09		J08A, J08B, J08C	09	J08A, J08B, J08C				
	11	L33Z	11		L33Z	11	L33Z				
	17	R01A, R01B, R01C, R01D, R02Z, R12A, R12B, R12C	17		R01A, R01B, R01C, R01D, R02Z, R12A, R12B, R12C	17	R01A, R01B, R01C, R01D, R02Z, R12A, R12B, R12C				
	21B	X06A, X06B, X06C, X33Z	21B		X06A, X06B, X06C, X33Z	21B	X06A, X06B, X06C, X33Z				
	23	Z01A	23		Z01A	23	Z01A				
	Pre	A07A, A09B, A11A, A11B, A13B	Pre		A07A, A09B, A11A, A11B, A13B	Pre	A07A, A09B, A11A, A11B, A13B				

ZZV	MDC	DRG	ZZV	MDC	DRG	ZZV	MDC	DRG			
5a117.m		BOP, KOP, KOPV, KVT, UOP4	5a118.m		BOP, KOP, KOPV, KVT, UOP4	5a11a.1		BOP, KOP, KOPV, KVT, UOP4			
	01	B02A, B02B, B02C, B13Z, B20A, B20B, B20C, B20D, B20E, B39A, B39B		01	B02A, B02B, B02C, B13Z, B20A, B20B, B20C, B20D, B20E, B39A, B39B		01	B02A, B02B, B02C, B02D, B13Z, B20A, B20B, B20C, B20D, B20E, B20F, B39A, B39B			
	02	C01A		02	C01A		02	C01A			
	03	D18Z, D25A, D25B, D25C, D25D		06	G33Z		03	D18Z, D25A, D25B, D25C, D25D			
	06	G33Z		07	H33Z, H38Z		06	G33Z			
	07	H33Z, H38Z		11	L33Z		07	H33Z, H38Z			
	09	J08A, J08B, J08C		17	R01A, R01B, R01C, R01D, R02Z, R12A, R12B, R12C		09	J08A, J08B, J08C			
	11	L33Z		21B	X33Z		11	L33Z			
	17	R01A, R01B, R01C, R01D, R02Z, R12A, R12B, R12C		23	Z01A		17	R01A, R01B, R01C, R01D, R02Z, R12A, R12B, R12C			
	21B	X06A, X06B, X06C, X33Z		Pre	A07A, A09B, A11A, A11B, A13B		21A	W01A, W01B, W01C, W36Z			
	23	Z01A		5a118.n			BOP, KOP, KOPV, KVT, UOP4	21B	X06A, X06B, X06C, X33Z		
	Pre	A07A, A09B, A11A, A11B, A13B			01		B02A, B02B, B02C, B13Z, B20A, B20B, B20C, B20D, B20E, B39A, B39B	23	Z01A		
	5a117.n				BOP, KOP, KOPV, KVT, UOP4		02	C01A	Pre	A07A	
		01			B02A, B02B, B02C, B13Z, B20A, B20B, B20C, B20D, B20E, B39A, B39B		06	G33Z	5a11b.0		BOP, KOP, KOPV, KVT, UOP4
		02			C01A		07	H33Z, H38Z		01	B02A, B02B, B02C, B02D, B13Z, B20A, B20B, B20C, B20D, B20E, B20F, B39A, B39B
		03			D18Z, D25A, D25B, D25C, D25D		11	L33Z		02	C01A
		06			G33Z		17	R01A, R01B, R01C, R01D, R02Z, R12A, R12B, R12C		03	D18Z, D25A, D25B, D25C, D25D
07		H33Z, H38Z	21B		X33Z	06	G33Z				
09		J08A, J08B, J08C	23		Z01A	07	H33Z, H38Z				
11		L33Z	Pre		A07A, A09B, A11A, A11B, A13B	09	J08A, J08B, J08C				
17		R01A, R01B, R01C, R01D, R02Z, R12A, R12B, R12C	5a119			BOP, KOP, KOPV, KVT, UOP4	11	L33Z			
21B		X06A, X06B, X06C, X33Z			01	B02A, B02B, B02C, B13Z, B20A, B20B, B20C, B20D, B20E, B39A, B39B	17	R01A, R01B, R01C, R01D, R02Z, R12A, R12B, R12C			
23		Z01A			02	C01A	21A	W01A, W01B, W01C, W36Z			
Pre		A07A, A09B, A11A, A11B, A13B			03	D18Z, D25A, D25B, D25C, D25D	21B	X06A, X06B, X06C, X33Z			
5a118.j					BOP, KOP, KOPV, KVT, UOP4	06	G33Z	23		Z01A	
		01			B02A, B02B, B02C, B13Z, B20A, B20B, B20C, B20D, B20E, B39A, B39B	07	H33Z, H38Z	Pre		A07A	
		02			C01A	09	J08A, J08B, J08C	5a11b.1			BOP, KOP, KOPV, KVT, UOP4
		06		G33Z	11	L33Z	01			B02A, B02B, B02C, B02D, B13Z, B20A, B20B, B20C, B20D, B20E, B20F, B39A, B39B	
		07		H33Z, H38Z	17	R01A, R01B, R01C, R01D, R02Z, R12A, R12B, R12C	02			C01A	
	11	L33Z		21B	X06A, X06B, X06C, X33Z	03	D18Z, D25A, D25B, D25C, D25D				
	17	R01A, R01B, R01C, R01D, R02Z, R12A, R12B, R12C		23	Z01A	06	G33Z				
	21B	X33Z		Pre	A07A, A09B, A11A, A11B, A13B	07	H33Z, H38Z				
	23	Z01A		5a11a.0		BOP, KOP, KOPV, KVT, UOP4	09		J08A, J08B, J08C		
	Pre	A07A, A09B, A11A, A11B, A13B			01	B02A, B02B, B02C, B02D, B13Z, B20A, B20B, B20C, B20D, B20E, B20F, B39A, B39B	11		L33Z		
	5a118.k				BOP, KOP, KOPV, KVT, UOP4	02	C01A		17	R01A, R01B, R01C, R01D, R02Z, R12A, R12B, R12C	
		01			B02A, B02B, B02C, B13Z, B20A, B20B, B20C, B20D, B20E, B39A, B39B	03	D18Z, D25A, D25B, D25C, D25D		21A	W01A, W01B, W01C, W36Z	
		02			C01A	06	G33Z		21B	X06A, X06B, X06C, X33Z	
		06	G33Z		07	H33Z, H38Z	23		Z01A		
		07	H33Z, H38Z		09	J08A, J08B, J08C	Pre		A07A		
		11	L33Z		11	L33Z	5a118.m			BOP, KOP, KOPV, KVT, UOP4	
		17	R01A, R01B, R01C, R01D, R02Z, R12A, R12B, R12C		17	R01A, R01B, R01C, R01D, R02Z, R12A, R12B, R12C			01	B02A, B02B, B02C, B02D, B13Z, B20A, B20B, B20C, B20D, B20E, B20F, B39A, B39B	
21B		X33Z	21A		W01A, W01B, W01C, W36Z	02			C01A		
23		Z01A	21B		X06A, X06B, X06C, X33Z	06			G33Z		
Pre		A07A, A09B, A11A, A11B, A13B	23		Z01A	07		H33Z, H38Z			
			Pre		A07A	09		J08A, J08B, J08C			

ZZV	MDC	DRG	ZZV	MDC	DRG	ZZV	MDC	DRG
5a11c.3		BOP, KOP, KOPV, KVT, UOP4	5a11c.7		BOP, KOP, KOPV, KVT, UOP4	5a11c.b		BOP, KOP, KOPV, KVT, UOP4
	01	B02A, B02B, B02C, B20A, B20B, B20C, B20D, B20E, B39A, B39B		01	B02A, B02B, B02C, B20A, B20B, B20C, B20D, B20E, B39A, B39B		01	B02A, B02B, B02C, B20A, B20B, B20C, B20D, B20E, B39A, B39B
	02	C01A		02	C01A		02	C01A
	03	D18Z, D25A, D25B, D25C, D25D		03	D18Z, D25A, D25B, D25C, D25D		03	D18Z, D25A, D25B, D25C, D25D
	06	G33Z		06	G33Z		06	G33Z
	07	H33Z, H38Z		07	H33Z, H38Z		07	H33Z, H38Z
	09	J08A, J08B, J08C		09	J08A, J08B, J08C		09	J08A, J08B, J08C
	11	L33Z		11	L33Z		11	L33Z
	17	R01A, R01B, R01C, R01D, R02Z, R12A, R12B, R12C		17	R01A, R01B, R01C, R01D, R02Z, R12A, R12B, R12C		17	R01A, R01B, R01C, R01D, R02Z, R12A, R12B, R12C
	21B	X33Z		21B	X33Z		21B	X33Z
	23	Z01A		23	Z01A		23	Z01A
	Pre	A07A		Pre	A07A		Pre	A07A
	5a11c.4			BOP, KOP, KOPV, KVT, UOP4	5a11c.8			BOP, KOP, KOPV, KVT, UOP4
01		B02A, B02B, B02C, B20A, B20B, B20C, B20D, B20E, B39A, B39B	01	B02A, B02B, B02C, B20A, B20B, B20C, B20D, B20E, B39A, B39B		01	B02A, B02B, B02C, B20A, B20B, B20C, B20D, B20E, B39A, B39B	
02		C01A	02	C01A		02	C01A	
03		D18Z, D25A, D25B, D25C, D25D	03	D18Z, D25A, D25B, D25C, D25D		03	D18Z, D25A, D25B, D25C, D25D	
06		G33Z	06	G33Z		06	G33Z	
07		H33Z, H38Z	07	H33Z, H38Z		07	H33Z, H38Z	
09		J08A, J08B, J08C	09	J08A, J08B, J08C		09	J08A, J08B, J08C	
11		L33Z	11	L33Z		11	L33Z	
17		R01A, R01B, R01C, R01D, R02Z, R12A, R12B, R12C	17	R01A, R01B, R01C, R01D, R02Z, R12A, R12B, R12C		17	R01A, R01B, R01C, R01D, R02Z, R12A, R12B, R12C	
21B		X33Z	21B	X33Z		21B	X33Z	
23		Z01A	23	Z01A		23	Z01A	
Pre		A07A	Pre	A07A		Pre	A07A	
5a11c.5			BOP, KOP, KOPV, KVT, UOP4	5a11c.9			BOP, KOP, KOPV, KVT, UOP4	5a11d.3
	01	B02A, B02B, B02C, B20A, B20B, B20C, B20D, B20E, B39A, B39B	01		B02A, B02B, B02C, B20A, B20B, B20C, B20D, B20E, B39A, B39B	01	B02A, B02B, B02C, B20A, B20B, B20C, B20D, B20E, B39A, B39B	
	02	C01A	02		C01A	02	C01A	
	03	D18Z, D25A, D25B, D25C, D25D	03		D18Z, D25A, D25B, D25C, D25D	03	D18Z, D25A, D25B, D25C, D25D	
	06	G33Z	06		G33Z	06	G33Z	
	07	H33Z, H38Z	07		H33Z, H38Z	07	H33Z, H38Z	
	09	J08A, J08B, J08C	09		J08A, J08B, J08C	09	J08A, J08B, J08C	
	11	L33Z	11		L33Z	11	L33Z	
	17	R01A, R01B, R01C, R01D, R02Z, R12A, R12B, R12C	17		R01A, R01B, R01C, R01D, R02Z, R12A, R12B, R12C	17	R01A, R01B, R01C, R01D, R02Z, R12A, R12B, R12C	
	21B	X33Z	21B		X33Z	21B	X33Z	
	23	Z01A	23		Z01A	23	Z01A	
	Pre	A07A	Pre		A07A	Pre	A07A	
	5a11c.6		BOP, KOP, KOPV, KVT, UOP4		5a11c.a		BOP, KOP, KOPV, KVT, UOP4	
01		B02A, B02B, B02C, B20A, B20B, B20C, B20D, B20E, B39A, B39B	01	B02A, B02B, B02C, B20A, B20B, B20C, B20D, B20E, B39A, B39B		01	B02A, B02B, B02C, B20A, B20B, B20C, B20D, B20E, B39A, B39B	
02		C01A	02	C01A		02	C01A	
03		D18Z, D25A, D25B, D25C, D25D	03	D18Z, D25A, D25B, D25C, D25D		03	D18Z, D25A, D25B, D25C, D25D	
06		G33Z	06	G33Z		06	G33Z	
07		H33Z, H38Z	07	H33Z, H38Z		07	H33Z, H38Z	
09		J08A, J08B, J08C	09	J08A, J08B, J08C		09	J08A, J08B, J08C	
11		L33Z	11	L33Z		11	L33Z	
17		R01A, R01B, R01C, R01D, R02Z, R12A, R12B, R12C	17	R01A, R01B, R01C, R01D, R02Z, R12A, R12B, R12C		17	R01A, R01B, R01C, R01D, R02Z, R12A, R12B, R12C	
21B		X33Z	21B	X33Z		21B	X33Z	
23		Z01A	23	Z01A		23	Z01A	
Pre		A07A	Pre	A07A		Pre	A07A	

ZZV	MDC	DRG	ZZV	MDC	DRG	ZZV	MDC	DRG
5a11d.5		BOP, KOP, KOPV, KVT, UOP4	5a11d.9		BOP, KOP, KOPV, KVT, UOP4	5a11e.3		BOP, KOP, KOPV, KVT, UOP4
	01	B02A, B02B, B02C, B20A, B20B, B20C, B20D, B20E, B39A, B39B		01	B02A, B02B, B02C, B20A, B20B, B20C, B20D, B20E, B39A, B39B		01	B02A, B02B, B02C, B20A, B20B, B20C, B20D, B20E, B39A, B39B
	02	C01A		02	C01A		02	C01A
	03	D18Z, D25A, D25B, D25C, D25D		03	D18Z, D25A, D25B, D25C, D25D		03	D18Z, D25A, D25B, D25C, D25D
	06	G33Z		06	G33Z		06	G33Z
	07	H33Z, H38Z		07	H33Z, H38Z		07	H33Z, H38Z
	09	J08A, J08B, J08C		09	J08A, J08B, J08C		09	J08A, J08B, J08C
	11	L33Z		11	L33Z		11	L33Z
	17	R01A, R01B, R01C, R01D, R02Z, R12A, R12B, R12C		17	R01A, R01B, R01C, R01D, R02Z, R12A, R12B, R12C		17	R01A, R01B, R01C, R01D, R02Z, R12A, R12B, R12C
	21B	X33Z		21B	X33Z		21B	X33Z
	23	Z01A		23	Z01A		23	Z01A
	Pre	A07A		Pre	A07A		Pre	A07A
	5a11d.6			BOP, KOP, KOPV, KVT, UOP4	5a11d.a			BOP, KOP, KOPV, KVT, UOP4
01		B02A, B02B, B02C, B20A, B20B, B20C, B20D, B20E, B39A, B39B	01	B02A, B02B, B02C, B20A, B20B, B20C, B20D, B20E, B39A, B39B		01	B02A, B02B, B02C, B20A, B20B, B20C, B20D, B20E, B39A, B39B	
02		C01A	02	C01A		02	C01A	
03		D18Z, D25A, D25B, D25C, D25D	03	D18Z, D25A, D25B, D25C, D25D		03	D18Z, D25A, D25B, D25C, D25D	
06		G33Z	06	G33Z		06	G33Z	
07		H33Z, H38Z	07	H33Z, H38Z		07	H33Z, H38Z	
09		J08A, J08B, J08C	09	J08A, J08B, J08C		09	J08A, J08B, J08C	
11		L33Z	11	L33Z		11	L33Z	
17		R01A, R01B, R01C, R01D, R02Z, R12A, R12B, R12C	17	R01A, R01B, R01C, R01D, R02Z, R12A, R12B, R12C		17	R01A, R01B, R01C, R01D, R02Z, R12A, R12B, R12C	
21B		X33Z	21B	X33Z		21B	X33Z	
23		Z01A	23	Z01A		23	Z01A	
Pre		A07A	Pre	A07A		Pre	A07A	
5a11d.7			BOP, KOP, KOPV, KVT, UOP4	5a11d.b			BOP, KOP, KOPV, KVT, UOP4	5a11e.5
	01	B02A, B02B, B02C, B20A, B20B, B20C, B20D, B20E, B39A, B39B	01		B02A, B02B, B02C, B20A, B20B, B20C, B20D, B20E, B39A, B39B	01	B02A, B02B, B02C, B20A, B20B, B20C, B20D, B20E, B39A, B39B	
	02	C01A	02		C01A	02	C01A	
	03	D18Z, D25A, D25B, D25C, D25D	03		D18Z, D25A, D25B, D25C, D25D	03	D18Z, D25A, D25B, D25C, D25D	
	06	G33Z	06		G33Z	06	G33Z	
	07	H33Z, H38Z	07		H33Z, H38Z	07	H33Z, H38Z	
	09	J08A, J08B, J08C	09		J08A, J08B, J08C	09	J08A, J08B, J08C	
	11	L33Z	11		L33Z	11	L33Z	
	17	R01A, R01B, R01C, R01D, R02Z, R12A, R12B, R12C	17		R01A, R01B, R01C, R01D, R02Z, R12A, R12B, R12C	17	R01A, R01B, R01C, R01D, R02Z, R12A, R12B, R12C	
	21B	X33Z	21B		X33Z	21B	X33Z	
	23	Z01A	23		Z01A	23	Z01A	
	Pre	A07A	Pre		A07A	Pre	A07A	
	5a11d.8		BOP, KOP, KOPV, KVT, UOP4		5a11d.c		BOP, KOP, KOPV, KVT, UOP4	
01		B02A, B02B, B02C, B20A, B20B, B20C, B20D, B20E, B39A, B39B	01	B02A, B02B, B02C, B20A, B20B, B20C, B20D, B20E, B39A, B39B		01	B02A, B02B, B02C, B20A, B20B, B20C, B20D, B20E, B39A, B39B	
02		C01A	02	C01A		02	C01A	
03		D18Z, D25A, D25B, D25C, D25D	03	D18Z, D25A, D25B, D25C, D25D		03	D18Z, D25A, D25B, D25C, D25D	
06		G33Z	06	G33Z		06	G33Z	
07		H33Z, H38Z	07	H33Z, H38Z		07	H33Z, H38Z	
09		J08A, J08B, J08C	09	J08A, J08B, J08C		09	J08A, J08B, J08C	
11		L33Z	11	L33Z		11	L33Z	
17		R01A, R01B, R01C, R01D, R02Z, R12A, R12B, R12C	17	R01A, R01B, R01C, R01D, R02Z, R12A, R12B, R12C		17	R01A, R01B, R01C, R01D, R02Z, R12A, R12B, R12C	
21B		X33Z	21B	X33Z		21B	X33Z	
23		Z01A	23	Z01A		23	Z01A	
Pre		A07A	Pre	A07A		Pre	A07A	

ZZV	MDC	DRG	ZZV	MDC	DRG	ZZV	MDC	DRG
5a11e.7		BOP, KOP, KOPV, KVT, UOP4	5a11e.b		BOP, KOP, KOPV, KVT, UOP4	5a11f.5		BOP, KOP, KOPV, KVT, UOP4
	01	B02A, B02B, B02C, B20A, B20B, B20C, B20D, B20E, B39A, B39B		01	B02A, B02B, B02C, B20A, B20B, B20C, B20D, B20E, B39A, B39B		01	B02A, B02B, B02C, B20A, B20B, B20C, B20D, B20E, B39A, B39B
	02	C01A		02	C01A		02	C01A
	03	D18Z, D25A, D25B, D25C, D25D		03	D18Z, D25A, D25B, D25C, D25D		03	D18Z, D25A, D25B, D25C, D25D
	06	G33Z		06	G33Z		06	G33Z
	07	H33Z, H38Z		07	H33Z, H38Z		07	H33Z, H38Z
	09	J08A, J08B, J08C		09	J08A, J08B, J08C		09	J08A, J08B, J08C
	11	L33Z		11	L33Z		11	L33Z
	17	R01A, R01B, R01C, R01D, R02Z, R12A, R12B, R12C		17	R01A, R01B, R01C, R01D, R02Z, R12A, R12B, R12C		17	R01A, R01B, R01C, R01D, R02Z, R12A, R12B, R12C
	21B	X33Z		21B	X33Z		21B	X33Z
	23	Z01A		23	Z01A		23	Z01A
	Pre	A07A		Pre	A07A		Pre	A07A
	5a11e.8			BOP, KOP, KOPV, KVT, UOP4	5a11e.c			BOP, KOP, KOPV, KVT, UOP4
01		B02A, B02B, B02C, B20A, B20B, B20C, B20D, B20E, B39A, B39B	01	B02A, B02B, B02C, B20A, B20B, B20C, B20D, B20E, B39A, B39B		01	B02A, B02B, B02C, B20A, B20B, B20C, B20D, B20E, B39A, B39B	
02		C01A	02	C01A		02	C01A	
03		D18Z, D25A, D25B, D25C, D25D	03	D18Z, D25A, D25B, D25C, D25D		03	D18Z, D25A, D25B, D25C, D25D	
06		G33Z	06	G33Z		06	G33Z	
07		H33Z, H38Z	07	H33Z, H38Z		07	H33Z, H38Z	
09		J08A, J08B, J08C	09	J08A, J08B, J08C		09	J08A, J08B, J08C	
11		L33Z	11	L33Z		11	L33Z	
17		R01A, R01B, R01C, R01D, R02Z, R12A, R12B, R12C	17	R01A, R01B, R01C, R01D, R02Z, R12A, R12B, R12C		17	R01A, R01B, R01C, R01D, R02Z, R12A, R12B, R12C	
21B		X33Z	21B	X33Z		21B	X33Z	
23		Z01A	23	Z01A		23	Z01A	
Pre		A07A	Pre	A07A		Pre	A07A	
5a11e.9			BOP, KOP, KOPV, KVT, UOP4	5a11f.3			BOP, KOP, KOPV, KVT, UOP4	5a11f.7
	01	B02A, B02B, B02C, B20A, B20B, B20C, B20D, B20E, B39A, B39B	01		B02A, B02B, B02C, B20A, B20B, B20C, B20D, B20E, B39A, B39B	01	B02A, B02B, B02C, B20A, B20B, B20C, B20D, B20E, B39A, B39B	
	02	C01A	02		C01A	02	C01A	
	03	D18Z, D25A, D25B, D25C, D25D	03		D18Z, D25A, D25B, D25C, D25D	03	D18Z, D25A, D25B, D25C, D25D	
	06	G33Z	06		G33Z	06	G33Z	
	07	H33Z, H38Z	07		H33Z, H38Z	07	H33Z, H38Z	
	09	J08A, J08B, J08C	09		J08A, J08B, J08C	09	J08A, J08B, J08C	
	11	L33Z	11		L33Z	11	L33Z	
	17	R01A, R01B, R01C, R01D, R02Z, R12A, R12B, R12C	17		R01A, R01B, R01C, R01D, R02Z, R12A, R12B, R12C	17	R01A, R01B, R01C, R01D, R02Z, R12A, R12B, R12C	
	21B	X33Z	21B		X33Z	21B	X33Z	
	23	Z01A	23		Z01A	23	Z01A	
	Pre	A07A	Pre		A07A	Pre	A07A	
	5a11e.a		BOP, KOP, KOPV, KVT, UOP4		5a11f.4		BOP, KOP, KOPV, KVT, UOP4	
01		B02A, B02B, B02C, B20A, B20B, B20C, B20D, B20E, B39A, B39B	01	B02A, B02B, B02C, B20A, B20B, B20C, B20D, B20E, B39A, B39B		01	B02A, B02B, B02C, B20A, B20B, B20C, B20D, B20E, B39A, B39B	
02		C01A	02	C01A		02	C01A	
03		D18Z, D25A, D25B, D25C, D25D	03	D18Z, D25A, D25B, D25C, D25D		03	D18Z, D25A, D25B, D25C, D25D	
06		G33Z	06	G33Z		06	G33Z	
07		H33Z, H38Z	07	H33Z, H38Z		07	H33Z, H38Z	
09		J08A, J08B, J08C	09	J08A, J08B, J08C		09	J08A, J08B, J08C	
11		L33Z	11	L33Z		11	L33Z	
17		R01A, R01B, R01C, R01D, R02Z, R12A, R12B, R12C	17	R01A, R01B, R01C, R01D, R02Z, R12A, R12B, R12C		17	R01A, R01B, R01C, R01D, R02Z, R12A, R12B, R12C	
21B		X33Z	21B	X33Z		21B	X33Z	
23		Z01A	23	Z01A		23	Z01A	
Pre		A07A	Pre	A07A		Pre	A07A	

ZZV	MDC	DRG	ZZV	MDC	DRG	ZZV	MDC	DRG			
5a11f.9		BOP, KOP, KOPV, KVT, UOP4	5a120.0		BOP, KVT, UOP4	5a122.1		BOP, KVT, UOP4			
	01	B02A, B02B, B02C, B20A, B20B, B20C, B20D, B20E, B39A, B39B		01	B02A, B02B, B02C, B02D, B20A, B20B, B20C, B20D, B20E, B20F, B39A, B39B		01	B02A, B02B, B02C, B02D, B20A, B20B, B20C, B20D, B20E, B20F, B39A, B39B			
	02	C01A		02	C01A		02	C01A			
	03	D18Z, D25A, D25B, D25C, D25D		03	D18Z, D25A, D25B, D25C, D25D		03	D18Z, D25A, D25B, D25C, D25D			
	06	G33Z		09	J08A, J08B, J08C		09	J08A, J08B, J08C			
	07	H33Z, H38Z		17	R01A, R01C, R02Z, R12A, R12B		17	R01A, R01C, R02Z, R12A, R12B			
	09	J08A, J08B, J08C		21A	W01A, W01B, W01C, W36Z		21A	W01A, W01B, W01C, W36Z			
	11	L33Z		21B	X06A, X06B, X06C		21B	X06A, X06B, X06C			
	17	R01A, R01B, R01C, R01D, R02Z, R12A, R12B, R12C		23	Z01A		23	Z01A			
	21B	X33Z		Pre	B61A		Pre	B61A			
	23	Z01A		5a120.1			BOP, KVT, UOP4	5a123.0		BOP, KVT, UOP4	
	Pre	A07A			01		B02A, B02B, B02C, B02D, B20A, B20B, B20C, B20D, B20E, B20F, B39A, B39B		01	B02A, B02B, B02C, B02D, B20A, B20B, B20C, B20D, B20E, B20F, B39A, B39B	
	5a11f.a				BOP, KOP, KOPV, KVT, UOP4		02		C01A	02	C01A
		01			B02A, B02B, B02C, B20A, B20B, B20C, B20D, B20E, B39A, B39B		03		D18Z, D25A, D25B, D25C, D25D	03	D18Z, D25A, D25B, D25C, D25D
		02			C01A		09		J08A, J08B, J08C	09	J08A, J08B, J08C
		03			D18Z, D25A, D25B, D25C, D25D		17		R01A, R01C, R02Z, R12A, R12B	17	R01A, R01C, R02Z, R12A, R12B
		06			G33Z		21A		W01A, W01B, W01C, W36Z	21A	W01A, W01B, W01C, W36Z
07		H33Z, H38Z	21B		X06A, X06B, X06C	21B	X06A, X06B, X06C				
09		J08A, J08B, J08C	23		Z01A	23	Z01A				
11		L33Z	Pre		B61A	Pre	B61A				
17		R01A, R01B, R01C, R01D, R02Z, R12A, R12B, R12C	5a121.0			BOP, KVT, UOP4	5a123.1			BOP, KVT, UOP4	
21B		X33Z			01	B02A, B02B, B02C, B02D, B20A, B20B, B20C, B20D, B20E, B20F, B39A, B39B			01	B02A, B02B, B02C, B02D, B20A, B20B, B20C, B20D, B20E, B20F, B39A, B39B	
23		Z01A			02	C01A			02	C01A	
Pre		A07A			03	D18Z, D25A, D25B, D25C, D25D			03	D18Z, D25A, D25B, D25C, D25D	
5a11f.b					BOP, KOP, KOPV, KVT, UOP4	09			J08A, J08B, J08C	09	J08A, J08B, J08C
		01			B02A, B02B, B02C, B20A, B20B, B20C, B20D, B20E, B39A, B39B	17			R01A, R01C, R02Z, R12A, R12B	17	R01A, R01C, R02Z, R12A, R12B
		02			C01A	21A			W01A, W01B, W01C, W36Z	21A	W01A, W01B, W01C, W36Z
		03		D18Z, D25A, D25B, D25C, D25D	21B	X06A, X06B, X06C		21B	X06A, X06B, X06C		
		06		G33Z	23	Z01A		23	Z01A		
	07	H33Z, H38Z		Pre	B61A	Pre		B61A			
	09	J08A, J08B, J08C		5a121.1		BOP, KVT, UOP4		5a124.0		BOP, KVT, UOP4	
	11	L33Z			01	B02A, B02B, B02C, B02D, B20A, B20B, B20C, B20D, B20E, B20F, B39A, B39B			01	B02A, B02B, B02C, B02D, B20A, B20B, B20C, B20D, B20E, B20F, B39A, B39B	
	17	R01A, R01B, R01C, R01D, R02Z, R12A, R12B, R12C			02	C01A			02	C01A	
	21B	X33Z			03	D18Z, D25A, D25B, D25C, D25D			03	D18Z, D25A, D25B, D25C, D25D	
	23	Z01A			09	J08A, J08B, J08C			09	J08A, J08B, J08C	
	Pre	A07A			17	R01A, R01C, R02Z, R12A, R12B			17	R01A, R01C, R02Z, R12A, R12B	
	5a11f.c				BOP, KOP, KOPV, KVT, UOP4	21A			W01A, W01B, W01C, W36Z	21A	W01A, W01B, W01C, W36Z
		01	B02A, B02B, B02C, B20A, B20B, B20C, B20D, B20E, B39A, B39B		21B	X06A, X06B, X06C	21B		X06A, X06B, X06C		
		02	C01A		23	Z01A	23		Z01A		
		03	D18Z, D25A, D25B, D25C, D25D		Pre	B61A	Pre		B61A		
		06	G33Z		5a122.0		BOP, KVT, UOP4		5a124.1		BOP, KVT, UOP4
07		H33Z, H38Z	01			B02A, B02B, B02C, B02D, B20A, B20B, B20C, B20D, B20E, B20F, B39A, B39B	01			B02A, B02B, B02C, B02D, B20A, B20B, B20C, B20D, B20E, B20F, B39A, B39B	
09		J08A, J08B, J08C	02			C01A	02			C01A	
11		L33Z	03			D18Z, D25A, D25B, D25C, D25D	03			D18Z, D25A, D25B, D25C, D25D	
17		R01A, R01B, R01C, R01D, R02Z, R12A, R12B, R12C	09			J08A, J08B, J08C	09			J08A, J08B, J08C	
21B		X33Z	17			R01A, R01C, R02Z, R12A, R12B	17			R01A, R01C, R02Z, R12A, R12B	
23		Z01A	21A			W01A, W01B, W01C, W36Z	21A			W01A, W01B, W01C, W36Z	
Pre		A07A	21B	X06A, X06B, X06C		21B	X06A, X06B, X06C				
			23	Z01A		23	Z01A				
			Pre	B61A		Pre	B61A				

VYK

ZZV	MDC	DRG	ZZV	MDC	DRG	ZZV	MDC	DRG
5a125.0		BOP, KVT, UOP4	5a127.3		BOP, KVT, UOP4	5a128.6		BOP, KOP, KOPV, KVT, UOP4
	01	B02A, B02B, B02C, B02D, B20A, B20B, B20C, B20D, B20E, B20F, B39A, B39B		01	B02A, B02B, B02C, B02D, B20A, B20B, B20C, B20D, B20E, B20F, B39A, B39B		01	B02A, B02B, B02C, B02D, B13Z, B20A, B20B, B20C, B20D, B20E, B20F, B39A, B39B
	02	C01A		02	C01A		02	C01A
	03	D18Z, D25A, D25B, D25C, D25D		03	D18Z, D25A, D25B, D25C, D25D		03	D18Z, D25A, D25B, D25C, D25D
	09	J08A, J08B, J08C		09	J08A, J08B, J08C		06	G33Z
	17	R01A, R01C, R02Z, R12A, R12B		17	R01A, R01C, R02Z, R12A, R12B		07	H33Z, H38Z
	21A	W01A, W01B, W01C, W36Z		21A	W01A, W01B, W01C, W36Z		09	J08A, J08B, J08C
	21B	X06A, X06B, X06C		21B	X06A, X06B, X06C		11	L33Z
	23	Z01A		23	Z01A		17	R01A, R01B, R01C, R01D, R02Z, R12A, R12B, R12C
	Pre	B61A		Pre	B61A		21A	W01A, W01B, W01C, W36Z
	5a125.1			BOP, KVT, UOP4	5a128.4			BOP, KOP, KOPV, KVT, UOP4
01		B02A, B02B, B02C, B02D, B20A, B20B, B20C, B20D, B20E, B20F, B39A, B39B	01	B02A, B02B, B02C, B02D, B13Z, B20A, B20B, B20C, B20D, B20E, B20F, B39A, B39B		01	B02A, B02B, B02C, B02D, B13Z, B20A, B20B, B20C, B20D, B20E, B20F, B39A, B39B	
02		C01A	02	C01A		02	C01A	
03		D18Z, D25A, D25B, D25C, D25D	03	D18Z, D25A, D25B, D25C, D25D		03	D18Z, D25A, D25B, D25C, D25D	
09		J08A, J08B, J08C	06	G33Z		03	D18Z, D25A, D25B, D25C, D25D	
17		R01A, R01C, R02Z, R12A, R12B	07	H33Z, H38Z		06	G33Z	
21A		W01A, W01B, W01C, W36Z	09	J08A, J08B, J08C		07	H33Z, H38Z	
21B		X06A, X06B, X06C	11	L33Z		09	J08A, J08B, J08C	
23		Z01A	17	R01A, R01B, R01C, R01D, R02Z, R12A, R12B, R12C		11	L33Z	
Pre		B61A	Pre	A07A		17	R01A, R01B, R01C, R01D, R02Z, R12A, R12B, R12C	
5a126.2			BOP, KVT, UOP4	5a128.5			BOP, KOP, KOPV, KVT, UOP4	5a129.0
	01	B02A, B02B, B02C, B02D, B20A, B20B, B20C, B20D, B20E, B20F, B39A, B39B	01		B02A, B02B, B02C, B02D, B13Z, B20A, B20B, B20C, B20D, B20E, B20F, B39A, B39B	01	B09A, B09B	
	02	C01A	02		C01A	02	C01A	
	03	D18Z, D25A, D25B, D25C, D25D	03		D18Z, D25A, D25B, D25C, D25D	03	D18Z, D25A, D25B, D25C, D25D	
	09	J08A, J08B, J08C	06		G33Z	09	J08A, J08B, J08C	
	17	R01A, R01C, R02Z, R12A, R12B	07		H33Z, H38Z	17	R01A, R01B, R01C, R01D, R02Z, R12A, R12B, R12C	
	21A	W01A, W01B, W01C, W36Z	09		J08A, J08B, J08C	21A	W01A, W01B, W01C, W36Z	
	21B	X06A, X06B, X06C	11		L33Z	21B	X06A, X06B, X06C	
	23	Z01A	17		R01A, R01B, R01C, R01D, R02Z, R12A, R12B, R12C	23	Z01A	
	Pre	B61A	Pre		A07A	Pre	B61A	
	5a126.3		BOP, KVT, UOP4		5a129.1		BOP, KVT, UOP4	
01		B02A, B02B, B02C, B02D, B20A, B20B, B20C, B20D, B20E, B20F, B39A, B39B	01	B02A, B02B, B02C, B02D, B13Z, B20A, B20B, B20C, B20D, B20E, B20F, B39A, B39B		01	B09A, B09B	
02		C01A	02	C01A		02	C01A	
03		D18Z, D25A, D25B, D25C, D25D	03	D18Z, D25A, D25B, D25C, D25D		03	D18Z, D25A, D25B, D25C, D25D	
09		J08A, J08B, J08C	06	G33Z		09	J08A, J08B, J08C	
17		R01A, R01C, R02Z, R12A, R12B	07	H33Z, H38Z		17	R01A, R01B, R01C, R01D, R02Z, R12A, R12B, R12C	
21A		W01A, W01B, W01C, W36Z	09	J08A, J08B, J08C		21A	W01A, W01B, W01C, W36Z	
21B		X06A, X06B, X06C	11	L33Z		21B	X06A, X06B, X06C	
23		Z01A	17	R01A, R01B, R01C, R01D, R02Z, R12A, R12B, R12C		23	Z01A	
Pre		B61A	Pre	A07A		Pre	B61A	
5a127.2			BOP, KVT, UOP4	5a129.1			BOP, KVT, UOP4	5a129.1
	01	B02A, B02B, B02C, B02D, B20A, B20B, B20C, B20D, B20E, B20F, B39A, B39B	01		B02A, B02B, B02C, B02D, B13Z, B20A, B20B, B20C, B20D, B20E, B20F, B39A, B39B	01	B09A, B09B	
	02	C01A	02		C01A	02	C01A	
	03	D18Z, D25A, D25B, D25C, D25D	03		D18Z, D25A, D25B, D25C, D25D	03	D18Z, D25A, D25B, D25C, D25D	
	09	J08A, J08B, J08C	06		G33Z	09	J08A, J08B, J08C	
	17	R01A, R01C, R02Z, R12A, R12B	07		H33Z, H38Z	17	R01A, R01B, R01C, R01D, R02Z, R12A, R12B, R12C	
	21A	W01A, W01B, W01C, W36Z	09		J08A, J08B, J08C	21A	W01A, W01B, W01C, W36Z	
	21B	X06A, X06B, X06C	11		L33Z	21B	X06A, X06B, X06C	
	23	Z01A	17		R01A, R01B, R01C, R01D, R02Z, R12A, R12B, R12C	23	Z01A	
	Pre	B61A	Pre		A07A	Pre	B61A	

VYK





ZZV	MDC	DRG	ZZV	MDC	DRG	ZZV	MDC	DRG			
5a132.9		BOP, KOP, KOPV, KVT, UOP4	5a190.3		BOP, KOP, KOPV, KVT, UOP4	5a193		BOP, KOP, KOPV, KVT, UOP4			
	01	B02A, B02B, B02C, B02D, B20A, B20B, B20C, B20D, B20E, B20F, B39A, B39B		01	B02A, B02B, B02C, B20A, B20B, B20C, B20D, B20E, B39A, B39B		01	B02A, B02B, B02C, B13Z, B20A, B20B, B20C, B20D, B20E, B39A, B39B			
	02	C01A		02	C01A		02	C01A			
	03	D12A, D12B		06	G33Z		06	G33Z			
	06	G33Z		07	H33Z, H38Z		07	H33Z, H38Z			
	07	H33Z, H38Z		08	I23A		11	L33Z			
	11	L33Z		11	L33Z		17	R01A, R01B, R01C, R01D, R02Z, R12A, R12B, R12C			
	21A	W01A, W01B, W01C, W36Z		17	R01A, R01B, R01C, R01D, R02Z, R12A, R12B, R12C		21B	X33Z			
	21B	X06A, X06B, X06C, X33Z		21A	W01A, W01B, W01C, W36Z		23	Z01A			
	23	Z01A		21B	X33Z		Pre	A07A			
	Pre	A07A		23	Z01A		5a194.e	BOP, KOP, KOPV, KVT, UOP4			
	5a190.0			BOP, KOP, KOPV, KVT, UOP4	5a190.4				BOP, KOP, KOPV, KVT, UOP4	01	B02A, B02B, B02C, B13Z, B20A, B20B, B20C, B20D, B20E, B39A, B39B
		01		B02A, B02B, B02C, B20A, B20B, B20C, B20D, B20E, B39A, B39B				01	B02A, B02B, B02C, B20A, B20B, B20C, B20D, B20E, B39A, B39B	02	C01A
		02		C01A				02	C01A	06	G33Z
06		G33Z	06	G33Z		07		H33Z, H38Z			
07		H33Z, H38Z	07	H33Z, H38Z		11		L33Z			
08		I23A	08	I23A		17		R01A, R01B, R01C, R01D, R02Z, R12A, R12B, R12C			
11		L33Z	11	L33Z		21B		X33Z			
17		R01A, R01B, R01C, R01D, R02Z, R12A, R12B, R12C	17	R01A, R01B, R01C, R01D, R02Z, R12A, R12B, R12C		23		Z01A			
21A		W01A, W01B, W01C, W36Z	21A	W01A, W01B, W01C, W36Z		Pre		A07A			
21B		X33Z	21B	X33Z		5a194.f		BOP, KOP, KOPV, KVT, UOP4			
23		Z01A	23	Z01A				01	B02A, B02B, B02C, B13Z, B20A, B20B, B20C, B20D, B20E, B39A, B39B		
Pre		A07A	Pre	A07A				02	C01A		
5a190.1			BOP, KOP, KOPV, KVT, UOP4	5a191					BOP, KOP, KOPV, KVT, UOP4	06	G33Z
		01	B02A, B02B, B02C, B20A, B20B, B20C, B20D, B20E, B39A, B39B				01	B02A, B02B, B02C, B20A, B20B, B20C, B20D, B20E, B39A, B39B	07	H33Z, H38Z	
	02	C01A	02		C01A		11	L33Z			
	06	G33Z	06		G33Z		17	R01A, R01B, R01C, R01D, R02Z, R12A, R12B, R12C			
	07	H33Z, H38Z	07		H33Z, H38Z		21B	X33Z			
	08	I23A	08		I15A, I15B		23	Z01A			
	11	L33Z	11		L33Z		Pre	A07A			
	17	R01A, R01B, R01C, R01D, R02Z, R12A, R12B, R12C	21A		W01A, W01B, W01C, W36Z		5a195	BOP, KVT, UOP4			
	21A	W01A, W01B, W01C, W36Z	21B		X06A, X06B, X06C, X33Z			01	B02A, B02B, B02C, B02D, B20A, B20B, B20C, B20D, B20E, B20F, B39A, B39B		
	21B	X33Z	23		Z01A			02	C01A		
	23	Z01A	Pre		A07A, A09B, A11A, A11B, A13B			03	D18Z, D25A, D25B, D25C, D25D		
	Pre	A07A	5a192			BOP, KOP, KOPV, KVT, UOP4		09	J08A, J08B, J08C		
	5a190.2				BOP, KOP, KOPV, KVT, UOP4	5a192			BOP, KOP, KOPV, KVT, UOP4	17	R01A, R01C, R02Z, R12A, R12B
		01			B02A, B02B, B02C, B20A, B20B, B20C, B20D, B20E, B39A, B39B			01	B02A, B02B, B02C, B20A, B20B, B20C, B20D, B20E, B39A, B39B	21A	W01A, W01B, W01C, W36Z
02		C01A		02	C01A			21B	X06A, X06B, X06C		
06		G33Z		06	G33Z			23	Z01A		
07		H33Z, H38Z		07	H33Z, H38Z			Pre	B61A		
08		I23A		08	I15A, I15B			5a196	BOP, KVT, UOP4		
11		L33Z		11	L33Z				01	B09A, B09B	
17		R01A, R01B, R01C, R01D, R02Z, R12A, R12B, R12C		21A	W01A, W01B, W01C, W36Z				02	C01A	
21A		W01A, W01B, W01C, W36Z		21B	X06A, X06B, X06C, X33Z				03	D18Z, D25A, D25B, D25C, D25D	
21B		X33Z		23	Z01A		09		J08A, J08B, J08C		
23		Z01A		Pre	A07A, A09B, A11A, A11B, A13B		17		R01A, R01B, R01C, R01D, R02Z, R12A, R12B, R12C		
Pre		A07A					23		Z01A		
							Pre		B61A		

VYK



ZZV	MDC	DRG	ZZV	MDC	DRG	ZZV	MDC	DRG			
5a19e		BOP, KVT, UOP4	5a19k.1		BOP, KVT, UOP4	5a19m.6		BOP, KVT, UOP4			
	01	B03A, B03B, B06A, B06B, B07Z, B17A, B17B, B17C		01	B02A, B02B, B02C, B02D, B20A, B20B, B20C, B20D, B20E, B20F, B39A, B39B		01	B02A, B02B, B02C, B02D, B20A, B20B, B20C, B20D, B20E, B20F, B39A, B39B			
	02	C01A		02	C01A		02	C01A			
	03	D12A, D12B		08	I15A, I15B		06	G01Z, G02Z, G38Z			
	21A	W04A, W04B		09	J08A		08	I15A, I15B			
	21B	X06A, X06B, X06C		17	R01A, R01C, R02Z, R12A, R12B		09	J08A			
	5a19f.8			BOP, KOP, KOPV, KVT, UOP4	5a19k.2			BOP, KVT, UOP4	5a19n.7		BOP, KVT, UOP4
		01		B02A, B02B, B02C, B20A, B20B, B20C, B20D, B20E, B39A, B39B			01	B02A, B02B, B02C, B02D, B20A, B20B, B20C, B20D, B20E, B20F, B39A, B39B		01	B09A, B09B, B20A, B20B, B20C, B20D, B20E, B20F
		02		C01A			02	C01A		02	C01A
		03		D18Z, D25A, D25B, D25C, D25D			08	I15A, I15B		17	R01A, R01B, R01C, R01D, R02Z, R12A, R12B, R12C
06		G33Z	09	J08A		21A	W01A, W01B, W01C, W36Z				
07		H33Z, H38Z	17	R01A, R01C, R02Z, R12A, R12B		21B	X06A, X06B, X06C				
09		J08A, J08B, J08C	21A	W01A, W01B, W01C, W36Z		5a19n.8		BOP, KVT, UOP4			
11		L33Z	21B	X06A, X06B			01	B09A, B09B, B20A, B20B, B20C, B20D, B20E, B20F			
17		R01A, R01B, R01C, R01D, R02Z, R12A, R12B, R12C	23	Z01A			02	C01A			
21B		X33Z	5a19k.3				BOP, KVT, UOP4	17		R01A, R01B, R01C, R01D, R02Z, R12A, R12B, R12C	
23	Z01A	01		B02A, B02B, B02C, B02D, B20A, B20B, B20C, B20D, B20E, B20F, B39A, B39B	21A		W01A, W01B, W01C, W36Z				
Pre	A07A	02		C01A	21B		X06A, X06B, X06C				
5a19g		BOP, KOP, KOPV, KVT, UOP4		5a19m.4			BOP, KVT, UOP4	5a19o.1		BOP, KVT, UOP4	
	01	B02A, B02B, B02C, B20A, B20B, B20C, B20D, B20E, B39A, B39B			01		B02A, B02B, B02C, B02D, B20A, B20B, B20C, B20D, B20E, B20F, B39A, B39B		01	B09A, B09B, B20A, B20B, B20C, B20D, B20E, B20F	
	02	C01A			02		C01A		02	C01A	
	03	D18Z, D25A, D25B, D25C, D25D			08		I15A, I15B		03	D18Z, D25A, D25B, D25C, D25D	
	06	G33Z			09	J08A	09		J08A, J08B, J08C		
	07	H33Z, H38Z			17	R01A, R01C, R02Z, R12A, R12B	17		R01A, R01B, R01C, R01D, R02Z, R12A, R12B, R12C		
	09	J08A, J08B, J08C			21A	W01A, W01B, W01C, W36Z	21A		W01A, W01B, W01C, W36Z		
	11	L33Z	21B		X06A, X06B	21B	X06A, X06B, X06C				
	17	R01A, R01B, R01C, R01D, R02Z, R12A, R12B, R12C	23		Z01A	Pre	B61A				
	21A	W01A, W01B, W01C, W36Z	5a19m.5			BOP, KVT, UOP4	5a19o.3			BOP, KVT, UOP4	
21B	X06A, X06B, X06C, X33Z	01		B02A, B02B, B02C, B02D, B20A, B20B, B20C, B20D, B20E, B20F, B39A, B39B	01	B09A, B09B, B20A, B20B, B20C, B20D, B20E, B20F					
23	Z01A	02		C01A	02	C01A					
Pre	A07A	06		G01Z, G02Z, G38Z	03	D18Z, D25A, D25B, D25C, D25D					
5a19h		BOP, KVT, UOP4		5a19m.4		BOP, KVT, UOP4		5a19p.1		BOP, KVT, UOP4	
	01	B03A, B03B, B06A, B06B, B07Z, B17A, B17B, B17C			01	B02A, B02B, B02C, B02D, B20A, B20B, B20C, B20D, B20E, B20F, B39A, B39B			01	B09A, B09B, B20A, B20B, B20C, B20D, B20E, B20F	
	02	C01A			02	C01A			02	C01A	
	03	D12A, D12B			08	I15A, I15B			03	D18Z, D25A, D25B, D25C, D25D	
	21A	W04A, W04B			09	J08A			09	J08A, J08B, J08C	
	21B	X06A, X06B, X06C			17	R01A, R01C, R02Z, R12A, R12B			17	R01A, R01B, R01C, R01D, R02Z, R12A, R12B, R12C	
	5a19k.0		BOP, KVT, UOP4		5a19m.5		BOP, KVT, UOP4		5a19p.1		BOP, KVT, UOP4
		01	B02A, B02B, B02C, B02D, B20A, B20B, B20C, B20D, B20E, B20F, B39A, B39B			01	B02A, B02B, B02C, B02D, B20A, B20B, B20C, B20D, B20E, B20F, B39A, B39B			21A	W01A, W01B, W01C, W36Z
		02	C01A			02	C01A			21B	X06A, X06B, X06C
		08	I15A, I15B			06	G01Z, G02Z, G38Z			Pre	B61A
09		J08A	08	I15A, I15B		01	B09A, B09B, B20A, B20B, B20C, B20D, B20E, B20F				
17		R01A, R01C, R02Z, R12A, R12B	09	J08A		02	C01A				
21A		W01A, W01B, W01C, W36Z	17	R01A, R01C, R02Z, R12A, R12B		03	D18Z, D25A, D25B, D25C, D25D				
21B		X06A, X06B	21A	W01A, W01B, W01C, W36Z		09	J08A, J08B, J08C				
23		Z01A	21B	X06A, X06B		17	R01A, R01B, R01C, R01D, R02Z, R12A, R12B, R12C				
			Pre	A11A, A13A, A13B, A13D		21A	W01A, W01B, W01C, W36Z				
				21B	X06A, X06B, X06C						
				Pre	B61A						

ZZV	MDC	DRG	ZZV	MDC	DRG	ZZV	MDC	DRG		
5a19p.3		BOP, KVT, UOP4	5a19t		BOP, KOP, KOPV, KVT, UOP4	5a204.0		BOP, KOP, KOPV, KVT, UOP4		
	01	B09A, B09B, B20A, B20B, B20C, B20D, B20E, B20F		01	B02A, B02B, B02C, B13Z, B20A, B20B, B20C, B20D, B20E, B39A, B39B		01	B02A, B02B, B02C, B02D, B20A, B20B, B20C, B20D, B20E, B20F, B39A, B39B		
	02	C01A		02	C01A		06	G01Z, G02Z, G33Z, G38Z		
	03	D18Z, D25A, D25B, D25C, D25D		03	D18Z, D25A, D25B, D25C, D25D		07	H33Z, H38Z		
	09	J08A, J08B, J08C		04	E02A, E02B, E02C		11	L33Z		
	17	R01A, R01B, R01C, R01D, R02Z, R12A, R12B, R12C		06	G10Z, G12A, G12B, G33Z		17	R01A, R01B, R01C, R01D, R02Z, R12A, R12B, R12C		
	21A	W01A, W01B, W01C, W36Z		07	H33Z, H38Z		21A	W04A, W04B		
	21B	X06A, X06B, X06C		09	J03A, J03B, J04A, J04B, J08A, J08B, J08C, J11A, J11B, J16Z		21B	X06A, X06B, X06C, X33Z		
	Pre	B61A		10	K09A, K09B		23	Z01A		
	5a19r.1			BOP, KVT, UOP4	11		L09A, L09B, L09C, L09D, L33Z, L38Z	Pre	A07A, A11A, A13A, A13B, A13D	
		01		B09A, B09B, B20A, B20B, B20C, B20D, B20E, B20F	12		M06Z, M09A, M09B, M38Z	5a204.1		BOP, KOP, KOPV, KVT, UOP4
		02		C01A	13		N13A, N13B		01	B02A, B02B, B02C, B02D, B20A, B20B, B20C, B20D, B20E, B20F, B39A, B39B
		03		D18Z, D25A, D25B, D25C, D25D	17		R01A, R01B, R01C, R01D, R02Z, R12A, R12B, R12C		06	G01Z, G02Z, G33Z, G38Z
09		J08A, J08B, J08C	21A	W01A, W01B, W01C, W36Z	07	H33Z, H38Z				
17		R01A, R01B, R01C, R01D, R02Z, R12A, R12B, R12C	21B	X04Z, X05A, X05B, X06A, X06B, X06C, X33Z	11	L33Z				
21A		W01A, W01B, W01C, W36Z	23	Z01A	17	R01A, R01B, R01C, R01D, R02Z, R12A, R12B, R12C				
21B		X06A, X06B, X06C	Pre	A07A	21A	W04A, W04B				
Pre		B61A	5a200	BOP, KOP, KVT, UOP4	21B	X06A, X06B, X06C, X33Z				
5a19r.3			BOP, KVT, UOP4	01	B09A, B09B	23	Z01A			
		01	B09A, B09B, B20A, B20B, B20C, B20D, B20E, B20F	08	I15A, I15B	Pre	A07A, A11A, A13A, A13B, A13D			
		02	C01A	17	R01A, R01B, R01C, R01D, R02Z, R12A, R12B, R12C	5a204.2			BOP, KOP, KOPV, KVT, UOP4	
		03	D18Z, D25A, D25B, D25C, D25D	21A	W01A, W01B, W01C, W36Z		01		B02A, B02B, B02C, B02D, B20A, B20B, B20C, B20D, B20E, B20F, B39A, B39B	
	09	J08A, J08B, J08C	5a202	BOP, KOP, KOPV, KVT, UOP4	06		G01Z, G02Z, G33Z, G38Z			
	17	R01A, R01B, R01C, R01D, R02Z, R12A, R12B, R12C	01	B02A, B02B, B02C, B20A, B20B, B20C, B20D, B20E, B39A, B39B	07		H33Z, H38Z			
	21A	W01A, W01B, W01C, W36Z	06	G33Z	11		L33Z			
	21B	X06A, X06B, X06C	07	H33Z, H38Z	17		R01A, R01B, R01C, R01D, R02Z, R12A, R12B, R12C			
	Pre	B61A	11	L33Z	21A		W04A, W04B			
	5a19s		BOP, KOP, KOPV, KVT, UOP4	21A	W01A, W01B, W01C, W36Z		21B	X06A, X06B, X06C, X33Z		
		01	B02A, B02B, B02C, B13Z, B20A, B20B, B20C, B20D, B20E, B39A, B39B	23	Z01A		23	Z01A		
		02	C01A	Pre	A07A		Pre	A07A, A11A, A13A, A13B, A13D		
		06	G33Z	5a203	BOP, KOP, KOPV, KVT, UOP4		5a204.3		BOP, KOP, KOPV, KVT, UOP4	
07		H33Z, H38Z	01	B02A, B02B, B02C, B02D, B20A, B20B, B20C, B20D, B20E, B20F, B39A, B39B	01			B02A, B02B, B02C, B02D, B20A, B20B, B20C, B20D, B20E, B20F, B39A, B39B		
11		L33Z	06	G33Z	06			G01Z, G02Z, G33Z, G38Z		
17		R01A, R01B, R01C, R01D, R02Z, R12A, R12B, R12C	07	H33Z, H38Z	07	H33Z, H38Z				
21A		W01A, W01B, W01C, W36Z	11	L33Z	11	L33Z				
21B		X06A, X06B, X06C, X33Z	17	R01A, R01B, R01C, R01D, R02Z, R12A, R12B, R12C	17	R01A, R01B, R01C, R01D, R02Z, R12A, R12B, R12C				
23		Z01A	21A	W04A, W04B	21A	W04A, W04B				
Pre		A07A	21B	X06A, X06B, X06C, X33Z	21B	X06A, X06B, X06C, X33Z				
			23	Z01A	23	Z01A				
			Pre	A07A	Pre	A07A, A11A, A13A, A13B, A13D				

ZZV	MDC	DRG	ZZV	MDC	DRG	ZZV	MDC	DRG
5a204.4		BOP, KOP, KOPV, KVT, UOP4	5a205.0		BOP, KOP, KOPV, KVT, UOP4	5a209.0		BOP, KOP, KOPV, KVT, UOP4
	01	B02A, B02B, B02C, B02D, B20A, B20B, B20C, B20D, B20E, B20F, B39A, B39B		01	B02A, B02B, B02C, B02D, B20A, B20B, B20C, B20D, B20E, B20F, B39A, B39B		01	B02A, B02B, B02C, B20A, B20B, B20C, B20D, B20E, B39A, B39B
	06	G33Z		06	G01Z, G02Z, G33Z, G38Z		06	G33Z
	07	H33Z, H38Z		07	H33Z, H38Z		07	H33Z, H38Z
	11	L33Z		11	L33Z		11	L33Z
	17	R01A, R01B, R01C, R01D, R02Z, R12A, R12B, R12C		17	R01A, R01B, R01C, R01D, R02Z, R12A, R12B, R12C		17	R01A, R01B, R01C, R01D, R02Z, R12A, R12B, R12C
	21A	W04A, W04B		21A	W04A, W04B		21A	W04A, W04B
	21B	X06A, X06B, X06C, X33Z		21B	X06A, X06B, X06C, X33Z		21B	X06A, X06B, X06C, X33Z
	23	Z01A		23	Z01A		23	Z01A
	Pre	A07A		Pre	A07A, A11A, A13A, A13B, A13D		Pre	A07A
	5a204.5			BOP, KOP, KOPV, KVT, UOP4	5a205.1			BOP, KOP, KOPV, KVT, UOP4
01		B02A, B02B, B02C, B02D, B20A, B20B, B20C, B20D, B20E, B20F, B39A, B39B	01	B02A, B02B, B02C, B02D, B20A, B20B, B20C, B20D, B20E, B20F, B39A, B39B		01	B02A, B02B, B02C, B13Z, B20A, B20B, B20C, B20D, B20E, B39A, B39B	
06		G33Z	06	G33Z		06	G33Z	
07		H33Z, H38Z	06	G33Z		07	H33Z, H38Z	
11		L33Z	07	H33Z, H38Z		11	L33Z	
17		R01A, R01B, R01C, R01D, R02Z, R12A, R12B, R12C	11	L33Z		17	R01A, R01B, R01C, R01D, R02Z, R12A, R12B, R12C	
21A		W04A, W04B	17	R01A, R01B, R01C, R01D, R02Z, R12A, R12B, R12C		21A	W04A, W04B	
21B		X06A, X06B, X06C, X33Z	21A	W04A, W04B		21B	X06A, X06B, X06C, X33Z	
23		Z01A	21B	X06A, X06B, X06C, X33Z		23	Z01A	
Pre		A07A	23	Z01A		Pre	A07A	
5a204.6			BOP, KOP, KOPV, KVT, UOP4	5a206			BOP, KOP, KOPV, KVT, UOP4	5a20a
	01	B02A, B02B, B02C, B02D, B20A, B20B, B20C, B20D, B20E, B20F, B39A, B39B	01		B02A, B02B, B02C, B02D, B20A, B20B, B20C, B20D, B20E, B20F, B39A, B39B	01	B02A, B02B, B02C, B02D, B20A, B20B, B20C, B20D, B20E, B20F, B39A, B39B	
	06	G33Z	06		G33Z	06	G33Z	
	07	H33Z, H38Z	06		G33Z	07	H33Z, H38Z	
	11	L33Z	07		H33Z, H38Z	11	L33Z	
	17	R01A, R01B, R01C, R01D, R02Z, R12A, R12B, R12C	11		L33Z	17	R01A, R01B, R01C, R01D, R02Z, R12A, R12B, R12C	
	21A	W04A, W04B	17		R01A, R01B, R01C, R01D, R02Z, R12A, R12B, R12C	21A	W01A, W01B, W01C, W36Z	
	21B	X06A, X06B, X06C, X33Z	21A		W04A, W04B	21B	X06A, X06B, X06C, X33Z	
	23	Z01A	21B		X06A, X06B, X06C, X33Z	23	Z01A	
	Pre	A07A	23		Z01A	Pre	A07A	
	5a204.7		BOP, KOP, KOPV, KVT, UOP4		5a208		BOP, KOP, KOPV, KVT, UOP4	
01		B02A, B02B, B02C, B02D, B20A, B20B, B20C, B20D, B20E, B20F, B39A, B39B	01	B02A, B02B, B02C, B13Z, B20A, B20B, B20C, B20D, B20E, B39A, B39B		01	B02A, B02B, B02C, B02D, B20A, B20B, B20C, B20D, B20E, B20F, B39A, B39B	
06		G33Z	06	G33Z		06	G01Z, G02Z, G33Z, G38Z	
07		H33Z, H38Z	06	G33Z		07	H33Z, H38Z	
11		L33Z	07	H33Z, H38Z		11	L33Z	
17		R01A, R01B, R01C, R01D, R02Z, R12A, R12B, R12C	11	L33Z		17	R01A, R01B, R01C, R01D, R02Z, R12A, R12B, R12C	
21A		W04A, W04B	17	R01A, R01B, R01C, R01D, R02Z, R12A, R12B, R12C		21A	W01A, W01B, W01C, W36Z	
21B		X06A, X06B, X06C, X33Z	21A	W04A, W04B		21B	X06A, X06B, X06C, X33Z	
23		Z01A	21B	X06A, X06B, X06C, X33Z		23	Z01A	
Pre		A07A	23	Z01A		Pre	A07A, A11A, A13A, A13B, A13D	

VYK

ZZV	MDC	DRG	ZZV	MDC	DRG	ZZV	MDC	DRG			
5a20b.1		BOP, KOP, KOPV, KVT, UOP4	5a20d		BOP, KOP, KOPV, KVT, UOP4	5a20e.3		BOP, KOP, KOPV, KVT, UOP4			
	01	B02A, B02B, B02C, B02D, B20A, B20B, B20C, B20D, B20E, B20F, B39A, B39B		01	B02A, B02B, B02C, B02D, B20A, B20B, B20C, B20D, B20E, B20F, B39A, B39B		01	B02A, B02B, B02C, B20A, B20B, B20C, B20D, B20E, B39A, B39B			
	06	G01Z, G02Z, G33Z, G38Z		06	G33Z		05	F01A, F01B, F01D, F05Z, F07A, F07B, F14A, F14B, F28A, F42Z, F54Z, F59A, F59B			
	07	H33Z, H38Z		07	H33Z, H38Z		06	G33Z			
	11	L33Z		11	L33Z		07	H33Z, H38Z			
	17	R01A, R01B, R01C, R01D, R02Z, R12A, R12B, R12C		17	R01A, R01B, R01C, R01D, R02Z, R12A, R12B, R12C		11	L33Z			
	21A	W01A, W01B, W01C, W36Z		21A	W01A, W01B, W01C, W36Z		21A	W01A, W01B, W01C, W36Z			
	21B	X06A, X06B, X06C, X33Z		21B	X06A, X06B, X06C, X33Z		21B	X06A, X06B, X06C, X33Z			
	23	Z01A		23	Z01A		23	Z01A			
	Pre	A07A, A11A, A13A, A13B, A13D		Pre	A07A		Pre	A07A			
	5a20b.2			BOP, KOP, KOPV, KVT, UOP4	5a20e.0			BOP, KOP, KOPV, KVT, UOP4	5a20e.4		BOP, KOP, KOPV, KVT, UOP4
		01		B02A, B02B, B02C, B02D, B20A, B20B, B20C, B20D, B20E, B20F, B39A, B39B			01	B02A, B02B, B02C, B20A, B20B, B20C, B20D, B20E, B39A, B39B		01	B02A, B02B, B02C, B20A, B20B, B20C, B20D, B20E, B39A, B39B
		06		G01Z, G02Z, G33Z, G38Z			05	F01A, F01B, F01D, F05Z, F07A, F07B, F14A, F14B, F28A, F42Z, F54Z, F59A, F59B		05	F01A, F01B, F01D, F05Z, F07A, F07B, F14A, F14B, F28A, F42Z, F54Z, F59A, F59B
07		H33Z, H38Z	06	G33Z		06	G33Z				
11		L33Z	07	H33Z, H38Z		07	H33Z, H38Z				
17		R01A, R01B, R01C, R01D, R02Z, R12A, R12B, R12C	11	L33Z		11	L33Z				
21A		W01A, W01B, W01C, W36Z	21A	W01A, W01B, W01C, W36Z		21A	W01A, W01B, W01C, W36Z				
21B		X06A, X06B, X06C, X33Z	21B	X06A, X06B, X06C, X33Z		21B	X06A, X06B, X06C, X33Z				
23		Z01A	23	Z01A		23	Z01A				
Pre		A07A, A11A, A13A, A13B, A13D	Pre	A07A		Pre	A07A				
5a20b.3			BOP, KOP, KOPV, KVT, UOP4	5a20e.1			BOP, KOP, KOPV, KVT, UOP4	5a20e.5			BOP, KOP, KOPV, KVT, UOP4
		01	B02A, B02B, B02C, B02D, B20A, B20B, B20C, B20D, B20E, B20F, B39A, B39B			01	B02A, B02B, B02C, B20A, B20B, B20C, B20D, B20E, B39A, B39B			01	B02A, B02B, B02C, B20A, B20B, B20C, B20D, B20E, B39A, B39B
		06	G01Z, G02Z, G33Z, G38Z			05	F01A, F01B, F01D, F05Z, F07A, F07B, F14A, F14B, F28A, F42Z, F54Z, F59A, F59B			05	F01A, F01B, F01D, F05Z, F07A, F07B, F14A, F14B, F28A, F42Z, F54Z, F59A, F59B
	07	H33Z, H38Z	06		G33Z	06	G33Z				
	11	L33Z	07		H33Z, H38Z	07	H33Z, H38Z				
	17	R01A, R01B, R01C, R01D, R02Z, R12A, R12B, R12C	11		L33Z	11	L33Z				
	21A	W01A, W01B, W01C, W36Z	21A		W01A, W01B, W01C, W36Z	21A	W01A, W01B, W01C, W36Z				
	21B	X06A, X06B, X06C, X33Z	21B		X06A, X06B, X06C, X33Z	21B	X06A, X06B, X06C, X33Z				
	23	Z01A	23		Z01A	23	Z01A				
	Pre	A07A, A11A, A13A, A13B, A13D	Pre		A07A	Pre	A07A				
	5a20c		BOP, KOP, KOPV, KVT, UOP4		5a20e.2		BOP, KOP, KOPV, KVT, UOP4		5a20e.6		BOP, KOP, KOPV, KVT, UOP4
		01	B02A, B02B, B02C, B02D, B20A, B20B, B20C, B20D, B20E, B20F, B39A, B39B			01	B02A, B02B, B02C, B20A, B20B, B20C, B20D, B20E, B39A, B39B			01	B02A, B02B, B02C, B20A, B20B, B20C, B20D, B20E, B39A, B39B
		06	G33Z			05	F01A, F01B, F01D, F05Z, F07A, F07B, F14A, F14B, F28A, F42Z, F54Z, F59A, F59B			05	F01A, F01B, F01D, F05Z, F07A, F07B, F14A, F14B, F28A, F42Z, F54Z, F59A, F59B
07		H33Z, H38Z	06	G33Z		06	G33Z				
11		L33Z	07	H33Z, H38Z		07	H33Z, H38Z				
17		R01A, R01B, R01C, R01D, R02Z, R12A, R12B, R12C	11	L33Z		11	L33Z				
21A		W04A, W04B	21A	W01A, W01B, W01C, W36Z		21A	W01A, W01B, W01C, W36Z				
21B		X06A, X06B, X06C, X33Z	21B	X06A, X06B, X06C, X33Z		21B	X06A, X06B, X06C, X33Z				
23		Z01A	23	Z01A		23	Z01A				
Pre		A07A	Pre	A07A		Pre	A07A				

ZZV	MDC	DRG	ZZV	MDC	DRG	ZZV	MDC	DRG			
5a20e.7		BOP, KOP, KOPV, KVT, UOP4	5a20e.b		BOP, KOP, KOPV, KVT, UOP4	5a20f.3		BOP, KOP, KOPV, KVT, UOP4			
	01	B02A, B02B, B02C, B20A, B20B, B20C, B20D, B20E, B39A, B39B		01	B02A, B02B, B02C, B20A, B20B, B20C, B20D, B20E, B39A, B39B		01	B02A, B02B, B02C, B20A, B20B, B20C, B20D, B20E, B39A, B39B			
	05	F01A, F01B, F01D, F05Z, F07A, F07B, F14A, F14B, F28A, F42Z, F54Z, F59A, F59B		05	F01A, F01B, F01D, F05Z, F07A, F07B, F14A, F14B, F28A, F42Z, F54Z, F59A, F59B		05	F01A, F01B, F01D, F05Z, F07A, F07B, F14A, F14B, F28A, F42Z, F54Z, F59A, F59B			
	06	G33Z		06	G33Z		06	G33Z			
	07	H33Z, H38Z		07	H33Z, H38Z		07	H33Z, H38Z			
	11	L33Z		11	L33Z		11	L33Z			
	21A	W01A, W01B, W01C, W36Z		21A	W01A, W01B, W01C, W36Z		21A	W01A, W01B, W01C, W36Z			
	21B	X06A, X06B, X06C, X33Z		21B	X06A, X06B, X06C, X33Z		21B	X06A, X06B, X06C, X33Z			
	23	Z01A		23	Z01A		23	Z01A			
	Pre	A07A		Pre	A07A		Pre	A07A			
	5a20e.8			BOP, KOP, KOPV, KVT, UOP4	5a20f.0			BOP, KOP, KOPV, KVT, UOP4	5a20g.4		BOP, KOP, KOPV, KVT, UOP4
		01		B02A, B02B, B02C, B20A, B20B, B20C, B20D, B20E, B39A, B39B			01	B02A, B02B, B02C, B20A, B20B, B20C, B20D, B20E, B39A, B39B		01	B02A, B02B, B02C, B20A, B20B, B20C, B20D, B20E, B39A, B39B
05		F01A, F01B, F01D, F05Z, F07A, F07B, F14A, F14B, F28A, F42Z, F54Z, F59A, F59B	05	F01A, F01B, F01D, F05Z, F07A, F07B, F14A, F14B, F28A, F42Z, F54Z, F59A, F59B		05	F01A, F01B, F01D, F05Z, F07A, F07B, F14A, F14B, F28A, F42Z, F54Z, F59A, F59B				
06		G33Z	06	G33Z		06	G33Z				
07		H33Z, H38Z	07	H33Z, H38Z		07	H33Z, H38Z				
11		L33Z	11	L33Z		11	L33Z				
21A		W01A, W01B, W01C, W36Z	21A	W01A, W01B, W01C, W36Z		21A	W01A, W01B, W01C, W36Z				
21B		X06A, X06B, X06C, X33Z	21B	X06A, X06B, X06C, X33Z		21B	X06A, X06B, X06C, X33Z				
23		Z01A	23	Z01A		23	Z01A				
Pre		A07A	Pre	A07A		Pre	A07A				
5a20e.9			BOP, KOP, KOPV, KVT, UOP4	5a20f.1			BOP, KOP, KOPV, KVT, UOP4	5a20g.5			BOP, KOP, KOPV, KVT, UOP4
		01	B02A, B02B, B02C, B20A, B20B, B20C, B20D, B20E, B39A, B39B			01	B02A, B02B, B02C, B20A, B20B, B20C, B20D, B20E, B39A, B39B			01	B02A, B02B, B02C, B20A, B20B, B20C, B20D, B20E, B39A, B39B
	05	F01A, F01B, F01D, F05Z, F07A, F07B, F14A, F14B, F28A, F42Z, F54Z, F59A, F59B	05		F01A, F01B, F01D, F05Z, F07A, F07B, F14A, F14B, F28A, F42Z, F54Z, F59A, F59B	06	G33Z				
	06	G33Z	06		G33Z	07	H33Z, H38Z				
	07	H33Z, H38Z	07		H33Z, H38Z	08	I15A, I15B				
	11	L33Z	11		L33Z	11	L33Z				
	21A	W01A, W01B, W01C, W36Z	21A		W01A, W01B, W01C, W36Z	21A	W01A, W01B, W01C, W36Z				
	21B	X06A, X06B, X06C, X33Z	21B		X06A, X06B, X06C, X33Z	21B	X06A, X06B, X06C, X33Z				
	23	Z01A	23		Z01A	23	Z01A				
	Pre	A07A	Pre		A07A	Pre	A07A				
	5a20e.a		BOP, KOP, KOPV, KVT, UOP4		5a20f.2		BOP, KOP, KOPV, KVT, UOP4		5a20g.6		BOP, KOP, KOPV, KVT, UOP4
		01	B02A, B02B, B02C, B20A, B20B, B20C, B20D, B20E, B39A, B39B			01	B02A, B02B, B02C, B20A, B20B, B20C, B20D, B20E, B39A, B39B			01	B02A, B02B, B02C, B20A, B20B, B20C, B20D, B20E, B39A, B39B
05		F01A, F01B, F01D, F05Z, F07A, F07B, F14A, F14B, F28A, F42Z, F54Z, F59A, F59B	05	F01A, F01B, F01D, F05Z, F07A, F07B, F14A, F14B, F28A, F42Z, F54Z, F59A, F59B		05	F01A, F01B, F01D, F05Z, F07A, F07B, F14A, F14B, F28A, F42Z, F54Z, F59A, F59B				
06		G33Z	06	G33Z		06	G33Z				
07		H33Z, H38Z	07	H33Z, H38Z		07	H33Z, H38Z				
11		L33Z	11	L33Z		11	L33Z				
21A		W01A, W01B, W01C, W36Z	21A	W01A, W01B, W01C, W36Z		21A	W01A, W01B, W01C, W36Z				
21B		X06A, X06B, X06C, X33Z	21B	X06A, X06B, X06C, X33Z		21B	X06A, X06B, X06C, X33Z				
23		Z01A	23	Z01A		23	Z01A				
Pre		A07A	Pre	A07A		Pre	A07A				



ZZV	MDC	DRG	ZZV	MDC	DRG	ZZV	MDC	DRG				
5a20g.7		BOP, KOP, KOPV, KVT, UOP4	5a20h.3		BOP, KOP, KOPV, KVT, UOP4	5a20k.0		BOP, KOP, KOPV, KVT, UOP4				
	01	B02A, B02B, B02C, B20A, B20B, B20C, B20D, B20E, B39A, B39B		01	B02A, B02B, B02C, B20A, B20B, B20C, B20D, B20E, B39A, B39B		01	B02A, B02B, B02C, B20A, B20B, B20C, B20D, B20E, B39A, B39B				
	06	G33Z		02	C01A		02	C01A				
	07	H33Z, H38Z		06	G01Z, G02Z, G33Z, G38Z		06	G01Z, G02Z, G33Z, G38Z				
	08	I15A, I15B		07	H33Z, H38Z		07	H33Z, H38Z				
	11	L33Z		08	I15A, I15B		11	L33Z				
	21A	W01A, W01B, W01C, W36Z		11	L33Z		21A	W01A, W01B, W01C, W36Z				
	21B	X06A, X06B, X06C, X33Z		21A	W01A, W01B, W01C, W36Z		21B	X06A, X06B, X06C, X33Z				
	23	Z01A		21B	X06A, X06B, X06C, X33Z		23	Z01A				
	Pre	A07A		23	Z01A		Pre	A07A, A11A, A13A, A13B, A13D				
	5a20h.0			BOP, KOP, KOPV, KVT, UOP4	5a20j.0			BOP, KOP, KOPV, KVT, UOP4	5a20k.1		BOP, KOP, KOPV, KVT, UOP4	
		01		B02A, B02B, B02C, B20A, B20B, B20C, B20D, B20E, B39A, B39B			01	B02A, B02B, B02C, B20A, B20B, B20C, B20D, B20E, B39A, B39B		01	B02A, B02B, B02C, B20A, B20B, B20C, B20D, B20E, B39A, B39B	
		02		C01A			02	C01A		02	C01A	
06		G01Z, G02Z, G33Z, G38Z	06	G01Z, G02Z, G33Z, G38Z		06	G01Z, G02Z, G33Z, G38Z					
07		H33Z, H38Z	07	H33Z, H38Z		07	H33Z, H38Z					
08		I15A, I15B	07	H33Z, H38Z		11	L33Z					
11		L33Z	11	L33Z		21A	W01A, W01B, W01C, W36Z					
21A		W01A, W01B, W01C, W36Z	21A	W01A, W01B, W01C, W36Z		21B	X06A, X06B, X06C, X33Z					
21B		X06A, X06B, X06C, X33Z	21B	X06A, X06B, X06C, X33Z		23	Z01A					
23		Z01A	23	Z01A		Pre	A07A, A11A, A13A, A13B, A13D					
Pre		A07A, A11A, A13A, A13B, A13D	Pre	A07A, A11A, A13A, A13B, A13D		5a20k.2		BOP, KOP, KOPV, KVT, UOP4				
5a20h.1			BOP, KOP, KOPV, KVT, UOP4	5a20j.1				BOP, KOP, KOPV, KVT, UOP4		5a20m.0		BOP, KOP, KOPV, KVT, UOP4
		01	B02A, B02B, B02C, B20A, B20B, B20C, B20D, B20E, B39A, B39B				01	B02A, B02B, B02C, B20A, B20B, B20C, B20D, B20E, B39A, B39B			01	B02A, B02B, B02C, B20A, B20B, B20C, B20D, B20E, B39A, B39B
	02	C01A	02		C01A		02	C01A				
	06	G01Z, G02Z, G33Z, G38Z	06		G01Z, G02Z, G33Z, G38Z		06	G01Z, G02Z, G33Z, G38Z				
	07	H33Z, H38Z	07		H33Z, H38Z		07	H33Z, H38Z				
	08	I15A, I15B	07		H33Z, H38Z		11	L33Z				
	11	L33Z	11		L33Z		21A	W01A, W01B, W01C, W36Z				
	21A	W01A, W01B, W01C, W36Z	21A		W01A, W01B, W01C, W36Z		21B	X06A, X06B, X06C, X33Z				
	21B	X06A, X06B, X06C, X33Z	21B		X06A, X06B, X06C, X33Z		23	Z01A				
	23	Z01A	23		Z01A		Pre	A07A, A11A, A13A, A13B, A13D				
	Pre	A07A, A11A, A13A, A13B, A13D	Pre		A07A, A11A, A13A, A13B, A13D		5a20m.1		BOP, KOP, KOPV, KVT, UOP4			
	5a20h.2		BOP, KOP, KOPV, KVT, UOP4		5a20j.2				BOP, KOP, KOPV, KVT, UOP4		5a20m.1	
		01	B02A, B02B, B02C, B20A, B20B, B20C, B20D, B20E, B39A, B39B			01		B02A, B02B, B02C, B20A, B20B, B20C, B20D, B20E, B39A, B39B	01			B02A, B02B, B02C, B20A, B20B, B20C, B20D, B20E, B39A, B39B
02		C01A	02	C01A		02		C01A				
06		G01Z, G02Z, G33Z, G38Z	06	G01Z, G02Z, G33Z, G38Z		06		G01Z, G02Z, G33Z, G38Z				
07		H33Z, H38Z	07	H33Z, H38Z		07		H33Z, H38Z				
08		I15A, I15B	07	H33Z, H38Z		11		L33Z				
11		L33Z	11	L33Z		21A		W01A, W01B, W01C, W36Z				
21A		W01A, W01B, W01C, W36Z	21A	W01A, W01B, W01C, W36Z		21B		X06A, X06B, X06C, X33Z				
21B		X06A, X06B, X06C, X33Z	21B	X06A, X06B, X06C, X33Z		23		Z01A				
23		Z01A	23	Z01A		Pre		A07A, A11A, A13A, A13B, A13D				
Pre		A07A, A11A, A13A, A13B, A13D	Pre	A07A, A11A, A13A, A13B, A13D								

VYK

ZZV	MDC	DRG	ZZV	MDC	DRG	ZZV	MDC	DRG			
5a20m.2		BOP, KOP, KOPV, KVT, UOP4	5a20p		BOP, KOP, KOPV, KVT, UOP4	5a210.0		BOP, KOP, KOPV, KVT, UOP4			
	01	B02A, B02B, B02C, B20A, B20B, B20C, B20D, B20E, B39A, B39B		01	B02A, B02B, B02C, B20A, B20B, B20C, B20D, B20E, B39A, B39B		01	B02A, B02B, B02C, B02D, B20A, B20B, B20C, B20D, B20E, B20F, B39A, B39B			
	02	C01A		05	F01A, F01B, F01D, F05Z, F07A, F07B, F08A, F08B, F08C, F08D, F08E, F28A, F42Z		02	C01A			
	06	G01Z, G02Z, G33Z, G38Z		06	G33Z		06	G33Z			
	07	H33Z, H38Z		07	H33Z, H38Z		07	H33Z, H38Z			
	11	L33Z		11	L33Z		08	I15A, I15B			
	21A	W01A, W01B, W01C, W36Z		11	L33Z		11	L33Z			
	21B	X06A, X06B, X06C, X33Z		21B	X33Z		21A	W01A, W01B, W01C, W36Z			
	23	Z01A		23	Z01A		21B	X06A, X06B, X33Z			
	Pre	A07A, A11A, A13A, A13B, A13D		Pre	A07A		Pre	A07A			
	5a20n.0			BOP, KOP, KOPV, KVT, UOP4	5a20s			BOP, KOP, KOPV, KVT, UOP4	5a210.1		BOP, KOP, KOPV, KVT, UOP4
		01		B02A, B02B, B02C, B20A, B20B, B20C, B20D, B20E, B39A, B39B			01	B02A, B02B, B02C, B02D, B20A, B20B, B20C, B20D, B20E, B20F, B39A, B39B		01	B02A, B02B, B02C, B02D, B20A, B20B, B20C, B20D, B20E, B20F, B39A, B39B
		02		C01A			05	F13A		02	C01A
		06		G01Z, G02Z, G33Z, G38Z			06	G01Z, G02Z, G33Z, G38Z		06	G33Z
07		H33Z, H38Z	07	H33Z, H38Z		07	H33Z, H38Z				
11		L33Z	11	L33Z		08	I15A, I15B				
21A		W01A, W01B, W01C, W36Z	21A	W04A, W04B		11	L33Z				
21B		X06A, X06B, X06C, X33Z	21B	X06A, X06B, X06C, X33Z		21A	W01A, W01B, W01C, W36Z				
23		Z01A	23	Z01A		21B	X06A, X06B, X33Z				
Pre		A07A, A11A, A13A, A13B, A13D	Pre	A07A, A11A, A13A, A13B, A13D		Pre	A07A				
5a20n.1			BOP, KOP, KOPV, KVT, UOP4	5a20t			BOP, KVT, UOP4	5a211.2			BOP, KOP, KOPV, KVT, UOP4
		01	B02A, B02B, B02C, B20A, B20B, B20C, B20D, B20E, B39A, B39B			01	B18Z			01	B02A, B02B, B02C, B20A, B20B, B20C, B20D, B20E, B39A, B39B
		02	C01A			05	F13A			02	C01A
		06	G01Z, G02Z, G33Z, G38Z			06	G01Z, G02Z, G38Z			06	G33Z
	07	H33Z, H38Z	08		I15A, I15B	07	H33Z, H38Z				
	11	L33Z	17		R01A, R01B, R01C, R01D, R02Z, R12A, R12B, R12C	07	H33Z, H38Z				
	21A	W01A, W01B, W01C, W36Z	21A		W04A, W04B	08	I15A, I15B				
	21B	X06A, X06B, X06C, X33Z	21B		X06A, X06B, X06C	11	L33Z				
	23	Z01A	Pre		A11A, A13A, A13B, A13D	21A	W01A, W01B, W01C, W36Z				
	Pre	A07A, A11A, A13A, A13B, A13D	Pre		BOP, KVT, UOP4	21B	X06A, X06B, X33Z				
	5a20n.2		BOP, KOP, KOPV, KVT, UOP4		5a20u		BOP, KVT, UOP4		5a211.3		BOP, KOP, KOPV, KVT, UOP4
		01	B02A, B02B, B02C, B20A, B20B, B20C, B20D, B20E, B39A, B39B			01	B18Z			01	B02A, B02B, B02C, B20A, B20B, B20C, B20D, B20E, B39A, B39B
		02	C01A			05	F13A			02	C01A
		06	G01Z, G02Z, G33Z, G38Z			06	G01Z, G02Z, G38Z			06	G33Z
07		H33Z, H38Z	08	I15A, I15B		07	H33Z, H38Z				
11		L33Z	17	R01A, R01B, R01C, R01D, R02Z, R12A, R12B, R12C		07	H33Z, H38Z				
21A		W01A, W01B, W01C, W36Z	21A	W04A, W04B		08	I15A, I15B				
21B		X06A, X06B, X06C, X33Z	21B	X06A, X06B, X06C		11	L33Z				
23		Z01A	Pre	A11A, A13A, A13B, A13D		21A	W01A, W01B, W01C, W36Z				
Pre		A07A, A11A, A13A, A13B, A13D	Pre	BOP, KOP, KOPV, KVT, UOP4		21B	X06A, X06B, X33Z				
5a20o			BOP, KOP, KOPV, KVT, UOP4	5a20v			BOP, KOP, KOPV, KVT, UOP4	5a211.4			BOP, KOP, KOPV, KVT, UOP4
		01	B02A, B02B, B02C, B20A, B20B, B20C, B20D, B20E, B39A, B39B			01	B02A, B02B, B02C, B02D, B20A, B20B, B20C, B20D, B20E, B20F, B39A, B39B			01	B02A, B02B, B02C, B20A, B20B, B20C, B20D, B20E, B39A, B39B
		02	C01A			05	F13A			02	C01A
		06	G01Z, G02Z, G33Z, G38Z			06	G01Z, G02Z, G33Z, G38Z			06	G33Z
	07	H33Z, H38Z	07		H33Z, H38Z	07	H33Z, H38Z				
	11	L33Z	11		L33Z	08	I15A, I15B				
	21A	W01A, W01B, W01C, W36Z	21A		W04A, W04B	11	L33Z				
	21B	X06A, X06B, X06C, X33Z	21B		X06A, X06B, X06C, X33Z	21A	W01A, W01B, W01C, W36Z				
	23	Z01A	23		Z01A	21B	X06A, X06B, X33Z				
	Pre	A07A, A11A, A13A, A13B, A13D	Pre		A07A, A11A, A13A, A13B, A13D	Pre	A07A				

VYK

ZZV	MDC	DRG	ZZV	MDC	DRG	ZZV	MDC	DRG			
5a211.5		BOP, KOP, KOPV, KVT, UOP4	5a212.4		BOP, KOP, KOPV, KVT, UOP4	5a213		BOP, KOP, KOPV, KVT, UOP4			
	01	B02A, B02B, B02C, B20A, B20B, B20C, B20D, B20E, B39A, B39B		01	B02A, B02B, B02C, B20A, B20B, B20C, B20D, B20E, B39A, B39B		01	B02A, B02B, B02C, B20A, B20B, B20C, B20D, B20E, B39A, B39B			
	02	C01A		02	C01A		02	C01A			
	06	G33Z		06	G33Z		03	D18Z, D25A, D25B, D25C, D25D			
	07	H33Z, H38Z		07	H33Z, H38Z		06	G33Z			
	08	I15A, I15B		08	I15A, I15B		07	H33Z, H38Z			
	11	L33Z		11	L33Z		08	I15A, I15B			
	21A	W01A, W01B, W01C, W36Z		21A	W01A, W01B, W01C, W36Z		09	J08A, J08B, J08C			
	21B	X06A, X06B, X33Z		21B	X06A, X06B, X33Z		11	L33Z			
	23	Z01A		23	Z01A		21A	W01A, W01B, W01C, W36Z			
	Pre	A07A		Pre	A07A		21B	X06A, X06B, X33Z			
	5a211.6			BOP, KOP, KOPV, KVT, UOP4	5a212.5			BOP, KOP, KOPV, KVT, UOP4	5a214.10		BOP, KOP, KOPV, KVT, UOP4
		01		B02A, B02B, B02C, B20A, B20B, B20C, B20D, B20E, B39A, B39B			01	B02A, B02B, B02C, B20A, B20B, B20C, B20D, B20E, B39A, B39B		01	B02A, B02B, B02C, B20A, B20B, B20C, B20D, B20E, B39A, B39B
		02		C01A			02	C01A		02	C01A
06		G33Z	06	G33Z		03	D18Z, D25A, D25B, D25C, D25D				
07		H33Z, H38Z	07	H33Z, H38Z		06	G33Z				
08		I15A, I15B	08	I15A, I15B		07	H33Z, H38Z				
11		L33Z	11	L33Z		08	I15A, I15B				
21A		W01A, W01B, W01C, W36Z	21A	W01A, W01B, W01C, W36Z		09	J08A, J08B, J08C				
21B		X06A, X06B, X33Z	21B	X06A, X06B, X33Z		11	L33Z				
23		Z01A	23	Z01A		21A	W01A, W01B, W01C, W36Z				
Pre		A07A	Pre	A07A		21B	X06A, X06B, X33Z				
5a211.7			BOP, KOP, KOPV, KVT, UOP4	5a212.6			BOP, KOP, KOPV, KVT, UOP4	5a214.11			BOP, KOP, KOPV, KVT, UOP4
		01	B02A, B02B, B02C, B20A, B20B, B20C, B20D, B20E, B39A, B39B			01	B02A, B02B, B02C, B20A, B20B, B20C, B20D, B20E, B39A, B39B			01	B02A, B02B, B02C, B20A, B20B, B20C, B20D, B20E, B39A, B39B
		02	C01A			02	C01A			02	C01A
	06	G33Z	06		G33Z	03	D18Z, D25A, D25B, D25C, D25D				
	07	H33Z, H38Z	07		H33Z, H38Z	06	G33Z				
	08	I15A, I15B	08		I15A, I15B	07	H33Z, H38Z				
	11	L33Z	11		L33Z	08	I15A, I15B				
	21A	W01A, W01B, W01C, W36Z	21A		W01A, W01B, W01C, W36Z	09	J08A, J08B, J08C				
	21B	X06A, X06B, X33Z	21B		X06A, X06B, X33Z	11	L33Z				
	23	Z01A	23		Z01A	21A	W01A, W01B, W01C, W36Z				
	Pre	A07A	Pre		A07A	21B	X06A, X06B, X33Z				
	5a212.2		BOP, KOP, KOPV, KVT, UOP4		5a212.7		BOP, KOP, KOPV, KVT, UOP4		5a214.12		BOP, KOP, KOPV, KVT, UOP4
		01	B02A, B02B, B02C, B20A, B20B, B20C, B20D, B20E, B39A, B39B			01	B02A, B02B, B02C, B20A, B20B, B20C, B20D, B20E, B39A, B39B			01	B02A, B02B, B02C, B20A, B20B, B20C, B20D, B20E, B39A, B39B
		02	C01A			02	C01A			02	C01A
06		G33Z	06	G33Z		03	D18Z, D25A, D25B, D25C, D25D				
07		H33Z, H38Z	07	H33Z, H38Z		06	G33Z				
08		I15A, I15B	08	I15A, I15B		07	H33Z, H38Z				
11		L33Z	11	L33Z		08	I15A, I15B				
21A		W01A, W01B, W01C, W36Z	21A	W01A, W01B, W01C, W36Z		09	J08A, J08B, J08C				
21B		X06A, X06B, X33Z	21B	X06A, X06B, X33Z		11	L33Z				
23		Z01A	23	Z01A		21A	W01A, W01B, W01C, W36Z				
Pre		A07A	Pre	A07A		21B	X06A, X06B, X33Z				
5a212.3			BOP, KOP, KOPV, KVT, UOP4	5a212.3			BOP, KOP, KOPV, KVT, UOP4	5a214.12			BOP, KOP, KOPV, KVT, UOP4
		01	B02A, B02B, B02C, B20A, B20B, B20C, B20D, B20E, B39A, B39B			01	B02A, B02B, B02C, B20A, B20B, B20C, B20D, B20E, B39A, B39B			01	B02A, B02B, B02C, B20A, B20B, B20C, B20D, B20E, B39A, B39B
		02	C01A			02	C01A			02	C01A
	06	G33Z	06		G33Z	03	D18Z, D25A, D25B, D25C, D25D				
	07	H33Z, H38Z	07		H33Z, H38Z	06	G33Z				
	08	I15A, I15B	08		I15A, I15B	07	H33Z, H38Z				
	11	L33Z	11		L33Z	08	I15A, I15B				
	21A	W01A, W01B, W01C, W36Z	21A		W01A, W01B, W01C, W36Z	09	J08A, J08B, J08C				
	21B	X06A, X06B, X33Z	21B		X06A, X06B, X33Z	11	L33Z				
	23	Z01A	23		Z01A	21A	W01A, W01B, W01C, W36Z				
	Pre	A07A	Pre		A07A	21B	X06A, X06B, X33Z				

ZZV	MDC	DRG	ZZV	MDC	DRG	ZZV	MDC	DRG
5a214.20		BOP, KOP, KOPV, KVT, UOP4	5a214.9		BOP, KOP, KOPV, KVT, UOP4	5a215.3		BOP, KOP, KOPV, KVT, UOP4
	01	B02A, B02B, B02C, B20A, B20B, B20C, B20D, B20E, B39A, B39B		01	B02A, B02B, B02C, B20A, B20B, B20C, B20D, B20E, B39A, B39B		01	B02A, B02B, B02C, B20A, B20B, B20C, B20D, B20E, B39A, B39B
	02	C01A		02	C01A		02	C01A
	06	G33Z		06	G33Z		06	G33Z
	07	H33Z, H38Z		07	H33Z, H38Z		07	H33Z, H38Z
	08	I15A, I15B		08	I15A, I15B		08	I15A, I15B
	11	L33Z		11	L33Z		11	L33Z
	21A	W01A, W01B, W01C, W36Z		21A	W01A, W01B, W01C, W36Z		17	R01A, R01B, R01C, R01D, R02Z, R12A, R12B, R12C
	21B	X06A, X06B, X33Z		21B	X06A, X06B, X33Z		21A	W01A, W01B, W01C, W36Z
	23	Z01A		23	Z01A		21B	X06A, X06B, X33Z
	Pre	A07A		Pre	A07A		23	Z01A
							Pre	A07A
	5a214.21			BOP, KOP, KOPV, KVT, UOP4	5a214.a			BOP, KOP, KOPV, KVT, UOP4
01		B02A, B02B, B02C, B20A, B20B, B20C, B20D, B20E, B39A, B39B	01	B02A, B02B, B02C, B20A, B20B, B20C, B20D, B20E, B39A, B39B		01	B02A, B02B, B02C, B20A, B20B, B20C, B20D, B20E, B39A, B39B	
02		C01A	02	C01A		02	C01A	
06		G33Z	06	G33Z		06	G33Z	
07		H33Z, H38Z	07	H33Z, H38Z		07	H33Z, H38Z	
08		I15A, I15B	08	I15A, I15B		08	I15A, I15B	
11		L33Z	11	L33Z		11	L33Z	
21A		W01A, W01B, W01C, W36Z	21A	W01A, W01B, W01C, W36Z		21A	W01A, W01B, W01C, W36Z	
21B		X06A, X06B, X33Z	21B	X06A, X06B, X33Z		21B	X06A, X06B, X33Z	
23		Z01A	23	Z01A		23	Z01A	
Pre		A07A	Pre	A07A		Pre	A07A	
5a214.22			BOP, KOP, KOPV, KVT, UOP4	5a214.b			BOP, KOP, KOPV, KVT, UOP4	5a215.5
	01	B02A, B02B, B02C, B20A, B20B, B20C, B20D, B20E, B39A, B39B	01		B02A, B02B, B02C, B20A, B20B, B20C, B20D, B20E, B39A, B39B	01	B02A, B02B, B02C, B20A, B20B, B20C, B20D, B20E, B39A, B39B	
	02	C01A	02		C01A	02	C01A	
	06	G33Z	06		G33Z	06	G33Z	
	07	H33Z, H38Z	07		H33Z, H38Z	07	H33Z, H38Z	
	08	I15A, I15B	08		I15A, I15B	08	I15A, I15B	
	11	L33Z	11		L33Z	11	L33Z	
	21A	W01A, W01B, W01C, W36Z	21A		W01A, W01B, W01C, W36Z	21A	W01A, W01B, W01C, W36Z	
	21B	X06A, X06B, X33Z	21B		X06A, X06B, X33Z	21B	X06A, X06B, X33Z	
	23	Z01A	23		Z01A	23	Z01A	
	Pre	A07A	Pre		A07A	Pre	A07A	
	5a214.8		BOP, KOP, KOPV, KVT, UOP4		5a214.c		BOP, KOP, KOPV, KVT, UOP4	
01		B02A, B02B, B02C, B20A, B20B, B20C, B20D, B20E, B39A, B39B	01	B02A, B02B, B02C, B20A, B20B, B20C, B20D, B20E, B39A, B39B		01	B02A, B02B, B02C, B20A, B20B, B20C, B20D, B20E, B39A, B39B	
02		C01A	02	C01A		02	C01A	
06		G33Z	06	G33Z		06	G33Z	
07		H33Z, H38Z	07	H33Z, H38Z		07	H33Z, H38Z	
08		I15A, I15B	08	I15A, I15B		08	I15A, I15B	
11		L33Z	11	L33Z		11	L33Z	
17		R01A, R01B, R01C, R01D, R02Z, R12A, R12B, R12C	21A	W01A, W01B, W01C, W36Z		08	I15A, I15B	
21A		W01A, W01B, W01C, W36Z	21B	X06A, X06B, X33Z		11	L33Z	
21B		X06A, X06B, X33Z	23	Z01A		21A	W01A, W01B, W01C, W36Z	
23		Z01A	Pre	A07A		21B	X06A, X06B, X33Z	
Pre		A07A				23	Z01A	
						Pre	A07A	
			5a215.2					
				01	B02A, B02B, B02C, B20A, B20B, B20C, B20D, B20E, B39A, B39B			
				02	C01A			
				06	G33Z			
				07	H33Z, H38Z			
				08	I15A, I15B			
				11	L33Z			
				21A	W01A, W01B, W01C, W36Z			
				21B	X06A, X06B, X33Z			
				23	Z01A			
				Pre	A07A			

VYK

ZZV	MDC	DRG	ZZV	MDC	DRG	ZZV	MDC	DRG			
5a215.7		BOP, KOP, KOPV, KVT, UOP4	5a215.91		BOP, KOP, KOPV, KVT, UOP4	5a215.b		BOP, KOP, KOPV, KVT, UOP4			
	01	B02A, B02B, B02C, B20A, B20B, B20C, B20D, B20E, B39A, B39B		01	B02A, B02B, B02C, B20A, B20B, B20C, B20D, B20E, B21A, B39A, B39B		01	B02A, B02B, B02C, B20A, B20B, B20C, B20D, B20E, B39A, B39B			
	02	C01A		04	E36Z		06	G33Z			
	06	G33Z		06	G33Z, G36Z		07	H33Z, H38Z			
	07	H33Z, H38Z		07	H33Z, H38Z		08	I15A, I15B			
	08	I15A, I15B		08	I26Z		11	L33Z			
	11	L33Z		11	L33Z		17	R01A, R01B, R01C, R01D, R02Z, R12A, R12B, R12C			
	21A	W01A, W01B, W01C, W36Z		17	R01A, R01B, R01C, R01D, R02Z, R12A, R12B, R12C		21A	W04A, W04B			
	21B	X06A, X06B, X33Z		21A	W04A, W04B		21B	X06A, X06B, X06C, X33Z			
	23	Z01A		21B	X06A, X06B, X06C, X33Z		Pre	A07A			
	Pre	A07A		23	Z01A		Pre	BOP, KVT, UOP4			
	5a215.8a			BOP, KOP, KOPV, KVT, UOP4	5a215.92			BOP, KOP, KOPV, KVT, UOP4	5a300		BOP, KVT, UOP4
		01		B02A, B02B, B02C, B20A, B20B, B20C, B20D, B20E, B39A, B39B			01	B02A, B02B, B02C, B20A, B20B, B20C, B20D, B20E, B21A, B39A, B39B		01	B03A, B03B, B18Z
		06		G33Z			04	E36Z		07	H06A, H06B, H06C
07		H33Z, H38Z	06	G33Z, G36Z		11	L09A, L38Z				
11		L33Z	07	H33Z, H38Z		17	R01A, R01B, R01C, R01D, R02Z, R12A, R12B, R12C				
17		R01A, R01B, R01C, R01D, R02Z, R12A, R12B, R12C	08	I26Z		21A	W04A, W04B				
21A		W04A, W04B	11	L33Z		21B	X06A, X06B, X06C				
21B		X06A, X06B, X06C, X33Z	17	R01A, R01B, R01C, R01D, R02Z, R12A, R12B, R12C		Pre	BOP, KVT, UOP4				
23		Z01A	21A	W04A, W04B		01	B03A, B03B, B18Z				
Pre		A07A	21B	X06A, X06B, X06C, X33Z		07	H06A, H06B, H06C				
5a215.8b			BOP, KOP, KOPV, KVT, UOP4	5a215.a1			BOP, KOP, KOPV, KVT, UOP4	5a301			BOP, KVT, UOP4
		01	B02A, B02B, B02C, B20A, B20B, B20C, B20D, B20E, B39A, B39B			01	B02A, B02B, B02C, B20A, B20B, B20C, B20D, B20E, B21A, B21B, B39A, B39B			01	B03A, B03B, B18Z
		06	G33Z			04	E36Z			07	H06A, H06B, H06C
		07	H33Z, H38Z			06	G33Z, G36Z			11	L09A, L38Z
	11	L33Z	07		H33Z, H38Z	17	R01A, R01B, R01C, R01D, R02Z, R12A, R12B, R12C				
	17	R01A, R01B, R01C, R01D, R02Z, R12A, R12B, R12C	11		L33Z	21A	W04A, W04B				
	21A	W04A, W04B	17		R01A, R01B, R01C, R01D, R02Z, R12A, R12B, R12C	21B	X06A, X06B, X06C				
	21B	X06A, X06B, X06C, X33Z	21A		W04A, W04B	Pre	BOP, KVT, UOP4				
	23	Z01A	21B		X06A, X06B, X06C, X33Z	01	B03A, B03B, B18Z				
	Pre	A07A	Pre		A06A, A07A, A09A, A11A, A13A	08	I10A, I10B, I10C, I10D, I10E, I23A, I23B				
	5a215.8x		BOP, KOP, KOPV, KVT, UOP4		5a215.a2		BOP, KOP, KOPV, KVT, UOP4		5a302		BOP, KVT, UOP4
		01	B02A, B02B, B02C, B20A, B20B, B20C, B20D, B20E, B39A, B39B			01	B02A, B02B, B02C, B20A, B20B, B20C, B20D, B20E, B21A, B21B, B39A, B39B			01	B03A, B03B, B18Z
		06	G33Z			04	E36Z			08	I10A, I10B, I10C, I10D, I10E
		07	H33Z, H38Z			06	G33Z, G36Z			11	L09A, L09B, L09C, L09D, L38Z
11		L33Z	07	H33Z, H38Z		12	M06Z, M09A, M09B, M38Z				
17		R01A, R01B, R01C, R01D, R02Z, R12A, R12B, R12C	08	I26Z		13	N11A				
21A		W04A, W04B	11	L33Z		21A	W04A, W04B				
21B		X06A, X06B, X06C, X33Z	17	R01A, R01B, R01C, R01D, R02Z, R12A, R12B, R12C		21B	X06A, X06B, X06C				
23		Z01A	21A	W04A, W04B		Pre	BOP, KVT, UOP4				
Pre		A07A	21B	X06A, X06B, X06C, X33Z		01	B03A, B03B, B18Z				
5a215.8y			BOP, KOP, KOPV, KVT, UOP4	5a215.a3			BOP, KOP, KOPV, KVT, UOP4	5a304.0			BOP, KVT, UOP4
		01	B02A, B02B, B02C, B20A, B20B, B20C, B20D, B20E, B39A, B39B			01	B02A, B02B, B02C, B20A, B20B, B20C, B20D, B20E, B21A, B21B, B39A, B39B			01	B03A, B03B, B18Z
		06	G33Z			04	E36Z			08	I10A, I10B, I10C, I10D, I10E
		07	H33Z, H38Z			06	G33Z, G36Z			11	L09A, R01B, R01C, R01D, R02Z, R12A, R12B, R12C
	11	L33Z	07		H33Z, H38Z	Pre	B61A				
	17	R01A, R01B, R01C, R01D, R02Z, R12A, R12B, R12C	11		L33Z	Pre	BOP, KVT, UOP4				
	21A	W04A, W04B	17		R01A, R01B, R01C, R01D, R02Z, R12A, R12B, R12C	01	B03A, B03B, B18Z				
	21B	X06A, X06B, X06C, X33Z	21A		W04A, W04B	08	I10A, I10B, I10C, I10D, I10E				
	23	Z01A	21B		X06A, X06B, X06C, X33Z	17	R01A, R01B, R01C, R01D, R02Z, R12A, R12B, R12C				
	Pre	A07A	Pre		A06A, A07A, A09A, A11A, A13A	Pre	B61A				
	5a215.8z		BOP, KOP, KOPV, KVT, UOP4		5a215.a4		BOP, KOP, KOPV, KVT, UOP4		5a304.1		BOP, KVT, UOP4
		01	B02A, B02B, B02C, B20A, B20B, B20C, B20D, B20E, B39A, B39B			01	B02A, B02B, B02C, B20A, B20B, B20C, B20D, B20E, B21A, B21B, B39A, B39B			01	B03A, B03B, B18Z
		06	G33Z			04	E36Z			08	I10A, I10B, I10C, I10D, I10E
		07	H33Z, H38Z			06	G33Z, G36Z			11	L09A, R01B, R01C, R01D, R02Z, R12A, R12B, R12C
11		L33Z	07	H33Z, H38Z		Pre	B61A				
17		R01A, R01B, R01C, R01D, R02Z, R12A, R12B, R12C	11	L33Z		Pre	BOP, KVT, UOP4				
21A		W04A, W04B	17	R01A, R01B, R01C, R01D, R02Z, R12A, R12B, R12C		01	B03A, B03B, B18Z				
21B		X06A, X06B, X06C, X33Z	21A	W04A, W04B		08	I10A, I10B, I10C, I10D, I10E				
23		Z01A	21B	X06A, X06B, X06C, X33Z		17	R01A, R01B, R01C, R01D, R02Z, R12A, R12B, R12C				
Pre		A07A	Pre	A06A, A07A, A09A, A11A, A13A		Pre	B61A				
5a215.8aa			BOP, KOP, KOPV, KVT, UOP4	5a215.a5			BOP, KOP, KOPV, KVT, UOP4	5a304.2			BOP, KVT, UOP4
		01	B02A, B02B, B02C, B20A, B20B, B20C, B20D, B20E, B39A, B39B			01	B02A, B02B, B02C, B20A, B20B, B20C, B20D, B20E, B21A, B21B, B39A, B39B			01	B03A, B03B, B18Z
		06	G33Z			04	E36Z			08	I10A, I10B, I10C, I10D, I10E
		07	H33Z, H38Z			06	G33Z, G36Z			11	L09A, R01B, R01C, R01D, R02Z, R12A, R12B, R12C
	11	L33Z	07		H33Z, H38Z	Pre	B61A				
	17	R01A, R01B, R01C, R01D, R02Z, R12A, R12B, R12C	11		L33Z	Pre	BOP, KVT, UOP4				
	21A	W04A, W04B	17		R01A, R01B, R01C, R01D, R02Z, R12A, R12B, R12C	01	B03A, B03B, B18Z				
	21B	X06A, X06B, X06C, X33Z	21A		W04A, W04B	08	I10A, I10B, I10C, I10D, I10E				
	23	Z01A	21B		X06A, X06B, X06C, X33Z	17	R01A, R01B, R01C, R01D, R02Z, R12A, R12B, R12C				
	Pre	A07A	Pre		A06A, A07A, A09A, A11A, A13A	Pre	B61A				
	5a215.8ab		BOP, KOP, KOPV, KVT, UOP4		5a215.a6		BOP, KOP, KOPV, KVT, UOP4		5a304.3		BOP, KVT, UOP4
		01	B02A, B02B, B02C, B20A, B20B, B20C, B20D, B20E, B39A, B39B			01	B02A, B02B, B02C, B20A, B20B, B20C, B20D, B20E, B21A, B21B, B39A, B39B			01	B03A, B03B, B18Z
		06	G33Z			04	E36Z			08	I10A, I10B, I10C, I10D, I10E
		07	H33Z, H38Z			06	G33Z, G36Z			11	L09A, R01B, R01C, R01D, R02Z, R12A, R12B, R12C
11		L33Z	07	H33Z, H38Z		Pre	B61A				
17		R01A, R01B, R01C, R01D, R02Z, R12A, R12B, R12C	11	L33Z		Pre	BOP, KVT, UOP4				
21A		W04A, W04B	17	R01A, R01B, R01C, R01D, R02Z, R12A, R12B, R12C		01	B03A, B03B, B18Z				
21B		X06A, X06B, X06C, X33Z	21A	W04A, W04B		08	I10A, I10B, I10C, I10D, I10E				
23		Z01A	21B	X06A, X06B, X06C, X33Z		17	R01A, R01B, R01C, R01D, R02Z, R12A, R12B, R12C				
Pre		A07A	Pre	A06A, A07A, A09A, A11A, A13A		Pre	B61A				

ZZV	MDC	DRG	ZZV	MDC	DRG	ZZV	MDC	DRG
5a307		BOP, KVT, UOP4	5a30e.4		BOP, KVT, UOP4	5a30h		BOP, KVT, UOP4
	01	B03A, B03B, B18Z		01	B03A, B03B, B18Z		01	B03A, B03B, B18Z
	08	I10A, I10B, I10C, I10D, I10E, I23A, I23B		08	I10A, I10B, I10C, I10D, I10E, I23A, I23B		05	F01A, F01B, F01D, F05Z, F07A, F07B, F14A, F14B, F28A, F42Z, F54Z, F59A, F59B
	11	L09A, L38Z		17	R01A, R01B, R01C, R01D, R02Z, R12A, R12B, R12C		08	I10A, I10B, I10C, I10D, I10E
	17	R01A, R01B, R01C, R01D, R02Z, R12A, R12B, R12C		21A	W04A, W04B		17	R01A, R01B, R01C, R01D, R02Z, R12A, R12B, R12C
	21A	W04A, W04B		21B	X06A, X06B, X06C		Pre	BOP, KOP, KOPV, KVT, UOP4, VIAL
	21B	X06A, X06B, X06C		Pre	B61A		01	B03A, B03B, B18Z
5a308		BOP, KVT, UOP4	5a30e.5		BOP, KVT, UOP4	5a30j		BOP, KVT, UOP4
	01	B03A, B03B, B18Z		01	B03A, B03B, B18Z		01	B03A, B03B, B18Z
	08	I10A, I10B, I10C, I10D, I10E, I23A, I23B		08	I10A, I10B, I10C, I10D, I10E, I23A, I23B		06	G33Z
	11	L09A, L38Z		17	R01A, R01B, R01C, R01D, R02Z, R12A, R12B, R12C		07	H33Z, H38Z
	17	R01A, R01B, R01C, R01D, R02Z, R12A, R12B, R12C		21A	W04A, W04B		08	I06A, I06B, I06C, I06D, I06E, I08A, I08B, I08C, I08D, I08E, I08F, I09A, I09B, I09C, I09D, I09E, I10A, I10B, I10C, I10D, I10E
	21A	W04A, W04B		21B	X06A, X06B, X06C		09	J26Z
	21B	X06A, X06B, X06C		Pre	B61A		11	L33Z
5a309		BOP, KVT, UOP4	5a30e.6		BOP, KVT, UOP4	5a30k		BOP, KVT, UOP4
	01	B03A, B03B, B18Z		01	B03A, B03B, B18Z		01	B03A, B03B, B18Z
	08	I10A, I10B, I10C, I10D, I10E, I23A, I23B		08	I10A, I10B, I10C, I10D, I10E, I23A, I23B		06	G01Z, G02Z, G38Z
	11	L09A, L38Z		17	R01A, R01B, R01C, R01D, R02Z, R12A, R12B, R12C		08	I10A, I10B, I10C, I10D, I10E, I23A, I23B
	17	R01A, R01B, R01C, R01D, R02Z, R12A, R12B, R12C		21A	W04A, W04B		17	R01A, R01B, R01C, R01D, R02Z, R12A, R12B, R12C
	21A	W04A, W04B		21B	X06A, X06B, X06C		21A	W04A, W04B
	21B	X06A, X06B, X06C		Pre	B61A		21B	X06A, X06B, X06C
5a30a		BOP, KVT, UOP4	5a30e.7		BOP, KVT, UOP4	5a30m		BOP, KVT, UOP4
	01	B03A, B03B, B18Z		01	B03A, B03B, B18Z		01	B03A, B03B, B18Z
	08	I10A, I10B, I10C, I10D, I10E, I23A, I23B		06	G01Z, G02Z, G38Z		06	G01Z, G02Z, G38Z
	11	L09A, L38Z		08	I10A, I10B, I10C, I10D, I10E, I23A, I23B		08	I10A, I10B, I10C, I10D, I10E, I23A, I23B
	17	R01A, R01B, R01C, R01D, R02Z, R12A, R12B, R12C		21A	W04A, W04B		17	R01A, R01B, R01C, R01D, R02Z, R12A, R12B, R12C
	21A	W04A, W04B		21B	X06A, X06B, X06C		21A	W04A, W04B
	21B	X06A, X06B, X06C		Pre	B61A		21B	X06A, X06B, X06C
5a30b		BOP, KVT, UOP4	5a30f		BOP, KVT, UOP4	5a30n		BOP, KVT, UOP4
	01	B03A, B03B, B18Z		01	B03A, B03B, B06A, B06B, B07Z, B17A, B17B, B17C		01	B03A, B03B, B18Z
	08	I10A, I10B, I10C, I10D, I10E, I23A, I23B		04	E02A, E02B, E02C		06	G01Z, G02Z, G38Z
	11	L09A, L38Z		06	G10Z, G12A, G12B		08	I10C, I10D
	17	R01A, R01B, R01C, R01D, R02Z, R12A, R12B, R12C		07	H06A, H06B, H06C		Pre	A11A, A13A, A13B, A13D
	21A	W04A, W04B		08	I10A, I10B, I10C, I10D, I10E, I28A, I28B		01	B03A, B03B, B18Z
	21B	X06A, X06B, X06C		09	J03A, J03B, J04A, J04B, J08A, J08B, J08C, J11A, J11B, J16Z		06	G01Z, G02Z, G38Z
5a30c		BOP, KVT, UOP4	5a30g		BOP, KVT, UOP4	5a30o.9		BOP, KVT, UOP4
	01	B03A, B03B, B18Z		10	K09A, K09B		01	B03A, B03B, B18Z
	08	I10A, I10B, I10C, I10D, I10E, I23A, I23B		11	L09A, L09B, L09C, L09D, L38Z		06	G01Z, G02Z, G38Z
	17	R01A, R01B, R01C, R01D, R02Z, R12A, R12B, R12C		12	M06Z, M09A, M09B, M38Z		08	I10A, I10B, I10C, I10D, I10E, I23A, I23B
	21A	W04A, W04B		13	N11A		17	R01A, R01B, R01C, R01D, R02Z, R12A, R12B, R12C
	21B	X06A, X06B, X06C		21A	W04A, W04B		21A	W04A, W04B
	Pre	B61A		21B	X04Z, X05A, X05B, X06A, X06B		21B	X06A, X06B, X06C
5a30d		BOP, KVT, UOP4	5a30h		BOP, KVT, UOP4	5a30o.b		BOP, KVT, UOP4
	01	B03A, B03B, B18Z		22	Y01Z, Y03A, Y03B		01	B03A, B03B, B18Z
	08	I10A, I10B, I10C, I10D, I10E, I23A, I23B		23	Z01A		06	G01Z, G02Z, G38Z
	17	R01A, R01B, R01C, R01D, R02Z, R12A, R12B, R12C		01	BOP, KVT, UOP4		08	I10A, I10B, I10C, I10D, I10E, I23A, I23B
	21A	W04A, W04B		05	F01A, F01B, F01D, F05Z, F07A, F07B, F14A, F14B, F28A, F42Z, F54Z, F59A, F59B		17	R01A, R01B, R01C, R01D, R02Z, R12A, R12B, R12C
	21B	X06A, X06B, X06C		08	I10A, I10B, I10C, I10D, I10E		21A	W04A, W04B
	Pre	B61A		17	R01A, R01B, R01C, R01D, R02Z, R12A, R12B, R12C		21B	X06A, X06B, X06C

ZZV	MDC	DRG	ZZV	MDC	DRG	ZZV	MDC	DRG		
5a30p.8		BOP, KVT, UOP4	5a310.11		BOP, KVT, UOP4	5a310.4		BOP, KVT, UOP4		
	01	B03A, B03B, B18Z		01	B03A, B03B, B06A, B06B, B07Z, B17A, B17B, B17C		01	B03A, B03B, B18Z		
	06	G01Z, G02Z, G38Z		04	E02A, E02B, E02C		08	I10A, I10B, I10C, I10D, I10E, I23A, I23B		
	08	I10A, I10B, I10C, I10D, I10E, I23A, I23B		06	G10Z, G12A, G12B		17	R01A, R01B, R01C, R01D, R02Z, R12A, R12B, R12C		
	17	R01A, R01B, R01C, R01D, R02Z, R12A, R12B, R12C		07	H06A, H06B, H06C		21A	W04A, W04B		
	21A	W04A, W04B		08	I10A, I10B, I10C, I10D, I10E, I28A, I28B		21B	X06A, X06B		
	21B	X06A, X06B, X06C		09	J03A, J03B, J04A, J04B, J08A, J08B, J08C, J11A, J11B, J16Z		23	Z01A		
	Pre	A11A, A13A, A13B, A13D		10	K09A, K09B		5a310.5		BOP, KVT, UOP4	
	5a30p.a			BOP, KVT, UOP4	11			L09A, L09B, L09C, L09D, L38Z	01	B03A, B03B, B18Z
		01		B03A, B03B, B18Z	12			M06Z, M09A, M09B, M38Z	08	I10A, I10B, I10C, I10D, I10E, I23A, I23B
		06		G01Z, G02Z, G38Z	13			N11A	17	R01A, R01B, R01C, R01D, R02Z, R12A, R12B, R12C
		08		I10A, I10B, I10C, I10D, I10E, I23A, I23B	21A			W04A, W04B	21A	W04A, W04B
		17		R01A, R01B, R01C, R01D, R02Z, R12A, R12B, R12C	21B			X04Z, X05A, X05B, X06A, X06B	21B	X06A, X06B
		21A		W04A, W04B	22			Y01Z, Y03A, Y03B	5a310.7	
21B		X06A, X06B, X06C	23	Z01A	01	B03A, B03B, B18Z				
Pre		A11A, A13A, A13B, A13D	5a310.1x		BOP, KVT, UOP4	08		I10A, I10B, I10C, I10D, I10E, I23A, I23B		
		BOP, KVT, UOP4		01	B03A, B03B, B06A, B06B, B07Z, B17A, B17B, B17C	17		R01A, R01B, R01C, R01D, R02Z, R12A, R12B, R12C		
01		B03A, B03B, B18Z		04	E02A, E02B, E02C	21A		W04A, W04B		
06		G01Z, G02Z, G38Z		06	G10Z, G12A, G12B	21B		X06A, X06B		
08		I10A, I10B, I10C, I10D, I10E, I23A, I23B		07	H06A, H06B, H06C	5a310.8				B03A, B03B, B18Z
17		R01A, R01B, R01C, R01D, R02Z, R12A, R12B, R12C		08	I28A, I28B			08		I10A, I10B, I10C, I10D, I10E, I23A, I23B
21A		W04A, W04B		09	J03A, J03B, J04A, J04B, J08A, J08B, J08C, J11A, J11B, J16Z		17	R01A, R01B, R01C, R01D, R02Z, R12A, R12B, R12C		
21B	X06A, X06B, X06C	10		K09A, K09B	21A		W04A, W04B			
Pre	A11A, A13A, A13B, A13D	11		L09A, L09B, L09C, L09D, L38Z	21B		X06A, X06B			
5a30r		BOP, KVT, UOP4		12	M06Z, M09A, M09B, M38Z		5a311.00			BOP, KVT, UOP4
	01	B03A, B03B, B18Z		13	N11A			01		B03A, B03B, B18Z
	06	G01Z, G02Z, G38Z		21A	W04A, W04B			08		I10A, I10B, I10C, I10D, I10E, I23A, I23B
	08	I10A, I10B, I10C, I10D, I10E, I23A, I23B		21B	X04Z, X05A, X05B, X06A, X06B			11	L09A, L09B, L09C, L09D, L38Z	
	17	R01A, R01B, R01C, R01D, R02Z, R12A, R12B, R12C		22	Y01Z, Y03A, Y03B			12	M06Z, M09A, M09B, M38Z	
	21A	W04A, W04B	23	Z01A	13			N11A		
	21B	X06A, X06B, X06C	5a310.2		BOP, KVT, UOP4			17	R01A, R01B, R01C, R01D, R02Z, R12A, R12B, R12C	
	Pre	A11A, A13A, A13B, A13D		01	B03A, B03B, B06A, B06B, B07Z, B17A, B17B, B17C			21A	W04A, W04B	
	5a310.10			BOP, KVT, UOP4	04			E02A, E02B, E02C	21B	X06A, X06B, X06C
		01		B03A, B03B, B06A, B06B, B07Z, B17A, B17B, B17C	06	G10Z, G12A, G12B		23	Z01A	
		04		E02A, E02B, E02C	07	H06A, H06B, H06C		5a311.01		BOP, KVT, UOP4
		06		G10Z, G12A, G12B	08	I10A, I10B, I10C, I10D, I10E, I28A, I28B			01	B03A, B03B, B18Z
		07		H06A, H06B, H06C	09	J03A, J03B, J04A, J04B, J08A, J08B, J08C, J11A, J11B, J16Z			08	I10A, I10B, I10C, I10D, I10E, I23A, I23B
		08		I10A, I10B, I10C, I10D, I10E, I28A, I28B	10	K09A, K09B			11	L09A, L09B, L09C, L09D, L38Z
09		J03A, J03B, J04A, J04B, J08A, J08B, J08C, J11A, J11B, J16Z		11	L09A, L09B, L09C, L09D, L38Z	12	M06Z, M09A, M09B, M38Z			
10		K09A, K09B		12	M06Z, M09A, M09B, M38Z	13	N11A			
11		L09A, L09B, L09C, L09D, L38Z		13	N11A	17	R01A, R01B, R01C, R01D, R02Z, R12A, R12B, R12C			
12		M06Z, M09A, M09B, M38Z		21A	W04A, W04B	21A	W04A, W04B			
13		N11A		21B	X04Z, X05A, X05B, X06A, X06B	21B	X06A, X06B, X06C			
21A		W04A, W04B		5a310.3		BOP, KVT, UOP4	23		Z01A	
21B		X04Z, X05A, X05B, X06A, X06B	01		B03A, B03B, B18Z	5a311.02			BOP, KVT, UOP4	
Pre		A11A, A13A, A13B, A13D	08		I10A, I10B, I10C, I10D, I10E, I23A, I23B		01		B03A, B03B, B18Z	
01	B03A, B03B, B06A, B06B, B07Z, B17A, B17B, B17C	17	R01A, R01B, R01C, R01D, R02Z, R12A, R12B, R12C		08		I10A, I10B, I10C, I10D, I10E, I23A, I23B			
04	E02A, E02B, E02C	21A	W04A, W04B		11		L09A, L09B, L09C, L09D, L38Z			
06	G10Z, G12A, G12B	21B	X06A, X06B, X06C		12		M06Z, M09A, M09B, M38Z			
07	H06A, H06B, H06C	5a310.3			BOP, KVT, UOP4		13	N11A		
08	I10A, I10B, I10C, I10D, I10E, I28A, I28B		01		B03A, B03B, B18Z		17	R01A, R01B, R01C, R01D, R02Z, R12A, R12B, R12C		
09	J03A, J03B, J04A, J04B, J08A, J08B, J08C, J11A, J11B, J16Z		08		I10A, I10B, I10C, I10D, I10E, I23A, I23B		21A	W04A, W04B		
10	K09A, K09B		17		R01A, R01B, R01C, R01D, R02Z, R12A, R12B, R12C		21B	X06A, X06B, X06C		
11	L09A, L09B, L09C, L09D, L38Z		21A		W04A, W04B		23	Z01A		
12	M06Z, M09A, M09B, M38Z		21B		X06A, X06B					
13	N11A									
21A	W04A, W04B									
21B	X04Z, X05A, X05B, X06A, X06B									
Pre	A11A, A13A, A13B, A13D									
01	B03A, B03B, B18Z									
06	G01Z, G02Z, G38Z									
08	I10A, I10B, I10C, I10D, I10E, I23A, I23B									
17	R01A, R01B, R01C, R01D, R02Z, R12A, R12B, R12C									
21A	W04A, W04B									
21B	X06A, X06B, X06C									
Pre	A11A, A13A, A13B, A13D									









ZZV	MDC	DRG	ZZV	MDC	DRG	ZZV	MDC	DRG
5a40d.4		BOP, KVT, UOP4	5a40e.3		BOP, KVT, UOP4	5a40e.c		BOP, KVT, UOP4
	01	B03A, B03B, B06A, B06B, B07Z, B17A, B17B, B17C		01	B03A, B03B, B06A, B06B, B07Z, B17A, B17B, B17C		01	B03A, B03B, B06A, B06B, B07Z, B17A, B17B, B17C
	03	D12A, D12B		03	D12A, D12B		03	D12A, D12B
	08	I08A, I08B, I08C, I08D, I08E, I13A, I13B, I28A, I28B		08	I08A, I08B, I08C, I08D, I08E, I13A, I13B, I28A, I28B		08	I08A, I08B, I08C, I08D, I08E, I13A, I13B, I28A, I28B
	21A	W04A, W04B		21A	W04A, W04B		21A	W04A, W04B
5a40d.5	21B	X06A, X06B, X06C	5a40e.4	21B	X06A, X06B, X06C	5a40f.3	21B	X06A, X06B, X06C
		BOP, KVT, UOP4			BOP, KVT, UOP4			BOP, KVT, UOP4
	01	B03A, B03B, B06A, B06B, B07Z, B17A, B17B, B17C		01	B03A, B03B, B06A, B06B, B07Z, B17A, B17B, B17C		01	B03A, B03B, B06A, B06B, B07Z, B17A, B17B, B17C
	03	D12A, D12B		03	D12A, D12B		03	D12A, D12B
	08	I08A, I08B, I08C, I08D, I08E, I13A, I13B, I28A, I28B		08	I08A, I08B, I08C, I08D, I08E, I13A, I13B, I28A, I28B		08	I08A, I08B, I08C, I08D, I08E, I13A, I13B, I28A, I28B
5a40d.6	21A	W04A, W04B	5a40e.5	21A	W04A, W04B	5a40f.4	21A	W04A, W04B
	21B	X06A, X06B, X06C		21B	X06A, X06B, X06C		21B	X06A, X06B, X06C
		BOP, KVT, UOP4			BOP, KVT, UOP4			BOP, KVT, UOP4
	01	B03A, B03B, B06A, B06B, B07Z, B17A, B17B, B17C		01	B03A, B03B, B06A, B06B, B07Z, B17A, B17B, B17C		01	B03A, B03B, B06A, B06B, B07Z, B17A, B17B, B17C
	03	D12A, D12B		03	D12A, D12B		03	D12A, D12B
5a40d.7	08	I08A, I08B, I08C, I08D, I08E, I13A, I13B, I28A, I28B	5a40e.6	08	I08A, I08B, I08C, I08D, I08E, I13A, I13B, I28A, I28B	5a40f.5	08	I08A, I08B, I08C, I08D, I08E, I13A, I13B, I28A, I28B
	21A	W04A, W04B		21A	W04A, W04B		21A	W04A, W04B
	21B	X06A, X06B, X06C		21B	X06A, X06B, X06C		21B	X06A, X06B, X06C
		BOP, KVT, UOP4			BOP, KVT, UOP4			BOP, KVT, UOP4
	01	B03A, B03B, B06A, B06B, B07Z, B17A, B17B, B17C		01	B03A, B03B, B06A, B06B, B07Z, B17A, B17B, B17C		01	B03A, B03B, B06A, B06B, B07Z, B17A, B17B, B17C
5a40d.9	03	D12A, D12B	5a40e.7	03	D12A, D12B	5a40f.6	03	D12A, D12B
	08	I08A, I08B, I08C, I08D, I08E, I13A, I13B, I28A, I28B		08	I08A, I08B, I08C, I08D, I08E, I13A, I13B, I28A, I28B		08	I08A, I08B, I08C, I08D, I08E, I13A, I13B, I28A, I28B
	21A	W04A, W04B		21A	W04A, W04B		21A	W04A, W04B
	21B	X06A, X06B, X06C		21B	X06A, X06B, X06C		21B	X06A, X06B, X06C
		BOP, KVT, UOP4			BOP, KVT, UOP4			BOP, KVT, UOP4
5a40d.a	01	B03A, B03B, B06A, B06B, B07Z, B17A, B17B, B17C	5a40e.9	01	B03A, B03B, B06A, B06B, B07Z, B17A, B17B, B17C	5a40f.7	01	B03A, B03B, B06A, B06B, B07Z, B17A, B17B, B17C
	03	D12A, D12B		03	D12A, D12B		03	D12A, D12B
	08	I08A, I08B, I08C, I08D, I08E, I13A, I13B, I28A, I28B		08	I08A, I08B, I08C, I08D, I08E, I13A, I13B, I28A, I28B		08	I08A, I08B, I08C, I08D, I08E, I13A, I13B, I28A, I28B
	21A	W04A, W04B		21A	W04A, W04B		21A	W04A, W04B
	21B	X06A, X06B, X06C		21B	X06A, X06B, X06C		21B	X06A, X06B, X06C
5a40d.b		BOP, KVT, UOP4	5a40e.a		BOP, KVT, UOP4	5a40f.9		BOP, KVT, UOP4
	01	B03A, B03B, B06A, B06B, B07Z, B17A, B17B, B17C		01	B03A, B03B, B06A, B06B, B07Z, B17A, B17B, B17C		01	B03A, B03B, B06A, B06B, B07Z, B17A, B17B, B17C
	03	D12A, D12B		03	D12A, D12B		03	D12A, D12B
	08	I08A, I08B, I08C, I08D, I08E, I13A, I13B, I28A, I28B		08	I08A, I08B, I08C, I08D, I08E, I13A, I13B, I28A, I28B		08	I08A, I08B, I08C, I08D, I08E, I13A, I13B, I28A, I28B
	21A	W04A, W04B		21A	W04A, W04B		21A	W04A, W04B
5a40d.c	21B	X06A, X06B, X06C	5a40e.b	21B	X06A, X06B, X06C	5a40f.a	21B	X06A, X06B, X06C
		BOP, KVT, UOP4			BOP, KVT, UOP4			BOP, KVT, UOP4
	01	B03A, B03B, B06A, B06B, B07Z, B17A, B17B, B17C		01	B03A, B03B, B06A, B06B, B07Z, B17A, B17B, B17C		01	B03A, B03B, B06A, B06B, B07Z, B17A, B17B, B17C
	03	D12A, D12B		03	D12A, D12B		03	D12A, D12B
	08	I08A, I08B, I08C, I08D, I08E, I13A, I13B, I28A, I28B		08	I08A, I08B, I08C, I08D, I08E, I13A, I13B, I28A, I28B		08	I08A, I08B, I08C, I08D, I08E, I13A, I13B, I28A, I28B
21A	W04A, W04B	21A	W04A, W04B	21A	W04A, W04B			
21B	X06A, X06B, X06C	21B	X06A, X06B, X06C	21B	X06A, X06B, X06C			

VYK

ZZV	MDC	DRG	ZZV	MDC	DRG	ZZV	MDC	DRG
5a40f.b		BOP, KVT, UOP4	5a504		BOP, KVT, UOP4	5a50b		BOP, KVT, UOP4
	01	B03A, B03B, B06A, B06B, B07Z, B17A, B17B, B17C		01	B03A, B03B, B06A, B06B, B07Z, B17A, B17B, B17C		01	B03A, B03B, B06A, B06B, B07Z, B17A, B17B, B17C
	03	D12A, D12B		03	D12A		03	D12A
	08	I08A, I08B, I08C, I08D, I08E, I13A, I13B, I28A, I28B		08	I08A, I08B, I08C, I08D, I08E, I13A, I13B		08	I08A, I08B, I08C, I08D, I08E, I13A, I13B
	21A	W04A, W04B		21A	W04A, W04B		21A	W04A, W04B
5a40f.c	21B	X06A, X06B, X06C	5a505.1	21B	X06A, X06B, X06C	5a50c.2	21B	X06A, X06B, X06C
		BOP, KVT, UOP4			BOP, KVT, UOP4			BOP, KVT, UOP4
	01	B03A, B03B, B06A, B06B, B07Z, B17A, B17B, B17C		01	B03A, B03B, B06A, B06B, B07Z, B17A, B17B, B17C		01	B03A, B03B, B06A, B06B, B07Z, B17A, B17B, B17C
	03	D12A, D12B		03	D12A		08	I08A, I08B, I08C, I08D, I08E, I13A, I13B, I28A, I28B
	08	I08A, I08B, I08C, I08D, I08E, I13A, I13B, I28A, I28B		08	I08A, I08B, I08C, I08D, I08E, I13A, I13B		21A	W04A, W04B
5a40g	21A	W04A, W04B	5a505.2	21A	W04A, W04B	5a50c.3	21B	X06A, X06B, X06C
	21B	X06A, X06B, X06C		21B	X06A, X06B, X06C			BOP, KVT, UOP4
		BOP, KVT, UOP4			BOP, KVT, UOP4		01	B03A, B03B, B06A, B06B, B07Z, B17A, B17B, B17C
	01	B03A, B03B, B06A, B06B, B07Z, B17A, B17B, B17C		01	B03A, B03B, B06A, B06B, B07Z, B17A, B17B, B17C		08	I08A, I08B, I08C, I08D, I08E, I13A, I13B, I28A, I28B
	03	D12A, D12B		03	D12A		21A	W04A, W04B
5a500	08	I08A, I08B, I08C, I08D, I08E, I13A, I13B, I28A, I28B	5a506	08	I08A, I08B, I08C, I08D, I08E, I13A, I13B	5a50e.4	21B	X06A, X06B, X06C
	21A	W04A, W04B		21A	W04A, W04B			BOP, KVT, UOP4
	21B	X06A, X06B, X06C		21B	X06A, X06B, X06C		01	B03A, B03B, B06A, B06B, B07Z, B17A, B17B, B17C
		BOP, KVT, UOP4			BOP, KVT, UOP4		08	I08A, I08B, I08C, I08D, I08E, I13A, I13B, I28A, I28B
	01	B03A, B03B, B06A, B06B, B07Z, B17A, B17B, B17C		01	B03A, B03B, B06A, B06B, B07Z, B17A, B17B, B17C		21A	W04A, W04B
5a501	03	D12A	5a507.0	03	D12A	5a50e.5	21B	X06A, X06B, X06C, X33Z
	06	G11A, G11B		08	I08A, I08B, I08C, I08D, I08E, I13A, I13B			BOP, KVT, UOP4
	08	I08A, I08B, I08C, I08D, I08E, I13A, I13B, I28A, I28B		21A	W04A, W04B		01	B03A, B03B, B06A, B06B, B07Z, B17A, B17B, B17C
	11	L03Z, L04A, L04B, L04C, L10Z, L38Z		21B	X06A, X06B, X06C		08	I08A, I08B, I08C, I08D, I08E, I13A, I13B, I28A, I28B
	12	M06Z, M09A, M09B, M38Z			BOP, KVT, UOP4		21A	W04A, W04B
	13	N11A		01	B03A, B03B, B06A, B06B, B07Z, B17A, B17B, B17C		21B	X06A, X06B, X06C, X33Z
	21A	W04A, W04B		08	I08A, I08B, I08C, I08D, I08E, I13A, I13B, I28A, I28B			BOP, KVT, UOP4
	21B	X04Z, X05A, X05B, X06A, X06B, X06C		21A	W04A, W04B		01	B03A, B03B, B06A, B06B, B07Z, B17A, B17B, B17C
	22	Y01Z, Y03A, Y03B		21B	X06A, X06B, X06C		08	I08A, I08B, I08C, I08D, I08E, I13A, I13B, I28A, I28B
	23	Z01A			BOP, KVT, UOP4		21A	W04A, W04B
	5a502			BOP, KVT, UOP4	5a507.1			BOP, KVT, UOP4
01		B03A, B03B, B06A, B06B, B07Z, B17A, B17B, B17C	01	B03A, B03B, B06A, B06B, B07Z, B17A, B17B, B17C		01	B03A, B03B, B06A, B06B, B07Z, B17A, B17B, B17C	
03		D12A	08	I08A, I08B, I08C, I08D, I08E, I13A, I13B, I28A, I28B		08	I08A, I08B, I08C, I08D, I08E, I13A, I13B, I28A, I28B	
08		I08A, I08B, I08C, I08D, I08E, I13A, I13B	21A	W04A, W04B		21A	W04A, W04B	
21A		W04A, W04B	21B	X06A, X06B, X06C		21B	X06A, X06B, X06C, X33Z	
5a503	21B	X06A, X06B, X06C	5a508		BOP, KVT, UOP4	5a50g		BOP, KVT, UOP4
		BOP, KVT, UOP4		01	B03A, B03B, B06A, B06B, B07Z, B17A, B17B, B17C		01	B03A, B03B, B06A, B06B, B07Z, B17A, B17B, B17C, B17D
	01	B03A, B03B, B06A, B06B, B07Z, B17A, B17B, B17C		03	D12A		08	I08A, I08B, I08C, I08D, I08E, I13A, I13B, I28A, I28B, I28C
	03	D12A		06	G11A, G11B		21A	W04A, W04B
	08	I08A, I08B, I08C, I08D, I08E, I13A, I13B		08	I08A, I08B, I08C, I08D, I08E, I13A, I13B, I28A, I28B		21B	X06A, X06B
5a503	21A	W04A, W04B	5a50a	11	L03Z, L04A, L04B, L04C, L10Z, L38Z	5a50h.61		BOP, KVT, UOP4
	21B	X06A, X06B, X06C		12	M06Z, M09A, M09B, M38Z		01	B03A, B03B, B06A, B06B, B07Z, B17A, B17B, B17C, B17D
		BOP, KVT, UOP4		13	N11A		08	I08A, I08B, I08C, I08D, I08E, I13A, I13B, I28A, I28B, I28C
	01	B03A, B03B, B06A, B06B, B07Z, B17A, B17B, B17C		21A	W04A, W04B		21A	W04A, W04B
	03	D12A		21B	X04Z, X05A, X05B, X06A, X06B, X06C		21B	X05A, X05B, X06A, X06B
	08	I08A, I08B, I08C, I08D, I08E, I13A, I13B		22	Y01Z, Y03A, Y03B			BOP, KVT, UOP4
	21A	W04A, W04B		23	Z01A		01	B03A, B03B, B06A, B06B, B07Z, B17A, B17B, B17C, B17D
	21B	X06A, X06B, X06C			BOP, KVT, UOP4		08	I08A, I08B, I08C, I08D, I08E, I13A, I13B, I28A, I28B, I28C
		BOP, KVT, UOP4		01	B03A, B03B, B06A, B06B, B07Z, B17A, B17B, B17C		21A	W04A, W04B
	01	B03A, B03B, B06A, B06B, B07Z, B17A, B17B, B17C		03	D12A		21B	X05A, X05B, X06A, X06B
	08	I08A, I08B, I08C, I08D, I08E, I13A, I13B		08	I08A, I08B, I08C, I08D, I08E, I13A, I13B			BOP, KVT, UOP4

ZZV	MDC	DRG	ZZV	MDC	DRG	ZZV	MDC	DRG
5a50h.64		BOP, KVT, UOP4	5a50l		BOP, KVT, UOP4	5a50t.01		BOP, KVT, UOP4
	01	B03A, B03B, B06A, B06B, B07Z, B17A, B17B, B17C, B17D		01	B03A, B03B, B06A, B06B, B07Z, B17A, B17B, B17C		01	B03A, B03B, B06A, B06B, B07Z, B17A, B17B, B17C
	08	I08A, I08B, I08C, I08D, I08E, I13A, I13B, I28A, I28B, I28C		03	D12A, D12B		03	D12A
	21A	W04A, W04B		08	I08A, I08B, I08C, I08D, I08E, I13A, I13B, I28A, I28B, I28C		06	G11A, G11B
5a50h.6x	21B	X05A, X05B, X06A, X06B	5a50m	21A	W04A, W04B	5a50t.02	08	I08A, I08B, I08C, I08D, I08E, I13A, I13B, I28A, I28B
		BOP, KVT, UOP4		21B	X06A, X06B		11	L03Z, L04A, L04B, L04C, L10Z, L38Z
	01	B03A, B03B, B06A, B06B, B07Z, B17A, B17B, B17C, B17D		01	B03A, B03B, B06A, B06B, B07Z, B17A, B17B, B17C		12	M06Z, M09A, M09B, M38Z
	08	I08A, I08B, I08C, I08D, I08E, I13A, I13B, I28A, I28B, I28C		03	D12A, D12B		13	N11A
5a50h.7	21A	W04A, W04B	5a50n	08	I08A, I08B, I08C, I08D, I08E, I13A, I13B, I28A, I28B, I28C	5a50t.03	21A	W04A, W04B
	21B	X05A, X05B, X06A, X06B		21A	W04A, W04B		21B	X04Z, X05A, X05B, X06A, X06B, X06C
		BOP, KVT, UOP4		21B	X06A, X06B		22	Y01Z, Y03A, Y03B
	01	B03A, B03B, B06A, B06B, B07Z, B17A, B17B, B17C, B17D			BOP, KVT, UOP4		23	Z01A
5a50h.8	08	I08A, I08B, I08C, I08D, I08E, I13A, I13B, I28A, I28B, I28C	5a50o	01	B03A, B03B, B06A, B06B, B07Z, B17A, B17B, B17C	5a50t.04	01	B03A, B03B, B06A, B06B, B07Z, B17A, B17B, B17C
	21A	W04A, W04B		03	D12A, D12B		03	D12A
	21B	X05A, X05B, X06A, X06B		08	I08A, I08B, I08C, I08D, I08E, I13A, I13B, I28A, I28B, I28C		06	G11A, G11B
		BOP, KVT, UOP4		21A	W04A, W04B		08	I08A, I08B, I08C, I08D, I08E, I13A, I13B, I28A, I28B
5a50h.9	01	B03A, B03B, B06A, B06B, B07Z, B17A, B17B, B17C, B17D	5a50p	08	I08A, I08B, I08C, I08D, I08E, I13A, I13B, I28A, I28B, I28C	5a50t.05	11	L03Z, L04A, L04B, L04C, L10Z, L38Z
	08	I08A, I08B, I08C, I08D, I08E, I13A, I13B, I28A, I28B, I28C		21A	W04A, W04B		12	M06Z, M09A, M09B, M38Z
	21A	W04A, W04B		21B	X06A, X06B		13	N11A
	21B	X05A, X05B, X06A, X06B			BOP, KVT, UOP4		21A	W04A, W04B
5a50h.a	01	B03A, B03B, B06A, B06B, B07Z, B17A, B17B, B17C	5a50r	01	B03A, B03B, B06A, B06B, B07Z, B17A, B17B, B17C, B17D	5a50t.06	21B	X04Z, X05A, X05B, X06A, X06B, X06C
	08	I08A, I08B, I08C, I08D, I08E, I13A, I13B, I28A, I28B, I28C		08	I08A, I08B, I08C, I08D, I08E, I13A, I13B, I28A, I28B		22	Y01Z, Y03A, Y03B
	21A	W04A, W04B		21A	W04A, W04B		23	Z01A
	21B	X04Z, X06A, X06B		21B	X06A, X06B, X06C			BOP, KVT, UOP4
5a50h.b		BOP, KVT, UOP4	5a50t.00	01	B03A, B03B, B06A, B06B, B07Z, B17A, B17B, B17C	5a50t.07	01	B03A, B03B, B06A, B06B, B07Z, B17A, B17B, B17C
	01	B03A, B03B, B06A, B06B, B07Z, B17A, B17B, B17C		03	D12A		03	D12A
	08	I08A, I08B, I08C, I08D, I08E, I13A, I13B, I28A, I28B, I28C		06	G11A, G11B		06	G11A, G11B
	21A	W04A, W04B		08	I08A, I08B, I08C, I08D, I08E, I13A, I13B, I28A, I28B		08	I08A, I08B, I08C, I08D, I08E, I13A, I13B, I28A, I28B
5a50j	21B	X04Z, X06A, X06B	5a50u	11	L03Z, L04A, L04B, L04C, L10Z, L38Z	5a50t.08	11	L03Z, L04A, L04B, L04C, L10Z, L38Z
		BOP, KVT, UOP4		12	M06Z, M09A, M09B, M38Z		12	M06Z, M09A, M09B, M38Z
	01	B03A, B03B, B06A, B06B, B07Z, B17A, B17B, B17C, B17D		13	N11A		13	N11A
	08	I08A, I08B, I08C, I08D, I08E, I13A, I13B, I20A, I20B, I20C, I20D, I20E, I20F		21A	W04A, W04B		21A	W04A, W04B
5a50k	21A	W04A, W04B	5a50v	21B	X04Z, X05A, X05B, X06A, X06B, X06C	5a50t.09	21B	X04Z, X05A, X05B, X06A, X06B, X06C
	21B	X04Z		22	Y01Z, Y03A, Y03B		22	Y01Z, Y03A, Y03B
		BOP, KVT, UOP4		23	Z01A		23	Z01A
	01	B03A, B03B, B06A, B06B, B07Z, B17A, B17B, B17C						
	D12A, D12B							
	I08A, I08B, I08C, I08D, I08E, I13A, I13B, I28A, I28B, I28C							
	W04A, W04B							
	X06A, X06B							

ZZV	MDC	DRG	ZZV	MDC	DRG	ZZV	MDC	DRG	
5a50t.05		BOP, KVT, UOP4	5a50t.12		BOP, KVT, UOP4	5a50t.16		BOP, KVT, UOP4	
	01	B03A, B03B, B06A, B06B, B07Z, B17A, B17B, B17C		01	B03A, B03B, B06A, B06B, B07Z, B17A, B17B, B17C		01	B03A, B03B, B06A, B06B, B07Z, B17A, B17B, B17C	
	03	D12A		03	D12A		03	D12A	
	06	G11A, G11B		06	G11A, G11B		06	G11A, G11B	
	08	I08A, I08B, I08C, I08D, I08E, I13A, I13B, I28A, I28B		08	I08A, I08B, I08C, I08D, I08E, I13A, I13B, I28A, I28B		08	I08A, I08B, I08C, I08D, I08E, I13A, I13B, I28A, I28B	
	11	L03Z, L04A, L04B, L04C, L10Z, L38Z		11	L03Z, L04A, L04B, L04C, L10Z, L38Z		11	L03Z, L04A, L04B, L04C, L10Z, L38Z	
	12	M06Z, M09A, M09B, M38Z		12	M06Z, M09A, M09B, M38Z		12	M06Z, M09A, M09B, M38Z	
	13	N11A		13	N11A		13	N11A	
	21A	W04A, W04B		21A	W04A, W04B		21A	W04A, W04B	
	21B	X04Z, X05A, X05B, X06A, X06B, X06C		21B	X04Z, X05A, X05B, X06A, X06B, X06C		21B	X04Z, X05A, X05B, X06A, X06B, X06C	
	22	Y01Z, Y03A, Y03B		22	Y01Z, Y03A, Y03B		22	Y01Z, Y03A, Y03B	
	23	Z01A		23	Z01A		23	Z01A	
	5a50t.06			BOP, KVT, UOP4	5a50t.13			BOP, KVT, UOP4	5a50t.e
01		B03A, B03B, B06A, B06B, B07Z, B17A, B17B, B17C	01	B03A, B03B, B06A, B06B, B07Z, B17A, B17B, B17C		01	B03A, B03B, B06A, B06B, B07Z, B17A, B17B, B17C		
03		D12A	03	D12A		03	D12A		
06		G11A, G11B	06	G11A, G11B		08	I08A, I08B, I08C, I08D, I08E, I13A, I13B, I28A, I28B		
08		I08A, I08B, I08C, I08D, I08E, I13A, I13B, I28A, I28B	08	I08A, I08B, I08C, I08D, I08E, I13A, I13B, I28A, I28B		12	M06Z, M09A, M09B, M38Z		
11		L03Z, L04A, L04B, L04C, L10Z, L38Z	11	L03Z, L04A, L04B, L04C, L10Z, L38Z		13	N11A		
12		M06Z, M09A, M09B, M38Z	12	M06Z, M09A, M09B, M38Z		21A	W04A, W04B		
13		N11A	13	N11A		21B	X04Z, X05A, X05B, X06A, X06B, X06C		
21A		W04A, W04B	21A	W04A, W04B		22	Y01Z, Y03A, Y03B		
21B		X04Z, X05A, X05B, X06A, X06B, X06C	21B	X04Z, X05A, X05B, X06A, X06B, X06C		23	Z01A		
22		Y01Z, Y03A, Y03B	22	Y01Z, Y03A, Y03B		5a50t.f0		BOP, KVT, UOP4	
23		Z01A	23	Z01A			01	B03A, B03B, B06A, B06B, B07Z, B17A, B17B, B17C	
5a50t.10			BOP, KVT, UOP4	5a50t.14			BOP, KVT, UOP4	5a50t.f0	
	01	B03A, B03B, B06A, B06B, B07Z, B17A, B17B, B17C	01		B03A, B03B, B06A, B06B, B07Z, B17A, B17B, B17C	06	G11A, G11B		
	03	D12A	03		D12A	08	I08A, I08B, I08C, I08D, I08E, I13A, I13B, I28A, I28B		
	06	G11A, G11B	06		G11A, G11B	11	L03Z, L04A, L04B, L04C, L10Z, L38Z		
	08	I08A, I08B, I08C, I08D, I08E, I13A, I13B, I28A, I28B	08		I08A, I08B, I08C, I08D, I08E, I13A, I13B, I28A, I28B	12	M06Z, M09A, M09B, M38Z		
	11	L03Z, L04A, L04B, L04C, L10Z, L38Z	11		L03Z, L04A, L04B, L04C, L10Z, L38Z	13	N11A		
	12	M06Z, M09A, M09B, M38Z	12		M06Z, M09A, M09B, M38Z	21A	W04A, W04B		
	13	N11A	13		N11A	21B	X04Z, X05A, X05B, X06A, X06B, X06C		
	21A	W04A, W04B	21A		W04A, W04B	22	Y01Z, Y03A, Y03B		
	21B	X04Z, X05A, X05B, X06A, X06B, X06C	21B		X04Z, X05A, X05B, X06A, X06B, X06C	23	Z01A		
	22	Y01Z, Y03A, Y03B	22		Y01Z, Y03A, Y03B	5a50t.f1			BOP, KVT, UOP4
	23	Z01A	23		Z01A		01		B03A, B03B, B06A, B06B, B07Z, B17A, B17B, B17C
	5a50t.11		BOP, KVT, UOP4		5a50t.15		BOP, KVT, UOP4		5a50t.f1
01		B03A, B03B, B06A, B06B, B07Z, B17A, B17B, B17C	01	B03A, B03B, B06A, B06B, B07Z, B17A, B17B, B17C		06	G11A, G11B		
03		D12A	03	D12A		08	I08A, I08B, I08C, I08D, I08E, I13A, I13B, I28A, I28B		
06		G11A, G11B	06	G11A, G11B		11	L03Z, L04A, L04B, L04C, L10Z, L38Z		
08		I08A, I08B, I08C, I08D, I08E, I13A, I13B, I28A, I28B	08	I08A, I08B, I08C, I08D, I08E, I13A, I13B, I28A, I28B		12	M06Z, M09A, M09B, M38Z		
11		L03Z, L04A, L04B, L04C, L10Z, L38Z	11	L03Z, L04A, L04B, L04C, L10Z, L38Z		13	N11A		
12		M06Z, M09A, M09B, M38Z	12	M06Z, M09A, M09B, M38Z		21A	W04A, W04B		
13		N11A	13	N11A		21B	X04Z, X05A, X05B, X06A, X06B, X06C		
21A		W04A, W04B	21A	W04A, W04B		22	Y01Z, Y03A, Y03B		
21B		X04Z, X05A, X05B, X06A, X06B, X06C	21B	X04Z, X05A, X05B, X06A, X06B, X06C		23	Z01A		
22		Y01Z, Y03A, Y03B	22	Y01Z, Y03A, Y03B		5a901.a†	VIAL		
23		Z01A	23	Z01A		5a901.b†	VIAL		
						5a901.c†	VIAL		
				5a902.01†	VIAL				
				5a902.02†	VIAL				
				5a902.03†	VIAL				

VYK



ZZV	MDC	DRG	ZZV	MDC	DRG	ZZV	MDC	DRG
5a904.41		BOP, KVT, UOP4	5b120.05		BOP, KVT, UOP4	5b122.12		BOP, KVT, UOP4
	01	B03A, B03B, B18Z		10	K06A, K06B, K06C, K06D		10	K06A, K06B
	08	I10A, I10B, I10C, I10D, I10E		11	L09A, L09C, L38Z		11	L09A, L09C, L38Z
	17	R01A, R01B, R01C, R01D, R02Z, R12A, R12B, R12C		5b120.06	BOP, KVT, UOP4		5b122.13	BOP, KVT, UOP4
	21A	W04A, W04B		10	K06A, K06B, K06C, K06D		10	K06A, K06B
5a904.42	21B	X06A, X06B	5b120.10	BOP, KVT, UOP4	5b122.14	BOP, KVT, UOP4		
		BOP, KVT, UOP4	10	K06A, K06B, K06C, K06D	10	K06A, K06B		
	01	B03A, B03B, B18Z	11	L09A, L09C, L38Z	11	L09A, L09C, L38Z		
	08	I10A, I10B, I10C, I10D, I10E	5b120.16	BOP, KVT, UOP4	5b122.15	BOP, KVT, UOP4		
	17	R01A, R01B, R01C, R01D, R02Z, R12A, R12B, R12C	10	K06A, K06B, K06C, K06D	10	K06A, K06B		
5a904.43	21A	W04A, W04B	5b120.20	L09A, L09C, L38Z	5b122.16	L09A, L09C, L38Z		
	21B	X06A, X06B	10	K06A, K06B, K06C, K06D	10	K06A, K06B		
		BOP, KVT, UOP4	11	L09A, L09C, L38Z	5b122.1x	BOP, KVT, UOP4		
	01	B03A, B03B, B18Z	5b120.21	BOP, KVT, UOP4	10	K06A, K06B		
	08	I10A, I10B, I10C, I10D, I10E	10	K06A, K06B, K06C, K06D	11	L09A, L09C, L38Z		
5b110	17	R01A, R01B, R01C, R01D, R02Z, R12A, R12B, R12C	5b120.22	L09A, L09C, L38Z	5b12x.0	BOP, KVT, UOP4		
	21A	W04A, W04B	10	K06A, K06B, K06C, K06D	10	K06A, K06B, K06C, K06D		
	21B	X06A, X06B	11	L09A, L09C, L38Z	11	L09A, L09C, L38Z		
		BOP, KVT, UOP4	5b120.23	BOP, KVT, UOP4	5b12x.1	BOP, KVT, UOP4		
	03	D09Z, D30A	10	K06A, K06B, K06C, K06D	10	K06A, K06B, K06C, K06D		
5b111	09	J03A, J03B, J04A, J04B, J08A, J08B, J08C, J11A, J11B, J16Z	5b120.24	L09A, L09C, L38Z	5b12x.2	L09A, L09C, L38Z		
	10	K06A, K06B, K06C, K06D	10	K06A, K06B, K06C, K06D	10	K06A, K06B, K06C, K06D		
	21A	W04A, W04B	11	L09A, L09C, L38Z	11	L09A, L09C, L38Z		
	21B	X06A, X06B, X06C	5b120.25	BOP, KVT, UOP4	5b12x.3	BOP, KVT, UOP4		
		BOP, KVT, UOP4	10	K06A, K06B, K06C, K06D	10	K06A, K06B, K06C, K06D		
5b112	03	D09Z, D30A	5b120.26	L09A, L09C, L38Z	5b12x.4	L09A, L09C, L38Z		
	09	J03A, J03B, J04A, J04B, J08A, J08B, J08C, J11A, J11B, J16Z	10	K06A, K06B, K06C, K06D	10	K06A, K06B, K06C, K06D		
	10	K06A, K06B, K06C, K06D	11	L09A, L09C, L38Z	11	L09A, L09C, L38Z		
	21A	W04A, W04B	5b120.2x	BOP, KVT, UOP4	5b12x.5	BOP, KVT, UOP4		
	21B	X06A, X06B, X06C	10	K06A, K06B, K06C, K06D	10	K06A, K06B, K06C, K06D		
5b113		BOP, KVT, UOP4	5b120.x	L09A, L09C, L38Z	5b12x.6	L09A, L09C, L38Z		
	03	D09Z, D30A	10	K06A, K06B, K06C, K06D	10	K06A, K06B, K06C, K06D		
	09	J03A, J03B, J04A, J04B, J08A, J08B, J08C, J11A, J11B, J16Z	5b122.00	BOP, KVT, UOP4	5b12x.x	BOP, KVT, UOP4		
	10	K06A, K06B, K06C, K06D	10	K06A, K06B	10	K06A, K06B, K06C, K06D		
	21A	W04A, W04B	11	L09A, L09C, L38Z	11	L09A, L09C, L38Z		
5b11x	21B	X06A, X06B, X06C	5b122.01	BOP, KVT, UOP4	5b130.0	BOP, KVT, UOP4		
		BOP, KVT, UOP4	10	K06A, K06B	10	K06A, K06B, K06C, K06D		
	10	K06A, K06B, K06C, K06D	11	L09A, L09C, L38Z	11	L09C, L38Z		
	21A	W04A, W04B	5b122.02	BOP, KVT, UOP4	5b130.1	BOP, KVT, UOP4		
	21B	X06A, X06B, X06C	10	K06A, K06B	10	K06A, K06B, K06C, K06D		
5b120.00		BOP, KVT, UOP4	5b122.03	L09A, L09C, L38Z	5b130.2	L09C, L38Z		
	10	K06A, K06B, K06C, K06D	10	K06A, K06B	10	K06A, K06B, K06C, K06D		
	11	L09A, L09C, L38Z	11	L09A, L09C, L38Z	11	L09C, L38Z		
		BOP, KVT, UOP4	5b122.04	BOP, KVT, UOP4	5b130.3	BOP, KVT, UOP4		
	10	K06A, K06B, K06C, K06D	10	K06A, K06B	10	K06A, K06B, K06C, K06D		
5b120.01	11	L09A, L09C, L38Z	5b122.05	L09A, L09C, L38Z	5b130.4	L09C, L38Z		
		BOP, KVT, UOP4	10	K06A, K06B	10	K06A, K06B, K06C, K06D		
	10	K06A, K06B, K06C, K06D	11	L09A, L09C, L38Z	11	L09C, L38Z		
	11	L09A, L09C, L38Z	5b122.06	BOP, KVT, UOP4	5b130.5	BOP, KVT, UOP4		
		BOP, KVT, UOP4	10	K06A, K06B	10	K06A, K06B, K06C, K06D		
5b120.02	10	K06A, K06B, K06C, K06D	5b122.0x	L09A, L09C, L38Z	5b130.6	L09C, L38Z		
	11	L09A, L09C, L38Z	10	K06A, K06B	10	K06A, K06B, K06C, K06D		
		BOP, KVT, UOP4	11	L09A, L09C, L38Z	11	L09C, L38Z		
	10	K06A, K06B, K06C, K06D	5b122.10	BOP, KVT, UOP4	5b130.x	BOP, KVT, UOP4		
	11	L09A, L09C, L38Z	10	K06A, K06B	10	K06A, K06B, K06C, K06D		
5b120.03		BOP, KVT, UOP4	5b122.11	L09A, L09C, L38Z	5b131.0	L09C, L38Z		
	10	K06A, K06B, K06C, K06D	10	K06A, K06B	10	K06A, K06B, K06C, K06D		
	11	L09A, L09C, L38Z	11	L09A, L09C, L38Z	11	L09C, L38Z		
		BOP, KVT, UOP4	10	K06A, K06B	10	K06A, K06B, K06C, K06D		
	10	K06A, K06B, K06C, K06D	11	L09A, L09C, L38Z	11	L09C, L38Z		





ZZV	MDC	DRG	ZZV	MDC	DRG	ZZV	MDC	DRG
5b141.73		BOP, KVT, UOP4	5b144.2		BOP, KVT, UOP4	5b161		BOP, KVT, UOP4
	10	K06A, K06B		10	K06A, K06B, K06C, K06D		03	D12A, D12B
	11	L09A, L09C, L38Z		11	L09A, L09C, L38Z		10	K06A, K06B, K06C, K06D
5b141.74		BOP, KVT, UOP4	5b144.3		BOP, KVT, UOP4	5b162		BOP, KVT, UOP4
	10	K06A, K06B		10	K06A, K06B, K06C, K06D		03	D12A, D12B
	11	L09A, L09C, L38Z		11	L09A, L09C, L38Z		10	K06A, K06B, K06C, K06D
5b141.75		BOP, KVT, UOP4	5b144.4		BOP, KVT, UOP4	5b163		BOP, KVT, UOP4
	10	K06A, K06B		10	K06A, K06B, K06C, K06D		03	D12A, D12B
	11	L09A, L09C, L38Z		11	L09A, L09C, L38Z		10	K06A, K06B, K06C, K06D
5b141.76		BOP, KVT, UOP4	5b144.5		BOP, KVT, UOP4	5b164		BOP, KVT, UOP4
	10	K06A, K06B		10	K06A, K06B, K06C, K06D		03	D12A, D12B
	11	L09A, L09C, L38Z		11	L09A, L09C, L38Z		10	K06A, K06B, K06C, K06D
5b141.7x		BOP, KVT, UOP4	5b144.6		BOP, KVT, UOP4	5b165		BOP, KVT, UOP4
	10	K06A, K06B		10	K06A, K06B, K06C, K06D		03	D12A, D12B
	11	L09A, L09C, L38Z		11	L09A, L09C, L38Z		10	K06A, K06B, K06C, K06D
5b141.80		BOP, KVT, UOP4	5b144.x		BOP, KVT, UOP4	5b166.1		BOP, KVT, UOP4
	10	K06A, K06B		10	K06A, K06B, K06C, K06D		03	D12A, D12B
	11	L09A, L09C, L38Z		11	L09A, L09C, L38Z		10	K06A, K06B, K06C, K06D
5b141.81		BOP, KVT, UOP4	5b14x.0		BOP, KVT, UOP4	5b166.2		BOP, KVT, UOP4
	10	K06A, K06B		10	K06A, K06B, K06C, K06D		03	D12A, D12B
	11	L09A, L09C, L38Z		11	L09A, L09C, L38Z		10	K06A, K06B, K06C, K06D
5b141.82		BOP, KVT, UOP4	5b14x.1		BOP, KVT, UOP4	5b166.3		BOP, KVT, UOP4
	10	K06A, K06B		10	K06A, K06B, K06C, K06D		03	D12A, D12B
	11	L09A, L09C, L38Z		11	L09A, L09C, L38Z		10	K06A, K06B, K06C, K06D
5b141.83		BOP, KVT, UOP4	5b14x.2		BOP, KVT, UOP4	5b166.4		BOP, KVT, UOP4
	10	K06A, K06B		10	K06A, K06B, K06C, K06D		03	D12A, D12B
	11	L09A, L09C, L38Z		11	L09A, L09C, L38Z		10	K06A, K06B, K06C, K06D
5b141.84		BOP, KVT, UOP4	5b14x.3		BOP, KVT, UOP4	5b167		BOP, KVT, UOP4
	10	K06A, K06B		10	K06A, K06B, K06C, K06D		03	D12A, D12B
	11	L09A, L09C, L38Z		11	L09A, L09C, L38Z		10	K06A, K06B, K06C, K06D
5b141.85		BOP, KVT, UOP4	5b14x.4		BOP, KVT, UOP4	5b168		BOP, KVT, UOP4
	10	K06A, K06B		10	K06A, K06B, K06C, K06D		03	D12A, D12B
	11	L09A, L09C, L38Z		11	L09A, L09C, L38Z		10	K06A, K06B, K06C, K06D
5b141.86		BOP, KVT, UOP4	5b14x.5		BOP, KVT, UOP4	5b16x		BOP, KVT, UOP4
	10	K06A, K06B		10	K06A, K06B, K06C, K06D		03	D12A, D12B
	11	L09A, L09C, L38Z		11	L09A, L09C, L38Z		10	K06A, K06B, K06C, K06D
5b141.8x		BOP, KVT, UOP4	5b14x.6		BOP, KVT, UOP4	5b190		BOP, KVT, UOP4
	10	K06A, K06B		10	K06A, K06B, K06C, K06D		03	D12A, D12B
	11	L09A, L09C, L38Z		11	L09A, L09C, L38Z		08	I28A, I28B
5b143.0		BOP, KVT, UOP4	5b14x.x		BOP, KVT, UOP4		10	K06A, K06B, K06C, K06D
	10	K06A, K06B, K06C, K06D		10	K06A, K06B, K06C, K06D		21A	W04A, W04B
	11	L09A, L09C, L38Z		11	L09A, L09C, L38Z		21B	X06A, X06B, X06C
5b143.1		BOP, KVT, UOP4	5b150		BOP, KVT, UOP4	5b191		BOP, KVT, UOP4
	10	K06A, K06B, K06C, K06D		10	K06A, K06B, K06C, K06D		10	K06A, K06B, K06C, K06D
	11	L09A, L09C, L38Z		11	L09A, L09C, L38Z			BOP, KVT, UOP4
5b143.2		BOP, KVT, UOP4	5b151		BOP, KVT, UOP4	5b19x		BOP, KVT, UOP4
	10	K06A, K06B, K06C, K06D		10	K06A, K06B, K06C, K06D		10	K06A, K06B, K06C, K06D
	11	L09A, L09C, L38Z		11	L09A, L09C, L38Z			BOP, KVT, UOP4
5b143.3		BOP, KVT, UOP4	5b152		BOP, KVT, UOP4	5b210.0		BOP, KVT, UOP4
	10	K06A, K06B, K06C, K06D		10	K06A, K06B, K06C, K06D		10	K06A, K06B
	11	L09A, L09C, L38Z		11	L09A, L09C, L38Z		11	L09A, L09B, L09C, L38Z
5b143.4		BOP, KVT, UOP4	5b153		BOP, KVT, UOP4	5b210.1		BOP, KVT, UOP4
	10	K06A, K06B, K06C, K06D		10	K06A, K06B, K06C, K06D		10	K06A, K06B
	11	L09A, L09C, L38Z		11	L09A, L09C, L38Z		11	L09A, L09B, L09C, L38Z
5b143.5		BOP, KVT, UOP4	5b154		BOP, KVT, UOP4	5b210.2		BOP, KVT, UOP4
	10	K06A, K06B, K06C, K06D		10	K06A, K06B, K06C, K06D		10	K06A, K06B
	11	L09A, L09C, L38Z		11	L09A, L09C, L38Z		11	L09A, L09B, L09C, L38Z
5b143.6		BOP, KVT, UOP4	5b155		BOP, KVT, UOP4	5b210.3		BOP, KVT, UOP4
	10	K06A, K06B, K06C, K06D		10	K06A, K06B, K06C, K06D		10	K06A, K06B
	11	L09A, L09C, L38Z		11	L09A, L09C, L38Z		11	L09A, L09B, L09C, L38Z
5b143.x		BOP, KVT, UOP4	5b156		BOP, KVT, UOP4	5b210.4		BOP, KVT, UOP4
	10	K06A, K06B, K06C, K06D		10	K06A, K06B, K06C, K06D		10	K06A, K06B
	11	L09A, L09C, L38Z		11	L09A, L09C, L38Z		11	L09A, L09B, L09C, L38Z
5b144.0		BOP, KVT, UOP4	5b15x		BOP, KVT, UOP4	5b210.5		BOP, KVT, UOP4
	10	K06A, K06B, K06C, K06D		10	K06A, K06B, K06C, K06D		10	K06A, K06B
	11	L09A, L09C, L38Z		11	L09A, L09C, L38Z		11	L09A, L09B, L09C, L38Z
5b144.1		BOP, KVT, UOP4	5b160		BOP, KVT, UOP4	5b210.6		BOP, KVT, UOP4
	10	K06A, K06B, K06C, K06D		03	D12A, D12B		10	K06A, K06B
	11	L09A, L09C, L38Z		10	K06A, K06B, K06C, K06D		11	L09A, L09B, L09C, L38Z



ZZV	MDC	DRG	ZZV	MDC	DRG	ZZV	MDC	DRG
5b23x.5		BOP, KVT, UOP4	5b321.4↔		BOP, KVT, UOP4	5b330.x↔		BOP, KVT, UOP4
	10	K06A, K06B, K06C, K06D		09	J03A, J03B, J04A, J04B, J08A, J08B, J08C, J11A, J11B, J16Z		10	K03A, K03B, K14Z
	11	L09C, L38Z					21A	W04A, W04B
5b23x.6		BOP, KVT, UOP4		10	K03A, K03B, K14Z		21B	X06A, X06B, X06C
	10	K06A, K06B, K06C, K06D		13	N01A, N01B, N01C, N01D, N01E, N02A, N02B, N02C, N03A, N03B, N05A, N05B, N38Z	5b331↔		BOP, KVT, UOP4
	11	L09C, L38Z					10	K03A, K03B, K14Z
5b23x.x		BOP, KVT, UOP4					21A	W04A, W04B
	10	K06A, K06B, K06C, K06D					21B	X06A, X06B, X06C
	11	L09C, L38Z	5b321.x↔		BOP, KVT, UOP4	5b332↔		BOP, KVT, UOP4
5b290		BOP, KVT, UOP4		09	J03A, J03B, J04A, J04B, J08A, J08B, J08C, J11A, J11B, J16Z		10	K03A, K03B, K14Z
	10	K06A, K06B, K06C, K06D					21A	W04A, W04B
5b291		BOP, KVT, UOP4		10	K03A, K03B, K14Z		21B	X06A, X06B, X06C
	10	K06A, K06B, K06C, K06D		13	N01A, N01B, N01C, N01D, N01E, N02A, N02B, N02C, N03A, N03B, N05A, N05B, N38Z	5b333.1↔		BOP, KVT, UOP4
5b311.1↔		BOP, KVT, UOP4					10	K03A, K03B, K14Z
	10	K03A, K03B, K14Z					21A	W04A, W04B
5b311.2↔		BOP, KVT, UOP4					21B	X06A, X06B, X06C
	10	K03A, K03B, K14Z				5b333.2↔		BOP, KVT, UOP4
5b311.4↔		BOP, KVT, UOP4	5b322.1↔		BOP, KVT, UOP4		10	K03A, K03B, K14Z
	10	K03A, K03B, K14Z		09	J03A, J03B, J04A, J04B, J08A, J08B, J08C, J11A, J11B, J16Z		21A	W04A, W04B
5b311.x↔		BOP, KVT, UOP4					21B	X06A, X06B, X06C
	10	K03A, K03B, K14Z		10	K03A, K03B, K14Z	5b333.4↔		BOP, KVT, UOP4
5b312.1↔		BOP, KVT, UOP4					10	K03A, K03B, K14Z
	06	G18A, G38Z	5b322.2↔		BOP, KVT, UOP4		21A	W04A, W04B
	10	K03A, K03B, K14Z		09	J03A, J03B, J04A, J04B, J08A, J08B, J08C, J11A, J11B, J16Z		21B	X06A, X06B, X06C
5b312.2↔		BOP, KVT, UOP4				5b333.x↔		BOP, KVT, UOP4
	10	K03A, K03B, K14Z		10	K03A, K03B, K14Z		10	K03A, K03B, K14Z
5b312.4↔		BOP, KVT, UOP4					21A	W04A, W04B
	10	K03A, K03B, K14Z	5b322.4↔		BOP, KVT, UOP4		21B	X06A, X06B, X06C
5b312.x↔		BOP, KVT, UOP4		09	J03A, J03B, J04A, J04B, J08A, J08B, J08C, J11A, J11B, J16Z	5b33x.1↔		BOP, KVT, UOP4
	10	K03A, K03B, K14Z					10	K03A, K03B, K14Z
5b320.1↔		BOP, KVT, UOP4		10	K03A, K03B, K14Z		21A	W04A, W04B
	06	G18A, G38Z	5b322.x↔		BOP, KVT, UOP4		21B	X06A, X06B, X06C
	09	J03A, J03B, J04A, J04B, J08A, J08B, J08C, J11A, J11B, J16Z		09	J03A, J03B, J04A, J04B, J08A, J08B, J08C, J11A, J11B, J16Z	5b33x.2↔		BOP, KVT, UOP4
	10	K03A, K03B, K14Z					10	K03A, K03B, K14Z
5b320.2↔		BOP, KVT, UOP4		10	K03A, K03B, K14Z		21A	W04A, W04B
	09	J03A, J03B, J04A, J04B, J08A, J08B, J08C, J11A, J11B, J16Z	5b323.1↔		BOP, KVT, UOP4		21B	X06A, X06B, X06C
	10	K03A, K03B, K14Z		06	G18A, G38Z	5b33x.4↔		BOP, KVT, UOP4
	10	K03A, K03B, K14Z		09	J03A, J03B, J04A, J04B, J08A, J08B, J08C, J11A, J11B, J16Z		10	K03A, K03B, K14Z
5b320.4↔		BOP, KVT, UOP4					21A	W04A, W04B
	09	J03A, J03B, J04A, J04B, J08A, J08B, J08C, J11A, J11B, J16Z		10	K03A, K03B, K14Z		21B	X06A, X06B, X06C
	10	K03A, K03B, K14Z	5b323.2↔		BOP, KVT, UOP4	5b33x.x↔		BOP, KVT, UOP4
	10	K03A, K03B, K14Z		09	J03A, J03B, J04A, J04B, J08A, J08B, J08C, J11A, J11B, J16Z		10	K03A, K03B, K14Z
5b320.x↔		BOP, KVT, UOP4					21A	W04A, W04B
	09	J03A, J03B, J04A, J04B, J08A, J08B, J08C, J11A, J11B, J16Z		10	K03A, K03B, K14Z		21B	X06A, X06B, X06C
	10	K03A, K03B, K14Z	5b323.4↔		BOP, KVT, UOP4	5b411		BOP, KOP, KOPV, KVT, UOP4
	10	K03A, K03B, K14Z		09	J03A, J03B, J04A, J04B, J08A, J08B, J08C, J11A, J11B, J16Z		01	B02A, B02B, B02C, B20A, B20B, B20C, B20D, B20E, B39A, B39B
5b321.1↔		BOP, KVT, UOP4					06	G33Z
	06	G18A, G38Z		10	K03A, K03B, K14Z		07	H33Z, H38Z
	09	J03A, J03B, J04A, J04B, J08A, J08B, J08C, J11A, J11B, J16Z	5b323.x↔		BOP, KVT, UOP4		10	K03A, K03B
	10	K03A, K03B, K14Z		09	J03A, J03B, J04A, J04B, J08A, J08B, J08C, J11A, J11B, J16Z		11	L33Z
	13	N01A, N01B, N01C, N01D, N01E, N02A, N02B, N02C, N03A, N03B, N05A, N05B, N38Z					21B	X33Z
5b321.2↔		BOP, KVT, UOP4		10	K03A, K03B, K14Z		23	Z01A
	09	J03A, J03B, J04A, J04B, J08A, J08B, J08C, J11A, J11B, J16Z	5b330.1↔		BOP, KVT, UOP4		Pre	A07A
	10	K03A, K03B, K14Z		10	K03A, K03B, K14Z	5b412		BOP, KOP, KOPV, KVT, UOP4
	13	N01A, N01B, N01C, N01D, N01E, N02A, N02B, N02C, N03A, N03B, N05A, N05B, N38Z		21A	W04A, W04B		01	B02A, B02B, B02C, B20A, B20B, B20C, B20D, B20E, B39A, B39B
			5b330.2↔		BOP, KVT, UOP4		06	G33Z
				10	K03A, K03B, K14Z		07	H33Z, H38Z
				21A	W04A, W04B		10	K03A, K03B
				21B	X06A, X06B, X06C		11	L33Z
							21B	X33Z
							23	Z01A
							Pre	A07A
			5b330.4↔		BOP, KVT, UOP4			
				10	K03A, K03B, K14Z			
				21A	W04A, W04B			
				21B	X06A, X06B, X06C			

ZZV	MDC	DRG	ZZV	MDC	DRG	ZZV	MDC	DRG			
5b41x		BOP, KOP, KOPV, KVT, UOP4	5b421.13		BOP, KOP, KOPV, KVT, UOP4	5b42x		BOP, KOP, KOPV, KVT, UOP4			
	01	B02A, B02B, B02C, B20A, B20B, B20C, B20D, B20E, B39A, B39B		01	B03A, B03B, B06A, B06B, B07Z, B17A, B17B, B17C		01	B03A, B03B, B06A, B06B, B07Z, B17A, B17B, B17C			
	06	G33Z		04	E05A, E05B, E05C, E08A, E08B, E08C		04	E05A, E05B, E05C, E08A, E08B, E08C			
	07	H33Z, H38Z		06	G33Z		06	G33Z			
	10	K03A, K03B		07	H33Z, H38Z		07	H33Z, H38Z			
	11	L33Z		10	K09A, K09B		10	K09A, K09B			
	23	Z01A		11	L33Z		11	L33Z			
	Pre	A07A		17	R01A, R01B, R01C, R01D, R02Z, R12A, R12B, R12C		17	R01A, R01B, R01C, R01D, R02Z, R12A, R12B, R12C			
	5b421.10			BOP, KOP, KOPV, KVT, UOP4	5b421.21			BOP, KOP, KOPV, KVT, UOP4	5b491		BOP, KVT, UOP4
		01		B03A, B03B, B06A, B06B, B07Z, B17A, B17B, B17C			01	B03A, B03B, B06A, B06B, B07Z, B17A, B17B, B17C		10	K06A, K06B, K06C, K06D
04		E05A, E05B, E05C, E08A, E08B, E08C	04	E05A, E05B, E05C, E08A, E08B, E08C		5b492	BOP, KOP, KOPV, KVT, UOP4				
06		G33Z	06	G33Z		04	E05A, E05B, E05C, E08A, E08B, E08C				
07		H33Z, H38Z	07	H33Z, H38Z		06	G33Z				
10		K09A, K09B	07	H33Z, H38Z		07	H33Z, H38Z				
11		L33Z	10	K09A, K09B		10	K09A, K09B				
17		R01A, R01B, R01C, R01D, R02Z, R12A, R12B, R12C	11	L33Z		11	L33Z				
21A		W04A, W04B	17	R01A, R01B, R01C, R01D, R02Z, R12A, R12B, R12C		17	R01A, R01B, R01C, R01D, R02Z, R12A, R12B, R12C				
21B		X06A, X06B, X06C, X33Z	21A	W04A, W04B		21A	W04A, W04B				
23	Z01A	21B	X06A, X06B, X06C, X33Z	21B	X06A, X06B, X06C						
Pre	A07A	23	Z01A	23	Z01A						
5b421.11		BOP, KOP, KOPV, KVT, UOP4	5b421.2x		BOP, KOP, KOPV, KVT, UOP4	5b49x		BOP, KOP, KOPV, KVT, UOP4			
	01	B03A, B03B, B06A, B06B, B07Z, B17A, B17B, B17C		01	B03A, B03B, B06A, B06B, B07Z, B17A, B17B, B17C		04	E05A, E05B, E05C, E08A, E08B, E08C			
	04	E05A, E05B, E05C, E08A, E08B, E08C		04	E05A, E05B, E05C, E08A, E08B, E08C		06	G33Z			
	06	G33Z		06	G33Z		07	H33Z, H38Z			
	07	H33Z, H38Z		07	H33Z, H38Z		10	K09A, K09B			
	10	K09A, K09B		07	H33Z, H38Z		11	L33Z			
	11	L33Z		10	K09A, K09B		17	R01A, R01B, R01C, R01D, R02Z, R12A, R12B, R12C			
	17	R01A, R01B, R01C, R01D, R02Z, R12A, R12B, R12C		11	L33Z		21A	W04A, W04B			
	21A	W04A, W04B		17	R01A, R01B, R01C, R01D, R02Z, R12A, R12B, R12C		21B	X06A, X06B, X06C			
	21B	X06A, X06B, X06C, X33Z		21A	W04A, W04B		23	Z01A			
23	Z01A	21B	X06A, X06B, X06C, X33Z	Pre	A07A						
Pre	A07A	Pre	A07A	5b510		BOP, KOP, KOPV, KVT, UOP4					
5b421.12		BOP, KOP, KOPV, KVT, UOP4	5b421.4			BOP, KOP, KOPV, KVT, UOP4	5b511		BOP, KOP, KOPV, KVT, UOP4		
	01	B03A, B03B, B06A, B06B, B07Z, B17A, B17B, B17C			01	B03A, B03B, B06A, B06B, B07Z, B17A, B17B, B17C		01	B02A, B02B, B02C, B20A, B20B, B20C, B20D, B20E, B39A, B39B		
	04	E05A, E05B, E05C, E08A, E08B, E08C			04	E05A, E05B, E05C, E08A, E08B, E08C		06	G33Z		
	06	G33Z			06	G33Z		07	H33Z, H38Z		
	07	H33Z, H38Z			07	H33Z, H38Z		10	K03A, K03B		
	10	K09A, K09B			07	H33Z, H38Z		11	L33Z		
	11	L33Z			10	K09A, K09B		21B	X33Z		
	17	R01A, R01B, R01C, R01D, R02Z, R12A, R12B, R12C			10	K09A, K09B		23	Z01A		
	21A	W04A, W04B			11	L33Z		Pre	A07A		
	21B	X06A, X06B, X06C, X33Z		17	R01A, R01B, R01C, R01D, R02Z, R12A, R12B, R12C	01		B02A, B02B, B02C, B20A, B20B, B20C, B20D, B20E, B39A, B39B			
23	Z01A	21A	W04A, W04B	06	G33Z						
Pre	A07A	21B	X06A, X06B, X06C, X33Z	07	H33Z, H38Z						
		23	Z01A	10	K03A, K03B						
		Pre	A07A	11	L33Z						

ZZV	MDC	DRG	ZZV	MDC	DRG	ZZV	MDC	DRG	
5b512.0		BOP, KOP, KOPV, KVT, UOP4	5b513.1		BOP, KOP, KOPV, KVT, UOP4	5b516		BOP, KOP, KOPV, KVT, UOP4	
	01	B02A, B02B, B02C, B20A, B20B, B20C, B20D, B20E, B39A, B39B		01	B02A, B02B, B02C, B20A, B20B, B20C, B20D, B20E, B39A, B39B		01	B02A, B02B, B02C, B20A, B20B, B20C, B20D, B20E, B39A, B39B	
	06	G33Z		06	G33Z		06	G33Z	
	07	H33Z, H38Z		07	H33Z, H38Z		07	H33Z, H38Z	
	10	K03A, K03B		10	K03A, K03B		10	K03A, K03B	
	11	L33Z		11	L33Z		11	L33Z	
	21B	X33Z		21B	X33Z		21B	X33Z	
	23	Z01A		23	Z01A		23	Z01A	
	Pre	A07A		Pre	A07A		Pre	A07A	
	5b512.1			BOP, KOP, KOPV, KVT, UOP4	5b513.2			BOP, KOP, KOPV, KVT, UOP4	5b51x
01		B02A, B02B, B02C, B20A, B20B, B20C, B20D, B20E, B39A, B39B	01	B02A, B02B, B02C, B20A, B20B, B20C, B20D, B20E, B39A, B39B		01	B02A, B02B, B02C, B20A, B20B, B20C, B20D, B20E, B39A, B39B		
06		G33Z	06	G33Z		06	G33Z		
07		H33Z, H38Z	07	H33Z, H38Z		07	H33Z, H38Z		
10		K03A, K03B	10	K03A, K03B		10	K03A, K03B		
11		L33Z	11	L33Z		11	L33Z		
21B		X33Z	21B	X33Z		21B	X33Z		
23		Z01A	23	Z01A		23	Z01A		
Pre		A07A	Pre	A07A		Pre	A07A		
5b512.2			BOP, KOP, KOPV, KVT, UOP4	5b513.3			BOP, KOP, KOPV, KVT, UOP4	5c100↔	
	01	B02A, B02B, B02C, B20A, B20B, B20C, B20D, B20E, B39A, B39B	01		B02A, B02B, B02C, B20A, B20B, B20C, B20D, B20E, B39A, B39B	5c101↔	02		C01A, C01B, C13Z, C16Z
	06	G33Z	06		G33Z	5c102↔	02		C01A, C01B, C13Z, C16Z
	07	H33Z, H38Z	07		H33Z, H38Z	5c10x↔	02		C01A, C01B, C13Z, C16Z
	10	K03A, K03B	10		K03A, K03B	5c110↔	02		C01A, C01B, C13Z, C16Z
	11	L33Z	11		L33Z	21A	W04A, W04B		
	21B	X33Z	21B		X33Z	21B	X06A, X06B, X06C		
	23	Z01A	23		Z01A	5c111↔	02		C01A, C01B, C13Z, C16Z
	Pre	A07A	Pre		A07A	21A	W04A, W04B		
	5b512.3		BOP, KOP, KOPV, KVT, UOP4		5b514		BOP, KOP, KOPV, KVT, UOP4		5c120↔
01		B02A, B02B, B02C, B20A, B20B, B20C, B20D, B20E, B39A, B39B	01	B02A, B02B, B02C, B20A, B20B, B20C, B20D, B20E, B39A, B39B		03	D09Z, D30A		
06		G33Z	06	G33Z		21A	W04A, W04B		
07		H33Z, H38Z	07	H33Z, H38Z		21B	X06A, X06B, X06C		
10		K03A, K03B	10	K03A, K03B		5c12x↔	02	C01A, C01B, C13Z, C16Z	
11		L33Z	11	L33Z		03	D09Z, D30A		
21B		X33Z	21B	X33Z		21A	W04A, W04B		
23		Z01A	23	Z01A		21B	X06A, X06B, X06C		
Pre		A07A	Pre	A07A		5c130.0↔	02	C01A, C01B, C13Z, C16Z	
5b513.0			BOP, KOP, KOPV, KVT, UOP4	5b515			BOP, KOP, KOPV, KVT, UOP4	5c130.1↔	
	01	B02A, B02B, B02C, B20A, B20B, B20C, B20D, B20E, B39A, B39B	01		B02A, B02B, B02C, B20A, B20B, B20C, B20D, B20E, B39A, B39B	5c130.2↔	02		C01A, C01B, C13Z, C16Z
	06	G33Z	06		G33Z	5c130.x↔	02		C01A, C01B, C13Z, C16Z
	07	H33Z, H38Z	07		H33Z, H38Z	5c131.0↔	02		C01A, C01B, C13Z, C16Z
	10	K03A, K03B	10		K03A, K03B	5c131.1↔	02		C01A, C01B, C13Z, C16Z
	11	L33Z	11		L33Z	5c131.2↔	02		C01A, C01B, C13Z, C16Z
	21B	X33Z	21B		X33Z	5c140↔	02		C01A, C01B, C13Z, C16Z
	23	Z01A	23		Z01A	03	D09Z, D30A		
	Pre	A07A	Pre		A07A	21A	W04A, W04B		
						21B	X06A, X06B, X06C		
				5c141↔	02	C01A, C01B, C13Z, C16Z			
				03	D09Z, D30A				
				21A	W04A, W04B				
				21B	X06A, X06B, X06C				
				5c142↔	02	C01A, C01B, C13Z, C16Z			
				03	D09Z, D30A				
				21A	W04A, W04B				
				21B	X06A, X06B, X06C				
				5c143↔	02	C01A, C01B, C13Z, C16Z			
				03	D09Z, D30A				
				21A	W04A, W04B				
				21B	X06A, X06B, X06C				
				5c14x↔	02	C01A, C01B, C13Z, C16Z			
				03	D09Z, D30A				
				21A	W04A, W04B				
				21B	X06A, X06B, X06C				

ZZV	MDC	DRG	ZZV	MDC	DRG	ZZV	MDC	DRG
5c150.0↔		BOP, UOP4	5c170.x↔		BOP, UOP4	5c194↔	02	C01A, C01B, C13Z, C16Z
	02	C01A, C01B, C13Z, C16Z		02	C01A, C01B, C05Z, C16Z		03	D09Z, D30A
	21A	W04A, W04B		21A	W04A, W04B		21A	W04A, W04B
	21B	X06A, X06B, X06C		21B	X06A, X06B, X06C		21B	X06A, X06B, X06C
5c150.1↔		BOP, UOP4	5c171.0↔		BOP, UOP4	5c19x↔	02	C01A, C01B, C13Z, C16Z
	02	C01A, C01B, C13Z, C16Z		02	C01A, C01B, C05Z, C16Z		21A	W04A, W04B
	21A	W04A, W04B		21A	W04A, W04B		21B	X06A, X06B, X06C
	21B	X06A, X06B, X06C		21B	X06A, X06B, X06C	5c201±↔	09	J11A, J11B
5c150.x↔		BOP, UOP4	5c171.1↔		BOP, UOP4	5c210.0↔	02	C01A, C01B, C14Z, C16Z
	02	C01A, C01B, C13Z, C16Z		02	C01A, C01B, C05Z, C16Z		09	J03A, J03B, J04A, J04B, J08A, J08B, J08C, J11A, J11B, J11C, J16Z
	21A	W04A, W04B		21A	W04A, W04B		10	K09A, K09B
	21B	X06A, X06B, X06C		21B	X06A, X06B, X06C		21A	W04A, W04B
5c151↔		BOP, UOP4	5c171.x↔		BOP, UOP4		21B	X06A, X06B, X06C
	02	C01A, C01B, C13Z, C16Z		02	C01A, C01B, C05Z, C16Z		22	Y01Z, Y03A, Y03B
	21A	W04A, W04B		21A	W04A, W04B	5c210.1↔	02	C01A, C01B, C14Z, C16Z
	21B	X06A, X06B, X06C		21B	X06A, X06B, X06C		09	J03A, J03B, J04A, J04B, J08A, J08B, J08C, J11A, J11B, J11C, J16Z
5c152↔		BOP, UOP4	5c172↔		BOP, UOP4		10	K09A, K09B
	02	C01A, C01B, C13Z, C16Z		02	C01A, C01B, C13Z, C16Z		21A	W04A, W04B
	21A	W04A, W04B		03	D09Z, D30A		21B	X06A, X06B, X06C
	21B	X06A, X06B, X06C		21A	W04A, W04B		22	Y01Z, Y03A, Y03B
5c153.0↔		BOP, UOP4	5c173↔		BOP, UOP4	5c211.0↔	01	B03A, B03B, B06A, B06B, B07Z, B17A, B17B, B17C
	02	C01A, C01B, C13Z, C16Z		02	C01A, C01B, C05Z, C16Z		02	C01A, C01B, C14Z, C16Z
5c153.1↔		BOP, UOP4		21A	W04A, W04B		03	D12A, D12B
	02	C01A, C01B, C13Z, C16Z		21B	X06A, X06B, X06C		05	F21A, F21B, F21C
5c153.x↔		BOP, UOP4		21A	W04A, W04B		08	I27A, I27B, I27C, I27D
	02	C01A, C01B, C13Z, C16Z	5c174.0↔		BOP, UOP4		09	J03A, J03B, J04A, J04B, J08A, J08B, J08C, J16Z, J21Z, J22A, J22B
5c160.0↔		BOP, UOP4		02	C01A, C01B, C05Z, C16Z		10	K09A, K09B
	02	C01A, C01B, C05Z, C16Z		21A	W04A, W04B		21A	W04A, W04B
	03	D09Z, D30A		21B	X06A, X06B, X06C		21B	X06A, X06B, X06C
	21A	W04A, W04B	5c174.1↔		BOP, UOP4		22	Y01Z, Y03A, Y03B
	21B	X06A, X06B, X06C		02	C01A, C01B, C05Z, C16Z	5c211.1↔	01	B03A, B03B, B06A, B06B, B07Z, B17A, B17B, B17C
5c160.1↔		BOP, UOP4		03	D09Z, D30A		02	C01A, C01B, C14Z, C16Z
	02	C01A, C01B, C05Z, C16Z		21A	W04A, W04B		03	D12A, D12B
	03	D09Z, D30A	5c175↔		BOP, UOP4		05	F21A, F21B, F21C
	21A	W04A, W04B		02	C01A, C01B, C05Z, C16Z		08	I27A, I27B, I27C, I27D
	21B	X06A, X06B, X06C		21A	W04A, W04B		09	J03A, J03B, J04A, J04B, J08A, J08B, J08C, J16Z, J21Z, J22A, J22B
5c160.x↔		BOP, UOP4		21B	X06A, X06B, X06C		10	K09A, K09B
	02	C01A, C01B, C05Z, C16Z		02	C01A, C01B, C05Z, C16Z		21A	W04A, W04B
	03	D09Z, D30A		03	D09Z, D30A		21B	X06A, X06B, X06C
	21A	W04A, W04B	5c176↔		BOP, UOP4		22	Y01Z, Y03A, Y03B
	21B	X06A, X06B, X06C		02	C01A, C01B, C05Z, C16Z		01	B03A, B03B, B06A, B06B, B07Z, B17A, B17B, B17C
5c161↔		BOP, UOP4		03	D09Z, D30A		02	C01A, C01B, C14Z, C16Z
	02	C01A, C01B, C05Z, C16Z		21A	W04A, W04B		03	D12A, D12B
	03	D09Z, D30A		21B	X06A, X06B, X06C		05	F21A, F21B, F21C
	21A	W04A, W04B	5c17x↔		BOP, UOP4		08	I27A, I27B, I27C, I27D
	21B	X06A, X06B, X06C		02	C01A, C01B, C13Z, C16Z		09	J03A, J03B, J04A, J04B, J08A, J08B, J08C, J16Z, J21Z, J22A, J22B
5c162↔		BOP, UOP4		03	D09Z, D30A		10	K09A, K09B
	02	C01A, C01B, C05Z, C16Z		21A	W04A, W04B		21A	W04A, W04B
	03	D09Z, D30A		21B	X06A, X06B, X06C		21B	X06A, X06B, X06C
	21A	W04A, W04B	5c190.0↔		BOP, UOP4		22	Y01Z, Y03A, Y03B
	21B	X06A, X06B, X06C		02	C01A, C01B, C13Z, C16Z	5c212.0↔	BOP, KVT, UOP4	
5c163↔		BOP, UOP4		21A	W04A, W04B		02	C01A, C01B, C16Z, C20A, C20B
	02	C01A, C01B, C05Z, C16Z		21B	X06A, X06B, X06C		09	J03A, J03B, J04A, J04B, J08A, J08B, J08C, J11A, J11B, J11C, J16Z
	03	D09Z, D30A	5c190.1↔		BOP, UOP4		10	K09A, K09B
	21A	W04A, W04B		02	C01A, C01B, C13Z, C16Z		21A	W04A, W04B
	21B	X06A, X06B, X06C		21A	W04A, W04B		21B	X06A, X06B, X06C
5c16x↔		BOP, UOP4	5c191↔		BOP, UOP4		22	Y01Z, Y03A, Y03B
	02	C01A, C01B, C05Z, C16Z		02	C01A, C01B, C05Z, C16Z	5c212.1↔	BOP, KVT, UOP4	
	03	D09Z, D30A		03	D09Z, D30A		02	C01A, C01B, C16Z, C20A, C20B
	21A	W04A, W04B		21A	W04A, W04B		09	J03A, J03B, J04A, J04B, J08A, J08B, J08C, J11A, J11B, J11C, J16Z
	21B	X06A, X06B, X06C		21B	X06A, X06B, X06C		10	K09A, K09B
5c170.0↔		BOP, UOP4	5c192↔		BOP, UOP4		21A	W04A, W04B
	02	C01A, C01B, C05Z, C16Z		02	C01A, C01B, C13Z, C16Z		21B	X06A, X06B, X06C
	21A	W04A, W04B		03	D09Z, D30A		22	Y01Z, Y03A, Y03B
	21B	X06A, X06B, X06C	5c193↔		BOP, UOP4		21A	W04A, W04B
5c170.1↔		BOP, UOP4		02	C01A, C01B, C13Z, C16Z		21B	X06A, X06B, X06C
	02	C01A, C01B, C05Z, C16Z		03	D09Z, D30A		22	Y01Z, Y03A, Y03B
	21A	W04A, W04B		21A	W04A, W04B			
	21B	X06A, X06B, X06C		21B	X06A, X06B, X06C			

ZZV	MDC	DRG	ZZV	MDC	DRG	ZZV	MDC	DRG
5c213.0↔		BOP, KVT, UOP4	5c221↔		BOP, KVT, UOP4	5c225↔		BOP, KVT, UOP4
01		B03A, B03B, B06A, B06B, B07Z, B17A, B17B, B17C	01		B03A, B03B, B06A, B06B, B07Z, B17A, B17B, B17C	01		B03A, B03B, B06A, B06B, B07Z, B17A, B17B, B17C
02		C01A, C01B, C16Z, C20A, C20B	02		C01A, C01B, C16Z, C20A, C20B	02		C01A, C01B, C16Z, C20A, C20B
03		D12A, D12B	09		J03A, J03B, J04A, J04B, J08A, J08B, J08C, J10A, J10B, J16Z	09		J03A, J03B, J04A, J04B, J08A, J08B, J08C, J10A, J10B, J16Z
05		F21A, F21B, F21C	21A		W04A, W04B	21A		W04A, W04B
08		I27A, I27B, I27C, I27D	21B		X06A, X06B, X06C	21B		X06A, X06B, X06C
09		J03A, J03B, J04A, J04B, J08A, J08B, J08C, J16Z, J21Z, J22A, J22B	22		Y01Z, Y03A, Y03B	22		Y01Z, Y03A, Y03B
10		K09A, K09B	5c222↔		BOP, KVT, UOP4	5c22x↔		BOP, KVT, UOP4
21A		W04A, W04B	01		B03A, B03B, B06A, B06B, B07Z, B17A, B17B, B17C	01		B03A, B03B, B06A, B06B, B07Z, B17A, B17B, B17C
21B		X06A, X06B, X06C	02		C01A, C01B, C16Z, C20A, C20B	02		C01A, C01B, C14Z, C16Z
22		Y01Z, Y03A, Y03B	09		J03A, J03B, J04A, J04B, J08A, J08B, J08C, J10A, J10B, J16Z	09		J03A, J03B, J04A, J04B, J08A, J08B, J08C, J10A, J10B, J16Z
5c213.1↔		BOP, KVT, UOP4	21A		W04A, W04B	21A		W04A, W04B
01		B03A, B03B, B06A, B06B, B07Z, B17A, B17B, B17C	21B		X06A, X06B, X06C	21B		X06A, X06B, X06C
02		C01A, C01B, C16Z, C20A, C20B	22		Y01Z, Y03A, Y03B	22		Y01Z, Y03A, Y03B
03		D12A, D12B	5c223↔		BOP, KVT, UOP4	5c230↔		BOP, KVT, UOP4
05		F21A, F21B, F21C	01		B03A, B03B, B06A, B06B, B07Z, B17A, B17B, B17C	02		C01A, C01B, C14Z, C16Z
08		I27A, I27B, I27C, I27D	02		C01A, C01B, C14Z, C16Z	21A		W04A, W04B
09		J03A, J03B, J04A, J04B, J08A, J08B, J08C, J16Z, J21Z, J22A, J22B	09		J03A, J03B, J04A, J04B, J08A, J08B, J08C, J10A, J10B, J16Z	21B		X06A, X06B, X06C
10		K09A, K09B	21A		W04A, W04B	22		Y01Z, Y03A, Y03B
21A		W04A, W04B	21B		X06A, X06B, X06C	5c231↔		BOP, KVT, UOP4
21B		X06A, X06B, X06C	22		Y01Z, Y03A, Y03B	02		C01A, C01B, C14Z, C16Z
22		Y01Z, Y03A, Y03B	5c224.0↔		BOP, KVT, UOP4	21A		W04A, W04B
5c214.0↔		J11A, J11B	01		B03A, B03B, B06A, B06B, B07Z, B17A, B17B, B17C	21B		X06A, X06B, X06C
5c214.1↔		J11A, J11B	02		C01A, C01B, C16Z, C20A, C20B	22		Y01Z, Y03A, Y03B
5c214.2↔		J11A, J11B, J11C	09		J03A, J03B, J04A, J04B, J08A, J08B, J08C, J10A, J10B, J16Z	5c232↔		BOP, KVT, UOP4
5c214.x↔		J11A, J11B	21A		W04A, W04B	02		C01A, C01B, C16Z, C20A, C20B
5c215↔		J11A, J11B	21B		X06A, X06B, X06C	21A		W04A, W04B
5c216.2↔		J11A, J11B	22		Y01Z, Y03A, Y03B	21B		X06A, X06B, X06C
5c216.3↔		J11A, J11B	5c224.1↔		BOP, KVT, UOP4	22		Y01Z, Y03A, Y03B
5c216.4↔		J11A, J11B	01		B03A, B03B, B06A, B06B, B07Z, B17A, B17B, B17C	5c233↔		BOP, KVT, UOP4
5c216.x↔		J11A, J11B	02		C01A, C01B, C16Z, C20A, C20B	02		C01A, C01B, C16Z, C20A, C20B
5c21x↔		J11A, J11B, J11C	09		J03A, J03B, J04A, J04B, J08A, J08B, J08C, J10A, J10B, J16Z	21A		W04A, W04B
5c220.0↔		BOP, KVT, UOP4	21A		W04A, W04B	21B		X06A, X06B, X06C
01		B03A, B03B, B06A, B06B, B07Z, B17A, B17B, B17C	22		Y01Z, Y03A, Y03B	22		Y01Z, Y03A, Y03B
02		C01A, C01B, C16Z, C20A, C20B	5c224.x↔		BOP, KVT, UOP4	5c234↔		BOP, KVT, UOP4
09		J03A, J03B, J04A, J04B, J08A, J08B, J08C, J10A, J10B, J16Z	01		B03A, B03B, B06A, B06B, B07Z, B17A, B17B, B17C	02		C01A, C01B, C16Z, C20A, C20B
21A		W04A, W04B	02		C01A, C01B, C16Z, C20A, C20B	08		I17Z
21B		X06A, X06B, X06C	09		J03A, J03B, J04A, J04B, J08A, J08B, J08C, J10A, J10B, J16Z	09		J03A, J03B, J04A, J04B, J08A, J08B, J08C, J10A, J10B, J16Z
5c220.1↔		BOP, KVT, UOP4	21A		W04A, W04B	10		K09A, K09B
01		B03A, B03B, B06A, B06B, B07Z, B17A, B17B, B17C	21B		X06A, X06B, X06C	21A		W04A, W04B
02		C01A, C01B, C16Z, C20A, C20B	22		Y01Z, Y03A, Y03B	21B		X06A, X06B, X06C
09		J03A, J03B, J04A, J04B, J08A, J08B, J08C, J10A, J10B, J16Z	5c224.x↔		BOP, KVT, UOP4	22		Y01Z, Y03A, Y03B
21A		W04A, W04B	01		B03A, B03B, B06A, B06B, B07Z, B17A, B17B, B17C	5c235↔		BOP, KVT, UOP4
21B		X06A, X06B, X06C	02		C01A, C01B, C16Z, C20A, C20B	02		C01A, C01B, C16Z, C20A, C20B
			09		J03A, J03B, J04A, J04B, J08A, J08B, J08C, J10A, J10B, J16Z	08		I17Z
			21A		W04A, W04B	09		J03A, J03B, J04A, J04B, J08A, J08B, J08C, J10A, J10B, J16Z
			21B		X06A, X06B, X06C	10		K09A, K09B
			22		Y01Z, Y03A, Y03B	21A		W04A, W04B
						21B		X06A, X06B, X06C
						22		Y01Z, Y03A, Y03B

VYK



ZZV	MDC	DRG	ZZV	MDC	DRG	ZZV	MDC	DRG
5c236↔		BOP, KVT, UOP4	5c250.1↔	02	BOP, KVT, UOP4	5c260.2↔	02	BOP, KVT, UOP4
	02	C01A, C01B, C16Z, C20A, C20B		02	C01A, C01B, C16Z, C20A, C20B		02	C01A, C01B, C12Z, C16Z
	21A	W04A, W04B		08	I17Z		08	I17Z
	21B	X06A, X06B, X06C		09	J03A, J03B, J04A, J04B, J08A, J08B, J08C, J10A, J10B, J16Z		09	J03A, J03B, J04A, J04B, J08A, J08B, J08C, J10A, J10B, J16Z
5c23x↔		BOP, KVT, UOP4	5c251.0↔	21A	W04A, W04B	5c260.x↔	10	K09A, K09B
	02	C01A, C01B, C14Z, C16Z		21B	X06A, X06B, X06C		21A	W04A, W04B
	21A	W04A, W04B		22	Y01Z, Y03A, Y03B		21B	X06A, X06B, X06C
	21B	X06A, X06B, X06C			BOP, KVT, UOP4		22	Y01Z, Y03A, Y03B
5c240↔		BOP, KVT, UOP4	5c251.1↔	02	C01A, C01B, C16Z, C20A, C20B	5c261.0↔	02	C01A, C01B, C12Z, C16Z
	02	C01A, C01B, C16Z, C20A, C20B		08	I17Z		08	I17Z
	21A	W04A, W04B		09	J03A, J03B, J04A, J04B, J08A, J08B, J08C, J10A, J10B, J16Z		09	J03A, J03B, J04A, J04B, J08A, J08B, J08C, J10A, J10B, J16Z
	21B	X06A, X06B, X06C		21A	W04A, W04B		10	K09A, K09B
5c241↔		BOP, KVT, UOP4	5c252↔	21B	X06A, X06B, X06C	5c261.1↔	21A	W04A, W04B
	02	C01A, C01B, C16Z, C20A, C20B		22	Y01Z, Y03A, Y03B		21B	X06A, X06B, X06C
	21A	W04A, W04B			BOP, KVT, UOP4		22	Y01Z, Y03A, Y03B
	21B	X06A, X06B, X06C		02	C01A, C01B, C16Z, C20A, C20B			BOP, KVT, UOP4
5c242↔		BOP, KVT, UOP4	5c25x↔	08	I17Z	5c261.x↔	02	C01A, C01B, C12Z, C16Z
	02	C01A, C01B, C16Z, C20A, C20B		09	J03A, J03B, J04A, J04B, J08A, J08B, J08C, J10A, J10B, J16Z		08	I17Z
	21A	W04A, W04B		21A	W04A, W04B		09	J03A, J03B, J04A, J04B, J08A, J08B, J08C, J10A, J10B, J16Z
	21B	X06A, X06B, X06C		21B	X06A, X06B, X06C		10	K09A, K09B
5c243↔		BOP, KVT, UOP4	5c260.0↔	22	Y01Z, Y03A, Y03B	5c262.0↔	21A	W04A, W04B
	02	C01A, C01B, C16Z, C20A, C20B			BOP, KVT, UOP4		21B	X06A, X06B, X06C
	21A	W04A, W04B		02	C01A, C01B, C16Z, C20A, C20B		22	Y01Z, Y03A, Y03B
	21B	X06A, X06B, X06C		08	I17Z			BOP, KVT, UOP4
5c244↔		BOP, KVT, UOP4	5c260.1↔	09	J03A, J03B, J04A, J04B, J08A, J08B, J08C, J10A, J10B, J16Z	5c262.1↔	02	C01A, C01B, C12Z, C16Z
	02	C01A, C01B, C16Z, C20A, C20B		10	K09A, K09B		08	I17Z
	21A	W04A, W04B		21A	W04A, W04B		09	J03A, J03B, J04A, J04B, J08A, J08B, J08C, J10A, J10B, J16Z
	21B	X06A, X06B, X06C		21B	X06A, X06B, X06C		10	K09A, K09B
5c245↔		BOP, KVT, UOP4	5c261.1↔	22	Y01Z, Y03A, Y03B	5c262.1↔	21A	W04A, W04B
	02	C01A, C01B, C16Z, C20A, C20B			BOP, KVT, UOP4		21B	X06A, X06B, X06C
	21A	W04A, W04B		02	C01A, C01B, C12Z, C16Z		22	Y01Z, Y03A, Y03B
	21B	X06A, X06B, X06C		08	I17Z			BOP, KVT, UOP4
5c246↔		BOP, KVT, UOP4	5c262.0↔	09	J03A, J03B, J04A, J04B, J08A, J08B, J08C, J10A, J10B, J16Z	5c262.0↔	02	C01A, C01B, C12Z, C16Z
	02	C01A, C01B, C16Z, C20A, C20B		10	K09A, K09B		09	J03A, J03B, J04A, J04B, J08A, J08B, J08C, J10A, J10B, J16Z
	21A	W04A, W04B		21A	W04A, W04B		10	K09A, K09B
	21B	X06A, X06B, X06C		21B	X06A, X06B, X06C		21A	W04A, W04B
5c24x↔		BOP, KVT, UOP4	5c262.1↔	22	Y01Z, Y03A, Y03B	5c262.1↔	21B	X06A, X06B, X06C
	02	C01A, C01B, C16Z, C20A, C20B			BOP, KVT, UOP4			BOP, KVT, UOP4
	21A	W04A, W04B		02	C01A, C01B, C12Z, C16Z		02	C01A, C01B, C12Z, C16Z
	21B	X06A, X06B, X06C		08	I17Z		08	I17Z
5c250.0↔		BOP, KVT, UOP4	5c260.1↔	09	J03A, J03B, J04A, J04B, J08A, J08B, J08C, J10A, J10B, J16Z	5c262.1↔	09	J03A, J03B, J04A, J04B, J08A, J08B, J08C, J10A, J10B, J16Z
	02	C01A, C01B, C16Z, C20A, C20B		10	K09A, K09B		10	K09A, K09B
	08	I17Z		21A	W04A, W04B		21A	W04A, W04B
	09	J03A, J03B, J04A, J04B, J08A, J08B, J08C, J10A, J10B, J16Z		21B	X06A, X06B, X06C		21B	X06A, X06B, X06C
	21A	W04A, W04B		22	Y01Z, Y03A, Y03B			BOP, KVT, UOP4
	21B	X06A, X06B, X06C			BOP, KVT, UOP4		02	C01A, C01B, C12Z, C16Z
	22	Y01Z, Y03A, Y03B		02	C01A, C01B, C12Z, C16Z		08	I17Z
				08	I17Z		09	J03A, J03B, J04A, J04B, J08A, J08B, J08C, J10A, J10B, J16Z
				09	J03A, J03B, J04A, J04B, J08A, J08B, J08C, J10A, J10B, J16Z		10	K09A, K09B
				10	K09A, K09B		21A	W04A, W04B
				21A	W04A, W04B		21B	X06A, X06B, X06C
				21B	X06A, X06B, X06C		22	Y01Z, Y03A, Y03B

ZZV	MDC	DRG	ZZV	MDC	DRG	ZZV	MDC	DRG				
5c262.2↔		BOP, KVT, UOP4	5c263.x↔		BOP, KVT, UOP4	5c265.1↔		BOP, KVT, UOP4				
	02	C01A, C01B, C12Z, C16Z		02	C01A, C01B, C12Z, C16Z		01	B03A, B03B, B06A, B06B, B07Z, B17A, B17B, B17C				
	08	I17Z		08	I17Z		02	C01A, C01B, C16Z, C20A, C20B				
	09	J03A, J03B, J04A, J04B, J08A, J08B, J08C, J10A, J10B, J16Z		09	J03A, J03B, J04A, J04B, J08A, J08B, J08C, J10A, J10B, J16Z		09	J03A, J03B, J04A, J04B, J08A, J08B, J08C, J10A, J10B, J16Z				
	10	K09A, K09B		10	K09A, K09B		10	K09A, K09B				
	21A	W04A, W04B		21A	W04A, W04B		21A	W04A, W04B				
	21B	X06A, X06B, X06C		21B	X06A, X06B, X06C		21B	X06A, X06B, X06C				
	22	Y01Z, Y03A, Y03B		22	Y01Z, Y03A, Y03B		21A	W04A, W04B				
	5c262.3↔			BOP, KVT, UOP4	5c264.0↔			BOP, KVT, UOP4	5c266↔		BOP, KVT, UOP4	
		02		C01A, C01B, C12Z, C16Z			02	C01A, C01B, C12Z, C16Z		02	C01A, C01B, C14Z, C16Z	
08		I17Z	08	I17Z		09	J03A, J03B, J04A, J04B, J08A, J08B, J08C, J11A, J11B, J16Z					
09		J03A, J03B, J04A, J04B, J08A, J08B, J08C, J10A, J10B, J16Z	09	J03A, J03B, J04A, J04B, J08A, J08B, J08C, J10A, J10B, J16Z		21A	W04A, W04B					
10		K09A, K09B	10	K09A, K09B		21B	X06A, X06B, X06C					
21A		W04A, W04B	21A	W04A, W04B		22	Y01Z, Y03A, Y03B					
21B		X06A, X06B, X06C	21B	X06A, X06B, X06C		5c26x↔		BOP, KVT, UOP4				
22		Y01Z, Y03A, Y03B	22	Y01Z, Y03A, Y03B			02	C01A, C01B, C14Z, C16Z				
5c262.4↔			BOP, KVT, UOP4	5c264.1↔				BOP, KVT, UOP4		5c270↔		BOP, KVT, UOP4
		01	B03A, B03B, B06A, B06B, B07Z, B17A, B17B, B17C				02	C01A, C01B, C12Z, C16Z			02	C01A, C01B, C16Z, C20A, C20B
	02	C01A, C01B, C12Z, C16Z	08		I17Z		03	D12A, D12B				
	09	J02A, J02B, J02C, J03A, J03B, J04A, J04B, J08A, J08B, J08C, J10A, J10B, J16Z, J21Z, J22A, J22B	09		J03A, J03B, J04A, J04B, J08A, J08B, J08C, J10A, J10B, J16Z		09	J03A, J03B, J04A, J04B, J08A, J08B, J08C, J10A, J10B, J16Z				
	21A	W04A, W04B	10		K09A, K09B		10	K09A, K09B				
	21B	X01A, X01B, X01C, X06A, X06B, X06C	21A		W04A, W04B		21A	W04A, W04B				
	22	Y01Z, Y03A, Y03B	21B		X06A, X06B, X06C		21B	X06A, X06B, X06C				
	5c262.x↔		BOP, KVT, UOP4		5c264.2↔			BOP, KVT, UOP4	5c271↔			BOP, KVT, UOP4
		02	C01A, C01B, C12Z, C16Z			02	C01A, C01B, C12Z, C16Z	02			C01A, C01B, C16Z, C20A, C20B	
		09	J03A, J03B, J04A, J04B, J08A, J08B, J08C, J10A, J10B, J16Z			08	I17Z	09			J03A, J03B, J04A, J04B, J08A, J08B, J08C, J10A, J10B, J16Z	
10		K09A, K09B	09	J03A, J03B, J04A, J04B, J08A, J08B, J08C, J10A, J10B, J16Z		10	K09A, K09B					
21A		W04A, W04B	10	K09A, K09B		21A	W04A, W04B					
21B		X06A, X06B, X06C	21A	W04A, W04B		21B	X06A, X06B, X06C					
5c263.0↔			BOP, KVT, UOP4	5c264.x↔			BOP, KVT, UOP4	5c272↔			BOP, KVT, UOP4	
		02	C01A, C01B, C12Z, C16Z			02	C01A, C01B, C12Z, C16Z			02	C01A, C01B, C16Z, C20A, C20B	
		08	I17Z			08	I17Z			09	J03A, J03B, J04A, J04B, J08A, J08B, J08C, J10A, J10B, J16Z	
		09	J03A, J03B, J04A, J04B, J08A, J08B, J08C, J10A, J10B, J16Z			09	J03A, J03B, J04A, J04B, J08A, J08B, J08C, J10A, J10B, J16Z			10	K09A, K09B	
	10	K09A, K09B	10		K09A, K09B	21A	W04A, W04B					
	21A	W04A, W04B	21A		W04A, W04B	21B	X06A, X06B, X06C					
	21B	X06A, X06B, X06C	21B		X06A, X06B, X06C	5c273↔			BOP, KVT, UOP4			
	22	Y01Z, Y03A, Y03B	22		Y01Z, Y03A, Y03B		02		C01A, C01B, C16Z, C20A, C20B			
	5c263.1↔		BOP, KVT, UOP4		5c265.0↔				BOP, KVT, UOP4	5c274↔		BOP, KVT, UOP4
		02	C01A, C01B, C12Z, C16Z				01		B03A, B03B, B06A, B06B, B07Z, B17A, B17B, B17C		02	C01A, C01B, C16Z, C20A, C20B
08		I17Z	02	C01A, C01B, C16Z, C20A, C20B			09	J03A, J03B, J04A, J04B, J08A, J08B, J08C, J10A, J10B, J16Z				
09		J03A, J03B, J04A, J04B, J08A, J08B, J08C, J10A, J10B, J16Z	09	J03A, J03B, J04A, J04B, J08A, J08B, J08C, J10A, J10B, J16Z			10	K09A, K09B				
10		K09A, K09B	10	K09A, K09B			21A	W04A, W04B				
21A		W04A, W04B	21A	W04A, W04B			21B	X06A, X06B, X06C				
21B		X06A, X06B, X06C	21B	X06A, X06B, X06C			5c27x↔		BOP, KVT, UOP4			
22		Y01Z, Y03A, Y03B	22	Y01Z, Y03A, Y03B				02	C01A, C01B, C16Z, C20A, C20B			
5c263.2↔			BOP, KVT, UOP4	5c266.x↔				BOP, KVT, UOP4	5c277↔			BOP, KVT, UOP4
		02	C01A, C01B, C12Z, C16Z			02		C01A, C01B, C12Z, C16Z			02	C01A, C01B, C16Z, C20A, C20B
	08	I17Z	08		I17Z	09		J03A, J03B, J04A, J04B, J08A, J08B, J08C, J10A, J10B, J16Z				
	09	J03A, J03B, J04A, J04B, J08A, J08B, J08C, J10A, J10B, J16Z	09		J03A, J03B, J04A, J04B, J08A, J08B, J08C, J10A, J10B, J16Z	10		K09A, K09B				
	10	K09A, K09B	10		K09A, K09B	21A		W04A, W04B				
	21A	W04A, W04B	21A		W04A, W04B	21B		X06A, X06B, X06C				
	21B	X06A, X06B, X06C	21B		X06A, X06B, X06C	5c278↔				BOP, KVT, UOP4		
	22	Y01Z, Y03A, Y03B	22		Y01Z, Y03A, Y03B			02		C01A, C01B, C16Z, C20A, C20B		
	5c263.3↔		BOP, KVT, UOP4		5c267.x↔			BOP, KVT, UOP4		5c279↔		BOP, KVT, UOP4
		02	C01A, C01B, C12Z, C16Z				02	C01A, C01B, C12Z, C16Z			02	C01A, C01B, C16Z, C20A, C20B
08		I17Z	08	I17Z			09	J03A, J03B, J04A, J04B, J08A, J08B, J08C, J10A, J10B, J16Z				
09		J03A, J03B, J04A, J04B, J08A, J08B, J08C, J10A, J10B, J16Z	09	J03A, J03B, J04A, J04B, J08A, J08B, J08C, J10A, J10B, J16Z			10	K09A, K09B				
10		K09A, K09B	10	K09A, K09B			21A	W04A, W04B				
21A		W04A, W04B	21A	W04A, W04B			21B	X06A, X06B, X06C				
21B		X06A, X06B, X06C	21B	X06A, X06B, X06C			5c280↔		BOP, KVT, UOP4			
22		Y01Z, Y03A, Y03B	22	Y01Z, Y03A, Y03B				02	C01A, C01B, C16Z, C20A, C20B			

ZZV	MDC	DRG	ZZV	MDC	DRG	ZZV	MDC	DRG	
5c280.0↔		BOP, KVT, UOP4	5c28x↔		BOP, KVT, UOP4	5c330↔		BOP, KVT, UOP4	
	01	B03A, B03B, B06A, B06B, B07Z, B17A, B17B, B17C		02	C01A, C01B, C16Z, C20A, C20B		02	C01A, C01B, C10A, C10B, C10C, C16Z	
	02	C01A, C01B, C16Z, C20A, C20B		09	J03A, J03B, J04A, J04B, J08A, J08B, J08C, J10A, J10B, J16Z		5c331↔	BOP, KVT, UOP4	
	09	J03A, J03B, J04A, J04B, J08A, J08B, J08C, J10A, J10B, J16Z		10	K09A, K09B		02	C01A, C01B, C10A, C10B, C10C, C16Z	
	10	K09A, K09B		21A	W04A, W04B		5c340↔	BOP, KVT, UOP4	
	21A	W04A, W04B		21B	X06A, X06B, X06C		02	C01A, C01B, C10A, C10B, C10C, C16Z	
	21B	X06A, X06B, X06C		22	Y01Z, Y03A, Y03B		10	K09A, K09B	
	22	Y01Z, Y03A, Y03B		5c290↔			5c341↔	BOP, KVT, UOP4	
	5c280.1↔			BOP, KVT, UOP4	02		C01A, C01B, C14Z, C16Z	02	C01A, C01B, C10A, C10B, C10C, C16Z
		01		B03A, B03B, B06A, B06B, B07Z, B17A, B17B, B17C	09		J03A, J03B, J04A, J04B, J08A, J08B, J08C, J11A, J11B, J16Z	10	K09A, K09B
		02		C01A, C01B, C16Z, C20A, C20B	21A		W04A, W04B	5c342↔	BOP, KVT, UOP4
09		J03A, J03B, J04A, J04B, J08A, J08B, J08C, J10A, J10B, J16Z	21B	X06A, X06B, X06C	02	C01A, C01B, C10A, C10B, C10C, C16Z			
10		K09A, K09B	22	Y01Z, Y03A, Y03B	10	K09A, K09B			
21A		W04A, W04B	5c300↔		5c343↔	BOP, KVT, UOP4			
21B		X06A, X06B, X06C	02	C01A, C01B, C10A, C10B, C10C, C16Z	02	C01A, C01B, C10A, C10B, C10C, C16Z			
22		Y01Z, Y03A, Y03B	10	K09A, K09B	10	K09A, K09B			
5c280.2↔			BOP, KVT, UOP4	5c301↔		5c34x↔			
		01	B03A, B03B, B06A, B06B, B07Z, B17A, B17B, B17C	BOP, KVT, UOP4	02	C01A, C01B, C10A, C10B, C10C, C16Z	02	C01A, C01B, C10A, C10B, C10C, C16Z	
		02	C01A, C01B, C16Z, C20A, C20B	10	K09A, K09B	10	K09A, K09B		
	09	J03A, J03B, J04A, J04B, J08A, J08B, J08C, J10A, J10B, J16Z	5c302↔		5c350↔	BOP, KVT, UOP4			
	10	K09A, K09B	02	C01A, C01B, C10A, C10B, C10C, C16Z	02	C01A, C01B, C10A, C10B, C10C, C16Z			
	21A	W04A, W04B	10	K09A, K09B	10	K09A, K09B			
	21B	X06A, X06B, X06C	5c303↔		5c351↔	BOP, KVT, UOP4			
	22	Y01Z, Y03A, Y03B	02	C01A, C01B, C10A, C10B, C10C, C16Z	02	C01A, C01B, C10A, C10B, C10C, C16Z			
	5c280.3↔		BOP, KVT, UOP4	10	K09A, K09B	10	K09A, K09B		
		01	B03A, B03B, B06A, B06B, B07Z, B17A, B17B, B17C	5c30x↔		5c352↔	BOP, KVT, UOP4		
		02	C01A, C01B, C16Z, C20A, C20B	BOP, KVT, UOP4	02	C01A, C01B, C10A, C10B, C10C, C16Z	02	C01A, C01B, C10A, C10B, C10C, C16Z	
09		J03A, J03B, J04A, J04B, J08A, J08B, J08C, J10A, J10B, J16Z	10	K09A, K09B	10	K09A, K09B			
10		K09A, K09B	5c310↔		5c353↔	BOP, KVT, UOP4			
21A		W04A, W04B	02	C01A, C01B, C10A, C10B, C10C, C16Z	02	C01A, C01B, C10A, C10B, C10C, C16Z			
21B		X06A, X06B, X06C	10	K09A, K09B	10	K09A, K09B			
22		Y01Z, Y03A, Y03B	5c311↔		5c354↔	BOP, KVT, UOP4			
5c280.x↔			BOP, KVT, UOP4	02	C01A, C01B, C10A, C10B, C10C, C16Z	02	C01A, C01B, C10A, C10B, C10C, C16Z		
		01	B03A, B03B, B06A, B06B, B07Z, B17A, B17B, B17C	10	K09A, K09B	10	K09A, K09B		
		02	C01A, C01B, C16Z, C20A, C20B	5c312↔		5c35x↔			
	09	J03A, J03B, J04A, J04B, J08A, J08B, J08C, J10A, J10B, J16Z	BOP, KVT, UOP4	02	C01A, C01B, C10A, C10B, C10C, C16Z	02	C01A, C01B, C10A, C10B, C10C, C16Z		
	10	K09A, K09B	10	K09A, K09B	10	K09A, K09B			
	21A	W04A, W04B	5c313↔		5c360↔	BOP, KVT, UOP4			
	21B	X06A, X06B, X06C	02	C01A, C01B, C10A, C10B, C10C, C16Z	02	C01A, C01B, C10A, C10B, C10C, C16Z			
	22	Y01Z, Y03A, Y03B	10	K09A, K09B	10	K09A, K09B			
	5c281↔		BOP, KVT, UOP4	5c314↔		5c361↔	BOP, KVT, UOP4		
		02	C01A, C01B, C16Z, C20A, C20B	02	C01A, C01B, C10A, C10B, C10C, C16Z	02	C01A, C01B, C10A, C10B, C10C, C16Z		
		09	J03A, J03B, J04A, J04B, J08A, J08B, J08C, J10A, J10B, J16Z	10	K09A, K09B	10	K09A, K09B		
10		K09A, K09B	5c31x↔		5c370.1↔	BOP, KVT, UOP4			
21A		W04A, W04B	BOP, KVT, UOP4	02	C01A, C01B, C10A, C10B, C10C, C16Z	02	C01A, C01B, C10A, C10B, C10C, C16Z		
21B		X06A, X06B, X06C	10	K09A, K09B	10	K09A, K09B			
22		Y01Z, Y03A, Y03B	5c320↔		5c370.2↔	BOP, KVT, UOP4			
5c281↔			BOP, KVT, UOP4	02	C01A, C01B, C10A, C10B, C10C, C16Z	02	C01A, C01B, C10A, C10B, C10C, C16Z		
		02	C01A, C01B, C16Z, C20A, C20B	10	K09A, K09B	10	K09A, K09B		
		09	J03A, J03B, J04A, J04B, J08A, J08B, J08C, J10A, J10B, J16Z	5c321↔		5c371.1↔	BOP, KVT, UOP4		
		10	K09A, K09B	BOP, KVT, UOP4	02	C01A, C01B, C10A, C10B, C10C, C16Z	02	C01A, C01B, C10A, C10B, C10C, C16Z	
	21A	W04A, W04B	10	K09A, K09B	10	K09A, K09B			
	21B	X06A, X06B, X06C	02	C01A, C01B, C10A, C10B, C10C, C16Z	10	K09A, K09B			
	22	Y01Z, Y03A, Y03B	10	K09A, K09B					

ZZV	MDC	DRG	ZZV	MDC	DRG	ZZV	MDC	DRG
5c371.2↔		BOP, KVT, UOP4	5c39c↔		BOP, KVT, UOP4	5c420.0↔		BOP, KVT, UOP4
	02	C01A, C01B, C10A, C16Z		02	C01A, C01B, C10A, C10B, C10C, C16Z		02	C01A, C01B, C16Z, C20A, C20B
	10	K09A, K09B		21A	W04A, W04B		21A	W04A, W04B
5c372.1↔		BOP, KVT, UOP4		21B	X06A, X06B, X06C		21B	X06A, X06B, X06C
	02	C01A, C01B, C10A, C16Z	5c39d↔		BOP, KVT, UOP4	5c420.1↔		BOP, KVT, UOP4
	10	K09A, K09B		02	C01A, C01B, C02A, C02B, C10A, C16Z		02	C01A, C01B, C16Z, C20A, C20B
5c372.2↔		BOP, KVT, UOP4		08	I17Z		21A	W04A, W04B
	02	C01A, C01B, C10A, C10B, C10C, C16Z		21A	W04A, W04B		21B	X06A, X06B, X06C
	10	K09A, K09B	5c39x.0↔		BOP, KVT, UOP4	5c420.2↔		BOP, KVT, UOP4
5c372.3↔		BOP, KVT, UOP4		02	C01A, C01B, C10A, C10B, C10C, C16Z		02	C01A, C01B, C14Z, C16Z
	02	C01A, C01B, C10A, C10B, C10C, C16Z		02	C01A, C01B, C10A, C10B, C10C, C16Z		21A	W04A, W04B
	10	K09A, K09B	5c39x.1↔		BOP, KVT, UOP4		21B	X06A, X06B, X06C
5c372.4↔		BOP, KVT, UOP4		02	C01A, C01B, C10A, C10B, C10C, C16Z	5c420.x↔		BOP, KVT, UOP4
	02	C01A, C01B, C10A, C10B, C10C, C16Z	5c39x.x↔		BOP, KVT, UOP4		02	C01A, C01B, C14Z, C16Z
	10	K09A, K09B		02	C01A, C01B, C10A, C10B, C10C, C16Z		21A	W04A, W04B
5c372.5↔		BOP, KVT, UOP4		02	C01A, C01B, C10A, C10B, C10C, C16Z		21B	X06A, X06B, X06C
	02	C01A, C01B, C10A, C16Z	5c400↔		BOP, UOP4	5c421↔		BOP, KVT, UOP4
	10	K09A, K09B		02	C20A, C20B		02	C01A, C01B, C16Z, C20A, C20B
5c378↔		BOP, KVT, UOP4		21A	W04A, W04B		21A	W04A, W04B
	02	C01A, C01B, C10A, C16Z		21B	X06A, X06B, X06C		21B	X06A, X06B, X06C
	10	K09A, K09B	5c401↔		BOP, UOP4	5c422↔		BOP, KVT, UOP4
5c379↔		BOP, KVT, UOP4		02	C20A, C20B		02	C01A, C01B, C16Z, C20A, C20B
	02	C01A, C01B, C10A, C16Z		21A	W04A, W04B		21A	W04A, W04B
	10	K09A, K09B		21B	X06A, X06B, X06C		21B	X06A, X06B, X06C
5c37x↔		BOP, KVT, UOP4	5c40x↔		BOP, UOP4	5c423↔		BOP, KVT, UOP4
	02	C01A, C01B, C10A, C10B, C10C, C16Z		02	C20A, C20B		02	C01A, C01B, C16Z, C20A, C20B
	10	K09A, K09B		21A	W04A, W04B		21A	W04A, W04B
5c390↔		BOP, KVT, UOP4		21B	X06A, X06B, X06C		21B	X06A, X06B, X06C
	02	C01A, C01B, C02A, C02B, C10A, C16Z	5c410.0↔		BOP, KVT, UOP4	5c42x↔		BOP, KVT, UOP4
	08	I17Z		02	C01A, C01B, C14Z, C16Z		02	C01A, C01B, C14Z, C16Z
	21A	W04A, W04B		21A	W04A, W04B		21A	W04A, W04B
	21B	X06A, X06B, X06C		21B	X06A, X06B, X06C		21B	X06A, X06B, X06C
5c391↔		BOP, KVT, UOP4	5c410.1↔		BOP, KVT, UOP4	5c430↔		BOP, KVT, UOP4
	02	C01A, C01B, C10A, C10B, C10C, C16Z		02	C01A, C01B, C14Z, C16Z		02	C01A, C01B, C14Z, C16Z
	21A	W04A, W04B		21A	W04A, W04B		21A	W04A, W04B
	21B	X06A, X06B, X06C		21B	X06A, X06B, X06C		21B	X06A, X06B, X06C
5c392↔		BOP, KVT, UOP4	5c410.2↔		BOP, KVT, UOP4	5c431↔		BOP, KVT, UOP4
	02	C01A, C01B, C10A, C10B, C10C, C16Z		02	C01A, C01B, C14Z, C16Z		02	C01A, C01B, C14Z, C16Z
	21A	W04A, W04B		21A	W04A, W04B		21A	W04A, W04B
	21B	X06A, X06B, X06C		21B	X06A, X06B, X06C		21B	X06A, X06B, X06C
5c393↔		BOP, KVT, UOP4	5c410.x↔		BOP, KVT, UOP4	5c43x↔		BOP, KVT, UOP4
	02	C01A, C01B, C02A, C02B, C10A, C16Z		02	C01A, C01B, C14Z, C16Z		02	C01A, C01B, C14Z, C16Z
	08	I17Z		21A	W04A, W04B		21A	W04A, W04B
	21A	W04A, W04B		21B	X06A, X06B, X06C		21B	X06A, X06B, X06C
	21B	X06A, X06B, X06C	5c411↔		BOP, KVT, UOP4	5c490↔		BOP, KVT, UOP4
5c394↔		BOP, KVT, UOP4		02	C01A, C01B, C14Z, C16Z		02	C01A, C01B, C14Z, C16Z
	02	C01A, C01B, C10A, C10B, C10C, C16Z		21A	W04A, W04B		21A	W04A, W04B
	21A	W04A, W04B		21B	X06A, X06B, X06C		21B	X06A, X06B, X06C
	21B	X06A, X06B, X06C	5c412↔		BOP, KVT, UOP4	5c491↔		BOP, KVT, UOP4
5c39a↔		BOP, KVT, UOP4		02	C01A, C01B, C16Z, C20A, C20B		02	C01A, C01B, C14Z, C16Z
	02	C01A, C01B, C02A, C02B, C10A, C16Z		21A	W04A, W04B		21A	W04A, W04B
	08	I17Z		21B	X06A, X06B, X06C		21B	X06A, X06B, X06C
	21A	W04A, W04B	5c413↔		BOP, KVT, UOP4	5c500↔		BOP, UOP4
	21B	X06A, X06B, X06C		02	C01A, C01B, C14Z, C16Z		02	C14Z
5c39b↔		BOP, KVT, UOP4		21A	W04A, W04B		21A	W04A, W04B
	02	C01A, C01B, C10A, C10B, C10C, C16Z	5c414↔		BOP, KVT, UOP4		21B	X06A, X06B, X06C
	21A	W04A, W04B		02	C01A, C01B, C14Z, C16Z		21A	W04A, W04B
	21B	X06A, X06B, X06C		21A	W04A, W04B		21B	X06A, X06B, X06C
	21B	X06A, X06B, X06C	5c41x↔		BOP, KVT, UOP4	5c502↔		BOP, UOP4
	21B	X06A, X06B, X06C		02	C01A, C01B, C14Z, C16Z		02	C14Z
	21B	X06A, X06B, X06C		21A	W04A, W04B		21A	W04A, W04B
	21B	X06A, X06B, X06C		21B	X06A, X06B, X06C		21B	X06A, X06B, X06C
	21B	X06A, X06B, X06C		02	C01A, C01B, C14Z, C16Z	5c503↔		BOP, UOP4
	21B	X06A, X06B, X06C		02	C01A, C01B, C14Z, C16Z		02	C14Z
	21B	X06A, X06B, X06C		02	C01A, C01B, C14Z, C16Z		21A	W04A, W04B
	21B	X06A, X06B, X06C		02	C01A, C01B, C14Z, C16Z		21B	X06A, X06B, X06C
	21B	X06A, X06B, X06C		02	C01A, C01B, C14Z, C16Z		21B	X06A, X06B, X06C

ZZV	MDC	DRG	ZZV	MDC	DRG	ZZV	MDC	DRG
5c50x↔		BOP, UOP4	5c532.x↔		BOP, KVT, UOP4	5c552↔		BOP, KVT, UOP4
	02	C14Z		02	C01A, C01B, C16Z, C20A, C20B		02	C01A, C01B, C16Z, C20A, C20B
	21A	W04A, W04B		21A	W04A, W04B		21A	W04A, W04B
	21B	X06A, X06B, X06C		21B	X06A, X06B, X06C		21B	X06A, X06B, X06C
5c510↔		BOP, UOP4	5c533↔		BOP, KVT, UOP4	5c553↔		BOP, KVT, UOP4
	02	C14Z		02	C01A, C01B, C16Z, C20A, C20B		02	C01A, C01B, C16Z, C20A, C20B
	21A	W04A, W04B		21A	W04A, W04B		21A	W04A, W04B
	21B	X06A, X06B, X06C		21B	X06A, X06B, X06C		21B	X06A, X06B, X06C
5c511↔		BOP, UOP4	5c535↔		BOP, KVT, UOP4	5c554↔		BOP, KVT, UOP4
	02	C14Z		02	C01A, C01B, C14Z, C16Z		02	C01A, C01B, C16Z, C20A, C20B
	21A	W04A, W04B		21A	W04A, W04B		21A	W04A, W04B
	21B	X06A, X06B, X06C		21B	X06A, X06B, X06C		21B	X06A, X06B, X06C
5c51x↔		BOP, UOP4	5c53x↔		BOP, KVT, UOP4	5c555↔		BOP, KVT, UOP4
	02	C14Z		02	C01A, C01B, C14Z, C16Z		02	C01A, C01B, C16Z, C20A, C20B
	21A	W04A, W04B		21A	W04A, W04B		21A	W04A, W04B
	21B	X06A, X06B, X06C		21B	X06A, X06B, X06C		21B	X06A, X06B, X06C
5c520↔		BOP, KVT, UOP4	5c540↔		BOP, KVT, UOP4	5c556↔		BOP, KVT, UOP4
	02	C01A, C01B, C16Z, C20A, C20B		02	C01A, C01B, C04A, C04B, C16Z		02	C01A, C01B, C16Z, C20A, C20B
5c521↔		BOP, KVT, UOP4		21A	W04A, W04B		21A	W04A, W04B
	02	C01A, C01B, C16Z, C20A, C20B		21B	X06A, X06B, X06C		21B	X06A, X06B, X06C
	21A	W04A, W04B	5c541.0↔		BOP, KVT, UOP4	5c557↔		BOP, KVT, UOP4
	21B	X06A, X06B, X06C		02	C01A, C01B, C04A, C04B, C16Z		02	C01A, C01B, C16Z, C20A, C20B
5c522↔		BOP, KVT, UOP4		21A	W04A, W04B		21A	W04A, W04B
	02	C01A, C01B, C16Z, C20A, C20B		21B	X06A, X06B, X06C		21B	X06A, X06B, X06C
	21A	W04A, W04B	5c541.1↔		BOP, KVT, UOP4	5c55x↔		BOP, KVT, UOP4
	21B	X06A, X06B, X06C		02	C01A, C01B, C04A, C04B, C16Z		02	C01A, C01B, C16Z, C20A, C20B
5c523↔		BOP, KVT, UOP4		21A	W04A, W04B		21A	W04A, W04B
	02	C01A, C01B, C16Z, C20A, C20B		21B	X06A, X06B, X06C		21B	X06A, X06B, X06C
5c524↔		BOP, KVT, UOP4	5c543↔		BOP, KVT, UOP4	5c590↔		BOP, KVT, UOP4
	02	C01A, C01B, C16Z, C20A, C20B		02	C01A, C01B, C04A, C04B, C16Z		02	C01A, C01B, C16Z, C20A, C20B
5c52x↔		BOP, KVT, UOP4		21A	W04A, W04B		21A	W04A, W04B
	02	C01A, C01B, C16Z, C20A, C20B		21B	X06A, X06B, X06C		21B	X06A, X06B, X06C
5c530.0↔		BOP, KVT, UOP4	5c544↔		BOP, KVT, UOP4	5c591↔		BOP, KVT, UOP4
	02	C01A, C01B, C14Z, C16Z		02	C01A, C01B, C16Z, C20A, C20B		02	C01A, C01B, C16Z, C20A, C20B
	21A	W04A, W04B		21A	W04A, W04B		21A	W04A, W04B
	21B	X06A, X06B, X06C		21B	X06A, X06B, X06C		21B	X06A, X06B, X06C
5c530.1↔		BOP, KVT, UOP4	5c54x↔		BOP, KVT, UOP4	5c592↔		BOP, KVT, UOP4
	02	C01A, C01B, C16Z, C20A, C20B		02	C01A, C01B, C16Z, C20A, C20B		02	C01A, C01B, C16Z, C20A, C20B
	21A	W04A, W04B		21A	W04A, W04B		21A	W04A, W04B
	21B	X06A, X06B, X06C		21B	X06A, X06B, X06C		21B	X06A, X06B, X06C
5c530.2↔		BOP, KVT, UOP4	5c550.0↔		BOP, KVT, UOP4	5c593↔		BOP, KVT, UOP4
	02	C01A, C01B, C14Z, C16Z		02	C01A, C01B, C16Z, C20A, C20B		02	C01A, C01B, C04A, C16Z
	21A	W04A, W04B		21A	W04A, W04B		21A	W04A, W04B
	21B	X06A, X06B, X06C		21B	X06A, X06B, X06C		21B	X06A, X06B, X06C
5c530.x↔		BOP, KVT, UOP4	5c550.1↔		BOP, KVT, UOP4	5c594↔		BOP, KVT, UOP4
	02	C01A, C01B, C14Z, C16Z		02	C01A, C01B, C16Z, C20A, C20B		02	C01A, C01B, C16Z, C20A, C20B
	21A	W04A, W04B		21A	W04A, W04B		21A	W04A, W04B
	21B	X06A, X06B, X06C		21B	X06A, X06B, X06C		21B	X06A, X06B, X06C
5c532.0↔		BOP, KVT, UOP4	5c550.x↔		BOP, KVT, UOP4	5c596↔		BOP, KVT, UOP4
	02	C01A, C01B, C16Z, C20A, C20B		02	C01A, C01B, C16Z, C20A, C20B		02	C01A, C01B, C14Z, C16Z
	21A	W04A, W04B		21A	W04A, W04B		21A	W04A, W04B
	21B	X06A, X06B, X06C		21B	X06A, X06B, X06C		21B	X06A, X06B, X06C
5c532.1↔		BOP, KVT, UOP4	5c551↔		BOP, KVT, UOP4	5c600↔		BOP, UOP4
	02	C01A, C01B, C16Z, C20A, C20B		02	C01A, C01B, C16Z, C20A, C20B		02	C20A, C20B
	21A	W04A, W04B		21A	W04A, W04B		21A	W04A, W04B
	21B	X06A, X06B, X06C		21B	X06A, X06B, X06C		21B	X06A, X06B, X06C
						5c601↔		BOP, UOP4
							02	C20A, C20B
							21A	W04A, W04B
							21B	X06A, X06B, X06C
							21A	W04A, W04B
							21B	X06A, X06B, X06C
							21B	X06A, X06B, X06C

ZZV	MDC	DRG	ZZV	MDC	DRG	ZZV	MDC	DRG	
5c60x↔		BOP, UOP4	5c617.3↔		BOP, KVT, UOP4	5c640↔		BOP, KVT, UOP4	
	02	C20A, C20B		02	C01A, C01B, C06Z, C16Z		02	C01A, C01B, C06Z, C16Z	
	21A	W04A, W04B		21A	W04A, W04B		10	K09A, K09B	
	21B	X06A, X06B, X06C		21B	X06A, X06B, X06C	5c641↔		BOP, KVT, UOP4	
5c610.0↔		BOP, KVT, UOP4	5c617.4↔		BOP, KVT, UOP4		02	C01A, C01B, C06Z, C16Z	
	02	C01A, C01B, C06Z, C16Z		02	C01A, C01B, C06Z, C16Z		10	K09A, K09B	
	10	K09A, K09B		21A	W04A, W04B	5c64x↔		BOP, KVT, UOP4	
	21A	W04A, W04B		21B	X06A, X06B, X06C		02	C01A, C01B, C07A, C07B, C16Z	
	21B	X06A, X06B, X06C	5c61x↔		BOP, KVT, UOP4		10	K09A, K09B	
5c610.1↔		BOP, KVT, UOP4		02	C01A, C01B, C06Z, C16Z	5c650↔		BOP, KVT, UOP4	
	02	C01A, C01B, C06Z, C16Z		21A	W04A, W04B		02	C14Z	
	10	K09A, K09B		21B	X06A, X06B, X06C		21A	W04A, W04B	
	21A	W04A, W04B	5c620↔		BOP, KVT, UOP4		21B	X06A, X06B, X06C	
	21B	X06A, X06B, X06C		02	C01A, C01B, C07A, C07B, C16Z	5c651↔		BOP, KVT, UOP4	
5c610.x↔		BOP, KVT, UOP4		10	K09A, K09B		02	C01A, C01B, C15Z, C16Z	
	02	C01A, C01B, C06Z, C16Z	5c621↔		BOP, KVT, UOP4		21A	W04A, W04B	
	10	K09A, K09B		02	C01A, C01B, C07A, C07B, C16Z		21B	X06A, X06B, X06C	
	21A	W04A, W04B		10	K09A, K09B	5c652↔		BOP, KVT, UOP4	
	21B	X06A, X06B, X06C	5c622↔		BOP, KVT, UOP4		02	C01A, C01B, C16Z, C20A, C20B	
5c611↔		BOP, KVT, UOP4		02	C01A, C01B, C07A, C07B, C16Z		21A	W04A, W04B	
	02	C01A, C01B, C06Z, C16Z		10	K09A, K09B		21B	X06A, X06B, X06C	
	21A	W04A, W04B	5c62x↔		BOP, KVT, UOP4	5c654↔		BOP, KVT, UOP4	
	21B	X06A, X06B, X06C		02	C01A, C01B, C07A, C07B, C16Z		02	C01A, C01B, C15Z, C16Z	
5c612↔		BOP, KVT, UOP4		10	K09A, K09B		21A	W04A, W04B	
	02	C01A, C01B, C06Z, C16Z		02	C01A, C01B, C07A, C07B, C16Z		21B	X06A, X06B, X06C	
	21A	W04A, W04B	5c63x↔		BOP, KVT, UOP4		02	C01A, C01B, C15Z, C16Z	
	21B	X06A, X06B, X06C		02	C01A, C01B, C07A, C07B, C16Z		21A	W04A, W04B	
5c613↔		BOP, KVT, UOP4		10	K09A, K09B	5c655↔		BOP, KVT, UOP4	
	02	C01A, C01B, C07A, C07B, C16Z	5c630↔		BOP, KVT, UOP4		02	C01A, C01B, C16Z, C20A, C20B	
	21A	W04A, W04B		02	C01A, C01B, C07A, C07B, C16Z		21A	W04A, W04B	
	21B	X06A, X06B, X06C		21A	W04A, W04B		21B	X06A, X06B, X06C	
5c614.0↔		BOP, KVT, UOP4		21B	X06A, X06B, X06C	5c65x↔		BOP, KVT, UOP4	
	02	C01A, C01B, C07A, C07B, C16Z	5c631↔		BOP, KVT, UOP4		02	C01A, C01B, C16Z, C20A, C20B	
	21A	W04A, W04B		02	C01A, C01B, C06Z, C16Z		21A	W04A, W04B	
	21B	X06A, X06B, X06C		10	K09A, K09B		21B	X06A, X06B, X06C	
5c614.1↔		BOP, KVT, UOP4		21A	W04A, W04B	5c660↔		BOP, KVT, UOP4	
	02	C01A, C01B, C07A, C07B, C16Z	5c632↔		BOP, KVT, UOP4		02	C01A, C01B, C07A, C07B, C16Z	
	21A	W04A, W04B		02	C01A, C01B, C06Z, C16Z		21A	W04A, W04B	
	21B	X06A, X06B, X06C		21A	W04A, W04B		21B	X06A, X06B, X06C	
5c614.2↔		BOP, KVT, UOP4		21B	X06A, X06B, X06C	5c661↔		BOP, KVT, UOP4	
	02	C01A, C01B, C07A, C07B, C16Z	5c633↔		BOP, KVT, UOP4		02	C01A, C01B, C07A, C07B, C16Z	
	21A	W04A, W04B		02	C01A, C01B, C07A, C07B, C16Z		21A	W04A, W04B	
	21B	X06A, X06B, X06C		21A	W04A, W04B		21B	X06A, X06B, X06C	
5c614.x↔		BOP, KVT, UOP4		21B	X06A, X06B, X06C	5c662↔		BOP, KVT, UOP4	
	02	C01A, C01B, C07A, C07B, C16Z	5c634↔		BOP, KVT, UOP4		02	C01A, C01B, C07A, C07B, C16Z	
	21A	W04A, W04B		02	C01A, C01B, C07A, C07B, C16Z		21A	W04A, W04B	
	21B	X06A, X06B, X06C		21A	W04A, W04B		21B	X06A, X06B, X06C	
5c615↔		BOP, KVT, UOP4		21B	X06A, X06B, X06C	5c663↔		BOP, KVT, UOP4	
	02	C01A, C01B, C07A, C07B, C16Z	5c635↔		BOP, KVT, UOP4		02	C14Z	
	21A	W04A, W04B		02	C01A, C01B, C07A, C07B, C16Z		21A	W04A, W04B	
	21B	X06A, X06B, X06C		10	K09A, K09B		21B	X06A, X06B, X06C	
5c616↔		BOP, KVT, UOP4		5c636↔		BOP, KVT, UOP4		BOP, KVT, UOP4	
	02	C01A, C01B, C06Z, C16Z		02	C01A, C01B, C07A, C07B, C16Z	5c664↔		BOP, KVT, UOP4	
	21A	W04A, W04B		21A	W04A, W04B		02	C01A, C01B, C07A, C07B, C16Z	
	21B	X06A, X06B, X06C		21B	X06A, X06B, X06C		21A	W04A, W04B	
5c617.1↔		BOP, KVT, UOP4		5c638↔		BOP, KVT, UOP4		X06A, X06B, X06C	
	02	C01A, C01B, C06Z, C16Z		02	C01A, C01B, C07A, C07B, C16Z	5c66x↔		BOP, KVT, UOP4	
	21A	W04A, W04B		10	K09A, K09B		02	C01A, C01B, C07A, C07B, C16Z	
	21B	X06A, X06B, X06C		5c63x↔		BOP, KVT, UOP4		21A	W04A, W04B
5c617.2↔		BOP, KVT, UOP4		02	C01A, C01B, C07A, C07B, C16Z		21B	X06A, X06B, X06C	
	02	C01A, C01B, C06Z, C16Z		10	K09A, K09B				
	21A	W04A, W04B							
	21B	X06A, X06B, X06C							

ZZV	MDC	DRG	ZZV	MDC	DRG	ZZV	MDC	DRG
5c671↔		BOP, KVT, UOP4	5c682.2↔	02	BOP, KVT, UOP4	5c70x↔		BOP, UOP4
	02	C01A, C01B, C07A, C07B, C16Z		02	C01A, C01B, C16Z, C20A, C20B		02	C01A, C01B, C16Z, C20A, C20B
	21A	W04A, W04B		21A	W04A, W04B		21A	W04A, W04B
	21B	X06A, X06B, X06C		21B	X06A, X06B, X06C		21B	X06A, X06B, X06C
5c672↔		BOP, KVT, UOP4	5c68x↔		BOP, KVT, UOP4	5c710↔		BOP, KVT, UOP4
	02	C01A, C01B, C07A, C07B, C16Z		02	C01A, C01B, C16Z, C20A, C20B		02	C01A, C01B, C16Z, C20A, C20B
	21A	W04A, W04B		21A	W04A, W04B		5c711↔	BOP, KVT, UOP4
	21B	X06A, X06B, X06C		21B	X06A, X06B, X06C		02	C01A, C01B, C16Z, C20A, C20B
5c673↔		BOP, KVT, UOP4	5c690↔		BOP, KVT, UOP4	5c712↔		BOP, KVT, UOP4
	02	C01A, C01B, C07A, C07B, C16Z		02	C14Z		02	C01A, C01B, C16Z, C20A, C20B
	21A	W04A, W04B		21A	W04A, W04B		02	C01A, C01B, C16Z, C20A, C20B
	21B	X06A, X06B, X06C		21B	X06A, X06B, X06C		5c713↔	BOP, KVT, UOP4
5c674↔		BOP, KVT, UOP4	5c691.0↔		BOP, KVT, UOP4	5c714.10↔		BOP, KVT, UOP4
	02	C01A, C01B, C16Z, C20A, C20B		02	C14Z		02	C01A, C01B, C16Z, C20A, C20B
	21A	W04A, W04B		21A	W04A, W04B		02	C01A, C01B, C16Z, C20A, C20B
	21B	X06A, X06B, X06C		21B	X06A, X06B, X06C		5c714.11↔	BOP, KVT, UOP4
5c675↔		BOP, KVT, UOP4	5c691.1↔		BOP, KVT, UOP4	5c714.20↔		BOP, KVT, UOP4
	02	C14Z		02	C01A, C01B, C15Z, C16Z		02	C01A, C01B, C16Z, C20A, C20B
	21A	W04A, W04B		21A	W04A, W04B		02	C01A, C01B, C16Z, C20A, C20B
	21B	X06A, X06B, X06C		21B	X06A, X06B, X06C		5c714.21↔	BOP, KVT, UOP4
5c676↔		BOP, KVT, UOP4	5c691.2↔		BOP, KVT, UOP4	5c715.0↔		BOP, KVT, UOP4
	02	C14Z		02	C14Z		02	C01A, C01B, C16Z, C20A, C20B
	21A	W04A, W04B		21A	W04A, W04B		02	C01A, C01B, C16Z, C20A, C20B
	21B	X06A, X06B, X06C		21B	X06A, X06B, X06C		5c715.1↔	BOP, KVT, UOP4
5c677↔		BOP, KVT, UOP4	5c691.3↔		BOP, KVT, UOP4	5c716.1↔		BOP, KVT, UOP4
	02	C14Z		02	C14Z		02	C01A, C01B, C16Z, C20A, C20B
	21A	W04A, W04B		21A	W04A, W04B		02	C01A, C01B, C16Z, C20A, C20B
	21B	X06A, X06B, X06C		21B	X06A, X06B, X06C		5c716.2↔	BOP, KVT, UOP4
5c67x↔		BOP, KVT, UOP4	5c691.x↔		BOP, KVT, UOP4	5c71x↔		BOP, KVT, UOP4
	02	C14Z		02	C14Z		02	C01A, C01B, C16Z, C20A, C20B
	21A	W04A, W04B		21A	W04A, W04B		02	C01A, C01B, C16Z, C20A, C20B
	21B	X06A, X06B, X06C		21B	X06A, X06B, X06C		02	C01A, C01B, C16Z, C20A, C20B
5c680.0↔		BOP, UOP4	5c692↔		BOP, KVT, UOP4	5c716.1↔		BOP, KVT, UOP4
	02	C20A, C20B		02	C14Z		02	C01A, C01B, C16Z, C20A, C20B
	21A	W04A, W04B		21A	W04A, W04B		02	C01A, C01B, C16Z, C20A, C20B
	21B	X06A, X06B, X06C		21B	X06A, X06B, X06C		5c716.2↔	BOP, KVT, UOP4
5c680.1↔		BOP, UOP4	5c693↔		BOP, KVT, UOP4	5c720.0↔		BOP, KVT, UOP4
	02	C20A, C20B		02	C01A, C01B, C16Z, C20A, C20B		02	C01A, C01B, C16Z, C20A, C20B
	21A	W04A, W04B		21A	W04A, W04B		02	C01A, C01B, C16Z, C20A, C20B
	21B	X06A, X06B, X06C		21B	X06A, X06B, X06C		10	K09A, K09B
5c680.x↔		BOP, UOP4	5c694↔		BOP, KVT, UOP4	5c720.5↔		BOP, KVT, UOP4
	02	C20A, C20B		02	C01A, C01B, C15Z, C16Z		02	C01A, C01B, C16Z, C20A, C20B
	21A	W04A, W04B		21A	W04A, W04B		02	C01A, C01B, C16Z, C20A, C20B
	21B	X06A, X06B, X06C		21B	X06A, X06B, X06C		10	K09A, K09B
5c681.0↔		BOP, KVT, UOP4	5c695↔		BOP, KVT, UOP4	5c720.6↔		BOP, KVT, UOP4
	02	C01A, C01B, C16Z, C20A, C20B		02	C01A, C01B, C16Z, C20A, C20B		02	C01A, C01B, C16Z, C20A, C20B
	21A	W04A, W04B		21A	W04A, W04B		10	K09A, K09B
	21B	X06A, X06B, X06C		21B	X06A, X06B, X06C		02	C01A, C01B, C16Z, C20A, C20B
5c681.3↔		BOP, KVT, UOP4	5c69x↔		BOP, KVT, UOP4	5c720.7↔		BOP, KVT, UOP4
	02	C01A, C01B, C16Z, C20A, C20B		02	C01A, C01B, C16Z, C20A, C20B		02	C01A, C01B, C16Z, C20A, C20B
	21A	W04A, W04B		21A	W04A, W04B		10	K09A, K09B
	21B	X06A, X06B, X06C		21B	X06A, X06B, X06C		02	C01A, C01B, C16Z, C20A, C20B
5c681.x↔		BOP, KVT, UOP4	5c700↔		BOP, UOP4	5c720.8↔		BOP, KVT, UOP4
	02	C01A, C01B, C16Z, C20A, C20B		02	C01A, C01B, C16Z, C20A, C20B		02	C01A, C01B, C16Z, C20A, C20B
	21A	W04A, W04B		21A	W04A, W04B		10	K09A, K09B
	21B	X06A, X06B, X06C		21B	X06A, X06B, X06C		02	C01A, C01B, C16Z, C20A, C20B
5c682.1↔		BOP, KVT, UOP4	5c701↔		BOP, UOP4	5c720.a↔		BOP, KVT, UOP4
	02	C01A, C01B, C16Z, C20A, C20B		02	C01A, C01B, C16Z, C20A, C20B		02	C01A, C01B, C16Z, C20A, C20B
	21A	W04A, W04B		21A	W04A, W04B		10	K09A, K09B
	21B	X06A, X06B, X06C		21B	X06A, X06B, X06C			

ZZV	MDC	DRG	ZZV	MDC	DRG	ZZV	MDC	DRG
5c720.b↔		BOP, KVT, UOP4	5c721.h↔		BOP, KVT, UOP4	5c732.0↔		BOP, KVT, UOP4
	02	C01A, C01B, C16Z, C20A, C20B		02	C01A, C01B, C16Z, C20A, C20B		02	C01A, C01B, C03A, C03B, C04A, C07A, C08A, C08B, C16Z
	10	K09A, K09B		10	K09A, K09B		10	K09A, K09B
5c720.c↔		BOP, KVT, UOP4	5c721.x↔		BOP, KVT, UOP4		10	K09A, K09B
	02	C01A, C01B, C16Z, C20A, C20B		02	C01A, C01B, C16Z, C20A, C20B		21A	W04A, W04B
	10	K09A, K09B		10	K09A, K09B	5c732.5↔	21B	X06A, X06B, X06C
5c720.d↔		BOP, KVT, UOP4	5c72x.0↔		BOP, KVT, UOP4			BOP, KVT, UOP4
	02	C01A, C01B, C16Z, C20A, C20B		02	C01A, C01B, C16Z, C20A, C20B		02	C01A, C01B, C03A, C03B, C04A, C07A, C08A, C08B, C16Z
	10	K09A, K09B		10	K09A, K09B		10	K09A, K09B
5c720.e↔		BOP, KVT, UOP4	5c72x.5↔		BOP, KVT, UOP4		21A	W04A, W04B
	02	C01A, C01B, C16Z, C20A, C20B		02	C01A, C01B, C16Z, C20A, C20B	5c732.6↔	21B	X06A, X06B, X06C
	10	K09A, K09B		10	K09A, K09B			BOP, KVT, UOP4
5c720.f↔		BOP, KVT, UOP4	5c72x.6↔		BOP, KVT, UOP4		02	C01A, C01B, C03A, C03B, C04A, C07A, C08A, C08B, C16Z
	02	C01A, C01B, C16Z, C20A, C20B		02	C01A, C01B, C16Z, C20A, C20B		10	K09A, K09B
	10	K09A, K09B		10	K09A, K09B		21A	W04A, W04B
5c720.g↔		BOP, KVT, UOP4	5c72x.7↔		BOP, KVT, UOP4		21B	X06A, X06B, X06C
	02	C01A, C01B, C16Z, C20A, C20B		02	C01A, C01B, C16Z, C20A, C20B	5c732.7↔		BOP, KVT, UOP4
	10	K09A, K09B		10	K09A, K09B		02	C01A, C01B, C03A, C03B, C04A, C07A, C08A, C08B, C16Z
5c720.h↔		BOP, KVT, UOP4	5c72x.8↔		BOP, KVT, UOP4		10	K09A, K09B
	02	C01A, C01B, C16Z, C20A, C20B		02	C01A, C01B, C16Z, C20A, C20B		21A	W04A, W04B
	10	K09A, K09B		10	K09A, K09B		21B	X06A, X06B, X06C
5c720.x↔		BOP, KVT, UOP4	5c72x.9↔		BOP, KVT, UOP4	5c732.8↔		BOP, KVT, UOP4
	02	C01A, C01B, C16Z, C20A, C20B		02	C01A, C01B, C16Z, C20A, C20B		02	C01A, C01B, C03A, C03B, C04A, C07A, C08A, C08B, C16Z
	10	K09A, K09B		10	K09A, K09B		10	K09A, K09B
5c721.0↔		BOP, KVT, UOP4	5c72x.a↔		BOP, KVT, UOP4		21A	W04A, W04B
	02	C01A, C01B, C16Z, C20A, C20B		02	C01A, C01B, C16Z, C20A, C20B		21B	X06A, X06B, X06C
	10	K09A, K09B		10	K09A, K09B	5c732.9↔		BOP, KVT, UOP4
5c721.5↔		BOP, KVT, UOP4	5c72x.b↔		BOP, KVT, UOP4		02	C01A, C01B, C03A, C03B, C04A, C07A, C08A, C08B, C16Z
	02	C01A, C01B, C16Z, C20A, C20B		02	C01A, C01B, C16Z, C20A, C20B		10	K09A, K09B
	10	K09A, K09B		10	K09A, K09B		21A	W04A, W04B
5c721.a↔		BOP, KVT, UOP4	5c72x.c↔		BOP, KVT, UOP4		21B	X06A, X06B, X06C
	02	C01A, C01B, C16Z, C20A, C20B		02	C01A, C01B, C16Z, C20A, C20B	5c732.a↔		BOP, KVT, UOP4
	10	K09A, K09B		10	K09A, K09B		02	C01A, C01B, C03A, C03B, C04A, C07A, C08A, C08B, C16Z
5c721.b↔		BOP, KVT, UOP4	5c72x.d↔		BOP, KVT, UOP4		10	K09A, K09B
	02	C01A, C01B, C16Z, C20A, C20B		02	C01A, C01B, C16Z, C20A, C20B		21A	W04A, W04B
	10	K09A, K09B		10	K09A, K09B		21B	X06A, X06B, X06C
5c721.c↔		BOP, KVT, UOP4	5c72x.e↔		BOP, KVT, UOP4	5c732.b↔		BOP, KVT, UOP4
	02	C01A, C01B, C16Z, C20A, C20B		02	C01A, C01B, C16Z, C20A, C20B		02	C01A, C01B, C03A, C03B, C04A, C07A, C08A, C08B, C16Z
	10	K09A, K09B		10	K09A, K09B		10	K09A, K09B
5c721.d↔		BOP, KVT, UOP4	5c72x.f↔		BOP, KVT, UOP4		21A	W04A, W04B
	02	C01A, C01B, C16Z, C20A, C20B		02	C01A, C01B, C16Z, C20A, C20B		21B	X06A, X06B, X06C
	10	K09A, K09B		10	K09A, K09B	5c732.c↔		BOP, KVT, UOP4
5c721.e↔		BOP, KVT, UOP4	5c72x.g↔		BOP, KVT, UOP4		02	C01A, C01B, C03A, C03B, C04A, C07A, C08A, C08B, C16Z
	02	C01A, C01B, C16Z, C20A, C20B		02	C01A, C01B, C16Z, C20A, C20B		10	K09A, K09B
	10	K09A, K09B		10	K09A, K09B		21A	W04A, W04B
5c721.f↔		BOP, KVT, UOP4	5c72x.h↔		BOP, KVT, UOP4		21B	X06A, X06B, X06C
	02	C01A, C01B, C16Z, C20A, C20B		02	C01A, C01B, C16Z, C20A, C20B	5c732.d↔		BOP, KVT, UOP4
	10	K09A, K09B		10	K09A, K09B		02	C01A, C01B, C03A, C03B, C04A, C07A, C08A, C08B, C16Z
5c721.g↔		BOP, KVT, UOP4	5c72x.x↔		BOP, KVT, UOP4		10	K09A, K09B
	02	C01A, C01B, C16Z, C20A, C20B		02	C01A, C01B, C16Z, C20A, C20B		21A	W04A, W04B
	10	K09A, K09B		10	K09A, K09B		21B	X06A, X06B, X06C





ZZV	MDC	DRG	ZZV	MDC	DRG	ZZV	MDC	DRG
5c734.e↔		BOP, KVT, UOP4	5c735.9↔		BOP, KVT, UOP4	5c73x.0↔		BOP, KVT, UOP4
	02	C01A, C01B, C03A, C03B, C04A, C07A, C08A, C08B, C16Z		02	C01A, C01B, C03A, C03B, C04A, C07A, C08A, C08B, C16Z		02	C01A, C01B, C03A, C03B, C04A, C07A, C08A, C08B, C16Z
	10	K09A, K09B		10	K09A, K09B		10	K09A, K09B
	21A	W04A, W04B		21A	W04A, W04B		21A	W04A, W04B
5c734.f↔	21B	X06A, X06B, X06C	5c735.a↔	21B	X06A, X06B, X06C	5c73x.5↔	21B	X06A, X06B, X06C
		BOP, KVT, UOP4			BOP, KVT, UOP4			BOP, KVT, UOP4
	02	C01A, C01B, C03A, C03B, C04A, C07A, C08A, C08B, C16Z		02	C01A, C01B, C03A, C03B, C04A, C07A, C08A, C08B, C16Z		02	C01A, C01B, C03A, C03B, C04A, C07A, C08A, C08B, C16Z
	10	K09A, K09B		10	K09A, K09B		10	K09A, K09B
5c734.g↔	21A	W04A, W04B	5c735.b↔	21A	W04A, W04B	5c73x.6↔	21A	W04A, W04B
	21B	X06A, X06B, X06C		21B	X06A, X06B, X06C		21B	X06A, X06B, X06C
		BOP, KVT, UOP4			BOP, KVT, UOP4			BOP, KVT, UOP4
	02	C01A, C01B, C03A, C03B, C04A, C07A, C08A, C08B, C16Z		02	C01A, C01B, C03A, C03B, C04A, C07A, C08A, C08B, C16Z		02	C01A, C01B, C03A, C03B, C04A, C07A, C08A, C08B, C16Z
5c734.h↔	10	K09A, K09B	5c735.c↔	10	K09A, K09B	5c73x.7↔	21A	W04A, W04B
	21A	W04A, W04B		21A	W04A, W04B		21B	X06A, X06B, X06C
	21B	X06A, X06B, X06C		21B	X06A, X06B, X06C			BOP, KVT, UOP4
		BOP, KVT, UOP4			BOP, KVT, UOP4		02	C01A, C01B, C03A, C03B, C04A, C07A, C08A, C08B, C16Z
5c734.x↔	02	C01A, C01B, C03A, C03B, C04A, C07A, C08A, C08B, C16Z	5c735.d↔	02	C01A, C01B, C03A, C03B, C04A, C07A, C08A, C08B, C16Z	5c73x.8↔	10	K09A, K09B
	10	K09A, K09B		10	K09A, K09B		21A	W04A, W04B
	21A	W04A, W04B		21A	W04A, W04B		21B	X06A, X06B, X06C
	21B	X06A, X06B, X06C		21B	X06A, X06B, X06C			BOP, KVT, UOP4
5c735.0↔		BOP, KVT, UOP4	5c735.e↔		BOP, KVT, UOP4	5c73x.9↔	02	C01A, C01B, C03A, C03B, C04A, C07A, C08A, C08B, C16Z
	02	C01A, C01B, C03A, C03B, C04A, C07A, C08A, C08B, C16Z		02	C01A, C01B, C03A, C03B, C04A, C07A, C08A, C08B, C16Z		02	C01A, C01B, C03A, C03B, C04A, C07A, C08A, C08B, C16Z
	10	K09A, K09B		10	K09A, K09B		10	K09A, K09B
	21A	W04A, W04B		21A	W04A, W04B		21A	W04A, W04B
5c735.5↔	21B	X06A, X06B, X06C	5c735.f↔	21B	X06A, X06B, X06C	5c73x.a↔	21B	X06A, X06B, X06C
		BOP, KVT, UOP4			BOP, KVT, UOP4			BOP, KVT, UOP4
	02	C01A, C01B, C03A, C03B, C04A, C07A, C08A, C08B, C16Z		02	C01A, C01B, C03A, C03B, C04A, C07A, C08A, C08B, C16Z		02	C01A, C01B, C03A, C03B, C04A, C07A, C08A, C08B, C16Z
	10	K09A, K09B		10	K09A, K09B		10	K09A, K09B
5c735.6↔	21A	W04A, W04B	5c735.g↔	21A	W04A, W04B	5c73x.b↔	21A	W04A, W04B
	21B	X06A, X06B, X06C		21B	X06A, X06B, X06C		21B	X06A, X06B, X06C
		BOP, KVT, UOP4			BOP, KVT, UOP4			BOP, KVT, UOP4
	02	C01A, C01B, C03A, C03B, C04A, C07A, C08A, C08B, C16Z		02	C01A, C01B, C03A, C03B, C04A, C07A, C08A, C08B, C16Z		02	C01A, C01B, C03A, C03B, C04A, C07A, C08A, C08B, C16Z
5c735.7↔	10	K09A, K09B	5c735.h↔	10	K09A, K09B	5c73x.c↔	21A	W04A, W04B
	21A	W04A, W04B		21A	W04A, W04B		21B	X06A, X06B, X06C
	21B	X06A, X06B, X06C		21B	X06A, X06B, X06C			BOP, KVT, UOP4
		BOP, KVT, UOP4			BOP, KVT, UOP4		02	C01A, C01B, C03A, C03B, C04A, C07A, C08A, C08B, C16Z
5c735.8↔	02	C01A, C01B, C03A, C03B, C04A, C07A, C08A, C08B, C16Z	5c735.x↔	02	C01A, C01B, C03A, C03B, C04A, C07A, C08A, C08B, C16Z	5c73x.d↔	10	K09A, K09B
	10	K09A, K09B		10	K09A, K09B		21A	W04A, W04B
	21A	W04A, W04B		21A	W04A, W04B		21B	X06A, X06B, X06C
	21B	X06A, X06B, X06C		21B	X06A, X06B, X06C			BOP, KVT, UOP4

VYK

ZZV	MDC	DRG	ZZV	MDC	DRG	ZZV	MDC	DRG
5c73x.e↔		BOP, KVT, UOP4	5c740.d↔		BOP, KVT, UOP4	5c742.e↔		BOP, KVT, UOP4
	02	C01A, C01B, C03A, C03B, C04A, C07A, C08A, C08B, C16Z		02	C01A, C01B, C16Z, C20A, C20B		02	C01A, C01B, C16Z, C20A, C20B
	10	K09A, K09B		10	K09A, K09B		10	K09A, K09B
	21A	W04A, W04B	5c740.e↔		BOP, KVT, UOP4	5c742.f↔		BOP, KVT, UOP4
	21B	X06A, X06B, X06C		02	C01A, C01B, C16Z, C20A, C20B		02	C01A, C01B, C16Z, C20A, C20B
5c73x.f↔		BOP, KVT, UOP4		10	K09A, K09B		10	K09A, K09B
	02	C01A, C01B, C03A, C03B, C04A, C07A, C08A, C08B, C16Z	5c740.f↔		BOP, KVT, UOP4	5c742.g↔		BOP, KVT, UOP4
	10	K09A, K09B		02	C01A, C01B, C16Z, C20A, C20B		02	C01A, C01B, C16Z, C20A, C20B
	21A	W04A, W04B		10	K09A, K09B		10	K09A, K09B
	21B	X06A, X06B, X06C	5c740.g↔		BOP, KVT, UOP4	5c742.h↔		BOP, KVT, UOP4
5c73x.g↔		BOP, KVT, UOP4		02	C01A, C01B, C16Z, C20A, C20B		02	C01A, C01B, C16Z, C20A, C20B
	02	C01A, C01B, C03A, C03B, C04A, C07A, C08A, C08B, C16Z		10	K09A, K09B	5c742.x↔		BOP, KVT, UOP4
	10	K09A, K09B	5c740.h↔		BOP, KVT, UOP4		02	C01A, C01B, C16Z, C20A, C20B
	21A	W04A, W04B		02	C01A, C01B, C16Z, C20A, C20B		10	K09A, K09B
	21B	X06A, X06B, X06C		10	K09A, K09B		10	K09A, K09B
5c73x.h↔		BOP, KVT, UOP4	5c740.x↔		BOP, KVT, UOP4	5c74x.0↔		BOP, KVT, UOP4
	02	C01A, C01B, C03A, C03B, C04A, C07A, C08A, C08B, C16Z		02	C01A, C01B, C16Z, C20A, C20B		02	C01A, C01B, C16Z, C20A, C20B
	10	K09A, K09B		10	K09A, K09B		10	K09A, K09B
	21A	W04A, W04B	5c741.0↔		BOP, KVT, UOP4	5c74x.5↔		BOP, KVT, UOP4
	21B	X06A, X06B, X06C		02	C01A, C01B, C16Z, C20A, C20B		02	C01A, C01B, C16Z, C20A, C20B
5c73x.x↔		BOP, KVT, UOP4		10	K09A, K09B	5c74x.6↔		BOP, KVT, UOP4
	02	C01A, C01B, C03A, C03B, C04A, C07A, C08A, C08B, C16Z	5c741.x↔		BOP, KVT, UOP4		02	C01A, C01B, C16Z, C20A, C20B
	10	K09A, K09B		02	C01A, C01B, C16Z, C20A, C20B		10	K09A, K09B
	21A	W04A, W04B		10	K09A, K09B	5c74x.7↔		BOP, KVT, UOP4
	21B	X06A, X06B, X06C	5c742.0↔		BOP, KVT, UOP4		02	C01A, C01B, C16Z, C20A, C20B
5c740.0↔		BOP, KVT, UOP4		02	C01A, C01B, C16Z, C20A, C20B		10	K09A, K09B
	02	C01A, C01B, C16Z, C20A, C20B	5c742.5↔		BOP, KVT, UOP4	5c74x.8↔		BOP, KVT, UOP4
	10	K09A, K09B		02	C01A, C01B, C16Z, C20A, C20B		02	C01A, C01B, C16Z, C20A, C20B
5c740.5↔		BOP, KVT, UOP4		10	K09A, K09B	5c74x.9↔		BOP, KVT, UOP4
	02	C01A, C01B, C16Z, C20A, C20B	5c742.6↔		BOP, KVT, UOP4		02	C01A, C01B, C16Z, C20A, C20B
	10	K09A, K09B		10	K09A, K09B	5c74x.a↔		BOP, KVT, UOP4
5c740.6↔		BOP, KVT, UOP4	5c742.7↔		BOP, KVT, UOP4		02	C01A, C01B, C16Z, C20A, C20B
	02	C01A, C01B, C16Z, C20A, C20B		02	C01A, C01B, C16Z, C20A, C20B		10	K09A, K09B
	10	K09A, K09B	5c742.8↔		BOP, KVT, UOP4	5c74x.b↔		BOP, KVT, UOP4
5c740.7↔		BOP, KVT, UOP4		02	C01A, C01B, C16Z, C20A, C20B		02	C01A, C01B, C16Z, C20A, C20B
	02	C01A, C01B, C16Z, C20A, C20B		10	K09A, K09B	5c74x.c↔		BOP, KVT, UOP4
	10	K09A, K09B	5c742.a↔		BOP, KVT, UOP4		02	C01A, C01B, C16Z, C20A, C20B
5c740.8↔		BOP, KVT, UOP4		02	C01A, C01B, C16Z, C20A, C20B		10	K09A, K09B
	02	C01A, C01B, C16Z, C20A, C20B	5c742.b↔		BOP, KVT, UOP4	5c74x.d↔		BOP, KVT, UOP4
	10	K09A, K09B		02	C01A, C01B, C16Z, C20A, C20B		02	C01A, C01B, C16Z, C20A, C20B
5c740.a↔		BOP, KVT, UOP4		10	K09A, K09B	5c74x.e↔		BOP, KVT, UOP4
	02	C01A, C01B, C16Z, C20A, C20B	5c742.c↔		BOP, KVT, UOP4		02	C01A, C01B, C16Z, C20A, C20B
	10	K09A, K09B		02	C01A, C01B, C16Z, C20A, C20B		10	K09A, K09B
5c740.b↔		BOP, KVT, UOP4		10	K09A, K09B	5c74x.f↔		BOP, KVT, UOP4
	02	C01A, C01B, C16Z, C20A, C20B	5c742.d↔		BOP, KVT, UOP4		02	C01A, C01B, C16Z, C20A, C20B
	10	K09A, K09B		02	C01A, C01B, C16Z, C20A, C20B		10	K09A, K09B
5c740.c↔		BOP, KVT, UOP4		10	K09A, K09B		02	C01A, C01B, C16Z, C20A, C20B
	02	C01A, C01B, C16Z, C20A, C20B		02	C01A, C01B, C16Z, C20A, C20B		10	K09A, K09B
	10	K09A, K09B		10	K09A, K09B		02	C01A, C01B, C16Z, C20A, C20B

VYK



ZZV	MDC	DRG	ZZV	MDC	DRG	ZZV	MDC	DRG
5c75x↔		BOP, KVT, UOP4	5c81x↔		BOP, KVT, UOP4	5c849↔		BOP, KVT, UOP4
	02	C01A, C01B, C16Z, C20A, C20B		02	C01A, C01B, C15Z, C16Z		02	C01A, C01B, C02A, C02B, C16Z
	21A	W04A, W04B		10	K09A, K09B		21A	W04A, W04B
	21B	X06A, X06B, X06C		21A	W04A, W04B		21B	X06A, X06B, X06C
5c760↔		BOP, KVT, UOP4	5c820↔		BOP, KVT, UOP4	5c84a↔		BOP, KVT, UOP4
	02	C01A, C01B, C16Z, C20A, C20B		02	C01A, C01B, C15Z, C16Z		02	C01A, C01B, C02A, C02B, C16Z
	21A	W04A, W04B		21A	W04A, W04B		21A	W04A, W04B
	21B	X06A, X06B, X06C		21B	X06A, X06B, X06C		21B	X06A, X06B, X06C
5c761↔		BOP, KVT, UOP4	5c821↔		BOP, KVT, UOP4	5c84b↔		BOP, KVT, UOP4
	02	C01A, C01B, C16Z, C20A, C20B		02	C01A, C01B, C15Z, C16Z		02	C01A, C01B, C02A, C02B, C16Z
	21A	W04A, W04B		21A	W04A, W04B		21A	W04A, W04B
	21B	X06A, X06B, X06C		21B	X06A, X06B, X06C		21B	X06A, X06B, X06C
5c762↔		BOP, KVT, UOP4	5c822↔		BOP, KVT, UOP4	5c84c↔		BOP, KVT, UOP4
	02	C01A, C01B, C16Z, C20A, C20B		02	C01A, C01B, C14Z, C16Z		02	C01A, C01B, C14Z, C16Z
	21A	W04A, W04B		10	K09A, K09B		02	C01A, C01B, C14Z, C16Z
	21B	X06A, X06B, X06C		21A	W04A, W04B		02	C01A, C01B, C14Z, C16Z
5c763↔		BOP, KVT, UOP4	5c830↔		BOP, KVT, UOP4	5c84d↔		BOP, KVT, UOP4
	02	C01A, C01B, C08A, C08B, C16Z		02	C01A, C01B, C14Z, C16Z		02	C01A, C01B, C14Z, C16Z
	21A	W04A, W04B		21A	W04A, W04B		02	C01A, C01B, C14Z, C16Z
	21B	X06A, X06B, X06C		21B	X06A, X06B, X06C		02	C01A, C01B, C14Z, C16Z
5c76x↔		BOP, KVT, UOP4	5c832↔		BOP, KVT, UOP4	5c84x↔		BOP, KVT, UOP4
	02	C01A, C01B, C16Z, C20A, C20B		02	C01A, C01B, C14Z, C16Z		02	C01A, C01B, C14Z, C16Z
	21A	W04A, W04B		21A	W04A, W04B		02	C01A, C01B, C14Z, C16Z
	21B	X06A, X06B, X06C		21B	X06A, X06B, X06C		02	C01A, C01B, C14Z, C16Z
5c790↔		BOP, KVT, UOP4	5c833↔		BOP, KVT, UOP4	5c851↔		BOP, KVT, UOP4
	02	C01A, C01B, C16Z, C20A, C20B		02	C01A, C01B, C15Z, C16Z		02	C01A, C01B, C15Z, C16Z
	21A	W04A, W04B		21A	W04A, W04B		21A	W04A, W04B
	21B	X06A, X06B, X06C		21B	X06A, X06B, X06C		21B	X06A, X06B, X06C
5c79x↔		BOP, KVT, UOP4	5c834↔		BOP, KVT, UOP4	5c852↔		BOP, KVT, UOP4
	02	C01A, C01B, C16Z, C20A, C20B		02	C01A, C01B, C03A, C03C, C15Z, C16Z		02	C01A, C01B, C15Z, C16Z
	21A	W04A, W04B		21A	W04A, W04B		21A	W04A, W04B
	21B	X06A, X06B, X06C		21B	X06A, X06B, X06C		21B	X06A, X06B, X06C
5c801↔		BOP, KVT, UOP4	5c83x↔		BOP, KVT, UOP4	5c853↔		BOP, KVT, UOP4
	02	C01A, C01B, C15Z, C16Z		02	C01A, C01B, C14Z, C16Z		02	C01A, C01B, C03A, C03B, C03C, C16Z
	21A	W04A, W04B		21A	W04A, W04B		21A	W04A, W04B
	21B	X06A, X06B, X06C		21B	X06A, X06B, X06C		21B	X06A, X06B, X06C
5c802↔		BOP, KVT, UOP4	5c840↔		BOP, KVT, UOP4	5c855↔		BOP, KVT, UOP4
	02	C01A, C01B, C15Z, C16Z		02	C01A, C01B, C14Z, C16Z		02	C01A, C01B, C02A, C02B, C15Z, C16Z
	21A	W04A, W04B		02	C01A, C01B, C14Z, C16Z		21A	W04A, W04B
	21B	X06A, X06B, X06C		02	C01A, C01B, C14Z, C16Z		21B	X06A, X06B, X06C
5c80x↔		BOP, KVT, UOP4	5c842↔		BOP, KVT, UOP4	5c856↔		BOP, KVT, UOP4
	02	C01A, C01B, C15Z, C16Z		02	C01A, C01B, C14Z, C16Z		02	C01A, C01B, C14Z, C16Z
	21A	W04A, W04B		02	C01A, C01B, C14Z, C16Z		10	K09A, K09B
	21B	X06A, X06B, X06C		02	C01A, C01B, C14Z, C16Z		21A	W04A, W04B
5c810↔		BOP, KVT, UOP4	5c844↔		BOP, KVT, UOP4	5c857↔		BOP, KVT, UOP4
	02	C01A, C01B, C15Z, C16Z		02	C01A, C01B, C14Z, C16Z		02	C01A, C01B, C02A, C02B, C15Z, C16Z
	10	K09A, K09B		02	C01A, C01B, C14Z, C16Z		21A	W04A, W04B
	21A	W04A, W04B		02	C01A, C01B, C14Z, C16Z		21B	X06A, X06B, X06C
	21B	X06A, X06B, X06C		02	C01A, C01B, C14Z, C16Z		02	C02A, C02B, C16Z
5c811↔		BOP, KVT, UOP4	5c845↔		BOP, KVT, UOP4	5c858†↔		BOP, KVT, UOP4
	02	C01A, C01B, C15Z, C16Z		02	C01A, C01B, C14Z, C16Z		5c85g↔	BOP, KVT, UOP4
	10	K09A, K09B		02	C01A, C01B, C14Z, C16Z		02	C01A, C01B, C14Z, C16Z
	21A	W04A, W04B		02	C01A, C01B, C14Z, C16Z		21A	W04A, W04B
	21B	X06A, X06B, X06C		02	C01A, C01B, C14Z, C16Z		21B	X06A, X06B, X06C
5c812↔		BOP, KVT, UOP4	5c846↔		BOP, KVT, UOP4	5c860↔		BOP, KVT, UOP4
	02	C01A, C01B, C03A, C03C, C15Z, C16Z		02	C01A, C01B, C02A, C02B, C16Z		02	C01A, C01B, C15Z, C16Z
	10	K09A, K09B		02	C01A, C01B, C02A, C02B, C16Z		21A	W04A, W04B
	21A	W04A, W04B		21A	W04A, W04B		21A	W04A, W04B
	21B	X06A, X06B, X06C		21B	X06A, X06B, X06C		21B	X06A, X06B, X06C
	21B	X06A, X06B, X06C		21B	X06A, X06B, X06C		02	C01A, C01B, C15Z, C16Z
	21B	X06A, X06B, X06C		21B	X06A, X06B, X06C		21A	W04A, W04B
	21B	X06A, X06B, X06C		21B	X06A, X06B, X06C		21B	X06A, X06B, X06C



ZZV	MDC	DRG	ZZV	MDC	DRG	ZZV	MDC	DRG
5c874.0↔		BOP, KVT, UOP4	5c87x.3↔		BOP, KVT, UOP4	5c882.6↔		BOP, KVT, UOP4
	02	C01A, C01B, C03A, C03B, C03C, C16Z		02	C01A, C01B, C03A, C03B, C03C, C03D, C16Z		02	C01A, C01B, C15Z, C16Z
	10	K09A, K09B		10	K09A, K09B		21A	W04A, W04B
	21A	W04A, W04B		21A	W04A, W04B	5c882.x↔	21B	X06A, X06B, X06C
	21B	X06A, X06B, X06C		21B	X06A, X06B, X06C			BOP, KVT, UOP4
5c874.1↔		BOP, KVT, UOP4	5c87x.4↔		BOP, KVT, UOP4		02	C01A, C01B, C15Z, C16Z
	02	C01A, C01B, C03A, C03B, C03C, C16Z		10	K09A, K09B		21A	W04A, W04B
	10	K09A, K09B		21A	W04A, W04B	5c883↔	21B	X06A, X06B, X06C
	21A	W04A, W04B		21B	X06A, X06B, X06C			BOP, KVT, UOP4
	21B	X06A, X06B, X06C	5c87x.5↔		BOP, KVT, UOP4		02	C01A, C01B, C15Z, C16Z
5c874.2↔		BOP, KVT, UOP4		02	C01A, C01B, C03A, C03B, C03C, C03D, C16Z		21A	W04A, W04B
	02	C01A, C01B, C03A, C03B, C03C, C16Z		10	K09A, K09B	5c88x↔	21B	X06A, X06B, X06C
	10	K09A, K09B		21A	W04A, W04B			BOP, KVT, UOP4
	21A	W04A, W04B		21B	X06A, X06B, X06C		02	C01A, C01B, C15Z, C16Z
	21B	X06A, X06B, X06C	5c87x.6↔		BOP, KVT, UOP4		21A	W04A, W04B
5c874.3↔		BOP, KVT, UOP4		02	C01A, C01B, C03A, C03B, C03C, C03D, C16Z	5c900↔	21B	X06A, X06B, X06C
	02	C01A, C01B, C03A, C03B, C03C, C16Z		10	K09A, K09B			BOP, KOP, KOPV, KVT, UOP4
	10	K09A, K09B		21A	W04A, W04B		01	B02A, B02B, B02C, B02D, B20A, B20B, B20C, B20D, B20E, B20F, B39A, B39B
	21A	W04A, W04B		21B	X06A, X06B, X06C		02	C01A, C01B, C02A, C02B, C16Z
	21B	X06A, X06B, X06C	5c87x.x↔		BOP, KVT, UOP4		06	G33Z
5c874.4↔		BOP, KVT, UOP4		02	C01A, C01B, C03A, C03B, C03C, C03D, C16Z		07	H33Z, H38Z
	02	C01A, C01B, C03A, C03B, C03C, C16Z		10	K09A, K09B		08	I17Z
	10	K09A, K09B		21A	W04A, W04B		10	K09A, K09B
	21A	W04A, W04B		21B	X06A, X06B, X06C		11	L33Z
	21B	X06A, X06B, X06C	5c880.0↔		BOP, KVT, UOP4		21A	W04A, W04B
5c874.5↔		BOP, KVT, UOP4		02	C01A, C01B, C15Z, C16Z		21B	X06A, X06B, X06C
	02	C01A, C01B, C03A, C03B, C03C, C16Z		21A	W04A, W04B		23	Z01A
	10	K09A, K09B		21B	X06A, X06B, X06C		Pre	A07A
	21A	W04A, W04B	5c880.5↔		BOP, KVT, UOP4	5c901↔		BOP, KOP, KOPV, KVT, UOP4
	21B	X06A, X06B, X06C		02	C01A, C01B, C15Z, C16Z		01	B02A, B02B, B02C, B02D, B20A, B20B, B20C, B20D, B20E, B20F, B39A, B39B
5c874.6↔		BOP, KVT, UOP4		21A	W04A, W04B		02	C01A, C01B, C02A, C02B, C16Z
	02	C01A, C01B, C03A, C03B, C03C, C16Z	5c880.6↔		BOP, KVT, UOP4		06	G33Z
	10	K09A, K09B		02	C01A, C01B, C15Z, C16Z		07	H33Z, H38Z
	21A	W04A, W04B		21A	W04A, W04B		08	I17Z
	21B	X06A, X06B, X06C	5c880.x↔		X06A, X06B, X06C		10	K09A, K09B
5c874.x↔		BOP, KVT, UOP4		02	C01A, C01B, C15Z, C16Z		11	L33Z
	02	C01A, C01B, C03A, C03B, C03C, C16Z		21A	W04A, W04B		21A	W04A, W04B
	10	K09A, K09B	5c881.0↔		BOP, KVT, UOP4		21B	X06A, X06B, X06C
	21A	W04A, W04B		02	C01A, C01B, C15Z, C16Z		23	Z01A
	21B	X06A, X06B, X06C		21A	W04A, W04B		Pre	A07A
5c87x.0↔		BOP, KVT, UOP4		21B	X06A, X06B, X06C	5c902↔		BOP, KOP, KOPV, KVT, UOP4
	02	C01A, C01B, C03A, C03B, C03C, C03D, C16Z	5c881.5↔		BOP, KVT, UOP4		01	B02A, B02B, B02C, B02D, B20A, B20B, B20C, B20D, B20E, B20F, B39A, B39B
	10	K09A, K09B		02	C01A, C01B, C15Z, C16Z		02	C01A, C01B, C02A, C02B, C16Z
	21A	W04A, W04B		21A	W04A, W04B		06	G33Z
	21B	X06A, X06B, X06C	5c881.6↔		X06A, X06B, X06C		07	H33Z, H38Z
5c87x.1↔		BOP, KVT, UOP4		02	C01A, C01B, C15Z, C16Z		08	I17Z
	02	C01A, C01B, C03A, C03B, C03C, C03D, C16Z		21A	W04A, W04B		10	K09A, K09B
	10	K09A, K09B	5c881.x↔		BOP, KVT, UOP4		11	L33Z
	21A	W04A, W04B		02	C01A, C01B, C15Z, C16Z		21A	W04A, W04B
	21B	X06A, X06B, X06C		21A	W04A, W04B		21B	X06A, X06B, X06C
5c87x.2↔		BOP, KVT, UOP4		21B	X06A, X06B, X06C		23	Z01A
	02	C01A, C01B, C03A, C03B, C03C, C03D, C16Z	5c882.0↔		BOP, KVT, UOP4		Pre	A07A
	10	K09A, K09B		02	C01A, C01B, C15Z, C16Z			
	21A	W04A, W04B		21A	W04A, W04B			
	21B	X06A, X06B, X06C	5c882.5↔		X06A, X06B, X06C			
				02	C01A, C01B, C15Z, C16Z			
				21A	W04A, W04B			
				21B	X06A, X06B, X06C			

ZZV	MDC	DRG	ZZV	MDC	DRG	ZZV	MDC	DRG	
5c903↔		BOP, KOP, KOPV, KVT, UOP4	5c920↔		BOP, KVT, UOP4	5c922.3↔		BOP, KVT, UOP4	
	01	B02A, B02B, B02C, B02D, B20A, B20B, B20C, B20D, B20E, B20F, B39A, B39B		02	C01A, C01B, C02A, C02B, C16Z		02	C01A, C01B, C02A, C02B, C16Z	
			21A	W04A, W04B	21A	W04A, W04B			
	02	C01A, C01B, C02A, C02B, C16Z	21B	X06A, X06B, X06C	21B	X06A, X06B, X06C			
	06	G33Z	22	Y01Z, Y03A, Y03B	22	Y01Z, Y03A, Y03B			
	07	H33Z, H38Z	5c921.0↔		BOP, KVT, UOP4	5c922.4↔		BOP, KVT, UOP4	
	08	I17Z		02	C01A, C01B, C02A, C02B, C03A, C03B, C03C, C16Z		02	C01A, C01B, C02A, C02B, C16Z	
	10	K09A, K09B	21A	W04A, W04B	21A	W04A, W04B			
	11	L33Z	21B	X06A, X06B, X06C	21B	X06A, X06B, X06C			
	21A	W04A, W04B	22	Y01Z, Y03A, Y03B	22	Y01Z, Y03A, Y03B			
	21B	X06A, X06B, X06C	5c921.1↔		BOP, KVT, UOP4	5c922.x↔		BOP, KVT, UOP4	
	23	Z01A		02	C01A, C01B, C02A, C02B, C03A, C03B, C03C, C16Z		02	C01A, C01B, C02A, C02B, C16Z	
	Pre	A07A	21A	W04A, W04B	21A	W04A, W04B			
	5c904↔		BOP, KOP, KOPV, KVT, UOP4	5c921.2↔		BOP, KVT, UOP4	5c92x↔		BOP, KVT, UOP4
01		B02A, B02B, B02C, B02D, B20A, B20B, B20C, B20D, B20E, B20F, B39A, B39B	02		C01A, C01B, C02A, C02B, C03A, C03B, C03C, C16Z	02		C01A, C01B, C02A, C02B, C16Z	
02		C01A, C01B, C02A, C02B, C16Z	21A	W04A, W04B	21A	W04A, W04B			
06		G33Z	21B	X06A, X06B, X06C	21B	X06A, X06B, X06C			
07		H33Z, H38Z	22	Y01Z, Y03A, Y03B	22	Y01Z, Y03A, Y03B			
08		I17Z	5c921.3↔		BOP, KVT, UOP4	5c930↔		BOP, KVT, UOP4	
10		K09A, K09B		02	C01A, C01B, C02A, C02B, C03A, C03B, C03C, C16Z		02	C01A, C01B, C02A, C02B, C16Z	
11		L33Z	21A	W04A, W04B	09	J08A			
21A		W04A, W04B	21B	X06A, X06B, X06C	21A	W04A, W04B			
21B		X06A, X06B, X06C	22	Y01Z, Y03A, Y03B	21B	X06A, X06B, X06C			
23		Z01A	5c921.4↔		BOP, KVT, UOP4	5c931↔		BOP, KVT, UOP4	
Pre		A07A		02	C01A, C01B, C02A, C02B, C03A, C03B, C03C, C16Z		02	C01A, C01B, C02A, C02B, C16Z	
5c90x↔			BOP, KOP, KOPV, KVT, UOP4	5c921.5↔		BOP, KVT, UOP4	5c932↔		BOP, KVT, UOP4
		01	B02A, B02B, B02C, B02D, B20A, B20B, B20C, B20D, B20E, B20F, B39A, B39B		02	C01A, C01B, C02A, C02B, C16Z		02	C01A, C01B, C02A, C02B, C16Z
	02	C01A, C01B, C02A, C02B, C16Z	21A	W04A, W04B	09	J08A			
	06	G33Z	21B	X06A, X06B, X06C	10	K09A, K09B			
	07	H33Z, H38Z	22	Y01Z, Y03A, Y03B	21A	W04A, W04B			
	08	I17Z	5c921.x↔		BOP, KVT, UOP4	5c933.0↔		BOP, KVT, UOP4	
	10	K09A, K09B		02	C01A, C01B, C02A, C02B, C16Z		02	C01A, C01B, C02A, C02B, C16Z	
	11	L33Z	21A	W04A, W04B	09	J08A			
	21A	W04A, W04B	21B	X06A, X06B, X06C	21A	W04A, W04B			
	21B	X06A, X06B, X06C	22	Y01Z, Y03A, Y03B	21B	X06A, X06B, X06C			
	23	Z01A	5c922.0↔		BOP, KVT, UOP4	5c933.0↔		BOP, KOP, KOPV, KVT, UOP4	
	Pre	A07A		02	C01A, C01B, C02A, C02B, C16Z		01	B02A, B02B, B02C, B02D, B20A, B20B, B20C, B20D, B20E, B20F, B39A, B39B	
	5c910↔		BOP, KVT, UOP4	5c922.1↔		BOP, KVT, UOP4	5c932↔		BOP, KVT, UOP4
		02	C01A, C01B, C02A, C02B, C16Z		02	C01A, C01B, C02A, C02B, C16Z		02	C01A, C01B, C02A, C02B, C16Z
21A		W04A, W04B	21A	W04A, W04B	03	D18Z, D28Z, D29Z			
21B		X06A, X06B, X06C	21B	X06A, X06B, X06C	06	G33Z			
5c911↔		BOP, KVT, UOP4	5c922.2↔		BOP, KVT, UOP4	5c933.0↔		BOP, KVT, UOP4	
	02	C01A, C01B, C02A, C02B, C16Z		02	C01A, C01B, C02A, C02B, C16Z		07	H33Z, H38Z	
	21A	W04A, W04B	21A	W04A, W04B	08	I17Z			
	21B	X06A, X06B, X06C	21B	X06A, X06B, X06C	09	J08A, J08B			
5c91x↔		BOP, KVT, UOP4	5c922.2↔		BOP, KVT, UOP4	5c933.0↔		BOP, KVT, UOP4	
	02	C01A, C01B, C02A, C02B, C16Z		02	C01A, C01B, C02A, C02B, C16Z		11	L33Z	
	21A	W04A, W04B	21A	W04A, W04B	21A	W04A, W04B			
	21B	X06A, X06B, X06C	21B	X06A, X06B, X06C	21B	X06A, X06B, X06C			
	22	Y01Z, Y03A, Y03B	22	Y01Z, Y03A, Y03B	22	Y01Z, Y03A, Y03B			
	23	Z01A	23	Z01A	23	Z01A			
Pre	A07A	Pre	A07A	Pre	A07A				



ZZV	MDC	DRG	ZZV	MDC	DRG	ZZV	MDC	DRG			
5c933.1↔		BOP, KOP, KOPV, KVT, UOP4	5c933.x↔		BOP, KOP, KOPV, KVT, UOP4	5c934.2↔		BOP, KOP, KOPV, KVT, UOP4			
	01	B02A, B02B, B02C, B02D, B20A, B20B, B20C, B20D, B20E, B20F, B39A, B39B		01	B02A, B02B, B02C, B02D, B20A, B20B, B20C, B20D, B20E, B20F, B39A, B39B		01	B02A, B02B, B02C, B02D, B20A, B20B, B20C, B20D, B20E, B20F, B39A, B39B			
	02	C01A, C01B, C02A, C02B, C16Z		02	C01A, C01B, C02A, C02B, C16Z		02	C01A, C01B, C02A, C02B, C16Z			
	03	D18Z, D28Z, D29Z		03	D18Z, D28Z, D29Z		03	D18Z, D25A, D25B, D25C, D25D			
	06	G33Z		06	G33Z		06	G33Z			
	07	H33Z, H38Z		07	H33Z, H38Z		07	H33Z, H38Z			
	08	I17Z		08	I17Z		08	I17Z			
	09	J08A, J08B		09	J08A, J08B		09	J08A, J08B			
	11	L33Z		11	L33Z		11	L33Z			
	21A	W04A, W04B		21A	W04A, W04B		21A	W04A, W04B			
	21B	X06A, X06B, X06C		21B	X06A, X06B, X06C		21B	X06A, X06B, X06C			
	22	Y01Z, Y03A, Y03B		22	Y01Z, Y03A, Y03B		22	Y01Z, Y03A, Y03B			
	23	Z01A		23	Z01A		23	Z01A			
	Pre	A07A		Pre	A07A		Pre	A07A			
	5c933.2↔			BOP, KOP, KOPV, KVT, UOP4	5c934.0↔			BOP, KOP, KOPV, KVT, UOP4	5c934.3↔		BOP, KOP, KOPV, KVT, UOP4
		01		B02A, B02B, B02C, B02D, B20A, B20B, B20C, B20D, B20E, B20F, B39A, B39B			01	B02A, B02B, B02C, B02D, B20A, B20B, B20C, B20D, B20E, B20F, B39A, B39B		01	B02A, B02B, B02C, B02D, B20A, B20B, B20C, B20D, B20E, B20F, B39A, B39B
		02		C01A, C01B, C02A, C02B, C16Z			02	C01A, C01B, C02A, C02B, C16Z		02	C01A, C01B, C02A, C02B, C16Z
03		D18Z, D28Z, D29Z	03	D18Z, D25A, D25B, D25C, D25D		03	D18Z, D25A, D25B, D25C, D25D				
06		G33Z	06	G33Z		06	G33Z				
07		H33Z, H38Z	07	H33Z, H38Z		07	H33Z, H38Z				
08		I17Z	08	I17Z		08	I17Z				
09		J08A, J08B	09	J08A, J08B		09	J08A, J08B				
11		L33Z	11	L33Z		11	L33Z				
21A		W04A, W04B	21A	W04A, W04B		21A	W04A, W04B				
21B		X06A, X06B, X06C	21B	X06A, X06B, X06C		21B	X06A, X06B, X06C				
22		Y01Z, Y03A, Y03B	22	Y01Z, Y03A, Y03B		22	Y01Z, Y03A, Y03B				
23		Z01A	23	Z01A		23	Z01A				
Pre		A07A	Pre	A07A		Pre	A07A				
5c933.3↔			BOP, KOP, KOPV, KVT, UOP4	5c934.1↔			BOP, KOP, KOPV, KVT, UOP4	5c934.x↔			BOP, KOP, KOPV, KVT, UOP4
		01	B02A, B02B, B02C, B02D, B20A, B20B, B20C, B20D, B20E, B20F, B39A, B39B			01	B02A, B02B, B02C, B02D, B20A, B20B, B20C, B20D, B20E, B20F, B39A, B39B			01	B02A, B02B, B02C, B02D, B20A, B20B, B20C, B20D, B20E, B20F, B39A, B39B
		02	C01A, C01B, C02A, C02B, C16Z			02	C01A, C01B, C02A, C02B, C16Z			02	C01A, C01B, C02A, C02B, C16Z
	03	D18Z, D28Z, D29Z	03		D18Z, D25A, D25B, D25C, D25D	03	D18Z, D25A, D25B, D25C, D25D				
	06	G33Z	06		G33Z	06	G33Z				
	07	H33Z, H38Z	07		H33Z, H38Z	07	H33Z, H38Z				
	08	I17Z	08		I17Z	08	I17Z				
	09	J08A, J08B	09		J08A, J08B	09	J08A, J08B				
	11	L33Z	11		L33Z	11	L33Z				
	21A	W04A, W04B	21A		W04A, W04B	21A	W04A, W04B				
	21B	X06A, X06B, X06C	21B		X06A, X06B, X06C	21B	X06A, X06B, X06C				
	22	Y01Z, Y03A, Y03B	22		Y01Z, Y03A, Y03B	22	Y01Z, Y03A, Y03B				
	23	Z01A	23		Z01A	23	Z01A				
	Pre	A07A	Pre		A07A	Pre	A07A				
						5c93x↔				BOP, KVT, UOP4	
										C01A, C01B, C02A, C02B, C16Z	
										J08A	
							K09A, K09B				
							W04A, W04B				
							X06A, X06B, X06C				
							Y01Z, Y03A, Y03B				

ZZV	MDC	DRG	ZZV	MDC	DRG	ZZV	MDC	DRG
5c941.00↔		BOP, KVT, UOP4	5c953.2↔	02	BOP, KVT, UOP4	5c970.2↔	02	BOP, KVT, UOP4
	02	C01A, C01B, C02A, C02B, C16Z		02	C01A, C01B, C02A, C02B, C16Z		02	C01A, C01B, C02A, C02B, C16Z
	21A	W04A, W04B		03	D12A, D12B		03	D12A
	21B	X06A, X06B, X06C		08	I17Z		08	I17Z
5c941.01↔		BOP, KVT, UOP4	5c953.3↔	21A	W04A, W04B	5c970.3↔	21A	W04A, W04B
	02	C01A, C01B, C02A, C02B, C16Z		21B	X06A, X06B, X06C		21B	X06A, X06B, X06C
	21A	W04A, W04B		22	Y01Z, Y03A, Y03B		22	Y01Z, Y03A, Y03B
	21B	X06A, X06B, X06C		02	BOP, KVT, UOP4		02	BOP, KVT, UOP4
5c941.02↔		BOP, KVT, UOP4	5c953.4↔	02	C01A, C01B, C02A, C02B, C16Z	5c970.4↔	02	C01A, C01B, C02A, C02B, C16Z
	02	C01A, C01B, C02A, C02B, C16Z		21A	W04A, W04B		03	D12A
	03	D12A, D12B		21B	X06A, X06B, X06C		08	I17Z
	08	I17Z		22	Y01Z, Y03A, Y03B		21A	W04A, W04B
5c941.03↔		BOP, KVT, UOP4	5c953.x↔	02	BOP, KVT, UOP4	5c970.x↔	21B	X06A, X06B, X06C
	02	C01A, C01B, C02A, C02B, C16Z		21A	W04A, W04B		22	Y01Z, Y03A, Y03B
	21A	W04A, W04B		21B	X06A, X06B, X06C		02	BOP, KVT, UOP4
	21B	X06A, X06B, X06C		22	Y01Z, Y03A, Y03B		02	C01A, C01B, C02A, C02B, C16Z
5c941.04↔		BOP, KVT, UOP4	5c962↔	02	BOP, KVT, UOP4	5c971↔	03	D12A
	02	C01A, C01B, C02A, C02B, C16Z		02	C01A, C01B, C02A, C02B, C16Z		08	I17Z
	21A	W04A, W04B		03	D12A, D12B		21A	W04A, W04B
	21B	X06A, X06B, X06C		08	I17Z		21B	X06A, X06B, X06C
5c941.0x↔		BOP, KVT, UOP4	5c964↔	21A	W04A, W04B	5c972↔	22	Y01Z, Y03A, Y03B
	02	C01A, C01B, C02A, C02B, C16Z		21B	X06A, X06B, X06C		02	BOP, KVT, UOP4
	21A	W04A, W04B		22	Y01Z, Y03A, Y03B		02	C01A, C01B, C02A, C02B, C16Z
	21B	X06A, X06B, X06C		02	BOP, KVT, UOP4		08	I17Z
5c941.10↔		BOP, KVT, UOP4	5c96x↔	02	C01A, C01B, C02A, C02B, C16Z	5c973↔	21A	W04A, W04B
	02	C01A, C01B, C02A, C02B, C16Z		21A	W04A, W04B		21B	X06A, X06B, X06C
	21A	W04A, W04B		21B	X06A, X06B, X06C		22	Y01Z, Y03A, Y03B
	21B	X06A, X06B, X06C		22	Y01Z, Y03A, Y03B		02	BOP, KVT, UOP4
5c941.11↔		BOP, KVT, UOP4	5c970.0↔	02	C01A, C01B, C02A, C02B, C16Z	5c973↔	02	C01A, C01B, C02A, C02B, C16Z
	02	C01A, C01B, C02A, C02B, C16Z		03	D12A		01	B02A, B02B, B02C, B02D, B20A, B20B, B20C, B20D, B20E, B20F, B39A, B39B
	21A	W04A, W04B		08	I17Z		02	C01A, C01B, C02A, C02B, C16Z
	21B	X06A, X06B, X06C		21A	W04A, W04B		03	D12A
5c941.1x↔		BOP, KVT, UOP4	5c970.1↔	21B	X06A, X06B, X06C	5c973↔	06	G33Z
	02	C01A, C01B, C02A, C02B, C16Z		22	Y01Z, Y03A, Y03B		07	H33Z, H38Z
	21A	W04A, W04B		02	BOP, KVT, UOP4		08	I17Z
	21B	X06A, X06B, X06C		03	D12A		10	K09A, K09B
5c953.0↔		BOP, KVT, UOP4	5c970.1↔	08	I17Z	5c973↔	11	L33Z
	02	C01A, C01B, C02A, C02B, C16Z		21A	W04A, W04B		21A	W04A, W04B
	21A	W04A, W04B		21B	X06A, X06B, X06C		21B	X06A, X06B, X06C
	21B	X06A, X06B, X06C		22	Y01Z, Y03A, Y03B		22	Y01Z, Y03A, Y03B
5c953.1↔		BOP, KVT, UOP4	5c970.1↔	22	Y01Z, Y03A, Y03B	5c973↔	23	Z01A
	02	C01A, C01B, C02A, C02B, C16Z		02	C01A, C01B, C02A, C02B, C16Z		Pre	A07A
	21A	W04A, W04B		03	D12A			
	21B	X06A, X06B, X06C		08	I17Z			

VYK

ZZV	MDC	DRG	ZZV	MDC	DRG	ZZV	MDC	DRG		
5c97x↔		BOP, KVT, UOP4	5c983↔		BOP, KOP, KOPV, KVT, UOP4	5c990.1↔		BOP, KVT, UOP4		
	02	C01A, C01B, C02A, C02B, C16Z		01	B02A, B02B, B02C, B02D, B20A, B20B, B20C, B20D, B20E, B20F, B39A, B39B		01	B03A, B03B, B06A, B06B, B07Z, B17A, B17B, B17C		
	08	I17Z		02	C01A, C01B, C02A, C02B, C16Z		03	D12A, D12B		
	10	K09A, K09B		03	D12A		08	I28A, I28B		
	21A	W04A, W04B		06	G33Z		21A	W04A, W04B		
	21B	X06A, X06B, X06C		07	H33Z, H38Z		21B	X06A, X06B, X06C		
	22	Y01Z, Y03A, Y03B		08	I17Z		5c990.2↔		BOP, KVT, UOP4	
	5c980↔			BOP, KOP, KOPV, KVT, UOP4	11			L33Z	01	B03A, B03B, B06A, B06B, B07Z, B17A, B17B, B17C
		01		B02A, B02B, B02C, B02D, B20A, B20B, B20C, B20D, B20E, B20F, B39A, B39B	21A			W04A, W04B	03	D12A, D12B
		02		C01A, C01B, C02A, C02B, C16Z	21B			X06A, X06B, X06C	08	I28A, I28B
03		D12A	22	Y01Z, Y03A, Y03B	21A	W04A, W04B				
06		G33Z	23	Z01A	21B	X06A, X06B, X06C				
07		H33Z, H38Z	Pre	A07A	5c991.0↔		BOP, KOP, KOPV, KVT, UOP4			
08		I17Z		5c984↔			B02A, B02B, B02C, B02D, B20A, B20B, B20C, B20D, B20E, B20F, B39A, B39B			
11		L33Z	01			B02A, B02B, B02C, B02D, B20A, B20B, B20C, B20D, B20E, B20F, B39A, B39B	01	B02A, B02B, B02C, B02D, B20A, B20B, B20C, B20D, B20E, B20F, B39A, B39B		
21A		W04A, W04B	02			C01A, C01B, C02A, C02B, C16Z	02	C01A, C01B, C02A, C02B, C16Z		
21B		X06A, X06B, X06C	03			D12A	06	G33Z		
22	Y01Z, Y03A, Y03B	06	G33Z			07	H33Z, H38Z			
23	Z01A	07	H33Z, H38Z			10	K09A, K09B			
5c981↔		BOP, KOP, KOPV, KVT, UOP4	08			I02A, I02B, I02C, I02D, I22A, I50Z	11	L33Z		
	01	B02A, B02B, B02C, B02D, B20A, B20B, B20C, B20D, B20E, B20F, B39A, B39B	11			L33Z	21A	W04A, W04B		
	02	C01A, C01B, C02A, C02B, C16Z	21A			W04A, W04B	21B	X06A, X06B, X06C		
	03	D12A	22		X01A, X01B, X01C	23	Z01A			
	06	G33Z	23	Z01A	Pre	A07A				
	07	H33Z, H38Z	5c98x↔			BOP, KOP, KOPV, KVT, UOP4	5c991.1↔		BOP, KOP, KOPV, KVT, UOP4	
	08	I17Z		01	B02A, B02B, B02C, B02D, B20A, B20B, B20C, B20D, B20E, B20F, B39A, B39B	01		B02A, B02B, B02C, B02D, B20A, B20B, B20C, B20D, B20E, B20F, B39A, B39B		
	11	L33Z		02	C01A, C01B, C02A, C02B, C16Z	02		C01A, C01B, C02A, C02B, C16Z		
	21A	W04A, W04B		03	D12A	06		G33Z		
	21B	X06A, X06B, X06C		06	G33Z	07		H33Z, H38Z		
22	Y01Z, Y03A, Y03B	07		H33Z, H38Z	10	K09A, K09B				
23	Z01A	08		I17Z	11	L33Z				
5c982↔		BOP, KOP, KOPV, KVT, UOP4		11	L33Z	21A		W04A, W04B		
	01	B02A, B02B, B02C, B02D, B20A, B20B, B20C, B20D, B20E, B20F, B39A, B39B		21A	W04A, W04B	21B		X06A, X06B, X06C		
	02	C01A, C01B, C02A, C02B, C16Z		21B	X06A, X06B, X06C	23		Z01A		
	03	D12A	Pre	A07A	5c991.2↔		BOP, KOP, KOPV, KVT, UOP4			
	06	G33Z		01		B02A, B02B, B02C, B02D, B20A, B20B, B20C, B20D, B20E, B20F, B39A, B39B	01	B02A, B02B, B02C, B02D, B20A, B20B, B20C, B20D, B20E, B20F, B39A, B39B		
	07	H33Z, H38Z	02	C01A, C01B, C02A, C02B, C16Z		02	C01A, C01B, C02A, C02B, C16Z			
	08	I17Z	03	D12A		06	G33Z			
	11	L33Z	06	G33Z		07	H33Z, H38Z			
	21A	W04A, W04B	07	H33Z, H38Z		10	K09A, K09B			
	21B	X06A, X06B, X06C	08	I17Z		11	L33Z			
22	Y01Z, Y03A, Y03B	11	L33Z	21A		W04A, W04B				
23	Z01A	17	R01A, R01B, R01C, R01D, R02Z, R12A, R12B, R12C	21B		X06A, X06B, X06C				
5c983↔		BOP, KOP, KOPV, KVT, UOP4	5c990.0↔			BOP, KOP, KOPV, KVT, UOP4	23	Z01A		
	01	B02A, B02B, B02C, B02D, B20A, B20B, B20C, B20D, B20E, B20F, B39A, B39B		01	B02A, B02B, B02C, B02D, B20A, B20B, B20C, B20D, B20E, B20F, B39A, B39B	Pre	A07A			
	02	C01A, C01B, C02A, C02B, C16Z		06	G33Z					
	03	D12A		07	H33Z, H38Z					
	06	G33Z		11	L33Z					
	07	H33Z, H38Z		21A	W01A, W01B, W01C, W36Z					
	08	I17Z		21B	X06A, X06B, X06C					
	11	L33Z		23	Z01A					
	21A	W04A, W04B		Pre	A07A					
	21B	X06A, X06B, X06C								
22	Y01Z, Y03A, Y03B									
23	Z01A									
Pre	A07A									

VYK

ZZV	MDC	DRG	ZZV	MDC	DRG	ZZV	MDC	DRG		
5c991.x↔		BOP, KOP, KOPV, KVT, UOP4	5d002.2↔	03	D09Z, D30A	5d004.23↔		BOP, KVT, UOP4		
	01	B02A, B02B, B02C, B02D, B20A, B20B, B20C, B20D, B20E, B20F, B39A, B39B		09	J03A, J03B, J04A, J04B, J08A, J08B, J08C, J11A, J11B, J11C, J16Z		03	D03Z, D09Z, D30A		
				21B	X06A, X06B, X06C	09	J03A, J03B, J04A, J04B, J08A, J08B, J08C, J10A, J10B, J16Z	21A	W04A, W04B	
			5d002.3↔	22	Y01Z, Y03A, Y03B	21B	X06A, X06B, X06C	21B	X06A, X06B, X06C	
	02	C01A, C01B, C02A, C02B, C16Z		03	D09Z, D30A	22	Y01Z, Y03A, Y03B	22	Y01Z, Y03A, Y03B	
	06	G33Z	5d002.4↔	09	J03A, J03B, J04A, J04B, J08A, J08B, J08C, J10A, J10B, J16Z	5d004.2x↔		BOP, KVT, UOP4		
	07	H33Z, H38Z		03	D09Z, D30A		03	D03Z, D09Z, D30A		
	10	K09A, K09B	09	J03A, J03B, J04A, J04B, J08A, J08B, J08C, J11A, J11B, J11C, J16Z	09	J03A, J03B, J04A, J04B, J08A, J08B, J08C, J10A, J10B, J16Z	21A	W04A, W04B		
	11	L33Z	21B	X06A, X06B, X06C	21B	X06A, X06B, X06C	21B	X06A, X06B, X06C		
	21A	W04A, W04B	22	Y01Z, Y03A, Y03B	22	Y01Z, Y03A, Y03B	22	Y01Z, Y03A, Y03B		
	21B	X06A, X06B, X06C	5d003.1↔	01	B03A, B03B, B06A, B06B, B07Z, B17A, B17B, B17C	5d005.1↔		BOP, KVT, UOP4		
	23	Z01A		03	D12A, D12B		03	D09Z, D30A		
	Pre	A07A	05	F21A, F21B, F21C	09	J03A, J03B, J04A, J04B, J08A, J08B, J08C, J16Z, J21Z, J22A, J22B	09	J03A, J03B, J04A, J04B, J08A, J08B, J08C, J10A, J10B, J16Z	21A	W04A, W04B
	5c992↔		BOP, KVT, UOP4	5d003.2↔	10	K09A, K09B	5d005.x↔		BOP, KVT, UOP4	
		02	C01A, C01B, C16Z, C20A, C20B		21A	W04A, W04B		03	D09Z, D30A	
		10	K09A, K09B		21B	X06A, X06B, X06C		09	J03A, J03B, J04A, J04B, J08A, J08B, J08C, J10A, J10B, J16Z	
		21A	W04A, W04B		22	Y01Z, Y03A, Y03B		21A	W04A, W04B	
21B		X06A, X06B, X06C	01		B03A, B03B, B06A, B06B, B07Z, B17A, B17B, B17C	21B		X06A, X06B, X06C		
5c993↔		BOP, KVT, UOP4	5d003.2↔	03	D12A, D12B	5d007.1↔		BOP, KVT, UOP4		
	02	C01A, C01B, C15Z, C16Z		05	F21A, F21B, F21C		03	D09Z, D30A		
	21A	W04A, W04B		08	I27A, I27B, I27C, I27D		09	J03A, J03B, J04A, J04B, J08A, J08B, J08C, J10A, J10B, J16Z		
	21B	X06A, X06B, X06C		09	J03A, J03B, J04A, J04B, J08A, J08B, J08C, J16Z, J21Z, J22A, J22B		21A	W04A, W04B		
				10	K09A, K09B		21B	X06A, X06B, X06C		
5c994↔		BOP, KVT, UOP4	5d004.1↔	21A	W04A, W04B	5d007.2		BOP, KVT, UOP4		
	02	C01A, C01B, C02A, C02B, C16Z		21B	X06A, X06B, X06C		03	D09Z, D30A		
	03	D12A, D12B		22	Y01Z, Y03A, Y03B		09	J03A, J03B, J04A, J04B, J08A, J08B, J08C, J10A, J10B, J16Z		
	08	I17Z		01	B03A, B03B, B06A, B06B, B07Z, B17A, B17B, B17C		21A	W04A, W04B		
	21A	W04A, W04B		03	D12A, D12B		21B	X06A, X06B, X06C		
5c995↔		BOP, KVT, UOP4	5d004.20↔	05	F21A, F21B, F21C	5d008.1↔		BOP, KVT, UOP4		
	02	C01A, C01B, C15Z, C16Z		08	I27A, I27B, I27C, I27D		03	D09Z, D30A		
	21A	W04A, W04B		09	J03A, J03B, J04A, J04B, J08A, J08B, J08C, J16Z, J21Z, J22A, J22B		09	J03A, J03B, J04A, J04B, J08A, J08B, J08C, J10A, J10B, J16Z		
	21B	X06A, X06B, X06C		10	K09A, K09B		21A	W04A, W04B		
				21A	W04A, W04B		21B	X06A, X06B, X06C		
5c996↔		BOP, KVT, UOP4	5d004.21↔	21B	X06A, X06B, X06C	5d008.2↔		BOP, KVT, UOP4		
	02	C01A, C01B, C06Z, C16Z		22	Y01Z, Y03A, Y03B		03	D09Z, D30A		
	10	K09A, K09B		03	D03Z, D09Z, D30A		09	J03A, J03B, J04A, J04B, J08A, J08B, J08C, J10A, J10B, J16Z		
				09	J03A, J03B, J04A, J04B, J08A, J08B, J08C, J10A, J10B, J16Z		21A	W04A, W04B		
				21A	W04A, W04B		21B	X06A, X06B, X06C		
5c99x↔		BOP, KVT, UOP4	5d004.21↔	21B	X06A, X06B, X06C	5d008.2↔		BOP, KVT, UOP4		
	02	C01A, C01B, C02A, C02B, C16Z		22	Y01Z, Y03A, Y03B		22	Y01Z, Y03A, Y03B		
	10	K09A, K09B		03	D09Z, D30A		22	Y01Z, Y03A, Y03B		
				09	J03A, J03B, J04A, J04B, J08A, J08B, J08C, J11A, J11B, J16Z		22	Y01Z, Y03A, Y03B		
				21A	W04A, W04B		22	Y01Z, Y03A, Y03B		
5d001.10↔		BOP, KVT, UOP4	5d004.21↔	03	D09Z, D30A	5d008.2↔		BOP, KVT, UOP4		
	02	C01A, C01B, C02A, C02B, C16Z		03	D03Z, D09Z, D30A		03	D09Z, D30A		
	10	K09A, K09B		09	J03A, J03B, J04A, J04B, J08A, J08B, J08C, J10A, J10B, J16Z		09	J03A, J03B, J04A, J04B, J08A, J08B, J08C, J10A, J10B, J16Z		
				21A	W04A, W04B		21A	W04A, W04B		
				21B	X06A, X06B, X06C		21B	X06A, X06B, X06C		
5d001.11↔		BOP, KVT, UOP4	5d004.21↔	22	Y01Z, Y03A, Y03B	5d008.2↔		BOP, KVT, UOP4		
	03	D09Z, D30A		03	D03Z, D09Z, D30A		22	Y01Z, Y03A, Y03B		
	09	J03A, J03B, J04A, J04B, J08A, J08B, J08C, J11A, J11B, J16Z		09	J03A, J03B, J04A, J04B, J08A, J08B, J08C, J10A, J10B, J16Z		22	Y01Z, Y03A, Y03B		
	21A	W04A, W04B		21A	W04A, W04B		22	Y01Z, Y03A, Y03B		
	21B	X06A, X06B, X06C		21B	X06A, X06B, X06C		22	Y01Z, Y03A, Y03B		
5d002.1↔		BOP, KVT, UOP4	5d004.21↔	22	Y01Z, Y03A, Y03B	5d008.2↔		BOP, KVT, UOP4		
	03	D09Z, D30A		22	Y01Z, Y03A, Y03B		22	Y01Z, Y03A, Y03B		
	09	J03A, J03B, J04A, J04B, J08A, J08B, J08C, J11A, J11B, J11C, J16Z		03	D03Z, D09Z, D30A		22	Y01Z, Y03A, Y03B		
	21B	X06A, X06B, X06C		09	J03A, J03B, J04A, J04B, J08A, J08B, J08C, J10A, J10B, J16Z		22	Y01Z, Y03A, Y03B		
	22	Y01Z, Y03A, Y03B		21A	W04A, W04B		22	Y01Z, Y03A, Y03B		

ZZV	MDC	DRG	ZZV	MDC	DRG	ZZV	MDC	DRG
5d200.1↔	03	D09Z, D30A	5d300.30	01	B09A, B09B	5d303.2↔		BOP, KVT, UOP4
	09	J03A, J03B, J04A, J04B, J08A, J08B, J08C, J11A, J11B, J16Z		03	D13Z		01	B02A, B02B, B02C, B02D, B20A, B20B, B20C, B20D, B20E, B20F, B39A, B39B
	21A	W04A, W04B		21B	X06A, X06B, X06C		03	D06A, D06B, D06C
	21B	X06A, X06B, X06C			BOP, KVT, UOP4			BOP, KVT, UOP4
	22	Y01Z, Y03A, Y03B			D09Z, D30A			B02A, B02B, B02C, B02D, B20A, B20B, B20C, B20D, B20E, B20F, B39A, B39B
5d200.2↔	03	D09Z, D30A	5d300.4↔	03	D09Z, D30A	5d303.3↔		BOP, KVT, UOP4
	09	J03A, J03B, J04A, J04B, J08A, J08B, J08C, J11A, J11B, J11C, J16Z			BOP, KVT, UOP4			B02A, B02B, B02C, B02D, B20A, B20B, B20C, B20D, B20E, B20F, B39A, B39B
	21A	W04A, W04B			D09Z, D30A			D06A, D06B, D06C
	21B	X06A, X06B, X06C			J03A, J03B, J04A, J04B, J08A, J08B, J08C, J10A, J10B, J16Z			BOP, KVT, UOP4
	22	Y01Z, Y03A, Y03B			W04A, W04B			B02A, B02B, B02C, B02D, B20A, B20B, B20C, B20D, B20E, B20F, B39A, B39B
5d200.3↔	03	D09Z, D30A	5d301.10↔	21A	W04A, W04B	5d303.4↔		BOP, KVT, UOP4
	09	J03A, J03B, J04A, J04B, J08A, J08B, J08C, J11A, J11B, J11C, J16Z		21B	X06A, X06B, X06C			B02A, B02B, B02C, B02D, B20A, B20B, B20C, B20D, B20E, B20F, B39A, B39B
	21A	W04A, W04B			Y01Z, Y03A, Y03B			D06A, D06B
	21B	X06A, X06B, X06C			BOP, KVT, UOP4			BOP, KVT, UOP4
	22	Y01Z, Y03A, Y03B			B02A, B02B, B02C, B02D, B20A, B20B, B20C, B20D, B20E, B20F, B39A, B39B			B02A, B02B, B02C, B02D, B20A, B20B, B20C, B20D, B20E, B20F, B39A, B39B
5d200.40↔	03	D09Z, D30A	5d301.20↔	01	B02A, B02B, B02C, B02D, B20A, B20B, B20C, B20D, B20E, B20F, B39A, B39B	5d305.10↔		BOP, KVT, UOP4
	09	J03A, J03B, J04A, J04B, J08A, J08B, J08C, J11A, J11B, J11C, J16Z		03	D09Z, D30A			D06A, D06B, D06C
	21A	W04A, W04B		21B	X06A, X06B, X06C			X06A, X06B, X06C
	21B	X06A, X06B, X06C			BOP, KVT, UOP4			BOP, KVT, UOP4
	22	Y01Z, Y03A, Y03B			B02A, B02B, B02C, B02D, B20A, B20B, B20C, B20D, B20E, B20F, B39A, B39B			D06A, D06B, D06C
5d200.41↔	03	D09Z, D30A	5d301.21↔	01	B02A, B02B, B02C, B02D, B20A, B20B, B20C, B20D, B20E, B20F, B39A, B39B	5d305.11↔		BOP, KVT, UOP4
	09	J03A, J03B, J04A, J04B, J08A, J08B, J08C, J11A, J11B, J11C, J16Z		03	D09Z, D30A			D06A, D06B, D06C
	21A	W04A, W04B		21B	X06A, X06B, X06C			X06A, X06B, X06C
	21B	X06A, X06B, X06C			BOP, KVT, UOP4			BOP, KVT, UOP4
	22	Y01Z, Y03A, Y03B			B02A, B02B, B02C, B02D, B20A, B20B, B20C, B20D, B20E, B20F, B39A, B39B			D06A, D06B, D06C
5d201.1↔	03	D09Z, D30A	5d301.22↔	01	B02A, B02B, B02C, B02D, B20A, B20B, B20C, B20D, B20E, B20F, B39A, B39B	5d305.20↔		BOP, KVT, UOP4
	09	J03A, J03B, J04A, J04B, J08A, J08B, J08C, J10A, J10B, J16Z		03	D09Z, D30A			D06A, D06B, D06C
	21A	W04A, W04B		21B	X06A, X06B, X06C			X06A, X06B, X06C
	21B	X06A, X06B, X06C			BOP, KVT, UOP4			BOP, KVT, UOP4
	22	Y01Z, Y03A, Y03B			B02A, B02B, B02C, B02D, B20A, B20B, B20C, B20D, B20E, B20F, B39A, B39B			D06A, D06B, D06C
5d201.2↔		BOP, KVT, UOP4	5d301.3↔	03	D09Z, D30A	5d305.21↔		BOP, KVT, UOP4
	03	D09Z, D30A		01	B02A, B02B, B02C, B02D, B20A, B20B, B20C, B20D, B20E, B20F, B39A, B39B			D06A, D06B, D06C
	09	J03A, J03B, J04A, J04B, J08A, J08B, J08C, J10A, J10B, J16Z		03	D09Z, D30A			X06A, X06B, X06C
	21A	W04A, W04B		21B	X06A, X06B, X06C			BOP, KVT, UOP4
	21B	X06A, X06B, X06C			BOP, KVT, UOP4			D06A, D06B, D06C
5d201.3↔	22	Y01Z, Y03A, Y03B	5d302.1↔	03	D09Z, D30A	5d305.3↔		BOP, KVT, UOP4
		BOP, KVT, UOP4		03	D09Z, D30A			D06A, D06B, D06C
	03	D09Z, D30A		03	D09Z, D30A			X06A, X06B, X06C
	09	J03A, J03B, J04A, J04B, J08A, J08B, J08C, J10A, J10B, J16Z		21B	X06A, X06B, X06C			BOP, KVT, UOP4
	21A	W04A, W04B			BOP, KVT, UOP4			D06A, D06B, D06C
5d201.4↔	21B	X06A, X06B, X06C	5d302.20↔	03	D09Z, D30A	5d305.4		B03A, B03B, B06A, B06B, B07Z, B17A, B17B, B17C
	22	Y01Z, Y03A, Y03B		03	D09Z, D30A			D12A, D12B
		BOP, KVT, UOP4		21B	X06A, X06B, X06C			F21A, F21B, F21C
	03	D09Z, D30A			BOP, KVT, UOP4			I27A, I27B, I27C, I27D
	09	J03A, J03B, J04A, J04B, J08A, J08B, J08C, J10A, J10B, J16Z			D09Z, D30A			J03A, J03B, J04A, J04B, J08A, J08B, J08C, J16Z, J21Z, J22A, J22B
5d300.1↔	21A	W04A, W04B	5d302.21↔	03	D09Z, D30A	5d306.10↔		K09A, K09B
	21B	X06A, X06B, X06C		03	D09Z, D30A			X06A, X06B, X06C
	22	Y01Z, Y03A, Y03B		21B	X06A, X06B, X06C			Y01Z, Y03A, Y03B
		BOP, KVT, UOP4			BOP, KVT, UOP4			BOP, KVT, UOP4
	03	D09Z, D30A			D09Z, D30A			D23Z
5d300.2↔	09	J03A, J03B, J04A, J04B, J08A, J08B, J08C, J10A, J10B, J16Z	5d302.22↔	03	D09Z, D30A	5d306.11↔		BOP, KVT, UOP4
	21A	W04A, W04B		03	D09Z, D30A			D23Z
	21B	X06A, X06B, X06C		21B	X06A, X06B, X06C			BOP, KOP, KVT, UOP4
	22	Y01Z, Y03A, Y03B			BOP, KVT, UOP4			D01A, D01B
		BOP, KVT, UOP4			D09Z, D30A			E36Z
5d300.3↔	03	D09Z, D30A	5d302.23↔	03	D09Z, D30A	5d306.20↔		G36Z
	09	J03A, J03B, J04A, J04B, J08A, J08B, J08C, J10A, J10B, J16Z		03	D09Z, D30A			I26Z
	21A	W04A, W04B		21B	X06A, X06B, X06C			L33Z
	21B	X06A, X06B, X06C			BOP, KVT, UOP4			Pre A06A, A07A, A09A, A11A, A13A
	22	Y01Z, Y03A, Y03B			BOP, KVT, UOP4			BOP, KOP, KVT, UOP4
5d300.4↔	03	D09Z, D30A	5d303.1↔	01	B02A, B02B, B02C, B02D, B20A, B20B, B20C, B20D, B20E, B20F, B39A, B39B	5d306.21↔		D01A, D01B
	09	J03A, J03B, J04A, J04B, J08A, J08B, J08C, J10A, J10B, J16Z		03	D06A, D06B, D06C			E36Z
	21A	W04A, W04B			BOP, KVT, UOP4			G36Z
	21B	X06A, X06B, X06C			BOP, KVT, UOP4			I26Z
	22	Y01Z, Y03A, Y03B			B02A, B02B, B02C, B02D, B20A, B20B, B20C, B20D, B20E, B20F, B39A, B39B			L33Z
5d300.5↔	03	D09Z, D30A	5d303.2↔	03	D06A, D06B, D06C	5d306.2x↔		Pre A06A, A07A, A09A, A11A, A13A
	09	J03A, J03B, J04A, J04B, J08A, J08B, J08C, J10A, J10B, J16Z		01	B02A, B02B, B02C, B02D, B20A, B20B, B20C, B20D, B20E, B20F, B39A, B39B			BOP, KOP, KVT, UOP4
	21A	W04A, W04B		03	D06A, D06B, D06C			D01A, D01B
	21B	X06A, X06B, X06C			BOP, KVT, UOP4			E36Z
	22	Y01Z, Y03A, Y03B			BOP, KVT, UOP4			G36Z
5d300.6↔	03	D09Z, D30A	5d303.3↔	01	B02A, B02B, B02C, B02D, B20A, B20B, B20C, B20D, B20E, B20F, B39A, B39B	5d306.2x↔		I26Z
	09	J03A, J03B, J04A, J04B, J08A, J08B, J08C, J10A, J10B, J16Z		03	D06A, D06B, D06C			L33Z
	21A	W04A, W04B			BOP, KVT, UOP4			Pre A06A, A07A, A09A, A11A, A13A
	21B	X06A, X06B, X06C			BOP, KVT, UOP4			
	22	Y01Z, Y03A, Y03B			B02A, B02B, B02C, B02D, B20A, B20B, B20C, B20D, B20E, B20F, B39A, B39B			

ZZV	MDC	DRG	ZZV	MDC	DRG	ZZV	MDC	DRG				
5d306.30		BOP, KVT, UOP4	5d404		BOP, KVT, UOP4	5f104	03	D09Z, D30A, D30B, D35Z, D38Z				
	01	B02A, B02B, B02C, B02D, B20A, B20B, B20C, B20D, B20E, B20F, B39A, B39B		01	B03A, B03B, B06A, B06B, B07Z, B17A, B17B, B17C		09	J03A, J03B, J04A, J04B, J08A, J08B, J08C, J10A, J10B, J16Z				
	03	D09Z, D30A		03	D12A, D12B		21A	W04A, W04B				
	08	I15A, I15B		05	F21A, F21B, F21C		21B	X06A, X06B, X06C				
	17	R01A, R01B, R01C, R01D, R02Z, R12A, R12B, R12C		08	I27A, I27B, I27C, I27D		22	Y01Z, Y03A, Y03B				
	21A	W04A, W04B		09	J03A, J03B, J04A, J04B, J08A, J08B, J08C, J16Z, J21Z, J22A, J22B		03	D09Z, D30A, D30B, D39Z				
	21B	X06A, X06B, X06C		10	K09A, K09B		09	J03A, J03B, J04A, J04B, J08A, J08B, J08C, J10A, J10B, J16Z				
	22	Y01Z, Y03A, Y03B		21A	W04A, W04B		21A	W04A, W04B				
	5d306.31↔			BOP, KVT, UOP4	5d405.1↔			BOP, KVT, UOP4	5f105	21B	X06A, X06B, X06C	
		01		B02A, B02B, B02C, B02D, B20A, B20B, B20C, B20D, B20E, B20F, B39A, B39B			01	B03A, B03B, B06A, B06B, B07Z, B17A, B17B, B17C		22	Y01Z, Y03A, Y03B	
		03		D09Z, D30A			03	D12A, D12B		5f106	03	D09Z, D30A, D30B, D39Z
		08		I15A, I15B			05	F21A, F21B, F21C			09	J03A, J03B, J04A, J04B, J08A, J08B, J08C, J10A, J10B, J16Z
		17		R01A, R01B, R01C, R01D, R02Z, R12A, R12B, R12C			08	I27A, I27B, I27C, I27D		21A	W04A, W04B	
21A		W04A, W04B	09	J03A, J03B, J04A, J04B, J08A, J08B, J08C, J16Z, J21Z, J22A, J22B		21B	X06A, X06B, X06C					
21B		X06A, X06B, X06C	10	K09A, K09B		22	Y01Z, Y03A, Y03B					
22		Y01Z, Y03A, Y03B	21B	X06A, X06B, X06C		5f107	03	D09Z, D30A, D30B, D39Z				
5d306.4↔ 5d307.1↔			BOP, KOP, KVT, UOP4	5d405.3↔				BOP, KVT, UOP4		5f108	09	J03A, J03B, J04A, J04B, J08A, J08B, J08C, J10A, J10B, J16Z
		01	B02A, B02B, B02C, B02D, B20A, B20B, B20C, B20D, B20E, B20F, B39A, B39B			01	B03A, B03B, B06A, B06B, B07Z, B17A, B17B, B17C	21A			W04A, W04B	
		5d307.2↔				BOP, KVT, UOP4	03	D12A, D12B			21B	X06A, X06B, X06C
			01			B02A, B02B, B02C, B02D, B20A, B20B, B20C, B20D, B20E, B20F, B39A, B39B	05	F21A, F21B, F21C			22	Y01Z, Y03A, Y03B
		5d307.3↔				BOP, KVT, UOP4	5f100				BOP, KVT, UOP4	5f109
	03		D09Z, D30A		03	D09Z, D30A, D30B, D35Z, D39Z		03	D09Z, D30A, D30B, D35Z, D39Z			
	5d307.4↔		BOP, KVT, UOP4		09	J03A, J03B, J04A, J04B, J08A, J08B, J08C, J10A, J10B, J16Z		09	J03A, J03B, J04A, J04B, J08A, J08B, J08C, J10A, J10B, J16Z			
		01	B02A, B02B, B02C, B02D, B20A, B20B, B20C, B20D, B20E, B20F, B39A, B39B		21A	W04A, W04B		21A	W04A, W04B			
	5d307.5↔		BOP, KVT, UOP4		21B	X06A, X06B, X06C		21B	X06A, X06B, X06C			
		01	B02A, B02B, B02C, B02D, B20A, B20B, B20C, B20D, B20E, B20F, B39A, B39B		22	Y01Z, Y03A, Y03B		22	Y01Z, Y03A, Y03B			
	5d307.6↔		BOP, KVT, UOP4		5f101			BOP, KVT, UOP4	5f10a.0		BOP, KVT, UOP4	
		03	D06A, D06B, D06C			03		D09Z, D30A, D30B, D35Z, D38Z			03	
	5d400↔		BOP, KVT, UOP4			09		J03A, J03B, J04A, J04B, J08A, J08B, J08C, J10A, J10B, J16Z			04	
03		D06A, D06B, D06C	21A	W04A, W04B		21A		W04A, W04B				
5d401↔		BOP, KVT, UOP4	21B	X06A, X06B, X06C		21B		X06A, X06B, X06C				
	03	D06A, D06B, D06C	22	Y01Z, Y03A, Y03B		22		Y01Z, Y03A, Y03B				
5d402↔		BOP, KVT, UOP4	5f102			BOP, KVT, UOP4		5f10a.1		BOP, KVT, UOP4		
	03	D06A, D06B, D06C		03		D09Z, D30A, D30B, D35Z, D39Z	03			D09Z, D30A, D30B, D38Z		
5d403↔		BOP, KVT, UOP4		09		J03A, J03B, J04A, J04B, J08A, J08B, J08C, J10A, J10B, J16Z	04			E02A, E02B, E02C, E02D, E07Z		
	01	B02A, B02B, B02C, B02D, B20A, B20B, B20C, B20D, B20E, B20F, B39A, B39B		21A		W04A, W04B	21A			W04A, W04B		
		BOP, KVT, UOP4		21B		X06A, X06B, X06C	21B			X06A, X06B, X06C		
	03	D09Z, D30A		22		Y01Z, Y03A, Y03B	21B			X06A, X06B, X06C		
		BOP, KVT, UOP4		5f103			BOP, KVT, UOP4			5f10b.1	BOP, KVT, UOP4	
	01	B02A, B02B, B02C, B02D, B20A, B20B, B20C, B20D, B20E, B20F, B39A, B39B			03	D09Z, D30A, D30B, D35Z, D39Z	03		D09Z, D30A, D30B, D39Z			
		BOP, KVT, UOP4			09	J03A, J03B, J04A, J04B, J08A, J08B, J08C, J10A, J10B, J16Z	21A		W04A, W04B			
	03	D09Z, D30A			21A	W04A, W04B	21A		W04A, W04B			
		BOP, KVT, UOP4			21B	X06A, X06B, X06C	21B		X06A, X06B, X06C			
	01	B02A, B02B, B02C, B02D, B20A, B20B, B20C, B20D, B20E, B20F, B39A, B39B			22	Y01Z, Y03A, Y03B	21B		X06A, X06B, X06C			
		BOP, KVT, UOP4			5f104		BOP, KVT, UOP4		5f10b.2		BOP, KVT, UOP4	
	03	D09Z, D30A	03			D09Z, D30A, D30B, D35Z, D39Z	03	D09Z, D30A, D30B, D38Z				
		BOP, KVT, UOP4	09			J03A, J03B, J04A, J04B, J08A, J08B, J08C, J10A, J10B, J16Z	21A	W04A, W04B				
	01	B02A, B02B, B02C, B02D, B20A, B20B, B20C, B20D, B20E, B20F, B39A, B39B	21A			W04A, W04B	21B	X06A, X06B, X06C				
		BOP, KVT, UOP4	21B			X06A, X06B, X06C						
	03	D09Z, D30A	22			Y01Z, Y03A, Y03B						

ZZV	MDC	DRG	ZZV	MDC	DRG	ZZV	MDC	DRG
5f110		BOP, KVT, UOP4	5f116		BOP, KVT, UOP4	5f11c.0		BOP, KVT, UOP4
	03	D35Z, D38Z		03	D35Z, D38Z		03	D35Z, D38Z
	08	I28A, I28B, I28C		08	I28A, I28B, I28C		08	I28A, I28B, I28C
	09	J03A, J03B, J04A, J04B, J08A, J08B, J08C, J10A, J10B, J16Z		09	J03A, J03B, J04A, J04B, J08A, J08B, J08C, J10A, J10B, J16Z		09	J03A, J03B, J04A, J04B, J08A, J08B, J08C, J10A, J10B, J16Z
	21A	W04A, W04B		21A	W04A, W04B		21A	W04A, W04B
	21B	X06A, X06B, X06C		21B	X06A, X06B, X06C		21B	X06A, X06B, X06C
5f111	22	Y01Z, Y03A, Y03B	5f117	22	Y01Z, Y03A, Y03B	5f11c.1	22	Y01Z, Y03A, Y03B
		BOP, KVT, UOP4			BOP, KVT, UOP4			BOP, KVT, UOP4
	03	D35Z, D38Z		03	D35Z, D38Z		03	D35Z, D38Z
	08	I28A, I28B, I28C		08	I28A, I28B, I28C		08	I28A, I28B, I28C
	09	J03A, J03B, J04A, J04B, J08A, J08B, J08C, J10A, J10B, J16Z		09	J03A, J03B, J04A, J04B, J08A, J08B, J08C, J10A, J10B, J16Z		09	J03A, J03B, J04A, J04B, J08A, J08B, J08C, J10A, J10B, J16Z
	21A	W04A, W04B		21A	W04A, W04B		21A	W04A, W04B
5f112.0	21B	X06A, X06B, X06C	5f118↔	21B	X06A, X06B, X06C	5f11d	21B	X06A, X06B, X06C
	22	Y01Z, Y03A, Y03B		22	Y01Z, Y03A, Y03B		22	Y01Z, Y03A, Y03B
		BOP, KVT, UOP4			BOP, KVT, UOP4			BOP, KVT, UOP4
	03	D35Z, D38Z		03	D35Z, D38Z		03	D09Z, D30A, D30B, D39Z
	08	I28A, I28B, I28C		08	I28A, I28B, I28C		21A	W04A, W04B
	09	J03A, J03B, J04A, J04B, J08A, J08B, J08C, J10A, J10B, J16Z		09	J03A, J03B, J04A, J04B, J08A, J08B, J08C, J10A, J10B, J16Z		21B	X06A, X06B, X06C
5f112.1	21A	W04A, W04B	5f119.1	21A	W04A, W04B	5f11e	03	D39Z
	21B	X06A, X06B, X06C		21B	X06A, X06B, X06C		21A	W04A, W04B
	22	Y01Z, Y03A, Y03B		22	Y01Z, Y03A, Y03B		21B	X06A, X06B, X06C
		BOP, KVT, UOP4			BOP, KVT, UOP4		03	D12A, D12B
	03	D35Z, D38Z		03	D35Z, D38Z		08	I17Z
	08	I28A, I28B, I28C		08	I28A, I28B, I28C		09	J03A, J03B, J04A, J04B, J08A, J08B, J08C, J11A, J11B, J16Z
5f113	09	J03A, J03B, J04A, J04B, J08A, J08B, J08C, J10A, J10B, J16Z	5f119.x	09	J03A, J03B, J04A, J04B, J08A, J08B, J08C, J10A, J10B, J16Z	5f190	21A	W04A, W04B
	21A	W04A, W04B		21A	W04A, W04B		21B	X06A, X06B, X06C
	21B	X06A, X06B, X06C		21B	X06A, X06B, X06C		BOP, KVT, UOP4	
	22	Y01Z, Y03A, Y03B		22	Y01Z, Y03A, Y03B		03	D09Z, D30A, D30B, D39Z
		BOP, KVT, UOP4			BOP, KVT, UOP4		21A	W04A, W04B
	03	D35Z, D38Z		03	D35Z, D38Z		21B	X06A, X06B, X06C
5f114	08	I28A, I28B, I28C	5f11b.0↔	08	I28A, I28B, I28C	5f193	03	BOP, KVT, UOP4
	09	J03A, J03B, J04A, J04B, J08A, J08B, J08C, J10A, J10B, J16Z		09	J03A, J03B, J04A, J04B, J08A, J08B, J08C, J10A, J10B, J16Z		03	D03Z, D12A, D38Z
	21A	W04A, W04B		21A	W04A, W04B		04	E02A, E02B, E02C, E07Z
	21B	X06A, X06B, X06C		21B	X06A, X06B, X06C		21A	W04A, W04B
	22	Y01Z, Y03A, Y03B		22	Y01Z, Y03A, Y03B		21B	X06A, X06B, X06C
		BOP, KVT, UOP4			BOP, KVT, UOP4		BOP, KVT, UOP4	
5f115↔	03	D35Z, D38Z	5f11b.1↔	03	D35Z, D38Z	5f195	03	D03Z, D12A, D38Z
	08	I28A, I28B, I28C		08	I28A, I28B, I28C		04	E02A, E02B, E02C, E07Z
	09	J03A, J03B, J04A, J04B, J08A, J08B, J08C, J10A, J10B, J16Z		09	J03A, J03B, J04A, J04B, J08A, J08B, J08C, J10A, J10B, J16Z		21A	W04A, W04B
	21A	W04A, W04B		21A	W04A, W04B		21B	X06A, X06B, X06C
	21B	X06A, X06B, X06C		21B	X06A, X06B, X06C		BOP, KVT, UOP4	
	22	Y01Z, Y03A, Y03B		22	Y01Z, Y03A, Y03B		03	D09Z, D30A, D30B, D39Z
5f115↔		BOP, KVT, UOP4	5f11b.1↔		BOP, KVT, UOP4	5f197.1↔	09	J03A, J03B, J04A, J04B, J08A, J08B, J08C, J10A, J10B, J16Z
	03	D35Z, D38Z		03	D35Z, D38Z		21A	W04A, W04B
	08	I28A, I28B, I28C		08	I28A, I28B, I28C		21B	X06A, X06B, X06C
	09	J03A, J03B, J04A, J04B, J08A, J08B, J08C, J10A, J10B, J16Z		09	J03A, J03B, J04A, J04B, J08A, J08B, J08C, J10A, J10B, J16Z		22	Y01Z, Y03A, Y03B
	21A	W04A, W04B		21A	W04A, W04B		03	D38Z
	21B	X06A, X06B, X06C		21B	X06A, X06B, X06C		04	E02A, E02B, E02C, E02D, E07Z
5f115↔	22	Y01Z, Y03A, Y03B	5f11b.1↔	22	Y01Z, Y03A, Y03B	5f197.x	21A	W04A, W04B
		BOP, KVT, UOP4			BOP, KVT, UOP4		21B	X06A, X06B, X06C
	03	D35Z, D38Z		03	D35Z, D38Z		03	D38Z
	08	I28A, I28B, I28C		08	I28A, I28B, I28C		04	E02A, E02B, E02C, E02D, E07Z
	09	J03A, J03B, J04A, J04B, J08A, J08B, J08C, J10A, J10B, J16Z		09	J03A, J03B, J04A, J04B, J08A, J08B, J08C, J10A, J10B, J16Z		21A	W04A, W04B
	21A	W04A, W04B		21A	W04A, W04B		21B	X06A, X06B, X06C
5f115↔	21B	X06A, X06B, X06C	5f11b.1↔	21B	X06A, X06B, X06C	5f198	BOP, KVT, UOP4	
	22	Y01Z, Y03A, Y03B		22	Y01Z, Y03A, Y03B		03	D12A, D12B
		BOP, KVT, UOP4			BOP, KVT, UOP4		05	F21A, F21B, F21C
	03	D35Z, D38Z		03	D35Z, D38Z		21A	W04A, W04B
	08	I28A, I28B, I28C		08	I28A, I28B, I28C		21B	X06A, X06B, X06C
	09	J03A, J03B, J04A, J04B, J08A, J08B, J08C, J10A, J10B, J16Z		09	J03A, J03B, J04A, J04B, J08A, J08B, J08C, J10A, J10B, J16Z			

ZZV	MDC	DRG	ZZV	MDC	DRG	ZZV	MDC	DRG	
5f200		BOP, KVT, UOP4	5f207.1	03	D38Z	5f291		BOP, KVT, UOP4	
	03	D35Z, D37A, D37B		04	E02A, E02B, E02C, E02D, E07Z		03	D09Z, D30A, D30B, D39Z	
	04	E02A, E02B, E02C, E02D, E07Z		08	I28A, I28B		09	J03A, J03B, J04A, J04B, J08A, J08B, J08C, J10A, J10B, J16Z	
	08	I28A, I28B, I28C		09	J03A, J03B, J04A, J04B, J08A, J08B, J08C, J10A, J10B, J16Z		21A	W04A, W04B	
	09	J03A, J03B, J04A, J04B, J08A, J08B, J08C, J10A, J10B, J16Z		21A	W04A, W04B		21B	X06A, X06B, X06C	
	21A	W04A, W04B		21B	X06A, X06B, X06C		22	Y01Z, Y03A, Y03B	
	21B	X06A, X06B, X06C		22	Y01Z, Y03A, Y03B		5f301	BOP, KVT, UOP4	
	22	Y01Z, Y03A, Y03B		5f207.2	03			D38Z	01
	5f201				BOP, KVT, UOP4		04	E02A, E02B, E02C, E02D, E07Z	03
		03		D35Z, D37A, D37B	08		I28A, I28B	5f302	BOP, KVT, UOP4
04		E02A, E02B, E02C, E02D, E07Z	09	J03A, J03B, J04A, J04B, J08A, J08B, J08C, J10A, J10B, J16Z	01	B09A, B09B			
08		I28A, I28B, I28C	21A	W04A, W04B	03	D06A, D06B, D06C			
09		J03A, J03B, J04A, J04B, J08A, J08B, J08C, J10A, J10B, J16Z	21B	X06A, X06B, X06C	5f303	BOP, KVT, UOP4			
21A		W04A, W04B	22	Y01Z, Y03A, Y03B		01	B09A, B09B		
21B		X06A, X06B, X06C	5f207.x	03	D38Z	03	D06A, D06B, D06C		
22		Y01Z, Y03A, Y03B		04	E02A, E02B, E02C, E02D, E07Z	5f304	BOP, KVT, UOP4		
5f202			BOP, KVT, UOP4	08	I28A, I28B		01	B09A, B09B	
		03	D35Z, D37A, D37B	09	J03A, J03B, J04A, J04B, J08A, J08B, J08C, J10A, J10B, J16Z	03	D06A, D06B, D06C		
	04	E02A, E02B, E02C, E02D, E07Z	21A	W04A, W04B	5f305	D09Z, D30A, D30B, D38Z			
	08	I28A, I28B, I28C	21B	X06A, X06B, X06C		04	E02A, E02B, E02C, E02D, E07Z		
	09	J03A, J03B, J04A, J04B, J08A, J08B, J08C, J10A, J10B, J16Z	22	Y01Z, Y03A, Y03B	21A	W04A, W04B			
	21A	W04A, W04B	5f209	03	D09Z, D30A, D30B, D38Z	21B	X06A, X06B, X06C		
	21B	X06A, X06B, X06C		04	E02A, E02B, E02C, E02D, E07Z	5f306	D09Z, D30A, D30B, D38Z		
	22	Y01Z, Y03A, Y03B	5f20a	03	D38Z		04	E02A, E02B, E02C, E02D, E07Z	
	5f203	03		D09Z, D30A, D30B, D38Z	04	E02A, E02B, E02C, E02D, E07Z	21A	W04A, W04B	
		04	E02A, E02B, E02C, E02D, E07Z	08	I28A, I28B	21B	X06A, X06B, X06C		
21A		W04A, W04B	09	J03A, J03B, J04A, J04B, J08A, J08B, J08C, J10A, J10B, J16Z	5f307.1	BOP, KOP, KOPV, KVT, UOP4			
21B		X06A, X06B, X06C	21A	W04A, W04B		01	B02A, B02B, B02C, B13Z, B20A, B20B, B20C, B20D, B20E, B39A, B39B		
5f204		03	D35Z, D38Z	21B	X06A, X06B, X06C	02	C01A		
		04	E02A, E02B, E02C, E02D, E07Z	08	I28A, I28B	03	D18Z, D25A, D25B, D25C, D25D		
		08	I28A, I28B	09	J03A, J03B, J04A, J04B, J08A, J08B, J08C, J10A, J10B, J16Z	06	G33Z		
		09	J03A, J03B, J04A, J04B, J08A, J08B, J08C, J10A, J10B, J16Z	21A	W04A, W04B	07	H33Z, H38Z		
		21A	W04A, W04B	21B	X06A, X06B, X06C	09	J08A, J08B, J08C		
		21B	X06A, X06B, X06C	22	Y01Z, Y03A, Y03B	11	L33Z		
	22	Y01Z, Y03A, Y03B	5f210	03	D12A, D12B	17	R01A, R01B, R01C, R01D, R02Z, R12A, R12B, R12C		
	5f205	03		D35Z, D37A, D37B	08	I17Z	21B	X06A, X06B, X06C, X33Z	
		04	E02A, E02B, E02C, E02D, E07Z	09	J03A, J03B, J04A, J04B, J08A, J08B, J08C, J11A, J11B, J16Z	23	Z01A		
		08	I28A, I28B	21A	W04A, W04B	Pre	A07A, A09B, A11A, A11B, A13B		
09		J03A, J03B, J04A, J04B, J08A, J08B, J08C, J10A, J10B, J16Z	21B	X06A, X06B, X06C	5f307.2	BOP, KVT, UOP4			
21A		W04A, W04B	08	I17Z		01	B09A, B09B		
21B		X06A, X06B, X06C	5f211	03	D18Z, D28Z, D29Z	03	D06A, D06B, D06C, D35Z, D36Z		
22		Y01Z, Y03A, Y03B		08	I17Z	08	I15A, I15B		
5f206		03	D35Z, D37A, D37B	09	J03A, J03B, J04A, J04B, J08A, J08B, J08C, J11A, J11B, J16Z	21A	W01A, W01B, W01C, W36Z		
		04	E02A, E02B, E02C, E02D, E07Z	21A	W04A, W04B	21B	X06A, X06B, X06C		
		08	I28A, I28B	21B	X06A, X06B, X06C	5f307.3	BOP, KVT, UOP4		
	09	J03A, J03B, J04A, J04B, J08A, J08B, J08C, J10A, J10B, J16Z	03	D09Z, D30A, D30B, D35Z, D38Z	01		B09A, B09B		
	21A	W04A, W04B	09	J03A, J03B, J04A, J04B, J08A, J08B, J08C, J10A, J10B, J16Z	03	D06A, D06B, D06C, D35Z, D36Z			
	21B	X06A, X06B, X06C	21A	W04A, W04B	08	I15A, I15B			
	22	Y01Z, Y03A, Y03B	21B	X06A, X06B, X06C	21A	W01A, W01B, W01C, W36Z			
	5f207	03	D35Z, D37A, D37B	22	Y01Z, Y03A, Y03B	21B	X06A, X06B, X06C		
		04	E02A, E02B, E02C, E02D, E07Z						



ZZV	MDC	DRG	ZZV	MDC	DRG	ZZV	MDC	DRG
5f307.4		BOP, KVT, UOP4	5f321		BOP, KVT, UOP4	5g204.0	03	D08A, D08B, D18Z, D22A, D22B, D30A, D30B
	01	B09A, B09B		01	B09A, B09B		21A	W04A, W04B
	03	D06A, D06B, D06C, D36Z, D36Z		03	D06A, D06B, D06C		21B	X06A, X06B, X06C
	08	I15A, I15B	5f322		BOP, KVT, UOP4	5g204.1	03	D08A, D08B, D18Z, D22A, D22B, D30A, D30B
	21A	W01A, W01B, W01C, W36Z		01	B09A, B09B		21A	W04A, W04B
	21B	X06A, X06B, X06C		03	D06A, D06B, D06C		21B	X06A, X06B, X06C
5f307.5		BOP, KVT, UOP4	5f324		BOP, KVT, UOP4	5g206	03	D08A, D08B, D18Z, D22A, D22B, D30A, D30B
	03	D06A, D06B, D06C		01	B09A, B09B		21A	W04A, W04B
5f307.6		BOP, KVT, UOP4		03	D06A, D06B, D06C		21B	X06A, X06B, X06C
	03	D06A, D06B, D06C	5f325		BOP, KVT, UOP4	5g207	03	D08A, D08B, D18Z, D22A, D22B, D30A, D30B
5f308.1		BOP, KVT, UOP4		01	B09A, B09B		21A	W04A, W04B
	01	B09A, B09B		03	D06A, D06B, D06C		21B	X06A, X06B, X06C
	03	D06A, D06B, D06C	5f331		BOP, KVT, UOP4	5g208.0	03	D08A, D08B, D18Z, D22A, D22B, D30A, D30B
5f308.x		BOP, KVT, UOP4		01	B09A, B09B		21A	W04A, W04B
	01	B09A, B09B		03	D06A, D06B, D06C, D36Z		21B	X06A, X06B, X06C
	03	D06A, D06B, D06C	5f332		BOP, KVT, UOP4	5g208.1	03	D08A, D08B, D18Z, D22A, D22B, D30A, D30B
5f309		BOP, KVT, UOP4		01	B09A, B09B		21A	W04A, W04B
	01	B09A, B09B		03	D06A, D06B, D06C		21B	X06A, X06B, X06C
	03	D06A, D06B, D06C	5f333		BOP, KVT, UOP4	5g208.2	03	D08A, D08B, D18Z, D22A, D22B, D30A, D30B
5f30a.1		BOP, KOP, KOPV, KVT, UOP4		01	B09A, B09B		21A	W04A, W04B
	01	B02A, B02B, B02C, B20A, B20B, B20C, B20D, B20E, B39A, B39B	5f390		BOP, KVT, UOP4	5g209.1	03	D08A, D08B, D18Z, D22A, D22B, D30A, D30B
	02	C01A		03	D06A, D06B, D06C, D36Z		21A	W04A, W04B
	06	G01Z, G02Z, G33Z, G38Z	5g103‡		X06A, X06B, X06C		21B	X06A, X06B, X06C
	07	H33Z, H38Z	5g104‡		D40Z	5g209.2	03	D08A, D08B, D18Z, D22A, D22B, D30A, D30B
	11	L33Z	5g105‡		D40Z		21A	W04A, W04B
	21A	W01A, W01B, W01C, W36Z	5g106		BOP, KVT, UOP4		21B	X06A, X06B, X06C
	21B	X06A, X06B, X06C		03	D13Z	5g209.1	03	D08A, D08B, D18Z, D22A, D22B, D30A, D30B
	23	Z01A		21A	W04A, W04B		21A	W04A, W04B
	Pre	A07A, A11A, A13A, A13B, A13D	5g10b		X06A, X06B, X06C	5g209.2	03	D08A, D08B, D18Z, D22A, D22B, D30A, D30B
5f30a.2		BOP, KOP, KOPV, KVT, UOP4		03	D08A, D08B, D18Z, D22A, D22B, D30A, D30B		21A	W04A, W04B
	01	B02A, B02B, B02C, B20A, B20B, B20C, B20D, B20E, B39A, B39B		09	J03A, J03B, J04A, J04B, J08A, J08B, J08C, J11A, J11B, J16Z	5g20e	03	D08A, D08B, D18Z, D22A, D22B, D30A, D30B
	02	C01A		21A	W04A, W04B		09	J03A, J03B, J04A, J04B, J08A, J08B, J08C, J11A, J11B, J16Z
	06	G01Z, G02Z, G33Z, G38Z		21B	X06A, X06B, X06C		21A	W04A, W04B
	07	H33Z, H38Z	5g110.0‡		Y01Z, Y03A, Y03B		21B	X06A, X06B, X06C
	11	L33Z	5g110.1‡		D40Z	5g20g.1	22	Y01Z, Y03A, Y03B
	21A	W01A, W01B, W01C, W36Z	5g111‡		D40Z		03	BOP, KVT, UOP4
	21B	X06A, X06B, X06C	5g200		D13Z		03	D13Z
	23	Z01A		09	J03A, J03B, J04A, J04B, J08A, J08B, J08C, J11A, J11B, J16Z		09	J03A, J03B, J04A, J04B, J08A, J08B, J08C, J11A, J11B, J16Z
	Pre	A07A, A11A, A13A, A13B, A13D		21A	W04A, W04B		21A	W04A, W04B
5f30b.1↔		BOP, KVT, UOP4		21B	X06A, X06B, X06C		21B	X06A, X06B, X06C
	01	B02A, B02B, B02C, B02D, B20A, B20B, B20C, B20D, B20E, B20F, B39A, B39B	5g201.1		D13Z	5g20g.x	22	Y01Z, Y03A, Y03B
	03	D06A, D06B, D06C, D36Z		09	J03A, J03B, J04A, J04B, J08A, J08B, J08C, J11A, J11B, J16Z		03	BOP, KVT, UOP4
5f30b.2↔		BOP, KVT, UOP4		21A	W04A, W04B		03	D13Z
	01	B02A, B02B, B02C, B02D, B20A, B20B, B20C, B20D, B20E, B20F, B39A, B39B	5g201.2		X06A, X06B, X06C		09	J03A, J03B, J04A, J04B, J08A, J08B, J08C, J11A, J11B, J16Z
	03	D06A, D06B, D06C		03	D13Z	5g20h.1	21A	W04A, W04B
5f30c.1		BOP, KVT, UOP4		09	J03A, J03B, J04A, J04B, J08A, J08B, J08C, J11A, J11B, J16Z		21B	X06A, X06B, X06C
	01	B09A, B09B		21A	W04A, W04B		22	Y01Z, Y03A, Y03B
	03	D06A, D06B, D06C	5g203		X06A, X06B, X06C		03	BOP, KVT, UOP4
5f30c.2		BOP, KVT, UOP4		03	D08A, D08B, D18Z, D22A, D22B, D30A, D30B		03	D13Z
	01	B09A, B09B		21A	W04A, W04B		09	J03A, J03B, J04A, J04B, J08A, J08B, J08C, J11A, J11B, J16Z
	03	D06A, D06B, D06C		21B	X06A, X06B, X06C		21A	W04A, W04B
5f30c.3		BOP, KVT, UOP4		21B	X06A, X06B, X06C		21B	X06A, X06B, X06C
	01	B09A, B09B		21A	W04A, W04B		22	Y01Z, Y03A, Y03B
	03	D06A, D06B, D06C		21B	X06A, X06B, X06C		22	Y01Z, Y03A, Y03B
5f320		BOP, KVT, UOP4						
	01	B09A, B09B						
	03	D06A, D06B, D06C						

VYK

ZZV	MDC	DRG	ZZV	MDC	DRG	ZZV	MDC	DRG
5g20h.x		BOP, KVT, UOP4	5g220.0		BOP, KVT, UOP4	5g225↔		BOP, KVT, UOP4
	03	D13Z		03	D08A, D08B, D18Z, D22A, D22B, D30A, D30B		03	D08A, D08B, D18Z, D22A, D22B, D30A, D30B
	09	J03A, J03B, J04A, J04B, J08A, J08B, J08C, J11A, J11B, J16Z		09	J03A, J03B, J04A, J04B, J08A, J08B, J08C, J11A, J11B, J16Z		09	J03A, J03B, J04A, J04B, J08A, J08B, J08C, J11A, J11B, J16Z
	21A	W04A, W04B		21A	W04A, W04B		21A	W04A, W04B
	21B	X06A, X06B, X06C		21B	X06A, X06B, X06C		21B	X06A, X06B, X06C
5g20k	22	Y01Z, Y03A, Y03B	5g220.1	22	Y01Z, Y03A, Y03B	5g226↔	22	Y01Z, Y03A, Y03B
		BOP, KVT, UOP4			BOP, KVT, UOP4			BOP, KVT, UOP4
	03	D13Z		03	D08A, D08B, D18Z, D22A, D22B, D30A, D30B		03	D08A, D08B, D18Z, D22A, D22B, D30A, D30B
	09	J03A, J03B, J04A, J04B, J08A, J08B, J08C, J11A, J11B, J16Z		09	J03A, J03B, J04A, J04B, J08A, J08B, J08C, J11A, J11B, J16Z		09	J03A, J03B, J04A, J04B, J08A, J08B, J08C, J11A, J11B, J16Z
	21A	W04A, W04B		21A	W04A, W04B		21A	W04A, W04B
5g20m.0	21B	X06A, X06B, X06C	5g220.2	21B	X06A, X06B, X06C	5g227	21B	X06A, X06B, X06C
	22	Y01Z, Y03A, Y03B		22	Y01Z, Y03A, Y03B		22	Y01Z, Y03A, Y03B
		BOP, KVT, UOP4			BOP, KVT, UOP4			BOP, KVT, UOP4
	03	D13Z		03	D08A, D08B, D18Z, D22A, D22B, D30A, D30B		03	D13Z
	09	J03A, J03B, J04A, J04B, J08A, J08B, J08C, J11A, J11B, J16Z		09	J03A, J03B, J04A, J04B, J08A, J08B, J08C, J11A, J11B, J16Z		09	J03A, J03B, J04A, J04B, J08A, J08B, J08C, J11A, J11B, J16Z
5g20m.1	21A	W04A, W04B	5g222.2	21A	W04A, W04B	5g228	21A	W04A, W04B
	21B	X06A, X06B, X06C		21B	X06A, X06B, X06C		21B	X06A, X06B, X06C
	22	Y01Z, Y03A, Y03B		22	Y01Z, Y03A, Y03B		22	Y01Z, Y03A, Y03B
		BOP, KVT, UOP4			BOP, KVT, UOP4			BOP, KVT, UOP4
	03	D13Z		03	D08A, D08B, D18Z, D22A, D22B, D30A, D30B		03	D13Z
5g20m.2	09	J03A, J03B, J04A, J04B, J08A, J08B, J08C, J11A, J11B, J16Z	5g222.3	09	J03A, J03B, J04A, J04B, J08A, J08B, J08C, J11A, J11B, J16Z	5g229	09	J03A, J03B, J04A, J04B, J08A, J08B, J08C, J11A, J11B, J16Z
	21A	W04A, W04B		21A	W04A, W04B		21A	W04A, W04B
	21B	X06A, X06B, X06C		21B	X06A, X06B, X06C		21B	X06A, X06B, X06C
	22	Y01Z, Y03A, Y03B		22	Y01Z, Y03A, Y03B		22	Y01Z, Y03A, Y03B
		BOP, KVT, UOP4			BOP, KVT, UOP4			BOP, KVT, UOP4
5g20m.3	03	D13Z	5g223	03	D08A, D08B, D18Z, D22A, D22B, D30A, D30B	5g22a	03	D13Z
	09	J03A, J03B, J04A, J04B, J08A, J08B, J08C, J11A, J11B, J16Z		09	J03A, J03B, J04A, J04B, J08A, J08B, J08C, J11A, J11B, J16Z		09	J03A, J03B, J04A, J04B, J08A, J08B, J08C, J11A, J11B, J16Z
	21A	W04A, W04B		21A	W04A, W04B		21A	W04A, W04B
	21B	X06A, X06B, X06C		21B	X06A, X06B, X06C		21B	X06A, X06B, X06C
	22	Y01Z, Y03A, Y03B		22	Y01Z, Y03A, Y03B		22	Y01Z, Y03A, Y03B
5g20n		BOP, KVT, UOP4	5g224		BOP, KVT, UOP4	5g22b		BOP, KVT, UOP4
	03	D13Z		03	D13Z, D22A		03	D13Z
	09	J03A, J03B, J04A, J04B, J08A, J08B, J08C, J11A, J11B, J16Z		09	J03A, J03B, J04A, J04B, J08A, J08B, J08C, J11A, J11B, J16Z		09	J03A, J03B, J04A, J04B, J08A, J08B, J08C, J11A, J11B, J16Z
	21A	W04A, W04B		21A	W04A, W04B		21A	W04A, W04B
	21B	X06A, X06B, X06C		21B	X06A, X06B, X06C		21B	X06A, X06B, X06C
5g210	22	Y01Z, Y03A, Y03B	09	22	Y01Z, Y03A, Y03B	5g22c	22	Y01Z, Y03A, Y03B
	03	D08A, D08B, D18Z, D22A, D22B, D30A, D30B		03	D08A, D08B, D18Z, D22A, D22B, D30A, D30B		03	D13Z
5g211	03	D08A, D08B, D18Z, D22A, D22B, D30A, D30B	21A	W04A, W04B	09	J03A, J03B, J04A, J04B, J08A, J08B, J08C, J11A, J11B, J16Z		
5g212.0	03	D08A, D08B, D18Z, D22A, D22B, D30A, D30B	21B	X06A, X06B, X06C	21A	W04A, W04B		
5g212.1	03	D08A, D08B, D18Z, D22A, D22B, D30A, D30B	22	Y01Z, Y03A, Y03B	21B	X06A, X06B, X06C		
5g212.2	03	D08A, D08B, D18Z, D22A, D22B, D30A, D30B			22	Y01Z, Y03A, Y03B		
5g213		BOP, KVT, UOP4				BOP, KVT, UOP4		
	03	D18Z, D25A, D25B, D25C, D25D				D13Z		
	09	J08A, J08B				09	J03A, J03B, J04A, J04B, J08A, J08B, J08C, J11A, J11B, J16Z	

ZZV	MDC	DRG	ZZV	MDC	DRG	ZZV	MDC	DRG
5g22d.1		BOP, KVT, UOP4	5g404↔		BOP, KVT, UOP4	5g514		BOP, KVT, UOP4
	03	D13Z		03	D06A, D06B, D06C		03	D03Z, D12A
	09	J03A, J03B, J04A, J04B, J08A, J08B, J08C, J11A, J11B, J16Z	5g405↔	16	Q03A, Q03B		09	J03A, J03B, J04A, J04B, J08A, J08B, J08C, J11A, J11B, J16Z
	21A	W04A, W04B	5g406↔	03	D06A, D06B, D06C		21A	W04A, W04B
	21B	X06A, X06B, X06C		03	BOP, KVT, UOP4		21B	X06A, X06B, X06C
	22	Y01Z, Y03A, Y03B	5g407↔	03	D06A, D06B, D06C	5g515		BOP, KVT, UOP4
5g22d.2		BOP, KVT, UOP4		03	D06A, D06B, D06C		03	D03Z, D12A
	03	D13Z	5g408↔	03	BOP, KVT, UOP4		09	J03A, J03B, J04A, J04B, J08A, J08B, J08C, J11A, J11B, J16Z
	09	J03A, J03B, J04A, J04B, J08A, J08B, J08C, J11A, J11B, J16Z	5g409↔	03	D05A, D05B		21A	W04A, W04B
	21A	W04A, W04B		03	BOP, KVT, UOP4		21B	X06A, X06B, X06C
	21B	X06A, X06B, X06C	5g40a↔	03	D05A, D05B	5g516		BOP, KVT, UOP4
	22	Y01Z, Y03A, Y03B		03	BOP, KVT, UOP4		03	D03Z, D12A
5g22d.3		BOP, KVT, UOP4	5g40b↔	03	D05A		09	J03A, J03B, J04A, J04B, J08A, J08B, J08C, J11A, J11B, J16Z
	03	D13Z		03	BOP, KVT, UOP4		21A	W04A, W04B
	09	J03A, J03B, J04A, J04B, J08A, J08B, J08C, J11A, J11B, J16Z	5g40c↔	03	D05A		21B	X06A, X06B, X06C
	21A	W04A, W04B		03	BOP, KVT, UOP4	5g517.11		BOP, KVT, UOP4
	21B	X06A, X06B, X06C	5g40d↔	03	D06A, D06B, D06C		03	D03Z, D12A
	22	Y01Z, Y03A, Y03B		03	BOP, KVT, UOP4		09	J03A, J03B, J04A, J04B, J08A, J08B, J08C, J11A, J11B, J16Z
5g22e.1		BOP, KVT, UOP4	5g40e↔	03	D06A, D06B, D06C		21A	W04A, W04B
	03	D13Z		21A	W04A, W04B		21B	X06A, X06B, X06C
	09	J03A, J03B, J04A, J04B, J08A, J08B, J08C, J11A, J11B, J16Z	5g40f↔	21B	X06A, X06B, X06C	5g517.12		BOP, KVT, UOP4
	21A	W04A, W04B		03	BOP, KVT, UOP4		03	D03Z, D12A
	21B	X06A, X06B, X06C	5g40g↔	21B	X06A, X06B, X06C		09	J03A, J03B, J04A, J04B, J08A, J08B, J08C, J11A, J11B, J16Z
	22	Y01Z, Y03A, Y03B		03	D06A, D06B, D06C		21A	W04A, W04B
5g22e.2		BOP, KVT, UOP4		21A	W04A, W04B		21B	X06A, X06B, X06C
	03	D13Z	5g40h	03	BOP, KVT, UOP4	5g517.1x		BOP, KVT, UOP4
	09	J03A, J03B, J04A, J04B, J08A, J08B, J08C, J11A, J11B, J16Z		03	D06A, D06B, D06C		03	D03Z, D12A
	21A	W04A, W04B	5g40j	03	D06A, D06B, D06C		09	J03A, J03B, J04A, J04B, J08A, J08B, J08C, J11A, J11B, J16Z
	21B	X06A, X06B, X06C	5g40k	03	D06A, D06B, D06C		21A	W04A, W04B
	22	Y01Z, Y03A, Y03B	5g40m	03	D06A, D06B, D06C		21B	X06A, X06B, X06C
5g22f		BOP, KVT, UOP4	5g40n	03	D06A, D06B, D06C	5g517.21		BOP, KVT, UOP4
	03	D13Z	5g501‡	03	D40Z		03	D03Z, D12A
	09	J03A, J03B, J04A, J04B, J08A, J08B, J08C, J11A, J11B, J16Z	5g502‡	03	D15A, D15B, D18Z		09	J03A, J03B, J04A, J04B, J08A, J08B, J08C, J11A, J11B, J16Z
	21A	W04A, W04B		04	E02A, E02B, E02C		21A	W04A, W04B
	21B	X06A, X06B, X06C	5g511	21A	W01A, W01B, W01C, W36Z		21B	X06A, X06B, X06C
	22	Y01Z, Y03A, Y03B		03	BOP, KVT, UOP4	5g517.22		BOP, KVT, UOP4
5g300		D13Z		03	D03Z, D12A		03	D03Z, D12A
	16	Q03A, Q03B		09	J03A, J03B, J04A, J04B, J08A, J08B, J08C, J11A, J11B, J16Z		09	J03A, J03B, J04A, J04B, J08A, J08B, J08C, J11A, J11B, J16Z
5g301		D08A, D08B, D18Z, D22A, D22B, D30A, D30B	5g512↔	21A	W04A, W04B		21A	W04A, W04B
	16	Q03A, Q03B		21B	X06A, X06B, X06C		21B	X06A, X06B, X06C
5g302		D08A, D08B, D18Z, D22A, D22B, D30A, D30B		03	BOP, KVT, UOP4	5g517.2x		BOP, KVT, UOP4
	16	Q03A, Q03B		03	D03Z, D12A		03	D03Z, D12A
5g303		D08A, D08B, D18Z, D22A, D22B, D30A, D30B		09	J03A, J03B, J04A, J04B, J08A, J08B, J08C, J11A, J11B, J16Z		09	J03A, J03B, J04A, J04B, J08A, J08B, J08C, J11A, J11B, J16Z
	16	Q03A, Q03B	5g513↔	21A	W04A, W04B		21A	W04A, W04B
5g304		D08A, D08B, D18Z, D22A, D22B, D30A, D30B		21B	X06A, X06B, X06C		21B	X06A, X06B, X06C
	16	Q03A, Q03B		03	BOP, KVT, UOP4	5g518.1		BOP, KVT, UOP4
5g305		BOP, KVT, UOP4		03	D03Z, D12A		03	D03Z, D12A
	03	D18Z, D25A, D25B, D25C, D25D		09	J03A, J03B, J04A, J04B, J08A, J08B, J08C, J11A, J11B, J16Z		09	J03A, J03B, J04A, J04B, J08A, J08B, J08C, J11A, J11B, J16Z
	09	J08A, J08B, J08C		21A	W04A, W04B		21A	W04A, W04B
5g306		BOP, KVT, UOP4		21B	X06A, X06B, X06C		21B	X06A, X06B, X06C
	03	D18Z, D25A, D25B, D25C, D25D						
	09	J08A, J08B, J08C						

ZZV	MDC	DRG	ZZV	MDC	DRG	ZZV	MDC	DRG
5g518.2		BOP, KVT, UOP4	5g530.2		BOP, KVT, UOP4	5g904	03	D08A, D08B, D18Z, D22A, D22B, D30A, D30B
	03	D03Z, D12A		03	D03Z, D12A		09	J03A, J03B, J04A, J04B, J08A, J08B, J08C, J11A, J11B, J16Z
	09	J03A, J03B, J04A, J04B, J08A, J08B, J08C, J11A, J11B, J16Z		09	J03A, J03B, J04A, J04B, J08A, J08B, J08C, J11A, J11B, J16Z		21A	W04A, W04B
	21A	W04A, W04B		21A	W04A, W04B		21B	X06A, X06B, X06C
5g518.3	21B	X06A, X06B, X06C	5g531.3	21B	X06A, X06B, X06C	5g905	21B	X06A, X06B, X06C
		BOP, KVT, UOP4			BOP, KVT, UOP4		22	Y01Z, Y03A, Y03B
	03	D03Z, D12A		03	D03Z, D12A		03	D08A, D08B, D18Z, D22A, D22B, D30A, D30B
	09	J03A, J03B, J04A, J04B, J08A, J08B, J08C, J11A, J11B, J16Z		09	J03A, J03B, J04A, J04B, J08A, J08B, J08C, J11A, J11B, J16Z		09	J03A, J03B, J04A, J04B, J08A, J08B, J08C, J11A, J11B, J11C, J16Z
5g519.1	21A	W04A, W04B	5g531.4	21A	W04A, W04B	5g906↔	21A	W04A, W04B
	21B	X06A, X06B, X06C		21B	X06A, X06B, X06C		21B	X06A, X06B, X06C
		BOP, KVT, UOP4			BOP, KVT, UOP4		22	Y01Z, Y03A, Y03B
	03	D03Z, D12A		03	D03Z, D12A		03	D08A, D08B, D18Z, D22A, D22B, D30A, D30B
5g519.2	09	J03A, J03B, J04A, J04B, J08A, J08B, J08C, J11A, J11B, J16Z	5g531.8	09	J03A, J03B, J04A, J04B, J08A, J08B, J08C, J11A, J11B, J16Z	5g907	09	J03A, J03B, J04A, J04B, J08A, J08B, J08C, J11A, J11B, J11C, J16Z
		BOP, KVT, UOP4			BOP, KVT, UOP4		21A	W04A, W04B
	03	D03Z, D12A		03	D03Z, D12A		21B	X06A, X06B, X06C
	09	J03A, J03B, J04A, J04B, J08A, J08B, J08C, J11A, J11B, J16Z		09	J03A, J03B, J04A, J04B, J08A, J08B, J08C, J11A, J11B, J16Z		22	Y01Z, Y03A, Y03B
5g521.1	21A	W04A, W04B	5g600	21A	W04A, W04B	5g907	03	D08A, D08B, D18Z, D22A, D22B, D30A, D30B
	21B	X06A, X06B, X06C		21B	X06A, X06B, X06C		09	J03A, J03B, J04A, J04B, J08A, J08B, J08C, J11A, J11B, J16Z
	22	Y01Z, Y03A, Y03B		03	D09Z, D30A, D30B		21A	W04A, W04B
	03	D08A, D08B, D18Z, D22A, D22B, D30A, D30B		03	D09Z, D30A, D30B		21B	X06A, X06B, X06C
5g521.2	09	J03A, J03B, J04A, J04B, J08A, J08B, J08C, J11A, J11B, J11C, J16Z	5g601	03	D09Z, D30A, D30B	5g908	22	Y01Z, Y03A, Y03B
		BOP, KVT, UOP4		04	E02A, E02B, E02C, E07Z		03	D08A, D08B, D18Z, D22A, D22B, D30A, D30B
	03	D08A, D08B, D18Z, D22A, D22B, D30A, D30B		03	D09Z, D30A, D30B		09	J03A, J03B, J04A, J04B, J08A, J08B, J08C, J11A, J11B, J16Z
	09	J03A, J03B, J04A, J04B, J08A, J08B, J08C, J11A, J11B, J11C, J16Z		04	E02A, E02B, E02C, E07Z		21A	W04A, W04B
5g522	21A	W04A, W04B	5g602.1	03	D09Z, D30A, D30B	5g909	21B	X06A, X06B, X06C
	21B	X06A, X06B, X06C		04	E02A, E02B, E02C, E07Z		22	Y01Z, Y03A, Y03B
	22	Y01Z, Y03A, Y03B		03	D09Z, D30A, D30B		03	D08A, D08B, D18Z, D22A, D22B, D30A, D30B
	03	D08A, D08B, D18Z, D22A, D22B, D30A, D30B		04	E02A, E02B, E02C, E07Z		09	J03A, J03B, J04A, J04B, J08A, J08B, J08C, J11A, J11B, J16Z
5g523	09	J03A, J03B, J04A, J04B, J08A, J08B, J08C, J11A, J11B, J11C, J16Z	5g603	03	D09Z, D30A, D30B	5g90a	21A	W04A, W04B
		BOP, KVT, UOP4		04	E02A, E02B, E02C, E07Z		21B	X06A, X06B, X06C
	03	D08A, D08B, D18Z, D22A, D22B, D30A, D30B		03	D09Z, D30A, D30B		22	Y01Z, Y03A, Y03B
	09	J03A, J03B, J04A, J04B, J08A, J08B, J08C, J11A, J11B, J11C, J16Z		04	E02A, E02B, E02C, E07Z		03	D08A, D08B, D18Z, D22A, D22B, D30A, D30B
5g524	21A	W04A, W04B	5g604	03	D09Z, D30A, D30B	5g90b	09	J03A, J03B, J04A, J04B, J08A, J08B, J08C, J11A, J11B, J16Z
	21B	X06A, X06B, X06C		04	E02A, E02B, E02C, E07Z		21A	W04A, W04B
	22	Y01Z, Y03A, Y03B		03	D09Z, D30A, D30B		21B	X06A, X06B, X06C
	03	D08A, D08B, D18Z, D22A, D22B, D30A, D30B		04	E02A, E02B, E02C, E07Z		22	Y01Z, Y03A, Y03B
5g530.1	09	J03A, J03B, J04A, J04B, J08A, J08B, J08C, J11A, J11B, J11C, J16Z	5g605	03	D09Z, D30A, D30B	5g90e.0	03	D08A, D08B, D18Z, D22A, D22B, D30A, D30B
		BOP, KVT, UOP4		04	E02A, E02B, E02C, E07Z		09	J03A, J03B, J04A, J04B, J08A, J08B, J08C, J11A, J11B, J16Z
	03	D03Z, D12A		03	D09Z, D30A, D30B		21A	W04A, W04B
	09	J03A, J03B, J04A, J04B, J08A, J08B, J08C, J11A, J11B, J16Z		04	E02A, E02B, E02C, E07Z		21B	X06A, X06B, X06C
5g530.2	21A	W04A, W04B	5g607.0	03	D09Z, D30A, D30B	5g90e.2	22	Y01Z, Y03A, Y03B
	21B	X06A, X06B, X06C		04	E02A, E02B, E02C, E07Z		03	D03Z, D13Z
	22	Y01Z, Y03A, Y03B		16	Q03A, Q03B		03	D03Z, D13Z
	03	D08A, D08B, D18Z, D22A, D22B, D30A, D30B		03	D09Z, D30A, D30B		03	BOP, KVT, UOP4
5g530.3	09	J03A, J03B, J04A, J04B, J08A, J08B, J08C, J11A, J11B, J16Z	5g607.1	04	E02A, E02B, E02C, E07Z	5g90e.3	03	D08A, D08B, D18Z, D22A, D22B, D30A, D30B
		BOP, KVT, UOP4		03	D09Z, D30A, D30B		03	D08A, D08B, D18Z, D22A, D22B, D30A, D30B
	03	D03Z, D12A		04	E02A, E02B, E02C, E07Z		03	D08A, D08B, D18Z, D22A, D22B, D30A, D30B
	09	J03A, J03B, J04A, J04B, J08A, J08B, J08C, J11A, J11B, J16Z		16	Q03A, Q03B		03	D08A, D08B, D18Z, D22A, D22B, D30A, D30B
5g530.4	21A	W04A, W04B	5g608.a	03	D09Z, D30A, D30B	5g90e.3	03	D03Z, D13Z
	21B	X06A, X06B, X06C		03	D09Z, D30A, D30B		03	BOP, KVT, UOP4
	22	Y01Z, Y03A, Y03B		03	D09Z, D30A, D30B		03	D08A, D08B, D18Z, D22A, D22B, D30A, D30B
	03	D08A, D08B, D18Z, D22A, D22B, D30A, D30B		03	D09Z, D30A, D30B		03	D08A, D08B, D18Z, D22A, D22B, D30A, D30B
5g530.5	09	J03A, J03B, J04A, J04B, J08A, J08B, J08C, J11A, J11B, J11C, J16Z	5g608.b	03	D09Z, D30A, D30B	5g90e.3	03	D03Z, D13Z
		BOP, KVT, UOP4		03	D09Z, D30A, D30B		03	BOP, KVT, UOP4
	03	D03Z, D12A		03	D09Z, D30A, D30B		03	D08A, D08B, D18Z, D22A, D22B, D30A, D30B
	09	J03A, J03B, J04A, J04B, J08A, J08B, J08C, J11A, J11B, J16Z		03	D09Z, D30A, D30B		03	D08A, D08B, D18Z, D22A, D22B, D30A, D30B
5g530.6	21A	W04A, W04B	5g608.c	03	D09Z, D30A, D30B	5g90e.3	03	D03Z, D13Z
	21B	X06A, X06B, X06C		03	D09Z, D30A, D30B		03	BOP, KVT, UOP4
	22	Y01Z, Y03A, Y03B		03	D09Z, D30A, D30B		03	D08A, D08B, D18Z, D22A, D22B, D30A, D30B
	03	D08A, D08B, D18Z, D22A, D22B, D30A, D30B		03	D09Z, D30A, D30B		03	D08A, D08B, D18Z, D22A, D22B, D30A, D30B
5g530.7	09	J03A, J03B, J04A, J04B, J08A, J08B, J08C, J11A, J11B, J16Z	5g608.d	03	D09Z, D30A, D30B	5g90e.3	03	D03Z, D13Z
		BOP, KVT, UOP4		03	D09Z, D30A, D30B		03	BOP, KVT, UOP4
	03	D03Z, D12A		03	D09Z, D30A, D30B		03	D08A, D08B, D18Z, D22A, D22B, D30A, D30B
	09	J03A, J03B, J04A, J04B, J08A, J08B, J08C, J11A, J11B, J16Z		03	D09Z, D30A, D30B		03	D08A, D08B, D18Z, D22A, D22B, D30A, D30B
5g530.8	21A	W04A, W04B	5g902	03	D09Z, D30A, D30B	5g90e.3	03	D03Z, D13Z
	21B	X06A, X06B, X06C		03	D09Z, D30A, D30B		03	BOP, KVT, UOP4
	22	Y01Z, Y03A, Y03B		03	D09Z, D30A, D30B		03	D08A, D08B, D18Z, D22A, D22B, D30A, D30B
	03	D08A, D08B, D18Z, D22A, D22B, D30A, D30B		03	D09Z, D30A, D30B		03	D08A, D08B, D18Z, D22A, D22B, D30A, D30B
5g530.9	09	J03A, J03B, J04A, J04B, J08A, J08B, J08C, J11A, J11B, J16Z	5g903	03	D09Z, D30A, D30B	5g90e.3	03	D03Z, D13Z
		BOP, KVT, UOP4		03	D09Z, D30A, D30B		03	BOP, KVT, UOP4
	03	D03Z, D12A		03	D09Z, D30A, D30B		03	D08A, D08B, D18Z, D22A, D22B, D30A, D30B
	09	J03A, J03B, J04A, J04B, J08A, J08B, J08C, J11A, J11B, J16Z		03	D09Z, D30A, D30B		03	D08A, D08B, D18Z, D22A, D22B, D30A, D30B
5g530.10	21A	W04A, W04B	5g903	03	D09Z, D30A, D30B	5g90e.3	03	D03Z, D13Z
	21B	X06A, X06B, X06C		03	D09Z, D30A, D30B		03	BOP, KVT, UOP4
	22	Y01Z, Y03A, Y03B		03	D09Z, D30A, D30B		03	D08A, D08B, D18Z, D22A, D22B, D30A, D30B
	03	D08A, D08B, D18Z, D22A, D22B, D30A, D30B		03	D09Z, D30A, D30B		03	D08A, D08B, D18Z, D22A, D22B, D30A, D30B

ZZV	MDC	DRG	ZZV	MDC	DRG	ZZV	MDC	DRG	
5g90e.4		BOP, KVT, UOP4	5g913		BOP, KVT, UOP4	5g921.02		BOP, KVT, UOP4	
	03	D03Z, D13Z		03	D08A, D08B, D18Z, D22A, D22B, D30A, D30B		03	D18Z, D25A, D25B, D25C, D25D	
5g90k		BOP, KVT, UOP4		09	J03A, J03B, J04A, J04B, J08A, J08B, J08C, J11A, J11B, J16Z	5g921.03		09	J08A, J08B
	03	D03Z, D12A, D12B					03	BOP, KVT, UOP4	
	04	E02A, E02B, E02C, E07Z		21A	W04A, W04B		09	D18Z, D25A, D25B, D25C, D25D	
	21A	W04A, W04B		21B	X06A, X06B, X06C		09	J08A, J08B	
	21B	X06A, X06B, X06C		22	Y01Z, Y03A, Y03B	5g921.04		BOP, KVT, UOP4	
5g90m		BOP, KVT, UOP4	5g914		BOP, KVT, UOP4		03	D18Z, D25A, D25B, D25C, D25D	
	03	D03Z, D12A, D12B		03	D08A, D08B, D18Z, D22A, D22B, D30A, D30B		09	J08A, J08B	
	04	E02A, E02B, E02C, E07Z		09	J03A, J03B, J04A, J04B, J08A, J08B, J08C, J11A, J11B, J16Z	5g921.05		BOP, KVT, UOP4	
	21A	W04A, W04B					03	D18Z, D25A, D25B, D25C, D25D	
	21B	X06A, X06B, X06C		21A	W04A, W04B		09	J08A, J08B	
5g90n		BOP, KVT, UOP4		21B	X06A, X06B, X06C	5g921.10		D08A, D08B, D18Z, D22A, D22B, D30A, D30B	
	03	D03Z, D12A, D12B		22	Y01Z, Y03A, Y03B		16	Q03A, Q03B	
	04	E02A, E02B, E02C, E07Z				5g921.11		D08A, D08B, D18Z, D22A, D22B, D30A, D30B	
	21A	W04A, W04B	5g915↔		BOP, KVT, UOP4		16	Q03A, Q03B	
	21B	X06A, X06B, X06C		03	D18Z, D25A, D25B, D25C, D25D	5g921.12		D08A, D08B, D18Z, D22A, D22B, D30A, D30B	
5g90o		BOP, KVT, UOP4		08	I06A, I06B, I06C, I06D, I06E		16	Q03A, Q03B	
	03	D03Z, D12A, D12B		09	J08A, J08B, J08C	5g921.13		D08A, D08B, D18Z, D22A, D22B, D30A, D30B	
	04	E02A, E02B, E02C, E07Z					16	Q03A, Q03B	
	21A	W04A, W04B	5g916.0↔		BOP, KVT, UOP4	5g921.13		D08A, D08B, D18Z, D22A, D22B, D30A, D30B	
	21B	X06A, X06B, X06C		03	D18Z, D25A, D25B, D25C, D25D		16	Q03A, Q03B	
5g90p		BOP, KVT, UOP4		09	J08A, J08B	5g922.1		BOP, KVT, UOP4	
	03	D03Z, D12A, D12B	5g916.1↔		BOP, KVT, UOP4		03	D09Z, D30A, D30B	
	04	E02A, E02B, E02C, E07Z		03	D18Z, D25A, D25B, D25C, D25D		21A	W04A, W04B	
	21A	W04A, W04B		09	J08A, J08B	5g922.2		X06A, X06B, X06C	
	21B	X06A, X06B, X06C					21B	BOP, KVT, UOP4	
5g90q		BOP, KVT, UOP4		03	D02A, D02B		03	D09Z, D30A, D30B	
	03	D03Z, D12A, D12B	5g916.2↔		G33Z	5g922.x	21A	W04A, W04B	
	04	E02A, E02B, E02C, E07Z		06	H33Z, H38Z		21B	X06A, X06B, X06C	
	21A	W04A, W04B		07	J08A, J08B			BOP, KVT, UOP4	
	21B	X06A, X06B, X06C		09	J08A, J08B		03	D09Z, D30A, D30B	
5g90t		BOP, KVT, UOP4		11	L33Z	5h101	21A	W04A, W04B	
	01	B03A, B03B, B06A, B06B, B07Z, B17A, B17B, B17C		21B	X33Z		21B	X06A, X06B, X06C	
	08	I12A, I12B, I12C, I27A, I27B, I27C, I27D		23	Z01A			KOP, KOPV	
				Pre	A07A		03	D12A, D12B	
	21A	W04A, W04B	5g918		BOP, KVT, UOP4		06	G15Z, G19A, G19B, G33Z, G38Z	
	21B	X04Z, X05A, X05B, X06A, X06B, X06C		03	D09Z, D30A, D30B		07	H33Z, H38Z	
5g90u		BOP, KVT, UOP4		21A	W04A, W04B		11	L33Z	
	01	B03A, B03B, B06A, B06B, B07Z, B17A, B17B, B17C	5g919.1		X06A, X06B, X06C		Pre	A07A	
	08	I12A, I12B, I12C, I27A, I27B, I27C, I27D			BOP, KVT, UOP4	5h102	03	D12A, D12B	
	21A	W04A, W04B		03	D03Z, D12A		06	G15Z, G19A, G19B, G33Z, G38Z	
	21B	X04Z, X05A, X05B, X06A, X06B, X06C		09	J03A, J03B, J04A, J04B, J08A, J08B, J08C, J11A, J11B, J16Z		07	H33Z, H38Z	
5g90v		BOP, KVT, UOP4	5g919.2		BOP, KVT, UOP4		11	L33Z	
	01	B03A, B03B, B06A, B06B, B07Z, B17A, B17B, B17C		03	D03Z, D12A	5h103.01	03	D12A	
	03	D12A		09	J03A, J03B, J04A, J04B, J08A, J08B, J08C, J11A, J11B, J16Z		21A	W04A, W04B	
	05	F21A, F21B, F21C, F27A, F27B, F27C					21B	X06A, X06B, X06C	
	08	I08A, I08B, I08C, I08D, I08E, I12A, I12B, I12C, I13A, I13B, I32A, I32B, I32C, I32D		03	D03Z, D12A	5h103.02	03	D12A	
	09	J02A, J02B, J02C, J04A, J04B, J08A, J08B, J08C, J16Z, J21Z, J22A, J22B		09	J03A, J03B, J04A, J04B, J08A, J08B, J08C, J11A, J11B, J16Z		21A	W04A, W04B	
	10	K01Z	5g919.4		BOP, KVT, UOP4		21B	X06A, X06B, X06C	
	21A	W04A, W04B				5h103.11	03	D12A	
	21B	X04Z, X05A, X05B, X06A, X06B, X06C		03	D03Z, D12A		21A	W04A, W04B	
5g910↔		BOP, KVT, UOP4	5g919.7		BOP, KVT, UOP4		21B	X06A, X06B, X06C	
	03	D03Z, D13Z		03	D03Z, D12A	5h103.12	03	D12A	
5g911		BOP, KVT, UOP4		09	J03A, J03B, J04A, J04B, J08A, J08B, J08C, J11A, J11B, J16Z		21A	W04A, W04B	
	03	D03Z, D13Z					21B	X06A, X06B, X06C	
5g912↔		BOP, KVT, UOP4	5g921.01		BOP, KVT, UOP4	5h103.2	03	D12A	
	03	D03Z, D12A		03	D18Z, D25A, D25B, D25C, D25D		21A	W04A, W04B	
	09	J03A, J03B, J04A, J04B, J08A, J08B, J08C, J11A, J11B, J16Z		09	J08A, J08B		21B	X06A, X06B, X06C	

VYK

ZZV	MDC	DRG	ZZV	MDC	DRG	ZZV	MDC	DRG
5h104	03	D12A, D12B	5h112.1		BOP, KOP, KOPV, KVT, UOP4	5h121.3		BOP, KOP, KOPV, KVT, UOP4
	09	J03A, J03B, J04A, J04B, J08A, J08B, J08C, J11A, J11B, J16Z		03	D12A, D12B		03	D02A, D03Z
5h105	03	D12A, D12B	5h112.2	06	G15Z, G19A, G19B, G33Z, G38Z	04	E02A, E02B, E02C, E07Z	
	09	J03A, J03B, J04A, J04B, J08A, J08B, J08C, J11A, J11B, J16Z		07	H33Z, H38Z	06	G33Z	
5h106.10	03	D12A	5h112.3	11	L33Z	07	H33Z, H38Z	
	21A	W04A, W04B		Pre	A07A	09	J08A, J08B, J08C	
5h106.11	21B	X06A, X06B, X06C	5h112.3	03	D12A, D12B	11	L33Z	
	03	D12A		06	G15Z, G19A, G19B, G33Z, G38Z	21A	W04A, W04B	
5h106.2	21A	W04A, W04B	5h112.3	07	H33Z, H38Z	21B	X06A, X06B, X06C, X33Z	
	21B	X06A, X06B, X06C		11	L33Z	Pre	A07A	
5h110	03	D12A, D12B	5h112.3	Pre	A07A	5h121.4	BOP, KOP, KOPV, KVT, UOP4	
	06	G15Z, G19A, G19B, G33Z, G38Z		03	D12A, D12B		03	D02A, D03Z
5h110	07	H33Z, H38Z	5h112.3	06	G15Z, G19A, G19B, G33Z, G38Z	04	E02A, E02B, E02C, E07Z	
	11	L33Z		07	H33Z, H38Z	06	G33Z	
5h111.1	Pre	A07A	5h112.3	11	L33Z	07	H33Z, H38Z	
	03	D12A, D12B		Pre	A07A	09	J08A, J08B, J08C	
5h111.1	06	G15Z, G19A, G19B, G33Z, G38Z	5h115.1	Pre	A07A	11	L33Z	
	07	H33Z, H38Z		03	D12A, D12B	21A	W04A, W04B	
5h111.1	09	J08A, J08B, J08C	5h115.1	06	G15Z, G19A, G19B, G33Z, G38Z	21B	X06A, X06B, X06C	
	11	L33Z		07	H33Z, H38Z	5h123	BOP, KOP, KOPV, KVT, UOP4	
5h111.2	Pre	A07A	5h115.2	11	L33Z		03	D02A, D03Z
	BOP, KOP, KOPV, KVT, UOP4	03		D12A, D12B	Pre	A07A	04	E02A, E02B, E02C, E07Z
5h111.2	03	D02A, D18Z, D25A, D25B, D25C, D25D	5h115.2	BOP, KOP, KOPV, KVT, UOP4	03	D03Z, D12A, D12B	21A	W04A, W04B
	06	G15Z, G19A, G19B, G33Z, G38Z		03	D12A, D12B	04	E02A, E02B, E02C, E07Z	
5h111.2	07	H33Z, H38Z	5h115.2	06	G15Z, G19A, G19B, G33Z, G38Z	06	G33Z	
	09	J08A, J08B, J08C		07	H33Z, H38Z	07	H33Z, H38Z	
5h111.4	11	L33Z	5h118	11	L33Z	09	J08A, J08B, J08C	
	Pre	A07A		Pre	A07A	11	L33Z	
5h111.4	BOP, KOP, KOPV, KVT, UOP4	03	D12A, D12B	5h119	BOP, KOP, KOPV, KVT, UOP4	Pre	A07A	
	03	D02A, D18Z, D25A, D25B, D25C, D25D	06		G15Z, G19A, G19B, G33Z, G38Z	03	D12A, D12B	
5h111.4	06	G15Z, G19A, G19B, G33Z, G38Z	5h119	07	H33Z, H38Z	06	G15Z, G19A, G19B, G33Z, G38Z	
	07	H33Z, H38Z		11	L33Z	07	H33Z, H38Z	
5h111.4	09	J08A, J08B, J08C	5h120	Pre	A07A	11	L33Z	
	11	L33Z		03	D09Z, D30A, D30B	Pre	A07A	
5h111.x	Pre	A07A	5h120	04	E02A, E02B, E02C	03	D12A, D12B	
	BOP, KOP, KOPV, KVT, UOP4	03		D12A, D12B	07	H33Z, H38Z	06	G15Z, G19A, G19B, G33Z, G38Z
5h111.x	03	D02A, D18Z, D25A, D25B, D25C, D25D	5h121.1	06	G15Z, G19A, G19B, G33Z, G38Z	07	H33Z, H38Z	
	06	G15Z, G19A, G19B, G33Z, G38Z		11	L33Z	11	L33Z	
5h111.x	07	H33Z, H38Z	5h121.1	Pre	A07A	Pre	A07A	
	09	J08A, J08B, J08C		03	D03Z, D12A, D12B	03	D12A, D12B	
5h111.x	11	L33Z	5h121.1	04	E02A, E02B, E02C, E07Z	21A	W04A, W04B	
	Pre	A07A		21A	W04A, W04B	21B	X06A, X06B, X06C	
5h111.x	03	D02A, D18Z, D25A, D25B, D25C, D25D	5h121.1	21B	X06A, X06B, X06C	5h191	D12A, D12B	
	06	G15Z, G19A, G19B, G33Z, G38Z		03	D03Z, D18Z, D25A, D25B, D25C, D25D		21A	W04A, W04B
5h111.x	07	H33Z, H38Z	5h121.1	04	E02A, E02B, E02C, E07Z	21B	X06A, X06B, X06C	
	09	J08A, J08B, J08C		09	J08A, J08B, J08C	5h192	D12A, D12B	
5h111.x	11	L33Z	5h121.2	21A	W04A, W04B		21A	W04A, W04B
	Pre	A07A		21B	X06A, X06B, X06C	21B	X06A, X06B, X06C	
5h111.x	03	D02A, D18Z, D25A, D25B, D25C, D25D	5h121.2	BOP, KVT, UOP4	5h200	BOP, KVT, UOP4		
	06	G15Z, G19A, G19B, G33Z, G38Z		03		D03Z, D12A, D12B	03	D09Z, D30A, D30B
5h111.x	07	H33Z, H38Z	5h121.2	04	E02A, E02B, E02C, E07Z	04	E02A, E02B, E02C	
	09	J08A, J08B, J08C		09	J08A, J08B, J08C	5h201	BOP, KVT, UOP4	
5h111.x	11	L33Z	5h121.2	21A	W04A, W04B		03	D09Z, D30A, D30B
	Pre	A07A		21B	X06A, X06B, X06C	04	E02A, E02B, E02C	
5h111.x	03	D02A, D18Z, D25A, D25B, D25C, D25D	5h121.2	BOP, KVT, UOP4	5h203	BOP, KVT, UOP4		
	06	G15Z, G19A, G19B, G33Z, G38Z		03		D03Z, D12A, D12B	03	D18Z, D25A, D25B, D25C, D25D
5h111.x	07	H33Z, H38Z	5h121.2	04	E02A, E02B, E02C, E07Z	04	E02A, E02B, E02C	
	09	J08A, J08B, J08C		21A	W04A, W04B	09	J08A, J08B, J08C	
5h111.x	11	L33Z	5h121.2	21B	X06A, X06B, X06C	21A	W04A, W04B	
	Pre	A07A		21B	X06A, X06B, X06C	21B	X06A, X06B, X06C	

ZZV	MDC	DRG	ZZV	MDC	DRG	ZZV	MDC	DRG
5h210	03	D09Z, D30A, D30B	5h291		BOP, KVT, UOP4	5h304.0x		BOP, KVT, UOP4
	04	E02A, E02B, E02C, E02D		03	D12A		03	D04Z, D09Z, D25A, D25B, D25C, D25D, D30A
5h211	03	D09Z, D30A, D30B		04	E02A, E02B, E02C		04	E02A, E02B, E02C
	04	E02A, E02B, E02C, E02D		21A	W04A, W04B	5h304.11		BOP, KVT, UOP4
5h212	03	D09Z, D30A, D30B		21B	X06A, X06B, X06C		03	D09Z, D30A
	04	E02A, E02B, E02C, E02D	5h292		BOP, KVT, UOP4		04	E02A, E02B, E02C
5h213	03	D09Z, D30A, D30B		03	D09Z, D30A, D30B	5j122.00↔		BOP, KOP, KOPV, KVT, UOP4
	04	E02A, E02B, E02C, E02D		04	E02A, E02B, E02C		04	E06A, E06B, E06C, E08A, E08B, E08C
5h214	03	D09Z, D30A, D30B		21A	W04A, W04B		06	G33Z
	04	E02A, E02B, E02C, E02D		21B	X06A, X06B, X06C		07	H33Z, H38Z
5h220		BOP, KVT, UOP4	5h293		BOP, KVT, UOP4		09	J26Z
	03	D03Z, D12A, D12B, D18Z, D25A, D25B, D25C, D25D		03	D09Z, D30A, D30B		11	L33Z
	04	E02A, E02B, E02C, E07Z		04	E02A, E02B, E02C		17	R01A, R01B, R01C, R01D, R02Z, R12A, R12B, R12C
	09	J08A, J08B, J08C		21A	W04A, W04B		21B	X33Z
	21A	W04A, W04B		21B	X06A, X06B, X06C		23	Z01A
	21B	X06A, X06B, X06C		22	Y01Z, Y03A, Y03B		Pre	A07A
5h221		BOP, KVT, UOP4	5h302.10‡		D15A, D15B, D18Z	5j122.01↔		BOP, KOP, KOPV, KVT, UOP4
	03	D03Z, D12A, D12B, D18Z, D25A, D25B, D25C, D25D		04	E02A, E02B, E02C		04	E06A, E06B, E06C, E08A, E08B, E08C
	04	E02A, E02B, E02C, E07Z	5h302.11‡		E02A, E02B, E02C		06	G33Z
	09	J08A, J08B, J08C		21A	W01A, W01B, W01C, W36Z		07	H33Z, H38Z
	21A	W04A, W04B		21A	W01A, W01B, W01C, W36Z		09	J26Z
	21B	X06A, X06B, X06C, X33Z	5h302.1x‡		D15A, D15B, D18Z		11	L33Z
5h222		BOP, KVT, UOP4		03	E02A, E02B, E02C		17	R01A, R01B, R01C, R01D, R02Z, R12A, R12B, R12C
	03	D03Z, D12A, D12B, D18Z, D25A, D25B, D25C, D25D		21A	W01A, W01B, W01C, W36Z		21B	X33Z
	04	E02A, E02B, E02C, E07Z	5h302.20‡		D15A, D15B, D18Z		23	Z01A
	09	J08A, J08B, J08C		04	E02A, E02B, E02C		Pre	A07A
	21A	W04A, W04B		21A	W01A, W01B, W01C, W36Z		04	E06A, E06B, E06C, E08A, E08B, E08C
	21B	X06A, X06B, X06C, X33Z	5h302.21		BOP, KVT, UOP4		06	G33Z
5h223		BOP, KVT, UOP4		03	D12A, D12B	5j123.00↔		BOP, KOP, KOPV, KVT, UOP4
	03	D09Z, D30A		04	E02A, E02B, E02C		04	E06A, E06B, E06C, E08A, E08B, E08C
	04	E02A, E02B, E02C		05	F21A, F21B		06	G33Z
5h230		BOP, KVT, UOP4		09	J03A, J03B, J04A, J04B, J08A, J08B, J08C, J11A, J11B, J16Z		07	H33Z, H38Z
	03	D09Z, D25A, D25B, D25C, D25D, D30A		21A	W04A, W04B		09	J26Z
	04	E02A, E02B, E02C		21B	X06A, X06B, X06C		11	L33Z
	21A	W04A, W04B		22	Y01Z, Y03A, Y03B		17	R01A, R01B, R01C, R01D, R02Z, R12A, R12B, R12C
	21B	X06A, X06B, X06C	5h302.23		BOP, KVT, UOP4		21B	X33Z
	22	Y01Z, Y03A, Y03B		03	D12A, D12B		23	Z01A
5h231		BOP, KVT, UOP4		04	E02A, E02B, E02C		Pre	A07A
	03	D09Z, D25A, D25B, D25C, D25D, D30A		05	F21A, F21B	5j123.01↔		BOP, KOP, KOPV, KVT, UOP4
	04	E02A, E02B, E02C		09	J03A, J03B, J04A, J04B, J08A, J08B, J08C, J11A, J11B, J16Z		04	E06A, E06B, E06C, E08A, E08B, E08C
	21A	W04A, W04B		21A	W04A, W04B		06	G33Z
	21B	X06A, X06B, X06C		21B	X06A, X06B, X06C		07	H33Z, H38Z
	22	Y01Z, Y03A, Y03B		22	Y01Z, Y03A, Y03B		09	J26Z
5h232		BOP, KVT, UOP4		22	Y01Z, Y03A, Y03B		11	L33Z
	03	D18Z, D28Z, D29Z	5h302.24‡		D15A, D15B, D18Z		17	R01A, R01B, R01C, R01D, R02Z, R12A, R12B, R12C
	04	E02A, E02B, E02C		04	E02A, E02B, E02C		21B	X33Z
	09	J08A, J08B, J08C		21A	W01A, W01B, W01C, W36Z		23	Z01A
	21A	W04A, W04B			BOP, KVT, UOP4		Pre	A07A
	21B	X06A, X06B, X06C	5h302.3		D12A, D12B, D25A, D25B, D25C, D25D		04	E06A, E06B, E06C, E08A, E08B, E08C
5h233		BOP, KVT, UOP4		03	E02A, E02B, E02C		06	G33Z
	03	D18Z, D28Z, D29Z		04	E02A, E02B, E02C		07	H33Z, H38Z
	04	E02A, E02B, E02C		21A	W04A, W04B		09	J26Z
	09	J08A, J08B, J08C		21B	X06A, X06B, X06C		11	L33Z
	21A	W04A, W04B		22	Y01Z, Y03A, Y03B		17	R01A, R01B, R01C, R01D, R02Z, R12A, R12B, R12C
	21B	X06A, X06B, X06C	5h304.01		BOP, KVT, UOP4		21B	X33Z
5h234		BOP, KVT, UOP4		03	D04Z, D09Z, D25A, D25B, D25C, D25D, D30A		23	Z01A
	03	D18Z, D25A, D25B, D25C, D25D		04	E02A, E02B, E02C		Pre	A07A
	04	E02A, E02B, E02C	5h304.02		BOP, KVT, UOP4			
	09	J08A, J08B, J08C		03	D04Z, D09Z, D25A, D25B, D25C, D25D, D30A			
	21A	W04A, W04B		04	E02A, E02B, E02C			
	21B	X06A, X06B, X06C, X33Z						

ZZV	MDC	DRG	ZZV	MDC	DRG	ZZV	MDC	DRG
5j123.20↔		BOP, KOP, KOPV, KVT, UOP4	5j124.21↔		BOP, KOP, KOPV, KVT, UOP4	5j131.01↔		BOP, KOP, KOPV, KVT, UOP4
	04	E06A, E06B, E06C, E08A, E08B, E08C		04	E06A, E06B, E06C, E08A, E08B, E08C		04	E06A, E06B, E06C, E08A, E08B, E08C
	06	G33Z		06	G33Z		06	G33Z
	07	H33Z, H38Z		07	H33Z, H38Z		07	H33Z, H38Z
	09	J26Z		09	J26Z		09	J26Z
	11	L33Z		11	L33Z		11	L33Z
	17	R01A, R01B, R01C, R01D, R02Z, R12A, R12B, R12C		17	R01A, R01B, R01C, R01D, R02Z, R12A, R12B, R12C		21A	W04A, W04B
	21B	X33Z		21B	X33Z		21B	X06A, X06B, X06C, X33Z
	23	Z01A		23	Z01A		22	Y01Z, Y03A, Y03B
	Pre	A07A		Pre	A07A		Pre	A07A
5j123.21↔		BOP, KOP, KOPV, KVT, UOP4	5j130.0		BOP, KOP, KOPV, KVT, UOP4	5j131.20↔		BOP, KOP, KOPV, KVT, UOP4
	04	E06A, E06B, E06C, E08A, E08B, E08C		04	E06A, E06B, E06C, E08A, E08B, E08C		04	E06A, E06B, E06C, E08A, E08B, E08C
	06	G33Z		06	G33Z		06	G33Z
	07	H33Z, H38Z		07	H33Z, H38Z		07	H33Z, H38Z
	09	J26Z		09	J26Z		09	J26Z
	11	L33Z		11	L33Z		11	L33Z
	17	R01A, R01B, R01C, R01D, R02Z, R12A, R12B, R12C		21A	W04A, W04B		21A	W04A, W04B
	21B	X33Z		21B	X06A, X06B, X06C, X33Z		21B	X06A, X06B, X06C, X33Z
	23	Z01A		22	Y01Z, Y03A, Y03B		22	Y01Z, Y03A, Y03B
	Pre	A07A		Pre	A07A		Pre	A07A
5j124.00↔		BOP, KOP, KOPV, KVT, UOP4	5j130.1		BOP, KOP, KOPV, KVT, UOP4	5j131.21↔		BOP, KOP, KOPV, KVT, UOP4
	04	E06A, E06B, E06C, E08A, E08B, E08C		04	E05A, E05B, E05C, E08A, E08B, E08C		04	E06A, E06B, E06C, E08A, E08B, E08C
	06	G33Z		06	G33Z		06	G33Z
	07	H33Z, H38Z		07	H33Z, H38Z		07	H33Z, H38Z
	09	J26Z		11	L33Z		09	J26Z
	11	L33Z		21A	W04A, W04B		11	L33Z
	17	R01A, R01B, R01C, R01D, R02Z, R12A, R12B, R12C		21B	X06A, X06B, X06C		21A	W04A, W04B
	21B	X33Z		22	Y01Z, Y03A, Y03B		21B	X06A, X06B, X06C, X33Z
	23	Z01A		23	Z01A		22	Y01Z, Y03A, Y03B
	Pre	A07A		Pre	A07A		23	Z01A
5j124.01↔		BOP, KOP, KOPV, KVT, UOP4	5j130.2		BOP, KOP, KOPV, KVT, UOP4	5j132.00↔		BOP, KOP, KOPV, KVT, UOP4
	04	E06A, E06B, E06C, E08A, E08B, E08C		04	E06A, E06B, E06C, E08A, E08B, E08C		04	E06A, E06B, E06C, E08A, E08B, E08C
	06	G33Z		06	G33Z		06	G33Z
	07	H33Z, H38Z		07	H33Z, H38Z		07	H33Z, H38Z
	09	J26Z		09	J26Z		09	J26Z
	11	L33Z		11	L33Z		09	J26Z
	17	R01A, R01B, R01C, R01D, R02Z, R12A, R12B, R12C		21A	W04A, W04B		11	L33Z
	21B	X33Z		21B	X06A, X06B, X06C, X33Z		21A	W04A, W04B
	23	Z01A		22	Y01Z, Y03A, Y03B		21B	X06A, X06B, X06C, X33Z
	Pre	A07A		Pre	A07A		22	Y01Z, Y03A, Y03B
5j124.20↔		BOP, KOP, KOPV, KVT, UOP4	5j131.00↔		BOP, KOP, KOPV, KVT, UOP4	5j132.01↔		BOP, KOP, KOPV, KVT, UOP4
	04	E06A, E06B, E06C, E08A, E08B, E08C		04	E06A, E06B, E06C, E08A, E08B, E08C		04	E06A, E06B, E06C, E08A, E08B, E08C
	06	G33Z		06	G33Z		06	G33Z
	07	H33Z, H38Z		07	H33Z, H38Z		07	H33Z, H38Z
	09	J26Z		09	J26Z		07	H33Z, H38Z
	10	K03A, K03B		11	L33Z		09	J26Z
	11	L33Z		21A	W04A, W04B		11	L33Z
	17	R01A, R01B, R01C, R01D, R02Z, R12A, R12B, R12C		21B	X06A, X06B, X06C, X33Z		21A	W04A, W04B
	21B	X33Z		22	Y01Z, Y03A, Y03B		21B	X06A, X06B, X06C, X33Z
	23	Z01A		23	Z01A		22	Y01Z, Y03A, Y03B
Pre	A07A	Pre	A07A	23	Z01A			

VYK



ZZV	MDC	DRG	ZZV	MDC	DRG	ZZV	MDC	DRG			
5j132.20↔		BOP, KOP, KOPV, KVT, UOP4	5j140.21↔	04	E05A, E05B, E05C, E08A, E08B, E08C	5j142.10↔	04	E01A, E01B, E08A, E08B, E08C			
	04	E06A, E06B, E06C, E08A, E08B, E08C		06	G33Z		06	G01Z, G02Z, G33Z, G38Z			
	06	G33Z		07	H33Z, H38Z		07	H33Z, H38Z			
	07	H33Z, H38Z		09	J26Z		09	J26Z			
	09	J26Z		11	L33Z		11	L33Z			
	11	L33Z		21A	W04A, W04B		21A	W04A, W04B			
	21A	W04A, W04B		21B	X06A, X06B, X06C, X33Z		21B	X06A, X06B, X06C, X33Z			
	21B	X06A, X06B, X06C, X33Z		22	Y01Z, Y03A, Y03B		22	Y01Z, Y03A, Y03B			
	22	Y01Z, Y03A, Y03B		23	Z01A		23	Z01A			
	23	Z01A		Pre	A07A		Pre	A07A, A11A, A13A, A13B, A13D			
	Pre	A07A									
	5j132.21↔			BOP, KOP, KOPV, KVT, UOP4	5j141.00↔		04	E01A, E01B, E05A, E05B, E05C, E08A, E08B, E08C	5j142.11↔		BOP, KOP, KOPV, KVT, UOP4
		04		E06A, E06B, E06C, E08A, E08B, E08C			06	G01Z, G02Z, G33Z, G38Z		04	E01A, E01B, E08A, E08B, E08C
06		G33Z	07	H33Z, H38Z		06	G33Z				
07		H33Z, H38Z	09	J26Z		07	H33Z, H38Z				
09		J26Z	11	L33Z		09	J26Z				
11		L33Z	21A	W04A, W04B		11	L33Z				
21A		W04A, W04B	21B	X06A, X06B, X06C, X33Z		21A	W04A, W04B				
21B		X06A, X06B, X06C, X33Z	22	Y01Z, Y03A, Y03B		21B	X06A, X06B, X06C, X33Z				
22		Y01Z, Y03A, Y03B	23	Z01A		22	Y01Z, Y03A, Y03B				
23		Z01A	Pre	A07A, A11A, A13A, A13B, A13D		23	Z01A				
Pre		A07A				Pre	A07A				
5j140.00↔			BOP, KOP, KOPV, KVT, UOP4	5j141.01↔		04	E01A, E01B, E05A, E05B, E05C, E08A, E08B, E08C	5j142.20↔			BOP, KOP, KOPV, KVT, UOP4
		04	E01A, E01B, E05A, E05B, E05C, E08A, E08B, E08C			06	G33Z			04	E01A, E01B, E08A, E08B, E08C
	06	G01Z, G02Z, G33Z, G38Z	07		H33Z, H38Z	06	G01Z, G02Z, G33Z, G38Z				
	07	H33Z, H38Z	09		J26Z	07	H33Z, H38Z				
	09	J26Z	11		L33Z	09	J26Z				
	11	L33Z	21A		W04A, W04B	11	L33Z				
	21A	W04A, W04B	21B		X06A, X06B, X06C, X33Z	21A	W04A, W04B				
	21B	X06A, X06B, X06C, X33Z	22		Y01Z, Y03A, Y03B	21B	X06A, X06B, X06C, X33Z				
	22	Y01Z, Y03A, Y03B	23		Z01A	22	Y01Z, Y03A, Y03B				
	23	Z01A	Pre		A07A	23	Z01A				
	Pre	A07A, A11A, A13A, A13B, A13D				Pre	A07A, A11A, A13A, A13B, A13D				
	5j140.01↔		BOP, KOP, KOPV, KVT, UOP4		5j141.20↔	04	E05A, E05B, E05C, E08A, E08B, E08C		5j142.21↔		BOP, KOP, KOPV, KVT, UOP4
		04	E05A, E05B, E05C, E08A, E08B, E08C			06	G01Z, G02Z, G33Z, G38Z			04	E05A, E05B, E05C, E08A, E08B, E08C
06		G01Z, G02Z, G33Z, G38Z	07	H33Z, H38Z		06	G33Z				
07		H33Z, H38Z	09	J26Z		07	H33Z, H38Z				
09		J26Z	11	L33Z		09	J26Z				
11		L33Z	21A	W04A, W04B		11	L33Z				
21A		W04A, W04B	21B	X06A, X06B, X06C, X33Z		21A	W04A, W04B				
21B		X06A, X06B, X06C, X33Z	22	Y01Z, Y03A, Y03B		21B	X06A, X06B, X06C, X33Z				
22		Y01Z, Y03A, Y03B	23	Z01A		22	Y01Z, Y03A, Y03B				
23		Z01A	Pre	A07A, A11A, A13A, A13B, A13D		23	Z01A				
Pre		A07A, A11A, A13A, A13B, A13D				Pre	A07A				
5j140.20↔			BOP, KOP, KOPV, KVT, UOP4	5j141.21↔		04	E05A, E05B, E05C, E08A, E08B, E08C	5j144.00↔			BOP, KOP, KOPV, KVT, UOP4
		04	E05A, E05B, E05C, E08A, E08B, E08C			06	G33Z			04	E01A, E01B
	06	G01Z, G02Z, G33Z, G38Z	07		H33Z, H38Z	06	G33Z				
	07	H33Z, H38Z	09		J26Z	07	H33Z, H38Z				
	09	J26Z	11		L33Z	09	J26Z				
	11	L33Z	21A		W04A, W04B	11	L33Z				
	21A	W04A, W04B	21B		X06A, X06B, X06C, X33Z	21A	W04A, W04B				
	21B	X06A, X06B, X06C, X33Z	22		Y01Z, Y03A, Y03B	21B	X06A, X06B, X06C, X33Z				
	22	Y01Z, Y03A, Y03B	23		Z01A	22	Y01Z, Y03A, Y03B				
	23	Z01A	Pre		A07A	23	Z01A				
	Pre	A07A, A11A, A13A, A13B, A13D				Pre	A07A				

ZZV	MDC	DRG	ZZV	MDC	DRG	ZZV	MDC	DRG			
5j14a.01↔		BOP, KOP, KOPV, KVT, UOP4	5j14b.00↔		BOP, KOP, KOPV, KVT, UOP4	5j14c.20↔		BOP, KOP, KOPV, KVT, UOP4			
	04	E01A		04	E05A, E05B, E05C, E08A, E08B, E08C		04	E01A, E01B, E08A, E08B, E08C			
	06	G33Z		06	G33Z		06	G33Z			
	07	H33Z, H38Z		07	H33Z, H38Z		07	H33Z, H38Z			
	09	J26Z		09	J26Z		09	J26Z			
	11	L33Z		11	L33Z		11	L33Z			
	21A	W04A, W04B		21A	W04A, W04B		21A	W04A, W04B			
	21B	X06A, X06B, X06C, X33Z		21B	X06A, X06B, X06C, X33Z		21B	X06A, X06B, X06C, X33Z			
	22	Y01Z, Y03A, Y03B		22	Y01Z, Y03A, Y03B		22	Y01Z, Y03A, Y03B			
	23	Z01A		23	Z01A		23	Z01A			
	Pre	A07A		Pre	A07A		Pre	A07A			
	5j14a.00↔			BOP, KOP, KOPV, KVT, UOP4	5j14b.01↔			BOP, KOP, KOPV, KVT, UOP4	5j14c.21↔		BOP, KOP, KOPV, KVT, UOP4
		04		E05A, E05B, E05C, E08A, E08B, E08C			04	E05A, E05B, E05C, E08A, E08B, E08C		04	E01A, E01B, E08A, E08B, E08C
		06		G33Z			06	G33Z		06	G33Z
07		H33Z, H38Z	07	H33Z, H38Z		07	H33Z, H38Z				
09		J26Z	09	J26Z		09	J26Z				
11		L33Z	11	L33Z		11	L33Z				
21A		W04A, W04B	21A	W04A, W04B		21A	W04A, W04B				
21B		X06A, X06B, X06C, X33Z	21B	X06A, X06B, X06C, X33Z		21B	X06A, X06B, X06C, X33Z				
22		Y01Z, Y03A, Y03B	22	Y01Z, Y03A, Y03B		22	Y01Z, Y03A, Y03B				
23		Z01A	23	Z01A		23	Z01A				
Pre		A07A	Pre	A07A		Pre	A07A				
5j14a.01↔			BOP, KOP, KOPV, KVT, UOP4	5j14b.20↔			BOP, KOP, KOPV, KVT, UOP4	5j14e.00↔			BOP, KOP, KOPV, KVT, MVV, UOP4
		04	E05A, E05B, E05C, E08A, E08B, E08C			04	E05A, E05B, E05C, E08A, E08B, E08C			04	E01A, E01B
		06	G33Z			06	G33Z			06	G33Z
	07	H33Z, H38Z	07		H33Z, H38Z	07	H33Z, H38Z				
	09	J26Z	09		J26Z	09	J26Z				
	11	L33Z	11		L33Z	11	L33Z				
	21A	W04A, W04B	21A		W04A, W04B	21A	W04A, W04B				
	21B	X06A, X06B, X06C, X33Z	21B		X06A, X06B, X06C, X33Z	21B	X06A, X06B, X06C, X33Z				
	22	Y01Z, Y03A, Y03B	22		Y01Z, Y03A, Y03B	22	Y01Z, Y03A, Y03B				
	23	Z01A	23		Z01A	23	Z01A				
	Pre	A07A	Pre		A07A	Pre	A07A				
	5j14a.20↔		BOP, KOP, KOPV, KVT, UOP4		5j14b.21↔		BOP, KOP, KOPV, KVT, UOP4		5j14e.01↔		BOP, KOP, KOPV, KVT, MVV, UOP4
		04	E05A, E05B, E05C, E08A, E08B, E08C			04	E05A, E05B, E05C, E08A, E08B, E08C			04	E01A, E01B
		06	G33Z			06	G33Z			06	G33Z
07		H33Z, H38Z	07	H33Z, H38Z		07	H33Z, H38Z				
09		J26Z	09	J26Z		09	J26Z				
11		L33Z	11	L33Z		11	L33Z				
21A		W04A, W04B	21A	W04A, W04B		21A	W04A, W04B				
21B		X06A, X06B, X06C, X33Z	21B	X06A, X06B, X06C, X33Z		21B	X06A, X06B, X06C, X33Z				
22		Y01Z, Y03A, Y03B	22	Y01Z, Y03A, Y03B		22	Y01Z, Y03A, Y03B				
23		Z01A	23	Z01A		23	Z01A				
Pre		A07A	Pre	A07A		Pre	A07A				
5j14a.21↔			BOP, KOP, KOPV, KVT, UOP4	5j14c.11↔			BOP, KOP, KOPV, KVT, UOP4	5j14x↔			BOP, KOP, KOPV, KVT, UOP4
		04	E05A, E05B, E05C, E08A, E08B, E08C			04	E01A, E01B, E08A, E08B, E08C			04	E05A, E05B, E05C, E08A, E08B, E08C
		06	G33Z			06	G33Z			06	G33Z
	07	H33Z, H38Z	07		H33Z, H38Z	07	H33Z, H38Z				
	09	J26Z	09		J26Z	09	J26Z				
	11	L33Z	11		L33Z	11	L33Z				
	21A	W04A, W04B	21A		W04A, W04B	21A	W04A, W04B				
	21B	X06A, X06B, X06C, X33Z	21B		X06A, X06B, X06C, X33Z	21B	X06A, X06B, X06C, X33Z				
	22	Y01Z, Y03A, Y03B	22		Y01Z, Y03A, Y03B	22	Y01Z, Y03A, Y03B				
	23	Z01A	23		Z01A	23	Z01A				
	Pre	A07A	Pre		A07A	Pre	A07A				

VYK

ZZV	MDC	DRG	ZZV	MDC	DRG	ZZV	MDC	DRG						
5j150.00↔		BOP, KOP, KOPV, KVT, UOP4	5j153↔		BOP, KOP, KOPV, KVT, MVV, UOP4	5j406.1		BOP, KOP, KOPV, KVT, UOP4						
	04	E05A, E05B, E05C, E08A, E08B, E08C		04	E01A, E01B		04	E05A, E05B, E05C, E08A, E08B, E08C						
	06	G33Z		06	G33Z		06	G33Z						
	07	H33Z, H38Z		07	H33Z, H38Z		07	H33Z, H38Z						
	09	J26Z		09	J26Z		07	H33Z, H38Z						
	11	L33Z		11	L33Z		11	L33Z						
	21A	W04A, W04B		21A	W04A, W04B		21A	W04A, W04B						
	21B	X06A, X06B, X06C, X33Z		21B	X06A, X06B, X06C, X33Z		21B	X06A, X06B, X06C						
	22	Y01Z, Y03A, Y03B		22	Y01Z, Y03A, Y03B		22	Y01Z, Y03A, Y03B						
	23	Z01A		23	Z01A		23	Z01A						
	Pre	A07A		Pre	A07A, A09B, A11A, A11B, A13B		Pre	A07A						
	5j150.01↔			BOP, KOP, KOPV, KVT, UOP4	5j154↔			BOP, KOP, KOPV, KVT, MVV, UOP4	5j406.2		BOP, KOP, KOPV, KVT, UOP4			
		04		E05A, E05B, E05C, E08A, E08B, E08C			04	E01A, E01B		04	E05A, E05B, E05C, E08A, E08B, E08C			
		06		G33Z			06	G33Z		06	G33Z			
		07		H33Z, H38Z			07	H33Z, H38Z		07	H33Z, H38Z			
09		J26Z	09	J26Z		11	L33Z							
11		L33Z	11	L33Z		21A	W04A, W04B							
21A		W04A, W04B	21A	W04A, W04B		21B	X06A, X06B, X06C							
21B		X06A, X06B, X06C, X33Z	21B	X06A, X06B, X06C, X33Z		22	Y01Z, Y03A, Y03B							
22		Y01Z, Y03A, Y03B	22	Y01Z, Y03A, Y03B		23	Z01A							
23		Z01A	23	Z01A		Pre	A07A							
Pre		A07A	Pre	A07A, A09B, A11A, A11B, A13B		5j406.3		BOP, KOP, KOPV, KVT, UOP4						
5j151.00↔			BOP, KOP, KOPV, KVT, MVV, UOP4	5j155↔				BOP, KOP, KOPV, KVT, MVV, UOP4		5j410.0		BOP, KOP, KOPV, KVT, UOP4		
		04	E01A, E01B				04	E01A, E01B			04	E05A, E05B, E05C, E08A, E08B, E08C		
		06	G33Z				06	G33Z			06	G33Z		
		07	H33Z, H38Z				07	H33Z, H38Z			07	H33Z, H38Z		
	09	J26Z	09		J26Z		11	L33Z						
	11	L33Z	11		L33Z		21A	W04A, W04B						
	21A	W04A, W04B	21A		W04A, W04B		21B	X06A, X06B, X06C						
	21B	X06A, X06B, X06C, X33Z	21B		X06A, X06B, X06C, X33Z		22	Y01Z, Y03A, Y03B						
	22	Y01Z, Y03A, Y03B	22		Y01Z, Y03A, Y03B		23	Z01A						
	23	Z01A	23		Z01A		Pre	A07A						
	Pre	A07A, A09B, A11A, A11B, A13B	Pre		A07A, A09B, A11A, A11B, A13B		5j410.2		BOP, KOP, KOPV, KVT, UOP4					
	5j151.01↔		BOP, KOP, KOPV, KVT, UOP4		5j401				BOP, KOP, KOPV, KVT, UOP4		5j410.0		BOP, KOP, KOPV, KVT, UOP4	
		04	E05A, E05B, E05C, E08A, E08B, E08C					04	E05A, E05B, E05C, E08A, E08B, E08C			04	E05A, E05B, E05C, E08A, E08B, E08C	
		06	G33Z					06	G33Z			06	G33Z	
		07	H33Z, H38Z			07		H33Z, H38Z	07			H33Z, H38Z		
09		J26Z	11	L33Z		11		L33Z						
11		L33Z	21A	W04A, W04B		21A		W04A, W04B						
21A		W04A, W04B	21B	X06A, X06B, X06C		21B		X06A, X06B, X06C						
21B		X06A, X06B, X06C, X33Z	22	Y01Z, Y03A, Y03B		22		Y01Z, Y03A, Y03B						
22		Y01Z, Y03A, Y03B	23	Z01A		23		Z01A						
23		Z01A	Pre	A07A		Pre		A07A						
Pre		A07A	5j403			BOP, KOP, KOPV, KVT, UOP4		5j410.2		BOP, KOP, KOPV, KVT, UOP4				
5j152↔				BOP, KOP, KOPV, KVT, MVV, UOP4		5j403				BOP, KOP, KOPV, KVT, UOP4		5j410.2		BOP, KOP, KOPV, KVT, UOP4
		04		E01A, E01B					04	E05A, E05B, E05C, E08A, E08B, E08C			04	E05A, E05B, E05C, E08A, E08B, E08C
		06		G33Z					06	G33Z			06	G33Z
		07		H33Z, H38Z			07		H33Z, H38Z	07			H33Z, H38Z	
	09	J26Z		11	L33Z		11		L33Z					
	11	L33Z		21A	W04A, W04B		21A		W04A, W04B					
	21A	W04A, W04B		21B	X06A, X06B, X06C		21B		X06A, X06B, X06C					
	21B	X06A, X06B, X06C, X33Z		22	Y01Z, Y03A, Y03B		22		Y01Z, Y03A, Y03B					
	22	Y01Z, Y03A, Y03B		23	Z01A		23		Z01A					
	23	Z01A		Pre	A07A		Pre		A07A					
	Pre	A07A, A09B, A11A, A11B, A13B		5j405			E02A, E02B, E02C		5j405		E02A, E02B, E02C			

ZZV	MDC	DRG	ZZV	MDC	DRG	ZZV	MDC	DRG			
5j411.00		BOP, KOP, KOPV, KVT, UOP4	5j411.21		BOP, KOP, KOPV, KVT, UOP4	5j496.0↔		BOP, KVT, UOP4			
	04	E05A, E05B, E05C, E08A, E08B, E08C		04	E05A, E05B, E05C, E08A, E08B, E08C		04	E02A, E02B, E02C			
	06	G33Z		06	G33Z		05	F13A			
	07	H33Z, H38Z		07	H33Z, H38Z	08	I12A, I12B, I12C, I23A				
	09	J03A, J03B, J04A, J04B, J08A, J08B, J08C, J11A, J11B, J16Z		09	J03A, J03B, J04A, J04B, J08A, J08B, J08C, J11A, J11B, J16Z	5j496.2↔	BOP, KVT, UOP4				
	11	L33Z		11	L33Z	04	E02A, E02B, E02C				
	21A	W04A, W04B		21A	W04A, W04B	05	F13A				
	21B	X06A, X06B, X06C		21B	X06A, X06B, X06C	08	I12A, I12B, I12C, I23A				
	22	Y01Z, Y03A, Y03B		22	Y01Z, Y03A, Y03B	5j496.50	BOP, KOP, KOPV, KVT, UOP4				
	23	Z01A		23	Z01A	04	E05A, E05B, E05C, E08A, E08B, E08C				
	Pre	A07A		Pre	A07A	06	G33Z				
	5j411.01			BOP, KOP, KOPV, KVT, UOP4	5j415.1		BOP, KVT, UOP4	5j496.51		BOP, KOP, KOPV, KVT, UOP4	
		04		E05A, E05B, E05C, E08A, E08B, E08C		Pre	A03A, A03B, A18Z		04	E05A, E05B, E05C, E08A, E08B, E08C	
		06		G33Z		5j491	BOP, KOP, KOPV, KVT, UOP4		06	G33Z	
07		H33Z, H38Z	04	E06A, E06B, E06C, E08A, E08B, E08C		07	H33Z, H38Z				
09		J03A, J03B, J04A, J04B, J08A, J08B, J08C, J11A, J11B, J16Z	06	G33Z		09	J26Z				
11		L33Z	07	H33Z, H38Z		11	L33Z				
21A		W04A, W04B	11	L33Z		21A	W04A, W04B				
21B		X06A, X06B, X06C	21A	W04A, W04B		21B	X06A, X06B, X06C, X33Z				
22		Y01Z, Y03A, Y03B	21B	X06A, X06B, X06C, X33Z		22	Y01Z, Y03A, Y03B				
23		Z01A	22	Y01Z, Y03A, Y03B		23	Z01A				
Pre		A07A	23	Z01A		Pre	A07A				
5j411.1			BOP, KOP, KOPV, KVT, UOP4	5j494			BOP, KOP, KOPV, KVT, UOP4	5j496.52		BOP, KOP, KOPV, KVT, UOP4	
		04	E05A, E05B, E05C, E08A, E08B, E08C			04	E05A, E05B, E05C, E08A, E08B, E08C		04	E05A, E05B, E05C, E08A, E08B, E08C	
		06	G33Z			06	G33Z		06	G33Z	
	07	H33Z, H38Z	07		H33Z, H38Z	07	H33Z, H38Z				
	09	J03A, J03B, J04A, J04B, J08A, J08B, J08C, J11A, J11B, J16Z	11		L33Z	11	L33Z				
	11	L33Z	21A		W04A, W04B	21A	W04A, W04B				
	21A	W04A, W04B	21B		X06A, X06B, X06C	21B	X06A, X06B, X06C				
	21B	X06A, X06B, X06C	22		Y01Z, Y03A, Y03B	22	Y01Z, Y03A, Y03B				
	22	Y01Z, Y03A, Y03B	23		Z01A	23	Z01A				
	23	Z01A	Pre		A07A	Pre	A07A				
	Pre	A07A	5j495.0		BOP, KOP, KOPV, KVT, UOP4	5j496.53		BOP, KOP, KOPV, KVT, UOP4			
	5j411.20		BOP, KOP, KOPV, KVT, UOP4		5j495.2			BOP, KOP, KOPV, KVT, UOP4	5j496.54		BOP, KOP, KOPV, KVT, UOP4
		04	E05A, E05B, E05C, E08A, E08B, E08C				04	E05A, E05B, E05C, E08A, E08B, E08C		04	E05A, E05B, E05C, E08A, E08B, E08C
		06	G33Z			06	G33Z	06		G33Z	
07		H33Z, H38Z	07	H33Z, H38Z		07	H33Z, H38Z				
09		J03A, J03B, J04A, J04B, J08A, J08B, J08C, J11A, J11B, J16Z	11	L33Z		11	L33Z				
11		L33Z	21A	W04A, W04B		21A	W04A, W04B				
21A		W04A, W04B	21B	X06A, X06B, X06C		21B	X06A, X06B, X06C				
21B		X06A, X06B, X06C	22	Y01Z, Y03A, Y03B		22	Y01Z, Y03A, Y03B				
22		Y01Z, Y03A, Y03B	23	Z01A		23	Z01A				
23		Z01A	Pre	A07A		Pre	A07A				
Pre		A07A	04	E05A, E05B, E05C, E08A, E08B, E08C		5j496.54		BOP, KOP, KOPV, KVT, UOP4			
5j411.21			BOP, KOP, KOPV, KVT, UOP4	5j495.2				BOP, KOP, KOPV, KVT, UOP4	5j496.54		BOP, KOP, KOPV, KVT, UOP4
		04	E05A, E05B, E05C, E08A, E08B, E08C				04	E05A, E05B, E05C, E08A, E08B, E08C		04	E05A, E05B, E05C, E08A, E08B, E08C
		06	G33Z			06	G33Z	06		G33Z	
	07	H33Z, H38Z	07		H33Z, H38Z	07	H33Z, H38Z				
	09	J03A, J03B, J04A, J04B, J08A, J08B, J08C, J11A, J11B, J16Z	11		L33Z	11	L33Z				
	11	L33Z	21A		W04A, W04B	21A	W04A, W04B				
	21A	W04A, W04B	21B		X06A, X06B, X06C	21B	X06A, X06B, X06C				
	21B	X06A, X06B, X06C	22		Y01Z, Y03A, Y03B	22	Y01Z, Y03A, Y03B				
	22	Y01Z, Y03A, Y03B	23		Z01A	23	Z01A				
	23	Z01A	Pre		A07A	Pre	A07A				
	Pre	A07A	04		E05A, E05B, E05C, E08A, E08B, E08C	5j496.54		BOP, KOP, KOPV, KVT, UOP4			

ZZV	MDC	DRG	ZZV	MDC	DRG	ZZV	MDC	DRG		
5j501		BOP, KOP, KOPV, KVT, UOP4	5j514.0	04	E05A, E05B, E05C, E08A, E08B, E08C	5j515.b1	04	E05A, E05B, E05C, E08A, E08B, E08C		
	05	F13A		06	G10Z, G12A, G12B, G18A, G33Z, G38Z		06	G33Z		
	06	G01Z, G02Z, G33Z, G38Z		07	H33Z, H38Z		07	H33Z, H38Z		
	07	H33Z, H38Z		08	I28A, I28B		10	K09A, K09B		
	11	L33Z		09	J03A, J03B, J04A, J04B, J08A, J08B, J08C, J10A, J10B, J16Z, J21Z		11	L33Z		
	17	R01A, R01B, R01C, R01D, R02Z, R12A, R12B, R12C		10	K09A, K09B		17	R01A, R01B, R01C, R01D, R02Z, R12A, R12B, R12C		
	21A	W04A, W04B		11	L03Z, L04A, L04B, L04C, L10Z, L13A, L13B, L33Z, L38Z		23	Z01A		
	21B	X06A, X06B, X06C		12	M01A, M01B, M09A, M38Z		Pre	A07A		
	23	Z01A		13	N01A, N01B, N01C, N01D, N01E, N11A, N38Z		5j515.c	BOP, KOP, KOPV, KVT, UOP4		
	Pre	A07A, A11A, A13A, A13B, A13D		17	R01A, R01B, R01C, R01D, R02Z, R12A, R12B, R12C			04	E05A, E05B, E05C, E08A, E08B, E08C	
	5j503			BOP, KVT, UOP4	5j514.1		23	Z01A	06	G33Z
		04		E02A, E02B, E02C			Pre	A07A	07	H33Z, H38Z
		05		F13A			5j514.2	BOP, KOP, KOPV, KVT, UOP4	10	K09A, K09B
		21A		W04A, W04B				04	E05A, E05B, E05C, E08A, E08B, E08C	11
21B		X06A, X06B, X06C	06	G10Z, G12A, G12B, G33Z		23		Z01A		
Pre	B61A	07	H33Z, H38Z	Pre	A07A					
5j510.a		BOP, KVT, UOP4	5j514.2	08	I28A, I28B	5j515.e		BOP, KOP, KOPV, KVT, UOP4		
	04	E02A, E02B, E02C		09	J03A, J03B, J04A, J04B, J08A, J08B, J08C, J10A, J10B, J16Z, J21Z		04	E05A, E05B, E05C, E08A, E08B, E08C		
	05	F13A, F21A, F21B		10	K09A, K09B		06	G33Z		
	10	K09A, K09B		11	L03Z, L04A, L04B, L04C, L10Z, L13A, L13B, L33Z, L38Z		07	H33Z, H38Z		
	17	R01A, R01B, R01C, R01D, R02Z, R12A, R12B, R12C		12	M01A, M01B, M09A, M38Z		10	K09A, K09B		
	21A	W04A, W04B		13	N01A, N01B, N01C, N01D, N01E, N11A, N38Z		11	L33Z		
	21B	X06A, X06B, X06C		17	R01A, R01B, R01C, R01D, R02Z, R12A, R12B, R12C		23	Z01A		
5j510.b		BOP, KVT, UOP4	5j515.0	23	Z01A	5j515.f	BOP, KOP, KOPV, KVT, UOP4			
	04	E02A, E02B, E02C		Pre	A07A		04	E05A, E05B, E05C, E08A, E08B, E08C		
	05	F13A, F21A, F21B		5j515.1	BOP, KVT, UOP4		06	G33Z		
	10	K09A, K09B			03		D02A, D02B, D18Z, D24A, D24B	07	H33Z, H38Z	
	17	R01A, R01B, R01C, R01D, R02Z, R12A, R12B, R12C			04		E02A, E02B, E02C	10	K09A, K09B	
	21A	W04A, W04B			08		I06A, I06B, I06C, I06D, I06E	11	L33Z	
	21B	X06A, X06B, X06C			09		J02A, J02B, J02C, J03A, J03B, J04A, J04B, J08A, J08B, J10A, J10B, J16Z, J21Z	17	R01A, R01B, R01C, R01D, R02Z, R12A, R12B, R12C	
5j510.c		BOP, KVT, UOP4	5j515.2		10	K14Z	5j515.x	23	Z01A	
	04	E02A, E02B, E02C			11	L09A, L38Z		Pre	A07A	
	05	F13A, F21A, F21B		13	N11A	BOP, KOP, KOPV, KVT, UOP4				
	10	K09A, K09B		17	R01A, R01B, R01C, R01D, R02Z, R12A, R12B	04		E05A, E05B, E05C, E08A, E08B, E08C		
	17	R01A, R01B, R01C, R01D, R02Z, R12A, R12B, R12C		5j515.b0	BOP, KOP, KOPV, KVT, UOP4	06		G33Z		
	21A	W04A, W04B			04	E05A, E05B, E05C, E08A, E08B, E08C		07	H33Z, H38Z	
	21B	X06A, X06B, X06C			06	G33Z		10	K09A, K09B	
5j510.d		BOP, KVT, UOP4	07		H33Z, H38Z	11	L33Z			
	04	E02A, E02B, E02C	07		H33Z, H38Z	23	Z01A			
	05	F13A, F21A, F21B	10	K09A, K09B	Pre	A07A				
	10	K09A, K09B	5j515.b0	BOP, KOP, KOPV, KVT, UOP4	5j515.x	BOP, KOP, KOPV, KVT, UOP4				
17	R01A, R01B, R01C, R01D, R02Z, R12A, R12B, R12C	04		E05A, E05B, E05C, E08A, E08B, E08C		04	E05A, E05B, E05C, E08A, E08B, E08C			
21A	W04A, W04B	06		G33Z		06	G33Z			
21B	X06A, X06B, X06C	07		H33Z, H38Z		10	K09A, K09B			
5j510.x		BOP, KVT, UOP4	06	G33Z	11	L33Z				
	04	E02A, E02B, E02C	07	H33Z, H38Z	23	Z01A				
5j513	03	D12A, D12B	10	K09A, K09B	Pre	A07A				
	04	E02A, E02B, E02C	11	L33Z						
			23	Z01A						
			Pre	A07A						

VYK

ZZV	MDC	DRG	ZZV	MDC	DRG	ZZV	MDC	DRG			
5j520.01↔		BOP, KOP, KOPV, KVT, UOP4	5j525↔		BOP, KVT, UOP4	5j545		BOP, KOP, KOPV, KVT, UOP4			
	04	E05A, E05B, E05C, E08A, E08B, E08C		01	B03A, B03B, B18Z		04	E06A, E06B, E06C, E08A, E08B, E08C			
	06	G33Z		04	E02A, E02B, E02C		06	G33Z			
	07	H33Z, H38Z		06	G03B, G38Z		07	H33Z, H38Z			
	10	K09A, K09B		08	I06A, I06B, I06C, I06D, I06E, I28A, I28B		08	I06A, I06B, I06C, I06D, I06E, I28A, I28B, I44A, I44B			
	11	L33Z	09	J14A, J26Z	11		L33Z				
	17	R01A, R01B, R01C, R01D, R02Z, R12A, R12B, R12C	21A	W04A, W04B	23		Z01A				
	21A	W04A, W04B	21B	X06A, X06B	Pre		A07A				
	21B	X06A, X06B, X06C	5j526↔		BOP, KVT, UOP4		5j546.1		BOP, KOP, KOPV, KVT, UOP4		
	22	Y01Z, Y03A, Y03B		01	B03A, B03B, B18Z			04	E06A, E06B, E06C, E08A, E08B, E08C		
	23	Z01A		04	E02A, E02B, E02C			06	G33Z		
	Pre	A07A		06	G03B, G38Z			07	H33Z, H38Z		
				08	I06A, I06B, I06C, I06D, I06E, I28A, I28B			08	I06A, I06B, I06C, I06D, I06E, I28A, I28B, I44A, I44B		
	5j520.02↔		BOP, KOP, KOPV, KVT, UOP4	5j540				BOP, KOP, KOPV, KVT, UOP4	5j547.1		BOP, KOP, KOPV, KVT, UOP4
		04	E05A, E05B, E05C, E08A, E08B, E08C		04			E06A, E06B, E06C, E08A, E08B, E08C		04	E06A, E06B, E06C, E08A, E08B, E08C
		06	G33Z		06			G33Z		06	G33Z
		07	H33Z, H38Z		07			H33Z, H38Z		07	H33Z, H38Z
10		K09A, K09B	08		I06A, I06B, I06C, I06D, I06E, I28A, I28B, I44A, I44B	08		I28A			
11		L33Z	11	L33Z	09	J03A, J03B, J04A, J04B, J08A, J08B, J08C, J11A, J11B, J16Z					
17		R01A, R01B, R01C, R01D, R02Z, R12A, R12B, R12C	21B	X33Z	11	L33Z					
21A		W04A, W04B	23	Z01A	17	R01A, R01B, R01C, R01D, R02Z, R12A, R12B					
21B		X06A, X06B, X06C	Pre	A07A	21A	W04A, W04B					
22		Y01Z, Y03A, Y03B	5j541		BOP, KOP, KOPV, KVT, UOP4	21B		X06A, X06B			
23		Z01A		04	E06A, E06B, E06C, E08A, E08B, E08C	22		Y01Z, Y03A, Y03B			
Pre		A07A		06	G33Z	23		Z01A			
				07	H33Z, H38Z	Pre	A07A				
				08	I06A, I06B, I06C, I06D, I06E, I28A, I28B, I44A, I44B	5j547.2		BOP, KOP, KOPV, KVT, UOP4			
5j523.1↔			BOP, KVT, UOP4	5j542			BOP, KOP, KOPV, KVT, UOP4	5j548			BOP, KVT, UOP4
		04	E02A, E02B, E02C		04		E06A, E06B, E06C, E08A, E08B, E08C			01	B03A, B03B, B18Z
		06	G03B, G38Z		06		G33Z			04	E02A, E02B, E02C
	08	I06A, I06B, I06C, I06D, I06E, I28A, I28B	07		H33Z, H38Z		08		I06A, I06B, I06C, I06D, I06E, I28A, I28B, I44A, I44B		
	09	J03A, J03B, J04A, J04B, J08A, J08B, J08C, J11A, J11B, J14A, J16Z, J26Z	08		I06A, I06B, I06C, I06D, I06E, I28A, I28B, I44A, I44B		08		I06A, I06B, I06C, I06D, I06E, I28A, I28B, I44A, I44B		
	10	K09A, K09B	11	L33Z	09		J14A, J26Z				
	17	R01A, R01B, R01C, R01D, R02Z, R12A, R12B, R12C	21B	X33Z	21A		W04A, W04B				
	21A	W04A, W04B	23	Z01A	21B		X06A, X06B				
	21B	X06A, X06B	Pre	A07A	22		Y01Z, Y03A, Y03B				
	5j523.2↔		BOP, KVT, UOP4	5j543			BOP, KOP, KOPV, KVT, UOP4		5j548		BOP, KVT, UOP4
		04	E02A, E02B, E02C		04		E06A, E06B, E06C, E08A, E08B, E08C			01	B03A, B03B, B18Z
		06	G03B, G38Z		06		G33Z			04	E02A, E02B, E02C
		08	I06A, I06B, I06C, I06D, I06E, I28A, I28B		07		H33Z, H38Z			08	I06A, I06B, I06C, I06D, I06E, I28A, I28B, I44A, I44B
		09	J03A, J03B, J04A, J04B, J08A, J08B, J08C, J11A, J11B, J14A, J16Z, J26Z		08		I06A, I06B, I06C, I06D, I06E, I28A, I28B, I44A, I44B			08	I06A, I06B, I06C, I06D, I06E, I28A, I28B, I44A, I44B
		10	K09A, K09B	11	L33Z		09			J14A, J26Z	
		17	R01A, R01B, R01C, R01D, R02Z, R12A, R12B, R12C	21B	X33Z		21A			W04A, W04B	
		21A	W04A, W04B	23	Z01A	21B	X06A, X06B				
21B		X06A, X06B	Pre	A07A	22	Y01Z, Y03A, Y03B					
5j524↔			BOP, KVT, UOP4			5j548		BOP, KVT, UOP4			
		01	B03A, B03B, B18Z				01	B03A, B03B, B18Z			
		04	E02A, E02B, E02C				04	E02A, E02B, E02C			
		06	G03B, G38Z				08	I06A, I06B, I06C, I06D, I06E, I28A, I28B, I44A, I44B			
		08	I06A, I06B, I06C, I06D, I06E, I28A, I28B				09	J14A, J26Z			
		09	J14A, J26Z				21A	W04A, W04B			
		21A	W04A, W04B				21B	X06A, X06B			
		21B	X06A, X06B								

VYK

ZZV	MDC	DRG	ZZV	MDC	DRG	ZZV	MDC	DRG				
5j549		BOP, KOP, KOPV, KVT, UOP4	5j552		BOP, KVT, UOP4	5j554.1		BOP, KOP, KOPV, KVT, MVV, UOP4				
	04	E05A, E05B, E05C, E06A, E06B, E06C, E08A, E08B, E08C		04	E02A, E02B, E02C		04	E05A, E05B, E05C, E08A, E08B, E08C				
	06	G01Z, G02Z, G33Z, G38Z		08	I23A, I23B		06	G33Z				
	07	H33Z, H38Z		09	J03A, J03B, J04A, J04B, J08A, J08B, J08C, J11A, J11B, J16Z		07	H33Z, H38Z				
	08	I10A, I10B, I10C, I10D, I10E		10	K09A, K09B		08	I28A, I28B				
	09	J26Z		17	R01A, R01B, R01C, R01D, R02Z, R12A, R12B		10	K03A, K03B				
	11	L33Z		21A	W04A, W04B		11	L33Z				
	17	R01A, R01B, R01C, R01D, R02Z, R12A, R12B		21B	X06A, X06B, X06C		17	R01A, R01B, R01C, R01D, R02Z, R12A, R12B				
	21B	X33Z		5j553.1			BOP, KOP, KOPV, KVT, UOP4	21A	W04A, W04B			
	23	Z01A			04		E05A, E05B, E05C, E08A, E08B, E08C	21B	X06A, X06B, X06C, X33Z			
	Pre	A07A, A11A, A13A, A13B, A13D			06		G33Z	23	Z01A			
	5j54a				BOP, KOP, KOPV, KVT, UOP4		5j553.2		BOP, KOP, KOPV, KVT, UOP4	5j555.10		BOP, KOP, KOPV, KVT, MVV, UOP4
		04			E06A, E06B, E06C, E08A, E08B, E08C			04	E05A, E05B, E05C, E08A, E08B, E08C		04	E05A, E05B, E05C, E08A, E08B, E08C
		06			G33Z			06	G33Z		06	G01Z, G02Z, G15Z, G19A, G19B, G33Z, G38Z
		07			H33Z, H38Z			07	H33Z, H38Z		07	H01A, H33Z, H38Z
08		I06A, I06B, I06C, I06D, I06E, I28A, I28B, I44A, I44B	11		L33Z	11		L33Z				
11		L33Z	21A		W04A, W04B	17		R01A, R01B, R01C, R01D, R02Z, R12A, R12B				
21B		X33Z	21B		X06A, X06B, X06C, X33Z	21A		W04A, W04B				
23		Z01A	06		G33Z	21B		X06A, X06B, X06C, X33Z				
Pre		A07A	07		H33Z, H38Z	23		Z01A				
5j54b			BOP, KOP, KOPV, KVT, UOP4		5j553.3			BOP, KOP, KOPV, KVT, UOP4	5j555.11			BOP, KOP, KOPV, KVT, MVV, UOP4
		04	E06A, E06B, E06C, E08A, E08B, E08C			04		E05A, E05B, E05C, E08A, E08B, E08C			04	E05A, E05B, E05C, E08A, E08B, E08C
		06	G33Z			06		G33Z			06	G01Z, G02Z, G15Z, G19A, G19B, G33Z, G38Z
		07	H33Z, H38Z	07		H33Z, H38Z		07			H01A, H33Z, H38Z	
		08	I06A, I06B, I06C, I06D, I06E, I28A, I28B, I44A, I44B	11		L33Z		11			L33Z	
		11	L33Z	21A		W04A, W04B		17			R01A, R01B, R01C, R01D, R02Z, R12A, R12B	
	21B	X33Z	21B	X06A, X06B, X06C, X33Z		21A	W04A, W04B					
	23	Z01A	06	G33Z		21B	X06A, X06B, X06C, X33Z					
	Pre	A07A	07	H33Z, H38Z		23	Z01A					
	5j550.0		BOP, KOP, KOPV, KVT, UOP4	5j553.4			BOP, KOP, KOPV, KVT, UOP4	5j555.20			BOP, KOP, KOPV, KVT, MVV, UOP4	
		04	E05A, E05B, E05C, E08A, E08B, E08C			04	E05A, E05B, E05C, E08A, E08B, E08C			04	E05A, E05B, E05C, E08A, E08B, E08C	
		06	G33Z			06	G33Z			06	G01Z, G02Z, G15Z, G19A, G19B, G33Z, G38Z	
		07	H33Z, H38Z			07	H33Z, H38Z			07	H01A, H33Z, H38Z	
		11	L33Z			11	L33Z			11	L33Z	
		21A	W04A, W04B			21A	W04A, W04B			17	R01A, R01B, R01C, R01D, R02Z, R12A, R12B	
21B		X06A, X06B, X06C, X33Z	21B		X06A, X06B, X06C, X33Z	21A	W04A, W04B					
23		Z01A	06		G33Z	21B	X06A, X06B, X06C, X33Z					
Pre		A07A	07		H33Z, H38Z	23	Z01A					
5j550.2			BOP, KOP, KOPV, KVT, UOP4		5j554.0		BOP, KOP, KOPV, KVT, MVV, UOP4				BOP, KOP, KOPV, KVT, MVV, UOP4	
		04	E05A, E05B, E05C, E08A, E08B, E08C			04	E05A, E05B, E05C, E08A, E08B, E08C			04	E05A, E05B, E05C, E08A, E08B, E08C	
		06	G33Z			06	G33Z			06	G01Z, G02Z, G15Z, G19A, G19B, G33Z, G38Z	
		07	H33Z, H38Z			07	H33Z, H38Z			07	H01A, H33Z, H38Z	
		11	L33Z			11	L33Z			11	L33Z	
		21A	W04A, W04B			21A	W04A, W04B			17	R01A, R01B, R01C, R01D, R02Z, R12A, R12B	
	21B	X06A, X06B, X06C, X33Z	21B	X06A, X06B, X06C, X33Z		21A	W04A, W04B					
	23	Z01A	06	G33Z		21B	X06A, X06B, X06C, X33Z					
	Pre	A07A	07	H33Z, H38Z		23	Z01A					
			08	I28A, I28B		Pre	A07A, A11A, A13A, A13B, A13D					
			10	K03A, K03B								
			11	L33Z								
			17	R01A, R01B, R01C, R01D, R02Z, R12A, R12B								
			21A	W04A, W04B								
			21B	X06A, X06B, X06C, X33Z								
		23	Z01A									
		Pre	A07A									

VYK

ZZV	MDC	DRG	ZZV	MDC	DRG	ZZV	MDC	DRG			
5j555.21		BOP, KOP, KOPV, KVT, MVV, UOP4	5j561.x		BOP, KOP, KOPV, KVT, UOP4	5j902		BOP, KOP, KOPV, KVT, UOP4			
	04	E05A, E05B, E05C, E08A, E08B, E08C		04	E06A, E06B, E06C, E08A, E08B, E08C		03	D12A			
	06	G01Z, G02Z, G15Z, G19A, G19B, G33Z, G38Z		06	G33Z		04	E01A, E01B, E02A, E02B, E02C			
	07	H01A, H33Z, H38Z		07	H33Z, H38Z		05	F05Z, F07A, F13A, F21A, F21B, F27A, F27B, F27C, F42Z			
	11	L33Z		11	L33Z		06	G01Z, G02Z, G03B, G10Z, G12A, G12B, G33Z, G38Z			
	17	R01A, R01B, R01C, R01D, R02Z, R12A, R12B		17	R01A, R01B, R01C, R01D, R02Z, R12A, R12B, R12C		07	H06A, H06B, H06C, H33Z, H38Z			
	21A	W04A, W04B		21A	W04A, W04B		08	I23A, I23B, I28A, I28B			
	21B	X06A, X06B, X06C, X33Z		21B	X06A, X06B, X06C		09	J03A, J03B, J04A, J04B, J08A, J08B, J08C, J11A, J11B, J16Z			
	23	Z01A		22	Y01Z, Y03A, Y03B		10	K01Z, K09A, K09B			
	Pre	A07A, A11A, A13A, A13B, A13D		23	Z01A		11	L09A, L09B, L09C, L09D, L33Z, L38Z			
	5j560.0			BOP, KOP, KOPV, KVT, UOP4	5j562			BOP, KOP, KOPV, KVT, UOP4	5j902		BOP, KOP, KOPV, KVT, UOP4
		04		E06A, E06B, E06C, E08A, E08B, E08C			04	E06A, E06B, E06C, E08A, E08B, E08C		10	K01Z, K09A, K09B
		06		G33Z			06	G33Z		11	L09A, L09B, L09C, L09D, L33Z, L38Z
		07		H33Z, H38Z			07	H33Z, H38Z		12	M06Z, M09A, M09B, M38Z
		11		L33Z			11	L33Z		13	N11A
		21A		W04A, W04B			21A	W04A, W04B		14	962Z, O02A, O02B
21B		X06A, X06B, X06C	21B	X06A, X06B, X06C		17	R01A, R01B, R01C, R01D, R02Z, R12A, R12B, R12C				
22		Y01Z, Y03A, Y03B	22	Y01Z, Y03A, Y03B		21A	W04A, W04B				
23		Z01A	23	Z01A		21B	X06A, X06B, X06C				
Pre		A07A	Pre	A07A		23	Z01A				
5j560.2			BOP, KOP, KOPV, KVT, UOP4	5j591			BOP, KVT, UOP4	5k500.01			BOP, KOP, KVT, UOP4
		04	E06A, E06B, E06C, E08A, E08B, E08C			04	E02A, E02B, E02C			04	E36Z
		06	G33Z			08	I12A, I12B, I12C, I23A, I23B			05	F98Z
		07	H33Z, H38Z			21A	W04A, W04B			06	G36Z
		11	L33Z			21B	X06A, X06B			08	I26Z
		17	R01A, R01B, R01C, R01D, R02Z, R12A, R12B, R12C			5j592				11	L33Z
	21A	W04A, W04B	04		BOP, KVT, UOP4	Pre	A06A, A07A, A09A, A11A, A13A				
	21B	X06A, X06B, X06C	08		E02A, E02B, E02C	5k500.02			BOP, KOP, KVT, UOP4		
	22	Y01Z, Y03A, Y03B	21A		W04A, W04B	04	E36Z				
	23	Z01A	21B		X06A, X06B	05	F98Z				
	Pre	A07A	5j593			06	G36Z				
	5j561.0		BOP, KOP, KOPV, KVT, UOP4		5j595.1		BOP, KVT, UOP4		5k500.02		BOP, KOP, KVT, UOP4
		04	E06A, E06B, E06C, E08A, E08B, E08C			04	E02A, E02B, E02C			08	I26Z
		06	G33Z			08	I28A, I28B			11	L33Z
		07	H33Z, H38Z			21A	W04A, W04B			Pre	A06A, A07A, A09A, A11A, A13A
		11	L33Z			21B	X06A, X06B			5k500.03	
17		R01A, R01B, R01C, R01D, R02Z, R12A, R12B, R12C	5j595.2			04	E36Z				
21A		W04A, W04B	04	BOP, KVT, UOP4		05	F98Z				
21B		X06A, X06B, X06C	08	E02A, E02B, E02C		06	G36Z				
22		Y01Z, Y03A, Y03B	08	I28A, I28B		08	I26Z				
23		Z01A	21A	W04A, W04B		11	L33Z				
Pre		A07A	21B	X06A, X06B		Pre	A06A, A07A, A09A, A11A, A13A				
5j561.2			BOP, KOP, KOPV, KVT, UOP4	5j597			BOP, KVT, UOP4	5k500.0x			BOP, KOP, KVT, UOP4
		04	E06A, E06B, E06C, E08A, E08B, E08C			04	E02A, E02B, E02C			04	E36Z
		06	G33Z			08	I12A, I12B, I12C, I23A, I23B			05	F98Z
		07	H33Z, H38Z			21A	W04A, W04B			06	G36Z
		11	L33Z			21B	X06A, X06B			08	I26Z
	17	R01A, R01B, R01C, R01D, R02Z, R12A, R12B, R12C	5j597			11	L33Z				
	21A	W04A, W04B	04		BOP, KVT, UOP4	Pre	A06A, A07A, A09A, A11A, A13A				
	21B	X06A, X06B, X06C	08		E02A, E02B, E02C	5k500.11			KOP		
	22	Y01Z, Y03A, Y03B	08		I12A, I12B, I12C, I23A, I23B	04	E36Z				
	23	Z01A	21A		W04A, W04B	05	F98Z				
	Pre	A07A	21B		X06A, X06B	06	G36Z				
	5j561.2		BOP, KOP, KOPV, KVT, UOP4		5j597		BOP, KVT, UOP4		5k500.11		BOP, KOP, KVT, UOP4
		04	E06A, E06B, E06C, E08A, E08B, E08C			04	E02A, E02B, E02C			08	I26Z
		06	G33Z			08	I28A, I28B			11	L33Z
		07	H33Z, H38Z			21A	W04A, W04B			Pre	A06A, A07A, A09A, A11A, A13A
		11	L33Z			21B	X06A, X06B			5k500.11	
17		R01A, R01B, R01C, R01D, R02Z, R12A, R12B, R12C	5j597			04	E36Z				
21A		W04A, W04B	04	BOP, KVT, UOP4		05	F98Z				
21B		X06A, X06B, X06C	08	E02A, E02B, E02C		06	G36Z				
22		Y01Z, Y03A, Y03B	08	I28A, I28B		08	I26Z				
23		Z01A	21A	W04A, W04B		11	L33Z				
Pre		A07A	21B	X06A, X06B		Pre	A06A, A07A, A09A, A11A, A13A				

VYK



ZZV	MDC	DRG	ZZV	MDC	DRG	ZZV	MDC	DRG
5k500.12		KOP	5k510.3		BOP, KOP, KOPV, KVT, UOP4	5k512.2		BOP, KOP, KOPV, KVT, UOP4
	04	E36Z		05	F01A, F01B, F01D, F03A, F03B, F03C, F03D, F03E, F03F, F05Z, F30Z, F36A, F36B, F42Z	05	F01A, F01B, F01D, F03A, F03B, F03C, F03D, F03E, F03F, F05Z, F30Z, F36A, F36B, F42Z	
	05	F98Z		06	G33Z	06	G33Z	
	06	G36Z		07	H33Z, H38Z	07	H33Z, H38Z	
	08	I26Z		11	L33Z	11	L33Z	
	11	L33Z		15	P02A, P02B, P02C	15	P02A, P02B, P02C	
	Pre	A06A, A07A, A09A, A11A, A13A		21B	X33Z	21B	X33Z	
5k500.13		KOP		23	Z01A	23	Z01A	
	04	E36Z		Pre	A06A, A07A, A09A, A11A, A13A	Pre	A06A, A07A, A09A, A11A, A13A	
	05	F98Z	5k510.4		BOP, KOP, KOPV, KVT, UOP4	5k512.3		BOP, KOP, KOPV, KVT, UOP4
	06	G36Z		05	F01A, F01B, F01D, F03A, F03B, F03C, F03D, F03E, F03F, F05Z, F30Z, F36A, F36B, F42Z	05	F01A, F01B, F01D, F03A, F03B, F03C, F03D, F03E, F03F, F05Z, F30Z, F36A, F36B, F42Z	
	08	I26Z		06	G33Z	06	G33Z	
	11	L33Z		07	H33Z, H38Z	07	H33Z, H38Z	
	Pre	A06A, A07A, A09A, A11A, A13A		11	L33Z	11	L33Z	
5k500.1x		KOP		15	P02A, P02B, P02C	15	P02A, P02B, P02C	
	04	E36Z		21B	X33Z	21B	X33Z	
	05	F98Z		23	Z01A	23	Z01A	
	06	G36Z		Pre	A06A, A07A, A09A, A11A, A13A	Pre	A06A, A07A, A09A, A11A, A13A	
	08	I26Z	5k510.5		BOP, KOP, KOPV, KVT, UOP4	5k512.4		BOP, KOP, KOPV, KVT, UOP4
	11	L33Z		05	F01A, F01B, F01D, F03A, F03B, F03C, F03D, F03E, F03F, F05Z, F30Z, F36A, F36B, F42Z	05	F01A, F01B, F01D, F03A, F03B, F03C, F03D, F03E, F03F, F05Z, F30Z, F36A, F36B, F42Z	
	Pre	A06A, A07A, A09A, A11A, A13A		06	G33Z	06	G33Z	
5k501.0		BOP, KOP, KVT, UOP4		07	H33Z, H38Z	07	H33Z, H38Z	
	04	E36Z		11	L33Z	11	L33Z	
	05	F98Z		15	P02A, P02B, P02C	15	P02A, P02B, P02C	
	06	G36Z		21B	X33Z	21B	X33Z	
	08	I26Z		23	Z01A	23	Z01A	
	11	L33Z		Pre	A06A, A07A, A09A, A11A, A13A	Pre	A06A, A07A, A09A, A11A, A13A	
	Pre	A06A, A07A, A09A, A11A, A13A		Pre	A06A, A07A, A09A, A11A, A13A	Pre	A06A, A07A, A09A, A11A, A13A	
5k502.0		BOP, KOP, KVT, UOP4	5k510.x		BOP, KOP, KOPV, KVT, UOP4	5k512.x		BOP, KOP, KOPV, KVT, UOP4
	04	E36Z		05	F01A, F01B, F01D, F03A, F03B, F03C, F03D, F03E, F03F, F05Z, F30Z, F36A, F36B, F42Z	05	F01A, F01B, F01D, F03A, F03B, F03C, F03D, F03E, F03F, F05Z, F30Z, F36A, F36B, F42Z	
	05	F98Z		06	G33Z	06	G33Z	
	06	G36Z		07	H33Z, H38Z	07	H33Z, H38Z	
	08	I26Z		11	L33Z	11	L33Z	
	11	L33Z		15	P02A, P02B, P02C	15	P02A, P02B, P02C	
	Pre	A06A, A07A, A09A, A11A, A13A		21B	X33Z	21B	X33Z	
5k503.0		BOP, KOP, KVT, UOP4		23	Z01A	23	Z01A	
	04	E36Z		Pre	A06A, A07A, A09A, A11A, A13A	Pre	A06A, A07A, A09A, A11A, A13A	
	05	F98Z		Pre	A06A, A07A, A09A, A11A, A13A	Pre	A06A, A07A, A09A, A11A, A13A	
	06	G36Z	5k512.1		BOP, KOP, KOPV, KVT, UOP4	5k513.1		BOP, KOP, KOPV, KVT, UOP4
	08	I26Z		05	F01A, F01B, F01D, F03A, F03B, F03C, F03D, F03E, F03F, F05Z, F30Z, F36A, F36B, F42Z	05	F01A, F01B, F01D, F03A, F03B, F03C, F03D, F03E, F03F, F05Z, F30Z, F36A, F36B, F42Z	
	11	L33Z		06	G33Z	06	G33Z	
	Pre	A06A, A07A, A09A, A11A, A13A		07	H33Z, H38Z	07	H33Z, H38Z	
5k503.1	05	F01A, F01B, F01D, F19A, F19B, F19C		11	L33Z	11	L33Z	
5k505.0	05	F01A, F01B, F01D, F19A, F19B, F19C		15	P02A, P02B, P02C	15	P02A, P02B, P02C	
5k50x	05	F01A, F01B, F01D, F19A, F19B, F19C		21B	X33Z	21B	X33Z	
5k510.2		BOP, KOP, KOPV, KVT, UOP4		23	Z01A	23	Z01A	
	05	F01A, F01B, F01D, F03A, F03B, F03C, F03D, F03E, F03F, F05Z, F30Z, F36A, F36B, F42Z		Pre	A06A, A07A, A09A, A11A, A13A	Pre	A06A, A07A, A09A, A11A, A13A	
	06	G33Z		Pre	A06A, A07A, A09A, A11A, A13A	Pre	A06A, A07A, A09A, A11A, A13A	
	07	H33Z, H38Z		Pre	A06A, A07A, A09A, A11A, A13A	Pre	A06A, A07A, A09A, A11A, A13A	
	11	L33Z		Pre	A06A, A07A, A09A, A11A, A13A	Pre	A06A, A07A, A09A, A11A, A13A	
	15	P02A, P02B, P02C		Pre	A06A, A07A, A09A, A11A, A13A	Pre	A06A, A07A, A09A, A11A, A13A	
	21B	X33Z		Pre	A06A, A07A, A09A, A11A, A13A	Pre	A06A, A07A, A09A, A11A, A13A	
	23	Z01A		Pre	A06A, A07A, A09A, A11A, A13A	Pre	A06A, A07A, A09A, A11A, A13A	
	Pre	A06A, A07A, A09A, A11A, A13A		Pre	A06A, A07A, A09A, A11A, A13A	Pre	A06A, A07A, A09A, A11A, A13A	

ZZV	MDC	DRG	ZZV	MDC	DRG	ZZV	MDC	DRG
5k513.2		BOP, KOP, KOPV, KVT, UOP4	5k514.2		BOP, KOP, KOPV, KVT, UOP4	5k516.2		BOP, KOP, KOPV, KVT, UOP4
	05	F01A, F01B, F01D, F03A, F03B, F03C, F03D, F03E, F03F, F05Z, F30Z, F36A, F36B, F42Z		05	F01A, F01B, F01D, F03A, F03B, F03C, F03D, F03E, F03F, F05Z, F30Z, F36A, F36B, F42Z		05	F01A, F01B, F01D, F03A, F03B, F03C, F03D, F03E, F03F, F05Z, F30Z, F36A, F36B, F42Z
	06	G33Z		06	G33Z		06	G33Z
	07	H33Z, H38Z		07	H33Z, H38Z		07	H33Z, H38Z
	11	L33Z		11	L33Z		11	L33Z
	15	P02A, P02B, P02C		15	P02A, P02B, P02C		15	P02A, P02B, P02C
	21B	X33Z		21B	X33Z		21B	X33Z
	23	Z01A		23	Z01A		23	Z01A
	Pre	A06A, A07A, A09A, A11A, A13A		Pre	A06A, A07A, A09A, A11A, A13A		Pre	A06A, A07A, A09A, A11A, A13A
5k513.3		BOP, KOP, KOPV, KVT, UOP4	5k514.3		BOP, KOP, KOPV, KVT, UOP4	5k516.3		BOP, KOP, KOPV, KVT, UOP4
	05	F01A, F01B, F01D, F03A, F03B, F03C, F03D, F03E, F03F, F05Z, F30Z, F36A, F36B, F42Z		05	F01A, F01B, F01D, F03A, F03B, F03C, F03D, F03E, F03F, F05Z, F30Z, F36A, F36B, F42Z		05	F01A, F01B, F01D, F03A, F03B, F03C, F03D, F03E, F03F, F05Z, F30Z, F36A, F36B, F42Z
	06	G33Z		06	G33Z		06	G33Z
	07	H33Z, H38Z		07	H33Z, H38Z		07	H33Z, H38Z
	11	L33Z		11	L33Z		11	L33Z
	15	P02A, P02B, P02C		15	P02A, P02B, P02C		15	P02A, P02B, P02C
	21B	X33Z		21B	X33Z		21B	X33Z
	23	Z01A		23	Z01A		23	Z01A
	Pre	A06A, A07A, A09A, A11A, A13A		Pre	A06A, A07A, A09A, A11A, A13A		Pre	A06A, A07A, A09A, A11A, A13A
5k513.4		BOP, KOP, KOPV, KVT, UOP4	5k514.4		BOP, KOP, KOPV, KVT, UOP4	5k516.4		BOP, KOP, KOPV, KVT, UOP4
	05	F01A, F01B, F01D, F03A, F03B, F03C, F03D, F03E, F03F, F05Z, F30Z, F36A, F36B, F42Z		05	F01A, F01B, F01D, F03A, F03B, F03C, F03D, F03E, F03F, F05Z, F30Z, F36A, F36B, F42Z		05	F01A, F01B, F01D, F03A, F03B, F03C, F03D, F03E, F03F, F05Z, F30Z, F36A, F36B, F42Z
	06	G33Z		06	G33Z		06	G33Z
	07	H33Z, H38Z		07	H33Z, H38Z		07	H33Z, H38Z
	11	L33Z		11	L33Z		11	L33Z
	15	P02A, P02B, P02C		15	P02A, P02B, P02C		15	P02A, P02B, P02C
	21B	X33Z		21B	X33Z		21B	X33Z
	23	Z01A		23	Z01A		23	Z01A
	Pre	A06A, A07A, A09A, A11A, A13A		Pre	A06A, A07A, A09A, A11A, A13A		Pre	A06A, A07A, A09A, A11A, A13A
5k513.x		BOP, KOP, KOPV, KVT, UOP4	5k514.x		BOP, KOP, KOPV, KVT, UOP4	5k516.x		BOP, KOP, KOPV, KVT, UOP4
	05	F01A, F01B, F01D, F03A, F03B, F03C, F03D, F03E, F03F, F05Z, F30Z, F36A, F36B, F42Z		05	F01A, F01B, F01D, F03A, F03B, F03C, F03D, F03E, F03F, F05Z, F30Z, F36A, F36B, F42Z		05	F01A, F01B, F01D, F03A, F03B, F03C, F03D, F03E, F03F, F05Z, F30Z, F36A, F36B, F42Z
	06	G33Z		06	G33Z		06	G33Z
	07	H33Z, H38Z		07	H33Z, H38Z		07	H33Z, H38Z
	11	L33Z		11	L33Z		11	L33Z
	15	P02A, P02B, P02C		15	P02A, P02B, P02C		15	P02A, P02B, P02C
	21B	X33Z		21B	X33Z		21B	X33Z
	23	Z01A		23	Z01A		23	Z01A
	Pre	A06A, A07A, A09A, A11A, A13A		Pre	A06A, A07A, A09A, A11A, A13A		Pre	A06A, A07A, A09A, A11A, A13A
5k514.1		BOP, KOP, KOPV, KVT, UOP4	5k516.1		BOP, KOP, KOPV, KVT, UOP4	5k51x.1		BOP, KOP, KOPV, KVT, UOP4
	05	F01A, F01B, F01D, F03A, F03B, F03C, F03D, F03E, F03F, F05Z, F30Z, F36A, F36B, F42Z		05	F01A, F01B, F01D, F03A, F03B, F03C, F03D, F03E, F03F, F05Z, F30Z, F36A, F36B, F42Z		05	F01A, F01B, F01D, F03A, F03B, F03C, F03D, F03E, F03F, F05Z, F30Z, F36A, F36B, F42Z
	06	G33Z		06	G33Z		06	G33Z
	07	H33Z, H38Z		07	H33Z, H38Z		07	H33Z, H38Z
	11	L33Z		11	L33Z		11	L33Z
	15	P02A, P02B, P02C		15	P02A, P02B, P02C		15	P02A, P02B, P02C
	21B	X33Z		21B	X33Z		21B	X33Z
	23	Z01A		23	Z01A		23	Z01A
	Pre	A06A, A07A, A09A, A11A, A13A		Pre	A06A, A07A, A09A, A11A, A13A		Pre	A06A, A07A, A09A, A11A, A13A

VYK

ZZV	MDC	DRG	ZZV	MDC	DRG	ZZV	MDC	DRG
5k51x.2		BOP, KOP, KOPV, KVT, UOP4	5k520.1		BOP, KOP, KOPV, KVT, UOP4	5k520.6		BOP, KOP, KOPV, KVT, UOP4
	05	F01A, F01B, F01D, F03A, F03B, F03C, F03D, F03E, F03F, F05Z, F30Z, F36A, F36B, F42Z		05	F01A, F01B, F01D, F03A, F03B, F03C, F03D, F03E, F03F, F05Z, F30Z, F36A, F36B, F42Z		05	F01A, F01B, F01D, F03A, F03B, F03C, F03D, F03E, F03F, F05Z, F30Z, F36A, F36B, F42Z
	06	G33Z		06	G33Z		06	G33Z
	07	H33Z, H38Z		07	H33Z, H38Z		07	H33Z, H38Z
	11	L33Z		11	L33Z		11	L33Z
	15	P02A, P02B, P02C		15	P02A, P02B, P02C		15	P02A, P02B, P02C
	21B	X33Z		21B	X33Z		21B	X33Z
	23	Z01A		23	Z01A		23	Z01A
	Pre	A06A, A07A, A09A, A11A, A13A		Pre	A06A, A07A, A09A, A11A, A13A		Pre	A06A, A07A, A09A, A11A, A13A
	5k51x.3			BOP, KOP, KOPV, KVT, UOP4	5k520.2			BOP, KOP, KOPV, KVT, UOP4
05		F01A, F01B, F01D, F03A, F03B, F03C, F03D, F03E, F03F, F05Z, F30Z, F36A, F36B, F42Z	05	F01A, F01B, F01D, F03A, F03B, F03C, F03D, F03E, F03F, F05Z, F30Z, F36A, F36B, F42Z		05	F01A, F01B, F01D, F03A, F03B, F03C, F03D, F03E, F03F, F05Z, F30Z, F36A, F36B, F42Z	
06		G33Z	06	G33Z		06	G33Z	
07		H33Z, H38Z	07	H33Z, H38Z		07	H33Z, H38Z	
11		L33Z	11	L33Z		11	L33Z	
15		P02A, P02B, P02C	15	P02A, P02B, P02C		15	P02A, P02B, P02C	
21B		X33Z	21B	X33Z		21B	X33Z	
23		Z01A	23	Z01A		23	Z01A	
Pre		A06A, A07A, A09A, A11A, A13A	Pre	A06A, A07A, A09A, A11A, A13A		Pre	A06A, A07A, A09A, A11A, A13A	
5k51x.4			BOP, KOP, KOPV, KVT, UOP4	5k520.3			BOP, KOP, KOPV, KVT, UOP4	5k522.0
	05	F01A, F01B, F01D, F03A, F03B, F03C, F03D, F03E, F03F, F05Z, F30Z, F36A, F36B, F42Z	05		F01A, F01B, F01D, F03A, F03B, F03C, F03D, F03E, F03F, F05Z, F30Z, F36A, F36B, F42Z	05	F01A, F01B, F01D, F03A, F03B, F03C, F03D, F03E, F03F, F05Z, F30Z, F36A, F36B, F42Z	
	06	G33Z	06		G33Z	06	G33Z	
	07	H33Z, H38Z	07		H33Z, H38Z	07	H33Z, H38Z	
	11	L33Z	11		L33Z	11	L33Z	
	15	P02A, P02B, P02C	15		P02A, P02B, P02C	15	P02A, P02B, P02C	
	21B	X33Z	21B		X33Z	21B	X33Z	
	23	Z01A	23		Z01A	23	Z01A	
	Pre	A06A, A07A, A09A, A11A, A13A	Pre		A06A, A07A, A09A, A11A, A13A	Pre	A06A, A07A, A09A, A11A, A13A	
	5k51x.x		BOP, KOP, KOPV, KVT, UOP4		5k520.4		BOP, KOP, KOPV, KVT, UOP4	
05		F01A, F01B, F01D, F03A, F03B, F03C, F03D, F03E, F03F, F05Z, F30Z, F36A, F36B, F42Z	05	F01A, F01B, F01D, F03A, F03B, F03C, F03D, F03E, F03F, F05Z, F30Z, F36A, F36B, F42Z		05	F01A, F01B, F01D, F03A, F03B, F03C, F03D, F03E, F03F, F05Z, F30Z, F36A, F36B, F42Z	
06		G33Z	06	G33Z		06	G33Z	
07		H33Z, H38Z	07	H33Z, H38Z		07	H33Z, H38Z	
11		L33Z	11	L33Z		11	L33Z	
15		P02A, P02B, P02C	15	P02A, P02B, P02C		15	P02A, P02B, P02C	
21B		X33Z	21B	X33Z		21B	X33Z	
23		Z01A	23	Z01A		23	Z01A	
Pre		A06A, A07A, A09A, A11A, A13A	Pre	A06A, A07A, A09A, A11A, A13A		Pre	A06A, A07A, A09A, A11A, A13A	
5k520.0			BOP, KOP, KOPV, KVT, UOP4	5k520.5			BOP, KOP, KOPV, KVT, UOP4	5k522.2
	05	F01A, F01B, F01D, F03A, F03B, F03C, F03D, F03E, F03F, F05Z, F30Z, F36A, F36B, F42Z	05		F01A, F01B, F01D, F03A, F03B, F03C, F03D, F03E, F03F, F05Z, F30Z, F36A, F36B, F42Z	05	F01A, F01B, F01D, F03A, F03B, F03C, F03D, F03E, F03F, F05Z, F30Z, F36A, F36B, F42Z	
	06	G33Z	06		G33Z	06	G33Z	
	07	H33Z, H38Z	07		H33Z, H38Z	07	H33Z, H38Z	
	11	L33Z	11		L33Z	11	L33Z	
	15	P02A, P02B, P02C	15		P02A, P02B, P02C	15	P02A, P02B, P02C	
	21B	X33Z	21B		X33Z	21B	X33Z	
	23	Z01A	23		Z01A	23	Z01A	
	Pre	A06A, A07A, A09A, A11A, A13A	Pre		A06A, A07A, A09A, A11A, A13A	Pre	A06A, A07A, A09A, A11A, A13A	

ZZV	MDC	DRG	ZZV	MDC	DRG	ZZV	MDC	DRG
5k522.3		BOP, KOP, KOPV, KVT, UOP4	5k524.3		BOP, KOP, KOPV, KVT, UOP4	5k526.1		BOP, KOP, KOPV, KVT, UOP4
	05	F01A, F01B, F01D, F03A, F03B, F03C, F03D, F03E, F03F, F05Z, F30Z, F36A, F36B, F42Z		05	F01A, F01B, F01D, F03A, F03B, F03C, F03D, F03E, F03F, F05Z, F30Z, F36A, F36B, F42Z		05	F01A, F01B, F01D, F03A, F03B, F03C, F03D, F03E, F03F, F05Z, F30Z, F36A, F36B, F42Z
	06	G33Z		06	G33Z		06	G33Z
	07	H33Z, H38Z		07	H33Z, H38Z		07	H33Z, H38Z
	11	L33Z		11	L33Z		11	L33Z
	15	P02A, P02B, P02C		15	P02A, P02B, P02C		15	P02A, P02B, P02C
	21B	X33Z		21B	X33Z		21B	X33Z
	23	Z01A		23	Z01A		23	Z01A
	Pre	A06A, A07A, A09A, A11A, A13A		Pre	A06A, A07A, A09A, A11A, A13A		Pre	A06A, A07A, A09A, A11A, A13A
5k522.x		BOP, KOP, KOPV, KVT, UOP4	5k524.4		BOP, KOP, KOPV, KVT, UOP4	5k526.2		BOP, KOP, KOPV, KVT, UOP4
	05	F01A, F01B, F01D, F03A, F03B, F03C, F03D, F03E, F03F, F05Z, F30Z, F36A, F36B, F42Z		05	F01A, F01B, F01D, F03A, F03B, F03C, F03D, F03E, F03F, F05Z, F30Z, F36A, F36B, F42Z		05	F01A, F01B, F01D, F03A, F03B, F03C, F03D, F03E, F03F, F05Z, F30Z, F36A, F36B, F42Z
	06	G33Z		06	G33Z		06	G33Z
	07	H33Z, H38Z		07	H33Z, H38Z		07	H33Z, H38Z
	11	L33Z		11	L33Z		11	L33Z
	15	P02A, P02B, P02C		15	P02A, P02B, P02C		15	P02A, P02B, P02C
	21B	X33Z		21B	X33Z		21B	X33Z
	23	Z01A		23	Z01A		23	Z01A
	Pre	A06A, A07A, A09A, A11A, A13A		Pre	A06A, A07A, A09A, A11A, A13A		Pre	A06A, A07A, A09A, A11A, A13A
5k524.0		BOP, KOP, KOPV, KVT, UOP4	5k524.5		BOP, KOP, KOPV, KVT, UOP4	5k526.3		BOP, KOP, KOPV, KVT, UOP4
	05	F01A, F01B, F01D, F03A, F03B, F03C, F03D, F03E, F03F, F05Z, F30Z, F36A, F36B, F42Z		05	F01A, F01B, F01D, F03A, F03B, F03C, F03D, F03E, F03F, F05Z, F30Z, F36A, F36B, F42Z		05	F01A, F01B, F01D, F03A, F03B, F03C, F03D, F03E, F03F, F05Z, F30Z, F36A, F36B, F42Z
	06	G33Z		06	G33Z		06	G33Z
	07	H33Z, H38Z		07	H33Z, H38Z		07	H33Z, H38Z
	11	L33Z		11	L33Z		11	L33Z
	15	P02A, P02B, P02C		15	P02A, P02B, P02C		15	P02A, P02B, P02C
	21B	X33Z		21B	X33Z		21B	X33Z
	23	Z01A		23	Z01A		23	Z01A
	Pre	A06A, A07A, A09A, A11A, A13A		Pre	A06A, A07A, A09A, A11A, A13A		Pre	A06A, A07A, A09A, A11A, A13A
5k524.1		BOP, KOP, KOPV, KVT, UOP4	5k524.x		BOP, KOP, KOPV, KVT, UOP4	5k526.x		BOP, KOP, KOPV, KVT, UOP4
	05	F01A, F01B, F01D, F03A, F03B, F03C, F03D, F03E, F03F, F05Z, F30Z, F36A, F36B, F42Z		05	F01A, F01B, F01D, F03A, F03B, F03C, F03D, F03E, F03F, F05Z, F30Z, F36A, F36B, F42Z		05	F01A, F01B, F01D, F03A, F03B, F03C, F03D, F03E, F03F, F05Z, F30Z, F36A, F36B, F42Z
	06	G33Z		06	G33Z		06	G33Z
	07	H33Z, H38Z		07	H33Z, H38Z		07	H33Z, H38Z
	11	L33Z		11	L33Z		11	L33Z
	15	P02A, P02B, P02C		15	P02A, P02B, P02C		15	P02A, P02B, P02C
	21B	X33Z		21B	X33Z		21B	X33Z
	23	Z01A		23	Z01A		23	Z01A
	Pre	A06A, A07A, A09A, A11A, A13A		Pre	A06A, A07A, A09A, A11A, A13A		Pre	A06A, A07A, A09A, A11A, A13A
5k524.2		BOP, KOP, KOPV, KVT, UOP4	5k526.0		BOP, KOP, KOPV, KVT, UOP4	5k530.0		BOP, KOP, KOPV, KVT, UOP4
	05	F01A, F01B, F01D, F03A, F03B, F03C, F03D, F03E, F03F, F05Z, F30Z, F36A, F36B, F42Z		05	F01A, F01B, F01D, F03A, F03B, F03C, F03D, F03E, F03F, F05Z, F30Z, F36A, F36B, F42Z		05	F01A, F01B, F01D, F03A, F03B, F03C, F03D, F03E, F03F, F05Z, F30Z, F36A, F36B, F42Z
	06	G33Z		06	G33Z		06	G33Z
	07	H33Z, H38Z		07	H33Z, H38Z		07	H33Z, H38Z
	11	L33Z		11	L33Z		11	L33Z
	15	P02A, P02B, P02C		15	P02A, P02B, P02C		15	P02A, P02B, P02C
	21B	X33Z		21B	X33Z		21B	X33Z
	23	Z01A		23	Z01A		23	Z01A
	Pre	A06A, A07A, A09A, A11A, A13A		Pre	A06A, A07A, A09A, A11A, A13A		Pre	A06A, A07A, A09A, A11A, A13A

ZZV	MDC	DRG	ZZV	MDC	DRG	ZZV	MDC	DRG
5k530.1		BOP, KOP, KOPV, KVT, UOP4	5k534		BOP, KOP, KOPV, KVT, UOP4	5k537.1		BOP, KOP, KOPV, KVT, UOP4
	05	F01A, F01B, F01D, F03A, F03B, F03C, F03D, F03E, F03F, F05Z, F30Z, F36A, F36B, F42Z		05	F01A, F01B, F01D, F03A, F03B, F03C, F03D, F03E, F03F, F05Z, F07A, F07B, F30Z, F36A, F36B, F42Z		05	F01A, F01B, F01D, F03A, F03B, F03C, F03D, F03E, F03F, F05Z, F07A, F07B, F30Z, F36A, F36B, F42Z
	06	G33Z		06	G33Z		06	G33Z
	07	H33Z, H38Z		07	H33Z, H38Z		07	H33Z, H38Z
	11	L33Z		11	L33Z		11	L33Z
	15	P02A, P02B, P02C		15	P02A, P02B, P02C		15	P02A, P02B, P02C
	21B	X33Z		21B	X33Z		21B	X33Z
	23	Z01A		23	Z01A		23	Z01A
	Pre	A06A, A07A, A09A, A11A, A13A		Pre	A06A, A07A, A09A, A11A, A13A		Pre	A06A, A07A, A09A, A11A, A13A
5k531		BOP, KOP, KOPV, KVT, UOP4	5k535		BOP, KOP, KOPV, KVT, UOP4	5k53x		BOP, KOP, KOPV, KVT, UOP4
	05	F01A, F01B, F01D, F03A, F03B, F03C, F03D, F03E, F03F, F05Z, F30Z, F36A, F36B, F42Z		05	F01A, F01B, F01D, F03A, F03B, F03C, F03D, F03E, F03F, F05Z, F07A, F07B, F30Z, F36A, F36B, F42Z		05	F01A, F01B, F01D, F03A, F03B, F03C, F03D, F03E, F03F, F05Z, F07A, F07B, F30Z, F36A, F36B, F42Z
	06	G33Z		06	G33Z		06	G33Z
	07	H33Z, H38Z		07	H33Z, H38Z		07	H33Z, H38Z
	11	L33Z		11	L33Z		11	L33Z
	15	P02A, P02B, P02C		15	P02A, P02B, P02C		15	P02A, P02B, P02C
	21B	X33Z		21B	X33Z		21B	X33Z
	23	Z01A		23	Z01A		23	Z01A
	Pre	A06A, A07A, A09A, A11A, A13A		Pre	A06A, A07A, A09A, A11A, A13A		Pre	A06A, A07A, A09A, A11A, A13A
5k532		BOP, KOP, KOPV, KVT, UOP4	5k536.0		BOP, KOP, KOPV, KVT, UOP4	5k540.0		BOP, KOP, KOPV, KVT, UOP4
	05	F01A, F01B, F01D, F03A, F03B, F03C, F03D, F03E, F03F, F05Z, F07A, F07B, F30Z, F36A, F36B, F42Z		05	F01A, F01B, F01D, F03A, F03B, F03C, F03D, F03E, F03F, F05Z, F30Z, F36A, F36B, F42Z		05	F01A, F01B, F01D, F03A, F03B, F03C, F03D, F03E, F03F, F05Z, F30Z, F36A, F36B, F42Z
	06	G33Z		06	G33Z		06	G33Z
	07	H33Z, H38Z		07	H33Z, H38Z		07	H33Z, H38Z
	11	L33Z		11	L33Z		11	L33Z
	15	P02A, P02B, P02C		15	P02A, P02B, P02C		15	P02A, P02B, P02C
	21B	X33Z		21B	X33Z		21B	X33Z
	23	Z01A		23	Z01A		23	Z01A
	Pre	A06A, A07A, A09A, A11A, A13A		Pre	A06A, A07A, A09A, A11A, A13A		Pre	A07A
5k533.0		BOP, KOP, KOPV, KVT, UOP4	5k536.1		BOP, KOP, KOPV, KVT, UOP4	5k540.2		BOP, KOP, KOPV, KVT, UOP4
	05	F01A, F01B, F01D, F03A, F03B, F03C, F03D, F03E, F03F, F05Z, F30Z, F36A, F36B, F42Z		05	F01A, F01B, F01D, F03A, F03B, F03C, F03D, F03E, F03F, F05Z, F07A, F07B, F30Z, F36A, F36B, F42Z		05	F01A, F01B, F01D, F03A, F03B, F03C, F03D, F03E, F03F, F05Z, F30Z, F36A, F36B, F42Z
	06	G33Z		06	G33Z		06	G33Z
	07	H33Z, H38Z		07	H33Z, H38Z		07	H33Z, H38Z
	11	L33Z		11	L33Z		11	L33Z
	15	P02A, P02B, P02C		15	P02A, P02B, P02C		15	P02A, P02B, P02C
	21B	X33Z		21B	X33Z		21B	X33Z
	23	Z01A		23	Z01A		23	Z01A
	Pre	A06A, A07A, A09A, A11A, A13A		Pre	A06A, A07A, A09A, A11A, A13A		Pre	A07A
5k533.1		BOP, KOP, KOPV, KVT, UOP4	5k537.0		BOP, KOP, KOPV, KVT, UOP4	5k540.4		BOP, KOP, KOPV, KVT, UOP4
	05	F01A, F01B, F01D, F03A, F03B, F03C, F03D, F03E, F03F, F05Z, F30Z, F36A, F36B, F42Z		05	F01A, F01B, F01D, F03A, F03B, F03C, F03D, F03E, F03F, F05Z, F07A, F07B, F30Z, F36A, F36B, F42Z		05	F01A, F01B, F01D, F03A, F03B, F03C, F03D, F03E, F03F, F05Z, F30Z, F36A, F36B, F42Z
	06	G33Z		06	G33Z		06	G33Z
	07	H33Z, H38Z		07	H33Z, H38Z		07	H33Z, H38Z
	11	L33Z		11	L33Z		11	L33Z
	15	P02A, P02B, P02C		15	P02A, P02B, P02C		15	P02A, P02B, P02C
	21B	X33Z		21B	X33Z		21B	X33Z
	23	Z01A		23	Z01A		23	Z01A
	Pre	A06A, A07A, A09A, A11A, A13A		Pre	A06A, A07A, A09A, A11A, A13A		Pre	A07A

ZZV	MDC	DRG	ZZV	MDC	DRG	ZZV	MDC	DRG
5k540.6		BOP, KOP, KOPV, KVT, UOP4	5k550.1		BOP, KOP, KOPV, KVT, UOP4	5k552.0		BOP, KOP, KOPV, KVT, UOP4
	05	F01A, F01B, F01D, F03A, F03B, F03C, F03D, F03E, F03F, F05Z, F30Z, F36A, F36B, F42Z		05	F01A, F01B, F01D, F03B, F03C, F03D, F03E, F05Z, F07A, F07B, F30Z, F36A, F36B, F42Z		05	F01A, F01B, F01D, F03B, F03C, F03D, F03E, F05Z, F07A, F07B, F30Z, F36A, F36B, F42Z
	06	G33Z		06	G33Z		06	G33Z
	07	H33Z, H38Z		07	H33Z, H38Z		07	H33Z, H38Z
	11	L33Z		11	L33Z		11	L33Z
	15	P02A, P02B, P02C		15	P02A, P02B, P02C		15	P02A, P02B, P02C
	21B	X33Z		21B	X33Z		21B	X33Z
	23	Z01A		23	Z01A		23	Z01A
	Pre	A07A		Pre	A06A, A07A, A09A, A11A, A13A		Pre	A06A, A07A, A09A, A11A, A13A
	5k542.0			BOP, KOP, KOPV, KVT, UOP4	5k550.x			BOP, KOP, KOPV, KVT, UOP4
05		F01A, F01B, F01D, F05Z, F07A, F07B, F30Z, F36A, F36B, F42Z	05	F01A, F01B, F01D, F03B, F03C, F03D, F03E, F05Z, F07A, F07B, F30Z, F36A, F36B, F42Z		05	F01A, F01B, F01D, F03B, F03C, F03D, F03E, F05Z, F07A, F07B, F30Z, F36A, F36B, F42Z	
06		G33Z	06	G33Z		06	G33Z	
07		H33Z, H38Z	07	H33Z, H38Z		07	H33Z, H38Z	
11		L33Z	11	L33Z		11	L33Z	
15		P02A, P02B, P02C	15	P02A, P02B, P02C		15	P02A, P02B, P02C	
21B		X33Z	21B	X33Z		21B	X33Z	
23		Z01A	23	Z01A		23	Z01A	
Pre		A07A	Pre	A06A, A07A, A09A, A11A, A13A		Pre	A06A, A07A, A09A, A11A, A13A	
5k542.2			BOP, KOP, KOPV, KVT, UOP4	5k551.0			BOP, KOP, KOPV, KVT, UOP4	5k552.x
	05	F01A, F01B, F01D, F05Z, F07A, F07B, F30Z, F36A, F36B, F42Z	05		F01A, F01B, F01D, F03B, F03C, F03D, F03E, F05Z, F07A, F07B, F30Z, F36A, F36B, F42Z	05	F01A, F01B, F01D, F03B, F03C, F03D, F03E, F05Z, F07A, F07B, F30Z, F36A, F36B, F42Z	
	06	G33Z	06		G33Z	06	G33Z	
	07	H33Z, H38Z	07		H33Z, H38Z	07	H33Z, H38Z	
	11	L33Z	11		L33Z	11	L33Z	
	15	P02A, P02B, P02C	15		P02A, P02B, P02C	15	P02A, P02B, P02C	
	21B	X33Z	21B		X33Z	21B	X33Z	
	23	Z01A	23		Z01A	23	Z01A	
	Pre	A07A	Pre		A06A, A07A, A09A, A11A, A13A	Pre	A06A, A07A, A09A, A11A, A13A	
	5k542.x		BOP, KOP, KOPV, KVT, UOP4		5k551.1		BOP, KOP, KOPV, KVT, UOP4	
05		F01A, F01B, F01D, F05Z, F07A, F07B, F30Z, F36A, F36B, F42Z	05	F01A, F01B, F01D, F03B, F03C, F03D, F03E, F05Z, F07A, F07B, F30Z, F36A, F36B, F42Z		05	F01A, F01B, F01D, F03B, F03C, F03D, F03E, F05Z, F07A, F07B, F30Z, F36A, F36B, F42Z	
06		G33Z	06	G33Z		06	G33Z	
07		H33Z, H38Z	07	H33Z, H38Z		07	H33Z, H38Z	
11		L33Z	11	L33Z		11	L33Z	
15		P02A, P02B, P02C	15	P02A, P02B, P02C		15	P02A, P02B, P02C	
21B		X33Z	21B	X33Z		21B	X33Z	
23		Z01A	23	Z01A		23	Z01A	
Pre		A07A	Pre	A06A, A07A, A09A, A11A, A13A		Pre	A06A, A07A, A09A, A11A, A13A	
5k550.0			BOP, KOP, KOPV, KVT, UOP4	5k551.x			BOP, KOP, KOPV, KVT, UOP4	5k560
	05	F01A, F01B, F01D, F03B, F03C, F03D, F03E, F05Z, F07A, F07B, F30Z, F36A, F36B, F42Z	05		F01A, F01B, F01D, F03B, F03C, F03D, F03E, F05Z, F07A, F07B, F30Z, F36A, F36B, F42Z	04	E05A, E05B, E05C, E08A, E08B, E08C	
	06	G33Z	06		G33Z	05	F01A, F01B, F01D, F03B, F03C, F03D, F03E, F05Z, F07A, F07B, F09A, F09B, F09C, F36A, F36B, F42Z	
	07	H33Z, H38Z	07		H33Z, H38Z	06	G33Z	
	11	L33Z	11		L33Z	07	H33Z, H38Z	
	15	P02A, P02B, P02C	15		P02A, P02B, P02C	11	L33Z	
	21B	X33Z	21B		X33Z	21B	X33Z	
	23	Z01A	23		Z01A	23	Z01A	
	Pre	A06A, A07A, A09A, A11A, A13A	Pre		A06A, A07A, A09A, A11A, A13A	Pre	A06A, A07A, A09A, A11A, A13A	

VYK

ZZV	MDC	DRG	ZZV	MDC	DRG	ZZV	MDC	DRG
5k561.0		BOP, KVT, UOP4	5k568		BOP, KOP, KOPV, KVT, UOP4	5k56x		BOP, KVT, UOP4
	05	F01A, F01B, F01D, F03B, F03C, F03D, F03E, F05Z, F07A, F07B, F09A, F09B, F09C, F30Z, F42Z		05	F01A, F01B, F01D, F03B, F03C, F03D, F03E, F05Z, F07A, F07B, F09A, F09B, F09C, F30Z, F36A, F36B, F42Z		04	E02A, E02B, E02C
5k562	Pre	A06A, A07A, A09A, A11A, A13A		06	G33Z	21A		W04A, W04B
	04	E02A, E02B, E02C		07	H33Z, H38Z	Pre		A06A, A07A, A09A, A11A, A13A
	05	F01A, F01B, F01D, F03B, F03C, F03D, F03E, F05Z, F07A, F07B, F14A, F14B, F28A, F42Z, F54Z, F59A, F59B		11	L33Z	5k570.0		BOP, KOP, KOPV, KVT, UOP4
	10	K09A, K09B		15	P02A, P02B, P02C		05	
	Pre	A06A, A07A, A09A, A11A, A13A	5k56d		21B	X33Z		06
				23	Z01A		07	H33Z, H38Z
5k563		BOP, KVT, UOP4		Pre	A06A, A07A, A09A, A11A, A13A		11	L33Z
	04	E02A, E02B, E02C		04	E02A, E02B, E02C		15	P02A, P02B, P02C
	05	F01A, F01B, F01D, F03B, F03C, F03D, F03E, F05Z, F07A, F07B, F14A, F14B, F28A, F42Z, F54Z, F59A, F59B		05	F01A, F01B, F01D, F03B, F03C, F03D, F03E, F05Z, F07A, F07B, F14A, F14B, F28A, F42Z, F54Z, F59A, F59B	21B		X33Z
	10	K09A, K09B		21A	W04A, W04B		23	Z01A
	Pre	A06A, A07A, A09A, A11A, A13A	5k56e		Pre	A06A, A07A, A09A, A11A, A13A	Pre	
5k564		BOP, KVT, UOP4		04	E02A, E02B, E02C	5k570.1		BOP, KOP, KOPV, KVT, UOP4
	04	E02A, E02B, E02C		05	F01A, F01B, F01D, F03B, F03C, F03D, F03E, F05Z, F07A, F07B, F14A, F14B, F28A, F42Z, F54Z, F59A, F59B	05		F01A, F01B, F01D, F03A, F03B, F03C, F03D, F03E, F03F, F05Z, F30Z, F36A, F36B, F42Z
	05	F01A, F01B, F01D, F03B, F03C, F03D, F03E, F05Z, F07A, F07B, F09A, F09B, F09C, F42Z		21A	W04A, W04B		06	G33Z
	10	K09A, K09B		Pre	A06A, A07A, A09A, A11A, A13A		07	H33Z, H38Z
	Pre	A06A, A07A, A09A, A11A, A13A	5k56g.3		Pre	A06A, A07A, A09A, A11A, A13A		11
5k565		BOP, KVT, UOP4		04	E02A, E02B, E02C		15	P02A, P02B, P02C
	04	E02A, E02B, E02C		05	F01A, F01B, F01D, F03B, F03C, F03D, F03E, F05Z, F07A, F07B, F14A, F14B, F28A, F42Z, F54Z, F59A, F59B	21B		X33Z
	05	F01A, F01B, F01D, F03B, F03C, F03D, F03E, F05Z, F07A, F07B, F14A, F14B, F28A, F42Z, F54Z, F59A, F59B		21A	W04A, W04B	Pre		A06A, A07A, A09A, A11A, A13A
	10	K09A, K09B		Pre	A06A, A07A, A09A, A11A, A13A	5k570.2		BOP, KOP, KOPV, KVT, UOP4
	Pre	A06A, A07A, A09A, A11A, A13A	5k56h.1		Pre	A06A, A07A, A09A, A11A, A13A	05	
5k566		BOP, KVT, UOP4		04	E02A, E02B, E02C		06	G33Z
	05	F01A, F01B, F01D, F03B, F03C, F03D, F03E, F05Z, F07A, F07B, F09A, F09B, F09C, F30Z, F42Z		05	F01A, F01B, F01D, F03B, F03C, F03D, F03E, F05Z, F07A, F07B, F14A, F14B, F28A, F42Z, F54Z, F59A, F59B		07	H33Z, H38Z
	15	P02A, P02B, P02C		21A	W04A, W04B		11	L33Z
	21B	X06A, X06B, X06C		Pre	A06A, A07A, A09A, A11A, A13A		15	P02A, P02B, P02C
	Pre	A06A, A07A, A09A, A11A, A13A	5k56h.2		Pre	A06A, A07A, A09A, A11A, A13A	21B	
5k567		BOP, KVT, UOP4		04	E02A, E02B, E02C		23	Z01A
	05	F01A, F01B, F01D, F03B, F03C, F03D, F03E, F05Z, F07A, F07B, F09A, F09B, F09C, F30Z, F42Z		05	F01A, F01B, F01D, F03B, F03C, F03D, F03E, F05Z, F07A, F07B, F14A, F14B, F28A, F42Z, F54Z, F59A, F59B	Pre		A06A, A07A, A09A, A11A, A13A
	15	P02A, P02B, P02C		21A	W04A, W04B	5k570.3		BOP, KOP, KOPV, KVT, UOP4
	Pre	A06A, A07A, A09A, A11A, A13A		Pre	A06A, A07A, A09A, A11A, A13A	05		F01A, F01B, F01D, F03A, F03B, F03C, F03D, F03E, F03F, F05Z, F30Z, F36A, F36B, F42Z
							06	G33Z

VYK

ZZV	MDC	DRG	ZZV	MDC	DRG	ZZV	MDC	DRG
5k570.4		BOP, KOP, KOPV, KVT, UOP4	5k572.0		BOP, KOP, KOPV, KVT, UOP4	5k572.x		BOP, KOP, KOPV, KVT, UOP4
	05	F01A, F01B, F01D, F03A, F03B, F03C, F03D, F03E, F03F, F05Z, F30Z, F36A, F36B, F42Z		05	F01A, F01B, F01D, F03A, F03B, F03C, F03D, F03E, F03F, F05Z, F30Z, F36A, F36B, F42Z		05	F01A, F01B, F01D, F03A, F03B, F03C, F03D, F03E, F03F, F05Z, F30Z, F36A, F36B, F42Z
	06	G33Z		06	G33Z		06	G33Z
	07	H33Z, H38Z		07	H33Z, H38Z		07	H33Z, H38Z
	11	L33Z		11	L33Z		11	L33Z
	15	P02A, P02B, P02C		15	P02A, P02B, P02C		15	P02A, P02B, P02C
	21B	X33Z		21B	X33Z		21B	X33Z
	23	Z01A		23	Z01A		23	Z01A
	Pre	A06A, A07A, A09A, A11A, A13A		Pre	A06A, A07A, A09A, A11A, A13A		Pre	A06A, A07A, A09A, A11A, A13A
5k570.5		BOP, KOP, KOPV, KVT, UOP4	5k572.1		BOP, KOP, KOPV, KVT, UOP4	5k574.0		BOP, KOP, KOPV, KVT, UOP4
	05	F01A, F01B, F01D, F03A, F03B, F03C, F03D, F03E, F03F, F05Z, F07A, F07B, F30Z, F36A, F36B, F42Z		05	F01A, F01B, F01D, F03A, F03B, F03C, F03D, F03E, F03F, F05Z, F30Z, F36A, F36B, F42Z		05	F01A, F01B, F01D, F03A, F03B, F03C, F03D, F03E, F03F, F05Z, F30Z, F36A, F36B, F42Z
	06	G33Z		06	G33Z		06	G33Z
	07	H33Z, H38Z		07	H33Z, H38Z		07	H33Z, H38Z
	11	L33Z		11	L33Z		11	L33Z
	15	P02A, P02B, P02C		15	P02A, P02B, P02C		15	P02A, P02B, P02C
	21B	X33Z		21B	X33Z		21B	X33Z
	23	Z01A		23	Z01A		23	Z01A
	Pre	A06A, A07A, A09A, A11A, A13A		Pre	A06A, A07A, A09A, A11A, A13A		Pre	A06A, A07A, A09A, A11A, A13A
5k570.6		BOP, KOP, KOPV, KVT, UOP4	5k572.2		BOP, KOP, KOPV, KVT, UOP4	5k574.1		BOP, KOP, KOPV, KVT, UOP4
	05	F01A, F01B, F01D, F03A, F03B, F03C, F03D, F03E, F03F, F05Z, F30Z, F36A, F36B, F42Z		05	F01A, F01B, F01D, F03A, F03B, F03C, F03D, F03E, F03F, F05Z, F30Z, F36A, F36B, F42Z		05	F01A, F01B, F01D, F03A, F03B, F03C, F03D, F03E, F03F, F05Z, F30Z, F36A, F36B, F42Z
	06	G33Z		06	G33Z		06	G33Z
	07	H33Z, H38Z		07	H33Z, H38Z		07	H33Z, H38Z
	11	L33Z		11	L33Z		11	L33Z
	15	P02A, P02B, P02C		15	P02A, P02B, P02C		15	P02A, P02B, P02C
	21B	X33Z		21B	X33Z		21B	X33Z
	23	Z01A		23	Z01A		23	Z01A
	Pre	A06A, A07A, A09A, A11A, A13A		Pre	A06A, A07A, A09A, A11A, A13A		Pre	A06A, A07A, A09A, A11A, A13A
5k570.7		BOP, KOP, KOPV, KVT, UOP4	5k572.3		BOP, KOP, KOPV, KVT, UOP4	5k574.2		BOP, KOP, KOPV, KVT, UOP4
	05	F01A, F01B, F01D, F03A, F03B, F03C, F03D, F03E, F03F, F05Z, F30Z, F36A, F36B, F42Z		05	F01A, F01B, F01D, F03A, F03B, F03C, F03D, F03E, F03F, F05Z, F30Z, F36A, F36B, F42Z		05	F01A, F01B, F01D, F03A, F03B, F03C, F03D, F03E, F03F, F05Z, F30Z, F36A, F36B, F42Z
	06	G33Z		06	G33Z		06	G33Z
	07	H33Z, H38Z		07	H33Z, H38Z		07	H33Z, H38Z
	11	L33Z		11	L33Z		11	L33Z
	15	P02A, P02B, P02C		15	P02A, P02B, P02C		15	P02A, P02B, P02C
	21B	X33Z		21B	X33Z		21B	X33Z
	23	Z01A		23	Z01A		23	Z01A
	Pre	A06A, A07A, A09A, A11A, A13A		Pre	A06A, A07A, A09A, A11A, A13A		Pre	A06A, A07A, A09A, A11A, A13A
5k570.x		BOP, KOP, KOPV, KVT, UOP4	5k572.4		BOP, KOP, KOPV, KVT, UOP4	5k574.3		BOP, KOP, KOPV, KVT, UOP4
	05	F01A, F01B, F01D, F03A, F03B, F03C, F03D, F03E, F03F, F05Z, F07A, F07B, F30Z, F36A, F36B, F42Z		05	F01A, F01B, F01D, F03A, F03B, F03C, F03D, F03E, F03F, F05Z, F30Z, F36A, F36B, F42Z		05	F01A, F01B, F01D, F03A, F03B, F03C, F03D, F03E, F03F, F05Z, F30Z, F36A, F36B, F42Z
	06	G33Z		06	G33Z		06	G33Z
	07	H33Z, H38Z		07	H33Z, H38Z		07	H33Z, H38Z
	11	L33Z		11	L33Z		11	L33Z
	15	P02A, P02B, P02C		15	P02A, P02B, P02C		15	P02A, P02B, P02C
	21B	X33Z		21B	X33Z		21B	X33Z
	23	Z01A		23	Z01A		23	Z01A
	Pre	A06A, A07A, A09A, A11A, A13A		Pre	A06A, A07A, A09A, A11A, A13A		Pre	A06A, A07A, A09A, A11A, A13A



ZZV	MDC	DRG	ZZV	MDC	DRG	ZZV	MDC	DRG
5k574.4		BOP, KOP, KOPV, KVT, UOP4	5k576.2		BOP, KOP, KOPV, KVT, UOP4	5k578.1		BOP, KOP, KOPV, KVT, UOP4
	05	F01A, F01B, F01D, F03A, F03B, F03C, F03D, F03E, F03F, F05Z, F30Z, F36A, F36B, F42Z		05	F01A, F01B, F01D, F03A, F03B, F03C, F03D, F03E, F03F, F05Z, F30Z, F36A, F36B, F42Z		05	F01A, F01B, F01D, F03A, F03B, F03C, F03D, F03E, F03F, F05Z, F30Z, F36A, F36B, F42Z
	06	G33Z		06	G33Z		06	G33Z
	07	H33Z, H38Z		07	H33Z, H38Z		07	H33Z, H38Z
	11	L33Z		11	L33Z		11	L33Z
	15	P02A, P02B, P02C		15	P02A, P02B, P02C		15	P02A, P02B, P02C
	21B	X33Z		21B	X33Z		21B	X33Z
	23	Z01A		23	Z01A		23	Z01A
	Pre	A06A, A07A, A09A, A11A, A13A		Pre	A06A, A07A, A09A, A11A, A13A		Pre	A06A, A07A, A09A, A11A, A13A
	5k574.5			BOP, KOP, KOPV, KVT, UOP4	5k576.3			BOP, KOP, KOPV, KVT, UOP4
05		F01A, F01B, F01D, F03A, F03B, F03C, F03D, F03E, F03F, F05Z, F07A, F07B, F30Z, F36A, F36B, F42Z	05	F01A, F01B, F01D, F03A, F03B, F03C, F03D, F03E, F03F, F05Z, F30Z, F36A, F36B, F42Z		05	F01A, F01B, F01D, F03A, F03B, F03C, F03D, F03E, F03F, F05Z, F30Z, F36A, F36B, F42Z	
06		G33Z	06	G33Z		06	G33Z	
07		H33Z, H38Z	07	H33Z, H38Z		07	H33Z, H38Z	
11		L33Z	11	L33Z		11	L33Z	
15		P02A, P02B, P02C	15	P02A, P02B, P02C		15	P02A, P02B, P02C	
21B		X33Z	21B	X33Z		21B	X33Z	
23		Z01A	23	Z01A		23	Z01A	
Pre		A06A, A07A, A09A, A11A, A13A	Pre	A06A, A07A, A09A, A11A, A13A		Pre	A06A, A07A, A09A, A11A, A13A	
5k574.x			BOP, KOP, KOPV, KVT, UOP4	5k576.4			BOP, KOP, KOPV, KVT, UOP4	5k578.3
	05	F01A, F01B, F01D, F03A, F03B, F03C, F03D, F03E, F03F, F05Z, F07A, F07B, F30Z, F36A, F36B, F42Z	05		F01A, F01B, F01D, F03A, F03B, F03C, F03D, F03E, F03F, F05Z, F30Z, F36A, F36B, F42Z	05	F01A, F01B, F01D, F03A, F03B, F03C, F03D, F03E, F03F, F05Z, F30Z, F36A, F36B, F42Z	
	06	G33Z	06		G33Z	06	G33Z	
	07	H33Z, H38Z	07		H33Z, H38Z	07	H33Z, H38Z	
	11	L33Z	11		L33Z	11	L33Z	
	15	P02A, P02B, P02C	15		P02A, P02B, P02C	15	P02A, P02B, P02C	
	21B	X33Z	21B		X33Z	21B	X33Z	
	23	Z01A	23		Z01A	23	Z01A	
	Pre	A06A, A07A, A09A, A11A, A13A	Pre		A06A, A07A, A09A, A11A, A13A	Pre	A06A, A07A, A09A, A11A, A13A	
	5k576.0		BOP, KOP, KOPV, KVT, UOP4		5k576.x		BOP, KOP, KOPV, KVT, UOP4	
05		F01A, F01B, F01D, F03A, F03B, F03C, F03D, F03E, F03F, F05Z, F30Z, F36A, F36B, F42Z	05	F01A, F01B, F01D, F03A, F03B, F03C, F03D, F03E, F03F, F05Z, F30Z, F36A, F36B, F42Z		05	F01A, F01B, F01D, F03A, F03B, F03C, F03D, F03E, F03F, F05Z, F30Z, F36A, F36B, F42Z	
06		G33Z	06	G33Z		06	G33Z	
07		H33Z, H38Z	07	H33Z, H38Z		07	H33Z, H38Z	
11		L33Z	11	L33Z		11	L33Z	
15		P02A, P02B, P02C	15	P02A, P02B, P02C		15	P02A, P02B, P02C	
21B		X33Z	21B	X33Z		21B	X33Z	
23		Z01A	23	Z01A		23	Z01A	
Pre		A06A, A07A, A09A, A11A, A13A	Pre	A06A, A07A, A09A, A11A, A13A		Pre	A06A, A07A, A09A, A11A, A13A	
5k576.1			BOP, KOP, KOPV, KVT, UOP4	5k578.0			BOP, KOP, KOPV, KVT, UOP4	5k578.x
	05	F01A, F01B, F01D, F03A, F03B, F03C, F03D, F03E, F03F, F05Z, F30Z, F36A, F36B, F42Z	05		F01A, F01B, F01D, F03A, F03B, F03C, F03D, F03E, F03F, F05Z, F30Z, F36A, F36B, F42Z	05	F01A, F01B, F01D, F03A, F03B, F03C, F03D, F03E, F03F, F05Z, F30Z, F36A, F36B, F42Z	
	06	G33Z	06		G33Z	06	G33Z	
	07	H33Z, H38Z	07		H33Z, H38Z	07	H33Z, H38Z	
	11	L33Z	11		L33Z	11	L33Z	
	15	P02A, P02B, P02C	15		P02A, P02B, P02C	15	P02A, P02B, P02C	
	21B	X33Z	21B		X33Z	21B	X33Z	
	23	Z01A	23		Z01A	23	Z01A	
	Pre	A06A, A07A, A09A, A11A, A13A	Pre		A06A, A07A, A09A, A11A, A13A	Pre	A06A, A07A, A09A, A11A, A13A	

ZZV	MDC	DRG	ZZV	MDC	DRG	ZZV	MDC	DRG
5k57a.0		BOP, KOP, KOPV, KVT, UOP4	5k57a.x		BOP, KOP, KOPV, KVT, UOP4	5k581.x		BOP, KOP, KOPV, KVT, UOP4
	05	F01A, F01B, F01D, F03A, F03B, F03C, F03D, F03E, F03F, F05Z, F30Z, F36A, F36B, F42Z		05	F01A, F01B, F01D, F03A, F03B, F03C, F03D, F03E, F03F, F05Z, F30Z, F36A, F36B, F42Z		05	F01A, F01B, F01D, F05Z, F07A, F07B, F30Z, F36A, F36B, F42Z
	06	G33Z		06	G33Z		06	G33Z
	07	H33Z, H38Z		07	H33Z, H38Z		07	H33Z, H38Z
	11	L33Z		11	L33Z		11	L33Z
	15	P02A, P02B, P02C		15	P02A, P02B, P02C		15	P02A, P02B, P02C
	21B	X33Z		21B	X33Z		21B	X33Z
	23	Z01A		23	Z01A		23	Z01A
	Pre	A06A, A07A, A09A, A11A, A13A		Pre	A06A, A07A, A09A, A11A, A13A		Pre	A06A, A07A, A09A, A11A, A13A
	5k57a.1			BOP, KOP, KOPV, KVT, UOP4	5k580			BOP, KOP, KOPV, KVT, UOP4
05		F01A, F01B, F01D, F03A, F03B, F03C, F03D, F03E, F03F, F05Z, F30Z, F36A, F36B, F42Z	05	F01A, F01B, F01D, F05Z, F07A, F07B, F30Z, F36A, F36B, F42Z		05	F01A, F01B, F01D, F03B, F03C, F03D, F03E, F05Z, F07A, F07B, F09A, F09B, F09C, F30Z, F36A, F36B, F42Z	
06		G33Z	06	G33Z		06	G33Z	
07		H33Z, H38Z	07	H33Z, H38Z		07	H33Z, H38Z	
11		L33Z	11	L33Z		11	L33Z	
15		P02A, P02B, P02C	15	P02A, P02B, P02C		15	P02A, P02B, P02C	
21B		X33Z	21B	X33Z		21B	X33Z	
23		Z01A	23	Z01A		23	Z01A	
Pre		A06A, A07A, A09A, A11A, A13A	Pre	A06A, A07A, A09A, A11A, A13A		Pre	A06A, A07A, A09A, A11A, A13A	
5k57a.2			BOP, KOP, KOPV, KVT, UOP4	5k581.0			BOP, KOP, KOPV, KVT, UOP4	5k582.1
	05	F01A, F01B, F01D, F03A, F03B, F03C, F03D, F03E, F03F, F05Z, F30Z, F36A, F36B, F42Z	05		F01A, F01B, F01D, F05Z, F07A, F07B, F30Z, F36A, F36B, F42Z	05	F01A, F01B, F01D, F03B, F03C, F03D, F03E, F05Z, F07A, F07B, F09A, F09B, F09C, F30Z, F36A, F36B, F42Z	
	06	G33Z	06		G33Z	06	G33Z	
	07	H33Z, H38Z	07		H33Z, H38Z	07	H33Z, H38Z	
	11	L33Z	11		L33Z	11	L33Z	
	15	P02A, P02B, P02C	15		P02A, P02B, P02C	15	P02A, P02B, P02C	
	21B	X33Z	21B		X33Z	21B	X33Z	
	23	Z01A	23		Z01A	23	Z01A	
	Pre	A06A, A07A, A09A, A11A, A13A	Pre		A06A, A07A, A09A, A11A, A13A	Pre	A06A, A07A, A09A, A11A, A13A	
	5k57a.3		BOP, KOP, KOPV, KVT, UOP4		5k581.2		BOP, KOP, KOPV, KVT, UOP4	
05		F01A, F01B, F01D, F03A, F03B, F03C, F03D, F03E, F03F, F05Z, F30Z, F36A, F36B, F42Z	05	F01A, F01B, F01D, F05Z, F07A, F07B, F30Z, F36A, F36B, F42Z		05	F01A, F01B, F01D, F03B, F03C, F03D, F03E, F05Z, F07A, F07B, F09A, F09B, F09C, F30Z, F36A, F36B, F42Z	
06		G33Z	06	G33Z		06	G33Z	
07		H33Z, H38Z	07	H33Z, H38Z		07	H33Z, H38Z	
11		L33Z	11	L33Z		11	L33Z	
15		P02A, P02B, P02C	15	P02A, P02B, P02C		15	P02A, P02B, P02C	
21B		X33Z	21B	X33Z		21B	X33Z	
23		Z01A	23	Z01A		23	Z01A	
Pre		A06A, A07A, A09A, A11A, A13A	Pre	A06A, A07A, A09A, A11A, A13A		Pre	A06A, A07A, A09A, A11A, A13A	
5k57a.4			BOP, KOP, KOPV, KVT, UOP4	5k581.3			BOP, KOP, KOPV, KVT, UOP4	
	05	F01A, F01B, F01D, F03A, F03B, F03C, F03D, F03E, F03F, F05Z, F30Z, F36A, F36B, F42Z	05		F01A, F01B, F01D, F05Z, F07A, F07B, F30Z, F36A, F36B, F42Z	05	F01A, F01B, F01D, F03B, F03C, F03D, F03E, F05Z, F07A, F07B, F09A, F09B, F09C, F30Z, F36A, F36B, F42Z	
	06	G33Z	06		G33Z	06	G33Z	
	07	H33Z, H38Z	07		H33Z, H38Z	07	H33Z, H38Z	
	11	L33Z	11		L33Z	11	L33Z	
	15	P02A, P02B, P02C	15		P02A, P02B, P02C	15	P02A, P02B, P02C	
	21B	X33Z	21B		X33Z	21B	X33Z	
	23	Z01A	23		Z01A	23	Z01A	
	Pre	A06A, A07A, A09A, A11A, A13A	Pre		A06A, A07A, A09A, A11A, A13A	Pre	A06A, A07A, A09A, A11A, A13A	

VYK

ZZV	MDC	DRG	ZZV	MDC	DRG	ZZV	MDC	DRG			
5k584.0		BOP, KOP, KOPV, KVT, UOP4	5k587.1		BOP, KOP, KOPV, KVT, UOP4	5k587.6		BOP, KOP, KOPV, KVT, UOP4			
	05	F01A, F01B, F01D, F03B, F03C, F03D, F03E, F05Z, F07A, F07B, F30Z, F36A, F36B, F42Z		04	E05A, E05B, E05C, E08A, E08B, E08C		05	F01A, F01B, F01D, F05Z, F07A, F07B, F30Z, F36A, F36B, F42Z			
	06	G33Z		05	F01A, F01B, F01D, F05Z, F07A, F07B, F30Z, F36A, F36B, F42Z		06	G33Z			
	07	H33Z, H38Z		06	G33Z		07	H33Z, H38Z			
	11	L33Z		07	H33Z, H38Z		11	L33Z			
	15	P02A, P02B, P02C		11	L33Z		15	P02A, P02B, P02C			
	21B	X33Z		15	P02A, P02B, P02C		21B	X33Z			
	23	Z01A		21B	X33Z		23	Z01A			
	Pre	A06A, A07A, A09A, A11A, A13A		23	Z01A		Pre	A06A, A07A, A09A, A11A, A13A			
	5k584.1			BOP, KOP, KOPV, KVT, UOP4	5k587.2			BOP, KOP, KOPV, KVT, UOP4	5k587.7		BOP, KOP, KOPV, KVT, UOP4
		05		F01A, F01B, F01D, F05Z, F07A, F07B, F30Z, F36A, F36B, F42Z			04	E05A, E05B, E05C, E08A, E08B, E08C		05	F01A, F01B, F01D, F05Z, F07A, F07B, F30Z, F36A, F36B, F42Z
06		G33Z	05	F01A, F01B, F01D, F05Z, F07A, F07B, F30Z, F36A, F36B, F42Z		06	G33Z				
07		H33Z, H38Z	06	G33Z		07	H33Z, H38Z				
11		L33Z	07	H33Z, H38Z		11	L33Z				
15		P02A, P02B, P02C	11	L33Z		15	P02A, P02B, P02C				
21B		X33Z	15	P02A, P02B, P02C		21B	X33Z				
23		Z01A	21B	X33Z		23	Z01A				
Pre		A06A, A07A, A09A, A11A, A13A	23	Z01A		Pre	A06A, A07A, A09A, A11A, A13A				
5k585			BOP, KOP, KOPV, KVT, UOP4	5k587.3			BOP, KOP, KOPV, KVT, UOP4	5k587.x			BOP, KOP, KOPV, KVT, UOP4
		05	F01A, F01B, F01D, F05Z, F07A, F07B, F30Z, F36A, F36B, F42Z			05	F01A, F01B, F01D, F05Z, F07A, F07B, F30Z, F36A, F36B, F42Z			05	F01A, F01B, F01D, F05Z, F07A, F07B, F30Z, F36A, F36B, F42Z
	06	G33Z	05		F01A, F01B, F01D, F05Z, F07A, F07B, F30Z, F36A, F36B, F42Z	06	G33Z				
	07	H33Z, H38Z	06		G33Z	07	H33Z, H38Z				
	11	L33Z	07		H33Z, H38Z	11	L33Z				
	15	P02A, P02B, P02C	11		L33Z	15	P02A, P02B, P02C				
	21B	X33Z	15		P02A, P02B, P02C	21B	X33Z				
	23	Z01A	21B		X33Z	23	Z01A				
	Pre	A06A, A07A, A09A, A11A, A13A	23		Z01A	Pre	A06A, A07A, A09A, A11A, A13A				
	5k586		BOP, KOP, KOPV, KVT, UOP4		5k587.4		BOP, KOP, KOPV, KVT, UOP4		5k588		BOP, KOP, KOPV, KVT, UOP4
		05	F01A, F01B, F01D, F05Z, F07A, F07B, F30Z, F36A, F36B, F42Z			05	F01A, F01B, F01D, F05Z, F07A, F07B, F30Z, F36A, F36B, F42Z			04	E05A, E05B, E05C, E08A, E08B, E08C
06		G33Z	05	F01A, F01B, F01D, F05Z, F07A, F07B, F30Z, F36A, F36B, F42Z		05	F01A, F01B, F01D, F03B, F03C, F03D, F03E, F05Z, F07A, F07B, F09A, F09B, F09C, F30Z, F36A, F36B, F42Z				
07		H33Z, H38Z	06	G33Z		06	G33Z				
11		L33Z	07	H33Z, H38Z		07	H33Z, H38Z				
15		P02A, P02B, P02C	11	L33Z		11	L33Z				
21B		X33Z	15	P02A, P02B, P02C		15	P02A, P02B, P02C				
23		Z01A	21B	X33Z		21B	X33Z				
Pre		A06A, A07A, A09A, A11A, A13A	23	Z01A		23	Z01A				
5k587.0			BOP, KOP, KOPV, KVT, UOP4	5k587.5			BOP, KOP, KOPV, KVT, UOP4	5k589			BOP, KOP, KOPV, KVT, UOP4
		04	E05A, E05B, E05C, E08A, E08B, E08C			05	F01A, F01B, F01D, F05Z, F07A, F07B, F30Z, F36A, F36B, F42Z			05	F01A, F01B, F01D, F05Z, F07A, F07B, F30Z, F36A, F36B, F42Z
	05	F01A, F01B, F01D, F05Z, F07A, F07B, F30Z, F36A, F36B, F42Z	05		F01A, F01B, F01D, F05Z, F07A, F07B, F30Z, F36A, F36B, F42Z	06	G33Z				
	06	G33Z	06		G33Z	07	H33Z, H38Z				
	07	H33Z, H38Z	07		H33Z, H38Z	11	L33Z				
	11	L33Z	11		L33Z	15	P02A, P02B, P02C				
	15	P02A, P02B, P02C	15		P02A, P02B, P02C	21B	X33Z				
	21B	X33Z	21B		X33Z	23	Z01A				
	23	Z01A	23		Z01A	Pre	A06A, A07A, A09A, A11A, A13A				
	Pre	A06A, A07A, A09A, A11A, A13A	Pre		A06A, A07A, A09A, A11A, A13A						

VYK

ZZV	MDC	DRG	ZZV	MDC	DRG	ZZV	MDC	DRG
5k58x		BOP, KOP, KOPV, KVT, UOP4	5k590.4		BOP, KOP, KOPV, KVT, UOP4	5k590.9		BOP, KOP, KOPV, KVT, UOP4
	05	F01A, F01B, F01D, F03B, F03C, F03D, F03E, F05Z, F07A, F07B, F09A, F09B, F09C, F30Z, F36A, F36B, F42Z		04	E05A, E05B, E05C, E08A, E08B, E08C		04	E05A, E05B, E05C, E08A, E08B, E08C
	06	G33Z		05	F01A, F01B, F01D, F05Z, F07A, F07B, F14A, F14B, F28A, F36A, F36B, F42Z, F54Z, F59A, F59B		05	F01A, F01B, F01D, F03A, F03B, F03C, F03D, F03E, F03F, F05Z, F07A, F07B, F36A, F36B, F42Z
	07	H33Z, H38Z		06	G33Z		06	G33Z
	11	L33Z		07	H33Z, H38Z		07	H33Z, H38Z
	15	P02A, P02B, P02C		10	K09A, K09B		11	L33Z
	21B	X33Z		11	L33Z		21A	W04A, W04B
	23	Z01A		21A	W04A, W04B		21B	X06A, X06B, X06C, X33Z
	Pre	A06A, A07A, A09A, A11A, A13A		21B	X06A, X06B, X06C, X33Z		23	Z01A
	Pre	A06A, A07A, A09A, A11A, A13A		Pre	A06A, A07A, A09A, A11A, A13A		Pre	A06A, A07A, A09A, A11A, A13A
5k590.1		BOP, KOP, KOPV, KVT, UOP4	5k590.5		BOP, KOP, KOPV, KVT, UOP4	5k590.a		BOP, KOP, KOPV, KVT, UOP4
	05	F01A, F01B, F01D, F05Z, F07A, F07B, F30Z, F36A, F36B, F42Z		05	F01A, F01B, F01D, F03A, F03B, F03C, F03D, F03E, F03F, F05Z, F30Z, F36A, F36B, F42Z		05	F01A, F01B, F01D, F03A, F03B, F03C, F03D, F03E, F03F, F05Z, F07A, F07B, F30Z, F36A, F36B, F42Z
	06	G33Z		06	G33Z		06	G33Z
	07	H33Z, H38Z		07	H33Z, H38Z		07	H33Z, H38Z
	11	L33Z		11	L33Z		11	L33Z
	15	P02A, P02B, P02C		15	P02A, P02B, P02C		15	P02A, P02B, P02C
	21B	X33Z		21B	X33Z		21B	X33Z
	23	Z01A		23	Z01A		23	Z01A
	Pre	A06A, A07A, A09A, A11A, A13A		Pre	A06A, A07A, A09A, A11A, A13A		Pre	A06A, A07A, A09A, A11A, A13A
	Pre	A06A, A07A, A09A, A11A, A13A		Pre	A06A, A07A, A09A, A11A, A13A		Pre	A06A, A07A, A09A, A11A, A13A
5k590.2		BOP, KOP, KOPV, KVT, UOP4	5k590.6		BOP, KOP, KOPV, KVT, UOP4	5k590.b0		BOP, KOP, KOPV, KVT, UOP4
	05	F01A, F01B, F01D, F03A, F03B, F03C, F03D, F03E, F03F, F05Z, F30Z, F36A, F36B, F42Z		05	F01A, F01B, F01D, F03A, F03B, F03C, F03D, F03E, F03F, F05Z, F30Z, F36A, F36B, F42Z		05	F01A, F01B, F01D, F05Z, F07A, F07B, F30Z, F36A, F36B, F42Z
	06	G33Z		06	G33Z		06	G33Z
	07	H33Z, H38Z		07	H33Z, H38Z		07	H33Z, H38Z
	11	L33Z		11	L33Z		11	L33Z
	15	P02A, P02B, P02C		15	P02A, P02B, P02C		15	P02A, P02B, P02C
	21B	X33Z		21B	X33Z		21B	X33Z
	23	Z01A		23	Z01A		23	Z01A
	Pre	A06A, A07A, A09A, A11A, A13A		Pre	A06A, A07A, A09A, A11A, A13A		Pre	A06A, A07A, A09A, A11A, A13A
	Pre	A06A, A07A, A09A, A11A, A13A		Pre	A06A, A07A, A09A, A11A, A13A		Pre	A06A, A07A, A09A, A11A, A13A
5k590.3		BOP, KOP, KOPV, KVT, UOP4	5k590.8		BOP, KOP, KOPV, KVT, UOP4	5k590.b1		BOP, KOP, KOPV, KVT, UOP4
	05	F01A, F01B, F01D, F03A, F03B, F03C, F03D, F03E, F03F, F05Z, F30Z, F36A, F36B, F42Z		04	E05A, E05B, E05C, E08A, E08B, E08C		05	F01A, F01B, F01D, F05Z, F07A, F07B, F30Z, F36A, F36B, F42Z
	06	G33Z		05	F01A, F01B, F01D, F03A, F03B, F03C, F03D, F03E, F03F, F05Z, F07A, F07B, F36A, F36B, F42Z		06	G33Z
	07	H33Z, H38Z		06	G33Z		07	H33Z, H38Z
	11	L33Z		07	H33Z, H38Z		11	L33Z
	15	P02A, P02B, P02C		05	F01A, F01B, F01D, F03A, F03B, F03C, F03D, F03E, F03F, F05Z, F07A, F07B, F36A, F36B, F42Z		15	P02A, P02B, P02C
	21B	X33Z		06	G33Z		21B	X33Z
	23	Z01A		07	H33Z, H38Z		23	Z01A
	Pre	A06A, A07A, A09A, A11A, A13A		11	L33Z		Pre	A06A, A07A, A09A, A11A, A13A
	Pre	A06A, A07A, A09A, A11A, A13A		21A	W04A, W04B		Pre	A06A, A07A, A09A, A11A, A13A
		21B	X06A, X06B, X06C, X33Z	5k590.c		BOP, KOP, KOPV, KVT, UOP4		
		23	Z01A		05	F01A, F01B, F01D, F03A, F03B, F03C, F03D, F03E, F03F, F05Z, F07A, F07B, F30Z, F36A, F36B, F42Z		
		Pre	A06A, A07A, A09A, A11A, A13A		06	G33Z		
					07	H33Z, H38Z		
					11	L33Z		
					15	P02A, P02B, P02C		
					21B	X33Z		
					23	Z01A		
					Pre	A06A, A07A, A09A, A11A, A13A		
					Pre	A06A, A07A, A09A, A11A, A13A		

ZZV	MDC	DRG	ZZV	MDC	DRG	ZZV	MDC	DRG
5k590.x		BOP, KOP, KOPV, KVT, UOP4	5k592.x		BOP, KOP, KOPV, KVT, UOP4	5k594.5		BOP, KOP, KOPV, KVT, UOP4
	05	F01A, F01B, F01D, F05Z, F07A, F07B, F30Z, F36A, F36B, F42Z		05	F01A, F01B, F01D, F05Z, F07A, F07B, F30Z, F36A, F36B, F42Z		05	F01A, F01B, F01D, F03A, F03B, F03C, F03D, F03E, F03F, F05Z, F30Z, F36A, F36B, F42Z
	06	G33Z		06	G33Z		06	G33Z
	07	H33Z, H38Z		07	H33Z, H38Z		07	H33Z, H38Z
	11	L33Z		11	L33Z		11	L33Z
	15	P02A, P02B, P02C		15	P02A, P02B, P02C		15	P02A, P02B, P02C
	21B	X33Z		21B	X33Z		21B	X33Z
	23	Z01A		23	Z01A		23	Z01A
	Pre	A06A, A07A, A09A, A11A, A13A		Pre	A06A, A07A, A09A, A11A, A13A		Pre	A06A, A07A, A09A, A11A, A13A
	5k592.1			BOP, KOP, KOPV, KVT, UOP4	5k594.1			BOP, KOP, KOPV, KVT, UOP4
05		F01A, F01B, F01D, F05Z, F07A, F07B, F30Z, F36A, F36B, F42Z	05	F01A, F01B, F01D, F05Z, F07A, F07B, F30Z, F36A, F36B, F42Z		05	F01A, F01B, F01D, F03A, F03B, F03C, F03D, F03E, F03F, F05Z, F30Z, F36A, F36B, F42Z	
06		G33Z	06	G33Z		06	G33Z	
07		H33Z, H38Z	07	H33Z, H38Z		07	H33Z, H38Z	
11		L33Z	11	L33Z		11	L33Z	
15		P02A, P02B, P02C	15	P02A, P02B, P02C		15	P02A, P02B, P02C	
21B		X33Z	21B	X33Z		21B	X33Z	
23		Z01A	23	Z01A		23	Z01A	
Pre		A06A, A07A, A09A, A11A, A13A	Pre	A06A, A07A, A09A, A11A, A13A		Pre	A06A, A07A, A09A, A11A, A13A	
5k592.2			BOP, KOP, KOPV, KVT, UOP4	5k594.2			BOP, KOP, KOPV, KVT, UOP4	5k594.8
	05	F01A, F01B, F01D, F05Z, F07A, F07B, F30Z, F36A, F36B, F42Z	05		F01A, F01B, F01D, F03A, F03B, F03C, F03D, F03E, F03F, F05Z, F30Z, F36A, F36B, F42Z	04	E05A, E05B, E05C, E08A, E08B, E08C	
	06	G33Z	06		G33Z	05	F01A, F01B, F01D, F03A, F03B, F03C, F03D, F03E, F03F, F05Z, F07A, F07B, F36A, F36B, F42Z	
	07	H33Z, H38Z	07		H33Z, H38Z	06	G33Z	
	11	L33Z	11		L33Z	07	H33Z, H38Z	
	15	P02A, P02B, P02C	15		P02A, P02B, P02C	11	L33Z	
	21B	X06A, X06B, X06C, X33Z	21B		X33Z	21A	W04A, W04B	
	23	Z01A	23		Z01A	21B	X06A, X06B, X06C, X33Z	
	Pre	A06A, A07A, A09A, A11A, A13A	Pre		A06A, A07A, A09A, A11A, A13A	23	Z01A	
	5k592.3		BOP, KOP, KOPV, KVT, UOP4		5k594.4		BOP, KOP, KOPV, KVT, UOP4	
05		F01A, F01B, F01D, F03A, F03B, F03C, F03D, F03E, F03F, F05Z, F30Z, F36A, F36B, F42Z	04	E05A, E05B, E05C, E08A, E08B, E08C		04	E05A, E05B, E05C, E08A, E08B, E08C	
06		G33Z	05	F01A, F01B, F01D, F05Z, F07A, F07B, F14A, F14B, F28A, F36A, F36B, F42Z, F54Z, F59A, F59B		05	F01A, F01B, F01D, F03A, F03B, F03C, F03D, F03E, F03F, F05Z, F07A, F07B, F36A, F36B, F42Z	
07		H33Z, H38Z	06	G33Z		06	G33Z	
11		L33Z	07	H33Z, H38Z		07	H33Z, H38Z	
15		P02A, P02B, P02C	10	K09A, K09B		11	L33Z	
21B		X33Z	21A	W04A, W04B		21A	W04A, W04B	
23		Z01A	21B	X06A, X06B, X06C, X33Z		21B	X06A, X06B, X06C, X33Z	
Pre		A06A, A07A, A09A, A11A, A13A	23	Z01A		23	Z01A	
5k592.4			BOP, KOP, KOPV, KVT, UOP4					
	05	F01A, F01B, F01D, F03A, F03B, F03C, F03D, F03E, F03F, F05Z, F30Z, F36A, F36B, F42Z						
	06	G33Z						
	07	H33Z, H38Z						
	11	L33Z						
	15	P02A, P02B, P02C						
	21B	X33Z						
	23	Z01A						
	Pre	A06A, A07A, A09A, A11A, A13A						

ZZV	MDC	DRG	ZZV	MDC	DRG	ZZV	MDC	DRG
5k594.x		BOP, KOP, KOPV, KVT, UOP4	5k596.x		BOP, KOP, KOPV, KVT, UOP4	5k604		BOP, KOP, KOPV, KVT, UOP4
	05	F01A, F01B, F01D, F05Z, F07A, F07B, F30Z, F36A, F36B, F42Z		05	F01A, F01B, F01D, F05Z, F07A, F07B, F30Z, F36A, F36B, F42Z		05	F01A, F01B, F01D, F05Z, F07A, F07B, F09A, F09B, F09C, F30Z, F36A, F36B, F42Z
	06	G33Z		06	G33Z		06	G33Z
	07	H33Z, H38Z		07	H33Z, H38Z		07	H33Z, H38Z
	11	L33Z		11	L33Z		11	L33Z
	15	P02A, P02B, P02C		15	P02A, P02B, P02C		15	P02A, P02B, P02C
	21B	X33Z		21B	X33Z		21B	X33Z
	23	Z01A		23	Z01A		23	Z01A
	Pre	A06A, A07A, A09A, A11A, A13A		Pre	A06A, A07A, A09A, A11A, A13A		Pre	A07A
	5k596.1			BOP, KOP, KOPV, KVT, UOP4	5k59x			BOP, KOP, KOPV, KVT, UOP4
05		F01A, F01B, F01D, F05Z, F07A, F07B, F30Z, F36A, F36B, F42Z	05	F01A, F01B, F01D, F05Z, F07A, F07B, F30Z, F36A, F36B, F42Z		05	F01A, F01B, F01D, F05Z, F07A, F07B, F09A, F09B, F09C, F30Z, F36A, F36B, F42Z	
06		G33Z	06	G33Z		06	G33Z	
07		H33Z, H38Z	07	H33Z, H38Z		07	H33Z, H38Z	
11		L33Z	11	L33Z		11	L33Z	
15		P02A, P02B, P02C	15	P02A, P02B, P02C		15	P02A, P02B, P02C	
21B		X33Z	21B	X33Z		21B	X33Z	
23		Z01A	23	Z01A		23	Z01A	
Pre		A06A, A07A, A09A, A11A, A13A	Pre	A06A, A07A, A09A, A11A, A13A		Pre	A07A	
5k596.2			BOP, KOP, KOPV, KVT, UOP4	5k600			BOP, KOP, KOPV, KVT, UOP4	5k610.0
	05	F01A, F01B, F01D, F05Z, F07A, F07B, F30Z, F36A, F36B, F42Z	05		F01A, F01B, F01D, F05Z, F07A, F07B, F09A, F09B, F09C, F30Z, F36A, F36B, F42Z	05	F01A, F01B, F01D, F03B, F03C, F03D, F03E, F05Z, F06A, F06B, F06C, F06D, F06E, F06F, F07A, F07B, F30Z, F36A, F36B, F42Z	
	06	G33Z	06		G33Z	06	G33Z	
	07	H33Z, H38Z	07		H33Z, H38Z	07	H33Z, H38Z	
	11	L33Z	11		L33Z	11	L33Z	
	15	P02A, P02B, P02C	15		P02A, P02B, P02C	15	P02A, P02B, P02C	
	21B	X06A, X06B, X06C, X33Z	21B		X33Z	21B	X33Z	
	23	Z01A	23		Z01A	23	Z01A	
	Pre	A06A, A07A, A09A, A11A, A13A	Pre		A07A	Pre	A07A	
	5k596.3		BOP, KOP, KOPV, KVT, UOP4		5k601		BOP, KOP, KOPV, KVT, UOP4	
05		F01A, F01B, F01D, F03A, F03B, F03C, F03D, F03E, F03F, F05Z, F30Z, F36A, F36B, F42Z	05	F01A, F01B, F01D, F05Z, F07A, F07B, F09A, F09B, F09C, F30Z, F36A, F36B, F42Z		05	F01A, F01B, F01D, F03B, F03C, F03D, F03E, F05Z, F06A, F06B, F06C, F06D, F06E, F06F, F07A, F07B, F30Z, F36A, F36B, F42Z	
06		G33Z	06	G33Z		06	G33Z	
07		H33Z, H38Z	07	H33Z, H38Z		07	H33Z, H38Z	
11		L33Z	11	L33Z		11	L33Z	
15		P02A, P02B, P02C	15	P02A, P02B, P02C		15	P02A, P02B, P02C	
21B		X33Z	21B	X33Z		21B	X33Z	
23		Z01A	23	Z01A		23	Z01A	
Pre		A06A, A07A, A09A, A11A, A13A	Pre	A07A		Pre	A07A	
5k596.4			BOP, KOP, KOPV, KVT, UOP4	5k602			BOP, KOP, KOPV, KVT, UOP4	5k610.2
	05	F01A, F01B, F01D, F03A, F03B, F03C, F03D, F03E, F03F, F05Z, F30Z, F36A, F36B, F42Z	05		F01A, F01B, F01D, F05Z, F07A, F07B, F09A, F09B, F09C, F30Z, F36A, F36B, F42Z	05	F01A, F01B, F01D, F03B, F03C, F03D, F03E, F05Z, F06A, F06B, F06C, F06D, F06E, F06F, F07A, F07B, F30Z, F36A, F36B, F42Z	
	06	G33Z	06		G33Z	06	G33Z	
	07	H33Z, H38Z	07		H33Z, H38Z	07	H33Z, H38Z	
	11	L33Z	11		L33Z	11	L33Z	
	15	P02A, P02B, P02C	15		P02A, P02B, P02C	15	P02A, P02B, P02C	
	21B	X33Z	21B		X33Z	21B	X33Z	
	23	Z01A	23		Z01A	23	Z01A	
	Pre	A06A, A07A, A09A, A11A, A13A	Pre		A07A	Pre	A07A	

VYK







ZZV	MDC	DRG	ZZV	MDC	DRG	ZZV	MDC	DRG
5k620.25		BOP, KOP, KOPV, KVT, UOP4	5k620.35		BOP, KOP, KOPV, KVT, UOP4	5k621.25		BOP, KOP, KOPV, KVT, UOP4
	05	F01A, F01B, F01D, F03B, F03C, F03D, F03E, F05Z, F06A, F06B, F06C, F06D, F06E, F06F, F30Z, F36A, F36B, F42Z		05	F01A, F01B, F01D, F03B, F03C, F03D, F03E, F05Z, F06A, F06B, F06C, F06D, F06E, F06F, F30Z, F36A, F36B, F42Z		05	F01A, F01B, F01D, F03B, F03C, F03D, F03E, F05Z, F06A, F06B, F06C, F06D, F06E, F06F, F30Z, F36A, F36B, F42Z
	06	G33Z		06	G33Z		06	G33Z
	07	H33Z, H38Z		07	H33Z, H38Z		07	H33Z, H38Z
	11	L33Z		11	L33Z		11	L33Z
	15	P02A, P02B, P02C		15	P02A, P02B, P02C		15	P02A, P02B, P02C
	21B	X33Z		21B	X33Z		21B	X33Z
	23	Z01A		23	Z01A		23	Z01A
Pre	A07A	Pre	A07A	Pre	A07A			
5k620.2x		BOP, KOP, KOPV, KVT, UOP4	5k620.3x		BOP, KOP, KOPV, KVT, UOP4	5k621.2x		BOP, KOP, KOPV, KVT, UOP4
	05	F01A, F01B, F01D, F03B, F03C, F03D, F03E, F05Z, F06A, F06B, F06C, F06D, F06E, F06F, F30Z, F36A, F36B, F42Z		05	F01A, F01B, F01D, F03B, F03C, F03D, F03E, F05Z, F06A, F06B, F06C, F06D, F06E, F06F, F30Z, F36A, F36B, F42Z		05	F01A, F01B, F01D, F03B, F03C, F03D, F03E, F05Z, F06A, F06B, F06C, F06D, F06E, F06F, F30Z, F36A, F36B, F42Z
	06	G33Z		06	G33Z		06	G33Z
	07	H33Z, H38Z		07	H33Z, H38Z		07	H33Z, H38Z
	11	L33Z		11	L33Z		11	L33Z
	15	P02A, P02B, P02C		15	P02A, P02B, P02C		15	P02A, P02B, P02C
	21B	X33Z		21B	X33Z		21B	X33Z
	23	Z01A		23	Z01A		23	Z01A
Pre	A07A	Pre	A07A	Pre	A07A			
5k620.30		BOP, KOP, KOPV, KVT, UOP4	5k621.20		BOP, KOP, KOPV, KVT, UOP4	5k621.30		BOP, KOP, KOPV, KVT, UOP4
	05	F01A, F01B, F01D, F03B, F03C, F03D, F03E, F05Z, F06A, F06B, F06C, F06D, F06E, F06F, F30Z, F36A, F36B, F42Z		05	F01A, F01B, F01D, F03B, F03C, F03D, F03E, F05Z, F06A, F06B, F06C, F06D, F06E, F06F, F30Z, F36A, F36B, F42Z		05	F01A, F01B, F01D, F03B, F03C, F03D, F03E, F05Z, F06A, F06B, F06C, F06D, F06E, F06F, F30Z, F36A, F36B, F42Z
	06	G33Z		06	G33Z		06	G33Z
	07	H33Z, H38Z		07	H33Z, H38Z		07	H33Z, H38Z
	11	L33Z		11	L33Z		11	L33Z
	15	P02A, P02B, P02C		15	P02A, P02B, P02C		15	P02A, P02B, P02C
	21B	X33Z		21B	X33Z		21B	X33Z
	23	Z01A		23	Z01A		23	Z01A
Pre	A07A	Pre	A07A	Pre	A07A			
5k620.31		BOP, KOP, KOPV, KVT, UOP4	5k621.21		BOP, KOP, KOPV, KVT, UOP4	5k621.31		BOP, KOP, KOPV, KVT, UOP4
	05	F01A, F01B, F01D, F03B, F03C, F03D, F03E, F05Z, F06A, F06B, F06C, F06D, F06E, F06F, F30Z, F36A, F36B, F42Z		05	F01A, F01B, F01D, F03B, F03C, F03D, F03E, F05Z, F06A, F06B, F06C, F06D, F06E, F06F, F30Z, F36A, F36B, F42Z		05	F01A, F01B, F01D, F03B, F03C, F03D, F03E, F05Z, F06A, F06B, F06C, F06D, F06E, F06F, F30Z, F36A, F36B, F42Z
	06	G33Z		06	G33Z		06	G33Z
	07	H33Z, H38Z		07	H33Z, H38Z		07	H33Z, H38Z
	11	L33Z		11	L33Z		11	L33Z
	15	P02A, P02B, P02C		15	P02A, P02B, P02C		15	P02A, P02B, P02C
	21B	X33Z		21B	X33Z		21B	X33Z
	23	Z01A		23	Z01A		23	Z01A
Pre	A07A	Pre	A07A	Pre	A07A			
5k620.32		BOP, KOP, KOPV, KVT, UOP4	5k621.22		BOP, KOP, KOPV, KVT, UOP4	5k621.32		BOP, KOP, KOPV, KVT, UOP4
	05	F01A, F01B, F01D, F03B, F03C, F03D, F03E, F05Z, F06A, F06B, F06C, F06D, F06E, F06F, F30Z, F36A, F36B, F42Z		05	F01A, F01B, F01D, F03B, F03C, F03D, F03E, F05Z, F06A, F06B, F06C, F06D, F06E, F06F, F30Z, F36A, F36B, F42Z		05	F01A, F01B, F01D, F03B, F03C, F03D, F03E, F05Z, F06A, F06B, F06C, F06D, F06E, F06F, F30Z, F36A, F36B, F42Z
	06	G33Z		06	G33Z		06	G33Z
	07	H33Z, H38Z		07	H33Z, H38Z		07	H33Z, H38Z
	11	L33Z		11	L33Z		11	L33Z
	15	P02A, P02B, P02C		15	P02A, P02B, P02C		15	P02A, P02B, P02C
	21B	X33Z		21B	X33Z		21B	X33Z
	23	Z01A		23	Z01A		23	Z01A
Pre	A07A	Pre	A07A	Pre	A07A			

ZZV	MDC	DRG	ZZV	MDC	DRG	ZZV	MDC	DRG
5k621.35		BOP, KOP, KOPV, KVT, UOP4	5k622.25		BOP, KOP, KOPV, KVT, UOP4	5k622.35		BOP, KOP, KOPV, KVT, UOP4
	05	F01A, F01B, F01D, F03B, F03C, F03D, F03E, F05Z, F06A, F06B, F06C, F06D, F06E, F06F, F30Z, F36A, F36B, F42Z		05	F01A, F01B, F01D, F03B, F03C, F03D, F03E, F05Z, F06A, F06B, F06C, F06D, F06E, F06F, F30Z, F36A, F36B, F42Z		05	F01A, F01B, F01D, F03B, F03C, F03D, F03E, F05Z, F06A, F06B, F06C, F06D, F06E, F06F, F30Z, F36A, F36B, F42Z
	06	G33Z		06	G33Z		06	G33Z
	07	H33Z, H38Z		07	H33Z, H38Z		07	H33Z, H38Z
	11	L33Z		11	L33Z		11	L33Z
	15	P02A, P02B, P02C		15	P02A, P02B, P02C		15	P02A, P02B, P02C
	21B	X33Z		21B	X33Z		21B	X33Z
	23	Z01A		23	Z01A		23	Z01A
Pre	A07A	Pre	A07A	Pre	A07A			
5k621.3x		BOP, KOP, KOPV, KVT, UOP4	5k622.2x		BOP, KOP, KOPV, KVT, UOP4	5k622.3x		BOP, KOP, KOPV, KVT, UOP4
	05	F01A, F01B, F01D, F03B, F03C, F03D, F03E, F05Z, F06A, F06B, F06C, F06D, F06E, F06F, F30Z, F36A, F36B, F42Z		05	F01A, F01B, F01D, F03B, F03C, F03D, F03E, F05Z, F06A, F06B, F06C, F06D, F06E, F06F, F30Z, F36A, F36B, F42Z		05	F01A, F01B, F01D, F03B, F03C, F03D, F03E, F05Z, F06A, F06B, F06C, F06D, F06E, F06F, F30Z, F36A, F36B, F42Z
	06	G33Z		06	G33Z		06	G33Z
	07	H33Z, H38Z		07	H33Z, H38Z		07	H33Z, H38Z
	11	L33Z		11	L33Z		11	L33Z
	15	P02A, P02B, P02C		15	P02A, P02B, P02C		15	P02A, P02B, P02C
	21B	X33Z		21B	X33Z		21B	X33Z
	23	Z01A		23	Z01A		23	Z01A
Pre	A07A	Pre	A07A	Pre	A07A			
5k622.20		BOP, KOP, KOPV, KVT, UOP4	5k622.30		BOP, KOP, KOPV, KVT, UOP4	5k623.20		BOP, KOP, KOPV, KVT, UOP4
	05	F01A, F01B, F01D, F03B, F03C, F03D, F03E, F05Z, F06A, F06B, F06C, F06D, F06E, F06F, F30Z, F36A, F36B, F42Z		05	F01A, F01B, F01D, F03B, F03C, F03D, F03E, F05Z, F06A, F06B, F06C, F06D, F06E, F06F, F30Z, F36A, F36B, F42Z		05	F01A, F01B, F01D, F03B, F03C, F03D, F03E, F05Z, F06A, F06B, F06C, F06D, F06E, F06F, F30Z, F36A, F36B, F42Z
	06	G33Z		06	G33Z		06	G33Z
	07	H33Z, H38Z		07	H33Z, H38Z		07	H33Z, H38Z
	11	L33Z		11	L33Z		11	L33Z
	15	P02A, P02B, P02C		15	P02A, P02B, P02C		15	P02A, P02B, P02C
	21B	X33Z		21B	X33Z		21B	X33Z
	23	Z01A		23	Z01A		23	Z01A
Pre	A07A	Pre	A07A	Pre	A07A			
5k622.21		BOP, KOP, KOPV, KVT, UOP4	5k622.31		BOP, KOP, KOPV, KVT, UOP4	5k623.21		BOP, KOP, KOPV, KVT, UOP4
	05	F01A, F01B, F01D, F03B, F03C, F03D, F03E, F05Z, F06A, F06B, F06C, F06D, F06E, F06F, F30Z, F36A, F36B, F42Z		05	F01A, F01B, F01D, F03B, F03C, F03D, F03E, F05Z, F06A, F06B, F06C, F06D, F06E, F06F, F30Z, F36A, F36B, F42Z		05	F01A, F01B, F01D, F03B, F03C, F03D, F03E, F05Z, F06A, F06B, F06C, F06D, F06E, F06F, F30Z, F36A, F36B, F42Z
	06	G33Z		06	G33Z		06	G33Z
	07	H33Z, H38Z		07	H33Z, H38Z		07	H33Z, H38Z
	11	L33Z		11	L33Z		11	L33Z
	15	P02A, P02B, P02C		15	P02A, P02B, P02C		15	P02A, P02B, P02C
	21B	X33Z		21B	X33Z		21B	X33Z
	23	Z01A		23	Z01A		23	Z01A
Pre	A07A	Pre	A07A	Pre	A07A			
5k622.22		BOP, KOP, KOPV, KVT, UOP4	5k622.32		BOP, KOP, KOPV, KVT, UOP4	5k623.22		BOP, KOP, KOPV, KVT, UOP4
	05	F01A, F01B, F01D, F03B, F03C, F03D, F03E, F05Z, F06A, F06B, F06C, F06D, F06E, F06F, F30Z, F36A, F36B, F42Z		05	F01A, F01B, F01D, F03B, F03C, F03D, F03E, F05Z, F06A, F06B, F06C, F06D, F06E, F06F, F30Z, F36A, F36B, F42Z		05	F01A, F01B, F01D, F03B, F03C, F03D, F03E, F05Z, F06A, F06B, F06C, F06D, F06E, F06F, F30Z, F36A, F36B, F42Z
	06	G33Z		06	G33Z		06	G33Z
	07	H33Z, H38Z		07	H33Z, H38Z		07	H33Z, H38Z
	11	L33Z		11	L33Z		11	L33Z
	15	P02A, P02B, P02C		15	P02A, P02B, P02C		15	P02A, P02B, P02C
	21B	X33Z		21B	X33Z		21B	X33Z
	23	Z01A		23	Z01A		23	Z01A
Pre	A07A	Pre	A07A	Pre	A07A			

VYK

ZZV	MDC	DRG	ZZV	MDC	DRG	ZZV	MDC	DRG
5k623.25		BOP, KOP, KOPV, KVT, UOP4	5k623.35		BOP, KOP, KOPV, KVT, UOP4	5k624.25		BOP, KOP, KOPV, KVT, UOP4
	05	F01A, F01B, F01D, F03B, F03C, F03D, F03E, F05Z, F06A, F06B, F06C, F06D, F06E, F06F, F30Z, F36A, F36B, F42Z		05	F01A, F01B, F01D, F03B, F03C, F03D, F03E, F05Z, F06A, F06B, F06C, F06D, F06E, F06F, F30Z, F36A, F36B, F42Z		05	F01A, F01B, F01D, F03B, F03C, F03D, F03E, F05Z, F06A, F06B, F06C, F06D, F06E, F06F, F30Z, F36A, F36B, F42Z
	06	G33Z		06	G33Z		06	G33Z
	07	H33Z, H38Z		07	H33Z, H38Z		07	H33Z, H38Z
	11	L33Z		11	L33Z		11	L33Z
	15	P02A, P02B, P02C		15	P02A, P02B, P02C		15	P02A, P02B, P02C
	21B	X33Z		21B	X33Z		21B	X33Z
	23	Z01A		23	Z01A		23	Z01A
Pre	A07A	Pre	A07A	Pre	A07A			
5k623.2x		BOP, KOP, KOPV, KVT, UOP4	5k623.3x		BOP, KOP, KOPV, KVT, UOP4	5k624.2x		BOP, KOP, KOPV, KVT, UOP4
	05	F01A, F01B, F01D, F03B, F03C, F03D, F03E, F05Z, F06A, F06B, F06C, F06D, F06E, F06F, F30Z, F36A, F36B, F42Z		05	F01A, F01B, F01D, F03B, F03C, F03D, F03E, F05Z, F06A, F06B, F06C, F06D, F06E, F06F, F30Z, F36A, F36B, F42Z		05	F01A, F01B, F01D, F03B, F03C, F03D, F03E, F05Z, F06A, F06B, F06C, F06D, F06E, F06F, F30Z, F36A, F36B, F42Z
	06	G33Z		06	G33Z		06	G33Z
	07	H33Z, H38Z		07	H33Z, H38Z		07	H33Z, H38Z
	11	L33Z		11	L33Z		11	L33Z
	15	P02A, P02B, P02C		15	P02A, P02B, P02C		15	P02A, P02B, P02C
	21B	X33Z		21B	X33Z		21B	X33Z
	23	Z01A		23	Z01A		23	Z01A
Pre	A07A	Pre	A07A	Pre	A07A			
5k623.30		BOP, KOP, KOPV, KVT, UOP4	5k624.20		BOP, KOP, KOPV, KVT, UOP4	5k624.30		BOP, KOP, KOPV, KVT, UOP4
	05	F01A, F01B, F01D, F03B, F03C, F03D, F03E, F05Z, F06A, F06B, F06C, F06D, F06E, F06F, F30Z, F36A, F36B, F42Z		05	F01A, F01B, F01D, F03B, F03C, F03D, F03E, F05Z, F06A, F06B, F06C, F06D, F06E, F06F, F30Z, F36A, F36B, F42Z		05	F01A, F01B, F01D, F03B, F03C, F03D, F03E, F05Z, F06A, F06B, F06C, F06D, F06E, F06F, F30Z, F36A, F36B, F42Z
	06	G33Z		06	G33Z		06	G33Z
	07	H33Z, H38Z		07	H33Z, H38Z		07	H33Z, H38Z
	11	L33Z		11	L33Z		11	L33Z
	15	P02A, P02B, P02C		15	P02A, P02B, P02C		15	P02A, P02B, P02C
	21B	X33Z		21B	X33Z		21B	X33Z
	23	Z01A		23	Z01A		23	Z01A
Pre	A07A	Pre	A07A	Pre	A07A			
5k623.31		BOP, KOP, KOPV, KVT, UOP4	5k624.21		BOP, KOP, KOPV, KVT, UOP4	5k624.31		BOP, KOP, KOPV, KVT, UOP4
	05	F01A, F01B, F01D, F03B, F03C, F03D, F03E, F05Z, F06A, F06B, F06C, F06D, F06E, F06F, F30Z, F36A, F36B, F42Z		05	F01A, F01B, F01D, F03B, F03C, F03D, F03E, F05Z, F06A, F06B, F06C, F06D, F06E, F06F, F30Z, F36A, F36B, F42Z		05	F01A, F01B, F01D, F03B, F03C, F03D, F03E, F05Z, F06A, F06B, F06C, F06D, F06E, F06F, F30Z, F36A, F36B, F42Z
	06	G33Z		06	G33Z		06	G33Z
	07	H33Z, H38Z		07	H33Z, H38Z		07	H33Z, H38Z
	11	L33Z		11	L33Z		11	L33Z
	15	P02A, P02B, P02C		15	P02A, P02B, P02C		15	P02A, P02B, P02C
	21B	X33Z		21B	X33Z		21B	X33Z
	23	Z01A		23	Z01A		23	Z01A
Pre	A07A	Pre	A07A	Pre	A07A			
5k623.32		BOP, KOP, KOPV, KVT, UOP4	5k624.22		BOP, KOP, KOPV, KVT, UOP4	5k624.32		BOP, KOP, KOPV, KVT, UOP4
	05	F01A, F01B, F01D, F03B, F03C, F03D, F03E, F05Z, F06A, F06B, F06C, F06D, F06E, F06F, F30Z, F36A, F36B, F42Z		05	F01A, F01B, F01D, F03B, F03C, F03D, F03E, F05Z, F06A, F06B, F06C, F06D, F06E, F06F, F30Z, F36A, F36B, F42Z		05	F01A, F01B, F01D, F03B, F03C, F03D, F03E, F05Z, F06A, F06B, F06C, F06D, F06E, F06F, F30Z, F36A, F36B, F42Z
	06	G33Z		06	G33Z		06	G33Z
	07	H33Z, H38Z		07	H33Z, H38Z		07	H33Z, H38Z
	11	L33Z		11	L33Z		11	L33Z
	15	P02A, P02B, P02C		15	P02A, P02B, P02C		15	P02A, P02B, P02C
	21B	X33Z		21B	X33Z		21B	X33Z
	23	Z01A		23	Z01A		23	Z01A
Pre	A07A	Pre	A07A	Pre	A07A			

VYK



ZZV	MDC	DRG	ZZV	MDC	DRG	ZZV	MDC	DRG
5k642		BOP, KVT, UOP4	5k703		BOP, KVT, UOP4	5k713.2		BOP, KVT, UOP4
	05	F01A, F01B, F01D, F05Z, F07A, F07B, F09A, F09B, F09C, F30Z, F42Z		05	F01A, F01B, F01D, F05Z, F07A, F07B, F09A, F09B, F09C, F30Z, F42Z		05	F01A, F01B, F01D, F03C, F03D, F05Z, F06C, F06E, F07A, F07B, F09A, F09B, F09C, F30Z, F42Z
	15	P02A, P02B, P02C		15	P02A, P02B, P02C		15	P02A, P02B, P02C
5k643	21B	X06A, X06B, X06C		21A	W04A, W04B	5k713.3		BOP, KVT, UOP4
		BOP, KOP, KOPV, KVT, UOP4	5k704		BOP, KOP, KOPV, KVT, UOP4		05	F01A, F01B, F01D, F03C, F03D, F05Z, F06C, F06E, F07A, F07B, F09A, F09B, F09C, F30Z, F42Z
	05	F01A, F01B, F01D, F05Z, F07A, F07B, F09A, F09B, F09C, F30Z, F36A, F36B, F42Z		05	F01A, F01B, F01D, F05Z, F07A, F07B, F09A, F09B, F09C, F30Z, F36A, F36B, F42Z		15	P02A, P02B, P02C
	06	G33Z		06	G33Z	5k713.4		BOP, KVT, UOP4
	07	H33Z, H38Z		07	H33Z, H38Z		05	F01A, F01B, F01D, F03C, F03D, F05Z, F06C, F06E, F07A, F07B, F09A, F09B, F09C, F30Z, F42Z
	11	L33Z		11	L33Z		15	P02A, P02B, P02C
	15	P02A, P02B, P02C		15	P02A, P02B, P02C		15	P02A, P02B, P02C
	21B	X06A, X06B, X06C, X33Z		21A	W04A, W04B	5k713.5		BOP, KVT, UOP4
	23	Z01A		21B	X06A, X06B, X06C		05	F01A, F01B, F01D, F03C, F03D, F05Z, F06C, F06E, F07A, F07B, F09A, F09B, F09C, F30Z, F42Z
	Pre	A07A		23	Z01A		15	P02A, P02B, P02C
5k644		BOP, KVT, UOP4		Pre	A07A		05	F01A, F01B, F01D, F03C, F03D, F05Z, F06C, F06E, F07A, F07B, F09A, F09B, F09C, F30Z, F42Z
5k64x	05	F21A, F21B	5k705		BOP, KOP, KOPV, KVT, UOP4		15	P02A, P02B, P02C
		BOP, KVT, UOP4		05	F01A, F01B, F01D, F05Z, F07A, F07B, F09A, F09B, F09C, F30Z, F36A, F36B, F42Z	5k713.6		BOP, KVT, UOP4
	05	F01A, F01B, F01D, F05Z, F07A, F07B, F09A, F09B, F09C, F30Z, F42Z		06	G33Z		05	F01A, F01B, F01D, F03C, F03D, F05Z, F06C, F06E, F07A, F07B, F09A, F09B, F09C, F30Z, F42Z
	15	P02A, P02B, P02C		07	H33Z, H38Z		15	P02A, P02B, P02C
5k700	21B	X06A, X06B, X06C		11	L33Z	5k713.x		BOP, KVT, UOP4
		BOP, KOP, KOPV, KVT, UOP4		15	P02A, P02B, P02C		05	F01A, F01B, F01D, F03C, F03D, F05Z, F06C, F06E, F07A, F07B, F09A, F09B, F09C, F30Z, F42Z
	04	E05A, E05B, E05C, E08A, E08B, E08C		21A	W04A, W04B		15	P02A, P02B, P02C
	05	F01A, F01B, F01D, F05Z, F07A, F07B, F09A, F09B, F09C, F36A, F36B, F42Z		21B	X06A, X06B, X06C		05	F01A, F01B, F01D, F03C, F03D, F05Z, F06C, F06E, F07A, F07B, F09A, F09B, F09C, F30Z, F42Z
	06	G33Z		23	Z01A		15	P02A, P02B, P02C
	07	H33Z, H38Z		Pre	A07A	5k714.0		BOP, KVT, UOP4
	11	L33Z	5k706		BOP, KOP, KOPV, KVT, UOP4		05	F01A, F01B, F01D, F03C, F03D, F05Z, F06C, F06E, F07A, F07B, F09A, F09B, F09C, F30Z, F42Z
	17	R01A, R01B, R01C, R01D, R02Z, R12A, R12B, R12C		05	F01A, F01B, F01D, F05Z, F07A, F07B, F09A, F09B, F09C, F30Z, F36A, F36B, F42Z		15	P02A, P02B, P02C
	21A	W04A, W04B		06	G33Z		05	F01A, F01B, F01D, F03C, F03D, F05Z, F06C, F06E, F07A, F07B, F09A, F09B, F09C, F30Z, F42Z
	21B	X06A, X06B, X06C		07	H33Z, H38Z	5k714.1		BOP, KVT, UOP4
	23	Z01A		11	L33Z		05	F01A, F01B, F01D, F03C, F03D, F05Z, F06C, F06E, F07A, F07B, F09A, F09B, F09C, F30Z, F42Z
	Pre	A07A		15	P02A, P02B, P02C		15	P02A, P02B, P02C
5k701	04	E05A, E05B, E05C, E08A, E08B, E08C		21A	W04A, W04B		05	F01A, F01B, F01D, F03C, F03D, F05Z, F06C, F06E, F07A, F07B, F09A, F09B, F09C, F30Z, F42Z
	05	F01A, F01B, F01D, F05Z, F07A, F07B, F09A, F09B, F09C, F36A, F36B, F42Z		21B	X06A, X06B, X06C		15	P02A, P02B, P02C
	06	G33Z		23	Z01A	5k714.2		BOP, KVT, UOP4
	07	H33Z, H38Z		Pre	A07A		05	F01A, F01B, F01D, F03C, F03D, F05Z, F06C, F06E, F07A, F07B, F09A, F09B, F09C, F30Z, F42Z
	11	L33Z	5k70x		BOP, KVT, UOP4		15	P02A, P02B, P02C
	17	R01A, R01B, R01C, R01D, R02Z, R12A, R12B, R12C		05	F01A, F01B, F01D, F05Z, F07A, F07B, F09A, F09B, F09C, F30Z, F42Z	5k714.3		BOP, KVT, UOP4
	21A	W04A, W04B		15	P02A, P02B, P02C		05	F01A, F01B, F01D, F03C, F03D, F05Z, F06C, F06E, F07A, F07B, F09A, F09B, F09C, F30Z, F42Z
	21B	X06A, X06B, X06C		21A	W04A, W04B		15	P02A, P02B, P02C
	23	Z01A		21B	X06A, X06B, X06C		05	F01A, F01B, F01D, F03C, F03D, F05Z, F06C, F06E, F07A, F07B, F09A, F09B, F09C, F30Z, F42Z
	Pre	A07A	5k713.0		BOP, KVT, UOP4		15	P02A, P02B, P02C
5k702		BOP, KVT, UOP4		05	F01A, F01B, F01D, F03C, F03D, F05Z, F06C, F06E, F07A, F07B, F09A, F09B, F09C, F30Z, F42Z	5k714.4		BOP, KVT, UOP4
	04	E02A, E02B, E02C		15	P02A, P02B, P02C		05	F01A, F01B, F01D, F03C, F03D, F05Z, F06C, F06E, F07A, F07B, F09A, F09B, F09C, F30Z, F42Z
	08	I23A		Pre	A07A		15	P02A, P02B, P02C
	09	J03A, J03B, J04A, J04B, J08A, J08B, J08C, J11A, J11B, J16Z	5k713.1		BOP, KVT, UOP4		05	F01A, F01B, F01D, F03C, F03D, F05Z, F06C, F06E, F07A, F07B, F09A, F09B, F09C, F30Z, F42Z
	10	K09A, K09B		05	F01A, F01B, F01D, F03C, F03D, F05Z, F06C, F06E, F07A, F07B, F09A, F09B, F09C, F30Z, F42Z	5k714.5		BOP, KVT, UOP4
	17	R01A, R01B, R01C, R01D, R02Z, R12A, R12B, R12C		15	P02A, P02B, P02C		05	F01A, F01B, F01D, F03C, F03D, F05Z, F06C, F06E, F07A, F07B, F09A, F09B, F09C, F30Z, F42Z
	21A	W04A, W04B					15	P02A, P02B, P02C
	21B	X06A, X06B, X06C						

ZZV	MDC	DRG	ZZV	MDC	DRG	ZZV	MDC	DRG
5k714.6		BOP, KVT, UOP4	5k720		BOP, KOP, KOPV, KVT, UOP4	5k722.3		BOP, KOP, KOPV, KVT, UOP4
	05	F01A, F01B, F01D, F03C, F03D, F05Z, F06C, F06E, F07A, F07B, F09A, F09B, F09C, F30Z, F42Z		04	E05A, E05B, E05C, E08A, E08B, E08C		04	E05A, E05B, E05C, E08A, E08B, E08C
	15	P02A, P02B, P02C		05	F01A, F01B, F01D, F05Z, F07A, F07B, F09A, F09B, F09C, F36A, F36B, F42Z		05	F01A, F01B, F01D, F05Z, F07A, F07B, F09A, F09B, F09C, F36A, F36B, F42Z
5k714.x		BOP, KVT, UOP4		06	G33Z		06	G33Z
	05	F01A, F01B, F01D, F03C, F03D, F05Z, F06C, F06E, F07A, F07B, F09A, F09B, F09C, F30Z, F42Z		07	H33Z, H38Z		07	H33Z, H38Z
	15	P02A, P02B, P02C		11	L33Z		11	L33Z
5k715.0		BOP, KVT, UOP4		17	R01A, R01B, R01C, R01D, R02Z, R12A, R12B, R12C		17	R01A, R01B, R01C, R01D, R02Z, R12A, R12B, R12C
	05	F01A, F01B, F01D, F03C, F03D, F05Z, F06C, F06E, F07A, F07B, F09A, F09B, F09C, F30Z, F42Z		21A	W04A, W04B		21A	W04A, W04B
	15	P02A, P02B, P02C		21B	X06A, X06B, X06C		21B	X06A, X06B, X06C
5k715.1		BOP, KVT, UOP4		23	Z01A		23	Z01A
	05	F01A, F01B, F01D, F03C, F03D, F05Z, F06C, F06E, F07A, F07B, F09A, F09B, F09C, F30Z, F42Z	5k721	Pre	A07A	5k724	Pre	A07A
	15	P02A, P02B, P02C		04	BOP, KOP, KOPV, KVT, UOP4		04	BOP, KOP, KOPV, KVT, UOP4
5k715.2		BOP, KVT, UOP4		05	E05A, E05B, E05C, E08A, E08B, E08C		05	E05A, E05B, E05C, E08A, E08B, E08C
	05	F01A, F01B, F01D, F03C, F03D, F05Z, F06C, F06E, F07A, F07B, F09A, F09B, F09C, F30Z, F42Z		06	G33Z		06	G33Z
	15	P02A, P02B, P02C		07	H33Z, H38Z		07	H33Z, H38Z
5k715.3		BOP, KVT, UOP4		11	L33Z		11	L33Z
	05	F01A, F01B, F01D, F03C, F03D, F05Z, F06C, F06E, F07A, F07B, F09A, F09B, F09C, F30Z, F42Z		17	R01A, R01B, R01C, R01D, R02Z, R12A, R12B, R12C		17	R01A, R01B, R01C, R01D, R02Z, R12A, R12B, R12C
	15	P02A, P02B, P02C		21A	W04A, W04B		21A	W04A, W04B
5k715.4		BOP, KVT, UOP4		21B	X06A, X06B, X06C		21B	X06A, X06B, X06C
	05	F01A, F01B, F01D, F03C, F03D, F05Z, F06C, F06E, F07A, F07B, F09A, F09B, F09C, F30Z, F42Z		23	Z01A		23	Z01A
	15	P02A, P02B, P02C		Pre	A07A		Pre	A07A
5k715.5		BOP, KVT, UOP4	5k722.0		BOP, KOP, KOPV, KVT, UOP4	5k725		BOP, KOP, KOPV, KVT, UOP4
	05	F01A, F01B, F01D, F03C, F03D, F05Z, F06C, F06E, F07A, F07B, F09A, F09B, F09C, F30Z, F42Z		04	E05A, E05B, E05C, E08A, E08B, E08C		04	E05A, E05B, E05C, E08A, E08B, E08C
	15	P02A, P02B, P02C		05	F01A, F01B, F01D, F05Z, F07A, F07B, F09A, F09B, F09C, F36A, F36B, F42Z		05	F01A, F01B, F01D, F05Z, F07A, F07B, F09A, F09B, F09C, F36A, F36B, F42Z
5k715.6		BOP, KVT, UOP4		06	G33Z		06	G33Z
	05	F01A, F01B, F01D, F03C, F03D, F05Z, F06C, F06E, F07A, F07B, F09A, F09B, F09C, F30Z, F42Z		07	H33Z, H38Z		07	H33Z, H38Z
	15	P02A, P02B, P02C		11	L33Z		11	L33Z
5k715.x		BOP, KVT, UOP4		17	R01A, R01B, R01C, R01D, R02Z, R12A, R12B, R12C		17	R01A, R01B, R01C, R01D, R02Z, R12A, R12B, R12C
	05	F01A, F01B, F01D, F03C, F03D, F05Z, F06C, F06E, F07A, F07B, F09A, F09B, F09C, F30Z, F42Z		21A	W04A, W04B		21A	W04A, W04B
	15	P02A, P02B, P02C		21B	X06A, X06B, X06C		21B	X06A, X06B, X06C
5k71x		BOP, KVT, UOP4		23	Z01A		23	Z01A
	05	F01A, F01B, F01D, F03C, F03D, F05Z, F06C, F06E, F07A, F07B, F09A, F09B, F09C, F30Z, F42Z	5k722.2	Pre	A07A	5k72x	Pre	A07A
	15	P02A, P02B, P02C		04	BOP, KOP, KOPV, KVT, UOP4		04	BOP, KOP, KOPV, KVT, UOP4
				05	E05A, E05B, E05C, E08A, E08B, E08C		05	E05A, E05B, E05C, E08A, E08B, E08C
				06	G33Z		06	G33Z
				07	H33Z, H38Z		07	H33Z, H38Z
				11	L33Z		11	L33Z
				17	R01A, R01B, R01C, R01D, R02Z, R12A, R12B, R12C		17	R01A, R01B, R01C, R01D, R02Z, R12A, R12B, R12C
				21A	W04A, W04B		21A	W04A, W04B
				21B	X06A, X06B, X06C		21B	X06A, X06B, X06C
				23	Z01A		23	Z01A
				Pre	A07A		Pre	A07A

ZZV	MDC	DRG	ZZV	MDC	DRG	ZZV	MDC	DRG
5k730		BOP, KOP, KOPV, KVT, UOP4	5k735		BOP, KVT, UOP4	5k742		BOP, KOP, KOPV, KVT, UOP4
	05	F01A, F01B, F01D, F05Z, F07A, F07B, F09A, F09B, F09C, F30Z, F36A, F36B, F42Z		05	F01A, F01B, F01D, F03C, F03D, F05Z, F06C, F06E, F07A, F07B, F09A, F09B, F09C, F30Z, F42Z		04	E05A, E05B, E05C, E08A, E08B, E08C
	06	G33Z	5k736		BOP, KVT, UOP4		05	F01A, F01B, F01D, F05Z, F07A, F07B, F09A, F09B, F09C, F30Z, F36A, F36B, F42Z
	07	H33Z, H38Z		05	F01A, F01B, F01D, F03C, F03D, F05Z, F06C, F06E, F07A, F07B, F09A, F09B, F09C, F30Z, F42Z		06	G33Z
	11	L33Z	5k737		BOP, KVT, UOP4		07	H33Z, H38Z
	15	P02A, P02B, P02C		05	F01A, F01B, F01D, F03C, F03D, F05Z, F06C, F06E, F07A, F07B, F09A, F09B, F09C, F30Z, F42Z		11	L33Z
	17	R01A, R01B, R01C, R01D, R02Z, R12A, R12B	5k738		BOP, KVT, UOP4		15	P02A, P02B, P02C
	21B	X33Z		05	F01A, F01B, F01D, F03C, F03D, F05Z, F06C, F06E, F07A, F07B, F09A, F09B, F09C, F30Z, F42Z		21B	X33Z
	23	Z01A	5k73x		BOP, KVT, UOP4		23	Z01A
	Pre	A07A		05	F01A, F01B, F01D, F05Z, F07A, F07B, F09A, F09B, F09C, F30Z, F42Z		Pre	A07A
	5k731		BOP, KOP, KOPV, KVT, UOP4	5k740			BOP, KOP, KOPV, KVT, UOP4	5k744
05		F01A, F01B, F01D, F05Z, F07A, F07B, F09A, F09B, F09C, F30Z, F36A, F36B, F42Z	04		E05A, E05B, E05C, E08A, E08B, E08C	04	E05A, E05B, E05C, E08A, E08B, E08C	
06		G33Z	5k741		BOP, KOP, KOPV, KVT, UOP4	05	F01A, F01B, F01D, F05Z, F07A, F07B, F09A, F09B, F09C, F30Z, F36A, F36B, F42Z	
07		H33Z, H38Z		04	E05A, E05B, E05C, E08A, E08B, E08C	05	F01A, F01B, F01D, F05Z, F07A, F07B, F09A, F09B, F09C, F30Z, F36A, F36B, F42Z	
11		L33Z	5k745		BOP, KOP, KOPV, KVT, UOP4	06	G33Z	
15		P02A, P02B, P02C		05	F01A, F01B, F01D, F05Z, F07A, F07B, F09A, F09B, F09C, F30Z, F36A, F36B, F42Z	07	H33Z, H38Z	
17		R01A, R01B, R01C, R01D, R02Z, R12A, R12B	5k741		BOP, KOP, KOPV, KVT, UOP4	11	L33Z	
21B		X33Z		04	E05A, E05B, E05C, E08A, E08B, E08C	15	P02A, P02B, P02C	
23		Z01A	5k741		BOP, KOP, KOPV, KVT, UOP4	21B	X33Z	
Pre		A07A		05	F01A, F01B, F01D, F05Z, F07A, F07B, F09A, F09B, F09C, F30Z, F36A, F36B, F42Z	23	Z01A	
5k732			BOP, KOP, KOPV, KVT, UOP4	5k741		BOP, KOP, KOPV, KVT, UOP4	5k745	
	05	F01A, F01B, F01D, F05Z, F07A, F07B, F09A, F09B, F09C, F30Z, F36A, F36B, F42Z	04		E05A, E05B, E05C, E08A, E08B, E08C	04		E05A, E05B, E05C, E08A, E08B, E08C
	06	G33Z	5k741		BOP, KOP, KOPV, KVT, UOP4	05		F01A, F01B, F01D, F05Z, F07A, F07B, F09A, F09B, F09C, F30Z, F36A, F36B, F42Z
	07	H33Z, H38Z		05	F01A, F01B, F01D, F05Z, F07A, F07B, F09A, F09B, F09C, F30Z, F36A, F36B, F42Z	06		G33Z
	11	L33Z	5k741		BOP, KOP, KOPV, KVT, UOP4	07		H33Z, H38Z
	15	P02A, P02B, P02C		04	E05A, E05B, E05C, E08A, E08B, E08C	11		L33Z
	17	R01A, R01B, R01C, R01D, R02Z, R12A, R12B	5k741		BOP, KOP, KOPV, KVT, UOP4	15		P02A, P02B, P02C
	21B	X33Z		05	F01A, F01B, F01D, F05Z, F07A, F07B, F09A, F09B, F09C, F30Z, F36A, F36B, F42Z	21B		X33Z
	23	Z01A	5k741		BOP, KOP, KOPV, KVT, UOP4	23		Z01A
	Pre	A07A		05	F01A, F01B, F01D, F05Z, F07A, F07B, F09A, F09B, F09C, F30Z, F36A, F36B, F42Z	Pre		A07A
	5k733		BOP, KOP, KOPV, KVT, UOP4	5k741		BOP, KOP, KOPV, KVT, UOP4		5k745
05		F01A, F01B, F01D, F05Z, F07A, F07B, F09A, F09B, F09C, F30Z, F36A, F36B, F42Z	04		E05A, E05B, E05C, E08A, E08B, E08C	04	E05A, E05B, E05C, E08A, E08B, E08C	
06		G33Z	5k741		BOP, KOP, KOPV, KVT, UOP4	05	F01A, F01B, F01D, F05Z, F07A, F07B, F09A, F09B, F09C, F30Z, F36A, F36B, F42Z	
07		H33Z, H38Z		05	F01A, F01B, F01D, F05Z, F07A, F07B, F09A, F09B, F09C, F30Z, F36A, F36B, F42Z	06	G33Z	
11		L33Z	5k741		BOP, KOP, KOPV, KVT, UOP4	07	H33Z, H38Z	
15		P02A, P02B, P02C		04	E05A, E05B, E05C, E08A, E08B, E08C	11	L33Z	
17		R01A, R01B, R01C, R01D, R02Z, R12A, R12B	5k741		BOP, KOP, KOPV, KVT, UOP4	15	P02A, P02B, P02C	
21B		X33Z		05	F01A, F01B, F01D, F05Z, F07A, F07B, F09A, F09B, F09C, F30Z, F36A, F36B, F42Z	21B	X33Z	
23		Z01A	5k741		BOP, KOP, KOPV, KVT, UOP4	23	Z01A	
Pre		A07A		05	F01A, F01B, F01D, F05Z, F07A, F07B, F09A, F09B, F09C, F30Z, F36A, F36B, F42Z	Pre	A07A	
5k734			BOP, KOP, KOPV, KVT, UOP4	5k741		BOP, KOP, KOPV, KVT, UOP4	5k745	
	05	F01A, F01B, F01D, F05Z, F07A, F07B, F09A, F09B, F09C, F30Z, F36A, F36B, F42Z	04		E05A, E05B, E05C, E08A, E08B, E08C	04		E05A, E05B, E05C, E08A, E08B, E08C
	06	G33Z	5k741		BOP, KOP, KOPV, KVT, UOP4	05		F01A, F01B, F01D, F05Z, F07A, F07B, F09A, F09B, F09C, F30Z, F36A, F36B, F42Z
	07	H33Z, H38Z		05	F01A, F01B, F01D, F05Z, F07A, F07B, F09A, F09B, F09C, F30Z, F36A, F36B, F42Z	06		G33Z
	11	L33Z	5k741		BOP, KOP, KOPV, KVT, UOP4	07		H33Z, H38Z
	15	P02A, P02B, P02C		04	E05A, E05B, E05C, E08A, E08B, E08C	11		L33Z
	17	R01A, R01B, R01C, R01D, R02Z, R12A, R12B	5k741		BOP, KOP, KOPV, KVT, UOP4	15		P02A, P02B, P02C
	21B	X33Z		05	F01A, F01B, F01D, F05Z, F07A, F07B, F09A, F09B, F09C, F30Z, F36A, F36B, F42Z	21B		X33Z
	23	Z01A	5k741		BOP, KOP, KOPV, KVT, UOP4	23		Z01A
	Pre	A07A		05	F01A, F01B, F01D, F05Z, F07A, F07B, F09A, F09B, F09C, F30Z, F36A, F36B, F42Z	Pre		A07A

ZZV	MDC	DRG	ZZV	MDC	DRG	ZZV	MDC	DRG
5k746		BOP, KOP, KOPV, KVT, UOP4	5k762.2		BOP, KKP, KOP, KOPV, KVT, UOP4	5k764.1		BOP, KOP, KOPV, KVT, UOP4
	05	F01A, F01B, F01D, F05Z, F07A, F07B, F09A, F09B, F09C, F30Z, F36A, F36B, F42Z		05	F01A, F01B, F01D, F05Z, F07A, F07B, F09A, F09B, F09C, F30Z, F36A, F36B, F42Z		05	F01A, F01B, F01D, F05Z, F07A, F07B, F09A, F09B, F09C, F30Z, F36A, F36B, F42Z
	06	G33Z		06	G33Z		06	G33Z
	07	H33Z, H38Z		07	H33Z, H38Z		07	H33Z, H38Z
	11	L33Z		11	L33Z		11	L33Z
	15	P02A, P02B, P02C		15	P02A, P02B, P02C		15	P02A, P02B, P02C
	21B	X33Z		21B	X33Z		21B	X33Z
	23	Z01A		23	Z01A		23	Z01A
	Pre	A07A		Pre	A07A		Pre	A07A
5k74x		BOP, KVT, UOP4	5k763.0		BOP, KKP, KOP, KOPV, KVT, UOP4	5k765.0		BOP, KKP, KOP, KOPV, KVT, UOP4
	05	F01A, F01B, F01D, F05Z, F07A, F07B, F09A, F09B, F09C, F30Z, F42Z		05	F01A, F01B, F01D, F05Z, F07A, F07B, F09A, F09B, F09C, F30Z, F36A, F36B, F42Z		05	F01A, F01B, F01D, F05Z, F07A, F07B, F09A, F09B, F09C, F30Z, F36A, F36B, F42Z
	15	P02A, P02B, P02C		06	G33Z		06	G33Z
5k750.0	Pre	A05A, A05B, A18Z		07	H33Z, H38Z		07	H33Z, H38Z
5k750.1		BOP, KVT, UOP4		11	L33Z		11	L33Z
	Pre	A05A, A05B, A18Z		15	P02A, P02B, P02C		15	P02A, P02B, P02C
5k751.0		BOP, KVT, UOP4		21B	X33Z		21B	X33Z
	Pre	A05A, A05B, A18Z		23	Z01A		23	Z01A
5k751.1		BOP, KVT, UOP4		Pre	A07A		Pre	A07A
	Pre	A05A, A05B, A18Z	5k763.1		BOP, KOP, KOPV, KVT, UOP4	5k765.1		BOP, KOP, KOPV, KVT, UOP4
5k752		BOP, KVT, UOP4		05	F01A, F01B, F01D, F05Z, F07A, F07B, F09A, F09B, F09C, F30Z, F36A, F36B, F42Z		05	F01A, F01B, F01D, F05Z, F07A, F07B, F09A, F09B, F09C, F30Z, F36A, F36B, F42Z
	Pre	A05A, A05B, A18Z		06	G33Z		06	G33Z
5k760.0		BOP, KKP, KVT, UOP4		07	H33Z, H38Z		07	H33Z, H38Z
	05	F01A, F01B, F01D, F05Z, F07A, F07B, F09A, F09B, F09C, F42Z		11	L33Z		11	L33Z
5k760.1		BOP, KVT, UOP4		15	P02A, P02B, P02C		15	P02A, P02B, P02C
	05	F01A, F01B, F01D, F05Z, F07A, F07B, F09A, F09B, F09C, F42Z		21B	X33Z		21B	X33Z
5k762.0		BOP, KKP, KOP, KOPV, KVT, UOP4		23	Z01A		23	Z01A
	05	F01A, F01B, F01D, F05Z, F07A, F07B, F09A, F09B, F09C, F30Z, F36A, F36B, F42Z		Pre	A07A		Pre	A07A
	06	G33Z	5k763.2		BOP, KKP, KOP, KOPV, KVT, UOP4	5k766.0		BOP, KKP, KOP, KOPV, KVT, UOP4
	07	H33Z, H38Z		05	F01A, F01B, F01D, F05Z, F07A, F07B, F09A, F09B, F09C, F30Z, F36A, F36B, F42Z		05	F01A, F01B, F01D, F05Z, F07A, F07B, F09A, F09B, F09C, F30Z, F36A, F36B, F42Z
	11	L33Z		06	G33Z		06	G33Z
	15	P02A, P02B, P02C		07	H33Z, H38Z		07	H33Z, H38Z
	21B	X33Z		11	L33Z		11	L33Z
	23	Z01A		15	P02A, P02B, P02C		15	P02A, P02B, P02C
	Pre	A07A		21B	X33Z		21B	X33Z
5k762.1		BOP, KOP, KOPV, KVT, UOP4		23	Z01A		23	Z01A
	05	F01A, F01B, F01D, F05Z, F07A, F07B, F09A, F09B, F09C, F30Z, F36A, F36B, F42Z		Pre	A07A		Pre	A07A
	06	G33Z	5k764.0		BOP, KKP, KOP, KOPV, KVT, UOP4	5k766.1		BOP, KOP, KOPV, KVT, UOP4
	07	H33Z, H38Z		05	F01A, F01B, F01D, F05Z, F07A, F07B, F09A, F09B, F09C, F30Z, F36A, F36B, F42Z		05	F01A, F01B, F01D, F05Z, F07A, F07B, F09A, F09B, F09C, F30Z, F36A, F36B, F42Z
	11	L33Z		06	G33Z		06	G33Z
	15	P02A, P02B, P02C		07	H33Z, H38Z		07	H33Z, H38Z
	21B	X33Z		11	L33Z		11	L33Z
	23	Z01A		15	P02A, P02B, P02C		15	P02A, P02B, P02C
	Pre	A07A		21B	X33Z		21B	X33Z
				23	Z01A		23	Z01A
				Pre	A07A		Pre	A07A

VYK



ZZV	MDC	DRG	ZZV	MDC	DRG	ZZV	MDC	DRG				
5k767.0		BOP, KKP, KOP, KOPV, KVT, UOP4	5k76x		BOP, KOP, KOPV, KVT, UOP4	5k776		BOP, KOP, KOPV, KVT, UOP4				
	05	F01A, F01B, F01D, F05Z, F07A, F07B, F09A, F09B, F09C, F36A, F36B, F42Z		05	F01A, F01B, F01D, F05Z, F07A, F07B, F09A, F09B, F09C, F36A, F36B, F42Z		05	F01A, F01B, F01C, F01D, F01F, F36A, F36B				
	06	G33Z		06	G33Z		06	G33Z				
	07	H33Z, H38Z		07	H33Z, H38Z		07	H33Z, H38Z				
	11	L33Z		11	L33Z		11	L09A, L33Z, L38Z				
	21B	X33Z		21B	X33Z		21B	X33Z				
	23	Z01A		23	Z01A		23	Z01A				
	Pre	A07A		Pre	A07A		Pre	A06A, A07A, A09A, A11A, A13A				
	5k767.1			BOP, KOP, KOPV, KVT, UOP4	5k770			BOP, KVT, UOP4	5k777		BOP, KOP, KOPV, KVT, UOP4	
05		F01A, F01B, F01D, F05Z, F07A, F07B, F09A, F09B, F09C, F36A, F36B, F42Z	05	F12A, F12B, F12C, F12D, F12E, F12F, F12G, F12H		05	F01A, F01B, F01C, F01D, F01F, F36A, F36B					
06		G33Z	5k771			BOP, KK11, KKI, KKII, KVT, UOP4	06	G33Z				
07		H33Z, H38Z		01		B12Z	07	H33Z, H38Z				
11		L33Z		05		F12A, F12B, F12C, F12D, F12E, F12F, F12G, F12H	11	L09A, L33Z, L38Z				
21B		X33Z		11		L09A, L38Z	21B	X33Z				
23		Z01A		11		L09A, L38Z	23	Z01A				
Pre		A07A		11		L09A, L38Z	Pre	A06A, A07A, A09A, A11A, A13A				
5k767.2				BOP, KKP, KOP, KOPV, KVT, UOP4		5k772		BOP, KK11, KKI, KKII, KVT, UOP4		5k77c.0		BOP, KVT, UOP4
	05	F01A, F01B, F01D, F05Z, F07A, F07B, F09A, F09B, F09C, F36A, F36B, F42Z		01	B12Z		05	F01A, F01D, F12A, F12B, F12C, F12D, F12E, F12F, F12G				
	06	G33Z		05	F12A, F12B, F12C, F12D, F12E, F12F, F12G		11	L09A, L38Z				
	07	H33Z, H38Z	11	L09A, L38Z	5k77c.1			BOP, KVT, UOP4				
	11	L33Z	23	Z01A			01	B12Z				
	21B	X33Z	Pre	A06A, A07A, A09A, A11A, A13A			05	F01A, F01D, F12A, F12B, F12C, F12D, F12E, F12F, F12G				
	23	Z01A	5k773.0				BOP, KK11, KKI, KKII, KVT, UOP4	11	L09A, L38Z			
	Pre	A07A		01			B12Z	5k77g.0			BOP, KVT, UOP4	
	5k768.0			BOP, KKP, KOP, KOPV, KVT, UOP4			05		F12A, F12B, F12C, F12D, F12E, F12F, F12G		05	F12A, F12B, F12C, F12D, F12E, F12F, F12G, F12H, F18A, F18C
05		F01A, F01B, F01D, F05Z, F07A, F07B, F09A, F09B, F09C, F36A, F36B, F42Z		11		L09A, L38Z	5k77g.1			BOP, KVT, UOP4		
06		G33Z		23		Z01A			05	F12A, F12B, F12C, F12D, F12E, F12F, F12G, F12H, F18A, F18C		
07		H33Z, H38Z		Pre		A06A, A07A, A09A, A11A, A13A			5k77g.2		BOP, KVT, UOP4	
11		L33Z		5k774		BOP, KK11, KKI, KKII, KVT, UOP4				05	F12A, F12B, F12C, F12D, F12E, F12F, F12G, F12H, F18A, F18C	
21B		X33Z			01	B12Z				5k77h.0		BOP, KVT, UOP4
23		Z01A			05	F12A, F12B, F12C, F12D, F12E, F12F, F12G					01	B12Z
Pre		A07A	11		L09A, L38Z	05					F12A, F12B, F12C, F12D, F12E, F12F, F12G, F12H, F18A, F18C	
5k768.1			BOP, KOP, KOPV, KVT, UOP4		21A	W04A, W04B		5k77h.1				BOP, KVT, UOP4
	05	F01A, F01B, F01D, F05Z, F07A, F07B, F09A, F09B, F09C, F36A, F36B, F42Z	21B		X06A, X06B, X06C	01					B12Z	
	06	G33Z	23		Z01A	05	F12A, F12B, F12C, F12D, F12E, F12F, F12G, F12H					
	07	H33Z, H38Z	Pre		A06A, A07A, A09A, A11A, A13A	11	L09A, L38Z					
	11	L33Z	5k775.0			BOP, KOP, KOPV, KVT, UOP4	5k77h.2				BOP, KVT, UOP4	
	21B	X33Z		05	F01A, F01B, F01C, F01D, F01E, F01F, F01G, F36A, F36B	01			B12Z			
	23	Z01A		06	G33Z	05			F12A, F12B, F12C, F12D, F12E, F12F, F12G, F12H			
	Pre	A07A		07	H33Z, H38Z	11			L09A, L38Z			
	5k768.2			BOP, KKP, KOP, KOPV, KVT, UOP4	11	L09A, L33Z, L38Z			5k77x		BOP, KVT, UOP4	
05		F01A, F01B, F01D, F05Z, F07A, F07B, F09A, F09B, F09C, F36A, F36B, F42Z		21B	X33Z	01		B12Z				
06		G33Z		23	Z01A	05		F12A, F12B, F12C, F12D, F12E, F12F, F12G, F12H				
07		H33Z, H38Z		Pre	A06A, A07A, A09A, A11A, A13A	11		L09A, L38Z				
11		L33Z		5k780.0				21A		W04A, W04B		
21B		X33Z	05		F01A, F01B, F01C, F01D, F01E, F01F, F01G, F36A, F36B	21B	X06A, X06B, X06C					
23		Z01A	06		G33Z							
Pre		A07A	07		H33Z, H38Z							

VYK

ZZV	MDC	DRG	ZZV	MDC	DRG	ZZV	MDC	DRG
5k780.1	05	F18A, F18C	5k783.1	05	F18A, F18B, F18C, F18D	5k784.6		BOP, KVT, UOP4
	21A	W04A, W04B		21A	W04A, W04B		05	F18A, F18B, F18C, F18D
	21B	X06A, X06B, X06C		21B	X06A, X06B, X06C		09	J03A, J03B, J04A, J04B, J08A, J08B, J08C, J11A, J11B, J16Z
5k780.2	05	F18A, F18C	5k783.2	05	F18A, F18B, F18C, F18D		21A	W04A, W04B
	21A	W04A, W04B		21A	W04A, W04B		21B	X06A, X06B, X06C
	21B	X06A, X06B, X06C		21B	X06A, X06B, X06C	5k784.7		BOP, KVT, UOP4
5k780.3	05	F18A, F18C	5k783.3	05	F18A, F18B, F18C, F18D		05	F18A, F18B, F18C, F18D
	21A	W04A, W04B		21A	W04A, W04B		09	J03A, J03B, J04A, J04B, J08A, J08B, J08C, J11A, J11B, J16Z
	21B	X06A, X06B, X06C		21B	X06A, X06B, X06C		21A	W04A, W04B
5k780.4	05	F18A, F18C	5k783.4	05	F18A, F18B, F18C, F18D		21B	X06A, X06B, X06C
	21A	W04A, W04B		21A	W04A, W04B	5k784.a		BOP, KVT, UOP4
	21B	X06A, X06B, X06C		21B	X06A, X06B, X06C		05	F18A, F18B, F18C, F18D
5k780.5	05	F18A, F18C	5k783.5	05	F18A, F18B, F18C, F18D		09	J03A, J03B, J04A, J04B, J08A, J08B, J08C, J11A, J11B, J16Z
	21A	W04A, W04B		21A	W04A, W04B		21A	W04A, W04B
	21B	X06A, X06B, X06C		21B	X06A, X06B, X06C		21B	X06A, X06B, X06C
5k780.6	05	F18A, F18C	5k783.6	05	F18A, F18B, F18C, F18D			BOP, KVT, UOP4
	21A	W04A, W04B		21A	W04A, W04B		05	F18A, F18B, F18C, F18D
	21B	X06A, X06B, X06C		21B	X06A, X06B, X06C		09	J03A, J03B, J04A, J04B, J08A, J08B, J08C, J11A, J11B, J16Z
5k780.7	05	F18A, F18C	5k783.a	05	F18A, F18B, F18C, F18D		21A	W04A, W04B
	21A	W04A, W04B		21A	W04A, W04B		21B	X06A, X06B, X06C
	21B	X06A, X06B, X06C		21B	X06A, X06B, X06C	5k784.x		BOP, KVT, UOP4
5k780.a	05	F18A, F18C	5k783.x	05	F18A, F18B, F18C, F18D		05	F18A, F18B, F18C, F18D
	21A	W04A, W04B		21A	W04A, W04B		09	J03A, J03B, J04A, J04B, J08A, J08B, J08C, J11A, J11B, J16Z
	21B	X06A, X06B, X06C		21B	X06A, X06B, X06C		21A	W04A, W04B
5k780.b	05	F18A, F18C	5k784.0		BOP, KVT, UOP4		21B	X06A, X06B, X06C
	21A	W04A, W04B		05	F18A, F18B, F18C, F18D			BOP, KVT, UOP4
	21B	X06A, X06B, X06C		09	J03A, J03B, J04A, J04B, J08A, J08B, J08C, J11A, J11B, J16Z	5k785.0		F12A, F12B, F12C, F12D, F12E, F12F, F12G, F12H, F17A, F17B
5k780.x	05	F18A, F18C		21A	W04A, W04B		05	F12A, F12B, F12C, F12D, F12E, F12F, F12G, F12H, F17A, F17B
	21A	W04A, W04B		21B	X06A, X06B, X06C		11	L09A, L38Z
	21B	X06A, X06B, X06C	5k784.1		BOP, KVT, UOP4			BOP, KVT, UOP4
5k781.8	05	F18A, F18C		05	F18A, F18B, F18C, F18D	5k785.1		F12A, F12B, F12C, F12D, F12E, F12F, F12G, F12H, F17A, F17B
	21A	W04A, W04B		09	J03A, J03B, J04A, J04B, J08A, J08B, J08C, J11A, J11B, J16Z		11	L09A, L38Z
	21B	X06A, X06B, X06C		21A	W04A, W04B			BOP, KVT, UOP4
5k781.9	05	F18A, F18C		21B	X06A, X06B, X06C		05	F12A, F12B, F12C, F12D, F12E, F12F, F12G, F12H, F17A, F17B
	21A	W04A, W04B			BOP, KVT, UOP4		11	L09A, L38Z
	21B	X06A, X06B, X06C	5k784.2		BOP, KVT, UOP4			BOP, KVT, UOP4
5k781.a	05	F18A, F18C		05	F18A, F18B, F18C, F18D	5k785.2		F12A, F12B, F12C, F12D, F12E, F12F, F12G, F12H, F17A
	21A	W04A, W04B		09	J03A, J03B, J04A, J04B, J08A, J08B, J08C, J11A, J11B, J16Z		11	L09A, L38Z
	21B	X06A, X06B, X06C		21A	W04A, W04B		23	Z01A
5k782.0	05	F18A, F18C		21B	X06A, X06B, X06C		Pre	A06A, A07A, A09A, A11A, A13A
	21A	W04A, W04B	5k784.3		BOP, KVT, UOP4	5k785.3		BOP, KVT, UOP4
	21B	X06A, X06B, X06C		05	F18A, F18B, F18C, F18D		05	F12A, F12B, F12C, F12D, F12E, F12F, F12G, F12H, F17A
5k782.1	05	F18A, F18C		09	J03A, J03B, J04A, J04B, J08A, J08B, J08C, J11A, J11B, J16Z		11	L09A, L38Z
	21A	W04A, W04B		21A	W04A, W04B		21A	W04A, W04B
	21B	X06A, X06B, X06C		21B	X06A, X06B, X06C		21B	X06A, X06B, X06C
5k782.2	05	F18A, F18C			BOP, KVT, UOP4		23	Z01A
	21A	W04A, W04B	5k784.4		BOP, KVT, UOP4		Pre	A06A, A07A, A09A, A11A, A13A
	21B	X06A, X06B, X06C		05	F18A, F18B, F18C, F18D			BOP, KOP, KOPV, KVT, UOP4
5k782.3	05	F18A, F18C		09	J03A, J03B, J04A, J04B, J08A, J08B, J08C, J11A, J11B, J16Z	5k785.4		F02A, F02B, F36A, F36B
	21A	W04A, W04B		21A	W04A, W04B		05	F02A, F02B, F36A, F36B
	21B	X06A, X06B, X06C		21B	X06A, X06B, X06C		06	G33Z
5k782.4	05	F18A, F18C			BOP, KVT, UOP4		07	H33Z, H38Z
	21A	W04A, W04B		05	F18A, F18B, F18C, F18D		11	L09A, L33Z, L38Z
	21B	X06A, X06B, X06C		09	J03A, J03B, J04A, J04B, J08A, J08B, J08C, J11A, J11B, J16Z		21B	X33Z
5k782.5	05	F18A, F18C		21A	W04A, W04B		23	Z01A
	21A	W04A, W04B		21B	X06A, X06B, X06C		Pre	A06A, A07A, A09A, A11A, A13A
	21B	X06A, X06B, X06C	5k784.5		BOP, KVT, UOP4			BOP, KOP, KOPV, KVT, UOP4
5k782.6	05	F18A, F18C		05	F18A, F18B, F18C, F18D		05	F02A, F02B, F36A, F36B
	21A	W04A, W04B		09	J03A, J03B, J04A, J04B, J08A, J08B, J08C, J11A, J11B, J16Z		06	G33Z
	21B	X06A, X06B, X06C		21A	W04A, W04B		07	H33Z, H38Z
5k782.7	05	F18A, F18C		21B	X06A, X06B, X06C		11	L09A, L33Z, L38Z
	21A	W04A, W04B			BOP, KVT, UOP4		21B	X33Z
	21B	X06A, X06B, X06C		05	F18A, F18B, F18C, F18D		23	Z01A
5k782.x	05	F18A, F18C		09	J03A, J03B, J04A, J04B, J08A, J08B, J08C, J11A, J11B, J16Z		Pre	A06A, A07A, A09A, A11A, A13A
	21A	W04A, W04B		21A	W04A, W04B			BOP, KOP, KOPV, KVT, UOP4
	21B	X06A, X06B, X06C		21B	X06A, X06B, X06C		05	F02A, F02B, F36A, F36B
5k783.0	05	F18A, F18B, F18C, F18D			BOP, KVT, UOP4		06	G33Z
	21A	W04A, W04B		05	F18A, F18B, F18C, F18D		07	H33Z, H38Z
	21B	X06A, X06B, X06C		09	J03A, J03B, J04A, J04B, J08A, J08B, J08C, J11A, J11B, J16Z		11	L09A, L33Z, L38Z
				21A	W04A, W04B		21B	X33Z
				21B	X06A, X06B, X06C		23	Z01A
							Pre	A06A, A07A, A09A, A11A, A13A

ZZV	MDC	DRG	ZZV	MDC	DRG	ZZV	MDC	DRG	
5k785.5		BOP, KOP, KOPV, KVT, UOP4	5k786.4		BOP, KOP, KOPV, KVT, UOP4	5k787.a		BOP, KVT, UOP4	
	05	F02A, F36A, F36B		05	F02A, F36A, F36B		05	F18A, F18C	
	06	G33Z		06	G33Z	5k787.x		BOP, KVT, UOP4	
	07	H33Z, H38Z		07	H33Z, H38Z	05	F12A, F12B, F12C, F12D, F12E, F12F, F12G, F12H, F18A, F18C		
	11	L09A, L33Z, L38Z		11	L09A, L33Z, L38Z	5k788.0		BOP, KVT, UOP4	
	21B	X33Z		21B	X33Z	05	F18A, F18C		
	23	Z01A		23	Z01A	5k788.1		BOP, KVT, UOP4	
	Pre	A06A, A07A, A09A, A11A, A13A		Pre	A06A, A07A, A09A, A11A, A13A	05	F18A, F18C		
5k785.6		BOP, KOP, KOPV, KVT, UOP4	5k786.5		BOP, KOP, KOPV, KVT, UOP4	5k788.2		BOP, KVT, UOP4	
	05	F02A, F36A, F36B		05	F02A, F36A, F36B	05	F18A, F18C		
	06	G33Z		06	G33Z	5k788.3		BOP, KVT, UOP4	
	07	H33Z, H38Z		07	H33Z, H38Z	05	F18A, F18C		
	11	L09A, L33Z, L38Z		11	L09A, L33Z, L38Z	5k788.4		BOP, KVT, UOP4	
	21B	X33Z		21B	X33Z	05	F18A, F18C		
	23	Z01A		23	Z01A	5k788.5		BOP, KVT, UOP4	
	Pre	A06A, A07A, A09A, A11A, A13A		Pre	A06A, A07A, A09A, A11A, A13A	05	F18A, F18C		
5k785.9		BOP, KVT, UOP4	5k786.6		BOP, KOP, KOPV, KVT, UOP4	5k788.6		BOP, KVT, UOP4	
	05	F12A, F12B, F12C, F12D, F12E, F12F, F12G, F12H, F17A		05	F02A, F36A, F36B	5k788.a		BOP, KVT, UOP4	
	11	L09A, L38Z		06	G33Z	05	F18A, F18C		
	21A	W04A, W04B		07	H33Z, H38Z	5k788.x		BOP, KVT, UOP4	
	21B	X06A, X06B, X06C		11	L09A, L33Z, L38Z	05	F18A, F18C		
	21B	X06A, X06B, X06C		21B	X33Z	5k789.0		BOP, KVT, UOP4	
	Pre	A06A, A07A, A09A, A11A, A13A		23	Z01A	01	B12Z		
	Pre	A06A, A07A, A09A, A11A, A13A		Pre	A06A, A07A, A09A, A11A, A13A	05	F12A, F12B, F12C, F12D, F12E, F12F, F12G		
5k785.a		BOP, KVT, UOP4	5k786.8		BOP, KOP, KOPV, KVT, UOP4	Pre	A06A, A07A, A09A, A11A, A13A		
	05	F12A, F12B, F12C, F12D, F12E, F12F, F12G, F12H, F17A		05	F02A, F36A, F36B	5k789.1		BOP, KVT, UOP4	
	11	L09A, L38Z		06	G33Z	01	B12Z		
	21A	W04A, W04B		07	H33Z, H38Z	05	F12A, F12B, F12C, F12D, F12E, F12F, F12G		
	21B	X06A, X06B, X06C		11	L09A, L33Z, L38Z	21A	W04A, W04B		
	21B	X06A, X06B, X06C		21B	X33Z	21B	X06A, X06B, X06C		
	Pre	A06A, A07A, A09A, A11A, A13A		23	Z01A	23	Z01A		
	Pre	A06A, A07A, A09A, A11A, A13A		Pre	A06A, A07A, A09A, A11A, A13A	Pre	A06A, A07A, A09A, A11A, A13A		
5k786.1		BOP, KVT, UOP4	5k786.x		BOP, KVT, UOP4	5k789.2		BOP, KVT, UOP4	
	01	B12Z		01	B12Z	01	B12Z		
	05	F12A, F12B, F12C, F12D, F12E, F12F, F12G, F12H		05	F12A, F12B, F12C, F12D, F12E, F12F, F12G, F12H	05	F12A, F12B, F12C, F12D, F12E, F12F, F12G, F12H		
	11	L09A, L38Z		11	L09A, L38Z	5k789.3		BOP, KVT, UOP4	
5k786.2		BOP, KVT, UOP4	5k787.0		BOP, KVT, UOP4	01	B12Z		
	01	B12Z		Pre	A06A, A07A, A09A, A11A, A13A	05	F12A, F12B, F12C, F12D, F12E, F12F, F12G		
	05	F12A, F12B, F12C, F12D, F12E, F12F, F12G		05	F12A, F12B, F12C, F12D, F12E, F12F, F12G, F12H, F18A, F18C	21A	W04A, W04B		
	11	L09A, L38Z		05	F12A, F12B, F12C, F12D, F12E, F12F, F12G, F12H, F18A, F18C	21B	X06A, X06B, X06C		
	23	Z01A		05	F12A, F12B, F12C, F12D, F12E, F12F, F12G, F12H, F18A, F18C	23	Z01A		
	Pre	A06A, A07A, A09A, A11A, A13A		Pre	A06A, A07A, A09A, A11A, A13A	Pre	A06A, A07A, A09A, A11A, A13A		
5k786.3		BOP, KVT, UOP4	5k787.1		BOP, KVT, UOP4	5k789.4		BOP, KVT, UOP4	
	01	B12Z		05	F12A, F12B, F12C, F12D, F12E, F12F, F12G, F12H, F18A, F18C	01	B12Z		
	05	F12A, F12B, F12C, F12D, F12E, F12F, F12G		05	F12A, F12B, F12C, F12D, F12E, F12F, F12G, F12H, F18A, F18C	05	F12A, F12B, F12C, F12D, F12E, F12F, F12G, F12H		
	11	L09A, L38Z		5k787.2		BOP, KVT, UOP4	5k789.5		BOP, KVT, UOP4
	21A	W04A, W04B		05	F12A, F12B, F12C, F12D, F12E, F12F, F12G, F12H, F18A, F18C	01	B12Z		
	21B	X06A, X06B, X06C		05	F12A, F12B, F12C, F12D, F12E, F12F, F12G, F12H, F18A, F18C	05	F12A, F12B, F12C, F12D, F12E, F12F, F12G		
	23	Z01A		5k787.3		BOP, KVT, UOP4	23	Z01A	
	Pre	A06A, A07A, A09A, A11A, A13A		05	F12A, F12B, F12C, F12D, F12E, F12F, F12G, F12H, F18A, F18C	Pre	A06A, A07A, A09A, A11A, A13A		
5k787.3		BOP, KVT, UOP4	5k787.4		BOP, KVT, UOP4	5k789.4		BOP, KVT, UOP4	
	01	B12Z		05	F18A, F18C		01	B12Z	
	05	F12A, F12B, F12C, F12D, F12E, F12F, F12G, F12H, F18A, F18C		05	F12A, F12B, F12C, F12D, F12E, F12F, F12G, F12H, F18A, F18C		05	F12A, F12B, F12C, F12D, F12E, F12F, F12G, F12H	
	11	L09A, L38Z		05	F12A, F12B, F12C, F12D, F12E, F12F, F12G, F12H, F18A, F18C		05	F12A, F12B, F12C, F12D, F12E, F12F, F12G, F12H	
5k787.4		BOP, KVT, UOP4	5k787.5		BOP, KVT, UOP4	5k789.5		BOP, KVT, UOP4	
	01	B12Z		05	F18A, F18C		01	B12Z	
	05	F12A, F12B, F12C, F12D, F12E, F12F, F12G, F12H, F18A, F18C		05	F12A, F12B, F12C, F12D, F12E, F12F, F12G, F12H, F18A, F18C		05	F12A, F12B, F12C, F12D, F12E, F12F, F12G	
	11	L09A, L38Z		05	F12A, F12B, F12C, F12D, F12E, F12F, F12G, F12H, F18A, F18C		23	Z01A	
5k787.5		BOP, KVT, UOP4	5k787.6		BOP, KVT, UOP4	5k789.5		BOP, KVT, UOP4	
	01	B12Z		05	F18A, F18C		Pre	A06A, A07A, A09A, A11A, A13A	
	05	F12A, F12B, F12C, F12D, F12E, F12F, F12G, F12H, F18A, F18C		05	F12A, F12B, F12C, F12D, F12E, F12F, F12G, F12H, F18A, F18C				
	11	L09A, L38Z		05	F12A, F12B, F12C, F12D, F12E, F12F, F12G, F12H, F18A, F18C				

ZZV	MDC	DRG	ZZV	MDC	DRG	ZZV	MDC	DRG		
5k789.6		BOP, KVT, UOP4	5k789.f		BOP, KVT, UOP4	5k795		BOP, KOP, KOPV, KVT, UOP4		
	01	B12Z		01	B12Z		04	E05A, E05B, E05C, E08A, E08B, E08C		
	05	F12A, F12B, F12C, F12D, F12E, F12F, F12G, F12H		05	F12A, F12B, F12C, F12D, F12E, F12F, F12G, F12H		05	F01A, F01B, F01D, F03C, F03D, F03E, F05Z, F06C, F06D, F07A, F09A, F09B, F09C, F30Z, F36A, F36B, F42Z		
	21A	W04A, W04B		5k789.g			BOP, KVT, UOP4	5k796		BOP, KOP, KOPV, KVT, UOP4
	21B	X06A, X06B, X06C			01		B12Z		04	E05A, E05B, E05C, E08A, E08B, E08C
	23	Z01A		05	F12A, F12B, F12C, F12D, F12E, F12F, F12G, F12H		05	F01A, F01B, F01D, F05Z, F07A, F07B, F09A, F09B, F09C, F30Z, F36A, F36B, F42Z		
	Pre	A06A, A07A, A09A, A11A, A13A		5k789.x			BOP, KVT, UOP4	5k797		BOP, KOP, KOPV, KVT, UOP4
5k789.7		BOP, KOP, KOPV, KVT, UOP4	01		B12Z	04	E05A, E05B, E05C, E08A, E08B, E08C			
	05	F01A, F01B, F01C, F01D, F01E, F01F, F01G, F36A, F36B	05	F12A, F12B, F12C, F12D, F12E, F12F, F12G, F12H	05	F01A, F01B, F01D, F05Z, F07A, F07B, F09A, F09B, F09C, F30Z, F36A, F36B, F42Z				
	06	G33Z	5k790		BOP, KOP, KOPV, KVT, UOP4	5k798.0		BOP, KOP, KOPV, KVT, UOP4		
	07	H33Z, H38Z		04	E05A, E05B, E05C, E08A, E08B, E08C		04	E05A, E05B, E05C, E08A, E08B, E08C		
	11	L33Z	05	F01A, F01B, F01D, F05Z, F07A, F07B, F09A, F09B, F09C, F30Z, F36A, F36B, F42Z	05	F01A, F01B, F01C, F01D, F01E, F05Z, F07A, F07B, F09A, F09B, F09C, F30Z, F36A, F36B, F42Z				
	21B	X33Z	5k791.1		G33Z	5k799.0		BOP, KOP, KOPV, KVT, UOP4		
	23	Z01A		07	H33Z, H38Z		04	E05A, E05B, E05C, E08A, E08B, E08C		
Pre	A06A, A07A, A09A, A11A, A13A	11	L33Z	05	F01A, F01B, F01D, F05Z, F07A, F07B, F09A, F09B, F09C, F30Z, F36A, F36B, F42Z					
5k789.a		BOP, KOP, KOPV, KVT, UOP4	5k791.2		BOP, KOP, KOPV, KVT, UOP4	5k798.0		BOP, KOP, KOPV, KVT, UOP4		
	05	F01A, F01B, F01C, F01D, F01F, F36A, F36B		04	E05A, E05B, E05C, E08A, E08B, E08C		04	E05A, E05B, E05C, E08A, E08B, E08C		
	06	G33Z		05	F01A, F01B, F01D, F05Z, F07A, F07B, F09A, F09B, F09C, F30Z, F36A, F36B, F42Z		05	F01A, F01B, F01C, F01D, F01E, F05Z, F07A, F07B, F09A, F09B, F09C, F30Z, F36A, F36B, F42Z		
	07	H33Z, H38Z		06	G33Z		05	F01A, F01B, F01C, F01D, F01E, F05Z, F07A, F07B, F09A, F09B, F09C, F30Z, F36A, F36B, F42Z		
	11	L33Z		07	H33Z, H38Z		06	G33Z		
	21B	X33Z		11	L33Z		07	H33Z, H38Z		
	23	Z01A		15	P02A, P02B, P02C		11	L33Z		
Pre	A06A, A07A, A09A, A11A, A13A	21B	X33Z	15	P02A, P02B, P02C					
5k789.b		BOP, KOP, KOPV, KVT, UOP4	5k791.2		BOP, KOP, KOPV, KVT, UOP4	5k798.0		BOP, KOP, KOPV, KVT, UOP4		
	05	F01A, F01B, F01C, F01D, F01F, F36A, F36B		04	E05A, E05B, E05C, E08A, E08B, E08C		04	E05A, E05B, E05C, E08A, E08B, E08C		
	06	G33Z		05	F01A, F01B, F01D, F05Z, F07A, F07B, F09A, F09B, F09C, F30Z, F36A, F36B, F42Z		05	F01A, F01B, F01C, F01D, F01E, F05Z, F07A, F07B, F09A, F09B, F09C, F30Z, F36A, F36B, F42Z		
	07	H33Z, H38Z		06	G33Z		05	F01A, F01B, F01C, F01D, F01E, F05Z, F07A, F07B, F09A, F09B, F09C, F30Z, F36A, F36B, F42Z		
	11	L33Z		07	H33Z, H38Z		06	G33Z		
	21B	X33Z		11	L33Z		07	H33Z, H38Z		
	23	Z01A		15	P02A, P02B, P02C		11	L33Z		
Pre	A06A, A07A, A09A, A11A, A13A	21B	X33Z	15	P02A, P02B, P02C					
5k789.c		BOP, KOP, KOPV, KVT, UOP4	5k791.2		BOP, KOP, KOPV, KVT, UOP4	5k798.0		BOP, KOP, KOPV, KVT, UOP4		
	05	F01A, F01B, F01C, F01D, F01F, F36A, F36B		04	E05A, E05B, E05C, E08A, E08B, E08C		04	E05A, E05B, E05C, E08A, E08B, E08C		
	06	G33Z		05	F01A, F01B, F01D, F05Z, F07A, F07B, F09A, F09B, F09C, F30Z, F36A, F36B, F42Z		05	F01A, F01B, F01C, F01D, F01E, F05Z, F07A, F07B, F09A, F09B, F09C, F30Z, F36A, F36B, F42Z		
	07	H33Z, H38Z		06	G33Z		05	F01A, F01B, F01C, F01D, F01E, F05Z, F07A, F07B, F09A, F09B, F09C, F30Z, F36A, F36B, F42Z		
	11	L33Z		07	H33Z, H38Z		06	G33Z		
	21B	X33Z		11	L33Z		07	H33Z, H38Z		
	23	Z01A		15	P02A, P02B, P02C		11	L33Z		
Pre	A06A, A07A, A09A, A11A, A13A	21B	X33Z	15	P02A, P02B, P02C					
5k789.d		BOP, KOP, KOPV, KVT, UOP4	5k791.2		BOP, KOP, KOPV, KVT, UOP4	5k798.0		BOP, KOP, KOPV, KVT, UOP4		
	05	F01A, F01B, F01C, F01D, F01F, F36A, F36B		04	E05A, E05B, E05C, E08A, E08B, E08C		04	E05A, E05B, E05C, E08A, E08B, E08C		
	06	G33Z		05	F01A, F01B, F01D, F05Z, F07A, F07B, F09A, F09B, F09C, F30Z, F36A, F36B, F42Z		05	F01A, F01B, F01C, F01D, F01E, F05Z, F07A, F07B, F09A, F09B, F09C, F30Z, F36A, F36B, F42Z		
	07	H33Z, H38Z		06	G33Z		05	F01A, F01B, F01C, F01D, F01E, F05Z, F07A, F07B, F09A, F09B, F09C, F30Z, F36A, F36B, F42Z		
	11	L33Z		07	H33Z, H38Z		06	G33Z		
	21B	X33Z		11	L33Z		07	H33Z, H38Z		
	23	Z01A		15	P02A, P02B, P02C		11	L33Z		
Pre	A06A, A07A, A09A, A11A, A13A	21B	X33Z	15	P02A, P02B, P02C					
5k789.e		BOP, KVT, UOP4	5k791.2		BOP, KOP, KOPV, KVT, UOP4	5k798.0		BOP, KOP, KOPV, KVT, UOP4		
	01	B12Z		04	E05A, E05B, E05C, E08A, E08B, E08C		04	E05A, E05B, E05C, E08A, E08B, E08C		
	05	F12A, F12B, F12C, F12D, F12E, F12F, F12G, F12H		05	F01A, F01B, F01D, F05Z, F07A, F07B, F09A, F09B, F09C, F30Z, F36A, F36B, F42Z		05	F01A, F01B, F01C, F01D, F01E, F05Z, F07A, F07B, F09A, F09B, F09C, F30Z, F36A, F36B, F42Z		

VYK

ZZV	MDC	DRG	ZZV	MDC	DRG	ZZV	MDC	DRG
5k798.1		BOP, KOP, KOPV, KVT, UOP4	5k79c		BOP, KOP, KOPV, KVT, UOP4	5i010.3↔		BOP, KVT, UOP4
	04	E05A, E05B, E05C, E08A, E08B, E08C		04	E05A, E05B, E05C, E08A, E08B, E08C		01	B03A, B03B, B06A, B06B, B07Z, B17A, B17B, B17C
	05	F01A, F01B, F01D, F05Z, F07A, F07B, F09A, F09B, F09C, F30Z, F36A, F36B, F42Z		05	F01A, F01B, F01D, F05Z, F07A, F07B, F09A, F09B, F09C, F30Z, F36A, F36B, F42Z		03	D12A
	06	G33Z		06	G33Z		05	F01A, F01B, F01D, F05Z, F06A, F06C, F07A, F07B, F14A, F14B, F28A, F42Z, F54Z, F59A, F59B
	07	H33Z, H38Z		07	H33Z, H38Z		08	I08A, I08B, I08C, I08D, I08E, I13A, I13B
	11	L33Z		11	L33Z		10	K09A, K09B
	15	P02A, P02B, P02C		15	P02A, P02B, P02C		11	L09A, L38Z
	23	Z01A		Pre	A07A		21A	W04A, W04B
	Pre	A07A					21B	X06A, X06B, X06C
	5k799.0			BOP, KOP, KOPV, KVT, UOP4	5k79x			BOP, KOP, KOPV, KVT, UOP4
04		E05A, E05B, E05C, E08A, E08B, E08C	04	E05A, E05B, E05C, E08A, E08B, E08C		01	B03A, B03B, B06A, B06B, B07Z, B17A, B17B, B17C	
05		F01A, F01B, F01D, F05Z, F07A, F07B, F09A, F09B, F09C, F30Z, F36A, F36B, F42Z	05	F01A, F01B, F01D, F05Z, F07A, F07B, F09A, F09B, F09C, F30Z, F36A, F36B, F42Z		03	D12A	
06		G33Z	06	G33Z		05	F01A, F01B, F01D, F05Z, F06A, F06C, F07A, F07B, F14A, F14B, F28A, F42Z, F54Z, F59A, F59B	
07		H33Z, H38Z	07	H33Z, H38Z		08	I08A, I08B, I08C, I08D, I08E, I13A, I13B	
11		L33Z	11	L33Z		10	K09A, K09B	
15		P02A, P02B, P02C	15	P02A, P02B, P02C		11	L09A, L38Z	
Pre		A07A	Pre	A07A		21A	W04A, W04B	
						21B	X06A, X06B, X06C	
5k799.1			BOP, KOP, KOPV, KVT, UOP4	5i010.0↔			BOP, KVT, UOP4	5i010.5↔
	04	E05A, E05B, E05C, E08A, E08B, E08C	01		B03A, B03B, B06A, B06B, B07Z, B17A, B17B, B17C	01	B03A, B03B, B06A, B06B, B07Z, B17A, B17B, B17C	
	05	F01A, F01B, F01D, F05Z, F07A, F07B, F09A, F09B, F09C, F30Z, F36A, F36B, F42Z	03		D12A	03	D12A	
	06	G33Z	05		F01A, F01B, F01D, F05Z, F06A, F06C, F07A, F07B, F14A, F14B, F28A, F42Z, F54Z, F59A, F59B	05	F01A, F01B, F01D, F05Z, F06A, F06C, F07A, F07B, F14A, F14B, F28A, F42Z, F54Z, F59A, F59B	
	07	H33Z, H38Z	08		I08A, I08B, I08C, I08D, I08E, I13A, I13B	08	I08A, I08B, I08C, I08D, I08E, I13A, I13B	
	11	L33Z	10		K09A, K09B	10	K09A, K09B	
	15	P02A, P02B, P02C	11		L09A, L38Z	11	L09A, L38Z	
	Pre	A07A	21A		W04A, W04B	21A	W04A, W04B	
			21B		X06A, X06B, X06C	21B	X06A, X06B, X06C	
	5k79a		BOP, KOP, KOPV, KVT, UOP4		5i010.1↔		BOP, KVT, UOP4	
04		E05A, E05B, E05C, E08A, E08B, E08C	01	B03A, B03B, B06A, B06B, B07Z, B17A, B17B, B17C		01	B03A, B03B, B06A, B06B, B07Z, B17A, B17B, B17C	
05		F01A, F01B, F01D, F05Z, F07A, F07B, F09A, F09B, F09C, F30Z, F36A, F36B, F42Z	03	D12A		03	D12A	
06		G33Z	05	F01A, F01B, F01D, F05Z, F06A, F06C, F07A, F07B, F14A, F14B, F28A, F42Z, F54Z, F59A, F59B		05	F01A, F01B, F01D, F05Z, F06A, F06C, F07A, F07B, F14A, F14B, F28A, F42Z, F54Z, F59A, F59B	
07		H33Z, H38Z	08	I08A, I08B, I08C, I08D, I08E, I13A, I13B		08	I08A, I08B, I08C, I08D, I08E, I13A, I13B	
11		L33Z	10	K09A, K09B		10	K09A, K09B	
15		P02A, P02B, P02C	11	L09A, L38Z		11	L09A, L38Z	
Pre		A07A	21A	W04A, W04B		21A	W04A, W04B	
			21B	X06A, X06B, X06C		21B	X06A, X06B, X06C	
5k79b			BOP, KOP, KOPV, KVT, UOP4	5i010.2↔			BOP, KVT, UOP4	5i010.x↔
	04	E05A, E05B, E05C, E08A, E08B, E08C	01		B03A, B03B, B06A, B06B, B07Z, B17A, B17B, B17C	01	B03A, B03B, B06A, B06B, B07Z, B17A, B17B, B17C	
	05	F01A, F01B, F01D, F05Z, F07A, F07B, F09A, F09B, F09C, F30Z, F36A, F36B, F42Z	03		D12A	03	D12A	
	06	G33Z	05		F01A, F01B, F01D, F05Z, F06A, F06C, F07A, F07B, F14A, F14B, F28A, F42Z, F54Z, F59A, F59B	05	F01A, F01B, F01D, F05Z, F06A, F06C, F07A, F07B, F14A, F14B, F28A, F42Z, F54Z, F59A, F59B	
	07	H33Z, H38Z	08		I08A, I08B, I08C, I08D, I08E, I13A, I13B	08	I08A, I08B, I08C, I08D, I08E, I13A, I13B	
	11	L33Z	10		K09A, K09B	10	K09A, K09B	
	15	P02A, P02B, P02C	11		L09A, L38Z	11	L09A, L38Z	
	Pre	A07A	21A		W04A, W04B	21A	W04A, W04B	
			21B		X06A, X06B, X06C	21B	X06A, X06B, X06C	

VYK

ZZV	MDC	DRG	ZZV	MDC	DRG	ZZV	MDC	DRG
51011.0↔		BOP, KVT, UOP4	51012.2↔		BOP, KVT, UOP4	51012.8↔		BOP, KVT, UOP4
	05	F01A, F01B, F01D, F05Z, F07A, F07B, F14A, F14B, F28A, F42Z, F54Z, F59A, F59B		05	F01A, F01B, F01D, F05Z, F07A, F07B, F28A, F42Z, F54Z, F59A, F59B		05	F01A, F01B, F01D, F05Z, F07A, F07B, F28A, F42Z, F54Z, F59A, F59B
	08	I08A, I08B, I08C, I08D, I08E, I13A, I13B		08	I08A, I08B, I08C, I08D, I08E, I13A, I13B		08	I08A, I08B, I08C, I08D, I08E, I13A, I13B
	10	K09A, K09B		10	K09A, K09B		10	K09A, K09B
	11	L09A, L38Z		11	L09A, L38Z		11	L09A, L38Z
	21A	W04A, W04B		21A	W04A, W04B		21A	W04A, W04B
	21B	X06A, X06B, X06C		21B	X05A, X05B, X06A, X06B, X06C		21B	X06A, X06B, X06C
51011.1↔		BOP, KVT, UOP4	51012.3↔		BOP, KVT, UOP4	51012.x↔		BOP, KVT, UOP4
	05	F01A, F01B, F01D, F05Z, F07A, F07B, F28A, F42Z, F54Z, F59A, F59B		05	F01A, F01B, F01D, F05Z, F07A, F07B, F28A, F42Z, F54Z, F59A, F59B		05	F01A, F01B, F01D, F05Z, F07A, F07B, F28A, F42Z, F54Z, F59A, F59B
	08	I08A, I08B, I08C, I08D, I08E, I13A, I13B		08	I08A, I08B, I08C, I08D, I08E, I13A, I13B		08	I08A, I08B, I08C, I08D, I08E, I13A, I13B
	10	K09A, K09B		10	K09A, K09B		10	K09A, K09B
	11	L09A, L38Z		11	L09A, L38Z		11	L09A, L38Z
	21A	W04A, W04B		21A	W04A, W04B		21A	W04A, W04B
	21B	X06A, X06B, X06C		21B	X05A, X05B, X06A, X06B, X06C		21B	X06A, X06B, X06C
51011.2↔		BOP, KVT, UOP4	51012.4↔		BOP, KVT, UOP4	51013.0		BOP, KOP, KOPV, KVT, UOP4
	05	F01A, F01B, F01D, F05Z, F07A, F07B, F28A, F42Z, F54Z, F59A, F59B		05	F01A, F01B, F01D, F05Z, F07A, F07B, F28A, F42Z, F54Z, F59A, F59B		04	E05A, E05B, E05C, E08A, E08B, E08C
	08	I08A, I08B, I08C, I08D, I08E, I13A, I13B		08	I08A, I08B, I08C, I08D, I08E, I13A, I13B		05	F01A, F01B, F01D, F05Z, F07A, F07B, F09A, F09B, F09C, F30Z, F42Z
	10	K09A, K09B		10	K09A, K09B		06	G15Z, G19A, G19B, G33Z, G38Z
	11	L09A, L38Z		11	L09A, L38Z		07	H33Z, H38Z
	21A	W04A, W04B		21A	W04A, W04B		08	I08A, I08B, I08C, I08D, I08E, I13A, I13B
	21B	X06A, X06B, X06C		21B	X06A, X06B, X06C		11	L09A, L33Z, L38Z
51011.x↔		BOP, KVT, UOP4	51012.5↔		BOP, KVT, UOP4	51013.1		BOP, KOP, KOPV, KVT, UOP4
	05	F01A, F01B, F01D, F05Z, F07A, F07B, F28A, F42Z, F54Z, F59A, F59B		05	F01A, F01B, F01D, F05Z, F07A, F07B, F28A, F42Z, F54Z, F59A, F59B		04	E05A, E05B, E05C, E08A, E08B, E08C
	08	I08A, I08B, I08C, I08D, I08E, I13A, I13B		08	I08A, I08B, I08C, I08D, I08E, I13A, I13B		05	F01A, F01B, F01D, F05Z, F07A, F07B, F09A, F09B, F09C, F30Z, F42Z
	10	K09A, K09B		10	K09A, K09B		06	G15Z, G19A, G19B, G33Z, G38Z
	11	L09A, L38Z		11	L09A, L38Z		07	H33Z, H38Z
	21A	W04A, W04B		21A	W04A, W04B		08	I08A, I08B, I08C, I08D, I08E, I13A, I13B
	21B	X06A, X06B, X06C		21B	X05A, X05B, X06A, X06B, X06C		11	L09A, L33Z, L38Z
51012.0↔		BOP, KVT, UOP4	51012.6↔		BOP, KVT, UOP4	51013.1		BOP, KOP, KOPV, KVT, UOP4
	05	F01A, F01B, F01D, F05Z, F07A, F07B, F28A, F42Z, F54Z, F59A, F59B		05	F01A, F01B, F01D, F05Z, F07A, F07B, F28A, F42Z, F54Z, F59A, F59B		04	E05A, E05B, E05C, E08A, E08B, E08C
	08	I08A, I08B, I08C, I08D, I08E, I13A, I13B		08	I08A, I08B, I08C, I08D, I08E, I13A, I13B		05	F01A, F01B, F01D, F05Z, F07A, F07B, F09A, F09B, F09C, F30Z, F42Z
	10	K09A, K09B		10	K09A, K09B		06	G15Z, G19A, G19B, G33Z, G38Z
	11	L09A, L38Z		11	L09A, L38Z		07	H33Z, H38Z
	21A	W04A, W04B		21A	W04A, W04B		08	I08A, I08B, I08C, I08D, I08E, I13A, I13B
	21B	X06A, X06B, X06C		21B	X06A, X06B, X06C		11	L09A, L33Z, L38Z
51012.1↔		BOP, KVT, UOP4	51012.7↔		BOP, KVT, UOP4	51013.1		BOP, KOP, KOPV, KVT, UOP4
	05	F01A, F01B, F01D, F05Z, F07A, F07B, F28A, F42Z, F54Z, F59A, F59B		05	F01A, F01B, F01D, F05Z, F07A, F07B, F28A, F42Z, F54Z, F59A, F59B		04	E05A, E05B, E05C, E08A, E08B, E08C
	08	I08A, I08B, I08C, I08D, I08E, I13A, I13B		08	I08A, I08B, I08C, I08D, I08E, I13A, I13B		05	F01A, F01B, F01D, F05Z, F07A, F07B, F09A, F09B, F09C, F30Z, F42Z
	10	K09A, K09B		10	K09A, K09B		06	G15Z, G19A, G19B, G33Z, G38Z
	11	L09A, L38Z		11	L09A, L38Z		07	H33Z, H38Z
	21A	W04A, W04B		21A	W04A, W04B		08	I08A, I08B, I08C, I08D, I08E, I13A, I13B
	21B	X05A, X05B, X06A, X06B, X06C		21B	X05A, X05B, X06A, X06B, X06C		11	L09A, L33Z, L38Z
							15	P02A, P02B, P02C
							21A	W04A, W04B
							21B	X06A, X06B, X06C, X33Z
							23	Z01A
							Pre	A07A

VYK

ZZV	MDC	DRG	ZZV	MDC	DRG	ZZV	MDC	DRG			
51013.2		BOP, KOP, KOPV, KVT, UOP4	51014.0↔		BOP, KOP, KOPV, KVT, UOP4	51014.3↔		BOP, KOP, KOPV, KVT, UOP4			
	04	E05A, E05B, E05C, E08A, E08B, E08C		04	E05A, E05B, E05C, E08A, E08B, E08C		04	E05A, E05B, E05C, E08A, E08B, E08C			
	05	F01A, F01B, F01D, F05Z, F07A, F07B, F09A, F09B, F09C, F30Z, F42Z		05	F01A, F01B, F01D, F05Z, F07A, F07B, F09A, F09B, F09C, F30Z, F42Z		05	F01A, F01B, F01D, F05Z, F07A, F07B, F09A, F09B, F09C, F30Z, F42Z			
	06	G15Z, G19A, G19B, G33Z, G38Z		06	G15Z, G19A, G19B, G33Z, G38Z		06	G15Z, G19A, G19B, G33Z, G38Z			
	07	H33Z, H38Z		07	H33Z, H38Z		07	H33Z, H38Z			
	08	I08A, I08B, I08C, I08D, I08E, I13A, I13B		08	I08A, I08B, I08C, I08D, I08E, I13A, I13B		08	I08A, I08B, I08C, I08D, I08E, I13A, I13B			
	11	L09A, L33Z, L38Z		11	L09A, L33Z, L38Z		11	L09A, L33Z, L38Z			
	15	P02A, P02B, P02C		15	P02A, P02B, P02C		15	P02A, P02B, P02C			
	21A	W04A, W04B		21A	W04A, W04B		21A	W04A, W04B			
	21B	X06A, X06B, X06C, X33Z		21B	X06A, X06B, X06C, X33Z		21B	X06A, X06B, X06C, X33Z			
	23	Z01A		23	Z01A		23	Z01A			
	Pre	A07A		Pre	A07A		Pre	A07A			
	51013.3			BOP, KVT, UOP4	51014.1↔			BOP, KOP, KOPV, KVT, UOP4	51014.x↔		BOP, KOP, KOPV, KVT, UOP4
		05		F01A, F01B, F01D, F05Z, F07A, F07B, F14A, F14B, F28A, F42Z, F54Z, F59A, F59B			04	E05A, E05B, E05C, E08A, E08B, E08C		04	E05A, E05B, E05C, E08A, E08B, E08C
06		G10Z, G12A, G12B	05	F01A, F01B, F01D, F05Z, F07A, F07B, F09A, F09B, F09C, F30Z, F42Z		05	F01A, F01B, F01D, F05Z, F07A, F07B, F09A, F09B, F09C, F30Z, F42Z				
08		I08A, I08B, I08C, I08D, I08E, I13A, I13B	06	G15Z, G19A, G19B, G33Z, G38Z		06	G15Z, G19A, G19B, G33Z, G38Z				
11		L09A, L09B, L09C, L09D, L38Z	07	H33Z, H38Z		07	H33Z, H38Z				
21A		W04A, W04B	08	I08A, I08B, I08C, I08D, I08E, I13A, I13B		08	I08A, I08B, I08C, I08D, I08E, I13A, I13B				
21B		X06A, X06B, X06C	11	L09A, L33Z, L38Z		11	L09A, L33Z, L38Z				
51013.4			BOP, KVT, UOP4	51014.2↔			BOP, KOP, KOPV, KVT, UOP4	51015.0↔			BOP, KVT, UOP4
		05	F01A, F01B, F01D, F05Z, F07A, F07B, F14A, F14B, F28A, F42Z, F54Z, F59A, F59B			04	E05A, E05B, E05C, E08A, E08B, E08C			01	B03A, B03B, B06A, B06B, B07Z, B17A, B17B, B17C
		06	G10Z, G12A, G12B			05	F01A, F01B, F01D, F05Z, F07A, F07B, F09A, F09B, F09C, F30Z, F42Z			05	F01A, F01B, F01D, F05Z, F07A, F07B, F14A, F14B, F28A, F42Z, F54Z, F59A, F59B
	08	I08A, I08B, I08C, I08D, I08E, I13A, I13B	06		G15Z, G19A, G19B, G33Z, G38Z	06	G10Z, G12A, G12B				
	11	L09A, L09B, L09C, L09D, L38Z	07		H33Z, H38Z	08	I08A, I08B, I08C, I08D, I08E, I13A, I13B				
	21A	W04A, W04B	08		I08A, I08B, I08C, I08D, I08E, I13A, I13B	10	K09A, K09B				
	21B	X06A, X06B, X06C	11		L09A, L33Z, L38Z	11	L09A, L38Z				
	51013.5		BOP, KVT, UOP4		51015.1↔		BOP, KVT, UOP4		51015.1↔		BOP, KVT, UOP4
		05	F01A, F01B, F01D, F05Z, F07A, F07B, F14A, F14B, F28A, F42Z, F54Z, F59A, F59B			05	F01A, F01B, F01D, F05Z, F07A, F07B, F09A, F09B, F09C, F30Z, F42Z			05	F01A, F01B, F01D, F05Z, F07A, F07B, F14A, F14B, F28A, F42Z, F54Z, F59A, F59B
		06	G10Z, G12A, G12B			06	G15Z, G19A, G19B, G33Z, G38Z			06	G10Z, G12A, G12B
08		I08A, I08B, I08C, I08D, I08E, I13A, I13B	07	H33Z, H38Z		08	I08A, I08B, I08C, I08D, I08E, I13A, I13B				
11		L09A, L09B, L09C, L09D, L38Z	08	I08A, I08B, I08C, I08D, I08E, I13A, I13B		11	L09A, L38Z				
21A		W04A, W04B	11	L09A, L33Z, L38Z		21A	W04A, W04B				
21B		X06A, X06B, X06C	15	P02A, P02B, P02C		21B	X06A, X06B, X06C				
51013.x			BOP, KVT, UOP4	21A		W04A, W04B	21B	X06A, X06B, X06C			
		05	F01A, F01B, F01D, F05Z, F07A, F07B, F14A, F14B, F28A, F42Z, F54Z, F59A, F59B	21B		X06A, X06B, X06C, X33Z	05	F01A, F01B, F01D, F05Z, F07A, F07B, F14A, F14B, F28A, F42Z, F54Z, F59A, F59B			
		06	G10Z, G12A, G12B	23		Z01A	06	G10Z, G12A, G12B			
	08	I08A, I08B, I08C, I08D, I08E, I13A, I13B	Pre	A07A	08	I08A, I08B, I08C, I08D, I08E, I13A, I13B					
	11	L09A, L09B, L09C, L09D, L38Z			11	L09A, L09B, L09C, L09D, L38Z					
	21A	W04A, W04B			21A	W04A, W04B					
21B	X06A, X06B, X06C			21B	X06A, X06B, X06C						

VYK

ZZV	MDC	DRG	ZZV	MDC	DRG	ZZV	MDC	DRG			
51015.2↔		BOP, KVT, UOP4	51016.0		BOP, KVT, UOP4	51016.5		BOP, KVT, UOP4			
	05	F01A, F01B, F01D, F05Z, F07A, F07B, F14A, F14B, F28A, F42Z, F54Z, F59A, F59B		05	F01A, F01B, F01D, F05Z, F07A, F07B, F14A, F14B, F28A, F42Z, F54Z, F59A, F59B		05	F01A, F01B, F01D, F05Z, F07A, F07B, F14A, F14B, F28A, F42Z, F54Z, F59A, F59B			
	06	G10Z, G12A, G12B		06	G10Z, G12A, G12B, G18A, G38Z		06	G10Z, G12A, G12B, G18A, G38Z			
	08	I08A, I08B, I08C, I08D, I08E, I13A, I13B		08	I08A, I08B, I08C, I08D, I08E, I13A, I13B		08	I08A, I08B, I08C, I08D, I08E, I13A, I13B			
	11	L09A, L09B, L09C, L09D, L38Z		11	L09A, L09B, L09C, L09D, L38Z		11	L09A, L09B, L09C, L09D, L38Z			
	21A	W04A, W04B		21A	W04A, W04B		51016.6		BOP, KVT, UOP4		
	21B	X06A, X06B, X06C		21B	X06A, X06B, X06C			05	F01A, F01B, F01D, F05Z, F07A, F07B, F14A, F14B, F28A, F42Z, F54Z, F59A, F59B		
	51015.3↔			BOP, KVT, UOP4	51016.1				BOP, KVT, UOP4	06	G10Z, G12A, G12B, G18A, G38Z
		05		F01A, F01B, F01D, F05Z, F07A, F07B, F14A, F14B, F28A, F42Z, F54Z, F59A, F59B				05	F01A, F01B, F01D, F05Z, F07A, F07B, F14A, F14B, F28A, F42Z, F54Z, F59A, F59B	08	I08A, I08B, I08C, I08D, I08E, I13A, I13B
		06		G10Z, G12A, G12B				06	G10Z, G12A, G12B, G18A, G38Z	11	L09A, L09B, L09C, L09D, L38Z
08	I08A, I08B, I08C, I08D, I08E, I13A, I13B	07	H06A, H06B, H06C	51016.7		BOP, KVT, UOP4					
11	L09A, L09B, L09C, L09D, L38Z	08	I08A, I08B, I08C, I08D, I08E, I13A, I13B		05	F01A, F01B, F01D, F05Z, F07A, F07B, F14A, F14B, F28A, F42Z, F54Z, F59A, F59B					
21A	W04A, W04B	11	L09A, L09B, L09C, L09D, L38Z		06	G10Z, G12A, G12B					
51015.4↔		BOP, KVT, UOP4	51016.2		BOP, KVT, UOP4	08	I08A, I08B, I08C, I08D, I08E, I13A, I13B				
	05	F01A, F01B, F01D, F05Z, F07A, F07B, F14A, F14B, F28A, F42Z, F54Z, F59A, F59B		05	F01A, F01B, F01D, F05Z, F07A, F07B, F14A, F14B, F28A, F42Z, F54Z, F59A, F59B	11	L09A, L09B, L09C, L09D, L38Z				
	06	G10Z, G12A, G12B		06	G10Z, G12A, G12B	51016.x↔		BOP, KVT, UOP4			
	08	I08A, I08B, I08C, I08D, I08E, I13A, I13B		08	I08A, I08B, I08C, I08D, I08E, I13A, I13B		05	F01A, F01B, F01D, F05Z, F07A, F07B, F14A, F14B, F28A, F42Z, F54Z, F59A, F59B			
	11	L09A, L09B, L09C, L09D, L38Z		11	L09A, L09B, L09C, L09D, L38Z		06	G10Z, G12A, G12B			
21A	W04A, W04B	21A	W04A, W04B	08	I08A, I08B, I08C, I08D, I08E, I13A, I13B						
21B	X06A, X06B, X06C	21B	X06A, X06B, X06C	11	L09A, L09B, L09C, L09D, L38Z						
51015.5↔		BOP, KVT, UOP4	51016.3		BOP, KVT, UOP4	51017.0↔		BOP, KVT, UOP4			
	05	F01A, F01B, F01D, F05Z, F07A, F07B, F14A, F14B, F28A, F42Z, F54Z, F59A, F59B		05	F01A, F01B, F01D, F05Z, F07A, F07B, F14A, F14B, F28A, F42Z, F54Z, F59A, F59B		05	F01A, F01B, F01D, F05Z, F07A, F07B, F14A, F14B, F28A, F42Z, F54Z, F59A, F59B			
	06	G10Z, G12A, G12B		06	G10Z, G12A, G12B, G18A, G38Z		08	I08A, I08B, I08C, I08D, I08E, I13A, I13B			
	08	I08A, I08B, I08C, I08D, I08E, I13A, I13B		07	H06A, H06B, H06C		10	K09A, K09B			
	11	L09A, L09B, L09C, L09D, L38Z		08	I08A, I08B, I08C, I08D, I08E, I13A, I13B		11	L09A, L38Z			
51015.x↔		BOP, KVT, UOP4	51016.4↔		BOP, KVT, UOP4	17	R01A, R01B, R01C, R01D, R02Z, R12A, R12B, R12C				
	05	F01A, F01B, F01D, F05Z, F07A, F07B, F14A, F14B, F28A, F42Z, F54Z, F59A, F59B		05	F01A, F01B, F01D, F05Z, F07A, F07B, F14A, F14B, F28A, F42Z, F54Z, F59A, F59B	21A	W04A, W04B				
	06	G10Z, G12A, G12B		06	G10Z, G12A, G12B	21B	X04Z				
	08	I08A, I08B, I08C, I08D, I08E, I13A, I13B		08	I08A, I08B, I08C, I08D, I08E, I13A, I13B	51017.1↔		BOP, KVT, UOP4			
	11	L09A, L09B, L09C, L09D, L38Z		11	L09A, L09B, L09C, L09D, L38Z		05	F01A, F01B, F01D, F05Z, F07A, F07B, F14A, F14B, F28A, F42Z, F54Z, F59A, F59B			
21A	W04A, W04B	08	I08A, I08B, I08C, I08D, I08E, I13A, I13B	08	I08A, I08B, I08C, I08D, I08E, I13A, I13B						
21B	X06A, X06B, X06C	11	L09A, L09B, L09C, L09D, L38Z	10	K09A, K09B						
				11	L09A, L38Z						
				17	R01A, R01B, R01C, R01D, R02Z, R12A, R12B, R12C						
				21A	W04A, W04B						
				21B	X04Z						



ZZV	MDC	DRG	ZZV	MDC	DRG	ZZV	MDC	DRG	
51017.2↔		BOP, KVT, UOP4	51018.2↔		BOP, KVT, UOP4	51018.7↔		BOP, KVT, UOP4	
	05	F01A, F01B, F01D, F05Z, F07A, F07B, F28A, F42Z, F54Z, F59A, F59B		05	F01A, F01B, F01D, F05Z, F07A, F07B, F28A, F42Z, F54Z, F59A, F59B		05	F01A, F01B, F01D, F05Z, F07A, F07B, F28A, F42Z, F54Z, F59A, F59B	
	08	I08A, I08B, I08C, I08D, I08E, I13A, I13B		08	I08A, I08B, I08C, I08D, I08E, I13A, I13B		08	I08A, I08B, I08C, I08D, I08E, I13A, I13B	
	10	K09A, K09B		10	K09A, K09B		10	K09A, K09B	
	11	L09A, L38Z		11	L09A, L38Z		11	L09A, L38Z	
	17	R01A, R01B, R01C, R01D, R02Z, R12A, R12B, R12C		17	R01A, R01B, R01C, R01D, R02Z, R12A, R12B, R12C		17	R01A, R01B, R01C, R01D, R02Z, R12A, R12B, R12C	
	21A	W04A, W04B		21A	W04A, W04B		21A	W04A, W04B	
	21B	X04Z		21B	X04Z		21B	X04Z	
51017.3↔		BOP, KVT, UOP4	51018.3↔		BOP, KVT, UOP4	51018.x↔		BOP, KVT, UOP4	
	05	F01A, F01B, F01D, F05Z, F07A, F07B, F28A, F42Z, F54Z, F59A, F59B		05	F01A, F01B, F01D, F05Z, F07A, F07B, F28A, F42Z, F54Z, F59A, F59B		05	F01A, F01B, F01D, F05Z, F07A, F07B, F28A, F42Z, F54Z, F59A, F59B	
	08	I08A, I08B, I08C, I08D, I08E, I13A, I13B		08	I08A, I08B, I08C, I08D, I08E, I13A, I13B		08	I08A, I08B, I08C, I08D, I08E, I13A, I13B	
	10	K09A, K09B		10	K09A, K09B		10	K09A, K09B	
	11	L09A, L38Z		11	L09A, L38Z		11	L09A, L38Z	
	17	R01A, R01B, R01C, R01D, R02Z, R12A, R12B, R12C		17	R01A, R01B, R01C, R01D, R02Z, R12A, R12B, R12C		17	R01A, R01B, R01C, R01D, R02Z, R12A, R12B, R12C	
	21A	W04A, W04B		21A	W04A, W04B		21A	W04A, W04B	
	21B	X04Z		21B	X04Z		21B	X04Z	
51017.x↔		BOP, KVT, UOP4	51018.4↔		BOP, KVT, UOP4	51019.0↔		BOP, KVT, UOP4	
	05	F01A, F01B, F01D, F05Z, F07A, F07B, F28A, F42Z, F54Z, F59A, F59B		05	F01A, F01B, F01D, F05Z, F07A, F07B, F28A, F42Z, F54Z, F59A, F59B		05	F39A, F39B	
	08	I08A, I08B, I08C, I08D, I08E, I13A, I13B		08	I08A, I08B, I08C, I08D, I08E, I13A, I13B		08	I08A, I08B, I08C, I08D, I08E, I13A, I13B	
	10	K09A, K09B		10	K09A, K09B		11	L09A, L38Z	
	11	L09A, L38Z		11	L09A, L38Z		21A	W04A, W04B	
	17	R01A, R01B, R01C, R01D, R02Z, R12A, R12B, R12C		17	R01A, R01B, R01C, R01D, R02Z, R12A, R12B, R12C		21B	X04Z	
	21A	W04A, W04B		21A	W04A, W04B		51019.1↔		BOP, KVT, UOP4
	21B	X04Z		21B	X04Z			05	F39A, F39B
51018.0↔		BOP, KVT, UOP4	51018.5↔		BOP, KVT, UOP4	51019.2		BOP, KVT, UOP4	
	05	F01A, F01B, F01D, F05Z, F07A, F07B, F28A, F42Z, F54Z, F59A, F59B		05	F01A, F01B, F01D, F05Z, F07A, F07B, F28A, F42Z, F54Z, F59A, F59B		05	F39A, F39B	
	08	I08A, I08B, I08C, I08D, I08E, I13A, I13B		08	I08A, I08B, I08C, I08D, I08E, I13A, I13B		06	G18A, G38Z	
	10	K09A, K09B		10	K09A, K09B		07	H01A	
	11	L09A, L38Z		11	L09A, L38Z		08	I08A, I08B, I08C, I08D, I08E, I13A, I13B	
	17	R01A, R01B, R01C, R01D, R02Z, R12A, R12B, R12C		17	R01A, R01B, R01C, R01D, R02Z, R12A, R12B, R12C		11	L09A, L38Z	
	21A	W04A, W04B		21A	W04A, W04B		21A	W04A, W04B	
	21B	X04Z		21B	X04Z		21B	X04Z	
51018.1↔		BOP, KVT, UOP4	51018.6↔		BOP, KVT, UOP4	51019.3↔		BOP, KVT, UOP4	
	05	F01A, F01B, F01D, F05Z, F07A, F07B, F28A, F42Z, F54Z, F59A, F59B		05	F01A, F01B, F01D, F05Z, F07A, F07B, F28A, F42Z, F54Z, F59A, F59B		05	F39A, F39B	
	08	I08A, I08B, I08C, I08D, I08E, I13A, I13B		08	I08A, I08B, I08C, I08D, I08E, I13A, I13B		06	G18A, G38Z	
	10	K09A, K09B		10	K09A, K09B		07	H01A	
	11	L09A, L38Z		11	L09A, L38Z		08	I08A, I08B, I08C, I08D, I08E, I13A, I13B	
	17	R01A, R01B, R01C, R01D, R02Z, R12A, R12B, R12C		17	R01A, R01B, R01C, R01D, R02Z, R12A, R12B, R12C		11	L09A, L38Z	
	21A	W04A, W04B		21A	W04A, W04B		21A	W04A, W04B	
	21B	X04Z		21B	X04Z		21B	X04Z	
		BOP, KVT, UOP4			BOP, KVT, UOP4	51019.4		BOP, KVT, UOP4	
	05	F01A, F01B, F01D, F05Z, F07A, F07B, F28A, F42Z, F54Z, F59A, F59B		05	F01A, F01B, F01D, F05Z, F07A, F07B, F28A, F42Z, F54Z, F59A, F59B		05	F39A, F39B	
	08	I08A, I08B, I08C, I08D, I08E, I13A, I13B		08	I08A, I08B, I08C, I08D, I08E, I13A, I13B		06	G18A, G38Z	
	10	K09A, K09B		10	K09A, K09B		07	H01A	
	11	L09A, L38Z		11	L09A, L38Z		08	I08A, I08B, I08C, I08D, I08E, I13A, I13B	
	17	R01A, R01B, R01C, R01D, R02Z, R12A, R12B, R12C		17	R01A, R01B, R01C, R01D, R02Z, R12A, R12B, R12C		11	L09A, L38Z	
	21A	W04A, W04B		21A	W04A, W04B		21A	W04A, W04B	
	21B	X04Z		21B	X04Z		21B	X04Z	

ZZV	MDC	DRG	ZZV	MDC	DRG	ZZV	MDC	DRG		
51019.5		BOP, KVT, UOP4	51019.b↔		BOP, KOP, KOPV, KVT, UOP4	51019.f		BOP, KOP, KOPV, KVT, UOP4		
	05	F39A, F39B			04		E05A, E05B, E05C, E08A, E08B, E08C	04	E05A, E05B, E05C, E08A, E08B, E08C	
	06	G18A, G38Z			05		F01A, F01B, F01D, F05Z, F07A, F07B, F09A, F09B, F09C, F30Z, F42Z	05	F01A, F01B, F01D, F05Z, F07A, F07B, F09A, F09B, F09C, F30Z, F42Z	
	07	H01A			06		G15Z, G19A, G19B, G33Z, G38Z	06	G03A, G15Z, G18A, G19A, G19B, G33Z, G38Z	
	08	I08A, I08B, I08C, I08D, I08E, I13A, I13B			07		H33Z, H38Z	07	H01A, H33Z, H38Z	
	11	L09A, L38Z			08		I08A, I08B, I08C, I08D, I08E, I13A, I13B	08	I08A, I08B, I08C, I08D, I08E, I13A, I13B	
	21A	W04A, W04B			11		L09A, L33Z, L38Z	11	L09A, L33Z, L38Z	
	21B	X04Z			15		P02A, P02B, P02C	15	P02A, P02B, P02C	
51019.6		BOP, KVT, UOP4	51019.c↔		BOP, KVT, UOP4	51019.g↔		BOP, KVT, UOP4		
	05	F39A, F39B			05		F01A, F01B, F01D, F05Z, F07A, F07B, F14A, F14B, F28A, F42Z, F54Z, F59A, F59B	05	F01A, F01B, F01D, F05Z, F07A, F07B, F14A, F14B, F28A, F42Z, F54Z, F59A, F59B	
	06	G18A, G38Z			08		I08A, I08B, I08C, I08D, I08E, I13A, I13B	06	G10Z, G12A, G12B	
	07	H01A			10		K09A, K09B	08	I08A, I08B, I08C, I08D, I08E, I13A, I13B	
	08	I08A, I08B, I08C, I08D, I08E, I13A, I13B			11		L09A, L38Z	11	L09A, L09B, L09C, L09D, L38Z	
	11	L09A, L38Z			21A		W04A, W04B	21A	W04A, W04B	
	21A	W04A, W04B			21B		X06A, X06B, X06C	21B	X06A, X06B, X06C	
	21B	X04Z					BOP, KOP, KOPV, KVT, UOP4	51019.h↔		BOP, KVT, UOP4
51019.7		BOP, KVT, UOP4	51019.d↔		BOP, KOP, KOPV, KVT, UOP4	51019.i↔			BOP, KVT, UOP4	
	05	F39A, F39B			04		E05A, E05B, E05C, E08A, E08B, E08C		05	F01A, F01B, F01D, F05Z, F07A, F07B, F14A, F14B, F28A, F42Z, F54Z, F59A, F59B
	06	G18A, G38Z			05		F01A, F01B, F01D, F05Z, F07A, F07B, F09A, F09B, F09C, F30Z, F42Z		06	G10Z, G12A, G12B
	07	H01A			06		G15Z, G19A, G19B, G33Z, G38Z		08	I08A, I08B, I08C, I08D, I08E, I13A, I13B
	08	I08A, I08B, I08C, I08D, I08E, I13A, I13B			07		H33Z, H38Z		11	L09A, L09B, L09C, L09D, L38Z
	11	L09A, L38Z			08		I08A, I08B, I08C, I08D, I08E, I13A, I13B		21A	W04A, W04B
	21A	W04A, W04B			11		L09A, L33Z, L38Z		21B	X06A, X06B, X06C
	21B	X04Z			15		P02A, P02B, P02C		BOP, KVT, UOP4	
51019.8↔		BOP, KVT, UOP4	51019.e		BOP, KOP, KOPV, KVT, UOP4	51019.x↔		BOP, KVT, UOP4		
	05	F39A, F39B			04		E05A, E05B, E05C, E08A, E08B, E08C	05	F39A, F39B	
	06	G18A, G38Z			05		F01A, F01B, F01D, F05Z, F07A, F07B, F09A, F09B, F09C, F30Z, F42Z	08	I08A, I08B, I08C, I08D, I08E, I13A, I13B	
	07	H01A			06		G15Z, G19A, G19B, G33Z, G38Z	11	L09A, L38Z	
	08	I08A, I08B, I08C, I08D, I08E, I13A, I13B			07		H33Z, H38Z	21A	W04A, W04B	
	11	L09A, L38Z			08		I08A, I08B, I08C, I08D, I08E, I13A, I13B	21B	X06A, X06B, X06C	
	21A	W04A, W04B			11		L09A, L33Z, L38Z		BOP, KVT, UOP4	
	21B	X04Z			15		P02A, P02B, P02C	05	F01A, F01B, F01D, F05Z, F07A, F07B, F14A, F14B, F28A, F42Z, F54Z, F59A, F59B	
51019.9↔		BOP, KVT, UOP4				5101b.01↔		BOP, KVT, UOP4		
	01	B03A, B03B, B06A, B06B, B07Z, B17A, B17B, B17C		04	E05A, E05B, E05C, E08A, E08B, E08C		05	F01A, F01B, F01D, F05Z, F07A, F07B, F14A, F14B, F28A, F42Z, F54Z, F59A, F59B		
	03	D12A		05	F01A, F01B, F01D, F05Z, F07A, F07B, F09A, F09B, F09C, F30Z, F42Z		06	G10Z, G12A, G12B		
	05	F01A, F01B, F01D, F05Z, F07A, F07B, F14A, F14B, F28A, F42Z, F54Z, F59A, F59B		06	G15Z, G19A, G19B, G33Z, G38Z		08	I08A, I08B, I08C, I08D, I08E, I13A, I13B		
	08	I08A, I08B, I08C, I08D, I08E, I13A, I13B		07	H33Z, H38Z		11	L09A, L09B, L09C, L09D, L38Z		
	10	K09A, K09B		08	I08A, I08B, I08C, I08D, I08E, I13A, I13B		21A	W04A, W04B		
	11	L09A, L38Z		11	L09A, L33Z, L38Z		21B	X06A, X06B, X06C		
	21A	W04A, W04B		15	P02A, P02B, P02C			BOP, KVT, UOP4		
51019.a↔		BOP, KOP, KOPV, KVT, UOP4		21A	W04A, W04B	51019.y↔		BOP, KVT, UOP4		
	04	E05A, E05B, E05C, E08A, E08B, E08C		21B	X06A, X06B, X06C, X33Z		05	F01A, F01B, F01D, F05Z, F07A, F07B, F14A, F14B, F28A, F42Z, F54Z, F59A, F59B		
	05	F01A, F01B, F01D, F05Z, F07A, F07B, F09A, F09B, F09C, F30Z, F42Z		Pre	Z01A		06	G10Z, G12A, G12B		
	06	G15Z, G19A, G19B, G33Z, G38Z			A07A		08	I08A, I08B, I08C, I08D, I08E, I13A, I13B		
	07	H33Z, H38Z					11	L09A, L09B, L09C, L09D, L38Z		
	08	I08A, I08B, I08C, I08D, I08E, I13A, I13B								
	11	L09A, L33Z, L38Z								
	15	P02A, P02B, P02C								
21A	W04A, W04B									
21B	X06A, X06B, X06C, X33Z									
23	Z01A									
Pre	A07A									

ZZV	MDC	DRG	ZZV	MDC	DRG	ZZV	MDC	DRG
5101b.02↔		BOP, KVT, UOP4	51120.20↔	01	BOP, KVT, UOP4	51120.3↔	01	BOP, KVT, UOP4
	05	F01A, F01B, F01D, F05Z, F07A, F07B, F14A, F14B, F28A, F42Z, F54Z, F59A, F59B		03	B04A, B04B, B04C, B04D, B04E		03	B04A, B04B, B04C, B04D, B04E
	06	G10Z, G12A, G12B		05	D12A, D12B		05	D12A, D12B
	08	I08A, I08B, I08C, I08D, I08E, I13A, I13B		08	F01A, F01B, F01D, F05Z, F06A, F06C, F07A, F07B, F14A, F14B, F28A, F42Z, F54Z, F59A, F59B		08	F01A, F01B, F01D, F05Z, F06A, F06C, F07A, F07B, F14A, F14B, F28A, F42Z, F54Z, F59A, F59B
5101b.11	11	L09A, L09B, L09C, L09D, L38Z	10	I08A, I08B, I08C, I08D, I08E, I13A, I13B	10	I08A, I08B, I08C, I08D, I08E, I13A, I13B		
		BOP, KVT, UOP4	11	K09A, K09B	11	K09A, K09B		
	05	F01A, F01B, F01D, F05Z, F07A, F07B, F14A, F14B, F28A, F42Z, F54Z, F59A, F59B	21A	L09A, L38Z	21A	L09A, L38Z		
	06	G10Z, G12A, G12B	21B	W04A, W04B	21B	W04A, W04B		
5101b.12	08	I08A, I08B, I08C, I08D, I08E, I13A, I13B	51120.22↔	01	X06A, X06B, X06C	51120.40↔	01	X06A, X06B, X06C
	11	L09A, L09B, L09C, L09D, L38Z		BOP, KVT, UOP4	BOP, KVT, UOP4			
		BOP, KVT, UOP4		01	B04A, B04B, B04C, B04D, B04E		01	B04A, B04B, B04C, B04D, B04E
	05	F01A, F01B, F01D, F05Z, F07A, F07B, F14A, F14B, F28A, F42Z, F54Z, F59A, F59B		03	D12A, D12B		03	D12A, D12B
51120.0↔	06	G10Z, G12A, G12B	05	F01A, F01B, F01D, F05Z, F06A, F06C, F07A, F07B, F14A, F14B, F28A, F42Z, F54Z, F59A, F59B	05	F01A, F01B, F01D, F05Z, F06A, F06C, F07A, F07B, F14A, F14B, F28A, F42Z, F54Z, F59A, F59B		
	08	I08A, I08B, I08C, I08D, I08E, I13A, I13B	08	I08A, I08B, I08C, I08D, I08E, I13A, I13B	08	I08A, I08B, I08C, I08D, I08E, I13A, I13B		
	11	L09A, L09B, L09C, L09D, L38Z	10	K09A, K09B	10	K09A, K09B		
		BOP, KVT, UOP4	11	L09A, L38Z	11	L09A, L38Z		
51120.1↔	01	B04A, B04B, B04C, B04D, B04E	21A	W04A, W04B	21A	W04A, W04B		
	03	D12A, D12B	21B	X06A, X06B, X06C	21B	X06A, X06B, X06C		
	05	F01A, F01B, F01D, F05Z, F06A, F06C, F07A, F07B, F14A, F14B, F28A, F42Z, F54Z, F59A, F59B	51120.23↔	BOP, KVT, UOP4	51120.4x	BOP, KVT, UOP4		
	08	I08A, I08B, I08C, I08D, I08E, I13A, I13B		01		B04A, B04B, B04C, B04D, B04E	05	F01A, F01B, F01D, F05Z, F07A, F07B, F08A, F08B, F08C, F08D, F08E, F27A, F28A, F42Z
10	K09A, K09B	03		D12A, D12B		06	G10Z, G12A, G12B, G18A, G38Z	
11	L09A, L38Z	05		F01A, F01B, F01D, F05Z, F06A, F06C, F07A, F07B, F14A, F14B, F28A, F42Z, F54Z, F59A, F59B		07	H01A	
21A	W04A, W04B	08	I08A, I08B, I08C, I08D, I08E, I13A, I13B	08	I08A, I08B, I08C, I08D, I08E, I13A, I13B			
21B	X06A, X06B, X06C	10	K09A, K09B	11	L09A, L09B, L09C, L09D, L38Z			
51120.1↔	BOP, KVT, UOP4	11	L09A, L38Z	21A	W04A, W04B	21B	X06A, X06B, X06C	
	01	B04A, B04B, B04C, B04D, B04E	21A	W04A, W04B	51120.5↔	BOP, KVT, UOP4		
	03	D12A, D12B	21B	X06A, X06B, X06C		01	B04A, B04B, B04C, B04D, B04E	
	05	F01A, F01B, F01D, F05Z, F06A, F06C, F07A, F07B, F14A, F14B, F28A, F42Z, F54Z, F59A, F59B	51120.24↔	BOP, KVT, UOP4		03	D12A, D12B	
08	I08A, I08B, I08C, I08D, I08E, I13A, I13B	01		B04A, B04B, B04C, B04D, B04E		05	F01A, F01B, F01D, F05Z, F06A, F06C, F07A, F07B, F14A, F14B, F28A, F42Z, F54Z, F59A, F59B	
10	K09A, K09B	03		D12A, D12B	08	I08A, I08B, I08C, I08D, I08E, I13A, I13B		
11	L09A, L38Z	05		F01A, F01B, F01D, F05Z, F06A, F06C, F07A, F07B, F14A, F14B, F28A, F42Z, F54Z, F59A, F59B	10	K09A, K09B		
21A	W04A, W04B	08	I08A, I08B, I08C, I08D, I08E, I13A, I13B	11	L09A, L38Z	21A	W04A, W04B	
21B	X06A, X06B, X06C	10	K09A, K09B	21A	W04A, W04B	21B	X06A, X06B, X06C	
51120.1↔	BOP, KVT, UOP4	11	L09A, L38Z	51120.25↔	BOP, KVT, UOP4	51120.6↔	BOP, KVT, UOP4	
	01	B04A, B04B, B04C, B04D, B04E	01		B04A, B04B, B04C, B04D, B04E		01	B04A, B04B, B04C, B04D, B04E
	03	D12A, D12B	03		D12A, D12B		03	D12A, D12B
	05	F01A, F01B, F01D, F05Z, F06A, F06C, F07A, F07B, F14A, F14B, F28A, F42Z, F54Z, F59A, F59B	05		F01A, F01B, F01D, F05Z, F06A, F06C, F07A, F07B, F14A, F14B, F28A, F42Z, F54Z, F59A, F59B		05	F01A, F01B, F01D, F05Z, F06A, F06C, F07A, F07B, F14A, F14B, F28A, F42Z, F54Z, F59A, F59B
08	I08A, I08B, I08C, I08D, I08E, I13A, I13B	08	I08A, I08B, I08C, I08D, I08E, I13A, I13B	08	I08A, I08B, I08C, I08D, I08E, I13A, I13B			
10	K09A, K09B	10	K09A, K09B	10	K09A, K09B			
11	L09A, L38Z	11	L09A, L38Z	11	L09A, L38Z			
21A	W04A, W04B	21A	W04A, W04B	21A	W04A, W04B			
21B	X06A, X06B, X06C	21B	X06A, X06B, X06C	21B	X06A, X06B, X06C			

VYK



ZZV	MDC	DRG	ZZV	MDC	DRG	ZZV	MDC	DRG				
51124.0↔		BOP, KOP, KOPV, KVT, UOP4	51124.x↔		BOP, KOP, KOPV, KVT, UOP4	51125.4↔		BOP, KVT, UOP4				
	04	E05A, E05B, E05C, E08A, E08B, E08C		04	E05A, E05B, E05C, E08A, E08B, E08C		05	F01A, F01B, F01D, F05Z, F07A, F07B, F09A, F09B, F09C, F30Z, F42Z				
	05	F01A, F01B, F01D, F05Z, F07A, F07B, F09A, F09B, F09C, F30Z, F42Z		05	F01A, F01B, F01D, F05Z, F07A, F07B, F09A, F09B, F09C, F30Z, F42Z		06	G10Z, G12A, G12B				
	06	G33Z		06	G33Z		08	I08A, I08B, I08C, I08D, I08E, I13A, I13B				
	07	H33Z, H38Z		07	H33Z, H38Z		11	L09A, L09B, L09C, L09D, L38Z				
	08	I08A, I08B, I08C, I08D, I08E, I13A, I13B		08	I08A, I08B, I08C, I08D, I08E, I13A, I13B		21A	W04A, W04B				
	11	L09A, L33Z, L38Z		11	L09A, L33Z, L38Z		21B	X06A, X06B, X06C, X33Z				
	15	P02A, P02B, P02C		15	P02A, P02B, P02C			BOP, KVT, UOP4				
	21A	W04A, W04B		21A	W04A, W04B		51125.5↔	05	F01A, F01B, F01D, F05Z, F07A, F07B, F14A, F14B, F28A, F42Z, F54Z, F59A, F59B			
	21B	X06A, X06B, X06C, X33Z		21B	X06A, X06B, X06C, X33Z			08	I08A, I08B, I08C, I08D, I08E, I13A, I13B			
	23	Z01A		23	Z01A			10	K09A, K09B			
	Pre	A07A		Pre	A07A			11	L09A, L38Z			
	51124.1↔			BOP, KOP, KOPV, KVT, UOP4	51125.0↔				BOP, KVT, UOP4	51125.x↔		BOP, KVT, UOP4
		04		E05A, E05B, E05C, E08A, E08B, E08C				05	F01A, F01B, F01D, F05Z, F07A, F07B, F14A, F14B, F28A, F42Z, F54Z, F59A, F59B		05	F01A, F01B, F01D, F05Z, F07A, F07B, F14A, F14B, F28A, F42Z, F54Z, F59A, F59B
05		F01A, F01B, F01D, F05Z, F07A, F07B, F09A, F09B, F09C, F30Z, F42Z	08	I08A, I08B, I08C, I08D, I08E, I13A, I13B		08		I08A, I08B, I08C, I08D, I08E, I13A, I13B				
06		G33Z	10	K09A, K09B		10		K09A, K09B				
07		H33Z, H38Z	11	L09A, L38Z		11		L09A, L38Z				
08		I08A, I08B, I08C, I08D, I08E, I13A, I13B	21A	W04A, W04B		21A		W04A, W04B				
11		L09A, L33Z, L38Z	21B	X06A, X06B, X06C		21B		X06A, X06B, X06C				
15		P02A, P02B, P02C		BOP, KVT, UOP4				BOP, KVT, UOP4				
21A		W04A, W04B	05	F01A, F01B, F01D, F05Z, F07A, F07B, F08A, F08B, F08C, F08D, F08E, F08F, F14A, F14B, F27A, F28A, F42Z		05		F01A, F01B, F01D, F05Z, F07A, F07B, F08A, F08B, F08C, F08D, F08E, F27A, F28A, F42Z				
21B		X06A, X06B, X06C, X33Z	06	G10Z, G12A, G12B		06		G10Z, G12A, G12B, G18A, G38Z				
23		Z01A	08	I08A, I08B, I08C, I08D, I08E, I13A, I13B		07	H01A					
Pre		A07A	11	L09A, L09B, L09C, L09D, L38Z		08	I08A, I08B, I08C, I08D, I08E, I13A, I13B					
51124.2↔			BOP, KOP, KOPV, KVT, UOP4	51125.1↔			BOP, KVT, UOP4	51126.0			BOP, KVT, UOP4	
		04	E01A, E08A, E08B, E08C			05	F01A, F01B, F01D, F05Z, F07A, F07B, F08A, F08B, F08C, F08D, F08E, F08F, F14A, F14B, F27A, F28A, F42Z		05		F01A, F01B, F01D, F05Z, F07A, F07B, F08A, F08B, F08C, F08D, F08E, F27A, F28A, F42Z	
	05	F01A, F01B, F01D, F05Z, F07A, F07B, F09A, F09B, F09C, F30Z, F42Z	06		G10Z, G12A, G12B	06	G10Z, G12A, G12B, G18A, G38Z					
	06	G33Z	08		I08A, I08B, I08C, I08D, I08E, I13A, I13B	07	H01A					
	07	H33Z, H38Z	11		L09A, L09B, L09C, L09D, L38Z	08	I08A, I08B, I08C, I08D, I08E, I13A, I13B					
	08	I08A, I08B, I08C, I08D, I08E, I13A, I13B	21A		W04A, W04B	11	L09A, L09B, L09C, L09D, L38Z					
	11	L09A, L33Z, L38Z	21B		X06A, X06B, X06C, X33Z	21A	W04A, W04B					
	15	P02A, P02B, P02C			BOP, KVT, UOP4	21B	X06A, X06B, X06C, X33Z					
	21A	W04A, W04B	05		F01A, F01B, F01D, F05Z, F07A, F07B, F08A, F08B, F08C, F08D, F08E, F08F, F14A, F14B, F27A, F28A, F42Z		BOP, KVT, UOP4					
	21B	X06A, X06B, X06C, X33Z	06		G10Z, G12A, G12B	51126.1	05		F01A, F01B, F01D, F05Z, F07A, F07B, F08A, F08B, F08C, F08D, F08E, F27A, F28A, F42Z			
	23	Z01A	08		I08A, I08B, I08C, I08D, I08E, I13A, I13B		06		G10Z, G12A, G12B, G18A, G38Z			
	Pre	A07A	11		L09A, L09B, L09C, L09D, L38Z		07		H01A, H06A, H06B, H06C			
	51124.3↔		BOP, KOP, KOPV, KVT, UOP4		51125.2↔				BOP, KVT, UOP4	51126.1		BOP, KVT, UOP4
		04	E05A, E05B, E05C, E08A, E08B, E08C				05		F01A, F01B, F01D, F05Z, F07A, F07B, F08A, F08B, F08C, F08D, F08E, F08F, F14A, F14B, F27A, F28A, F42Z		08	I08A, I08B, I08C, I08D, I08E, I13A, I13B
05		F01A, F01B, F01D, F05Z, F07A, F07B, F09A, F09B, F09C, F30Z, F42Z	06	G10Z, G12A, G12B			11	L09A, L09B, L09C, L09D, L38Z				
06		G33Z	08	I08A, I08B, I08C, I08D, I08E, I13A, I13B			21A	W04A, W04B				
07		H33Z, H38Z	11	L09A, L09B, L09C, L09D, L38Z			21B	X06A, X06B, X06C, X33Z				
08		I08A, I08B, I08C, I08D, I08E, I13A, I13B		BOP, KVT, UOP4				BOP, KVT, UOP4				
11		L09A, L33Z, L38Z	05	F01A, F01B, F01D, F05Z, F07A, F07B, F08A, F08B, F08C, F08D, F08E, F08F, F14A, F14B, F27A, F28A, F42Z			05	F01A, F01B, F01D, F05Z, F07A, F07B, F08A, F08B, F08C, F08D, F08E, F27A, F28A, F42Z				
15		P02A, P02B, P02C	06	G10Z, G12A, G12B			06	G10Z, G12A, G12B, G18A, G38Z				
21A		W04A, W04B	08	I08A, I08B, I08C, I08D, I08E, I13A, I13B			07	H01A, H06A, H06B, H06C				
21B		X06A, X06B, X06C, X33Z	11	L09A, L09B, L09C, L09D, L38Z			08	I08A, I08B, I08C, I08D, I08E, I13A, I13B				
23		Z01A		BOP, KVT, UOP4			11	L09A, L09B, L09C, L09D, L38Z				
Pre		A07A	06	G10Z, G12A, G12B		21A	W04A, W04B					
51124.3↔			BOP, KOP, KOPV, KVT, UOP4	51125.3↔			BOP, KVT, UOP4	51126.1			BOP, KVT, UOP4	
		04	E05A, E05B, E05C, E08A, E08B, E08C			05	F01A, F01B, F01D, F05Z, F07A, F07B, F08A, F08B, F08C, F08D, F08E, F08F, F14A, F14B, F27A, F28A, F42Z		21B		X06A, X06B, X06C, X33Z	
	05	F01A, F01B, F01D, F05Z, F07A, F07B, F09A, F09B, F09C, F30Z, F42Z	06		G10Z, G12A, G12B		BOP, KVT, UOP4					
	06	G33Z	08		I08A, I08B, I08C, I08D, I08E, I13A, I13B	05	F01A, F01B, F01D, F05Z, F07A, F07B, F08A, F08B, F08C, F08D, F08E, F27A, F28A, F42Z					
	07	H33Z, H38Z	11		L09A, L09B, L09C, L09D, L38Z	06	G10Z, G12A, G12B, G18A, G38Z					
	08	I08A, I08B, I08C, I08D, I08E, I13A, I13B			BOP, KVT, UOP4	07	H01A, H06A, H06B, H06C					
	11	L09A, L33Z, L38Z	06		G10Z, G12A, G12B	08	I08A, I08B, I08C, I08D, I08E, I13A, I13B					
	15	P02A, P02B, P02C	08		I08A, I08B, I08C, I08D, I08E, I13A, I13B	11	L09A, L09B, L09C, L09D, L38Z					
	21A	W04A, W04B	11		L09A, L09B, L09C, L09D, L38Z	21A	W04A, W04B					
	21B	X06A, X06B, X06C, X33Z			BOP, KVT, UOP4	21B	X06A, X06B, X06C, X33Z					
	23	Z01A	21A		W04A, W04B		BOP, KVT, UOP4					
	Pre	A07A	21B		X06A, X06B, X06C, X33Z		BOP, KVT, UOP4					

VYK

ZZV	MDC	DRG	ZZV	MDC	DRG	ZZV	MDC	DRG			
51126.2		BOP, KVT, UOP4	51126.7		BOP, KVT, UOP4	51127.x↔		BOP, KVT, UOP4			
	05	F01A, F01B, F01D, F05Z, F07A, F07B, F08A, F08B, F08C, F08D, F08E, F27A, F28A, F42Z		05	F01A, F01B, F01D, F05Z, F07A, F07B, F08A, F08B, F08C, F08D, F08E, F27A, F28A, F42Z		05	F01A, F01B, F01D, F05Z, F07A, F07B, F14A, F14B, F28A, F42Z, F54Z, F59A, F59B			
	06	G10Z, G12A, G12B		06	G10Z, G12A, G12B		08	I08A, I08B, I08C, I08D, I08E, I13A, I13B			
	08	I08A, I08B, I08C, I08D, I08E, I13A, I13B		08	I08A, I08B, I08C, I08D, I08E, I13A, I13B		10	K09A, K09B			
	11	L09A, L09B, L09C, L09D, L38Z		11	L09A, L09B, L09C, L09D, L38Z		11	L09A, L38Z			
	21A	W04A, W04B		21A	W04A, W04B		21A	W04A, W04B			
	21B	X06A, X06B, X06C, X33Z		21B	X06A, X06B, X06C, X33Z		21B	X04Z, X06A, X06B, X06C			
	51126.3			BOP, KVT, UOP4	51126.x↔			BOP, KVT, UOP4	51128.0↔		BOP, KVT, UOP4
		05		F01A, F01B, F01D, F05Z, F07A, F07B, F08A, F08B, F08C, F08D, F08E, F27A, F28A, F42Z			05	F01A, F01B, F01D, F05Z, F07A, F07B, F08A, F08B, F08C, F08D, F08E, F27A, F28A, F42Z		05	F01A, F01B, F01D, F05Z, F07A, F07B, F14A, F14B, F28A, F42Z, F54Z, F59A, F59B
		06		G10Z, G12A, G12B, G18A, G38Z			06	G10Z, G12A, G12B		08	I08A, I08B, I08C, I08D, I08E, I13A, I13B
07		H06A, H06B, H06C	08	I08A, I08B, I08C, I08D, I08E, I13A, I13B		10	K09A, K09B				
08		I08A, I08B, I08C, I08D, I08E, I13A, I13B	11	L09A, L09B, L09C, L09D, L38Z		11	L09A, L38Z				
11		L09A, L09B, L09C, L09D, L38Z	21A	W04A, W04B		21A	W04A, W04B				
21A		W04A, W04B	21B	X06A, X06B, X06C, X33Z		21B	X04Z, X06A, X06B, X06C				
21B		X06A, X06B, X06C, X33Z	51127.0↔			BOP, KVT, UOP4	51128.1↔			BOP, KVT, UOP4	
51126.4↔				BOP, KVT, UOP4		05		F01A, F01B, F01D, F05Z, F07A, F07B, F14A, F14B, F28A, F42Z, F54Z, F59A, F59B		05	F01A, F01B, F01D, F05Z, F07A, F07B, F14A, F14B, F28A, F42Z, F54Z, F59A, F59B
		05		F01A, F01B, F01D, F05Z, F07A, F07B, F08A, F08B, F08C, F08D, F08E, F27A, F28A, F42Z		08		I08A, I08B, I08C, I08D, I08E, I13A, I13B		08	I08A, I08B, I08C, I08D, I08E, I13A, I13B
	06	G10Z, G12A, G12B		10	K09A, K09B	10		K09A, K09B			
	08	I08A, I08B, I08C, I08D, I08E, I13A, I13B		11	L09A, L38Z	11		L09A, L38Z			
	11	L09A, L09B, L09C, L09D, L38Z		21A	W04A, W04B	21A		W04A, W04B			
	21A	W04A, W04B		21B	X04Z	21B		X04Z, X06A, X06B, X06C			
	21B	X06A, X06B, X06C, X33Z		51127.1↔		BOP, KVT, UOP4		51128.2↔		BOP, KVT, UOP4	
	51126.5				BOP, KVT, UOP4	05			F01A, F01B, F01D, F05Z, F07A, F07B, F14A, F14B, F28A, F42Z, F54Z, F59A, F59B	05	F01A, F01B, F01D, F05Z, F07A, F07B, F14A, F14B, F28A, F42Z, F54Z, F59A, F59B
		05			F01A, F01B, F01D, F05Z, F07A, F07B, F08A, F08B, F08C, F08D, F08E, F27A, F28A, F42Z	08			I08A, I08B, I08C, I08D, I08E, I13A, I13B	08	I08A, I08B, I08C, I08D, I08E, I13A, I13B
		06	G10Z, G12A, G12B, G18A, G38Z		10	K09A, K09B	10		K09A, K09B		
07		H01A	11		L09A, L38Z	11	L09A, L38Z				
08		I08A, I08B, I08C, I08D, I08E, I13A, I13B	21A		W04A, W04B	21A	W04A, W04B				
11		L09A, L09B, L09C, L09D, L38Z	21B		X04Z	21B	X04Z, X06A, X06B, X06C				
21A		W04A, W04B	51127.2↔			BOP, KVT, UOP4	51128.3↔			BOP, KVT, UOP4	
21B		X06A, X06B, X06C, X33Z			05	F01A, F01B, F01D, F05Z, F07A, F07B, F14A, F14B, F28A, F42Z, F54Z, F59A, F59B			05	F01A, F01B, F01D, F05Z, F07A, F07B, F14A, F14B, F28A, F42Z, F54Z, F59A, F59B	
51126.6					BOP, KVT, UOP4	08			I08A, I08B, I08C, I08D, I08E, I13A, I13B	08	I08A, I08B, I08C, I08D, I08E, I13A, I13B
		05		F01A, F01B, F01D, F05Z, F07A, F07B, F08A, F08B, F08C, F08D, F08E, F27A, F28A, F42Z	10	K09A, K09B		10	K09A, K09B		
	06	G10Z, G12A, G12B, G18A, G38Z		11	L09A, L38Z	11		L09A, L38Z			
	07	H01A		21A	W04A, W04B	21A		W04A, W04B			
	08	I08A, I08B, I08C, I08D, I08E, I13A, I13B		21B	X04Z, X06A, X06B, X06C	21B		X04Z, X06A, X06B, X06C			
	11	L09A, L09B, L09C, L09D, L38Z		51127.3↔		BOP, KVT, UOP4		51128.4↔		BOP, KVT, UOP4	
	21A	W04A, W04B			05	F01A, F01B, F01D, F05Z, F07A, F07B, F14A, F14B, F28A, F42Z, F54Z, F59A, F59B			05	F01A, F01B, F01D, F05Z, F07A, F07B, F14A, F14B, F28A, F42Z, F54Z, F59A, F59B	
	21B	X06A, X06B, X06C, X33Z			08	I08A, I08B, I08C, I08D, I08E, I13A, I13B			08	I08A, I08B, I08C, I08D, I08E, I13A, I13B	
			10		K09A, K09B	10	K09A, K09B				
			11		L09A, L38Z	11	L09A, L38Z				
		21A	W04A, W04B		21A	W04A, W04B					
		21B	X04Z, X06A, X06B, X06C		21B	X04Z, X06A, X06B, X06C					

VYK

ZZV	MDC	DRG	ZZV	MDC	DRG	ZZV	MDC	DRG			
51128.5↔		BOP, KVT, UOP4	51130.1↔	01	BOP, KVT, UOP4	51131.0↔	01	BOP, KVT, UOP4			
	05	F01A, F01B, F01D, F05Z, F07A, F07B, F14A, F14B, F28A, F42Z, F54Z, F59A, F59B		03	B04A, B04B, B04C, B04D, B04E		05	B04A, B04B, B04C, B04D, B04E			
	08	I08A, I08B, I08C, I08D, I08E, I13A, I13B		05	D12A		08	F01A, F01B, F01D, F05Z, F06A, F06C, F07A, F07B, F14A, F14B, F28A, F42Z, F54Z, F59A, F59B			
	10	K09A, K09B		08	F01A, F01B, F01D, F05Z, F06A, F06C, F07A, F07B, F14A, F14B, F28A, F42Z, F54Z, F59A, F59B		11	I08A, I08B, I08C, I08D, I08E, I13A, I13B			
	11	L09A, L38Z		11	I08A, I08B, I08C, I08D, I08E, I13A, I13B		11	L09A, L38Z			
	21A	W04A, W04B		21A	L09A, L38Z		21A	W04A, W04B			
	21B	X04Z, X06A, X06B, X06C		21B	W04A, W04B		21B	X06A, X06B, X06C			
	51128.6↔			BOP, KVT, UOP4	51130.2↔			BOP, KVT, UOP4	51131.1↔		BOP, KVT, UOP4
		05		F01A, F01B, F01D, F05Z, F07A, F07B, F14A, F14B, F28A, F42Z, F54Z, F59A, F59B			01	B04A, B04B, B04C, B04D, B04E		01	B04A, B04B, B04C, B04D, B04E
		08		I08A, I08B, I08C, I08D, I08E, I13A, I13B			03	D12A		05	F01A, F01B, F01D, F05Z, F07A, F07B, F14A, F14B, F28A, F42Z, F54Z, F59A, F59B
10		K09A, K09B	05	F01A, F01B, F01D, F05Z, F06A, F06C, F07A, F07B, F14A, F14B, F28A, F42Z, F54Z, F59A, F59B		08	I08A, I08B, I08C, I08D, I08E, I13A, I13B				
11		L09A, L38Z	08	I08A, I08B, I08C, I08D, I08E, I13A, I13B		11	L09A, L38Z				
21A		W04A, W04B	11	L09A, L38Z		21A	W04A, W04B				
21B		X04Z, X06A, X06B, X06C	21A	W04A, W04B		21B	X06A, X06B, X06C				
51128.7↔			BOP, KVT, UOP4	51130.3↔			BOP, KVT, UOP4	51131.x↔			BOP, KVT, UOP4
		05	F01A, F01B, F01D, F05Z, F07A, F07B, F14A, F14B, F28A, F42Z, F54Z, F59A, F59B			01	B04A, B04B, B04C, B04D, B04E			01	B04A, B04B, B04C, B04D, B04E
		08	I08A, I08B, I08C, I08D, I08E, I13A, I13B			03	D12A			05	F01A, F01B, F01D, F05Z, F07A, F07B, F14A, F14B, F28A, F42Z, F54Z, F59A, F59B
	10	K09A, K09B	05		F01A, F01B, F01D, F05Z, F06A, F06C, F07A, F07B, F14A, F14B, F28A, F42Z, F54Z, F59A, F59B	08	I08A, I08B, I08C, I08D, I08E, I13A, I13B				
	11	L09A, L38Z	08		I08A, I08B, I08C, I08D, I08E, I13A, I13B	11	L09A, L38Z				
	21A	W04A, W04B	11		L09A, L38Z	21A	W04A, W04B				
	21B	X04Z, X06A, X06B, X06C	21A		W04A, W04B	21B	X06A, X06B, X06C				
	51128.x↔		BOP, KVT, UOP4		51130.4↔		BOP, KVT, UOP4		51132.0↔		BOP, KVT, UOP4
		05	F01A, F01B, F01D, F05Z, F07A, F07B, F14A, F14B, F28A, F42Z, F54Z, F59A, F59B			01	B04A, B04B, B04C, B04D, B04E			01	B04A, B04B, B04C, B04D, B04E
		08	I08A, I08B, I08C, I08D, I08E, I13A, I13B			03	D12A			05	F01A, F01B, F01D, F05Z, F07A, F07B, F14A, F14B, F28A, F42Z, F54Z, F59A, F59B
10		K09A, K09B	05	F01A, F01B, F01D, F05Z, F06A, F06C, F07A, F07B, F14A, F14B, F28A, F42Z, F54Z, F59A, F59B		08	I08A, I08B, I08C, I08D, I08E, I13A, I13B				
11		L09A, L38Z	08	I08A, I08B, I08C, I08D, I08E, I13A, I13B		11	L09A, L38Z				
21A		W04A, W04B	11	L09A, L38Z		21A	W04A, W04B				
21B		X04Z, X06A, X06B, X06C	21B	X06A, X06B, X06C		21B	X06A, X06B, X06C				
5112x↔			BOP, KVT, UOP4	51130.x↔			BOP, KVT, UOP4	51132.1↔			BOP, KVT, UOP4
		05	F01A, F01B, F01D, F05Z, F07A, F07B, F14A, F14B, F28A, F42Z, F54Z, F59A, F59B			01	B04A, B04B, B04C, B04D, B04E			01	B04A, B04B, B04C, B04D, B04E
		08	I08A, I08B, I08C, I08D, I08E, I13A, I13B			03	D12A			05	F01A, F01B, F01D, F05Z, F07A, F07B, F14A, F14B, F28A, F42Z, F54Z, F59A, F59B
	10	K09A, K09B	05		F01A, F01B, F01D, F05Z, F06A, F06C, F07A, F07B, F14A, F14B, F28A, F42Z, F54Z, F59A, F59B	08	I08A, I08B, I08C, I08D, I08E, I13A, I13B				
	11	L09A, L38Z	08		I08A, I08B, I08C, I08D, I08E, I13A, I13B	11	L09A, L38Z				
	21A	W04A, W04B	11		L09A, L38Z	21A	W04A, W04B				
	21B	X06A, X06B, X06C	21B		X06A, X06B, X06C	21B	X06A, X06B, X06C				
	51130.0↔		BOP, KVT, UOP4		51130.0↔		BOP, KVT, UOP4		51132.x↔		BOP, KVT, UOP4
		01	B04A, B04B, B04C, B04D, B04E			01	B04A, B04B, B04C, B04D, B04E			01	B04A, B04B, B04C, B04D, B04E
		03	D12A			03	D12A			05	F01A, F01B, F01D, F05Z, F07A, F07B, F14A, F14B, F28A, F42Z, F54Z, F59A, F59B
05		F01A, F01B, F01D, F05Z, F06A, F06C, F07A, F07B, F14A, F14B, F28A, F42Z, F54Z, F59A, F59B	05	F01A, F01B, F01D, F05Z, F06A, F06C, F07A, F07B, F14A, F14B, F28A, F42Z, F54Z, F59A, F59B		08	I08A, I08B, I08C, I08D, I08E, I13A, I13B				
08		I08A, I08B, I08C, I08D, I08E, I13A, I13B	08	I08A, I08B, I08C, I08D, I08E, I13A, I13B		11	L09A, L38Z				
11		L09A, L38Z	11	L09A, L38Z		21A	W04A, W04B				
21A		W04A, W04B	21A	W04A, W04B		21B	X06A, X06B, X06C				
21B		X06A, X06B, X06C	21B	X06A, X06B, X06C							

ZZV	MDC	DRG	ZZV	MDC	DRG	ZZV	MDC	DRG
51133.0		BOP, KOP, KOPV, KVT, UOP4	51134.0↔		BOP, KVT, UOP4	51135.0↔		BOP, KOP, KOPV, KVT, UOP4
	04	E05A, E05B, E05C, E08A, E08B, E08C		01	B04A, B04B, B04C, B04D, B04E		05	F01A, F01B, F01D, F05Z, F07A, F07B, F09A, F09B, F09C, F30Z, F42Z
	05	F01A, F01B, F01D, F05Z, F07A, F07B, F08A, F08B, F08C, F08D, F08E, F27A, F28A, F30Z, F42Z		05	F01A, F01B, F01D, F05Z, F07A, F07B, F09A, F09B, F09C, F30Z, F42Z		06	G15Z, G19A, G19B, G33Z, G38Z
	06	G10Z, G12A, G12B, G33Z		08	I08A, I08B, I08C, I08D, I08E, I13A, I13B		07	H33Z, H38Z
	07	H33Z, H38Z		11	L09A, L38Z		08	I08A, I08B, I08C, I08D, I08E, I13A, I13B
	08	I08A, I08B, I08C, I08D, I08E, I13A, I13B		15	P02A, P02B, P02C		11	L09A, L09B, L09C, L09D, L33Z, L38Z
	11	L09A, L33Z, L38Z		21A	W04A, W04B		21A	W04A, W04B
	15	P02A, P02B, P02C		21B	X06A, X06B, X06C		21B	X06A, X06B, X06C, X33Z
	21A	W04A, W04B			BOP, KOP, KOPV, KVT, UOP4		23	Z01A
	21B	X06A, X06B, X06C, X33Z		05	F01A, F01B, F01D, F05Z, F07A, F07B, F09A, F09B, F09C, F30Z, F42Z		Pre	A07A
	23	Z01A		06	G15Z, G19A, G19B, G33Z, G38Z			BOP, KOP, KOPV, KVT, UOP4
	Pre	A07A		07	H33Z, H38Z		05	F01A, F01B, F01D, F05Z, F07A, F07B, F08A, F08B, F08C, F08D, F08E, F08F, F27A, F28A, F42Z
		BOP, KOP, KOPV, KVT, UOP4		08	I08A, I08B, I08C, I08D, I08E, I13A, I13B		06	G15Z, G19A, G19B, G33Z, G38Z
		E05A, E05B, E05C, E08A, E08B, E08C		11	L09A, L33Z, L38Z		07	H33Z, H38Z
		F01A, F01B, F01D, F05Z, F07A, F07B, F08A, F08B, F08C, F08D, F08E, F27A, F28A, F30Z, F42Z		15	P02A, P02B, P02C		08	I08A, I08B, I08C, I08D, I08E, I13A, I13B
	G10Z, G12A, G12B, G33Z	21A	W04A, W04B	11	L09A, L09B, L09C, L09D, L33Z, L38Z			
	H33Z, H38Z	21B	X06A, X06B, X06C, X33Z	21A	W04A, W04B			
	I08A, I08B, I08C, I08D, I08E, I13A, I13B	23	Z01A	21B	X06A, X06B, X06C, X33Z			
	L09A, L33Z, L38Z	Pre	A07A	Pre	A07A			
	P02A, P02B, P02C		BOP, KOP, KOPV, KVT, UOP4		BOP, KOP, KOPV, KVT, UOP4			
	W04A, W04B	04	E05A, E05B, E05C, E08A, E08B, E08C	05	F01A, F01B, F01D, F05Z, F07A, F07B, F09A, F09B, F09C, F42Z			
	X06A, X06B, X06C, X33Z	05	F01A, F01B, F01D, F05Z, F07A, F07B, F09A, F09B, F09C, F42Z	06	G15Z, G19A, G19B, G33Z, G38Z			
	Z01A	06	G15Z, G19A, G19B, G33Z, G38Z	07	H33Z, H38Z			
	A07A	07	H33Z, H38Z	08	I08A, I08B, I08C, I08D, I08E, I13A, I13B			
	BOP, KOP, KOPV, KVT, UOP4	08	I08A, I08B, I08C, I08D, I08E, I13A, I13B	11	L09A, L33Z, L38Z			
	E05A, E05B, E05C, E08A, E08B, E08C	11	L09A, L33Z, L38Z	21A	W04A, W04B			
	F01A, F01B, F01D, F05Z, F07A, F07B, F08A, F08B, F08C, F08D, F08E, F27A, F28A, F30Z, F42Z	15	P02A, P02B, P02C	21B	X06A, X06B, X06C, X33Z			
	G10Z, G12A, G12B	21A	W04A, W04B	23	Z01A			
	I08A, I08B, I08C, I08D, I08E, I13A, I13B	21B	X06A, X06B, X06C, X33Z	Pre	A07A			
	L09A, L38Z	23	Z01A		BOP, KOP, KOPV, KVT, UOP4			
	P02A, P02B, P02C	Pre	A07A	05	F01A, F01B, F01D, F05Z, F07A, F07B, F08A, F08B, F08C, F08D, F08E, F08F, F27A, F28A, F42Z			
	W04A, W04B		BOP, KOP, KOPV, KVT, UOP4	06	G15Z, G19A, G19B, G33Z, G38Z			
	X06A, X06B, X06C, X33Z	05	F01A, F01B, F01D, F05Z, F07A, F07B, F09A, F09B, F09C, F42Z	07	H33Z, H38Z			
	BOP, KVT, UOP4	06	G15Z, G19A, G19B, G33Z, G38Z	08	I08A, I08B, I08C, I08D, I08E, I13A, I13B			
	F01A, F01B, F01D, F05Z, F07A, F07B, F08A, F08B, F08C, F08D, F08E, F27A, F28A, F30Z, F42Z	07	H33Z, H38Z	11	L09A, L09B, L09C, L09D, L33Z, L38Z			
	G10Z, G12A, G12B	08	I08A, I08B, I08C, I08D, I08E, I13A, I13B	21A	W04A, W04B			
	I08A, I08B, I08C, I08D, I08E, I13A, I13B	11	L09A, L33Z, L38Z	21B	X06A, X06B, X06C, X33Z			
	L09A, L38Z	15	P02A, P02B, P02C	23	Z01A			
	P02A, P02B, P02C	21A	W04A, W04B	Pre	A07A			
	W04A, W04B	21B	X06A, X06B, X06C, X33Z		BOP, KVT, UOP4			
	X06A, X06B, X06C, X33Z	23	Z01A	01	B03A, B03B, B06A, B06B, B07Z, B17A, B17B, B17C			
		Pre	A07A	05	F01A, F01B, F01D, F05Z, F07A, F07B, F14A, F14B, F28A, F42Z, F54Z, F59A, F59B			
				08	I08A, I08B, I08C, I08D, I08E, I13A, I13B			
				11	L09A, L38Z			
				21A	W04A, W04B			
				21B	X04Z, X06A, X06B, X06C			

VYK



ZZV	MDC	DRG	ZZV	MDC	DRG	ZZV	MDC	DRG			
51136.0		BOP, KOP, KOPV, KVT, UOP4	51136.4↔		BOP, KOP, KOPV, KVT, UOP4	51137.0↔		BOP, KVT, UOP4			
	05	F01A, F01B, F01D, F05Z, F07A, F07B, F08A, F08B, F08C, F08D, F08E, F27A, F28A, F42Z		05	F01A, F01B, F01D, F05Z, F07A, F07B, F08A, F08B, F08C, F08D, F08E, F27A, F28A, F42Z		01	B04A, B04B, B04C, B04D, B04E			
	06	G15Z, G18A, G19A, G19B, G33Z, G38Z		06	G15Z, G19A, G19B, G33Z, G38Z		05	F01A, F01B, F01D, F05Z, F07A, F07B, F08A, F08B, F08C, F08D, F08E, F08F, F27A, F27B, F27C, F28A, F42Z			
	07	H01A, H33Z, H38Z		07	H33Z, H38Z		08	I08A, I08B, I08C, I08D, I08E, I13A, I13B			
	08	I08A, I08B, I08C, I08D, I08E, I13A, I13B		08	I08A, I08B, I08C, I08D, I08E, I13A, I13B		10	K01Z			
	11	L09A, L09B, L09C, L09D, L33Z, L38Z		11	L09A, L09B, L09C, L09D, L33Z, L38Z		11	L09A, L38Z			
	21A	W04A, W04B		21A	W04A, W04B		21A	W04A, W04B			
	21B	X06A, X06B, X06C, X33Z		21B	X06A, X06B, X06C, X33Z		21B	X04Z, X33Z			
	23	Z01A		23	Z01A		51137.1↔	01	B04A, B04B, B04C, B04D, B04E		
	Pre	A07A		Pre	A07A						
	51136.1			BOP, KOP, KOPV, KVT, UOP4	51136.5			BOP, KOP, KOPV, KVT, UOP4	51137.2↔	01	B04A, B04B, B04C, B04D, B04E
05		F01A, F01B, F01D, F05Z, F07A, F07B, F08A, F08B, F08C, F08D, F08E, F27A, F28A, F42Z	05	F01A, F01B, F01D, F05Z, F07A, F07B, F08A, F08B, F08C, F08D, F08E, F27A, F28A, F42Z		05	F01A, F01B, F01D, F05Z, F07A, F07B, F08A, F08B, F08C, F08D, F08E, F08F, F27A, F27B, F27C, F28A, F42Z				
06		G15Z, G18A, G19A, G19B, G33Z, G38Z	06	G15Z, G18A, G19A, G19B, G33Z, G38Z		08	I08A, I08B, I08C, I08D, I08E, I13A, I13B				
07		H01A, H06A, H06B, H06C, H33Z, H38Z	07	H01A, H33Z, H38Z		10	K01Z				
08		I08A, I08B, I08C, I08D, I08E, I13A, I13B	08	I08A, I08B, I08C, I08D, I08E, I13A, I13B		11	L09A, L38Z				
11		L09A, L09B, L09C, L09D, L33Z, L38Z	11	L09A, L09B, L09C, L09D, L33Z, L38Z		21A	W04A, W04B				
21A		W04A, W04B	21A	W04A, W04B		21B	X04Z, X33Z				
21B		X06A, X06B, X06C, X33Z	21B	X06A, X06B, X06C, X33Z		51137.x↔	01	BOP, KVT, UOP4			
23		Z01A	23	Z01A							
Pre		A07A	Pre	A07A							
51136.2			BOP, KOP, KOPV, KVT, UOP4	51136.6			BOP, KOP, KOPV, KVT, UOP4	51138.0↔			
	05	F01A, F01B, F01D, F05Z, F07A, F07B, F08A, F08B, F08C, F08D, F08E, F27A, F28A, F42Z	05		F01A, F01B, F01D, F05Z, F07A, F07B, F08A, F08B, F08C, F08D, F08E, F27A, F28A, F42Z	05	F01A, F01B, F01D, F05Z, F07A, F07B, F08A, F08B, F08C, F08D, F08E, F08F, F27A, F27B, F27C, F28A, F42Z				
	06	G15Z, G19A, G19B, G33Z, G38Z	06		G15Z, G18A, G19A, G19B, G33Z, G38Z	08	I08A, I08B, I08C, I08D, I08E, I13A, I13B				
	07	H33Z, H38Z	07		H01A, H33Z, H38Z	10	K01Z				
	08	I08A, I08B, I08C, I08D, I08E, I13A, I13B	08		I08A, I08B, I08C, I08D, I08E, I13A, I13B	11	L09A, L38Z				
	11	L09A, L09B, L09C, L09D, L33Z, L38Z	11		L09A, L09B, L09C, L09D, L33Z, L38Z	21A	W04A, W04B				
	21A	W04A, W04B	21A		W04A, W04B	21B	X04Z, X33Z				
	21B	X06A, X06B, X06C, X33Z	21B		X06A, X06B, X06C, X33Z	51137.x↔	01		BOP, KVT, UOP4		
	23	Z01A	23		Z01A						
	Pre	A07A	Pre		A07A						
	51136.3		BOP, KOP, KOPV, KVT, UOP4		51136.x↔		BOP, KOP, KOPV, KVT, UOP4		51138.0↔	01	B04A, B04B, B04C, B04D, B04E
05		F01A, F01B, F01D, F05Z, F07A, F07B, F08A, F08B, F08C, F08D, F08E, F27A, F28A, F42Z	05	F01A, F01B, F01D, F05Z, F07A, F07B, F08A, F08B, F08C, F08D, F08E, F27A, F28A, F42Z		05	F01A, F01B, F01D, F05Z, F07A, F07B, F08A, F08B, F08C, F08D, F08E, F08F, F27A, F27B, F27C, F28A, F42Z				
06		G15Z, G18A, G19A, G19B, G33Z, G38Z	06	G15Z, G19A, G19B, G33Z, G38Z		08	I08A, I08B, I08C, I08D, I08E, I13A, I13B				
07		H06A, H06B, H06C, H33Z, H38Z	07	H33Z, H38Z		10	K01Z				
08		I08A, I08B, I08C, I08D, I08E, I13A, I13B	08	I08A, I08B, I08C, I08D, I08E, I13A, I13B		11	L09A, L38Z				
11		L09A, L09B, L09C, L09D, L33Z, L38Z	11	L09A, L09B, L09C, L09D, L33Z, L38Z		21A	W04A, W04B				
21A		W04A, W04B	21A	W04A, W04B		21B	X04Z, X33Z				
21B		X06A, X06B, X06C, X33Z	21B	X06A, X06B, X06C, X33Z		51137.x↔	01	BOP, KVT, UOP4			
23		Z01A	23	Z01A							
Pre		A07A	Pre	A07A							

VYK

ZZV	MDC	DRG	ZZV	MDC	DRG	ZZV	MDC	DRG
51138.1↔		BOP, KVT, UOP4	51139.2		BOP, KVT, UOP4	51139.9↔		BOP, KVT, UOP4
	01	B04A, B04B, B04C, B04D, B04E		05	F39A, F39B		01	B04A, B04B, B04C, B04D, B04E
	05	F01A, F01B, F01D, F05Z, F07A, F07B, F08A, F08B, F08C, F08D, F08E, F08F, F27A, F27B, F27C, F28A, F42Z		06	G18A, G38Z		03	D12A
	08	I08A, I08B, I08C, I08D, I08E, I13A, I13B		07	H01A		05	F01A, F01B, F01D, F05Z, F07A, F07B, F14A, F14B, F28A, F42Z, F54Z, F59A, F59B
	10	K01Z		08	I08A, I08B, I08C, I08D, I08E, I13A, I13B		08	I08A, I08B, I08C, I08D, I08E, I13A, I13B
	11	L09A, L38Z	51139.3↔		BOP, KVT, UOP4		11	L09A, L38Z
	21A	W04A, W04B		05	F39A, F39B		21A	W04A, W04B
	21B	X04Z, X33Z		06	G18A, G38Z	51139.a↔		BOP, KOP, KOPV, KVT, UOP4
51138.2↔		BOP, KVT, UOP4		07	H01A		01	B04A, B04B, B04C, B04D, B04E
	01	B04A, B04B, B04C, B04D, B04E		08	I08A, I08B, I08C, I08D, I08E, I13A, I13B		05	F01A, F01B, F01D, F05Z, F07A, F07B, F09A, F09B, F09C, F30Z, F42Z
	05	F01A, F01B, F01D, F05Z, F07A, F07B, F08A, F08B, F08C, F08D, F08E, F08F, F27A, F27B, F27C, F28A, F42Z		11	L09A, L38Z		06	G33Z
	08	I08A, I08B, I08C, I08D, I08E, I13A, I13B	51139.4		BOP, KVT, UOP4		07	H33Z, H38Z
	10	K01Z		05	F39A, F39B		08	I08A, I08B, I08C, I08D, I08E, I13A, I13B
	11	L09A, L38Z		06	G18A, G38Z		11	L09A, L33Z, L38Z
	21A	W04A, W04B		07	H01A		15	P02A, P02B, P02C
	21B	X04Z, X33Z		08	I08A, I08B, I08C, I08D, I08E, I13A, I13B		21A	W04A, W04B
51138.3↔		BOP, KVT, UOP4		11	L09A, L38Z		21B	X06A, X06B, X06C, X33Z
	01	B04A, B04B, B04C, B04D, B04E	51139.5		BOP, KVT, UOP4		23	Z01A
	05	F01A, F01B, F01D, F05Z, F07A, F07B, F08A, F08B, F08C, F08D, F08E, F08F, F27A, F27B, F27C, F28A, F42Z		05	F39A, F39B	51139.b↔		BOP, KVT, UOP4
	08	I08A, I08B, I08C, I08D, I08E, I13A, I13B		06	G18A, G38Z		01	B04A, B04B, B04C, B04D, B04E
	10	K01Z		07	H01A		05	F01A, F01B, F01D, F05Z, F07A, F07B, F09A, F09B, F09C, F30Z, F42Z
	11	L09A, L38Z		08	I08A, I08B, I08C, I08D, I08E, I13A, I13B		08	I08A, I08B, I08C, I08D, I08E, I13A, I13B
	21A	W04A, W04B		11	L09A, L38Z		11	L09A, L38Z
	21B	X04Z, X33Z		21A	W04A, W04B		15	P02A, P02B, P02C
51138.x↔		BOP, KVT, UOP4		21B	X06A, X06B, X06C		21A	W04A, W04B
	01	B04A, B04B, B04C, B04D, B04E	51139.6		BOP, KVT, UOP4	51139.c↔		BOP, KVT, UOP4
	05	F01A, F01B, F01D, F05Z, F07A, F07B, F08A, F08B, F08C, F08D, F08E, F08F, F27A, F27B, F27C, F28A, F42Z		05	F39A, F39B		01	B04A, B04B, B04C, B04D, B04E
	08	I08A, I08B, I08C, I08D, I08E, I13A, I13B		06	G18A, G38Z		05	F01A, F01B, F01D, F05Z, F07A, F07B, F14A, F14B, F28A, F42Z, F54Z, F59A, F59B
	10	K01Z		07	H01A		08	I08A, I08B, I08C, I08D, I08E, I13A, I13B
	11	L09A, L38Z		08	I08A, I08B, I08C, I08D, I08E, I13A, I13B		11	L09A, L38Z
	21A	W04A, W04B		11	L09A, L38Z		21A	W04A, W04B
	21B	X04Z, X33Z		21A	W04A, W04B		21B	X06A, X06B, X06C
51139.0↔		BOP, KVT, UOP4	51139.7		BOP, KVT, UOP4			
	05	F39A, F39B		05	F39A, F39B			
	08	I08A, I08B, I08C, I08D, I08E, I13A, I13B		06	G18A, G38Z			
	11	L09A, L38Z		07	H01A			
	21A	W04A, W04B		08	I08A, I08B, I08C, I08D, I08E, I13A, I13B			
	21B	X04Z		11	L09A, L38Z			
51139.1↔		BOP, KVT, UOP4	51139.8↔		BOP, KVT, UOP4			
	05	F39A, F39B		05	F39A, F39B			
	08	I08A, I08B, I08C, I08D, I08E, I13A, I13B		06	G18A, G38Z			
	11	L09A, L38Z		07	H01A			
	21A	W04A, W04B		08	I08A, I08B, I08C, I08D, I08E, I13A, I13B			
	21B	X04Z		11	L09A, L38Z			
				21A	W04A, W04B			
				21B	X06A, X06B, X06C			

ZZV	MDC	DRG	ZZV	MDC	DRG	ZZV	MDC	DRG
51139.d↔		BOP, KOP, KOPV, KVT, UOP4	51139.h↔		BOP, KVT, UOP4	51140.2↔		BOP, KVT, UOP4
	01	B04A, B04B, B04C, B04D, B04E		05	F01A, F01B, F01D, F05Z, F07A, F07B, F08A, F08B, F08C, F08D, F08E, F08F, F27A, F28A, F42Z		01	B04A, B04B, B04C, B04D, B04E
	05	F01A, F01B, F01D, F05Z, F07A, F07B, F09A, F09B, F09C, F30Z, F42Z		06	G10Z, G12A, G12B		03	D12A
	06	G15Z, G19A, G19B, G33Z, G38Z		08	I08A, I08B, I08C, I08D, I08E, I13A, I13B		05	F01A, F01B, F01D, F05Z, F06A, F06C, F07A, F07B, F14A, F14B, F28A, F42Z, F54Z, F59A, F59B
	07	H33Z, H38Z		11	L09A, L09B, L09C, L09D, L38Z		08	I08A, I08B, I08C, I08D, I08E, I13A, I13B
	08	I08A, I08B, I08C, I08D, I08E, I13A, I13B		21A	W04A, W04B		11	L09A, L38Z
	11	L09A, L33Z, L38Z		21B	X06A, X06B, X06C, X33Z		21A	W04A, W04B
	15	P02A, P02B, P02C	51139.i↔		BOP, KVT, UOP4		21B	X06A, X06B, X06C
	21A	W04A, W04B		05	F01A, F01B, F01D, F05Z, F07A, F07B, F08A, F08B, F08C, F08D, F08E, F08F, F27A, F28A, F42Z	51140.3↔		BOP, KVT, UOP4
	21B	X06A, X06B, X06C, X33Z		06	G10Z, G12A, G12B		01	B04A, B04B, B04C, B04D, B04E
	23	Z01A		08	I08A, I08B, I08C, I08D, I08E, I13A, I13B		03	D12A
	Pre	A07A		11	L09A, L09B, L09C, L09D, L38Z		05	F01A, F01B, F01D, F05Z, F06A, F06C, F07A, F07B, F14A, F14B, F28A, F42Z, F54Z, F59A, F59B
51139.e		BOP, KOP, KOPV, KVT, UOP4		21A	W04A, W04B		08	I08A, I08B, I08C, I08D, I08E, I13A, I13B
	01	B04A, B04B, B04C, B04D, B04E		21B	X06A, X06B, X06C, X33Z		11	L09A, L38Z
	05	F01A, F01B, F01D, F05Z, F07A, F07B, F09A, F09B, F09C, F30Z, F42Z	51139.x↔		BOP, KVT, UOP4		21A	W04A, W04B
	06	G15Z, G19A, G19B, G33Z, G38Z		05	F39A, F39B	51140.x↔		X06A, X06B, X06C
	07	H33Z, H38Z		08	I08A, I08B, I08C, I08D, I08E, I13A, I13B		01	B03A, B03B, B06A, B06B, B07Z, B17A, B17B, B17C
	08	I08A, I08B, I08C, I08D, I08E, I13A, I13B		11	L09A, L38Z		03	D12A
	11	L09A, L33Z, L38Z		21A	W04A, W04B		05	F01A, F01B, F01D, F05Z, F06A, F06C, F07A, F07B, F14A, F14B, F28A, F42Z, F54Z, F59A, F59B
	15	P02A, P02B, P02C		21B	X06A, X06B, X06C		08	I08A, I08B, I08C, I08D, I08E, I13A, I13B
	21A	W04A, W04B	5113x↔		BOP, KVT, UOP4		11	L09A, L38Z
	21B	X06A, X06B, X06C, X33Z		05	F39A, F39B		21A	W04A, W04B
	23	Z01A		08	I08A, I08B, I08C, I08D, I08E, I13A, I13B		21B	X06A, X06B, X06C
	Pre	A07A		11	L09A, L38Z			BOP, KVT, UOP4
51139.f		BOP, KOP, KOPV, KVT, UOP4		21A	W04A, W04B	51141.0↔		BOP, KVT, UOP4
	01	B04A, B04B, B04C, B04D, B04E		21B	X06A, X06B, X06C		05	F01A, F01B, F01D, F05Z, F07A, F07B, F14A, F14B, F28A, F42Z, F54Z, F59A, F59B
	05	F01A, F01B, F01D, F05Z, F07A, F07B, F09A, F09B, F09C, F30Z, F42Z	51140.0↔		BOP, KVT, UOP4		08	I08A, I08B, I08C, I08D, I08E, I13A, I13B
	06	G03A, G15Z, G18A, G19A, G19B, G33Z, G38Z		01	B04A, B04B, B04C, B04D, B04E		11	L09A, L38Z
	07	H01A, H33Z, H38Z		03	D12A		21A	W04A, W04B
	08	I08A, I08B, I08C, I08D, I08E, I13A, I13B		05	F01A, F01B, F01D, F05Z, F06A, F06C, F07A, F07B, F14A, F14B, F28A, F42Z, F54Z, F59A, F59B		21B	X06A, X06B, X06C
	11	L09A, L33Z, L38Z		08	I08A, I08B, I08C, I08D, I08E, I13A, I13B			BOP, KVT, UOP4
	15	P02A, P02B, P02C		11	L09A, L38Z	51141.1↔		F01A, F01B, F01D, F05Z, F07A, F07B, F14A, F14B, F28A, F42Z, F54Z, F59A, F59B
	21A	W04A, W04B		21A	W04A, W04B		08	I08A, I08B, I08C, I08D, I08E, I13A, I13B
	21B	X06A, X06B, X06C, X33Z		21B	X06A, X06B, X06C		11	L09A, L38Z
	23	Z01A	51140.1↔		BOP, KVT, UOP4		21A	W04A, W04B
	Pre	A07A		01	B04A, B04B, B04C, B04D, B04E		21B	X06A, X06B, X06C
51139.g↔		BOP, KVT, UOP4		03	D12A	51141.x↔		BOP, KVT, UOP4
	05	F01A, F01B, F01D, F05Z, F07A, F07B, F08A, F08B, F08C, F08D, F08E, F08F, F27A, F28A, F42Z		05	F01A, F01B, F01D, F05Z, F06A, F06C, F07A, F07B, F14A, F14B, F28A, F42Z, F54Z, F59A, F59B		05	F01A, F01B, F01D, F05Z, F07A, F07B, F14A, F14B, F28A, F42Z, F54Z, F59A, F59B
	06	G10Z, G12A, G12B		08	I08A, I08B, I08C, I08D, I08E, I13A, I13B		08	I08A, I08B, I08C, I08D, I08E, I13A, I13B
	08	I08A, I08B, I08C, I08D, I08E, I13A, I13B		11	L09A, L38Z		11	L09A, L38Z
	11	L09A, L09B, L09C, L09D, L38Z		21A	W04A, W04B		21A	W04A, W04B
	21A	W04A, W04B		21B	X06A, X06B, X06C		21B	X06A, X06B, X06C
	21B	X06A, X06B, X06C, X33Z						

VYK

ZZV	MDC	DRG	ZZV	MDC	DRG	ZZV	MDC	DRG
51142.0↔		BOP, KVT, UOP4	51143.0x		BOP, KOP, KOPV, KVT, UOP4	51143.21		BOP, KOP, KOPV, KVT, UOP4
	05	F01A, F01B, F01D, F05Z, F07A, F07B, F14A, F14B, F28A, F42Z, F54Z, F59A, F59B		04	E05A, E05B, E05C, E08A, E08B, E08C		04	E05A, E05B, E05C, E08A, E08B, E08C
	08	I08A, I08B, I08C, I08D, I08E, I13A, I13B		05	F01A, F01B, F01D, F05Z, F07A, F09A, F09B, F09C, F42Z		05	F01A, F01B, F01D, F05Z, F07A, F09A, F09B, F09C, F42Z
	11	L09A, L38Z		06	G15Z, G19A, G19B, G33Z, G38Z		06	G15Z, G19A, G19B, G33Z, G38Z
	21A	W04A, W04B		07	H33Z, H38Z		07	H33Z, H38Z
51142.1↔	21B	X06A, X06B, X06C	08	I08A, I08B, I08C, I08D, I08E, I13A, I13B	08	I08A, I08B, I08C, I08D, I08E, I13A, I13B		
		BOP, KVT, UOP4	11	L09A, L33Z, L38Z	11	L09A, L33Z, L38Z		
	05	F01A, F01B, F01D, F05Z, F07A, F07B, F14A, F14B, F28A, F42Z, F54Z, F59A, F59B	21A	W04A, W04B	21A	W04A, W04B		
	08	I08A, I08B, I08C, I08D, I08E, I13A, I13B	21B	X06A, X06B, X06C, X33Z	21B	X06A, X06B, X06C, X33Z		
	11	L09A, L38Z	23	Z01A	23	Z01A		
51142.x↔	21A	W04A, W04B	Pre	A07A	Pre	A07A		
	21B	X06A, X06B, X06C	51143.11		51143.22			
		BOP, KVT, UOP4		BOP, KOP, KOPV, KVT, UOP4		BOP, KOP, KOPV, KVT, UOP4		
	05	F01A, F01B, F01D, F05Z, F07A, F07B, F14A, F14B, F28A, F42Z, F54Z, F59A, F59B	04	E05A, E05B, E05C, E08A, E08B, E08C	04	E05A, E05B, E05C, E08A, E08B, E08C		
	08	I08A, I08B, I08C, I08D, I08E, I13A, I13B	05	F01A, F01B, F01D, F05Z, F07A, F09A, F09B, F09C, F42Z	05	F01A, F01B, F01D, F05Z, F07A, F09A, F09B, F09C, F42Z		
51143.01	11	L09A, L38Z	06	G15Z, G19A, G19B, G33Z, G38Z	06	G15Z, G19A, G19B, G33Z, G38Z		
	21A	W04A, W04B	07	H33Z, H38Z	07	H33Z, H38Z		
	21B	X06A, X06B, X06C	08	I08A, I08B, I08C, I08D, I08E, I13A, I13B	08	I08A, I08B, I08C, I08D, I08E, I13A, I13B		
		BOP, KOP, KOPV, KVT, UOP4	11	L09A, L33Z, L38Z	11	L09A, L33Z, L38Z		
	04	E05A, E05B, E05C, E08A, E08B, E08C	21A	W04A, W04B	21B	X33Z		
51143.02	05	F01A, F01B, F01D, F05Z, F07A, F09A, F09B, F09C, F42Z	21B	X06A, X06B, X06C, X33Z	23	Z01A		
	06	G15Z, G19A, G19B, G33Z, G38Z	23	Z01A	Pre	A07A		
	07	H33Z, H38Z	Pre	A07A	51143.2x			
	08	I08A, I08B, I08C, I08D, I08E, I13A, I13B	51143.12		51143.2x			
	11	L09A, L33Z, L38Z		BOP, KOP, KOPV, KVT, UOP4	04	E05A, E05B, E05C, E08A, E08B, E08C		
	21A	W04A, W04B	04	E05A, E05B, E05C, E08A, E08B, E08C	05	F01A, F01B, F01D, F05Z, F07A, F09A, F09B, F09C, F42Z		
	21B	X06A, X06B, X06C	05	F01A, F01B, F01D, F05Z, F07A, F09A, F09B, F09C, F42Z	06	G15Z, G19A, G19B, G33Z, G38Z		
	23	Z01A	06	G15Z, G19A, G19B, G33Z, G38Z	07	H33Z, H38Z		
	Pre	A07A	07	H33Z, H38Z	08	I08A, I08B, I08C, I08D, I08E, I13A, I13B		
	04	E05A, E05B, E05C, E08A, E08B, E08C	08	I08A, I08B, I08C, I08D, I08E, I13A, I13B	11	L09A, L33Z, L38Z		
	05	F01A, F01B, F01D, F05Z, F07A, F09A, F09B, F09C, F42Z	11	L09A, L33Z, L38Z	21B	X33Z		
	06	G15Z, G19A, G19B, G33Z, G38Z	21A	W04A, W04B	23	Z01A		
	07	H33Z, H38Z	21B	X06A, X06B, X06C, X33Z	Pre	A07A		
	08	I08A, I08B, I08C, I08D, I08E, I13A, I13B	23	Z01A	51143.31			
	11	L09A, L33Z, L38Z	Pre	A07A	51143.31			
	21A	W04A, W04B	51143.1x		51143.31			
	21B	X06A, X06B, X06C, X33Z		BOP, KOP, KOPV, KVT, UOP4	04	E05A, E05B, E05C, E08A, E08B, E08C		
	23	Z01A	04	E05A, E05B, E05C, E08A, E08B, E08C	05	F01A, F01B, F01D, F05Z, F07A, F08B, F08D, F09A, F09B, F09C, F42Z		
	Pre	A07A	05	F01A, F01B, F01D, F05Z, F07A, F09A, F09B, F09C, F42Z	06	G15Z, G19A, G19B, G33Z, G38Z		
			06	G15Z, G19A, G19B, G33Z, G38Z	07	H33Z, H38Z		
		07	H33Z, H38Z	08	I08A, I08B, I08C, I08D, I08E, I13A, I13B			
		08	I08A, I08B, I08C, I08D, I08E, I13A, I13B	11	L09A, L33Z, L38Z			
		11	L09A, L33Z, L38Z	21A	W04A, W04B			
		21A	W04A, W04B	21B	X06A, X06B, X06C, X33Z			
		21B	X06A, X06B, X06C, X33Z	23	Z01A			
		23	Z01A	Pre	A07A			
		Pre	A07A					

ZZV	MDC	DRG	ZZV	MDC	DRG	ZZV	MDC	DRG			
51143.32		BOP, KOP, KOPV, KVT, UOP4	51143.4x		BOP, KVT, UOP4	51143.6x		BOP, KVT, UOP4			
	04	E05A, E05B, E05C, E08A, E08B, E08C		05	F01A, F01B, F01D, F05Z, F07A, F07B, F08A, F08B, F08C, F08D, F08E, F27A, F28A, F42Z		05	F01A, F01B, F01D, F05Z, F07A, F07B, F08A, F08B, F08C, F08D, F08E, F27A, F28A, F42Z			
	05	F01A, F01B, F01D, F05Z, F07A, F08B, F08D, F09A, F09B, F09C, F42Z		08	I08A, I08B, I08C, I08D, I08E, I13A, I13B		08	I08A, I08B, I08C, I08D, I08E, I13A, I13B			
	06	G15Z, G19A, G19B, G33Z, G38Z		11	L09A, L38Z		11	L09A, L38Z			
	07	H33Z, H38Z		21A	W04A, W04B		21A	W04A, W04B			
	08	I08A, I08B, I08C, I08D, I08E, I13A, I13B		21B	X06A, X06B, X06C, X33Z		21B	X06A, X06B, X06C, X33Z			
	11	L09A, L33Z, L38Z		23	Z01A		23	Z01A			
	21B	X33Z		51143.52			BOP, KVT, UOP4	51143.7		BOP, KOP, KOPV, KVT, UOP4	
	23	Z01A			05		F01A, F01B, F01D, F05Z, F07A, F07B, F08A, F08B, F08C, F08D, F08E, F27A, F28A, F42Z		04	E05A, E05B, E05C, E08A, E08B, E08C	
	Pre	A07A			08		I08A, I08B, I08C, I08D, I08E, I13A, I13B	05	F01A, F01B, F01D, F05Z, F07A, F09A, F09B, F09C, F27A, F42Z		
	51143.3x			BOP, KOP, KOPV, KVT, UOP4	51143.53			BOP, KVT, UOP4	51143.80		BOP, KOP, KOPV, KVT, UOP4
		04		E05A, E05B, E05C, E08A, E08B, E08C			05	F01A, F01B, F01D, F05Z, F07A, F07B, F08A, F08B, F08C, F08D, F08E, F27A, F28A, F42Z		04	E05A, E05B, E05C, E08A, E08B, E08C
		05		F01A, F01B, F01D, F05Z, F07A, F07B, F08B, F08D, F09A, F09B, F09C, F42Z			08	I08A, I08B, I08C, I08D, I08E, I13A, I13B		05	F01A, F01B, F01D, F05Z, F07A, F09A, F09B, F09C, F27A, F42Z
06		G15Z, G19A, G19B, G33Z, G38Z	11	L09A, L38Z		06	G15Z, G19A, G19B, G33Z, G38Z				
07		H33Z, H38Z	21A	W04A, W04B		07	H33Z, H38Z				
08		I08A, I08B, I08C, I08D, I08E, I13A, I13B	21B	X06A, X06B, X06C, X33Z		08	I08A, I08B, I08C, I08D, I08E, I13A, I13B				
11		L09A, L33Z, L38Z	23	Z01A		11	L09A, L33Z, L38Z				
21B		X33Z		05		F01A, F01B, F01D, F05Z, F07A, F07B, F08A, F08B, F08C, F08D, F08E, F27A, F28A, F42Z	21A	W04A, W04B			
23		Z01A		08		I08A, I08B, I08C, I08D, I08E, I13A, I13B	21B	X06A, X06B, X06C, X33Z			
Pre		A07A		11		L09A, L38Z	23	Z01A			
51143.42			BOP, KVT, UOP4	51143.54			BOP, KVT, UOP4	51143.81			BOP, KOP, KOPV, KVT, UOP4
		05	F01A, F01B, F01D, F05Z, F07A, F07B, F08A, F08B, F08C, F08D, F08E, F27A, F28A, F42Z			05	F01A, F01B, F01D, F05Z, F07A, F07B, F08A, F08B, F08C, F08D, F08E, F27A, F28A, F42Z			04	E05A, E05B, E05C, E08A, E08B, E08C
		08	I08A, I08B, I08C, I08D, I08E, I13A, I13B			08	I08A, I08B, I08C, I08D, I08E, I13A, I13B			05	F01A, F01B, F01D, F05Z, F07A, F09A, F09B, F09C, F27A, F42Z
	11	L09A, L38Z	11		L09A, L38Z	06	G15Z, G19A, G19B, G33Z, G38Z				
	21A	W04A, W04B	21A		W04A, W04B	07	H33Z, H38Z				
	21B	X06A, X06B, X06C, X33Z	21B		X06A, X06B, X06C, X33Z	08	I08A, I08B, I08C, I08D, I08E, I13A, I13B				
	23	Z01A	23		Z01A	11	L09A, L33Z, L38Z				
	51143.43		BOP, KVT, UOP4		51143.5x		BOP, KVT, UOP4		51143.81		BOP, KOP, KOPV, KVT, UOP4
		05	F01A, F01B, F01D, F05Z, F07A, F07B, F08A, F08B, F08C, F08D, F08E, F27A, F28A, F42Z			05	F01A, F01B, F01D, F05Z, F07A, F07B, F08A, F08B, F08C, F08D, F08E, F27A, F28A, F42Z			04	E05A, E05B, E05C, E08A, E08B, E08C
		08	I08A, I08B, I08C, I08D, I08E, I13A, I13B			08	I08A, I08B, I08C, I08D, I08E, I13A, I13B			05	F01A, F01B, F01D, F05Z, F07A, F09A, F09B, F09C, F27A, F42Z
		11	L09A, L38Z			11	L09A, L38Z			06	G15Z, G19A, G19B, G33Z, G38Z
		21A	W04A, W04B			21A	W04A, W04B			07	H33Z, H38Z
		21B	X06A, X06B, X06C, X33Z			21B	X06A, X06B, X06C, X33Z			08	I08A, I08B, I08C, I08D, I08E, I13A, I13B
23		Z01A	23	Z01A		11	L09A, L33Z, L38Z				
51143.44			BOP, KVT, UOP4	51143.62			BOP, KVT, UOP4	51143.81			BOP, KOP, KOPV, KVT, UOP4
		05	F01A, F01B, F01D, F05Z, F07A, F07B, F08A, F08B, F08C, F08D, F08E, F27A, F28A, F42Z			05	F01A, F01B, F01D, F05Z, F07A, F07B, F08A, F08B, F08C, F08D, F08E, F27A, F28A, F42Z			04	E05A, E05B, E05C, E08A, E08B, E08C
		08	I08A, I08B, I08C, I08D, I08E, I13A, I13B			08	I08A, I08B, I08C, I08D, I08E, I13A, I13B			05	F01A, F01B, F01D, F05Z, F07A, F09A, F09B, F09C, F27A, F42Z
		11	L09A, L38Z			11	L09A, L38Z			06	G15Z, G19A, G19B, G33Z, G38Z
		21A	W04A, W04B			21A	W04A, W04B			07	H33Z, H38Z
		21B	X06A, X06B, X06C, X33Z			21B	X06A, X06B, X06C, X33Z			08	I08A, I08B, I08C, I08D, I08E, I13A, I13B
	23	Z01A	23		Z01A	11	L09A, L33Z, L38Z				

VYK

ZZV	MDC	DRG	ZZV	MDC	DRG	ZZV	MDC	DRG			
51143.82		BOP, KOP, KOPV, KVT, UOP4	51143.x		BOP, KVT, UOP4	51144.x↔		BOP, KOP, KOPV, KVT, UOP4			
	04	E05A, E05B, E05C, E08A, E08B, E08C		05	F01A, F01B, F01D, F05Z, F07A, F07B, F08A, F08B, F08C, F08D, F08E, F27A, F28A, F42Z		04	E05A, E05B, E05C, E08A, E08B, E08C			
	05	F01A, F01B, F01D, F05Z, F07A, F09A, F09B, F09C, F27A, F42Z		08	I08A, I08B, I08C, I08D, I08E, I13A, I13B		05	F01A, F01B, F01D, F05Z, F07A, F07B, F09A, F09B, F09C, F42Z			
	06	G15Z, G19A, G19B, G33Z, G38Z		11	L09A, L38Z		06	G15Z, G19A, G19B, G33Z, G38Z			
	07	H33Z, H38Z		21A	W04A, W04B		07	H33Z, H38Z			
	08	I08A, I08B, I08C, I08D, I08E, I13A, I13B		21B	X06A, X06B, X06C, X33Z		08	I08A, I08B, I08C, I08D, I08E, I13A, I13B			
	11	L09A, L33Z, L38Z		23	Z01A		11	L09A, L33Z, L38Z			
	21A	W04A, W04B		Pre	A07A		21A	W04A, W04B			
	21B	X06A, X06B, X06C, X33Z					21B	X06A, X06B, X06C, X33Z			
	23	Z01A					23	Z01A			
	Pre	A07A					Pre	A07A			
	51143.90			BOP, KOP, KOPV, KVT, UOP4	51144.0↔			BOP, KOP, KOPV, KVT, UOP4	51145.0↔		BOP, KVT, UOP4
		04		E05A, E05B, E05C, E08A, E08B, E08C			04	E05A, E05B, E05C, E08A, E08B, E08C		05	F01A, F01B, F01D, F05Z, F07A, F07B, F08A, F08B, F08C, F08D, F08E, F27A, F28A, F42Z
		05		F01A, F01B, F01D, F05Z, F07A, F09A, F09B, F09C, F27A, F42Z			05	F01A, F01B, F01D, F05Z, F07A, F07B, F09A, F09B, F09C, F42Z		06	G10Z, G12A, G12B
06		G15Z, G19A, G19B, G33Z, G38Z	06	G15Z, G19A, G19B, G33Z, G38Z		08	I08A, I08B, I08C, I08D, I08E, I13A, I13B				
07		H33Z, H38Z	07	H33Z, H38Z		11	L09A, L09B, L09C, L09D, L38Z				
08		I08A, I08B, I08C, I08D, I08E, I13A, I13B	08	I08A, I08B, I08C, I08D, I08E, I13A, I13B		21A	W04A, W04B				
11		L09A, L33Z, L38Z	11	L09A, L33Z, L38Z		21B	X06A, X06B, X06C, X33Z				
21A		W04A, W04B	21A	W04A, W04B							
21B		X06A, X06B, X06C, X33Z	21B	X06A, X06B, X06C, X33Z							
23		Z01A	23	Z01A							
Pre		A07A	Pre	A07A							
51143.91			BOP, KOP, KOPV, KVT, UOP4	51144.1↔			BOP, KOP, KOPV, KVT, UOP4	51145.1↔			BOP, KVT, UOP4
		04	E05A, E05B, E05C, E08A, E08B, E08C			04	E05A, E05B, E05C, E08A, E08B, E08C			05	F01A, F01B, F01D, F05Z, F07A, F07B, F08A, F08B, F08C, F08D, F08E, F27A, F28A, F42Z
		05	F01A, F01B, F01D, F05Z, F07A, F09A, F09B, F09C, F27A, F42Z			05	F01A, F01B, F01D, F05Z, F07A, F07B, F09A, F09B, F09C, F42Z			06	G10Z, G12A, G12B
	06	G15Z, G19A, G19B, G33Z, G38Z	06		G15Z, G19A, G19B, G33Z, G38Z	08	I08A, I08B, I08C, I08D, I08E, I13A, I13B				
	07	H33Z, H38Z	07		H33Z, H38Z	11	L09A, L09B, L09C, L09D, L38Z				
	08	I08A, I08B, I08C, I08D, I08E, I13A, I13B	08		I08A, I08B, I08C, I08D, I08E, I13A, I13B	21A	W04A, W04B				
	11	L09A, L33Z, L38Z	11		L09A, L33Z, L38Z	21B	X06A, X06B, X06C, X33Z				
	21A	W04A, W04B	21A		W04A, W04B						
	21B	X06A, X06B, X06C, X33Z	21B		X06A, X06B, X06C, X33Z						
	23	Z01A	23		Z01A						
	Pre	A07A	Pre		A07A						
	51143.92		BOP, KOP, KOPV, KVT, UOP4		51144.2↔		BOP, KOP, KOPV, KVT, UOP4		51145.2↔		BOP, KVT, UOP4
		04	E05A, E05B, E05C, E08A, E08B, E08C			04	E05A, E05B, E05C, E08A, E08B, E08C			05	F01A, F01B, F01D, F05Z, F07A, F07B, F08A, F08B, F08C, F08D, F08E, F27A, F28A, F42Z
		05	F01A, F01B, F01D, F05Z, F07A, F09A, F09B, F09C, F27A, F42Z			05	F01A, F01B, F01D, F05Z, F07A, F07B, F09A, F09B, F09C, F42Z			06	G10Z, G12A, G12B
06		G15Z, G19A, G19B, G33Z, G38Z	06	G15Z, G19A, G19B, G33Z, G38Z		08	I08A, I08B, I08C, I08D, I08E, I13A, I13B				
07		H33Z, H38Z	07	H33Z, H38Z		11	L09A, L09B, L09C, L09D, L38Z				
08		I08A, I08B, I08C, I08D, I08E, I13A, I13B	08	I08A, I08B, I08C, I08D, I08E, I13A, I13B		21A	W04A, W04B				
11		L09A, L33Z, L38Z	11	L09A, L33Z, L38Z		21B	X06A, X06B, X06C, X33Z				
21A		W04A, W04B	21A	W04A, W04B							
21B		X06A, X06B, X06C, X33Z	21B	X06A, X06B, X06C, X33Z							
23		Z01A	23	Z01A							
Pre		A07A	Pre	A07A							
51143.92			BOP, KOP, KOPV, KVT, UOP4	51144.2↔			BOP, KOP, KOPV, KVT, UOP4	51145.3↔			BOP, KVT, UOP4
		04	E05A, E05B, E05C, E08A, E08B, E08C			04	E05A, E05B, E05C, E08A, E08B, E08C			05	F01A, F01B, F01D, F05Z, F07A, F07B, F08A, F08B, F08C, F08D, F08E, F27A, F28A, F42Z
		05	F01A, F01B, F01D, F05Z, F07A, F09A, F09B, F09C, F27A, F42Z			05	F01A, F01B, F01D, F05Z, F07A, F07B, F09A, F09B, F09C, F42Z			06	G10Z, G12A, G12B
	06	G15Z, G19A, G19B, G33Z, G38Z	06		G15Z, G19A, G19B, G33Z, G38Z	08	I08A, I08B, I08C, I08D, I08E, I13A, I13B				
	07	H33Z, H38Z	07		H33Z, H38Z	11	L09A, L09B, L09C, L09D, L38Z				
	08	I08A, I08B, I08C, I08D, I08E, I13A, I13B	08		I08A, I08B, I08C, I08D, I08E, I13A, I13B	21A	W04A, W04B				
	11	L09A, L33Z, L38Z	11		L09A, L33Z, L38Z	21B	X06A, X06B, X06C, X33Z				
	21A	W04A, W04B	21A		W04A, W04B						
	21B	X06A, X06B, X06C, X33Z	21B		X06A, X06B, X06C, X33Z						
	23	Z01A	23		Z01A						
	Pre	A07A	Pre		A07A						

VYK

ZZV	MDC	DRG	ZZV	MDC	DRG	ZZV	MDC	DRG			
51145.x↔		BOP, KVT, UOP4	51146.4↔		BOP, KVT, UOP4	51147.1↔		BOP, KVT, UOP4			
	01	B03A, B03B, B06A, B06B, B07Z, B17A, B17B, B17C		05	F01A, F01B, F01D, F05Z, F07A, F07B, F08A, F08B, F08C, F08D, F08E, F27A, F28A, F42Z		05	F01A, F01B, F01D, F05Z, F07A, F07B, F08A, F08B, F08C, F08D, F08E, F27A, F28A, F42Z			
	05	F01A, F01B, F01D, F05Z, F07A, F07B, F14A, F14B, F28A, F42Z, F54Z, F59A, F59B		06	G10Z, G12A, G12B		08	I08A, I08B, I08C, I08D, I08E, I13A, I13B	08	I08A, I08B, I08C, I08D, I08E, I13A, I13B	
	08	I08A, I08B, I08C, I08D, I08E, I13A, I13B		08	I08A, I08B, I08C, I08D, I08E, I13A, I13B		11	L09A, L38Z	11	L09A, L38Z	
	11	L09A, L38Z		11	L09A, L09B, L09C, L09D, L38Z		21A	W04A, W04B	21A	W04A, W04B	
	21A	W04A, W04B		21A	W04A, W04B		21B	X04Z, X33Z	21B	X04Z, X33Z	
	21B	X04Z, X06A, X06B, X06C		21B	X06A, X06B, X06C, X33Z		51147.2↔		BOP, KVT, UOP4		
	51146.0			BOP, KVT, UOP4	51146.5				BOP, KVT, UOP4	05	F01A, F01B, F01D, F05Z, F07A, F07B, F08A, F08B, F08C, F08D, F08E, F27A, F28A, F42Z
		05		F01A, F01B, F01D, F05Z, F07A, F07B, F08A, F08B, F08C, F08D, F08E, F27A, F28A, F42Z				05	F01A, F01B, F01D, F05Z, F07A, F07B, F08A, F08B, F08C, F08D, F08E, F27A, F28A, F42Z	08	I08A, I08B, I08C, I08D, I08E, I13A, I13B
		06		G10Z, G12A, G12B, G18A, G38Z				06	G10Z, G12A, G12B, G18A, G38Z	10	K01Z
07		H01A	07	H01A		11		L09A, L38Z			
08		I08A, I08B, I08C, I08D, I08E, I13A, I13B	08	I08A, I08B, I08C, I08D, I08E, I13A, I13B		21A		W04A, W04B			
11		L09A, L09B, L09C, L09D, L38Z	11	L09A, L09B, L09C, L09D, L38Z		21B		X04Z, X33Z			
21A		W04A, W04B	21A	W04A, W04B		51147.x↔			BOP, KVT, UOP4		
21B		X06A, X06B, X06C, X33Z	21B	X06A, X06B, X06C, X33Z				05	F01A, F01B, F01D, F05Z, F07A, F07B, F08A, F08B, F08C, F08D, F08E, F27A, F28A, F42Z		
51146.1			BOP, KVT, UOP4	51146.6					BOP, KVT, UOP4	08	I08A, I08B, I08C, I08D, I08E, I13A, I13B
		05	F01A, F01B, F01D, F05Z, F07A, F07B, F08A, F08B, F08C, F08D, F08E, F27A, F28A, F42Z				05	F01A, F01B, F01D, F05Z, F07A, F07B, F08A, F08B, F08C, F08D, F08E, F27A, F28A, F42Z	11	L09A, L38Z	
	06	G10Z, G12A, G12B, G18A, G38Z	06		G10Z, G12A, G12B, G18A, G38Z		21A	W04A, W04B			
	07	H01A, H06A, H06B, H06C	07		H01A		21B	X04Z, X33Z			
	08	I08A, I08B, I08C, I08D, I08E, I13A, I13B	08		I08A, I08B, I08C, I08D, I08E, I13A, I13B		51148.0↔		BOP, KVT, UOP4		
	11	L09A, L09B, L09C, L09D, L38Z	11		L09A, L09B, L09C, L09D, L38Z			05	F01A, F01B, F01D, F05Z, F07A, F07B, F08A, F08B, F08C, F08D, F08E, F27A, F28A, F42Z		
	21A	W04A, W04B	21A		W04A, W04B			08	I08A, I08B, I08C, I08D, I08E, I13A, I13B		
	21B	X06A, X06B, X06C, X33Z	21B		X06A, X06B, X06C, X33Z			10	K01Z		
	51146.2		BOP, KVT, UOP4		51146.x↔			BOP, KVT, UOP4	11	L09A, L38Z	
		05	F01A, F01B, F01D, F05Z, F07A, F07B, F08A, F08B, F08C, F08D, F08E, F27A, F28A, F42Z			05		F01A, F01B, F01D, F05Z, F07A, F07B, F08A, F08B, F08C, F08D, F08E, F27A, F28A, F42Z	21A	W04A, W04B	
06		G10Z, G12A, G12B	06	G10Z, G12A, G12B		21B		X04Z, X33Z			
08		I08A, I08B, I08C, I08D, I08E, I13A, I13B	08	I08A, I08B, I08C, I08D, I08E, I13A, I13B		51148.1↔			BOP, KVT, UOP4		
11		L09A, L09B, L09C, L09D, L38Z	11	L09A, L09B, L09C, L09D, L38Z				05	F01A, F01B, F01D, F05Z, F07A, F07B, F08A, F08B, F08C, F08D, F08E, F27A, F28A, F42Z		
21A		W04A, W04B	21A	W04A, W04B				08	I08A, I08B, I08C, I08D, I08E, I13A, I13B		
21B		X06A, X06B, X06C, X33Z	21B	X06A, X06B, X06C, X33Z			10	K01Z			
51146.3			BOP, KVT, UOP4	51147.0↔				BOP, KVT, UOP4	11	L09A, L38Z	
		05	F01A, F01B, F01D, F05Z, F07A, F07B, F08A, F08B, F08C, F08D, F08E, F27A, F28A, F42Z				05	F01A, F01B, F01D, F05Z, F07A, F07B, F08A, F08B, F08C, F08D, F08E, F27A, F28A, F42Z	21A	W04A, W04B	
		06	G10Z, G12A, G12B, G18A, G38Z				08	I08A, I08B, I08C, I08D, I08E, I13A, I13B	21B	X04Z, X33Z	
	07	H06A, H06B, H06C	11		L09A, L38Z		51148.2↔		BOP, KVT, UOP4		
	08	I08A, I08B, I08C, I08D, I08E, I13A, I13B	21A		W04A, W04B			05	F01A, F01B, F01D, F05Z, F07A, F07B, F08A, F08B, F08C, F08D, F08E, F27A, F28A, F42Z		
	11	L09A, L09B, L09C, L09D, L38Z	21B		X04Z, X33Z			08	I08A, I08B, I08C, I08D, I08E, I13A, I13B		
	21A	W04A, W04B				10		K01Z			
	21B	X06A, X06B, X06C, X33Z				11		L09A, L38Z			
						21A		W04A, W04B			
						21B		X04Z, X33Z			

VYK

ZZV	MDC	DRG	ZZV	MDC	DRG	ZZV	MDC	DRG
51148.x↔		BOP, KVT, UOP4	51149.6		BOP, KVT, UOP4	51149.b↔		BOP, KOP, KOPV, KVT, UOP4
	05	F01A, F01B, F01D, F05Z, F07A, F07B, F08A, F08B, F08C, F08D, F08E, F27A, F27B, F27C, F28A, F42Z		05	F39A, F39B		04	E05A, E05B, E05C, E08A, E08B, E08C
	08	I08A, I08B, I08C, I08D, I08E, I13A, I13B		06	G18A, G38Z		05	F01A, F01B, F01D, F05Z, F07A, F07B, F09A, F09B, F09C, F42Z
	10	K01Z		07	H01A		06	G15Z, G19A, G19B, G33Z, G38Z
	11	L09A, L38Z		08	I08A, I08B, I08C, I08D, I08E, I13A, I13B		07	H33Z, H38Z
	21A	W04A, W04B		11	L09A, L38Z		08	I08A, I08B, I08C, I08D, I08E, I13A, I13B
	21B	X04Z, X33Z		21A	W04A, W04B		11	L09A, L33Z, L38Z
				21B	X06A, X06B, X06C		21A	W04A, W04B
				21B	X06A, X06B, X06C		21B	X06A, X06B, X06C, X33Z
				23	Z01A		Pre	A07A
51149.0↔		BOP, KVT, UOP4	51149.7		BOP, KVT, UOP4	51149.c↔		BOP, KVT, UOP4
	05	F39A, F39B		05	F39A, F39B		05	F01A, F01B, F01D, F05Z, F07A, F07B, F14A, F14B, F28A, F42Z, F54Z, F59A, F59B
	08	I08A, I08B, I08C, I08D, I08E, I13A, I13B		06	G18A, G38Z		08	I08A, I08B, I08C, I08D, I08E, I13A, I13B
	11	L09A, L38Z		07	H01A		11	L09A, L38Z
	21A	W04A, W04B		08	I08A, I08B, I08C, I08D, I08E, I13A, I13B		21A	W04A, W04B
	21B	X04Z		11	L09A, L38Z		21B	X06A, X06B, X06C
				21A	W04A, W04B			BOP, KOP, KOPV, KVT, UOP4
51149.1↔		BOP, KVT, UOP4	51149.8↔		BOP, KVT, UOP4	51149.d↔		BOP, KOP, KOPV, KVT, UOP4
	05	F39A, F39B		05	F39A, F39B		04	E05A, E05B, E05C, E08A, E08B, E08C
	08	I08A, I08B, I08C, I08D, I08E, I13A, I13B		06	G18A, G38Z		05	F01A, F01B, F01D, F05Z, F07A, F07B, F09A, F09B, F09C, F42Z
	11	L09A, L38Z		07	H01A		06	G15Z, G19A, G19B, G33Z, G38Z
	21A	W04A, W04B		08	I08A, I08B, I08C, I08D, I08E, I13A, I13B		07	H33Z, H38Z
	21B	X04Z, X33Z		11	L09A, L38Z		08	I08A, I08B, I08C, I08D, I08E, I13A, I13B
				21A	W04A, W04B		11	L09A, L33Z, L38Z
51149.2		BOP, KVT, UOP4	51149.9↔		BOP, KVT, UOP4	51149.e		BOP, KOP, KOPV, KVT, UOP4
	05	F39A, F39B		01	B03A, B03B, B06A, B06B, B07Z, B17A, B17B, B17C		04	E05A, E05B, E05C, E08A, E08B, E08C
	06	G18A, G38Z		03	D12A		05	F01A, F01B, F01D, F05Z, F07A, F07B, F09A, F09B, F09C, F42Z
	07	H01A		05	F01A, F01B, F01D, F05Z, F07A, F07B, F14A, F14B, F28A, F42Z, F54Z, F59A, F59B		06	G15Z, G19A, G19B, G33Z, G38Z
	08	I08A, I08B, I08C, I08D, I08E, I13A, I13B		08	I08A, I08B, I08C, I08D, I08E, I13A, I13B		07	H33Z, H38Z
	11	L09A, L38Z		11	L09A, L38Z		08	I08A, I08B, I08C, I08D, I08E, I13A, I13B
	21A	W04A, W04B		21A	W04A, W04B		11	L09A, L33Z, L38Z
51149.3↔		BOP, KVT, UOP4	51149.a↔		BOP, KOP, KOPV, KVT, UOP4			X06A, X06B, X06C, X33Z
	05	F39A, F39B		04	E05A, E05B, E05C, E08A, E08B, E08C		04	E05A, E05B, E05C, E08A, E08B, E08C
	06	G18A, G38Z		05	F01A, F01B, F01D, F05Z, F07A, F07B, F09A, F09B, F09C, F42Z		05	F01A, F01B, F01D, F05Z, F07A, F07B, F09A, F09B, F09C, F42Z
	07	H01A		06	G15Z, G19A, G19B, G33Z, G38Z		06	G15Z, G19A, G19B, G33Z, G38Z
	08	I08A, I08B, I08C, I08D, I08E, I13A, I13B		07	H33Z, H38Z		07	H33Z, H38Z
	11	L09A, L38Z		08	I08A, I08B, I08C, I08D, I08E, I13A, I13B		08	I08A, I08B, I08C, I08D, I08E, I13A, I13B
	21A	W04A, W04B		11	L09A, L33Z, L38Z		11	L09A, L33Z, L38Z
51149.4		BOP, KVT, UOP4			BOP, KOP, KOPV, KVT, UOP4			X06A, X06B, X06C, X33Z
	05	F39A, F39B		04	E05A, E05B, E05C, E08A, E08B, E08C		04	E05A, E05B, E05C, E08A, E08B, E08C
	06	G18A, G38Z		05	F01A, F01B, F01D, F05Z, F07A, F07B, F09A, F09B, F09C, F42Z		05	F01A, F01B, F01D, F05Z, F07A, F07B, F09A, F09B, F09C, F42Z
	07	H01A		06	G15Z, G19A, G19B, G33Z, G38Z		06	G15Z, G19A, G19B, G33Z, G38Z
	08	I08A, I08B, I08C, I08D, I08E, I13A, I13B		07	H33Z, H38Z		07	H33Z, H38Z
	11	L09A, L38Z		08	I08A, I08B, I08C, I08D, I08E, I13A, I13B		08	I08A, I08B, I08C, I08D, I08E, I13A, I13B
	21A	W04A, W04B		11	L09A, L33Z, L38Z		11	L09A, L33Z, L38Z
51149.5		BOP, KVT, UOP4			BOP, KOP, KOPV, KVT, UOP4			X06A, X06B, X06C, X33Z
	05	F39A, F39B		04	E05A, E05B, E05C, E08A, E08B, E08C		04	E05A, E05B, E05C, E08A, E08B, E08C
	06	G18A, G38Z		05	F01A, F01B, F01D, F05Z, F07A, F07B, F09A, F09B, F09C, F42Z		05	F01A, F01B, F01D, F05Z, F07A, F07B, F09A, F09B, F09C, F42Z
	07	H01A		06	G15Z, G19A, G19B, G33Z, G38Z		06	G15Z, G19A, G19B, G33Z, G38Z
	08	I08A, I08B, I08C, I08D, I08E, I13A, I13B		07	H33Z, H38Z		07	H33Z, H38Z
	11	L09A, L38Z		08	I08A, I08B, I08C, I08D, I08E, I13A, I13B		08	I08A, I08B, I08C, I08D, I08E, I13A, I13B
	21A	W04A, W04B		11	L09A, L33Z, L38Z		11	L09A, L33Z, L38Z
21B	X06A, X06B, X06C	21A	W04A, W04B	21A	W04A, W04B			
		21B	X06A, X06B, X06C, X33Z	21B	X06A, X06B, X06C, X33Z			
		23	Z01A	23	Z01A			
		Pre	A07A	Pre	A07A			

VYK



ZZV	MDC	DRG	ZZV	MDC	DRG	ZZV	MDC	DRG								
51149.f		BOP, KOP, KOPV, KVT, UOP4	51150.0↔	01	B03A, B03B, B06A, B06B, B07Z, B17A, B17B, B17C	51151.0↔	05	F01A, F01B, F01D, F05Z, F07A, F07B, F14A, F14B, F28A, F42Z, F54Z, F59A, F59B								
	04	E05A, E05B, E05C, E08A, E08B, E08C		05	F01A, F01B, F01D, F05Z, F07A, F07B, F14A, F14B, F28A, F42Z, F54Z, F59A, F59B		08	I08A, I08B, I08C, I08D, I08E, I13A, I13B								
	05	F01A, F01B, F01D, F05Z, F07A, F07B, F09A, F09B, F09C, F42Z		08	I08A, I08B, I08C, I08D, I08E, I13A, I13B		10	K09A, K09B								
	06	G03A, G15Z, G18A, G19A, G19B, G33Z, G38Z		21A	W04A, W04B		21A	W04A, W04B								
	07	H01A, H33Z, H38Z		21B	X06A, X06B, X06C		21B	X06A, X06B, X06C								
	08	I08A, I08B, I08C, I08D, I08E, I13A, I13B		51150.1↔	01		B03A, B03B, B06A, B06B, B07Z, B17A, B17B, B17C	51151.1↔	05	F01A, F01B, F01D, F05Z, F07A, F07B, F14A, F14B, F28A, F42Z, F54Z, F59A, F59B						
	11	L09A, L33Z, L38Z			05		F01A, F01B, F01D, F05Z, F07A, F07B, F14A, F14B, F28A, F42Z, F54Z, F59A, F59B		08	I08A, I08B, I08C, I08D, I08E, I13A, I13B						
	21A	W04A, W04B			08		I08A, I08B, I08C, I08D, I08E, I13A, I13B		10	K09A, K09B						
	21B	X06A, X06B, X06C, X33Z			21A		W04A, W04B		21A	W04A, W04B						
	23	Z01A			21B		X06A, X06B, X06C		21B	X06A, X06B, X06C						
	Pre	A07A			51150.2↔		01		B03A, B03B, B06A, B06B, B07Z, B17A, B17B, B17C	51151.x↔	05	F01A, F01B, F01D, F05Z, F07A, F07B, F14A, F14B, F28A, F42Z, F54Z, F59A, F59B				
	51149.g↔						BOP, KVT, UOP4		05		F01A, F01B, F01D, F05Z, F07A, F07B, F14A, F14B, F28A, F42Z, F54Z, F59A, F59B	08	I08A, I08B, I08C, I08D, I08E, I13A, I13B			
		05					F01A, F01B, F01D, F05Z, F07A, F07B, F08A, F08B, F08C, F08D, F08E, F27A, F28A, F42Z		08		I08A, I08B, I08C, I08D, I08E, I13A, I13B	10	K09A, K09B			
		06					G10Z, G12A, G12B		21A		W04A, W04B	21A	W04A, W04B			
08		I08A, I08B, I08C, I08D, I08E, I13A, I13B	21B			X06A, X06B, X06C	21B		X06A, X06B, X06C							
11		L09A, L09B, L09C, L09D, L38Z	51150.3↔			01	B03A, B03B, B06A, B06B, B07Z, B17A, B17B, B17C		51152.0↔		05	F01A, F01B, F01D, F05Z, F07A, F07B, F14A, F14B, F28A, F42Z, F54Z, F59A, F59B				
21A		W04A, W04B				05	F01A, F01B, F01D, F05Z, F07A, F07B, F14A, F14B, F28A, F42Z, F54Z, F59A, F59B				08	I08A, I08B, I08C, I08D, I08E, I13A, I13B				
21B		X06A, X06B, X06C, X33Z				08	I08A, I08B, I08C, I08D, I08E, I13A, I13B				10	K09A, K09B				
51149.h↔						BOP, KVT, UOP4	21A				W04A, W04B	51152.1↔	05	F01A, F01B, F01D, F05Z, F07A, F07B, F14A, F14B, F28A, F42Z, F54Z, F59A, F59B		
		05		F01A, F01B, F01D, F05Z, F07A, F07B, F08A, F08B, F08C, F08D, F08E, F27A, F28A, F42Z		21B	X06A, X06B, X06C	08			I08A, I08B, I08C, I08D, I08E, I13A, I13B					
		06		G10Z, G12A, G12B		51150.4↔	01	B03A, B03B, B06A, B06B, B07Z, B17A, B17B, B17C			51152.2↔		05	F01A, F01B, F01D, F05Z, F07A, F07B, F14A, F14B, F28A, F42Z, F54Z, F59A, F59B		
		08		I08A, I08B, I08C, I08D, I08E, I13A, I13B			05	F01A, F01B, F01D, F05Z, F07A, F07B, F14A, F14B, F28A, F42Z, F54Z, F59A, F59B					08	I08A, I08B, I08C, I08D, I08E, I13A, I13B		
		11		L09A, L09B, L09C, L09D, L38Z			08	I08A, I08B, I08C, I08D, I08E, I13A, I13B					10	K09A, K09B		
		21A		W04A, W04B			21A	W04A, W04B					21A	W04A, W04B		
		21B		X06A, X06B, X06C, X33Z	21B		X06A, X06B, X06C	21B		X06A, X06B, X06C						
	51149.i↔			BOP, KVT, UOP4	51150.5↔		01	B03A, B03B, B06A, B06B, B07Z, B17A, B17B, B17C		51152.3↔			05	F01A, F01B, F01D, F05Z, F07A, F07B, F14A, F14B, F28A, F42Z, F54Z, F59A, F59B		
		05		F01A, F01B, F01D, F05Z, F07A, F07B, F08A, F08B, F08C, F08D, F08E, F27A, F28A, F42Z			05	F01A, F01B, F01D, F05Z, F07A, F07B, F14A, F14B, F28A, F42Z, F54Z, F59A, F59B					08	I08A, I08B, I08C, I08D, I08E, I13A, I13B		
		06		G10Z, G12A, G12B			08	I08A, I08B, I08C, I08D, I08E, I13A, I13B					10	K09A, K09B		
		08		I08A, I08B, I08C, I08D, I08E, I13A, I13B			21A	W04A, W04B					21A	W04A, W04B		
		11	L09A, L09B, L09C, L09D, L38Z	21B			X06A, X06B, X06C	21B	X05A, X05B, X06A, X06B							
		21A	W04A, W04B	51150.x↔			01	B03A, B03B, B06A, B06B, B07Z, B17A, B17B, B17C	51152.x↔				05	F01A, F01B, F01D, F05Z, F07A, F07B, F14A, F14B, F28A, F42Z, F54Z, F59A, F59B		
		21B	X06A, X06B, X06C, X33Z				05	F01A, F01B, F01D, F05Z, F07A, F07B, F14A, F14B, F28A, F42Z, F54Z, F59A, F59B					08	I08A, I08B, I08C, I08D, I08E, I13A, I13B		
51149.x↔			BOP, KVT, UOP4				08	I08A, I08B, I08C, I08D, I08E, I13A, I13B				51153.x↔	05	F01A, F01B, F01D, F05Z, F07A, F07B, F14A, F14B, F28A, F42Z, F54Z, F59A, F59B		
		05	F39A, F39B				21A	W04A, W04B					51154.x↔	08	I08A, I08B, I08C, I08D, I08E, I13A, I13B	
		08	I08A, I08B, I08C, I08D, I08E, I13A, I13B			21B	X06A, X06B, X06C	10			K09A, K09B					
		11	L09A, L38Z			51150.x↔	01	B03A, B03B, B06A, B06B, B07Z, B17A, B17B, B17C			51154.x↔			21A	W04A, W04B	
		21A	W04A, W04B				05	F01A, F01B, F01D, F05Z, F07A, F07B, F14A, F14B, F28A, F42Z, F54Z, F59A, F59B						21B	X05A, X05B, X06A, X06B	
		21B	X06A, X06B, X06C				08	I08A, I08B, I08C, I08D, I08E, I13A, I13B						21B	X05A, X05B, X06A, X06B	
		5114x↔					BOP, KVT, UOP4	21A						W04A, W04B	51154.x↔	05
	05		F39A, F39B		21B		X06A, X06B, X06C	08		I08A, I08B, I08C, I08D, I08E, I13A, I13B						
	08		I08A, I08B, I08C, I08D, I08E, I13A, I13B		51150.x↔		01	B03A, B03B, B06A, B06B, B07Z, B17A, B17B, B17C		51154.x↔				10		K09A, K09B
	11		L09A, L38Z				05	F01A, F01B, F01D, F05Z, F07A, F07B, F14A, F14B, F28A, F42Z, F54Z, F59A, F59B						21A		W04A, W04B
	21A		W04A, W04B				08	I08A, I08B, I08C, I08D, I08E, I13A, I13B, I28A, I28B						21B		X05A, X05B, X06A, X06B
	21B		X04Z				21A	W04A, W04B								
				21B			X06A, X06B, X06C									

VYK

ZZV	MDC	DRG	ZZV	MDC	DRG	ZZV	MDC	DRG
51152.4↔	05	F01A, F01B, F01D, F05Z, F07A, F07B, F14A, F14B, F28A, F42Z, F54Z, F59A, F59B	51153.1		BOP, KOP, KOPV, KVT, UOP4	51153.x		BOP, KVT, UOP4
	08	I08A, I08B, I08C, I08D, I08E, I13A, I13B		04	E05A, E05B, E05C, E08A, E08B, E08C		05	F01A, F01B, F01D, F05Z, F07A, F07B, F09A, F09B, F09C, F42Z
	10	K09A, K09B		05	F01A, F01B, F01D, F05Z, F07A, F07B, F09A, F09B, F09C, F42Z		06	G10Z, G12A, G12B
	21A	W04A, W04B		06	G15Z, G19A, G19B, G33Z, G38Z		08	I08A, I08B, I08C, I08D, I08E, I13A, I13B
	21B	X06A, X06B		07	H33Z, H38Z		11	L09A, L09B, L09C, L09D, L38Z
51152.5↔	05	F01A, F01B, F01D, F05Z, F07A, F07B, F14A, F14B, F28A, F42Z, F54Z, F59A, F59B	51153.2	08	I08A, I08B, I08C, I08D, I08E, I13A, I13B	51154.0↔	08	I08A, I08B, I08C, I08D, I08E, I13A, I13B
	08	I08A, I08B, I08C, I08D, I08E, I13A, I13B		11	L33Z		21A	W04A, W04B
	10	K09A, K09B		21A	W04A, W04B		21B	X06A, X06B, X06C
	21A	W04A, W04B		21B	X06A, X06B, X06C, X33Z		Pre	BOP, KOP, KOPV, KVT, UOP4
	21B	X05A, X05B, X06A, X06B		23	Z01A		04	E05A, E05B, E05C, E08A, E08B, E08C
51152.6↔	05	F01A, F01B, F01D, F05Z, F07A, F07B, F14A, F14B, F28A, F42Z, F54Z, F59A, F59B	51153.3	Pre	A07A	51154.1↔	05	F01A, F01B, F01D, F05Z, F07A, F07B, F09A, F09B, F09C, F42Z
	08	I08A, I08B, I08C, I08D, I08E, I13A, I13B		04	E05A, E05B, E05C, E08A, E08B, E08C		06	G15Z, G19A, G19B, G33Z, G38Z
	10	K09A, K09B		05	F01A, F01B, F01D, F05Z, F07A, F07B, F09A, F09B, F09C, F42Z		07	H33Z, H38Z
	21A	W04A, W04B		06	G15Z, G19A, G19B, G33Z, G38Z		08	I08A, I08B, I08C, I08D, I08E, I13A, I13B
	21B	X05A, X05B, X06A, X06B		07	H33Z, H38Z		11	L33Z
51152.7↔	05	F01A, F01B, F01D, F05Z, F07A, F07B, F14A, F14B, F28A, F42Z, F54Z, F59A, F59B	51153.4	08	I08A, I08B, I08C, I08D, I08E, I13A, I13B	51154.2↔	21A	W04A, W04B
	08	I08A, I08B, I08C, I08D, I08E, I13A, I13B		11	L33Z		21B	X06A, X06B, X06C, X33Z
	10	K09A, K09B		21A	W04A, W04B		23	Z01A
	21A	W04A, W04B		21B	X06A, X06B, X06C, X33Z		Pre	A07A
	21B	X05A, X05B, X06A, X06B		05	BOP, KVT, UOP4		04	E05A, E05B, E05C, E08A, E08B, E08C
51152.x↔	05	F01A, F01B, F01D, F05Z, F07A, F07B, F14A, F14B, F28A, F42Z, F54Z, F59A, F59B	51153.5	05	F01A, F01B, F01D, F05Z, F07A, F07B, F14A, F14B, F28A, F42Z, F54Z, F59A, F59B	51154.3↔	05	F01A, F01B, F01D, F05Z, F07A, F07B, F09A, F09B, F09C, F42Z
	08	I08A, I08B, I08C, I08D, I08E, I13A, I13B		06	G10Z, G12A, G12B		06	G15Z, G19A, G19B, G33Z, G38Z
	10	K09A, K09B		08	I08A, I08B, I08C, I08D, I08E, I13A, I13B		07	H33Z, H38Z
	21A	W04A, W04B		11	L09A, L09B, L09C, L09D, L38Z		08	I08A, I08B, I08C, I08D, I08E, I13A, I13B
	21B	X06A, X06B		21A	W04A, W04B		11	L33Z
51153.0		BOP, KOP, KOPV, KVT, UOP4	51153.5	21B	X06A, X06B, X06C	51154.4↔	21A	W04A, W04B
	04	E05A, E05B, E05C, E08A, E08B, E08C		05	F01A, F01B, F01D, F05Z, F07A, F07B, F14A, F14B, F28A, F42Z, F54Z, F59A, F59B		21B	X06A, X06B, X06C, X33Z
	05	F01A, F01B, F01D, F05Z, F07A, F07B, F09A, F09B, F09C, F42Z		06	G10Z, G12A, G12B		23	Z01A
	06	G15Z, G19A, G19B, G33Z, G38Z		08	I08A, I08B, I08C, I08D, I08E, I13A, I13B		Pre	A07A
	07	H33Z, H38Z		11	L09A, L09B, L09C, L09D, L38Z		04	E05A, E05B, E05C, E08A, E08B, E08C
	08	I08A, I08B, I08C, I08D, I08E, I13A, I13B		21A	W04A, W04B		05	F01A, F01B, F01D, F05Z, F07A, F07B, F09A, F09B, F09C, F42Z
	11	L33Z		21B	X06A, X06B, X06C		06	G15Z, G19A, G19B, G33Z, G38Z
	21A	W04A, W04B			BOP, KVT, UOP4		07	H33Z, H38Z
	21B	X06A, X06B, X06C, X33Z		05	F01A, F01B, F01D, F05Z, F07A, F07B, F14A, F14B, F28A, F42Z, F54Z, F59A, F59B		08	I08A, I08B, I08C, I08D, I08E, I13A, I13B
	23	Z01A		06	G10Z, G12A, G12B		11	L33Z
	Pre	A07A		08	I08A, I08B, I08C, I08D, I08E, I13A, I13B		21A	W04A, W04B
		11	L09A, L09B, L09C, L09D, L38Z	21B	X06A, X06B, X06C, X33Z			
		21A	W04A, W04B	23	Z01A			
		21B	X06A, X06B, X06C	Pre	A07A			

VYK

ZZV	MDC	DRG	ZZV	MDC	DRG	ZZV	MDC	DRG					
51154.x↔		BOP, KOP, KOPV, KVT, UOP4	51155.4↔		BOP, KVT, UOP4	51156.3		BOP, KVT, UOP4					
	04	E05A, E05B, E05C, E08A, E08B, E08C		05	F01A, F01B, F01D, F05Z, F07A, F07B, F14A, F14B, F28A, F42Z, F54Z, F59A, F59B		01	B03A, B03B, B06A, B06B, B07Z, B17A, B17B, B17C					
	05	F01A, F01B, F01D, F05Z, F07A, F07B, F09A, F09B, F09C, F42Z		08	I08A, I08B, I08C, I08D, I08E, I13A, I13B		05	F01A, F01B, F01D, F05Z, F07A, F07B, F14A, F14B, F28A, F42Z, F54Z, F59A, F59B					
	06	G15Z, G19A, G19B, G33Z, G38Z		10	K09A, K09B		06	G10Z, G12A, G12B					
	07	H33Z, H38Z		21A	W04A, W04B		07	H06A, H06B, H06C					
	08	I08A, I08B, I08C, I08D, I08E, I13A, I13B		21B	X06A, X06B, X06C		08	I08A, I08B, I08C, I08D, I08E, I13A, I13B					
	11	L33Z		51155.x↔			BOP, KVT, UOP4	10	K09A, K09B				
	21A	W04A, W04B			05		F01A, F01B, F01D, F05Z, F07A, F07B, F14A, F14B, F28A, F42Z, F54Z, F59A, F59B	11	L09A, L09B, L09C, L09D, L38Z				
	21B	X06A, X06B, X06C, X33Z			08		I08A, I08B, I08C, I08D, I08E, I13A, I13B	21A	W04A, W04B				
	23	Z01A			10		K09A, K09B	21B	X06A, X06B, X06C				
	Pre	A07A			21A		W04A, W04B	51156.4↔		BOP, KVT, UOP4			
	51155.0↔				BOP, KVT, UOP4		21B		X06A, X06B, X06C	01	B03A, B03B, B06A, B06B, B07Z, B17A, B17B, B17C		
		01			B03A, B03B, B06A, B06B, B07Z, B17A, B17B, B17C		51156.0			BOP, KVT, UOP4	05	F01A, F01B, F01D, F05Z, F07A, F07B, F14A, F14B, F28A, F42Z, F54Z, F59A, F59B	
		05			F01A, F01B, F01D, F05Z, F07A, F07B, F14A, F14B, F28A, F42Z, F54Z, F59A, F59B				01	B03A, B03B, B06A, B06B, B07Z, B17A, B17B, B17C			
		08			I08A, I08B, I08C, I08D, I08E, I13A, I13B				05	F01A, F01B, F01D, F05Z, F07A, F07B, F14A, F14B, F28A, F42Z, F54Z, F59A, F59B			
		21A			W04A, W04B				06	G10Z, G12A, G12B			
		21B			X04Z, X06A, X06B, X06C				08	I08A, I08B, I08C, I08D, I08E, I13A, I13B			
		51155.1↔							BOP, KVT, UOP4	10	K09A, K09B	10	K09A, K09B
					05				F01A, F01B, F01D, F05Z, F07A, F07B, F14A, F14B, F28A, F42Z, F54Z, F59A, F59B	11	L09A, L09B, L09C, L09D, L38Z	11	L09A, L09B, L09C, L09D, L38Z
					06				G10Z, G12A, G12B	21A	W04A, W04B	21A	W04A, W04B
					08				I08A, I08B, I08C, I08D, I08E, I13A, I13B	21B	X06A, X06B, X06C	21B	X06A, X06B, X06C
	11				L09A, L09B, L09C, L09D, L38Z				51156.1		BOP, KVT, UOP4	51156.5	
	21A				W04A, W04B		01			B03A, B03B, B06A, B06B, B07Z, B17A, B17B, B17C	01		B03A, B03B, B06A, B06B, B07Z, B17A, B17B, B17C
21B	X06A, X06B, X06C		05		F01A, F01B, F01D, F05Z, F07A, F07B, F14A, F14B, F28A, F42Z, F54Z, F59A, F59B	05	F01A, F01B, F01D, F05Z, F07A, F07B, F14A, F14B, F28A, F42Z, F54Z, F59A, F59B						
51155.2↔			BOP, KVT, UOP4		06	G10Z, G12A, G12B	06			G10Z, G12A, G12B			
	05		F01A, F01B, F01D, F05Z, F07A, F07B, F14A, F14B, F28A, F42Z, F54Z, F59A, F59B		07	H06A, H06B, H06C	08			I08A, I08B, I08C, I08D, I08E, I13A, I13B			
	06		G10Z, G12A, G12B		08	I08A, I08B, I08C, I08D, I08E, I13A, I13B	10			K09A, K09B			
	08	I08A, I08B, I08C, I08D, I08E, I13A, I13B	10		K09A, K09B	11	L09A, L09B, L09C, L09D, L38Z						
	11	L09A, L09B, L09C, L09D, L38Z	11		L09A, L09B, L09C, L09D, L38Z	21A	W04A, W04B						
	21A	W04A, W04B	21A	W04A, W04B	21B	X06A, X06B, X06C							
	21B	X06A, X06B, X06C	51156.2		BOP, KVT, UOP4	51156.6				BOP, KVT, UOP4			
	51155.3↔			BOP, KVT, UOP4	01		B03A, B03B, B06A, B06B, B07Z, B17A, B17B, B17C		01	B03A, B03B, B06A, B06B, B07Z, B17A, B17B, B17C			
		05		F01A, F01B, F01D, F05Z, F07A, F07B, F14A, F14B, F28A, F42Z, F54Z, F59A, F59B	05		F01A, F01B, F01D, F05Z, F07A, F07B, F14A, F14B, F28A, F42Z, F54Z, F59A, F59B		05	F01A, F01B, F01D, F05Z, F07A, F07B, F14A, F14B, F28A, F42Z, F54Z, F59A, F59B			
		08		I08A, I08B, I08C, I08D, I08E, I13A, I13B	06		G10Z, G12A, G12B	06	G10Z, G12A, G12B				
10		K09A, K09B		08	I08A, I08B, I08C, I08D, I08E, I13A, I13B		08	I08A, I08B, I08C, I08D, I08E, I13A, I13B					
21A		W04A, W04B		06	G10Z, G12A, G12B		10	K09A, K09B					
21B		X06A, X06B, X06C		08	I08A, I08B, I08C, I08D, I08E, I13A, I13B		11	L09A, L09B, L09C, L09D, L38Z					
				10	K09A, K09B		21A	W04A, W04B					
				11	L09A, L09B, L09C, L09D, L38Z		21B	X06A, X06B, X06C					
				21A	W04A, W04B								
			21B	X06A, X06B, X06C									

VYK

ZZV	MDC	DRG	ZZV	MDC	DRG	ZZV	MDC	DRG	
51156.x↔		BOP, KVT, UOP4	51158.1↔	05	F01A, F01B, F01D, F05Z, F07A, F07B, F14A, F14B, F28A, F42Z, F54Z, F59A, F59B	51159.1↔	05	F39A, F39B	
	01	B03A, B03B, B06A, B06B, B07Z, B17A, B17B, B17C		08	I08A, I08B, I08C, I08D, I08E, I13A, I13B		08	I08A, I08B, I08C, I08D, I08E, I13A, I13B	
	05	F01A, F01B, F01D, F05Z, F07A, F07B, F14A, F14B, F28A, F42Z, F54Z, F59A, F59B		08	I08A, I08B, I08C, I08D, I08E, I13A, I13B		21A	W04A, W04B	
	06	G10Z, G12A, G12B		10	K09A, K09B		21B	X04Z, X05A, X05B, X06A, X06B, X06C	
	08	I08A, I08B, I08C, I08D, I08E, I13A, I13B		21A	W04A, W04B		51159.2	05	F39A, F39B
	10	K09A, K09B		21B	X04Z		08	I08A, I08B, I08C, I08D, I08E, I13A, I13B	
	11	L09A, L09B, L09C, L09D, L38Z		51158.2↔	05		F01A, F01B, F01D, F05Z, F07A, F07B, F14A, F14B, F28A, F42Z, F54Z, F59A, F59B	21A	W04A, W04B
	21A	W04A, W04B		08	I08A, I08B, I08C, I08D, I08E, I13A, I13B		21B	X04Z, X05A, X05B, X06A, X06B, X06C	
	21B	X06A, X06B, X06C		10	K09A, K09B		51159.3↔	05	F39A, F39B
	51157.0↔			BOP, KVT, UOP4	10		K09A, K09B	08	I08A, I08B, I08C, I08D, I08E, I13A, I13B
		05		F01A, F01B, F01D, F05Z, F07A, F07B, F14A, F14B, F28A, F42Z, F54Z, F59A, F59B	21A		W04A, W04B	21A	W04A, W04B
08		I08A, I08B, I08C, I08D, I08E, I13A, I13B	21B	X04Z	21B	X04Z, X05A, X05B, X06A, X06B, X06C			
10		K09A, K09B	51158.3↔	05	F01A, F01B, F01D, F05Z, F07A, F07B, F14A, F14B, F28A, F42Z, F54Z, F59A, F59B	51159.4	05	F39A, F39B	
21A		W04A, W04B	08	I08A, I08B, I08C, I08D, I08E, I13A, I13B	08	I08A, I08B, I08C, I08D, I08E, I13A, I13B			
21B		X04Z	10	K09A, K09B	21A	W04A, W04B			
51157.1↔		BOP, KVT, UOP4	21A	W04A, W04B	21B	X04Z, X05A, X05B, X06A, X06B, X06C			
	05	F01A, F01B, F01D, F05Z, F07A, F07B, F14A, F14B, F28A, F42Z, F54Z, F59A, F59B	21B	X04Z	51159.5	05	F39A, F39B		
	08	I08A, I08B, I08C, I08D, I08E, I13A, I13B	51158.4↔	05	F01A, F01B, F01D, F05Z, F07A, F07B, F14A, F14B, F28A, F42Z, F54Z, F59A, F59B	08	I08A, I08B, I08C, I08D, I08E, I13A, I13B		
	10	K09A, K09B	08	I08A, I08B, I08C, I08D, I08E, I13A, I13B	21A	W04A, W04B			
	21A	W04A, W04B	10	K09A, K09B	21B	X04Z, X05A, X05B, X06A, X06B, X06C			
	21B	X04Z	21A	W04A, W04B	51159.6	05	F39A, F39B		
51157.2↔		BOP, KVT, UOP4	21B	X04Z	08	I08A, I08B, I08C, I08D, I08E, I13A, I13B			
	05	F01A, F01B, F01D, F05Z, F07A, F07B, F14A, F14B, F28A, F42Z, F54Z, F59A, F59B	51158.5↔	05	F01A, F01B, F01D, F05Z, F07A, F07B, F14A, F14B, F28A, F42Z, F54Z, F59A, F59B	21A	W04A, W04B		
	08	I08A, I08B, I08C, I08D, I08E, I13A, I13B	08	I08A, I08B, I08C, I08D, I08E, I13A, I13B	21B	X04Z, X05A, X05B, X06A, X06B, X06C			
	10	K09A, K09B	10	K09A, K09B	51159.7	05	F39A, F39B		
	21A	W04A, W04B	21A	W04A, W04B	08	I08A, I08B, I08C, I08D, I08E, I13A, I13B			
	21B	X04Z	21B	X04Z	21A	W04A, W04B			
51157.x↔		BOP, KVT, UOP4	51158.6↔	05	F01A, F01B, F01D, F05Z, F07A, F07B, F14A, F14B, F28A, F42Z, F54Z, F59A, F59B	21B	X04Z, X05A, X05B, X06A, X06B, X06C		
	05	F01A, F01B, F01D, F05Z, F07A, F07B, F14A, F14B, F28A, F42Z, F54Z, F59A, F59B	08	I08A, I08B, I08C, I08D, I08E, I13A, I13B	51159.8↔	05	F39A, F39B		
	08	I08A, I08B, I08C, I08D, I08E, I13A, I13B	10	K09A, K09B	08	I08A, I08B, I08C, I08D, I08E, I13A, I13B			
	10	K09A, K09B	21A	W04A, W04B	21A	W04A, W04B			
	21A	W04A, W04B	21B	X04Z	21B	X04Z, X05A, X05B, X06A, X06B, X06C			
	21B	X04Z	51158.x↔	05	F01A, F01B, F01D, F05Z, F07A, F07B, F14A, F14B, F28A, F42Z, F54Z, F59A, F59B	51159.9↔	01	B03A, B03B, B06A, B06B, B07Z, B17A, B17B, B17C	
51158.0↔	05	F01A, F01B, F01D, F05Z, F07A, F07B, F14A, F14B, F28A, F42Z, F54Z, F59A, F59B	08	I08A, I08B, I08C, I08D, I08E, I13A, I13B	05	F01A, F01B, F01D, F05Z, F07A, F07B, F14A, F14B, F28A, F42Z, F54Z, F59A, F59B			
	08	I08A, I08B, I08C, I08D, I08E, I13A, I13B	10	K09A, K09B	08	I08A, I08B, I08C, I08D, I08E, I13A, I13B			
	10	K09A, K09B	21A	W04A, W04B	21A	W04A, W04B			
	21A	W04A, W04B	21B	X04Z	21B	X06A, X06B, X06C			
	21B	X04Z	51159.0↔	05	F28A, F39A, F39B				
			08	I08A, I08B, I08C, I08D, I08E, I13A, I13B					
		21A	W04A, W04B						
		21B	X04Z, X05A, X05B, X06A, X06B, X06C						

VYK

ZZV	MDC	DRG	ZZV	MDC	DRG	ZZV	MDC	DRG			
51159.a↔		KOP, KOPV	51159.f	04	E02A, E02B, E02C	5115a.3↔	05	F39A, F39B			
	04	E05A, E05B, E05C, E08A, E08B, E08C		05	F01A, F01B, F01D, F05Z, F07A, F07B, F14A, F14B, F28A, F42Z, F54Z, F59A, F59B		08	I08A, I08B, I08C, I08D, I08E, I13A, I13B			
	05	F01A, F01B, F01D, F05Z, F07A, F07B, F09A, F09B, F09C, F42Z		08	I08A, I08B, I08C, I08D, I08E, I13A, I13B		21A	W04A, W04B			
	06	G15Z, G19A, G19B, G33Z, G38Z		14	962Z, O02A, O02B		21B	X04Z, X05A, X05B, X06A, X06B, X06C			
	07	H33Z, H38Z		21A	W04A, W04B		5115a.4↔	05	F39A, F39B		
	08	I08A, I08B, I08C, I08D, I08E, I13A, I13B		21B	X06A, X06B, X06C			08	I08A, I08B, I08C, I08D, I08E, I13A, I13B		
	11	L33Z		51159.g↔	05		F01A, F01B, F01D, F05Z, F07A, F07B, F14A, F14B, F28A, F42Z, F54Z, F59A, F59B	21A	W04A, W04B		
	21A	W04A, W04B			06		G10Z, G12A, G12B	21B	X04Z, X05A, X05B, X06A, X06B, X06C		
	21B	X06A, X06B, X06C, X33Z		08	I08A, I08B, I08C, I08D, I08E, I13A, I13B		5115a.5↔	05	F39A, F39B		
	23	Z01A		11	L09A, L09B, L09C, L09D, L38Z			08	I08A, I08B, I08C, I08D, I08E, I13A, I13B		
	Pre	A07A		51159.h↔	21A		W04A, W04B	21A	W04A, W04B		
	51159.b↔	KOP, KOPV			21B		X06A, X06B, X06C	21B	X04Z, X05A, X05B, X06A, X06B, X06C		
		04		E05A, E05B, E05C, E08A, E08B, E08C	51159.i↔		05	F01A, F01B, F01D, F05Z, F07A, F07B, F14A, F14B, F28A, F42Z, F54Z, F59A, F59B	5115a.6↔	05	F39A, F39B
		05		F01A, F01B, F01D, F05Z, F07A, F07B, F09A, F09B, F09C, F42Z			06	G10Z, G12A, G12B		08	I08A, I08B, I08C, I08D, I08E, I13A, I13B
		06		G15Z, G19A, G19B, G33Z, G38Z	08		I08A, I08B, I08C, I08D, I08E, I13A, I13B	21A	W04A, W04B		
		07		H33Z, H38Z	11		L09A, L09B, L09C, L09D, L38Z	21B	X04Z, X05A, X05B, X06A, X06B, X06C		
		08		I08A, I08B, I08C, I08D, I08E, I13A, I13B	21A		W04A, W04B	5115a.x↔	05	F39A, F39B	
11		L33Z	21B	X06A, X06B, X06C	08	I08A, I08B, I08C, I08D, I08E, I13A, I13B					
21A		W04A, W04B	51159.j↔	05	F01A, F01B, F01D, F05Z, F07A, F07B, F14A, F14B, F28A, F42Z, F54Z, F59A, F59B	21A	W04A, W04B				
21B		X06A, X06B, X06C, X33Z		06	G10Z, G12A, G12B	21B	X04Z, X05A, X05B, X06A, X06B, X06C				
23		Z01A	08	I08A, I08B, I08C, I08D, I08E, I13A, I13B	5115b.0	05	F39A, F39B				
Pre		A07A	11	L09A, L09B, L09C, L09D, L38Z		08	I08A, I08B, I08C, I08D, I08E, I13A, I13B				
51159.c↔		05	F39A, F39B	51159.k↔	05	F01A, F01B, F01D, F05Z, F07A, F07B, F14A, F14B, F28A, F42Z, F54Z, F59A, F59B	21A	W04A, W04B			
		08	I08A, I08B, I08C, I08D, I08E, I13A, I13B		06	G10Z, G12A, G12B	21B	X04Z, X05A, X05B, X06A, X06B, X06C			
		21A	W04A, W04B		08	I08A, I08B, I08C, I08D, I08E, I13A, I13B	5115b.1	05	F39A, F39B		
		21B	X04Z, X05A, X05B, X06A, X06B, X06C		11	L09A, L09B, L09C, L09D, L38Z		08	I08A, I08B, I08C, I08D, I08E, I13A, I13B		
		51159.d↔	KOP, KOPV		51159.l↔	21A	W04A, W04B	21A	W04A, W04B		
04			E05A, E05B, E05C, E08A, E08B, E08C	21B		X06A, X06B, X06C	21B	X04Z, X05A, X05B, X06A, X06B, X06C			
05	F01A, F01B, F01D, F05Z, F07A, F07B, F09A, F09B, F09C, F42Z		51159.x↔	05	F39A, F39B	5115b.2	05	F39A, F39B			
06	G15Z, G19A, G19B, G33Z, G38Z			08	I08A, I08B, I08C, I08D, I08E, I13A, I13B		08	I08A, I08B, I08C, I08D, I08E, I13A, I13B			
07	H33Z, H38Z		5115a.0↔	21A	W04A, W04B	21A	W04A, W04B				
08	I08A, I08B, I08C, I08D, I08E, I13A, I13B			21B	X04Z, X05A, X05B, X06A, X06B, X06C	21B	X04Z, X05A, X05B, X06A, X06B, X06C				
11	L33Z		5115a.1↔	01	B03A, B03B, B06A, B06B, B07Z, B17A, B17B, B17C	5115x↔	05	F39A, F39B			
21A	W04A, W04B			05	F01A, F01B, F01D, F05Z, F07A, F07B, F14A, F14B, F42Z, F54Z, F59A, F59B		08	I08A, I08B, I08C, I08D, I08E, I13A, I13B			
21B	X06A, X06B, X06C, X33Z		08	I08A, I08B, I08C, I08D, I08E, I13A, I13B	21A	W04A, W04B					
23	Z01A		5115a.2↔	21A	W04A, W04B	21B	X04Z, X05A, X05B, X06A, X06B, X06C				
Pre	A07A			21B	X04Z, X05A, X05B, X06A, X06B, X06C	51160.0↔	01	B04A, B04B, B04C, B04D, B04E			
51159.e	04		E02A, E02B, E02C	5115a.1↔	05		F39A, F39B	05	F01A, F01B, F01D, F05Z, F07A, F07B, F14A, F14B, F28A, F42Z, F54Z, F59A, F59B		
	05		F01A, F01B, F01D, F05Z, F07A, F07B, F14A, F14B, F28A, F42Z, F54Z, F59A, F59B		08	I08A, I08B, I08C, I08D, I08E, I13A, I13B	08	I08A, I08B, I08C, I08D, I08E, I13A, I13B			
	08		I08A, I08B, I08C, I08D, I08E, I13A, I13B	5115a.2↔	21A	W04A, W04B	10	K09A, K09B			
	14		962Z, O02A, O02B		21B	X04Z, X05A, X05B, X06A, X06B, X06C	21A	W04A, W04B			
	21A		W04A, W04B	5115a.2↔	05	F39A, F39B	21B	X06A, X06B			
	21B		X06A, X06B, X06C		08	I08A, I08B, I08C, I08D, I08E, I13A, I13B					
			21A	W04A, W04B							
			21B	X04Z, X05A, X05B, X06A, X06B, X06C							



ZZV	MDC	DRG	ZZV	MDC	DRG	ZZV	MDC	DRG			
51163.3		BOP, KVT, UOP4	51164.2↔		BOP, KOP, KOPV, KVT, UOP4	51165.2↔		BOP, KOP, KOPV, KVT, UOP4			
	05	F01A, F01B, F01D, F05Z, F07A, F07B, F14A, F14B, F28A, F42Z, F54Z, F59A, F59B		04	E05A, E05B, E05C, E08A, E08B, E08C		05	F01A, F01B, F01D, F05Z, F07A, F07B, F14A, F14B, F28A, F42Z, F54Z, F59A, F59B			
	08	I08A, I08B, I08C, I08D, I08E, I13A, I13B		05	F01A, F01B, F01D, F05Z, F07A, F07B, F14A, F14B, F28A, F42Z, F54Z, F59A, F59B		06	G15Z, G19A, G19B, G33Z, G38Z			
	10	K09A, K09B		06	G33Z		07	H33Z, H38Z			
	11	L09A, L38Z		07	H33Z, H38Z		08	I08A, I08B, I08C, I08D, I08E, I13A, I13B			
	21A	W04A, W04B		08	I08A, I08B, I08C, I08D, I08E, I13A, I13B		10	K09A, K09B			
	21B	X06A, X06B		10	K09A, K09B		11	L33Z			
	51163.x			BOP, KVT, UOP4	51164.x↔			BOP, KOP, KOPV, KVT, UOP4	51165.3↔		BOP, KOP, KOPV, KVT, UOP4
		05		F01A, F01B, F01D, F05Z, F07A, F07B, F14A, F14B, F28A, F42Z, F54Z, F59A, F59B			04	E05A, E05B, E05C, E08A, E08B, E08C		05	F01A, F01B, F01D, F05Z, F07A, F07B, F14A, F14B, F28A, F42Z, F54Z, F59A, F59B
		08		I08A, I08B, I08C, I08D, I08E, I13A, I13B			05	F01A, F01B, F01D, F05Z, F07A, F07B, F14A, F14B, F28A, F42Z, F54Z, F59A, F59B		06	G15Z, G19A, G19B, G33Z, G38Z
10		K09A, K09B	06	G33Z		07	H33Z, H38Z				
21A		W04A, W04B	07	H33Z, H38Z		08	I08A, I08B, I08C, I08D, I08E, I13A, I13B				
21B		X06A, X06B	08	I08A, I08B, I08C, I08D, I08E, I13A, I13B		10	K09A, K09B				
51164.0↔			BOP, KOP, KOPV, KVT, UOP4	51165.0↔			BOP, KOP, KOPV, KVT, UOP4	51165.4↔			BOP, KOP, KOPV, KVT, UOP4
		04	E05A, E05B, E05C, E08A, E08B, E08C			05	F01A, F01B, F01D, F05Z, F07A, F07B, F14A, F14B, F28A, F42Z, F54Z, F59A, F59B			05	F01A, F01B, F01D, F05Z, F07A, F07B, F14A, F14B, F28A, F42Z, F54Z, F59A, F59B
		05	F01A, F01B, F01D, F05Z, F07A, F07B, F14A, F14B, F28A, F42Z, F54Z, F59A, F59B			06	G15Z, G19A, G19B, G33Z, G38Z			06	G15Z, G19A, G19B, G33Z, G38Z
		06	G33Z			07	H33Z, H38Z			07	H33Z, H38Z
	07	H33Z, H38Z	08		I08A, I08B, I08C, I08D, I08E, I13A, I13B	08	I08A, I08B, I08C, I08D, I08E, I13A, I13B				
	08	I08A, I08B, I08C, I08D, I08E, I13A, I13B	10		K09A, K09B	10	K09A, K09B				
	10	K09A, K09B	11		L33Z	11	L33Z				
	11	L33Z	21A		W04A, W04B	21A	W04A, W04B				
	21A	W04A, W04B	21B		X06A, X06B, X33Z	21B	X06A, X06B, X33Z				
	21B	X06A, X06B, X33Z	23		Z01A	23	Z01A				
51164.1↔		BOP, KOP, KOPV, KVT, UOP4	51165.1↔		BOP, KOP, KOPV, KVT, UOP4	51165.x↔		BOP, KOP, KOPV, KVT, UOP4			
	04	E05A, E05B, E05C, E08A, E08B, E08C		05	F01A, F01B, F01D, F05Z, F07A, F07B, F14A, F14B, F28A, F42Z, F54Z, F59A, F59B		05	F01A, F01B, F01D, F05Z, F07A, F07B, F14A, F14B, F28A, F42Z, F54Z, F59A, F59B			
	05	F01A, F01B, F01D, F05Z, F07A, F07B, F14A, F14B, F28A, F42Z, F54Z, F59A, F59B		06	G15Z, G19A, G19B, G33Z, G38Z		06	G15Z, G19A, G19B, G33Z, G38Z			
	06	G15Z, G19A, G19B, G33Z, G38Z		07	H33Z, H38Z		07	H33Z, H38Z			
	07	H33Z, H38Z		08	I08A, I08B, I08C, I08D, I08E, I13A, I13B		08	I08A, I08B, I08C, I08D, I08E, I13A, I13B			
	08	I08A, I08B, I08C, I08D, I08E, I13A, I13B		10	K09A, K09B		10	K09A, K09B			
	10	K09A, K09B		11	L33Z		11	L33Z			
	11	L33Z		21A	W04A, W04B		21A	W04A, W04B			
	21A	W04A, W04B		21B	X06A, X06B, X33Z		21B	X06A, X06B, X33Z			
	21B	X06A, X06B, X33Z		23	Z01A		23	Z01A			
	Pre	A07A	Pre	A07A	Pre	A07A					

ZZV	MDC	DRG	ZZV	MDC	DRG	ZZV	MDC	DRG			
51166.0		BOP, KOP, KOPV, KVT, UOP4	51166.3		BOP, KOP, KOPV, KVT, UOP4	51166.6		BOP, KOP, KOPV, KVT, UOP4			
	05	F01A, F01B, F01D, F05Z, F07A, F07B, F14A, F14B, F28A, F42Z, F54Z, F59A, F59B		05	F01A, F01B, F01D, F05Z, F07A, F07B, F14A, F14B, F28A, F42Z, F54Z, F59A, F59B		05	F01A, F01B, F01D, F05Z, F07A, F07B, F14A, F14B, F28A, F42Z, F54Z, F59A, F59B			
	06	G15Z, G18A, G19A, G19B, G33Z, G38Z		06	G15Z, G18A, G19A, G19B, G33Z, G38Z		06	G15Z, G18A, G19A, G19B, G33Z, G38Z			
	07	H01A, H33Z, H38Z		07	H06A, H06B, H06C, H33Z, H38Z		07	H01A, H33Z, H38Z			
	08	I08A, I08B, I08C, I08D, I08E, I13A, I13B		08	I08A, I08B, I08C, I08D, I08E, I13A, I13B		08	I08A, I08B, I08C, I08D, I08E, I13A, I13B			
	10	K09A, K09B		10	K09A, K09B		10	K09A, K09B			
	11	L09A, L09B, L09C, L09D, L33Z, L38Z		11	L09A, L09B, L09C, L09D, L33Z, L38Z		11	L09A, L09B, L09C, L09D, L33Z, L38Z			
	21A	W04A, W04B		21A	W04A, W04B		21A	W04A, W04B			
	21B	X06A, X06B, X33Z		21A	W04A, W04B		21B	X06A, X06B, X33Z			
	23	Z01A		21B	X06A, X06B, X33Z		23	Z01A			
	Pre	A07A		23	Z01A		Pre	A07A			
	51166.1			BOP, KOP, KOPV, KVT, UOP4	51166.4↔			BOP, KOP, KOPV, KVT, UOP4	51166.x↔		BOP, KOP, KOPV, KVT, UOP4
		05		F01A, F01B, F01D, F05Z, F07A, F07B, F14A, F14B, F28A, F42Z, F54Z, F59A, F59B			05	F01A, F01B, F01D, F05Z, F07A, F07B, F14A, F14B, F28A, F42Z, F54Z, F59A, F59B		05	F01A, F01B, F01D, F05Z, F07A, F07B, F14A, F14B, F28A, F42Z, F54Z, F59A, F59B
06		G15Z, G18A, G19A, G19B, G33Z, G38Z	06	G15Z, G19A, G19B, G33Z, G38Z		06	G15Z, G19A, G19B, G33Z, G38Z				
07		H01A, H06A, H06B, H06C, H33Z, H38Z	07	H33Z, H38Z		07	H33Z, H38Z				
08		I08A, I08B, I08C, I08D, I08E, I13A, I13B	08	I08A, I08B, I08C, I08D, I08E, I13A, I13B		08	I08A, I08B, I08C, I08D, I08E, I13A, I13B				
10		K09A, K09B	10	K09A, K09B		10	K09A, K09B				
11		L09A, L09B, L09C, L09D, L33Z, L38Z	11	L09A, L09B, L09C, L09D, L33Z, L38Z		11	L09A, L09B, L09C, L09D, L33Z, L38Z				
21A		W04A, W04B	21A	W04A, W04B		21A	W04A, W04B				
21B		X06A, X06B, X33Z	21B	X06A, X06B, X33Z		21B	X06A, X06B, X33Z				
23		Z01A	23	Z01A		23	Z01A				
Pre		A07A	Pre	A07A		Pre	A07A				
51166.2			BOP, KOP, KOPV, KVT, UOP4	51166.5			BOP, KOP, KOPV, KVT, UOP4	51167.0↔			BOP, KOP, KOPV, KVT, UOP4
		05	F01A, F01B, F01D, F05Z, F07A, F07B, F14A, F14B, F28A, F42Z, F54Z, F59A, F59B			05	F01A, F01B, F01D, F05Z, F07A, F07B, F14A, F14B, F28A, F42Z, F54Z, F59A, F59B			05	F01A, F01B, F01D, F05Z, F07A, F07B, F28A, F42Z, F54Z, F59A, F59B
	06	G15Z, G19A, G19B, G33Z, G38Z	06		G15Z, G18A, G19A, G19B, G33Z, G38Z	08	I08A, I08B, I08C, I08D, I08E, I13A, I13B				
	07	H33Z, H38Z	07		H01A, H33Z, H38Z	10	K09A, K09B				
	08	I08A, I08B, I08C, I08D, I08E, I13A, I13B	08		I08A, I08B, I08C, I08D, I08E, I13A, I13B	21A	W04A, W04B				
	10	K09A, K09B	10		K09A, K09B	21B	X06A, X06B				
	11	L09A, L09B, L09C, L09D, L33Z, L38Z	11		L09A, L09B, L09C, L09D, L33Z, L38Z	05	F01A, F01B, F01D, F05Z, F07A, F07B, F28A, F42Z, F54Z, F59A, F59B				
	21A	W04A, W04B	21A		W04A, W04B	08	I08A, I08B, I08C, I08D, I08E, I13A, I13B				
	21B	X06A, X06B, X33Z	21A		W04A, W04B	10	K09A, K09B				
	23	Z01A	21B		X06A, X06B, X33Z	21A	W04A, W04B				
	Pre	A07A	23		Z01A	21B	X06A, X06B				
			Pre		A07A	05	F01A, F01B, F01D, F05Z, F07A, F07B, F28A, F42Z, F54Z, F59A, F59B				
						08	I08A, I08B, I08C, I08D, I08E, I13A, I13B				
				10	K09A, K09B						
				21A	W04A, W04B						
				21B	X06A, X06B						
				05	F01A, F01B, F01D, F05Z, F07A, F07B, F28A, F42Z, F54Z, F59A, F59B						
				08	I08A, I08B, I08C, I08D, I08E, I13A, I13B						
				10	K09A, K09B						
				21A	W04A, W04B						
				21B	X06A, X06B						
				05	F01A, F01B, F01D, F05Z, F07A, F07B, F28A, F42Z, F54Z, F59A, F59B						
				08	I08A, I08B, I08C, I08D, I08E, I13A, I13B						
				10	K09A, K09B						
				21A	W04A, W04B						
				21B	X06A, X06B						
				05	F01A, F01B, F01D, F05Z, F07A, F07B, F28A, F42Z, F54Z, F59A, F59B						
				08	I08A, I08B, I08C, I08D, I08E, I13A, I13B						
				10	K09A, K09B						
				21A	W04A, W04B						
				21B	X06A, X06B						

VYK



ZZV	MDC	DRG	ZZV	MDC	DRG	ZZV	MDC	DRG
51168.0↔	05	F01A, F01B, F01D, F05Z, F07A, F07B, F28A, F42Z, F54Z, F59A, F59B	51169.3↔	01	B04A, B04B, B04C, B04D, B04E	51169.b↔	01	B04A, B04B, B04C, B04D, B04E
	08	I08A, I08B, I08C, I08D, I08E, I13A, I13B		05	F39A, F39B		05	F39A, F39B
	10	K09A, K09B		06	G18A, G38Z		08	I08A, I08B, I08C, I08D, I08E, I13A, I13B
	21A	W04A, W04B		07	H01A		21A	W04A, W04B
	21B	X06A, X06B		08	I08A, I08B, I08C, I08D, I08E, I13A, I13B		21B	X06A, X06B
51168.1↔	05	F01A, F01B, F01D, F05Z, F07A, F07B, F28A, F42Z, F54Z, F59A, F59B	51169.4	21A	W04A, W04B	51169.c↔	01	B04A, B04B, B04C, B04D, B04E
	08	I08A, I08B, I08C, I08D, I08E, I13A, I13B		21B	X06A, X06B		05	F39A, F39B
	10	K09A, K09B		01	B04A, B04B, B04C, B04D, B04E		08	I08A, I08B, I08C, I08D, I08E, I13A, I13B
	21A	W04A, W04B		05	F39A, F39B		21A	W04A, W04B
	21B	X06A, X06B		06	G18A, G38Z		21B	X06A, X06B
51168.2↔	05	F01A, F01B, F01D, F05Z, F07A, F07B, F28A, F42Z, F54Z, F59A, F59B	51169.5	07	H01A	51169.d↔	01	B04A, B04B, B04C, B04D, B04E
	08	I08A, I08B, I08C, I08D, I08E, I13A, I13B		08	I08A, I08B, I08C, I08D, I08E, I13A, I13B		05	F39A, F39B
	10	K09A, K09B		21A	W04A, W04B		08	I08A, I08B, I08C, I08D, I08E, I13A, I13B
	21A	W04A, W04B		21B	X06A, X06B		21A	W04A, W04B
	21B	X06A, X06B		01	B04A, B04B, B04C, B04D, B04E		21B	X06A, X06B
51168.3↔	05	F01A, F01B, F01D, F05Z, F07A, F07B, F28A, F42Z, F54Z, F59A, F59B	51169.6	05	F39A, F39B	51169.e	BOP, KVT, UOP4	
	08	I08A, I08B, I08C, I08D, I08E, I13A, I13B		06	G18A, G38Z		01	B04A, B04B, B04C, B04D, B04E
	10	K09A, K09B		07	H01A		05	F39A, F39B
	21A	W04A, W04B		08	I08A, I08B, I08C, I08D, I08E, I13A, I13B		08	I08A, I08B, I08C, I08D, I08E, I13A, I13B
	21B	X06A, X06B		21A	W04A, W04B		21A	W04A, W04B
51168.x↔	05	F01A, F01B, F01D, F05Z, F07A, F07B, F28A, F42Z, F54Z, F59A, F59B	51169.7	21B	X06A, X06B	51169.f	21B	X06A, X06B
	08	I08A, I08B, I08C, I08D, I08E, I13A, I13B		01	B04A, B04B, B04C, B04D, B04E		BOP, KVT, UOP4	
	10	K09A, K09B		05	F39A, F39B		01	B04A, B04B, B04C, B04D, B04E
	21A	W04A, W04B		06	G18A, G38Z		05	F39A, F39B
	21B	X06A, X06B		07	H01A		06	G03A, G18A, G38Z
51169.0↔	01	B04A, B04B, B04C, B04D, B04E	51169.8↔	08	I08A, I08B, I08C, I08D, I08E, I13A, I13B	51169.g↔	07	H01A
	05	F39A, F39B		01	B04A, B04B, B04C, B04D, B04E		08	I08A, I08B, I08C, I08D, I08E, I13A, I13B
	08	I08A, I08B, I08C, I08D, I08E, I13A, I13B		05	F39A, F39B		01	B04A, B04B, B04C, B04D, B04E
	21A	W04A, W04B		06	G18A, G38Z		05	F39A, F39B
	21B	X06A, X06B		07	H01A		08	I08A, I08B, I08C, I08D, I08E, I13A, I13B
51169.1↔	01	B04A, B04B, B04C, B04D, B04E	51169.9↔	21A	W04A, W04B	51169.h↔	01	B04A, B04B, B04C, B04D, B04E
	05	F39A, F39B		21B	X06A, X06B		05	F39A, F39B
	08	I08A, I08B, I08C, I08D, I08E, I13A, I13B		01	B04A, B04B, B04C, B04D, B04E		08	I08A, I08B, I08C, I08D, I08E, I13A, I13B
	21A	W04A, W04B		05	F39A, F39B		21A	W04A, W04B
	21B	X06A, X06B		08	I08A, I08B, I08C, I08D, I08E, I13A, I13B		21B	X06A, X06B
51169.2	01	B04A, B04B, B04C, B04D, B04E	51169.a↔	01	B04A, B04B, B04C, B04D, B04E	51169.i↔	BOP, KVT, UOP4	
	05	F39A, F39B		05	F39A, F39B		01	B04A, B04B, B04C, B04D, B04E
	06	G18A, G38Z		08	I08A, I08B, I08C, I08D, I08E, I13A, I13B		05	F39A, F39B
	07	H01A		21A	W04A, W04B		08	I08A, I08B, I08C, I08D, I08E, I13A, I13B
	08	I08A, I08B, I08C, I08D, I08E, I13A, I13B		21B	X06A, X06B		21A	W04A, W04B
51169.3↔	21A	W04A, W04B	51169.x↔	01	B04A, B04B, B04C, B04D, B04E	51169.x↔	21B	X06A, X06B
	21B	X06A, X06B		05	F39A, F39B		01	B04A, B04B, B04C, B04D, B04E
	05	F39A, F39B		08	I08A, I08B, I08C, I08D, I08E, I13A, I13B		05	F39A, F39B
	06	G18A, G38Z		21A	W04A, W04B		08	I08A, I08B, I08C, I08D, I08E, I13A, I13B
	07	H01A		21B	X06A, X06B		21A	W04A, W04B



ZZV	MDC	DRG	ZZV	MDC	DRG	ZZV	MDC	DRG	
51172.5↔	05	F01A, F01B, F01D, F05Z, F07A, F07B, F14A, F14B, F28A, F42Z, F54Z, F59A, F59B	51173.1	04	BOP, KOP, KOPV, KVT, UOP4	51173.x	05	BOP, KVT, UOP4	
		08			E05A, E05B, E05C, E08A, E08B, E08C			F01A, F01B, F01D, F05Z, F07A, F07B, F14A, F14B, F28A, F42Z, F54Z, F59A, F59B	
		10			F01A, F01B, F01D, F05Z, F07A, F07B, F14A, F14B, F28A, F42Z, F54Z, F59A, F59B			06	G01Z, G02Z, G38Z
		21A			G01Z, G02Z, G33Z, G38Z			08	I08A, I08B, I08C, I08D, I08E, I13A, I13B
		21B			H33Z, H38Z			10	K09A, K09B
51172.6↔	05	F01A, F01B, F01D, F05Z, F07A, F07B, F14A, F14B, F28A, F42Z, F54Z, F59A, F59B	08	10	K09A, K09B	51174.0↔	21A	W04A, W04B	
		08			I08A, I08B, I08C, I08D, I08E, I13A, I13B			21B	X06A, X06B
		10			K09A, K09B			Pre	A11A, A13A, A13B, A13D
		21A			W04A, W04B			04	E05A, E05B, E05C, E08A, E08B, E08C
		21B			X05A, X05B, X06A, X06B			05	F01A, F01B, F01D, F05Z, F07A, F07B, F09A, F09B, F09C, F42Z
51172.7↔	05	F01A, F01B, F01D, F05Z, F07A, F07B, F14A, F14B, F28A, F42Z, F54Z, F59A, F59B	51173.2	Pre	A07A, A11A, A13A, A13B, A13D	06	G01Z, G02Z, G15Z, G19A, G19B, G33Z, G38Z		
		08			I08A, I08B, I08C, I08D, I08E, I13A, I13B			07	H33Z, H38Z
		10			K09A, K09B			08	I08A, I08B, I08C, I08D, I08E, I13A, I13B
		21A			W04A, W04B			11	L33Z
		21B			X05A, X05B, X06A, X06B			21A	W04A, W04B
51172.x↔	05	F01A, F01B, F01D, F05Z, F07A, F07B, F14A, F14B, F28A, F42Z, F54Z, F59A, F59B	51173.3	06	G01Z, G02Z, G33Z, G38Z	51174.1↔	21B	X06A, X06B, X33Z	
		08			I08A, I08B, I08C, I08D, I08E, I13A, I13B			Pre	A07A, A11A, A13A, A13B, A13D
		10			K09A, K09B			04	BOP, KOP, KOPV, KVT, UOP4
		21A			W04A, W04B			05	F01A, F01B, F01D, F05Z, F07A, F07B, F14A, F14B, F28A, F42Z, F54Z, F59A, F59B
		21B			X06A, X06B			06	G01Z, G02Z, G38Z
51173.0	04	BOP, KOP, KOPV, KVT, UOP4	51173.4	08	I08A, I08B, I08C, I08D, I08E, I13A, I13B	51174.2↔	Pre	A07A	
		05			F01A, F01B, F01D, F05Z, F07A, F07B, F14A, F14B, F28A, F42Z, F54Z, F59A, F59B			04	E05A, E05B, E05C, E08A, E08B, E08C
		06			G01Z, G02Z, G33Z, G38Z			05	F01A, F01B, F01D, F05Z, F07A, F07B, F09A, F09B, F09C, F42Z
		07			H33Z, H38Z			06	G15Z, G19A, G19B, G33Z, G38Z
		08			I08A, I08B, I08C, I08D, I08E, I13A, I13B			07	H33Z, H38Z
		10			K09A, K09B			08	I08A, I08B, I08C, I08D, I08E, I13A, I13B
		11			L33Z			11	L33Z
		21A			W04A, W04B			21A	W04A, W04B
		21B			X06A, X06B, X33Z			21B	X06A, X06B, X33Z
		Pre			A07A, A11A, A13A, A13B, A13D			23	Z01A

ZZV	MDC	DRG	ZZV	MDC	DRG	ZZV	MDC	DRG		
51174.x↔		BOP, KOP, KOPV, KVT, UOP4	51175.4↔		BOP, KVT, UOP4	51176.2		BOP, KVT, UOP4		
	04	E05A, E05B, E05C, E08A, E08B, E08C		05	F01A, F01B, F01D, F05Z, F07A, F07B, F14A, F14B, F28A, F42Z, F54Z, F59A, F59B		01	B03A, B03B, B06A, B06B, B07Z, B17A, B17B, B17C		
	05	F01A, F01B, F01D, F05Z, F07A, F07B, F09A, F09B, F09C, F42Z		06	G10Z, G12A, G12B		05	F01A, F01B, F01D, F05Z, F07A, F07B, F14A, F14B, F28A, F42Z, F54Z, F59A, F59B		
	06	G15Z, G19A, G19B, G33Z, G38Z		08	I08A, I08B, I08C, I08D, I08E, I13A, I13B		06	G10Z, G12A, G12B		
	07	H33Z, H38Z	11	L09A, L09B, L09C, L09D, L38Z	08		I08A, I08B, I08C, I08D, I08E, I13A, I13B			
	08	I08A, I08B, I08C, I08D, I08E, I13A, I13B	21A	W04A, W04B	10		K09A, K09B			
	11	L33Z	21B	X06A, X06B	11		L09A, L09B, L09C, L09D, L38Z			
	21A	W04A, W04B	51175.x↔		BOP, KVT, UOP4		21A	W04A, W04B		
	21B	X06A, X06B, X33Z		05	F01A, F01B, F01D, F05Z, F07A, F07B, F14A, F14B, F28A, F42Z, F54Z, F59A, F59B		21B	X06A, X06B		
	23	Z01A					51176.3		BOP, KVT, UOP4	
	Pre	A07A						01	B03A, B03B, B06A, B06B, B07Z, B17A, B17B, B17C	
	51175.0↔		BOP, KVT, UOP4						05	F01A, F01B, F01D, F05Z, F07A, F07B, F14A, F14B, F28A, F42Z, F54Z, F59A, F59B
		05	F01A, F01B, F01D, F05Z, F07A, F07B, F14A, F14B, F28A, F42Z, F54Z, F59A, F59B						06	G01Z, G02Z, G10Z, G12A, G12B, G18A, G38Z
		06	G10Z, G12A, G12B						07	H06A, H06B, H06C
08		I08A, I08B, I08C, I08D, I08E, I13A, I13B				08		I08A, I08B, I08C, I08D, I08E, I13A, I13B		
11		L09A, L09B, L09C, L09D, L38Z	51176.0		BOP, KVT, UOP4	10		K09A, K09B		
21A		W04A, W04B		01	B03A, B03B, B06A, B06B, B07Z, B17A, B17B, B17C	11		L09A, L09B, L09C, L09D, L38Z		
21B		X06A, X06B								
51175.1↔			BOP, KVT, UOP4							
	05	F01A, F01B, F01D, F05Z, F07A, F07B, F14A, F14B, F28A, F42Z, F54Z, F59A, F59B								
	06	G10Z, G12A, G12B								
	08	I08A, I08B, I08C, I08D, I08E, I13A, I13B								
	11	L09A, L09B, L09C, L09D, L38Z								
	21A	W04A, W04B								
	21B	X06A, X06B								
	51175.2↔		BOP, KVT, UOP4	51176.1		BOP, KVT, UOP4	51176.4↔		BOP, KVT, UOP4	
05		F01A, F01B, F01D, F05Z, F07A, F07B, F14A, F14B, F28A, F42Z, F54Z, F59A, F59B	01		B03A, B03B, B06A, B06B, B07Z, B17A, B17B, B17C	01		B03A, B03B, B06A, B06B, B07Z, B17A, B17B, B17C		
06		G10Z, G12A, G12B	05		F01A, F01B, F01D, F05Z, F07A, F07B, F14A, F14B, F28A, F42Z, F54Z, F59A, F59B	05		F01A, F01B, F01D, F05Z, F07A, F07B, F14A, F14B, F28A, F42Z, F54Z, F59A, F59B		
08		I08A, I08B, I08C, I08D, I08E, I13A, I13B	06		G10Z, G12A, G12B, G18A, G38Z	06		G01Z, G02Z, G10Z, G12A, G12B, G38Z		
11		L09A, L09B, L09C, L09D, L38Z	07		H01A	08		I08A, I08B, I08C, I08D, I08E, I13A, I13B		
21A		W04A, W04B	08		I08A, I08B, I08C, I08D, I08E, I13A, I13B	10		K09A, K09B		
21B		X06A, X06B	10		K09A, K09B	11		L09A, L09B, L09C, L09D, L38Z		
51175.3↔			BOP, KVT, UOP4							
	05	F01A, F01B, F01D, F05Z, F07A, F07B, F14A, F14B, F28A, F42Z, F54Z, F59A, F59B								
	06	G10Z, G12A, G12B								
	08	I08A, I08B, I08C, I08D, I08E, I13A, I13B								
	11	L09A, L09B, L09C, L09D, L38Z								
	21A	W04A, W04B								
	21B	X06A, X06B								
	51175.4↔		BOP, KVT, UOP4							
05		F01A, F01B, F01D, F05Z, F07A, F07B, F14A, F14B, F28A, F42Z, F54Z, F59A, F59B								
06		G10Z, G12A, G12B								
08		I08A, I08B, I08C, I08D, I08E, I13A, I13B								
11		L09A, L09B, L09C, L09D, L38Z								
21A		W04A, W04B								
21B		X06A, X06B								
51175.5↔			BOP, KVT, UOP4							
	05	F01A, F01B, F01D, F05Z, F07A, F07B, F14A, F14B, F28A, F42Z, F54Z, F59A, F59B								
	06	G10Z, G12A, G12B								
	08	I08A, I08B, I08C, I08D, I08E, I13A, I13B								
	11	L09A, L09B, L09C, L09D, L38Z								
	21A	W04A, W04B								
	21B	X06A, X06B								
	51175.6↔		BOP, KVT, UOP4							
05		F01A, F01B, F01D, F05Z, F07A, F07B, F14A, F14B, F28A, F42Z, F54Z, F59A, F59B								
06		G10Z, G12A, G12B								
08		I08A, I08B, I08C, I08D, I08E, I13A, I13B								
11		L09A, L09B, L09C, L09D, L38Z								
21A		W04A, W04B								
21B		X06A, X06B								
51175.7↔			BOP, KVT, UOP4							
	05	F01A, F01B, F01D, F05Z, F07A, F07B, F14A, F14B, F28A, F42Z, F54Z, F59A, F59B								
	06	G10Z, G12A, G12B								
	08	I08A, I08B, I08C, I08D, I08E, I13A, I13B								
	11	L09A, L09B, L09C, L09D, L38Z								
	21A	W04A, W04B								
	21B	X06A, X06B								
	51175.8↔		BOP, KVT, UOP4							
05		F01A, F01B, F01D, F05Z, F07A, F07B, F14A, F14B, F28A, F42Z, F54Z, F59A, F59B								
06		G10Z, G12A, G12B								
08		I08A, I08B, I08C, I08D, I08E, I13A, I13B								
11		L09A, L09B, L09C, L09D, L38Z								
21A		W04A, W04B								
21B		X06A, X06B								

VYK

ZZV	MDC	DRG	ZZV	MDC	DRG	ZZV	MDC	DRG
51176.6		BOP, KVT, UOP4	51178.0↔	05	F01A, F01B, F01D, F05Z, F07A, F07B, F14A, F14B, F28A, F42Z, F54Z, F59A, F59B	51178.x↔	05	F01A, F01B, F01D, F05Z, F07A, F07B, F14A, F14B, F28A, F42Z, F54Z, F59A, F59B
	01	B03A, B03B, B06A, B06B, B07Z, B17A, B17B, B17C		08	I08A, I08B, I08C, I08D, I08E, I13A, I13B		08	I08A, I08B, I08C, I08D, I08E, I13A, I13B
	05	F01A, F01B, F01D, F05Z, F07A, F07B, F14A, F14B, F28A, F42Z, F54Z, F59A, F59B		10	K09A, K09B		10	K09A, K09B
	06	G10Z, G12A, G12B, G18A, G38Z		21A	W04A, W04B		21A	W04A, W04B
	07	H01A		21B	X04Z		21B	X04Z
	08	I08A, I08B, I08C, I08D, I08E, I13A, I13B	51178.1↔	05	F01A, F01B, F01D, F05Z, F07A, F07B, F14A, F14B, F28A, F42Z, F54Z, F59A, F59B	51179.0↔	05	F39A, F39B
	10	K09A, K09B		08	I08A, I08B, I08C, I08D, I08E, I13A, I13B		08	I08A, I08B, I08C, I08D, I08E, I13A, I13B
	11	L09A, L09B, L09C, L09D, L38Z		10	K09A, K09B		21A	W04A, W04B
	21A	W04A, W04B		21A	W04A, W04B		21B	X04Z
	21B	X06A, X06B		21B	X04Z	51179.1↔	05	F39A, F39B
51176.x↔		BOP, KVT, UOP4	51178.2↔	05	F01A, F01B, F01D, F05Z, F07A, F07B, F14A, F14B, F28A, F42Z, F54Z, F59A, F59B		08	I08A, I08B, I08C, I08D, I08E, I13A, I13B
	01	B03A, B03B, B06A, B06B, B07Z, B17A, B17B, B17C		08	I08A, I08B, I08C, I08D, I08E, I13A, I13B		21A	W04A, W04B
	05	F01A, F01B, F01D, F05Z, F07A, F07B, F14A, F14B, F28A, F42Z, F54Z, F59A, F59B		10	K09A, K09B	51179.2	05	F39A, F39B
	06	G10Z, G12A, G12B		21A	W04A, W04B		06	G18A, G38Z
	08	I08A, I08B, I08C, I08D, I08E, I13A, I13B		21B	X04Z		07	H01A
	10	K09A, K09B		21B	X04Z		08	I08A, I08B, I08C, I08D, I08E, I13A, I13B
	11	L09A, L09B, L09C, L09D, L38Z	51178.3↔	05	F01A, F01B, F01D, F05Z, F07A, F07B, F14A, F14B, F28A, F42Z, F54Z, F59A, F59B	51179.3↔	05	F39A, F39B
	21A	W04A, W04B		08	I08A, I08B, I08C, I08D, I08E, I13A, I13B		06	G18A, G38Z
	21B	X06A, X06B		10	K09A, K09B		07	H01A
51177.0↔		F01A, F01B, F01D, F05Z, F07A, F07B, F14A, F14B, F28A, F42Z, F54Z, F59A, F59B	51178.4↔	05	F01A, F01B, F01D, F05Z, F07A, F07B, F14A, F14B, F28A, F42Z, F54Z, F59A, F59B		08	I08A, I08B, I08C, I08D, I08E, I13A, I13B
	05	F01A, F01B, F01D, F05Z, F07A, F07B, F14A, F14B, F28A, F42Z, F54Z, F59A, F59B		08	I08A, I08B, I08C, I08D, I08E, I13A, I13B	51179.4	11	L09A, L09B, L09C, L09D, L38Z
	08	I08A, I08B, I08C, I08D, I08E, I13A, I13B		10	K09A, K09B		21A	W04A, W04B
	10	K09A, K09B		21A	W04A, W04B		21B	X04Z
	21A	W04A, W04B		21B	X04Z		05	F39A, F39B
	21B	X04Z	51178.5↔	05	F01A, F01B, F01D, F05Z, F07A, F07B, F14A, F14B, F28A, F42Z, F54Z, F59A, F59B	51179.5	06	G18A, G38Z
51177.1↔		F01A, F01B, F01D, F05Z, F07A, F07B, F14A, F14B, F28A, F42Z, F54Z, F59A, F59B		08	I08A, I08B, I08C, I08D, I08E, I13A, I13B		07	H01A
	05	F01A, F01B, F01D, F05Z, F07A, F07B, F14A, F14B, F28A, F42Z, F54Z, F59A, F59B		10	K09A, K09B		08	I08A, I08B, I08C, I08D, I08E, I13A, I13B
	08	I08A, I08B, I08C, I08D, I08E, I13A, I13B		21A	W04A, W04B	51179.6	21A	W04A, W04B
	10	K09A, K09B		21B	X04Z		21B	X04Z
	21A	W04A, W04B	51178.6↔	05	F01A, F01B, F01D, F05Z, F07A, F07B, F14A, F14B, F28A, F42Z, F54Z, F59A, F59B		05	F39A, F39B
	21B	X04Z		08	I08A, I08B, I08C, I08D, I08E, I13A, I13B		06	G18A, G38Z
51177.2↔		F01A, F01B, F01D, F05Z, F07A, F07B, F14A, F14B, F28A, F42Z, F54Z, F59A, F59B		10	K09A, K09B		07	H01A
	05	F01A, F01B, F01D, F05Z, F07A, F07B, F14A, F14B, F28A, F42Z, F54Z, F59A, F59B		21A	W04A, W04B		08	I08A, I08B, I08C, I08D, I08E, I13A, I13B
	08	I08A, I08B, I08C, I08D, I08E, I13A, I13B		21B	X04Z	51179.7	21A	W04A, W04B
	10	K09A, K09B		21B	X04Z		21B	X04Z
	21A	W04A, W04B		10	K09A, K09B		05	F39A, F39B
	21B	X04Z		21A	W04A, W04B		06	G18A, G38Z
51177.x↔		F01A, F01B, F01D, F05Z, F07A, F07B, F14A, F14B, F28A, F42Z, F54Z, F59A, F59B		21B	X04Z		07	H01A
	05	F01A, F01B, F01D, F05Z, F07A, F07B, F14A, F14B, F28A, F42Z, F54Z, F59A, F59B		10	K09A, K09B		08	I08A, I08B, I08C, I08D, I08E, I13A, I13B
	08	I08A, I08B, I08C, I08D, I08E, I13A, I13B		21A	W04A, W04B	51179.8↔	21A	W04A, W04B
	10	K09A, K09B		21B	X04Z		21B	X04Z
	21A	W04A, W04B		10	K09A, K09B		05	F39A, F39B
	21B	X04Z		21A	W04A, W04B		06	G18A, G38Z
				21B	X04Z		07	H01A
							08	I08A, I08B, I08C, I08D, I08E, I13A, I13B
							21A	W04A, W04B
							21B	X04Z

ZZV	MDC	DRG	ZZV	MDC	DRG	ZZV	MDC	DRG				
51179.9↔	01	B03A, B03B, B06A, B06B, B07Z, B17A, B17B, B17C	51179.e		BOP, KVT, UOP4	5117a.0↔	01	B03A, B03B, B06A, B06B, B07Z, B17A, B17B, B17C				
	05	F01A, F01B, F01D, F05Z, F07A, F07B, F14A, F14B, F28A, F42Z, F54Z, F59A, F59B		04	E02A, E02B, E02C		03	D12A, D12B				
	08	I08A, I08B, I08C, I08D, I08E, I13A, I13B		05	F01A, F01B, F01D, F05Z, F07A, F07B, F14A, F14B, F28A, F42Z, F54Z, F59A, F59B		05	F01A, F01B, F01D, F05Z, F07A, F07B, F14A, F14B, F28A, F42Z, F54Z, F59A, F59B				
	21A	W04A, W04B		08	I08A, I08B, I08C, I08D, I08E, I13A, I13B		08	I08A, I08B, I08C, I08D, I08E, I13A, I13B				
	21B	X06A, X06B		14	962Z, O02A, O02B		21A	W04A, W04B				
	51179.a↔			KOP, KOPV	21A		W04A, W04B	21B	X06A, X06B			
		04		E05A, E05B, E05C, E08A, E08B, E08C	51179.f			BOP, KVT, UOP4	5117a.1↔	01	B04A, B04B, B04C, B04D, B04E	
		05		F01A, F01B, F01D, F05Z, F07A, F07B, F09A, F09B, F09C, F42Z			04	E02A, E02B, E02C		05	F39A, F39B	
		06		G15Z, G19A, G19B, G33Z, G38Z			05	F01A, F01B, F01D, F05Z, F07A, F07B, F14A, F14B, F28A, F42Z, F54Z, F59A, F59B		08	I08A, I08B, I08C, I08D, I08E, I13A, I13B	
		07		H33Z, H38Z			06	G03A, G18A, G38Z		21A	W04A, W04B	
08		I08A, I08B, I08C, I08D, I08E, I13A, I13B	07	H01A		21B	X06A, X06B					
11		L33Z	08	I08A, I08B, I08C, I08D, I08E, I13A, I13B		5117a.2↔	05	F01A, F01B, F01D, F05Z, F07A, F07B, F14A, F14B, F28A, F42Z, F54Z, F59A, F59B				
21A		W04A, W04B	14	962Z, O02A, O02B			08	I08A, I08B, I08C, I08D, I08E, I13A, I13B				
21B		X06A, X06B, X33Z	21A	W04A, W04B			10	K09A, K09B				
23		Z01A	21B	X06A, X06B			21A	W04A, W04B				
Pre	A07A	51179.g↔		BOP, KVT, UOP4			21B	X06A, X06B				
51179.b↔			KOP, KOPV	05	F01A, F01B, F01D, F05Z, F07A, F07B, F14A, F14B, F28A, F42Z, F54Z, F59A, F59B		5117a.4↔	01	B03A, B03B, B06A, B06B, B07Z, B17A, B17B, B17C			
	04		E05A, E05B, E05C, E08A, E08B, E08C	06	G10Z, G12A, G12B			05	F01A, F01B, F01D, F05Z, F07A, F07B, F14A, F14B, F28A, F42Z, F54Z, F59A, F59B			
	05		F01A, F01B, F01D, F05Z, F07A, F07B, F09A, F09B, F09C, F42Z	08	I08A, I08B, I08C, I08D, I08E, I13A, I13B			06	G10Z, G12A, G12B			
	06		G15Z, G19A, G19B, G33Z, G38Z	11	L09A, L09B, L09C, L09D, L38Z			08	I08A, I08B, I08C, I08D, I08E, I13A, I13B			
	07		H33Z, H38Z	21A	W04A, W04B			21B	X04Z, X06A, X06B			
	08		I08A, I08B, I08C, I08D, I08E, I13A, I13B	21B	X06A, X06B	5117a.5↔		05	F39A, F39B			
	11		L33Z	51179.h↔	05			F01A, F01B, F01D, F05Z, F07A, F07B, F14A, F14B, F28A, F42Z, F54Z, F59A, F59B	08	I08A, I08B, I08C, I08D, I08E, I13A, I13B		
	21A		W04A, W04B		06			G10Z, G12A, G12B	21A	W04A, W04B		
	21B		X06A, X06B, X33Z		08			I08A, I08B, I08C, I08D, I08E, I13A, I13B	21B	X04Z		
	23	Z01A	11		L09A, L09B, L09C, L09D, L38Z			5117a.6↔	05	F39A, F39B		
Pre	A07A	21A	W04A, W04B		08		I08A, I08B, I08C, I08D, I08E, I13A, I13B					
51179.c↔	05	F01A, F01B, F01D, F05Z, F07A, F07B, F14A, F14B, F28A, F42Z, F54Z, F59A, F59B	51179.i↔				BOP, KVT, UOP4		21A	W04A, W04B		
	08	I08A, I08B, I08C, I08D, I08E, I13A, I13B			05		F01A, F01B, F01D, F05Z, F07A, F07B, F14A, F14B, F28A, F42Z, F54Z, F59A, F59B		21B	X04Z		
	10	K09A, K09B			06		G10Z, G12A, G12B		5117a.x↔	05	F39A, F39B	
	21A	W04A, W04B			08		I08A, I08B, I08C, I08D, I08E, I13A, I13B			08	I08A, I08B, I08C, I08D, I08E, I13A, I13B	
	21B	X06A, X06B			11	L09A, L09B, L09C, L09D, L38Z	21A			W04A, W04B		
	51179.d↔			BOP, KOP, KOPV, KVT, UOP4	21B	X06A, X06B	21B			X04Z		
		04		E05A, E05B, E05C, E08A, E08B, E08C	51179.j↔		BOP, KVT, UOP4			5117x↔	05	F39A, F39B
		05		F01A, F01B, F01D, F05Z, F07A, F07B, F09A, F09B, F09C, F42Z		05	F01A, F01B, F01D, F05Z, F07A, F07B, F14A, F14B, F28A, F42Z, F54Z, F59A, F59B				08	I08A, I08B, I08C, I08D, I08E, I13A, I13B
		06		G15Z, G19A, G19B, G33Z, G38Z		06	G10Z, G12A, G12B	21A			W04A, W04B	
		07		H33Z, H38Z		08	I08A, I08B, I08C, I08D, I08E, I13A, I13B	21B			X06A, X06B	
08		I08A, I08B, I08C, I08D, I08E, I13A, I13B	11	L09A, L09B, L09C, L09D, L38Z		05	F39A, F39B					
11		L33Z	21A	W04A, W04B		51180.0	08	I08A, I08B, I08C, I08D, I08E, I13A, I13B				
21A		W04A, W04B	21B	X06A, X06B			04	E02A, E02B, E02C				
21B		X06A, X06B, X33Z	05	F39A, F39B			05	F01A, F01B, F01D, F05Z, F07A, F07B, F14A, F14B, F28A, F42Z, F54Z, F59A, F59B				
23		Z01A	08	I08A, I08B, I08C, I08D, I08E, I13A, I13B			08	I08A, I08B, I08C, I08D, I08E, I13A, I13B				
Pre	A07A	21A	W04A, W04B	14			962Z, O02A, O02B					
		21B	X04Z	21A	W04A, W04B							
				21B	X06A, X06B, X06C							

VYK

ZZV	MDC	DRG	ZZV	MDC	DRG	ZZV	MDC	DRG
51180.1		BOP, KVT, UOP4	51193.2↔	05	F20Z, F39A, F39B	511a1.71↔		BOP, KVT, UOP4
	04	E02A, E02B, E02C		08	I08A, I08B, I08C, I08D, I08E, I13A, I13B		01	B04A, B04B, B04C, B04D, B04E
	05	F01A, F01B, F01D, F05Z, F07A, F07B, F14A, F14B, F28A, F42Z, F54Z, F59A, F59B	51194.0↔	05	F39A, F39B		03	D12A, D12B
				08	I08A, I08B, I08C, I08D, I08E, I13A, I13B		05	F01A, F01B, F01D, F05Z, F06A, F06C, F07A, F07B, F14A, F14B, F28A, F42Z, F54Z, F59A, F59B
	08	I08A, I08B, I08C, I08D, I08E, I13A, I13B	51194.1↔	05	F39A, F39B		08	I08A, I08B, I08C, I08D, I08E, I13A, I13B
	14	962Z, O02A, O02B		08	I08A, I08B, I08C, I08D, I08E, I13A, I13B		10	K09A, K09B
	21A	W04A, W04B	51194.2↔	05	F39A, F39B		11	L09A, L38Z
	21B	X06A, X06B, X06C		08	I08A, I08B, I08C, I08D, I08E, I13A, I13B		21A	W04A, W04B
51180.2	04	E02A, E02B, E02C	51194.3↔	05	F39A, F39B		21B	X06A, X06B, X06C
	05	F01A, F01B, F01D, F05Z, F07A, F07B, F14A, F14B, F28A, F42Z, F54Z, F59A, F59B		08	I08A, I08B, I08C, I08D, I08E, I13A, I13B	511a1.7x↔	01	B04A, B04B, B04C, B04D, B04E
	08	I08A, I08B, I08C, I08D, I08E, I13A, I13B	51194.x↔	05	F39A, F39B		03	D12A, D12B
	14	962Z, O02A, O02B		08	I08A, I08B, I08C, I08D, I08E, I13A, I13B		05	F01A, F01B, F01D, F05Z, F06A, F06C, F07A, F07B, F14A, F14B, F28A, F42Z, F54Z, F59A, F59B
	21A	W04A, W04B	51195.0↔	05	F39A, F39B		08	I08A, I08B, I08C, I08D, I08E, I13A, I13B
	21B	X06A, X06B, X06C		08	I08A, I08B, I08C, I08D, I08E, I13A, I13B		10	K09A, K09B
51180.x		BOP, KVT, UOP4	51195.1	05	F39A, F39B		11	L09A, L38Z
	04	E02A, E02B, E02C		08	I08A, I08B, I08C, I08D, I08E, I13A, I13B		21A	W04A, W04B
	05	F01A, F01B, F01D, F05Z, F07A, F07B, F14A, F14B, F28A, F42Z, F54Z, F59A, F59B	51195.2	05	F39A, F39B		21B	X06A, X06B, X06C
	08	I08A, I08B, I08C, I08D, I08E, I13A, I13B		08	I08A, I08B, I08C, I08D, I08E, I13A, I13B	511a2.00↔	05	F01A, F01B, F01D, F05Z, F07A, F07B, F14A, F14B, F28A, F42Z, F54Z, F59A, F59B
	14	962Z, O02A, O02B	51195.3	05	F39A, F39B		08	I08A, I08B, I08C, I08D, I08E, I13A, I13B
	21A	W04A, W04B		08	I08A, I08B, I08C, I08D, I08E, I13A, I13B		10	K09A, K09B
	21B	X06A, X06B, X06C	51195.4	05	F39A, F39B		21A	W04A, W04B
51190.0↔	01	B04A, B04B, B04C, B04D, B04E		08	I08A, I08B, I08C, I08D, I08E, I13A, I13B		21B	X06A, X06B, X06C
	05	F39A, F39B	51195.5	05	F39A, F39B		05	F01A, F01B, F01D, F05Z, F07A, F07B, F14A, F14B, F28A, F42Z, F54Z, F59A, F59B
	08	I08A, I08B, I08C, I08D, I08E, I13A, I13B		08	I08A, I08B, I08C, I08D, I08E, I13A, I13B		08	I08A, I08B, I08C, I08D, I08E, I13A, I13B
51190.1↔	05	F39A, F39B	51195.6↔	05	F39A, F39B		10	K09A, K09B
	08	I08A, I08B, I08C, I08D, I08E, I13A, I13B		08	I08A, I08B, I08C, I08D, I08E, I13A, I13B	511a2.0x↔	21A	W04A, W04B
51190.2↔	05	F39A, F39B		08	I08A, I08B, I08C, I08D, I08E, I13A, I13B		21B	X06A, X06B
	08	I08A, I08B, I08C, I08D, I08E, I13A, I13B	51195.7↔	05	F39A, F39B		05	F01A, F01B, F01D, F05Z, F07A, F07B, F14A, F14B, F28A, F42Z, F54Z, F59A, F59B
51190.3↔	05	F39A, F39B		08	I08A, I08B, I08C, I08D, I08E, I13A, I13B		08	I08A, I08B, I08C, I08D, I08E, I13A, I13B
	08	I08A, I08B, I08C, I08D, I08E, I13A, I13B	51195.8↔	05	F39A, F39B		10	K09A, K09B
51191.10↔	05	F39A, F39B		08	I08A, I08B, I08C, I08D, I08E, I13A, I13B		21A	W04A, W04B
	08	I08A, I08B, I08C, I08D, I08E, I13A, I13B	5119x↔	05	F39A, F39B		21B	X06A, X06B
51191.11↔	05	F39A, F39B		08	I08A, I08B, I08C, I08D, I08E, I13A, I13B	511a2.10↔	05	F39A, F39B
	08	I08A, I08B, I08C, I08D, I08E, I13A, I13B	511a1.70↔		BOP, KVT, UOP4		08	I08A, I08B, I08C, I08D, I08E, I13A, I13B
51191.2↔	05	F39A, F39B		01	B04A, B04B, B04C, B04D, B04E		21A	W04A, W04B
	08	I08A, I08B, I08C, I08D, I08E, I13A, I13B		03	D12A, D12B		21B	X04Z, X05A, X05B, X06A, X06B, X06C
51192.0↔	05	F20Z, F39A, F39B		05	F01A, F01B, F01D, F05Z, F06A, F06C, F07A, F07B, F14A, F14B, F28A, F42Z, F54Z, F59A, F59B	511a2.11↔	05	F39A, F39B
	08	I08A, I08B, I08C, I08D, I08E, I13A, I13B		08	I08A, I08B, I08C, I08D, I08E, I13A, I13B		08	I08A, I08B, I08C, I08D, I08E, I13A, I13B
51192.1↔	05	F20Z, F39A, F39B		10	K09A, K09B		21A	W04A, W04B
	08	I08A, I08B, I08C, I08D, I08E, I13A, I13B		11	L09A, L38Z		21B	X04Z, X05A, X05B, X06A, X06B, X06C
51192.2↔	05	F20Z, F39A, F39B		21A	W04A, W04B		05	F39A, F39B
	08	I08A, I08B, I08C, I08D, I08E, I13A, I13B		21B	X06A, X06B, X06C	511a2.1x↔	08	I08A, I08B, I08C, I08D, I08E, I13A, I13B
51193.0↔	05	F20Z, F39A, F39B					21A	W04A, W04B
	08	I08A, I08B, I08C, I08D, I08E, I13A, I13B					21B	X04Z, X05A, X05B, X06A, X06B, X06C
51193.1↔	05	F39A, F39B					05	F39A, F39B
	08	I08A, I08B, I08C, I08D, I08E, I13A, I13B					08	I08A, I08B, I08C, I08D, I08E, I13A, I13B

ZZV	MDC	DRG	ZZV	MDC	DRG	ZZV	MDC	DRG
51410.00		BOP, KOP, KVT, UOP4	51410.12		BOP, KOP, KVT, UOP4	51410.22		BOP, KOP, KVT, UOP4
	04	E36Z		04	E36Z		04	E36Z
	05	F01A, F01B, F01D, F05Z, F07A, F07B, F08A, F08B, F08C, F08D, F08E, F27A, F28A, F36A, F42Z, F51A, F51B		05	F01A, F01B, F01D, F05Z, F07A, F07B, F08A, F08B, F08C, F08D, F08E, F27A, F28A, F36A, F42Z, F51A, F51B		05	F01A, F01B, F01D, F05Z, F07A, F07B, F08A, F08B, F08C, F08D, F08E, F27A, F28A, F36A, F42Z, F51A, F51B
	06	G36Z		06	G36Z		06	G36Z
	08	I08A, I08B, I08C, I08D, I08E, I13A, I13B, I26Z		08	I08A, I08B, I08C, I08D, I08E, I13A, I13B, I26Z		08	I08A, I08B, I08C, I08D, I08E, I13A, I13B, I26Z
	11	L33Z		11	L33Z		11	L33Z
	21A	W36Z		21A	W36Z		21A	W36Z
	21B	X33Z		21B	X33Z		21B	X33Z
	23	Z01A		23	Z01A		23	Z01A
	Pre	A06A, A07A, A09A, A11A, A13A		Pre	A06A, A07A, A09A, A11A, A13A		Pre	A06A, A07A, A09A, A11A, A13A
51410.01		BOP, KOP, KVT, UOP4	51410.13		BOP, KOP, KVT, UOP4	51410.23		BOP, KOP, KVT, UOP4
	04	E36Z		04	E36Z		04	E36Z
	05	F01A, F01B, F01D, F05Z, F07A, F07B, F08A, F08B, F08C, F08D, F08E, F27A, F28A, F36A, F42Z, F51A, F51B		05	F01A, F01B, F01D, F05Z, F07A, F07B, F08A, F08B, F08C, F08D, F08E, F27A, F28A, F36A, F42Z, F51A, F51B		05	F01A, F01B, F01D, F05Z, F07A, F07B, F08A, F08B, F08C, F08D, F08E, F27A, F28A, F36A, F42Z, F51A, F51B
	06	G36Z		06	G36Z		06	G36Z
	08	I08A, I08B, I08C, I08D, I08E, I13A, I13B, I26Z		08	I08A, I08B, I08C, I08D, I08E, I13A, I13B, I26Z		08	I08A, I08B, I08C, I08D, I08E, I13A, I13B, I26Z
	11	L33Z		11	L33Z		11	L33Z
	21A	W36Z		21A	W36Z		21A	W36Z
	21B	X33Z		21B	X33Z		21B	X33Z
	23	Z01A		23	Z01A		23	Z01A
	Pre	A06A, A07A, A09A, A11A, A13A		Pre	A06A, A07A, A09A, A11A, A13A		Pre	A06A, A07A, A09A, A11A, A13A
51410.10		BOP, KOP, KVT, UOP4	51410.14		BOP, KOP, KVT, UOP4	51410.24		BOP, KOP, KVT, UOP4
	04	E36Z		04	E36Z		04	E36Z
	05	F01A, F01B, F01D, F05Z, F07A, F07B, F08A, F08B, F08C, F08D, F08E, F27A, F28A, F36A, F42Z, F51A, F51B		05	F01A, F01B, F01D, F05Z, F07A, F07B, F08A, F08B, F08C, F08D, F08E, F27A, F28A, F36A, F42Z, F51A, F51B		05	F01A, F01B, F01D, F05Z, F07A, F07B, F08A, F08B, F08C, F08D, F08E, F27A, F28A, F36A, F42Z, F51A, F51B
	06	G36Z		06	G36Z		06	G36Z
	08	I08A, I08B, I08C, I08D, I08E, I13A, I13B, I26Z		08	I08A, I08B, I08C, I08D, I08E, I13A, I13B, I26Z		08	I08A, I08B, I08C, I08D, I08E, I13A, I13B, I26Z
	11	L33Z		11	L33Z		11	L33Z
	21A	W36Z		21A	W36Z		21A	W36Z
	21B	X33Z		21B	X33Z		21B	X33Z
	23	Z01A		23	Z01A		23	Z01A
	Pre	A06A, A07A, A09A, A11A, A13A		Pre	A06A, A07A, A09A, A11A, A13A		Pre	A06A, A07A, A09A, A11A, A13A
51410.11		BOP, KOP, KVT, UOP4	51410.21		BOP, KOP, KVT, UOP4	51410.30		BOP, KOP, KVT, UOP4
	04	E36Z		04	E36Z		04	E36Z
	05	F01A, F01B, F01D, F05Z, F07A, F07B, F08A, F08B, F08C, F08D, F08E, F27A, F28A, F36A, F42Z, F51A, F51B		05	F01A, F01B, F01D, F05Z, F07A, F07B, F08A, F08B, F08C, F08D, F08E, F27A, F28A, F36A, F42Z, F51A, F51B		05	F01A, F01B, F01D, F05Z, F07A, F07B, F08A, F08B, F08C, F08D, F08E, F27A, F28A, F36A, F42Z, F51A, F51B
	06	G36Z		06	G36Z		06	G36Z
	08	I08A, I08B, I08C, I08D, I08E, I13A, I13B, I26Z		08	I08A, I08B, I08C, I08D, I08E, I13A, I13B, I26Z		08	I08A, I08B, I08C, I08D, I08E, I13A, I13B, I26Z
	11	L33Z		11	L33Z		11	L33Z
	21A	W36Z		21A	W36Z		21A	W36Z
	21B	X33Z		21B	X33Z		21B	X33Z
	23	Z01A		23	Z01A		23	Z01A
	Pre	A06A, A07A, A09A, A11A, A13A		Pre	A06A, A07A, A09A, A11A, A13A		Pre	A06A, A07A, A09A, A11A, A13A



ZZV	MDC	DRG	ZZV	MDC	DRG	ZZV	MDC	DRG			
51410.31		BOP, KOP, KVT, UOP4	51410.41		BOP, KOP, KVT, UOP4	51410.51		BOP, KOP, KVT, UOP4			
	04	E36Z		04	E36Z		04	E36Z			
	05	F01A, F01B, F01D, F05Z, F07A, F07B, F08A, F08B, F08C, F08D, F08E, F27A, F28A, F36A, F42Z, F51A, F51B		05	F01A, F01B, F01D, F05Z, F07A, F08A, F08B, F08C, F08D, F08E, F27A, F28A, F36A, F42Z, F51A, F51B		05	F01A, F01B, F01D, F05Z, F07A, F07B, F08A, F08B, F08C, F08D, F08E, F27A, F28A, F36A, F42Z, F51A, F51B			
	06	G36Z		06	G36Z		06	G36Z			
	08	I08A, I08B, I08C, I08D, I08E, I13A, I13B, I26Z		08	I08A, I08B, I08C, I08D, I08E, I13A, I13B, I26Z		08	I08A, I08B, I08C, I08D, I08E, I13A, I13B, I26Z			
	11	L33Z		11	L33Z		11	L33Z			
	21A	W36Z		21A	W36Z		21A	W36Z			
	21B	X33Z		21B	X33Z		21B	X33Z			
	23	Z01A		23	Z01A		23	Z01A			
	Pre	A06A, A07A, A09A, A11A, A13A		Pre	A06A, A07A, A09A, A11A, A13A		Pre	A06A, A07A, A09A, A11A, A13A			
	51410.32			BOP, KOP, KVT, UOP4	51410.42			BOP, KOP, KVT, UOP4	51410.53		BOP, KOP, KVT, UOP4
		04		E36Z			04	E36Z		04	E36Z
		05		F01A, F01B, F01D, F05Z, F07A, F07B, F08A, F08B, F08C, F08D, F08E, F27A, F28A, F36A, F42Z, F51A, F51B			05	F01A, F01B, F01D, F05Z, F07A, F08A, F08B, F08C, F08D, F08E, F27A, F28A, F36A, F42Z, F51A, F51B		05	F01A, F01B, F01D, F05Z, F07A, F07B, F08A, F08B, F08C, F08D, F08E, F27A, F28A, F36A, F42Z, F51A, F51B
06		G36Z	06	G36Z		06	G36Z				
08		I08A, I08B, I08C, I08D, I08E, I13A, I13B, I26Z	08	I08A, I08B, I08C, I08D, I08E, I13A, I13B, I26Z		08	I08A, I08B, I08C, I08D, I08E, I13A, I13B, I26Z				
11		L33Z	11	L33Z		11	L33Z				
21A		W36Z	21A	W36Z		21A	W36Z				
21B		X33Z	21B	X33Z		21B	X33Z				
23		Z01A	23	Z01A		23	Z01A				
Pre		A06A, A07A, A09A, A11A, A13A	Pre	A06A, A07A, A09A, A11A, A13A		Pre	A06A, A07A, A09A, A11A, A13A				
51410.33			BOP, KOP, KVT, UOP4	51410.43			BOP, KOP, KVT, UOP4	51410.54			BOP, KOP, KVT, UOP4
		04	E36Z			04	E36Z			04	E36Z
		05	F01A, F01B, F01D, F05Z, F07A, F08A, F08B, F08C, F08D, F08E, F27A, F28A, F36A, F42Z, F51A, F51B			05	F01A, F01B, F01D, F05Z, F07A, F07B, F08A, F08B, F08C, F08D, F08E, F27A, F28A, F36A, F42Z, F51A, F51B			05	F01A, F01B, F01D, F05Z, F07A, F07B, F08A, F08B, F08C, F08D, F08E, F27A, F28A, F36A, F42Z, F51A, F51B
	06	G36Z	06		G36Z	06	G36Z				
	08	I08A, I08B, I08C, I08D, I08E, I13A, I13B, I26Z	08		I08A, I08B, I08C, I08D, I08E, I13A, I13B, I26Z	08	I08A, I08B, I08C, I08D, I08E, I13A, I13B, I26Z				
	11	L33Z	11		L33Z	11	L33Z				
	21A	W36Z	21A		W36Z	21A	W36Z				
	21B	X33Z	21B		X33Z	21B	X33Z				
	23	Z01A	23		Z01A	23	Z01A				
	Pre	A06A, A07A, A09A, A11A, A13A	Pre		A06A, A07A, A09A, A11A, A13A	Pre	A06A, A07A, A09A, A11A, A13A				
	51410.34		BOP, KOP, KVT, UOP4		51410.44		BOP, KOP, KVT, UOP4		51410.60		BOP, KOP, KVT, UOP4
		04	E36Z			04	E36Z			04	E36Z
		05	F01A, F01B, F01D, F05Z, F07A, F08A, F08B, F08C, F08D, F08E, F27A, F28A, F36A, F42Z, F51A, F51B			05	F01A, F01B, F01D, F05Z, F07A, F07B, F08A, F08B, F08C, F08D, F08E, F27A, F28A, F36A, F42Z, F51A, F51B			05	F01A, F01B, F01D, F05Z, F07A, F08A, F08B, F08C, F08D, F08E, F27A, F28A, F36A, F42Z, F51A, F51B
06		G36Z	06	G36Z		06	G36Z				
08		I08A, I08B, I08C, I08D, I08E, I13A, I13B, I26Z	08	I08A, I08B, I08C, I08D, I08E, I13A, I13B, I26Z		08	I08A, I08B, I08C, I08D, I08E, I13A, I13B, I26Z				
11		L33Z	11	L33Z		11	L33Z				
21A		W36Z	21A	W36Z		21A	W36Z				
21B		X33Z	21B	X33Z		21B	X33Z				
23		Z01A	23	Z01A		23	Z01A				
Pre		A06A, A07A, A09A, A11A, A13A	Pre	A06A, A07A, A09A, A11A, A13A		Pre	A06A, A07A, A09A, A11A, A13A				

ZZV	MDC	DRG	ZZV	MDC	DRG	ZZV	MDC	DRG
5I410.61		BOP, KOP, KVT, UOP4	5I412.0		BOP, KOP, KVT, UOP4	5I412.21		BOP, KOP, KVT, UOP4
	04	E36Z		04	E36Z		04	E36Z
	05	F01A, F01B, F01D, F05Z, F07A, F08A, F08B, F08C, F08D, F08E, F27A, F28A, F36A, F42Z, F51A, F51B		05	F01A, F01B, F01D, F05Z, F07A, F07B, F08A, F08B, F08C, F08D, F08E, F27A, F28A, F36A, F42Z, F51A		05	F01A, F01B, F01D, F05Z, F07A, F07B, F08A, F08B, F08C, F08D, F08E, F27A, F28A, F36A, F42Z, F51A
	06	G36Z		06	G36Z		06	G36Z
	08	I08A, I08B, I08C, I08D, I08E, I13A, I13B, I26Z		08	I08A, I08B, I08C, I08D, I08E, I13A, I13B, I26Z		08	I08A, I08B, I08C, I08D, I08E, I13A, I13B, I26Z
	11	L33Z		11	L33Z		11	L33Z
	21A	W36Z		21A	W36Z		21A	W36Z
	21B	X33Z		21B	X33Z		21B	X33Z
	23	Z01A		23	Z01A		23	Z01A
	Pre	A06A, A07A, A09A, A11A, A13A		Pre	A06A, A07A, A09A, A11A, A13A		Pre	A06A, A07A, A09A, A11A, A13A
	5I410.62			BOP, KOP, KVT, UOP4	5I412.11			BOP, KOP, KVT, UOP4
04		E36Z	04	E36Z		04	E36Z	
05		F01A, F01B, F01D, F05Z, F07A, F08A, F08B, F08C, F08D, F08E, F27A, F28A, F36A, F42Z, F51A, F51B	05	F01A, F01B, F01D, F05Z, F07A, F07B, F08A, F08B, F08C, F08D, F08E, F27A, F28A, F36A, F42Z, F51A		05	F01A, F01B, F01D, F05Z, F07A, F07B, F08A, F08B, F08C, F08D, F08E, F27A, F28A, F36A, F42Z, F51A	
06		G36Z	06	G36Z		06	G36Z	
08		I08A, I08B, I08C, I08D, I08E, I13A, I13B, I26Z	08	I08A, I08B, I08C, I08D, I08E, I13A, I13B, I26Z		08	I08A, I08B, I08C, I08D, I08E, I13A, I13B, I26Z	
11		L33Z	11	L33Z		11	L33Z	
21A		W36Z	21A	W36Z		21A	W36Z	
21B		X33Z	21B	X33Z		21B	X33Z	
23		Z01A	23	Z01A		23	Z01A	
Pre		A06A, A07A, A09A, A11A, A13A	Pre	A06A, A07A, A09A, A11A, A13A		Pre	A06A, A07A, A09A, A11A, A13A	
5I410.x			BOP, KOP, KVT, UOP4	5I412.12			BOP, KOP, KVT, UOP4	5I412.23
	04	E36Z	04		E36Z	04	E36Z	
	05	F01A, F01B, F01D, F05Z, F07A, F07B, F08A, F08B, F08C, F08D, F08E, F27A, F28A, F36A, F42Z, F51A, F51B	05		F01A, F01B, F01D, F05Z, F07A, F07B, F08A, F08B, F08C, F08D, F08E, F27A, F28A, F36A, F42Z, F51A	05	F01A, F01B, F01D, F05Z, F07A, F07B, F08A, F08B, F08C, F08D, F08E, F27A, F28A, F36A, F42Z, F51A	
	06	G36Z	06		G36Z	06	G36Z	
	08	I08A, I08B, I08C, I08D, I08E, I13A, I13B, I26Z	08		I08A, I08B, I08C, I08D, I08E, I13A, I13B, I26Z	08	I08A, I08B, I08C, I08D, I08E, I13A, I13B, I26Z	
	11	L33Z	11		L33Z	11	L33Z	
	21A	W36Z	21A		W36Z	21A	W36Z	
	21B	X33Z	21B		X33Z	21B	X33Z	
	23	Z01A	23		Z01A	23	Z01A	
	Pre	A06A, A07A, A09A, A11A, A13A	Pre		A06A, A07A, A09A, A11A, A13A	Pre	A06A, A07A, A09A, A11A, A13A	
	5I411.0		BOP, KVT, UOP4		5I412.13		BOP, KOP, KVT, UOP4	
05		F01A, F01B, F01D, F05Z, F07A, F07B, F08A, F08B, F08C, F08D, F08E, F27A, F28A, F42Z	04	E36Z		04	E36Z	
08		I08A, I08B, I08C, I08D, I08E, I13A, I13B	05	F01A, F01B, F01D, F05Z, F07A, F07B, F08A, F08B, F08C, F08D, F08E, F27A, F28A, F36A, F42Z, F51A		05	F01A, F01B, F01D, F05Z, F07A, F07B, F08A, F08B, F08C, F08D, F08E, F27A, F28A, F36A, F42Z, F51A	
21B		X33Z	06	G36Z		06	G36Z	
23		Z01A	08	I08A, I08B, I08C, I08D, I08E, I13A, I13B, I26Z		08	I08A, I08B, I08C, I08D, I08E, I13A, I13B, I26Z	
5I411.1		BOP, KVT, UOP4						
	05	F01A, F01B, F01D, F05Z, F07A, F07B, F08A, F08B, F08C, F08D, F08E, F27A, F28A, F42Z						
	08	I08A, I08B, I08C, I08D, I08E, I13A, I13B						
	21B	X33Z						
	23	Z01A						

VYK

ZZV	MDC	DRG	ZZV	MDC	DRG	ZZV	MDC	DRG
5I412.32		BOP, KOP, KVT, UOP4	5I413.12		BOP, KOP, KVT, UOP4	5I413.22		BOP, KOP, KVT, UOP4
	04	E36Z		04	E36Z		04	E36Z
	05	F01A, F01B, F01D, F05Z, F07A, F07B, F08A, F08B, F08C, F08D, F08E, F27A, F28A, F36A, F42Z, F51A		05	F01A, F01B, F01D, F05Z, F07A, F07B, F08A, F08B, F08C, F08D, F08E, F27A, F28A, F36A, F42Z, F51A		05	F01A, F01B, F01D, F05Z, F07A, F07B, F08A, F08B, F08C, F08D, F08E, F27A, F28A, F36A, F42Z, F51A
	06	G36Z		06	G36Z		06	G36Z
	08	I08A, I08B, I08C, I08D, I08E, I13A, I13B, I26Z		08	I08A, I08B, I08C, I08D, I08E, I13A, I13B, I26Z		08	I08A, I08B, I08C, I08D, I08E, I13A, I13B, I26Z
	11	L33Z		11	L33Z		11	L33Z
	21A	W36Z		21A	W36Z		21A	W36Z
	21B	X33Z		21B	X33Z		21B	X33Z
	23	Z01A		23	Z01A		23	Z01A
	Pre	A06A, A07A, A09A, A11A, A13A		Pre	A06A, A07A, A09A, A11A, A13A		Pre	A06A, A07A, A09A, A11A, A13A
5I412.33		BOP, KOP, KVT, UOP4	5I413.13		BOP, KOP, KVT, UOP4	5I413.23		BOP, KOP, KVT, UOP4
	04	E36Z		04	E36Z		04	E36Z
	05	F01A, F01B, F01D, F05Z, F07A, F07B, F08A, F08B, F08C, F08D, F08E, F27A, F28A, F36A, F42Z, F51A		05	F01A, F01B, F01D, F05Z, F07A, F07B, F08A, F08B, F08C, F08D, F08E, F27A, F28A, F36A, F42Z, F51A		05	F01A, F01B, F01D, F05Z, F07A, F07B, F08A, F08B, F08C, F08D, F08E, F27A, F28A, F36A, F42Z, F51A
	06	G36Z		06	G36Z		06	G36Z
	08	I08A, I08B, I08C, I08D, I08E, I13A, I13B, I26Z		08	I08A, I08B, I08C, I08D, I08E, I13A, I13B, I26Z		08	I08A, I08B, I08C, I08D, I08E, I13A, I13B, I26Z
	11	L33Z		11	L33Z		11	L33Z
	21A	W36Z		21A	W36Z		21A	W36Z
	21B	X33Z		21B	X33Z		21B	X33Z
	23	Z01A		23	Z01A		23	Z01A
	Pre	A06A, A07A, A09A, A11A, A13A		Pre	A06A, A07A, A09A, A11A, A13A		Pre	A06A, A07A, A09A, A11A, A13A
5I413.0		BOP, KOP, KVT, UOP4	5I413.14		BOP, KOP, KVT, UOP4	5I413.24		BOP, KOP, KVT, UOP4
	04	E36Z		04	E36Z		04	E36Z
	05	F01A, F01B, F01D, F05Z, F07A, F07B, F08A, F08B, F08C, F08D, F08E, F27A, F28A, F36A, F42Z, F51A		05	F01A, F01B, F01D, F05Z, F07A, F07B, F08A, F08B, F08C, F08D, F08E, F27A, F28A, F36A, F42Z, F51A		05	F01A, F01B, F01D, F05Z, F07A, F07B, F08A, F08B, F08C, F08D, F08E, F27A, F28A, F36A, F42Z, F51A
	06	G36Z		06	G36Z		06	G36Z
	08	I08A, I08B, I08C, I08D, I08E, I13A, I13B, I26Z		08	I08A, I08B, I08C, I08D, I08E, I13A, I13B, I26Z		08	I08A, I08B, I08C, I08D, I08E, I13A, I13B, I26Z
	11	L33Z		11	L33Z		11	L33Z
	21A	W36Z		21A	W36Z		21A	W36Z
	21B	X33Z		21B	X33Z		21B	X33Z
	23	Z01A		23	Z01A		23	Z01A
	Pre	A06A, A07A, A09A, A11A, A13A		Pre	A06A, A07A, A09A, A11A, A13A		Pre	A06A, A07A, A09A, A11A, A13A
5I413.11		BOP, KOP, KVT, UOP4	5I413.21		BOP, KOP, KVT, UOP4	5I413.31		BOP, KOP, KVT, UOP4
	04	E36Z		04	E36Z		04	E36Z
	05	F01A, F01B, F01D, F05Z, F07A, F07B, F08A, F08B, F08C, F08D, F08E, F27A, F28A, F36A, F42Z, F51A		05	F01A, F01B, F01D, F05Z, F07A, F07B, F08A, F08B, F08C, F08D, F08E, F27A, F28A, F36A, F42Z, F51A		05	F01A, F01B, F01D, F05Z, F07A, F07B, F08A, F08B, F08C, F08D, F08E, F27A, F28A, F36A, F42Z, F51A
	06	G36Z		06	G36Z		06	G36Z
	08	I08A, I08B, I08C, I08D, I08E, I13A, I13B, I26Z		08	I08A, I08B, I08C, I08D, I08E, I13A, I13B, I26Z		08	I08A, I08B, I08C, I08D, I08E, I13A, I13B, I26Z
	11	L33Z		11	L33Z		11	L33Z
	21A	W36Z		21A	W36Z		21A	W36Z
	21B	X33Z		21B	X33Z		21B	X33Z
	23	Z01A		23	Z01A		23	Z01A
	Pre	A06A, A07A, A09A, A11A, A13A		Pre	A06A, A07A, A09A, A11A, A13A		Pre	A06A, A07A, A09A, A11A, A13A

ZZV	MDC	DRG	ZZV	MDC	DRG	ZZV	MDC	DRG
51413.32		BOP, KOP, KVT, UOP4	51416.12		BOP, KVT, UOP4	51500.5		BOP, KOP, KVT, UOP4
	04	E36Z		05	F01A, F01B, F01D, F05Z, F07A, F07B, F08A, F08B, F08C, F08D, F08E, F27A, F28A, F42Z, F51A		04	E02A, E02B, E02C
	05	F01A, F01B, F01D, F05Z, F07A, F07B, F08A, F08B, F08C, F08D, F08E, F27A, F28A, F36A, F42Z, F51A		08	I08A, I08B, I08C, I08D, I08E, I13A, I13B		05	F01A, F01B, F01D, F05Z, F07A, F07B, F14A, F14B, F28A, F42Z, F54Z, F59A, F59B
	06	G36Z	51416.13	21B	X33Z	51500.6	08	I08A, I08B, I08C, I08D, I08E, I13A, I13B
	08	I08A, I08B, I08C, I08D, I08E, I13A, I13B, I26Z		BOP, KVT, UOP4	10		K09A, K09B	
	11	L33Z	05	F01A, F01B, F01D, F05Z, F07A, F07B, F08A, F08B, F08C, F08D, F08E, F27A, F28A, F42Z	05	F01A, F01B, F01D, F05Z, F07A, F07B, F09A, F09B, F09C, F30Z, F42Z		
	21A	W36Z	5141x	08	I08A, I08B, I08C, I08D, I08E, I13A, I13B	06	G33Z	
	21B	X33Z		21B	X33Z	07	H33Z, H38Z	
	23	Z01A	51500.0	05	F01A, F01B, F01D, F05Z, F07A, F07B, F08A, F08B, F08C, F08D, F08E, F27A, F28A, F42Z	08	I08A, I08B, I08C, I08D, I08E, I13A, I13B	
	Pre	A06A, A07A, A09A, A11A, A13A		08	I08A, I08B, I08C, I08D, I08E, I13A, I13B	11	L33Z	
	51413.33			BOP, KOP, KVT, UOP4	21B	X33Z	15	P02A, P02B, P02C
		04		E36Z		BOP, KVT, UOP4	21B	X33Z
		05		F01A, F01B, F01D, F05Z, F07A, F07B, F08A, F08B, F08C, F08D, F08E, F27A, F28A, F36A, F42Z, F51A	51500.1	05	F01A, F01B, F01D, F05Z, F07A, F07B, F09A, F09B, F09C, F42Z	51500.7
06		G36Z		08		I08A, I08B, I08C, I08D, I08E, I13A, I13B	05	
08		I08A, I08B, I08C, I08D, I08E, I13A, I13B, I26Z		51500.2	05	F01A, F01B, F01D, F05Z, F07A, F07B, F09A, F09B, F09C, F42Z	08	I08A, I08B, I08C, I08D, I08E, I13A, I13B
11		L33Z			08	I08A, I08B, I08C, I08D, I08E, I13A, I13B	51500.x	BOP, KOP, KVT, UOP4
21A		W36Z		51500.3	05	F01A, F01B, F01D, F05Z, F07A, F07B, F09A, F09B, F09C, F42Z		05
21B		X33Z			08	I08A, I08B, I08C, I08D, I08E, I13A, I13B	08	I08A, I08B, I08C, I08D, I08E, I13A, I13B
23		Z01A		51500.4	05	F01A, F01B, F01D, F05Z, F07A, F07B, F09A, F09B, F09C, F42Z	51501.0	BOP, KOP, KOPV, KVT, UOP4
Pre		A06A, A07A, A09A, A11A, A13A			06	G33Z		05
51413.34				BOP, KVT, UOP4	07	H33Z, H38Z	06	G15Z, G19A, G19B, G33Z, G38Z
		05	F01A, F01B, F01D, F05Z, F07A, F07B, F08A, F08B, F08C, F08D, F08E, F27A, F28A, F42Z	08	I08A, I08B, I08C, I08D, I08E, I13A, I13B	07	H01A, H01B, H09A, H09B, H09C, H33Z, H38Z	
51415.11		08	I08A, I08B, I08C, I08D, I08E, I13A, I13B	11	L33Z	08	I08A, I08B, I08C, I08D, I08E, I13A, I13B	
	21B	X33Z	21B	X33Z	11	L33Z		
51415.12		BOP, KVT, UOP4	23	Z01A	21B	X33Z		
	05	F01A, F01B, F01D, F05Z, F07A, F07B, F08A, F08B, F08C, F08D, F08E, F27A, F28A, F42Z	Pre	A07A	23	Z01A		
51415.13	08	I08A, I08B, I08C, I08D, I08E, I13A, I13B	51500.11	BOP, KOP, KVT, UOP4	Pre	A07A		
	21B	X33Z		05	F01A, F01B, F01D, F05Z, F07A, F07B, F09A, F09B, F09C, F42Z			
51416.11		BOP, KVT, UOP4	08	I08A, I08B, I08C, I08D, I08E, I13A, I13B				
	05	F01A, F01B, F01D, F05Z, F07A, F07B, F08A, F08B, F08C, F08D, F08E, F27A, F28A, F42Z	15	P02A, P02B, P02C				

VYK

ZZV	MDC	DRG	ZZV	MDC	DRG	ZZV	MDC	DRG			
51501.1		BOP, KOP, KOPV, KVT, UOP4	51501.x		BOP, KOP, KOPV, KVT, UOP4	51502.30	01	B04A, B04B, B04C, B04D, B04E			
	05	F01A, F01B, F01D, F05Z, F07A, F07B, F14A, F14B, F28A, F42Z, F54Z, F59A, F59B		05	F01A, F01B, F01D, F05Z, F07A, F07B, F14A, F14B, F28A, F42Z, F54Z, F59A, F59B		05	F01A, F01B, F01D, F05Z, F07A, F07B, F08B, F08D, F14A, F14B, F28A, F42Z, F54Z, F59A, F59B			
	06	G15Z, G19A, G19B, G33Z, G38Z		06	G15Z, G19A, G19B, G33Z, G38Z		07	H06A, H06B, H06C			
	07	H01A, H01B, H09A, H09B, H09C, H33Z, H38Z		07	H01A, H01B, H09A, H09B, H09C, H33Z, H38Z		08	I08A, I08B, I08C, I08D, I08E, I13A, I13B			
	08	I08A, I08B, I08C, I08D, I08E, I13A, I13B		08	I08A, I08B, I08C, I08D, I08E, I13A, I13B		09	J03A, J03B, J04A, J04B, J08A, J08B, J08C, J11A, J11B, J16Z			
	11	L33Z		11	L33Z		10	K09A, K09B			
	21B	X33Z		21B	X33Z		11	L09A, L09B, L09C, L09D, L38Z			
	23	Z01A		23	Z01A		21A	W04A, W04B			
	Pre	A07A		Pre	A07A		21B	X04Z, X05A, X05B, X06A, X06B, X06C			
	51501.2			BOP, KOP, KOPV, KVT, UOP4	51502.10		01	B04A, B04B, B04C, B04D, B04E	51502.31	01	B04A, B04B, B04C, B04D, B04E
		05		F01A, F01B, F01D, F05Z, F07A, F07B, F14A, F14B, F28A, F42Z, F54Z, F59A, F59B			05	F01A, F01B, F01D, F05Z, F07A, F07B, F08B, F08D, F14A, F14B, F28A, F42Z, F54Z, F59A, F59B		05	F01A, F01B, F01D, F05Z, F07A, F07B, F08B, F08D, F14A, F14B, F28A, F42Z, F54Z, F59A, F59B
		06		G15Z, G19A, G19B, G33Z, G38Z			07	H06A, H06B, H06C		07	H06A, H06B, H06C
		07		H01A, H01B, H09A, H09B, H09C, H33Z, H38Z			08	I08A, I08B, I08C, I08D, I08E, I13A, I13B		08	I08A, I08B, I08C, I08D, I08E, I13A, I13B
08		I08A, I08B, I08C, I08D, I08E, I13A, I13B	09	J03A, J03B, J04A, J04B, J08A, J08B, J08C, J11A, J11B, J16Z		09	J03A, J03B, J04A, J04B, J08A, J08B, J08C, J11A, J11B, J16Z				
11		L33Z	10	K09A, K09B		10	K09A, K09B				
21B		X33Z	11	L09A, L09B, L09C, L09D, L38Z		11	L09A, L09B, L09C, L09D, L38Z				
23		Z01A	21A	W04A, W04B		21A	W04A, W04B				
Pre		A07A	21B	X04Z, X05A, X05B, X06A, X06B, X06C		21B	X04Z, X05A, X05B, X06A, X06B, X06C				
51501.3			BOP, KOP, KOPV, KVT, UOP4	51502.11		01	B04A, B04B, B04C, B04D, B04E	51502.32		01	B04A, B04B, B04C, B04D, B04E
		05	F01A, F01B, F01D, F05Z, F07A, F07B, F14A, F14B, F28A, F42Z, F54Z, F59A, F59B			05	F01A, F01B, F01D, F05Z, F07A, F07B, F08B, F08D, F14A, F14B, F28A, F42Z, F54Z, F59A, F59B			05	F01A, F01B, F01D, F05Z, F07A, F07B, F08B, F08D, F14A, F14B, F28A, F42Z, F54Z, F59A, F59B
		06	G15Z, G19A, G19B, G33Z, G38Z			07	H06A, H06B, H06C			07	H06A, H06B, H06C
		07	H01A, H01B, H09A, H09B, H09C, H33Z, H38Z			08	I08A, I08B, I08C, I08D, I08E, I13A, I13B			08	I08A, I08B, I08C, I08D, I08E, I13A, I13B
	08	I08A, I08B, I08C, I08D, I08E, I13A, I13B	09		J03A, J03B, J04A, J04B, J08A, J08B, J08C, J11A, J11B, J16Z	09	J03A, J03B, J04A, J04B, J08A, J08B, J08C, J11A, J11B, J16Z				
	11	L33Z	10		K09A, K09B	10	K09A, K09B				
	21B	X33Z	11		L09A, L09B, L09C, L09D, L38Z	11	L09A, L09B, L09C, L09D, L38Z				
	23	Z01A	21A		W04A, W04B	21A	W04A, W04B				
	Pre	A07A	21B		X04Z, X05A, X05B, X06A, X06B, X06C	21B	X04Z, X05A, X05B, X06A, X06B, X06C				
	51501.4		BOP, KOP, KOPV, KVT, UOP4		51502.2	01	B04A, B04B, B04C, B04D, B04E		51502.33	01	B04A, B04B, B04C, B04D, B04E
		05	F01A, F01B, F01D, F05Z, F07A, F07B, F14A, F14B, F28A, F42Z, F54Z, F59A, F59B			05	F01A, F01B, F01D, F05Z, F07A, F07B, F08B, F08D, F14A, F14B, F28A, F42Z, F54Z, F59A, F59B			05	F01A, F01B, F01D, F05Z, F07A, F07B, F08B, F08D, F14A, F14B, F28A, F42Z, F54Z, F59A, F59B
		06	G15Z, G19A, G19B, G33Z, G38Z			07	H06A, H06B, H06C			07	H06A, H06B, H06C
		07	H01A, H01B, H09A, H09B, H09C, H33Z, H38Z			08	I08A, I08B, I08C, I08D, I08E, I13A, I13B			08	I08A, I08B, I08C, I08D, I08E, I13A, I13B
08		I08A, I08B, I08C, I08D, I08E, I13A, I13B	09	J03A, J03B, J04A, J04B, J08A, J08B, J08C, J11A, J11B, J16Z		09	J03A, J03B, J04A, J04B, J08A, J08B, J08C, J11A, J11B, J16Z				
11		L33Z	10	K09A, K09B		10	K09A, K09B				
21B		X33Z	11	L09A, L09B, L09C, L09D, L38Z		11	L09A, L09B, L09C, L09D, L38Z				
23		Z01A	21A	W04A, W04B		21A	W04A, W04B				
Pre		A07A	21B	X04Z, X05A, X05B, X06A, X06B, X06C		21B	X04Z, X05A, X05B, X06A, X06B, X06C				

ZZV	MDC	DRG	ZZV	MDC	DRG	ZZV	MDC	DRG			
51502.40	01	B04A, B04B, B04C, B04D, B04E	51502.51	01	B04A, B04B, B04C, B04D, B04E	51502.71	01	B04A, B04B, B04C, B04D, B04E			
	05	F01A, F01B, F01D, F05Z, F07A, F07B, F08B, F08D, F14A, F14B, F28A, F42Z, F54Z, F59A, F59B		05	F01A, F01B, F01D, F05Z, F07A, F07B, F08A, F08B, F08C, F08D, F08E, F08F, F27A, F28A, F42Z		05	F01A, F01B, F01D, F05Z, F07A, F07B, F08B, F08D, F14A, F14B, F28A, F42Z, F54Z, F59A, F59B			
	07	H06A, H06B, H06C		07	H06A, H06B, H06C		07	H06A, H06B, H06C			
	08	I08A, I08B, I08C, I08D, I08E, I13A, I13B		08	I08A, I08B, I08C, I08D, I08E, I13A, I13B		08	I08A, I08B, I08C, I08D, I08E, I13A, I13B			
	09	J03A, J03B, J04A, J04B, J08A, J08B, J08C, J11A, J11B, J16Z		09	J03A, J03B, J04A, J04B, J08A, J08B, J08C, J11A, J11B, J16Z		09	J03A, J03B, J04A, J04B, J08A, J08B, J08C, J11A, J11B, J16Z			
	10	K09A, K09B		10	K09A, K09B		10	K09A, K09B			
	11	L09A, L09B, L09C, L09D, L38Z		11	L09A, L09B, L09C, L09D, L38Z		11	L09A, L09B, L09C, L09D, L38Z			
	21A	W04A, W04B		21A	W04A, W04B		21A	W04A, W04B			
	21B	X04Z, X05A, X05B, X06A, X06B, X06C		21B	X04Z, X05A, X05B, X06A, X06B, X06C, X33Z		21B	X04Z, X05A, X05B, X06A, X06B, X06C			
	51502.41	01		B04A, B04B, B04C, B04D, B04E	51502.6		01	B04A, B04B, B04C, B04D, B04E	51502.72	01	B04A, B04B, B04C, B04D, B04E
		05		F01A, F01B, F01D, F05Z, F07A, F07B, F08B, F08D, F14A, F14B, F28A, F42Z, F54Z, F59A, F59B			05	F01A, F01B, F01D, F05Z, F07A, F07B, F08A, F08B, F08C, F08D, F08E, F08F, F27A, F28A, F42Z		05	F01A, F01B, F01D, F05Z, F07A, F07B, F08B, F08D, F14A, F14B, F28A, F42Z, F54Z, F59A, F59B
07		H06A, H06B, H06C	07	H06A, H06B, H06C		07	H06A, H06B, H06C				
08		I08A, I08B, I08C, I08D, I08E, I13A, I13B	08	I08A, I08B, I08C, I08D, I08E, I13A, I13B		08	I08A, I08B, I08C, I08D, I08E, I13A, I13B				
09		J03A, J03B, J04A, J04B, J08A, J08B, J08C, J11A, J11B, J16Z	09	J03A, J03B, J04A, J04B, J08A, J08B, J08C, J11A, J11B, J16Z		09	J03A, J03B, J04A, J04B, J08A, J08B, J08C, J11A, J11B, J16Z				
10		K09A, K09B	10	K09A, K09B		10	K09A, K09B				
11		L09A, L09B, L09C, L09D, L38Z	11	L09A, L09B, L09C, L09D, L38Z		11	L09A, L09B, L09C, L09D, L38Z				
21A		W04A, W04B	21A	W04A, W04B		21A	W04A, W04B				
21B		X04Z, X05A, X05B, X06A, X06B, X06C	21B	X04Z, X05A, X05B, X06A, X06B, X06C, X33Z		21B	X04Z, X05A, X05B, X06A, X06B, X06C				
51502.50		01	B04A, B04B, B04C, B04D, B04E	51502.70		01	B04A, B04B, B04C, B04D, B04E	51502.73		01	B04A, B04B, B04C, B04D, B04E
		05	F01A, F01B, F01D, F05Z, F07A, F07B, F08A, F08B, F08C, F08D, F08E, F08F, F27A, F28A, F42Z			05	F01A, F01B, F01D, F05Z, F07A, F07B, F08A, F08B, F08C, F08D, F08E, F08F, F27A, F28A, F42Z			05	F01A, F01B, F01D, F05Z, F07A, F07B, F08B, F08D, F14A, F14B, F28A, F42Z, F54Z, F59A, F59B
	07	H06A, H06B, H06C	07		H06A, H06B, H06C	07	H06A, H06B, H06C				
	08	I08A, I08B, I08C, I08D, I08E, I13A, I13B	08		I08A, I08B, I08C, I08D, I08E, I13A, I13B	08	I08A, I08B, I08C, I08D, I08E, I13A, I13B				
	09	J03A, J03B, J04A, J04B, J08A, J08B, J08C, J11A, J11B, J16Z	09		J03A, J03B, J04A, J04B, J08A, J08B, J08C, J11A, J11B, J16Z	09	J03A, J03B, J04A, J04B, J08A, J08B, J08C, J11A, J11B, J16Z				
	10	K09A, K09B	10		K09A, K09B	10	K09A, K09B				
	11	L09A, L09B, L09C, L09D, L38Z	11		L09A, L09B, L09C, L09D, L38Z	11	L09A, L09B, L09C, L09D, L38Z				
	21A	W04A, W04B	21A		W04A, W04B	21A	W04A, W04B				
	21B	X04Z, X05A, X05B, X06A, X06B, X06C, X33Z	21B		X04Z, X05A, X05B, X06A, X06B, X06C, X33Z	21B	X04Z, X05A, X05B, X06A, X06B, X06C				
						51502.8	05		F21A, F21B		
							08		I08A, I08B, I08C, I08D, I08E, I13A, I13B		
					10	K09A, K09B					
					11	L09A, L09B, L09C, L09D, L38Z					
					21A	W04A, W04B					
					21B	X04Z, X05A, X05B, X06A, X06B, X06C					

VYK

ZZV	MDC	DRG	ZZV	MDC	DRG	ZZV	MDC	DRG			
51502.9	01	B04A, B04B, B04C, B04D, B04E	51502.ax	05	F21A, F21B	51511.x		BOP, KVT, UOP4			
	05	F01A, F01B, F01D, F05Z, F07A, F07B, F08A, F08B, F08C, F08D, F08E, F27A, F28A, F42Z		08	I08A, I08B, I08C, I08D, I08E, I13A, I13B		01	B04A, B04B, B04C, B04D, B04E			
	08	I08A, I08B, I08C, I08D, I08E, I13A, I13B		10	K09A, K09B		05	F01A, F01B, F01D, F05Z, F06A, F06C, F07A, F07B, F08A, F08B, F08C, F08D, F08E, F27A, F28A, F42Z			
	10	K09A, K09B		11	L09A, L09B, L09C, L09D, L38Z		08	I08A, I08B, I08C, I08D, I08E, I13A, I13B			
	21A	W04A, W04B		21A	W04A, W04B		11	L09A, L38Z			
	21B	X04Z, X05A, X05B, X06A, X06B, X06C, X33Z		21B	X04Z, X05A, X05B, X06A, X06B, X06C		21A	W04A, W04B			
	51502.a0	05		F21A, F21B	51502.x		05	F21A, F21B	51512.0	21B	X06A, X06B, X06C, X33Z
		08		I08A, I08B, I08C, I08D, I08E, I13A, I13B			08	I08A, I08B, I08C, I08D, I08E, I13A, I13B		01	BOP, KVT, UOP4
		10		K09A, K09B			10	K09A, K09B		05	F01A, F01B, F01D, F05Z, F07A, F07B, F08A, F08B, F08C, F08D, F08E, F27A, F28A, F42Z
		11		L09A, L09B, L09C, L09D, L38Z			11	L09A, L09B, L09C, L09D, L38Z		08	I08A, I08B, I08C, I08D, I08E, I13A, I13B
21A		W04A, W04B	21A	W04A, W04B		11	L09A, L38Z				
21B		X04Z, X05A, X05B, X06A, X06B, X06C	21B	X04Z, X05A, X05B, X06A, X06B, X06C		21A	W04A, W04B				
51502.a1		05	F21A, F21B	51511.0		01	BOP, KVT, UOP4	51512.1		21B	X06A, X06B, X06C, X33Z
		08	I08A, I08B, I08C, I08D, I08E, I13A, I13B			05	F01A, F01B, F01D, F05Z, F06A, F06C, F07A, F07B, F08A, F08B, F08C, F08D, F08E, F27A, F28A, F42Z			01	B04A, B04B, B04C, B04D, B04E
		10	K09A, K09B			08	I08A, I08B, I08C, I08D, I08E, I13A, I13B			05	F01A, F01B, F01D, F05Z, F07A, F07B, F08A, F08B, F08C, F08D, F08E, F27A, F28A, F42Z
		11	L09A, L09B, L09C, L09D, L38Z			10	K09A, K09B			08	I08A, I08B, I08C, I08D, I08E, I13A, I13B
	21A	W04A, W04B	11		L09A, L38Z	11	L09A, L38Z				
	21B	X04Z, X05A, X05B, X06A, X06B, X06C	21A		W04A, W04B	21A	W04A, W04B				
	51502.a2	05	F21A, F21B		51511.1	21B	X06A, X06B, X06C, X33Z		51512.2	21B	X06A, X06B, X06C, X33Z
		08	I08A, I08B, I08C, I08D, I08E, I13A, I13B			01	BOP, KVT, UOP4			01	B04A, B04B, B04C, B04D, B04E
		10	K09A, K09B			05	F01A, F01B, F01D, F05Z, F06A, F06C, F07A, F07B, F08A, F08B, F08C, F08D, F08E, F27A, F28A, F42Z			05	F01A, F01B, F01D, F05Z, F07A, F07B, F08A, F08B, F08C, F08D, F08E, F27A, F28A, F42Z
		11	L09A, L09B, L09C, L09D, L38Z			08	I08A, I08B, I08C, I08D, I08E, I13A, I13B			08	I08A, I08B, I08C, I08D, I08E, I13A, I13B
21A		W04A, W04B	10	K09A, K09B		11	L09A, L38Z				
21B		X04Z, X05A, X05B, X06A, X06B, X06C	11	L09A, L38Z		21A	W04A, W04B				
51502.a3		05	F21A, F21B	51511.2		21A	W04A, W04B	51512.3		21B	X06A, X06B, X06C, X33Z
		08	I08A, I08B, I08C, I08D, I08E, I13A, I13B			21B	X06A, X06B, X06C, X33Z			01	BOP, KVT, UOP4
		10	K09A, K09B			01	B04A, B04B, B04C, B04D, B04E			01	B04A, B04B, B04C, B04D, B04E
		11	L09A, L09B, L09C, L09D, L38Z			05	F01A, F01B, F01D, F05Z, F06A, F06C, F07A, F07B, F08A, F08B, F08C, F08D, F08E, F27A, F28A, F42Z			05	F01A, F01B, F01D, F05Z, F07A, F07B, F08A, F08B, F08C, F08D, F08E, F27A, F28A, F42Z
	21A	W04A, W04B	08		I08A, I08B, I08C, I08D, I08E, I13A, I13B	08	I08A, I08B, I08C, I08D, I08E, I13A, I13B				
	21B	X04Z, X05A, X05B, X06A, X06B, X06C	10		K09A, K09B	10	K09A, K09B				
	51502.a4	05	F21A, F21B		51511.3	11	L09A, L38Z		11	L09A, L38Z	
		08	I08A, I08B, I08C, I08D, I08E, I13A, I13B			21A	W04A, W04B		21A	W04A, W04B	
		10	K09A, K09B			21B	X06A, X06B, X06C, X33Z		21B	X06A, X06B, X06C, X33Z	
		11	L09A, L09B, L09C, L09D, L38Z			01	BOP, KOP, KOPV, KVT, UOP4		01	BOP, KVT, UOP4	
21A		W04A, W04B	05	F05Z, F06A, F06C		05	F01A, F01B, F01D, F05Z, F07A, F07B, F08A, F08B, F08C, F08D, F08E, F27A, F28A, F42Z				
21B		X04Z, X05A, X05B, X06A, X06B, X06C	06	G33Z		08	I08A, I08B, I08C, I08D, I08E, I13A, I13B				
51502.a5		05	F21A, F21B	51511.3		07	H33Z, H38Z	10	K09A, K09B		
		08	I08A, I08B, I08C, I08D, I08E, I13A, I13B			08	I08A, I08B, I08C, I08D, I08E, I13A, I13B	11	L09A, L38Z		
		10	K09A, K09B			11	L09A, L33Z, L38Z	21A	W04A, W04B		
		11	L09A, L09B, L09C, L09D, L38Z			21A	W01A, W01B, W01C, W36Z	21B	X06A, X06B, X06C, X33Z		
	21A	W04A, W04B	21B		X06A, X06B, X06C, X33Z	23	Z01A				
	21B	X04Z, X05A, X05B, X06A, X06B, X06C	Pre		A07A	Pre	A07A				

ZZV	MDC	DRG	ZZV	MDC	DRG	ZZV	MDC	DRG			
51512.4		BOP, KVT, UOP4	51513		BOP, KVT, UOP4	51514.4		BOP, KVT, UOP4			
	01	B04A, B04B, B04C, B04D, B04E		01	B04A, B04B, B04C, B04D, B04E		05	F01A, F01B, F01D, F05Z, F07A, F07B, F08A, F08B, F08C, F08D, F08E, F27A, F28A, F42Z			
	05	F01A, F01B, F01D, F05Z, F07A, F07B, F08A, F08B, F08C, F08D, F08E, F27A, F28A, F42Z		05	F01A, F01B, F01D, F05Z, F07A, F07B, F08A, F08B, F08C, F08D, F08E, F08F, F27A, F28A, F42Z		08	I08A, I08B, I08C, I08D, I08E, I13A, I13B			
	08	I08A, I08B, I08C, I08D, I08E, I13A, I13B		08	I08A, I08B, I08C, I08D, I08E, I13A, I13B		09	J03A, J03B, J04A, J04B, J08A, J08B, J08C, J11A, J11B, J16Z			
	10	K09A, K09B		10	K09A, K09B		10	K01Z			
	11	L09A, L38Z		11	L09A, L38Z		11	L09A, L38Z			
	21A	W04A, W04B		21A	W04A, W04B		21A	W04A, W04B			
	21B	X06A, X06B, X06C, X33Z		21B	X06A, X06B, X06C, X33Z		21B	X06A, X06B, X06C, X33Z			
	51512.5			BOP, KVT, UOP4	51514.0			BOP, KVT, UOP4	51514.5		BOP, KVT, UOP4
		01		B04A, B04B, B04C, B04D, B04E			01	B04A, B04B, B04C, B04D, B04E		05	F01A, F01B, F01D, F05Z, F07A, F07B, F08A, F08B, F08C, F08D, F08E, F27A, F28A, F42Z
05		F01A, F01B, F01D, F05Z, F07A, F07B, F08A, F08B, F08C, F08D, F08E, F27A, F28A, F42Z	05	F01A, F01B, F01D, F05Z, F07A, F07B, F08A, F08B, F08C, F08D, F08E, F27A, F28A, F42Z		08	I08A, I08B, I08C, I08D, I08E, I13A, I13B				
08		I08A, I08B, I08C, I08D, I08E, I13A, I13B	08	I08A, I08B, I08C, I08D, I08E, I13A, I13B		09	J03A, J03B, J04A, J04B, J08A, J08B, J08C, J11A, J11B, J16Z				
10		K09A, K09B	11	L09A, L38Z		10	K01Z				
11		L09A, L38Z	21A	W04A, W04B		11	L09A, L38Z				
21A		W04A, W04B	21B	X06A, X06B, X06C, X33Z		21A	W04A, W04B				
21B		X06A, X06B, X06C, X33Z	21B	X06A, X06B, X06C, X33Z		21B	X06A, X06B, X06C, X33Z				
51512.6			BOP, KVT, UOP4	51514.1			BOP, KVT, UOP4	51514.6			BOP, KVT, UOP4
		01	B04A, B04B, B04C, B04D, B04E			01	B04A, B04B, B04C, B04D, B04E			05	F01A, F01B, F01D, F05Z, F07A, F07B, F08A, F08B, F08C, F08D, F08E, F27A, F28A, F42Z
	05	F01A, F01B, F01D, F05Z, F07A, F07B, F08A, F08B, F08C, F08D, F08E, F27A, F28A, F42Z	05		F01A, F01B, F01D, F05Z, F07A, F07B, F08A, F08B, F08C, F08D, F08E, F27A, F28A, F42Z	08	I08A, I08B, I08C, I08D, I08E, I13A, I13B				
	08	I08A, I08B, I08C, I08D, I08E, I13A, I13B	08		I08A, I08B, I08C, I08D, I08E, I13A, I13B	08	I08A, I08B, I08C, I08D, I08E, I13A, I13B				
	10	K09A, K09B	11		L09A, L38Z	09	J03A, J03B, J04A, J04B, J08A, J08B, J08C, J11A, J11B, J16Z				
	11	L09A, L38Z	21A		W04A, W04B	10	K01Z				
	21A	W04A, W04B	21B		X06A, X06B, X06C, X33Z	11	L09A, L38Z				
	21B	X06A, X06B, X06C, X33Z	21B		X06A, X06B, X06C, X33Z	21A	W04A, W04B				
	51512.7		BOP, KVT, UOP4		51514.2		BOP, KVT, UOP4		51514.x		BOP, KVT, UOP4
		01	B04A, B04B, B04C, B04D, B04E			01	B04A, B04B, B04C, B04D, B04E			05	F01A, F01B, F01D, F05Z, F07A, F07B, F08A, F08B, F08C, F08D, F08E, F27A, F28A, F42Z
05		F01A, F01B, F01D, F05Z, F07A, F07B, F08A, F08B, F08C, F08D, F08E, F27A, F28A, F42Z	05	F01A, F01B, F01D, F05Z, F07A, F07B, F08A, F08B, F08C, F08D, F08E, F27A, F28A, F42Z		07	H06A, H06B, H06C				
08		I08A, I08B, I08C, I08D, I08E, I13A, I13B	08	I08A, I08B, I08C, I08D, I08E, I13A, I13B		08	I08A, I08B, I08C, I08D, I08E, I13A, I13B				
10		K09A, K09B	09	J03A, J03B, J04A, J04B, J08A, J08B, J08C, J11A, J11B, J16Z		05	F01A, F01B, F01D, F05Z, F07A, F07B, F08A, F08B, F08C, F08D, F08E, F27A, F28A, F42Z				
11		L09A, L38Z	10	K09A, K09B		08	I08A, I08B, I08C, I08D, I08E, I13A, I13B				
21A		W04A, W04B	11	L09A, L38Z		11	L09A, L38Z				
21B		X06A, X06B, X06C, X33Z	21B	X06A, X06B, X06C, X33Z		21A	W04A, W04B				
51512.x			BOP, KVT, UOP4	51514.3			BOP, KVT, UOP4	51515.0			BOP, KVT, UOP4
		01	B04A, B04B, B04C, B04D, B04E			01	B04A, B04B, B04C, B04D, B04E			05	F01A, F01B, F01D, F05Z, F07A, F07B, F08A, F08B, F08C, F08D, F08E, F27A, F28A, F42Z
	05	F01A, F01B, F01D, F05Z, F07A, F07B, F08A, F08B, F08C, F08D, F08E, F27A, F28A, F42Z	05		F01A, F01B, F01D, F05Z, F07A, F07B, F08A, F08B, F08C, F08D, F08E, F27A, F28A, F42Z	08	I08A, I08B, I08C, I08D, I08E, I13A, I13B				
	08	I08A, I08B, I08C, I08D, I08E, I13A, I13B	08		I08A, I08B, I08C, I08D, I08E, I13A, I13B	06	G10Z, G12A, G12B				
	11	L09A, L38Z	09		J03A, J03B, J04A, J04B, J08A, J08B, J08C, J11A, J11B, J16Z	07	H06A, H06B, H06C				
	21A	W04A, W04B	10		K09A, K09B	08	I08A, I08B, I08C, I08D, I08E, I13A, I13B				
	21B	X06A, X06B, X06C, X33Z	11		L09A, L38Z	11	L09A, L38Z				
			21A		W04A, W04B	21A	W04A, W04B				
			21B		X06A, X06B, X06C, X33Z	21B	X06A, X06B, X06C, X33Z				

VYK



ZZV	MDC	DRG	ZZV	MDC	DRG	ZZV	MDC	DRG			
51515.1		BOP, KVT, UOP4	51515.6		BOP, KVT, UOP4	51516.1		BOP, KVT, UOP4			
	05	F01A, F01B, F01D, F05Z, F07A, F07B, F08A, F08B, F08C, F08D, F08E, F27A, F27B, F27C, F28A, F42Z		05	F01A, F01B, F01D, F05Z, F07A, F07B, F08A, F08B, F08C, F08D, F08E, F27A, F28A, F42Z		01	B04A, B04B, B04C, B04D, B04E			
	08	I08A, I08B, I08C, I08D, I08E, I13A, I13B		06	G10Z, G12A, G12B		05	F01A, F01B, F01D, F05Z, F07A, F07B, F08A, F08B, F08C, F08D, F08E, F27A, F28A, F42Z			
	09	J03A, J03B, J04A, J04B, J08A, J08B, J08C, J11A, J11B, J16Z		07	H06A, H06B, H06C		08	I08A, I08B, I08C, I08D, I08E, I13A, I13B			
	10	K01Z		08	I08A, I08B, I08C, I08D, I08E, I13A, I13B		10	K09A, K09B			
	11	L09A, L38Z		11	L09A, L38Z		11	L09A, L38Z			
	21A	W04A, W04B		21A	W04A, W04B		21A	W04A, W04B			
	21B	X06A, X06B, X06C, X33Z		21B	X06A, X06B, X06C, X33Z		21B	X06A, X06B, X06C, X33Z			
	51515.2			BOP, KVT, UOP4	51515.7			BOP, KVT, UOP4	51516.2		BOP, KVT, UOP4
		05		F01A, F01B, F01D, F05Z, F07A, F07B, F08A, F08B, F08C, F08D, F08E, F27A, F27B, F27C, F28A, F42Z			05	F01A, F01B, F01D, F05Z, F07A, F07B, F08A, F08B, F08C, F08D, F08E, F27A, F28A, F42Z		01	B04A, B04B, B04C, B04D, B04E
		08		I08A, I08B, I08C, I08D, I08E, I13A, I13B			08	I08A, I08B, I08C, I08D, I08E, I13A, I13B		05	F01A, F01B, F01D, F05Z, F07A, F07B, F08A, F08B, F08C, F08D, F08E, F27A, F28A, F42Z
09		J03A, J03B, J04A, J04B, J08A, J08B, J08C, J11A, J11B, J16Z	11	L03Z, L04A, L04B, L04C, L09A, L10Z, L13A, L13B, L38Z		08	I08A, I08B, I08C, I08D, I08E, I13A, I13B				
10		K01Z	21A	W04A, W04B		10	K09A, K09B				
11		L09A, L38Z	21B	X06A, X06B, X06C, X33Z		11	L09A, L38Z				
21A		W04A, W04B	BOP, KVT, UOP4	21A		W04A, W04B	21A	W04A, W04B			
21B		X06A, X06B, X06C, X33Z	05	F01A, F01B, F01D, F05Z, F07A, F07B, F08A, F08B, F08C, F08D, F08E, F27A, F28A, F42Z		21B	X06A, X06B, X06C, X33Z				
51515.3			BOP, KVT, UOP4	51515.8			BOP, KVT, UOP4	51516.3			BOP, KVT, UOP4
		05	F01A, F01B, F01D, F05Z, F07A, F07B, F08A, F08B, F08C, F08D, F08E, F27A, F27B, F27C, F28A, F42Z			05	F01A, F01B, F01D, F05Z, F07A, F07B, F08A, F08B, F08C, F08D, F08E, F27A, F28A, F42Z			01	B04A, B04B, B04C, B04D, B04E
		08	I08A, I08B, I08C, I08D, I08E, I13A, I13B			06	G10Z, G12A, G12B, G18A, G38Z			05	F01A, F01B, F01D, F05Z, F07A, F07B, F08A, F08B, F08C, F08D, F08E, F27A, F28A, F42Z
	09	J03A, J03B, J04A, J04B, J08A, J08B, J08C, J11A, J11B, J16Z	07		H01A, H06A, H06B, H06C	08	I08A, I08B, I08C, I08D, I08E, I13A, I13B				
	10	K01Z	08		I08A, I08B, I08C, I08D, I08E, I13A, I13B	10	K09A, K09B				
	11	L09A, L38Z	11		L03Z, L04A, L04B, L04C, L09A, L10Z, L13A, L13B, L38Z	11	L09A, L38Z				
	21A	W04A, W04B	21A		W04A, W04B	21A	W04A, W04B				
	21B	X06A, X06B, X06C, X33Z	21B		X06A, X06B, X06C, X33Z	21B	X06A, X06B, X06C, X33Z				
	51515.4		BOP, KVT, UOP4		51515.x		BOP, KVT, UOP4		51516.4		BOP, KVT, UOP4
		05	F01A, F01B, F01D, F05Z, F07A, F07B, F08A, F08B, F08C, F08D, F08E, F27A, F27B, F27C, F28A, F42Z			05	F01A, F01B, F01D, F05Z, F07A, F07B, F08A, F08B, F08C, F08D, F08E, F27A, F28A, F42Z			01	B04A, B04B, B04C, B04D, B04E
		08	I08A, I08B, I08C, I08D, I08E, I13A, I13B			06	G10Z, G12A, G12B			05	F01A, F01B, F01D, F05Z, F07A, F07B, F08A, F08B, F08C, F08D, F08E, F27A, F28A, F42Z
09		J03A, J03B, J04A, J04B, J08A, J08B, J08C, J11A, J11B, J16Z	07	H06A, H06B, H06C		08	I08A, I08B, I08C, I08D, I08E, I13A, I13B				
10		K01Z	08	I08A, I08B, I08C, I08D, I08E, I13A, I13B		10	K09A, K09B				
11		L09A, L38Z	11	L09A, L38Z		11	L09A, L38Z				
21A		W04A, W04B	21A	W04A, W04B		21A	W04A, W04B				
21B		X06A, X06B, X06C, X33Z	21B	X06A, X06B, X06C, X33Z		21B	X06A, X06B, X06C, X33Z				
51515.5			BOP, KVT, UOP4	51516.0			BOP, KVT, UOP4	51516.5			BOP, KVT, UOP4
		05	F01A, F01B, F01D, F05Z, F07A, F07B, F08A, F08B, F08C, F08D, F08E, F27A, F27B, F27C, F28A, F42Z			01	B04A, B04B, B04C, B04D, B04E			01	B04A, B04B, B04C, B04D, B04E
		08	I08A, I08B, I08C, I08D, I08E, I13A, I13B			05	F01A, F01B, F01D, F05Z, F07A, F07B, F08A, F08B, F08C, F08D, F08E, F27A, F28A, F42Z			05	F01A, F01B, F01D, F05Z, F07A, F07B, F08A, F08B, F08C, F08D, F08E, F27A, F28A, F42Z
	09	J03A, J03B, J04A, J04B, J08A, J08B, J08C, J11A, J11B, J16Z	08		I08A, I08B, I08C, I08D, I08E, I13A, I13B	08	I08A, I08B, I08C, I08D, I08E, I13A, I13B				
	10	K01Z	10		K09A, K09B	10	K09A, K09B				
	11	L09A, L38Z	11		L09A, L38Z	11	L09A, L38Z				
	21A	W04A, W04B	21A		W04A, W04B	21A	W04A, W04B				
	21B	X06A, X06B, X06C, X33Z	21B		X06A, X06B, X06C, X33Z	21B	X06A, X06B, X06C, X33Z				

VYK

ZZV	MDC	DRG	ZZV	MDC	DRG	ZZV	MDC	DRG
51516.6		BOP, KVT, UOP4	51517.3		BOP, KVT, UOP4	51521.1↔		BOP, KVT, UOP4
	01	B04A, B04B, B04C, B04D, B04E		01	B04A, B04B, B04C, B04D, B04E		01	B04A, B04B, B04C, B04D, B04E
	05	F01A, F01B, F01D, F05Z, F07A, F07B, F08A, F08B, F08C, F08D, F08E, F27A, F28A, F42Z		05	F01A, F01B, F01D, F05Z, F07A, F07B, F08A, F08B, F08C, F08D, F08E, F27A, F28A, F42Z		05	F01A, F01B, F01D, F05Z, F06A, F06C, F07A, F07B, F08A, F08B, F08C, F08D, F08E, F27A, F28A, F42Z
	08	I08A, I08B, I08C, I08D, I08E, I13A, I13B		08	I08A, I08B, I08C, I08D, I08E, I13A, I13B		08	I08A, I08B, I08C, I08D, I08E, I13A, I13B
	10	K09A, K09B		10	K09A, K09B		10	K09A, K09B
	11	L09A, L38Z		11	L09A, L38Z		11	L09A, L38Z
	21A	W04A, W04B		21A	W04A, W04B		21A	W04A, W04B
	21B	X06A, X06B, X06C, X33Z		21B	X04Z, X33Z		21B	X06A, X06B, X06C, X33Z
51516.x		BOP, KVT, UOP4	51517.x		BOP, KVT, UOP4	51521.2↔		BOP, KVT, UOP4
	01	B04A, B04B, B04C, B04D, B04E		01	B04A, B04B, B04C, B04D, B04E		01	B04A, B04B, B04C, B04D, B04E
	05	F01A, F01B, F01D, F05Z, F07A, F07B, F08A, F08B, F08C, F08D, F08E, F27A, F28A, F42Z		05	F01A, F01B, F01D, F05Z, F07A, F07B, F08A, F08B, F08C, F08D, F08E, F27A, F28A, F42Z		05	F01A, F01B, F01D, F05Z, F06A, F06C, F07A, F07B, F08A, F08B, F08C, F08D, F08E, F27A, F28A, F42Z
	08	I08A, I08B, I08C, I08D, I08E, I13A, I13B		08	I08A, I08B, I08C, I08D, I08E, I13A, I13B		08	I08A, I08B, I08C, I08D, I08E, I13A, I13B
	10	K09A, K09B		10	K09A, K09B		11	L09A, L38Z
	11	L09A, L38Z		11	L09A, L38Z		21A	W04A, W04B
	21A	W04A, W04B		21A	W04A, W04B		21B	X06A, X06B, X06C, X33Z
	21B	X06A, X06B, X06C, X33Z		21B	X04Z, X33Z			BOP, KOP, KOPV, KVT, UOP4
51517.0		BOP, KVT, UOP4	51518		BOP, KVT, UOP4	51521.3↔		BOP, KVT, UOP4
	01	B04A, B04B, B04C, B04D, B04E		01	B04A, B04B, B04C, B04D, B04E		01	B02A, B02B, B02C, B02D, B20A, B20B, B20C, B20D, B20E, B20F, B39A, B39B
	05	F01A, F01B, F01D, F05Z, F07A, F07B, F08A, F08B, F08C, F08D, F08E, F27A, F28A, F42Z		05	F01A, F01B, F01D, F05Z, F07A, F07B, F08A, F08B, F08C, F08D, F08E, F27A, F28A, F42Z		05	F05Z, F06A, F06C
	08	I08A, I08B, I08C, I08D, I08E, I13A, I13B		08	I08A, I08B, I08C, I08D, I08E, I13A, I13B		06	G33Z
	10	K09A, K09B		10	K09A, K09B		07	H33Z, H38Z
	11	L09A, L38Z		11	L09A, L38Z		08	I08A, I08B, I08C, I08D, I08E, I13A, I13B
	21A	W04A, W04B		21A	W04A, W04B		11	L09A, L33Z, L38Z
	21B	X04Z, X33Z		21B	X04Z, X33Z		21A	W01A, W01B, W01C, W36Z
51517.1		BOP, KVT, UOP4	51519		BOP, KVT, UOP4	51521.4		BOP, KVT, UOP4
	01	B04A, B04B, B04C, B04D, B04E		01	B04A, B04B, B04C, B04D, B04E		01	B04A, B04B, B04C, B04D, B04E
	05	F01A, F01B, F01D, F05Z, F07A, F07B, F08A, F08B, F08C, F08D, F08E, F27A, F28A, F42Z		05	F01A, F01B, F01D, F05Z, F07A, F07B, F08A, F08B, F08C, F08D, F08E, F27A, F28A, F42Z		05	F01A, F01B, F01D, F05Z, F06A, F06C, F07A, F07B, F08A, F08B, F08C, F08D, F08E, F27A, F28A, F42Z
	08	I08A, I08B, I08C, I08D, I08E, I13A, I13B		07	H06A, H06B, H06C		08	I08A, I08B, I08C, I08D, I08E, I13A, I13B
	10	K09A, K09B		08	I08A, I08B, I08C, I08D, I08E, I13A, I13B		11	L09A, L38Z
	11	L09A, L38Z		09	J03A, J03B, J04A, J04B, J08A, J08B, J08C, J11A, J11B, J16Z		21A	W04A, W04B
	21A	W04A, W04B		10	K09A, K09B		21B	X06A, X06B, X06C, X33Z
	21B	X04Z, X33Z		11	L09A, L09B, L09C, L09D, L38Z			BOP, KVT, UOP4
51517.2		BOP, KVT, UOP4	51521.0↔		BOP, KVT, UOP4	51521.5		BOP, KVT, UOP4
	01	B04A, B04B, B04C, B04D, B04E		01	B04A, B04B, B04C, B04D, B04E		01	B04A, B04B, B04C, B04D, B04E
	05	F01A, F01B, F01D, F05Z, F07A, F07B, F08A, F08B, F08C, F08D, F08E, F27A, F28A, F42Z		05	F01A, F01B, F01D, F05Z, F06A, F06C, F07A, F07B, F08A, F08B, F08C, F08D, F08E, F27A, F28A, F42Z		05	F01A, F01B, F01D, F05Z, F06A, F06C, F07A, F07B, F08A, F08B, F08C, F08D, F08E, F27A, F28A, F42Z
	08	I08A, I08B, I08C, I08D, I08E, I13A, I13B		08	I08A, I08B, I08C, I08D, I08E, I13A, I13B		08	I08A, I08B, I08C, I08D, I08E, I13A, I13B
	10	K09A, K09B		10	K09A, K09B		11	L09A, L38Z
	11	L09A, L38Z		11	L09A, L38Z		21A	W04A, W04B
	21A	W04A, W04B		21A	W04A, W04B		21B	X06A, X06B, X06C, X33Z
	21B	X04Z, X33Z		21B	X06A, X06B, X06C, X33Z			

VYK

ZZV	MDC	DRG	ZZV	MDC	DRG	ZZV	MDC	DRG
51521.x↔		BOP, KVT, UOP4	51522.4↔		BOP, KVT, UOP4	51523↔		BOP, KVT, UOP4
	01	B04A, B04B, B04C, B04D, B04E		01	B04A, B04B, B04C, B04D, B04E		01	B04A, B04B, B04C, B04D, B04E
	05	F01A, F01B, F01D, F05Z, F06A, F06C, F07A, F07B, F08A, F08B, F08C, F08D, F08E, F27A, F28A, F42Z		05	F01A, F01B, F01D, F05Z, F07A, F07B, F08A, F08B, F08C, F08D, F08E, F27A, F28A, F42Z		05	F01A, F01B, F01D, F05Z, F07A, F07B, F08A, F08B, F08C, F08D, F08E, F27A, F28A, F42Z
	08	I08A, I08B, I08C, I08D, I08E, I13A, I13B		08	I08A, I08B, I08C, I08D, I08E, I13A, I13B		08	I08A, I08B, I08C, I08D, I08E, I13A, I13B
	11	L09A, L38Z		10	K09A, K09B		10	K09A, K09B
	21A	W04A, W04B		11	L09A, L38Z		11	L09A, L38Z
	21B	X06A, X06B, X06C, X33Z		21A	W04A, W04B		21A	W04A, W04B
51522.0↔		BOP, KVT, UOP4	51522.5↔		BOP, KVT, UOP4	51524.0↔		BOP, KVT, UOP4
	01	B04A, B04B, B04C, B04D, B04E		01	B04A, B04B, B04C, B04D, B04E		01	B04A, B04B, B04C, B04D, B04E
	05	F01A, F01B, F01D, F05Z, F07A, F07B, F08A, F08B, F08C, F08D, F08E, F27A, F28A, F42Z		05	F01A, F01B, F01D, F05Z, F07A, F07B, F08A, F08B, F08C, F08D, F08E, F27A, F28A, F42Z		05	F01A, F01B, F01D, F05Z, F07A, F07B, F08A, F08B, F08C, F08D, F08E, F27A, F28A, F42Z
	08	I08A, I08B, I08C, I08D, I08E, I13A, I13B		08	I08A, I08B, I08C, I08D, I08E, I13A, I13B		08	I08A, I08B, I08C, I08D, I08E, I13A, I13B
	11	L09A, L38Z		10	K09A, K09B		11	L09A, L38Z
	21A	W04A, W04B		11	L09A, L38Z		21A	W04A, W04B
	21B	X06A, X06B, X06C, X33Z		21A	W04A, W04B		21B	X06A, X06B, X06C, X33Z
51522.1↔		BOP, KVT, UOP4	51522.6↔		BOP, KVT, UOP4	51524.1↔		BOP, KVT, UOP4
	01	B04A, B04B, B04C, B04D, B04E		01	B04A, B04B, B04C, B04D, B04E		01	B04A, B04B, B04C, B04D, B04E
	05	F01A, F01B, F01D, F05Z, F07A, F07B, F08A, F08B, F08C, F08D, F08E, F27A, F28A, F42Z		05	F01A, F01B, F01D, F05Z, F07A, F07B, F08A, F08B, F08C, F08D, F08E, F27A, F28A, F42Z		05	F01A, F01B, F01D, F05Z, F07A, F07B, F08A, F08B, F08C, F08D, F08E, F27A, F28A, F42Z
	08	I08A, I08B, I08C, I08D, I08E, I13A, I13B		08	I08A, I08B, I08C, I08D, I08E, I13A, I13B		08	I08A, I08B, I08C, I08D, I08E, I13A, I13B
	11	L09A, L38Z		10	K09A, K09B		11	L09A, L38Z
	21A	W04A, W04B		11	L09A, L38Z		21A	W04A, W04B
	21B	X06A, X06B, X06C, X33Z		21B	X06A, X06B, X06C, X33Z		21B	X06A, X06B, X06C, X33Z
51522.2↔		BOP, KVT, UOP4	51522.7↔		BOP, KVT, UOP4	51524.2		BOP, KVT, UOP4
	01	B04A, B04B, B04C, B04D, B04E		01	B04A, B04B, B04C, B04D, B04E		01	B04A, B04B, B04C, B04D, B04E
	05	F01A, F01B, F01D, F05Z, F07A, F07B, F08A, F08B, F08C, F08D, F08E, F27A, F28A, F42Z		05	F01A, F01B, F01D, F05Z, F07A, F07B, F08A, F08B, F08C, F08D, F08E, F27A, F28A, F42Z		05	F01A, F01B, F01D, F05Z, F07A, F07B, F08A, F08B, F08C, F08D, F08E, F27A, F28A, F42Z
	08	I08A, I08B, I08C, I08D, I08E, I13A, I13B		08	I08A, I08B, I08C, I08D, I08E, I13A, I13B		07	H06A, H06B, H06C
	10	K09A, K09B		10	K09A, K09B		08	I08A, I08B, I08C, I08D, I08E, I13A, I13B
	11	L09A, L38Z		11	L09A, L38Z		09	J03A, J03B, J04A, J04B, J08A, J08B, J08C, J11A, J11B, J16Z
	21A	W04A, W04B		10	K09A, K09B		10	K09A, K09B
51522.3↔		BOP, KVT, UOP4	51522.x↔		BOP, KVT, UOP4	51524.3↔		BOP, KVT, UOP4
	01	B04A, B04B, B04C, B04D, B04E		01	B04A, B04B, B04C, B04D, B04E		01	B04A, B04B, B04C, B04D, B04E
	05	F01A, F01B, F01D, F05Z, F07A, F07B, F08A, F08B, F08C, F08D, F08E, F27A, F28A, F42Z		05	F01A, F01B, F01D, F05Z, F07A, F07B, F08A, F08B, F08C, F08D, F08E, F27A, F28A, F42Z		05	F01A, F01B, F01D, F05Z, F07A, F07B, F08A, F08B, F08C, F08D, F08E, F27A, F27B, F27C, F28A, F42Z
	08	I08A, I08B, I08C, I08D, I08E, I13A, I13B		08	I08A, I08B, I08C, I08D, I08E, I13A, I13B		08	I08A, I08B, I08C, I08D, I08E, I13A, I13B
	10	K09A, K09B		11	L09A, L38Z		09	J03A, J03B, J04A, J04B, J08A, J08B, J08C, J11A, J11B, J16Z
	11	L09A, L38Z		11	L09A, L38Z		10	K01Z
	21A	W04A, W04B		21A	W04A, W04B		11	L09A, L38Z
21B	X06A, X06B, X06C, X33Z	21B	X06A, X06B, X06C, X33Z	21A	W04A, W04B			
				21B	X06A, X06B, X06C, X33Z			

VYK

ZZV	MDC	DRG	ZZV	MDC	DRG	ZZV	MDC	DRG			
51524.4		BOP, KVT, UOP4	51524.9↔		BOP, KVT, UOP4	51525.10		BOP, KVT, UOP4			
	05	F01A, F01B, F01D, F05Z, F07A, F07B, F08A, F08B, F08C, F08D, F08E, F27A, F27B, F27C, F28A, F42Z		05	F01A, F01B, F01D, F05Z, F07A, F07B, F08A, F08B, F08C, F08D, F08E, F27A, F27B, F27C, F28A, F42Z		05	F01A, F01B, F01D, F05Z, F07A, F07B, F08A, F08B, F08C, F08D, F08E, F27A, F27B, F27C, F28A, F42Z			
	08	I08A, I08B, I08C, I08D, I08E, I13A, I13B		08	I08A, I08B, I08C, I08D, I08E, I13A, I13B		06	G10Z, G12A, G12B			
	09	J03A, J03B, J04A, J04B, J08A, J08B, J08C, J11A, J11B, J16Z		09	J03A, J03B, J04A, J04B, J08A, J08B, J08C, J11A, J11B, J16Z		07	H06A, H06B, H06C			
	10	K01Z		10	K01Z		08	I08A, I08B, I08C, I08D, I08E, I13A, I13B			
	11	L09A, L38Z		11	L09A, L38Z		11	L09A, L38Z			
	21A	W04A, W04B		21A	W04A, W04B		21A	W04A, W04B			
	21B	X06A, X06B, X06C, X33Z		21B	X06A, X06B, X06C, X33Z		21B	X06A, X06B, X06C, X33Z			
	51524.5↔			BOP, KVT, UOP4	51524.x↔			BOP, KVT, UOP4	51525.2↔		BOP, KVT, UOP4
		05		F01A, F01B, F01D, F05Z, F07A, F07B, F08A, F08B, F08C, F08D, F08E, F27A, F27B, F27C, F28A, F42Z			01	B04A, B04B, B04C, B04D, B04E		05	F01A, F01B, F01D, F05Z, F07A, F07B, F08A, F08B, F08C, F08D, F08E, F27A, F27B, F27C, F28A, F42Z
		08		I08A, I08B, I08C, I08D, I08E, I13A, I13B			05	F01A, F01B, F01D, F05Z, F07A, F07B, F08A, F08B, F08C, F08D, F08E, F27A, F28A, F42Z		08	I08A, I08B, I08C, I08D, I08E, I13A, I13B
09		J03A, J03B, J04A, J04B, J08A, J08B, J08C, J11A, J11B, J16Z	08	I08A, I08B, I08C, I08D, I08E, I13A, I13B		09	J03A, J03B, J04A, J04B, J08A, J08B, J08C, J11A, J11B, J16Z				
10		K01Z	11	L09A, L38Z		10	K01Z				
11		L09A, L38Z	21A	W04A, W04B		11	L09A, L38Z				
21A		W04A, W04B	21B	X06A, X06B, X06C, X33Z		21A	W04A, W04B				
21B		X06A, X06B, X06C, X33Z	51525.0↔			BOP, KVT, UOP4	51525.3↔			BOP, KVT, UOP4	
51524.6↔				BOP, KVT, UOP4		05		F01A, F01B, F01D, F05Z, F07A, F07B, F08A, F08B, F08C, F08D, F08E, F27A, F27B, F27C, F28A, F42Z		05	F01A, F01B, F01D, F05Z, F07A, F07B, F08A, F08B, F08C, F08D, F08E, F27A, F27B, F27C, F28A, F42Z
		05		F01A, F01B, F01D, F05Z, F07A, F07B, F08A, F08B, F08C, F08D, F08E, F27A, F27B, F27C, F28A, F42Z		06		G10Z, G12A, G12B		08	I08A, I08B, I08C, I08D, I08E, I13A, I13B
		08		I08A, I08B, I08C, I08D, I08E, I13A, I13B		07		H06A, H06B, H06C		09	J03A, J03B, J04A, J04B, J08A, J08B, J08C, J11A, J11B, J16Z
	09	J03A, J03B, J04A, J04B, J08A, J08B, J08C, J11A, J11B, J16Z		08	I08A, I08B, I08C, I08D, I08E, I13A, I13B	10		K01Z			
	10	K01Z		11	L09A, L38Z	11		L09A, L38Z			
	11	L09A, L38Z		21A	W04A, W04B	21A		W04A, W04B			
	21A	W04A, W04B		21B	X06A, X06B, X06C, X33Z	21B		X06A, X06B, X06C, X33Z			
	21B	X06A, X06B, X06C, X33Z		51525.00		BOP, KVT, UOP4		51525.4↔		BOP, KVT, UOP4	
	51524.7				BOP, KVT, UOP4	05			F01A, F01B, F01D, F05Z, F07A, F07B, F08A, F08B, F08C, F08D, F08E, F27A, F28A, F42Z	05	F01A, F01B, F01D, F05Z, F07A, F07B, F08A, F08B, F08C, F08D, F08E, F27A, F27B, F27C, F28A, F42Z
		01			B04A, B04B, B04C, B04D, B04E	06			G10Z, G12A, G12B	08	I08A, I08B, I08C, I08D, I08E, I13A, I13B
		05	F01A, F01B, F01D, F05Z, F07A, F07B, F08A, F08B, F08C, F08D, F08E, F27A, F28A, F42Z		07	H06A, H06B, H06C	09		J03A, J03B, J04A, J04B, J08A, J08B, J08C, J11A, J11B, J16Z		
08		I08A, I08B, I08C, I08D, I08E, I13A, I13B	08		I08A, I08B, I08C, I08D, I08E, I13A, I13B	10	K01Z				
09		J03A, J03B, J04A, J04B, J08A, J08B, J08C, J11A, J11B, J16Z	11		L09A, L38Z	11	L09A, L38Z				
10		K01Z	21A		W04A, W04B	21A	W04A, W04B				
11		L09A, L38Z	21B		X06A, X06B, X06C, X33Z	21B	X06A, X06B, X06C, X33Z				
21A		W04A, W04B	51525.1↔			BOP, KVT, UOP4	51525.5↔			BOP, KVT, UOP4	
21B		X06A, X06B, X06C, X33Z			05	F01A, F01B, F01D, F05Z, F07A, F07B, F08A, F08B, F08C, F08D, F08E, F27A, F27B, F27C, F28A, F42Z			05	F01A, F01B, F01D, F05Z, F07A, F07B, F08A, F08B, F08C, F08D, F08E, F27A, F27B, F27C, F28A, F42Z	
51524.8↔					BOP, KVT, UOP4	08			I08A, I08B, I08C, I08D, I08E, I13A, I13B	08	I08A, I08B, I08C, I08D, I08E, I13A, I13B
		05		F01A, F01B, F01D, F05Z, F07A, F07B, F08A, F08B, F08C, F08D, F08E, F27A, F27B, F27C, F28A, F42Z	09	J03A, J03B, J04A, J04B, J08A, J08B, J08C, J11A, J11B, J16Z		09	J03A, J03B, J04A, J04B, J08A, J08B, J08C, J11A, J11B, J16Z		
	08	I08A, I08B, I08C, I08D, I08E, I13A, I13B		10	K01Z	10		K01Z			
	09	J03A, J03B, J04A, J04B, J08A, J08B, J08C, J11A, J11B, J16Z		11	L09A, L38Z	11		L09A, L38Z			
	10	K01Z		21A	W04A, W04B	21A		W04A, W04B			
	11	L09A, L38Z		21B	X06A, X06B, X06C, X33Z	21B		X06A, X06B, X06C, X33Z			
	21A	W04A, W04B									
	21B	X06A, X06B, X06C, X33Z									

VYK

ZZV	MDC	DRG	ZZV	MDC	DRG	ZZV	MDC	DRG			
51525.6↔		BOP, KVT, UOP4	51526.1↔		BOP, KVT, UOP4	51526.6↔		BOP, KVT, UOP4			
	05	F01A, F01B, F01D, F05Z, F07A, F07B, F08A, F08B, F08C, F08D, F08E, F27A, F28A, F42Z		01	B04A, B04B, B04C, B04D, B04E		01	B04A, B04B, B04C, B04D, B04E			
	06	G10Z, G12A, G12B		05	F01A, F01B, F01D, F05Z, F07A, F07B, F08A, F08B, F08C, F08D, F08E, F27A, F28A, F42Z		05	F01A, F01B, F01D, F05Z, F07A, F07B, F08A, F08B, F08C, F08D, F08E, F27A, F28A, F42Z			
	07	H06A, H06B, H06C		08	I08A, I08B, I08C, I08D, I08E, I13A, I13B		08	I08A, I08B, I08C, I08D, I08E, I13A, I13B			
	08	I08A, I08B, I08C, I08D, I08E, I13A, I13B		10	K09A, K09B		10	K09A, K09B			
	11	L09A, L38Z		11	L09A, L38Z		11	L09A, L38Z			
	21A	W04A, W04B		21A	W04A, W04B		21A	W04A, W04B			
	21B	X06A, X06B, X06C, X33Z		21B	X06A, X06B, X06C, X33Z		21B	X06A, X06B, X06C, X33Z			
	51525.7↔			BOP, KVT, UOP4	51526.2↔			BOP, KVT, UOP4	51526.x↔		BOP, KVT, UOP4
		05		F01A, F01B, F01D, F05Z, F07A, F07B, F08A, F08B, F08C, F08D, F08E, F27A, F28A, F42Z			01	B04A, B04B, B04C, B04D, B04E		01	B04A, B04B, B04C, B04D, B04E
08		I08A, I08B, I08C, I08D, I08E, I13A, I13B	05	F01A, F01B, F01D, F05Z, F07A, F07B, F08A, F08B, F08C, F08D, F08E, F27A, F28A, F42Z		05	F01A, F01B, F01D, F05Z, F07A, F07B, F08A, F08B, F08C, F08D, F08E, F27A, F28A, F42Z				
11		L03Z, L04A, L04B, L04C, L09A, L10Z, L13A, L13B, L38Z	08	I08A, I08B, I08C, I08D, I08E, I13A, I13B		08	I08A, I08B, I08C, I08D, I08E, I13A, I13B				
21A		W04A, W04B	10	K09A, K09B		10	K09A, K09B				
21B		X06A, X06B, X06C, X33Z	11	L09A, L38Z		11	L09A, L38Z				
51525.8↔			BOP, KVT, UOP4	51526.3↔			BOP, KVT, UOP4	51527.0↔			BOP, KVT, UOP4
		05	F01A, F01B, F01D, F05Z, F07A, F07B, F08A, F08B, F08C, F08D, F08E, F27A, F28A, F42Z			01	B04A, B04B, B04C, B04D, B04E			01	B04A, B04B, B04C, B04D, B04E
		06	G10Z, G12A, G12B, G18A, G38Z			05	F01A, F01B, F01D, F05Z, F07A, F07B, F08A, F08B, F08C, F08D, F08E, F27A, F28A, F42Z			05	F01A, F01B, F01D, F05Z, F07A, F07B, F08A, F08B, F08C, F08D, F08E, F27A, F28A, F42Z
		07	H01A, H06A, H06B, H06C			08	I08A, I08B, I08C, I08D, I08E, I13A, I13B			08	I08A, I08B, I08C, I08D, I08E, I13A, I13B
	08	I08A, I08B, I08C, I08D, I08E, I13A, I13B	10		K09A, K09B	10	K09A, K09B				
	11	L03Z, L04A, L04B, L04C, L09A, L10Z, L13A, L13B, L38Z	11		L09A, L38Z	11	L09A, L38Z				
	21A	W04A, W04B	21A		W04A, W04B	21A	W04A, W04B				
	21B	X06A, X06B, X06C, X33Z	21B		X06A, X06B, X06C, X33Z	21B	X04Z, X33Z				
	51525.x↔		BOP, KVT, UOP4		51526.4↔		BOP, KVT, UOP4		51527.1		BOP, KVT, UOP4
		05	F01A, F01B, F01D, F05Z, F07A, F07B, F08A, F08B, F08C, F08D, F08E, F27A, F28A, F42Z			01	B04A, B04B, B04C, B04D, B04E			01	B04A, B04B, B04C, B04D, B04E
06		G10Z, G12A, G12B	05	F01A, F01B, F01D, F05Z, F07A, F07B, F08A, F08B, F08C, F08D, F08E, F27A, F28A, F42Z		05	F01A, F01B, F01D, F05Z, F07A, F07B, F08A, F08B, F08C, F08D, F08E, F27A, F28A, F42Z				
07		H06A, H06B, H06C	08	I08A, I08B, I08C, I08D, I08E, I13A, I13B		08	I08A, I08B, I08C, I08D, I08E, I13A, I13B				
08		I08A, I08B, I08C, I08D, I08E, I13A, I13B	10	K09A, K09B		10	K09A, K09B				
11		L09A, L38Z	11	L09A, L38Z		11	L09A, L38Z				
21A		W04A, W04B	21A	W04A, W04B		21A	W04A, W04B				
21B		X06A, X06B, X06C, X33Z	21B	X06A, X06B, X06C, X33Z		21B	X04Z, X33Z				
51526.0↔			BOP, KVT, UOP4	51526.5↔			BOP, KVT, UOP4	51527.2			BOP, KVT, UOP4
		01	B04A, B04B, B04C, B04D, B04E			01	B04A, B04B, B04C, B04D, B04E			01	B04A, B04B, B04C, B04D, B04E
	05	F01A, F01B, F01D, F05Z, F07A, F07B, F08A, F08B, F08C, F08D, F08E, F27A, F28A, F42Z	05		F01A, F01B, F01D, F05Z, F07A, F07B, F08A, F08B, F08C, F08D, F08E, F27A, F28A, F42Z	05	F01A, F01B, F01D, F05Z, F07A, F07B, F08A, F08B, F08C, F08D, F08E, F27A, F28A, F42Z				
	08	I08A, I08B, I08C, I08D, I08E, I13A, I13B	08		I08A, I08B, I08C, I08D, I08E, I13A, I13B	08	I08A, I08B, I08C, I08D, I08E, I13A, I13B				
	10	K09A, K09B	10		K09A, K09B	10	K09A, K09B				
	11	L09A, L38Z	11		L09A, L38Z	11	L09A, L38Z				
	21A	W04A, W04B	21A		W04A, W04B	21A	W04A, W04B				
	21B	X06A, X06B, X06C, X33Z	21B		X06A, X06B, X06C, X33Z	21B	X04Z, X33Z				

ZZV	MDC	DRG	ZZV	MDC	DRG	ZZV	MDC	DRG			
51527.3↔		BOP, KVT, UOP4	51530.0↔		BOP, KVT, UOP4	51530.x↔		BOP, KVT, UOP4			
	01	B04A, B04B, B04C, B04D, B04E		01	B04A, B04B, B04C, B04D, B04E		01	B04A, B04B, B04C, B04D, B04E			
	05	F01A, F01B, F01D, F05Z, F07A, F07B, F08A, F08B, F08C, F08D, F08E, F27A, F28A, F42Z		05	F01A, F01B, F01D, F05Z, F06A, F06C, F07A, F07B, F14A, F14B, F28A, F42Z, F54Z, F59A, F59B		05	F01A, F01B, F01D, F05Z, F06A, F06C, F07A, F07B, F14A, F14B, F28A, F42Z, F54Z, F59A, F59B			
	08	I08A, I08B, I08C, I08D, I08E, I13A, I13B		08	I08A, I08B, I08C, I08D, I08E, I13A, I13B		08	I08A, I08B, I08C, I08D, I08E, I13A, I13B			
	10	K09A, K09B		10	K09A, K09B		10	K09A, K09B			
	11	L09A, L38Z		11	L09A, L09B, L09C, L09D, L38Z		11	L09A, L09B, L09C, L09D, L38Z			
	21A	W04A, W04B		21A	W04A, W04B		21A	W04A, W04B			
	21B	X04Z, X33Z		21B	X06A, X06B, X06C		21B	X06A, X06B, X06C			
	51527.x↔			BOP, KVT, UOP4	51530.1↔			BOP, KVT, UOP4	51531.0↔		BOP, KVT, UOP4
		01		B04A, B04B, B04C, B04D, B04E			01	B04A, B04B, B04C, B04D, B04E		01	B04A, B04B, B04C, B04D, B04E
05		F01A, F01B, F01D, F05Z, F07A, F07B, F08A, F08B, F08C, F08D, F08E, F27A, F28A, F42Z	05	F01A, F01B, F01D, F05Z, F06A, F06C, F07A, F07B, F14A, F14B, F28A, F42Z, F54Z, F59A, F59B		05	F01A, F01B, F01D, F05Z, F07A, F07B, F14A, F14B, F28A, F42Z, F54Z, F59A, F59B				
08		I08A, I08B, I08C, I08D, I08E, I13A, I13B	08	I08A, I08B, I08C, I08D, I08E, I13A, I13B		08	I08A, I08B, I08C, I08D, I08E, I13A, I13B				
10		K09A, K09B	10	K09A, K09B		10	K09A, K09B				
11		L09A, L38Z	11	L09A, L09B, L09C, L09D, L38Z		11	L09A, L09B, L09C, L09D, L38Z				
21A		W04A, W04B	21A	W04A, W04B		21A	W04A, W04B				
21B		X04Z, X33Z	21B	X06A, X06B, X06C		21B	X05A, X05B, X06A, X06B, X06C				
51528↔			BOP, KVT, UOP4	51530.2↔			BOP, KVT, UOP4	51531.1↔			BOP, KVT, UOP4
		01	B04A, B04B, B04C, B04D, B04E			01	B04A, B04B, B04C, B04D, B04E			01	B04A, B04B, B04C, B04D, B04E
	05	F01A, F01B, F01D, F05Z, F07A, F07B, F08A, F08B, F08C, F08D, F08E, F27A, F28A, F42Z	05		F01A, F01B, F01D, F05Z, F06A, F06C, F07A, F07B, F14A, F14B, F28A, F42Z, F54Z, F59A, F59B	05	F01A, F01B, F01D, F05Z, F07A, F07B, F14A, F14B, F28A, F42Z, F54Z, F59A, F59B				
	08	I08A, I08B, I08C, I08D, I08E, I13A, I13B	08		I08A, I08B, I08C, I08D, I08E, I13A, I13B	08	I08A, I08B, I08C, I08D, I08E, I13A, I13B				
	10	K09A, K09B	10		K09A, K09B	10	K09A, K09B				
	11	L09A, L38Z	11		L09A, L09B, L09C, L09D, L38Z	11	L09A, L09B, L09C, L09D, L38Z				
	21A	W04A, W04B	21A		W04A, W04B	21A	W04A, W04B				
	21B	X04Z, X33Z	21B		X06A, X06B, X06C	21B	X05A, X05B, X06A, X06B, X06C				
	51529		BOP, KVT, UOP4		51530.3↔		BOP, KVT, UOP4		51531.x↔		BOP, KVT, UOP4
		01	B04A, B04B, B04C, B04D, B04E			01	B04A, B04B, B04C, B04D, B04E			01	B04A, B04B, B04C, B04D, B04E
05		F01A, F01B, F01D, F05Z, F07A, F07B, F08A, F08B, F08C, F08D, F08E, F27A, F28A, F42Z	05	F01A, F01B, F01D, F05Z, F06A, F06C, F07A, F07B, F14A, F14B, F28A, F42Z, F54Z, F59A, F59B		05	F01A, F01B, F01D, F05Z, F07A, F07B, F14A, F14B, F28A, F42Z, F54Z, F59A, F59B				
07		H06A, H06B, H06C	07	H06A, H06B, H06C		07	H06A, H06B, H06C				
08		I08A, I08B, I08C, I08D, I08E, I13A, I13B	08	I08A, I08B, I08C, I08D, I08E, I13A, I13B		08	I08A, I08B, I08C, I08D, I08E, I13A, I13B				
09		J03A, J03B, J04A, J04B, J08A, J08B, J08C, J11A, J11B, J16Z	09	J03A, J03B, J04A, J04B, J08A, J08B, J08C, J11A, J11B, J16Z		09	J03A, J03B, J04A, J04B, J08A, J08B, J08C, J11A, J11B, J16Z				
10		K09A, K09B	10	K09A, K09B		10	K09A, K09B				
11		L09A, L09B, L09C, L09D, L38Z	11	L09A, L09B, L09C, L09D, L38Z		11	L09A, L09B, L09C, L09D, L38Z				
21A		W04A, W04B	21A	W04A, W04B		21A	W04A, W04B				
21B		X04Z, X05A, X05B, X06A, X06B, X06C, X33Z	21B	X06A, X06B, X06C		21B	X05A, X05B, X06A, X06B, X06C				
5152a		BOP, KVT, UOP4	51530.4↔		BOP, KVT, UOP4						
	05	F21A, F21B		05	F01A, F01B, F01D, F05Z, F06A, F06C, F07A, F07B, F14A, F14B, F28A, F42Z, F54Z, F59A, F59B						
	08	I08A, I08B, I08C, I08D, I08E, I13A, I13B		08	I08A, I08B, I08C, I08D, I08E, I13A, I13B						
	10	K09A, K09B		10	K09A, K09B						
	11	L09A, L09B, L09C, L09D, L38Z		11	L09A, L09B, L09C, L09D, L38Z						
	21A	W04A, W04B		21A	W04A, W04B						
	21B	X04Z, X05A, X05B, X06A, X06B, X06C		21B	X06A, X06B, X06C						

VYK

ZZV	MDC	DRG	ZZV	MDC	DRG	ZZV	MDC	DRG
51532.0↔		BOP, KVT, UOP4	51532.4↔		BOP, KVT, UOP4	51533.x		BOP, KVT, UOP4
	01	B04A, B04B, B04C, B04D, B04E		01	B04A, B04B, B04C, B04D, B04E		01	B04A, B04B, B04C, B04D, B04E
	05	F01A, F01B, F01D, F05Z, F07A, F07B, F14A, F14B, F28A, F42Z, F54Z, F59A, F59B		05	F01A, F01B, F01D, F05Z, F07A, F07B, F14A, F14B, F28A, F42Z, F54Z, F59A, F59B		05	F01A, F01B, F01D, F05Z, F07A, F07B, F14A, F14B, F28A, F42Z, F54Z, F59A, F59B
	08	I08A, I08B, I08C, I08D, I08E, I13A, I13B		08	I08A, I08B, I08C, I08D, I08E, I13A, I13B		08	I08A, I08B, I08C, I08D, I08E, I13A, I13B
	10	K09A, K09B		10	K09A, K09B		10	K09A, K09B
	11	L09A, L09B, L09C, L09D, L38Z		11	L09A, L09B, L09C, L09D, L38Z		11	L09A, L09B, L09C, L09D, L38Z
	21A	W04A, W04B		21A	W04A, W04B		15	P02A, P02B, P02C
21B	X05A, X05B, X06A, X06B, X06C	21B	X05A, X05B, X06A, X06B, X06C	21A	W04A, W04B			
51532.1↔		BOP, KVT, UOP4	51532.x↔		BOP, KVT, UOP4	51534.0↔		BOP, KVT, UOP4
	01	B04A, B04B, B04C, B04D, B04E		01	B04A, B04B, B04C, B04D, B04E		01	B04A, B04B, B04C, B04D, B04E
	05	F01A, F01B, F01D, F05Z, F07A, F07B, F14A, F14B, F28A, F42Z, F54Z, F59A, F59B		05	F01A, F01B, F01D, F05Z, F07A, F07B, F14A, F14B, F28A, F42Z, F54Z, F59A, F59B		05	F01A, F01B, F01D, F05Z, F07A, F07B, F14A, F14B, F28A, F42Z, F54Z, F59A, F59B
	08	I08A, I08B, I08C, I08D, I08E, I13A, I13B		08	I08A, I08B, I08C, I08D, I08E, I13A, I13B		08	I08A, I08B, I08C, I08D, I08E, I13A, I13B
	10	K09A, K09B		10	K09A, K09B		10	K09A, K09B
	11	L09A, L09B, L09C, L09D, L38Z		11	L09A, L09B, L09C, L09D, L38Z		11	L09A, L09B, L09C, L09D, L38Z
	21A	W04A, W04B		21A	W04A, W04B		15	P02A, P02B, P02C
21B	X05A, X05B, X06A, X06B, X06C	21B	X05A, X05B, X06A, X06B, X06C	21A	W04A, W04B			
51532.2↔		BOP, KVT, UOP4	51533.0		BOP, KVT, UOP4	51534.1↔		BOP, KVT, UOP4
	01	B04A, B04B, B04C, B04D, B04E		01	B04A, B04B, B04C, B04D, B04E		01	B04A, B04B, B04C, B04D, B04E
	05	F01A, F01B, F01D, F05Z, F07A, F07B, F14A, F14B, F28A, F42Z, F54Z, F59A, F59B		05	F01A, F01B, F01D, F05Z, F07A, F07B, F14A, F14B, F28A, F42Z, F54Z, F59A, F59B		05	F01A, F01B, F01D, F05Z, F07A, F07B, F14A, F14B, F28A, F42Z, F54Z, F59A, F59B
	08	I08A, I08B, I08C, I08D, I08E, I13A, I13B		08	I08A, I08B, I08C, I08D, I08E, I13A, I13B		08	I08A, I08B, I08C, I08D, I08E, I13A, I13B
	10	K09A, K09B		10	K09A, K09B		10	K09A, K09B
	11	L09A, L09B, L09C, L09D, L38Z		11	L09A, L09B, L09C, L09D, L38Z		11	L09A, L09B, L09C, L09D, L38Z
	21A	W04A, W04B		15	P02A, P02B, P02C		15	P02A, P02B, P02C
21B	X05A, X05B, X06A, X06B, X06C	21A	W04A, W04B	21A	W04A, W04B			
51532.3↔		BOP, KVT, UOP4	51533.1		BOP, KVT, UOP4	51534.2↔		BOP, KVT, UOP4
	01	B04A, B04B, B04C, B04D, B04E		01	B04A, B04B, B04C, B04D, B04E		01	B04A, B04B, B04C, B04D, B04E
	05	F01A, F01B, F01D, F05Z, F07A, F07B, F14A, F14B, F28A, F42Z, F54Z, F59A, F59B		05	F01A, F01B, F01D, F05Z, F07A, F07B, F14A, F14B, F28A, F42Z, F54Z, F59A, F59B		05	F01A, F01B, F01D, F05Z, F07A, F07B, F14A, F14B, F28A, F42Z, F54Z, F59A, F59B
	08	I08A, I08B, I08C, I08D, I08E, I13A, I13B		08	I08A, I08B, I08C, I08D, I08E, I13A, I13B		08	I08A, I08B, I08C, I08D, I08E, I13A, I13B
	10	K09A, K09B		10	K09A, K09B		10	K09A, K09B
	11	L09A, L09B, L09C, L09D, L38Z		11	L09A, L09B, L09C, L09D, L38Z		11	L09A, L09B, L09C, L09D, L38Z
	21A	W04A, W04B		15	P02A, P02B, P02C		15	P02A, P02B, P02C
21B	X05A, X05B, X06A, X06B, X06C	21A	W04A, W04B	21A	W04A, W04B			
			21B	X06A, X06B, X06C	21B	X06A, X06B, X06C		

ZZV	MDC	DRG	ZZV	MDC	DRG	ZZV	MDC	DRG
51534.x↔		BOP, KVT, UOP4	51535.4↔		BOP, KVT, UOP4	51536.2		BOP, KOP, KOPV, KVT, UOP4
	01	B04A, B04B, B04C, B04D, B04E		01	B04A, B04B, B04C, B04D, B04E		01	B04A, B04B, B04C, B04D, B04E
	05	F01A, F01B, F01D, F05Z, F07A, F07B, F14A, F14B, F28A, F42Z, F54Z, F59A, F59B		05	F01A, F01B, F01D, F05Z, F07A, F07B, F14A, F14B, F28A, F42Z, F54Z, F59A, F59B		05	F01A, F01B, F01D, F05Z, F07A, F07B, F14A, F14B, F28A, F42Z, F54Z, F59A, F59B
	08	I08A, I08B, I08C, I08D, I08E, I13A, I13B		08	I08A, I08B, I08C, I08D, I08E, I13A, I13B		06	G15Z, G19A, G19B, G33Z, G38Z
	10	K09A, K09B		10	K09A, K09B		07	H33Z, H38Z
	11	L09A, L09B, L09C, L09D, L38Z		11	L09A, L09B, L09C, L09D, L38Z		08	I08A, I08B, I08C, I08D, I08E, I13A, I13B
	15	P02A, P02B, P02C		21A	W04A, W04B		10	K09A, K09B
	21A	W04A, W04B		21B	X04Z, X06A, X06B, X06C		11	L09A, L09B, L09C, L09D, L33Z, L38Z
	21B	X06A, X06B, X06C			BOP, KVT, UOP4		21A	W04A, W04B
							21B	X06A, X06B, X06C, X33Z
51535.0↔		BOP, KVT, UOP4	51535.x↔		BOP, KVT, UOP4	51536.3		BOP, KOP, KOPV, KVT, UOP4
	01	B04A, B04B, B04C, B04D, B04E		01	B04A, B04B, B04C, B04D, B04E		01	B04A, B04B, B04C, B04D, B04E
	05	F01A, F01B, F01D, F05Z, F07A, F07B, F14A, F14B, F28A, F42Z, F54Z, F59A, F59B		05	F01A, F01B, F01D, F05Z, F07A, F07B, F14A, F14B, F28A, F42Z, F54Z, F59A, F59B		05	F01A, F01B, F01D, F05Z, F07A, F07B, F14A, F14B, F28A, F42Z, F54Z, F59A, F59B
	08	I08A, I08B, I08C, I08D, I08E, I13A, I13B		08	I08A, I08B, I08C, I08D, I08E, I13A, I13B		06	G15Z, G18A, G19A, G19B, G33Z, G38Z
	10	K09A, K09B		10	K09A, K09B		07	H06A, H06B, H06C, H33Z, H38Z
	11	L09A, L09B, L09C, L09D, L38Z		11	L09A, L09B, L09C, L09D, L38Z		08	I08A, I08B, I08C, I08D, I08E, I13A, I13B
	21A	W04A, W04B		21A	W04A, W04B		10	K09A, K09B
	21B	X04Z, X06A, X06B, X06C		21B	X04Z, X06A, X06B, X06C		11	L09A, L09B, L09C, L09D, L33Z, L38Z
							21A	W04A, W04B
							21B	X06A, X06B, X06C, X33Z
51535.1↔		BOP, KVT, UOP4	51536.0		BOP, KOP, KOPV, KVT, UOP4	51536.4↔		BOP, KVT, UOP4
	01	B04A, B04B, B04C, B04D, B04E		01	B04A, B04B, B04C, B04D, B04E		01	B04A, B04B, B04C, B04D, B04E
	05	F01A, F01B, F01D, F05Z, F07A, F07B, F14A, F14B, F28A, F42Z, F54Z, F59A, F59B		05	F01A, F01B, F01D, F05Z, F07A, F07B, F14A, F14B, F28A, F42Z, F54Z, F59A, F59B		05	F01A, F01B, F01D, F05Z, F07A, F07B, F14A, F14B, F28A, F42Z, F54Z, F59A, F59B
	08	I08A, I08B, I08C, I08D, I08E, I13A, I13B		06	G15Z, G18A, G19A, G19B, G33Z, G38Z		08	I08A, I08B, I08C, I08D, I08E, I13A, I13B
	10	K09A, K09B		07	H01A, H33Z, H38Z		10	K09A, K09B
	11	L09A, L09B, L09C, L09D, L38Z		08	I08A, I08B, I08C, I08D, I08E, I13A, I13B		11	L09A, L09B, L09C, L09D, L33Z, L38Z
	21A	W04A, W04B		10	K09A, K09B		Pre	A07A
	21B	X04Z, X06A, X06B, X06C		11	L09A, L09B, L09C, L09D, L33Z, L38Z		01	B04A, B04B, B04C, B04D, B04E
				21A	W04A, W04B		05	F01A, F01B, F01D, F05Z, F07A, F07B, F14A, F14B, F28A, F42Z, F54Z, F59A, F59B
				21B	X06A, X06B, X06C, X33Z		08	I08A, I08B, I08C, I08D, I08E, I13A, I13B
51535.2↔		BOP, KVT, UOP4	51536.1		BOP, KOP, KOPV, KVT, UOP4	51536.4↔		BOP, KVT, UOP4
	01	B04A, B04B, B04C, B04D, B04E		01	B04A, B04B, B04C, B04D, B04E		01	B04A, B04B, B04C, B04D, B04E
	05	F01A, F01B, F01D, F05Z, F07A, F07B, F14A, F14B, F28A, F42Z, F54Z, F59A, F59B		05	F01A, F01B, F01D, F05Z, F07A, F07B, F14A, F14B, F28A, F42Z, F54Z, F59A, F59B		05	F01A, F01B, F01D, F05Z, F07A, F07B, F14A, F14B, F28A, F42Z, F54Z, F59A, F59B
	08	I08A, I08B, I08C, I08D, I08E, I13A, I13B		06	G15Z, G18A, G19A, G19B, G33Z, G38Z		08	I08A, I08B, I08C, I08D, I08E, I13A, I13B
	10	K09A, K09B		07	H01A, H06A, H06B, H06C, H33Z, H38Z		10	K09A, K09B
	11	L09A, L09B, L09C, L09D, L38Z		08	I08A, I08B, I08C, I08D, I08E, I13A, I13B		11	L09A, L09B, L09C, L09D, L38Z
	21A	W04A, W04B		10	K09A, K09B		21A	W04A, W04B
	21B	X04Z, X06A, X06B, X06C		11	L09A, L09B, L09C, L09D, L33Z, L38Z		21B	X06A, X06B, X06C
				21A	W04A, W04B			
				21B	X06A, X06B, X06C, X33Z			
51535.3↔		BOP, KVT, UOP4	51536.1		BOP, KOP, KOPV, KVT, UOP4	51536.4↔		BOP, KVT, UOP4
	01	B04A, B04B, B04C, B04D, B04E		01	B04A, B04B, B04C, B04D, B04E		01	B04A, B04B, B04C, B04D, B04E
	05	F01A, F01B, F01D, F05Z, F07A, F07B, F14A, F14B, F28A, F42Z, F54Z, F59A, F59B		05	F01A, F01B, F01D, F05Z, F07A, F07B, F14A, F14B, F28A, F42Z, F54Z, F59A, F59B		05	F01A, F01B, F01D, F05Z, F07A, F07B, F14A, F14B, F28A, F42Z, F54Z, F59A, F59B
	08	I08A, I08B, I08C, I08D, I08E, I13A, I13B		06	G15Z, G18A, G19A, G19B, G33Z, G38Z		08	I08A, I08B, I08C, I08D, I08E, I13A, I13B
	10	K09A, K09B		07	H01A, H06A, H06B, H06C, H33Z, H38Z		10	K09A, K09B
	11	L09A, L09B, L09C, L09D, L38Z		08	I08A, I08B, I08C, I08D, I08E, I13A, I13B		11	L09A, L09B, L09C, L09D, L33Z, L38Z
	21A	W04A, W04B		10	K09A, K09B		21A	W04A, W04B
	21B	X04Z, X06A, X06B, X06C		11	L09A, L09B, L09C, L09D, L33Z, L38Z		21B	X06A, X06B, X06C
				21A	W04A, W04B			
				21B	X06A, X06B, X06C, X33Z			



ZZV	MDC	DRG	ZZV	MDC	DRG	ZZV	MDC	DRG			
51536.5		BOP, KOP, KOPV, KVT, UOP4	51537.1↔		BOP, KVT, UOP4	51538.1↔		BOP, KVT, UOP4			
	01	B04A, B04B, B04C, B04D, B04E		01	B04A, B04B, B04C, B04D, B04E		01	B04A, B04B, B04C, B04D, B04E			
	05	F01A, F01B, F01D, F05Z, F07A, F07B, F14A, F14B, F28A, F42Z, F54Z, F59A, F59B		05	F01A, F01B, F01D, F05Z, F07A, F07B, F14A, F14B, F28A, F42Z, F54Z, F59A, F59B		05	F01A, F01B, F01D, F05Z, F07A, F07B, F14A, F14B, F28A, F42Z, F54Z, F59A, F59B			
	06	G15Z, G18A, G19A, G19B, G33Z, G38Z		08	I08A, I08B, I08C, I08D, I08E, I13A, I13B		08	I08A, I08B, I08C, I08D, I08E, I13A, I13B			
	07	H01A, H33Z, H38Z		10	K09A, K09B		10	K09A, K09B			
	08	I08A, I08B, I08C, I08D, I08E, I13A, I13B		11	L09A, L09B, L09C, L09D, L38Z		11	L09A, L09B, L09C, L09D, L38Z			
	10	K09A, K09B		21A	W04A, W04B		21A	W04A, W04B			
	11	L09A, L09B, L09C, L09D, L33Z, L38Z		21B	X04Z, X06A, X06B, X06C		21B	X04Z, X06A, X06B, X06C			
	21A	W04A, W04B		51537.2↔	01		B04A, B04B, B04C, B04D, B04E	51538.2↔	01	B04A, B04B, B04C, B04D, B04E	
	21B	X06A, X06B, X06C, X33Z			05		F01A, F01B, F01D, F05Z, F07A, F07B, F14A, F14B, F28A, F42Z, F54Z, F59A, F59B		05	F01A, F01B, F01D, F05Z, F07A, F07B, F14A, F14B, F28A, F42Z, F54Z, F59A, F59B	
	23	Z01A			08		I08A, I08B, I08C, I08D, I08E, I13A, I13B		08	I08A, I08B, I08C, I08D, I08E, I13A, I13B	
	Pre	A07A			10		K09A, K09B		10	K09A, K09B	
	51536.6			BOP, KOP, KOPV, KVT, UOP4	51537.3↔			BOP, KVT, UOP4	51538.3↔		BOP, KVT, UOP4
		01		B04A, B04B, B04C, B04D, B04E			01	B04A, B04B, B04C, B04D, B04E		01	B04A, B04B, B04C, B04D, B04E
05		F01A, F01B, F01D, F05Z, F07A, F07B, F14A, F14B, F28A, F42Z, F54Z, F59A, F59B	05	F01A, F01B, F01D, F05Z, F07A, F07B, F14A, F14B, F28A, F42Z, F54Z, F59A, F59B		05	F01A, F01B, F01D, F05Z, F07A, F07B, F14A, F14B, F28A, F42Z, F54Z, F59A, F59B				
06		G15Z, G18A, G19A, G19B, G33Z, G38Z	08	I08A, I08B, I08C, I08D, I08E, I13A, I13B		08	I08A, I08B, I08C, I08D, I08E, I13A, I13B				
07		H01A, H33Z, H38Z	10	K09A, K09B		10	K09A, K09B				
08		I08A, I08B, I08C, I08D, I08E, I13A, I13B	11	L09A, L09B, L09C, L09D, L33Z, L38Z		11	L09A, L09B, L09C, L09D, L38Z				
10		K09A, K09B	21A	W04A, W04B		21A	W04A, W04B				
11		L09A, L09B, L09C, L09D, L33Z, L38Z	21B	X04Z, X06A, X06B, X06C		21B	X04Z, X06A, X06B, X06C				
21A		W04A, W04B	51537.4↔	01		B04A, B04B, B04C, B04D, B04E	51538.4↔	01		B04A, B04B, B04C, B04D, B04E	
21B		X06A, X06B, X06C, X33Z		05		F01A, F01B, F01D, F05Z, F07A, F07B, F14A, F14B, F28A, F42Z, F54Z, F59A, F59B		05		F01A, F01B, F01D, F05Z, F07A, F07B, F14A, F14B, F28A, F42Z, F54Z, F59A, F59B	
23		Z01A		08		I08A, I08B, I08C, I08D, I08E, I13A, I13B		08		I08A, I08B, I08C, I08D, I08E, I13A, I13B	
Pre		A07A		10		K09A, K09B		10		K09A, K09B	
51536.x↔			BOP, KVT, UOP4	51537.x↔			BOP, KVT, UOP4	51538.x↔			BOP, KVT, UOP4
		01	B04A, B04B, B04C, B04D, B04E			01	B04A, B04B, B04C, B04D, B04E			01	B04A, B04B, B04C, B04D, B04E
	05	F01A, F01B, F01D, F05Z, F07A, F07B, F14A, F14B, F28A, F42Z, F54Z, F59A, F59B	05		F01A, F01B, F01D, F05Z, F07A, F07B, F14A, F14B, F28A, F42Z, F54Z, F59A, F59B	05	F01A, F01B, F01D, F05Z, F07A, F07B, F14A, F14B, F28A, F42Z, F54Z, F59A, F59B				
	08	I08A, I08B, I08C, I08D, I08E, I13A, I13B	08		I08A, I08B, I08C, I08D, I08E, I13A, I13B	08	I08A, I08B, I08C, I08D, I08E, I13A, I13B				
	10	K09A, K09B	10		K09A, K09B	10	K09A, K09B				
	11	L09A, L09B, L09C, L09D, L38Z	11		L09A, L09B, L09C, L09D, L38Z	11	L09A, L09B, L09C, L09D, L38Z				
	21A	W04A, W04B	21A		W04A, W04B	21A	W04A, W04B				
	21B	X06A, X06B, X06C	21B		X04Z, X06A, X06B, X06C	21B	X04Z, X06A, X06B, X06C				
	51537.0↔		BOP, KVT, UOP4		51538.0↔		BOP, KVT, UOP4		51538.x↔		BOP, KVT, UOP4
		01	B04A, B04B, B04C, B04D, B04E			01	B04A, B04B, B04C, B04D, B04E			01	B04A, B04B, B04C, B04D, B04E
		05	F01A, F01B, F01D, F05Z, F07A, F07B, F14A, F14B, F28A, F42Z, F54Z, F59A, F59B			05	F01A, F01B, F01D, F05Z, F07A, F07B, F14A, F14B, F28A, F42Z, F54Z, F59A, F59B			05	F01A, F01B, F01D, F05Z, F07A, F07B, F14A, F14B, F28A, F42Z, F54Z, F59A, F59B
		08	I08A, I08B, I08C, I08D, I08E, I13A, I13B			08	I08A, I08B, I08C, I08D, I08E, I13A, I13B			08	I08A, I08B, I08C, I08D, I08E, I13A, I13B
		10	K09A, K09B			10	K09A, K09B			10	K09A, K09B
		11	L09A, L09B, L09C, L09D, L38Z			11	L09A, L09B, L09C, L09D, L38Z			11	L09A, L09B, L09C, L09D, L38Z
21A		W04A, W04B	21A	W04A, W04B		21A	W04A, W04B				
21B		X04Z, X06A, X06B, X06C	21B	X04Z, X06A, X06B, X06C		21B	X04Z, X06A, X06B, X06C				

VYK

ZZV	MDC	DRG	ZZV	MDC	DRG	ZZV	MDC	DRG			
51539.0↔		BOP, KVT, UOP4	51539.4		BOP, KVT, UOP4	51539.8↔		BOP, KVT, UOP4			
	01	B04A, B04B, B04C, B04D, B04E		01	B04A, B04B, B04C, B04D, B04E		01	B04A, B04B, B04C, B04D, B04E			
	05	F01A, F01B, F01D, F05Z, F07A, F07B, F14A, F14B, F28A, F42Z, F54Z, F59A, F59B		05	F01A, F01B, F01D, F05Z, F07A, F07B, F14A, F14B, F28A, F42Z, F54Z, F59A, F59B		05	F01A, F01B, F01D, F05Z, F07A, F07B, F14A, F14B, F28A, F42Z, F54Z, F59A, F59B			
	08	I08A, I08B, I08C, I08D, I08E, I13A, I13B		06	G18A, G38Z		06	G18A, G38Z			
	10	K09A, K09B		07	H01A		07	H01A			
	11	L09A, L09B, L09C, L09D, L38Z		08	I08A, I08B, I08C, I08D, I08E, I13A, I13B		08	I08A, I08B, I08C, I08D, I08E, I13A, I13B			
	21A	W04A, W04B		10	K09A, K09B		10	K09A, K09B			
	21B	X04Z, X06A, X06B, X06C		11	L09A, L09B, L09C, L09D, L38Z		11	L09A, L09B, L09C, L09D, L38Z			
	51539.1↔			BOP, KVT, UOP4	51539.5			BOP, KVT, UOP4	51539.9↔		BOP, KVT, UOP4
		01		B04A, B04B, B04C, B04D, B04E			01	B04A, B04B, B04C, B04D, B04E		01	B04A, B04B, B04C, B04D, B04E
		05		F01A, F01B, F01D, F05Z, F07A, F07B, F14A, F14B, F28A, F42Z, F54Z, F59A, F59B			05	F01A, F01B, F01D, F05Z, F07A, F07B, F14A, F14B, F28A, F42Z, F54Z, F59A, F59B		05	F01A, F01B, F01D, F05Z, F07A, F07B, F14A, F14B, F28A, F42Z, F54Z, F59A, F59B
08		I08A, I08B, I08C, I08D, I08E, I13A, I13B	06	G18A, G38Z		08	I08A, I08B, I08C, I08D, I08E, I13A, I13B				
10		K09A, K09B	07	H01A		10	K09A, K09B				
11		L09A, L09B, L09C, L09D, L38Z	08	I08A, I08B, I08C, I08D, I08E, I13A, I13B		11	L09A, L09B, L09C, L09D, L38Z				
21A		W04A, W04B	10	K09A, K09B		21A	W04A, W04B				
21B		X04Z, X06A, X06B, X06C	11	L09A, L09B, L09C, L09D, L38Z		21B	X06A, X06B, X06C				
51539.2			BOP, KVT, UOP4	51539.6			BOP, KVT, UOP4	51539.a↔			BOP, KVT, UOP4
		01	B04A, B04B, B04C, B04D, B04E			01	B04A, B04B, B04C, B04D, B04E			01	B04A, B04B, B04C, B04D, B04E
		05	F01A, F01B, F01D, F05Z, F07A, F07B, F14A, F14B, F28A, F42Z, F54Z, F59A, F59B			05	F01A, F01B, F01D, F05Z, F07A, F07B, F14A, F14B, F28A, F42Z, F54Z, F59A, F59B			05	F01A, F01B, F01D, F05Z, F07A, F07B, F14A, F14B, F28A, F42Z, F54Z, F59A, F59B
	06	G18A, G38Z	06		G18A, G38Z	08	I08A, I08B, I08C, I08D, I08E, I13A, I13B				
	07	H01A	07		H01A	10	K09A, K09B				
	08	I08A, I08B, I08C, I08D, I08E, I13A, I13B	08		I08A, I08B, I08C, I08D, I08E, I13A, I13B	11	L09A, L09B, L09C, L09D, L38Z				
	10	K09A, K09B	10		K09A, K09B	21A	W04A, W04B				
	11	L09A, L09B, L09C, L09D, L38Z	11		L09A, L09B, L09C, L09D, L38Z	21B	X06A, X06B, X06C				
	21A	W04A, W04B	21A		W04A, W04B		BOP, KVT, UOP4				
	21B	X06A, X06B, X06C	21B		X06A, X06B, X06C	01	B04A, B04B, B04C, B04D, B04E				
	51539.3↔		BOP, KVT, UOP4		51539.7		BOP, KVT, UOP4		51539.b↔		BOP, KVT, UOP4
01		B04A, B04B, B04C, B04D, B04E	01	B04A, B04B, B04C, B04D, B04E		01	B04A, B04B, B04C, B04D, B04E				
05		F01A, F01B, F01D, F05Z, F07A, F07B, F14A, F14B, F28A, F42Z, F54Z, F59A, F59B	05	F01A, F01B, F01D, F05Z, F07A, F07B, F14A, F14B, F28A, F42Z, F54Z, F59A, F59B		05	F01A, F01B, F01D, F05Z, F07A, F07B, F14A, F14B, F28A, F42Z, F54Z, F59A, F59B				
06		G18A, G38Z	06	G18A, G38Z		08	I08A, I08B, I08C, I08D, I08E, I13A, I13B				
07		H01A	07	H01A		10	K09A, K09B				
08		I08A, I08B, I08C, I08D, I08E, I13A, I13B	08	I08A, I08B, I08C, I08D, I08E, I13A, I13B		11	L09A, L09B, L09C, L09D, L38Z				
10		K09A, K09B	10	K09A, K09B		21A	W04A, W04B				
11		L09A, L09B, L09C, L09D, L38Z	11	L09A, L09B, L09C, L09D, L38Z		21B	X05A, X05B, X06A, X06B, X06C				
21A		W04A, W04B	21A	W04A, W04B			BOP, KVT, UOP4				
21B		X06A, X06B, X06C	21B	X06A, X06B, X06C		01	B04A, B04B, B04C, B04D, B04E				

VYK

ZZV	MDC	DRG	ZZV	MDC	DRG	ZZV	MDC	DRG	
51539.c↔		BOP, KVT, UOP4	51539.g↔		BOP, KVT, UOP4	5153a.2↔		BOP, KVT, UOP4	
	01	B04A, B04B, B04C, B04D, B04E		01	B04A, B04B, B04C, B04D, B04E		01	B04A, B04B, B04C, B04D, B04E	
	05	F01A, F01B, F01D, F05Z, F07A, F07B, F14A, F14B, F28A, F42Z, F54Z, F59A, F59B		05	F01A, F01B, F01D, F05Z, F07A, F07B, F14A, F14B, F28A, F42Z, F54Z, F59A, F59B		05	F01A, F01B, F01D, F05Z, F07A, F07B, F28A, F42Z, F54Z, F59A, F59B	
	08	I08A, I08B, I08C, I08D, I08E, I13A, I13B		08	I08A, I08B, I08C, I08D, I08E, I13A, I13B		08	I08A, I08B, I08C, I08D, I08E, I13A, I13B	
	10	K09A, K09B		10	K09A, K09B		10	K09A, K09B	
	11	L09A, L09B, L09C, L09D, L38Z		11	L09A, L09B, L09C, L09D, L38Z		11	L09A, L09B, L09C, L09D, L38Z	
	21A	W04A, W04B		21A	W04A, W04B		21A	W04A, W04B	
21B	X05A, X05B, X06A, X06B, X06C	21B	X04Z, X06A, X06B, X06C	21B	X04Z, X05A, X05B, X06A, X06B, X06C				
51539.d↔		BOP, KVT, UOP4	51539.h↔		BOP, KVT, UOP4	5153a.3↔		BOP, KVT, UOP4	
	01	B04A, B04B, B04C, B04D, B04E		01	B04A, B04B, B04C, B04D, B04E		01	B04A, B04B, B04C, B04D, B04E	
	05	F01A, F01B, F01D, F05Z, F07A, F07B, F14A, F14B, F28A, F42Z, F54Z, F59A, F59B		05	F01A, F01B, F01D, F05Z, F07A, F07B, F14A, F14B, F28A, F42Z, F54Z, F59A, F59B		05	F01A, F01B, F01D, F05Z, F07A, F07B, F14A, F14B, F28A, F42Z, F54Z, F59A, F59B	
	08	I08A, I08B, I08C, I08D, I08E, I13A, I13B		08	I08A, I08B, I08C, I08D, I08E, I13A, I13B		08	I08A, I08B, I08C, I08D, I08E, I13A, I13B	
	10	K09A, K09B		10	K09A, K09B		10	K09A, K09B	
	11	L09A, L09B, L09C, L09D, L38Z		11	L09A, L09B, L09C, L09D, L38Z		11	L09A, L09B, L09C, L09D, L38Z	
	21A	W04A, W04B		21A	W04A, W04B		21A	W04A, W04B	
21B	X05A, X05B, X06A, X06B, X06C	21B	X04Z, X06A, X06B, X06C	21B	X04Z, X05A, X05B, X06A, X06B, X06C				
51539.e		BOP, KVT, UOP4	51539.i↔		BOP, KVT, UOP4	5153a.x↔		BOP, KVT, UOP4	
	01	B04A, B04B, B04C, B04D, B04E		01	B04A, B04B, B04C, B04D, B04E		01	B04A, B04B, B04C, B04D, B04E	
	05	F01A, F01B, F01D, F05Z, F07A, F07B, F14A, F14B, F28A, F42Z, F54Z, F59A, F59B		05	F01A, F01B, F01D, F05Z, F07A, F07B, F14A, F14B, F28A, F42Z, F54Z, F59A, F59B		05	F01A, F01B, F01D, F05Z, F07A, F07B, F14A, F14B, F28A, F42Z, F54Z, F59A, F59B	
	08	I08A, I08B, I08C, I08D, I08E, I13A, I13B		08	I08A, I08B, I08C, I08D, I08E, I13A, I13B		08	I08A, I08B, I08C, I08D, I08E, I13A, I13B	
	10	K09A, K09B		10	K09A, K09B		10	K09A, K09B	
	11	L09A, L09B, L09C, L09D, L38Z		11	L09A, L09B, L09C, L09D, L38Z		11	L09A, L09B, L09C, L09D, L38Z	
	21A	W04A, W04B		21A	W04A, W04B		21A	W04A, W04B	
21B	X06A, X06B, X06C	21B	X04Z, X06A, X06B, X06C	21B	X06A, X06B, X06C				
51539.f		BOP, KVT, UOP4	51539.x↔		BOP, KVT, UOP4	51540.0↔		BOP, KVT, UOP4	
	01	B04A, B04B, B04C, B04D, B04E		01	B04A, B04B, B04C, B04D, B04E		01	B04A, B04B, B04C, B04D, B04E	
	05	F01A, F01B, F01D, F05Z, F07A, F07B, F14A, F14B, F28A, F42Z, F54Z, F59A, F59B		05	F01A, F01B, F01D, F05Z, F07A, F07B, F14A, F14B, F28A, F42Z, F54Z, F59A, F59B		05	F01A, F01B, F01D, F05Z, F06A, F06C, F07A, F07B, F14A, F14B, F28A, F42Z, F54Z, F59A, F59B	
	06	G03A, G18A, G38Z		08	I08A, I08B, I08C, I08D, I08E, I13A, I13B		08	I08A, I08B, I08C, I08D, I08E, I13A, I13B	
	07	H01A		10	K09A, K09B		09	J03A, J03B, J04A, J04B, J08A, J08B, J08C, J11A, J11B, J16Z	
	08	I08A, I08B, I08C, I08D, I08E, I13A, I13B		11	L09A, L09B, L09C, L09D, L38Z		10	K09A, K09B	
	10	K09A, K09B		21A	W04A, W04B		21A	W04A, W04B	
	11	L09A, L09B, L09C, L09D, L38Z		21B	X06A, X06B, X06C		21B	X06A, X06B, X06C	
	21A	W04A, W04B		5153a.1↔			BOP, KVT, UOP4		BOP, KVT, UOP4
	21B	X06A, X06B, X06C			01		B04A, B04B, B04C, B04D, B04E	01	B04A, B04B, B04C, B04D, B04E
					05		F01A, F01B, F01D, F05Z, F07A, F07B, F28A, F42Z, F54Z, F59A, F59B	05	F01A, F01B, F01D, F05Z, F07A, F07B, F28A, F42Z, F54Z, F59A, F59B
		08	I08A, I08B, I08C, I08D, I08E, I13A, I13B	08	I08A, I08B, I08C, I08D, I08E, I13A, I13B				
		10	K09A, K09B	10	K09A, K09B				
		11	L09A, L09B, L09C, L09D, L38Z	11	L09A, L09B, L09C, L09D, L38Z				
		21A	W04A, W04B	21A	W04A, W04B				
		21B	X04Z, X05A, X05B, X06A, X06B, X06C	21B	X04Z, X05A, X05B, X06A, X06B, X06C				

VYK



ZZV	MDC	DRG	ZZV	MDC	DRG	ZZV	MDC	DRG			
51542.3↔		BOP, KVT, UOP4	51544.00↔		BOP, KOP, KOPV, KVT, UOP4	51544.2↔		BOP, KOP, KOPV, KVT, UOP4			
	01	B04A, B04B, B04C, B04D, B04E		01	B04A, B04B, B04C, B04D, B04E		01	B04A, B04B, B04C, B04D, B04E			
	05	F01A, F01B, F01D, F05Z, F07A, F07B, F14A, F14B, F28A, F42Z, F54Z, F59A, F59B		04	E05A, E05B, E05C, E08A, E08B, E08C		04	E05A, E05B, E05C, E08A, E08B, E08C			
	08	I08A, I08B, I08C, I08D, I08E, I13A, I13B		05	F01A, F01B, F01D, F05Z, F07A, F07B, F14A, F14B, F28A, F42Z, F54Z, F59A, F59B		05	F01A, F01B, F01D, F05Z, F07A, F07B, F14A, F14B, F28A, F42Z, F54Z, F59A, F59B			
	09	J03A, J03B, J04A, J04B, J08A, J08B, J08C, J11A, J11B, J16Z		06	G15Z, G19A, G19B, G33Z, G38Z		06	G15Z, G19A, G19B, G33Z, G38Z			
	10	K09A, K09B		07	H33Z, H38Z		07	H33Z, H38Z			
	21A	W04A, W04B		08	I08A, I08B, I08C, I08D, I08E, I13A, I13B		08	I08A, I08B, I08C, I08D, I08E, I13A, I13B			
	21B	X05A, X05B, X06A, X06B, X06C		09	J03A, J03B, J04A, J04B, J08A, J08B, J08C, J11A, J11B, J16Z		09	J03A, J03B, J04A, J04B, J08A, J08B, J08C, J11A, J11B, J16Z			
	51542.4↔			BOP, KVT, UOP4	51544.01↔			BOP, KVT, UOP4	51544.x↔		BOP, KOP, KOPV, KVT, UOP4
		01		B04A, B04B, B04C, B04D, B04E			01	B04A, B04B, B04C, B04D, B04E		01	B04A, B04B, B04C, B04D, B04E
05		F01A, F01B, F01D, F05Z, F07A, F07B, F14A, F14B, F28A, F42Z, F54Z, F59A, F59B	05	F01A, F01B, F01D, F05Z, F06A, F06C, F07A, F07B, F14A, F14B, F28A, F42Z, F54Z, F59A, F59B		04	E05A, E05B, E05C, E08A, E08B, E08C				
08		I08A, I08B, I08C, I08D, I08E, I13A, I13B	08	I08A, I08B, I08C, I08D, I08E, I13A, I13B		05	F01A, F01B, F01D, F05Z, F07A, F07B, F14A, F14B, F28A, F42Z, F54Z, F59A, F59B				
09		J03A, J03B, J04A, J04B, J08A, J08B, J08C, J11A, J11B, J16Z	09	J03A, J03B, J04A, J04B, J08A, J08B, J08C, J11A, J11B, J16Z		06	G15Z, G19A, G19B, G33Z, G38Z				
10		K09A, K09B	10	K09A, K09B		07	H33Z, H38Z				
21A		W04A, W04B	21A	W04A, W04B		08	I08A, I08B, I08C, I08D, I08E, I13A, I13B				
21B		X05A, X05B, X06A, X06B, X06C	21B	X06A, X06B, X06C, X33Z		09	J03A, J03B, J04A, J04B, J08A, J08B, J08C, J11A, J11B, J16Z				
51542.x↔			BOP, KVT, UOP4	51544.1↔			BOP, KOP, KOPV, KVT, UOP4	51544.x↔			BOP, KOP, KOPV, KVT, UOP4
		01	B04A, B04B, B04C, B04D, B04E			01	B04A, B04B, B04C, B04D, B04E			01	B04A, B04B, B04C, B04D, B04E
	05	F01A, F01B, F01D, F05Z, F07A, F07B, F14A, F14B, F28A, F42Z, F54Z, F59A, F59B	04		E05A, E05B, E05C, E08A, E08B, E08C	04	E05A, E05B, E05C, E08A, E08B, E08C				
	08	I08A, I08B, I08C, I08D, I08E, I13A, I13B	05		F01A, F01B, F01D, F05Z, F07A, F07B, F14A, F14B, F28A, F42Z, F54Z, F59A, F59B	05	F01A, F01B, F01D, F05Z, F07A, F07B, F14A, F14B, F28A, F42Z, F54Z, F59A, F59B				
	09	J03A, J03B, J04A, J04B, J08A, J08B, J08C, J11A, J11B, J16Z	06		G15Z, G19A, G19B, G33Z, G38Z	06	G15Z, G19A, G19B, G33Z, G38Z				
	10	K09A, K09B	07		H33Z, H38Z	07	H33Z, H38Z				
	21A	W04A, W04B	08		I08A, I08B, I08C, I08D, I08E, I13A, I13B	08	I08A, I08B, I08C, I08D, I08E, I13A, I13B				
	21B	X05A, X05B, X06A, X06B, X06C	09		J03A, J03B, J04A, J04B, J08A, J08B, J08C, J11A, J11B, J16Z	09	J03A, J03B, J04A, J04B, J08A, J08B, J08C, J11A, J11B, J16Z				
			10		K09A, K09B	10	K09A, K09B				
			11		L33Z	11	L33Z				
		21A	W04A, W04B	21A	W04A, W04B						
		21B	X06A, X06B, X06C, X33Z	21B	X06A, X06B, X06C, X33Z						
		23	Z01A	23	Z01A						
		Pre	A07A	Pre	A07A						

ZZV	MDC	DRG	ZZV	MDC	DRG	ZZV	MDC	DRG			
51545.0↔		BOP, KOP, KOPV, KVT, UOP4	51545.2↔		BOP, KOP, KOPV, KVT, UOP4	51546.0		BOP, KOP, KOPV, KVT, UOP4			
	01	B04A, B04B, B04C, B04D, B04E		01	B04A, B04B, B04C, B04D, B04E		01	B04A, B04B, B04C, B04D, B04E			
	05	F01A, F01B, F01D, F05Z, F07A, F07B, F14A, F14B, F28A, F42Z, F54Z, F59A, F59B		05	F01A, F01B, F01D, F05Z, F07A, F07B, F14A, F14B, F28A, F42Z, F54Z, F59A, F59B		04	E05A, E05B, E05C, E08A, E08B, E08C			
	06	G15Z, G19A, G19B, G33Z, G38Z		06	G15Z, G19A, G19B, G33Z, G38Z		05	F01A, F01B, F01D, F05Z, F07A, F07B, F14A, F14B, F28A, F42Z, F54Z, F59A, F59B			
	07	H33Z, H38Z		07	H33Z, H38Z		06	G15Z, G19A, G19B, G33Z, G38Z			
	08	I08A, I08B, I08C, I08D, I08E, I13A, I13B		08	I08A, I08B, I08C, I08D, I08E, I13A, I13B		07	H33Z, H38Z			
	09	J03A, J03B, J04A, J04B, J08A, J08B, J08C, J11A, J11B, J16Z		09	J03A, J03B, J04A, J04B, J08A, J08B, J08C, J11A, J11B, J16Z		08	I08A, I08B, I08C, I08D, I08E, I13A, I13B			
	10	K09A, K09B		10	K09A, K09B		09	J03A, J03B, J04A, J04B, J08A, J08B, J08C, J11A, J11B, J16Z			
	11	L09A, L09B, L09C, L09D, L33Z, L38Z		11	L09A, L09B, L09C, L09D, L33Z, L38Z		10	K09A, K09B			
	21A	W04A, W04B		21A	W04A, W04B		11	L09A, L09B, L09C, L09D, L33Z, L38Z			
	21B	X04Z, X06A, X06B, X06C, X33Z		21B	X04Z, X06A, X06B, X06C, X33Z		21A	W04A, W04B			
	23	Z01A		23	Z01A		21B	X06A, X06B, X06C, X33Z			
	Pre	A07A		Pre	A07A		23	Z01A			
	51545.1↔			BOP, KOP, KOPV, KVT, UOP4	51545.x↔			BOP, KOP, KOPV, KVT, UOP4	51546.1		BOP, KOP, KOPV, KVT, UOP4
		01		B04A, B04B, B04C, B04D, B04E			01	B04A, B04B, B04C, B04D, B04E		01	B04A, B04B, B04C, B04D, B04E
		05		F01A, F01B, F01D, F05Z, F07A, F07B, F14A, F14B, F28A, F42Z, F54Z, F59A, F59B			05	F01A, F01B, F01D, F05Z, F07A, F07B, F14A, F14B, F28A, F42Z, F54Z, F59A, F59B		04	E05A, E05B, E05C, E08A, E08B, E08C
06		G15Z, G19A, G19B, G33Z, G38Z	06	G15Z, G19A, G19B, G33Z, G38Z		05	F01A, F01B, F01D, F05Z, F07A, F07B, F14A, F14B, F28A, F42Z, F54Z, F59A, F59B				
07		H33Z, H38Z	07	H33Z, H38Z		06	G15Z, G19A, G19B, G33Z, G38Z				
08		I08A, I08B, I08C, I08D, I08E, I13A, I13B	08	I08A, I08B, I08C, I08D, I08E, I13A, I13B		07	H33Z, H38Z				
09		J03A, J03B, J04A, J04B, J08A, J08B, J08C, J11A, J11B, J16Z	09	J03A, J03B, J04A, J04B, J08A, J08B, J08C, J11A, J11B, J16Z		08	I08A, I08B, I08C, I08D, I08E, I13A, I13B				
10		K09A, K09B	10	K09A, K09B		09	J03A, J03B, J04A, J04B, J08A, J08B, J08C, J11A, J11B, J16Z				
11		L09A, L09B, L09C, L09D, L33Z, L38Z	11	L09A, L09B, L09C, L09D, L33Z, L38Z		10	K09A, K09B				
21A		W04A, W04B	21A	W04A, W04B		11	L09A, L09B, L09C, L09D, L33Z, L38Z				
21B		X04Z, X06A, X06B, X06C, X33Z	21B	X04Z, X06A, X06B, X06C, X33Z		21A	W04A, W04B				
23		Z01A	23	Z01A		21B	X06A, X06B, X06C, X33Z				
Pre		A07A	Pre	A07A		23	Z01A				
						Pre	A07A				

ZZV	MDC	DRG	ZZV	MDC	DRG	ZZV	MDC	DRG
51546.2		BOP, KOP, KOPV, KVT, UOP4	51546.4		BOP, KOP, KOPV, KVT, UOP4	51546.x↔		BOP, KOP, KOPV, KVT, UOP4
	01	B04A, B04B, B04C, B04D, B04E		01	B04A, B04B, B04C, B04D, B04E		01	B04A, B04B, B04C, B04D, B04E
	04	E05A, E05B, E05C, E08A, E08B, E08C		04	E05A, E05B, E05C, E08A, E08B, E08C		04	E05A, E05B, E05C, E08A, E08B, E08C
	05	F01A, F01B, F01D, F05Z, F07A, F07B, F14A, F14B, F28A, F42Z, F54Z, F59A, F59B		05	F01A, F01B, F01D, F05Z, F07A, F07B, F14A, F14B, F28A, F42Z, F54Z, F59A, F59B		05	F01A, F01B, F01D, F05Z, F07A, F07B, F14A, F14B, F28A, F42Z, F54Z, F59A, F59B
	06	G15Z, G19A, G19B, G33Z, G38Z		06	G15Z, G19A, G19B, G33Z, G38Z		06	G15Z, G19A, G19B, G33Z, G38Z
	07	H33Z, H38Z		07	H33Z, H38Z		07	H33Z, H38Z
	08	I08A, I08B, I08C, I08D, I08E, I13A, I13B		08	I08A, I08B, I08C, I08D, I08E, I13A, I13B		08	I08A, I08B, I08C, I08D, I08E, I13A, I13B
	09	J03A, J03B, J04A, J04B, J08A, J08B, J08C, J11A, J11B, J16Z		09	J03A, J03B, J04A, J04B, J08A, J08B, J08C, J11A, J11B, J16Z		09	J03A, J03B, J04A, J04B, J08A, J08B, J08C, J11A, J11B, J16Z
	10	K09A, K09B		10	K09A, K09B		10	K09A, K09B
	11	L09A, L09B, L09C, L09D, L33Z, L38Z		11	L09A, L09B, L09C, L09D, L33Z, L38Z		11	L09A, L09B, L09C, L09D, L33Z, L38Z
	21A	W04A, W04B		21A	W04A, W04B		21A	W04A, W04B
	21B	X06A, X06B, X06C, X33Z		21B	X06A, X06B, X06C, X33Z		21B	X06A, X06B, X06C, X33Z
	23	Z01A		23	Z01A		23	Z01A
	Pre	A07A		Pre	A07A		Pre	A07A
51546.3↔		BOP, KOP, KOPV, KVT, UOP4	51546.5		BOP, KOP, KOPV, KVT, UOP4	51547.0↔		BOP, KVT, UOP4
	01	B04A, B04B, B04C, B04D, B04E		01	B04A, B04B, B04C, B04D, B04E		01	B04A, B04B, B04C, B04D, B04E
	04	E05A, E05B, E05C, E08A, E08B, E08C		04	E05A, E05B, E05C, E08A, E08B, E08C		05	F01A, F01B, F01D, F05Z, F07A, F07B, F14A, F14B, F28A, F42Z, F54Z, F59A, F59B
	05	F01A, F01B, F01D, F05Z, F07A, F07B, F14A, F14B, F28A, F42Z, F54Z, F59A, F59B		05	F01A, F01B, F01D, F05Z, F07A, F07B, F14A, F14B, F28A, F42Z, F54Z, F59A, F59B		08	I08A, I08B, I08C, I08D, I08E, I13A, I13B
	06	G15Z, G19A, G19B, G33Z, G38Z		06	G15Z, G19A, G19B, G33Z, G38Z		09	J03A, J03B, J04A, J04B, J08A, J08B, J08C, J11A, J11B, J16Z
	07	H33Z, H38Z		07	H33Z, H38Z		10	K09A, K09B
	08	I08A, I08B, I08C, I08D, I08E, I13A, I13B		08	I08A, I08B, I08C, I08D, I08E, I13A, I13B		11	L09A, L09B, L09C, L09D, L38Z
	09	J03A, J03B, J04A, J04B, J08A, J08B, J08C, J11A, J11B, J16Z		09	J03A, J03B, J04A, J04B, J08A, J08B, J08C, J11A, J11B, J16Z		21A	W04A, W04B
	10	K09A, K09B		10	K09A, K09B		21B	X04Z, X06A, X06B, X06C
	11	L09A, L09B, L09C, L09D, L33Z, L38Z		11	L09A, L09B, L09C, L09D, L33Z, L38Z		Pre	BOP, KVT, UOP4
	21A	W04A, W04B		21A	W04A, W04B		01	B04A, B04B, B04C, B04D, B04E
	21B	X06A, X06B, X06C, X33Z		21B	X06A, X06B, X06C, X33Z		05	F01A, F01B, F01D, F05Z, F07A, F07B, F14A, F14B, F28A, F42Z, F54Z, F59A, F59B
	23	Z01A		23	Z01A		08	I08A, I08B, I08C, I08D, I08E, I13A, I13B
	Pre	A07A		Pre	A07A		09	J03A, J03B, J04A, J04B, J08A, J08B, J08C, J11A, J11B, J16Z
				10	K09A, K09B			
				11	L09A, L09B, L09C, L09D, L38Z			
				21A	W04A, W04B			
				21B	X04Z, X06A, X06B, X06C			
				Pre	BOP, KVT, UOP4			
				01	B04A, B04B, B04C, B04D, B04E			
				05	F01A, F01B, F01D, F05Z, F07A, F07B, F14A, F14B, F28A, F42Z, F54Z, F59A, F59B			
				08	I08A, I08B, I08C, I08D, I08E, I13A, I13B			
				09	J03A, J03B, J04A, J04B, J08A, J08B, J08C, J11A, J11B, J16Z			
				10	K09A, K09B			
				11	L09A, L09B, L09C, L09D, L38Z			
				21A	W04A, W04B			
				21B	X04Z, X06A, X06B, X06C			
				Pre	BOP, KVT, UOP4			
				01	B04A, B04B, B04C, B04D, B04E			
				05	F01A, F01B, F01D, F05Z, F07A, F07B, F14A, F14B, F28A, F42Z, F54Z, F59A, F59B			
				08	I08A, I08B, I08C, I08D, I08E, I13A, I13B			
				09	J03A, J03B, J04A, J04B, J08A, J08B, J08C, J11A, J11B, J16Z			
				10	K09A, K09B			
				11	L09A, L09B, L09C, L09D, L38Z			
				21A	W04A, W04B			
				21B	X04Z, X06A, X06B, X06C			

ZZV	MDC	DRG	ZZV	MDC	DRG	ZZV	MDC	DRG			
51547.x↔		BOP, KVT, UOP4	51548.x↔		BOP, KVT, UOP4	51550.1↔		BOP, KVT, UOP4			
	01	B04A, B04B, B04C, B04D, B04E		01	B04A, B04B, B04C, B04D, B04E		01	B04A, B04B, B04C, B04D, B04E			
	05	F01A, F01B, F01D, F05Z, F07A, F07B, F14A, F14B, F28A, F42Z, F54Z, F59A, F59B		04	E02A, E02B, E02C, E02D		03	D12A			
	08	I08A, I08B, I08C, I08D, I08E, I13A, I13B		05	F01A, F01B, F01D, F05Z, F07A, F07B, F14A, F14B, F28A, F42Z, F54Z, F59A, F59B		04	E02A, E02B, E02C			
	09	J03A, J03B, J04A, J04B, J08A, J08B, J08C, J11A, J11B, J16Z		08	I08A, I08B, I08C, I08D, I08E, I13A, I13B		05	F01A, F01B, F01D, F05Z, F06A, F06C, F07A, F07B, F14A, F14B, F28A, F42Z, F54Z, F59A, F59B			
	10	K09A, K09B		09	J03A, J03B, J04A, J04B, J08A, J08B, J08C, J11A, J11B, J16Z		06	G01Z, G02Z, G38Z			
	11	L09A, L09B, L09C, L09D, L38Z		10	K09A, K09B		08	I08A, I08B, I08C, I08D, I08E, I13A, I13B			
	21A	W04A, W04B		11	L09A, L09B, L09C, L09D, L38Z		09	J03A, J03B, J04A, J04B, J08A, J08B, J08C, J11A, J11B, J16Z			
	21B	X04Z, X06A, X06B, X06C		21A	W04A, W04B		10	K09A, K09B			
	51548.0↔			BOP, KVT, UOP4	51549			BOP, KVT, UOP4	51550.2↔		BOP, KVT, UOP4
		01		B04A, B04B, B04C, B04D, B04E			01	B04A, B04B, B04C, B04D, B04E		01	B04A, B04B, B04C, B04D, B04E
05		F01A, F01B, F01D, F05Z, F07A, F07B, F14A, F14B, F28A, F42Z, F54Z, F59A, F59B	05	F01A, F01B, F01D, F05Z, F07A, F07B, F14A, F14B, F28A, F42Z, F54Z, F59A, F59B		03	D12A				
08		I08A, I08B, I08C, I08D, I08E, I13A, I13B	08	I08A, I08B, I08C, I08D, I08E, I13A, I13B		04	E02A, E02B, E02C				
09		J03A, J03B, J04A, J04B, J08A, J08B, J08C, J11A, J11B, J16Z	09	J03A, J03B, J04A, J04B, J08A, J08B, J08C, J11A, J11B, J16Z		05	F01A, F01B, F01D, F05Z, F06A, F06C, F07A, F07B, F14A, F14B, F28A, F42Z, F54Z, F59A, F59B				
10		K09A, K09B	10	K09A, K09B		06	G01Z, G02Z, G38Z				
11		L09A, L09B, L09C, L09D, L38Z	21A	W04A, W04B		08	I08A, I08B, I08C, I08D, I08E, I13A, I13B				
21A		W04A, W04B	21B	X06A, X06B, X06C		09	J03A, J03B, J04A, J04B, J08A, J08B, J08C, J11A, J11B, J16Z				
21B		X04Z, X06A, X06B, X06C	5154x↔			BOP, KVT, UOP4	51550.3↔			BOP, KVT, UOP4	
51548.1↔				BOP, KVT, UOP4		01		B04A, B04B, B04C, B04D, B04E		01	B04A, B04B, B04C, B04D, B04E
		01		B04A, B04B, B04C, B04D, B04E		05		F01A, F01B, F01D, F05Z, F07A, F07B, F14A, F14B, F28A, F42Z, F54Z, F59A, F59B		03	D12A
	05	F01A, F01B, F01D, F05Z, F07A, F07B, F14A, F14B, F28A, F42Z, F54Z, F59A, F59B		08	I08A, I08B, I08C, I08D, I08E, I13A, I13B	04		E02A, E02B, E02C			
	08	I08A, I08B, I08C, I08D, I08E, I13A, I13B		09	J03A, J03B, J04A, J04B, J08A, J08B, J08C, J11A, J11B, J16Z	05		F01A, F01B, F01D, F05Z, F06A, F06C, F07A, F07B, F14A, F14B, F28A, F42Z, F54Z, F59A, F59B			
	09	J03A, J03B, J04A, J04B, J08A, J08B, J08C, J11A, J11B, J16Z		10	K09A, K09B	06		G01Z, G02Z, G38Z			
	10	K09A, K09B		21A	W04A, W04B	08		I08A, I08B, I08C, I08D, I08E, I13A, I13B			
	11	L09A, L09B, L09C, L09D, L38Z		21B	X06A, X06B, X06C	09		J03A, J03B, J04A, J04B, J08A, J08B, J08C, J11A, J11B, J16Z			
	21A	W04A, W04B		51550.0↔		BOP, KVT, UOP4		51550.3↔		BOP, KVT, UOP4	
	21B	X04Z, X06A, X06B, X06C			01	B04A, B04B, B04C, B04D, B04E			01	B04A, B04B, B04C, B04D, B04E	
	51548.2↔				BOP, KVT, UOP4	03			D12A	03	D12A
		01	B04A, B04B, B04C, B04D, B04E		04	E02C	04		E02A, E02B, E02C		
05		F01A, F01B, F01D, F05Z, F07A, F07B, F14A, F14B, F28A, F42Z, F54Z, F59A, F59B	05		F01A, F01B, F01D, F05Z, F06A, F06C, F07A, F07B, F14A, F14B, F28A, F42Z, F54Z, F59A, F59B	05	F01A, F01B, F01D, F05Z, F06A, F06C, F07A, F07B, F14A, F14B, F28A, F42Z, F54Z, F59A, F59B				
08		I08A, I08B, I08C, I08D, I08E, I13A, I13B	06		G01Z, G02Z, G38Z	06	G01Z, G02Z, G38Z				
09		J03A, J03B, J04A, J04B, J08A, J08B, J08C, J11A, J11B, J16Z	08		I08A, I08B, I08C, I08D, I08E, I13A, I13B	08	I08A, I08B, I08C, I08D, I08E, I13A, I13B				
10		K09A, K09B	09		J03A, J03B, J04A, J04B, J08A, J08B, J08C, J11A, J11B, J16Z	09	J03A, J03B, J04A, J04B, J08A, J08B, J08C, J11A, J11B, J16Z				
11		L09A, L09B, L09C, L09D, L38Z	10		K09A, K09B	10	K09A, K09B				
21A		W04A, W04B	17		R01A, R01B, R01C, R01D, R02Z, R12A, R12B, R12C	17	R01A, R01B, R01C, R01D, R02Z, R12A, R12B, R12C				
21B		X04Z, X06A, X06B, X06C	21A		W04A, W04B	21A	W04A, W04B				
			21B	X06A, X06B, X06C	21B	X06A, X06B, X06C					
			Pre	A11A, A13A, A13B, A13D	Pre	A11A, A13A, A13B, A13D					



ZZV	MDC	DRG	ZZV	MDC	DRG	ZZV	MDC	DRG					
51550.4↔		BOP, KVT, UOP4	51551.0↔		BOP, KVT, UOP4	51552.1↔		BOP, KVT, UOP4					
	01	B04A, B04B, B04C, B04D, B04E		01	B04A, B04B, B04C, B04D, B04E		01	B04A, B04B, B04C, B04D, B04E					
	03	D12A		05	F01A, F01B, F01D, F05Z, F07A, F07B, F14A, F14B, F28A, F42Z, F54Z, F59A, F59B		05	F01A, F01B, F01D, F05Z, F07A, F07B, F14A, F14B, F28A, F42Z, F54Z, F59A, F59B					
	04	E02A, E02B, E02C		08	I08A, I08B, I08C, I08D, I08E, I13A, I13B		08	I08A, I08B, I08C, I08D, I08E, I13A, I13B					
	05	F01A, F01B, F01D, F05Z, F06A, F06C, F07A, F07B, F14A, F14B, F28A, F42Z, F54Z, F59A, F59B		09	J03A, J03B, J04A, J04B, J08A, J08B, J08C, J11A, J11B, J16Z		09	J03A, J03B, J04A, J04B, J08A, J08B, J08C, J11A, J11B, J16Z					
	08	I08A, I08B, I08C, I08D, I08E, I13A, I13B		10	K09A, K09B		10	K09A, K09B					
	09	J03A, J03B, J04A, J04B, J08A, J08B, J08C, J11A, J11B, J16Z		17	R01A, R01B, R01C, R01D, R02Z, R12A, R12B, R12C		17	R01A, R01B, R01C, R01D, R02Z, R12A, R12B, R12C					
	10	K09A, K09B		21A	W04A, W04B		21A	W04A, W04B					
	17	R01A, R01B, R01C, R01D, R02Z, R12A, R12B, R12C		21B	X05A, X05B, X06A, X06B, X06C		21B	X05A, X05B, X06A, X06B, X06C					
	21A	W04A, W04B					51552.2↔				51552.2↔		
	21B	X06A, X06B, X06C											
	51550.5↔			BOP, KVT, UOP4	51551.1↔			BOP, KVT, UOP4	51552.3↔		BOP, KVT, UOP4		
		01		B04A, B04B, B04C, B04D, B04E			01	B04A, B04B, B04C, B04D, B04E		01	B04A, B04B, B04C, B04D, B04E		
		03		D12A			05	F01A, F01B, F01D, F05Z, F07A, F07B, F14A, F14B, F28A, F42Z, F54Z, F59A, F59B		05	F01A, F01B, F01D, F05Z, F07A, F07B, F14A, F14B, F28A, F42Z, F54Z, F59A, F59B		
		04		E02A, E02B, E02C			08	I08A, I08B, I08C, I08D, I08E, I13A, I13B		08	I08A, I08B, I08C, I08D, I08E, I13A, I13B		
		05		F01A, F01B, F01D, F05Z, F06A, F06C, F07A, F07B, F14A, F14B, F28A, F42Z, F54Z, F59A, F59B			09	J03A, J03B, J04A, J04B, J08A, J08B, J08C, J11A, J11B, J16Z		09	J03A, J03B, J04A, J04B, J08A, J08B, J08C, J11A, J11B, J16Z		
		08		I08A, I08B, I08C, I08D, I08E, I13A, I13B			10	K09A, K09B		10	K09A, K09B		
09		J03A, J03B, J04A, J04B, J08A, J08B, J08C, J11A, J11B, J16Z	17	R01A, R01B, R01C, R01D, R02Z, R12A, R12B, R12C		17	R01A, R01B, R01C, R01D, R02Z, R12A, R12B, R12C						
10		K09A, K09B	21A	W04A, W04B		21A	W04A, W04B						
17		R01A, R01B, R01C, R01D, R02Z, R12A, R12B, R12C	21B	X05A, X05B, X06A, X06B, X06C		21B	X05A, X05B, X06A, X06B, X06C						
21A		W04A, W04B				51552.4↔					51552.4↔		
21B		X06A, X06B, X06C											
51550.x↔			BOP, KVT, UOP4	51551.x↔			BOP, KVT, UOP4	51552.0↔			BOP, KVT, UOP4		
		01	B04A, B04B, B04C, B04D, B04E			01	B04A, B04B, B04C, B04D, B04E			01	B04A, B04B, B04C, B04D, B04E		
		03	D12A			05	F01A, F01B, F01D, F05Z, F07A, F07B, F14A, F14B, F28A, F42Z, F54Z, F59A, F59B			05	F01A, F01B, F01D, F05Z, F07A, F07B, F14A, F14B, F28A, F42Z, F54Z, F59A, F59B		
		04	E02A, E02B, E02C			08	I08A, I08B, I08C, I08D, I08E, I13A, I13B			08	I08A, I08B, I08C, I08D, I08E, I13A, I13B		
		05	F01A, F01B, F01D, F05Z, F06A, F06C, F07A, F07B, F14A, F14B, F28A, F42Z, F54Z, F59A, F59B			09	J03A, J03B, J04A, J04B, J08A, J08B, J08C, J11A, J11B, J16Z			09	J03A, J03B, J04A, J04B, J08A, J08B, J08C, J11A, J11B, J16Z		
		08	I08A, I08B, I08C, I08D, I08E, I13A, I13B			10	K09A, K09B			10	K09A, K09B		
	09	J03A, J03B, J04A, J04B, J08A, J08B, J08C, J11A, J11B, J16Z	17		R01A, R01B, R01C, R01D, R02Z, R12A, R12B, R12C	17	R01A, R01B, R01C, R01D, R02Z, R12A, R12B, R12C						
	10	K09A, K09B	21A		W04A, W04B	21A	W04A, W04B						
	17	R01A, R01B, R01C, R01D, R02Z, R12A, R12B, R12C	21B		X05A, X05B, X06A, X06B, X06C	21B	X05A, X05B, X06A, X06B, X06C						
	21A	W04A, W04B											
	21B	X06A, X06B, X06C											

ZZV	MDC	DRG	ZZV	MDC	DRG	ZZV	MDC	DRG			
51552.5↔		BOP, KVT, UOP4	51553.0		BOP, KOP, KOPV, KVT, UOP4	51553.4		BOP, KVT, UOP4			
	01	B04A, B04B, B04C, B04D, B04E		04	E05A, E05B, E05C, E08A, E08B, E08C		05	F01A, F01B, F01D, F05Z, F07A, F07B, F14A, F14B, F28A, F42Z, F54Z, F59A, F59B			
	05	F01A, F01B, F01D, F05Z, F07A, F07B, F14A, F14B, F28A, F42Z, F54Z, F59A, F59B		05	F01A, F01B, F01D, F05Z, F07A, F07B, F14A, F14B, F28A, F42Z, F54Z, F59A, F59B		06	G01Z, G02Z, G38Z			
	08	I08A, I08B, I08C, I08D, I08E, I13A, I13B		06	G01Z, G02Z, G33Z, G38Z		08	I08A, I08B, I08C, I08D, I08E, I13A, I13B			
	09	J03A, J03B, J04A, J04B, J08A, J08B, J08C, J11A, J11B, J16Z		07	H33Z, H38Z		10	K09A, K09B			
	10	K09A, K09B		08	I08A, I08B, I08C, I08D, I08E, I13A, I13B		21A	W04A, W04B			
	17	R01A, R01B, R01C, R01D, R02Z, R12A, R12B, R12C		10	K09A, K09B		21B	X06A, X06B, X06C, X33Z			
	21A	W04A, W04B		11	L33Z		23	Z01A			
	21B	X05A, X05B, X06A, X06B		21A	W04A, W04B		Pre	A07A, A11A, A13A, A13B, A13D			
	51552.6↔			BOP, KVT, UOP4	51553.1			BOP, KOP, KOPV, KVT, UOP4	51553.x		BOP, KVT, UOP4
		01		B04A, B04B, B04C, B04D, B04E			04	E05A, E05B, E05C, E08A, E08B, E08C		05	F01A, F01B, F01D, F05Z, F07A, F07B, F14A, F14B, F28A, F42Z, F54Z, F59A, F59B
		05		F01A, F01B, F01D, F05Z, F07A, F07B, F14A, F14B, F28A, F42Z, F54Z, F59A, F59B			05	F01A, F01B, F01D, F05Z, F07A, F07B, F14A, F14B, F28A, F42Z, F54Z, F59A, F59B		06	G01Z, G02Z, G38Z
		08		I08A, I08B, I08C, I08D, I08E, I13A, I13B			06	G01Z, G02Z, G33Z, G38Z		08	I08A, I08B, I08C, I08D, I08E, I13A, I13B
		09		J03A, J03B, J04A, J04B, J08A, J08B, J08C, J11A, J11B, J16Z			07	H33Z, H38Z		10	K09A, K09B
		10		K09A, K09B			08	I08A, I08B, I08C, I08D, I08E, I13A, I13B		21A	W04A, W04B
		17		R01A, R01B, R01C, R01D, R02Z, R12A, R12B, R12C			10	K09A, K09B		21B	X06A, X06B, X06C
		21A		W04A, W04B			11	L33Z		Pre	A11A, A13A, A13B, A13D
21B		X05A, X05B, X06A, X06B	21A	W04A, W04B		51554.0↔		BOP, KVT, UOP4			
51552.7↔			BOP, KVT, UOP4	51553.2				BOP, KOP, KOPV, KVT, UOP4		01	B04A, B04B, B04C, B04D, B04E
		01	B04A, B04B, B04C, B04D, B04E				04	E05A, E05B, E05C, E08A, E08B, E08C		03	D12A
		05	F01A, F01B, F01D, F05Z, F07A, F07B, F14A, F14B, F28A, F42Z, F54Z, F59A, F59B				05	F01A, F01B, F01D, F05Z, F07A, F07B, F14A, F14B, F28A, F42Z, F54Z, F59A, F59B		04	E02A, E02B, E02C
		08	I08A, I08B, I08C, I08D, I08E, I13A, I13B				06	G01Z, G02Z, G33Z, G38Z		05	F01A, F01B, F01D, F05Z, F07A, F07B, F14A, F14B, F28A, F42Z, F54Z, F59A, F59B
		09	J03A, J03B, J04A, J04B, J08A, J08B, J08C, J11A, J11B, J16Z				07	H33Z, H38Z		06	G10Z, G12A, G12B
		10	K09A, K09B				08	I08A, I08B, I08C, I08D, I08E, I13A, I13B		08	I08A, I08B, I08C, I08D, I08E, I13A, I13B
		17	R01A, R01B, R01C, R01D, R02Z, R12A, R12B, R12C				10	K09A, K09B		09	J03A, J03B, J04A, J04B, J08A, J08B, J08C, J11A, J11B, J16Z
		21A	W04A, W04B				11	L33Z		10	K09A, K09B
	21B	X05A, X05B, X06A, X06B	21A		W04A, W04B		11	L09A, L09B, L09C, L09D, L38Z			
	51552.x↔		BOP, KVT, UOP4		51553.3			BOP, KVT, UOP4	51554.1↔		BOP, KVT, UOP4
		01	B04A, B04B, B04C, B04D, B04E				04	E05A, E05B, E05C, E08A, E08B, E08C		01	B04A, B04B, B04C, B04D, B04E
		05	F01A, F01B, F01D, F05Z, F07A, F07B, F14A, F14B, F28A, F42Z, F54Z, F59A, F59B				05	F01A, F01B, F01D, F05Z, F07A, F07B, F14A, F14B, F28A, F42Z, F54Z, F59A, F59B		03	D12A
		08	I08A, I08B, I08C, I08D, I08E, I13A, I13B				06	G01Z, G02Z, G38Z		04	E02A, E02B, E02C
		09	J03A, J03B, J04A, J04B, J08A, J08B, J08C, J11A, J11B, J16Z				07	H33Z, H38Z		05	F01A, F01B, F01D, F05Z, F07A, F07B, F14A, F14B, F28A, F42Z, F54Z, F59A, F59B
		10	K09A, K09B				08	I08A, I08B, I08C, I08D, I08E, I13A, I13B		06	G10Z, G12A, G12B
		17	R01A, R01B, R01C, R01D, R02Z, R12A, R12B, R12C				10	K09A, K09B		08	I08A, I08B, I08C, I08D, I08E, I13A, I13B
		21A	W04A, W04B			11	L33Z	09		J03A, J03B, J04A, J04B, J08A, J08B, J08C, J11A, J11B, J16Z	
21B		X05A, X05B, X06A, X06B	21A	W04A, W04B		10	K09A, K09B				
			21B	X06A, X06B, X06C, X33Z		11	L09A, L09B, L09C, L09D, L38Z				
			23	Z01A		17	R01A, R01B, R01C, R01D, R02Z, R12A, R12B, R12C				
			Pre	A07A, A11A, A13A, A13B, A13D		21A	W04A, W04B				
						21B	X06A, X06B, X06C				
						Pre	A11A, A13A, A13B, A13D				

VYK

ZZV	MDC	DRG	ZZV	MDC	DRG	ZZV	MDC	DRG					
51554.2↔		BOP, KOP, KOPV, KVT, UOP4	51555.1↔		BOP, KVT, UOP4	51555.4↔		BOP, KVT, UOP4					
	01	B04A, B04B, B04C, B04D, B04E		01	B04A, B04B, B04C, B04D, B04E		01	B04A, B04B, B04C, B04D, B04E					
	03	D12A		05	F01A, F01B, F01D, F05Z, F07A, F07B, F14A, F14B, F28A, F42Z, F54Z, F59A, F59B		05	F01A, F01B, F01D, F05Z, F07A, F07B, F14A, F14B, F28A, F42Z, F54Z, F59A, F59B					
	04	E02A, E02B, E02C		06	G10Z, G12A, G12B		06	G10Z, G12A, G12B					
	05	F01A, F01B, F01D, F05Z, F07A, F07B, F14A, F14B, F28A, F30Z, F42Z, F54Z, F59A, F59B		08	I08A, I08B, I08C, I08D, I08E, I13A, I13B		08	I08A, I08B, I08C, I08D, I08E, I13A, I13B					
	06	G10Z, G12A, G12B, G33Z		09	J03A, J03B, J04A, J04B, J08A, J08B, J08C, J11A, J11B, J16Z		09	J03A, J03B, J04A, J04B, J08A, J08B, J08C, J11A, J11B, J16Z					
	07	H33Z, H38Z		10	K09A, K09B		10	K09A, K09B					
	08	I08A, I08B, I08C, I08D, I08E, I13A, I13B		11	L09A, L09B, L09C, L09D, L38Z		11	L09A, L09B, L09C, L09D, L38Z					
	09	J03A, J03B, J04A, J04B, J08A, J08B, J08C, J11A, J11B, J16Z		17	R01A, R01B, R01C, R01D, R02Z, R12A, R12B, R12C		17	R01A, R01B, R01C, R01D, R02Z, R12A, R12B, R12C					
	10	K09A, K09B		21A	W04A, W04B		21A	W04A, W04B					
	11	L09A, L09B, L09C, L09D, L33Z, L38Z		21B	X04Z, X06A, X06B, X06C		21B	X04Z, X06A, X06B, X06C					
	17	R01A, R01B, R01C, R01D, R02Z, R12A, R12B, R12C		51555.2↔			BOP, KVT, UOP4	51555.x↔		BOP, KVT, UOP4			
	21A	W04A, W04B			01		B04A, B04B, B04C, B04D, B04E		01	B04A, B04B, B04C, B04D, B04E			
	21B	X06A, X06B, X06C, X33Z			05		F01A, F01B, F01D, F05Z, F07A, F07B, F14A, F14B, F28A, F42Z, F54Z, F59A, F59B		05	F01A, F01B, F01D, F05Z, F07A, F07B, F14A, F14B, F28A, F42Z, F54Z, F59A, F59B			
	23	Z01A			06		G10Z, G12A, G12B		06	G10Z, G12A, G12B			
	Pre	A07A			08		I08A, I08B, I08C, I08D, I08E, I13A, I13B		08	I08A, I08B, I08C, I08D, I08E, I13A, I13B			
	51554.x↔				BOP, KVT, UOP4		51555.3↔			BOP, KVT, UOP4	51556.0		BOP, KVT, UOP4
		01			B04A, B04B, B04C, B04D, B04E				01	B04A, B04B, B04C, B04D, B04E		01	B04A, B04B, B04C, B04D, B04E
		03			D12A				05	F01A, F01B, F01D, F05Z, F07A, F07B, F14A, F14B, F28A, F42Z, F54Z, F59A, F59B		05	F01A, F01B, F01D, F05Z, F07A, F07B, F14A, F14B, F28A, F42Z, F54Z, F59A, F59B
		04			E02A, E02B, E02C				06	G10Z, G12A, G12B		06	G10Z, G12A, G12B
		05			F01A, F01B, F01D, F05Z, F07A, F07B, F14A, F14B, F28A, F42Z, F54Z, F59A, F59B				08	I08A, I08B, I08C, I08D, I08E, I13A, I13B		08	I08A, I08B, I08C, I08D, I08E, I13A, I13B
		06			G10Z, G12A, G12B				09	J03A, J03B, J04A, J04B, J08A, J08B, J08C, J11A, J11B, J16Z		09	J03A, J03B, J04A, J04B, J08A, J08B, J08C, J11A, J11B, J16Z
		08			I08A, I08B, I08C, I08D, I08E, I13A, I13B				10	K09A, K09B		10	K09A, K09B
09		J03A, J03B, J04A, J04B, J08A, J08B, J08C, J11A, J11B, J16Z	11		L09A, L09B, L09C, L09D, L38Z	11			L09A, L09B, L09C, L09D, L38Z				
10		K09A, K09B	17		R01A, R01B, R01C, R01D, R02Z, R12A, R12B, R12C	17			R01A, R01B, R01C, R01D, R02Z, R12A, R12B, R12C				
11		L09A, L09B, L09C, L09D, L38Z	21A		W04A, W04B	21A			W04A, W04B				
17		R01A, R01B, R01C, R01D, R02Z, R12A, R12B, R12C	21B		X04Z, X06A, X06B, X06C	21B			X04Z, X06A, X06B, X06C				
21A		W04A, W04B	51555.0↔			BOP, KVT, UOP4			51555.0↔			BOP, KVT, UOP4	
21B		X06A, X06B, X06C			01	B04A, B04B, B04C, B04D, B04E				01		B04A, B04B, B04C, B04D, B04E	
51555.0↔					BOP, KVT, UOP4	05				F01A, F01B, F01D, F05Z, F07A, F07B, F14A, F14B, F28A, F42Z, F54Z, F59A, F59B		05	F01A, F01B, F01D, F05Z, F07A, F07B, F14A, F14B, F28A, F42Z, F54Z, F59A, F59B
		01			B04A, B04B, B04C, B04D, B04E	06				G10Z, G12A, G12B		06	G10Z, G12A, G12B, G18A, G38Z
		05			F01A, F01B, F01D, F05Z, F07A, F07B, F14A, F14B, F28A, F42Z, F54Z, F59A, F59B	08				I08A, I08B, I08C, I08D, I08E, I13A, I13B		07	H01A
		06			G10Z, G12A, G12B	09				J03A, J03B, J04A, J04B, J08A, J08B, J08C, J11A, J11B, J16Z		08	I08A, I08B, I08C, I08D, I08E, I13A, I13B
		08			I08A, I08B, I08C, I08D, I08E, I13A, I13B	10				K09A, K09B		09	J03A, J03B, J04A, J04B, J08A, J08B, J08C, J11A, J11B, J16Z
		09		J03A, J03B, J04A, J04B, J08A, J08B, J08C, J11A, J11B, J16Z	11	L09A, L09B, L09C, L09D, L38Z		10		K09A, K09B			
		10		K09A, K09B	17	R01A, R01B, R01C, R01D, R02Z, R12A, R12B, R12C		11		L09A, L09B, L09C, L09D, L38Z			
		11		L09A, L09B, L09C, L09D, L38Z	21A	W04A, W04B		17		R01A, R01B, R01C, R01D, R02Z, R12A, R12B, R12C			
		17		R01A, R01B, R01C, R01D, R02Z, R12A, R12B, R12C	21B	X04Z, X06A, X06B, X06C		21A		W04A, W04B			
		21A		W04A, W04B				21B		X06A, X06B, X06C			
	21B	X04Z, X06A, X06B, X06C											

ZZV	MDC	DRG	ZZV	MDC	DRG	ZZV	MDC	DRG			
51556.1		BOP, KVT, UOP4	51556.4↔		BOP, KVT, UOP4	51556.x↔		BOP, KVT, UOP4			
	01	B04A, B04B, B04C, B04D, B04E		01	B04A, B04B, B04C, B04D, B04E		01	B04A, B04B, B04C, B04D, B04E			
	05	F01A, F01B, F01D, F05Z, F07A, F07B, F14A, F14B, F28A, F42Z, F54Z, F59A, F59B		05	F01A, F01B, F01D, F05Z, F07A, F07B, F14A, F14B, F28A, F42Z, F54Z, F59A, F59B		05	F01A, F01B, F01D, F05Z, F07A, F07B, F14A, F14B, F28A, F42Z, F54Z, F59A, F59B			
	06	G10Z, G12A, G12B, G18A, G38Z		06	G10Z, G12A, G12B		06	G10Z, G12A, G12B			
	07	H01A		08	I08A, I08B, I08C, I08D, I08E, I13A, I13B		08	I08A, I08B, I08C, I08D, I08E, I13A, I13B			
	08	I08A, I08B, I08C, I08D, I08E, I13A, I13B		09	J03A, J03B, J04A, J04B, J08A, J08B, J08C, J11A, J11B, J16Z		09	J03A, J03B, J04A, J04B, J08A, J08B, J08C, J11A, J11B, J16Z			
	09	J03A, J03B, J04A, J04B, J08A, J08B, J08C, J11A, J11B, J16Z		10	K09A, K09B		10	K09A, K09B			
	10	K09A, K09B		11	L09A, L09B, L09C, L09D, L38Z		11	L09A, L09B, L09C, L09D, L38Z			
	11	L09A, L09B, L09C, L09D, L38Z		17	R01A, R01B, R01C, R01D, R02Z, R12A, R12B, R12C		17	R01A, R01B, R01C, R01D, R02Z, R12A, R12B, R12C			
	17	R01A, R01B, R01C, R01D, R02Z, R12A, R12B, R12C		21A	W04A, W04B		21A	W04A, W04B			
	21A	W04A, W04B		21B	X06A, X06B, X06C		21B	X06A, X06B, X06C			
	21B	X06A, X06B, X06C		51556.5			BOP, KVT, UOP4	51557.0↔		BOP, KVT, UOP4	
	51556.2				BOP, KVT, UOP4		01		B04A, B04B, B04C, B04D, B04E	01	B04A, B04B, B04C, B04D, B04E
		01			B04A, B04B, B04C, B04D, B04E		05		F01A, F01B, F01D, F05Z, F07A, F07B, F14A, F14B, F28A, F42Z, F54Z, F59A, F59B	05	F01A, F01B, F01D, F05Z, F07A, F07B, F14A, F14B, F28A, F42Z, F54Z, F59A, F59B
		05			F01A, F01B, F01D, F05Z, F07A, F07B, F14A, F14B, F28A, F42Z, F54Z, F59A, F59B		06		G10Z, G12A, G12B, G18A, G38Z	08	I08A, I08B, I08C, I08D, I08E, I13A, I13B
		06			G10Z, G12A, G12B		07		H01A	09	J03A, J03B, J04A, J04B, J08A, J08B, J08C, J11A, J11B, J16Z
		08			I08A, I08B, I08C, I08D, I08E, I13A, I13B		08		I08A, I08B, I08C, I08D, I08E, I13A, I13B	10	K09A, K09B
09		J03A, J03B, J04A, J04B, J08A, J08B, J08C, J11A, J11B, J16Z	09		J03A, J03B, J04A, J04B, J08A, J08B, J08C, J11A, J11B, J16Z	11	L09A, L09B, L09C, L09D, L38Z				
10		K09A, K09B	10		K09A, K09B	17	R01A, R01B, R01C, R01D, R02Z, R12A, R12B, R12C				
11		L09A, L09B, L09C, L09D, L38Z	11		L09A, L09B, L09C, L09D, L38Z	21A	W04A, W04B				
17		R01A, R01B, R01C, R01D, R02Z, R12A, R12B, R12C	17		R01A, R01B, R01C, R01D, R02Z, R12A, R12B, R12C	21B	X04Z, X06A, X06B, X06C				
21A		W04A, W04B	21A		W04A, W04B	51557.1↔			BOP, KVT, UOP4		
21B		X06A, X06B, X06C	21B		X06A, X06B, X06C		01		B04A, B04B, B04C, B04D, B04E		
51556.3			BOP, KVT, UOP4		51556.6				BOP, KVT, UOP4	05	F01A, F01B, F01D, F05Z, F07A, F07B, F14A, F14B, F28A, F42Z, F54Z, F59A, F59B
		01	B04A, B04B, B04C, B04D, B04E				01		B04A, B04B, B04C, B04D, B04E	08	I08A, I08B, I08C, I08D, I08E, I13A, I13B
		05	F01A, F01B, F01D, F05Z, F07A, F07B, F14A, F14B, F28A, F42Z, F54Z, F59A, F59B				05		F01A, F01B, F01D, F05Z, F07A, F07B, F14A, F14B, F28A, F42Z, F54Z, F59A, F59B	09	J03A, J03B, J04A, J04B, J08A, J08B, J08C, J11A, J11B, J16Z
		06	G10Z, G12A, G12B, G18A, G38Z				06		G10Z, G12A, G12B, G18A, G38Z	10	K09A, K09B
		08	I08A, I08B, I08C, I08D, I08E, I13A, I13B				07		H01A	11	L09A, L09B, L09C, L09D, L38Z
		09	J03A, J03B, J04A, J04B, J08A, J08B, J08C, J11A, J11B, J16Z	08			I08A, I08B, I08C, I08D, I08E, I13A, I13B	17	R01A, R01B, R01C, R01D, R02Z, R12A, R12B, R12C		
	10	K09A, K09B	09	J03A, J03B, J04A, J04B, J08A, J08B, J08C, J11A, J11B, J16Z			21A	W04A, W04B			
	11	L09A, L09B, L09C, L09D, L38Z	10	K09A, K09B			21B	X04Z, X06A, X06B, X06C			
	17	R01A, R01B, R01C, R01D, R02Z, R12A, R12B, R12C	11	L09A, L09B, L09C, L09D, L38Z							
	21A	W04A, W04B	17	R01A, R01B, R01C, R01D, R02Z, R12A, R12B, R12C							
	21B	X06A, X06B, X06C	21A	W04A, W04B							
			21B	X06A, X06B, X06C							

VYK

ZZV	MDC	DRG	ZZV	MDC	DRG	ZZV	MDC	DRG
51557.2↔		BOP, KVT, UOP4	51558.2↔		BOP, KVT, UOP4	51558.6↔		BOP, KVT, UOP4
	01	B04A, B04B, B04C, B04D, B04E		01	B04A, B04B, B04C, B04D, B04E		01	B04A, B04B, B04C, B04D, B04E
	05	F01A, F01B, F01D, F05Z, F07A, F07B, F14A, F14B, F28A, F42Z, F54Z, F59A, F59B		05	F01A, F01B, F01D, F05Z, F07A, F07B, F14A, F14B, F28A, F42Z, F54Z, F59A, F59B		05	F01A, F01B, F01D, F05Z, F07A, F07B, F14A, F14B, F28A, F42Z, F54Z, F59A, F59B
	08	I08A, I08B, I08C, I08D, I08E, I13A, I13B		08	I08A, I08B, I08C, I08D, I08E, I13A, I13B		08	I08A, I08B, I08C, I08D, I08E, I13A, I13B
	09	J03A, J03B, J04A, J04B, J08A, J08B, J08C, J11A, J11B, J16Z		09	J03A, J03B, J04A, J04B, J08A, J08B, J08C, J11A, J11B, J16Z		09	J03A, J03B, J04A, J04B, J08A, J08B, J08C, J11A, J11B, J16Z
	10	K09A, K09B		10	K09A, K09B		10	K09A, K09B
	17	R01A, R01B, R01C, R01D, R02Z, R12A, R12B, R12C		17	R01A, R01B, R01C, R01D, R02Z, R12A, R12B, R12C		17	R01A, R01B, R01C, R01D, R02Z, R12A, R12B, R12C
	21A	W04A, W04B		21A	W04A, W04B		21A	W04A, W04B
	21B	X04Z, X06A, X06B, X06C		21B	X04Z, X06A, X06B, X06C		21B	X04Z, X06A, X06B, X06C
	51557.x↔			BOP, KVT, UOP4	51558.3↔			BOP, KVT, UOP4
01		B04A, B04B, B04C, B04D, B04E	01	B04A, B04B, B04C, B04D, B04E		01	B04A, B04B, B04C, B04D, B04E	
05		F01A, F01B, F01D, F05Z, F07A, F07B, F14A, F14B, F28A, F42Z, F54Z, F59A, F59B	05	F01A, F01B, F01D, F05Z, F07A, F07B, F14A, F14B, F28A, F42Z, F54Z, F59A, F59B		05	F01A, F01B, F01D, F05Z, F07A, F07B, F14A, F14B, F28A, F42Z, F54Z, F59A, F59B	
08		I08A, I08B, I08C, I08D, I08E, I13A, I13B	08	I08A, I08B, I08C, I08D, I08E, I13A, I13B		08	I08A, I08B, I08C, I08D, I08E, I13A, I13B	
09		J03A, J03B, J04A, J04B, J08A, J08B, J08C, J11A, J11B, J16Z	09	J03A, J03B, J04A, J04B, J08A, J08B, J08C, J11A, J11B, J16Z		09	J03A, J03B, J04A, J04B, J08A, J08B, J08C, J11A, J11B, J16Z	
10		K09A, K09B	10	K09A, K09B		10	K09A, K09B	
17		R01A, R01B, R01C, R01D, R02Z, R12A, R12B, R12C	17	R01A, R01B, R01C, R01D, R02Z, R12A, R12B, R12C		17	R01A, R01B, R01C, R01D, R02Z, R12A, R12B, R12C	
21A		W04A, W04B	21A	W04A, W04B		21A	W04A, W04B	
21B		X04Z, X06A, X06B, X06C	21B	X04Z, X06A, X06B, X06C		21B	X04Z, X06A, X06B, X06C	
51558.0↔			BOP, KVT, UOP4	51558.4↔			BOP, KVT, UOP4	51559.0↔
	01	B04A, B04B, B04C, B04D, B04E	01		B04A, B04B, B04C, B04D, B04E	01	B04A, B04B, B04C, B04D, B04E	
	05	F01A, F01B, F01D, F05Z, F07A, F07B, F14A, F14B, F28A, F42Z, F54Z, F59A, F59B	05		F01A, F01B, F01D, F05Z, F07A, F07B, F14A, F14B, F28A, F42Z, F54Z, F59A, F59B	05	F01A, F01B, F01D, F05Z, F07A, F07B, F14A, F14B, F28A, F42Z, F54Z, F59A, F59B	
	08	I08A, I08B, I08C, I08D, I08E, I13A, I13B	08		I08A, I08B, I08C, I08D, I08E, I13A, I13B	06	G10Z, G12A, G12B	
	09	J03A, J03B, J04A, J04B, J08A, J08B, J08C, J11A, J11B, J16Z	09		J03A, J03B, J04A, J04B, J08A, J08B, J08C, J11A, J11B, J16Z	08	I08A, I08B, I08C, I08D, I08E, I13A, I13B	
	10	K09A, K09B	10		K09A, K09B	09	J03A, J03B, J04A, J04B, J08A, J08B, J08C, J11A, J11B, J16Z	
	17	R01A, R01B, R01C, R01D, R02Z, R12A, R12B, R12C	17		R01A, R01B, R01C, R01D, R02Z, R12A, R12B, R12C	10	K09A, K09B	
	21A	W04A, W04B	21A		W04A, W04B	11	L09A, L09B, L09C, L09D, L38Z	
	21B	X04Z, X06A, X06B, X06C	21B		X04Z, X06A, X06B, X06C	17	R01A, R01B, R01C, R01D, R02Z, R12A, R12B, R12C	
	51558.1↔		BOP, KVT, UOP4		51558.5↔		BOP, KVT, UOP4	
01		B04A, B04B, B04C, B04D, B04E	01	B04A, B04B, B04C, B04D, B04E		01	B04A, B04B, B04C, B04D, B04E	
05		F01A, F01B, F01D, F05Z, F07A, F07B, F14A, F14B, F28A, F42Z, F54Z, F59A, F59B	05	F01A, F01B, F01D, F05Z, F07A, F07B, F14A, F14B, F28A, F42Z, F54Z, F59A, F59B		05	F01A, F01B, F01D, F05Z, F07A, F07B, F14A, F14B, F28A, F42Z, F54Z, F59A, F59B	
08		I08A, I08B, I08C, I08D, I08E, I13A, I13B	08	I08A, I08B, I08C, I08D, I08E, I13A, I13B		08	I08A, I08B, I08C, I08D, I08E, I13A, I13B	
09		J03A, J03B, J04A, J04B, J08A, J08B, J08C, J11A, J11B, J16Z	09	J03A, J03B, J04A, J04B, J08A, J08B, J08C, J11A, J11B, J16Z		08	I08A, I08B, I08C, I08D, I08E, I13A, I13B	
10		K09A, K09B	10	K09A, K09B		09	J03A, J03B, J04A, J04B, J08A, J08B, J08C, J11A, J11B, J16Z	
17		R01A, R01B, R01C, R01D, R02Z, R12A, R12B, R12C	17	R01A, R01B, R01C, R01D, R02Z, R12A, R12B, R12C		10	K09A, K09B	
21A		W04A, W04B	21A	W04A, W04B		17	R01A, R01B, R01C, R01D, R02Z, R12A, R12B, R12C	
21B		X04Z, X06A, X06B, X06C	21B	X04Z, X06A, X06B, X06C		21A	W04A, W04B	
						21B	X04Z, X06A, X06B, X06C	

ZZV	MDC	DRG	ZZV	MDC	DRG	ZZV	MDC	DRG
51559.2		BOP, KVT, UOP4	51559.5		BOP, KVT, UOP4	51559.8↔		BOP, KVT, UOP4
	01	B04A, B04B, B04C, B04D, B04E		01	B04A, B04B, B04C, B04D, B04E		01	B04A, B04B, B04C, B04D, B04E
	05	F01A, F01B, F01D, F05Z, F07A, F07B, F14A, F14B, F28A, F42Z, F54Z, F59A, F59B		05	F01A, F01B, F01D, F05Z, F07A, F07B, F14A, F14B, F28A, F42Z, F54Z, F59A, F59B		05	F01A, F01B, F01D, F05Z, F07A, F07B, F14A, F14B, F28A, F42Z, F54Z, F59A, F59B
	06	G18A, G38Z		06	G18A, G38Z		06	G18A, G38Z
	07	H01A		07	H01A		07	H01A
	08	I08A, I08B, I08C, I08D, I08E, I13A, I13B		08	I08A, I08B, I08C, I08D, I08E, I13A, I13B		08	I08A, I08B, I08C, I08D, I08E, I13A, I13B
	09	J03A, J03B, J04A, J04B, J08A, J08B, J08C, J11A, J11B, J16Z		09	J03A, J03B, J04A, J04B, J08A, J08B, J08C, J11A, J11B, J16Z		09	J03A, J03B, J04A, J04B, J08A, J08B, J08C, J11A, J11B, J16Z
	10	K09A, K09B		10	K09A, K09B		10	K09A, K09B
	17	R01A, R01B, R01C, R01D, R02Z, R12A, R12B, R12C		17	R01A, R01B, R01C, R01D, R02Z, R12A, R12B, R12C		17	R01A, R01B, R01C, R01D, R02Z, R12A, R12B, R12C
	21A	W04A, W04B		21A	W04A, W04B		21A	W04A, W04B
21B	X06A, X06B, X06C	21B	X06A, X06B, X06C	21B	X06A, X06B, X06C			
51559.3↔		BOP, KVT, UOP4	51559.6		BOP, KVT, UOP4	51559.9↔		BOP, KVT, UOP4
	01	B04A, B04B, B04C, B04D, B04E		01	B04A, B04B, B04C, B04D, B04E		01	B04A, B04B, B04C, B04D, B04E
	05	F01A, F01B, F01D, F05Z, F07A, F07B, F14A, F14B, F28A, F42Z, F54Z, F59A, F59B		05	F01A, F01B, F01D, F05Z, F07A, F07B, F14A, F14B, F28A, F42Z, F54Z, F59A, F59B		03	D12A
	06	G18A, G38Z		06	G18A, G38Z		04	E02A, E02B, E02C
	07	H01A		07	H01A		05	F01A, F01B, F01D, F05Z, F07A, F07B, F14A, F14B, F28A, F42Z, F54Z, F59A, F59B
	08	I08A, I08B, I08C, I08D, I08E, I13A, I13B		08	I08A, I08B, I08C, I08D, I08E, I13A, I13B		06	G10Z, G12A, G12B
	09	J03A, J03B, J04A, J04B, J08A, J08B, J08C, J11A, J11B, J16Z		09	J03A, J03B, J04A, J04B, J08A, J08B, J08C, J11A, J11B, J16Z		08	I08A, I08B, I08C, I08D, I08E, I13A, I13B
	10	K09A, K09B		10	K09A, K09B		09	J03A, J03B, J04A, J04B, J08A, J08B, J08C, J11A, J11B, J16Z
	17	R01A, R01B, R01C, R01D, R02Z, R12A, R12B, R12C		17	R01A, R01B, R01C, R01D, R02Z, R12A, R12B, R12C		10	K09A, K09B
	21A	W04A, W04B		21A	W04A, W04B		11	L09A, L09B, L09C, L09D, L38Z
21B	X06A, X06B, X06C	21B	X06A, X06B, X06C	17	R01A, R01B, R01C, R01D, R02Z, R12A, R12B, R12C			
51559.4		BOP, KVT, UOP4	51559.7		BOP, KVT, UOP4	51559.a↔		BOP, KVT, UOP4
	01	B04A, B04B, B04C, B04D, B04E		01	B04A, B04B, B04C, B04D, B04E		01	B04A, B04B, B04C, B04D, B04E
	05	F01A, F01B, F01D, F05Z, F07A, F07B, F14A, F14B, F28A, F42Z, F54Z, F59A, F59B		05	F01A, F01B, F01D, F05Z, F07A, F07B, F14A, F14B, F28A, F42Z, F54Z, F59A, F59B		03	D12A
	06	G18A, G38Z		06	G18A, G38Z		04	E02A, E02B, E02C
	07	H01A		07	H01A		05	F01A, F01B, F01D, F05Z, F07A, F07B, F14A, F14B, F28A, F42Z, F54Z, F59A, F59B
	08	I08A, I08B, I08C, I08D, I08E, I13A, I13B		08	I08A, I08B, I08C, I08D, I08E, I13A, I13B		06	G10Z, G12A, G12B
	09	J03A, J03B, J04A, J04B, J08A, J08B, J08C, J11A, J11B, J16Z		09	J03A, J03B, J04A, J04B, J08A, J08B, J08C, J11A, J11B, J16Z		08	I08A, I08B, I08C, I08D, I08E, I13A, I13B
	10	K09A, K09B		10	K09A, K09B		09	J03A, J03B, J04A, J04B, J08A, J08B, J08C, J11A, J11B, J16Z
	17	R01A, R01B, R01C, R01D, R02Z, R12A, R12B, R12C		17	R01A, R01B, R01C, R01D, R02Z, R12A, R12B, R12C		10	K09A, K09B
	21A	W04A, W04B		21A	W04A, W04B		11	L09A, L09B, L09C, L09D, L38Z
21B	X06A, X06B, X06C	21B	X06A, X06B, X06C	17	R01A, R01B, R01C, R01D, R02Z, R12A, R12B, R12C			
				21A	W04A, W04B	21B	X06A, X06B, X06C	

VYK

ZZV	MDC	DRG	ZZV	MDC	DRG	ZZV	MDC	DRG			
51559.b↔		BOP, KVT, UOP4	51559.e		BOP, KVT, UOP4	51559.h↔		BOP, KVT, UOP4			
	01	B04A, B04B, B04C, B04D, B04E		01	B04A, B04B, B04C, B04D, B04E		01	B04A, B04B, B04C, B04D, B04E			
	03	D12A		04	E02A, E02B, E02C		05	F01A, F01B, F01D, F05Z, F07A, F07B, F14A, F14B, F28A, F42Z, F54Z, F59A, F59B			
	04	E02A, E02B, E02C		05	F01A, F01B, F01D, F05Z, F07A, F07B, F14A, F14B, F28A, F42Z, F54Z, F59A, F59B		06	G10Z, G12A, G12B			
	05	F01A, F01B, F01D, F05Z, F07A, F07B, F14A, F14B, F28A, F42Z, F54Z, F59A, F59B		06	G10Z, G12A, G12B		08	I08A, I08B, I08C, I08D, I08E, I13A, I13B			
	06	G10Z, G12A, G12B		08	I08A, I08B, I08C, I08D, I08E, I13A, I13B		09	J03A, J03B, J04A, J04B, J08A, J08B, J08C, J11A, J11B, J16Z			
	08	I08A, I08B, I08C, I08D, I08E, I13A, I13B		09	J03A, J03B, J04A, J04B, J08A, J08B, J08C, J11A, J11B, J16Z		10	K09A, K09B			
	09	J03A, J03B, J04A, J04B, J08A, J08B, J08C, J11A, J11B, J16Z		10	K09A, K09B		11	L09A, L09B, L09C, L09D, L38Z			
	10	K09A, K09B		11	L09A, L09B, L09C, L09D, L38Z		17	R01A, R01B, R01C, R01D, R02Z, R12A, R12B, R12C			
	11	L09A, L09B, L09C, L09D, L38Z		17	R01A, R01B, R01C, R01D, R02Z, R12A, R12B, R12C		21A	W04A, W04B			
	17	R01A, R01B, R01C, R01D, R02Z, R12A, R12B, R12C		21A	W04A, W04B		21B	X04Z, X06A, X06B, X06C			
	21A	W04A, W04B		21B	X06A, X06B, X06C		51559.i↔		BOP, KVT, UOP4		
	21B	X05A, X05B, X06A, X06B, X06C		01	B04A, B04B, B04C, B04D, B04E			01	B04A, B04B, B04C, B04D, B04E		
	51559.c↔			BOP, KVT, UOP4	51559.f				BOP, KVT, UOP4	05	F01A, F01B, F01D, F05Z, F07A, F07B, F14A, F14B, F28A, F42Z, F54Z, F59A, F59B
		01		B04A, B04B, B04C, B04D, B04E				01	B04A, B04B, B04C, B04D, B04E	06	G10Z, G12A, G12B
		03		D12A				04	E02A, E02B, E02C	08	I08A, I08B, I08C, I08D, I08E, I13A, I13B
		04		E02A, E02B, E02C				05	F01A, F01B, F01D, F05Z, F07A, F07B, F14A, F14B, F28A, F42Z, F54Z, F59A, F59B	09	J03A, J03B, J04A, J04B, J08A, J08B, J08C, J11A, J11B, J16Z
05		F01A, F01B, F01D, F05Z, F07A, F07B, F14A, F14B, F28A, F42Z, F54Z, F59A, F59B	06	G03A, G10Z, G12A, G12B, G18A, G38Z		10		K09A, K09B			
06		G10Z, G12A, G12B	07	H01A		11		L09A, L09B, L09C, L09D, L38Z			
08		I08A, I08B, I08C, I08D, I08E, I13A, I13B	08	I08A, I08B, I08C, I08D, I08E, I13A, I13B		17		R01A, R01B, R01C, R01D, R02Z, R12A, R12B, R12C			
09		J03A, J03B, J04A, J04B, J08A, J08B, J08C, J11A, J11B, J16Z	09	J03A, J03B, J04A, J04B, J08A, J08B, J08C, J11A, J11B, J16Z		21A		W04A, W04B			
10		K09A, K09B	10	K09A, K09B		21B		X04Z, X06A, X06B, X06C			
11		L09A, L09B, L09C, L09D, L38Z	11	L09A, L09B, L09C, L09D, L38Z		51559.x↔			BOP, KVT, UOP4		
17		R01A, R01B, R01C, R01D, R02Z, R12A, R12B, R12C	17	R01A, R01B, R01C, R01D, R02Z, R12A, R12B, R12C				01	B04A, B04B, B04C, B04D, B04E		
21A		W04A, W04B	21A	W04A, W04B				05	F01A, F01B, F01D, F05Z, F07A, F07B, F14A, F14B, F28A, F42Z, F54Z, F59A, F59B		
21B		X05A, X05B, X06A, X06B, X06C	21B	X06A, X06B, X06C				08	I08A, I08B, I08C, I08D, I08E, I13A, I13B		
51559.d↔			BOP, KVT, UOP4	51559.g↔					BOP, KVT, UOP4	09	J03A, J03B, J04A, J04B, J08A, J08B, J08C, J11A, J11B, J16Z
		01	B04A, B04B, B04C, B04D, B04E					01	B04A, B04B, B04C, B04D, B04E	10	K09A, K09B
		03	D12A				05	F01A, F01B, F01D, F05Z, F07A, F07B, F14A, F14B, F28A, F42Z, F54Z, F59A, F59B	11	L09A, L09B, L09C, L09D, L38Z	
		04	E02A, E02B, E02C				06	G10Z, G12A, G12B	17	R01A, R01B, R01C, R01D, R02Z, R12A, R12B, R12C	
	05	F01A, F01B, F01D, F05Z, F07A, F07B, F14A, F14B, F28A, F42Z, F54Z, F59A, F59B	08		I08A, I08B, I08C, I08D, I08E, I13A, I13B		21A	W04A, W04B			
	06	G10Z, G12A, G12B	09		J03A, J03B, J04A, J04B, J08A, J08B, J08C, J11A, J11B, J16Z		21B	X06A, X06B, X06C			
	08	I08A, I08B, I08C, I08D, I08E, I13A, I13B	10		K09A, K09B						
	09	J03A, J03B, J04A, J04B, J08A, J08B, J08C, J11A, J11B, J16Z	11		L09A, L09B, L09C, L09D, L38Z						
	10	K09A, K09B	17		R01A, R01B, R01C, R01D, R02Z, R12A, R12B, R12C						
	11	L09A, L09B, L09C, L09D, L38Z	21A		W04A, W04B						
	17	R01A, R01B, R01C, R01D, R02Z, R12A, R12B, R12C	21B		X04Z, X06A, X06B, X06C						
	21A	W04A, W04B									
	21B	X05A, X05B, X06A, X06B, X06C									

ZZV	MDC	DRG	ZZV	MDC	DRG	ZZV	MDC	DRG				
5155x↔		BOP, KVT, UOP4	51570.0		BOP, KVT, UOP4	51570.4		BOP, KOP, KOPV, KVT, UOP4				
	05	F01A, F01B, F01D, F05Z, F07A, F07B, F14A, F14B, F28A, F42Z, F54Z, F59A, F59B		05	F01A, F01B, F01D, F05Z, F07A, F07B, F13A, F14A, F14B, F27A, F27B, F27C, F28A, F42Z, F54Z, F59A, F59B		01	B04A, B04B, B04C, B04D, B04E				
	08	I08A, I08B, I08C, I08D, I08E, I13A, I13B		08	I08A, I08B, I08C, I08D, I08E, I13A, I13B		03	D12A				
	09	J03A, J03B, J04A, J04B, J08A, J08B, J08C, J11A, J11B, J16Z		10	K01Z		04	E05A, E05B, E05C, E08A, E08B, E08C				
	10	K09A, K09B		21A	W04A, W04B		05	F01A, F01B, F01D, F05Z, F07A, F07B, F13A, F28A, F42Z, F54Z, F59A, F59B				
	17	R01A, R01B, R01C, R01D, R02Z, R12A, R12B, R12C		21B	X04Z, X05A, X05B, X06A, X06B, X06C		06	G15Z, G19A, G19B, G33Z, G38Z				
	21A	W04A, W04B			BOP, KVT, UOP4		07	H33Z, H38Z				
	21B	X06A, X06B, X06C		01	B04A, B04B, B04C, B04D, B04E		08	I08A, I08B, I08C, I08D, I08E, I13A, I13B				
	51560.0			BOP, KVT, UOP4	51570.1			BOP, KVT, UOP4	51570.5		BOP, KVT, UOP4	
		01		B03A, B03B, B06A, B06B, B07Z, B17A, B17B, B17C			03	D12A		05	F01A, F01B, F01D, F05Z, F07A, F07B, F13A, F28A, F42Z, F54Z, F59A, F59B	
		03		D12A, D12B			04	E02A, E02B, E02C		06	G10Z, G12A, G12B	
		05		F01A, F01B, F01D, F05Z, F07A, F07B, F14A, F14B, F28A, F42Z, F54Z, F59A, F59B			05	F01A, F01B, F01D, F05Z, F07A, F07B, F13A, F14A, F14B, F28A, F42Z, F54Z, F59A, F59B		08	I08A, I08B, I08C, I08D, I08E, I13A, I13B	
		08		I08A, I08B, I08C, I08D, I08E, I13A, I13B			06	G10Z, G12A, G12B		09	J03A, J03B, J04A, J04B, J08A, J08B, J08C, J11A, J11B, J16Z	
		10		K09A, K09B			08	I08A, I08B, I08C, I08D, I08E, I13A, I13B		10	K09A, K09B	
		21A		W04A, W04B			09	J03A, J03B, J04A, J04B, J08A, J08B, J08C, J11A, J11B, J16Z		11	L33Z	
		21B		X06A, X06B, X06C			10	K09A, K09B		21A	W04A, W04B	
		51560.1					BOP, KVT, UOP4	51570.2			BOP, KVT, UOP4	51570.6
01			B04A, B04B, B04C, B04D, B04E	05		F01A, F01B, F01D, F05Z, F07A, F07B, F13A, F14A, F14B, F28A, F42Z, F54Z, F59A, F59B	06			G10Z, G12A, G12B		
03			D12A, D12B	06		G10Z, G12A, G12B	08			I08A, I08B, I08C, I08D, I08E, I13A, I13B		
04			E02A, E02B, E02C	08		I08A, I08B, I08C, I08D, I08E, I13A, I13B	10			K09A, K09B		
05			F01A, F01B, F01D, F05Z, F07A, F07B, F14A, F14B, F28A, F42Z, F54Z, F59A, F59B	17		R01A, R01B, R01C, R01D, R02Z, R12A, R12B, R12C	11			L09A, L09B, L09C, L09D, L38Z		
08			I08A, I08B, I08C, I08D, I08E, I13A, I13B	21A		W04A, W04B	21A			W04A, W04B		
17			R01A, R01B, R01C, R01D, R02Z, R12A, R12B, R12C	21B		X04Z, X05A, X05B, X06A, X06B, X06C	21B			X06A, X06B, X06C		
BOP, KVT, UOP4				BOP, KVT, UOP4			BOP, KVT, UOP4			22	Y01Z, Y03A, Y03B	
01			B04A, B04B, B04C, B04D, B04E			BOP, KVT, UOP4	05			F13A, F21A, F21B		
03	D12A, D12B			BOP, KVT, UOP4	08	I08A, I08B, I08C, I08D, I08E, I13A, I13B						
04	E02A, E02B, E02C			BOP, KVT, UOP4	11	L09A, L09B, L09C, L09D, L38Z						
05	F01A, F01B, F01D, F05Z, F07A, F07B, F14A, F14B, F28A, F42Z, F54Z, F59A, F59B			BOP, KVT, UOP4	21A	W04A, W04B						
08	I08A, I08B, I08C, I08D, I08E, I13A, I13B			BOP, KVT, UOP4	21B	X06A, X06B, X06C						
17	R01A, R01B, R01C, R01D, R02Z, R12A, R12B, R12C			BOP, KVT, UOP4	51570.7		BOP, KOP, KOPV, KVT, UOP4					
BOP, KVT, UOP4			BOP, KVT, UOP4			05	F01A, F01B, F01D, F05Z, F07A, F07B, F09A, F09B, F09C, F13A, F30Z, F42Z					
01	B04A, B04B, B04C, B04D, B04E			BOP, KVT, UOP4		06	G33Z					
03	D12A, D12B			BOP, KVT, UOP4		07	H33Z, H38Z					
04	E02A, E02B, E02C		BOP, KVT, UOP4	08		I08A, I08B, I08C, I08D, I08E, I13A, I13B						
05	F01A, F01B, F01D, F05Z, F07A, F07B, F14A, F14B, F28A, F42Z, F54Z, F59A, F59B		BOP, KVT, UOP4	11		L33Z						
08	I08A, I08B, I08C, I08D, I08E, I13A, I13B		BOP, KVT, UOP4	15		P02A, P02B, P02C						
17	R01A, R01B, R01C, R01D, R02Z, R12A, R12B, R12C		BOP, KVT, UOP4	21B		X33Z						
BOP, KVT, UOP4		BOP, KVT, UOP4		23		Z01A						
01	B04A, B04B, B04C, B04D, B04E		BOP, KVT, UOP4	Pre		A07A						
03	D12A, D12B		BOP, KVT, UOP4	51570.x			BOP, KVT, UOP4					
04	E02A, E02B, E02C		BOP, KVT, UOP4			05	F13A, F21A, F21B					
05	F01A, F01B, F01D, F05Z, F07A, F07B, F14A, F14B, F28A, F42Z, F54Z, F59A, F59B		BOP, KVT, UOP4			08	I08A, I08B, I08C, I08D, I08E, I13A, I13B					
08	I08A, I08B, I08C, I08D, I08E, I13A, I13B		BOP, KVT, UOP4			11	L09A, L09B, L09C, L09D, L38Z					
17	R01A, R01B, R01C, R01D, R02Z, R12A, R12B, R12C		BOP, KVT, UOP4			21A	W04A, W04B					
BOP, KVT, UOP4		BOP, KVT, UOP4				21B	X06A, X06B, X06C					
01	B04A, B04B, B04C, B04D, B04E		BOP, KVT, UOP4				BOP, KVT, UOP4					
03	D12A, D12B		BOP, KVT, UOP4			BOP, KVT, UOP4						
04	E02A, E02B, E02C		BOP, KVT, UOP4			BOP, KVT, UOP4						
05	F01A, F01B, F01D, F05Z, F07A, F07B, F14A, F14B, F28A, F42Z, F54Z, F59A, F59B		BOP, KVT, UOP4			BOP, KVT, UOP4						
08	I08A, I08B, I08C, I08D, I08E, I13A, I13B		BOP, KVT, UOP4			BOP, KVT, UOP4						
17	R01A, R01B, R01C, R01D, R02Z, R12A, R12B, R12C		BOP, KVT, UOP4			BOP, KVT, UOP4						
BOP, KVT, UOP4		BOP, KVT, UOP4			BOP, KVT, UOP4		BOP, KVT, UOP4					
01	B04A, B04B, B04C, B04D, B04E		BOP, KVT, UOP4			BOP, KVT, UOP4						
03	D12A, D12B		BOP, KVT, UOP4			BOP, KVT, UOP4						
04	E02A, E02B, E02C		BOP, KVT, UOP4			BOP, KVT, UOP4						
05	F01A, F01B, F01D, F05Z, F07A, F07B, F14A, F14B, F28A, F42Z, F54Z, F59A, F59B		BOP, KVT, UOP4			BOP, KVT, UOP4						
08	I08A, I08B, I08C, I08D, I08E, I13A, I13B		BOP, KVT, UOP4		BOP, KVT, UOP4							
17	R01A, R01B, R01C, R01D, R02Z, R12A, R12B, R12C		BOP, KVT, UOP4		BOP, KVT, UOP4							



ZZV	MDC	DRG	ZZV	MDC	DRG	ZZV	MDC	DRG		
51571.0		BOP, KVT, UOP4	51571.4		BOP, KOP, KOPV, KVT, UOP4	51591.6		BOP, KVT, UOP4		
	05	F01A, F01B, F01D, F05Z, F07A, F07B, F13A, F14A, F14B, F27A, F27B, F27C, F28A, F42Z, F54Z, F59A, F59B		01	B04A, B04B, B04C, B04D, B04E		04	E02A, E02B, E02C		
	08	I08A, I08B, I08C, I08D, I08E, I13A, I13B		03	D12A		05	F01A, F01B, F01D, F05Z, F07A, F07B, F14A, F14B, F28A, F42Z, F54Z, F59A, F59B		
	10	K01Z		04	E05A, E05B, E05C, E08A, E08B, E08C		08	I08A, I08B, I08C, I08D, I08E, I13A, I13B		
	21A	W04A, W04B		05	F01A, F01B, F01D, F05Z, F07A, F07B, F13A, F28A, F42Z, F54Z, F59A, F59B		21A	W04A, W04B		
	21B	X04Z, X05A, X05B, X06A, X06B, X06C		06	G15Z, G19A, G19B, G33Z, G38Z		21B	X04Z, X05A, X05B, X06A, X06B, X06C		
	51571.1			BOP, KVT, UOP4	07		H33Z, H38Z	51591.8		BOP, KVT, UOP4
		01		B04A, B04B, B04C, B04D, B04E	08		I08A, I08B, I08C, I08D, I08E, I13A, I13B		05	F01A, F01B, F01D, F05Z, F07A, F07B, F14A, F14B, F28A, F42Z, F54Z, F59A, F59B
		03		D12A	09		J03A, J03B, J04A, J04B, J08A, J08B, J08C, J11A, J11B, J16Z		06	G10Z, G12A, G12B
		04		E02A, E02B, E02C	10		K09A, K09B		08	I08A, I08B, I08C, I08D, I08E, I13A, I13B
05		F01A, F01B, F01D, F05Z, F07A, F07B, F13A, F14A, F14B, F28A, F42Z, F54Z, F59A, F59B	11	L33Z	10	K09A, K09B				
06		G10Z, G12A, G12B	21A	W04A, W04B	11	L09A, L09B, L09C, L09D, L38Z				
08		I08A, I08B, I08C, I08D, I08E, I13A, I13B	21B	X04Z, X05A, X05B, X06A, X06B, X06C, X33Z	17	R01A, R01B, R01C, R01D, R02Z, R12A, R12B, R12C				
09		J03A, J03B, J04A, J04B, J08A, J08B, J08C, J11A, J11B, J16Z	23	Z01A	21A	W04A, W04B				
10		K09A, K09B	Pre	A07A	21B	X04Z, X06A, X06B, X06C				
11		L09A, L09B, L09C, L09D, L38Z	51572	01	B03A, B03B, B06A, B06B, B07Z, B17A, B17B, B17C	51591.9				
51571.2		BOP, KVT, UOP4	05	F01A, F01B, F01D, F05Z, F07A, F07B, F14A, F14B, F28A, F42Z, F54Z, F59A, F59B	01	B04A, B04B, B04C, B04D, B04E				
	05	F01A, F01B, F01D, F05Z, F07A, F07B, F13A, F14A, F14B, F28A, F42Z, F54Z, F59A, F59B	08	I08A, I08B, I08C, I08D, I08E, I13A, I13B	03	D12A, D12B				
	06	G10Z, G12A, G12B	21A	W04A, W04B	04	E02A, E02B, E02C				
	08	I08A, I08B, I08C, I08D, I08E, I13A, I13B	21B	X06A, X06B	05	F01A, F01B, F01D, F05Z, F07A, F07B, F14A, F14B, F28A, F42Z, F54Z, F59A, F59B				
	10	K09A, K09B	51590.01	06	G10Z, G12A, G12B	06	G10Z, G12A, G12B			
	17	R01A, R01B, R01C, R01D, R02Z, R12A, R12B, R12C	08	I28A, I28B	08	I08A, I08B, I08C, I08D, I08E, I13A, I13B				
	21A	W04A, W04B	10	K09A, K09B	09	J03A, J03B, J04A, J04B, J08A, J08B, J08C, J11A, J11B, J16Z				
	21B	X04Z, X05A, X05B, X06A, X06B, X06C	13	N11A, N11B	10	K09A, K09B				
	51571.3		BOP, KOP, KOPV, KVT, UOP4	51590.02	06	G10Z, G12A, G12B	11	L09A, L09B, L09C, L09D, L38Z		
		04	E05A, E05B, E05C, E08A, E08B, E08C	08	I28A, I28B	17	R01A, R01B, R01C, R01D, R02Z, R12A, R12B, R12C			
05		F01A, F01B, F01D, F05Z, F07A, F07B, F13A, F14A, F14B, F28A, F42Z, F54Z, F59A, F59B	51590.03	06	G10Z, G12A, G12B	5m100	03	D12A, D12B		
06		G15Z, G19A, G19B, G33Z, G38Z	08	I28A, I28B	04	E02A, E02B, E02C				
07		H33Z, H38Z	10	K09A, K09B	06	G10Z, G12A, G12B				
08		I08A, I08B, I08C, I08D, I08E, I13A, I13B	13	N11A, N11B	08	I28A, I28B				
11		L33Z	51591.50‡	09	J11A, J11B	09	J03A, J03B, J04A, J04B, J08A, J08B, J08C, J11A, J11B, J16Z, J21Z			
21A		W04A, W04B	17	R60B, R60C, R61A, R61B, R61C, R61E, R62A, R63B, R63C, R63D, R63F	10	K03A, K03B, K09A, K09B				
21B		X06A, X06B, X06C, X33Z	51591.51‡	09	J11A, J11B	13	N11A			
23		Z01A	09	J11A, J11B	5m101	03	D12A, D12B			
Pre	A07A	17	R60B, R60C, R61A, R61B, R61C, R61E, R62A, R63B, R63C, R63D, R63F	04	E02A, E02B, E02C					
		51591.52‡	09	J11A, J11B	06	G10Z, G12A, G12B				
			17	R60B, R60C, R61A, R61B, R61C, R61E, R62A, R63B, R63C, R63D, R63F	08	I28A, I28B				
					09	J03A, J03B, J04A, J04B, J08A, J08B, J08C, J11A, J11B, J16Z, J21Z				
					10	K09A, K09B				
					13	N11A				
					16	Q03A, Q03B				

ZZV	MDC	DRG	ZZV	MDC	DRG	ZZV	MDC	DRG		
5m102↔	03	D12A, D12B	5m111		BOP, KOP, KOPV, KVT, UOP4	5m121		BOP, KOP, KOPV, KVT, UOP4		
	04	E02A, E02B, E02C		04	E05A, E05B, E05C, E08A, E08B, E08C		06	G10Z, G12A, G12B, G33Z		
	06	G10Z, G12A, G12B		06	G33Z		07	H33Z, H38Z		
	08	I28A, I28B		07	H33Z, H38Z		08	I28A, I28B		
	09	J03A, J03B, J04A, J04B, J07A, J07B, J08A, J08B, J08C, J11A, J11B, J16Z, J21Z, J24A, J24B, J24C, J24D, J25Z		11	L33Z		09	J03A, J03B, J04A, J04B, J08A, J08B, J08C, J10A, J10B, J16Z, J21Z		
	10	K09A, K09B		17	R01A, R01B, R01C, R01D, R02Z, R12A, R12B, R12C		11	L03Z, L04A, L04B, L04C, L10Z, L13A, L13B, L33Z, L38Z		
	13	N11A		21A	W04A, W04B		12	M01A, M01B, M09A, M38Z		
	16	Q03A, Q03B		21B	X06A, X06B, X06C		13	N01A, N01B, N01C, N01D, N01E, N11A, N38Z		
	5m103	08		I27A, I27B, I27C, I27D	5m120.0		Pre	A07A	17	R01A, R01B, R01C, R01D, R02Z, R12A, R12B, R12C
		09		J03A, J03B, J04A, J04B, J08A, J08B, J08C, J11A, J11B, J16Z, J21Z			04	E05A, E05B, E05C, E08A, E08B, E08C	23	Z01A
	5m104			BOP, KVT, UOP4			06	G10Z, G12A, G12B, G18A, G33Z, G38Z	Pre	A07A
		09		J03A, J03B, J04A, J04B, J08A, J08B, J08C, J11A, J11B, J16Z			07	H33Z, H38Z	5m122	
	5m110.1			BOP, KOP, KOPV, KVT, UOP4			08	I28A, I28B		03
04		E05A, E05B, E05C, E08A, E08B, E08C	09	J03A, J03B, J04A, J04B, J08A, J08B, J08C, J10A, J10B, J16Z, J21Z		04	E02A, E02B, E02C			
06		G33Z	10	K09A, K09B		08	I06A, I06B, I06C, I06D, I06E			
07		H33Z, H38Z	11	L03Z, L04A, L04B, L04C, L10Z, L13A, L13B, L33Z, L38Z		09	J02A, J02B, J02C, J03A, J03B, J04A, J04B, J08A, J08B, J10A, J10B, J16Z, J21Z			
11		L33Z	12	M01A, M01B, M09A, M38Z		10	K14Z			
17		R01A, R01B, R01C, R01D, R02Z, R12A, R12B, R12C	13	N01A, N01B, N01C, N01D, N01E, N11A, N38Z		17	R01A, R01B, R01C, R01D, R02Z, R12A, R12B, R12C			
21A		W04A, W04B	17	R01A, R01B, R01C, R01D, R02Z, R12A, R12B, R12C		5m123		BOP, KVT, UOP4		
21B		X06A, X06B, X06C	23	Z01A			03	D18Z, D25A, D25B, D25C, D25D		
23		Z01A	Pre	A07A			04	E02A, E02B, E02C		
Pre		A07A	5m120.3		BOP, KOP, KOPV, KVT, UOP4		08	I06A, I06B, I06C, I06D, I06E		
5m110.2		04		E05A, E05B, E05C, E08A, E08B, E08C	04		E05A, E05B, E05C, E08A, E08B, E08C	09		J02A, J02B, J02C, J03A, J03B, J04A, J04B, J08A, J08B, J10A, J10B, J16Z, J21Z
		06		G33Z	06		G10Z, G12A, G12B, G33Z	10		K14Z
		07		H33Z, H38Z	07		H33Z, H38Z	13	N11A	
	11	L33Z		08	I28A, I28B		17	R01A, R01B, R01C, R01D, R02Z, R12A, R12B, R12C		
	17	R01A, R01B, R01C, R01D, R02Z, R12A, R12B, R12C		09	J03A, J03B, J04A, J04B, J08A, J08B, J08C, J10A, J10B, J16Z, J21Z		5m124		BOP, KVT, UOP4	
	21A	W04A, W04B		10	K09A, K09B			03	D02A, D02B, D18Z, D24A, D24B	
	21B	X06A, X06B, X06C		11	L03Z, L04A, L04B, L04C, L10Z, L13A, L13B, L33Z, L38Z			04	E02A, E02B, E02C	
	23	Z01A		12	M01A, M01B, M09A, M38Z			08	I06A, I06B, I06C, I06D, I06E	
	Pre	A07A		13	N01A, N01B, N01C, N01D, N01E, N11A, N38Z			09	J02A, J02B, J02C, J03A, J03B, J04A, J04B, J08A, J08B, J10A, J10B, J16Z, J21Z	
	5m110.x			BOP, KOP, KOPV, KVT, UOP4	17	R01A, R01B, R01C, R01D, R02Z, R12A, R12B, R12C		10	K14Z	
		04		E05A, E05B, E05C, E08A, E08B, E08C	23	Z01A		11	L09A, L38Z	
		06		G33Z	Pre	A07A		13	N11A	
		07	H33Z, H38Z			17		R01A, R01B, R01C, R01D, R02Z, R12A, R12B		
11		L33Z								
17		R01A, R01B, R01C, R01D, R02Z, R12A, R12B, R12C								
21A		W04A, W04B								
21B		X06A, X06B, X06C								
23		Z01A								
Pre		A07A								

VYK





ZZV	MDC	DRG	ZZV	MDC	DRG	ZZV	MDC	DRG
5m292		BOP, KVT, UOP4	5n010.1		BOP, KOP, KOPV, KVT, UOP4	5n010.x		BOP, KOP, KOPV, KVT, UOP4
	06	G10Z, G12A, G12B		03	D12A		03	D12A
	16	Q01Z		06	G15Z, G19A, G19B, G38Z		06	G15Z, G19A, G19B, G38Z
	17	R01A, R01B, R01C, R01D, R02Z, R12A, R12B, R12C		07	H33Z, H38Z		07	H33Z, H38Z
	21A	W04A, W04B		11	L33Z		11	L33Z
5m293.10	21B	X06A, X06B, X06C		17	R01A, R01B, R01C, R01D, R02Z, R12A, R12B, R12C		17	R01A, R01B, R01C, R01D, R02Z, R12A, R12B, R12C
		BOP, KVT, UOP4		21A	W04A, W04B		21A	W04A, W04B
	16	Q01Z		21B	X06A, X06B, X06C		21B	X06A, X06B, X06C
	17	R01A, R01B, R01C, R01D, R02Z, R12A, R12B, R12C		23	Z01A		23	Z01A
	21A	W04A, W04B	5n010.2	Pre	A07A	5n011.6‡	Pre	A07A
5m293.13	21B	X06A, X06B, X06C			BOP, KOP, KOPV, KVT, UOP4		06	G40Z, G46A, G46B, G46C, G47Z, G50Z
		BOP, KVT, UOP4		03	D12A		07	H40Z
	16	Q01Z		06	G15Z, G19A, G19B, G38Z	5n011.x		BOP, KOP, KOPV, KVT, UOP4
	17	R01A, R01B, R01C, R01D, R02Z, R12A, R12B, R12C		07	H33Z, H38Z		03	D12A
	21A	W04A, W04B		11	L33Z		06	G15Z, G19A, G19B, G38Z
5m293.20	21B	X06A, X06B, X06C		17	R01A, R01B, R01C, R01D, R02Z, R12A, R12B, R12C		07	H33Z, H38Z
		BOP, KVT, UOP4		21A	W04A, W04B		11	L33Z
	16	Q01Z		21B	X06A, X06B, X06C		23	Z01A
	17	R01A, R01B, R01C, R01D, R02Z, R12A, R12B, R12C		23	Z01A		Pre	A07A
	21A	W04A, W04B	5n010.3	Pre	A07A	5n012.0		BOP, KOP, KOPV, KVT, UOP4
5m293.21	21B	X06A, X06B, X06C			BOP, KOP, KOPV, KVT, UOP4		03	D12A
		BOP, KVT, UOP4		03	D12A		06	G01Z, G02Z, G15Z, G19A, G19B, G38Z
	16	Q01Z		06	G15Z, G19A, G19B, G38Z		07	H33Z, H38Z
	17	R01A, R01B, R01C, R01D, R02Z, R12A, R12B, R12C		07	H33Z, H38Z		11	L33Z
	21A	W04A, W04B		11	L33Z		17	R01A, R01B, R01C, R01D, R02Z, R12A, R12B, R12C
5m294.1	21B	X06A, X06B, X06C		17	R01A, R01B, R01C, R01D, R02Z, R12A, R12B, R12C		21A	W04A, W04B
		BOP, KVT, UOP4		21A	W04A, W04B		21B	X06A, X06B, X06C
	16	Q01Z		21B	X06A, X06B, X06C		23	Z01A
	17	R01A, R01B, R01C, R01D, R02Z, R12A, R12B, R12C		23	Z01A		Pre	A07A, A11A, A13A, A13B, A13D
	21A	W04A, W04B	5n010.4	Pre	A07A	5n012.1		BOP, KOP, KOPV, KVT, UOP4
5m294.x	21B	X06A, X06B, X06C			BOP, KOP, KOPV, KVT, UOP4		03	D12A
		BOP, KVT, UOP4		03	D12A		06	G01Z, G02Z, G15Z, G19A, G19B, G38Z
	16	Q01Z		06	G15Z, G19A, G19B, G38Z		07	H33Z, H38Z
	17	R01A, R01B, R01C, R01D, R02Z, R12A, R12B, R12C		07	H33Z, H38Z		11	L33Z
	21A	W04A, W04B		11	L33Z		17	R01A, R01B, R01C, R01D, R02Z, R12A, R12B, R12C
5m300.0‡	21B	X06A, X06B, X06C		17	R01A, R01B, R01C, R01D, R02Z, R12A, R12B, R12C		21A	W04A, W04B
5m300.1‡	Pre	A42A, A42B		21A	W04A, W04B		21B	X06A, X06B, X06C
	23	Z42Z		21B	X06A, X06B, X06C		23	Z01A
	Pre	A42A, A42B		23	Z01A		Pre	A07A
5m301.0‡	23	Z41Z	5n010.5		BOP, KOP, KOPV, KVT, UOP4			BOP, KOP, KOPV, KVT, UOP4
5m301.1‡	23	Z43Z		03	D12A		03	D12A
5n010.0		BOP, KOP, KOPV, KVT, UOP4		06	G15Z, G19A, G19B, G38Z		06	G01Z, G02Z, G15Z, G19A, G19B, G38Z
	03	D12A		07	H33Z, H38Z		07	H33Z, H38Z
	06	G15Z, G19A, G19B, G38Z		11	L33Z		11	L33Z
	07	H33Z, H38Z		17	R01A, R01B, R01C, R01D, R02Z, R12A, R12B, R12C		17	R01A, R01B, R01C, R01D, R02Z, R12A, R12B, R12C
	11	L33Z		21A	W04A, W04B		21A	W04A, W04B
	17	R01A, R01B, R01C, R01D, R02Z, R12A, R12B, R12C		21B	X06A, X06B, X06C		21B	X06A, X06B, X06C
	21A	W04A, W04B		23	Z01A		23	Z01A
	21B	X06A, X06B, X06C		Pre	A07A		Pre	A07A, A11A, A13A, A13B, A13D
	23	Z01A	5n010.6‡		BOP, KOP, KOPV, KVT, UOP4			BOP, KOP, KOPV, KVT, UOP4
	Pre	A07A		03	D12A		03	D12A
				06	G15Z, G19A, G19B, G38Z		06	G01Z, G02Z, G15Z, G19A, G19B, G38Z
				07	H33Z, H38Z		07	H33Z, H38Z
				11	L33Z		11	L33Z
				17	R01A, R01B, R01C, R01D, R02Z, R12A, R12B, R12C		17	R01A, R01B, R01C, R01D, R02Z, R12A, R12B, R12C
				21A	W04A, W04B		21A	W04A, W04B
				21B	X06A, X06B, X06C		21B	X06A, X06B, X06C
				23	Z01A		23	Z01A
				Pre	A07A		Pre	A07A, A11A, A13A, A13B, A13D
				06	G40Z, G46A, G46B, G46C, G47Z, G50Z			BOP, KOP, KOPV, KVT, UOP4
				07	H40Z		03	D12A

ZZV	MDC	DRG	ZZV	MDC	DRG	ZZV	MDC	DRG			
5n012.3		BOP, KOP, KOPV, KVT, UOP4	5n013.0		BOP, KOP, KOPV, KVT, UOP4	5n013.x		BOP, KOP, KOPV, KVT, UOP4			
	03	D12A		03	D12A		03	D12A			
	06	G01Z, G02Z, G15Z, G19A, G19B, G38Z		06	G15Z, G19A, G19B, G38Z		06	G15Z, G19A, G19B, G38Z			
	07	H33Z, H38Z		07	H33Z, H38Z		07	H33Z, H38Z			
	11	L33Z		11	L33Z		11	L33Z			
	17	R01A, R01B, R01C, R01D, R02Z, R12A, R12B, R12C		17	R01A, R01B, R01C, R01D, R02Z, R12A, R12B, R12C		17	R01A, R01B, R01C, R01D, R02Z, R12A, R12B, R12C			
	21A	W04A, W04B		21A	W04A, W04B		21A	W04A, W04B			
	21B	X06A, X06B, X06C		21B	X06A, X06B, X06C		21B	X06A, X06B, X06C			
	23	Z01A		23	Z01A		23	Z01A			
	Pre	A07A, A11A, A13A, A13B, A13D		Pre	A07A		Pre	A07A			
	5n012.4			BOP, KOP, KOPV, KVT, UOP4	5n013.1			BOP, KOP, KOPV, KVT, UOP4	5n01x.0		BOP, KOP, KOPV, UOP4
03		D12A	03	D12A		03	D12A				
06		G01Z, G02Z, G15Z, G19A, G19B, G38Z	06	G15Z, G19A, G19B, G38Z		06	G15Z, G19A, G19B, G38Z				
07		H33Z, H38Z	07	H33Z, H38Z		07	H33Z, H38Z				
11		L33Z	11	L33Z		11	L33Z				
17		R01A, R01B, R01C, R01D, R02Z, R12A, R12B, R12C	17	R01A, R01B, R01C, R01D, R02Z, R12A, R12B, R12C		17	R01A, R01B, R01C, R01D, R02Z, R12A, R12B, R12C				
21A		W04A, W04B	21A	W04A, W04B		21A	W04A, W04B				
21B		X06A, X06B, X06C	21B	X06A, X06B, X06C		21B	X06A, X06B, X06C				
23		Z01A	23	Z01A		23	Z01A				
Pre		A07A, A11A, A13A, A13B, A13D	Pre	A07A		Pre	A07A				
5n012.5			BOP, KOP, KOPV, KVT, UOP4	5n013.2			BOP, KOP, KOPV, KVT, UOP4	5n01x.1			BOP, KOP, KOPV, UOP4
	03	D12A	03		D12A	03	D12A				
	06	G01Z, G02Z, G15Z, G19A, G19B, G38Z	06		G15Z, G19A, G19B, G38Z	06	G15Z, G19A, G19B, G38Z				
	07	H33Z, H38Z	07		H33Z, H38Z	07	H33Z, H38Z				
	11	L33Z	11		L33Z	11	L33Z				
	17	R01A, R01B, R01C, R01D, R02Z, R12A, R12B, R12C	17		R01A, R01B, R01C, R01D, R02Z, R12A, R12B, R12C	17	R01A, R01B, R01C, R01D, R02Z, R12A, R12B, R12C				
	21A	W04A, W04B	21A		W04A, W04B	21A	W04A, W04B				
	21B	X06A, X06B, X06C	21B		X06A, X06B, X06C	21B	X06A, X06B, X06C				
	23	Z01A	23		Z01A	23	Z01A				
	Pre	A07A, A11A, A13A, A13B, A13D	Pre		A07A	Pre	A07A				
	5n012.6†		G40Z, G46A, G46B, G46C, G47Z, G50Z		5n013.3		BOP, KOP, KOPV, KVT, UOP4		5n01x.2		BOP, KOP, KOPV, UOP4
06		G40Z, G46A, G46B, G46C, G47Z, G50Z	03	D12A		03	D12A				
07		H40Z	06	G15Z, G19A, G19B, G38Z		06	G15Z, G19A, G19B, G38Z				
5n012.x			BOP, KOP, KOPV, KVT, UOP4	5n013.4			BOP, KOP, KOPV, KVT, UOP4	5n01x.3			BOP, KOP, KOPV, UOP4
		03	D12A			03	D12A			03	D12A
		06	G01Z, G02Z, G15Z, G19A, G19B, G38Z			06	G15Z, G19A, G19B, G38Z			06	G15Z, G19A, G19B, G38Z
		07	H33Z, H38Z			07	H33Z, H38Z			07	H33Z, H38Z
		11	L33Z			11	L33Z			11	L33Z
		17	R01A, R01B, R01C, R01D, R02Z, R12A, R12B, R12C			17	R01A, R01B, R01C, R01D, R02Z, R12A, R12B, R12C			17	R01A, R01B, R01C, R01D, R02Z, R12A, R12B, R12C
		21A	W04A, W04B			11	L33Z			17	R01A, R01B, R01C, R01D, R02Z, R12A, R12B, R12C
		21B	X06A, X06B, X06C			17	R01A, R01B, R01C, R01D, R02Z, R12A, R12B, R12C			21A	W04A, W04B
	23	Z01A	21A		W04A, W04B	21B	X06A, X06B, X06C				
	Pre	A07A, A11A, A13A, A13B, A13D	21B		X06A, X06B, X06C	23	Z01A				
			Pre		A07A	Pre	A07A				
				5n01x.4		BOP, KOP, KOPV, UOP4					
					03	D12A					
					06	G15Z, G19A, G19B, G38Z					
					07	H33Z, H38Z					
					11	L33Z					
					17	R01A, R01B, R01C, R01D, R02Z, R12A, R12B, R12C					
					21A	W04A, W04B					
					21B	X06A, X06B, X06C					
					23	Z01A					
					Pre	A07A					

VYK

ZZV	MDC	DRG	ZZV	MDC	DRG	ZZV	MDC	DRG
5n01x.5		BOP, KOP, KOPV, UOP4	5n020.4		BOP, KOP, KOPV, KVT, MVV, UOP4	5n021.3		BOP, KOP, KOPV, KVT, MVV, UOP4
	03	D12A		03	D12A		03	D12A
	06	G15Z, G19A, G19B, G38Z		05	F36A, F36B		05	F36A, F36B
	07	H33Z, H38Z		06	G03A, G03B, G33Z, G38Z		06	G03A, G03B, G33Z, G38Z
	11	L33Z		07	H33Z, H38Z		07	H33Z, H38Z
	17	R01A, R01B, R01C, R01D, R02Z, R12A, R12B, R12C		11	L33Z		11	L33Z
	21A	W04A, W04B		17	R01A, R01B, R01C, R01D, R02Z, R12A, R12B, R12C		17	R01A, R01B, R01C, R01D, R02Z, R12A, R12B, R12C
	21B	X06A, X06B, X06C		21A	W04A, W04B		21A	W04A, W04B
	23	Z01A		21B	X06A, X06B, X06C, X33Z		21B	X06A, X06B, X06C, X33Z
	Pre	A07A		22	Y01Z, Y03A, Y03B		22	Y01Z, Y03A, Y03B
5n01x.6‡	06	G40Z, G46A, G46B, G46C, G47Z, G50Z	5n020.x		BOP, KOP, KOPV, KVT, MVV, UOP4	5n021.4		BOP, KOP, KOPV, KVT, MVV, UOP4
	07	H40Z		03	D12A		03	D12A
5n01x.x‡	06	G40Z, G46A, G46B, G46C, G47Z, G50Z	5n020.x	05	F36A, F36B	5n021.4	05	F36A, F36B
	07	H40Z		06	G03A, G03B, G33Z, G38Z		06	G03A, G03B, G33Z, G38Z
5n020.1		BOP, KOP, KOPV, KVT, MVV, UOP4	5n021.1		BOP, KOP, KOPV, KVT, MVV, UOP4	5n021.x		BOP, KOP, KOPV, KVT, MVV, UOP4
	03	D12A		03	D12A		03	D12A
	05	F36A, F36B		05	F36A, F36B		05	F36A, F36B
	06	G03A, G03B, G33Z, G38Z		06	G03A, G03B, G33Z, G38Z		06	G03A, G03B, G33Z, G38Z
	07	H33Z, H38Z		07	H33Z, H38Z		07	H33Z, H38Z
	11	L33Z		11	L33Z		11	L33Z
	17	R01A, R01B, R01C, R01D, R02Z, R12A, R12B, R12C		17	R01A, R01B, R01C, R01D, R02Z, R12A, R12B, R12C		17	R01A, R01B, R01C, R01D, R02Z, R12A, R12B, R12C
	21A	W04A, W04B		21A	W04A, W04B		21A	W04A, W04B
	21B	X06A, X06B, X06C, X33Z		21B	X06A, X06B, X06C, X33Z		21B	X06A, X06B, X06C, X33Z
	22	Y01Z, Y03A, Y03B		22	Y01Z, Y03A, Y03B		22	Y01Z, Y03A, Y03B
	23	Z01A		23	Z01A		23	Z01A
	Pre	A07A		Pre	A07A		Pre	A07A
	5n020.2			BOP, KOP, KOPV, KVT, MVV, UOP4	5n021.2			BOP, KOP, KOPV, KVT, MVV, UOP4
03		D12A	03	D12A		03	D12A, D12B	
05		F36A, F36B	05	F36A, F36B		06	G15Z, G19A, G19B, G38Z	
06		G03A, G03B, G33Z, G38Z	06	G03A, G03B, G33Z, G38Z		07	H33Z, H38Z	
07		H33Z, H38Z	07	H33Z, H38Z		11	L33Z	
11		L33Z	11	L33Z		17	R01A, R01B, R01C, R01D, R02Z, R12A, R12B, R12C	
17		R01A, R01B, R01C, R01D, R02Z, R12A, R12B, R12C	17	R01A, R01B, R01C, R01D, R02Z, R12A, R12B, R12C		21A	W04A, W04B	
21A		W04A, W04B	21A	W04A, W04B		21B	X06A, X06B, X06C	
21B		X06A, X06B, X06C, X33Z	21B	X06A, X06B, X06C, X33Z		22	Y01Z, Y03A, Y03B	
22		Y01Z, Y03A, Y03B	22	Y01Z, Y03A, Y03B		23	Z01A	
23		Z01A	23	Z01A		Pre	A07A	
Pre		A07A	Pre	A07A		Pre	A07A	
5n020.3			BOP, KOP, KOPV, KVT, MVV, UOP4	5n021.2			BOP, KOP, KOPV, KVT, MVV, UOP4	5n022.x
	03	D12A	03		D12A	03	D12A, D12B	
	05	F36A, F36B	05		F36A, F36B	06	G15Z, G19A, G19B, G38Z	
	06	G03A, G03B, G33Z, G38Z	06		G03A, G03B, G33Z, G38Z	07	H33Z, H38Z	
	07	H33Z, H38Z	07		H33Z, H38Z	11	L33Z	
	11	L33Z	11		L33Z	17	R01A, R01B, R01C, R01D, R02Z, R12A, R12B, R12C	
	17	R01A, R01B, R01C, R01D, R02Z, R12A, R12B, R12C	17		R01A, R01B, R01C, R01D, R02Z, R12A, R12B, R12C	21A	W04A, W04B	
	21A	W04A, W04B	21A		W04A, W04B	21B	X06A, X06B, X06C	
	21B	X06A, X06B, X06C, X33Z	21B		X06A, X06B, X06C, X33Z	22	Y01Z, Y03A, Y03B	
	22	Y01Z, Y03A, Y03B	22		Y01Z, Y03A, Y03B	23	Z01A	
	23	Z01A	23		Z01A	Pre	A07A	
	Pre	A07A	Pre		A07A	Pre	A07A	

ZZV	MDC	DRG	ZZV	MDC	DRG	ZZV	MDC	DRG			
5n029.1		BOP, KOP, KOPV, KVT, MVV, UOP4	5n029.x		BOP, KOP, KOPV, KVT, MVV, UOP4	5n02d		BOP, KOP, KOPV, KVT, UOP4			
	03	D12A		03	D12A		03	D12A			
	05	F36A, F36B		05	F36A, F36B		05	F36A, F36B			
	06	G03A, G03B, G33Z, G38Z		06	G03A, G03B, G33Z, G38Z		06	G01Z, G02Z, G03A, G03B, G03C, G33Z, G38Z			
	07	H33Z, H38Z		07	H33Z, H38Z		07	H33Z, H38Z			
	11	L33Z		11	L33Z		11	L33Z			
	17	R01A, R01B, R01C, R01D, R02Z, R12A, R12B, R12C		17	R01A, R01B, R01C, R01D, R02Z, R12A, R12B, R12C		17	R01A, R01B, R01C, R01D, R02Z, R12A, R12B, R12C			
	21A	W04A, W04B		21A	W04A, W04B		21A	W04A, W04B			
	21B	X06A, X06B, X06C, X33Z		21B	X06A, X06B, X06C, X33Z		21B	X06A, X06B, X06C, X33Z			
	22	Y01Z, Y03A, Y03B		22	Y01Z, Y03A, Y03B		22	Y01Z, Y03A, Y03B			
	23	Z01A		23	Z01A		23	Z01A			
	Pre	A07A		Pre	A07A		Pre	A07A, A11A, A13A, A13B, A13D			
	5n029.2			BOP, KOP, KOPV, KVT, MVV, UOP4	5n02a			BOP, KOP, KOPV, KVT, UOP4	5n02e		BOP, KOP, KOPV, KVT, UOP4
		03		D12A			03	D12A		03	D12A
05		F36A, F36B	05	F36A, F36B		05	F36A, F36B				
06		G03A, G03B, G33Z, G38Z	06	G01Z, G02Z, G03A, G03B, G03C, G33Z, G38Z		06	G01Z, G02Z, G03A, G03B, G03C, G33Z, G38Z				
07		H33Z, H38Z	07	H33Z, H38Z		07	H33Z, H38Z				
11		L33Z	11	L33Z		11	L33Z				
17		R01A, R01B, R01C, R01D, R02Z, R12A, R12B, R12C	17	R01A, R01B, R01C, R01D, R02Z, R12A, R12B, R12C		17	R01A, R01B, R01C, R01D, R02Z, R12A, R12B, R12C				
21A		W04A, W04B	21A	W04A, W04B		21A	W04A, W04B				
21B		X06A, X06B, X06C, X33Z	21B	X06A, X06B, X06C, X33Z		21B	X06A, X06B, X06C, X33Z				
22		Y01Z, Y03A, Y03B	22	Y01Z, Y03A, Y03B		22	Y01Z, Y03A, Y03B				
23		Z01A	23	Z01A		23	Z01A				
Pre		A07A	Pre	A07A, A11A, A13A, A13B, A13D		Pre	A07A, A11A, A13A, A13B, A13D				
5n029.3			BOP, KOP, KOPV, KVT, MVV, UOP4	5n02b			BOP, KOP, KOPV, KVT, UOP4	5n02f			BOP, KOP, KOPV, KVT, UOP4
		03	D12A			03	D12A			03	D12A
	05	F36A, F36B	05		F36A, F36B	05	F36A, F36B				
	06	G03A, G03B, G33Z, G38Z	06		G01Z, G02Z, G03A, G03B, G03C, G33Z, G38Z	06	G01Z, G02Z, G03A, G03B, G03C, G33Z, G38Z				
	07	H33Z, H38Z	07		H33Z, H38Z	07	H33Z, H38Z				
	11	L33Z	11		L33Z	11	L33Z				
	17	R01A, R01B, R01C, R01D, R02Z, R12A, R12B, R12C	17		R01A, R01B, R01C, R01D, R02Z, R12A, R12B, R12C	17	R01A, R01B, R01C, R01D, R02Z, R12A, R12B, R12C				
	21A	W04A, W04B	21A		W04A, W04B	21A	W04A, W04B				
	21B	X06A, X06B, X06C, X33Z	21B		X06A, X06B, X06C, X33Z	21B	X06A, X06B, X06C, X33Z				
	22	Y01Z, Y03A, Y03B	22		Y01Z, Y03A, Y03B	22	Y01Z, Y03A, Y03B				
	23	Z01A	23		Z01A	23	Z01A				
	Pre	A07A	Pre		A07A, A11A, A13A, A13B, A13D	Pre	A07A, A11A, A13A, A13B, A13D				
	5n029.4		BOP, KOP, KOPV, KVT, MVV, UOP4		5n02c		BOP, KOP, KOPV, KVT, UOP4		5n02g		BOP, KOP, KOPV, KVT, UOP4
		03	D12A			03	D12A			03	D12A
05		F36A, F36B	05	F36A, F36B		05	F36A, F36B				
06		G03A, G03B, G33Z, G38Z	06	G01Z, G02Z, G03A, G03B, G03C, G33Z, G38Z		06	G01Z, G02Z, G03A, G03B, G03C, G33Z, G38Z				
07		H33Z, H38Z	07	H33Z, H38Z		07	H33Z, H38Z				
11		L33Z	11	L33Z		11	L33Z				
17		R01A, R01B, R01C, R01D, R02Z, R12A, R12B, R12C	17	R01A, R01B, R01C, R01D, R02Z, R12A, R12B, R12C		17	R01A, R01B, R01C, R01D, R02Z, R12A, R12B, R12C				
21A		W04A, W04B	21A	W04A, W04B		21A	W04A, W04B				
21B		X06A, X06B, X06C, X33Z	21B	X06A, X06B, X06C, X33Z		21B	X06A, X06B, X06C, X33Z				
22		Y01Z, Y03A, Y03B	22	Y01Z, Y03A, Y03B		22	Y01Z, Y03A, Y03B				
23		Z01A	23	Z01A		23	Z01A				
Pre		A07A	Pre	A07A, A11A, A13A, A13B, A13D		Pre	A07A, A11A, A13A, A13B, A13D				

VYK



ZZV	MDC	DRG	ZZV	MDC	DRG	ZZV	MDC	DRG											
5n02h		BOP, KOP, KOPV, KVT, UOP4	5n033.0		BOP, KOP, KOPV, KVT, UOP4	5n034.1		BOP, KOP, KOPV, KVT, UOP4											
	03	D12A		03	D12A, D12B		03	D12A, D12B											
	04	E05A, E05B, E05C, E08A, E08B, E08C		06	G15Z, G19A, G19B, G38Z		06	G15Z, G19A, G19B, G38Z											
	05	F36A, F36B		07	H33Z, H38Z		07	H33Z, H38Z											
	06	G01Z, G02Z, G03A, G03B, G03C, G33Z, G38Z		11	L33Z		11	L33Z											
	07	H33Z, H38Z		17	R01A, R01B, R01C, R01D, R02Z, R12A, R12B, R12C		17	R01A, R01B, R01C, R01D, R02Z, R12A, R12B, R12C											
	11	L33Z		23	Z01A		23	Z01A											
	21A	W04A, W04B		Pre	A07A		Pre	A07A											
	21B	X06A, X06B, X06C, X33Z		5n033.1			BOP, KOP, KOPV, KVT, UOP4	5n034.2		BOP, KOP, KOPV, KVT, UOP4									
	23	Z01A			03		D12A, D12B		03	D12A, D12B									
	Pre	A07A, A11A, A13A, A13B, A13D			06		G15Z, G19A, G19B, G38Z		06	G15Z, G19A, G19B, G38Z									
	5n02x				BOP, KOP, KOPV, KVT, UOP4		07		H33Z, H38Z	07	H33Z, H38Z								
		03			D12A		11		L33Z	11	L33Z								
		05			F36A, F36B		17		R01A, R01B, R01C, R01D, R02Z, R12A, R12B, R12C	17	R01A, R01B, R01C, R01D, R02Z, R12A, R12B, R12C								
		06			G01Z, G02Z, G03A, G03B, G03C, G33Z, G38Z		23		Z01A	23	Z01A								
07		H33Z, H38Z	Pre		A07A	Pre	A07A												
11		L33Z	5n033.2			BOP, KOP, KOPV, KVT, UOP4	5n034.3			BOP, KOP, KOPV, KVT, UOP4									
17		R01A, R01B, R01C, R01D, R02Z, R12A, R12B, R12C			03	D12A, D12B			03	D12A, D12B									
21A		W04A, W04B			06	G15Z, G19A, G19B, G38Z			06	G15Z, G19A, G19B, G38Z									
21B		X06A, X06B, X06C, X33Z			07	H33Z, H38Z			07	H33Z, H38Z									
22		Y01Z, Y03A, Y03B			11	L33Z			11	L33Z									
23		Z01A			17	R01A, R01B, R01C, R01D, R02Z, R12A, R12B, R12C			17	R01A, R01B, R01C, R01D, R02Z, R12A, R12B, R12C									
Pre		A07A, A11A, A13A, A13B, A13D			23	Z01A			23	Z01A									
5n030				BOP, KOP, KOPV, KVT, UOP4	Pre	A07A		Pre	A07A										
		03		D12A, D12B	5n033.3			BOP, KOP, KOPV, KVT, UOP4	5n034.4		BOP, KOP, KOPV, KVT, UOP4								
		06		G15Z, G19A, G19B, G38Z		03		D12A, D12B		03	D12A, D12B								
	07	H33Z, H38Z		06		G15Z, G19A, G19B, G38Z		06		G15Z, G19A, G19B, G38Z									
	11	L33Z		07		H33Z, H38Z		07		H33Z, H38Z									
	17	R01A, R01B, R01C, R01D, R02Z, R12A, R12B, R12C		11		L33Z		11		L33Z									
	23	Z01A		17		R01A, R01B, R01C, R01D, R02Z, R12A, R12B, R12C		17		R01A, R01B, R01C, R01D, R02Z, R12A, R12B, R12C									
	Pre	A07A		23		Z01A		23		Z01A									
	5n031		BOP, KOP, KOPV, KVT, UOP4	Pre		A07A	Pre	A07A											
		03	D12A, D12B	5n033.4			BOP, KOP, KOPV, KVT, UOP4	5n034.x			BOP, KOP, KOPV, KVT, UOP4								
		06	G15Z, G19A, G19B, G38Z			03	D12A, D12B			03	D12A, D12B								
		07	H33Z, H38Z			06	G15Z, G19A, G19B, G38Z			06	G15Z, G19A, G19B, G38Z								
		11	L33Z			07	H33Z, H38Z			07	H33Z, H38Z								
		17	R01A, R01B, R01C, R01D, R02Z, R12A, R12B, R12C			11	L33Z			11	L33Z								
		23	Z01A			17	R01A, R01B, R01C, R01D, R02Z, R12A, R12B, R12C			17	R01A, R01B, R01C, R01D, R02Z, R12A, R12B, R12C								
Pre		A07A	23			Z01A	23			Z01A									
5n032.0‡		06	G40Z, G46A, G46B, G46C, G47Z, G50Z		Pre	A07A	5n035.0‡		06	G40Z, G46A, G46B, G46C, G47Z, G50Z									
		5n032.1‡	06		G40Z, G46A, G46B, G46C, G47Z, G50Z	5n033.x				BOP, KOP, KOPV, KVT, UOP4	5n035.1‡	06	G40Z, G46A, G46B, G46C, G47Z, G50Z						
			06		G40Z, G46A, G46B, G46C, G47Z, G50Z				03	D12A, D12B		06	G40Z, G46A, G46B, G46C, G47Z, G50Z						
			06		G40Z, G46A, G46B, G46C, G47Z, G50Z				06	G15Z, G19A, G19B, G38Z		07	H40Z						
			5n032.2‡		06				G40Z, G46A, G46B, G46C, G47Z, G50Z	07		H33Z, H38Z	5n035.2‡	06	G40Z, G46A, G46B, G46C, G47Z, G50Z				
					06				G40Z, G46A, G46B, G46C, G47Z, G50Z	11		L33Z		06	G40Z, G46A, G46B, G46C, G47Z, G50Z				
					5n032.3‡				06	G40Z, G46A, G46B, G46C, G47Z, G50Z		17		R01A, R01B, R01C, R01D, R02Z, R12A, R12B, R12C	5n035.4‡	06	G40Z, G46A, G46B, G46C, G47Z, G50Z		
	06								G40Z, G46A, G46B, G46C, G47Z, G50Z	23		Z01A		06		G40Z, G46A, G46B, G46C, G47Z, G50Z			
	5n032.4‡			06				G40Z, G46A, G46B, G46C, G47Z, G50Z	Pre	A07A		07		H40Z					
				06				G40Z, G46A, G46B, G46C, G47Z, G50Z	5n034.0			BOP, KOP, KOPV, KVT, UOP4		5n035.5‡		06	G40Z, G46A, G46B, G46C, G47Z, G50Z		
				06				G40Z, G46A, G46B, G46C, G47Z, G50Z		03		D12A, D12B				5n035.x‡	06	G40Z, G46A, G46B, G46C, G47Z, G50Z	
				5n032.x‡				06		G40Z, G46A, G46B, G46C, G47Z, G50Z		06					G15Z, G19A, G19B, G38Z	06	G40Z, G46A, G46B, G46C, G47Z, G50Z
								06		G40Z, G46A, G46B, G46C, G47Z, G50Z		07					H33Z, H38Z	06	G40Z, G46A, G46B, G46C, G47Z, G50Z
								06		G40Z, G46A, G46B, G46C, G47Z, G50Z		11					L33Z		
								06		G40Z, G46A, G46B, G46C, G47Z, G50Z		17					R01A, R01B, R01C, R01D, R02Z, R12A, R12B, R12C		
06							G40Z, G46A, G46B, G46C, G47Z, G50Z	23		Z01A									
06		G40Z, G46A, G46B, G46C, G47Z, G50Z				Pre	A07A												
06		G40Z, G46A, G46B, G46C, G47Z, G50Z																	
06		G40Z, G46A, G46B, G46C, G47Z, G50Z																	
06		G40Z, G46A, G46B, G46C, G47Z, G50Z																	
06		G40Z, G46A, G46B, G46C, G47Z, G50Z																	
06		G40Z, G46A, G46B, G46C, G47Z, G50Z																	
06		G40Z, G46A, G46B, G46C, G47Z, G50Z																	
06	G40Z, G46A, G46B, G46C, G47Z, G50Z																		

VYK

ZZV	MDC	DRG	ZZV	MDC	DRG	ZZV	MDC	DRG			
5n040		BOP, KOP, KOPV, KVT, UOP4	5n049		BOP, KOP, KOPV, KVT, UOP4	5n04x		BOP, KOP, KOPV, KVT, UOP4			
	03	D12A		03	D12A		03	D12A			
	05	F36A, F36B		05	F36A, F36B		05	F36A, F36B			
	06	G15Z, G19A, G19B, G33Z, G38Z		06	G15Z, G19A, G19B, G33Z, G38Z		06	G01Z, G02Z, G03A, G03B, G33Z, G38Z			
	07	H33Z, H38Z		07	H33Z, H38Z		07	H33Z, H38Z			
	11	L33Z		11	L33Z		11	L33Z			
	17	R01A, R01B, R01C, R01D, R02Z, R12A, R12B, R12C		17	R01A, R01B, R01C, R01D, R02Z, R12A, R12B, R12C		17	R01A, R01B, R01C, R01D, R02Z, R12A, R12B, R12C			
	21A	W04A, W04B		21A	W04A, W04B		21A	W04A, W04B			
	21B	X06A, X06B, X06C, X33Z		21B	X06A, X06B, X06C, X33Z		21B	X06A, X06B, X06C, X33Z			
	22	Y01Z, Y03A, Y03B		22	Y01Z, Y03A, Y03B		22	Y01Z, Y03A, Y03B			
	23	Z01A		23	Z01A		23	Z01A			
	Pre	A07A		Pre	A07A		Pre	A07A, A11A, A13A, A13B, A13D			
	5n041			BOP, KOP, KOPV, KVT, UOP4	5n04a			BOP, KOP, KOPV, KVT, UOP4	5n054.1		BOP, KOP, KOPV, KVT, MVV, UOP4
		03		D12A			03	D12A		03	D12A
		05		F36A, F36B			05	F36A, F36B		05	F36A, F36B
06		G15Z, G19A, G19B, G33Z, G38Z	06	G01Z, G02Z, G03A, G03B, G33Z, G38Z		06	G15Z, G19A, G19B, G33Z, G38Z				
07		H33Z, H38Z	07	H33Z, H38Z		07	H33Z, H38Z				
11		L33Z	11	L33Z		11	L33Z				
17		R01A, R01B, R01C, R01D, R02Z, R12A, R12B, R12C	17	R01A, R01B, R01C, R01D, R02Z, R12A, R12B, R12C		17	R01A, R01B, R01C, R01D, R02Z, R12A, R12B, R12C				
21A		W04A, W04B	21A	W04A, W04B		21A	W04A, W04B				
21B		X06A, X06B, X06C, X33Z	21B	X06A, X06B, X06C, X33Z		21B	X06A, X06B, X06C, X33Z				
22		Y01Z, Y03A, Y03B	22	Y01Z, Y03A, Y03B		22	Y01Z, Y03A, Y03B				
23		Z01A	23	Z01A		23	Z01A				
Pre		A07A	Pre	A07A, A11A, A13A, A13B, A13D		Pre	A07A				
5n042			BOP, KOP, KOPV, KVT, UOP4	5n04b			BOP, KOP, KOPV, KVT, UOP4	5n054.2			BOP, KOP, KOPV, KVT, MVV, UOP4
		03	D12A			03	D12A			03	D12A
		05	F36A, F36B			05	F36A, F36B			05	F36A, F36B
	06	G15Z, G19A, G19B, G33Z, G38Z	06		G01Z, G02Z, G03A, G03B, G33Z, G38Z	06	G15Z, G19A, G19B, G33Z, G38Z				
	07	H33Z, H38Z	07		H33Z, H38Z	07	H33Z, H38Z				
	11	L33Z	11		L33Z	11	L33Z				
	17	R01A, R01B, R01C, R01D, R02Z, R12A, R12B, R12C	17		R01A, R01B, R01C, R01D, R02Z, R12A, R12B, R12C	17	R01A, R01B, R01C, R01D, R02Z, R12A, R12B, R12C				
	21A	W04A, W04B	21A		W04A, W04B	21A	W04A, W04B				
	21B	X06A, X06B, X06C, X33Z	21B		X06A, X06B, X06C, X33Z	21B	X06A, X06B, X06C, X33Z				
	22	Y01Z, Y03A, Y03B	22		Y01Z, Y03A, Y03B	22	Y01Z, Y03A, Y03B				
	23	Z01A	23		Z01A	23	Z01A				
	Pre	A07A	Pre		A07A, A11A, A13A, A13B, A13D	Pre	A07A				
	5n043		BOP, KOP, KOPV, KVT, UOP4		5n04c		BOP, KOP, KOPV, KVT, UOP4		5n054.3		BOP, KOP, KOPV, KVT, MVV, UOP4
		03	D12A			03	D12A			03	D12A
		05	F36A, F36B			05	F36A, F36B			05	F36A, F36B
06		G15Z, G19A, G19B, G33Z, G38Z	06	G01Z, G02Z, G03A, G03B, G33Z, G38Z		06	G15Z, G19A, G19B, G33Z, G38Z				
07		H33Z, H38Z	07	H33Z, H38Z		07	H33Z, H38Z				
11		L33Z	11	L33Z		11	L33Z				
17		R01A, R01B, R01C, R01D, R02Z, R12A, R12B, R12C	17	R01A, R01B, R01C, R01D, R02Z, R12A, R12B, R12C		17	R01A, R01B, R01C, R01D, R02Z, R12A, R12B, R12C				
21A		W04A, W04B	21A	W04A, W04B		21A	W04A, W04B				
21B		X06A, X06B, X06C, X33Z	21B	X06A, X06B, X06C, X33Z		21B	X06A, X06B, X06C, X33Z				
22		Y01Z, Y03A, Y03B	22	Y01Z, Y03A, Y03B		22	Y01Z, Y03A, Y03B				
23		Z01A	23	Z01A		23	Z01A				
Pre		A07A	Pre	A07A, A11A, A13A, A13B, A13D		Pre	A07A				

VYK



ZZV	MDC	DRG	ZZV	MDC	DRG	ZZV	MDC	DRG			
5n05b.12		BOP, KOP, KOPV, KVT, MVV, UOP4	5n05b.3		BOP, KOP, KOPV, KVT, MVV, UOP4	5n05c.11		BOP, KOP, KOPV, KVT, MVV, UOP4			
	03	D12A		03	D12A		03	D12A			
	05	F36A, F36B		05	F36A, F36B		05	F36A, F36B			
	06	G15Z, G19A, G19B, G33Z, G38Z		06	G03A, G03B, G33Z, G38Z		06	G03A, G03B, G33Z, G38Z			
	07	H33Z, H38Z		07	H33Z, H38Z		07	H33Z, H38Z			
	11	L33Z		11	L33Z		11	L33Z			
	17	R01A, R01B, R01C, R01D, R02Z, R12A, R12B, R12C		17	R01A, R01B, R01C, R01D, R02Z, R12A, R12B, R12C		17	R01A, R01B, R01C, R01D, R02Z, R12A, R12B, R12C			
	21A	W04A, W04B		21A	W04A, W04B		21A	W04A, W04B			
	21B	X06A, X06B, X06C, X33Z		21B	X06A, X06B, X06C, X33Z		21B	X06A, X06B, X06C, X33Z			
	22	Y01Z, Y03A, Y03B		22	Y01Z, Y03A, Y03B		22	Y01Z, Y03A, Y03B			
	23	Z01A		23	Z01A		23	Z01A			
	Pre	A07A		Pre	A07A, A09B, A11A, A11B, A13B		Pre	A07A, A09B, A11A, A11B, A13B			
	5n05b.20			BOP, KOP, KOPV, KVT, MVV, UOP4	5n05b.4			BOP, KOP, KOPV, KVT, MVV, UOP4	5n05c.12		BOP, KOP, KOPV, KVT, MVV, UOP4
		03		D12A			03	D12A		03	D12A
05		F36A, F36B	05	F36A, F36B		05	F36A, F36B				
06		G03A, G03B, G33Z, G38Z	06	G03A, G03B, G33Z, G38Z		06	G15Z, G19A, G19B, G33Z, G38Z				
07		H33Z, H38Z	07	H33Z, H38Z		07	H33Z, H38Z				
11		L33Z	11	L33Z		11	L33Z				
17		R01A, R01B, R01C, R01D, R02Z, R12A, R12B, R12C	17	R01A, R01B, R01C, R01D, R02Z, R12A, R12B, R12C		17	R01A, R01B, R01C, R01D, R02Z, R12A, R12B, R12C				
21A		W04A, W04B	21A	W04A, W04B		21A	W04A, W04B				
21B		X06A, X06B, X06C, X33Z	21B	X06A, X06B, X06C, X33Z		21B	X06A, X06B, X06C, X33Z				
22		Y01Z, Y03A, Y03B	22	Y01Z, Y03A, Y03B		22	Y01Z, Y03A, Y03B				
23		Z01A	23	Z01A		23	Z01A				
Pre		A07A, A09B, A11A, A11B, A13B	Pre	A07A, A09B, A11A, A11B, A13B		Pre	A07A				
5n05b.21			BOP, KOP, KOPV, KVT, MVV, UOP4	5n05b.x			BOP, KOP, KOPV, KVT, MVV, UOP4	5n05c.20			BOP, KOP, KOPV, KVT, MVV, UOP4
		03	D12A			03	D12A			03	D12A
	05	F36A, F36B	05		F36A, F36B	05	F36A, F36B				
	06	G03A, G03B, G33Z, G38Z	06		G03A, G03B, G33Z, G38Z	06	G03A, G03B, G33Z, G38Z				
	07	H33Z, H38Z	07		H33Z, H38Z	07	H33Z, H38Z				
	11	L33Z	11		L33Z	11	L33Z				
	17	R01A, R01B, R01C, R01D, R02Z, R12A, R12B, R12C	17		R01A, R01B, R01C, R01D, R02Z, R12A, R12B, R12C	17	R01A, R01B, R01C, R01D, R02Z, R12A, R12B, R12C				
	21A	W04A, W04B	21A		W04A, W04B	21A	W04A, W04B				
	21B	X06A, X06B, X06C, X33Z	21B		X06A, X06B, X06C, X33Z	21B	X06A, X06B, X06C, X33Z				
	22	Y01Z, Y03A, Y03B	22		Y01Z, Y03A, Y03B	22	Y01Z, Y03A, Y03B				
	23	Z01A	23		Z01A	23	Z01A				
	Pre	A07A, A09B, A11A, A11B, A13B	Pre		A07A, A09B, A11A, A11B, A13B	Pre	A07A, A09B, A11A, A11B, A13B				
	5n05b.22		BOP, KOP, KOPV, KVT, MVV, UOP4		5n05c.10		BOP, KOP, KOPV, KVT, MVV, UOP4		5n05c.21		BOP, KOP, KOPV, KVT, MVV, UOP4
		03	D12A			03	D12A			03	D12A
05		F36A, F36B	05	F36A, F36B		05	F36A, F36B				
06		G15Z, G19A, G19B, G33Z, G38Z	06	G03A, G03B, G33Z, G38Z		06	G03A, G03B, G33Z, G38Z				
07		H33Z, H38Z	07	H33Z, H38Z		07	H33Z, H38Z				
11		L33Z	11	L33Z		11	L33Z				
17		R01A, R01B, R01C, R01D, R02Z, R12A, R12B, R12C	17	R01A, R01B, R01C, R01D, R02Z, R12A, R12B, R12C		17	R01A, R01B, R01C, R01D, R02Z, R12A, R12B, R12C				
21A		W04A, W04B	21A	W04A, W04B		21A	W04A, W04B				
21B		X06A, X06B, X06C, X33Z	21B	X06A, X06B, X06C, X33Z		21B	X06A, X06B, X06C, X33Z				
22		Y01Z, Y03A, Y03B	22	Y01Z, Y03A, Y03B		22	Y01Z, Y03A, Y03B				
23		Z01A	23	Z01A		23	Z01A				
Pre		A07A	Pre	A07A, A09B, A11A, A11B, A13B		Pre	A07A, A09B, A11A, A11B, A13B				

ZZV	MDC	DRG	ZZV	MDC	DRG	ZZV	MDC	DRG			
5n05c.22		BOP, KOP, KOPV, KVT, MVV, UOP4	5n05x.3		BOP, KOP, KOPV, KVT, MVV, UOP4	5n060.1		BOP, KOP, KOPV, KVT, MVV, UOP4			
	03	D12A		03	D12A		03	D12A			
	05	F36A, F36B		05	F36A, F36B		05	F36A, F36B			
	06	G15Z, G19A, G19B, G33Z, G38Z		06	G03A, G03B, G33Z, G38Z		06	G03A, G03B, G33Z, G38Z			
	07	H33Z, H38Z		07	H33Z, H38Z		07	H33Z, H38Z			
	11	L33Z		11	L33Z		11	L33Z			
	17	R01A, R01B, R01C, R01D, R02Z, R12A, R12B, R12C		17	R01A, R01B, R01C, R01D, R02Z, R12A, R12B, R12C		17	R01A, R01B, R01C, R01D, R02Z, R12A, R12B, R12C			
	21A	W04A, W04B		21A	W04A, W04B		21A	W04A, W04B			
	21B	X06A, X06B, X06C, X33Z		21B	X06A, X06B, X06C, X33Z		21B	X06A, X06B, X06C, X33Z			
	22	Y01Z, Y03A, Y03B		22	Y01Z, Y03A, Y03B		22	Y01Z, Y03A, Y03B			
	23	Z01A		23	Z01A		23	Z01A			
	Pre	A07A		Pre	A07A		Pre	A07A			
	5n05c.3			BOP, KOP, KOPV, KVT, MVV, UOP4	5n05x.4			BOP, KOP, KOPV, KVT, MVV, UOP4	5n060.2		BOP, KOP, KOPV, KVT, MVV, UOP4
		03		D12A			03	D12A		03	D12A
05		F36A, F36B	05	F36A, F36B		05	F36A, F36B				
06		G03A, G03B, G33Z, G38Z	06	G03A, G03B, G33Z, G38Z		06	G03A, G03B, G33Z, G38Z				
07		H33Z, H38Z	07	H33Z, H38Z		07	H33Z, H38Z				
11		L33Z	11	L33Z		11	L33Z				
17		R01A, R01B, R01C, R01D, R02Z, R12A, R12B, R12C	17	R01A, R01B, R01C, R01D, R02Z, R12A, R12B, R12C		17	R01A, R01B, R01C, R01D, R02Z, R12A, R12B, R12C				
21A		W04A, W04B	21A	W04A, W04B		21A	W04A, W04B				
21B		X06A, X06B, X06C, X33Z	21B	X06A, X06B, X06C, X33Z		21B	X06A, X06B, X06C, X33Z				
22		Y01Z, Y03A, Y03B	22	Y01Z, Y03A, Y03B		22	Y01Z, Y03A, Y03B				
23		Z01A	23	Z01A		23	Z01A				
Pre		A07A	Pre	A07A		Pre	A07A				
5n05c.4			BOP, KOP, KOPV, KVT, MVV, UOP4	5n05x.5			BOP, KOP, KOPV, KVT, MVV, UOP4	5n060.3			BOP, KOP, KOPV, KVT, MVV, UOP4
		03	D12A			03	D12A			03	D12A
	05	F36A, F36B	05		F36A, F36B	05	F36A, F36B				
	06	G03A, G03B, G33Z, G38Z	06		G03A, G03B, G33Z, G38Z	06	G03A, G03B, G33Z, G38Z				
	07	H33Z, H38Z	07		H33Z, H38Z	07	H33Z, H38Z				
	11	L33Z	11		L33Z	11	L33Z				
	17	R01A, R01B, R01C, R01D, R02Z, R12A, R12B, R12C	17		R01A, R01B, R01C, R01D, R02Z, R12A, R12B, R12C	17	R01A, R01B, R01C, R01D, R02Z, R12A, R12B, R12C				
	21A	W04A, W04B	21A		W04A, W04B	21A	W04A, W04B				
	21B	X06A, X06B, X06C, X33Z	21B		X06A, X06B, X06C, X33Z	21B	X06A, X06B, X06C, X33Z				
	22	Y01Z, Y03A, Y03B	22		Y01Z, Y03A, Y03B	22	Y01Z, Y03A, Y03B				
	23	Z01A	23		Z01A	23	Z01A				
	Pre	A07A, A09B, A11A, A11B, A13B	Pre		A07A	Pre	A07A				
	5n05c.x		BOP, KOP, KOPV, KVT, MVV, UOP4		5n05x.x		BOP, KOP, KOPV, KVT, MVV, UOP4		5n060.x		BOP, KOP, KOPV, KVT, MVV, UOP4
		03	D12A			03	D12A			03	D12A
05		F36A, F36B	05	F36A, F36B		05	F36A, F36B				
06		G03A, G03B, G33Z, G38Z	06	G03A, G03B, G33Z, G38Z		06	G03A, G03B, G33Z, G38Z				
07		H33Z, H38Z	07	H33Z, H38Z		07	H33Z, H38Z				
11		L33Z	11	L33Z		11	L33Z				
17		R01A, R01B, R01C, R01D, R02Z, R12A, R12B, R12C	17	R01A, R01B, R01C, R01D, R02Z, R12A, R12B, R12C		17	R01A, R01B, R01C, R01D, R02Z, R12A, R12B, R12C				
21A		W04A, W04B	21A	W04A, W04B		21A	W04A, W04B				
21B		X06A, X06B, X06C, X33Z	21B	X06A, X06B, X06C, X33Z		21B	X06A, X06B, X06C, X33Z				
22		Y01Z, Y03A, Y03B	22	Y01Z, Y03A, Y03B		22	Y01Z, Y03A, Y03B				
23		Z01A	23	Z01A		23	Z01A				
Pre		A07A, A09B, A11A, A11B, A13B	Pre	A07A		Pre	A07A				
5n091†											G40Z, G46A, G46B, G46C, G47Z, G50Z
		06									H40Z
	07							BOP, KOP, KOPV, KVT, UOP4			
	06							G15Z, G19A, G19B, G38Z			
	07							H06A, H06B, H06C, H33Z, H38Z			
	11							L33Z			
	23							Z01A			
Pre							A07A				

ZZV	MDC	DRG	ZZV	MDC	DRG	ZZV	MDC	DRG
5n094.0		BOP, KOP, KOPV, KVT, UOP4	5n09j.01		BOP, KOP, KOPV, KVT, UOP4	5n09k.05		BOP, KOP, KOPV, KVT, UOP4
	03	D12A, D12B		03	D12A, D12B		03	D12A, D12B
	04	E05A, E05B, E05C, E08A, E08B, E08C		06	G15Z, G19A, G19B, G38Z		06	G15Z, G19A, G19B, G38Z
	06	G15Z, G19A, G19B, G38Z		07	H06A, H06B, H06C, H33Z, H38Z		07	H06A, H06B, H06C, H33Z, H38Z
	07	H33Z, H38Z		10	K04A		10	K04A
	11	L33Z		11	L33Z		11	L33Z
	17	R01A, R01B, R01C, R01D, R02Z, R12A, R12B, R12C		17	R01A, R01B, R01C, R01D, R02Z, R12A, R12B, R12C		17	R01A, R01B, R01C, R01D, R02Z, R12A, R12B, R12C
	21A	W04A, W04B		21A	W04A, W04B		21A	W04A, W04B
	21B	X06A, X06B, X06C		21B	X06A, X06B, X06C		21B	X06A, X06B, X06C
	22	Y01Z, Y03A, Y03B		22	Y01Z, Y03A, Y03B		22	Y01Z, Y03A, Y03B
	23	Z01A		23	Z01A		23	Z01A
	Pre	A07A		Pre	A07A		Pre	A07A
5n094.6		BOP, KOP, KOPV, KVT, UOP4	5n09j.03		BOP, KOP, KOPV, KVT, UOP4	5n09k.62†	06	G40Z, G46A, G46B, G46C, G47Z, G50Z
	03	D12A, D12B		03	D12A, D12B	5n09k.64†	06	G40Z, G46A, G46B, G46C, G47Z, G50Z
	04	E05A, E05B, E05C, E08A, E08B, E08C		06	G15Z, G19A, G19B, G38Z	5n09k.65†	06	G40Z, G46A, G46B, G46C, G47Z, G50Z
	06	G15Z, G19A, G19B, G38Z		07	H06A, H06B, H06C, H33Z, H38Z	5n09l.0		BOP, KOP, KOPV, KVT, UOP4
	07	H33Z, H38Z		10	K04A		03	D12A, D12B
	11	L33Z		11	L33Z		06	G15Z, G19A, G19B, G38Z
	17	R01A, R01B, R01C, R01D, R02Z, R12A, R12B, R12C		17	R01A, R01B, R01C, R01D, R02Z, R12A, R12B, R12C		07	H06A, H06B, H06C, H33Z, H38Z
	21A	W04A, W04B		21A	W04A, W04B		10	K04A
	21B	X06A, X06B, X06C		21B	X06A, X06B, X06C		11	L33Z
	22	Y01Z, Y03A, Y03B		22	Y01Z, Y03A, Y03B		17	R01A, R01B, R01C, R01D, R02Z, R12A, R12B, R12C
	23	Z01A		23	Z01A		21A	W04A, W04B
	Pre	A07A		Pre	A07A		21B	X06A, X06B, X06C
5n095†	06	G40Z, G46A, G46B, G46C, G47Z, G50Z	5n09j.60†	06	G40Z, G46A, G46B, G46C, G47Z, G50Z		22	Y01Z, Y03A, Y03B
5n097†	06	G40Z, G46A, G46B, G46C, G47Z, G50Z	5n09j.61†	06	G40Z, G46A, G46B, G46C, G47Z, G50Z		23	Z01A
5n098†	06	G40Z, G46A, G46B, G46C, G47Z, G50Z	5n09j.63†	06	G40Z, G46A, G46B, G46C, G47Z, G50Z		Pre	A07A
5n09a†	06	G40Z, G46A, G46B, G46C, G47Z, G50Z	5n09k.02		BOP, KOP, KOPV, KVT, UOP4	5n09l.6†	06	G40Z, G46A, G46B, G46C, G47Z, G50Z
	07	H40Z		03	D12A, D12B	5n09n.0†	06	G40Z, G46A, G46B, G46C
	Pre	A13F		06	G15Z, G19A, G19B, G38Z	5n09n.1†	06	G40Z, G46A, G46B, G46C
5n09c†	06	G40Z, G46A, G46B, G46C, G47Z, G50Z		07	H06A, H06B, H06C, H33Z, H38Z	5n09n.2†	06	G40Z, G46A, G46B, G46C
5n09d†	06	G40Z, G46A, G46B, G46C, G47Z, G50Z		10	K04A	5n09n.3†	06	G40Z, G46A, G46B, G46C
	Pre	A13F		11	L33Z	5n09n.x†	06	G40Z, G46A, G46B, G46C
5n09e†	06	G40Z, G46A, G46B, G46C, G47Z, G50Z		17	R01A, R01B, R01C, R01D, R02Z, R12A, R12B, R12C	5n100		BOP, KOP, KOPV, KVT, UOP4
	07	H40Z		21A	W04A, W04B		06	G15Z, G19A, G19B, G38Z
	Pre	A13F		21B	X06A, X06B, X06C		07	H06A, H06B, H06C, H33Z, H38Z
5n09h		BOP, KVT, UOP4		22	Y01Z, Y03A, Y03B		10	K04A
	03	D12A, D12B		23	Z01A		11	L33Z
	06	G10Z, G12A, G12B	5n09k.04		BOP, KOP, KOPV, KVT, UOP4		17	R01A, R01B, R01C, R01D, R02Z, R12A, R12B, R12C
	10	K09A, K09B		03	D12A, D12B		21A	W04A, W04B
5n09j.00		BOP, KOP, KOPV, KVT, UOP4		06	G15Z, G19A, G19B, G38Z		21B	X06A, X06B, X06C
	03	D12A, D12B		07	H06A, H06B, H06C, H33Z, H38Z	5n101		BOP, KOP, KOPV, KVT, UOP4
	06	G15Z, G19A, G19B, G38Z		10	K04A		06	G15Z, G19A, G19B, G38Z
	07	H06A, H06B, H06C, H33Z, H38Z		11	L33Z		07	H06A, H06B, H06C, H33Z, H38Z
	10	K04A		17	R01A, R01B, R01C, R01D, R02Z, R12A, R12B, R12C		10	K04A
	11	L33Z		21A	W04A, W04B		11	L33Z
	17	R01A, R01B, R01C, R01D, R02Z, R12A, R12B, R12C		21B	X06A, X06B, X06C		17	R01A, R01B, R01C, R01D, R02Z, R12A, R12B, R12C
	21A	W04A, W04B		22	Y01Z, Y03A, Y03B		21A	W04A, W04B
	21B	X06A, X06B, X06C		23	Z01A		21B	X06A, X06B, X06C
	22	Y01Z, Y03A, Y03B		Pre	A07A		22	Y01Z, Y03A, Y03B
	23	Z01A					Pre	A07A
	Pre	A07A						

ZZV	MDC	DRG	ZZV	MDC	DRG	ZZV	MDC	DRG
5n103		BOP, KOP, KOPV, KVT, UOP4	5n10x		BOP, KOP, KOPV, KVT, UOP4	5n113.3		BOP, KOP, KOPV, KVT, UOP4
	06	G15Z, G19A, G19B, G38Z		06	G15Z, G19A, G19B, G38Z		06	G15Z, G19A, G19B, G38Z
	07	H06A, H06B, H06C, H33Z, H38Z		07	H33Z, H38Z		07	H06A, H06B, H06C, H33Z, H38Z
	10	K04A	5n110	23	Z01A	10	K04A	
	11	L33Z		Pre	A07A	11	L33Z	
	17	R01A, R01B, R01C, R01D, R02Z, R12A, R12B, R12C		BOP, KOP, KOPV, KVT, UOP4	06	G15Z, G19A, G19B, G38Z	16	Q03A, Q03B
	21A	W04A, W04B	06	G15Z, G19A, G19B, G38Z	23	Z01A		
	21B	X06A, X06B, X06C	07	H06A, H06B, H06C, H33Z, H38Z	Pre	A07A		
	22	Y01Z, Y03A, Y03B	10	K04A	5n113.4	BOP, KOP, KOPV, KVT, UOP4		
	Pre	A07A	11	L33Z		06	G15Z, G19A, G19B, G38Z	
	5n106‡	06	G40Z, G46A, G46B, G46C, G47Z, G50Z	16		Q03A, Q03B	07	H06A, H06B, H06C, H33Z, H38Z
		5n10a	BOP, KOP, KOPV, KVT, UOP4	23	Z01A	10	K04A	
			01	B03A, B03B, B06A, B06B, B07Z, B17A, B17B, B17C	Pre	A07A	11	L33Z
06	G15Z, G19A, G19B, G38Z		BOP, KOP, KOPV, KVT, UOP4	06	G15Z, G19A, G19B, G38Z	16	Q03A, Q03B	
07	H33Z, H38Z	5n111	06	G15Z, G19A, G19B, G38Z	23	Z01A		
23	Z01A		07	H06A, H06B, H06C, H33Z, H38Z	Pre	A07A		
Pre	A07A		10	K04A	5n113.x	BOP, KOP, KOPV, KVT, UOP4		
5n10b.0	BOP, KOP, KOPV, KVT, UOP4	11	L33Z	06		G15Z, G19A, G19B, G38Z		
	01	B03A, B03B, B06A, B06B, B07Z, B17A, B17B, B17C	16	Q03A, Q03B		07	H06A, H06B, H06C, H33Z, H38Z	
	06	G15Z, G19A, G19B, G38Z	23	Z01A	10	K04A		
07	H33Z, H38Z	5n112.0‡	Pre	A07A	11	L33Z		
23	Z01A		06	G40Z, G46A, G46B, G46C, G47Z, G50Z	16	Q03A, Q03B		
Pre	A07A		5n112.1‡	06	G40Z, G46A, G46B, G46C, G47Z, G50Z	23	Z01A	
5n10b.1	BOP, KOP, KOPV, KVT, UOP4	5n112.2‡	06	G40Z, G46A, G46B, G46C, G47Z, G50Z	Pre	A07A		
	01	B03A, B03B, B06A, B06B, B07Z, B17A, B17B, B17C	5n112.3‡	06	G40Z, G46A, G46B, G46C, G47Z, G50Z	5n114.0	BOP, KOP, KOPV, KVT, UOP4	
	06	G15Z, G19A, G19B, G38Z		06	G40Z, G46A, G46B, G46C, G47Z, G50Z		06	G15Z, G19A, G19B, G38Z
07	H33Z, H38Z	07		H06A, H06B, H06C, H33Z, H38Z	07		H06A, H06B, H06C, H33Z, H38Z	
23	Z01A	5n112.4‡	06	G40Z, G46A, G46B, G46C, G47Z, G50Z	10	K04A		
Pre	A07A	5n112.5‡	06	G40Z, G46A, G46B, G46C, G47Z, G50Z	11	L33Z		
5n10c.0	BOP, KOP, KOPV, KVT, UOP4	5n112.x‡	06	G40Z, G46A, G46B, G46C, G47Z, G50Z	16	Q03A, Q03B		
	06		G15Z, G19A, G19B, G38Z	23	Z01A			
	07		H33Z, H38Z	Pre	A07A	5n114.1	BOP, KOP, KOPV, KVT, UOP4	
23	Z01A	5n113.0	BOP, KOP, KOPV, KVT, UOP4	06	G15Z, G19A, G19B, G38Z			
Pre	A07A	06	G15Z, G19A, G19B, G38Z	07	H06A, H06B, H06C, H33Z, H38Z			
5n10c.1	BOP, KOP, KOPV, KVT, UOP4	5n113.1	07	H06A, H06B, H06C, H33Z, H38Z	10	K04A		
	06		G15Z, G19A, G19B, G38Z	10	K04A	11	L33Z	
	07		H33Z, H38Z	11	L33Z	16	Q03A, Q03B	
23	Z01A	16	Q03A, Q03B	23	Z01A			
Pre	A07A	23	Z01A	Pre	A07A			
5n10d	BOP, KOP, KOPV, KVT, UOP4	5n113.2	Pre	A07A	5n114.2	BOP, KOP, KOPV, KVT, UOP4		
	01		B03A, B03B, B06A, B06B, B07Z, B17A, B17B, B17C	06		G15Z, G19A, G19B, G38Z		
	06		G15Z, G19A, G19B, G38Z	07		H06A, H06B, H06C, H33Z, H38Z		
07	H33Z, H38Z	10	K04A	10	K04A			
23	Z01A	11	L33Z	11	L33Z			
Pre	A07A	16	Q03A, Q03B	16	Q03A, Q03B			
5n10e	BOP, KOP, KOPV, KVT, UOP4	5n113.3	23	Z01A	23	Z01A		
	01		B03A, B03B, B06A, B06B, B07Z, B17A, B17B, B17C	Pre	A07A	Pre	A07A	
	06		G15Z, G19A, G19B, G38Z	BOP, KOP, KOPV, KVT, UOP4	06	G15Z, G19A, G19B, G38Z	06	G15Z, G19A, G19B, G38Z
07	H33Z, H38Z	06	G15Z, G19A, G19B, G38Z	07	H06A, H06B, H06C, H33Z, H38Z	07	H06A, H06B, H06C, H33Z, H38Z	
23	Z01A	07	H06A, H06B, H06C, H33Z, H38Z	10	K04A	10	K04A	
Pre	A07A	10	K04A	11	L33Z	11	L33Z	
		16	Q03A, Q03B	16	Q03A, Q03B	16	Q03A, Q03B	
		23	Z01A	23	Z01A	23	Z01A	
		Pre	A07A	Pre	A07A	Pre	A07A	

ZZV	MDC	DRG	ZZV	MDC	DRG	ZZV	MDC	DRG
5n114.4		BOP, KOP, KOPV, KVT, UOP4	5n122		BOP, KOP, KOPV, KVT, UOP4	5n124.0		BOP, KOP, KOPV, KVT, UOP4
	06	G15Z, G19A, G19B, G38Z		05	F36A, F36B		05	F36A, F36B
	07	H06A, H06B, H06C, H33Z, H38Z		06	G15Z, G19A, G19B, G33Z, G38Z		06	G15Z, G19A, G19B, G33Z, G38Z
	10	K04A		07	H33Z, H38Z		07	H33Z, H38Z
	11	L33Z		09	J26Z		09	J26Z
	16	Q03A, Q03B		11	L33Z		10	K04A
	23	Z01A		17	R01A, R01B, R01C, R01D, R02Z, R12A, R12B, R12C		11	L33Z
	Pre	A07A		21A	W04A, W04B		17	R01A, R01B, R01C, R01D, R02Z, R12A, R12B, R12C
5n114.x		BOP, KOP, KOPV, KVT, UOP4		21B	X06A, X06B, X06C, X33Z		21A	W04A, W04B
	06	G15Z, G19A, G19B, G38Z		22	Y01Z, Y03A, Y03B		21B	X06A, X06B, X06C, X33Z
	07	H06A, H06B, H06C, H33Z, H38Z		23	Z01A		22	Y01Z, Y03A, Y03B
	10	K04A	5n123.0	Pre	A07A		23	Z01A
	11	L33Z			BOP, KOP, KOPV, KVT, UOP4	5n124.2	Pre	A07A
	16	Q03A, Q03B		05	F36A, F36B			BOP, KOP, KOPV, KVT, UOP4
	23	Z01A		06	G15Z, G19A, G19B, G33Z, G38Z		05	F36A, F36B
	Pre	A07A		07	H33Z, H38Z		06	G15Z, G19A, G19B, G33Z, G38Z
5n115.0	06	G13Z, G21A, G21B		09	J26Z		07	H33Z, H38Z
	16	Q03A, Q03B		10	K04A		09	J26Z
	17	R01A, R01B, R01C, R01D, R02Z, R12A, R12B, R12C		11	L33Z		10	K04A
5n115.1‡	06	G40Z, G46A, G46B, G46C, G47Z, G50Z		17	R01A, R01B, R01C, R01D, R02Z, R12A, R12B, R12C		11	L33Z
5n115.2	06	G13Z, G21A, G21B		21A	W04A, W04B		17	R01A, R01B, R01C, R01D, R02Z, R12A, R12B, R12C
	16	Q03A, Q03B		21B	X06A, X06B, X06C, X33Z		21A	W04A, W04B
	17	R01A, R01B, R01C, R01D, R02Z, R12A, R12B, R12C		22	Y01Z, Y03A, Y03B		21B	X06A, X06B, X06C, X33Z
5n115.3	06	G13Z, G21A, G21B		23	Z01A		22	Y01Z, Y03A, Y03B
	16	Q03A, Q03B	5n123.2	Pre	A07A		23	Z01A
	17	R01A, R01B, R01C, R01D, R02Z, R12A, R12B, R12C			BOP, KOP, KOPV, KVT, UOP4	5n124.4	Pre	A07A
5n115.4‡	06	G40Z, G46A, G46B, G46C, G47Z, G50Z		05	F36A, F36B			BOP, KOP, KOPV, KVT, UOP4
5n115.x‡	06	G40Z, G46A, G46B, G46C, G47Z, G50Z		06	G15Z, G19A, G19B, G33Z, G38Z		05	F36A, F36B
5n120		BOP, KOP, KOPV, KVT, UOP4		07	H33Z, H38Z		06	G15Z, G19A, G19B, G33Z, G38Z
	05	F36A, F36B		09	J26Z		07	H33Z, H38Z
	06	G15Z, G19A, G19B, G33Z, G38Z		10	K04A		09	J26Z
	07	H33Z, H38Z		11	L33Z		10	K04A
	09	J26Z		17	R01A, R01B, R01C, R01D, R02Z, R12A, R12B, R12C		11	L33Z
	11	L33Z		21A	W04A, W04B		17	R01A, R01B, R01C, R01D, R02Z, R12A, R12B, R12C
	17	R01A, R01B, R01C, R01D, R02Z, R12A, R12B, R12C		21B	X06A, X06B, X06C, X33Z		21A	W04A, W04B
	21A	W04A, W04B	5n123.4	22	Y01Z, Y03A, Y03B		21B	X06A, X06B, X06C, X33Z
	21B	X06A, X06B, X06C, X33Z		23	Z01A		22	Y01Z, Y03A, Y03B
	22	Y01Z, Y03A, Y03B		Pre	A07A		23	Z01A
	23	Z01A			BOP, KOP, KOPV, KVT, UOP4	5n125.0	Pre	A07A
	Pre	A07A		05	F36A, F36B			BOP, KOP, KOPV, KVT, UOP4
5n121		BOP, KOP, KOPV, KVT, UOP4		06	G15Z, G19A, G19B, G33Z, G38Z		05	F36A, F36B
	05	F36A, F36B		07	H33Z, H38Z		06	G15Z, G19A, G19B, G33Z, G38Z
	06	G15Z, G19A, G19B, G33Z, G38Z		09	J26Z		07	H33Z, H38Z
	07	H33Z, H38Z		10	K04A		09	J26Z
	09	J26Z		11	L33Z		10	K04A
	11	L33Z		17	R01A, R01B, R01C, R01D, R02Z, R12A, R12B, R12C		11	L33Z
	17	R01A, R01B, R01C, R01D, R02Z, R12A, R12B, R12C		21A	W04A, W04B		17	R01A, R01B, R01C, R01D, R02Z, R12A, R12B, R12C
	21A	W04A, W04B		21B	X06A, X06B, X06C, X33Z		21A	W04A, W04B
	21B	X06A, X06B, X06C, X33Z		22	Y01Z, Y03A, Y03B		21B	X06A, X06B, X06C, X33Z
	22	Y01Z, Y03A, Y03B		23	Z01A		22	Y01Z, Y03A, Y03B
	23	Z01A		Pre	A07A		23	Z01A
	Pre	A07A			BOP, KOP, KOPV, KVT, UOP4		Pre	A07A



ZZV	MDC	DRG	ZZV	MDC	DRG	ZZV	MDC	DRG			
5n125.2		BOP, KOP, KOPV, KVT, UOP4	5n126.4		BOP, KOP, KOPV, KVT, UOP4	5n12d		BOP, KOP, KOPV, KVT, UOP4			
	05	F36A, F36B		05	F36A, F36B		06	G15Z, G19A, G19B, G38Z			
	06	G15Z, G19A, G19B, G33Z, G38Z		06	G15Z, G19A, G19B, G33Z, G38Z		07	H33Z, H38Z			
	07	H33Z, H38Z		07	H33Z, H38Z		11	L33Z			
	09	J26Z		09	J26Z		17	R01A, R01B, R01C, R01D, R02Z, R12A, R12B, R12C			
	10	K04A		10	K04A		21A	W04A, W04B			
	11	L33Z		11	L33Z		21B	X06A, X06B, X06C, X33Z			
	17	R01A, R01B, R01C, R01D, R02Z, R12A, R12B, R12C		17	R01A, R01B, R01C, R01D, R02Z, R12A, R12B, R12C		22	Y01Z, Y03A, Y03B			
	21A	W04A, W04B		21A	W04A, W04B		23	Z01A			
	21B	X06A, X06B, X06C, X33Z		21B	X06A, X06B, X06C, X33Z		Pre	A07A			
	22	Y01Z, Y03A, Y03B		22	Y01Z, Y03A, Y03B		06	G15Z, G19A, G19B, G38Z			
	23	Z01A		23	Z01A		07	H33Z, H38Z			
	Pre	A07A		Pre	A07A		11	L33Z			
							17	R01A, R01B, R01C, R01D, R02Z, R12A, R12B, R12C			
	5n125.4			BOP, KOP, KOPV, KVT, UOP4	5n129			BOP, KOP, KOPV, KVT, UOP4	5n12e		BOP, KOP, KOPV, KVT, UOP4
		05		F36A, F36B			05	F36A, F36B		06	G15Z, G19A, G19B, G38Z
06		G15Z, G19A, G19B, G33Z, G38Z	06	G15Z, G19A, G19B, G33Z, G38Z		07	H33Z, H38Z				
07		H33Z, H38Z	07	H33Z, H38Z		11	L33Z				
09		J26Z	09	J26Z		17	R01A, R01B, R01C, R01D, R02Z, R12A, R12B, R12C				
10		K04A	11	L33Z		21A	W04A, W04B				
11		L33Z	17	R01A, R01B, R01C, R01D, R02Z, R12A, R12B, R12C		21B	X06A, X06B, X06C, X33Z				
17		R01A, R01B, R01C, R01D, R02Z, R12A, R12B, R12C	21A	W04A, W04B		22	Y01Z, Y03A, Y03B				
21A		W04A, W04B	21B	X06A, X06B, X06C, X33Z		23	Z01A				
21B		X06A, X06B, X06C, X33Z	22	Y01Z, Y03A, Y03B		Pre	A07A				
22		Y01Z, Y03A, Y03B	23	Z01A		06	G15Z, G19A, G19B, G38Z				
23		Z01A	Pre	A07A		07	H33Z, H38Z				
Pre		A07A				11	L33Z				
						17	R01A, R01B, R01C, R01D, R02Z, R12A, R12B, R12C				
5n126.0			BOP, KOP, KOPV, KVT, UOP4	5n12a			BOP, KOP, KOPV, KVT, UOP4	5n12f			BOP, KOP, KOPV, KVT, UOP4
		05	F36A, F36B			06	G15Z, G19A, G19B, G38Z			06	G15Z, G19A, G19B, G38Z
	06	G15Z, G19A, G19B, G33Z, G38Z	07		H33Z, H38Z	07	H33Z, H38Z				
	07	H33Z, H38Z	11		L33Z	11	L33Z				
	09	J26Z	17		R01A, R01B, R01C, R01D, R02Z, R12A, R12B, R12C	17	R01A, R01B, R01C, R01D, R02Z, R12A, R12B, R12C				
	10	K04A	21A		W04A, W04B	21A	W04A, W04B				
	11	L33Z	21B		X06A, X06B, X06C, X33Z	21B	X06A, X06B, X06C, X33Z				
	17	R01A, R01B, R01C, R01D, R02Z, R12A, R12B, R12C	22		Y01Z, Y03A, Y03B	22	Y01Z, Y03A, Y03B				
	21A	W04A, W04B	23		Z01A	23	Z01A				
	21B	X06A, X06B, X06C, X33Z	Pre		A07A	Pre	A07A				
	22	Y01Z, Y03A, Y03B				06	G15Z, G19A, G19B, G38Z				
	23	Z01A				07	H33Z, H38Z				
	Pre	A07A				11	L33Z				
						17	R01A, R01B, R01C, R01D, R02Z, R12A, R12B, R12C				
	5n126.2		BOP, KOP, KOPV, KVT, UOP4		5n12b		BOP, KOP, KOPV, KVT, UOP4		5n12g		BOP, KOP, KOPV, KVT, UOP4
		05	F36A, F36B			06	G15Z, G19A, G19B, G38Z			06	G01Z, G02Z, G15Z, G18A, G18B, G38Z
06		G15Z, G19A, G19B, G33Z, G38Z	07	H33Z, H38Z		07	H06A, H06B, H06C, H33Z, H38Z				
07		H33Z, H38Z	11	L33Z		10	K04A				
09		J26Z	17	R01A, R01B, R01C, R01D, R02Z, R12A, R12B, R12C		11	L33Z				
10		K04A	21A	W04A, W04B		17	R01A, R01B, R01C, R01D, R02Z, R12A, R12B, R12C				
11		L33Z	21B	X06A, X06B, X06C, X33Z		21B	X33Z				
17		R01A, R01B, R01C, R01D, R02Z, R12A, R12B, R12C	22	Y01Z, Y03A, Y03B		23	Z01A				
21A		W04A, W04B	23	Z01A		Pre	A07A				
21B		X06A, X06B, X06C, X33Z	Pre	A07A		06	G01Z, G02Z, G15Z, G18A, G18B, G38Z				
22		Y01Z, Y03A, Y03B				07	H06A, H06B, H06C, H33Z, H38Z				
23		Z01A				10	K04A				
Pre		A07A				11	L33Z				
						17	R01A, R01B, R01C, R01D, R02Z, R12A, R12B, R12C				
5n126.2			BOP, KOP, KOPV, KVT, UOP4	5n12c			BOP, KOP, KOPV, KVT, UOP4	5n12h			BOP, KOP, KOPV, KVT, UOP4
		05	F36A, F36B			06	G15Z, G19A, G19B, G38Z			06	G01Z, G02Z, G15Z, G18A, G18B, G38Z
	06	G15Z, G19A, G19B, G33Z, G38Z	07		H33Z, H38Z	07	H06A, H06B, H06C, H33Z, H38Z				
	07	H33Z, H38Z	11		L33Z	10	K04A				
	09	J26Z	17		R01A, R01B, R01C, R01D, R02Z, R12A, R12B, R12C	11	L33Z				
	10	K04A	21A		W04A, W04B	17	R01A, R01B, R01C, R01D, R02Z, R12A, R12B, R12C				
	11	L33Z	21B		X06A, X06B, X06C, X33Z	21B	X33Z				
	17	R01A, R01B, R01C, R01D, R02Z, R12A, R12B, R12C	22		Y01Z, Y03A, Y03B	23	Z01A				
	21A	W04A, W04B	23		Z01A	Pre	A07A				
	21B	X06A, X06B, X06C, X33Z	Pre		A07A						
	22	Y01Z, Y03A, Y03B									
	23	Z01A									
	Pre	A07A									

VYK

ZZV	MDC	DRG	ZZV	MDC	DRG	ZZV	MDC	DRG			
5n12x		BOP, KOP, KOPV, KVT, UOP4	5n139		BOP, KOP, KOPV, KVT, UOP4	5n13b.0		BOP, KOP, KOPV, KVT, MVV, UOP4			
	06	G15Z, G19A, G19B, G38Z		05	F36A, F36B		05	F36A, F36B			
	07	H06A, H06B, H06C, H33Z, H38Z		06	G15Z, G19A, G19B, G33Z, G38Z		06	G03A, G03B, G03C, G33Z, G38Z			
	10	K04A		07	H33Z, H38Z		07	H33Z, H38Z			
	11	L33Z		09	J26Z		09	J26Z			
	17	R01A, R01B, R01C, R01D, R02Z, R12A, R12B, R12C		11	L33Z		11	L33Z			
	21B	X33Z		17	R01A, R01B, R01C, R01D, R02Z, R12A, R12B, R12C		17	R01A, R01B, R01C, R01D, R02Z, R12A, R12B, R12C			
	23	Z01A		21A	W04A, W04B		21A	W04A, W04B			
	Pre	A07A		21B	X06A, X06B, X06C, X33Z		21B	X06A, X06B, X06C, X33Z			
	5n130			BOP, KOP, KOPV, KVT, UOP4	5n13a.0			BOP, KOP, KOPV, KVT, MVV, UOP4	5n13b.1		BOP, KOP, KOPV, KVT, MVV, UOP4
		05		F36A, F36B			05	F36A, F36B		05	F36A, F36B
		06		G15Z, G19A, G19B, G33Z, G38Z			06	G03A, G03B, G03C, G33Z, G38Z		06	G03A, G03B, G03C, G33Z, G38Z
		07		H33Z, H38Z			07	H33Z, H38Z		07	H33Z, H38Z
		09		J26Z			09	J26Z		09	J26Z
11		L33Z	11	L33Z		11	L33Z				
17		R01A, R01B, R01C, R01D, R02Z, R12A, R12B, R12C	17	R01A, R01B, R01C, R01D, R02Z, R12A, R12B, R12C		17	R01A, R01B, R01C, R01D, R02Z, R12A, R12B, R12C				
21A		W04A, W04B	21A	W04A, W04B		21A	W04A, W04B				
21B		X06A, X06B, X06C, X33Z	21B	X06A, X06B, X06C, X33Z		21B	X06A, X06B, X06C, X33Z				
22		Y01Z, Y03A, Y03B	22	Y01Z, Y03A, Y03B		22	Y01Z, Y03A, Y03B				
23		Z01A	23	Z01A		23	Z01A				
Pre		A07A	Pre	A07A		Pre	A07A				
5n131			BOP, KOP, KOPV, KVT, UOP4	5n13a.1			BOP, KOP, KOPV, KVT, MVV, UOP4	5n13b.2			BOP, KOP, KOPV, KVT, MVV, UOP4
		05	F36A, F36B			05	F36A, F36B			05	F36A, F36B
	06	G15Z, G19A, G19B, G33Z, G38Z	06		G03A, G03B, G03C, G33Z, G38Z	06	G03A, G03B, G03C, G33Z, G38Z				
	07	H33Z, H38Z	07		H33Z, H38Z	07	H33Z, H38Z				
	09	J26Z	09		J26Z	09	J26Z				
	11	L33Z	11		L33Z	11	L33Z				
	17	R01A, R01B, R01C, R01D, R02Z, R12A, R12B, R12C	17		R01A, R01B, R01C, R01D, R02Z, R12A, R12B, R12C	17	R01A, R01B, R01C, R01D, R02Z, R12A, R12B, R12C				
	21A	W04A, W04B	21A		W04A, W04B	21A	W04A, W04B				
	21B	X06A, X06B, X06C, X33Z	21B		X06A, X06B, X06C, X33Z	21B	X06A, X06B, X06C, X33Z				
	22	Y01Z, Y03A, Y03B	22		Y01Z, Y03A, Y03B	22	Y01Z, Y03A, Y03B				
	23	Z01A	23		Z01A	23	Z01A				
	Pre	A07A	Pre		A07A	Pre	A07A				
	5n132		BOP, KOP, KOPV, KVT, UOP4		5n13a.2		BOP, KOP, KOPV, KVT, MVV, UOP4		5n13c.0		BOP, KOP, KOPV, KVT, MVV, UOP4
		05	F36A, F36B			05	F36A, F36B			05	F36A, F36B
06		G15Z, G19A, G19B, G33Z, G38Z	06	G03A, G03B, G03C, G33Z, G38Z		06	G03A, G03B, G03C, G33Z, G38Z				
07		H33Z, H38Z	07	H33Z, H38Z		07	H33Z, H38Z				
09		J26Z	09	J26Z		09	J26Z				
11		L33Z	11	L33Z		11	L33Z				
17		R01A, R01B, R01C, R01D, R02Z, R12A, R12B, R12C	17	R01A, R01B, R01C, R01D, R02Z, R12A, R12B, R12C		17	R01A, R01B, R01C, R01D, R02Z, R12A, R12B, R12C				
21A		W04A, W04B	21A	W04A, W04B		21A	W04A, W04B				
21B		X06A, X06B, X06C, X33Z	21B	X06A, X06B, X06C, X33Z		21B	X06A, X06B, X06C, X33Z				
22		Y01Z, Y03A, Y03B	22	Y01Z, Y03A, Y03B		22	Y01Z, Y03A, Y03B				
23		Z01A	23	Z01A		23	Z01A				
Pre		A07A	Pre	A07A		Pre	A07A				

VYK

ZZV	MDC	DRG	ZZV	MDC	DRG	ZZV	MDC	DRG			
5n13c.1		BOP, KOP, KOPV, KVT, MVV, UOP4	5n13x.2		BOP, KOP, KOPV, KVT, MVV, UOP4	5n141.0		BOP, KOP, KOPV, KVT, MVV, UOP4			
	05	F36A, F36B		05	F36A, F36B		05	F36A, F36B			
	06	G03A, G03B, G03C, G33Z, G38Z		06	G03A, G03B, G03C, G33Z, G38Z		06	G03A, G03B, G03C, G33Z, G38Z			
	07	H33Z, H38Z		07	H33Z, H38Z		07	H33Z, H38Z			
	09	J26Z		09	J26Z		09	J26Z			
	11	L33Z		11	L33Z		11	L33Z			
	17	R01A, R01B, R01C, R01D, R02Z, R12A, R12B, R12C		17	R01A, R01B, R01C, R01D, R02Z, R12A, R12B, R12C		17	R01A, R01B, R01C, R01D, R02Z, R12A, R12B, R12C			
	21A	W04A, W04B		21A	W04A, W04B		21A	W04A, W04B			
	21B	X06A, X06B, X06C, X33Z		21B	X06A, X06B, X06C, X33Z		21B	X06A, X06B, X06C, X33Z			
	22	Y01Z, Y03A, Y03B		22	Y01Z, Y03A, Y03B		22	Y01Z, Y03A, Y03B			
	23	Z01A		23	Z01A		23	Z01A			
	Pre	A07A		Pre	A07A		Pre	A07A			
	5n13c.2			BOP, KOP, KOPV, KVT, MVV, UOP4	5n140.0			BOP, KOP, KOPV, KVT, MVV, UOP4	5n141.1		BOP, KOP, KOPV, KVT, MVV, UOP4
		05		F36A, F36B			05	F36A, F36B		05	F36A, F36B
06		G03A, G03B, G03C, G33Z, G38Z	06	G03A, G03B, G03C, G33Z, G38Z		06	G03A, G03B, G03C, G33Z, G38Z				
07		H33Z, H38Z	07	H33Z, H38Z		07	H33Z, H38Z				
09		J26Z	09	J26Z		09	J26Z				
11		L33Z	11	L33Z		11	L33Z				
17		R01A, R01B, R01C, R01D, R02Z, R12A, R12B, R12C	17	R01A, R01B, R01C, R01D, R02Z, R12A, R12B, R12C		17	R01A, R01B, R01C, R01D, R02Z, R12A, R12B, R12C				
21A		W04A, W04B	21A	W04A, W04B		21A	W04A, W04B				
21B		X06A, X06B, X06C, X33Z	21B	X06A, X06B, X06C, X33Z		21B	X06A, X06B, X06C, X33Z				
22		Y01Z, Y03A, Y03B	22	Y01Z, Y03A, Y03B		22	Y01Z, Y03A, Y03B				
23		Z01A	23	Z01A		23	Z01A				
Pre		A07A	Pre	A07A		Pre	A07A				
5n13x.0			BOP, KOP, KOPV, KVT, MVV, UOP4	5n140.1			BOP, KOP, KOPV, KVT, MVV, UOP4	5n141.2			BOP, KOP, KOPV, KVT, MVV, UOP4
		05	F36A, F36B			05	F36A, F36B			05	F36A, F36B
	06	G03A, G03B, G03C, G33Z, G38Z	06		G03A, G03B, G03C, G33Z, G38Z	06	G03A, G03B, G03C, G33Z, G38Z				
	07	H33Z, H38Z	07		H33Z, H38Z	07	H33Z, H38Z				
	09	J26Z	09		J26Z	09	J26Z				
	11	L33Z	11		L33Z	11	L33Z				
	17	R01A, R01B, R01C, R01D, R02Z, R12A, R12B, R12C	17		R01A, R01B, R01C, R01D, R02Z, R12A, R12B, R12C	17	R01A, R01B, R01C, R01D, R02Z, R12A, R12B, R12C				
	21A	W04A, W04B	21A		W04A, W04B	21A	W04A, W04B				
	21B	X06A, X06B, X06C, X33Z	21B		X06A, X06B, X06C, X33Z	21B	X06A, X06B, X06C, X33Z				
	22	Y01Z, Y03A, Y03B	22		Y01Z, Y03A, Y03B	22	Y01Z, Y03A, Y03B				
	23	Z01A	23		Z01A	23	Z01A				
	Pre	A07A	Pre		A07A	Pre	A07A				
	5n13x.1		BOP, KOP, KOPV, KVT, MVV, UOP4		5n140.2		BOP, KOP, KOPV, KVT, MVV, UOP4		5n142.0		BOP, KOP, KOPV, KVT, MVV, UOP4
		05	F36A, F36B			05	F36A, F36B			05	F36A, F36B
06		G03A, G03B, G03C, G33Z, G38Z	06	G03A, G03B, G03C, G33Z, G38Z		06	G03A, G03B, G03C, G33Z, G38Z				
07		H33Z, H38Z	07	H33Z, H38Z		07	H33Z, H38Z				
09		J26Z	09	J26Z		09	J26Z				
11		L33Z	11	L33Z		11	L33Z				
17		R01A, R01B, R01C, R01D, R02Z, R12A, R12B, R12C	17	R01A, R01B, R01C, R01D, R02Z, R12A, R12B, R12C		17	R01A, R01B, R01C, R01D, R02Z, R12A, R12B, R12C				
21A		W04A, W04B	21A	W04A, W04B		21A	W04A, W04B				
21B		X06A, X06B, X06C, X33Z	21B	X06A, X06B, X06C, X33Z		21B	X06A, X06B, X06C, X33Z				
22		Y01Z, Y03A, Y03B	22	Y01Z, Y03A, Y03B		22	Y01Z, Y03A, Y03B				
23		Z01A	23	Z01A		23	Z01A				
Pre		A07A	Pre	A07A		Pre	A07A				

ZZV	MDC	DRG	ZZV	MDC	DRG	ZZV	MDC	DRG			
5n142.1		BOP, KOP, KOPV, KVT, MVV, UOP4	5n143.2		BOP, KOP, KOPV, KVT, MVV, UOP4	5n145.0		BOP, KOP, KOPV, KVT, MVV, UOP4			
	05	F36A, F36B		05	F36A, F36B		05	F36A, F36B			
	06	G03A, G03B, G03C, G33Z, G38Z		06	G03A, G03B, G03C, G33Z, G38Z		06	G03A, G03B, G03C, G33Z, G38Z			
	07	H33Z, H38Z		07	H33Z, H38Z		07	H33Z, H38Z			
	09	J26Z		09	J26Z		09	J26Z			
	11	L33Z		11	L33Z		11	L33Z			
	17	R01A, R01B, R01C, R01D, R02Z, R12A, R12B, R12C		17	R01A, R01B, R01C, R01D, R02Z, R12A, R12B, R12C		17	R01A, R01B, R01C, R01D, R02Z, R12A, R12B, R12C			
	21A	W04A, W04B		21A	W04A, W04B		21A	W04A, W04B			
	21B	X06A, X06B, X06C, X33Z		21B	X06A, X06B, X06C, X33Z		21B	X06A, X06B, X06C, X33Z			
	22	Y01Z, Y03A, Y03B		22	Y01Z, Y03A, Y03B		22	Y01Z, Y03A, Y03B			
	23	Z01A		23	Z01A		23	Z01A			
	Pre	A07A		Pre	A07A		Pre	A07A			
	5n142.2			BOP, KOP, KOPV, KVT, MVV, UOP4	5n144.0			BOP, KOP, KOPV, KVT, MVV, UOP4	5n145.1		BOP, KOP, KOPV, KVT, MVV, UOP4
		05		F36A, F36B			05	F36A, F36B		05	F36A, F36B
		06		G03A, G03B, G03C, G33Z, G38Z			06	G03A, G03B, G03C, G33Z, G38Z		06	G03A, G03B, G33Z, G38Z
07		H33Z, H38Z	07	H33Z, H38Z		07	H33Z, H38Z				
09		J26Z	09	J26Z		09	J26Z				
11		L33Z	11	L33Z		11	L33Z				
17		R01A, R01B, R01C, R01D, R02Z, R12A, R12B, R12C	17	R01A, R01B, R01C, R01D, R02Z, R12A, R12B, R12C		17	R01A, R01B, R01C, R01D, R02Z, R12A, R12B, R12C				
21A		W04A, W04B	21A	W04A, W04B		21A	W04A, W04B				
21B		X06A, X06B, X06C, X33Z	21B	X06A, X06B, X06C, X33Z		21B	X06A, X06B, X06C, X33Z				
22		Y01Z, Y03A, Y03B	22	Y01Z, Y03A, Y03B		22	Y01Z, Y03A, Y03B				
23		Z01A	23	Z01A		23	Z01A				
Pre		A07A	Pre	A07A		Pre	A07A				
5n143.0			BOP, KOP, KOPV, KVT, MVV, UOP4	5n144.1			BOP, KOP, KOPV, KVT, MVV, UOP4	5n145.2			BOP, KOP, KOPV, KVT, MVV, UOP4
		05	F36A, F36B			05	F36A, F36B			05	F36A, F36B
		06	G03A, G03B, G03C, G33Z, G38Z			06	G03A, G03B, G03C, G33Z, G38Z			06	G03A, G03B, G03C, G33Z, G38Z
	07	H33Z, H38Z	07		H33Z, H38Z	07	H33Z, H38Z				
	09	J26Z	09		J26Z	09	J26Z				
	11	L33Z	11		L33Z	11	L33Z				
	17	R01A, R01B, R01C, R01D, R02Z, R12A, R12B, R12C	17		R01A, R01B, R01C, R01D, R02Z, R12A, R12B, R12C	17	R01A, R01B, R01C, R01D, R02Z, R12A, R12B, R12C				
	21A	W04A, W04B	21A		W04A, W04B	21A	W04A, W04B				
	21B	X06A, X06B, X06C, X33Z	21B		X06A, X06B, X06C, X33Z	21B	X06A, X06B, X06C, X33Z				
	22	Y01Z, Y03A, Y03B	22		Y01Z, Y03A, Y03B	22	Y01Z, Y03A, Y03B				
	23	Z01A	23		Z01A	23	Z01A				
	Pre	A07A	Pre		A07A	Pre	A07A				
	5n143.1		BOP, KOP, KOPV, KVT, MVV, UOP4		5n144.2		BOP, KOP, KOPV, KVT, MVV, UOP4		5n146.0		BOP, KOP, KOPV, KVT, MVV, UOP4
		05	F36A, F36B			05	F36A, F36B			05	F36A, F36B
		06	G03A, G03B, G03C, G33Z, G38Z			06	G03A, G03B, G03C, G33Z, G38Z			06	G03A, G03B, G03C, G33Z, G38Z
07		H33Z, H38Z	07	H33Z, H38Z		07	H33Z, H38Z				
09		J26Z	09	J26Z		09	J26Z				
11		L33Z	11	L33Z		11	L33Z				
17		R01A, R01B, R01C, R01D, R02Z, R12A, R12B, R12C	17	R01A, R01B, R01C, R01D, R02Z, R12A, R12B, R12C		17	R01A, R01B, R01C, R01D, R02Z, R12A, R12B, R12C				
21A		W04A, W04B	21A	W04A, W04B		21A	W04A, W04B				
21B		X06A, X06B, X06C, X33Z	21B	X06A, X06B, X06C, X33Z		21B	X06A, X06B, X06C, X33Z				
22		Y01Z, Y03A, Y03B	22	Y01Z, Y03A, Y03B		22	Y01Z, Y03A, Y03B				
23		Z01A	23	Z01A		23	Z01A				
Pre		A07A	Pre	A07A		Pre	A07A				

VYK

ZZV	MDC	DRG	ZZV	MDC	DRG	ZZV	MDC	DRG			
5n146.1		BOP, KOP, KOPV, KVT, MVV, UOP4	5n14a.2		BOP, KOP, KOPV, KVT, MVV, UOP4	5n14x.00		BOP, KOP, KOPV, KVT, MVV, UOP4			
	05	F36A, F36B		05	F36A, F36B		05	F36A, F36B			
	06	G03A, G03B, G03C, G33Z, G38Z		06	G03A, G03B, G33Z, G38Z		06	G03A, G03B, G03C, G33Z, G38Z			
	07	H33Z, H38Z		07	H33Z, H38Z		07	H33Z, H38Z			
	09	J26Z		09	J26Z		09	J26Z			
	11	L33Z		11	L33Z		11	L33Z			
	17	R01A, R01B, R01C, R01D, R02Z, R12A, R12B, R12C		17	R01A, R01B, R01C, R01D, R02Z, R12A, R12B, R12C		17	R01A, R01B, R01C, R01D, R02Z, R12A, R12B, R12C			
	21A	W04A, W04B		21A	W04A, W04B		21A	W04A, W04B			
	21B	X06A, X06B, X06C, X33Z		21B	X06A, X06B, X06C, X33Z		21B	X06A, X06B, X06C, X33Z			
	22	Y01Z, Y03A, Y03B		22	Y01Z, Y03A, Y03B		22	Y01Z, Y03A, Y03B			
	23	Z01A		23	Z01A		23	Z01A			
	Pre	A07A		Pre	A07A		Pre	A07A			
	5n146.2			BOP, KOP, KOPV, KVT, MVV, UOP4	5n14b.0			BOP, KOP, KOPV, KVT, MVV, UOP4	5n14x.01		BOP, KOP, KOPV, KVT, MVV, UOP4
		05		F36A, F36B			05	F36A, F36B		05	F36A, F36B
		06		G03A, G03B, G03C, G33Z, G38Z			06	G03A, G03B, G03C, G33Z, G38Z		06	G03A, G03B, G03C, G33Z, G38Z
		07		H33Z, H38Z			07	H33Z, H38Z		07	H33Z, H38Z
09		J26Z	09	J26Z		09	J26Z				
11		L33Z	11	L33Z		11	L33Z				
17		R01A, R01B, R01C, R01D, R02Z, R12A, R12B, R12C	17	R01A, R01B, R01C, R01D, R02Z, R12A, R12B, R12C		17	R01A, R01B, R01C, R01D, R02Z, R12A, R12B, R12C				
21A		W04A, W04B	21A	W04A, W04B		21A	W04A, W04B				
21B		X06A, X06B, X06C, X33Z	21B	X06A, X06B, X06C, X33Z		21B	X06A, X06B, X06C, X33Z				
22		Y01Z, Y03A, Y03B	22	Y01Z, Y03A, Y03B		22	Y01Z, Y03A, Y03B				
23		Z01A	23	Z01A		23	Z01A				
Pre		A07A	Pre	A07A		Pre	A07A				
5n14a.0			BOP, KOP, KOPV, KVT, MVV, UOP4	5n14b.1			BOP, KOP, KOPV, KVT, MVV, UOP4	5n14x.02			BOP, KOP, KOPV, KVT, MVV, UOP4
		05	F36A, F36B			05	F36A, F36B			05	F36A, F36B
		06	G03A, G03B, G03C, G33Z, G38Z			06	G03A, G03B, G03C, G33Z, G38Z			06	G03A, G03B, G03C, G33Z, G38Z
		07	H33Z, H38Z			07	H33Z, H38Z			07	H33Z, H38Z
	09	J26Z	09		J26Z	09	J26Z				
	11	L33Z	11		L33Z	11	L33Z				
	17	R01A, R01B, R01C, R01D, R02Z, R12A, R12B, R12C	17		R01A, R01B, R01C, R01D, R02Z, R12A, R12B, R12C	17	R01A, R01B, R01C, R01D, R02Z, R12A, R12B, R12C				
	21A	W04A, W04B	21A		W04A, W04B	21A	W04A, W04B				
	21B	X06A, X06B, X06C, X33Z	21B		X06A, X06B, X06C, X33Z	21B	X06A, X06B, X06C, X33Z				
	22	Y01Z, Y03A, Y03B	22		Y01Z, Y03A, Y03B	22	Y01Z, Y03A, Y03B				
	23	Z01A	23		Z01A	23	Z01A				
	Pre	A07A	Pre		A07A	Pre	A07A				
	5n14a.1		BOP, KOP, KOPV, KVT, MVV, UOP4		5n14b.2		BOP, KOP, KOPV, KVT, MVV, UOP4		5n14x.10		BOP, KOP, KOPV, KVT, MVV, UOP4
		05	F36A, F36B			05	F36A, F36B			05	F36A, F36B
		06	G03A, G03B, G33Z, G38Z			06	G03A, G03B, G03C, G33Z, G38Z			06	G03A, G03B, G03C, G33Z, G38Z
		07	H33Z, H38Z			07	H33Z, H38Z			07	H33Z, H38Z
09		J26Z	09	J26Z		09	J26Z				
11		L33Z	11	L33Z		11	L33Z				
17		R01A, R01B, R01C, R01D, R02Z, R12A, R12B, R12C	17	R01A, R01B, R01C, R01D, R02Z, R12A, R12B, R12C		17	R01A, R01B, R01C, R01D, R02Z, R12A, R12B, R12C				
21A		W04A, W04B	21A	W04A, W04B		21A	W04A, W04B				
21B		X06A, X06B, X06C, X33Z	21B	X06A, X06B, X06C, X33Z		21B	X06A, X06B, X06C, X33Z				
22		Y01Z, Y03A, Y03B	22	Y01Z, Y03A, Y03B		22	Y01Z, Y03A, Y03B				
23		Z01A	23	Z01A		23	Z01A				
Pre		A07A	Pre	A07A		Pre	A07A				

ZZV	MDC	DRG	ZZV	MDC	DRG	ZZV	MDC	DRG			
5n14x.11		BOP, KOP, KOPV, KVT, MVV, UOP4	5n152.0		BOP, KOP, KOPV, KVT, MVV, UOP4	5n15c.2		BOP, KOP, KOPV, KVT, MVV, UOP4			
	05	F36A, F36B		05	F36A, F36B		05	F36A, F36B			
	06	G03A, G03B, G03C, G33Z, G38Z		06	G03A, G03B, G03C, G33Z, G38Z		06	G03A, G03B, G03C, G33Z, G38Z			
	07	H33Z, H38Z		07	H33Z, H38Z		07	H33Z, H38Z			
	09	J26Z		09	J26Z		09	J26Z			
	11	L33Z		11	L33Z		11	L33Z			
	17	R01A, R01B, R01C, R01D, R02Z, R12A, R12B, R12C		17	R01A, R01B, R01C, R01D, R02Z, R12A, R12B, R12C		17	R01A, R01B, R01C, R01D, R02Z, R12A, R12B, R12C			
	21A	W04A, W04B		21A	W04A, W04B		21A	W04A, W04B			
	21B	X06A, X06B, X06C, X33Z		21B	X06A, X06B, X06C, X33Z		21B	X06A, X06B, X06C, X33Z			
	22	Y01Z, Y03A, Y03B		22	Y01Z, Y03A, Y03B		22	Y01Z, Y03A, Y03B			
	23	Z01A		23	Z01A		23	Z01A			
	Pre	A07A		Pre	A07A		Pre	A07A			
	5n14x.12			BOP, KOP, KOPV, KVT, MVV, UOP4	5n159			BOP, KOP, KOPV, KVT, MVV, UOP4	5n15x		BOP, KOP, KOPV, KVT, MVV, UOP4
		05		F36A, F36B			05	F36A, F36B		05	F36A, F36B
06		G03A, G03B, G03C, G33Z, G38Z	06	G03A, G03B, G03C, G33Z, G38Z		06	G03A, G03B, G03C, G33Z, G38Z				
07		H33Z, H38Z	07	H33Z, H38Z		07	H33Z, H38Z				
09		J26Z	09	J26Z		09	J26Z				
11		L33Z	11	L33Z		11	L33Z				
17		R01A, R01B, R01C, R01D, R02Z, R12A, R12B, R12C	17	R01A, R01B, R01C, R01D, R02Z, R12A, R12B, R12C		17	R01A, R01B, R01C, R01D, R02Z, R12A, R12B, R12C				
21A		W04A, W04B	21A	W04A, W04B		21A	W04A, W04B				
21B		X06A, X06B, X06C, X33Z	21B	X06A, X06B, X06C, X33Z		21B	X06A, X06B, X06C, X33Z				
22		Y01Z, Y03A, Y03B	22	Y01Z, Y03A, Y03B		22	Y01Z, Y03A, Y03B				
23		Z01A	23	Z01A		23	Z01A				
Pre		A07A	Pre	A07A		Pre	A07A				
5n150.0			BOP, KOP, KOPV, KVT, MVV, UOP4	5n15a.2			BOP, KOP, KOPV, KVT, MVV, UOP4	5n160.0			BOP, KOP, KOPV, KVT, MVV, UOP4
		05	F36A, F36B			05	F36A, F36B			05	F36A, F36B
	06	G03A, G03B, G03C, G33Z, G38Z	06		G03A, G03B, G03C, G33Z, G38Z	06	G03A, G03B, G03C, G33Z, G38Z				
	07	H33Z, H38Z	07		H33Z, H38Z	07	H33Z, H38Z				
	09	J26Z	09		J26Z	09	J26Z				
	11	L33Z	11		L33Z	11	L33Z				
	17	R01A, R01B, R01C, R01D, R02Z, R12A, R12B, R12C	17		R01A, R01B, R01C, R01D, R02Z, R12A, R12B, R12C	17	R01A, R01B, R01C, R01D, R02Z, R12A, R12B, R12C				
	21A	W04A, W04B	21A		W04A, W04B	21A	W04A, W04B				
	21B	X06A, X06B, X06C, X33Z	21B		X06A, X06B, X06C, X33Z	21B	X06A, X06B, X06C, X33Z				
	22	Y01Z, Y03A, Y03B	22		Y01Z, Y03A, Y03B	22	Y01Z, Y03A, Y03B				
	23	Z01A	23		Z01A	23	Z01A				
	Pre	A07A	Pre		A07A	Pre	A07A				
	5n151.0		BOP, KOP, KOPV, KVT, MVV, UOP4		5n15b.2		BOP, KOP, KOPV, KVT, MVV, UOP4		5n160.2		BOP, KOP, KOPV, KVT, MVV, UOP4
		05	F36A, F36B			05	F36A, F36B			05	F36A, F36B
06		G03A, G03B, G03C, G33Z, G38Z	06	G03A, G03B, G03C, G33Z, G38Z		06	G03A, G03B, G03C, G33Z, G38Z				
07		H33Z, H38Z	07	H33Z, H38Z		07	H33Z, H38Z				
09		J26Z	09	J26Z		09	J26Z				
11		L33Z	11	L33Z		11	L33Z				
17		R01A, R01B, R01C, R01D, R02Z, R12A, R12B, R12C	17	R01A, R01B, R01C, R01D, R02Z, R12A, R12B, R12C		17	R01A, R01B, R01C, R01D, R02Z, R12A, R12B, R12C				
21A		W04A, W04B	21A	W04A, W04B		21A	W04A, W04B				
21B		X06A, X06B, X06C, X33Z	21B	X06A, X06B, X06C, X33Z		21B	X06A, X06B, X06C, X33Z				
22		Y01Z, Y03A, Y03B	22	Y01Z, Y03A, Y03B		22	Y01Z, Y03A, Y03B				
23		Z01A	23	Z01A		23	Z01A				
Pre		A07A	Pre	A07A		Pre	A07A				

VYK

ZZV	MDC	DRG	ZZV	MDC	DRG	ZZV	MDC	DRG			
5n161.0		BOP, KOP, KOPV, KVT, MVV, UOP4	5n163.0		BOP, KOP, KOPV, KVT, MVV, UOP4	5n165.0		BOP, KOP, KOPV, KVT, MVV, UOP4			
	05	F36A, F36B		05	F36A, F36B		05	F36A, F36B			
	06	G03A, G03B, G03C, G33Z, G38Z		06	G03A, G03B, G03C, G33Z, G38Z		06	G03A, G03B, G03C, G33Z, G38Z			
	07	H33Z, H38Z		07	H33Z, H38Z		07	H33Z, H38Z			
	09	J26Z		09	J26Z		09	J26Z			
	11	L33Z		11	L33Z		11	L33Z			
	17	R01A, R01B, R01C, R01D, R02Z, R12A, R12B, R12C		17	R01A, R01B, R01C, R01D, R02Z, R12A, R12B, R12C		17	R01A, R01B, R01C, R01D, R02Z, R12A, R12B, R12C			
	21A	W04A, W04B		21A	W04A, W04B		21A	W04A, W04B			
	21B	X06A, X06B, X06C, X33Z		21B	X06A, X06B, X06C, X33Z		21B	X06A, X06B, X06C, X33Z			
	22	Y01Z, Y03A, Y03B		22	Y01Z, Y03A, Y03B		22	Y01Z, Y03A, Y03B			
	23	Z01A		23	Z01A		23	Z01A			
	Pre	A07A		Pre	A07A		Pre	A07A			
	5n161.2			BOP, KOP, KOPV, KVT, MVV, UOP4	5n163.2			BOP, KOP, KOPV, KVT, MVV, UOP4	5n165.2		BOP, KOP, KOPV, KVT, MVV, UOP4
		05		F36A, F36B			05	F36A, F36B		05	F36A, F36B
06		G03A, G03B, G03C, G33Z, G38Z	06	G03A, G03B, G33Z, G38Z		06	G03A, G03B, G03C, G33Z, G38Z				
07		H33Z, H38Z	07	H33Z, H38Z		07	H33Z, H38Z				
09		J26Z	09	J26Z		09	J26Z				
11		L33Z	11	L33Z		11	L33Z				
17		R01A, R01B, R01C, R01D, R02Z, R12A, R12B, R12C	17	R01A, R01B, R01C, R01D, R02Z, R12A, R12B, R12C		17	R01A, R01B, R01C, R01D, R02Z, R12A, R12B, R12C				
21A		W04A, W04B	21A	W04A, W04B		21A	W04A, W04B				
21B		X06A, X06B, X06C, X33Z	21B	X06A, X06B, X06C, X33Z		21B	X06A, X06B, X06C, X33Z				
22		Y01Z, Y03A, Y03B	22	Y01Z, Y03A, Y03B		22	Y01Z, Y03A, Y03B				
23		Z01A	23	Z01A		23	Z01A				
Pre		A07A	Pre	A07A		Pre	A07A				
5n162.0			BOP, KOP, KOPV, KVT, MVV, UOP4	5n164.0			BOP, KOP, KOPV, KVT, MVV, UOP4	5n166.2			BOP, KOP, KOPV, KVT, MVV, UOP4
		05	F36A, F36B			05	F36A, F36B			05	F36A, F36B
	06	G03A, G03B, G03C, G33Z, G38Z	06		G03A, G03B, G03C, G33Z, G38Z	06	G03A, G03B, G03C, G33Z, G38Z				
	07	H33Z, H38Z	07		H33Z, H38Z	07	H33Z, H38Z				
	09	J26Z	09		J26Z	09	J26Z				
	11	L33Z	11		L33Z	11	L33Z				
	17	R01A, R01B, R01C, R01D, R02Z, R12A, R12B, R12C	17		R01A, R01B, R01C, R01D, R02Z, R12A, R12B, R12C	17	R01A, R01B, R01C, R01D, R02Z, R12A, R12B, R12C				
	21A	W04A, W04B	21A		W04A, W04B	21A	W04A, W04B				
	21B	X06A, X06B, X06C, X33Z	21B		X06A, X06B, X06C, X33Z	21B	X06A, X06B, X06C, X33Z				
	22	Y01Z, Y03A, Y03B	22		Y01Z, Y03A, Y03B	22	Y01Z, Y03A, Y03B				
	23	Z01A	23		Z01A	23	Z01A				
	Pre	A07A	Pre		A07A	Pre	A07A				
	5n162.2		BOP, KOP, KOPV, KVT, MVV, UOP4		5n164.2		BOP, KOP, KOPV, KVT, MVV, UOP4		5n16x		BOP, KOP, KOPV, KVT, MVV, UOP4
		05	F36A, F36B			05	F36A, F36B			05	F36A, F36B
06		G03A, G03B, G03C, G33Z, G38Z	06	G03A, G03B, G03C, G33Z, G38Z		06	G03A, G03B, G03C, G33Z, G38Z				
07		H33Z, H38Z	07	H33Z, H38Z		07	H33Z, H38Z				
09		J26Z	09	J26Z		09	J26Z				
11		L33Z	11	L33Z		11	L33Z				
17		R01A, R01B, R01C, R01D, R02Z, R12A, R12B, R12C	17	R01A, R01B, R01C, R01D, R02Z, R12A, R12B, R12C		17	R01A, R01B, R01C, R01D, R02Z, R12A, R12B, R12C				
21A		W04A, W04B	21A	W04A, W04B		21A	W04A, W04B				
21B		X06A, X06B, X06C, X33Z	21B	X06A, X06B, X06C, X33Z		21B	X06A, X06B, X06C, X33Z				
22		Y01Z, Y03A, Y03B	22	Y01Z, Y03A, Y03B		22	Y01Z, Y03A, Y03B				
23		Z01A	23	Z01A		23	Z01A				
Pre		A07A	Pre	A07A		Pre	A07A				

ZZV	MDC	DRG	ZZV	MDC	DRG	ZZV	MDC	DRG			
5n16x.0		BOP, KOP, KOPV, KVT, MVV, UOP4	5n171.2		BOP, KOP, KOPV, KVT, UOP4	5n173.0		BOP, KOP, KOPV, KVT, UOP4			
	05	F36A, F36B		05	F36A, F36B		05	F36A, F36B			
	06	G03A, G03B, G03C, G33Z, G38Z		06	G15Z, G19A, G19B, G33Z, G38Z		06	G15Z, G19A, G19B, G33Z, G38Z			
	07	H33Z, H38Z		07	H12A, H33Z, H38Z		07	H12A, H33Z, H38Z			
	09	J26Z		10	K04A		10	K04A			
	11	L33Z		11	L33Z		11	L33Z			
	17	R01A, R01B, R01C, R01D, R02Z, R12A, R12B, R12C		17	R01A, R01B, R01C, R01D, R02Z, R12A, R12B, R12C		17	R01A, R01B, R01C, R01D, R02Z, R12A, R12B, R12C			
	21A	W04A, W04B		21B	X33Z		21B	X33Z			
	21B	X06A, X06B, X06C, X33Z		23	Z01A		23	Z01A			
	22	Y01Z, Y03A, Y03B		Pre	A07A		Pre	A07A			
	23	Z01A		5n171.4			BOP, KOP, KOPV, KVT, UOP4	5n173.2		BOP, KOP, KOPV, KVT, UOP4	
	Pre	A07A			05		F36A, F36B		05	F36A, F36B	
	5n170.0				BOP, KOP, KOPV, KVT, UOP4		06		G15Z, G19A, G19B, G33Z, G38Z	06	G15Z, G19A, G19B, G33Z, G38Z
		05			F36A, F36B		07		H12A, H33Z, H38Z	07	H12A, H33Z, H38Z
		06			G15Z, G19A, G19B, G33Z, G38Z		10		K04A	10	K04A
		07			H12A, H33Z, H38Z		11		L33Z	11	L33Z
		10			K04A		17		R01A, R01B, R01C, R01D, R02Z, R12A, R12B, R12C	17	R01A, R01B, R01C, R01D, R02Z, R12A, R12B, R12C
11		L33Z	21B		X33Z	21B	X33Z				
17		R01A, R01B, R01C, R01D, R02Z, R12A, R12B, R12C	23		Z01A	23	Z01A				
21B		X33Z	Pre		A07A	Pre	A07A				
23		Z01A	5n172.0			BOP, KOP, KOPV, KVT, UOP4	5n173.4			BOP, KOP, KOPV, KVT, UOP4	
Pre		A07A			05	F36A, F36B			05	F36A, F36B	
5n170.2					BOP, KOP, KOPV, KVT, UOP4	06			G15Z, G19A, G19B, G33Z, G38Z	06	G15Z, G19A, G19B, G33Z, G38Z
		05			F36A, F36B	07			H12A, H33Z, H38Z	07	H12A, H33Z, H38Z
		06			G15Z, G19A, G19B, G33Z, G38Z	10			K04A	10	K04A
		07			H12A, H33Z, H38Z	11			L33Z	11	L33Z
		10			K04A	17			R01A, R01B, R01C, R01D, R02Z, R12A, R12B, R12C	17	R01A, R01B, R01C, R01D, R02Z, R12A, R12B, R12C
		11		L33Z	21B	X33Z		21B	X33Z		
		17		R01A, R01B, R01C, R01D, R02Z, R12A, R12B, R12C	23	Z01A		23	Z01A		
	21B	X33Z		Pre	A07A	Pre		A07A			
	23	Z01A		5n172.2		BOP, KOP, KOPV, KVT, UOP4		5n174.0		BOP, KOP, KOPV, KVT, UOP4	
	Pre	A07A			05	F36A, F36B			05	F36A, F36B	
	5n170.4				BOP, KOP, KOPV, KVT, UOP4	06			G15Z, G19A, G19B, G33Z, G38Z	06	G15Z, G19A, G19B, G33Z, G38Z
		05			F36A, F36B	07			H12A, H33Z, H38Z	07	H12A, H33Z, H38Z
		06			G15Z, G19A, G19B, G33Z, G38Z	10			K04A	10	K04A
		07			H12A, H33Z, H38Z	11			L33Z	11	L33Z
		10			K04A	17			R01A, R01B, R01C, R01D, R02Z, R12A, R12B, R12C	17	R01A, R01B, R01C, R01D, R02Z, R12A, R12B, R12C
		11	L33Z		21B	X33Z	21B		X33Z		
		17	R01A, R01B, R01C, R01D, R02Z, R12A, R12B, R12C		23	Z01A	23		Z01A		
21B		X33Z	Pre		A07A	Pre	A07A				
23		Z01A	5n172.4			BOP, KOP, KOPV, KVT, UOP4	5n174.2			BOP, KOP, KOPV, KVT, UOP4	
Pre		A07A			05	F36A, F36B			05	F36A, F36B	
5n171.0					BOP, KOP, KOPV, KVT, UOP4	06			G15Z, G19A, G19B, G33Z, G38Z	06	G15Z, G19A, G19B, G33Z, G38Z
		05			F36A, F36B	07			H12A, H33Z, H38Z	07	H12A, H33Z, H38Z
		06			G15Z, G19A, G19B, G33Z, G38Z	10			K04A	10	K04A
		07			H12A, H33Z, H38Z	11			L33Z	11	L33Z
		10			K04A	17			R01A, R01B, R01C, R01D, R02Z, R12A, R12B, R12C	17	R01A, R01B, R01C, R01D, R02Z, R12A, R12B, R12C
		11		L33Z	21B	X33Z		21B	X33Z		
		17		R01A, R01B, R01C, R01D, R02Z, R12A, R12B, R12C	23	Z01A		23	Z01A		
	21B	X33Z		Pre	A07A	Pre		A07A			
	23	Z01A									
	Pre	A07A									



ZZV	MDC	DRG	ZZV	MDC	DRG	ZZV	MDC	DRG			
5n174.4		BOP, KOP, KOPV, KVT, UOP4	5n17x.2		BOP, KOP, KOPV, KVT, UOP4	5n180.x		BOP, KOP, KOPV, KVT, UOP4			
	05	F36A, F36B		05	F36A, F36B		06	G15Z, G19A, G19B, G38Z			
	06	G15Z, G19A, G19B, G33Z, G38Z		06	G15Z, G19A, G19B, G33Z, G38Z		07	H33Z, H38Z			
	07	H12A, H33Z, H38Z		07	H12A, H33Z, H38Z		11	L33Z			
	10	K04A		10	K04A		21A	W04A, W04B			
	11	L33Z		11	L33Z		21B	X06A, X06B			
	17	R01A, R01B, R01C, R01D, R02Z, R12A, R12B, R12C		17	R01A, R01B, R01C, R01D, R02Z, R12A, R12B, R12C		23	Z01A			
	21B	X33Z		21B	X33Z		Pre	A07A			
	23	Z01A		23	Z01A		5n182.0	BOP, KOP, KOPV, KVT, UOP4			
	Pre	A07A		Pre	A07A			06	G01Z, G02Z, G15Z, G19A, G19B, G38Z		
	5n175.0			BOP, KOP, KOPV, KVT, UOP4	5n17x.4			BOP, KOP, KOPV, KVT, UOP4	5n182.1		BOP, KOP, KOPV, KVT, UOP4
		05		F36A, F36B			05	F36A, F36B		06	G01Z, G02Z, G15Z, G19A, G19B, G38Z
06		G15Z, G19A, G19B, G33Z, G38Z	06	G15Z, G19A, G19B, G33Z, G38Z		07	H33Z, H38Z				
07		H12A, H33Z, H38Z	07	H12A, H33Z, H38Z		11	L33Z				
10		K04A	10	K04A		21A	W04A, W04B				
11		L33Z	11	L33Z		21B	X06A, X06B				
17		R01A, R01B, R01C, R01D, R02Z, R12A, R12B, R12C	17	R01A, R01B, R01C, R01D, R02Z, R12A, R12B, R12C		23	Z01A				
21B		X33Z	21B	X33Z		Pre	A07A, A11A, A13A, A13B, A13D				
23		Z01A	23	Z01A		5n182.2	BOP, KOP, KOPV, KVT, UOP4				
Pre		A07A	Pre	A07A			06	G01Z, G02Z, G15Z, G19A, G19B, G19C, G38Z			
5n175.2			BOP, KOP, KOPV, KVT, UOP4	5n180.0			BOP, KOP, KOPV, KVT, UOP4	5n182.4			BOP, KOP, KOPV, KVT, UOP4
		05	F36A, F36B			06	G15Z, G19A, G19B, G38Z			06	G01Z, G02Z, G15Z, G19A, G19B, G19C, G38Z
	06	G15Z, G19A, G19B, G33Z, G38Z	07		H33Z, H38Z	07	H33Z, H38Z				
	07	H12A, H33Z, H38Z	11		L33Z	11	L33Z				
	10	K04A	21A		W04A, W04B	21A	W04A, W04B				
	11	L33Z	21B		X06A, X06B	21B	X06A, X06B				
	17	R01A, R01B, R01C, R01D, R02Z, R12A, R12B, R12C	23		Z01A	23	Z01A				
	21B	X33Z	Pre		A07A	Pre	A07A, A11A, A13A, A13B, A13D				
	23	Z01A	5n180.1		BOP, KOP, KOPV, KVT, UOP4	5n182.x	BOP, KOP, KOPV, KVT, UOP4				
	Pre	A07A			06		G15Z, G19A, G19B, G38Z		06	G01Z, G02Z, G15Z, G19A, G19B, G19C, G38Z	
	5n175.4		BOP, KOP, KOPV, KVT, UOP4		5n180.1		BOP, KOP, KOPV, KVT, UOP4		5n182.x		BOP, KOP, KOPV, KVT, UOP4
		05	F36A, F36B			06	G15Z, G19A, G19B, G38Z			07	H33Z, H38Z
06		G15Z, G19A, G19B, G33Z, G38Z	07	H33Z, H38Z		11	L33Z				
07		H12A, H33Z, H38Z	11	L33Z		21A	W04A, W04B				
10		K04A	21A	W04A, W04B		21B	X06A, X06B				
11		L33Z	21B	X06A, X06B		23	Z01A				
17		R01A, R01B, R01C, R01D, R02Z, R12A, R12B, R12C	Pre	A07A		Pre	A07A				
21B		X33Z	5n180.2	BOP, KOP, KOPV, KVT, UOP4		5n182.4	BOP, KOP, KOPV, KVT, UOP4				
23		Z01A		06			G15Z, G19A, G19B, G38Z	06		G01Z, G02Z, G15Z, G19A, G19B, G38Z	
Pre		A07A	07	H33Z, H38Z		07	H33Z, H38Z				
5n17x.0			BOP, KOP, KOPV, KVT, UOP4	5n180.2			BOP, KOP, KOPV, KVT, UOP4	5n182.x			BOP, KOP, KOPV, KVT, UOP4
		05	F36A, F36B			06	G15Z, G19A, G19B, G38Z			11	L33Z
	06	G15Z, G19A, G19B, G33Z, G38Z	07		H33Z, H38Z	21A	W04A, W04B				
	07	H12A, H33Z, H38Z	11		L33Z	21B	X06A, X06B				
	10	K04A	21A		W04A, W04B	23	Z01A				
	11	L33Z	21B		X06A, X06B	Pre	A07A, A11A, A13A, A13B, A13D				
	17	R01A, R01B, R01C, R01D, R02Z, R12A, R12B, R12C	Pre		A07A	5n182.0	BOP, KOP, KOPV, KVT, UOP4				
	21B	X33Z	5n180.4		BOP, KOP, KOPV, KVT, UOP4		06		G01Z, G02Z, G15Z, G19A, G19B, G19C, G38Z		
	23	Z01A			06	G15Z, G19A, G19B, G38Z	07		H33Z, H38Z		
	Pre	A07A	07		H33Z, H38Z	11	L33Z				

ZZV	MDC	DRG	ZZV	MDC	DRG	ZZV	MDC	DRG
5n183.0		BOP, KOP, KOPV, KVT, UOP4	5n184.2		BOP, KOP, KOPV, KVT, UOP4	5n184.x		BOP, KOP, KOPV, KVT, UOP4
	06	G15Z, G19A, G19B, G38Z		06	G01Z, G02Z, G15Z, G19A, G19B, G19C, G38Z		06	G01Z, G02Z, G15Z, G19A, G19B, G19C, G38Z
	07	H33Z, H38Z		07	H33Z, H38Z		07	H33Z, H38Z
	11	L33Z		11	L33Z		11	L33Z
	21A	W04A, W04B		21A	W04A, W04B		21A	W04A, W04B
	21B	X06A, X06B		21B	X06A, X06B		21B	X06A, X06B
	23	Z01A		23	Z01A		23	Z01A
	Pre	A07A		Pre	A07A, A11A, A13A, A13B, A13D		Pre	A07A, A11A, A13A, A13B, A13D
5n183.1		BOP, KOP, KOPV, KVT, UOP4	5n184.4		BOP, KOP, KOPV, KVT, UOP4	5n185.0		BOP, KOP, KOPV, KVT, UOP4
	06	G15Z, G19A, G19B, G38Z		06	G01Z, G02Z, G15Z, G19A, G19B, G38Z		06	G01Z, G02Z, G15Z, G19A, G19B, G38Z
	07	H33Z, H38Z		07	H33Z, H38Z		07	H33Z, H38Z
	11	L33Z		11	L33Z		11	L33Z
	21A	W04A, W04B		21A	W04A, W04B		21A	W04A, W04B
	21B	X06A, X06B		21B	X06A, X06B		21B	X06A, X06B
	23	Z01A		23	Z01A		23	Z01A
	Pre	A07A		Pre	A07A, A11A, A13A, A13B, A13D		Pre	A07A, A11A, A13A, A13B, A13D
5n183.2		BOP, KOP, KOPV, KVT, UOP4	5n184.50		BOP, KOP, KOPV, KVT, UOP4	5n185.1		BOP, KOP, KOPV, KVT, UOP4
	06	G15Z, G19A, G19B, G38Z		06	G01Z, G02Z, G15Z, G19A, G19B, G38Z		06	G01Z, G02Z, G15Z, G19A, G19B, G38Z
	07	H33Z, H38Z		07	H33Z, H38Z		07	H33Z, H38Z
	11	L33Z		11	L33Z		11	L33Z
	21A	W04A, W04B		21A	W04A, W04B		21A	W04A, W04B
	21B	X06A, X06B		21B	X06A, X06B		21B	X06A, X06B
	23	Z01A		23	Z01A		23	Z01A
	Pre	A07A		Pre	A07A, A11A, A13A, A13B, A13D		Pre	A07A, A11A, A13A, A13B, A13D
5n183.4		BOP, KOP, KOPV, KVT, UOP4	5n184.51		BOP, KOP, KOPV, KVT, UOP4	5n185.2		BOP, KOP, KOPV, KVT, UOP4
	06	G15Z, G19A, G19B, G38Z		06	G01Z, G02Z, G15Z, G19A, G19B, G38Z		06	G01Z, G02Z, G15Z, G19A, G19B, G19C, G38Z
	07	H33Z, H38Z		07	H33Z, H38Z		07	H33Z, H38Z
	11	L33Z		11	L33Z		11	L33Z
	21A	W04A, W04B		21A	W04A, W04B		21A	W04A, W04B
	21B	X06A, X06B		21B	X06A, X06B		21B	X06A, X06B
	23	Z01A		23	Z01A		23	Z01A
	Pre	A07A		Pre	A07A, A11A, A13A, A13B, A13D		Pre	A07A, A11A, A13A, A13B, A13D
5n183.x		BOP, KOP, KOPV, KVT, UOP4	5n184.52		BOP, KOP, KOPV, KVT, UOP4	5n185.4		BOP, KOP, KOPV, KVT, UOP4
	06	G15Z, G19A, G19B, G38Z		06	G01Z, G02Z, G15Z, G19A, G19B, G38Z		06	G01Z, G02Z, G15Z, G19A, G19B, G38Z
	07	H33Z, H38Z		07	H33Z, H38Z		07	H33Z, H38Z
	11	L33Z		11	L33Z		11	L33Z
	21A	W04A, W04B		21A	W04A, W04B		21A	W04A, W04B
	21B	X06A, X06B		21B	X06A, X06B		21B	X06A, X06B
	23	Z01A		23	Z01A		23	Z01A
	Pre	A07A		Pre	A07A, A11A, A13A, A13B, A13D		Pre	A07A, A11A, A13A, A13B, A13D
5n184.0		BOP, KOP, KOPV, KVT, UOP4	5n184.5x		BOP, KOP, KOPV, KVT, UOP4	5n185.x		BOP, KOP, KOPV, KVT, UOP4
	06	G01Z, G02Z, G15Z, G19A, G19B, G38Z		06	G01Z, G02Z, G15Z, G19A, G19B, G19C, G38Z		06	G01Z, G02Z, G15Z, G19A, G19B, G19C, G38Z
	07	H33Z, H38Z		07	H33Z, H38Z		07	H33Z, H38Z
	11	L33Z		11	L33Z		11	L33Z
	21A	W04A, W04B		21A	W04A, W04B		21A	W04A, W04B
	21B	X06A, X06B		21B	X06A, X06B		21B	X06A, X06B
	23	Z01A		23	Z01A		23	Z01A
	Pre	A07A, A11A, A13A, A13B, A13D		Pre	A07A, A11A, A13A, A13B, A13D		Pre	A07A, A11A, A13A, A13B, A13D
5n184.1		BOP, KOP, KOPV, KVT, UOP4						
	06	G01Z, G02Z, G15Z, G19A, G19B, G38Z	06	G01Z, G02Z, G15Z, G19A, G19B, G19C, G38Z	06	G01Z, G02Z, G15Z, G19A, G19B, G19C, G38Z		
	07	H33Z, H38Z	07	H33Z, H38Z	07	H33Z, H38Z		
	11	L33Z	11	L33Z	11	L33Z		
	21A	W04A, W04B	21A	W04A, W04B	21A	W04A, W04B		
	21B	X06A, X06B	21B	X06A, X06B	21B	X06A, X06B		
	23	Z01A	23	Z01A	23	Z01A		
	Pre	A07A, A11A, A13A, A13B, A13D	Pre	A07A, A11A, A13A, A13B, A13D	Pre	A07A, A11A, A13A, A13B, A13D		

VYK

ZZV	MDC	DRG	ZZV	MDC	DRG	ZZV	MDC	DRG
5n186.0		BOP, KOP, KOPV, KVT, UOP4	5n18a.1		BOP, KOP, KOPV, KVT, UOP4	5n18b.2		BOP, KOP, KOPV, KVT, UOP4
	06	G01Z, G02Z, G15Z, G19A, G19B, G38Z		06	G15Z, G19A, G19B, G38Z		06	G15Z, G19A, G19B, G19C, G38Z
	07	H33Z, H38Z		07	H33Z, H38Z		07	H33Z, H38Z
	11	L33Z		10	K04A		10	K04A, K04B
	21A	W04A, W04B		11	L33Z		11	L33Z
	21B	X06A, X06B		21A	W04A, W04B		21A	W04A, W04B
	23	Z01A		21B	X06A, X06B		21B	X06A, X06B
	Pre	A07A, A11A, A13A, A13B, A13D		23	Z01A		23	Z01A
				Pre	A07A		Pre	A07A
5n186.1		BOP, KOP, KOPV, KVT, UOP4	5n18a.2		BOP, KOP, KOPV, KVT, UOP4	5n18b.4		BOP, KOP, KOPV, KVT, UOP4
	06	G01Z, G02Z, G15Z, G19A, G19B, G38Z		06	G15Z, G19A, G19B, G38Z		06	G15Z, G19A, G19B, G38Z
	07	H33Z, H38Z		07	H33Z, H38Z		07	H33Z, H38Z
	11	L33Z		10	K04A		10	K04A, K04B
	21A	W04A, W04B		11	L33Z		11	L33Z
	21B	X06A, X06B		21A	W04A, W04B		21A	W04A, W04B
	23	Z01A		21B	X06A, X06B		21B	X06A, X06B
	Pre	A07A, A11A, A13A, A13B, A13D		23	Z01A		23	Z01A
				Pre	A07A		Pre	A07A
5n186.2		BOP, KOP, KOPV, KVT, UOP4	5n18a.4		BOP, KOP, KOPV, KVT, UOP4	5n18b.x		BOP, KOP, KOPV, KVT, UOP4
	06	G01Z, G02Z, G15Z, G19A, G19B, G19C, G38Z		06	G15Z, G19A, G19B, G38Z		06	G15Z, G19A, G19B, G19C, G38Z
	07	H33Z, H38Z		07	H33Z, H38Z		07	H33Z, H38Z
	11	L33Z		10	K04A		10	K04A, K04B
	21A	W04A, W04B		11	L33Z		11	L33Z
	21B	X06A, X06B		21A	W04A, W04B		21A	W04A, W04B
	23	Z01A		21B	X06A, X06B		21B	X06A, X06B
	Pre	A07A, A11A, A13A, A13B, A13D		23	Z01A		23	Z01A
				Pre	A07A		Pre	A07A
5n186.4		BOP, KOP, KOPV, KVT, UOP4	5n18a.x		BOP, KOP, KOPV, KVT, UOP4	5n18c.0		BOP, KOP, KOPV, KVT, UOP4
	06	G01Z, G02Z, G15Z, G19A, G19B, G38Z		06	G15Z, G19A, G19B, G38Z		06	G15Z, G19A, G19B, G38Z
	07	H33Z, H38Z		07	H33Z, H38Z		07	H33Z, H38Z
	11	L33Z		10	K04A		10	K04A, K04B
	21A	W04A, W04B		11	L33Z		11	L33Z
	21B	X06A, X06B		21A	W04A, W04B		21A	W04A, W04B
	23	Z01A		21B	X06A, X06B		21B	X06A, X06B
	Pre	A07A, A11A, A13A, A13B, A13D		23	Z01A		23	Z01A
				Pre	A07A		Pre	A07A
5n186.x		BOP, KOP, KOPV, KVT, UOP4	5n18b.0		BOP, KOP, KOPV, KVT, UOP4	5n18c.1		BOP, KOP, KOPV, KVT, UOP4
	06	G01Z, G02Z, G15Z, G19A, G19B, G19C, G38Z		06	G15Z, G19A, G19B, G38Z		06	G15Z, G19A, G19B, G38Z
	07	H33Z, H38Z		07	H33Z, H38Z		07	H33Z, H38Z
	11	L33Z		10	K04A, K04B		10	K04A, K04B
	21A	W04A, W04B		11	L33Z		11	L33Z
	21B	X06A, X06B		21A	W04A, W04B		21A	W04A, W04B
	23	Z01A		21B	X06A, X06B		21B	X06A, X06B
	Pre	A07A, A11A, A13A, A13B, A13D		23	Z01A		23	Z01A
				Pre	A07A		Pre	A07A
5n18a.0		BOP, KOP, KOPV, KVT, UOP4	5n18b.1		BOP, KOP, KOPV, KVT, UOP4	5n18c.2		BOP, KOP, KOPV, KVT, UOP4
	06	G15Z, G19A, G19B, G38Z		06	G15Z, G19A, G19B, G38Z		06	G15Z, G19A, G19B, G19C, G38Z
	07	H33Z, H38Z		07	H33Z, H38Z		07	H33Z, H38Z
	10	K04A		10	K04A, K04B		10	K04A, K04B
	11	L33Z		11	L33Z		11	L33Z
	21A	W04A, W04B		21A	W04A, W04B		21A	W04A, W04B
	21B	X06A, X06B		21B	X06A, X06B		21B	X06A, X06B
	23	Z01A		23	Z01A		23	Z01A
	Pre	A07A		Pre	A07A		Pre	A07A

VYK

ZZV	MDC	DRG	ZZV	MDC	DRG	ZZV	MDC	DRG			
5n18c.4		BOP, KOP, KOPV, KVT, UOP4	5n18d.x		BOP, KOP, KOPV, KVT, UOP4	5n18x.0		BOP, KOP, KOPV, KVT, UOP4			
	06	G15Z, G19A, G19B, G38Z		06	G15Z, G19A, G19B, G19C, G38Z		06	G15Z, G19A, G19B, G38Z			
	07	H33Z, H38Z		07	H33Z, H38Z		07	H33Z, H38Z			
	10	K04A, K04B		10	K04A, K04B		11	L33Z			
	11	L33Z		11	L33Z		21A	W04A, W04B			
	21A	W04A, W04B		21A	W04A, W04B		21B	X06A, X06B			
	21B	X06A, X06B		21B	X06A, X06B		23	Z01A			
	23	Z01A		23	Z01A		Pre	A07A			
	Pre	A07A		Pre	A07A		5n18x.1	BOP, KOP, KOPV, KVT, UOP4			
	5n18c.x			BOP, KOP, KOPV, KVT, UOP4	5n18e.0				BOP, KOP, KOPV, KVT, UOP4	06	G15Z, G19A, G19B, G38Z
06		G15Z, G19A, G19B, G19C, G38Z	06	G15Z, G19A, G19B, G38Z		07		H33Z, H38Z			
07		H33Z, H38Z	07	H33Z, H38Z		11		L33Z			
10		K04A, K04B	10	K07Z		21A		W04A, W04B			
11		L33Z	11	L33Z		21B		X06A, X06B			
21A		W04A, W04B	21A	W04A, W04B		23		Z01A			
21B		X06A, X06B	21B	X06A, X06B		Pre		A07A			
23		Z01A	23	Z01A		5n18x.2		BOP, KOP, KOPV, KVT, UOP4			
Pre		A07A	Pre	A07A				06	G15Z, G19A, G19B, G19C, G38Z		
5n18d.0			BOP, KOP, KOPV, KVT, UOP4	5n18e.1				BOP, KOP, KOPV, KVT, UOP4	07	H33Z, H38Z	
	06	G15Z, G19A, G19B, G38Z	06		G15Z, G19A, G19B, G38Z		11	L33Z			
	07	H33Z, H38Z	07		H33Z, H38Z		21A	W04A, W04B			
	10	K04A, K04B	10		K07Z		21B	X06A, X06B			
	11	L33Z	11		L33Z		23	Z01A			
	21A	W04A, W04B	21A		W04A, W04B		Pre	A07A			
	21B	X06A, X06B	21B		X06A, X06B		5n18x.4	BOP, KOP, KOPV, KVT, UOP4			
	23	Z01A	23		Z01A			06	G15Z, G19A, G19B, G38Z		
	Pre	A07A	Pre		A07A	07		H33Z, H38Z			
	5n18d.1		BOP, KOP, KOPV, KVT, UOP4		5n18e.2			BOP, KOP, KOPV, KVT, UOP4	11	L33Z	
06		G15Z, G19A, G19B, G38Z	06	G15Z, G19A, G19B, G19C, G38Z		21A		W04A, W04B			
07		H33Z, H38Z	07	H33Z, H38Z		21B		X06A, X06B			
10		K04A, K04B	10	K07Z		23		Z01A			
11		L33Z	11	L33Z		Pre		A07A			
21A		W04A, W04B	11	L33Z		5n18x.x		BOP, KOP, KOPV, KVT, UOP4			
21B		X06A, X06B	21A	W04A, W04B				06	G15Z, G19A, G19B, G19C, G38Z		
23		Z01A	21B	X06A, X06B			07	H33Z, H38Z			
Pre		A07A	23	Z01A			11	L33Z			
5n18d.2			BOP, KOP, KOPV, KVT, UOP4	5n18e.4				BOP, KOP, KOPV, KVT, UOP4	21A	W04A, W04B	
	06	G15Z, G19A, G19B, G19C, G38Z	06		G15Z, G19A, G19B, G38Z		21B	X06A, X06B			
	07	H33Z, H38Z	07		H33Z, H38Z		23	Z01A			
	10	K04A, K04B	10		K07Z		Pre	A07A			
	11	L33Z	11		L33Z		5n190.6†	06	G40Z, G46A, G46B, G46C, G47Z, G50Z		
	21A	W04A, W04B	21A		W04A, W04B			5n190.x†	06	G40Z, G46A, G46B, G46C, G47Z, G50Z	
	21B	X06A, X06B	21B		X06A, X06B	5n191.0			BOP, KOP, KOPV, KVT, UOP4		
	23	Z01A	23		Z01A				06	G15Z, G19A, G19B, G38Z	
	Pre	A07A	Pre		A07A				07	H06A, H06B, H06C, H33Z, H38Z	
	5n18d.4		BOP, KOP, KOPV, KVT, UOP4		5n18e.x					BOP, KOP, KOPV, KVT, UOP4	23
06		G15Z, G19A, G19B, G38Z	06	G15Z, G19A, G19B, G19C, G38Z					Pre	A07A	
07		H33Z, H38Z	07	H33Z, H38Z					5n191.2	BOP, KOP, KOPV, KVT, UOP4	
10		K04A, K04B	10	K07Z						06	G15Z, G19A, G19B, G38Z
11		L33Z	11	L33Z						07	H06A, H06B, H06C, H33Z, H38Z
21A		W04A, W04B	21A	W04A, W04B			23			Z01A	
21B		X06A, X06B	21B	X06A, X06B			Pre	A07A			
23		Z01A	23	Z01A		06	G15Z, G19A, G19B, G38Z				
Pre		A07A	Pre	A07A		07	H06A, H06B, H06C, H33Z, H38Z				
						23	Z01A				
				Pre	A07A						

ZZV	MDC	DRG	ZZV	MDC	DRG	ZZV	MDC	DRG
5n191.4		BOP, KOP, KOPV, KVT, UOP4	5n194.2		BOP, KOP, KOPV, KVT, UOP4	5n19a		BOP, KOP, KOPV, KVT, UOP4
	06	G15Z, G19A, G19B, G38Z		06	G01Z, G02Z, G15Z, G18A, G18B, G38Z		06	G15Z, G19A, G19B, G38Z
	07	H06A, H06B, H06C, H33Z, H38Z		07	H33Z, H38Z		07	H33Z, H38Z
	23	Z01A		07	H33Z, H38Z		11	L33Z
	Pre	A07A		21A	W04A, W04B		17	R01A, R01B, R01C, R01D, R02Z, R12A, R12B, R12C
5n191.x		BOP, KOP, KOPV, KVT, UOP4		21B	X06A, X06B, X06C, X33Z		21A	W04A, W04B
	06	G15Z, G19A, G19B, G38Z	5n194.4		BOP, KOP, KOPV, KVT, UOP4		21B	X06A, X06B, X06C
	07	H06A, H06B, H06C, H33Z, H38Z		06	G01Z, G02Z, G15Z, G18A, G18B, G38Z	5n19c.6‡	06	G40Z, G46A, G46B, G46C, G47Z, G50Z
	23	Z01A		07	H33Z, H38Z		06	G40Z, G46A, G46B, G46C, G47Z, G50Z
	Pre	A07A		21A	W04A, W04B	5n19c.x‡	06	G40Z, G46A, G46B, G46C, G47Z, G50Z
5n193.0		BOP, KOP, KOPV, KVT, UOP4		21B	X06A, X06B, X06C, X33Z		06	G40Z, G46A, G46B, G46C, G47Z, G50Z
	06	G15Z, G19A, G19B, G38Z	5n194.6‡	06	G40Z, G46A, G46B, G46C, G47Z, G50Z	5n19d.6‡	06	G40Z, G46A, G46B, G46C, G47Z, G50Z
	07	H06A, H06B, H06C, H33Z, H38Z		06	G40Z, G46A, G46B, G46C, G47Z, G50Z	5n19d.x‡	06	G40Z, G46A, G46B, G46C, G47Z, G50Z
	10	K04A	5n194.x‡	06	G40Z, G46A, G46B, G46C, G47Z, G50Z	5n19e.6‡	06	G40Z, G46A, G46B, G46C, G47Z, G50Z
	21A	W04A, W04B		06	G40Z, G46A, G46B, G46C, G47Z, G50Z	5n19e.x‡	06	G40Z, G46A, G46B, G46C, G47Z, G50Z
	21B	X06A, X06B, X06C	5n195.0		BOP, KOP, KOPV, KVT, UOP4	5n19h.0		BOP, KOP, KOPV, KVT, UOP4
	23	Z01A		06	G15Z, G19A, G19B, G38Z		06	G15Z, G19A, G19B, G38Z
	Pre	A07A		07	H33Z, H38Z		07	H33Z, H38Z
5n193.2		BOP, KOP, KOPV, KVT, UOP4		23	Z01A		23	Z01A
	06	G15Z, G19A, G19B, G38Z	5n195.2		BOP, KOP, KOPV, KVT, UOP4		Pre	A07A
	07	H06A, H06B, H06C, H33Z, H38Z		06	G15Z, G19A, G19B, G38Z	5n19h.2		BOP, KOP, KOPV, KVT, UOP4
	10	K04A		07	H33Z, H38Z		06	G15Z, G19A, G19B, G38Z
	21A	W04A, W04B		23	Z01A		07	H33Z, H38Z
	21B	X06A, X06B, X06C		Pre	A07A		23	Z01A
	23	Z01A	5n195.4		BOP, KOP, KOPV, KVT, UOP4		Pre	A07A
	Pre	A07A		06	G15Z, G19A, G19B, G38Z	5n19h.4		BOP, KOP, KOPV, KVT, UOP4
5n193.4		BOP, KOP, KOPV, KVT, UOP4		07	H33Z, H38Z		06	G15Z, G19A, G19B, G38Z
	06	G15Z, G19A, G19B, G38Z		23	Z01A		07	H33Z, H38Z
	07	H06A, H06B, H06C, H33Z, H38Z	5n195.x		BOP, KOP, KOPV, KVT, UOP4		23	Z01A
	10	K04A		06	G15Z, G19A, G19B, G38Z	5n19h.6‡	06	G40Z, G46A, G46B, G46C, G47Z, G50Z
	21A	W04A, W04B		07	H33Z, H38Z		06	G40Z, G46A, G46B, G46C, G47Z, G50Z
	21B	X06A, X06B, X06C		23	Z01A	5n19h.x‡	06	G40Z, G46A, G46B, G46C, G47Z, G50Z
	23	Z01A		Pre	A07A		06	G40Z, G46A, G46B, G46C, G47Z, G50Z
	Pre	A07A	5n196.6‡	06	G40Z, G46A, G46B, G46C, G47Z, G50Z	5n19j.0		BOP, KOP, KOPV, KVT, UOP4
5n193.x		BOP, KOP, KOPV, KVT, UOP4		06	G40Z, G46A, G46B, G46C, G47Z, G50Z		06	G15Z, G19A, G19B, G38Z
	06	G15Z, G19A, G19B, G38Z	5n196.x‡	06	G40Z, G46A, G46B, G46C, G47Z, G50Z		07	H33Z, H38Z
	07	H06A, H06B, H06C, H33Z, H38Z		06	G40Z, G46A, G46B, G46C, G47Z, G50Z		23	Z01A
	10	K04A	5n197.6‡	06	G40Z, G46A, G46B, G46C, G47Z, G50Z		Pre	A07A
	21A	W04A, W04B		06	G40Z, G46A, G46B, G46C, G47Z, G50Z	5n19j.2		BOP, KOP, KOPV, KVT, UOP4
	21B	X06A, X06B, X06C		06	G40Z, G46A, G46B, G46C, G47Z, G50Z		06	G15Z, G19A, G19B, G38Z
	23	Z01A	5n197.7‡	06	G40Z, G46A, G46B, G46C, G47Z, G50Z		07	H33Z, H38Z
	Pre	A07A	5n197.x‡	06	G40Z, G46A, G46B, G46C, G47Z, G50Z		23	Z01A
5n194.0		BOP, KOP, KOPV, KVT, UOP4	5n198		BOP, KVT, UOP4		Pre	A07A
	06	G01Z, G02Z, G15Z, G18A, G18B, G38Z		06	G11A, G11B	5n19j.4		BOP, KOP, KOPV, KVT, UOP4
	07	H33Z, H38Z		15	P60A, P60B, P60C, P67B, P67C		06	G15Z, G19A, G19B, G38Z
	21A	W04A, W04B	5n199		BOP, KOP, KOPV, KVT, UOP4		07	H33Z, H38Z
	21B	X06A, X06B, X06C, X33Z		06	G15Z, G19A, G19B, G38Z		23	Z01A
	23	Z01A		07	H33Z, H38Z		Pre	A07A
	Pre	A07A		11	L33Z	5n19j.6‡	06	G40Z, G46A, G46B, G46C, G47Z, G50Z
				23	Z01A		06	G40Z, G46A, G46B, G46C, G47Z, G50Z
				Pre	A07A	5n19j.x‡	06	G40Z, G46A, G46B, G46C, G47Z, G50Z

VYK

ZZV	MDC	DRG	ZZV	MDC	DRG	ZZV	MDC	DRG	
5n19k.0		BOP, KOP, KOPV, KVT, UOP4	5n19p.2		BOP, KOP, KOPV, KVT, UOP4	5n20a		BOP, KOP, KOPV, KVT, UOP4	
	06	G15Z, G19A, G19B, G38Z		06	G15Z, G19A, G19B, G38Z		05	F36A, F36B	
	07	H33Z, H38Z		07	H33Z, H38Z		06	G01Z, G02Z, G15Z, G18A, G18B, G33Z, G38Z	
	23	Z01A		23	Z01A		07	H33Z, H38Z	
	Pre	A07A		Pre	A07A			10	K04A
5n19k.2		BOP, KOP, KOPV, KVT, UOP4	5n19p.4		BOP, KOP, KOPV, KVT, UOP4			11	L33Z
	06	G15Z, G19A, G19B, G38Z		06	G15Z, G19A, G19B, G38Z	17	R01A, R01B, R01C, R01D, R02Z, R12A, R12B, R12C		
	07	H33Z, H38Z		07	H33Z, H38Z	21A	W04A, W04B		
	23	Z01A		23	Z01A	21B	X06A, X06B, X06C, X33Z		
	Pre	A07A		Pre	A07A			23	Z01A
5n19k.4		BOP, KOP, KOPV, KVT, UOP4	5n19q.†		G40Z, G46A, G46B, G46C, G47Z, G50Z	5n20b		BOP, KOP, KOPV, KVT, UOP4	
	06	G15Z, G19A, G19B, G38Z		06	G40Z, G46A, G46B, G46C, G47Z, G50Z				
	07	H33Z, H38Z		06	G40Z, G46A, G46B, G46C, G47Z, G50Z		05	F36A, F36B	
	23	Z01A		06	G40Z, G46A, G46B, G46C, G47Z, G50Z		06	G01Z, G02Z, G15Z, G18A, G18B, G33Z, G38Z	
	Pre	A07A		Pre	A07A			07	H33Z, H38Z
5n19k.6†		G40Z, G46A, G46B, G46C, G47Z, G50Z	5n19r.†		BOP, KVT, UOP4			10	K04A
	06	G40Z, G46A, G46B, G46C, G47Z, G50Z		06	G11A, G11B	11	L33Z		
	07	H33Z, H38Z		15	P60A, P60B, P60C, P66C, P67B, P67C	17	R01A, R01B, R01C, R01D, R02Z, R12A, R12B, R12C		
	23	Z01A				21A	W04A, W04B		
	Pre	A07A		Pre	A07A			21B	X06A, X06B, X06C, X33Z
5n19k.x†		G40Z, G46A, G46B, G46C, G47Z, G50Z	5n19s		BOP, KOP, KOPV, UOP4			23	Z01A
	06	G40Z, G46A, G46B, G46C, G47Z, G50Z		06	BOP, KOP, KOPV, UOP4	Pre	A07A		
	07	H33Z, H38Z		06	G15Z, G19A, G19B, G38Z				
	23	Z01A		07	H33Z, H38Z	21A	W04A, W04B		
	Pre	A07A		Pre	A07A			21B	X06A, X06B, X06C, X33Z
5n19m.0		BOP, KOP, KOPV, KVT, UOP4	5n19x.0		BOP, KOP, KOPV, UOP4	5n20c		BOP, KOP, KOPV, KVT, UOP4	
	06	G15Z, G19A, G19B, G38Z		06	BOP, KOP, KOPV, UOP4		05	F36A, F36B	
	07	H33Z, H38Z		06	G15Z, G19A, G19B, G38Z		06	G01Z, G02Z, G15Z, G18A, G18B, G33Z, G38Z	
	23	Z01A		07	H33Z, H38Z		07	H33Z, H38Z	
	Pre	A07A		Pre	A07A			10	K09A, K09B
5n19m.2		BOP, KOP, KOPV, KVT, UOP4	5n19x.2		BOP, KOP, KOPV, UOP4			11	L33Z
	06	G15Z, G19A, G19B, G38Z		06	G15Z, G19A, G19B, G38Z	17	R01A, R01B, R01C, R01D, R02Z, R12A, R12B, R12C		
	07	H33Z, H38Z		07	H33Z, H38Z	21A	W04A, W04B		
	23	Z01A		07	H33Z, H38Z	21B	X06A, X06B, X06C, X33Z		
	Pre	A07A		Pre	A07A			23	Z01A
5n19m.4		BOP, KOP, KOPV, KVT, UOP4	5n19x.4		BOP, KOP, KOPV, UOP4	5n20d		BOP, KOP, KOPV, KVT, UOP4	
	06	G15Z, G19A, G19B, G38Z		06	BOP, KOP, KOPV, UOP4		05	F36A, F36B	
	07	H33Z, H38Z		06	G15Z, G19A, G19B, G38Z		06	G01Z, G02Z, G15Z, G18A, G18B, G33Z, G38Z	
	23	Z01A		07	H33Z, H38Z		07	H33Z, H38Z	
	Pre	A07A		Pre	A07A			10	K09A, K09B
5n19m.6†		BOP, KOP, KOPV, KVT, UOP4	5n19x.6†		G40Z, G46A, G46B, G46C, G47Z, G50Z			11	L33Z
	06	G15Z, G19A, G19B, G38Z		06	G40Z, G46A, G46B, G46C, G47Z, G50Z	17	R01A, R01B, R01C, R01D, R02Z, R12A, R12B, R12C		
	07	H33Z, H38Z		06	G40Z, G46A, G46B, G46C, G47Z, G50Z	21A	W04A, W04B		
	23	Z01A		06	G40Z, G46A, G46B, G46C, G47Z, G50Z	21B	X06A, X06B, X06C		
	Pre	A07A		Pre	A07A			21B	X06A, X06B, X06C, X33Z
5n19m.x†		G40Z, G46A, G46B, G46C, G47Z, G50Z	5n200		BOP, KVT, UOP4			23	Z01A
	06	G40Z, G46A, G46B, G46C, G47Z, G50Z		06	BOP, KVT, UOP4	Pre	A07A		
	07	H33Z, H38Z		06	G01Z, G04A, G04B, G07A, G07B, G07C, G38Z				
	23	Z01A		17	R01A, R01B, R01C, R01D, R02Z, R12A, R12B, R12C	21A	W04A, W04B		
	Pre	A07A		Pre	A07A			21B	X06A, X06B, X06C, X33Z
5n19n.0		BOP, KOP, KOPV, KVT, UOP4	5n201		BOP, KVT, UOP4	5n20d		BOP, KOP, KOPV, KVT, UOP4	
	06	G15Z, G19A, G19B, G38Z		06	BOP, KVT, UOP4		05	F36A, F36B	
	07	H33Z, H38Z		06	G01Z, G04A, G04B, G07A, G07B, G07C, G38Z		06	G01Z, G02Z, G15Z, G18A, G18B, G33Z, G38Z	
	23	Z01A		17	R01A, R01B, R01C, R01D, R02Z, R12A, R12B, R12C		07	H33Z, H38Z	
	Pre	A07A		Pre	A07A			11	L33Z
5n19n.1		BOP, KOP, KOPV, KVT, UOP4	5n202		BOP, KVT, UOP4			17	R01A, R01B, R01C, R01D, R02Z, R12A, R12B, R12C
	06	G15Z, G19A, G19B, G38Z		06	BOP, KVT, UOP4	21A	W04A, W04B		
	07	H33Z, H38Z		06	G01Z, G04A, G04B, G07A, G07B, G07C, G38Z	21B	X06A, X06B, X06C		
	23	Z01A		17	R01A, R01B, R01C, R01D, R02Z, R12A, R12B, R12C	21A	W04A, W04B		
	Pre	A07A		Pre	A07A			21B	X06A, X06B, X06C, X33Z
5n19n.2		BOP, KOP, KOPV, KVT, UOP4	5n203†		BOP, KVT, UOP4			23	Z01A
	06	G15Z, G19A, G19B, G38Z		06	BOP, KVT, UOP4	Pre	A07A		
	07	H33Z, H38Z		06	G01Z, G04A, G04B, G07A, G07B, G07C, G38Z				
	23	Z01A		17	R01A, R01B, R01C, R01D, R02Z, R12A, R12B, R12C	21A	W04A, W04B		
	Pre	A07A		Pre	A07A			21B	X06A, X06B, X06C, X33Z
5n19p.0		BOP, KOP, KOPV, KVT, UOP4						23	Z01A
	06	G15Z, G19A, G19B, G38Z						Pre	A07A
	07	H33Z, H38Z							
	23	Z01A							
	Pre	A07A							

VYK

ZZV	MDC	DRG	ZZV	MDC	DRG	ZZV	MDC	DRG	
5n20e		BOP, KOP, KOPV, KVT, UOP4	5n215.0		BOP, KVT, UOP4	5n21x.0		BOP, KVT, UOP4	
	05	F36A, F36B		06	G13Z, G21A, G21B		06	G13Z, G21A, G21B	
	06	G01Z, G02Z, G15Z, G18A, G18B, G33Z, G38Z		07	H06A, H06B, H06C		17	R01A, R01B, R01C, R01D, R02Z, R12A, R12B, R12C	
	07	H33Z, H38Z	5n215.1		BOP, KVT, UOP4	5n21x.1†	06	G40Z, G46A, G46B, G46C, G47Z, G50Z	
	10	K04A		06	G13Z, G21A, G21B	5n21x.2		BOP, KVT, UOP4	
	11	L33Z		07	H06A, H06B, H06C	06	G13Z, G21A, G21B		
	17	R01A, R01B, R01C, R01D, R02Z, R12A, R12B, R12C	5n215.2		BOP, KVT, UOP4	17	R01A, R01B, R01C, R01D, R02Z, R12A, R12B, R12C		
	21A	W04A, W04B		06	G13Z, G21A, G21B	5n21x.4†	06	G40Z, G46A, G46B, G46C, G47Z, G50Z	
	21B	X06A, X06B, X06C, X33Z		07	H06A, H06B, H06C	5n21x.x†	06	G40Z, G46A, G46B, G46C, G47Z, G50Z	
	23	Z01A	5n215.4		BOP, KVT, UOP4	5n220		BOP, KVT, UOP4	
	Pre	A07A, A11A, A13A, A13B, A13D		06	G13Z, G21A, G21B		06	G01Z, G04A, G04B, G07A, G07B, G07C, G38Z	
		BOP, KOP, KOPV, KVT, UOP4		17	R01A, R01B, R01C, R01D, R02Z, R12A, R12B, R12C		10	K09A, K09B	
	5n20x	05	F36A, F36B	5n215.x		BOP, KVT, UOP4	5n221		BOP, KVT, UOP4
		06	G01Z, G02Z, G15Z, G18A, G18B, G33Z, G38Z		06	G13Z, G21A, G21B		06	G01Z, G04A, G04B, G07A, G07B, G07C, G38Z
		07	H33Z, H38Z		17	R01A, R01B, R01C, R01D, R02Z, R12A, R12B, R12C		10	K09A, K09B
		10	K04A	5n217.10†		BOP, KVT, UOP4	17	R01A, R01B, R01C, R01D, R02Z, R12A, R12B, R12C	
		11	L33Z		06	G40Z, G46A, G46B, G46C, G47Z, G50Z	5n222.0†	06	G40Z, G48A, G48B, G48C
17		R01A, R01B, R01C, R01D, R02Z, R12A, R12B, R12C	5n217.11†		06	G40Z, G46A, G46B, G46C, G47Z, G50Z	5n222.1†	06	G40Z, G48A, G48B, G48C
21A		W04A, W04B	5n217.12†		BOP, KVT, UOP4	5n222.2†	06	G40Z, G48A, G48B, G48C	
21B		X06A, X06B, X06C, X33Z		06	G40Z, G46A, G46B, G46C, G47Z, G50Z	5n222.3†	06	G40Z, G48A, G48B, G48C	
23		Z01A		5n217.13†	06	G40Z, G46A, G46B, G46C, G47Z, G50Z	5n222.4†	06	G40Z, G48A, G48B
Pre		A07A, A11A, A13A, A13B, A13D	5n217.1x†		BOP, KVT, UOP4	5n222.5†	06	G40Z, G48A, G48B	
		BOP, KVT, UOP4		06	G40Z, G46A, G46B, G46C, G47Z, G50Z	5n222.x†	06	G40Z, G48A, G48B, G48C	
06		G13Z, G21A, G21B		5n217.4†		BOP, KVT, UOP4	5n223.0		BOP, KVT, UOP4
17		R01A, R01B, R01C, R01D, R02Z, R12A, R12B, R12C	06		G40Z, G46A, G46B, G46C, G47Z, G50Z	06	G13Z, G21A, G21B		
		BOP, KVT, UOP4	5n217.5†			BOP, KVT, UOP4	10	K09A, K09B	
06		G13Z, G21A, G21B		06	G40Z, G46A, G46B, G46C, G47Z, G50Z	17	R01A, R01B, R01C, R01D, R02Z, R12A, R12B, R12C		
07		H06A, H06B, H06C		5n219.0		BOP, KVT, UOP4	5n223.1		BOP, KVT, UOP4
17		R01A, R01B, R01C, R01D, R02Z, R12A, R12B, R12C	06		G13Z, G21A, G21B	06	G13Z, G21A, G21B		
	BOP, KVT, UOP4	16	Q03A, Q03B		10	K09A, K09B			
5n210	06	G13Z, G21A, G21B	17	R01A, R01B, R01C, R01D, R02Z, R12A, R12B, R12C	17	R01A, R01B, R01C, R01D, R02Z, R12A, R12B, R12C			
	17	R01A, R01B, R01C, R01D, R02Z, R12A, R12B, R12C	5n219.1†		BOP, KVT, UOP4	5n223.2		BOP, KVT, UOP4	
		BOP, KVT, UOP4		06	G40Z, G46A, G46B, G46C, G47Z, G50Z		06	G13Z, G21A, G21B	
06	G13Z, G21A, G21B	5n219.2			BOP, KVT, UOP4		10	K09A, K09B	
5n211.0	06	G13Z, G21A, G21B	06	G13Z, G21A, G21B	17	R01A, R01B, R01C, R01D, R02Z, R12A, R12B, R12C			
	07	H06A, H06B, H06C	16	Q03A, Q03B	17	R01A, R01B, R01C, R01D, R02Z, R12A, R12B, R12C			
	17	R01A, R01B, R01C, R01D, R02Z, R12A, R12B, R12C	5n219.4†		BOP, KVT, UOP4	5n223.4		BOP, KVT, UOP4	
	BOP, KVT, UOP4	06		G40Z, G46A, G46B, G46C, G47Z, G50Z	06		G13Z, G21A, G21B		
06	G13Z, G21A, G21B	5n219.x†		06	G40Z, G46A, G46B, G46C, G47Z, G50Z		10	K09A, K09B	
5n211.2	06	G13Z, G21A, G21B	5n21a.0		BOP, KVT, UOP4	5n223.x		BOP, KVT, UOP4	
	07	H06A, H06B, H06C		06	G13Z, G21A, G21B		06	G13Z, G21A, G21B	
	17	R01A, R01B, R01C, R01D, R02Z, R12A, R12B, R12C		17	R01A, R01B, R01C, R01D, R02Z, R12A, R12B, R12C		10	K09A, K09B	
5n214.0	06	G13Z, G21A, G21B	5n21a.1†		BOP, KVT, UOP4	5n224.0		BOP, KVT, UOP4	
	07	H06A, H06B, H06C		06	G40Z, G46A, G46B, G46C, G47Z, G50Z		06	G13Z, G21A, G21B	
	17	R01A, R01B, R01C, R01D, R02Z, R12A, R12B, R12C		06	G13Z, G21A, G21B		10	K09A, K09B	
5n214.1	06	G13Z, G21A, G21B	5n21a.2		BOP, KVT, UOP4	5n224.1		BOP, KVT, UOP4	
	07	H06A, H06B, H06C		06	G13Z, G21A, G21B		06	G13Z, G21A, G21B	
	17	R01A, R01B, R01C, R01D, R02Z, R12A, R12B, R12C		17	R01A, R01B, R01C, R01D, R02Z, R12A, R12B, R12C		10	K09A, K09B	
5n214.2	06	G13Z, G21A, G21B	5n21a.4†		BOP, KVT, UOP4	5n224.x		BOP, KVT, UOP4	
	07	H06A, H06B, H06C		06	G40Z, G46A, G46B, G46C, G47Z, G50Z		06	G13Z, G21A, G21B	
	17	R01A, R01B, R01C, R01D, R02Z, R12A, R12B, R12C		06	G40Z, G46A, G46B, G46C, G47Z, G50Z		10	K09A, K09B	
5n214.4	06	G13Z, G21A, G21B	5n21a.x†		BOP, KVT, UOP4	5n224.1		BOP, KVT, UOP4	
	07	H06A, H06B, H06C		06	G13Z, G21A, G21B		06	G13Z, G21A, G21B	
	17	R01A, R01B, R01C, R01D, R02Z, R12A, R12B, R12C		17	R01A, R01B, R01C, R01D, R02Z, R12A, R12B, R12C		10	K09A, K09B	
5n214.x	06	G13Z, G21A, G21B		BOP, KVT, UOP4	5n224.1		BOP, KVT, UOP4		
	07	H06A, H06B, H06C	06	G40Z, G46A, G46B, G46C, G47Z, G50Z		06	G13Z, G21A, G21B		
	17	R01A, R01B, R01C, R01D, R02Z, R12A, R12B, R12C	06	G40Z, G46A, G46B, G46C, G47Z, G50Z		10	K09A, K09B		
	BOP, KVT, UOP4		BOP, KVT, UOP4	17	R01A, R01B, R01C, R01D, R02Z, R12A, R12B, R12C				

ZZV	MDC	DRG	ZZV	MDC	DRG	ZZV	MDC	DRG
5n224.2		BOP, KVT, UOP4	5n230.4		BOP, KOP, KOPV, KVT, UOP4	5n231.4		BOP, KOP, KOPV, KVT, UOP4
	06	G13Z, G21A, G21B		05	F36A, F36B		05	F36A, F36B
	10	K09A, K09B		06	G01Z, G02Z, G15Z, G18A, G18B, G33Z, G38Z		06	G01Z, G02Z, G15Z, G18A, G18B, G33Z, G38Z
	17	R01A, R01B, R01C, R01D, R02Z, R12A, R12B, R12C		07	H33Z, H38Z		07	H33Z, H38Z
5n224.4		BOP, KVT, UOP4		10	K09A, K09B		10	K09A, K09B
	06	G13Z, G21A, G21B		11	L10Z, L33Z, L38Z		11	L10Z, L33Z, L38Z
	10	K09A, K09B		12	M37Z, M38Z		12	M37Z, M38Z
	17	R01A, R01B, R01C, R01D, R02Z, R12A, R12B, R12C		13	N01A, N01B, N01C, N01D, N01E, N34Z, N38Z		13	N01A, N01B, N01C, N01D, N01E, N34Z, N38Z
5n224.x		BOP, KVT, UOP4		14	O04A		14	O04A
	06	G13Z, G21A, G21B		17	R01A, R01B, R01C, R01D, R02Z, R12A, R12B, R12C		17	R01A, R01B, R01C, R01D, R02Z, R12A, R12B, R12C
	10	K09A, K09B		21A	W04A, W04B		21A	W04A, W04B
	17	R01A, R01B, R01C, R01D, R02Z, R12A, R12B, R12C		21B	X06A, X06B, X33Z		21B	X06A, X06B, X33Z
5n225.0‡	06	G40Z, G48A, G48B, G48C		23	Z01A		23	Z01A
5n225.1‡	06	G40Z, G48A, G48B, G48C		Pre	A07A, A11A, A13A, A13B, A13D		Pre	A07A, A11A, A13A, A13B, A13D
5n225.2‡	06	G40Z, G48A, G48B, G48C	5n231.0		BOP, KOP, KOPV, KVT, UOP4	5n232.0		BOP, KOP, KOPV, KVT, UOP4
5n225.4‡	06	G40Z, G48A, G48B, G48C		05	F36A, F36B		05	F36A, F36B
5n225.x‡	06	G40Z, G48A, G48B, G48C		06	G01Z, G02Z, G15Z, G18A, G18B, G33Z, G38Z		06	G01Z, G02Z, G15Z, G18A, G18B, G33Z, G38Z
5n22x.0‡	06	G40Z, G48A, G48B, G48C		07	H33Z, H38Z		07	H33Z, H38Z
5n22x.1‡	06	G40Z, G48A, G48B, G48C		10	K09A, K09B		10	K09A, K09B
5n22x.2‡	06	G40Z, G48A, G48B, G48C		11	L10Z, L33Z, L38Z		11	L10Z, L33Z, L38Z
5n22x.4‡	06	G40Z, G48A, G48B, G48C		12	M37Z, M38Z		12	M37Z, M38Z
5n22x.x‡	06	G40Z, G48A, G48B, G48C		13	N01A, N01B, N01C, N01D, N01E, N34Z, N38Z		13	N01A, N01B, N01C, N01D, N01E, N34Z, N38Z
5n230.0		BOP, KOP, KOPV, KVT, UOP4		14	O04A		14	O04A
	05	F36A, F36B		17	R01A, R01B, R01C, R01D, R02Z, R12A, R12B, R12C		17	R01A, R01B, R01C, R01D, R02Z, R12A, R12B, R12C
	06	G01Z, G02Z, G15Z, G18A, G18B, G33Z, G38Z		21A	W01A, W01B, W01C, W02A, W02B, W04A, W04B		21A	W01A, W01B, W01C, W02A, W02B, W04A, W04B
	07	H33Z, H38Z		21B	X06A, X06B, X33Z		21B	X06A, X06B, X33Z
	10	K09A, K09B		23	Z01A		23	Z01A
	11	L10Z, L33Z, L38Z		Pre	A07A, A11A, A13A, A13B, A13D		Pre	A07A, A11A, A13A, A13B, A13D
	12	M37Z, M38Z	5n231.2		BOP, KOP, KOPV, KVT, UOP4	5n232.2		BOP, KOP, KOPV, KVT, UOP4
	13	N01A, N01B, N01C, N01D, N01E, N34Z, N38Z		05	F36A, F36B		05	F36A, F36B
	14	O04A		06	G01Z, G02Z, G15Z, G18A, G18B, G33Z, G38Z		06	G01Z, G02Z, G15Z, G18A, G18B, G33Z, G38Z
	17	R01A, R01B, R01C, R01D, R02Z, R12A, R12B, R12C		07	H33Z, H38Z		07	H33Z, H38Z
	21A	W04A, W04B		10	K09A, K09B		10	K09A, K09B
	21B	X06A, X06B, X33Z		11	L10Z, L33Z, L38Z		11	L10Z, L33Z, L38Z
	23	Z01A		12	M37Z, M38Z		12	M37Z, M38Z
	Pre	A07A, A11A, A13A, A13B, A13D		13	N01A, N01B, N01C, N01D, N01E, N34Z, N38Z		13	N01A, N01B, N01C, N01D, N01E, N34Z, N38Z
5n230.2		BOP, KOP, KOPV, KVT, UOP4		14	O04A		14	O04A
	05	F36A, F36B		17	R01A, R01B, R01C, R01D, R02Z, R12A, R12B, R12C		17	R01A, R01B, R01C, R01D, R02Z, R12A, R12B, R12C
	06	G01Z, G02Z, G15Z, G18A, G18B, G33Z, G38Z		21A	W04A, W04B		21A	W04A, W04B
	07	H33Z, H38Z		21B	X06A, X06B, X33Z		21B	X06A, X06B, X33Z
	10	K09A, K09B		23	Z01A		23	Z01A
	11	L10Z, L33Z, L38Z		Pre	A07A, A11A, A13A, A13B, A13D		Pre	A07A, A11A, A13A, A13B, A13D
	12	M37Z, M38Z						
	13	N01A, N01B, N01C, N01D, N01E, N34Z, N38Z						
	14	O04A						
	17	R01A, R01B, R01C, R01D, R02Z, R12A, R12B, R12C						
	21A	W04A, W04B						
	21B	X06A, X06B, X33Z						
	23	Z01A						
	Pre	A07A, A11A, A13A, A13B, A13D						

VYK



ZZV	MDC	DRG	ZZV	MDC	DRG	ZZV	MDC	DRG			
5n232.4		BOP, KOP, KOPV, KVT, UOP4	5n233.4		BOP, KOP, KOPV, KVT, UOP4	5n234.4		BOP, KOP, KOPV, KVT, UOP4			
	05	F36A, F36B		05	F36A, F36B		05	F36A, F36B			
	06	G01Z, G02Z, G15Z, G18A, G18B, G33Z, G38Z		06	G01Z, G02Z, G15Z, G33Z, G38Z		06	G01Z, G02Z, G15Z, G18A, G18B, G33Z, G38Z			
	07	H33Z, H38Z		07	H33Z, H38Z		07	H33Z, H38Z			
	10	K09A, K09B		10	K09A, K09B		10	K09A, K09B			
	11	L10Z, L33Z, L38Z		11	L10Z, L33Z, L38Z		11	L10Z, L33Z, L38Z			
	12	M37Z, M38Z		12	M37Z, M38Z		12	M37Z, M38Z			
	13	N01A, N01B, N01C, N01D, N01E, N34Z, N38Z		13	N01A, N01B, N01C, N01D, N01E, N34Z, N38Z		13	N01A, N01B, N01C, N01D, N01E, N34Z, N38Z			
	14	O04A		14	O04A		14	O04A			
	17	R01A, R01B, R01C, R01D, R02Z, R12A, R12B, R12C		17	R01A, R01B, R01C, R01D, R02Z, R12A, R12B, R12C		17	R01A, R01B, R01C, R01D, R02Z, R12A, R12B, R12C			
	21A	W04A, W04B		21A	W04A, W04B		21A	W04A, W04B			
	21B	X06A, X06B, X33Z		21B	X06A, X06B, X33Z		21B	X06A, X06B, X33Z			
	23	Z01A		23	Z01A		23	Z01A			
	Pre	A07A, A11A, A13A, A13B, A13D		Pre	A07A, A11A, A13A, A13B, A13D		Pre	A07A, A11A, A13A, A13B, A13D			
	5n233.0			BOP, KOP, KOPV, KVT, UOP4	5n234.0			BOP, KOP, KOPV, KVT, UOP4	5n235.0		BOP, KOP, KOPV, KVT, UOP4
		05		F36A, F36B			05	F36A, F36B		05	F36A, F36B
06		G01Z, G02Z, G03A, G15Z, G33Z, G38Z	06	G01Z, G02Z, G15Z, G18A, G18B, G33Z, G38Z		06	G01Z, G02Z, G15Z, G18A, G18B, G33Z, G38Z				
07		H33Z, H38Z	07	H33Z, H38Z		07	H33Z, H38Z				
10		K09A, K09B	10	K09A, K09B		10	K09A, K09B				
11		L10Z, L33Z, L38Z	11	L10Z, L33Z, L38Z		11	L10Z, L33Z, L38Z				
12		M37Z, M38Z	12	M37Z, M38Z		12	M37Z, M38Z				
13		N01A, N01B, N01C, N01D, N01E, N34Z, N38Z	13	N01A, N01B, N01C, N01D, N01E, N34Z, N38Z		13	N01A, N01B, N01C, N01D, N01E, N34Z, N38Z				
14		O04A	14	O04A		14	O04A				
17		R01A, R01B, R01C, R01D, R02Z, R12A, R12B, R12C	17	R01A, R01B, R01C, R01D, R02Z, R12A, R12B, R12C		17	R01A, R01B, R01C, R01D, R02Z, R12A, R12B, R12C				
21A		W01A, W01B, W01C, W02A, W02B, W04A, W04B	21A	W04A, W04B		21A	W04A, W04B				
21B		X06A, X06B, X33Z	21B	X06A, X06B, X33Z		21B	X06A, X06B, X33Z				
23		Z01A	23	Z01A		23	Z01A				
Pre		A07A, A11A, A13A, A13B, A13D	Pre	A07A, A11A, A13A, A13B, A13D		Pre	A07A, A11A, A13A, A13B, A13D				
5n233.2			BOP, KOP, KOPV, KVT, UOP4	5n234.2			BOP, KOP, KOPV, KVT, UOP4	5n235.2			BOP, KOP, KOPV, KVT, UOP4
		05	F36A, F36B			05	F36A, F36B			05	F36A, F36B
	06	G01Z, G02Z, G15Z, G33Z, G38Z	06		G01Z, G02Z, G15Z, G18A, G18B, G33Z, G38Z	06	G01Z, G02Z, G15Z, G18A, G18B, G33Z, G38Z				
	07	H33Z, H38Z	07		H33Z, H38Z	07	H33Z, H38Z				
	10	K09A, K09B	10		K09A, K09B	10	K09A, K09B				
	11	L10Z, L33Z, L38Z	11		L10Z, L33Z, L38Z	11	L10Z, L33Z, L38Z				
	12	M37Z, M38Z	12		M37Z, M38Z	12	M37Z, M38Z				
	13	N01A, N01B, N01C, N01D, N01E, N34Z, N38Z	13		N01A, N01B, N01C, N01D, N01E, N34Z, N38Z	13	N01A, N01B, N01C, N01D, N01E, N34Z, N38Z				
	14	O04A	14		O04A	14	O04A				
	17	R01A, R01B, R01C, R01D, R02Z, R12A, R12B, R12C	17		R01A, R01B, R01C, R01D, R02Z, R12A, R12B, R12C	17	R01A, R01B, R01C, R01D, R02Z, R12A, R12B, R12C				
	21A	W04A, W04B	21A		W04A, W04B	21A	W04A, W04B				
	21B	X06A, X06B, X33Z	21B		X06A, X06B, X33Z	21B	X06A, X06B, X33Z				
	23	Z01A	23		Z01A	23	Z01A				
	Pre	A07A, A11A, A13A, A13B, A13D	Pre		A07A, A11A, A13A, A13B, A13D	Pre	A07A, A11A, A13A, A13B, A13D				

## Príloha B: Index Výkon-MDC-DRG

ZZV	MDC	DRG	ZZV	MDC	DRG	ZZV	MDC	DRG			
5n235.4		BOP, KOP, KOPV, KVT, UOP4	5n236.4		BOP, KOP, KOPV, KVT, UOP4	5n240.02		BOP, KOP, KOPV, KVT, UOP4			
	05	F36A, F36B		05	F36A, F36B		05	F36A, F36B			
	06	G01Z, G02Z, G15Z, G18A, G18B, G33Z, G38Z		06	G01Z, G02Z, G15Z, G18A, G18B, G33Z, G38Z		06	G01Z, G02Z, G15Z, G18A, G18B, G33Z, G38Z			
	07	H33Z, H38Z		07	H33Z, H38Z		07	H33Z, H38Z			
	10	K09A, K09B		10	K09A, K09B		10	K09A, K09B			
	11	L10Z, L33Z, L38Z		11	L10Z, L33Z, L38Z		11	L10Z, L33Z, L38Z			
	12	M37Z, M38Z		12	M37Z, M38Z		12	M37Z, M38Z			
	13	N01A, N01B, N01C, N01D, N01E, N34Z, N38Z		13	N01A, N01B, N01C, N01D, N01E, N34Z, N38Z		13	N01A, N01B, N01C, N01D, N01E, N34Z, N38Z			
	14	O04A		17	R01A, R01B, R01C, R01D, R02Z, R12A, R12B, R12C		17	R01A, R01B, R01C, R01D, R02Z, R12A, R12B, R12C			
	17	R01A, R01B, R01C, R01D, R02Z, R12A, R12B, R12C		21A	W04A, W04B		21A	W04A, W04B			
	21A	W04A, W04B		21B	X06A, X06B, X33Z		21B	X06A, X06B, X33Z			
	21B	X06A, X06B, X33Z		23	Z01A		23	Z01A			
	23	Z01A		Pre	A07A, A11A, A13A, A13B, A13D		Pre	A07A, A11A, A13A, A13B, A13D			
	Pre	A07A, A11A, A13A, A13B, A13D									
	5n236.0			BOP, KOP, KOPV, KVT, UOP4	5n238			BOP, KOP, KOPV, KVT, UOP4	5n240.03		BOP, KOP, KOPV, KVT, UOP4
		05		F36A, F36B			05	F36A, F36B		05	F36A, F36B
		06		G01Z, G02Z, G15Z, G18A, G18B, G33Z, G38Z			06	G01Z, G02Z, G15Z, G18A, G18B, G33Z, G38Z		06	G01Z, G02Z, G15Z, G18A, G18B, G33Z, G38Z
07		H33Z, H38Z	07	H33Z, H38Z		07	H33Z, H38Z				
10		K09A, K09B	10	K09A, K09B		10	K09A, K09B				
11		L10Z, L33Z, L38Z	11	L10Z, L33Z, L38Z		11	L10Z, L33Z, L38Z				
12		M37Z, M38Z	12	M37Z, M38Z		12	M37Z, M38Z				
13		N01A, N01B, N01C, N01D, N01E, N34Z, N38Z	13	N01A, N01B, N01C, N01D, N01E, N34Z, N38Z		13	N01A, N01B, N01C, N01D, N01E, N34Z, N38Z				
14		O04A	17	R01A, R01B, R01C, R01D, R02Z, R12A, R12B, R12C		17	R01A, R01B, R01C, R01D, R02Z, R12A, R12B, R12C				
17		R01A, R01B, R01C, R01D, R02Z, R12A, R12B, R12C	21A	W04A, W04B		21A	W04A, W04B				
21A		W04A, W04B	21B	X06A, X06B, X33Z		21B	X06A, X06B, X33Z				
21B		X06A, X06B, X33Z	23	Z01A		23	Z01A				
23		Z01A	Pre	A07A		Pre	A07A, A11A, A13A, A13B, A13D				
Pre		A07A, A11A, A13A, A13B, A13D									
5n236.2			BOP, KOP, KOPV, KVT, UOP4	5n23x			BOP, KOP, KOPV, KVT, UOP4	5n240.04			BOP, KOP, KOPV, KVT, UOP4
		05	F36A, F36B			05	F36A, F36B			05	F36A, F36B
		06	G01Z, G02Z, G15Z, G18A, G18B, G33Z, G38Z			06	G01Z, G02Z, G15Z, G18A, G18B, G33Z, G38Z			06	G01Z, G02Z, G15Z, G18A, G18B, G33Z, G38Z
	07	H33Z, H38Z	07		H33Z, H38Z	07	H33Z, H38Z				
	10	K09A, K09B	10		K09A, K09B	10	K09A, K09B				
	11	L10Z, L33Z, L38Z	11		L33Z	11	L10Z, L33Z, L38Z				
	12	M37Z, M38Z	17		R01A, R01B, R01C, R01D, R02Z, R12A, R12B, R12C	12	M37Z, M38Z				
	13	N01A, N01B, N01C, N01D, N01E, N34Z, N38Z	21A		W04A, W04B	13	N01A, N01B, N01C, N01D, N01E, N34Z, N38Z				
	14	O04A	21B		X06A, X06B	17	R01A, R01B, R01C, R01D, R02Z, R12A, R12B, R12C				
	17	R01A, R01B, R01C, R01D, R02Z, R12A, R12B, R12C	23		Z01A	21A	W04A, W04B				
	21A	W04A, W04B	Pre		A07A, A11A, A13A, A13B, A13D	21B	X06A, X06B, X33Z				
	21B	X06A, X06B, X33Z				23	Z01A				
	23	Z01A				Pre	A07A, A11A, A13A, A13B, A13D				
	Pre	A07A, A11A, A13A, A13B, A13D									
	5n236.4		BOP, KOP, KOPV, KVT, UOP4		5n240.01		BOP, KOP, KOPV, KVT, UOP4		5n240.02		BOP, KOP, KOPV, KVT, UOP4
		05	F36A, F36B			05	F36A, F36B			05	F36A, F36B
		06	G01Z, G02Z, G15Z, G18A, G18B, G33Z, G38Z			06	G01Z, G02Z, G15Z, G18A, G18B, G33Z, G38Z			06	G01Z, G02Z, G15Z, G18A, G18B, G33Z, G38Z
07		H33Z, H38Z	07	H33Z, H38Z		07	H33Z, H38Z				
10		K09A, K09B	10	K09A, K09B		10	K09A, K09B				
11		L10Z, L33Z, L38Z	11	L10Z, L33Z, L38Z		11	L10Z, L33Z, L38Z				
12		M37Z, M38Z	12	M37Z, M38Z		12	M37Z, M38Z				
13		N01A, N01B, N01C, N01D, N01E, N34Z, N38Z	13	N01A, N01B, N01C, N01D, N01E, N34Z, N38Z		13	N01A, N01B, N01C, N01D, N01E, N34Z, N38Z				
14		O04A	17	R01A, R01B, R01C, R01D, R02Z, R12A, R12B, R12C		17	R01A, R01B, R01C, R01D, R02Z, R12A, R12B, R12C				
17		R01A, R01B, R01C, R01D, R02Z, R12A, R12B, R12C	21A	W04A, W04B		21A	W04A, W04B				
21A		W04A, W04B	21B	X06A, X06B, X33Z		21B	X06A, X06B, X33Z				
21B		X06A, X06B, X33Z	23	Z01A		23	Z01A				
23		Z01A	Pre	A07A, A11A, A13A, A13B, A13D		Pre	A07A, A11A, A13A, A13B, A13D				
Pre		A07A, A11A, A13A, A13B, A13D									

VYK

ZZV	MDC	DRG	ZZV	MDC	DRG	ZZV	MDC	DRG			
5n240.21		BOP, KOP, KOPV, KVT, UOP4	5n240.x		BOP, KOP, KOPV, KVT, UOP4	5n241.04		BOP, KOP, KOPV, KVT, UOP4			
	05	F36A, F36B		05	F36A, F36B		05	F36A, F36B			
	06	G01Z, G02Z, G15Z, G18A, G18B, G33Z, G38Z		06	G01Z, G02Z, G15Z, G18A, G18B, G33Z, G38Z		06	G01Z, G02Z, G15Z, G33Z, G38Z			
	07	H33Z, H38Z		07	H33Z, H38Z		07	H33Z, H38Z			
	10	K09A, K09B		10	K09A, K09B		10	K09A, K09B			
	11	L10Z, L33Z, L38Z		11	L10Z, L33Z, L38Z		11	L10Z, L33Z, L38Z			
	12	M37Z, M38Z		12	M37Z, M38Z		12	M37Z, M38Z			
	13	N01A, N01B, N01C, N01D, N01E, N34Z, N38Z		13	N01A, N01B, N01C, N01D, N01E, N34Z, N38Z		13	N01A, N01B, N01C, N01D, N01E, N34Z, N38Z			
	17	R01A, R01B, R01C, R01D, R02Z, R12A, R12B, R12C		17	R01A, R01B, R01C, R01D, R02Z, R12A, R12B, R12C		17	R01A, R01B, R01C, R01D, R02Z, R12A, R12B, R12C			
	21A	W04A, W04B		21A	W04A, W04B		21A	W04A, W04B			
	21B	X06A, X06B, X33Z		21B	X06A, X06B, X33Z		21B	X06A, X06B, X33Z			
	23	Z01A		23	Z01A		23	Z01A			
	Pre	A07A, A11A, A13A, A13B, A13D		Pre	A07A, A11A, A13A, A13B, A13D		Pre	A07A			
	5n240.25			BOP, KOP, KOPV, KVT, UOP4	5n241.01			BOP, KOP, KOPV, KVT, UOP4	5n241.21		BOP, KOP, KOPV, KVT, UOP4
		05		F36A, F36B			05	F36A, F36B		05	F36A, F36B
		06		G01Z, G02Z, G15Z, G18A, G18B, G33Z, G38Z			06	G01Z, G02Z, G03A, G15Z, G33Z, G38Z		06	G01Z, G02Z, G15Z, G33Z, G38Z
07		H33Z, H38Z	07	H33Z, H38Z		07	H33Z, H38Z				
10		K09A, K09B	10	K09A, K09B		10	K09A, K09B				
11		L10Z, L33Z, L38Z	11	L10Z, L33Z, L38Z		11	L10Z, L33Z, L38Z				
12		M37Z, M38Z	12	M37Z, M38Z		12	M37Z, M38Z				
13		N01A, N01B, N01C, N01D, N01E, N34Z, N38Z	13	N01A, N01B, N01C, N01D, N01E, N34Z, N38Z		13	N01A, N01B, N01C, N01D, N01E, N34Z, N38Z				
17		R01A, R01B, R01C, R01D, R02Z, R12A, R12B, R12C	17	R01A, R01B, R01C, R01D, R02Z, R12A, R12B, R12C		17	R01A, R01B, R01C, R01D, R02Z, R12A, R12B, R12C				
21A		W04A, W04B	21A	W04A, W04B		21A	W04A, W04B				
21B		X06A, X06B, X33Z	21B	X06A, X06B, X33Z		21B	X06A, X06B, X33Z				
23		Z01A	23	Z01A		23	Z01A				
Pre		A07A, A11A, A13A, A13B, A13D	Pre	A07A		Pre	A07A				
5n240.4			BOP, KOP, KOPV, KVT, UOP4	5n241.02			BOP, KOP, KOPV, KVT, UOP4	5n241.25			BOP, KOP, KOPV, KVT, UOP4
		05	F36A, F36B			05	F36A, F36B			05	F36A, F36B
		06	G01Z, G02Z, G15Z, G18A, G18B, G33Z, G38Z			06	G01Z, G02Z, G15Z, G33Z, G38Z			06	G01Z, G02Z, G15Z, G33Z, G38Z
	07	H33Z, H38Z	07		H33Z, H38Z	07	H33Z, H38Z				
	10	K09A, K09B	10		K09A, K09B	10	K09A, K09B				
	11	L10Z, L33Z, L38Z	11		L10Z, L33Z, L38Z	11	L10Z, L33Z, L38Z				
	12	M37Z, M38Z	12		M37Z, M38Z	12	M37Z, M38Z				
	13	N01A, N01B, N01C, N01D, N01E, N34Z, N38Z	13		N01A, N01B, N01C, N01D, N01E, N34Z, N38Z	13	N01A, N01B, N01C, N01D, N01E, N34Z, N38Z				
	17	R01A, R01B, R01C, R01D, R02Z, R12A, R12B, R12C	17		R01A, R01B, R01C, R01D, R02Z, R12A, R12B, R12C	17	R01A, R01B, R01C, R01D, R02Z, R12A, R12B, R12C				
	21A	W04A, W04B	21A		W04A, W04B	21A	W04A, W04B				
	21B	X06A, X06B, X33Z	21B		X06A, X06B, X33Z	21B	X06A, X06B, X33Z				
	23	Z01A	23		Z01A	23	Z01A				
	Pre	A07A, A11A, A13A, A13B, A13D	Pre		A07A	Pre	A07A				
	5n240.4		BOP, KOP, KOPV, KVT, UOP4		5n241.03		BOP, KOP, KOPV, KVT, UOP4		5n241.4		BOP, KOP, KOPV, KVT, UOP4
		05	F36A, F36B			05	F36A, F36B			05	F36A, F36B
		06	G01Z, G02Z, G15Z, G18A, G18B, G33Z, G38Z			06	G01Z, G02Z, G15Z, G33Z, G38Z			06	G01Z, G02Z, G15Z, G33Z, G38Z
07		H33Z, H38Z	07	H33Z, H38Z		07	H33Z, H38Z				
10		K09A, K09B	10	K09A, K09B		10	K09A, K09B				
11		L10Z, L33Z, L38Z	11	L10Z, L33Z, L38Z		11	L10Z, L33Z, L38Z				
12		M37Z, M38Z	12	M37Z, M38Z		12	M37Z, M38Z				
13		N01A, N01B, N01C, N01D, N01E, N34Z, N38Z	13	N01A, N01B, N01C, N01D, N01E, N34Z, N38Z		13	N01A, N01B, N01C, N01D, N01E, N34Z, N38Z				
17		R01A, R01B, R01C, R01D, R02Z, R12A, R12B, R12C	17	R01A, R01B, R01C, R01D, R02Z, R12A, R12B, R12C		17	R01A, R01B, R01C, R01D, R02Z, R12A, R12B, R12C				
21A		W04A, W04B	21A	W04A, W04B		21A	W04A, W04B				
21B		X06A, X06B, X33Z	21B	X06A, X06B, X33Z		21B	X06A, X06B, X33Z				
23		Z01A	23	Z01A		23	Z01A				
Pre		A07A, A11A, A13A, A13B, A13D	Pre	A07A		Pre	A07A				

## Príloha B: Index Výkon-MDC-DRG

ZZV	MDC	DRG	ZZV	MDC	DRG	ZZV	MDC	DRG			
5n241.x		BOP, KOP, KOPV, KVT, UOP4	5n242.21		BOP, KVT, UOP4	5n243.2		BOP, KVT, UOP4			
	05	F36A, F36B		06	G01Z, G02Z, G15Z, G18A, G18B, G38Z		06	G01Z, G02Z, G15Z, G18A, G18B, G18C, G38Z			
	06	G01Z, G02Z, G15Z, G33Z, G38Z		10	K09A, K09B		10	K09A, K09B			
	07	H33Z, H38Z		11	L10Z, L38Z		11	L10Z, L38Z			
	10	K09A, K09B		12	M37Z, M38Z		12	M37Z, M38Z			
	11	L10Z, L33Z, L38Z		13	N01A, N01B, N01C, N01D, N01E, N34Z, N38Z		13	N01A, N01B, N01C, N01D, N01E, N34Z, N38Z			
	12	M37Z, M38Z		17	R01A, R01B, R01C, R01D, R02Z, R12A, R12B, R12C		17	R01A, R01B, R01C, R01D, R02Z, R12A, R12B, R12C			
	13	N01A, N01B, N01C, N01D, N01E, N34Z, N38Z		21A	W04A, W04B		21A	W04A, W04B			
	17	R01A, R01B, R01C, R01D, R02Z, R12A, R12B, R12C		21B	X06A, X06B		21B	X06A, X06B			
	21A	W04A, W04B		Pre	A11A, A13A, A13B, A13D		Pre	A11A, A13A, A13B, A13D			
	21B	X06A, X06B, X33Z		5n242.25			BOP, KVT, UOP4	5n243.4		BOP, KVT, UOP4	
	23	Z01A			06		G01Z, G02Z, G15Z, G18A, G18B, G38Z		06	G01Z, G02Z, G15Z, G18A, G18B, G18C, G38Z	
	Pre	A07A			10		K09A, K09B		10	K09A, K09B	
	5n242.01				BOP, KVT, UOP4		11		L10Z, L38Z	11	L10Z, L38Z
		06			G01Z, G02Z, G15Z, G18A, G18B, G38Z		12		M37Z, M38Z	12	M37Z, M38Z
		10			K09A, K09B		13		N01A, N01B, N01C, N01D, N01E, N34Z, N38Z	13	N01A, N01B, N01C, N01D, N01E, N34Z, N38Z
		11			L10Z, L38Z		17		R01A, R01B, R01C, R01D, R02Z, R12A, R12B, R12C	17	R01A, R01B, R01C, R01D, R02Z, R12A, R12B, R12C
		12			M37Z, M38Z		21A		W04A, W04B	21A	W04A, W04B
		13			N01A, N01B, N01C, N01D, N01E, N34Z, N38Z		21B		X06A, X06B	21B	X06A, X06B
		17			R01A, R01B, R01C, R01D, R02Z, R12A, R12B, R12C		Pre		A11A, A13A, A13B, A13D	Pre	A11A, A13A, A13B, A13D
		21A			W04A, W04B		5n242.4			BOP, KVT, UOP4	5n244.01
21B		X06A, X06B	06		G01Z, G02Z, G15Z, G18A, G18B, G38Z	05			F36A, F36B		
Pre		A11A, A13A, A13B, A13D	10		K09A, K09B	06			G01Z, G02Z, G03A, G15Z, G18A, G18B, G33Z, G38Z		
5n242.02			BOP, KVT, UOP4		11	L10Z, L38Z			07	H33Z, H38Z	
		06	G01Z, G02Z, G15Z, G18A, G18B, G38Z		12	M37Z, M38Z			11	L10Z, L33Z, L38Z	
		10	K09A, K09B		13	N01A, N01B, N01C, N01D, N01E, N34Z, N38Z			12	M37Z, M38Z	
		11	L10Z, L38Z		17	R01A, R01B, R01C, R01D, R02Z, R12A, R12B, R12C			13	N01A, N01B, N01C, N01D, N01E, N34Z, N38Z	
		12	M37Z, M38Z		21A	W04A, W04B			17	R01A, R01B, R01C, R01D, R02Z, R12A, R12B, R12C	
	13	N01A, N01B, N01C, N01D, N01E, N34Z, N38Z	21B		X06A, X06B	21A			W04A, W04B		
	17	R01A, R01B, R01C, R01D, R02Z, R12A, R12B, R12C	Pre		A11A, A13A, A13B, A13D	21B			X06A, X06B, X33Z		
	21A	W04A, W04B	5n242.x			BOP, KVT, UOP4			23	Z01A	
	21B	X06A, X06B		06	G01Z, G02Z, G15Z, G18A, G18B, G38Z	Pre		A07A, A11A, A13A, A13B, A13D			
	Pre	A11A, A13A, A13B, A13D		10	K09A, K09B	5n244.02			BOP, KOP, KOPV, KVT, UOP4		
	5n242.03			BOP, KVT, UOP4	11			L10Z, L38Z	05	F36A, F36B	
		06		G01Z, G02Z, G15Z, G18A, G18B, G38Z	12			M37Z, M38Z	06	G01Z, G02Z, G15Z, G18A, G18B, G33Z, G38Z	
		10		K09A, K09B	13		N01A, N01B, N01C, N01D, N01E, N34Z, N38Z	07	H33Z, H38Z		
		11		L10Z, L38Z	17		R01A, R01B, R01C, R01D, R02Z, R12A, R12B, R12C	11	L10Z, L33Z, L38Z		
		12		M37Z, M38Z	21A		W04A, W04B	12	M37Z, M38Z		
13		N01A, N01B, N01C, N01D, N01E, N34Z, N38Z		21B	X06A, X06B		13	N01A, N01B, N01C, N01D, N01E, N34Z, N38Z			
17		R01A, R01B, R01C, R01D, R02Z, R12A, R12B, R12C		Pre	A11A, A13A, A13B, A13D		17	R01A, R01B, R01C, R01D, R02Z, R12A, R12B, R12C			
21A		W04A, W04B		5n243.0			BOP, KVT, UOP4	21A	W04A, W04B		
21B		X06A, X06B			06		G01Z, G02Z, G15Z, G18A, G18B, G18C, G38Z	21B	X06A, X06B, X33Z		
Pre		A11A, A13A, A13B, A13D			10		K09A, K09B	23	Z01A		
5n242.04					BOP, KVT, UOP4		11	L10Z, L38Z	Pre	A07A, A11A, A13A, A13B, A13D	
		06			G01Z, G02Z, G15Z, G18A, G18B, G38Z		12	M37Z, M38Z			
		10	K09A, K09B		13		N01A, N01B, N01C, N01D, N01E, N34Z, N38Z				
		11	L10Z, L38Z		17		R01A, R01B, R01C, R01D, R02Z, R12A, R12B, R12C				
		12	M37Z, M38Z		21A	W04A, W04B					
	13	N01A, N01B, N01C, N01D, N01E, N34Z, N38Z	21B		X06A, X06B						
	17	R01A, R01B, R01C, R01D, R02Z, R12A, R12B, R12C	Pre		A11A, A13A, A13B, A13D						
	21A	W04A, W04B									
	21B	X06A, X06B									
	Pre	A11A, A13A, A13B, A13D									

ZZV	MDC	DRG	ZZV	MDC	DRG	ZZV	MDC	DRG
5n244.03		BOP, KOP, KOPV, KVT, UOP4	5n244.4		BOP, KOP, KOPV, KVT, UOP4	5n245.03		BOP, KOP, KOPV, KVT, UOP4
	05	F36A, F36B		05	F36A, F36B		05	F36A, F36B
	06	G01Z, G02Z, G15Z, G18A, G18B, G33Z, G38Z		06	G01Z, G02Z, G15Z, G18A, G18B, G33Z, G38Z		06	G01Z, G02Z, G15Z, G33Z, G38Z
	07	H33Z, H38Z		07	H33Z, H38Z		07	H33Z, H38Z
	11	L10Z, L33Z, L38Z		11	L10Z, L33Z, L38Z		10	K09A, K09B
	12	M37Z, M38Z		12	M37Z, M38Z		11	L10Z, L33Z, L38Z
	13	N01A, N01B, N01C, N01D, N01E, N34Z, N38Z		13	N01A, N01B, N01C, N01D, N01E, N34Z, N38Z		12	M37Z, M38Z
	17	R01A, R01B, R01C, R01D, R02Z, R12A, R12B, R12C		17	R01A, R01B, R01C, R01D, R02Z, R12A, R12B, R12C		13	N01A, N01B, N01C, N01D, N01E, N34Z, N38Z
	21A	W04A, W04B		21A	W04A, W04B		17	R01A, R01B, R01C, R01D, R02Z, R12A, R12B, R12C
	21B	X06A, X06B, X33Z		21B	X06A, X06B, X33Z		21A	W04A, W04B
	23	Z01A		23	Z01A		21B	X06A, X06B, X33Z
	Pre	A07A, A11A, A13A, A13B, A13D		Pre	A07A, A11A, A13A, A13B, A13D		23	Z01A
							Pre	A07A, A11A, A13A, A13B, A13D
5n244.04		BOP, KOP, KOPV, KVT, UOP4	5n244.x		BOP, KOP, KOPV, KVT, UOP4	5n245.04		BOP, KOP, KOPV, KVT, UOP4
	05	F36A, F36B		05	F36A, F36B		05	F36A, F36B
	06	G01Z, G02Z, G15Z, G18A, G18B, G33Z, G38Z		06	G01Z, G02Z, G15Z, G18A, G18B, G33Z, G38Z		06	G01Z, G02Z, G15Z, G33Z, G38Z
	07	H33Z, H38Z		07	H33Z, H38Z		07	H33Z, H38Z
	11	L10Z, L33Z, L38Z		11	L10Z, L33Z, L38Z		10	K09A, K09B
	12	M37Z, M38Z		12	M37Z, M38Z		11	L10Z, L33Z, L38Z
	13	N01A, N01B, N01C, N01D, N01E, N34Z, N38Z		13	N01A, N01B, N01C, N01D, N01E, N34Z, N38Z		12	M37Z, M38Z
	17	R01A, R01B, R01C, R01D, R02Z, R12A, R12B, R12C		17	R01A, R01B, R01C, R01D, R02Z, R12A, R12B, R12C		13	N01A, N01B, N01C, N01D, N01E, N34Z, N38Z
	21A	W04A, W04B		21A	W04A, W04B		17	R01A, R01B, R01C, R01D, R02Z, R12A, R12B, R12C
	21B	X06A, X06B, X33Z		21B	X06A, X06B, X33Z		21A	W04A, W04B
	23	Z01A		23	Z01A		21B	X06A, X06B, X33Z
	Pre	A07A, A11A, A13A, A13B, A13D		Pre	A07A, A11A, A13A, A13B, A13D		23	Z01A
							Pre	A07A, A11A, A13A, A13B, A13D
5n244.21		BOP, KOP, KOPV, KVT, UOP4	5n245.01		BOP, KOP, KOPV, KVT, UOP4	5n245.21		BOP, KOP, KOPV, KVT, UOP4
	05	F36A, F36B		05	F36A, F36B		05	F36A, F36B
	06	G01Z, G02Z, G15Z, G18A, G18B, G33Z, G38Z		06	G01Z, G02Z, G15Z, G33Z, G38Z		06	G01Z, G02Z, G15Z, G33Z, G38Z
	07	H33Z, H38Z		07	H33Z, H38Z		07	H33Z, H38Z
	11	L10Z, L33Z, L38Z		10	K09A, K09B		10	K09A, K09B
	12	M37Z, M38Z		11	L10Z, L33Z, L38Z		11	L10Z, L33Z, L38Z
	13	N01A, N01B, N01C, N01D, N01E, N34Z, N38Z		12	M37Z, M38Z		12	M37Z, M38Z
	17	R01A, R01B, R01C, R01D, R02Z, R12A, R12B, R12C		13	N01A, N01B, N01C, N01D, N01E, N34Z, N38Z		13	N01A, N01B, N01C, N01D, N01E, N34Z, N38Z
	21A	W04A, W04B		17	R01A, R01B, R01C, R01D, R02Z, R12A, R12B, R12C		17	R01A, R01B, R01C, R01D, R02Z, R12A, R12B, R12C
	21B	X06A, X06B, X33Z		21A	W04A, W04B		21A	W04A, W04B
	23	Z01A		21B	X06A, X06B, X33Z		21B	X06A, X06B, X33Z
	Pre	A07A, A11A, A13A, A13B, A13D		23	Z01A		23	Z01A
				Pre	A07A, A11A, A13A, A13B, A13D		Pre	A07A, A11A, A13A, A13B, A13D
5n244.25		BOP, KOP, KOPV, KVT, UOP4	5n245.02		BOP, KOP, KOPV, KVT, UOP4	5n245.25		BOP, KOP, KOPV, KVT, UOP4
	05	F36A, F36B		05	F36A, F36B		05	F36A, F36B
	06	G01Z, G02Z, G15Z, G18A, G18B, G33Z, G38Z		06	G01Z, G02Z, G15Z, G18A, G18B, G33Z, G38Z		06	G01Z, G02Z, G15Z, G18A, G18B, G33Z, G38Z
	07	H33Z, H38Z		07	H33Z, H38Z		07	H33Z, H38Z
	11	L10Z, L33Z, L38Z		10	K09A, K09B		10	K09A, K09B
	12	M37Z, M38Z		11	L10Z, L33Z, L38Z		11	L10Z, L33Z, L38Z
	13	N01A, N01B, N01C, N01D, N01E, N34Z, N38Z		12	M37Z, M38Z		12	M37Z, M38Z
	17	R01A, R01B, R01C, R01D, R02Z, R12A, R12B, R12C		13	N01A, N01B, N01C, N01D, N01E, N34Z, N38Z		13	N01A, N01B, N01C, N01D, N01E, N34Z, N38Z
	21A	W04A, W04B		17	R01A, R01B, R01C, R01D, R02Z, R12A, R12B, R12C		17	R01A, R01B, R01C, R01D, R02Z, R12A, R12B, R12C
	21B	X06A, X06B, X33Z		21A	W04A, W04B		21A	W04A, W04B
	23	Z01A		21B	X06A, X06B, X33Z		21B	X06A, X06B, X33Z
	Pre	A07A, A11A, A13A, A13B, A13D		23	Z01A		23	Z01A
				Pre	A07A, A11A, A13A, A13B, A13D		Pre	A07A, A11A, A13A, A13B, A13D

VYK

ZZV	MDC	DRG	ZZV	MDC	DRG	ZZV	MDC	DRG
5n245.25		BOP, KOP, KOPV, KVT, UOP4	5n246.01		BOP, KOP, KOPV, KVT, UOP4	5n246.04		BOP, KOP, KOPV, KVT, UOP4
	05	F36A, F36B		05	F36A, F36B		05	F36A, F36B
	06	G01Z, G02Z, G15Z, G33Z, G38Z		06	G01Z, G02Z, G15Z, G18A, G18B, G33Z, G38Z		06	G01Z, G02Z, G15Z, G18A, G18B, G33Z, G38Z
	07	H33Z, H38Z		07	H33Z, H38Z		07	H33Z, H38Z
	10	K09A, K09B		10	K09A, K09B		10	K09A, K09B
	11	L10Z, L33Z, L38Z		11	L10Z, L33Z, L38Z		11	L10Z, L33Z, L38Z
	12	M37Z, M38Z		12	M37Z, M38Z		12	M37Z, M38Z
	13	N01A, N01B, N01C, N01D, N01E, N34Z, N38Z		13	N01A, N01B, N01C, N01D, N01E, N34Z, N38Z		13	N01A, N01B, N01C, N01D, N01E, N34Z, N38Z
	17	R01A, R01B, R01C, R01D, R02Z, R12A, R12B, R12C		17	R01A, R01B, R01C, R01D, R02Z, R12A, R12B, R12C		17	R01A, R01B, R01C, R01D, R02Z, R12A, R12B, R12C
	21A	W04A, W04B		21A	W04A, W04B		21A	W04A, W04B
	21B	X06A, X06B, X33Z		21B	X06A, X06B, X33Z		21B	X06A, X06B, X33Z
	23	Z01A		23	Z01A		23	Z01A
	Pre	A07A, A11A, A13A, A13B, A13D		Pre	A07A, A11A, A13A, A13B, A13D		Pre	A07A, A11A, A13A, A13B, A13D
	5n245.4			BOP, KOP, KOPV, KVT, UOP4	5n246.02			BOP, KOP, KOPV, KVT, UOP4
05		F36A, F36B	05	F36A, F36B		05	F36A, F36B	
06		G01Z, G02Z, G15Z, G33Z, G38Z	06	G01Z, G02Z, G15Z, G33Z, G38Z		06	G01Z, G02Z, G15Z, G18A, G18B, G33Z, G38Z	
07		H33Z, H38Z	07	H33Z, H38Z		07	H33Z, H38Z	
10		K09A, K09B	10	K09A, K09B		10	K09A, K09B	
11		L10Z, L33Z, L38Z	11	L10Z, L33Z, L38Z		11	L10Z, L33Z, L38Z	
12		M37Z, M38Z	12	M37Z, M38Z		12	M37Z, M38Z	
13		N01A, N01B, N01C, N01D, N01E, N34Z, N38Z	13	N01A, N01B, N01C, N01D, N01E, N34Z, N38Z		13	N01A, N01B, N01C, N01D, N01E, N34Z, N38Z	
17		R01A, R01B, R01C, R01D, R02Z, R12A, R12B, R12C	17	R01A, R01B, R01C, R01D, R02Z, R12A, R12B, R12C		17	R01A, R01B, R01C, R01D, R02Z, R12A, R12B, R12C	
21A		W04A, W04B	21A	W04A, W04B		21A	W04A, W04B	
21B		X06A, X06B, X33Z	21B	X06A, X06B, X33Z		21B	X06A, X06B, X33Z	
23		Z01A	23	Z01A		23	Z01A	
Pre		A07A, A11A, A13A, A13B, A13D	Pre	A07A, A11A, A13A, A13B, A13D		Pre	A07A, A11A, A13A, A13B, A13D	
5n245.x			BOP, KOP, KOPV, KVT, UOP4	5n246.03			BOP, KOP, KOPV, KVT, UOP4	5n246.25
	05	F36A, F36B	05		F36A, F36B	05	F36A, F36B	
	06	G01Z, G02Z, G15Z, G33Z, G38Z	06		G01Z, G02Z, G15Z, G18A, G18B, G33Z, G38Z	06	G01Z, G02Z, G15Z, G18A, G18B, G33Z, G38Z	
	07	H33Z, H38Z	07		H33Z, H38Z	07	H33Z, H38Z	
	10	K09A, K09B	10		K09A, K09B	10	K09A, K09B	
	11	L10Z, L33Z, L38Z	11		L10Z, L33Z, L38Z	11	L10Z, L33Z, L38Z	
	12	M37Z, M38Z	12		M37Z, M38Z	12	M37Z, M38Z	
	13	N01A, N01B, N01C, N01D, N01E, N34Z, N38Z	13		N01A, N01B, N01C, N01D, N01E, N34Z, N38Z	13	N01A, N01B, N01C, N01D, N01E, N34Z, N38Z	
	17	R01A, R01B, R01C, R01D, R02Z, R12A, R12B, R12C	17		R01A, R01B, R01C, R01D, R02Z, R12A, R12B, R12C	17	R01A, R01B, R01C, R01D, R02Z, R12A, R12B, R12C	
	21A	W04A, W04B	21A		W04A, W04B	21A	W04A, W04B	
	21B	X06A, X06B, X33Z	21B		X06A, X06B, X33Z	21B	X06A, X06B, X33Z	
	23	Z01A	23		Z01A	23	Z01A	
	Pre	A07A, A11A, A13A, A13B, A13D	Pre		A07A, A11A, A13A, A13B, A13D	Pre	A07A, A11A, A13A, A13B, A13D	

VYK

ZZV	MDC	DRG	ZZV	MDC	DRG	ZZV	MDC	DRG
5n246.4		BOP, KOP, KOPV, KVT, UOP4	5n247.02		BOP, KOP, KOPV, KVT, UOP4	5n247.21		BOP, KOP, KOPV, KVT, UOP4
	05	F36A, F36B		05	F36A, F36B		05	F36A, F36B
	06	G01Z, G02Z, G15Z, G18A, G18B, G33Z, G38Z		06	G01Z, G02Z, G15Z, G18A, G18B, G33Z, G38Z		06	G01Z, G02Z, G15Z, G18A, G18B, G33Z, G38Z
	07	H33Z, H38Z		07	H33Z, H38Z		07	H33Z, H38Z
	10	K09A, K09B		10	K09A, K09B		10	K09A, K09B
	11	L10Z, L33Z, L38Z		11	L10Z, L33Z, L38Z		11	L10Z, L33Z, L38Z
	12	M37Z, M38Z		12	M37Z, M38Z		12	M37Z, M38Z
	13	N01A, N01B, N01C, N01D, N01E, N34Z, N38Z		13	N01A, N01B, N01C, N01D, N01E, N34Z, N38Z		13	N01A, N01B, N01C, N01D, N01E, N34Z, N38Z
	17	R01A, R01B, R01C, R01D, R02Z, R12A, R12B, R12C		17	R01A, R01B, R01C, R01D, R02Z, R12A, R12B, R12C		17	R01A, R01B, R01C, R01D, R02Z, R12A, R12B, R12C
	21A	W04A, W04B		21A	W04A, W04B		21A	W04A, W04B
	21B	X06A, X06B, X33Z		21B	X06A, X06B, X33Z		21B	X06A, X06B, X33Z
	23	Z01A		23	Z01A		23	Z01A
	Pre	A07A, A11A, A13A, A13B, A13D		Pre	A07A, A11A, A13A, A13B, A13D		Pre	A07A, A11A, A13A, A13B, A13D
5n246.x		BOP, KOP, KOPV, KVT, UOP4	5n247.03		BOP, KOP, KOPV, KVT, UOP4	5n247.25		BOP, KOP, KOPV, KVT, UOP4
	05	F36A, F36B		05	F36A, F36B		05	F36A, F36B
	06	G01Z, G02Z, G15Z, G18A, G18B, G33Z, G38Z		06	G01Z, G02Z, G15Z, G18A, G18B, G33Z, G38Z		06	G01Z, G02Z, G15Z, G18A, G18B, G33Z, G38Z
	07	H33Z, H38Z		07	H33Z, H38Z		07	H33Z, H38Z
	10	K09A, K09B		10	K09A, K09B		10	K09A, K09B
	11	L10Z, L33Z, L38Z		11	L10Z, L33Z, L38Z		11	L10Z, L33Z, L38Z
	12	M37Z, M38Z		12	M37Z, M38Z		12	M37Z, M38Z
	13	N01A, N01B, N01C, N01D, N01E, N34Z, N38Z		13	N01A, N01B, N01C, N01D, N01E, N34Z, N38Z		13	N01A, N01B, N01C, N01D, N01E, N34Z, N38Z
	17	R01A, R01B, R01C, R01D, R02Z, R12A, R12B, R12C		17	R01A, R01B, R01C, R01D, R02Z, R12A, R12B, R12C		17	R01A, R01B, R01C, R01D, R02Z, R12A, R12B, R12C
	21A	W04A, W04B		21A	W04A, W04B		21A	W04A, W04B
	21B	X06A, X06B, X33Z		21B	X06A, X06B, X33Z		21B	X06A, X06B, X33Z
	23	Z01A		23	Z01A		23	Z01A
	Pre	A07A, A11A, A13A, A13B, A13D		Pre	A07A, A11A, A13A, A13B, A13D		Pre	A07A, A11A, A13A, A13B, A13D
5n247.01		BOP, KOP, KOPV, KVT, UOP4	5n247.04		BOP, KOP, KOPV, KVT, UOP4	5n247.4		BOP, KOP, KOPV, KVT, UOP4
	05	F36A, F36B		05	F36A, F36B		05	F36A, F36B
	06	G01Z, G02Z, G15Z, G18A, G18B, G33Z, G38Z		06	G01Z, G02Z, G15Z, G18A, G18B, G33Z, G38Z		06	G01Z, G02Z, G15Z, G18A, G18B, G33Z, G38Z
	07	H33Z, H38Z		07	H33Z, H38Z		07	H33Z, H38Z
	10	K09A, K09B		10	K09A, K09B		10	K09A, K09B
	11	L10Z, L33Z, L38Z		11	L10Z, L33Z, L38Z		11	L10Z, L33Z, L38Z
	12	M37Z, M38Z		12	M37Z, M38Z		12	M37Z, M38Z
	13	N01A, N01B, N01C, N01D, N01E, N34Z, N38Z		13	N01A, N01B, N01C, N01D, N01E, N34Z, N38Z		13	N01A, N01B, N01C, N01D, N01E, N34Z, N38Z
	17	R01A, R01B, R01C, R01D, R02Z, R12A, R12B, R12C		17	R01A, R01B, R01C, R01D, R02Z, R12A, R12B, R12C		17	R01A, R01B, R01C, R01D, R02Z, R12A, R12B, R12C
	21A	W04A, W04B		21A	W04A, W04B		21A	W04A, W04B
	21B	X06A, X06B, X33Z		21B	X06A, X06B, X33Z		21B	X06A, X06B, X33Z
	23	Z01A		23	Z01A		23	Z01A
	Pre	A07A, A11A, A13A, A13B, A13D		Pre	A07A, A11A, A13A, A13B, A13D		Pre	A07A, A11A, A13A, A13B, A13D

VYK

## Príloha B: Index Výkon-MDC-DRG

ZZV	MDC	DRG	ZZV	MDC	DRG	ZZV	MDC	DRG			
5n247.x		BOP, KOP, KOPV, KVT, UOP4	5n248.03		BOP, KOP, KOPV, KVT, UOP4	5n248.25		BOP, KOP, KOPV, KVT, UOP4			
	05	F36A, F36B		05	F36A, F36B		05	F36A, F36B			
	06	G01Z, G02Z, G15Z, G18A, G18B, G33Z, G38Z		06	G01Z, G02Z, G15Z, G33Z, G38Z		06	G01Z, G02Z, G15Z, G33Z, G38Z			
	07	H33Z, H38Z		07	H33Z, H38Z		07	H33Z, H38Z			
	10	K09A, K09B		10	K09A, K09B		10	K09A, K09B			
	11	L10Z, L33Z, L38Z		11	L10Z, L33Z, L38Z		11	L10Z, L33Z, L38Z			
	12	M37Z, M38Z		12	M37Z, M38Z		12	M37Z, M38Z			
	13	N01A, N01B, N01C, N01D, N01E, N34Z, N38Z		13	N01A, N01B, N01C, N01D, N01E, N34Z, N38Z		13	N01A, N01B, N01C, N01D, N01E, N34Z, N38Z			
	17	R01A, R01B, R01C, R01D, R02Z, R12A, R12B, R12C		17	R01A, R01B, R01C, R01D, R02Z, R12A, R12B, R12C		17	R01A, R01B, R01C, R01D, R02Z, R12A, R12B, R12C			
	21A	W04A, W04B		21A	W04A, W04B		21A	W04A, W04B			
	21B	X06A, X06B, X33Z		21B	X06A, X06B, X33Z		21B	X06A, X06B, X33Z			
	23	Z01A		23	Z01A		23	Z01A			
	Pre	A07A, A11A, A13A, A13B, A13D		Pre	A07A, A11A, A13A, A13B, A13D		Pre	A07A, A11A, A13A, A13B, A13D			
	5n248.01			BOP, KOP, KOPV, KVT, UOP4	5n248.04			BOP, KOP, KOPV, KVT, UOP4	5n248.4		BOP, KOP, KOPV, KVT, UOP4
		05		F36A, F36B			05	F36A, F36B		05	F36A, F36B
		06		G01Z, G02Z, G03A, G15Z, G33Z, G38Z			06	G01Z, G02Z, G15Z, G33Z, G38Z		06	G01Z, G02Z, G15Z, G33Z, G38Z
07		H33Z, H38Z	07	H33Z, H38Z		07	H33Z, H38Z				
10		K09A, K09B	10	K09A, K09B		10	K09A, K09B				
11		L10Z, L33Z, L38Z	11	L10Z, L33Z, L38Z		11	L10Z, L33Z, L38Z				
12		M37Z, M38Z	12	M37Z, M38Z		12	M37Z, M38Z				
13		N01A, N01B, N01C, N01D, N01E, N34Z, N38Z	13	N01A, N01B, N01C, N01D, N01E, N34Z, N38Z		13	N01A, N01B, N01C, N01D, N01E, N34Z, N38Z				
17		R01A, R01B, R01C, R01D, R02Z, R12A, R12B, R12C	17	R01A, R01B, R01C, R01D, R02Z, R12A, R12B, R12C		17	R01A, R01B, R01C, R01D, R02Z, R12A, R12B, R12C				
21A		W04A, W04B	21A	W04A, W04B		21A	W04A, W04B				
21B		X06A, X06B, X33Z	21B	X06A, X06B, X33Z		21B	X06A, X06B, X33Z				
23		Z01A	23	Z01A		23	Z01A				
Pre		A07A, A11A, A13A, A13B, A13D	Pre	A07A, A11A, A13A, A13B, A13D		Pre	A07A, A11A, A13A, A13B, A13D				
5n248.02			BOP, KOP, KOPV, KVT, UOP4	5n248.21			BOP, KOP, KOPV, KVT, UOP4	5n248.x			BOP, KOP, KOPV, KVT, UOP4
		05	F36A, F36B			05	F36A, F36B			05	F36A, F36B
		06	G01Z, G02Z, G15Z, G33Z, G38Z			06	G01Z, G02Z, G15Z, G33Z, G38Z			06	G01Z, G02Z, G15Z, G33Z, G38Z
	07	H33Z, H38Z	07		H33Z, H38Z	07	H33Z, H38Z				
	10	K09A, K09B	10		K09A, K09B	10	K09A, K09B				
	11	L10Z, L33Z, L38Z	11		L10Z, L33Z, L38Z	11	L10Z, L33Z, L38Z				
	12	M37Z, M38Z	12		M37Z, M38Z	12	M37Z, M38Z				
	13	N01A, N01B, N01C, N01D, N01E, N34Z, N38Z	13		N01A, N01B, N01C, N01D, N01E, N34Z, N38Z	13	N01A, N01B, N01C, N01D, N01E, N34Z, N38Z				
	17	R01A, R01B, R01C, R01D, R02Z, R12A, R12B, R12C	17		R01A, R01B, R01C, R01D, R02Z, R12A, R12B, R12C	17	R01A, R01B, R01C, R01D, R02Z, R12A, R12B, R12C				
	21A	W04A, W04B	21A		W04A, W04B	21A	W04A, W04B				
	21B	X06A, X06B, X33Z	21B		X06A, X06B, X33Z	21B	X06A, X06B, X33Z				
	23	Z01A	23		Z01A	23	Z01A				
	Pre	A07A, A11A, A13A, A13B, A13D	Pre		A07A, A11A, A13A, A13B, A13D	Pre	A07A, A11A, A13A, A13B, A13D				
	5n24x.01		BOP, KVT, UOP4								
		06	G01Z, G02Z, G15Z, G18A, G18B, G38Z								
		10	K09A, K09B								
11		L10Z, L38Z									
12		M37Z, M38Z									
13		N01A, N01B, N01C, N01D, N01E, N34Z, N38Z									
17		R01A, R01B, R01C, R01D, R02Z, R12A, R12B, R12C									
21A		W04A, W04B									
21B		X06A, X06B									
Pre		A11A, A13A, A13B, A13D									

VYK



ZZV	MDC	DRG	ZZV	MDC	DRG	ZZV	MDC	DRG
5n24x.02		BOP, KVT, UOP4	5n24x.4		BOP, KVT, UOP4	5n250.04		BOP, KOP, KOPV, KVT, MVV, UOP4
	06	G01Z, G02Z, G15Z, G18A, G18B, G38Z		06	G01Z, G02Z, G15Z, G18A, G18B, G38Z		05	F36A, F36B
	10	K09A, K09B		10	K09A, K09B		06	G15Z, G16A, G16B, G33Z, G38Z
	11	L10Z, L38Z		11	L10Z, L38Z		07	H33Z, H38Z
	12	M37Z, M38Z		12	M37Z, M38Z		10	K09A, K09B
	13	N01A, N01B, N01C, N01D, N01E, N34Z, N38Z		13	N01A, N01B, N01C, N01D, N01E, N34Z, N38Z		11	L10Z, L33Z, L38Z
	17	R01A, R01B, R01C, R01D, R02Z, R12A, R12B, R12C		17	R01A, R01B, R01C, R01D, R02Z, R12A, R12B, R12C		12	M37Z, M38Z
	21A	W04A, W04B		21A	W04A, W04B		13	N01A, N01B, N01C, N01D, N01E, N34Z, N38Z
	21B	X06A, X06B		21B	X06A, X06B		17	R01A, R01B, R01C, R01D, R02Z, R12A, R12B, R12C
	Pre	A11A, A13A, A13B, A13D		Pre	A11A, A13A, A13B, A13D		21A	W04A, W04B
	5n24x.03			BOP, KVT, UOP4	5n24x.x			BOP, KVT, UOP4
06		G01Z, G02Z, G15Z, G18A, G18B, G38Z	06	G01Z, G02Z, G15Z, G18A, G18B, G38Z		05	F36A, F36B	
10		K09A, K09B	10	K09A, K09B		06	G15Z, G16A, G16B, G33Z, G38Z	
11		L10Z, L38Z	11	L10Z, L38Z		07	H33Z, H38Z	
12		M37Z, M38Z	12	M37Z, M38Z		11	L10Z, L33Z, L38Z	
13		N01A, N01B, N01C, N01D, N01E, N34Z, N38Z	13	N01A, N01B, N01C, N01D, N01E, N34Z, N38Z		12	M37Z, M38Z	
17		R01A, R01B, R01C, R01D, R02Z, R12A, R12B, R12C	17	R01A, R01B, R01C, R01D, R02Z, R12A, R12B, R12C		13	N01A, N01B, N01C, N01D, N01E, N34Z, N38Z	
21A		W04A, W04B	21A	W04A, W04B		17	R01A, R01B, R01C, R01D, R02Z, R12A, R12B, R12C	
21B		X06A, X06B	21B	X06A, X06B		21A	W04A, W04B	
Pre		A11A, A13A, A13B, A13D	Pre	A11A, A13A, A13B, A13D		21B	X06A, X06B, X06C, X33Z	
5n24x.04			BOP, KVT, UOP4	5n250.02			BOP, KOP, KOPV, KVT, MVV, UOP4	5n250.08
	06	G01Z, G02Z, G15Z, G18A, G18B, G38Z	05		F36A, F36B	05	F36A, F36B	
	10	K09A, K09B	06		G15Z, G16A, G16B, G33Z, G38Z	06	G15Z, G16A, G16B, G33Z, G38Z	
	11	L10Z, L38Z	07		H33Z, H38Z	07	H33Z, H38Z	
	12	M37Z, M38Z	10		K09A, K09B	11	L10Z, L33Z, L38Z	
	13	N01A, N01B, N01C, N01D, N01E, N34Z, N38Z	11		L10Z, L33Z, L38Z	12	M37Z, M38Z	
	17	R01A, R01B, R01C, R01D, R02Z, R12A, R12B, R12C	12		M37Z, M38Z	13	N01A, N01B, N01C, N01D, N01E, N34Z, N38Z	
	21A	W04A, W04B	13		N01A, N01B, N01C, N01D, N01E, N34Z, N38Z	17	R01A, R01B, R01C, R01D, R02Z, R12A, R12B, R12C	
	21B	X06A, X06B	17		R01A, R01B, R01C, R01D, R02Z, R12A, R12B, R12C	21A	W04A, W04B	
	Pre	A11A, A13A, A13B, A13D	21A		W04A, W04B	21B	X06A, X06B, X06C, X33Z	
	5n24x.21		BOP, KVT, UOP4		5n250.03		BOP, KOP, KOPV, KVT, MVV, UOP4	
06		G01Z, G02Z, G15Z, G18A, G18B, G38Z	05	F36A, F36B		05	F36A, F36B	
10		K09A, K09B	06	G15Z, G16A, G16B, G33Z, G38Z		06	G15Z, G16A, G16B, G33Z, G38Z	
11		L10Z, L38Z	07	H33Z, H38Z		07	H33Z, H38Z	
12		M37Z, M38Z	11	L10Z, L33Z, L38Z		10	K09A, K09B	
13		N01A, N01B, N01C, N01D, N01E, N34Z, N38Z	12	M37Z, M38Z		11	L10Z, L33Z, L38Z	
17		R01A, R01B, R01C, R01D, R02Z, R12A, R12B, R12C	13	N01A, N01B, N01C, N01D, N01E, N34Z, N38Z		12	M37Z, M38Z	
21A		W04A, W04B	17	R01A, R01B, R01C, R01D, R02Z, R12A, R12B, R12C		13	N01A, N01B, N01C, N01D, N01E, N34Z, N38Z	
21B		X06A, X06B	21A	W04A, W04B		17	R01A, R01B, R01C, R01D, R02Z, R12A, R12B, R12C	
Pre		A11A, A13A, A13B, A13D	21B	X06A, X06B, X06C, X33Z		21A	W04A, W04B	
5n24x.25			BOP, KVT, UOP4	5n250.03			BOP, KOP, KOPV, KVT, MVV, UOP4	5n250.26
	06	G01Z, G02Z, G15Z, G18A, G18B, G38Z	05		F36A, F36B	05	F36A, F36B	
	10	K09A, K09B	06		G15Z, G16A, G16B, G33Z, G38Z	06	G15Z, G16A, G16B, G33Z, G38Z	
	11	L10Z, L38Z	07		H33Z, H38Z	07	H33Z, H38Z	
	12	M37Z, M38Z	11		L10Z, L33Z, L38Z	10	K09A, K09B	
	13	N01A, N01B, N01C, N01D, N01E, N34Z, N38Z	12		M37Z, M38Z	11	L10Z, L33Z, L38Z	
	17	R01A, R01B, R01C, R01D, R02Z, R12A, R12B, R12C	13		N01A, N01B, N01C, N01D, N01E, N34Z, N38Z	12	M37Z, M38Z	
	21A	W04A, W04B	17		R01A, R01B, R01C, R01D, R02Z, R12A, R12B, R12C	13	N01A, N01B, N01C, N01D, N01E, N34Z, N38Z	
	21B	X06A, X06B	21A		W04A, W04B	17	R01A, R01B, R01C, R01D, R02Z, R12A, R12B, R12C	
	Pre	A11A, A13A, A13B, A13D	21B		X06A, X06B, X06C, X33Z	21A	W04A, W04B	
			Pre		A07A	21B	X06A, X06B, X06C, X33Z	
				23	Z01A			
				Pre	A07A			

VYK

ZZV	MDC	DRG	ZZV	MDC	DRG	ZZV	MDC	DRG
5n250.27		BOP, KOP, KOPV, KVT, MVV, UOP4	5n251.02		BOP, KOP, KOPV, KVT, MVV, UOP4	5n251.08		BOP, KOP, KOPV, KVT, MVV, UOP4
	05	F36A, F36B		05	F36A, F36B		05	F36A, F36B
	06	G15Z, G16A, G16B, G33Z, G38Z		06	G15Z, G16A, G16B, G33Z, G38Z		06	G15Z, G16A, G16B, G33Z, G38Z
	07	H33Z, H38Z		07	H33Z, H38Z		07	H33Z, H38Z
	11	L10Z, L33Z, L38Z		11	L10Z, L33Z, L38Z		11	L10Z, L33Z, L38Z
	12	M37Z, M38Z		12	M37Z, M38Z		12	M37Z, M38Z
	13	N01A, N01B, N01C, N01D, N01E, N34Z, N38Z		13	N01A, N01B, N01C, N01D, N01E, N34Z, N38Z		13	N01A, N01B, N01C, N01D, N01E, N34Z, N38Z
	17	R01A, R01B, R01C, R01D, R02Z, R12A, R12B, R12C		17	R01A, R01B, R01C, R01D, R02Z, R12A, R12B, R12C		17	R01A, R01B, R01C, R01D, R02Z, R12A, R12B, R12C
	21A	W04A, W04B		21A	W04A, W04B		21A	W04A, W04B
	21B	X06A, X06B, X06C, X33Z		21B	X06A, X06B, X06C, X33Z		21B	X06A, X06B, X06C, X33Z
	23	Z01A		23	Z01A		23	Z01A
	Pre	A07A		Pre	A07A		Pre	A07A
5n250.28		BOP, KOP, KOPV, KVT, MVV, UOP4	5n251.03		BOP, KOP, KOPV, KVT, MVV, UOP4	5n251.26		BOP, KOP, KOPV, KVT, MVV, UOP4
	05	F36A, F36B		05	F36A, F36B		05	F36A, F36B
	06	G15Z, G16A, G16B, G33Z, G38Z		06	G15Z, G16A, G16B, G33Z, G38Z		06	G15Z, G16A, G16B, G33Z, G38Z
	07	H33Z, H38Z		07	H33Z, H38Z		07	H33Z, H38Z
	11	L10Z, L33Z, L38Z		11	L10Z, L33Z, L38Z		11	L10Z, L33Z, L38Z
	12	M37Z, M38Z		12	M37Z, M38Z		12	M37Z, M38Z
	13	N01A, N01B, N01C, N01D, N01E, N34Z, N38Z		13	N01A, N01B, N01C, N01D, N01E, N34Z, N38Z		13	N01A, N01B, N01C, N01D, N01E, N34Z, N38Z
	17	R01A, R01B, R01C, R01D, R02Z, R12A, R12B, R12C		17	R01A, R01B, R01C, R01D, R02Z, R12A, R12B, R12C		17	R01A, R01B, R01C, R01D, R02Z, R12A, R12B, R12C
	21A	W04A, W04B		21A	W04A, W04B		21A	W04A, W04B
	21B	X06A, X06B, X06C, X33Z		21B	X06A, X06B, X06C, X33Z		21B	X06A, X06B, X06C, X33Z
	23	Z01A		23	Z01A		23	Z01A
	Pre	A07A		Pre	A07A		Pre	A07A
5n250.4		BOP, KOP, KOPV, KVT, MVV, UOP4	5n251.04		BOP, KOP, KOPV, KVT, MVV, UOP4	5n251.27		BOP, KOP, KOPV, KVT, MVV, UOP4
	05	F36A, F36B		05	F36A, F36B		05	F36A, F36B
	06	G15Z, G16A, G16B, G33Z, G38Z		06	G15Z, G16A, G16B, G33Z, G38Z		06	G15Z, G16A, G16B, G33Z, G38Z
	07	H33Z, H38Z		07	H33Z, H38Z		07	H33Z, H38Z
	11	L10Z, L33Z, L38Z		11	L10Z, L33Z, L38Z		11	L10Z, L33Z, L38Z
	12	M37Z, M38Z		12	M37Z, M38Z		12	M37Z, M38Z
	13	N01A, N01B, N01C, N01D, N01E, N34Z, N38Z		13	N01A, N01B, N01C, N01D, N01E, N34Z, N38Z		13	N01A, N01B, N01C, N01D, N01E, N34Z, N38Z
	17	R01A, R01B, R01C, R01D, R02Z, R12A, R12B, R12C		17	R01A, R01B, R01C, R01D, R02Z, R12A, R12B, R12C		17	R01A, R01B, R01C, R01D, R02Z, R12A, R12B, R12C
	21A	W04A, W04B		21A	W04A, W04B		21A	W04A, W04B
	21B	X06A, X06B, X06C, X33Z		21B	X06A, X06B, X06C, X33Z		21B	X06A, X06B, X06C, X33Z
	23	Z01A		23	Z01A		23	Z01A
	Pre	A07A		Pre	A07A		Pre	A07A
5n250.x		BOP, KOP, KOPV, KVT, MVV, UOP4	5n251.05		BOP, KOP, KOPV, KVT, MVV, UOP4	5n251.28		BOP, KOP, KOPV, KVT, MVV, UOP4
	05	F36A, F36B		05	F36A, F36B		05	F36A, F36B
	06	G15Z, G16A, G16B, G33Z, G38Z		06	G15Z, G16A, G16B, G33Z, G38Z		06	G15Z, G16A, G16B, G33Z, G38Z
	07	H33Z, H38Z		07	H33Z, H38Z		07	H33Z, H38Z
	11	L10Z, L33Z, L38Z		11	L10Z, L33Z, L38Z		11	L10Z, L33Z, L38Z
	12	M37Z, M38Z		12	M37Z, M38Z		12	M37Z, M38Z
	13	N01A, N01B, N01C, N01D, N01E, N34Z, N38Z		13	N01A, N01B, N01C, N01D, N01E, N34Z, N38Z		13	N01A, N01B, N01C, N01D, N01E, N34Z, N38Z
	17	R01A, R01B, R01C, R01D, R02Z, R12A, R12B, R12C		17	R01A, R01B, R01C, R01D, R02Z, R12A, R12B, R12C		17	R01A, R01B, R01C, R01D, R02Z, R12A, R12B, R12C
	21A	W04A, W04B		21A	W04A, W04B		21A	W04A, W04B
	21B	X06A, X06B, X06C, X33Z		21B	X06A, X06B, X06C, X33Z		21B	X06A, X06B, X06C, X33Z
	23	Z01A		23	Z01A		23	Z01A
	Pre	A07A		Pre	A07A		Pre	A07A

VYK

ZZV	MDC	DRG	ZZV	MDC	DRG	ZZV	MDC	DRG
5n251.4		BOP, KOP, KOPV, KVT, MVV, UOP4	5n252.04		BOP, KOP, KOPV, KVT, MVV, UOP4	5n252.27		BOP, KOP, KOPV, KVT, MVV, UOP4
	05	F36A, F36B		05	F36A, F36B		05	F36A, F36B
	06	G15Z, G16A, G16B, G33Z, G38Z		06	G15Z, G16A, G16B, G33Z, G38Z		06	G15Z, G16A, G16B, G33Z, G38Z
	07	H33Z, H38Z		07	H33Z, H38Z		07	H33Z, H38Z
	11	L10Z, L33Z, L38Z		11	L10Z, L33Z, L38Z		11	L10Z, L33Z, L38Z
	12	M37Z, M38Z		12	M37Z, M38Z		12	M37Z, M38Z
	13	N01A, N01B, N01C, N01D, N01E, N34Z, N38Z		13	N01A, N01B, N01C, N01D, N01E, N34Z, N38Z		13	N01A, N01B, N01C, N01D, N01E, N34Z, N38Z
	17	R01A, R01B, R01C, R01D, R02Z, R12A, R12B, R12C		17	R01A, R01B, R01C, R01D, R02Z, R12A, R12B, R12C		17	R01A, R01B, R01C, R01D, R02Z, R12A, R12B, R12C
	21A	W04A, W04B		21A	W04A, W04B		21A	W04A, W04B
	21B	X06A, X06B, X06C, X33Z		21B	X06A, X06B, X06C, X33Z		21B	X06A, X06B, X06C, X33Z
	23	Z01A		23	Z01A		23	Z01A
	Pre	A07A		Pre	A07A		Pre	A07A
	5n251.x			BOP, KOP, KOPV, KVT, MVV, UOP4	5n252.05			BOP, KOP, KOPV, KVT, MVV, UOP4
05		F36A, F36B	05	F36A, F36B		05	F36A, F36B	
06		G15Z, G16A, G16B, G33Z, G38Z	06	G15Z, G16A, G16B, G33Z, G38Z		06	G15Z, G16A, G16B, G33Z, G38Z	
07		H33Z, H38Z	07	H33Z, H38Z		07	H33Z, H38Z	
11		L10Z, L33Z, L38Z	11	L10Z, L33Z, L38Z		11	L10Z, L33Z, L38Z	
12		M37Z, M38Z	12	M37Z, M38Z		12	M37Z, M38Z	
13		N01A, N01B, N01C, N01D, N01E, N34Z, N38Z	13	N01A, N01B, N01C, N01D, N01E, N34Z, N38Z		13	N01A, N01B, N01C, N01D, N01E, N34Z, N38Z	
17		R01A, R01B, R01C, R01D, R02Z, R12A, R12B, R12C	17	R01A, R01B, R01C, R01D, R02Z, R12A, R12B, R12C		17	R01A, R01B, R01C, R01D, R02Z, R12A, R12B, R12C	
21A		W04A, W04B	21A	W04A, W04B		21A	W04A, W04B	
21B		X06A, X06B, X06C, X33Z	21B	X06A, X06B, X06C, X33Z		21B	X06A, X06B, X06C, X33Z	
23		Z01A	23	Z01A		23	Z01A	
Pre		A07A	Pre	A07A		Pre	A07A	
5n252.02			BOP, KOP, KOPV, KVT, MVV, UOP4	5n252.08			BOP, KOP, KOPV, KVT, MVV, UOP4	5n252.4
	05	F36A, F36B	05		F36A, F36B	05	F36A, F36B	
	06	G15Z, G16A, G16B, G33Z, G38Z	06		G15Z, G16A, G16B, G33Z, G38Z	06	G15Z, G16A, G16B, G33Z, G38Z	
	07	H33Z, H38Z	07		H33Z, H38Z	07	H33Z, H38Z	
	11	L10Z, L33Z, L38Z	11		L10Z, L33Z, L38Z	11	L10Z, L33Z, L38Z	
	12	M37Z, M38Z	12		M37Z, M38Z	12	M37Z, M38Z	
	13	N01A, N01B, N01C, N01D, N01E, N34Z, N38Z	13		N01A, N01B, N01C, N01D, N01E, N34Z, N38Z	13	N01A, N01B, N01C, N01D, N01E, N34Z, N38Z	
	17	R01A, R01B, R01C, R01D, R02Z, R12A, R12B, R12C	17		R01A, R01B, R01C, R01D, R02Z, R12A, R12B, R12C	17	R01A, R01B, R01C, R01D, R02Z, R12A, R12B, R12C	
	21A	W04A, W04B	21A		W04A, W04B	21A	W04A, W04B	
	21B	X06A, X06B, X06C, X33Z	21B		X06A, X06B, X06C, X33Z	21B	X06A, X06B, X06C, X33Z	
	23	Z01A	23		Z01A	23	Z01A	
	Pre	A07A	Pre		A07A	Pre	A07A	
	5n252.03		BOP, KOP, KOPV, KVT, MVV, UOP4		5n252.26		BOP, KOP, KOPV, KVT, MVV, UOP4	
05		F36A, F36B	05	F36A, F36B		05	F36A, F36B	
06		G15Z, G16A, G16B, G33Z, G38Z	06	G15Z, G16A, G16B, G33Z, G38Z		06	G15Z, G16A, G16B, G33Z, G38Z	
07		H33Z, H38Z	07	H33Z, H38Z		07	H33Z, H38Z	
11		L10Z, L33Z, L38Z	11	L10Z, L33Z, L38Z		11	L10Z, L33Z, L38Z	
12		M37Z, M38Z	12	M37Z, M38Z		12	M37Z, M38Z	
13		N01A, N01B, N01C, N01D, N01E, N34Z, N38Z	13	N01A, N01B, N01C, N01D, N01E, N34Z, N38Z		13	N01A, N01B, N01C, N01D, N01E, N34Z, N38Z	
17		R01A, R01B, R01C, R01D, R02Z, R12A, R12B, R12C	17	R01A, R01B, R01C, R01D, R02Z, R12A, R12B, R12C		17	R01A, R01B, R01C, R01D, R02Z, R12A, R12B, R12C	
21A		W04A, W04B	21A	W04A, W04B		21A	W04A, W04B	
21B		X06A, X06B, X06C, X33Z	21B	X06A, X06B, X06C, X33Z		21B	X06A, X06B, X06C, X33Z	
23		Z01A	23	Z01A		23	Z01A	
Pre		A07A	Pre	A07A		Pre	A07A	

VYK

ZZV	MDC	DRG	ZZV	MDC	DRG	ZZV	MDC	DRG
5n25x.02		BOP, KOP, KOPV, KVT, MVV, UOP4	5n25x.08		BOP, KOP, KOPV, KVT, MVV, UOP4	5n25x.4		BOP, KOP, KOPV, KVT, MVV, UOP4
	05	F36A, F36B		05	F36A, F36B		05	F36A, F36B
	06	G01Z, G02Z, G15Z, G33Z, G38Z		06	G01Z, G02Z, G15Z, G33Z, G38Z		06	G01Z, G02Z, G15Z, G33Z, G38Z
	07	H33Z, H38Z		07	H33Z, H38Z		07	H33Z, H38Z
	11	L10Z, L33Z, L38Z		11	L10Z, L33Z, L38Z		11	L10Z, L33Z, L38Z
	12	M37Z, M38Z		12	M37Z, M38Z		12	M37Z, M38Z
	13	N01A, N01B, N01C, N01D, N01E, N34Z, N38Z		13	N01A, N01B, N01C, N01D, N01E, N34Z, N38Z		13	N01A, N01B, N01C, N01D, N01E, N34Z, N38Z
	17	R01A, R01B, R01C, R01D, R02Z, R12A, R12B, R12C		17	R01A, R01B, R01C, R01D, R02Z, R12A, R12B, R12C		17	R01A, R01B, R01C, R01D, R02Z, R12A, R12B, R12C
	21A	W04A, W04B		21A	W04A, W04B		21A	W04A, W04B
	21B	X06A, X06B, X06C, X33Z		21B	X06A, X06B, X06C, X33Z		21B	X06A, X06B, X06C, X33Z
	23	Z01A		23	Z01A		23	Z01A
	Pre	A07A		Pre	A07A		Pre	A07A
	5n25x.03			BOP, KOP, KOPV, KVT, MVV, UOP4	5n25x.26			BOP, KOP, KOPV, KVT, MVV, UOP4
05		F36A, F36B	05	F36A, F36B		05	F36A, F36B	
06		G01Z, G02Z, G15Z, G33Z, G38Z	06	G01Z, G02Z, G15Z, G33Z, G38Z		06	G01Z, G02Z, G15Z, G33Z, G38Z	
07		H33Z, H38Z	07	H33Z, H38Z		07	H33Z, H38Z	
11		L10Z, L33Z, L38Z	10	K09A, K09B		11	L10Z, L33Z, L38Z	
12		M37Z, M38Z	11	L10Z, L33Z, L38Z		12	M37Z, M38Z	
13		N01A, N01B, N01C, N01D, N01E, N34Z, N38Z	12	M37Z, M38Z		13	N01A, N01B, N01C, N01D, N01E, N34Z, N38Z	
17		R01A, R01B, R01C, R01D, R02Z, R12A, R12B, R12C	13	N01A, N01B, N01C, N01D, N01E, N34Z, N38Z		17	R01A, R01B, R01C, R01D, R02Z, R12A, R12B, R12C	
21A		W04A, W04B	17	R01A, R01B, R01C, R01D, R02Z, R12A, R12B, R12C		21A	W04A, W04B	
21B		X06A, X06B, X06C, X33Z	21A	W04A, W04B		21B	X06A, X06B, X06C, X33Z	
23		Z01A	21B	X06A, X06B, X06C, X33Z		23	Z01A	
Pre		A07A	23	Z01A		Pre	A07A	
5n25x.04			BOP, KOP, KOPV, KVT, MVV, UOP4	5n25x.27			BOP, KOP, KOPV, KVT, MVV, UOP4	5n260.01
	05	F36A, F36B	05		F36A, F36B	05	F36A, F36B	
	06	G15Z, G16A, G16B, G33Z, G38Z	06		G01Z, G02Z, G15Z, G33Z, G38Z	06	G01Z, G02Z, G15Z, G33Z, G38Z	
	07	H33Z, H38Z	07		H33Z, H38Z	07	H33Z, H38Z	
	10	K09A, K09B	10		H33Z, H38Z	10	K09A, K09B	
	11	L10Z, L33Z, L38Z	11		L10Z, L33Z, L38Z	11	L10Z, L33Z, L38Z	
	12	M37Z, M38Z	12		M37Z, M38Z	12	M37Z, M38Z	
	13	N01A, N01B, N01C, N01D, N01E, N34Z, N38Z	13		N01A, N01B, N01C, N01D, N01E, N34Z, N38Z	13	N01A, N01B, N01C, N01D, N01E, N34Z, N38Z	
	17	R01A, R01B, R01C, R01D, R02Z, R12A, R12B, R12C	17		R01A, R01B, R01C, R01D, R02Z, R12A, R12B, R12C	17	R01A, R01B, R01C, R01D, R02Z, R12A, R12B, R12C	
	21A	W04A, W04B	21A		W04A, W04B	21A	W04A, W04B	
	21B	X06A, X06B, X06C, X33Z	21B		X06A, X06B, X06C, X33Z	21B	X06A, X06B, X06C, X33Z	
	23	Z01A	23		Z01A	23	Z01A	
	Pre	A07A	Pre		A07A	Pre	A07A	
5n25x.05		BOP, KOP, KOPV, KVT, MVV, UOP4	5n25x.28		BOP, KOP, KOPV, KVT, MVV, UOP4	5n260.02		BOP, KOP, KOPV, KVT, MVV, UOP4
	05	F36A, F36B		05	F36A, F36B		05	F36A, F36B
	06	G15Z, G16A, G16B, G33Z, G38Z		06	G01Z, G02Z, G15Z, G33Z, G38Z		06	G01Z, G02Z, G15Z, G33Z, G38Z
	07	H33Z, H38Z		07	H33Z, H38Z		07	H33Z, H38Z
	11	L10Z, L33Z, L38Z		11	L10Z, L33Z, L38Z		10	K09A, K09B
	12	M37Z, M38Z		12	M37Z, M38Z		11	L10Z, L33Z, L38Z
	13	N01A, N01B, N01C, N01D, N01E, N34Z, N38Z		13	N01A, N01B, N01C, N01D, N01E, N34Z, N38Z		12	M37Z, M38Z
	17	R01A, R01B, R01C, R01D, R02Z, R12A, R12B, R12C		17	R01A, R01B, R01C, R01D, R02Z, R12A, R12B, R12C		13	N01A, N01B, N01C, N01D, N01E, N34Z, N38Z
	21A	W04A, W04B		17	R01A, R01B, R01C, R01D, R02Z, R12A, R12B, R12C		17	R01A, R01B, R01C, R01D, R02Z, R12A, R12B, R12C
	21B	X06A, X06B, X06C, X33Z		21A	W04A, W04B		21A	W04A, W04B
	23	Z01A		21B	X06A, X06B, X06C, X33Z		21B	X06A, X06B, X06C, X33Z
	Pre	A07A		23	Z01A		23	Z01A
				Pre	A07A		Pre	A07A

ZZV	MDC	DRG	ZZV	MDC	DRG	ZZV	MDC	DRG
5n260.03		BOP, KOP, KOPV, KVT, MVV, UOP4	5n260.4		BOP, KOP, KOPV, KVT, MVV, UOP4	5n261.03		BOP, KOP, KOPV, KVT, MVV, UOP4
	05	F36A, F36B		05	F36A, F36B		05	F36A, F36B
	06	G01Z, G02Z, G15Z, G33Z, G38Z		06	G01Z, G02Z, G15Z, G33Z, G38Z		06	G01Z, G02Z, G15Z, G33Z, G38Z
	07	H33Z, H38Z		07	H33Z, H38Z		07	H33Z, H38Z
	10	K09A, K09B		10	K09A, K09B		10	K09A, K09B
	11	L10Z, L33Z, L38Z		11	L10Z, L33Z, L38Z		11	L10Z, L33Z, L38Z
	12	M37Z, M38Z		12	M37Z, M38Z		12	M37Z, M38Z
	13	N01A, N01B, N01C, N01D, N01E, N34Z, N38Z		13	N01A, N01B, N01C, N01D, N01E, N34Z, N38Z		13	N01A, N01B, N01C, N01D, N01E, N34Z, N38Z
	17	R01A, R01B, R01C, R01D, R02Z, R12A, R12B, R12C		17	R01A, R01B, R01C, R01D, R02Z, R12A, R12B, R12C		17	R01A, R01B, R01C, R01D, R02Z, R12A, R12B, R12C
	21A	W04A, W04B		21A	W04A, W04B		21A	W04A, W04B
	21B	X06A, X06B, X06C, X33Z		21B	X06A, X06B, X06C, X33Z		21B	X06A, X06B, X06C, X33Z
	23	Z01A		23	Z01A		23	Z01A
	Pre	A07A		Pre	A07A		Pre	A07A
	5n260.04			BOP, KOP, KOPV, KVT, MVV, UOP4	5n260.x			BOP, KOP, KOPV, KVT, MVV, UOP4
05		F36A, F36B	05	F36A, F36B		05	F36A, F36B	
06		G01Z, G02Z, G15Z, G33Z, G38Z	06	G01Z, G02Z, G15Z, G33Z, G38Z		06	G01Z, G02Z, G15Z, G33Z, G38Z	
07		H33Z, H38Z	07	H33Z, H38Z		07	H33Z, H38Z	
10		K09A, K09B	10	K09A, K09B		10	K09A, K09B	
11		L10Z, L33Z, L38Z	11	L10Z, L33Z, L38Z		11	L10Z, L33Z, L38Z	
12		M37Z, M38Z	12	M37Z, M38Z		12	M37Z, M38Z	
13		N01A, N01B, N01C, N01D, N01E, N34Z, N38Z	13	N01A, N01B, N01C, N01D, N01E, N34Z, N38Z		13	N01A, N01B, N01C, N01D, N01E, N34Z, N38Z	
17		R01A, R01B, R01C, R01D, R02Z, R12A, R12B, R12C	17	R01A, R01B, R01C, R01D, R02Z, R12A, R12B, R12C		17	R01A, R01B, R01C, R01D, R02Z, R12A, R12B, R12C	
21A		W04A, W04B	21A	W04A, W04B		21A	W04A, W04B	
21B		X06A, X06B, X06C, X33Z	21B	X06A, X06B, X06C, X33Z		21B	X06A, X06B, X06C, X33Z	
23		Z01A	23	Z01A		23	Z01A	
Pre		A07A	Pre	A07A		Pre	A07A	
5n260.20			BOP, KOP, KOPV, KVT, MVV, UOP4	5n261.01			BOP, KOP, KOPV, KVT, MVV, UOP4	5n261.20
	05	F36A, F36B	05		F36A, F36B	05	F36A, F36B	
	06	G01Z, G02Z, G15Z, G33Z, G38Z	06		G01Z, G02Z, G15Z, G33Z, G38Z	06	G01Z, G02Z, G15Z, G33Z, G38Z	
	07	H33Z, H38Z	07		H33Z, H38Z	07	H33Z, H38Z	
	10	K09A, K09B	10		K09A, K09B	10	K09A, K09B	
	11	L10Z, L33Z, L38Z	11		L10Z, L33Z, L38Z	11	L10Z, L33Z, L38Z	
	12	M37Z, M38Z	12		M37Z, M38Z	12	M37Z, M38Z	
	13	N01A, N01B, N01C, N01D, N01E, N34Z, N38Z	13		N01A, N01B, N01C, N01D, N01E, N34Z, N38Z	13	N01A, N01B, N01C, N01D, N01E, N34Z, N38Z	
	17	R01A, R01B, R01C, R01D, R02Z, R12A, R12B, R12C	17		R01A, R01B, R01C, R01D, R02Z, R12A, R12B, R12C	17	R01A, R01B, R01C, R01D, R02Z, R12A, R12B, R12C	
	21A	W04A, W04B	21A		W04A, W04B	21A	W04A, W04B	
	21B	X06A, X06B, X06C, X33Z	21B		X06A, X06B, X06C, X33Z	21B	X06A, X06B, X06C, X33Z	
	23	Z01A	23		Z01A	23	Z01A	
	Pre	A07A	Pre		A07A	Pre	A07A	
	5n260.21		BOP, KOP, KOPV, KVT, MVV, UOP4		5n261.02		BOP, KOP, KOPV, KVT, MVV, UOP4	
05		F36A, F36B	05	F36A, F36B		05	F36A, F36B	
06		G01Z, G02Z, G15Z, G33Z, G38Z	06	G01Z, G02Z, G15Z, G33Z, G38Z		06	G01Z, G02Z, G15Z, G33Z, G38Z	
07		H33Z, H38Z	07	H33Z, H38Z		07	H33Z, H38Z	
10		K09A, K09B	10	K09A, K09B		10	K09A, K09B	
11		L10Z, L33Z, L38Z	11	L10Z, L33Z, L38Z		11	L10Z, L33Z, L38Z	
12		M37Z, M38Z	12	M37Z, M38Z		12	M37Z, M38Z	
13		N01A, N01B, N01C, N01D, N01E, N34Z, N38Z	13	N01A, N01B, N01C, N01D, N01E, N34Z, N38Z		13	N01A, N01B, N01C, N01D, N01E, N34Z, N38Z	
17		R01A, R01B, R01C, R01D, R02Z, R12A, R12B, R12C	17	R01A, R01B, R01C, R01D, R02Z, R12A, R12B, R12C		17	R01A, R01B, R01C, R01D, R02Z, R12A, R12B, R12C	
21A		W04A, W04B	21A	W04A, W04B		21A	W04A, W04B	
21B		X06A, X06B, X06C, X33Z	21B	X06A, X06B, X06C, X33Z		21B	X06A, X06B, X06C, X33Z	
23		Z01A	23	Z01A		23	Z01A	
Pre		A07A	Pre	A07A		Pre	A07A	

VYK

ZZV	MDC	DRG	ZZV	MDC	DRG	ZZV	MDC	DRG
5n261.4		BOP, KOP, KOPV, KVT, MVV, UOP4	5n262.03		BOP, KOP, KOPV, KVT, MVV, UOP4	5n262.4		BOP, KOP, KOPV, KVT, MVV, UOP4
	05	F36A, F36B		05	F36A, F36B		05	F36A, F36B
	06	G01Z, G02Z, G15Z, G33Z, G38Z		06	G01Z, G02Z, G15Z, G18A, G18B, G33Z, G38Z		06	G01Z, G02Z, G15Z, G18A, G18B, G33Z, G38Z
	07	H33Z, H38Z		07	H33Z, H38Z		07	H33Z, H38Z
	10	K09A, K09B		10	K09A, K09B		10	K09A, K09B
	11	L10Z, L33Z, L38Z		11	L10Z, L33Z, L38Z		11	L10Z, L33Z, L38Z
	12	M37Z, M38Z		12	M37Z, M38Z		12	M37Z, M38Z
	13	N01A, N01B, N01C, N01D, N01E, N34Z, N38Z		13	N01A, N01B, N01C, N01D, N01E, N34Z, N38Z		13	N01A, N01B, N01C, N01D, N01E, N34Z, N38Z
	17	R01A, R01B, R01C, R01D, R02Z, R12A, R12B, R12C		17	R01A, R01B, R01C, R01D, R02Z, R12A, R12B, R12C		17	R01A, R01B, R01C, R01D, R02Z, R12A, R12B, R12C
	21A	W04A, W04B		21A	W04A, W04B		21A	W04A, W04B
	21B	X06A, X06B, X06C, X33Z		21B	X06A, X06B, X06C, X33Z		21B	X06A, X06B, X06C, X33Z
	23	Z01A		23	Z01A		23	Z01A
	Pre	A07A		Pre	A07A		Pre	A07A
	5n261.x			BOP, KOP, KOPV, KVT, MVV, UOP4	5n262.04			BOP, KOP, KOPV, KVT, MVV, UOP4
05		F36A, F36B	05	F36A, F36B		05	F36A, F36B	
06		G01Z, G02Z, G15Z, G33Z, G38Z	06	G01Z, G02Z, G15Z, G18A, G18B, G33Z, G38Z		06	G01Z, G02Z, G15Z, G18A, G18B, G33Z, G38Z	
07		H33Z, H38Z	07	H33Z, H38Z		07	H33Z, H38Z	
10		K09A, K09B	10	K09A, K09B		10	K09A, K09B	
11		L10Z, L33Z, L38Z	11	L10Z, L33Z, L38Z		11	L10Z, L33Z, L38Z	
12		M37Z, M38Z	12	M37Z, M38Z		12	M37Z, M38Z	
13		N01A, N01B, N01C, N01D, N01E, N34Z, N38Z	13	N01A, N01B, N01C, N01D, N01E, N34Z, N38Z		13	N01A, N01B, N01C, N01D, N01E, N34Z, N38Z	
17		R01A, R01B, R01C, R01D, R02Z, R12A, R12B, R12C	17	R01A, R01B, R01C, R01D, R02Z, R12A, R12B, R12C		17	R01A, R01B, R01C, R01D, R02Z, R12A, R12B, R12C	
21A		W04A, W04B	21A	W04A, W04B		21A	W04A, W04B	
21B		X06A, X06B, X06C, X33Z	21B	X06A, X06B, X06C, X33Z		21B	X06A, X06B, X06C, X33Z	
23		Z01A	23	Z01A		23	Z01A	
Pre		A07A	Pre	A07A		Pre	A07A	
5n262.01			BOP, KOP, KOPV, KVT, MVV, UOP4	5n262.20			BOP, KOP, KOPV, KVT, MVV, UOP4	5n263.01
	05	F36A, F36B	05		F36A, F36B	05	F36A, F36B	
	06	G01Z, G02Z, G15Z, G18A, G18B, G33Z, G38Z	06		G01Z, G02Z, G15Z, G18A, G18B, G33Z, G38Z	06	G01Z, G02Z, G15Z, G18A, G18B, G33Z, G38Z	
	07	H33Z, H38Z	07		H33Z, H38Z	07	H33Z, H38Z	
	10	K09A, K09B	10		K09A, K09B	10	K09A, K09B	
	11	L10Z, L33Z, L38Z	11		L10Z, L33Z, L38Z	11	L10Z, L33Z, L38Z	
	12	M37Z, M38Z	12		M37Z, M38Z	12	M37Z, M38Z	
	13	N01A, N01B, N01C, N01D, N01E, N34Z, N38Z	13		N01A, N01B, N01C, N01D, N01E, N34Z, N38Z	13	N01A, N01B, N01C, N01D, N01E, N34Z, N38Z	
	17	R01A, R01B, R01C, R01D, R02Z, R12A, R12B, R12C	17		R01A, R01B, R01C, R01D, R02Z, R12A, R12B, R12C	17	R01A, R01B, R01C, R01D, R02Z, R12A, R12B, R12C	
	21A	W04A, W04B	21A		W04A, W04B	21A	W04A, W04B	
	21B	X06A, X06B, X06C, X33Z	21B		X06A, X06B, X06C, X33Z	21B	X06A, X06B, X06C, X33Z	
	23	Z01A	23		Z01A	23	Z01A	
	Pre	A07A	Pre		A07A	Pre	A07A	
	5n262.02		BOP, KOP, KOPV, KVT, MVV, UOP4		5n262.21		BOP, KOP, KOPV, KVT, MVV, UOP4	
05		F36A, F36B	05	F36A, F36B		05	F36A, F36B	
06		G01Z, G02Z, G15Z, G18A, G18B, G33Z, G38Z	06	G01Z, G02Z, G15Z, G18A, G18B, G33Z, G38Z		06	G01Z, G02Z, G15Z, G18A, G18B, G33Z, G38Z	
07		H33Z, H38Z	07	H33Z, H38Z		07	H33Z, H38Z	
10		K09A, K09B	10	K09A, K09B		10	K09A, K09B	
11		L10Z, L33Z, L38Z	11	L10Z, L33Z, L38Z		11	L10Z, L33Z, L38Z	
12		M37Z, M38Z	12	M37Z, M38Z		12	M37Z, M38Z	
13		N01A, N01B, N01C, N01D, N01E, N34Z, N38Z	13	N01A, N01B, N01C, N01D, N01E, N34Z, N38Z		13	N01A, N01B, N01C, N01D, N01E, N34Z, N38Z	
17		R01A, R01B, R01C, R01D, R02Z, R12A, R12B, R12C	17	R01A, R01B, R01C, R01D, R02Z, R12A, R12B, R12C		17	R01A, R01B, R01C, R01D, R02Z, R12A, R12B, R12C	
21A		W04A, W04B	21A	W04A, W04B		21A	W04A, W04B	
21B		X06A, X06B, X06C, X33Z	21B	X06A, X06B, X06C, X33Z		21B	X06A, X06B, X06C, X33Z	
23		Z01A	23	Z01A		23	Z01A	
Pre		A07A	Pre	A07A		Pre	A07A	

ZZV	MDC	DRG	ZZV	MDC	DRG	ZZV	MDC	DRG
5n263.03		BOP, KOP, KOPV, KVT, MVV, UOP4	5n263.4		BOP, KOP, KOPV, KVT, MVV, UOP4	5n264.03		BOP, KOP, KOPV, KVT, MVV, UOP4
	05	F36A, F36B		05	F36A, F36B		05	F36A, F36B
	06	G01Z, G02Z, G15Z, G18A, G18B, G33Z, G38Z		06	G01Z, G02Z, G15Z, G18A, G18B, G33Z, G38Z		06	G15Z, G16A, G16B, G33Z, G38Z
	07	H33Z, H38Z		07	H33Z, H38Z		07	H33Z, H38Z
	10	K09A, K09B		10	K09A, K09B		10	K09A, K09B
	11	L10Z, L33Z, L38Z		11	L10Z, L33Z, L38Z		11	L10Z, L33Z, L38Z
	12	M37Z, M38Z		12	M37Z, M38Z		12	M37Z, M38Z
	13	N01A, N01B, N01C, N01D, N01E, N34Z, N38Z		13	N01A, N01B, N01C, N01D, N01E, N34Z, N38Z		13	N01A, N01B, N01C, N01D, N01E, N34Z, N38Z
	17	R01A, R01B, R01C, R01D, R02Z, R12A, R12B, R12C		17	R01A, R01B, R01C, R01D, R02Z, R12A, R12B, R12C		17	R01A, R01B, R01C, R01D, R02Z, R12A, R12B, R12C
	21A	W04A, W04B		21A	W04A, W04B		21A	W04A, W04B
	21B	X06A, X06B, X06C, X33Z		21B	X06A, X06B, X06C, X33Z		21B	X06A, X06B, X06C, X33Z
	23	Z01A		23	Z01A		23	Z01A
	Pre	A07A		Pre	A07A		Pre	A07A
	5n263.04			BOP, KOP, KOPV, KVT, MVV, UOP4	5n263.x			BOP, KOP, KOPV, KVT, MVV, UOP4
05		F36A, F36B	05	F36A, F36B		05	F36A, F36B	
06		G01Z, G02Z, G15Z, G18A, G18B, G33Z, G38Z	06	G01Z, G02Z, G15Z, G18A, G18B, G33Z, G38Z		06	G15Z, G16A, G16B, G33Z, G38Z	
07		H33Z, H38Z	07	H33Z, H38Z		07	H33Z, H38Z	
10		K09A, K09B	10	K09A, K09B		10	K09A, K09B	
11		L10Z, L33Z, L38Z	11	L10Z, L33Z, L38Z		11	L10Z, L33Z, L38Z	
12		M37Z, M38Z	12	M37Z, M38Z		12	M37Z, M38Z	
13		N01A, N01B, N01C, N01D, N01E, N34Z, N38Z	13	N01A, N01B, N01C, N01D, N01E, N34Z, N38Z		13	N01A, N01B, N01C, N01D, N01E, N34Z, N38Z	
17		R01A, R01B, R01C, R01D, R02Z, R12A, R12B, R12C	17	R01A, R01B, R01C, R01D, R02Z, R12A, R12B, R12C		17	R01A, R01B, R01C, R01D, R02Z, R12A, R12B, R12C	
21A		W04A, W04B	21A	W04A, W04B		21A	W04A, W04B	
21B		X06A, X06B, X06C, X33Z	21B	X06A, X06B, X06C, X33Z		21B	X06A, X06B, X06C, X33Z	
23		Z01A	23	Z01A		23	Z01A	
Pre		A07A	Pre	A07A		Pre	A07A	
5n263.20			BOP, KOP, KOPV, KVT, MVV, UOP4	5n264.01			BOP, KOP, KOPV, KVT, MVV, UOP4	5n264.20
	05	F36A, F36B	05		F36A, F36B	05	F36A, F36B	
	06	G01Z, G02Z, G15Z, G18A, G18B, G33Z, G38Z	06		G15Z, G16A, G16B, G33Z, G38Z	06	G15Z, G16A, G16B, G33Z, G38Z	
	07	H33Z, H38Z	07		H33Z, H38Z	07	H33Z, H38Z	
	10	K09A, K09B	10		K09A, K09B	10	K09A, K09B	
	11	L10Z, L33Z, L38Z	11		L10Z, L33Z, L38Z	11	L10Z, L33Z, L38Z	
	12	M37Z, M38Z	12		M37Z, M38Z	12	M37Z, M38Z	
	13	N01A, N01B, N01C, N01D, N01E, N34Z, N38Z	13		N01A, N01B, N01C, N01D, N01E, N34Z, N38Z	13	N01A, N01B, N01C, N01D, N01E, N34Z, N38Z	
	17	R01A, R01B, R01C, R01D, R02Z, R12A, R12B, R12C	17		R01A, R01B, R01C, R01D, R02Z, R12A, R12B, R12C	17	R01A, R01B, R01C, R01D, R02Z, R12A, R12B, R12C	
	21A	W04A, W04B	21A		W04A, W04B	21A	W04A, W04B	
	21B	X06A, X06B, X06C, X33Z	21B		X06A, X06B, X06C, X33Z	21B	X06A, X06B, X06C, X33Z	
	23	Z01A	23		Z01A	23	Z01A	
	Pre	A07A	Pre		A07A	Pre	A07A	
	5n263.21		BOP, KOP, KOPV, KVT, MVV, UOP4		5n264.02		BOP, KOP, KOPV, KVT, MVV, UOP4	
05		F36A, F36B	05	F36A, F36B		05	F36A, F36B	
06		G01Z, G02Z, G15Z, G18A, G18B, G33Z, G38Z	06	G15Z, G16A, G16B, G33Z, G38Z		06	G15Z, G16A, G16B, G33Z, G38Z	
07		H33Z, H38Z	07	H33Z, H38Z		07	H33Z, H38Z	
10		K09A, K09B	10	K09A, K09B		10	K09A, K09B	
11		L10Z, L33Z, L38Z	11	L10Z, L33Z, L38Z		11	L10Z, L33Z, L38Z	
12		M37Z, M38Z	12	M37Z, M38Z		12	M37Z, M38Z	
13		N01A, N01B, N01C, N01D, N01E, N34Z, N38Z	13	N01A, N01B, N01C, N01D, N01E, N34Z, N38Z		13	N01A, N01B, N01C, N01D, N01E, N34Z, N38Z	
17		R01A, R01B, R01C, R01D, R02Z, R12A, R12B, R12C	17	R01A, R01B, R01C, R01D, R02Z, R12A, R12B, R12C		17	R01A, R01B, R01C, R01D, R02Z, R12A, R12B, R12C	
21A		W04A, W04B	21A	W04A, W04B		21A	W04A, W04B	
21B		X06A, X06B, X06C, X33Z	21B	X06A, X06B, X06C, X33Z		21B	X06A, X06B, X06C, X33Z	
23		Z01A	23	Z01A		23	Z01A	
Pre		A07A	Pre	A07A		Pre	A07A	

ZZV	MDC	DRG	ZZV	MDC	DRG	ZZV	MDC	DRG
5n264.4		BOP, KOP, KOPV, KVT, MVV, UOP4	5n265.03		BOP, KOP, KOPV, KVT, MVV, UOP4	5n265.4		BOP, KOP, KOPV, KVT, MVV, UOP4
	05	F36A, F36B		05	F36A, F36B		05	F36A, F36B
	06	G15Z, G16A, G16B, G33Z, G38Z		06	G01Z, G02Z, G15Z, G18A, G18B, G33Z, G38Z		06	G01Z, G02Z, G15Z, G18A, G18B, G33Z, G38Z
	07	H33Z, H38Z		07	H33Z, H38Z		07	H33Z, H38Z
	10	K09A, K09B		10	K09A, K09B		10	K09A, K09B
	11	L10Z, L33Z, L38Z		11	L10Z, L33Z, L38Z		11	L10Z, L33Z, L38Z
	12	M37Z, M38Z		12	M37Z, M38Z		12	M37Z, M38Z
	13	N01A, N01B, N01C, N01D, N01E, N34Z, N38Z		13	N01A, N01B, N01C, N01D, N01E, N34Z, N38Z		13	N01A, N01B, N01C, N01D, N01E, N34Z, N38Z
	17	R01A, R01B, R01C, R01D, R02Z, R12A, R12B, R12C		17	R01A, R01B, R01C, R01D, R02Z, R12A, R12B, R12C		17	R01A, R01B, R01C, R01D, R02Z, R12A, R12B, R12C
	21A	W04A, W04B		21A	W04A, W04B		21A	W04A, W04B
	21B	X06A, X06B, X06C, X33Z		21B	X06A, X06B, X06C, X33Z		21B	X06A, X06B, X06C, X33Z
	23	Z01A		23	Z01A		23	Z01A
	Pre	A07A		Pre	A07A		Pre	A07A
	5n264.x			BOP, KOP, KOPV, KVT, MVV, UOP4	5n265.04			BOP, KOP, KOPV, KVT, MVV, UOP4
05		F36A, F36B	05	F36A, F36B		05	F36A, F36B	
06		G15Z, G16A, G16B, G33Z, G38Z	06	G01Z, G02Z, G15Z, G18A, G18B, G33Z, G38Z		06	G01Z, G02Z, G15Z, G18A, G18B, G33Z, G38Z	
07		H33Z, H38Z	07	H33Z, H38Z		07	H33Z, H38Z	
10		K09A, K09B	10	K09A, K09B		10	K09A, K09B	
11		L10Z, L33Z, L38Z	11	L10Z, L33Z, L38Z		11	L10Z, L33Z, L38Z	
12		M37Z, M38Z	12	M37Z, M38Z		12	M37Z, M38Z	
13		N01A, N01B, N01C, N01D, N01E, N34Z, N38Z	13	N01A, N01B, N01C, N01D, N01E, N34Z, N38Z		13	N01A, N01B, N01C, N01D, N01E, N34Z, N38Z	
17		R01A, R01B, R01C, R01D, R02Z, R12A, R12B, R12C	17	R01A, R01B, R01C, R01D, R02Z, R12A, R12B, R12C		17	R01A, R01B, R01C, R01D, R02Z, R12A, R12B, R12C	
21A		W04A, W04B	21A	W04A, W04B		21A	W04A, W04B	
21B		X06A, X06B, X06C, X33Z	21B	X06A, X06B, X06C, X33Z		21B	X06A, X06B, X06C, X33Z	
23		Z01A	23	Z01A		23	Z01A	
Pre		A07A	Pre	A07A		Pre	A07A	
5n265.01			BOP, KOP, KOPV, KVT, MVV, UOP4	5n265.20			BOP, KOP, KOPV, KVT, MVV, UOP4	5n26x.x
	05	F36A, F36B	05		F36A, F36B	05	F36A, F36B	
	06	G01Z, G02Z, G15Z, G18A, G18B, G33Z, G38Z	06		G01Z, G02Z, G15Z, G18A, G18B, G33Z, G38Z	06	G01Z, G02Z, G15Z, G18A, G18B, G33Z, G38Z	
	07	H33Z, H38Z	07		H33Z, H38Z	07	H33Z, H38Z	
	10	K09A, K09B	10		K09A, K09B	10	K09A, K09B	
	11	L10Z, L33Z, L38Z	11		L10Z, L33Z, L38Z	11	L10Z, L33Z, L38Z	
	12	M37Z, M38Z	12		M37Z, M38Z	12	M37Z, M38Z	
	13	N01A, N01B, N01C, N01D, N01E, N34Z, N38Z	13		N01A, N01B, N01C, N01D, N01E, N34Z, N38Z	13	N01A, N01B, N01C, N01D, N01E, N34Z, N38Z	
	17	R01A, R01B, R01C, R01D, R02Z, R12A, R12B, R12C	17		R01A, R01B, R01C, R01D, R02Z, R12A, R12B, R12C	17	R01A, R01B, R01C, R01D, R02Z, R12A, R12B, R12C	
	21A	W04A, W04B	21A		W04A, W04B	21A	W04A, W04B	
	21B	X06A, X06B, X06C, X33Z	21B		X06A, X06B, X06C, X33Z	21B	X06A, X06B, X06C, X33Z	
	23	Z01A	23		Z01A	23	Z01A	
	Pre	A07A	Pre		A07A	Pre	A07A	
	5n265.02		BOP, KOP, KOPV, KVT, MVV, UOP4		5n265.21		BOP, KOP, KOPV, KVT, MVV, UOP4	
05		F36A, F36B	05	F36A, F36B		05	F36A, F36B	
06		G01Z, G02Z, G15Z, G18A, G18B, G33Z, G38Z	06	G01Z, G02Z, G15Z, G18A, G18B, G33Z, G38Z		06	G01Z, G02Z, G15Z, G18A, G18B, G33Z, G38Z	
07		H33Z, H38Z	07	H33Z, H38Z		07	H33Z, H38Z	
10		K09A, K09B	10	K09A, K09B		11	L33Z	
11		L10Z, L33Z, L38Z	11	L10Z, L33Z, L38Z		21B	X33Z	
12		M37Z, M38Z	12	M37Z, M38Z		23	Z01A	
13		N01A, N01B, N01C, N01D, N01E, N34Z, N38Z	13	N01A, N01B, N01C, N01D, N01E, N34Z, N38Z		Pre	A07A	
17		R01A, R01B, R01C, R01D, R02Z, R12A, R12B, R12C	17	R01A, R01B, R01C, R01D, R02Z, R12A, R12B, R12C				
21A		W04A, W04B	21A	W04A, W04B				
21B		X06A, X06B, X06C, X33Z	21B	X06A, X06B, X06C, X33Z				
23		Z01A	23	Z01A				
Pre		A07A	Pre	A07A				

VYK



ZZV	MDC	DRG	ZZV	MDC	DRG	ZZV	MDC	DRG			
5n291		BOP, KOP, KOPV, KVT, UOP4	5n301.0		BOP, KVT, UOP4	5n303.0		BOP, KVT, UOP4			
	05	F36A, F36B		06	G01Z, G02Z, G15Z, G18A, G18B, G38Z		06	G01Z, G02Z, G15Z, G18A, G18B, G38Z			
	06	G01Z, G02Z, G15Z, G18A, G18B, G33Z, G38Z		11	L09A, L10Z, L38Z		11	L09A, L10Z, L38Z			
	07	H33Z, H38Z		12	M37Z, M38Z		12	M37Z, M38Z			
	11	L33Z		13	N11A		13	N11A			
	21B	X33Z		17	R01A, R01B, R01C, R01D, R02Z, R12A, R12B, R12C		17	R01A, R01B, R01C, R01D, R02Z, R12A, R12B, R12C			
	23	Z01A		21A	W04A, W04B		21A	W04A, W04B			
	Pre	A07A		21B	X06A, X06B, X06C		21B	X06A, X06B, X06C			
	5n292			BOP, KOP, KOPV, KVT, UOP4	5n301.2			BOP, KVT, UOP4	5n303.2		BOP, KVT, UOP4
		05		F36A, F36B			06	G01Z, G02Z, G15Z, G18A, G18B, G38Z		06	G01Z, G02Z, G15Z, G18A, G18B, G38Z
06		G01Z, G02Z, G15Z, G18A, G18B, G33Z, G38Z	11	L09A, L10Z, L38Z		11	L09A, L10Z, L38Z				
07		H33Z, H38Z	12	M37Z, M38Z		12	M37Z, M38Z				
11		L33Z	13	N11A		13	N11A				
21B		X33Z	17	R01A, R01B, R01C, R01D, R02Z, R12A, R12B, R12C		17	R01A, R01B, R01C, R01D, R02Z, R12A, R12B, R12C				
23		Z01A	21A	W04A, W04B		21A	W04A, W04B				
Pre		A07A	21B	X06A, X06B, X06C		21B	X06A, X06B, X06C				
5n29x			BOP, KOP, KOPV, KVT, UOP4	5n301.4			BOP, KVT, UOP4	5n303.4			BOP, KVT, UOP4
		05	F36A, F36B			06	G01Z, G02Z, G15Z, G18A, G18B, G33Z, G38Z			06	G01Z, G02Z, G15Z, G18A, G18B, G38Z
	06	G01Z, G02Z, G15Z, G18A, G18B, G33Z, G38Z	11		L09A, L10Z, L38Z	11	L09A, L10Z, L38Z				
	07	H33Z, H38Z	12		M37Z, M38Z	12	M37Z, M38Z				
	11	L33Z	13		N11A	13	N11A				
	21B	X33Z	17		R01A, R01B, R01C, R01D, R02Z, R12A, R12B, R12C	17	R01A, R01B, R01C, R01D, R02Z, R12A, R12B, R12C				
	23	Z01A	21A		W04A, W04B	21A	W04A, W04B				
	Pre	A07A	21B		X06A, X06B, X06C	21B	X06A, X06B, X06C				
	5n300.0		BOP, KVT, UOP4		5n302.0		BOP, KVT, UOP4		5n304.0		BOP, KVT, UOP4
		06	G01Z, G02Z, G15Z, G18A, G18B, G38Z			06	G01Z, G02Z, G15Z, G18A, G18B, G38Z			06	G01Z, G02Z, G15Z, G18A, G18B, G38Z
11		L09A, L10Z, L38Z	11	L09A, L10Z, L38Z		11	L09A, L10Z, L38Z				
12		M37Z, M38Z	12	M37Z, M38Z		12	M37Z, M38Z				
13		N11A	13	N11A		13	N11A				
17		R01A, R01B, R01C, R01D, R02Z, R12A, R12B, R12C	17	R01A, R01B, R01C, R01D, R02Z, R12A, R12B, R12C		17	R01A, R01B, R01C, R01D, R02Z, R12A, R12B, R12C				
21A		W04A, W04B	21A	W04A, W04B		21A	W04A, W04B				
21B		X06A, X06B, X06C	21B	X06A, X06B, X06C		21B	X06A, X06B, X06C				
Pre		A11A, A13A, A13B, A13D	Pre	A11A, A13A, A13B, A13D		Pre	A11A, A13A, A13B, A13D				
5n300.2			BOP, KVT, UOP4	5n302.2			BOP, KVT, UOP4	5n304.2			BOP, KVT, UOP4
	06	G01Z, G02Z, G15Z, G18A, G18B, G38Z	06		G01Z, G02Z, G15Z, G18A, G18B, G38Z	06	G01Z, G02Z, G15Z, G18A, G18B, G38Z				
	11	L09A, L10Z, L38Z	11		L09A, L10Z, L38Z	11	L09A, L10Z, L38Z				
	12	M37Z, M38Z	12		M37Z, M38Z	12	M37Z, M38Z				
	13	N11A	13		N11A	13	N11A				
	17	R01A, R01B, R01C, R01D, R02Z, R12A, R12B, R12C	17		R01A, R01B, R01C, R01D, R02Z, R12A, R12B, R12C	17	R01A, R01B, R01C, R01D, R02Z, R12A, R12B, R12C				
	21A	W04A, W04B	21A		W04A, W04B	21A	W04A, W04B				
	21B	X06A, X06B, X06C	21B		X06A, X06B, X06C	21B	X06A, X06B, X06C				
	Pre	A11A, A13A, A13B, A13D	Pre		A11A, A13A, A13B, A13D	Pre	A11A, A13A, A13B, A13D				
	5n300.4		BOP, KVT, UOP4		5n302.4		BOP, KVT, UOP4		5n304.4		BOP, KVT, UOP4
06		G01Z, G02Z, G15Z, G18A, G18B, G38Z	06	G01Z, G02Z, G15Z, G18A, G18B, G38Z		06	G01Z, G02Z, G15Z, G18A, G18B, G38Z				
11		L09A, L10Z, L38Z	11	L09A, L10Z, L38Z		11	L09A, L10Z, L38Z				
12		M37Z, M38Z	12	M37Z, M38Z		12	M37Z, M38Z				
13		N11A	13	N11A		13	N11A				
17		R01A, R01B, R01C, R01D, R02Z, R12A, R12B, R12C	17	R01A, R01B, R01C, R01D, R02Z, R12A, R12B, R12C		17	R01A, R01B, R01C, R01D, R02Z, R12A, R12B, R12C				
21A		W04A, W04B	21A	W04A, W04B		21A	W04A, W04B				
21B		X06A, X06B, X06C	21B	X06A, X06B, X06C		21B	X06A, X06B, X06C				
Pre		A11A, A13A, A13B, A13D	Pre	A11A, A13A, A13B, A13D		Pre	A11A, A13A, A13B, A13D				



ZZV	MDC	DRG	ZZV	MDC	DRG	ZZV	MDC	DRG
5n313.2		BOP, KOP, KOPV, KVT, UOP4	5n315.0		BOP, KOP, KOPV, KVT, UOP4	5n31x.4		BOP, KOP, KOPV, KVT, UOP4
	06	G01Z, G02Z, G15Z, G38Z		06	G01Z, G02Z, G15Z, G38Z		06	G01Z, G02Z, G15Z, G38Z
	07	H33Z, H38Z		07	H33Z, H38Z		07	H33Z, H38Z
	11	L10Z, L33Z, L38Z		11	L10Z, L33Z, L38Z		11	L10Z, L33Z, L38Z
	12	M37Z, M38Z		12	M37Z, M38Z		12	M37Z, M38Z
	13	N11A		13	N11A		13	N11A
	17	R01A, R01B, R01C, R01D, R02Z, R12A, R12B, R12C		17	R01A, R01B, R01C, R01D, R02Z, R12A, R12B, R12C		17	R01A, R01B, R01C, R01D, R02Z, R12A, R12B, R12C
	21A	W04A, W04B		21A	W04A, W04B		21A	W04A, W04B
	21B	X06A, X06B, X06C, X33Z		21B	X06A, X06B, X06C, X33Z		21B	X06A, X06B, X06C, X33Z
	Pre	A07A, A11A, A13A, A13B, A13D		Pre	A07A, A11A, A13A, A13B, A13D		Pre	A07A, A11A, A13A, A13B, A13D
5n313.4		BOP, KOP, KOPV, KVT, UOP4	5n315.2		BOP, KOP, KOPV, KVT, UOP4	5n320.0		BOP, KVT, UOP4
	06	G01Z, G02Z, G15Z, G38Z		06	G01Z, G02Z, G15Z, G38Z		06	G15Z, G18A, G18B, G38Z
	07	H33Z, H38Z		07	H33Z, H38Z		13	N11A
	11	L10Z, L33Z, L38Z		11	L10Z, L33Z, L38Z		17	R01A, R01B, R01C, R01D, R02Z, R12A, R12B, R12C
	12	M37Z, M38Z		12	M37Z, M38Z		21A	W04A, W04B
	13	N11A		13	N11A		21B	X06A, X06B, X06C
	17	R01A, R01B, R01C, R01D, R02Z, R12A, R12B, R12C		17	R01A, R01B, R01C, R01D, R02Z, R12A, R12B, R12C		5n320.2	BOP, KVT, UOP4
	21A	W04A, W04B		21A	W04A, W04B		06	G15Z, G18A, G18B, G38Z
	21B	X06A, X06B, X06C, X33Z		21B	X06A, X06B, X06C, X33Z		13	N11A
	Pre	A07A, A11A, A13A, A13B, A13D		Pre	A07A, A11A, A13A, A13B, A13D		17	R01A, R01B, R01C, R01D, R02Z, R12A, R12B, R12C
5n314.0		BOP, KOP, KOPV, KVT, UOP4	5n315.4		BOP, KOP, KOPV, KVT, UOP4	5n320.4		BOP, KVT, UOP4
	06	G01Z, G02Z, G15Z, G38Z		06	G01Z, G02Z, G15Z, G38Z		06	G15Z, G18A, G18B, G38Z
	07	H33Z, H38Z		07	H33Z, H38Z		13	N11A
	11	L10Z, L33Z, L38Z		11	L10Z, L33Z, L38Z		17	R01A, R01B, R01C, R01D, R02Z, R12A, R12B, R12C
	12	M37Z, M38Z		12	M37Z, M38Z		21A	W04A, W04B
	13	N11A		13	N11A		21B	X06A, X06B, X06C
	17	R01A, R01B, R01C, R01D, R02Z, R12A, R12B, R12C		17	R01A, R01B, R01C, R01D, R02Z, R12A, R12B, R12C		5n321.0	BOP, KVT, UOP4
	21A	W04A, W04B		21A	W04A, W04B		06	G15Z, G18A, G18B, G38Z
	21B	X06A, X06B, X06C, X33Z		21B	X06A, X06B, X06C, X33Z		13	N11A
	Pre	A07A, A11A, A13A, A13B, A13D		Pre	A07A, A11A, A13A, A13B, A13D		17	R01A, R01B, R01C, R01D, R02Z, R12A, R12B, R12C
5n314.2		BOP, KOP, KOPV, KVT, UOP4	5n31x.0		BOP, KOP, KOPV, KVT, UOP4	5n321.2		BOP, KVT, UOP4
	06	G01Z, G02Z, G15Z, G38Z		06	G01Z, G02Z, G15Z, G38Z		06	G15Z, G18A, G18B, G38Z
	07	H33Z, H38Z		07	H33Z, H38Z		13	N11A
	11	L10Z, L33Z, L38Z		11	L10Z, L33Z, L38Z		17	R01A, R01B, R01C, R01D, R02Z, R12A, R12B, R12C
	12	M37Z, M38Z		12	M37Z, M38Z		21A	W04A, W04B
	13	N11A		13	N11A		21B	X06A, X06B, X06C
	17	R01A, R01B, R01C, R01D, R02Z, R12A, R12B, R12C		17	R01A, R01B, R01C, R01D, R02Z, R12A, R12B, R12C		5n321.4	BOP, KVT, UOP4
	21A	W04A, W04B		21A	W04A, W04B		06	G15Z, G18A, G18B, G38Z
	21B	X06A, X06B, X06C, X33Z		21B	X06A, X06B, X06C, X33Z		13	N11A
	Pre	A07A, A11A, A13A, A13B, A13D		Pre	A07A, A11A, A13A, A13B, A13D		17	R01A, R01B, R01C, R01D, R02Z, R12A, R12B, R12C
5n314.4		BOP, KOP, KOPV, KVT, UOP4	5n31x.2		BOP, KOP, KOPV, KVT, UOP4	5n322.1		BOP, KVT, UOP4
	06	G01Z, G02Z, G15Z, G38Z		06	G01Z, G02Z, G15Z, G38Z		06	G01Z, G02Z, G15Z, G18A, G18B, G38Z
	07	H33Z, H38Z		07	H33Z, H38Z		13	N11A
	11	L10Z, L33Z, L38Z		11	L10Z, L33Z, L38Z		17	R01A, R01B, R01C, R01D, R02Z, R12A, R12B, R12C
	12	M37Z, M38Z		12	M37Z, M38Z		21A	W04A, W04B
	13	N11A		13	N11A		21B	X06A, X06B, X06C
	17	R01A, R01B, R01C, R01D, R02Z, R12A, R12B, R12C		17	R01A, R01B, R01C, R01D, R02Z, R12A, R12B, R12C		Pre	A11A, A13A, A13B, A13D
	21A	W04A, W04B		21A	W04A, W04B			
	21B	X06A, X06B, X06C, X33Z		21B	X06A, X06B, X06C, X33Z			
	Pre	A07A, A11A, A13A, A13B, A13D		Pre	A07A, A11A, A13A, A13B, A13D			

VYK

ZZV	MDC	DRG	ZZV	MDC	DRG	ZZV	MDC	DRG
5n322.2		BOP, KVT, UOP4	5n330.1		BOP, KVT, UOP4	5n332.2		BOP, KVT, UOP4
	06	G01Z, G02Z, G15Z, G18A, G18B, G38Z		06	G13Z, G21A, G21B		05	F13A
	13	N11A		17	R01A, R01B, R01C, R01D, R02Z, R12A, R12B, R12C		06	G01Z, G02Z, G13Z, G21A, G21B, G38Z
	17	R01A, R01B, R01C, R01D, R02Z, R12A, R12B, R12C		21A	W04A, W04B		11	L09A, L38Z
	21A	W04A, W04B		21B	X06A, X06B, X06C		13	N11A
	21B	X06A, X06B, X06C		5n330.2			17	R01A, R01B, R01C, R01D, R02Z, R12A, R12B, R12C
	Pre	A11A, A13A, A13B, A13D		06	G13Z, G21A, G21B		21A	W04A, W04B
5n322.3		BOP, KVT, UOP4	5n330.2		BOP, KVT, UOP4	5n332.3		BOP, KVT, UOP4
	06	G01Z, G02Z, G15Z, G18A, G18B, G38Z		06	G13Z, G21A, G21B		05	F13A
	13	N11A		17	R01A, R01B, R01C, R01D, R02Z, R12A, R12B, R12C		06	G01Z, G02Z, G13Z, G21A, G21B, G38Z
	17	R01A, R01B, R01C, R01D, R02Z, R12A, R12B, R12C		21A	W04A, W04B		11	L09A, L38Z
	21A	W04A, W04B		21B	X06A, X06B, X06C		13	N11A
	21B	X06A, X06B, X06C		5n330.3			21A	W04A, W04B
	Pre	A11A, A13A, A13B, A13D		06	G13Z, G21A, G21B		21B	X06A, X06B, X06C
5n322.4		BOP, KVT, UOP4	5n330.3		BOP, KVT, UOP4	5n332.x		BOP, KVT, UOP4
	06	G01Z, G02Z, G15Z, G18A, G18B, G38Z		06	G13Z, G21A, G21B		05	F13A
	13	N11A		17	R01A, R01B, R01C, R01D, R02Z, R12A, R12B, R12C		06	G01Z, G02Z, G13Z, G21A, G21B, G38Z
	17	R01A, R01B, R01C, R01D, R02Z, R12A, R12B, R12C		21A	W04A, W04B		13	N11A
	21A	W04A, W04B		21B	X06A, X06B, X06C		21A	W04A, W04B
	21B	X06A, X06B, X06C		5n330.x			21B	X06A, X06B, X06C
	Pre	A11A, A13A, A13B, A13D		06	G13Z, G21A, G21B		Pre	A11A, A13A, A13B, A13D
5n322.5		BOP, KVT, UOP4	5n331.0		BOP, KVT, UOP4	5n333.0		BOP, KVT, UOP4
	06	G01Z, G02Z, G15Z, G18A, G18B, G38Z		06	G13Z, G21A, G21B		05	F13A
	13	N11A		17	R01A, R01B, R01C, R01D, R02Z, R12A, R12B, R12C		06	G01Z, G02Z, G13Z, G21A, G21B, G38Z
	17	R01A, R01B, R01C, R01D, R02Z, R12A, R12B, R12C		21A	W04A, W04B		13	N11A
	21A	W04A, W04B		21B	X06A, X06B, X06C		21A	W04A, W04B
	21B	X06A, X06B, X06C		5n331.1			21B	X06A, X06B, X06C
	Pre	A11A, A13A, A13B, A13D		06	G13Z, G21A, G21B		Pre	A11A, A13A, A13B, A13D
5n322.6		BOP, KVT, UOP4	5n331.1		BOP, KVT, UOP4	5n333.1		BOP, KVT, UOP4
	06	G01Z, G02Z, G15Z, G18A, G18B, G38Z		06	G13Z, G21A, G21B		06	G01Z, G02Z, G13Z, G21A, G21B, G38Z
	13	N11A		17	R01A, R01B, R01C, R01D, R02Z, R12A, R12B, R12C		17	R01A, R01B, R01C, R01D, R02Z, R12A, R12B, R12C
	17	R01A, R01B, R01C, R01D, R02Z, R12A, R12B, R12C		21A	W04A, W04B		21A	W04A, W04B
	21A	W04A, W04B		21B	X06A, X06B, X06C		21B	X06A, X06B, X06C
	21B	X06A, X06B, X06C		5n331.2			Pre	A11A, A13A, A13B, A13D
	Pre	A11A, A13A, A13B, A13D		06	G13Z, G21A, G21B		Pre	A11A, A13A, A13B, A13D
5n322.7		BOP, KVT, UOP4	5n331.2		BOP, KVT, UOP4	5n333.2		BOP, KVT, UOP4
	06	G01Z, G02Z, G15Z, G18A, G18B, G38Z		06	G13Z, G21A, G21B		06	G01Z, G02Z, G13Z, G21A, G21B, G38Z
	13	N11A		17	R01A, R01B, R01C, R01D, R02Z, R12A, R12B, R12C		17	R01A, R01B, R01C, R01D, R02Z, R12A, R12B, R12C
	17	R01A, R01B, R01C, R01D, R02Z, R12A, R12B, R12C		21A	W04A, W04B		21A	W04A, W04B
	21A	W04A, W04B		21B	X06A, X06B, X06C		21B	X06A, X06B, X06C
	21B	X06A, X06B, X06C		5n331.3			Pre	A11A, A13A, A13B, A13D
	Pre	A11A, A13A, A13B, A13D		06	G13Z, G21A, G21B		Pre	A11A, A13A, A13B, A13D
5n322.x		BOP, KVT, UOP4	5n331.x		BOP, KVT, UOP4	5n333.3		BOP, KVT, UOP4
	06	G01Z, G02Z, G15Z, G18A, G18B, G38Z		06	G13Z, G21A, G21B		06	G01Z, G02Z, G13Z, G21A, G21B, G38Z
	13	N11A		17	R01A, R01B, R01C, R01D, R02Z, R12A, R12B, R12C		17	R01A, R01B, R01C, R01D, R02Z, R12A, R12B, R12C
	17	R01A, R01B, R01C, R01D, R02Z, R12A, R12B, R12C		21A	W04A, W04B		21A	W04A, W04B
	21A	W04A, W04B		21B	X06A, X06B, X06C		21B	X06A, X06B, X06C
	21B	X06A, X06B, X06C		5n332.0			Pre	A11A, A13A, A13B, A13D
	Pre	A11A, A13A, A13B, A13D		05	F13A		Pre	A11A, A13A, A13B, A13D
5n330.0		BOP, KVT, UOP4	5n332.1		BOP, KVT, UOP4	5n333.x		BOP, KVT, UOP4
	06	G13Z, G21A, G21B		06	G01Z, G02Z, G13Z, G21A, G21B, G38Z		06	G01Z, G02Z, G13Z, G21A, G21B, G38Z
	17	R01A, R01B, R01C, R01D, R02Z, R12A, R12B, R12C		11	L09A, L38Z		21A	W04A, W04B
	21A	W04A, W04B		13	N11A		21B	X06A, X06B, X06C
	21B	X06A, X06B, X06C		17	R01A, R01B, R01C, R01D, R02Z, R12A, R12B, R12C		Pre	A11A, A13A, A13B, A13D
	Pre	A11A, A13A, A13B, A13D		21A	W04A, W04B		Pre	A11A, A13A, A13B, A13D
	Pre	A11A, A13A, A13B, A13D		21B	X06A, X06B, X06C		Pre	A11A, A13A, A13B, A13D
5n332.2		BOP, KVT, UOP4	5n332.2		BOP, KVT, UOP4	5n334.1		BOP, KVT, UOP4
	06	G13Z, G21A, G21B		06	G01Z, G02Z, G13Z, G21A, G21B, G38Z		06	G15Z, G18A, G18B, G38Z
	17	R01A, R01B, R01C, R01D, R02Z, R12A, R12B, R12C		11	L09A, L38Z		17	R01A, R01B, R01C, R01D, R02Z, R12A, R12B, R12C
	21A	W04A, W04B		13	N11A		21A	W04A, W04B
	21B	X06A, X06B, X06C		17	R01A, R01B, R01C, R01D, R02Z, R12A, R12B, R12C		21B	X06A, X06B, X06C
	Pre	A11A, A13A, A13B, A13D		21A	W04A, W04B		Pre	A11A, A13A, A13B, A13D
	Pre	A11A, A13A, A13B, A13D		21B	X06A, X06B, X06C		Pre	A11A, A13A, A13B, A13D

VYK

ZZV	MDC	DRG	ZZV	MDC	DRG	ZZV	MDC	DRG
5n334.2		BOP, KVT, UOP4	5n339.2		BOP, KVT, UOP4	5n33b.1		BOP, KVT, UOP4
	06	G15Z, G18A, G18B, G38Z		06	G01Z, G02Z, G13Z, G21A, G21B, G38Z		05	F13A
	17	R01A, R01B, R01C, R01D, R02Z, R12A, R12B, R12C		17	R01A, R01B, R01C, R01D, R02Z, R12A, R12B, R12C		06	G01Z, G02Z, G04A, G04B, G07A, G07B, G07C, G15Z, G18A, G18B, G38Z
	21A	W04A, W04B		21A	W04A, W04B		11	L09A, L38Z
5n334.3	21B	X06A, X06B, X06C	5n339.3	21B	X06A, X06B, X06C	5n33b.2	13	N11A
		BOP, KVT, UOP4		Pre	A11A, A13A, A13B, A13D		21A	W04A, W04B
	06	G15Z, G18A, G18B, G38Z		06	BOP, KVT, UOP4		21B	X06A, X06B
	10	K09A, K09B		06	G01Z, G02Z, G13Z, G21A, G21B, G38Z		Pre	A11A, A13A, A13B, A13D
5n334.x	17	R01A, R01B, R01C, R01D, R02Z, R12A, R12B, R12C	5n339.x	21A	W04A, W04B	5n33b.x	05	F13A
	21A	W04A, W04B		21B	X06A, X06B, X06C		06	G01Z, G02Z, G04A, G04B, G07A, G07B, G07C, G15Z, G18A, G18B, G38Z
	21B	X06A, X06B, X06C		Pre	A11A, A13A, A13B, A13D		11	L09A, L38Z
		BOP, KVT, UOP4		06	BOP, KVT, UOP4		13	N11A
5n335.0	06	G15Z, G18A, G18B, G38Z	5n33a.0	21A	W04A, W04B	5n340.0	21A	W04A, W04B
	17	R01A, R01B, R01C, R01D, R02Z, R12A, R12B, R12C		21B	X06A, X06B, X06C		21B	X06A, X06B
	21A	W04A, W04B		Pre	A11A, A13A, A13B, A13D		Pre	A11A, A13A, A13B, A13D
	21B	X06A, X06B, X06C		05	BOP, KVT, UOP4		05	BOP, KVT, UOP4
5n335.1	11	L09A, L38Z	5n33a.1	05	F13A	5n340.1	05	F13A
	17	R01A, R01B, R01C, R01D, R02Z, R12A, R12B, R12C		06	G01Z, G02Z, G04A, G04B, G07A, G07B, G07C, G38Z		06	G01Z, G02Z, G04A, G04B, G07A, G07B, G07C, G15Z, G18A, G18B, G38Z
	21A	W04A, W04B		11	L09A, L38Z		13	N11A
	21B	X06A, X06B, X06C		13	N11A		21A	W04A, W04B
5n335.2		BOP, KVT, UOP4	5n33a.2	21B	X06A, X06B	5n340.2	21A	W01A, W01B, W01C, W02A, W02B, W04A, W04B
	06	G13Z, G21A, G21B		Pre	A11A, A13A, A13B, A13D		21B	X06A, X06B
	11	L09A, L38Z		05	F13A		23	Z01A
	17	R01A, R01B, R01C, R01D, R02Z, R12A, R12B, R12C		06	G01Z, G02Z, G04A, G04B, G07A, G07B, G07C, G38Z		06	BOP, KVT, UOP4
5n335.3	21A	W04A, W04B	5n33a.x	11	L09A, L38Z	5n340.3	06	G15Z, G18A, G18B, G38Z
	21B	X06A, X06B, X06C		13	N11A		21A	W01A, W01B, W01C, W02A, W02B, W04A, W04B
		BOP, KVT, UOP4		21A	W04A, W04B		21B	X06A, X06B
	06	G13Z, G21A, G21B		21B	X06A, X06B		23	Z01A
5n335.x	11	L09A, L38Z	5n33b.0	Pre	A11A, A13A, A13B, A13D	5n341.0	06	BOP, KVT, UOP4
	17	R01A, R01B, R01C, R01D, R02Z, R12A, R12B, R12C		05	F13A		06	G15Z, G18A, G18B, G38Z
	21A	W04A, W04B		06	G01Z, G02Z, G04A, G04B, G07A, G07B, G07C, G38Z		21A	W01A, W01B, W01C, W02A, W02B, W04A, W04B
	21B	X06A, X06B, X06C		13	N11A		21B	X06A, X06B
5n339.0		BOP, KVT, UOP4	5n339.0	21A	W04A, W04B	5n341.1	23	Z01A
	06	G13Z, G21A, G21B		21B	X06A, X06B		06	BOP, KVT, UOP4
	17	R01A, R01B, R01C, R01D, R02Z, R12A, R12B, R12C		Pre	A11A, A13A, A13B, A13D		06	G15Z, G18A, G18B, G38Z
	21A	W04A, W04B		05	F13A		21A	W04A, W04B
5n339.1	21B	X06A, X06B, X06C	5n339.1	06	G01Z, G02Z, G04A, G04B, G07A, G07B, G07C, G15Z, G18A, G18B, G38Z	5n341.2	21B	X06A, X06B
		BOP, KVT, UOP4		13	N11A		06	BOP, KVT, UOP4
	06	G13Z, G21A, G21B		21A	W04A, W04B		06	G15Z, G18A, G18B, G38Z
	17	R01A, R01B, R01C, R01D, R02Z, R12A, R12B, R12C		21B	X06A, X06B		21A	W04A, W04B
	BOP, KVT, UOP4			21B	X06A, X06B			
06	G13Z, G21A, G21B			Pre	A11A, A13A, A13B, A13D			
17	R01A, R01B, R01C, R01D, R02Z, R12A, R12B, R12C							
21A	W04A, W04B							
21B	X06A, X06B, X06C							

VYK

ZZV	MDC	DRG	ZZV	MDC	DRG	ZZV	MDC	DRG
5n341.3		BOP, KVT, UOP4	5n345.3		BOP, KVT, UOP4	5n34x.1‡	06	G40Z, G46A, G46B, G46C, G47Z, G50Z
	06	G15Z, G18A, G18B, G38Z		05	F13A			
	21A	W04A, W04B		06	G15Z, G18A, G18B, G38Z	5n34x.2‡	06	G40Z, G48A, G48B, G48C
	21B	X06A, X06B		21A	W04A, W04B	5n34x.3‡	06	G40Z, G48A, G48B, G48C
5n341.x		BOP, KVT, UOP4		21B	X06A, X06B	5n34x.x‡	06	G40Z, G48A, G48B, G48C
	06	G15Z, G18A, G18B, G38Z	5n345.x		BOP, KVT, UOP4	5n350.1		BOP, KVT, UOP4
	21A	W04A, W04B		05	F13A		06	G15Z, G18A, G18B, G38Z
	21B	X06A, X06B		06	G15Z, G18A, G18B, G38Z		07	H06A, H06B, H06C
5n342.0‡	06	G40Z, G46A, G46B, G46C, G47Z, G50Z		21A	W04A, W04B		17	R01A, R01B, R01C, R01D, R02Z, R12A, R12B, R12C
5n342.2‡	06	G40Z, G48A, G48B, G48C	5n346.0		BOP, KVT, MVV, UOP4		21A	W04A, W04B
5n342.3‡	06	G40Z, G48A, G48B, G48C		06	G15Z, G18A, G18B, G38Z	5n350.2	21B	X06A, X06B, X06C
5n342.x‡	06	G40Z, G48A, G48B, G48C		07	H06A, H06B, H06C			BOP, KVT, UOP4
5n343.0		BOP, KVT, UOP4		10	K09A, K09B		06	G15Z, G18A, G18B, G38Z
	06	G15Z, G18A, G18B, G38Z		17	R01A, R01B, R01C, R01D, R02Z, R12A, R12B, R12C		07	H06A, H06B, H06C
	21A	W04A, W04B		21A	W04A, W04B		17	R01A, R01B, R01C, R01D, R02Z, R12A, R12B, R12C
	21B	X06A, X06B		21B	X06A, X06B		21A	W04A, W04B
5n343.1		BOP, KVT, UOP4		Pre	A06A, A07A, A09A, A16A	5n350.3	21B	X06A, X06B, X06C
	06	G15Z, G18A, G18B, G38Z			BOP, KVT, MVV, UOP4			BOP, KVT, UOP4
	21A	W04A, W04B	5n346.1		G15Z, G18A, G18B, G38Z		06	G15Z, G18A, G18B, G38Z
	21B	X06A, X06B		06	G15Z, G18A, G18B, G38Z		07	H06A, H06B, H06C
5n343.2		BOP, KVT, UOP4		07	H06A, H06B, H06C		17	R01A, R01B, R01C, R01D, R02Z, R12A, R12B, R12C
	06	G15Z, G18A, G18B, G38Z		10	K09A, K09B		21A	W04A, W04B
	21A	W04A, W04B		17	R01A, R01B, R01C, R01D, R02Z, R12A, R12B, R12C		21B	X06A, X06B, X06C
	21B	X06A, X06B		21A	W04A, W04B	5n350.x		BOP, KVT, UOP4
5n343.3		BOP, KVT, UOP4		21B	X06A, X06B		06	G15Z, G18A, G18B, G38Z
	06	G15Z, G18A, G18B, G38Z		Pre	A06A, A07A, A09A, A16A		07	H06A, H06B, H06C
	21A	W04A, W04B	5n346.2		BOP, KVT, MVV, UOP4		17	R01A, R01B, R01C, R01D, R02Z, R12A, R12B, R12C
	21B	X06A, X06B		06	G15Z, G18A, G18B, G38Z		21A	W04A, W04B
5n343.x		BOP, KVT, UOP4		07	H06A, H06B, H06C		21B	X06A, X06B, X06C
	06	G15Z, G18A, G18B, G38Z		10	K09A, K09B	5n351.1		BOP, KVT, UOP4
	21A	W04A, W04B		17	R01A, R01B, R01C, R01D, R02Z, R12A, R12B, R12C		06	G15Z, G18A, G18B, G18C, G38Z
	21B	X06A, X06B		21A	W04A, W04B		07	H06A, H06B, H06C
5n344.0		BOP, KVT, UOP4		21B	X06A, X06B		17	R01A, R01B, R01C, R01D, R02Z, R12A, R12B, R12C
	06	G15Z, G18A, G18B, G38Z		Pre	A06A, A07A, A09A, A16A		21A	W04A, W04B
	21A	W04A, W04B	5n346.x		BOP, KVT, MVV, UOP4		21B	X06A, X06B, X06C
	21B	X06A, X06B		06	G15Z, G18A, G18B, G38Z	5n351.2		BOP, KVT, UOP4
5n344.1		BOP, KVT, UOP4		07	H06A, H06B, H06C		06	G15Z, G18A, G18B, G18C, G38Z
	06	G15Z, G18A, G18B, G38Z		10	K09A, K09B		07	H06A, H06B, H06C
	21A	W04A, W04B		17	R01A, R01B, R01C, R01D, R02Z, R12A, R12B, R12C		17	R01A, R01B, R01C, R01D, R02Z, R12A, R12B, R12C
	21B	X06A, X06B		21A	W04A, W04B		21A	W04A, W04B
5n344.2		BOP, KVT, UOP4		21B	X06A, X06B		21B	X06A, X06B, X06C
	06	G15Z, G18A, G18B, G38Z		Pre	A06A, A07A, A09A, A16A			BOP, KVT, UOP4
	21A	W04A, W04B	5n34a.0		BOP, KOP, KOPV, KVT, UOP4	5n351.3	06	G15Z, G18A, G18B, G18C, G38Z
	21B	X06A, X06B		05	F36A, F36B		07	H06A, H06B, H06C
5n344.3		BOP, KVT, UOP4		06	G01Z, G02Z, G15Z, G33Z, G38Z		17	R01A, R01B, R01C, R01D, R02Z, R12A, R12B, R12C
	06	G15Z, G18A, G18B, G38Z		07	H33Z, H38Z		21A	W04A, W04B
	21A	W04A, W04B		10	K09A, K09B	5n351.x	21B	X06A, X06B, X06C
	21B	X06A, X06B		11	L10Z, L33Z, L38Z			BOP, KVT, UOP4
5n344.x		BOP, KVT, UOP4		12	M37Z, M38Z		06	G15Z, G18A, G18B, G18C, G38Z
	06	G15Z, G18A, G18B, G38Z		13	N01A, N01B, N01C, N01D, N01E, N34Z, N38Z		07	H06A, H06B, H06C
	21A	W04A, W04B		17	R01A, R01B, R01C, R01D, R02Z, R12A, R12B, R12C		17	R01A, R01B, R01C, R01D, R02Z, R12A, R12B, R12C
	21B	X06A, X06B		21A	W04A, W04B		21A	W04A, W04B
5n345.0		BOP, KVT, UOP4		21B	X06A, X06B, X33Z		21B	X06A, X06B, X06C
	05	F13A		Pre	A07A, A11A, A13A, A13B, A13D			BOP, KVT, UOP4
	06	G15Z, G18A, G18B, G38Z			G40Z, G46A, G46B, G46C, G47Z, G50Z		06	G15Z, G18A, G18B, G18C, G38Z
	21A	W04A, W04B	5n34a.1‡		G40Z, G48A, G48B, G48C		07	H06A, H06B, H06C
	21B	X06A, X06B			G40Z, G46A, G46B, G46C, G47Z, G50Z		17	R01A, R01B, R01C, R01D, R02Z, R12A, R12B, R12C
5n345.1		BOP, KVT, UOP4		06	G40Z, G46A, G46B, G46C, G47Z, G50Z		21A	W04A, W04B
	05	F13A	5n34a.x‡		G40Z, G48A, G48B, G48C		21B	X06A, X06B, X06C
	06	G15Z, G18A, G18B, G38Z	5n34x.0‡		G40Z, G46A, G46B, G46C, G47Z, G50Z			BOP, KVT, UOP4
	21A	W04A, W04B						
	21B	X06A, X06B						
5n345.2		BOP, KVT, UOP4						
	05	F13A						
	06	G15Z, G18A, G18B, G38Z						
	21A	W04A, W04B						
	21B	X06A, X06B						

ZZV	MDC	DRG	ZZV	MDC	DRG	ZZV	MDC	DRG		
5n35x.x		BOP, KVT, UOP4	5n390.2		BOP, KVT, UOP4	5n392.x		BOP, KVT, UOP4		
	06	G15Z, G18A, G18B, G38Z		06	G01Z, G02Z, G13Z, G18B, G21A, G21B, G38Z		06	G01Z, G04A, G04B, G21A, G21B, G38Z		
	07	H06A, H06B, H06C		07	H06A, H06B, H06C		07	H06A, H06B, H06C		
	17	R01A, R01B, R01C, R01D, R02Z, R12A, R12B, R12C		17	R01A, R01B, R01C, R01D, R02Z, R12A, R12B, R12C		13	N11A, N11B		
	21A	W04A, W04B		21A	W04A, W04B		21A	W04A, W04B		
	21B	X06A, X06B, X06C		21B	X06A, X06B		21B	X06A, X06B		
5n360		BOP, KVT, UOP4		21B	X06A, X06B	5n393.0		BOP, KVT, UOP4		
	06	G07A, G07B, G07C, G22A, G22B, G22C, G23A, G23B, G23C		Pre	A11A, A13A, A13B, A13D		06	G01Z, G02Z, G15Z, G18A, G18B, G38Z		
	13	N11A, N11B	5n390.4		BOP, KVT, UOP4		07	H06A, H06B, H06C		
5n361.0		BOP, KVT, UOP4		06	G01Z, G02Z, G13Z, G18B, G21A, G21B, G38Z		17	R01A, R01B, R01C, R01D, R02Z, R12A, R12B, R12C		
	06	G07A, G07B, G07C, G22A, G22B, G22C, G23A, G23B, G23C		07	H06A, H06B, H06C		21A	W04A, W04B		
	13	N08Z		17	R01A, R01B, R01C, R01D, R02Z, R12A, R12B, R12C		21B	X06A, X06B		
5n361.1		BOP, KVT, UOP4		21A	W04A, W04B	5n393.2		Pre	A11A, A13A, A13B, A13D	
	06	G07A, G07B, G07C, G22A, G22B, G22C, G23A, G23B, G23C	5n390.6†		Pre	A11A, A13A, A13B, A13D		06	G01Z, G02Z, G15Z, G18A, G18B, G38Z	
	13	N08Z	5n390.x†		06	G40Z, G48A, G48B, G48C		07	H06A, H06B, H06C	
5n361.x		BOP, KVT, UOP4	5n391.0		06	G40Z, G48A, G48B, G48C		17	R01A, R01B, R01C, R01D, R02Z, R12A, R12B, R12C	
	06	G07A, G07B, G07C, G22A, G22B, G22C, G23A, G23B, G23C		06	BOP, KVT, UOP4		21A	W04A, W04B		
	13	N08Z		06	G01Z, G04A, G04B, G07A, G07B, G07C, G38Z		21B	X06A, X06B		
5n362		BOP, KVT, UOP4		17	R01A, R01B, R01C, R01D, R02Z, R12A, R12B, R12C	5n393.4		Pre	A11A, A13A, A13B, A13D	
	06	G07A, G07B, G07C, G22A, G22B, G22C, G23A, G23B, G23C		21A	W04A, W04B		06	G01Z, G02Z, G15Z, G18A, G18B, G38Z		
	13	N08Z	5n391.2		21B	X06A, X06B		07	H06A, H06B, H06C	
5n36a		BOP, KVT, UOP4		06	G01Z, G04A, G04B, G07A, G07B, G07C, G38Z		17	R01A, R01B, R01C, R01D, R02Z, R12A, R12B, R12C		
	06	G07A, G07B, G07C, G22A, G22B, G22C, G23A, G23B, G23C		17	R01A, R01B, R01C, R01D, R02Z, R12A, R12B, R12C		21A	W04A, W04B		
	13	N11A, N11B		21A	W04A, W04B		21B	X06A, X06B		
5n36b.0		BOP, KVT, UOP4		21B	X06A, X06B	5n393.x		Pre	A11A, A13A, A13B, A13D	
	06	G07A, G07B, G07C, G22A, G22B, G22C, G23A, G23B, G23C		06	BOP, KVT, UOP4		06	G01Z, G02Z, G15Z, G18A, G18B, G38Z		
	13	N11A, N11B		06	G01Z, G04A, G04B, G07A, G07B, G07C, G38Z		07	H06A, H06B, H06C		
5n36b.1		BOP, KVT, UOP4		17	R01A, R01B, R01C, R01D, R02Z, R12A, R12B, R12C		17	R01A, R01B, R01C, R01D, R02Z, R12A, R12B, R12C		
	06	G07A, G07B, G07C, G22A, G22B, G22C, G23A, G23B, G23C	5n391.6†		21A	W04A, W04B		21A	W04A, W04B	
	13	N08Z	5n391.x†		21B	X06A, X06B		21B	X06A, X06B	
5n36b.x		BOP, KVT, UOP4	5n392.0		06	G40Z, G48A, G48B, G48C	5n394.0		Pre	A11A, A13A, A13B, A13D
	06	G07A, G07B, G07C, G22A, G22B, G22C, G23A, G23B, G23C		06	G40Z, G48A, G48B, G48C		06	BOP, KVT, UOP4		
	13	N08Z		06	BOP, KVT, UOP4		06	G01Z, G04A, G04B, G07A, G07B, G07C, G38Z		
5n36x		BOP, KVT, UOP4		07	H06A, H06B, H06C		17	R01A, R01B, R01C, R01D, R02Z, R12A, R12B, R12C		
	06	G07A, G07B, G07C, G22A, G22B, G22C, G23A, G23B, G23C		13	N11A, N11B		21A	W04A, W04B		
	13	N11A, N11B		21A	W04A, W04B		21B	X06A, X06B		
5n390.0		BOP, KVT, UOP4		21B	X06A, X06B	5n394.2		BOP, KVT, UOP4		
	06	G01Z, G02Z, G13Z, G18B, G21A, G21B, G38Z		06	G01Z, G04A, G04B, G21A, G21B, G38Z		06	G01Z, G04A, G04B, G07A, G07B, G07C, G38Z		
	07	H06A, H06B, H06C		07	H06A, H06B, H06C		17	R01A, R01B, R01C, R01D, R02Z, R12A, R12B, R12C		
	17	R01A, R01B, R01C, R01D, R02Z, R12A, R12B, R12C		13	N08Z		21A	W04A, W04B		
	21A	W04A, W04B		21A	W04A, W04B		21B	X06A, X06B		
	21B	X06A, X06B		21B	X06A, X06B	5n394.4		BOP, KVT, UOP4		
	Pre	A11A, A13A, A13B, A13D	5n392.4		BOP, KVT, UOP4		06	G01Z, G04A, G04B, G07A, G07B, G07C, G38Z		
				06	G01Z, G04A, G04B, G21A, G21B, G38Z		17	R01A, R01B, R01C, R01D, R02Z, R12A, R12B, R12C		
				07	H06A, H06B, H06C		21A	W04A, W04B		
				13	N11A, N11B		21B	X06A, X06B		
				21A	W04A, W04B					
				21B	X06A, X06B					

ZZV	MDC	DRG	ZZV	MDC	DRG	ZZV	MDC	DRG				
5n394.x		BOP, KVT, UOP4	5n397.x		BOP, KOP, KOPV, KVT, UOP4	5n39h.4		BOP, KVT, UOP4				
	06	G01Z, G04A, G04B, G07A, G07B, G07C, G38Z		06	G15Z, G19A, G19B, G38Z		06	G01Z, G04A, G04B, G07A, G07B, G07C, G38Z				
	17	R01A, R01B, R01C, R01D, R02Z, R12A, R12B, R12C		07	H33Z, H38Z		17	R01A, R01B, R01C, R01D, R02Z, R12A, R12B, R12C				
	21A	W04A, W04B		21B	X33Z		21A	W04A, W04B				
21B	X06A, X06B	Pre	A07A	21B	X06A, X06B							
5n395.0		BOP, KVT, UOP4	5n398.0		BOP, KOP, KOPV, KVT, UOP4	5n39h.6†		G40Z, G46A, G46B, G46C, G47Z, G50Z				
	06	G15Z, G18A, G18B, G38Z		06	G15Z, G19A, G19B, G38Z		5n39h.x†	06	G40Z, G46A, G46B, G46C, G47Z, G50Z			
	07	H06A, H06B, H06C		07	H33Z, H38Z			5n39j.0		BOP, KVT, UOP4		
	21A	W04A, W04B		21B	X33Z				06	G01Z, G04A, G04B, G07A, G07B, G07C, G38Z		
21B	X06A, X06B	Pre	A07A	17	R01A, R01B, R01C, R01D, R02Z, R12A, R12B, R12C							
5n395.2		BOP, KVT, UOP4	5n398.2		BOP, KOP, KOPV, KVT, UOP4	5n39j.2			BOP, KVT, UOP4			
	06	G15Z, G18A, G18B, G38Z		06	G15Z, G19A, G19B, G38Z		5n39j.4	06	G01Z, G04A, G04B, G07A, G07B, G07C, G38Z			
	07	H06A, H06B, H06C		07	H33Z, H38Z			17	R01A, R01B, R01C, R01D, R02Z, R12A, R12B, R12C			
	21A	W04A, W04B		21B	X33Z			21A	W04A, W04B			
21B	X06A, X06B	Pre	A07A	21B	X06A, X06B							
5n395.4		BOP, KVT, UOP4	5n398.4		BOP, KOP, KOPV, KVT, UOP4	5n39j.6†		BOP, KVT, UOP4				
	06	G15Z, G18A, G18B, G38Z		06	G15Z, G19A, G19B, G38Z		5n39j.x†	06	G01Z, G04A, G04B, G07A, G07B, G07C, G38Z			
	07	H06A, H06B, H06C		07	H33Z, H38Z			5n39k	06	G07A, G07B, G07C, G22A, G22B, G22C, G23A, G23B, G23C		
	21A	W04A, W04B		21B	X33Z				13	N11A, N11B		
21B	X06A, X06B	Pre	A07A	06	G07A, G07B, G07C, G22A, G22B, G22C, G23A, G23B, G23C							
5n395.x		BOP, KVT, UOP4	5n398.x		BOP, KOP, KOPV, KVT, UOP4	5n39l			BOP, KVT, UOP4			
	06	G15Z, G18A, G18B, G38Z		06	G15Z, G19A, G19B, G38Z		5n39x.0	06	G01Z, G04A, G04B, G07A, G07B, G07C, G38Z			
	07	H06A, H06B, H06C		07	H33Z, H38Z			17	R01A, R01B, R01C, R01D, R02Z, R12A, R12B, R12C			
	21A	W04A, W04B		21B	X33Z			21A	W04A, W04B			
21B	X06A, X06B	Pre	A07A	21B	X06A, X06B							
5n396.0		BOP, KVT, UOP4	5n399.0†		G40Z, G46A, G46B, G46C, G47Z, G50Z	5n39x.2		BOP, KVT, UOP4				
	06	G15Z, G18A, G18B, G38Z		06	G40Z, G48A, G48B, G48C		5n39x.4	06	G01Z, G04A, G04B, G07A, G07B, G07C, G38Z			
	07	H06A, H06B, H06C		06	G40Z, G48A, G48B, G48C			17	R01A, R01B, R01C, R01D, R02Z, R12A, R12B, R12C			
	21A	W04A, W04B		06	G40Z, G46A, G46B, G46C, G47Z, G50Z			21A	W04A, W04B			
21B	X06A, X06B	06	G40Z, G48A, G48B, G48C	21B	X06A, X06B							
5n396.2		BOP, KVT, UOP4	5n399.1†		G40Z, G46A, G46B, G46C, G47Z, G50Z	5n39x.6†		G40Z, G48A, G48B, G48C				
	06	G15Z, G18A, G18B, G38Z		5n399.2†	06		G40Z, G48A, G48B, G48C	5n39x.x†	06	G01Z, G04A, G04B, G07A, G07B, G07C, G38Z		
	07	H06A, H06B, H06C			5n39b.6†		06		G40Z, G48A, G48B, G48C	5n39x.2	17	R01A, R01B, R01C, R01D, R02Z, R12A, R12B, R12C
	21A	W04A, W04B					5n39b.x†		06		G40Z, G46A, G46B, G46C, G47Z, G50Z	21A
21B	X06A, X06B	06	G40Z, G48A, G48B, G48C			21B			X06A, X06B			
5n396.4		BOP, KVT, UOP4	5n399.6†			G40Z, G46A, G46B, G46C, G47Z, G50Z		5n39x.6†			G40Z, G48A, G48B, G48C	
	06	G15Z, G18A, G18B, G38Z		5n39c.6†	06	G40Z, G48A, G48B, G48C			5n39x.x†	06	G01Z, G04A, G04B, G07A, G07B, G07C, G38Z	
	07	H06A, H06B, H06C			5n39c.x†	06	G40Z, G48A, G48B, G48C			5n39x.2	17	R01A, R01B, R01C, R01D, R02Z, R12A, R12B, R12C
	21A	W04A, W04B				5n39d.6†	06				G40Z, G46A, G46B, G46C, G47Z, G50Z	5n39x.4
21B	X06A, X06B	5n39d.x†	07				H41A, H41B, H41C	5n39x.6†			21B	
5n396.x			BOP, KVT, UOP4	5n399.0†					G40Z, G46A, G46B, G46C, G47Z, G50Z		5n39x.6†	
	06		G15Z, G18A, G18B, G38Z		5n39g.x†		06		G40Z, G48A, G48B, G48C	5n39x.6†		
	07		H06A, H06B, H06C			5n39h.0	06		G40Z, G48A, G48B, G48C			5n39x.6†
	21A	W04A, W04B	5n39h.2				06	G40Z, G46A, G46B, G46C, G47Z, G50Z	5n39x.x†			
21B	X06A, X06B	5n39h.4		07			H41A, H41B, H41C	5n39x.x†			21B	
5n397.0				BOP, KOP, KOPV, KVT, UOP4	5n399.0†					BOP, KVT, UOP4	5n39x.x†	
	06			G15Z, G19A, G19B, G38Z		5n39h.0	06			G01Z, G04A, G04B, G07A, G07B, G07C, G38Z		5n39x.x†
	07		H33Z, H38Z	5n39h.2			17		R01A, R01B, R01C, R01D, R02Z, R12A, R12B, R12C	5n39x.x†		
	21B	X33Z	5n39h.4				21A	W04A, W04B	5n39x.x†			
23	Z01A	5n39h.6†			21B		X06A, X06B	5n39x.x†			21B	
Pre	A07A				5n39h.6†	06	G01Z, G04A, G04B, G07A, G07B, G07C, G38Z				5n39x.x†	06
5n397.2				BOP, KOP, KOPV, KVT, UOP4		5n399.0†				BOP, KVT, UOP4		5n39x.x†
	06		G15Z, G19A, G19B, G38Z	5n39h.0			06		G01Z, G04A, G04B, G07A, G07B, G07C, G38Z	5n39x.x†		
	07	H33Z, H38Z	5n39h.2				17	R01A, R01B, R01C, R01D, R02Z, R12A, R12B, R12C	5n39x.x†			
	21B	X33Z			5n39h.4		21A	W04A, W04B			5n39x.x†	
23	Z01A	5n39h.6†				21B	X06A, X06B	5n39x.x†				06
Pre	A07A			5n39h.6†		06	G01Z, G04A, G04B, G07A, G07B, G07C, G38Z			5n39x.x†		06
5n397.4			BOP, KOP, KOPV, KVT, UOP4			5n399.0†			BOP, KVT, UOP4			5n39x.x†
	06		G15Z, G19A, G19B, G38Z		5n39h.0		06		G01Z, G04A, G04B, G07A, G07B, G07C, G38Z		5n39x.x†	
	07	H33Z, H38Z	5n39h.2				17	R01A, R01B, R01C, R01D, R02Z, R12A, R12B, R12C	5n39x.x†			
	21B	X33Z		5n39h.4			21A	W04A, W04B		5n39x.x†		
23	Z01A	5n39h.6†				21B	X06A, X06B	5n39x.x†				06
Pre	A07A				5n39h.6†	06	G01Z, G04A, G04B, G07A, G07B, G07C, G38Z				5n39x.x†	06

VYK



ZZV	MDC	DRG	ZZV	MDC	DRG	ZZV	MDC	DRG
5n410.0	06	G13Z, G21A, G21B	5n418.7	06	G13Z, G21A, G21B	5n420.01		BOP, KOP, KOPV, KVT, UOP4
	09	J03A, J03B, J04A, J04B, J08A, J08B, J08C, J11A, J11B, J16Z		09	J03A, J03B, J04A, J04B, J08A, J08B, J08C, J11A, J11B, J16Z	05		F36A, F36B
	21A	W04A, W04B		21A	W04A, W04B	06		G15Z, G16A, G16B, G17A, G17B, G33Z, G38Z
	21B	X06A, X06B, X06C		21B	X06A, X06B, X06C	07		H33Z, H38Z
5n410.6‡	06	G40Z, G48A, G48B, G48C	5n418.8	06	G13Z, G21A, G21B	11		L10Z, L33Z, L38Z
5n410.7	06	G13Z, G21A, G21B		09	J03A, J03B, J04A, J04B, J08A, J08B, J08C, J11A, J11B, J16Z	12		M37Z, M38Z
	09	J03A, J03B, J04A, J04B, J08A, J08B, J08C, J11A, J11B, J16Z		21A	W04A, W04B	13		N01A, N01B, N01C, N01D, N01E, N34Z, N38Z
	21A	W04A, W04B		21B	X06A, X06B, X06C	17		R01A, R01B, R01C, R01D, R02Z, R12A, R12B, R12C
	21B	X06A, X06B, X06C	5n418.x	06	G13Z, G21A, G21B	21A		W04A, W04B
5n410.x	06	G13Z, G21A, G21B		09	J03A, J03B, J04A, J04B, J08A, J08B, J08C, J11A, J11B, J16Z	21B		X06A, X06B, X06C, X33Z
	09	J03A, J03B, J04A, J04B, J08A, J08B, J08C, J11A, J11B, J16Z		21A	W04A, W04B	23		Z01A
	21A	W04A, W04B		21B	X06A, X06B, X06C	Pre		A07A
	21B	X06A, X06B, X06C	5n419.0	06	G13Z, G21A, G21B	5n420.02		BOP, KOP, KOPV, KVT, UOP4
5n411.0	06	G13Z, G21A, G21B		09	J03A, J03B, J04A, J04B, J08A, J08B, J08C, J11A, J11B, J16Z	05		F36A, F36B
	09	J03A, J03B, J04A, J04B, J08A, J08B, J08C, J11A, J11B, J16Z		13	N06Z	06		G15Z, G16A, G16B, G17A, G17B, G33Z, G38Z
	21A	W04A, W04B		21A	W04A, W04B	07		H33Z, H38Z
	21B	X06A, X06B, X06C		21B	X06A, X06B, X06C	11		L10Z, L33Z, L38Z
5n411.6‡	06	G40Z, G48A, G48B, G48C	5n419.6‡	06	G40Z, G48A, G48B, G48C	12		M01A, M01B, M37Z, M38Z
5n411.7	06	G13Z, G21A, G21B	5n419.7	06	G13Z, G21A, G21B	13		N01A, N01B, N01C, N01D, N01E, N34Z, N38Z
	09	J03A, J03B, J04A, J04B, J08A, J08B, J08C, J11A, J11B, J16Z		09	J03A, J03B, J04A, J04B, J08A, J08B, J08C, J11A, J11B, J16Z	17		R01A, R01B, R01C, R01D, R02Z, R12A, R12B, R12C
	21A	W04A, W04B		13	N06Z	21A		W04A, W04B
	21B	X06A, X06B, X06C		21A	W04A, W04B	21B		X06A, X06B, X06C, X33Z
5n411.x	06	G13Z, G21A, G21B	5n419.x	06	G13Z, G21A, G21B	23		Z01A
	09	J03A, J03B, J04A, J04B, J08A, J08B, J08C, J11A, J11B, J16Z		09	J03A, J03B, J04A, J04B, J08A, J08B, J08C, J11A, J11B, J16Z	Pre		A07A
	21A	W04A, W04B		13	N06Z	5n420.21		BOP, KOP, KOPV, KVT, UOP4
	21B	X06A, X06B, X06C		21A	W04A, W04B	05		F36A, F36B
5n412.0‡	06	G40Z, G48A, G48B, G48C		21B	X06A, X06B, X06C	06		G15Z, G16A, G16B, G17A, G17B, G33Z, G38Z
5n412.1‡	06	G40Z, G48A, G48B, G48C	5n41a.7	06	G13Z, G21A, G21B	07		H33Z, H38Z
5n412.2‡	06	G40Z, G48A, G48B, G48C		09	J03A, J03B, J04A, J04B, J08A, J08B, J08C, J11A, J11B, J16Z	11		L10Z, L33Z, L38Z
5n412.3‡	06	G40Z, G48A, G48B, G48C		13	N06Z	12		M37Z, M38Z
5n412.4‡	06	G40Z, G48A, G48B, G48C		21A	W04A, W04B	13		N01A, N01B, N01C, N01D, N01E, N34Z, N38Z
5n412.x‡	06	G40Z, G48A, G48B, G48C		21B	X06A, X06B, X06C	17		R01A, R01B, R01C, R01D, R02Z, R12A, R12B, R12C
5n413.0‡	06	G40Z, G48A, G48B, G48C		21A	W04A, W04B	21A		W04A, W04B
5n413.6‡	06	G40Z, G48A, G48B, G48C		21B	X06A, X06B, X06C	21B		X06A, X06B, X06C, X33Z
5n413.7‡	06	G40Z, G48A, G48B, G48C		06	G13Z, G21A, G21B	23		Z01A
5n413.x‡	06	G40Z, G48A, G48B, G48C	5n41b.0	06	G13Z, G21A, G21B	Pre		A07A
5n414.0‡	06	G40Z, G48A, G48B, G48C		09	J03A, J03B, J04A, J04B, J08A, J08B, J08C, J11A, J11B, J16Z	5n420.22		BOP, KOP, KOPV, KVT, UOP4
5n414.6‡	06	G40Z, G48A, G48B, G48C		13	N06Z	05		F36A, F36B
5n414.7‡	06	G40Z, G48A, G48B, G48C		21A	W04A, W04B	06		G15Z, G16A, G16B, G17A, G17B, G33Z, G38Z
5n414.x‡	06	G40Z, G48A, G48B, G48C		21B	X06A, X06B, X06C	07		H33Z, H38Z
5n415.0‡	06	G40Z, G48A, G48B, G48C	5n41b.1	06	G13Z, G21A, G21B	11		L10Z, L33Z, L38Z
5n415.6‡	06	G40Z, G48A, G48B, G48C		09	J03A, J03B, J04A, J04B, J08A, J08B, J08C, J11A, J11B, J16Z	12		M01A, M01B, M37Z, M38Z
5n415.7‡	06	G40Z, G48A, G48B, G48C		13	N06Z	13		N01A, N01B, N01C, N01D, N01E, N34Z, N38Z
5n415.x‡	06	G40Z, G48A, G48B, G48C		21A	W04A, W04B	17		R01A, R01B, R01C, R01D, R02Z, R12A, R12B, R12C
5n416.0‡	06	G40Z, G48A, G48B, G48C		21B	X06A, X06B, X06C	21A		W04A, W04B
5n416.6‡	06	G40Z, G48A, G48B, G48C		06	G40Z, G48A, G48B, G48C	21B		X06A, X06B, X06C, X33Z
5n416.7‡	06	G40Z, G48A, G48B, G48C		06	G40Z, G48A, G48B, G48C	23		Z01A
5n416.x‡	06	G40Z, G48A, G48B, G48C		06	G40Z, G48A, G48B, G48C	Pre		A07A
5n418.0	06	G13Z, G21A, G21B	5n41x.2‡	06	G40Z, G48A, G48B, G48C			
	09	J03A, J03B, J04A, J04B, J08A, J08B, J08C, J11A, J11B, J16Z	5n41x.6‡	06	G40Z, G48A, G48B, G48C			
	21A	W04A, W04B	5n41x.7‡	06	G40Z, G48A, G48B, G48C			
	21B	X06A, X06B, X06C	5n41x.x‡	06	G40Z, G48A, G48B, G48C			
5n418.6‡	06	G40Z, G48A, G48B, G48C						

ZZV	MDC	DRG	ZZV	MDC	DRG	ZZV	MDC	DRG
5n420.x		BOP, KOP, KOPV, KVT, UOP4	5n422.01		BOP, KOP, KOPV, KVT, UOP4	5n422.7		BOP, KOP, KOPV, KVT, UOP4
	05	F36A, F36B		05	F36A, F36B		05	F36A, F36B
	06	G15Z, G16A, G16B, G17A, G17B, G33Z, G38Z		06	G15Z, G16A, G16B, G17A, G17B, G33Z, G38Z		06	G15Z, G16A, G16B, G17A, G17B, G33Z, G38Z
	07	H33Z, H38Z		07	H33Z, H38Z		07	H33Z, H38Z
	11	L10Z, L33Z, L38Z		11	L10Z, L33Z, L38Z		11	L10Z, L33Z, L38Z
	12	M37Z, M38Z		12	M37Z, M38Z		12	M37Z, M38Z
	13	N01A, N01B, N01C, N01D, N01E, N34Z, N38Z		13	N01A, N01B, N01C, N01D, N01E, N34Z, N38Z		13	N01A, N01B, N01C, N01D, N01E, N34Z, N38Z
	17	R01A, R01B, R01C, R01D, R02Z, R12A, R12B, R12C		17	R01A, R01B, R01C, R01D, R02Z, R12A, R12B, R12C		17	R01A, R01B, R01C, R01D, R02Z, R12A, R12B, R12C
	21A	W04A, W04B		21A	W04A, W04B		21A	W04A, W04B
	21B	X06A, X06B, X06C, X33Z		21B	X06A, X06B, X06C, X33Z		21B	X06A, X06B, X06C, X33Z
	23	Z01A		23	Z01A		23	Z01A
	Pre	A07A		Pre	A07A		Pre	A07A
5n421.01		BOP, KOP, KOPV, KVT, UOP4	5n422.02		BOP, KOP, KOPV, KVT, UOP4	5n422.x		BOP, KOP, KOPV, KVT, UOP4
	05	F36A, F36B		05	F36A, F36B		05	F36A, F36B
	06	G15Z, G16A, G16B, G17A, G17B, G33Z, G38Z		06	G15Z, G16A, G16B, G17A, G17B, G33Z, G38Z		06	G15Z, G16A, G16B, G17A, G17B, G33Z, G38Z
	07	H33Z, H38Z		07	H33Z, H38Z		07	H33Z, H38Z
	11	L10Z, L33Z, L38Z		11	L10Z, L33Z, L38Z		11	L10Z, L33Z, L38Z
	12	M37Z, M38Z		12	M01A, M01B, M37Z, M38Z		12	M37Z, M38Z
	13	N01A, N01B, N01C, N01D, N01E, N34Z, N38Z		13	N01A, N01B, N01C, N01D, N01E, N34Z, N38Z		13	N01A, N01B, N01C, N01D, N01E, N34Z, N38Z
	17	R01A, R01B, R01C, R01D, R02Z, R12A, R12B, R12C		17	R01A, R01B, R01C, R01D, R02Z, R12A, R12B, R12C		17	R01A, R01B, R01C, R01D, R02Z, R12A, R12B, R12C
	21A	W04A, W04B		21A	W04A, W04B		21A	W04A, W04B
	21B	X06A, X06B, X06C, X33Z		21B	X06A, X06B, X06C, X33Z		21B	X06A, X06B, X06C, X33Z
	23	Z01A		23	Z01A		23	Z01A
	Pre	A07A		Pre	A07A		Pre	A07A
5n421.02		BOP, KOP, KOPV, KVT, UOP4	5n422.21		BOP, KOP, KOPV, KVT, UOP4	5n423.01		BOP, KOP, KOPV, KVT, UOP4
	05	F36A, F36B		05	F36A, F36B		05	F36A, F36B
	06	G15Z, G16A, G16B, G17A, G17B, G33Z, G38Z		06	G15Z, G16A, G16B, G17A, G17B, G33Z, G38Z		06	G15Z, G16A, G16B, G17A, G17B, G33Z, G38Z
	07	H33Z, H38Z		07	H33Z, H38Z		07	H33Z, H38Z
	11	L10Z, L33Z, L38Z		11	L10Z, L33Z, L38Z		11	L10Z, L33Z, L38Z
	12	M01A, M01B, M37Z, M38Z		12	M37Z, M38Z		12	M37Z, M38Z
	13	N01A, N01B, N01C, N01D, N01E, N34Z, N38Z		13	N01A, N01B, N01C, N01D, N01E, N34Z, N38Z		13	N01A, N01B, N01C, N01D, N01E, N34Z, N38Z
	17	R01A, R01B, R01C, R01D, R02Z, R12A, R12B, R12C		17	R01A, R01B, R01C, R01D, R02Z, R12A, R12B, R12C		17	R01A, R01B, R01C, R01D, R02Z, R12A, R12B, R12C
	21A	W04A, W04B		21A	W04A, W04B		21A	W04A, W04B
	21B	X06A, X06B, X06C, X33Z		21B	X06A, X06B, X06C, X33Z		21B	X06A, X06B, X06C, X33Z
	23	Z01A		23	Z01A		23	Z01A
	Pre	A07A		Pre	A07A		Pre	A07A
5n421.x		BOP, KOP, KOPV, KVT, UOP4	5n422.22		BOP, KOP, KOPV, KVT, UOP4	5n423.02		BOP, KOP, KOPV, KVT, UOP4
	05	F36A, F36B		05	F36A, F36B		05	F36A, F36B
	06	G15Z, G16A, G16B, G17A, G17B, G33Z, G38Z		06	G15Z, G16A, G16B, G17A, G17B, G33Z, G38Z		06	G15Z, G16A, G16B, G17A, G17B, G33Z, G38Z
	07	H33Z, H38Z		07	H33Z, H38Z		07	H33Z, H38Z
	11	L10Z, L33Z, L38Z		11	L10Z, L33Z, L38Z		11	L10Z, L33Z, L38Z
	12	M37Z, M38Z		12	M01A, M01B, M37Z, M38Z		12	M01A, M01B, M37Z, M38Z
	13	N01A, N01B, N01C, N01D, N01E, N34Z, N38Z		13	N01A, N01B, N01C, N01D, N01E, N34Z, N38Z		13	N01A, N01B, N01C, N01D, N01E, N34Z, N38Z
	17	R01A, R01B, R01C, R01D, R02Z, R12A, R12B, R12C		17	R01A, R01B, R01C, R01D, R02Z, R12A, R12B, R12C		17	R01A, R01B, R01C, R01D, R02Z, R12A, R12B, R12C
	21A	W04A, W04B		21A	W04A, W04B		21A	W04A, W04B
	21B	X06A, X06B, X06C, X33Z		21B	X06A, X06B, X06C, X33Z		21B	X06A, X06B, X06C, X33Z
	23	Z01A		23	Z01A		23	Z01A
	Pre	A07A		Pre	A07A		Pre	A07A

VYK

ZZV	MDC	DRG	ZZV	MDC	DRG	ZZV	MDC	DRG
5n423.21		BOP, KOP, KOPV, KVT, UOP4	5n424.02		BOP, KOP, KOPV, KVT, UOP4	5n425.01		BOP, KOP, KOPV, KVT, MVV, UOP4
	05	F36A, F36B		05	F36A, F36B		05	F36A, F36B
	06	G15Z, G16A, G16B, G17A, G17B, G33Z, G38Z		06	G15Z, G16A, G16B, G17A, G17B, G33Z, G38Z		06	G15Z, G16A, G16B, G17A, G17B, G33Z, G38Z
	07	H33Z, H38Z		07	H33Z, H38Z		07	H33Z, H38Z
	11	L10Z, L33Z, L38Z		11	L10Z, L33Z, L38Z		11	L10Z, L33Z, L38Z
	12	M37Z, M38Z		12	M01A, M01B, M37Z, M38Z		12	M37Z, M38Z
	13	N01A, N01B, N01C, N01D, N01E, N34Z, N38Z		13	N01A, N01B, N01C, N01D, N01E, N34Z, N38Z		13	N01A, N01B, N01C, N01D, N01E, N34Z, N38Z
	17	R01A, R01B, R01C, R01D, R02Z, R12A, R12B, R12C		17	R01A, R01B, R01C, R01D, R02Z, R12A, R12B, R12C		17	R01A, R01B, R01C, R01D, R02Z, R12A, R12B, R12C
	21A	W04A, W04B		21A	W04A, W04B		21A	W04A, W04B
	21B	X06A, X06B, X06C, X33Z		21B	X06A, X06B, X06C, X33Z		21B	X06A, X06B, X06C, X33Z
	23	Z01A		23	Z01A		23	Z01A
	Pre	A07A		Pre	A07A		Pre	A07A
5n423.22		BOP, KOP, KOPV, KVT, UOP4	5n424.21		BOP, KOP, KOPV, KVT, UOP4	5n425.02		BOP, KOP, KOPV, KVT, MVV, UOP4
	05	F36A, F36B		05	F36A, F36B		05	F36A, F36B
	06	G15Z, G16A, G16B, G17A, G17B, G33Z, G38Z		06	G15Z, G16A, G16B, G17A, G17B, G33Z, G38Z		06	G15Z, G16A, G16B, G17A, G17B, G33Z, G38Z
	07	H33Z, H38Z		07	H33Z, H38Z		07	H33Z, H38Z
	11	L10Z, L33Z, L38Z		11	L10Z, L33Z, L38Z		11	L10Z, L33Z, L38Z
	12	M01A, M01B, M37Z, M38Z		12	M37Z, M38Z		12	M01A, M01B, M37Z, M38Z
	13	N01A, N01B, N01C, N01D, N01E, N34Z, N38Z		13	N01A, N01B, N01C, N01D, N01E, N34Z, N38Z		13	N01A, N01B, N01C, N01D, N01E, N34Z, N38Z
	17	R01A, R01B, R01C, R01D, R02Z, R12A, R12B, R12C		17	R01A, R01B, R01C, R01D, R02Z, R12A, R12B, R12C		17	R01A, R01B, R01C, R01D, R02Z, R12A, R12B, R12C
	21A	W04A, W04B		21A	W04A, W04B		21A	W04A, W04B
	21B	X06A, X06B, X06C, X33Z		21B	X06A, X06B, X06C, X33Z		21B	X06A, X06B, X06C, X33Z
	23	Z01A		23	Z01A		23	Z01A
	Pre	A07A		Pre	A07A		Pre	A07A
5n423.x		BOP, KOP, KOPV, KVT, UOP4	5n424.22		BOP, KOP, KOPV, KVT, UOP4	5n425.21		BOP, KOP, KOPV, KVT, MVV, UOP4
	05	F36A, F36B		05	F36A, F36B		05	F36A, F36B
	06	G15Z, G16A, G16B, G17A, G17B, G33Z, G38Z		06	G15Z, G16A, G16B, G17A, G17B, G33Z, G38Z		06	G15Z, G16A, G16B, G17A, G17B, G33Z, G38Z
	07	H33Z, H38Z		07	H33Z, H38Z		07	H33Z, H38Z
	11	L10Z, L33Z, L38Z		11	L10Z, L33Z, L38Z		11	L10Z, L33Z, L38Z
	12	M37Z, M38Z		12	M01A, M01B, M37Z, M38Z		12	M37Z, M38Z
	13	N01A, N01B, N01C, N01D, N01E, N34Z, N38Z		13	N01A, N01B, N01C, N01D, N01E, N34Z, N38Z		13	N01A, N01B, N01C, N01D, N01E, N34Z, N38Z
	17	R01A, R01B, R01C, R01D, R02Z, R12A, R12B, R12C		17	R01A, R01B, R01C, R01D, R02Z, R12A, R12B, R12C		17	R01A, R01B, R01C, R01D, R02Z, R12A, R12B, R12C
	21A	W04A, W04B		21A	W04A, W04B		21A	W04A, W04B
	21B	X06A, X06B, X06C, X33Z		21B	X06A, X06B, X06C, X33Z		21B	X06A, X06B, X06C, X33Z
	23	Z01A		23	Z01A		23	Z01A
	Pre	A07A		Pre	A07A		Pre	A07A
5n424.01		BOP, KOP, KOPV, KVT, UOP4	5n424.x		BOP, KOP, KOPV, KVT, UOP4	5n425.22		BOP, KOP, KOPV, KVT, MVV, UOP4
	05	F36A, F36B		05	F36A, F36B		05	F36A, F36B
	06	G15Z, G16A, G16B, G17A, G17B, G33Z, G38Z		06	G15Z, G16A, G16B, G17A, G17B, G33Z, G38Z		06	G15Z, G16A, G16B, G17A, G17B, G33Z, G38Z
	07	H33Z, H38Z		07	H33Z, H38Z		07	H33Z, H38Z
	11	L10Z, L33Z, L38Z		11	L10Z, L33Z, L38Z		11	L10Z, L33Z, L38Z
	12	M37Z, M38Z		12	M37Z, M38Z		12	M01A, M01B, M37Z, M38Z
	13	N01A, N01B, N01C, N01D, N01E, N34Z, N38Z		13	N01A, N01B, N01C, N01D, N01E, N34Z, N38Z		13	N01A, N01B, N01C, N01D, N01E, N34Z, N38Z
	17	R01A, R01B, R01C, R01D, R02Z, R12A, R12B, R12C		17	R01A, R01B, R01C, R01D, R02Z, R12A, R12B, R12C		17	R01A, R01B, R01C, R01D, R02Z, R12A, R12B, R12C
	21A	W04A, W04B		21A	W04A, W04B		21A	W04A, W04B
	21B	X06A, X06B, X06C, X33Z		21B	X06A, X06B, X06C, X33Z		21B	X06A, X06B, X06C, X33Z
	23	Z01A		23	Z01A		23	Z01A
	Pre	A07A		Pre	A07A		Pre	A07A

ZZV	MDC	DRG	ZZV	MDC	DRG	ZZV	MDC	DRG
5n425.x		BOP, KOP, KOPV, KVT, MVV, UOP4	5n426.x		BOP, KOP, KOPV, KVT, MVV, UOP4	5n427.22		BOP, KOP, KOPV, KVT, MVV, UOP4
	05	F36A, F36B		05	F36A, F36B		05	F36A, F36B
	06	G15Z, G16A, G16B, G17A, G17B, G33Z, G38Z		06	G15Z, G16A, G16B, G17A, G17B, G33Z, G38Z		06	G15Z, G16A, G16B, G33Z, G38Z
	07	H33Z, H38Z		07	H33Z, H38Z		07	H33Z, H38Z
	11	L10Z, L33Z, L38Z		11	L10Z, L33Z, L38Z		11	L10Z, L33Z, L38Z
	12	M37Z, M38Z		12	M37Z, M38Z		12	M01A, M01B, M37Z, M38Z
	13	N01A, N01B, N01C, N01D, N01E, N34Z, N38Z		13	N01A, N01B, N01C, N01D, N01E, N34Z, N38Z		13	N01A, N01B, N01C, N01D, N01E, N34Z, N38Z
	17	R01A, R01B, R01C, R01D, R02Z, R12A, R12B, R12C		17	R01A, R01B, R01C, R01D, R02Z, R12A, R12B, R12C		17	R01A, R01B, R01C, R01D, R02Z, R12A, R12B, R12C
	21A	W04A, W04B		21A	W04A, W04B		21A	W04A, W04B
	21B	X06A, X06B, X06C, X33Z		21B	X06A, X06B, X06C, X33Z		21B	X06A, X06B, X06C, X33Z
	23	Z01A		23	Z01A		23	Z01A
	Pre	A07A		Pre	A07A		Pre	A07A
	5n426.01			BOP, KOP, KOPV, KVT, MVV, UOP4	5n427.01			BOP, KOP, KOPV, KVT, MVV, UOP4
05		F36A, F36B	05	F36A, F36B		05	F36A, F36B	
06		G15Z, G16A, G16B, G17A, G17B, G33Z, G38Z	06	G15Z, G16A, G16B, G33Z, G38Z		06	G15Z, G16A, G16B, G33Z, G38Z	
07		H33Z, H38Z	07	H33Z, H38Z		07	H33Z, H38Z	
11		L10Z, L33Z, L38Z	11	L10Z, L33Z, L38Z		11	L10Z, L33Z, L38Z	
12		M37Z, M38Z	12	M01A, M01B, M37Z, M38Z		12	M01A, M01B, M37Z, M38Z	
13		N01A, N01B, N01C, N01D, N01E, N34Z, N38Z	13	N01A, N01B, N01C, N01D, N01E, N34Z, N38Z		13	N01A, N01B, N01C, N01D, N01E, N34Z, N38Z	
17		R01A, R01B, R01C, R01D, R02Z, R12A, R12B, R12C	17	R01A, R01B, R01C, R01D, R02Z, R12A, R12B, R12C		17	R01A, R01B, R01C, R01D, R02Z, R12A, R12B, R12C	
21A		W04A, W04B	21A	W04A, W04B		21A	W04A, W04B	
21B		X06A, X06B, X06C, X33Z	21B	X06A, X06B, X06C, X33Z		21B	X06A, X06B, X06C, X33Z	
23		Z01A	23	Z01A		23	Z01A	
Pre		A07A	Pre	A07A		Pre	A07A	
5n426.21			BOP, KOP, KOPV, KVT, MVV, UOP4	5n427.02			BOP, KOP, KOPV, KVT, MVV, UOP4	5n429.01
	05	F36A, F36B	05		F36A, F36B	05	F36A, F36B	
	06	G15Z, G16A, G16B, G17A, G17B, G33Z, G38Z	06		G15Z, G16A, G16B, G33Z, G38Z	06	G15Z, G16A, G16B, G17A, G17B, G33Z, G38Z	
	07	H33Z, H38Z	07		H33Z, H38Z	07	H33Z, H38Z	
	11	L10Z, L33Z, L38Z	11		L10Z, L33Z, L38Z	11	L10Z, L33Z, L38Z	
	12	M37Z, M38Z	12		M01A, M01B, M37Z, M38Z	12	M37Z, M38Z	
	13	N01A, N01B, N01C, N01D, N01E, N34Z, N38Z	13		N01A, N01B, N01C, N01D, N01E, N34Z, N38Z	13	N01A, N01B, N01C, N01D, N01E, N34Z, N38Z	
	17	R01A, R01B, R01C, R01D, R02Z, R12A, R12B, R12C	17		R01A, R01B, R01C, R01D, R02Z, R12A, R12B, R12C	17	R01A, R01B, R01C, R01D, R02Z, R12A, R12B, R12C	
	21A	W04A, W04B	21A		W04A, W04B	21A	W04A, W04B	
	21B	X06A, X06B, X06C, X33Z	21B		X06A, X06B, X06C, X33Z	21B	X06A, X06B, X06C, X33Z	
	23	Z01A	23		Z01A	23	Z01A	
	Pre	A07A	Pre		A07A	Pre	A07A	
	5n426.22		BOP, KOP, KOPV, KVT, MVV, UOP4		5n427.21		BOP, KOP, KOPV, KVT, MVV, UOP4	
05		F36A, F36B	05	F36A, F36B		05	F36A, F36B	
06		G15Z, G16A, G16B, G17A, G17B, G33Z, G38Z	06	G15Z, G16A, G16B, G33Z, G38Z		06	G15Z, G16A, G16B, G17A, G17B, G33Z, G38Z	
07		H33Z, H38Z	07	H33Z, H38Z		07	H33Z, H38Z	
11		L10Z, L33Z, L38Z	11	L10Z, L33Z, L38Z		11	L10Z, L33Z, L38Z	
12		M37Z, M38Z	12	M01A, M01B, M37Z, M38Z		12	M01A, M01B, M37Z, M38Z	
13		N01A, N01B, N01C, N01D, N01E, N34Z, N38Z	13	N01A, N01B, N01C, N01D, N01E, N34Z, N38Z		13	N01A, N01B, N01C, N01D, N01E, N34Z, N38Z	
17		R01A, R01B, R01C, R01D, R02Z, R12A, R12B, R12C	17	R01A, R01B, R01C, R01D, R02Z, R12A, R12B, R12C		17	R01A, R01B, R01C, R01D, R02Z, R12A, R12B, R12C	
21A		W04A, W04B	21A	W04A, W04B		21A	W04A, W04B	
21B		X06A, X06B, X06C, X33Z	21B	X06A, X06B, X06C, X33Z		21B	X06A, X06B, X06C, X33Z	
23		Z01A	23	Z01A		23	Z01A	
Pre		A07A	Pre	A07A		Pre	A07A	

ZZV	MDC	DRG	ZZV	MDC	DRG	ZZV	MDC	DRG
5n429.21		BOP, KOP, KOPV, KVT, UOP4	5n42a.2		BOP, KOP, KOPV, KVT, UOP4	5n42c.2		BOP, KOP, KOPV, KVT, UOP4
	05	F36A, F36B		05	F36A, F36B		05	F36A, F36B
	06	G15Z, G16A, G16B, G17A, G17B, G33Z, G38Z		06	G15Z, G16A, G16B, G33Z, G38Z		06	G15Z, G16A, G16B, G33Z, G38Z
	07	H33Z, H38Z		07	H33Z, H38Z		07	H33Z, H38Z
	11	L10Z, L33Z, L38Z		11	L10Z, L33Z, L38Z		11	L10Z, L33Z, L38Z
	12	M37Z, M38Z		12	M01A, M01B, M37Z, M38Z		12	M01A, M01B, M37Z, M38Z
	13	N01A, N01B, N01C, N01D, N01E, N34Z, N38Z		13	N01A, N01B, N01C, N01D, N01E, N34Z, N38Z		13	N01A, N01B, N01C, N01D, N01E, N34Z, N38Z
	17	R01A, R01B, R01C, R01D, R02Z, R12A, R12B, R12C		17	R01A, R01B, R01C, R01D, R02Z, R12A, R12B, R12C		17	R01A, R01B, R01C, R01D, R02Z, R12A, R12B, R12C
	21A	W04A, W04B		21A	W04A, W04B		21A	W04A, W04B
	21B	X06A, X06B, X06C, X33Z		21B	X06A, X06B, X06C, X33Z		21B	X06A, X06B, X06C, X33Z
	23	Z01A		23	Z01A		23	Z01A
	Pre	A07A		Pre	A07A		Pre	A07A
5n429.22		BOP, KOP, KOPV, KVT, UOP4	5n42a.x		BOP, KOP, KOPV, KVT, UOP4	5n42c.x		BOP, KOP, KOPV, KVT, UOP4
	05	F36A, F36B		05	F36A, F36B		05	F36A, F36B
	06	G15Z, G16A, G16B, G17A, G17B, G33Z, G38Z		06	G15Z, G16A, G16B, G33Z, G38Z		06	G15Z, G16A, G16B, G33Z, G38Z
	07	H33Z, H38Z		07	H33Z, H38Z		07	H33Z, H38Z
	11	L10Z, L33Z, L38Z		11	L10Z, L33Z, L38Z		11	L10Z, L33Z, L38Z
	12	M01A, M01B, M37Z, M38Z		12	M01A, M01B, M37Z, M38Z		12	M01A, M01B, M37Z, M38Z
	13	N01A, N01B, N01C, N01D, N01E, N34Z, N38Z		13	N01A, N01B, N01C, N01D, N01E, N34Z, N38Z		13	N01A, N01B, N01C, N01D, N01E, N34Z, N38Z
	17	R01A, R01B, R01C, R01D, R02Z, R12A, R12B, R12C		17	R01A, R01B, R01C, R01D, R02Z, R12A, R12B, R12C		17	R01A, R01B, R01C, R01D, R02Z, R12A, R12B, R12C
	21A	W04A, W04B		21A	W04A, W04B		21A	W04A, W04B
	21B	X06A, X06B, X06C, X33Z		21B	X06A, X06B, X06C, X33Z		21B	X06A, X06B, X06C, X33Z
	23	Z01A		23	Z01A		23	Z01A
	Pre	A07A		Pre	A07A		Pre	A07A
5n429.x		BOP, KOP, KOPV, KVT, UOP4	5n42b		BOP, KOP, KOPV, KVT, UOP4	5n42d		BOP, KOP, KOPV, KVT, UOP4
	05	F36A, F36B		05	F36A, F36B		05	F36A, F36B
	06	G15Z, G16A, G16B, G17A, G17B, G33Z, G38Z		06	G15Z, G16A, G16B, G33Z, G38Z		06	G15Z, G16A, G16B, G33Z, G38Z
	07	H33Z, H38Z		07	H33Z, H38Z		07	H33Z, H38Z
	11	L10Z, L33Z, L38Z		11	L10Z, L33Z, L38Z		11	L10Z, L33Z, L38Z
	12	M37Z, M38Z		12	M01A, M01B, M37Z, M38Z		12	M01A, M01B, M37Z, M38Z
	13	N01A, N01B, N01C, N01D, N01E, N34Z, N38Z		13	N01A, N01B, N01C, N01D, N01E, N34Z, N38Z		13	N01A, N01B, N01C, N01D, N01E, N34Z, N38Z
	17	R01A, R01B, R01C, R01D, R02Z, R12A, R12B, R12C		17	R01A, R01B, R01C, R01D, R02Z, R12A, R12B, R12C		17	R01A, R01B, R01C, R01D, R02Z, R12A, R12B, R12C
	21A	W04A, W04B		21A	W04A, W04B		21A	W04A, W04B
	21B	X06A, X06B, X06C, X33Z		21B	X06A, X06B, X06C, X33Z		21B	X06A, X06B, X06C, X33Z
	23	Z01A		23	Z01A		23	Z01A
	Pre	A07A		Pre	A07A		Pre	A07A
5n42a.0		BOP, KOP, KOPV, KVT, UOP4	5n42c.1		BOP, KOP, KOPV, KVT, UOP4	5n42e		BOP, KOP, KOPV, KVT, UOP4
	05	F36A, F36B		05	F36A, F36B		05	F36A, F36B
	06	G15Z, G16A, G16B, G33Z, G38Z		06	G15Z, G16A, G16B, G33Z, G38Z		06	G15Z, G16A, G16B, G33Z, G38Z
	07	H33Z, H38Z		07	H33Z, H38Z		07	H33Z, H38Z
	11	L10Z, L33Z, L38Z		11	L10Z, L33Z, L38Z		11	L10Z, L33Z, L38Z
	12	M01A, M01B, M37Z, M38Z		12	M01A, M01B, M37Z, M38Z		12	M01A, M01B, M37Z, M38Z
	13	N01A, N01B, N01C, N01D, N01E, N34Z, N38Z		13	N01A, N01B, N01C, N01D, N01E, N34Z, N38Z		13	N01A, N01B, N01C, N01D, N01E, N34Z, N38Z
	17	R01A, R01B, R01C, R01D, R02Z, R12A, R12B, R12C		17	R01A, R01B, R01C, R01D, R02Z, R12A, R12B, R12C		17	R01A, R01B, R01C, R01D, R02Z, R12A, R12B, R12C
	21A	W04A, W04B		21A	W04A, W04B		21A	W04A, W04B
	21B	X06A, X06B, X06C, X33Z		21B	X06A, X06B, X06C, X33Z		21B	X06A, X06B, X06C, X33Z
	23	Z01A		23	Z01A		23	Z01A
	Pre	A07A		Pre	A07A		Pre	A07A

ZZV	MDC	DRG	ZZV	MDC	DRG	ZZV	MDC	DRG	
5n42f		BOP, KOP, KOPV, KVT, UOP4	5n436		BOP, KVT, UOP4	5n43g.1		BOP, KVT, UOP4	
	05	F36A, F36B		06	G15Z, G18A, G18B, G18C, G38Z		06	G11A, G11B	
	06	G15Z, G16A, G16B, G33Z, G38Z	21A	W04A, W04B	09	J03A, J03B, J04A, J04B, J08A, J08B, J08C, J11A, J11B, J16Z			
	07	H33Z, H38Z	21B	X06A, X06B	13	N06Z			
	11	L10Z, L33Z, L38Z	5n439		BOP, KVT, UOP4	14	962Z, O02A, O02B		
	12	M01A, M01B, M37Z, M38Z		06	G13Z, G21A, G21B	21A	W04A, W04B		
	13	N01A, N01B, N01C, N01D, N01E, N34Z, N38Z		09	J03A, J03B, J04A, J04B, J08A, J08B, J08C, J11A, J11B, J16Z	21B	X06A, X06B, X06C		
	17	R01A, R01B, R01C, R01D, R02Z, R12A, R12B, R12C		13	N06Z	5n43g.2	BOP, KVT, UOP4		
	21A	W04A, W04B	14	962Z, O02A, O02B	06		G11A, G11B		
	21B	X06A, X06B, X06C, X33Z	21A	W04A, W04B	09	J03A, J03B, J04A, J04B, J08A, J08B, J08C, J11A, J11B, J16Z			
	23	Z01A	21B	X06A, X06B	13	N06Z			
	Pre	A07A	5n43a		BOP, KVT, UOP4	14	962Z, O02A, O02B		
	5n42x			BOP, KOP, KOPV, KVT, UOP4	06	G11A, G11B	21A	W04A, W04B	
		05	F36A, F36B	09	J03A, J03B, J04A, J04B, J08A, J08B, J08C, J11A, J11B, J16Z	21B	X06A, X06B, X06C		
		06	G15Z, G16A, G16B, G33Z, G38Z	21A	W04A, W04B	5n43g.x	BOP, KVT, UOP4		
		07	H33Z, H38Z	21B	X06A, X06B, X06C		06	G11A, G11B	
		11	L10Z, L33Z, L38Z	5n43b		BOP, KVT, UOP4	09	J03A, J03B, J04A, J04B, J08A, J08B, J08C, J11A, J11B, J16Z	
12		M01A, M01B, M37Z, M38Z	06		G11A, G11B	13	N06Z		
13		N01A, N01B, N01C, N01D, N01E, N34Z, N38Z	09	J03A, J03B, J04A, J04B, J08A, J08B, J08C, J11A, J11B, J16Z	14	962Z, O02A, O02B			
17		R01A, R01B, R01C, R01D, R02Z, R12A, R12B, R12C	5n43c		BOP, KVT, UOP4	21A	W04A, W04B		
21A		W04A, W04B		06	G11A, G11B	21B	X06A, X06B, X06C		
21B		X06A, X06B, X06C, X33Z	5n43d		BOP, KVT, UOP4	BOP, KVT, UOP4			
23		Z01A		06	G11A, G11B	06	G15Z, G16A, G16B, G38Z		
Pre		A07A	09	J03A, J03B, J04A, J04B, J08A, J08B, J08C, J09A, J09B, J16Z	BOP, KVT, UOP4				
5n430			BOP, KVT, UOP4	5n43e		BOP, KVT, UOP4	5n43j.0	06	G11A, G11B
		06	G15Z, G18A, G18B, G38Z		06	G11A, G11B	5n43j.1	06	BOP, KVT, UOP4
		14	O04A		09	J03A, J03B, J04A, J04B, J08A, J08B, J08C, J09A, J09B, J16Z	5n43j.2	06	G11A, G11B
		21A	W04A, W04B		14	962Z, O02A, O02B, O04A	BOP, KVT, UOP4		
		21B	X06A, X06B		21A	W04A, W04B	06	G11A, G11B	
5n431		BOP, KVT, UOP4	5n43f		BOP, KVT, UOP4	5n43j.3	06	G11A, G11B	
	06	G13Z, G21A, G21B		06	G11A, G11B	5n43j.4	06	BOP, KVT, UOP4	
	09	J03A, J03B, J04A, J04B, J08A, J08B, J08C, J11A, J11B, J16Z	09	J03A, J03B, J04A, J04B, J08A, J08B, J08C, J09A, J09B, J16Z	5n43k	06	G11A, G11B		
	13	N06Z	14	962Z, O02A, O02B	5n43x	06	BOP, KVT, UOP4		
	14	962Z, O02A, O02B, O04A	21A	W04A, W04B	06	G11A, G11B			
	21A	W04A, W04B	21B	X06A, X06B, X06C	5n440	06	G26Z		
	21B	X06A, X06B		BOP, KOP, KOPV, KVT, UOP4	09	J03A, J03B, J04A, J04B, J08A, J08B, J08C, J09A, J09B, J16Z			
	5n432		BOP, KVT, UOP4	05	F36A, F36B	21A	W04A, W04B		
		06	G15Z, G18A, G18B, G38Z	06	G01Z, G02Z, G15Z, G33Z, G38Z	21B	X06A, X06B, X06C		
		21A	W04A, W04B	07	H33Z, H38Z	5n441	06	G26Z	
21B		X06A, X06B	11	L33Z	09		J03A, J03B, J04A, J04B, J08A, J08B, J08C, J09A, J09B, J16Z		
5n433		BOP, KVT, UOP4	5n43g.0		BOP, KVT, UOP4	14	962Z, O02A, O02B		
	06	G15Z, G18A, G18B, G38Z		06	G11A, G11B	21A	W04A, W04B		
	13	N04Z, N06Z		09	J03A, J03B, J04A, J04B, J08A, J08B, J08C, J11A, J11B, J16Z	21B	X06A, X06B, X06C		
	21A	W04A, W04B		13	N06Z	5n449	06	G26Z	
21B	X06A, X06B	14	962Z, O02A, O02B	09	J03A, J03B, J04A, J04B, J08A, J08B, J08C, J09A, J09B, J16Z				
5n434		BOP, KVT, UOP4	5n435		BOP, KVT, UOP4	14	962Z, O02A, O02B		
	06	G15Z, G18A, G18B, G38Z		06	G15Z, G18A, G18B, G38Z	21A	W04A, W04B		
	13	N04Z, N06Z		13	N04Z, N06Z	21B	X06A, X06B, X06C		
	21A	W04A, W04B		21A	W04A, W04B	5n44a.0	06	G26Z	
21B	X06A, X06B	21B	X06A, X06B, X06C	09	J03A, J03B, J04A, J04B, J08A, J08B, J08C, J11A, J11B, J16Z				
5n435		BOP, KVT, UOP4			14		962Z, O02A, O02B		
	06	G15Z, G18A, G18B, G38Z			21A		W04A, W04B		
	13	N04Z, N06Z			21B	X06A, X06B, X06C			
	21A	W04A, W04B							
21B	X06A, X06B								

ZZV	MDC	DRG	ZZV	MDC	DRG	ZZV	MDC	DRG
5n44a.1	06	G26Z	5n451.6	06	G26Z	5n470.0		BOP, KVT, UOP4
	09	J03A, J03B, J04A, J04B, J08A, J08B, J08C, J11A, J11B, J16Z		09	J03A, J03B, J04A, J04B, J08A, J08B, J08C, J11A, J11B, J16Z	06	G01Z, G02Z, G11A, G11B, G38Z	
	14	962Z, O02A, O02B		21A	W04A, W04B	09	J03A, J03B, J04A, J04B, J08A, J08B, J08C, J09A, J09B, J16Z	
	21A	W04A, W04B		21B	X06A, X06B, X06C	21A	W04A, W04B	
	21B	X06A, X06B, X06C	5n451.x	06	G26Z	21B	X06A, X06B, X06C	
5n44a.2	06	G26Z		09	J03A, J03B, J04A, J04B, J08A, J08B, J08C, J11A, J11B, J16Z	Pre	A11A, A13A, A13B, A13D	
	09	J03A, J03B, J04A, J04B, J08A, J08B, J08C, J11A, J11B, J16Z		21A	W04A, W04B	5n470.1	06	G01Z, G02Z, G11A, G11B, G38Z
	14	962Z, O02A, O02B		21B	X06A, X06B, X06C	09	J03A, J03B, J04A, J04B, J08A, J08B, J08C, J09A, J09B, J16Z	
	21A	W04A, W04B	5n452	06	G26Z	21A	W04A, W04B	
	21B	X06A, X06B, X06C		09	J03A, J03B, J04A, J04B, J08A, J08B, J08C, J09A, J09B, J16Z	21B	X06A, X06B, X06C	
5n44a.x	06	G26Z		21A	W04A, W04B	Pre	A11A, A13A, A13B, A13D	
	09	J03A, J03B, J04A, J04B, J08A, J08B, J08C, J11A, J11B, J16Z	5n453	06	G26Z	BOP, KVT, UOP4		
	14	962Z, O02A, O02B		09	J03A, J03B, J04A, J04B, J08A, J08B, J08C, J11A, J11B, J16Z	5n470.x	06	G01Z, G02Z, G11A, G11B, G38Z
	21A	W04A, W04B		21B	X06A, X06B, X06C	09	J03A, J03B, J04A, J04B, J08A, J08B, J08C, J09A, J09B, J16Z	
	21B	X06A, X06B, X06C	5n459	06	G26Z	21A	W04A, W04B	
5n44b	06	G26Z		09	J03A, J03B, J04A, J04B, J08A, J08B, J08C, J11A, J11B, J16Z	21B	X06A, X06B, X06C	
	09	J03A, J03B, J04A, J04B, J08A, J08B, J08C, J09A, J09B, J16Z		21A	W04A, W04B	Pre	A11A, A13A, A13B, A13D	
	14	962Z, O02A, O02B		21B	X06A, X06B, X06C	BOP, KVT, UOP4		
5n450	06	G26Z	5n455	06	G26Z	5n471.0	06	G01Z, G02Z, G11A, G11B, G38Z
	09	J03A, J03B, J04A, J04B, J08A, J08B, J08C, J09A, J09B, J16Z		09	J03A, J03B, J04A, J04B, J08A, J08B, J08C, J11A, J11B, J16Z	09	J03A, J03B, J04A, J04B, J08A, J08B, J08C, J09A, J09B, J16Z	
	21A	W04A, W04B		21A	W04A, W04B	21A	W04A, W04B	
	21B	X06A, X06B, X06C	5n45a	21B	X06A, X06B, X06C	21B	X06A, X06B, X06C	
5n451.0	06	G26Z		BOP, KVT, UOP4	Pre	A11A, A13A, A13B, A13D		
	09	J03A, J03B, J04A, J04B, J08A, J08B, J08C, J11A, J11B, J16Z		06	G26Z	BOP, KVT, UOP4		
	21A	W04A, W04B	5n45c	14	962Z, O02A, O02B	5n471.1	06	G01Z, G02Z, G11A, G11B, G38Z
	21B	X06A, X06B, X06C		16	Q03A, Q03B	09	J03A, J03B, J04A, J04B, J08A, J08B, J08C, J09A, J09B, J16Z	
5n451.1	06	G26Z		BOP, KVT, UOP4	21A	W04A, W04B		
	09	J03A, J03B, J04A, J04B, J08A, J08B, J08C, J11A, J11B, J16Z		06	G26Z	21B	X06A, X06B, X06C	
	21A	W04A, W04B	5n45d	14	962Z, O02A, O02B	Pre	A11A, A13A, A13B, A13D	
	21B	X06A, X06B, X06C		16	Q03A, Q03B	06	G01Z, G02Z, G11A, G11B, G38Z	
5n451.2	06	G26Z		BOP, KVT, UOP4	5n471.x	06	G01Z, G02Z, G11A, G11B, G38Z	
	09	J03A, J03B, J04A, J04B, J08A, J08B, J08C, J11A, J11B, J16Z		06	G26Z	09	J03A, J03B, J04A, J04B, J08A, J08B, J08C, J09A, J09B, J16Z	
	21A	W04A, W04B	5n45e	14	962Z, O02A, O02B	21A	W04A, W04B	
	21B	X06A, X06B, X06C		16	Q03A, Q03B	21B	X06A, X06B, X06C	
5n451.3	06	G26Z		BOP, KVT, UOP4	Pre	A11A, A13A, A13B, A13D		
	09	J03A, J03B, J04A, J04B, J08A, J08B, J08C, J11A, J11B, J16Z		06	G26Z	BOP, KVT, UOP4		
	21A	W04A, W04B	5n45f	14	962Z, O02A, O02B	5n472.0	06	G01Z, G02Z, G15Z, G16A, G16B, G38Z
	21B	X06A, X06B, X06C		16	Q03A, Q03B	09	J03A, J03B, J04A, J04B, J08A, J08B, J08C, J09A, J09B, J16Z	
5n451.4	06	G26Z		BOP, KVT, UOP4	21A	W04A, W04B		
	09	J03A, J03B, J04A, J04B, J08A, J08B, J08C, J11A, J11B, J16Z	5n45g.0	06	G26Z	21B	X06A, X06B, X06C	
	21A	W04A, W04B		14	962Z, O02A, O02B	Pre	A11A, A13A, A13B, A13D	
	21B	X06A, X06B, X06C		16	Q03A, Q03B	BOP, KVT, UOP4		
5n451.5	06	G26Z	5n45g.1	06	G26Z	5n472.0	06	G01Z, G02Z, G15Z, G16A, G16B, G38Z
	09	J03A, J03B, J04A, J04B, J08A, J08B, J08C, J11A, J11B, J16Z		14	962Z, O02A, O02B	09	J03A, J03B, J04A, J04B, J08A, J08B, J08C, J09A, J09B, J16Z	
	21A	W04A, W04B		16	Q03A, Q03B	21A	W04A, W04B	
	21B	X06A, X06B, X06C	5n461	06	G26Z	21B	X06A, X06B, X06C	
	06	G26Z		BOP, KVT, UOP4	Pre	A11A, A13A, A13B, A13D		
	09	J03A, J03B, J04A, J04B, J08A, J08B, J08C, J11A, J11B, J16Z	5n462	06	G26Z	BOP, KVT, UOP4		
	21A	W04A, W04B		06	G26Z	5n472.0	06	G01Z, G02Z, G15Z, G16A, G16B, G38Z
	21B	X06A, X06B, X06C	5n46x	06	G26Z	09	J03A, J03B, J04A, J04B, J08A, J08B, J08C, J09A, J09B, J16Z	
	06	G26Z		BOP, KVT, UOP4	21A	W04A, W04B		
	09	J03A, J03B, J04A, J04B, J08A, J08B, J08C, J11A, J11B, J16Z		06	G26Z	21B	X06A, X06B, X06C	
	21A	W04A, W04B		06	G26Z	Pre	A11A, A13A, A13B, A13D	
	21B	X06A, X06B, X06C		06	G26Z			

VYK

## Príloha B: Index Výkon-MDC-DRG

ZZV	MDC	DRG	ZZV	MDC	DRG	ZZV	MDC	DRG
5n472.1		BOP, KVT, UOP4 06 G01Z, G02Z, G15Z, G16A, G16B, G38Z 09 J03A, J03B, J04A, J04B, J08A, J08B, J08C, J09A, J09B, J16Z 21A W04A, W04B 21B X06A, X06B, X06C Pre A11A, A13A, A13B, A13D	5n476		BOP, KVT, UOP4 06 G01Z, G02Z, G11A, G11B, G38Z 09 J03A, J03B, J04A, J04B, J08A, J08B, J08C, J09A, J09B, J16Z 21A W04A, W04B 21B X06A, X06B, X06C Pre A11A, A13A, A13B, A13D	5n510.4		BOP, KOP, KOPV, KVT, UOP4 06 G10Z, G18A, G33Z, G38Z 07 H01A, H01B, H09A, H09B, H09C, H33Z, H38Z 09 J26Z 11 L33Z 21B X33Z 23 Z01A Pre A07A
5n472.x		BOP, KVT, UOP4 06 G01Z, G02Z, G15Z, G16A, G16B, G38Z 09 J03A, J03B, J04A, J04B, J08A, J08B, J08C, J11A, J11B, J16Z 13 N13A, N13B 14 962Z, O02A, O02B 21A W04A, W04B 21B X06A, X06B, X06C Pre A11A, A13A, A13B, A13D	5n47x.0		BOP, KVT, UOP4 06 G01Z, G02Z, G11A, G11B, G38Z 09 J03A, J03B, J04A, J04B, J08A, J08B, J08C, J09A, J09B, J16Z 21A W04A, W04B 21B X06A, X06B, X06C Pre A11A, A13A, A13B, A13D	5n510.x		BOP, KOP, KOPV, KVT, UOP4 06 G10Z, G18A, G33Z, G38Z 07 H01A, H01B, H09A, H09B, H09C, H33Z, H38Z 09 J26Z 11 L33Z 23 Z01A Pre A07A
5n473.0		BOP, KVT, UOP4 06 G01Z, G02Z, G15Z, G16A, G16B, G38Z 09 J03A, J03B, J04A, J04B, J08A, J08B, J08C, J09A, J09B, J16Z 21A W04A, W04B 21B X06A, X06B, X06C Pre A11A, A13A, A13B, A13D	5n47x.1		BOP, KVT, UOP4 06 G01Z, G02Z, G11A, G11B, G38Z 09 J03A, J03B, J04A, J04B, J08A, J08B, J08C, J09A, J09B, J16Z 21A W04A, W04B 21B X06A, X06B, X06C Pre A11A, A13A, A13B, A13D	5n511.0		BOP, KOP, KOPV, KVT, UOP4 06 G10Z, G33Z, G38Z 07 H01A, H01B, H09A, H09B, H09C, H33Z, H38Z 09 J26Z 11 L33Z 21B X33Z 23 Z01A Pre A07A
5n473.1		BOP, KVT, UOP4 06 G01Z, G02Z, G15Z, G16A, G16B, G38Z 09 J03A, J03B, J04A, J04B, J08A, J08B, J08C, J09A, J09B, J16Z 21A W04A, W04B 21B X06A, X06B, X06C Pre A11A, A13A, A13B, A13D	5n47x.x		BOP, KVT, UOP4 06 G01Z, G02Z, G11A, G11B, G38Z 09 J03A, J03B, J04A, J04B, J08A, J08B, J08C, J09A, J09B, J16Z 21A W04A, W04B 21B X06A, X06B, X06C Pre A11A, A13A, A13B, A13D	5n511.2		BOP, KOP, KOPV, KVT, UOP4 06 G10Z, G33Z, G38Z 07 H01A, H01B, H09A, H09B, H09C, H33Z, H38Z 09 J26Z 11 L33Z 21B X33Z 23 Z01A Pre A07A
5n473.x		BOP, KVT, UOP4 06 G01Z, G02Z, G15Z, G16A, G16B, G38Z 09 J03A, J03B, J04A, J04B, J08A, J08B, J08C, J09A, J09B, J16Z 21A W04A, W04B 21B X06A, X06B, X06C Pre A11A, A13A, A13B, A13D	5n49a		BOP, KVT, UOP4 06 G15Z, G18A, G18B, G18C, G38Z 21A W04A, W04B 21B X06A, X06B, X06C	5n511.3‡ 5n511.4		H41A, H41B, H41C BOP, KOP, KOPV, KVT, UOP4 06 G10Z, G33Z, G38Z 07 H01A, H01B, H09A, H09B, H09C, H33Z, H38Z 09 J26Z 11 L33Z 21B X33Z 23 Z01A Pre A07A
5n474		BOP, KVT, UOP4 06 G01Z, G02Z, G15Z, G16A, G16B, G38Z 09 J03A, J03B, J04A, J04B, J08A, J08B, J08C, J09A, J09B, J16Z 21A W04A, W04B 21B X06A, X06B, X06C Pre A11A, A13A, A13B, A13D	5n49e‡ 5n49f‡ 5n49g‡ 5n510.0		G40Z, G48A, G48B, G48C G40Z, G48A, G48B, G48C G40Z, G48A, G48B, G48C BOP, KOP, KOPV, KVT, UOP4 06 G10Z, G18A, G33Z, G38Z 07 H01A, H01B, H09A, H09B, H09C, H33Z, H38Z 09 J26Z 10 K03A, K03B 11 L33Z 21B X33Z 23 Z01A Pre A07A	5n511.x		BOP, KOP, KOPV, KVT, UOP4 06 G10Z, G33Z, G38Z 07 H01A, H01B, H09A, H09B, H09C, H33Z, H38Z 09 J26Z 11 L33Z 21B X33Z 23 Z01A Pre A07A
5n475		BOP, KVT, UOP4 06 G01Z, G02Z, G15Z, G16A, G16B, G38Z 09 J03A, J03B, J04A, J04B, J08A, J08B, J08C, J09A, J09B, J16Z 21A W04A, W04B 21B X06A, X06B, X06C Pre A11A, A13A, A13B, A13D	5n510.2		BOP, KOP, KOPV, KVT, UOP4 06 G10Z, G18A, G33Z, G38Z 07 H12A, H12B, H33Z, H38Z 09 J26Z 11 L33Z 21B X33Z 23 Z01A Pre A07A			

VYK



ZZV	MDC	DRG	ZZV	MDC	DRG	ZZV	MDC	DRG			
5n512.0		BOP, KOP, KOPV, KVT, UOP4	5n514.4		BOP, KOP, KOPV, KVT, UOP4	5n51x.0		BOP, KOP, KOPV, KVT, UOP4			
	06	G03B, G10Z, G18A, G33Z, G38Z		06	G18A, G33Z, G38Z		06	G18A, G33Z, G38Z			
	07	H01A, H01B, H09A, H09B, H09C, H33Z, H38Z		07	H01A, H01B, H09A, H09B, H09C, H33Z, H38Z		07	H01A, H01B, H09A, H09B, H09C, H33Z, H38Z			
	09	J26Z		09	J26Z		09	J26Z			
	11	L33Z		11	L33Z		11	L33Z			
	21B	X33Z		21B	X33Z		21B	X33Z			
	23	Z01A		23	Z01A		23	Z01A			
	Pre	A07A		Pre	A07A		Pre	A07A			
	5n512.2			BOP, KOP, KOPV, KVT, UOP4	5n514.x			BOP, KOP, KOPV, KVT, UOP4	5n51x.2		BOP, KOP, KOPV, KVT, UOP4
		06		G03B, G10Z, G18A, G33Z, G38Z			06	G18A, G33Z, G38Z		06	G18A, G33Z, G38Z
07		H01A, H01B, H09A, H09B, H09C, H33Z, H38Z	07	H01A, H01B, H09A, H09B, H09C, H33Z, H38Z		07	H01A, H01B, H09A, H09B, H09C, H33Z, H38Z				
09		J26Z	09	J26Z		09	J26Z				
11		L33Z	11	L33Z		11	L33Z				
21B		X33Z	21B	X33Z		21B	X33Z				
23		Z01A	23	Z01A		23	Z01A				
Pre		A07A	Pre	A07A		Pre	A07A				
5n512.4			BOP, KOP, KOPV, KVT, UOP4	5n515.0			BOP, KOP, KOPV, KVT, UOP4	5n51x.3‡ 5n51x.4			BOP, KOP, KOPV, KVT, UOP4
		06	G03B, G10Z, G18A, G33Z, G38Z			06	G18A, G33Z, G38Z			06	G18A, G33Z, G38Z
	07	H01A, H01B, H09A, H09B, H09C, H33Z, H38Z	07		H01A, H01B, H09A, H09B, H09C, H33Z, H38Z	07	H01A, H01B, H09A, H09B, H09C, H33Z, H38Z				
	09	J26Z	09		J26Z	09	J26Z				
	11	L33Z	11		L33Z	11	L33Z				
	21B	X33Z	21B		X33Z	21B	X33Z				
	23	Z01A	23		Z01A	23	Z01A				
	Pre	A07A	Pre		A07A	Pre	A07A				
	5n512.x		BOP, KOP, KOPV, KVT, UOP4		5n515.2		BOP, KOP, KOPV, KVT, UOP4		5n51x.x		BOP, KOP, KOPV, KVT, UOP4
		06	G03B, G10Z, G18A, G33Z, G38Z			06	G18A, G33Z, G38Z			06	G18A, G33Z, G38Z
07		H01A, H01B, H09A, H09B, H09C, H33Z, H38Z	07	H01A, H01B, H09A, H09B, H09C, H33Z, H38Z		07	H01A, H01B, H09A, H09B, H09C, H33Z, H38Z				
09		J26Z	09	J26Z		09	J26Z				
11		L33Z	11	L33Z		11	L33Z				
21B		X33Z	21B	X33Z		21B	X33Z				
23		Z01A	23	Z01A		23	Z01A				
Pre		A07A	Pre	A07A		Pre	A07A				
5n514.x			BOP, KOP, KOPV, KVT, UOP4	5n515.3‡ 5n515.4			BOP, KOP, KOPV, KVT, UOP4	5n520.0			BOP, KOP, KOPV, KVT, MVV, UOP4
		06	G03B, G10Z, G18A, G33Z, G38Z			06	G18A, G33Z, G38Z			06	G03B, G10Z, G16A, G18A, G33Z, G38Z
	07	H01A, H01B, H09A, H09B, H09C, H33Z, H38Z	07		H01A, H01B, H09A, H09B, H09C, H33Z, H38Z	07	H01A, H01B, H09A, H09B, H09C, H33Z, H38Z				
	09	J26Z	09		J26Z	09	J14A, J26Z				
	11	L33Z	11		L33Z	11	L33Z				
	21B	X33Z	21B		X33Z	13	N11A				
	23	Z01A	23		Z01A	21A	W01A, W01B, W01C, W02A, W02B, W04A, W04B				
	Pre	A07A	Pre		A07A	21B	X06A, X06B, X06C, X33Z				
	5n514.0		BOP, KOP, KOPV, KVT, UOP4		5n515.x		BOP, KOP, KOPV, KVT, UOP4				Z01A, Z02Z
		06	G18A, G33Z, G38Z			06	G18A, G33Z, G38Z			23	Z01A, Z02Z
07		H01A, H01B, H09A, H09B, H09C, H33Z, H38Z	07	H01A, H01B, H09A, H09B, H09C, H33Z, H38Z		Pre	A07A, A09B, A11A, A11B, A13B				
09		J26Z	09	J26Z							
11		L33Z	11	L33Z							
21B		X33Z	21B	X33Z							
23		Z01A	23	Z01A							
Pre		A07A	Pre	A07A							
5n514.2			BOP, KOP, KOPV, KVT, UOP4				BOP, KOP, KOPV, KVT, UOP4				BOP, KOP, KOPV, KVT, UOP4
		06	G18A, G33Z, G38Z			06	G18A, G33Z, G38Z				
	07	H01A, H01B, H09A, H09B, H09C, H33Z, H38Z	07		H01A, H01B, H09A, H09B, H09C, H33Z, H38Z						
	09	J26Z	09		J26Z						
	11	L33Z	11		L33Z						
	21B	X33Z	21B		X33Z						
	23	Z01A	23		Z01A						
	Pre	A07A	Pre		A07A						
	5n514.3‡		H41A, H41B, H41C				H41A, H41B, H41C				H41A, H41B, H41C

ZZV	MDC	DRG	ZZV	MDC	DRG	ZZV	MDC	DRG
5n520.2		BOP, KOP, KOPV, KVT, MVV, UOP4	5n521.22		BOP, KOP, KOPV, KVT, MVV, UOP4	5n522.20		BOP, KOP, KOPV, KVT, MVV, UOP4
	06	G03B, G10Z, G16A, G18A, G33Z, G38Z		06	G03B, G10Z, G16A, G18A, G33Z, G38Z		06	G03B, G10Z, G16A, G18A, G33Z, G38Z
	07	H01A, H01B, H09A, H09B, H09C, H33Z, H38Z		07	H01A, H01B, H09A, H09B, H09C, H33Z, H38Z		07	H01A, H09A, H09B, H09C, H33Z, H38Z
	09	J14A, J26Z		09	J14A, J26Z		09	J14A, J26Z
	11	L33Z		11	L33Z		11	L33Z
	13	N11A		13	N11A		13	N11A
	21A	W01A, W01B, W01C, W02A, W02B, W04A, W04B		21A	W01A, W01B, W01C, W02A, W02B, W04A, W04B		21A	W01A, W01B, W01C, W02A, W02B, W04A, W04B
	21B	X06A, X06B, X06C, X33Z		21B	X06A, X06B, X06C, X33Z		21B	X06A, X06B, X06C, X33Z
	23	Z01A, Z02Z		23	Z01A, Z02Z		23	Z01A, Z02Z
	Pre	A07A, A09B, A11A, A11B, A13B		Pre	A07A, A09B, A11A, A11B, A13B		Pre	A07A, A09B, A11A, A11B, A13B
	5n521.10			BOP, KOP, KOPV, KVT, MVV, UOP4	5n521.3			BOP, KOP, KOPV, KVT, MVV, UOP4
06		G03B, G10Z, G16A, G18A, G33Z, G38Z	06	G03B, G10Z, G16A, G18A, G33Z, G38Z		06	G03B, G10Z, G16A, G18A, G33Z, G38Z	
07		H01A, H01B, H09A, H09B, H09C, H33Z, H38Z	07	H01A, H01B, H09A, H09B, H09C, H33Z, H38Z		07	H01A, H09A, H09B, H09C, H33Z, H38Z	
09		J14A, J26Z	09	J14A, J26Z		09	J14A, J26Z	
11		L33Z	11	L33Z		11	L33Z	
13		N11A	13	N11A		13	N11A	
21A		W01A, W01B, W01C, W02A, W02B, W04A, W04B	21A	W01A, W01B, W01C, W02A, W02B, W04A, W04B		21A	W01A, W01B, W01C, W02A, W02B, W04A, W04B	
21B		X06A, X06B, X06C, X33Z	21B	X06A, X06B, X06C, X33Z		21B	X06A, X06B, X06C, X33Z	
23		Z01A, Z02Z	23	Z01A, Z02Z		23	Z01A, Z02Z	
Pre		A07A, A09B, A11A, A11B, A13B	Pre	A07A, A09B, A11A, A11B, A13B		Pre	A07A, A09B, A11A, A11B, A13B	
5n521.12			BOP, KOP, KOPV, KVT, MVV, UOP4	5n522.10			BOP, KOP, KOPV, KVT, MVV, UOP4	5n522.3
	06	G03B, G10Z, G16A, G18A, G33Z, G38Z	06		G03B, G10Z, G16A, G18A, G33Z, G38Z	06	G03B, G10Z, G16A, G18A, G33Z, G38Z	
	07	H01A, H01B, H09A, H09B, H09C, H33Z, H38Z	07		H01A, H01B, H09A, H09B, H09C, H33Z, H38Z	07	H01A, H01B, H09A, H09B, H09C, H33Z, H38Z	
	09	J14A, J26Z	09		J14A, J26Z	09	J14A, J26Z	
	11	L33Z	11		L33Z	11	L33Z	
	13	N11A	13		N11A	13	N11A	
	21A	W01A, W01B, W01C, W02A, W02B, W04A, W04B	21A		W01A, W01B, W01C, W02A, W02B, W04A, W04B	21A	W01A, W01B, W01C, W02A, W02B, W04A, W04B	
	21B	X06A, X06B, X06C, X33Z	21B		X06A, X06B, X06C, X33Z	21B	X06A, X06B, X06C, X33Z	
	23	Z01A, Z02Z	23		Z01A, Z02Z	23	Z01A, Z02Z	
	Pre	A07A, A09B, A11A, A11B, A13B	Pre		A07A, A09B, A11A, A11B, A13B	Pre	A07A, A09B, A11A, A11B, A13B	
	5n521.20		BOP, KOP, KOPV, KVT, MVV, UOP4		5n522.12		BOP, KOP, KOPV, KVT, MVV, UOP4	
06		G03B, G10Z, G16A, G18A, G33Z, G38Z	06	G03B, G10Z, G16A, G18A, G33Z, G38Z		06	G03B, G10Z, G16A, G18A, G33Z, G38Z	
07		H01A, H01B, H09A, H09B, H09C, H33Z, H38Z	07	H01A, H01B, H09A, H09B, H09C, H33Z, H38Z		07	H01A, H01B, H09A, H09B, H09C, H33Z, H38Z	
09		J14A, J26Z	09	J14A, J26Z		09	J14A, J26Z	
11		L33Z	11	L33Z		11	L33Z	
13		N11A	13	N11A		13	N11A	
21A		W01A, W01B, W01C, W02A, W02B, W04A, W04B	21A	W01A, W01B, W01C, W02A, W02B, W04A, W04B		21A	W01A, W01B, W01C, W02A, W02B, W04A, W04B	
21B		X06A, X06B, X06C, X33Z	21B	X06A, X06B, X06C, X33Z		21B	X06A, X06B, X06C, X33Z	
23		Z01A, Z02Z	23	Z01A, Z02Z		23	Z01A, Z02Z	
Pre		A07A, A09B, A11A, A11B, A13B	Pre	A07A, A09B, A11A, A11B, A13B		Pre	A07A, A09B, A11A, A11B, A13B	

VYK

ZZV	MDC	DRG	ZZV	MDC	DRG	ZZV	MDC	DRG			
5n522.5		BOP, KOP, KOPV, KVT, MVV, UOP4	5n523.32		BOP, KOP, KOPV, KVT, MVV, UOP4	5n533		BOP, KOP, KOPV, KVT, UOP4			
	06	G03B, G10Z, G16A, G18A, G33Z, G38Z		06	G03B, G10Z, G16A, G18A, G33Z, G38Z		06	G03B, G10Z, G33Z, G38Z			
	07	H01A, H01B, H09A, H09B, H09C, H33Z, H38Z		07	H01A, H01B, H09A, H09B, H09C, H33Z, H38Z		07	H01A, H01B, H09A, H09B, H09C, H33Z, H38Z			
	09	J14A, J26Z		09	J14A, J26Z		09	J26Z			
	11	L33Z		11	L33Z		11	L33Z			
	13	N11A		13	N11A		21A	W04A, W04B			
	21A	W01A, W01B, W01C, W02A, W02B, W04A, W04B		21A	W01A, W01B, W01C, W02A, W02B, W04A, W04B		21B	X06A, X06B, X06C, X33Z			
	21B	X06A, X06B, X06C, X33Z		21B	X06A, X06B, X06C, X33Z		23	Z01A, Z02Z			
	23	Z01A, Z02Z		23	Z01A, Z02Z		Pre	A07A			
	Pre	A07A, A09B, A11A, A11B, A13B		Pre	A07A, A09B, A11A, A11B, A13B		5n534	BOP, KOP, KOPV, KVT, UOP4			
	5n523.20			BOP, KOP, KOPV, KVT, MVV, UOP4	5n52x.0			BOP, KOP, KOPV, KVT, MVV, UOP4	5n535		BOP, KOP, KOPV, KVT, UOP4
		06		G03B, G10Z, G16A, G18A, G33Z, G38Z			06	G03B, G10Z, G16A, G18A, G33Z, G38Z		06	G03B, G10Z, G33Z, G38Z
		07		H01A, H09A, H09B, H09C, H33Z, H38Z			07	H01A, H01B, H09A, H09B, H09C, H33Z, H38Z		07	H01A, H01B, H09A, H09B, H09C, H33Z, H38Z
		09		J14A, J26Z			09	J14A, J26Z		09	J26Z
11		L33Z	11	L33Z		11	L33Z				
13		N11A	13	N11A		21A	W04A, W04B				
21A		W01A, W01B, W01C, W02A, W02B, W04A, W04B	21A	W01A, W01B, W01C, W02A, W02B, W04A, W04B		21B	X06A, X06B, X06C, X33Z				
21B		X06A, X06B, X06C, X33Z	21B	X06A, X06B, X06C, X33Z		23	Z01A, Z02Z				
23		Z01A, Z02Z	23	Z01A, Z02Z		Pre	A07A				
Pre		A07A, A09B, A11A, A11B, A13B	Pre	A07A		5n536	BOP, KOP, KOPV, KVT, UOP4				
5n523.22			BOP, KOP, KOPV, KVT, MVV, UOP4	5n52x.2			BOP, KOP, KOPV, KVT, MVV, UOP4	5n536			BOP, KOP, KOPV, KVT, UOP4
		06	G03B, G10Z, G16A, G18A, G33Z, G38Z			06	G03B, G10Z, G16A, G18A, G33Z, G38Z			06	G03B, G10Z, G33Z, G38Z
		07	H01A, H09A, H09B, H09C, H33Z, H38Z			07	H01A, H01B, H09A, H09B, H09C, H33Z, H38Z			07	H01A, H01B, H09A, H09B, H09C, H33Z, H38Z
		09	J14A, J26Z			09	J14A, J26Z			09	J26Z
	11	L33Z	11		L33Z	11	L33Z				
	13	N11A	13		N11A	21A	W04A, W04B				
	21A	W01A, W01B, W01C, W02A, W02B, W04A, W04B	21A		W01A, W01B, W01C, W02A, W02B, W04A, W04B	21A	W04A, W04B				
	21B	X06A, X06B, X06C, X33Z	21B		X06A, X06B, X06C, X33Z	21B	X06A, X06B, X06C, X33Z				
	23	Z01A, Z02Z	23		Z01A, Z02Z	23	Z01A, Z02Z				
	Pre	A07A, A09B, A11A, A11B, A13B	Pre		A07A	Pre	A07A				
	5n523.30		BOP, KOP, KOPV, KVT, MVV, UOP4		5n531		BOP, KOP, KOPV, KVT, UOP4		5n53x		BOP, KOP, KOPV, KVT, UOP4
		06	G03B, G10Z, G16A, G18A, G33Z, G38Z			06	G03B, G10Z, G33Z, G38Z			06	G03B, G10Z, G33Z, G38Z
		07	H01A, H01B, H09A, H09B, H09C, H33Z, H38Z			07	H01A, H01B, H09A, H09B, H09C, H33Z, H38Z			07	H01A, H01B, H09A, H09B, H09C, H33Z, H38Z
		09	J14A, J26Z			09	J26Z			09	J26Z
11		L33Z	11	L33Z		11	L33Z				
13		N11A	21A	W04A, W04B		11	L33Z				
21A		W01A, W01B, W01C, W02A, W02B, W04A, W04B	21A	W01A, W01B, W01C, W02A, W02B, W04A, W04B		21A	W04A, W04B				
21B		X06A, X06B, X06C, X33Z	21B	X06A, X06B, X06C, X33Z		21B	X06A, X06B, X06C, X33Z				
23		Z01A, Z02Z	23	Z01A		23	Z01A, Z02Z				
Pre		A07A, A09B, A11A, A11B, A13B	Pre	A07A		Pre	A07A				
5n523.32			BOP, KOP, KOPV, KVT, MVV, UOP4	5n532			BOP, KOP, KOPV, KVT, UOP4	5n540			BOP, KVT, UOP4
		06	G03B, G10Z, G16A, G18A, G33Z, G38Z			06	G03B, G10Z, G33Z, G38Z			Pre	A01A, A01B, A01C, A18Z
		07	H01A, H01B, H09A, H09B, H09C, H33Z, H38Z			07	H01A, H01B, H09A, H09B, H09C, H33Z, H38Z			5n541	BOP, KVT, UOP4
		09	J14A, J26Z			09	J26Z			Pre	A01A, A01B, A01C, A18Z
	11	L33Z	11		L33Z	5n542	BOP, KVT, UOP4				
	13	N11A	21A		W04A, W04B	Pre	A01A, A01B, A01C, A18Z				
	21A	W01A, W01B, W01C, W02A, W02B, W04A, W04B	21A		W01A, W01B, W01C, W02A, W02B, W04A, W04B	5n54x	BOP, KVT, UOP4				
	21B	X06A, X06B, X06C, X33Z	21B		X06A, X06B, X06C, X33Z	Pre	A01A, A01B, A01C, A18Z				
	23	Z01A, Z02Z	23		Z01A						
	Pre	A07A, A09B, A11A, A11B, A13B	Pre		A07A						

ZZV	MDC	DRG	ZZV	MDC	DRG	ZZV	MDC	DRG						
5n550.10		BOP, KOP, KOPV, KVT, UOP4	5n590.0		BOP, KVT, UOP4	5n591.22		BOP, KOP, KOPV, KVT, UOP4						
	06	G03B, G33Z, G38Z		05	F13A, F21A, F21B		06	G33Z						
	07	H01A, H01B, H09A, H09B, H09C, H33Z, H38Z		06	G10Z, G12A, G12B		07	H01A, H01B, H09A, H09B, H09C, H33Z, H38Z						
	11	L33Z		07	H05Z		11	L33Z						
	21A	W01A, W01B, W01C, W02A, W02B, W04A, W04B		09	J03A, J03B, J04A, J04B, J08A, J08B, J08C, J11A, J11B, J16Z		21A	W04A, W04B						
	21B	X06A, X06B, X06C, X33Z		10	K09A, K09B		21B	X06A, X06B, X06C, X33Z						
	23	Z01A		11	L09A, L09B, L09C, L09D, L38Z		23	Z01A						
	Pre	A07A		12	M01A, M01B, M38Z		Pre	A07A						
	5n550.11			BOP, KOP, KOPV, KVT, UOP4	13		N11A, N11B	5n591.x		BOP, KOP, KOPV, KVT, UOP4				
		06		G03B, G33Z, G38Z	14		962Z, O02A, O02B, O04A		06	G33Z				
		07		H01A, H01B, H09A, H09B, H09C, H33Z, H38Z	17		R01A, R01B, R01C, R01D, R02Z, R12A, R12B, R12C		07	H01A, H01B, H09A, H09B, H09C, H33Z, H38Z				
11		L33Z	21A	W04A, W04B	11	L33Z								
21A		W01A, W01B, W01C, W02A, W02B, W04A, W04B	21B	X06A, X06B	21A	W04A, W04B								
21B		X06A, X06B, X06C, X33Z	22	Y01Z, Y03A, Y03B	21B	X06A, X06B, X06C								
23		Z01A	04	E02A, E02B, E02C	23	Z01A								
Pre		A07A	05	F21A, F21B	Pre	A07A								
5n550.20			BOP, KOP, KOPV, KVT, UOP4	5n590.2		BOP, KOP, KOPV, KVT, UOP4	5n592†			BOP, KOP, KOPV, KVT, UOP4				
		06	G03B, G33Z, G38Z		06	G10Z, G12A, G12B			09	J11A, J11B				
		07	H01A, H01B, H09A, H09B, H09C, H33Z, H38Z		07	H12A, H12B			5n593†	09	J11A, J11B			
	11	L33Z	08		I28A, I28B	5n610			BOP, KVT, UOP4					
	21A	W01A, W01B, W01C, W02A, W02B, W04A, W04B	09		J03A, J03B, J04A, J04B, J08A, J08B, J08C, J11A, J11B, J16Z, J21Z			06	G10Z, G12A, G12B					
	21B	X06A, X06B, X06C, X33Z	10		K09A, K09B			07	H05Z					
	23	Z01A	11		L09A, L09B, L09C, L09D, L38Z			17	R01A, R01B, R01C, R01D, R02Z, R12A, R12B, R12C					
	Pre	A07A	13		N11A			21A	W04A, W04B					
	5n550.22		BOP, KOP, KOPV, KVT, UOP4		5n591.0				BOP, KOP, KOPV, KVT, UOP4	5n611.0		BOP, KVT, UOP4		
		06	G03B, G33Z, G38Z					06	G33Z		07	H05Z		
		07	H01A, H01B, H09A, H09B, H09C, H33Z, H38Z					07	H01A, H01B, H09A, H09B, H09C, H33Z, H38Z		5n611.2		BOP, KVT, UOP4	
11		L33Z	11	L33Z			07	H05Z						
21A		W01A, W01B, W01C, W02A, W02B, W04A, W04B	21A	W04A, W04B			5n611.3		BOP, KVT, UOP4					
21B		X06A, X06B, X06C, X33Z	21B	X06A, X06B, X06C				07	H05Z					
23		Z01A	22	Y01Z, Y03A, Y03B		5n612			BOP, KVT, UOP4					
Pre		A07A	06	G33Z				06	G10Z, G12A, G12B					
5n551			BOP, KVT, UOP4	5n591.1					BOP, KOP, KOPV, KVT, UOP4			5n613.1		BOP, KOP, KOPV, KVT, MVV, UOP4
		07	H12A, H12B					06	G33Z				06	G03A, G10Z, G33Z, G38Z
		21A	W04A, W04B					07	H01A, H01B, H09A, H09B, H09C, H33Z, H38Z				07	H02A, H02B, H33Z, H38Z
	21B	X06A, X06B, X06C	11		L33Z			11	L33Z					
	5n552		BOP, KOP, KOPV, KVT, UOP4		5n591.20				BOP, KOP, KOPV, KVT, UOP4	5n613.2				BOP, KOP, KOPV, KVT, MVV, UOP4
		06	G03B, G33Z, G38Z					06	G33Z		06		G03A, G10Z, G33Z, G38Z	
		07	H01A, H01B, H09A, H09B, H09C, H33Z, H38Z					07	H01A, H01B, H09A, H09B, H09C, H33Z, H38Z		07		H01A, H02A, H02B, H33Z, H38Z	
		11	L33Z				11	L33Z	11		L33Z			
		21A	W01A, W01B, W01C, W02A, W02B, W04A, W04B				21A	W04A, W04B	17		R01A, R01B, R01C, R01D, R02Z, R12A, R12B, R12C			
		21B	X06A, X06B, X06C, X33Z			21B	X06A, X06B, X06C, X33Z	21A	W04A, W04B					
		23	Z01A			23	Z01A	21B	X06A, X06B, X06C, X33Z					
Pre		A07A	Pre	A07A		23	Z01A							
			06	G33Z		Pre	A07A							
			07	H01A, H01B, H09A, H09B, H09C, H33Z, H38Z										
			11	L33Z										
		21A	W04A, W04B											
		21B	X06A, X06B, X06C, X33Z											
		23	Z01A											
		Pre	A07A											

ZZV	MDC	DRG	ZZV	MDC	DRG	ZZV	MDC	DRG			
5n613.3		BOP, KOP, KOPV, KVT, MVV, UOP4	5n621.4		BOP, KVT, UOP4	5n63m.01‡	07	H41A, H41B, H41C			
	06	G03A, G10Z, G33Z, G38Z		07	H05Z		5n63m.02‡	07	H41A, H41B, H41C		
	07	H01A, H02A, H02B, H33Z, H38Z		17	R01A, R01B, R01C, R01D, R02Z, R12A, R12B, R12C		5n63m.03‡	07	H41A, H41B, H41C		
	11	L33Z		21A	W04A, W04B		5n63m.11‡	07	H41A, H41B, H41C		
	17	R01A, R01B, R01C, R01D, R02Z, R12A, R12B, R12C		21B	X06A, X06B		5n63m.12‡	07	H41A, H41B, H41C		
	21A	W04A, W04B		5n623	BOP, KOP, KOPV, KVT, UOP4		5n63m.13‡	07	H41A, H41B, H41C		
	21B	X06A, X06B, X06C, X33Z			06		G10Z, G33Z, G38Z	5n63x‡	07	H41A, H41B, H41C	
	23	Z01A			07		H01A, H01B, H09A, H09B, H09C, H33Z, H38Z	5n640.00		BOP, KOP, KOPV, KVT, UOP4	
	Pre	A07A		11	L33Z		06	G10Z, G12A, G12B, G33Z, G38Z	07	H01A, H01B, H09A, H09B, H09C, H38Z	
	5n613.4			BOP, KOP, KOPV, KVT, MVV, UOP4	17		R01A, R01B, R01C, R01D, R02Z, R12A, R12B, R12C	17	R01A, R01B, R01C, R01D, R02Z, R12A, R12B, R12C	21A	W04A, W04B
		06		G03A, G10Z, G33Z, G38Z	21A		W04A, W04B	21B	X06A, X06B	21B	X06A, X06B, X06C
		07		H01A, H02A, H02B, H33Z, H38Z	23		Z01A	Pre	A07A	Pre	A07A
		11		L33Z	5n624.1		BOP, KVT, UOP4	5n640.01		BOP, KOP, KOPV, KVT, UOP4	
17		R01A, R01B, R01C, R01D, R02Z, R12A, R12B, R12C	07	H07A, H07B		06	G10Z, G12A, G12B, G33Z, G38Z				
21A		W04A, W04B	17	R01A, R01B, R01C, R01D, R02Z, R12A, R12B, R12C		07	H01A, H01B, H09A, H09B, H09C, H38Z				
21B		X06A, X06B, X06C, X33Z	21A	W04A, W04B	17	R01A, R01B, R01C, R01D, R02Z, R12A, R12B, R12C					
23		Z01A	21B	X06A, X06B	21A	W04A, W04B					
Pre		A07A	Pre	A07A	21B	X06A, X06B, X06C					
5n613.5			BOP, KOP, KOPV, KVT, MVV, UOP4	5n624.2		BOP, KVT, UOP4	5n640.02		BOP, KOP, KOPV, KVT, UOP4		
		06	G03A, G10Z, G33Z, G38Z		07	H05Z		06	G10Z, G12A, G12B, G33Z, G38Z		
		07	H02A, H02B, H33Z, H38Z		17	R01A, R01B, R01C, R01D, R02Z, R12A, R12B, R12C		07	H01A, H01B, H09A, H09B, H09C, H38Z		
		11	L33Z		21A	W04A, W04B		17	R01A, R01B, R01C, R01D, R02Z, R12A, R12B, R12C		
	17	R01A, R01B, R01C, R01D, R02Z, R12A, R12B, R12C	21B		X06A, X06B	21A		W04A, W04B			
	21A	W04A, W04B	5n625.1		BOP, KVT, UOP4	21B		X06A, X06B	Pre	A07A	
	21B	X06A, X06B, X06C, X33Z			07	H08A, H08B		06	G10Z, G12A, G12B, G33Z, G38Z		
	23	Z01A			17	R01A, R01B, R01C, R01D, R02Z, R12A, R12B, R12C		07	H01A, H01B, H09A, H09B, H09C, H38Z		
	Pre	A07A	21A		W04A, W04B	17		R01A, R01B, R01C, R01D, R02Z, R12A, R12B, R12C			
	5n61x		BOP, KVT, UOP4		21B	X06A, X06B		21A	W04A, W04B		
		06	G10Z, G12A, G12B		5n625.2	BOP, KVT, UOP4		21B	X06A, X06B, X06C		
	5n620.0		BOP, KVT, UOP4			07		H08A, H08B	Pre	A07A	
		07	H07A, H07B		17	R01A, R01B, R01C, R01D, R02Z, R12A, R12B, R12C		07	H41A, H41B, H41C		
5n620.2	17	R01A, R01B, R01C, R01D, R02Z, R12A, R12B, R12C	5n62x		BOP, KVT, UOP4	5n640.03‡	07	H41A, H41B, H41C			
	21A	W04A, W04B		07	H08A, H08B	5n640.0x‡	07	H41A, H41B, H41C			
	21B	X06A, X06B		17	R01A, R01B, R01C, R01D, R02Z, R12A, R12B, R12C	5n640.10		BOP, KOP, KOPV, KVT, UOP4			
	5n620.4			BOP, KVT, UOP4	21A	W04A, W04B	06	G10Z, G12A, G12B, G33Z, G38Z			
		07		H07A, H07B	21B	X06A, X06B	07	H01A, H01B, H09A, H09B, H09C, H38Z			
		17		R01A, R01B, R01C, R01D, R02Z, R12A, R12B, R12C	5n631‡	07	H41A, H41B, H41C	17	R01A, R01B, R01C, R01D, R02Z, R12A, R12B, R12C		
21A	W04A, W04B	5n632.0‡	07	H41A, H41B, H41C		21A	W04A, W04B				
21B	X06A, X06B	5n632.1‡	07	H41A, H41B, H41C		21B	X06A, X06B, X06C				
5n621.0		BOP, KVT, UOP4	5n632.2‡	07	H41A, H41B, H41C	Pre	A07A				
	07	H05Z	5n632.3‡	07	H41A, H41B, H41C	5n640.11	BOP, KOP, KOPV, KVT, UOP4				
	17	R01A, R01B, R01C, R01D, R02Z, R12A, R12B, R12C	5n632.x‡	07	H41A, H41B, H41C		06	G10Z, G12A, G12B, G33Z, G38Z			
	21A	W04A, W04B	5n633‡	07	H41A, H41B, H41C		07	H01A, H01B, H09A, H09B, H09C, H38Z			
	21B	X06A, X06B	5n634.0‡	07	H41A, H41B, H41C		17	R01A, R01B, R01C, R01D, R02Z, R12A, R12B, R12C			
	5n621.2		BOP, KVT, UOP4	5n634.1‡	06		G40Z, G46A, G46B, G46C, G47Z, G50Z	21A	W04A, W04B		
		07	H05Z	5n634.x‡	07		H41A, H41B	21B	X06A, X06B, X06C		
		17	R01A, R01B, R01C, R01D, R02Z, R12A, R12B, R12C		07		H41A, H41B, H41C	Pre	A07A		
		21A	W04A, W04B		5n635‡		07	H41A, H41B, H41C			
		21B	X06A, X06B		5n63a‡		07	H41A, H41B, H41C			
		5n621.2			BOP, KVT, UOP4		5n63b‡	07	H41A, H41B, H41C		
	07		H08A, H08B		5n63c‡		07	H41A, H41B, H41C			
17	R01A, R01B, R01C, R01D, R02Z, R12A, R12B, R12C		5n63d‡	07	H41A, H41B, H41C						
21A	W04A, W04B		5n63f.1‡	07	H41A, H41B, H41C						
21B	X06A, X06B		5n63f.2‡	07	H41A, H41B, H41C						
			5n63h.1‡	07	H41A, H41B, H41C						
			5n63h.2‡	07	H41A, H41B, H41C						



ZZV	MDC	DRG	ZZV	MDC	DRG	ZZV	MDC	DRG
5n641.32		BOP, KOP, KOPV, KVT, UOP4	5n651.0		BOP, KOP, KOPV, KVT, UOP4	5n652.x		BOP, KOP, KOPV, KVT, UOP4
	06	G10Z, G12A, G12B, G33Z, G38Z		06	G10Z, G15Z, G19A, G19B, G33Z, G38Z		06	G10Z, G15Z, G19A, G19B, G33Z, G38Z
	07	H01A, H01B, H09A, H09B, H09C, H38Z		07	H01A, H01B, H09A, H09B, H09C, H33Z, H38Z		07	H01A, H01B, H09A, H09B, H09C, H33Z, H38Z
	17	R01A, R01B, R01C, R01D, R02Z, R12A, R12B, R12C		11	L33Z		11	L33Z
	21A	W04A, W04B		21B	X06A, X06B, X06C		21B	X06A, X06B, X06C
	21B	X06A, X06B, X06C		23	Z01A		23	Z01A
	Pre	A07A		Pre	A07A		Pre	A07A
5n641.33‡	07	H41A, H41B, H41C	5n651.2		BOP, KOP, KOPV, KVT, UOP4	5n653.0		BOP, KVT, UOP4
5n641.3x‡	07	H41A, H41B, H41C		06	G10Z, G15Z, G19A, G19B, G33Z, G38Z		06	G10Z, G12A, G12B H05Z
5n642.03‡	07	H41A, H41B, H41C		07	H01A, H01B, H09A, H09B, H09C, H33Z, H38Z	5n653.2		BOP, KVT, UOP4 G10Z, G12A, G12B H05Z
5n642.13‡	07	H41A, H41B, H41C		11	L33Z		06	BOP, KVT, UOP4 G10Z, G12A, G12B H05Z
5n642.23‡	07	H41A, H41B, H41C		21B	X06A, X06B, X06C	5n653.4		BOP, KVT, UOP4 G10Z, G12A, G12B H05Z
5n642.33‡	07	H41A, H41B, H41C		23	Z01A		06	BOP, KVT, UOP4 G10Z, G12A, G12B H05Z
5n64x.0		BOP, KOP, KOPV, KVT, UOP4		Pre	A07A	5n653.x		BOP, KVT, UOP4 G10Z, G12A, G12B H05Z
	06	G10Z, G12A, G12B, G33Z, G38Z	5n651.4		BOP, KOP, KOPV, KVT, UOP4		06	BOP, KVT, UOP4 G10Z, G12A, G12B H05Z
	07	H02A, H02B, H38Z		06	G10Z, G15Z, G19A, G19B, G33Z, G38Z	5n655.0		BOP, KVT, UOP4 G10Z, G12A, G12B H05Z
	17	R01A, R01B, R01C, R01D, R02Z, R12A, R12B, R12C		07	H01A, H01B, H09A, H09B, H09C, H33Z, H38Z		06	BOP, KVT, UOP4 G10Z, G12A, G12B H05Z
	21A	W04A, W04B		11	L33Z	5n655.2		BOP, KVT, UOP4 G10Z, G12A, G12B H05Z
	21B	X06A, X06B, X06C		21B	X06A, X06B, X06C		06	BOP, KVT, UOP4 G10Z, G12A, G12B H05Z
	Pre	A07A		23	Z01A	5n655.4		BOP, KVT, UOP4 G10Z, G12A, G12B H05Z
5n64x.1		BOP, KOP, KOPV, KVT, UOP4		Pre	A07A		06	BOP, KVT, UOP4 G10Z, G12A, G12B H05Z
	06	G10Z, G12A, G12B, G33Z, G38Z	5n651.x		BOP, KOP, KOPV, KVT, UOP4	5n655.x		BOP, KVT, UOP4 G10Z, G12A, G12B H05Z
	07	H05Z		06	G10Z, G15Z, G19A, G19B, G33Z, G38Z		06	BOP, KVT, UOP4 G10Z, G12A, G12B H05Z
	17	R01A, R01B, R01C, R01D, R02Z, R12A, R12B, R12C		07	H01A, H01B, H09A, H09B, H09C, H33Z, H38Z	5n65x.0		BOP, KVT, UOP4 G10Z, G12A, G12B H05Z
	21A	W04A, W04B		11	L33Z		06	BOP, KVT, UOP4 G10Z, G12A, G12B H05Z
	21B	X06A, X06B, X06C		21B	X06A, X06B, X06C	5n65x.2		BOP, KVT, UOP4 G10Z, G12A, G12B H05Z
	Pre	A07A		23	Z01A		06	BOP, KVT, UOP4 G10Z, G12A, G12B H05Z
5n64x.2		BOP, KOP, KOPV, KVT, UOP4		Pre	A07A	5n65x.4		BOP, KVT, UOP4 G10Z, G12A, G12B H05Z
	06	G10Z, G12A, G12B, G33Z, G38Z	5n652.0		BOP, KOP, KOPV, KVT, UOP4		06	BOP, KVT, UOP4 G10Z, G12A, G12B H05Z
	07	H02A, H02B, H38Z		06	G10Z, G15Z, G19A, G19B, G33Z, G38Z	5n65x.x		BOP, KVT, UOP4 G10Z, G12A, G12B H05Z
	17	R01A, R01B, R01C, R01D, R02Z, R12A, R12B, R12C		07	H01A, H01B, H09A, H09B, H09C, H33Z, H38Z		06	BOP, KVT, UOP4 G10Z, G12A, G12B H05Z
	21A	W04A, W04B		11	L33Z	5n690.0		BOP, KVT, UOP4 G10Z, G12A, G12B H05Z
	21B	X06A, X06B, X06C		21B	X06A, X06B, X06C		06	R01A, R01B, R01C, R01D, R02Z, R12A, R12B, R12C
	Pre	A07A		23	Z01A		21A	W04A, W04B
5n64x.3‡	07	H41A, H41B, H41C		Pre	A07A	5n690.2		X06A, X06B, X06C BOP, KVT, UOP4 G10Z, G12A, G12B H05Z
5n64x.x‡	07	H41A, H41B, H41C			BOP, KOP, KOPV, KVT, UOP4		06	R01A, R01B, R01C, R01D, R02Z, R12A, R12B, R12C
5n650.0		BOP, KVT, UOP4		06	G10Z, G15Z, G19A, G19B, G33Z, G38Z		21A	W04A, W04B
	06	G10Z, G12A, G12B	5n652.2		H01A, H01B, H09A, H09B, H09C, H33Z, H38Z		21B	X06A, X06B, X06C
	07	H05Z		07	H01A, H01B, H09A, H09B, H09C, H33Z, H38Z		06	BOP, KVT, UOP4 G10Z, G12A, G12B H05Z
	17	R01A, R01B, R01C, R01D, R02Z, R12A, R12B, R12C		11	L33Z		07	H05Z
	21A	W04A, W04B		21B	X06A, X06B, X06C		17	R01A, R01B, R01C, R01D, R02Z, R12A, R12B, R12C
	21B	X06A, X06B, X06C		Pre	A07A	5n690.3‡	21A	W04A, W04B
5n650.4		BOP, KVT, UOP4			BOP, KOP, KOPV, KVT, UOP4	5n690.4	21B	X06A, X06B, X06C
	06	G10Z, G12A, G12B	5n652.4		G10Z, G15Z, G19A, G19B, G33Z, G38Z		07	H41A, H41B, H41C
	07	H05Z		06	H01A, H01B, H09A, H09B, H09C, H33Z, H38Z		06	BOP, KVT, UOP4 G10Z, G12A, G12B H05Z
	17	R01A, R01B, R01C, R01D, R02Z, R12A, R12B, R12C		11	L33Z		17	R01A, R01B, R01C, R01D, R02Z, R12A, R12B, R12C
	21A	W04A, W04B		21B	X06A, X06B, X06C		21A	W04A, W04B
	21B	X06A, X06B, X06C		23	Z01A		21B	X06A, X06B, X06C
5n650.x		BOP, KVT, UOP4		Pre	A07A		07	H41A, H41B, H41C
	06	G10Z, G12A, G12B			BOP, KOP, KOPV, KVT, UOP4		06	G10Z, G12A, G12B H05Z
	07	H05Z		06	G10Z, G15Z, G19A, G19B, G33Z, G38Z		17	R01A, R01B, R01C, R01D, R02Z, R12A, R12B, R12C
	17	R01A, R01B, R01C, R01D, R02Z, R12A, R12B, R12C		07	H01A, H01B, H09A, H09B, H09C, H33Z, H38Z		21A	W04A, W04B
	21A	W04A, W04B		11	L33Z		21B	X06A, X06B, X06C
	21B	X06A, X06B, X06C		21B	X06A, X06B, X06C		07	H41A, H41B, H41C
	Pre	A07A		23	Z01A			
	21B	X06A, X06B, X06C		Pre	A07A			

VYK

ZZV	MDC	DRG	ZZV	MDC	DRG	ZZV	MDC	DRG
5n692.0		BOP, KVT, UOP4	5n695.3‡		KKI, KKP	5n69b.4		BOP, KOP, KOPV, KVT, UOP4
	07	H05Z		07	H41A, H41B, H41C		06	G10Z, G12A, G12B, G33Z, G38Z
	17	R01A, R01B, R01C, R01D, R02Z, R12A, R12B, R12C	5n695.4		BOP, KOP, KOPV, KVT, UOP4		07	H02A, H02B, H38Z
5n692.2		BOP, KVT, UOP4		06	G10Z, G12A, G12B, G33Z, G38Z		17	R01A, R01B, R01C, R01D, R02Z, R12A, R12B, R12C
	07	H05Z		07	H02A, H02B, H38Z		21A	W04A, W04B
	17	R01A, R01B, R01C, R01D, R02Z, R12A, R12B, R12C		17	R01A, R01B, R01C, R01D, R02Z, R12A, R12B, R12C		21B	X06A, X06B, X06C
5n692.4		BOP, KVT, UOP4		21A	W04A, W04B		23	Z01A
	07	H05Z		21B	X06A, X06B, X06C		Pre	A07A
	17	R01A, R01B, R01C, R01D, R02Z, R12A, R12B, R12C		23	Z01A	5n69b.x‡	07	H41A, H41B, H41C
5n692.x‡		H41A, H41B, H41C		Pre	A07A	5n69c.0		BOP, KOP, KOPV, KVT, UOP4
5n693.0		BOP, KVT, UOP4	5n695.x‡		H41A, H41B, H41C		06	G10Z, G12A, G12B, G33Z, G38Z
	06	G10Z, G12A, G12B	5n69a.0		BOP, KOP, KOPV, KVT, UOP4		07	H02A, H02B, H38Z
	07	H05Z		06	G33Z		17	R01A, R01B, R01C, R01D, R02Z, R12A, R12B, R12C
5n693.2		BOP, KVT, UOP4		07	H02A, H02B, H38Z		21A	W04A, W04B
	06	G10Z, G12A, G12B		17	R01A, R01B, R01C, R01D, R02Z, R12A, R12B, R12C		21B	X06A, X06B, X06C
	07	H05Z		21A	W04A, W04B		23	Z01A
5n693.3‡		H41A, H41B, H41C		21B	X06A, X06B, X06C		Pre	A07A
5n693.4		BOP, KVT, UOP4		23	Z01A	5n69c.2		BOP, KOP, KOPV, KVT, UOP4
	06	G10Z, G12A, G12B		Pre	A07A		06	G10Z, G12A, G12B, G33Z, G38Z
	07	H05Z		07	H41A, H41B, H41C		07	H05Z
5n693.x‡		H41A, H41B, H41C		Pre	A07A		17	R01A, R01B, R01C, R01D, R02Z, R12A, R12B, R12C
5n694.0		BOP, KOP, KOPV, KVT, UOP4	5n69a.2		BOP, KOP, KOPV, KVT, UOP4		21A	W04A, W04B
	06	G10Z, G12A, G12B, G33Z, G38Z		06	G33Z		21B	X06A, X06B, X06C
	07	H02A, H02B, H38Z		07	H05Z		23	Z01A
	23	Z01A		17	R01A, R01B, R01C, R01D, R02Z, R12A, R12B, R12C		Pre	A07A
	Pre	A07A		21A	W04A, W04B		07	H41A, H41B, H41C
5n694.2		BOP, KOP, KOPV, KVT, UOP4		21B	X06A, X06B, X06C		06	G10Z, G12A, G12B, G33Z, G38Z
	06	G10Z, G12A, G12B, G33Z, G38Z		23	Z01A		07	H05Z
	07	H05Z		Pre	A07A		17	R01A, R01B, R01C, R01D, R02Z, R12A, R12B, R12C
	23	Z01A		07	H41A, H41B, H41C		21A	W04A, W04B
	Pre	A07A		07	BOP, KOP, KOPV, KVT, UOP4		21B	X06A, X06B, X06C
5n694.3‡		H41A, H41B, H41C	5n69a.3‡		BOP, KOP, KOPV, KVT, UOP4		23	Z01A
5n694.4		BOP, KOP, KOPV, KVT, UOP4	5n69a.4		BOP, KOP, KOPV, KVT, UOP4		Pre	A07A
	06	G10Z, G12A, G12B, G33Z, G38Z		06	G33Z		07	H41A, H41B, H41C
	07	H02A, H02B, H38Z		07	H02A, H02B, H38Z		06	G10Z, G12A, G12B, G33Z, G38Z
	23	Z01A		17	R01A, R01B, R01C, R01D, R02Z, R12A, R12B, R12C		07	H05Z
	Pre	A07A		21A	W04A, W04B		17	R01A, R01B, R01C, R01D, R02Z, R12A, R12B, R12C
5n694.x‡		H41A, H41B, H41C		21B	X06A, X06B, X06C		21A	W04A, W04B
5n695.0		BOP, KOP, KOPV, KVT, UOP4		23	Z01A		21B	X06A, X06B, X06C
	06	G10Z, G12A, G12B, G33Z, G38Z		Pre	A07A		23	Z01A
	07	H02A, H02B, H38Z		07	H41A, H41B, H41C		Pre	A07A
	17	R01A, R01B, R01C, R01D, R02Z, R12A, R12B, R12C		07	BOP, KOP, KOPV, KVT, UOP4		07	H41A, H41B, H41C
	21A	W04A, W04B		06	G10Z, G12A, G12B, G33Z, G38Z		06	G10Z, G12A, G12B, G33Z, G38Z
	21B	X06A, X06B, X06C		07	H02A, H02B, H38Z		07	H02A, H02B, H38Z
	23	Z01A		17	R01A, R01B, R01C, R01D, R02Z, R12A, R12B, R12C		17	R01A, R01B, R01C, R01D, R02Z, R12A, R12B, R12C
	Pre	A07A		21A	W04A, W04B		21A	W04A, W04B
5n695.2		BOP, KOP, KOPV, KVT, UOP4		21B	X06A, X06B, X06C		21B	X06A, X06B, X06C
	06	G10Z, G12A, G12B, G33Z, G38Z		23	Z01A		23	Z01A
	07	H05Z		Pre	A07A		Pre	A07A
	17	R01A, R01B, R01C, R01D, R02Z, R12A, R12B, R12C		07	H41A, H41B, H41C		07	H41A, H41B, H41C
	21A	W04A, W04B		06	G10Z, G12A, G12B, G33Z, G38Z		06	G10Z, G12A, G12B, G33Z, G38Z
	21B	X06A, X06B, X06C		07	H02A, H02B, H38Z		07	H01A, H01B, H09A, H09B, H09C, H38Z
	23	Z01A		17	R01A, R01B, R01C, R01D, R02Z, R12A, R12B, R12C		17	R01A, R01B, R01C, R01D, R02Z, R12A, R12B, R12C
	Pre	A07A		21A	W04A, W04B		21A	W04A, W04B
	06	G10Z, G12A, G12B, G33Z, G38Z		21B	X06A, X06B, X06C		21B	X06A, X06B, X06C
	07	H05Z		23	Z01A		Pre	A07A
	17	R01A, R01B, R01C, R01D, R02Z, R12A, R12B, R12C		Pre	A07A		06	G10Z, G12A, G12B, G33Z, G38Z
	21A	W04A, W04B		06	G10Z, G12A, G12B, G33Z, G38Z		07	H01A, H01B, H09A, H09B, H09C, H38Z
	21B	X06A, X06B, X06C		07	H05Z		17	R01A, R01B, R01C, R01D, R02Z, R12A, R12B, R12C
	23	Z01A		17	R01A, R01B, R01C, R01D, R02Z, R12A, R12B, R12C		21A	W04A, W04B
	Pre	A07A		21A	W04A, W04B		21B	X06A, X06B, X06C
	06	G10Z, G12A, G12B, G33Z, G38Z		21B	X06A, X06B, X06C		Pre	A07A
	07	H05Z		23	Z01A		07	H41A, H41B, H41C
	17	R01A, R01B, R01C, R01D, R02Z, R12A, R12B, R12C		Pre	A07A			
	21A	W04A, W04B		07	H41A, H41B, H41C			
	21B	X06A, X06B, X06C						
	23	Z01A						
	Pre	A07A						



ZZV	MDC	DRG	ZZV	MDC	DRG	ZZV	MDC	DRG
5n69d.4		BOP, KOP, KOPV, KVT, UOP4	5n69f.4		BOP, KOP, KOPV, KVT, UOP4	5n69x.2		BOP, KOP, KOPV, KVT, UOP4
	06	G10Z, G12A, G12B, G33Z, G38Z		06	G10Z, G12A, G12B, G33Z, G38Z		06	G10Z, G12A, G12B, G33Z, G38Z
	07	H01A, H01B, H09A, H09B, H09C, H38Z		07	H01A, H01B, H09A, H09B, H09C, H38Z		07	H05Z
	17	R01A, R01B, R01C, R01D, R02Z, R12A, R12B, R12C		17	R01A, R01B, R01C, R01D, R02Z, R12A, R12B, R12C		17	R01A, R01B, R01C, R01D, R02Z, R12A, R12B, R12C
	21A	W04A, W04B		21A	W04A, W04B		21A	W04A, W04B
	21B	X06A, X06B, X06C		21B	X06A, X06B, X06C		21B	X06A, X06B, X06C
	Pre	A07A		Pre	A07A		Pre	A07A
5n69d.x†	07	H41A, H41B, H41C	5n69f.x†	07	H41A, H41B, H41C	5n69x.3†	07	H41A, H41B, H41C
5n69e.0		BOP, KOP, KOPV, KVT, UOP4	5n69g		BOP, KOP, KOPV, KVT, UOP4	5n69x.4		BOP, KOP, KOPV, KVT, UOP4
	06	G10Z, G12A, G12B, G33Z, G38Z		06	G10Z, G12A, G12B, G33Z, G38Z		06	G10Z, G12A, G12B, G33Z, G38Z
	07	H01A, H01B, H09A, H09B, H09C, H38Z		07	H02A, H02B, H38Z		07	H02A, H02B, H38Z
	17	R01A, R01B, R01C, R01D, R02Z, R12A, R12B, R12C		17	R01A, R01B, R01C, R01D, R02Z, R12A, R12B, R12C		17	R01A, R01B, R01C, R01D, R02Z, R12A, R12B, R12C
	21A	W04A, W04B		21A	W04A, W04B		21A	W04A, W04B
	21B	X06A, X06B, X06C		21B	X06A, X06B, X06C		21B	X06A, X06B, X06C
	Pre	A07A		Pre	A07A		Pre	A07A
5n69e.2		BOP, KOP, KOPV, KVT, UOP4	5n69j		BOP, KVT, UOP4	5n69x.x†		H41A, H41B, H41C
	06	G10Z, G12A, G12B, G33Z, G38Z		06	G10Z, G12A, G12B	5n710.0		BOP, KOP, KOPV, KVT, UOP4
	07	H01A, H01B, H09A, H09B, H09C, H38Z		07	H05Z		06	G33Z
	17	R01A, R01B, R01C, R01D, R02Z, R12A, R12B, R12C		17	R01A, R01B, R01C, R01D, R02Z, R12A, R12B, R12C		07	H01A, H01B, H09A, H09B, H09C, H33Z, H38Z
	21A	W04A, W04B	5n69k	21A	W04A, W04B	5n710.1	23	Z01A
	21B	X06A, X06B, X06C		21B	X06A, X06B, X06C		Pre	A07A
	Pre	A07A		Pre	A07A		BOP, KOP, KOPV, KVT, UOP4	
5n69e.3†	07	H41A, H41B, H41C		06	G10Z, G12A, G12B		06	G33Z
5n69e.4		BOP, KOP, KOPV, KVT, UOP4		07	H05Z		07	H01A, H01B, H09A, H09B, H09C, H33Z, H38Z
	06	G10Z, G12A, G12B, G33Z, G38Z	5n69l	06	G10Z, G12A, G12B	5n710.2	23	Z01A
	07	H01A, H01B, H09A, H09B, H09C, H38Z		07	H05Z		Pre	A07A
	17	R01A, R01B, R01C, R01D, R02Z, R12A, R12B, R12C		17	R01A, R01B, R01C, R01D, R02Z, R12A, R12B, R12C		BOP, KOP, KOPV, KVT, UOP4	
	21A	W04A, W04B		21A	W04A, W04B		06	G33Z
	21B	X06A, X06B, X06C		21B	X06A, X06B, X06C		07	H01A, H01B, H09A, H09B, H09C, H33Z, H38Z
	Pre	A07A		Pre	A07A		23	Z01A
5n69e.x†	07	H41A, H41B, H41C	5n69m	06	G10Z, G12A, G12B	5n710.x	Pre	A07A
5n69f.0		BOP, KOP, KOPV, KVT, UOP4		07	H05Z		BOP, KOP, KOPV, KVT, UOP4	
	06	G10Z, G12A, G12B, G33Z, G38Z		17	R01A, R01B, R01C, R01D, R02Z, R12A, R12B, R12C		06	G33Z
	07	H01A, H01B, H09A, H09B, H09C, H38Z	5n69n†	21A	W04A, W04B	5n711	07	H01A, H01B, H09A, H09B, H09C, H33Z, H38Z
	17	R01A, R01B, R01C, R01D, R02Z, R12A, R12B, R12C	5n69x.0	21B	X06A, X06B, X06C		10	K09A, K09B
	21A	W04A, W04B		07	H41A, H41B, H41C		23	Z01A
	21B	X06A, X06B, X06C		06	BOP, KOP, KOPV, KVT, UOP4		Pre	A07A
	Pre	A07A		06	G10Z, G12A, G12B, G33Z, G38Z		BOP, KOP, KOPV, KVT, UOP4	
5n69f.2		BOP, KOP, KOPV, KVT, UOP4		07	H02A, H02B, H38Z	5n712.0	06	G33Z
	06	G10Z, G12A, G12B, G33Z, G38Z		17	R01A, R01B, R01C, R01D, R02Z, R12A, R12B, R12C		07	H01A, H01B, H09A, H09B, H09C, H33Z, H38Z
	07	H01A, H01B, H09A, H09B, H09C, H38Z		21A	W04A, W04B		10	K09A, K09B
	17	R01A, R01B, R01C, R01D, R02Z, R12A, R12B, R12C		21B	X06A, X06B, X06C		23	Z01A
	21A	W04A, W04B		Pre	A07A		Pre	A07A
	21B	X06A, X06B, X06C					06	G33Z
	Pre	A07A					07	H01A, H01B, H09A, H09B, H09C, H33Z, H38Z
5n69f.3†	07	H41A, H41B, H41C					10	K09A, K09B

ZZV	MDC	DRG	ZZV	MDC	DRG	ZZV	MDC	DRG
5n712.1		BOP, KOP, KOPV, KVT, UOP4	5n716.x		BOP, KOP, KOPV, KVT, UOP4	5n722		BOP, KOP, KOPV, KVT, UOP4
	06	G33Z		06	G03A, G10Z, G33Z, G38Z		06	G03A, G03B, G33Z, G38Z
	07	H01A, H01B, H09A, H09B, H09C, H33Z, H38Z		07	H01A, H01B, H09A, H09B, H09C, H33Z, H38Z		07	H01A, H01B, H09A, H09B, H09C, H33Z, H38Z
	10	K09A, K09B		11	L33Z		11	L33Z
	23	Z01A		21A	W04A, W04B		21A	W04A, W04B
5n715	Pre	A07A	21B	X06A, X06B, X06C	21B	X06A, X06B, X06C, X33Z		
		BOP, KOP, KOPV, KVT, UOP4	23	Z01A	23	Z01A		
	06	G33Z	Pre	A07A	Pre	A07A		
	07	H01A, H01B, H09A, H09B, H09C, H33Z, H38Z	5n720.0		5n723			
	10	K09A, K09B		BOP, KOP, KOPV, KVT, UOP4		BOP, KOP, KOPV, KVT, UOP4		
5n716.1	23	Z01A	06	G03A, G10Z, G12A, G12B, G33Z, G38Z	06	G03A, G10Z, G12A, G12B, G33Z, G38Z		
	Pre	A07A	07	H01A, H01B, H09A, H09B, H33Z, H38Z	07	H01A, H01B, H09A, H09B, H09C, H33Z, H38Z		
		BOP, KOP, KOPV, KVT, UOP4	10	K09A, K09B	11	L33Z		
	06	G03A, G10Z, G33Z, G38Z	11	L33Z	21A	W04A, W04B		
	07	H01A, H01B, H09A, H09B, H33Z, H38Z	21A	W04A, W04B	21B	X06A, X06B, X06C, X33Z		
5n716.2	11	L33Z	21B	X06A, X06B, X06C, X33Z	23	Z01A		
	21A	W04A, W04B	23	Z01A	Pre	A07A		
	21B	X06A, X06B, X06C	Pre	A07A	5n724			
	23	Z01A	5n720.2			BOP, KOP, KOPV, KVT, UOP4		
	Pre	A07A	06	G03A, G10Z, G12A, G12B, G33Z, G38Z	06	G03A, G10Z, G12A, G12B, G33Z, G38Z		
5n716.2		BOP, KOP, KOPV, KVT, UOP4	07	H01A, H01B, H09A, H09B, H33Z, H38Z	07	H01A, H01B, H09A, H09B, H33Z, H38Z		
	06	G03A, G10Z, G33Z, G38Z	10	K09A, K09B	11	L33Z		
	07	H01A, H01B, H09A, H09B, H33Z, H38Z	11	L33Z	21A	W04A, W04B		
	11	L33Z	21A	W04A, W04B	21B	X06A, X06B, X06C, X33Z		
	21A	W04A, W04B	21B	X06A, X06B, X06C, X33Z	23	Z01A		
5n716.3	21B	X06A, X06B, X06C	23	Z01A	Pre	A07A		
	23	Z01A	Pre	A07A	5n725			
	Pre	A07A	5n721.0			BOP, KOP, KOPV, KVT, UOP4		
		BOP, KOP, KOPV, KVT, UOP4	06	G03A, G10Z, G12A, G12B, G33Z, G38Z	06	G03A, G03B, G33Z, G38Z		
	06	G03A, G10Z, G33Z, G38Z	07	H01A, H01B, H09A, H09B, H33Z, H38Z	07	H01A, H01B, H09A, H09B, H09C, H33Z, H38Z		
5n716.40	07	H01A, H01B, H09A, H09B, H33Z, H38Z	10	K09A, K09B	11	L33Z		
	11	L33Z	11	L33Z	21A	W04A, W04B		
	21A	W04A, W04B	21A	W04A, W04B	21B	X06A, X06B, X06C, X33Z		
	21B	X06A, X06B, X06C	21B	X06A, X06B, X06C, X33Z	23	Z01A		
	23	Z01A	23	Z01A	Pre	A07A		
5n716.41	Pre	A07A	Pre	A07A	5n72a			
		BOP, KOP, KOPV, KVT, UOP4	5n721.2			BOP, KOP, KOPV, KVT, MVV, UOP4		
	06	G03A, G10Z, G33Z, G38Z	06	G03A, G10Z, G12A, G12B, G33Z, G38Z	06	G03A, G03B, G33Z, G38Z		
	07	H01A, H01B, H09A, H09B, H33Z, H38Z	07	H01A, H01B, H09A, H09B, H33Z, H38Z	07	H01A, H01B, H09A, H09B, H09C, H33Z, H38Z		
	11	L33Z	10	K09A, K09B	11	L33Z		
5n716.41	21A	W04A, W04B	11	L33Z	21A	W04A, W04B		
	21B	X06A, X06B, X06C	21A	W04A, W04B	21B	X06A, X06B, X06C, X33Z		
	23	Z01A	21B	X06A, X06B, X06C, X33Z	23	Z01A		
	Pre	A07A	23	Z01A	Pre	A07A		
		BOP, KOP, KOPV, KVT, UOP4	Pre	A07A	5n72b			
06	G03A, G10Z, G33Z, G38Z	5n721.4			BOP, KOP, KOPV, KVT, MVV, UOP4			
07	H01A, H01B, H09A, H09B, H33Z, H38Z	06	G03A, G10Z, G12A, G12B, G33Z, G38Z	06	G03A, G10Z, G12A, G12B, G33Z, G38Z			
11	L33Z	07	H01A, H01B, H09A, H09B, H33Z, H38Z	07	H01A, H01B, H09A, H09B, H09C, H33Z, H38Z			
21A	W04A, W04B	10	K09A, K09B	11	L33Z			
21B	X06A, X06B, X06C	11	L33Z	21A	W04A, W04B			
23	Z01A	21A	W04A, W04B	21B	X06A, X06B, X06C, X33Z			
Pre	A07A	21B	X06A, X06B, X06C, X33Z	23	Z01A			
	BOP, KOP, KOPV, KVT, UOP4	23	Z01A	Pre	A07A			
06	G03A, G10Z, G33Z, G38Z	Pre	A07A					

ZZV	MDC	DRG	ZZV	MDC	DRG	ZZV	MDC	DRG			
5n72c		BOP, KOP, KOPV, KVT, MVV, UOP4	5n740		BOP, KOP, KOPV, KVT, UOP4	5n790.0		BOP, KOP, KOPV, KVT, UOP4			
	06	G03A, G10Z, G12A, G12B, G33Z, G38Z		06	G10Z, G33Z, G38Z		06	G10Z, G15Z, G19A, G19B, G33Z, G38Z			
	07	H01A, H01B, H09A, H09B, H09C, H33Z, H38Z		07	H01A, H01B, H09A, H09B, H09C, H33Z, H38Z		07	H01A, H01B, H09A, H09B, H09C, H33Z, H38Z			
	11	L33Z		11	L33Z		11	L33Z			
	21A	W04A, W04B		21A	W04A, W04B		21B	X06A, X06B, X06C			
	21B	X06A, X06B, X06C, X33Z		21B	X06A, X06B, X06C, X33Z		23	Z01A			
	23	Z01A		23	Z01A		Pre	A07A			
	Pre	A07A		Pre	A07A		Pre	A07A			
	5n72d			BOP, KOP, KOPV, KVT, MVV, UOP4	5n741			BOP, KOP, KOPV, KVT, UOP4	5n790.2		BOP, KOP, KOPV, KVT, UOP4
		06		G03A, G10Z, G12A, G12B, G33Z, G38Z			06	G10Z, G33Z, G38Z		06	G10Z, G15Z, G19A, G19B, G33Z, G38Z
07		H01A, H01B, H09A, H09B, H09C, H33Z, H38Z	07	H01A, H01B, H09A, H09B, H09C, H33Z, H38Z		07	H01A, H01B, H09A, H09B, H09C, H33Z, H38Z				
11		L33Z	11	L33Z		11	L33Z				
21A		W04A, W04B	21A	W04A, W04B		21B	X06A, X06B, X06C				
21B		X06A, X06B, X06C, X33Z	21B	X06A, X06B, X06C, X33Z		23	Z01A				
23		Z01A	23	Z01A		Pre	A07A				
Pre		A07A	Pre	A07A		Pre	A07A				
5n72x.0			BOP, KOP, KOPV, KVT, UOP4	5n742			BOP, KOP, KOPV, KVT, UOP4	5n790.4			BOP, KOP, KOPV, KVT, UOP4
		06	G03A, G10Z, G12A, G12B, G33Z, G38Z			06	G10Z, G33Z, G38Z			06	G10Z, G15Z, G19A, G19B, G33Z, G38Z
	07	H01A, H01B, H09A, H09B, H33Z, H38Z	07		H01A, H01B, H09A, H09B, H09C, H33Z, H38Z	07	H01A, H01B, H09A, H09B, H09C, H33Z, H38Z				
	11	L33Z	11		L33Z	11	L33Z				
	21A	W04A, W04B	21A		W04A, W04B	21B	X06A, X06B, X06C				
	21B	X06A, X06B, X06C, X33Z	21B		X06A, X06B, X06C, X33Z	23	Z01A				
	23	Z01A	23		Z01A	Pre	A07A				
	Pre	A07A	Pre		A07A	Pre	A07A				
	5n72x.1		BOP, KOP, KOPV, KVT, MVV, UOP4		5n743		BOP, KOP, KOPV, KVT, UOP4		5n790.x		BOP, KOP, KOPV, KVT, UOP4
		06	G03A, G10Z, G12A, G12B, G33Z, G38Z			06	G10Z, G33Z, G38Z			06	G10Z, G15Z, G19A, G19B, G33Z, G38Z
07		H01A, H01B, H09A, H09B, H09C, H33Z, H38Z	07	H01A, H01B, H09A, H09B, H09C, H33Z, H38Z		07	H01A, H01B, H09A, H09B, H09C, H33Z, H38Z				
11		L33Z	11	L33Z		11	L33Z				
21A		W04A, W04B	21A	W04A, W04B		21B	X06A, X06B, X06C				
21B		X06A, X06B, X06C, X33Z	21B	X06A, X06B, X06C, X33Z		23	Z01A				
23		Z01A	23	Z01A		Pre	A07A				
Pre		A07A	Pre	A07A		Pre	A07A				
5n731‡		07	H41A, H41B, H41C	5n74a			BOP, KVT, UOP4	5n791.0			BOP, KOP, KOPV, KVT, UOP4
		07	H41A, H41B, H41C			Pre	A06A, A07A, A09A, A16A, A16B			06	G10Z, G15Z, G19A, G19B, G33Z, G38Z
5n732.0‡	07	H41A, H41B, H41C	5n74b		BOP, KVT, UOP4	5n791.x		BOP, KOP, KOPV, KVT, UOP4			
5n732.1‡	07	H41A, H41B, H41C		07	H01A, H01B, H09A, H09B, H09C, H38Z		07	H01A, H01B, H09A, H09B, H09C, H33Z, H38Z			
5n732.2‡	07	H41A, H41B, H41C	5n74c		BOP, KVT, UOP4	5n791.x		BOP, KOP, KOPV, KVT, UOP4			
5n732.3‡	07	H41A, H41B, H41C		Pre	A02Z, A06A, A07A, A09A, A16A		11	L33Z			
5n732.4‡	07	H41A, H41B, H41C	5n74x		BOP, KOP, KOPV, KVT, UOP4	5n792.0		BOP, KOP, KOPV, KVT, UOP4			
5n732.5‡	07	H41A, H41B, H41C		06	G10Z, G33Z, G38Z		06	G10Z, G15Z, G19A, G19B, G33Z, G38Z			
5n732.x‡	07	H41A, H41B, H41C	07	H01A, H01B, H09A, H09B, H09C, H33Z, H38Z	07	H01A, H01B, H09A, H09B, H09C, H33Z, H38Z					
5n733‡	07	H41A, H41B, H41C	11	L33Z	11	L33Z					
5n734‡	07	H41A, H41B, H41C	21A	W04A, W04B	21B	X06A, X06B, X06C					
5n735‡	07	H41A, H41B, H41C	21B	X06A, X06B, X06C, X33Z	23	Z01A					
5n736‡	07	H41A, H41B, H41C	23	Z01A	Pre	A07A					
5n737‡	07	H41A, H41B, H41C	Pre	A07A	Pre	A07A					
5n738‡	07	H41A, H41B, H41C			06	G10Z, G33Z, G38Z					
5n739‡	07	H41A, H41B, H41C			07	H01A, H01B, H09A, H09B, H09C, H33Z, H38Z					
5n73a.0‡	07	H41A, H41B, H41C			11	L33Z					
5n73a.1‡	07	H41A, H41B, H41C			23	Z01A					
5n73b.0‡	07	H41A, H41B, H41C			Pre	A07A					
5n73b.1‡	07	H41A, H41B, H41C			06	G10Z, G33Z, G38Z					
5n73x‡	07	H41A, H41B, H41C			07	H01A, H01B, H09A, H09B, H09C, H33Z, H38Z					



ZZV	MDC	DRG	ZZV	MDC	DRG	ZZV	MDC	DRG	
5n79h.x		BOP, KOP, KOPV, KVT, UOP4	5n79m.0		BOP, KOP, KOPV, KVT, UOP4	5n79x.0		BOP, KOP, KOPV, KVT, UOP4	
	06	G10Z, G12A, G12B, G33Z, G38Z		06	G10Z, G12A, G12B, G33Z, G38Z		06	G10Z, G12A, G12B, G33Z, G38Z	
	07	H01A, H01B, H09A, H09B, H09C, H33Z, H38Z		07	H01A, H01B, H09A, H09B, H09C, H33Z, H38Z		07	H01A, H01B, H09A, H09B, H09C, H33Z, H38Z	
	11	L33Z		10	K09A, K09B		10	K09A, K09B	
	17	R01A, R01B, R01C, R01D, R02Z, R12A, R12B, R12C		11	L33Z		11	L33Z	
	21A	W04A, W04B		17	R01A, R01B, R01C, R01D, R02Z, R12A, R12B, R12C		17	R01A, R01B, R01C, R01D, R02Z, R12A, R12B, R12C	
	21B	X06A, X06B, X06C		21A	W04A, W04B		21A	W04A, W04B	
	23	Z01A		21B	X06A, X06B, X06C		21B	X06A, X06B, X06C	
	Pre	A07A		23	Z01A		23	Z01A	
				Pre	A07A		Pre	A07A	
5n79j.0		BOP, KOP, KOPV, KVT, UOP4	5n79m.2		BOP, KOP, KOPV, KVT, UOP4	5n79x.2		BOP, KOP, KOPV, KVT, UOP4	
	06	G10Z, G12A, G12B, G33Z, G38Z		06	G10Z, G12A, G12B, G33Z, G38Z		06	G10Z, G12A, G12B, G33Z, G38Z	
	07	H01A, H01B, H09A, H09B, H09C, H33Z, H38Z		07	H01A, H01B, H09A, H09B, H09C, H33Z, H38Z		07	H01A, H01B, H09A, H09B, H09C, H33Z, H38Z	
	11	L33Z		10	K09A, K09B		10	K09A, K09B	
	17	R01A, R01B, R01C, R01D, R02Z, R12A, R12B, R12C		11	L33Z		11	L33Z	
	21A	W04A, W04B		17	R01A, R01B, R01C, R01D, R02Z, R12A, R12B, R12C		17	R01A, R01B, R01C, R01D, R02Z, R12A, R12B, R12C	
	21B	X06A, X06B, X06C		21A	W04A, W04B		21A	W04A, W04B	
	23	Z01A		21B	X06A, X06B, X06C		21B	X06A, X06B, X06C	
	Pre	A07A		23	Z01A		23	Z01A	
				Pre	A07A		Pre	A07A	
5n79j.x		BOP, KOP, KOPV, KVT, UOP4	5n79m.4		BOP, KOP, KOPV, KVT, UOP4	5n79x.4		BOP, KOP, KOPV, KVT, UOP4	
	06	G10Z, G12A, G12B, G33Z, G38Z		06	G10Z, G12A, G12B, G33Z, G38Z		06	G10Z, G12A, G12B, G33Z, G38Z	
	07	H01A, H01B, H09A, H09B, H09C, H33Z, H38Z		07	H01A, H01B, H09A, H09B, H09C, H33Z, H38Z		07	H01A, H01B, H09A, H09B, H09C, H33Z, H38Z	
	11	L33Z		10	K09A, K09B		10	K09A, K09B	
	17	R01A, R01B, R01C, R01D, R02Z, R12A, R12B, R12C		11	L33Z		11	L33Z	
	21A	W04A, W04B		17	R01A, R01B, R01C, R01D, R02Z, R12A, R12B, R12C		17	R01A, R01B, R01C, R01D, R02Z, R12A, R12B, R12C	
	21B	X06A, X06B, X06C		21A	W04A, W04B		21A	W04A, W04B	
	23	Z01A		21B	X06A, X06B, X06C		21B	X06A, X06B, X06C	
	Pre	A07A		23	Z01A		23	Z01A	
				Pre	A07A		Pre	A07A	
5n79k.0		BOP, KOP, KOPV, KVT, UOP4	5n79m.x		BOP, KOP, KOPV, KVT, UOP4	5n79x.x		BOP, KOP, KOPV, KVT, UOP4	
	06	G10Z, G12A, G12B, G33Z, G38Z		06	G10Z, G12A, G12B, G33Z, G38Z		06	G10Z, G12A, G12B, G33Z, G38Z	
	07	H01A, H01B, H09A, H09B, H09C, H33Z, H38Z		07	H01A, H01B, H09A, H09B, H09C, H33Z, H38Z		07	H01A, H01B, H09A, H09B, H09C, H33Z, H38Z	
	11	L33Z		10	K09A, K09B		10	K09A, K09B	
	17	R01A, R01B, R01C, R01D, R02Z, R12A, R12B, R12C		11	L33Z		11	L33Z	
	21A	W04A, W04B		17	R01A, R01B, R01C, R01D, R02Z, R12A, R12B, R12C		17	R01A, R01B, R01C, R01D, R02Z, R12A, R12B, R12C	
	21B	X06A, X06B, X06C		21A	W04A, W04B		21A	W04A, W04B	
	23	Z01A		21B	X06A, X06B, X06C		21B	X06A, X06B, X06C	
	Pre	A07A		23	Z01A		23	Z01A	
				Pre	A07A		Pre	A07A	
5n79k.x		BOP, KOP, KOPV, KVT, UOP4	5n79n.0		H12A	5n810.0↔		BOP, KVT, UOP4	
	06	G10Z, G12A, G12B, G33Z, G38Z		5n79n.6‡	06		G40Z, G46A, G46B, G46C, G47Z, G50Z	05	F21A, F21B
	07	H01A, H01B, H09A, H09B, H09C, H33Z, H38Z			07		H41A, H41B	06	G09Z, G24Z, G25Z
	11	L33Z		5n79n.x‡	06		G40Z, G46A, G46B, G46C, G47Z, G50Z	07	H06A, H06B, H06C
	17	R01A, R01B, R01C, R01D, R02Z, R12A, R12B, R12C			07		H41A, H41B, H41C	12	M04A, M04B, M04C, M04D, M37Z, M38Z
	21A	W04A, W04B		5n79p‡	06		G40Z, G46A, G46B, G46C, G47Z, G50Z	15	P60A, P60B, P60C, P66C, P67B, P67C
	21B	X06A, X06B, X06C			07		H41A, H41B, H41C		
	23	Z01A			06		G40Z, G46A, G46B, G46C, G47Z, G50Z		
	Pre	A07A			07		H41A, H41B, H41C		
					07		H41A, H41B, H41C		



ZZV	MDC	DRG	ZZV	MDC	DRG	ZZV	MDC	DRG
5n827.2↔		BOP, KVT, UOP4	5n843.1		BOP, KVT, UOP4	5n864		BOP, KVT, UOP4
	05	F21A, F21B		06	G24Z, G25Z		06	G01Z, G02Z, G08A, G08B, G25Z, G38Z
	06	G09Z, G24Z, G25Z	5n843.2		BOP, KVT, UOP4		21A	W04A, W04B
	07	H06A, H06B, H06C		06	G24Z, G25Z		21B	X06A, X06B, X06C
5n827.x↔		BOP, KVT, UOP4	5n843.x		BOP, KVT, UOP4		Pre	A11A, A13A, A13B, A13D
	05	F21A, F21B		06	G24Z, G25Z	5n86x		BOP, KVT, UOP4
	06	G09Z, G24Z, G25Z	5n84x		BOP, KVT, UOP4		06	G01Z, G02Z, G24Z, G25Z, G38Z
	07	H06A, H06B, H06C		06	G24Z, G25Z		21A	W04A, W04B
5n828↔		BOP, KVT, UOP4	5n850		BOP, KVT, UOP4		21B	X06A, X06B, X06C
	05	F21A, F21B		06	G24Z, G25Z		Pre	A11A, A13A, A13B, A13D
	06	G09Z, G24Z, G25Z	5n851		BOP, KVT, UOP4			BOP, KOP, KOPV, KVT, UOP4
	07	H06A, H06B, H06C		06	G24Z, G25Z	5n870		E05A, E05B, E05C, E08A, E08B, E08C
5n82x↔		BOP, KVT, UOP4	5n852		BOP, KVT, UOP4		04	G01Z, G02Z, G15Z, G19A, G19B, G19C, G33Z, G38Z
	05	F21A, F21B		06	G24Z, G25Z		07	H33Z, H38Z
	06	G09Z, G24Z, G25Z	5n853		BOP, KVT, UOP4		11	L33Z
	07	H06A, H06B, H06C		06	G08A, G08B, G25Z		21A	W04A, W04B
5n830.1		BOP, KVT, UOP4		21A	W04A, W04B		21B	X06A, X06B, X06C
	06	G24Z, G25Z		21B	X06A, X06B, X06C		23	Z01A
	21A	W04A, W04B		22	Y01Z, Y03A, Y03B		Pre	A07A, A11A, A13A, A13B, A13D
	21B	X06A, X06B	5n854.1		BOP, KVT, UOP4			BOP, KOP, KOPV, KVT, UOP4
5n830.2		BOP, KVT, UOP4		06	G08A, G08B, G25Z	5n871		E05A, E05B, E05C, E08A, E08B, E08C
	06	G24Z, G25Z		21A	W04A, W04B		04	G01Z, G02Z, G15Z, G19A, G19B, G19C, G33Z, G38Z
	21A	W04A, W04B		21B	X06A, X06B, X06C		06	H33Z, H38Z
	21B	X06A, X06B		22	Y01Z, Y03A, Y03B		07	L33Z
5n830.3		BOP, KVT, UOP4	5n854.3		BOP, KVT, UOP4		11	L33Z
	06	G24Z, G25Z		06	G08A, G08B, G25Z		21A	W04A, W04B
	21A	W04A, W04B		21A	W04A, W04B		21B	X06A, X06B, X06C
	21B	X06A, X06B		21B	X06A, X06B, X06C		23	Z01A
5n830.x		BOP, KVT, UOP4		22	Y01Z, Y03A, Y03B		Pre	A07A, A11A, A13A, A13B, A13D
	06	G24Z, G25Z	5n854.4		BOP, KVT, UOP4			BOP, KOP, KOPV, KVT, UOP4
	21A	W04A, W04B		06	G08A, G08B, G25Z	5n872		E05A, E05B, E05C, E08A, E08B, E08C
	21B	X06A, X06B		21A	W04A, W04B		04	G01Z, G02Z, G15Z, G19A, G19B, G19C, G33Z, G38Z
5n831		BOP, KVT, UOP4		21B	X06A, X06B, X06C		06	H33Z, H38Z
	06	G24Z, G25Z		22	Y01Z, Y03A, Y03B		07	L33Z
	21A	W04A, W04B		21B	X06A, X06B, X06C		11	L33Z
	21B	X06A, X06B	5n854.x		BOP, KVT, UOP4		21A	W04A, W04B
5n832		BOP, KVT, UOP4		06	G08A, G08B, G25Z		21B	X06A, X06B, X06C
	06	G24Z, G25Z		21A	W04A, W04B		23	Z01A
	21A	W04A, W04B		21B	X06A, X06B, X06C		Pre	A07A, A11A, A13A, A13B, A13D
	21B	X06A, X06B	5n85x		BOP, KVT, UOP4			BOP, KOP, KOPV, KVT, UOP4
5n833.0		BOP, KVT, UOP4		06	G24Z, G25Z		04	E05A, E05B, E05C, E08A, E08B, E08C
	06	G24Z, G25Z	5n860		BOP, KVT, UOP4		06	G01Z, G02Z, G15Z, G19A, G19B, G19C, G33Z, G38Z
	21A	W04A, W04B		06	G01Z, G02Z, G24Z, G25Z, G38Z		07	H33Z, H38Z
	21B	X06A, X06B		21A	W04A, W04B		11	L33Z
5n833.1		BOP, KVT, UOP4		21B	X06A, X06B, X06C		21A	W04A, W04B
	06	G24Z, G25Z		Pre	A11A, A13A, A13B, A13D		21B	X06A, X06B, X06C
	21A	W04A, W04B			BOP, KVT, UOP4		23	Z01A
	21B	X06A, X06B	5n861		BOP, KVT, UOP4		Pre	A07A, A11A, A13A, A13B, A13D
5n833.2		BOP, KVT, UOP4		06	G01Z, G02Z, G24Z, G25Z, G38Z			BOP, KOP, KOPV, KVT, UOP4
	06	G24Z, G25Z		21A	W04A, W04B	5n873		E05A, E05B, E05C, E08A, E08B, E08C
	21A	W04A, W04B		21B	X06A, X06B, X06C		04	G01Z, G02Z, G15Z, G19A, G19B, G19C, G33Z, G38Z
	21B	X06A, X06B		Pre	A11A, A13A, A13B, A13D		06	H33Z, H38Z
5n833.x		BOP, KVT, UOP4	5n862		BOP, KVT, UOP4		07	L33Z
	06	G24Z, G25Z		06	G01Z, G02Z, G08A, G08B, G25Z, G38Z		11	L33Z
	21A	W04A, W04B		21A	W04A, W04B		21A	W04A, W04B
	21B	X06A, X06B		21B	X06A, X06B, X06C		21B	X06A, X06B, X06C
5n83x		BOP, KVT, UOP4		Pre	A11A, A13A, A13B, A13D		23	Z01A
	06	G24Z, G25Z			BOP, KVT, UOP4		Pre	A07A, A11A, A13A, A13B, A13D
	21A	W04A, W04B	5n863		BOP, KVT, UOP4			BOP, KOP, KOPV, KVT, UOP4
	21B	X06A, X06B		06	G01Z, G02Z, G08A, G08B, G25Z, G38Z		04	E05A, E05B, E05C, E08A, E08B, E08C
5n840		BOP, KVT, UOP4		21A	W04A, W04B		06	G01Z, G02Z, G15Z, G19A, G19B, G19C, G33Z, G38Z
	06	G24Z, G25Z		21B	X06A, X06B, X06C		07	H33Z, H38Z
5n841		BOP, KVT, UOP4		Pre	A11A, A13A, A13B, A13D		11	L33Z
	06	G24Z, G25Z			BOP, KVT, UOP4		21A	W04A, W04B
5n842		BOP, KVT, UOP4		06	G01Z, G02Z, G08A, G08B, G25Z, G38Z		21B	X06A, X06B, X06C
	06	G24Z, G25Z		21A	W04A, W04B		23	Z01A
5n843.0		BOP, KVT, UOP4		21B	X06A, X06B, X06C		Pre	A07A, A11A, A13A, A13B, A13D
	06	G24Z, G25Z		Pre	A11A, A13A, A13B, A13D			BOP, KOP, KOPV, KVT, UOP4

ZZV	MDC	DRG	ZZV	MDC	DRG	ZZV	MDC	DRG
5n874.0		BOP, KOP, KOPV, KVT, UOP4	5n874.5		BOP, KOP, KOPV, KVT, UOP4	5n878		BOP, KOP, KOPV, KVT, UOP4
	04	E05A, E05B, E05C, E08A, E08B, E08C		04	E05A, E05B, E05C, E08A, E08B, E08C		04	E05A, E05B, E05C, E08A, E08B, E08C
	06	G01Z, G02Z, G15Z, G19A, G19B, G33Z, G38Z		06	G01Z, G02Z, G15Z, G19A, G19B, G33Z, G38Z		06	G01Z, G02Z, G15Z, G19A, G19B, G33Z, G38Z
	07	H33Z, H38Z		07	H33Z, H38Z		07	H33Z, H38Z
	11	L33Z		11	L33Z		11	L33Z
	21A	W04A, W04B		21A	W04A, W04B		21A	W04A, W04B
	21B	X06A, X06B, X06C		21B	X06A, X06B, X06C		21B	X06A, X06B, X06C
	23	Z01A		23	Z01A		23	Z01A
	Pre	A07A, A11A, A13A, A13B, A13D		Pre	A07A, A11A, A13A, A13B, A13D		Pre	A07A, A11A, A13A, A13B, A13D
	5n874.1			BOP, KOP, KOPV, KVT, UOP4	5n874.x			BOP, KOP, KOPV, KVT, UOP4
04		E05A, E05B, E05C, E08A, E08B, E08C	04	E05A, E05B, E05C, E08A, E08B, E08C		04	E05A, E05B, E05C, E08A, E08B, E08C	
06		G01Z, G02Z, G15Z, G19A, G19B, G19C, G33Z, G38Z	06	G01Z, G02Z, G15Z, G19A, G19B, G19C, G33Z, G38Z		06	G01Z, G02Z, G15Z, G19A, G19B, G33Z, G38Z	
07		H33Z, H38Z	07	H33Z, H38Z		07	H33Z, H38Z	
11		L33Z	11	L33Z		11	L33Z	
21A		W04A, W04B	21A	W04A, W04B		21A	W04A, W04B	
21B		X06A, X06B, X06C	21B	X06A, X06B, X06C		21B	X06A, X06B, X06C	
23		Z01A	23	Z01A		23	Z01A	
Pre		A07A, A11A, A13A, A13B, A13D	Pre	A07A, A11A, A13A, A13B, A13D		Pre	A07A, A11A, A13A, A13B, A13D	
5n874.2			BOP, KOP, KOPV, KVT, UOP4	5n875			BOP, KOP, KOPV, KVT, UOP4	5n879.1
	04	E05A, E05B, E05C, E08A, E08B, E08C	04		E05A, E05B, E05C, E08A, E08B, E08C	04	E05A, E05B, E05C, E08A, E08B, E08C	
	06	G01Z, G02Z, G15Z, G19A, G19B, G33Z, G38Z	06		G01Z, G02Z, G15Z, G19A, G19B, G33Z, G38Z	06	G01Z, G02Z, G15Z, G19A, G19B, G33Z, G38Z	
	07	H33Z, H38Z	07		H33Z, H38Z	07	H33Z, H38Z	
	11	L33Z	11		L33Z	11	L33Z	
	21A	W04A, W04B	21A		W04A, W04B	21A	W04A, W04B	
	21B	X06A, X06B, X06C	21B		X06A, X06B, X06C	21B	X06A, X06B, X06C	
	23	Z01A	23		Z01A	23	Z01A	
	Pre	A07A, A11A, A13A, A13B, A13D	Pre		A07A, A11A, A13A, A13B, A13D	Pre	A07A, A11A, A13A, A13B, A13D	
	5n874.3		BOP, KOP, KOPV, KVT, UOP4		5n876		BOP, KOP, KOPV, KVT, UOP4	
04		E05A, E05B, E05C, E08A, E08B, E08C	04	E05A, E05B, E05C, E08A, E08B, E08C		04	E05A, E05B, E05C, E08A, E08B, E08C	
06		G01Z, G02Z, G15Z, G19A, G19B, G33Z, G38Z	06	G01Z, G02Z, G15Z, G19A, G19B, G33Z, G38Z		06	G01Z, G02Z, G15Z, G19A, G19B, G33Z, G38Z	
07		H33Z, H38Z	07	H33Z, H38Z		07	H33Z, H38Z	
11		L33Z	11	L33Z		11	L33Z	
21A		W04A, W04B	21A	W04A, W04B		21A	W04A, W04B	
21B		X06A, X06B, X06C	21B	X06A, X06B, X06C		21B	X06A, X06B, X06C	
23		Z01A	23	Z01A		23	Z01A	
Pre		A07A, A11A, A13A, A13B, A13D	Pre	A07A, A11A, A13A, A13B, A13D		Pre	A07A, A11A, A13A, A13B, A13D	
5n874.4			BOP, KOP, KOPV, KVT, UOP4	5n877			BOP, KOP, KOPV, KVT, UOP4	5n879.3
	04	E05A, E05B, E05C, E08A, E08B, E08C	04		E05A, E05B, E05C, E08A, E08B, E08C	04	E05A, E05B, E05C, E08A, E08B, E08C	
	06	G01Z, G02Z, G15Z, G19A, G19B, G33Z, G38Z	06		G01Z, G02Z, G15Z, G19A, G19B, G33Z, G38Z	06	G01Z, G02Z, G15Z, G19A, G19B, G33Z, G38Z	
	07	H33Z, H38Z	07		H33Z, H38Z	07	H33Z, H38Z	
	11	L33Z	11		L33Z	11	L33Z	
	21A	W04A, W04B	21A		W04A, W04B	21A	W04A, W04B	
	21B	X06A, X06B, X06C	21B		X06A, X06B, X06C	21B	X06A, X06B, X06C	
	23	Z01A	23		Z01A	23	Z01A	
	Pre	A07A, A11A, A13A, A13B, A13D	Pre		A07A, A11A, A13A, A13B, A13D	Pre	A07A, A11A, A13A, A13B, A13D	

VYK



ZZV	MDC	DRG	ZZV	MDC	DRG	ZZV	MDC	DRG			
5n879.4		BOP, KOP, KOPV, KVT, UOP4	5n910		BOP, KVT, UOP4	5n914		BOP, KVT, UOP4			
	04	E05A, E05B, E05C, E08A, E08B, E08C		05	F13A, F21A, F21B		05	F13A, F21A, F21B			
	06	G01Z, G02Z, G15Z, G19A, G19B, G33Z, G38Z		06	G10Z, G12A, G12B		06	G10Z, G12A, G12B			
	07	H33Z, H38Z		07	H05Z		07	H05Z			
	11	L33Z		09	J03A, J03B, J04A, J04B, J08A, J08B, J08C, J11A, J11B, J16Z		09	J03A, J03B, J04A, J04B, J08A, J08B, J08C, J11A, J11B, J16Z			
	21A	W04A, W04B		10	K09A, K09B		10	K09A, K09B			
	21B	X06A, X06B, X06C		11	L09A, L09B, L09C, L09D, L38Z		11	L09A, L09B, L09C, L09D, L38Z			
	23	Z01A		12	M01A, M01B, M38Z		12	M01A, M01B, M38Z			
	Pre	A07A, A11A, A13A, A13B, A13D		13	N11A, N11B		13	N11A, N11B			
	5n879.5			BOP, KOP, KOPV, KVT, UOP4	5n911			BOP, KVT, UOP4	5n915		BOP, KVT, UOP4
		04		E05A, E05B, E05C, E08A, E08B, E08C			05	F13A, F21A, F21B		05	F13A
		06		G01Z, G02Z, G15Z, G19A, G19B, G33Z, G38Z			06	G10Z, G12A, G12B		06	G10Z, G12A, G12B
		07		H33Z, H38Z			07	H05Z		07	H06A, H06B, H06C
11		L33Z	09	J03A, J03B, J04A, J04B, J08A, J08B, J08C, J11A, J11B, J16Z		09	J03A, J03B, J04A, J04B, J08A, J08B, J08C, J11A, J11B, J16Z				
21A		W04A, W04B	10	K09A, K09B		10	K09A, K09B				
21B		X06A, X06B, X06C	11	L09A, L09B, L09C, L09D, L38Z		11	L03Z, L04A, L04B, L04C, L10Z, L13A, L13B, L38Z				
23		Z01A	12	M01A, M01B, M38Z		12	M06Z, M09A, M09B, M38Z				
Pre		A07A, A11A, A13A, A13B, A13D	13	N11A, N11B		13	N11A, N11B				
5n879.x			BOP, KOP, KOPV, KVT, UOP4	5n912			BOP, KVT, UOP4	5n916			BOP, KVT, UOP4
		04	E05A, E05B, E05C, E08A, E08B, E08C			05	F13A, F21A, F21B			05	F13A
		06	G01Z, G02Z, G15Z, G19A, G19B, G33Z, G38Z			06	G10Z, G12A, G12B			06	G10Z, G12A, G12B
		07	H33Z, H38Z			07	H05Z			07	H06A, H06B, H06C
	11	L33Z	09		J03A, J03B, J04A, J04B, J08A, J08B, J08C, J11A, J11B, J16Z	09	J03A, J03B, J04A, J04B, J08A, J08B, J08C, J11A, J11B, J16Z				
	21A	W04A, W04B	10		K09A, K09B	10	K09A, K09B				
	21B	X06A, X06B, X06C	11		L09A, L09B, L09C, L09D, L38Z	11	L09A, L09B, L09C, L09D, L38Z				
	23	Z01A	12		M01A, M01B, M38Z	12	M01A, M01B, M38Z				
	Pre	A07A, A11A, A13A, A13B, A13D	13		N11A, N11B	13	N11A, N11B				
	5n87x		BOP, KOP, KOPV, KVT, UOP4		5n913		BOP, KVT, UOP4		5n91x		BOP, KVT, UOP4
		04	E05A, E05B, E05C, E08A, E08B, E08C			05	F13A, F21A, F21B			05	F13A, F21A, F21B
		06	G01Z, G02Z, G15Z, G19A, G19B, G19C, G33Z, G38Z			06	G10Z, G12A, G12B			06	G10Z, G12A, G12B
		07	H33Z, H38Z			07	H06A, H06B, H06C			07	H05Z
11		L33Z	09	J03A, J03B, J04A, J04B, J08A, J08B, J08C, J11A, J11B, J16Z		09	J03A, J03B, J04A, J04B, J08A, J08B, J08C, J11A, J11B, J16Z				
21A		W04A, W04B	10	K09A, K09B		10	K09A, K09B				
21B		X06A, X06B, X06C	11	L09A, L09B, L09C, L09D, L38Z		11	L09A, L09B, L09C, L09D, L38Z				
23		Z01A	12	M01A, M01B, M38Z		12	M01A, M01B, M38Z				
Pre		A07A, A11A, A13A, A13B, A13D	13	N11A, N11B		13	N11A, N11B				
5n890			BOP, KVT, UOP4	5n913			BOP, KVT, UOP4	5n91x			BOP, KVT, UOP4
		06	G24Z, G25Z			05	F13A, F21A, F21B			05	F13A, F21A, F21B
5n891			BOP, KVT, UOP4	5n913			BOP, KVT, UOP4	5n91x			BOP, KVT, UOP4
		06	G24Z, G25Z			06	G10Z, G12A, G12B			06	G10Z, G12A, G12B
5n892		BOP, KVT, UOP4	5n913		BOP, KVT, UOP4	5n91x		BOP, KVT, UOP4			
	06	G24Z, G25Z		07	H06A, H06B, H06C		07	H05Z			
5n893.0		BOP, KVT, UOP4	5n913		BOP, KVT, UOP4	5n91x		BOP, KVT, UOP4			
	06	G24Z, G25Z		09	J03A, J03B, J04A, J04B, J08A, J08B, J08C, J11A, J11B, J16Z		09	J03A, J03B, J04A, J04B, J08A, J08B, J08C, J11A, J11B, J16Z			
5n893.1		BOP, KVT, UOP4	5n913		BOP, KVT, UOP4	5n91x		BOP, KVT, UOP4			
	06	G24Z, G25Z		10	K09A, K09B		10	K09A, K09B			
5n893.2		BOP, KVT, UOP4	5n913		BOP, KVT, UOP4	5n91x		BOP, KVT, UOP4			
	06	G24Z, G25Z		11	L09A, L09B, L09C, L09D, L38Z		11	L09A, L09B, L09C, L09D, L38Z			
5n893.x		BOP, KVT, UOP4	5n913		BOP, KVT, UOP4	5n91x		BOP, KVT, UOP4			
	06	G24Z, G25Z		12	M01A, M01B, M38Z		12	M01A, M01B, M38Z			
5n89x		BOP, KVT, UOP4	5n913		BOP, KVT, UOP4	5n91x		BOP, KVT, UOP4			
	06	G24Z, G25Z		13	N11A, N11B		13	N11A, N11B			
5n89x		BOP, KVT, UOP4	5n913		BOP, KVT, UOP4	5n91x		BOP, KVT, UOP4			
	06	G24Z, G25Z		14	962Z, O02A, O02B, O04A		14	962Z, O02A, O02B			
				17	R01A, R01B, R01C, R01D, R02Z, R12A, R12B, R12C		17	R01A, R01B, R01C, R01D, R02Z, R12A, R12B, R12C			
				21A	W04A, W04B		21A	W04A, W04B			
				21B	X06A, X06B		21B	X06A, X06B			
		22	Y01Z, Y03A, Y03B	22	Y01Z, Y03A, Y03B						
		23	Z01A	23	Z01A						

VYK

ZZV	MDC	DRG	ZZV	MDC	DRG	ZZV	MDC	DRG
5n920.1		BOP, UOP4	5n92b		BOP, KVT, UOP4	5n930		BOP, UOP4
	06	G10Z, G12A, G12B, G12C		06	G10Z, G12A, G12B		06	G10Z, G12A, G12B
	07	H06A, H06B, H06C		07	H06A, H06B, H06C		07	H06A, H06B, H06C
	09	J03A, J03B, J04A, J04B, J08A, J08B, J08C, J11A, J11B, J16Z		10	K09A, K09B		09	J03A, J03B, J04A, J04B, J08A, J08B, J08C, J11A, J11B, J16Z
	10	K09A, K09B		11	L09A, L38Z		13	N11A, N11B
	21A	W04A, W04B		17	R01A, R01B, R01C, R01D, R02Z, R12A, R12B, R12C		17	R01A, R01B, R01C, R01D, R02Z, R12A, R12B, R12C
	21B	X06A, X06B		23	Z01A		21A	W04A, W04B
5n920.2		BOP, KVT, UOP4	5n92c		BOP, KVT, UOP4	5n931		BOP, KVT, UOP4
	06	G10Z, G12A, G12B		06	G10Z, G12A, G12B, G38Z		06	G01Z, G02Z, G10Z, G12A, G12B, G38Z
	07	H06A, H06B, H06C		07	H06A, H06B, H06C		07	H06A, H06B, H06C
	10	K09A, K09B		10	K09A, K09B		17	R01A, R01B, R01C, R01D, R02Z, R12A, R12B, R12C
5n920.3		BOP, UOP4	5n92d.0		BOP, KOP, KVT, UOP4	5n932.1		BOP, KVT, UOP4
	06	G10Z, G12A, G12B		06	G03B, G10Z, G12A, G12B, G18A, G38Z		06	G01Z, G02Z, G24Z, G25Z, G38Z
	07	H06A, H06B, H06C		07	H06A, H06B, H06C		07	H06A, H06B, H06C
	09	J03A, J03B, J04A, J04B, J08A, J08B, J08C, J11A, J11B, J16Z		10	K09A, K09B		08	I27A, I27B, I27C, I27D
	10	K09A, K09B		11	L09A, L38Z		09	J03A, J03B, J04A, J04B, J08A, J08B, J08C, J11A, J11B, J16Z
	21A	W04A, W04B		13	N11A		17	R01A, R01B, R01C, R01D, R02Z, R12A, R12B, R12C
5n920.x		BOP, UOP4	5n92d.1		BOP, KOP, KVT, MVV, UOP4	5n932.2		BOP, KVT, UOP4
	06	G10Z, G12A, G12B, G12C		06	G03B, G10Z, G12A, G12B, G18A, G38Z		06	G01Z, G02Z, G24Z, G25Z, G38Z
	07	H06A, H06B, H06C		07	H06A, H06B, H06C		07	H06A, H06B, H06C
	09	J03A, J03B, J04A, J04B, J08A, J08B, J08C, J11A, J11B, J16Z		10	K09A, K09B		08	I27A, I27B, I27C, I27D
	10	K09A, K09B		11	L09A, L38Z		09	J03A, J03B, J04A, J04B, J08A, J08B, J08C, J11A, J11B, J16Z
	21A	W04A, W04B		13	N11A		17	R01A, R01B, R01C, R01D, R02Z, R12A, R12B, R12C
	21B	X06A, X06B		17	R01A, R01B, R01C, R01D, R02Z, R12A, R12B, R12C		21A	W04A, W04B
5n921		BOP, UOP4	5n92d.2		BOP, KOP, KVT, UOP4	5n932.x		BOP, KVT, UOP4
	06	G10Z, G12A, G12B, G12C		06	G03B, G10Z, G12A, G12B, G18A, G38Z		06	G01Z, G02Z, G24Z, G25Z, G38Z
	07	H06A, H06B, H06C		07	H06A, H06B, H06C		07	H06A, H06B, H06C
	08	I27A, I27B, I27C, I27D		10	K09A, K09B		08	I27A, I27B, I27C, I27D
	09	J03A, J03B, J04A, J04B, J08A, J08B, J08C, J11A, J11B, J16Z		11	L09A, L38Z		09	J03A, J03B, J04A, J04B, J08A, J08B, J08C, J11A, J11B, J16Z
	10	K09A, K09B		13	N11A		17	R01A, R01B, R01C, R01D, R02Z, R12A, R12B, R12C
	21A	W04A, W04B		17	R01A, R01B, R01C, R01D, R02Z, R12A, R12B, R12C		21A	W04A, W04B
5n922		BOP, UOP4	5n92e		BOP, KVT, UOP4	5n932.x		BOP, KVT, UOP4
	06	G10Z, G12A, G12B, G12C		06	G10Z, G12A, G12B		06	G01Z, G02Z, G24Z, G25Z, G38Z
	07	H06A, H06B, H06C		07	H06A, H06B, H06C		07	H06A, H06B, H06C
	08	I27A, I27B, I27C, I27D		10	K03A, K03B, K09A, K09B		08	I27A, I27B, I27C, I27D
	09	J03A, J03B, J04A, J04B, J08A, J08B, J08C, J11A, J11B, J16Z		11	L09A, L38Z		09	J03A, J03B, J04A, J04B, J08A, J08B, J08C, J11A, J11B, J16Z
	10	K09A, K09B		13	N01A, N01B, N01C, N01D, N01E, N02A, N02B, N02C, N03A, N03B, N04Z, N14Z, N21Z, N38Z		17	R01A, R01B, R01C, R01D, R02Z, R12A, R12B, R12C
	21A	W04A, W04B		17	R01A, R01B, R01C, R01D, R02Z, R12A, R12B, R12C		17	R01A, R01B, R01C, R01D, R02Z, R12A, R12B, R12C
5n923		BOP, UOP4	5n92x		BOP, KVT, UOP4	5n932.x		BOP, KVT, UOP4
	06	G10Z, G12A, G12B, G12C		06	G10Z, G12A, G12B		06	G01Z, G02Z, G24Z, G25Z, G38Z
	07	H06A, H06B, H06C		07	H06A, H06B, H06C		07	H06A, H06B, H06C
	08	I27A, I27B, I27C, I27D		10	K09A, K09B		08	I27A, I27B, I27C, I27D
	09	J03A, J03B, J04A, J04B, J08A, J08B, J08C, J11A, J11B, J16Z		11	L09A, L38Z		09	J03A, J03B, J04A, J04B, J08A, J08B, J08C, J11A, J11B, J16Z
	10	K09A, K09B		13	N01A, N01B, N01C, N01D, N01E, N02A, N02B, N02C, N03A, N03B, N04Z, N14Z, N21Z, N38Z		17	R01A, R01B, R01C, R01D, R02Z, R12A, R12B, R12C
	21A	W04A, W04B		17	R01A, R01B, R01C, R01D, R02Z, R12A, R12B, R12C		17	R01A, R01B, R01C, R01D, R02Z, R12A, R12B, R12C
5n929		BOP, UOP4	5n92x		BOP, KVT, UOP4	5n932.x		BOP, KVT, UOP4
	06	G10Z, G12A, G12B, G12C		06	G10Z, G12A, G12B		06	G01Z, G02Z, G24Z, G25Z, G38Z
	07	H06A, H06B, H06C		07	H06A, H06B, H06C		07	H06A, H06B, H06C
	09	J03A, J03B, J04A, J04B, J08A, J08B, J08C, J11A, J11B, J16Z		10	K09A, K09B		08	I27A, I27B, I27C, I27D
	10	K09A, K09B		11	L09A, L38Z		09	J03A, J03B, J04A, J04B, J08A, J08B, J08C, J11A, J11B, J16Z
	21A	W04A, W04B		13	N11A, N11B		17	R01A, R01B, R01C, R01D, R02Z, R12A, R12B, R12C
	21B	X06A, X06B, X06C		17	R01A, R01B, R01C, R01D, R02Z, R12A, R12B, R12C		17	R01A, R01B, R01C, R01D, R02Z, R12A, R12B, R12C
5n92a		BOP, KVT, UOP4	5n92x		BOP, KVT, UOP4	5n932.x		BOP, KVT, UOP4
	06	G10Z, G12A, G12B		06	G10Z, G12A, G12B		06	G01Z, G02Z, G24Z, G25Z, G38Z
	07	H06A, H06B, H06C		07	H06A, H06B, H06C		07	H06A, H06B, H06C
	10	K09A, K09B		10	K09A, K09B		08	I27A, I27B, I27C, I27D
	17	R01A, R01B, R01C, R01D, R02Z, R12A, R12B, R12C		17	R01A, R01B, R01C, R01D, R02Z, R12A, R12B, R12C		09	J03A, J03B, J04A, J04B, J08A, J08B, J08C, J11A, J11B, J16Z

ZZV	MDC	DRG	ZZV	MDC	DRG	ZZV	MDC	DRG			
5n933		BOP, KVT, UOP4	5n991.2		BOP, KVT, UOP4	5n997		BOP, KVT, UOP4			
	05	F13A		05	F13A		05	F21A, F21B, F21C			
	06	G10Z, G12A, G12B, G18A, G38Z		06	G01Z, G02Z, G10Z, G12A, G12B, G38Z		06	G10Z, G12A, G12B			
	07	H06A, H06B, H06C		07	H06A, H06B, H06C		07	H06A, H06B, H06C			
	10	K09A, K09B		09	J03A, J03B, J04A, J04B, J08A, J08B, J08C, J11A, J11B, J16Z		11	L09A, L09B, L09C, L09D, L38Z			
	11	L09A, L38Z		13	N11A, N11B		13	N11A, N11B			
	17	R01A, R01B, R01C, R01D, R02Z, R12A, R12B, R12C		14	O04A		17	R01A, R01B, R01C, R01D, R02Z, R12A, R12B, R12C			
	21A	W04A, W04B		17	R01A, R01B, R01C, R01D, R02Z, R12A, R12B, R12C		21A	W04A, W04B			
	21B	X06A, X06B		21B	X06A, X06B, X06C		21B	X06A, X06B, X06C			
	5n934.1			BOP, KVT, UOP4	5n991.x			BOP, KVT, UOP4	5n998.0		BOP, KVT, UOP4
06		G01Z, G02Z, G24Z, G25Z, G38Z	05	F13A		05	F21A, F21B				
07		H06A, H06B, H06C	06	G10Z, G12A, G12B		06	G10Z, G12A, G12B				
08		I27A, I27B, I27C, I27D	07	H06A, H06B, H06C		07	H12A, H12B				
09		J03A, J03B, J04A, J04B, J08A, J08B, J08C, J11A, J11B, J16Z	13	N11A, N11B		11	L09A, L09B, L09C, L09D, L38Z				
17		R01A, R01B, R01C, R01D, R02Z, R12A, R12B, R12C	14	O04A		13	N11A, N11B				
21A		W04A, W04B	17	R01A, R01B, R01C, R01D, R02Z, R12A, R12B, R12C		14	O04A				
21B		X06A, X06B	21A	W04A, W04B		17	R01A, R01B, R01C, R01D, R02Z, R12A, R12B, R12C				
Pre		A11A, A13A, A13B, A13D	21B	X06A, X06B, X06C		21A	W04A, W04B				
5n934.2			BOP, KVT, UOP4	5n993			BOP, KVT, UOP4	5n998.1			BOP, KVT, UOP4
	06	G01Z, G02Z, G24Z, G25Z, G38Z	05		F21A, F21B	05	F21A, F21B				
	07	H06A, H06B, H06C	06		G10Z, G12A, G12B	06	G10Z, G12A, G12B				
	08	I27A, I27B, I27C, I27D	07		H12A, H12B	07	H12A, H12B				
	09	J03A, J03B, J04A, J04B, J08A, J08B, J08C, J11A, J11B, J16Z	11		L09A, L09B, L09C, L09D, L38Z	11	L09A, L09B, L09C, L09D, L38Z				
	17	R01A, R01B, R01C, R01D, R02Z, R12A, R12B, R12C	13		N11A, N11B	13	N11A, N11B				
	21A	W04A, W04B	17		R01A, R01B, R01C, R01D, R02Z, R12A, R12B, R12C	14	O04A				
	21B	X06A, X06B	21A		W04A, W04B	17	R01A, R01B, R01C, R01D, R02Z, R12A, R12B, R12C				
	Pre	A11A, A13A, A13B, A13D	21B		X06A, X06B, X06C	21A	W04A, W04B				
	5n93x		BOP, KVT, UOP4		5n994		BOP, KOP, KOPV, KVT, UOP4		5n998.2		BOP, KVT, UOP4
06		G24Z, G25Z	06	G10Z, G12A, G12B, G33Z		05	F21A, F21B				
07		H06A, H06B, H06C	07	H01A, H01B, H09A, H09B, H09C, H33Z, H38Z		06	G10Z, G12A, G12B				
09		J03A, J03B, J04A, J04B, J08A, J08B, J08C, J11A, J11B, J16Z	11	L33Z		07	H12A, H12B				
17		R01A, R01B, R01C, R01D, R02Z, R12A, R12B, R12C	17	R01A, R01B, R01C, R01D, R02Z, R12A, R12B, R12C		11	L09A, L09B, L09C, L09D, L38Z				
21A		W04A, W04B	23	Z01A		13	N11A, N11B				
21B		X06A, X06B	Pre	A07A		14	O04A				
5n991.1			BOP, KVT, UOP4	5n995			BOP, KVT, UOP4	5o100.1↔			BOP, KVT, UOP4
		05	F13A			05	F21A, F21B			08	I28A, I28B
		06	G01Z, G02Z, G10Z, G12A, G12B, G38Z			06	G10Z, G12A, G12B			11	L03Z, L04A, L04B, L04C, L10Z, L13A, L13B, L38Z
	07	H06A, H06B, H06C	07		H06A, H06B, H06C	17	R01A, R01B, R01C, R01D, R02Z, R12A, R12B, R12C				
	09	J03A, J03B, J04A, J04B, J08A, J08B, J08C, J11A, J11B, J16Z	10		K09A, K09B	21A	W01A, W01B, W01C, W02A, W02B, W04A, W04B				
	13	N11A, N11B	11		L02A, L02B, L02C, L38Z	21B	X06A, X06B, X06C				
	14	O04A	17		R01A, R01B, R01C, R01D, R02Z, R12A, R12B, R12C	22	Y01Z, Y03A, Y03B				
	17	R01A, R01B, R01C, R01D, R02Z, R12A, R12B, R12C	21A		W04A, W04B	Pre	A11A, A13A, A13B, A13D				
	21A	W04A, W04B	21B		X06A, X06B, X06C	5o100.2↔			BOP, KVT, UOP4		
	21B	X06A, X06B, X06C	BOP, KVT, UOP4		04		E02A, E02B, E02C		08	I28A, I28B	
22	Y01Z, Y03A, Y03B	05	F21A, F21B	05	F21A, F21B						
Pre	A11A, A13A, A13B, A13D	06	G10Z, G12A, G12B	06	G10Z, G12A, G12B						
		07	H06A, H06B, H06C	07	H06A, H06B, H06C						
		11	L02A, L02B, L02C, L38Z	11	L02A, L02B, L02C, L38Z						
		17	R01A, R01B, R01C, R01D, R02Z, R12A, R12B, R12C	17	R01A, R01B, R01C, R01D, R02Z, R12A, R12B, R12C						
		21A	W04A, W04B	21A	W01A, W01B, W01C, W02A, W02B, W04A, W04B						
		21B	X06A, X06B, X06C	21B	X06A, X06B, X06C						
				21A	W01A, W01B, W01C, W02A, W02B, W04A, W04B						
				21B	X06A, X06B, X06C						



ZZV	MDC	DRG	ZZV	MDC	DRG	ZZV	MDC	DRG
5o109.x↔		BOP, KVT, UOP4	5o110.3↔		BOP, KOP, KVT, MVV, UOP4	5o111.4↔		BOP, KVT, MVV, UOP4
	11	L03Z, L04A, L04B, L04C, L10Z, L13A, L13B, L38Z		06	G10Z, G18A, G38Z		06	G10Z, G18A, G38Z
	21A	W04A, W04B		07	H01A		07	H01A
	21B	X06A, X06B, X06C		11	L03Z, L04A, L04B, L04C, L10Z, L13A, L13B, L38Z		11	L03Z, L04A, L04B, L04C, L10Z, L13A, L13B, L38Z
5o10a.1↔		BOP, KVT, UOP4		17	R01A, R01B, R01C, R01D, R02Z, R12A, R12B, R12C		17	R01A, R01B, R01C, R01D, R02Z, R12A, R12B, R12C
	11	L03Z, L04A, L04B, L04C, L10Z, L13A, L13B, L38Z		21A	W04A, W04B		21A	W04A, W04B
	21A	W04A, W04B		21B	X06A, X06B, X06C		21B	X06A, X06B, X06C
	21B	X06A, X06B, X06C	5o110.4↔		BOP, KVT, MVV, UOP4	5o111.5↔		BOP, KVT, MVV, UOP4
5o10a.2↔		BOP, KVT, UOP4		06	G10Z, G18A, G38Z		06	G10Z, G18A, G38Z
	11	L03Z, L04A, L04B, L04C, L10Z, L13A, L13B, L38Z		07	H01A		07	H01A
	21A	W04A, W04B		11	L03Z, L04A, L04B, L04C, L10Z, L13A, L13B, L38Z		11	L03Z, L04A, L04B, L04C, L10Z, L13A, L13B, L38Z
	21B	X06A, X06B, X06C		17	R01A, R01B, R01C, R01D, R02Z, R12A, R12B, R12C		17	R01A, R01B, R01C, R01D, R02Z, R12A, R12B, R12C
5o10a.4↔		BOP, KVT, UOP4		21A	W04A, W04B		21A	W04A, W04B
	11	L03Z, L04A, L04B, L04C, L10Z, L13A, L13B, L38Z		21B	X06A, X06B, X06C		21B	X06A, X06B, X06C
	21A	W04A, W04B	5o110.5↔		BOP, KVT, MVV, UOP4	5o111.x↔		BOP, KVT, MVV, UOP4
	21B	X06A, X06B, X06C		06	G10Z, G18A, G38Z		06	G10Z, G18A, G38Z
5o10a.x↔		BOP, KVT, UOP4		07	H01A		07	H01A
	11	L03Z, L09A, L09B, L09C, L09D, L10Z, L13A, L13B, L38Z		11	L03Z, L04A, L04B, L04C, L10Z, L13A, L13B, L38Z		11	L03Z, L04A, L04B, L04C, L10Z, L13A, L13B, L38Z
	21A	W04A, W04B		17	R01A, R01B, R01C, R01D, R02Z, R12A, R12B, R12C		17	R01A, R01B, R01C, R01D, R02Z, R12A, R12B, R12C
	21B	X06A, X06B, X06C		21A	W04A, W04B		21A	W04A, W04B
5o10x.1↔		BOP, KVT, UOP4		21B	X06A, X06B, X06C		21B	X06A, X06B, X06C
	11	L03Z, L04A, L04B, L04C, L10Z, L13A, L13B, L38Z	5o110.6↔		BOP, KVT, MVV, UOP4	5o112.1↔		BOP, KOP, KVT, MVV, UOP4
	21A	W04A, W04B		06	G10Z, G18A, G38Z		06	G10Z, G18A, G38Z
	21B	X06A, X06B, X06C		07	H01A		07	H01A
5o10x.2↔		BOP, KVT, UOP4		11	L03Z, L04A, L04B, L04C, L10Z, L13A, L13B, L38Z		11	L03Z, L04A, L04B, L04C, L10Z, L13A, L13B, L38Z
	11	L03Z, L04A, L04B, L04C, L10Z, L13A, L13B, L38Z		17	R01A, R01B, R01C, R01D, R02Z, R12A, R12B, R12C		17	R01A, R01B, R01C, R01D, R02Z, R12A, R12B, R12C
	21A	W04A, W04B		21A	W04A, W04B		21A	W04A, W04B
	21B	X06A, X06B, X06C		21B	X06A, X06B, X06C		21B	X06A, X06B, X06C
5o10x.4↔		BOP, KVT, UOP4	5o110.x↔		BOP, KVT, MVV, UOP4	5o112.2↔		BOP, KVT, MVV, UOP4
	11	L03Z, L04A, L04B, L04C, L10Z, L13A, L13B, L38Z		06	G10Z, G18A, G38Z		06	G10Z, G18A, G38Z
	21A	W04A, W04B		07	H01A		07	H01A
	21B	X06A, X06B, X06C		11	L03Z, L04A, L04B, L04C, L10Z, L13A, L13B, L38Z		11	L03Z, L04A, L04B, L04C, L10Z, L13A, L13B, L38Z
5o10x.x↔		BOP, KVT, UOP4		17	R01A, R01B, R01C, R01D, R02Z, R12A, R12B, R12C		17	R01A, R01B, R01C, R01D, R02Z, R12A, R12B, R12C
	11	L03Z, L04A, L04B, L04C, L10Z, L13A, L13B, L38Z		21A	W04A, W04B		21A	W04A, W04B
	21A	W04A, W04B		21B	X06A, X06B, X06C		21B	X06A, X06B, X06C
	21B	X06A, X06B, X06C	5o111.1↔		BOP, KOP, KVT, MVV, UOP4	5o112.4↔		BOP, KVT, MVV, UOP4
5o110.1↔		BOP, KOP, KVT, MVV, UOP4		06	G10Z, G18A, G38Z		06	G10Z, G18A, G38Z
	06	G10Z, G18A, G38Z		07	H01A		07	H01A
	07	H01A		10	K03A, K03B		11	L03Z, L04A, L04B, L04C, L10Z, L13A, L13B, L38Z
	11	L03Z, L04A, L04B, L04C, L10Z, L13A, L13B, L38Z		11	L03Z, L04A, L04B, L04C, L10Z, L13A, L13B, L38Z		17	R01A, R01B, R01C, R01D, R02Z, R12A, R12B, R12C
	17	R01A, R01B, R01C, R01D, R02Z, R12A, R12B, R12C		17	R01A, R01B, R01C, R01D, R02Z, R12A, R12B, R12C		21A	W04A, W04B
	21A	W04A, W04B		21A	W04A, W04B		21B	X06A, X06B, X06C
	21B	X06A, X06B, X06C		21B	X06A, X06B, X06C	5o112.5↔		BOP, KVT, MVV, UOP4
5o110.2↔		BOP, KVT, MVV, UOP4	5o111.2↔		BOP, KVT, MVV, UOP4		06	G10Z, G18A, G38Z
	06	G10Z, G18A, G38Z		06	G10Z, G18A, G38Z		07	H01A
	07	H01A		07	H01A		11	L03Z, L04A, L04B, L04C, L10Z, L13A, L13B, L38Z
	11	L03Z, L04A, L04B, L04C, L10Z, L13A, L13B, L38Z		11	L03Z, L04A, L04B, L04C, L10Z, L13A, L13B, L38Z		17	R01A, R01B, R01C, R01D, R02Z, R12A, R12B, R12C
	17	R01A, R01B, R01C, R01D, R02Z, R12A, R12B, R12C		17	R01A, R01B, R01C, R01D, R02Z, R12A, R12B, R12C		21A	W04A, W04B
	21A	W04A, W04B		21A	W04A, W04B		21B	X06A, X06B, X06C
	21B	X06A, X06B, X06C		21B	X06A, X06B, X06C			

VYK



ZZV	MDC	DRG	ZZV	MDC	DRG	ZZV	MDC	DRG
5o11x.x↔		BOP, KVT, UOP4	5o122.1↔		BOP, KVT, UOP4	5o132.0↔		BOP, KVT, UOP4
	06	G10Z, G18A, G38Z		06	G18A, G38Z		06	G18A, G38Z
	11	L03Z, L04A, L04B, L04C, L10Z, L13A, L13B, L38Z		11	L03Z, L04A, L04B, L04C, L10Z, L13A, L13B, L38Z		11	L03Z, L04A, L04B, L04C, L10Z, L13A, L13B, L38Z
	21A	W04A, W04B		21A	W04A, W04B		21A	W04A, W04B
5o120.1↔	21B	X06A, X06B, X06C	5o122.2↔	21B	X06A, X06B, X06C	5o132.1†↔	21A	W04A, W04B
		BOP, KVT, UOP4			BOP, KVT, UOP4		21B	X06A, X06B, X06C
	06	G18A, G38Z		06	G18A, G38Z		11	L11Z, L18A, L18B, L38Z
	11	L03Z, L04A, L04B, L04C, L10Z, L13A, L13B, L38Z		11	L03Z, L04A, L04B, L04C, L10Z, L13A, L13B, L38Z		5o132.6†↔	11
5o120.2↔	21A	W04A, W04B	5o122.4↔	21A	W04A, W04B	5o132.x†↔	11	L11Z, L18A, L18B, L38Z
	21B	X06A, X06B, X06C		21B	X06A, X06B, X06C	5o133.1†↔	11	L11Z, L18A, L18B, L38Z
		BOP, KVT, UOP4			BOP, KVT, UOP4	5o133.6†↔	11	L19Z, L20A, L20B, L20C
	06	G18A, G38Z		06	G18A, G38Z	5o133.x†↔	11	L11Z, L18A, L18B, L38Z
5o120.4↔	11	L03Z, L04A, L04B, L04C, L10Z, L13A, L13B, L38Z	5o122.x↔	11	L03Z, L04A, L04B, L04C, L10Z, L13A, L13B, L38Z	5o134†↔	11	L11Z, L18A, L18B, L38Z
	21A	W04A, W04B		21A	W04A, W04B	5o135†↔	11	L11Z, L18A, L18B, L38Z
	21B	X06A, X06B, X06C		21B	X06A, X06B, X06C	5o136†↔	11	L40Z
		BOP, KVT, UOP4			BOP, KVT, UOP4	5o137†↔	11	L11Z, L18A, L18B, L38Z
5o120.5↔	06	G18A, G38Z	5o12x.1↔	06	G18A, G38Z	5o138†↔	11	L11Z, L18A, L18B, L38Z
	11	L03Z, L04A, L04B, L04C, L10Z, L13A, L13B, L38Z		11	L03Z, L04A, L04B, L04C, L10Z, L13A, L13B, L38Z	5o139†↔	11	L19Z, L20A, L20B, L20C
	21A	W04A, W04B		21A	W04A, W04B	5o13x†↔	11	L11Z, L18A, L18B, L38Z
	21B	X06A, X06B, X06C		21B	X06A, X06B, X06C	5o140↔		BOP, KVT, UOP4
5o120.x↔		BOP, KVT, UOP4	5o12x.2↔		BOP, KVT, UOP4	Pre	A01B, A02Z, A06A, A07A, A09A, A11A, A13A, A17A, A17B	
	06	G18A, G38Z		06	G18A, G38Z	5o141↔		BOP, KVT, UOP4
	11	L03Z, L04A, L04B, L04C, L10Z, L13A, L13B, L38Z		11	L03Z, L04A, L04B, L04C, L10Z, L13A, L13B, L38Z	Pre	A01B, A02Z, A06A, A07A, A09A, A11A, A13A, A17A, A17B	
	21A	W04A, W04B		21A	W04A, W04B	5o142↔		BOP, KVT, UOP4
5o121.1↔	21B	X06A, X06B, X06C	5o12x.4↔	21B	X06A, X06B, X06C	Pre	A01B, A02Z, A06A, A07A, A09A, A11A, A13A, A17A, A17B	
		BOP, KVT, UOP4			BOP, KVT, UOP4	5o143↔		BOP, KVT, UOP4
	06	G18A, G38Z		06	G18A, G38Z	11	L03Z, L04A, L04B, L04C, L10Z, L13A, L13B, L38Z	
	11	L03Z, L04A, L04B, L04C, L10Z, L13A, L13B, L38Z		11	L03Z, L04A, L04B, L04C, L10Z, L13A, L13B, L38Z	21A	W04A, W04B	
5o121.2↔	21A	W04A, W04B	5o12x.5↔	21A	W04A, W04B	21B	X06A, X06B, X06C	
	21B	X06A, X06B, X06C		21B	X06A, X06B, X06C	5o144↔		BOP, KVT, UOP4
		BOP, KVT, UOP4		06	G18A, G38Z	11	L03Z, L04A, L04B, L04C, L10Z, L13A, L13B, L38Z	
	06	G18A, G38Z		11	L03Z, L04A, L04B, L04C, L10Z, L13A, L13B, L38Z	21A	W04A, W04B	
5o121.4↔	11	L03Z, L04A, L04B, L04C, L10Z, L13A, L13B, L38Z	5o12x.x↔	11	L03Z, L04A, L04B, L04C, L10Z, L13A, L13B, L38Z	21B	X06A, X06B, X06C	
	21A	W04A, W04B		21A	W04A, W04B	5o145↔	Pre	A01B, A02Z, A06A, A07A, A09A, A11A, A13A, A17A, A17B
	21B	X06A, X06B, X06C		21B	X06A, X06B, X06C	5o14x↔	11	L03Z, L04A, L04B, L04C, L10Z, L13A, L13B, L38Z
		BOP, KVT, UOP4			BOP, KVT, UOP4	21A	W04A, W04B	
5o121.5↔	06	G18A, G38Z	5o130†↔	06	G18A, G38Z	21B	X06A, X06B, X06C	
	11	L03Z, L04A, L04B, L04C, L10Z, L13A, L13B, L38Z		11	L03Z, L04A, L04B, L04C, L10Z, L13A, L13B, L38Z	5o150↔	08	I28A, I28B
	21A	W04A, W04B		21A	W04A, W04B	11	L03Z, L04A, L04B, L04C, L10Z, L13A, L13B, L38Z	
	21B	X06A, X06B, X06C		21B	X06A, X06B, X06C	17	R01A, R01B, R01C, R01D, R02Z, R12A, R12B, R12C	
5o121.x↔		BOP, KVT, UOP4	5o131.0†↔		BOP, KVT, UOP4	5o151↔		BOP, KVT, UOP4
	06	G18A, G38Z		11	L11Z, L18A, L18B, L38Z, L42A	11	L03Z, L04A, L04B, L04C, L10Z, L13A, L13B, L38Z	
	11	L03Z, L04A, L04B, L04C, L10Z, L13A, L13B, L38Z		5o131.1↔		BOP, KVT, UOP4	21A	W04A, W04B
	21A	W04A, W04B		08	I28A, I28B	11	L03Z, L04A, L04B, L04C, L10Z, L13A, L13B, L38Z	
5o121.x↔	21B	X06A, X06B, X06C	5o131.2†↔	11	L03Z, L04A, L04B, L04C, L10Z, L13A, L13B, L38Z	21B	X06A, X06B, X06C	
		BOP, KVT, UOP4		17	R01A, R01B, R01C, R01D, R02Z, R12A, R12B, R12C	5o152↔		BOP, KVT, UOP4
	06	G18A, G38Z		11	L11Z, L18A, L18B, L38Z, L42A	08	I28A, I28B	
	11	L03Z, L04A, L04B, L04C, L10Z, L13A, L13B, L38Z		5o131.3†↔	11	L11Z, L18A, L18B, L38Z, L42A	11	L03Z, L04A, L04B, L04C, L10Z, L13A, L13B, L38Z
	BOP, KVT, UOP4				17	R01A, R01B, R01C, R01D, R02Z, R12A, R12B, R12C		
	BOP, KVT, UOP4				21A	W04A, W04B		
	BOP, KVT, UOP4				21B	X06A, X06B, X06C		

ZZV	MDC	DRG	ZZV	MDC	DRG	ZZV	MDC	DRG		
5o153.1↔		BOP, KVT, UOP4	5o162.4↔		BOP, KVT, UOP4	5o192.1↔		BOP, KVT, UOP4		
	08	I28A, I28B		11	L03Z, L04A, L04B, L04C, L10Z, L13A, L13B, L38Z		11	L03Z, L04A, L04B, L04C, L10Z, L13A, L13B, L38Z		
	11	L03Z, L04A, L04B, L04C, L10Z, L13A, L13B, L38Z		21A	W04A, W04B		21A	W04A, W04B		
	17	R01A, R01B, R01C, R01D, R02Z, R12A, R12B, R12C		21B	X06A, X06B, X06C		21B	X06A, X06B, X06C		
	21A	W04A, W04B		5o162.6‡↔	11		L20B, L40Z	5o192.2↔		BOP, KVT, UOP4
5o153.2↔	21B	X06A, X06B, X06C	5o163.1↔		BOP, KVT, UOP4	11	L03Z, L04A, L04B, L04C, L10Z, L13A, L13B, L38Z			
		BOP, KVT, UOP4	11	L03Z, L04A, L04B, L04C, L10Z, L13A, L13B, L38Z	21A	W04A, W04B	21A	W04A, W04B		
	08	I28A, I28B	21A	W04A, W04B	21B	X06A, X06B, X06C	21B	X06A, X06B, X06C		
	11	L03Z, L04A, L04B, L04C, L10Z, L13A, L13B, L38Z	21B	X06A, X06B, X06C	5o192.4↔		BOP, KVT, UOP4			
	17	R01A, R01B, R01C, R01D, R02Z, R12A, R12B, R12C	5o163.4↔		BOP, KVT, UOP4	11	L03Z, L04A, L04B, L04C, L10Z, L13A, L13B, L38Z			
5o154↔	21A	W04A, W04B	11	L03Z, L04A, L04B, L04C, L10Z, L13A, L13B, L38Z	21A	W04A, W04B	21A	W04A, W04B		
	21B	X06A, X06B, X06C	21A	W04A, W04B	21B	X06A, X06B, X06C	21B	X06A, X06B, X06C		
		BOP, KVT, UOP4	21B	X06A, X06B, X06C	5o192.x↔		BOP, KVT, UOP4			
	08	I28A, I28B	5o163.6‡↔	11	L18A, L18B, L19Z, L20A, L20B, L20C, L38Z	11	L03Z, L04A, L04B, L04C, L10Z, L13A, L13B, L38Z			
	11	L03Z, L04A, L04B, L04C, L10Z, L13A, L13B, L38Z	5o163.7‡↔	11	L18A, L18B, L19Z, L20A, L20B, L20C, L38Z	21A	W04A, W04B	21A	W04A, W04B	
5o155↔	17	R01A, R01B, R01C, R01D, R02Z, R12A, R12B, R12C	5o165.0↔		BOP, KVT, UOP4	5o193.1↔		BOP, KVT, UOP4		
	21A	W04A, W04B	11	L03Z, L04A, L04B, L04C, L10Z, L13A, L13B, L38Z	11	L03Z, L04A, L04B, L04C, L10Z, L13A, L13B, L38Z				
	21B	X06A, X06B, X06C	21A	W04A, W04B	21A	W04A, W04B	21A	W04A, W04B		
		BOP, KVT, UOP4	21B	X06A, X06B, X06C	21B	X06A, X06B, X06C	21B	X06A, X06B, X06C		
	08	I28A, I28B	5o165.4↔		BOP, KVT, UOP4	5o193.2↔		BOP, KVT, UOP4		
5o156↔	11	L03Z, L04A, L04B, L04C, L10Z, L13A, L13B, L38Z	11	L03Z, L04A, L04B, L04C, L10Z, L13A, L13B, L38Z	11	L03Z, L04A, L04B, L04C, L10Z, L13A, L13B, L38Z				
	17	R01A, R01B, R01C, R01D, R02Z, R12A, R12B, R12C	21A	W04A, W04B	21A	W04A, W04B	21A	W04A, W04B		
	21A	W04A, W04B	21B	X06A, X06B, X06C	21B	X06A, X06B, X06C	21B	X06A, X06B, X06C		
	21B	X06A, X06B, X06C	5o166‡↔	11	L18A, L18B, L19Z, L20A, L20B, L20C, L38Z	5o193.4↔		BOP, KVT, UOP4		
		BOP, KVT, UOP4	5o16x‡↔	11	L18A, L18B, L19Z, L20A, L20B, L20C, L38Z	11	L03Z, L04A, L04B, L04C, L10Z, L13A, L13B, L38Z			
5o157↔	08	I28A, I28B	5o190↔		BOP, KVT, UOP4	21A	W04A, W04B	21A	W04A, W04B	
	11	L03Z, L04A, L04B, L04C, L10Z, L13A, L13B, L38Z	11	L03Z, L04A, L04B, L04C, L10Z, L13A, L13B, L38Z	21B	X06A, X06B, X06C	21B	X06A, X06B, X06C		
	17	R01A, R01B, R01C, R01D, R02Z, R12A, R12B, R12C	21A	W04A, W04B	5o191.1↔		BOP, KVT, UOP4			
	21A	W04A, W04B	21B	X06A, X06B, X06C	08	I28A, I28B	5o194.1↔		BOP, KVT, UOP4	
	21B	X06A, X06B, X06C	5o191.1↔		BOP, KVT, UOP4	11	L03Z, L04A, L04B, L04C, L10Z, L13A, L13B, L38Z			
5o158↔		BOP, KVT, UOP4	17	R01A, R01B, R01C, R01D, R02Z, R12A, R12B, R12C	17	R01A, R01B, R01C, R01D, R02Z, R12A, R12B, R12C	21A	W04A, W04B	21A	W04A, W04B
	08	I28A, I28B	5o191.2↔		BOP, KVT, UOP4	21B	X06A, X06B, X06C	21B	X06A, X06B, X06C	
	11	L03Z, L04A, L04B, L04C, L10Z, L13A, L13B, L38Z	08	I28A, I28B	11	L03Z, L04A, L04B, L04C, L10Z, L13A, L13B, L38Z	11	L03Z, L04A, L04B, L04C, L10Z, L13A, L13B, L38Z		
	17	R01A, R01B, R01C, R01D, R02Z, R12A, R12B, R12C	11	L03Z, L04A, L04B, L04C, L10Z, L13A, L13B, L38Z	17	R01A, R01B, R01C, R01D, R02Z, R12A, R12B, R12C	21A	W04A, W04B	21A	W04A, W04B
	21A	W04A, W04B	5o191.3↔		BOP, KVT, UOP4	21B	X06A, X06B, X06C	21B	X06A, X06B, X06C	
5o15a‡↔	21B	X06A, X06B, X06C	08	I28A, I28B	11	L03Z, L04A, L04B, L04C, L10Z, L13A, L13B, L38Z	5o194.3↔		BOP, KVT, UOP4	
		BOP, KVT, UOP4	11	L03Z, L04A, L04B, L04C, L10Z, L13A, L13B, L38Z	17	R01A, R01B, R01C, R01D, R02Z, R12A, R12B, R12C	11	L03Z, L04A, L04B, L04C, L10Z, L13A, L13B, L38Z		
	08	I28A, I28B	5o191.4↔		BOP, KVT, UOP4	21A	W04A, W04B	21A	W04A, W04B	
	11	L03Z, L04A, L04B, L04C, L10Z, L13A, L13B, L38Z	08	I28A, I28B	11	L03Z, L04A, L04B, L04C, L10Z, L13A, L13B, L38Z	21B	X06A, X06B, X06C	21B	X06A, X06B, X06C
	17	R01A, R01B, R01C, R01D, R02Z, R12A, R12B, R12C	11	L03Z, L04A, L04B, L04C, L10Z, L13A, L13B, L38Z	17	R01A, R01B, R01C, R01D, R02Z, R12A, R12B, R12C	5o194.4↔		BOP, KVT, UOP4	
5o15b‡↔	11	L40Z	5o191.x↔		BOP, KVT, UOP4	11	L03Z, L04A, L04B, L04C, L10Z, L13A, L13B, L38Z			
		BOP, KVT, UOP4	08	I28A, I28B	08	I28A, I28B	11	L03Z, L04A, L04B, L04C, L10Z, L13A, L13B, L38Z		
	11	L03Z, L04A, L04B, L04C, L10Z, L13A, L13B, L38Z	11	L03Z, L04A, L04B, L04C, L10Z, L13A, L13B, L38Z	11	L03Z, L04A, L04B, L04C, L10Z, L13A, L13B, L38Z	21A	W04A, W04B	21A	W04A, W04B
	21A	W04A, W04B	11	L03Z, L04A, L04B, L04C, L10Z, L13A, L13B, L38Z	17	R01A, R01B, R01C, R01D, R02Z, R12A, R12B, R12C	21B	X06A, X06B, X06C	21B	X06A, X06B, X06C
	21B	X06A, X06B, X06C	17	R01A, R01B, R01C, R01D, R02Z, R12A, R12B, R12C	5o195↔		BOP, KVT, UOP4			
5o15x↔		BOP, KVT, UOP4	17	R01A, R01B, R01C, R01D, R02Z, R12A, R12B, R12C	11	L03Z, L04A, L04B, L04C, L10Z, L13A, L13B, L38Z	11	L03Z, L04A, L04B, L04C, L10Z, L13A, L13B, L38Z		
	11	L03Z, L04A, L04B, L04C, L10Z, L13A, L13B, L38Z	5o191.4↔		BOP, KVT, UOP4	21A	W04A, W04B	21A	W04A, W04B	
	21A	W04A, W04B	08	I28A, I28B	21A	W04A, W04B	21B	X06A, X06B, X06C	21B	X06A, X06B, X06C
	21B	X06A, X06B, X06C	11	L03Z, L04A, L04B, L04C, L10Z, L13A, L13B, L38Z	5o194.x↔		BOP, KVT, UOP4			
		BOP, KVT, UOP4	17	R01A, R01B, R01C, R01D, R02Z, R12A, R12B, R12C	11	L03Z, L04A, L04B, L04C, L10Z, L13A, L13B, L38Z	11	L03Z, L04A, L04B, L04C, L10Z, L13A, L13B, L38Z		
5o161↔	10	K03A, K03B, K14Z	5o191.x↔		BOP, KVT, UOP4	21A	W04A, W04B	21A	W04A, W04B	
	21A	W04A, W04B	08	I28A, I28B	21B	X06A, X06B, X06C	21B	X06A, X06B, X06C	21B	X06A, X06B, X06C
	21B	X06A, X06B, X06C	11	L03Z, L04A, L04B, L04C, L10Z, L13A, L13B, L38Z	5o195↔		BOP, KVT, UOP4			
		BOP, KVT, UOP4	17	R01A, R01B, R01C, R01D, R02Z, R12A, R12B, R12C	11	L03Z, L04A, L04B, L04C, L10Z, L13A, L13B, L38Z	11	L03Z, L04A, L04B, L04C, L10Z, L13A, L13B, L38Z		
	11	L03Z, L04A, L04B, L04C, L10Z, L13A, L13B, L38Z	11	L03Z, L04A, L04B, L04C, L10Z, L13A, L13B, L38Z	21A	W04A, W04B	21A	W04A, W04B	21A	W04A, W04B
5o162.1↔	21A	W04A, W04B	17	R01A, R01B, R01C, R01D, R02Z, R12A, R12B, R12C	21B	X06A, X06B, X06C	21B	X06A, X06B, X06C	21B	X06A, X06B, X06C
	21B	X06A, X06B, X06C								



ZZV	MDC	DRG	ZZV	MDC	DRG	ZZV	MDC	DRG
5o196↔		BOP, KVT, UOP4	5o202.4↔		BOP, KVT, UOP4	5o206.0↔		BOP, KVT, UOP4
	09	J03A, J03B, J04A, J04B, J08A, J08B, J08C, J11A, J11B, J16Z		11	L03Z, L04A, L04B, L04C, L10Z, L13A, L13B, L38Z		11	L03Z, L04A, L04B, L04C, L10Z, L13A, L13B, L38Z
5o19x.1↔		BOP, KVT, UOP4		12	M06Z, M09A, M09B, M38Z		12	M06Z, M09A, M09B, M38Z
	11	L03Z, L04A, L04B, L04C, L10Z, L13A, L13B, L38Z		13	N08Z		13	N11A
	21A	W04A, W04B		17	R01A, R01B, R01C, R01D, R02Z, R12A, R12B, R12C		17	R01A, R01B, R01C, R01D, R02Z, R12A, R12B, R12C
	21B	X06A, X06B, X06C		21A	W04A, W04B		21A	W04A, W04B
5o19x.2↔		BOP, KVT, UOP4		21B	X06A, X06B, X06C		21B	X06A, X06B, X06C
	11	L03Z, L04A, L04B, L04C, L10Z, L13A, L13B, L38Z	5o202.x↔		BOP, KVT, UOP4	5o206.4↔		BOP, KVT, UOP4
	21A	W04A, W04B		11	L03Z, L04A, L04B, L04C, L10Z, L13A, L13B, L38Z		11	L03Z, L04A, L04B, L04C, L10Z, L13A, L13B, L38Z
	21B	X06A, X06B, X06C		12	M06Z, M09A, M09B, M38Z		12	M06Z, M09A, M09B, M38Z
5o19x.3↔		BOP, KVT, UOP4		13	N11A		13	N11A
	11	L03Z, L04A, L04B, L04C, L10Z, L13A, L13B, L38Z		17	R01A, R01B, R01C, R01D, R02Z, R12A, R12B, R12C		17	R01A, R01B, R01C, R01D, R02Z, R12A, R12B, R12C
	21A	W04A, W04B		21A	W04A, W04B		21A	W04A, W04B
	21B	X06A, X06B, X06C		21B	X06A, X06B, X06C		21B	X06A, X06B, X06C
5o19x.4↔		BOP, KVT, UOP4	5o203.0↔		BOP, KVT, UOP4	5o206.x↔		BOP, KVT, UOP4
	11	L03Z, L04A, L04B, L04C, L10Z, L13A, L13B, L38Z		11	L03Z, L04A, L04B, L04C, L10Z, L13A, L13B, L38Z		11	L03Z, L04A, L04B, L04C, L10Z, L13A, L13B, L38Z
	21A	W04A, W04B		21A	W04A, W04B		12	M06Z, M09A, M09B, M38Z
	21B	X06A, X06B, X06C		21B	X06A, X06B, X06C		13	N11A
5o19x.x↔		BOP, KVT, UOP4	5o203.4↔		BOP, KVT, UOP4		17	R01A, R01B, R01C, R01D, R02Z, R12A, R12B, R12C
	11	L03Z, L04A, L04B, L04C, L10Z, L13A, L13B, L38Z		11	L03Z, L04A, L04B, L04C, L10Z, L13A, L13B, L38Z		21A	W04A, W04B
	21A	W04A, W04B		21A	W04A, W04B		21B	X06A, X06B, X06C
	21B	X06A, X06B, X06C	5o203.x↔		BOP, KVT, UOP4	5o207.0↔		BOP, KVT, UOP4
5o200.0↔		BOP, KVT, UOP4		11	L03Z, L04A, L04B, L04C, L10Z, L13A, L13B, L38Z		11	L03Z, L04A, L04B, L04C, L10Z, L13A, L13B, L38Z
	11	L03Z, L04A, L04B, L04C, L10Z, L13A, L13B, L38Z		21A	W04A, W04B		13	N11A
	21A	W04A, W04B		21B	X06A, X06B, X06C		21A	W04A, W04B
	21B	X06A, X06B, X06C	5o204.0↔		BOP, KVT, UOP4	5o207.4↔		BOP, KVT, UOP4
5o200.4↔		BOP, KVT, UOP4		11	L03Z, L04A, L04B, L04C, L10Z, L13A, L13B, L38Z		11	L03Z, L04A, L04B, L04C, L10Z, L13A, L13B, L38Z
	11	L03Z, L04A, L04B, L04C, L10Z, L13A, L13B, L38Z		21A	W04A, W04B		13	N11A
	21A	W04A, W04B		21B	X06A, X06B, X06C		21A	W04A, W04B
	21B	X06A, X06B, X06C	5o204.4↔		BOP, KVT, UOP4		21B	X06A, X06B, X06C
5o200.x↔		BOP, KVT, UOP4		11	L03Z, L04A, L04B, L04C, L10Z, L13A, L13B, L38Z	5o207.x↔		BOP, KVT, UOP4
	11	L03Z, L04A, L04B, L04C, L10Z, L13A, L13B, L38Z		21A	W04A, W04B		11	L03Z, L04A, L04B, L04C, L10Z, L13A, L13B, L38Z
	21A	W04A, W04B		21B	X06A, X06B, X06C		13	N11A
	21B	X06A, X06B, X06C	5o204.x↔		BOP, KVT, UOP4		21A	W04A, W04B
5o201.0↔		BOP, KVT, UOP4		11	L03Z, L04A, L04B, L04C, L10Z, L13A, L13B, L38Z		21B	X06A, X06B, X06C
	11	L03Z, L04A, L04B, L04C, L10Z, L13A, L13B, L38Z		21A	W04A, W04B	5o208↔		BOP, KVT, UOP4
	21A	W04A, W04B		21B	X06A, X06B, X06C		11	L03Z, L04A, L04B, L04C, L10Z, L13A, L13B, L38Z
	21B	X06A, X06B, X06C	5o205.0↔		BOP, KVT, UOP4		13	N11A
5o201.4↔		BOP, KVT, UOP4		11	L03Z, L04A, L04B, L04C, L10Z, L13A, L13B, L38Z		21A	W04A, W04B
	11	L03Z, L04A, L04B, L04C, L10Z, L13A, L13B, L38Z		21A	W04A, W04B		21B	X06A, X06B, X06C
	21A	W04A, W04B		21B	X06A, X06B, X06C	5o209.0↔		BOP, KVT, UOP4
	21B	X06A, X06B, X06C	5o205.4↔		BOP, KVT, UOP4		06	G18A, G38Z
5o201.x↔		BOP, KVT, UOP4		11	L03Z, L04A, L04B, L04C, L10Z, L13A, L13B, L38Z		11	L03Z, L04A, L04B, L04C, L10Z, L13A, L13B, L38Z
	11	L03Z, L04A, L04B, L04C, L10Z, L13A, L13B, L38Z		13	N08Z		13	N11A
	21A	W04A, W04B		21A	W04A, W04B		21A	W04A, W04B
	21B	X06A, X06B, X06C		21B	X06A, X06B, X06C		21B	X06A, X06B, X06C
5o202.0↔		BOP, KVT, UOP4	5o205.x↔		BOP, KVT, UOP4	5o209.4↔		BOP, KVT, UOP4
	11	L03Z, L04A, L04B, L04C, L10Z, L13A, L13B, L38Z		11	L03Z, L04A, L04B, L04C, L10Z, L13A, L13B, L38Z		06	G18A, G38Z
	12	M06Z, M09A, M09B, M38Z		21A	W04A, W04B		11	L03Z, L04A, L04B, L04C, L10Z, L13A, L13B, L38Z
	13	N11A		21B	X06A, X06B, X06C		13	N11A
	17	R01A, R01B, R01C, R01D, R02Z, R12A, R12B, R12C					21A	W04A, W04B
	21A	W04A, W04B					21B	X06A, X06B, X06C
	21B	X06A, X06B, X06C						

VYK





## Príloha B: Index Výkon-MDC-DRG

ZZV	MDC	DRG	ZZV	MDC	DRG	ZZV	MDC	DRG			
5o21a.x		BOP, KVT, MVV, UOP4	5o21c.x		BOP, KVT, MVV, UOP4	5o220.x		BOP, KVT, MVV, UOP4			
	06	G18A, G38Z		06	G18A, G38Z		06	G18A, G38Z			
	11	L02A, L02B, L02C, L03Z, L04A, L04B, L04C, L10Z, L33Z, L38Z		11	L02A, L02B, L02C, L03Z, L04A, L04B, L04C, L10Z, L33Z, L38Z		11	L03Z, L04A, L04B, L04C, L10Z, L13A, L13B, L33Z, L38Z			
	12	M06Z, M09A, M09B, M37Z, M38Z		12	M37Z, M38Z		12	M06Z, M09A, M09B, M37Z, M38Z			
	13	N01A, N01B, N01C, N01D, N01E, N11A, N11B, N34Z, N38Z		13	N01A, N01B, N01C, N01D, N01E, N34Z, N38Z		13	N01A, N01B, N01C, N01D, N01E, N11A, N11B, N34Z, N38Z			
	17	R01A, R01B, R01C, R01D, R02Z, R12A, R12B, R12C					17	R01A, R01B, R01C, R01D, R02Z, R12A, R12B, R12C			
	21A	W04A, W04B					21A	W04A, W04B			
	21B	X06A, X06B, X06C					21B	X06A, X06B, X06C			
	5o21b.0			BOP, KVT, MVV, UOP4	5o21x.0			BOP, KVT, MVV, UOP4	5o221.0		BOP, KVT, MVV, UOP4
		06		G18A, G38Z	06		G18A, G38Z	06		G18A, G38Z	
11		L02A, L02B, L02C, L03Z, L04A, L04B, L04C, L10Z, L33Z, L38Z	11	L02A, L02B, L02C, L03Z, L04A, L04B, L04C, L10Z, L33Z, L38Z	11	L03Z, L04A, L04B, L04C, L10Z, L13A, L13B, L33Z, L38Z					
12		M37Z, M38Z	12	M37Z, M38Z	12	M06Z, M09A, M09B, M37Z, M38Z					
13		N01A, N01B, N01C, N01D, N01E, N34Z, N38Z	13	N01A, N01B, N01C, N01D, N01E, N34Z, N38Z	13	N01A, N01B, N01C, N01D, N01E, N11A, N11B, N34Z, N38Z					
21A		W04A, W04B			17	R01A, R01B, R01C, R01D, R02Z, R12A, R12B, R12C					
21B		X06A, X06B, X06C			21A	W04A, W04B					
5o21b.4			BOP, KVT, MVV, UOP4	5o21x.4		BOP, KVT, MVV, UOP4	5o221.4			BOP, KVT, MVV, UOP4	
		06	G18A, G38Z	06	G18A, G38Z	06		G18A, G38Z			
		11	L02A, L02B, L02C, L03Z, L04A, L04B, L04C, L10Z, L33Z, L38Z	11	L02A, L02B, L02C, L03Z, L04A, L04B, L04C, L10Z, L33Z, L38Z	11		L03Z, L04A, L04B, L04C, L10Z, L13A, L13B, L33Z, L38Z			
	12	M37Z, M38Z	12	M37Z, M38Z	12	M06Z, M09A, M09B, M37Z, M38Z					
	13	N01A, N01B, N01C, N01D, N01E, N34Z, N38Z	13	N01A, N01B, N01C, N01D, N01E, N34Z, N38Z	13	N01A, N01B, N01C, N01D, N01E, N08Z, N34Z, N38Z					
	21A	W04A, W04B			17	R01A, R01B, R01C, R01D, R02Z, R12A, R12B, R12C					
	21B	X06A, X06B, X06C			21A	W04A, W04B					
	5o21b.x		BOP, KVT, MVV, UOP4	5o21x.x		BOP, KVT, MVV, UOP4		5o221.x		BOP, KVT, MVV, UOP4	
		06	G18A, G38Z	06	G18A, G38Z	06			G18A, G38Z		
		11	L02A, L02B, L02C, L03Z, L04A, L04B, L04C, L10Z, L33Z, L38Z	11	L02A, L02B, L02C, L03Z, L04A, L04B, L04C, L10Z, L33Z, L38Z	11			L03Z, L04A, L04B, L04C, L10Z, L13A, L13B, L33Z, L38Z		
12		M37Z, M38Z	12	M37Z, M38Z	12	M06Z, M09A, M09B, M37Z, M38Z					
13		N01A, N01B, N01C, N01D, N01E, N34Z, N38Z	13	N01A, N01B, N01C, N01D, N01E, N34Z, N38Z	13	N01A, N01B, N01C, N01D, N01E, N11A, N11B, N34Z, N38Z					
21A		W04A, W04B			17	R01A, R01B, R01C, R01D, R02Z, R12A, R12B, R12C					
21B		X06A, X06B, X06C			21A	W04A, W04B					
5o21c.0			BOP, KVT, MVV, UOP4	5o220.0		BOP, KVT, MVV, UOP4	5o222.0			BOP, KVT, MVV, UOP4	
		06	G18A, G38Z	06	G18A, G38Z	06			G18A, G38Z		
		11	L02A, L02B, L02C, L03Z, L04A, L04B, L04C, L10Z, L33Z, L38Z	11	L03Z, L04A, L04B, L04C, L10Z, L13A, L13B, L33Z, L38Z	11			L03Z, L04A, L04B, L04C, L10Z, L13A, L13B, L33Z, L38Z		
	12	M37Z, M38Z	12	M06Z, M09A, M09B, M37Z, M38Z	12	M06Z, M09A, M09B, M37Z, M38Z					
	13	N01A, N01B, N01C, N01D, N01E, N34Z, N38Z	13	N01A, N01B, N01C, N01D, N01E, N11A, N11B, N34Z, N38Z	13	N01A, N01B, N01C, N01D, N01E, N11A, N11B, N34Z, N38Z					
	21A	W04A, W04B			17	R01A, R01B, R01C, R01D, R02Z, R12A, R12B, R12C					
	21B	X06A, X06B, X06C			21A	W04A, W04B					
	5o21c.4		BOP, KVT, MVV, UOP4	5o220.4		BOP, KVT, MVV, UOP4		5o222.0		BOP, KVT, MVV, UOP4	
		06	G18A, G38Z	06	G18A, G38Z	06			G18A, G38Z		
		11	L02A, L02B, L02C, L03Z, L04A, L04B, L04C, L10Z, L33Z, L38Z	11	L03Z, L04A, L04B, L04C, L10Z, L13A, L13B, L33Z, L38Z	11			L03Z, L04A, L04B, L04C, L10Z, L13A, L13B, L33Z, L38Z		
12		M37Z, M38Z	12	M06Z, M09A, M09B, M37Z, M38Z	12	M06Z, M09A, M09B, M37Z, M38Z					
13		N01A, N01B, N01C, N01D, N01E, N34Z, N38Z	13	N01A, N01B, N01C, N01D, N01E, N08Z, N34Z, N38Z	13	N01A, N01B, N01C, N01D, N01E, N11A, N11B, N34Z, N38Z					
21A		W04A, W04B			17	R01A, R01B, R01C, R01D, R02Z, R12A, R12B, R12C					
21B		X06A, X06B, X06C			21A	W04A, W04B					
					21B	X06A, X06B, X06C					

ZZV	MDC	DRG	ZZV	MDC	DRG	ZZV	MDC	DRG			
5o222.4		BOP, KVT, MVV, UOP4	5o224.0		BOP, KVT, MVV, UOP4	5o225.x		BOP, KVT, MVV, UOP4			
	06	G18A, G38Z		06	G18A, G38Z		06	G18A, G38Z			
	11	L03Z, L04A, L04B, L04C, L10Z, L13A, L13B, L33Z, L38Z		11	L03Z, L04A, L04B, L04C, L10Z, L13A, L13B, L33Z, L38Z		11	L03Z, L04A, L04B, L04C, L10Z, L13A, L13B, L33Z, L38Z			
	12	M06Z, M09A, M09B, M37Z, M38Z		12	M06Z, M09A, M09B, M37Z, M38Z		12	M37Z, M38Z			
	13	N01A, N01B, N01C, N01D, N01E, N11A, N11B, N34Z, N38Z		13	N01A, N01B, N01C, N01D, N01E, N11A, N11B, N34Z, N38Z		13	N01A, N01B, N01C, N01D, N01E, N34Z, N38Z			
	17	R01A, R01B, R01C, R01D, R02Z, R12A, R12B, R12C		17	R01A, R01B, R01C, R01D, R02Z, R12A, R12B, R12C		21A	W04A, W04B			
	21A	W04A, W04B		21A	W04A, W04B		21B	X06A, X06B, X06C			
	21B	X06A, X06B, X06C		21B	X06A, X06B, X06C		5o22x.0	BOP, KVT, MVV, UOP4			
	5o222.x			BOP, KVT, MVV, UOP4	5o224.4				BOP, KVT, MVV, UOP4	06	G18A, G38Z
		06		G18A, G38Z				06	G18A, G38Z	11	L03Z, L04A, L04B, L04C, L10Z, L13A, L13B, L33Z, L38Z
		11		L03Z, L04A, L04B, L04C, L10Z, L13A, L13B, L33Z, L38Z				11	L03Z, L04A, L04B, L04C, L10Z, L13A, L13B, L33Z, L38Z	12	M37Z, M38Z
		12		M06Z, M09A, M09B, M37Z, M38Z				12	M06Z, M09A, M09B, M37Z, M38Z	13	N01A, N01B, N01C, N01D, N01E, N34Z, N38Z
13		N01A, N01B, N01C, N01D, N01E, N11A, N11B, N34Z, N38Z	13	N01A, N01B, N01C, N01D, N01E, N11A, N11B, N34Z, N38Z		21A	W04A, W04B				
17		R01A, R01B, R01C, R01D, R02Z, R12A, R12B, R12C	17	R01A, R01B, R01C, R01D, R02Z, R12A, R12B, R12C		21B	X06A, X06B, X06C				
21A		W04A, W04B	21A	W04A, W04B		5o22x.4	BOP, KVT, MVV, UOP4				
21B		X06A, X06B, X06C	21B	X06A, X06B, X06C			06	G18A, G38Z			
5o223.0			BOP, KVT, MVV, UOP4	5o224.x				BOP, KVT, MVV, UOP4	11	L03Z, L04A, L04B, L04C, L10Z, L13A, L13B, L33Z, L38Z	
		06	G18A, G38Z				06	G18A, G38Z	12	M37Z, M38Z	
		11	L03Z, L04A, L04B, L04C, L10Z, L13A, L13B, L33Z, L38Z				11	L03Z, L04A, L04B, L04C, L10Z, L13A, L13B, L33Z, L38Z	13	N01A, N01B, N01C, N01D, N01E, N34Z, N38Z	
		12	M06Z, M09A, M09B, M37Z, M38Z			12	M06Z, M09A, M09B, M37Z, M38Z	21A	W04A, W04B		
	13	N01A, N01B, N01C, N01D, N01E, N11A, N11B, N34Z, N38Z	13		N01A, N01B, N01C, N01D, N01E, N11A, N11B, N34Z, N38Z	21B	X06A, X06B, X06C				
	17	R01A, R01B, R01C, R01D, R02Z, R12A, R12B, R12C	17		R01A, R01B, R01C, R01D, R02Z, R12A, R12B, R12C	5o22x.x	BOP, KVT, MVV, UOP4				
	21A	W04A, W04B	21A		W04A, W04B		06	G18A, G38Z			
	21B	X06A, X06B, X06C	21B		X06A, X06B, X06C		11	L03Z, L04A, L04B, L04C, L10Z, L13A, L13B, L33Z, L38Z			
	5o223.4		BOP, KVT, MVV, UOP4		5o225.0			BOP, KVT, MVV, UOP4	12	M06Z, M09A, M09B, M38Z	
		06	G18A, G38Z				06	G18A, G38Z	13	N11A	
		11	L03Z, L04A, L04B, L04C, L10Z, L13A, L13B, L33Z, L38Z			11	L03Z, L04A, L04B, L04C, L10Z, L13A, L13B, L33Z, L38Z	17	R01A, R01B, R01C, R01D, R02Z, R12A, R12B, R12C		
		12	M06Z, M09A, M09B, M37Z, M38Z			12	M37Z, M38Z	21A	W04A, W04B		
13		N01A, N01B, N01C, N01D, N01E, N11A, N11B, N34Z, N38Z	13	N01A, N01B, N01C, N01D, N01E, N34Z, N38Z		21B	X06A, X06B, X06C				
17		R01A, R01B, R01C, R01D, R02Z, R12A, R12B, R12C	17	R01A, R01B, R01C, R01D, R02Z, R12A, R12B, R12C		5o230.1	BOP, KVT, UOP4				
21A		W04A, W04B	21A	W04A, W04B			06	G18A, G38Z			
21B		X06A, X06B, X06C	21B	X06A, X06B, X06C			11	L03Z, L04A, L04B, L04C, L10Z, L13A, L13B, L33Z, L38Z			
5o223.4			BOP, KVT, MVV, UOP4	5o225.4				BOP, KVT, MVV, UOP4	12	M06Z, M09A, M09B, M38Z	
		06	G18A, G38Z				06	G18A, G38Z	13	N11A	
		11	L03Z, L04A, L04B, L04C, L10Z, L13A, L13B, L33Z, L38Z			11	L03Z, L04A, L04B, L04C, L10Z, L13A, L13B, L33Z, L38Z	17	R01A, R01B, R01C, R01D, R02Z, R12A, R12B, R12C		
		12	M06Z, M09A, M09B, M37Z, M38Z			12	M37Z, M38Z	21A	W04A, W04B		
	13	N01A, N01B, N01C, N01D, N01E, N11A, N11B, N34Z, N38Z	13		N01A, N01B, N01C, N01D, N01E, N34Z, N38Z	21B	X06A, X06B, X06C				
	17	R01A, R01B, R01C, R01D, R02Z, R12A, R12B, R12C	17		R01A, R01B, R01C, R01D, R02Z, R12A, R12B, R12C	5o230.2	BOP, KVT, UOP4				
	21A	W04A, W04B	21A		W04A, W04B		06	G18A, G38Z			
	21B	X06A, X06B, X06C	21B		X06A, X06B, X06C		11	L03Z, L04A, L04B, L04C, L10Z, L13A, L13B, L33Z, L38Z			
	5o223.x		BOP, KVT, MVV, UOP4		5o225.x			BOP, KVT, MVV, UOP4	12	M06Z, M09A, M09B, M38Z	
		06	G18A, G38Z				06	G18A, G38Z	13	N11A	
		11	L03Z, L04A, L04B, L04C, L10Z, L13A, L13B, L33Z, L38Z			11	L03Z, L04A, L04B, L04C, L10Z, L13A, L13B, L33Z, L38Z	17	R01A, R01B, R01C, R01D, R02Z, R12A, R12B, R12C		
		12	M06Z, M09A, M09B, M37Z, M38Z			12	M37Z, M38Z	21A	W04A, W04B		
13		N01A, N01B, N01C, N01D, N01E, N11A, N11B, N34Z, N38Z	13	N01A, N01B, N01C, N01D, N01E, N34Z, N38Z		21B	X06A, X06B, X06C				
17		R01A, R01B, R01C, R01D, R02Z, R12A, R12B, R12C	17	R01A, R01B, R01C, R01D, R02Z, R12A, R12B, R12C							
21A		W04A, W04B	21A	W04A, W04B							
21B		X06A, X06B, X06C	21B	X06A, X06B, X06C							

VYK

ZZV	MDC	DRG	ZZV	MDC	DRG	ZZV	MDC	DRG
5o230.4		BOP, KVT, UOP4	5o232.1		BOP, KVT, UOP4	5o233.4		BOP, KVT, UOP4
	06	G18A, G38Z		06	G18A, G38Z		06	G18A, G38Z
	11	L03Z, L04A, L04B, L04C, L10Z, L13A, L13B, L33Z, L38Z		11	L03Z, L04A, L04B, L04C, L10Z, L13A, L13B, L33Z, L38Z		11	L03Z, L04A, L04B, L04C, L10Z, L13A, L13B, L33Z, L38Z
	12	M06Z, M09A, M09B, M38Z		12	M06Z, M09A, M09B, M38Z		12	M06Z, M09A, M09B, M38Z
	13	N11A		13	N11A, N11B		13	N11A, N11B
	17	R01A, R01B, R01C, R01D, R02Z, R12A, R12B, R12C		17	R01A, R01B, R01C, R01D, R02Z, R12A, R12B, R12C		17	R01A, R01B, R01C, R01D, R02Z, R12A, R12B, R12C
	21A	W04A, W04B		21A	W04A, W04B		21A	W04A, W04B
21B	X06A, X06B, X06C	21B	X06A, X06B, X06C	21B	X06A, X06B, X06C			
5o230.x		BOP, KVT, UOP4	5o232.2		BOP, KVT, UOP4	5o233.x		BOP, KVT, UOP4
	06	G18A, G38Z		06	G18A, G38Z		06	G18A, G38Z
	11	L03Z, L04A, L04B, L04C, L10Z, L13A, L13B, L33Z, L38Z		11	L03Z, L04A, L04B, L04C, L10Z, L13A, L13B, L33Z, L38Z		11	L03Z, L04A, L04B, L04C, L10Z, L13A, L13B, L33Z, L38Z
	12	M06Z, M09A, M09B, M38Z		12	M06Z, M09A, M09B, M38Z		12	M06Z, M09A, M09B, M38Z
	13	N11A		13	N11A, N11B		13	N11A, N11B
	17	R01A, R01B, R01C, R01D, R02Z, R12A, R12B, R12C		17	R01A, R01B, R01C, R01D, R02Z, R12A, R12B, R12C		17	R01A, R01B, R01C, R01D, R02Z, R12A, R12B, R12C
	21A	W04A, W04B		21A	W04A, W04B		21A	W04A, W04B
21B	X06A, X06B, X06C	21B	X06A, X06B, X06C	21B	X06A, X06B, X06C			
5o231.1		BOP, KVT, UOP4	5o232.4		BOP, KVT, UOP4	5o234.1		BOP, KVT, UOP4
	06	G18A, G38Z		06	G18A, G38Z		06	G18A, G38Z
	11	L03Z, L04A, L04B, L04C, L10Z, L13A, L13B, L33Z, L38Z		11	L03Z, L04A, L04B, L04C, L10Z, L13A, L13B, L33Z, L38Z		11	L03Z, L04A, L04B, L04C, L10Z, L13A, L13B, L33Z, L38Z
	12	M06Z, M09A, M09B, M38Z		12	M06Z, M09A, M09B, M38Z		21A	W04A, W04B
	13	N11A		13	N11A, N11B		21B	X06A, X06B, X06C
	17	R01A, R01B, R01C, R01D, R02Z, R12A, R12B, R12C		17	R01A, R01B, R01C, R01D, R02Z, R12A, R12B, R12C		5o234.2	BOP, KVT, UOP4
	21A	W04A, W04B		21A	W04A, W04B		06	G18A, G38Z
21B	X06A, X06B, X06C	21B	X06A, X06B, X06C	11	L03Z, L04A, L04B, L04C, L10Z, L13A, L13B, L33Z, L38Z			
5o231.2		BOP, KVT, UOP4	5o232.x		BOP, KVT, UOP4	5o234.4		BOP, KVT, UOP4
	06	G18A, G38Z		06	G18A, G38Z		06	G18A, G38Z
	11	L03Z, L04A, L04B, L04C, L10Z, L13A, L13B, L33Z, L38Z		11	L03Z, L04A, L04B, L04C, L10Z, L13A, L13B, L33Z, L38Z		11	L03Z, L04A, L04B, L04C, L10Z, L13A, L13B, L33Z, L38Z
	12	M06Z, M09A, M09B, M38Z		12	M06Z, M09A, M09B, M38Z		21A	W04A, W04B
	13	N11A		13	N11A, N11B		21B	X06A, X06B, X06C
	17	R01A, R01B, R01C, R01D, R02Z, R12A, R12B, R12C		17	R01A, R01B, R01C, R01D, R02Z, R12A, R12B, R12C		5o234.x	BOP, KVT, UOP4
	21A	W04A, W04B		21A	W04A, W04B		06	G18A, G38Z
21B	X06A, X06B, X06C	21B	X06A, X06B, X06C	11	L03Z, L04A, L04B, L04C, L10Z, L13A, L13B, L33Z, L38Z			
5o231.4		BOP, KVT, UOP4	5o233.1		BOP, KVT, UOP4	5o235.1		BOP, KVT, UOP4
	06	G18A, G38Z		06	G18A, G38Z		06	G18A, G38Z
	11	L03Z, L04A, L04B, L04C, L10Z, L13A, L13B, L33Z, L38Z		11	L03Z, L04A, L04B, L04C, L10Z, L13A, L13B, L33Z, L38Z		11	L03Z, L04A, L04B, L04C, L10Z, L13A, L13B, L33Z, L38Z
	12	M06Z, M09A, M09B, M38Z		12	M06Z, M09A, M09B, M38Z		21A	W04A, W04B
	13	N08Z		13	N11A, N11B		21B	X06A, X06B, X06C
	17	R01A, R01B, R01C, R01D, R02Z, R12A, R12B, R12C		17	R01A, R01B, R01C, R01D, R02Z, R12A, R12B, R12C		06	G18A, G38Z
	21A	W04A, W04B		21A	W04A, W04B		11	L03Z, L04A, L04B, L04C, L10Z, L13A, L13B, L33Z, L38Z
21B	X06A, X06B, X06C	21B	X06A, X06B, X06C	12	M06Z, M09A, M09B, M38Z			
5o231.x		BOP, KVT, UOP4	5o233.2		BOP, KVT, UOP4			BOP, KVT, UOP4
	06	G18A, G38Z		06	G18A, G38Z		13	N11A
	11	L03Z, L04A, L04B, L04C, L10Z, L13A, L13B, L33Z, L38Z		11	L03Z, L04A, L04B, L04C, L10Z, L13A, L13B, L33Z, L38Z		17	R01A, R01B, R01C, R01D, R02Z, R12A, R12B, R12C
	12	M06Z, M09A, M09B, M38Z		12	M06Z, M09A, M09B, M38Z		21A	W04A, W04B
	13	N11A		13	N11A, N11B		21B	X06A, X06B, X06C
	17	R01A, R01B, R01C, R01D, R02Z, R12A, R12B, R12C		17	R01A, R01B, R01C, R01D, R02Z, R12A, R12B, R12C			
	21A	W04A, W04B		21A	W04A, W04B			
21B	X06A, X06B, X06C	21B	X06A, X06B, X06C					

VYK



ZZV	MDC	DRG	ZZV	MDC	DRG	ZZV	MDC	DRG
5o263↔		BOP, KVT, UOP4	5o280.0		BOP, KVT, UOP4	5o282.4		BOP, KVT, UOP4
	11	L03Z, L04A, L04B, L04C, L10Z, L13A, L13B, L38Z		06	G18A, G38Z		06	G18A, G38Z
	21A	W04A, W04B		11	L03Z, L04A, L04B, L04C, L10Z, L13A, L13B, L33Z, L38Z		11	L03Z, L04A, L04B, L04C, L10Z, L13A, L13B, L33Z, L38Z
5o264↔	21B	X06A, X06B, X06C	12	M06Z, M09A, M09B, M37Z, M38Z	12	M06Z, M09A, M09B, M37Z, M38Z		
	11	BOP, KVT, UOP4	13	N01A, N01B, N01C, N01D, N01E, N11A, N11B, N34Z, N38Z	13	N01A, N01B, N01C, N01D, N01E, N08Z, N34Z, N38Z		
	21A	L03Z, L04A, L04B, L04C, L10Z, L13A, L13B, L38Z	17	R01A, R01B, R01C, R01D, R02Z, R12A, R12B, R12C	17	R01A, R01B, R01C, R01D, R02Z, R12A, R12B, R12C		
5o265↔	21B	W04A, W04B	21A	W04A, W04B	21A	W04A, W04B		
	11	X06A, X06B, X06C	21B	X06A, X06B, X06C	21B	X06A, X06B, X06C		
	21A	BOP, KVT, UOP4		BOP, KVT, UOP4	5o283	BOP, KVT, UOP4		
5o26x.1↔	21B	X06A, X06B, X06C	06	G18A, G38Z	06	G18A, G38Z		
	11	BOP, KVT, UOP4	11	L03Z, L04A, L04B, L04C, L10Z, L13A, L13B, L33Z, L38Z	11	L03Z, L04A, L04B, L04C, L10Z, L13A, L13B, L33Z, L38Z		
	21A	L03Z, L04A, L04B, L04C, L10Z, L13A, L13B, L38Z	12	M06Z, M09A, M09B, M37Z, M38Z	12	M37Z, M38Z		
5o26x.2↔	21B	W04A, W04B	13	N01A, N01B, N01C, N01D, N01E, N11A, N11B, N34Z, N38Z	13	N01A, N01B, N01C, N01D, N01E, N34Z, N38Z		
	11	X06A, X06B, X06C	17	R01A, R01B, R01C, R01D, R02Z, R12A, R12B, R12C	21A	W04A, W04B		
	21A	BOP, KVT, UOP4	21A	W04A, W04B	21B	X06A, X06B, X06C		
5o26x.4↔	21B	X06A, X06B, X06C	21B	X06A, X06B, X06C	5o284	BOP, KVT, UOP4		
	11	BOP, KVT, UOP4	06	BOP, KVT, UOP4	06	G18A, G38Z		
	21A	L03Z, L04A, L04B, L04C, L10Z, L13A, L13B, L38Z	06	G18A, G38Z	11	L03Z, L04A, L04B, L04C, L10Z, L13A, L13B, L33Z, L38Z		
5o26x.x↔	21B	X06A, X06B, X06C	11	L03Z, L04A, L04B, L04C, L10Z, L13A, L13B, L33Z, L38Z	12	M06Z, M09A, M09B, M37Z, M38Z		
	11	BOP, KVT, UOP4	12	M06Z, M09A, M09B, M37Z, M38Z	13	N01A, N01B, N01C, N01D, N01E, N11A, N11B, N34Z, N38Z		
	21A	W04A, W04B	13	N01A, N01B, N01C, N01D, N01E, N11A, N11B, N34Z, N38Z	17	R01A, R01B, R01C, R01D, R02Z, R12A, R12B, R12C		
5o270.0↔	21B	X06A, X06B, X06C	17	R01A, R01B, R01C, R01D, R02Z, R12A, R12B, R12C	21A	W04A, W04B		
	11	BOP, KVT, UOP4	21A	W04A, W04B	21B	X06A, X06B, X06C		
	21A	L03Z, L04A, L04B, L04C, L10Z, L13A, L13B, L38Z	21B	X06A, X06B, X06C	5o28x	BOP, KVT, UOP4		
5o270.2†↔	21B	X06A, X06B, X06C	06	BOP, KVT, UOP4	06	G18A, G38Z		
	11	L18A, L18B, L19Z, L20A, L20B, L20C, L38Z	11	L03Z, L04A, L04B, L04C, L10Z, L13A, L13B, L33Z, L38Z	11	L03Z, L04A, L04B, L04C, L10Z, L13A, L13B, L38Z		
	21A	W04A, W04B	12	M06Z, M09A, M09B, M37Z, M38Z	21A	W04A, W04B		
5o270.t†↔	21B	X06A, X06B, X06C	13	N01A, N01B, N01C, N01D, N01E, N11A, N11B, N34Z, N38Z	21B	X06A, X06B, X06C		
	11	L18A, L18B, L19Z, L20A, L20B, L20C, L38Z	17	R01A, R01B, R01C, R01D, R02Z, R12A, R12B, R12C	5o290.0↔	BOP, KVT, UOP4		
	21A	BOP, KVT, UOP4	21A	W04A, W04B	11	L03Z, L04A, L04B, L04C, L10Z, L13A, L13B, L38Z		
5o270.t†↔	21B	X06A, X06B, X06C	21B	X06A, X06B, X06C	21A	W04A, W04B		
	11	L03Z, L04A, L04B, L04C, L10Z, L13A, L13B, L38Z	06	G18A, G38Z	21B	X06A, X06B, X06C		
	12	M06Z, M09A, M09B, M38Z	11	L03Z, L04A, L04B, L04C, L10Z, L13A, L13B, L33Z, L38Z	5o290.4↔	BOP, KVT, UOP4		
5o271.0↔	13	N11A	13	N01A, N01B, N01C, N01D, N01E, N08Z, N34Z, N38Z	11	L03Z, L04A, L04B, L04C, L10Z, L13A, L13B, L38Z		
	21A	W04A, W04B	17	R01A, R01B, R01C, R01D, R02Z, R12A, R12B, R12C	21A	W04A, W04B		
	21B	X06A, X06B, X06C	21A	W04A, W04B	21B	X06A, X06B, X06C		
5o271.2↔	11	L18A, L18B, L19Z, L20A, L20B, L20C, L38Z	21B	X06A, X06B, X06C	5o290.x↔	BOP, KVT, UOP4		
	12	M06Z, M09A, M09B, M38Z	06	BOP, KVT, UOP4	11	L03Z, L04A, L04B, L04C, L10Z, L13A, L13B, L38Z		
	21A	BOP, KVT, UOP4	06	G18A, G38Z	21A	W04A, W04B		
5o271.t↔	21B	X06A, X06B, X06C	11	L03Z, L04A, L04B, L04C, L10Z, L13A, L13B, L33Z, L38Z	21B	X06A, X06B, X06C		
	11	L18A, L18B, L19Z, L20A, L20B, L20C, L38Z	12	M06Z, M09A, M09B, M37Z, M38Z	5o291.0↔	BOP, KVT, UOP4		
	12	M06Z, M09A, M09B, M38Z	13	N01A, N01B, N01C, N01D, N01E, N11A, N11B, N34Z, N38Z	11	L03Z, L04A, L04B, L04C, L10Z, L13A, L13B, L38Z		
5o272.t†↔	11	L64A, L74Z	17	R01A, R01B, R01C, R01D, R02Z, R12A, R12B, R12C	21A	W04A, W04B		
	5o273.t†↔	L64A, L74Z	21A	W04A, W04B	21B	X06A, X06B, X06C		
	5o274.4↔	BOP, KVT, UOP4	21B	X06A, X06B, X06C	5o291.4↔	BOP, KVT, UOP4		
5o274.4↔	11	L18A, L18B, L19Z, L20A, L20B, L20C, L38Z	06	BOP, KVT, UOP4	11	L03Z, L04A, L04B, L04C, L10Z, L13A, L13B, L38Z		
	12	M06Z, M09A, M09B, M38Z	11	L03Z, L04A, L04B, L04C, L10Z, L13A, L13B, L33Z, L38Z	21A	W04A, W04B		
	11	L64A, L74Z	12	M06Z, M09A, M09B, M37Z, M38Z	21B	X06A, X06B, X06C		
5o27x.t†↔	11	L64A, L74Z	13	N01A, N01B, N01C, N01D, N01E, N11A, N11B, N34Z, N38Z	5o291.4↔	BOP, KVT, UOP4		
			17	R01A, R01B, R01C, R01D, R02Z, R12A, R12B, R12C	11	L03Z, L04A, L04B, L04C, L10Z, L13A, L13B, L38Z		
			21A	W04A, W04B	21A	W04A, W04B		
		21B	X06A, X06B, X06C	21B	X06A, X06B, X06C			



ZZV	MDC	DRG	ZZV	MDC	DRG	ZZV	MDC	DRG
5o291.x↔		BOP, KVT, UOP4	5o294.4↔		BOP, KVT, UOP4	5o297.4↔		BOP, KVT, UOP4
	11	L03Z, L04A, L04B, L04C, L10Z, L13A, L13B, L38Z		11	L03Z, L04A, L04B, L04C, L10Z, L13A, L13B, L38Z		11	L03Z, L04A, L04B, L04C, L10Z, L13A, L13B, L38Z
	21A	W04A, W04B		12	M06Z, M09A, M09B, M38Z		12	M06Z, M09A, M09B, M38Z
5o292.0↔	21B	X06A, X06B, X06C		13	N08Z		13	N11A
		BOP, KVT, UOP4		17	R01A, R01B, R01C, R01D, R02Z, R12A, R12B, R12C		17	R01A, R01B, R01C, R01D, R02Z, R12A, R12B, R12C
	11	L03Z, L04A, L04B, L04C, L10Z, L13A, L13B, L38Z		21A	W04A, W04B		21A	W04A, W04B
	21A	W04A, W04B		21B	X06A, X06B, X06C		21B	X06A, X06B, X06C
	21B	X06A, X06B, X06C	5o294.x↔		BOP, KVT, UOP4	5o297.t↔		BOP, KVT, UOP4
5o292.4↔		BOP, KVT, UOP4		11	L03Z, L04A, L04B, L04C, L10Z, L13A, L13B, L38Z		11	L03Z, L04A, L04B, L04C, L10Z, L13A, L13B, L38Z
	11	L03Z, L04A, L04B, L04C, L10Z, L13A, L13B, L38Z		12	M06Z, M09A, M09B, M38Z		12	M06Z, M09A, M09B, M38Z
	21A	W04A, W04B		13	N11A, N11B		13	N11A
	21B	X06A, X06B, X06C		17	R01A, R01B, R01C, R01D, R02Z, R12A, R12B, R12C		17	R01A, R01B, R01C, R01D, R02Z, R12A, R12B, R12C
5o292.t↔		BOP, KVT, UOP4		21A	W04A, W04B		21A	W04A, W04B
	11	L03Z, L04A, L04B, L04C, L10Z, L13A, L13B, L38Z		21B	X06A, X06B, X06C		21B	X06A, X06B, X06C
	21A	W04A, W04B	5o295.0↔		BOP, KVT, UOP4	5o297.x↔		BOP, KVT, UOP4
	21B	X06A, X06B, X06C		11	L03Z, L04A, L04B, L04C, L10Z, L13A, L13B, L38Z		11	L03Z, L04A, L04B, L04C, L10Z, L13A, L13B, L38Z
5o292.x↔		BOP, KVT, UOP4		12	M06Z, M09A, M09B, M38Z		12	M06Z, M09A, M09B, M38Z
	11	L03Z, L04A, L04B, L04C, L10Z, L13A, L13B, L38Z		13	N01A, N01B, N01C, N01D, N01E, N02A, N02B, N02C, N03A, N03B, N04Z, N14Z, N21Z, N38Z		13	N11A
	21A	W04A, W04B		17	R01A, R01B, R01C, R01D, R02Z, R12A, R12B, R12C		17	R01A, R01B, R01C, R01D, R02Z, R12A, R12B, R12C
	21B	X06A, X06B, X06C		21A	W04A, W04B		21A	W04A, W04B
5o293.0↔		BOP, KVT, UOP4		21B	X06A, X06B, X06C		21B	X06A, X06B, X06C
	11	L03Z, L04A, L04B, L04C, L10Z, L13A, L13B, L38Z	5o295.4↔		BOP, KVT, UOP4	5o298.t↔		BOP, KVT, UOP4
	12	M06Z, M09A, M09B, M38Z		11	L03Z, L04A, L04B, L04C, L10Z, L13A, L13B, L38Z		11	L18A, L18B, L19Z, L20A, L20B, L20C, L38Z
	13	N01A, N01B, N01C, N01D, N01E, N02A, N02B, N02C, N03A, N03B, N04Z, N14Z, N21Z, N38Z		12	M06Z, M09A, M09B, M38Z		5o299.t↔	11 L18A, L18B, L19Z, L20A, L20B, L20C, L38Z
	17	R01A, R01B, R01C, R01D, R02Z, R12A, R12B, R12C		13	N08Z		5o29a↔	11 L18A, L18B, L19Z, L20A, L20B, L20C, L38Z
	21A	W04A, W04B		17	R01A, R01B, R01C, R01D, R02Z, R12A, R12B, R12C		5o29b↔	11 L18A, L18B, L19Z, L20A, L20B, L20C, L38Z
	21B	X06A, X06B, X06C		21A	W04A, W04B		5o29c↔	11 L17A, L17B, L20A, L20B, L20C
5o293.4↔		BOP, KVT, UOP4		21B	X06A, X06B, X06C			13 N11A, N11B
	11	L03Z, L04A, L04B, L04C, L10Z, L13A, L13B, L38Z	5o295.x↔		BOP, KVT, UOP4			21A W04A, W04B
	12	M06Z, M09A, M09B, M38Z		11	L03Z, L04A, L04B, L04C, L10Z, L13A, L13B, L38Z			21B X06A, X06B, X06C
	13	N01A, N01B, N01C, N01D, N01E, N02A, N02B, N02C, N03A, N03B, N04Z, N14Z, N21Z, N38Z		12	M06Z, M09A, M09B, M38Z			BOP, KVT, UOP4
	17	R01A, R01B, R01C, R01D, R02Z, R12A, R12B, R12C		13	N11A, N11B			11 L03Z, L04A, L04B, L04C, L10Z, L13A, L13B, L38Z
	21A	W04A, W04B		17	R01A, R01B, R01C, R01D, R02Z, R12A, R12B, R12C			21A W04A, W04B
	21B	X06A, X06B, X06C		21A	W04A, W04B			21B X06A, X06B, X06C
5o293.x↔		BOP, KVT, UOP4	5o296.0↔		BOP, KVT, UOP4	5o29x.0↔		BOP, KVT, UOP4
	11	L03Z, L04A, L04B, L04C, L10Z, L13A, L13B, L38Z		11	L03Z, L04A, L04B, L04C, L10Z, L13A, L13B, L38Z		11	L03Z, L04A, L04B, L04C, L10Z, L13A, L13B, L38Z
	12	M06Z, M09A, M09B, M38Z		12	M06Z, M09A, M09B, M38Z		21A	W04A, W04B
	13	N11A, N11B		13	N11A, N11B		21B	X06A, X06B, X06C
	17	R01A, R01B, R01C, R01D, R02Z, R12A, R12B, R12C		17	R01A, R01B, R01C, R01D, R02Z, R12A, R12B, R12C		5o29x.4↔	BOP, KVT, UOP4
	21A	W04A, W04B		21A	W04A, W04B			11 L03Z, L04A, L04B, L04C, L10Z, L13A, L13B, L38Z
	21B	X06A, X06B, X06C		21B	X06A, X06B, X06C			21A W04A, W04B
5o294.0↔		BOP, KVT, UOP4	5o296.t↔		BOP, KVT, UOP4			21B X06A, X06B, X06C
	11	L03Z, L04A, L04B, L04C, L10Z, L13A, L13B, L38Z		11	L06A, L06B			BOP, KVT, UOP4
	12	M06Z, M09A, M09B, M38Z		21A	W04A, W04B			11 L03Z, L04A, L04B, L04C, L10Z, L13A, L13B, L38Z
	13	N01A, N01B, N01C, N01D, N01E, N02A, N02B, N02C, N03A, N03B, N04Z, N14Z, N21Z, N38Z		21B	X06A, X06B, X06C			21A W04A, W04B
	17	R01A, R01B, R01C, R01D, R02Z, R12A, R12B, R12C		21B	X06A, X06B, X06C			21B X06A, X06B, X06C
	21A	W04A, W04B	5o296.x↔		BOP, KVT, UOP4			BOP, KVT, UOP4
	21B	X06A, X06B, X06C		11	L06A, L06B			11 L03Z, L04A, L04B, L04C, L10Z, L13A, L13B, L38Z
5o294.4↔		BOP, KVT, UOP4		21A	W04A, W04B			21A W04A, W04B
	11	L03Z, L04A, L04B, L04C, L10Z, L13A, L13B, L38Z		21B	X06A, X06B, X06C			21B X06A, X06B, X06C
	12	M06Z, M09A, M09B, M38Z	5o297.0↔		BOP, KVT, UOP4			BOP, KVT, UOP4
	13	N01A, N01B, N01C, N01D, N01E, N02A, N02B, N02C, N03A, N03B, N04Z, N14Z, N21Z, N38Z		11	L03Z, L04A, L04B, L04C, L10Z, L13A, L13B, L38Z			11 L03Z, L04A, L04B, L04C, L10Z, L13A, L13B, L38Z
	17	R01A, R01B, R01C, R01D, R02Z, R12A, R12B, R12C		12	M06Z, M09A, M09B, M38Z			21A W04A, W04B
	21A	W04A, W04B		13	N11A, N11B			21B X06A, X06B, X06C
	21B	X06A, X06B, X06C		17	R01A, R01B, R01C, R01D, R02Z, R12A, R12B, R12C			



ZZV	MDC	DRG	ZZV	MDC	DRG	ZZV	MDC	DRG
5o30b.0		BOP, KVT, UOP4	5o311.0		BOP, KVT, UOP4	5o313.4		BOP, KVT, MVV, UOP4
	11	L06A, L06B		06	G18A, G38Z		06	G18A, G38Z
	12	M06Z, M09A, M09B, M38Z		11	L03Z, L04A, L04B, L04C, L10Z, L13A, L13B, L38Z		11	L03Z, L04A, L04B, L04C, L10Z, L13A, L13B, L33Z, L38Z
	13	N11A		12	M01A, M01B, M37Z, M38Z		12	M01A, M01B, M37Z, M38Z
	17	R01A, R01B, R01C, R01D, R02Z, R12A, R12B, R12C		17	R01A, R01B, R01C, R01D, R02Z, R12A, R12B, R12C		13	N01A, N38Z
	21A	W04A, W04B		21A	W04A, W04B		17	R01A, R01B, R01C, R01D, R02Z, R12A, R12B, R12C
21B	X06A, X06B, X06C	21B	X06A, X06B, X06C	21A	W04A, W04B			
5o30b.4		BOP, KVT, UOP4	5o311.4		BOP, KVT, UOP4	5o313.x		BOP, KVT, MVV, UOP4
	11	L06A, L06B		06	G18A, G38Z		06	G18A, G38Z
	12	M06Z, M09A, M09B, M38Z		11	L03Z, L04A, L04B, L04C, L10Z, L13A, L13B, L38Z		11	L03Z, L04A, L04B, L04C, L10Z, L13A, L13B, L33Z, L38Z
	13	N11A		12	M01A, M01B, M37Z, M38Z		12	M01A, M01B, M37Z, M38Z
	17	R01A, R01B, R01C, R01D, R02Z, R12A, R12B, R12C		17	R01A, R01B, R01C, R01D, R02Z, R12A, R12B, R12C		13	N01A, N38Z
	21A	W04A, W04B		21A	W04A, W04B		17	R01A, R01B, R01C, R01D, R02Z, R12A, R12B, R12C
21B	X06A, X06B, X06C	21B	X06A, X06B, X06C	21A	W04A, W04B			
5o30b.x		BOP, KVT, UOP4	5o311.x		BOP, KVT, UOP4	5o314.0		BOP, KVT, MVV, UOP4
	11	L06A, L06B		06	G18A, G38Z		06	G18A, G38Z
	12	M06Z, M09A, M09B, M38Z		11	L03Z, L04A, L04B, L04C, L10Z, L13A, L13B, L38Z		11	L03Z, L04A, L04B, L04C, L10Z, L13A, L13B, L33Z, L38Z
	13	N11A		12	M01A, M01B, M37Z, M38Z		12	M01A, M01B, M37Z, M38Z
	17	R01A, R01B, R01C, R01D, R02Z, R12A, R12B, R12C		17	R01A, R01B, R01C, R01D, R02Z, R12A, R12B, R12C		13	N01A, N38Z
	21A	W04A, W04B		21A	W04A, W04B		17	R01A, R01B, R01C, R01D, R02Z, R12A, R12B, R12C
21B	X06A, X06B, X06C	21B	X06A, X06B, X06C	21A	W04A, W04B			
5o30c		BOP, KVT, UOP4	5o312.0		BOP, KVT, MVV, UOP4	5o314.4		BOP, KVT, MVV, UOP4
	11	L06A, L06B		06	G18A, G38Z		06	G18A, G38Z
	12	M06Z, M09A, M09B, M38Z		11	L03Z, L04A, L04B, L04C, L10Z, L13A, L13B, L33Z, L38Z		11	L03Z, L04A, L04B, L04C, L10Z, L13A, L13B, L33Z, L38Z
	13	N11A		12	M01A, M01B, M37Z, M38Z		12	M01A, M01B, M37Z, M38Z
	17	R01A, R01B, R01C, R01D, R02Z, R12A, R12B, R12C		17	R01A, R01B, R01C, R01D, R02Z, R12A, R12B, R12C		13	N01A, N38Z
	21A	W04A, W04B		21A	W04A, W04B		17	R01A, R01B, R01C, R01D, R02Z, R12A, R12B, R12C
21B	X06A, X06B, X06C	21B	X06A, X06B, X06C	21A	W04A, W04B			
5o30x.0		BOP, KVT, UOP4	5o312.4		BOP, KVT, MVV, UOP4	5o314.x		BOP, KVT, MVV, UOP4
	11	L06A, L06B		06	G18A, G38Z		06	G18A, G38Z
	12	M06Z, M09A, M09B, M38Z		11	L03Z, L04A, L04B, L04C, L10Z, L13A, L13B, L33Z, L38Z		11	L03Z, L04A, L04B, L04C, L10Z, L13A, L13B, L33Z, L38Z
	13	N11A		12	M01A, M01B, M37Z, M38Z		12	M01A, M01B, M37Z, M38Z
	14	962Z, O02A, O02B		17	R01A, R01B, R01C, R01D, R02Z, R12A, R12B, R12C		13	N01A, N38Z
	21A	W04A, W04B		21A	W04A, W04B		17	R01A, R01B, R01C, R01D, R02Z, R12A, R12B, R12C
21B	X06A, X06B, X06C	21B	X06A, X06B, X06C	21A	W04A, W04B			
5o30x.4		BOP, KVT, UOP4	5o312.x		BOP, KVT, MVV, UOP4	5o315.0		BOP, KOP, KOPV, KVT, MVV, UOP4
	11	L06A, L06B		06	G18A, G38Z		06	G01Z, G18A, G33Z, G38Z
	12	M06Z, M09A, M09B, M38Z		11	L03Z, L04A, L04B, L04C, L10Z, L13A, L13B, L33Z, L38Z		07	H33Z, H38Z
	13	N11A		12	M01A, M01B, M37Z, M38Z		11	L03Z, L04A, L04B, L04C, L10Z, L13A, L13B, L33Z, L38Z
	14	962Z, O02A, O02B		17	R01A, R01B, R01C, R01D, R02Z, R12A, R12B, R12C		12	M01A, M01B, M37Z, M38Z
	21A	W04A, W04B		21A	W04A, W04B		13	N01A, N01B, N01C, N01D, N01E, N34Z, N38Z
21B	X06A, X06B, X06C	21B	X06A, X06B, X06C	17	R01A, R01B, R01C, R01D, R02Z, R12A, R12B, R12C			
5o30x.x		BOP, KVT, UOP4	5o313.0		BOP, KVT, MVV, UOP4	Pre		A07A
	11	L06A, L06B		06	G18A, G38Z			
	12	M06Z, M09A, M09B, M38Z		11	L03Z, L04A, L04B, L04C, L10Z, L13A, L13B, L33Z, L38Z			
	13	N11A		12	M01A, M01B, M37Z, M38Z			
	14	962Z, O02A, O02B		13	N01A, N38Z			
	21A	W04A, W04B		17	R01A, R01B, R01C, R01D, R02Z, R12A, R12B, R12C			
21B	X06A, X06B, X06C	21A	W04A, W04B					
5o310		BOP, KVT, UOP4	5o313.0		BOP, KVT, MVV, UOP4			
	11	L06A, L06B		06	G18A, G38Z			
	12	M06Z, M09A, M09B, M38Z		11	L03Z, L04A, L04B, L04C, L10Z, L13A, L13B, L33Z, L38Z			
	13	N13A, N13B		12	M01A, M01B, M37Z, M38Z			
	17	R01A, R01B, R01C, R01D, R02Z, R12A, R12B, R12C		13	N01A, N38Z			
	21A	W04A, W04B		17	R01A, R01B, R01C, R01D, R02Z, R12A, R12B, R12C			
21B	X06A, X06B, X06C	21B	X06A, X06B, X06C					





ZZV	MDC	DRG	ZZV	MDC	DRG	ZZV	MDC	DRG
5o325.4		BOP, KVT, UOP4	5o327.0		BOP, KVT, UOP4	5o330.0		BOP, KOP, KOPV, KVT, MVV, UOP4
	06	G18A, G38Z		06	G18A, G38Z		06	G18A, G33Z, G38Z
	11	L03Z, L04A, L04B, L04C, L10Z, L13A, L13B, L38Z		11	L03Z, L04A, L04B, L04C, L10Z, L13A, L13B, L38Z		07	H33Z, H38Z
	12	M01A, M01B, M37Z, M38Z		12	M01A, M01B, M37Z, M38Z		11	L02A, L02B, L02C, L03Z, L10Z, L33Z, L38Z
	13	N01A, N01B, N01C, N01D, N01E, N11A, N11B, N34Z, N38Z		13	N01A, N01B, N01C, N01D, N01E, N11A, N11B, N34Z, N38Z		12	M37Z, M38Z
	17	R01A, R01B, R01C, R01D, R02Z, R12A, R12B, R12C		17	R01A, R01B, R01C, R01D, R02Z, R12A, R12B, R12C		13	N01A, N01B, N01C, N01D, N01E, N34Z, N38Z
	21A	W04A, W04B		21A	W04A, W04B		21A	W04A, W04B
	21B	X06A, X06B, X06C		21B	X06A, X06B, X06C		21B	X06A, X06B, X06C, X33Z
5o325.x		BOP, KVT, UOP4	5o327.4		BOP, KVT, UOP4	5o330.4		BOP, KOP, KOPV, KVT, MVV, UOP4
	06	G18A, G38Z		06	G18A, G38Z		06	G18A, G33Z, G38Z
	11	L03Z, L04A, L04B, L04C, L10Z, L13A, L13B, L38Z		11	L03Z, L04A, L04B, L04C, L10Z, L13A, L13B, L38Z		07	H33Z, H38Z
	12	M01A, M01B, M37Z, M38Z		12	M01A, M01B, M37Z, M38Z		11	L02A, L02B, L02C, L03Z, L10Z, L33Z, L38Z
	13	N01A, N01B, N01C, N01D, N01E, N11A, N11B, N34Z, N38Z		13	N01A, N01B, N01C, N01D, N01E, N11A, N11B, N34Z, N38Z		12	M37Z, M38Z
	17	R01A, R01B, R01C, R01D, R02Z, R12A, R12B, R12C		17	R01A, R01B, R01C, R01D, R02Z, R12A, R12B, R12C		13	N01A, N01B, N01C, N01D, N01E, N34Z, N38Z
	21A	W04A, W04B		21A	W04A, W04B		21A	W04A, W04B
	21B	X06A, X06B, X06C		21B	X06A, X06B, X06C		21B	X06A, X06B, X06C, X33Z
5o326.0		BOP, KVT, UOP4	5o327.x		BOP, KVT, UOP4	5o330.x		BOP, KOP, KOPV, KVT, MVV, UOP4
	06	G18A, G38Z		06	G18A, G38Z		06	G18A, G33Z, G38Z
	11	L03Z, L04A, L04B, L04C, L10Z, L13A, L13B, L38Z		11	L03Z, L04A, L04B, L04C, L10Z, L13A, L13B, L38Z		07	H33Z, H38Z
	12	M01A, M01B, M37Z, M38Z		12	M01A, M01B, M37Z, M38Z		11	L02A, L02B, L02C, L03Z, L10Z, L33Z, L38Z
	13	N01A, N01B, N01C, N01D, N01E, N11A, N11B, N34Z, N38Z		13	N01A, N01B, N01C, N01D, N01E, N11A, N11B, N34Z, N38Z		12	M37Z, M38Z
	17	R01A, R01B, R01C, R01D, R02Z, R12A, R12B, R12C		17	R01A, R01B, R01C, R01D, R02Z, R12A, R12B, R12C		13	N01A, N01B, N01C, N01D, N01E, N34Z, N38Z
	21A	W04A, W04B		21A	W04A, W04B		21A	W04A, W04B
	21B	X06A, X06B, X06C		21B	X06A, X06B, X06C		21B	X06A, X06B, X06C, X33Z
5o326.4		BOP, KVT, UOP4	5o32x.0		BOP, KVT, UOP4	5o331.0		BOP, KOP, KOPV, KVT, MVV, UOP4
	06	G18A, G38Z		06	G18A, G38Z		06	G18A, G33Z, G38Z
	11	L03Z, L04A, L04B, L04C, L10Z, L13A, L13B, L38Z		11	L06A, L06B		07	H33Z, H38Z
	12	M01A, M01B, M37Z, M38Z		12	M01A, M01B, M38Z		11	L02A, L02B, L02C, L03Z, L10Z, L33Z, L38Z
	13	N01A, N01B, N01C, N01D, N01E, N11A, N11B, N34Z, N38Z		13	N01A, N01B, N01C, N01D, N01E, N11A, N11B, N34Z, N38Z		12	M37Z, M38Z
	17	R01A, R01B, R01C, R01D, R02Z, R12A, R12B, R12C		17	R01A, R01B, R01C, R01D, R02Z, R12A, R12B, R12C		13	N01A, N01B, N01C, N01D, N01E, N34Z, N38Z
	21A	W04A, W04B		21A	W04A, W04B		21A	W04A, W04B
	21B	X06A, X06B, X06C		21B	X06A, X06B, X06C		21B	X06A, X06B, X06C, X33Z
5o326.x		BOP, KVT, UOP4	5o32x.4		BOP, KVT, UOP4	5o331.4		BOP, KOP, KOPV, KVT, MVV, UOP4
	06	G18A, G38Z		06	G18A, G38Z		06	G18A, G33Z, G38Z
	11	L03Z, L04A, L04B, L04C, L10Z, L13A, L13B, L38Z		11	L06A, L06B		07	H33Z, H38Z
	12	M01A, M01B, M37Z, M38Z		12	M01A, M01B, M38Z		11	L02A, L02B, L02C, L03Z, L10Z, L33Z, L38Z
	13	N01A, N01B, N01C, N01D, N01E, N11A, N11B, N34Z, N38Z		13	N01A, N01B, N01C, N01D, N01E, N11A, N11B, N34Z, N38Z		12	M37Z, M38Z
	17	R01A, R01B, R01C, R01D, R02Z, R12A, R12B, R12C		17	R01A, R01B, R01C, R01D, R02Z, R12A, R12B, R12C		13	N01A, N01B, N01C, N01D, N01E, N34Z, N38Z
	21A	W04A, W04B		21A	W04A, W04B		21A	W04A, W04B
	21B	X06A, X06B, X06C		21B	X06A, X06B, X06C		21B	X06A, X06B, X06C, X33Z
			5o32x.x		BOP, KVT, UOP4		BOP, KOP, KOPV, KVT, MVV, UOP4	
				06	G18A, G38Z	06	G18A, G33Z, G38Z	
				11	L06A, L06B	07	H33Z, H38Z	
				12	M01A, M01B, M38Z	11	L02A, L02B, L02C, L03Z, L10Z, L33Z, L38Z	
				13	N01A, N01B, N01C, N01D, N01E, N11A, N11B, N34Z, N38Z	12	M37Z, M38Z	
				17	R01A, R01B, R01C, R01D, R02Z, R12A, R12B, R12C	13	N01A, N01B, N01C, N01D, N01E, N34Z, N38Z	
				21A	W04A, W04B	21A	W04A, W04B	
				21B	X06A, X06B, X06C	21B	X06A, X06B, X06C, X33Z	
						23	Z01A	
						Pre	A07A	

VYK

ZZV	MDC	DRG	ZZV	MDC	DRG	ZZV	MDC	DRG	
5o331.x		BOP, KOP, KOPV, KVT, MVV, UOP4	5o333.4		BOP, KOP, KOPV, KVT, MVV, UOP4	5o335.x		BOP, KOP, KOPV, KVT, MVV, UOP4	
	06	G18A, G33Z, G38Z		06	G18A, G33Z, G38Z		06	G18A, G33Z, G38Z	
	07	H33Z, H38Z		07	H33Z, H38Z		07	H33Z, H38Z	
	11	L02A, L02B, L02C, L03Z, L10Z, L33Z, L38Z		11	L02A, L02B, L02C, L03Z, L10Z, L33Z, L38Z		11	L02A, L02B, L02C, L03Z, L10Z, L33Z, L38Z	
	12	M37Z, M38Z		12	M37Z, M38Z		12	M37Z, M38Z	
	13	N01A, N01B, N01C, N01D, N01E, N34Z, N38Z		13	N01A, N01B, N01C, N01D, N01E, N34Z, N38Z		13	N01A, N01B, N01C, N01D, N01E, N34Z, N38Z	
	21A	W04A, W04B		21A	W04A, W04B		21A	W04A, W04B	
	21B	X06A, X06B, X06C, X33Z		21B	X06A, X06B, X06C, X33Z		21B	X06A, X06B, X06C, X33Z	
	23	Z01A		23	Z01A		23	Z01A	
	Pre	A07A		Pre	A07A		Pre	A07A	
5o332.0		BOP, KOP, KOPV, KVT, MVV, UOP4	5o333.x		BOP, KOP, KOPV, KVT, MVV, UOP4	5o33x.0		BOP, KOP, KOPV, KVT, MVV, UOP4	
	06	G18A, G33Z, G38Z		06	G18A, G33Z, G38Z		06	G18A, G33Z, G38Z	
	07	H33Z, H38Z		07	H33Z, H38Z		07	H33Z, H38Z	
	11	L02A, L02B, L02C, L03Z, L10Z, L33Z, L38Z		11	L02A, L02B, L02C, L03Z, L10Z, L33Z, L38Z		11	L02A, L02B, L02C, L03Z, L10Z, L33Z, L38Z	
	12	M37Z, M38Z		12	M37Z, M38Z		12	M37Z, M38Z	
	13	N01A, N01B, N01C, N01D, N01E, N34Z, N38Z		13	N01A, N01B, N01C, N01D, N01E, N34Z, N38Z		13	N01A, N01B, N01C, N01D, N01E, N34Z, N38Z	
	21A	W04A, W04B		21A	W04A, W04B		21A	W04A, W04B	
	21B	X06A, X06B, X06C, X33Z		21B	X06A, X06B, X06C, X33Z		21B	X06A, X06B, X06C, X33Z	
	23	Z01A		23	Z01A		23	Z01A	
	Pre	A07A		Pre	A07A		Pre	A07A	
5o332.4		BOP, KOP, KOPV, KVT, MVV, UOP4	5o334		BOP, KOP, KOPV, KVT, MVV, UOP4	5o33x.4		BOP, KOP, KOPV, KVT, MVV, UOP4	
	06	G18A, G33Z, G38Z		06	G18A, G33Z, G38Z		06	G18A, G33Z, G38Z	
	07	H33Z, H38Z		07	H33Z, H38Z		07	H33Z, H38Z	
	11	L02A, L02B, L02C, L03Z, L10Z, L33Z, L38Z		11	L02A, L02B, L02C, L03Z, L10Z, L33Z, L38Z		11	L02A, L02B, L02C, L03Z, L10Z, L33Z, L38Z	
	12	M37Z, M38Z		12	M37Z, M38Z		12	M37Z, M38Z	
	13	N01A, N01B, N01C, N01D, N01E, N34Z, N38Z		13	N01A, N01B, N01C, N01D, N01E, N34Z, N38Z		13	N01A, N01B, N01C, N01D, N01E, N34Z, N38Z	
	21A	W04A, W04B		21A	W04A, W04B		21A	W04A, W04B	
	21B	X06A, X06B, X06C, X33Z		21B	X06A, X06B, X06C, X33Z		21B	X06A, X06B, X06C, X33Z	
	23	Z01A		23	Z01A		23	Z01A	
	Pre	A07A		Pre	A07A		Pre	A07A	
5o332.x		BOP, KOP, KOPV, KVT, MVV, UOP4	5o335.0		BOP, KOP, KOPV, KVT, MVV, UOP4	5o33x.x		BOP, KOP, KOPV, KVT, MVV, UOP4	
	06	G18A, G33Z, G38Z		06	G18A, G33Z, G38Z		06	G18A, G33Z, G38Z	
	07	H33Z, H38Z		07	H33Z, H38Z		07	H33Z, H38Z	
	11	L02A, L02B, L02C, L03Z, L10Z, L33Z, L38Z		11	L02A, L02B, L02C, L03Z, L10Z, L33Z, L38Z		11	L02A, L02B, L02C, L03Z, L10Z, L33Z, L38Z	
	12	M37Z, M38Z		12	M37Z, M38Z		12	M37Z, M38Z	
	13	N01A, N01B, N01C, N01D, N01E, N34Z, N38Z		13	N01A, N01B, N01C, N01D, N01E, N34Z, N38Z		13	N01A, N01B, N01C, N01D, N01E, N34Z, N38Z	
	21A	W04A, W04B		21A	W04A, W04B		21A	W04A, W04B	
	21B	X06A, X06B, X06C, X33Z		21B	X06A, X06B, X06C, X33Z		21B	X06A, X06B, X06C, X33Z	
	23	Z01A		23	Z01A		23	Z01A	
	Pre	A07A		Pre	A07A		Pre	A07A	
5o333.0		BOP, KOP, KOPV, KVT, MVV, UOP4	5o335.4		BOP, KOP, KOPV, KVT, MVV, UOP4	5o340		BOP, KVT, UOP4	
	06	G18A, G33Z, G38Z		06	G18A, G33Z, G38Z		5o341	11	L18A, L18B, L19Z, L20A, L20B, L20C, L38Z
	07	H33Z, H38Z		07	H33Z, H38Z			BOP, KVT, UOP4	
	11	L02A, L02B, L02C, L03Z, L10Z, L33Z, L38Z		11	L02A, L02B, L02C, L03Z, L10Z, L33Z, L38Z		5o342	11	L06A, L06B
	12	M37Z, M38Z		12	M37Z, M38Z			M06Z, M09A, M09B, M38Z	
	13	N01A, N01B, N01C, N01D, N01E, N34Z, N38Z		13	N01A, N01B, N01C, N01D, N01E, N34Z, N38Z		5o343	11	L18A, L18B, L19Z, L20A, L20B, L20C, L38Z
	21A	W04A, W04B		21A	W04A, W04B			M06Z, M09A, M09B, M38Z	
	21B	X06A, X06B, X06C, X33Z		21B	X06A, X06B, X06C, X33Z		5o344	11	L18A, L18B, L19Z, L20A, L20B, L20C, L38Z
	23	Z01A		23	Z01A			BOP, KVT, UOP4	
	Pre	A07A		Pre	A07A		11	L18A, L18B, L19Z, L20A, L20B, L20C, L38Z	
				12	M06Z, M09A, M09B, M38Z				

ZZV	MDC	DRG	ZZV	MDC	DRG	ZZV	MDC	DRG
5o345.0		BOP, KVT, UOP4	5o360		BOP, KVT, UOP4	5o371.4		BOP, KVT, UOP4
	11	L18A, L18B, L19Z, L20A, L20B, L20C, L38Z		06	G18A, G38Z		11	L06A, L06B
	12	M06Z, M09A, M09B, M38Z		11	L03Z, L04A, L04B, L04C, L10Z, L13A, L13B, L38Z		12	M06Z, M09A, M09B, M38Z
	13	N11A, N11B		21A	W04A, W04B		13	N08Z
5o345.1		BOP, KVT, UOP4		21B	X06A, X06B, X06C		17	R01A, R01B, R01C, R01D, R02Z, R12A, R12B, R12C
	11	L18A, L18B, L19Z, L20A, L20B, L38Z	5o361.0		BOP, KVT, UOP4	5o372		BOP, KVT, UOP4
	12	M06Z, M09A, M09B, M38Z		11	L06A, L06B		11	L06A, L06B
	13	N11A, N11B		12	M06Z, M09A, M09B, M38Z		12	M06Z, M09A, M09B, M38Z
5o345.2		BOP, KVT, UOP4		13	N13A, N13B		13	N11A, N11B
	11	L18A, L18B, L19Z, L20A, L20B, L20C, L38Z		17	R01A, R01B, R01C, R01D, R02Z, R12A, R12B, R12C		17	R01A, R01B, R01C, R01D, R02Z, R12A, R12B, R12C
	12	M06Z, M09A, M09B, M38Z		21A	W04A, W04B	5o37x		BOP, KVT, UOP4
	13	N11A, N11B		21B	X06A, X06B, X06C		11	L06A, L06B
5o346		BOP, KVT, UOP4	5o362.0		BOP, KVT, UOP4		12	M06Z, M09A, M09B, M38Z
	11	L18A, L18B, L19Z, L20A, L20B, L20C, L38Z		11	L06A, L06B		13	N11A, N11B
	12	M06Z, M09A, M09B, M38Z		12	M06Z, M09A, M09B, M38Z		17	R01A, R01B, R01C, R01D, R02Z, R12A, R12B, R12C
	13	N11A, N11B		13	N13A, N13B	5o390		BOP, KVT, UOP4
5o34x		BOP, KVT, UOP4		17	R01A, R01B, R01C, R01D, R02Z, R12A, R12B, R12C		11	L03Z, L04A, L04B, L04C, L10Z, L13A, L13B, L38Z
	11	L18A, L18B, L19Z, L20A, L20B, L20C, L38Z		21A	W04A, W04B		21A	W04A, W04B
5o350.2†		L18A, L18B, L19Z, L20A, L20B, L20C, L38Z		21B	X06A, X06B, X06C		21B	X06A, X06B, X06C
5o350.†		L18A, L18B, L19Z, L20A, L20B, L20C, L38Z	5o362.1		BOP, KVT, UOP4	5o391.0		BOP, KVT, UOP4
	11	L18A, L18B, L19Z, L20A, L20B, L20C, L38Z		11	L06A, L06B		11	L06A, L06B
5o351.2†		L18A, L18B, L19Z, L20A, L20B, L20C, L38Z		12	M06Z, M09A, M09B, M38Z		21A	W04A, W04B
5o352†		L18A, L18B, L19Z, L20A, L20B, L20C, L38Z		13	N13A, N13B		21B	X06A, X06B, X06C
	11	L18A, L18B, L19Z, L20A, L20B, L20C, L38Z		17	R01A, R01B, R01C, R01D, R02Z, R12A, R12B, R12C	5o391.1†		L18A, L18B, L19Z, L20A, L20B, L20C, L38Z
5o353		BOP, KVT, UOP4		21A	W04A, W04B		11	L18A, L18B, L19Z, L20A, L20B, L20C, L38Z
	11	L06A, L06B		21B	X06A, X06B, X06C	5o391.3†		BOP, KVT, UOP4
	16	Q03A, Q03B	5o363		BOP, KVT, UOP4		11	L06A, L06B
	21A	W04A, W04B		11	L06A, L06B	5o391.4		L06A, L06B
	21B	X06A, X06B, X06C		12	M06Z, M09A, M09B, M38Z		21A	W04A, W04B
5o354		BOP, KVT, UOP4		13	N13A, N13B		21B	X06A, X06B, X06C
	11	L06A, L06B		17	R01A, R01B, R01C, R01D, R02Z, R12A, R12B, R12C	5o391.†		L18A, L18B, L19Z, L20A, L20B, L20C, L38Z
	12	M06Z, M09A, M09B, M38Z		21A	W04A, W04B		11	L18A, L18B, L19Z, L20A, L20B, L20C, L38Z
	13	N13A, N13B		21B	X06A, X06B, X06C	5o391.x†		L18A, L18B, L19Z, L20A, L20B, L20C, L38Z
	17	R01A, R01B, R01C, R01D, R02Z, R12A, R12B, R12C	5o364		BOP, KVT, UOP4		11	L18A, L18B, L19Z, L20A, L20B, L20C, L38Z
	21A	W04A, W04B		11	L06A, L06B	5o392.0		BOP, KVT, UOP4
	21B	X06A, X06B, X06C		12	M06Z, M09A, M09B, M38Z		11	L06A, L06B
5o355		BOP, KVT, UOP4		13	N13A, N13B		12	M06Z, M09A, M09B, M38Z
	11	L06A, L06B		17	R01A, R01B, R01C, R01D, R02Z, R12A, R12B, R12C		13	N13A, N13B
	12	M06Z, M09A, M09B, M38Z		21A	W04A, W04B		17	R01A, R01B, R01C, R01D, R02Z, R12A, R12B, R12C
	13	N13A, N13B		21B	X06A, X06B, X06C		21A	W04A, W04B
	17	R01A, R01B, R01C, R01D, R02Z, R12A, R12B, R12C	5o370.0		BOP, KVT, UOP4		21B	X06A, X06B, X06C
	21A	W04A, W04B		11	L06A, L06B	5o392.4		BOP, KVT, UOP4
	21B	X06A, X06B, X06C		12	M06Z, M09A, M09B, M38Z		11	L06A, L06B
5o356		BOP, KVT, UOP4		13	N11A, N11B		12	M06Z, M09A, M09B, M38Z
	11	L06A, L06B		17	R01A, R01B, R01C, R01D, R02Z, R12A, R12B, R12C		13	N13A, N13B
	12	M06Z, M09A, M09B, M38Z		21A	W04A, W04B		17	R01A, R01B, R01C, R01D, R02Z, R12A, R12B, R12C
	13	N13A, N13B	5o370.4		BOP, KVT, UOP4		21A	W04A, W04B
	17	R01A, R01B, R01C, R01D, R02Z, R12A, R12B, R12C		11	L06A, L06B		21B	X06A, X06B, X06C
	21A	W04A, W04B		12	M06Z, M09A, M09B, M38Z	5o393.0		BOP, KVT, UOP4
	21B	X06A, X06B, X06C		13	N08Z		11	L06A, L06B
5o357		BOP, KVT, UOP4		17	R01A, R01B, R01C, R01D, R02Z, R12A, R12B, R12C		21A	W04A, W04B
	11	L06A, L06B		21B	X06A, X06B, X06C		21B	X06A, X06B, X06C
	12	M06Z, M09A, M09B, M38Z	5o371.0		BOP, KVT, UOP4	5o393.4		BOP, KVT, UOP4
	13	N13A, N13B		11	L06A, L06B		11	L06A, L06B
	17	R01A, R01B, R01C, R01D, R02Z, R12A, R12B, R12C		12	M06Z, M09A, M09B, M38Z		21A	W04A, W04B
	21A	W04A, W04B		13	N11A, N11B		21B	X06A, X06B, X06C
	21B	X06A, X06B, X06C		17	R01A, R01B, R01C, R01D, R02Z, R12A, R12B, R12C	5o394.0		BOP, KVT, UOP4
	21B	X06A, X06B, X06C					11	L06A, L06B
							21A	W04A, W04B
							21B	X06A, X06B, X06C



ZZV	MDC	DRG	ZZV	MDC	DRG	ZZV	MDC	DRG
5o394.1		BOP, KVT, UOP4	5o398.4		BOP, KVT, UOP4	5o408.1		BOP, KVT, UOP4
	11	L06A, L06B		11	L06A, L06B		11	L08A, L08B
	21A	W04A, W04B		21A	W04A, W04B		12	M03A, M03B, M03C, M38Z
	21B	X06A, X06B, X06C		21B	X06A, X06B, X06C		19	U01Z
5o394.3		BOP, KVT, UOP4	5o39x.0		BOP, KVT, UOP4	5o408.2		W04A, W04B
	11	L11Z, L18A, L18B, L38Z		11	L06A, L06B		21A	X06A, X06B, X06C
	12	M06Z, M09A, M09B, M38Z		21A	W04A, W04B		21B	BOP, KVT, UOP4
5o394.4		BOP, KVT, UOP4	5o39x.4		BOP, KVT, UOP4		11	L08A, L08B
	11	L06A, L06B		11	L06A, L06B		12	M03A, M03B, M03C, M38Z
	21A	W04A, W04B		21A	W04A, W04B		13	N11A
	21B	X06A, X06B, X06C		21A	X06A, X06B, X06C		14	962Z, O02A, O02B
5o394.t		BOP, KVT, UOP4	5o400		BOP, KVT, UOP4		19	U01Z
	11	L11Z, L18A, L18B, L38Z		11	L08A, L08B		21A	W04A, W04B
	12	M06Z, M09A, M09B, M38Z		12	M03A, M03B, M03C, M38Z		21B	X06A, X06B, X06C
5o394.x		BOP, KVT, UOP4		12	M03A, M03B, M03C, M38Z	5o408.x		BOP, KVT, UOP4
	11	L11Z, L18A, L18B, L38Z		19	U01Z		11	L08A, L08B
	12	M06Z, M09A, M09B, M38Z		21A	W04A, W04B		12	M03A, M03B, M03C, M38Z
5o395.0		BOP, KVT, UOP4	5o401		BOP, KVT, UOP4		19	U01Z
	11	L06A, L06B		11	L08A, L08B		21A	W04A, W04B
	21A	W04A, W04B		12	M03A, M03B, M03C, M38Z		21B	X06A, X06B, X06C
	21B	X06A, X06B, X06C		13	N11A, N11B	5o409.1		BOP, KVT, UOP4
5o395.1		BOP, KVT, UOP4		14	962Z, O02A, O02B		11	L08A, L08B
	11	L06A, L06B		19	U01Z		12	M03A, M03B, M03C, M38Z
	21A	W04A, W04B		21A	W04A, W04B		19	U01Z
	21B	X06A, X06B, X06C		21B	X06A, X06B, X06C		21A	W04A, W04B
5o395.3		BOP, KVT, UOP4	5o402		BOP, KVT, UOP4	5o409.x		X06A, X06B, X06C
	11	L06A, L06B		11	L08A, L08B		11	L08A, L08B
	21A	W04A, W04B		12	M03A, M03B, M03C, M38Z		12	M03A, M03B, M03C, M38Z
	21B	X06A, X06B, X06C		13	N11A, N11B		19	U01Z
5o395.4		BOP, KVT, UOP4		14	962Z, O02A, O02B		21A	W04A, W04B
	11	L06A, L06B		19	U01Z		21B	X06A, X06B, X06C
	21A	W04A, W04B		21A	W04A, W04B	5o40a.1		BOP, KVT, UOP4
	21B	X06A, X06B, X06C		21B	X06A, X06B, X06C		11	L08A, L08B
5o395.t		BOP, KVT, UOP4	5o404		BOP, KVT, UOP4		12	M03A, M03B, M03C, M38Z
	11	L06A, L06B		11	L08A, L08B		14	962Z, O02A, O02B
	21A	W04A, W04B		12	M03A, M03B, M03C, M38Z		19	U01Z
	21B	X06A, X06B, X06C		13	N11A		21A	W04A, W04B
5o395.x		BOP, KVT, UOP4		17	R01A, R01B, R01C, R01D, R02Z, R12A, R12B, R12C	5o40a.2		X06A, X06B, X06C
	11	L06A, L06B		19	U01Z		11	L08A, L08B
	21A	W04A, W04B		21A	W04A, W04B		12	M03A, M03B, M03C, M38Z
	21B	X06A, X06B, X06C		21B	X06A, X06B, X06C		14	962Z, O02A, O02B
5o396.0		BOP, KVT, UOP4	5o405		BOP, KVT, UOP4		19	U01Z
	11	L06A, L06B		11	L08A, L08B		21A	W04A, W04B
	21A	W04A, W04B		12	M03A, M03B, M03C, M38Z		21B	X06A, X06B, X06C
	21B	X06A, X06B, X06C		13	N11A, N11B	5o40a.3		BOP, KVT, UOP4
5o396.4		BOP, KVT, UOP4		14	962Z, O02A, O02B		11	L08A, L08B
	11	L06A, L06B		19	U01Z		12	M03A, M03B, M03C, M38Z
	21A	W04A, W04B		21A	W04A, W04B		13	N11A
	21B	X06A, X06B, X06C		21B	X06A, X06B, X06C		14	962Z, O02A, O02B
5o397.0		BOP, KVT, UOP4	5o406		BOP, KVT, UOP4		19	U01Z
	11	L06A, L06B		11	L08A, L08B		21A	W04A, W04B
	21A	W04A, W04B		12	M03A, M03B, M03C, M38Z		21B	X06A, X06B, X06C
	21B	X06A, X06B, X06C		13	N11A, N11B	5o40a.4		BOP, KVT, UOP4
5o397.3		BOP, KVT, UOP4		14	962Z, O02A, O02B		11	L08A, L08B
	11	L06A, L06B		19	U01Z		12	M03A, M03B, M03C, M38Z
	21A	W04A, W04B		21A	W04A, W04B		13	N11A
	21B	X06A, X06B, X06C		21B	X06A, X06B, X06C		14	962Z, O02A, O02B
5o397.4		BOP, KVT, UOP4	5o407		BOP, KVT, UOP4		19	U01Z
	11	L06A, L06B		11	L08A, L08B		21A	W04A, W04B
	21A	W04A, W04B		12	M03A, M03B, M03C, M38Z		21B	X06A, X06B, X06C
	21B	X06A, X06B, X06C		13	N11A, N11B			
5o397.t		BOP, KVT, UOP4		14	962Z, O02A, O02B			
	11	L06A, L06B		19	U01Z			
	21A	W04A, W04B		21A	W04A, W04B			
	21B	X06A, X06B, X06C		21B	X06A, X06B, X06C			
5o398.0		BOP, KVT, UOP4		19	U01Z			
	11	L06A, L06B		21A	W04A, W04B			
	21A	W04A, W04B		21B	X06A, X06B, X06C			
	21B	X06A, X06B, X06C						

ZZV	MDC	DRG	ZZV	MDC	DRG	ZZV	MDC	DRG								
5o40a.5		BOP, KVT, UOP4	5o40c		BOP, KVT, UOP4	5o41d		BOP, KVT, UOP4								
	11	L08A, L08B		11	L08A, L08B		11	L03Z, L04A, L04B, L04C, L10Z, L13A, L13B, L33Z, L38Z								
	12	M03A, M03B, M03C, M38Z		13	N11A		13	N04Z, N06Z								
	13	N11A		14	962Z, O02A, O02B		21A	W04A, W04B								
	14	962Z, O02A, O02B		19	U01Z		21B	X06A, X06B, X06C								
	19	U01Z		5o40d			BOP, KVT, UOP4	5o41x		BOP, KVT, UOP4						
	21A	W04A, W04B			11		L08A, L08B		11	L03Z, L04A, L04B, L04C, L10Z, L13A, L13B, L38Z						
	21B	X06A, X06B, X06C			13		N11A		13	N04Z, N06Z						
5o40a.x		BOP, KVT, UOP4	14		962Z, O02A, O02B	21A	W04A, W04B									
	11	L08A, L08B	19	U01Z	21B	X06A, X06B, X06C										
	12	M03A, M03B, M03C, M38Z	5o40x		BOP, KVT, UOP4	5o421		BOP, KVT, UOP4								
	13	N11A		11	L08A, L08B		11	L17A, L17B, L20A, L20B, L20C								
	14	962Z, O02A, O02B		12	M03A, M03B, M03C, M38Z		12	M03A, M03B, M03C, M38Z								
	19	U01Z		19	U01Z		13	N11A, N11B								
	21A	W04A, W04B	21A	W04A, W04B	21A	W04A, W04B										
	21B	X06A, X06B, X06C	21B	X06A, X06B, X06C	21B	X06A, X06B, X06C										
5o40b.1		BOP, KVT, UOP4	5o410†		L40Z	5o422.2		BOP, KVT, UOP4								
	11	L08A, L08B		5o411.0			BOP, KVT, UOP4	11		L17A, L17B, L20A, L20B, L20C						
	12	M03A, M03B, M03C, M38Z			11		L08A, L08B		12	M03A, M03B, M03C, M38Z						
	19	U01Z			13		N11A, N11B		13	N11A, N11B						
	21A	W04A, W04B			21A		W04A, W04B		21A	W04A, W04B						
21B	X06A, X06B, X06C	21B	X06A, X06B, X06C		21B	X06A, X06B, X06C										
5o40b.2		BOP, KVT, UOP4	5o411.1		BOP, KVT, UOP4	5o422.t		BOP, KVT, UOP4								
	11	L08A, L08B		11	L08A, L08B		11	L17A, L17B, L20A, L20B, L20C								
	12	M03A, M03B, M03C, M38Z		13	N11A, N11B		12	M03A, M03B, M03C, M38Z								
	19	U01Z		21A	W04A, W04B		13	N11A, N11B								
	21A	W04A, W04B		21B	X06A, X06B, X06C		21A	W04A, W04B								
	21B	X06A, X06B, X06C		5o411.2			BOP, KVT, UOP4	5o430.0		BOP, KVT, UOP4						
5o40b.3		BOP, KVT, UOP4	11		L08A, L08B	11			L17A, L17B, L20A, L20B, L20C							
	11	L08A, L08B	13		N11A, N11B		12		M03A, M03B, M03C, M38Z							
	12	M03A, M03B, M03C, M38Z	21A		W04A, W04B		13		N11A, N11B							
	13	N11A	21B		X06A, X06B, X06C		21A		W04A, W04B							
	14	962Z, O02A, O02B	5o412.0				BOP, KVT, UOP4		21B		X06A, X06B, X06C					
	19	U01Z		11	L08A, L08B		5o430.1			BOP, KVT, UOP4						
21A	W04A, W04B	13		N11A, N11B	11			L17A, L17B, L20A, L20B, L20C								
21B	X06A, X06B, X06C	21A		W04A, W04B		12				M06Z, M09A, M09B, M38Z						
5o40b.4		BOP, KVT, UOP4		21B				X06A, X06B, X06C		13		N11A, N11B				
	11	L08A, L08B		5o412.1							BOP, KVT, UOP4	21A		W04A, W04B		
	12	M03A, M03B, M03C, M38Z	11					L08A, L08B	21B				X06A, X06B, X06C			
	13	N11A	13				N11A, N11B	5o430.2					BOP, KVT, UOP4			
	14	962Z, O02A, O02B	21A		W04A, W04B		11						L17A, L17B, L20A, L20B, L20C			
	19	U01Z	21B		X06A, X06B, X06C	12							M06Z, M09A, M09B, M38Z			
21A	W04A, W04B	5o413			BOP, KVT, UOP4					13			N11A, N11B			
21B	X06A, X06B, X06C		10	K03A, K03B	21A							W04A, W04B				
5o40b.5			BOP, KVT, UOP4	11					L03Z, L04A, L04B, L04C, L10Z, L13A, L13B, L38Z		21B		X06A, X06B, X06C			
	11		L08A, L08B	5o414					BOP, KVT, UOP4			5o431		BOP, KVT, UOP4		
	12		M03A, M03B, M03C, M38Z				11	L03Z, L04A, L04B, L04C, L10Z, L13A, L13B, L33Z, L38Z	11					L17A, L17B, L20A, L20B, L20C		
	13		N11A			21A	W04A, W04B	12						M06Z, M09A, M09B, M38Z		
	14	962Z, O02A, O02B	21B			X06A, X06B, X06C	13						N08Z			
	19	U01Z	5o41c			BOP, KVT, UOP4				21A				W04A, W04B		
21A	W04A, W04B	10			K03A, K03B	21B							X06A, X06B, X06C			
21B	X06A, X06B, X06C	11		L03Z, L04A, L04B, L04C, L10Z, L13A, L13B, L38Z	5o432							BOP, KVT, UOP4				
5o40b.6		BOP, KVT, UOP4		13							N04Z, N06Z	11		L17A, L17B, L20A, L20B, L20C		
	11	L08A, L08B						21A			W04A, W04B		12		M06Z, M09A, M09B, M38Z	
	12	M03A, M03B, M03C, M38Z					21B				X06A, X06B, X06C			13		N11A, N11B
	13	N11A	5o41c							BOP, KVT, UOP4	21A					W04A, W04B
	14	962Z, O02A, O02B				10			K03A, K03B	21B						X06A, X06B, X06C
	19	U01Z			11	L03Z, L04A, L04B, L04C, L10Z, L13A, L13B, L38Z			5o432							BOP, KVT, UOP4
21A	W04A, W04B	21A			W04A, W04B	11									L17A, L17B, L20A, L20B, L20C	
21B	X06A, X06B, X06C			21B				X06A, X06B, X06C				12			M06Z, M09A, M09B, M38Z	
5o40b.x					BOP, KVT, UOP4		13						N04Z, N06Z	13		N11A, N11B
	11		L08A, L08B		21A						W04A, W04B		21A			W04A, W04B
	12		M03A, M03B, M03C, M38Z					21B			X06A, X06B, X06C				21B	
	13		N11A						5o41c		BOP, KVT, UOP4					5o432
	14	962Z, O02A, O02B	21A							W04A, W04B	11					
	19	U01Z		21B						X06A, X06B, X06C		12				
21A	W04A, W04B	21B					X06A, X06B, X06C			13						
21B	X06A, X06B, X06C				5o41c		BOP, KVT, UOP4						21A			
5o40b.x						BOP, KVT, UOP4	11							L03Z, L04A, L04B, L04C, L10Z, L13A, L13B, L38Z	21B	
	11					L08A, L08B		13						N04Z, N06Z		5o432
	12		M03A, M03B, M03C, M38Z			21A					W04A, W04B			11		
	13		N11A	21B							X06A, X06B, X06C	12				
	14	962Z, O02A, O02B	5o41c							BOP, KVT, UOP4	13					
	19	U01Z			21A					W04A, W04B			21A			
21A	W04A, W04B	21B							X06A, X06B, X06C	21B						
21B	X06A, X06B, X06C						5o41c		BOP, KVT, UOP4						5o432	

ZZV	MDC	DRG	ZZV	MDC	DRG	ZZV	MDC	DRG		
5o43x		BOP, KVT, UOP4	5o491		BOP, KVT, UOP4	5o900.2		BOP, KVT, UOP4		
	11	L17A, L17B, L20A, L20B, L20C		11	L06A, L06B		11	L03Z, L04A, L04B, L04C, L10Z, L13A, L13B, L38Z		
	12	M06Z, M09A, M09B, M38Z		12	M06Z, M09A, M09B, M38Z		12	M06Z, M09A, M09B, M38Z		
	13	N11A, N11B		13	N11A		13	N11A, N11B		
	21A	W04A, W04B		14	962Z, O02A, O02B		17	R01A, R01B, R01C, R01D, R02Z, R12A, R12B, R12C		
5o440	21B	X06A, X06B, X06C	5o492	21A	W04A, W04B	5o900.3†	21A	W04A, W04B		
		BOP, KVT, UOP4		21B	X06A, X06B, X06C		21B	X06A, X06B, X06C		
	11	L17A, L17B, L20A, L20B, L20C		11	L18A, L18B, L19Z, L20A, L20B, L20C, L38Z		11	L11Z, L18A, L18B, L38Z		
	12	M06Z, M09A, M09B, M38Z		12	M06Z, M09A, M09B, M38Z		5o900.4	BOP, KVT, UOP4		
	21A	W04A, W04B		5o493			BOP, KVT, UOP4	11	L03Z, L04A, L04B, L04C, L10Z, L13A, L13B, L38Z	
21B	X06A, X06B, X06C	11	L18A, L18B, L19Z, L20A, L20B, L20C, L38Z		12	M06Z, M09A, M09B, M38Z				
5o441		BOP, KVT, UOP4	5o494†		11	L18A, L18B, L19Z, L20A, L20B, L20C, L38Z	13	N11A, N11B		
	11	L17A, L17B, L20A, L20B, L20C			12	M06Z, M09A, M09B, M38Z	17	R01A, R01B, R01C, R01D, R02Z, R12A, R12B, R12C		
	12	M03A, M03B, M03C, M38Z			11	L18A, L18B, L19Z, L20A, L20B, L20C, L38Z	21A	W04A, W04B		
	13	N11A, N11B		12	M06Z, M09A, M09B, M38Z	21B	X06A, X06B, X06C			
	14	962Z, O02A, O02B		5o495†	11	L18A, L18B, L19Z, L20A, L20B, L20C, L38Z	11	L11Z, L18A, L18B, L38Z		
21A	W04A, W04B	12	M06Z, M09A, M09B, M38Z		5o901.1	BOP, KVT, UOP4				
21B	X06A, X06B, X06C	11	L18A, L18B, L19Z, L20A, L20B, L20C, L38Z			11	L03Z, L04A, L04B, L04C, L10Z, L13A, L13B, L38Z			
5o442		BOP, KVT, UOP4	5o496			11	L17A, L17B, L20A, L20B, L20C	12	M06Z, M09A, M09B, M38Z	
	11	L17A, L17B, L20A, L20B, L20C				13	N11A, N11B	13	N11A, N11B	
	12	M06Z, M09A, M09B, M38Z		21A		W04A, W04B	17	R01A, R01B, R01C, R01D, R02Z, R12A, R12B, R12C		
	21A	W04A, W04B		5o497	21B	X06A, X06B, X06C	21A	W04A, W04B		
	21B	X06A, X06B, X06C			11	BOP, KVT, UOP4	21B	X06A, X06B, X06C		
5o443		BOP, KVT, UOP4	5o498		11	L17A, L17B, L20A, L20B, L20C	5o901.2	BOP, KVT, UOP4		
	11	L17A, L17B, L20A, L20B, L20C			13	N11A, N11B		11	L03Z, L04A, L04B, L04C, L10Z, L13A, L13B, L38Z	
	12	M06Z, M09A, M09B, M38Z			21A	W04A, W04B		12	M06Z, M09A, M09B, M38Z	
	21A	W04A, W04B		21B	X06A, X06B, X06C	13		N11A, N11B		
	21B	X06A, X06B, X06C		5o499†	11	L17A, L17B, L20A, L20B, L20C		17	R01A, R01B, R01C, R01D, R02Z, R12A, R12B, R12C	
5o44x		BOP, KVT, UOP4	5o49a.1†		11	L17A, L17B, L20A, L20B, L20C	21A	W04A, W04B		
	11	L17A, L17B, L20A, L20B, L20C			12	M06Z, M09A, M09B, M38Z	21B	X06A, X06B, X06C		
	12	M06Z, M09A, M09B, M38Z			11	L18A, L18B, L19Z, L20A, L20B, L20C, L38Z	11	L11Z, L18A, L18B, L38Z		
	21A	W04A, W04B			12	M06Z, M09A, M09B, M38Z	5o901.4	BOP, KVT, UOP4		
	21B	X06A, X06B, X06C		11	L18A, L18B, L19Z, L20A, L20B, L20C, L38Z	11		L03Z, L04A, L04B, L04C, L10Z, L13A, L13B, L38Z		
5o450†	11	L64A, L74Z	5o49a.2†	12	M06Z, M09A, M09B, M38Z	12		M06Z, M09A, M09B, M38Z		
	5o451			BOP, KVT, UOP4	5o49b	11		L18A, L18B, L19Z, L20A, L20B, L20C, L38Z	13	N11A, N11B
		11		L17A, L17B, L20A, L20B, L20C		06		G01Z, G02Z, G38Z	17	R01A, R01B, R01C, R01D, R02Z, R12A, R12B, R12C
		13		N11A, N11B		11	L08A, L08B	21A	W04A, W04B	
		21A		W04A, W04B		12	M03A, M03B, M03C, M38Z	21B	X06A, X06B, X06C	
21B		X06A, X06B, X06C	Pre	A11A, A13A, A13B, A13D		11	L11Z, L18A, L18B, L38Z			
5o452		BOP, KVT, UOP4	5o49c	06	G01Z, G02Z, G38Z	5o901.x†	BOP, KVT, UOP4			
	11	L17A, L17B, L20A, L20B, L20C		11	L08A, L08B		5o902.1	G10Z, G12A, G12B		
	13	N11A, N11B		12	M03A, M03B, M03C, M38Z			07	H06A, H06B, H06C	
	21A	W04A, W04B		Pre	A11A, A13A, A13B, A13D			10	K09A, K09B	
	21B	X06A, X06B, X06C		11	BOP, KVT, UOP4			11	L03Z, L04A, L04B, L04C, L10Z, L13A, L13B, L38Z	
5o45x	11	L17A, L17B, L20A, L20B, L20C	5o49x†	06	G01Z, G02Z, G38Z	12		M06Z, M09A, M09B, M38Z		
	13	N11A, N11B		11	L08A, L08B	13	N11A, N11B			
	21A	W04A, W04B		12	M03A, M03B, M03C, M38Z	17	R01A, R01B, R01C, R01D, R02Z, R12A, R12B, R12C			
	21B	X06A, X06B, X06C		Pre	A11A, A13A, A13B, A13D	21A	W04A, W04B			
	5o490			BOP, KVT, UOP4	5o900.1	11	L18A, L18B, L19Z, L20A, L20B, L20C, L38Z	21B	X06A, X06B, X06C	
11		L03Z, L04A, L04B, L04C, L10Z, L13A, L13B, L38Z	12	M06Z, M09A, M09B, M38Z						
21A		W04A, W04B	11	BOP, KVT, UOP4						
5o490		21B	X06A, X06B, X06C	11		L03Z, L04A, L04B, L04C, L10Z, L13A, L13B, L38Z				
				12		M06Z, M09A, M09B, M38Z				
			13	N11A, N11B						
			17	R01A, R01B, R01C, R01D, R02Z, R12A, R12B, R12C						
			21A	W04A, W04B						
		21B	X06A, X06B, X06C							

VYK

ZZV	MDC	DRG	ZZV	MDC	DRG	ZZV	MDC	DRG				
5o902.2		BOP, KVT, UOP4	5o905.1		BOP, KVT, UOP4	5o906.4		BOP, KVT, UOP4				
	06	G10Z, G12A, G12B		06	G15Z		06	G10Z, G12A, G12B, G15Z				
	07	H06A, H06B, H06C		10	K03A, K03B		07	H06A, H06B, H06C				
	10	K09A, K09B		11	L03Z, L04A, L04B, L04C, L10Z, L13A, L13B, L38Z		10	K03A, K03B, K09A, K09B				
	11	L03Z, L04A, L04B, L04C, L10Z, L13A, L13B, L38Z		12	M06Z, M09A, M09B, M38Z		11	L03Z, L04A, L04B, L04C, L10Z, L13A, L13B, L38Z				
	12	M06Z, M09A, M09B, M38Z		13	N11A, N11B		12	M06Z, M09A, M09B, M38Z				
	13	N11A, N11B		17	R01A, R01B, R01C, R01D, R02Z, R12A, R12B, R12C		13	N11A, N11B				
	17	R01A, R01B, R01C, R01D, R02Z, R12A, R12B, R12C		21A	W04A, W04B		17	R01A, R01B, R01C, R01D, R02Z, R12A, R12B, R12C				
	21A	W04A, W04B		21B	X06A, X06B, X06C		21A	W04A, W04B				
	21B	X06A, X06B, X06C		5o905.2			BOP, KVT, UOP4	21B	X06A, X06B, X06C			
	5o902.3† 5o902.4	11			L11Z, L18A, L18B, L38Z		06	G15Z	5o906.50	BOP, KOP, KVT, MVV, UOP4		
					BOP, KVT, UOP4		11	L03Z, L04A, L04B, L04C, L10Z, L13A, L13B, L38Z		06	G03B, G10Z, G12A, G12B, G18A, G38Z	
		06			G10Z, G12A, G12B		12	M06Z, M09A, M09B, M38Z		07	H06A, H06B, H06C	
		07			H06A, H06B, H06C		13	N11A, N11B		10	K09A, K09B	
		10			K09A, K09B		17	R01A, R01B, R01C, R01D, R02Z, R12A, R12B, R12C		13	N11A	
		11			L03Z, L04A, L04B, L04C, L10Z, L13A, L13B, L38Z		21A	W04A, W04B		17	R01A, R01B, R01C, R01D, R02Z, R12A, R12B, R12C	
		12			M06Z, M09A, M09B, M38Z		21B	X06A, X06B, X06C		23	Z01A	
13		N11A, N11B	5o905.3† 5o905.4		11	L11Z, L18A, L18B, L38Z	5o906.51	BOP, KOP, KVT, MVV, UOP4				
17		R01A, R01B, R01C, R01D, R02Z, R12A, R12B, R12C			06	G15Z		06		G03B, G10Z, G12A, G12B, G18A, G38Z		
21A		W04A, W04B			11	L03Z, L04A, L04B, L04C, L10Z, L13A, L13B, L38Z		07		H06A, H06B, H06C		
21B		X06A, X06B, X06C			12	M06Z, M09A, M09B, M38Z		10		K09A, K09B		
5o902.x† 5o903.1		11			L11Z, L18A, L18B, L38Z	13		N11A, N11B		13	N11A	
					BOP, KVT, UOP4	17		R01A, R01B, R01C, R01D, R02Z, R12A, R12B, R12C		17	R01A, R01B, R01C, R01D, R02Z, R12A, R12B, R12C	
		06			G10Z, G12A, G12B	21A		W04A, W04B		23	Z01A	
		07			H06A, H06B, H06C	21B		X06A, X06B, X06C		5o906.x† 5o907.1	11	L11Z, L18A, L18B, L38Z
		10			K09A, K09B	5o905.x† 5o906.1		11			L11Z, L18A, L18B, L38Z	BOP, KOP, KOPV, KVT, UOP4
		11		L03Z, L04A, L04B, L04C, L10Z, L13A, L13B, L38Z	06			G10Z, G12A, G12B, G15Z			04	E05A, E05B, E05C, E08A, E08B, E08C
	12	M06Z, M09A, M09B, M38Z		07	H06A, H06B, H06C			06	G10Z, G12A, G12B, G15Z, G18A, G33Z, G38Z			
	13	N11A, N11B		10	K03A, K03B, K09A, K09B			07	H33Z, H38Z			
	17	R01A, R01B, R01C, R01D, R02Z, R12A, R12B, R12C		11	L03Z, L04A, L04B, L04C, L10Z, L13A, L13B, L38Z			08	I28A, I28B			
	21A	W04A, W04B		12	M06Z, M09A, M09B, M38Z			09	J03A, J03B, J04A, J04B, J08A, J08B, J08C, J10A, J10B, J16Z			
	21B	X06A, X06B, X06C		13	N11A, N11B			10	K09A, K09B			
	5o903.2			BOP, KVT, UOP4	17			R01A, R01B, R01C, R01D, R02Z, R12A, R12B, R12C	11		L03Z, L04A, L04B, L04C, L10Z, L13A, L13B, L33Z, L38Z	
		06		G10Z, G12A, G12B	21A			W04A, W04B	12		M01A, M01B, M38Z	
		07	H06A, H06B, H06C	21B	X06A, X06B, X06C		13	N01A, N01B, N01C, N01D, N01E, N38Z				
		10	K09A, K09B	5o906.2			BOP, KVT, UOP4	17	R01A, R01B, R01C, R01D, R02Z, R12A, R12B, R12C			
		11	L03Z, L04A, L04B, L04C, L10Z, L13A, L13B, L38Z		06		G10Z, G12A, G12B, G15Z	21B	X33Z			
		12	M06Z, M09A, M09B, M38Z		07		H06A, H06B, H06C	23	Z01A			
13		N11A, N11B	10		K09A, K09B		Pre	A07A				
17		R01A, R01B, R01C, R01D, R02Z, R12A, R12B, R12C	11		L03Z, L04A, L04B, L04C, L10Z, L13A, L13B, L38Z							
21A		W04A, W04B	12		M06Z, M09A, M09B, M38Z							
21B		X06A, X06B, X06C	13		N11A, N11B							
5o903.3† 5o903.4		11	L11Z, L18A, L18B, L38Z		17	R01A, R01B, R01C, R01D, R02Z, R12A, R12B, R12C						
			BOP, KVT, UOP4		21A	W04A, W04B						
		06	G10Z, G12A, G12B		21B	X06A, X06B, X06C						
		07	H06A, H06B, H06C		5o906.3†	11	L11Z, L18A, L18B, L38Z					
		10	K09A, K09B									
		11	L03Z, L04A, L04B, L04C, L10Z, L13A, L13B, L38Z									
		12	M06Z, M09A, M09B, M38Z									
	13	N11A, N11B										
	17	R01A, R01B, R01C, R01D, R02Z, R12A, R12B, R12C										
	21A	W04A, W04B										
	21B	X06A, X06B, X06C										
	5o903.x† 5o904†	11	L11Z, L18A, L18B, L38Z									
		11	L11Z, L18A, L18B, L38Z									

ZZV	MDC	DRG	ZZV	MDC	DRG	ZZV	MDC	DRG
5o907.2		BOP, KOP, KOPV, KVT, UOP4	5o908.1		BOP, KOP, KOPV, KVT, UOP4	5o908.x		BOP, KOP, KOPV, KVT, UOP4
	04	E05A, E05B, E05C, E08A, E08B, E08C		04	E05A, E05B, E05C, E08A, E08B, E08C		04	E05A, E05B, E05C, E08A, E08B, E08C
	06	G10Z, G12A, G12B, G15Z, G18A, G33Z, G38Z		06	G10Z, G12A, G12B, G15Z, G18A, G33Z, G38Z		06	G10Z, G12A, G12B, G15Z, G33Z
	07	H33Z, H38Z		07	H33Z, H38Z		07	H33Z, H38Z
	08	I28A, I28B		08	I28A, I28B		08	I28A, I28B
	09	J03A, J03B, J04A, J04B, J08A, J08B, J08C, J10A, J10B, J16Z		09	J03A, J03B, J04A, J04B, J08A, J08B, J08C, J10A, J10B, J16Z		09	J03A, J03B, J04A, J04B, J08A, J08B, J08C, J10A, J10B, J16Z
	10	K09A, K09B		10	K09A, K09B		10	K09A, K09B
	11	L03Z, L04A, L04B, L04C, L10Z, L13A, L13B, L33Z, L38Z		11	L03Z, L04A, L04B, L04C, L10Z, L13A, L13B, L33Z, L38Z		11	L03Z, L04A, L04B, L04C, L10Z, L13A, L13B, L33Z, L38Z
	12	M01A, M01B, M38Z		12	M01A, M01B, M38Z		12	M01A, M01B, M38Z
	13	N01A, N01B, N01C, N01D, N01E, N38Z		13	N01A, N01B, N01C, N01D, N01E, N38Z		13	N01A, N01B, N01C, N01D, N01E, N38Z
	17	R01A, R01B, R01C, R01D, R02Z, R12A, R12B, R12C		17	R01A, R01B, R01C, R01D, R02Z, R12A, R12B, R12C		17	R01A, R01B, R01C, R01D, R02Z, R12A, R12B, R12C
	21B	X33Z		21B	X33Z		21B	X33Z
	23	Z01A		23	Z01A		23	Z01A
	Pre	A07A		Pre	A07A		Pre	A07A
	5o907.4			BOP, KOP, KOPV, KVT, UOP4	5o908.2			BOP, KOP, KOPV, KVT, UOP4
04		E05A, E05B, E05C, E08A, E08B, E08C	04	E05A, E05B, E05C, E08A, E08B, E08C		06	G10Z, G12A, G12B, G15Z	
06		G10Z, G12A, G12B, G15Z, G18A, G33Z, G38Z	06	G10Z, G12A, G12B, G15Z, G18A, G33Z, G38Z		07	H06A, H06B, H06C	
07		H33Z, H38Z	07	H33Z, H38Z		10	K03A, K03B, K09A, K09B	
08		I28A, I28B	08	I28A, I28B		11	L03Z, L04A, L04B, L04C, L10Z, L13A, L13B, L38Z	
09		J03A, J03B, J04A, J04B, J08A, J08B, J08C, J10A, J10B, J16Z	09	J03A, J03B, J04A, J04B, J08A, J08B, J08C, J10A, J10B, J16Z		12	M06Z, M09A, M09B, M38Z	
10		K09A, K09B	10	K09A, K09B		13	N01A, N01B, N01C, N01D, N01E, N02A, N02B, N02C, N03A, N03B, N07Z, N11A, N11B, N25Z, N38Z	
11		L03Z, L04A, L04B, L04C, L10Z, L13A, L13B, L33Z, L38Z	11	L03Z, L04A, L04B, L04C, L10Z, L13A, L13B, L33Z, L38Z		17	R01A, R01B, R01C, R01D, R02Z, R12A, R12B, R12C	
12		M01A, M01B, M38Z	12	M01A, M01B, M38Z		21A	W04A, W04B	
13		N01A, N01B, N01C, N01D, N01E, N38Z	13	N01A, N01B, N01C, N01D, N01E, N38Z		21B	X06A, X06B, X06C	
17		R01A, R01B, R01C, R01D, R02Z, R12A, R12B, R12C	17	R01A, R01B, R01C, R01D, R02Z, R12A, R12B, R12C		5o909.2	BOP, KVT, UOP4	
21B		X33Z	21B	X33Z		06	G10Z, G12A, G12B, G15Z	
23		Z01A	23	Z01A		07	H06A, H06B, H06C	
Pre		A07A	Pre	A07A		10	K09A, K09B	
5o907.x			BOP, KOP, KOPV, KVT, UOP4	5o908.4			BOP, KOP, KOPV, KVT, UOP4	5o909.4
	04	E05A, E05B, E05C, E08A, E08B, E08C	04		E05A, E05B, E05C, E08A, E08B, E08C	06	G10Z, G12A, G12B, G15Z	
	06	G10Z, G12A, G12B, G15Z, G33Z	06		G10Z, G12A, G12B, G15Z, G18A, G33Z, G38Z	07	H06A, H06B, H06C	
	07	H33Z, H38Z	07		H33Z, H38Z	10	K09A, K09B	
	08	I28A, I28B	08		I28A, I28B	11	L03Z, L04A, L04B, L04C, L10Z, L13A, L13B, L38Z	
	09	J03A, J03B, J04A, J04B, J08A, J08B, J08C, J10A, J10B, J16Z	09		J03A, J03B, J04A, J04B, J08A, J08B, J08C, J10A, J10B, J16Z	12	M06Z, M09A, M09B, M38Z	
	10	K09A, K09B	10		K09A, K09B	13	N01A, N01B, N01C, N01D, N01E, N02A, N02B, N02C, N03A, N03B, N07Z, N25Z, N38Z	
	11	L03Z, L04A, L04B, L04C, L10Z, L13A, L13B, L33Z, L38Z	11		L03Z, L04A, L04B, L04C, L10Z, L13A, L13B, L33Z, L38Z	17	R01A, R01B, R01C, R01D, R02Z, R12A, R12B, R12C	
	12	M01A, M01B, M38Z	12		M01A, M01B, M38Z	21A	W04A, W04B	
	13	N01A, N01B, N01C, N01D, N01E, N38Z	13		N01A, N01B, N01C, N01D, N01E, N38Z	21B	X06A, X06B, X06C	
	17	R01A, R01B, R01C, R01D, R02Z, R12A, R12B, R12C	17		R01A, R01B, R01C, R01D, R02Z, R12A, R12B, R12C	5o909.4	BOP, KVT, UOP4	
	21B	X33Z	21B		X33Z	06	G10Z, G12A, G12B, G15Z	
	23	Z01A	23		Z01A	07	H06A, H06B, H06C	
	Pre	A07A	Pre		A07A	10	K09A, K09B	

ZZV	MDC	DRG	ZZV	MDC	DRG	ZZV	MDC	DRG
5o909.x		BOP, KVT, UOP4	5o91x		BOP, KVT, UOP4	5o923		BOP, KVT, UOP4
	06	G10Z, G12A, G12B, G15Z		11	L06A, L06B		11	L03Z, L04A, L04B, L04C, L10Z, L13A, L13B, L38Z
	07	H06A, H06B, H06C		12	M06Z, M09A, M09B, M38Z		12	M01A, M01B, M38Z
	10	K09A, K09B		13	N11A, N11B		13	N04Z, N06Z
	13	N11A, N11B		17	R01A, R01B, R01C, R01D, R02Z, R12A, R12B, R12C		21A	W04A, W04B
	17	R01A, R01B, R01C, R01D, R02Z, R12A, R12B, R12C		21A	W04A, W04B		21B	X06A, X06B, X06C
5o90x.1		BOP, KVT, UOP4	5o920.1		BOP, KVT, UOP4	5o92x		BOP, KVT, UOP4
	11	L03Z, L04A, L04B, L04C, L10Z, L13A, L13B, L38Z		11	L03Z, L04A, L04B, L04C, L10Z, L13A, L13B, L38Z		11	L03Z, L04A, L04B, L04C, L10Z, L13A, L13B, L38Z
	12	M06Z, M09A, M09B, M38Z		12	M01A, M01B, M38Z		12	M06Z, M09A, M09B, M38Z
	13	N11A, N11B		13	N04Z, N06Z		13	N11A
	17	R01A, R01B, R01C, R01D, R02Z, R12A, R12B, R12C		21A	W04A, W04B	5o930.1		BOP, KVT, UOP4
	21A	W04A, W04B		21B	X06A, X06B, X06C		11	L06A, L06B
	21B	X06A, X06B, X06C	5o920.2		BOP, KVT, UOP4	5o930.2		BOP, KVT, UOP4
5o90x.2		BOP, KVT, UOP4		11	L03Z, L04A, L04B, L04C, L10Z, L13A, L13B, L38Z		11	L06A, L06B
	11	L03Z, L04A, L04B, L04C, L10Z, L13A, L13B, L38Z		12	M01A, M01B, M38Z		13	N04Z, N06Z
	12	M06Z, M09A, M09B, M38Z		13	N04Z, N06Z	5o930.3		BOP, KVT, UOP4
	13	N11A, N11B		21A	W04A, W04B		11	L06A, L06B
	17	R01A, R01B, R01C, R01D, R02Z, R12A, R12B, R12C		21B	X06A, X06B, X06C		13	N04Z, N06Z
	21A	W04A, W04B	5o920.3		BOP, KVT, UOP4	5o930.x		BOP, KVT, UOP4
	21B	X06A, X06B, X06C		11	L03Z, L04A, L04B, L04C, L10Z, L13A, L13B, L38Z		11	L06A, L06B
5o90x.3		BOP, KVT, UOP4		12	M01A, M01B, M38Z	5o931.1		BOP, KVT, UOP4
	11	L03Z, L04A, L04B, L04C, L10Z, L13A, L13B, L38Z		13	N04Z, N06Z		11	L06A, L06B
	12	M06Z, M09A, M09B, M38Z		21A	W04A, W04B		13	N04Z, N23Z
	13	N11A, N11B		21B	X06A, X06B, X06C	5o931.2		BOP, KVT, UOP4
	17	R01A, R01B, R01C, R01D, R02Z, R12A, R12B, R12C	5o920.x		BOP, KVT, UOP4		11	L06A, L06B
	21A	W04A, W04B		11	L03Z, L04A, L04B, L04C, L10Z, L13A, L13B, L38Z		13	N04Z, N23Z
	21B	X06A, X06B, X06C		12	M01A, M01B, M38Z	5o931.x		BOP, KVT, UOP4
5o90x.4		BOP, KVT, UOP4		13	N04Z, N06Z		11	L06A, L06B
	11	L03Z, L04A, L04B, L04C, L10Z, L13A, L13B, L38Z		21A	W04A, W04B	5o932.1		BOP, KVT, UOP4
	12	M06Z, M09A, M09B, M38Z		21B	X06A, X06B, X06C		11	L06A, L06B
	13	N11A, N11B	5o921		BOP, KVT, UOP4		13	N04Z, N23Z
	17	R01A, R01B, R01C, R01D, R02Z, R12A, R12B, R12C		11	L03Z, L04A, L04B, L04C, L10Z, L13A, L13B, L38Z	5o932.x		BOP, KVT, UOP4
	21A	W04A, W04B		12	M06Z, M09A, M09B, M38Z		11	L06A, L06B
	21B	X06A, X06B, X06C		13	N11A		13	N04Z, N23Z
5o90x.5‡		L11Z, L18A, L18B, L38Z	5o922.1		BOP, KVT, UOP4	5o93x		BOP, KVT, UOP4
5o90x.x‡		L11Z, L18A, L18B, L38Z		11	L03Z, L04A, L04B, L04C, L10Z, L13A, L13B, L38Z		11	L06A, L06B
5o910‡		L11Z, L18A, L18B, L38Z		12	M01A, M01B, M38Z		13	N04Z, N23Z
5o911		BOP, KVT, UOP4		13	N04Z, N06Z	5o941.1		BOP, KVT, UOP4
	11	L06A, L06B		21A	W04A, W04B		11	L06A, L06B
	12	M06Z, M09A, M09B, M38Z		21B	X06A, X06B, X06C	5o941.2		BOP, KVT, UOP4
	13	N11A, N11B	5o922.2		BOP, KVT, UOP4		13	N04Z, N06Z
	17	R01A, R01B, R01C, R01D, R02Z, R12A, R12B, R12C		11	L03Z, L04A, L04B, L04C, L10Z, L13A, L13B, L38Z	5o941.3		BOP, KVT, UOP4
	21A	W04A, W04B		12	M01A, M01B, M38Z		11	L06A, L06B
	21B	X06A, X06B, X06C		13	N04Z, N06Z		13	N04Z, N06Z
5o912		BOP, KVT, UOP4		21A	W04A, W04B	5o942.0		BOP, KVT, UOP4
	11	L06A, L06B		21B	X06A, X06B, X06C		11	L06A
	12	M06Z, M09A, M09B, M38Z	5o922.3		BOP, KVT, UOP4		13	N04Z, N23Z
	13	N11A, N11B		11	L03Z, L04A, L04B, L04C, L10Z, L13A, L13B, L38Z	5o942.1		BOP, KVT, UOP4
	17	R01A, R01B, R01C, R01D, R02Z, R12A, R12B, R12C		12	M01A, M01B, M38Z		11	L06A
	21A	W04A, W04B		13	N04Z, N06Z		13	N04Z, N23Z
	21B	X06A, X06B, X06C		21A	W04A, W04B	5o94x		BOP, KVT, UOP4
				21B	X06A, X06B, X06C		11	L06A, L06B
							13	N04Z, N23Z
								BOP, KVT, UOP4
								L06A, L06B
								N04Z, N23Z
								BOP, KVT, UOP4
								L06A, L06B
								N04Z, N23Z
								BOP, KVT, UOP4
								L17A, L17B, L20A, L20B, L20C
								M06Z, M09A, M09B, M38Z
								N13A, N13B

ZZV	MDC	DRG	ZZV	MDC	DRG	ZZV	MDC	DRG
5o950.2		BOP, KVT, UOP4	5o96x		BOP, KVT, UOP4	5o993.41		BOP, KVT, UOP4
	11	L17A, L17B, L20A, L20B, L20C		11	L06A, L06B		11	L06A, L06B
	12	M06Z, M09A, M09B, M38Z	5o990		N04Z, N06Z		12	M06Z, M09A, M09B, M38Z
5o951	13	N13A, N13B		11	BOP, KVT, UOP4		17	R01A, R01B, R01C, R01D, R02Z, R12A, R12B, R12C
	11	BOP, KVT, UOP4		13	L06A, L06B	21A		W04A, W04B
	11	L08A, L08B	5o992.10		N13A, N13B	21B		X06A, X06B, X06C
	12	M03A, M03B, M03C, M38Z		11	BOP, KVT, UOP4	5o993.70		BOP, KVT, UOP4
	13	N11A		12	L06A, L06B		11	L06A, L06B
	14	962Z, O02A, O02B		12	M06Z, M09A, M09B, M38Z		12	M06Z, M09A, M09B, M38Z
21A		W04A, W04B		17	R01A, R01B, R01C, R01D, R02Z, R12A, R12B, R12C		17	R01A, R01B, R01C, R01D, R02Z, R12A, R12B, R12C
21B		X06A, X06B, X06C		21A	W04A, W04B		21A	W04A, W04B
5o952.1		BOP, KVT, UOP4		21B	X06A, X06B, X06C		21B	X06A, X06B, X06C
	11	L08A, L08B	5o992.11		BOP, KVT, UOP4	5o993.71		BOP, KVT, UOP4
	12	M03A, M03B, M03C, M38Z		11	L06A, L06B		11	L06A, L06B
	13	N11A		12	M06Z, M09A, M09B, M38Z		12	M06Z, M09A, M09B, M38Z
	14	962Z, O02A, O02B		17	R01A, R01B, R01C, R01D, R02Z, R12A, R12B, R12C		17	R01A, R01B, R01C, R01D, R02Z, R12A, R12B, R12C
21A		W04A, W04B		21A	W04A, W04B		21A	W04A, W04B
21B		X06A, X06B, X06C		21B	X06A, X06B, X06C		21B	X06A, X06B, X06C
5o952.2		BOP, KVT, UOP4	5o992.40		BOP, KVT, UOP4	5o994.10		BOP, KVT, UOP4
	11	L08A, L08B		11	L06A, L06B		11	L06A, L06B
	12	M03A, M03B, M03C, M38Z		12	M06Z, M09A, M09B, M38Z		12	M06Z, M09A, M09B, M38Z
	13	N11A		17	R01A, R01B, R01C, R01D, R02Z, R12A, R12B, R12C		17	R01A, R01B, R01C, R01D, R02Z, R12A, R12B, R12C
	14	962Z, O02A, O02B		21A	W04A, W04B		21A	W04A, W04B
21A		W04A, W04B		21B	X06A, X06B, X06C		21B	X06A, X06B, X06C
21B		X06A, X06B, X06C		11	L06A, L06B	5o994.11		BOP, KVT, UOP4
5o953		BOP, KVT, UOP4	5o992.41		BOP, KVT, UOP4		11	L06A, L06B
	11	L06A, L06B		11	L06A, L06B		12	M06Z, M09A, M09B, M38Z
	13	N13A, N13B		12	M06Z, M09A, M09B, M38Z		17	R01A, R01B, R01C, R01D, R02Z, R12A, R12B, R12C
5o954		BOP, KVT, UOP4		17	R01A, R01B, R01C, R01D, R02Z, R12A, R12B, R12C		21A	W04A, W04B
	11	L06A, L06B		21A	W04A, W04B		21B	X06A, X06B, X06C
	13	N04Z, N06Z		21B	X06A, X06B, X06C		21B	X06A, X06B, X06C
5o955		BOP, KVT, UOP4	5o992.70		BOP, KVT, UOP4	5o994.40		BOP, KVT, UOP4
	11	L06A, L06B		11	L06A, L06B		11	L06A, L06B
	13	N04Z, N06Z		12	M06Z, M09A, M09B, M38Z		12	M06Z, M09A, M09B, M38Z
5o956.1		BOP, KVT, UOP4		17	R01A, R01B, R01C, R01D, R02Z, R12A, R12B, R12C		17	R01A, R01B, R01C, R01D, R02Z, R12A, R12B, R12C
	11	L06A		21A	W04A, W04B		21A	W04A, W04B
	13	N13A, N13B		21B	X06A, X06B, X06C		21B	X06A, X06B, X06C
5o956.x		BOP, KVT, UOP4	5o992.71		BOP, KVT, UOP4	5o994.41		BOP, KVT, UOP4
	11	L06A, L06B		11	L06A, L06B		11	L06A, L06B
	13	N13A, N13B		12	M06Z, M09A, M09B, M38Z		12	M06Z, M09A, M09B, M38Z
5o95a		BOP, KVT, UOP4		17	R01A, R01B, R01C, R01D, R02Z, R12A, R12B, R12C		17	R01A, R01B, R01C, R01D, R02Z, R12A, R12B, R12C
	11	L06A		21A	W04A, W04B		21A	W04A, W04B
	13	N13A, N13B		21B	X06A, X06B, X06C		21B	X06A, X06B, X06C
5o95b		BOP, KVT, UOP4	5o993.10		BOP, KVT, UOP4	5o994.70		BOP, KVT, UOP4
	11	L06A, L06B		11	L06A, L06B		11	L06A, L06B
	13	N13A, N13B		12	M06Z, M09A, M09B, M38Z		12	M06Z, M09A, M09B, M38Z
5o95c		BOP, KVT, UOP4		17	R01A, R01B, R01C, R01D, R02Z, R12A, R12B, R12C		17	R01A, R01B, R01C, R01D, R02Z, R12A, R12B, R12C
	11	L06A, L06B		21A	W04A, W04B		21A	W04A, W04B
	13	N13A, N13B		21B	X06A, X06B, X06C		21B	X06A, X06B, X06C
5o95d		BOP, KVT, UOP4	5o993.11		BOP, KVT, UOP4	5o994.71		BOP, KVT, UOP4
	11	L06A		11	L06A, L06B		11	L06A, L06B
	13	N13A, N13B		12	M06Z, M09A, M09B, M38Z		12	M06Z, M09A, M09B, M38Z
5o95x		BOP, KVT, UOP4		17	R01A, R01B, R01C, R01D, R02Z, R12A, R12B, R12C		17	R01A, R01B, R01C, R01D, R02Z, R12A, R12B, R12C
	11	L06A, L06B		21A	W04A, W04B		21A	W04A, W04B
	13	N13A, N13B		21B	X06A, X06B, X06C		21B	X06A, X06B, X06C
5o960		BOP, KVT, UOP4	5o993.40		BOP, KVT, UOP4		21A	W04A, W04B
	11	L06A, L06B		11	L06A, L06B		21B	X06A, X06B, X06C
	13	N04Z, N06Z		12	M06Z, M09A, M09B, M38Z			
5o961		BOP, KVT, UOP4		17	R01A, R01B, R01C, R01D, R02Z, R12A, R12B, R12C			
	11	L06A, L06B		21A	W04A, W04B			
	13	N04Z, N06Z		21B	X06A, X06B, X06C			
5o962		BOP, KVT, UOP4		11	L06A, L06B			
	11	L06A, L06B		12	M06Z, M09A, M09B, M38Z			
	13	N04Z, N06Z		17	R01A, R01B, R01C, R01D, R02Z, R12A, R12B, R12C			
5o963		BOP, KVT, UOP4		21A	W04A, W04B			
	11	L06A, L06B		21B	X06A, X06B, X06C			
	13	N04Z, N06Z						

ZZV	MDC	DRG	ZZV	MDC	DRG	ZZV	MDC	DRG
5o995.1		BOP, KVT, UOP4	5p121.2		BOP, KVT, UOP4	5p124.8		BOP, KVT, MVV, UOP4
	11	L06A, L06B		11	L03Z, L04A, L04B, L04C, L10Z, L13A, L13B, L38Z		11	L03Z, L04A, L04B, L04C, L10Z, L13A, L13B, L38Z
	12	M06Z, M09A, M09B, M38Z		12	M01A, M01B, M09A, M38Z		12	M01A, M01B, M38Z
	17	R01A, R01B, R01C, R01D, R02Z, R12A, R12B, R12C	5p121.3		BOP, KVT, UOP4		23	Z01A
	21A	W04A, W04B		12	M06Z, M09A, M09B, M38Z	5p125.2		BOP, KVT, MVV, UOP4
	21B	X06A, X06B, X06C	5p121.4		BOP, KVT, UOP4		11	L03Z, L04A, L04B, L04C, L10Z, L13A, L13B, L38Z
5o995.2		BOP, KVT, UOP4		11	L05A, L05B		12	M01A, M01B, M38Z
	11	L06A, L06B		12	M02A, M02B, M38Z		23	Z01A
	12	M06Z, M09A, M09B, M38Z	5p121.x		BOP, KVT, UOP4	5p125.3		BOP, KVT, MVV, UOP4
	17	R01A, R01B, R01C, R01D, R02Z, R12A, R12B, R12C		11	L05A, L05B		11	L03Z, L04A, L04B, L04C, L10Z, L13A, L13B, L38Z
	21A	W04A, W04B		12	M02A, M02B, M38Z		12	M01A, M01B, M38Z
	21B	X06A, X06B, X06C	5p122.2		BOP, KVT, MVV, UOP4		23	Z01A
5o995.3		BOP, KVT, UOP4		11	L03Z, L04A, L04B, L04C, L10Z, L13A, L13B, L38Z	5p125.4		BOP, KVT, MVV, UOP4
	11	L06A, L06B		12	M01A, M01B, M38Z		11	L03Z, L04A, L04B, L04C, L10Z, L13A, L13B, L38Z
	12	M06Z, M09A, M09B, M38Z	5p122.3		Z01A		12	M01A, M01B, M38Z
	17	R01A, R01B, R01C, R01D, R02Z, R12A, R12B, R12C		11	BOP, KVT, MVV, UOP4		23	Z01A
	21A	W04A, W04B		12	L03Z, L04A, L04B, L04C, L10Z, L13A, L13B, L38Z	5p125.5		BOP, KVT, MVV, UOP4
	21B	X06A, X06B, X06C		12	M01A, M01B, M38Z		11	L03Z, L04A, L04B, L04C, L10Z, L13A, L13B, L38Z
5o995.4		BOP, KVT, UOP4	5p122.4		Z01A		12	M01A, M01B, M38Z
	11	L06A, L06B		11	BOP, KVT, MVV, UOP4		23	Z01A
	12	M06Z, M09A, M09B, M38Z		12	L03Z, L04A, L04B, L04C, L10Z, L13A, L13B, L38Z	5p126.2		BOP, KVT, MVV, UOP4
	17	R01A, R01B, R01C, R01D, R02Z, R12A, R12B, R12C		12	M01A, M01B, M38Z		11	L03Z, L04A, L04B, L04C, L10Z, L13A, L13B, L38Z
	21A	W04A, W04B	5p122.8		Z01A		12	M01A, M01B, M38Z
	21B	X06A, X06B, X06C		11	BOP, KVT, MVV, UOP4		23	Z01A
5o995.7		BOP, KVT, UOP4		12	L03Z, L04A, L04B, L04C, L10Z, L13A, L13B, L38Z	5p126.3		BOP, KVT, MVV, UOP4
	11	L06A, L06B		23	Z01A		11	L03Z, L04A, L04B, L04C, L10Z, L13A, L13B, L38Z
	12	M06Z, M09A, M09B, M38Z	5p123.2		BOP, KVT, MVV, UOP4		12	M01A, M01B, M38Z
	17	R01A, R01B, R01C, R01D, R02Z, R12A, R12B, R12C		11	L03Z, L04A, L04B, L04C, L10Z, L13A, L13B, L38Z		23	Z01A
	21A	W04A, W04B		12	M01A, M01B, M38Z	5p126.4		BOP, KVT, MVV, UOP4
	21B	X06A, X06B, X06C		23	Z01A		11	L03Z, L04A, L04B, L04C, L10Z, L13A, L13B, L38Z
5o995.x		BOP, KVT, UOP4	5p123.3		BOP, KVT, MVV, UOP4		12	M01A, M01B, M38Z
	11	L06A, L06B		11	L03Z, L04A, L04B, L04C, L10Z, L13A, L13B, L38Z		23	Z01A
	12	M06Z, M09A, M09B, M38Z		12	M01A, M01B, M38Z	5p126.8		BOP, KVT, MVV, UOP4
	17	R01A, R01B, R01C, R01D, R02Z, R12A, R12B, R12C		23	Z01A		11	L03Z, L04A, L04B, L04C, L10Z, L13A, L13B, L38Z
	21A	W04A, W04B	5p123.4		BOP, KVT, MVV, UOP4		12	M01A, M01B, M38Z
	21B	X06A, X06B, X06C		11	L03Z, L04A, L04B, L04C, L10Z, L13A, L13B, L38Z		23	Z01A
5o99x		BOP, KVT, UOP4		12	M01A, M01B, M38Z	5p127.2		BOP, KVT, MVV, UOP4
	11	L06A, L06B		23	Z01A		11	L03Z, L04A, L04B, L04C, L10Z, L13A, L13B, L38Z
	12	M06Z, M09A, M09B, M38Z	5p123.8		BOP, KVT, MVV, UOP4		12	M01A, M01B, M38Z
	17	R01A, R01B, R01C, R01D, R02Z, R12A, R12B, R12C		11	L03Z, L04A, L04B, L04C, L10Z, L13A, L13B, L38Z		23	Z01A
	21A	W04A, W04B		12	M01A, M01B, M38Z	5p127.3		BOP, KVT, MVV, UOP4
	21B	X06A, X06B, X06C		23	Z01A		11	L03Z, L04A, L04B, L04C, L10Z, L13A, L13B, L38Z
5p111.t		BOP, KVT, UOP4	5p124.2		BOP, KVT, MVV, UOP4		12	M01A, M01B, M38Z
	12	M06Z, M09A, M09B, M38Z		11	L03Z, L04A, L04B, L04C, L10Z, L13A, L13B, L38Z		23	Z01A
5p111.x		BOP, KVT, UOP4		12	M01A, M01B, M38Z	5p127.4		BOP, KVT, MVV, UOP4
5p112		BOP, KVT, UOP4		23	Z01A		11	L03Z, L04A, L04B, L04C, L10Z, L13A, L13B, L38Z
5p113		BOP, KVT, UOP4		11	L03Z, L04A, L04B, L04C, L10Z, L13A, L13B, L38Z		12	M01A, M01B, M38Z
5p114		BOP, KVT, UOP4		12	M01A, M01B, M38Z		23	Z01A
5p115		BOP, KVT, UOP4	5p124.3		BOP, KVT, MVV, UOP4		11	L03Z, L04A, L04B, L04C, L10Z, L13A, L13B, L38Z
5p116		BOP, KVT, UOP4		11	L03Z, L04A, L04B, L04C, L10Z, L13A, L13B, L38Z		12	M01A, M01B, M38Z
5p11x		BOP, KVT, UOP4		12	M01A, M01B, M38Z	5p127.5		BOP, KVT, MVV, UOP4
5p121.1		BOP, KVT, UOP4	5p124.4		Z01A		11	L03Z, L04A, L04B, L04C, L10Z, L13A, L13B, L38Z
	11	L03Z, L04A, L04B, L04C, L10Z, L13A, L13B, L38Z		11	L03Z, L04A, L04B, L04C, L10Z, L13A, L13B, L38Z		12	M01A, M01B, M38Z
	12	M01A, M01B, M09A, M38Z		12	M01A, M01B, M38Z	5p12x		BOP, KVT, MVV, UOP4
				23	Z01A		11	L03Z, L04A, L04B, L04C, L10Z, L13A, L13B, L38Z
							12	M01A, M01B, M38Z



ZZV	MDC	DRG	ZZV	MDC	DRG	ZZV	MDC	DRG
5p131		BOP, KVT, UOP4	5p193		BOP, KVT, UOP4	5p301.0↔		BOP, KVT, UOP4
5p132	12	M06Z, M09A, M09B, M38Z		11	L18A, L18B, L19Z, L20A, L20B, L20C, L38Z	08		I28A, I28B
5p133	12	M06Z, M09A, M09B, M38Z	5p194	12	M06Z, M09A, M09B, M38Z	10		K09A, K09B
5p134	12	M06Z, M09A, M09B, M38Z		11	L18A, L18B, L19Z, L20A, L20B, L20C, L38Z	12		M04A, M04B, M04C, M37Z, M38Z
5p135	12	M06Z, M09A, M09B, M38Z	5p195†	12	M06Z, M09A, M09B, M38Z	21A		W04A, W04B
5p136	12	M06Z, M09A, M09B, M38Z		11	L18A, L18B, L19Z, L20A, L20B, L20C, L38Z	21B		X06A, X06B, X06C
5p13x	12	M06Z, M09A, M09B, M38Z	5p196	12	M06Z, M09A, M09B, M38Z	22		Y01Z, Y03A, Y03B
5p140.1	12	M06Z, M09A, M09B, M38Z		11	L18A, L18B, L19Z, L20A, L20B, L20C, L38Z	5p301.2↔		BOP, KVT, UOP4
5p140.2	11	L05A, L05B	5p197	12	M06Z, M09A, M09B, M38Z	08		I28A, I28B
	12	M02A, M02B, M38Z		12	M06Z, M09A, M09B, M38Z	10		K09A, K09B
5p141	11	L05A, L05B	5p198†	11	L18A, L18B, L19Z, L20A, L20B, L20C, L38Z	12		M04A, M04B, M04C, M04D, M37Z, M38Z
5p142	12	M06Z, M09A, M09B, M38Z		12	M06Z, M09A, M09B, M38Z	21A		W04A, W04B
5p143.1	12	M06Z, M09A, M09B, M38Z	5p19x†	12	M06Z, M09A, M09B, M38Z	21B		X06A, X06B, X06C
5p143.2	12	M06Z, M09A, M09B, M11Z, M38Z		11	L18A, L18B, L19Z, L20A, L20B, L20C, L38Z	22		Y01Z, Y03A, Y03B
5p143.3	12	M06Z, M09A, M09B, M11Z, M38Z	5p201	12	M06Z, M09A, M09B, M38Z	5p302.2↔		BOP, KVT, UOP4
5p143.x	12	M06Z, M09A, M09B, M11Z, M38Z		10	K09A, K09B	08		I28A, I28B
5p144	12	M06Z, M09A, M09B, M11Z, M38Z	5p20x	12	M04A, M04B, M04C, M04D, M37Z, M38Z	10		K09A, K09B
5p145	12	M06Z, M09A, M09B, M38Z		21A	W04A, W04B	12		M04A, M04B, M04C, M04D, M37Z, M38Z
5p146	12	M06Z, M09A, M09B, M11Z, M38Z	5p211	12	M06Z, M09A, M09B, M38Z	21A		W04A, W04B
5p14x	12	M06Z, M09A, M09B, M38Z		12	M06Z, M09A, M09B, M38Z	21B		X06A, X06B, X06C
5p151↔	12	M06Z, M09A, M09B, M38Z	5p212	10	K09A, K09B	22		Y01Z, Y03A, Y03B
5p152↔	12	M06Z, M09A, M09B, M38Z		12	M04A, M04B, M04C, M04D, M37Z, M38Z	5p303.1↔		BOP, KVT, UOP4
5p153↔	12	M06Z, M09A, M09B, M38Z	5p221	21A	W04A, W04B	08		I28A, I28B
5p15x↔	12	M06Z, M09A, M09B, M38Z		21B	X06A, X06B, X06C	10		K09A, K09B
5p190.1	12	M06Z, M09A, M09B, M38Z	5p233	12	M04A, M04B, M04C, M04D, M37Z, M38Z	12		M04A, M04B, M04C, M37Z, M38Z
5p190.t	21A	W04A, W04B		21A	W04A, W04B	21A		W04A, W04B
	21B	X06A, X06B, X06C	5p241	21B	X06A, X06B, X06C	21B		X06A, X06B, X06C
5p191	12	M06Z, M09A, M09B, M38Z		10	K09A, K09B	22		Y01Z, Y03A, Y03B
	21A	W04A, W04B	5p242	12	M04A, M04B, M04C, M04D, M37Z, M38Z	5p303.4↔		BOP, KVT, UOP4
	21B	X06A, X06B, X06C		21A	W04A, W04B	08		I28A, I28B
5p192	11	L18A, L18B, L19Z, L20A, L20B, L20C, L38Z		21B	X06A, X06B, X06C	10		K09A, K09B
	12	M06Z, M09A, M09B, M38Z		10	K09A, K09B	12		M04A, M04B, M04C, M37Z, M38Z
				12	M04A, M04B, M04C, M04D, M37Z, M38Z	21A		W04A, W04B
				19	U01Z	21B		X06A, X06B, X06C
				21A	W04A, W04B	22		Y01Z, Y03A, Y03B
				21B	X06A, X06B, X06C	5p305.0↔		BOP, KVT, UOP4
				10	K09A, K09B	10		K09A, K09B
				12	M04A, M04B, M04C, M04D, M37Z, M38Z	12		M04A, M04B, M04C, M04D, M37Z, M38Z
				19	U01Z	21A		W04A, W04B
				21A	W04A, W04B	21B		X06A, X06B, X06C
				21B	X06A, X06B, X06C	22		Y01Z, Y03A, Y03B
				10	K09A, K09B	5p305.2↔		BOP, KVT, UOP4
				12	M04A, M04B, M04C, M04D, M37Z, M38Z	10		K09A, K09B
				19	U01Z	12		M04A, M04B, M04C, M04D, M37Z, M38Z
				21A	W04A, W04B	21A		W04A, W04B
				21B	X06A, X06B, X06C	21B		X06A, X06B, X06C
						22		Y01Z, Y03A, Y03B
						5p305.2↔		BOP, KVT, UOP4
						10		K09A, K09B
						12		M04A, M04B, M04C, M04D, M37Z, M38Z
						21A		W04A, W04B
						21B		X06A, X06B, X06C
						22		Y01Z, Y03A, Y03B

ZZV	MDC	DRG	ZZV	MDC	DRG	ZZV	MDC	DRG
5p306↔		BOP, KVT, UOP4	5p391.1↔		BOP, KVT, UOP4	5p431↔		BOP, KVT, UOP4
	10	K09A, K09B		10	K09A, K09B		12	M04A, M04B, M04C, M04D, M37Z, M38Z
	12	M04A, M04B, M04C, M04D, M37Z, M38Z		12	M01A, M01B, M04A, M04B, M04C, M04D, M09A, M09B, M37Z, M38Z		21A	W04A, W04B
	21A	W04A, W04B					21B	X06A, X06B, X06C
	21B	X06A, X06B, X06C	5p391.4		BOP, KVT, UOP4	5p432↔		BOP, KVT, UOP4
	22	Y01Z, Y03A, Y03B		10	K09A, K09B		12	M04A, M04B, M04C, M04D, M37Z, M38Z
5p30x↔		BOP, KVT, UOP4		12	M04A, M04B, M04C, M04D, M37Z, M38Z		21A	W04A, W04B
	10	K09A, K09B					21B	X06A, X06B, X06C
	12	M04A, M04B, M04C, M04D, M37Z, M38Z	5p391.x		BOP, KVT, UOP4	5p433‡↔		M04A, M04B, M04C, M04D, M37Z, M38Z
	21A	W04A, W04B		10	K09A, K09B		12	M04A, M04B, M04C, M04D, M37Z, M38Z
	21B	X06A, X06B, X06C		12	M04A, M04B, M04C, M04D, M37Z, M38Z	5p434‡↔		M04A, M04B, M04C, M04D, M37Z, M38Z
	22	Y01Z, Y03A, Y03B	5p392↔		BOP, KVT, UOP4		12	M04A, M04B, M04C, M04D, M37Z, M38Z
5p311↔		BOP, KVT, UOP4		12	M04A, M04B, M04C, M04D, M37Z, M38Z	5p43x‡↔		M04A, M04B, M04C, M04D, M37Z, M38Z
	10	K09A, K09B					12	M04A, M04B, M04C, M04D, M37Z, M38Z
	12	M04A, M04B, M04C, M04D, M37Z, M38Z	5p393↔		BOP, KVT, UOP4	5p461↔		BOP, KVT, UOP4
5p312↔		BOP, KVT, UOP4		12	M04A, M04B, M04C, M04D, M37Z, M38Z		12	M04A, M04B, M04C, M04D, M37Z, M38Z
	10	K09A, K09B		21A	W04A, W04B		21A	W04A, W04B
	12	M04A, M04B, M04C, M04D, M37Z, M38Z		21B	X06A, X06B, X06C		21B	X06A, X06B, X06C
5p31x↔		BOP, KVT, UOP4	5p394↔		BOP, KVT, UOP4	5p462↔		BOP, KVT, UOP4
	10	K09A, K09B		10	K09A, K09B		12	M04A, M04B, M04C, M04D, M37Z, M38Z
	12	M04A, M04B, M04C, M04D, M37Z, M38Z		12	M04A, M04B, M04C, M04D, M37Z, M38Z		21A	W04A, W04B
5p320.1↔		BOP, KVT, UOP4	5p39x‡↔		M04A, M04B, M04C, M04D, M37Z, M38Z		21B	X06A, X06B, X06C
	10	K09A, K09B						BOP, KVT, UOP4
	12	M04A, M04B, M04C, M37Z, M38Z	5p401.2↔		BOP, KVT, UOP4	5p463↔		M04A, M04B, M04C, M04D, M37Z, M38Z
5p320.4↔		BOP, KVT, UOP4		12	M04A, M04B, M04C, M04D, M37Z, M38Z		12	M04A, M04B, M04C, M04D, M37Z, M38Z
	10	K09A, K09B	5p402.0↔		BOP, KVT, UOP4	5p464↔		BOP, KVT, UOP4
	12	M04A, M04B, M04C, M37Z, M38Z		12	M04A, M04B, M04C, M04D, M37Z, M38Z		12	M04A, M04B, M04C, M04D, M37Z, M38Z
5p321.1↔		BOP, KVT, UOP4	5p402.1↔		BOP, KVT, UOP4	5p465↔		BOP, KVT, UOP4
	10	K09A, K09B		12	M04A, M04B, M04C, M04D, M37Z, M38Z		12	M04A, M04B, M04C, M04D, M37Z, M38Z
	12	M04A, M04B, M04C, M37Z, M38Z	5p402.3↔		BOP, KVT, UOP4		21A	W04A, W04B
5p321.4↔		BOP, KVT, UOP4		12	M04A, M04B, M04C, M04D, M37Z, M38Z		21B	X06A, X06B, X06C
	10	K09A, K09B	5p402.4↔		BOP, KVT, UOP4	5p46x↔		BOP, KVT, UOP4
	12	M04A, M04B, M04C, M37Z, M38Z		12	M04A, M04B, M04C, M04D, M37Z, M38Z		12	M04A, M04B, M04C, M04D, M37Z, M38Z
5p32x↔		BOP, KVT, UOP4	5p403↔		BOP, KVT, UOP4	5p491↔		BOP, KVT, UOP4
	10	K09A, K09B		12	M04A, M04B, M04C, M04D, M37Z, M38Z		12	M04A, M04B, M04C, M04D, M37Z, M38Z
	12	M04A, M04B, M04C, M04D, M37Z, M38Z	5p40x↔		BOP, KVT, UOP4	5p492↔		BOP, KVT, UOP4
5p341‡↔		M04A, M04B, M04C, M04D, M37Z, M38Z		12	M04A, M04B, M04C, M04D, M37Z, M38Z		12	M04A, M04B, M04C, M04D, M37Z, M38Z
5p342‡↔		M04A, M04B, M04C, M04D, M37Z, M38Z	5p411↔		BOP, KVT, UOP4	5p493↔		BOP, KVT, UOP4
	12	M04A, M04B, M04C, M04D, M37Z, M38Z		12	M04A, M04B, M04C, M04D, M37Z, M38Z		12	M04A, M04B, M04C, M04D, M37Z, M38Z
5p343‡↔		M04A, M04B, M04C, M04D, M37Z, M38Z	5p412↔		BOP, KVT, UOP4		21A	W04A, W04B
	12	M04A, M04B, M04C, M04D, M37Z, M38Z		12	M04A, M04B, M04C, M04D, M37Z, M38Z		21B	X06A, X06B, X06C
5p34x‡↔		M04A, M04B, M04C, M04D, M37Z, M38Z	5p413↔		BOP, KVT, UOP4	5p494↔		BOP, KVT, UOP4
	12	M04A, M04B, M04C, M04D, M37Z, M38Z		12	M04A, M04B, M04C, M04D, M37Z, M38Z		12	M04A, M04B, M04C, M04D, M37Z, M38Z
5p351↔		BOP, KVT, UOP4	5p41x↔		BOP, KVT, UOP4	5p49x↔		BOP, KVT, UOP4
	12	M04A, M04B, M04C, M04D, M37Z, M38Z		12	M04A, M04B, M04C, M04D, M37Z, M38Z		12	M04A, M04B, M04C, M04D, M37Z, M38Z
	21A	W04A, W04B	5p421↔		BOP, KVT, UOP4		12	M04A, M04B, M04C, M04D, M37Z, M38Z
	21B	X06A, X06B, X06C		12	M04A, M04B, M04C, M04D, M37Z, M38Z	5p503		BOP, KVT, UOP4
	22	Y01Z, Y03A, Y03B	5p422↔		BOP, KVT, UOP4		11	L09A, L09B, L09C, L09D, L38Z
5p35x↔		BOP, KVT, UOP4		12	M04A, M04B, M04C, M04D, M37Z, M38Z		12	M05Z, M38Z
	12	M04A, M04B, M04C, M04D, M37Z, M38Z	5p42x↔		BOP, KVT, UOP4		15	P60A, P60B, P60C, P67B, P67C
	21A	W04A, W04B		12	M04A, M04B, M04C, M04D, M37Z, M38Z		22	Y01Z, Y03A, Y03B
	21B	X06A, X06B, X06C						
5p391.0		BOP, KVT, UOP4						
	12	M06Z, M09A, M09B, M38Z						

ZZV	MDC	DRG	ZZV	MDC	DRG	ZZV	MDC	DRG
5p504		BOP, KVT, UOP4	5p531	12	M03A, M03B, M03C, M38Z	5p543.0	06	G01Z, G02Z, G38Z
	11	L09A, L09B, L09C, L09D, L38Z		19	U01Z		11	L08A, L08B
	12	M05Z, M38Z		21A	W04A, W04B		12	M03A, M03B, M03C, M38Z
5p505.1	15	P60A, P60B, P60C, P67B, P67C	5p532	21B	X06A, X06B, X06C	5p543.1	Pre	A11A, A13A, A13B, A13D
	22	Y01Z, Y03A, Y03B		22	Y01Z, Y03A, Y03B		BOP, KVT, UOP4	
	BOP, KVT, UOP4	09		J03A, J03B, J04A, J04B, J08A, J08B, J08C, J11A, J11B, J16Z	06		G01Z, G02Z, G38Z	
5p505.2	11	L09A, L09B, L09C, L09D, L38Z	5p533	12	M03A, M03B, M03C, M38Z	5p543.2	11	L08A, L08B
	12	M05Z, M38Z		19	U01Z		12	M03A, M03B, M03C, M38Z
	22	Y01Z, Y03A, Y03B		21A	W04A, W04B		Pre	A11A, A13A, A13B, A13D
5p506	11	L09A, L09B, L09C, L09D, L38Z	5p534	21B	X06A, X06B, X06C	5p543.3	BOP, KVT, UOP4	
	12	M05Z, M38Z		22	Y01Z, Y03A, Y03B		06	G01Z, G02Z, G38Z
	15	P60A, P60B, P60C, P67B, P67C		09	J03A, J03B, J04A, J04B, J08A, J08B, J08C, J11A, J11B, J16Z		11	L08A, L08B
5p511	22	Y01Z, Y03A, Y03B	5p535	12	M03A, M03B, M03C, M38Z	5p543.x	12	M03A, M03B, M03C, M38Z
	BOP, KVT, UOP4	19		U01Z	Pre		A11A, A13A, A13B, A13D	
	09	J03A, J03B, J04A, J04B, J08A, J08B, J08C, J11A, J11B, J11C, J16Z		21A	W04A, W04B		06	G01Z, G02Z, G38Z
5p512	12	M05Z, M38Z	5p536	21B	X06A, X06B, X06C	5p54x	11	L08A, L08B
	BOP, KVT, UOP4	22		Y01Z, Y03A, Y03B	12		M03A, M03B, M03C, M38Z	
	09	J03A, J03B, J04A, J04B, J08A, J08B, J08C, J11A, J11B, J11C, J16Z		BOP, KVT, UOP4	19		U01Z	Pre
5p51x	12	M05Z, M38Z	5p537	21A	W04A, W04B	5p551	BOP, KVT, UOP4	
	BOP, KVT, UOP4	21B		X06A, X06B, X06C	06		G01Z, G02Z, G38Z	
	09	J03A, J03B, J04A, J04B, J08A, J08B, J08C, J11A, J11B, J11C, J16Z		22	Y01Z, Y03A, Y03B		11	L08A, L08B
5p521	12	M05Z, M38Z	5p538	09	J03A, J03B, J04A, J04B, J08A, J08B, J08C, J11A, J11B, J11C, J16Z	5p552	12	M03A, M03B, M03C, M38Z
	BOP, KVT, UOP4	12		M03A, M03B, M03C, M38Z	Pre		A11A, A13A, A13B, A13D	
	10	K09A, K09B		19	U01Z		BOP, KVT, UOP4	
5p522	12	M03A, M03B, M03C, M38Z	5p539	21A	W04A, W04B	5p553.0	06	G01Z, G02Z, G38Z
	22	Y01Z, Y02A, Y02B, Y03A, Y03B		21B	X06A, X06B, X06C		11	L08A, L08B
	BOP, KVT, UOP4	22		Y01Z, Y03A, Y03B	22		Y01Z, Y03A, Y03B	12
5p523	10	K09A, K09B	5p540	09	J03A, J03B, J04A, J04B, J08A, J08B, J08C, J11A, J11B, J11C, J16Z	5p553.1	Pre	A11A, A13A, A13B, A13D
	12	M03A, M03B, M03C, M38Z		12	M03A, M03B, M03C, M38Z		06	G01Z, G02Z, G38Z
	21A	W04A, W04B		19	U01Z		11	L08A, L08B
5p530	21B	X06A, X06B, X06C	5p541	21A	W04A, W04B	5p553.2	12	M03A, M03B, M03C, M38Z
	22	Y01Z, Y02A, Y02B, Y03A, Y03B		21B	X06A, X06B, X06C		Pre	A11A, A13A, A13B, A13D
	BOP, KVT, UOP4	22		Y01Z, Y03A, Y03B	22		Y01Z, Y03A, Y03B	BOP, KVT, UOP4
5p530	09	J03A, J03B, J04A, J04B, J08A, J08B, J08C, J11A, J11B, J11C, J16Z	5p542	09	J03A, J03B, J04A, J04B, J08A, J08B, J08C, J11A, J11B, J11C, J16Z	5p553.3	06	G01Z, G02Z, G38Z
	12	M03A, M03B, M03C, M38Z		12	M03A, M03B, M03C, M38Z		11	L08A, L08B
	19	U01Z		19	U01Z		12	M03A, M03B, M03C, M38Z
5p530	21A	W04A, W04B	5p543	21A	W04A, W04B	5p553.x	Pre	A11A, A13A, A13B, A13D
	21B	X06A, X06B, X06C		21B	X06A, X06B, X06C		06	G01Z, G02Z, G38Z
	22	Y01Z, Y03A, Y03B		22	Y01Z, Y03A, Y03B		11	L08A, L08B
5p530	09	J03A, J03B, J04A, J04B, J08A, J08B, J08C, J11A, J11B, J11C, J16Z	5p544	09	J03A, J03B, J04A, J04B, J08A, J08B, J08C, J11A, J11B, J11C, J16Z	5p553.x	12	M03A, M03B, M03C, M38Z
	12	M03A, M03B, M03C, M38Z		10	K09A, K09B		Pre	A11A, A13A, A13B, A13D
	19	U01Z		11	L08A, L08B		BOP, KVT, UOP4	
5p530	21A	W04A, W04B	5p545	12	M03A, M03B, M03C, M38Z	5p553.x	06	G01Z, G02Z, G38Z
	21B	X06A, X06B, X06C		06	G01Z, G02Z, G38Z		11	L08A, L08B
	22	Y01Z, Y03A, Y03B		11	L08A, L08B		12	M03A, M03B, M03C, M38Z
5p530	06	G01Z, G02Z, G38Z	5p546	12	M03A, M03B, M03C, M38Z	5p553.x	Pre	A11A, A13A, A13B, A13D
	11	L08A, L08B		06	G01Z, G02Z, G38Z		11	L08A, L08B
	12	M03A, M03B, M03C, M38Z		11	L08A, L08B		12	M03A, M03B, M03C, M38Z
5p530	Pre	A11A, A13A, A13B, A13D	5p547	12	M03A, M03B, M03C, M38Z	5p553.x	Pre	A11A, A13A, A13B, A13D
				06	G01Z, G02Z, G38Z			
				11	L08A, L08B			

ZZV	MDC	DRG	ZZV	MDC	DRG	ZZV	MDC	DRG
5p554		BOP, KVT, UOP4	5p598		BOP, KVT, UOP4	5q003		BOP, KVT, UOP4
	06	G01Z, G02Z, G38Z		11	L09A, L09B, L09C, L09D, L38Z		13	N01A, N01B, N01C, N01D, N01E, N02A, N02B, N02C, N03A, N03B, N07Z, N25Z, N38Z
	11	L08A, L08B		12	M03A, M03B, M03C, M38Z			BOP, KVT, UOP4
	12	M03A, M03B, M03C, M38Z	5p599		BOP, KVT, UOP4	5q010.0↔		BOP, KVT, UOP4
5p555	Pre	A11A, A13A, A13B, A13D		09	J03A, J03B, J04A, J04B, J08A, J08B, J08C, J11A, J11B, J16Z		13	N01A, N01B, N01C, N01D, N01E, N02A, N02B, N02C, N03A, N03B, N07Z, N25Z, N38Z
	06	G01Z, G02Z, G38Z		12	M03A, M03B, M03C, M38Z	5q010.4↔		BOP, KVT, UOP4
	11	L08A, L08B		21A	W04A, W04B		13	N01A, N01B, N01C, N01D, N01E, N02A, N02B, N02C, N03A, N03B, N07Z, N25Z, N38Z
	12	M03A, M03B, M03C, M38Z		21B	X06A, X06B, X06C			BOP, KVT, UOP4
5p556	Pre	A11A, A13A, A13B, A13D		22	Y01Z, Y03A, Y03B		13	N01A, N01B, N01C, N01D, N01E, N02A, N02B, N02C, N03A, N03B, N07Z, N25Z, N38Z
	06	G01Z, G02Z, G38Z	5p59x		BOP, KVT, UOP4	5q010.8↔		BOP, KVT, UOP4
	11	L08A, L08B		12	M03A, M03B, M03C, M38Z		13	N01A, N01B, N01C, N01D, N01E, N02A, N02B, N02C, N03A, N03B, N07Z, N25Z, N38Z
	12	M03A, M03B, M03C, M38Z	5p5a0		BOP, KVT, UOP4	5q010.8↔		BOP, KVT, UOP4
5p55x	Pre	A11A, A13A, A13B, A13D		10	K09A, K09B		13	N01A, N01B, N01C, N01D, N01E, N02A, N02B, N02C, N03A, N03B, N07Z, N25Z, N38Z
	06	G01Z, G02Z, G38Z		13	N11A			BOP, KVT, UOP4
	11	L08A, L08B	5p5a1		U01Z	5q011.0↔		BOP, KVT, UOP4
	12	M03A, M03B, M03C, M38Z		10	K09A, K09B		10	K09A, K09B
5p590	Pre	A11A, A13A, A13B, A13D		12	M03A, M03B, M03C, M38Z		13	N01A, N01B, N01C, N01D, N01E, N02A, N02B, N02C, N03A, N03B, N05A, N05B, N38Z
		BOP, KVT, UOP4	5q001.0↔		U01Z			BOP, KVT, UOP4
	12	M03A, M03B, M03C, M38Z		13	BOP, KVT, UOP4	5q011.4↔		BOP, KVT, UOP4
5p591	21B	X06A, X06B, X06C		13	N01A, N01B, N01C, N01D, N01E, N02A, N02B, N02C, N03A, N03B, N07Z, N25Z, N38Z		10	K09A, K09B
		BOP, KVT, UOP4	5q001.1↔		BOP, KVT, UOP4		13	N01A, N01B, N01C, N01D, N01E, N02A, N02B, N02C, N03A, N03B, N05A, N05B, N38Z
5p592	12	M03A, M03B, M03C, M38Z		13	N01A, N01B, N01C, N01D, N01E, N02A, N02B, N02C, N03A, N03B, N07Z, N25Z, N38Z	5q011.8↔		BOP, KVT, UOP4
	05	F01A, F01B, F01D, F05Z, F07A, F07B, F14A, F14B, F28A, F42Z, F54Z, F59A, F59B	5q001.2		BOP, KVT, UOP4		10	K09A, K09B
	12	M03A, M03B, M03C, M38Z		13	N01A, N01B, N01C, N01D, N01E, N02A, N02B, N02C, N03A, N03B, N07Z, N25Z, N38Z		13	N01A, N01B, N01C, N01D, N01E, N02A, N02B, N02C, N03A, N03B, N05A, N05B, N38Z
5p593	BOP, KVT, UOP4		5q001.4↔		BOP, KVT, UOP4	5q012.0		BOP, KVT, UOP4
	05	F01A, F01B, F01D, F05Z, F07A, F07B, F14A, F14B, F28A, F42Z, F54Z, F59A, F59B		13	N01A, N01B, N01C, N01D, N01E, N02A, N02B, N02C, N03A, N03B, N07Z, N25Z, N38Z		09	J03A, J03B, J04A, J04B, J08A, J08B, J08C, J11A, J11B, J16Z
	12	M03A, M03B, M03C, M38Z	5q001.8↔		BOP, KVT, UOP4		10	K09A, K09B
5p594	BOP, KVT, UOP4			13	N01A, N01B, N01C, N01D, N01E, N02A, N02B, N02C, N03A, N03B, N07Z, N25Z, N38Z		13	N01A, N01B, N01C, N01D, N01E, N02A, N02B, N02C, N03A, N03B, N05A, N05B, N38Z
5p595.1	12	M03A, M03B, M03C, M38Z	5q002.0		BOP, KVT, UOP4	5q012.1↔		O04A
	BOP, KVT, UOP4			13	N01A, N01B, N01C, N01D, N01E, N02A, N02B, N02C, N03A, N03B, N07Z, N25Z, N38Z		09	J03A, J03B, J04A, J04B, J08A, J08B, J08C, J11A, J11B, J16Z
5p595.2	11	L09A, L09B, L09C, L09D, L38Z	5q002.1		BOP, KVT, UOP4		10	K09A, K09B
	12	M03A, M03B, M03C, M38Z		13	N01A, N01B, N01C, N01D, N01E, N02A, N02B, N02C, N03A, N03B, N07Z, N25Z, N38Z		13	N01A, N01B, N01C, N01D, N01E, N02A, N02B, N02C, N03A, N03B, N05A, N05B, N38Z
5p595.x	11	L09A, L09B, L09C, L09D, L38Z	5q002.4		BOP, KVT, UOP4	5q012.4↔		O04A
	12	M03A, M03B, M03C, M38Z		13	N01A, N01B, N01C, N01D, N01E, N02A, N02B, N02C, N03A, N03B, N07Z, N25Z, N38Z		09	J03A, J03B, J04A, J04B, J08A, J08B, J08C, J11A, J11B, J16Z
5p596	BOP, KVT, UOP4		5q002.8		BOP, KVT, UOP4		10	K09A, K09B
	11	L09A, L09B, L09C, L09D, L38Z		13	N01A, N01B, N01C, N01D, N01E, N02A, N02B, N02C, N03A, N03B, N07Z, N25Z, N38Z		13	N01A, N01B, N01C, N01D, N01E, N02A, N02B, N02C, N03A, N03B, N05A, N05B, N38Z
5p597.1	12	M03A, M03B, M03C, M38Z					14	O04A
	BOP, KVT, UOP4							
5p597.2	11	L09A, L09B, L09C, L09D, L38Z						
	12	M03A, M03B, M03C, M38Z						
5p597.x	11	L09A, L09B, L09C, L09D, L38Z						
	12	M03A, M03B, M03C, M38Z						
	11	L09A, L09B, L09C, L09D, L38Z						
	12	M03A, M03B, M03C, M38Z						

ZZV	MDC	DRG	ZZV	MDC	DRG	ZZV	MDC	DRG
5q012.7↔		BOP, KVT, UOP4	5q030.4↔		BOP, KVT, UOP4	5q042.4↔		BOP, KVT, UOP4
	09	J03A, J03B, J04A, J04B, J08A, J08B, J08C, J11A, J11B, J16Z		09	J03A, J03B, J04A, J04B, J08A, J08B, J08C, J11A, J11B, J16Z		13	N01A, N01B, N01C, N01D, N01E, N02A, N02B, N02C, N03A, N03B, N07Z, N25Z, N38Z
	10	K09A, K09B		13	N01A, N01B, N01C, N01D, N01E, N02A, N02B, N02C, N03A, N03B, N05A, N05B, N38Z		21A	W04A, W04B
	13	N01A, N01B, N01C, N01D, N01E, N02A, N02B, N02C, N03A, N03B, N05A, N05B, N38Z		14	962Z, O03Z	5q043.0↔	21B	X06A, X06B, X06C
	14	O04A	5q030.8↔		BOP, KVT, UOP4			BOP, KVT, UOP4
5q013.0↔		BOP, KVT, UOP4		09	J03A, J03B, J04A, J04B, J08A, J08B, J08C, J11A, J11B, J16Z		13	N01A, N01B, N01C, N01D, N01E, N02A, N02B, N02C, N03A, N03B, N07Z, N25Z, N38Z
	09	J03A, J03B, J04A, J04B, J08A, J08B, J08C, J11A, J11B, J16Z		13	N01A, N01B, N01C, N01D, N01E, N02A, N02B, N02C, N03A, N03B, N05A, N05B, N38Z		21A	W04A, W04B
	10	K09A, K09B		14	962Z, O03Z	5q043.4↔	21B	X06A, X06B, X06C
	13	N01A, N01B, N01C, N01D, N01E, N02A, N02B, N02C, N03A, N03B, N05A, N05B, N38Z			BOP, KVT, UOP4			BOP, KVT, UOP4
	14	O04A	5q031.0↔		BOP, KVT, UOP4		13	N01A, N01B, N01C, N01D, N01E, N02A, N02B, N02C, N03A, N03B, N07Z, N25Z, N38Z
5q013.4↔		BOP, KVT, UOP4		09	J03A, J03B, J04A, J04B, J08A, J08B, J08C, J11A, J11B, J16Z		21A	W04A, W04B
	09	J03A, J03B, J04A, J04B, J08A, J08B, J08C, J11A, J11B, J16Z		13	N01A, N01B, N01C, N01D, N01E, N02A, N02B, N02C, N03A, N03B, N05A, N05B, N38Z	5q043.8↔	21B	X06A, X06B, X06C
	10	K09A, K09B		14	962Z, O03Z			BOP, KVT, UOP4
	13	N01A, N01B, N01C, N01D, N01E, N02A, N02B, N02C, N03A, N03B, N05A, N05B, N38Z			BOP, KVT, UOP4		13	N01A, N01B, N01C, N01D, N01E, N02A, N02B, N02C, N03A, N03B, N07Z, N25Z, N38Z
	14	O04A	5q031.4↔		BOP, KVT, UOP4		21A	W04A, W04B
5q013.8↔		BOP, KVT, UOP4		09	J03A, J03B, J04A, J04B, J08A, J08B, J08C, J11A, J11B, J16Z	5q090.0↔	21B	X06A, X06B, X06C
	09	J03A, J03B, J04A, J04B, J08A, J08B, J08C, J11A, J11B, J16Z		13	N01A, N01B, N01C, N01D, N01E, N02A, N02B, N02C, N03A, N03B, N05A, N05B, N38Z			BOP, KVT, UOP4
	10	K09A, K09B		14	962Z, O03Z		13	N01A, N01B, N01C, N01D, N01E, N02A, N02B, N02C, N03A, N03B, N07Z, N25Z, N38Z
	13	N01A, N01B, N01C, N01D, N01E, N02A, N02B, N02C, N03A, N03B, N05A, N05B, N38Z			BOP, KVT, UOP4	5q090.1↔		BOP, KVT, UOP4
	14	O04A	5q031.5↔		BOP, KVT, UOP4		13	N01A, N01B, N01C, N01D, N01E, N02A, N02B, N02C, N03A, N03B, N07Z, N25Z, N38Z
5q014.0↔		BOP, KVT, UOP4		09	J03A, J03B, J04A, J04B, J08A, J08B, J08C, J11A, J11B, J16Z	5q090.4↔		BOP, KVT, UOP4
	09	J03A, J03B, J04A, J04B, J08A, J08B, J08C, J11A, J11B, J16Z		13	N01A, N01B, N01C, N01D, N01E, N02A, N02B, N02C, N03A, N03B, N05A, N05B, N38Z		13	N01A, N01B, N01C, N01D, N01E, N02A, N02B, N02C, N03A, N03B, N07Z, N25Z, N38Z
	10	K09A, K09B		14	962Z, O03Z			BOP, KVT, UOP4
	13	N01A, N01B, N01C, N01D, N01E, N02A, N02B, N02C, N03A, N03B, N04Z, N14Z, N21Z, N38Z	5q031.7↔		BOP, KVT, UOP4	5q090.8↔	13	N01A, N01B, N01C, N01D, N01E, N02A, N02B, N02C, N03A, N03B, N07Z, N25Z, N38Z
	14	962Z, O02A, O02B, O04A		09	J03A, J03B, J04A, J04B, J08A, J08B, J08C, J11A, J11B, J16Z			BOP, KVT, UOP4
	19	U01Z		13	N01A, N01B, N01C, N01D, N01E, N02A, N02B, N02C, N03A, N03B, N05A, N05B, N38Z	5q101.0↔		BOP, KVT, UOP4
5q014.4↔		BOP, KVT, UOP4		14	962Z, O03Z		13	N01A, N01B, N01C, N01D, N01E, N02A, N02B, N02C, N03A, N03B, N07Z, N25Z, N38Z
	13	N01A, N01B, N01C, N01D, N01E, N02A, N02B, N02C, N03A, N03B, N04Z, N14Z, N21Z, N38Z			BOP, KVT, UOP4			BOP, KVT, UOP4
	14	962Z, O02A, O02B, O04A	5q031.8↔		BOP, KVT, UOP4	5q101.4↔		BOP, KVT, UOP4
	19	U01Z		09	J03A, J03B, J04A, J04B, J08A, J08B, J08C, J11A, J11B, J16Z		13	N01A, N01B, N01C, N01D, N01E, N02A, N02B, N02C, N03A, N03B, N07Z, N25Z, N38Z
5q014.8↔		BOP, KVT, UOP4		13	N01A, N01B, N01C, N01D, N01E, N02A, N02B, N02C, N03A, N03B, N05A, N05B, N38Z		14	O02A, O02B, O03Z, O04A
	13	N01A, N01B, N01C, N01D, N01E, N02A, N02B, N02C, N03A, N03B, N04Z, N14Z, N21Z, N38Z			BOP, KVT, UOP4			BOP, KVT, UOP4
	14	962Z, O02A, O02B, O04A		13	N01A, N01B, N01C, N01D, N01E, N02A, N02B, N02C, N03A, N03B, N05A, N05B, N38Z	5q101.8↔		BOP, KVT, UOP4
	19	U01Z		14	962Z, O03Z		13	N01A, N01B, N01C, N01D, N01E, N02A, N02B, N02C, N03A, N03B, N07Z, N25Z, N38Z
5q030.0↔		BOP, KVT, UOP4	5q042.0↔		BOP, KVT, UOP4		14	O02A, O02B, O03Z, O04A
	09	J03A, J03B, J04A, J04B, J08A, J08B, J08C, J11A, J11B, J16Z		13	N01A, N01B, N01C, N01D, N01E, N02A, N02B, N02C, N03A, N03B, N07Z, N25Z, N38Z	5q110.0		BOP, KVT, UOP4
	13	N01A, N01B, N01C, N01D, N01E, N02A, N02B, N02C, N03A, N03B, N05A, N05B, N38Z		21A	W04A, W04B		13	N10Z
	14	962Z, O03Z		21B	X06A, X06B, X06C		14	O02A, O02B, O40Z

VYK

ZZV	MDC	DRG	ZZV	MDC	DRG	ZZV	MDC	DRG
5q110.3		BOP, KVT, UOP4	5q132.4		BOP, KVT, UOP4	5q221.7		BOP, KVT, UOP4
	13	N10Z, N11A, N11B		13	N01A, N01B, N01C, N01D, N01E, N02A, N02B, N02C, N03A, N03B, N05A, N05B, N38Z		09	J03A, J03B, J04A, J04B, J08A, J08B, J08C, J11A, J11B, J16Z
5q110.4		BOP, KVT, UOP4					13	N01A, N01B, N01C, N01D, N01E, N02A, N02B, N02C, N03A, N03B, N09A, N09B, N38Z
	13	N10Z, N11A, N11B	5q132.8		BOP, KVT, UOP4		14	962Z, O02A, O02B
	14	O02A, O02B, O40Z		13	N01A, N01B, N01C, N01D, N01E, N02A, N02B, N02C, N03A, N03B, N05A, N05B, N38Z	21B	X06A, X06B, X06C	
5q110.7		BOP, KVT, UOP4				5q223		BOP, KVT, UOP4
	13	N10Z, N11A, N11B	5q133↔		BOP, KVT, UOP4		13	N13A, N13B
	14	O02A, O02B, O40Z		13	N01A, N01B, N01C, N01D, N01E, N02A, N02B, N02C, N03A, N03B, N07Z, N25Z, N38Z	5q230		BOP, KVT, UOP4
5q120.0↔		BOP, KVT, UOP4					13	N13A, N13B
	13	N01A, N01B, N01C, N01D, N01E, N02A, N02B, N02C, N03A, N03B, N07Z, N25Z, N38Z		21A	W04A, W04B		14	962Z, O02A, O02B, O05A
	14	O02A, O02B		21B	X06A, X06B, X06C		21A	W04A, W04B
5q120.4↔		BOP, KVT, UOP4	5q140↔		BOP, KVT, UOP4		21B	X06A, X06B, X06C
	13	N01A, N01B, N01C, N01D, N01E, N02A, N02B, N02C, N03A, N03B, N07Z, N25Z, N38Z		13	N10Z	5q231.0		BOP, KVT, UOP4
	14	O02A, O02B	5q141↔		BOP, KVT, UOP4		13	N13A, N13B
				13	N10Z		14	962Z, O02A, O02B, O05A
5q120.8↔		BOP, KVT, UOP4	5q142↔		BOP, KVT, UOP4		21A	W04A, W04B
	13	N01A, N01B, N01C, N01D, N01E, N02A, N02B, N02C, N03A, N03B, N07Z, N25Z, N38Z		13	N10Z		21B	X06A, X06B, X06C
	14	O02A, O02B	5q210		BOP, KVT, UOP4	5q231.4		BOP, KVT, UOP4
				13	N09A, N09B		13	N13A, N13B
5q130.0↔		BOP, KVT, UOP4	5q211		BOP, KVT, UOP4		14	962Z, O02A, O02B, O05A
	13	N01A, N01B, N01C, N01D, N01E, N02A, N02B, N02C, N03A, N03B, N07Z, N25Z, N38Z		13	N09A, N09B		21A	W04A, W04B
	14	O02A, O02B	5q212		BOP, KVT, UOP4		21B	X06A, X06B, X06C
				13	N09A, N09B	5q291		BOP, KVT, UOP4
5q130.4↔		BOP, KVT, UOP4	5q213		BOP, KVT, UOP4		13	N13A, N13B
	13	N01A, N01B, N01C, N01D, N01E, N02A, N02B, N02C, N03A, N03B, N07Z, N25Z, N38Z		13	N09A, N09B		14	962Z, O02A, O02B
	14	962Z, O03Z	5q220		BOP, KVT, UOP4		21A	W04A, W04B
				09	J03A, J03B, J04A, J04B, J08A, J08B, J08C, J11A, J11B, J16Z		21B	X06A, X06B, X06C
5q130.8↔		BOP, KVT, UOP4				5q293		BOP, KVT, UOP4
	13	N01A, N01B, N01C, N01D, N01E, N02A, N02B, N02C, N03A, N03B, N07Z, N25Z, N38Z	5q221.0		J03A, J03B, J04A, J04B, J08A, J08B, J08C, J11A, J11B, J16Z		12	M06Z, M09A, M09B, M11Z, M38Z
	14	962Z, O03Z		13	N09A, N09B			BOP, KVT, UOP4
				14	962Z, O02A, O02B	5q401.0		N21Z, N23Z
5q131.0↔		BOP, KVT, UOP4		21B	X06A, X06B, X06C		13	962Z, O02A, O02B, O04A
	13	N01A, N01B, N01C, N01D, N01E, N02A, N02B, N02C, N03A, N03B, N05A, N05B, N38Z	5q221.1		BOP, KVT, UOP4		14	962Z, O02A, O02B, O04A
	14	962Z, O03Z		09	J03A, J03B, J04A, J04B, J08A, J08B, J08C, J11A, J11B, J16Z	5q401.1		BOP, KVT, UOP4
							13	N21Z, N23Z
5q131.4↔		BOP, KVT, UOP4					14	962Z, O02A, O02B, O04A
	13	N01A, N01B, N01C, N01D, N01E, N02A, N02B, N02C, N03A, N03B, N05A, N05B, N38Z		13	N01A, N01B, N01C, N01D, N01E, N02A, N02B, N02C, N03A, N03B, N09A, N09B, N38Z	5q401.2		BOP, KVT, UOP4
	21A	W04A, W04B		14	962Z, O02A, O02B		13	N21Z, N23Z
	21B	X06A, X06B, X06C	5q221.4		BOP, KVT, UOP4		14	962Z, O02A, O02B, O04A
				21B	X06A, X06B, X06C	5q401.7		BOP, KVT, UOP4
5q131.8↔		BOP, KVT, UOP4					13	N23Z
	13	N01A, N01B, N01C, N01D, N01E, N02A, N02B, N02C, N03A, N03B, N05A, N05B, N38Z		13	N01A, N01B, N01C, N01D, N01E, N02A, N02B, N02C, N03A, N03B, N09A, N09B, N38Z		14	962Z, O02A, O02B, O04A
	21A	W04A, W04B		14	962Z, O02A, O02B	5q401.8		BOP, KVT, UOP4
	21B	X06A, X06B, X06C		21B	X06A, X06B, X06C		13	N21Z, N23Z
5q132.0		BOP, KVT, UOP4					14	962Z, O02A, O02B, O04A
	13	N01A, N01B, N01C, N01D, N01E, N02A, N02B, N02C, N03A, N03B, N05A, N05B, N38Z		09	J03A, J03B, J04A, J04B, J08A, J08B, J08C, J11A, J11B, J16Z	5q402.2		BOP, KVT, UOP4
				13	N01A, N01B, N01C, N01D, N01E, N02A, N02B, N02C, N03A, N03B, N09A, N09B, N38Z		13	N01A, N01B, N01C, N01D, N01E, N02A, N02B, N02C, N03A, N03B, N07Z, N25Z, N38Z
	21A	W04A, W04B		14	962Z, O02A, O02B		14	962Z, O02A, O02B
	21B	X06A, X06B, X06C		21B	X06A, X06B, X06C	5q402.7		BOP, KVT, UOP4
							13	N01A, N01B, N01C, N01D, N01E, N02A, N02B, N02C, N03A, N03B, N07Z, N25Z, N38Z
							14	962Z, O02A, O02B

ZZV	MDC	DRG	ZZV	MDC	DRG	ZZV	MDC	DRG
5q403		BOP, KVT, UOP4	5q426.18		BOP, KVT, UOP4	5q427.17		BOP, KVT, UOP4
	13	N01A, N01B, N01C, N01D, N01E, N02A, N02B, N02C, N03A, N03B, N07Z, N25Z, N38Z		13	N01A, N01B, N01C, N01D, N01E, N02A, N02B, N02C, N03A, N03B, N04Z, N14Z, N21Z, N38Z		13	N01A, N01B, N01C, N01D, N01E, N02A, N02B, N02C, N03A, N03B, N04Z, N14Z, N21Z, N38Z
	14	962Z, O02A, O02B		14	962Z, O02A, O02B		14	962Z, O02A, O02B, O04A
5q404.0		BOP, KVT, UOP4	5q426.20		BOP, KVT, UOP4	5q427.18		BOP, KVT, UOP4
	13	N01A, N01B, N01C, N01D, N01E, N02A, N02B, N02C, N03A, N03B, N07Z, N25Z, N38Z		13	N01A, N01B, N01C, N01D, N01E, N02A, N02B, N02C, N03A, N03B, N04Z, N14Z, N21Z, N38Z		13	N01A, N01B, N01C, N01D, N01E, N02A, N02B, N02C, N03A, N03B, N04Z, N14Z, N21Z, N38Z
	14	962Z, O02A, O02B		14	962Z, O02A, O02B, O04A		14	962Z, O02A, O02B, O04A
5q404.4		BOP, KVT, UOP4	5q426.24		BOP, KVT, UOP4	5q427.21		BOP, KVT, UOP4
	13	N01A, N01B, N01C, N01D, N01E, N02A, N02B, N02C, N03A, N03B, N07Z, N25Z, N38Z		13	N01A, N01B, N01C, N01D, N01E, N02A, N02B, N02C, N03A, N03B, N04Z, N14Z, N21Z, N38Z		11	L06A, L06B
	14	962Z, O02A, O02B		14	962Z, O02A, O02B, O04A		13	N06Z, N14Z
							14	O04A
5q404.8		BOP, KVT, UOP4	5q426.28		BOP, KVT, UOP4	5q427.22		BOP, KVT, UOP4
	13	N01A, N01B, N01C, N01D, N01E, N02A, N02B, N02C, N03A, N03B, N07Z, N25Z, N38Z		13	N01A, N01B, N01C, N01D, N01E, N02A, N02B, N02C, N03A, N03B, N04Z, N14Z, N21Z, N38Z		11	L06A, L06B
	14	962Z, O02A, O02B		14	962Z, O02A, O02B, O04A		13	N06Z, N14Z
5q405.0		BOP, KVT, UOP4	5q426.30		BOP, KVT, UOP4	5q428.00		BOP, KVT, UOP4
	13	N09A, N09B		13	N01A, N01B, N01C, N01D, N01E, N02A, N02B, N02C, N03A, N03B, N04Z, N14Z, N21Z, N38Z		13	N01A, N01B, N01C, N01D, N01E, N02A, N02B, N02C, N03A, N03B, N04Z, N14Z, N21Z, N38Z
5q405.4		BOP, KVT, UOP4					14	962Z, O02A, O02B, O04A
	13	N09A, N09B		13	N01A, N01B, N01C, N01D, N01E, N02A, N02B, N02C, N03A, N03B, N04Z, N14Z, N21Z, N38Z		19	U01Z
5q405.8		BOP, KVT, UOP4				5q428.04		BOP, KVT, UOP4
	13	N09A, N09B		14	962Z, O02A, O02B		13	N01A, N01B, N01C, N01D, N01E, N02A, N02B, N02C, N03A, N03B, N04Z, N14Z, N21Z, N38Z
5q410.0		BOP, KVT, UOP4	5q426.31		BOP, KVT, UOP4		14	962Z, O02A, O02B, O04A
	13	N01A, N01B, N01C, N01D, N01E, N02A, N02B, N02C, N03A, N03B, N04Z, N14Z, N21Z, N38Z		13	N01A, N01B, N01C, N01D, N01E, N02A, N02B, N02C, N03A, N03B, N04Z, N14Z, N21Z, N38Z		19	U01Z
	14	962Z, O02A, O02B		14	962Z, O02A, O02B		5q428.07	BOP, KVT, UOP4
5q410.4		BOP, KVT, UOP4	5q426.34		BOP, KVT, UOP4		13	N01A, N01B, N01C, N01D, N01E, N02A, N02B, N02C, N03A, N03B, N04Z, N14Z, N21Z, N38Z
	13	N01A, N01B, N01C, N01D, N01E, N02A, N02B, N02C, N03A, N03B, N04Z, N14Z, N21Z, N38Z		13	N01A, N01B, N01C, N01D, N01E, N02A, N02B, N02C, N03A, N03B, N04Z, N14Z, N21Z, N38Z		14	962Z, O02A, O02B, O04A
	14	962Z, O02A, O02B		14	962Z, O02A, O02B		19	U01Z
5q410.7		BOP, KVT, UOP4	5q426.37		BOP, KVT, UOP4	5q428.08		BOP, KVT, UOP4
	13	N01A, N01B, N01C, N01D, N01E, N02A, N02B, N02C, N03A, N03B, N04Z, N14Z, N21Z, N38Z		13	N01A, N01B, N01C, N01D, N01E, N02A, N02B, N02C, N03A, N03B, N04Z, N14Z, N21Z, N38Z		13	N01A, N01B, N01C, N01D, N01E, N02A, N02B, N02C, N03A, N03B, N04Z, N14Z, N21Z, N38Z
	14	962Z, O02A, O02B		14	962Z, O02A, O02B		14	962Z, O02A, O02B, O04A
5q420		BOP, KVT, UOP4	5q426.38		BOP, KVT, UOP4	5q428.10		BOP, KVT, UOP4
	13	N01A, N01B, N01C, N01D, N01E, N02A, N02B, N02C, N03A, N03B, N04Z, N14Z, N21Z, N38Z		13	N01A, N01B, N01C, N01D, N01E, N02A, N02B, N02C, N03A, N03B, N04Z, N14Z, N21Z, N38Z		13	N01A, N01B, N01C, N01D, N01E, N02A, N02B, N02C, N03A, N03B, N04Z, N14Z, N21Z, N38Z
	14	962Z, O02A, O02B		14	962Z, O02A, O02B		14	962Z, O02A, O02B, O04A
5q426.10		BOP, KVT, UOP4	5q427.10		BOP, KVT, UOP4		19	U01Z
	13	N01A, N01B, N01C, N01D, N01E, N02A, N02B, N02C, N03A, N03B, N04Z, N14Z, N21Z, N38Z		13	N01A, N01B, N01C, N01D, N01E, N02A, N02B, N02C, N03A, N03B, N04Z, N14Z, N21Z, N38Z		5q428.20	BOP, KVT, MVV, UOP4
	14	962Z, O02A, O02B		14	962Z, O02A, O02B, O04A		13	N01A, N01B, N01C, N01D, N01E, N38Z
5q426.14		BOP, KVT, UOP4	5q427.11		BOP, KVT, UOP4	5q428.24		BOP, KVT, MVV, UOP4
	13	N01A, N01B, N01C, N01D, N01E, N02A, N02B, N02C, N03A, N03B, N04Z, N14Z, N21Z, N38Z		13	N01A, N01B, N01C, N01D, N01E, N02A, N02B, N02C, N03A, N03B, N04Z, N14Z, N21Z, N38Z		13	N01A, N01B, N01C, N01D, N01E, N38Z
	14	962Z, O02A, O02B		14	962Z, O02A, O02B, O04A		14	962Z, O02A, O02B
						5q428.27		BOP, KVT, MVV, UOP4
							13	N01A, N01B, N01C, N01D, N01E, N38Z
							14	962Z, O02A, O02B
						5q428.28		BOP, KVT, MVV, UOP4
							13	N01A, N01B, N01C, N01D, N01E, N38Z
							14	962Z, O02A, O02B

VYK

ZZV	MDC	DRG	ZZV	MDC	DRG	ZZV	MDC	DRG
5q428.30		BOP, KVT, MVV, UOP4	5q596		BOP, KVT, UOP4	5q634.0		BOP, KVT, UOP4
	13	N01A, N01B, N01C, N01D, N01E, N38Z		05	F21A, F21B		06	G18A, G38Z
	14	962Z, O02A, O02B		06	G10Z, G12A, G12B		13	N04Z, N06Z
5q428.34		BOP, KVT, MVV, UOP4		07	H12A, H12B		19	U01Z
	13	N01A, N01B, N01C, N01D, N01E, N38Z		11	L09A, L09B, L09C, L09D, L38Z	5q634.7		BOP, KVT, UOP4
	14	962Z, O02A, O02B		13	N11A, N11B		06	G18A, G38Z
5q428.37		BOP, KVT, MVV, UOP4		14	O04A		13	N04Z, N06Z
	13	N01A, N01B, N01C, N01D, N01E, N38Z		17	R01A, R01B, R01C, R01D, R02Z, R12A, R12B, R12C	5q640		BOP, KVT, UOP4
	14	962Z, O02A, O02B		21A	W04A, W04B		11	L06A, L06B
5q428.38		BOP, KVT, MVV, UOP4		21B	X06A, X06B, X06C		13	N06Z, N14Z
	13	N01A, N01B, N01C, N01D, N01E, N38Z	5q597.0	22	Y01Z, Y03A, Y03B	5q641		BOP, KVT, UOP4
	14	962Z, O02A, O02B			BOP, KVT, UOP4		11	L06A, L06B
5q501	13	N10Z		11	L06A, L06B		13	N06Z, N14Z
	14	962Z, O02A, O02B, O40Z	5q597.4	13	N06Z, N14Z	5q642		BOP, KVT, UOP4
5q502	13	N10Z		11	L06A, L06B		11	L06A, L06B
	14	962Z, O02A, O02B, O40Z		13	N06Z, N14Z		13	N04Z, N06Z, N14Z
5q520		BOP, KVT, UOP4	5q597.7		BOP, KVT, UOP4	5q650.4		BOP, KVT, UOP4
	06	G10Z, G12A, G12B		11	L06A, L06B		13	N03A, N04Z, N06Z, N38Z
	10	K09A, K09B		13	N06Z, N14Z		19	U01Z
	13	N11A, N11B	5q597.8		BOP, KVT, UOP4		21A	W04A, W04B
	17	R01A, R01B, R01C, R01D, R02Z, R12A, R12B, R12C		11	L06A, L06B	5q650.7		BOP, KVT, UOP4
5q530.0		BOP, KVT, UOP4	5q598†	13	N06Z, N14Z		13	N03A, N04Z, N06Z, N38Z
	13	N04Z, N06Z	5q610		BOP, UOP4		19	U01Z
	14	962Z, O02A, O02B		13	N09A, N09B		21A	W04A, W04B
	21A	W04A, W04B	5q620.1	14	962Z, O02A, O02B	5q651		BOP, KVT, UOP4
	21B	X06A, X06B, X06C			BOP, UOP4		13	N09A, N09B
5q530.3		BOP, KVT, UOP4		09	J03A, J03B, J04A, J04B, J08A, J08B, J08C, J11A, J11B, J11C, J16Z	5q652		BOP, KVT, UOP4
	13	N01A, N01B, N01C, N01D, N01E, N02A, N02B, N02C, N03A, N03B, N07Z, N25Z, N38Z		13	N09A, N09B		13	N04Z, N06Z
	14	962Z, O02A, O02B	5q620.2	14	962Z, O60A, O60B, O60C, O60D		19	U01Z
	21A	W04A, W04B			BOP, UOP4	5q653		BOP, KVT, UOP4
	21B	X06A, X06B, X06C		09	J03A, J03B, J04A, J04B, J08A, J08B, J08C, J11A, J11B, J11C, J16Z		13	N04Z, N06Z
5q530.4		BOP, KVT, UOP4			BOP, UOP4		19	U01Z
	13	N04Z, N06Z		11	L09A, L09B, L09C, L09D, L38Z		21A	W04A, W04B
	14	962Z, O02A, O02B		13	N13A, N13B	5q654		BOP, KVT, UOP4
	21A	W04A, W04B		14	962Z, O02A, O02B		13	N04Z, N06Z
	21B	X06A, X06B, X06C		21A	W04A, W04B		19	U01Z
5q530.8		BOP, KVT, UOP4		21B	X06A, X06B, X06C		21A	W04A, W04B
	13	N04Z, N06Z	5q621		BOP, UOP4		21B	X06A, X06B, X06C
	14	962Z, O02A, O02B		09	J03A, J03B, J04A, J04B, J08A, J08B, J08C, J11A, J11B, J11C, J16Z	5q690		BOP, KVT, UOP4
	21A	W04A, W04B		13	N13A, N13B		11	L06A, L06B
	21B	X06A, X06B, X06C		14	962Z, O02A, O02B		12	M06Z, M09A, M09B, M38Z
5q593	13	N10Z		21B	X06A, X06B, X06C		13	N04Z, N06Z
	14	962Z, O02A, O02B, O40Z			BOP, KVT, UOP4		17	R01A, R01B, R01C, R01D, R02Z, R12A, R12B, R12C
5q594	13	N10Z	5q630	13	N04Z, N06Z		21A	W04A, W04B
	14	962Z, O02A, O02B, O40Z		21A	W04A, W04B		21B	X06A, X06B, X06C
5q595		BOP, KVT, UOP4		21B	X06A, X06B, X06C	5q691		BOP, KVT, UOP4
	13	N01A, N01B, N01C, N01D, N01E, N02A, N02B, N02C, N03A, N03B, N07Z, N25Z, N38Z	5q632	06	G18A, G38Z		09	J03A, J03B, J04A, J04B, J08A, J08B, J08C, J11A, J11B, J16Z
	14	962Z, O02A, O02B		13	N04Z, N06Z		10	K09A, K09B
				19	U01Z		13	N13A, N13B
			5q633.0		BOP, KVT, UOP4		14	962Z, O60A, O60B, O60C, O60D
				06	G18A, G38Z		21A	W04A, W04B
				13	N04Z, N06Z		21B	X06A, X06B, X06C
				19	U01Z			
			5q633.7		BOP, KVT, UOP4			
				06	G18A, G38Z			
				13	N04Z, N06Z			
				19	U01Z			

VYK



ZZV	MDC	DRG	ZZV	MDC	DRG	ZZV	MDC	DRG		
5q692		BOP, KVT, UOP4	5q731		BOP, UOP4	5r212‡	14	962Z		
	09	J03A, J03B, J04A, J04B, J08A, J08B, J08C, J11A, J11B, J16Z		10	K09A, K09B		5r213‡	14	962Z	
	10	K09A, K09B		13	N13A, N13B		5r214‡	14	962Z	
	13	N13A, N13B		5q732			BOP, UOP4	5r215‡	14	962Z
	14	962Z, O60A, O60B, O60C, O60D			10		K09A, K09B	5r216‡	14	962Z
5q693	21A	W04A, W04B	13	N13A, N13B	5r217‡	14	962Z			
	21B	X06A, X06B, X06C	19	U01Z	5r221‡	14	962Z			
		BOP, KVT, UOP4	5q740		BOP, KVT, UOP4	5r222‡	14	962Z		
	09	J03A, J03B, J04A, J04B, J08A, J08B, J08C, J11A, J11B, J16Z		13	N13A, N13B	5r223‡	14	962Z		
	10	K09A, K09B	5q741		BOP, KOP, KOPV, KVT, UOP4	5r224‡	14	962Z		
13	N13A, N13B	06		G33Z	5r231‡	14	962Z			
5q710	14	962Z, O60A, O60B, O60C, O60D	07	H33Z, H38Z	5r232‡	14	962Z			
	21A	W04A, W04B	11	L33Z	5r233‡	14	962Z			
	21B	X06A, X06B, X06C	13	N01A, N01B, N01C, N01D, N01E, N38Z	5r234‡	14	962Z			
		BOP, UOP4	21B	X33Z	5r311.1		BOP, KVT, UOP4			
	09	J03A, J03B, J04A, J04B, J08A, J08B, J08C, J11A, J11B, J16Z	23	Z01A		14	962Z, O01A, O01B, O01C, O01D, O01E, O01F, O01G, O01H			
5q711	13	N09A, N09B	Pre	A07A	5r311.2		BOP, KVT, UOP4			
	14	962Z, O02A, O02B	5q742			14	962Z, O01A, O01B, O01C, O01D, O01E, O01F			
	09	J03A, J03B, J04A, J04B, J08A, J08B, J08C, J11A, J11B, J16Z		09	J03A, J03B, J04A, J04B, J08A, J08B, J08C, J11A, J11B, J16Z	5r312.1		BOP, KVT, UOP4		
	13	N09A, N09B	10	K09A, K09B	14		962Z, O01A, O01B, O01C, O01D, O01E, O01F, O01G, O01H			
	14	962Z, O02A, O02B	13	N09A, N09B	5r312.2		BOP, KVT, UOP4			
09	J03A, J03B, J04A, J04B, J08A, J08B, J08C, J11A, J11B, J16Z	14	962Z, O60A, O60B, O60C, O60D	14		962Z, O01A, O01B, O01C, O01D, O01E, O01F				
5q712	13	N09A, N09B	21A	W04A, W04B	5r314		BOP, KVT, UOP4			
	14	962Z, O02A, O02B	21B	X06A, X06B, X06C		14	962Z, O01A, O01B, O01C, O01D, O01E, O01F, O01G, O01H			
	09	J03A, J03B, J04A, J04B, J08A, J08B, J08C, J11A, J11B, J16Z	5q743		5r315.1		BOP, KVT, UOP4			
	13	N09A, N09B		13		N09A, N09B	14	962Z, O01A, O01B, O01C, O01D, O01E, O01F, O01G, O01H		
	14	962Z, O02A, O02B	5q750		5r315.2		BOP, KVT, UOP4			
09	J03A, J03B, J04A, J04B, J08A, J08B, J08C, J11A, J11B, J16Z	21A		W04A, W04B		14	962Z, O01A, O01B, O01C, O01D, O01E, O01F, O01G, O01H			
5q720.1	13	N09A, N09B	21B	X06A, X06B, X06C	5r316.1		BOP, KVT, UOP4			
	14	962Z, O02A, O02B	5q751			5r316.2		BOP, KVT, UOP4		
	09	J03A, J03B, J04A, J04B, J08A, J08B, J08C, J11A, J11B, J11C, J16Z		13	N09A, N09B		14	962Z, O01A, O01B, O01C, O01D, O01E, O01F, O01G, O01H		
	13	N09A, N09B	5q752		5r317.1		BOP, KVT, UOP4			
	14	962Z, O60A, O60B, O60C, O60D		21A		W04A, W04B	14	962Z, O01A, O01B, O01C, O01D, O01E, O01F, O01G, O01H		
5q720.2		BOP, UOP4	21B	X06A, X06B, X06C	5r317.2		BOP, KVT, UOP4			
	09	J03A, J03B, J04A, J04B, J08A, J08B, J08C, J11A, J11B, J11C, J16Z	5q790			5r321.1		BOP, KVT, UOP4		
	11	L09A, L09B, L09C, L09D, L38Z		09	J03A, J03B, J04A, J04B, J08A, J08B, J08C, J11A, J11B, J16Z		14	962Z, O01A, O01B, O01C, O01D, O01E, O01F, O01G, O01H		
	13	N13A, N13B	10	K09A, K09B	5r321.2		BOP, KVT, UOP4			
	14	962Z, O02A, O02B	13	N09A, N09B		14	962Z, O01A, O01B, O01C, O01D, O01E, O01F, O01G, O01H			
5q721	21A	W04A, W04B	14	962Z, O60A, O60B, O60C, O60D	5r322.1		BOP, KVT, UOP4			
	21B	X06A, X06B, X06C	21A	W04A, W04B		14	962Z, O01A, O01B, O01C, O01D, O01E, O01F			
	09	J03A, J03B, J04A, J04B, J08A, J08B, J08C, J11A, J11B, J11C, J16Z	21B	X06A, X06B, X06C	5r322.2		BOP, KVT, UOP4			
	13	N09A, N09B	14	962Z		14	962Z, O01A, O01B, O01C, O01D, O01E, O01F, O01G, O01H, O02A			
	14	962Z, O60A, O60B, O60C, O60D	5r111‡	14	962Z	5r322.2		BOP, KVT, UOP4		
09	J03A, J03B, J04A, J04B, J08A, J08B, J08C, J11A, J11B, J11C, J16Z	5r112‡	14	962Z	14		962Z, O01A, O01B, O01C, O01D, O01E, O01F, O01G, O01H, O02A			
5q722	13	N09A, N09B	5r113‡	14	962Z	5r322.2		BOP, KVT, UOP4		
	21A	W04A, W04B	5r114‡	14	962Z		14	962Z, O01A, O01B, O01C, O01D, O01E, O01F, O01G, O01H, O02A		
	21B	X06A, X06B, X06C	5r11x‡	14	962Z	5r322.2		BOP, KVT, UOP4		
	10	K09A, K09B	5r121‡	14	962Z		14	962Z, O01A, O01B, O01C, O01D, O01E, O01F, O01G, O01H, O02A		
	13	N13A, N13B	5r122‡	14	962Z	5r322.2		BOP, KVT, UOP4		
	BOP, KVT, UOP4	5r12x‡	14	962Z	14		962Z, O01A, O01B, O01C, O01D, O01E, O01F, O01G, O01H, O02A			
5q730	13	N09A, N09B	5r131‡	14	962Z	5r322.2		BOP, KVT, UOP4		
	21A	W04A, W04B	5r132‡	14	962Z		14	962Z, O01A, O01B, O01C, O01D, O01E, O01F, O01G, O01H, O02A		
	21B	X06A, X06B, X06C	5r133‡	14	962Z	5r322.2		BOP, KVT, UOP4		
	10	K09A, K09B	5r13x‡	14	962Z		14	962Z, O01A, O01B, O01C, O01D, O01E, O01F, O01G, O01H, O02A		
	13	N13A, N13B	5r141‡	14	962Z	5r322.2		BOP, KVT, UOP4		
	BOP, UOP4	5r142‡	14	962Z	14		962Z, O01A, O01B, O01C, O01D, O01E, O01F, O01G, O01H, O02A			
	BOP, UOP4	5r14x‡	14	962Z	5r322.2		BOP, KVT, UOP4			
	BOP, UOP4	5r211‡	14	962Z		14	962Z, O01A, O01B, O01C, O01D, O01E, O01F, O01G, O01H, O02A			



ZZV	MDC	DRG	ZZV	MDC	DRG	ZZV	MDC	DRG	
5r411‡	14	962Z, O01A, O02A, O06Z, O60A	5s102.21		BOP, KVT, UOP4	5s210.1		BOP, KVT, UOP4	
5r412‡	14	962Z, O01A, O02A, O06Z, O60A		03	D04Z, D18Z, D28Z, D29Z		03	D18Z, D28Z, D29Z	
5r413		BOP, KVT, UOP4		08	I17Z		08	I17Z	
	14	962Z, O01A, O02A, O06Z, O60A		09	J08A, J08B, J08C		09	J08A, J08B	
5r414‡	14	962Z, O01A, O02A, O06Z, O60A	5s102.22		21A W04A, W04B		21A	W04A, W04B	
5r415‡	14	962Z, O01A, O02A, O06Z, O60A		21B	X06A, X06B, X06C	5s210.2		X06A, X06B, X06C	
5r416‡	14	962Z, O01A, O02A, O06Z, O60A			BOP, KVT, UOP4		03	D18Z, D28Z, D29Z	
5r417‡	14	962Z, O01A, O02A, O06Z, O60A		03	D04Z, D18Z, D28Z, D29Z		08	I17Z	
5r418‡	14	962Z, O01A, O02A, O06Z, O60A	5s102.x		08	I17Z		09	J08A, J08B
5r421‡	14	962Z		09	J08A, J08B, J08C		21A	W04A, W04B	
5r422‡	14	962Z		21A	W04A, W04B		21A	W04A, W04B	
5r423‡	14	962Z		21B	X06A, X06B, X06C	5s210.3		X06A, X06B, X06C	
5r491		BOP, KVT, UOP4	5s103.12		BOP, KVT, UOP4		03	D18Z, D28Z, D29Z	
	14	962Z, O01A, O02A, O06Z, O60A		03	D18Z, D28Z, D29Z		08	I17Z	
5r492		BOP, KVT, UOP4		08	I17Z		09	J08A, J08B, J08C	
	14	962Z, O01A, O02A, O06Z, O60A	5s103.31		21A W04A, W04B		21A	W04A, W04B	
5r493‡	14	962Z		21B	X06A, X06B, X06C	5s211.1		X06A, X06B, X06C	
5r912		BOP, KVT, UOP4			BOP, KVT, UOP4		03	D18Z, D28Z, D29Z	
	14	962Z, O02A, O02B		03	D04Z		08	I17Z	
5r913‡	14	962Z		08	I17Z		09	J08A, J08B, J08C	
5r914.1‡	14	962Z	5s103.32		21A W04A, W04B		21A	W04A, W04B	
5r914.2‡	14	962Z		21B	X06A, X06B, X06C	5s211.3		X06A, X06B, X06C	
5r914.3‡	14	962Z	5s105.2		BOP, KVT, UOP4		03	D18Z, D28Z, D29Z	
5r914.4‡	14	962Z		03	D04Z, D18Z, D28Z, D29Z		08	I17Z	
5r921‡	14	962Z		08	I17Z		09	J08A, J08B, J08C	
5r922‡	14	962Z		09	J08A, J08B		21A	W04A, W04B	
5r923‡	14	962Z		21A	W04A, W04B		21B	X06A, X06B, X06C	
5r924		BOP, KVT, UOP4		21B	X06A, X06B, X06C	5s212		BOP, KVT, UOP4	
	14	962Z, O02A, O02B, O40Z	5s105.3		BOP, KVT, UOP4		08	I23A, I23B	
5r925‡	14	962Z		03	D04Z, D18Z, D28Z, D29Z		09	J08A	
5r931		BOP, KVT, UOP4		08	I17Z	5s220.1		BOP, KVT, UOP4	
	14	962Z, O02A, O02B		09	J08A, J08B, J08C		03	D18Z, D28Z, D29Z	
5r932‡	14	962Z		21A	W04A, W04B		08	I17Z	
5r991		BOP, KVT, UOP4		21B	X06A, X06B, X06C		09	J08A, J08B	
	14	962Z, O40Z	5s105.4		BOP, KVT, UOP4		21A	W04A, W04B	
5s101.10		BOP, KVT, UOP4		01	B09A, B09B		21B	X06A, X06B, X06C	
	03	D04Z, D18Z, D28Z, D29Z		08	I15A, I15B	5s220.2		BOP, KVT, UOP4	
	08	I17Z		21A	W01A, W01B, W01C, W36Z		03	D18Z, D28Z, D29Z	
	09	J08A, J08B, J08C		21B	X06A, X06B, X06C		08	I17Z	
	21A	W04A, W04B	5s105.5		BOP, KVT, UOP4		09	J08A, J08B	
	21B	X06A, X06B, X06C		03	D18Z, D24A, D24B		21A	W04A, W04B	
5s101.11		BOP, KVT, UOP4		08	I17Z		21B	X06A, X06B, X06C	
	03	D04Z, D18Z, D28Z, D29Z		09	J08A, J08B, J08C	5s220.3		BOP, KVT, UOP4	
	08	I17Z		21A	W04A, W04B		03	D18Z, D28Z, D29Z	
	09	J08A, J08B, J08C	5s11f.3		21B	X06A, X06B, X06C		08	I17Z
	21A	W04A, W04B			BOP, KVT, UOP4		09	J08A, J08B	
	21B	X06A, X06B, X06C		03	D04Z, D18Z, D28Z, D29Z		21A	W04A, W04B	
5s102.1		BOP, KVT, UOP4		08	I17Z		21B	X06A, X06B, X06C	
	03	D04Z, D18Z, D28Z, D29Z		09	J08A, J08B	5s221.1		BOP, KVT, UOP4	
	08	I17Z		21A	W04A, W04B		03	D18Z, D28Z, D29Z	
	09	J08A, J08B, J08C		21B	X06A, X06B, X06C		08	I17Z	
	21A	W04A, W04B	5s11f.5		BOP, KVT, UOP4		09	J08A, J08B, J08C	
	21B	X06A, X06B, X06C		01	B09A, B09B		21A	W04A, W04B	
5s102.10		BOP, KVT, UOP4		03	D16Z		21B	X06A, X06B, X06C	
	03	D04Z, D18Z, D28Z, D29Z		08	I23A	5s221.2		BOP, KVT, UOP4	
	08	I17Z		21A	W04A, W04B		03	D18Z, D28Z, D29Z	
	09	J08A, J08B, J08C		21B	X06A, X06B, X06C		08	I17Z	
	21A	W04A, W04B					09	J08A, J08B, J08C	
	21B	X06A, X06B, X06C					21A	W04A, W04B	
							21B	X06A, X06B, X06C	

ZZV	MDC	DRG	ZZV	MDC	DRG	ZZV	MDC	DRG
5s221.3		BOP, KVT, UOP4	5s222.41		BOP, KVT, UOP4	5s222.x		BOP, KVT, UOP4
	03	D18Z, D28Z, D29Z		03	D04Z, D18Z, D28Z, D29Z		03	D18Z, D24A, D24B
	08	I17Z		08	I17Z		08	I17Z
	09	J08A, J08B, J08C		09	J08A, J08B, J08C		09	J08A, J08B, J08C
	21A	W04A, W04B		21A	W04A, W04B		21A	W04A, W04B
5s221.4	21B	X06A, X06B, X06C	5s222.50	21B	X06A, X06B, X06C	5s224	21B	X06A, X06B, X06C
		BOP, KVT, UOP4			BOP, KVT, UOP4			BOP, KVT, UOP4
	03	D04Z, D18Z, D28Z, D29Z		03	D04Z, D18Z, D28Z, D29Z		03	D18Z, D25A, D25B, D25C, D25D
	08	I17Z		08	I17Z		08	I17Z
	09	J08A, J08B, J08C		09	J08A, J08B, J08C		09	J03A, J03B, J04A, J04B, J08A, J08B, J08C, J11A, J11B, J16Z
5s221.4	21A	W04A, W04B	5s222.51	21A	W04A, W04B	5s225.0a↔	21A	W04A, W04B
	21B	X06A, X06B, X06C		21B	X06A, X06B, X06C		21B	X06A, X06B, X06C
		BOP, KVT, UOP4			BOP, KVT, UOP4			BOP, KVT, UOP4
	03	D04Z, D18Z, D28Z, D29Z		03	D04Z, D18Z, D28Z, D29Z		03	D18Z, D25A, D25B, D25C, D25D
	08	I17Z		08	I17Z		08	I17Z
5s222.00	09	J08A, J08B, J08C	5s222.60	09	J08A, J08B, J08C	5s225.0b↔	09	J03A, J03B, J04A, J04B, J08A, J08B, J08C, J11A, J11B, J16Z
	21A	W04A, W04B		21A	W04A, W04B		21A	W04A, W04B
	21B	X06A, X06B, X06C		21B	X06A, X06B, X06C		21B	X06A, X06B, X06C
		BOP, KVT, UOP4			BOP, KVT, UOP4			BOP, KVT, UOP4
	03	D04Z, D18Z, D28Z, D29Z		03	D18Z, D24A, D24B		03	D18Z, D25A, D25B, D25C, D25D
5s222.01	08	I17Z	5s222.61	08	I17Z	5s225.0c↔	08	I17Z
	09	J08A, J08B, J08C		09	J08A, J08B, J08C		09	J03A, J03B, J04A, J04B, J08A, J08B, J08C, J11A, J11B, J16Z
	21A	W04A, W04B		21A	W04A, W04B		21A	W04A, W04B
	21B	X06A, X06B, X06C		21B	X06A, X06B, X06C		21B	X06A, X06B, X06C
		BOP, KVT, UOP4			BOP, KVT, UOP4			BOP, KVT, UOP4
5s222.10↔	03	D04Z, D18Z, D28Z, D29Z	5s222.70	03	D18Z, D24A, D24B	5s225.0a↔	03	D18Z, D25A, D25B, D25C, D25D
	08	I17Z		08	I17Z		08	I17Z
	09	J08A, J08B, J08C		09	J08A, J08B, J08C		09	J03A, J03B, J04A, J04B, J08A, J08B, J08C, J11A, J11B, J16Z
	21A	W04A, W04B		21A	W04A, W04B		21A	W04A, W04B
	21B	X06A, X06B, X06C		21B	X06A, X06B, X06C		21B	X06A, X06B, X06C
5s222.11↔		BOP, KVT, UOP4	5s222.71		BOP, KVT, UOP4	5s225.0b↔		BOP, KVT, UOP4
	03	D04Z, D18Z, D28Z, D29Z		03	D18Z, D24A, D24B		03	D18Z, D25A, D25B, D25C, D25D
	08	I17Z		08	I17Z		08	I17Z
	09	J08A, J08B, J08C		09	J08A, J08B, J08C		09	J03A, J03B, J04A, J04B, J08A, J08B, J08C, J11A, J11B, J16Z
	21A	W04A, W04B		21A	W04A, W04B		21A	W04A, W04B
5s222.20	21B	X06A, X06B, X06C	5s222.80	21B	X06A, X06B, X06C	5s225.0c↔	21B	X06A, X06B, X06C
		BOP, KVT, UOP4			BOP, KVT, UOP4			BOP, KVT, UOP4
	03	D04Z, D18Z, D28Z, D29Z		03	D18Z, D24A, D24B		03	D18Z, D25A, D25B, D25C, D25D
	08	I17Z		08	I17Z		08	I17Z
	09	J08A, J08B, J08C		09	J08A, J08B, J08C		09	J03A, J03B, J04A, J04B, J08A, J08B, J08C, J11A, J11B, J16Z
5s222.21	21A	W04A, W04B	5s222.81	21A	W04A, W04B	5s22a	21A	W04A, W04B
	21B	X06A, X06B, X06C		21B	X06A, X06B, X06C		21B	X06A, X06B, X06C
		BOP, KVT, UOP4			BOP, KVT, UOP4			BOP, KVT, UOP4
	03	D04Z, D18Z, D28Z, D29Z		03	D18Z, D24A, D24B		03	D18Z, D28Z, D29Z
	08	I17Z		08	I17Z		08	I17Z
5s222.30	09	J08A, J08B, J08C	5s222.90	09	J08A, J08B, J08C	5s22b	09	J08A, J08B, J08C
	21A	W04A, W04B		21A	W04A, W04B		21A	W04A, W04B
	21B	X06A, X06B, X06C		21B	X06A, X06B, X06C		21B	X06A, X06B, X06C
		BOP, KVT, UOP4			BOP, KVT, UOP4			BOP, KVT, UOP4
	03	D04Z, D18Z, D28Z, D29Z		03	D18Z, D24A, D24B		03	D18Z, D25A, D25B, D25C, D25D
5s222.31	08	I17Z	5s222.91	08	I17Z	5s290	08	I23A
	09	J08A, J08B, J08C		09	J08A, J08B, J08C		09	J08A, J08B, J08C
	21A	W04A, W04B		21A	W04A, W04B		21A	W04A, W04B
	21B	X06A, X06B, X06C		21B	X06A, X06B, X06C		21B	X06A, X06B, X06C
		BOP, KVT, UOP4			BOP, KVT, UOP4			BOP, KVT, UOP4
5s222.40	03	D04Z, D18Z, D28Z, D29Z	5s222.91	03	D18Z, D24A, D24B	5s291	03	D18Z, D28Z, D29Z
	08	I17Z		08	I17Z		08	I17Z
	09	J08A, J08B, J08C		09	J08A, J08B, J08C		09	J08A, J08B, J08C
	21A	W04A, W04B		21A	W04A, W04B		21A	W04A, W04B
	21B	X06A, X06B, X06C		21B	X06A, X06B, X06C		21B	X06A, X06B, X06C

ZZV	MDC	DRG	ZZV	MDC	DRG	ZZV	MDC	DRG
5s298		BOP, KVT, UOP4	5s302.4		BOP, KVT, UOP4	5s302.j		BOP, KVT, UOP4
	03	D18Z, D25A, D25B, D25C, D25D		03	D18Z, D25A, D25B, D25C, D25D		03	D18Z, D25A, D25B, D25C, D25D
	08	I17Z		08	I17Z		08	I17Z
	09	J03A, J03B, J04A, J04B, J08A, J08B, J08C, J11A, J11B, J16Z		09	J08A, J08B, J08C		09	J08A, J08B, J08C
	21A	W04A, W04B		21A	W04A, W04B		21A	W04A, W04B
5s300.0	21B	X06A, X06B, X06C	5s302.5		BOP, KVT, UOP4	5s30f.0		BOP, KVT, UOP4
		BOP, KVT, UOP4		03	D18Z, D24A, D24B		03	D18Z, D25A, D25B, D25C, D25D
	03	D03Z, D12A		08	I17Z		08	I17Z
	08	I17Z		09	J08A, J08B, J08C		09	J08A, J08B, J08C
	09	J03A, J03B, J04A, J04B, J08A, J08B, J08C, J11A, J11B, J16Z		21A	W04A, W04B		21A	W04A, W04B
	21A	W04A, W04B	5s302.60		BOP, KVT, UOP4	5s30f.1		BOP, KVT, UOP4
5s300.1	21B	X06A, X06B, X06C		03	D18Z, D25A, D25B, D25C, D25D		03	D18Z, D25A, D25B, D25C, D25D
		BOP, KVT, UOP4		08	I17Z		08	I17Z
	03	D03Z, D12A		09	J08A, J08B, J08C		09	J08A, J08B, J08C
	08	I17Z		21A	W04A, W04B		21A	W04A, W04B
	09	J03A, J03B, J04A, J04B, J08A, J08B, J08C, J11A, J11B, J16Z	5s302.61		BOP, KVT, UOP4	5s30f.2		BOP, KVT, UOP4
	21A	W04A, W04B		03	D18Z, D25A, D25B, D25C, D25D		03	D18Z, D25A, D25B, D25C, D25D
5s300.2	21B	X06A, X06B, X06C		08	I17Z		08	I17Z
		BOP, KVT, UOP4		09	J08A, J08B, J08C		09	J08A, J08B, J08C
	03	D03Z, D12A		21A	W04A, W04B		21A	W04A, W04B
	08	I17Z	5s302.62		BOP, KVT, UOP4	5s30f.3		BOP, KVT, UOP4
	09	J03A, J03B, J04A, J04B, J08A, J08B, J08C, J11A, J11B, J16Z		03	D18Z, D25A, D25B, D25C, D25D		03	D18Z, D25A, D25B, D25C, D25D
	21A	W04A, W04B		08	I17Z		08	I17Z
5s302.10	21B	X06A, X06B, X06C		09	J08A, J08B, J08C		09	J08A, J08B, J08C
		BOP, KVT, UOP4		21A	W04A, W04B		21A	W04A, W04B
	03	D18Z, D25A, D25B, D25C, D25D	5s302.7		BOP, KVT, UOP4	5s30f.4		BOP, KVT, UOP4
	08	I17Z		03	D18Z, D25A, D25B, D25C, D25D		03	D18Z, D25A, D25B, D25C, D25D
	09	J08A, J08B, J08C		08	I17Z		08	I17Z
	21A	W04A, W04B		09	J08A, J08B, J08C		09	J08A, J08B, J08C
5s302.11	21B	X06A, X06B, X06C		21A	W04A, W04B	5s30f.50		BOP, KVT, UOP4
		BOP, KVT, UOP4		21B	X06A, X06B, X06C		03	D18Z, D25A, D25B, D25C, D25D
	03	D18Z, D25A, D25B, D25C, D25D	5s302.80		BOP, KVT, UOP4		08	I17Z
	08	I17Z		03	D18Z, D25A, D25B, D25C, D25D		09	J08A, J08B, J08C
	09	J08A, J08B, J08C		08	I17Z		09	J08A, J08B, J08C
	21A	W04A, W04B		09	J08A, J08B, J08C		21A	W04A, W04B
5s302.12	21B	X06A, X06B, X06C		21A	W04A, W04B	5s30f.51		BOP, KVT, UOP4
		BOP, KVT, UOP4		21B	X06A, X06B, X06C		03	D18Z, D25A, D25B, D25C, D25D
	03	D18Z, D25A, D25B, D25C, D25D	5s302.81		BOP, KVT, UOP4		08	I17Z
	08	I17Z		03	D18Z, D25A, D25B, D25C, D25D		09	J08A, J08B, J08C
	09	J08A, J08B, J08C		08	I17Z		09	J08A, J08B, J08C
	21A	W04A, W04B		09	J08A, J08B, J08C		21A	W04A, W04B
5s302.2	21B	X06A, X06B, X06C		21A	W04A, W04B	5s30f.6		BOP, KVT, UOP4
		BOP, KVT, UOP4		21B	X06A, X06B, X06C		03	D18Z, D25A, D25B, D25C, D25D
	03	D18Z, D25A, D25B, D25C, D25D	5s302.a		BOP, KVT, UOP4		08	I17Z
	08	I17Z		03	D18Z, D25A, D25B, D25C, D25D		09	J08A, J08B, J08C
	09	J08A, J08B, J08C		08	I17Z		09	J08A, J08B, J08C
	21A	W04A, W04B		09	J08A, J08B, J08C		21A	W04A, W04B
5s302.3	21B	X06A, X06B, X06C		21A	W04A, W04B		21B	X06A, X06B, X06C
		BOP, KVT, UOP4		21B	X06A, X06B, X06C			
	03	D18Z, D25A, D25B, D25C, D25D	5s302.h		BOP, KVT, UOP4			
	08	I17Z		03	D18Z, D25A, D25B, D25C, D25D			
	09	J08A, J08B, J08C		08	I17Z			
	21A	W04A, W04B		09	J08A, J08B, J08C			
	21B	X06A, X06B, X06C		21A	W04A, W04B			
				21B	X06A, X06B, X06C			

ZZV	MDC	DRG	ZZV	MDC	DRG	ZZV	MDC	DRG
5s30f.70		BOP, KVT, UOP4	5s313.x		BOP, KVT, UOP4	5s31b.2		BOP, KVT, UOP4
	03	D18Z, D25A, D25B, D25C, D25D		03	D18Z, D25A, D25B, D25C, D25D		03	D18Z, D25A, D25B, D25C, D25D
	08	I17Z		08	I06A, I06B, I06C, I06D, I06E		08	I06A, I06B, I06C, I06D, I06E
	09	J08A, J08B, J08C		09	J08A, J08B, J08C		09	J08A, J08B
	21A	W04A, W04B		21A	W04A, W04B		21A	W04A, W04B
5s30f.71	21B	X06A, X06B, X06C	5s314		BOP, KVT, UOP4	5s390	21B	X06A, X06B, X06C
		BOP, KVT, UOP4		03	D18Z, D25A, D25B, D25C, D25D			BOP, KVT, UOP4
	03	D18Z, D25A, D25B, D25C, D25D		08	I17Z		03	D18Z, D25A, D25B, D25C, D25D
	08	I17Z		09	J08A, J08B		08	I17Z
	09	J08A, J08B, J08C		21A	W04A, W04B		09	J08A, J08B
5s30f.72	21A	W04A, W04B	5s315		BOP, KVT, UOP4	5s391	21A	W04A, W04B
	21B	X06A, X06B, X06C		03	D18Z, D25A, D25B, D25C, D25D		21B	X06A, X06B, X06C
		BOP, KVT, UOP4		08	I17Z			BOP, KVT, UOP4
	03	D18Z, D25A, D25B, D25C, D25D		09	J08A, J08B		03	D18Z, D25A, D25B, D25C, D25D
	08	I17Z		21A	W04A, W04B		08	I17Z
5s30f.73	09	J08A, J08B, J08C	5s316		BOP, KVT, UOP4	5s392	09	J08A, J08B
	21A	W04A, W04B		03	D18Z, D25A, D25B, D25C, D25D		21A	W04A, W04B
	21B	X06A, X06B, X06C		08	I17Z		21B	X06A, X06B, X06C
		BOP, KVT, UOP4		09	J08A, J08B			BOP, KVT, UOP4
	03	D18Z, D25A, D25B, D25C, D25D		21A	W04A, W04B		03	D18Z, D25A, D25B, D25C, D25D
5s311.0	08	I17Z	5s317		BOP, KVT, UOP4	5s393	08	I17Z
	09	J08A, J08B, J08C		03	D18Z, D25A, D25B, D25C, D25D		09	J08A, J08B
	21A	W04A, W04B		08	I17Z		21A	W04A, W04B
	21B	X06A, X06B, X06C		09	J08A, J08B		21B	X06A, X06B, X06C
		BOP, KVT, UOP4		21A	W04A, W04B			BOP, KVT, UOP4
5s311.1	03	D18Z, D25A, D25B, D25C, D25D	5s318		BOP, KVT, UOP4	5s394	03	D18Z, D25A, D25B, D25C, D25D
	08	I17Z		03	D18Z, D25A, D25B, D25C, D25D		08	I17Z
	09	J08A, J08B		08	I17Z		09	J08A, J08B
	21A	W04A, W04B		09	J08A, J08B		21A	W04A, W04B
	21B	X06A, X06B, X06C		21A	W04A, W04B		21B	X06A, X06B, X06C
5s311.2		BOP, KVT, UOP4	5s319		BOP, KVT, UOP4	5s395		BOP, KVT, UOP4
	03	D18Z, D25A, D25B, D25C, D25D		03	D18Z, D25A, D25B, D25C, D25D		03	D18Z, D25A, D25B, D25C, D25D
	08	I17Z		08	I17Z		08	I17Z
	09	J08A, J08B		09	J08A, J08B		09	J08A, J08B
	21A	W04A, W04B		21A	W04A, W04B		21A	W04A, W04B
5s311.3	21B	X06A, X06B, X06C	5s31a.1		BOP, KVT, UOP4	5s900	21B	X06A, X06B, X06C
		BOP, KVT, UOP4		03	D18Z, D25A, D25B, D25C, D25D		03	D18Z, D28Z, D29Z
	03	D18Z, D25A, D25B, D25C, D25D		08	I06A, I06B, I06C, I06D, I06E		08	I17Z
	08	I17Z		09	J08A, J08B		09	J08A, J08B, J08C
	09	J08A, J08B		21A	W04A, W04B		21A	W04A, W04B
5s312	21A	W04A, W04B	5s31a.2		BOP, KVT, UOP4	5s901.10	21B	X06A, X06B, X06C
	21B	X06A, X06B, X06C		03	D18Z, D25A, D25B, D25C, D25D		03	D18Z, D28Z, D29Z
		BOP, KVT, UOP4		08	I06A, I06B, I06C, I06D, I06E		08	I17Z
	03	D18Z, D25A, D25B, D25C, D25D		09	J08A, J08B		09	J08A, J08B, J08C
	08	I17Z		21A	W04A, W04B		21A	W04A, W04B
5s313.1	09	J08A, J08B	5s31b.1		BOP, KVT, UOP4	5s901.11	21B	X06A, X06B, X06C
	21A	W04A, W04B		03	D18Z, D25A, D25B, D25C, D25D		03	D18Z, D28Z, D29Z
	21B	X06A, X06B, X06C		08	I06A, I06B, I06C, I06D, I06E		08	I17Z
		BOP, KVT, UOP4		09	J08A, J08B		09	J08A, J08B, J08C
	03	D18Z, D28Z, D29Z		21A	W04A, W04B		21A	W04A, W04B
	I17Z	21B	X06A, X06B, X06C	21B	X06A, X06B, X06C			
	J08A, J08B, J08C							
	W04A, W04B							
	X06A, X06B, X06C							

ZZV	MDC	DRG	ZZV	MDC	DRG	ZZV	MDC	DRG
5s901.20		BOP, KVT, UOP4	5s99b.21		BOP, KVT, UOP4	5t001.b↔		BOP, KVT, UOP4
	03	D18Z, D28Z, D29Z		03	D04Z, D18Z, D28Z, D29Z		05	F13A
	08	I17Z		08	I17Z		08	I12A, I12B, I12C, I32A, I32B, I32C, I32D, I32E, I32F
	09	J08A, J08B, J08C		09	J08A, J08B, J08C		21A	W04A, W04B
	21A	W04A, W04B		21A	W04A, W04B		21B	X05A, X05B
	21B	X06A, X06B, X06C		21B	X06A, X06B, X06C	5t001.c↔		BOP, KVT, UOP4
5s901.21		BOP, KVT, UOP4	5t001.0↔		BOP, KVT, UOP4		05	F13A
	03	D18Z, D28Z, D29Z		04	E02A, E02B, E02C		08	I12A, I12B, I12C, I32A, I32B, I32C, I32D, I32E, I32F
	08	I17Z		05	F13A		21A	W04A, W04B
	09	J08A, J08B, J08C		08	I12A, I12B, I12C, I28A, I28B		21B	X05A, X05B
	21A	W04A, W04B		21A	W04A, W04B	5t001.d		BOP, KVT, UOP4
	21B	X06A, X06B, X06C		21B	X06A, X06B, X06C		05	F13A
5s901.x		BOP, KVT, UOP4	5t001.1↔		BOP, KVT, UOP4		08	I08A, I08B, I08C, I08D, I08E, I08F, I12A, I12B, I12C
	03	D18Z, D28Z, D29Z		05	F13A		21A	W04A, W04B
	08	I17Z		08	I12A, I12B, I12C, I13A, I13B, I13C, I13D, I13E		21B	X06A, X06B, X06C
	09	J08A, J08B, J08C		21A	W04A, W04B	5t001.e↔		BOP, KVT, UOP4
	21A	W04A, W04B		21B	X06A, X06B, X06C		01	B03A, B03B, B06A, B06B, B17A, B17B, B17C
	21B	X06A, X06B, X06C		5t001.2↔	BOP, KVT, UOP4		05	F13A
5s902		BOP, KVT, UOP4		05	F13A		08	I08A, I08B, I08C, I08D, I08E, I08F
	03	D04Z, D15A, D18Z		08	I12A, I12B, I12C, I13A, I13B, I13C, I13D, I13E		21A	W01A, W01B, W01C, W02A, W02B
	08	I17Z		21A	W04A, W04B	5t001.f↔		BOP, KVT, UOP4
	09	J08A, J08B, J08C		21B	X06A, X06B, X06C		01	B03A, B03B, B06A, B06B, B17A, B17B, B17C
	21A	W04A, W04B		5t001.3↔	BOP, KVT, UOP4		05	F13A
	21B	X06A, X06B, X06C		05	F13A		08	I08A, I08B, I08C, I08D, I08E, I08F
5s903		BOP, KVT, UOP4		08	I12A, I12B, I12C, I13A, I13B, I13C, I13D, I13E	5t001.g↔		BOP, KVT, UOP4
	03	D18Z, D25A, D25B, D25C, D25D		21A	W04A, W04B		01	B03A, B03B, B06A, B06B, B17A, B17B, B17C
	08	I17Z		21B	X06A, X06B, X06C		05	F13A
	09	J08A, J08B, J08C		5t001.4↔	BOP, KVT, UOP4		08	I08A, I08B, I08C, I08D, I08E, I08F
	21A	W04A, W04B		05	F13A		21A	W01A, W01B, W01C, W02A, W02B
	21B	X06A, X06B, X06C		08	I12A, I12B, I12C, I21Z, I31Z	5t001.h↔		BOP, KVT, UOP4
5s904.10		BOP, KVT, UOP4		21A	W04A, W04B		01	B03A, B03B, B06A, B06B, B17A, B17B, B17C
	03	D04Z, D18Z, D28Z, D29Z		21B	X06A, X06B, X06C		05	F13A
	08	I17Z		5t001.5↔	BOP, KVT, UOP4		08	I08A, I08B, I08C, I08D, I08E, I08F
	09	J08A, J08B, J08C		05	F13A		21A	W01A, W01B, W01C, W02A, W02B
	21A	W04A, W04B		08	I12A, I12B, I12C, I21Z, I31Z	5t001.i↔		BOP, KVT, UOP4
	21B	X06A, X06B, X06C		21A	W04A, W04B		01	B03A, B03B, B06A, B06B, B17A, B17B, B17C
5s904.11		BOP, KVT, UOP4		21B	X06A, X06B, X06C		05	F13A
	03	D04Z, D18Z, D28Z, D29Z		5t001.6↔	BOP, KVT, UOP4		08	I08A, I08B, I08C, I08D, I08E, I08F
	08	I17Z		05	F13A		21A	W01A, W01B, W01C, W02A, W02B
	09	J08A, J08B, J08C		08	I12A, I12B, I12C, I21Z, I31Z	5t001.j↔		BOP, KVT, UOP4
	21A	W04A, W04B		21A	W04A, W04B		01	B03A, B03B, B06A, B06B, B17A, B17B, B17C
	21B	X06A, X06B, X06C		21B	X06A, X06B, X06C		05	F13A
5s991‡		BOP, KVT, UOP4		5t001.7↔	BOP, KVT, UOP4		08	I08A, I08B, I08C, I08D, I08E, I08F
5s992		BOP, KVT, UOP4		05	F13A	5t001.k↔		BOP, KVT, UOP4
	03	D18Z, D28Z, D29Z		08	I12A, I12B, I12C, I21Z, I31Z		05	F13A
	08	I17Z		21A	W04A, W04B		08	I12A, I12B, I12C, I18A, I18B, I30Z
	09	J08A, J08B		21B	X06A, X06B, X06C		21A	W04A, W04B
	21A	W04A, W04B		5t001.8↔	BOP, KVT, UOP4		21B	X04Z
	21B	X06A, X06B, X06C		05	F13A			BOP, KVT, UOP4
5s99b.10		BOP, KVT, UOP4		08	I12A, I12B, I12C, I21Z, I31Z		05	F13A
	03	D04Z, D18Z, D28Z, D29Z		21A	W04A, W04B	5t001.l↔		BOP, KVT, UOP4
	08	I17Z		21B	X06A, X06B, X06C		05	F13A
	09	J08A, J08B, J08C		5t001.9↔	BOP, KVT, UOP4		08	I12A, I12B, I12C, I18A, I18B, I30Z
	21A	W04A, W04B		05	F13A		21A	W04A, W04B
	21B	X06A, X06B, X06C		08	I12A, I12B, I12C, I21Z, I31Z		21B	X04Z
5s99b.11		BOP, KVT, UOP4		21A	W04A, W04B			BOP, KVT, UOP4
	03	D04Z, D18Z, D28Z, D29Z		21B	X06A, X06B, X06C		05	F13A
	08	I17Z		5t001.a↔	BOP, KVT, UOP4		08	I12A, I12B, I12C, I13A, I13B, I13C, I13D, I13E
	09	J08A, J08B, J08C		05	F13A		21A	W04A, W04B
	21A	W04A, W04B		08	I12A, I12B, I12C, I32A, I32B, I32C, I32D, I32E, I32F		21B	X04Z
	21B	X06A, X06B, X06C		21A	W04A, W04B			
5s99b.20		BOP, KVT, UOP4		21B	X05A, X05B			
	03	D04Z, D18Z, D28Z, D29Z						
	08	I17Z						
	09	J08A, J08B, J08C						
	21A	W04A, W04B						
	21B	X06A, X06B, X06C						

VYK

ZZV	MDC	DRG	ZZV	MDC	DRG	ZZV	MDC	DRG
5t001.m↔		BOP, KVT, UOP4	5t001.x		BOP, KVT, UOP4	5t002.a↔		BOP, KVT, UOP4
	05	F13A		01	B03A, B03B, B06A, B06B, B17A, B17B, B17C		05	F13A
	08	I12A, I12B, I12C, I13A, I13B, I13C, I13D, I13E		05	F13A		08	I12A, I12B, I12C, I32A, I32B, I32C, I32D, I32E, I32F
	21A	W04A, W04B		08	I12A, I12B, I12C, I28A, I28B		21A	W04A, W04B
	21B	X04Z		21A	W04A, W04B		21B	X05A, X05B
5t001.n↔		BOP, KVT, UOP4	5t001.z↔		BOP, KVT, UOP4	5t002.b↔		BOP, KVT, UOP4
	05	F13A		04	E02A, E02B, E02C		05	F13A
	08	I12A, I12B, I12C, I13A, I13B, I13C, I13D, I13E		05	F13A		08	I12A, I12B, I12C, I32A, I32B, I32C, I32D, I32E, I32F
	21A	W04A, W04B		08	I12A, I12B, I12C, I28A, I28B		21A	W04A, W04B
	21B	X04Z		21A	W04A, W04B		21B	X05A, X05B
5t001.p↔		BOP, KVT, UOP4	5t002.0↔		BOP, KVT, UOP4	5t002.c↔		BOP, KVT, UOP4
	05	F13A		04	E02A, E02B, E02C		05	F13A
	08	I12A, I12B, I12C, I13A, I13B, I13C, I13D, I13E		05	F13A		08	I12A, I12B, I12C, I32A, I32B, I32C, I32D, I32E, I32F
	21A	W04A, W04B		08	I12A, I12B, I12C, I28A, I28B		21A	W04A, W04B
	21B	X04Z		21A	W04A, W04B		21B	X05A, X05B
5t001.q↔		BOP, KVT, UOP4	5t002.1↔		BOP, KVT, UOP4	5t002.d		BOP, KVT, UOP4
	05	F13A		05	F13A		05	F13A
	08	I12A, I12B, I12C, I13A, I13B, I13C, I13D, I13E		08	I12A, I12B, I12C, I13A, I13B, I13C, I13D, I13E		08	I08A, I08B, I08C, I08D, I08E, I08F, I12A, I12B, I12C
	21A	W04A, W04B		21A	W04A, W04B		21A	W04A, W04B
	21B	X04Z		21B	X06A, X06B, X06C		21B	X06A, X06B, X06C
5t001.r↔		BOP, KVT, UOP4	5t002.2↔		BOP, KVT, UOP4	5t002.e↔		BOP, KVT, UOP4
	05	F13A		05	F13A		05	F13A
	08	I12A, I12B, I12C, I13A, I13B, I13C, I13D, I13E		08	I12A, I12B, I12C, I13A, I13B, I13C, I13D, I13E		08	I12A, I12B, I12C, I21Z
	21A	W04A, W04B		21A	W04A, W04B		21A	W04A, W04B
	21B	X04Z		21B	X06A, X06B, X06C		21B	X04Z
5t001.s↔		BOP, KVT, UOP4	5t002.3↔		BOP, KVT, UOP4	5t002.f↔		BOP, KVT, UOP4
	05	F13A, F27A, F27B, F27C		05	F13A		01	B03A, B03B, B06A, B06B, B17A, B17B, B17C
	08	I12A, I12B, I12C, I20A, I20B, I20C, I20D, I20E, I20F		08	I12A, I12B, I12C, I13A, I13B, I13C, I13D, I13E		05	F13A
	10	K01Z		21A	W04A, W04B		08	I08A, I08B, I08C, I08D, I08E, I08F
	21A	W04A, W04B		21B	X06A, X06B, X06C		21A	W01A, W01B, W01C, W02A, W02B
	21B	X04Z		21B	X06A, X06B, X06C		21B	X04Z
5t001.t↔		BOP, KVT, UOP4	5t002.4↔		BOP, KVT, UOP4	5t002.g↔		BOP, KVT, UOP4
	05	F13A, F27A, F27B, F27C		05	F13A		01	B03A, B03B, B06A, B06B, B17A, B17B, B17C
	08	I12A, I12B, I12C, I20A, I20B, I20C, I20D, I20E, I20F		08	I12A, I12B, I12C, I21Z, I31Z		05	F13A
	10	K01Z		21A	W04A, W04B		08	I08A, I08B, I08C, I08D, I08E, I08F
	21A	W04A, W04B		21B	X06A, X06B, X06C		21A	W01A, W01B, W01C, W02A, W02B
	21B	X04Z		21B	X06A, X06B, X06C		21B	X04Z
5t001.u↔		BOP, KVT, UOP4	5t002.5↔		BOP, KVT, UOP4	5t002.h↔		BOP, KVT, UOP4
	05	F13A, F27A, F27B, F27C		05	F13A		01	B03A, B03B, B06A, B06B, B17A, B17B, B17C
	08	I12A, I12B, I12C, I20A, I20B, I20C, I20D, I20E, I20F		08	I12A, I12B, I12C, I21Z, I31Z		05	F13A
	10	K01Z		21A	W04A, W04B		08	I08A, I08B, I08C, I08D, I08E, I08F
	21A	W04A, W04B		21B	X06A, X06B, X06C		21A	W01A, W01B, W01C, W02A, W02B
	21B	X04Z		21B	X06A, X06B, X06C		21B	X04Z
5t001.v↔		BOP, KVT, UOP4	5t002.6↔		BOP, KVT, UOP4	5t002.i↔		BOP, KVT, UOP4
	05	F13A, F27A, F27B, F27C		05	F13A		01	B03A, B03B, B06A, B06B, B17A, B17B, B17C
	08	I12A, I12B, I12C, I20A, I20B, I20C, I20D, I20E, I20F		08	I12A, I12B, I12C, I21Z, I31Z		05	F13A
	10	K01Z		21A	W04A, W04B		08	I08A, I08B, I08C, I08D, I08E, I08F
	21A	W04A, W04B		21B	X06A, X06B, X06C		21A	W01A, W01B, W01C, W02A, W02B
	21B	X04Z		21B	X06A, X06B, X06C		21B	X04Z
5t001.w↔		BOP, KVT, UOP4	5t002.7↔		BOP, KVT, UOP4	5t002.j↔		BOP, KVT, UOP4
	05	F13A		05	F13A		01	B03A, B03B, B06A, B06B, B17A, B17B, B17C
	08	I12A, I12B, I12C, I20A, I20B, I20C, I20D, I20E, I20F		08	I12A, I12B, I12C, I21Z, I31Z		05	F13A
	21A	W04A, W04B		21A	W04A, W04B		08	I12A, I12B, I12C, I18A, I18B, I30Z
	21B	X04Z		21B	X06A, X06B, X06C		21A	W04A, W04B
	05	F13A		21B	X06A, X06B, X06C		21B	X04Z
	08	I12A, I12B, I12C, I20A, I20B, I20C, I20D, I20E, I20F		5t002.8↔		5t002.k↔		BOP, KVT, UOP4
	21A	W04A, W04B		05	F13A		05	F13A
	21B	X04Z		08	I12A, I12B, I12C, I21Z, I31Z		08	I12A, I12B, I12C, I13A, I13B, I13C, I13D, I13E
				21A	W04A, W04B		21A	W04A, W04B
				21B	X06A, X06B, X06C		21B	X04Z
				5t002.9↔				
				05	F13A			
				08	I12A, I12B, I12C, I21Z, I31Z			
				21A	W04A, W04B			
				21B	X06A, X06B, X06C			



ZZV	MDC	DRG	ZZV	MDC	DRG	ZZV	MDC	DRG
5t002.m↔		BOP, KVT, UOP4	5t002.z↔	04	E02A, E02B, E02C	5t003.c↔		BOP, KVT, UOP4, VIAL
	05	F13A		05	F13A		05	F13A
	08	I12A, I12B, I12C, I13A, I13B, I13C, I13D, I13E		08	I12A, I12B, I12C, I28A, I28B		08	I12A, I12B, I12C, I23A, I23B
5t002.n↔	21A	W04A, W04B	5t003.0↔	21A	W04A, W04B	5t003.d	21A	W04A, W04B
	21B	X04Z		21B	X06A, X06B, X06C		21B	X05A, X05B
		BOP, KVT, UOP4			BOP, KVT, UOP4, VIAL			BOP, KVT, UOP4, VIAL
5t002.p↔	05	F13A	5t003.1↔	04	E02A, E02B, E02C	5t003.e↔	05	F13A
	08	I12A, I12B, I12C, I13A, I13B, I13C, I13D, I13E		05	F13A		08	I12A, I12B, I12C, I23A, I23B
	21A	W04A, W04B		08	I23A, I23B		21A	W04A, W04B
5t002.q↔	21B	X04Z	5t003.2↔	21A	W04A, W04B	5t003.f↔	21B	X04Z, X05A, X05B, X06A, X06B, X06C
		BOP, KVT, UOP4		21B	X06A, X06B, X06C		21B	X06B, X06C
	05	F13A			BOP, KVT, UOP4, VIAL			BOP, KVT, UOP4, VIAL
5t002.r↔	08	I12A, I12B, I12C, I13A, I13B, I13C, I13D, I13E	5t003.3↔	05	F13A	5t003.g↔	05	F13A
	21A	W04A, W04B		08	I08A, I08B, I08C, I08D, I08E, I08F, I12A, I12B, I12C, I23A, I23B		08	I12A, I12B, I12C, I21Z
	21B	X04Z		21A	W04A, W04B		21A	W04A, W04B
5t002.s↔	21B	X04Z	5t003.4↔	21B	X06A, X06B, X06C	5t003.h↔	21B	X04Z
		BOP, KVT, UOP4			BOP, KVT, UOP4, VIAL			BOP, KVT, UOP4, VIAL
	05	F13A			F13A			F13A
5t002.t↔	08	I12A, I12B, I12C, I13A, I13B, I13C, I13D, I13E	5t003.5↔	08	I08A, I08B, I08C, I08D, I08E, I08F, I12A, I12B, I12C, I23A, I23B	5t003.i↔	08	I12A, I12B, I12C, I21Z
	21A	W04A, W04B		21A	W04A, W04B		21A	W04A, W04B
	21B	X04Z		21B	X06A, X06B, X06C		21B	X04Z
5t002.u↔	05	F13A, F27A, F27B, F27C	5t003.6↔	05	F13A	5t003.j↔	05	F13A
	08	I12A, I12B, I12C, I20A, I20B, I20C, I20D, I20E, I20F		08	I08A, I08B, I08C, I08D, I08E, I08F, I23A, I23B		08	I12A, I12B, I12C, I23A, I23B
	10	K01Z			BOP, KVT, UOP4, VIAL		21A	W04A, W04B
5t002.v↔	21A	W04A, W04B	5t003.7↔	05	F13A	5t003.k↔	21B	X04Z, X06A, X06B, X06C
	21B	X04Z		08	I08A, I08B, I08C, I08D, I08E, I08F, I23A, I23B			BOP, KVT, UOP4, VIAL
		BOP, KVT, UOP4			BOP, KVT, UOP4, VIAL			F13A
5t002.w↔	05	F13A, F27A, F27B, F27C	5t003.8↔	05	F13A	5t003.l↔	05	F13A
	08	I12A, I12B, I12C, I20A, I20B, I20C, I20D, I20E, I20F		08	I08A, I08B, I08C, I08D, I08E, I08F, I23A, I23B		08	I12A, I12B, I12C, I23A, I23B
	10	K01Z			BOP, KVT, UOP4, VIAL		21A	W04A, W04B
5t002.x	21A	W04A, W04B	5t003.9↔	05	F13A	5t003.m↔	21B	X04Z
	21B	X04Z		08	I08A, I08B, I08C, I08D, I08E, I08F, I23A, I23B			BOP, KVT, UOP4, VIAL
		BOP, KVT, UOP4			BOP, KVT, UOP4, VIAL			F13A
5t002.y	05	F13A	5t003.a↔	05	F13A	5t003.n↔	05	F13A
	08	I12A, I12B, I12C, I20A, I20B, I20C, I20D, I20E, I20F		08	I08A, I08B, I08C, I08D, I08E, I08F, I23A, I23B		08	I12A, I12B, I12C, I23A, I23B
	21A	W04A, W04B			BOP, KVT, UOP4, VIAL		21A	W04A, W04B
5t002.z	21B	X04Z	5t003.b↔	05	F13A	5t003.o↔	21B	X04Z
		BOP, KVT, UOP4		08	I12A, I12B, I12C, I32A, I32B, I32C, I32D, I32E, I32F			BOP, KVT, UOP4, VIAL
	05	F13A		21A	W04A, W04B			F13A
5t002.aa	08	I12A, I12B, I12C, I28A, I28B	5t003.aa	21B	X05A, X05B	5t003.p↔	08	I12A, I12B, I12C, I23A, I23B
	21A	W04A, W04B			BOP, KVT, UOP4, VIAL		21A	W04A, W04B
	21B	X06A, X06B, X06C			F13A		21B	X04Z
5t002.ab	05	F13A	5t003.ab	05	F13A	5t003.q↔	05	F13A
	08	I12A, I12B, I12C, I28A, I28B		08	I08A, I08B, I08C, I08D, I08E, I08F, I23A, I23B		08	I12A, I12B, I12C, I23A, I23B
	21A	W04A, W04B			BOP, KVT, UOP4, VIAL		21A	W04A, W04B
5t002.ac	21B	X04Z	5t003.ab	05	F13A	5t003.ra	21B	X04Z
		BOP, KVT, UOP4		08	I12A, I12B, I12C, I32A, I32B, I32C, I32D, I32E, I32F			BOP, KVT, UOP4, VIAL
	05	F13A		21A	W04A, W04B			F13A
5t002.ad	08	I12A, I12B, I12C, I28A, I28B	5t003.ab	21B	X05A, X05B	5t003.r↔	08	I12A, I12B, I12C, I23A, I23B
	21A	W04A, W04B			BOP, KVT, UOP4, VIAL		21A	W04A, W04B
	21B	X06A, X06B, X06C			F13A		21B	X04Z

ZZV	MDC	DRG	ZZV	MDC	DRG	ZZV	MDC	DRG
5t003.s↔		BOP, KVT, UOP4, VIAL	5t004.6↔		BOP, KVT, UOP4, VIAL	5t004.m↔		BOP, KVT, UOP4, VIAL
	05	F13A		05	F13A		05	F13A
	08	I12A, I12B, I12C, I20A, I20B, I20C, I20D, I20E, I20F		08	I08A, I08B, I08C, I08D, I08E, I08F, I23A		08	I12A, I12B, I12C, I23A
	21A	W04A, W04B	5t004.7↔		BOP, KVT, UOP4, VIAL		21A	W04A, W04B
	21B	X04Z		05	F13A	5t004.n↔		BOP, KVT, UOP4, VIAL
5t003.t↔		BOP, KVT, UOP4, VIAL		08	I08A, I08B, I08C, I08D, I08E, I08F, I23A		05	F13A
	05	F13A	5t004.8↔		BOP, KVT, UOP4, VIAL		08	I12A, I12B, I12C, I23A
	08	I12A, I12B, I12C, I20A, I20B, I20C, I20D, I20E, I20F		05	F13A		21A	W04A, W04B
	21A	W04A, W04B		08	I08A, I08B, I08C, I08D, I08E, I08F, I23A	5t004.p↔		BOP, KVT, UOP4, VIAL
	21B	X04Z	5t004.9↔		BOP, KVT, UOP4, VIAL		05	F13A
5t003.u↔		BOP, KVT, UOP4, VIAL		05	F13A		08	I12A, I12B, I12C, I23A
	05	F13A		08	I08A, I08B, I08C, I08D, I08E, I08F, I23A		21A	W04A, W04B
	08	I12A, I12B, I12C, I20A, I20B, I20C, I20D, I20E, I20F	5t004.a↔		BOP, KVT, UOP4, VIAL		21B	X04Z
	21A	W04A, W04B		05	F13A	5t004.q↔		BOP, KVT, UOP4, VIAL
	21B	X04Z		08	I12A, I12B, I12C, I32A, I32B, I32C, I32D, I32E, I32F		05	F13A
5t003.v↔		BOP, KVT, UOP4, VIAL		21A	W04A, W04B		08	I12A, I12B, I12C, I23A
	05	F13A	5t004.b↔		BOP, KVT, UOP4, VIAL		21A	W04A, W04B
	08	I12A, I12B, I12C, I20A, I20B, I20C, I20D, I20E, I20F		05	F13A	5t004.r↔		BOP, KVT, UOP4, VIAL
	21A	W04A, W04B		08	I12A, I12B, I12C, I32A, I32B, I32C, I32D, I32E, I32F		05	F13A
	21B	X04Z		21A	W04A, W04B		08	I12A, I12B, I12C, I23A
5t003.w↔		BOP, KVT, UOP4, VIAL		21B	X05A, X05B		21A	W04A, W04B
	05	F13A	5t004.c↔		BOP, KVT, UOP4, VIAL		21B	X04Z
	08	I12A, I12B, I12C, I23A, I23B		05	F13A	5t004.s↔		BOP, KVT, UOP4, VIAL
	21A	W04A, W04B		08	I12A, I12B, I12C, I23A		05	F13A
	21B	X04Z		21A	W04A, W04B		08	I12A, I12B, I12C, I20A, I20B, I20C, I20D, I20E, I20F
5t003.x		BOP, KVT, UOP4		21B	X05A, X05B		21A	W04A, W04B
	05	F13A	5t004.d		BOP, KVT, UOP4, VIAL		21B	X04Z
	08	I12A, I12B, I12C, I23A, I23B		05	F13A	5t004.t↔		BOP, KVT, UOP4, VIAL
	21A	W04A, W04B		08	I12A, I12B, I12C, I23A		05	F13A
	21B	X06A, X06B, X06C		21A	W04A, W04B		08	I12A, I12B, I12C, I20A, I20B, I20C, I20D, I20E, I20F
5t003.z↔		BOP, KVT, UOP4, VIAL		21B	X04Z, X05A, X05B, X06A, X06B, X06C	5t004.u↔		BOP, KVT, UOP4, VIAL
	04	E02A, E02B, E02C	5t004.e↔		BOP, KVT, UOP4, VIAL		05	F13A
	05	F13A		05	F13A		08	I12A, I12B, I12C, I20A, I20B, I20C, I20D, I20E, I20F
	08	I23A, I23B		08	I12A, I12B, I12C, I21Z		21A	W04A, W04B
5t004.0↔		BOP, KVT, UOP4, VIAL		21A	W04A, W04B		21B	X04Z
	04	E02A, E02B, E02C	5t004.f↔		BOP, KVT, UOP4, VIAL		05	F13A
	05	F13A		05	F13A	5t004.v↔		BOP, KVT, UOP4, VIAL
	08	I23A, I23B		08	I12A, I12B, I12C, I21Z		08	I12A, I12B, I12C, I20A, I20B, I20C, I20D, I20E, I20F
5t004.1↔		BOP, KVT, UOP4, VIAL		21A	W04A, W04B		21A	W04A, W04B
	05	F13A		21B	X04Z		21B	X04Z
	08	I08A, I08B, I08C, I08D, I08E, I08F, I12A, I12B, I12C, I23A	5t004.g↔		BOP, KVT, UOP4, VIAL	5t004.w↔		BOP, KVT, UOP4, VIAL
	21A	W04A, W04B		05	F13A		05	F13A
	21B	X06A, X06B, X06C		08	I12A, I12B, I12C, I21Z		08	I12A, I12B, I12C, I23A, I23B
5t004.2↔		BOP, KVT, UOP4, VIAL		21A	W04A, W04B		21A	W04A, W04B
	05	F13A		21B	X04Z		21B	X04Z
	08	I08A, I08B, I08C, I08D, I08E, I08F, I12A, I12B, I12C, I23A	5t004.h↔		BOP, KVT, UOP4, VIAL	5t004.x		BOP, KVT, UOP4
	21A	W04A, W04B		05	F13A		05	F13A
	21B	X06A, X06B, X06C		08	I12A, I12B, I12C, I21Z		08	I12A, I12B, I12C, I23A, I23B
5t004.3↔		BOP, KVT, UOP4, VIAL		21A	W04A, W04B		21A	W04A, W04B
	05	F13A		21B	X04Z		21B	X06A, X06B, X06C
	08	I08A, I08B, I08C, I08D, I08E, I08F, I12A, I12B, I12C, I23A	5t004.i↔		BOP, KVT, UOP4, VIAL	5t004.z↔		BOP, KVT, UOP4, VIAL
	21A	W04A, W04B		05	F13A		04	E02A, E02B, E02C
	21B	X06A, X06B, X06C		08	I12A, I12B, I12C, I23A		05	F13A
5t004.4↔		BOP, KVT, UOP4, VIAL		21A	W04A, W04B		08	I23A, I23B
	05	F13A		21B	X04Z, X06A, X06B, X06C	5t005.0↔		BOP, KVT, UOP4, VIAL
	08	I08A, I08B, I08C, I08D, I08E, I08F, I23A	5t004.k↔		BOP, KVT, UOP4, VIAL		04	E02A, E02B, E02C
	21A	W04A, W04B		05	F13A		05	F13A
	21B	X06A, X06B, X06C		08	I12A, I12B, I12C, I23A		08	I12A, I12B, I12C, I28A, I28B
5t004.5↔		BOP, KVT, UOP4, VIAL		21A	W04A, W04B		21A	W04A, W04B
	05	F13A		21B	X04Z		21B	X06A, X06B, X06C
	08	I08A, I08B, I08C, I08D, I08E, I08F, I23A						



ZZV	MDC	DRG	ZZV	MDC	DRG	ZZV	MDC	DRG
5t005.z↔		BOP, KVT, UOP4, VIAL	5t006.9↔		BOP, KVT, UOP4, VIAL	5t006.k↔		BOP, KVT, UOP4, VIAL
04		E02A, E02B, E02C	05		F13A	05		F13A
05		F13A	08		I08A, I08B, I08C, I08D, I08E, I08F, I12A, I12B, I12C, I21Z, I31Z	08		I12A, I12B, I12C, I13A, I13B, I13C, I13D, I13E
08		I12A, I12B, I12C, I28A, I28B	21A		W04A, W04B	21A		W04A, W04B
21A		W04A, W04B	21B		X06A, X06B, X06C	21B		X04Z
21B		X06A, X06B, X06C			BOP, KVT, UOP4, VIAL	5t006.m↔		BOP, KVT, UOP4, VIAL
5t006.0↔		BOP, KVT, UOP4, VIAL	5t006.a↔		BOP, KVT, UOP4, VIAL	05		F13A
01		B03A, B03B, B18Z	05		F13A	08		I12A, I12B, I12C, I13A, I13B, I13C, I13D, I13E
04		E02A, E02B, E02C	08		I12A, I12B, I12C, I32A, I32B, I32C, I32D, I32E, I32F	21A		W04A, W04B
05		F13A	21A		W04A, W04B	21B		X04Z
08		I12A, I12B, I12C, I28A, I28B	21B		X05A, X05B	5t006.n↔		BOP, KVT, UOP4, VIAL
21A		W04A, W04B			BOP, KVT, UOP4, VIAL	05		F13A
21B		X06A, X06B, X06C	5t006.b↔		BOP, KVT, UOP4, VIAL	08		I12A, I12B, I12C, I13A, I13B, I13C, I13D, I13E
5t006.1↔		BOP, KVT, UOP4, VIAL	05		F13A	21A		W04A, W04B
05		F13A	08		I12A, I12B, I12C, I32A, I32B, I32C, I32D, I32E, I32F	21B		X04Z
08		I08A, I08B, I08C, I08D, I08E, I08F, I12A, I12B, I12C, I13A, I13B, I13C, I13D, I13E	21A		W04A, W04B	5t006.p↔		BOP, KVT, UOP4, VIAL
21A		W04A, W04B	21B		X05A, X05B	05		F13A
21B		X06A, X06B, X06C	5t006.c↔		BOP, KVT, UOP4, VIAL	08		I12A, I12B, I12C, I13A, I13B, I13C, I13D, I13E
5t006.2↔		BOP, KVT, UOP4, VIAL	05		F13A, F27A, F27B, F27C	21A		W04A, W04B
05		F13A	08		I12A, I12B, I12C, I32A, I32B, I32C, I32D, I32E, I32F	21B		X04Z
08		I08A, I08B, I08C, I08D, I08E, I08F, I12A, I12B, I12C, I13A, I13B, I13C, I13D, I13E	10		K09A, K09B	5t006.q↔		BOP, KVT, UOP4, VIAL
21A		W04A, W04B	21A		W04A, W04B	05		F13A
21B		X06A, X06B, X06C	21B		X05A, X05B, X06A, X06B, X06C	08		I12A, I12B, I12C, I13A, I13B, I13C, I13D, I13E
5t006.3↔		BOP, KVT, UOP4, VIAL	5t006.d		BOP, KVT, UOP4, VIAL	21A		W04A, W04B
05		F13A	05		F13A, F27A, F27B, F27C	21B		X04Z
08		I08A, I08B, I08C, I08D, I08E, I08F, I12A, I12B, I12C, I13A, I13B, I13C, I13D, I13E	08		I08A, I08B, I08C, I08D, I08E, I08F, I12A, I12B, I12C	5t006.r↔		BOP, KVT, UOP4, VIAL
21A		W04A, W04B	10		K09A, K09B	05		F13A
21B		X06A, X06B, X06C	21A		W04A, W04B	08		I12A, I12B, I12C, I13A, I13B, I13C, I13D, I13E
5t006.4↔		BOP, KVT, UOP4, VIAL	21B		X06A, X06B, X06C	21A		W04A, W04B
05		F13A	5t006.e↔		BOP, KVT, UOP4, VIAL	21B		X04Z
08		I08A, I08B, I08C, I08D, I08E, I08F, I12A, I12B, I12C, I21Z, I31Z	05		F13A	5t006.s↔		BOP, KVT, UOP4, VIAL
21A		W04A, W04B	08		I08A, I08B, I08C, I08D, I08E, I08F, I12A, I12B, I12C	05		F13A, F27A, F27B, F27C
21B		X06A, X06B, X06C	21A		W01A, W01B, W01C, W02A, W02B	08		I12A, I12B, I12C, I20A, I20B, I20C, I20D, I20E, I20F
5t006.5↔		BOP, KVT, UOP4, VIAL	21B		X04Z	10		K01Z
05		F13A	5t006.f↔		BOP, KVT, UOP4, VIAL	21A		W04A, W04B
08		I08A, I08B, I08C, I08D, I08E, I08F, I12A, I12B, I12C, I21Z, I31Z	05		F13A	21B		X04Z
21A		W04A, W04B	08		I08A, I08B, I08C, I08D, I08E, I08F, I12A, I12B, I12C	5t006.t↔		BOP, KVT, UOP4, VIAL
21B		X06A, X06B, X06C	21A		W01A, W01B, W01C, W02A, W02B	05		F13A, F27A, F27B, F27C
5t006.6↔		BOP, KVT, UOP4, VIAL	21B		X04Z	08		I12A, I12B, I12C, I20A, I20B, I20C, I20D, I20E, I20F
05		F13A	5t006.g↔		BOP, KVT, UOP4, VIAL	10		K01Z
08		I08A, I08B, I08C, I08D, I08E, I08F, I12A, I12B, I12C, I21Z, I31Z	05		F13A	21A		W04A, W04B
21A		W04A, W04B	08		I08A, I08B, I08C, I08D, I08E, I08F, I12A, I12B, I12C	21B		X04Z
21B		X06A, X06B, X06C	21A		W01A, W01B, W01C, W02A, W02B	5t006.u↔		BOP, KVT, UOP4, VIAL
5t006.7↔		BOP, KVT, UOP4, VIAL	21B		X04Z	05		F13A, F27A, F27B, F27C
05		F13A	5t006.h↔		BOP, KVT, UOP4, VIAL	08		I12A, I12B, I12C, I20A, I20B, I20C, I20D, I20E, I20F
08		I08A, I08B, I08C, I08D, I08E, I08F, I12A, I12B, I12C, I21Z, I31Z	05		F13A	10		K01Z
21A		W04A, W04B	08		I08A, I08B, I08C, I08D, I08E, I08F, I12A, I12B, I12C	21A		W04A, W04B
21B		X06A, X06B, X06C	21A		W01A, W01B, W01C, W02A, W02B	21B		X04Z
5t006.8↔		BOP, KVT, UOP4, VIAL	21B		X04Z	5t006.v↔		BOP, KVT, UOP4, VIAL
05		F13A	5t006.i↔		BOP, KVT, UOP4, VIAL	05		F13A, F27A, F27B, F27C
08		I08A, I08B, I08C, I08D, I08E, I08F, I12A, I12B, I12C, I21Z, I31Z	05		F13A	08		I12A, I12B, I12C, I20A, I20B, I20C, I20D, I20E, I20F
21A		W04A, W04B	08		I12A, I12B, I12C, I18A, I18B, I30Z	10		K01Z
21B		X06A, X06B, X06C	21A		W04A, W04B	21A		W04A, W04B
			21B		X04Z	21B		X04Z

VYK

ZZV	MDC	DRG	ZZV	MDC	DRG	ZZV	MDC	DRG
5t006.w↔		BOP, KVT, UOP4, VIAL	5t007.a↔		BOP, KVT, UOP4, VIAL	5t007.p↔		BOP, KVT, UOP4, VIAL
	05	F13A, F27A, F27B, F27C		05	F13A		05	F13A
	08	I12A, I12B, I12C, I20A, I20B, I20C, I20D, I20E, I20F		08	I12A, I12B, I12C, I32A, I32B, I32C, I32D, I32E, I32F		08	I12A, I12B, I12C, I23A
	10	K09A, K09B		21A	W04A, W04B		21A	W04A, W04B
	21A	W04A, W04B		21B	X05A, X05B	5t007.q↔		BOP, KVT, UOP4, VIAL
	21B	X04Z	5t007.b↔		BOP, KVT, UOP4, VIAL		05	F13A
5t006.x		BOP, KVT, UOP4		05	F13A		08	I12A, I12B, I12C, I23A
	05	F13A		08	I12A, I12B, I12C, I32A, I32B, I32C, I32D, I32E, I32F		21A	W04A, W04B
	08	I12A, I12B, I12C, I28A, I28B		21A	W04A, W04B		21B	X04Z
	21A	W04A, W04B		21B	X05A, X05B	5t007.r↔		BOP, KVT, UOP4, VIAL
	21B	X06A, X06B, X06C	5t007.c↔		BOP, KVT, UOP4, VIAL		05	F13A
5t006.z↔		BOP, KVT, UOP4, VIAL		05	F13A		08	I12A, I12B, I12C, I23A
	01	B03A, B03B, B18Z		08	I12A, I12B, I12C, I23A, I23B		21A	W04A, W04B
	04	E02A, E02B, E02C		21A	W04A, W04B		21B	X04Z
	05	F13A		21B	X05A, X05B	5t007.s↔		BOP, KVT, UOP4, VIAL
	08	I12A, I12B, I12C, I28A, I28B	5t007.d		BOP, KVT, UOP4, VIAL		05	F13A
	21A	W04A, W04B		05	F13A		08	I12A, I12B, I12C, I23A
	21B	X06A, X06B, X06C		08	I08A, I08B, I08C, I08D, I08E, I08F, I12A, I12B, I12C, I23A		10	K09A, K09B, K09C
5t007.0↔		BOP, KVT, UOP4, VIAL		21A	W04A, W04B		21A	W04A, W04B
	04	E02A, E02B, E02C		21B	X04Z, X05A, X05B, X06A, X06B, X06C		21B	X04Z
	05	F13A	5t007.e↔		BOP, KVT, UOP4, VIAL	5t007.t↔		BOP, KVT, UOP4, VIAL
	08	I23A, I23B		05	F13A		05	F13A, F27A, F27B, F27C
5t007.1↔		BOP, KVT, UOP4, VIAL		08	I08A, I08B, I08C, I08D, I08E, I08F, I12A, I12B, I12C, I21Z		08	I12A, I12B, I12C, I20A, I20B, I20C, I20D, I20E, I20F
	05	F13A		21A	W04A, W04B		10	K09A, K09B, K09C
	08	I08A, I08B, I08C, I08D, I08E, I08F, I12A, I12B, I12C, I23A		21B	X04Z		21A	W04A, W04B
	21A	W04A, W04B	5t007.f↔		BOP, KVT, UOP4, VIAL		21B	X04Z
	21B	X06A, X06B, X06C		05	F13A	5t007.u↔		BOP, KVT, UOP4, VIAL
5t007.2↔		BOP, KVT, UOP4, VIAL		08	I08A, I08B, I08C, I08D, I08E, I08F, I12A, I12B, I12C, I21Z		05	F13A, F27A, F27B, F27C
	05	F13A		21A	W04A, W04B		08	I12A, I12B, I12C, I20A, I20B, I20C, I20D, I20E, I20F
	08	I08A, I08B, I08C, I08D, I08E, I08F, I12A, I12B, I12C, I23A		21B	X04Z		10	K09A, K09B, K09C
	21A	W04A, W04B	5t007.g↔		BOP, KVT, UOP4, VIAL		21A	W04A, W04B
	21B	X06A, X06B, X06C		05	F13A		21B	X04Z
5t007.3↔		BOP, KVT, UOP4, VIAL		08	I08A, I08B, I08C, I08D, I08E, I08F, I12A, I12B, I12C, I21Z	5t007.v↔		BOP, KVT, UOP4, VIAL
	05	F13A		21A	W04A, W04B		05	F13A, F27A, F27B, F27C
	08	I08A, I08B, I08C, I08D, I08E, I08F, I12A, I12B, I12C, I23A		21B	X04Z		08	I12A, I12B, I12C, I20A, I20B, I20C, I20D, I20E, I20F
	21A	W04A, W04B	5t007.h↔		BOP, KVT, UOP4, VIAL		10	K09A, K09B, K09C
	21B	X06A, X06B, X06C		05	F13A		21A	W04A, W04B
5t007.4↔		BOP, KVT, UOP4, VIAL		08	I08A, I08B, I08C, I08D, I08E, I08F, I12A, I12B, I12C, I21Z		21B	X04Z
	05	F13A		21A	W04A, W04B	5t007.w↔		BOP, KVT, UOP4, VIAL
	08	I08A, I08B, I08C, I08D, I08E, I08F, I23A		21B	X04Z		05	F13A, F27A, F27B, F27C
5t007.5↔		BOP, KVT, UOP4, VIAL	5t007.i↔		BOP, KVT, UOP4, VIAL		08	I12A, I12B, I12C, I23A
	05	F13A		05	F13A		10	K09A, K09B, K09C
	08	I08A, I08B, I08C, I08D, I08E, I08F, I23A		08	I08A, I08B, I08C, I08D, I08E, I08F, I12A, I12B, I12C, I21Z		21A	W04A, W04B
5t007.6↔		BOP, KVT, UOP4, VIAL		21A	W04A, W04B		21B	X04Z
	05	F13A		21B	X04Z	5t007.x		BOP, KVT, UOP4
	08	I08A, I08B, I08C, I08D, I08E, I08F, I23A	5t007.j↔		BOP, KVT, UOP4, VIAL		05	F13A
5t007.7↔		BOP, KVT, UOP4, VIAL		05	F13A		08	I12A, I12B, I12C, I23A, I23B
	05	F13A		08	I12A, I12B, I12C, I23A		21A	W04A, W04B
	08	I08A, I08B, I08C, I08D, I08E, I08F, I23A		21A	W04A, W04B		21B	X06A, X06B, X06C
5t007.8↔		BOP, KVT, UOP4, VIAL	5t007.k↔		BOP, KVT, UOP4, VIAL	5t007.z↔		BOP, KVT, UOP4, VIAL
	05	F13A		05	F13A		04	E02A, E02B, E02C
	08	I08A, I08B, I08C, I08D, I08E, I08F, I23A		08	I12A, I12B, I12C, I23A		05	F13A
5t007.9↔		BOP, KVT, UOP4, VIAL		21A	W04A, W04B		08	I23A, I23B
	05	F13A		21B	X04Z	5t008.0↔		BOP, KVT, UOP4, VIAL
	08	I08A, I08B, I08C, I08D, I08E, I08F, I23A	5t007.l↔		BOP, KVT, UOP4, VIAL		04	E02A, E02B, E02C
	08	I08A, I08B, I08C, I08D, I08E, I08F, I23A		05	F13A		05	F13A
	08	I08A, I08B, I08C, I08D, I08E, I08F, I23A		08	I12A, I12B, I12C, I23A		08	I23A, I23B
	08	I08A, I08B, I08C, I08D, I08E, I08F, I23A		21A	W04A, W04B	5t008.1↔		BOP, KVT, UOP4, VIAL
	08	I08A, I08B, I08C, I08D, I08E, I08F, I23A		21B	X04Z		05	F13A
	08	I08A, I08B, I08C, I08D, I08E, I08F, I23A	5t007.m↔		BOP, KVT, UOP4, VIAL		08	I08A, I08B, I08C, I08D, I08E, I08F, I12A, I12B, I12C, I23A
	08	I08A, I08B, I08C, I08D, I08E, I08F, I23A		05	F13A		21A	W04A, W04B
	08	I08A, I08B, I08C, I08D, I08E, I08F, I23A		08	I12A, I12B, I12C, I23A		21B	X06A, X06B, X06C
	08	I08A, I08B, I08C, I08D, I08E, I08F, I23A		21A	W04A, W04B		21B	X04Z
	08	I08A, I08B, I08C, I08D, I08E, I08F, I23A	5t007.n↔		BOP, KVT, UOP4, VIAL		21B	X04Z
	08	I08A, I08B, I08C, I08D, I08E, I08F, I23A		05	F13A			
	08	I08A, I08B, I08C, I08D, I08E, I08F, I23A		08	I12A, I12B, I12C, I23A			
	08	I08A, I08B, I08C, I08D, I08E, I08F, I23A		21A	W04A, W04B			
	08	I08A, I08B, I08C, I08D, I08E, I08F, I23A		21B	X04Z			

ZZV	MDC	DRG	ZZV	MDC	DRG	ZZV	MDC	DRG
5t008.2↔		BOP, KVT, UOP4, VIAL	5t008.f↔		BOP, KVT, UOP4, VIAL	5t008.u↔		BOP, KVT, UOP4, VIAL
	05	F13A		05	F13A		05	F13A
	08	I08A, I08B, I08C, I08D, I08E, I08F, I12A, I12B, I12C, I23A		08	I08A, I08B, I08C, I08D, I08E, I08F, I12A, I12B, I12C, I21Z		08	I12A, I12B, I12C, I20A, I20B, I20C, I20D, I20E, I20F
	21A	W04A, W04B		21A	W04A, W04B		21A	W04A, W04B
	21B	X06A, X06B, X06C		21B	X04Z		21B	X04Z
5t008.3↔		BOP, KVT, UOP4, VIAL	5t008.g↔		BOP, KVT, UOP4, VIAL	5t008.v↔		BOP, KVT, UOP4, VIAL
	05	F13A		05	F13A		05	F13A
	08	I08A, I08B, I08C, I08D, I08E, I08F, I12A, I12B, I12C, I23A		08	I08A, I08B, I08C, I08D, I08E, I08F, I12A, I12B, I12C, I21Z		08	I12A, I12B, I12C, I20A, I20B, I20C, I20D, I20E, I20F
	21A	W04A, W04B		21A	W04A, W04B		21A	W04A, W04B
	21B	X06A, X06B, X06C		21B	X04Z		21B	X04Z
5t008.4↔		BOP, KVT, UOP4, VIAL	5t008.h↔		BOP, KVT, UOP4, VIAL	5t008.w↔		BOP, KVT, UOP4, VIAL
	05	F13A		05	F13A		05	F13A
	08	I08A, I08B, I08C, I08D, I08E, I08F, I23A		08	I08A, I08B, I08C, I08D, I08E, I08F, I12A, I12B, I12C, I21Z		08	I12A, I12B, I12C, I23A
	21A	W04A, W04B		21A	W04A, W04B		21A	W04A, W04B
	21B	X06A, X06B, X06C		21B	X04Z		21B	X04Z
5t008.5↔		BOP, KVT, UOP4, VIAL	5t008.i↔		BOP, KVT, UOP4, VIAL	5t008.x		BOP, KVT, UOP4
	05	F13A		05	F13A		05	F13A
	08	I08A, I08B, I08C, I08D, I08E, I08F, I23A		08	I12A, I12B, I12C, I23A		08	I12A, I12B, I12C, I23A
	21A	W04A, W04B		21A	W04A, W04B		21A	W04A, W04B
	21B	X06A, X06B, X06C		21B	X04Z, X06A, X06B, X06C		21B	X06A, X06B, X06C
5t008.6↔		BOP, KVT, UOP4, VIAL	5t008.k↔		BOP, KVT, UOP4, VIAL	5t008.z↔		BOP, KVT, UOP4, VIAL
	05	F13A		05	F13A		04	E02A, E02B, E02C
	08	I08A, I08B, I08C, I08D, I08E, I08F, I23A		08	I12A, I12B, I12C, I23A		05	F13A
	21A	W04A, W04B		21A	W04A, W04B		08	I23A, I23B
	21B	X06A, X06B, X06C		21B	X04Z		5t00a.0↔	BOP, KVT, UOP4, VIAL
5t008.7↔		BOP, KVT, UOP4, VIAL	5t008.l↔		BOP, KVT, UOP4, VIAL		04	E02A, E02B, E02C
	05	F13A		05	F13A		05	F13A
	08	I08A, I08B, I08C, I08D, I08E, I08F, I23A		08	I12A, I12B, I12C, I23A		08	I23A, I23B
	21A	W04A, W04B		21A	W04A, W04B		5t00a.1↔	BOP, KVT, UOP4, VIAL
	21B	X06A, X06B, X06C		21B	X04Z		05	F13A
5t008.8↔		BOP, KVT, UOP4, VIAL	5t008.m↔		BOP, KVT, UOP4, VIAL		08	I23A, I23B
	05	F13A		05	F13A		5t00a.2↔	BOP, KVT, UOP4, VIAL
	08	I08A, I08B, I08C, I08D, I08E, I08F, I23A		08	I12A, I12B, I12C, I23A		05	F13A
	21A	W04A, W04B		21A	W04A, W04B		08	I08A, I08B, I08C, I08D, I08E, I08F, I12A, I12B, I12C, I23A, I23B
	21B	X06A, X06B, X06C		21B	X04Z		21A	W04A, W04B
5t008.9↔		BOP, KVT, UOP4, VIAL	5t008.n↔		BOP, KVT, UOP4, VIAL		21B	X06A, X06B, X06C
	05	F13A		05	F13A		5t00a.3↔	BOP, KVT, UOP4, VIAL
	08	I08A, I08B, I08C, I08D, I08E, I08F, I23A		08	I12A, I12B, I12C, I23A		05	F13A
	21A	W04A, W04B		21A	W04A, W04B		08	I08A, I08B, I08C, I08D, I08E, I08F, I12A, I12B, I12C, I23A, I23B
	21B	X05A, X05B		21B	X04Z		21A	W04A, W04B
5t008.a↔		BOP, KVT, UOP4, VIAL	5t008.o↔		BOP, KVT, UOP4, VIAL		21B	X06A, X06B, X06C
	05	F13A		05	F13A		5t00a.4↔	BOP, KVT, UOP4, VIAL
	08	I12A, I12B, I12C, I32A, I32B, I32C, I32D, I32E, I32F		08	I12A, I12B, I12C, I23A		05	F13A
	21A	W04A, W04B		21A	W04A, W04B		08	I08A, I08B, I08C, I08D, I08E, I08F, I12A, I12B, I12C, I23A, I23B
	21B	X05A, X05B		21B	X04Z		21A	W04A, W04B
5t008.b↔		BOP, KVT, UOP4, VIAL	5t008.p↔		BOP, KVT, UOP4, VIAL		21B	X06A, X06B, X06C
	05	F13A		05	F13A		5t00a.5↔	BOP, KVT, UOP4, VIAL
	08	I12A, I12B, I12C, I32A, I32B, I32C, I32D, I32E, I32F		08	I12A, I12B, I12C, I23A		05	F13A
	21A	W04A, W04B		21A	W04A, W04B		08	I08A, I08B, I08C, I08D, I08E, I08F, I12A, I12B, I12C, I23A, I23B
	21B	X05A, X05B		21B	X04Z		21A	W04A, W04B
5t008.c↔		BOP, KVT, UOP4, VIAL	5t008.q↔		BOP, KVT, UOP4, VIAL		21B	X06A, X06B, X06C
	05	F13A		05	F13A		5t00a.6↔	BOP, KVT, UOP4, VIAL
	08	I12A, I12B, I12C, I23A		08	I12A, I12B, I12C, I23A		05	F13A
	21A	W04A, W04B		21A	W04A, W04B		08	I08A, I08B, I08C, I08D, I08E, I08F, I12A, I12B, I12C, I23A, I23B
	21B	X05A, X05B		21B	X04Z		21A	W04A, W04B
5t008.d		BOP, KVT, UOP4, VIAL	5t008.r↔		BOP, KVT, UOP4, VIAL		21B	X06A, X06B, X06C
	05	F13A		05	F13A		5t00a.7↔	BOP, KVT, UOP4, VIAL
	08	I08A, I08B, I08C, I08D, I08E, I08F, I12A, I12B, I12C, I23A		08	I12A, I12B, I12C, I20A, I20B, I20C, I20D, I20E, I20F		05	F13A
	21A	W04A, W04B		21A	W04A, W04B		08	I08A, I08B, I08C, I08D, I08E, I08F, I12A, I12B, I12C, I23A, I23B
	21B	X04Z, X05A, X05B, X06A, X06B, X06C		21B	X04Z		21A	W04A, W04B
5t008.e↔		BOP, KVT, UOP4, VIAL	5t008.s↔		BOP, KVT, UOP4, VIAL		21B	X06A, X06B, X06C
	05	F13A		05	F13A		5t00a.8↔	BOP, KVT, UOP4, VIAL
	08	I08A, I08B, I08C, I08D, I08E, I08F, I12A, I12B, I12C, I21Z		08	I12A, I12B, I12C, I20A, I20B, I20C, I20D, I20E, I20F		05	F13A
	21A	W04A, W04B		21A	W04A, W04B		08	I08A, I08B, I08C, I08D, I08E, I08F, I12A, I12B, I12C, I23A, I23B
	21B	X04Z		21B	X04Z		21A	W04A, W04B

ZZV	MDC	DRG	ZZV	MDC	DRG	ZZV	MDC	DRG
5t00a.8↔		BOP, KVT, UOP4, VIAL	5t00a.n↔		BOP, KVT, UOP4, VIAL	5t00b.2↔		BOP, KVT, UOP4, VIAL
05		F13A	05		F13A	05		F13A
08		I08A, I08B, I08C, I08D, I08E, I08F, I23A, I23B	08		I12A, I12B, I12C, I23A, I23B	08		I08A, I08B, I08C, I08D, I08E, I08F, I12A, I12B, I12C, I23A, I23B
5t00a.9↔		BOP, KVT, UOP4, VIAL	21A		W04A, W04B	21A		W04A, W04B
05		F13A	21B		X04Z	21B		X06A, X06B, X06C
08		I08A, I08B, I08C, I08D, I08E, I08F, I23A, I23B	5t00a.p↔		BOP, KVT, UOP4, VIAL	5t00b.3↔		BOP, KVT, UOP4, VIAL
5t00a.a↔		BOP, KVT, UOP4, VIAL	05		F13A	05		F13A
05		F13A	08		I12A, I12B, I12C, I23A, I23B	08		I08A, I08B, I08C, I08D, I08E, I08F, I12A, I12B, I12C, I23A, I23B
08		I12A, I12B, I12C, I32A, I32B, I32C, I32D, I32E, I32F	21A		W04A, W04B	21A		W04A, W04B
21A		W04A, W04B	21B		X04Z	21B		X06A, X06B, X06C
21B		X05A, X05B	5t00a.q↔		BOP, KVT, UOP4, VIAL	5t00b.4↔		BOP, KVT, UOP4, VIAL
5t00a.b↔		BOP, KVT, UOP4, VIAL	05		F13A	05		F13A
05		F13A	08		I12A, I12B, I12C, I23A, I23B, I32C, I32D, I32E, I32F	08		I08A, I08B, I08C, I08D, I08E, I08F, I23A, I23B
08		I12A, I12B, I12C, I32A, I32B, I32C, I32D, I32E, I32F	21A		W04A, W04B	21A		W04A, W04B
21A		W04A, W04B	21B		X04Z	21B		X06A, X06B, X06C
21B		X05A, X05B	5t00a.r↔		BOP, KVT, UOP4, VIAL	5t00b.5↔		BOP, KVT, UOP4, VIAL
5t00a.c↔		BOP, KVT, UOP4, VIAL	05		F13A	05		F13A
05		F13A	08		I12A, I12B, I12C, I23A, I23B, I32A, I32B, I32C, I32D	08		I08A, I08B, I08C, I08D, I08E, I08F, I23A, I23B
08		I12A, I12B, I12C, I23A, I23B, I32A, I32B, I32C, I32D	21A		W04A, W04B	21A		W04A, W04B
21A		W04A, W04B	21B		X04Z	21B		X06A, X06B, X06C
21B		X05A, X05B	5t00a.s↔		BOP, KVT, UOP4, VIAL	5t00b.6↔		BOP, KVT, UOP4, VIAL
5t00a.d		BOP, KVT, UOP4, VIAL	05		F13A	05		F13A
05		F13A	08		I12A, I12B, I12C, I20A, I20B, I20C, I20D, I20E, I20F	08		I08A, I08B, I08C, I08D, I08E, I08F, I23A, I23B
08		I12A, I12B, I12C, I23A, I23B, I32A, I32B, I32C, I32D	21A		W04A, W04B	21A		W04A, W04B
21A		W04A, W04B	21B		X04Z	21B		X06A, X06B, X06C
21B		X05A, X05B	5t00a.t↔		BOP, KVT, UOP4, VIAL	5t00b.7↔		BOP, KVT, UOP4, VIAL
5t00a.e↔		BOP, KVT, UOP4, VIAL	05		F13A	05		F13A
05		F13A	08		I12A, I12B, I12C, I20A, I20B, I20C, I20D, I20E, I20F	08		I08A, I08B, I08C, I08D, I08E, I08F, I23A, I23B
08		I12A, I12B, I12C, I21Z	21A		W04A, W04B	21A		W04A, W04B
21A		W04A, W04B	21B		X04Z	21B		X06A, X06B, X06C
21B		X04Z	5t00a.u↔		BOP, KVT, UOP4, VIAL	5t00b.8↔		BOP, KVT, UOP4, VIAL
5t00a.f↔		BOP, KVT, UOP4, VIAL	05		F13A	05		F13A
05		F13A	08		I12A, I12B, I12C, I20A, I20B, I20C, I20D, I20E, I20F	08		I08A, I08B, I08C, I08D, I08E, I08F, I23A, I23B
08		I12A, I12B, I12C, I21Z	21A		W04A, W04B	21A		W04A, W04B
21A		W04A, W04B	21B		X04Z	21B		X06A, X06B, X06C
21B		X04Z	5t00a.v↔		BOP, KVT, UOP4, VIAL	5t00b.9↔		BOP, KVT, UOP4, VIAL
5t00a.g↔		BOP, KVT, UOP4, VIAL	05		F13A	05		F13A
05		F13A	08		I12A, I12B, I12C, I20A, I20B, I20C, I20D, I20E, I20F	08		I08A, I08B, I08C, I08D, I08E, I08F, I23A, I23B
08		I12A, I12B, I12C, I21Z	21A		W04A, W04B	21A		W04A, W04B
21A		W04A, W04B	21B		X04Z	21B		X06A, X06B, X06C
21B		X04Z	5t00a.w↔		BOP, KVT, UOP4, VIAL	5t00b.a↔		BOP, KVT, UOP4, VIAL
5t00a.h↔		BOP, KVT, UOP4, VIAL	05		F13A	05		F13A
05		F13A	08		I12A, I12B, I12C, I23A, I23B	08		I12A, I12B, I12C, I32A, I32B, I32C, I32D, I32E, I32F
08		I12A, I12B, I12C, I21Z	21A		W04A, W04B	21A		W04A, W04B
21A		W04A, W04B	21B		X04Z	21B		X05A, X05B
21B		X04Z	5t00a.x		BOP, KVT, UOP4	5t00b.b↔		BOP, KVT, UOP4, VIAL
5t00a.i↔		BOP, KVT, UOP4, VIAL	05		F13A	05		F13A
05		F13A	08		I12A, I12B, I12C, I23A, I23B	08		I12A, I12B, I12C, I32A, I32B, I32C, I32D, I32E, I32F
08		I12A, I12B, I12C, I23A, I23B	21A		W04A, W04B	21A		W04A, W04B
21A		W04A, W04B	21B		X06A, X06B, X06C	21B		X05A, X05B
21B		X04Z, X06A, X06B, X06C	5t00a.z↔		BOP, KVT, UOP4, VIAL	5t00b.c↔		BOP, KVT, UOP4, VIAL
5t00a.k↔		BOP, KVT, UOP4, VIAL	04		E02A, E02B, E02C	05		F13A
05		F13A	05		F13A	08		I12A, I12B, I12C, I23A, I23B
08		I12A, I12B, I12C, I23A, I23B	08		I23A, I23B	21A		W04A, W04B
21A		W04A, W04B	5t00b.0↔		BOP, KVT, UOP4, VIAL	21B		X04Z, X06A, X06B, X06C
21B		X04Z	04		E02A, E02B, E02C	5t00b.d		BOP, KVT, UOP4, VIAL
5t00a.l↔		BOP, KVT, UOP4, VIAL	05		F13A	05		F13A
05		F13A	08		I23A, I23B	08		I12A, I12B, I12C, I23A, I23B
08		I12A, I12B, I12C, I23A, I23B	5t00b.1↔		BOP, KVT, UOP4, VIAL	21A		W04A, W04B
21A		W04A, W04B	05		F13A	21B		X04Z
21B		X04Z	08		I23A, I23B			
			5t00b.1↔		BOP, KVT, UOP4, VIAL			
			05		F13A			
			08		I08A, I08B, I08C, I08D, I08E, I08F, I12A, I12B, I12C, I23A, I23B			
			21A		W04A, W04B			
			21B		X06A, X06B, X06C			

VYK

ZZV	MDC	DRG	ZZV	MDC	DRG	ZZV	MDC	DRG
5t00b.f↔		BOP, KVT, UOP4, VIAL	5t00b.v↔		BOP, KVT, UOP4, VIAL	5t00x.a↔		BOP, KVT, UOP4, VIAL
	05	F13A		05	F13A		05	F13A
	08	I12A, I12B, I12C, I21Z		08	I12A, I12B, I12C, I20A, I20B, I20C, I20D, I20E, I20F		08	I32A, I32B, I32C, I32D, I32E, I32F
	21A	W04A, W04B		21A	W04A, W04B		21A	W04A, W04B
	21B	X04Z		21B	X04Z		21B	X05A, X05B
5t00b.g↔		BOP, KVT, UOP4, VIAL	5t00b.w↔		BOP, KVT, UOP4, VIAL	5t00x.b↔		BOP, KVT, UOP4, VIAL
	05	F13A		05	F13A		05	F13A
	08	I12A, I12B, I12C, I21Z		08	I12A, I12B, I12C, I23A, I23B		08	I32A, I32B, I32C, I32D, I32E, I32F
	21A	W04A, W04B		21A	W04A, W04B		21A	W04A, W04B
	21B	X04Z		21B	X04Z		21B	X05A, X05B
5t00b.h↔		BOP, KVT, UOP4, VIAL	5t00b.x		BOP, KVT, UOP4	5t00x.c↔		BOP, KVT, UOP4, VIAL
	05	F13A		05	F13A		05	F13A
	08	I12A, I12B, I12C, I21Z		08	I12A, I12B, I12C, I23A, I23B		08	I23A, I23B
	21A	W04A, W04B		21A	W04A, W04B		21A	W04A, W04B
	21B	X04Z		21B	X06A, X06B, X06C		21B	X05A, X05B
5t00b.j↔		BOP, KVT, UOP4, VIAL	5t00b.z↔		BOP, KVT, UOP4, VIAL	5t00x.d		BOP, KVT, UOP4, VIAL
	05	F13A		04	E02A, E02B, E02C		05	F13A
	08	I12A, I12B, I12C, I23A, I23B		05	F13A		08	I23A, I23B
	21A	W04A, W04B		08	I23A, I23B		21A	W04A, W04B
	21B	X04Z, X06A, X06B, X06C		5t00x.0↔	BOP, KVT, UOP4, VIAL		21B	X04Z, X06A, X06B, X06C
5t00b.k↔		BOP, KVT, UOP4, VIAL		04	E02A, E02B, E02C	5t00x.e↔		BOP, KVT, UOP4, VIAL
	05	F13A		05	F13A		05	F13A
	08	I12A, I12B, I12C, I23A, I23B		08	I23A, I23B		08	I21Z
	21A	W04A, W04B		5t00x.1↔	BOP, KVT, UOP4, VIAL		21A	W04A, W04B
	21B	X04Z		05	F13A		21B	X04Z
5t00b.m↔		BOP, KVT, UOP4, VIAL		08	I08A, I08B, I08C, I08D, I08E, I08F, I23A, I23B	5t00x.f↔		BOP, KVT, UOP4, VIAL
	05	F13A		21A	W04A, W04B		05	F13A
	08	I12A, I12B, I12C, I23A, I23B		21B	X06A, X06B, X06C		08	I21Z
	21A	W04A, W04B		5t00x.2↔	BOP, KVT, UOP4, VIAL		21A	W04A, W04B
	21B	X04Z		05	F13A		21B	X04Z
5t00b.n↔		BOP, KVT, UOP4, VIAL		08	I08A, I08B, I08C, I08D, I08E, I08F, I23A, I23B	5t00x.g↔		BOP, KVT, UOP4, VIAL
	05	F13A		21A	W04A, W04B		05	F13A
	08	I12A, I12B, I12C, I23A, I23B		21B	X06A, X06B, X06C		08	I21Z
	21A	W04A, W04B		5t00x.3↔	BOP, KVT, UOP4, VIAL		21A	W04A, W04B
	21B	X04Z		05	F13A		21B	X04Z
5t00b.p↔		BOP, KVT, UOP4, VIAL		08	I08A, I08B, I08C, I08D, I08E, I08F, I23A, I23B	5t00x.h↔		BOP, KVT, UOP4, VIAL
	05	F13A		21A	W04A, W04B		05	F13A
	08	I12A, I12B, I12C, I23A, I23B		21B	X06A, X06B, X06C		08	I21Z
	21A	W04A, W04B		5t00x.4↔	BOP, KVT, UOP4, VIAL		21A	W04A, W04B
	21B	X04Z		05	F13A		21B	X04Z
5t00b.q↔		BOP, KVT, UOP4, VIAL		08	I08A, I08B, I08C, I08D, I08E, I08F, I23A, I23B	5t00x.i↔		BOP, KVT, UOP4, VIAL
	05	F13A		21A	W04A, W04B		05	F13A
	08	I12A, I12B, I12C, I23A, I23B		21B	X06A, X06B, X06C		08	I23A, I23B
	21A	W04A, W04B		5t00x.5↔	BOP, KVT, UOP4, VIAL		21A	W04A, W04B
	21B	X04Z		05	F13A		21B	X04Z, X06A, X06B, X06C
5t00b.r↔		BOP, KVT, UOP4, VIAL		08	I08A, I08B, I08C, I08D, I08E, I08F, I23A, I23B	5t00x.k↔		BOP, KVT, UOP4, VIAL
	05	F13A		21A	W04A, W04B		05	F13A
	08	I12A, I12B, I12C, I23A, I23B		21B	X06A, X06B, X06C		08	I23A, I23B
	21A	W04A, W04B		5t00x.6↔	BOP, KVT, UOP4, VIAL		21A	W04A, W04B
	21B	X04Z		05	F13A		21B	X04Z
5t00b.s↔		BOP, KVT, UOP4, VIAL		08	I08A, I08B, I08C, I08D, I08E, I08F, I23A, I23B	5t00x.l↔		BOP, KVT, UOP4, VIAL
	05	F13A		21A	W04A, W04B		05	F13A
	08	I12A, I12B, I12C, I20A, I20B, I20C, I20D, I20E, I20F		21B	X04Z		08	I23A, I23B
	21A	W04A, W04B		5t00x.7↔	BOP, KVT, UOP4, VIAL		21A	W04A, W04B
	21B	X04Z		05	F13A		21B	X04Z
5t00b.t↔		BOP, KVT, UOP4, VIAL		08	I08A, I08B, I08C, I08D, I08E, I08F, I23A, I23B	5t00x.m↔		BOP, KVT, UOP4, VIAL
	05	F13A		21A	W04A, W04B		05	F13A
	08	I12A, I12B, I12C, I20A, I20B, I20C, I20D, I20E, I20F		21B	X04Z		08	I23A, I23B
	21A	W04A, W04B		5t00x.8↔	BOP, KVT, UOP4, VIAL		21A	W04A, W04B
	21B	X04Z		05	F13A		21B	X04Z
5t00b.u↔		BOP, KVT, UOP4, VIAL		08	I08A, I08B, I08C, I08D, I08E, I08F, I23A, I23B	5t00x.n↔		BOP, KVT, UOP4, VIAL
	05	F13A		21A	W04A, W04B		05	F13A
	08	I12A, I12B, I12C, I20A, I20B, I20C, I20D, I20E, I20F		21B	X04Z		08	I23A, I23B
	21A	W04A, W04B		5t00x.9↔	BOP, KVT, UOP4, VIAL		21A	W04A, W04B
	21B	X04Z		05	F13A		21B	X04Z
				08	I08A, I08B, I08C, I08D, I08E, I08F, I23A, I23B			



ZZV	MDC	DRG	ZZV	MDC	DRG	ZZV	MDC	DRG
5t00x.q↔		BOP, KVT, UOP4, VIAL	5t010.4↔		BOP, KVT, UOP4, VIAL	5t010.k↔		BOP, KVT, UOP4, VIAL
	05	F13A		08	I08A, I08B, I08C, I08D, I08E, I08F, I21Z, I31Z, I33Z		01	B03A, B03B, B06A, B06B, B17A, B17B, B17C
	08	I23A, I23B		21A	W04A, W04B		08	I13A, I13B, I13C, I13D, I33Z
	21A	W04A, W04B		21B	X06A, X06B, X06C		10	K09A, K09B
	21B	X04Z	5t010.5↔		BOP, KVT, UOP4, VIAL		21A	W04A, W04B
5t00x.r↔		BOP, KVT, UOP4, VIAL		08	I08A, I08B, I08C, I08D, I08E, I08F, I21Z, I31Z, I33Z	5t010.m↔		BOP, KVT, UOP4, VIAL
	05	F13A		21A	W04A, W04B		01	B03A, B03B, B06A, B06B, B17A, B17B, B17C
	08	I23A, I23B		21B	X06A, X06B, X06C		08	I13A, I13B, I13C, I13D, I33Z
	21A	W04A, W04B	5t010.6↔		BOP, KVT, UOP4, VIAL		10	K09A, K09B
	21B	X04Z		08	I08A, I08B, I08C, I08D, I08E, I08F, I21Z, I31Z, I33Z		21A	W04A, W04B
5t00x.s↔		BOP, KVT, UOP4, VIAL		21A	W04A, W04B		21B	X04Z
	05	F13A	5t010.7↔		BOP, KVT, UOP4, VIAL	5t010.n↔		BOP, KVT, UOP4, VIAL
	08	I20A, I20B, I20C, I20D, I20E, I20F		08	I08A, I08B, I08C, I08D, I08E, I08F, I21Z, I31Z, I33Z		01	B03A, B03B, B06A, B06B, B17A, B17B, B17C
	21A	W04A, W04B		21A	W04A, W04B		08	I13A, I13B, I13C, I13D, I33Z
	21B	X04Z		21B	X06A, X06B, X06C		10	K09A, K09B
5t00x.t↔		BOP, KVT, UOP4, VIAL	5t010.8↔		BOP, KVT, UOP4, VIAL		21A	W04A, W04B
	05	F13A		08	I08A, I08B, I08C, I08D, I08E, I08F, I21Z, I31Z, I33Z		21B	X04Z
	08	I20A, I20B, I20C, I20D, I20E, I20F		21A	W04A, W04B	5t010.p↔		BOP, KVT, UOP4, VIAL
	21A	W04A, W04B		21B	X06A, X06B, X06C		08	I13A, I13B, I13C, I13D, I33Z
	21B	X04Z	5t010.9↔		BOP, KVT, UOP4, VIAL		21A	W04A, W04B
5t00x.u↔		BOP, KVT, UOP4, VIAL		08	I08A, I08B, I08C, I08D, I08E, I08F, I21Z, I31Z, I33Z		21B	X04Z
	05	F13A	5t010.b↔		BOP, KVT, UOP4, VIAL	5t010.q↔		BOP, KVT, UOP4, VIAL
	08	I20A, I20B, I20C, I20D, I20E, I20F		08	I32A, I32B, I32C, I32D, I32E, I32F, I33Z		08	I13A, I13B, I13C, I13D, I33Z
	21A	W04A, W04B		21A	W04A, W04B		21A	W04A, W04B
	21B	X04Z		21B	X05A, X05B		21B	X04Z
5t00x.v↔		BOP, KVT, UOP4, VIAL	5t010.c↔		BOP, KVT, UOP4, VIAL	5t010.r↔		BOP, KVT, UOP4, VIAL
	05	F13A		08	I32A, I32B, I32C, I32D, I32E, I32F, I33Z		08	I13A, I13B, I13C, I13D, I33Z
	08	I20A, I20B, I20C, I20D, I20E, I20F		21A	W04A, W04B		21A	W04A, W04B
	21A	W04A, W04B		21B	X05A, X05B		21B	X04Z
	21B	X04Z	5t010.d		BOP, KVT, UOP4, VIAL	5t010.s↔		BOP, KVT, UOP4, VIAL
5t00x.w↔		BOP, KVT, UOP4, VIAL		08	I08A, I08B, I08C, I08D, I08E, I08F, I33Z, I47A		08	I20A, I20B, I20C, I20D, I33Z
	05	F13A	5t010.e↔		BOP, KVT, UOP4, VIAL	5t010.t↔		BOP, KVT, UOP4, VIAL
	08	I23A, I23B		08	I08A, I08B, I08C, I08D, I08E, I08F, I33Z		05	F27A, F27B, F27C
	21A	W04A, W04B		21A	W04A, W04B		08	I20A, I20B, I20C, I20D, I33Z
	21B	X04Z		21B	X05A, X05B		10	K01Z
5t00x.x		BOP, KVT, UOP4	5t010.f↔		BOP, KVT, UOP4, VIAL		21A	W04A, W04B
	05	F13A		01	B03A, B03B, B06A, B06B, B17A, B17B, B17C		21B	X04Z
	08	I23A, I23B	5t010.g↔		BOP, KVT, UOP4, VIAL	5t010.u↔		BOP, KVT, UOP4, VIAL
	21A	W04A, W04B		08	I08A, I08B, I08C, I08D, I08E, I08F, I33Z		05	F27A, F27B, F27C
	21B	X06A, X06B, X06C		21A	W01A, W01B, W01C, W02A, W02B		08	I20A, I20B, I20C, I20D, I33Z
5t00x.z↔		BOP, KVT, UOP4, VIAL		21B	X04Z		10	K01Z
	04	E02A, E02B, E02C	5t010.h↔		BOP, KVT, UOP4, VIAL		21A	W04A, W04B
	05	F13A		01	B03A, B03B, B06A, B06B, B17A, B17B, B17C		21B	X04Z
	08	I23A, I23B		08	I08A, I08B, I08C, I08D, I08E, I08F, I33Z	5t010.v↔		BOP, KVT, UOP4, VIAL
5t010.1↔		BOP, KVT, UOP4, VIAL		21A	W01A, W01B, W01C, W02A, W02B		05	F27A, F27B, F27C
	08	I08A, I08B, I08C, I08D, I08E, I08F, I13A, I13B, I13C, I13D, I33Z		21B	X04Z		08	I20A, I20B, I20C, I20D, I33Z
	21A	W04A, W04B	5t010.i↔		BOP, KVT, UOP4, VIAL		10	K01Z
	21B	X06A, X06B, X06C		01	B03A, B03B, B06A, B06B, B17A, B17B, B17C		21A	W04A, W04B
5t010.2↔		BOP, KVT, UOP4, VIAL		08	I08A, I08B, I08C, I08D, I08E, I08F, I33Z		21B	X04Z
	08	I08A, I08B, I08C, I08D, I08E, I08F, I13A, I13B, I13C, I13D, I33Z		21A	W01A, W01B, W01C, W02A, W02B	5t010.w↔		BOP, KVT, UOP4, VIAL
	21A	W04A, W04B		21B	X04Z		05	F27A, F27B, F27C
	21B	X06A, X06B, X06C		21B	X04Z		08	I20A, I20B, I20C, I20D, I33Z
5t010.3↔		BOP, KVT, UOP4, VIAL		21A	W01A, W01B, W01C, W02A, W02B		10	K01Z
	08	I08A, I08B, I08C, I08D, I08E, I08F, I13A, I13B, I13C, I13D, I33Z		21B	X04Z		21A	W04A, W04B
	21A	W04A, W04B		21B	X04Z		21B	X04Z
	21B	X06A, X06B, X06C		21B	X04Z	5t010.x		BOP, KVT, UOP4
	21B	X06A, X06B, X06C		01	B03A, B03B, B06A, B06B, B17A, B17B, B17C		01	B03A, B03B, B06A, B06B, B17A, B17B, B17C
	21B	X06A, X06B, X06C		08	I08A, I08B, I08C, I08D, I08E, I08F, I33Z		08	I28A, I28B, I33Z
	21B	X06A, X06B, X06C		21A	W01A, W01B, W01C, W02A, W02B		21A	W04A, W04B
	21B	X06A, X06B, X06C		21B	X04Z		21B	X06A, X06B, X06C

ZZV	MDC	DRG	ZZV	MDC	DRG	ZZV	MDC	DRG
5t011.1↔		BOP, KVT, UOP4, VIAL	5t011.f↔		BOP, KVT, UOP4, VIAL	5t011.x		BOP, KVT, UOP4
	08	I08A, I08B, I08C, I08D, I08E, I08F, I13A, I13B, I13C, I13D, I33Z		01	B03A, B03B, B06A, B06B, B17A, B17B, B17C		01	B03A, B03B, B06A, B06B, B17A, B17B, B17C
	21A	W04A, W04B		08	I08A, I08B, I08C, I08D, I08E, I08F, I33Z		08	I28A, I28B, I33Z
	21B	X06A, X06B, X06C		21A	W01A, W01B, W01C, W02A, W02B		21A	W04A, W04B
5t011.2↔		BOP, KVT, UOP4, VIAL		21B	X04Z	5t012.0↔		BOP, KVT, UOP4, VIAL
	08	I08A, I08B, I08C, I08D, I08E, I08F, I13A, I13B, I13C, I13D, I33Z	5t011.g↔		BOP, KVT, UOP4, VIAL		04	E02A, E02B, E02C
	21A	W04A, W04B		01	B03A, B03B, B06A, B06B, B17A, B17B, B17C		08	I28A, I28B, I33Z
	21B	X06A, X06B, X06C		08	I08A, I08B, I08C, I08D, I08E, I08F, I33Z		21A	W04A, W04B
5t011.3↔		BOP, KVT, UOP4, VIAL		21A	W01A, W01B, W01C, W02A, W02B	5t012.1↔		BOP, KVT, UOP4, VIAL
	08	I08A, I08B, I08C, I08D, I08E, I08F, I13A, I13B, I13C, I13D, I33Z		21B	X04Z		08	I08A, I08B, I08C, I08D, I08E, I08F, I13A, I13B, I13C, I13D, I33Z
	21A	W04A, W04B	5t011.h↔		BOP, KVT, UOP4, VIAL		21A	W04A, W04B
	21B	X06A, X06B, X06C		01	B03A, B03B, B06A, B06B, B17A, B17B, B17C		21B	X06A, X06B, X06C
5t011.4↔		BOP, KVT, UOP4, VIAL		08	I08A, I08B, I08C, I08D, I08E, I08F, I33Z	5t012.2↔		BOP, KVT, UOP4, VIAL
	08	I08A, I08B, I08C, I08D, I08E, I08F, I21Z, I31Z, I33Z		21A	W01A, W01B, W01C, W02A, W02B		08	I08A, I08B, I08C, I08D, I08E, I08F, I13A, I13B, I13C, I13D, I33Z
	21A	W04A, W04B		21B	X04Z		21A	W04A, W04B
	21B	X06A, X06B, X06C	5t011.k↔		BOP, KVT, UOP4, VIAL		21B	X06A, X06B, X06C
5t011.5↔		BOP, KVT, UOP4, VIAL		01	B03A, B03B, B06A, B06B, B17A, B17B, B17C	5t012.3↔		BOP, KVT, UOP4, VIAL
	08	I08A, I08B, I08C, I08D, I08E, I08F, I21Z, I31Z, I33Z		08	I13A, I13B, I13C, I13D, I33Z		08	I08A, I08B, I08C, I08D, I08E, I08F, I13A, I13B, I13C, I13D, I33Z
	21A	W04A, W04B		10	K09A, K09B		21A	W04A, W04B
	21B	X06A, X06B, X06C		21A	W04A, W04B		21B	X06A, X06B, X06C
5t011.6↔		BOP, KVT, UOP4, VIAL		21B	X04Z	5t012.5↔		BOP, KVT, UOP4, VIAL
	08	I08A, I08B, I08C, I08D, I08E, I08F, I21Z, I31Z, I33Z	5t011.m↔		BOP, KVT, UOP4, VIAL		08	I08A, I08B, I08C, I08D, I08E, I08F, I21Z, I31Z, I33Z
	21A	W04A, W04B		01	B03A, B03B, B06A, B06B, B17A, B17B, B17C		21A	W04A, W04B
	21B	X06A, X06B, X06C		08	I13A, I13B, I13C, I13D, I33Z		21B	X06A, X06B, X06C
5t011.7↔		BOP, KVT, UOP4, VIAL		10	K09A, K09B	5t012.6↔		BOP, KVT, UOP4, VIAL
	08	I08A, I08B, I08C, I08D, I08E, I08F, I21Z, I31Z, I33Z		21A	W04A, W04B		08	I08A, I08B, I08C, I08D, I08E, I08F, I21Z, I31Z, I33Z
	21A	W04A, W04B		21B	X04Z		21A	W04A, W04B
	21B	X06A, X06B, X06C	5t011.n↔		BOP, KVT, UOP4, VIAL		21B	X06A, X06B, X06C
5t011.8↔		BOP, KVT, UOP4, VIAL		01	B03A, B03B, B06A, B06B, B17A, B17B, B17C	5t012.8↔		BOP, KVT, UOP4, VIAL
	08	I08A, I08B, I08C, I08D, I08E, I08F, I21Z, I31Z, I33Z		08	I13A, I13B, I13C, I13D, I33Z		08	I08A, I08B, I08C, I08D, I08E, I08F, I21Z, I31Z, I33Z
	21A	W04A, W04B		10	K09A, K09B		21A	W04A, W04B
	21B	X06A, X06B, X06C		21A	W04A, W04B		21B	X06A, X06B, X06C
5t011.9↔		BOP, KVT, UOP4, VIAL		21B	X04Z	5t012.9↔		BOP, KVT, UOP4, VIAL
	08	I08A, I08B, I08C, I08D, I08E, I08F, I21Z, I31Z, I33Z	5t011.p↔		BOP, KVT, UOP4, VIAL		08	I08A, I08B, I08C, I08D, I08E, I08F, I21Z, I31Z, I33Z
	21A	W04A, W04B		08	I13A, I13B, I13C, I13D, I33Z		21A	W04A, W04B
	21B	X06A, X06B, X06C		21A	W04A, W04B		21B	X06A, X06B, X06C
5t011.b↔		BOP, KVT, UOP4, VIAL		21B	X04Z	5t012.a↔		BOP, KVT, UOP4, VIAL
	08	I32A, I32B, I32C, I32D, I32E, I32F, I33Z	5t011.q↔		BOP, KVT, UOP4, VIAL		08	I32A, I32B, I32C, I32D, I32E, I32F, I33Z
	21A	W04A, W04B		08	I13A, I13B, I13C, I13D, I33Z		21A	W04A, W04B
	21B	X05A, X05B		21A	W04A, W04B		21B	X05A, X05B
5t011.c↔		BOP, KVT, UOP4, VIAL		21B	X04Z	5t012.b↔		BOP, KVT, UOP4, VIAL
	08	I32A, I32B, I32C, I32D, I32E, I32F, I33Z	5t011.r↔		BOP, KVT, UOP4, VIAL		08	I32A, I32B, I32C, I32D, I32E, I32F, I33Z
	21A	W04A, W04B		08	I13A, I13B, I13C, I13D, I33Z		21A	W04A, W04B
	21B	X05A, X05B		21A	W04A, W04B		21B	X05A, X05B
5t011.d		BOP, KVT, UOP4, VIAL		21B	X04Z	5t012.c↔		BOP, KVT, UOP4, VIAL
	08	I08A, I08B, I08C, I08D, I08E, I08F, I33Z, I47A	5t011.s↔		BOP, KVT, UOP4, VIAL		08	I32A, I32B, I32C, I32D, I32E, I32F, I33Z
	08	I08A, I08B, I08C, I08D, I08E, I08F, I33Z		08	I20A, I20B, I20C, I20D, I33Z		21A	W04A, W04B
	08	I08A, I08B, I08C, I08D, I08E, I08F, I33Z		10	K01Z		21B	X05A, X05B
	08	I08A, I08B, I08C, I08D, I08E, I08F, I33Z		21A	W04A, W04B	5t012.d		BOP, KVT, UOP4, VIAL
	08	I08A, I08B, I08C, I08D, I08E, I08F, I33Z		21B	X04Z		08	I08A, I08B, I08C, I08D, I08E, I27B, I33Z, I37Z, I47A
	08	I08A, I08B, I08C, I08D, I08E, I08F, I33Z	5t011.t↔		BOP, KVT, UOP4, VIAL		08	I08A, I08B, I08C, I08D, I08E, I27B, I33Z, I37Z, I47A
	08	I08A, I08B, I08C, I08D, I08E, I08F, I33Z		05	F27A, F27B, F27C	5t012.e↔		BOP, KVT, UOP4, VIAL
	08	I08A, I08B, I08C, I08D, I08E, I08F, I33Z		08	I20A, I20B, I20C, I20D, I33Z		08	I08A, I08B, I08C, I08D, I08E, I27B, I33Z, I37Z
	08	I08A, I08B, I08C, I08D, I08E, I08F, I33Z		10	K01Z		08	I08A, I08B, I08C, I08D, I08E, I27B, I33Z, I37Z
	08	I08A, I08B, I08C, I08D, I08E, I08F, I33Z		21A	W04A, W04B		08	I08A, I08B, I08C, I08D, I08E, I27B, I33Z, I37Z
	08	I08A, I08B, I08C, I08D, I08E, I08F, I33Z		21B	X04Z		08	I08A, I08B, I08C, I08D, I08E, I27B, I33Z, I37Z
	08	I08A, I08B, I08C, I08D, I08E, I08F, I33Z	5t011.u↔		BOP, KVT, UOP4, VIAL		08	I08A, I08B, I08C, I08D, I08E, I27B, I33Z, I37Z
	08	I08A, I08B, I08C, I08D, I08E, I08F, I33Z		08	I20A, I20B, I20C, I20D, I33Z		08	I08A, I08B, I08C, I08D, I08E, I27B, I33Z, I37Z

ZZV	MDC	DRG	ZZV	MDC	DRG	ZZV	MDC	DRG
5t012.f↔		BOP, KVT, UOP4, VIAL	5t013.1↔	08	BOP, KVT, UOP4, VIAL	5t013.f↔	01	BOP, KVT, UOP4, VIAL
	01	B03A, B03B, B06A, B06B, B17A, B17B, B17C			I08A, I08B, I08C, I08D, I08E, I08F, I13A, I13B, I13C, I13D, I33Z		08	B03A, B03B, B06A, B06B, B17A, B17B, B17C
	08	I08A, I08B, I08C, I08D, I08E, I27B, I33Z, I37Z		21A	W04A, W04B		08	I08A, I08B, I08C, I08D, I08E, I08F, I33Z
	21A	W01A, W01B, W01C, W02A, W02B		21B	X06A, X06B, X06C		21A	W01A, W01B, W01C, W02A, W02B
	21B	X04Z	5t013.2↔		BOP, KVT, UOP4, VIAL		21B	X04Z
5t012.g↔		BOP, KVT, UOP4, VIAL		08	I08A, I08B, I08C, I08D, I08E, I08F, I13A, I13B, I13C, I13D, I33Z	5t013.g↔		BOP, KVT, UOP4, VIAL
	01	B03A, B03B, B06A, B06B, B17A, B17B, B17C					01	B03A, B03B, B06A, B06B, B17A, B17B, B17C
	08	I08A, I08B, I08C, I08D, I08E, I27B, I33Z, I37Z		21A	W04A, W04B		08	I08A, I08B, I08C, I08D, I08E, I08F, I33Z
	21A	W01A, W01B, W01C, W02A, W02B	5t013.3↔		BOP, KVT, UOP4, VIAL		21A	W01A, W01B, W01C, W02A, W02B
	21B	X04Z		08	I08A, I08B, I08C, I08D, I08E, I08F, I13A, I13B, I13C, I13D, I33Z		21B	X04Z
5t012.h↔		BOP, KVT, UOP4, VIAL		21A	W04A, W04B	5t013.h↔		BOP, KVT, UOP4, VIAL
	01	B03A, B03B, B06A, B06B, B17A, B17B, B17C		21B	X06A, X06B, X06C		01	B03A, B03B, B06A, B06B, B17A, B17B, B17C
	08	I08A, I08B, I08C, I08D, I08E, I27B, I33Z, I37Z	5t013.4↔		BOP, KVT, UOP4, VIAL		08	I08A, I08B, I08C, I08D, I08E, I08F, I33Z
	21A	W01A, W01B, W01C, W02A, W02B		08	I08A, I08B, I08C, I08D, I08E, I08F, I21Z, I31Z, I33Z		21A	W01A, W01B, W01C, W02A, W02B
	21B	X04Z		21A	W04A, W04B		21B	X04Z
5t012.k↔		BOP, KVT, UOP4, VIAL		21B	X06A, X06B, X06C		01	BOP, KVT, UOP4, VIAL
	08	I08A, I08D, I08E, I13A, I13B, I13C, I13D, I27B, I33Z, I37Z	5t013.5↔		BOP, KVT, UOP4, VIAL		08	I13A, I13B, I13C, I13D, I33Z
	21A	W04A, W04B		08	I08A, I08B, I08C, I08D, I08E, I08F, I21Z, I31Z, I33Z		21A	W04A, W04B
	21B	X04Z		21A	W04A, W04B		21B	X04Z
5t012.m↔		BOP, KVT, UOP4, VIAL		21B	X06A, X06B, X06C	5t013.m↔		BOP, KVT, UOP4, VIAL
	08	I08A, I08D, I08E, I13A, I13B, I13C, I13D, I27B, I33Z, I37Z	5t013.6↔		BOP, KVT, UOP4, VIAL		08	I13A, I13B, I13C, I13D, I33Z
	21A	W04A, W04B		08	I08A, I08B, I08C, I08D, I08E, I08F, I21Z, I31Z, I33Z		21A	W04A, W04B
	21B	X04Z		21A	W04A, W04B		21B	X04Z
5t012.n↔		BOP, KVT, UOP4, VIAL		21B	X06A, X06B, X06C	5t013.n↔		BOP, KVT, UOP4, VIAL
	08	I08A, I08D, I08E, I13A, I13B, I13C, I13D, I27B, I33Z, I37Z	5t013.7↔		BOP, KVT, UOP4, VIAL		08	I13A, I13B, I13C, I13D, I33Z
	21A	W04A, W04B		08	I08A, I08B, I08C, I08D, I08E, I08F, I21Z, I31Z, I33Z		21A	W04A, W04B
	21B	X04Z		21A	W04A, W04B		21B	X04Z
5t012.r↔		BOP, KVT, UOP4, VIAL		21B	X06A, X06B, X06C	5t013.p↔		BOP, KVT, UOP4, VIAL
	08	I13A, I13B, I13C, I13D, I33Z, I37Z	5t013.8↔		BOP, KVT, UOP4, VIAL		08	I13A, I13B, I13C, I13D, I33Z
	21A	W04A, W04B		08	I08A, I08B, I08C, I08D, I08E, I08F, I21Z, I31Z, I33Z		21A	W04A, W04B
	21B	X04Z		21A	W04A, W04B		21B	X04Z
5t012.s↔		BOP, KVT, UOP4, VIAL		21B	X06A, X06B, X06C	5t013.q↔		BOP, KVT, UOP4, VIAL
	08	I20A, I20B, I20C, I20D, I33Z, I37Z	5t013.9↔		BOP, KVT, UOP4, VIAL		08	I13A, I13B, I13C, I13D, I33Z
	08	I20A, I20B, I20C, I20D, I33Z, I37Z		08	I08A, I08B, I08C, I08D, I08E, I08F, I21Z, I31Z, I33Z		21A	W04A, W04B
	21A	W04A, W04B		21A	W04A, W04B		21B	X04Z
	21B	X04Z		21B	X06A, X06B, X06C	5t013.r↔		BOP, KVT, UOP4, VIAL
5t012.t↔		BOP, KVT, UOP4, VIAL		08	I08A, I08B, I08C, I08D, I08E, I08F, I21Z, I31Z, I33Z		08	I13A, I13B, I13C, I13D, I33Z
	08	I20A, I20B, I20C, I20D, I33Z, I37Z	5t013.b↔		BOP, KVT, UOP4, VIAL		21A	W04A, W04B
	08	I20A, I20B, I20C, I20D, I33Z, I37Z		08	I32A, I32B, I32C, I32D, I32E, I32F, I33Z		21B	X04Z
	21A	W04A, W04B		21A	W04A, W04B	5t013.s↔		BOP, KVT, UOP4, VIAL
	21B	X05A, X05B		21B	X06A, X06B, X06C		08	I20A, I20B, I20C, I20D, I33Z
5t012.u↔		BOP, KVT, UOP4, VIAL		08	I08A, I08B, I08C, I08D, I08E, I08F, I33Z, I47A	5t013.t↔		BOP, KVT, UOP4, VIAL
	08	I20A, I20B, I20C, I20D, I33Z, I37Z	5t013.c↔		BOP, KVT, UOP4, VIAL		05	F27A, F27B, F27C
	08	I20A, I20B, I20C, I20D, I33Z, I37Z		08	I32A, I32B, I32C, I32D, I32E, I32F, I33Z		08	I20A, I20B, I20C, I20D, I33Z
	21A	W04A, W04B		21A	W04A, W04B		10	K01Z
	21B	X06A, X06B, X06C		21B	X05A, X05B		21A	W04A, W04B
5t012.z↔		BOP, KVT, UOP4, VIAL		08	I08A, I08B, I08C, I08D, I08E, I08F, I33Z, I47A		21B	X04Z
	04	E02A, E02B, E02C	5t013.d		BOP, KVT, UOP4, VIAL	5t013.u↔		BOP, KVT, UOP4, VIAL
	08	I28A, I28B, I33Z		08	I08A, I08B, I08C, I08D, I08E, I08F, I33Z, I47A		08	I20A, I20B, I20C, I20D, I33Z
	21A	W04A, W04B		08	I08A, I08B, I08C, I08D, I08E, I08F, I33Z			BOP, KVT, UOP4
	21B	X06A, X06B, X06C	5t013.e↔		BOP, KVT, UOP4, VIAL	5t013.x		B03A, B03B, B06A, B06B, B17A, B17B, B17C
	04	E02A, E02B, E02C		08	I08A, I08B, I08C, I08D, I08E, I08F, I33Z		08	I28A, I28B, I33Z
	08	I28A, I28B, I33Z		08	I08A, I08B, I08C, I08D, I08E, I08F, I33Z		21A	W04A, W04B
	21A	W04A, W04B		08	I08A, I08B, I08C, I08D, I08E, I08F, I33Z		21B	X06A, X06B, X06C
	21B	X06A, X06B, X06C		08	I08A, I08B, I08C, I08D, I08E, I08F, I33Z	5t013.z↔		BOP, KVT, UOP4, VIAL
5t013.0↔		BOP, KVT, UOP4, VIAL		08	I08A, I08B, I08C, I08D, I08E, I08F, I33Z		04	E02A, E02B, E02C
	04	E02A, E02B, E02C		08	I08A, I08B, I08C, I08D, I08E, I08F, I33Z		08	I28A, I28B, I33Z
	08	I28A, I28B, I33Z		08	I08A, I08B, I08C, I08D, I08E, I08F, I33Z		21A	W04A, W04B
	21A	W04A, W04B		08	I08A, I08B, I08C, I08D, I08E, I08F, I33Z		21B	X06A, X06B, X06C
	21B	X06A, X06B, X06C		08	I08A, I08B, I08C, I08D, I08E, I08F, I33Z		21B	X06A, X06B, X06C

ZZV	MDC	DRG	ZZV	MDC	DRG	ZZV	MDC	DRG
5t014.0↔		BOP, KVT, UOP4, VIAL	5t014.f↔		BOP, KVT, UOP4, VIAL	5t015.1↔		BOP, KVT, UOP4, VIAL
	04	E02A, E02B, E02C		01	B03A, B03B, B06A, B06B, B17A, B17B, B17C		08	I08A, I08B, I08C, I08D, I08E, I08F, I13A, I13B, I13C, I13D, I33Z
	08	I28A, I28B, I33Z		08	I11Z, I33Z		21A	W04A, W04B
	21A	W04A, W04B		21A	W01A, W01B, W01C, W02A, W02B		21B	X06A, X06B, X06C
	21B	X06A, X06B, X06C		21B	X04Z	5t015.2↔		BOP, KVT, UOP4, VIAL
5t014.1↔		BOP, KVT, UOP4, VIAL	5t014.g↔		BOP, KVT, UOP4, VIAL		08	I08A, I08B, I08C, I08D, I08E, I08F, I11Z, I33Z
	08	I08A, I08B, I08C, I08D, I08E, I08F, I11Z, I33Z		01	B03A, B03B, B06A, B06B, B17A, B17B, B17C		21A	W04A, W04B
	21A	W04A, W04B		08	I11Z, I33Z		21B	X06A, X06B, X06C
	21B	X06A, X06B, X06C		21A	W01A, W01B, W01C, W02A, W02B	5t015.3↔		BOP, KVT, UOP4, VIAL
5t014.2↔		BOP, KVT, UOP4, VIAL		21B	X04Z		08	I08A, I08B, I08C, I08D, I08E, I08F, I13A, I13B, I13C, I13D, I33Z
	08	I08A, I08B, I08C, I08D, I08E, I08F, I11Z, I33Z	5t014.h↔		BOP, KVT, UOP4, VIAL		21A	W04A, W04B
	21A	W04A, W04B		01	B03A, B03B, B06A, B06B, B17A, B17B, B17C		21B	X06A, X06B, X06C
	21B	X06A, X06B, X06C		08	I11Z, I33Z	5t015.4↔		BOP, KVT, UOP4, VIAL
5t014.3↔		BOP, KVT, UOP4, VIAL		21A	W01A, W01B, W01C, W02A, W02B		08	I08A, I08B, I08C, I08D, I08E, I08F, I21Z, I31Z, I33Z
	08	I08A, I08B, I08C, I08D, I08E, I08F, I11Z, I33Z		21B	X04Z		21A	W04A, W04B
	21A	W04A, W04B	5t014.i↔		BOP, KVT, UOP4, VIAL		21B	X06A, X06B, X06C
	21B	X06A, X06B, X06C		01	B03A, B03B, B06A, B06B, B17A, B17B, B17C	5t015.5↔		BOP, KVT, UOP4, VIAL
5t014.4↔		BOP, KVT, UOP4, VIAL		08	I11Z, I33Z		08	I08A, I08B, I08C, I08D, I08E, I08F, I21Z, I31Z, I33Z
	08	I08A, I08B, I08C, I08D, I08E, I08F, I11Z, I33Z	5t014.k↔		BOP, KVT, UOP4, VIAL		21A	W04A, W04B
	21A	W04A, W04B		08	I11Z, I33Z		21B	X06A, X06B, X06C
	21B	X06A, X06B, X06C		21A	W04A, W04B	5t015.6↔		BOP, KVT, UOP4, VIAL
5t014.5↔		BOP, KVT, UOP4, VIAL		21B	X04Z		08	I08A, I08B, I08C, I08D, I08E, I08F, I21Z, I31Z, I33Z
	08	I08A, I08B, I08C, I08D, I08E, I08F, I11Z, I33Z	5t014.l↔		BOP, KVT, UOP4, VIAL		21A	W04A, W04B
	21A	W04A, W04B		08	I11Z, I33Z		21B	X06A, X06B, X06C
	21B	X06A, X06B, X06C		21A	W04A, W04B	5t015.7↔		BOP, KVT, UOP4, VIAL
5t014.6↔		BOP, KVT, UOP4, VIAL		21B	X04Z		08	I08A, I08B, I08C, I08D, I08E, I08F, I21Z, I31Z, I33Z
	08	I08A, I08B, I08C, I08D, I08E, I08F, I11Z, I33Z	5t014.m↔		BOP, KVT, UOP4, VIAL		21A	W04A, W04B
	21A	W04A, W04B		08	I11Z, I33Z		21B	X06A, X06B, X06C
	21B	X06A, X06B, X06C		21A	W04A, W04B	5t015.8↔		BOP, KVT, UOP4, VIAL
5t014.7↔		BOP, KVT, UOP4, VIAL		21B	X04Z		08	I08A, I08B, I08C, I08D, I08E, I08F, I21Z, I31Z, I33Z
	08	I08A, I08B, I08C, I08D, I08E, I08F, I11Z, I33Z	5t014.n↔		BOP, KVT, UOP4, VIAL		21A	W04A, W04B
	21A	W04A, W04B		08	I11Z, I33Z		21B	X06A, X06B, X06C
	21B	X06A, X06B, X06C		21A	W04A, W04B	5t015.9↔		BOP, KVT, UOP4, VIAL
5t014.8↔		BOP, KVT, UOP4, VIAL		21B	X04Z		08	I08A, I08B, I08C, I08D, I08E, I08F, I21Z, I31Z, I33Z
	08	I08A, I08B, I08C, I08D, I08E, I08F, I11Z, I33Z	5t014.o↔		BOP, KVT, UOP4, VIAL		21A	W04A, W04B
	21A	W04A, W04B		08	I11Z, I33Z		21B	X06A, X06B, X06C
	21B	X06A, X06B, X06C		21A	W04A, W04B	5t015.b↔		BOP, KVT, UOP4, VIAL
5t014.9↔		BOP, KVT, UOP4, VIAL		21B	X04Z		08	I08A, I08B, I08C, I08D, I08E, I08F, I21Z, I31Z, I33Z
	08	I08A, I08B, I08C, I08D, I08E, I08F, I11Z, I33Z	5t014.p↔		BOP, KVT, UOP4, VIAL		21A	W04A, W04B
	21A	W04A, W04B		08	I11Z, I33Z		21B	X06A, X06B, X06C
	21B	X06A, X06B, X06C		21A	W04A, W04B	5t015.c↔		BOP, KVT, UOP4, VIAL
5t014.b↔		BOP, KVT, UOP4, VIAL		21B	X04Z		08	I08A, I08B, I08C, I08D, I08E, I08F, I21Z, I31Z, I33Z
	08	I32A, I32B, I32C, I32D, I32E, I32F, I33Z	5t014.q↔		BOP, KVT, UOP4, VIAL		21A	W04A, W04B
	21A	W04A, W04B		08	I11Z, I33Z		21B	X05A, X05B
	21B	X05A, X05B		21A	W04A, W04B	5t015.d		BOP, KVT, UOP4, VIAL
5t014.c↔		BOP, KVT, UOP4, VIAL		21B	X04Z		08	I08A, I08B, I08C, I08D, I08E, I27B, I33Z, I37Z, I47A
	08	I32A, I32B, I32C, I32D, I32E, I32F, I33Z	5t014.r↔		BOP, KVT, UOP4, VIAL	5t015.e↔		BOP, KVT, UOP4, VIAL
	21A	W04A, W04B		08	I11Z, I33Z		08	I08A, I08B, I08C, I08D, I08E, I27B, I33Z, I37Z
	21B	X05A, X05B		21A	W04A, W04B			
5t014.d		BOP, KVT, UOP4, VIAL		21B	X04Z			
	08	I08A, I08B, I08C, I08D, I08E, I08F, I33Z, I47A	5t014.s↔		BOP, KVT, UOP4, VIAL			
	21A	W04A, W04B		08	I20A, I20B, I20C, I20D, I33Z			
	21B	X05A, X05B		08	I20A, I20B, I20C, I20D, I33Z			
5t014.e↔		BOP, KVT, UOP4, VIAL		10	K01Z			
	08	I08A, I08B, I08C, I08D, I08E, I08F, I33Z	5t014.t↔		BOP, KVT, UOP4, VIAL			
				21A	W04A, W04B			
				21B	X04Z			
			5t014.u↔		BOP, KVT, UOP4, VIAL			
				08	I20A, I20B, I20C, I20D, I33Z			
			5t014.v↔		BOP, KVT, UOP4, VIAL			
				01	B03A, B03B, B06A, B06B, B17A, B17B, B17C			
				08	I28A, I28B, I33Z			
				21A	W04A, W04B			
				21B	X06A, X06B, X06C			
			5t014.z↔		BOP, KVT, UOP4, VIAL			
				04	E02A, E02B, E02C			
				08	I28A, I28B, I33Z			
				21A	W04A, W04B			
				21B	X06A, X06B, X06C			

ZZV	MDC	DRG	ZZV	MDC	DRG	ZZV	MDC	DRG
5t015.f↔		BOP, KVT, UOP4, VIAL	5t016.1↔		BOP, KVT, UOP4, VIAL	5t016.f↔		BOP, KVT, UOP4, VIAL
	01	B03A, B03B, B06A, B06B, B17A, B17B, B17C		08	I08A, I08B, I08C, I08D, I08E, I08F, I13A, I13B, I13C, I13D, I33Z		01	B03A, B03B, B06A, B06B, B17A, B17B, B17C
	08	I08A, I08B, I08C, I08D, I08E, I27B, I33Z, I37Z		21A	W04A, W04B		08	I08A, I08B, I08C, I08D, I08E, I27B, I33Z, I37Z
	21A	W01A, W01B, W01C, W02A, W02B		21B	X06A, X06B, X06C		21A	W01A, W01B, W01C, W02A, W02B
	21B	X04Z	5t016.2↔		BOP, KVT, UOP4, VIAL		21B	X04Z
5t015.g↔		BOP, KVT, UOP4, VIAL		08	I08A, I08B, I08C, I08D, I08E, I08F, I13A, I13B, I13C, I13D, I33Z	5t016.g↔		BOP, KVT, UOP4, VIAL
	01	B03A, B03B, B06A, B06B, B17A, B17B, B17C		21A	W04A, W04B		01	B03A, B03B, B06A, B06B, B17A, B17B, B17C
	08	I08A, I08B, I08C, I08D, I08E, I27B, I33Z, I37Z		21B	X06A, X06B, X06C		08	I08A, I08B, I08C, I08D, I08E, I27B, I33Z, I37Z
	21A	W01A, W01B, W01C, W02A, W02B	5t016.3↔		BOP, KVT, UOP4, VIAL		21A	W01A, W01B, W01C, W02A, W02B
	21B	X04Z		08	I08A, I08B, I08C, I08D, I08E, I08F, I13A, I13B, I13C, I13D, I33Z		21B	X04Z
5t015.h↔		BOP, KVT, UOP4, VIAL		21A	W04A, W04B	5t016.h↔		BOP, KVT, UOP4, VIAL
	01	B03A, B03B, B06A, B06B, B17A, B17B, B17C		21B	X06A, X06B, X06C		01	B03A, B03B, B06A, B06B, B17A, B17B, B17C
	08	I08A, I08B, I08C, I08D, I08E, I27B, I33Z, I37Z	5t016.4↔		BOP, KVT, UOP4, VIAL		08	I08A, I08B, I08C, I08D, I08E, I27B, I33Z, I37Z
	21A	W01A, W01B, W01C, W02A, W02B		08	I08A, I08B, I08C, I08D, I08E, I08F, I21Z, I31Z, I33Z		21A	W01A, W01B, W01C, W02A, W02B
	21B	X04Z		21A	W04A, W04B		21B	X04Z
5t015.k↔		BOP, KVT, UOP4, VIAL		21B	X06A, X06B, X06C	5t016.k↔		BOP, KVT, UOP4, VIAL
	01	B03A, B03B, B06A, B06B, B17A, B17B, B17C		08	I08A, I08B, I08C, I08D, I08E, I08F, I21Z, I31Z, I33Z		01	B03A, B03B, B06A, B06B, B17A, B17B, B17C
	08	I08A, I08D, I08E, I13A, I13B, I13C, I13D, I27B, I33Z, I37Z		21A	W04A, W04B		08	I08A, I08D, I08E, I13A, I13B, I13C, I13D, I27B, I33Z, I37Z
	10	K09A, K09B		21B	X06A, X06B, X06C		10	K09A, K09B
	21A	W04A, W04B	5t016.5↔		BOP, KVT, UOP4, VIAL		21A	W04A, W04B
	21B	X04Z		08	I08A, I08B, I08C, I08D, I08E, I08F, I21Z, I31Z, I33Z		21B	X04Z
5t015.m↔		BOP, KVT, UOP4, VIAL		21A	W04A, W04B	5t016.m↔		BOP, KVT, UOP4, VIAL
	01	B03A, B03B, B06A, B06B, B17A, B17B, B17C		21B	X06A, X06B, X06C		01	B03A, B03B, B06A, B06B, B17A, B17B, B17C
	08	I08A, I08D, I08E, I13A, I13B, I13C, I13D, I27B, I33Z, I37Z		08	I08A, I08B, I08C, I08D, I08E, I08F, I21Z, I31Z, I33Z		08	I08A, I08D, I08E, I13A, I13B, I13C, I13D, I27B, I33Z, I37Z
	10	K09A, K09B		21A	W04A, W04B		10	K09A, K09B
	21A	W04A, W04B		21B	X06A, X06B, X06C		21A	W04A, W04B
	21B	X04Z	5t016.6↔		BOP, KVT, UOP4, VIAL		21B	X04Z
5t015.n↔		BOP, KVT, UOP4, VIAL		08	I08A, I08B, I08C, I08D, I08E, I08F, I21Z, I31Z, I33Z	5t016.n↔		BOP, KVT, UOP4, VIAL
	01	B03A, B03B, B06A, B06B, B17A, B17B, B17C		21A	W04A, W04B		01	B03A, B03B, B06A, B06B, B17A, B17B, B17C
	08	I08A, I08D, I08E, I13A, I13B, I13C, I13D, I27B, I33Z, I37Z		21B	X06A, X06B, X06C		08	I08A, I08D, I08E, I13A, I13B, I13C, I13D, I27B, I33Z, I37Z
	10	K09A, K09B	5t016.7↔		BOP, KVT, UOP4, VIAL		10	K09A, K09B
	21A	W04A, W04B		08	I08A, I08B, I08C, I08D, I08E, I08F, I21Z, I31Z, I33Z		21A	W04A, W04B
	21B	X04Z		21A	W04A, W04B		21B	X04Z
5t015.o↔		BOP, KVT, UOP4, VIAL		21B	X06A, X06B, X06C	5t016.o↔		BOP, KVT, UOP4, VIAL
	01	B03A, B03B, B06A, B06B, B17A, B17B, B17C		08	I08A, I08B, I08C, I08D, I08E, I08F, I21Z, I31Z, I33Z		01	B03A, B03B, B06A, B06B, B17A, B17B, B17C
	08	I08A, I08D, I08E, I13A, I13B, I13C, I13D, I27B, I33Z, I37Z		21A	W04A, W04B		08	I08A, I08D, I08E, I13A, I13B, I13C, I13D, I27B, I33Z, I37Z
	10	K09A, K09B		21B	X06A, X06B, X06C		10	K09A, K09B
	21A	W04A, W04B	5t016.8↔		BOP, KVT, UOP4, VIAL		21A	W04A, W04B
	21B	X04Z		08	I08A, I08B, I08C, I08D, I08E, I08F, I21Z, I31Z, I33Z		21B	X04Z
5t015.p↔		BOP, KVT, UOP4, VIAL		21A	W04A, W04B	5t016.p↔		BOP, KVT, UOP4, VIAL
	01	B03A, B03B, B06A, B06B, B17A, B17B, B17C		21B	X06A, X06B, X06C		01	B03A, B03B, B06A, B06B, B17A, B17B, B17C
	08	I08A, I08D, I08E, I13A, I13B, I13C, I13D, I27B, I33Z, I37Z	5t016.9↔		BOP, KVT, UOP4, VIAL		08	I08A, I08D, I08E, I13A, I13B, I13C, I13D, I27B, I33Z, I37Z
	10	K09A, K09B		08	I08A, I08B, I08C, I08D, I08E, I08F, I21Z, I31Z, I33Z		10	K09A, K09B
	21A	W04A, W04B		21A	W04A, W04B		21A	W04A, W04B
	21B	X04Z		21B	X06A, X06B, X06C		21B	X04Z
5t015.q↔		BOP, KVT, UOP4, VIAL	5t016.a↔		BOP, KVT, UOP4, VIAL	5t016.q↔		BOP, KVT, UOP4, VIAL
	01	B03A, B03B, B06A, B06B, B17A, B17B, B17C		08	I32A, I32B, I32C, I32D, I32E, I32F, I33Z		01	B03A, B03B, B06A, B06B, B17A, B17B, B17C
	08	I13A, I13B, I13C, I13D, I33Z, I37Z		21A	W04A, W04B		08	I13A, I13B, I13C, I13D, I33Z, I37Z
	21A	W04A, W04B		21B	X05A, X05B		21A	W04A, W04B
	21B	X04Z	5t016.b↔		BOP, KVT, UOP4, VIAL		21B	X04Z
5t015.r↔		BOP, KVT, UOP4, VIAL		08	I32A, I32B, I32C, I32D, I32E, I32F, I33Z	5t016.r↔		BOP, KVT, UOP4, VIAL
	01	B03A, B03B, B06A, B06B, B17A, B17B, B17C		21A	W04A, W04B		01	B03A, B03B, B06A, B06B, B17A, B17B, B17C
	08	I08A, I08D, I08E, I13A, I13B, I13C, I13D, I27B, I33Z, I37Z		21B	X06A, X06B, X06C		08	I08A, I08D, I08E, I13A, I13B, I13C, I13D, I27B, I33Z, I37Z
	10	K09A, K09B	5t016.c↔		BOP, KVT, UOP4, VIAL		10	K09A, K09B
	21A	W04A, W04B		08	I32A, I32B, I32C, I32D, I32E, I32F, I33Z		21A	W04A, W04B
	21B	X04Z		21A	W04A, W04B	5t016.s↔		BOP, KVT, UOP4, VIAL
5t015.s↔		BOP, KVT, UOP4, VIAL		21B	X06A, X06B, X06C		01	B03A, B03B, B06A, B06B, B17A, B17B, B17C
	01	B03A, B03B, B06A, B06B, B17A, B17B, B17C	5t016.d		BOP, KVT, UOP4, VIAL		08	I20A, I20B, I20C, I20D, I33Z, I37Z
	08	I20A, I20B, I20C, I20D, I33Z, I37Z		08	I08A, I08B, I08C, I08D, I08E, I27B, I33Z, I37Z, I47A	5t016.t↔		BOP, KVT, UOP4, VIAL
	10	K09A, K09B		21A	W04A, W04B		01	B03A, B03B, B06A, B06B, B17A, B17B, B17C
	21A	W04A, W04B	5t016.e↔		BOP, KVT, UOP4, VIAL		08	I28A, I28B, I33Z
	21B	X04Z		08	I08A, I08B, I08C, I08D, I08E, I27B, I33Z, I37Z		21A	W04A, W04B
5t015.t↔		BOP, KVT, UOP4, VIAL		21A	W04A, W04B	5t016.u↔		BOP, KVT, UOP4, VIAL
	01	B03A, B03B, B06A, B06B, B17A, B17B, B17C		21B	X05A, X05B		01	B03A, B03B, B06A, B06B, B17A, B17B, B17C
	08	I20A, I20B, I20C, I20D, I33Z, I37Z		08	I08A, I08B, I08C, I08D, I08E, I27B, I33Z, I37Z, I47A		08	I28A, I28B, I33Z
	10	K09A, K09B		21A	W04A, W04B		21A	W04A, W04B
	21A	W04A, W04B		21B	X06A, X06B, X06C	5t016.v↔		BOP, KVT, UOP4, VIAL
	21B	X04Z		08	I08A, I08B, I08C, I08D, I08E, I27B, I33Z, I37Z		01	B03A, B03B, B06A, B06B, B17A, B17B, B17C
5t015.u↔		BOP, KVT, UOP4, VIAL		21A	W04A, W04B		08	I28A, I28B, I33Z
	01	B03A, B03B, B06A, B06B, B17A, B17B, B17C		21B	X05A, X05B		21A	W04A, W04B
	08	I20A, I20B, I20C, I20D, I33Z, I37Z		08	I08A, I08B, I08C, I08D, I08E, I27B, I33Z, I37Z		21B	X06A, X06B, X06C
	10	K09A, K09B		21A	W04A, W04B			
	21A	W04A, W04B		21B	X06A, X06B, X06C			
	21B	X04Z		08	I08A, I08B, I08C, I08D, I08E, I27B, I33Z, I37Z			

VYK

ZZV	MDC	DRG	ZZV	MDC	DRG	ZZV	MDC	DRG
5t017.0↔		BOP, KVT, UOP4, VIAL	5t017.d		BOP, KVT, UOP4, VIAL	5t017.u↔		BOP, KVT, UOP4, VIAL
	04	E02A, E02B, E02C		08	I08A, I08B, I08C, I08D, I08E, I08F, I33Z, I47A		05	F27A, F27B, F27C
	08	I28A, I28B, I33Z		21A	W04A, W04B		08	I20A, I20B, I20C, I20D, I33Z
	21A	W04A, W04B		21B	X06A, X06B, X06C		10	K01Z
	21B	X06A, X06B, X06C	5t017.e↔		BOP, KVT, UOP4, VIAL		21A	W04A, W04B
5t017.1↔		BOP, KVT, UOP4, VIAL		08	I08A, I08B, I08C, I08D, I08E, I08F, I13A, I13B, I13C, I13D, I33Z	5t017.x		X04Z
	08	I08A, I08B, I08C, I08D, I08E, I08F, I13A, I13B, I13C, I13D, I33Z	5t017.f↔		BOP, KVT, UOP4, VIAL		01	B03A, B03B, B06A, B06B, B17A, B17B, B17C
	21A	W04A, W04B		01	B03A, B03B, B06A, B06B, B17A, B17B, B17C		08	I28A, I28B, I33Z
	21B	X06A, X06B, X06C		08	I08A, I08B, I08C, I08D, I08E, I08F, I33Z		21A	W04A, W04B
5t017.2↔		BOP, KVT, UOP4, VIAL		21A	W01A, W01B, W01C, W02A, W02B	5t017.z↔		X06A, X06B, X06C
	08	I08A, I08B, I08C, I08D, I08E, I08F, I13A, I13B, I13C, I13D, I33Z	5t017.g↔		BOP, KVT, UOP4, VIAL		04	E02A, E02B, E02C
	21A	W04A, W04B		01	B03A, B03B, B06A, B06B, B17A, B17B, B17C		08	I28A, I28B, I33Z
	21B	X06A, X06B, X06C		08	I08A, I08B, I08C, I08D, I08E, I08F, I33Z		21A	W04A, W04B
5t017.3↔		BOP, KVT, UOP4, VIAL		21A	W01A, W01B, W01C, W02A, W02B	5t018.0↔		X06A, X06B, X06C
	08	I08A, I08B, I08C, I08D, I08E, I08F, I13A, I13B, I13C, I13D, I33Z	5t017.h↔		BOP, KVT, UOP4, VIAL		04	E02A, E02B, E02C
	21A	W04A, W04B		01	B03A, B03B, B06A, B06B, B17A, B17B, B17C		08	I28A, I28B, I33Z
	21B	X06A, X06B, X06C		08	I08A, I08B, I08C, I08D, I08E, I08F, I33Z		21A	W04A, W04B
5t017.4↔		BOP, KVT, UOP4, VIAL		21A	W01A, W01B, W01C, W02A, W02B	5t018.1↔		X06A, X06B, X06C
	08	I08A, I08B, I08C, I08D, I08E, I08F, I21Z, I31Z, I33Z	5t017.i↔		BOP, KVT, UOP4, VIAL		08	I08A, I08B, I08C, I08D, I08E, I08F, I13A, I13B, I13C, I13D, I33Z
	21A	W04A, W04B		01	B03A, B03B, B06A, B06B, B17A, B17B, B17C		21A	W04A, W04B
	21B	X06A, X06B, X06C		08	I08A, I08B, I08C, I08D, I08E, I08F, I33Z	5t018.2↔		X06A, X06B, X06C
5t017.5↔		BOP, KVT, UOP4, VIAL	5t017.k↔		BOP, KVT, UOP4, VIAL		08	I08A, I08B, I08C, I08D, I08E, I08F, I13A, I13B, I13C, I13D, I33Z
	08	I08A, I08B, I08C, I08D, I08E, I08F, I21Z, I31Z, I33Z		08	I13A, I13B, I13C, I13D, I33Z		21A	W04A, W04B
	21A	W04A, W04B		21A	W04A, W04B	5t018.3↔		X06A, X06B, X06C
	21B	X06A, X06B, X06C		21B	X04Z		08	I08A, I08B, I08C, I08D, I08E, I08F, I13A, I13B, I13C, I13D, I33Z
5t017.6↔		BOP, KVT, UOP4, VIAL	5t017.l↔		BOP, KVT, UOP4, VIAL		21A	W04A, W04B
	08	I08A, I08B, I08C, I08D, I08E, I08F, I21Z, I31Z, I33Z		08	I13A, I13B, I13C, I13D, I33Z		21B	X06A, X06B, X06C
	21A	W04A, W04B	5t017.m↔		BOP, KVT, UOP4, VIAL		08	I08A, I08B, I08C, I08D, I08E, I08F, I13A, I13B, I13C, I13D, I33Z
	21B	X06A, X06B, X06C		08	I13A, I13B, I13C, I13D, I33Z	5t018.4↔		X06A, X06B, X06C
5t017.7↔		BOP, KVT, UOP4, VIAL		21A	W04A, W04B		08	I08A, I08B, I08C, I08D, I08E, I08F, I21Z, I31Z, I33Z
	08	I08A, I08B, I08C, I08D, I08E, I08F, I21Z, I31Z, I33Z	5t017.n↔		BOP, KVT, UOP4, VIAL		21A	W04A, W04B
	21A	W04A, W04B		08	I13A, I13B, I13C, I13D, I33Z	5t018.5↔		X06A, X06B, X06C
	21B	X06A, X06B, X06C		21A	W04A, W04B		08	I08A, I08B, I08C, I08D, I08E, I08F, I21Z, I31Z, I33Z
5t017.8↔		BOP, KVT, UOP4, VIAL	5t017.o↔		BOP, KVT, UOP4, VIAL		21A	W04A, W04B
	08	I08A, I08B, I08C, I08D, I08E, I08F, I21Z, I31Z, I33Z		08	I13A, I13B, I13C, I13D, I33Z		21B	X06A, X06B, X06C
	21A	W04A, W04B		21A	W04A, W04B	5t018.6↔		X06A, X06B, X06C
	21B	X06A, X06B, X06C		21B	X04Z		08	I08A, I08B, I08C, I08D, I08E, I08F, I21Z, I31Z, I33Z
5t017.9↔		BOP, KVT, UOP4, VIAL	5t017.p↔		BOP, KVT, UOP4, VIAL		21A	W04A, W04B
	08	I08A, I08B, I08C, I08D, I08E, I08F, I21Z, I31Z, I33Z		08	I13A, I13B, I13C, I13D, I33Z		21B	X06A, X06B, X06C
	21A	W04A, W04B		21A	W04A, W04B	5t018.7↔		X06A, X06B, X06C
	21B	X06A, X06B, X06C		21B	X04Z		08	I08A, I08B, I08C, I08D, I08E, I08F, I21Z, I31Z, I33Z
5t017.a↔		BOP, KVT, UOP4, VIAL	5t017.q↔		BOP, KVT, UOP4, VIAL		21A	W04A, W04B
	08	I32A, I32B, I32C, I32D, I32E, I32F, I33Z		08	I13A, I13B, I13C, I13D, I33Z	5t018.8↔		X06A, X06B, X06C
	21A	W04A, W04B		21A	W04A, W04B		08	I08A, I08B, I08C, I08D, I08E, I08F, I21Z, I31Z, I33Z
	21B	X05A, X05B		21B	X04Z		21A	W04A, W04B
5t017.b↔		BOP, KVT, UOP4, VIAL	5t017.r↔		BOP, KVT, UOP4, VIAL		21B	X06A, X06B, X06C
	08	I32A, I32B, I32C, I32D, I32E, I32F, I33Z		08	I13A, I13B, I13C, I13D, I33Z	5t018.9↔		X06A, X06B, X06C
	21A	W04A, W04B		21A	W04A, W04B		08	I08A, I08B, I08C, I08D, I08E, I08F, I21Z, I31Z, I33Z
	21B	X05A, X05B	5t017.s↔		BOP, KVT, UOP4, VIAL		21A	W04A, W04B
5t017.c↔		BOP, KVT, UOP4, VIAL		05	F27A, F27B, F27C		21B	X06A, X06B, X06C
	08	I32A, I32B, I32C, I32D, I32E, I32F, I33Z		08	I20A, I20B, I20C, I20D, I33Z		08	I08A, I08B, I08C, I08D, I08E, I08F, I21Z, I31Z, I33Z
	21A	W04A, W04B		10	K01Z		21A	W04A, W04B
	21B	X05A, X05B		21A	W04A, W04B		21B	X06A, X06B, X06C
			5t017.t↔		BOP, KVT, UOP4, VIAL		08	I08A, I08B, I08C, I08D, I08E, I08F, I21Z, I31Z, I33Z
				05	F27A, F27B, F27C		21A	W04A, W04B
				08	I20A, I20B, I20C, I20D, I33Z		21B	X06A, X06B, X06C
				10	K01Z			
				21A	W04A, W04B			
				21B	X04Z			

ZZV	MDC	DRG	ZZV	MDC	DRG	ZZV	MDC	DRG
5t018.a↔		BOP, KVT, UOP4, VIAL	5t018.r↔		BOP, KVT, UOP4, VIAL	5t019.6↔		BOP, KVT, UOP4, VIAL
	08	I32A, I32B, I32C, I32D, I32E, I32F, I33Z		08	I13A, I13B, I13C, I13D, I33Z, I37Z		08	I08A, I08B, I08C, I08D, I08E, I08F, I21Z, I31Z, I33Z
	21A	W04A, W04B		21A	W04A, W04B		21A	W04A, W04B
	21B	X05A, X05B		21B	X04Z		21B	X06A, X06B, X06C
5t018.b↔		BOP, KVT, UOP4, VIAL	5t018.s↔		BOP, KVT, UOP4, VIAL	5t019.7↔		BOP, KVT, UOP4, VIAL
	08	I32A, I32B, I32C, I32D, I32E, I32F, I33Z		08	I20A, I20B, I20C, I20D, I33Z, I37Z		08	I08A, I08B, I08C, I08D, I08E, I08F, I21Z, I31Z, I33Z
	21A	W04A, W04B		21A	W04A, W04B		21A	W04A, W04B
	21B	X05A, X05B		21B	X04Z		21B	X06A, X06B, X06C
5t018.c↔		BOP, KVT, UOP4, VIAL	5t018.t↔		BOP, KVT, UOP4, VIAL	5t019.8↔		BOP, KVT, UOP4, VIAL
	08	I32A, I32B, I32C, I32D, I32E, I32F, I33Z		05	F27A, F27B, F27C		08	I08A, I08B, I08C, I08D, I08E, I08F, I21Z, I31Z, I33Z
	21A	W04A, W04B		08	I20A, I20B, I20C, I20D, I33Z, I37Z		21A	W04A, W04B
	21B	X05A, X05B		21A	W04A, W04B		21B	X06A, X06B, X06C
5t018.d		BOP, KVT, UOP4, VIAL	5t018.u↔		BOP, KVT, UOP4, VIAL	5t019.9↔		BOP, KVT, UOP4, VIAL
	08	I08A, I08B, I08C, I08D, I08E, I27B, I33Z, I37Z, I47A		05	F27A, F27B, F27C		08	I08A, I08B, I08C, I08D, I08E, I08F, I21Z, I31Z, I33Z
	21A	W04A, W04B		08	I20A, I20B, I20C, I20D, I33Z, I37Z		21A	W04A, W04B
	21B	X06A, X06B, X06C		10	K01Z		21B	X06A, X06B, X06C
5t018.e↔		BOP, KVT, UOP4, VIAL	5t018.v↔		BOP, KVT, UOP4, VIAL	5t019.a↔		I32A, I32B, I32C, I32D
	08	I08A, I08B, I08C, I08D, I08E, I27B, I33Z, I37Z		21A	W04A, W04B	5t019.b↔		BOP, KVT, UOP4, VIAL
5t018.f↔		BOP, KVT, UOP4, VIAL	5t018.w		BOP, KVT, UOP4		08	I32A, I32B, I32C, I32D, I32E, I32F, I33Z
	01	B03A, B03B, B06A, B06B, B17A, B17B, B17C		01	B03A, B03B, B06A, B06B, B17A, B17B, B17C		21A	W04A, W04B
	08	I08A, I08B, I08C, I08D, I08E, I27B, I33Z, I37Z		08	I28A, I28B, I33Z		21B	X05A, X05B
	21A	W01A, W01B, W01C, W02A, W02B		21A	W04A, W04B	5t019.c↔		BOP, KVT, UOP4, VIAL
	21B	X04Z		21B	X06A, X06B, X06C		08	I32A, I32B, I32C, I32D, I32E, I32F, I33Z
5t018.g↔		BOP, KVT, UOP4, VIAL	5t018.z↔		BOP, KVT, UOP4, VIAL		21A	W04A, W04B
	01	B03A, B03B, B06A, B06B, B17A, B17B, B17C		04	E02A, E02B, E02C		21B	X05A, X05B
	08	I08A, I08B, I08C, I08D, I08E, I27B, I33Z, I37Z		08	I28A, I28B, I33Z	5t019.d		BOP, KVT, UOP4, VIAL
	21A	W01A, W01B, W01C, W02A, W02B		21A	W04A, W04B		08	I08A, I08B, I08C, I08D, I08E, I27B, I33Z, I37Z, I47A
	21B	X04Z		21B	X06A, X06B, X06C		21A	W04A, W04B
5t018.h↔		BOP, KVT, UOP4, VIAL	5t019.0↔		BOP, KVT, UOP4, VIAL		21B	X06A, X06B, X06C
	01	B03A, B03B, B06A, B06B, B17A, B17B, B17C		04	E02A, E02B, E02C	5t019.e↔		BOP, KVT, UOP4, VIAL
	08	I08A, I08B, I08C, I08D, I08E, I27B, I33Z, I37Z		08	I28A, I28B, I33Z		08	I08A, I08B, I08C, I08D, I08E, I27B, I33Z, I37Z
	21A	W01A, W01B, W01C, W02A, W02B		21A	W04A, W04B		21A	W01A, W01B, W01C, W02A, W02B
	21B	X04Z		21B	X06A, X06B, X06C		21B	X04Z
5t018.i↔		BOP, KVT, UOP4, VIAL	5t019.1↔		BOP, KVT, UOP4, VIAL	5t019.f↔		BOP, KVT, UOP4, VIAL
	01	B03A, B03B, B06A, B06B, B17A, B17B, B17C		08	I08A, I08B, I08C, I08D, I08E, I08F, I13A, I13B, I13C, I13D, I33Z		01	B03A, B03B, B06A, B06B, B17A, B17B, B17C
	08	I08A, I08B, I08C, I08D, I08E, I27B, I33Z, I37Z		21A	W04A, W04B		08	I08A, I08B, I08C, I08D, I08E, I27B, I33Z, I37Z
	21A	W01A, W01B, W01C, W02A, W02B		21B	X06A, X06B, X06C		21A	W01A, W01B, W01C, W02A, W02B
	21B	X04Z		21B	X06A, X06B, X06C		21B	X04Z
5t018.j↔		BOP, KVT, UOP4, VIAL	5t019.2↔		BOP, KVT, UOP4, VIAL	5t019.g↔		BOP, KVT, UOP4, VIAL
	08	I08A, I08D, I08E, I13A, I13B, I13C, I13D, I27B, I33Z, I37Z		08	I08A, I08B, I08C, I08D, I08E, I08F, I13A, I13B, I13C, I13D, I33Z		01	B03A, B03B, B06A, B06B, B17A, B17B, B17C
	21A	W04A, W04B		21A	W04A, W04B		08	I08A, I08B, I08C, I08D, I08E, I27B, I33Z, I37Z
	21B	X04Z		21B	X06A, X06B, X06C		21A	W01A, W01B, W01C, W02A, W02B
5t018.k↔		BOP, KVT, UOP4, VIAL	5t019.3↔		BOP, KVT, UOP4, VIAL		21B	X04Z
	08	I08A, I08D, I08E, I13A, I13B, I13C, I13D, I27B, I33Z, I37Z		08	I08A, I08B, I08C, I08D, I08E, I08F, I13A, I13B, I13C, I13D, I33Z	5t019.h↔		BOP, KVT, UOP4, VIAL
	21A	W04A, W04B		21A	W04A, W04B		01	B03A, B03B, B06A, B06B, B17A, B17B, B17C
	21B	X04Z		21B	X06A, X06B, X06C		08	I08A, I08B, I08C, I08D, I08E, I27B, I33Z, I37Z
5t018.l↔		BOP, KVT, UOP4, VIAL	5t019.4↔		BOP, KVT, UOP4, VIAL		21A	W01A, W01B, W01C, W02A, W02B
	08	I08A, I08D, I08E, I13A, I13B, I13C, I13D, I27B, I33Z, I37Z		08	I08A, I08B, I08C, I08D, I08E, I08F, I21Z, I31Z, I33Z		21B	X04Z
	21A	W04A, W04B		21A	W04A, W04B		21A	W01A, W01B, W01C, W02A, W02B
	21B	X04Z		21B	X06A, X06B, X06C		21B	X04Z
5t018.m↔		BOP, KVT, UOP4, VIAL	5t019.5↔		BOP, KVT, UOP4, VIAL	5t019.k↔		BOP, KVT, UOP4, VIAL
	08	I08A, I08D, I08E, I13A, I13B, I13C, I13D, I27B, I33Z, I37Z		08	I08A, I08B, I08C, I08D, I08E, I08F, I21Z, I31Z, I33Z		08	I08A, I08D, I08E, I13A, I13B, I13C, I13D, I27B, I33Z, I37Z
	21A	W04A, W04B		21A	W04A, W04B		21A	W04A, W04B
	21B	X04Z		21B	X06A, X06B, X06C		21B	X04Z
5t018.n↔		BOP, KVT, UOP4, VIAL						
	08	I08A, I08D, I08E, I13A, I13B, I13C, I13D, I27B, I33Z, I37Z						
	21A	W04A, W04B						
	21B	X04Z						
5t018.o↔		BOP, KVT, UOP4, VIAL						
	08	I13A, I13B, I13C, I13D, I33Z						
	21A	W04A, W04B						
	21B	X04Z						
5t018.p↔		BOP, KVT, UOP4, VIAL						
	08	I13A, I13B, I13C, I13D, I33Z						
	21A	W04A, W04B						
	21B	X04Z						
5t018.q↔		BOP, KVT, UOP4, VIAL						
	08	I13A, I13B, I13C, I13D, I33Z						
	21A	W04A, W04B						
	21B	X04Z						

ZZV	MDC	DRG	ZZV	MDC	DRG	ZZV	MDC	DRG
5t019.m↔		BOP, KVT, UOP4, VIAL	5t01a.6↔		BOP, KVT, UOP4, VIAL	5t01a.x		BOP, KVT, UOP4
	08	I08A, I08D, I08E, I13A, I13B, I13C, I13D, I27B, I33Z, I37Z		08	I08A, I08B, I08C, I08D, I08E, I08F, I11Z, I33Z		01	B03A, B03B, B06A, B06B, B17A, B17B, B17C
	21A	W04A, W04B		21A	W04A, W04B		08	I28A, I28B, I33Z
	21B	X04Z		21B	X06A, X06B, X06C		21A	W04A, W04B
5t019.n↔		BOP, KVT, UOP4, VIAL	5t01a.8↔		BOP, KVT, UOP4, VIAL	5t01x.0↔		X06A, X06B, X06C
	08	I08A, I08D, I08E, I13A, I13B, I13C, I13D, I27B, I33Z, I37Z		08	I08A, I08B, I08C, I08D, I08E, I08F, I11Z, I33Z		04	E02A, E02B, E02C
	21A	W04A, W04B		21A	W04A, W04B		08	I28A, I28B, I33Z
	21B	X04Z		21B	X06A, X06B, X06C		21A	W04A, W04B
5t019.p↔		BOP, KVT, UOP4, VIAL	5t01a.d		BOP, KVT, UOP4, VIAL	5t01x.1↔		X06A, X06B, X06C
	08	I13A, I13B, I13C, I13D, I33Z		08	I08A, I08B, I08C, I08D, I08E, I08F, I33Z, I47A		08	BOP, KVT, UOP4, VIAL
	21A	W04A, W04B		5t01a.e↔	BOP, KVT, UOP4, VIAL		08	I08A, I08B, I08C, I08D, I08E, I08F, I13A, I13B, I13C, I13D, I33Z
	21B	X04Z		08	I08A, I08B, I08C, I08D, I08E, I08F, I33Z		21A	W04A, W04B
5t019.q↔		BOP, KVT, UOP4, VIAL	5t01a.f↔		BOP, KVT, UOP4, VIAL	5t01x.2↔		X06A, X06B, X06C
	08	I13A, I13B, I13C, I13D, I33Z		01	B03A, B03B, B06A, B06B, B17A, B17B, B17C		08	BOP, KVT, UOP4, VIAL
	21A	W04A, W04B		08	I11Z, I33Z		08	I08A, I08B, I08C, I08D, I08E, I08F, I13A, I13B, I13C, I13D, I33Z
	21B	X04Z		21A	W01A, W01B, W01C, W02A, W02B		21A	W04A, W04B
5t019.r↔		BOP, KVT, UOP4, VIAL	5t01a.g↔		BOP, KVT, UOP4, VIAL	5t01x.3↔		X06A, X06B, X06C
	08	I13A, I13B, I13C, I13D, I33Z, I37Z		01	B03A, B03B, B06A, B06B, B17A, B17B, B17C		08	BOP, KVT, UOP4, VIAL
	21A	W04A, W04B		08	I11Z, I33Z		08	I08A, I08B, I08C, I08D, I08E, I08F, I13A, I13B, I13C, I13D, I33Z
	21B	X04Z		21A	W01A, W01B, W01C, W02A, W02B		21A	W04A, W04B
5t019.t↔		BOP, KVT, UOP4, VIAL	5t01a.h↔		BOP, KVT, UOP4, VIAL	5t01x.4↔		X06A, X06B, X06C
	05	F27A, F27B, F27C		01	B03A, B03B, B06A, B06B, B17A, B17B, B17C		08	BOP, KVT, UOP4, VIAL
	08	I20A, I20B, I20C, I20D, I33Z, I37Z		08	I11Z, I33Z		08	I08A, I08B, I08C, I08D, I08E, I08F, I21Z, I31Z, I33Z
	10	K01Z		21A	W01A, W01B, W01C, W02A, W02B		21A	W04A, W04B
	21A	W04A, W04B		21B	X04Z		21B	X06A, X06B, X06C
	21B	X04Z		5t01a.i↔	BOP, KVT, UOP4, VIAL	5t01x.5↔		BOP, KVT, UOP4, VIAL
5t019.u↔		BOP, KVT, UOP4, VIAL	5t01a.j↔		BOP, KVT, UOP4, VIAL		08	I08A, I08B, I08C, I08D, I08E, I08F, I21Z, I31Z, I33Z
	05	F27A, F27B, F27C		01	B03A, B03B, B06A, B06B, B17A, B17B, B17C		21A	W04A, W04B
	08	I20A, I20B, I20C, I20D, I33Z, I37Z		08	I11Z, I33Z		21B	X06A, X06B, X06C
	10	K01Z		21A	W01A, W01B, W01C, W02A, W02B		5t01x.6↔	BOP, KVT, UOP4, VIAL
	21A	W04A, W04B		21B	X04Z		08	I08A, I08B, I08C, I08D, I08E, I08F, I21Z, I31Z, I33Z
	21B	X04Z		5t01a.k↔	BOP, KVT, UOP4, VIAL		21A	W04A, W04B
5t019.v		BOP, KVT, UOP4		08	I11Z, I33Z		21B	X06A, X06B, X06C
	01	B03A, B03B, B06A, B06B, B17A, B17B, B17C		21A	W04A, W04B		5t01x.7↔	BOP, KVT, UOP4, VIAL
	08	I28A, I28B, I33Z		21B	X04Z		08	I08A, I08B, I08C, I08D, I08E, I08F, I21Z, I31Z, I33Z
	21A	W04A, W04B		5t01a.l↔	BOP, KVT, UOP4, VIAL		21A	W04A, W04B
	21B	X06A, X06B, X06C		08	I11Z, I33Z		21B	X06A, X06B, X06C
5t019.w↔		BOP, KVT, UOP4, VIAL		21A	W04A, W04B		5t01x.8↔	BOP, KVT, UOP4, VIAL
	04	E02A, E02B, E02C		21B	X04Z		08	I08A, I08B, I08C, I08D, I08E, I08F, I18A, I18B, I30Z, I33Z
	08	I28A, I28B, I33Z		5t01a.m↔	BOP, KVT, UOP4, VIAL		21A	W04A, W04B
	21A	W04A, W04B		08	I11Z, I33Z		21B	X06A, X06B, X06C
	21B	X06A, X06B, X06C		21A	W04A, W04B		5t01x.9↔	BOP, KVT, UOP4, VIAL
5t01a.1↔		BOP, KVT, UOP4, VIAL		21B	X04Z		08	I08A, I08B, I08C, I08D, I08E, I08F, I18A, I18B, I30Z, I33Z
	08	I08A, I08B, I08C, I08D, I08E, I08F, I11Z, I33Z		5t01a.n↔	BOP, KVT, UOP4, VIAL		21A	W04A, W04B
	21A	W04A, W04B		08	I11Z, I33Z		21B	X06A, X06B, X06C
	21B	X06A, X06B, X06C		21A	W04A, W04B		5t01x.a↔	BOP, KVT, UOP4, VIAL
5t01a.2↔		BOP, KVT, UOP4, VIAL		21B	X04Z		08	I32A, I32B, I32C, I32D, I32E, I32F, I33Z
	08	I08A, I08B, I08C, I08D, I08E, I08F, I11Z, I33Z		5t01a.o↔	BOP, KVT, UOP4, VIAL		21A	W04A, W04B
	21A	W04A, W04B		08	I20A, I20B, I20C, I20D, I33Z		21B	X05A, X05B
	21B	X06A, X06B, X06C		5t01a.p↔	BOP, KVT, UOP4, VIAL		5t01x.b↔	BOP, KVT, UOP4, VIAL
5t01a.3↔		BOP, KVT, UOP4, VIAL		08	I11Z, I33Z		08	I32A, I32B, I32C, I32D, I32E, I32F, I33Z
	08	I08A, I08B, I08C, I08D, I08E, I08F, I11Z, I33Z		21A	W04A, W04B		21A	W04A, W04B
	21A	W04A, W04B		21B	X04Z		21B	X05A, X05B
	21B	X06A, X06B, X06C		5t01a.q↔	BOP, KVT, UOP4, VIAL		5t01x.c↔	BOP, KVT, UOP4, VIAL
5t01a.4↔		BOP, KVT, UOP4, VIAL		08	I11Z, I33Z		08	I32A, I32B, I32C, I32D, I32E, I32F, I33Z
	08	I08A, I08B, I08C, I08D, I08E, I08F, I11Z, I33Z		21A	W04A, W04B		21A	W04A, W04B
	21A	W04A, W04B		21B	X04Z		21B	X05A, X05B
	21B	X06A, X06B, X06C		5t01a.r↔	BOP, KVT, UOP4, VIAL		5t01x.d↔	BOP, KVT, UOP4, VIAL
5t01a.5↔		BOP, KVT, UOP4, VIAL		08	I11Z, I33Z		08	I32A, I32B, I32C, I32D, I32E, I32F, I33Z
	08	I08A, I08B, I08C, I08D, I08E, I08F, I11Z, I33Z		21A	W04A, W04B		21A	W04A, W04B
	21A	W04A, W04B		21B	X04Z		21B	X05A, X05B
	21B	X06A, X06B, X06C		5t01a.s↔	BOP, KVT, UOP4, VIAL		5t01x.e↔	BOP, KVT, UOP4, VIAL
	5t01a.6↔	BOP, KVT, UOP4, VIAL		08	I20A, I20B, I20C, I20D, I33Z		08	I32A, I32B, I32C, I32D, I32E, I32F, I33Z
	08	I08A, I08B, I08C, I08D, I08E, I08F, I11Z, I33Z		5t01a.t↔	BOP, KVT, UOP4, VIAL		21A	W04A, W04B
	21A	W04A, W04B		08	I20A, I20B, I20C, I20D, I33Z		21B	X05A, X05B
	21B	X06A, X06B, X06C		5t01a.u↔	BOP, KVT, UOP4, VIAL			
	5t01a.7↔	BOP, KVT, UOP4, VIAL		08	I20A, I20B, I20C, I20D, I33Z			
	08	I08A, I08B, I08C, I08D, I08E, I08F, I11Z, I33Z						
	21A	W04A, W04B						
	21B	X06A, X06B, X06C						



ZZV	MDC	DRG	ZZV	MDC	DRG	ZZV	MDC	DRG
5t01x.c↔		BOP, KVT, UOP4, VIAL	5t01x.s↔	05	BOP, KVT, UOP4, VIAL	5t020.8↔		BOP, KVT, UOP4
	08	I32A, I32B, I32C, I32D, I32E, I32F, I33Z		08	F27A, F27B, F27C		08	I12A, I12B, I12C, I18A, I30Z
	21A	W04A, W04B		10	I20A, I20B, I20C, I20D, I33Z		21A	W04A, W04B
5t01x.d	21B	X05A, X05B	21A	K01Z	21B	X06A, X06B, X06C		
		BOP, KVT, UOP4, VIAL	21B	W04A, W04B	5t020.9↔		BOP, KVT, UOP4	
	08	I08A, I08B, I08C, I08D, I08E, I08F, I33Z, I47A	21B	X04Z		08	I12A, I12B, I12C, I18A, I30Z	
21A	W04A, W04B	5t01x.t↔		BOP, KVT, UOP4, VIAL		21A	W04A, W04B	
21B	X06A, X06B, X06C		05	F27A, F27B, F27C	21B	X06A, X06B, X06C		
5t01x.e↔			BOP, KVT, UOP4, VIAL	08	I20A, I20B, I20C, I20D, I20E, I20F, I33Z	5t020.a↔		BOP, KVT, UOP4
	01	B03A, B03B, B06A, B06B, B17A, B17B, B17C	10	K01Z	08		I12A, I12B, I12C, I32A, I32B, I32C, I32D, I32E, I32F	
	08	I08A, I08B, I08C, I08D, I08E, I08F, I33Z	21A	W04A, W04B	21A		W04A, W04B	
5t01x.f↔	21A	W01A, W01B, W01C, W02A, W02B	21B	X04Z	5t020.b↔	21B	X05A, X05B	
	21B	X04Z	5t01x.u↔			BOP, KVT, UOP4, VIAL		BOP, KVT, UOP4
		BOP, KVT, UOP4, VIAL		05		F27A, F27B, F27C	08	I12A, I12B, I12C, I32A, I32B, I32C, I32D, I32E, I32F
01	B03A, B03B, B06A, B06B, B17A, B17B, B17C	08		I20A, I20B, I20C, I20D, I20E, I20F, I33Z	21A	W04A, W04B		
5t01x.g↔	08	I08A, I08B, I08C, I08D, I08E, I08F, I33Z	10	K01Z	5t020.c↔	21B	X05A, X05B	
	21A	W01A, W01B, W01C, W02A, W02B	21A	W04A, W04B			BOP, KVT, UOP4	
	21B	X04Z	21B	X04Z		08	I12A, I12B, I12C, I32A, I32B, I32C, I32D, I32E, I32F	
5t01x.h↔		BOP, KVT, UOP4, VIAL	5t01x.x		BOP, KVT, UOP4	5t020.d	10	K09A, K09B
	01	B03A, B03B, B06A, B06B, B17A, B17B, B17C		01	B03A, B03B, B06A, B06B, B17A, B17B, B17C		21A	W04A, W04B
	08	I08A, I08B, I08C, I08D, I08E, I08F, I33Z		08	I28A, I28B, I33Z		21B	X06A, X06B, X06C
5t01x.i↔	21A	W01A, W01B, W01C, W02A, W02B	21A	W04A, W04B	5t020.e↔		BOP, KVT, UOP4	
	21B	X04Z	21B	X06A, X06B, X06C		08	I08A, I08B, I08C, I08D, I08E, I08F, I12A, I12B, I12C	
		BOP, KVT, UOP4, VIAL	5t01x.z↔			BOP, KVT, UOP4, VIAL	10	K09A, K09B
01	B03A, B03B, B06A, B06B, B17A, B17B, B17C	04		E02A, E02B, E02C	21A	W04A, W04B		
08	I08A, I08B, I08C, I08D, I08E, I08F, I33Z	08		I28A, I28B, I33Z	21B	X06A, X06B, X06C		
5t01x.j↔	21A	W01A, W01B, W01C, W02A, W02B	21A	W04A, W04B	5t020.f↔		BOP, KVT, UOP4	
	21B	X04Z	21B	X06A, X06B, X06C		08	I08A, I08B, I08C, I08D, I08E, I08F	
		BOP, KVT, UOP4, VIAL	5t020.0↔			BOP, KVT, UOP4	21A	W01A, W01B, W01C, W02A, W02B
01	B03A, B03B, B06A, B06B, B17A, B17B, B17C	01		B03A, B03B, B18Z	21B	X04Z		
08	I08A, I08B, I08C, I08D, I08E, I08F, I33Z	04		E02A, E02B, E02C	5t020.g↔		BOP, KVT, UOP4	
21A	W01A, W01B, W01C, W02A, W02B	08	I28A, I28B, I33Z	08		I08A, I08B, I08C, I08D, I08E, I08F		
21B	X04Z	21A	W04A, W04B	21A		W01A, W01B, W01C, W02A, W02B		
5t01x.k↔		BOP, KVT, UOP4, VIAL	21B	X06A, X06B, X06C	5t020.h↔	21B	X04Z	
	08	I13A, I13B, I13C, I13D, I33Z	5t020.1↔			BOP, KVT, UOP4		BOP, KVT, UOP4
	21A	W04A, W04B		08		I12A, I12B, I12C, I13A, I13B, I13C, I13D, I13E	08	I08A, I08B, I08C, I08D, I08E, I08F
21B	X04Z	21A		W04A, W04B	21A	W01A, W01B, W01C, W02A, W02B		
5t01x.l↔		BOP, KVT, UOP4, VIAL	21B	X06A, X06B, X06C	5t020.i↔	21B	X04Z	
	08	I13A, I13B, I13C, I13D, I33Z	5t020.2↔			BOP, KVT, UOP4		BOP, KVT, UOP4
	21A	W04A, W04B		08		I12A, I12B, I12C, I13A, I13B, I13C, I13D, I13E	08	I08A, I08B, I08C, I08D, I08E, I08F
21B	X04Z	21A		W04A, W04B	21A	W01A, W01B, W01C, W02A, W02B		
5t01x.m↔		BOP, KVT, UOP4, VIAL	21B	X06A, X06B, X06C	5t020.j↔	21B	X04Z	
	08	I13A, I13B, I13C, I13D, I33Z	5t020.3↔			BOP, KVT, UOP4		BOP, KVT, UOP4
	21A	W04A, W04B		08		I12A, I12B, I12C, I13A, I13B, I13C, I13D, I13E	08	I08A, I08B, I08C, I08D, I08E, I08F
21B	X04Z	21A		W04A, W04B	21A	W01A, W01B, W01C, W02A, W02B		
5t01x.n↔		BOP, KVT, UOP4, VIAL	21B	X06A, X06B, X06C	5t020.k↔	21B	X04Z	
	08	I13A, I13B, I13C, I13D, I33Z	5t020.4↔			BOP, KVT, UOP4		BOP, KVT, UOP4
	21A	W04A, W04B		08		I12A, I12B, I12C, I18A, I30Z	08	I12A, I12B, I12C, I18A, I30Z
21B	X04Z	21A		W04A, W04B	21A	W04A, W04B		
5t01x.o↔		BOP, KVT, UOP4, VIAL	21B	X06A, X06B, X06C	5t020.l↔	21B	X04Z	
	08	I13A, I13B, I13C, I13D, I33Z	5t020.5↔			BOP, KVT, UOP4		BOP, KVT, UOP4
	21A	W04A, W04B		08		I12A, I12B, I12C, I18A, I30Z	08	I12A, I12B, I12C, I13A, I13B, I13C, I13D, I13E
21B	X04Z	21A		W04A, W04B	21A	W04A, W04B		
5t01x.p↔		BOP, KVT, UOP4, VIAL	21B	X06A, X06B, X06C	5t020.m↔	21B	X04Z	
	08	I13A, I13B, I13C, I13D, I33Z	5t020.6↔			BOP, KVT, UOP4		BOP, KVT, UOP4
	21A	W04A, W04B		08		I12A, I12B, I12C, I18A, I30Z	08	I12A, I12B, I12C, I13A, I13B, I13C, I13D, I13E
21B	X04Z	21A		W04A, W04B	21A	W04A, W04B		
5t01x.q↔		BOP, KVT, UOP4, VIAL	21B	X06A, X06B, X06C	5t020.n↔	21B	X04Z	
	08	I13A, I13B, I13C, I13D, I33Z	5t020.7↔			BOP, KVT, UOP4		BOP, KVT, UOP4
	21A	W04A, W04B		08		I12A, I12B, I12C, I18A, I30Z	08	I12A, I12B, I12C, I13A, I13B, I13C, I13D, I13E
21B	X04Z	21A		W04A, W04B	21A	W04A, W04B		
5t01x.r↔		BOP, KVT, UOP4, VIAL	21B	X06A, X06B, X06C		21B	X04Z	
	08	I13A, I13B, I13C, I13D, I33Z		BOP, KVT, UOP4			BOP, KVT, UOP4	
	21A	W04A, W04B	08	I12A, I12B, I12C, I18A, I30Z		21A	W04A, W04B	
21B	X04Z	21A	W04A, W04B	21B	X06A, X06B, X06C			

ZZV	MDC	DRG	ZZV	MDC	DRG	ZZV	MDC	DRG
5t020.p↔		BOP, KVT, UOP4	5t021.3↔		BOP, KVT, UOP4	5t021.h↔		BOP, KVT, UOP4
	08	I12A, I12B, I12C, I13A, I13B, I13C, I13D, I13E		08	I12A, I12B, I12C, I13A, I13B, I13C, I13D, I13E		08	I08A, I08B, I08C, I08D, I08E, I08F
	21A	W04A, W04B		21A	W04A, W04B		21A	W01A, W01B, W01C, W02A, W02B
	21B	X04Z		21B	X06A, X06B, X06C		21B	X04Z
5t020.q↔		BOP, KVT, UOP4	5t021.4↔		BOP, KVT, UOP4	5t021.k↔		BOP, KVT, UOP4
	08	I12A, I12B, I12C, I13A, I13B, I13C, I13D, I13E		08	I12A, I12B, I12C, I18A, I30Z		08	I12A, I12B, I12C, I13A, I13B, I13C, I13D, I13E
	21A	W04A, W04B		21A	W04A, W04B		21A	W04A, W04B
	21B	X04Z		21B	X06A, X06B, X06C		21B	X04Z
5t020.r↔		BOP, KVT, UOP4	5t021.5↔		BOP, KVT, UOP4	5t021.m↔		BOP, KVT, UOP4
	08	I12A, I12B, I12C, I13A, I13B, I13C, I13D, I13E		08	I12A, I12B, I12C, I21Z, I31Z		08	I12A, I12B, I12C, I13A, I13B, I13C, I13D, I13E
	21A	W04A, W04B		21A	W04A, W04B		21A	W04A, W04B
	21B	X04Z		21B	X06A, X06B, X06C		21B	X04Z
5t020.s↔		BOP, KVT, UOP4	5t021.6↔		BOP, KVT, UOP4	5t021.n↔		BOP, KVT, UOP4
	05	F27A, F27B, F27C		08	I12A, I12B, I12C, I21Z, I31Z		08	I12A, I12B, I12C, I13A, I13B, I13C, I13D, I13E
	08	I12A, I12B, I12C, I20A, I20B, I20C, I20D, I20E, I20F		21A	W04A, W04B		21A	W04A, W04B
	10	K01Z		21B	X06A, X06B, X06C		21B	X04Z
	21A	W04A, W04B		21B	X06A, X06B, X06C		21A	W04A, W04B
	21B	X04Z		21B	X06A, X06B, X06C		21B	X04Z
5t020.t↔		BOP, KVT, UOP4	5t021.7↔		BOP, KVT, UOP4	5t021.o↔		BOP, KVT, UOP4
	05	F27A, F27B, F27C		08	I12A, I12B, I12C, I21Z, I31Z		08	I12A, I12B, I12C, I13A, I13B, I13C, I13D, I13E
	08	I12A, I12B, I12C, I20A, I20B, I20C, I20D, I20E, I20F		21A	W04A, W04B		21A	W04A, W04B
	10	K01Z		21B	X06A, X06B, X06C		21B	X04Z
	21A	W04A, W04B		21B	X06A, X06B, X06C		21A	W04A, W04B
	21B	X04Z		21B	X06A, X06B, X06C		21B	X04Z
5t020.u↔		BOP, KVT, UOP4	5t021.8↔		BOP, KVT, UOP4	5t021.p↔		BOP, KVT, UOP4
	05	F27A, F27B, F27C		08	I12A, I12B, I12C, I21Z, I31Z		08	I12A, I12B, I12C, I13A, I13B, I13C, I13D, I13E
	08	I12A, I12B, I12C, I20A, I20B, I20C, I20D, I20E, I20F		21A	W04A, W04B		21A	W04A, W04B
	10	K01Z		21B	X06A, X06B, X06C		21B	X04Z
	21A	W04A, W04B		21B	X06A, X06B, X06C		21A	W04A, W04B
	21B	X04Z		21B	X06A, X06B, X06C		21B	X04Z
5t020.v↔		BOP, KVT, UOP4	5t021.9↔		BOP, KVT, UOP4	5t021.q↔		BOP, KVT, UOP4
	05	F27A, F27B, F27C		08	I12A, I12B, I12C, I21Z, I31Z		08	I12A, I12B, I12C, I13A, I13B, I13C, I13D, I13E
	08	I12A, I12B, I12C, I20A, I20B, I20C, I20D, I20E, I20F		21A	W04A, W04B		21A	W04A, W04B
	10	K01Z		21B	X06A, X06B, X06C		21B	X04Z
	21A	W04A, W04B		21B	X06A, X06B, X06C		21A	W04A, W04B
	21B	X04Z		21B	X06A, X06B, X06C		21B	X04Z
5t020.w↔		BOP, KVT, UOP4	5t021.a↔		BOP, KVT, UOP4	5t021.r↔		BOP, KVT, UOP4
	05	F27A, F27B, F27C		08	I12A, I12B, I12C, I32A, I32B, I32C, I32D, I32E, I32F		08	I12A, I12B, I12C, I13A, I13B, I13C, I13D, I13E
	08	I12A, I12B, I12C, I20A, I20B, I20C, I20D, I20E, I20F		21A	W04A, W04B		21A	W04A, W04B
	10	K01Z		21B	X05A, X05B		21B	X04Z
	21A	W04A, W04B		21B	X05A, X05B		21A	W04A, W04B
	21B	X04Z		21B	X05A, X05B		21B	X04Z
5t020.x		BOP, KVT, UOP4	5t021.b↔		BOP, KVT, UOP4	5t021.s↔		BOP, KVT, UOP4
	08	I12A, I12B, I12C, I28A, I28B, I28C		08	I12A, I12B, I12C, I32A, I32B, I32C, I32D, I32E, I32F		05	F27A, F27B, F27C
	21A	W04A, W04B		21A	W04A, W04B		08	I12A, I12B, I12C, I20A, I20B, I20C, I20D, I20E, I20F
	21B	X06A, X06B, X06C		21B	X05A, X05B		10	K01Z
5t020.y↔		BOP, KVT, UOP4	5t021.c↔		BOP, KVT, UOP4		21A	W04A, W04B
	01	B03A, B03B, B18Z		08	I12A, I12B, I12C, I32A, I32B, I32C, I32D, I32E, I32F		21B	X04Z
	04	E02A, E02B, E02C		10	K09A, K09B		5t021.t↔	BOP, KVT, UOP4
	08	I12A, I12B, I12C, I28A, I28B, I28C		21A	W04A, W04B		05	F27A, F27B, F27C
	21A	W04A, W04B		21B	X06A, X06B, X06C		08	I12A, I12B, I12C, I20A, I20B, I20C, I20D, I20E, I20F
	21B	X06A, X06B, X06C		21B	X06A, X06B, X06C		10	K01Z
5t021.0↔		BOP, KVT, UOP4	5t021.d		BOP, KVT, UOP4		21A	W04A, W04B
	01	B03A, B03B, B18Z		08	I08A, I08B, I08C, I08D, I08E, I08F, I12A, I12B, I12C		21B	X04Z
	04	E02A, E02B, E02C		10	K09A, K09B		5t021.u↔	BOP, KVT, UOP4
	08	I12A, I12B, I12C, I28A, I28B, I28C		21A	W04A, W04B		05	F27A, F27B, F27C
	21A	W04A, W04B		21B	X06A, X06B, X06C		08	I12A, I12B, I12C, I20A, I20B, I20C, I20D, I20E, I20F
	21B	X06A, X06B, X06C		21B	X06A, X06B, X06C		10	K01Z
5t021.1↔		BOP, KVT, UOP4		21A	W01A, W01B, W01C, W02A, W02B		21A	W04A, W04B
	08	I12A, I12B, I12C, I13A, I13B, I13C, I13D, I13E		21B	X04Z		21B	X04Z
	21A	W04A, W04B	5t021.f↔		BOP, KVT, UOP4	5t021.x		BOP, KVT, UOP4
	21B	X06A, X06B, X06C		08	I08A, I08B, I08C, I08D, I08E, I08F		08	I12A, I12B, I12C, I28A, I28B, I28C
5t021.2↔		BOP, KVT, UOP4		21A	W01A, W01B, W01C, W02A, W02B		21A	W04A, W04B
	08	I12A, I12B, I12C, I13A, I13B, I13C, I13D, I13E		21B	X04Z		21B	X06A, X06B, X06C
	21A	W04A, W04B	5t021.g↔		BOP, KVT, UOP4	5t021.z↔		BOP, KVT, UOP4
	21B	X06A, X06B, X06C		08	I08A, I08B, I08C, I08D, I08E, I08F		01	B03A, B03B, B18Z
				21A	W01A, W01B, W01C, W02A, W02B		04	E02A, E02B, E02C
				21B	X04Z		08	I12A, I12B, I12C, I28A, I28B, I28C
							21A	W04A, W04B
							21B	X06A, X06B, X06C

ZZV	MDC	DRG	ZZV	MDC	DRG	ZZV	MDC	DRG	
5t022.0↔		BOP, KVT, UOP4	5t022.e↔	08	BOP, KVT, UOP4	5t022.u↔	05	F27A, F27B, F27C	
	01	B03A, B03B, B18Z			08		I08A, I08B, I08C, I08D, I08E, I08F	08	I12A, I12B, I12C, I20A, I20B, I20C, I20D, I20E, I20F
	04	E02A, E02B, E02C		21A	W01A, W01B, W01C, W02A, W02B		10	K01Z	
	08	I12A, I12B, I12C, I28A, I28B, I28C		21B	X04Z		21A	W04A, W04B	
	21A	W04A, W04B		5t022.f↔			BOP, KVT, UOP4	21B	X04Z
21B	X06A, X06B, X06C	08	I08A, I08B, I08C, I08D, I08E, I08F		5t022.x		BOP, KVT, UOP4		
5t022.1↔		BOP, KVT, UOP4	21A			W01A, W01B, W01C, W02A, W02B	08	I12A, I12B, I12C, I28A, I28B, I28C	
	08	I12A, I12B, I12C, I13A, I13B, I13C, I13D, I13E	21B			X04Z	21A	W04A, W04B	
	21A	W04A, W04B	5t022.g↔				BOP, KVT, UOP4	21B	X06A, X06B, X06C
	21B	X06A, X06B, X06C		08		I08A, I08B, I08C, I08D, I08E, I08F	5t022.z↔		BOP, KVT, UOP4
	5t022.2↔			BOP, KVT, UOP4	21A	W01A, W01B, W01C, W02A, W02B		01	B03A, B03B, B18Z
08		I12A, I12B, I12C, I13A, I13B, I13C, I13D, I13E		21B	X04Z	04		E02A, E02B, E02C	
21A		W04A, W04B		5t022.h↔		BOP, KVT, UOP4		08	I12A, I12B, I12C, I28A, I28B, I28C
21B		X06A, X06B, X06C	08		I08A, I08B, I08C, I08D, I08E, I08F	21A		W04A, W04B	
5t022.3↔			BOP, KVT, UOP4		21A	W01A, W01B, W01C, W02A, W02B	21B	X06A, X06B, X06C	
	08	I12A, I12B, I12C, I13A, I13B, I13C, I13D, I13E	21B		X04Z	5t023.0↔		BOP, KVT, UOP4	
	21A	W04A, W04B	5t022.i↔				BOP, KVT, UOP4	01	B03A, B03B, B18Z
	21B	X06A, X06B, X06C		08	I08A, I08B, I08C, I08D, I08E, I08F		04	E02A, E02B, E02C	
	5t022.4↔			BOP, KVT, UOP4	21A		W01A, W01B, W01C, W02A, W02B	08	I12A, I12B, I12C, I28A, I28B, I28C
08		I12A, I12B, I12C, I21Z, I31Z		21B	X04Z		21A	W04A, W04B	
21A		W04A, W04B		5t022.k↔		BOP, KVT, UOP4	21B	X06A, X06B, X06C	
21B		X06A, X06B, X06C	08		I12A, I12B, I12C, I13A, I13B, I13C, I13D, I13E	5t023.1↔		BOP, KVT, UOP4	
5t022.5↔			BOP, KVT, UOP4		21A		W04A, W04B	08	I12A, I12B, I12C, I13A, I13B, I13C, I13D, I13E
	08	I12A, I12B, I12C, I21Z, I31Z	21B		X04Z		21A	W04A, W04B	
	21A	W04A, W04B	5t022.l↔				BOP, KVT, UOP4	21B	X06A, X06B, X06C
	21B	X06A, X06B, X06C		08	I12A, I12B, I12C, I13A, I13B, I13C, I13D, I13E		5t023.2↔		BOP, KVT, UOP4
	5t022.6↔			BOP, KVT, UOP4	21A	W04A, W04B		08	I12A, I12B, I12C, I13A, I13B, I13C, I13D, I13E
08		I12A, I12B, I12C, I21Z, I31Z		21B	X04Z	21A		W04A, W04B	
21A		W04A, W04B		5t022.m↔		BOP, KVT, UOP4		21B	X06A, X06B, X06C
21B		X06A, X06B, X06C	08		I12A, I12B, I12C, I13A, I13B, I13C, I13D, I13E	5t023.3↔			BOP, KVT, UOP4
5t022.7↔			BOP, KVT, UOP4		21A		W04A, W04B	08	I12A, I12B, I12C, I13A, I13B, I13C, I13D, I13E
	08	I12A, I12B, I12C, I21Z, I31Z	21B		X04Z		21A	W04A, W04B	
	21A	W04A, W04B	5t022.n↔				BOP, KVT, UOP4	21B	X06A, X06B, X06C
	21B	X06A, X06B, X06C		08	I12A, I12B, I12C, I13A, I13B, I13C, I13D, I13E		5t023.4↔		BOP, KVT, UOP4
	5t022.8↔			BOP, KVT, UOP4	21A	W04A, W04B		08	I12A, I12B, I12C, I21Z, I31Z
08		I12A, I12B, I12C, I21Z, I31Z		21B	X04Z	21A		W04A, W04B	
21A		W04A, W04B		5t022.o↔		BOP, KVT, UOP4		21B	X06A, X06B, X06C
21B		X06A, X06B, X06C	08		I12A, I12B, I12C, I13A, I13B, I13C, I13D, I13E	5t023.5↔			BOP, KVT, UOP4
5t022.9↔			BOP, KVT, UOP4		21A		W04A, W04B	08	I12A, I12B, I12C, I21Z, I31Z
	08	I12A, I12B, I12C, I21Z, I31Z	21B		X04Z		21A	W04A, W04B	
	21A	W04A, W04B	5t022.p↔				BOP, KVT, UOP4	21B	X06A, X06B, X06C
	21B	X06A, X06B, X06C		08	I12A, I12B, I12C, I13A, I13B, I13C, I13D, I13E		5t023.6↔		BOP, KVT, UOP4
	5t022.a↔			BOP, KVT, UOP4	21A	W04A, W04B		08	I12A, I12B, I12C, I21Z, I31Z
08		I12A, I12B, I12C, I32A, I32B, I32C, I32D, I32E, I32F		21B	X04Z	21A		W04A, W04B	
21A		W04A, W04B		5t022.q↔		BOP, KVT, UOP4		21B	X06A, X06B, X06C
21B		X05A, X05B	08		I12A, I12B, I12C, I13A, I13B, I13C, I13D, I13E	5t023.7↔			BOP, KVT, UOP4
5t022.b↔			BOP, KVT, UOP4		21A		W04A, W04B	08	I12A, I12B, I12C, I21Z, I31Z
	08	I12A, I12B, I12C, I32A, I32B, I32C, I32D, I32E, I32F	21B		X04Z		21A	W04A, W04B	
	21A	W04A, W04B	5t022.r↔				BOP, KVT, UOP4	21B	X06A, X06B, X06C
	21B	X05A, X05B		05	F27A, F27B, F27C		5t023.8↔		BOP, KVT, UOP4
	5t022.c↔			BOP, KVT, UOP4	08	I12A, I12B, I12C, I20A, I20B, I20C, I20D, I20E, I20F		08	I12A, I12B, I12C, I21Z, I31Z
08		I12A, I12B, I12C, I32A, I32B, I32C, I32D, I32E, I32F		10	K01Z	21A		W04A, W04B	
10		K09A, K09B		21A	W04A, W04B	21B		X06A, X06B, X06C	
21A		W04A, W04B	5t022.s↔		BOP, KVT, UOP4	5t023.9↔			BOP, KVT, UOP4
21B		X06A, X06B, X06C		05	F27A, F27B, F27C		08	I12A, I12B, I12C, I21Z, I31Z	
5t022.d		BOP, KVT, UOP4		08	I12A, I12B, I12C, I20A, I20B, I20C, I20D, I20E, I20F		21A	W04A, W04B	
	08	I08A, I08B, I08C, I08D, I08E, I08F, I12A, I12B, I12C, I37Z		10	K01Z		21B	X06A, X06B, X06C	
	10	K09A, K09B		21A	W04A, W04B				
	21A	W04A, W04B	21B	X04Z					
	21B	X06A, X06B, X06C							

ZZV	MDC	DRG	ZZV	MDC	DRG	ZZV	MDC	DRG
5t023.a↔		BOP, KVT, UOP4	5t023.q↔		BOP, KVT, UOP4	5t024.5↔		BOP, KVT, UOP4
	08	I12A, I12B, I12C, I32A, I32B, I32C, I32D, I32E, I32F		08	I12A, I12B, I12C, I13A, I13B, I13C, I13D, I13E		08	I12A, I12B, I12C, I21Z, I31Z
	21A	W04A, W04B		21A	W04A, W04B		21A	W04A, W04B
	21B	X05A, X05B		21B	X04Z	5t024.6↔		X06A, X06B, X06C
5t023.b↔		BOP, KVT, UOP4	5t023.r↔		BOP, KVT, UOP4			BOP, KVT, UOP4
	08	I12A, I12B, I12C, I32A, I32B, I32C, I32D, I32E, I32F		08	I12A, I12B, I12C, I13A, I13B, I13C, I13D, I13E		08	I12A, I12B, I12C, I21Z, I31Z
	21A	W04A, W04B		21A	W04A, W04B		21A	W04A, W04B
	21B	X05A, X05B		21B	X04Z	5t024.7↔		X06A, X06B, X06C
5t023.c↔		BOP, KVT, UOP4	5t023.s↔		BOP, KVT, UOP4			BOP, KVT, UOP4
	08	I12A, I12B, I12C, I32A, I32B, I32C, I32D, I32E, I32F		05	F27A, F27B, F27C		08	I12A, I12B, I12C, I21Z, I31Z
	10	K09A, K09B		08	I12A, I12B, I12C, I20A, I20B, I20C, I20D, I20E, I20F		21A	W04A, W04B
	21A	W04A, W04B		10	K01Z	5t024.8↔		W04A, W04B
	21B	X06A, X06B, X06C		21A	W04A, W04B		21B	X06A, X06B, X06C
5t023.d		BOP, KVT, UOP4	5t023.t↔		BOP, KVT, UOP4	5t024.9↔		BOP, KVT, UOP4
	08	I08A, I08B, I08C, I08D, I08E, I08F, I12A, I12B, I12C, I37Z		05	F27A, F27B, F27C		08	I12A, I12B, I12C, I21Z, I31Z
	10	K09A, K09B		08	I12A, I12B, I12C, I20A, I20B, I20C, I20D, I20E, I20F		21A	W04A, W04B
	21A	W04A, W04B		10	K01Z		21B	X06A, X06B, X06C
	21B	X06A, X06B, X06C		21A	W04A, W04B	5t024.a↔		BOP, KVT, UOP4
5t023.e↔		BOP, KVT, UOP4	5t023.u↔		BOP, KVT, UOP4			I12A, I12B, I12C, I32A, I32B, I32C, I32D, I32E, I32F
	08	I08A, I08B, I08C, I08D, I08E, I08F		05	F27A, F27B, F27C		21A	W04A, W04B
	21A	W01A, W01B, W01C, W02A, W02B		08	I12A, I12B, I12C, I20A, I20B, I20C, I20D, I20E, I20F	5t024.b↔		W04A, W04B
	21B	X04Z		10	K01Z		21B	X05A, X05B
5t023.f↔		BOP, KVT, UOP4	5t023.x		BOP, KVT, UOP4			BOP, KVT, UOP4
	08	I08A, I08B, I08C, I08D, I08E, I08F		08	I12A, I12B, I12C, I28A, I28B, I28C		08	I12A, I12B, I12C, I32A, I32B, I32C, I32D, I32E, I32F
	21A	W01A, W01B, W01C, W02A, W02B		21A	W04A, W04B	5t024.c↔		I09A, K09B
	21B	X04Z		21B	X06A, X06B, X06C		21A	W04A, W04B
5t023.g↔		BOP, KVT, UOP4	5t023.z↔		BOP, KVT, UOP4	5t024.d		X06A, X06B, X06C
	08	I08A, I08B, I08C, I08D, I08E, I08F		01	B03A, B03B, B18Z		08	I08A, I08B, I08C, I08D, I08E, I08F, I12A, I12B, I12C, I37Z
	21A	W01A, W01B, W01C, W02A, W02B		04	E02A, E02B, E02C		10	K09A, K09B
	21B	X04Z		08	I12A, I12B, I12C, I28A, I28B, I28C		21A	W04A, W04B
5t023.h↔		BOP, KVT, UOP4	5t024.0↔		BOP, KVT, UOP4	5t024.e↔		X06A, X06B, X06C
	08	I08A, I08B, I08C, I08D, I08E, I08F		01	B03A, B03B, B18Z		21A	W01A, W01B, W01C, W02A, W02B
	21A	W01A, W01B, W01C, W02A, W02B		04	E02A, E02B, E02C		21B	X04Z
	21B	X04Z		08	I12A, I12B, I12C, I28A, I28B, I28C		08	I08A, I08B, I08C, I08D, I08E, I08F
5t023.k↔		BOP, KVT, UOP4	5t024.1↔		BOP, KVT, UOP4	5t024.f↔		BOP, KVT, UOP4
	08	I12A, I12B, I12C, I13A, I13B, I13C, I13D, I13E		08	I12A, I12B, I12C, I13A, I13B, I13C, I13D, I13E		08	I08A, I08B, I08C, I08D, I08E, I08F
	21A	W04A, W04B		21A	W04A, W04B		21A	W01A, W01B, W01C, W02A, W02B
	21B	X04Z		21B	X06A, X06B, X06C		21B	X04Z
5t023.m↔		BOP, KVT, UOP4	5t024.2↔		BOP, KVT, UOP4	5t024.g↔		BOP, KVT, UOP4
	08	I12A, I12B, I12C, I13A, I13B, I13C, I13D, I13E		08	I12A, I12B, I12C, I13A, I13B, I13C, I13D, I13E		08	I08A, I08B, I08C, I08D, I08E, I08F
	21A	W04A, W04B		21A	W04A, W04B		21A	W01A, W01B, W01C, W02A, W02B
	21B	X04Z		21B	X06A, X06B, X06C		21B	X04Z
5t023.n↔		BOP, KVT, UOP4	5t024.3↔		BOP, KVT, UOP4	5t024.h↔		BOP, KVT, UOP4
	08	I12A, I12B, I12C, I13A, I13B, I13C, I13D, I13E		08	I12A, I12B, I12C, I13A, I13B, I13C, I13D, I13E		08	I08A, I08B, I08C, I08D, I08E, I08F
	21A	W04A, W04B		21A	W04A, W04B		21A	W01A, W01B, W01C, W02A, W02B
	21B	X04Z		21B	X06A, X06B, X06C		21B	X04Z
5t023.p↔		BOP, KVT, UOP4	5t024.4↔		BOP, KVT, UOP4			
	08	I12A, I12B, I12C, I13A, I13B, I13C, I13D, I13E		08	I12A, I12B, I12C, I21Z, I31Z			
	21A	W04A, W04B		21A	W04A, W04B			
	21B	X04Z		21B	X06A, X06B, X06C			

ZZV	MDC	DRG	ZZV	MDC	DRG	ZZV	MDC	DRG
5t024.k↔		BOP, KVT, UOP4	5t025.0↔	01	BOP, KVT, UOP4	5t025.e↔		BOP, KVT, UOP4
	08	I12A, I12B, I12C, I13A, I13B, I13C, I13D, I13E		04	B03A, B03B, B18Z		08	I08A, I08B, I08C, I08D, I08E, I08F
	21A	W04A, W04B		08	E02A, E02B, E02C		21A	W01A, W01B, W01C, W02A, W02B
5t024.m↔	21B	X04Z	5t025.1↔	21A	I12A, I12B, I12C, I28A, I28B, I28C	5t025.f↔	21B	W04Z
	08	BOP, KVT, UOP4		21B	W04A, W04B		08	BOP, KVT, UOP4
	08	I12A, I12B, I12C, I13A, I13B, I13C, I13D, I13E		21B	X06A, X06B, X06C		08	I08A, I08B, I08C, I08D, I08E, I08F
5t024.n↔	21A	W04A, W04B	5t025.2↔	08	I12A, I12B, I12C, I13A, I13B, I13C, I13D, I13E	5t025.g↔	21A	W01A, W01B, W01C, W02A, W02B
	21B	X04Z		21A	W04A, W04B		21B	X04Z
	08	BOP, KVT, UOP4		21B	X06A, X06B, X06C		08	BOP, KVT, UOP4
5t024.p↔	08	I12A, I12B, I12C, I13A, I13B, I13C, I13D, I13E	5t025.3↔	08	I12A, I12B, I12C, I13A, I13B, I13C, I13D, I13E	5t025.h↔	21A	W01A, W01B, W01C, W02A, W02B
	21A	W04A, W04B		21A	W04A, W04B		21B	X04Z
	21B	X04Z		21B	X06A, X06B, X06C		08	BOP, KVT, UOP4
5t024.q↔	08	BOP, KVT, UOP4	5t025.4↔	08	I12A, I12B, I12C, I21Z, I31Z	5t025.k↔	08	I08A, I08B, I08C, I08D, I08E, I08F
	08	I12A, I12B, I12C, I13A, I13B, I13C, I13D, I13E		21A	W04A, W04B		21A	W01A, W01B, W01C, W02A, W02B
	21A	W04A, W04B		21B	X06A, X06B, X06C		21B	X04Z
5t024.r↔	21B	X04Z	5t025.5↔	21A	W04A, W04B	5t025.l↔	08	BOP, KVT, UOP4
	08	BOP, KVT, UOP4		21B	X06A, X06B, X06C		21A	I12A, I12B, I12C, I13A, I13B, I13C, I13D, I13E
	08	I12A, I12B, I12C, I13A, I13B, I13C, I13D, I13E		08	BOP, KVT, UOP4		21B	X04Z
5t024.s↔	21A	W04A, W04B	5t025.6↔	21A	W04A, W04B	5t025.m↔	21A	W04A, W04B
	21B	X04Z		21B	X06A, X06B, X06C		08	BOP, KVT, UOP4
	05	BOP, KVT, UOP4		08	BOP, KVT, UOP4		21A	I12A, I12B, I12C, I13A, I13B, I13C, I13D, I13E
5t024.t↔	08	F27A, F27B, F27C	5t025.7↔	08	I12A, I12B, I12C, I21Z, I31Z	5t025.n↔	21B	X04Z
	08	I12A, I12B, I12C, I20A, I20B, I20C, I20D, I20E, I20F		21A	W04A, W04B		08	BOP, KVT, UOP4
	10	K01Z		21B	X06A, X06B, X06C		08	I12A, I12B, I12C, I13A, I13B, I13C, I13D, I13E
5t024.u↔	21A	W04A, W04B	5t025.8↔	21A	W04A, W04B	5t025.o↔	21A	W04A, W04B
	21B	X04Z		21B	X06A, X06B, X06C		21B	X04Z
	05	BOP, KVT, UOP4		08	BOP, KVT, UOP4		08	BOP, KVT, UOP4
5t024.v↔	08	F27A, F27B, F27C	5t025.9↔	08	I12A, I12B, I12C, I21Z, I31Z	5t025.p↔	08	I12A, I12B, I12C, I13A, I13B, I13C, I13D, I13E
	08	I12A, I12B, I12C, I20A, I20B, I20C, I20D, I20E, I20F		21A	W04A, W04B		21A	W04A, W04B
	10	K01Z		21B	X06A, X06B, X06C		21B	X04Z
5t024.w↔	21A	W04A, W04B	5t025.a↔	08	BOP, KVT, UOP4	5t025.q↔	08	BOP, KVT, UOP4
	21B	X04Z		08	I12A, I12B, I12C, I32A, I32B, I32C, I32D, I32E, I32F		08	I12A, I12B, I12C, I13A, I13B, I13C, I13D, I13E
	05	BOP, KVT, UOP4		21A	W04A, W04B		21A	W04A, W04B
5t024.x	08	I12A, I12B, I12C, I28A, I28B, I28C	5t025.b↔	21B	X05A, X05B	5t025.r↔	08	I12A, I12B, I12C, I13A, I13B, I13C, I13D, I13E
	21A	W04A, W04B		08	BOP, KVT, UOP4		21A	W04A, W04B
	21B	X06A, X06B, X06C		08	I12A, I12B, I12C, I32A, I32B, I32C, I32D, I32E, I32F		21B	X04Z
5t024.y↔	01	BOP, KVT, UOP4	5t025.c↔	21A	W04A, W04B	5t025.s↔	05	F27A, F27B, F27C
	04	B03A, B03B, B18Z		21B	X05A, X05B		08	I12A, I12B, I12C, I20A, I20B, I20C, I20D, I20E, I20F
	08	E02A, E02B, E02C		08	BOP, KVT, UOP4		10	K01Z
5t024.z↔	08	I12A, I12B, I12C, I28A, I28B, I28C	5t025.d	10	K09A, K09B	5t025.t↔	21A	W04A, W04B
	21A	W04A, W04B		21A	W04A, W04B		21B	X04Z
	21B	X06A, X06B, X06C		21B	X06A, X06B, X06C		08	BOP, KVT, UOP4
				08	BOP, KVT, UOP4	05	F27A, F27B, F27C	
				08	I08A, I08B, I08C, I08D, I08E, I08F, I12A, I12B, I12C, I37Z	08	I12A, I12B, I12C, I20A, I20B, I20C, I20D, I20E, I20F	
				10	K09A, K09B	10	K01Z	
				21A	W04A, W04B	21A	W04A, W04B	
				21B	X06A, X06B, X06C	21B	X04Z	

ZZV	MDC	DRG	ZZV	MDC	DRG	ZZV	MDC	DRG
5t025.u↔		BOP, KVT, UOP4	5t026.m↔	08	BOP, KVT, UOP4	5t027.b↔		BOP, KVT, UOP4
	05	F27A, F27B, F27C			112A, 112B, 112C, 113A, 113B, 113C, 113D, 113E		08	112A, 112B, 112C, 132A, 132B, 132C, 132D, 132E, 132F
	08	I12A, I12B, I12C, I20A, I20B, I20C, I20D, I20E, I20F		21A	W04A, W04B		21A	W04A, W04B
	10	K01Z		21B	X04Z		21B	X05A, X05B
	21A	W04A, W04B	5t026.q↔		BOP, KVT, UOP4	5t027.c↔		BOP, KVT, UOP4
	21B	X04Z		08	112A, 112B, 112C, 113A, 113B, 113C, 113D, 113E		08	112A, 112B, 112C, 132A, 132B, 132C, 132D, 132E, 132F
5t025.x		BOP, KVT, UOP4		21A	W04A, W04B		10	K09A, K09B
	08	I12A, I12B, I12C, I28A, I28B, I28C		21B	X04Z		21A	W04A, W04B
	21A	W04A, W04B	5t026.s↔		BOP, KVT, UOP4		21B	X06A, X06B, X06C
	21B	X06A, X06B, X06C		05	F27A, F27B, F27C	5t027.d		BOP, KVT, UOP4
5t025.z↔		BOP, KVT, UOP4		08	112A, 112B, 112C, I20A, I20B, I20C, I20D		08	I08A, I08B, I08C, I08D, I08E, I08F, I12A, I12B, I12C, I37Z
	01	B03A, B03B, B18Z		10	K01Z		10	K09A, K09B
	04	E02A, E02B, E02C		21A	W04A, W04B		21A	W04A, W04B
	08	I12A, I12B, I12C, I28A, I28B, I28C		21B	X04Z		21B	X06A, X06B, X06C
	21A	W04A, W04B	5t026.t↔		BOP, KVT, UOP4	5t027.g↔		BOP, KVT, UOP4
	21B	X06A, X06B, X06C		05	F27A, F27B, F27C		08	I08A, I08B, I08C, I08D, I08E, I08F
5t026.0↔		BOP, KVT, UOP4		08	112A, 112B, 112C, I20A, I20B, I20C, I20D		21A	W01A, W01B, W01C, W02A, W02B
	01	B03A, B03B, B18Z		10	K01Z		21B	X04Z
	04	E02A, E02B, E02C		21A	W04A, W04B	5t027.m↔		BOP, KVT, UOP4
	08	I12A, I12B, I12C, I28A, I28B, I28C		21B	X04Z		08	112A, 112B, 112C, 113A, 113B, 113C, 113D, 113E
	21A	W04A, W04B	5t026.u↔		BOP, KVT, UOP4		21A	W04A, W04B
	21B	X06A, X06B, X06C		05	F27A, F27B, F27C		21B	X04Z
5t026.2↔		BOP, KVT, UOP4		08	112A, 112B, 112C, I20A, I20B, I20C, I20D	5t027.q↔		BOP, KVT, UOP4
	08	I12A, I12B, I12C, I13A, I13B, I13C, I13D, I13E		10	K01Z		08	112A, 112B, 112C, 113A, 113B, 113C, 113D, 113E
	21A	W04A, W04B		21A	W04A, W04B		21A	W04A, W04B
	21B	X06A, X06B, X06C		21B	X04Z		21B	X04Z
5t026.5↔		BOP, KVT, UOP4	5t026.x		BOP, KVT, UOP4		21A	W04A, W04B
	08	I12A, I12B, I12C, I21Z, I31Z		08	112A, 112B, 112C, I28A, I28B, I28C		21B	X04Z
	21A	W04A, W04B		21A	W04A, W04B	5t027.s↔		BOP, KVT, UOP4
	21B	X06A, X06B, X06C		21B	X06A, X06B, X06C		05	F27A, F27B, F27C
5t026.8↔		BOP, KVT, UOP4			BOP, KVT, UOP4		08	112A, 112B, 112C, I20A, I20B, I20C, I20D
	08	I12A, I12B, I12C, I21Z, I31Z	5t026.z↔		BOP, KVT, UOP4		10	K01Z
	21A	W04A, W04B		01	B03A, B03B, B18Z		21A	W04A, W04B
	21B	X06A, X06B, X06C		04	E02A, E02B, E02C		21B	X04Z
5t026.a↔		BOP, KVT, UOP4		08	I12A, I12B, I12C, I28A, I28B, I28C	5t027.t↔		BOP, KVT, UOP4
	08	I12A, I12B, I12C, I32A, I32B, I32C, I32D, I32E, I32F		21A	W04A, W04B		05	F27A, F27B, F27C
	21A	W04A, W04B		21B	X06A, X06B, X06C		08	112A, 112B, 112C, I20A, I20B, I20C, I20D
	21B	X05A, X05B	5t027.0↔		BOP, KVT, UOP4		10	K01Z
5t026.b↔		BOP, KVT, UOP4		01	B03A, B03B, B18Z		21A	W04A, W04B
	08	I12A, I12B, I12C, I32A, I32B, I32C, I32D, I32E, I32F		04	E02A, E02B, E02C		21B	X04Z
	21A	W04A, W04B		08	I12A, I12B, 112C, I28A, I28B, I28C	5t027.u↔		BOP, KVT, UOP4
	21B	X05A, X05B		21A	W04A, W04B		05	F27A, F27B, F27C
5t026.c↔		BOP, KVT, UOP4		21B	X06A, X06B, X06C		08	112A, 112B, 112C, I20A, I20B, I20C, I20D
	08	I12A, I12B, I12C, I32A, I32B, I32C, I32D, I32E, I32F	5t027.2↔		BOP, KVT, UOP4		10	K01Z
	10	K09A, K09B		08	112A, I12B, 112C, I13A, I13B, I13C, I13D, I13E		21A	W04A, W04B
	21A	W04A, W04B		21A	W04A, W04B		21B	X04Z
	21B	X06A, X06B, X06C		21B	X06A, X06B, X06C	5t027.x		BOP, KVT, UOP4
5t026.d		BOP, KVT, UOP4			BOP, KVT, UOP4		08	112A, 112B, 112C, I28A, I28B, I28C
	08	I08A, I08B, I08C, I08D, I08E, I08F, I12A, I12B, I12C, I37Z	5t027.5↔		BOP, KVT, UOP4		21A	W04A, W04B
	10	K09A, K09B		08	112A, I12B, 112C, I21Z, I31Z		21B	X06A, X06B, X06C
	21A	W04A, W04B		21A	W04A, W04B	5t027.z↔		BOP, KVT, UOP4
	21B	X06A, X06B, X06C		21B	X06A, X06B, X06C		01	B03A, B03B, B18Z
5t026.g↔		BOP, KVT, UOP4			BOP, KVT, UOP4		04	E02A, E02B, E02C
	08	I08A, I08B, I08C, I08D, I08E, I08F	5t027.8↔		BOP, KVT, UOP4		08	112A, I12B, 112C, I28A, I28B, I28C
	21A	W01A, W01B, W01C, W02A, W02B		08	I12A, I12B, 112C, I21Z, I31Z		21A	W04A, W04B
	21B	X04Z		21A	W04A, W04B		21B	X06A, X06B, X06C
			5t027.a↔		BOP, KVT, UOP4			
				08	112A, I12B, 112C, I32A, I32B, I32C, I32D, I32E, I32F			
				21A	W04A, W04B			
				21B	X05A, X05B			

ZZV	MDC	DRG	ZZV	MDC	DRG	ZZV	MDC	DRG
5t028.2↔		BOP, KVT, UOP4	5t029.a↔		BOP, KVT, UOP4	5t02x.6↔		BOP, KVT, UOP4
	08	I12A, I12B, I12C, I13A, I13B, I13C, I13D, I13E		08	I12A, I12B, I12C, I32A, I32B, I32C, I32D, I32E, I32F		08	I12A, I12B, I12C, I18A, I30Z
	21A	W04A, W04B		21A	W04A, W04B		21A	W04A, W04B
	21B	X06A, X06B, X06C		21B	X05A, X05B	5t02x.7↔		X06A, X06B, X06C
5t028.5↔		BOP, KVT, UOP4	5t029.c↔		BOP, KVT, UOP4			BOP, KVT, UOP4
	08	I12A, I12B, I12C, I21Z, I31Z		08	I12A, I12B, I12C, I32A, I32B, I32C, I32D, I32E, I32F		08	I12A, I12B, I12C, I18A, I30Z
	21A	W04A, W04B		10	K09A, K09B		21A	W04A, W04B
	21B	X06A, X06B, X06C		21A	W04A, W04B	5t02x.8↔		X06A, X06B, X06C
5t028.8↔		BOP, KVT, UOP4	5t029.d		BOP, KVT, UOP4			BOP, KVT, UOP4
	08	I12A, I12B, I12C, I21Z, I31Z		08	I08A, I08B, I08C, I08D, I08E, I08F, I37Z		08	I12A, I12B, I12C, I18A, I30Z
	21A	W04A, W04B		21B	X05A, X05B		21A	W04A, W04B
	21B	X06A, X06B, X06C				5t02x.9↔		X06A, X06B, X06C
5t028.a↔		BOP, KVT, UOP4	5t029.g↔		BOP, KVT, UOP4			BOP, KVT, UOP4
	08	I12A, I12B, I12C, I32A, I32B, I32C, I32D, I32E, I32F		08	I08A, I08B, I08C, I08D, I08E, I08F		08	I12A, I12B, I12C, I18A, I30Z
	21A	W04A, W04B		21A	W01A, W01B, W01C, W02A, W02B		21A	W04A, W04B
	21B	X05A, X05B		21B	X04Z	5t02x.a↔		X06A, X06B, X06C
5t028.b↔		BOP, KVT, UOP4	5t029.m↔		BOP, KVT, UOP4			BOP, KVT, UOP4
	08	I20A, I20B, I20C, I20D, I20E, I20F		08	I12A, I12B, I12C, I13A, I13B, I13C, I13D, I13E		08	I12A, I12B, I12C, I32A, I32B, I32C, I32D, I32E, I32F
5t028.c↔		BOP, KVT, UOP4	5t029.q↔		BOP, KVT, UOP4			I32C, I32D, I32E, I32F
	08	I12A, I12B, I12C, I32A, I32B, I32C, I32D, I32E, I32F		08	I13A, I13B, I13C, I13D, I13E	5t02x.b↔		BOP, KVT, UOP4
	10	K09A, K09B		21A	W04A, W04B		08	I12A, I12B, I12C, I32A, I32B, I32C, I32D, I32E, I32F
	21A	W04A, W04B		21B	X04Z		21A	W04A, W04B
	21B	X05A, X05B	5t029.s↔		BOP, KVT, UOP4		21B	X05A, X05B
5t028.d		BOP, KVT, UOP4	5t029.t↔		BOP, KVT, UOP4	5t02x.c↔		BOP, KVT, UOP4
	08	I08A, I08B, I08C, I08D, I08E, I08F, I37Z		08	I20A, I20B, I20C, I20D		08	I12A, I12B, I12C, I32A, I32B, I32C, I32D, I32E, I32F
5t028.g↔		BOP, KVT, UOP4	5t029.u↔		BOP, KVT, UOP4		10	K09A, K09B
	08	I08A, I08B, I08C, I08D, I08E, I08F		08	I20A, I20B, I20C, I20D		21A	W04A, W04B
	21A	W01A, W01B, W01C, W02A, W02B		08	I20A, I20B, I20C, I20D		21B	X06A, X06B, X06C
	21B	X04Z	5t029.x		BOP, KVT, UOP4	5t02x.d		BOP, KVT, UOP4
5t028.m↔		BOP, KVT, UOP4		08	I12A, I12B, I12C, I28A, I28B, I28C		08	I08A, I08B, I08C, I08D, I08E, I08F, I12A, I12B, I12C
	08	I12A, I12B, I12C, I13A, I13B, I13C, I13D, I13E		21A	W04A, W04B		10	K09A, K09B
	21A	W04A, W04B	5t02x.0↔		X06A, X06B, X06C		21A	W04A, W04B
	21B	X04Z		01	B03A, B03B, B18Z	5t02x.e↔		X06A, X06B, X06C
5t028.q↔		BOP, KVT, UOP4		04	E02A, E02B, E02C		08	BOP, KVT, UOP4
	08	I13A, I13B, I13C, I13D, I13E		08	I12A, I12B, I12C, I28A, I28B, I28C		21A	I08A, I08B, I08C, I08D, I08E, I08F
5t028.s↔		BOP, KVT, UOP4		21A	W04A, W04B		21A	W01A, W01B, W01C, W02A, W02B
	08	I20A, I20B, I20C, I20D		21B	X06A, X06B, X06C	5t02x.f↔		X04Z
5t028.t↔		BOP, KVT, UOP4	5t02x.1↔		BOP, KVT, UOP4		08	BOP, KVT, UOP4
	08	I20A, I20B, I20C, I20D		08	I12A, I12B, I12C, I13A, I13B, I13C, I13D, I13E		08	I08A, I08B, I08C, I08D, I08E, I08F
5t028.u↔		BOP, KVT, UOP4		21A	W04A, W04B		21A	W01A, W01B, W01C, W02A, W02B
	08	I20A, I20B, I20C, I20D		21B	X06A, X06B, X06C		21B	X04Z
5t028.x		BOP, KVT, UOP4	5t02x.2↔		BOP, KVT, UOP4	5t02x.g↔		BOP, KVT, UOP4
	08	I12A, I12B, I12C, I28A, I28B, I28C		08	I12A, I12B, I12C, I13A, I13B, I13C, I13D, I13E		08	I08A, I08B, I08C, I08D, I08E, I08F
	21A	W04A, W04B		21A	W04A, W04B		21A	W01A, W01B, W01C, W02A, W02B
	21B	X06A, X06B, X06C		21B	X06A, X06B, X06C		21B	X04Z
5t029.2↔		BOP, KVT, UOP4	5t02x.3↔		BOP, KVT, UOP4	5t02x.h↔		BOP, KVT, UOP4
	08	I12A, I12B, I12C, I13A, I13B, I13C, I13D, I13E		08	I12A, I12B, I12C, I13A, I13B, I13C, I13D, I13E		08	I08A, I08B, I08C, I08D, I08E, I08F
	21A	W04A, W04B		21A	W04A, W04B		21A	W01A, W01B, W01C, W02A, W02B
	21B	X06A, X06B, X06C		21B	X06A, X06B, X06C		21B	X04Z
5t029.5↔		BOP, KVT, UOP4	5t02x.4↔		BOP, KVT, UOP4	5t02x.k↔		BOP, KVT, UOP4
	08	I12A, I12B, I12C, I21Z, I31Z		08	I12A, I12B, I12C, I18A, I30Z		08	I12A, I12B, I12C, I13A, I13B, I13C, I13D, I13E
	21A	W04A, W04B		21A	W04A, W04B		21A	W04A, W04B
	21B	X06A, X06B, X06C		21B	X06A, X06B, X06C		21B	X04Z
5t029.8↔		BOP, KVT, UOP4	5t02x.5↔		BOP, KVT, UOP4			
	08	I12A, I12B, I12C, I21Z, I31Z		08	I12A, I12B, I12C, I18A, I30Z			
	21A	W04A, W04B		21A	W04A, W04B			
	21B	X06A, X06B, X06C		21B	X06A, X06B, X06C			

VYK

ZZV	MDC	DRG	ZZV	MDC	DRG	ZZV	MDC	DRG
5t02x.m↔		BOP, KVT, UOP4	5t040.2↔		BOP, KVT, UOP4, VIAL	5t040.e↔		BOP, KVT, UOP4, VIAL
	08	I12A, I12B, I12C, I13A, I13B, I13C, I13D, I13E		08	I08A, I08B, I08C, I08D, I08E, I08F, I12A, I12B, I12C, I13A, I13B, I13C, I13D		01	B03A, B03B, B06A, B06B, B17A, B17B, B17C
	21A	W04A, W04B		21A	W04A, W04B		08	I08A, I08B, I08C, I08D, I08E, I08F
	21B	X04Z		21B	X06A, X06B, X06C		21A	W01A, W01B, W01C, W02A, W02B
5t02x.n↔		BOP, KVT, UOP4	5t040.3↔		BOP, KVT, UOP4, VIAL		21B	X04Z
	08	I12A, I12B, I12C, I13A, I13B, I13C, I13D, I13E		08	I08A, I08B, I08C, I08D, I08E, I08F, I12A, I12B, I12C, I13A, I13B, I13C, I13D	5t040.f↔		BOP, KVT, UOP4, VIAL
	21A	W04A, W04B		21A	W04A, W04B		01	B03A, B03B, B06A, B06B, B17A, B17B, B17C
	21B	X04Z		21B	X06A, X06B, X06C		08	I08A, I08B, I08C, I08D, I08E, I08F
5t02x.p↔		BOP, KVT, UOP4	5t040.4↔		BOP, KVT, UOP4, VIAL		21A	W01A, W01B, W01C, W02A, W02B
	08	I12A, I12B, I12C, I13A, I13B, I13C, I13D, I13E		08	I08A, I08B, I08C, I08D, I08E, I08F, I12A, I12B, I12C, I18A, I30Z		21B	X04Z
	21A	W04A, W04B		21A	W04A, W04B	5t040.g↔		BOP, KVT, UOP4, VIAL
	21B	X04Z		21B	X06A, X06B, X06C		01	B03A, B03B, B06A, B06B, B17A, B17B, B17C
5t02x.q↔		BOP, KVT, UOP4	5t040.5↔		BOP, KVT, UOP4, VIAL		08	I08A, I08B, I08C, I08D, I08E, I08F
	08	I12A, I12B, I12C, I13A, I13B, I13C, I13D, I13E		08	I08A, I08B, I08C, I08D, I08E, I08F, I12A, I12B, I12C, I18A, I30Z		21A	W01A, W01B, W01C, W02A, W02B
	21A	W04A, W04B		21A	W04A, W04B		21B	X04Z
	21B	X04Z		21B	X06A, X06B, X06C	5t040.h↔		BOP, KVT, UOP4, VIAL
5t02x.r↔		BOP, KVT, UOP4	5t040.6↔		BOP, KVT, UOP4, VIAL		01	B03A, B03B, B06A, B06B, B17A, B17B, B17C
	08	I12A, I12B, I12C, I13A, I13B, I13C, I13D, I13E		08	I08A, I08B, I08C, I08D, I08E, I08F, I12A, I12B, I12C, I18A, I30Z		08	I08A, I08B, I08C, I08D, I08E, I08F
	21A	W04A, W04B		21A	W04A, W04B		21A	W01A, W01B, W01C, W02A, W02B
	21B	X04Z		21B	X06A, X06B, X06C		21B	X04Z
5t02x.s↔		BOP, KVT, UOP4	5t040.7↔		BOP, KVT, UOP4, VIAL		01	B03A, B03B, B06A, B06B, B17A, B17B, B17C
	05	F27A, F27B, F27C		08	I08A, I08B, I08C, I08D, I08E, I08F, I12A, I12B, I12C, I18A, I30Z		08	I08A, I08B, I08C, I08D, I08E, I08F
	08	I12A, I12B, I12C, I20A, I20B, I20C, I20D, I20E, I20F		21A	W04A, W04B		21A	W01A, W01B, W01C, W02A, W02B
	10	K01Z		21B	X06A, X06B, X06C	5t040.i↔		BOP, KVT, UOP4, VIAL
	21A	W04A, W04B		21B	X06A, X06B, X06C		08	I12A, I12B, I12C, I28A, I28B
	21B	X04Z		21B	X06A, X06B, X06C		21A	W04A, W04B
5t02x.t↔		BOP, KVT, UOP4	5t040.8↔		BOP, KVT, UOP4, VIAL		21B	X04Z, X06A, X06B, X06C
	05	F27A, F27B, F27C		08	I08A, I08B, I08C, I08D, I08E, I08F, I12A, I12B, I12C, I21Z, I31Z	5t040.k↔		BOP, KVT, UOP4, VIAL
	08	I12A, I12B, I12C, I20A, I20B, I20C, I20D, I20E, I20F		21A	W04A, W04B		08	I12A, I12B, I12C, I18A, I30Z
	10	K01Z		21B	X06A, X06B, X06C		21A	W04A, W04B
	21A	W04A, W04B		21B	X06A, X06B, X06C		21B	X04Z
	21B	X04Z		21B	X06A, X06B, X06C	5t040.l↔		BOP, KVT, UOP4, VIAL
5t02x.u↔		BOP, KVT, UOP4	5t040.9↔		BOP, KVT, UOP4, VIAL		08	I12A, I12B, I12C, I13A, I13B, I13C, I13D
	05	F27A, F27B, F27C		08	I08A, I08B, I08C, I08D, I08E, I08F, I12A, I12B, I12C, I21Z, I31Z	5t040.m↔		BOP, KVT, UOP4, VIAL
	08	I12A, I12B, I12C, I20A, I20B, I20C, I20D, I20E, I20F		21A	W04A, W04B		08	I12A, I12B, I12C, I13A, I13B, I13C, I13D
	10	K01Z		21B	X06A, X06B, X06C		21A	W04A, W04B
	21A	W04A, W04B		21B	X06A, X06B, X06C		21B	X04Z
	21B	X04Z		21B	X06A, X06B, X06C	5t040.n↔		BOP, KVT, UOP4, VIAL
5t02x.x		BOP, KVT, UOP4	5t040.a↔		BOP, KVT, UOP4, VIAL		08	I12A, I12B, I12C, I13A, I13B, I13C, I13D
	08	I12A, I12B, I12C, I28A, I28B, I28C		08	I12A, I12B, I12C, I32A, I32B, I32C, I32D, I32E, I32F		21A	W04A, W04B
	21A	W04A, W04B		21A	W04A, W04B	5t040.p↔		BOP, KVT, UOP4, VIAL
	21B	X06A, X06B, X06C		21B	X05A, X05B		08	I12A, I12B, I12C, I13A, I13B, I13C, I13D, I13E
5t02x.z↔		BOP, KVT, UOP4	5t040.b↔		BOP, KVT, UOP4, VIAL		21A	W04A, W04B
	01	B03A, B03B, B18Z		08	I12A, I12B, I12C, I32A, I32B, I32C, I32D, I32E, I32F		21B	X04Z
	04	E02A, E02B, E02C		21A	W04A, W04B	5t040.q↔		BOP, KVT, UOP4, VIAL
	08	I12A, I12B, I12C, I28A, I28B, I28C		21B	X05A, X05B		08	I12A, I12B, I12C, I13A, I13B, I13C, I13D, I13E
	21A	W04A, W04B		21A	W04A, W04B		21A	W04A, W04B
	21B	X06A, X06B, X06C		21B	X05A, X05B	5t040.r↔		BOP, KVT, UOP4, VIAL
5t040.0↔		BOP, KVT, UOP4, VIAL	5t040.c↔		BOP, KVT, UOP4, VIAL		08	I12A, I12B, I12C, I13A, I13B, I13C, I13D, I13E
	04	E02A, E02B, E02C		08	I12A, I12B, I12C, I32A, I32B, I32C, I32D, I32E, I32F		21A	W04A, W04B
	08	I12A, I12B, I12C, I28A, I28B		21A	W04A, W04B		21B	X04Z
	21A	W04A, W04B		21B	X05A, X05B	5t040.s↔		BOP, KVT, UOP4, VIAL
	21B	X06A, X06B, X06C		21B	X05A, X05B		08	I12A, I12B, I12C, I20C, I28A, I28B
5t040.1↔		BOP, KVT, UOP4, VIAL	5t040.d		BOP, KVT, UOP4, VIAL		21A	W04A, W04B
	08	I08A, I08B, I08C, I08D, I08E, I08F, I12A, I12B, I12C, I13A, I13B, I13C, I13D		08	I08A, I08B, I08C, I08D, I08E, I08F, I12A, I12B, I12C		21B	X04Z
	21A	W04A, W04B		21A	W04A, W04B		21A	W04A, W04B
	21B	X06A, X06B, X06C		21B	X06A, X06B, X06C		21B	X04Z, X06A, X06B, X06C



ZZV	MDC	DRG	ZZV	MDC	DRG	ZZV	MDC	DRG
5t040.t↔		BOP, KVT, UOP4, VIAL	5t041.7↔		BOP, KVT, UOP4, VIAL	5t041.j↔		BOP, KVT, UOP4, VIAL
	08	I12A, I12B, I12C, I20C, I28A, I28B		08	I08A, I08B, I08C, I08D, I08E, I08F, I12A, I12B, I12C, I21Z, I31Z		08	I12A, I12B, I12C, I28A, I28B
	21A	W04A, W04B		21A	W04A, W04B		21A	W04A, W04B
	21B	X04Z, X06A, X06B, X06C		21B	X06A, X06B, X06C		21B	X04Z, X06A, X06B, X06C
5t040.u↔		BOP, KVT, UOP4, VIAL	5t041.8↔		BOP, KVT, UOP4, VIAL	5t041.k↔		BOP, KVT, UOP4, VIAL
	08	I12A, I12B, I12C, I20C, I28A, I28B		08	I08A, I08B, I08C, I08D, I08E, I08F, I12A, I12B, I12C, I21Z, I31Z		08	I12A, I12B, I12C, I13A, I13B, I13C, I13D
	21A	W04A, W04B		21A	W04A, W04B		21A	W04A, W04B
	21B	X04Z, X06A, X06B, X06C		21B	X06A, X06B, X06C		21B	X04Z
5t040.v↔		BOP, KVT, UOP4, VIAL	5t041.9↔		BOP, KVT, UOP4, VIAL	5t041.m↔		BOP, KVT, UOP4, VIAL
	08	I12A, I12B, I12C, I20C, I28A, I28B		08	I08A, I08B, I08C, I08D, I08E, I08F, I12A, I12B, I12C, I21Z, I31Z		08	I12A, I12B, I12C, I13A, I13B, I13C, I13D
	21A	W04A, W04B		21A	W04A, W04B		21A	W04A, W04B
	21B	X04Z, X06A, X06B, X06C		21B	X06A, X06B, X06C		21B	X04Z
5t040.w↔		BOP, KVT, UOP4, VIAL	5t041.a↔		BOP, KVT, UOP4, VIAL	5t041.n↔		BOP, KVT, UOP4, VIAL
	08	I12A, I12B, I12C, I20C, I28A, I28B		08	I12A, I12B, I12C, I32A, I32B, I32C, I32D, I32E, I32F		08	I12A, I12B, I12C, I13A, I13B, I13C, I13D
	21A	W04A, W04B		21A	W04A, W04B		21A	W04A, W04B
	21B	X04Z, X06A, X06B, X06C		21B	X05A, X05B		21B	X04Z
5t040.x		BOP, KVT, UOP4	5t041.b↔		BOP, KVT, UOP4, VIAL	5t041.p↔		BOP, KVT, UOP4, VIAL
	08	I12A, I12B, I12C, I28A, I28B		08	I12A, I12B, I12C, I32A, I32B, I32C, I32D, I32E, I32F		08	I12A, I12B, I12C, I13A, I13B, I13C, I13D, I13E
	21A	W04A, W04B		21A	W04A, W04B		21A	W04A, W04B
	21B	X06A, X06B, X06C		21B	X05A, X05B		21B	X04Z
5t040.z↔		BOP, KVT, UOP4, VIAL	5t041.c↔		BOP, KVT, UOP4, VIAL	5t041.q↔		BOP, KVT, UOP4, VIAL
	04	E02A, E02B, E02C		08	I12A, I12B, I12C, I32A, I32B, I32C, I32D, I32E, I32F		08	I12A, I12B, I12C, I13A, I13B, I13C, I13D, I13E
	08	I12A, I12B, I12C, I28A, I28B		21A	W04A, W04B		21A	W04A, W04B
	21A	W04A, W04B		21B	X05A, X05B		21B	X04Z
	21B	X06A, X06B, X06C	5t041.d		BOP, KVT, UOP4, VIAL	5t041.r↔		BOP, KVT, UOP4, VIAL
5t041.0↔		BOP, KVT, UOP4, VIAL		08	I08A, I08B, I08C, I08D, I08E, I08F, I12A, I12B, I12C		08	I12A, I12B, I12C, I13A, I13B, I13C, I13D, I13E
	04	E02A, E02B, E02C		21A	W04A, W04B		21A	W04A, W04B
	08	I12A, I12B, I12C, I28A, I28B		21B	X05A, X05B		21B	X04Z
	21A	W04A, W04B	5t041.e↔		BOP, KVT, UOP4, VIAL	5t041.s↔		BOP, KVT, UOP4, VIAL
	21B	X06A, X06B, X06C		01	B03A, B03B, B06A, B06B, B17A, B17B, B17C		08	I12A, I12B, I12C, I20C, I28A, I28B
5t041.1↔		BOP, KVT, UOP4, VIAL		08	I08A, I08B, I08C, I08D, I08E, I08F, I12A, I12B, I12C		21A	W04A, W04B
	08	I08A, I08B, I08C, I08D, I08E, I08F, I12A, I12B, I12C, I13A, I13B, I13C, I13D		21A	W04A, W04B		21B	X04Z, X06A, X06B, X06C
	21A	W04A, W04B		21B	X06A, X06B, X06C		21B	BOP, KVT, UOP4, VIAL
	21B	X06A, X06B, X06C	5t041.f↔		BOP, KVT, UOP4, VIAL	5t041.t↔		BOP, KVT, UOP4, VIAL
5t041.2↔		BOP, KVT, UOP4, VIAL		01	B03A, B03B, B06A, B06B, B17A, B17B, B17C		08	I12A, I12B, I12C, I20C, I28A, I28B
	08	I08A, I08B, I08C, I08D, I08E, I08F, I12A, I12B, I12C, I13A, I13B, I13C, I13D		08	I08A, I08B, I08C, I08D, I08E, I08F		21A	W04A, W04B
	21A	W04A, W04B		21A	W01A, W01B, W01C, W02A, W02B		21B	X04Z, X06A, X06B, X06C
	21B	X06A, X06B, X06C		21B	X04Z		21B	BOP, KVT, UOP4, VIAL
5t041.3↔		BOP, KVT, UOP4, VIAL	5t041.g↔		BOP, KVT, UOP4, VIAL	5t041.u↔		BOP, KVT, UOP4, VIAL
	08	I08A, I08B, I08C, I08D, I08E, I08F, I12A, I12B, I12C, I13A, I13B, I13C, I13D		01	B03A, B03B, B06A, B06B, B17A, B17B, B17C		08	I12A, I12B, I12C, I20C, I28A, I28B
	21A	W04A, W04B		08	I08A, I08B, I08C, I08D, I08E, I08F		21A	W04A, W04B
	21B	X06A, X06B, X06C		21A	W01A, W01B, W01C, W02A, W02B		21B	X04Z, X06A, X06B, X06C
5t041.4↔		BOP, KVT, UOP4, VIAL	5t041.h↔		BOP, KVT, UOP4, VIAL	5t041.v↔		BOP, KVT, UOP4, VIAL
	08	I08A, I08B, I08C, I08D, I08E, I08F, I12A, I12B, I12C, I21Z, I31Z		01	B03A, B03B, B06A, B06B, B17A, B17B, B17C		08	I12A, I12B, I12C, I20C, I28A, I28B
	21A	W04A, W04B		08	I08A, I08B, I08C, I08D, I08E, I08F		21A	W04A, W04B
	21B	X06A, X06B, X06C		21A	W01A, W01B, W01C, W02A, W02B		21B	X04Z, X06A, X06B, X06C
5t041.5↔		BOP, KVT, UOP4, VIAL		21B	X04Z		21B	BOP, KVT, UOP4, VIAL
	08	I08A, I08B, I08C, I08D, I08E, I08F, I12A, I12B, I12C, I21Z, I31Z		21A	W01A, W01B, W01C, W02A, W02B		08	I12A, I12B, I12C, I20C, I28A, I28B
	21A	W04A, W04B		21B	X04Z		21A	W04A, W04B
	21B	X06A, X06B, X06C		01	B03A, B03B, B06A, B06B, B17A, B17B, B17C		21B	X04Z, X06A, X06B, X06C
5t041.6↔		BOP, KVT, UOP4, VIAL		08	I08A, I08B, I08C, I08D, I08E, I08F		21A	W04A, W04B
	08	I08A, I08B, I08C, I08D, I08E, I08F, I12A, I12B, I12C, I21Z, I31Z		21A	W01A, W01B, W01C, W02A, W02B		21B	X06A, X06B, X06C
	21A	W04A, W04B		21B	X04Z		04	E02A, E02B, E02C
	21B	X06A, X06B, X06C		01	B03A, B03B, B06A, B06B, B17A, B17B, B17C		08	I12A, I12B, I12C, I28A, I28B
	08	I08A, I08B, I08C, I08D, I08E, I08F, I12A, I12B, I12C, I21Z, I31Z		08	I08A, I08B, I08C, I08D, I08E, I08F		21A	W04A, W04B
	21A	W04A, W04B		21A	W01A, W01B, W01C, W02A, W02B		21B	X06A, X06B, X06C
	21B	X06A, X06B, X06C		21B	X04Z			

ZZV	MDC	DRG	ZZV	MDC	DRG	ZZV	MDC	DRG
5t042.0↔		BOP, KVT, UOP4, VIAL	5t042.c↔		BOP, KVT, UOP4, VIAL	5t042.q↔		BOP, KVT, UOP4, VIAL
	04	E02A, E02B, E02C		08	I12A, I12B, I12C, I32A, I32B, I32C, I32D, I32E, I32F		08	I12A, I12B, I12C, I13A, I13B, I13C, I13D, I13E
	08	I12A, I12B, I12C, I28A, I28B		21A	W04A, W04B		21A	W04A, W04B
	21A	W04A, W04B		21B	X05A, X05B		21B	X04Z
	21B	X06A, X06B, X06C	5t042.d		BOP, KVT, UOP4, VIAL	5t042.r↔		BOP, KVT, UOP4, VIAL
5t042.1↔		BOP, KVT, UOP4, VIAL		08	I08A, I08B, I08C, I08D, I08E, I08F, I12A, I12B, I12C, I13A, I13B, I13C, I13D		08	I12A, I12B, I12C, I13A, I13B, I13C, I13D, I13E
	08	I08A, I08B, I08C, I08D, I08E, I08F, I12A, I12B, I12C, I13A, I13B, I13C, I13D		21A	W04A, W04B		21A	W04A, W04B
	21A	W04A, W04B		21B	X06A, X06B, X06C		21B	X04Z
	21B	X06A, X06B, X06C	5t042.e↔		BOP, KVT, UOP4, VIAL	5t042.s↔		BOP, KVT, UOP4, VIAL
5t042.2↔		BOP, KVT, UOP4, VIAL		01	B03A, B03B, B06A, B06B, B17A, B17B, B17C		08	I12A, I12B, I12C, I20C, I28A, I28B
	08	I08A, I08B, I08C, I08D, I08E, I08F, I12A, I12B, I12C, I13A, I13B, I13C, I13D, I13E		08	I08A, I08B, I08C, I08D, I08E, I08F		21A	W04A, W04B
	21A	W04A, W04B		21A	W01A, W01B, W01C, W02A, W02B		21B	X04Z, X06A, X06B, X06C
	21B	X06A, X06B, X06C		21B	X04Z	5t042.t↔		BOP, KVT, UOP4, VIAL
5t042.3↔		BOP, KVT, UOP4, VIAL	5t042.f↔		BOP, KVT, UOP4, VIAL		08	I12A, I12B, I12C, I20C, I28A, I28B
	08	I08A, I08B, I08C, I08D, I08E, I08F, I12A, I12B, I12C, I13A, I13B, I13C, I13D		01	B03A, B03B, B06A, B06B, B17A, B17B, B17C		21A	W04A, W04B
	21A	W04A, W04B		08	I08A, I08B, I08C, I08D, I08E, I08F		21B	X04Z, X06A, X06B, X06C
	21B	X06A, X06B, X06C		21A	W01A, W01B, W01C, W02A, W02B	5t042.u↔		BOP, KVT, UOP4, VIAL
5t042.4↔		BOP, KVT, UOP4, VIAL		21B	X04Z		08	I12A, I12B, I12C, I20C, I28A, I28B
	08	I08A, I08B, I08C, I08D, I08E, I08F, I12A, I12B, I12C, I21Z, I31Z	5t042.g↔		BOP, KVT, UOP4, VIAL		21A	W04A, W04B
	21A	W04A, W04B		01	B03A, B03B, B06A, B06B, B17A, B17B, B17C		21B	X04Z, X06A, X06B, X06C
	21B	X06A, X06B, X06C		08	I08A, I08B, I08C, I08D, I08E, I08F	5t042.v↔		BOP, KVT, UOP4, VIAL
5t042.5↔		BOP, KVT, UOP4, VIAL		21A	W01A, W01B, W01C, W02A, W02B		08	I12A, I12B, I12C, I20C, I28A, I28B
	08	I08A, I08B, I08C, I08D, I08E, I08F, I12A, I12B, I12C, I21Z, I31Z		21B	X04Z		21A	W04A, W04B
	21A	W04A, W04B	5t042.h↔		BOP, KVT, UOP4, VIAL		21B	X04Z, X06A, X06B, X06C
	21B	X06A, X06B, X06C		01	B03A, B03B, B06A, B06B, B17A, B17B, B17C	5t042.x		BOP, KVT, UOP4
5t042.6↔		BOP, KVT, UOP4, VIAL		08	I08A, I08B, I08C, I08D, I08E, I08F		08	I12A, I12B, I12C, I28A, I28B
	08	I08A, I08B, I08C, I08D, I08E, I08F, I12A, I12B, I12C, I21Z, I31Z		21A	W01A, W01B, W01C, W02A, W02B		21A	W04A, W04B
	21A	W04A, W04B		21B	X04Z		21B	X06A, X06B, X06C
	21B	X06A, X06B, X06C		21A	W01A, W01B, W01C, W02A, W02B	5t042.z↔		BOP, KVT, UOP4, VIAL
5t042.7↔		BOP, KVT, UOP4, VIAL		21B	X04Z		04	E02A, E02B, E02C
	08	I08A, I08B, I08C, I08D, I08E, I08F, I12A, I12B, I12C, I21Z, I31Z	5t042.j↔		BOP, KVT, UOP4, VIAL		08	I12A, I12B, I12C, I28A, I28B
	21A	W04A, W04B		08	I12A, I12B, I12C, I28A, I28B		21A	W04A, W04B
	21B	X06A, X06B, X06C		21A	W04A, W04B		21B	X06A, X06B, X06C
5t042.8↔		BOP, KVT, UOP4, VIAL		21B	X04Z, X06A, X06B, X06C	5t043.0↔		BOP, KVT, UOP4, VIAL
	08	I08A, I08B, I08C, I08D, I08E, I08F, I12A, I12B, I12C, I21Z, I31Z	5t042.k↔		BOP, KVT, UOP4, VIAL		04	E02A, E02B, E02C
	21A	W04A, W04B		08	I12A, I12B, I12C, I13A, I13B, I13C, I13D		08	I12A, I12B, I12C, I28A, I28B
	21B	X06A, X06B, X06C		21A	W04A, W04B		21A	W04A, W04B
5t042.9↔		BOP, KVT, UOP4, VIAL		21B	X04Z		21B	X06A, X06B, X06C
	08	I08A, I08B, I08C, I08D, I08E, I08F, I12A, I12B, I12C, I21Z, I31Z	5t042.l↔		BOP, KVT, UOP4, VIAL	5t043.1↔		BOP, KVT, UOP4, VIAL
	21A	W04A, W04B		08	I12A, I12B, I12C, I13A, I13B, I13C, I13D		08	I08A, I08B, I08C, I08D, I08E, I08F, I12A, I12B, I12C, I13A, I13B, I13C, I13D
	21B	X06A, X06B, X06C		21A	W04A, W04B		21A	W04A, W04B
5t042.a↔		BOP, KVT, UOP4, VIAL		21B	X04Z		21B	X06A, X06B, X06C
	08	I12A, I12B, I12C, I32A, I32B, I32C, I32D, I32E, I32F	5t042.m↔		BOP, KVT, UOP4, VIAL	5t043.2↔		BOP, KVT, UOP4, VIAL
	21A	W04A, W04B		08	I12A, I12B, I12C, I13A, I13B, I13C, I13D		08	I08A, I08B, I08C, I08D, I08E, I08F, I12A, I12B, I12C, I13A, I13B, I13C, I13D, I13E
	21B	X05A, X05B		21A	W04A, W04B		21A	W04A, W04B
5t042.b↔		BOP, KVT, UOP4, VIAL		21B	X04Z		21B	X06A, X06B, X06C
	08	I12A, I12B, I12C, I32A, I32B, I32C, I32D, I32E, I32F	5t042.n↔		BOP, KVT, UOP4, VIAL	5t043.3↔		BOP, KVT, UOP4, VIAL
	21A	W04A, W04B		08	I12A, I12B, I12C, I13A, I13B, I13C, I13D, I13E		08	I08A, I08B, I08C, I08D, I08E, I08F, I12A, I12B, I12C, I13A, I13B, I13C, I13D, I13E
	21B	X05A, X05B		21A	W04A, W04B		21A	W04A, W04B
	21B	X05A, X05B		21B	X04Z		21B	X06A, X06B, X06C

ZZV	MDC	DRG	ZZV	MDC	DRG	ZZV	MDC	DRG
5t043.4↔		BOP, KVT, UOP4, VIAL	5t043.f↔		BOP, KVT, UOP4, VIAL	5t043.u↔		BOP, KVT, UOP4, VIAL
	08	I08A, I08B, I08C, I08D, I08E, I08F, I12A, I12B, I12C, I21Z, I31Z		01	B03A, B03B, B06A, B06B, B17A, B17B, B17C		08	I12A, I12B, I12C, I20C, I28A, I28B
	21A	W04A, W04B		08	I08A, I08B, I08C, I08D, I08E, I08F		21A	W04A, W04B
	21B	X06A, X06B, X06C		21A	W01A, W01B, W01C, W02A, W02B	5t043.v↔		X04Z, X06A, X06B, X06C
5t043.5↔		BOP, KVT, UOP4, VIAL		21B	X04Z		08	BOP, KVT, UOP4, VIAL
	08	I08A, I08B, I08C, I08D, I08E, I08F, I12A, I12B, I12C, I21Z, I31Z	5t043.g↔		BOP, KVT, UOP4, VIAL		21A	I12A, I12B, I12C, I20C, I28A, I28B
	21A	W04A, W04B		01	B03A, B03B, B06A, B06B, B17A, B17B, B17C		21B	W04A, W04B
	21B	X06A, X06B, X06C		08	I08A, I08B, I08C, I08D, I08E, I08F	5t043.w↔		X04Z, X06A, X06B, X06C
5t043.6↔		BOP, KVT, UOP4, VIAL		21A	W01A, W01B, W01C, W02A, W02B		08	BOP, KVT, UOP4, VIAL
	08	I08A, I08B, I08C, I08D, I08E, I08F, I12A, I12B, I12C, I21Z, I31Z		21B	X04Z		21A	I12A, I12B, I12C, I20C, I28A, I28B
	21A	W04A, W04B	5t043.h↔		BOP, KVT, UOP4, VIAL		21B	W04A, W04B
	21B	X06A, X06B, X06C		01	B03A, B03B, B06A, B06B, B17A, B17B, B17C	5t043.x		X04Z, X06A, X06B, X06C
5t043.7↔		BOP, KVT, UOP4, VIAL		08	I08A, I08B, I08C, I08D, I08E, I08F		08	BOP, KVT, UOP4
	08	I08A, I08B, I08C, I08D, I08E, I08F, I12A, I12B, I12C, I21Z, I31Z		21A	W01A, W01B, W01C, W02A, W02B		21A	I12A, I12B, I12C, I28A, I28B
	21A	W04A, W04B		21B	X04Z		21B	W04A, W04B
	21B	X06A, X06B, X06C	5t043.i↔		BOP, KVT, UOP4, VIAL	5t043.z↔		X06A, X06B, X06C
5t043.8↔		BOP, KVT, UOP4, VIAL		08	I12A, I12B, I12C, I28A, I28B		04	BOP, KVT, UOP4, VIAL
	08	I08A, I08B, I08C, I08D, I08E, I08F, I12A, I12B, I12C, I21Z, I31Z		21A	W04A, W04B		08	E02A, E02B, E02C
	21A	W04A, W04B		21B	X04Z, X06A, X06B, X06C		08	I12A, I12B, I12C, I28A, I28B
	21B	X06A, X06B, X06C	5t043.j↔		BOP, KVT, UOP4, VIAL		21A	W04A, W04B
5t043.9↔		BOP, KVT, UOP4, VIAL		08	I12A, I12B, I12C, I13A, I13B, I13C, I13D		21B	X06A, X06B, X06C
	08	I08A, I08B, I08C, I08D, I08E, I08F, I12A, I12B, I12C, I21Z, I31Z		21A	W04A, W04B	5t044.0↔		BOP, KVT, UOP4, VIAL
	21A	W04A, W04B		21B	X04Z		08	I02A, I02B, I02C, I02D, I08A, I08B, I08C, I08D, I08E, I08F, I12A, I12B, I12C, I13A, I13B, I13C, I13D, I13E, I22A, I32A, I32B, I32C, I32D, I50Z
	21B	X06A, X06B, X06C	5t043.k↔		BOP, KVT, UOP4, VIAL	5t044.1↔		W04A, W04B
5t043.a↔		BOP, KVT, UOP4, VIAL		08	I12A, I12B, I12C, I13A, I13B, I13C, I13D		21A	X01A, X01B, X01C
	08	I12A, I12B, I12C, I32A, I32B, I32C, I32D, I32E, I32F		21A	W04A, W04B		21B	BOP, KVT, UOP4, VIAL
	21A	W04A, W04B	5t043.l↔		BOP, KVT, UOP4, VIAL	5t044.2↔		I02A, I02B, I02C, I02D, I08A, I08B, I08C, I08D, I08E, I08F, I12A, I12B, I12C, I13A, I13B, I13C, I13D, I13E, I22A, I32A, I32B, I32C, I32D, I50Z
	21B	X05A, X05B		08	I12A, I12B, I12C, I13A, I13B, I13C, I13D		21A	W04A, W04B
5t043.b↔		BOP, KVT, UOP4, VIAL		21A	W04A, W04B		21B	X01A, X01B, X01C
	08	I12A, I12B, I12C, I32A, I32B, I32C, I32D, I32E, I32F	5t043.m↔		BOP, KVT, UOP4, VIAL	5t044.3↔		BOP, KVT, UOP4, VIAL
	21A	W04A, W04B		08	I12A, I12B, I12C, I13A, I13B, I13C, I13D		08	I02A, I02B, I02C, I02D, I08A, I08B, I08C, I08D, I08E, I08F, I12A, I12B, I12C, I13A, I13B, I13C, I13D, I13E, I22A, I32A, I32B, I32C, I32D, I50Z
	21B	X05A, X05B		21A	W04A, W04B		21A	W04A, W04B
5t043.c↔		BOP, KVT, UOP4, VIAL		21B	X04Z		21B	X01A, X01B, X01C
	08	I12A, I12B, I12C, I32A, I32B, I32C, I32D, I32E, I32F	5t043.n↔		BOP, KVT, UOP4, VIAL	5t044.4↔		BOP, KVT, UOP4, VIAL
	21A	W04A, W04B		08	I12A, I12B, I12C, I13A, I13B, I13C, I13D		08	I02A, I02B, I02C, I02D, I08A, I08B, I08C, I08D, I08E, I08F, I12A, I12B, I12C, I21Z, I22A, I31Z, I32A, I32B, I32C, I32D, I32E, I32F, I50Z
	21B	X05A, X05B		21A	W04A, W04B		21A	W04A, W04B
5t043.d		BOP, KVT, UOP4, VIAL		21B	X04Z	5t044.5↔		X01A, X01B, X01C
	08	I08A, I08B, I08C, I08D, I08E, I08F, I12A, I12B, I12C, I47A	5t043.o↔		BOP, KVT, UOP4, VIAL		08	BOP, KVT, UOP4, VIAL
	21A	W04A, W04B		08	I12A, I12B, I12C, I13A, I13B, I13C, I13D, I13E		21A	I02A, I02B, I02C, I02D, I08A, I08B, I08C, I08D, I08E, I08F, I12A, I12B, I12C, I21Z, I22A, I31Z, I32A, I32B, I32C, I32D, I32E, I32F, I50Z
	21B	X06A, X06B, X06C		21A	W04A, W04B		21B	W04A, W04B
5t043.e↔		BOP, KVT, UOP4, VIAL		21B	X04Z		21B	X01A, X01B, X01C
	01	B03A, B03B, B06A, B06B, B17A, B17B, B17C	5t043.p↔		BOP, KVT, UOP4, VIAL		08	I02A, I02B, I02C, I02D, I08A, I08B, I08C, I08D, I08E, I08F, I12A, I12B, I12C, I21Z, I22A, I31Z, I32A, I32B, I32C, I32D, I32E, I32F, I50Z
	08	I08A, I08B, I08C, I08D, I08E, I08F		08	I12A, I12B, I12C, I13A, I13B, I13C, I13D, I13E		21A	W04A, W04B
	21A	W01A, W01B, W01C, W02A, W02B		21A	W04A, W04B		21B	X01A, X01B, X01C
	21B	X04Z	5t043.q↔		BOP, KVT, UOP4, VIAL		21B	X01A, X01B, X01C
				08	I12A, I12B, I12C, I13A, I13B, I13C, I13D, I13E		08	BOP, KVT, UOP4, VIAL
			5t043.r↔		BOP, KVT, UOP4, VIAL		08	I02A, I02B, I02C, I02D, I08A, I08B, I08C, I08D, I08E, I08F, I12A, I12B, I12C, I21Z, I22A, I31Z, I32A, I32B, I32C, I32D, I32E, I32F, I50Z
				08	I12A, I12B, I12C, I13A, I13B, I13C, I13D, I13E		21A	W04A, W04B
				21A	W04A, W04B		21B	X01A, X01B, X01C
			5t043.s↔		BOP, KVT, UOP4, VIAL		08	I02A, I02B, I02C, I02D, I08A, I08B, I08C, I08D, I08E, I08F, I12A, I12B, I12C, I21Z, I22A, I31Z, I32A, I32B, I32C, I32D, I32E, I32F, I50Z
				08	I12A, I12B, I12C, I20C, I28A, I28B		21A	W04A, W04B
				21A	W04A, W04B		21B	X01A, X01B, X01C
			5t043.t↔		BOP, KVT, UOP4, VIAL			
				08	I12A, I12B, I12C, I20C, I28A, I28B			
				21A	W04A, W04B			
				21B	X04Z, X06A, X06B, X06C			

ZZV	MDC	DRG	ZZV	MDC	DRG	ZZV	MDC	DRG		
5t044.6↔		BOP, KVT, UOP4, VIAL	5t044.g↔	01	BOP, KVT, UOP4, VIAL	5t044.x↔		BOP, KVT, UOP4		
	08	I02A, I02B, I02C, I02D, I08A, I08B, I08C, I08D, I08E, I08F, I12A, I12B, I12C, I21Z, I22A, I31Z, I32A, I32B, I32C, I32D, I32E, I32F, I50Z		08	B03A, B03B, B06A, B06B, B17A, B17B, B17C		08	I02A, I02B, I02C, I02D, I12A, I12B, I12C, I22A, I28A, I28B, I32A, I32B, I32C, I32D, I32E, I32F, I50Z		
	21A	W04A, W04B		21A	W01A, W01B, W01C, W02A, W02B		21A	W04A, W04B		
5t044.7↔	21B	X01A, X01B, X01C	5t044.h↔	21B	X01A, X01B, X01C	5t044.z↔	08	I32A, I32B, I32C, I32D		
		BOP, KVT, UOP4, VIAL			BOP, KVT, UOP4, VIAL		5t045.1↔		BOP, KVT, UOP4, VIAL	
	08	I02A, I02B, I02C, I02D, I08A, I08B, I08C, I08D, I08E, I08F, I12A, I12B, I12C, I21Z, I22A, I31Z, I32A, I32B, I32C, I32D, I32E, I32F, I50Z		01	B03A, B03B, B06A, B06B, B17A, B17B, B17C			08	I08A, I08B, I08C, I08D, I08E, I08F, I13A, I13B, I13C, I13D	
5t044.8↔	21A	W04A, W04B	5t044.i↔	08	I02A, I02B, I02C, I02D, I08A, I08B, I08C, I08D, I08E, I08F, I22A, I32A, I32B, I32C, I32D, I50Z	5t045.3↔	08	I08A, I08B, I08C, I08D, I08E, I08F, I12A, I12B, I12C, I13A, I13B, I13C, I13D		
	21B	X01A, X01B, X01C		5t044.k↔	21A		W01A, W01B, W01C, W02A, W02B	5t045.4↔	21A	W04A, W04B
		BOP, KVT, UOP4, VIAL			21B		X01A, X01B, X01C		21B	X06A, X06B, X06C
5t044.9↔	08	I02A, I02B, I02C, I02D, I08A, I08B, I08C, I08D, I08E, I08F, I12A, I12B, I12C, I21Z, I22A, I31Z, I32A, I32B, I32C, I32D, I32E, I32F, I50Z	5t044.l↔	08	I32A, I32B, I32C, I32D	5t045.d	08	I08A, I08B, I08C, I08D, I08E, I08F, I12A, I12B, I12C, I21Z, I31Z		
	21A	W04A, W04B		5t044.m↔			BOP, KVT, UOP4, VIAL	5t045.e↔	21A	W04A, W04B
	21B	X01A, X01B, X01C			08		I02A, I02B, I02C, I02D, I12A, I12B, I12C, I13A, I13B, I13C, I32A, I32B, I32C, I32D, I50Z		01	B03A, B03B, B06A, B06B, B17A, B17B, B17C
5t044.a↔		BOP, KVT, UOP4, VIAL	5t044.n↔	08	I02A, I02B, I02C, I02D, I12A, I12B, I12C, I13A, I13B, I13C, I13D, I13E, I22A, I32A, I32B, I32C, I32D, I50Z	5t045.h↔	08	I08A, I08B, I08C, I08D, I08E, I08F		
	08	I12A, I12B, I12C, I32A, I32B, I32C, I32D, I32E, I32F		5t044.p↔	21A		W04A, W04B	5t045.j↔	21A	W01A, W01B, W01C, W02A, W02B
	21A	W04A, W04B			21B		X01A, X01B, X01C		21B	X04Z
5t044.b↔	21B	X01A, X01B, X01C	5t044.q↔		BOP, KVT, UOP4, VIAL	5t045.k↔	01	B03A, B03B, B06A, B06B, B17A, B17B, B17C		
	08	I12A, I12B, I12C, I32A, I32B, I32C, I32D, I32E, I32F		5t044.r↔	08		I02A, I02B, I02C, I02D, I12A, I12B, I12C, I13A, I13B, I13C, I13D, I13E, I22A, I32A, I32B, I32C, I32D, I50Z	5t045.l↔	08	I08A, I08B, I08C, I08D, I08E, I08F, I30Z
	21A	W04A, W04B			21A		W04A, W04B		21A	W01A, W01B, W01C, W02A, W02B
5t044.c↔	21B	X01A, X01B, X01C	5t044.s↔	21B	X01A, X01B, X01C	5t045.m↔	21B	X04Z		
		BOP, KVT, UOP4, VIAL		5t044.t↔			BOP, KVT, UOP4, VIAL	5t045.n↔	08	I12A, I12B, I12C, I28A, I28B
	08	I12A, I12B, I12C, I32A, I32B, I32C, I32D, I32E, I32F			08		I13A, I13B, I13C, I13D, I13E, I32A, I32B, I32C, I32D		08	I13A, I13B, I13C, I13D, I13E
5t044.d	21A	W04A, W04B	5t044.u↔		BOP, KVT, UOP4, VIAL	5t045.o↔	21A	W04A, W04B		
	21B	X01A, X01B, X01C		5t044.v↔	08		I13A, I13B, I13C, I13D, I13E, I32A, I32B, I32C, I32D	5t045.p↔	21B	X04Z, X06A, X06B, X06C
		BOP, KVT, UOP4, VIAL			08		I02A, I02B, I02C, I02D, I12A, I12B, I12C, I13A, I13B, I13C, I13D, I13E, I22A, I32A, I32B, I32C, I32D, I50Z		08	I12A, I12B, I12C, I13A, I13B, I13C, I13D
5t044.e↔	08	I08A, I08B, I08C, I08D, I08E, I08F, I32A, I32B, I32C, I32D, I47A	5t044.w↔	08	I02A, I02B, I02C, I02D, I12A, I12B, I12C, I13A, I13B, I13C, I13D, I13E, I22A, I32A, I32B, I32C, I32D, I50Z	5t045.q↔	21A	W04A, W04B		
		BOP, KVT, UOP4, VIAL		5t044.x↔	21A		W04A, W04B	5t045.r↔	21B	X04Z
	01	B03A, B03B, B06A, B06B, B17A, B17B, B17C			21B		X01A, X01B, X01C		08	I13A, I13B, I13C, I13D, I13E
5t044.f↔	08	I02A, I02B, I02C, I02D, I08A, I08B, I08C, I08D, I08E, I08F, I22A, I32A, I32B, I32C, I32D, I50Z	5t044.y↔		BOP, KVT, UOP4, VIAL	5t045.s↔	08	I13A, I13B, I13C, I13D, I13E		
	21A	W01A, W01B, W01C, W02A, W02B		5t044.z↔	08		I20A, I20B, I20C, I20D, I32A, I32B, I32C, I32D	5t045.t↔	08	I13A, I13B, I13C, I13D, I13E
	21B	X01A, X01B, X01C			08		I20A, I20B, I20C, I20D, I32A, I32B, I32C, I32D		08	I12A, I12B, I12C, I20C, I28A, I28B
5t044.g↔		BOP, KVT, UOP4, VIAL	5t044.aa↔	08	I20A, I20B, I20C, I20D, I32A, I32B, I32C, I32D	5t045.u↔	21A	W04A, W04B		
	01	B03A, B03B, B06A, B06B, B17A, B17B, B17C		5t044.aa↔	08		I20A, I20B, I20C, I20D, I32A, I32B, I32C, I32D	5t045.v↔	21B	X04Z, X06A, X06B, X06C
	08	I02A, I02B, I02C, I02D, I08A, I08B, I08C, I08D, I08E, I08F, I22A, I32A, I32B, I32C, I32D, I50Z			08		I20A, I20B, I20C, I20D, I32A, I32B, I32C, I32D		08	I20A, I20B, I20C, I20D
5t044.h↔	21A	W01A, W01B, W01C, W02A, W02B	5t044.ab↔		BOP, KVT, UOP4, VIAL	5t045.w↔	08	I20A, I20B, I20C, I20D		
	21B	X01A, X01B, X01C		5t044.ab↔	08		I20A, I20B, I20C, I20D, I32A, I32B, I32C, I32D	5t045.x↔	08	I20A, I20B, I20C, I20D
		BOP, KVT, UOP4, VIAL			08		I20A, I20B, I20C, I20D, I32A, I32B, I32C, I32D		08	I20A, I20B, I20C, I20D

ZZV	MDC	DRG	ZZV	MDC	DRG	ZZV	MDC	DRG
5t045.x		BOP, KVT, UOP4	5t047.3↔		BOP, KVT, UOP4, VIAL	5t047.e↔		BOP, KVT, UOP4, VIAL
	08	I12A, I12B, I12C, I28A, I28B		08	I08A, I08B, I08C, I08D, I08E, I08F, I12A, I12B, I12C, I13A, I13B, I13C, I13D, I46A, I47A		01	B03A, B03B, B06A, B06B, B17A, B17B, B17C
	21A	W04A, W04B		21A	W04A, W04B		08	I08A, I08B, I08C, I08D, I08E, I08F, I46A, I47A
	21B	X06A, X06B, X06C		21B	X06A, X06B, X06C		21A	W01A, W01B, W01C, W02A, W02B
5t046.1↔		BOP, KVT, UOP4, VIAL	5t047.4↔		BOP, KVT, UOP4, VIAL		21B	X04Z
	08	I08A, I08B, I08C, I08D, I08E, I08F, I13A, I13B, I13C, I13D, I13E, I46A, I47A		08	I08A, I08B, I08C, I08D, I08E, I08F, I12A, I12B, I12C, I21Z, I31Z, I46A, I47A	5t047.f↔		BOP, KVT, UOP4, VIAL
5t046.3↔		BOP, KVT, UOP4, VIAL		21A	W04A, W04B		01	B03A, B03B, B06A, B06B, B17A, B17B, B17C
	08	I08A, I08B, I08C, I08D, I08E, I08F, I13A, I13B, I13C, I13D, I46A, I47A		21B	X06A, X06B, X06C		08	I08A, I08B, I08C, I08D, I08E, I08F, I46A, I47A
5t046.d		BOP, KVT, UOP4, VIAL	5t047.5↔		BOP, KVT, UOP4, VIAL		21A	W01A, W01B, W01C, W02A, W02B
	08	I08A, I08B, I08C, I08D, I08E, I08F, I46A, I47A		08	I08A, I08B, I08C, I08D, I08E, I08F, I12A, I12B, I12C, I21Z, I31Z, I46A, I47A		21B	X04Z
5t046.e↔		BOP, KVT, UOP4, VIAL		21A	W04A, W04B	5t047.g↔		BOP, KVT, UOP4, VIAL
	08	I08A, I08B, I08C, I08D, I08E, I08F, I46A, I47A		21B	X06A, X06B, X06C		01	B03A, B03B, B06A, B06B, B17A, B17B, B17C
5t046.h↔		BOP, KVT, UOP4, VIAL	5t047.6↔		BOP, KVT, UOP4, VIAL		08	I08A, I08B, I08C, I08D, I08E, I08F, I46A, I47A
	08	I08A, I08B, I08C, I08D, I08E, I08F, I30Z, I46A, I47A		08	I08A, I08B, I08C, I08D, I08E, I08F, I12A, I12B, I12C, I21Z, I31Z, I46A, I47A		21A	W01A, W01B, W01C, W02A, W02B
5t046.k↔		BOP, KVT, UOP4, VIAL		21A	W04A, W04B		21B	X04Z
	08	I13A, I13B, I13C, I13D, I46A, I47A		21B	X06A, X06B, X06C	5t047.h↔		BOP, KVT, UOP4, VIAL
5t046.n↔		BOP, KVT, UOP4, VIAL	5t047.7↔		BOP, KVT, UOP4, VIAL		01	B03A, B03B, B06A, B06B, B17A, B17B, B17C
	08	I13A, I13B, I13C, I13D, I46A, I47A		08	I08A, I08B, I08C, I08D, I08E, I08F, I12A, I12B, I12C, I21Z, I31Z, I46A, I47A		08	I08A, I08B, I08C, I08D, I08E, I08F, I46A, I47A
5t046.p↔		BOP, KVT, UOP4, VIAL		21A	W04A, W04B		21A	W01A, W01B, W01C, W02A, W02B
	08	I13A, I13B, I13C, I13D, I13E, I46A, I47A		21B	X06A, X06B, X06C		21B	X04Z
5t046.r↔		BOP, KVT, UOP4, VIAL	5t047.8↔		BOP, KVT, UOP4, VIAL		01	B03A, B03B, B06A, B06B, B17A, B17B, B17C
	08	I13A, I13B, I13C, I13D, I13E, I46A, I47A		08	I08A, I08B, I08C, I08D, I08E, I08F, I12A, I12B, I12C, I21Z, I31Z, I46A, I47A		08	I08A, I08B, I08C, I08D, I08E, I08F, I46A, I47A
5t046.s↔		BOP, KVT, UOP4, VIAL		21A	W04A, W04B	5t047.j↔		BOP, KVT, UOP4, VIAL
	08	I20A, I20B, I20C, I20D, I46A, I47A		21B	X06A, X06B, X06C		08	I12A, I12B, I12C, I28A, I28B, I46A, I47A
5t046.t↔		BOP, KVT, UOP4, VIAL	5t047.9↔		BOP, KVT, UOP4, VIAL		21A	W04A, W04B
	08	I20A, I20B, I20C, I20D, I46A, I47A		08	I08A, I08B, I08C, I08D, I08E, I08F, I12A, I12B, I12C, I21Z, I31Z, I46A, I47A		21B	X04Z, X06A, X06B, X06C
5t046.u↔		BOP, KVT, UOP4, VIAL		21A	W04A, W04B	5t047.k↔		BOP, KVT, UOP4, VIAL
	08	I20A, I20B, I20C, I20D, I46A, I47A		21B	X06A, X06B, X06C		08	I12A, I12B, I12C, I13A, I13B, I13C, I13D, I46A, I47A
5t046.v↔		BOP, KVT, UOP4, VIAL	5t047.a↔		BOP, KVT, UOP4, VIAL		21A	W04A, W04B
	08	I20A, I20B, I20C, I20D, I46A, I47A		08	I12A, I12B, I12C, I32A, I32B, I32C, I32D, I32E, I32F, I46A, I47A		21B	X04Z
5t046.w↔		BOP, KVT, UOP4, VIAL		21A	W04A, W04B	5t047.l↔		BOP, KVT, UOP4, VIAL
	08	I20A, I20B, I20C, I20D, I46A, I47A		21B	X05A, X05B		08	I12A, I12B, I12C, I13A, I13B, I13C, I13D, I46A, I47A
5t047.0↔		BOP, KVT, UOP4, VIAL	5t047.b↔		BOP, KVT, UOP4, VIAL		21A	W04A, W04B
	04	E02A, E02B, E02C		08	I12A, I12B, I12C, I32A, I32B, I32C, I32D, I32E, I32F, I46A, I47A		21B	X04Z
	08	I12A, I12B, I12C, I28A, I28B, I46A, I47A		21A	W04A, W04B	5t047.m↔		BOP, KVT, UOP4, VIAL
	21A	W04A, W04B		21B	X05A, X05B		08	I12A, I12B, I12C, I13A, I13B, I13C, I13D, I46A, I47A
	21B	X06A, X06B, X06C		21B	X05A, X05B		21A	W04A, W04B
5t047.1↔		BOP, KVT, UOP4, VIAL	5t047.c↔		BOP, KVT, UOP4, VIAL		21B	X04Z
	08	I08A, I08B, I08C, I08D, I08E, I08F, I12A, I12B, I12C, I13A, I13B, I13C, I13D, I46A, I47A		08	I12A, I12B, I12C, I32A, I32B, I32C, I32D, I32E, I32F, I46A, I47A		08	I12A, I12B, I12C, I13A, I13B, I13C, I13D, I13E, I46A, I47A
	21A	W04A, W04B		21A	W04A, W04B	5t047.n↔		BOP, KVT, UOP4, VIAL
	21B	X06A, X06B, X06C		21B	X05A, X05B		08	I12A, I12B, I12C, I13A, I13B, I13C, I13D, I46A, I47A
5t047.2↔		BOP, KVT, UOP4, VIAL	5t047.d		BOP, KVT, UOP4, VIAL		21A	W04A, W04B
	08	I08A, I08B, I08C, I08D, I08E, I08F, I12A, I12B, I12C, I13A, I13B, I13C, I13D, I46A, I47A		08	I08A, I08B, I08C, I08D, I08E, I08F, I12A, I12B, I12C, I46A, I47A		21B	X04Z
	21A	W04A, W04B		21A	W04A, W04B	5t047.o↔		BOP, KVT, UOP4, VIAL
	21B	X06A, X06B, X06C		21B	X06A, X06B, X06C		08	I12A, I12B, I12C, I13A, I13B, I13C, I13D, I13E, I46A, I47A
							21A	W04A, W04B
							21B	X04Z

## Príloha B: Index Výkon-MDC-DRG

ZZV	MDC	DRG	ZZV	MDC	DRG	ZZV	MDC	DRG		
5t047.s↔		BOP, KVT, UOP4, VIAL	5t048.5↔		BOP, KVT, UOP4, VIAL	5t048.g↔		BOP, KVT, UOP4, VIAL		
	08	I12A, I12B, I12C, I20C, I28A, I28B, I46A, I47A		08	I08A, I08B, I08C, I08D, I08E, I08F, I12A, I12B, I12C, I21Z, I31Z, I46A, I47A		01	B03A, B03B, B06A, B06B, B17A, B17B, B17C		
	21A	W04A, W04B		21A	W04A, W04B		08	I08A, I08B, I08C, I08D, I08E, I08F, I46A, I47A		
5t047.t↔	21B	X04Z, X06A, X06B, X06C	5t048.6↔	21A	W04A, W04B	5t048.h↔	21A	W01A, W01B, W01C, W02A, W02B		
		BOP, KVT, UOP4, VIAL		21B	X06A, X06B, X06C		21B	X04Z		
	08	I12A, I12B, I12C, I20C, I28A, I28B, I46A, I47A		08	I08A, I08B, I08C, I08D, I08E, I08F, I12A, I12B, I12C, I21Z, I31Z, I46A, I47A		01	B03A, B03B, B06A, B06B, B17A, B17B, B17C		
5t047.u↔	21A	W04A, W04B	5t048.7↔	21A	W04A, W04B	5t048.i↔	08	I08A, I08B, I08C, I08D, I08E, I08F, I46A, I47A		
	21B	X04Z, X06A, X06B, X06C		21B	X06A, X06B, X06C		21A	W01A, W01B, W01C, W02A, W02B		
		BOP, KVT, UOP4, VIAL		08	I08A, I08B, I08C, I08D, I08E, I08F, I12A, I12B, I12C, I21Z, I31Z, I46A, I47A		21B	X04Z		
5t047.v↔	08	I12A, I12B, I12C, I20C, I28A, I28B, I46A, I47A	5t048.8↔	21A	W04A, W04B	5t048.j↔	08	I12A, I12B, I12C, I28A, I28B, I46A, I47A		
	21A	W04A, W04B		21B	X06A, X06B, X06C		21A	W04A, W04B		
	21B	X04Z, X06A, X06B, X06C		08	I08A, I08B, I08C, I08D, I08E, I08F, I12A, I12B, I12C, I21Z, I31Z, I46A, I47A		21B	X04Z, X06A, X06B, X06C		
5t047.w↔		BOP, KVT, UOP4, VIAL	5t048.9↔		BOP, KVT, UOP4, VIAL	5t048.k↔		BOP, KVT, UOP4, VIAL		
	08	I12A, I12B, I12C, I20C, I28A, I28B, I46A, I47A		08	I08A, I08B, I08C, I08D, I08E, I08F, I12A, I12B, I12C, I21Z, I31Z, I46A, I47A		08	I12A, I12B, I12C, I13A, I13B, I13C, I13D, I46A, I47A		
	21A	W04A, W04B		21A	W04A, W04B		21A	W04A, W04B		
5t047.x	21B	X04Z, X06A, X06B, X06C	5t048.a↔	21B	X06A, X06B, X06C	5t048.l↔	21B	X04Z		
		BOP, KVT, UOP4		08	I08A, I08B, I08C, I08D, I08E, I08F, I12A, I12B, I12C, I21Z, I31Z, I46A, I47A		08	I12A, I12B, I12C, I13A, I13B, I13C, I13D, I46A, I47A		
	08	I12A, I12B, I12C, I28A, I28B, I46A, I47A		21A	W04A, W04B		21A	W04A, W04B		
5t047.z↔	21A	W04A, W04B	5t048.b↔	21B	X05A, X05B	5t048.m↔	21B	X04Z		
	21B	X06A, X06B, X06C		08	I12A, I12B, I12C, I32A, I32B, I32C, I32D, I32E, I32F, I46A, I47A		08	I12A, I12B, I12C, I13A, I13B, I13C, I13D, I13E, I46A, I47A		
		BOP, KVT, UOP4, VIAL		21A	W04A, W04B		21A	W04A, W04B		
5t048.0↔	04	E02A, E02B, E02C	5t048.c↔	21B	X06A, X06B, X06C	5t048.n↔	21B	X04Z		
	08	I12A, I12B, I12C, I28A, I28B, I46A, I47A		08	I12A, I12B, I12C, I32A, I32B, I32C, I32D, I32E, I32F, I46A, I47A		08	I12A, I12B, I12C, I13A, I13B, I13C, I13D, I46A, I47A		
	21A	W04A, W04B		21A	W04A, W04B		21A	W04A, W04B		
5t048.1↔	21B	X06A, X06B, X06C	5t048.d		BOP, KVT, UOP4, VIAL	5t048.o↔	21B	X04Z		
		BOP, KVT, UOP4, VIAL		08	I12A, I12B, I12C, I32A, I32B, I32C, I32D, I32E, I32F, I46A, I47A		08	I12A, I12B, I12C, I13A, I13B, I13C, I13D, I13E, I46A, I47A		
	04	E02A, E02B, E02C		21A	W04A, W04B		21A	W04A, W04B		
5t048.2↔	08	I12A, I12B, I12C, I28A, I28B, I46A, I47A	5t048.e↔	21B	X05A, X05B	5t048.p↔	21B	X04Z		
	21A	W04A, W04B		08	I08A, I08B, I08C, I08D, I08E, I08F, I12A, I12B, I12C, I46A, I47A		08	I12A, I12B, I12C, I13A, I13B, I13C, I13D, I13E, I46A, I47A		
	21B	X06A, X06B, X06C		21A	W04A, W04B		21A	W04A, W04B		
5t048.3↔	21B	X06A, X06B, X06C	5t048.f↔		BOP, KVT, UOP4, VIAL	5t048.q↔	21B	X04Z		
		BOP, KVT, UOP4, VIAL		01	B03A, B03B, B06A, B06B, B17A, B17B, B17C		08	I12A, I12B, I12C, I13A, I13B, I13C, I13D, I13E, I46A, I47A		
	08	I08A, I08B, I08C, I08D, I08E, I08F, I12A, I12B, I12C, I13A, I13B, I13C, I13D, I13E, I46A, I47A		08	I08A, I08B, I08C, I08D, I08E, I08F, I12A, I12B, I12C, I46A, I47A		21A	W04A, W04B		
5t048.4↔	21A	W04A, W04B	5t048.g↔	21B	X06A, X06B, X06C	5t048.r↔	21B	X04Z		
	21B	X06A, X06B, X06C		01	B03A, B03B, B06A, B06B, B17A, B17B, B17C		08	I12A, I12B, I12C, I20C, I28A, I28B, I46A, I47A		
		BOP, KVT, UOP4, VIAL		08	I08A, I08B, I08C, I08D, I08E, I08F, I46A, I47A		21A	W04A, W04B		
	BOP, KVT, UOP4, VIAL	08	I08A, I08B, I08C, I08D, I08E, I08F, I12A, I12B, I12C, I21Z, I31Z, I46A, I47A	21B	X04Z, X06A, X06B, X06C	5t048.t↔	21B	X04Z, X06A, X06B, X06C		
08	I08A, I08B, I08C, I08D, I08E, I08F, I12A, I12B, I12C, I13A, I13B, I13C, I13D, I13E, I46A, I47A	21A	W01A, W01B, W01C, W02A, W02B	08	I12A, I12B, I12C, I20C, I28A, I28B, I46A, I47A		21A	W04A, W04B		
21A	W04A, W04B	21B	X04Z	21A	W04A, W04B		21B	X04Z, X06A, X06B, X06C		
	BOP, KVT, UOP4, VIAL	01	B03A, B03B, B06A, B06B, B17A, B17B, B17C	08	I08A, I08B, I08C, I08D, I08E, I08F, I46A, I47A	21A	W04A, W04B	5t048.u↔	08	I12A, I12B, I12C, I20C, I28A, I28B, I46A, I47A
08	I08A, I08B, I08C, I08D, I08E, I08F, I12A, I12B, I12C, I21Z, I31Z, I46A, I47A	08	I08A, I08B, I08C, I08D, I08E, I08F, I46A, I47A	21A	W01A, W01B, W01C, W02A, W02B	21A	W04A, W04B		21B	X04Z, X06A, X06B, X06C
21A	W04A, W04B	21A	W01A, W01B, W01C, W02A, W02B	21B	X04Z					

ZZV	MDC	DRG	ZZV	MDC	DRG	ZZV	MDC	DRG
5t048.v↔		BOP, KVT, UOP4, VIAL	5t049.v↔		BOP, KVT, UOP4, VIAL	5t04a.e↔		BOP, KVT, UOP4, VIAL
	08	I12A, I12B, I12C, I20C, I28A, I28B, I46A, I47A		08	I20A, I20B, I20C, I20D, I46A, I47A		01	B03A, B03B, B06A, B06B, B17A, B17B, B17C
	21A	W04A, W04B					08	I08A, I08B, I08C, I08D, I08E, I08F
5t048.w↔	21B	X04Z, X06A, X06B, X06C	5t049.w↔		BOP, KVT, UOP4, VIAL		21A	W01A, W01B, W01C, W02A, W02B
				08	I20A, I20B, I20C, I20D, I46A, I47A		21B	X04Z
	08	BOP, KVT, UOP4, VIAL				5t04a.f↔		BOP, KVT, UOP4, VIAL
			5t04a.1↔		BOP, KVT, UOP4, VIAL		01	B03A, B03B, B06A, B06B, B17A, B17B, B17C
	08	I12A, I12B, I12C, I20C, I28A, I28B, I46A, I47A		08	I08A, I08B, I08C, I08D, I08E, I08F, I12A, I12B, I12C, I13A, I13B, I13C, I13D, I13E		08	I08A, I08B, I08C, I08D, I08E, I08F
	21A	W04A, W04B					21A	W01A, W01B, W01C, W02A, W02B
5t048.x	21B	X04Z, X06A, X06B, X06C		21A	W04A, W04B		21B	X04Z
				21B	X06A, X06B, X06C		01	B03A, B03B, B06A, B06B, B17A, B17B, B17C
	08	BOP, KVT, UOP4	5t04a.2↔		BOP, KVT, UOP4, VIAL		08	I08A, I08B, I08C, I08D, I08E, I08F
				08	I08A, I08B, I08C, I08D, I08E, I08F, I12A, I12B, I12C, I13A, I13B, I13C, I13D, I13E		21A	W01A, W01B, W01C, W02A, W02B
	21A	W04A, W04B					21B	X04Z
5t048.z↔	21B	X06A, X06B, X06C		21A	W04A, W04B	5t04a.g↔		BOP, KVT, UOP4, VIAL
				21B	X06A, X06B, X06C		01	B03A, B03B, B06A, B06B, B17A, B17B, B17C
		BOP, KVT, UOP4, VIAL	5t04a.3↔		BOP, KVT, UOP4, VIAL		08	I08A, I08B, I08C, I08D, I08E, I08F
	04	E02A, E02B, E02C		08	I08A, I08B, I08C, I08D, I08E, I08F, I12A, I12B, I12C, I13A, I13B, I13C, I13D, I13E		21A	W01A, W01B, W01C, W02A, W02B
	08	I12A, I12B, I12C, I28A, I28B, I46A, I47A					21B	X04Z
	21A	W04A, W04B		21A	W04A, W04B		01	B03A, B03B, B06A, B06B, B17A, B17B, B17C
5t049.2↔	21B	X06A, X06B, X06C		21B	X06A, X06B, X06C		08	I08A, I08B, I08C, I08D, I08E, I08F
							21A	W01A, W01B, W01C, W02A, W02B
		BOP, KVT, UOP4, VIAL	5t04a.4↔		BOP, KVT, UOP4, VIAL		21B	X04Z
	08	I08A, I08B, I08C, I08D, I08E, I08F, I12A, I12B, I12C, I13A, I13B, I13C, I13D, I13E, I46A, I47A		08	I08A, I08B, I08C, I08D, I08E, I08F, I12A, I12B, I12C, I21Z, I31Z	5t04a.h↔		BOP, KVT, UOP4, VIAL
	21A	W04A, W04B					01	B03A, B03B, B06A, B06B, B17A, B17B, B17C
5t049.5↔	21B	X06A, X06B, X06C		21A	W04A, W04B		08	I08A, I08B, I08C, I08D, I08E, I08F
				21B	X06A, X06B, X06C		21A	W01A, W01B, W01C, W02A, W02B
		BOP, KVT, UOP4, VIAL	5t04a.5↔		BOP, KVT, UOP4, VIAL		21B	X04Z
	08	I08A, I08B, I08C, I08D, I08E, I08F, I12A, I12B, I12C, I21Z, I31Z, I46A, I47A		08	I08A, I08B, I08C, I08D, I08E, I08F, I12A, I12B, I12C, I21Z, I31Z	5t04a.k↔		BOP, KVT, UOP4, VIAL
	21A	W04A, W04B					08	I12A, I12B, I12C, I13A, I13B, I13C, I13D, I13E
5t049.8↔	21B	X06A, X06B, X06C		21A	W04A, W04B		21A	W04A, W04B
				21B	X06A, X06B, X06C		21B	X04Z
		BOP, KVT, UOP4, VIAL	5t04a.6↔		BOP, KVT, UOP4, VIAL	5t04a.m↔		BOP, KVT, UOP4, VIAL
	08	I08A, I08B, I08C, I08D, I08E, I08F, I12A, I12B, I12C, I21Z, I31Z, I46A, I47A		08	I08A, I08B, I08C, I08D, I08E, I08F, I12A, I12B, I12C, I21Z, I31Z		08	I12A, I12B, I12C, I13A, I13B, I13C, I13D, I13E
	21A	W04A, W04B					21A	W04A, W04B
5t049.d	21B	X06A, X06B, X06C		21A	W04A, W04B		21B	X04Z
				21B	X06A, X06B, X06C	5t04a.n↔		BOP, KVT, UOP4, VIAL
		BOP, KVT, UOP4, VIAL	5t04a.7↔		BOP, KVT, UOP4, VIAL		08	I12A, I12B, I12C, I13A, I13B, I13C, I13D, I13E
	08	I08A, I08B, I08C, I08D, I08E, I08F, I46A, I47A		08	I08A, I08B, I08C, I08D, I08E, I08F, I12A, I12B, I12C, I21Z, I31Z		21A	W04A, W04B
5t049.g↔	01	B03A, B03B, B06A, B06B, B17A, B17B, B17C					21B	X04Z
	08	I08A, I08B, I08C, I08D, I08E, I08F, I46A, I47A	5t04a.8↔		BOP, KVT, UOP4, VIAL	5t04a.p↔		BOP, KVT, UOP4, VIAL
	21A	W01A, W01B, W01C, W02A, W02B		08	I08A, I08B, I08C, I08D, I08E, I08F, I12A, I12B, I12C, I21Z, I31Z		08	I13A, I13B, I13C, I13D, I13E
	21B	X04Z				5t04a.q↔		BOP, KVT, UOP4, VIAL
5t049.m↔				21A	W04A, W04B		08	I13A, I13B, I13C, I13D, I13E
	08	I12A, I12B, I12C, I13A, I13B, I13C, I13D, I13E, I46A, I47A	5t04a.9↔		BOP, KVT, UOP4, VIAL	5t04a.r↔		BOP, KVT, UOP4, VIAL
	21A	W04A, W04B		08	I08A, I08B, I08C, I08D, I08E, I08F, I12A, I12B, I12C, I21Z, I31Z		08	I12A, I12B, I12C, I13A, I13B, I13C, I13D, I13E
	21B	X04Z					21A	W04A, W04B
5t049.q↔				21B	X06A, X06B, X06C	5t04a.s↔		BOP, KVT, UOP4, VIAL
		BOP, KVT, UOP4, VIAL					08	I20A, I20B, I20C, I20D
	08	I13A, I13B, I13C, I13D, I13E, I46A, I47A	5t04a.a↔		BOP, KVT, UOP4, VIAL	5t04a.t↔		BOP, KVT, UOP4, VIAL
				08	I12A, I12B, I12C, I32A, I32B, I32C, I32D, I32E, I32F		08	I20A, I20B, I20C, I20D
5t049.s↔						5t04a.u↔		BOP, KVT, UOP4, VIAL
		BOP, KVT, UOP4, VIAL		21A	W04A, W04B		08	I20A, I20B, I20C, I20D
	08	I20A, I20B, I20C, I20D, I46A, I47A		21B	X06A, X06B, X06C	5t04a.v↔		BOP, KVT, UOP4, VIAL
5t049.t↔							08	I20A, I20B, I20C, I20D
		BOP, KVT, UOP4, VIAL	5t04a.d		BOP, KVT, UOP4, VIAL	5t04a.w↔		BOP, KVT, UOP4, VIAL
	08	I20A, I20B, I20C, I20D, I46A, I47A		08	I08A, I08B, I08C, I08D, I08E, I08F, I47A		08	I20A, I20B, I20C, I20D
5t049.u↔						5t04a.x		BOP, KVT, UOP4
		BOP, KVT, UOP4, VIAL					08	I12A, I12B, I12C, I28A, I28B
	08	I20A, I20B, I20C, I20D, I46A, I47A					21A	W04A, W04B
							21B	X06A, X06B, X06C

ZZV	MDC	DRG	ZZV	MDC	DRG	ZZV	MDC	DRG
5t04b.0↔		BOP, KVT, UOP4, VIAL	5t04b.c↔		BOP, KVT, UOP4, VIAL	5t04b.q↔		BOP, KVT, UOP4, VIAL
	04	E02A, E02B, E02C		08	I12A, I12B, I12C, I32A, I32B, I32C, I32D, I32E, I32F		08	I12A, I12B, I12C, I13A, I13B, I13C, I13D, I13E
	08	I12A, I12B, I12C, I28A, I28B		21A	W04A, W04B		21A	W04A, W04B
	21A	W04A, W04B		21B	X05A, X05B		21B	X04Z
	21B	X06A, X06B, X06C	5t04b.d		BOP, KVT, UOP4, VIAL	5t04b.r↔		BOP, KVT, UOP4, VIAL
5t04b.1↔		BOP, KVT, UOP4, VIAL		08	I08A, I08B, I08C, I08D, I08E, I08F, I12A, I12B, I12C, I13A, I13B, I13C, I13D, I13E		08	I12A, I12B, I12C, I13A, I13B, I13C, I13D, I13E
	08	I08A, I08B, I08C, I08D, I08E, I08F, I12A, I12B, I12C, I13A, I13B, I13C, I13D, I13E		21A	W04A, W04B		21A	W04A, W04B
	21A	W04A, W04B		21B	X06A, X06B, X06C		21B	X04Z
	21B	X06A, X06B, X06C	5t04b.e↔		BOP, KVT, UOP4, VIAL	5t04b.s↔		BOP, KVT, UOP4, VIAL
5t04b.2↔		BOP, KVT, UOP4, VIAL		01	B03A, B03B, B06A, B06B, B17A, B17B, B17C		08	I12A, I12B, I12C, I20C, I28A, I28B
	08	I08A, I08B, I08C, I08D, I08E, I08F, I12A, I12B, I12C, I13A, I13B, I13C, I13D, I13E		08	I08A, I08B, I08C, I08D, I08E, I08F		21A	W04A, W04B
	21A	W04A, W04B		21A	W01A, W01B, W01C, W02A, W02B		21B	X04Z, X06A, X06B, X06C
	21B	X06A, X06B, X06C		21B	X04Z	5t04b.t↔		BOP, KVT, UOP4, VIAL
5t04b.3↔		BOP, KVT, UOP4, VIAL	5t04b.f↔		BOP, KVT, UOP4, VIAL		08	I12A, I12B, I12C, I20C, I28A, I28B
	08	I08A, I08B, I08C, I08D, I08E, I08F, I12A, I12B, I12C, I13A, I13B, I13C, I13D, I13E		01	B03A, B03B, B06A, B06B, B17A, B17B, B17C		21A	W04A, W04B
	21A	W04A, W04B		08	I08A, I08B, I08C, I08D, I08E, I08F		21B	X04Z, X06A, X06B, X06C
	21B	X06A, X06B, X06C		21A	W01A, W01B, W01C, W02A, W02B	5t04b.u↔		BOP, KVT, UOP4, VIAL
5t04b.4↔		BOP, KVT, UOP4, VIAL		21B	X04Z		08	I12A, I12B, I12C, I20C, I28A, I28B
	08	I08A, I08B, I08C, I08D, I08E, I08F, I12A, I12B, I12C, I21Z, I31Z	5t04b.g↔		BOP, KVT, UOP4, VIAL		21A	W04A, W04B
	21A	W04A, W04B		01	B03A, B03B, B06A, B06B, B17A, B17B, B17C		21B	X04Z, X06A, X06B, X06C
	21B	X06A, X06B, X06C		08	I08A, I08B, I08C, I08D, I08E, I08F	5t04b.v↔		BOP, KVT, UOP4, VIAL
5t04b.5↔		BOP, KVT, UOP4, VIAL		21A	W01A, W01B, W01C, W02A, W02B		08	I12A, I12B, I12C, I20C, I28A, I28B
	08	I08A, I08B, I08C, I08D, I08E, I08F, I12A, I12B, I12C, I21Z, I31Z		21B	X04Z		21A	W04A, W04B
	21A	W04A, W04B	5t04b.h↔		BOP, KVT, UOP4, VIAL		21B	X04Z, X06A, X06B, X06C
	21B	X06A, X06B, X06C		01	B03A, B03B, B06A, B06B, B17A, B17B, B17C	5t04b.x		BOP, KVT, UOP4, VIAL
5t04b.6↔		BOP, KVT, UOP4, VIAL		08	I08A, I08B, I08C, I08D, I08E, I08F		08	I12A, I12B, I12C, I28A, I28B
	08	I08A, I08B, I08C, I08D, I08E, I08F, I12A, I12B, I12C, I21Z, I31Z		21A	W01A, W01B, W01C, W02A, W02B		21A	W04A, W04B
	21A	W04A, W04B		21B	X04Z		21B	X06A, X06B, X06C
	21B	X06A, X06B, X06C	5t04b.i↔		BOP, KVT, UOP4, VIAL	5t04b.z↔		BOP, KVT, UOP4, VIAL
5t04b.7↔		BOP, KVT, UOP4, VIAL		01	B03A, B03B, B06A, B06B, B17A, B17B, B17C		04	E02A, E02B, E02C
	08	I08A, I08B, I08C, I08D, I08E, I08F, I12A, I12B, I12C, I21Z, I31Z		08	I08A, I08B, I08C, I08D, I08E, I08F		08	I12A, I12B, I12C, I28A, I28B
	21A	W04A, W04B		21A	W01A, W01B, W01C, W02A, W02B		21A	W04A, W04B
	21B	X06A, X06B, X06C		21B	X04Z		21B	X06A, X06B, X06C
5t04b.8↔		BOP, KVT, UOP4, VIAL	5t04b.j↔		BOP, KVT, UOP4, VIAL	5t04x.0↔		BOP, KVT, UOP4, VIAL
	08	I08A, I08B, I08C, I08D, I08E, I08F, I12A, I12B, I12C, I21Z, I31Z		08	I12A, I12B, I12C, I28A, I28B		04	E02A, E02B, E02C
	21A	W04A, W04B		21A	W04A, W04B		08	I12A, I12B, I12C, I28A, I28B
	21B	X06A, X06B, X06C		21B	X04Z, X06A, X06B, X06C		21A	W04A, W04B
5t04b.9↔		BOP, KVT, UOP4, VIAL		21B	X04Z		21B	X06A, X06B, X06C
	08	I08A, I08B, I08C, I08D, I08E, I08F, I12A, I12B, I12C, I21Z, I31Z	5t04b.k↔		BOP, KVT, UOP4, VIAL	5t04x.1↔		BOP, KVT, UOP4, VIAL
	21A	W04A, W04B		08	I12A, I12B, I12C, I13A, I13B, I13C, I13D, I13E		08	I08A, I08B, I08C, I08D, I08E, I08F, I12A, I12B, I12C, I13A, I13B, I13C, I13D, I13E
	21B	X06A, X06B, X06C		21A	W04A, W04B		21A	W04A, W04B
5t04b.a↔		BOP, KVT, UOP4, VIAL		21B	X04Z		21B	X06A, X06B, X06C
	08	I12A, I12B, I12C, I32A, I32B, I32C, I32D, I32E, I32F	5t04b.l↔		BOP, KVT, UOP4, VIAL	5t04x.2↔		BOP, KVT, UOP4, VIAL
	21A	W04A, W04B		08	I12A, I12B, I12C, I13A, I13B, I13C, I13D, I13E		08	I08A, I08B, I08C, I08D, I08E, I08F, I12A, I12B, I12C, I13A, I13B, I13C, I13D, I13E
	21B	X05A, X05B		21A	W04A, W04B		21A	W04A, W04B
5t04b.b↔		BOP, KVT, UOP4, VIAL		21B	X04Z		21B	X06A, X06B, X06C
	08	I12A, I12B, I12C, I32A, I32B, I32C, I32D, I32E, I32F	5t04b.m↔		BOP, KVT, UOP4, VIAL	5t04x.3↔		BOP, KVT, UOP4, VIAL
	21A	W04A, W04B		08	I12A, I12B, I12C, I13A, I13B, I13C, I13D, I13E		08	I08A, I08B, I08C, I08D, I08E, I08F, I12A, I12B, I12C, I13A, I13B, I13C, I13D, I13E
	21B	X05A, X05B		21A	W04A, W04B		21A	W04A, W04B
	21B	X05A, X05B		21B	X04Z		21B	X06A, X06B, X06C



ZZV	MDC	DRG	ZZV	MDC	DRG	ZZV	MDC	DRG
5t04x.4↔		BOP, KVT, UOP4, VIAL	5t04x.f↔		BOP, KVT, UOP4, VIAL	5t04x.u↔		BOP, KVT, UOP4, VIAL
	08	I08A, I08B, I08C, I08D, I08E, I08F, I12A, I12B, I12C, I21Z, I31Z		01	B03A, B03B, B06A, B06B, B17A, B17B, B17C		08	I12A, I12B, I12C, I20C, I28A, I28B
	21A	W04A, W04B		08	I08A, I08B, I08C, I08D, I08E, I08F		21A	W04A, W04B
	21B	X06A, X06B, X06C		21A	W01A, W01B, W01C, W02A, W02B	5t04x.v↔		X04Z, X06A, X06B, X06C
5t04x.5↔		BOP, KVT, UOP4, VIAL		21B	X04Z		08	BOP, KVT, UOP4, VIAL
	08	I08A, I08B, I08C, I08D, I08E, I08F, I12A, I12B, I12C, I21Z, I31Z	5t04x.g↔		BOP, KVT, UOP4, VIAL		21A	I12A, I12B, I12C, I20C, I28A, I28B
	21A	W04A, W04B		01	B03A, B03B, B06A, B06B, B17A, B17B, B17C		21B	W04A, W04B
	21B	X06A, X06B, X06C		08	I08A, I08B, I08C, I08D, I08E, I08F	5t04x.w↔		X04Z, X06A, X06B, X06C
5t04x.6↔		BOP, KVT, UOP4, VIAL		21A	W01A, W01B, W01C, W02A, W02B		08	BOP, KVT, UOP4, VIAL
	08	I08A, I08B, I08C, I08D, I08E, I08F, I12A, I12B, I12C, I21Z, I31Z		21B	X04Z		21A	I12A, I12B, I12C, I20C, I28A, I28B
	21A	W04A, W04B	5t04x.h↔		BOP, KVT, UOP4, VIAL		21B	W04A, W04B
	21B	X06A, X06B, X06C		01	B03A, B03B, B06A, B06B, B17A, B17B, B17C	5t04x.x		X04Z, X06A, X06B, X06C
5t04x.7↔		BOP, KVT, UOP4, VIAL		08	I08A, I08B, I08C, I08D, I08E, I08F		08	BOP, KVT, UOP4
	08	I08A, I08B, I08C, I08D, I08E, I08F, I12A, I12B, I12C, I21Z, I31Z		21A	W01A, W01B, W01C, W02A, W02B	5t04x.z↔		I12A, I12B, I12C, I28A, I28B
	21A	W04A, W04B		21B	X04Z		21A	W04A, W04B
	21B	X06A, X06B, X06C		5t04x.j↔	BOP, KVT, UOP4, VIAL		21B	X06A, X06B, X06C
5t04x.8↔		BOP, KVT, UOP4, VIAL		08	I12A, I12B, I12C, I28A, I28B		04	BOP, KVT, UOP4, VIAL
	08	I08A, I08B, I08C, I08D, I08E, I08F, I12A, I12B, I12C, I21Z, I31Z		21A	W04A, W04B		08	E02A, E02B, E02C
	21A	W04A, W04B		21B	X04Z, X06A, X06B, X06C		08	I12A, I12B, I12C, I28A, I28B
	21B	X06A, X06B, X06C		5t04x.k↔	BOP, KVT, UOP4, VIAL		21A	W04A, W04B
5t04x.9↔		BOP, KVT, UOP4, VIAL		08	I12A, I12B, I12C, I13A, I13B, I13C, I13D, I13E		21B	X06A, X06B, X06C
	08	I08A, I08B, I08C, I08D, I08E, I08F, I12A, I12B, I12C, I21Z, I31Z		21A	W04A, W04B	5t050.1↔		BOP, KVT, UOP4, VIAL
	21A	W04A, W04B		21B	X04Z		08	I08A, I08B, I08C, I08D, I08E, I08F, I12A, I12B, I12C, I13A, I13B, I13C, I13D
	21B	X06A, X06B, X06C		5t04x.m↔	BOP, KVT, UOP4, VIAL		21A	W04A, W04B
5t04x.a↔		BOP, KVT, UOP4, VIAL		08	I12A, I12B, I12C, I13A, I13B, I13C, I13D, I13E		21B	X06A, X06B, X06C
	08	I12A, I12B, I12C, I32A, I32B, I32C, I32D, I32E, I32F		21A	W04A, W04B	5t050.2↔		BOP, KVT, UOP4, VIAL
	21A	W04A, W04B		21B	X04Z		08	I08A, I08B, I08C, I08D, I08E, I08F, I12A, I12B, I12C, I13A, I13B, I13C, I13D
	21B	X05A, X05B		5t04x.n↔	BOP, KVT, UOP4, VIAL		21A	W04A, W04B
5t04x.b↔		BOP, KVT, UOP4, VIAL		08	I12A, I12B, I12C, I13A, I13B, I13C, I13D, I13E		21B	X06A, X06B, X06C
	08	I12A, I12B, I12C, I32A, I32B, I32C, I32D, I32E, I32F		21A	W04A, W04B	5t050.3↔		BOP, KVT, UOP4, VIAL
	21A	W04A, W04B		21B	X04Z		08	I08A, I08B, I08C, I08D, I08E, I08F, I12A, I12B, I12C, I13A, I13B, I13C, I13D
	21B	X05A, X05B		5t04x.p↔	BOP, KVT, UOP4, VIAL		21A	W04A, W04B
5t04x.c↔		BOP, KVT, UOP4, VIAL		08	I12A, I12B, I12C, I13A, I13B, I13C, I13D, I13E		21B	X06A, X06B, X06C
	08	I12A, I12B, I12C, I32A, I32B, I32C, I32D, I32E, I32F		21A	W04A, W04B	5t050.4↔		BOP, KVT, UOP4, VIAL
	21A	W04A, W04B		21B	X04Z		08	I08A, I08B, I08C, I08D, I08E, I08F, I12A, I12B, I12C, I21Z, I31Z
	21B	X05A, X05B		5t04x.q↔	BOP, KVT, UOP4, VIAL		21A	W04A, W04B
5t04x.d		BOP, KVT, UOP4, VIAL		08	I12A, I12B, I12C, I13A, I13B, I13C, I13D, I13E		21B	X06A, X06B, X06C
	08	I08A, I08B, I08C, I08D, I08E, I08F, I12A, I12B, I12C		21A	W04A, W04B	5t050.5↔		BOP, KVT, UOP4, VIAL
	21A	W04A, W04B		21B	X04Z		08	I08A, I08B, I08C, I08D, I08E, I08F, I12A, I12B, I12C, I21Z, I31Z
	21B	X06A, X06B, X06C		5t04x.r↔	BOP, KVT, UOP4, VIAL		21A	W04A, W04B
5t04x.e↔		BOP, KVT, UOP4, VIAL		08	I12A, I12B, I12C, I13A, I13B, I13C, I13D, I13E		21B	X06A, X06B, X06C
	01	B03A, B03B, B06A, B06B, B17A, B17B, B17C		21A	W04A, W04B		08	I08A, I08B, I08C, I08D, I08E, I08F, I12A, I12B, I12C, I21Z, I31Z
	08	I08A, I08B, I08C, I08D, I08E, I08F		21B	X04Z	5t050.6↔		BOP, KVT, UOP4, VIAL
	21A	W01A, W01B, W01C, W02A, W02B		5t04x.s↔	BOP, KVT, UOP4, VIAL		08	I08A, I08B, I08C, I08D, I08E, I08F, I12A, I12B, I12C, I21Z, I31Z
	21B	X04Z		08	I12A, I12B, I12C, I20C, I28A, I28B		21A	W04A, W04B
				21A	W04A, W04B		21B	X06A, X06B, X06C
				21B	X04Z, X06A, X06B, X06C			
				5t04x.t↔	BOP, KVT, UOP4, VIAL			
				08	I12A, I12B, I12C, I20C, I28A, I28B			
				21A	W04A, W04B			
				21B	X04Z, X06A, X06B, X06C			

VYK



ZZV	MDC	DRG	ZZV	MDC	DRG	ZZV	MDC	DRG
5t051.g↔		BOP, KVT, UOP4, VIAL	5t051.w↔	08	I12A, I12B, I12C, I28A, I28B	5t052.9↔	08	I08A, I08B, I08C, I08D, I08E, I08F, I12A, I12B, I12C, I21Z, I31Z
	01	B03A, B03B, B06A, B06B, B17A, B17B, B17C		21A	W04A, W04B		21A	W04A, W04B
	08	I08A, I08B, I08C, I08D, I08E, I08F		21B	X04Z, X06A, X06B, X06C		21B	X06A, X06B, X06C
5t051.h↔	21A	W01A, W01B, W01C, W02A, W02B	5t051.x	03	D12A, D12B	5t052.a↔	21B	X06A, X06B, X06C
	21B	X04Z		08	I12A, I12B, I12C, I28A, I28B		08	I12A, I12B, I12C, I32A, I32B, I32C, I32D, I32E, I32F
	01	B03A, B03B, B06A, B06B, B17A, B17B, B17C		21A	W04A, W04B		21A	W04A, W04B
5t051.i↔	08	I08A, I08B, I08C, I08D, I08E, I08F	5t051.z↔	21B	X06A, X06B, X06C	5t052.b↔	21B	X05A, X05B
	21A	W01A, W01B, W01C, W02A, W02B		04	E02A, E02B, E02C		08	I12A, I12B, I12C, I32A, I32B, I32C, I32D, I32E, I32F
	21B	X04Z		08	I12A, I12B, I12C, I28A, I28B		21A	W04A, W04B
5t051.j↔	01	B03A, B03B, B06A, B06B, B17A, B17B, B17C	5t052.0↔	21B	X06A, X06B, X06C	5t052.c↔	21A	W04A, W04B
	08	I08A, I08B, I08C, I08D, I08E, I08F		04	E02A, E02B, E02C		21B	X05A, X05B
	21A	W01A, W01B, W01C, W02A, W02B		08	I12A, I12B, I12C, I28A, I28B		08	I12A, I12B, I12C, I32A, I32B, I32C, I32D, I32E, I32F
5t051.k↔	21B	X04Z	5t052.1↔	21A	W04A, W04B	5t052.d	21A	W04A, W04B
	01	B03A, B03B, B06A, B06B, B17A, B17B, B17C		21B	X06A, X06B, X06C		21B	X05A, X05B
	08	I08A, I08B, I08C, I08D, I08E, I08F, I12A, I12B, I12C, I13A, I13B, I13C, I13D		08	I12A, I12B, I12C, I28A, I28B		08	I12A, I12B, I12C, I32A, I32B, I32C, I32D, I32E, I32F
5t051.l↔	21A	W04A, W04B	5t052.2↔	21A	W04A, W04B	5t052.e↔	21A	W04A, W04B
	21B	X04Z		21B	X06A, X06B, X06C		21B	X06A, X06B, X06C
	01	B03A, B03B, B06A, B06B, B17A, B17B, B17C		08	I08A, I08B, I08C, I08D, I08E, I08F, I12A, I12B, I12C, I13A, I13B, I13C, I13D		01	B03A, B03B, B06A, B06B, B17A, B17B, B17C
5t051.m↔	08	I08A, I08B, I08C, I08D, I08E, I08F, I12A, I12B, I12C, I13A, I13B, I13C, I13D	5t052.3↔	21A	W04A, W04B	5t052.f↔	08	I08A, I08B, I08C, I08D, I08E, I08F, I12A, I12B, I12C, I13A, I13B, I13C, I13D
	21A	W04A, W04B		21B	X06A, X06B, X06C		21A	W01A, W01B, W01C, W02A, W02B
	21B	X04Z		08	I08A, I08B, I08C, I08D, I08E, I08F, I12A, I12B, I12C, I13A, I13B, I13C, I13D		21B	X04Z
5t051.n↔	08	I12A, I12B, I12C, I13A, I13B, I13C, I13D	5t052.4↔	21A	W04A, W04B	5t052.g↔	01	B03A, B03B, B06A, B06B, B17A, B17B, B17C
	21A	W04A, W04B		21B	X06A, X06B, X06C		08	I08A, I08B, I08C, I08D, I08E, I08F
	21B	X04Z		08	I08A, I08B, I08C, I08D, I08E, I08F, I12A, I12B, I12C, I21Z, I31Z		21A	W01A, W01B, W01C, W02A, W02B
5t051.o↔	01	B03A, B03B, B06A, B06B, B17A, B17B, B17C	5t052.5↔	21A	W04A, W04B	5t052.h↔	21B	X04Z
	08	I08A, I08B, I08C, I08D, I08E, I08F, I12A, I12B, I12C, I13A, I13B, I13C, I13D		21B	X06A, X06B, X06C		01	B03A, B03B, B06A, B06B, B17A, B17B, B17C
	21A	W04A, W04B		08	I08A, I08B, I08C, I08D, I08E, I08F, I12A, I12B, I12C, I21Z, I31Z		08	I08A, I08B, I08C, I08D, I08E, I08F
5t051.p↔	21B	X04Z	5t052.6↔	21A	W04A, W04B	5t052.i↔	21A	W01A, W01B, W01C, W02A, W02B
	01	B03A, B03B, B06A, B06B, B17A, B17B, B17C		21B	X06A, X06B, X06C		21B	X04Z
	08	I08A, I08B, I08C, I08D, I08E, I08F, I12A, I12B, I12C, I13A, I13B, I13C, I13D		08	I08A, I08B, I08C, I08D, I08E, I08F, I12A, I12B, I12C, I21Z, I31Z		08	I08A, I08B, I08C, I08D, I08E, I08F
5t051.q↔	21A	W04A, W04B	5t052.7↔	21A	W04A, W04B	5t052.j↔	21A	W01A, W01B, W01C, W02A, W02B
	21B	X04Z		21B	X06A, X06B, X06C		21B	X04Z
	01	B03A, B03B, B06A, B06B, B17A, B17B, B17C		08	I08A, I08B, I08C, I08D, I08E, I08F, I12A, I12B, I12C, I21Z, I31Z		08	I12A, I12B, I12C, I28A, I28B
5t051.r↔	08	I08A, I08B, I08C, I08D, I08E, I08F, I12A, I12B, I12C, I13A, I13B, I13C, I13D	5t052.8↔	21A	W04A, W04B	5t052.k↔	21A	W04A, W04B
	21A	W04A, W04B		21B	X06A, X06B, X06C		08	I12A, I12B, I12C, I13A, I13B, I13C, I13D
	21B	X04Z		08	I08A, I08B, I08C, I08D, I08E, I08F, I12A, I12B, I12C, I21Z, I31Z		21A	W04A, W04B
5t051.s↔	01	B03A, B03B, B06A, B06B, B17A, B17B, B17C	5t052.9↔	21B	X06A, X06B, X06C	21B	X04Z	
	08	I08A, I08B, I08C, I08D, I08E, I08F, I12A, I12B, I12C, I13A, I13B, I13C, I13D		08	I08A, I08B, I08C, I08D, I08E, I08F, I12A, I12B, I12C, I21Z, I31Z			
	21A	W04A, W04B						
5t051.t↔	21B	X04Z						
	01	B03A, B03B, B06A, B06B, B17A, B17B, B17C						
	08	I08A, I08B, I08C, I08D, I08E, I08F, I12A, I12B, I12C, I13A, I13B, I13C, I13D						
5t051.u↔	21A	W04A, W04B						
	21B	X04Z						
	01	B03A, B03B, B06A, B06B, B17A, B17B, B17C						
5t051.v↔	08	I08A, I08B, I08C, I08D, I08E, I08F, I12A, I12B, I12C, I13A, I13B, I13C, I13D						
	21A	W04A, W04B						
	21B	X04Z, X06A, X06B, X06C						





ZZV	MDC	DRG	ZZV	MDC	DRG	ZZV	MDC	DRG
5t05x.1↔		BOP, KVT, UOP4, VIAL	5t05x.d		BOP, KVT, UOP4, VIAL	5t05x.r↔		BOP, KVT, UOP4, VIAL
	08	I08A, I08B, I08C, I08D, I08E, I08F, I12A, I12B, I12C, I13A, I13B, I13C, I13D		08	I08A, I08B, I08C, I08D, I08E, I08F, I12A, I12B, I12C		08	I12A, I12B, I12C, I13A, I13B, I13C, I13D
	21A	W04A, W04B		21A	W04A, W04B		21A	W04A, W04B
	21B	X06A, X06B, X06C		21B	X06A, X06B, X06C		21B	X04Z
5t05x.2↔		BOP, KVT, UOP4, VIAL	5t05x.e↔		BOP, KVT, UOP4, VIAL	5t05x.s↔		BOP, KVT, UOP4, VIAL
	08	I08A, I08B, I08C, I08D, I08E, I08F, I12A, I12B, I12C, I13A, I13B, I13C, I13D		01	B03A, B03B, B06A, B06B, B17A, B17B, B17C		08	I12A, I12B, I12C, I28A, I28B
	21A	W04A, W04B		08	I08A, I08B, I08C, I08D, I08E, I08F		21A	W04A, W04B
	21B	X06A, X06B, X06C		21A	W01A, W01B, W01C, W02A, W02B		21B	X04Z, X06A, X06B, X06C
5t05x.3↔		BOP, KVT, UOP4, VIAL	5t05x.f↔		BOP, KVT, UOP4, VIAL	5t05x.t↔		BOP, KVT, UOP4, VIAL
	08	I08A, I08B, I08C, I08D, I08E, I08F, I12A, I12B, I12C, I13A, I13B, I13C, I13D		01	B03A, B03B, B06A, B06B, B17A, B17B, B17C		08	I12A, I12B, I12C, I28A, I28B
	21A	W04A, W04B		08	I08A, I08B, I08C, I08D, I08E, I08F		21A	W04A, W04B
	21B	X06A, X06B, X06C		21A	W01A, W01B, W01C, W02A, W02B		21B	X04Z, X06A, X06B, X06C
5t05x.4↔		BOP, KVT, UOP4, VIAL	5t05x.g↔		BOP, KVT, UOP4, VIAL	5t05x.u↔		BOP, KVT, UOP4, VIAL
	08	I08A, I08B, I08C, I08D, I08E, I08F, I12A, I12B, I12C, I21Z, I31Z		01	B03A, B03B, B06A, B06B, B17A, B17B, B17C		08	I12A, I12B, I12C, I28A, I28B
	21A	W04A, W04B		08	I08A, I08B, I08C, I08D, I08E, I08F		21A	W04A, W04B
	21B	X06A, X06B, X06C		21A	W01A, W01B, W01C, W02A, W02B		21B	X04Z, X06A, X06B, X06C
5t05x.5↔		BOP, KVT, UOP4, VIAL	5t05x.h↔		BOP, KVT, UOP4, VIAL	5t05x.v↔		BOP, KVT, UOP4, VIAL
	08	I08A, I08B, I08C, I08D, I08E, I08F, I12A, I12B, I12C, I21Z, I31Z		01	B03A, B03B, B06A, B06B, B17A, B17B, B17C		08	I12A, I12B, I12C, I28A, I28B
	21A	W04A, W04B		08	I08A, I08B, I08C, I08D, I08E, I08F		21A	W04A, W04B
	21B	X06A, X06B, X06C		21A	W01A, W01B, W01C, W02A, W02B		21B	X04Z, X06A, X06B, X06C
5t05x.6↔		BOP, KVT, UOP4, VIAL	5t05x.i↔		BOP, KVT, UOP4, VIAL	5t05x.w↔		BOP, KVT, UOP4, VIAL
	08	I08A, I08B, I08C, I08D, I08E, I08F, I12A, I12B, I12C, I21Z, I31Z		01	B03A, B03B, B06A, B06B, B17A, B17B, B17C		08	I12A, I12B, I12C, I28A, I28B
	21A	W04A, W04B		08	I08A, I08B, I08C, I08D, I08E, I08F		21A	W04A, W04B
	21B	X06A, X06B, X06C		21A	W01A, W01B, W01C, W02A, W02B		21B	X04Z, X06A, X06B, X06C
5t05x.7↔		BOP, KVT, UOP4, VIAL	5t05x.j↔		BOP, KVT, UOP4, VIAL	5t05x.x		BOP, KVT, UOP4
	08	I08A, I08B, I08C, I08D, I08E, I08F, I12A, I12B, I12C, I21Z, I31Z		08	I12A, I12B, I12C, I28A, I28B		03	D12A, D12B
	21A	W04A, W04B		21A	W04A, W04B		08	I12A, I12B, I12C, I28A, I28B
	21B	X06A, X06B, X06C		21B	X04Z, X06A, X06B, X06C		21A	W04A, W04B
5t05x.8↔		BOP, KVT, UOP4, VIAL	5t05x.k↔		BOP, KVT, UOP4, VIAL	5t05x.y		BOP, KVT, UOP4
	08	I08A, I08B, I08C, I08D, I08E, I08F, I12A, I12B, I12C, I21Z, I31Z		08	I12A, I12B, I12C, I13A, I13B, I13C, I13D		04	E02A, E02B, E02C
	21A	W04A, W04B		21A	W04A, W04B		08	I12A, I12B, I12C, I28A, I28B
	21B	X06A, X06B, X06C		21B	X04Z		21A	W04A, W04B
5t05x.9↔		BOP, KVT, UOP4, VIAL	5t05x.l↔		BOP, KVT, UOP4, VIAL	5t061		BOP, KVT, UOP4
	08	I08A, I08B, I08C, I08D, I08E, I08F, I12A, I12B, I12C, I21Z, I31Z		08	I12A, I12B, I12C, I13A, I13B, I13C, I13D		03	D18Z, D28Z, D29Z
	21A	W04A, W04B		21A	W04A, W04B		04	E02A, E02B, E02C
	21B	X06A, X06B, X06C		21B	X04Z, X06A, X06B, X06C		08	I12A, I12B, I12C, I28A, I28B
5t05x.a↔		BOP, KVT, UOP4, VIAL	5t05x.m↔		BOP, KVT, UOP4, VIAL	5t063		BOP, KVT, UOP4
	08	I12A, I12B, I12C, I32A, I32B, I32C, I32D, I32E, I32F		08	I12A, I12B, I12C, I13A, I13B, I13C, I13D		03	D18Z, D28Z, D29Z
	21A	W04A, W04B		21A	W04A, W04B		04	E02A, E02B, E02C
	21B	X05A, X05B		21B	X04Z		08	I12A, I12B, I12C, I28A, I28B
5t05x.b↔		BOP, KVT, UOP4, VIAL	5t05x.n↔		BOP, KVT, UOP4, VIAL	5t064		BOP, KVT, UOP4
	08	I12A, I12B, I12C, I32A, I32B, I32C, I32D, I32E, I32F		08	I12A, I12B, I12C, I13A, I13B, I13C, I13D		03	D18Z, D28Z, D29Z
	21A	W04A, W04B		21A	W04A, W04B		04	E02A, E02B, E02C
	21B	X05A, X05B		21B	X04Z		08	I12A, I12B, I12C, I28A, I28B
5t05x.c↔		BOP, KVT, UOP4, VIAL	5t05x.o↔		BOP, KVT, UOP4, VIAL	5t065		BOP, KVT, UOP4
	08	I12A, I12B, I12C, I32A, I32B, I32C, I32D, I32E, I32F		08	I12A, I12B, I12C, I13A, I13B, I13C, I13D		03	D18Z, D28Z, D29Z
	21A	W04A, W04B		21A	W04A, W04B		04	E02A, E02B, E02C
	21B	X05A, X05B		21B	X04Z		08	I12A, I12B, I12C, I28A, I28B
	21A	W04A, W04B		21A	W04A, W04B		09	J08A, J08B, J08C
	21B	X05A, X05B		21B	X04Z		21A	W04A, W04B
	21B	X05A, X05B		21A	W04A, W04B		21B	X04Z, X05A, X05B, X06A, X06B, X06C
	21B	X05A, X05B		21B	X04Z		21B	X04Z, X05A, X05B, X06A, X06B, X06C

ZZV	MDC	DRG	ZZV	MDC	DRG	ZZV	MDC	DRG
5t066		BOP, KVT, UOP4	5t06f.0		BOP, KVT, UOP4	5t070.5↔		BOP, KVT, UOP4, VIAL
	03	D18Z, D28Z, D29Z		03	D18Z, D28Z, D29Z		08	108A, 108B, 108C, 108D, 108E, 108F, 112A, 112B, 112C, 121Z, 131Z
	04	E02A, E02B, E02C		04	E02A, E02B, E02C		21A	W04A, W04B
	08	I12A, I12B, I12C, I28A, I28B		08	I12A, I12B, I12C, I28A, I28B		21B	X06A, X06B, X06C
	09	J08A, J08B, J08C		09	J08A, J08B, J08C		5t070.6↔	BOP, KVT, UOP4, VIAL
	21A	W04A, W04B		21A	W04A, W04B		08	108A, 108B, 108C, 108D, 108E, 108F, 112A, 112B, 112C, 121Z, 131Z
21B	X04Z, X05A, X05B, X06A, X06B, X06C	21B	X04Z, X05A, X05B, X06A, X06B, X06C	21A	W04A, W04B			
5t067		BOP, KVT, UOP4	5t06f.1		BOP, KVT, UOP4	5t070.7↔		BOP, KVT, UOP4, VIAL
	03	D18Z, D28Z, D29Z		03	D18Z, D28Z, D29Z		08	108A, 108B, 108C, 108D, 108E, 108F, 112A, 112B, 112C, 121Z, 131Z
	04	E02A, E02B, E02C		04	E02A, E02B, E02C		21A	W04A, W04B
	08	I12A, I12B, I12C, I28A, I28B		08	I12A, I12B, I12C, I28A, I28B		21B	X06A, X06B, X06C
	09	J08A, J08B, J08C		09	J08A, J08B, J08C		5t070.8↔	BOP, KVT, UOP4, VIAL
	21A	W04A, W04B		21A	W04A, W04B		08	108A, 108B, 108C, 108D, 108E, 108F, 112A, 112B, 112C, 121Z, 131Z
21B	X04Z, X05A, X05B, X06A, X06B, X06C	21B	X04Z, X05A, X05B, X06A, X06B, X06C	21A	W04A, W04B			
5t068		BOP, KVT, UOP4	5t06v		BOP, KVT, UOP4	5t070.9↔		BOP, KVT, UOP4, VIAL
	03	D18Z, D28Z, D29Z		03	D18Z, D28Z, D29Z		08	108A, 108B, 108C, 108D, 108E, 108F, 112A, 112B, 112C, 121Z, 131Z
	04	E02A, E02B, E02C		04	E02A, E02B, E02C		21A	W04A, W04B
	08	I12A, I12B, I12C, I28A, I28B		08	I12A, I12B, I12C, I28A, I28B, I33Z		21B	X06A, X06B, X06C
	09	J08A, J08B, J08C		09	J08A, J08B, J08C		5t070.a↔	BOP, KVT, UOP4, VIAL
	21A	W04A, W04B		21A	W04A, W04B		08	108A, 108B, 108C, 108D, 108E, 108F, 112A, 112B, 112C, 132A, 132B, 132C, 132D, 132E, 132F
21B	X04Z, X05A, X05B, X06A, X06B, X06C	21B	X04Z, X05A, X05B, X06A, X06B, X06C	21A	W04A, W04B			
5t069		BOP, KVT, UOP4	5t06x		BOP, KVT, UOP4	5t070.b↔		BOP, KVT, UOP4, VIAL
	03	D18Z, D28Z, D29Z		03	D18Z, D28Z, D29Z		08	112A, 112B, 112C, 132A, 132B, 132C, 132D, 132E, 132F
	04	E02A, E02B, E02C		04	E02A, E02B, E02C		21A	W04A, W04B
	08	I12A, I12B, I12C, I28A, I28B		08	I12A, I12B, I12C, I28A, I28B		21B	X06A, X06B, X06C
	09	J08A, J08B, J08C		09	J08A, J08B, J08C		5t070.c↔	BOP, KVT, UOP4, VIAL
	21A	W04A, W04B		21A	W04A, W04B		08	112A, 112B, 112C, 132A, 132B, 132C, 132D, 132E, 132F
21B	X04Z, X05A, X05B, X06A, X06B, X06C	21B	X04Z, X05A, X05B, X06A, X06B, X06C	21A	W04A, W04B			
5t06a		BOP, KVT, UOP4	5t06z		BOP, KVT, UOP4	5t070.d		BOP, KVT, UOP4, VIAL
	03	D18Z, D28Z, D29Z		03	D18Z, D28Z, D29Z		08	108A, 108B, 108C, 108D, 108E, 108F, 112A, 112B, 112C
	04	E02A, E02B, E02C		04	E02A, E02B, E02C		21A	W04A, W04B
	08	I12A, I12B, I12C, I28A, I28B		08	I12A, I12B, I12C, I28A, I28B		21B	X06A, X06B, X06C
	09	J08A, J08B, J08C		09	J08A, J08B, J08C		5t070.e↔	BOP, KVT, UOP4, VIAL
	21A	W04A, W04B		21A	W04A, W04B		08	108A, 108B, 108C, 108D, 108E, 108F
21B	X04Z, X05A, X05B, X06A, X06B, X06C	21B	X04Z, X05A, X05B, X06A, X06B, X06C	21A	W01A, W01B, W01C, W02A, W02B			
5t06b		BOP, KVT, UOP4	5t070.0↔		BOP, KVT, UOP4, VIAL	5t070.f↔		BOP, KVT, UOP4, VIAL
	03	D18Z, D28Z, D29Z		08	I12A, I12B, I12C, I28A, I28B		08	108A, 108B, 108C, 108D, 108E, 108F
	04	E02A, E02B, E02C		21A	W04A, W04B		21A	W01A, W01B, W01C, W02A, W02B
	08	I12A, I12B, I12C, I28A, I28B		21B	X06A, X06B, X06C		21B	X04Z
	09	J08A, J08B, J08C		5t070.1↔	BOP, KVT, UOP4, VIAL		5t070.g↔	BOP, KVT, UOP4, VIAL
	21A	W04A, W04B		08	108A, 108B, 108C, 108D, 108E, 108F, 112A, 112B, 112C, 113A, 113B, 113C, 113D, 113E		08	108A, 108B, 108C, 108D, 108E, 108F
21B	X04Z, X05A, X05B, X06A, X06B, X06C	21A	W04A, W04B	21A	W01A, W01B, W01C, W02A, W02B			
5t06c		BOP, KVT, UOP4	5t070.2↔		BOP, KVT, UOP4, VIAL	5t070.4↔		BOP, KVT, UOP4, VIAL
	03	D18Z, D28Z, D29Z		08	108A, 108B, 108C, 108D, 108E, 108F, 112A, 112B, 112C, 113A, 113B, 113C, 113D, 113E		08	108A, 108B, 108C, 108D, 108E, 108F, 112A, 112B, 112C, 121Z, 131Z
	04	E02A, E02B, E02C		21A	W04A, W04B		21A	W04A, W04B
	08	I12A, I12B, I12C, I28A, I28B		21B	X06A, X06B, X06C		21B	X06A, X06B, X06C
	09	J08A, J08B, J08C		5t070.3↔	BOP, KVT, UOP4, VIAL		08	108A, 108B, 108C, 108D, 108E, 108F
	21A	W04A, W04B		08	108A, 108B, 108C, 108D, 108E, 108F, 112A, 112B, 112C, 113A, 113B, 113C, 113D, 113E		21A	W01A, W01B, W01C, W02A, W02B
21B	X04Z, X05A, X05B, X06A, X06B, X06C	21A	W04A, W04B	21B	X04Z			
5t06d		BOP, KVT, UOP4	5t070.3↔		BOP, KVT, UOP4, VIAL	5t070.g↔		BOP, KVT, UOP4, VIAL
	03	D18Z, D28Z, D29Z		08	108A, 108B, 108C, 108D, 108E, 108F, 112A, 112B, 112C, 113A, 113B, 113C, 113D, 113E		08	108A, 108B, 108C, 108D, 108E, 108F
	04	E02A, E02B, E02C		21A	W04A, W04B		21A	W01A, W01B, W01C, W02A, W02B
	08	I12A, I12B, I12C, I28A, I28B		21B	X06A, X06B, X06C		21B	X04Z
	09	J08A, J08B, J08C		5t070.4↔	BOP, KVT, UOP4, VIAL		5t070.g↔	BOP, KVT, UOP4, VIAL
	21A	W04A, W04B		08	108A, 108B, 108C, 108D, 108E, 108F, 112A, 112B, 112C, 121Z, 131Z		08	108A, 108B, 108C, 108D, 108E, 108F
21B	X04Z, X05A, X05B, X06A, X06B, X06C	21A	W04A, W04B	21A	W01A, W01B, W01C, W02A, W02B			
			21B	X06A, X06B, X06C	21B	X04Z		

ZZV	MDC	DRG	ZZV	MDC	DRG	ZZV	MDC	DRG	
5t070.h↔		BOP, KVT, UOP4, VIAL	5t070.z↔	08	I12A, I12B, I12C, I28A, I28B	5t071.a↔	01	B03A, B03B, B06A, B06B, B17A, B17B, B17C	
	08	I08A, I08B, I08C, I08D, I08E, I08F		21A	W04A, W04B		08	I12A, I12B, I12C, I23A, I23B	
	21A	W01A, W01B, W01C, W02A, W02B		21B	X06A, X06B, X06C		21A	W04A, W04B	
5t070.j↔	21B	X04Z	5t071.0↔	01	B03A, B03B, B06A, B06B, B17A, B17B, B17C	5t071.b↔	21B	X05A, X05B, X06A, X06B, X06C	
	08	I12A, I12B, I12C, I18A, I18B, I30Z		04	E02A, E02B, E02C		BOP, KVT, UOP4		
	21A	W04A, W04B		08	I12A, I12B, I12C, I23A, I23B		01	B03A, B03B, B06A, B06B, B17A, B17B, B17C	
5t070.k↔	21B	X04Z	5t071.1↔	21A	W04A, W04B	5t071.c↔	08	I12A, I12B, I12C, I23A, I23B	
	08	I12A, I12B, I12C, I13A, I13B, I13C, I13D, I13E		21B	X06A, X06B, X06C		21A	W04A, W04B	
	21A	W04A, W04B		BOP, KVT, UOP4	21B		X05A, X05B, X06A, X06B, X06C		
5t070.m↔	21B	X04Z	5t071.2↔	01	B03A, B03B, B06A, B06B, B17A, B17B, B17C	5t071.d	01	B03A, B03B, B06A, B06B, B17A, B17B, B17C	
	08	I12A, I12B, I12C, I13A, I13B, I13C, I13D, I13E		BOP, KVT, UOP4	08		I12A, I12B, I12C, I23A, I23B		
	21A	W04A, W04B		01	B03A, B03B, B06A, B06B, B17A, B17B, B17C		21A	W04A, W04B	
5t070.n↔	21B	X04Z	5t071.3↔	08	I12A, I12B, I12C, I23A, I23B	5t071.e↔	21B	X05A, X05B, X06A, X06B, X06C	
	08	I12A, I12B, I12C, I13A, I13B, I13C, I13D, I13E		21A	W04A, W04B		BOP, KVT, UOP4		
	21A	W04A, W04B		21B	X06A, X06B, X06C		01	B03A, B03B, B06A, B06B, B17A, B17B, B17C	
5t070.p↔	21B	X04Z	5t071.4↔	01	B03A, B03B, B06A, B06B, B17A, B17B, B17C	5t071.f↔	08	I12A, I12B, I12C, I21Z	
	08	I12A, I12B, I12C, I13A, I13B, I13C, I13D, I13E		08	I12A, I12B, I12C, I23A, I23B		21A	W04A, W04B	
	21A	W04A, W04B		21A	W04A, W04B		21B	X04Z, X06A, X06B, X06C	
5t070.q↔	21B	X04Z	5t071.5↔	01	B03A, B03B, B06A, B06B, B17A, B17B, B17C	5t071.g↔	BOP, KVT, UOP4		
	08	I12A, I12B, I12C, I13A, I13B, I13C, I13D, I13E		08	I12A, I12B, I12C, I23A, I23B		01	B03A, B03B, B06A, B06B, B17A, B17B, B17C	
	21A	W04A, W04B		21A	W04A, W04B		08	I12A, I12B, I12C, I21Z	
5t070.r↔	21B	X04Z	5t071.6↔	21B	X06A, X06B, X06C	5t071.h↔	21A	W04A, W04B	
	08	I12A, I12B, I12C, I13A, I13B, I13C, I13D, I13E		BOP, KVT, UOP4	01		B03A, B03B, B06A, B06B, B17A, B17B, B17C	21B	X04Z, X06A, X06B, X06C
	21A	W04A, W04B		08	I12A, I12B, I12C, I23A, I23B		BOP, KVT, UOP4		
5t070.s↔	21B	X04Z	5t071.7↔	21A	W04A, W04B	5t071.i↔	01	B03A, B03B, B06A, B06B, B17A, B17B, B17C	
	08	I12A, I12B, I12C, I20A, I20B, I20C, I20D, I20E, I20F		21B	X06A, X06B, X06C		08	I12A, I12B, I12C, I21Z	
	21A	W04A, W04B		BOP, KVT, UOP4	21A		W04A, W04B	21A	W04A, W04B
5t070.t↔	21B	X04Z	5t071.8↔	01	B03A, B03B, B06A, B06B, B17A, B17B, B17C	5t071.j↔	21B	X04Z, X06A, X06B, X06C	
	08	I12A, I12B, I12C, I20A, I20B, I20C, I20D, I20E, I20F		08	I12A, I12B, I12C, I23A, I23B		BOP, KVT, UOP4		
	21A	W04A, W04B		21A	W04A, W04B		01	B03A, B03B, B06A, B06B, B17A, B17B, B17C	
5t070.u↔	21B	X04Z	5t071.9↔	21B	X06A, X06B, X06C	5t071.k↔	08	I12A, I12B, I12C, I23A, I23B	
	08	I12A, I12B, I12C, I20A, I20B, I20C, I20D, I20E, I20F		BOP, KVT, UOP4	01		B03A, B03B, B06A, B06B, B17A, B17B, B17C	21A	W04A, W04B
	21A	W04A, W04B		08	I12A, I12B, I12C, I23A, I23B		21B	X06A, X06B, X06C	
5t070.v↔	21B	X04Z	5t071.0↔	01	B03A, B03B, B06A, B06B, B17A, B17B, B17C	5t071.l↔	01	B03A, B03B, B06A, B06B, B17A, B17B, B17C	
	08	I12A, I12B, I12C, I20A, I20B, I20C, I20D, I20E, I20F		08	I12A, I12B, I12C, I23A, I23B		08	I12A, I12B, I12C, I23A, I23B	
	21A	W04A, W04B		21A	W04A, W04B		21A	W04A, W04B	
5t070.w↔	21B	X04Z	5t071.1↔	21B	X06A, X06B, X06C	5t071.m↔	21B	X04Z, X06A, X06B, X06C	
	08	I12A, I12B, I12C, I20A, I20B, I20C, I20D, I20E, I20F		BOP, KVT, UOP4	01		B03A, B03B, B06A, B06B, B17A, B17B, B17C	01	B03A, B03B, B06A, B06B, B17A, B17B, B17C
	21A	W04A, W04B		08	I12A, I12B, I12C, I23A, I23B		08	I12A, I12B, I12C, I23A, I23B	
5t070.x	21B	X04Z	5t071.2↔	21A	W04A, W04B	5t071.n↔	21A	W04A, W04B	
	08	I12A, I12B, I12C, I28A, I28B		21B	X06A, X06B, X06C		21B	X04Z, X06A, X06B, X06C	
	21A	W04A, W04B		BOP, KVT, UOP4	01		B03A, B03B, B06A, B06B, B17A, B17B, B17C		
	21B	X06A, X06B, X06C							

VYK



ZZV	MDC	DRG	ZZV	MDC	DRG	ZZV	MDC	DRG
5t071.n↔		BOP, KVT, UOP4	5t072.0↔		BOP, KVT, UOP4	5t072.b↔		BOP, KVT, UOP4
	01	B03A, B03B, B06A, B06B, B17A, B17B, B17C		01	B03A, B03B, B06A, B06B, B17A, B17B, B17C		01	B03A, B03B, B06A, B06B, B17A, B17B, B17C
	08	I12A, I12B, I12C, I23A, I23B		04	E02A, E02B, E02C		08	I12A, I12B, I12C, I23A, I23B
	21A	W04A, W04B		08	I12A, I12B, I12C, I23A, I23B		21A	W04A, W04B
5t071.p↔	21B	X04Z, X06A, X06B, X06C	5t072.1↔	21A	W04A, W04B	5t072.c↔	21B	X05A, X05B, X06A, X06B, X06C
		BOP, KVT, UOP4			BOP, KVT, UOP4			BOP, KVT, UOP4
	01	B03A, B03B, B06A, B06B, B17A, B17B, B17C		01	B03A, B03B, B06A, B06B, B17A, B17B, B17C		01	B03A, B03B, B06A, B06B, B17A, B17B, B17C
	08	I12A, I12B, I12C, I23A, I23B		08	I12A, I12B, I12C, I23A, I23B		08	I12A, I12B, I12C, I23A, I23B
5t071.q↔	21A	W04A, W04B	5t072.2↔	21A	W04A, W04B	5t072.d	21A	W04A, W04B
	21B	X04Z, X06A, X06B, X06C		21B	X06A, X06B, X06C		21B	X05A, X05B, X06A, X06B, X06C
		BOP, KVT, UOP4			BOP, KVT, UOP4			BOP, KVT, UOP4
	01	B03A, B03B, B06A, B06B, B17A, B17B, B17C		01	B03A, B03B, B06A, B06B, B17A, B17B, B17C		01	B03A, B03B, B06A, B06B, B17A, B17B, B17C
5t071.r↔	08	I12A, I12B, I12C, I23A, I23B	5t072.3↔	08	I12A, I12B, I12C, I23A, I23B	5t072.e↔	08	I12A, I12B, I12C, I23A, I23B
	21A	W04A, W04B		21A	W04A, W04B		21A	W04A, W04B
	21B	X04Z, X06A, X06B, X06C		21B	X06A, X06B, X06C		21B	X04Z, X06A, X06B, X06C
		BOP, KVT, UOP4			BOP, KVT, UOP4			BOP, KVT, UOP4
5t071.s↔	01	B03A, B03B, B06A, B06B, B17A, B17B, B17C	5t072.4↔	01	B03A, B03B, B06A, B06B, B17A, B17B, B17C	5t072.f↔	01	B03A, B03B, B06A, B06B, B17A, B17B, B17C
	08	I12A, I12B, I12C, I23A, I23B		08	I12A, I12B, I12C, I23A, I23B		08	I12A, I12B, I12C, I21Z
	21A	W04A, W04B		21A	W04A, W04B		21A	W04A, W04B
	21B	X04Z, X06A, X06B, X06C		21B	X06A, X06B, X06C		21B	X04Z, X06A, X06B, X06C
5t071.t↔		BOP, KVT, UOP4	5t072.5↔		BOP, KVT, UOP4	5t072.g↔		BOP, KVT, UOP4
	01	B03A, B03B, B06A, B06B, B17A, B17B, B17C		01	B03A, B03B, B06A, B06B, B17A, B17B, B17C		01	B03A, B03B, B06A, B06B, B17A, B17B, B17C
	08	I12A, I12B, I12C, I23A, I23B		08	I12A, I12B, I12C, I23A, I23B		08	I12A, I12B, I12C, I21Z
	21A	W04A, W04B		21A	W04A, W04B		21A	W04A, W04B
5t071.u↔	21B	X04Z, X06A, X06B, X06C	5t072.6↔	21B	X06A, X06B, X06C	5t072.h↔	21B	X04Z, X06A, X06B, X06C
		BOP, KVT, UOP4			BOP, KVT, UOP4			BOP, KVT, UOP4
	01	B03A, B03B, B06A, B06B, B17A, B17B, B17C		01	B03A, B03B, B06A, B06B, B17A, B17B, B17C		01	B03A, B03B, B06A, B06B, B17A, B17B, B17C
	08	I12A, I12B, I12C, I23A, I23B		08	I12A, I12B, I12C, I23A, I23B		08	I12A, I12B, I12C, I21Z
5t071.v↔	21A	W04A, W04B	5t072.7↔	21A	W04A, W04B	5t072.j↔	21A	W04A, W04B
	21B	X04Z, X06A, X06B, X06C		21B	X06A, X06B, X06C		21B	X04Z, X06A, X06B, X06C
		BOP, KVT, UOP4			BOP, KVT, UOP4			BOP, KVT, UOP4
	01	B03A, B03B, B06A, B06B, B17A, B17B, B17C		01	B03A, B03B, B06A, B06B, B17A, B17B, B17C		01	B03A, B03B, B06A, B06B, B17A, B17B, B17C
5t071.w↔	08	I12A, I12B, I12C, I23A, I23B	5t072.8↔	08	I12A, I12B, I12C, I23A, I23B	5t072.k↔	08	I12A, I12B, I12C, I23A, I23B
	21A	W04A, W04B		21A	W04A, W04B		21A	W04A, W04B
	21B	X04Z, X06A, X06B, X06C		21B	X06A, X06B, X06C		21B	X04Z, X06A, X06B, X06C
		BOP, KVT, UOP4			BOP, KVT, UOP4			BOP, KVT, UOP4
5t071.x	01	B03A, B03B, B06A, B06B, B17A, B17B, B17C	5t072.9↔	01	B03A, B03B, B06A, B06B, B17A, B17B, B17C	5t072.m↔	01	B03A, B03B, B06A, B06B, B17A, B17B, B17C
	08	I12A, I12B, I12C, I23A, I23B		08	I12A, I12B, I12C, I23A, I23B		08	I12A, I12B, I12C, I23A, I23B
	21A	W04A, W04B		21A	W04A, W04B		21A	W04A, W04B
	21B	X06A, X06B, X06C		21B	X06A, X06B, X06C		21B	X04Z, X06A, X06B, X06C
5t071.z↔		BOP, KVT, UOP4	5t072.a↔		BOP, KVT, UOP4	5t072.n↔		BOP, KVT, UOP4
	01	B03A, B03B, B06A, B06B, B17A, B17B, B17C		01	B03A, B03B, B06A, B06B, B17A, B17B, B17C		01	B03A, B03B, B06A, B06B, B17A, B17B, B17C
	04	E02A, E02B, E02C		08	I12A, I12B, I12C, I23A, I23B		08	I12A, I12B, I12C, I23A, I23B
	08	I12A, I12B, I12C, I23A, I23B		21A	W04A, W04B		21A	W04A, W04B
		21B	X06A, X06B, X06C	21B	X05A, X05B, X06A, X06B, X06C			





ZZV	MDC	DRG	ZZV	MDC	DRG	ZZV	MDC	DRG
5t074.s↔		BOP, KVT, UOP4	5t075.g↔		BOP, KVT, UOP4	5t076.5↔		BOP, KVT, UOP4
	01	B03A, B03B, B06A, B06B, B17A, B17B, B17C		01	B03A, B03B, B06A, B06B, B17A, B17B, B17C		01	B03A, B03B, B06A, B06B, B17A, B17B, B17C
	08	I12A, I12B, I12C, I23A, I23B		08	I12A, I12B, I12C, I21Z		08	I12A, I12B, I12C, I23A, I23B
	21A	W04A, W04B		21A	W04A, W04B		21A	W04A, W04B
	21B	X04Z, X06A, X06B, X06C		21B	X04Z, X06A, X06B, X06C		21B	X06A, X06B, X06C
5t074.t↔		BOP, KVT, UOP4	5t075.h↔		BOP, KVT, UOP4	5t076.6↔		BOP, KVT, UOP4
	01	B03A, B03B, B06A, B06B, B17A, B17B, B17C		01	B03A, B03B, B06A, B06B, B17A, B17B, B17C		01	B03A, B03B, B06A, B06B, B17A, B17B, B17C
	08	I12A, I12B, I12C, I23A, I23B		08	I12A, I12B, I12C, I21Z		08	I12A, I12B, I12C, I23A, I23B
	21A	W04A, W04B		21A	W04A, W04B		21A	W04A, W04B
	21B	X04Z, X06A, X06B, X06C		21B	X04Z, X06A, X06B, X06C		21B	X06A, X06B, X06C
5t074.u↔		BOP, KVT, UOP4	5t075.k↔		BOP, KVT, UOP4	5t076.7↔		BOP, KVT, UOP4
	01	B03A, B03B, B06A, B06B, B17A, B17B, B17C		08	I13A, I13B, I59Z		01	B03A, B03B, B06A, B06B, B17A, B17B, B17C
	08	I12A, I12B, I12C, I23A, I23B	5t075.n↔		BOP, KVT, UOP4		08	I12A, I12B, I12C, I23A, I23B
	21A	W04A, W04B		08	I13A, I13B, I59Z		21A	W04A, W04B
	21B	X04Z, X06A, X06B, X06C	5t075.p↔		BOP, KVT, UOP4		21B	X06A, X06B, X06C
5t074.v↔		BOP, KVT, UOP4		08	I59Z	5t076.8↔		BOP, KVT, UOP4
	01	B03A, B03B, B06A, B06B, B17A, B17B, B17C	5t075.q↔		BOP, KVT, UOP4		01	B03A, B03B, B06A, B06B, B17A, B17B, B17C
	08	I12A, I12B, I12C, I23A, I23B		08	I59Z		08	I12A, I12B, I12C, I23A, I23B
	21A	W04A, W04B	5t075.r↔		BOP, KVT, UOP4		21A	W04A, W04B
	21B	X04Z, X06A, X06B, X06C		08	I59Z		21B	X06A, X06B, X06C
5t074.w↔		BOP, KVT, UOP4	5t075.s↔		BOP, KVT, UOP4	5t076.9↔		BOP, KVT, UOP4
	01	B03A, B03B, B06A, B06B, B17A, B17B, B17C		08	I20A, I20B, I20C, I20D, I20E, I20F		01	B03A, B03B, B06A, B06B, B17A, B17B, B17C
	08	I12A, I12B, I12C, I23A, I23B	5t075.t↔		BOP, KVT, UOP4		08	I12A, I12B, I12C, I23A, I23B
	21A	W04A, W04B		08	I20A, I20B, I20C, I20D, I20E, I20F		21A	W04A, W04B
	21B	X04Z, X06A, X06B, X06C	5t075.u↔		BOP, KVT, UOP4		21B	X06A, X06B, X06C
5t074.x		BOP, KVT, UOP4		08	I20A, I20B, I20C, I20D, I20E, I20F	5t076.e↔		BOP, KVT, UOP4
	01	B03A, B03B, B06A, B06B, B17A, B17B, B17C	5t075.v↔		BOP, KVT, UOP4		01	B03A, B03B, B06A, B06B, B17A, B17B, B17C
	04	E02A, E02B, E02C		08	I20A, I20B, I20C, I20D, I20E, I20F		08	I12A, I12B, I12C, I21Z
	08	I12A, I12B, I12C, I23A, I23B	5t075.w↔		BOP, KVT, UOP4		21A	W04A, W04B
	21A	W04A, W04B		08	I20A, I20B, I20C, I20D, I20E, I20F		21B	X04Z, X06A, X06B, X06C
	21B	X06A, X06B, X06C	5t075.x		BOP, KVT, UOP4	5t076.f↔		BOP, KVT, UOP4
5t074.z↔		BOP, KVT, UOP4		01	B03A, B03B, B06A, B06B, B17A, B17B, B17C		01	B03A, B03B, B06A, B06B, B17A, B17B, B17C
	01	B03A, B03B, B06A, B06B, B17A, B17B, B17C		08	I12A, I12B, I12C, I23A, I23B		08	I12A, I12B, I12C, I21Z
	04	E02A, E02B, E02C		21A	W04A, W04B		21A	W04A, W04B
	08	I12A, I12B, I12C, I23A, I23B	5t076.1↔		BOP, KVT, UOP4		21B	X04Z, X06A, X06B, X06C
	21A	W04A, W04B		01	B03A, B03B, B06A, B06B, B17A, B17B, B17C	5t076.g↔		BOP, KVT, UOP4
	21B	X06A, X06B, X06C		08	I12A, I12B, I12C, I23A, I23B		01	B03A, B03B, B06A, B06B, B17A, B17B, B17C
5t075.1↔		BOP, KVT, UOP4		21A	W04A, W04B		08	I12A, I12B, I12C, I21Z
	08	I13A, I13B, I59Z		21B	X06A, X06B, X06C		21A	W04A, W04B
5t075.2↔		BOP, KVT, UOP4	5t076.2↔		BOP, KVT, UOP4		21B	X04Z, X06A, X06B, X06C
	08	I13A, I13B, I59Z		01	B03A, B03B, B06A, B06B, B17A, B17B, B17C	5t076.h↔		BOP, KVT, UOP4
5t075.3↔		BOP, KVT, UOP4		08	I12A, I12B, I12C, I23A, I23B		01	B03A, B03B, B06A, B06B, B17A, B17B, B17C
	08	I13A, I13B, I59Z		21A	W04A, W04B		08	I12A, I12B, I12C, I21Z
5t075.d		BOP, KVT, UOP4		21B	X06A, X06B, X06C		21A	W04A, W04B
	08	I08A, I08B, I08C, I08D, I08E, I08F	5t076.3↔		BOP, KVT, UOP4		21B	X04Z, X06A, X06B, X06C
5t075.e↔		BOP, KVT, UOP4		01	B03A, B03B, B06A, B06B, B17A, B17B, B17C	5t076.k↔		BOP, KVT, UOP4
	01	B03A, B03B, B06A, B06B, B17A, B17B, B17C		08	I12A, I12B, I12C, I23A, I23B		01	B03A, B03B, B06A, B06B, B17A, B17B, B17C
	08	I12A, I12B, I12C, I21Z		21A	W04A, W04B		08	I12A, I12B, I12C, I23A, I23B
	21A	W04A, W04B		21B	X06A, X06B, X06C		21A	W04A, W04B
	21B	X04Z, X06A, X06B, X06C	5t076.4↔		BOP, KVT, UOP4		21B	X04Z, X06A, X06B, X06C
5t075.f↔		BOP, KVT, UOP4		01	B03A, B03B, B06A, B06B, B17A, B17B, B17C	5t076.m↔		BOP, KVT, UOP4
	01	B03A, B03B, B06A, B06B, B17A, B17B, B17C		08	I12A, I12B, I12C, I23A, I23B		01	B03A, B03B, B06A, B06B, B17A, B17B, B17C
	08	I12A, I12B, I12C, I21Z		21A	W04A, W04B		08	I12A, I12B, I12C, I23A, I23B
	21A	W04A, W04B		21B	X06A, X06B, X06C		21A	W04A, W04B
	21B	X04Z, X06A, X06B, X06C		21B	X06A, X06B, X06C		21B	X04Z, X06A, X06B, X06C

VYK

ZZV	MDC	DRG	ZZV	MDC	DRG	ZZV	MDC	DRG
5t076.n↔		BOP, KVT, UOP4	5t077.8↔		BOP, KVT, UOP4	5t077.x		BOP, KVT, UOP4
01		B03A, B03B, B06A, B06B, B17A, B17B, B17C	01		B03A, B03B, B06A, B06B, B17A, B17B, B17C	01		B03A, B03B, B06A, B06B, B17A, B17B, B17C
08		I12A, I12B, I12C, I23A, I23B	08		I12A, I12B, I12C, I23A, I23B	08		I12A, I12B, I12C, I23A, I23B
21A		W04A, W04B	21A		W04A, W04B	21A		W04A, W04B
21B		X04Z, X06A, X06B, X06C	21B		X06A, X06B, X06C	21B		X06A, X06B, X06C
5t076.p↔		BOP, KVT, UOP4	5t077.9↔		BOP, KVT, UOP4	5t078.1↔		BOP, KVT, UOP4
01		B03A, B03B, B06A, B06B, B17A, B17B, B17C	01		B03A, B03B, B06A, B06B, B17A, B17B, B17C	08		I13A, I13B, I59Z
08		I12A, I12B, I12C, I23A, I23B	08		I12A, I12B, I12C, I23A, I23B	5t078.2↔		BOP, KVT, UOP4
21A		W04A, W04B	21A		W04A, W04B	08		I13A, I13B, I59Z
21B		X04Z, X06A, X06B, X06C	21B		X06A, X06B, X06C	5t078.e↔		BOP, KVT, UOP4
5t076.q↔		BOP, KVT, UOP4	5t077.e↔		BOP, KVT, UOP4	01		B03A, B03B, B06A, B06B, B17A, B17B, B17C
08		I59Z	08		I08A, I08B, I08C, I08D, I08E, I08F	08		I12A, I12B, I12C, I21Z
5t076.r↔		BOP, KVT, UOP4	5t077.f↔		BOP, KVT, UOP4	21A		W04A, W04B
01		B03A, B03B, B06A, B06B, B17A, B17B, B17C	01		B03A, B03B, B06A, B06B, B17A, B17B, B17C	21B		X04Z, X06A, X06B, X06C
08		I12A, I12B, I12C, I23A, I23B	08		I12A, I12B, I12C, I21Z	5t078.f↔		BOP, KVT, UOP4
21A		W04A, W04B	21A		W04A, W04B	01		B03A, B03B, B06A, B06B, B17A, B17B, B17C
21B		X04Z, X06A, X06B, X06C	21B		X04Z, X06A, X06B, X06C	08		I12A, I12B, I12C, I21Z
5t076.x		BOP, KVT, UOP4	5t077.g↔		BOP, KVT, UOP4	21A		W04A, W04B
01		B03A, B03B, B06A, B06B, B17A, B17B, B17C	01		B03A, B03B, B06A, B06B, B17A, B17B, B17C	21B		X04Z, X06A, X06B, X06C
08		I12A, I12B, I12C, I23A, I23B	08		I12A, I12B, I12C, I21Z	5t078.g↔		BOP, KVT, UOP4
21A		W04A, W04B	21A		W04A, W04B	01		B03A, B03B, B06A, B06B, B17A, B17B, B17C
21B		X06A, X06B, X06C	21B		X04Z, X06A, X06B, X06C	08		I12A, I12B, I12C, I21Z
5t077.1↔		BOP, KVT, UOP4	5t077.h↔		BOP, KVT, UOP4	21A		W04A, W04B
01		B03A, B03B, B06A, B06B, B17A, B17B, B17C	01		B03A, B03B, B06A, B06B, B17A, B17B, B17C	21B		X04Z, X06A, X06B, X06C
08		I12A, I12B, I12C, I23A, I23B	08		I12A, I12B, I12C, I21Z	5t078.h↔		BOP, KVT, UOP4
21A		W04A, W04B	21A		W04A, W04B	01		B03A, B03B, B06A, B06B, B17A, B17B, B17C
21B		X06A, X06B, X06C	21B		X04Z, X06A, X06B, X06C	08		I12A, I12B, I12C, I21Z
5t077.2↔		BOP, KVT, UOP4	5t077.k↔		BOP, KVT, UOP4	21A		W04A, W04B
01		B03A, B03B, B06A, B06B, B17A, B17B, B17C	01		B03A, B03B, B06A, B06B, B17A, B17B, B17C	21B		X04Z, X06A, X06B, X06C
08		I12A, I12B, I12C, I23A, I23B	08		I12A, I12B, I12C, I23A, I23B	5t078.x		BOP, KVT, UOP4
21A		W04A, W04B	21A		W04A, W04B	01		B03A, B03B, B06A, B06B, B17A, B17B, B17C
21B		X06A, X06B, X06C	21B		X04Z, X06A, X06B, X06C	08		I12A, I12B, I12C, I23A, I23B
5t077.3↔		BOP, KVT, UOP4	5t077.m↔		BOP, KVT, UOP4	21A		W04A, W04B
01		B03A, B03B, B06A, B06B, B17A, B17B, B17C	01		B03A, B03B, B06A, B06B, B17A, B17B, B17C	21B		X06A, X06B, X06C
08		I12A, I12B, I12C, I23A, I23B	08		I12A, I12B, I12C, I23A, I23B	5t079.1↔		BOP, KVT, UOP4
21A		W04A, W04B	21A		W04A, W04B	01		B03A, B03B, B06A, B06B, B17A, B17B, B17C
21B		X06A, X06B, X06C	21B		X04Z, X06A, X06B, X06C	08		I12A, I12B, I12C, I23A, I23B
5t077.4↔		BOP, KVT, UOP4	5t077.n↔		BOP, KVT, UOP4	21A		W04A, W04B
01		B03A, B03B, B06A, B06B, B17A, B17B, B17C	01		B03A, B03B, B06A, B06B, B17A, B17B, B17C	21B		X06A, X06B, X06C
08		I12A, I12B, I12C, I23A, I23B	08		I12A, I12B, I12C, I23A, I23B	5t079.2↔		BOP, KVT, UOP4
21A		W04A, W04B	21A		W04A, W04B	01		B03A, B03B, B06A, B06B, B17A, B17B, B17C
21B		X06A, X06B, X06C	21B		X04Z, X06A, X06B, X06C	08		I12A, I12B, I12C, I23A, I23B
5t077.5↔		BOP, KVT, UOP4	5t077.p↔		BOP, KVT, UOP4	21A		W04A, W04B
01		B03A, B03B, B06A, B06B, B17A, B17B, B17C	01		B03A, B03B, B06A, B06B, B17A, B17B, B17C	21B		X06A, X06B, X06C
08		I12A, I12B, I12C, I23A, I23B	08		I12A, I12B, I12C, I23A, I23B	5t079.3↔		BOP, KVT, UOP4
21A		W04A, W04B	21A		W04A, W04B	01		B03A, B03B, B06A, B06B, B17A, B17B, B17C
21B		X06A, X06B, X06C	21B		X04Z, X06A, X06B, X06C	08		I12A, I12B, I12C, I23A, I23B
5t077.6↔		BOP, KVT, UOP4	5t077.q↔		BOP, KVT, UOP4	21A		W04A, W04B
01		B03A, B03B, B06A, B06B, B17A, B17B, B17C	01		B03A, B03B, B06A, B06B, B17A, B17B, B17C	21B		X06A, X06B, X06C
08		I12A, I12B, I12C, I23A, I23B	08		I59Z	5t079.4↔		BOP, KVT, UOP4
21A		W04A, W04B	5t077.r↔		BOP, KVT, UOP4	01		B03A, B03B, B06A, B06B, B17A, B17B, B17C
21B		X06A, X06B, X06C	01		B03A, B03B, B06A, B06B, B17A, B17B, B17C	08		I12A, I12B, I12C, I23A, I23B
5t077.7↔		BOP, KVT, UOP4	08		I12A, I12B, I12C, I23A, I23B	21A		W04A, W04B
01		B03A, B03B, B06A, B06B, B17A, B17B, B17C	21A		W04A, W04B	21B		X06A, X06B, X06C
08		I12A, I12B, I12C, I23A, I23B	21B		X04Z, X06A, X06B, X06C			
21A		W04A, W04B						
21B		X06A, X06B, X06C						

ZZV	MDC	DRG	ZZV	MDC	DRG	ZZV	MDC	DRG
5t079.5↔		BOP, KVT, UOP4	5t079.n↔		BOP, KVT, UOP4	5t07a.7↔		BOP, KVT, UOP4
	01	B03A, B03B, B06A, B06B, B17A, B17B, B17C		01	B03A, B03B, B06A, B06B, B17A, B17B, B17C		01	B03A, B03B, B06A, B06B, B17A, B17B, B17C
	08	I12A, I12B, I12C, I23A, I23B		08	I12A, I12B, I12C, I23A, I23B		08	I12A, I12B, I12C, I23A, I23B
	21A	W04A, W04B		21A	W04A, W04B		21A	W04A, W04B
	21B	X06A, X06B, X06C		21B	X04Z, X06A, X06B, X06C		21B	X06A, X06B, X06C
5t079.6↔		BOP, KVT, UOP4	5t079.p↔		BOP, KVT, UOP4	5t07a.8↔		BOP, KVT, UOP4
	01	B03A, B03B, B06A, B06B, B17A, B17B, B17C		08	I59Z		01	B03A, B03B, B06A, B06B, B17A, B17B, B17C
	08	I12A, I12B, I12C, I23A, I23B	5t079.q↔		BOP, KVT, UOP4		08	I12A, I12B, I12C, I23A, I23B
	21A	W04A, W04B		08	I59Z		21A	W04A, W04B
	21B	X06A, X06B, X06C	5t079.r↔		BOP, KVT, UOP4		21B	X06A, X06B, X06C
5t079.7↔		BOP, KVT, UOP4		08	I59Z	5t07a.9↔		BOP, KVT, UOP4
	01	B03A, B03B, B06A, B06B, B17A, B17B, B17C	5t079.s↔		BOP, KVT, UOP4		01	B03A, B03B, B06A, B06B, B17A, B17B, B17C
	08	I12A, I12B, I12C, I23A, I23B		08	I20A, I20B, I20C, I20D, I20E, I20F		08	I12A, I12B, I12C, I23A, I23B
	21A	W04A, W04B	5t079.t↔		BOP, KVT, UOP4		21A	W04A, W04B
	21B	X06A, X06B, X06C		08	I20A, I20B, I20C, I20D, I20E, I20F		21B	X06A, X06B, X06C
5t079.8↔		BOP, KVT, UOP4	5t079.x		BOP, KVT, UOP4	5t07a.b↔		BOP, KVT, UOP4
	01	B03A, B03B, B06A, B06B, B17A, B17B, B17C		01	B03A, B03B, B06A, B06B, B17A, B17B, B17C		01	B03A, B03B, B06A, B06B, B17A, B17B, B17C
	08	I12A, I12B, I12C, I23A, I23B		08	I12A, I12B, I12C, I23A, I23B		08	I12A, I12B, I12C, I23A, I23B
	21A	W04A, W04B		21A	W04A, W04B		21A	W04A, W04B
	21B	X06A, X06B, X06C		21B	X06A, X06B, X06C		21B	X05A, X05B, X06A, X06B, X06C
5t079.9↔		BOP, KVT, UOP4	5t07a.0↔		BOP, KVT, UOP4	5t07a.c↔		BOP, KVT, UOP4
	01	B03A, B03B, B06A, B06B, B17A, B17B, B17C		01	B03A, B03B, B06A, B06B, B17A, B17B, B17C		01	B03A, B03B, B06A, B06B, B17A, B17B, B17C
	08	I12A, I12B, I12C, I23A, I23B		04	E02A, E02B, E02C		08	I12A, I12B, I12C, I23A, I23B
	21A	W04A, W04B		08	I12A, I12B, I12C, I23A, I23B		21A	W04A, W04B
	21B	X06A, X06B, X06C		21A	W04A, W04B		21B	X05A, X05B, X06A, X06B, X06C
5t079.d		BOP, KVT, UOP4		21B	X06A, X06B, X06C	5t07a.e↔		BOP, KVT, UOP4
	08	I08A, I08B, I08C, I08D, I08E, I08F	5t07a.1↔		BOP, KVT, UOP4		01	B03A, B03B, B06A, B06B, B17A, B17B, B17C
5t079.e↔		BOP, KVT, UOP4		01	B03A, B03B, B06A, B06B, B17A, B17B, B17C		08	I12A, I12B, I12C, I21Z
	08	I08A, I08B, I08C, I08D, I08E, I08F		08	I12A, I12B, I12C, I23A, I23B		21A	W04A, W04B
5t079.f↔		BOP, KVT, UOP4		21A	W04A, W04B		21B	X04Z, X06A, X06B, X06C
	01	B03A, B03B, B06A, B06B, B17A, B17B, B17C	5t07a.2↔		BOP, KVT, UOP4	5t07a.f↔		BOP, KVT, UOP4
	08	I12A, I12B, I12C, I21Z		01	B03A, B03B, B06A, B06B, B17A, B17B, B17C		01	B03A, B03B, B06A, B06B, B17A, B17B, B17C
	21A	W04A, W04B		08	I12A, I12B, I12C, I23A, I23B		08	I12A, I12B, I12C, I21Z
	21B	X04Z, X06A, X06B, X06C		21A	W04A, W04B		21A	W04A, W04B
5t079.g↔		BOP, KVT, UOP4		21B	X06A, X06B, X06C		21B	X04Z, X06A, X06B, X06C
	01	B03A, B03B, B06A, B06B, B17A, B17B, B17C	5t07a.3↔		BOP, KVT, UOP4	5t07a.g↔		BOP, KVT, UOP4
	08	I12A, I12B, I12C, I21Z		01	B03A, B03B, B06A, B06B, B17A, B17B, B17C		01	B03A, B03B, B06A, B06B, B17A, B17B, B17C
	21A	W04A, W04B		08	I12A, I12B, I12C, I23A, I23B		08	I12A, I12B, I12C, I21Z
	21B	X04Z, X06A, X06B, X06C		21A	W04A, W04B		21A	W04A, W04B
5t079.h↔		BOP, KVT, UOP4		21B	X06A, X06B, X06C		21B	X04Z, X06A, X06B, X06C
	01	B03A, B03B, B06A, B06B, B17A, B17B, B17C	5t07a.4↔		BOP, KVT, UOP4	5t07a.h↔		BOP, KVT, UOP4
	08	I12A, I12B, I12C, I21Z		01	B03A, B03B, B06A, B06B, B17A, B17B, B17C		01	B03A, B03B, B06A, B06B, B17A, B17B, B17C
	21A	W04A, W04B		08	I12A, I12B, I12C, I23A, I23B		08	I12A, I12B, I12C, I21Z
	21B	X04Z, X06A, X06B, X06C		21A	W04A, W04B		21A	W04A, W04B
5t079.k↔		BOP, KVT, UOP4		21B	X06A, X06B, X06C		21B	X04Z, X06A, X06B, X06C
	01	B03A, B03B, B06A, B06B, B17A, B17B, B17C	5t07a.5↔		BOP, KVT, UOP4	5t07a.j↔		BOP, KVT, UOP4
	08	I12A, I12B, I12C, I23A, I23B		01	B03A, B03B, B06A, B06B, B17A, B17B, B17C		01	B03A, B03B, B06A, B06B, B17A, B17B, B17C
	21A	W04A, W04B		08	I12A, I12B, I12C, I23A, I23B		08	I12A, I12B, I12C, I23A, I23B
	21B	X04Z, X06A, X06B, X06C		21A	W04A, W04B		21A	W04A, W04B
5t079.m↔		BOP, KVT, UOP4		21B	X06A, X06B, X06C		21B	X04Z, X06A, X06B, X06C
	01	B03A, B03B, B06A, B06B, B17A, B17B, B17C	5t07a.6↔		BOP, KVT, UOP4	5t07a.k↔		BOP, KVT, UOP4
	08	I12A, I12B, I12C, I23A, I23B		01	B03A, B03B, B06A, B06B, B17A, B17B, B17C		01	B03A, B03B, B06A, B06B, B17A, B17B, B17C
	21A	W04A, W04B		08	I12A, I12B, I12C, I23A, I23B		08	I12A, I12B, I12C, I23A, I23B
	21B	X04Z, X06A, X06B, X06C		21A	W04A, W04B		21A	W04A, W04B
				21B	X06A, X06B, X06C		21B	X04Z, X06A, X06B, X06C













ZZV	MDC	DRG	ZZV	MDC	DRG	ZZV	MDC	DRG
5t07x.p↔		BOP, KVT, UOP4	5t080.1↔	05	BOP, KVT, UOP4, VIAL F27A, F27B, F27C	5t080.x↔	05	BOP, KVT, UOP4, VIAL F27A, F27B, F27C
	01	B03A, B03B, B06A, B06B, B17A, B17B, B17C		08	I20A, I20B, I20C, I20D, I20E, I20F		08	I20A, I20B, I20C, I20D, I20E, I20F
	08	I23A, I23B		10	K01Z		10	K09A, K09B
	21A	W04A, W04B		21A	W04A, W04B		21A	W04A, W04B
	21B	X04Z, X06A, X06B, X06C		21B	X04Z		21B	X04Z
5t07x.q↔		BOP, KVT, UOP4	5t080.2↔		BOP, KVT, UOP4, VIAL	5t081.0↔		BOP, KVT, UOP4, VIAL
	01	B03A, B03B, B06A, B06B, B17A, B17B, B17C		05	F27A, F27B, F27C		08	I20A, I20B, I20C, I20D, I20E, I20F
	08	I23A, I23B		08	I20A, I20B, I20C, I20D, I20E, I20F		10	K01Z
	21A	W04A, W04B		10	K01Z		21A	W04A, W04B
	21B	X04Z, X06A, X06B, X06C		21B	X04Z		21B	X04Z
5t07x.r↔		BOP, KVT, UOP4	5t080.3↔		BOP, KVT, UOP4, VIAL	5t081.1↔		BOP, KVT, UOP4, VIAL
	01	B03A, B03B, B06A, B06B, B17A, B17B, B17C		05	F27A, F27B, F27C		08	I20A, I20B, I20C, I20D, I20E, I20F
	08	I23A, I23B		08	I20A, I20B, I20C, I20D		10	K01Z
	21A	W04A, W04B		10	K01Z		21A	W04A, W04B
	21B	X04Z, X06A, X06B, X06C		21B	X04Z		21B	X04Z
5t07x.s↔		BOP, KVT, UOP4	5t080.4↔		BOP, KVT, UOP4, VIAL	5t081.2↔		BOP, KVT, UOP4, VIAL
	01	B03A, B03B, B06A, B06B, B17A, B17B, B17C		05	F27A, F27B, F27C		08	I20A, I20B, I20C, I20D, I20E, I20F
	08	I23A, I23B		08	I20A, I20B, I20C, I20D		10	K01Z
	21A	W04A, W04B		10	K01Z		21A	W04A, W04B
	21B	X04Z, X06A, X06B, X06C		21B	X04Z		21B	X04Z
5t07x.t↔		BOP, KVT, UOP4	5t080.a↔		BOP, KVT, UOP4, VIAL	5t081.3↔		BOP, KVT, UOP4, VIAL
	01	B03A, B03B, B06A, B06B, B17A, B17B, B17C		05	F27A, F27B, F27C		08	I20A, I20B, I20C, I20D, I20E, I20F
	08	I23A, I23B		08	I20A, I20B, I20C, I20D		10	K01Z
	21A	W04A, W04B		10	K01Z		21A	W04A, W04B
	21B	X04Z, X06A, X06B, X06C		21B	X04Z		21B	X04Z
5t07x.u↔		BOP, KVT, UOP4	5t080.b↔		BOP, KVT, UOP4, VIAL	5t081.4↔		BOP, KVT, UOP4, VIAL
	01	B03A, B03B, B06A, B06B, B17A, B17B, B17C		05	F27A, F27B, F27C		08	I20A, I20B, I20C, I20D, I20E, I20F
	08	I23A, I23B		08	I20A, I20B, I20C, I20D, I20E, I20F		10	K09A, K09B
	21A	W04A, W04B		10	K09A, K09B		21A	W04A, W04B
	21B	X04Z, X06A, X06B, X06C		21B	X04Z		21B	X04Z
5t07x.v↔		BOP, KVT, UOP4	5t080.c↔		BOP, KVT, UOP4, VIAL	5t082.01		BOP, KVT, UOP4, VIAL
	01	B03A, B03B, B06A, B06B, B17A, B17B, B17C		05	F27A, F27B, F27C		05	F27A, F27B, F27C
	08	I23A, I23B		08	I20A, I20B, I20C, I20D, I20E, I20F		08	I20A, I20B, I20C, I20D, I20E, I20F
	21A	W04A, W04B		10	K09A, K09B		10	K01Z
	21B	X04Z, X06A, X06B, X06C		21B	X04Z		21A	W04A, W04B
5t07x.w↔		BOP, KVT, UOP4	5t080.d↔		BOP, KVT, UOP4, VIAL	5t082.02↔		BOP, KVT, UOP4, VIAL
	01	B03A, B03B, B06A, B06B, B17A, B17B, B17C		05	F27A, F27B, F27C		05	F27A, F27B, F27C
	08	I23A, I23B		08	I20A, I20B, I20C, I20D, I20E, I20F		08	I20A, I20B, I20C, I20D, I20E, I20F
	21A	W04A, W04B		10	K09A, K09B		10	K01Z
	21B	X04Z, X06A, X06B, X06C		21B	X04Z		21A	W04A, W04B
5t07x.x		BOP, KVT, UOP4	5t080.e↔		BOP, KVT, UOP4, VIAL	5t082.1↔		BOP, KVT, UOP4, VIAL
	01	B03A, B03B, B06A, B06B, B17A, B17B, B17C		05	F27A, F27B, F27C		05	F27A, F27B, F27C
	08	I23A, I23B		08	I20A, I20B, I20C, I20D, I20E, I20F		08	I20A, I20B, I20C, I20D, I20E, I20F
	21A	W04A, W04B		10	K09A, K09B		10	K01Z
	21B	X06A, X06B, X06C		21A	W04A, W04B		21A	W04A, W04B
5t07x.z↔		BOP, KVT, UOP4	5t080.f↔		BOP, KVT, UOP4, VIAL	5t082.2↔		BOP, KVT, UOP4, VIAL
	01	B03A, B03B, B06A, B06B, B17A, B17B, B17C		05	F27A, F27B, F27C		05	F27A, F27B, F27C
	04	E02A, E02B, E02C		08	I20A, I20B, I20C, I20D, I20E, I20F		08	I20A, I20B, I20C, I20D, I20E, I20F
	08	I23A, I23B		10	K09A, K09B		10	K01Z
	21A	W04A, W04B		21A	W04A, W04B		21A	W04A, W04B
5t080.0↔		BOP, KVT, UOP4, VIAL	5t080.g↔		BOP, KVT, UOP4, VIAL	5t082.3↔		BOP, KVT, UOP4, VIAL
	05	F27A, F27B, F27C		05	F27A, F27B, F27C		05	F27A, F27B, F27C
	08	I20A, I20B, I20C, I20D, I20E, I20F		08	I20A, I20B, I20C, I20D, I20E, I20F		08	I20A, I20B, I20C, I20D, I20E, I20F
	10	K01Z		10	K09A, K09B		10	K01Z
	21A	W04A, W04B		21A	W04A, W04B		21A	W04A, W04B
21B	X04Z	21B	X04Z	21B	X04Z			

VYK

ZZV	MDC	DRG	ZZV	MDC	DRG	ZZV	MDC	DRG
5t082.b↔		BOP, KVT, UOP4, VIAL	5t083.a↔	05	BOP, KVT, UOP4, VIAL	5t090.7↔		BOP, KVT, UOP4
	08	I20A, I20B, I20C, I20D, I20E, I20F		08	F27A, F27B, F27C		08	I21Z, I31Z
	21A	W04A, W04B		08	I20A, I20B, I20C, I20D, I20E, I20F		21A	W04A, W04B
5t082.c↔	21B	X04Z	5t083.b↔	10	K09A, K09B	5t090.8↔	21B	X06A, X06B, X06C
	08	BOP, KVT, UOP4, VIAL		21A	W04A, W04B		08	BOP, KVT, UOP4
	08	I20A, I20B, I20C, I20D, I20E, I20F		21B	X04Z		08	I21Z, I31Z
5t082.d↔	21A	W04A, W04B	5t083.c↔	05	BOP, KVT, UOP4, VIAL	5t090.9↔	21A	W04A, W04B
	21B	X04Z		08	F27A, F27B, F27C		21B	X06A, X06B, X06C
	08	BOP, KVT, UOP4, VIAL		08	I20A, I20B, I20C, I20D, I20E, I20F		08	BOP, KVT, UOP4
5t082.e↔	08	I20A, I20B, I20C, I20D, I20E, I20F	5t083.d↔	10	K09A, K09B	5t090.a↔	08	I21Z, I31Z
	21A	W04A, W04B		21A	W04A, W04B		21A	W04A, W04B
	21B	X04Z		21B	X04Z		21B	X06A, X06B, X06C
5t082.f↔	08	BOP, KVT, UOP4, VIAL	5t083.e↔	05	BOP, KVT, UOP4, VIAL	5t090.b↔	08	BOP, KVT, UOP4
	08	I20A, I20B, I20C, I20D, I20E, I20F		08	F27A, F27B, F27C		08	I32A, I32B, I32C, I32D, I32E, I32F
	21A	W04A, W04B		08	I20A, I20B, I20C, I20D, I20E, I20F		21A	W04A, W04B
5t082.x↔	21B	X04Z	5t083.e↔	10	K09A, K09B	5t090.c↔	21B	X05A, X05B
	08	BOP, KVT, UOP4, VIAL		21A	W04A, W04B		08	BOP, KVT, UOP4
	08	I20A, I20B, I20C, I20D, I20E, I20F		21B	X04Z		08	I32A, I32B, I32C, I32D, I32E, I32F
5t083.0↔	21A	W04A, W04B	5t083.e↔	05	BOP, KVT, UOP4, VIAL	5t090.d	21A	W04A, W04B
	21B	X04Z		08	F27A, F27B, F27C		21B	X05A, X05B
	05	F27A, F27B, F27C		08	I20A, I20B, I20C, I20D, I20E, I20F		08	BOP, KVT, UOP4
5t083.1↔	08	I20A, I20B, I20C, I20D, I20E, I20F	5t08x↔	10	K09A, K09B	5t090.e↔	01	B03A, B03B, B06A, B06B, B17A, B17B, B17C
	21A	W04A, W04B		21A	W04A, W04B		08	I08A, I08B, I08C, I08D, I08E, I08F
	21B	X04Z		21B	X04Z		21A	W01A, W01B, W01C, W02A, W02B
5t083.2↔	05	F27A, F27B, F27C	5t090.0↔	04	E02A, E02B, E02C	5t090.f↔	21B	X04Z
	08	I20A, I20B, I20C, I20D, I20E, I20F		08	I28A, I28B		01	B03A, B03B, B06A, B06B, B17A, B17B, B17C
	10	K01Z		21A	W04A, W04B		08	I08A, I08B, I08C, I08D, I08E, I08F
5t083.3↔	21A	W04A, W04B	5t090.1↔	21B	X06A, X06B, X06C	5t090.g↔	21A	W01A, W01B, W01C, W02A, W02B
	21B	X04Z		08	BOP, KVT, UOP4		21B	X04Z
	05	F27A, F27B, F27C		08	I13A, I13B, I13C, I13D, I13E		01	B03A, B03B, B06A, B06B, B17A, B17B, B17C
5t083.4↔	08	I20A, I20B, I20C, I20D	5t090.2↔	21A	W04A, W04B	5t090.h↔	08	I08A, I08B, I08C, I08D, I08E, I08F
	10	K01Z		21B	X06A, X06B, X06C		21A	W01A, W01B, W01C, W02A, W02B
	21A	W04A, W04B		08	BOP, KVT, UOP4		21B	X04Z
5t083.3↔	21B	X04Z	5t090.3↔	08	I13A, I13B, I13C, I13D, I13E	5t090.i↔	01	B03A, B03B, B06A, B06B, B17A, B17B, B17C
	05	F27A, F27B, F27C		21A	W04A, W04B		08	I08A, I08B, I08C, I08D, I08E, I08F
	08	I20A, I20B, I20C, I20D		21B	X06A, X06B, X06C		21A	W01A, W01B, W01C, W02A, W02B
5t083.4↔	10	K01Z	5t090.4↔	08	BOP, KVT, UOP4	5t090.j↔	21B	X04Z
	21A	W04A, W04B		08	I21Z, I31Z		01	B03A, B03B, B06A, B06B, B17A, B17B, B17C
	21B	X04Z		21A	W04A, W04B		08	I08A, I08B, I08C, I08D, I08E, I08F
5t083.3↔	05	F27A, F27B, F27C	5t090.5↔	08	I21Z, I31Z	5t090.k↔	21A	W01A, W01B, W01C, W02A, W02B
	08	I20A, I20B, I20C, I20D		21A	W04A, W04B		21B	X04Z
	10	K01Z		21B	X06A, X06B, X06C		01	B03A, B03B, B06A, B06B, B17A, B17B, B17C
5t083.4↔	21A	W04A, W04B	5t090.6↔	08	BOP, KVT, UOP4	5t090.l↔	08	I18A, I18B, I30Z
	21B	X04Z		08	I21Z, I31Z		21A	W04A, W04B
	05	F27A, F27B, F27C		21A	W04A, W04B		21B	X06A, X06B, X06C

VYK

ZZV	MDC	DRG	ZZV	MDC	DRG	ZZV	MDC	DRG
5t090.k↔		BOP, KVT, UOP4	5t091.0↔		BOP, KVT, UOP4	5t091.h↔		BOP, KVT, UOP4, VIAL
	08	I13A, I13B, I13C, I13D, I13E		08	I12A, I12B, I12C, I28A, I28B		01	B03A, B03B, B06A, B06B, B17A, B17B, B17C
	21A	W04A, W04B		21A	W04A, W04B		08	I08A, I08B, I08C, I08D, I08E, I08F, I12A, I12B, I12C
	21B	X04Z		21B	X06A, X06B, X06C		21A	W04A, W04B
5t090.m↔		BOP, KVT, UOP4	5t091.1↔		BOP, KVT, UOP4, VIAL		21B	X04Z
	08	I13A, I13B, I13C, I13D, I13E		08	I08A, I08B, I08C, I08D, I08E, I08F, I12A, I12B, I12C, I13A, I13B, I13C, I13D, I13E	5t091.k↔		BOP, KVT, UOP4, VIAL
	21A	W04A, W04B		21A	W04A, W04B		08	I12A, I12B, I12C, I13A, I13B, I13C, I13D, I13E
	21B	X04Z		21B	X06A, X06B, X06C		21A	W04A, W04B
5t090.n↔		BOP, KVT, UOP4	5t091.3↔		BOP, KVT, UOP4, VIAL		21B	X04Z
	08	I13A, I13B, I13C, I13D, I13E		08	I08A, I08B, I08C, I08D, I08E, I08F, I12A, I12B, I12C, I13A, I13B, I13C, I13D, I13E	5t091.n↔		BOP, KVT, UOP4, VIAL
	21A	W04A, W04B		21A	W04A, W04B		08	I12A, I12B, I12C, I13A, I13B, I13C, I13D, I13E
	21B	X04Z		21B	X06A, X06B, X06C		21A	W04A, W04B
5t090.p↔		BOP, KVT, UOP4	5t091.4↔		BOP, KVT, UOP4, VIAL		21B	X04Z
	08	I13A, I13B, I13C, I13D, I13E		08	I08A, I08B, I08C, I08D, I08E, I08F, I12A, I12B, I12C, I21Z, I31Z	5t091.p↔		BOP, KVT, UOP4, VIAL
	21A	W04A, W04B		21A	W04A, W04B		08	I12A, I12B, I12C, I13A, I13B, I13C, I13D, I13E
	21B	X04Z		21B	X06A, X06B, X06C		21A	W04A, W04B
5t090.q↔		BOP, KVT, UOP4	5t091.6↔		BOP, KVT, UOP4, VIAL		21B	X04Z
	08	I13A, I13B, I13C, I13D, I13E		08	I08A, I08B, I08C, I08D, I08E, I08F, I12A, I12B, I12C, I21Z, I31Z	5t091.r↔		BOP, KVT, UOP4, VIAL
	21A	W04A, W04B		21A	W04A, W04B		08	I12A, I12B, I12C, I13A, I13B, I13C, I13D, I13E
	21B	X04Z		21B	X06A, X06B, X06C		21A	W04A, W04B
5t090.r↔		BOP, KVT, UOP4	5t091.7↔		BOP, KVT, UOP4, VIAL		21B	X04Z
	08	I13A, I13B, I13C, I13D, I13E		08	I08A, I08B, I08C, I08D, I08E, I08F, I12A, I12B, I12C, I21Z, I31Z	5t091.s↔		BOP, KVT, UOP4, VIAL
	21A	W04A, W04B		21A	W04A, W04B		08	I12A, I12B, I12C, I20A, I20B, I20C, I20D, I20E, I20F
	21B	X04Z		21B	X06A, X06B, X06C		21A	W04A, W04B
5t090.s↔		BOP, KVT, UOP4	5t091.9↔		BOP, KVT, UOP4, VIAL		21B	X04Z
	05	F27A, F27B, F27C		08	I08A, I08B, I08C, I08D, I08E, I08F, I12A, I12B, I12C, I21Z, I31Z	5t091.t↔		BOP, KVT, UOP4, VIAL
	08	I20A, I20B, I20C, I20D, I20E, I20F		21A	W04A, W04B		08	I12A, I12B, I12C, I20A, I20B, I20C, I20D, I20E, I20F
	10	K01Z		21B	X06A, X06B, X06C		21A	W04A, W04B
	21A	W04A, W04B		21B	X05A, X05B		21B	X04Z
	21B	X04Z		5t091.c↔	BOP, KVT, UOP4, VIAL	5t091.v↔		BOP, KVT, UOP4, VIAL
5t090.t↔		BOP, KVT, UOP4		08	I12A, I12B, I12C, I32A, I32B, I32C, I32D, I32E, I32F		08	I12A, I12B, I12C, I20A, I20B, I20C, I20D, I20E, I20F
	05	F27A, F27B, F27C		21A	W04A, W04B		21A	W04A, W04B
	08	I20A, I20B, I20C, I20D, I20E, I20F		21B	X06A, X06B, X06C		21B	X04Z
	10	K01Z		5t091.b↔	BOP, KVT, UOP4, VIAL		08	I12A, I12B, I12C, I28A, I28B
	21A	W04A, W04B		08	I12A, I12B, I12C, I32A, I32B, I32C, I32D, I32E, I32F		21A	W04A, W04B
	21B	X04Z		21A	W04A, W04B		21B	X04Z
5t090.u↔		BOP, KVT, UOP4		21B	X06A, X06B, X06C	5t091.w↔		BOP, KVT, UOP4, VIAL
	05	F27A, F27B, F27C		5t091.d	BOP, KVT, UOP4, VIAL		08	I12A, I12B, I12C, I20A, I20B, I20C, I20D, I20E, I20F
	08	I20A, I20B, I20C, I20D, I20E, I20F		08	I08A, I08B, I08C, I08D, I08E, I08F, I12A, I12B, I12C		21A	W04A, W04B
	10	K01Z		21A	W04A, W04B		21B	X04Z
	21A	W04A, W04B		21B	X05A, X05B	5t091.x		BOP, KVT, UOP4
	21B	X04Z		5t091.e↔	BOP, KVT, UOP4, VIAL		08	I12A, I12B, I12C, I28A, I28B
5t090.v↔		BOP, KVT, UOP4		01	B03A, B03B, B06A, B06B, B17A, B17B, B17C		21A	W04A, W04B
	05	F27A, F27B, F27C		08	I08A, I08B, I08C, I08D, I08E, I08F, I12A, I12B, I12C		21B	X06A, X06B, X06C
	08	I20A, I20B, I20C, I20D, I20E, I20F		21A	W04A, W04B		21B	X04Z
	10	K01Z		21B	X06A, X06B, X06C	5t091.z↔		BOP, KVT, UOP4
	21A	W04A, W04B		5t091.f↔	BOP, KVT, UOP4, VIAL		08	I12A, I12B, I12C, I28A, I28B
	21B	X04Z		01	B03A, B03B, B06A, B06B, B17A, B17B, B17C		21A	W04A, W04B
5t090.w↔		BOP, KVT, UOP4		08	I08A, I08B, I08C, I08D, I08E, I08F, I12A, I12B, I12C		21B	X06A, X06B, X06C
	08	I20A, I20B, I20C, I20D, I20E, I20F		21A	W04A, W04B	5t092.0↔		BOP, KVT, UOP4, VIAL
	21A	W04A, W04B		21B	X04Z		08	I28A, I28B
	21B	X04Z		21B	X06A, X06B, X06C		21A	W04A, W04B
5t090.x		BOP, KVT, UOP4		5t091.g↔	BOP, KVT, UOP4, VIAL		21B	X06A, X06B, X06C
	01	B03A, B03B, B06A, B06B, B17A, B17B, B17C		01	B03A, B03B, B06A, B06B, B17A, B17B, B17C	5t092.1↔		BOP, KVT, UOP4, VIAL
	08	I28A, I28B		08	I08A, I08B, I08C, I08D, I08E, I08F, I12A, I12B, I12C		08	I08A, I08B, I08C, I08D, I08E, I08F, I13A, I13B, I13C, I13D, I13E
	21A	W04A, W04B		21A	W04A, W04B		21A	W04A, W04B
	21B	X06A, X06B, X06C		21B	X04Z		21B	X06A, X06B, X06C
5t090.z↔		BOP, KVT, UOP4		21A	W04A, W04B			
	04	E02A, E02B, E02C		21B	X04Z			
	08	I28A, I28B						
	21A	W04A, W04B						
	21B	X06A, X06B, X06C						

ZZV	MDC	DRG	ZZV	MDC	DRG	ZZV	MDC	DRG
5t092.3↔		BOP, KVT, UOP4, VIAL	5t092.p↔		BOP, KVT, UOP4, VIAL	5t093.7↔		BOP, KVT, UOP4, VIAL
	08	I08A, I08B, I08C, I08D, I08E, I08F, I13A, I13B, I13C, I13D, I13E		08	I13A, I13B, I13C, I13D, I13E		08	I08A, I08B, I08C, I08D, I08E, I08F, I21Z, I31Z
	21A	W04A, W04B		21A	W04A, W04B		21A	W04A, W04B
	21B	X06A, X06B, X06C	5t092.r↔		BOP, KVT, UOP4, VIAL		21B	X06A, X06B, X06C
5t092.4↔		BOP, KVT, UOP4, VIAL		08	I13A, I13B, I13C, I13D, I13E	5t093.9↔		BOP, KVT, UOP4, VIAL
	08	I08A, I08B, I08C, I08D, I08E, I08F, I21Z, I31Z		21A	W04A, W04B		08	I08A, I08B, I08C, I08D, I08E, I08F, I21Z, I31Z
	21A	W04A, W04B		21B	X04Z		21A	W04A, W04B
	21B	X06A, X06B, X06C	5t092.s↔		BOP, KVT, UOP4, VIAL		21B	X06A, X06B, X06C
5t092.6↔		BOP, KVT, UOP4, VIAL		08	I20A, I20B, I20C, I20D, I20E, I20F	5t093.b↔		BOP, KVT, UOP4, VIAL
	08	I08A, I08B, I08C, I08D, I08E, I08F, I21Z, I31Z		21A	W04A, W04B		08	I32A, I32B, I32C, I32D, I32E, I32F
	21A	W04A, W04B		21B	X04Z		21A	W04A, W04B
	21B	X06A, X06B, X06C	5t092.t↔		BOP, KVT, UOP4, VIAL		21B	X05A, X05B
5t092.7↔		BOP, KVT, UOP4, VIAL		08	I20A, I20B, I20C, I20D, I20E, I20F	5t093.c↔		BOP, KVT, UOP4, VIAL
	08	I08A, I08B, I08C, I08D, I08E, I08F, I21Z, I31Z		21A	W04A, W04B		08	I32A, I32B, I32C, I32D, I32E, I32F
	21A	W04A, W04B		21B	X04Z		21A	W04A, W04B
	21B	X06A, X06B, X06C	5t092.u↔		BOP, KVT, UOP4, VIAL		21B	X05A, X05B
5t092.9↔		BOP, KVT, UOP4, VIAL		08	I20A, I20B, I20C, I20D, I20E, I20F	5t093.d		BOP, KVT, UOP4, VIAL
	08	I08A, I08B, I08C, I08D, I08E, I08F, I21Z, I31Z		21A	W04A, W04B		08	I08A, I08B, I08C, I08D, I08E, I08F
	21A	W04A, W04B		21B	X04Z		21A	W04A, W04B
	21B	X06A, X06B, X06C	5t092.v↔		BOP, KVT, UOP4, VIAL		21B	X06A, X06B, X06C
5t092.b↔		BOP, KVT, UOP4, VIAL		08	I20A, I20B, I20C, I20D, I20E, I20F	5t093.e↔		BOP, KVT, UOP4, VIAL
	08	I32A, I32B, I32C, I32D, I32E, I32F		21A	W04A, W04B		01	B03A, B03B, B06A, B06B, B17A, B17B, B17C
	21A	W04A, W04B		21B	X04Z		08	I08A, I08B, I08C, I08D, I08E, I08F
	21B	X05A, X05B	5t092.w↔		BOP, KVT, UOP4, VIAL		21A	W01A, W01B, W01C, W02A, W02B
5t092.c↔		BOP, KVT, UOP4, VIAL		08	I20A, I20B, I20C, I20D, I20E, I20F		21B	X04Z
	08	I32A, I32B, I32C, I32D, I32E, I32F		21A	W04A, W04B	5t093.f↔		BOP, KVT, UOP4, VIAL
	21A	W04A, W04B		21B	X04Z		01	B03A, B03B, B06A, B06B, B17A, B17B, B17C
	21B	X05A, X05B	5t092.x		BOP, KVT, UOP4		08	I08A, I08B, I08C, I08D, I08E, I08F
5t092.d		BOP, KVT, UOP4, VIAL		08	I28A, I28B		21A	W01A, W01B, W01C, W02A, W02B
	08	I08A, I08B, I08C, I08D, I08E, I08F		21A	W04A, W04B		21B	X04Z
	21A	W04A, W04B		21B	X06A, X06B, X06C	5t093.h↔		BOP, KVT, UOP4, VIAL
	21B	X06A, X06B, X06C	5t092.z↔		BOP, KVT, UOP4, VIAL		01	B03A, B03B, B06A, B06B, B17A, B17B, B17C
5t092.e↔		BOP, KVT, UOP4, VIAL		08	I28A, I28B		08	I08A, I08B, I08C, I08D, I08E, I08F
	01	B03A, B03B, B06A, B06B, B17A, B17B, B17C		21A	W04A, W04B		21A	W01A, W01B, W01C, W02A, W02B
	08	I08A, I08B, I08C, I08D, I08E, I08F		21B	X06A, X06B, X06C		21B	X04Z
	21A	W04A, W04B	5t093.0↔		BOP, KVT, UOP4, VIAL		01	B03A, B03B, B06A, B06B, B17A, B17B, B17C
	21B	X04Z		04	E02A, E02B, E02C		08	I08A, I08B, I08C, I08D, I08E, I08F
5t092.f↔		BOP, KVT, UOP4, VIAL		08	I28A, I28B		21A	W01A, W01B, W01C, W02A, W02B
	01	B03A, B03B, B06A, B06B, B17A, B17B, B17C		21A	W04A, W04B		21B	X04Z
	08	I08A, I08B, I08C, I08D, I08E, I08F		21B	X06A, X06B, X06C	5t093.k↔		BOP, KVT, UOP4, VIAL
	21A	W04A, W04B		21B	X06A, X06B, X06C		08	I13A, I13B, I13C, I13D, I13E
	21B	X04Z	5t093.1↔		BOP, KVT, UOP4, VIAL		21A	W04A, W04B
5t092.g↔		BOP, KVT, UOP4, VIAL		08	I08A, I08B, I08C, I08D, I08E, I08F, I13A, I13B, I13C, I13D, I13E		21A	W04A, W04B
	01	B03A, B03B, B06A, B06B, B17A, B17B, B17C		21A	W04A, W04B		21B	X04Z
	08	I08A, I08B, I08C, I08D, I08E, I08F		21B	X06A, X06B, X06C	5t093.n↔		BOP, KVT, UOP4, VIAL
	21A	W04A, W04B		21B	X06A, X06B, X06C		08	I13A, I13B, I13C, I13D, I13E
	21B	X04Z	5t093.3↔		BOP, KVT, UOP4, VIAL		21A	W04A, W04B
5t092.h↔		BOP, KVT, UOP4, VIAL		08	I08A, I08B, I08C, I08D, I08E, I08F, I13A, I13B, I13C, I13D, I13E		21B	X04Z
	01	B03A, B03B, B06A, B06B, B17A, B17B, B17C		21A	W04A, W04B	5t093.p↔		BOP, KVT, UOP4, VIAL
	08	I08A, I08B, I08C, I08D, I08E, I08F		21B	X06A, X06B, X06C		08	I13A, I13B, I13C, I13D, I13E
	21A	W04A, W04B		21B	X06A, X06B, X06C		21A	W04A, W04B
	21B	X04Z	5t093.4↔		BOP, KVT, UOP4, VIAL		21B	X04Z
5t092.i↔		BOP, KVT, UOP4, VIAL		08	I08A, I08B, I08C, I08D, I08E, I08F, I21Z, I31Z	5t093.r↔		BOP, KVT, UOP4, VIAL
	01	B03A, B03B, B06A, B06B, B17A, B17B, B17C		21A	W04A, W04B		08	I13A, I13B, I13C, I13D, I13E
	08	I08A, I08B, I08C, I08D, I08E, I08F		21B	X06A, X06B, X06C		21A	W04A, W04B
	21A	W04A, W04B		21B	X06A, X06B, X06C		21B	X04Z
	21B	X04Z	5t093.6↔		BOP, KVT, UOP4, VIAL		08	I13A, I13B, I13C, I13D, I13E
5t092.j↔		BOP, KVT, UOP4, VIAL		08	I08A, I08B, I08C, I08D, I08E, I08F, I21Z, I31Z		21A	W04A, W04B
	08	I13A, I13B, I13C, I13D, I13E		21A	W04A, W04B		21B	X04Z
	21A	W04A, W04B		21B	X06A, X06B, X06C			
	21B	X04Z		08	I08A, I08B, I08C, I08D, I08E, I08F, I21Z, I31Z			
5t092.k↔		BOP, KVT, UOP4, VIAL		21A	W04A, W04B			
	08	I13A, I13B, I13C, I13D, I13E		21B	X06A, X06B, X06C			
	21A	W04A, W04B						
	21B	X04Z						
5t092.l↔		BOP, KVT, UOP4, VIAL						
	08	I13A, I13B, I13C, I13D, I13E						
	21A	W04A, W04B						
	21B	X04Z						

VYK

ZZV	MDC	DRG	ZZV	MDC	DRG	ZZV	MDC	DRG
5t093.s↔		BOP, KVT, UOP4, VIAL	5t09x.5↔		BOP, UOP4	5t09x.h↔		BOP, UOP4
	05	F27A, F27B, F27C		08	I21Z, I31Z		01	B03A, B03B, B06A, B06B, B17A, B17B, B17C
	08	I20A, I20B, I20C, I20D, I20E, I20F		21A	W04A, W04B		08	I08A, I08B, I08C, I08D, I08E, I08F
	10	K01Z	5t09x.6↔		BOP, UOP4		21A	W01A, W01B, W01C, W02A, W02B
	21A	W04A, W04B		08	I18A, I18B, I30Z		21B	X04Z
	21B	X04Z		21A	W04A, W04B	5t09x.j↔		BOP, UOP4
5t093.t↔		BOP, KVT, UOP4, VIAL	5t09x.7↔		BOP, UOP4		01	B03A, B03B, B06A, B06B, B17A, B17B, B17C
	05	F27A, F27B, F27C		08	I18A, I18B, I30Z		08	I18A, I18B, I30Z
	08	I20A, I20B, I20C, I20D, I20E, I20F		21A	W04A, W04B		21A	W04A, W04B
	10	K01Z		21B	X06A, X06B, X06C		21B	X04Z
	21A	W04A, W04B	5t09x.8↔		BOP, UOP4	5t09x.k↔		BOP, UOP4
	21B	X04Z		08	I18A, I18B, I30Z		08	I13A, I13B, I13C, I13D, I13E
5t093.u↔		BOP, KVT, UOP4, VIAL		21A	W04A, W04B		21A	W04A, W04B
	05	F27A, F27B, F27C	5t09x.9↔		BOP, UOP4		21B	X04Z
	08	I20A, I20B, I20C, I20D, I20E, I20F		08	I18A, I18B, I30Z	5t09x.m↔		BOP, UOP4
	10	K01Z		21A	W04A, W04B		08	I13A, I13B, I13C, I13D, I13E
	21A	W04A, W04B		21B	X06A, X06B, X06C		21A	W04A, W04B
	21B	X04Z	5t09x.a↔		BOP, UOP4		21B	X04Z
5t093.v↔		BOP, KVT, UOP4, VIAL		08	I32A, I32B, I32C, I32D, I32E, I32F	5t09x.n↔		BOP, UOP4
	05	F27A, F27B, F27C		21A	W04A, W04B		08	I13A, I13B, I13C, I13D, I13E
	08	I20A, I20B, I20C, I20D, I20E, I20F		21B	X05A, X05B		21A	W04A, W04B
	10	K01Z	5t09x.b↔		BOP, UOP4		21B	X04Z
	21A	W04A, W04B		08	I32A, I32B, I32C, I32D, I32E, I32F	5t09x.p↔		BOP, UOP4
	21B	X04Z		21A	W04A, W04B		08	I13A, I13B, I13C, I13D, I13E
5t093.w↔		BOP, KVT, UOP4, VIAL		21B	X05A, X05B		21A	W04A, W04B
	08	I20A, I20B, I20C, I20D, I20E, I20F	5t09x.c↔		BOP, UOP4		21B	X04Z
	21A	W04A, W04B		08	I32A, I32B, I32C, I32D, I32E, I32F	5t09x.q↔		BOP, UOP4
	21B	X04Z		21A	W04A, W04B		08	I13A, I13B, I13C, I13D, I13E
5t093.x		BOP, KVT, UOP4		21B	X05A, X05B		21A	W04A, W04B
	08	I28A, I28B	5t09x.d		BOP, UOP4	5t09x.r↔		BOP, UOP4
	21A	W04A, W04B		01	B03A, B03B, B06A, B06B, B17A, B17B, B17C		08	I13A, I13B, I13C, I13D, I13E
	21B	X06A, X06B, X06C		08	I08A, I08B, I08C, I08D, I08E, I08F		21A	W04A, W04B
5t093.z↔		BOP, KVT, UOP4, VIAL		21A	W01A, W01B, W01C, W02A, W02B		21B	X04Z
	04	E02A, E02B, E02C		21B	X04Z	5t09x.s↔		BOP, UOP4
	08	I28A, I28B	5t09x.e↔		BOP, UOP4		05	F27A, F27B, F27C
	21A	W04A, W04B		01	B03A, B03B, B06A, B06B, B17A, B17B, B17C		08	I20A, I20B, I20C, I20D, I20E, I20F
	21B	X06A, X06B, X06C		08	I08A, I08B, I08C, I08D, I08E, I08F		10	K01Z
5t094‡↔		BOP, UOP4		21A	W01A, W01B, W01C, W02A, W02B		21A	W04A, W04B
5t095‡↔		BOP, UOP4		21B	X04Z		21B	X04Z
5t096↔		BOP, UOP4		01	B03A, B03B, B06A, B06B, B17A, B17B, B17C	5t09x.t↔		BOP, UOP4
	08	I28A, I28B		08	I08A, I08B, I08C, I08D, I08E, I08F		05	F27A, F27B, F27C
	21A	W04A, W04B		21A	W01A, W01B, W01C, W02A, W02B		08	I20A, I20B, I20C, I20D, I20E, I20F
	21B	X06A, X06B, X06C		21B	X04Z		10	K01Z
5t09x.0↔		BOP, UOP4		01	B03A, B03B, B06A, B06B, B17A, B17B, B17C		21A	W04A, W04B
	08	I16Z	5t09x.f↔		BOP, UOP4		21B	X04Z
	21A	W04A, W04B		01	B03A, B03B, B06A, B06B, B17A, B17B, B17C	5t09x.u↔		BOP, UOP4
	21B	X06A, X06B, X06C		08	I08A, I08B, I08C, I08D, I08E, I08F		05	F27A, F27B, F27C
5t09x.1↔		BOP, UOP4		21A	W01A, W01B, W01C, W02A, W02B		08	I20A, I20B, I20C, I20D, I20E, I20F
	08	I13A, I13B, I13C, I13D, I13E		21B	X04Z		10	K01Z
	21A	W04A, W04B		01	B03A, B03B, B06A, B06B, B17A, B17B, B17C		21A	W04A, W04B
	21B	X06A, X06B, X06C		08	I08A, I08B, I08C, I08D, I08E, I08F		21B	X04Z
5t09x.2↔		BOP, UOP4	5t09x.g↔		BOP, UOP4	5t09x.v↔		BOP, UOP4
	08	I13A, I13B, I13C, I13D, I13E		01	B03A, B03B, B06A, B06B, B17A, B17B, B17C		05	F27A, F27B, F27C
	21A	W04A, W04B		08	I08A, I08B, I08C, I08D, I08E, I08F		08	I20A, I20B, I20C, I20D, I20E, I20F
	21B	X06A, X06B, X06C		21A	W01A, W01B, W01C, W02A, W02B		10	K01Z
5t09x.3↔		BOP, UOP4		21B	X04Z		21A	W04A, W04B
	08	I13A, I13B, I13C, I13D, I13E		01	B03A, B03B, B06A, B06B, B17A, B17B, B17C		21B	X04Z
	21A	W04A, W04B		08	I08A, I08B, I08C, I08D, I08E, I08F			
	21B	X06A, X06B, X06C		21A	W01A, W01B, W01C, W02A, W02B			
5t09x.4↔		BOP, UOP4		21B	X04Z			
	08	I21Z, I31Z						
	21A	W04A, W04B						
	21B	X06A, X06B, X06C						

VYK



ZZV	MDC	DRG	ZZV	MDC	DRG	ZZV	MDC	DRG
5t09x.w↔		BOP, UOP4	5t101.m↔		BOP, KVT, UOP4, VIAL	5t104.g↔		BOP, KVT, UOP4, VIAL
	08	I20A, I20B, I20C, I20D, I20E, I20F		08	I13A, I13B, I13C, I13D		08	I08A, I08B, I08C, I08D, I08E, I08F
	21A	W04A, W04B		21A	W01A, W01B, W01C, W02A, W02B		10	K09A, K09B
	21B	X04Z		21B	X04Z		21A	W01A, W01B, W01C, W02A, W02B
5t09x.x		BOP, UOP4	5t101.q↔		BOP, KVT, UOP4, VIAL		21B	X04Z
	08	I28A, I28B		08	I13A, I13B, I13C, I13D	5t104.m↔		BOP, KVT, UOP4, VIAL
	21A	W04A, W04B		21A	W01A, W01B, W01C, W02A, W02B		08	I13A, I13B, I13C, I13D
	21B	X06A, X06B, X06C		21B	X04Z		21A	W01A, W01B, W01C, W02A, W02B
5t09x.z↔		BOP, UOP4	5t101.x		BOP, KVT, UOP4		21B	X04Z
	08	I16Z		08	I28A, I28B	5t104.q↔		BOP, KVT, UOP4, VIAL
	21A	W04A, W04B		21A	W04A, W04B		08	I13A, I13B, I13C, I13D
	21B	X06A, X06B, X06C		21B	X06A, X06B, X06C		21A	W01A, W01B, W01C, W02A, W02B
5t100.2↔		BOP, KVT, UOP4, VIAL	5t103.2↔		BOP, KVT, UOP4, VIAL		21B	X04Z
	08	I08A, I08B, I08C, I08D, I08E, I08F, I13A, I13B, I13C, I13D		08	I08A, I08B, I08C, I08D, I08E, I08F, I13A, I13B, I13C, I13D	5t104.x		BOP, KVT, UOP4
	21A	W04A, W04B		21A	W04A, W04B		08	I28A, I28B
	21B	X06A, X06B, X06C		21B	X06A, X06B, X06C		21A	W04A, W04B
5t100.5↔		BOP, KVT, UOP4, VIAL	5t103.5↔		BOP, KVT, UOP4, VIAL		21B	X06A, X06B, X06C
	08	I08A, I08B, I08C, I08D, I08E, I08F, I21Z, I31Z		08	I08A, I08B, I08C, I08D, I08E, I08F, I21Z, I31Z	5t105.2↔		BOP, KVT, UOP4, VIAL
	21A	W04A, W04B		21A	W04A, W04B		08	I08A, I08B, I08C, I08D, I08E, I08F, I13A, I13B, I13C, I13D
	21B	X06A, X06B, X06C		21B	X06A, X06B, X06C		08	BOP, KVT, UOP4, VIAL
5t100.8↔		BOP, KVT, UOP4, VIAL	5t103.8↔		BOP, KVT, UOP4, VIAL	5t105.g↔		BOP, KVT, UOP4, VIAL
	08	I08A, I08B, I08C, I08D, I08E, I08F, I21Z, I31Z		08	I08A, I08B, I08C, I08D, I08E, I08F, I21Z, I31Z		08	I08A, I08B, I08C, I08D, I08E, I08F
	21A	W04A, W04B		21A	W04A, W04B		10	K09A, K09B
	21B	X06A, X06B, X06C		21B	X06A, X06B, X06C		21A	W01A, W01B, W01C, W02A, W02B
5t100.g↔		BOP, KVT, UOP4, VIAL	5t103.g↔		BOP, KVT, UOP4, VIAL		21B	X04Z
	08	I08A, I08B, I08C, I08D, I08E, I08F		08	I08A, I08B, I08C, I08D, I08E, I08F	5t105.x		BOP, KVT, UOP4
	21A	W01A, W01B, W01C, W02A, W02B		10	K09A, K09B		08	I28A, I28B
	21B	X04Z		21A	W01A, W01B, W01C, W02A, W02B		21A	W04A, W04B
5t100.m↔		BOP, KVT, UOP4, VIAL	5t103.m↔		BOP, KVT, UOP4, VIAL		21B	X06A, X06B, X06C
	08	I13A, I13B, I13C, I13D		08	I13A, I13B, I13C, I13D	5t106.2↔		BOP, KVT, UOP4, VIAL
	21A	W04A, W04B		21A	W01A, W01B, W01C, W02A, W02B		08	I08A, I08B, I08C, I08D, I08E, I08F, I13A, I13B, I13C, I13D
	21B	X04Z		21B	X04Z		21A	W04A, W04B
5t100.q↔		BOP, KVT, UOP4, VIAL	5t103.q↔		BOP, KVT, UOP4, VIAL		21B	X06A, X06B, X06C
	08	I13A, I13B, I13C, I13D		08	I13A, I13B, I13C, I13D	5t106.5↔		BOP, KVT, UOP4, VIAL
	21A	W04A, W04B		21A	W01A, W01B, W01C, W02A, W02B		08	I08A, I08B, I08C, I08D, I08E, I08F, I21Z, I31Z
	21B	X04Z		21B	X04Z		21A	W04A, W04B
5t100.x		BOP, KVT, UOP4	5t103.x		BOP, KVT, UOP4		21B	X06A, X06B, X06C
	08	I28A, I28B		08	I28A, I28B	5t106.8↔		BOP, KVT, UOP4, VIAL
	21A	W04A, W04B		21A	W04A, W04B		08	I08A, I08B, I08C, I08D, I08E, I08F, I21Z, I31Z
	21B	X06A, X06B, X06C		21B	X06A, X06B, X06C		21A	W04A, W04B
5t101.2↔		BOP, KVT, UOP4, VIAL	5t104.2↔		BOP, KVT, UOP4, VIAL		21B	X06A, X06B, X06C
	08	I08A, I08B, I08C, I08D, I08E, I08F, I13A, I13B, I13C, I13D		08	I08A, I08B, I08C, I08D, I08E, I08F, I13A, I13B, I13C, I13D	5t106.g↔		BOP, KVT, UOP4, VIAL
	21A	W04A, W04B		21A	W04A, W04B		08	I08A, I08B, I08C, I08D, I08E, I08F
	21B	X06A, X06B, X06C		21B	X06A, X06B, X06C		10	K09A, K09B
5t101.5↔		BOP, KVT, UOP4, VIAL	5t104.5↔		BOP, KVT, UOP4, VIAL		21A	W01A, W01B, W01C, W02A, W02B
	08	I08A, I08B, I08C, I08D, I08E, I08F, I21Z, I31Z		08	I08A, I08B, I08C, I08D, I08E, I08F, I21Z, I31Z		21B	X04Z
	21A	W04A, W04B		21A	W04A, W04B	5t106.m↔		BOP, KVT, UOP4, VIAL
	21B	X06A, X06B, X06C		21B	X06A, X06B, X06C		08	I13A, I13B, I13C, I13D
5t101.8↔		BOP, KVT, UOP4, VIAL	5t104.8↔		BOP, KVT, UOP4, VIAL		21A	W01A, W01B, W01C, W02A, W02B
	08	I08A, I08B, I08C, I08D, I08E, I08F, I21Z, I31Z		08	I08A, I08B, I08C, I08D, I08E, I08F, I21Z, I31Z		21B	X04Z
	21A	W04A, W04B		21A	W04A, W04B	5t106.q↔		BOP, KVT, UOP4, VIAL
	21B	X06A, X06B, X06C		21B	X06A, X06B, X06C		08	I13A, I13B, I13C, I13D
5t101.g↔		BOP, KVT, UOP4, VIAL		08	I08A, I08B, I08C, I08D, I08E, I08F, I21Z, I31Z		08	BOP, KVT, UOP4
	08	I08A, I08B, I08C, I08D, I08E, I08F		21A	W04A, W04B		08	I28A, I28B
	10	K09A, K09B		21B	X06A, X06B, X06C	5t106.x		W04A, W04B
	21A	W01A, W01B, W01C, W02A, W02B					21A	W04A, W04B
	21B	X04Z					21B	X06A, X06B, X06C

VYK

ZZV	MDC	DRG	ZZV	MDC	DRG	ZZV	MDC	DRG
5t107.2↔		BOP, KVT, UOP4, VIAL	5t10a.2↔		BOP, KVT, UOP4, VIAL	5t10b.x		BOP, KVT, UOP4
	08	I08A, I08B, I08C, I08D, I08E, I08F, I13A, I13B, I13C, I13D		08	I08A, I08B, I08C, I08D, I08E, I08F, I13A, I13B, I13C, I13D		08	I28A, I28B
	21A	W04A, W04B		21A	W04A, W04B		21A	W04A, W04B
	21B	X06A, X06B, X06C		21B	X06A, X06B, X06C	5t10c.2↔		BOP, KVT, UOP4, VIAL
5t107.5↔		BOP, KVT, UOP4, VIAL	5t10a.5↔		BOP, KVT, UOP4, VIAL		08	I08A, I08B, I08C, I08D, I08E, I08F, I13A, I13B, I13C, I13D
	08	I08A, I08B, I08C, I08D, I08E, I08F, I21Z, I31Z		08	I08A, I08B, I08C, I08D, I08E, I08F, I21Z, I31Z		21A	W04A, W04B
	21A	W04A, W04B		21A	W04A, W04B		21B	X06A, X06B, X06C
	21B	X06A, X06B, X06C		21B	X06A, X06B, X06C	5t10c.g↔		BOP, KVT, UOP4, VIAL
5t107.8↔		BOP, KVT, UOP4, VIAL	5t10a.8↔		BOP, KVT, UOP4, VIAL		08	I08A, I08B, I08C, I08D, I08E, I08F
	08	I08A, I08B, I08C, I08D, I08E, I08F, I21Z, I31Z		08	I08A, I08B, I08C, I08D, I08E, I08F, I21Z, I31Z		10	K09A, K09B
	21A	W04A, W04B		21A	W04A, W04B		21A	W01A, W01B, W01C, W02A, W02B
	21B	X06A, X06B, X06C		21B	X06A, X06B, X06C		21B	X04Z
5t107.g↔		BOP, KVT, UOP4, VIAL	5t10a.g↔		BOP, KVT, UOP4, VIAL	5t10c.x		BOP, KVT, UOP4
	08	I08A, I08B, I08C, I08D, I08E, I08F		08	I08A, I08B, I08C, I08D, I08E, I08F		08	I28A, I28B
	10	K09A, K09B		10	K09A, K09B		21A	W04A, W04B
	21A	W01A, W01B, W01C, W02A, W02B		21A	W01A, W01B, W01C, W02A, W02B		21B	X06A, X06B, X06C
	21B	X04Z		21B	X04Z	5t10t.2↔		BOP, KVT, UOP4, VIAL
5t107.m↔		BOP, KVT, UOP4, VIAL	5t10a.m↔		BOP, KVT, UOP4, VIAL		08	I08A, I08B, I08C, I08D, I08E, I08F, I13A, I13B, I13C, I13D
	08	I13A, I13B, I13C, I13D		08	I13A, I13B, I13C, I13D		21A	W04A, W04B
	21A	W01A, W01B, W01C, W02A, W02B		21A	W01A, W01B, W01C, W02A, W02B		21B	X06A, X06B, X06C
	21B	X04Z		21B	X04Z	5t10t.5↔		BOP, KVT, UOP4, VIAL
5t107.q↔		BOP, KVT, UOP4, VIAL	5t10a.q↔		BOP, KVT, UOP4, VIAL		08	I08A, I08B, I08C, I08D, I08E, I08F, I21Z, I31Z
	08	I13A, I13B, I13C, I13D		08	I13A, I13B, I13C, I13D		21A	W04A, W04B
5t107.x		BOP, KVT, UOP4		21A	W01A, W01B, W01C, W02A, W02B		21B	X06A, X06B, X06C
	08	I28A, I28B		21B	X04Z	5t10t.8↔		BOP, KVT, UOP4, VIAL
	21A	W04A, W04B	5t10a.x		BOP, KVT, UOP4		08	I08A, I08B, I08C, I08D, I08E, I08F, I21Z, I31Z
	21B	X06A, X06B, X06C		08	I28A, I28B		21A	W04A, W04B
5t108.2↔		BOP, KVT, UOP4, VIAL		21A	W04A, W04B		21B	X06A, X06B, X06C
	08	I08A, I08B, I08C, I08D, I08E, I08F, I13A, I13B, I13C, I13D		21B	X06A, X06B, X06C	5t10t.g↔		BOP, KVT, UOP4, VIAL
	21A	W04A, W04B	5t10b.2↔		BOP, KVT, UOP4, VIAL		08	I08A, I08B, I08C, I08D, I08E, I08F
	21B	X06A, X06B, X06C		08	I08A, I08B, I08C, I08D, I08E, I08F, I13A, I13B, I13C, I13D		10	K09A, K09B
5t108.g↔		BOP, KVT, UOP4, VIAL		21A	W04A, W04B		21A	W01A, W01B, W01C, W02A, W02B
	08	I08A, I08B, I08C, I08D, I08E, I08F		21B	X06A, X06B, X06C		21B	X04Z
	10	K09A, K09B	5t10b.5↔		BOP, KVT, UOP4, VIAL	5t10t.m↔		BOP, KVT, UOP4, VIAL
	21A	W01A, W01B, W01C, W02A, W02B		08	I08A, I08B, I08C, I08D, I08E, I08F, I21Z, I31Z		08	I13A, I13B, I13C, I13D
	21B	X04Z		21A	W04A, W04B		21A	W01A, W01B, W01C, W02A, W02B
5t108.m↔		BOP, KVT, UOP4, VIAL		21B	X06A, X06B, X06C		21B	X04Z
	08	I13A, I13B, I13C, I13D	5t10b.8↔		BOP, KVT, UOP4, VIAL	5t10t.q↔		BOP, KVT, UOP4, VIAL
	21A	W01A, W01B, W01C, W02A, W02B		08	I08A, I08B, I08C, I08D, I08E, I08F, I21Z, I31Z		08	I13A, I13B, I13C, I13D
	21B	X04Z		21A	W04A, W04B		21A	W01A, W01B, W01C, W02A, W02B
5t108.x		BOP, KVT, UOP4		21B	X06A, X06B, X06C		21B	X04Z
	08	I28A, I28B	5t10b.g↔		BOP, KVT, UOP4, VIAL	5t10t.x		BOP, KVT, UOP4
	21A	W04A, W04B		08	I08A, I08B, I08C, I08D, I08E, I08F		08	I28A, I28B
	21B	X06A, X06B, X06C		10	K09A, K09B		21A	W04A, W04B
5t109.g↔		BOP, KVT, UOP4, VIAL		21A	W01A, W01B, W01C, W02A, W02B		21B	X06A, X06B, X06C
	08	I08A, I08B, I08C, I08D, I08E, I08F		21B	X04Z	5t10v.2↔		BOP, KVT, UOP4, VIAL
	10	K09A, K09B	5t10b.m↔		BOP, KVT, UOP4, VIAL		08	I08A, I08B, I08C, I08D, I08E, I08F, I13A, I13B, I13C, I13D
	21A	W01A, W01B, W01C, W02A, W02B		08	I13A, I13B, I13C, I13D		21A	W04A, W04B
	21B	X04Z		21A	W01A, W01B, W01C, W02A, W02B		21B	X06A, X06B, X06C
5t109.m↔		BOP, KVT, UOP4, VIAL		21B	X04Z	5t10v.5↔		BOP, KVT, UOP4, VIAL
	08	I13A, I13B, I13C, I13D	5t10b.q↔		BOP, KVT, UOP4, VIAL		08	I08A, I08B, I08C, I08D, I08E, I08F, I13A, I21Z, I31Z
	21A	W01A, W01B, W01C, W02A, W02B		08	I13A, I13B, I13C, I13D		21A	W04A, W04B
	21B	X04Z		21A	W01A, W01B, W01C, W02A, W02B		21B	X06A, X06B, X06C
5t109.x		BOP, KVT, UOP4		21B	X04Z			
	08	I28A, I28B		08	I13A, I13B, I13C, I13D			
	21A	W04A, W04B		21A	W01A, W01B, W01C, W02A, W02B			
	21B	X06A, X06B, X06C		21B	X04Z			

VYK



ZZV	MDC	DRG	ZZV	MDC	DRG	ZZV	MDC	DRG
5t115.g↔		BOP, KVT, UOP4, VIAL	5t117.m↔		BOP, KVT, UOP4, VIAL	5t11b.5↔		BOP, KVT, UOP4, VIAL
	08	I08A, I08B, I08C, I08D, I08E, I08F		08	I13A, I13B, I13C, I13D		08	I08A, I08B, I08C, I08D, I08E, I08F, I21Z, I31Z
	10	K09A, K09B		21A	W01A, W01B, W01C, W02A, W02B		21A	W04A, W04B
	21A	W01A, W01B, W01C, W02A, W02B		21B	X04Z		21B	X06A, X06B, X06C
	21B	X04Z	5t117.q↔		BOP, KVT, UOP4, VIAL	5t11b.8↔		BOP, KVT, UOP4, VIAL
5t115.x		BOP, KVT, UOP4		08	I13A, I13B, I13C, I13D		08	I08A, I08B, I08C, I08D, I08E, I08F, I21Z, I31Z
	08	I28A, I28B	5t117.x		BOP, KVT, UOP4		21A	W04A, W04B
	21A	W04A, W04B		08	I28A, I28B		21B	X06A, X06B, X06C
	21B	X06A, X06B, X06C		21A	W04A, W04B	5t11b.g↔		BOP, KVT, UOP4, VIAL
5t116.2↔		BOP, KVT, UOP4, VIAL	5t118.2↔		BOP, KVT, UOP4, VIAL		08	I08A, I08B, I08C, I08D, I08E, I08F
	08	I08A, I08B, I08C, I08D, I08E, I08F, I13A, I13B, I13C, I13D		08	I08A, I08B, I08C, I08D, I08E, I08F, I13A, I13B, I13C, I13D		10	K09A, K09B
	21A	W04A, W04B		21A	W04A, W04B		21A	W01A, W01B, W01C, W02A, W02B
	21B	X06A, X06B, X06C		21B	X06A, X06B, X06C		21B	X04Z
5t116.5↔		BOP, KVT, UOP4, VIAL	5t118.g↔		BOP, KVT, UOP4, VIAL	5t11b.m↔		BOP, KVT, UOP4, VIAL
	08	I08A, I08B, I08C, I08D, I08E, I08F, I21Z, I31Z		08	I08A, I08B, I08C, I08D, I08E, I08F		08	I13A, I13B, I13C, I13D
	21A	W04A, W04B		10	K09A, K09B		21A	W01A, W01B, W01C, W02A, W02B
	21B	X06A, X06B, X06C		21A	W01A, W01B, W01C, W02A, W02B		21B	X04Z
5t116.8↔		BOP, KVT, UOP4, VIAL		21B	X04Z	5t11b.q↔		BOP, KVT, UOP4, VIAL
	08	I08A, I08B, I08C, I08D, I08E, I08F, I21Z, I31Z	5t118.m↔		BOP, KVT, UOP4, VIAL		08	I13A, I13B, I13C, I13D
	21A	W04A, W04B		08	I13A, I13B, I13C, I13D		21A	W04A, W04B
	21B	X06A, X06B, X06C		21A	W01A, W01B, W01C, W02A, W02B		21B	X06A, X06B, X06C
5t116.g↔		BOP, KVT, UOP4, VIAL		21B	X04Z	5t11b.x		BOP, KVT, UOP4
	08	I08A, I08B, I08C, I08D, I08E, I08F	5t118.x		BOP, KVT, UOP4		08	I28A, I28B
	10	K09A, K09B		08	I28A, I28B		21A	W04A, W04B
	21A	W01A, W01B, W01C, W02A, W02B		21A	W04A, W04B	5t11c.2↔		BOP, KVT, UOP4, VIAL
	21B	X04Z		21B	X06A, X06B, X06C		08	I08A, I08B, I08C, I08D, I08E, I08F, I13A, I13B, I13C, I13D
5t116.m↔		BOP, KVT, UOP4, VIAL	5t11a.2↔		BOP, KVT, UOP4, VIAL		21A	W04A, W04B
	08	I13A, I13B, I13C, I13D		08	I08A, I08B, I08C, I08D, I08E, I08F, I13A, I13B, I13C, I13D		21B	X06A, X06B, X06C
	21A	W01A, W01B, W01C, W02A, W02B		21A	W04A, W04B	5t11c.g↔		BOP, KVT, UOP4, VIAL
	21B	X04Z		21B	X06A, X06B, X06C		08	I08A, I08B, I08C, I08D, I08E, I08F
5t116.q↔		BOP, KVT, UOP4, VIAL	5t11a.5↔		BOP, KVT, UOP4, VIAL		10	K09A, K09B
	08	I13A, I13B, I13C, I13D		08	I08A, I08B, I08C, I08D, I08E, I08F, I21Z, I31Z		21A	W01A, W01B, W01C, W02A, W02B
5t116.x		BOP, KVT, UOP4		21A	W04A, W04B		21B	X04Z
	08	I28A, I28B	5t11a.8↔		BOP, KVT, UOP4, VIAL	5t11c.x		BOP, KVT, UOP4
	21A	W04A, W04B		08	I08A, I08B, I08C, I08D, I08E, I08F, I21Z, I31Z		08	I28A, I28B
	21B	X06A, X06B, X06C		21A	W04A, W04B		21A	W04A, W04B
5t117.2↔		BOP, KVT, UOP4, VIAL		21B	X06A, X06B, X06C		21B	X06A, X06B, X06C
	08	I08A, I08B, I08C, I08D, I08E, I08F, I13A, I13B, I13C, I13D	5t11a.g↔		BOP, KVT, UOP4, VIAL	5t11t.2↔		BOP, KVT, UOP4, VIAL
	21A	W04A, W04B		08	I08A, I08B, I08C, I08D, I08E, I08F		08	I08A, I08B, I08C, I08D, I08E, I08F, I13A, I13B, I13C, I13D
	21B	X06A, X06B, X06C		10	K09A, K09B		21A	W04A, W04B
5t117.5↔		BOP, KVT, UOP4, VIAL		21A	W01A, W01B, W01C, W02A, W02B	5t11t.5↔		BOP, KVT, UOP4, VIAL
	08	I08A, I08B, I08C, I08D, I08E, I08F, I21Z, I31Z		21B	X04Z		08	I08A, I08B, I08C, I08D, I08E, I08F, I21Z, I31Z
	21A	W04A, W04B	5t11a.m↔		BOP, KVT, UOP4, VIAL		21A	W04A, W04B
	21B	X06A, X06B, X06C		08	I13A, I13B, I13C, I13D		21B	X06A, X06B, X06C
5t117.8↔		BOP, KVT, UOP4, VIAL		21A	W01A, W01B, W01C, W02A, W02B	5t11t.8↔		BOP, KVT, UOP4, VIAL
	08	I08A, I08B, I08C, I08D, I08E, I08F, I21Z, I31Z		21B	X04Z		08	I08A, I08B, I08C, I08D, I08E, I08F, I21Z, I31Z
	21A	W04A, W04B	5t11a.q↔		BOP, KVT, UOP4, VIAL		21A	W04A, W04B
	21B	X06A, X06B, X06C		08	I13A, I13B, I13C, I13D		21B	X06A, X06B, X06C
5t117.g↔		BOP, KVT, UOP4, VIAL	5t11b.2↔		BOP, KVT, UOP4, VIAL	5t11t.g↔		BOP, KVT, UOP4, VIAL
	08	I08A, I08B, I08C, I08D, I08E, I08F		08	I08A, I08B, I08C, I08D, I08E, I08F, I13A, I13B, I13C, I13D		08	I08A, I08B, I08C, I08D, I08E, I08F
	10	K09A, K09B		21A	W04A, W04B		10	K09A, K09B
	21A	W01A, W01B, W01C, W02A, W02B		21B	X06A, X06B, X06C		21A	W01A, W01B, W01C, W02A, W02B
	21B	X04Z					21B	X04Z

ZZV	MDC	DRG	ZZV	MDC	DRG	ZZV	MDC	DRG
5t11t.m↔		BOP, KVT, UOP4, VIAL 08 I13A, I13B, I13C, I13D 21A W01A, W01B, W01C, W02A, W02B 21B X04Z	5t11x.g↔		BOP, KVT, UOP4, VIAL 08 I08A, I08B, I08C, I08D, I08E, I08F 10 K09A, K09B 21A W01A, W01B, W01C, W02A, W02B 21B X04Z	5t120.4↔		BOP, KVT, UOP4, VIAL 08 I08A, I08B, I08C, I08D, I08E, I08F, I21Z, I31Z 21A W04A, W04B 21B X06A, X06B, X06C
5t11t.q↔		BOP, KVT, UOP4, VIAL 08 I13A, I13B, I13C, I13D, I13E 21A W04A, W04B 21B X06A, X06B, X06C	5t11x.m↔		BOP, KVT, UOP4, VIAL 08 I13A, I13B, I13C, I13D 21A W01A, W01B, W01C, W02A, W02B 21B X04Z	5t120.6↔		BOP, KVT, UOP4, VIAL 08 I08A, I08B, I08C, I08D, I08E, I08F, I13A, I13B, I21Z, I31Z 21A W04A, W04B 21B X06A, X06B, X06C
5t11t.x		BOP, KVT, UOP4 08 I28A, I28B 21A W04A, W04B 21B X06A, X06B, X06C	5t11x.q↔		BOP, KVT, UOP4, VIAL 08 I13A, I13B, I13C, I13D, I13E 21A W04A, W04B 21B X06A, X06B, X06C	5t120.7↔		BOP, KVT, UOP4, VIAL 08 I08A, I08B, I08C, I08D, I08E, I08F, I21Z, I31Z 21A W04A, W04B 21B X06A, X06B, X06C
5t11v.2↔		BOP, KVT, UOP4, VIAL 08 I08A, I08B, I08C, I08D, I08E, I08F, I13A, I13B, I13C, I13D 21A W04A, W04B 21B X06A, X06B, X06C	5t11x.x		BOP, KVT, UOP4 08 I28A, I28B 21A W04A, W04B 21B X06A, X06B, X06C	5t120.9↔		BOP, KVT, UOP4, VIAL 08 I08A, I08B, I08C, I08D, I08E, I08F, I21Z, I31Z 21A W04A, W04B 21B X06A, X06B, X06C
5t11v.5↔		BOP, KVT, UOP4, VIAL 08 I08A, I08B, I08C, I08D, I08E, I08F, I13A, I21Z, I31Z 21A W04A, W04B 21B X06A, X06B, X06C	5t11y.2↔		BOP, KVT, UOP4, VIAL 08 I08A, I08B, I08C, I08D, I08E, I08F, I13A, I13B, I13C, I13D 21A W04A, W04B 21B X06A, X06B, X06C	5t120.e↔		BOP, KVT, UOP4, VIAL 08 I08A, I08B, I08C, I08D, I08E, I08F 21A W01A, W01B, W01C, W02A, W02B 21B X04Z
5t11v.8↔		BOP, KVT, UOP4, VIAL 08 I08A, I08B, I08C, I08D, I08E, I08F, I13A, I21Z, I31Z 21A W04A, W04B 21B X06A, X06B, X06C	5t11y.5↔		BOP, KVT, UOP4, VIAL 08 I08A, I08B, I08C, I08D, I08E, I08F, I21Z, I31Z 21A W04A, W04B 21B X06A, X06B, X06C	5t120.f↔		BOP, KVT, UOP4, VIAL 08 I08A, I08B, I08C, I08D, I08E, I08F 21A W01A, W01B, W01C, W02A, W02B 21B X04Z
5t11v.g↔		BOP, KVT, UOP4, VIAL 08 I08A, I08B, I08C, I08D, I08E, I08F, I13A 10 K09A, K09B 21A W01A, W01B, W01C, W02A, W02B 21B X04Z	5t11y.8↔		BOP, KVT, UOP4, VIAL 08 I08A, I08B, I08C, I08D, I08E, I08F, I21Z, I31Z 21A W04A, W04B 21B X06A, X06B, X06C	5t120.h↔		BOP, KVT, UOP4, VIAL 08 I08A, I08B, I08C, I08D, I08E, I08F 21A W01A, W01B, W01C, W02A, W02B 21B X04Z
5t11v.m↔		BOP, KVT, UOP4, VIAL 08 I13A, I13B, I13C, I13D 21A W01A, W01B, W01C, W02A, W02B 21B X04Z	5t11y.g↔		BOP, KVT, UOP4, VIAL 08 I08A, I08B, I08C, I08D, I08E, I08F 10 K09A, K09B 21A W01A, W01B, W01C, W02A, W02B 21B X04Z	5t120.j↔		BOP, KVT, UOP4, VIAL 08 I18A, I18B, I30Z 21A W04A, W04B 21B X04Z
5t11v.q↔		BOP, KVT, UOP4, VIAL 08 I13A, I13B, I13C, I13D, I13E 21A W04A, W04B 21B X06A, X06B, X06C	5t11y.m↔		BOP, KVT, UOP4, VIAL 08 I13A, I13B, I13C, I13D 21A W01A, W01B, W01C, W02A, W02B 21B X04Z	5t120.k↔		BOP, KVT, UOP4, VIAL 08 I13A, I13B, I13C, I13D, I13E 21A W04A, W04B 21B X04Z
5t11v.x		BOP, KVT, UOP4 08 I13A, I28A, I28B 21A W04A, W04B 21B X06A, X06B, X06C	5t11y.q↔		BOP, KVT, UOP4, VIAL 08 I13A, I13B, I13C, I13D, I13E 21A W04A, W04B 21B X06A, X06B, X06C	5t120.n↔		BOP, KVT, UOP4, VIAL 08 I13A, I13B, I13C, I13D, I13E 21A W04A, W04B 21B X04Z
5t11x.2↔		BOP, KVT, UOP4, VIAL 08 I08A, I08B, I08C, I08D, I08E, I08F, I13A, I13B, I13C, I13D 21A W04A, W04B 21B X06A, X06B, X06C	5t11y.x		BOP, KVT, UOP4 08 I28A, I28B 21A W04A, W04B 21B X06A, X06B, X06C	5t120.p↔		BOP, KVT, UOP4, VIAL 08 I13A, I13B, I13C, I13D, I13E 21A W04A, W04B 21B X04Z
5t11x.5↔		BOP, KVT, UOP4, VIAL 08 I08A, I08B, I08C, I08D, I08E, I08F, I21Z, I31Z 21A W04A, W04B 21B X06A, X06B, X06C	5t120.1↔		BOP, KVT, UOP4, VIAL 08 I08A, I08B, I08C, I08D, I08E, I08F, I13A, I13B, I13C, I13D, I13E 21A W04A, W04B 21B X06A, X06B, X06C	5t120.r↔		BOP, KVT, UOP4, VIAL 08 I13A, I13B, I13C, I13D, I13E 21A W04A, W04B 21B X04Z
5t11x.8↔		BOP, KVT, UOP4, VIAL 08 I08A, I08B, I08C, I08D, I08E, I08F, I21Z, I31Z 21A W04A, W04B 21B X06A, X06B, X06C	5t120.3↔		BOP, KVT, UOP4, VIAL 08 I08A, I08B, I08C, I08D, I08E, I08F, I13A, I13B, I13C, I13D, I13E 21A W04A, W04B 21B X06A, X06B, X06C	5t120.x		BOP, KVT, UOP4 08 I28A, I28B 21A W04A, W04B 21B X06A, X06B, X06C
						5t121.1↔		BOP, KVT, UOP4, VIAL 08 I08A, I08B, I08C, I08D, I08E, I08F, I13A, I13B, I13C, I13D, I13E 21A W04A, W04B 21B X06A, X06B, X06C

VYK

ZZV	MDC	DRG	ZZV	MDC	DRG	ZZV	MDC	DRG
5t121.3↔		BOP, KVT, UOP4, VIAL	5t121.p↔		BOP, KVT, UOP4, VIAL	5t123.k↔		BOP, KVT, UOP4, VIAL
	08	I08A, I08B, I08C, I08D, I08E, I08F, I13A, I13B, I13C, I13D, I13E		08	I13A, I13B, I13C, I13D, I13E		08	I13A, I13B, I13C, I13D
	21A	W04A, W04B		21A	W01A, W01B, W01C, W02A, W02B		21A	W01A, W01B, W01C, W02A, W02B
	21B	X06A, X06B, X06C		21B	X04Z		21B	X04Z
5t121.4↔		BOP, KVT, UOP4, VIAL	5t121.r↔		BOP, KVT, UOP4, VIAL	5t123.n↔		BOP, KVT, UOP4, VIAL
	08	I08A, I08B, I08C, I08D, I08E, I08F, I21Z, I31Z		08	I13A, I13B, I13C, I13D, I13E		08	I13A, I13B, I13C, I13D
	21A	W04A, W04B		21A	W01A, W01B, W01C, W02A, W02B		21A	W01A, W01B, W01C, W02A, W02B
	21B	X06A, X06B, X06C		21B	X04Z		21B	X04Z
5t121.6↔		BOP, KVT, UOP4, VIAL	5t121.x		BOP, KVT, UOP4	5t123.p↔		BOP, KVT, UOP4, VIAL
	08	I08A, I08B, I08C, I08D, I08E, I08F, I13A, I13B, I21Z, I31Z		08	I28A, I28B		08	I13A, I13B, I13C, I13D, I13E
	21A	W04A, W04B		21A	W04A, W04B		21A	W01A, W01B, W01C, W02A, W02B
	21B	X06A, X06B, X06C		21B	X06A, X06B, X06C		21B	X04Z
5t121.7↔		BOP, KVT, UOP4, VIAL	5t123.1↔		BOP, KVT, UOP4, VIAL	5t123.r↔		BOP, KVT, UOP4, VIAL
	08	I08A, I08B, I08C, I08D, I08E, I08F, I21Z, I31Z		08	I08A, I08B, I08C, I08D, I08E, I08F, I13A, I13B, I13C, I13D		08	I13A, I13B, I13C, I13D, I13E
	21A	W04A, W04B		21A	W04A, W04B		21A	W01A, W01B, W01C, W02A, W02B
	21B	X06A, X06B, X06C		21B	X06A, X06B, X06C		21B	X04Z
5t121.9↔		BOP, KVT, UOP4, VIAL	5t123.3↔		BOP, KVT, UOP4, VIAL	5t123.x		BOP, KVT, UOP4
	08	I08A, I08B, I08C, I08D, I08E, I08F, I21Z, I31Z		08	I08A, I08B, I08C, I08D, I08E, I08F, I13A, I13B, I13C, I13D		08	I28A, I28B
	21A	W04A, W04B		21A	W04A, W04B		21A	W04A, W04B
	21B	X06A, X06B, X06C		21B	X06A, X06B, X06C		21B	X06A, X06B, X06C
5t121.e↔		BOP, KVT, UOP4, VIAL	5t123.4↔		BOP, KVT, UOP4, VIAL	5t124.1↔		BOP, KVT, UOP4, VIAL
	01	B03A, B03B, B06A, B06B, B17A, B17B, B17C		08	I08A, I08B, I08C, I08D, I08E, I08F, I21Z, I31Z		08	I08A, I08B, I08C, I08D, I08E, I08F, I13A, I13B, I13C, I13D, I13E
	08	I08A, I08B, I08C, I08D, I08E, I08F		21A	W04A, W04B		21A	W04A, W04B
	10	K09A, K09B		21B	X06A, X06B, X06C		21B	X06A, X06B, X06C
	21A	W01A, W01B, W01C, W02A, W02B		5t123.6↔	BOP, KVT, UOP4, VIAL	5t124.3↔		BOP, KVT, UOP4, VIAL
	21B	X04Z		08	I08A, I08B, I08C, I08D, I08E, I08F, I13A, I13B, I21Z, I31Z		08	I08A, I08B, I08C, I08D, I08E, I08F, I13A, I13B, I13C, I13D, I13E
5t121.f↔		BOP, KVT, UOP4, VIAL		21A	W04A, W04B		21A	W04A, W04B
	01	B03A, B03B, B06A, B06B, B17A, B17B, B17C		21B	X06A, X06B, X06C		21B	X06A, X06B, X06C
	08	I08A, I08B, I08C, I08D, I08E, I08F		5t123.7↔	BOP, KVT, UOP4, VIAL	5t124.4↔		BOP, KVT, UOP4, VIAL
	10	K09A, K09B		08	I08A, I08B, I08C, I08D, I08E, I08F, I21Z, I31Z		08	I08A, I08B, I08C, I08D, I08E, I08F, I21Z, I31Z
	21A	W01A, W01B, W01C, W02A, W02B		21A	W04A, W04B		21A	W04A, W04B
	21B	X04Z		21B	X06A, X06B, X06C		21B	X06A, X06B, X06C
5t121.h↔		BOP, KVT, UOP4, VIAL		5t123.9↔	BOP, KVT, UOP4, VIAL	5t124.6↔		BOP, KVT, UOP4, VIAL
	01	B03A, B03B, B06A, B06B, B17A, B17B, B17C		08	I08A, I08B, I08C, I08D, I08E, I08F, I21Z, I31Z		08	I08A, I08B, I08C, I08D, I08E, I08F, I13A, I13B, I21Z, I31Z
	08	I08A, I08B, I08C, I08D, I08E, I08F		21A	W04A, W04B		21A	W04A, W04B
	21A	W01A, W01B, W01C, W02A, W02B		21B	X06A, X06B, X06C		21B	X06A, X06B, X06C
	21B	X04Z		5t123.e↔	BOP, KVT, UOP4, VIAL	5t124.7↔		BOP, KVT, UOP4, VIAL
	01	B03A, B03B, B06A, B06B, B17A, B17B, B17C		01	B03A, B03B, B06A, B06B, B17A, B17B, B17C		08	I08A, I08B, I08C, I08D, I08E, I08F, I21Z, I31Z
	08	I08A, I08B, I08C, I08D, I08E, I08F		08	I08A, I08B, I08C, I08D, I08E, I08F		21A	W04A, W04B
	21A	W01A, W01B, W01C, W02A, W02B		10	K09A, K09B		21B	X06A, X06B, X06C
	21B	X04Z		21A	W01A, W01B, W01C, W02A, W02B		5t124.9↔	BOP, KVT, UOP4, VIAL
5t121.j↔		BOP, KVT, UOP4, VIAL		21B	X04Z		08	I08A, I08B, I08C, I08D, I08E, I08F, I21Z, I31Z
	08	I18A, I18B, I30Z		5t123.f↔	BOP, KVT, UOP4, VIAL		21A	W04A, W04B
	21A	W04A, W04B		01	B03A, B03B, B06A, B06B, B17A, B17B, B17C		21B	X06A, X06B, X06C
	21B	X04Z		08	I08A, I08B, I08C, I08D, I08E, I08F		5t124.e↔	BOP, KVT, UOP4, VIAL
5t121.k↔		BOP, KVT, UOP4, VIAL		10	K09A, K09B		01	B03A, B03B, B06A, B06B, B17A, B17B, B17C
	08	I13A, I13B, I13C, I13D		21A	W01A, W01B, W01C, W02A, W02B		08	I08A, I08B, I08C, I08D, I08E, I08F
	21A	W01A, W01B, W01C, W02A, W02B		21B	X04Z		10	K09A, K09B
	21B	X04Z		5t123.h↔	BOP, KVT, UOP4, VIAL		21A	W01A, W01B, W01C, W02A, W02B
5t121.n↔		BOP, KVT, UOP4, VIAL		01	B03A, B03B, B06A, B06B, B17A, B17B, B17C		21B	X04Z
	08	I13A, I13B, I13C, I13D, I13E		08	I08A, I08B, I08C, I08D, I08E, I08F			
	21A	W01A, W01B, W01C, W02A, W02B		21A	W01A, W01B, W01C, W02A, W02B			
	21B	X04Z		21B	X04Z			

VYK

ZZV	MDC	DRG	ZZV	MDC	DRG	ZZV	MDC	DRG			
5t124.f↔		BOP, KVT, UOP4, VIAL	5t125.h↔		BOP, KVT, UOP4, VIAL	5t129.n↔		BOP, KVT, UOP4, VIAL			
	01	B03A, B03B, B06A, B06B, B17A, B17B, B17C		01	B03A, B03B, B06A, B06B, B17A, B17B, B17C		08	I13A, I13B, I13C, I13D			
	08	I08A, I08B, I08C, I08D, I08E, I08F		08	I08A, I08B, I08C, I08D, I08E, I08F		21A	W01A, W01B, W01C, W02A, W02B			
	10	K09A, K09B		21A	W01A, W01B, W01C, W02A, W02B		21B	X04Z			
	21A	W01A, W01B, W01C, W02A, W02B		21B	X04Z	5t129.x		BOP, KVT, UOP4			
	21B	X04Z		21B	X04Z	08	I28A, I28B	21A	W04A, W04B	21B	X06A, X06B, X06C
5t124.h↔		BOP, KVT, UOP4, VIAL	5t125.k↔		BOP, KVT, UOP4, VIAL	5t12a.1↔		BOP, KVT, UOP4, VIAL			
	01	B03A, B03B, B06A, B06B, B17A, B17B, B17C		08	I13A, I13B, I13C, I13D		08	I08A, I08B, I08C, I08D, I08E, I08F, I13A, I13B, I13C, I13D			
	08	I08A, I08B, I08C, I08D, I08E, I08F		08	I28A, I28B		21A	W04A, W04B			
	21A	W01A, W01B, W01C, W02A, W02B		21B	X06A, X06B, X06C		21B	X06A, X06B, X06C			
	21B	X04Z		21B	X06A, X06B, X06C	5t12a.3↔		BOP, KVT, UOP4, VIAL			
5t124.j↔		BOP, KVT, UOP4, VIAL	5t128.1↔		BOP, KVT, UOP4, VIAL	08		I08A, I08B, I08C, I08D, I08E, I08F, I13A, I13B, I13C, I13D			
	08	I18A, I18B, I30Z		08	I08A, I08B, I08C, I08D, I08E, I08F		21A	W04A, W04B			
	21A	W04A, W04B		08	I08A, I08B, I08C, I08D, I08E, I08F		21B	X06A, X06B, X06C			
	21B	X04Z			21B		X04Z	5t12a.4↔		BOP, KVT, UOP4, VIAL	
5t124.k↔		BOP, KVT, UOP4, VIAL	5t128.e↔		BOP, KVT, UOP4, VIAL	08		I08A, I08B, I08C, I08D, I08E, I08F, I21Z, I31Z			
	08	I13A, I13B, I13C, I13D		01	B03A, B03B, B06A, B06B, B17A, B17B, B17C		21A	W04A, W04B			
	21A	W01A, W01B, W01C, W02A, W02B		08	I08A, I08B, I08C, I08D, I08E, I08F		21B	X06A, X06B, X06C			
	21B	X04Z			21B		X04Z	5t12a.6↔		BOP, KVT, UOP4, VIAL	
5t124.n↔		BOP, KVT, UOP4, VIAL	5t128.f↔		BOP, KVT, UOP4, VIAL	08		I08A, I08B, I08C, I08D, I08E, I08F, I13A, I13B, I21Z, I31Z			
	08	I13A, I13B, I13C, I13D, I13E		01	B03A, B03B, B06A, B06B, B17A, B17B, B17C		21A	W04A, W04B			
	21A	W01A, W01B, W01C, W02A, W02B		08	I08A, I08B, I08C, I08D, I08E, I08F		21B	X06A, X06B, X06C			
	21B	X04Z			21B		X04Z	5t12a.7↔		BOP, KVT, UOP4, VIAL	
5t124.p↔		BOP, KVT, UOP4, VIAL	5t128.x		BOP, KVT, UOP4	08		I08A, I08B, I08C, I08D, I08E, I08F, I21Z, I31Z			
	08	I13A, I13B, I13C, I13D, I13E		08	I28A, I28B		21A	W04A, W04B			
	21A	W01A, W01B, W01C, W02A, W02B		21A	W04A, W04B		21B	X06A, X06B, X06C			
	21B	X04Z			21B		X06A, X06B, X06C	5t12a.9↔		BOP, KVT, UOP4, VIAL	
5t124.r↔		BOP, KVT, UOP4, VIAL	5t129.e↔		BOP, KVT, UOP4	08		I08A, I08B, I08C, I08D, I08E, I08F, I21Z, I31Z			
	08	I13A, I13B, I13C, I13D, I13E		08	I28A, I28B		21A	W04A, W04B			
	21A	W01A, W01B, W01C, W02A, W02B		21A	W04A, W04B		21B	X06A, X06B, X06C			
	21B	X04Z			21B		X06A, X06B, X06C	5t12a.e↔		BOP, KVT, UOP4, VIAL	
5t124.x		BOP, KVT, UOP4	5t129.f↔		BOP, KVT, UOP4, VIAL	01		B03A, B03B, B06A, B06B, B17A, B17B, B17C			
	08	I28A, I28B		01	B03A, B03B, B06A, B06B, B17A, B17B, B17C		08	I08A, I08B, I08C, I08D, I08E, I08F			
	21A	W04A, W04B		08	I08A, I08B, I08C, I08D, I08E, I08F		10	K09A, K09B			
	21B	X06A, X06B, X06C			21A		W01A, W01B, W01C, W02A, W02B	21A	W01A, W01B, W01C, W02A, W02B		
5t125.1↔		BOP, KVT, UOP4, VIAL	21B		X04Z	21B		X04Z			
	08	I08A, I08B, I08C, I08D, I08E, I08F, I13A, I13B, I13C, I13D			21B		X04Z	5t12a.f↔		BOP, KVT, UOP4, VIAL	
		21B		X04Z			21B	X04Z	01	B03A, B03B, B06A, B06B, B17A, B17B, B17C	
	5t125.e↔			BOP, KVT, UOP4, VIAL	5t129.h↔			BOP, KVT, UOP4, VIAL	08		I08A, I08B, I08C, I08D, I08E, I08F
01		B03A, B03B, B06A, B06B, B17A, B17B, B17C	01	B03A, B03B, B06A, B06B, B17A, B17B, B17C		08	I08A, I08B, I08C, I08D, I08E, I08F				
08		I08A, I08B, I08C, I08D, I08E, I08F	08	I08A, I08B, I08C, I08D, I08E, I08F		10	K09A, K09B				
10		K09A, K09B		21A		W01A, W01B, W01C, W02A, W02B	21A	W01A, W01B, W01C, W02A, W02B			
	21A	W01A, W01B, W01C, W02A, W02B		21B	X04Z		21B	X04Z	5t12a.h↔		BOP, KVT, UOP4, VIAL
	21B	X04Z		21B	X04Z		21B	X04Z	01	B03A, B03B, B06A, B06B, B17A, B17B, B17C	
5t125.f↔		BOP, KVT, UOP4, VIAL	5t129.k↔		BOP, KVT, UOP4, VIAL	08		I08A, I08B, I08C, I08D, I08E, I08F			
	01	B03A, B03B, B06A, B06B, B17A, B17B, B17C		01	B03A, B03B, B06A, B06B, B17A, B17B, B17C		08	I08A, I08B, I08C, I08D, I08E, I08F			
	08	I08A, I08B, I08C, I08D, I08E, I08F		08	I08A, I08B, I08C, I08D, I08E, I08F		10	K09A, K09B			
	10	K09A, K09B			21A		W01A, W01B, W01C, W02A, W02B	21A	W01A, W01B, W01C, W02A, W02B		
	21A	W01A, W01B, W01C, W02A, W02B		21B	X04Z		21B	X04Z	5t12a.j↔		BOP, KVT, UOP4, VIAL
	21B	X04Z		21B	X04Z		21B	X04Z	08	I18A, I18B, I30Z	
									21A	W04A, W04B	
									21B	X04Z	

VYK

ZZV	MDC	DRG	ZZV	MDC	DRG	ZZV	MDC	DRG
5t12a.k↔		BOP, KVT, UOP4, VIAL 08 I13A, I13B, I13C, I13D 21A W01A, W01B, W01C, W02A, W02B 21B X04Z	5t12b.f↔		BOP, KVT, UOP4, VIAL 01 B03A, B03B, B06A, B06B, B17A, B17B, B17C 08 I08A, I08B, I08C, I08D, I08E, I08F 10 K09A, K09B 21A W01A, W01B, W01C, W02A, W02B 21B X04Z	5t12c.h↔		BOP, KVT, UOP4, VIAL 01 B03A, B03B, B06A, B06B, B17A, B17B, B17C 08 I08A, I08B, I08C, I08D, I08E, I08F 21A W01A, W01B, W01C, W02A, W02B 21B X04Z
5t12a.n↔		BOP, KVT, UOP4, VIAL 08 I13A, I13B, I13C, I13D 21A W01A, W01B, W01C, W02A, W02B 21B X04Z	5t12b.h↔		BOP, KVT, UOP4, VIAL 01 B03A, B03B, B06A, B06B, B17A, B17B, B17C 08 I08A, I08B, I08C, I08D, I08E, I08F 21A W01A, W01B, W01C, W02A, W02B 21B X04Z	5t12c.k↔		BOP, KVT, UOP4, VIAL 08 I13A, I13B, I13C, I13D 21A W01A, W01B, W01C, W02A, W02B 21B X04Z
5t12a.p↔		BOP, KVT, UOP4, VIAL 08 I13A, I13B, I13C, I13D, I13E 21A W01A, W01B, W01C, W02A, W02B 21B X04Z	5t12b.k↔		BOP, KVT, UOP4, VIAL 08 I13A, I13B, I13C, I13D 21A W01A, W01B, W01C, W02A, W02B 21B X04Z	5t12c.x		BOP, KVT, UOP4 08 I28A, I28B 21A W04A, W04B 21B X06A, X06B, X06C
5t12a.r↔		BOP, KVT, UOP4, VIAL 08 I13A, I13B, I13C, I13D, I13E 21A W01A, W01B, W01C, W02A, W02B 21B X04Z	5t12b.n↔		BOP, KVT, UOP4, VIAL 08 I13A, I13B, I13C, I13D 21A W01A, W01B, W01C, W02A, W02B 21B X04Z	5t12d.h↔		BOP, KVT, UOP4, VIAL 01 B03A, B03B, B06A, B06B, B17A, B17B, B17C 08 I08A, I08B, I08C, I08D, I08E, I08F 21A W01A, W01B, W01C, W02A, W02B 21B X04Z
5t12a.x		BOP, KVT, UOP4 08 I28A, I28B 21A W04A, W04B 21B X06A, X06B, X06C	5t12b.p↔		BOP, KVT, UOP4, VIAL 08 I13A, I13B, I13C, I13D, I13E 21A W01A, W01B, W01C, W02A, W02B 21B X04Z	5t12d.j↔		BOP, KVT, UOP4, VIAL 08 I18A, I18B, I30Z 21A W04A, W04B 21B X04Z
5t12b.1↔		BOP, KVT, UOP4, VIAL 08 I08A, I08B, I08C, I08D, I08E, I08F, I13A, I13B, I13C, I13D 21A W04A, W04B 21B X06A, X06B, X06C	5t12b.r↔		BOP, KVT, UOP4, VIAL 08 I13A, I13B, I13C, I13D, I13E 21A W01A, W01B, W01C, W02A, W02B 21B X04Z	5t12d.k↔		BOP, KVT, UOP4, VIAL 08 I13A, I13B, I13C, I13D 21A W01A, W01B, W01C, W02A, W02B 21B X04Z
5t12b.3↔		BOP, KVT, UOP4, VIAL 08 I08A, I08B, I08C, I08D, I08E, I08F, I13A, I13B, I13C, I13D 21A W04A, W04B 21B X06A, X06B, X06C	5t12b.x		BOP, KVT, UOP4 08 I28A, I28B 21A W04A, W04B 21B X06A, X06B, X06C	5t12d.n↔		BOP, KVT, UOP4, VIAL 08 I13A, I13B, I13C, I13D 21A W01A, W01B, W01C, W02A, W02B 21B X04Z
5t12b.4↔		BOP, KVT, UOP4, VIAL 08 I08A, I08B, I08C, I08D, I08E, I08F, I21Z, I31Z 21A W04A, W04B 21B X06A, X06B, X06C	5t12c.1↔		BOP, KVT, UOP4, VIAL 08 I08A, I08B, I08C, I08D, I08E, I08F, I13A, I13B, I13C, I13D 21A W04A, W04B 21B X06A, X06B, X06C	5t12d.p↔		BOP, KVT, UOP4, VIAL 08 I13A, I13B, I13C, I13D, I13E 21A W01A, W01B, W01C, W02A, W02B 21B X04Z
5t12b.6↔		BOP, KVT, UOP4, VIAL 08 I08A, I08B, I08C, I08D, I08E, I08F, I13A, I13B, I21Z, I31Z 21A W04A, W04B 21B X06A, X06B, X06C	5t12c.3↔		BOP, KVT, UOP4, VIAL 08 I08A, I08B, I08C, I08D, I08E, I08F, I13A, I13B, I13C, I13D 21A W04A, W04B 21B X06A, X06B, X06C	5t12d.r↔		BOP, KVT, UOP4, VIAL 08 I13A, I13B, I13C, I13D, I13E 21A W01A, W01B, W01C, W02A, W02B 21B X04Z
5t12b.7↔		BOP, KVT, UOP4, VIAL 08 I08A, I08B, I08C, I08D, I08E, I08F, I21Z, I31Z 21A W04A, W04B 21B X06A, X06B, X06C	5t12c.e↔		BOP, KVT, UOP4, VIAL 01 B03A, B03B, B06A, B06B, B17A, B17B, B17C 08 I08A, I08B, I08C, I08D, I08E, I08F 10 K09A, K09B 21A W01A, W01B, W01C, W02A, W02B 21B X04Z	5t12d.x		BOP, KVT, UOP4 08 I28A, I28B 21A W04A, W04B 21B X06A, X06B, X06C
5t12b.9↔		BOP, KVT, UOP4, VIAL 08 I08A, I08B, I08C, I08D, I08E, I08F, I21Z, I31Z 21A W04A, W04B 21B X06A, X06B, X06C	5t12c.f↔		BOP, KVT, UOP4, VIAL 01 B03A, B03B, B06A, B06B, B17A, B17B, B17C 08 I08A, I08B, I08C, I08D, I08E, I08F 10 K09A, K09B 21A W01A, W01B, W01C, W02A, W02B 21B X04Z	5t12t.1↔		BOP, KVT, UOP4, VIAL 08 I08A, I08B, I08C, I08D, I08E, I08F, I13A, I13B, I13C, I13D 21A W04A, W04B 21B X06A, X06B, X06C
5t12b.e↔		BOP, KVT, UOP4, VIAL 01 B03A, B03B, B06A, B06B, B17A, B17B, B17C 08 I08A, I08B, I08C, I08D, I08E, I08F 10 K09A, K09B 21A W01A, W01B, W01C, W02A, W02B 21B X04Z				5t12t.3↔		BOP, KVT, UOP4, VIAL 08 I08A, I08B, I08C, I08D, I08E, I08F, I13A, I13B, I13C, I13D 21A W04A, W04B 21B X06A, X06B, X06C
						5t12t.4↔		BOP, KVT, UOP4, VIAL 08 I08A, I08B, I08C, I08D, I08E, I08F, I21Z, I31Z 21A W04A, W04B 21B X06A, X06B, X06C

VYK



ZZV	MDC	DRG	ZZV	MDC	DRG	ZZV	MDC	DRG
5t12t.6↔		BOP, KVT, UOP4, VIAL	5t12v.1↔		BOP, KVT, UOP4, VIAL	5t12v.p↔		BOP, KVT, UOP4, VIAL
	08	I08A, I08B, I08C, I08D, I08E, I08F, I13A, I13B, I21Z, I31Z		08	I08A, I08B, I08C, I08D, I08E, I08F, I13A, I13B, I13C, I13D		08	I13A, I13B, I13C, I13D, I13E
	21A	W04A, W04B		21A	W04A, W04B		21A	W01A, W01B, W01C, W02A, W02B
	21B	X06A, X06B, X06C		21B	X06A, X06B, X06C		21B	X04Z
5t12t.7↔		BOP, KVT, UOP4, VIAL	5t12v.3↔		BOP, KVT, UOP4, VIAL	5t12v.r↔		BOP, KVT, UOP4, VIAL
	08	I08A, I08B, I08C, I08D, I08E, I08F, I21Z, I31Z		08	I08A, I08B, I08C, I08D, I08E, I08F, I13A, I13B, I13C, I13D		08	I13A, I13B, I13C, I13D, I13E
	21A	W04A, W04B		21A	W04A, W04B		21A	W01A, W01B, W01C, W02A, W02B
	21B	X06A, X06B, X06C		21B	X06A, X06B, X06C		21B	X04Z
5t12t.9↔		BOP, KVT, UOP4, VIAL	5t12v.4↔		BOP, KVT, UOP4, VIAL	5t12v.x		BOP, KVT, UOP4
	08	I08A, I08B, I08C, I08D, I08E, I08F, I21Z, I31Z		08	I08A, I08B, I08C, I08D, I08E, I08F, I13A, I21Z, I31Z		08	I13A, I28A, I28B
	21A	W04A, W04B		21A	W04A, W04B		21A	W04A, W04B
	21B	X06A, X06B, X06C		21B	X06A, X06B, X06C		21B	X06A, X06B, X06C
5t12t.e↔		BOP, KVT, UOP4, VIAL	5t12v.6↔		BOP, KVT, UOP4, VIAL	5t12x.1↔		BOP, KVT, UOP4, VIAL
	01	B03A, B03B, B06A, B06B, B17A, B17B, B17C		08	I08A, I08B, I08C, I08D, I08E, I08F, I13A, I21Z, I31Z		08	I08A, I08B, I08C, I08D, I08E, I08F, I13A, I13B, I13C, I13D
	08	I08A, I08B, I08C, I08D, I08E, I08F		21A	W04A, W04B		21A	W04A, W04B
	10	K09A, K09B		21B	X06A, X06B, X06C		21B	X06A, X06B, X06C
	21A	W01A, W01B, W01C, W02A, W02B	5t12v.7↔		BOP, KVT, UOP4, VIAL	5t12x.3↔		BOP, KVT, UOP4, VIAL
	21B	X04Z		08	I08A, I08B, I08C, I08D, I08E, I08F, I13A, I21Z, I31Z		08	I08A, I08B, I08C, I08D, I08E, I08F, I13A, I13B, I13C, I13D
5t12t.f↔		BOP, KVT, UOP4, VIAL		21A	W04A, W04B		21A	W04A, W04B
	01	B03A, B03B, B06A, B06B, B17A, B17B, B17C	5t12v.9↔		BOP, KVT, UOP4, VIAL	5t12x.4↔		BOP, KVT, UOP4, VIAL
	08	I08A, I08B, I08C, I08D, I08E, I08F		08	I08A, I08B, I08C, I08D, I08E, I08F, I13A, I21Z, I31Z		08	I08A, I08B, I08C, I08D, I08E, I08F, I21Z, I31Z
	10	K09A, K09B		21A	W04A, W04B		21A	W04A, W04B
	21A	W01A, W01B, W01C, W02A, W02B		21B	X06A, X06B, X06C	5t12x.6↔		BOP, KVT, UOP4, VIAL
	21B	X04Z	5t12v.e↔		BOP, KVT, UOP4, VIAL		08	I08A, I08B, I08C, I08D, I08E, I08F, I13A, I13B, I21Z, I31Z
5t12t.h↔		BOP, KVT, UOP4, VIAL		01	B03A, B03B, B06A, B06B, B17A, B17B, B17C		21A	W04A, W04B
	01	B03A, B03B, B06A, B06B, B17A, B17B, B17C		08	I08A, I08B, I08C, I08D, I08E, I08F, I13A	5t12x.7↔		BOP, KVT, UOP4, VIAL
	08	I08A, I08B, I08C, I08D, I08E, I08F		10	K09A, K09B		08	I08A, I08B, I08C, I08D, I08E, I08F, I21Z, I31Z
	21A	W01A, W01B, W01C, W02A, W02B		21A	W01A, W01B, W01C, W02A, W02B		21A	W04A, W04B
	21B	X04Z	5t12v.f↔		BOP, KVT, UOP4, VIAL	5t12x.9↔		BOP, KVT, UOP4, VIAL
5t12t.j↔		BOP, KVT, UOP4, VIAL		01	B03A, B03B, B06A, B06B, B17A, B17B, B17C		08	I08A, I08B, I08C, I08D, I08E, I08F, I21Z, I31Z
	08	I18A, I18B, I30Z		08	I08A, I08B, I08C, I08D, I08E, I08F, I13A		21A	W04A, W04B
	21A	W04A, W04B		10	K09A, K09B	5t12x.e↔		BOP, KVT, UOP4, VIAL
	21B	X04Z		21A	W01A, W01B, W01C, W02A, W02B		01	B03A, B03B, B06A, B06B, B17A, B17B, B17C
5t12t.k↔		BOP, KVT, UOP4, VIAL		21B	X04Z		08	I08A, I08B, I08C, I08D, I08E, I08F
	08	I13A, I13B, I13C, I13D	5t12v.h↔		BOP, KVT, UOP4, VIAL		10	K09A, K09B
	21A	W01A, W01B, W01C, W02A, W02B		01	B03A, B03B, B06A, B06B, B17A, B17B, B17C		21A	W01A, W01B, W01C, W02A, W02B
	21B	X04Z		08	I08A, I08B, I08C, I08D, I08E, I08F, I13A	5t12x.f↔		BOP, KVT, UOP4, VIAL
5t12t.n↔		BOP, KVT, UOP4, VIAL		21A	W01A, W01B, W01C, W02A, W02B		01	B03A, B03B, B06A, B06B, B17A, B17B, B17C
	08	I13A, I13B, I13C, I13D		21B	X04Z		08	I08A, I08B, I08C, I08D, I08E, I08F
	21A	W01A, W01B, W01C, W02A, W02B	5t12v.j↔		BOP, KVT, UOP4, VIAL		10	K09A, K09B
	21B	X04Z		08	I13A, I18A, I18B, I30Z		21A	W01A, W01B, W01C, W02A, W02B
5t12t.p↔		BOP, KVT, UOP4, VIAL		21A	W04A, W04B		21B	X04Z
	08	I13A, I13B, I13C, I13D, I13E	5t12v.k↔		BOP, KVT, UOP4, VIAL		21A	W01A, W01B, W01C, W02A, W02B
	21A	W01A, W01B, W01C, W02A, W02B		08	I13A, I13B, I13C, I13D	5t12x.h↔		BOP, KVT, UOP4, VIAL
	21B	X04Z		21A	W01A, W01B, W01C, W02A, W02B		01	B03A, B03B, B06A, B06B, B17A, B17B, B17C
5t12t.r↔		BOP, KVT, UOP4, VIAL		21B	X04Z		08	I08A, I08B, I08C, I08D, I08E, I08F
	08	I13A, I13B, I13C, I13D, I13E	5t12v.n↔		BOP, KVT, UOP4, VIAL		21A	W01A, W01B, W01C, W02A, W02B
	21A	W01A, W01B, W01C, W02A, W02B		08	I13A, I13B, I13C, I13D		21B	X04Z
	21B	X04Z		21A	W01A, W01B, W01C, W02A, W02B		21A	W01A, W01B, W01C, W02A, W02B
5t12t.x		BOP, KVT, UOP4		21B	X04Z		21B	X04Z
	08	I28A, I28B		08	I13A, I13B, I13C, I13D			
	21A	W04A, W04B		21A	W01A, W01B, W01C, W02A, W02B			
	21B	X06A, X06B, X06C		21B	X04Z			

VYK

ZZV	MDC	DRG	ZZV	MDC	DRG	ZZV	MDC	DRG
5t12x.j↔		BOP, KVT, UOP4, VIAL	5t12z.f↔		BOP, KVT, UOP4, VIAL	5t131.9↔		BOP, KVT, UOP4, VIAL
	08	I18A, I18B, I30Z		01	B03A, B03B, B06A, B06B, B17A, B17B, B17C		08	I08A, I08B, I08C, I08D, I08E, I08F, I21Z, I31Z
	21A	W04A, W04B		08	I08A, I08B, I08C, I08D, I08E, I08F		21A	W04A, W04B
	21B	X04Z		10	K09A, K09B	5t131.e↔		X06A, X06B, X06C
5t12x.k↔		BOP, KVT, UOP4, VIAL		21A	W01A, W01B, W01C, W02A, W02B		01	BOP, KVT, UOP4, VIAL
	08	I13A, I13B, I13C, I13D		21B	X04Z		08	B03A, B03B, B06A, B06B, B17A, B17B, B17C
	21A	W04A, W04B	5t12z.h↔		BOP, KVT, UOP4, VIAL		08	I08A, I08B, I08C, I08D, I08E, I08F
	21B	X04Z		01	B03A, B03B, B06A, B06B, B17A, B17B, B17C		10	K09A, K09B
5t12x.n↔		BOP, KVT, UOP4, VIAL		08	I08A, I08B, I08C, I08D, I08E, I08F		21A	W01A, W01B, W01C, W02A, W02B
	08	I13A, I13B, I13C, I13D		21A	W01A, W01B, W01C, W02A, W02B	5t131.f↔		X04Z
	21A	W04A, W04B		21B	X04Z		01	BOP, KVT, UOP4, VIAL
	21B	X04Z		08	I08A, I08B, I08C, I08D, I08E, I08F		08	B03A, B03B, B06A, B06B, B17A, B17B, B17C
5t12x.p↔		BOP, KVT, UOP4, VIAL		21A	W01A, W01B, W01C, W02A, W02B		08	I08A, I08B, I08C, I08D, I08E, I08F
	08	I13A, I13B, I13C, I13D, I13E		21B	X04Z		10	K09A, K09B
	21A	W04A, W04B	5t12z.j↔		BOP, KVT, UOP4, VIAL		21A	W01A, W01B, W01C, W02A, W02B
	21B	X04Z		08	I18A, I18B, I30Z		21B	X04Z
5t12x.r↔		BOP, KVT, UOP4, VIAL		21A	W04A, W04B	5t131.g↔		BOP, KVT, UOP4, VIAL
	08	I13A, I13B, I13C, I13D, I13E		21B	X04Z		01	B03A, B03B, B06A, B06B, B17A, B17B, B17C
	21A	W04A, W04B		08	I08A, I08B, I08C, I08D, I08E, I08F		08	I08A, I08B, I08C, I08D, I08E, I08F
	21B	X04Z		10	K09A, K09B		21A	W01A, W01B, W01C, W02A, W02B
5t12x.x		BOP, KVT, UOP4		21A	W01A, W01B, W01C, W02A, W02B		21B	X04Z
	08	I28A, I28B	5t12z.k↔		BOP, KVT, UOP4, VIAL	5t131.h↔		BOP, KVT, UOP4, VIAL
	21A	W04A, W04B		08	I13A, I13B, I13C, I13D, I13E		01	B03A, B03B, B06A, B06B, B17A, B17B, B17C
	21B	X06A, X06B, X06C		21A	W01A, W01B, W01C, W02A, W02B		08	I08A, I08B, I08C, I08D, I08E, I08F
5t12z.1↔		BOP, KVT, UOP4, VIAL		21B	X04Z		21A	W01A, W01B, W01C, W02A, W02B
	08	I08A, I08B, I08C, I08D, I08E, I08F, I13A, I13B, I13C, I13D		08	I13A, I13B, I13C, I13D, I13E		21B	X04Z
	21A	W04A, W04B		21A	W01A, W01B, W01C, W02A, W02B		01	B03A, B03B, B06A, B06B, B17A, B17B, B17C
	21B	X06A, X06B, X06C	5t12z.n↔		BOP, KVT, UOP4, VIAL		08	I08A, I08B, I08C, I08D, I08E, I08F
5t12z.3↔		BOP, KVT, UOP4, VIAL		08	I13A, I13B, I13C, I13D, I13E		21A	W01A, W01B, W01C, W02A, W02B
	08	I08A, I08B, I08C, I08D, I08E, I08F, I13A, I13B, I13C, I13D		21A	W01A, W01B, W01C, W02A, W02B		21B	X04Z
	21A	W04A, W04B		21B	X04Z	5t131.i↔		BOP, KVT, UOP4, VIAL
	21B	X06A, X06B, X06C		08	I13A, I13B, I13C, I13D, I13E		08	I24Z, I30Z
5t12z.4↔		BOP, KVT, UOP4, VIAL		21A	W01A, W01B, W01C, W02A, W02B		21A	W04A, W04B
	08	I08A, I08B, I08C, I08D, I08E, I08F, I21Z, I31Z		21B	X04Z		21B	X04Z
	21A	W04A, W04B	5t12z.p↔		BOP, KVT, UOP4, VIAL	5t131.k↔		BOP, KVT, UOP4, VIAL
	21B	X06A, X06B, X06C		08	I13A, I13B, I13C, I13D, I13E		08	I13A, I13B, I13C, I13D
5t12z.6↔		BOP, KVT, UOP4, VIAL		21A	W01A, W01B, W01C, W02A, W02B		21A	W01A, W01B, W01C, W02A, W02B
	08	I08A, I08B, I08C, I08D, I08E, I08F, I13A, I13B, I21Z, I31Z		21B	X04Z		21B	X04Z
	21A	W04A, W04B		08	I08A, I08B, I08C, I08D, I08E, I08F, I13A, I13B, I13C, I13D	5t131.n↔		BOP, KVT, UOP4, VIAL
	21B	X06A, X06B, X06C		21A	W01A, W01B, W01C, W02A, W02B		08	I13A, I13B, I13C, I13D
5t12z.7↔		BOP, KVT, UOP4, VIAL		21B	X04Z		21A	W01A, W01B, W01C, W02A, W02B
	08	I08A, I08B, I08C, I08D, I08E, I08F, I21Z, I31Z		08	I28A, I28B		21B	X04Z
	21A	W04A, W04B	5t131.1↔		W04A, W04B	5t131.p↔		BOP, KVT, UOP4, VIAL
	21B	X06A, X06B, X06C		08	I08A, I08B, I08C, I08D, I08E, I08F, I13A, I13B, I13C, I13D		08	I13A, I13B, I13C, I13D
5t12z.9↔		BOP, KVT, UOP4, VIAL		21A	W04A, W04B		21A	W01A, W01B, W01C, W02A, W02B
	08	I08A, I08B, I08C, I08D, I08E, I08F, I21Z, I31Z		21B	X06A, X06B, X06C		21B	X04Z
	21A	W04A, W04B	5t131.3↔		BOP, KVT, UOP4, VIAL	5t131.r↔		BOP, KVT, UOP4, VIAL
	21B	X06A, X06B, X06C		08	I08A, I08B, I08C, I08D, I08E, I08F, I13A, I13B, I13C, I13D		08	I13A, I13B, I13C, I13D
5t12z.e↔		BOP, KVT, UOP4, VIAL		21A	W04A, W04B		21A	W01A, W01B, W01C, W02A, W02B
	01	B03A, B03B, B06A, B06B, B17A, B17B, B17C	5t131.4↔		X06A, X06B, X06C	5t131.x		BOP, KVT, UOP4
	08	I08A, I08B, I08C, I08D, I08E, I08F		08	I08A, I08B, I08C, I08D, I08E, I08F, I21Z, I31Z		08	I28A, I28B
	10	K09A, K09B		21A	W04A, W04B		21A	W04A, W04B
	21A	W01A, W01B, W01C, W02A, W02B		21B	X06A, X06B, X06C		21B	X06A, X06B, X06C
	21B	X04Z	5t131.6↔		BOP, KVT, UOP4, VIAL	5t133.1↔		BOP, KVT, UOP4, VIAL
				08	I08A, I08B, I08C, I08D, I08E, I08F, I13A, I13B, I21Z, I31Z		08	I08A, I08B, I08C, I08D, I08E, I08F, I13A, I13B, I13C, I13D
				21A	W04A, W04B		21A	W04A, W04B
				21B	X06A, X06B, X06C		21B	X06A, X06B, X06C
			5t131.7↔		BOP, KVT, UOP4, VIAL	5t133.3↔		BOP, KVT, UOP4, VIAL
				08	I08A, I08B, I08C, I08D, I08E, I08F, I21Z, I31Z		08	I08A, I08B, I08C, I08D, I08E, I08F, I13A, I13B, I13C, I13D
				21A	W04A, W04B		21A	W04A, W04B
				21B	X06A, X06B, X06C		21B	X06A, X06B, X06C
				08	I08A, I08B, I08C, I08D, I08E, I08F, I21Z, I31Z		21A	W04A, W04B
				21A	W04A, W04B		21B	X06A, X06B, X06C
				21B	X06A, X06B, X06C			

ZZV	MDC	DRG	ZZV	MDC	DRG	ZZV	MDC	DRG
5t133.4↔		BOP, KVT, UOP4, VIAL	5t134.1↔		BOP, KVT, UOP4, VIAL	5t134.p↔		BOP, KVT, UOP4, VIAL
	08	I08A, I08B, I08C, I08D, I08E, I08F, I21Z, I31Z		08	I08A, I08B, I08C, I08D, I08E, I08F, I13A, I13B, I13C, I13D		08	I13A, I13B, I13C, I13D
	21A	W04A, W04B		21A	W04A, W04B		21A	W01A, W01B, W01C, W02A, W02B
	21B	X06A, X06B, X06C		21B	X06A, X06B, X06C		21B	X04Z
5t133.6↔		BOP, KVT, UOP4, VIAL	5t134.3↔		BOP, KVT, UOP4, VIAL	5t134.r↔		BOP, KVT, UOP4, VIAL
	08	I08A, I08B, I08C, I08D, I08E, I08F, I13A, I13B, I21Z, I31Z		08	I08A, I08B, I08C, I08D, I08E, I08F, I13A, I13B, I13C, I13D		08	I13A, I13B, I13C, I13D
	21A	W04A, W04B		21A	W04A, W04B		21A	W01A, W01B, W01C, W02A, W02B
	21B	X06A, X06B, X06C		21B	X06A, X06B, X06C		21B	X04Z
5t133.7↔		BOP, KVT, UOP4, VIAL	5t134.4↔		BOP, KVT, UOP4, VIAL	5t134.x		BOP, KVT, UOP4
	08	I08A, I08B, I08C, I08D, I08E, I08F, I21Z, I31Z		08	I08A, I08B, I08C, I08D, I08E, I08F, I21Z, I31Z		08	I28A, I28B
	21A	W04A, W04B		21A	W04A, W04B		21A	W04A, W04B
	21B	X06A, X06B, X06C		21B	X06A, X06B, X06C		21B	X06A, X06B, X06C
5t133.9↔		BOP, KVT, UOP4, VIAL	5t134.6↔		BOP, KVT, UOP4, VIAL	5t135.1↔		BOP, KVT, UOP4, VIAL
	08	I08A, I08B, I08C, I08D, I08E, I08F, I21Z, I31Z		08	I08A, I08B, I08C, I08D, I08E, I08F, I13A, I13B, I21Z, I31Z		08	I08A, I08B, I08C, I08D, I08E, I08F, I13A, I13B, I13C, I13D
	21A	W04A, W04B		21A	W04A, W04B		08	I08A, I08B, I08C, I08D, I08E, I08F, I13A, I13B, I13C, I13D
	21B	X06A, X06B, X06C		21B	X06A, X06B, X06C		08	I08A, I08B, I08C, I08D, I08E, I08F
5t133.e↔		BOP, KVT, UOP4, VIAL	5t134.7↔		BOP, KVT, UOP4, VIAL	5t135.e↔		BOP, KVT, UOP4, VIAL
	01	B03A, B03B, B06A, B06B, B17A, B17B, B17C		08	I08A, I08B, I08C, I08D, I08E, I08F, I21Z, I31Z		01	B03A, B03B, B06A, B06B, B17A, B17B, B17C
	08	I08A, I08B, I08C, I08D, I08E, I08F		21A	W04A, W04B		08	I08A, I08B, I08C, I08D, I08E, I08F
	10	K09A, K09B		21B	X06A, X06B, X06C		10	K09A, K09B
	21A	W01A, W01B, W01C, W02A, W02B	5t134.9↔		BOP, KVT, UOP4, VIAL		21A	W01A, W01B, W01C, W02A, W02B
	21B	X04Z		08	I08A, I08B, I08C, I08D, I08E, I08F, I21Z, I31Z		21B	X04Z
5t133.f↔		BOP, KVT, UOP4, VIAL	5t134.e↔		BOP, KVT, UOP4, VIAL	5t135.f↔		BOP, KVT, UOP4, VIAL
	01	B03A, B03B, B06A, B06B, B17A, B17B, B17C		01	B03A, B03B, B06A, B06B, B17A, B17B, B17C		01	B03A, B03B, B06A, B06B, B17A, B17B, B17C
	08	I08A, I08B, I08C, I08D, I08E, I08F		08	I08A, I08B, I08C, I08D, I08E, I08F		08	I08A, I08B, I08C, I08D, I08E, I08F
	10	K09A, K09B		10	K09A, K09B		10	K09A, K09B
	21A	W01A, W01B, W01C, W02A, W02B		21A	W01A, W01B, W01C, W02A, W02B		21A	W01A, W01B, W01C, W02A, W02B
	21B	X04Z		21B	X04Z		21B	X04Z
5t133.h↔		BOP, KVT, UOP4, VIAL	5t134.f↔		BOP, KVT, UOP4, VIAL	5t135.h↔		BOP, KVT, UOP4, VIAL
	01	B03A, B03B, B06A, B06B, B17A, B17B, B17C		01	B03A, B03B, B06A, B06B, B17A, B17B, B17C		01	B03A, B03B, B06A, B06B, B17A, B17B, B17C
	08	I08A, I08B, I08C, I08D, I08E, I08F		08	I08A, I08B, I08C, I08D, I08E, I08F		08	I08A, I08B, I08C, I08D, I08E, I08F
	21A	W01A, W01B, W01C, W02A, W02B		10	K09A, K09B		21A	W01A, W01B, W01C, W02A, W02B
	21B	X04Z		21A	W01A, W01B, W01C, W02A, W02B		21B	X04Z
5t133.k↔		BOP, KVT, UOP4, VIAL	5t134.h↔		BOP, KVT, UOP4, VIAL	5t135.k↔		BOP, KVT, UOP4, VIAL
	08	I13A, I13B, I13C, I13D		01	B03A, B03B, B06A, B06B, B17A, B17B, B17C		08	I13A, I13B, I13C, I13D
	21A	W01A, W01B, W01C, W02A, W02B		08	I08A, I08B, I08C, I08D, I08E, I08F		08	I28A, I28B
	21B	X04Z		10	K09A, K09B		21A	W04A, W04B
5t133.n↔		BOP, KVT, UOP4, VIAL	5t134.j↔		BOP, KVT, UOP4, VIAL		21B	X06A, X06B, X06C
	08	I13A, I13B, I13C, I13D		08	I24Z, I30Z		08	I08A, I08B, I08C, I08D, I08E, I08F, I13A, I13B, I13C, I13D
	21A	W01A, W01B, W01C, W02A, W02B		21A	W04A, W04B		21A	W04A, W04B
	21B	X04Z		21B	X04Z		21B	X06A, X06B, X06C
5t133.p↔		BOP, KVT, UOP4, VIAL	5t134.k↔		BOP, KVT, UOP4, VIAL	5t137.1↔		BOP, KVT, UOP4, VIAL
	08	I13A, I13B, I13C, I13D		08	I13A, I13B, I13C, I13D		08	I08A, I08B, I08C, I08D, I08E, I08F, I13A, I13B, I13C, I13D
	21A	W01A, W01B, W01C, W02A, W02B		21A	W01A, W01B, W01C, W02A, W02B		21A	W04A, W04B
	21B	X04Z		21B	X04Z		21B	X06A, X06B, X06C
5t133.r↔		BOP, KVT, UOP4, VIAL	5t134.n↔		BOP, KVT, UOP4, VIAL	5t137.3↔		BOP, KVT, UOP4, VIAL
	08	I13A, I13B, I13C, I13D		08	I13A, I13B, I13C, I13D		08	I08A, I08B, I08C, I08D, I08E, I08F, I13A, I13B, I13C, I13D
	21A	W01A, W01B, W01C, W02A, W02B		21A	W01A, W01B, W01C, W02A, W02B		21A	W04A, W04B
	21B	X04Z		21B	X04Z		21B	X06A, X06B, X06C
5t133.x		BOP, KVT, UOP4		08	I13A, I13B, I13C, I13D	5t137.4↔		BOP, KVT, UOP4, VIAL
	08	I28A, I28B		21A	W01A, W01B, W01C, W02A, W02B		08	I08A, I08B, I08C, I08D, I08E, I08F, I21Z, I31Z
	21A	W04A, W04B		21B	X04Z		21A	W04A, W04B
	21B	X06A, X06B, X06C		21B	X04Z		21B	X06A, X06B, X06C

VYK

ZZV	MDC	DRG	ZZV	MDC	DRG	ZZV	MDC	DRG
5t137.6↔		BOP, KVT, UOP4, VIAL	5t138.1↔		BOP, KVT, UOP4, VIAL	5t138.p↔		BOP, KVT, UOP4, VIAL
	08	I08A, I08B, I08C, I08D, I08E, I08F, I21Z, I31Z		08	I08A, I08B, I08C, I08D, I08E, I08F, I13A, I13B, I13C, I13D		08	I13A, I13B, I13C, I13D
	21A	W04A, W04B		21A	W04A, W04B		21A	W01A, W01B, W01C, W02A, W02B
	21B	X06A, X06B, X06C		21B	X06A, X06B, X06C		21B	X04Z
5t137.7↔		BOP, KVT, UOP4, VIAL	5t138.3↔		BOP, KVT, UOP4, VIAL	5t138.r↔		BOP, KVT, UOP4, VIAL
	08	I08A, I08B, I08C, I08D, I08E, I08F, I21Z, I31Z		08	I08A, I08B, I08C, I08D, I08E, I08F, I13A, I13B, I13C, I13D		08	I13A, I13B, I13C, I13D
	21A	W04A, W04B		21A	W04A, W04B		21A	W01A, W01B, W01C, W02A, W02B
	21B	X06A, X06B, X06C		21B	X06A, X06B, X06C		21B	X04Z
5t137.9↔		BOP, KVT, UOP4, VIAL	5t138.4↔		BOP, KVT, UOP4, VIAL	5t138.x		BOP, KVT, UOP4
	08	I08A, I08B, I08C, I08D, I08E, I08F, I21Z, I31Z		08	I08A, I08B, I08C, I08D, I08E, I08F, I21Z, I31Z		08	I28A, I28B
	21A	W04A, W04B		21A	W04A, W04B		21A	W04A, W04B
	21B	X06A, X06B, X06C		21B	X06A, X06B, X06C		21B	X06A, X06B, X06C
5t137.e↔		BOP, KVT, UOP4, VIAL	5t138.6↔		BOP, KVT, UOP4, VIAL	5t139.e↔		BOP, KVT, UOP4, VIAL
	01	B03A, B03B, B06A, B06B, B17A, B17B, B17C		08	I08A, I08B, I08C, I08D, I08E, I08F, I13A, I13B, I21Z, I31Z		01	B03A, B03B, B06A, B06B, B17A, B17B, B17C
	08	I08A, I08B, I08C, I08D, I08E, I08F		21A	W04A, W04B		08	I08A, I08B, I08C, I08D, I08E, I08F
	10	K09A, K09B		21B	X06A, X06B, X06C		10	K09A, K09B
	21A	W01A, W01B, W01C, W02A, W02B	5t138.7↔		BOP, KVT, UOP4, VIAL		21A	W01A, W01B, W01C, W02A, W02B
	21B	X04Z		08	I08A, I08B, I08C, I08D, I08E, I08F, I21Z, I31Z		21B	X04Z
5t137.f↔		BOP, KVT, UOP4, VIAL		21A	W04A, W04B	5t139.f↔		BOP, KVT, UOP4, VIAL
	01	B03A, B03B, B06A, B06B, B17A, B17B, B17C	5t138.9↔		BOP, KVT, UOP4, VIAL		01	B03A, B03B, B06A, B06B, B17A, B17B, B17C
	08	I08A, I08B, I08C, I08D, I08E, I08F		08	I08A, I08B, I08C, I08D, I08E, I08F, I21Z, I31Z		08	I08A, I08B, I08C, I08D, I08E, I08F
	10	K09A, K09B		21A	W04A, W04B		10	K09A, K09B
	21A	W01A, W01B, W01C, W02A, W02B		21B	X06A, X06B, X06C		21A	W01A, W01B, W01C, W02A, W02B
	21B	X04Z	5t138.e↔		BOP, KVT, UOP4, VIAL		21B	X04Z
5t137.h↔		BOP, KVT, UOP4, VIAL		01	B03A, B03B, B06A, B06B, B17A, B17B, B17C	5t139.h↔		BOP, KVT, UOP4, VIAL
	01	B03A, B03B, B06A, B06B, B17A, B17B, B17C		08	I08A, I08B, I08C, I08D, I08E, I08F		01	B03A, B03B, B06A, B06B, B17A, B17B, B17C
	08	I08A, I08B, I08C, I08D, I08E, I08F		10	K09A, K09B		08	I08A, I08B, I08C, I08D, I08E, I08F
	21A	W01A, W01B, W01C, W02A, W02B		21A	W01A, W01B, W01C, W02A, W02B		21A	W01A, W01B, W01C, W02A, W02B
	21B	X04Z	5t138.f↔		BOP, KVT, UOP4, VIAL		21B	X04Z
5t137.j↔		KVT, VIAL		01	B03A, B03B, B06A, B06B, B17A, B17B, B17C	5t139.k↔		BOP, KVT, UOP4, VIAL
5t137.k↔		BOP, KVT, UOP4, VIAL		08	I08A, I08B, I08C, I08D, I08E, I08F		08	I13A, I13B, I13C, I13D
	08	I13A, I13B, I13C, I13D		10	K09A, K09B		21A	W01A, W01B, W01C, W02A, W02B
	21A	W01A, W01B, W01C, W02A, W02B		21A	W01A, W01B, W01C, W02A, W02B		21B	X04Z
	21B	X04Z		21B	X04Z	5t139.n↔		BOP, KVT, UOP4, VIAL
5t137.n↔		BOP, KVT, UOP4, VIAL	5t138.h↔		BOP, KVT, UOP4, VIAL		08	I13A, I13B, I13C, I13D
	08	I13A, I13B, I13C, I13D		01	B03A, B03B, B06A, B06B, B17A, B17B, B17C		21A	W01A, W01B, W01C, W02A, W02B
	21A	W01A, W01B, W01C, W02A, W02B		08	I08A, I08B, I08C, I08D, I08E, I08F		21B	X04Z
	21B	X04Z		21A	W01A, W01B, W01C, W02A, W02B	5t13a.1↔		BOP, KVT, UOP4
5t137.p↔		BOP, KVT, UOP4, VIAL		21B	X04Z		08	I28A, I28B
	08	I13A, I13B, I13C, I13D		21A	W01A, W01B, W01C, W02A, W02B		21A	W04A, W04B
	21A	W01A, W01B, W01C, W02A, W02B		21B	X04Z		21B	X06A, X06B, X06C
	21B	X04Z	5t138.j↔		BOP, KVT, UOP4, VIAL	5t13a.3↔		BOP, KVT, UOP4, VIAL
5t137.r↔		BOP, KVT, UOP4, VIAL		08	I24Z, I30Z		08	I08A, I08B, I08C, I08D, I08E, I08F, I13A, I13B, I13C, I13D
	08	I13A, I13B, I13C, I13D		21A	W04A, W04B		21A	W04A, W04B
	21A	W01A, W01B, W01C, W02A, W02B		21B	X04Z		21B	X06A, X06B, X06C
	21B	X04Z	5t138.k↔		BOP, KVT, UOP4, VIAL	5t13a.4↔		BOP, KVT, UOP4, VIAL
5t137.x		BOP, KVT, UOP4		08	I13A, I13B, I13C, I13D		08	I08A, I08B, I08C, I08D, I08E, I08F, I21Z, I31Z
	08	I28A, I28B		21A	W01A, W01B, W01C, W02A, W02B		21A	W04A, W04B
	21A	W04A, W04B		21B	X04Z		21B	X06A, X06B, X06C
	21B	X06A, X06B, X06C	5t138.n↔		BOP, KVT, UOP4, VIAL	5t13a.6↔		BOP, KVT, UOP4, VIAL
				08	I13A, I13B, I13C, I13D		08	I08A, I08B, I08C, I08D, I08E, I08F, I13A, I13B, I21Z, I31Z
				21A	W01A, W01B, W01C, W02A, W02B		21A	W04A, W04B
				21B	X04Z		21B	X06A, X06B, X06C

VYK

ZZV	MDC	DRG	ZZV	MDC	DRG	ZZV	MDC	DRG	
5t13a.7↔		BOP, KVT, UOP4, VIAL	5t13b.3↔		BOP, KVT, UOP4, VIAL	5t13b.r↔		BOP, KVT, UOP4, VIAL	
	08	I08A, I08B, I08C, I08D, I08E, I08F, I21Z, I31Z		08	I08A, I08B, I08C, I08D, I08E, I08F, I13A, I13B, I13C, I13D		08	I13A, I13B, I13C, I13D	
	21A	W04A, W04B		21A	W04A, W04B		21A	W01A, W01B, W01C, W02A, W02B	
	21B	X06A, X06B, X06C		21B	X06A, X06B, X06C		21B	X04Z	
5t13a.9↔		BOP, KVT, UOP4, VIAL	5t13b.4↔		BOP, KVT, UOP4, VIAL	5t13b.x		BOP, KVT, UOP4	
	08	I08A, I08B, I08C, I08D, I08E, I08F, I21Z, I31Z		08	I08A, I08B, I08C, I08D, I08E, I08F, I21Z, I31Z		08	I28A, I28B	
	21A	W04A, W04B		21A	W04A, W04B		21A	W04A, W04B	
	21B	X06A, X06B, X06C		21B	X06A, X06B, X06C		21B	X06A, X06B, X06C	
5t13a.e↔		BOP, KVT, UOP4, VIAL	5t13b.6↔		BOP, KVT, UOP4, VIAL	5t13c.1↔		BOP, KVT, UOP4, VIAL	
	01	B03A, B03B, B06A, B06B, B17A, B17B, B17C		08	I08A, I08B, I08C, I08D, I08E, I08F, I13A, I13B, I21Z, I31Z		08	I08A, I08B, I08C, I08D, I08E, I08F, I13A, I13B, I13C, I13D	
	08	I08A, I08B, I08C, I08D, I08E, I08F		21A	W04A, W04B		21A	W04A, W04B	
	10	K09A, K09B		21B	X06A, X06B, X06C		21B	X06A, X06B, X06C	
	21A	W01A, W01B, W01C, W02A, W02B	5t13b.7↔		BOP, KVT, UOP4, VIAL	5t13c.3↔		BOP, KVT, UOP4, VIAL	
	21B	X04Z		08	I08A, I08B, I08C, I08D, I08E, I08F, I21Z, I31Z		08	I08A, I08B, I08C, I08D, I08E, I08F, I13A, I13B, I13C, I13D	
5t13a.f↔		BOP, KVT, UOP4, VIAL		21A	W04A, W04B		21A	W04A, W04B	
	01	B03A, B03B, B06A, B06B, B17A, B17B, B17C	5t13b.9↔		BOP, KVT, UOP4, VIAL		21B	X06A, X06B, X06C	
	08	I08A, I08B, I08C, I08D, I08E, I08F		08	I08A, I08B, I08C, I08D, I08E, I08F, I21Z, I31Z	5t13c.e↔		BOP, KVT, UOP4, VIAL	
	10	K09A, K09B		21A	W04A, W04B		01	B03A, B03B, B06A, B06B, B17A, B17B, B17C	
	21A	W01A, W01B, W01C, W02A, W02B		21B	X06A, X06B, X06C		08	I08A, I08B, I08C, I08D, I08E, I08F	
	21B	X04Z	5t13b.e↔		BOP, KVT, UOP4, VIAL		10	K09A, K09B	
5t13a.h↔		BOP, KVT, UOP4, VIAL		01	B03A, B03B, B06A, B06B, B17A, B17B, B17C		21A	W01A, W01B, W01C, W02A, W02B	
	01	B03A, B03B, B06A, B06B, B17A, B17B, B17C		08	I08A, I08B, I08C, I08D, I08E, I08F	5t13c.f↔		BOP, KVT, UOP4, VIAL	
	08	I08A, I08B, I08C, I08D, I08E, I08F		21A	W01A, W01B, W01C, W02A, W02B		01	B03A, B03B, B06A, B06B, B17A, B17B, B17C	
	21A	W01A, W01B, W01C, W02A, W02B	5t13b.f↔		BOP, KVT, UOP4, VIAL		08	I08A, I08B, I08C, I08D, I08E, I08F	
	21B	X04Z		01	B03A, B03B, B06A, B06B, B17A, B17B, B17C		10	K09A, K09B	
5t13a.j↔		BOP, KVT, UOP4, VIAL		08	I08A, I08B, I08C, I08D, I08E, I08F		21A	W01A, W01B, W01C, W02A, W02B	
	08	I24Z, I30Z		10	K09A, K09B	5t13c.h↔		BOP, KVT, UOP4, VIAL	
	21A	W04A, W04B		21A	W01A, W01B, W01C, W02A, W02B		01	B03A, B03B, B06A, B06B, B17A, B17B, B17C	
	21B	X04Z		21B	X04Z		08	I08A, I08B, I08C, I08D, I08E, I08F	
5t13a.k↔		BOP, KVT, UOP4, VIAL		5t13b.h↔		BOP, KVT, UOP4, VIAL		21A	W01A, W01B, W01C, W02A, W02B
	08	I13A, I13B, I13C, I13D		01	B03A, B03B, B06A, B06B, B17A, B17B, B17C		21B	X04Z	
	21A	W01A, W01B, W01C, W02A, W02B		08	I08A, I08B, I08C, I08D, I08E, I08F	5t13c.k↔		BOP, KVT, UOP4, VIAL	
	21B	X04Z		21A	W01A, W01B, W01C, W02A, W02B		08	I13A, I13B, I13C, I13D	
5t13a.n↔		BOP, KVT, UOP4, VIAL		21B	X04Z		21A	W01A, W01B, W01C, W02A, W02B	
	08	I13A, I13B, I13C, I13D		5t13b.j↔		KVT		21B	X04Z
	21A	W01A, W01B, W01C, W02A, W02B		5t13b.k↔		BOP, KVT, UOP4, VIAL	5t13c.x		BOP, KVT, UOP4
	21B	X04Z		08	I13A, I13B, I13C, I13D			08	I28A, I28B
5t13a.p↔		BOP, KVT, UOP4, VIAL		21A	W01A, W01B, W01C, W02A, W02B			21A	W04A, W04B
	08	I13A, I13B, I13C, I13D		21B	X04Z			21B	X06A, X06B, X06C
	21A	W01A, W01B, W01C, W02A, W02B		5t13b.n↔		BOP, KVT, UOP4, VIAL		21B	X04Z
	21B	X04Z		08	I13A, I13B, I13C, I13D			21A	W01A, W01B, W01C, W02A, W02B
5t13a.r↔		BOP, KVT, UOP4, VIAL		21A	W01A, W01B, W01C, W02A, W02B	5t13d.h↔		01	B03A, B03B, B06A, B06B, B17A, B17B, B17C
	08	I13A, I13B, I13C, I13D		21B	X04Z			08	I08A, I08B, I08C, I08D, I08E, I08F
	21A	W01A, W01B, W01C, W02A, W02B		5t13b.o↔		BOP, KVT, UOP4, VIAL		21A	W01A, W01B, W01C, W02A, W02B
	21B	X04Z		08	I13A, I13B, I13C, I13D			21B	X04Z
5t13a.x		BOP, KVT, UOP4		21A	W01A, W01B, W01C, W02A, W02B	5t13d.j↔		BOP, KVT, UOP4, VIAL	
	08	I28A, I28B		21B	X04Z			08	I24Z, I30Z
	21A	W04A, W04B	5t13b.p↔		BOP, KVT, UOP4, VIAL			21A	W04A, W04B
	21B	X06A, X06B, X06C		08	I13A, I13B, I13C, I13D			21B	X04Z
5t13b.1↔		BOP, KVT, UOP4, VIAL		21A	W01A, W01B, W01C, W02A, W02B				
	08	I08A, I08B, I08C, I08D, I08E, I08F, I13A, I13B, I13C, I13D		21B	X04Z				
	21A	W04A, W04B							
	21B	X06A, X06B, X06C							

ZZV	MDC	DRG	ZZV	MDC	DRG	ZZV	MDC	DRG
5t13d.k↔		BOP, KVT, UOP4, VIAL 08 I13A, I13B, I13C, I13D 21A W01A, W01B, W01C, W02A, W02B 21B X04Z	5t13v.f↔		BOP, KVT, UOP4, VIAL 01 B03A, B03B, B06A, B06B, B17A, B17B, B17C 08 I08A, I08B, I08C, I08D, I08E, I08F, I13A 10 K09A, K09B 21A W01A, W01B, W01C, W02A, W02B 21B X04Z	5t13x.9↔		BOP, KVT, UOP4, VIAL 08 I08A, I08B, I08C, I08D, I08E, I08F, I21Z, I31Z 21A W04A, W04B 21B X06A, X06B, X06C
5t13d.n↔		BOP, KVT, UOP4, VIAL 08 I13A, I13B, I13C, I13D 21A W01A, W01B, W01C, W02A, W02B 21B X04Z	5t13v.h↔		BOP, KVT, UOP4, VIAL 01 B03A, B03B, B06A, B06B, B17A, B17B, B17C 08 I08A, I08B, I08C, I08D, I08E, I08F, I13A 21A W01A, W01B, W01C, W02A, W02B 21B X04Z	5t13x.e↔		BOP, KVT, UOP4, VIAL 01 B03A, B03B, B06A, B06B, B17A, B17B, B17C 08 I08A, I08B, I08C, I08D, I08E, I08F 10 K09A, K09B 21A W01A, W01B, W01C, W02A, W02B 21B X04Z
5t13d.p↔		BOP, KVT, UOP4, VIAL 08 I13A, I13B, I13C, I13D 21A W01A, W01B, W01C, W02A, W02B 21B X04Z	5t13v.j↔		BOP, KVT, UOP4, VIAL 01 B03A, B03B, B06A, B06B, B17A, B17B, B17C 08 I08A, I08B, I08C, I08D, I08E, I08F, I13A 21A W01A, W01B, W01C, W02A, W02B 21B X04Z	5t13x.f↔		BOP, KVT, UOP4, VIAL 01 B03A, B03B, B06A, B06B, B17A, B17B, B17C 08 I08A, I08B, I08C, I08D, I08E, I08F 10 K09A, K09B 21A W01A, W01B, W01C, W02A, W02B 21B X04Z
5t13d.r↔		BOP, KVT, UOP4, VIAL 08 I13A, I13B, I13C, I13D 21A W01A, W01B, W01C, W02A, W02B 21B X04Z	5t13v.k↔		BOP, KVT, UOP4, VIAL 08 I13A, I13B, I13C, I13D 21A W01A, W01B, W01C, W02A, W02B 21B X04Z	5t13x.h↔		BOP, KVT, UOP4, VIAL 01 B03A, B03B, B06A, B06B, B17A, B17B, B17C 08 I08A, I08B, I08C, I08D, I08E, I08F 10 K09A, K09B 21A W01A, W01B, W01C, W02A, W02B 21B X04Z
5t13d.x		BOP, KVT, UOP4 08 I28A, I28B 21A W04A, W04B 21B X06A, X06B, X06C	5t13v.n↔		BOP, KVT, UOP4, VIAL 08 I13A, I13B, I13C, I13D 21A W01A, W01B, W01C, W02A, W02B 21B X04Z	5t13x.j↔		BOP, KVT, UOP4, VIAL 08 I24Z, I30Z 21A W04A, W04B 21B X04Z
5t13v.1↔		BOP, KVT, UOP4, VIAL 08 I08A, I08B, I08C, I08D, I08E, I08F, I13A, I13B, I13C, I13D 21A W04A, W04B 21B X06A, X06B, X06C	5t13v.p↔		BOP, KVT, UOP4, VIAL 08 I13A, I13B, I13C, I13D 21A W01A, W01B, W01C, W02A, W02B 21B X04Z	5t13x.k↔		BOP, KVT, UOP4, VIAL 08 I13A, I13B, I13C, I13D 21A W01A, W01B, W01C, W02A, W02B 21B X04Z
5t13v.3↔		BOP, KVT, UOP4, VIAL 08 I08A, I08B, I08C, I08D, I08E, I08F, I13A, I13B, I13C, I13D 21A W04A, W04B 21B X06A, X06B, X06C	5t13v.r↔		BOP, KVT, UOP4, VIAL 08 I13A, I13B, I13C, I13D 21A W01A, W01B, W01C, W02A, W02B 21B X04Z	5t13x.n↔		BOP, KVT, UOP4, VIAL 08 I13A, I13B, I13C, I13D 21A W01A, W01B, W01C, W02A, W02B 21B X04Z
5t13v.4↔		BOP, KVT, UOP4, VIAL 08 I08A, I08B, I08C, I08D, I08E, I08F, I13A, I21Z, I31Z 21A W04A, W04B 21B X06A, X06B, X06C	5t13v.x		BOP, KVT, UOP4 08 I13A, I28A, I28B 21A W04A, W04B 21B X06A, X06B, X06C	5t13x.p↔		BOP, KVT, UOP4, VIAL 08 I13A, I13B, I13C, I13D 21A W01A, W01B, W01C, W02A, W02B 21B X04Z
5t13v.6↔		BOP, KVT, UOP4, VIAL 08 I08A, I08B, I08C, I08D, I08E, I08F, I13A, I21Z, I31Z 21A W04A, W04B 21B X06A, X06B, X06C	5t13x.1↔		BOP, KVT, UOP4, VIAL 08 I08A, I08B, I08C, I08D, I08E, I08F, I13A, I13B, I13C, I13D 21A W04A, W04B 21B X06A, X06B, X06C	5t13x.r↔		BOP, KVT, UOP4, VIAL 08 I13A, I13B, I13C, I13D 21A W01A, W01B, W01C, W02A, W02B 21B X04Z
5t13v.7↔		BOP, KVT, UOP4, VIAL 08 I08A, I08B, I08C, I08D, I08E, I08F, I13A, I21Z, I31Z 21A W04A, W04B 21B X06A, X06B, X06C	5t13x.3↔		BOP, KVT, UOP4, VIAL 08 I08A, I08B, I08C, I08D, I08E, I08F, I13A, I13B, I13C, I13D 21A W04A, W04B 21B X06A, X06B, X06C	5t13x.x		BOP, KVT, UOP4 08 I28A, I28B 21A W04A, W04B 21B X06A, X06B, X06C
5t13v.9↔		BOP, KVT, UOP4, VIAL 08 I08A, I08B, I08C, I08D, I08E, I08F, I13A, I21Z, I31Z 21A W04A, W04B 21B X06A, X06B, X06C	5t13x.4↔		BOP, KVT, UOP4, VIAL 08 I08A, I08B, I08C, I08D, I08E, I08F, I21Z, I31Z 21A W04A, W04B 21B X06A, X06B, X06C	5t13z.1↔		BOP, KVT, UOP4, VIAL 08 I08A, I08B, I08C, I08D, I08E, I08F, I13A, I13B, I13C, I13D 21A W04A, W04B 21B X06A, X06B, X06C
5t13v.e↔		BOP, KVT, UOP4, VIAL 01 B03A, B03B, B06A, B06B, B17A, B17B, B17C 08 I08A, I08B, I08C, I08D, I08E, I08F, I13A 10 K09A, K09B 21A W01A, W01B, W01C, W02A, W02B 21B X04Z	5t13x.6↔		BOP, KVT, UOP4, VIAL 08 I08A, I08B, I08C, I08D, I08E, I08F, I13A, I13B, I21Z, I31Z 21A W04A, W04B 21B X06A, X06B, X06C	5t13z.3↔		BOP, KVT, UOP4, VIAL 08 I08A, I08B, I08C, I08D, I08E, I08F, I13A, I13B, I13C, I13D 21A W04A, W04B 21B X06A, X06B, X06C
			5t13x.7↔		BOP, KVT, UOP4, VIAL 08 I08A, I08B, I08C, I08D, I08E, I08F, I21Z, I31Z 21A W04A, W04B 21B X06A, X06B, X06C			

ZZV	MDC	DRG	ZZV	MDC	DRG	ZZV	MDC	DRG
5t13z.4↔		BOP, KVT, UOP4, VIAL	5t13z.x		BOP, KVT, UOP4	5t141.u↔		BOP, KVT, UOP4, VIAL
	08	I08A, I08B, I08C, I08D, I08E, I08F, I21Z, I31Z		08	I28A, I28B		08	I20A, I20B, I20C, I20D, I20E, I20F
	21A	W04A, W04B		21A	W04A, W04B		21A	W04A, W04B
	21B	X06A, X06B, X06C	5t140.0↔		BOP, KVT, UOP4, VIAL		21B	X04Z
5t13z.6↔		BOP, KVT, UOP4, VIAL		08	I29Z	5t141.v↔		BOP, KVT, UOP4, VIAL
	08	I08A, I08B, I08C, I08D, I08E, I08F, I13A, I13B, I21Z, I31Z		21A	W04A, W04B		08	I20A, I20B, I20C, I20D, I20E, I20F
	21A	W04A, W04B		21B	X06A, X06B, X06C		21A	W04A, W04B
	21B	X06A, X06B, X06C	5t140.a↔		BOP, KVT, UOP4, VIAL		21B	X04Z
5t13z.7↔		BOP, KVT, UOP4, VIAL		08	I32A, I32B, I32C, I32D, I32E, I32F	5t141.w↔		BOP, KVT, UOP4, VIAL
	08	I08A, I08B, I08C, I08D, I08E, I08F, I21Z, I31Z		21A	W04A, W04B		08	I20A, I20B, I20C, I20D, I20E, I20F
	21A	W04A, W04B		21B	X05A		21A	W04A, W04B
	21B	X06A, X06B, X06C	5t140.b↔		BOP, KVT, UOP4, VIAL		21B	X04Z
5t13z.9↔		BOP, KVT, UOP4, VIAL		08	I32A, I32B, I32C, I32D, I32E, I32F	5t141.x		BOP, KVT, UOP4
	08	I08A, I08B, I08C, I08D, I08E, I08F, I21Z, I31Z		21A	W04A, W04B		08	I28A, I28B
	21A	W04A, W04B		21B	X05A		21A	W04A, W04B
	21B	X06A, X06B, X06C	5t140.c↔		BOP, KVT, UOP4, VIAL		21B	X06A, X06B, X06C
5t13z.e↔		BOP, KVT, UOP4, VIAL		01	B03A, B03B, B06A, B06B, B07Z, B17A, B17B, B17C	5t141.z↔		BOP, KVT, UOP4, VIAL
	01	B03A, B03B, B06A, B06B, B17A, B17B, B17C		08	I32A, I32B, I32C, I32D, I32E, I32F		08	I28A, I28B, I28C
	08	I08A, I08B, I08C, I08D, I08E, I08F		21A	W04A, W04B		21A	W04A, W04B
	10	K09A, K09B		21B	X05A	5t143.0↔		BOP, KVT, UOP4, VIAL
	21A	W01A, W01B, W01C, W02A, W02B	5t140.u↔		BOP, KVT, UOP4, VIAL		08	I21Z
	21B	X04Z		08	I20A, I20B, I20C, I20D, I20E, I20F		21A	W04A, W04B
5t13z.f↔		BOP, KVT, UOP4, VIAL		21A	W04A, W04B	5t143.a↔		BOP, KVT, UOP4, VIAL
	01	B03A, B03B, B06A, B06B, B17A, B17B, B17C		21B	X04Z		08	I32A, I32B, I32C, I32D, I32E, I32F
	08	I08A, I08B, I08C, I08D, I08E, I08F	5t140.v↔		BOP, KVT, UOP4, VIAL		21A	W04A, W04B
	10	K09A, K09B		08	I20A, I20B, I20C, I20D, I20E, I20F		21B	X05A
	21A	W01A, W01B, W01C, W02A, W02B		21A	W04A, W04B	5t143.b↔		BOP, KVT, UOP4, VIAL
	21B	X04Z		21B	X04Z		08	I32A, I32B, I32C, I32D, I32E, I32F
5t13z.h↔		BOP, KVT, UOP4, VIAL	5t140.w↔		BOP, KVT, UOP4, VIAL		21A	W04A, W04B
	01	B03A, B03B, B06A, B06B, B17A, B17B, B17C		08	I20A, I20B, I20C, I20D, I20E, I20F	5t143.c↔		BOP, KVT, UOP4, VIAL
	08	I08A, I08B, I08C, I08D, I08E, I08F		21A	W04A, W04B		08	I32A, I32B, I32C, I32D, I32E, I32F
	21A	W01A, W01B, W01C, W02A, W02B		21B	X04Z		21A	W04A, W04B
	21B	X04Z	5t140.x		BOP, KVT, UOP4		21B	X05A
5t13z.j↔		BOP, KVT, UOP4, VIAL		08	I28A, I28B	5t143.u↔		BOP, KVT, UOP4, VIAL
	08	I24Z, I30Z		21A	W04A, W04B		08	I20A, I20B, I20C, I20D, I20E, I20F
	21A	W04A, W04B		21B	X06A, X06B, X06C		21A	W04A, W04B
	21B	X04Z	5t140.z↔		BOP, KVT, UOP4, VIAL		21B	X04Z
5t13z.k↔		BOP, KVT, UOP4, VIAL		08	I28A, I28B, I28C	5t143.v↔		BOP, KVT, UOP4, VIAL
	08	I13A, I13B, I13C, I13D		21A	W04A, W04B		08	I20A, I20B, I20C, I20D, I20E, I20F
	21A	W01A, W01B, W01C, W02A, W02B		21B	X06A, X06B, X06C		21A	W04A, W04B
	21B	X04Z	5t141.0↔		BOP, KVT, UOP4, VIAL		21B	X04Z
5t13z.n↔		BOP, KVT, UOP4, VIAL		08	I21Z	5t143.w↔		BOP, KVT, UOP4, VIAL
	08	I13A, I13B, I13C, I13D		21A	W04A, W04B		08	I20A, I20B, I20C, I20D, I20E, I20F
	21A	W01A, W01B, W01C, W02A, W02B		21B	X05A		21A	W04A, W04B
	21B	X04Z	5t141.a↔		BOP, KVT, UOP4, VIAL		21B	X04Z
5t13z.p↔		BOP, KVT, UOP4, VIAL		08	I32A, I32B, I32C, I32D, I32E, I32F		08	I28A, I28B
	08	I13A, I13B, I13C, I13D		21A	W04A, W04B		21A	W04A, W04B
	21A	W01A, W01B, W01C, W02A, W02B		21B	X05A	5t143.z↔		BOP, KVT, UOP4, VIAL
	21B	X04Z	5t141.b↔		BOP, KVT, UOP4, VIAL		08	I28A, I28B, I28C
5t13z.r↔		BOP, KVT, UOP4, VIAL		08	I32A, I32B, I32C, I32D, I32E, I32F		21A	W04A, W04B
	08	I13A, I13B, I13C, I13D		21A	W04A, W04B	5t144.0↔		BOP, KVT, UOP4, VIAL
	21A	W01A, W01B, W01C, W02A, W02B		21B	X05A		08	I21Z
	21B	X04Z					21A	W04A, W04B
							21B	X06A, X06B, X06C

ZZV	MDC	DRG	ZZV	MDC	DRG	ZZV	MDC	DRG
5t144.a↔		BOP, KVT, UOP4, VIAL	5t14b.u↔		BOP, KVT, UOP4, VIAL	5t14t.v↔		BOP, KVT, UOP4, VIAL
	08	I32A, I32B, I32C, I32D, I32E, I32F		08	I20A, I20B, I20C, I20D, I20E, I20F		08	I20A, I20B, I20C, I20D, I20E, I20F
	21A	W04A, W04B		21A	W04A, W04B		21A	W04A, W04B
	21B	X05A		21B	X04Z		21B	X04Z
5t144.b↔		BOP, KVT, UOP4, VIAL	5t14b.v↔		BOP, KVT, UOP4, VIAL	5t14t.w↔		BOP, KVT, UOP4, VIAL
	08	I32A, I32B, I32C, I32D, I32E, I32F		08	I20A, I20B, I20C, I20D, I20E, I20F		08	I20A, I20B, I20C, I20D, I20E, I20F
	21A	W04A, W04B		21A	W04A, W04B		21A	W04A, W04B
	21B	X05A		21B	X04Z		21B	X04Z
5t144.c↔		BOP, KVT, UOP4, VIAL	5t14b.w↔		BOP, KVT, UOP4, VIAL	5t14t.x		BOP, KVT, UOP4
	08	I32A, I32B, I32C, I32D, I32E, I32F		08	I20A, I20B, I20C, I20D, I20E, I20F		08	I28A, I28B
	21A	W04A, W04B		21A	W04A, W04B		21A	W04A, W04B
	21B	X05A		21B	X04Z		21B	X06A, X06B, X06C
5t144.u↔		BOP, KVT, UOP4, VIAL	5t14b.x		BOP, KVT, UOP4	5t14t.z↔		BOP, KVT, UOP4, VIAL
	08	I20A, I20B, I20C, I20D, I20E, I20F		08	I28A, I28B		08	I28A, I28B, I28C
	21A	W04A, W04B		21A	W04A, W04B		21A	W04A, W04B
	21B	X04Z		21B	X06A, X06B, X06C		21B	X06A, X06B, X06C
5t144.v↔		BOP, KVT, UOP4, VIAL	5t14b.z↔		BOP, KVT, UOP4, VIAL	5t14v.a↔		BOP, KVT, UOP4, VIAL
	08	I20A, I20B, I20C, I20D, I20E, I20F		08	I28A, I28B, I28C		08	I13A, I32A, I32B, I32C, I32D, I32E, I32F
	21A	W04A, W04B		21A	W04A, W04B		21A	W04A, W04B
	21B	X04Z		21B	X06A, X06B, X06C		21B	X05A
5t144.w↔		BOP, KVT, UOP4, VIAL	5t14d.0↔		BOP, KVT, UOP4, VIAL	5t14v.b↔		BOP, KVT, UOP4, VIAL
	08	I20A, I20B, I20C, I20D, I20E, I20F		08	I29Z		08	I13A, I32A, I32B, I32C, I32D, I32E, I32F
	21A	W04A, W04B		21A	W04A, W04B		21A	W04A, W04B
	21B	X04Z		21B	X06A, X06B, X06C		21A	W04A, W04B
5t144.x		BOP, KVT, UOP4	5t14d.u↔		BOP, KVT, UOP4, VIAL	5t14v.u↔		BOP, KVT, UOP4, VIAL
	08	I28A, I28B		08	I20A, I20B, I20C, I20D, I20E, I20F		08	I13A, I20A, I20B, I20C, I20D, I20E, I20F
	21A	W04A, W04B		21A	W04A, W04B		21A	W04A, W04B
	21B	X06A, X06B, X06C		21B	X04Z		21B	X04Z
5t144.z↔		BOP, KVT, UOP4, VIAL	5t14d.v↔		BOP, KVT, UOP4, VIAL	5t14v.v↔		BOP, KVT, UOP4, VIAL
	08	I28A, I28B, I28C		08	I20A, I20B, I20C, I20D, I20E, I20F		08	I13A, I20A, I20B, I20C, I20D, I20E, I20F
	21A	W04A, W04B		21A	W04A, W04B		21A	W04A, W04B
	21B	X06A, X06B, X06C		21B	X04Z		21B	X04Z
5t14a.0↔		BOP, KVT, UOP4, VIAL	5t14d.x		BOP, KVT, UOP4	5t14v.x		BOP, KVT, UOP4
	08	I21Z		08	I28A, I28B		08	I13A, I28A, I28B
	21A	W04A, W04B		21A	W04A, W04B		21A	W04A, W04B
	21B	X06A, X06B, X06C		21B	X06A, X06B, X06C		21B	X06A, X06B, X06C
5t14a.x		BOP, KVT, UOP4	5t14d.z↔		BOP, KVT, UOP4, VIAL	5t14x.0↔		BOP, KVT, UOP4, VIAL
	08	I28A, I28B		08	I28A, I28B, I28C		08	I29Z
	21A	W04A, W04B		21A	W04A, W04B		21A	W04A, W04B
	21B	X06A, X06B, X06C		21B	X06A, X06B, X06C		21B	X06A, X06B, X06C
5t14b.0↔		BOP, KVT, UOP4, VIAL	5t14t.0↔		BOP, KVT, UOP4, VIAL	5t14x.a↔		BOP, KVT, UOP4, VIAL
	08	I29Z		08	I29Z		08	I32A, I32B, I32C, I32D, I32E, I32F
	21A	W04A, W04B		21A	W04A, W04B		21A	W04A, W04B
	21B	X06A, X06B, X06C		21B	X06A, X06B, X06C		21B	X05A, X05B
5t14b.a↔		BOP, KVT, UOP4, VIAL	5t14t.a↔		BOP, KVT, UOP4, VIAL	5t14x.b↔		BOP, KVT, UOP4, VIAL
	08	I32A, I32B, I32C, I32D, I32E, I32F		08	I32A, I32B, I32C, I32D, I32E, I32F		08	I32A, I32B, I32C, I32D, I32E, I32F
	21A	W04A, W04B		21A	W04A, W04B		21A	W04A, W04B
	21B	X05A		21B	X05A		21B	X05A, X05B
5t14b.b↔		BOP, KVT, UOP4, VIAL	5t14t.b↔		BOP, KVT, UOP4, VIAL	5t14x.c↔		BOP, KVT, UOP4, VIAL
	08	I32A, I32B, I32C, I32D, I32E, I32F		08	I32A, I32B, I32C, I32D, I32E, I32F		08	I32A, I32B, I32C, I32D, I32E, I32F
	21A	W04A, W04B		21A	W04A, W04B		21A	W04A, W04B
	21B	X05A		21B	X05A		21B	X05A, X05B
5t14b.c↔		BOP, KVT, UOP4, VIAL	5t14t.c↔		BOP, KVT, UOP4, VIAL	5t14x.u↔		BOP, KVT, UOP4, VIAL
	08	I32A, I32B, I32C, I32D, I32E, I32F		08	I32A, I32B, I32C, I32D, I32E, I32F		08	I20A, I20B, I20C, I20D, I20E, I20F
	21A	W04A, W04B		21A	W04A, W04B		21A	W04A, W04B
	21B	X05A		21B	X05A		21B	X04Z
			5t14t.u↔		BOP, KVT, UOP4, VIAL			
				08	I20A, I20B, I20C, I20D, I20E, I20F			
				21A	W04A, W04B			
				21B	X04Z			

VYK



ZZV	MDC	DRG	ZZV	MDC	DRG	ZZV	MDC	DRG
5t14x.v↔		BOP, KVT, UOP4, VIAL	5t150.a↔		BOP, KVT, UOP4, VIAL	5t151.w↔		BOP, KVT, UOP4, VIAL
	08	I20A, I20B, I20C, I20D, I20E, I20F		08	I32A, I32B, I32C, I32D, I32E, I32F		08	I20A, I20B, I20C, I20D, I20E, I20F
	21A	W04A, W04B		21A	W04A, W04B		21A	W04A, W04B
	21B	X04Z		21B	X05A		21B	X04Z, X05A
5t14x.w↔		BOP, KVT, UOP4, VIAL	5t150.b↔		BOP, KVT, UOP4, VIAL	5t151.x		BOP, KVT, UOP4
	08	I20A, I20B, I20C, I20D, I20E, I20F		08	I32A, I32B, I32C, I32D, I32E, I32F		08	I28A, I28B
	21A	W04A, W04B		21A	W04A, W04B		21A	W04A, W04B
	21B	X04Z		21B	X05A		21B	X06A, X06B, X06C
5t14x.x		BOP, KVT, UOP4	5t150.c↔		BOP, KVT, UOP4, VIAL	5t151.z↔		BOP, KVT, UOP4, VIAL
	08	I28A, I28B		01	B03A, B03B, B06A, B06B, B07Z, B17A, B17B, B17C		08	I28A, I28B, I28C
	21A	W04A, W04B		08	I32A, I32B, I32C, I32D, I32E, I32F		21A	W04A, W04B
	21B	X06A, X06B, X06C		21A	W04A, W04B		21B	X05A, X06A, X06B, X06C
5t14x.z↔		BOP, KVT, UOP4, VIAL	5t150.u↔		BOP, KVT, UOP4, VIAL	5t153.0↔		BOP, KVT, UOP4, VIAL
	08	I28A, I28B, I28C		08	I20A, I20B, I20C, I20D		08	I21Z, I28B
	21A	W04A, W04B		21A	W04A, W04B		21A	W04A, W04B
	21B	X06A, X06B, X06C		21B	X04Z, X05A		21B	X05A, X06A, X06B, X06C
5t14z.0↔		BOP, KVT, UOP4, VIAL	5t150.v↔		BOP, KVT, UOP4, VIAL	5t153.a↔		BOP, KVT, UOP4, VIAL
	08	I29Z		08	I20A, I20B, I20C, I20D		08	I32A, I32B, I32C, I32D, I32E, I32F
	21A	W04A, W04B		21A	W04A, W04B		21A	W04A, W04B
	21B	X06A, X06B, X06C		21B	X04Z, X05A		21B	X05A
5t14z.a↔		BOP, KVT, UOP4, VIAL	5t150.w↔		BOP, KVT, UOP4, VIAL	5t153.b↔		BOP, KVT, UOP4, VIAL
	08	I32A, I32B, I32C, I32D, I32E, I32F		08	I20A, I20B, I20C, I20D, I20E, I20F		08	I32A, I32B, I32C, I32D, I32E, I32F
	21A	W04A, W04B		21A	W04A, W04B		21A	W04A, W04B
	21B	X05A		21B	X04Z, X05A		21B	X05A
5t14z.b↔		BOP, KVT, UOP4, VIAL	5t150.x		BOP, KVT, UOP4	5t153.c↔		BOP, KVT, UOP4, VIAL
	08	I32A, I32B, I32C, I32D, I32E, I32F		08	I28A, I28B		08	I32A, I32B, I32C, I32D, I32E, I32F
	21A	W04A, W04B		21A	W04A, W04B		21A	W04A, W04B
	21B	X05A		21B	X06A, X06B, X06C		21B	X05A
5t14z.c↔		BOP, KVT, UOP4, VIAL	5t150.z↔		BOP, KVT, UOP4, VIAL	5t153.u↔		BOP, KVT, UOP4, VIAL
	08	I32A, I32B, I32C, I32D, I32E, I32F		08	I28A, I28B		08	I20A, I20B, I20C, I20D
	21A	W04A, W04B		21A	W04A, W04B		21A	W04A, W04B
	21B	X05A		21B	X05A, X06A, X06B, X06C		21B	X04Z, X05A
5t14z.j↔		BOP, KVT, UOP4, VIAL	5t151.0↔		BOP, KVT, UOP4, VIAL	5t153.v↔		BOP, KVT, UOP4, VIAL
	08	I20A, I20B, I20C, I20D, I20E, I20F		08	I21Z		08	I20A, I20B, I20C, I20D, I20E, I20F
	21A	W04A, W04B		21A	W04A, W04B		21A	W04A, W04B
	21B	X04Z		21B	X05A, X06A, X06B, X06C		21B	X04Z, X05A
5t14z.u↔		BOP, KVT, UOP4, VIAL	5t151.a↔		BOP, KVT, UOP4, VIAL	5t153.w↔		BOP, KVT, UOP4, VIAL
	08	I20A, I20B, I20C, I20D, I20E, I20F		08	I32A, I32B, I32C, I32D, I32E, I32F		08	I20A, I20B, I20C, I20D, I20E, I20F
	21A	W04A, W04B		21A	W04A, W04B		21A	W04A, W04B
	21B	X04Z		21B	X05A		21B	X04Z, X05A
5t14z.v↔		BOP, KVT, UOP4, VIAL	5t151.b↔		BOP, KVT, UOP4, VIAL	5t153.x		BOP, KVT, UOP4
	08	I20A, I20B, I20C, I20D, I20E, I20F		08	I32A, I32B, I32C, I32D, I32E, I32F		08	I28A, I28B
	21A	W04A, W04B		21A	W04A, W04B		21A	W04A, W04B
	21B	X04Z		21B	X05A		21B	X06A, X06B, X06C
5t14z.w↔		BOP, KVT, UOP4, VIAL	5t151.c↔		BOP, KVT, UOP4, VIAL	5t153.z↔		BOP, KVT, UOP4, VIAL
	08	I20A, I20B, I20C, I20D, I20E, I20F		08	I32A, I32B, I32C, I32D, I32E, I32F		08	I28A, I28B
	21A	W04A, W04B		21A	W04A, W04B		21A	W04A, W04B
	21B	X04Z		21B	X05A		21B	X05A, X06A, X06B, X06C
5t14z.x		BOP, KVT, UOP4	5t151.u↔		BOP, KVT, UOP4, VIAL	5t154.0↔		BOP, KVT, UOP4, VIAL
	08	I28A, I28B		08	I20A, I20B, I20C, I20D		08	I21Z, I28B
	21A	W04A, W04B		21A	W04A, W04B		21A	W04A, W04B
	21B	X06A, X06B, X06C		21B	X04Z, X05A		21B	X05A, X06A, X06B, X06C
5t14z.z↔		BOP, KVT, UOP4, VIAL	5t151.v↔		BOP, KVT, UOP4, VIAL	5t154.a↔		BOP, KVT, UOP4, VIAL
	08	I28A, I28B, I28C		08	I20A, I20B, I20C, I20D		08	I32A, I32B, I32C, I32D, I32E, I32F
	21A	W04A, W04B		21A	W04A, W04B		21A	W04A, W04B
	21B	X06A, X06B, X06C		21B	X04Z, X05A		21B	X05A
5t150.0↔		BOP, KVT, UOP4, VIAL				5t154.b↔		BOP, KVT, UOP4, VIAL
	08	I28B, I29Z					08	I32A, I32B, I32C, I32D, I32E, I32F
	21A	W04A, W04B					21A	W04A, W04B
	21B	X05A, X06A, X06B, X06C					21B	X05A

ZZV	MDC	DRG	ZZV	MDC	DRG	ZZV	MDC	DRG
5t154.c↔		BOP, KVT, UOP4, VIAL	5t15d.0↔	08	BOP, KVT, UOP4, VIAL	5t15x.v↔	08	BOP, KVT, UOP4, VIAL
	08	I32A, I32B, I32C, I32D, I32E, I32F		08	I28B, I29Z		08	I20A, I20B, I20C, I20D, I20E, I20F
	21A	W04A, W04B		21A	W04A, W04B		21A	W04A, W04B
5t154.u↔	21B	X05A	5t15d.u↔	21B	X05A, X06A, X06B, X06C	5t15x.w↔	21B	X04Z
	08	BOP, KVT, UOP4, VIAL		08	BOP, KVT, UOP4, VIAL		08	BOP, KVT, UOP4, VIAL
	08	I20A, I20B, I20C, I20D		21A	I20A, I20B, I20C, I20D		08	I20A, I20B, I20C, I20D, I20E, I20F
5t154.v↔	21A	W04A, W04B	5t15d.v↔	21B	X04Z, X05A	5t15x.x	21A	W04A, W04B
	21B	X04Z, X05A		08	BOP, KVT, UOP4, VIAL		21B	X04Z
	08	BOP, KVT, UOP4, VIAL		21A	I20A, I20B, I20C, I20D		08	BOP, KVT, UOP4
5t154.w↔	21A	W04A, W04B	5t15d.x	21B	W04A, W04B	5t15x.z↔	08	I28A, I28B
	21B	X04Z, X05A		08	I28A, I28B		21A	W04A, W04B
	08	BOP, KVT, UOP4, VIAL		21A	W04A, W04B		21B	X06A, X06B, X06C
5t154.x	08	I20A, I20B, I20C, I20D, I20E, I20F	5t15d.z↔	21B	X06A, X06B, X06C	5t15z.0↔	08	BOP, KVT, UOP4, VIAL
	21A	W04A, W04B		08	BOP, KVT, UOP4, VIAL		08	I28A, I28B
	21B	X04Z, X05A		21A	I28A, I28B		21A	W04A, W04B
5t154.z↔	08	BOP, KVT, UOP4	5t15v.a↔	21B	X05A, X06A, X06B, X06C	5t15z.a↔	21B	X06A, X06B, X06C
	08	I28A, I28B		08	BOP, KVT, UOP4, VIAL		08	BOP, KVT, UOP4, VIAL
	21A	W04A, W04B		21A	I13A, I32A, I32B, I32C, I32D, I32E, I32F		08	I32A, I32B, I32C, I32D, I32E, I32F
5t15b.0↔	21B	X05A, X06A, X06B, X06C	5t15v.b↔	21B	X05A	5t15z.b↔	21A	W04A, W04B
	08	BOP, KVT, UOP4, VIAL		08	BOP, KVT, UOP4, VIAL		21B	X05A
	08	I28B, I29Z		21A	I13A, I32A, I32B, I32C, I32D, I32E, I32F		08	BOP, KVT, UOP4, VIAL
5t15b.a↔	21A	W04A, W04B	5t15v.u↔	21B	X05A	5t15z.c↔	08	I32A, I32B, I32C, I32D, I32E, I32F
	21B	X05A, X06A, X06B, X06C		08	BOP, KVT, UOP4, VIAL		08	BOP, KVT, UOP4, VIAL
	08	BOP, KVT, UOP4, VIAL		21A	I13A, I20A, I20B, I20C, I20D		21A	W04A, W04B
5t15b.b↔	08	I32A, I32B, I32C, I32D, I32E, I32F	5t15v.v↔	21B	X04Z, X05A	5t15z.u↔	21B	X05A
	21A	W04A, W04B		08	BOP, KVT, UOP4, VIAL		08	BOP, KVT, UOP4, VIAL
	21B	X05A		21A	I13A, I20A, I20B, I20C, I20D		21A	W04A, W04B
5t15b.c↔	08	BOP, KVT, UOP4, VIAL	5t15v.x	21B	X04Z, X05A	5t15z.v↔	21B	X04Z, X05A
	08	I32A, I32B, I32C, I32D, I32E, I32F		08	BOP, KVT, UOP4		08	BOP, KVT, UOP4, VIAL
	21A	W04A, W04B		21A	I13A, I28A, I28B		21A	W04A, W04B
5t15b.u↔	21B	X05A	5t15x.0↔	21B	X06A, X06B, X06C	5t15z.w↔	21B	X04Z, X05A
	08	BOP, KVT, UOP4, VIAL		08	BOP, KVT, UOP4, VIAL		08	BOP, KVT, UOP4, VIAL
	08	I20A, I20B, I20C, I20D		21A	I32A, I32B, I32C, I32D, I32E, I32F		08	I20A, I20B, I20C, I20D
5t15b.v↔	21A	W04A, W04B	5t15x.a↔	21B	X06A, X06B, X06C	5t15z.x	21A	W04A, W04B
	21B	X04Z, X05A		08	BOP, KVT, UOP4, VIAL		21B	X04Z, X05A
	08	BOP, KVT, UOP4, VIAL		21A	W04A, W04B		21A	W04A, W04B
5t15b.w↔	08	I20A, I20B, I20C, I20D, I20E, I20F	5t15x.b↔	21B	X05A, X05B	5t15z.z↔	08	BOP, KVT, UOP4
	21A	W04A, W04B		08	BOP, KVT, UOP4, VIAL		08	I28A, I28B
	21B	X04Z, X05A		21A	I32A, I32B, I32C, I32D, I32E, I32F		21A	W04A, W04B
5t15b.x	08	BOP, KVT, UOP4, VIAL	5t15x.c↔	21B	X05A, X05B	5t16s.0↔	21B	X06A, X06B, X06C
	08	I20A, I20B, I20C, I20D, I20E, I20F		08	BOP, KVT, UOP4, VIAL		08	BOP, KVT, UOP4, VIAL
	21A	W04A, W04B		21A	I32A, I32B, I32C, I32D, I32E, I32F		08	I20A, I20B, I20C, I20D
5t15b.z↔	21B	X04Z, X05A	5t15x.u↔	21B	X05A, X05B	5t16s.1↔	21A	W04A, W04B
	08	BOP, KVT, UOP4		08	BOP, KVT, UOP4, VIAL		08	BOP, KVT, UOP4, VIAL
	08	I28A, I28B		21A	I20A, I20B, I20C, I20D, I20E, I20F		08	I20A, I20B, I20C, I20D
	21A	W04A, W04B			21A	W04A, W04B	21A	W04A, W04B
	21B	X05A, X06A, X06B, X06C			21B	X04Z	21B	X04Z



ZZV	MDC	DRG	ZZV	MDC	DRG	ZZV	MDC	DRG
5t190.0↔		BOP, KVT, UOP4, VIAL	5t190.f		BOP, KVT, UOP4, VIAL	5t191.4↔		BOP, KVT, UOP4, VIAL
	08	I16Z		01	B03A, B03B, B06A, B06B, B17A, B17B, B17C		08	I08A, I08B, I08C, I08D, I08E, I08F, I21Z, I31Z
	21A	W04A, W04B		08	I28A, I28B		21A	W04A, W04B
	21B	X06A, X06B, X06C		21A	W04A, W04B		21B	X06A, X06B, X06C
5t190.1↔		BOP, KVT, UOP4, VIAL		21B	X06A, X06B, X06C	5t191.5↔		BOP, KVT, UOP4, VIAL
	08	I28A, I28B	5t190.g↔		BOP, KVT, UOP4, VIAL		08	I08A, I08B, I08C, I08D, I08E, I08F, I21Z, I31Z
	21A	W04A, W04B		08	I08A, I08B, I08C, I08D, I08E, I08F		21A	W04A, W04B
	21B	X06A, X06B, X06C		21A	W01A, W01B, W01C, W02A, W02B		21B	X06A, X06B, X06C
5t190.2↔		BOP, KVT, UOP4, VIAL		21B	X04Z	5t191.6↔		BOP, KVT, UOP4, VIAL
	08	I28A, I28B	5t190.h↔		BOP, KVT, UOP4, VIAL		08	I08A, I08B, I08C, I08D, I08E, I08F, I32A, I32B, I32C, I32D, I32E, I32F
	21A	W04A, W04B		08	I18A, I18B, I30Z		21A	W04A, W04B
	21B	X06A, X06B, X06C		21A	W04A, W04B		21B	X05A, X05B
5t190.3↔		BOP, KVT, UOP4, VIAL		21B	X04Z	5t191.8↔		BOP, KVT, UOP4, VIAL
	08	I28A, I28B	5t190.j↔		BOP, KVT, UOP4, VIAL		08	I32A, I32B, I32C, I32D, I32E, I32F
	21A	W04A, W04B		08	I18A, I18B, I30Z		21A	W04A, W04B
	21B	X06A, X06B, X06C		21A	W04A, W04B		21B	X05A, X05B
5t190.4↔		BOP, KVT, UOP4, VIAL		21B	X04Z	5t191.9↔		BOP, KVT, UOP4, VIAL
	08	I08A, I08B, I08C, I08D, I08E, I08F, I21Z, I31Z		08	I13A, I13B, I13C, I13D, I13E		08	I32A, I32B, I32C, I32D, I32E, I32F
	21A	W04A, W04B		21A	W04A, W04B		21A	W04A, W04B
	21B	X06A, X06B, X06C		21B	X04Z		21B	X05A, X05B
5t190.5↔		BOP, KVT, UOP4, VIAL	5t190.k↔		BOP, KVT, UOP4, VIAL		08	I32A, I32B, I32C, I32D, I32E, I32F
	08	I08A, I08B, I08C, I08D, I08E, I08F, I21Z, I31Z		08	I13A, I13B, I13C, I13D, I13E		21A	W04A, W04B
	21A	W04A, W04B		21A	W04A, W04B		21B	X05A, X05B
	21B	X06A, X06B, X06C		21B	X04Z	5t191.a↔		BOP, KVT, UOP4, VIAL
5t190.6↔		BOP, KVT, UOP4, VIAL		08	I20A, I20B, I20C, I20D		08	I32A, I32B, I32C, I32D, I32E, I32F
	08	I08A, I08B, I08C, I08D, I08E, I08F, I32A, I32B, I32C, I32D, I32E, I32F		21A	W04A, W04B		21A	W04A, W04B
	21A	W04A, W04B	5t190.n↔		BOP, KVT, UOP4, VIAL		21B	X05A, X05B
	21B	X05A, X05B		08	I20A, I20B, I20C, I20D	5t191.b↔		BOP, KVT, UOP4, VIAL
5t190.8↔		BOP, KVT, UOP4, VIAL		21A	W04A, W04B		08	I32A, I32B, I32C, I32D, I32E, I32F
	08	I32A, I32B, I32C, I32D, I32E, I32F		21B	X04Z		21A	W04A, W04B
	21A	W04A, W04B	5t190.p↔		BOP, KVT, UOP4, VIAL		21B	X05A, X05B
	21B	X05A, X05B		08	I20A, I20B, I20C, I20D	5t191.c↔		BOP, KVT, UOP4, VIAL
5t190.9↔		BOP, KVT, UOP4, VIAL		21A	W04A, W04B		08	I32A, I32B, I32C, I32D, I32E, I32F
	08	I32A, I32B, I32C, I32D, I32E, I32F		21B	X04Z		21A	W04A, W04B
	21A	W04A, W04B	5t190.q↔		BOP, KVT, UOP4, VIAL		21B	X05A, X05B
	21B	X05A, X05B		08	I20A, I20B, I20C, I20D, I20E, I20F	5t191.d↔		BOP, KVT, UOP4, VIAL
5t190.a↔		BOP, KVT, UOP4, VIAL		21A	W04A, W04B		08	I32A, I32B, I32C, I32D, I32E, I32F
	08	I32A, I32B, I32C, I32D, I32E, I32F		21B	X04Z		21A	W04A, W04B
	21A	W04A, W04B	5t190.r↔		BOP, KVT, UOP4, VIAL		21B	X05A, X05B
	21B	X05A, X05B		08	I20A, I20B, I20C, I20D, I20E, I20F	5t191.e↔		BOP, KVT, UOP4, VIAL
5t190.b↔		BOP, KVT, UOP4, VIAL		21A	W04A, W04B		08	I08A, I08B, I08C, I08D, I08E, I08F
	08	I32A, I32B, I32C, I32D, I32E, I32F		21B	X04Z		21A	W04A, W04B
	21A	W04A, W04B	5t190.x		BOP, KVT, UOP4		21B	X06A, X06B, X06C
	21B	X05A, X05B		01	B03A, B03B, B06A, B06B, B17A, B17B, B17C	5t191.f		BOP, KVT, UOP4, VIAL
5t190.c↔		BOP, KVT, UOP4, VIAL		08	I28A, I28B		01	B03A, B03B, B06A, B06B, B17A, B17B, B17C
	08	I32A, I32B, I32C, I32D, I32E, I32F		21A	W04A, W04B		08	I28A, I28B
	21A	W04A, W04B	5t191.0↔		X06A, X06B, X06C		21A	W04A, W04B
	21B	X05A, X05B		08	I16Z		21B	X06A, X06B, X06C
5t190.d↔		BOP, KVT, UOP4, VIAL		21A	W04A, W04B	5t191.g↔		BOP, KVT, UOP4, VIAL
	08	I32A, I32B, I32C, I32D, I32E, I32F		21B	X06A, X06B, X06C		08	I08A, I08B, I08C, I08D, I08E, I08F
	21A	W04A, W04B		08	I16Z		21A	W01A, W01B, W01C, W02A, W02B
	21B	X05A, X05B		21A	W04A, W04B		21B	X04Z
5t190.e↔		BOP, KVT, UOP4, VIAL		21B	X06A, X06B, X06C	5t191.h↔		BOP, KVT, UOP4, VIAL
	08	I08A, I08B, I08C, I08D, I08E, I08F		08	I28A, I28B		08	I18A, I18B, I30Z
	21A	W01A, W01B, W01C, W02A, W02B		21A	W04A, W04B		21A	W04A, W04B
	21B	X04Z		21B	X06A, X06B, X06C		21B	X04Z

ZZV	MDC	DRG	ZZV	MDC	DRG	ZZV	MDC	DRG
5t191.j↔		BOP, KVT, UOP4, VIAL	5t193.8↔		BOP, KVT, UOP4, VIAL	5t193.p↔		BOP, KVT, UOP4, VIAL
	08	I18A, I18B, I30Z		08	I32A, I32B, I32C, I32D, I32E, I32F		08	I20A, I20B, I20C, I20D
	21A	W04A, W04B		21A	W04A, W04B		21A	W04A, W04B
	21B	X04Z		21B	X05A, X05B		21B	X04Z
5t191.k↔		BOP, KVT, UOP4, VIAL	5t193.9↔		BOP, KVT, UOP4, VIAL	5t193.q↔		BOP, KVT, UOP4, VIAL
	08	I13A, I13B, I13C, I13D, I13E		08	I32A, I32B, I32C, I32D, I32E, I32F		08	I20A, I20B, I20C, I20D, I20E, I20F
	21A	W04A, W04B		21A	W04A, W04B		21A	W04A, W04B
	21B	X04Z		21B	X05A, X05B		21B	X04Z
5t191.m↔		BOP, KVT, UOP4, VIAL	5t193.a↔		BOP, KVT, UOP4, VIAL	5t193.r↔		BOP, KVT, UOP4, VIAL
	08	I20A, I20B, I20C, I20D		08	I32A, I32B, I32C, I32D, I32E, I32F		08	I20A, I20B, I20C, I20D, I20E, I20F
	21A	W04A, W04B		21A	W04A, W04B		21A	W04A, W04B
	21B	X04Z		21B	X05A, X05B		21B	X04Z
5t191.n↔		BOP, KVT, UOP4, VIAL	5t193.b↔		BOP, KVT, UOP4, VIAL	5t193.x		BOP, KVT, UOP4
	08	I20A, I20B, I20C, I20D		08	I32A, I32B, I32C, I32D, I32E, I32F		01	B03A, B03B, B06A, B06B, B17A, B17B, B17C
	21A	W04A, W04B		21A	W04A, W04B		08	I28A, I28B
	21B	X04Z		21B	X05A, X05B		21A	W04A, W04B
5t191.p↔		BOP, KVT, UOP4, VIAL	5t193.c↔		BOP, KVT, UOP4, VIAL	5t194.0↔		BOP, KVT, UOP4, VIAL
	08	I20A, I20B, I20C, I20D		08	I32A, I32B, I32C, I32D, I32E, I32F		08	I16Z
	21A	W04A, W04B		21A	W04A, W04B		21A	W04A, W04B
	21B	X04Z		21B	X05A, X05B		21B	X06A, X06B, X06C
5t191.q↔		BOP, KVT, UOP4, VIAL	5t193.d↔		BOP, KVT, UOP4, VIAL	5t194.1↔		BOP, KVT, UOP4, VIAL
	08	I20A, I20B, I20C, I20D, I20E, I20F		08	I32A, I32B, I32C, I32D, I32E, I32F		08	I16Z
	21A	W04A, W04B		21A	W04A, W04B		21A	W04A, W04B
	21B	X04Z		21B	X05A, X05B		21B	X06A, X06B, X06C
5t191.r↔		BOP, KVT, UOP4, VIAL	5t193.e↔		BOP, KVT, UOP4, VIAL	5t194.2↔		BOP, KVT, UOP4, VIAL
	08	I20A, I20B, I20C, I20D, I20E, I20F		08	I08A, I08B, I08C, I08D, I08E, I08F		08	I28A, I28B
	21A	W04A, W04B		21A	W04A, W04B		21A	W04A, W04B
	21B	X04Z		21B	X06A, X06B, X06C		21B	X06A, X06B, X06C
5t191.x		BOP, KVT, UOP4	5t193.f		BOP, KVT, UOP4, VIAL	5t194.3↔		BOP, KVT, UOP4, VIAL
	01	B03A, B03B, B06A, B06B, B17A, B17B, B17C		01	B03A, B03B, B06A, B06B, B17A, B17B, B17C		08	I28A, I28B
	08	I28A, I28B		08	I28A, I28B		21A	W04A, W04B
	21A	W04A, W04B		21A	W04A, W04B		21A	W04A, W04B
	21B	X06A, X06B, X06C		21B	X06A, X06B, X06C		21B	X06A, X06B, X06C
5t193.0↔		BOP, KVT, UOP4, VIAL	5t193.g↔		BOP, KVT, UOP4, VIAL	5t194.4↔		BOP, KVT, UOP4, VIAL
	08	I16Z		08	I08A, I08B, I08C, I08D, I08E, I08F		08	I08A, I08B, I08C, I08D, I08E, I08F, I21Z, I31Z
	21A	W04A, W04B		21A	W01A, W01B, W01C, W02A, W02B		21A	W04A, W04B
	21B	X06A, X06B, X06C		21B	X04Z		21B	X06A, X06B, X06C
5t193.1↔		BOP, KVT, UOP4, VIAL	5t193.h↔		BOP, KVT, UOP4, VIAL	5t194.5↔		BOP, KVT, UOP4, VIAL
	08	I16Z		08	I18A, I18B, I30Z		08	I08A, I08B, I08C, I08D, I08E, I08F, I21Z, I31Z
	21A	W04A, W04B		21A	W04A, W04B		21A	W04A, W04B
	21B	X06A, X06B, X06C		21B	X04Z		21B	X05A, X05B
5t193.2↔		BOP, KVT, UOP4, VIAL	5t193.i↔		BOP, KVT, UOP4, VIAL	5t194.6↔		BOP, KVT, UOP4, VIAL
	08	I28A, I28B		08	I18A, I18B, I30Z		08	I08A, I08B, I08C, I08D, I08E, I08F, I32A, I32B, I32C, I32D, I32E, I32F
	21A	W04A, W04B		21A	W04A, W04B		21A	W04A, W04B
	21B	X06A, X06B, X06C		21B	X04Z		21B	X05A, X05B
5t193.3↔		BOP, KVT, UOP4, VIAL	5t193.j↔		BOP, KVT, UOP4, VIAL	5t194.8↔		BOP, KVT, UOP4, VIAL
	08	I28A, I28B		08	I18A, I18B, I30Z		08	I32A, I32B, I32C, I32D, I32E, I32F
	21A	W04A, W04B		21A	W04A, W04B		21A	W04A, W04B
	21B	X06A, X06B, X06C		21B	X04Z		21B	X05A, X05B
5t193.4↔		BOP, KVT, UOP4, VIAL	5t193.k↔		BOP, KVT, UOP4, VIAL	5t194.9↔		BOP, KVT, UOP4, VIAL
	08	I08A, I08B, I08C, I08D, I08E, I08F, I21Z, I31Z		08	I13A, I13B, I13C, I13D, I13E		08	I32A, I32B, I32C, I32D, I32E, I32F
	21A	W04A, W04B		21A	W04A, W04B		21A	W04A, W04B
	21B	X06A, X06B, X06C		21B	X04Z		21B	X05A, X05B
5t193.5↔		BOP, KVT, UOP4, VIAL	5t193.l↔		BOP, KVT, UOP4, VIAL	5t194.a↔		BOP, KVT, UOP4, VIAL
	08	I08A, I08B, I08C, I08D, I08E, I08F, I21Z, I31Z		08	I20A, I20B, I20C, I20D		08	I32A, I32B, I32C, I32D, I32E, I32F
	21A	W04A, W04B		21A	W04A, W04B		21A	W04A, W04B
	21B	X06A, X06B, X06C		21B	X04Z		21B	X05A, X05B
5t193.6↔		BOP, KVT, UOP4, VIAL	5t193.m↔		BOP, KVT, UOP4, VIAL			
	08	I08A, I08B, I08C, I08D, I08E, I08F, I32A, I32B, I32C, I32D, I32E, I32F		08	I20A, I20B, I20C, I20D			
	21A	W04A, W04B		21A	W04A, W04B			
	21B	X05A, X05B		21B	X04Z			

ZZV	MDC	DRG	ZZV	MDC	DRG	ZZV	MDC	DRG
5t194.b↔		BOP, KVT, UOP4, VIAL	5t194.x		BOP, KVT, UOP4	5t19a.a↔		BOP, KVT, UOP4, VIAL
	08	I32A, I32B, I32C, I32D, I32E, I32F		01	B03A, B03B, B06A, B06B, B17A, B17B, B17C		08	I32A, I32B, I32C, I32D, I32E, I32F
	21A	W04A, W04B		08	I28A, I28B		21A	W04A, W04B
	21B	X05A, X05B		21A	W04A, W04B		21B	X05A, X05B
5t194.c↔		BOP, KVT, UOP4, VIAL	5t199.h↔		BOP, KVT, UOP4, VIAL	5t19a.b↔		BOP, KVT, UOP4, VIAL
	08	I32A, I32B, I32C, I32D, I32E, I32F		21B	X06A, X06B, X06C		08	I32A, I32B, I32C, I32D, I32E, I32F
	21A	W04A, W04B		08	I18A, I18B, I30Z		21A	W04A, W04B
	21B	X05A, X05B		21A	W04A, W04B		21B	X05A, X05B
5t194.d↔		BOP, KVT, UOP4, VIAL	5t199.j↔		BOP, KVT, UOP4, VIAL	5t19a.c↔		BOP, KVT, UOP4, VIAL
	08	I32A, I32B, I32C, I32D, I32E, I32F		08	I18A, I18B, I30Z		08	I32A, I32B, I32C, I32D, I32E, I32F
	21A	W04A, W04B		21A	W04A, W04B		21A	W04A, W04B
	21B	X05A, X05B		21B	X04Z		21B	X05A, X05B
5t194.e↔		BOP, KVT, UOP4, VIAL	5t199.k↔		BOP, KVT, UOP4, VIAL	5t19a.d↔		BOP, KVT, UOP4, VIAL
	08	I08A, I08B, I08C, I08D, I08E, I08F		08	I13A, I13B, I13C, I13D, I13E		08	I32A, I32B, I32C, I32D, I32E, I32F
	21A	W04A, W04B		21A	W04A, W04B		21A	W04A, W04B
	21B	X06A, X06B, X06C		21B	X04Z		21B	X05A, X05B
5t194.f		BOP, KVT, UOP4, VIAL	5t199.m↔		BOP, KVT, UOP4, VIAL	5t19a.g↔		BOP, KVT, UOP4, VIAL
	01	B03A, B03B, B06A, B06B, B17A, B17B, B17C		08	I20A, I20B, I20C, I20D		08	I08A, I08B, I08C, I08D, I08E, I08F
	08	I28A, I28B		21A	W04A, W04B		21A	W01A, W01B, W01C, W02A, W02B
	21A	W04A, W04B		21B	X04Z		21B	X04Z
	21B	X06A, X06B, X06C	5t199.x		BOP, KVT, UOP4	5t19a.h↔		BOP, KVT, UOP4, VIAL
5t194.g↔		BOP, KVT, UOP4, VIAL		01	B03A, B03B, B06A, B06B, B17A, B17B, B17C		08	I18A, I18B, I30Z
	08	I08A, I08B, I08C, I08D, I08E, I08F		08	I28A, I28B		21A	W04A, W04B
	21A	W01A, W01B, W01C, W02A, W02B		21A	W04A, W04B		21B	X04Z
	21B	X04Z		21B	X06A, X06B, X06C	5t19a.j↔		BOP, KVT, UOP4, VIAL
5t194.h↔		BOP, KVT, UOP4, VIAL	5t19a.0↔		BOP, KVT, UOP4, VIAL		08	I18A, I18B, I30Z
	08	I18A, I18B, I30Z		08	I16Z		21A	W04A, W04B
	21A	W04A, W04B		21A	W04A, W04B		21B	X04Z
	21B	X04Z	5t19a.1↔		BOP, KVT, UOP4, VIAL	5t19a.k↔		BOP, KVT, UOP4, VIAL
5t194.j↔		BOP, KVT, UOP4, VIAL		08	I28A, I28B		08	I13A, I13B, I13C, I13D, I13E
	08	I18A, I18B, I30Z		21A	W04A, W04B		21A	W04A, W04B
	21A	W04A, W04B		21B	X06A, X06B, X06C	5t19a.m↔		BOP, KVT, UOP4, VIAL
	21B	X04Z	5t19a.3↔		BOP, KVT, UOP4, VIAL		08	I20A, I20B, I20C, I20D
	08	I18A, I18B, I30Z		08	I28A, I28B		21A	W04A, W04B
	21A	W04A, W04B		21A	W04A, W04B	5t19a.p↔		BOP, KVT, UOP4, VIAL
	21B	X04Z		21B	X06A, X06B, X06C		08	I20A, I20B, I20C, I20D
5t194.k↔		BOP, KVT, UOP4, VIAL	5t19a.4↔		BOP, KVT, UOP4, VIAL		21A	W04A, W04B
	08	I13A, I13B, I13C, I13D, I13E		08	I08A, I08B, I08C, I08D, I08E, I08F, I21Z, I31Z		21B	X04Z
	21A	W04A, W04B		21A	W04A, W04B	5t19a.q↔		BOP, KVT, UOP4, VIAL
	21B	X04Z		21B	X06A, X06B, X06C		08	I20A, I20B, I20C, I20D, I20E, I20F
5t194.m↔		BOP, KVT, UOP4, VIAL	5t19a.5↔		BOP, KVT, UOP4, VIAL		21A	W04A, W04B
	08	I20A, I20B, I20C, I20D		08	I08A, I08B, I08C, I08D, I08E, I08F, I21Z, I31Z		21B	X04Z
	21A	W04A, W04B		21A	W04A, W04B	5t19a.r↔		BOP, KVT, UOP4, VIAL
	21B	X04Z		21B	X06A, X06B, X06C		08	I20A, I20B, I20C, I20D, I20E, I20F
5t194.n↔		BOP, KVT, UOP4, VIAL	5t19a.6↔		BOP, KVT, UOP4, VIAL		21A	W04A, W04B
	08	I20A, I20B, I20C, I20D		08	I08A, I08B, I08C, I08D, I08E, I08F, I32A, I32B, I32C, I32D, I32E, I32F		21B	X04Z
	21A	W04A, W04B		21A	W04A, W04B	5t19a.x		BOP, KVT, UOP4
	21B	X04Z		21B	X05A, X05B		01	B03A, B03B, B06A, B06B, B17A, B17B, B17C
5t194.p↔		BOP, KVT, UOP4, VIAL	5t19a.8↔		BOP, KVT, UOP4, VIAL		08	I28A, I28B
	08	I20A, I20B, I20C, I20D		08	I32A, I32B, I32C, I32D, I32E, I32F		21A	W04A, W04B
	21A	W04A, W04B		21A	W04A, W04B		21A	W04A, W04B
	21B	X04Z		21B	X05A, X05B		21B	X06A, X06B, X06C
5t194.q↔		BOP, KVT, UOP4, VIAL	5t19a.9↔		BOP, KVT, UOP4, VIAL	5t19b.0↔		BOP, KVT, UOP4, VIAL
	08	I20A, I20B, I20C, I20D, I20E, I20F		08	I32A, I32B, I32C, I32D, I32E, I32F		08	I16Z
	21A	W04A, W04B		21A	W04A, W04B		21A	W04A, W04B
	21B	X04Z		21B	X05A, X05B		21B	X06A, X06B, X06C
5t194.r↔		BOP, KVT, UOP4, VIAL		21A	W04A, W04B			
	08	I20A, I20B, I20C, I20D, I20E, I20F		21B	X05A, X05B			
	21A	W04A, W04B						
	21B	X04Z						

VYK

ZZV	MDC	DRG	ZZV	MDC	DRG	ZZV	MDC	DRG
5t19b.1↔		BOP, KVT, UOP4, VIAL 08 I16Z 21A W04A, W04B 21B X06A, X06B, X06C	5t19b.g↔		BOP, KVT, UOP4, VIAL 08 I08A, I08B, I08C, I08D, I08E, I08F 21A W01A, W01B, W01C, W02A, W02B 21B X04Z	5t19d.5↔		BOP, KVT, UOP4, VIAL 08 I08A, I08B, I08C, I08D, I08E, I08F, I21Z, I31Z 21A W04A, W04B 21B X06A, X06B, X06C
5t19b.2↔		BOP, KVT, UOP4, VIAL 08 I28A, I28B 21A W04A, W04B 21B X06A, X06B, X06C	5t19b.h↔		BOP, KVT, UOP4, VIAL 08 I18A, I18B, I30Z 21A W04A, W04B 21B X04Z	5t19d.6↔		BOP, KVT, UOP4, VIAL 08 I08A, I08B, I08C, I08D, I08E, I08F, I32A, I32B, I32C, I32D, I32E, I32F 21A W04A, W04B 21B X05A, X05B
5t19b.3↔		BOP, KVT, UOP4, VIAL 08 I28A, I28B 21A W04A, W04B 21B X06A, X06B, X06C	5t19b.j↔		BOP, KVT, UOP4, VIAL 08 I18A, I18B, I30Z 21A W04A, W04B 21B X04Z	5t19d.8↔		BOP, KVT, UOP4, VIAL 08 I32A, I32B, I32C, I32D, I32E, I32F 21A W04A, W04B 21B X05A, X05B
5t19b.4↔		BOP, KVT, UOP4, VIAL 08 I08A, I08B, I08C, I08D, I08E, I08F, I21Z, I31Z 21A W04A, W04B 21B X06A, X06B, X06C	5t19b.k↔		BOP, KVT, UOP4, VIAL 08 I13A, I13B, I13C, I13D, I13E 21A W04A, W04B 21B X04Z	5t19d.9↔		BOP, KVT, UOP4, VIAL 08 I32A, I32B, I32C, I32D, I32E, I32F 21A W04A, W04B 21B X05A, X05B
5t19b.5↔		BOP, KVT, UOP4, VIAL 08 I08A, I08B, I08C, I08D, I08E, I08F, I21Z, I31Z 21A W04A, W04B 21B X06A, X06B, X06C	5t19b.m↔		BOP, KVT, UOP4, VIAL 08 I20A, I20B, I20C, I20D 21A W04A, W04B 21B X04Z	5t19d.a↔		BOP, KVT, UOP4, VIAL 08 I32A, I32B, I32C, I32D, I32E, I32F 21A W04A, W04B 21B X05A, X05B
5t19b.6↔		BOP, KVT, UOP4, VIAL 08 I08A, I08B, I08C, I08D, I08E, I08F, I32A, I32B, I32C, I32D, I32E, I32F 21A W04A, W04B 21B X05A, X05B	5t19b.n↔		BOP, KVT, UOP4, VIAL 08 I20A, I20B, I20C, I20D 21A W04A, W04B 21B X04Z	5t19d.b↔		BOP, KVT, UOP4, VIAL 08 I32A, I32B, I32C, I32D, I32E, I32F 21A W04A, W04B 21B X05A, X05B
5t19b.8↔		BOP, KVT, UOP4, VIAL 08 I32A, I32B, I32C, I32D, I32E, I32F 21A W04A, W04B 21B X05A, X05B	5t19b.p↔		BOP, KVT, UOP4, VIAL 08 I20A, I20B, I20C, I20D 21A W04A, W04B 21B X04Z	5t19d.c↔		BOP, KVT, UOP4, VIAL 08 I32A, I32B, I32C, I32D, I32E, I32F 21A W04A, W04B 21B X05A, X05B
5t19b.9↔		BOP, KVT, UOP4, VIAL 08 I32A, I32B, I32C, I32D, I32E, I32F 21A W04A, W04B 21B X05A, X05B	5t19b.q↔		BOP, KVT, UOP4, VIAL 08 I20A, I20B, I20C, I20D, I20E, I20F 21A W04A, W04B 21B X04Z	5t19d.d↔		BOP, KVT, UOP4, VIAL 08 I32A, I32B, I32C, I32D, I32E, I32F 21A W04A, W04B 21B X05A, X05B
5t19b.a↔		BOP, KVT, UOP4, VIAL 08 I32A, I32B, I32C, I32D, I32E, I32F 21A W04A, W04B 21B X05A, X05B	5t19b.r↔		BOP, KVT, UOP4, VIAL 08 I20A, I20B, I20C, I20D, I20E, I20F 21A W04A, W04B 21B X04Z	5t19d.e↔		BOP, KVT, UOP4, VIAL 08 I08A, I08B, I08C, I08D, I08E, I08F 21A W04A, W04B 21B X06A, X06B, X06C
5t19b.b↔		BOP, KVT, UOP4, VIAL 08 I32A, I32B, I32C, I32D, I32E, I32F 21A W04A, W04B 21B X05A, X05B	5t19b.x		BOP, KVT, UOP4 01 B03A, B03B, B06A, B06B, B17A, B17B, B17C 08 I28A, I28B 21A W04A, W04B 21B X06A, X06B, X06C	5t19d.f		BOP, KVT, UOP4, VIAL 01 B03A, B03B, B06A, B06B, B17A, B17B, B17C 08 I28A, I28B 21A W04A, W04B 21B X06A, X06B, X06C
5t19b.c↔		BOP, KVT, UOP4, VIAL 08 I32A, I32B, I32C, I32D, I32E, I32F 21A W04A, W04B 21B X05A, X05B	5t19d.0↔		BOP, KVT, UOP4, VIAL 08 I16Z 21A W04A, W04B 21B X06A, X06B, X06C	5t19d.g↔		BOP, KVT, UOP4, VIAL 08 I08A, I08B, I08C, I08D, I08E, I08F 21A W01A, W01B, W01C, W02A, W02B 21B X04Z
5t19b.d↔		BOP, KVT, UOP4, VIAL 08 I32A, I32B, I32C, I32D, I32E, I32F 21A W04A, W04B 21B X05A, X05B	5t19d.1↔		BOP, KVT, UOP4, VIAL 08 I28A, I28B 21A W04A, W04B 21B X06A, X06B, X06C	5t19d.h↔		BOP, KVT, UOP4, VIAL 08 I18A, I18B, I30Z 21A W04A, W04B 21B X04Z
5t19b.e↔		BOP, KVT, UOP4, VIAL 08 I08A, I08B, I08C, I08D, I08E, I08F 21A W04A, W04B 21B X06A, X06B, X06C	5t19d.2↔		BOP, KVT, UOP4, VIAL 08 I28A, I28B 21A W04A, W04B 21B X06A, X06B, X06C	5t19d.j↔		BOP, KVT, UOP4, VIAL 08 I18A, I18B, I30Z 21A W04A, W04B 21B X04Z
5t19b.f		BOP, KVT, UOP4, VIAL 01 B03A, B03B, B06A, B06B, B17A, B17B, B17C 08 I28A, I28B 21A W04A, W04B 21B X06A, X06B, X06C	5t19d.3↔		BOP, KVT, UOP4, VIAL 08 I28A, I28B 21A W04A, W04B 21B X06A, X06B, X06C	5t19d.k↔		BOP, KVT, UOP4, VIAL 08 I13A, I13B, I13C, I13D, I13E 21A W04A, W04B 21B X04Z

VYK

ZZV	MDC	DRG	ZZV	MDC	DRG	ZZV	MDC	DRG
5t19d.m↔		BOP, KVT, UOP4, VIAL 08 I20A, I20B, I20C, I20D 21A W04A, W04B 21B X04Z	5t19t.b↔		BOP, KVT, UOP4, VIAL 08 I32A, I32B, I32C, I32D, I32E, I32F 21A W04A, W04B 21B X05A, X05B	5t19t.x		BOP, KVT, UOP4 01 B03A, B03B, B06A, B06B, B17A, B17B, B17C 08 I28A, I28B 21A W04A, W04B 21B X06A, X06B, X06C
5t19d.n↔		BOP, KVT, UOP4, VIAL 08 I20A, I20B, I20C, I20D 21A W04A, W04B 21B X04Z	5t19t.c↔		BOP, KVT, UOP4, VIAL 08 I32A, I32B, I32C, I32D, I32E, I32F 21A W04A, W04B 21B X05A, X05B	5t19x.0↔		BOP, KVT, UOP4, VIAL 08 I16Z 21A W04A, W04B 21B X06A, X06B, X06C
5t19d.p↔		BOP, KVT, UOP4, VIAL 08 I20A, I20B, I20C, I20D 21A W04A, W04B 21B X04Z	5t19t.d↔		BOP, KVT, UOP4, VIAL 08 I32A, I32B, I32C, I32D, I32E, I32F 21A W04A, W04B 21B X05A, X05B	5t19x.1↔		BOP, KVT, UOP4, VIAL 08 I28A, I28B 21A W04A, W04B 21B X06A, X06B, X06C
5t19d.q↔		BOP, KVT, UOP4, VIAL 08 I20A, I20B, I20C, I20D, I20E, I20F 21A W04A, W04B 21B X04Z	5t19t.e↔		BOP, KVT, UOP4, VIAL 08 I08A, I08B, I08C, I08D, I08E, I08F 21A W04A, W04B 21B X06A, X06B, X06C	5t19x.2↔		BOP, KVT, UOP4, VIAL 08 I28A, I28B 21A W04A, W04B 21B X06A, X06B, X06C
5t19d.r↔		BOP, KVT, UOP4, VIAL 08 I20A, I20B, I20C, I20D, I20E, I20F 21A W04A, W04B 21B X04Z	5t19t.f		BOP, KVT, UOP4, VIAL 01 B03A, B03B, B06A, B06B, B17A, B17B, B17C 08 I28A, I28B 21A W04A, W04B 21B X06A, X06B, X06C	5t19x.3↔		BOP, KVT, UOP4, VIAL 08 I28A, I28B 21A W04A, W04B 21B X06A, X06B, X06C
5t19d.x		BOP, KVT, UOP4 01 B03A, B03B, B06A, B06B, B17A, B17B, B17C 08 I28A, I28B 21A W04A, W04B 21B X06A, X06B, X06C	5t19t.g↔		BOP, KVT, UOP4, VIAL 08 I08A, I08B, I08C, I08D, I08E, I08F 21A W01A, W01B, W01C, W02A, W02B 21B X04Z	5t19x.4↔		BOP, KVT, UOP4, VIAL 08 I08A, I08B, I08C, I08D, I08E, I08F, I21Z, I31Z 21A W04A, W04B 21B X06A, X06B, X06C
5t19t.0↔		BOP, KVT, UOP4, VIAL 08 I16Z 21A W04A, W04B 21B X06A, X06B, X06C	5t19t.h↔		BOP, KVT, UOP4, VIAL 08 I18A, I18B, I30Z 21A W04A, W04B 21B X04Z	5t19x.5↔		BOP, KVT, UOP4, VIAL 08 I08A, I08B, I08C, I08D, I08E, I08F, I21Z, I31Z 21A W04A, W04B 21B X06A, X06B, X06C
5t19t.1↔		BOP, KVT, UOP4, VIAL 08 I28A, I28B 21A W04A, W04B 21B X06A, X06B, X06C	5t19t.j↔		BOP, KVT, UOP4, VIAL 08 I18A, I18B, I30Z 21A W04A, W04B 21B X04Z	5t19x.6↔		BOP, KVT, UOP4, VIAL 08 I08A, I08B, I08C, I08D, I08E, I08F, I32A, I32B, I32C, I32D, I32E, I32F 21A W04A, W04B 21B X05A, X05B
5t19t.4↔		BOP, KVT, UOP4, VIAL 08 I08A, I08B, I08C, I08D, I08E, I08F, I21Z, I31Z 21A W04A, W04B 21B X06A, X06B, X06C	5t19t.k↔		BOP, KVT, UOP4, VIAL 08 I13A, I13B, I13C, I13D, I13E 21A W04A, W04B 21B X04Z	5t19x.8↔		BOP, KVT, UOP4, VIAL 08 I32A, I32B, I32C, I32D, I32E, I32F 21A W04A, W04B 21B X05A, X05B
5t19t.5↔		BOP, KVT, UOP4, VIAL 08 I08A, I08B, I08C, I08D, I08E, I08F, I21Z, I31Z 21A W04A, W04B 21B X06A, X06B, X06C	5t19t.m↔		BOP, KVT, UOP4, VIAL 08 I20A, I20B, I20C, I20D 21A W04A, W04B 21B X04Z	5t19x.9↔		BOP, KVT, UOP4, VIAL 08 I32A, I32B, I32C, I32D, I32E, I32F 21A W04A, W04B 21B X05A, X05B
5t19t.6↔		BOP, KVT, UOP4, VIAL 08 I08A, I08B, I08C, I08D, I08E, I08F, I32A, I32B, I32C, I32D, I32E, I32F 21A W04A, W04B 21B X05A, X05B	5t19t.n↔		BOP, KVT, UOP4, VIAL 08 I20A, I20B, I20C, I20D 21A W04A, W04B 21B X04Z	5t19x.a↔		BOP, KVT, UOP4, VIAL 08 I32A, I32B, I32C, I32D, I32E, I32F 21A W04A, W04B 21B X05A, X05B
5t19t.8↔		BOP, KVT, UOP4, VIAL 08 I32A, I32B, I32C, I32D, I32E, I32F 21A W04A, W04B 21B X05A, X05B	5t19t.p↔		BOP, KVT, UOP4, VIAL 08 I20A, I20B, I20C, I20D 21A W04A, W04B 21B X04Z	5t19x.b↔		BOP, KVT, UOP4, VIAL 08 I32A, I32B, I32C, I32D, I32E, I32F 21A W04A, W04B 21B X05A, X05B
5t19t.9↔		BOP, KVT, UOP4, VIAL 08 I32A, I32B, I32C, I32D, I32E, I32F 21A W04A, W04B 21B X05A, X05B	5t19t.q↔		BOP, KVT, UOP4, VIAL 08 I20A, I20B, I20C, I20D, I20E, I20F 21A W04A, W04B 21B X04Z	5t19x.c↔		BOP, KVT, UOP4, VIAL 08 I32A, I32B, I32C, I32D, I32E, I32F 21A W04A, W04B 21B X05A, X05B
5t19t.a↔		BOP, KVT, UOP4, VIAL 08 I32A, I32B, I32C, I32D, I32E, I32F 21A W04A, W04B 21B X05A, X05B	5t19t.r↔		BOP, KVT, UOP4, VIAL 08 I20A, I20B, I20C, I20D, I20E, I20F 21A W04A, W04B 21B X04Z	5t19x.d↔		BOP, KVT, UOP4, VIAL 08 I32A, I32B, I32C, I32D, I32E, I32F 21A W04A, W04B 21B X05A, X05B

VYK



ZZV	MDC	DRG	ZZV	MDC	DRG	ZZV	MDC	DRG
5t19x.e↔		BOP, KVT, UOP4, VIAL	5t19z.3↔		BOP, KVT, UOP4, VIAL	5t19z.h↔		BOP, KVT, UOP4, VIAL
	08	I08A, I08B, I08C, I08D, I08E, I08F		08	I28A, I28B		08	I18A, I18B, I30Z
	21A	W04A, W04B		21A	W04A, W04B		21A	W04A, W04B
	21B	X06A, X06B, X06C		21B	X06A, X06B, X06C		21B	X04Z
5t19x.f		BOP, KVT, UOP4, VIAL	5t19z.4↔		BOP, KVT, UOP4, VIAL	5t19z.j↔		BOP, KVT, UOP4, VIAL
	08	I28A, I28B		08	I08A, I08B, I08C, I08D, I08E, I08F, I21Z, I31Z		08	I18A, I18B, I30Z
	21A	W04A, W04B		21A	W04A, W04B		21A	W04A, W04B
	21B	X06A, X06B, X06C		21B	X06A, X06B, X06C		21B	X04Z
5t19x.g↔		BOP, KVT, UOP4, VIAL	5t19z.5↔		BOP, KVT, UOP4, VIAL	5t19z.k↔		BOP, KVT, UOP4, VIAL
	08	I08A, I08B, I08C, I08D, I08E, I08F		08	I08A, I08B, I08C, I08D, I08E, I08F, I21Z, I31Z		08	I13A, I13B, I13C, I13D, I13E
	21A	W01A, W01B, W01C, W02A, W02B		21A	W04A, W04B		21A	W04A, W04B
	21B	X04Z		21B	X06A, X06B, X06C		21B	X04Z
5t19x.h↔		BOP, KVT, UOP4, VIAL	5t19z.6↔		BOP, KVT, UOP4, VIAL	5t19z.m↔		BOP, KVT, UOP4, VIAL
	08	I18A, I18B, I30Z		08	I08A, I08B, I08C, I08D, I08E, I08F, I32A, I32B, I32C, I32D, I32E, I32F		08	I20A, I20B, I20C, I20D
	21A	W04A, W04B		21A	W04A, W04B		21A	W04A, W04B
	21B	X04Z		21B	X05A, X05B		21B	X04Z
5t19x.j↔		BOP, KVT, UOP4, VIAL	5t19z.8↔		BOP, KVT, UOP4, VIAL	5t19z.n↔		BOP, KVT, UOP4, VIAL
	08	I18A, I18B, I30Z		08	I32A, I32B, I32C, I32D, I32E, I32F		08	I20A, I20B, I20C, I20D
	21A	W04A, W04B		21A	W04A, W04B		21A	W04A, W04B
	21B	X04Z		21B	X05A, X05B		21B	X04Z
5t19x.k↔		BOP, KVT, UOP4, VIAL	5t19z.9↔		BOP, KVT, UOP4, VIAL	5t19z.p↔		BOP, KVT, UOP4, VIAL
	08	I13A, I13B, I13C, I13D, I13E		08	I32A, I32B, I32C, I32D, I32E, I32F		08	I20A, I20B, I20C, I20D
	21A	W04A, W04B		21A	W04A, W04B		21A	W04A, W04B
	21B	X04Z		21B	X05A, X05B		21B	X04Z
5t19x.m↔		BOP, KVT, UOP4, VIAL	5t19z.a↔		BOP, KVT, UOP4, VIAL	5t19z.q↔		BOP, KVT, UOP4, VIAL
	08	I20A, I20B, I20C, I20D, I20E, I20F		08	I32A, I32B, I32C, I32D, I32E, I32F		08	I20A, I20B, I20C, I20D, I20E, I20F
	21A	W04A, W04B		21A	W04A, W04B		21A	W04A, W04B
	21B	X04Z		21B	X05A, X05B		21B	X04Z
5t19x.n↔		BOP, KVT, UOP4, VIAL	5t19z.b↔		BOP, KVT, UOP4, VIAL	5t19z.r↔		BOP, KVT, UOP4, VIAL
	08	I20A, I20B, I20C, I20D		08	I32A, I32B, I32C, I32D, I32E, I32F		08	I20A, I20B, I20C, I20D, I20E, I20F
	21A	W04A, W04B		21A	W04A, W04B		21A	W04A, W04B
	21B	X04Z		21B	X05A, X05B		21B	X04Z
5t19x.p↔		BOP, KVT, UOP4, VIAL	5t19z.c↔		BOP, KVT, UOP4, VIAL	5t19z.x		BOP, KVT, UOP4
	08	I20A, I20B, I20C, I20D		08	I32A, I32B, I32C, I32D, I32E, I32F		01	B03A, B03B, B06A, B06B, B17A, B17B, B17C
	21A	W04A, W04B		21A	W04A, W04B		08	I28A, I28B
	21B	X04Z		21B	X05A, X05B		21A	W04A, W04B
5t19x.q↔		BOP, KVT, UOP4, VIAL	5t19z.d↔		BOP, KVT, UOP4, VIAL	5t211.0↔		BOP, KVT, UOP4, VIAL
	08	I20A, I20B, I20C, I20D, I20E, I20F		08	I32A, I32B, I32C, I32D, I32E, I32F		08	I16Z
	21A	W04A, W04B		21A	W04A, W04B		21A	W04A, W04B
	21B	X04Z		21B	X05A, X05B		21B	X06A, X06B, X06C
5t19x.r↔		BOP, KVT, UOP4, VIAL	5t19z.e↔		BOP, KVT, UOP4, VIAL	5t211.1↔		BOP, KVT, UOP4, VIAL
	08	I20A, I20B, I20C, I20D, I20E, I20F		08	I08A, I08B, I08C, I08D, I08E, I08F		08	I08A, I08B, I08C, I08D, I08E, I08F, I13A, I13B, I13C, I13D, I13E
	21A	W04A, W04B		21A	W04A, W04B		21A	W04A, W04B
	21B	X04Z		21B	X05A, X05B		21B	X06A, X06B, X06C
5t19x.x		BOP, KVT, UOP4	5t19z.f		BOP, KVT, UOP4, VIAL	5t211.2↔		BOP, KVT, UOP4, VIAL
	01	B03A, B03B, B06A, B06B, B17A, B17B, B17C		01	B03A, B03B, B06A, B06B, B17A, B17B, B17C		08	I08A, I08B, I08C, I08D, I08E, I08F, I13A, I13B, I13C, I13D, I13E
	08	I28A, I28B		08	I28A, I28B		21A	W04A, W04B
	21A	W04A, W04B		21A	W04A, W04B		21B	X06A, X06B, X06C
	21B	X06A, X06B, X06C		21B	X06A, X06B, X06C		21A	W04A, W04B
5t19z.0↔		BOP, KVT, UOP4, VIAL	5t19z.g↔		BOP, KVT, UOP4, VIAL	5t211.3↔		BOP, KVT, UOP4, VIAL
	08	I16Z		08	I08A, I08B, I08C, I08D, I08E, I08F		08	I08A, I08B, I08C, I08D, I08E, I08F, I13A, I13B, I13C, I13D, I13E
	21A	W04A, W04B		21A	W04A, W04B		21A	W04A, W04B
	21B	X06A, X06B, X06C		21B	X06A, X06B, X06C		21B	X06A, X06B, X06C
5t19z.1↔		BOP, KVT, UOP4, VIAL				5t211.4↔		BOP, KVT, UOP4, VIAL
	08	I16Z					08	I08A, I08B, I08C, I08D, I08E, I08F, I18A, I18B, I30Z
	21A	W04A, W04B					21A	W04A, W04B
	21B	X06A, X06B, X06C					21B	X06A, X06B, X06C
5t19z.2↔		BOP, KVT, UOP4, VIAL						
	08	I28A, I28B						
	21A	W04A, W04B						
	21B	X06A, X06B, X06C						

VYK

ZZV	MDC	DRG	ZZV	MDC	DRG	ZZV	MDC	DRG
5t211.5↔		BOP, KVT, UOP4, VIAL	5t211.h↔		BOP, KVT, UOP4, VIAL	5t213.0↔		BOP, KVT, UOP4, VIAL
	08	I08A, I08B, I08C, I08D, I08E, I08F, I18A, I18B, I30Z		01	B03A, B03B, B06A, B06B, B17A, B17B, B17C		08	I16Z
	21A	W04A, W04B		08	I08A, I08B, I08C, I08D, I08E, I08F		21A	W04A, W04B
	21B	X06A, X06B, X06C		21A	W01A, W01B, W01C, W02A, W02B	5t213.1↔		X06A, X06B, X06C
5t211.6↔		BOP, KVT, UOP4, VIAL		21B	X04Z		BOP, KVT, UOP4, VIAL	
	08	I08A, I08B, I08C, I08D, I08E, I08F, I13A, I13B, I18A, I18B, I30Z	5t211.j↔		BOP, KVT, UOP4, VIAL		08	I08A, I08B, I08C, I08D, I08E, I08F, I13A, I13B, I13C, I13D, I13E
	21A	W04A, W04B		08	I18A, I18B, I30Z		21A	W04A, W04B
	21B	X06A, X06B, X06C		21A	W04A, W04B	5t213.2↔		X06A, X06B, X06C
5t211.7↔		BOP, KVT, UOP4, VIAL		21B	X04Z		BOP, KVT, UOP4, VIAL	
	08	I08A, I08B, I08C, I08D, I08E, I08F, I18A, I18B, I30Z	5t211.k↔		BOP, KVT, UOP4, VIAL		08	I08A, I08B, I08C, I08D, I08E, I08F, I13A, I13B, I13C, I13D, I13E
	21A	W04A, W04B		08	I13A, I13B, I13C, I13D, I13E		21A	W04A, W04B
	21B	X06A, X06B, X06C		21A	W04A, W04B		21B	W04A, W04B
5t211.8↔		BOP, KVT, UOP4, VIAL		21B	X04Z	5t213.3↔		BOP, KVT, UOP4, VIAL
	08	I08A, I08B, I08C, I08D, I08E, I08F, I18A, I18B, I30Z	5t211.m↔		BOP, KVT, UOP4, VIAL		08	I08A, I08B, I08C, I08D, I08E, I08F, I13A, I13B, I13C, I13D, I13E
	21A	W04A, W04B		08	I13A, I13B, I13C, I13D, I13E		21A	W04A, W04B
	21B	X06A, X06B, X06C		21A	W04A, W04B		21B	X06A, X06B, X06C
5t211.9↔		BOP, KVT, UOP4, VIAL		21B	X04Z	5t213.4↔		BOP, KVT, UOP4, VIAL
	08	I08A, I08B, I08C, I08D, I08E, I08F, I18A, I18B, I30Z	5t211.n↔		BOP, KVT, UOP4, VIAL		08	I08A, I08B, I08C, I08D, I08E, I08F, I18A, I18B, I30Z
	21A	W04A, W04B		08	I13A, I13B, I13C, I13D, I13E		21A	W04A, W04B
	21B	X06A, X06B, X06C		21A	W04A, W04B		21B	X06A, X06B, X06C
5t211.a↔		BOP, KVT, UOP4, VIAL		21B	X04Z	5t213.5↔		BOP, KVT, UOP4, VIAL
	08	I32A, I32B, I32C, I32D, I32E, I32F, I32G	5t211.p↔		BOP, KVT, UOP4, VIAL		08	I08A, I08B, I08C, I08D, I08E, I08F, I18A, I18B, I30Z
	21A	W04A, W04B		08	I13A, I13B, I13C, I13D, I13E		21A	W04A, W04B
	21B	X05A, X05B		21A	W04A, W04B		21B	X06A, X06B, X06C
5t211.b↔		BOP, KVT, UOP4, VIAL		21B	X04Z	5t213.6↔		BOP, KVT, UOP4, VIAL
	08	I32A, I32B, I32C, I32D, I32E, I32F, I32G	5t211.q↔		BOP, KVT, UOP4, VIAL		08	I08A, I08B, I08C, I08D, I08E, I08F, I18A, I18B, I30Z
	21A	W04A, W04B		08	I13A, I13B, I13C, I13D, I13E		21A	W04A, W04B
	21B	X05A, X05B		21A	W04A, W04B		21B	X06A, X06B, X06C
5t211.c↔		BOP, KVT, UOP4, VIAL		21B	X04Z	5t213.7↔		BOP, KVT, UOP4, VIAL
	08	I32A, I32B, I32C, I32D, I32E, I32F, I32G	5t211.r↔		BOP, KVT, UOP4, VIAL		08	I08A, I08B, I08C, I08D, I08E, I08F, I13A, I13B, I18A, I18B, I30Z
	21A	W04A, W04B		08	I13A, I13B, I13C, I13D, I13E		21A	W04A, W04B
	21B	X05A, X05B		21A	W04A, W04B		21B	X06A, X06B, X06C
5t211.d		BOP, KVT, UOP4, VIAL		21B	X04Z	5t213.8↔		BOP, KVT, UOP4, VIAL
	08	I08A, I08B, I08C, I08D, I08E, I08F	5t211.t↔		BOP, KVT, UOP4, VIAL		08	I08A, I08B, I08C, I08D, I08E, I08F, I18A, I18B, I30Z
	21A	W04A, W04B		08	I20A, I20B, I20C, I20D, I20E, I20F		21A	W04A, W04B
	21B	X06A, X06B, X06C		21A	W04A, W04B		21B	X06A, X06B, X06C
5t211.e↔		BOP, KVT, UOP4, VIAL		21B	X04Z	5t213.9↔		BOP, KVT, UOP4, VIAL
	08	I08A, I08B, I08C, I08D, I08E, I08F	5t211.u↔		BOP, KVT, UOP4, VIAL		08	I08A, I08B, I08C, I08D, I08E, I08F, I18A, I18B, I30Z
	21A	W01A, W01B, W01C, W02A, W02B		08	I20A, I20B, I20C, I20D, I20E, I20F		21A	W04A, W04B
	21B	X04Z		21A	W04A, W04B		21B	X06A, X06B, X06C
5t211.f↔		BOP, KVT, UOP4, VIAL		21B	X04Z	5t213.a↔		BOP, KVT, UOP4, VIAL
	08	I08A, I08B, I08C, I08D, I08E, I08F	5t211.v↔		BOP, KVT, UOP4, VIAL		08	I32A, I32B, I32C, I32D, I32E, I32F, I32G
	21A	W01A, W01B, W01C, W02A, W02B		08	I20A, I20B, I20C, I20D, I20E, I20F		21A	W04A, W04B
	21B	X04Z		21A	W04A, W04B		21B	X05A, X05B
5t211.g↔		BOP, KVT, UOP4, VIAL		21B	X04Z	5t213.b↔		BOP, KVT, UOP4, VIAL
	08	I08A, I08B, I08C, I08D, I08E, I08F	5t211.w↔		BOP, KVT, UOP4, VIAL		08	I32A, I32B, I32C, I32D, I32E, I32F, I32G
	21A	W01A, W01B, W01C, W02A, W02B		08	I20A, I20B, I20C, I20D, I20E, I20F		21A	W04A, W04B
	21B	X04Z		21A	W04A, W04B		21B	X05A, X05B
			5t211.x		BOP, KVT, UOP4	5t213.c↔		BOP, KVT, UOP4, VIAL
				08	I28A, I28B		08	I32A, I32B, I32C, I32D, I32E, I32F, I32G
				21A	W04A, W04B		21A	W04A, W04B
				21B	X06A, X06B, X06C		21B	X05A, X05B
			5t211.z↔		BOP, KVT, UOP4, VIAL			
				08	I28A, I28B, I28C			
				21A	W04A, W04B			
				21B	X06A, X06B, X06C			

VYK

ZZV	MDC	DRG	ZZV	MDC	DRG	ZZV	MDC	DRG
5t213.d		BOP, KVT, UOP4, VIAL	5t213.u↔		BOP, KVT, UOP4, VIAL	5t214.8↔		BOP, KVT, UOP4, VIAL
	08	I08A, I08B, I08C, I08D, I08E, I08F		08	I20A, I20B, I20C, I20D, I20E, I20F		08	I08A, I08B, I08C, I08D, I08E, I08F, I18A, I18B, I24Z
	21A	W04A, W04B		21A	W04A, W04B		21A	W04A, W04B
	21B	X06A, X06B, X06C		21B	X04Z		21B	X06A, X06B, X06C
5t213.e↔		BOP, KVT, UOP4, VIAL	5t213.v↔		BOP, KVT, UOP4, VIAL	5t214.9↔		BOP, KVT, UOP4, VIAL
	08	I08A, I08B, I08C, I08D, I08E, I08F		08	I20A, I20B, I20C, I20D, I20E, I20F		08	I08A, I08B, I08C, I08D, I08E, I08F, I18A, I18B, I24Z
	21A	W01A, W01B, W01C, W02A, W02B		21A	W04A, W04B		21A	W04A, W04B
	21B	X04Z		21B	X04Z		21B	X06A, X06B, X06C
5t213.f↔		BOP, KVT, UOP4, VIAL	5t213.w↔		BOP, KVT, UOP4, VIAL	5t214.a↔		BOP, KVT, UOP4, VIAL
	08	I08A, I08B, I08C, I08D, I08E, I08F		08	I20A, I20B, I20C, I20D, I20E, I20F		08	I32A, I32B, I32C, I32D, I32E, I32F, I32G
	21A	W01A, W01B, W01C, W02A, W02B		21A	W04A, W04B		21A	W04A, W04B
	21B	X04Z		21B	X04Z		21B	X05A, X05B
5t213.g↔		BOP, KVT, UOP4, VIAL	5t213.x		BOP, KVT, UOP4	5t214.b↔		BOP, KVT, UOP4, VIAL
	08	I08A, I08B, I08C, I08D, I08E, I08F		08	I28A, I28B		08	I32A, I32B, I32C, I32D, I32E, I32F, I32G
	21A	W01A, W01B, W01C, W02A, W02B		21A	W04A, W04B		21A	W04A, W04B
	21B	X04Z		21B	X06A, X06B, X06C		21B	X05A, X05B
5t213.h↔		BOP, KVT, UOP4, VIAL	5t213.z↔		BOP, KVT, UOP4, VIAL	5t214.c↔		BOP, KVT, UOP4, VIAL
	01	B03A, B03B, B06A, B06B, B17A, B17B, B17C		08	I28A, I28B, I28C		08	I32A, I32B, I32C, I32D, I32E, I32F, I32G
	08	I08A, I08B, I08C, I08D, I08E, I08F		21A	W04A, W04B		21A	W04A, W04B
	21A	W01A, W01B, W01C, W02A, W02B		21B	X06A, X06B, X06C		21B	X05A, X05B
	21B	X04Z	5t214.0↔		BOP, KVT, UOP4, VIAL	5t214.d		BOP, KVT, UOP4, VIAL
	01	B03A, B03B, B06A, B06B, B17A, B17B, B17C		08	I16Z		08	I08A, I08B, I08C, I08D, I08E, I08F
	08	I08A, I08B, I08C, I08D, I08E, I08F		21A	W04A, W04B		21A	W04A, W04B
	21A	W01A, W01B, W01C, W02A, W02B	5t214.1↔		BOP, KVT, UOP4, VIAL		21B	X06A, X06B, X06C
	21B	X04Z		08	I08A, I08B, I08C, I08D, I08E, I08F, I13A, I13B, I13C, I13D, I13E	5t214.e↔		BOP, KVT, UOP4, VIAL
5t213.j↔		BOP, KVT, UOP4, VIAL		21A	W04A, W04B		08	I08A, I08B, I08C, I08D, I08E, I08F
	08	I18A, I18B, I30Z		21B	X06A, X06B, X06C		21A	W01A, W01B, W01C, W02A, W02B
	21A	W04A, W04B	5t214.2↔		BOP, KVT, UOP4, VIAL		21B	X04Z
	21B	X04Z		08	I08A, I08B, I08C, I08D, I08E, I08F, I13A, I13B, I13C, I13D, I13E	5t214.f↔		BOP, KVT, UOP4, VIAL
5t213.k↔		BOP, KVT, UOP4, VIAL		21A	W04A, W04B		08	I08A, I08B, I08C, I08D, I08E, I08F
	08	I13A, I13B, I13C, I13D, I13E		21B	X06A, X06B, X06C		21A	W01A, W01B, W01C, W02A, W02B
	21A	W04A, W04B	5t214.3↔		BOP, KVT, UOP4, VIAL		21B	X04Z
	21B	X04Z		08	I08A, I08B, I08C, I08D, I08E, I08F, I13A, I13B, I13C, I13D, I13E	5t214.g↔		BOP, KVT, UOP4, VIAL
5t213.m↔		BOP, KVT, UOP4, VIAL		21A	W04A, W04B		08	I08A, I08B, I08C, I08D, I08E, I08F
	08	I13A, I13B, I13C, I13D, I13E		21B	X06A, X06B, X06C		21A	W01A, W01B, W01C, W02A, W02B
	21A	W04A, W04B	5t214.4↔		BOP, KVT, UOP4, VIAL		21B	X04Z
	21B	X04Z		08	I08A, I08B, I08C, I08D, I08E, I08F, I18A, I18B, I24Z	5t214.h↔		BOP, KVT, UOP4, VIAL
5t213.n↔		BOP, KVT, UOP4, VIAL		21A	W04A, W04B		01	B03A, B03B, B06A, B06B, B17A, B17B, B17C
	08	I13A, I13B, I13C, I13D, I13E		21B	X06A, X06B, X06C		08	I08A, I08B, I08C, I08D, I08E, I08F
	21A	W04A, W04B	5t214.5↔		BOP, KVT, UOP4, VIAL		21A	W01A, W01B, W01C, W02A, W02B
	21B	X04Z		08	I08A, I08B, I08C, I08D, I08E, I08F, I18A, I18B, I24Z		21B	X04Z
5t213.p↔		BOP, KVT, UOP4, VIAL		21A	W04A, W04B	5t214.i↔		BOP, KVT, UOP4, VIAL
	08	I13A, I13B, I13C, I13D, I13E		21B	X06A, X06B, X06C		08	I24Z, I30Z
	21A	W04A, W04B	5t214.6↔		BOP, KVT, UOP4, VIAL		21A	W04A, W04B
	21B	X04Z		08	I08A, I08B, I08C, I08D, I08E, I08F, I13A, I13B, I18A, I18B, I24Z		21B	X04Z
5t213.q↔		BOP, KVT, UOP4, VIAL		21A	W04A, W04B	5t214.k↔		BOP, KVT, UOP4, VIAL
	08	I13A, I13B, I13C, I13D, I13E		21B	X06A, X06B, X06C		08	I13A, I13B, I13C, I13D, I13E
	21A	W04A, W04B	5t214.7↔		BOP, KVT, UOP4, VIAL		21A	W04A, W04B
	21B	X04Z		08	I08A, I08B, I08C, I08D, I08E, I08F, I18A, I18B, I24Z		21B	X04Z
5t213.r↔		BOP, KVT, UOP4, VIAL		21A	W04A, W04B	5t214.l↔		BOP, KVT, UOP4, VIAL
	08	I13A, I13B, I13C, I13D, I13E		21B	X06A, X06B, X06C		08	I13A, I13B, I13C, I13D, I13E
	21A	W04A, W04B		21A	W04A, W04B		21A	W04A, W04B
	21B	X04Z		21B	X06A, X06B, X06C		21B	X04Z
5t213.s↔		BOP, KVT, UOP4, VIAL		21A	W04A, W04B		08	I13A, I13B, I13C, I13D, I13E
	08	I20A, I20B, I20C, I20D, I20E, I20F		21B	X06A, X06B, X06C	5t214.m↔		BOP, KVT, UOP4, VIAL
	21A	W04A, W04B		21A	W04A, W04B		08	I13A, I13B, I13C, I13D, I13E
	21B	X04Z		21B	X06A, X06B, X06C		21A	W04A, W04B
5t213.t↔		BOP, KVT, UOP4, VIAL		21A	W04A, W04B		21B	X04Z
	08	I20A, I20B, I20C, I20D, I20E, I20F		21B	X06A, X06B, X06C			
	21A	W04A, W04B						
	21B	X04Z						

ZZV	MDC	DRG	ZZV	MDC	DRG	ZZV	MDC	DRG
5t214.n↔		BOP, KVT, UOP4, VIAL	5t215.g↔		BOP, KVT, UOP4, VIAL	5t216.e↔		BOP, KVT, UOP4, VIAL
	08	I13A, I13B, I13C, I13D, I13E		08	I08A, I08B, I08C, I08D, I08E, I08F		08	I08A, I08B, I08C, I08D, I08E, I08F
	21A	W04A, W04B		21A	W01A, W01B, W01C, W02A, W02B		21A	W01A, W01B, W01C, W02A, W02B
	21B	X04Z		21B	X04Z		21B	X04Z
5t214.p↔		BOP, KVT, UOP4, VIAL	5t215.h↔		BOP, KVT, UOP4, VIAL	5t216.f↔		BOP, KVT, UOP4, VIAL
	08	I13A, I13B, I13C, I13D, I13E		01	B03A, B03B, B06A, B06B, B17A, B17B, B17C		08	I08A, I08B, I08C, I08D, I08E, I08F
	21A	W04A, W04B		08	I08A, I08B, I08C, I08D, I08E, I08F		21A	W01A, W01B, W01C, W02A, W02B
	21B	X04Z		21A	W01A, W01B, W01C, W02A, W02B		21B	X04Z
5t214.q↔		BOP, KVT, UOP4, VIAL	5t215.k↔		BOP, KVT, UOP4, VIAL	5t216.g↔		BOP, KVT, UOP4, VIAL
	08	I13A, I13B, I13C, I13D, I13E		08	I13A, I13B, I13C, I13D		08	I08A, I08B, I08C, I08D, I08E, I08F
	21A	W04A, W04B		08	I28A, I28B		21A	W01A, W01B, W01C, W02A, W02B
	21B	X04Z		21A	W04A, W04B		21B	X04Z
5t214.r↔		BOP, KVT, UOP4, VIAL	5t215.x		BOP, KVT, UOP4	5t216.h↔		BOP, KVT, UOP4, VIAL
	08	I13A, I13B, I13C, I13D, I13E		08	I28A, I28B		01	B03A, B03B, B06A, B06B, B17A, B17B, B17C
	21A	W04A, W04B		21A	W04A, W04B		08	I08A, I08B, I08C, I08D, I08E, I08F
	21B	X04Z		21B	X06A, X06B, X06C		21A	W01A, W01B, W01C, W02A, W02B
5t214.s↔		BOP, KVT, UOP4, VIAL	5t216.1↔		BOP, KVT, UOP4, VIAL	5t216.i↔		BOP, KVT, UOP4, VIAL
	08	I20A, I20B, I20C, I20D, I20E, I20F		08	I08A, I08B, I08C, I08D, I08E, I08F, I13A, I13B, I13C, I13D		08	I08A, I08B, I08C, I08D, I08E, I08F
	21A	W04A, W04B		21A	W04A, W04B		21A	W01A, W01B, W01C, W02A, W02B
	21B	X04Z		21B	X06A, X06B, X06C		21B	X04Z
5t214.t↔		BOP, KVT, UOP4, VIAL	5t216.2↔		BOP, KVT, UOP4, VIAL	5t216.k↔		BOP, KVT, UOP4, VIAL
	08	I20A, I20B, I20C, I20D, I20E, I20F		08	I08A, I08B, I08C, I08D, I08E, I08F, I13A, I13B, I13C, I13D		08	I13A, I13B, I13C, I13D
	21A	W04A, W04B		21A	W04A, W04B		21A	W04A, W04B
	21B	X04Z		21B	X06A, X06B, X06C		21B	X04Z
5t214.u↔		BOP, KVT, UOP4, VIAL	5t216.3↔		BOP, KVT, UOP4, VIAL	5t216.l↔		BOP, KVT, UOP4, VIAL
	08	I20A, I20B, I20C, I20D, I20E, I20F		08	I08A, I08B, I08C, I08D, I08E, I08F, I13A, I13B, I13C, I13D		08	I13A, I13B, I13C, I13D
	21A	W04A, W04B		21A	W04A, W04B		21A	W04A, W04B
	21B	X04Z		21B	X06A, X06B, X06C		21B	X04Z
5t214.v↔		BOP, KVT, UOP4, VIAL	5t216.4↔		BOP, KVT, UOP4, VIAL	5t216.m↔		BOP, KVT, UOP4, VIAL
	08	I20A, I20B, I20C, I20D, I20E, I20F		08	I08A, I08B, I08C, I08D, I08E, I08F, I18A, I18B, I21Z, I31Z		08	I13A, I13B, I13C, I13D
	21A	W04A, W04B		21A	W04A, W04B		21A	W04A, W04B
	21B	X04Z		21B	X06A, X06B, X06C		21B	X04Z
5t214.w↔		BOP, KVT, UOP4, VIAL	5t216.5↔		BOP, KVT, UOP4, VIAL	5t216.n↔		BOP, KVT, UOP4, VIAL
	08	I20A, I20B, I20C, I20D, I20E, I20F		08	I08A, I08B, I08C, I08D, I08E, I08F, I18A, I18B, I21Z, I31Z		08	I13A, I13B, I13C, I13D
	21A	W04A, W04B		21A	W04A, W04B		21A	W04A, W04B
	21B	X04Z		21B	X06A, X06B, X06C		21B	X04Z
5t214.x		BOP, KVT, UOP4	5t216.6↔		BOP, KVT, UOP4, VIAL	5t216.o↔		BOP, KVT, UOP4, VIAL
	08	I28A, I28B		08	I08A, I08B, I08C, I08D, I08E, I08F, I18A, I18B, I21Z, I31Z		08	I13A, I13B, I13C, I13D
	21A	W04A, W04B		21A	W04A, W04B		08	I08A, I08B, I08C, I08D, I08E, I08F, I13A, I13B, I13C, I13D
	21B	X06A, X06B, X06C		21B	X06A, X06B, X06C		08	I20A, I20B, I20C, I20D, I20E, I20F
5t214.z↔		BOP, KVT, UOP4, VIAL	5t216.7↔		BOP, KVT, UOP4, VIAL	5t216.p↔		BOP, KVT, UOP4, VIAL
	08	I28A, I28B, I28C		08	I08A, I08B, I08C, I08D, I08E, I08F, I18A, I18B, I21Z, I31Z		08	I13A, I13B, I13C, I13D
	21A	W04A, W04B		21A	W04A, W04B		08	I08A, I08B, I08C, I08D, I08E, I08F, I13A, I13B, I13C, I13D
	21B	X06A, X06B, X06C		21B	X06A, X06B, X06C		08	I20A, I20B, I20C, I20D, I20E, I20F
5t215.1↔		BOP, KVT, UOP4, VIAL	5t216.8↔		BOP, KVT, UOP4, VIAL	5t216.q↔		BOP, KVT, UOP4, VIAL
	08	I08A, I08B, I08C, I08D, I08E, I08F, I13A, I13B, I13C, I13D		08	I08A, I08B, I08C, I08D, I08E, I08F, I18A, I18B, I21Z, I31Z		08	I13A, I13B, I13C, I13D
	21A	W04A, W04B		21A	W04A, W04B		08	I08A, I08B, I08C, I08D, I08E, I08F, I13A, I13B, I13C, I13D
	21B	X06A, X06B, X06C		21B	X06A, X06B, X06C		08	I20A, I20B, I20C, I20D, I20E, I20F
5t215.2↔		BOP, KVT, UOP4, VIAL	5t216.9↔		BOP, KVT, UOP4, VIAL	5t216.r↔		BOP, KVT, UOP4, VIAL
	08	I08A, I08B, I08C, I08D, I08E, I08F, I13A, I13B, I13C, I13D		08	I08A, I08B, I08C, I08D, I08E, I08F, I18A, I18B, I21Z, I31Z		08	I13A, I13B, I13C, I13D
	21A	W04A, W04B		21A	W04A, W04B		08	I08A, I08B, I08C, I08D, I08E, I08F, I13A, I13B, I13C, I13D
	21B	X06A, X06B, X06C		21B	X06A, X06B, X06C		08	I20A, I20B, I20C, I20D, I20E, I20F
5t215.e↔		BOP, KVT, UOP4, VIAL				5t216.s↔		BOP, KVT, UOP4, VIAL
	08	I08A, I08B, I08C, I08D, I08E, I08F					08	I28A, I28B
	21A	W01A, W01B, W01C, W02A, W02B					21A	W04A, W04B
	21B	X04Z					21B	X06A, X06B, X06C
5t215.f↔		BOP, KVT, UOP4, VIAL				5t217.1↔		BOP, KVT, UOP4, VIAL
	08	I08A, I08B, I08C, I08D, I08E, I08F					08	I08A, I08B, I08C, I08D, I08E, I08F, I13A, I13B, I13C, I13D
	21A	W01A, W01B, W01C, W02A, W02B					21A	W04A, W04B
	21B	X04Z					21B	X06A, X06B, X06C
						5t217.2↔		BOP, KVT, UOP4, VIAL
							08	I08A, I08B, I08C, I08D, I08E, I08F, I13A, I13B, I13C, I13D
							21A	W04A, W04B
							21B	X06A, X06B, X06C
						5t217.3↔		BOP, KVT, UOP4, VIAL
							08	I08A, I08B, I08C, I08D, I08E, I08F, I13A, I13B, I13C, I13D
							21A	W04A, W04B
							21B	X06A, X06B, X06C

ZZV	MDC	DRG	ZZV	MDC	DRG	ZZV	MDC	DRG
5t217.4↔		BOP, KVT, UOP4, VIAL	5t217.p↔		BOP, KVT, UOP4, VIAL	5t218.f↔		BOP, KVT, UOP4, VIAL
	08	I08A, I08B, I08C, I08D, I08E, I08F, I18A, I18B, I21Z, I31Z		08	I13A, I13B, I13C, I13D		08	I08A, I08B, I08C, I08D, I08E, I08F
	21A	W04A, W04B	5t217.q↔		BOP, KVT, UOP4, VIAL		21A	W01A, W01B, W01C, W02A, W02B
	21B	X06A, X06B, X06C		08	I13A, I13B, I13C, I13D		21B	X04Z
5t217.5↔		BOP, KVT, UOP4, VIAL	5t217.r↔		BOP, KVT, UOP4, VIAL	5t218.g↔		BOP, KVT, UOP4, VIAL
	08	I08A, I08B, I08C, I08D, I08E, I08F, I18A, I18B, I21Z, I31Z		08	I13A, I13B, I13C, I13D		08	I08A, I08B, I08C, I08D, I08E, I08F
	21A	W04A, W04B	5t217.t↔		BOP, KVT, UOP4, VIAL		21A	W01A, W01B, W01C, W02A, W02B
	21B	X06A, X06B, X06C		08	I20A, I20B, I20C, I20D, I20E, I20F		21B	X04Z
5t217.6↔		BOP, KVT, UOP4, VIAL	5t217.x		BOP, KVT, UOP4	5t218.h↔		BOP, KVT, UOP4, VIAL
	08	I08A, I08B, I08C, I08D, I08E, I08F, I13A, I13B, I18A, I18B, I21Z, I31Z		08	I28A, I28B		01	B03A, B03B, B06A, B06B, B17A, B17B, B17C
	21A	W04A, W04B		21A	W04A, W04B		08	I08A, I08B, I08C, I08D, I08E, I08F
	21B	X06A, X06B, X06C	5t218.1↔		BOP, KVT, UOP4, VIAL		21A	W01A, W01B, W01C, W02A, W02B
5t217.7↔		BOP, KVT, UOP4, VIAL		08	I08A, I08B, I08C, I08D, I08E, I08F, I13A, I13B, I13C, I13D		21B	X04Z
	08	I08A, I08B, I08C, I08D, I08E, I08F, I18A, I18B, I21Z, I31Z		21A	W04A, W04B	5t218.k↔		BOP, KVT, UOP4, VIAL
	21A	W04A, W04B		21B	X06A, X06B, X06C		08	I13A, I13B, I13C, I13D
	21B	X06A, X06B, X06C	5t218.2↔		BOP, KVT, UOP4, VIAL		21A	W04A, W04B
5t217.8↔		BOP, KVT, UOP4, VIAL		08	I08A, I08B, I08C, I08D, I08E, I08F, I13A, I13B, I13C, I13D		21B	X04Z
	08	I08A, I08B, I08C, I08D, I08E, I08F, I18A, I18B, I21Z, I31Z		21A	W04A, W04B	5t218.m↔		BOP, KVT, UOP4, VIAL
	21A	W04A, W04B	5t218.3↔		BOP, KVT, UOP4, VIAL		08	I13A, I13B, I13C, I13D
	21B	X06A, X06B, X06C		08	I08A, I08B, I08C, I08D, I08E, I08F, I13A, I13B, I13C, I13D		21A	W04A, W04B
5t217.9↔		BOP, KVT, UOP4, VIAL		21A	W04A, W04B		21B	X04Z
	08	I08A, I08B, I08C, I08D, I08E, I08F, I18A, I18B, I21Z, I31Z	5t218.4↔		BOP, KVT, UOP4, VIAL	5t218.n↔		BOP, KVT, UOP4, VIAL
	21A	W04A, W04B		08	I08A, I08B, I08C, I08D, I08E, I08F, I18A, I18B, I30Z		08	I13A, I13B, I13C, I13D
	21B	X06A, X06B, X06C		21A	W04A, W04B		21A	W04A, W04B
5t217.e↔		BOP, KVT, UOP4, VIAL		21B	X06A, X06B, X06C		21B	X04Z
	08	I08A, I08B, I08C, I08D, I08E, I08F	5t218.5↔		BOP, KVT, UOP4, VIAL	5t218.p↔		BOP, KVT, UOP4, VIAL
	21A	W01A, W01B, W01C, W02A, W02B		08	I08A, I08B, I08C, I08D, I08E, I08F, I18A, I18B, I30Z		08	I13A, I13B, I13C, I13D
	21B	X04Z	5t218.6↔		BOP, KVT, UOP4, VIAL		21A	W04A, W04B
5t217.f↔		BOP, KVT, UOP4, VIAL		08	I08A, I08B, I08C, I08D, I08E, I08F, I13A, I13B, I18A, I18B, I30Z		21B	X06A, X06B, X06C
	08	I08A, I08B, I08C, I08D, I08E, I08F		21A	W04A, W04B	5t218.q↔		BOP, KVT, UOP4, VIAL
	21A	W01A, W01B, W01C, W02A, W02B	5t218.7↔		BOP, KVT, UOP4, VIAL		08	I13A, I13B, I13C, I13D
	21B	X04Z		08	I08A, I08B, I08C, I08D, I08E, I08F, I18A, I18B, I30Z	5t218.r↔		BOP, KVT, UOP4, VIAL
5t217.g↔		BOP, KVT, UOP4, VIAL		21A	W04A, W04B		08	I13A, I13B, I13C, I13D
	08	I08A, I08B, I08C, I08D, I08E, I08F	5t218.8↔		BOP, KVT, UOP4, VIAL	5t218.x		BOP, KVT, UOP4
	21A	W01A, W01B, W01C, W02A, W02B		08	I08A, I08B, I08C, I08D, I08E, I08F, I18A, I18B, I30Z		08	I28A, I28B
	21B	X04Z		21A	W04A, W04B		21A	W04A, W04B
5t217.h↔		BOP, KVT, UOP4, VIAL		21B	X06A, X06B, X06C	5t219.d		BOP, KVT, UOP4, VIAL
	01	B03A, B03B, B06A, B06B, B17A, B17B, B17C	5t218.9↔		BOP, KVT, UOP4, VIAL		08	I08A, I08B, I08C, I08D, I08E, I08F
	08	I08A, I08B, I08C, I08D, I08E, I08F		08	I08A, I08B, I08C, I08D, I08E, I08F, I18A, I18B, I30Z	5t219.e↔		BOP, KVT, UOP4, VIAL
	21A	W01A, W01B, W01C, W02A, W02B		21A	W04A, W04B		08	I08A, I08B, I08C, I08D, I08E, I08F
	21B	X04Z		21B	X06A, X06B, X06C	5t219.f↔		BOP, KVT, UOP4, VIAL
5t217.k↔		BOP, KVT, UOP4, VIAL		5t218.e↔			08	I08A, I08B, I08C, I08D, I08E, I08F
	08	I13A, I13B, I13C, I13D		08	I08A, I08B, I08C, I08D, I08E, I08F, I18A, I18B, I30Z		21A	W01A, W01B, W01C, W02A, W02B
	21A	W04A, W04B		21A	W04A, W04B		21B	X04Z
	21B	X04Z		21B	X06A, X06B, X06C	5t219.g↔		BOP, KVT, UOP4, VIAL
5t217.m↔		BOP, KVT, UOP4, VIAL		5t218.e↔			08	I08A, I08B, I08C, I08D, I08E, I08F
	08	I13A, I13B, I13C, I13D		08	I08A, I08B, I08C, I08D, I08E, I08F, I18A, I18B, I30Z		21A	W01A, W01B, W01C, W02A, W02B
	21A	W04A, W04B		21A	W04A, W04B		21B	X04Z
	21B	X04Z		21B	X06A, X06B, X06C	5t219.h↔		BOP, KVT, UOP4, VIAL
5t217.n↔		BOP, KVT, UOP4, VIAL		5t218.e↔			01	B03A, B03B, B06A, B06B, B17A, B17B, B17C
	08	I13A, I13B, I13C, I13D		08	I08A, I08B, I08C, I08D, I08E, I08F		08	I08A, I08B, I08C, I08D, I08E, I08F
	21A	W04A, W04B		21A	W01A, W01B, W01C, W02A, W02B		21A	W01A, W01B, W01C, W02A, W02B
	21B	X04Z		21B	X04Z		21B	X04Z

VYK

ZZV	MDC	DRG	ZZV	MDC	DRG	ZZV	MDC	DRG
5t219.k↔		BOP, KVT, UOP4, VIAL 08 I13A, I13B, I13C, I13D 21A W04A, W04B 21B X04Z	5t21a.9↔		BOP, KVT, UOP4, VIAL 08 I08A, I08B, I08C, I08D, I08E, I08F, I18A, I18B, I21Z, I31Z 21A W04A, W04B 21B X06A, X06B, X06C	5t21a.w↔		BOP, KVT, UOP4, VIAL 08 I20A, I20B, I20C, I20D, I20E, I20F 21A W04A, W04B 21B X04Z
5t219.m↔		BOP, KVT, UOP4, VIAL 08 I13A, I13B, I13C, I13D 21A W04A, W04B 21B X04Z	5t21a.b↔		BOP, KVT, UOP4, VIAL 08 I32A, I32B, I32C, I32D, I32E, I32F, I32G 21A W04A, W04B 21B X05A, X05B	5t21a.x		BOP, KVT, UOP4 08 I28A, I28B 21A W04A, W04B 21B X06A, X06B, X06C
5t219.n↔		BOP, KVT, UOP4, VIAL 08 I13A, I13B, I13C, I13D 21A W04A, W04B 21B X04Z	5t21a.c↔		BOP, KVT, UOP4, VIAL 08 I32A, I32B, I32C, I32D, I32E, I32F, I32G 21A W04A, W04B 21B X05A, X05B	5t21a.z↔		BOP, KVT, UOP4, VIAL 08 I28A, I28B, I28C 21A W04A, W04B 21B X06A, X06B, X06C
5t219.s↔		BOP, KVT, UOP4, VIAL 08 I20A, I20B, I20C, I20D, I20E, I20F	5t21a.e↔		BOP, KVT, UOP4, VIAL 08 I08A, I08B, I08C, I08D, I08E, I08F 21A W01A, W01B, W01C, W02A, W02B 21B X04Z	5t21b.0↔		BOP, KVT, UOP4, VIAL 08 I16Z 21A W04A, W04B 21B X06A, X06B, X06C
5t219.t↔		BOP, KVT, UOP4, VIAL 08 I20A, I20B, I20C, I20D, I20E, I20F	5t21a.f↔		BOP, KVT, UOP4, VIAL 08 I08A, I08B, I08C, I08D, I08E, I08F 21A W01A, W01B, W01C, W02A, W02B 21B X04Z	5t21b.1↔		BOP, KVT, UOP4, VIAL 08 I08A, I08B, I08C, I08D, I08E, I08F, I13A, I13B, I13C, I13D, I13E 21A W04A, W04B 21B X06A, X06B, X06C
5t219.x		BOP, KVT, UOP4 08 I28A, I28B 21A W04A, W04B 21B X06A, X06B, X06C	5t21a.g↔		BOP, KVT, UOP4, VIAL 08 I08A, I08B, I08C, I08D, I08E, I08F 21A W01A, W01B, W01C, W02A, W02B 21B X04Z	5t21b.2↔		BOP, KVT, UOP4, VIAL 08 I08A, I08B, I08C, I08D, I08E, I08F, I13A, I13B, I13C, I13D, I13E 21A W04A, W04B 21B X06A, X06B, X06C
5t21a.0↔		BOP, KVT, UOP4, VIAL 08 I16Z 21A W04A, W04B 21B X06A, X06B, X06C	5t21a.h↔		BOP, KVT, UOP4, VIAL 01 B03A, B03B, B06A, B06B, B17A, B17B, B17C 08 I08A, I08B, I08C, I08D, I08E, I08F 21A W01A, W01B, W01C, W02A, W02B 21B X04Z	5t21b.3↔		BOP, KVT, UOP4, VIAL 08 I08A, I08B, I08C, I08D, I08E, I08F, I13A, I13B, I13C, I13D, I13E 21A W04A, W04B 21B X06A, X06B, X06C
5t21a.1↔		BOP, KVT, UOP4, VIAL 08 I08A, I08B, I08C, I08D, I08E, I08F, I13A, I13B, I13C, I13D, I13E 21A W04A, W04B 21B X06A, X06B, X06C	5t21a.i↔		BOP, KVT, UOP4, VIAL 08 I08A, I08B, I08C, I08D, I08E, I08F 21A W01A, W01B, W01C, W02A, W02B 21B X04Z	5t21b.4↔		BOP, KVT, UOP4, VIAL 08 I08A, I08B, I08C, I08D, I08E, I08F, I18A, I18B, I30Z 21A W04A, W04B 21B X06A, X06B, X06C
5t21a.2↔		BOP, KVT, UOP4, VIAL 08 I08A, I08B, I08C, I08D, I08E, I08F, I13A, I13B, I13C, I13D, I13E 21A W04A, W04B 21B X06A, X06B, X06C	5t21a.k↔		BOP, KVT, UOP4, VIAL 08 I13A, I13B, I13C, I13D, I13E 21A W04A, W04B 21B X04Z	5t21b.5↔		BOP, KVT, UOP4, VIAL 08 I08A, I08B, I08C, I08D, I08E, I08F, I18A, I18B, I30Z 21A W04A, W04B 21B X06A, X06B, X06C
5t21a.3↔		BOP, KVT, UOP4, VIAL 08 I08A, I08B, I08C, I08D, I08E, I08F, I13A, I13B, I13C, I13D, I13E 21A W04A, W04B 21B X06A, X06B, X06C	5t21a.l↔		BOP, KVT, UOP4, VIAL 08 I13A, I13B, I13C, I13D, I13E 21A W04A, W04B 21B X04Z	5t21b.6↔		BOP, KVT, UOP4, VIAL 08 I08A, I08B, I08C, I08D, I08E, I08F, I13A, I13B, I18A, I18B, I30Z 21A W04A, W04B 21B X06A, X06B, X06C
5t21a.4↔		BOP, KVT, UOP4, VIAL 08 I08A, I08B, I08C, I08D, I08E, I08F, I18A, I18B, I30Z, I59Z 21A W04A, W04B 21B X06A, X06B, X06C	5t21a.m↔		BOP, KVT, UOP4, VIAL 08 I13A, I13B, I13C, I13D, I13E 21A W04A, W04B 21B X04Z	5t21b.7↔		BOP, KVT, UOP4, VIAL 08 I08A, I08B, I08C, I08D, I08E, I08F, I18A, I18B, I30Z 21A W04A, W04B 21B X06A, X06B, X06C
5t21a.5↔		BOP, KVT, UOP4, VIAL 08 I08A, I08B, I08C, I08D, I08E, I08F, I18A, I18B, I30Z, I59Z 21A W04A, W04B 21B X06A, X06B, X06C	5t21a.n↔		BOP, KVT, UOP4, VIAL 08 I13A, I13B, I13C, I13D, I13E 21A W04A, W04B 21B X04Z	5t21b.8↔		BOP, KVT, UOP4, VIAL 08 I08A, I08B, I08C, I08D, I08E, I08F, I18A, I18B, I30Z 21A W04A, W04B 21B X06A, X06B, X06C
5t21a.6↔		BOP, KVT, UOP4, VIAL 08 I08A, I08B, I08C, I08D, I08E, I08F, I13A, I13B, I18A, I18B, I30Z, I59Z 21A W04A, W04B 21B X06A, X06B, X06C	5t21a.o↔		BOP, KVT, UOP4, VIAL 08 I13A, I13B, I13C, I13D, I13E 21A W04A, W04B 21B X04Z	5t21b.9↔		BOP, KVT, UOP4, VIAL 08 I08A, I08B, I08C, I08D, I08E, I08F, I18A, I18B, I30Z 21A W04A, W04B 21B X06A, X06B, X06C
5t21a.7↔		BOP, KVT, UOP4, VIAL 08 I08A, I08B, I08C, I08D, I08E, I08F, I18A, I18B, I30Z, I59Z 21A W04A, W04B 21B X06A, X06B, X06C	5t21a.p↔		BOP, KVT, UOP4, VIAL 08 I13A, I13B, I13C, I13D, I13E 21A W04A, W04B 21B X04Z			
5t21a.8↔		BOP, KVT, UOP4, VIAL 08 I08A, I08B, I08C, I08D, I08E, I08F, I18A, I18B, I30Z, I59Z 21A W04A, W04B 21B X06A, X06B, X06C	5t21a.q↔		BOP, KVT, UOP4, VIAL 08 I13A, I13B, I13C, I13D, I13E 21A W04A, W04B 21B X04Z			
			5t21a.r↔		BOP, KVT, UOP4, VIAL 08 I13A, I13B, I13C, I13D, I13E 21A W04A, W04B 21B X04Z			
			5t21a.s↔		BOP, KVT, UOP4, VIAL 08 I20A, I20B, I20C, I20D, I20E, I20F 21A W04A, W04B 21B X04Z			

VYK

ZZV	MDC	DRG	ZZV	MDC	DRG	ZZV	MDC	DRG
5t21b.a↔		BOP, KVT, UOP4, VIAL	5t21b.r↔	08	BOP, KVT, UOP4, VIAL	5t21c.k↔	08	BOP, KVT, UOP4, VIAL
	08	I32A, I32B, I32C, I32D, I32E, I32F		08	I13A, I13B, I13C, I13D, I13E		08	I13A, I13B, I13C, I13D
	21A	W04A, W04B		21A	W04A, W04B		21A	W04A, W04B
5t21b.b↔	21B	X05A, X05B	5t21b.s↔	21B	X04Z	5t21c.n↔	21B	X04Z
	08	BOP, KVT, UOP4, VIAL		08	BOP, KVT, UOP4, VIAL		08	BOP, KVT, UOP4, VIAL
	08	I32A, I32B, I32C, I32D, I32E, I32F		08	I20A, I20B, I20C, I20D, I20E, I20F		08	I13A, I13B, I13C, I13D
5t21b.c↔	21A	W04A, W04B	5t21b.t↔	21A	W04A, W04B	5t21c.x	21A	W04A, W04B
	21B	X05A, X05B		21B	X04Z		21B	X04Z
	08	BOP, KVT, UOP4, VIAL		08	BOP, KVT, UOP4, VIAL		08	BOP, KVT, UOP4
5t21b.d	08	I32A, I32B, I32C, I32D, I32E, I32F	5t21b.u↔	21A	W04A, W04B	5t21t.0↔	21A	W04A, W04B
	21A	W04A, W04B		08	BOP, KVT, UOP4, VIAL		08	I28A, I28B
	21B	X05A, X05B		08	I20A, I20B, I20C, I20D		21A	W04A, W04B
5t21b.e↔	08	BOP, KVT, UOP4, VIAL	5t21b.v↔	21A	W04A, W04B	5t21t.1↔	21B	X06A, X06B, X06C
	08	I08A, I08B, I08C, I08D, I08E, I08F		08	I20A, I20B, I20C, I20D, I20E, I20F		08	I16Z
	21A	W01A, W01B, W01C, W02A, W02B		21A	W04A, W04B		21A	W04A, W04B
5t21b.f↔	21B	X04Z	5t21b.w↔	21B	X04Z	5t21t.2↔	21B	X06A, X06B, X06C
	08	BOP, KVT, UOP4, VIAL		08	BOP, KVT, UOP4, VIAL		08	BOP, KVT, UOP4, VIAL
	08	I08A, I08B, I08C, I08D, I08E, I08F		08	I20A, I20B, I20C, I20D, I20E, I20F		08	I08A, I08B, I08C, I08D, I08E, I08F, I13A, I13B, I13C, I13D
5t21b.g↔	21A	W01A, W01B, W01C, W02A, W02B	5t21b.x	21A	W04A, W04B	5t21t.3↔	21A	W04A, W04B
	21B	X04Z		21B	X04Z		21B	X06A, X06B, X06C
	08	BOP, KVT, UOP4, VIAL		08	BOP, KVT, UOP4		08	BOP, KVT, UOP4, VIAL
5t21b.h↔	08	I08A, I08B, I08C, I08D, I08E, I08F	5t21b.z↔	08	I28A, I28B, I28C	5t21t.4↔	08	I08A, I08B, I08C, I08D, I08E, I08F, I18A, I18B, I30Z, I59Z
	21A	W01A, W01B, W01C, W02A, W02B		21A	W04A, W04B		21A	W04A, W04B
	21B	X04Z		21B	X06A, X06B, X06C		21B	X06A, X06B, X06C
5t21b.i↔	08	BOP, KVT, UOP4, VIAL	5t21c.1↔	08	BOP, KVT, UOP4, VIAL	5t21t.5↔	08	BOP, KVT, UOP4, VIAL
	01	B03A, B03B, B06A, B06B, B17A, B17B, B17C		08	I08A, I08B, I08C, I08D, I08E, I08F, I13A, I13B, I13C, I13D		08	I08A, I08B, I08C, I08D, I08E, I08F, I18A, I18B, I30Z, I59Z
	08	I08A, I08B, I08C, I08D, I08E, I08F		21A	W04A, W04B		21A	W04A, W04B
5t21b.j↔	21A	W01A, W01B, W01C, W02A, W02B	5t21c.3↔	21B	X06A, X06B, X06C	5t21t.6↔	21B	X06A, X06B, X06C
	21B	X04Z		08	BOP, KVT, UOP4, VIAL		08	I08A, I08B, I08C, I08D, I08E, I08F, I13A, I13B, I18A, I18B, I30Z, I59Z
	08	BOP, KVT, UOP4, VIAL		21A	W04A, W04B		21A	W04A, W04B
5t21b.k↔	08	I18A, I18B, I30Z	5t21c.e↔	21B	X06A, X06B, X06C	5t21t.7↔	21B	X06A, X06B, X06C
	21A	W04A, W04B		08	BOP, KVT, UOP4, VIAL		08	BOP, KVT, UOP4, VIAL
	21B	X04Z		08	I08A, I08B, I08C, I08D, I08E, I08F		08	I08A, I08B, I08C, I08D, I08E, I08F, I18A, I18B, I30Z, I59Z
5t21b.l↔	08	BOP, KVT, UOP4, VIAL	5t21c.f↔	21A	W01A, W01B, W01C, W02A, W02B	5t21t.8↔	21A	W04A, W04B
	08	I13A, I13B, I13C, I13D, I13E		21B	X04Z		21B	X06A, X06B, X06C
	21A	W04A, W04B		08	BOP, KVT, UOP4, VIAL		08	I08A, I08B, I08C, I08D, I08E, I08F, I18A, I18B, I30Z, I59Z
5t21b.m↔	21B	X04Z	5t21c.g↔	21A	W01A, W01B, W01C, W02A, W02B	5t21t.9↔	21A	W04A, W04B
	08	BOP, KVT, UOP4, VIAL		21B	X04Z		21B	X06A, X06B, X06C
	08	I13A, I13B, I13C, I13D, I13E		08	BOP, KVT, UOP4, VIAL		08	I08A, I08B, I08C, I08D, I08E, I08F, I18A, I18B, I30Z, I59Z
5t21b.n↔	21A	W04A, W04B	5t21c.h↔	08	I08A, I08B, I08C, I08D, I08E, I08F	5t21t.a↔	21A	W04A, W04B
	21B	X04Z		01	B03A, B03B, B06A, B06B, B17A, B17B, B17C		21B	X06A, X06B, X06C
	08	BOP, KVT, UOP4, VIAL		08	I08A, I08B, I08C, I08D, I08E, I08F		08	I32A, I32B, I32C, I32D, I32E, I32F
5t21b.o↔	08	I13A, I13B, I13C, I13D, I13E	5t21c.i↔	21A	W01A, W01B, W01C, W02A, W02B		21A	W04A, W04B
	21A	W04A, W04B		21B	X04Z		21B	X05A, X05B
	21B	X04Z		08	BOP, KVT, UOP4, VIAL			

VYK

ZZV	MDC	DRG	ZZV	MDC	DRG	ZZV	MDC	DRG
5t21t.b↔		BOP, KVT, UOP4, VIAL	5t21t.s↔		BOP, KVT, UOP4, VIAL	5t21v.7↔		BOP, KVT, UOP4, VIAL
	08	I32A, I32B, I32C, I32D, I32E, I32F		08	I20A, I20B, I20C, I20D, I20E, I20F		08	I08A, I08B, I08C, I08D, I08E, I08F, I13A, I18A, I18B, I30Z, I59Z
	21A	W04A, W04B		21A	W04A, W04B		21A	W04A, W04B
	21B	X05A, X05B		21B	X04Z		21B	X06A, X06B, X06C
5t21t.c↔		BOP, KVT, UOP4, VIAL	5t21t.t↔		BOP, KVT, UOP4, VIAL	5t21v.8↔		BOP, KVT, UOP4, VIAL
	08	I32A, I32B, I32C, I32D, I32E, I32F		08	I20A, I20B, I20C, I20D		08	I08A, I08B, I08C, I08D, I08E, I08F, I13A, I18A, I18B, I30Z, I59Z
	21A	W04A, W04B		21A	W04A, W04B		21A	W04A, W04B
	21B	X05A, X05B		21B	X04Z		21B	X06A, X06B, X06C
5t21t.d		BOP, KVT, UOP4, VIAL	5t21t.u↔		BOP, KVT, UOP4, VIAL	5t21v.9↔		BOP, KVT, UOP4, VIAL
	08	I08A, I08B, I08C, I08D, I08E, I08F		08	I20A, I20B, I20C, I20D, I20E, I20F		08	I08A, I08B, I08C, I08D, I08E, I08F, I13A, I18A, I18B, I30Z, I59Z
	21A	W04A, W04B		21A	W04A, W04B		21A	W04A, W04B
	21B	X06A, X06B, X06C		21B	X04Z		21B	X06A, X06B, X06C
5t21t.e↔		BOP, KVT, UOP4, VIAL	5t21t.v↔		BOP, KVT, UOP4, VIAL	5t21v.a↔		BOP, KVT, UOP4, VIAL
	08	I08A, I08B, I08C, I08D, I08E, I08F		08	I20A, I20B, I20C, I20D, I20E, I20F		08	I13A, I32A, I32B, I32C, I32D, I32E, I32F
	21A	W01A, W01B, W01C, W02A, W02B		21A	W04A, W04B		21A	W04A, W04B
	21B	X04Z		21B	X04Z		21B	X05A, X05B
5t21t.f↔		BOP, KVT, UOP4, VIAL	5t21t.w↔		BOP, KVT, UOP4, VIAL	5t21v.b↔		BOP, KVT, UOP4, VIAL
	08	I08A, I08B, I08C, I08D, I08E, I08F		08	I20A, I20B, I20C, I20D, I20E, I20F		08	I13A, I32A, I32B, I32C, I32D, I32E, I32F
	21A	W01A, W01B, W01C, W02A, W02B		21A	W04A, W04B		21A	W04A, W04B
	21B	X04Z		21B	X04Z		21B	X05A, X05B
5t21t.g↔		BOP, KVT, UOP4, VIAL	5t21t.x		BOP, KVT, UOP4	5t21v.d		BOP, KVT, UOP4, VIAL
	08	I08A, I08B, I08C, I08D, I08E, I08F		08	I28A, I28B		08	I08A, I08B, I08C, I08D, I08E, I08F, I13A
	21A	W01A, W01B, W01C, W02A, W02B		21A	W04A, W04B		21A	W04A, W04B
	21B	X04Z		21B	X04Z		21B	X06A, X06B, X06C
5t21t.h↔		BOP, KVT, UOP4, VIAL	5t21t.z↔		BOP, KVT, UOP4, VIAL	5t21v.f↔		BOP, KVT, UOP4, VIAL
	01	B03A, B03B, B06A, B06B, B17A, B17B, B17C		08	I28A, I28B, I28C		08	I08A, I08B, I08C, I08D, I08E, I08F, I13A
	08	I08A, I08B, I08C, I08D, I08E, I08F		21A	W04A, W04B		21A	W01A, W01B, W01C, W02A, W02B
	21A	W01A, W01B, W01C, W02A, W02B		21B	X06A, X06B, X06C		21B	X04Z
	21B	X04Z		5t21v.1↔	BOP, KVT, UOP4, VIAL	5t21v.g↔		BOP, KVT, UOP4, VIAL
5t21t.j↔		BOP, KVT, UOP4, VIAL		08	I08A, I08B, I08C, I08D, I08E, I08F, I13A, I13B, I13C, I13D		08	I08A, I08B, I08C, I08D, I08E, I08F, I13A
	08	I13A, I13B, I30Z, I59Z		21A	W04A, W04B		21A	W01A, W01B, W01C, W02A, W02B
	21A	W04A, W04B		21B	X06A, X06B, X06C		21B	X04Z
	21B	X04Z		5t21v.2↔	BOP, KVT, UOP4, VIAL		21A	W01A, W01B, W01C, W02A, W02B
5t21t.k↔		BOP, KVT, UOP4, VIAL		08	I08A, I08B, I08C, I08D, I08E, I08F, I13A, I13B, I13C, I13D		21B	X04Z
	08	I13A, I13B, I13C, I13D		21A	W04A, W04B		01	B03A, B03B, B06A, B06B, B17A, B17B, B17C
	21A	W04A, W04B		21B	X06A, X06B, X06C		08	I08A, I08B, I08C, I08D, I08E, I08F, I13A
	21B	X04Z		5t21v.3↔	BOP, KVT, UOP4, VIAL		21A	W01A, W01B, W01C, W02A, W02B
5t21t.m↔		BOP, KVT, UOP4, VIAL		08	I08A, I08B, I08C, I08D, I08E, I08F, I13A, I18A, I18B, I30Z, I59Z		21B	X04Z
	08	I13A, I13B, I13C, I13D		21A	W04A, W04B		5t21v.h↔	BOP, KVT, UOP4, VIAL
	21A	W04A, W04B		21B	X06A, X06B, X06C		01	B03A, B03B, B06A, B06B, B17A, B17B, B17C
	21B	X04Z		5t21v.4↔	BOP, KVT, UOP4, VIAL		08	I08A, I08B, I08C, I08D, I08E, I08F, I13A
5t21t.n↔		BOP, KVT, UOP4, VIAL		08	I08A, I08B, I08C, I08D, I08E, I08F, I13A, I18A, I18B, I30Z, I59Z		21A	W01A, W01B, W01C, W02A, W02B
	08	I13A, I13B, I13C, I13D		21A	W04A, W04B		21B	X04Z
	21A	W04A, W04B		21B	X06A, X06B, X06C		5t21v.i↔	BOP, KVT, UOP4, VIAL
	21B	X04Z		5t21v.5↔	BOP, KVT, UOP4, VIAL		08	I13A, I13B, I13C, I13D
5t21t.p↔		BOP, KVT, UOP4, VIAL		08	I08A, I08B, I08C, I08D, I08E, I08F, I13A, I18A, I18B, I30Z, I59Z		21A	W04A, W04B
	08	I13A, I13B, I13C, I13D		21A	W04A, W04B		21B	X04Z
	21A	W04A, W04B		21B	X06A, X06B, X06C		5t21v.j↔	BOP, KVT, UOP4, VIAL
	21B	X04Z		5t21v.6↔	BOP, KVT, UOP4, VIAL		08	I13A, I13B, I13C, I13D
5t21t.q↔		BOP, KVT, UOP4, VIAL		08	I08A, I08B, I08C, I08D, I08E, I08F, I13A, I18A, I18B, I30Z, I59Z		21A	W04A, W04B
	08	I13A, I13B, I13C, I13D		21A	W04A, W04B		21B	X04Z
	21A	W04A, W04B		21B	X06A, X06B, X06C		5t21v.k↔	BOP, KVT, UOP4, VIAL
	21B	X04Z		5t21v.7↔	BOP, KVT, UOP4, VIAL		08	I13A, I13B, I13C, I13D
5t21t.r↔		BOP, KVT, UOP4, VIAL		08	I08A, I08B, I08C, I08D, I08E, I08F, I13A, I18A, I18B, I30Z, I59Z		21A	W04A, W04B
	08	I13A, I13B, I13C, I13D		21A	W04A, W04B		21B	X04Z
	21A	W04A, W04B		21B	X06A, X06B, X06C		5t21v.l↔	BOP, KVT, UOP4, VIAL
	21B	X04Z					08	I13A, I13B, I13C, I13D
							21A	W04A, W04B
							21B	X04Z



ZZV	MDC	DRG	ZZV	MDC	DRG	ZZV	MDC	DRG
5t21v.q↔		BOP, KVT, UOP4, VIAL 08 I13A, I13B, I13C, I13D 21A W04A, W04B 21B X04Z	5t21x.7↔		BOP, KVT, UOP4, VIAL 08 I08A, I08B, I08C, I08D, I08E, I08F, I18A, I18B, I30Z 21A W04A, W04B 21B X06A, X06B, X06C	5t21x.m↔		BOP, KVT, UOP4, VIAL 08 I13A, I13B, I13C, I13D, I13E 21A W04A, W04B 21B X04Z
5t21v.r↔		BOP, KVT, UOP4, VIAL 08 I13A, I13B, I13C, I13D 21A W04A, W04B 21B X04Z	5t21x.8↔		BOP, KVT, UOP4, VIAL 08 I08A, I08B, I08C, I08D, I08E, I08F, I18A, I18B, I30Z 21A W04A, W04B 21B X06A, X06B, X06C	5t21x.n↔		BOP, KVT, UOP4, VIAL 08 I13A, I13B, I13C, I13D, I13E 21A W04A, W04B 21B X04Z
5t21v.s↔		BOP, KVT, UOP4, VIAL 08 I13A, I20A, I20B, I20C, I20D, I20E, I20F 21A W04A, W04B 21B X04Z	5t21x.9↔		BOP, KVT, UOP4, VIAL 08 I08A, I08B, I08C, I08D, I08E, I08F, I18A, I18B, I30Z 21A W04A, W04B 21B X06A, X06B, X06C	5t21x.p↔		BOP, KVT, UOP4, VIAL 08 I13A, I13B, I13C, I13D, I13E 21A W04A, W04B 21B X04Z
5t21v.t↔		BOP, KVT, UOP4, VIAL 08 I13A, I20A, I20B, I20C, I20D 21A W04A, W04B 21B X04Z	5t21x.a↔		BOP, KVT, UOP4, VIAL 08 I32A, I32B, I32C, I32D, I32E, I32F, I32G 21A W04A, W04B 21B X05A, X05B	5t21x.q↔		BOP, KVT, UOP4, VIAL 08 I13A, I13B, I13C, I13D, I13E 21A W04A, W04B 21B X04Z
5t21v.u↔		BOP, KVT, UOP4, VIAL 08 I13A, I20A, I20B, I20C, I20D, I20E, I20F 21A W04A, W04B 21B X04Z	5t21x.b↔		BOP, KVT, UOP4, VIAL 08 I32A, I32B, I32C, I32D, I32E, I32F, I32G 21A W04A, W04B 21B X05A, X05B	5t21x.r↔		BOP, KVT, UOP4, VIAL 08 I13A, I13B, I13C, I13D, I13E 21A W04A, W04B 21B X04Z
5t21v.v↔		BOP, KVT, UOP4, VIAL 08 I13A, I20A, I20B, I20C, I20D, I20E, I20F 21A W04A, W04B 21B X04Z	5t21x.c↔		BOP, KVT, UOP4, VIAL 08 I32A, I32B, I32C, I32D, I32E, I32F, I32G 21A W04A, W04B 21B X05A, X05B	5t21x.s↔		BOP, KVT, UOP4, VIAL 08 I20A, I20B, I20C, I20D, I20E, I20F 21A W04A, W04B 21B X04Z
5t21v.x		BOP, KVT, UOP4 08 I13A, I28A, I28B 21A W04A, W04B 21B X06A, X06B, X06C	5t21x.d		BOP, KVT, UOP4, VIAL 08 I08A, I08B, I08C, I08D, I08E, I08F 21A W04A, W04B 21B X06A, X06B, X06C	5t21x.t↔		BOP, KVT, UOP4, VIAL 08 I20A, I20B, I20C, I20D, I20E, I20F 21A W04A, W04B 21B X04Z
5t21x.0↔		BOP, KVT, UOP4, VIAL 08 I16Z 21A W04A, W04B 21B X06A, X06B, X06C	5t21x.e↔		BOP, KVT, UOP4, VIAL 08 I08A, I08B, I08C, I08D, I08E, I08F 21A W01A, W01B, W01C, W02A, W02B 21B X04Z	5t21x.u↔		BOP, KVT, UOP4, VIAL 08 I20A, I20B, I20C, I20D, I20E, I20F 21A W04A, W04B 21B X04Z
5t21x.1↔		BOP, KVT, UOP4, VIAL 08 I08A, I08B, I08C, I08D, I08E, I08F, I13A, I13B, I13C, I13D, I13E 21A W04A, W04B 21B X06A, X06B, X06C	5t21x.f↔		BOP, KVT, UOP4, VIAL 08 I08A, I08B, I08C, I08D, I08E, I08F 21A W01A, W01B, W01C, W02A, W02B 21B X04Z	5t21x.v↔		BOP, KVT, UOP4, VIAL 08 I20A, I20B, I20C, I20D, I20E, I20F 21A W04A, W04B 21B X04Z
5t21x.2↔		BOP, KVT, UOP4, VIAL 08 I08A, I08B, I08C, I08D, I08E, I08F, I13A, I13B, I13C, I13D, I13E 21A W04A, W04B 21B X06A, X06B, X06C	5t21x.g↔		BOP, KVT, UOP4, VIAL 08 I08A, I08B, I08C, I08D, I08E, I08F 21A W01A, W01B, W01C, W02A, W02B 21B X04Z	5t21x.w↔		BOP, KVT, UOP4, VIAL 08 I20A, I20B, I20C, I20D, I20E, I20F 21A W04A, W04B 21B X04Z
5t21x.3↔		BOP, KVT, UOP4, VIAL 08 I08A, I08B, I08C, I08D, I08E, I08F, I13A, I13B, I13C, I13D, I13E 21A W04A, W04B 21B X06A, X06B, X06C	5t21x.h↔		BOP, KVT, UOP4, VIAL 01 B03A, B03B, B06A, B06B, B17A, B17B, B17C 08 I08A, I08B, I08C, I08D, I08E, I08F 21A W01A, W01B, W01C, W02A, W02B 21B X04Z	5t21x.x		BOP, KVT, UOP4 08 I28A, I28B 21A W04A, W04B 21B X06A, X06B, X06C
5t21x.4↔		BOP, KVT, UOP4, VIAL 08 I08A, I08B, I08C, I08D, I08E, I08F, I18A, I18B, I30Z 21A W04A, W04B 21B X06A, X06B, X06C	5t21x.i↔		BOP, KVT, UOP4, VIAL 08 I18A, I18B, I30Z 21A W04A, W04B 21B X04Z	5t21x.z↔		BOP, KVT, UOP4, VIAL 08 I28A, I28B, I28C 21A W04A, W04B 21B X06A, X06B, X06C
5t21x.5↔		BOP, KVT, UOP4, VIAL 08 I08A, I08B, I08C, I08D, I08E, I08F, I18A, I18B, I30Z 21A W04A, W04B 21B X06A, X06B, X06C	5t21x.j↔		BOP, KVT, UOP4, VIAL 08 I18A, I18B, I30Z 21A W04A, W04B 21B X04Z	5t21z.0↔		BOP, KVT, UOP4, VIAL 08 I16Z 21A W04A, W04B 21B X06A, X06B, X06C
5t21x.6↔		BOP, KVT, UOP4, VIAL 08 I08A, I08B, I08C, I08D, I08E, I08F, I13A, I13B, I18A, I18B, I30Z 21A W04A, W04B 21B X06A, X06B, X06C	5t21x.k↔		BOP, KVT, UOP4, VIAL 08 I13A, I13B, I13C, I13D, I13E 21A W04A, W04B 21B X04Z	5t21z.1↔		BOP, KVT, UOP4, VIAL 08 I08A, I08B, I08C, I08D, I08E, I08F, I13A, I13B, I13C, I13D, I13E 21A W04A, W04B 21B X06A, X06B, X06C
						5t21z.2↔		BOP, KVT, UOP4, VIAL 08 I08A, I08B, I08C, I08D, I08E, I08F, I13A, I13B, I13C, I13D, I13E 21A W04A, W04B 21B X06A, X06B, X06C

VYK

ZZV	MDC	DRG	ZZV	MDC	DRG	ZZV	MDC	DRG
5t21z.3↔		BOP, KVT, UOP4, VIAL	5t21z.g↔		BOP, KVT, UOP4, VIAL	5t21z.x		BOP, KVT, UOP4
	08	I08A, I08B, I08C, I08D, I08E, I08F, I13A, I13B, I13C, I13D, I13E		08	I08A, I08B, I08C, I08D, I08E, I08F		08	I28A, I28B
	21A	W04A, W04B		21A	W01A, W01B, W01C, W02A, W02B		21A	W04A, W04B
	21B	X06A, X06B, X06C		21B	X04Z	5t21z.z↔		BOP, KVT, UOP4, VIAL
5t21z.4↔		BOP, KVT, UOP4, VIAL	5t21z.h↔		BOP, KVT, UOP4, VIAL		08	I28A, I28B, I28C
	08	I08A, I08B, I08C, I08D, I08E, I08F, I18A, I18B, I30Z		01	B03A, B03B, B06A, B06B, B17A, B17B, B17C		21A	W04A, W04B
	21A	W04A, W04B		08	I08A, I08B, I08C, I08D, I08E, I08F	5t221.e↔		BOP, KVT, UOP4, VIAL
	21B	X06A, X06B, X06C		21A	W01A, W01B, W01C, W02A, W02B		08	I08A, I08B, I08C, I08D, I08E, I08F
5t21z.5↔		BOP, KVT, UOP4, VIAL		21B	X04Z		21A	W04A, W04B
	08	I08A, I08B, I08C, I08D, I08E, I08F, I18A, I18B, I30Z	5t21z.j↔		BOP, KVT, UOP4, VIAL		21B	X06A, X06B, X06C
	21A	W04A, W04B		08	I18A, I18B, I30Z	5t221.k↔		BOP, KVT, UOP4, VIAL
	21B	X06A, X06B, X06C		21A	W04A, W04B		08	I59Z
5t21z.6↔		BOP, KVT, UOP4, VIAL		21B	X04Z	5t221.n↔		BOP, KVT, UOP4, VIAL
	08	I08A, I08B, I08C, I08D, I08E, I08F, I13A, I13B, I18A, I18B, I30Z	5t21z.k↔		BOP, KVT, UOP4, VIAL		08	I20A, I20B, I20C, I20D, I20E, I20F
	21A	W04A, W04B		08	I13A, I13B, I13C, I13D, I13E	5t221.p↔		BOP, KVT, UOP4, VIAL
	21B	X06A, X06B, X06C		21A	W04A, W04B		08	I20A, I20B, I20C, I20D, I20E, I20F
5t21z.7↔		BOP, KVT, UOP4, VIAL	5t21z.m↔		BOP, KVT, UOP4, VIAL	5t221.q↔		BOP, KVT, UOP4, VIAL
	08	I08A, I08B, I08C, I08D, I08E, I08F, I18A, I18B, I30Z		08	I13A, I13B, I13C, I13D, I13E		08	I20A, I20B, I20C, I20D, I20E, I20F
	21A	W04A, W04B		21A	W04A, W04B	5t221.r↔		BOP, KVT, UOP4, VIAL
	21B	X06A, X06B, X06C	5t21z.n↔		BOP, KVT, UOP4, VIAL		08	I20A, I20B, I20C, I20D, I20E, I20F
5t21z.8↔		BOP, KVT, UOP4, VIAL		08	I13A, I13B, I13C, I13D, I13E	5t224.e↔		BOP, KVT, UOP4, VIAL
	08	I08A, I08B, I08C, I08D, I08E, I08F, I18A, I18B, I30Z		21A	W04A, W04B		08	I08A, I08B, I08C, I08D, I08E, I08F
	21A	W04A, W04B	5t21z.p↔		BOP, KVT, UOP4, VIAL		21A	W04A, W04B
	21B	X06A, X06B, X06C		08	I13A, I13B, I13C, I13D, I13E	5t224.h↔		BOP, KVT, UOP4, VIAL
5t21z.9↔		BOP, KVT, UOP4, VIAL		21A	W04A, W04B		08	I18A, I18B, I30Z
	08	I08A, I08B, I08C, I08D, I08E, I08F, I18A, I18B, I30Z	5t21z.q↔		BOP, KVT, UOP4, VIAL	5t224.j↔		BOP, KVT, UOP4, VIAL
	21A	W04A, W04B		08	I13A, I13B, I13C, I13D, I13E		08	I59Z
	21B	X06A, X06B, X06C		21A	W04A, W04B	5t224.k↔		BOP, KVT, UOP4, VIAL
5t21z.a↔		BOP, KVT, UOP4, VIAL		21B	X04Z		08	I59Z
	08	I32A, I32B, I32C, I32D, I32E, I32F, I32G	5t21z.r↔		BOP, KVT, UOP4, VIAL	5t224.n↔		BOP, KVT, UOP4, VIAL
	21A	W04A, W04B		08	I13A, I13B, I13C, I13D, I13E		08	I20A, I20B, I20C, I20D, I20E, I20F
	21B	X05A, X05B	5t21z.s↔		BOP, KVT, UOP4, VIAL	5t224.p↔		BOP, KVT, UOP4, VIAL
5t21z.b↔		BOP, KVT, UOP4, VIAL		08	I20A, I20B, I20C, I20D, I20E, I20F		08	I20A, I20B, I20C, I20D, I20E, I20F
	08	I32A, I32B, I32C, I32D, I32E, I32F, I32G		21A	W04A, W04B	5t224.q↔		BOP, KVT, UOP4, VIAL
	21A	W04A, W04B	5t21z.t↔		BOP, KVT, UOP4, VIAL		08	I20A, I20B, I20C, I20D, I20E, I20F
	21B	X05A, X05B		08	I20A, I20B, I20C, I20D, I20E, I20F	5t224.r↔		BOP, KVT, UOP4, VIAL
5t21z.c↔		BOP, KVT, UOP4, VIAL		21A	W04A, W04B		08	I20A, I20B, I20C, I20D, I20E, I20F
	08	I32A, I32B, I32C, I32D, I32E, I32F, I32G	5t21z.u↔		BOP, KVT, UOP4, VIAL	5t229.h↔		BOP, KVT, UOP4, VIAL
	21A	W04A, W04B		08	I20A, I20B, I20C, I20D, I20E, I20F		08	I18A, I18B, I30Z
	21B	X05A, X05B		21A	W04A, W04B	5t229.k↔		BOP, KVT, UOP4, VIAL
5t21z.d		BOP, KVT, UOP4, VIAL		21B	X04Z		08	I59Z
	08	I08A, I08B, I08C, I08D, I08E, I08F	5t21z.v↔		BOP, KVT, UOP4, VIAL	5t22a.h↔		BOP, KVT, UOP4, VIAL
	21A	W04A, W04B		08	I20A, I20B, I20C, I20D, I20E, I20F		08	I18A, I18B, I30Z
	21B	X06A, X06B, X06C		21A	W04A, W04B	5t22a.j↔		BOP, KVT, UOP4, VIAL
5t21z.e↔		BOP, KVT, UOP4, VIAL		21B	X04Z		08	I59Z
	08	I08A, I08B, I08C, I08D, I08E, I08F	5t21z.w↔		BOP, KVT, UOP4, VIAL	5t22a.k↔		BOP, KVT, UOP4, VIAL
	21A	W01A, W01B, W01C, W02A, W02B		08	I20A, I20B, I20C, I20D, I20E, I20F		08	I59Z
	21B	X04Z		21A	W04A, W04B	5t22a.n↔		BOP, KVT, UOP4, VIAL
5t21z.f↔		BOP, KVT, UOP4, VIAL		21B	X04Z		08	I20A, I20B, I20C, I20D, I20E, I20F
	08	I08A, I08B, I08C, I08D, I08E, I08F		08	I20A, I20B, I20C, I20D, I20E, I20F	5t22a.p↔		BOP, KVT, UOP4, VIAL
	21A	W01A, W01B, W01C, W02A, W02B		21A	W04A, W04B		08	I20A, I20B, I20C, I20D, I20E, I20F
	21B	X04Z		21B	X04Z	5t22a.q↔		BOP, KVT, UOP4, VIAL

ZZV	MDC	DRG	ZZV	MDC	DRG	ZZV	MDC	DRG
5t22a.r↔		BOP, KVT, UOP4, VIAL	5t22z.h↔		BOP, KVT, UOP4, VIAL	5t300.8↔		BOP, KVT, UOP4, VIAL
	08	I20A, I20B, I20C, I20D, I20E, I20F		08	I18A, I18B, I30Z		05	F13A
5t22d.h↔		BOP, KVT, UOP4, VIAL	5t22z.j↔		BOP, KVT, UOP4, VIAL		08	I12A, I12B, I12C, I32A, I32B, I32C, I32D, I32E, I32F
	08	I18A, I18B, I30Z		08	I59Z		21A	W04A, W04B
5t22d.j↔		BOP, KVT, UOP4, VIAL	5t22z.k↔		BOP, KVT, UOP4, VIAL		21B	X05A, X05B
	08	I59Z		08	I59Z	5t300.9↔		BOP, KVT, UOP4, VIAL
5t22d.k↔		BOP, KVT, UOP4, VIAL	5t22z.m↔		BOP, KVT, UOP4, VIAL		05	F13A
	08	I59Z		08	I59Z		08	I12A, I12B, I12C, I32A, I32B, I32C, I32D, I32E, I32F
5t22d.n↔		BOP, KVT, UOP4, VIAL	5t22z.n↔		BOP, KVT, UOP4, VIAL		21A	W04A, W04B
	08	I20A, I20B, I20C, I20D, I20E, I20F		08	I20A, I20B, I20C, I20D, I20E, I20F		21B	X05A, X05B
5t22d.p↔		BOP, KVT, UOP4, VIAL	5t22z.p↔		BOP, KVT, UOP4, VIAL	5t300.e↔		BOP, KVT, UOP4, VIAL
	08	I20A, I20B, I20C, I20D, I20E, I20F		08	I20A, I20B, I20C, I20D, I20E, I20F		05	F13A
5t22d.q↔		BOP, KVT, UOP4, VIAL	5t22z.q↔		BOP, KVT, UOP4, VIAL		08	I08A, I08B, I08C, I08D, I08E, I08F, I12A, I12B, I12C, I28A, I28B
	08	I20A, I20B, I20C, I20D, I20E, I20F		08	I20A, I20B, I20C, I20D, I20E, I20F		10	K09A, K09B
5t22t.e↔		BOP, KVT, UOP4, VIAL	5t22z.r↔		BOP, KVT, UOP4, VIAL		21A	W04A, W04B
	08	I08A, I08B, I08C, I08D, I08E, I08F		08	I20A, I20B, I20C, I20D, I20E, I20F		21B	X04Z, X06A, X06B, X06C
	21A	W04A, W04B	5t300.0↔		BOP, KVT, UOP4, VIAL	5t300.f		BOP, KVT, UOP4, VIAL
	21B	X06A, X06B, X06C		05	F13A		05	F13A
5t22t.h↔		BOP, KVT, UOP4, VIAL		08	I12A, I12B, I12C, I16Z		08	I12A, I12B, I12C, I28A, I28B
	08	I18A, I18B, I30Z		21A	W04A, W04B		10	K09A, K09B
5t22t.j↔		BOP, KVT, UOP4, VIAL		21B	X06A, X06B, X06C		21A	W04A, W04B
	08	I59Z	5t300.1↔		BOP, KVT, UOP4, VIAL		21B	X04Z, X06A, X06B, X06C
	08	I59Z		05	F13A	5t300.g↔		BOP, KVT, UOP4, VIAL
5t22t.k↔		BOP, KVT, UOP4, VIAL		08	I12A, I12B, I12C, I16Z		05	F13A
	08	I59Z		21A	W04A, W04B		08	I08A, I08B, I08C, I08D, I08E, I08F
5t22t.n↔		BOP, KVT, UOP4, VIAL		21B	X06A, X06B, X06C		21A	W01A, W01B, W01C, W02A, W02B
	08	I20A, I20B, I20C, I20D, I20E, I20F	5t300.2↔		BOP, KVT, UOP4, VIAL		21B	X04Z
5t22t.p↔		BOP, KVT, UOP4, VIAL		05	F13A	5t300.h↔		BOP, KVT, UOP4, VIAL
	08	I20A, I20B, I20C, I20D, I20E, I20F		08	I12A, I12B, I12C, I28A, I28B		05	F13A
5t22t.q↔		BOP, KVT, UOP4, VIAL		10	K09A, K09B		08	I12A, I12B, I18A, I18B, I30Z
	08	I20A, I20B, I20C, I20D, I20E, I20F		21A	W04A, W04B		10	K09A, K09B
5t22t.r↔		BOP, KVT, UOP4, VIAL		21B	X06A, X06B, X06C		21A	W04A, W04B
	08	I20A, I20B, I20C, I20D, I20E, I20F	5t300.3↔		BOP, KVT, UOP4, VIAL		21B	X04Z
	08	I08A, I08B, I08C, I08D, I08E, I08F		05	F13A	5t300.j↔		BOP, KVT, UOP4, VIAL
5t22x.e↔		BOP, KVT, UOP4, VIAL		08	I12A, I12B, I12C, I28A, I28B		05	F13A
	08	I08A, I08B, I08C, I08D, I08E, I08F		10	K09A, K09B		08	I12A, I12B, I12C, I18A, I18B, I30Z
	21A	W04A, W04B	5t300.4↔		W04A, W04B		10	K09A, K09B
	21B	X06A, X06B, X06C		21A	W04A, W04B		21A	W04A, W04B
5t22x.h↔		BOP, KVT, UOP4, VIAL		21B	X06A, X06B, X06C		21B	X04Z
	08	I18A, I18B, I30Z		05	F13A	5t300.k↔		BOP, KVT, UOP4, VIAL
5t22x.j↔		BOP, KVT, UOP4, VIAL		08	I08A, I08B, I08C, I08D, I08E, I08F, I12A, I12B, I12C, I21Z, I31Z		05	F13A
	08	I59Z		10	K09A, K09B		08	I12A, I12B, I12C, I13A, I13B, I13C, I13D
5t22x.k↔		BOP, KVT, UOP4, VIAL		21A	W04A, W04B		10	K09A, K09B
	08	I59Z		21B	X06A, X06B, X06C		21A	W04A, W04B
5t22x.n↔		BOP, KVT, UOP4, VIAL	5t300.5↔		BOP, KVT, UOP4, VIAL		21B	X04Z
	08	I20A, I20B, I20C, I20D, I20E, I20F		05	F13A	5t300.m↔		BOP, KVT, UOP4, VIAL
	08	I20A, I20B, I20C, I20D, I20E, I20F		08	I08A, I08B, I08C, I08D, I08E, I08F, I12A, I12B, I12C, I21Z, I31Z		05	F13A
5t22x.p↔		BOP, KVT, UOP4, VIAL		10	K09A, K09B		08	I12A, I12B, I12C, I20A, I20B, I20C, I20D
	08	I20A, I20B, I20C, I20D, I20E, I20F		21A	W04A, W04B		10	K09A, K09B
5t22x.q↔		BOP, KVT, UOP4, VIAL		21B	X06A, X06B, X06C		21A	W04A, W04B
	08	I20A, I20B, I20C, I20D, I20E, I20F	5t300.6↔		BOP, KVT, UOP4, VIAL		21B	X04Z
	08	I20A, I20B, I20C, I20D, I20E, I20F		05	F13A	5t300.n↔		BOP, KVT, UOP4, VIAL
5t22x.r↔		BOP, KVT, UOP4, VIAL		08	I08A, I08B, I08C, I08D, I08E, I08F, I12A, I12B, I12C, I32A, I32B, I32C, I32D, I32E, I32F		05	F13A
	08	I20A, I20B, I20C, I20D, I20E, I20F		21A	W04A, W04B		08	I12A, I12B, I12C, I20A, I20B, I20C, I20D
5t22z.e↔		BOP, KVT, UOP4, VIAL		21B	X05A, X05B		10	K09A, K09B
	08	I08A, I08B, I08C, I08D, I08E, I08F					21A	W04A, W04B
	21A	W04A, W04B					21B	X04Z
	21B	X06A, X06B, X06C						

VYK

ZZV	MDC	DRG	ZZV	MDC	DRG	ZZV	MDC	DRG
5t300.p↔		BOP, KVT, UOP4, VIAL	5t301.6↔		BOP, KVT, UOP4, VIAL	5t301.p↔		BOP, KVT, UOP4, VIAL
	05	F13A		05	F13A		05	F13A
	08	I12A, I12B, I12C, I20A, I20B, I20C, I20D		08	I08A, I08B, I08C, I08D, I08E, I08F, I32A, I32B, I32C, I32D, I32E, I32F		08	I20A, I20B, I20C, I20D, I20E, I20F
	10	K09A, K09B		21A	W04A, W04B		10	K09A, K09B
	21A	W04A, W04B		21B	X05A, X05B		21A	W04A, W04B
	21B	X04Z					21B	X04Z
5t300.q↔		BOP, KVT, UOP4, VIAL	5t301.8↔		BOP, KVT, UOP4, VIAL	5t301.q↔		BOP, KVT, UOP4, VIAL
	05	F13A		05	F13A		05	F13A
	08	I12A, I12B, I12C, I20A, I20B, I20C, I20D, I20E, I20F		08	I32A, I32B, I32C, I32D, I32E, I32F		08	I20A, I20B, I20C, I20D, I20E, I20F
	10	K09A, K09B		21A	W04A, W04B		10	K09A, K09B
	21A	W04A, W04B		21B	X05A, X05B		21A	W04A, W04B
	21B	X04Z	5t301.9↔		BOP, KVT, UOP4, VIAL		21B	X04Z
5t300.r↔		BOP, KVT, UOP4, VIAL		05	F13A	5t301.r↔		BOP, KVT, UOP4, VIAL
	05	F13A		08	I32A, I32B, I32C, I32D, I32E, I32F		05	F13A
	08	I12A, I12B, I12C, I20A, I20B, I20C, I20D, I20E, I20F		21A	W04A, W04B		08	I20A, I20B, I20C, I20D, I20E, I20F
	10	K09A, K09B		21B	X05A, X05B		10	K09A, K09B
	21A	W04A, W04B	5t301.e↔		BOP, KVT, UOP4, VIAL		21A	W04A, W04B
	21B	X04Z		05	F13A		21B	X04Z
5t300.x		BOP, KVT, UOP4		08	I08A, I08B, I08C, I08D, I08E, I08F, I28A, I28B	5t301.x		BOP, KVT, UOP4
	05	F13A		10	K09A, K09B		05	F13A
	08	I12A, I12B, I12C, I28A, I28B		21A	W04A, W04B		08	I28A, I28B
	10	K09A, K09B		21B	X04Z, X06A, X06B, X06C		10	K09A, K09B
	21A	W04A, W04B	5t301.f		BOP, KVT, UOP4, VIAL		21A	W04A, W04B
	21B	X06A, X06B, X06C		05	F13A		21B	X06A, X06B, X06C
5t301.0↔		BOP, KVT, UOP4, VIAL		08	I28A, I28B	5t302.0↔		BOP, KVT, UOP4, VIAL
	05	F13A		10	K09A, K09B		05	F13A
	08	I16Z		21A	W04A, W04B		08	I12A, I12B, I12C, I16Z
	21A	W04A, W04B		21B	X04Z, X06A, X06B, X06C		21A	W04A, W04B
	21B	X06A, X06B, X06C	5t301.g↔		BOP, KVT, UOP4, VIAL		21B	X06A, X06B, X06C
5t301.1↔		BOP, KVT, UOP4, VIAL		05	F13A	5t302.1↔		BOP, KVT, UOP4, VIAL
	05	F13A		08	I08A, I08B, I08C, I08D, I08E, I08F		05	F13A
	08	I16Z		21A	W01A, W01B, W01C, W02A, W02B		08	I12A, I12B, I12C, I16Z
	21A	W04A, W04B		21B	X04Z		21A	W04A, W04B
	21B	X06A, X06B, X06C	5t301.h↔		BOP, KVT, UOP4, VIAL		21B	X06A, X06B, X06C
5t301.2↔		BOP, KVT, UOP4, VIAL		05	F13A	5t302.2↔		BOP, KVT, UOP4, VIAL
	05	F13A		08	I18A, I18B, I30Z		05	F13A
	08	I28A, I28B		21A	W04A, W04B		08	I12A, I12B, I12C, I28A, I28B
	10	K09A, K09B		21B	X04Z		10	K09A, K09B
	21A	W04A, W04B	5t301.j↔		BOP, KVT, UOP4, VIAL		21A	W04A, W04B
	21B	X06A, X06B, X06C		05	F13A		21B	X06A, X06B, X06C
5t301.3↔		BOP, KVT, UOP4, VIAL		08	I18A, I18B, I30Z	5t302.3↔		BOP, KVT, UOP4, VIAL
	05	F13A		21A	W04A, W04B		05	F13A
	08	I28A, I28B		21B	X04Z		08	I12A, I12B, I12C, I28A, I28B
	10	K09A, K09B	5t301.k↔		BOP, KVT, UOP4, VIAL		10	K09A, K09B
	21A	W04A, W04B		05	F13A		21A	W04A, W04B
	21B	X06A, X06B, X06C		21A	W04A, W04B		21B	X06A, X06B, X06C
5t301.4↔		BOP, KVT, UOP4, VIAL		21B	X04Z	5t302.4↔		BOP, KVT, UOP4, VIAL
	05	F13A		05	F13A		05	F13A
	08	I08A, I08B, I08C, I08D, I08E, I08F, I21Z, I31Z		21A	W04A, W04B		08	I08A, I08B, I08C, I08D, I08E, I08F, I12A, I12B, I12C, I21Z, I31Z
	10	K09A, K09B	5t301.m↔		BOP, KVT, UOP4, VIAL		10	K09A, K09B
	21A	W04A, W04B		05	F13A		21A	W04A, W04B
	21B	X06A, X06B, X06C		08	I20A, I20B, I20C, I20D, I20E, I20F		21B	X06A, X06B, X06C
5t301.5↔		BOP, KVT, UOP4, VIAL		10	K09A, K09B	5t302.5↔		BOP, KVT, UOP4, VIAL
	05	F13A		21A	W04A, W04B		05	F13A
	08	I08A, I08B, I08C, I08D, I08E, I08F, I21Z, I31Z		21B	X04Z		08	I08A, I08B, I08C, I08D, I08E, I08F, I12A, I12B, I12C, I21Z, I31Z
	10	K09A, K09B	5t301.n↔		BOP, KVT, UOP4, VIAL		10	K09A, K09B
	21A	W04A, W04B		05	F13A		21A	W04A, W04B
	21B	X06A, X06B, X06C		08	I20A, I20B, I20C, I20D, I20E, I20F		21B	X06A, X06B, X06C
				10	K09A, K09B			
				21A	W04A, W04B			
				21B	X04Z			

VYK

ZZV	MDC	DRG	ZZV	MDC	DRG	ZZV	MDC	DRG
5t302.6↔		BOP, KVT, UOP4, VIAL	5t302.n↔		BOP, KVT, UOP4, VIAL	5t303.6↔		BOP, KVT, UOP4, VIAL
	05	F13A		05	F13A		05	F13A
	08	I08A, I08B, I08C, I08D, I08E, I08F, I12A, I12B, I12C, I32A, I32B, I32C, I32D, I32E, I32F		08	I12A, I12B, I12C, I20A, I20B, I20C, I20D, I20E, I20F		08	I08A, I08B, I08C, I08D, I08E, I08F, I12A, I12B, I12C, I32A, I32B, I32C, I32D, I32E, I32F
	21A	W04A, W04B		10	K09A, K09B		09	J03A, J03B, J04A, J04B, J08A, J08B, J08C, J11A, J11B, J16Z
	21B	X05A, X05B		21A	W04A, W04B		21A	W04A, W04B
5t302.8↔		BOP, KVT, UOP4, VIAL	5t302.p↔		BOP, KVT, UOP4, VIAL	5t303.8↔		BOP, KVT, UOP4, VIAL
	05	F13A		05	F13A		05	F13A
	08	I12A, I12B, I12C, I32A, I32B, I32C, I32D, I32E, I32F		08	I12A, I12B, I12C, I20A, I20B, I20C, I20D, I20E, I20F		08	I12A, I12B, I12C, I32A, I32B, I32C, I32D, I32E, I32F
	21A	W04A, W04B		10	K09A, K09B		09	J03A, J03B, J04A, J04B, J08A, J08B, J08C, J11A, J11B, J16Z
	21B	X05A, X05B		21A	W04A, W04B		21A	W04A, W04B
5t302.9↔		BOP, KVT, UOP4, VIAL	5t302.q↔		BOP, KVT, UOP4, VIAL	5t303.9↔		BOP, KVT, UOP4, VIAL
	05	F13A		05	F13A		05	F13A
	08	I12A, I12B, I12C, I32A, I32B, I32C, I32D, I32E, I32F		08	I12A, I12B, I12C, I20A, I20B, I20C, I20D, I20E, I20F		08	I12A, I12B, I12C, I32A, I32B, I32C, I32D, I32E, I32F
	21A	W04A, W04B		10	K09A, K09B		09	J03A, J03B, J04A, J04B, J08A, J08B, J08C, J11A, J11B, J16Z
	21B	X05A, X05B		21A	W04A, W04B		21A	W04A, W04B
5t302.e↔		BOP, KVT, UOP4, VIAL	5t302.r↔		BOP, KVT, UOP4, VIAL	5t303.e↔		BOP, KVT, UOP4, VIAL
	05	F13A		05	F13A		05	F13A
	08	I08A, I08B, I08C, I08D, I08E, I08F, I12A, I12B, I12C, I28A, I28B		08	I12A, I12B, I12C, I20A, I20B, I20C, I20D, I20E, I20F		08	I08A, I08B, I08C, I08D, I08E, I08F, I12A, I12B, I12C, I28A, I28B
	10	K09A, K09B		10	K09A, K09B		21A	W04A, W04B
	21A	W04A, W04B		21A	W04A, W04B		21B	X05A, X05B
	21B	X04Z, X06A, X06B, X06C		21B	X04Z		21B	X05A, X05B
5t302.f		BOP, KVT, UOP4, VIAL	5t302.x		BOP, KVT, UOP4			BOP, KVT, UOP4, VIAL
	05	F13A		05	F13A		05	F13A
	08	I12A, I12B, I12C, I28A, I28B		08	I12A, I12B, I12C, I28A, I28B		08	I08A, I08B, I08C, I08D, I08E, I08F, I12A, I12B, I12C, I28A, I28B
	10	K09A, K09B		10	K09A, K09B		21A	W04A, W04B
	21A	W04A, W04B		21A	W04A, W04B		21B	X04Z, X06A, X06B, X06C
	21B	X04Z, X06A, X06B, X06C		21B	X04Z		21B	X04Z, X06A, X06B, X06C
5t302.g↔		BOP, KVT, UOP4, VIAL	5t303.0↔		BOP, KVT, UOP4, VIAL	5t303.f		BOP, KVT, UOP4, VIAL
	05	F13A		05	F13A		05	F13A
	08	I12A, I12B, I12C, I18A, I18B, I30Z		08	I12A, I12B, I12C, I16Z		08	I12A, I12B, I12C, I28A, I28B
	21A	W04A, W04B		21A	W04A, W04B		21A	W04A, W04B
	21B	X06A, X06B, X06C		21B	X06A, X06B, X06C		21B	X04Z, X06A, X06B, X06C
5t302.h↔		BOP, KVT, UOP4, VIAL	5t303.1↔		BOP, KVT, UOP4, VIAL	5t303.g↔		BOP, KVT, UOP4, VIAL
	05	F13A		05	F13A		05	F13A
	08	I12A, I12B, I12C, I18A, I18B, I30Z		08	I12A, I12B, I12C, I16Z		08	I08A, I08B, I08C, I08D, I08E, I08F
	21A	W04A, W04B		21A	W04A, W04B		21A	W01A, W01B, W01C, W02A, W02B
	21B	X04Z		21B	X06A, X06B, X06C		21B	X04Z
5t302.j↔		BOP, KVT, UOP4, VIAL	5t303.2↔		BOP, KVT, UOP4, VIAL	5t303.h↔		BOP, KVT, UOP4, VIAL
	05	F13A		05	F13A		05	F13A
	08	I12A, I12B, I12C, I18A, I18B, I30Z		08	I12A, I12B, I12C, I28A, I28B		08	I12A, I12B, I12C, I18A, I18B, I30Z
	21A	W04A, W04B		21A	W04A, W04B		21A	W04A, W04B
	21B	X04Z		21B	X06A, X06B, X06C		21B	X04Z
5t302.k↔		BOP, KVT, UOP4, VIAL	5t303.3↔		BOP, KVT, UOP4, VIAL	5t303.j↔		BOP, KVT, UOP4, VIAL
	05	F13A		05	F13A		05	F13A
	08	I12A, I12B, I12C		08	I12A, I12B, I12C, I28A, I28B		08	I12A, I12B, I12C, I18A, I18B, I30Z
	21A	W04A, W04B		21A	W04A, W04B		21A	W04A, W04B
	21B	X04Z		21B	X06A, X06B, X06C		21B	X04Z
5t302.m↔		BOP, KVT, UOP4, VIAL	5t303.4↔		BOP, KVT, UOP4, VIAL	5t303.k↔		BOP, KVT, UOP4, VIAL
	05	F13A		05	F13A		05	F13A
	08	I12A, I12B, I12C, I20A, I20B, I20C, I20D, I20E, I20F		08	I08A, I08B, I08C, I08D, I08E, I08F, I12A, I12B, I12C, I21Z, I31Z		08	I12A, I12B, I12C, I13A, I13B, I13C, I13D
	10	K09A, K09B		21A	W04A, W04B		21A	W04A, W04B
	21A	W04A, W04B		21B	X06A, X06B, X06C		21B	X04Z
	21B	X04Z	5t303.5↔		BOP, KVT, UOP4, VIAL			
				05	F13A			
				08	I08A, I08B, I08C, I08D, I08E, I08F, I12A, I12B, I12C, I21Z, I31Z			
				21A	W04A, W04B			
				21B	X06A, X06B, X06C			
				21B	X06A, X06B, X06C			

ZZV	MDC	DRG	ZZV	MDC	DRG	ZZV	MDC	DRG
5t303.m↔		BOP, KVT, UOP4, VIAL	5t304.5↔		BOP, KVT, UOP4, VIAL	5t304.k↔		BOP, KVT, UOP4, VIAL
	05	F13A		05	F13A		05	F13A
	08	I12A, I12B, I12C, I20A, I20B, I20C, I20D		08	I08A, I08B, I08C, I08D, I08E, I08F, I12A, I12B, I12C, I21Z, I31Z		08	I12A, I12B, I12C, I13A, I13B, I13C, I13D
	21A	W04A, W04B		21A	W04A, W04B		21A	W04A, W04B
5t303.n↔		BOP, KVT, UOP4, VIAL	5t304.6↔		BOP, KVT, UOP4, VIAL	5t304.m↔		BOP, KVT, UOP4, VIAL
	05	F13A		05	F13A		05	F13A
	08	I12A, I12B, I12C, I20A, I20B, I20C, I20D		08	I08A, I08B, I08C, I08D, I08E, I08F, I12A, I12B, I12C, I32A, I32B, I32C, I32D, I32E, I32F		08	I12A, I12B, I12C, I20A, I20B, I20C, I20D, I20E, I20F
	21A	W04A, W04B		21A	W04A, W04B		21A	W04A, W04B
5t303.p↔		BOP, KVT, UOP4, VIAL	5t304.8↔		BOP, KVT, UOP4, VIAL	5t304.n↔		BOP, KVT, UOP4, VIAL
	05	F13A		09	J03A, J03B, J04A, J04B, J08A, J08B, J08C, J11A, J11B, J16Z		05	F13A
	08	I12A, I12B, I12C, I20A, I20B, I20C, I20D		21A	W04A, W04B		08	I12A, I12B, I12C, I20A, I20B, I20C, I20D, I20E, I20F
	21A	W04A, W04B		21B	X05A, X05B		21A	W04A, W04B
5t303.q↔		BOP, KVT, UOP4, VIAL	5t304.9↔		BOP, KVT, UOP4, VIAL	5t304.p↔		BOP, KVT, UOP4, VIAL
	05	F13A		05	F13A		05	F13A
	08	I12A, I12B, I12C, I20A, I20B, I20C, I20D, I20E, I20F		08	I12A, I12B, I12C, I32A, I32B, I32C, I32D, I32E, I32F		08	I12A, I12B, I12C, I20A, I20B, I20C, I20D, I20E, I20F
	21A	W04A, W04B		09	J03A, J03B, J04A, J04B, J08A, J08B, J08C, J11A, J11B, J16Z		21A	W04A, W04B
5t303.r↔		BOP, KVT, UOP4, VIAL	5t304.e↔		BOP, KVT, UOP4, VIAL	5t304.q↔		BOP, KVT, UOP4, VIAL
	05	F13A		05	F13A		05	F13A
	08	I12A, I12B, I12C, I20A, I20B, I20C, I20D, I20E, I20F		08	I12A, I12B, I12C, I32A, I32B, I32C, I32D, I32E, I32F		08	I12A, I12B, I12C, I20A, I20B, I20C, I20D, I20E, I20F
	21A	W04A, W04B		09	J03A, J03B, J04A, J04B, J08A, J08B, J08C, J11A, J11B, J16Z		21A	W04A, W04B
5t303.x		BOP, KVT, UOP4	5t304.f		BOP, KVT, UOP4, VIAL	5t304.r↔		BOP, KVT, UOP4, VIAL
	05	F13A		05	F13A		05	F13A
	08	I12A, I12B, I12C, I28A, I28B		08	I12A, I12B, I12C, I32A, I32B, I32C, I32D, I32E, I32F		08	I12A, I12B, I12C, I20A, I20B, I20C, I20D, I20E, I20F
	21A	W04A, W04B		21A	W04A, W04B		21A	W04A, W04B
5t304.0↔		BOP, KVT, UOP4, VIAL	5t304.g↔		BOP, KVT, UOP4, VIAL	5t304.x		BOP, KVT, UOP4
	05	F13A		05	F13A		05	F13A
	08	I12A, I12B, I12C, I16Z		08	I08A, I08B, I08C, I08D, I08E, I08F, I12A, I12B, I12C, I27A, I27B, I27C, I27D		08	I12A, I12B, I12C, I27A, I27B, I27C, I27D
	21A	W04A, W04B		21A	W04A, W04B		21A	W04A, W04B
5t304.1↔		BOP, KVT, UOP4, VIAL	5t304.h↔		BOP, KVT, UOP4, VIAL	5t305.0↔		BOP, KVT, UOP4, VIAL
	05	F13A		05	F13A		05	F13A
	08	I12A, I12B, I12C, I16Z		08	I12A, I12B, I12C, I27A, I27B, I27C, I27D		08	I12A, I12B, I12C, I16Z
	21A	W04A, W04B		21A	W04A, W04B		21A	W04A, W04B
5t304.2↔		BOP, KVT, UOP4, VIAL	5t304.j↔		BOP, KVT, UOP4, VIAL	5t305.1↔		BOP, KVT, UOP4, VIAL
	05	F13A		05	F13A		05	F13A
	08	I12A, I12B, I12C, I27A, I27B, I27C, I27D		08	I12A, I12B, I12C, I27A, I27B, I27C, I27D		08	I12A, I12B, I12C, I16Z
	21A	W04A, W04B		21A	W04A, W04B		21A	W04A, W04B
5t304.3↔		BOP, KVT, UOP4, VIAL	5t304.k↔		BOP, KVT, UOP4, VIAL	5t305.2↔		BOP, KVT, UOP4, VIAL
	05	F13A		05	F13A		05	F13A
	08	I12A, I12B, I12C, I27A, I27B, I27C, I27D		08	I12A, I12B, I12C, I18A, I18B, I30Z		08	I12A, I12B, I12C, I27A, I27B, I27C, I27D
	21A	W04A, W04B		21A	W04A, W04B		21A	W04A, W04B
5t304.4↔		BOP, KVT, UOP4, VIAL	5t304.l↔		BOP, KVT, UOP4, VIAL	5t305.3↔		BOP, KVT, UOP4, VIAL
	05	F13A		05	F13A		05	F13A
	08	I08A, I08B, I08C, I08D, I08E, I08F, I12A, I12B, I12C, I21Z, I31Z		08	I12A, I12B, I12C, I18A, I18B, I30Z		08	I12A, I12B, I12C, I27A, I27B, I27C, I27D
	21A	W04A, W04B		21A	W04A, W04B		21A	W04A, W04B
			21B	X04Z	21B	X06A, X06B, X06C		

VYK

ZZV	MDC	DRG	ZZV	MDC	DRG	ZZV	MDC	DRG
5t305.4↔		BOP, KVT, UOP4, VIAL	5t305.j↔		BOP, KVT, UOP4, VIAL	5t306.4↔		BOP, KVT, UOP4, VIAL
05		F13A	05		F13A	08		I08A, I08B, I08C, I08D, I08E, I08F, I12A, I12B, I12C, I21Z, I31Z
08		I08A, I08B, I08C, I08D, I08E, I08F, I12A, I12B, I12C, I21Z, I31Z	08		I12A, I12B, I12C, I18A, I18B, I30Z	21A		W04A, W04B
21A		W04A, W04B	21A		W04A, W04B	21B		X06A, X06B, X06C
21B		X06A, X06B, X06C	5t305.k↔		BOP, KVT, UOP4, VIAL	5t306.5↔		BOP, KVT, UOP4, VIAL
5t305.5↔		BOP, KVT, UOP4, VIAL	05		F13A	08		I08A, I08B, I08C, I08D, I08E, I08F, I12A, I12B, I12C, I21Z, I31Z
05		F13A	08		I12A, I12B, I12C, I13A, I13B, I13C, I13D	21A		W04A, W04B
08		I08A, I08B, I08C, I08D, I08E, I08F, I12A, I12B, I12C, I21Z, I31Z	21A		W04A, W04B	21B		X06A, X06B, X06C
21A		W04A, W04B	21B		X04Z	5t306.6↔		BOP, KVT, UOP4, VIAL
21B		X06A, X06B, X06C	5t305.m↔		BOP, KVT, UOP4, VIAL	08		I08A, I08B, I08C, I08D, I08E, I08F, I12A, I12B, I12C, I32A, I32B, I32C, I32D, I32E, I32F
5t305.6↔		BOP, KVT, UOP4, VIAL	05		F13A	21A		W04A, W04B
05		F13A	08		I12A, I12B, I12C, I20A, I20B, I20C, I20D	21B		X05A, X05B
08		I08A, I08B, I08C, I08D, I08E, I08F, I12A, I12B, I12C, I32A, I32B, I32C, I32D, I32E, I32F	21A		W04A, W04B	5t306.8↔		BOP, KVT, UOP4, VIAL
09		J03A, J03B, J04A, J04B, J08A, J08B, J08C, J11A, J11B, J16Z	21B		X04Z	08		I12A, I12B, I12C, I32A, I32B, I32C, I32D, I32E, I32F
21A		W04A, W04B	5t305.n↔		BOP, KVT, UOP4, VIAL	21A		W04A, W04B
21B		X05A, X05B	05		F13A	21B		X05A, X05B
5t305.8↔		BOP, KVT, UOP4, VIAL	08		I12A, I12B, I12C, I20A, I20B, I20C, I20D	5t306.9↔		BOP, KVT, UOP4, VIAL
05		F13A	21A		W04A, W04B	08		I12A, I12B, I12C, I32A, I32B, I32C, I32D, I32E, I32F
08		I12A, I12B, I12C, I32A, I32B, I32C, I32D, I32E, I32F	21B		X04Z	21A		W04A, W04B
09		J03A, J03B, J04A, J04B, J08A, J08B, J08C, J11A, J11B, J16Z	5t305.p↔		BOP, KVT, UOP4, VIAL	21B		X05A, X05B
21A		W04A, W04B	05		F13A	5t306.e↔		BOP, KVT, UOP4, VIAL
21B		X05A, X05B	08		I12A, I12B, I12C, I20A, I20B, I20C, I20D	08		I08A, I08B, I08C, I08D, I08E, I08F
5t305.9↔		BOP, KVT, UOP4, VIAL	21A		W04A, W04B	5t306.g↔		BOP, KVT, UOP4, VIAL
05		F13A	21B		X04Z	08		I08A, I08B, I08C, I08D, I08E, I08F
08		I12A, I12B, I12C, I32A, I32B, I32C, I32D, I32E, I32F	5t305.q↔		BOP, KVT, UOP4, VIAL	21A		W01A, W01B, W01C, W02A, W02B
09		J03A, J03B, J04A, J04B, J08A, J08B, J08C, J11A, J11B, J16Z	05		F13A	21B		X04Z
21A		W04A, W04B	08		I12A, I12B, I12C, I20A, I20B, I20C, I20D, I20E, I20F	5t306.h↔		BOP, KVT, UOP4, VIAL
21B		X05A, X05B	21A		W04A, W04B	01		B03A, B03B, B06A, B06B, B17A, B17B, B17C
5t305.e↔		BOP, KVT, UOP4, VIAL	21B		X04Z	08		I12A, I12B, I12C, I18A, I18B, I30Z
05		F13A	5t305.x		BOP, KVT, UOP4	21A		W04A, W04B
08		I08A, I08B, I08C, I08D, I08E, I08F, I12A, I12B, I12C, I27A, I27B, I27C, I27D	05		F13A	21B		X04Z
21A		W04A, W04B	08		I12A, I12B, I12C, I27A, I27B, I27C, I27D	5t306.j↔		BOP, KVT, UOP4, VIAL
21B		X04Z, X06A, X06B, X06C	21A		W04A, W04B	08		I13A, I13B, I13C, I13D
5t305.f		BOP, KVT, UOP4, VIAL	21B		X06A, X06B, X06C	5t306.k↔		BOP, KVT, UOP4, VIAL
05		F13A	5t306.0↔		BOP, KVT, UOP4, VIAL	01		B03A, B03B, B06A, B06B, B17A, B17B, B17C
08		I12A, I12B, I12C, I27A, I27B, I27C, I27D	08		I12A, I12B, I12C, I16Z	08		I12A, I12B, I12C, I13A, I13B, I13C, I13D
21A		W04A, W04B	21A		W04A, W04B	21A		W04A, W04B
21B		X04Z, X06A, X06B, X06C	21B		X06A, X06B, X06C	21B		X04Z
5t305.g↔		BOP, KVT, UOP4, VIAL	5t306.1↔		BOP, KVT, UOP4, VIAL	5t306.m↔		BOP, KVT, UOP4, VIAL
05		F13A	08		I12A, I12B, I12C, I16Z	08		I12A, I12B, I12C, I20A, I20B, I20C, I20D, I20E, I20F
08		I12A, I12B, I12C, I27A, I27B, I27C, I27D	21A		W04A, W04B	21A		W04A, W04B
21A		W04A, W04B	21B		X06A, X06B, X06C	21B		X04Z
21B		X04Z, X06A, X06B, X06C	5t306.2↔		BOP, KVT, UOP4, VIAL	5t306.n↔		BOP, KVT, UOP4, VIAL
5t305.h↔		BOP, KVT, UOP4, VIAL	08		I12A, I12B, I12C, I28A, I28B	08		I12A, I12B, I12C, I20A, I20B, I20C, I20D, I20E, I20F
05		F13A	21A		W04A, W04B	21A		W04A, W04B
08		I12A, I12B, I18A, I18B, I30Z	21B		X06A, X06B, X06C	21B		X04Z
21A		W04A, W04B	5t306.3↔		BOP, KVT, UOP4, VIAL	5t306.p↔		BOP, KVT, UOP4, VIAL
21B		X04Z	08		I12A, I12B, I12C, I28A, I28B	08		I12A, I12B, I12C, I20A, I20B, I20C, I20D, I20E, I20F
			21A		W04A, W04B	21A		W04A, W04B
			21B		X06A, X06B, X06C	21B		X04Z

ZZV	MDC	DRG	ZZV	MDC	DRG	ZZV	MDC	DRG
5t306.q↔		BOP, KVT, UOP4, VIAL	5t307.e↔		BOP, KVT, UOP4, VIAL	5t308.2↔		BOP, KVT, UOP4, VIAL
	08	I12A, I12B, I12C, I20A, I20B, I20C, I20D, I20E, I20F		08	I08A, I08B, I08C, I08D, I08E, I08F, I12A, I12B, I12C, I23A		08	I28A, I28B
	21A	W04A, W04B		21A	W04A, W04B		10	K09A, K09B
	21B	X04Z		21B	X04Z, X06A, X06B, X06C		21A	W04A, W04B
5t306.r↔		BOP, KVT, UOP4, VIAL	5t307.f		BOP, KVT, UOP4, VIAL	5t308.3↔		BOP, KVT, UOP4, VIAL
	08	I12A, I12B, I12C, I20A, I20B, I20C, I20D, I20E, I20F		08	I12A, I12B, I12C, I23A, I23B		08	I28A, I28B
	21A	W04A, W04B		21A	W04A, W04B		10	K09A, K09B
	21B	X04Z		21B	X04Z, X06A, X06B, X06C		21A	W04A, W04B
5t306.x		BOP, KVT, UOP4	5t307.g↔		BOP, KVT, UOP4, VIAL	5t308.4↔		BOP, KVT, UOP4, VIAL
	08	I12A, I12B, I12C, I28A, I28B		08	I08A, I08B, I08C, I08D, I08E, I08F		08	I08A, I08B, I08C, I08D, I08E, I08F, I21Z, I31Z
	21A	W04A, W04B		21A	W01A, W01B, W01C, W02A, W02B		10	K09A, K09B
	21B	X06A, X06B, X06C		21B	X04Z		21A	W04A, W04B
5t307.0↔		BOP, KVT, UOP4, VIAL	5t307.h↔		BOP, KVT, UOP4, VIAL	5t308.5↔		BOP, KVT, UOP4, VIAL
	08	I12A, I12B, I12C, I16Z		08	I12A, I12B, I12C, I18A, I18B, I30Z		08	I08A, I08B, I08C, I08D, I08E, I08F, I21Z, I31Z
	21A	W04A, W04B		21A	W04A, W04B		10	K09A, K09B
	21B	X06A, X06B, X06C		21B	X04Z		21A	W04A, W04B
5t307.1↔		BOP, KVT, UOP4, VIAL	5t307.j↔		BOP, KVT, UOP4, VIAL	5t308.6↔		BOP, KVT, UOP4, VIAL
	08	I12A, I12B, I12C, I16Z		08	I12A, I12B, I12C, I18A, I18B, I30Z		08	I08A, I08B, I08C, I08D, I08E, I08F, I32A, I32B, I32C, I32D, I32E, I32F
	21A	W04A, W04B		21A	W04A, W04B		21A	W04A, W04B
	21B	X06A, X06B, X06C		21B	X04Z		21B	X06A, X06B, X06C
5t307.2↔		BOP, KVT, UOP4, VIAL	5t307.k↔		BOP, KVT, UOP4, VIAL	5t308.8↔		BOP, KVT, UOP4, VIAL
	08	I12A, I12B, I12C, I23A, I23B		08	I12A, I12B, I12C, I13A, I13B, I13C, I13D		08	I32A, I32B, I32C, I32D, I32E, I32F
	21A	W04A, W04B		21A	W04A, W04B		21A	W04A, W04B
	21B	X06A, X06B, X06C		21B	X04Z		21B	X05A, X05B
5t307.3↔		BOP, KVT, UOP4, VIAL	5t307.m↔		BOP, KVT, UOP4, VIAL	5t308.9↔		BOP, KVT, UOP4, VIAL
	08	I12A, I12B, I12C, I23A, I23B		08	I12A, I12B, I12C, I20A, I20B, I20C, I20D, I20E, I20F		08	I32A, I32B, I32C, I32D, I32E, I32F
	21A	W04A, W04B		21A	W04A, W04B		21A	W04A, W04B
	21B	X06A, X06B, X06C		21B	X04Z		21B	X05A, X05B
5t307.4↔		BOP, KVT, UOP4, VIAL	5t307.n↔		BOP, KVT, UOP4, VIAL	5t308.e↔		BOP, KVT, UOP4, VIAL
	08	I08A, I08B, I08C, I08D, I08E, I08F, I12A, I12B, I12C, I21Z, I31Z		08	I12A, I12B, I12C, I20A, I20B, I20C, I20D, I20E, I20F		08	I08A, I08B, I08C, I08D, I08E, I08F, I28A, I28B
	21A	W04A, W04B		21A	W04A, W04B		10	K09A, K09B
	21B	X06A, X06B, X06C		21B	X04Z		21A	W04A, W04B
5t307.5↔		BOP, KVT, UOP4, VIAL	5t307.p↔		BOP, KVT, UOP4, VIAL	5t308.f		BOP, KVT, UOP4, VIAL
	08	I08A, I08B, I08C, I08D, I08E, I08F, I12A, I12B, I12C, I21Z, I31Z		08	I12A, I12B, I12C, I20A, I20B, I20C, I20D, I20E, I20F		08	I28A, I28B
	21A	W04A, W04B		21A	W04A, W04B		10	K09A, K09B
	21B	X06A, X06B, X06C		21B	X04Z		21A	W04A, W04B
5t307.6↔		BOP, KVT, UOP4, VIAL	5t307.q↔		BOP, KVT, UOP4, VIAL	5t308.g↔		BOP, KVT, UOP4, VIAL
	08	I08A, I08B, I08C, I08D, I08E, I08F, I12A, I12B, I12C, I32A, I32B, I32C, I32D, I32E, I32F		08	I12A, I12B, I12C, I20A, I20B, I20C, I20D, I20E, I20F		08	I08A, I08B, I08C, I08D, I08E, I08F
	09	J03A, J03B, J04A, J04B, J08A, J08B, J08C, J11A, J11B, J16Z		21A	W04A, W04B		21A	W01A, W01B, W01C, W02A, W02B
	21A	W04A, W04B		21B	X04Z		21B	X04Z
	21B	X05A, X05B		21B	X04Z		21B	X04Z
5t307.8↔		BOP, KVT, UOP4, VIAL	5t307.r↔		BOP, KVT, UOP4, VIAL	5t308.h↔		BOP, KVT, UOP4, VIAL
	08	I12A, I12B, I12C, I32A, I32B, I32C, I32D, I32E, I32F		08	I12A, I12B, I12C, I20A, I20B, I20C, I20D, I20E, I20F		08	I18A, I18B, I30Z
	09	J03A, J03B, J04A, J04B, J08A, J08B, J08C, J11A, J11B, J16Z		21A	W04A, W04B		10	K09A, K09B
	21A	W04A, W04B		21B	X04Z		21A	W04A, W04B
	21B	X05A, X05B		21B	X06A, X06B, X06C		21B	X04Z
5t307.9↔		BOP, KVT, UOP4, VIAL	5t307.x		BOP, KVT, UOP4	5t308.i↔		BOP, KVT, UOP4, VIAL
	08	I12A, I12B, I12C, I32A, I32B, I32C, I32D, I32E, I32F		08	I12A, I12B, I12C, I23A, I23B		08	I18A, I18B, I30Z
	09	J03A, J03B, J04A, J04B, J08A, J08B, J08C, J11A, J11B, J16Z		21A	W04A, W04B		10	K09A, K09B
	21A	W04A, W04B		21A	W04A, W04B		21A	W04A, W04B
	21B	X05A, X05B		21B	X06A, X06B, X06C		21B	X04Z
	08	I12A, I12B, I12C, I32A, I32B, I32C, I32D, I32E, I32F	5t308.0↔		BOP, KVT, UOP4, VIAL	5t308.j↔		BOP, KVT, UOP4, VIAL
	09	J03A, J03B, J04A, J04B, J08A, J08B, J08C, J11A, J11B, J16Z		08	I12A, I12B, I12C, I16Z		08	I18A, I18B, I30Z
	21A	W04A, W04B		21A	W04A, W04B		10	K09A, K09B
	21B	X05A, X05B		21B	X06A, X06B, X06C		21A	W04A, W04B
	08	I12A, I12B, I12C, I32A, I32B, I32C, I32D, I32E, I32F	5t308.1↔		BOP, KVT, UOP4, VIAL		21B	X04Z
	09	J03A, J03B, J04A, J04B, J08A, J08B, J08C, J11A, J11B, J16Z		08	I16Z			
	21A	W04A, W04B		21A	W04A, W04B			
	21B	X05A, X05B		21B	X06A, X06B, X06C			





ZZV	MDC	DRG	ZZV	MDC	DRG	ZZV	MDC	DRG			
5t309.n↔		BOP, KVT, UOP4, VIAL	5t30a.3↔	05	F13A, F27A, F27B, F27C	5t30a.j↔	05	F13A, F27A, F27B, F27C			
	01	B03A, B03B, B06A, B06B, B07Z, B17A, B17B, B17C		08	I12A, I12B, I12C, I28A, I28B		08	I12A, I12B, I12C, I18A, I18B, I30Z			
	08	I27A, I27B, I27C, I27D		10	K09A, K09B		10	K09A, K09B			
	09	J03A, J03B, J04A, J04B, J08A, J08B, J08C, J11A, J11B, J16Z		21A	W04A, W04B		21A	W04A, W04B			
	10	K09A, K09B		21B	X06A, X06B, X06C		21B	X04Z			
	21A	W04A, W04B		5t30a.4↔	05		F13A, F27A, F27B, F27C	5t30a.k↔	BOP, KVT, UOP4, VIAL		
	21B	X04Z, X06A, X06B, X06C			08		I08A, I08B, I08C, I08D, I08E, I08F, I12A, I12B, I12C, I21Z, I31Z		05	F13A, F27A, F27B, F27C	
	5t309.p↔				BOP, KVT, UOP4, VIAL		10		K09A, K09B	08	I12A, I12B, I12C, I13A, I13B, I13C, I13D
		01			B03A, B03B, B06A, B06B, B07Z, B17A, B17B, B17C		21A		W04A, W04B	10	K09A, K09B
		08			I27A, I27B, I27C, I27D		21B		X06A, X06B, X06C	21A	W04A, W04B
09		J03A, J03B, J04A, J04B, J08A, J08B, J08C, J11A, J11B, J16Z	5t30a.5↔		BOP, KVT, UOP4, VIAL	21B	X04Z				
10		K09A, K09B			05	F13A, F27A, F27B, F27C	5t30a.m↔		BOP, KVT, UOP4, VIAL		
21A		W04A, W04B			08	I08A, I08B, I08C, I08D, I08E, I08F, I12A, I12B, I12C, I21Z, I31Z			05	F13A, F27A, F27B, F27C	
21B		X04Z, X06A, X06B, X06C			10	K09A, K09B			08	I12A, I12B, I12C, I20A, I20B, I20C, I20D, I20E, I20F	
5t309.q↔					BOP, KVT, UOP4, VIAL	21A			W04A, W04B	10	K09A, K09B
		01		B03A, B03B, B06A, B06B, B07Z, B17A, B17B, B17C	21B	X06A, X06B, X06C		21A	W04A, W04B		
		08		I27A, I27B, I27C, I27D	5t30a.6↔	BOP, KVT, UOP4, VIAL		21B	X04Z		
	09	J03A, J03B, J04A, J04B, J08A, J08B, J08C, J11A, J11B, J16Z		05		F13A		5t30a.n↔	BOP, KVT, UOP4, VIAL		
	10	K09A, K09B		08		I08A, I08B, I08C, I08D, I08E, I08F, I12A, I12B, I12C, I32A, I32B, I32C, I32D, I32E, I32F			05	F13A, F27A, F27B, F27C	
	21A	W04A, W04B		21A		W04A, W04B			08	I12A, I12B, I12C, I20A, I20B, I20C, I20D, I20E, I20F	
	21B	X04Z, X06A, X06B, X06C	21B	X05A, X05B		10			K09A, K09B		
	5t309.r↔		BOP, KVT, UOP4, VIAL	5t30a.8↔		BOP, KVT, UOP4, VIAL	5t30a.p↔		BOP, KVT, UOP4, VIAL		
		01	B03A, B03B, B06A, B06B, B07Z, B17A, B17B, B17C			05			F13A	05	F13A, F27A, F27B, F27C
		08	I27A, I27B, I27C, I27D			08			I12A, I12B, I12C, I32A, I32B, I32C, I32D, I32E, I32F	08	I12A, I12B, I12C, I20A, I20B, I20C, I20D, I20E, I20F
09		J03A, J03B, J04A, J04B, J08A, J08B, J08C, J11A, J11B, J16Z	21A			W04A, W04B			10	K09A, K09B	
10		K09A, K09B	21B			X05A, X05B			21A	W04A, W04B	
21A		W04A, W04B	5t30a.9↔		BOP, KVT, UOP4, VIAL	21B			X04Z		
21B		X04Z, X06A, X06B, X06C			05	F13A		5t30a.q↔	BOP, KVT, UOP4, VIAL		
5t309.x					BOP, KVT, UOP4	08			I12A, I12B, I12C, I32A, I32B, I32C, I32D, I32E, I32F	05	F13A, F27A, F27B, F27C
		01			B03A, B03B, B06A, B06B, B07Z, B17A, B17B, B17C	21A			W04A, W04B	08	I12A, I12B, I12C, I20A, I20B, I20C, I20D, I20E, I20F
		08			I27A, I27B, I27C, I27D	21B			X05A, X05B	10	K09A, K09B
	09	J03A, J03B, J04A, J04B, J08A, J08B, J08C, J11A, J11B, J16Z		5t30a.e↔	BOP, KVT, UOP4, VIAL	21A	W04A, W04B				
	10	K09A, K09B			05	F13A, F27A, F27B, F27C	21A		W04A, W04B		
	21A	W04A, W04B			08	I08A, I08B, I08C, I08D, I08E, I08F, I12A, I12B, I12C, I28A, I28B	21B		X04Z		
	21B	X04Z, X06A, X06B, X06C			10	K09A, K09B	5t30a.r↔		BOP, KVT, UOP4, VIAL		
	5t30a.0↔				BOP, KVT, UOP4, VIAL	21A			W04A, W04B	05	F13A, F27A, F27B, F27C
		05	F13A		21B	X04Z, X06A, X06B, X06C			08	I12A, I12B, I12C, I20A, I20B, I20C, I20D, I20E, I20F	
		08	I12A, I12B, I12C, I16Z		5t30a.f	BOP, KVT, UOP4, VIAL		10	K09A, K09B		
21A		W04A, W04B	05			F13A, F27A, F27B, F27C		21A	W04A, W04B		
21B		X06A, X06B, X06C	08			I12A, I12B, I12C, I28A, I28B		21A	W04A, W04B		
5t30a.1↔			BOP, KVT, UOP4, VIAL			10		K09A, K09B	21B	X06A, X06B, X06C	
		05	F13A	21A		W04A, W04B		5t30b.0↔	BOP, KVT, UOP4, VIAL		
		08	I12A, I12B, I12C, I16Z	21B		X04Z, X06A, X06B, X06C			05	F13A	
		21A	W04A, W04B	5t30a.g↔		BOP, KVT, UOP4, VIAL			08	I12A, I12B, I12C, I16Z	
		21B	X06A, X06B, X06C			05	F13A		21A	W04A, W04B	
	5t30a.2↔		BOP, KVT, UOP4, VIAL			08	I08A, I08B, I08C, I08D, I08E, I08F		21B	X06A, X06B, X06C	
		05	F13A, F27A, F27B, F27C			21A	W01A, W01B, W01C, W02A, W02B		5t30b.1↔	BOP, KVT, UOP4, VIAL	
		08	I12A, I12B, I12C, I28A, I28B		21B	X04Z	05			F13A	
		10	K09A, K09B		5t30a.h↔	BOP, KVT, UOP4, VIAL	08			I12A, I12B, I12C, I16Z	
		21A	W04A, W04B			05	F13A, F27A, F27B, F27C			21A	W04A, W04B
21B		X06A, X06B, X06C	08			I12A, I12B, I18A, I18B, I30Z	21B			X06A, X06B, X06C	
			10			K09A, K09B					
			21A			W04A, W04B					
			21B	X04Z							

ZZV	MDC	DRG	ZZV	MDC	DRG	ZZV	MDC	DRG
5t30b.2↔		BOP, KVT, UOP4, VIAL	5t30b.h↔		BOP, KVT, UOP4, VIAL	5t30c.1↔		BOP, KVT, UOP4, VIAL
05		F13A	05		F13A	08		I12A, I12B, I12C, I16Z
08		I12A, I12B, I12C, I28A, I28B	08		I12A, I12B, I12C, I18A, I18B, I30Z	21A		W04A, W04B
10		K09A, K09B	10		K09A, K09B	21B		X06A, X06B, X06C
21A		W04A, W04B	21A		W04A, W04B	5t30c.2↔		BOP, KVT, UOP4, VIAL
21B		X06A, X06B, X06C	21B		X04Z	08		I12A, I12B, I12C, I27A, I27B, I27C, I27D
5t30b.3↔		BOP, KVT, UOP4, VIAL	5t30b.j↔		BOP, KVT, UOP4, VIAL	21A		W04A, W04B
05		F13A	05		F13A	21B		X06A, X06B, X06C
08		I12A, I12B, I12C, I28A, I28B	08		I12A, I12B, I12C, I18A, I18B, I30Z	5t30c.3↔		BOP, KVT, UOP4, VIAL
10		K09A, K09B	10		K09A, K09B	08		I12A, I12B, I12C, I27A, I27B, I27C, I27D
21A		W04A, W04B	21A		W04A, W04B	21A		W04A, W04B
21B		X06A, X06B, X06C	21B		X04Z	21B		X06A, X06B, X06C
5t30b.4↔		BOP, KVT, UOP4, VIAL	5t30b.k↔		BOP, KVT, UOP4, VIAL	5t30c.4↔		BOP, KVT, UOP4, VIAL
05		F13A	05		F13A	08		I08A, I08B, I08C, I08D, I08E, I08F, I12A, I12B, I12C, I21Z, I31Z
08		I08A, I08B, I08C, I08D, I08E, I08F, I12A, I12B, I12C, I21Z, I31Z	08		I12A, I12B, I12C, I13A, I13B, I13C, I13D	21A		W04A, W04B
10		K09A, K09B	10		K09A, K09B	21B		X06A, X06B, X06C
21A		W04A, W04B	21A		W04A, W04B	5t30c.5↔		BOP, KVT, UOP4, VIAL
21B		X06A, X06B, X06C	21B		X04Z	08		I08A, I08B, I08C, I08D, I08E, I08F, I12A, I12B, I12C, I21Z, I31Z
5t30b.5↔		BOP, KVT, UOP4, VIAL	5t30b.m↔		BOP, KVT, UOP4, VIAL	21A		W04A, W04B
05		F13A	05		F13A	21B		X06A, X06B, X06C
08		I08A, I08B, I08C, I08D, I08E, I08F, I12A, I12B, I12C, I21Z, I31Z	08		I12A, I12B, I12C, I20A, I20B, I20C, I20D, I20E, I20F	5t30c.6↔		BOP, KVT, UOP4, VIAL
10		K09A, K09B	10		K09A, K09B	08		I08A, I08B, I08C, I08D, I08E, I08F, I12A, I12B, I12C, I32A, I32B, I32C, I32D, I32E, I32F
21A		W04A, W04B	21A		W04A, W04B	09		J03A, J03B, J04A, J04B, J08A, J08B, J08C, J11A, J11B, J16Z
21B		X06A, X06B, X06C	21B		X04Z	21A		W04A, W04B
5t30b.6↔		BOP, KVT, UOP4, VIAL	5t30b.n↔		BOP, KVT, UOP4, VIAL	21B		X05A, X05B
05		F13A	05		F13A	5t30c.8↔		BOP, KVT, UOP4, VIAL
08		I08A, I08B, I08C, I08D, I08E, I08F, I12A, I12B, I12C, I32A, I32B, I32C, I32D, I32E, I32F	08		I12A, I12B, I12C, I20A, I20B, I20C, I20D, I20E, I20F	08		I12A, I12B, I12C, I32A, I32B, I32C, I32D, I32E, I32F
21A		W04A, W04B	10		K09A, K09B	09		J03A, J03B, J04A, J04B, J08A, J08B, J08C, J11A, J11B, J16Z
21B		X05A, X05B	21A		W04A, W04B	21A		W04A, W04B
5t30b.8↔		BOP, KVT, UOP4, VIAL	21B		X04Z	21B		X05A, X05B
05		F13A	5t30b.p↔		BOP, KVT, UOP4, VIAL	5t30c.9↔		BOP, KVT, UOP4, VIAL
08		I12A, I12B, I12C, I32A, I32B, I32C, I32D, I32E, I32F	05		F13A	08		I12A, I12B, I12C, I32A, I32B, I32C, I32D, I32E, I32F
21A		W04A, W04B	08		I12A, I12B, I12C, I20A, I20B, I20C, I20D, I20E, I20F	09		J03A, J03B, J04A, J04B, J08A, J08B, J08C, J11A, J11B, J16Z
21B		X05A, X05B	10		K09A, K09B	21A		W04A, W04B
5t30b.9↔		BOP, KVT, UOP4, VIAL	21A		W04A, W04B	21B		X05A, X05B
05		F13A	21B		X04Z	5t30c.e↔		BOP, KVT, UOP4, VIAL
08		I12A, I12B, I12C, I32A, I32B, I32C, I32D, I32E, I32F	5t30b.q↔		BOP, KVT, UOP4, VIAL	08		I12A, I12B, I12C, I32A, I32B, I32C, I32D, I32E, I32F
21A		W04A, W04B	05		F13A	09		J03A, J03B, J04A, J04B, J08A, J08B, J08C, J11A, J11B, J16Z
21B		X05A, X05B	08		I12A, I12B, I12C, I20A, I20B, I20C, I20D, I20E, I20F	21A		W04A, W04B
5t30b.e↔		BOP, KVT, UOP4, VIAL	10		K09A, K09B	21B		X05A, X05B
05		F13A	21A		W04A, W04B	5t30c.f		BOP, KVT, UOP4, VIAL
08		I08A, I08B, I08C, I08D, I08E, I08F, I12A, I12B, I12C, I28A, I28B	21B		X04Z	08		I12A, I12B, I12C, I27A, I27B, I27C, I27D
10		K09A, K09B	5t30b.r↔		BOP, KVT, UOP4, VIAL	21A		W04A, W04B
21A		W04A, W04B	05		F13A	21B		X05A, X05B
21B		X04Z, X06A, X06B, X06C	08		I12A, I12B, I12C, I20A, I20B, I20C, I20D, I20E, I20F	5t30c.g↔		BOP, KVT, UOP4, VIAL
5t30b.f		BOP, KVT, UOP4, VIAL	10		K09A, K09B	08		I12A, I12B, I12C, I27A, I27B, I27C, I27D
05		F13A	21A		W04A, W04B	21A		W04A, W04B
08		I12A, I12B, I12C, I28A, I28B	21B		X04Z	21B		X04Z, X06A, X06B, X06C
10		K09A, K09B	5t30b.x		BOP, KVT, UOP4	5t30c.f		BOP, KVT, UOP4, VIAL
21A		W04A, W04B	05		F13A	08		I12A, I12B, I12C, I27A, I27B, I27C, I27D
21B		X04Z, X06A, X06B, X06C	08		I12A, I12B, I12C, I28A, I28B	21A		W04A, W04B
5t30b.g↔		BOP, KVT, UOP4, VIAL	10		K09A, K09B	21B		X04Z, X06A, X06B, X06C
05		F13A	21A		W04A, W04B	5t30c.g↔		BOP, KVT, UOP4, VIAL
08		I08A, I08B, I08C, I08D, I08E, I08F	21B		X06A, X06B, X06C	08		I08A, I08B, I08C, I08D, I08E, I08F
21A		W01A, W01B, W01C, W02A, W02B	5t30c.0↔		BOP, KVT, UOP4, VIAL	21A		W01A, W01B, W01C, W02A, W02B
21B		X04Z	08		I12A, I12B, I12C, I16Z	21B		X04Z
			21A		W04A, W04B			
			21B		X06A, X06B, X06C			



ZZV	MDC	DRG	ZZV	MDC	DRG	ZZV	MDC	DRG			
5t30x.m↔		BOP, KVT, UOP4, VIAL	5t310.3↔	08	BOP, KVT, UOP4, VIAL	5t310.h↔	08	BOP, KVT, UOP4, VIAL			
	01	B03A, B03B, B06A, B06B, B07Z, B17A, B17B, B17C		21A	I12A, I12B, I12C, I23A, I23B		21A	I12A, I12B, I12C, I18A, I18B, I30Z			
	08	I27A, I27B, I27C, I27D		21B	W04A, W04B		21A	W04A, W04B			
	09	J03A, J03B, J04A, J04B, J08A, J08B, J08C, J11A, J11B, J16Z		5t310.4↔	X06A, X06B, X06C		21B	X04Z			
	10	K09A, K09B		08	BOP, KVT, UOP4, VIAL		5t310.j↔	BOP, KVT, UOP4, VIAL			
	21A	W04A, W04B		08	I08A, I08B, I08C, I08D, I08E, I08F, I12A, I12B, I12C, I21Z, I31Z			08	I12A, I12B, I12C, I18A, I18B, I30Z		
	21B	X04Z, X06A, X06B, X06C		21A	W04A, W04B		21A	W04A, W04B			
	5t30x.n↔			BOP, KVT, UOP4, VIAL	5t310.5↔		21B	X06A, X06B, X06C	5t310.k↔	21B	X04Z
		01		B03A, B03B, B06A, B06B, B07Z, B17A, B17B, B17C			08	BOP, KVT, UOP4, VIAL		BOP, KVT, UOP4, VIAL	
		08		I27A, I27B, I27C, I27D			21A	I08A, I08B, I08C, I08D, I08E, I08F, I12A, I12B, I12C, I21Z, I31Z	08	I12A, I12B, I12C, I13A, I13B, I13C, I13D, I13E	
09		J03A, J03B, J04A, J04B, J08A, J08B, J08C, J11A, J11B, J16Z	21A	W04A, W04B		21A	W04A, W04B				
10		K09A, K09B	21B	X06A, X06B, X06C		21B	X04Z				
21A		W04A, W04B	5t310.6↔	BOP, KVT, UOP4, VIAL		5t310.m↔	BOP, KVT, UOP4, VIAL				
21B		X04Z, X06A, X06B, X06C		08			BOP, KVT, UOP4, VIAL	08	I12A, I12B, I12C, I20A, I20B, I20C, I20D, I20E, I20F		
5t30x.p↔			BOP, KVT, UOP4, VIAL	5t310.7↔		09	J03A, J03B, J04A, J04B, J08A, J08B, J08C, J11A, J11B, J16Z	5t310.n↔	08	BOP, KVT, UOP4, VIAL	
		01	B03A, B03B, B06A, B06B, B07Z, B17A, B17B, B17C			21A	W04A, W04B		08	I12A, I12B, I12C, I20A, I20B, I20C, I20D, I20E, I20F	
		08	I27A, I27B, I27C, I27D			21B	X05A, X05B	21A	W04A, W04B		
	09	J03A, J03B, J04A, J04B, J08A, J08B, J08C, J11A, J11B, J16Z	5t310.8↔		BOP, KVT, UOP4, VIAL	5t310.p↔	BOP, KVT, UOP4, VIAL				
	10	K09A, K09B			08		I12A, I12B, I12C, I32A, I32B, I32C, I32D, I32E, I32F	08	I12A, I12B, I12C, I20A, I20B, I20C, I20D, I20E, I20F		
	21A	W04A, W04B	09		J03A, J03B, J04A, J04B, J08A, J08B, J08C, J11A, J11B, J16Z	21A	W04A, W04B				
	21B	X04Z, X06A, X06B, X06C	21A		W04A, W04B	21B	X04Z				
	5t30x.q↔		BOP, KVT, UOP4, VIAL		5t310.9↔	21B	X05A, X05B	5t310.q↔	BOP, KVT, UOP4, VIAL		
		01	B03A, B03B, B06A, B06B, B07Z, B17A, B17B, B17C			BOP, KVT, UOP4, VIAL	08		I12A, I12B, I12C, I32A, I32B, I32C, I32D, I32E, I32F	08	I12A, I12B, I12C, I20A, I20B, I20C, I20D, I20E, I20F
		08	I27A, I27B, I27C, I27D			5t310.e↔	BOP, KVT, UOP4, VIAL	5t310.r↔	BOP, KVT, UOP4, VIAL		
09		J03A, J03B, J04A, J04B, J08A, J08B, J08C, J11A, J11B, J16Z	08	I08A, I08B, I08C, I08D, I08E, I08F, I12A, I12B, I12C, I23A, I23B			08		I12A, I12B, I12C, I20A, I20B, I20C, I20D, I20E, I20F		
10		K09A, K09B	21A	W04A, W04B		21A	W04A, W04B				
21A		W04A, W04B	21B	X05A, X05B		21B	X04Z				
21B		X04Z, X06A, X06B, X06C	5t310.f	BOP, KVT, UOP4, VIAL		5t310.x	BOP, KVT, UOP4				
5t30x.r↔				BOP, KVT, UOP4, VIAL			08	I12A, I12B, I12C, I32A, I32B, I32C, I32D, I32E, I32F	08	I12A, I12B, I12C, I23A, I23B	
		01	B03A, B03B, B06A, B06B, B07Z, B17A, B17B, B17C	09		J03A, J03B, J04A, J04B, J08A, J08B, J08C, J11A, J11B, J16Z	21A	W04A, W04B			
		08	I27A, I27B, I27C, I27D	5t310.g↔		BOP, KVT, UOP4, VIAL	5t311.0↔	BOP, KVT, UOP4, VIAL			
	09	J03A, J03B, J04A, J04B, J08A, J08B, J08C, J11A, J11B, J16Z	08		I08A, I08B, I08C, I08D, I08E, I08F, I12A, I12B, I12C, I23A, I23B	08		I16Z			
	10	K09A, K09B	21A	W04A, W04B	21A	W04A, W04B					
	21A	W04A, W04B	21B	X05A, X05B	21B	X06A, X06B, X06C					
	21B	X04Z, X06A, X06B, X06C	5t310.1↔	BOP, KVT, UOP4, VIAL	5t311.4↔	BOP, KVT, UOP4, VIAL					
	5t30x.x			BOP, KVT, UOP4, VIAL		08	I08A, I08B, I08C, I08D, I08E, I08F, I12A, I12B, I12C, I23A, I23B	08	I08A, I08B, I08C, I08D, I08E, I08F, I21Z, I31Z		
		01	B03A, B03B, B06A, B06B, B07Z, B17A, B17B, B17C	21A	W04A, W04B	21A	W04A, W04B				
		08	I27A, I27B, I27C, I27D	21B	X04Z, X06A, X06B, X06C	21B	X06A, X06B, X06C				
09		J03A, J03B, J04A, J04B, J08A, J08B, J08C, J11A, J11B, J16Z	5t311.5↔	BOP, KVT, UOP4, VIAL	5t311.6↔	BOP, KVT, UOP4, VIAL					
10		K09A, K09B		08		I12A, I12B, I12C, I23A, I23B	08	I08A, I08B, I08C, I08D, I08E, I08F, I21Z, I31Z			
21A		W04A, W04B	21A	W04A, W04B	21A	W04A, W04B					
21B		X06A, X06B, X06C	21B	X04Z, X06A, X06B, X06C	21B	X06A, X06B, X06C					
5t310.0↔			BOP, KVT, UOP4, VIAL	5t310.g↔	BOP, KVT, UOP4, VIAL	5t311.6↔	BOP, KVT, UOP4, VIAL				
		08	I12A, I12B, I12C, I16Z		01		B03A, B03B, B06A, B06B, B17A, B17B, B17C	01	B03A, B03B, B06A, B06B, B07Z, B17A, B17B, B17C		
		21A	W04A, W04B		08		I08A, I08B, I08C, I08D, I08E, I08F	08	I08A, I08B, I08C, I08D, I08E, I08F, I32A, I32B, I32C, I32D, I32E, I32F		
	21B	X06A, X06B, X06C	21A		W01A, W01B, W01C, W02A, W02B		21A	W04A, W04B			
5t310.1↔		BOP, KVT, UOP4, VIAL	5t310.g↔	21B	X04Z	21B	X05A, X05B				
	08	I12A, I12B, I12C, I16Z									
	21A	W04A, W04B									
21B	X06A, X06B, X06C										

ZZV	MDC	DRG	ZZV	MDC	DRG	ZZV	MDC	DRG
5t311.7↔		BOP, KVT, UOP4, VIAL	5t311.q↔		BOP, KVT, UOP4, VIAL	5t312.g↔		BOP, KVT, UOP4, VIAL
	01	B03A, B03B, B06A, B06B, B07Z, B17A, B17B, B17C		08	I20A, I20B, I20C, I20D, I20E, I20F		01	B03A, B03B, B06A, B06B, B17A, B17B, B17C
	08	I32A, I32B, I32C, I32D, I32E, I32F		21A	W04A, W04B		08	I08A, I08B, I08C, I08D, I08E, I08F
	21A	W04A, W04B	5t311.r↔		BOP, KVT, UOP4, VIAL		21A	W01A, W01B, W01C, W02A, W02B
5t311.8↔		BOP, KVT, UOP4, VIAL		08	I20A, I20B, I20C, I20D, I20E, I20F	5t312.h↔		BOP, KVT, UOP4, VIAL
	01	B03A, B03B, B06A, B06B, B07Z, B17A, B17B, B17C		21A	W04A, W04B		08	I12A, I12B, I12C, I18A, I30Z
	08	I32A, I32B, I32C, I32D, I32E, I32F	5t311.x		BOP, KVT, UOP4		21A	W04A, W04B
	21A	W04A, W04B		08	I28A, I28B	5t312.j↔		BOP, KVT, UOP4, VIAL
	21B	X05A, X05B		21A	W04A, W04B		08	I13A, I13B, I13C, I13D, I13E
5t311.9↔		BOP, KVT, UOP4, VIAL	5t312.0↔		BOP, KVT, UOP4, VIAL	5t312.k↔		BOP, KVT, UOP4, VIAL
	01	B03A, B03B, B06A, B06B, B07Z, B17A, B17B, B17C		08	I12A, I12B, I12C, I16Z		01	B03A, B03B, B06A, B06B, B17A, B17B, B17C
	08	I32A, I32B, I32C, I32D, I32E, I32F		21A	W04A, W04B		05	F27A, F27B, F27C
	21A	W04A, W04B	5t312.4↔		BOP, KVT, UOP4, VIAL		08	I12A, I12B, I12C, I13A, I13B, I13C, I13D, I13E
	21B	X05A, X05B		08	I08A, I08B, I08C, I08D, I08E, I08F, I12A, I12B, I12C, I21Z, I31Z	5t312.l↔		BOP, KVT, UOP4, VIAL
5t311.e↔		BOP, KVT, UOP4, VIAL	5t312.5↔		BOP, KVT, UOP4, VIAL		08	I12A, I12B, I12C, I20A, I20B, I20C, I20D
	08	I08A, I08B, I08C, I08D, I08E, I08F, I28A, I28B		08	I08A, I08B, I08C, I08D, I08E, I08F, I12A, I12B, I12C, I21Z, I31Z	5t312.m↔		BOP, KVT, UOP4, VIAL
	21A	W04A, W04B		21A	W04A, W04B		08	I12A, I12B, I12C, I20A, I20B, I20C, I20D
	21B	X04Z, X06A, X06B, X06C	5t312.6↔		BOP, KVT, UOP4, VIAL		21A	W04A, W04B
5t311.f		BOP, KVT, UOP4, VIAL		21B	X06A, X06B, X06C	5t312.n↔		BOP, KVT, UOP4, VIAL
	08	I28A, I28B		01	B03A, B03B, B06A, B06B, B07Z, B17A, B17B, B17C		08	I12A, I12B, I12C, I20A, I20B, I20C, I20D
	21A	W04A, W04B		08	I08A, I08B, I08C, I08D, I08E, I08F, I12A, I12B, I12C, I32A, I32B, I32C, I32D, I32E, I32F	5t312.p↔		BOP, KVT, UOP4, VIAL
	21B	X04Z, X06A, X06B, X06C		21A	W04A, W04B		08	I12A, I12B, I12C, I20A, I20B, I20C, I20D
5t311.g↔		BOP, KVT, UOP4, VIAL	5t312.7↔		BOP, KVT, UOP4, VIAL		21A	W04A, W04B
	01	B03A, B03B, B06A, B06B, B17A, B17B, B17C		01	B03A, B03B, B06A, B06B, B07Z, B17A, B17B, B17C	5t312.q↔		BOP, KVT, UOP4, VIAL
	08	I08A, I08B, I08C, I08D, I08E, I08F		08	I12A, I12B, I12C, I32A, I32B, I32C, I32D, I32E, I32F		08	I12A, I12B, I12C, I20A, I20B, I20C, I20D, I20E, I20F
	21A	W01A, W01B, W01C, W02A, W02B		21A	W04A, W04B		21A	W04A, W04B
	21B	X04Z		21B	X05A, X05B	5t312.r↔		BOP, KVT, UOP4, VIAL
5t311.h↔		BOP, KVT, UOP4, VIAL	5t312.8↔		BOP, KVT, UOP4, VIAL		08	I12A, I12B, I12C, I20A, I20B, I20C, I20D, I20E, I20F
	01	B03A, B03B, B06A, B06B, B17A, B17B, B17C		01	B03A, B03B, B06A, B06B, B07Z, B17A, B17B, B17C	5t312.x		BOP, KVT, UOP4
	08	I18A, I30Z		08	I12A, I12B, I12C, I32A, I32B, I32C, I32D, I32E, I32F		08	I12A, I12B, I12C, I28A, I28B
	21A	W04A, W04B		21A	W04A, W04B	5t313.0↔		BOP, KVT, UOP4, VIAL
	21B	X04Z		21B	X05A, X05B		08	I12A, I12B, I12C, I18A, I18B, I30Z
5t311.j↔		BOP, KVT, UOP4, VIAL	5t312.9↔		BOP, KVT, UOP4, VIAL		10	K09A, K09B
	01	B03A, B03B, B06A, B06B, B17A, B17B, B17C		01	B03A, B03B, B06A, B06B, B07Z, B17A, B17B, B17C	5t313.1↔		BOP, KVT, UOP4, VIAL
	08	I18A, I30Z		08	I12A, I12B, I12C, I32A, I32B, I32C, I32D, I32E, I32F		08	I12A, I12B, I12C, I18A, I18B, I30Z
	21A	W04A, W04B		21A	W04A, W04B		10	K09A, K09B
	21B	X04Z	5t312.e↔		BOP, KVT, UOP4, VIAL		21A	W04A, W04B
5t311.k↔		BOP, KVT, UOP4, VIAL		08	I08A, I08B, I08C, I08D, I08E, I08F		21B	X04Z
	01	B03A, B03B, B06A, B06B, B17A, B17B, B17C	5t312.f		BOP, KVT, UOP4, VIAL		21A	W04A, W04B
	05	F27A, F27B, F27C		08	I08A, I08B, I08C, I08D, I08E, I08F		21B	X04Z
	08	I13A, I13B, I13C, I13D, I13E						
	10	K01Z						
	21A	W04A, W04B						
	21B	X04Z						
5t311.m↔		BOP, KVT, UOP4, VIAL						
	08	I20A, I20B, I20C, I20D						
	21A	W04A, W04B						
	21B	X04Z						
5t311.n↔		BOP, KVT, UOP4, VIAL						
	08	I20A, I20B, I20C, I20D						
	21A	W04A, W04B						
	21B	X04Z						
5t311.p↔		BOP, KVT, UOP4, VIAL						
	08	I20A, I20B, I20C, I20D						
	21A	W04A, W04B						
	21B	X04Z						

ZZV	MDC	DRG	ZZV	MDC	DRG	ZZV	MDC	DRG
5t313.2↔		BOP, KVT, UOP4, VIAL	5t317.h↔		BOP, KVT, UOP4, VIAL	5t319↔		BOP, KVT, UOP4, VIAL
	01	B03A, B03B, B06A, B06B, B17A, B17B, B17C		01	B03A, B03B, B06A, B06B, B17A, B17B, B17C		08	I32A, I32B, I32C, I32D, I32E, I32F, I32G
	08	I12A, I12B, I12C, I18A, I18B, I30Z		08	I18A, I18B, I30Z		09	J03A, J03B, J04A, J04B, J08A, J08B, J08C, J11A, J11B, J16Z
	21A	W04A, W04B		21A	W04A, W04B		21A	W04A, W04B
	21B	X04Z		21B	X04Z		21B	X05A, X05B
5t313.3↔		BOP, KVT, UOP4, VIAL	5t317.j↔		BOP, KVT, UOP4, VIAL	5t31a.0↔		BOP, KVT, UOP4, VIAL
	08	I12A, I12B, I12C, I18A, I18B, I30Z		08	I13A, I13B, I13C, I13D, I13E		08	I16Z
	10	K09A, K09B		01	B03A, B03B, B06A, B06B, B17A, B17B, B17C		21A	W04A, W04B
	21A	W04A, W04B		05	F27A, F27B, F27C		21B	X06A, X06B, X06C
	21B	X04Z		08	I13A, I13B, I13C, I13D, I13E	5t31a.4↔		BOP, KVT, UOP4, VIAL
5t313.4↔		BOP, KVT, UOP4, VIAL		10	K01Z		08	I08A, I08B, I08C, I08D, I08E, I08F, I21Z, I31Z
	01	B03A, B03B, B06A, B06B, B17A, B17B, B17C		21A	W04A, W04B		21A	W04A, W04B
	08	I12A, I12B, I12C, I18A, I18B, I30Z		21B	X04Z		21B	X06A, X06B, X06C
	21A	W04A, W04B	5t317.n↔		BOP, KVT, UOP4, VIAL	5t31a.5↔		BOP, KVT, UOP4, VIAL
	21B	X04Z		08	I20A, I20B, I20C, I20D		08	I08A, I08B, I08C, I08D, I08E, I08F, I21Z, I31Z
5t313.5↔		BOP, KVT, UOP4, VIAL	5t317.p↔		BOP, KVT, UOP4, VIAL		21A	W04A, W04B
	08	I18A, I18B, I24Z, I30Z		08	I20A, I20B, I20C, I20D		21B	X06A, X06B, X06C
	21A	W04A, W04B	5t317.q↔		BOP, KVT, UOP4, VIAL	5t31a.7↔		BOP, KVT, UOP4, VIAL
	21B	X04Z		08	I20A, I20B, I20C, I20D, I20E, I20F		01	B03A, B03B, B06A, B06B, B07Z, B17A, B17B, B17C
5t313.6↔		BOP, KVT, UOP4, VIAL	5t317.r↔		BOP, KVT, UOP4, VIAL		08	I32A, I32B, I32C, I32D, I32E, I32F
	08	I18A, I18B, I30Z		08	I20A, I20B, I20C, I20D, I20E, I20F		21A	W04A, W04B
	21A	W04A, W04B	5t317.x		BOP, KVT, UOP4		21B	X05A, X05B
	21B	X04Z		08	I28A, I28B	5t31a.8↔		BOP, KVT, UOP4, VIAL
5t317.0↔		BOP, KVT, UOP4, VIAL		21A	W04A, W04B		01	B03A, B03B, B06A, B06B, B07Z, B17A, B17B, B17C
	08	I16Z		21B	X06A, X06B, X06C		08	I32A, I32B, I32C, I32D, I32E, I32F
	21A	W04A, W04B	5t318.0↔		BOP, KVT, UOP4, VIAL		21A	W04A, W04B
	21B	X06A, X06B, X06C		08	I16Z		21B	X05A, X05B
5t317.4↔		BOP, KVT, UOP4, VIAL		21A	W04A, W04B	5t31a.e↔		BOP, KVT, UOP4, VIAL
	08	I08A, I08B, I08C, I08D, I08E, I08F, I21Z, I31Z	5t318.4↔		BOP, KVT, UOP4, VIAL		08	I08A, I08B, I08C, I08D, I08E, I08F
	21A	W04A, W04B		08	I08A, I08B, I08C, I08D, I08E, I08F, I21Z, I31Z		01	B03A, B03B, B06A, B06B, B17A, B17B, B17C
	21B	X06A, X06B, X06C		21A	W04A, W04B	5t31a.g↔		BOP, KVT, UOP4, VIAL
5t317.5↔		BOP, KVT, UOP4, VIAL	5t318.7↔		BOP, KVT, UOP4, VIAL		01	B03A, B03B, B06A, B06B, B17A, B17B, B17C
	08	I08A, I08B, I08C, I08D, I08E, I08F, I21Z, I31Z		08	I32A, I32B, I32C, I32D, I32E, I32F		08	I08A, I08B, I08C, I08D, I08E, I08F
	21A	W04A, W04B		09	J03A, J03B, J04A, J04B, J08A, J08B, J08C, J11A, J11B, J16Z		21A	W01A, W01B, W01C, W02A, W02B
	21B	X06A, X06B, X06C		21A	W04A, W04B		21B	X04Z
5t317.7↔		BOP, KVT, UOP4, VIAL	5t318.g↔		BOP, KVT, UOP4, VIAL	5t31a.h↔		BOP, KVT, UOP4, VIAL
	01	B03A, B03B, B06A, B06B, B07Z, B17A, B17B, B17C		08	I08A, I08B, I08C, I08D, I08E, I08F		01	B03A, B03B, B06A, B06B, B17A, B17B, B17C
	08	I32A, I32B, I32C, I32D, I32E, I32F		21A	W01A, W01B, W01C, W02A, W02B		08	I08A, I08B, I08C, I08D, I08E, I08F
	21A	W04A, W04B		21B	X04Z		21A	W04A, W04B
	21B	X05A, X05B	5t318.h↔		BOP, KVT, UOP4, VIAL		21B	X04Z
5t317.8↔		BOP, KVT, UOP4, VIAL		08	I18A, I18B, I30Z	5t31a.j↔		BOP, KVT, UOP4, VIAL
	01	B03A, B03B, B06A, B06B, B07Z, B17A, B17B, B17C		10	K09A, K09B		08	I13A, I13B, I13C, I13D, I13E
	08	I32A, I32B, I32C, I32D, I32E, I32F		21A	W04A, W04B	5t31a.k↔		BOP, KVT, UOP4, VIAL
	21A	W04A, W04B		21B	X04Z		01	B03A, B03B, B06A, B06B, B17A, B17B, B17C
	21B	X05A, X05B	5t318.k↔		BOP, KVT, UOP4, VIAL		05	F27A, F27B, F27C
5t317.e↔		BOP, KVT, UOP4, VIAL		08	I13A, I13B, I13C, I13D, I13E		08	I13A, I13B, I13C, I13D, I13E
	08	I08A, I08B, I08C, I08D, I08E, I08F		21A	W04A, W04B		10	K01Z
5t317.g↔		BOP, KVT, UOP4, VIAL	5t318.x		BOP, KVT, UOP4		21A	W04A, W04B
	01	B03A, B03B, B06A, B06B, B17A, B17B, B17C		08	I28A, I28B		21B	X04Z
	08	I08A, I08B, I08C, I08D, I08E, I08F		21A	W04A, W04B	5t31a.n↔		BOP, KVT, UOP4, VIAL
	21A	W01A, W01B, W01C, W02A, W02B		21B	X06A, X06B, X06C		08	I20A, I20B, I20C, I20D
	21B	X04Z				5t31a.p↔		BOP, KVT, UOP4, VIAL
							08	I20A, I20B, I20C, I20D

ZZV	MDC	DRG	ZZV	MDC	DRG	ZZV	MDC	DRG
5t31a.q↔		BOP, KVT, UOP4, VIAL	5t31c.9↔		BOP, KVT, UOP4, VIAL	5t31d.1↔		BOP, KVT, UOP4, VIAL
	08	I20A, I20B, I20C, I20D, I20E, I20F		08	I32A, I32B, I32C, I32D, I32E, I32F		08	I16Z
5t31a.r↔		BOP, KVT, UOP4, VIAL		09	J03A, J03B, J04A, J04B, J08A, J08B, J08C, J11A, J11B, J16Z		21A	W04A, W04B
	08	I20A, I20B, I20C, I20D, I20E, I20F		21A	W04A, W04B		21B	X06A, X06B, X06C
5t31a.x		BOP, KVT, UOP4		21B	X05A, X05B	5t31d.3↔		BOP, KVT, UOP4, VIAL
	08	I28A, I28B	5t31c.e↔		BOP, KVT, UOP4, VIAL		08	I28A, I28B
	21A	W04A, W04B		08	I08A, I08B, I08C, I08D, I08E, I08F, I23A, I23B		21A	W04A, W04B
	21B	X06A, X06B, X06C		21A	W04A, W04B	5t31d.4↔		BOP, KVT, UOP4, VIAL
5t31b.h		BOP, KVT, UOP4, VIAL		21B	X04Z, X06A, X06B, X06C		08	I08A, I08B, I08C, I08D, I08E, I08F, I21Z, I31Z
	08	I12A, I12B, I12C, I18A, I30Z	5t31c.g↔		BOP, KVT, UOP4, VIAL		21A	W04A, W04B
	21A	W04A, W04B		01	B03A, B03B, B06A, B06B, B17A, B17B, B17C		21B	X06A, X06B, X06C
	21B	X04Z		08	I08A, I08B, I08C, I08D, I08E, I08F	5t31d.5↔		BOP, KVT, UOP4, VIAL
5t31b.m		BOP, KVT, UOP4, VIAL		21A	W01A, W01B, W01C, W02A, W02B		08	I08A, I08B, I08C, I08D, I08E, I08F, I21Z, I31Z
	01	B03A, B03B, B06A, B06B, B17A, B17B, B17C		21B	X04Z		21A	W04A, W04B
	05	F27A, F27B, F27C	5t31c.h↔		BOP, KVT, UOP4, VIAL		21B	X06A, X06B, X06C
	08	I13A, I13B, I13C, I13D, I13E		01	B03A, B03B, B06A, B06B, B17A, B17B, B17C	5t31d.6↔		BOP, KVT, UOP4, VIAL
	10	K01Z		08	I18A, I18B, I30Z		01	B03A, B03B, B06A, B06B, B07Z, B17A, B17B, B17C
	21A	W04A, W04B		21A	W04A, W04B		08	I08A, I08B, I08C, I08D, I08E, I08F, I32A, I32B, I32C, I32D, I32E, I32F
	21B	X04Z	5t31c.i↔		BOP, KVT, UOP4, VIAL		21A	W04A, W04B
5t31c.0↔		BOP, KVT, UOP4, VIAL		01	B03A, B03B, B06A, B06B, B17A, B17B, B17C		21B	X05A, X05B
	08	I16Z		08	I18A, I18B, I30Z	5t31d.7↔		BOP, KVT, UOP4, VIAL
	21A	W04A, W04B	5t31c.j↔		BOP, KVT, UOP4, VIAL		01	B03A, B03B, B06A, B06B, B07Z, B17A, B17B, B17C
	21B	X06A, X06B, X06C		01	B03A, B03B, B06A, B06B, B17A, B17B, B17C		08	I32A, I32B, I32C, I32D, I32E, I32F
5t31c.1↔		BOP, KVT, UOP4, VIAL		08	I18A, I18B, I30Z		21A	W04A, W04B
	08	I16Z		21A	W04A, W04B		21B	X05A, X05B
	21A	W04A, W04B	5t31c.k↔		BOP, KVT, UOP4, VIAL	5t31d.8↔		BOP, KVT, UOP4, VIAL
	21B	X06A, X06B, X06C		08	I13A, I13B, I13C, I13D, I13E		01	B03A, B03B, B06A, B06B, B07Z, B17A, B17B, B17C
5t31c.3↔		BOP, KVT, UOP4, VIAL		21A	W04A, W04B		08	I32A, I32B, I32C, I32D, I32E, I32F
	08	I23A, I23B		21B	X04Z		21A	W04A, W04B
	21A	W04A, W04B	5t31c.l↔		BOP, KVT, UOP4, VIAL		21B	X05A, X05B
	21B	X06A, X06B, X06C		08	I13A, I13B, I13C, I13D, I13E	5t31d.9↔		BOP, KVT, UOP4, VIAL
5t31c.4↔		BOP, KVT, UOP4, VIAL		21A	W04A, W04B		01	B03A, B03B, B06A, B06B, B07Z, B17A, B17B, B17C
	08	I08A, I08B, I08C, I08D, I08E, I08F, I21Z, I31Z	5t31c.m↔		BOP, KVT, UOP4, VIAL		08	I32A, I32B, I32C, I32D, I32E, I32F
	21A	W04A, W04B		08	I20A, I20B, I20C, I20D, I20E, I20F		21A	W04A, W04B
	21B	X06A, X06B, X06C		21A	W04A, W04B		21B	X05A, X05B
5t31c.5↔		BOP, KVT, UOP4, VIAL		21B	X04Z	5t31d.9↔		BOP, KVT, UOP4, VIAL
	08	I08A, I08B, I08C, I08D, I08E, I08F, I21Z, I31Z	5t31c.n↔		BOP, KVT, UOP4, VIAL		01	B03A, B03B, B06A, B06B, B07Z, B17A, B17B, B17C
	21A	W04A, W04B		08	I20A, I20B, I20C, I20D, I20E, I20F		08	I32A, I32B, I32C, I32D, I32E, I32F
	21B	X06A, X06B, X06C		21A	W04A, W04B		21A	W04A, W04B
5t31c.6↔		BOP, KVT, UOP4, VIAL		21B	X04Z		21B	X05A, X05B
	08	I08A, I08B, I08C, I08D, I08E, I08F, I32A, I32B, I32C, I32D, I32E, I32F	5t31c.p↔		BOP, KVT, UOP4, VIAL	5t31d.e↔		BOP, KVT, UOP4, VIAL
	09	J03A, J03B, J04A, J04B, J08A, J08B, J08C, J11A, J11B, J16Z		08	I20A, I20B, I20C, I20D, I20E, I20F		08	I08A, I08B, I08C, I08D, I08E, I08F
	21A	W04A, W04B		21A	W04A, W04B	5t31d.g↔		BOP, KVT, UOP4, VIAL
	21B	X05A, X05B		21B	X04Z		01	B03A, B03B, B06A, B06B, B17A, B17B, B17C
5t31c.7↔		BOP, KVT, UOP4, VIAL	5t31c.q↔		BOP, KVT, UOP4, VIAL		08	I08A, I08B, I08C, I08D, I08E, I08F
	08	I32A, I32B, I32C, I32D, I32E, I32F		08	I20A, I20B, I20C, I20D, I20E, I20F		21A	W01A, W01B, W01C, W02A, W02B
	09	J03A, J03B, J04A, J04B, J08A, J08B, J08C, J11A, J11B, J16Z		21A	W04A, W04B		21B	X04Z
	21A	W04A, W04B	5t31c.r↔		BOP, KVT, UOP4, VIAL	5t31d.h↔		BOP, KVT, UOP4, VIAL
	21B	X05A, X05B		08	I20A, I20B, I20C, I20D, I20E, I20F		01	B03A, B03B, B06A, B06B, B17A, B17B, B17C
5t31c.8↔		BOP, KVT, UOP4, VIAL		21A	W04A, W04B		08	I18A, I18B, I30Z
	08	I32A, I32B, I32C, I32D, I32E, I32F	5t31c.x		BOP, KVT, UOP4		21A	W04A, W04B
	09	J03A, J03B, J04A, J04B, J08A, J08B, J08C, J11A, J11B, J16Z		08	I23A, I23B		21B	X04Z
	21A	W04A, W04B		21A	W04A, W04B	5t31d.j↔		BOP, KVT, UOP4, VIAL
	21B	X05A, X05B		21B	X06A, X06B, X06C		01	B03A, B03B, B06A, B06B, B17A, B17B, B17C
5t31d.0↔		BOP, KVT, UOP4, VIAL		21B	BOP, KVT, UOP4, VIAL		08	I18A, I18B, I30Z
	08	I16Z		08	I16Z		21A	W04A, W04B
	21A	W04A, W04B		21A	W04A, W04B		21B	X04Z
	21B	X05A, X05B		21B	X06A, X06B, X06C			



ZZV	MDC	DRG	ZZV	MDC	DRG	ZZV	MDC	DRG
5t31d.k↔		BOP, KVT, UOP4, VIAL	5t31h.g↔		BOP, KVT, UOP4, VIAL	5t31j.6↔		BOP, KVT, UOP4, VIAL
	01	B03A, B03B, B06A, B06B, B17A, B17B, B17C		01	B03A, B03B, B06A, B06B, B17A, B17B, B17C		08	I08A, I08B, I08C, I08D, I08E, I08F, I32A, I32B, I32C, I32D, I32E, I32F
	05	F27A, F27B, F27C		08	I08A, I08B, I08C, I08D, I08E, I08F		09	J03A, J03B, J04A, J04B, J08A, J08B, J08C, J11A, J11B, J16Z
	08	I13A, I13B, I13C, I13D, I13E		21A	W01A, W01B, W01C, W02A, W02B		21A	W04A, W04B
	10	K01Z		21B	X04Z		21B	X05A, X05B
	21A	W04A, W04B	5t31h.h↔		BOP, KVT, UOP4, VIAL	5t31j.7↔		BOP, KVT, UOP4, VIAL
	21B	X04Z		01	B03A, B03B, B06A, B06B, B17A, B17B, B17C		08	I32A, I32B, I32C, I32D, I32E, I32F
5t31d.m↔		BOP, KVT, UOP4, VIAL		08	I08A, I08B, I08C, I08D, I08E, I08F		09	J03A, J03B, J04A, J04B, J08A, J08B, J08C, J11A, J11B, J16Z
	08	I20A, I20B, I20C, I20D		21A	W04A, W04B		21A	W04A, W04B
	21A	W04A, W04B		21B	X04Z		21B	X05A, X05B
	21B	X04Z	5t31h.i↔		BOP, KVT, UOP4, VIAL	5t31j.8↔		BOP, KVT, UOP4, VIAL
5t31d.n↔		BOP, KVT, UOP4, VIAL		08	I13A, I13B, I13C, I13D, I13E		08	I32A, I32B, I32C, I32D, I32E, I32F
	08	I20A, I20B, I20C, I20D		01	B03A, B03B, B06A, B06B, B17A, B17B, B17C		09	J03A, J03B, J04A, J04B, J08A, J08B, J08C, J11A, J11B, J16Z
	21A	W04A, W04B		05	F27A, F27B, F27C		21A	W04A, W04B
	21B	X04Z		08	I13A, I13B, I13C, I13D, I13E		21B	X05A, X05B
5t31d.p↔		BOP, KVT, UOP4, VIAL	5t31h.j↔		BOP, KVT, UOP4, VIAL	5t31j.9↔		BOP, KVT, UOP4, VIAL
	08	I20A, I20B, I20C, I20D		08	I13A, I13B, I13C, I13D, I13E		08	I32A, I32B, I32C, I32D, I32E, I32F
	21A	W04A, W04B		01	B03A, B03B, B06A, B06B, B17A, B17B, B17C		09	J03A, J03B, J04A, J04B, J08A, J08B, J08C, J11A, J11B, J16Z
	21B	X04Z		05	F27A, F27B, F27C		21A	W04A, W04B
5t31d.q↔		BOP, KVT, UOP4, VIAL		08	I13A, I13B, I13C, I13D, I13E		21B	X05A, X05B
	08	I20A, I20B, I20C, I20D, I20E, I20F	5t31h.k↔		BOP, KVT, UOP4, VIAL		21B	X05A, X05B
	21A	W04A, W04B		01	B03A, B03B, B06A, B06B, B17A, B17B, B17C	5t31j.e↔		BOP, KVT, UOP4, VIAL
	21B	X04Z		05	F27A, F27B, F27C		08	I08A, I08B, I08C, I08D, I08E, I08F, I23A, I23B
5t31d.r↔		BOP, KVT, UOP4, VIAL		08	I13A, I13B, I13C, I13D, I13E		21A	W04A, W04B
	08	I20A, I20B, I20C, I20D, I20E, I20F	5t31h.l↔		BOP, KVT, UOP4, VIAL		21B	X04Z, X06A, X06B, X06C
	21A	W04A, W04B		08	I20A, I20B, I20C, I20D	5t31j.f		BOP, KVT, UOP4, VIAL
	21B	X04Z		08	I20A, I20B, I20C, I20D		08	I23A, I23B
5t31d.x		BOP, KVT, UOP4		01	B03A, B03B, B06A, B06B, B17A, B17B, B17C		21A	W04A, W04B
	08	I28A, I28B	5t31h.m↔		BOP, KVT, UOP4, VIAL		21B	X05A, X05B
	21A	W04A, W04B		08	I20A, I20B, I20C, I20D, I20E, I20F	5t31j.g↔		BOP, KVT, UOP4, VIAL
	21B	X06A, X06B, X06C		08	I20A, I20B, I20C, I20D, I20E, I20F		08	I08A, I08B, I08C, I08D, I08E, I08F, I23A, I23B
5t31g↔		BOP, KVT, UOP4, VIAL	5t31h.n↔		BOP, KVT, UOP4, VIAL		21A	W04A, W04B
	08	I18A, I18B, I30Z		08	I20A, I20B, I20C, I20D		21B	X04Z, X06A, X06B, X06C
	21A	W04A, W04B		08	I20A, I20B, I20C, I20D	5t31j.h↔		BOP, KVT, UOP4, VIAL
	21B	X04Z		01	B03A, B03B, B06A, B06B, B17A, B17B, B17C		08	I18A, I18B, I30Z
5t31h.0↔		BOP, KVT, UOP4, VIAL		05	F27A, F27B, F27C		21A	W04A, W04B
	08	I16Z		08	I13A, I13B, I13C, I13D, I13E		21B	X04Z, X06A, X06B, X06C
	21A	W04A, W04B	5t31h.o↔		BOP, KVT, UOP4, VIAL		21B	X04Z, X06A, X06B, X06C
	21B	X06A, X06B, X06C		08	I20A, I20B, I20C, I20D, I20E, I20F	5t31j.i↔		BOP, KVT, UOP4, VIAL
5t31h.4↔		BOP, KVT, UOP4, VIAL		08	I20A, I20B, I20C, I20D, I20E, I20F		01	B03A, B03B, B06A, B06B, B17A, B17B, B17C
	08	I08A, I08B, I08C, I08D, I08E, I08F, I21Z, I31Z	5t31h.p↔		BOP, KVT, UOP4, VIAL		08	I08A, I08B, I08C, I08D, I08E, I08F
	21A	W04A, W04B		08	I20A, I20B, I20C, I20D		21A	W01A, W01B, W01C, W02A, W02B
	21B	X06A, X06B, X06C		08	I20A, I20B, I20C, I20D		21B	X04Z
5t31h.5↔		BOP, KVT, UOP4, VIAL	5t31h.q↔		BOP, KVT, UOP4, VIAL	5t31j.k↔		BOP, KVT, UOP4, VIAL
	08	I08A, I08B, I08C, I08D, I08E, I08F, I21Z, I31Z		08	I20A, I20B, I20C, I20D, I20E, I20F		08	I18A, I18B, I30Z
	21A	W04A, W04B	5t31h.r↔		BOP, KVT, UOP4, VIAL		21A	W04A, W04B
	21B	X06A, X06B, X06C		08	I20A, I20B, I20C, I20D, I20E, I20F		21B	X04Z
5t31h.7↔		BOP, KVT, UOP4, VIAL	5t31h.s↔		BOP, KVT, UOP4, VIAL	5t31j.l↔		BOP, KVT, UOP4, VIAL
	01	B03A, B03B, B06A, B06B, B07Z, B17A, B17B, B17C		08	I23A, I23B		08	I18A, I18B, I30Z
	08	I32A, I32B, I32C, I32D, I32E, I32F		01	B03A, B03B, B06A, B06B, B17A, B17B, B17C		21A	W04A, W04B
	21A	W04A, W04B		08	I16Z		21B	X04Z
	21B	X05A, X05B	5t31h.t↔		BOP, KVT, UOP4, VIAL		21A	W04A, W04B
5t31h.8↔		BOP, KVT, UOP4, VIAL		08	I23A, I23B	5t31j.m↔		BOP, KVT, UOP4, VIAL
	01	B03A, B03B, B06A, B06B, B07Z, B17A, B17B, B17C	5t31h.u↔		BOP, KVT, UOP4, VIAL		08	I20A, I20B, I20C, I20D, I20E, I20F
	08	I32A, I32B, I32C, I32D, I32E, I32F		08	I23A, I23B		21A	W04A, W04B
	21A	W04A, W04B		01	B03A, B03B, B06A, B06B, B17A, B17B, B17C		21B	X04Z
	21B	X05A, X05B		08	I08A, I08B, I08C, I08D, I08E, I08F, I21Z, I31Z		21A	W04A, W04B
5t31h.e↔		BOP, KVT, UOP4, VIAL		21A	W04A, W04B		21B	X04Z
	08	I08A, I08B, I08C, I08D, I08E, I08F	5t31j.1↔		BOP, KVT, UOP4, VIAL		21B	X04Z
				08	I16Z			
				21A	W04A, W04B			
				21B	X06A, X06B, X06C			
				08	I23A, I23B			
				21A	W04A, W04B			
				21B	X06A, X06B, X06C			
				08	I08A, I08B, I08C, I08D, I08E, I08F, I21Z, I31Z			
				21A	W04A, W04B			
				21B	X06A, X06B, X06C			
				08	I08A, I08B, I08C, I08D, I08E, I08F, I21Z, I31Z			
				21A	W04A, W04B			
				21B	X06A, X06B, X06C			

ZZV	MDC	DRG	ZZV	MDC	DRG	ZZV	MDC	DRG	
5t31j.n↔		BOP, KVT, UOP4, VIAL	5t31k.9↔		BOP, KVT, UOP4, VIAL	5t31x.1↔		BOP, KVT, UOP4, VIAL	
	08	I20A, I20B, I20C, I20D, I20E, I20F		01	B03A, B03B, B06A, B06B, B07Z, B17A, B17B, B17C		08	I16Z	
	21A	W04A, W04B		08	I32A, I32B, I32C, I32D, I32E, I32F		21A	W04A, W04B	
	21B	X04Z		21A	W04A, W04B	5t31x.2↔		X06A, X06B, X06C	
5t31j.p↔		BOP, KVT, UOP4, VIAL		21B	X05A, X05B		08	BOP, KVT, UOP4, VIAL	
	08	I20A, I20B, I20C, I20D, I20E, I20F	5t31k.e↔		BOP, KVT, UOP4, VIAL		21A	I23A, I23B	
	21A	W04A, W04B		08	I08A, I08B, I08C, I08D, I08E, I08F		21A	W04A, W04B	
	21B	X04Z		21B	X05A, X05B	5t31x.3↔		21B	X06A, X06B, X06C
5t31j.q↔		BOP, KVT, UOP4, VIAL	5t31k.g↔		BOP, KVT, UOP4, VIAL		08	BOP, KVT, UOP4, VIAL	
	08	I20A, I20B, I20C, I20D, I20E, I20F		01	B03A, B03B, B06A, B06B, B17A, B17B, B17C		21A	I23A, I23B	
	21A	W04A, W04B		08	I08A, I08B, I08C, I08D, I08E, I08F		21A	W04A, W04B	
	21B	X04Z		21A	W01A, W01B, W01C, W02A, W02B	5t31x.4↔		21B	X06A, X06B, X06C
5t31j.r↔		BOP, KVT, UOP4, VIAL		21B	X04Z		08	BOP, KVT, UOP4, VIAL	
	08	I20A, I20B, I20C, I20D, I20E, I20F	5t31k.h↔		BOP, KVT, UOP4, VIAL		21A	I08A, I08B, I08C, I08D, I08E, I08F, I21Z, I31Z	
	21A	W04A, W04B		01	B03A, B03B, B06A, B06B, B17A, B17B, B17C		21A	W04A, W04B	
	21B	X04Z		08	I18A, I18B, I30Z	5t31x.5↔		21B	X06A, X06B, X06C
5t31j.x		BOP, KVT, UOP4		21A	W04A, W04B		08	BOP, KVT, UOP4, VIAL	
	08	I23A, I23B	5t31k.j↔		X04Z		21A	I08A, I08B, I08C, I08D, I08E, I08F, I21Z, I31Z	
	21A	W04A, W04B		01	B03A, B03B, B06A, B06B, B17A, B17B, B17C	5t31x.6↔		21A	W04A, W04B
	21B	X06A, X06B, X06C		08	I18A, I18B, I30Z		21B	X06A, X06B, X06C	
5t31k.0↔		BOP, KVT, UOP4, VIAL		21A	W04A, W04B		08	BOP, KVT, UOP4, VIAL	
	08	I16Z		21B	X04Z		21A	I08A, I08B, I08C, I08D, I08E, I08F, I21Z, I31Z	
	21A	W04A, W04B	5t31k.k↔		BOP, KVT, UOP4, VIAL		21A	W04A, W04B	
	21B	X06A, X06B, X06C		01	B03A, B03B, B06A, B06B, B17A, B17B, B17C	5t31x.7↔		21B	X06A, X06B, X06C
5t31k.1↔		BOP, KVT, UOP4, VIAL		05	F27A, F27B, F27C		08	BOP, KVT, UOP4, VIAL	
	08	I16Z		08	I13A, I13B, I13C, I13D, I13E		21A	I32A, I32B, I32C, I32D, I32E, I32F	
	21A	W04A, W04B		10	K01Z		21A	J03A, J03B, J04A, J04B, J08A, J08B, J08C, J11A, J11B, J16Z	
	21B	X06A, X06B, X06C		21A	W04A, W04B	5t31x.8↔		21A	W04A, W04B
5t31k.3↔		BOP, KVT, UOP4, VIAL		21B	X04Z		21B	X05A, X05B	
	08	I28A, I28B	5t31k.m↔		BOP, KVT, UOP4, VIAL		08	BOP, KVT, UOP4, VIAL	
	21A	W04A, W04B		08	I20A, I20B, I20C, I20D		21A	I32A, I32B, I32C, I32D, I32E, I32F	
	21B	X06A, X06B, X06C		21A	W04A, W04B		21A	J03A, J03B, J04A, J04B, J08A, J08B, J08C, J11A, J11B, J16Z	
5t31k.4↔		BOP, KVT, UOP4, VIAL		21B	X04Z		21A	W04A, W04B	
	08	I08A, I08B, I08C, I08D, I08E, I08F, I21Z, I31Z		5t31k.n↔		5t31x.9↔		21B	X05A, X05B
	21A	W04A, W04B		08	BOP, KVT, UOP4, VIAL		08	BOP, KVT, UOP4, VIAL	
	21B	X06A, X06B, X06C		21A	I20A, I20B, I20C, I20D		21A	I32A, I32B, I32C, I32D, I32E, I32F	
5t31k.5↔		BOP, KVT, UOP4, VIAL		21B	X04Z		21A	J03A, J03B, J04A, J04B, J08A, J08B, J08C, J11A, J11B, J16Z	
	08	I08A, I08B, I08C, I08D, I08E, I08F, I21Z, I31Z		5t31k.p↔		5t31x.e↔		21A	W04A, W04B
	21A	W04A, W04B		08	BOP, KVT, UOP4, VIAL		21B	X05A, X05B	
	21B	X06A, X06B, X06C		21A	I20A, I20B, I20C, I20D		08	BOP, KVT, UOP4, VIAL	
5t31k.6↔		BOP, KVT, UOP4, VIAL		21B	X04Z		21A	I32A, I32B, I32C, I32D, I32E, I32F	
	01	B03A, B03B, B06A, B06B, B07Z, B17A, B17B, B17C		5t31k.q↔			21A	J03A, J03B, J04A, J04B, J08A, J08B, J08C, J11A, J11B, J16Z	
	08	I08A, I08B, I08C, I08D, I08E, I08F, I32A, I32B, I32C, I32D, I32E, I32F		08	BOP, KVT, UOP4, VIAL		21A	W04A, W04B	
	21A	W04A, W04B		21A	I20A, I20B, I20C, I20D, I20E, I20F		21B	X05A, X05B	
	21B	X05A, X05B		21B	W04A, W04B	5t31x.f		21A	W04A, W04B
5t31k.7↔		BOP, KVT, UOP4, VIAL		5t31k.r↔			21B	X04Z, X06A, X06B, X06C	
	01	B03A, B03B, B06A, B06B, B07Z, B17A, B17B, B17C		08	BOP, KVT, UOP4, VIAL		21B	BOP, KVT, UOP4, VIAL	
	08	I32A, I32B, I32C, I32D, I32E, I32F		21A	I20A, I20B, I20C, I20D, I20E, I20F		08	I08A, I08B, I08C, I08D, I08E, I08F, I23A, I23B	
	21A	W04A, W04B		21A	W04A, W04B		21A	W04A, W04B	
	21B	X05A, X05B		21B	X04Z		21B	X04Z, X06A, X06B, X06C	
5t31k.8↔		BOP, KVT, UOP4, VIAL		5t31k.x					
	01	B03A, B03B, B06A, B06B, B07Z, B17A, B17B, B17C		08	BOP, KVT, UOP4				
	08	I32A, I32B, I32C, I32D, I32E, I32F		21A	I28A, I28B				
	21A	W04A, W04B		21A	W04A, W04B				
	21B	X05A, X05B		21B	X06A, X06B, X06C				
	21B	X05A, X05B		5t31x.0↔					
				08	BOP, KVT, UOP4, VIAL				
				08	I16Z				
				21A	W04A, W04B				
				21B	X06A, X06B, X06C				

ZZV	MDC	DRG	ZZV	MDC	DRG	ZZV	MDC	DRG
5t31x.g↔		BOP, KVT, UOP4, VIAL	5t323↔	01	BOP, KVT, UOP4, VIAL	5t333↔	01	BOP, KVT, UOP4, VIAL
	01	B03A, B03B, B06A, B06B, B17A, B17B, B17C		01	B03A, B03B, B06A, B06B, B17A, B17B, B17C		01	B03A, B03B, B06A, B06B, B07Z, B17A, B17B, B17C
	08	I08A, I08B, I08C, I08D, I08E, I08F		08	I18A, I18B, I30Z		08	I18A, I18B, I30Z
	21A	W01A, W01B, W01C, W02A, W02B		21A	W04A, W04B		10	K09A, K09B
5t31x.h↔	21B	X04Z	5t324↔	21B	X04Z	5t334↔	21A	W04A, W04B
		BOP, KVT, UOP4, VIAL			BOP, KVT, UOP4, VIAL			BOP, KVT, UOP4, VIAL
	08	I18A, I18B, I30Z		01	B03A, B03B, B06A, B06B, B17A, B17B, B17C		01	B03A, B03B, B06A, B06B, B07Z, B17A, B17B, B17C
	21A	W04A, W04B		08	I18A, I18B, I30Z		08	I18A, I18B, I30Z
5t31x.j↔	21B	X04Z	5t325↔	21A	W04A, W04B	5t335↔	21A	W04A, W04B
		BOP, KVT, UOP4, VIAL			BOP, KVT, UOP4, VIAL			BOP, KVT, UOP4, VIAL
	08	I18A, I18B, I30Z		01	B03A, B03B, B06A, B06B, B17A, B17B, B17C		01	B03A, B03B, B06A, B06B, B07Z, B17A, B17B, B17C
	21A	W04A, W04B		08	I18A, I18B, I30Z		08	I18A, I18B, I30Z
5t31x.k↔	21B	X04Z	5t326↔	21A	W04A, W04B	5t336↔	21A	W04A, W04B
		BOP, KVT, UOP4, VIAL			BOP, KVT, UOP4, VIAL			BOP, KVT, UOP4, VIAL
	08	I13A, I13B, I13C, I13D, I13E		01	B03A, B03B, B06A, B06B, B17A, B17B, B17C		01	B03A, B03B, B06A, B06B, B17A, B17B, B17C
	21A	W04A, W04B		08	I18A, I18B, I30Z		08	I18A, I30Z
5t31x.m↔	21B	X04Z	5t327↔	21B	X04Z	5t337↔	21A	W04A, W04B
		BOP, KVT, UOP4, VIAL			BOP, KVT, UOP4, VIAL			BOP, KVT, UOP4, VIAL
	08	I20A, I20B, I20C, I20D, I20E, I20F		01	B03A, B03B, B06A, B06B, B17A, B17B, B17C		01	B03A, B03B, B06A, B06B, B17A, B17B, B17C
	21A	W04A, W04B		08	I18A, I18B, I30Z		08	I18A, I30Z
5t31x.n↔	21B	X04Z	5t328↔	21A	W04A, W04B	5t338↔	21A	W04A, W04B
		BOP, KVT, UOP4, VIAL			BOP, KVT, UOP4, VIAL			BOP, KVT, UOP4, VIAL
	08	I20A, I20B, I20C, I20D, I20E, I20F		01	B03A, B03B, B06A, B06B, B17A, B17B, B17C		01	B03A, B03B, B06A, B06B, B17A, B17B, B17C
	21A	W04A, W04B		08	I18A, I18B, I30Z		08	I18A, I30Z
5t31x.p↔	21B	X04Z	5t329↔	21B	X04Z	5t339↔	21A	W04A, W04B
		BOP, KVT, UOP4, VIAL			BOP, KVT, UOP4, VIAL			BOP, KVT, UOP4, VIAL
	08	I20A, I20B, I20C, I20D, I20E, I20F		01	B03A, B03B, B06A, B06B, B17A, B17B, B17C		01	B03A, B03B, B06A, B06B, B17A, B17B, B17C
	21A	W04A, W04B		08	I18A, I18B, I30Z		08	I18A, I30Z
5t31x.q↔	21B	X04Z	5t32x↔	21A	W04A, W04B	5t33a↔	21A	W04A, W04B
		BOP, KVT, UOP4, VIAL			BOP, KVT, UOP4			BOP, KVT, UOP4, VIAL
	08	I20A, I20B, I20C, I20D, I20E, I20F		01	B03A, B03B, B06A, B06B, B17A, B17B, B17C		01	B03A, B03B, B06A, B06B, B17A, B17B, B17C
	21A	W04A, W04B		08	I18A, I18B, I30Z		08	I18A, I30Z
5t31x.r↔	21B	X04Z	5t330↔	21B	X04Z	5t33x↔	21B	X04Z
		BOP, KVT, UOP4, VIAL			BOP, KVT, UOP4, VIAL			BOP, KVT, UOP4, VIAL
	08	I20A, I20B, I20C, I20D, I20E, I20F		01	B03A, B03B, B06A, B06B, B17A, B17B, B17C		01	B03A, B03B, B06A, B06B, B17A, B17B, B17C
	21A	W04A, W04B		08	I18A, I18B, I30Z		08	I18A, I18B, I30Z
5t31x.x	21B	X04Z	5t331↔	21A	W04A, W04B	5t340↔	21A	W04A, W04B
		BOP, KVT, UOP4			BOP, KVT, UOP4, VIAL			BOP, KVT, UOP4, VIAL
	08	I23A, I23B		01	B03A, B03B, B06A, B06B, B07Z, B17A, B17B, B17C		01	B03A, B03B, B06A, B06B, B17A, B17B, B17C
	21A	W04A, W04B		08	I18A, I18B, I30Z		08	I12A, I12B, I12C, I18A, I18B, I30Z
5t320↔	21B	X06A, X06B, X06C	5t332↔	21B	X04Z	5t341↔	21A	W04A, W04B
		BOP, KVT, UOP4, VIAL			BOP, KVT, UOP4, VIAL			BOP, KVT, UOP4, VIAL
	01	B03A, B03B, B06A, B06B, B17A, B17B, B17C		01	B03A, B03B, B06A, B06B, B07Z, B17A, B17B, B17C		01	B03A, B03B, B06A, B06B, B17A, B17B, B17C
	08	I18A, I18B, I30Z		08	I18A, I18B, I30Z		08	I12A, I12B, I12C, I18A, I18B, I30Z
5t321↔	21A	W04A, W04B	5t333↔	21A	W04A, W04B	5t342↔	21A	W04A, W04B
	21B	X04Z			BOP, KVT, UOP4, VIAL			BOP, KVT, UOP4, VIAL
		BOP, KVT, UOP4, VIAL			BOP, KVT, UOP4, VIAL			BOP, KVT, UOP4, VIAL
	01	B03A, B03B, B06A, B06B, B17A, B17B, B17C		01	B03A, B03B, B06A, B06B, B07Z, B17A, B17B, B17C		01	B03A, B03B, B06A, B06B, B17A, B17B, B17C
5t322↔	08	I18A, I18B, I30Z	5t334↔	08	I18A, I18B, I30Z	5t343↔	08	I12A, I12B, I12C, I18A, I18B, I30Z
	21A	W04A, W04B		21A	W04A, W04B		21A	W04A, W04B
	21B	X04Z		21B	X04Z		21B	X04Z
		BOP, KVT, UOP4, VIAL			BOP, KVT, UOP4, VIAL			BOP, KVT, UOP4, VIAL
5t323↔	01	B03A, B03B, B06A, B06B, B17A, B17B, B17C	5t335↔	01	B03A, B03B, B06A, B06B, B07Z, B17A, B17B, B17C	5t344↔	01	B03A, B03B, B06A, B06B, B17A, B17B, B17C
	08	I18A, I18B, I30Z		08	I18A, I18B, I30Z		08	I12A, I12B, I12C, I18A, I18B, I30Z
	21A	W04A, W04B		21A	W04A, W04B		21A	W04A, W04B
	21B	X04Z		21B	X04Z		21B	X04Z

VYK

ZZV	MDC	DRG	ZZV	MDC	DRG	ZZV	MDC	DRG
5t342↔		BOP, KVT, UOP4, VIAL	5t360↔		BOP, KVT, UOP4, VIAL	5t36x↔		BOP, KVT, UOP4, VIAL
	01	B03A, B03B, B06A, B06B, B07Z, B17A, B17B, B17C		01	B03A, B03B, B06A, B06B, B17A, B17B, B17C		01	B03A, B03B, B06A, B06B, B17A, B17B, B17C
	08	I12A, I12B, I12C, I18A, I18B, I30Z		05	F27A, F27B, F27C		05	F27A, F27B, F27C
	10	K09A, K09B		08	I12A, I12B, I12C, I59Z		08	I12A, I12B, I12C, I59Z
	21A	W04A, W04B		10	K01Z		10	K01Z
	21B	X04Z		21A	W04A, W04B		21A	W04A, W04B
5t343↔		BOP, KVT, UOP4, VIAL	5t361↔		BOP, KVT, UOP4, VIAL	5t370↔		BOP, KVT, UOP4
	01	B03A, B03B, B06A, B06B, B07Z, B17A, B17B, B17C		01	B03A, B03B, B06A, B06B, B17A, B17B, B17C		01	B03A, B03B, B06A, B06B, B17A, B17B, B17C
	08	I18A, I18B, I30Z		05	F27A, F27B, F27C		08	I12A, I12B, I12C, I27A, I27B, I27C, I27D
	10	K09A, K09B		08	I12A, I12B, I12C, I59Z		21A	W04A, W04B
	21A	W04A, W04B		10	K01Z		21B	X04Z, X05A, X05B, X06A, X06B, X06C
	21B	X04Z		21A	W04A, W04B			
5t34x↔		BOP, KVT, UOP4, VIAL	5t362↔		BOP, KVT, UOP4, VIAL	5t371↔		BOP, KVT, UOP4
	08	I12A, I12B, I12C, I18A, I18B, I30Z		01	B03A, B03B, B06A, B06B, B17A, B17B, B17C		01	B03A, B03B, B06A, B06B, B17A, B17B, B17C
	21A	W04A, W04B		05	F27A, F27B, F27C		08	I12A, I12B, I12C, I27A, I27B, I27C, I27D
	21B	X04Z		08	I12A, I12B, I12C, I59Z		21A	W04A, W04B
5t350↔		BOP, KVT, UOP4, VIAL		10	K01Z		21B	X04Z, X05A, X05B, X06A, X06B, X06C
	08	I29Z	5t363↔		BOP, KVT, UOP4, VIAL	5t372↔		BOP, KVT, UOP4, VIAL
	21A	W04A, W04B		01	B03A, B03B, B06A, B06B, B17A, B17B, B17C		08	I08A, I08B, I08C, I08D, I08E, I08F, I21Z, I31Z
	21B	X06A, X06B, X06C		05	F27A, F27B, F27C		21A	W04A, W04B
5t351↔		BOP, KVT, UOP4, VIAL		08	I12A, I12B, I12C, I59Z		21B	X06A, X06B, X06C
	08	I29Z		10	K01Z	5t373.0↔		BOP, KVT, UOP4, VIAL
	21A	W04A, W04B		21A	W04A, W04B		01	B03A, B03B, B06A, B06B, B07Z, B17A, B17B, B17C
	21B	X06A, X06B, X06C		21B	X04Z		08	I08A, I08B, I08C, I08D, I08E, I08F, I32A, I32B, I32C, I32D, I32E, I32F
5t352↔		BOP, KVT, UOP4, VIAL	5t364↔		BOP, KVT, UOP4, VIAL		21A	W04A, W04B
	08	I29Z		01	B03A, B03B, B06A, B06B, B17A, B17B, B17C		21B	X05A, X05B
	21A	W04A, W04B		05	F27A, F27B, F27C	5t374↔		BOP, KVT, UOP4, VIAL
	21B	X06A, X06B, X06C		08	I12A, I12B, I12C, I59Z		08	I12A, I12B, I12C, I16Z
5t353↔		BOP, KVT, UOP4, VIAL		10	K01Z		21A	W04A, W04B
	08	I29Z		21A	W04A, W04B		21B	X06A, X06B, X06C
	21A	W04A, W04B	5t365↔		BOP, KVT, UOP4, VIAL	5t375↔		BOP, KVT, UOP4, VIAL
	21B	X06A, X06B, X06C		01	B03A, B03B, B06A, B06B, B17A, B17B, B17C		08	I12A, I12B, I12C, I16Z
5t354↔		BOP, KVT, UOP4, VIAL		05	F27A, F27B, F27C		21A	W04A, W04B
	08	I12A, I12B, I12C, I29Z		08	I12A, I12B, I12C, I59Z	5t376↔		BOP, KVT, UOP4, VIAL
	21A	W04A, W04B		10	K01Z		08	I12A, I12B, I12C, I16Z
	21B	X06A, X06B, X06C		21A	W04A, W04B		21A	W04A, W04B
5t355↔		BOP, KVT, UOP4, VIAL		21B	X04Z		21B	X06A, X06B, X06C
	08	I12A, I12B, I12C, I29Z	5t366↔		BOP, KVT, UOP4, VIAL	5t37x↔		BOP, KVT, UOP4
	21A	W04A, W04B		01	B03A, B03B, B06A, B06B, B17A, B17B, B17C		01	B03A, B03B, B06A, B06B, B17A, B17B, B17C
	21B	X06A, X06B, X06C		05	F27A, F27B, F27C		08	I12A, I12B, I12C, I27A, I27B, I27C, I27D
5t356↔		BOP, KVT, UOP4, VIAL		08	I12A, I12B, I12C, I59Z		21A	W04A, W04B
	08	I12A, I12B, I12C, I29Z		10	K01Z		21B	X06A, X06B, X06C
	21A	W04A, W04B	5t367↔		BOP, KVT, UOP4, VIAL	5t380		BOP, KOP, KOPV, KVT, UOP4, VIAL
	21B	X06A, X06B, X06C		01	B03A, B03B, B06A, B06B, B17A, B17B, B17C		01	B03A, B03B, B18Z
5t357↔		BOP, KVT, UOP4, VIAL		05	F27A, F27B, F27C		06	G33Z
	08	I12A, I12B, I12C, I29Z		08	I12A, I12B, I12C, I59Z		07	H33Z, H38Z
	21A	W04A, W04B		10	K01Z		08	I06A, I06B, I06C, I06D, I06E, I08A, I08B, I08C, I08D, I08E, I08F, I09A, I09B, I09C, I09D, I09E, I12A, I12B, I12C
	21B	X06A, X06B, X06C		21A	W04A, W04B		11	L33Z
5t358↔		BOP, KVT, UOP4, VIAL		21B	X04Z		21A	W04A, W04B
	08	I12A, I12B, I12C, I29Z		5t367↔	BOP, KVT, UOP4, VIAL		21B	X06A, X06B, X06C, X33Z
	21A	W04A, W04B		01	B03A, B03B, B06A, B06B, B17A, B17B, B17C		23	Z01A
	21B	X06A, X06B, X06C		05	F27A, F27B, F27C		Pre	A07A
5t359↔		BOP, KVT, UOP4, VIAL		08	I12A, I12B, I12C, I59Z			
	08	I12A, I12B, I12C, I29Z		10	K01Z			
	21A	W04A, W04B		21A	W04A, W04B			
	21B	X06A, X06B, X06C		21B	X04Z			
5t35a↔		BOP, KVT, UOP4, VIAL		5t367↔	BOP, KVT, UOP4, VIAL			
	08	I12A, I12B, I12C, I29Z		01	B03A, B03B, B06A, B06B, B17A, B17B, B17C			
	21A	W04A, W04B		05	F27A, F27B, F27C			
	21B	X06A, X06B, X06C		08	I12A, I12B, I12C, I59Z			
5t35x↔		BOP, KVT, UOP4, VIAL		10	K01Z			
	08	I12A, I12B, I12C, I29Z		21A	W04A, W04B			
	21A	W04A, W04B		21B	X04Z			
	21B	X06A, X06B, X06C						

ZZV	MDC	DRG	ZZV	MDC	DRG	ZZV	MDC	DRG
5t381		BOP, KVT, UOP4, VIAL	5t387.1↔		BOP, KOP, KOPV, KVT, UOP4, VIAL	5t388.3↔		BOP, KOP, KOPV, KVT, UOP4, VIAL
	01	B03A, B03B, B06A, B06B, B17A, B17B, B17C		01	B03A, B03B, B06A, B06B, B17A, B17B, B17C		01	B03A, B03B, B06A, B06B, B17A, B17B, B17C
	08	I12A, I12B, I12C, I28A, I28B		05	F27A, F27B, F27C		05	F27A, F27B, F27C
	21A	W04A, W04B		06	G33Z		06	G33Z
5t382↔	21B	X04Z, X06A, X06B, X06C		07	H33Z, H38Z		07	H33Z, H38Z
		BOP, KVT, UOP4, VIAL		08	I01Z, I03A, I03B, I12A, I12B, I12C, I13A, I13B, I13C, I13D, I20A, I20B, I20C, I20D		08	I01Z, I03A, I03B, I12A, I12B, I12C, I13A, I13B, I13C, I13D, I20A, I20B, I20C, I20D
	01	B03A, B03B, B06A, B06B, B17A, B17B, B17C		10	K01Z		10	K01Z
	08	I03A, I03B, I08A, I08B, I08C, I08D, I08E, I08F		11	L33Z		11	L33Z
	21A	W01A, W01B, W01C, W02A, W02B		21A	W04A, W04B		21A	W04A, W04B
	21B	X04Z		21B	X04Z, X33Z		21B	X04Z, X33Z
5t383↔		BOP, KOP, KOPV, KVT, UOP4, VIAL	5t387.2↔		BOP, KOP, KOPV, KVT, UOP4, VIAL	5t389.1↔		BOP, KVT, UOP4, VIAL
	01	B03A, B03B, B06A, B06B, B17A, B17B, B17C		01	B03A, B03B, B06A, B06B, B17A, B17B, B17C		01	B03A, B03B, B06A, B06B, B17A, B17B, B17C
	06	G33Z		05	F27A, F27B		05	F27A, F27B
	07	H33Z, H38Z		06	G33Z		08	I12A, I12B, I12C, I20A, I20B, I20C, I20D
	08	I01Z, I03A, I03B, I04Z, I12A, I12B, I12C		07	H33Z, H38Z		10	K01Z
	11	L33Z		08	I01Z, I03A, I03B, I12A, I12B, I12C, I13A, I13B, I13C, I13D, I20A, I20B, I20C, I20D		21A	W04A, W04B
	21A	W04A, W04B		10	K01Z	5t389.3↔	21A	W04A, W04B
	21B	X04Z, X33Z		11	L33Z		21B	X04Z
	23	Z01A		21A	W04A, W04B		01	BOP, KVT, UOP4, VIAL
	Pre	A07A		21B	X04Z, X33Z		05	F27A, F27B
5t384↔		BOP, KVT, UOP4, VIAL	5t388.1↔		BOP, KOP, KOPV, KVT, UOP4, VIAL		08	I12A, I12B, I12C, I20A, I20B, I20C, I20D
	01	B03A, B03B, B06A, B06B, B17A, B17B, B17C		01	B03A, B03B, B06A, B06B, B17A, B17B, B17C		10	K01Z
	08	I12A, I12B, I12C, I16Z		05	F27A, F27B, F27C		21A	W04A, W04B
	10	K09A, K09B		06	G33Z		21B	X04Z
	21A	W04A, W04B		07	H33Z, H38Z	5t38a.1↔	08	I20A, I20B, I20C, I20D, I20E, I20F
	21B	X06A, X06B, X06C		08	I01Z, I03A, I03B, I12A, I12B, I12C, I13A, I13B, I13C, I13D, I20A, I20B, I20C, I20D		21B	X04Z
5t385↔		BOP, KVT, UOP4, VIAL		10	K01Z	5t38a.2↔	08	I20A, I20B, I20C, I20D, I20E, I20F
	01	B03A, B03B, B06A, B06B, B17A, B17B, B17C		11	L33Z		21B	X04Z
	08	I08A, I08B, I08C, I08D, I08E, I08F, I12A, I12B, I12C, I21Z, I31Z		21A	W04A, W04B	5t38a.3↔	08	I20A, I20B, I20C, I20D, I20E, I20F
	21A	W04A, W04B		21B	X04Z, X33Z		21B	X04Z
	21B	X06A, X06B, X06C		23	Z01A	5t38a.4↔	08	I20A, I20B, I20C, I20D, I20E, I20F
5t386↔		BOP, KVT, UOP4, VIAL	5t388.2↔		BOP, KOP, KOPV, KVT, UOP4, VIAL		21B	X04Z
	01	B03A, B03B, B06A, B06B, B17A, B17B, B17C		01	B03A, B03B, B06A, B06B, B17A, B17B, B17C	5t38a.5↔	08	I20A, I20B, I20C, I20D, I20E, I20F
	08	I12A, I12B, I12C, I32A, I32B, I32C, I32D, I32E, I32F		05	F27A, F27B, F27C		21B	X04Z
	21A	W04A, W04B		06	G33Z	5t38a.a↔	08	I20A, I20B, I20C, I20D, I20E, I20F
	21B	X05A, X05B		07	H33Z, H38Z		21B	X04Z
5t387.0↔		BOP, KOP, KOPV, KVT, UOP4, VIAL		08	I01Z, I03A, I03B, I12A, I12B, I12C, I13A, I13B, I13C, I13D, I20A, I20B, I20C, I20D	5t38a.b↔	08	I20A, I20B, I20C, I20D, I20E, I20F
	01	B03A, B03B, B06A, B06B, B17A, B17B, B17C		10	K01Z		21B	X04Z
	05	F27A, F27B, F27C		11	L33Z	5t38x	01	BOP, KVT, UOP4
	06	G33Z		21A	W04A, W04B		08	I12A, I12B, I12C, I28A, I28B
	07	H33Z, H38Z		21B	X04Z, X33Z		21A	W04A, W04B
	08	I01Z, I03A, I03B, I12A, I12B, I12C, I13A, I13B, I13C, I13D		23	Z01A		21B	X06A, X06B, X06C
	10	K01Z		Pre	A07A			
	11	L33Z						
	21A	W04A, W04B						
	21B	X04Z, X33Z						
	23	Z01A						
	Pre	A07A						

VYK

ZZV	MDC	DRG	ZZV	MDC	DRG	ZZV	MDC	DRG
5t390.0↔		BOP, KVT, UOP4, VIAL	5t390.j↔		BOP, KVT, UOP4, VIAL	5t391.5↔		BOP, KVT, UOP4, VIAL
08		I12A, I12B, I12C, I16Z	01		B03A, B03B, B06A, B06B, B17A, B17B, B17C	08		I08A, I08B, I08C, I08D, I08E, I08F, I12A, I12B, I12C, I21Z, I31Z
21A		W04A, W04B	08		I12A, I12B, I12C, I18A, I18B, I30Z	21A		W04A, W04B
21B		X06A, X06B, X06C	21A		W04A, W04B	21B		X06A, X06B, X06C
5t390.1↔		BOP, KVT, UOP4, VIAL	21B		X04Z	5t391.6↔		BOP, KVT, UOP4, VIAL
08		I12A, I12B, I12C, I16Z	5t390.k↔		BOP, KVT, UOP4, VIAL	01		B03A, B03B, B06A, B06B, B07Z, B17A, B17B, B17C
21A		W04A, W04B	01		B03A, B03B, B06A, B06B, B17A, B17B, B17C	08		I08A, I08B, I08C, I08D, I08E, I08F, I12A, I12B, I12C, I32A, I32B, I32C, I32D, I32E, I32F
21B		X06A, X06B, X06C	08		I12A, I12B, I12C, I13A, I13B, I13C, I13D, I13E	21A		W04A, W04B
5t390.3↔		BOP, KVT, UOP4, VIAL	21A		W04A, W04B	21B		X05A, X05B
08		I12A, I12B, I12C, I28A, I28B	21B		X04Z	5t391.7↔		BOP, KVT, UOP4, VIAL
21A		W04A, W04B	5t390.m↔		BOP, KVT, UOP4, VIAL	01		B03A, B03B, B06A, B06B, B07Z, B17A, B17B, B17C
21B		X06A, X06B, X06C	08		I12A, I12B, I12C, I20A, I20B, I20C, I20D, I20E, I20F	08		I12A, I12B, I12C, I32A, I32B, I32C, I32D, I32E, I32F
5t390.4↔		BOP, KVT, UOP4, VIAL	21A		W04A, W04B	21A		W04A, W04B
08		I08A, I08B, I08C, I08D, I08E, I08F, I12A, I12B, I12C, I21Z, I31Z	21B		X04Z	21B		X05A, X05B
21A		W04A, W04B	5t390.n↔		BOP, KVT, UOP4, VIAL	5t391.8↔		BOP, KVT, UOP4, VIAL
21B		X06A, X06B, X06C	08		I12A, I12B, I12C, I20A, I20B, I20C, I20D, I20E, I20F	01		B03A, B03B, B06A, B06B, B07Z, B17A, B17B, B17C
5t390.5↔		BOP, KVT, UOP4, VIAL	21A		W04A, W04B	08		I12A, I12B, I12C, I32A, I32B, I32C, I32D, I32E, I32F
08		I08A, I08B, I08C, I08D, I08E, I08F, I12A, I12B, I12C, I21Z, I31Z	21B		X04Z	21A		W04A, W04B
21A		W04A, W04B	5t390.p↔		BOP, KVT, UOP4, VIAL	21B		X05A, X05B
21B		X06A, X06B, X06C	08		I12A, I12B, I12C, I20A, I20B, I20C, I20D, I20E, I20F	5t391.9↔		BOP, KVT, UOP4, VIAL
5t390.6↔		BOP, KVT, UOP4, VIAL	21A		W04A, W04B	01		B03A, B03B, B06A, B06B, B07Z, B17A, B17B, B17C
08		I08A, I08B, I08C, I08D, I08E, I08F, I12A, I12B, I12C, I32A, I32B, I32C, I32D, I32E, I32F	21B		X04Z	08		I12A, I12B, I12C, I32A, I32B, I32C, I32D, I32E, I32F
21A		W04A, W04B	5t390.q↔		BOP, KVT, UOP4, VIAL	21A		W04A, W04B
21B		X05A, X05B	08		I12A, I12B, I12C, I20A, I20B, I20C, I20D, I20E, I20F	21B		X05A, X05B
5t390.7↔		BOP, KVT, UOP4, VIAL	21A		W04A, W04B	5t391.e↔		BOP, KVT, UOP4, VIAL
08		I12A, I12B, I12C, I32A, I32B, I32C, I32D, I32E, I32F	21B		X04Z	01		B03A, B03B, B06A, B06B, B17A, B17B, B17C
21A		W04A, W04B	5t390.r↔		BOP, KVT, UOP4, VIAL	08		I08A, I08B, I08C, I08D, I08E, I08F, I12A, I12B, I12C, I28A, I28B
21B		X05A, X05B	08		I12A, I12B, I12C, I20A, I20B, I20C, I20D, I20E, I20F	21A		W04A, W04B
5t390.8↔		BOP, KVT, UOP4, VIAL	21A		W04A, W04B	21B		X05A, X05B
08		I12A, I12B, I12C, I32A, I32B, I32C, I32D, I32E, I32F	5t390.x		BOP, KVT, UOP4	5t391.f		BOP, KVT, UOP4, VIAL
21A		W04A, W04B	08		I12A, I12B, I12C, I28A, I28B	01		B03A, B03B, B06A, B06B, B17A, B17B, B17C
21B		X05A, X05B	21A		W04A, W04B	08		I12A, I12B, I12C, I28A, I28B
5t390.9↔		BOP, KVT, UOP4, VIAL	21B		X06A, X06B, X06C	21A		W04A, W04B
08		I12A, I12B, I12C, I32A, I32B, I32C, I32D, I32E, I32F	5t391.0↔		BOP, KVT, UOP4, VIAL	21B		X04Z, X06A, X06B, X06C
21A		W04A, W04B	08		I12A, I12B, I12C, I16Z	5t391.g↔		BOP, KVT, UOP4, VIAL
21B		X05A, X05B	21A		W04A, W04B	01		B03A, B03B, B06A, B06B, B17A, B17B, B17C
5t390.e↔		BOP, KVT, UOP4, VIAL	21B		X06A, X06B, X06C	08		I12A, I12B, I12C, I28A, I28B
08		I08A, I08B, I08C, I08D, I08E, I08F, I12A, I12B, I12C, I28A, I28B	5t391.1↔		BOP, KVT, UOP4, VIAL	21A		W04A, W04B
21A		W04A, W04B	08		I12A, I12B, I12C, I16Z	21B		X04Z, X06A, X06B, X06C
21B		X04Z, X06A, X06B, X06C	21A		W04A, W04B	5t391.h↔		BOP, KVT, UOP4, VIAL
5t390.f		BOP, KVT, UOP4, VIAL	21B		X06A, X06B, X06C	01		B03A, B03B, B06A, B06B, B17A, B17B, B17C
08		I12A, I12B, I12C, I28A, I28B	5t391.2↔		BOP, KVT, UOP4, VIAL	08		I08A, I08B, I08C, I08D, I08E, I08F
21A		W04A, W04B	01		B03A, B03B, B06A, B06B, B17A, B17B, B17C	21A		W01A, W01B, W01C, W02A, W02B
21B		X04Z, X06A, X06B, X06C	08		I12A, I12B, I12C, I28A, I28B	21B		X04Z
5t390.g↔		BOP, KVT, UOP4, VIAL	21A		W04A, W04B	5t391.i↔		BOP, KVT, UOP4, VIAL
08		I08A, I08B, I08C, I08D, I08E, I08F	21B		X06A, X06B, X06C	01		B03A, B03B, B06A, B06B, B17A, B17B, B17C
21A		W01A, W01B, W01C, W02A, W02B	5t391.3↔		BOP, KVT, UOP4, VIAL	08		I12A, I12B, I12C, I18A, I18B, I30Z
21B		X04Z	01		B03A, B03B, B06A, B06B, B17A, B17B, B17C	21A		W04A, W04B
5t390.h↔		BOP, KVT, UOP4, VIAL	08		I12A, I12B, I12C, I28A, I28B	21B		X04Z
01		B03A, B03B, B06A, B06B, B17A, B17B, B17C	21A		W04A, W04B			
08		I12A, I12B, I12C, I18A, I18B, I30Z	21B		X06A, X06B, X06C			
21A		W04A, W04B	5t391.4↔		BOP, KVT, UOP4, VIAL			
21B		X04Z	08		I08A, I08B, I08C, I08D, I08E, I08F, I12A, I12B, I12C, I21Z, I31Z			
			21A		W04A, W04B			
			21B		X06A, X06B, X06C			

VYK

ZZV	MDC	DRG	ZZV	MDC	DRG	ZZV	MDC	DRG		
5t391.j↔		BOP, KVT, UOP4, VIAL	5t392.5↔	08	BOP, KVT, UOP4, VIAL I08A, I08B, I08C, I08D, I08E, I08F, I12A, I12B, I12C, I21Z, I31Z	5t392.j↔	01	BOP, KVT, UOP4, VIAL B03A, B03B, B06A, B06B, B17A, B17B, B17C		
	01	B03A, B03B, B06A, B06B, B17A, B17B, B17C		21A	W04A, W04B		08	I12A, I12B, I12C, I18A, I18B, I30Z	21A	W04A, W04B
	08	I12A, I12B, I12C, I18A, I18B, I30Z		21B	X06A, X06B, X06C		21B	X04Z	21B	X04Z
	21A	W04A, W04B		5t392.6↔	BOP, KVT, UOP4, VIAL		5t392.k↔	BOP, KVT, UOP4, VIAL		
21B	X04Z	01	B03A, B03B, B06A, B06B, B07Z, B17A, B17B, B17C		01	B03A, B03B, B06A, B06B, B17A, B17B, B17C				
5t391.k↔		BOP, KVT, UOP4, VIAL	5t392.7↔	08	I08A, I08B, I08C, I08D, I08E, I08F, I12A, I12B, I12C, I32A, I32B, I32C, I32D, I32E, I32F	5t392.l↔	01	B03A, B03B, B06A, B06B, B07Z, B17A, B17B, B17C		
	01	B03A, B03B, B06A, B06B, B17A, B17B, B17C		21A	W04A, W04B		08	I12A, I12B, I12C, I13A, I13B, I13C, I13D, I13E	05	F27A, F27B, F27C
	05	F27A, F27B, F27C		21B	X05A, X05B		10	K01Z	08	I12A, I12B, I12C, I13A, I13B, I13C, I13D, I13E
	08	I12A, I12B, I12C, I13A, I13B, I13C, I13D, I13E		5t392.8↔	BOP, KVT, UOP4, VIAL		5t392.m↔	BOP, KVT, UOP4, VIAL		
	10	K01Z			01			B03A, B03B, B06A, B06B, B07Z, B17A, B17B, B17C	08	I12A, I12B, I12C, I20A, I20B, I20C, I20D, I20E, I20F
	21A	W04A, W04B		08	I12A, I12B, I12C, I32A, I32B, I32C, I32D, I32E, I32F		21A	W04A, W04B	21A	W04A, W04B
21B	X04Z	21B	X05A, X05B	21B	X04Z	21B	X04Z			
5t391.m↔		BOP, KVT, UOP4, VIAL	5t392.9↔	BOP, KVT, UOP4, VIAL	5t392.n↔	BOP, KVT, UOP4, VIAL				
	08	I12A, I12B, I12C, I20A, I20B, I20C, I20D, I20E, I20F		01		B03A, B03B, B06A, B06B, B07Z, B17A, B17B, B17C	08	I12A, I12B, I12C, I20A, I20B, I20C, I20D		
	21A	W04A, W04B		08		I12A, I12B, I12C, I32A, I32B, I32C, I32D, I32E, I32F	21A	W04A, W04B		
21B	X04Z	21A	W04A, W04B	21B	X04Z	21B	X04Z			
5t391.n↔		BOP, KVT, UOP4, VIAL	5t392.e↔	BOP, KVT, UOP4, VIAL	5t392.o↔	BOP, KVT, UOP4, VIAL				
	08	I12A, I12B, I12C, I20A, I20B, I20C, I20D, I20E, I20F		01		B03A, B03B, B06A, B06B, B07Z, B17A, B17B, B17C	08	I12A, I12B, I12C, I20A, I20B, I20C, I20D, I20E, I20F		
	21A	W04A, W04B		08		I12A, I12B, I12C, I32A, I32B, I32C, I32D, I32E, I32F	21A	W04A, W04B		
21B	X04Z	21A	W04A, W04B	21B	X04Z	21B	X04Z			
5t391.p↔		BOP, KVT, UOP4, VIAL	5t392.f↔	BOP, KVT, UOP4, VIAL	5t392.q↔	BOP, KVT, UOP4, VIAL				
	08	I12A, I12B, I12C, I20A, I20B, I20C, I20D, I20E, I20F		01		B03A, B03B, B06A, B06B, B07Z, B17A, B17B, B17C	08	I12A, I12B, I12C, I20A, I20B, I20C, I20D, I20E, I20F		
	21A	W04A, W04B		08		I12A, I12B, I12C, I32A, I32B, I32C, I32D, I32E, I32F	21A	W04A, W04B		
21B	X04Z	21A	W04A, W04B	21B	X04Z	21B	X04Z			
5t391.q↔		BOP, KVT, UOP4, VIAL	5t392.g↔	BOP, KVT, UOP4, VIAL	5t39x.0↔	BOP, KVT, UOP4, VIAL				
	08	I12A, I12B, I12C, I20A, I20B, I20C, I20D, I20E, I20F		01		B03A, B03B, B06A, B06B, B17A, B17B, B17C	08	I12A, I12B, I12C, I20A, I20B, I20C, I20D, I20E, I20F		
	21A	W04A, W04B		08		I08A, I08B, I08C, I08D, I08E, I08F, I12A, I12B, I12C, I28A, I28B	21A	W04A, W04B		
21B	X04Z	21A	W04A, W04B	21B	X04Z	21B	X04Z			
5t391.r↔		BOP, KVT, UOP4, VIAL	5t392.h↔	BOP, KVT, UOP4, VIAL	5t39x.1↔	BOP, KVT, UOP4, VIAL				
	08	I12A, I12B, I12C, I20A, I20B, I20C, I20D, I20E, I20F		01		B03A, B03B, B06A, B06B, B17A, B17B, B17C	08	I16Z		
	21A	W04A, W04B		08		I08A, I08B, I08C, I08D, I08E, I08F	21A	W04A, W04B		
	21B	X04Z		21A		W01A, W01B, W01C, W02A, W02B	21B	X06A, X06B, X06C		
5t391.x		BOP, KVT, UOP4	5t392.i↔	BOP, KVT, UOP4, VIAL	5t39x.2↔	BOP, KVT, UOP4, VIAL				
	01	B03A, B03B, B06A, B06B, B17A, B17B, B17C		01		B03A, B03B, B06A, B06B, B17A, B17B, B17C	08	I28A, I28B		
	08	I12A, I12B, I12C, I28A, I28B		08		I12A, I12B, I12C, I28A, I28B	21B	X05A, X05B, X06A, X06B, X06C		
21A	W04A, W04B	21A	W04A, W04B	21B	X06A, X06B, X06C					
21B	X06A, X06B, X06C	5t392.j↔	BOP, KVT, UOP4, VIAL	5t39x.3↔	BOP, KVT, UOP4, VIAL					
5t392.0↔			BOP, KVT, UOP4, VIAL		01	B03A, B03B, B06A, B06B, B17A, B17B, B17C	08	I28A, I28B		
	08	I12A, I12B, I12C, I16Z	08	I12A, I12B, I12C, I18A, I18B, I30Z	08	I28A, I28B				
21A	W04A, W04B	5t392.2↔	BOP, KVT, UOP4, VIAL	5t39x.4↔	BOP, KVT, UOP4, VIAL					
21B	X06A, X06B, X06C		01		B03A, B03B, B06A, B06B, B17A, B17B, B17C	08	I08A, I08B, I08C, I08D, I08E, I08F, I21Z, I31Z			
5t392.2↔		BOP, KVT, UOP4, VIAL	5t392.k↔	BOP, KVT, UOP4, VIAL	5t39x.5↔	BOP, KVT, UOP4, VIAL				
	01	B03A, B03B, B06A, B06B, B17A, B17B, B17C		01		B03A, B03B, B06A, B06B, B07Z, B17A, B17B, B17C	08	I08A, I08B, I08C, I08D, I08E, I08F, I21Z, I31Z		
	08	I12A, I12B, I12C, I28A, I28B		08		I12A, I12B, I12C, I32A, I32B, I32C, I32D, I32E, I32F	21A	W04A, W04B		
	21A	W04A, W04B		21A		W04A, W04B	21B	X06A, X06B, X06C		
21B	X06A, X06B, X06C	5t392.3↔	BOP, KVT, UOP4, VIAL	5t39x.6↔	BOP, KVT, UOP4, VIAL					
5t392.3↔			BOP, KVT, UOP4, VIAL		01	B03A, B03B, B06A, B06B, B17A, B17B, B17C	08	I28A, I28B		
	01	B03A, B03B, B06A, B06B, B17A, B17B, B17C	08	I12A, I12B, I12C, I28A, I28B	21B	X05A, X05B, X06A, X06B, X06C				
21A	W04A, W04B	5t392.4↔	BOP, KVT, UOP4, VIAL	5t39x.7↔	BOP, KVT, UOP4, VIAL					
21B	X06A, X06B, X06C		01		B03A, B03B, B06A, B06B, B17A, B17B, B17C	08	I28A, I28B			
5t392.3↔		BOP, KVT, UOP4, VIAL	5t392.l↔	BOP, KVT, UOP4, VIAL	5t39x.8↔	BOP, KVT, UOP4, VIAL				
	01	B03A, B03B, B06A, B06B, B17A, B17B, B17C		01		B03A, B03B, B06A, B06B, B07Z, B17A, B17B, B17C	08	I28A, I28B		
	08	I12A, I12B, I12C, I28A, I28B		08		I12A, I12B, I12C, I18A, I18B, I30Z	21A	W04A, W04B		
	21A	W04A, W04B		21A		W04A, W04B	21B	X05A, X05B, X06A, X06B, X06C		
21B	X06A, X06B, X06C	5t392.4↔	BOP, KVT, UOP4, VIAL	5t39x.9↔	BOP, KVT, UOP4, VIAL					
5t392.4↔			BOP, KVT, UOP4, VIAL		01	B03A, B03B, B06A, B06B, B17A, B17B, B17C	08	I08A, I08B, I08C, I08D, I08E, I08F, I21Z, I31Z		
	08	I08A, I08B, I08C, I08D, I08E, I08F, I12A, I12B, I12C, I21Z, I31Z	08	I12A, I12B, I12C, I18A, I18B, I30Z	21A	W04A, W04B				
21A	W04A, W04B	5t392.5↔	BOP, KVT, UOP4, VIAL	5t39x.10↔	BOP, KVT, UOP4, VIAL					
21B	X06A, X06B, X06C		01		B03A, B03B, B06A, B06B, B07Z, B17A, B17B, B17C	08	I08A, I08B, I08C, I08D, I08E, I08F, I21Z, I31Z			

ZZV	MDC	DRG	ZZV	MDC	DRG	ZZV	MDC	DRG
5t39x.5↔		BOP, KVT, UOP4, VIAL	5t39x.p↔		BOP, KVT, UOP4, VIAL	5t400.e↔		BOP, KVT, UOP4, VIAL
	08	I08A, I08B, I08C, I08D, I08E, I08F, I21Z, I31Z		08	I20A, I20B, I20C, I20D, I20E, I20F		05	F13A
	21A	W04A, W04B		21A	W04A, W04B		08	I08A, I08B, I08C, I08D, I08E, I08F, I12A, I12B, I12C, I24Z
	21B	X06A, X06B, X06C		21B	X04Z		21A	W04A, W04B
5t39x.6↔		BOP, KVT, UOP4, VIAL	5t39x.q↔		BOP, KVT, UOP4, VIAL	5t400.f		X04Z, X06A, X06B, X06C
	08	I08A, I08B, I08C, I08D, I08E, I08F, I32A, I32B, I32C, I32D, I32E, I32F		08	I20A, I20B, I20C, I20D, I20E, I20F			BOP, KVT, UOP4, VIAL
	21A	W04A, W04B		21A	W04A, W04B		05	F13A
	21B	X05A, X05B		21B	X04Z		08	I12A, I12B, I12C, I24Z
5t39x.7↔		BOP, KVT, UOP4, VIAL	5t39x.r↔		BOP, KVT, UOP4, VIAL	5t400.g↔		X04Z, X06A, X06B, X06C
	08	I32A, I32B, I32C, I32D, I32E, I32F		08	I20A, I20B, I20C, I20D, I20E, I20F			BOP, KVT, UOP4, VIAL
	21A	W04A, W04B		21A	W04A, W04B		05	F13A
	21B	X05A, X05B		21B	X04Z		08	I12A, I12B, I12C, I24Z
5t39x.8↔		BOP, KVT, UOP4, VIAL	5t39x.x		BOP, KVT, UOP4	5t400.h↔		W04A, W04B
	08	I32A, I32B, I32C, I32D, I32E, I32F		08	I28A, I28B			X04Z
	21A	W04A, W04B		21A	W04A, W04B			BOP, KVT, UOP4, VIAL
	21B	X05A, X05B		21B	X06A, X06B, X06C		05	F13A
5t39x.9↔		BOP, KVT, UOP4, VIAL	5t400.0↔		BOP, KVT, UOP4, VIAL		08	I12A, I12B, I12C, I24Z
	08	I32A, I32B, I32C, I32D, I32E, I32F		05	F13A		10	K09A, K09B
	21A	W04A, W04B		08	I12A, I12B, I12C, I24Z		21A	W04A, W04B
	21B	X05A, X05B		21A	W04A, W04B		21B	X04Z
5t39x.e↔		BOP, KVT, UOP4, VIAL	5t400.1↔		BOP, KVT, UOP4, VIAL	5t400.j↔		BOP, KVT, UOP4, VIAL
	08	I08A, I08B, I08C, I08D, I08E, I08F, I28A, I28B		05	F13A		05	F13A
	21A	W04A, W04B		08	I12A, I12B, I12C, I24Z		08	I59Z
	21B	X04Z, X06A, X06B, X06C		21A	W04A, W04B			BOP, KVT, UOP4, VIAL
5t39x.f		BOP, KVT, UOP4, VIAL	5t400.2↔		BOP, KVT, UOP4, VIAL	5t400.k↔		F13A
	08	I28A, I28B		05	F13A		05	F13A
	21A	W04A, W04B		08	I12A, I12B, I12C, I24Z		08	I12A, I12B, I12C, I24Z
	21B	X04Z, X06A, X06B, X06C		21A	W04A, W04B		21A	W04A, W04B
5t39x.g↔		BOP, KVT, UOP4, VIAL	5t400.3↔		BOP, KVT, UOP4, VIAL	5t400.l↔		X04Z
	08	I08A, I08B, I08C, I08D, I08E, I08F		05	F13A		05	F13A
	21A	W01A, W01B, W01C, W02A, W02B		08	I12A, I12B, I12C, I24Z		08	I12A, I12B, I12C, I24Z
	21B	X04Z		21A	W04A, W04B		21A	W04A, W04B
5t39x.h↔		BOP, KVT, UOP4, VIAL	5t400.4↔		BOP, KVT, UOP4, VIAL	5t400.m↔		X04Z
	08	I18A, I18B, I30Z		05	F13A			BOP, KVT, UOP4, VIAL
	10	K09A, K09B		08	I08A, I08B, I08C, I08D, I08E, I08F, I12A, I12B, I12C, I24Z		05	F13A
	21A	W04A, W04B		21A	W04A, W04B		08	I12A, I12B, I12C, I24Z
	21B	X04Z		21B	X06A, X06B, X06C		21A	W04A, W04B
5t39x.j↔		BOP, KVT, UOP4, VIAL	5t400.5↔		BOP, KVT, UOP4, VIAL	5t400.n↔		X04Z
	08	I18A, I18B, I30Z		05	F13A		05	F13A
	10	K09A, K09B		08	I08A, I08B, I08C, I08D, I08E, I08F, I12A, I12B, I12C, I24Z		08	I12A, I12B, I12C, I24Z
	21A	W04A, W04B		21A	W04A, W04B		21A	W04A, W04B
	21B	X04Z		21B	X06A, X06B, X06C		21B	X04Z, X06A, X06B, X06C
5t39x.k↔		BOP, KVT, UOP4, VIAL	5t400.6↔		BOP, KVT, UOP4, VIAL	5t400.o↔		BOP, KVT, UOP4, VIAL
	08	I13A, I13B, I13C, I13D, I13E		05	F13A		05	F13A
	10	K09A, K09B		08	I08A, I08B, I08C, I08D, I08E, I08F, I12A, I12B, I12C, I24Z		08	I20A, I20B, I20C, I20D, I20E, I20F
	21A	W04A, W04B		21A	W04A, W04B			BOP, KVT, UOP4, VIAL
	21B	X04Z		21B	X06A, X06B, X06C		05	F13A
5t39x.m↔		BOP, KVT, UOP4, VIAL	5t400.7↔		BOP, KVT, UOP4, VIAL	5t400.p↔		F13A
	08	I20A, I20B, I20C, I20D, I20E, I20F		05	F13A		08	I20A, I20B, I20C, I20D, I20E, I20F
	21A	W04A, W04B		08	I08A, I08B, I08C, I08D, I08E, I08F, I12A, I12B, I12C, I24Z			BOP, KVT, UOP4, VIAL
	21B	X04Z		21A	W04A, W04B		05	F13A
5t39x.n↔		BOP, KVT, UOP4, VIAL	5t400.8↔		BOP, KVT, UOP4, VIAL	5t400.q↔		F13A
	08	I20A, I20B, I20C, I20D, I20E, I20F		05	F13A		08	I12A, I12B, I12C, I24Z
	21A	W04A, W04B		08	I12A, I12B, I12C, I32A, I32B, I32C, I32D, I32E, I32F, I32G		21A	W04A, W04B
	21B	X04Z		21A	W04A, W04B		21B	X05A, X05B
			5t400.9↔		BOP, KVT, UOP4, VIAL		21B	X06A, X06B, X06C
				05	F13A			BOP, KVT, UOP4, VIAL
				08	I12A, I12B, I12C, I32A, I32B, I32C, I32D, I32E, I32F, I32G		05	F13A
				21A	W04A, W04B		08	I12A, I12B, I12C, I24Z
				21B	X05A, X05B		21A	W04A, W04B
							21B	X06A, X06B, X06C
								BOP, KVT, UOP4, VIAL
								F13A
								I12A, I12B, I12C, I24Z
								W04A, W04B
								X06A, X06B, X06C



ZZV	MDC	DRG	ZZV	MDC	DRG	ZZV	MDC	DRG
5t401.2↔		BOP, KVT, UOP4, VIAL	5t401.k↔		BOP, KVT, UOP4, VIAL	5t402.9↔		BOP, KVT, UOP4, VIAL
	05	F13A		05	F13A		08	I12A, I12B, I12C, I32A, I32B, I32C, I32D, I32E, I32F
	08	I12A, I12B, I12C, I24Z		08	I12A, I12B, I12C, I24Z		21A	W04A, W04B
	21A	W04A, W04B		21A	W04A, W04B		21B	X05A, X05B
	21B	X06A, X06B, X06C		21B	X04Z	5t402.e↔		BOP, KVT, UOP4, VIAL
5t401.3↔		BOP, KVT, UOP4, VIAL	5t401.m↔		BOP, KVT, UOP4, VIAL		08	I08A, I08B, I08C, I08D, I08E, I08F, I12A, I12B, I12C, I28A, I28B
	05	F13A		05	F13A		21A	W04A, W04B
	08	I12A, I12B, I12C, I24Z		08	I12A, I12B, I12C, I24Z		21B	X04Z, X06A, X06B, X06C
	21A	W04A, W04B		21A	W04A, W04B	5t402.g↔		BOP, KVT, UOP4, VIAL
	21B	X06A, X06B, X06C		21B	X04Z, X06A, X06B, X06C		08	I08A, I08B, I08C, I08D, I08E, I30Z
5t401.4↔		BOP, KVT, UOP4, VIAL	5t401.n↔		BOP, KVT, UOP4, VIAL		21A	W01A, W01B, W01C, W02A, W02B
	05	F13A		05	F13A		21B	X04Z
	08	I08A, I08B, I08C, I08D, I08E, I08F, I12A, I12B, I12C, I24Z		08	I12A, I12B, I12C, I24Z	5t402.h↔		BOP, KVT, UOP4, VIAL
	21A	W04A, W04B		21A	W04A, W04B		08	I12A, I12B, I12C, I18A, I18B, I30Z
	21B	X06A, X06B, X06C		21B	X04Z, X06A, X06B, X06C		21A	W04A, W04B
5t401.5↔		BOP, KVT, UOP4, VIAL	5t401.p↔		BOP, KVT, UOP4, VIAL		21B	X04Z
	05	F13A		05	F13A	5t402.i↔		BOP, KVT, UOP4, VIAL
	08	I08A, I08B, I08C, I08D, I08E, I08F, I12A, I12B, I12C, I24Z		08	I20A, I20B, I20C, I20D, I20E, I20F		08	I12A, I12B, I12C, I18A, I18B, I30Z
	21A	W04A, W04B	5t401.q↔		BOP, KVT, UOP4, VIAL		21A	W04A, W04B
	21B	X06A, X06B, X06C		05	F13A	5t402.j↔		BOP, KVT, UOP4, VIAL
5t401.6↔		BOP, KVT, UOP4, VIAL		08	I12A, I12B, I12C, I24Z		08	I12A, I12B, I12C, I18A, I18B, I30Z
	05	F13A		21A	W04A, W04B		21A	W04A, W04B
	08	I08A, I08B, I08C, I08D, I08E, I08F, I12A, I12B, I12C, I24Z		21B	X04Z, X06A, X06B, X06C		21B	X04Z
	21A	W04A, W04B	5t401.r↔		BOP, KVT, UOP4, VIAL	5t402.k↔		BOP, KVT, UOP4, VIAL
	21B	X05A, X05B		05	F13A		08	I12A, I12B, I12C, I59Z
5t401.8↔		BOP, KVT, UOP4, VIAL		08	I12A, I12B, I12C, I24Z		21A	W04A, W04B
	05	F13A		21A	W04A, W04B		21B	X04Z
	08	I12A, I12B, I12C, I32A, I32B, I32C, I32D, I32E, I32F, I32G		21B	X04Z, X06A, X06B, X06C	5t402.l↔		BOP, KVT, UOP4, VIAL
	21A	W04A, W04B		21B	X05A, X05B		08	I12A, I12B, I12C, I20A, I20B, I20C, I20D, I20E, I20F
	21B	X05A, X05B	5t401.x		BOP, KVT, UOP4		21A	W04A, W04B
5t401.9↔		BOP, KVT, UOP4, VIAL		05	F13A		21B	X04Z
	05	F13A		08	I12A, I12B, I12C, I24Z	5t402.m↔		BOP, KVT, UOP4, VIAL
	08	I12A, I12B, I12C, I32A, I32B, I32C, I32D, I32E, I32F, I32G		21A	W04A, W04B		08	I12A, I12B, I12C, I20A, I20B, I20C, I20D, I20E, I20F
	21A	W04A, W04B	5t402.0↔		BOP, KVT, UOP4, VIAL		21A	W04A, W04B
	21B	X05A, X05B		08	I12A, I12B, I12C, I16Z	5t402.n↔		BOP, KVT, UOP4, VIAL
5t401.e↔		BOP, KVT, UOP4, VIAL		21A	W04A, W04B		08	I12A, I12B, I12C, I20A, I20B, I20C, I20D, I20E, I20F
	05	F13A		21B	X06A, X06B, X06C		21A	W04A, W04B
	08	I08A, I08B, I08C, I08D, I08E, I08F, I12A, I12B, I12C, I24Z	5t402.1↔		BOP, KVT, UOP4, VIAL		21B	X04Z
	21A	W04A, W04B		08	I12A, I12B, I12C, I16Z	5t402.p↔		BOP, KVT, UOP4, VIAL
	21B	X04Z, X06A, X06B, X06C		21A	W04A, W04B		08	I20A, I20B, I20C, I20D, I20E, I20F
5t401.f		BOP, KVT, UOP4, VIAL		21B	X06A, X06B, X06C	5t402.q↔		BOP, KVT, UOP4, VIAL
	05	F13A	5t402.4↔		BOP, KVT, UOP4, VIAL		08	I12A, I12B, I12C, I20A, I20B, I20C, I20D, I20E, I20F
	08	I12A, I12B, I12C, I24Z		08	I08A, I08B, I08C, I08D, I08E, I08F, I12A, I12B, I12C, I21Z, I31Z		21A	W04A, W04B
	21A	W04A, W04B		21A	W04A, W04B	5t402.r↔		BOP, KVT, UOP4, VIAL
	21B	X04Z, X06A, X06B, X06C		21B	X06A, X06B, X06C		08	I12A, I12B, I12C, I20A, I20B, I20C, I20D, I20E, I20F
5t401.g↔		BOP, KVT, UOP4, VIAL		21B	X05A, X05B		21A	W04A, W04B
	05	F13A	5t402.5↔		BOP, KVT, UOP4, VIAL		21B	X04Z
	08	I12A, I12B, I12C, I24Z		08	I08A, I08B, I08C, I08D, I08E, I08F, I12A, I12B, I12C, I21Z, I31Z	5t402.x		BOP, KVT, UOP4
	21A	W04A, W04B		21A	W04A, W04B		08	I12A, I12B, I12C, I28A, I28B
	21B	X04Z		21B	X06A, X06B, X06C		21A	W04A, W04B
5t401.h↔		BOP, KVT, UOP4, VIAL		21B	X06A, X06B, X06C		21B	X06A, X06B, X06C
	05	F13A	5t402.6↔		BOP, KVT, UOP4, VIAL	5t403.0↔		BOP, KVT, UOP4, VIAL
	08	I12A, I12B, I12C, I24Z		08	I08A, I08B, I08C, I08D, I08E, I08F, I12A, I12B, I12C, I32A, I32B, I32C, I32D, I32E, I32F		01	B03A, B03B, B06A, B06B, B17A, B17B, B17C
	10	K09A, K09B		21A	W04A, W04B		08	I12A, I12B, I12C, I23A, I23B
	21A	W04A, W04B		21B	X05A, X05B		21A	W04A, W04B
	21B	X04Z		21B	X05A, X05B		21B	X06A, X06B, X06C
5t401.j↔		BOP, KVT, UOP4, VIAL	5t402.8↔		BOP, KVT, UOP4, VIAL			
	05	F13A		08	I12A, I12B, I12C, I32A, I32B, I32C, I32D, I32E, I32F			
	08	I59Z		21A	W04A, W04B			
				21B	X05A, X05B			

## Príloha B: Index Výkon-MDC-DRG

ZZV	MDC	DRG	ZZV	MDC	DRG	ZZV	MDC	DRG
5t403.4↔		BOP, KVT, UOP4, VIAL	5t403.x		BOP, KVT, UOP4	5t404.k↔		BOP, KVT, UOP4, VIAL
	01	B03A, B03B, B06A, B06B, B17A, B17B, B17C		01	B03A, B03B, B06A, B06B, B17A, B17B, B17C		08	I12A, I12B, I12C, I59Z
	08	I08A, I08B, I08C, I08D, I08E, I08F, I12A, I12B, I12C, I23A, I23B		08	I12A, I12B, I12C, I23A, I23B		10	K09A, K09B
	21A	W04A, W04B		21A	W04A, W04B		21A	W04A, W04B
	21B	X06A, X06B, X06C		21B	X06A, X06B, X06C		21B	X04Z
5t403.5↔		BOP, KVT, UOP4, VIAL	5t404.0↔		BOP, KVT, UOP4, VIAL	5t404.m↔		BOP, KVT, UOP4, VIAL
	01	B03A, B03B, B06A, B06B, B17A, B17B, B17C		08	I12A, I12B, I12C, I16Z		08	I12A, I12B, I12C, I20A, I20B, I20C, I20D, I20E, I20F
	08	I08A, I08B, I08C, I08D, I08E, I08F, I12A, I12B, I12C, I23A, I23B		21A	W04A, W04B		21A	W04A, W04B
	21A	W04A, W04B		21B	X06A, X06B, X06C		21B	X04Z
	21B	X06A, X06B, X06C	5t404.1↔		BOP, KVT, UOP4, VIAL	5t404.n↔		BOP, KVT, UOP4, VIAL
5t403.8↔		BOP, KVT, UOP4, VIAL		08	I12A, I12B, I12C, I16Z		08	I12A, I12B, I12C, I20A, I20B, I20C, I20D, I20E, I20F
	01	B03A, B03B, B06A, B06B, B17A, B17B, B17C		21A	W04A, W04B		21A	W04A, W04B
	08	I12A, I12B, I12C, I23A, I23B		21B	X06A, X06B, X06C		21B	X04Z
	21A	W04A, W04B	5t404.3↔		BOP, KVT, UOP4, VIAL	5t404.p↔		BOP, KVT, UOP4, VIAL
	21B	X06A, X06B, X06C		08	I12A, I12B, I12C, I28A, I28B		08	I12A, I12B, I12C, I20A, I20B, I20C, I20D, I20E, I20F
5t403.9↔		BOP, KVT, UOP4, VIAL		21A	W04A, W04B		21A	W04A, W04B
	01	B03A, B03B, B06A, B06B, B17A, B17B, B17C		21B	X06A, X06B, X06C		21B	X04Z
	08	I12A, I12B, I12C, I23A, I23B	5t404.4↔		BOP, KVT, UOP4, VIAL	5t404.q↔		BOP, KVT, UOP4, VIAL
	21A	W04A, W04B		08	I08A, I08B, I08C, I08D, I08E, I08F, I12A, I12B, I12C, I21Z, I31Z		08	I12A, I12B, I12C, I20A, I20B, I20C, I20D, I20E, I20F
	21B	X05A, X05B, X06A, X06B, X06C		10	K09A, K09B		21A	W04A, W04B
5t403.g↔		BOP, KVT, UOP4, VIAL		21A	W04A, W04B		21B	X04Z
	08	I12A, I12B, I12C, I21Z		21B	X06A, X06B, X06C	5t404.r↔		BOP, KVT, UOP4, VIAL
	21A	W04A, W04B	5t404.5↔		BOP, KVT, UOP4, VIAL		08	I12A, I12B, I12C, I20A, I20B, I20C, I20D, I20E, I20F
	21B	X04Z		08	I08A, I08B, I08C, I08D, I08E, I08F, I12A, I12B, I12C, I21Z, I31Z		21A	W04A, W04B
5t403.h↔		BOP, KVT, UOP4, VIAL		10	K09A, K09B		21B	X04Z
	01	B03A, B03B, B06A, B06B, B17A, B17B, B17C		21A	W04A, W04B	5t404.x		BOP, KVT, UOP4
	08	I12A, I12B, I12C, I23A, I23B		21B	X06A, X06B, X06C		08	I12A, I12B, I12C, I28A, I28B
	21A	W04A, W04B	5t404.6↔		BOP, KVT, UOP4, VIAL		21A	W04A, W04B
	21B	X05A, X05B, X06A, X06B, X06C		08	I08A, I08B, I08C, I08D, I08E, I08F, I12A, I12B, I12C, I32A, I32B, I32C, I32D, I32E, I32F		21B	X06A, X06B, X06C
5t403.j↔		BOP, KVT, UOP4, VIAL		21A	W04A, W04B	5t405.0↔		BOP, KVT, UOP4, VIAL
	08	I59Z		21B	X05A, X05B		08	I12A, I12B, I12C, I16Z
5t403.k↔		BOP, KVT, UOP4, VIAL	5t404.8↔		BOP, KVT, UOP4, VIAL		21A	W04A, W04B
	01	B03A, B03B, B06A, B06B, B17A, B17B, B17C		08	I12A, I12B, I12C, I32A, I32B, I32C, I32D, I32E, I32F		21B	X06A, X06B, X06C
	08	I12A, I12B, I12C, I23A, I23B		21A	W04A, W04B	5t405.4↔		BOP, KVT, UOP4, VIAL
	21A	W04A, W04B		21B	X05A, X05B		08	I08A, I08B, I08C, I08D, I08E, I08F, I12A, I12B, I12C, I21Z, I31Z
	21B	X04Z, X06A, X06B, X06C	5t404.9↔		BOP, KVT, UOP4, VIAL		21A	W04A, W04B
5t403.l↔		BOP, KVT, UOP4, VIAL		08	I12A, I12B, I12C, I32A, I32B, I32C, I32D, I32E, I32F		21B	X06A, X06B, X06C
	01	B03A, B03B, B06A, B06B, B17A, B17B, B17C	5t404.g↔		BOP, KVT, UOP4, VIAL	5t405.5↔		BOP, KVT, UOP4, VIAL
	08	I12A, I12B, I12C, I23A, I23B		08	I08A, I08B, I08C, I08D, I08E, I30Z		08	I08A, I08B, I08C, I08D, I08E, I08F, I12A, I12B, I12C, I21Z, I31Z
	21A	W04A, W04B		21A	W04A, W04B		21A	W04A, W04B
	21B	X04Z, X06A, X06B, X06C		21B	X05A, X05B		21B	X06A, X06B, X06C
5t403.m↔		BOP, KVT, UOP4, VIAL	5t404.h↔		BOP, KVT, UOP4, VIAL	5t405.6↔		BOP, KVT, UOP4, VIAL
	01	B03A, B03B, B06A, B06B, B17A, B17B, B17C		08	I12A, I12B, I12C, I18A, I18B, I30Z		08	I08A, I08B, I08C, I08D, I08E, I08F, I12A, I12B, I12C, I32A, I32B, I32C, I32D, I32E, I32F
	08	I12A, I12B, I12C, I23A, I23B		10	K09A, K09B		09	J03A, J03B, J04A, J04B, J08A, J08B, J08C, J11A, J11B, J16Z
	21A	W04A, W04B		21A	W04A, W04B		21A	W04A, W04B
	21B	X04Z, X06A, X06B, X06C		21B	X04Z		21B	X05A, X05B
5t403.n↔		BOP, KVT, UOP4, VIAL	5t404.i↔		BOP, KVT, UOP4, VIAL	5t405.8↔		BOP, KVT, UOP4, VIAL
	08	I20A, I20B, I20C, I20D, I20E, I20F		08	I12A, I12B, I12C, I18A, I18B, I30Z		08	I12A, I12B, I12C, I32A, I32B, I32C, I32D, I32E, I32F
5t403.o↔		BOP, KVT, UOP4, VIAL		10	K09A, K09B		09	J03A, J03B, J04A, J04B, J08A, J08B, J08C, J11A, J11B, J16Z
	08	I20A, I20B, I20C, I20D, I20E, I20F		21A	W04A, W04B		21A	W04A, W04B
5t403.p↔		BOP, KVT, UOP4, VIAL		21B	X04Z		21B	X05A, X05B
	08	I20A, I20B, I20C, I20D, I20E, I20F	5t404.j↔		BOP, KVT, UOP4, VIAL			
5t403.q↔		BOP, KVT, UOP4, VIAL		08	I12A, I12B, I12C, I18A, I18B, I30Z			
	01	B03A, B03B, B06A, B06B, B17A, B17B, B17C		10	K09A, K09B			
	08	I12A, I12B, I12C, I23A, I23B		21A	W04A, W04B			
	21A	W04A, W04B		21B	X04Z			
	21B	X04Z, X06A, X06B, X06C						
5t403.r↔		BOP, KVT, UOP4, VIAL						
	08	I20A, I20B, I20C, I20D, I20E, I20F						

ZZV	MDC	DRG	ZZV	MDC	DRG	ZZV	MDC	DRG
5t405.9↔		BOP, KVT, UOP4, VIAL	5t406.5↔		BOP, KVT, UOP4, VIAL	5t407.4↔		BOP, KVT, UOP4, VIAL
	08	I12A, I12B, I12C, I32A, I32B, I32C, I32D, I32E, I32F		08	I08A, I08B, I08C, I08D, I08E, I08F, I12A, I12B, I12C, I24Z		05	F13A
	09	J03A, J03B, J04A, J04B, J08A, J08B, J08C, J11A, J11B, J16Z		21A	W04A, W04B		08	I08A, I08B, I08C, I08D, I08E, I08F, I12A, I12B, I12C, I21Z, I31Z
	21A	W04A, W04B	5t406.6↔		BOP, KVT, UOP4, VIAL		21A	W04A, W04B
	21B	X05A, X05B		08	I08A, I08B, I08C, I08D, I08E, I08F, I12A, I12B, I12C, I24Z	5t407.5↔	21B	X06A, X06B, X06C
5t405.e↔		BOP, KVT, UOP4, VIAL		21A	W04A, W04B			BOP, KVT, UOP4, VIAL
	08	I08A, I08B, I08C, I08D, I08E, I08F, I12A, I12B, I12C, I28A, I28B	5t406.8↔		BOP, KVT, UOP4, VIAL		05	F13A
	21A	W04A, W04B		08	I12A, I12B, I12C, I32A, I32B, I32C, I32D, I32E, I32F, I32G		08	I08A, I08B, I08C, I08D, I08E, I08F, I12A, I12B, I12C, I18A, I18B, I30Z
	21B	X04Z, X06A, X06B, X06C		21A	W04A, W04B	5t407.6↔	21A	W04A, W04B
5t405.f		BOP, KVT, UOP4, VIAL	5t406.9↔		BOP, KVT, UOP4, VIAL		21B	X06A, X06B, X06C
	08	I12A, I12B, I12C, I28A, I28B		08	I12A, I12B, I12C, I32A, I32B, I32C, I32D, I32E, I32F, I32G			BOP, KVT, UOP4, VIAL
	21A	W04A, W04B		21A	W04A, W04B		05	F13A
	21B	X04Z, X06A, X06B, X06C		21B	X05A, X05B		08	I08A, I08B, I08C, I08D, I08E, I08F, I12A, I12B, I12C, I32A, I32B, I32C, I32D, I32E, I32F
5t405.g↔		BOP, KVT, UOP4, VIAL	5t406.g↔		BOP, KVT, UOP4, VIAL		09	J03A, J03B, J04A, J04B, J08A, J08B, J08C, J11A, J11B, J16Z
	08	I08A, I08B, I08C, I08D, I08E, I30Z		08	I12A, I12B, I12C, I24Z		21A	W04A, W04B
	21A	W01A, W01B, W01C, W02A, W02B		21A	W04A, W04B	5t407.8↔	21B	X05A, X05B
	21B	X04Z	5t406.h↔		BOP, KVT, UOP4, VIAL			BOP, KVT, UOP4, VIAL
5t405.h↔		BOP, KVT, UOP4, VIAL		08	I12A, I12B, I12C, I24Z		05	F13A
	08	I12A, I12B, I12C, I18A, I18B, I30Z		10	K09A, K09B		08	I12A, I12B, I12C, I32A, I32B, I32C, I32D, I32E, I32F
	21A	W04A, W04B	5t406.k↔		BOP, KVT, UOP4, VIAL		09	J03A, J03B, J04A, J04B, J08A, J08B, J08C, J11A, J11B, J16Z
	21B	X04Z		08	I12A, I12B, I12C, I24Z		21A	W04A, W04B
5t405.j↔		BOP, KVT, UOP4, VIAL		21A	W04A, W04B	5t407.9↔	21B	X05A, X05B
	08	I59Z	5t406.l↔		BOP, KVT, UOP4, VIAL			BOP, KVT, UOP4, VIAL
5t405.k↔		BOP, KVT, UOP4, VIAL		08	I12A, I12B, I12C, I24Z		05	F13A
	08	I12A, I12B, I12C, I59Z		21A	W04A, W04B		08	I12A, I12B, I12C, I32A, I32B, I32C, I32D, I32E, I32F
	21A	W04A, W04B	5t406.n↔		BOP, KVT, UOP4, VIAL		09	J03A, J03B, J04A, J04B, J08A, J08B, J08C, J11A, J11B, J16Z
	21B	X04Z		08	I20A, I20B, I20C, I20D, I20E, I20F		21A	W04A, W04B
5t405.m↔		BOP, KVT, UOP4, VIAL	5t406.p↔		BOP, KVT, UOP4, VIAL		21B	X05A, X05B
	08	I12A, I12B, I12C, I20A, I20B, I20C, I20D, I20E, I20F		08	I20A, I20B, I20C, I20D, I20E, I20F	5t407.e↔		BOP, KVT, UOP4, VIAL
	21A	W04A, W04B	5t406.q↔		BOP, KVT, UOP4, VIAL		05	F13A
	21B	X04Z		08	I20A, I20B, I20C, I20D, I20E, I20F		08	I12A, I12B, I12C, I32A, I32B, I32C, I32D, I32E, I32F
5t405.n↔		BOP, KVT, UOP4, VIAL	5t406.r↔		BOP, KVT, UOP4, VIAL		09	J03A, J03B, J04A, J04B, J08A, J08B, J08C, J11A, J11B, J16Z
	08	I12A, I12B, I12C, I20A, I20B, I20C, I20D, I20E, I20F		08	I20A, I20B, I20C, I20D, I20E, I20F		21A	W04A, W04B
	21A	W04A, W04B	5t406.x		BOP, KVT, UOP4	5t407.f	21B	X05A, X05B
	21B	X04Z		08	I12A, I12B, I12C, I24Z			BOP, KVT, UOP4, VIAL
5t405.p↔		BOP, KVT, UOP4, VIAL		21A	W04A, W04B		05	F13A
	08	I12A, I12B, I12C, I20A, I20B, I20C, I20D, I20E, I20F	5t407.0↔		BOP, KVT, UOP4, VIAL		08	I08A, I08B, I08C, I08D, I08E, I08F, I12A, I12B, I12C, I28A, I28B
	21A	W04A, W04B		05	F13A	5t407.g↔	21A	W04A, W04B
	21B	X04Z		08	I12A, I12B, I12C, I16Z		21B	X04Z, X06A, X06B, X06C
5t405.q↔		BOP, KVT, UOP4, VIAL		21A	W04A, W04B			BOP, KVT, UOP4, VIAL
	08	I20A, I20B, I20C, I20D, I20E, I20F	5t407.1↔		X06A, X06B, X06C		05	F13A
5t405.r↔		BOP, KVT, UOP4, VIAL		21B	X06A, X06B, X06C		08	I08A, I08B, I08C, I08D, I08E, I30Z
	08	I20A, I20B, I20C, I20D, I20E, I20F		05	F13A	5t407.h↔	21A	W01A, W01B, W01C, W02A, W02B
5t405.x		BOP, KVT, UOP4		08	I12A, I12B, I12C, I16Z		21B	X04Z
	08	I12A, I12B, I12C, I28A, I28B	5t407.2↔		W04A, W04B			BOP, KVT, UOP4, VIAL
	21A	W04A, W04B		21A	X06A, X06B, X06C		05	F13A
	21B	X06A, X06B, X06C		21B	X06A, X06B, X06C		08	I12A, I12B, I12C, I28A, I28B
5t406.0↔		BOP, KVT, UOP4, VIAL			BOP, KVT, UOP4, VIAL	5t407.i↔	21A	W04A, W04B
	08	I12A, I12B, I12C, I24Z		05	F13A		21B	X04Z
	21A	W04A, W04B	5t407.3↔		I12A, I12B, I12C, I28A, I28B			BOP, KVT, UOP4, VIAL
	21B	X06A, X06B, X06C		08	I12A, I12B, I12C, I28A, I28B		05	F13A
5t406.4↔		BOP, KVT, UOP4, VIAL		21A	W04A, W04B		08	I12A, I12B, I12C, I18A, I30Z
	08	I08A, I08B, I08C, I08D, I08E, I08F, I12A, I12B, I12C, I24Z		21B	X06A, X06B, X06C		21A	W04A, W04B
	21A	W04A, W04B			BOP, KVT, UOP4, VIAL		21B	X04Z
	21B	X06A, X06B, X06C		05	F13A			
				08	I12A, I12B, I12C, I28A, I28B			
				21A	W04A, W04B			
				21B	X06A, X06B, X06C			

VYK

ZZV	MDC	DRG	ZZV	MDC	DRG	ZZV	MDC	DRG
5t407.j↔		BOP, KVT, UOP4, VIAL	5t408.4↔		BOP, KVT, UOP4, VIAL	5t408.j↔		BOP, KVT, UOP4, VIAL
	05	F13A		05	F13A		05	F13A
	08	I12A, I12B, I12C, I18A, I18B, I30Z		08	I08A, I08B, I08C, I08D, I08E, I08F, I12A, I12B, I12C, I18A, I18B, I30Z		08	I12A, I12B, I12C, I18A, I18B, I30Z
	21A	W04A, W04B		21A	W04A, W04B		21A	W04A, W04B
	21B	X04Z		21B	X06A, X06B, X06C		21B	X04Z
5t407.k↔		BOP, KVT, UOP4, VIAL	5t408.5↔		BOP, KVT, UOP4, VIAL	5t408.k↔		BOP, KVT, UOP4, VIAL
	05	F13A		05	F13A		05	F13A
	08	I12A, I12B, I12C, I59Z		08	I08A, I08B, I08C, I08D, I08E, I08F, I12A, I12B, I12C, I18A, I18B, I30Z		08	I12A, I12B, I12C, I59Z
	21A	W04A, W04B		21A	W04A, W04B		21A	W04A, W04B
	21B	X04Z		21B	X06A, X06B, X06C		21B	X04Z
5t407.m↔		BOP, KVT, UOP4, VIAL	5t408.6↔		BOP, KVT, UOP4, VIAL	5t408.m↔		BOP, KVT, UOP4, VIAL
	05	F13A		05	F13A		05	F13A
	08	I12A, I12B, I12C, I20A, I20B, I20C, I20D, I20E, I20F		08	I08A, I08B, I08C, I08D, I08E, I08F, I12A, I12B, I12C, I32A, I32B, I32C, I32D, I32E, I32F		08	I12A, I12B, I12C, I20A, I20B, I20C, I20D, I20E, I20F
	21A	W04A, W04B		21A	W04A, W04B		21A	W04A, W04B
	21B	X04Z		21B	X06A, X06B, X06C		21B	X04Z
5t407.n↔		BOP, KVT, UOP4, VIAL	5t408.7↔		BOP, KVT, UOP4, VIAL	5t408.n↔		BOP, KVT, UOP4, VIAL
	05	F13A		05	F13A		05	F13A
	08	I12A, I12B, I12C, I20A, I20B, I20C, I20D, I20E, I20F		08	I03A, J03B, J04A, J04B, J08A, J08B, J08C, J11A, J11B, J16Z		08	I12A, I12B, I12C, I20A, I20B, I20C, I20D, I20E, I20F
	21A	W04A, W04B		21A	W04A, W04B		21A	W04A, W04B
	21B	X04Z		21B	X05A, X05B		21B	X04Z
5t407.p↔		BOP, KVT, UOP4, VIAL	5t408.8↔		BOP, KVT, UOP4, VIAL	5t408.p↔		BOP, KVT, UOP4, VIAL
	05	F13A		05	F13A		05	F13A
	08	I12A, I12B, I12C, I20A, I20B, I20C, I20D, I20E, I20F		08	I12A, I12B, I12C, I32A, I32B, I32C, I32D, I32E, I32F		08	I12A, I12B, I12C, I20A, I20B, I20C, I20D, I20E, I20F
	21A	W04A, W04B		09	J03A, J03B, J04A, J04B, J08A, J08B, J08C, J11A, J11B, J16Z		21A	W04A, W04B
	21B	X04Z		21B	X05A, X05B		21B	X04Z
5t407.q↔		BOP, KVT, UOP4, VIAL	5t408.9↔		BOP, KVT, UOP4, VIAL	5t408.q↔		BOP, KVT, UOP4, VIAL
	05	F13A		05	F13A		05	F13A
	08	I12A, I12B, I12C, I20A, I20B, I20C, I20D, I20E, I20F		08	I12A, I12B, I12C, I32A, I32B, I32C, I32D, I32E, I32F		08	I12A, I12B, I12C, I20A, I20B, I20C, I20D, I20E, I20F
	21A	W04A, W04B		21A	W04A, W04B		21A	W04A, W04B
	21B	X04Z		21B	X05A, X05B		21B	X04Z
5t407.r↔		BOP, KVT, UOP4, VIAL	5t408.e↔		BOP, KVT, UOP4, VIAL	5t408.r↔		BOP, KVT, UOP4, VIAL
	05	F13A		05	F13A		05	F13A
	08	I12A, I12B, I12C, I20A, I20B, I20C, I20D, I20E, I20F		08	I08A, I08B, I08C, I08D, I08E, I08F, I12A, I12B, I12C, I28A, I28B		08	I12A, I12B, I12C, I20A, I20B, I20C, I20D, I20E, I20F
	21A	W04A, W04B		21A	W04A, W04B		21A	W04A, W04B
	21B	X04Z		21B	X06A, X06B, X06C		21B	X04Z
5t407.x		BOP, KVT, UOP4	5t408.f		BOP, KVT, UOP4, VIAL	5t408.x		BOP, KVT, UOP4
	05	F13A		05	F13A		05	F13A
	08	I12A, I12B, I12C, I28A, I28B		08	I12A, I12B, I12C, I28A, I28B		08	I12A, I12B, I12C, I28A, I28B
	21A	W04A, W04B		21A	W04A, W04B		21A	W04A, W04B
	21B	X06A, X06B, X06C		21B	X04Z, X06A, X06B, X06C		21B	X06A, X06B, X06C
5t408.0↔		BOP, KVT, UOP4, VIAL	5t408.g↔		BOP, KVT, UOP4, VIAL	5t409.0↔		BOP, KVT, UOP4, VIAL
	05	F13A		05	F13A		05	F13A
	08	I12A, I12B, I12C, I16Z		08	I08A, I08B, I08C, I08D, I08E, I30Z		08	I12A, I12B, I12C, I16Z
	21A	W04A, W04B		21A	W01A, W01B, W01C, W02A, W02B		21A	W04A, W04B
	21B	X06A, X06B, X06C		21B	X04Z		21B	X06A, X06B, X06C
5t408.1↔		BOP, KVT, UOP4, VIAL	5t408.h↔		BOP, KVT, UOP4, VIAL	5t409.1↔		BOP, KVT, UOP4, VIAL
	05	F13A		05	F13A		05	F13A
	08	I12A, I12B, I12C, I16Z		08	I12A, I12B, I12C, I18A, I18B, I30Z		08	I12A, I12B, I12C, I16Z
	21A	W04A, W04B		21A	W04A, W04B		21A	W04A, W04B
	21B	X06A, X06B, X06C		21B	X06A, X06B, X06C		21B	X06A, X06B, X06C
5t408.2↔		BOP, KVT, UOP4, VIAL				5t409.3↔		BOP, KVT, UOP4, VIAL
	05	F13A					05	F13A
	08	I12A, I12B, I12C, I28A, I28B					08	I12A, I12B, I12C, I28A, I28B
	21A	W04A, W04B					21A	W04A, W04B
	21B	X06A, X06B, X06C					21B	X06A, X06B, X06C
5t408.3↔		BOP, KVT, UOP4, VIAL				5t409.4↔		BOP, KVT, UOP4, VIAL
	05	F13A					05	F13A
	08	I12A, I12B, I12C, I28A, I28B					08	I08A, I08B, I08C, I08D, I08E, I08F, I12A, I12B, I12C, I18A, I18B, I30Z
	21A	W04A, W04B					21A	W04A, W04B
	21B	X06A, X06B, X06C					21B	X06A, X06B, X06C

ZZV	MDC	DRG	ZZV	MDC	DRG	ZZV	MDC	DRG
5t409.5↔		BOP, KVT, UOP4, VIAL	5t409.n↔		BOP, KVT, UOP4, VIAL	5t40x.e↔		BOP, KVT, UOP4, VIAL
	08	I08A, I08B, I08C, I08D, I08E, I08F, I12A, I12B, I12C, I18A, I18B, I30Z		08	I12A, I12B, I12C, I20A, I20B, I20C, I20D, I20E, I20F		08	I08A, I08B, I08C, I08D, I08E, I08F, I24Z
	21A	W04A, W04B		21A	W04A, W04B		21A	W04A, W04B
	21B	X06A, X06B, X06C		21B	X04Z		21B	X04Z, X06A, X06B, X06C
5t409.6↔		BOP, KVT, UOP4, VIAL	5t409.p↔		BOP, KVT, UOP4, VIAL	5t40x.f		BOP, KVT, UOP4, VIAL
	08	I08A, I08B, I08C, I08D, I08E, I08F, I12A, I12B, I12C, I32A, I32B, I32C, I32D, I32E, I32F		08	I12A, I12B, I12C, I20A, I20B, I20C, I20D, I20E, I20F		08	I24Z
	09	J03A, J03B, J04A, J04B, J08A, J08B, J08C, J11A, J11B, J16Z		21A	W04A, W04B		21A	W04A, W04B
	21A	W04A, W04B		21B	X04Z		21B	X04Z, X06A, X06B, X06C
	21B	X05A, X05B	5t409.q↔		BOP, KVT, UOP4, VIAL	5t40x.g↔		BOP, KVT, UOP4, VIAL
5t409.8↔		BOP, KVT, UOP4, VIAL		08	I12A, I12B, I12C, I20A, I20B, I20C, I20D, I20E, I20F		08	I24Z
	08	I12A, I12B, I12C, I32A, I32B, I32C, I32D, I32E, I32F, I32G		08	I12A, I12B, I12C, I20A, I20B, I20C, I20D, I20E, I20F		21A	W04A, W04B
	09	J03A, J03B, J04A, J04B, J08A, J08B, J08C, J11A, J11B, J16Z		21A	W04A, W04B		21B	X04Z
	21A	W04A, W04B		21B	X04Z	5t40x.h↔		BOP, KVT, UOP4, VIAL
	21B	X05A, X05B	5t409.r↔		BOP, KVT, UOP4, VIAL		08	I24Z
5t409.9↔		BOP, KVT, UOP4, VIAL		08	I12A, I12B, I12C, I20A, I20B, I20C, I20D, I20E, I20F		10	K09A, K09B
	08	I12A, I12B, I12C, I32A, I32B, I32C, I32D, I32E, I32F, I32G		21A	W04A, W04B		21A	W04A, W04B
	09	J03A, J03B, J04A, J04B, J08A, J08B, J08C, J11A, J11B, J16Z		21B	X04Z		21B	X04Z
	21A	W04A, W04B	5t409.x		BOP, KVT, UOP4	5t40x.j↔		BOP, KVT, UOP4, VIAL
	21B	X05A, X05B		08	I12A, I12B, I12C, I28A, I28B		08	I24Z
5t409.9↔		BOP, KVT, UOP4, VIAL		21A	W04A, W04B		21A	W04A, W04B
	08	I12A, I12B, I12C, I32A, I32B, I32C, I32D, I32E, I32F, I32G		21B	X06A, X06B, X06C		21B	X04Z, X06A, X06B, X06C
	09	J03A, J03B, J04A, J04B, J08A, J08B, J08C, J11A, J11B, J16Z	5t40x.0↔		BOP, KVT, UOP4, VIAL	5t40x.k↔		BOP, KVT, UOP4, VIAL
	21A	W04A, W04B		08	I24Z		08	I24Z
	21B	X05A, X05B		21A	W04A, W04B		21A	W04A, W04B
5t409.e↔		BOP, KVT, UOP4, VIAL		21B	X06A, X06B, X06C		21B	X04Z
	08	I08A, I08B, I08C, I08D, I08E, I08F, I12A, I12B, I12C, I28A, I28B	5t40x.1↔		BOP, KVT, UOP4, VIAL	5t40x.m↔		BOP, KVT, UOP4, VIAL
	21A	W04A, W04B		08	I24Z		08	I24Z
	21B	X04Z, X06A, X06B, X06C		21A	W04A, W04B		21A	W04A, W04B
5t409.f		BOP, KVT, UOP4, VIAL		21B	X06A, X06B, X06C		21B	X04Z, X06A, X06B, X06C
	08	I12A, I12B, I12C, I28A, I28B	5t40x.2↔		BOP, KVT, UOP4, VIAL	5t40x.n↔		BOP, KVT, UOP4, VIAL
	21A	W04A, W04B		08	I24Z		08	I24Z
	21B	X04Z, X06A, X06B, X06C		21A	W04A, W04B		21A	W04A, W04B
5t409.g↔		BOP, KVT, UOP4, VIAL		21B	X06A, X06B, X06C		21B	X04Z, X06A, X06B, X06C
	08	I08A, I08B, I08C, I08D, I08E, I30Z	5t40x.3↔		BOP, KVT, UOP4, VIAL	5t40x.p↔		BOP, KVT, UOP4, VIAL
	21A	W01A, W01B, W01C, W02A, W02B		08	I24Z		08	I24Z
	21B	X04Z		21A	W04A, W04B		21A	W04A, W04B
5t409.h↔		BOP, KVT, UOP4, VIAL		21B	X06A, X06B, X06C		21B	X04Z, X06A, X06B, X06C
	08	I12A, I12B, I12C, I18A, I18B, I30Z	5t40x.4↔		BOP, KVT, UOP4, VIAL	5t40x.q↔		BOP, KVT, UOP4, VIAL
	21A	W04A, W04B		08	I08A, I08B, I08C, I08D, I08E, I08F, I24Z		08	I24Z
	21B	X04Z		21A	W04A, W04B		21A	W04A, W04B
5t409.j↔		BOP, KVT, UOP4, VIAL		21B	X06A, X06B, X06C		21B	X04Z, X06A, X06B, X06C
	08	I12A, I12B, I12C, I18A, I18B, I30Z	5t40x.5↔		BOP, KVT, UOP4, VIAL	5t40x.r↔		BOP, KVT, UOP4, VIAL
	21A	W04A, W04B		08	I08A, I08B, I08C, I08D, I08E, I08F, I24Z		08	I24Z
	21B	X04Z		21A	W04A, W04B		21A	W04A, W04B
5t409.k↔		BOP, KVT, UOP4, VIAL		21B	X06A, X06B, X06C		21B	X04Z, X06A, X06B, X06C
	08	I12A, I12B, I12C, I59Z	5t40x.6↔		BOP, KVT, UOP4, VIAL	5t410.h↔		BOP, KVT, UOP4, VIAL
	21A	W04A, W04B		08	I08A, I08B, I08C, I08D, I08E, I08F, I24Z		08	I24Z, I30Z
	21B	X04Z		21A	W04A, W04B		21A	W04A, W04B
5t409.m↔		BOP, KVT, UOP4, VIAL		21B	X05A, X05B		21B	X04Z
	08	I12A, I12B, I12C, I20A, I20B, I20C, I20D, I20E, I20F	5t40x.8↔		BOP, KVT, UOP4, VIAL	5t410.x		BOP, KVT, UOP4
	21A	W04A, W04B		08	I32A, I32B, I32C, I32D, I32E, I32F, I32G		08	I28A, I28B
	21B	X04Z		21A	W04A, W04B		21A	W04A, W04B
				21B	X05A, X05B	5t411.g↔		X06A, X06B, X06C
							08	BOP, KVT, UOP4, VIAL
							08	I08A, I08B, I08C, I08D, I08E, I30Z
							21A	W01A, W01B, W01C, W02A, W02B
							21B	X04Z
							21B	X04Z
							21B	BOP, KVT, UOP4, VIAL
							08	I24Z, I30Z
							21A	W04A, W04B
							21B	X04Z

ZZV	MDC	DRG	ZZV	MDC	DRG	ZZV	MDC	DRG
5t411.x		BOP, KVT, UOP4	5t412.h↔		BOP, KVT, UOP4, VIAL	5t413.4↔		BOP, KVT, UOP4, VIAL
	08	I24Z		05	F13A		05	F13A
	21A	W04A, W04B		08	I12A, I12B, I12C, I18A, I18B, I30Z		08	I08A, I08B, I08C, I08D, I08E, I08F, I12A, I12B, I12C, I21Z, I31Z
	21B	X06A, X06B, X06C		21A	W04A, W04B		21A	W04A, W04B
5t412.0↔		BOP, KVT, UOP4, VIAL		21B	X04Z		21B	X06A, X06B, X06C
	05	F13A	5t412.j↔		BOP, KVT, UOP4, VIAL	5t413.5↔		BOP, KVT, UOP4, VIAL
	08	I12A, I12B, I12C, I16Z		05	F13A		05	F13A
	21A	W04A, W04B		08	I12A, I12B, I12C, I18A, I18B, I30Z		08	I08A, I08B, I08C, I08D, I08E, I08F, I12A, I12B, I12C, I21Z, I31Z
	21B	X06A, X06B, X06C		21A	W04A, W04B		21A	W04A, W04B
5t412.1↔		BOP, KVT, UOP4, VIAL		21B	X04Z		21B	X06A, X06B, X06C
	05	F13A	5t412.k↔		BOP, KVT, UOP4, VIAL	5t413.6↔		BOP, KVT, UOP4, VIAL
	08	I12A, I12B, I12C, I16Z		05	F13A		05	F13A
	21A	W04A, W04B		08	I12A, I12B, I12C, I59Z		08	I08A, I08B, I08C, I08D, I08E, I08F, I12A, I12B, I12C, I21Z, I31Z
	21B	X06A, X06B, X06C		21A	W04A, W04B		21A	W04A, W04B
5t412.3↔		BOP, KVT, UOP4, VIAL		21B	X04Z		21B	X06A, X06B, X06C
	05	F13A	5t412.l↔		BOP, KVT, UOP4, VIAL	5t413.7↔		BOP, KVT, UOP4, VIAL
	08	I12A, I12B, I12C, I28A, I28B		05	F13A		05	F13A
	21A	W04A, W04B		08	I12A, I12B, I12C, I20A, I20B, I20C, I20D, I20E, I20F		08	I08A, I08B, I08C, I08D, I08E, I08F, I12A, I12B, I12C, I32A, I32B, I32C, I32D, I32E, I32F
	21B	X06A, X06B, X06C		21A	W04A, W04B		09	J03A, J03B, J04A, J04B, J08A, J08B, J08C, J11A, J11B, J16Z
5t412.4↔		BOP, KVT, UOP4, VIAL		21B	X04Z		21A	W04A, W04B
	05	F13A	5t412.m↔		BOP, KVT, UOP4, VIAL	5t413.8↔		BOP, KVT, UOP4, VIAL
	08	I08A, I08B, I08C, I08D, I08E, I08F, I12A, I12B, I12C, I18A, I18B, I30Z		05	F13A		05	F13A
	21A	W04A, W04B		08	I12A, I12B, I12C, I20A, I20B, I20C, I20D, I20E, I20F		08	I12A, I12B, I12C, I32A, I32B, I32C, I32D, I32E, I32F, I32G
	21B	X06A, X06B, X06C		21A	W04A, W04B		09	J03A, J03B, J04A, J04B, J08A, J08B, J08C, J11A, J11B, J16Z
5t412.5↔		BOP, KVT, UOP4, VIAL		21B	X04Z		21A	W04A, W04B
	05	F13A	5t412.n↔		BOP, KVT, UOP4, VIAL	5t413.9↔		BOP, KVT, UOP4, VIAL
	08	I08A, I08B, I08C, I08D, I08E, I08F, I12A, I12B, I12C, I18A, I18B, I30Z		05	F13A		05	F13A
	21A	W04A, W04B		08	I12A, I12B, I12C, I20A, I20B, I20C, I20D, I20E, I20F		08	I12A, I12B, I12C, I32A, I32B, I32C, I32D, I32E, I32F, I32G
	21B	X06A, X06B, X06C		21A	W04A, W04B		09	J03A, J03B, J04A, J04B, J08A, J08B, J08C, J11A, J11B, J16Z
5t412.6↔		BOP, KVT, UOP4, VIAL		21B	X04Z		21A	W04A, W04B
	05	F13A	5t412.o↔		BOP, KVT, UOP4, VIAL	5t413.g↔		BOP, KVT, UOP4, VIAL
	08	I08A, I08B, I08C, I08D, I08E, I08F, I12A, I12B, I12C, I32A, I32B, I32C, I32D, I32E, I32F		05	F13A		05	F13A
	09	J03A, J03B, J04A, J04B, J08A, J08B, J08C, J11A, J11B, J16Z		08	I12A, I12B, I12C, I20A, I20B, I20C, I20D, I20E, I20F		08	I08A, I08B, I08C, I08D, I08E, I30Z
	21A	W04A, W04B		21A	W04A, W04B		21A	W01A, W01B, W01C, W02A, W02B
	21B	X05A, X05B		21B	X04Z		21B	X04Z
5t412.8↔		BOP, KVT, UOP4, VIAL	5t412.p↔		BOP, KVT, UOP4, VIAL	5t413.h↔		BOP, KVT, UOP4, VIAL
	05	F13A		05	F13A		05	F13A
	08	I12A, I12B, I12C, I32A, I32B, I32C, I32D, I32E, I32F, I32G		08	I12A, I12B, I12C, I20A, I20B, I20C, I20D, I20E, I20F		08	I12A, I12B, I12C, I18A, I18B, I30Z
	09	J03A, J03B, J04A, J04B, J08A, J08B, J08C, J11A, J11B, J16Z		21A	W04A, W04B		21A	W04A, W04B
	21A	W04A, W04B		21B	X04Z		21B	X04Z
	21B	X05A, X05B	5t412.q↔		BOP, KVT, UOP4, VIAL	5t413.i↔		BOP, KVT, UOP4, VIAL
5t412.9↔		BOP, KVT, UOP4, VIAL		05	F13A		05	F13A
	05	F13A		08	I12A, I12B, I12C, I28A, I28B		08	I12A, I12B, I12C, I18A, I18B, I30Z
	08	I12A, I12B, I12C, I32A, I32B, I32C, I32D, I32E, I32F, I32G		21A	W04A, W04B		21A	W04A, W04B
	09	J03A, J03B, J04A, J04B, J08A, J08B, J08C, J11A, J11B, J16Z		21B	X04Z		21B	X04Z
	21A	W04A, W04B	5t412.r↔		BOP, KVT, UOP4, VIAL	5t413.j↔		BOP, KVT, UOP4, VIAL
	21B	X05A, X05B		05	F13A		05	F13A
5t412.g↔		BOP, KVT, UOP4, VIAL		08	I12A, I12B, I12C, I16Z		08	I12A, I12B, I12C, I18A, I18B, I30Z
	05	F13A		21A	W04A, W04B		21A	W04A, W04B
	08	I12A, I12B, I12C, I32A, I32B, I32C, I32D, I32E, I32F, I32G		21B	X04Z		21B	X04Z
	09	J03A, J03B, J04A, J04B, J08A, J08B, J08C, J11A, J11B, J16Z	5t412.x		BOP, KVT, UOP4	5t413.k↔		BOP, KVT, UOP4, VIAL
	21A	W04A, W04B		05	F13A		05	F13A
	21B	X05A, X05B		08	I12A, I12B, I12C, I28A, I28B		08	I12A, I12B, I12C, I59Z
5t412.9↔		BOP, KVT, UOP4, VIAL		21A	W04A, W04B		21A	W04A, W04B
	05	F13A		21B	X06A, X06B, X06C		21B	X04Z
	08	I12A, I12B, I12C, I32A, I32B, I32C, I32D, I32E, I32F, I32G	5t413.0↔		BOP, KVT, UOP4, VIAL		21B	X04Z
	09	J03A, J03B, J04A, J04B, J08A, J08B, J08C, J11A, J11B, J16Z		05	F13A			
	21A	W04A, W04B		08	I12A, I12B, I12C, I16Z			
	21B	X05A, X05B		21A	W04A, W04B			
5t412.g↔		BOP, KVT, UOP4, VIAL		21B	X06A, X06B, X06C			
	05	F13A	5t413.1↔		BOP, KVT, UOP4, VIAL			
	08	I08A, I08B, I08C, I08D, I08E, I30Z		05	F13A			
	21A	W01A, W01B, W01C, W02A, W02B		08	I12A, I12B, I12C, I16Z			
	21B	X04Z		21A	W04A, W04B			
				21B	X06A, X06B, X06C			
			5t413.3↔		BOP, KVT, UOP4, VIAL			
				05	F13A			
				08	I12A, I12B, I12C, I28A, I28B			
				21A	W04A, W04B			
				21B	X06A, X06B, X06C			

VYK

ZZV	MDC	DRG	ZZV	MDC	DRG	ZZV	MDC	DRG
5t413.m↔		BOP, KVT, UOP4, VIAL	5t414.6↔	08	BOP, KVT, UOP4, VIAL	5t414.q↔	08	BOP, KVT, UOP4, VIAL
	05	F13A		08	I08A, I08B, I08C, I08D, I08E, I08F, I32A, I32B, I32C, I32D, I32E, I32F		08	I20A, I20B, I20C, I20D, I20E, I20F
	08	I12A, I12B, I12C, I20A, I20B, I20C, I20D, I20E, I20F		09	J03A, J03B, J04A, J04B, J08A, J08B, J08C, J11A, J11B, J16Z		21A	W04A, W04B
	21A	W04A, W04B		21B	X05A, X05B		21B	X04Z
5t413.n↔	21B	X04Z	5t414.8↔		BOP, KVT, UOP4, VIAL	5t414.r↔		BOP, KVT, UOP4, VIAL
		BOP, KVT, UOP4, VIAL		08	I32A, I32B, I32C, I32D, I32E, I32F, I32G		08	I20A, I20B, I20C, I20D, I20E, I20F
	05	F13A		09	J03A, J03B, J04A, J04B, J08A, J08B, J08C, J11A, J11B, J16Z		21A	W04A, W04B
	08	I12A, I12B, I12C, I20A, I20B, I20C, I20D, I20E, I20F		21A	W04A, W04B		21B	X04Z
5t413.p↔	21A	W04A, W04B	5t414.9↔	08	I32A, I32B, I32C, I32D, I32E, I32F, I32G	5t414.x	08	BOP, KVT, UOP4
	21B	X04Z		09	J03A, J03B, J04A, J04B, J08A, J08B, J08C, J11A, J11B, J16Z		08	I28A, I28B
		BOP, KVT, UOP4, VIAL		21A	W04A, W04B		21A	W04A, W04B
	05	F13A		21B	X05A, X05B		21B	X06A, X06B, X06C
5t413.q↔	08	I12A, I12B, I12C, I20A, I20B, I20C, I20D, I20E, I20F	5t414.e↔		BOP, KVT, UOP4, VIAL	5t41x.0↔		BOP, KVT, UOP4, VIAL
	21A	W04A, W04B		08	I08A, I08B, I08C, I08D, I08E, I08F, I28A, I28B		08	I16Z
	21B	X04Z		21A	W04A, W04B		21A	W04A, W04B
		BOP, KVT, UOP4, VIAL		21B	X04Z, X06A, X06B, X06C		21B	X06A, X06B, X06C
5t413.r↔	05	F13A	5t414.f	08	I28A, I28B	5t41x.1↔	08	I16Z
	08	I12A, I12B, I12C, I20A, I20B, I20C, I20D, I20E, I20F		21A	W04A, W04B		21A	W04A, W04B
	21A	W04A, W04B		21B	X04Z, X06A, X06B, X06C		21B	X06A, X06B, X06C
	21B	X04Z			BOP, KVT, UOP4, VIAL		08	I28A, I28B
5t413.x	05	F13A	5t414.g↔	08	I08A, I08B, I08C, I08D, I08E, I08F, I32A, I32B, I32C, I32D, I32E, I32F	5t41x.2↔	08	I28A, I28B
	08	I12A, I12B, I12C, I28A, I28B		21A	W04A, W04B		21A	W04A, W04B
	21A	W04A, W04B		21B	X04Z, X06A, X06B, X06C		21B	X06A, X06B, X06C
	21B	X06A, X06B, X06C			BOP, KVT, UOP4, VIAL		08	I28A, I28B
5t414.0↔	08	I16Z	5t414.h↔	08	I24Z, I30Z	5t41x.3↔	08	I28A, I28B
	21A	W04A, W04B		21A	W04A, W04B		21A	W04A, W04B
	21B	X06A, X06B, X06C		21B	X04Z		21B	X06A, X06B, X06C
		BOP, KVT, UOP4, VIAL			BOP, KVT, UOP4, VIAL		08	I08A, I08B, I08C, I08D, I08E, I08F, I18A, I18B, I30Z
5t414.1↔	08	I16Z	5t414.i↔	08	I18A, I18B, I30Z	5t41x.4↔	21A	W04A, W04B
	21A	W04A, W04B		21A	W04A, W04B		21B	X06A, X06B, X06C
	21B	X06A, X06B, X06C		21B	X04Z		21A	W04A, W04B
		BOP, KVT, UOP4, VIAL			BOP, KVT, UOP4, VIAL		21B	X06A, X06B, X06C
5t414.2↔	08	I28A, I28B	5t414.j↔	08	I59Z	5t41x.5↔	08	I08A, I08B, I08C, I08D, I08E, I08F, I18A, I18B, I30Z
	21A	W04A, W04B		21A	W04A, W04B		21A	W04A, W04B
	21B	X06A, X06B, X06C		21B	X04Z		21B	X06A, X06B, X06C
		BOP, KVT, UOP4, VIAL			BOP, KVT, UOP4, VIAL		08	I08A, I08B, I08C, I08D, I08E, I08F, I18A, I18B, I30Z
5t414.3↔	08	I28A, I28B	5t414.k↔	08	I59Z	5t41x.6↔	08	I08A, I08B, I08C, I08D, I08E, I08F, I18A, I18B, I30Z
	21A	W04A, W04B		21A	W04A, W04B		21A	W04A, W04B
	21B	X06A, X06B, X06C		21B	X04Z		21B	X06A, X06B, X06C
		BOP, KVT, UOP4, VIAL			BOP, KVT, UOP4, VIAL		08	I08A, I08B, I08C, I08D, I08E, I08F, I18A, I18B, I30Z
5t414.4↔	08	I08A, I08B, I08C, I08D, I08E, I08F, I18A, I18B, I30Z	5t414.l↔	08	I20A, I20B, I20C, I20D, I20E, I20F	5t41x.7↔	09	J03A, J03B, J04A, J04B, J08A, J08B, J08C, J11A, J11B, J16Z
	21A	W04A, W04B		21A	W04A, W04B		21A	W04A, W04B
	21B	X06A, X06B, X06C		21B	X04Z		21B	X05A, X05B
		BOP, KVT, UOP4, VIAL			BOP, KVT, UOP4, VIAL		08	I32A, I32B, I32C, I32D, I32E, I32F, I32G
5t414.5↔	08	I08A, I08B, I08C, I08D, I08E, I08F, I18A, I18B, I30Z	5t414.m↔	08	I20A, I20B, I20C, I20D, I20E, I20F	5t41x.8↔	09	J03A, J03B, J04A, J04B, J08A, J08B, J08C, J11A, J11B, J16Z
	21A	W04A, W04B		21A	W04A, W04B		21A	W04A, W04B
	21B	X06A, X06B, X06C		21B	X04Z		21B	X05A, X05B
		BOP, KVT, UOP4, VIAL			BOP, KVT, UOP4, VIAL		08	I32A, I32B, I32C, I32D, I32E, I32F, I32G
5t414.6↔	08	I08A, I08B, I08C, I08D, I08E, I08F, I18A, I18B, I30Z	5t414.n↔	08	I20A, I20B, I20C, I20D, I20E, I20F	5t41x.9↔	08	I32A, I32B, I32C, I32D, I32E, I32F, I32G
	21A	W04A, W04B		21A	W04A, W04B		09	J03A, J03B, J04A, J04B, J08A, J08B, J08C, J11A, J11B, J16Z
	21B	X06A, X06B, X06C		21B	X04Z		21A	W04A, W04B
		BOP, KVT, UOP4, VIAL			BOP, KVT, UOP4, VIAL		21B	X05A, X05B
5t414.7↔	08	I08A, I08B, I08C, I08D, I08E, I08F, I18A, I18B, I30Z	5t414.o↔	08	I20A, I20B, I20C, I20D, I20E, I20F	5t41x.e↔	08	I08A, I08B, I08C, I08D, I08E, I08F, I28A, I28B
	21A	W04A, W04B		21A	W04A, W04B		21A	W04A, W04B
	21B	X06A, X06B, X06C		21B	X04Z		21B	X04Z, X06A, X06B, X06C
		BOP, KVT, UOP4, VIAL			BOP, KVT, UOP4, VIAL			

ZZV	MDC	DRG	ZZV	MDC	DRG	ZZV	MDC	DRG
5t41x.f		BOP, KVT, UOP4, VIAL 08 I28A, I28B 21A W04A, W04B 21B X04Z, X06A, X06B, X06C	5t420.5↔		BOP, KVT, UOP4, VIAL 08 I08A, I08B, I08C, I08D, I08E, I08F, I12A, I12B, I12C, I18A, I18B, I30Z 21A W04A, W04B 21B X06A, X06B, X06C	5t420.n↔		BOP, KVT, UOP4, VIAL 08 I12A, I12B, I12C, I20A, I20B, I20C, I20D, I20E, I20F 21A W04A, W04B 21B X04Z
5t41x.g↔		BOP, KVT, UOP4, VIAL 08 I08A, I08B, I08C, I08D, I08E, I30Z 21A W01A, W01B, W01C, W02A, W02B 21B X04Z	5t420.6↔		BOP, KVT, UOP4, VIAL 08 I08A, I08B, I08C, I08D, I08E, I08F, I12A, I12B, I12C, I32A, I32B, I32C, I32D, I32E, I32F 09 J03A, J03B, J04A, J04B, J08A, J08B, J08C, J11A, J11B, J16Z 21A W04A, W04B 21B X05A, X05B	5t420.p↔		BOP, KVT, UOP4, VIAL 08 I12A, I12B, I12C, I20A, I20B, I20C, I20D, I20E, I20F 21A W04A, W04B 21B X04Z
5t41x.h↔		BOP, KVT, UOP4, VIAL 08 I24Z, I30Z 21A W04A, W04B 21B X04Z	5t420.8↔		BOP, KVT, UOP4, VIAL 08 I12A, I12B, I12C, I32A, I32B, I32C, I32D, I32E, I32F, I32G 09 J03A, J03B, J04A, J04B, J08A, J08B, J08C, J11A, J11B, J16Z 21A W04A, W04B 21B X05A, X05B	5t420.q↔		BOP, KVT, UOP4, VIAL 08 I12A, I12B, I12C, I20A, I20B, I20C, I20D, I20E, I20F 21A W04A, W04B 21B X04Z
5t41x.j↔		BOP, KVT, UOP4, VIAL 08 I18A, I18B, I30Z 21A W04A, W04B 21B X04Z	5t420.9↔		BOP, KVT, UOP4, VIAL 08 I12A, I12B, I12C, I32A, I32B, I32C, I32D, I32E, I32F, I32G 09 J03A, J03B, J04A, J04B, J08A, J08B, J08C, J11A, J11B, J16Z 21A W04A, W04B 21B X05A, X05B	5t420.r↔		BOP, KVT, UOP4, VIAL 08 I12A, I12B, I12C, I20A, I20B, I20C, I20D, I20E, I20F 21A W04A, W04B 21B X04Z
5t41x.k↔		BOP, KVT, UOP4, VIAL 08 I59Z 21A W04A, W04B 21B X04Z	5t420.e↔		BOP, KVT, UOP4, VIAL 08 I08A, I08B, I08C, I08D, I08E, I08F, I12A, I12B, I12C, I28A, I28B 21A W04A, W04B 21B X04Z, X06A, X06B, X06C	5t420.x		BOP, KVT, UOP4 08 I12A, I12B, I12C, I28A, I28B 21A W04A, W04B 21B X06A, X06B, X06C
5t41x.m↔		BOP, KVT, UOP4, VIAL 08 I20A, I20B, I20C, I20D, I20E, I20F 21A W04A, W04B 21B X04Z	5t420.f		BOP, KVT, UOP4, VIAL 08 I12A, I12B, I12C, I28A, I28B 21A W04A, W04B 21B X04Z, X06A, X06B, X06C	5t421.0↔		BOP, KVT, UOP4, VIAL 08 I16Z 21A W04A, W04B 21B X06A, X06B, X06C
5t41x.n↔		BOP, KVT, UOP4, VIAL 08 I20A, I20B, I20C, I20D, I20E, I20F 21A W04A, W04B 21B X04Z	5t420.g↔		BOP, KVT, UOP4, VIAL 08 I08A, I08B, I08C, I08D, I08E, I30Z 21A W01A, W01B, W01C, W02A, W02B 21B X04Z	5t421.1↔		BOP, KVT, UOP4, VIAL 08 I16Z 21A W04A, W04B 21B X06A, X06B, X06C
5t41x.p↔		BOP, KVT, UOP4, VIAL 08 I20A, I20B, I20C, I20D, I20E, I20F 21A W04A, W04B 21B X04Z	5t420.h↔		BOP, KVT, UOP4, VIAL 01 B03A, B03B, B06A, B06B, B17A, B17B, B17C 08 I12A, I12B, I12C, I24Z, I30Z 21A W04A, W04B 21B X04Z	5t421.4↔		BOP, KVT, UOP4, VIAL 08 I08A, I08B, I08C, I08D, I08E, I08F, I21Z, I31Z 21A W04A, W04B 21B X06A, X06B, X06C
5t41x.q↔		BOP, KVT, UOP4, VIAL 08 I20A, I20B, I20C, I20D, I20E, I20F 21A W04A, W04B 21B X04Z	5t420.j↔		BOP, KVT, UOP4, VIAL 01 B03A, B03B, B06A, B06B, B17A, B17B, B17C 08 I12A, I12B, I12C, I18A, I18B, I30Z 21A W04A, W04B 21B X04Z	5t421.5↔		BOP, KVT, UOP4, VIAL 08 I08A, I08B, I08C, I08D, I08E, I08F, I21Z, I31Z 21A W04A, W04B 21B X06A, X06B, X06C
5t41x.r↔		BOP, KVT, UOP4, VIAL 08 I20A, I20B, I20C, I20D, I20E, I20F 21A W04A, W04B 21B X04Z	5t420.k↔		BOP, KVT, UOP4, VIAL 08 I12A, I12B, I12C, I59Z 21A W04A, W04B 21B X04Z	5t421.6↔		BOP, KVT, UOP4, VIAL 08 I08A, I08B, I08C, I08D, I08E, I08F, I32A, I32B, I32C, I32D, I32E, I32F 21A W04A, W04B 21B X05A, X05B
5t41x.x		BOP, KVT, UOP4 08 I28A, I28B 21A W04A, W04B 21B X06A, X06B, X06C	5t420.l↔		BOP, KVT, UOP4, VIAL 08 I12A, I12B, I12C, I28A, I28B 21A W04A, W04B 21B X06A, X06B, X06C	5t421.8↔		BOP, KVT, UOP4, VIAL 08 I32A, I32B, I32C, I32D, I32E, I32F 21A W04A, W04B 21B X05A, X05B
5t420.0↔		BOP, KVT, UOP4, VIAL 08 I12A, I12B, I12C, I16Z 21A W04A, W04B 21B X06A, X06B, X06C	5t420.m↔		BOP, KVT, UOP4, VIAL 08 I12A, I12B, I12C, I20A, I20B, I20C, I20D, I20E, I20F 21A W04A, W04B 21B X04Z	5t421.9↔		BOP, KVT, UOP4, VIAL 08 I32A, I32B, I32C, I32D, I32E, I32F 21A W04A, W04B 21B X05A, X05B
5t420.1↔		BOP, KVT, UOP4, VIAL 08 I12A, I12B, I12C, I16Z 21A W04A, W04B 21B X06A, X06B, X06C				5t421.e↔		BOP, KVT, UOP4, VIAL 08 I08A, I08B, I08C, I08D, I08E, I08F, I28A, I28B 21A W04A, W04B 21B X04Z, X06A, X06B, X06C
5t420.3↔		BOP, KVT, UOP4, VIAL 08 I12A, I12B, I12C, I28A, I28B 21A W04A, W04B 21B X06A, X06B, X06C				5t421.g↔		BOP, KVT, UOP4, VIAL 08 I08A, I08B, I08C, I08D, I08E, I30Z 21A W01A, W01B, W01C, W02A, W02B 21B X04Z
5t420.4↔		BOP, KVT, UOP4, VIAL 08 I08A, I08B, I08C, I08D, I08E, I08F, I12A, I12B, I12C, I18A, I18B, I30Z 21A W04A, W04B 21B X06A, X06B, X06C						



ZZV	MDC	DRG	ZZV	MDC	DRG	ZZV	MDC	DRG	
5t421.h↔		BOP, KVT, UOP4, VIAL	5t422.8↔		BOP, KVT, UOP4, VIAL	5t423.20↔		BOP, KVT, UOP4, VIAL	
	08	I18A, I18B, I30Z		08	I12A, I12B, I12C, I32A, I32B, I32C, I32D, I32E, I32F		01	B03A, B03B, B06A, B06B, B17A, B17B, B17C	
	21A	W04A, W04B		21A	W04A, W04B		08	I18A, I30Z	
	21B	X04Z		21B	X05A, X05B		21A	W04A, W04B	
5t421.j↔		BOP, KVT, UOP4, VIAL	5t422.9↔		BOP, KVT, UOP4, VIAL		21B	X04Z	
	08	I59Z		08	I12A, I12B, I12C, I32A, I32B, I32C, I32D, I32E, I32F	5t423.21↔		BOP, KVT, UOP4, VIAL	
5t421.k↔		BOP, KVT, UOP4, VIAL		21A	W04A, W04B		01	B03A, B03B, B06A, B06B, B17A, B17B, B17C	
	01	B03A, B03B, B06A, B06B, B17A, B17B, B17C		21B	X05A, X05B		08	I18A, I30Z	
	05	F27A, F27B, F27C	5t422.g↔		BOP, KVT, UOP4, VIAL		21A	W04A, W04B	
	08	I59Z		08	I08A, I08B, I08C, I08D, I08E, I30Z		21B	X04Z	
	10	K01Z		21A	W01A, W01B, W01C, W02A, W02B	5t423.22↔		BOP, KVT, UOP4, VIAL	
	21A	W04A, W04B		21B	X04Z		01	B03A, B03B, B06A, B06B, B17A, B17B, B17C	
	21B	X04Z	5t422.h↔		BOP, KVT, UOP4, VIAL		08	I18A, I30Z	
5t421.m↔		BOP, KVT, UOP4, VIAL		08	I12A, I12B, I12C, I18A, I18B, I30Z		21A	W04A, W04B	
	08	I20A, I20B, I20C, I20D, I20E, I20F		21A	W04A, W04B	5t423.3↔		BOP, KVT, UOP4, VIAL	
	21A	W04A, W04B		21B	X04Z		01	B03A, B03B, B06A, B06B, B17A, B17B, B17C	
	21B	X04Z	5t422.j↔		BOP, KVT, UOP4, VIAL		08	I18A, I18B, I24Z, I30Z	
5t421.n↔		BOP, KVT, UOP4, VIAL		08	I59Z		21A	W04A, W04B	
	08	I20A, I20B, I20C, I20D, I20E, I20F		5t422.k↔		BOP, KVT, UOP4, VIAL		21B	X04Z
	21A	W04A, W04B			08	I12A, I12B, I12C, I59Z	5t423.4↔		BOP, KVT, UOP4, VIAL
	21B	X04Z		08	I12A, I12B, I12C, I20A, I20B, I20C, I20D, I20E, I20F		01	B03A, B03B, B06A, B06B, B17A, B17B, B17C	
5t421.p↔		BOP, KVT, UOP4, VIAL		21A	W04A, W04B		08	I24Z, I30Z	
	08	I20A, I20B, I20C, I20D, I20E, I20F		21B	X04Z		21A	W04A, W04B	
	21A	W04A, W04B	5t422.m↔		BOP, KVT, UOP4, VIAL		21B	X04Z	
	21B	X04Z		08	I12A, I12B, I12C, I20A, I20B, I20C, I20D, I20E, I20F	5t423.x↔		BOP, KVT, UOP4, VIAL	
5t421.q↔		BOP, KVT, UOP4, VIAL		21A	W04A, W04B		01	B03A, B03B, B06A, B06B, B17A, B17B, B17C	
	08	I20A, I20B, I20C, I20D, I20E, I20F		21B	X04Z		08	I18A, I30Z	
	21A	W04A, W04B	5t422.n↔		BOP, KVT, UOP4, VIAL		21A	W04A, W04B	
	21B	X04Z		08	I12A, I12B, I12C, I20A, I20B, I20C, I20D, I20E, I20F		21B	X04Z	
5t421.r↔		BOP, KVT, UOP4, VIAL		21A	W04A, W04B	5t426.0↔		BOP, KVT, UOP4, VIAL	
	08	I20A, I20B, I20C, I20D, I20E, I20F		21B	X04Z		08	I16Z	
	21A	W04A, W04B	5t422.p↔		BOP, KVT, UOP4, VIAL		21A	W04A, W04B	
	21B	X04Z		08	I12A, I12B, I12C, I20A, I20B, I20C, I20D, I20E, I20F		21B	X06A, X06B, X06C	
5t421.x		BOP, KVT, UOP4		21A	W04A, W04B	5t426.4↔		BOP, KVT, UOP4, VIAL	
	08	I28A, I28B		21B	X04Z		08	I08A, I08B, I08C, I08D, I08E, I08F, I18A, I18B, I30Z	
	21A	W04A, W04B	5t422.q↔		BOP, KVT, UOP4, VIAL		21A	W04A, W04B	
	21B	X06A, X06B, X06C		08	I12A, I12B, I12C, I20A, I20B, I20C, I20D, I20E, I20F		21B	X06A, X06B, X06C	
5t422.0↔		BOP, KVT, UOP4, VIAL		21A	W04A, W04B	5t426.g↔		BOP, KVT, UOP4, VIAL	
	08	I12A, I12B, I12C, I16Z		21B	X04Z		08	I08A, I08B, I08C, I08D, I08E, I30Z	
	21A	W04A, W04B	5t422.r↔		BOP, KVT, UOP4, VIAL		21A	W01A, W01B, W01C, W02A, W02B	
	21B	X06A, X06B, X06C		08	I12A, I12B, I12C, I20A, I20B, I20C, I20D, I20E, I20F		21B	X04Z	
5t422.1↔		BOP, KVT, UOP4, VIAL		21A	W04A, W04B	5t426.h↔		BOP, KVT, UOP4, VIAL	
	08	I12A, I12B, I12C, I16Z		21B	X04Z		08	I18A, I30Z	
	21A	W04A, W04B	5t422.x		BOP, KVT, UOP4		21A	W04A, W04B	
	21B	X06A, X06B, X06C		08	I12A, I12B, I12C, I28A, I28B		21B	X04Z	
5t422.4↔		BOP, KVT, UOP4, VIAL		21A	W04A, W04B	5t426.k↔		BOP, KVT, UOP4, VIAL	
	08	I08A, I08B, I08C, I08D, I08E, I08F, I12A, I12B, I12C, I21Z, I31Z		21B	X06A, X06B, X06C		08	I59Z	
	21A	W04A, W04B	5t423.10↔		BOP, KVT, UOP4, VIAL		21A	W04A, W04B	
	21B	X06A, X06B, X06C		08	I12A, I12B, I12C, I24Z, I30Z		21B	X04Z	
5t422.5↔		BOP, KVT, UOP4, VIAL		10	K09A, K09B	5t426.x		BOP, KVT, UOP4	
	08	I08A, I08B, I08C, I08D, I08E, I08F, I12A, I12B, I12C, I21Z, I31Z		21A	W04A, W04B		08	I28A, I28B	
	21A	W04A, W04B	5t423.11↔		BOP, KVT, UOP4, VIAL		21A	W04A, W04B	
	21B	X06A, X06B, X06C		08	I12A, I12B, I12C, I18A, I18B, I30Z	5t427.0↔		BOP, KVT, UOP4, VIAL	
5t422.6↔		BOP, KVT, UOP4, VIAL		10	K09A, K09B		08	I16Z, I32A, I32B, I32C, I32D	
	08	I08A, I08B, I08C, I08D, I08E, I08F, I12A, I12B, I12C, I32A, I32B, I32C, I32D, I32E, I32F		21A	W04A, W04B		21A	W04A, W04B	
	21A	W04A, W04B		21B	X04Z	5t427.1↔		X06A, X06B, X06C	
	21B	X05A, X05B				5t427.3↔		I32A, I32B, I32C, I32D	

ZZV	MDC	DRG	ZZV	MDC	DRG	ZZV	MDC	DRG
5t427.4↔		BOP, KVT, UOP4, VIAL	5t428.0↔		BOP, KVT, UOP4, VIAL	5t428.x		BOP, KVT, UOP4
	08	I08A, I08B, I08C, I08D, I08E, I08F, I21Z, I31Z, I32A, I32B, I32C, I32D		08	I16Z, I32A, I32B, I32C, I32D		08	I28A, I28B, I32A, I32B, I32C, I32D
	21A	W04A, W04B		21A	W04A, W04B		21A	W04A, W04B
	21B	X06A, X06B, X06C		21B	X06A, X06B, X06C		21B	X06A, X06B, X06C
5t427.5↔		BOP, KVT, UOP4, VIAL	5t428.1↔		I32A, I32B, I32C, I32D	5t429↔		BOP, KVT, UOP4, VIAL
	08	I08A, I08B, I08C, I08D, I08E, I08F, I21Z, I31Z, I32A, I32B, I32C, I32D		08	I32A, I32B, I32C, I32D		08	I32A, I32B, I32C, I32D, I32E, I32F, I32G
	21A	W04A, W04B		08	I08A, I08B, I08C, I08D, I08E, I08F, I21Z, I31Z, I32A, I32B, I32C, I32D		09	J03A, J03B, J04A, J04B, J08A, J08B, J08C, J11A, J11B, J16Z
	21B	X06A, X06B, X06C		21A	W04A, W04B		21A	W04A, W04B
5t427.6↔		BOP, KVT, UOP4, VIAL		21B	X06A, X06B, X06C		21B	X05A, X05B
	08	I08A, I08B, I08C, I08D, I08E, I08F, I32A, I32B, I32C, I32D, I32E, I32F	5t428.5↔		BOP, KVT, UOP4, VIAL	5t42c.0↔		BOP, KVT, UOP4, VIAL
	21A	W04A, W04B		08	I08A, I08B, I08C, I08D, I08E, I08F, I21Z, I31Z, I32A, I32B, I32C, I32D		08	I16Z
	21B	X05A, X05B		21A	W04A, W04B		21A	W04A, W04B
5t427.8↔		BOP, KVT, UOP4, VIAL		21B	X06A, X06B, X06C	5t42c.1↔		BOP, KVT, UOP4, VIAL
	08	I32A, I32B, I32C, I32D, I32E, I32F	5t428.6↔		BOP, KVT, UOP4, VIAL		08	I16Z
	21A	W04A, W04B		08	I08A, I08B, I08C, I08D, I08E, I08F, I32A, I32B, I32C, I32D, I32E, I32F		21A	W04A, W04B
	21B	X05A, X05B		21A	W04A, W04B		21B	X06A, X06B, X06C
5t427.9↔		BOP, KVT, UOP4, VIAL		21B	X05A, X05B	5t42c.3↔		BOP, KVT, UOP4, VIAL
	08	I32A, I32B, I32C, I32D, I32E, I32F	5t428.8↔		BOP, KVT, UOP4, VIAL		08	I28A, I28B
	21A	W04A, W04B		08	I32A, I32B, I32C, I32D, I32E, I32F		21A	W04A, W04B
	21B	X05A, X05B		21A	W04A, W04B		21B	X06A, X06B, X06C
5t427.e↔		I32A, I32B, I32C, I32D		21B	X05A, X05B	5t42c.4↔		BOP, KVT, UOP4, VIAL
5t427.f↔		I32A, I32B, I32C, I32D	5t428.9↔		BOP, KVT, UOP4, VIAL		08	I08A, I08B, I08C, I08D, I08E, I08F, I18A, I18B, I30Z
5t427.g↔		BOP, KVT, UOP4, VIAL		08	I32A, I32B, I32C, I32D, I32E, I32F		21A	W04A, W04B
	08	I08A, I08B, I08C, I08D, I08E, I30Z, I32A, I32B, I32C, I32D		21A	W04A, W04B		21B	X06A, X06B, X06C
	21A	W01A, W01B, W01C, W02A, W02B		21B	X05A, X05B	5t42c.5↔		BOP, KVT, UOP4, VIAL
	21B	X04Z		08	I32A, I32B, I32C, I32D		08	I08A, I08B, I08C, I08D, I08E, I08F, I18A, I18B, I30Z
5t427.h↔		BOP, KVT, UOP4, VIAL		08	I32A, I32B, I32C, I32D		21A	W04A, W04B
	01	B03A, B03B, B06A, B06B, B17A, B17B, B17C		08	I32A, I32B, I32C, I32D		21B	X06A, X06B, X06C
	08	I18A, I30Z, I32A, I32B, I32C, I32D		08	BOP, KVT, UOP4, VIAL	5t42c.6↔		BOP, KVT, UOP4, VIAL
	21A	W04A, W04B		08	I08A, I08B, I08C, I08D, I08E, I30Z, I32A, I32B, I32C, I32D		08	I08A, I08B, I08C, I08D, I08E, I08F, I32A, I32B, I32C, I32D, I32E, I32F
	21B	X04Z		21A	W01A, W01B, W01C, W02A, W02B		09	J03A, J03B, J04A, J04B, J08A, J08B, J08C, J11A, J11B, J16Z
5t427.j↔		BOP, KVT, UOP4, VIAL		21B	X04Z		21A	W04A, W04B
	08	I32A, I32B, I32C, I32D, I59Z	5t428.h↔		BOP, KVT, UOP4, VIAL		21B	X05A, X05B
5t427.k↔		BOP, KVT, UOP4, VIAL		01	B03A, B03B, B06A, B06B, B17A, B17B, B17C	5t42c.8↔		BOP, KVT, UOP4, VIAL
	08	I32A, I32B, I32C, I32D, I59Z		08	I18A, I30Z, I32A, I32B, I32C, I32D		08	I32A, I32B, I32C, I32D, I32E, I32F, I32G
	21A	W04A, W04B		21A	W04A, W04B		09	J03A, J03B, J04A, J04B, J08A, J08B, J08C, J11A, J11B, J16Z
	21B	X04Z		21B	X04Z		21A	W04A, W04B
5t427.m↔		I32A, I32B, I32C, I32D		08	BOP, KVT, UOP4, VIAL		21B	X05A, X05B
5t427.n↔		BOP, KVT, UOP4, VIAL		08	I32A, I32B, I32C, I32D, I59Z		08	I32A, I32B, I32C, I32D, I32E, I32F, I32G
	08	I20A, I20B, I20C, I20D, I20E, I20F, I32A, I32B, I32C, I32D		08	I32A, I32B, I32C, I32D, I59Z		09	J03A, J03B, J04A, J04B, J08A, J08B, J08C, J11A, J11B, J16Z
5t427.p↔		BOP, KVT, UOP4, VIAL		21A	W04A, W04B		21A	W04A, W04B
	08	I20A, I20B, I20C, I20D, I20E, I20F, I32A, I32B, I32C, I32D		21B	X04Z	5t42c.9↔		BOP, KVT, UOP4, VIAL
5t427.q↔		BOP, KVT, UOP4, VIAL		08	I32A, I32B, I32C, I32D		08	I32A, I32B, I32C, I32D, I32E, I32F, I32G
	08	I20A, I20B, I20C, I20D, I20E, I20F, I32A, I32B, I32C, I32D	5t428.m↔		BOP, KVT, UOP4, VIAL		09	J03A, J03B, J04A, J04B, J08A, J08B, J08C, J11A, J11B, J16Z
5t427.r↔		BOP, KVT, UOP4, VIAL		08	I20A, I20B, I20C, I20D, I20E, I20F, I32A, I32B, I32C, I32D		21A	W04A, W04B
	08	I20A, I20B, I20C, I20D, I20E, I20F, I32A, I32B, I32C, I32D	5t428.n↔		BOP, KVT, UOP4, VIAL		21B	X05A, X05B
5t427.s↔		BOP, KVT, UOP4, VIAL		08	I20A, I20B, I20C, I20D, I20E, I20F, I32A, I32B, I32C, I32D	5t42c.e↔		BOP, KVT, UOP4, VIAL
	08	I20A, I20B, I20C, I20D, I20E, I20F, I32A, I32B, I32C, I32D	5t428.p↔		BOP, KVT, UOP4, VIAL		08	I08A, I08B, I08C, I08D, I08E, I08F, I28A, I28B
5t427.x		BOP, KVT, UOP4		08	I20A, I20B, I20C, I20D, I20E, I20F, I32A, I32B, I32C, I32D		21A	W04A, W04B
	08	I28A, I28B, I32A, I32B, I32C, I32D	5t428.q↔		BOP, KVT, UOP4, VIAL		21B	X04Z, X06A, X06B, X06C
	21A	W04A, W04B		08	I20A, I20B, I20C, I20D, I20E, I20F, I32A, I32B, I32C, I32D			
	21B	X06A, X06B, X06C	5t428.r↔		BOP, KVT, UOP4, VIAL			
				08	I20A, I20B, I20C, I20D, I20E, I20F, I32A, I32B, I32C, I32D			

ZZV	MDC	DRG	ZZV	MDC	DRG	ZZV	MDC	DRG
5t42c.g↔		BOP, KVT, UOP4, VIAL	5t42d.6↔		BOP, KVT, UOP4, VIAL	5t42d.r↔		BOP, KVT, UOP4, VIAL
	08	I08A, I08B, I08C, I08D, I08E, I30Z		08	I08A, I08B, I08C, I08D, I08E, I08F, I32A, I32B, I32C, I32D, I32E, I32F		08	I20A, I20B, I20C, I20D, I20E, I20F
	21A	W01A, W01B, W01C, W02A, W02B		09	J03A, J03B, J04A, J04B, J08A, J08B, J08C, J11A, J11B, J16Z	5t42d.x	21A	W04A, W04B
	21B	X04Z		21A	W04A, W04B		21B	X04Z
5t42c.h↔		BOP, KVT, UOP4, VIAL		21B	X05A, X05B		08	I28A, I28B
	01	B03A, B03B, B06A, B06B, B17A, B17B, B17C	5t42d.8↔		BOP, KVT, UOP4, VIAL		21A	W04A, W04B
	08	I24Z, I30Z		08	I32A, I32B, I32C, I32D, I32E, I32F, I32G	5t42e.0↔	21B	X06A, X06B, X06C
	21A	W04A, W04B		09	J03A, J03B, J04A, J04B, J08A, J08B, J08C, J11A, J11B, J16Z		08	I16Z
	21B	X04Z		21A	W04A, W04B	5t42e.1↔	21A	W04A, W04B
5t42c.j↔		BOP, KVT, UOP4, VIAL		21B	X05A, X05B		21B	X06A, X06B, X06C
	08	I59Z	5t42d.9↔		BOP, KVT, UOP4, VIAL	5t42e.3↔	08	BOP, KVT, UOP4, VIAL
5t42c.k↔		BOP, KVT, UOP4, VIAL		08	I32A, I32B, I32C, I32D, I32E, I32F, I32G		08	I28A, I28B
	08	I59Z		09	J03A, J03B, J04A, J04B, J08A, J08B, J08C, J11A, J11B, J16Z		21A	W04A, W04B
	21A	W04A, W04B		21A	W04A, W04B	5t42e.4↔	21B	X06A, X06B, X06C
	21B	X04Z	5t42d.e↔		BOP, KVT, UOP4, VIAL		08	BOP, KVT, UOP4, VIAL
5t42c.m↔		BOP, KVT, UOP4, VIAL		08	I08A, I08B, I08C, I08D, I08E, I08F, I28A, I28B		08	I08A, I08B, I08C, I08D, I08E, I08F, I21Z, I31Z
	08	I20A, I20B, I20C, I20D, I20E, I20F		21A	W04A, W04B	5t42e.5↔	21A	W04A, W04B
	21A	W04A, W04B		21B	X04Z, X06A, X06B, X06C		21B	X06A, X06B, X06C
	21B	X04Z	5t42d.g↔		BOP, KVT, UOP4, VIAL		08	BOP, KVT, UOP4, VIAL
5t42c.n↔		BOP, KVT, UOP4, VIAL		08	I08A, I08B, I08C, I08D, I08E, I30Z	5t42e.6↔	21A	W04A, W04B
	08	I20A, I20B, I20C, I20D, I20E, I20F		21A	W01A, W01B, W01C, W02A, W02B		21B	X06A, X06B, X06C
	21A	W04A, W04B	5t42d.h↔		BOP, KVT, UOP4, VIAL		08	I08A, I08B, I08C, I08D, I08E, I08F, I32A, I32B, I32C, I32D, I32E, I32F
	21B	X04Z		01	B03A, B03B, B06A, B06B, B17A, B17B, B17C	5t42e.8↔	21A	W04A, W04B
5t42c.p↔		BOP, KVT, UOP4, VIAL		08	I18A, I18B, I30Z		21B	X05A, X05B
	08	I20A, I20B, I20C, I20D, I20E, I20F		21A	W04A, W04B		08	I32A, I32B, I32C, I32D, I32E, I32F
	21A	W04A, W04B	5t42d.j↔		BOP, KVT, UOP4, VIAL	5t42e.9↔	21A	W04A, W04B
	21B	X04Z		08	I59Z		21B	X05A, X05B
5t42c.q↔		BOP, KVT, UOP4, VIAL	5t42d.k↔		BOP, KVT, UOP4, VIAL		08	I32A, I32B, I32C, I32D, I32E, I32F
	08	I20A, I20B, I20C, I20D, I20E, I20F		08	I59Z		21A	W04A, W04B
	21A	W04A, W04B		21A	W04A, W04B	5t42e.e↔	21B	X05A, X05B
	21B	X04Z	5t42d.l↔		BOP, KVT, UOP4, VIAL		08	I08A, I08B, I08C, I08D, I08E, I08F, I28A, I28B
5t42c.r↔		BOP, KVT, UOP4, VIAL		08	I20A, I20B, I20C, I20D, I20E, I20F		21A	W04A, W04B
	08	I20A, I20B, I20C, I20D, I20E, I20F	5t42d.m↔		BOP, KVT, UOP4, VIAL		21B	X06A, X06B, X06C
	21A	W04A, W04B		08	I20A, I20B, I20C, I20D, I20E, I20F	5t42e.g↔	08	I18A, I18B, I30Z
	21B	X04Z		21A	W04A, W04B		10	K09A, K09B
5t42c.s↔		BOP, KVT, UOP4, VIAL	5t42d.n↔		BOP, KVT, UOP4, VIAL		21A	W04A, W04B
	08	I28A, I28B		08	I20A, I20B, I20C, I20D, I20E, I20F	5t42e.h↔	21B	X04Z
	21A	W04A, W04B		21A	W04A, W04B		01	B03A, B03B, B06A, B06B, B17A, B17B, B17C
	21B	X06A, X06B, X06C	5t42d.o↔		BOP, KVT, UOP4, VIAL		08	I18A, I18B, I24Z, I30Z
5t42d.0↔		BOP, KVT, UOP4, VIAL		08	I20A, I20B, I20C, I20D, I20E, I20F	5t42e.i↔	21A	W04A, W04B
	08	I16Z	5t42d.p↔		BOP, KVT, UOP4, VIAL		21B	X04Z
	21A	W04A, W04B		08	I20A, I20B, I20C, I20D, I20E, I20F		08	I28A, I28B
	21B	X06A, X06B, X06C	5t42d.q↔		BOP, KVT, UOP4, VIAL		21A	W04A, W04B
5t42d.1↔		BOP, KVT, UOP4, VIAL		08	I20A, I20B, I20C, I20D, I20E, I20F		21B	X04Z, X06A, X06B, X06C
	08	I16Z		21A	W04A, W04B		08	I28A, I28B
	21A	W04A, W04B		21B	X04Z		21A	W04A, W04B
	21B	X06A, X06B, X06C		5t42d.r↔		BOP, KVT, UOP4, VIAL	21B	X06A, X06B, X06C
5t42d.2↔		BOP, KVT, UOP4, VIAL		08	I20A, I20B, I20C, I20D, I20E, I20F			
	08	I28A, I28B		21A	W04A, W04B			
	21A	W04A, W04B		21B	X04Z			
	21B	X06A, X06B, X06C		5t42d.s↔		BOP, KVT, UOP4, VIAL		
5t42d.3↔		BOP, KVT, UOP4, VIAL		08	I20A, I20B, I20C, I20D, I20E, I20F			
	08	I28A, I28B		21A	W04A, W04B			
	21A	W04A, W04B		21B	X04Z			
	21B	X06A, X06B, X06C		5t42d.t↔		BOP, KVT, UOP4, VIAL		
5t42d.4↔		BOP, KVT, UOP4, VIAL		08	I20A, I20B, I20C, I20D, I20E, I20F			
	08	I08A, I08B, I08C, I08D, I08E, I08F, I18A, I18B, I30Z		21A	W04A, W04B			
	21A	W04A, W04B		21B	X04Z			
	21B	X06A, X06B, X06C		5t42d.u↔		BOP, KVT, UOP4, VIAL		
5t42d.5↔		BOP, KVT, UOP4, VIAL		08	I20A, I20B, I20C, I20D, I20E, I20F			
	08	I08A, I08B, I08C, I08D, I08E, I08F, I18A, I18B, I30Z		21A	W04A, W04B			
	21A	W04A, W04B		21B	X04Z			
	21B	X06A, X06B, X06C						

ZZV	MDC	DRG	ZZV	MDC	DRG	ZZV	MDC	DRG
5t42e.k↔		BOP, KVT, UOP4, VIAL	5t42f.g↔		BOP, KVT, UOP4, VIAL	5t42h.6↔		BOP, KVT, UOP4, VIAL
	08	I59Z		08	I08A, I08B, I08C, I08D, I08E, I30Z, I32A, I32B, I32C, I32D		08	I08A, I08B, I08C, I08D, I08E, I08F, I32A, I32B, I32C, I32D, I32E, I32F
	21A	W04A, W04B		21A	W01A, W01B, W01C, W02A, W02B		21A	W04A, W04B
	21B	X04Z		21B	X04Z		21B	X05A, X05B
5t42e.m↔		BOP, KVT, UOP4, VIAL	5t42f.h↔		BOP, KVT, UOP4, VIAL	5t42h.8↔		BOP, KVT, UOP4, VIAL
	08	I20A, I20B, I20C, I20D, I20E, I20F		01	B03A, B03B, B06A, B06B, B17A, B17B, B17C		08	I32A, I32B, I32C, I32D, I32E, I32F
	21A	W04A, W04B		08	I18A, I30Z, I32A, I32B, I32C, I32D		21A	W04A, W04B
	21B	X04Z		21A	W04A, W04B		21B	X05A, X05B
5t42e.n↔		BOP, KVT, UOP4, VIAL	5t42f.j↔		BOP, KVT, UOP4, VIAL	5t42h.9↔		BOP, KVT, UOP4, VIAL
	08	I20A, I20B, I20C, I20D, I20E, I20F		08	I32A, I32B, I32C, I32D, I59Z		08	I32A, I32B, I32C, I32D, I32E, I32F
	21A	W04A, W04B		21A	W04A, W04B		21A	W04A, W04B
	21B	X04Z		21B	X04Z		21B	X05A, X05B
5t42e.p↔		BOP, KVT, UOP4, VIAL	5t42f.k↔		BOP, KVT, UOP4, VIAL	5t42h.e↔		BOP, KVT, UOP4, VIAL
	08	I20A, I20B, I20C, I20D, I20E, I20F		08	I32A, I32B, I32C, I32D, I59Z		08	I08A, I08B, I08C, I08D, I08E, I08F, I28A, I28B
	21A	W04A, W04B		21A	W04A, W04B		21A	W04A, W04B
	21B	X04Z		21B	X04Z		21B	X04Z, X06A, X06B, X06C
5t42e.q↔		BOP, KVT, UOP4, VIAL	5t42f.m↔		BOP, KVT, UOP4, VIAL	5t42h.f		BOP, KVT, UOP4, VIAL
	08	I20A, I20B, I20C, I20D, I20E, I20F		08	I20A, I20B, I20C, I20D, I20E, I20F, I32A, I32B, I32C, I32D		08	I28A, I28B
	21A	W04A, W04B		5t42f.p↔	BOP, KVT, UOP4, VIAL		21A	W04A, W04B
	21B	X04Z		08	I20A, I20B, I20C, I20D, I20E, I20F, I32A, I32B, I32C, I32D		21B	X04Z, X06A, X06B, X06C
5t42e.r↔		BOP, KVT, UOP4, VIAL	5t42f.q↔		BOP, KVT, UOP4, VIAL	5t42h.g↔		BOP, KVT, UOP4, VIAL
	08	I20A, I20B, I20C, I20D, I20E, I20F		08	I20A, I20B, I20C, I20D, I20E, I20F, I32A, I32B, I32C, I32D		08	I18A, I18B, I30Z
	21A	W04A, W04B		5t42f.r↔	BOP, KVT, UOP4, VIAL		10	K09A, K09B
	21B	X04Z		08	I20A, I20B, I20C, I20D, I20E, I20F, I32A, I32B, I32C, I32D		21A	W04A, W04B
5t42e.x		BOP, KVT, UOP4	5t42f.x		BOP, KVT, UOP4, VIAL	5t42h.h↔		BOP, KVT, UOP4, VIAL
	08	I28A, I28B		08	I28A, I28B, I32A, I32B, I32C, I32D		01	B03A, B03B, B06A, B06B, B17A, B17B, B17C
	21A	W04A, W04B		21A	W04A, W04B		08	I24Z, I30Z
	21B	X06A, X06B, X06C		21B	X06A, X06B, X06C		21A	W04A, W04B
5t42f.0↔		BOP, KVT, UOP4, VIAL	5t42g↔		BOP, KVT, UOP4, VIAL	5t42h.j↔		BOP, KVT, UOP4, VIAL
	08	I16Z, I32A, I32B, I32C, I32D		08	I32A, I32B, I32C, I32D, I32E, I32F		08	I28A, I28B
	21A	W04A, W04B		21A	W04A, W04B		21A	W04A, W04B
	21B	X06A, X06B, X06C		21B	X06A, X06B, X06C		21B	X04Z
5t42f.1↔		BOP, KVT, UOP4, VIAL	5t42h.0↔		BOP, KVT, UOP4, VIAL	5t42h.k↔		BOP, KVT, UOP4, VIAL
	08	I32A, I32B, I32C, I32D		08	I16Z		08	I59Z
	21A	W04A, W04B		21A	W04A, W04B		21A	W04A, W04B
	21B	X06A, X06B, X06C		21B	X06A, X06B, X06C		21B	X04Z
5t42f.3↔		BOP, KVT, UOP4, VIAL	5t42h.1↔		BOP, KVT, UOP4, VIAL	5t42h.m↔		BOP, KVT, UOP4, VIAL
	08	I08A, I08B, I08C, I08D, I08E, I08F, I21Z, I31Z, I32A, I32B, I32C, I32D		08	I16Z		08	I20A, I20B, I20C, I20D, I20E, I20F
	21A	W04A, W04B		21A	W04A, W04B		21A	W04A, W04B
	21B	X06A, X06B, X06C		21B	X06A, X06B, X06C		21B	X04Z
5t42f.5↔		BOP, KVT, UOP4, VIAL	5t42h.2↔		BOP, KVT, UOP4, VIAL	5t42h.n↔		BOP, KVT, UOP4, VIAL
	08	I08A, I08B, I08C, I08D, I08E, I08F, I21Z, I31Z, I32A, I32B, I32C, I32D		08	I28A, I28B		08	I20A, I20B, I20C, I20D, I20E, I20F
	21A	W04A, W04B		21A	W04A, W04B		21A	W04A, W04B
	21B	X06A, X06B, X06C		21B	X06A, X06B, X06C		21B	X04Z
5t42f.6↔		BOP, KVT, UOP4, VIAL	5t42h.3↔		BOP, KVT, UOP4, VIAL	5t42h.p↔		BOP, KVT, UOP4, VIAL
	08	I08A, I08B, I08C, I08D, I08E, I08F, I32A, I32B, I32C, I32D, I32E, I32F		08	I28A, I28B		08	I20A, I20B, I20C, I20D, I20E, I20F
	21A	W04A, W04B		21A	W04A, W04B		21A	W04A, W04B
	21B	X05A, X05B		21B	X06A, X06B, X06C		21B	X04Z
5t42f.8↔		BOP, KVT, UOP4, VIAL	5t42h.4↔		BOP, KVT, UOP4, VIAL	5t42h.q↔		BOP, KVT, UOP4, VIAL
	08	I32A, I32B, I32C, I32D, I32E, I32F		08	I08A, I08B, I08C, I08D, I08E, I08F, I21Z, I31Z		08	I20A, I20B, I20C, I20D, I20E, I20F
	21A	W04A, W04B		21A	W04A, W04B		21A	W04A, W04B
	21B	X05A, X05B		21B	X06A, X06B, X06C		21B	X04Z
5t42f.9↔		BOP, KVT, UOP4, VIAL	5t42h.5↔		BOP, KVT, UOP4, VIAL	5t42h.r↔		BOP, KVT, UOP4, VIAL
	08	I32A, I32B, I32C, I32D, I32E, I32F		08	I08A, I08B, I08C, I08D, I08E, I08F, I21Z, I31Z		08	I20A, I20B, I20C, I20D, I20E, I20F
	21A	W04A, W04B		21A	W04A, W04B		21A	W04A, W04B
	21B	X05A, X05B		21B	X06A, X06B, X06C		21B	X04Z
5t42f.e↔		BOP, KVT, UOP4, VIAL						
	08	I32A, I32B, I32C, I32D						
5t42f.f		BOP, KVT, UOP4, VIAL						
	08	I32A, I32B, I32C, I32D						

VYK

ZZV	MDC	DRG	ZZV	MDC	DRG	ZZV	MDC	DRG
5t42h.x		BOP, KVT, UOP4	5t42i.j↔		BOP, KVT, UOP4, VIAL	5t435↔		BOP, KVT, UOP4, VIAL
	08	I28A, I28B		08	I28A, I28B		01	B03A, B03B, B06A, B06B, B17A, B17B, B17C
	21A	W04A, W04B		21A	W04A, W04B		08	I12A, I12B, I12C, I18A, I18B, I30Z
	21B	X06A, X06B, X06C		21B	X04Z, X06A, X06B, X06C		21A	W04A, W04B
5t42i.0↔		BOP, KVT, UOP4, VIAL	5t42i.k↔		BOP, KVT, UOP4, VIAL		21B	X04Z
	08	I16Z		08	I59Z	5t436↔		BOP, KVT, UOP4, VIAL
	21A	W04A, W04B		21A	W04A, W04B		01	B03A, B03B, B06A, B06B, B17A, B17B, B17C
	21B	X06A, X06B, X06C		21B	X04Z		08	I12A, I12B, I12C, I18A, I18B, I30Z
5t42i.1↔		BOP, KVT, UOP4, VIAL	5t42i.m↔		BOP, KVT, UOP4, VIAL		21A	W04A, W04B
	08	I16Z		08	I20A, I20B, I20C, I20D, I20E, I20F		21B	X04Z
	21A	W04A, W04B		21A	W04A, W04B	5t437↔		BOP, KVT, UOP4, VIAL
	21B	X06A, X06B, X06C		21B	X04Z		01	B03A, B03B, B06A, B06B, B17A, B17B, B17C
5t42i.2↔		BOP, KVT, UOP4, VIAL	5t42i.n↔		BOP, KVT, UOP4, VIAL		08	I12A, I12B, I12C, I18A, I18B, I30Z
	08	I28A, I28B		08	I20A, I20B, I20C, I20D, I20E, I20F		21A	W04A, W04B
	21A	W04A, W04B		21A	W04A, W04B		21B	X04Z
	21B	X06A, X06B, X06C		21B	X04Z		01	B03A, B03B, B06A, B06B, B17A, B17B, B17C
5t42i.3↔		BOP, KVT, UOP4, VIAL	5t42i.o↔		BOP, KVT, UOP4, VIAL		08	I12A, I12B, I12C, I18A, I18B, I30Z
	08	I28A, I28B		08	I20A, I20B, I20C, I20D, I20E, I20F		21A	W04A, W04B
	21A	W04A, W04B		21A	W04A, W04B		21B	X04Z
	21B	X06A, X06B, X06C	5t42i.p↔		BOP, KVT, UOP4, VIAL	5t438↔		BOP, KVT, UOP4, VIAL
5t42i.4↔		BOP, KVT, UOP4, VIAL		08	I20A, I20B, I20C, I20D, I20E, I20F		01	B03A, B03B, B06A, B06B, B17A, B17B, B17C
	08	I08A, I08B, I08C, I08D, I08E, I08F, I21Z, I31Z		21A	W04A, W04B		08	I18A, I18B, I30Z
	21A	W04A, W04B	5t42i.q↔		BOP, KVT, UOP4, VIAL		21A	W04A, W04B
	21B	X06A, X06B, X06C		08	I20A, I20B, I20C, I20D, I20E, I20F		21B	X04Z
5t42i.5↔		BOP, KVT, UOP4, VIAL	5t42i.r↔		BOP, KVT, UOP4, VIAL	5t439↔		BOP, KVT, UOP4, VIAL
	08	I08A, I08B, I08C, I08D, I08E, I08F, I21Z, I31Z		08	I20A, I20B, I20C, I20D, I20E, I20F		01	B03A, B03B, B06A, B06B, B17A, B17B, B17C
	21A	W04A, W04B		21A	W04A, W04B		08	I12A, I12B, I12C, I18A, I18B, I30Z
	21B	X06A, X06B, X06C		21B	X04Z		21A	W04A, W04B
5t42i.6↔		BOP, KVT, UOP4, VIAL	5t42i.s↔		BOP, KVT, UOP4, VIAL		21B	X04Z
	08	I08A, I08B, I08C, I08D, I08E, I08F, I32A, I32B, I32C, I32D, I32E, I32F		08	I20A, I20B, I20C, I20D, I20E, I20F	5t43a↔		BOP, KVT, UOP4, VIAL
	21A	W04A, W04B		21A	W04A, W04B		01	B03A, B03B, B06A, B06B, B17A, B17B, B17C
	21B	X05A, X05B		21B	X06A, X06B, X06C		08	I12A, I12B, I12C, I18A, I18B, I30Z
5t42i.8↔		BOP, KVT, UOP4, VIAL	5t430↔		BOP, KVT, UOP4, VIAL		21A	W04A, W04B
	08	I32A, I32B, I32C, I32D, I32E, I32F		01	B03A, B03B, B06A, B06B, B17A, B17B, B17C		21B	X04Z
	21A	W04A, W04B		08	I18A, I18B, I30Z	5t43b↔		BOP, KVT, UOP4, VIAL
	21B	X05A, X05B		21A	W04A, W04B		01	B03A, B03B, B06A, B06B, B17A, B17B, B17C
5t42i.9↔		BOP, KVT, UOP4, VIAL		21B	X04Z		08	I12A, I12B, I12C, I18A, I18B, I30Z
	08	I32A, I32B, I32C, I32D, I32E, I32F	5t431↔		BOP, KVT, UOP4, VIAL		21A	W04A, W04B
	21A	W04A, W04B		01	B03A, B03B, B06A, B06B, B17A, B17B, B17C		21B	X04Z
	21B	X05A, X05B		08	I18A, I18B, I30Z	5t43c↔		BOP, KVT, UOP4, VIAL
5t42i.e↔		BOP, KVT, UOP4, VIAL		21A	W04A, W04B		01	B03A, B03B, B06A, B06B, B17A, B17B, B17C
	08	I08A, I08B, I08C, I08D, I08E, I08F, I28A, I28B		21B	X04Z		08	I12A, I12B, I12C, I18A, I18B, I30Z
	21A	W04A, W04B	5t432↔		BOP, KVT, UOP4, VIAL		21A	W04A, W04B
	21B	X04Z, X06A, X06B, X06C		01	B03A, B03B, B06A, B06B, B17A, B17B, B17C		21B	X04Z
5t42i.f		BOP, KVT, UOP4, VIAL		08	I12A, I12B, I12C, I18A, I18B, I30Z	5t43d↔		BOP, KVT, UOP4, VIAL
	08	I28A, I28B		21A	W04A, W04B		01	B03A, B03B, B06A, B06B, B17A, B17B, B17C
	21A	W04A, W04B		21B	X04Z		08	I12A, I12B, I12C, I18A, I18B, I30Z
	21B	X04Z, X06A, X06B, X06C	5t433↔		BOP, KVT, UOP4, VIAL		21A	W04A, W04B
5t42i.g↔		BOP, KVT, UOP4, VIAL		01	B03A, B03B, B06A, B06B, B17A, B17B, B17C		21B	X04Z
	08	I18A, I18B, I30Z		08	I12A, I12B, I12C, I18A, I18B, I30Z	5t43e↔		BOP, KVT, UOP4, VIAL
	10	K09A, K09B		21A	W04A, W04B		01	B03A, B03B, B06A, B06B, B17A, B17B, B17C
	21A	W04A, W04B		21B	X04Z		08	I12A, I12B, I12C, I18A, I18B, I30Z
	21B	X04Z		08	I12A, I12B, I12C, I18A, I18B, I30Z		21A	W04A, W04B
5t42i.h↔		BOP, KVT, UOP4, VIAL		21A	W04A, W04B		21B	X04Z
	01	B03A, B03B, B06A, B06B, B17A, B17B, B17C	5t434↔		BOP, KVT, UOP4, VIAL		01	B03A, B03B, B06A, B06B, B17A, B17B, B17C
	08	I24Z, I30Z		01	B03A, B03B, B06A, B06B, B17A, B17B, B17C		08	I12A, I12B, I12C, I18A, I18B, I30Z
	21A	W04A, W04B		08	I12A, I12B, I12C, I18A, I18B, I30Z		21A	W04A, W04B
	21B	X04Z		21A	W04A, W04B		21B	X04Z
				21B	X04Z			

VYK

ZZV	MDC	DRG	ZZV	MDC	DRG	ZZV	MDC	DRG
5t43f↔		BOP, KVT, UOP4, VIAL	5t445↔		BOP, KVT, UOP4, VIAL	5t452.3↔		BOP, KVT, UOP4, VIAL
	01	B03A, B03B, B06A, B06B, B17A, B17B, B17C		01	B03A, B03B, B06A, B06B, B17A, B17B, B17C		01	B03A, B03B, B06A, B06B, B17A, B17B, B17C
	08	I12A, I12B, I12C, I18A, I18B, I30Z		08	I29Z		08	I12A, I12B, I12C, I18A, I18B, I30Z
	21A	W04A, W04B		10	K09A, K09B		21A	W04A, W04B
	21B	X04Z		21A	W04A, W04B		21B	X04Z
5t43g↔		BOP, KVT, UOP4, VIAL	5t446↔		BOP, KVT, UOP4, VIAL	5t452.x↔		BOP, KVT, UOP4, VIAL
	01	B03A, B03B, B06A, B06B, B17A, B17B, B17C		08	I29Z		01	B03A, B03B, B06A, B06B, B17A, B17B, B17C
	08	I12A, I12B, I12C, I18A, I18B, I30Z		21A	W04A, W04B		08	I12A, I12B, I12C, I18A, I18B, I30Z
	21A	W04A, W04B		21B	X06A, X06B, X06C		21A	W04A, W04B
	21B	X04Z	5t447↔		BOP, KVT, UOP4, VIAL		21B	X04Z
5t43h↔		BOP, KVT, UOP4, VIAL		08	I16Z	5t453.0↔		BOP, KVT, UOP4, VIAL
	01	B03A, B03B, B06A, B06B, B17A, B17B, B17C		21A	W04A, W04B		01	B03A, B03B, B06A, B06B, B17A, B17B, B17C
	08	I12A, I12B, I12C, I18A, I18B, I30Z		21B	X06A, X06B, X06C		08	I12A, I12B, I12C, I18A, I18B, I30Z
	21A	W04A, W04B	5t448↔		BOP, KVT, UOP4, VIAL		21A	W04A, W04B
	21B	X04Z		08	I16Z		21B	X04Z
5t43x↔		BOP, KVT, UOP4, VIAL		21A	W04A, W04B	5t453.1↔		BOP, KVT, UOP4, VIAL
	01	B03A, B03B, B06A, B06B, B17A, B17B, B17C		21B	X06A, X06B, X06C		01	B03A, B03B, B06A, B06B, B17A, B17B, B17C
	08	I12A, I12B, I12C, I18A, I18B, I30Z	5t449↔		BOP, KVT, UOP4, VIAL		08	I12A, I12B, I12C, I18A, I18B, I30Z
	21A	W04A, W04B		08	I16Z		21A	W04A, W04B
	21B	X04Z		21A	W04A, W04B		21B	X04Z
5t440↔		BOP, KVT, UOP4, VIAL	5t44a↔		BOP, KVT, UOP4, VIAL	5t453.2↔		BOP, KVT, UOP4, VIAL
	01	B03A, B03B, B06A, B06B, B17A, B17B, B17C		08	I16Z		01	B03A, B03B, B06A, B06B, B17A, B17B, B17C
	08	I29Z		21A	W04A, W04B		08	I18A, I18B, I30Z
	10	K09A, K09B		21B	X06A, X06B, X06C		21A	W04A, W04B
	21A	W04A, W04B	5t44b↔		BOP, KVT, UOP4, VIAL		21B	X04Z
	21B	X06A, X06B, X06C		08	I16Z		01	B03A, B03B, B06A, B06B, B17A, B17B, B17C
5t441↔		BOP, KVT, UOP4, VIAL		21A	W04A, W04B	5t453.3↔		BOP, KVT, UOP4, VIAL
	01	B03A, B03B, B06A, B06B, B17A, B17B, B17C		21B	X06A, X06B, X06C		01	B03A, B03B, B06A, B06B, B17A, B17B, B17C
	08	I29Z	5t44c↔		BOP, KVT, UOP4, VIAL		08	I12A, I12B, I12C, I18A, I18B, I30Z
	10	K09A, K09B		08	I16Z		21A	W04A, W04B
	21A	W04A, W04B		21A	W04A, W04B		21B	X04Z
	21B	X06A, X06B, X06C	5t44d↔		BOP, KVT, UOP4, VIAL	5t453.x↔		BOP, KVT, UOP4, VIAL
5t442↔		BOP, KVT, UOP4, VIAL		08	I16Z		01	B03A, B03B, B06A, B06B, B17A, B17B, B17C
	01	B03A, B03B, B06A, B06B, B17A, B17B, B17C		21A	W04A, W04B		08	I12A, I12B, I12C, I18A, I18B, I30Z
	08	I29Z		21B	X06A, X06B, X06C		21A	W04A, W04B
	10	K09A, K09B	5t44e↔		BOP, KVT, UOP4, VIAL		21B	X04Z
	21A	W04A, W04B		01	B03A, B03B, B06A, B06B, B17A, B17B, B17C	5t45x↔		BOP, KVT, UOP4, VIAL
	21B	X06A, X06B, X06C		08	I18A, I18B, I30Z		01	B03A, B03B, B06A, B06B, B17A, B17B, B17C
5t443↔		BOP, KVT, UOP4, VIAL		21A	W04A, W04B		08	I18A, I18B, I30Z
	08	I12A, I12B, I12C, I16Z		21B	X04Z		21A	W04A, W04B
	21A	W04A, W04B	5t451↔		BOP, KVT, UOP4, VIAL		21B	X04Z
	21B	X06A, X06B, X06C		01	B03A, B03B, B06A, B06B, B17A, B17B, B17C	5t452.0↔		BOP, KVT, UOP4, VIAL
5t444.0↔		BOP, KVT, UOP4, VIAL		08	I18A, I18B, I30Z		01	B03A, B03B, B06A, B06B, B17A, B17B, B17C
	08	I12A, I12B, I12C, I29Z		21A	W04A, W04B		08	I12A, I12B, I12C, I18A, I18B, I30Z
	21A	W04A, W04B	5t452.1↔		BOP, KVT, UOP4, VIAL		21A	W04A, W04B
	21B	X06A, X06B, X06C		01	B03A, B03B, B06A, B06B, B17A, B17B, B17C	5t45x↔		BOP, KVT, UOP4, VIAL
5t444.1↔		BOP, KVT, UOP4, VIAL		08	I12A, I12B, I12C, I18A, I18B, I30Z		01	B03A, B03B, B06A, B06B, B17A, B17B, B17C
	08	I12A, I12B, I12C, I29Z		21A	W04A, W04B		08	I18A, I18B, I30Z
	21A	W04A, W04B	5t452.2↔		BOP, KVT, UOP4, VIAL		21A	W04A, W04B
	21B	X06A, X06B, X06C		01	B03A, B03B, B06A, B06B, B17A, B17B, B17C	5t490.0↔		BOP, KVT, UOP4, VIAL
5t444.2↔		BOP, KVT, UOP4, VIAL		08	I12A, I12B, I12C, I18A, I18B, I30Z		08	I12A, I12B, I12C, I16Z
	08	I12A, I12B, I12C, I29Z		21A	W04A, W04B		21A	W04A, W04B
	21A	W04A, W04B	5t452.x↔		BOP, KVT, UOP4, VIAL		21B	X06A, X06B, X06C
	21B	X06A, X06B, X06C		01	B03A, B03B, B06A, B06B, B17A, B17B, B17C	5t490.1↔		BOP, KVT, UOP4, VIAL
5t444.x↔		BOP, KVT, UOP4, VIAL		08	I12A, I12B, I12C, I18A, I18B, I30Z		08	I12A, I12B, I12C, I16Z
	08	I12A, I12B, I12C, I29Z		21A	W04A, W04B		21A	W04A, W04B
	21A	W04A, W04B		21B	X04Z	5t490.3↔		BOP, KVT, UOP4, VIAL
	21B	X06A, X06B, X06C		01	B03A, B03B, B06A, B06B, B17A, B17B, B17C		08	I12A, I12B, I12C, I28A, I28B
	08	I12A, I12B, I12C, I29Z		08	I12A, I12B, I12C, I18A, I18B, I30Z		21A	W04A, W04B
	21A	W04A, W04B		21A	W04A, W04B		21B	X06A, X06B, X06C
	21B	X06A, X06B, X06C		21B	X04Z			

ZZV	MDC	DRG	ZZV	MDC	DRG	ZZV	MDC	DRG
5t490.4↔		BOP, KVT, UOP4, VIAL	5t491.0↔		BOP, KVT, UOP4, VIAL	5t49x.6↔		BOP, KVT, UOP4, VIAL
	08	I08A, I08B, I08C, I08D, I08E, I08F, I12A, I12B, I12C, I18A, I18B, I30Z		08	I16Z		08	I08A, I08B, I08C, I08D, I08E, I08F, I32A, I32B, I32C, I32D, I32E, I32F
	21A	W04A, W04B		21A	W04A, W04B		21A	W04A, W04B
	21B	X06A, X06B, X06C	5t491.4↔		BOP, KVT, UOP4, VIAL		21B	X05A, X05B
5t490.5↔		BOP, KVT, UOP4, VIAL		08	I08A, I08B, I08C, I08D, I08E, I08F, I18A, I18B, I30Z	5t49x.8↔		BOP, KVT, UOP4, VIAL
	08	I08A, I08B, I08C, I08D, I08E, I08F, I12A, I12B, I12C, I18A, I18B, I30Z		21A	W04A, W04B		08	I32A, I32B, I32C, I32D, I32E, I32F
	21A	W04A, W04B	5t491.5↔		BOP, KVT, UOP4, VIAL		21A	W04A, W04B
	21B	X06A, X06B, X06C		08	I08A, I08B, I08C, I08D, I08E, I08F, I18A, I18B, I30Z	5t49x.9↔		BOP, KVT, UOP4, VIAL
5t490.6↔		BOP, KVT, UOP4, VIAL		21A	W04A, W04B		08	I32A, I32B, I32C, I32D, I32E, I32F
	08	I08A, I08B, I08C, I08D, I08E, I08F, I12A, I12B, I12C, I32A, I32B, I32C, I32D, I32E, I32F	5t491.h↔		BOP, KVT, UOP4, VIAL		21A	W04A, W04B
	21A	W04A, W04B		01	B03A, B03B, B06A, B06B, B17A, B17B, B17C	5t49x.e↔		BOP, KVT, UOP4, VIAL
	21B	X05A, X05B		08	I18A, I18B, I30Z		08	I08A, I08B, I08C, I08D, I08E, I08F, I28A, I28B
5t490.8↔		BOP, KVT, UOP4, VIAL		21A	W04A, W04B		21A	W04A, W04B
	08	I12A, I12B, I12C, I32A, I32B, I32C, I32D, I32E, I32F	5t491.k↔		BOP, KVT, UOP4, VIAL		21B	X04Z, X06A, X06B, X06C
	21A	W04A, W04B		08	I59Z	5t49x.f		BOP, KVT, UOP4, VIAL
	21B	X05A, X05B		21A	W04A, W04B		08	I28A, I28B
5t490.9↔		BOP, KVT, UOP4, VIAL		21B	X04Z		21A	W04A, W04B
	08	I12A, I12B, I12C, I32A, I32B, I32C, I32D, I32E, I32F	5t491.x↔		BOP, KVT, UOP4		21B	X04Z, X06A, X06B, X06C
	21A	W04A, W04B		08	I28A, I28B	5t49x.g↔		BOP, KVT, UOP4, VIAL
	21B	X05A, X05B		21A	W04A, W04B		08	I30Z
5t490.g↔		BOP, KVT, UOP4, VIAL	5t492.0↔		BOP, KVT, UOP4, VIAL		21A	W01A, W01B, W01C, W02A, W02B
	08	I08A, I08B, I08C, I08D, I08E, I30Z		08	I16Z		21B	X04Z
	21A	W01A, W01B, W01C, W02A, W02B		21A	W04A, W04B	5t49x.h↔		BOP, KVT, UOP4, VIAL
	21B	X04Z	5t492.h↔		BOP, KVT, UOP4, VIAL		01	B03A, B03B, B06A, B06B, B17A, B17B, B17C
5t490.h↔		BOP, KVT, UOP4, VIAL		01	B03A, B03B, B06A, B06B, B17A, B17B, B17C		08	I18A, I18B, I30Z
	01	B03A, B03B, B06A, B06B, B17A, B17B, B17C		08	I18A, I18B, I30Z	5t49x.j↔		BOP, KVT, UOP4, VIAL
	08	I12A, I12B, I12C, I18A, I18B, I30Z		21A	W04A, W04B		01	B03A, B03B, B06A, B06B, B17A, B17B, B17C
	21A	W04A, W04B	5t492.x↔		BOP, KVT, UOP4		08	I18A, I18B, I30Z
	21B	X04Z		08	I28A, I28B		21A	W04A, W04B
5t490.j↔		BOP, KVT, UOP4, VIAL		21A	W04A, W04B	5t49x.k↔		BOP, KVT, UOP4, VIAL
	08	I59Z	5t49x.0↔		BOP, KVT, UOP4, VIAL		08	I59Z
5t490.k↔		BOP, KVT, UOP4, VIAL		08	I16Z		21A	W04A, W04B
	08	I12A, I12B, I12C, I59Z		21A	W04A, W04B		21B	X04Z
	21A	W04A, W04B	5t49x.1↔		BOP, KVT, UOP4, VIAL	5t49x.m↔		BOP, KVT, UOP4, VIAL
	21B	X04Z		08	I16Z		08	I20A, I20B, I20C, I20D, I20E, I20F
5t490.m↔		BOP, KVT, UOP4, VIAL		21A	W04A, W04B		21A	W04A, W04B
	08	I12A, I12B, I12C, I20A, I20B, I20C, I20D, I20E, I20F	5t49x.2↔		BOP, KVT, UOP4, VIAL		21B	X04Z
	21A	W04A, W04B		08	I28A, I28B	5t49x.n↔		BOP, KVT, UOP4, VIAL
	21B	X04Z		21A	W04A, W04B		08	I20A, I20B, I20C, I20D, I20E, I20F
5t490.n↔		BOP, KVT, UOP4, VIAL		21B	X06A, X06B, X06C		21A	W04A, W04B
	08	I20A, I20B, I20C, I20D, I20E, I20F	5t49x.3↔		BOP, KVT, UOP4, VIAL		21B	X04Z
5t490.p↔		BOP, KVT, UOP4, VIAL		08	I28A, I28B	5t49x.p↔		BOP, KVT, UOP4, VIAL
	08	I20A, I20B, I20C, I20D, I20E, I20F		21A	W04A, W04B		08	I20A, I20B, I20C, I20D, I20E, I20F
5t490.q↔		BOP, KVT, UOP4, VIAL	5t49x.4↔		BOP, KVT, UOP4, VIAL		21A	W04A, W04B
	08	I20A, I20B, I20C, I20D, I20E, I20F		08	I08A, I08B, I08C, I08D, I08E, I08F, I18A, I18B, I30Z		21B	X04Z
5t490.r↔		BOP, KVT, UOP4, VIAL		21A	W04A, W04B	5t49x.q↔		BOP, KVT, UOP4, VIAL
	08	I20A, I20B, I20C, I20D, I20E, I20F	5t49x.5↔		BOP, KVT, UOP4, VIAL		08	I20A, I20B, I20C, I20D, I20E, I20F
5t490.x		BOP, KVT, UOP4		08	I08A, I08B, I08C, I08D, I08E, I08F, I18A, I18B, I30Z		10	K09A, K09B
	08	I12A, I12B, I12C, I28A, I28B		21A	W04A, W04B		21A	W04A, W04B
	21A	W04A, W04B		21B	X06A, X06B, X06C		21B	X04Z
	21B	X06A, X06B, X06C						

ZZV	MDC	DRG	ZZV	MDC	DRG	ZZV	MDC	DRG
5t49x.r↔		BOP, KVT, UOP4, VIAL	5t502.1↔		BOP, KOP, KOPV, KVT, UOP4, VIAL	5t504.0↔		BOP, KOP, KOPV, KVT, UOP4, VIAL
	08	I20A, I20B, I20C, I20D, I20E, I20F		06	G33Z		06	G33Z
	10	K09A, K09B		07	H33Z, H38Z		07	H33Z, H38Z
	21A	W04A, W04B		08	I01Z, I03A, I03B, I05Z, I08A, I08B, I08C, I08D, I08E, I08F, I12A, I12B, I12C, I36Z, I47A, I47B		08	I01Z, I03A, I03B, I05Z, I08A, I08B, I08C, I08D, I08E, I08F, I12A, I12B, I12C, I36Z, I47A, I47B
5t49x.x	21B	X04Z		11	L33Z		10	K09A, K09B
		BOP, KVT, UOP4		21A	W01A, W01B, W01C, W02A, W02B		11	L33Z
	08	I28A, I28B		21B	X04Z, X33Z		21A	W01A, W01B, W01C, W02A, W02B
	21A	W04A, W04B		23	Z01A		21B	X04Z, X33Z
	21B	X06A, X06B, X06C		Pre	A07A		23	Z01A
5t500.0↔		BOP, KOP, KOPV, KVT, UOP4, VIAL	5t502.2↔		BOP, KOP, KOPV, KVT, UOP4, VIAL	5t504.1↔		BOP, KOP, KOPV, KVT, UOP4, VIAL
	06	G33Z		06	G33Z		06	G33Z
	07	H33Z, H38Z		07	H33Z, H38Z		07	H33Z, H38Z
	08	I01Z, I03A, I03B, I05Z, I08A, I08B, I08C, I08D, I08E, I08F, I12A, I12B, I12C, I36Z, I47A, I47B		08	I01Z, I03A, I03B, I05Z, I08A, I08B, I08C, I08D, I08E, I08F, I12A, I12B, I12C, I36Z, I47A, I47B		08	I01Z, I03A, I03B, I05Z, I08A, I08B, I08C, I08D, I08E, I08F, I12A, I12B, I12C, I36Z, I47A, I47B
	11	L33Z		11	L33Z		10	K09A, K09B
	21A	W01A, W01B, W01C, W02A, W02B		21A	W01A, W01B, W01C, W02A, W02B		11	L33Z
	21B	X04Z, X33Z		21B	X04Z, X33Z		21A	W01A, W01B, W01C, W02A, W02B
	23	Z01A		23	Z01A		21B	X04Z, X33Z
	Pre	A07A		Pre	A07A		23	Z01A
5t500.1↔		BOP, KOP, KOPV, KVT, UOP4, VIAL	5t503.0↔		BOP, KOP, KOPV, KVT, UOP4, VIAL	5t505.0↔		BOP, KVT, UOP4, VIAL
	06	G33Z		06	G33Z		08	I03A, I03B, I05Z, I08A, I08B, I08C, I08D, I08E, I08F, I12A, I12B, I12C, I36Z, I47A, I47B
	07	H33Z, H38Z		07	H33Z, H38Z		10	K09A, K09B
	08	I01Z, I03A, I03B, I05Z, I08A, I08B, I08C, I08D, I08E, I08F, I12A, I12B, I12C, I36Z, I47A, I47B		08	I01Z, I03A, I03B, I05Z, I08A, I08B, I08C, I08D, I08E, I08F, I12A, I12B, I12C, I36Z, I47A, I47B		21A	W01A, W01B, W01C, W02A, W02B
	11	L33Z		10	K09A, K09B		21B	X04Z
	21A	W01A, W01B, W01C, W02A, W02B		11	L33Z	5t505.1↔		BOP, KVT, UOP4, VIAL
	21B	X04Z, X33Z		21A	W01A, W01B, W01C, W02A, W02B		08	I03A, I03B, I05Z, I08A, I08B, I08C, I08D, I08E, I08F, I12A, I12B, I12C, I47A, I47B
	23	Z01A		21B	X04Z, X33Z		10	K09A, K09B
	Pre	A07A		23	Z01A		21A	W01A, W01B, W01C, W02A, W02B
5t500.2↔		BOP, KOP, KOPV, KVT, UOP4, VIAL	5t503.1↔		BOP, KOP, KOPV, KVT, UOP4, VIAL	5t507.0↔		BOP, KVT, UOP4, VIAL
	06	G33Z		06	G33Z		08	I03A, I03B, I05Z, I08A, I08B, I08C, I08D, I08E, I08F, I12A, I12B, I12C, I47A, I47B
	07	H33Z, H38Z		07	H33Z, H38Z		10	K09A, K09B
	08	I01Z, I03A, I03B, I05Z, I08A, I08B, I08C, I08D, I08E, I08F, I12A, I12B, I12C, I36Z, I47A, I47B		08	I01Z, I03A, I03B, I05Z, I08A, I08B, I08C, I08D, I08E, I08F, I12A, I12B, I12C, I36Z, I47A, I47B		21A	W01A, W01B, W01C, W02A, W02B
	11	L33Z		10	K09A, K09B		21B	X04Z
	21A	W01A, W01B, W01C, W02A, W02B		11	L33Z	5t507.1↔		BOP, KVT, UOP4, VIAL
	21B	X04Z, X33Z		21A	W01A, W01B, W01C, W02A, W02B		08	I03A, I03B, I05Z, I08A, I08B, I08C, I08D, I08E, I08F, I12A, I12B, I12C, I47A, I47B
	23	Z01A		21B	X04Z, X33Z		10	K09A, K09B
	Pre	A07A		23	Z01A		21A	W01A, W01B, W01C, W02A, W02B
5t502.0↔		BOP, KOP, KOPV, KVT, UOP4, VIAL		Pre	A07A		21B	X04Z
	06	G33Z					21A	W01A, W01B, W01C, W02A, W02B
	07	H33Z, H38Z					21B	X04Z
	08	I01Z, I03A, I03B, I05Z, I08A, I08B, I08C, I08D, I08E, I08F, I12A, I12B, I12C, I36Z, I47A, I47B					08	I03A, I03B, I05Z, I08A, I08B, I08C, I08D, I08E, I08F, I12A, I12B, I12C, I47A, I47B
	11	L33Z					10	K09A, K09B
	21A	W01A, W01B, W01C, W02A, W02B					21A	W01A, W01B, W01C, W02A, W02B
	21B	X04Z, X33Z					21B	X04Z
	23	Z01A					08	I03A, I03B, I05Z, I08A, I08B, I08C, I08D, I08E, I08F, I12A, I12B, I12C, I47A, I47B
	Pre	A07A					10	K09A, K09B
							21A	W01A, W01B, W01C, W02A, W02B
							21B	X04Z
							08	I03A, I03B, I05Z, I08A, I08B, I08C, I08D, I08E, I08F, I12A, I12B, I12C, I47A, I47B
							10	K09A, K09B
							21A	W01A, W01B, W01C, W02A, W02B
							21B	X04Z
							08	I03A, I03B, I05Z, I08A, I08B, I08C, I08D, I08E, I08F, I12A, I12B, I12C, I47A, I47B
							10	K09A, K09B
							21A	W01A, W01B, W01C, W02A, W02B
							21B	X04Z
							08	I03A, I03B, I05Z, I08A, I08B, I08C, I08D, I08E, I08F, I12A, I12B, I12C, I47A, I47B
							10	K09A, K09B
							21A	W01A, W01B, W01C, W02A, W02B
							21B	X04Z



ZZV	MDC	DRG	ZZV	MDC	DRG	ZZV	MDC	DRG
5t508.0↔		BOP, KOP, KOPV, KVT, UOP4, VIAL	5t509.01↔		BOP, KOP, KOPV, KVT, UOP4, VIAL	5t50x.1↔		BOP, KOP, KOPV, KVT, UOP4, VIAL
	06	G33Z		06	G33Z		06	G33Z
	07	H33Z, H38Z		07	H33Z, H38Z		07	H33Z, H38Z
	08	I01Z, I03A, I03B, I05Z, I08A, I08B, I08C, I08D, I08E, I08F, I12A, I12B, I12C, I36Z, I47A, I47B		08	I01Z, I03A, I03B, I05Z, I08A, I08B, I08C, I08D, I08E, I08F, I12A, I12B, I12C, I36Z, I47A, I47B		08	I01Z, I03A, I03B, I05Z, I08A, I08B, I08C, I08D, I08E, I08F, I12A, I12B, I12C, I36Z, I47A, I47B
	11	L33Z		10	K09A, K09B		11	L33Z
	21A	W01A, W01B, W01C, W02A, W02B		11	L33Z		21A	W01A, W01B, W01C, W02A, W02B
	21B	X04Z, X33Z		21A	W01A, W01B, W01C, W02A, W02B		21B	X04Z, X33Z
	23	Z01A		21B	X04Z, X33Z		23	Z01A
	Pre	A07A		23	Z01A		Pre	A07A
	Pre	A07A		Pre	A07A		Pre	A07A
5t508.1↔		BOP, KOP, KOPV, KVT, UOP4, VIAL	5t509.10↔		BOP, KOP, KOPV, KVT, UOP4, VIAL	5t50x.2↔		BOP, KOP, KOPV, KVT, UOP4, VIAL
	06	G33Z		06	G33Z		06	G33Z
	07	H33Z, H38Z		07	H33Z, H38Z		07	H33Z, H38Z
	08	I01Z, I03A, I03B, I05Z, I08A, I08B, I08C, I08D, I08E, I08F, I12A, I12B, I12C, I36Z, I47A, I47B		08	I01Z, I03A, I03B, I05Z, I08A, I08B, I08C, I08D, I08E, I08F, I12A, I12B, I12C, I36Z, I47A, I47B		08	I01Z, I03A, I03B, I05Z, I08A, I08B, I08C, I08D, I08E, I08F, I12A, I12B, I12C, I36Z, I47A, I47B
	11	L33Z		11	L33Z		11	L33Z
	21A	W01A, W01B, W01C, W02A, W02B		11	L33Z		21A	W01A, W01B, W01C, W02A, W02B
	21B	X04Z, X33Z		21A	W01A, W01B, W01C, W02A, W02B		21B	X04Z, X33Z
	23	Z01A		21B	X04Z, X33Z		23	Z01A
	Pre	A07A		23	Z01A		Pre	A07A
	Pre	A07A		Pre	A07A		Pre	A07A
5t508.2↔		BOP, KOP, KOPV, KVT, UOP4, VIAL	5t509.11↔		BOP, KOP, KOPV, KVT, UOP4, VIAL	5t510↔		BOP, KOP, KOPV, KVT, UOP4, VIAL
	06	G33Z		06	G33Z		05	F13A
	07	H33Z, H38Z		07	H33Z, H38Z		06	G33Z
	08	I01Z, I03A, I03B, I05Z, I08A, I08B, I08C, I08D, I08E, I08F, I12A, I12B, I12C, I36Z, I47A, I47B		08	I01Z, I03A, I03B, I05Z, I08A, I08B, I08C, I08D, I08E, I08F, I12A, I12B, I12C, I36Z, I47A, I47B		07	H33Z, H38Z
	11	L33Z		08	I01Z, I03A, I03B, I05Z, I08A, I08B, I08C, I08D, I08E, I08F, I12A, I12B, I12C, I36Z, I47A, I47B		08	I01Z, I03A, I03B, I05Z, I12A, I12B, I12C, I47A, I47B
	21A	W01A, W01B, W01C, W02A, W02B		11	L33Z		10	K09A, K09B
	21B	X04Z, X33Z		11	L33Z		11	L33Z
	23	Z01A		21A	W01A, W01B, W01C, W02A, W02B		21A	W04A, W04B
	Pre	A07A		21B	X04Z, X33Z		21B	X04Z, X33Z
	Pre	A07A		23	Z01A		23	Z01A
5t509.00↔		BOP, KOP, KOPV, KVT, UOP4, VIAL	5t509.12↔		BOP, KOP, KOPV, KVT, UOP4, VIAL	5t511.00↔		BOP, KOP, KOPV, KVT, UOP4, VIAL
	06	G33Z		06	G33Z		05	F13A
	07	H33Z, H38Z		07	H33Z, H38Z		06	G33Z
	08	I01Z, I03A, I03B, I05Z, I08A, I08B, I08C, I08D, I08E, I08F, I12A, I12B, I12C, I36Z, I47A, I47B		08	I01Z, I03A, I03B, I05Z, I08A, I08B, I08C, I08D, I08E, I08F, I12A, I12B, I12C, I36Z, I47A, I47B		07	H33Z, H38Z
	10	K09A, K09B		08	I01Z, I03A, I03B, I05Z, I08A, I08B, I08C, I08D, I08E, I08F, I12A, I12B, I12C, I36Z, I47A, I47B		08	I12A, I12B, I12C, I46A, I46B
	11	L33Z		11	L33Z		10	K09A, K09B
	21A	W01A, W01B, W01C, W02A, W02B		11	L33Z		11	L33Z
	21B	X04Z, X33Z		21A	W01A, W01B, W01C, W02A, W02B		21A	W04A, W04B
	23	Z01A		21B	X04Z, X33Z		21B	X04Z, X33Z
	Pre	A07A		23	Z01A		23	Z01A
5t509.00↔		BOP, KOP, KOPV, KVT, UOP4, VIAL	5t50x.0↔		BOP, KOP, KOPV, KVT, UOP4, VIAL	5t511.01↔		BOP, KOP, KOPV, KVT, UOP4, VIAL
	06	G33Z		06	G33Z		05	F13A
	07	H33Z, H38Z		07	H33Z, H38Z		06	G33Z
	08	I01Z, I03A, I03B, I05Z, I08A, I08B, I08C, I08D, I08E, I08F, I12A, I12B, I12C, I36Z, I47A, I47B		08	I01Z, I03A, I03B, I05Z, I08A, I08B, I08C, I08D, I08E, I08F, I12A, I12B, I12C, I36Z, I47A, I47B		07	H33Z, H38Z
	10	K09A, K09B		08	I01Z, I03A, I03B, I05Z, I08A, I08B, I08C, I08D, I08E, I08F, I12A, I12B, I12C, I36Z, I47A, I47B		08	I12A, I12B, I12C, I46A, I46B
	11	L33Z		11	L33Z		10	K09A, K09B
	21A	W01A, W01B, W01C, W02A, W02B		11	L33Z		11	L33Z
	21B	X04Z, X33Z		21A	W01A, W01B, W01C, W02A, W02B		21A	W04A, W04B
	23	Z01A		21B	X04Z, X33Z		21B	X04Z, X33Z
	Pre	A07A		23	Z01A		23	Z01A
Pre	A07A	Pre	A07A	Pre	A07A			

VYK

ZZV	MDC	DRG	ZZV	MDC	DRG	ZZV	MDC	DRG
5t511.2↔		BOP, KOP, KOPV, KVT, UOP4, VIAL	5t511.82↔		BOP, KOP, KOPV, KVT, UOP4, VIAL	5t512.21↔		BOP, KOP, KOPV, KVT, UOP4, VIAL
	05	F13A		05	F13A		05	F13A
	06	G33Z		06	G33Z		06	G33Z
	07	H33Z, H38Z		07	H33Z, H38Z		07	H33Z, H38Z
	08	I01Z, I03A, I03B, I08A, I08B, I08C, I08D, I08E, I08F, I12A, I12B, I12C, I46A, I46B		08	I01Z, I03A, I03B, I08A, I08B, I08C, I08D, I08E, I08F, I12A, I12B, I12C, I46A, I46B		08	I01Z, I03A, I03B, I08A, I08B, I08C, I08D, I08E, I08F, I12A, I12B, I12C, I46A, I46B
	10	K09A, K09B		10	K09A, K09B		10	K09A, K09B
	11	L33Z		11	L33Z		11	L33Z
	21A	W04A, W04B		21A	W04A, W04B		21A	W04A, W04B
	21B	X04Z, X33Z		21B	X04Z, X33Z		21B	X04Z, X33Z
	23	Z01A		23	Z01A		23	Z01A
	Pre	A07A		Pre	A07A		Pre	A07A
5t511.3↔		BOP, KOP, KOPV, KVT, UOP4, VIAL	5t511.x↔		BOP, KOP, KOPV, KVT, UOP4, VIAL	5t512.3↔		BOP, KOP, KOPV, KVT, UOP4, VIAL
	05	F13A		05	F13A		05	F13A
	06	G33Z		06	G33Z		06	G33Z
	07	H33Z, H38Z		07	H33Z, H38Z		07	H33Z, H38Z
	08	I01Z, I03A, I03B, I08A, I08B, I08C, I08D, I08E, I08F, I12A, I12B, I12C, I46A, I46B		08	I01Z, I03A, I03B, I08A, I08B, I08C, I08D, I08E, I08F, I12A, I12B, I12C, I46A, I46B		08	I01Z, I03A, I03B, I08A, I08B, I08C, I08D, I08E, I08F, I12A, I12B, I12C, I46A, I46B
	10	K09A, K09B		10	K09A, K09B		10	K09A, K09B
	11	L33Z		11	L33Z		11	L33Z
	21A	W04A, W04B		21A	W04A, W04B		21A	W04A, W04B
	21B	X04Z, X33Z		21B	X04Z, X33Z		21B	X04Z, X33Z
	23	Z01A		23	Z01A		23	Z01A
	Pre	A07A		Pre	A07A		Pre	A07A
5t511.4↔		BOP, KOP, KOPV, KVT, UOP4, VIAL	5t512.10↔		BOP, KOP, KOPV, KVT, UOP4, VIAL	5t512.60↔		BOP, KOP, KOPV, KVT, UOP4, VIAL
	05	F13A		05	F13A		05	F13A
	06	G33Z		06	G33Z		06	G33Z
	07	H33Z, H38Z		07	H33Z, H38Z		07	H33Z, H38Z
	08	I01Z, I03A, I03B, I08A, I08B, I08C, I08D, I08E, I08F, I12A, I12B, I12C, I46A, I46B		08	I01Z, I03A, I03B, I08A, I08B, I08C, I08D, I08E, I08F, I12A, I12B, I12C, I46A, I46B		08	I12A, I12B, I12C, I46A, I46B
	10	K09A, K09B		10	K09A, K09B		10	K09A, K09B
	11	L33Z		11	L33Z		11	L33Z
	21A	W04A, W04B		21A	W04A, W04B		21A	W04A, W04B
	21B	X04Z, X33Z		21B	X04Z, X33Z		21B	X04Z, X33Z
	23	Z01A		23	Z01A		23	Z01A
	Pre	A07A		Pre	A07A		Pre	A07A
						5t512.61↔		BOP, KOP, KOPV, KVT, UOP4, VIAL
5t511.80↔		BOP, KOP, KOPV, KVT, UOP4, VIAL	5t512.11↔		BOP, KOP, KOPV, KVT, UOP4, VIAL	5t512.80↔		BOP, KOP, KOPV, KVT, UOP4, VIAL
	05	F13A		05	F13A		05	F13A
	06	G33Z		06	G33Z		06	G33Z
	07	H33Z, H38Z		07	H33Z, H38Z		07	H33Z, H38Z
	08	I01Z, I03A, I03B, I08A, I08B, I08C, I08D, I08E, I08F, I12A, I12B, I12C, I46A, I46B		08	I01Z, I03A, I03B, I08A, I08B, I08C, I08D, I08E, I08F, I12A, I12B, I12C, I46A, I46B		08	I12A, I12B, I12C, I46A, I46B
	10	K09A, K09B		10	K09A, K09B		10	K09A, K09B
	11	L33Z		11	L33Z		11	L33Z
	21A	W04A, W04B		21A	W04A, W04B		21A	W04A, W04B
	21B	X04Z, X33Z		21B	X04Z, X33Z		21B	X04Z, X33Z
	23	Z01A		23	Z01A		23	Z01A
	Pre	A07A		Pre	A07A		Pre	A07A
5t511.81↔		BOP, KOP, KOPV, KVT, UOP4, VIAL	5t512.20↔		BOP, KOP, KOPV, KVT, UOP4, VIAL			
	05	F13A		05	F13A			
	06	G33Z		06	G33Z			
	07	H33Z, H38Z		07	H33Z, H38Z			
	08	I01Z, I03A, I03B, I08A, I08B, I08C, I08D, I08E, I08F, I12A, I12B, I12C, I46A, I46B		08	I01Z, I03A, I03B, I08A, I08B, I08C, I08D, I08E, I08F, I12A, I12B, I12C, I46A, I46B			
	10	K09A, K09B		10	K09A, K09B			
	11	L33Z		11	L33Z			
	21A	W04A, W04B		21A	W04A, W04B			
	21B	X04Z, X33Z		21B	X04Z, X33Z			
	23	Z01A		23	Z01A			
	Pre	A07A		Pre	A07A			

VYK

ZZV	MDC	DRG	ZZV	MDC	DRG	ZZV	MDC	DRG			
5t512.81↔		BOP, KOP, KOPV, KVT, UOP4, VIAL	5t513.81↔		BOP, KOP, KOPV, KVT, UOP4, VIAL	5t514.81↔		BOP, KOP, KOPV, KVT, UOP4, VIAL			
	05	F13A		05	F13A		05	F13A			
	06	G33Z		06	G33Z		06	G33Z			
	07	H33Z, H38Z		07	H33Z, H38Z		07	H33Z, H38Z			
	08	I01Z, I03A, I03B, I08A, I08B, I08C, I08D, I08E, I08F, I12A, I12B, I12C, I46A, I46B		08	I01Z, I03A, I03B, I08A, I08B, I08C, I08D, I08E, I08F, I12A, I12B, I12C, I46A, I46B		08	I01Z, I03A, I03B, I08A, I08B, I08C, I08D, I08E, I08F, I12A, I12B, I12C, I46A, I46B			
	10	K09A, K09B		10	K09A, K09B		10	K09A, K09B			
	11	L33Z		11	L33Z		11	L33Z			
	21A	W04A, W04B		21A	W04A, W04B		21A	W04A, W04B			
	21B	X04Z, X33Z		21B	X04Z, X33Z		21B	X04Z, X33Z			
	23	Z01A		23	Z01A		23	Z01A			
	Pre	A07A		Pre	A07A		Pre	A07A			
	5t512.82↔			BOP, KOP, KOPV, KVT, UOP4, VIAL	5t513.82↔			BOP, KOP, KOPV, KVT, UOP4, VIAL	5t514.82↔		BOP, KOP, KOPV, KVT, UOP4, VIAL
		05		F13A			05	F13A		05	F13A
06		G33Z	06	G33Z		06	G33Z				
07		H33Z, H38Z	07	H33Z, H38Z		07	H33Z, H38Z				
08		I01Z, I03A, I03B, I08A, I08B, I08C, I08D, I08E, I08F, I12A, I12B, I12C, I46A, I46B	08	I01Z, I03A, I03B, I08A, I08B, I08C, I08D, I08E, I08F, I12A, I12B, I12C, I46A, I46B		08	I01Z, I03A, I03B, I08A, I08B, I08C, I08D, I08E, I08F, I12A, I12B, I12C, I46A, I46B				
10		K09A, K09B	10	K09A, K09B		10	K09A, K09B				
11		L33Z	11	L33Z		11	L33Z				
21A		W04A, W04B	21A	W04A, W04B		21A	W04A, W04B				
21B		X04Z, X33Z	21B	X04Z, X33Z		21B	X04Z, X33Z				
23		Z01A	23	Z01A		23	Z01A				
Pre		A07A	Pre	A07A		Pre	A07A				
5t512.x↔			BOP, KOP, KOPV, KVT, UOP4, VIAL	5t513.x↔			BOP, KOP, KOPV, KVT, UOP4, VIAL	5t514.x↔			BOP, KOP, KOPV, KVT, UOP4, VIAL
		05	F13A			05	F13A			05	F13A
	06	G33Z	06		G33Z	06	G33Z				
	07	H33Z, H38Z	07		H33Z, H38Z	07	H33Z, H38Z				
	08	I01Z, I03A, I03B, I08A, I08B, I08C, I08D, I08E, I08F, I12A, I12B, I12C, I46A, I46B	08		I01Z, I03A, I03B, I08A, I08B, I08C, I08D, I08E, I08F, I12A, I12B, I12C, I46A, I46B	08	I01Z, I03A, I03B, I08A, I08B, I08C, I08D, I08E, I08F, I12A, I12B, I12C, I46A, I46B				
	10	K09A, K09B	10		K09A, K09B	10	K09A, K09B				
	11	L33Z	11		L33Z	11	L33Z				
	21A	W04A, W04B	21A		W04A, W04B	21A	W04A, W04B				
	21B	X04Z, X33Z	21B		X04Z, X33Z	21B	X04Z, X33Z				
	23	Z01A	23		Z01A	23	Z01A				
	Pre	A07A	Pre		A07A	Pre	A07A				
	5t513.2↔		BOP, KOP, KOPV, KVT, UOP4, VIAL		5t514.2↔		BOP, KOP, KOPV, KVT, UOP4, VIAL		5t515.2↔		BOP, KOP, KOPV, KVT, UOP4, VIAL
		05	F13A			05	F13A			05	F13A
06		G33Z	06	G33Z		06	G33Z				
07		H33Z, H38Z	07	H33Z, H38Z		07	H33Z, H38Z				
08		I01Z, I03A, I03B, I08A, I08B, I08C, I08D, I08E, I08F, I12A, I12B, I12C, I46A, I46B	08	I01Z, I03A, I03B, I08A, I08B, I08C, I08D, I08E, I08F, I12A, I12B, I12C, I46A, I46B		08	I01Z, I03A, I03B, I08A, I08B, I08C, I08D, I08E, I08F, I12A, I12B, I12C, I46A, I46B				
10		K09A, K09B	10	K09A, K09B		10	K09A, K09B				
11		L33Z	11	L33Z		11	L33Z				
21A		W04A, W04B	21A	W04A, W04B		21A	W04A, W04B				
21B		X04Z, X33Z	21B	X04Z, X33Z		21B	X04Z, X33Z				
23		Z01A	23	Z01A		23	Z01A				
Pre		A07A	Pre	A07A		Pre	A07A				
5t513.80↔			BOP, KOP, KOPV, KVT, UOP4, VIAL	5t514.80↔			BOP, KOP, KOPV, KVT, UOP4, VIAL	5t515.80↔			BOP, KOP, KOPV, KVT, UOP4, VIAL
		05	F13A			05	F13A			05	F13A
	06	G33Z	06		G33Z	06	G33Z				
	07	H33Z, H38Z	07		H33Z, H38Z	07	H33Z, H38Z				
	08	I01Z, I03A, I03B, I08A, I08B, I08C, I08D, I08E, I08F, I12A, I12B, I12C, I46A, I46B	08		I01Z, I03A, I03B, I08A, I08B, I08C, I08D, I08E, I08F, I12A, I12B, I12C, I46A, I46B	08	I01Z, I03A, I03B, I08A, I08B, I08C, I08D, I08E, I08F, I12A, I12B, I12C, I46A, I46B				
	10	K09A, K09B	10		K09A, K09B	10	K09A, K09B				
	11	L33Z	11		L33Z	11	L33Z				
	21A	W04A, W04B	21A		W04A, W04B	21A	W04A, W04B				
	21B	X04Z, X33Z	21B		X04Z, X33Z	21B	X04Z, X33Z				
	23	Z01A	23		Z01A	23	Z01A				
	Pre	A07A	Pre		A07A	Pre	A07A				

VYK

ZZV	MDC	DRG	ZZV	MDC	DRG	ZZV	MDC	DRG			
5t515.81↔		BOP, KOP, KOPV, KVT, UOP4, VIAL	5t516.81↔		BOP, KOP, KOPV, KVT, UOP4, VIAL	5t51a↔		BOP, KVT, UOP4, VIAL			
	05	F13A		05	F13A		01	B03A, B03B, B06A, B06B, B17A, B17B, B17C			
	06	G33Z		06	G33Z		05	F13A			
	07	H33Z, H38Z		07	H33Z, H38Z		08	I08A, I08B, I08C, I08D, I08E, I08F			
	08	I01Z, I03A, I03B, I08A, I08B, I08C, I08D, I08E, I08F, I12A, I12B, I12C, I46A, I46B		08	I01Z, I03A, I03B, I08A, I08B, I08C, I08D, I08E, I08F, I12A, I12B, I12C, I46A, I46B		21A	W01A, W01B, W01C, W02A, W02B			
	10	K09A, K09B		10	K09A, K09B		21B	X04Z			
	11	L33Z		11	L33Z		5t51b↔				
	21A	W04A, W04B		21A	W04A, W04B		01	BOP, KVT, UOP4, VIAL			
	21B	X04Z, X33Z		21B	X04Z, X33Z		01	B03A, B03B, B06A, B06B, B17A, B17B, B17C			
	23	Z01A		23	Z01A		05	F13A			
	Pre	A07A		Pre	A07A		08	I08A, I08B, I08C, I08D, I08E, I08F			
	5t515.82↔			BOP, KOP, KOPV, KVT, UOP4, VIAL	5t516.82↔			BOP, KOP, KOPV, KVT, UOP4, VIAL	5t51c↔		BOP, KVT, UOP4, VIAL
		05		F13A			05	F13A		01	B03A, B03B, B06A, B06B, B17A, B17B, B17C
		06		G33Z			06	G33Z		05	F13A
07		H33Z, H38Z	07	H33Z, H38Z		08	I08A, I08B, I08C, I08D, I08E, I08F				
08		I01Z, I03A, I03B, I08A, I08B, I08C, I08D, I08E, I08F, I12A, I12B, I12C, I46A, I46B	08	I01Z, I03A, I03B, I08A, I08B, I08C, I08D, I08E, I08F, I12A, I12B, I12C, I46A, I46B		21A	W01A, W01B, W01C, W02A, W02B				
10		K09A, K09B	10	K09A, K09B		21B	X04Z				
11		L33Z	11	L33Z		5t51d↔					
21A		W04A, W04B	21A	W04A, W04B		01	BOP, KVT, UOP4, VIAL				
21B		X04Z, X33Z	21B	X04Z, X33Z		01	B03A, B03B, B06A, B06B, B17A, B17B, B17C				
23		Z01A	23	Z01A		05	F13A				
Pre		A07A	Pre	A07A		08	I08A, I08B, I08C, I08D, I08E, I08F				
5t515.x↔			BOP, KOP, KOPV, KVT, UOP4, VIAL	5t516.x↔			BOP, KOP, KOPV, KVT, UOP4, VIAL	5t51e↔			BOP, KVT, UOP4, VIAL
		05	F13A			05	F13A			01	B03A, B03B, B06A, B06B, B17A, B17B, B17C
		06	G33Z			06	G33Z			05	F13A
	07	H33Z, H38Z	07		H33Z, H38Z	08	I08A, I08B, I08C, I08D, I08E, I08F				
	08	I01Z, I03A, I03B, I08A, I08B, I08C, I08D, I08E, I08F, I12A, I12B, I12C, I46A, I46B	08		I01Z, I03A, I03B, I08A, I08B, I08C, I08D, I08E, I08F, I12A, I12B, I12C, I46A, I46B	21A	W01A, W01B, W01C, W02A, W02B				
	10	K09A, K09B	10		K09A, K09B	21B	X04Z				
	11	L33Z	11		L33Z	5t51f↔					
	21A	W04A, W04B	21A		W04A, W04B	01	BOP, KVT, UOP4, VIAL				
	21B	X04Z, X33Z	21B		X04Z, X33Z	01	B03A, B03B, B06A, B06B, B17A, B17B, B17C				
	23	Z01A	23		Z01A	05	F13A				
	Pre	A07A	Pre		A07A	08	I03A, I03B, I05Z, I47A, I47B				
	5t516.2↔		BOP, KOP, KOPV, KVT, UOP4, VIAL		5t517↔		BOP, KVT, UOP4, VIAL		5t51f.2↔		BOP, KVT, UOP4, VIAL
		05	F13A			01	B03A, B03B, B06A, B06B, B17A, B17B, B17C			01	B03A, B03B, B06A, B06B, B17A, B17B, B17C
		06	G33Z			05	F13A			05	F13A
07		H33Z, H38Z	08	I03A, I03B, I05Z, I47A, I47B		08	I01Z, I03A, I03B, I08A, I08B, I08C, I08D, I08E, I08F, I12A, I12B, I12C, I46A, I46B				
08		I01Z, I03A, I03B, I08A, I08B, I08C, I08D, I08E, I08F, I12A, I12B, I12C, I46A, I46B	21A	W01A, W01B, W01C, W02A, W02B		21A	W01A, W01B, W01C, W02A, W02B				
10		K09A, K09B	21B	X04Z		21B	X04Z				
11		L33Z	5t518↔			5t51f.31↔					
21A		W04A, W04B	01	BOP, KVT, UOP4, VIAL		01	BOP, KVT, UOP4, VIAL				
21B		X04Z, X33Z	01	B03A, B03B, B06A, B06B, B17A, B17B, B17C		01	B03A, B03B, B06A, B06B, B17A, B17B, B17C				
23		Z01A	05	F13A		05	F13A				
Pre		A07A	08	I03A, I03B, I05Z, I47A, I47B		08	I01Z, I03A, I03B, I08A, I08B, I08C, I08D, I08E, I08F, I12A, I12B, I12C, I46A, I46B				
5t516.80↔			BOP, KOP, KOPV, KVT, UOP4, VIAL	5t519↔			BOP, KVT, UOP4, VIAL	5t51f.31↔			BOP, KVT, UOP4, VIAL
		05	F13A			01	B03A, B03B, B06A, B06B, B17A, B17B, B17C			01	B03A, B03B, B06A, B06B, B17A, B17B, B17C
		06	G33Z			05	F13A			05	F13A
	07	H33Z, H38Z	08		I03A, I03B, I05Z, I47A, I47B	08	I01Z, I03A, I03B, I08A, I08B, I08C, I08D, I08E, I08F, I12A, I12B, I12C, I46A, I46B				
	08	I01Z, I03A, I03B, I08A, I08B, I08C, I08D, I08E, I08F, I12A, I12B, I12C, I46A, I46B	21A		W01A, W01B, W01C, W02A, W02B	21A	W01A, W01B, W01C, W02A, W02B				
	10	K09A, K09B	21B		X04Z	21B	X04Z				
	11	L33Z	21B		X04Z						
	21A	W04A, W04B									
	21B	X04Z, X33Z									
	23	Z01A									
	Pre	A07A									

VYK

ZZV	MDC	DRG	ZZV	MDC	DRG	ZZV	MDC	DRG	
5t51f.80↔		BOP, KVT, UOP4, VIAL	5t51g.80↔		BOP, KVT, UOP4, VIAL	5t51j.80↔		BOP, KOP, KOPV, KVT, UOP4, VIAL	
	01	B03A, B03B, B06A, B06B, B17A, B17B, B17C		01	B03A, B03B, B06A, B06B, B17A, B17B, B17C		05	F13A	
	05	F13A		05	F13A		06	G33Z	
	08	I01Z, I03A, I03B, I08A, I08B, I08C, I08D, I08E, I08F, I12A, I12B, I12C, I46A, I46B		08	I01Z, I03A, I03B, I08A, I08B, I08C, I08D, I08E, I08F, I12A, I12B, I12C, I46A, I46B		07	H33Z, H38Z	
	21A	W01A, W01B, W01C, W02A, W02B		21A	W01A, W01B, W01C, W02A, W02B		08	I01Z, I03A, I03B, I08A, I08B, I08C, I08D, I08E, I08F, I12A, I12B, I12C, I46A, I46B	
5t51f.81↔	21B	X04Z	5t51g.81↔	21B	X04Z	10	K09A, K09B		
		BOP, KVT, UOP4, VIAL			BOP, KVT, UOP4, VIAL	11	L33Z		
	01	B03A, B03B, B06A, B06B, B17A, B17B, B17C		01	B03A, B03B, B06A, B06B, B17A, B17B, B17C	21A	W04A, W04B		
	05	F13A		05	F13A	21B	X04Z, X33Z		
	08	I01Z, I03A, I03B, I08A, I08B, I08C, I08D, I08E, I08F, I12A, I12B, I12C, I46A, I46B		08	I01Z, I03A, I03B, I08A, I08B, I08C, I08D, I08E, I08F, I12A, I12B, I12C, I46A, I46B	23	Z01A		
5t51f.82↔	21A	W01A, W01B, W01C, W02A, W02B	5t51g.82↔	21A	W01A, W01B, W01C, W02A, W02B	Pre	A07A		
	21B	X04Z		5t51j.81↔	21B	X04Z		BOP, KOP, KOPV, KVT, UOP4, VIAL	
		BOP, KVT, UOP4, VIAL				BOP, KVT, UOP4, VIAL	05	F13A	
	01	B03A, B03B, B06A, B06B, B17A, B17B, B17C			01	B03A, B03B, B06A, B06B, B17A, B17B, B17C	06	G33Z	
	05	F13A			05	F13A	07	H33Z, H38Z	
08	I01Z, I03A, I03B, I08A, I08B, I08C, I08D, I08E, I08F, I12A, I12B, I12C, I46A, I46B	08	I01Z, I03A, I03B, I08A, I08B, I08C, I08D, I08E, I08F, I12A, I12B, I12C, I46A, I46B		08	I01Z, I03A, I03B, I08A, I08B, I08C, I08D, I08E, I08F, I12A, I12B, I12C, I46A, I46B			
5t51f.x↔	21A	W01A, W01B, W01C, W02A, W02B	5t51g.x↔	21A	W01A, W01B, W01C, W02A, W02B	10	K09A, K09B		
	21B	X04Z		5t51j.82↔	21B	X04Z	11	L33Z	
		BOP, KVT, UOP4, VIAL				BOP, KVT, UOP4, VIAL	21A	W04A, W04B	
	01	B03A, B03B, B06A, B06B, B17A, B17B, B17C			01	B03A, B03B, B06A, B06B, B17A, B17B, B17C	21B	X04Z, X33Z	
	05	F13A			05	F13A	23	Z01A	
08	I01Z, I03A, I03B, I08A, I08B, I08C, I08D, I08E, I08F, I12A, I12B, I12C, I46A, I46B	08	I01Z, I03A, I03B, I08A, I08B, I08C, I08D, I08E, I08F, I12A, I12B, I12C, I46A, I46B		Pre	A07A			
5t51g.2↔	21A	W01A, W01B, W01C, W02A, W02B	5t51h↔	21A	W01A, W01B, W01C, W02A, W02B	5t51j.82↔		BOP, KOP, KOPV, KVT, UOP4, VIAL	
	21B	X04Z		5t51j.x↔	21B		X04Z	05	F13A
		BOP, KVT, UOP4, VIAL					BOP, KVT, UOP4, VIAL	06	G33Z
	01	B03A, B03B, B06A, B06B, B17A, B17B, B17C			01		B03A, B03B, B06A, B06B, B17A, B17B, B17C	07	H33Z, H38Z
	05	F13A			05		F13A	08	I01Z, I03A, I03B, I08A, I08B, I08C, I08D, I08E, I08F, I12A, I12B, I12C, I46A, I46B
08	I01Z, I03A, I03B, I08A, I08B, I08C, I08D, I08E, I08F, I12A, I12B, I12C, I46A, I46B	08	I08A, I08B, I08C, I08D, I08E, I08F		10	K09A, K09B			
5t51g.50↔	21A	W01A, W01B, W01C, W02A, W02B	5t51j.2↔	21A	W01A, W01B, W01C, W02A, W02B	11	L33Z		
	21B	X04Z			BOP, KOP, KOPV, KVT, UOP4, VIAL	21A	W04A, W04B		
		BOP, KVT, UOP4, VIAL			BOP, KOP, KOPV, KVT, UOP4, VIAL	21B	X04Z, X33Z		
	01	B03A, B03B, B06A, B06B, B17A, B17B, B17C		05	F13A	23	Z01A		
	05	F13A		06	G33Z	Pre	A07A		
5t51g.51↔	08	I01Z, I03A, I03B, I08A, I08B, I08C, I08D, I08E, I08F, I12A, I12B, I12C, I46A, I46B	5t51k↔	07	H33Z, H38Z		BOP, KVT, UOP4, VIAL		
	21A	W01A, W01B, W01C, W02A, W02B		08	I01Z, I03A, I03B, I08A, I08B, I08C, I08D, I08E, I08F, I12A, I12B, I12C, I46A, I46B	01	B03A, B03B, B06A, B06B, B17A, B17B, B17C		
	21B	X04Z		10	K09A, K09B	05	F13A		
		BOP, KVT, UOP4, VIAL		11	L33Z	08	I03A, I03B, I05Z, I47A, I47B		
	01	B03A, B03B, B06A, B06B, B17A, B17B, B17C		21A	W04A, W04B	21A	W01A, W01B, W01C, W02A, W02B		
05	F13A	21B	X04Z, X33Z	21B	X04Z				
08	I01Z, I03A, I03B, I08A, I08B, I08C, I08D, I08E, I08F, I12A, I12B, I12C, I46A, I46B	23	Z01A						
21A	W01A, W01B, W01C, W02A, W02B	Pre	A07A						
21B	X04Z								

VYK

ZZV	MDC	DRG	ZZV	MDC	DRG	ZZV	MDC	DRG			
5t51x↔		BOP, KVT, UOP4, VIAL	5t521.2↔		BOP, KOP, KOPV, KVT, UOP4, VIAL	5t523.2↔		BOP, KOP, KOPV, KVT, UOP4, VIAL			
	01	B03A, B03B, B06A, B06B, B17A, B17B, B17C		06	G33Z		06	G33Z			
	05	F13A		07	H33Z, H38Z		07	H33Z, H38Z			
	08	I08A, I08B, I08C, I08D, I08E, I08F		08	I01Z, I03A, I03B, I04Z, I12A, I12B, I12C, I36Z, I44A, I44B		08	I01Z, I03A, I03B, I04Z, I12A, I12B, I12C, I36Z, I44A, I44B			
	21A	W01A, W01B, W01C, W02A, W02B		11	L33Z		11	L33Z			
	21B	X04Z		21A	W04A, W04B		21A	W04A, W04B			
	5t520.0↔			BOP, KOP, KOPV, KVT, UOP4, VIAL	5t522.0↔			BOP, KOP, KOPV, KVT, UOP4, VIAL	5t524.0↔		BOP, KOP, KOPV, KVT, UOP4, VIAL
		06		G33Z			06	G33Z		06	G33Z
		07		H33Z, H38Z			07	H33Z, H38Z		07	H33Z, H38Z
		08		I01Z, I03A, I03B, I04Z, I12A, I12B, I12C, I36Z, I44A, I44B, I44C			08	I01Z, I03A, I03B, I04Z, I12A, I12B, I12C, I36Z, I44A, I44B		08	I01Z, I03A, I03B, I04Z, I12A, I12B, I12C, I36Z, I44A, I44B
11		L33Z	11	L33Z		11	L33Z				
21A		W04A, W04B	21A	W04A, W04B		21A	W04A, W04B				
21B		X04Z, X33Z	21B	X04Z, X33Z		21B	X04Z, X33Z				
23		Z01A	23	Z01A		23	Z01A				
Pre		A07A	Pre	A07A		Pre	A07A				
5t520.1↔			BOP, KOP, KOPV, KVT, UOP4, VIAL	5t522.1↔			BOP, KOP, KOPV, KVT, UOP4, VIAL	5t524.1↔			BOP, KOP, KOPV, KVT, UOP4, VIAL
	06	G33Z	06		G33Z	06	G33Z				
	07	H33Z, H38Z	07		H33Z, H38Z	07	H33Z, H38Z				
	08	I01Z, I03A, I03B, I04Z, I12A, I12B, I12C, I36Z, I44A, I44B, I44C	08		I01Z, I03A, I03B, I04Z, I12A, I12B, I12C, I36Z, I44A, I44B	08	I01Z, I03A, I03B, I04Z, I12A, I12B, I12C, I36Z, I44A, I44B				
	11	L33Z	11		L33Z	11	L33Z				
	21A	W04A, W04B	21A		W04A, W04B	21A	W04A, W04B				
	21B	X04Z, X33Z	21B		X04Z, X33Z	21B	X04Z, X33Z				
	23	Z01A	23		Z01A	23	Z01A				
	Pre	A07A	Pre		A07A	Pre	A07A				
	5t520.2↔		BOP, KOP, KOPV, KVT, UOP4, VIAL		5t522.2↔		BOP, KOP, KOPV, KVT, UOP4, VIAL		5t524.2↔		BOP, KOP, KOPV, KVT, UOP4, VIAL
06		G33Z	06	G33Z		06	G33Z				
07		H33Z, H38Z	07	H33Z, H38Z		07	H33Z, H38Z				
08		I01Z, I03A, I03B, I04Z, I12A, I12B, I12C, I36Z, I44A, I44B, I44C	08	I01Z, I03A, I03B, I04Z, I12A, I12B, I12C, I36Z, I44A, I44B		08	I01Z, I03A, I03B, I04Z, I12A, I12B, I12C, I36Z, I44A, I44B				
11		L33Z	11	L33Z		11	L33Z				
21A		W04A, W04B	21A	W04A, W04B		21A	W04A, W04B				
21B		X04Z, X33Z	21B	X04Z, X33Z		21B	X04Z, X33Z				
23		Z01A	23	Z01A		23	Z01A				
Pre		A07A	Pre	A07A		Pre	A07A				
5t521.0↔			BOP, KOP, KOPV, KVT, UOP4, VIAL	5t523.0↔			BOP, KOP, KOPV, KVT, UOP4, VIAL	5t525.0↔			BOP, KOP, KOPV, KVT, UOP4, VIAL
	06	G33Z	06		G33Z	06	G33Z				
	07	H33Z, H38Z	07		H33Z, H38Z	07	H33Z, H38Z				
	08	I01Z, I03A, I03B, I04Z, I12A, I12B, I12C, I36Z, I44A, I44B	08		I01Z, I03A, I03B, I04Z, I12A, I12B, I12C, I36Z, I44A, I44B	08	I01Z, I03A, I03B, I04Z, I12A, I12B, I12C, I36Z, I43A, I43B				
	11	L33Z	11		L33Z	11	L33Z				
	21A	W04A, W04B	21A		W04A, W04B	21A	W04A, W04B				
	21B	X04Z, X33Z	21B		X04Z, X33Z	21B	X04Z, X33Z				
	23	Z01A	23		Z01A	23	Z01A				
	Pre	A07A	Pre		A07A	Pre	A07A				
	5t521.1↔		BOP, KOP, KOPV, KVT, UOP4, VIAL		5t523.1↔		BOP, KOP, KOPV, KVT, UOP4, VIAL		5t525.1↔		BOP, KOP, KOPV, KVT, UOP4, VIAL
06		G33Z	06	G33Z		06	G33Z				
07		H33Z, H38Z	07	H33Z, H38Z		07	H33Z, H38Z				
08		I01Z, I03A, I03B, I04Z, I12A, I12B, I12C, I36Z, I44A, I44B	08	I01Z, I03A, I03B, I04Z, I12A, I12B, I12C, I36Z, I44A, I44B		08	I01Z, I03A, I03B, I04Z, I12A, I12B, I12C, I36Z, I43A, I43B				
11		L33Z	11	L33Z		11	L33Z				
21A		W04A, W04B	21A	W04A, W04B		21A	W04A, W04B				
21B		X04Z, X33Z	21B	X04Z, X33Z		21B	X04Z, X33Z				
23		Z01A	23	Z01A		23	Z01A				
Pre		A07A	Pre	A07A		Pre	A07A				

VYK

ZZV	MDC	DRG	ZZV	MDC	DRG	ZZV	MDC	DRG
5t525.2↔		BOP, KOP, KOPV, KVT, UOP4, VIAL	5t527.20↔		BOP, KOP, KOPV, KVT, UOP4, VIAL	5t528.0↔		BOP, KOP, KOPV, KVT, UOP4, VIAL
	06	G33Z		06	G33Z		06	G33Z
	07	H33Z, H38Z		07	H33Z, H38Z		07	H33Z, H38Z
	08	I01Z, I03A, I03B, I04Z, I12A, I12B, I12C, I36Z, I43A, I43B		08	I01Z, I03A, I03B, I04Z, I12A, I12B, I12C, I36Z, I44A, I44B, I44C		08	I01Z, I03A, I03B, I04Z, I12A, I12B, I12C, I36Z, I43A, I43B
	11	L33Z		11	L33Z		11	L33Z
	21A	W04A, W04B		21A	W04A, W04B		21A	W04A, W04B
	21B	X04Z, X33Z		21B	X04Z, X33Z		21B	X04Z, X33Z
	23	Z01A		23	Z01A		23	Z01A
	Pre	A07A		Pre	A07A		Pre	A07A
	5t526.0↔			BOP, KOP, KOPV, KVT, UOP4, VIAL	5t527.21↔			BOP, KOP, KOPV, KVT, UOP4, VIAL
06		G33Z	06	G33Z		06	G33Z	
07		H33Z, H38Z	07	H33Z, H38Z		07	H33Z, H38Z	
08		I01Z, I03A, I03B, I04Z, I12A, I12B, I12C, I36Z, I43A, I43B	08	I01Z, I03A, I03B, I04Z, I12A, I12B, I12C, I36Z, I44A, I44B, I44C		08	I01Z, I03A, I03B, I04Z, I12A, I12B, I12C, I36Z, I43A, I43B	
11		L33Z	11	L33Z		11	L33Z	
21A		W04A, W04B	21A	W04A, W04B		21A	W04A, W04B	
21B		X04Z, X33Z	21B	X04Z, X33Z		21B	X04Z, X33Z	
23		Z01A	23	Z01A		23	Z01A	
Pre		A07A	Pre	A07A		Pre	A07A	
5t526.1↔			BOP, KOP, KOPV, KVT, UOP4, VIAL	5t527.22↔			BOP, KOP, KOPV, KVT, UOP4, VIAL	5t528.2↔
	06	G33Z	06		G33Z	06	G33Z	
	07	H33Z, H38Z	07		H33Z, H38Z	07	H33Z, H38Z	
	08	I01Z, I03A, I03B, I04Z, I12A, I12B, I12C, I36Z, I43A, I43B	08		I01Z, I03A, I03B, I04Z, I12A, I12B, I12C, I36Z, I44A, I44B, I44C	08	I01Z, I03A, I03B, I04Z, I12A, I12B, I12C, I36Z, I43A, I43B	
	11	L33Z	11		L33Z	11	L33Z	
	21A	W04A, W04B	21A		W04A, W04B	21A	W04A, W04B	
	21B	X04Z, X33Z	21B		X04Z, X33Z	21B	X04Z, X33Z	
	23	Z01A	23		Z01A	23	Z01A	
	Pre	A07A	Pre		A07A	Pre	A07A	
	5t526.2↔		BOP, KOP, KOPV, KVT, UOP4, VIAL		5t527.30↔		BOP, KOP, KOPV, KVT, UOP4, VIAL	
06		G33Z	06	G33Z		06	G33Z	
07		H33Z, H38Z	07	H33Z, H38Z		07	H33Z, H38Z	
08		I01Z, I03A, I03B, I04Z, I12A, I12B, I12C, I36Z, I43A, I43B	08	I01Z, I03A, I03B, I04Z, I12A, I12B, I12C, I36Z, I44A, I44B, I44C		08	I01Z, I03A, I03B, I04Z, I12A, I12B, I12C, I36Z, I44A, I44B	
11		L33Z	11	L33Z		11	L33Z	
21A		W04A, W04B	21A	W04A, W04B		21A	W04A, W04B	
21B		X04Z, X33Z	21B	X04Z, X33Z		21B	X04Z, X33Z	
23		Z01A	23	Z01A		23	Z01A	
Pre		A07A	Pre	A07A		Pre	A07A	
5t527.10↔			BOP, KOP, KOPV, KVT, UOP4, VIAL	5t527.31↔			BOP, KOP, KOPV, KVT, UOP4, VIAL	5t529.2↔
	06	G33Z	06		G33Z	06	G33Z	
	07	H33Z, H38Z	07		H33Z, H38Z	07	H33Z, H38Z	
	08	I01Z, I03A, I03B, I04Z, I12A, I12B, I12C, I36Z, I44A, I44B, I44C	08		I01Z, I03A, I03B, I04Z, I12A, I12B, I12C, I36Z, I44A, I44B, I44C	08	I01Z, I03A, I03B, I04Z, I12A, I12B, I12C, I36Z, I44A, I44B	
	11	L33Z	11		L33Z	11	L33Z	
	21A	W04A, W04B	21A		W04A, W04B	21A	W04A, W04B	
	21B	X04Z, X33Z	21B		X04Z, X33Z	21B	X04Z, X33Z	
	23	Z01A	23		Z01A	23	Z01A	
	Pre	A07A	Pre		A07A	Pre	A07A	
	5t527.11↔		BOP, KOP, KOPV, KVT, UOP4, VIAL		5t527.31↔		BOP, KOP, KOPV, KVT, UOP4, VIAL	
06		G33Z	06	G33Z		06	G33Z	
07		H33Z, H38Z	07	H33Z, H38Z		07	H33Z, H38Z	
08		I01Z, I03A, I03B, I04Z, I12A, I12B, I12C, I36Z, I44A, I44B, I44C	08	I01Z, I03A, I03B, I04Z, I12A, I12B, I12C, I36Z, I44A, I44B, I44C		08	I01Z, I03A, I03B, I04Z, I12A, I12B, I12C, I36Z, I44A, I44B	
11		L33Z	11	L33Z		11	L33Z	
21A		W04A, W04B	21A	W04A, W04B		21A	W04A, W04B	
21B		X04Z, X33Z	21B	X04Z, X33Z		21B	X04Z, X33Z	
23		Z01A	23	Z01A		23	Z01A	
Pre		A07A	Pre	A07A		Pre	A07A	

ZZV	MDC	DRG	ZZV	MDC	DRG	ZZV	MDC	DRG
5t52a.2↔		BOP, KOP, KOPV, KVT, UOP4, VIAL	5t52d.1↔		BOP, KOP, KOPV, KVT, UOP4, VIAL	5t52x.1↔		BOP, KOP, KOPV, KVT, UOP4, VIAL
	06	G33Z		06	G33Z		06	G33Z
	07	H33Z, H38Z		07	H33Z, H38Z		07	H33Z, H38Z
	08	I01Z, I03A, I03B, I04Z, I12A, I12B, I12C, I36Z, I44A, I44B		08	I01Z, I03A, I03B, I04Z, I12A, I12B, I12C, I36Z, I44A, I44B		08	I01Z, I03A, I03B, I04Z, I12A, I12B, I12C, I36Z, I44A, I44B
	11	L33Z		11	L33Z		11	L33Z
	21A	W04A, W04B		21A	W04A, W04B		21A	W04A, W04B
	21B	X04Z, X33Z		21B	X04Z, X33Z		21B	X04Z, X33Z
	23	Z01A		23	Z01A		23	Z01A
	Pre	A07A		Pre	A07A		Pre	A07A
	5t52b↔			BOP, KOP, KOPV, KVT, UOP4, VIAL	5t52d.2↔			BOP, KOP, KOPV, KVT, UOP4, VIAL
06		G33Z	06	G33Z		06	G33Z	
07		H33Z, H38Z	07	H33Z, H38Z		07	H33Z, H38Z	
08		I01Z, I03A, I03B, I04Z, I12A, I12B, I12C, I36Z, I44A, I44B	08	I01Z, I03A, I03B, I04Z, I12A, I12B, I12C, I36Z, I44A, I44B		08	I01Z, I03A, I03B, I04Z, I12A, I12B, I12C, I36Z, I44A, I44B	
11		L33Z	11	L33Z		11	L33Z	
21A		W04A, W04B	21A	W04A, W04B		21A	W04A, W04B	
21B		X04Z, X33Z	21B	X04Z, X33Z		21B	X04Z, X33Z	
23		Z01A	23	Z01A		23	Z01A	
Pre		A07A	Pre	A07A		Pre	A07A	
5t52c.0↔			BOP, KOP, KOPV, KVT, UOP4, VIAL	5t52e.0↔			BOP, KOP, KOPV, KVT, UOP4, VIAL	5t530↔
	06	G33Z	06		G33Z	05	F13A	
	07	H33Z, H38Z	07		H33Z, H38Z	06	G33Z	
	08	I01Z, I03A, I03B, I04Z, I12A, I12B, I12C, I36Z, I44A, I44B	08		I01Z, I03A, I03B, I04Z, I12A, I12B, I12C, I36Z, I44A, I44B	07	H33Z, H38Z	
	11	L33Z	11		L33Z	08	I01Z, I03A, I03B, I12A, I12B, I12C, I44A, I44B, I44C	
	21A	W04A, W04B	21A		W04A, W04B	11	L33Z	
	21B	X04Z, X33Z	21B		X04Z, X33Z	21A	W04A, W04B	
	23	Z01A	23		Z01A	21B	X04Z, X33Z	
	Pre	A07A	Pre		A07A	23	Z01A	
	5t52c.1↔		BOP, KOP, KOPV, KVT, UOP4, VIAL		5t52e.1↔		BOP, KOP, KOPV, KVT, UOP4, VIAL	
06		G33Z	06	G33Z		05	F13A	
07		H33Z, H38Z	07	H33Z, H38Z		06	G33Z	
08		I01Z, I03A, I03B, I04Z, I12A, I12B, I12C, I36Z, I44A, I44B	08	I01Z, I03A, I03B, I04Z, I12A, I12B, I12C, I36Z, I44A, I44B		07	H33Z, H38Z	
11		L33Z	11	L33Z		08	I01Z, I03A, I03B, I04Z, I12A, I12B, I12C, I43A, I43B	
21A		W04A, W04B	21A	W04A, W04B		11	L33Z	
21B		X04Z, X33Z	21B	X04Z, X33Z		21A	W04A, W04B	
23		Z01A	23	Z01A		21B	X04Z, X33Z	
Pre		A07A	Pre	A07A		23	Z01A	
5t52c.2↔			BOP, KOP, KOPV, KVT, UOP4, VIAL	5t52e.2↔			BOP, KOP, KOPV, KVT, UOP4, VIAL	5t531.11↔
	06	G33Z	06		G33Z	05	F13A	
	07	H33Z, H38Z	07		H33Z, H38Z	06	G33Z	
	08	I01Z, I03A, I03B, I04Z, I12A, I12B, I12C, I36Z, I44A, I44B	08		I01Z, I03A, I03B, I04Z, I12A, I12B, I12C, I36Z, I44A, I44B	07	H33Z, H38Z	
	11	L33Z	11		L33Z	08	I01Z, I03A, I03B, I04Z, I12A, I12B, I12C, I43A, I43B	
	21A	W04A, W04B	21A		W04A, W04B	11	L33Z	
	21B	X04Z, X33Z	21B		X04Z, X33Z	21A	W04A, W04B	
	23	Z01A	23		Z01A	21B	X04Z, X33Z	
	Pre	A07A	Pre		A07A	23	Z01A	
	5t52d.0↔		BOP, KOP, KOPV, KVT, UOP4, VIAL		5t52x.0↔		BOP, KOP, KOPV, KVT, UOP4, VIAL	
06		G33Z	06	G33Z		Pre	A07A	
07		H33Z, H38Z	07	H33Z, H38Z				
08		I01Z, I03A, I03B, I04Z, I12A, I12B, I12C, I36Z, I44A, I44B	08	I01Z, I03A, I03B, I04Z, I12A, I12B, I12C, I36Z, I44A, I44B				
11		L33Z	11	L33Z				
21A		W04A, W04B	21A	W04A, W04B				
21B		X04Z, X33Z	21B	X04Z, X33Z				
23		Z01A	23	Z01A				
Pre		A07A	Pre	A07A				

VYK



ZZV	MDC	DRG	ZZV	MDC	DRG	ZZV	MDC	DRG
5t531.20↔		BOP, KOP, KOPV, KVT, UOP4, VIAL	5t531.51↔		BOP, KOP, KOPV, KVT, UOP4, VIAL	5t532.40↔		BOP, KOP, KOPV, KVT, UOP4, VIAL
	05	F13A		05	F13A		05	F13A
	06	G33Z		06	G33Z		06	G33Z
	07	H33Z, H38Z		07	H33Z, H38Z		07	H33Z, H38Z
	08	I01Z, I03A, I03B, I04Z, I12A, I12B, I12C, I43A, I43B		08	I01Z, I03A, I03B, I04Z, I12A, I12B, I12C, I43A, I43B		08	I01Z, I03A, I03B, I04Z, I12A, I12B, I12C, I43A, I43B
	11	L33Z		11	L33Z		11	L33Z
	21A	W04A, W04B		21A	W04A, W04B		21A	W04A, W04B
	21B	X04Z, X33Z		21B	X04Z, X33Z		21B	X04Z, X33Z
	23	Z01A		23	Z01A		23	Z01A
	Pre	A07A		Pre	A07A		Pre	A07A
5t531.21↔		BOP, KOP, KOPV, KVT, UOP4, VIAL	5t531.52↔		BOP, KOP, KOPV, KVT, UOP4, VIAL	5t532.42↔		BOP, KOP, KOPV, KVT, UOP4, VIAL
	05	F13A		05	F13A		05	F13A
	06	G33Z		06	G33Z		06	G33Z
	07	H33Z, H38Z		07	H33Z, H38Z		07	H33Z, H38Z
	08	I01Z, I03A, I03B, I04Z, I12A, I12B, I12C, I43A, I43B		08	I01Z, I03A, I03B, I04Z, I12A, I12B, I12C, I43A, I43B		08	I01Z, I03A, I03B, I04Z, I12A, I12B, I12C, I43A, I43B
	11	L33Z		11	L33Z		11	L33Z
	21A	W04A, W04B		21A	W04A, W04B		21A	W04A, W04B
	21B	X04Z, X33Z		21B	X04Z, X33Z		21B	X04Z, X33Z
	23	Z01A		23	Z01A		23	Z01A
	Pre	A07A		Pre	A07A		Pre	A07A
5t531.30↔		BOP, KOP, KOPV, KVT, UOP4, VIAL	5t531.6↔		BOP, KOP, KOPV, KVT, UOP4, VIAL	5t532.50↔		BOP, KOP, KOPV, KVT, UOP4, VIAL
	05	F13A		05	F13A		05	F13A
	06	G33Z		06	G33Z		06	G33Z
	07	H33Z, H38Z		07	H33Z, H38Z		07	H33Z, H38Z
	08	I01Z, I03A, I03B, I04Z, I12A, I12B, I12C, I43A, I43B		08	I01Z, I03A, I03B, I04Z, I12A, I12B, I12C, I43A, I43B		08	I01Z, I03A, I03B, I04Z, I12A, I12B, I12C, I43A, I43B
	11	L33Z		11	L33Z		11	L33Z
	21A	W04A, W04B		21A	W04A, W04B		21A	W04A, W04B
	21B	X04Z, X33Z		21B	X04Z, X33Z		21B	X04Z, X33Z
	23	Z01A		23	Z01A		23	Z01A
	Pre	A07A		Pre	A07A		Pre	A07A
5t531.31↔		BOP, KOP, KOPV, KVT, UOP4, VIAL	5t531.x↔		BOP, KOP, KOPV, KVT, UOP4, VIAL	5t532.52↔		BOP, KOP, KOPV, KVT, UOP4, VIAL
	05	F13A		05	F13A		05	F13A
	06	G33Z		06	G33Z		06	G33Z
	07	H33Z, H38Z		07	H33Z, H38Z		07	H33Z, H38Z
	08	I01Z, I03A, I03B, I04Z, I12A, I12B, I12C, I43A, I43B		08	I01Z, I03A, I03B, I04Z, I12A, I12B, I12C, I43A, I43B		08	I01Z, I03A, I03B, I04Z, I12A, I12B, I12C, I43A, I43B
	11	L33Z		11	L33Z		11	L33Z
	21A	W04A, W04B		21A	W04A, W04B		21A	W04A, W04B
	21B	X04Z, X33Z		21B	X04Z, X33Z		21B	X04Z, X33Z
	23	Z01A		23	Z01A		23	Z01A
	Pre	A07A		Pre	A07A		Pre	A07A
5t531.50↔		BOP, KOP, KOPV, KVT, UOP4, VIAL	5t532.0↔		BOP, KOP, KOPV, KVT, UOP4, VIAL	5t532.6↔		BOP, KOP, KOPV, KVT, UOP4, VIAL
	05	F13A		05	F13A		05	F13A
	06	G33Z		06	G33Z		06	G33Z
	07	H33Z, H38Z		07	H33Z, H38Z		07	H33Z, H38Z
	08	I01Z, I03A, I03B, I04Z, I12A, I12B, I12C, I43A, I43B		08	I01Z, I03A, I03B, I04Z, I12A, I12B, I12C, I43A, I43B		08	I01Z, I03A, I03B, I04Z, I12A, I12B, I12C, I44A, I44B
	11	L33Z		11	L33Z		11	L33Z
	21A	W04A, W04B		21A	W04A, W04B		21A	W04A, W04B
	21B	X04Z, X33Z		21B	X04Z, X33Z		21B	X04Z, X33Z
	23	Z01A		23	Z01A		23	Z01A
	Pre	A07A		Pre	A07A		Pre	A07A

ZZV	MDC	DRG	ZZV	MDC	DRG	ZZV	MDC	DRG
5t532.7↔		BOP, KOP, KOPV, KVT, UOP4, VIAL	5t533.0↔		BOP, KOP, KOPV, KVT, UOP4, VIAL	5t533.9↔		BOP, KOP, KOPV, KVT, UOP4, VIAL
	05	F13A		05	F13A		05	F13A
	06	G33Z		06	G33Z		06	G33Z
	07	H33Z, H38Z		07	H33Z, H38Z		07	H33Z, H38Z
	08	I01Z, I03A, I03B, I04Z, I12A, I12B, I12C, I43A, I43B		08	I01Z, I03A, I03B, I04Z, I12A, I12B, I12C, I43A, I43B		08	I01Z, I03A, I03B, I04Z, I12A, I12B, I12C, I43A, I43B
	11	L33Z		11	L33Z		11	L33Z
	21A	W04A, W04B		21A	W04A, W04B		21A	W04A, W04B
	21B	X04Z, X33Z		21B	X04Z, X33Z		21B	X04Z, X33Z
	23	Z01A		23	Z01A		23	Z01A
	Pre	A07A		Pre	A07A		Pre	A07A
5t532.8↔		BOP, KOP, KOPV, KVT, UOP4, VIAL	5t533.50↔		BOP, KOP, KOPV, KVT, UOP4, VIAL	5t533.a0↔		BOP, KOP, KOPV, KVT, UOP4, VIAL
	05	F13A		05	F13A		05	F13A
	06	G33Z		06	G33Z		06	G33Z
	07	H33Z, H38Z		07	H33Z, H38Z		07	H33Z, H38Z
	08	I01Z, I03A, I03B, I04Z, I12A, I12B, I12C, I43A, I43B		08	I01Z, I03A, I03B, I04Z, I12A, I12B, I12C, I43A, I43B		08	I01Z, I03A, I03B, I04Z, I12A, I12B, I12C, I43A, I43B
	11	L33Z		11	L33Z		11	L33Z
	21A	W04A, W04B		21A	W04A, W04B		21A	W04A, W04B
	21B	X04Z, X33Z		21B	X04Z, X33Z		21B	X04Z, X33Z
	23	Z01A		23	Z01A		23	Z01A
	Pre	A07A		Pre	A07A		Pre	A07A
5t532.a0↔		BOP, KOP, KOPV, KVT, UOP4, VIAL	5t533.52↔		BOP, KOP, KOPV, KVT, UOP4, VIAL	5t533.a1↔		BOP, KOP, KOPV, KVT, UOP4, VIAL
	05	F13A		05	F13A		05	F13A
	06	G33Z		06	G33Z		06	G33Z
	07	H33Z, H38Z		07	H33Z, H38Z		07	H33Z, H38Z
	08	I01Z, I03A, I03B, I04Z, I12A, I12B, I12C, I43A, I43B		08	I01Z, I03A, I03B, I04Z, I12A, I12B, I12C, I43A, I43B		08	I01Z, I03A, I03B, I04Z, I12A, I12B, I12C, I43A, I43B
	11	L33Z		11	L33Z		11	L33Z
	21A	W04A, W04B		21A	W04A, W04B		21A	W04A, W04B
	21B	X04Z, X33Z		21B	X04Z, X33Z		21B	X04Z, X33Z
	23	Z01A		23	Z01A		23	Z01A
	Pre	A07A		Pre	A07A		Pre	A07A
5t532.a1↔		BOP, KOP, KOPV, KVT, UOP4, VIAL	5t533.7↔		BOP, KOP, KOPV, KVT, UOP4, VIAL	5t533.x↔		BOP, KOP, KOPV, KVT, UOP4, VIAL
	05	F13A		05	F13A		05	F13A
	06	G33Z		06	G33Z		06	G33Z
	07	H33Z, H38Z		07	H33Z, H38Z		07	H33Z, H38Z
	08	I01Z, I03A, I03B, I04Z, I12A, I12B, I12C, I43A, I43B		08	I01Z, I03A, I03B, I04Z, I12A, I12B, I12C, I43A, I43B		08	I01Z, I03A, I03B, I04Z, I12A, I12B, I12C, I43A, I43B
	11	L33Z		11	L33Z		11	L33Z
	21A	W04A, W04B		21A	W04A, W04B		21A	W04A, W04B
	21B	X04Z, X33Z		21B	X04Z, X33Z		21B	X04Z, X33Z
	23	Z01A		23	Z01A		23	Z01A
	Pre	A07A		Pre	A07A		Pre	A07A
5t532.x↔		BOP, KOP, KOPV, KVT, UOP4, VIAL	5t533.8↔		BOP, KOP, KOPV, KVT, UOP4, VIAL	5t534.0↔		BOP, KOP, KOPV, KVT, UOP4, VIAL
	05	F13A		05	F13A		05	F13A
	06	G33Z		06	G33Z		06	G33Z
	07	H33Z, H38Z		07	H33Z, H38Z		07	H33Z, H38Z
	08	I01Z, I03A, I03B, I04Z, I12A, I12B, I12C, I43A, I43B		08	I01Z, I03A, I03B, I04Z, I12A, I12B, I12C, I43A, I43B		08	I01Z, I03A, I03B, I04Z, I12A, I12B, I12C, I43A, I43B
	11	L33Z		11	L33Z		11	L33Z
	21A	W04A, W04B		21A	W04A, W04B		21A	W04A, W04B
	21B	X04Z, X33Z		21B	X04Z, X33Z		21B	X04Z, X33Z
	23	Z01A		23	Z01A		23	Z01A
	Pre	A07A		Pre	A07A		Pre	A07A

VYK

ZZV	MDC	DRG	ZZV	MDC	DRG	ZZV	MDC	DRG
5t534.7↔		BOP, KOP, KOPV, KVT, UOP4, VIAL	5t535.11↔		BOP, KOP, KOPV, KVT, UOP4, VIAL	5t535.31↔		BOP, KOP, KOPV, KVT, UOP4, VIAL
	05	F13A		05	F13A		05	F13A
	06	G33Z		06	G33Z		06	G33Z
	07	H33Z, H38Z		07	H33Z, H38Z		07	H33Z, H38Z
	08	I01Z, I03A, I03B, I04Z, I12A, I12B, I12C, I43A, I43B		08	I01Z, I03A, I03B, I04Z, I12A, I12B, I12C, I44A, I44B, I44C		08	I01Z, I03A, I03B, I04Z, I12A, I12B, I12C, I44A, I44B, I44C
	11	L33Z		11	L33Z		11	L33Z
	21A	W04A, W04B		21A	W04A, W04B		21A	W04A, W04B
	21B	X04Z, X33Z		21B	X04Z, X33Z		21B	X04Z, X33Z
	23	Z01A		23	Z01A		23	Z01A
	Pre	A07A		Pre	A07A		Pre	A07A
5t534.8↔		BOP, KOP, KOPV, KVT, UOP4, VIAL	5t535.20↔		BOP, KOP, KOPV, KVT, UOP4, VIAL	5t536.42↔		BOP, KOP, KOPV, KVT, UOP4, VIAL
	05	F13A		05	F13A		05	F13A
	06	G33Z		06	G33Z		06	G33Z
	07	H33Z, H38Z		07	H33Z, H38Z		07	H33Z, H38Z
	08	I01Z, I03A, I03B, I04Z, I12A, I12B, I12C, I43A, I43B		08	I01Z, I03A, I03B, I04Z, I12A, I12B, I12C, I44A, I44B, I44C		08	I01Z, I03A, I03B, I04Z, I12A, I12B, I12C, I43A, I43B
	11	L33Z		11	L33Z		11	L33Z
	21A	W04A, W04B		21A	W04A, W04B		21A	W04A, W04B
	21B	X04Z, X33Z		21B	X04Z, X33Z		21B	X04Z, X33Z
	23	Z01A		23	Z01A		23	Z01A
	Pre	A07A		Pre	A07A		Pre	A07A
5t534.9↔		BOP, KOP, KOPV, KVT, UOP4, VIAL	5t535.21↔		BOP, KOP, KOPV, KVT, UOP4, VIAL	5t536.52↔		BOP, KOP, KOPV, KVT, UOP4, VIAL
	05	F13A		05	F13A		05	F13A
	06	G33Z		06	G33Z		06	G33Z
	07	H33Z, H38Z		07	H33Z, H38Z		07	H33Z, H38Z
	08	I01Z, I03A, I03B, I04Z, I12A, I12B, I12C, I43A, I43B		08	I01Z, I03A, I03B, I04Z, I12A, I12B, I12C, I44A, I44B, I44C		08	I01Z, I03A, I03B, I04Z, I12A, I12B, I12C, I43A, I43B
	11	L33Z		11	L33Z		11	L33Z
	21A	W04A, W04B		21A	W04A, W04B		21A	W04A, W04B
	21B	X04Z, X33Z		21B	X04Z, X33Z		21B	X04Z, X33Z
	23	Z01A		23	Z01A		23	Z01A
	Pre	A07A		Pre	A07A		Pre	A07A
5t534.x↔		BOP, KOP, KOPV, KVT, UOP4, VIAL	5t535.22↔		BOP, KOP, KOPV, KVT, UOP4, VIAL	5t536.60↔		BOP, KOP, KOPV, KVT, UOP4, VIAL
	05	F13A		05	F13A		05	F13A
	06	G33Z		06	G33Z		06	G33Z
	07	H33Z, H38Z		07	H33Z, H38Z		07	H33Z, H38Z
	08	I01Z, I03A, I03B, I04Z, I12A, I12B, I12C, I43A, I43B		08	I01Z, I03A, I03B, I04Z, I12A, I12B, I12C, I44A, I44B, I44C		08	I01Z, I03A, I03B, I04Z, I12A, I12B, I12C, I43A, I43B
	11	L33Z		11	L33Z		11	L33Z
	21A	W04A, W04B		21A	W04A, W04B		21A	W04A, W04B
	21B	X04Z, X33Z		21B	X04Z, X33Z		21B	X04Z, X33Z
	23	Z01A		23	Z01A		23	Z01A
	Pre	A07A		Pre	A07A		Pre	A07A
5t535.10↔		BOP, KOP, KOPV, KVT, UOP4, VIAL	5t535.30↔		BOP, KOP, KOPV, KVT, UOP4, VIAL	5t536.61↔		BOP, KOP, KOPV, KVT, UOP4, VIAL
	05	F13A		05	F13A		05	F13A
	06	G33Z		06	G33Z		06	G33Z
	07	H33Z, H38Z		07	H33Z, H38Z		07	H33Z, H38Z
	08	I01Z, I03A, I03B, I04Z, I12A, I12B, I12C, I44A, I44B, I44C		08	I01Z, I03A, I03B, I04Z, I12A, I12B, I12C, I44A, I44B, I44C		08	I01Z, I03A, I03B, I04Z, I12A, I12B, I12C, I43A, I43B
	11	L33Z		11	L33Z		11	L33Z
	21A	W04A, W04B		21A	W04A, W04B		21A	W04A, W04B
	21B	X04Z, X33Z		21B	X04Z, X33Z		21B	X04Z, X33Z
	23	Z01A		23	Z01A		23	Z01A
	Pre	A07A		Pre	A07A		Pre	A07A

ZZV	MDC	DRG	ZZV	MDC	DRG	ZZV	MDC	DRG	
5t536.70↔		BOP, KOP, KOPV, KVT, UOP4, VIAL	5t538.20↔	05	F13A	5t538.x↔	05	F13A	
	05	F13A		08	I12A, I12B, I12C, I44A, I44B		08	I12A, I12B, I12C, I44A, I44B	
	06	G33Z		21A	W04A, W04B		21A	W04A, W04B	
	07	H33Z, H38Z		21B	X04Z		21B	X04Z	
	08	I01Z, I03A, I03B, I04Z, I12A, I12B, I12C, I43A, I43B	5t538.22↔	05	F13A	5t539.0↔	05	F13A	
	11	L33Z		08	I12A, I12B, I12C, I44A, I44B		08	I12A, I12B, I12C, I44A, I44B	
	21A	W04A, W04B		21A	W04A, W04B		21A	W04A, W04B	
	21B	X04Z, X33Z		21B	X04Z		21B	X04Z	
	23	Z01A	5t538.30↔	05	F13A	5t539.1↔	05	F13A	
	Pre	A07A		08	I12A, I12B, I12C, I44A, I44B		08	I12A, I12B, I12C, I44A, I44B	
	5t536.71↔			BOP, KOP, KOPV, KVT, UOP4, VIAL	21A		W04A, W04B	21A	W04A, W04B
		05		F13A	21B		X04Z	21B	X04Z
		06	G33Z	5t538.32↔	05	F13A	5t53a↔	05	F13A
		07	H33Z, H38Z		08	I12A, I12B, I12C, I44A, I44B		08	I04Z, I12A, I12B, I12C, I44A, I44B, I44C
08		I01Z, I03A, I03B, I04Z, I12A, I12B, I12C, I43A, I43B	21A		W04A, W04B	21A		W04A, W04B	
11		L33Z	21B		X04Z	21B		X04Z	
21A		W04A, W04B	5t538.60↔	05	F13A	5t53b↔	05	F13A	
21B		X04Z, X33Z		08	I12A, I12B, I12C, I44A, I44B		08	I04Z, I12A, I12B, I12C, I44A, I44B, I44C	
23		Z01A		21A	W04A, W04B		21A	W04A, W04B	
Pre		A07A		21B	X04Z		21B	X04Z	
5t536.90↔			BOP, KOP, KOPV, KVT, UOP4, VIAL	5t538.62↔	05	F13A	5t53c↔	05	F13A
		05	F13A		08	I12A, I12B, I12C, I44A, I44B		08	I04Z, I12A, I12B, I12C, I44A, I44B, I44C
		06	G33Z		21A	W04A, W04B		21A	W04A, W04B
		07	H33Z, H38Z		21B	X04Z		21B	X04Z
	08	I01Z, I03A, I03B, I04Z, I12A, I12B, I12C, I43A, I43B	5t538.70↔	05	F13A	5t53d↔	05	F13A	
	11	L33Z		08	I12A, I12B, I12C, I44A, I44B		08	I04Z, I12A, I12B, I12C, I44A, I44B, I44C	
	21A	W04A, W04B		21A	W04A, W04B		21A	W04A, W04B	
	21B	X04Z, X33Z		21B	X04Z		21B	X04Z	
	23	Z01A	5t538.72↔	05	F13A	5t53e↔	05	F13A	
	Pre	A07A		08	I12A, I12B, I12C, I44A, I44B		08	I04Z, I12A, I12B, I12C, I44A, I44B, I44C	
	5t536.92↔			BOP, KOP, KOPV, KVT, UOP4, VIAL	21A		W04A, W04B	21A	W04A, W04B
		05		F13A	21B		X04Z	21B	X04Z
		06	G33Z	5t538.8↔	05	F13A	5t53f↔	05	F13A
		07	H33Z, H38Z		08	I12A, I12B, I12C, I44A, I44B		08	I04Z, I12A, I12B, I12C, I44A, I44B, I44C
08		I01Z, I03A, I03B, I04Z, I12A, I12B, I12C, I43A, I43B	21A		W04A, W04B	21A		W04A, W04B	
11		L33Z	21B		X04Z	21B		X04Z	
21A		W04A, W04B	5t538.9↔	05	F13A	5t53g↔	05	F13A	
21B		X04Z, X33Z		08	I12A, I12B, I12C, I44A, I44B		08	I04Z, I12A, I12B, I12C, I44A, I44B	
23		Z01A		21A	W04A, W04B		21A	W04A, W04B	
Pre		A07A		21B	X04Z		21B	X04Z	
5t536.x↔			BOP, KOP, KOPV, KVT, UOP4, VIAL	5t538.a↔	05	F13A	5t53h↔	05	F13A
		05	F13A		08	I12A, I12B, I12C, I44A, I44B		08	I04Z, I12A, I12B, I12C, I44A, I44B, I44C
		06	G33Z		21A	W04A, W04B		21A	W04A, W04B
		07	H33Z, H38Z		21B	X04Z		21B	X04Z
	08	I01Z, I03A, I03B, I04Z, I12A, I12B, I12C, I43A, I43B	5t538.b↔	05	F13A	5t53i↔	05	F13A	
	11	L33Z		08	I12A, I12B, I12C, I44A, I44B		08	I04Z, I12A, I12B, I12C, I44A, I44B, I44C	
	21A	W04A, W04B		21A	W04A, W04B		21A	W04A, W04B	
	21B	X04Z, X33Z		21B	X04Z		21B	X04Z	
	23	Z01A	5t538.c↔	05	F13A	5t53j↔	05	F13A	
	Pre	A07A		08	I12A, I12B, I12C, I44A, I44B		08	I04Z, I12A, I12B, I12C, I44A, I44B, I44C	
	5t537↔			BOP, KVT, UOP4, VIAL	21A		W04A, W04B	21A	W04A, W04B
		05		F13A	21B		X04Z	21B	X04Z
		08	I04Z, I12A, I12B, I12C, I44A, I44B						
		21A	W04A, W04B						
21B	X04Z								

ZZV	MDC	DRG	ZZV	MDC	DRG	ZZV	MDC	DRG
5t53x↔		BOP, KVT, UOP4, VIAL	5t549.2↔		BOP, KVT, UOP4, VIAL	5t550.v↔		BOP, KVT, UOP4
	05	F13A		01	B03A, B03B, B06A, B06B, B07Z, B17A, B17B, B17C		05	F13A
	08	I12A, I12B, I12C, I44A, I44B		08	I12A, I12B, I12C, I32A, I32B, I32C, I32D, I32E, I32F		08	I05Z, I12A, I12B, I12C
	21A	W04A, W04B		21A	W04A, W04B		21A	W04A, W04B
	21B	X04Z		21B	X05A, X05B	5t551↔		X06A, X06B, X06C
5t540.0↔		BOP, KVT, UOP4, VIAL	5t549.3↔		BOP, KVT, UOP4, VIAL		05	F13A
	08	I05Z, I12A, I12B, I12C		01	B03A, B03B, B06A, B06B, B07Z, B17A, B17B, B17C		08	I05Z, I08A, I08B, I08C, I08D, I08E, I08F, I12A, I12B, I12C
	21A	W04A, W04B		08	I12A, I12B, I12C, I32A, I32B, I32C, I32D, I32E, I32F		21A	W04A, W04B
	21B	X06A, X06B, X06C		21A	W04A, W04B	5t552.0↔		X06A, X06B, X06C
5t540.1↔		BOP, KVT, UOP4, VIAL	5t549.4↔		BOP, KVT, UOP4, VIAL		05	F13A
	08	I05Z, I12A, I12B, I12C		01	B03A, B03B, B06A, B06B, B07Z, B17A, B17B, B17C		08	I05Z, I12A, I12B, I12C, I43A, I43B
	21A	W04A, W04B		08	I12A, I12B, I12C, I32A, I32B, I32C, I32D, I32E, I32F		21A	W04A, W04B
	21B	X06A, X06B, X06C		21A	W04A, W04B	5t552.1↔		X06A, X06B, X06C
5t540.x↔		BOP, KVT, UOP4, VIAL	5t549.5↔		BOP, KVT, UOP4, VIAL		05	F13A
	08	I05Z, I12A, I12B, I12C		01	B03A, B03B, B06A, B06B, B07Z, B17A, B17B, B17C		08	I05Z, I12A, I12B, I12C, I43A, I43B
	21A	W04A, W04B		08	I12A, I12B, I12C, I32A, I32B, I32C, I32D, I32E, I32F		21A	W04A, W04B
	21B	X06A, X06B, X06C		21A	W04A, W04B	5t553↔		X06A, X06B, X06C
5t541↔		BOP, KVT, UOP4, VIAL	5t549.6↔		BOP, KVT, UOP4, VIAL		05	F13A
	08	I05Z, I12A, I12B, I12C		01	B03A, B03B, B06A, B06B, B07Z, B17A, B17B, B17C		08	I05Z, I08A, I08B, I08C, I08D, I08E, I08F, I12A, I12B, I12C
	21A	W04A, W04B		08	I12A, I12B, I12C, I32A, I32B, I32C, I32D, I32E, I32F		21A	W04A, W04B
	21B	X06A, X06B, X06C		21A	W04A, W04B	5t554↔		X06A, X06B, X06C
5t542.0↔		BOP, KVT, UOP4, VIAL	5t54a↔		BOP, KVT, UOP4		05	F13A
	08	I05Z, I12A, I12B, I12C		08	I12A, I12B, I12C, I28A, I28B, I32A, I32B, I32C, I32D, I32E, I32F		08	I05Z, I12A, I12B, I12C
	21A	W04A, W04B		21A	W04A, W04B	5t555↔		W04A, W04B
	21B	X06A, X06B, X06C		21B	X05A, X05B		21A	W04A, W04B
5t542.1↔		BOP, KVT, UOP4, VIAL	5t54x↔		BOP, KVT, UOP4		21B	X06A, X06B, X06C
	08	I05Z, I12A, I12B, I12C		08	I12A, I12B, I12C, I28A, I28B	5t556↔		BOP, KVT, UOP4, VIAL
	21A	W04A, W04B		21A	W04A, W04B		01	B03A, B03B, B06A, B06B, B07Z, B17A, B17B, B17C
	21B	X06A, X06B, X06C		21B	X05A, X05B, X06A, X06B, X06C		05	F13A
5t543↔		BOP, KVT, UOP4, VIAL	5t550.0↔		BOP, KVT, UOP4		08	I12A, I12B, I12C, I32A, I32B, I32C, I32D, I32E, I32F
	08	I05Z, I08A, I08B, I08C, I08D, I08E, I08F, I12A, I12B, I12C		05	F13A	5t557↔		W04A, W04B
	21A	W04A, W04B		08	I05Z, I12A, I12B, I12C		21A	W04A, W04B
	21B	X06A, X06B, X06C		21A	W04A, W04B		21B	X06A, X06B, X06C
5t544↔		BOP, KVT, UOP4, VIAL	5t550.4↔		BOP, KVT, UOP4		05	F13A
	08	I05Z, I08A, I08B, I08C, I08D, I08E, I08F, I12A, I12B, I12C		08	I05Z, I12A, I12B, I12C	5t558↔		BOP, KVT, UOP4, VIAL
	21A	W04A, W04B		21A	W04A, W04B		08	I12A, I12B, I12C, I23A
	21B	X06A, X06B, X06C		21A	W04A, W04B		21A	W04A, W04B
5t545↔		BOP, KVT, UOP4, VIAL	5t550.7↔		BOP, KVT, UOP4		21B	X06A, X06B, X06C
	08	I05Z, I08A, I08B, I08C, I08D, I08E, I08F, I12A, I12B, I12C		05	F13A	5t559↔		BOP, KVT, UOP4, VIAL
	21A	W04A, W04B		08	I05Z, I12A, I12B, I12C		05	F13A
	21B	X06A, X06B, X06C		21A	W04A, W04B		08	I08A, I08B, I08C, I08D, I08E, I08F, I12A, I12B, I12C, I23A, I23B
5t546↔		BOP, KVT, UOP4, VIAL	5t550.u↔		BOP, KVT, UOP4		21A	W04A, W04B
	08	I05Z, I08A, I08B, I08C, I08D, I08E, I08F, I12A, I12B, I12C		05	F13A		21B	X06A, X06B, X06C
	21A	W04A, W04B		08	I05Z, I12A, I12B, I12C			
	21B	X06A, X06B, X06C		21A	W04A, W04B			
5t547↔		BOP, KVT, UOP4, VIAL		21B	X06A, X06B, X06C			
	08	I08A, I08B, I08C, I08D, I08E, I08F, I12A, I12B, I12C, I21Z, I31Z, I32A, I32B, I32C, I32D, I32E, I32F						
	21A	W04A, W04B						
	21B	X06A, X06B, X06C						
5t548↔		BOP, KVT, UOP4, VIAL						
	08	I05Z, I12A, I12B, I12C						
	21A	W04A, W04B						
	21B	X05A, X05B						
5t549.1↔		BOP, KVT, UOP4, VIAL						
	01	B03A, B03B, B06A, B06B, B07Z, B17A, B17B, B17C						
	08	I12A, I12B, I12C, I32A, I32B, I32C, I32D, I32E, I32F						
	21A	W04A, W04B						
	21B	X05A, X05B						

ZZV	MDC	DRG	ZZV	MDC	DRG	ZZV	MDC	DRG
5t55a↔		BOP, KVT, UOP4, VIAL	5t55x↔		BOP, KVT, UOP4	5t571.00↔		BOP, KOP, KOPV, KVT, UOP4, VIAL
	05	F13A		05	F13A		05	F13A
	08	I08A, I08B, I08C, I08D, I08E, I08F, I12A, I12B, I12C, I23A, I23B		08	I12A, I12B, I12C, I28A, I28B		06	G33Z
	21A	W04A, W04B		21A	W04A, W04B		07	H33Z, H38Z
	21B	X06A, X06B, X06C		21B	X05A, X05B, X06A, X06B, X06C		08	I01Z, I03A, I03B, I12A, I12B, I12C, I43A, I43B
5t55b↔		BOP, KVT, UOP4, VIAL	5t560.0↔		BOP, KOP, KOPV, KVT, UOP4, VIAL		11	L33Z
	05	F13A		06	G33Z		21A	W04A, W04B
	08	I12A, I12B, I12C, I23A		07	H33Z, H38Z		21B	X04Z, X33Z
	21A	W04A, W04B		08	I01Z, I03A, I03B, I05Z, I12A, I12B, I12C		23	Z01A
	21B	X05A, X05B, X06A, X06B, X06C		11	L33Z	5t571.01↔	Pre	A07A
5t55c↔		BOP, KVT, UOP4, VIAL		21A	W04A, W04B			BOP, KOP, KOPV, KVT, UOP4, VIAL
	05	F13A		21B	X04Z, X33Z		05	F13A
	08	I12A, I12B, I12C, I23A, I23B		23	Z01A		06	G33Z
	21A	W04A, W04B		Pre	A07A		07	H33Z, H38Z
	21B	X05A, X05B, X06A, X06B, X06C	5t560.1↔		BOP, KOP, KOPV, KVT, UOP4, VIAL		08	I01Z, I03A, I03B, I12A, I12B, I12C, I43A, I43B
5t55d↔		BOP, KVT, UOP4		06	G33Z		11	L33Z
	05	F13A		07	H33Z, H38Z		21A	W04A, W04B
	08	I12A, I12B, I12C, I28A, I28B, I32A, I32B, I32C, I32D, I32E, I32F		08	I01Z, I03A, I03B, I05Z, I12A, I12B, I12C		21B	X04Z, X33Z
	21A	W04A, W04B		11	L33Z		23	Z01A
	21B	X05A, X05B, X06A, X06B, X06C		21A	W04A, W04B	5t571.1↔	Pre	A07A
5t55e↔		BOP, KVT, UOP4		21B	X04Z, X33Z			BOP, KVT, UOP4
	05	F13A		23	Z01A		05	F13A
	08	I12A, I12B, I12C, I28A, I28B		Pre	A07A		08	I12A, I12B, I12C, I23A
	21A	W04A, W04B	5t560.2↔		BOP, KOP, KOPV, KVT, UOP4, VIAL		21A	W04A, W04B
	21B	X05A, X05B, X06A, X06B, X06C		06	G33Z	5t571.2↔	21B	X04Z, X06A, X06B, X06C
5t55f↔		BOP, KVT, UOP4, VIAL		07	H33Z, H38Z			BOP, KVT, UOP4
	05	F13A		08	I01Z, I03A, I03B, I05Z, I12A, I12B, I12C		05	F13A
	08	I05Z, I08A, I08B, I08C, I08D, I08E, I08F, I12A, I12B, I12C		11	L33Z		08	I12A, I12B, I12C, I23A
	21A	W04A, W04B		21A	W04A, W04B	5t571.3↔	21A	W04A, W04B
	21B	X06A, X06B, X06C		21B	X04Z, X33Z		21B	X04Z, X06A, X06B, X06C
5t55g↔		BOP, KVT, UOP4, VIAL		23	Z01A		21B	X04Z, X06A, X06B, X06C
	05	F13A	5t561↔		BOP, KVT, UOP4, VIAL	5t572↔		BOP, KVT, UOP4, VIAL
	08	I08A, I08B, I08C, I08D, I08E, I08F, I12A, I12B, I12C, I23A, I23B		08	I12A, I12B, I12C, I20A, I20B, I20C, I20D		05	F13A
	21A	W04A, W04B		21A	W04A, W04B		08	I12A, I12B, I12C, I20A, I20B, I20C, I20D
	21B	X06A, X06B, X06C		21B	X04Z		21A	W04A, W04B
5t55h↔		BOP, KVT, UOP4, VIAL	5t562↔		BOP, KVT, UOP4, VIAL	5t573↔	21B	X04Z
	08	I05Z, I12A, I12B, I12C		08	I12A, I12B, I12C, I20A, I20B, I20C, I20D			BOP, KVT, UOP4, VIAL
	21A	W04A, W04B		21A	W04A, W04B		05	F13A
	21B	X06A, X06B, X06C		21B	X04Z		08	I12A, I12B, I12C, I20A, I20B, I20C, I20D
5t55j↔		BOP, KVT, UOP4	5t56x↔		BOP, KVT, UOP4		21A	W04A, W04B
	05	F13A		08	I12A, I12B, I12C, I28A, I28B	5t575↔	21B	X04Z
	08	I12A, I12B, I12C, I28A, I28B		21A	W04A, W04B			BOP, KVT, UOP4, VIAL
	21A	W04A, W04B		21B	X04Z, X06A, X06B, X06C		05	F13A
	21B	X05A, X05B, X06A, X06B, X06C	5t570↔		BOP, KVT, UOP4		08	I12A, I12B, I12C, I23A
5t55k.1↔		BOP, KVT, UOP4, VIAL		05	F13A		21A	W04A, W04B
	08	I05Z, I12A, I12B, I12C		08	I12A, I12B, I12C, I28A, I28B	5t576↔	21B	X04Z, X06A, X06B, X06C
	21A	W04A, W04B		21A	W04A, W04B			BOP, KVT, UOP4, VIAL
	21B	X06A, X06B, X06C		21B	X04Z, X06A, X06B, X06C		05	F13A
5t55k.2↔		BOP, KVT, UOP4, VIAL		21A	W04A, W04B		08	I12A, I12B, I12C, I23A, I23B
	08	I05Z, I12A, I12B, I12C		21B	X04Z, X06A, X06B, X06C		21A	W04A, W04B
	21A	W04A, W04B					21B	X04Z, X06A, X06B, X06C
	21B	X06A, X06B, X06C				5t577↔		BOP, KVT, UOP4, VIAL
5t55k.3↔		BOP, KVT, UOP4, VIAL					05	F13A
	08	I05Z, I12A, I12B, I12C					08	I12A, I12B, I12C, I23A, I23B
	21A	W04A, W04B					21A	W04A, W04B
	21B	X06A, X06B, X06C					21B	X04Z, X06A, X06B, X06C

ZZV	MDC	DRG	ZZV	MDC	DRG	ZZV	MDC	DRG
5t57x↔		BOP, KVT, UOP4	5t585		BOP, KVT, UOP4	5t595↔		BOP, KVT, UOP4, VIAL
	05	F13A		08	I12A, I12B, I12C, I28A, I28B		08	I12A, I12B, I12C, I32A, I32B, I32C, I32D, I32E, I32F
	08	I12A, I12B, I12C, I23A		21A	W04A, W04B		21A	W04A, W04B
	21A	W04A, W04B		21B	X04Z, X05A, X05B, X06A, X06B, X06C		21B	X05A, X05B
5t580		X04Z, X06A, X06B, X06C	5t586.2		BOP, KVT, UOP4	5t596↔		BOP, KVT, UOP4, VIAL
		BOP, KVT, UOP4		08	I12A, I12B, I12C, I28A, I28B		01	B03A, B03B, B06A, B06B, B17A, B17B, B17C
	04	E02A, E02B, E02C		21A	W04A, W04B		08	I12A, I12B, I12C, I18A, I30Z
	08	I12A, I12B, I12C, I28A, I28B		21B	X04Z, X05A, X05B, X06A, X06B, X06C		21A	W04A, W04B
	21A	W04A, W04B			BOP, KVT, UOP4		21B	X04Z
	21B	X04Z, X05A, X05B, X06A, X06B, X06C	5t586.g		BOP, KVT, UOP4	5t597↔		BOP, KVT, UOP4, VIAL
5t581.2		BOP, KVT, UOP4		08	I12A, I12B, I12C, I28A, I28B		01	B03A, B03B, B06A, B06B, B17A, B17B, B17C
	04	E02A, E02B, E02C		21A	W04A, W04B		05	F27A, F27B, F27C
	08	I12A, I12B, I12C, I28A, I28B		21B	X04Z, X05A, X05B, X06A, X06B, X06C		08	I12A, I12B, I12C, I59Z
	21A	W04A, W04B			BOP, KVT, UOP4		10	K01Z
	21B	X04Z, X05A, X05B, X06A, X06B, X06C	5t586.x		BOP, KVT, UOP4		21A	W04A, W04B
5t581.g		BOP, KOP, KVT, UOP4		08	I12A, I12B, I12C, I28A, I28B		21B	X04Z
	04	E02A, E02B, E02C, E36Z		21A	W04A, W04B	5t598↔		BOP, KVT, UOP4, VIAL
	06	G36Z		21B	X04Z, X05A, X05B, X06A, X06B, X06C		08	I12A, I12B, I12C, I20A, I20B, I20C, I20D
	08	I12A, I12B, I12C, I26Z, I28A, I28B, I95Z	5t587		BOP, KVT, UOP4		21A	W04A, W04B
	11	L33Z		04	E02A, E02B, E02C		21B	X04Z
	21A	W04A, W04B		08	I12A, I12B, I12C, I28A, I28B	5t599		BOP, KVT, UOP4
	21B	X04Z, X05A, X05B, X06A, X06B, X06C		21A	W04A, W04B		08	I12A, I12B, I12C, I28A, I28B
	Pre	A06A, A07A, A09A, A11A, A13A	5t58x		BOP, KVT, UOP4		21A	W04A, W04B
5t581.x		BOP, KVT, UOP4		08	I28A, I28B		21B	X04Z, X05A, X05B, X06A, X06B, X06C
	04	E02A, E02B, E02C		21A	W04A, W04B	5t59g		BOP, KVT, UOP4
	08	I12A, I12B, I12C, I28A, I28B		21B	X04Z, X05A, X05B, X06A, X06B, X06C		08	I12A, I12B, I12C, I28A, I28B
	21A	W04A, W04B			BOP, KVT, UOP4, VIAL		21A	W04A, W04B
	21B	X04Z, X05A, X05B, X06A, X06B, X06C	5t590.0↔		BOP, KVT, UOP4, VIAL		21B	X06A, X06B, X06C
5t582		BOP, KVT, UOP4		08	I08A, I08B, I08C, I08D, I08E, I12A, I12B, I12C, I27B, I37Z	5t59x		BOP, KVT, UOP4
	04	E02A, E02B, E02C		21A	W04A, W04B		08	I12A, I12B, I12C, I28A, I28B
	08	I12A, I12B, I12C, I28A, I28B		21B	X06A, X06B, X06C		21A	W04A, W04B
	21A	W04A, W04B	5t590.1↔		BOP, KVT, UOP4, VIAL		21B	X06A, X06B, X06C
	21B	X04Z, X05A, X05B, X06A, X06B, X06C		08	I08A, I08B, I08C, I08D, I08E, I12A, I12B, I12C, I27B, I37Z	5t600		BOP, KVT, UOP4, VIAL
5t583		BOP, KVT, UOP4		21A	W04A, W04B		01	B03A, B03B, B18Z
	04	E02A, E02B, E02C		21B	X06A, X06B, X06C		05	F13A
	08	I12A, I12B, I12C, I28A, I28B	5t590.x↔		BOP, KVT, UOP4, VIAL		08	I08A, I08B, I08C, I08D, I08E, I08F, I10A, I10B, I10C, I10D, I10E, I12A, I12B, I12C
	08	I12A, I12B, I12C, I28A, I28B		08	I08A, I08B, I08C, I08D, I08E, I12A, I12B, I12C, I27B, I37Z		11	L09A, L38Z
	21A	W04A, W04B		21A	W04A, W04B		17	R01A, R01B, R01C, R01D, R02Z, R12A, R12B, R12C
	21B	X04Z, X05A, X05B, X06A, X06B, X06C		21B	X06A, X06B, X06C		21A	W04A, W04B
5t584.2		BOP, KVT, UOP4	5t591↔		BOP, KVT, UOP4, VIAL		21B	X06A, X06B, X06C
	04	E02A, E02B, E02C		08	I08A, I08B, I08C, I08D, I08E, I12A, I12B, I12C, I27B, I37Z, I47A	5t601		BOP, KVT, UOP4, VIAL
	08	I12A, I12B, I12C, I28A, I28B		21A	W04A, W04B		01	B03A, B03B, B18Z
	21A	W04A, W04B		21B	X06A, X06B, X06C		05	F13A
	21B	X04Z, X05A, X05B, X06A, X06B, X06C	5t592↔		BOP, KVT, UOP4, VIAL		08	I08A, I08B, I08C, I08D, I08E, I08F, I10A, I10B, I10C, I10D, I10E, I12A, I12B, I12C
5t584.g		BOP, KOP, KVT, UOP4		01	B03A, B03B, B06A, B06B, B17A, B17B, B17C		11	L09A, L38Z
	04	E02A, E02B, E02C, E36Z		08	I08A, I08B, I08C, I08D, I08E, I08F		21A	W04A, W04B
	06	G36Z		21A	W01A, W01B, W01C, W02A, W02B		21B	X04Z, X05A, X05B, X06A, X06B, X06C
	08	I12A, I12B, I12C, I26Z, I28A, I28B, I95Z		21B	X04Z	5t602		VIAL
	11	L33Z	5t593↔		BOP, KVT, UOP4, VIAL		01	B03A, B03B, B18Z
	21A	W04A, W04B		08	I12A, I12B, I12C, I16Z		08	I08A, I08B, I08C, I08D, I08E, I08F, I10A, I10B, I10C, I10D, I10E, I10F
	21B	X04Z, X05A, X05B, X06A, X06B, X06C		21A	W04A, W04B		11	L09A, L38Z
	Pre	A06A, A07A, A09A, A11A, A13A	5t594↔		BOP, KVT, UOP4, VIAL			
5t584.x		BOP, KVT, UOP4		08	I08A, I08B, I08C, I08D, I08E, I08F, I12A, I12B, I12C, I21Z, I31Z			
	04	E02A, E02B, E02C		21A	W04A, W04B			
	08	I12A, I12B, I12C, I28A, I28B		21B	X06A, X06B, X06C			
	21A	W04A, W04B			BOP, KVT, UOP4, VIAL			
	21B	X04Z, X05A, X05B, X06A, X06B, X06C		08	I08A, I08B, I08C, I08D, I08E, I08F, I12A, I12B, I12C, I21Z, I31Z			
				21A	W04A, W04B			
				21B	X06A, X06B, X06C			





ZZV	MDC	DRG	ZZV	MDC	DRG	ZZV	MDC	DRG	
5t625		BOP, KVT, UOP4, VIAL	5t63x		BOP, KOP, KOPV, KVT, UOP4, VIAL	5t641.4		BOP, KOP, KOPV, KVT, UOP4, VIAL	
	01	B03A, B03B, B18Z		01	B03A, B03B, B18Z		01	B02A, B02B, B02C, B02D, B20A, B20B, B20C, B20D, B20E, B39A, B39B	
	08	I08A, I08B, I08C, I08D, I08E, I08F, I10A, I10B, I10C, I10D, I10E		06	G33Z		06	G33Z	
	11	L09A, L38Z		07	H33Z, H38Z		07	H33Z, H38Z	
	17	R01A, R01B, R01C, R01D, R02Z, R12A, R12B, R12C		08	I06A, I06B, I06C, I06D, I06E, I08A, I08B, I08C, I08D, I08E, I08F, I09A, I09B, I09C, I09D, I09E, I10A, I10B, I10C, I10D, I10E		08	I06A, I06B, I06C, I06D, I06E, I08A, I08B, I08C, I08D, I08E, I08F, I09A, I09B, I09C, I09D	
	21A	W04A, W04B		09	J26Z		09	J26Z	
	21B	X06A, X06B, X06C		11	L33Z		11	L33Z	
	5t626			BOP, KVT, UOP4, VIAL	21A		W01A, W01B, W01C, W02A, W02B	17	R01A, R01B, R01C, R01D, R02Z, R12A, R12B, R12C
		01		B03A, B03B, B18Z	21B		X06A, X06B, X06C	21A	W04A, W04B
		08		I08A, I08B, I08C, I08D, I08E, I08F, I10A, I10B, I10C, I10D, I10E	23		Z01A	21B	X06A, X06B, X06C, X33Z
11		L09A, L38Z	Pre	A07A	23	Z01A			
17		R01A, R01B, R01C, R01D, R02Z, R12A, R12B, R12C	5t641.1		Pre	A07A			
21A		W04A, W04B		BOP, KOP, KOPV, KVT, UOP4, VIAL	5t641.5				
21B		X06A, X06B, X06C	01	B03A, B03B, B18Z		BOP, KOP, KOPV, KVT, UOP4, VIAL			
5t627			BOP, KVT, UOP4, VIAL	06	G33Z	01	B02A, B02B, B02C, B02D, B20A, B20B, B20C, B20D, B20E, B39A, B39B		
		01	B03A, B03B, B18Z	07	H33Z, H38Z	06	G33Z		
		08	I08A, I08B, I08C, I08D, I08E, I08F, I10A, I10B, I10C, I10D, I10E	08	I06A, I06B, I06C, I06D, I06E, I08A, I08B, I08C, I08D, I08E, I08F, I09A, I09B, I09C, I09D, I09E	07	H33Z, H38Z		
	11	L09A, L38Z	09	J26Z	08	I06A, I06B, I06C, I06D, I06E, I08A, I08B, I08C, I08D, I08E, I08F, I09A, I09B, I09C, I09D			
	17	R01A, R01B, R01C, R01D, R02Z, R12A, R12B, R12C	11	L33Z	09	J26Z			
	21A	W04A, W04B	17	R01A, R01B, R01C, R01D, R02Z, R12A, R12B, R12C	11	L33Z			
	21B	X06A, X06B, X06C	21A	W04A, W04B	17	R01A, R01B, R01C, R01D, R02Z, R12A, R12B, R12C			
	Pre	B61A	21B	X06A, X06B, X06C, X33Z	21A	W04A, W04B			
	5t628		BOP, KVT, UOP4, VIAL	23	Z01A	21B	X06A, X06B, X06C, X33Z		
		01	B03A, B03B, B18Z	Pre	A07A	23	Z01A		
08		I08A, I08B, I08C, I08D, I08E, I08F, I10A, I10B, I10C, I10D, I10E	5t641.2		Pre	A07A			
11		L09A, L38Z		BOP, KOP, KOPV, KVT, UOP4, VIAL	5t641.6				
17		R01A, R01B, R01C, R01D, R02Z, R12A, R12B, R12C	01	B03A, B03B, B18Z		BOP, KOP, KOPV, KVT, UOP4, VIAL			
21A		W04A, W04B	06	G33Z	01	B02A, B02B, B02C, B02D, B20A, B20B, B20C, B20D, B20E, B39A, B39B			
21B		X06A, X06B, X06C	07	H33Z, H38Z	06	G33Z			
5t629			BOP, KVT, UOP4, VIAL	08	I06A, I06B, I06C, I06D, I06E, I08A, I08B, I08C, I08D, I08E, I08F, I09A, I09B, I09C, I09D, I09E	07	H33Z, H38Z		
		01	B03A, B03B, B18Z	09	J26Z	08	I06A, I06B, I06C, I08A, I08B, I08C, I08D, I08E, I08F		
		08	I08A, I08B, I08C, I08D, I08E, I08F, I10A, I10B, I10C, I10D, I10E	11	L33Z	09	J26Z		
	11	L09A, L38Z	17	R01A, R01B, R01C, R01D, R02Z, R12A, R12B, R12C	11	L33Z			
	17	R01A, R01B, R01C, R01D, R02Z, R12A, R12B, R12C	21A	W04A, W04B	17	R01A, R01B, R01C, R01D, R02Z, R12A, R12B, R12C			
	21A	W04A, W04B	21B	X06A, X06B, X06C, X33Z	21A	W04A, W04B			
	21B	X06A, X06B, X06C	23	Z01A	21B	X06A, X06B, X06C, X33Z			
	5t62x		BOP, KVT, UOP4, VIAL	Pre	A07A	23	Z01A		
		01	B03A, B03B, B18Z	5t641.3		Pre	A07A		
		08	I08A, I08B, I08C, I08D, I08E, I08F, I10A, I10B, I10C, I10D, I10E		BOP, KOP, KOPV, KVT, UOP4, VIAL	5t642.1			
11		L09A, L38Z	01	B02A, B02B, B02C, B02D, B20A, B20B, B20C, B20D, B20E, B39A, B39B	01	B03A, B03B, B18Z			
17		R01A, R01B, R01C, R01D, R02Z, R12A, R12B, R12C	06	G33Z	06	G33Z			
21A		W04A, W04B	07	H33Z, H38Z	07	H33Z, H38Z			
21B		X06A, X06B, X06C	08	I06A, I06B, I06C, I06D, I06E, I08A, I08B, I08C, I08D, I08E, I08F, I09A, I09B, I09C, I09D	08	I06A, I06B, I06C, I06D, I06E, I08A, I08B, I08C, I08D, I08E, I08F, I09A, I09B, I09C, I09D, I09E			
5t639		09	J26Z	09	J26Z	09	J26Z		
		Pre	B61A	11	L33Z	11	L33Z		
		5t63c†	08	I09C	17	R01A, R01B, R01C, R01D, R02Z, R12A, R12B, R12C	17	R01A, R01B, R01C, R01D, R02Z, R12A, R12B, R12C	
5t63d†	08		I09C	21A	W04A, W04B	21A	W04A, W04B		
	5t63e†		08	I09C	21B	X06A, X06B, X06C, X33Z	21B	X06A, X06B, X06C, X33Z	
				23	Z01A	23	Z01A		
			Pre	A07A	Pre	A07A			

ZZV	MDC	DRG	ZZV	MDC	DRG	ZZV	MDC	DRG			
5t642.2		BOP, KOP, KOPV, KVT, UOP4, VIAL	5t642.6		BOP, KOP, KOPV, KVT, UOP4, VIAL	5t643.4		BOP, KOP, KOPV, KVT, UOP4, VIAL			
	01	B03A, B03B, B18Z		01	B03A, B03B, B18Z		01	B02A, B02B, B02C, B02D, B20A, B20B, B20C, B20D, B20E, B39A, B39B			
	06	G33Z		06	G33Z		06	G33Z			
	07	H33Z, H38Z		07	H33Z, H38Z		07	H33Z, H38Z			
	08	I06A, I06B, I06C, I06D, I06E, I08A, I08B, I08C, I08D, I08E, I08F, I09A, I09B, I09C, I09D, I09E		08	I06A, I06B, I06C, I06D, I06E, I08A, I08B, I08C, I08D, I08E, I08F, I09A, I09B, I09C, I09D, I09E		08	I06A, I06B, I06C, I06D, I06E, I08A, I08B, I08C, I08D, I08E, I08F, I09A, I09B, I09C, I09D			
	09	J26Z		09	J26Z		09	J26Z			
	11	L33Z		11	L33Z		11	L33Z			
	17	R01A, R01B, R01C, R01D, R02Z, R12A, R12B, R12C		17	R01A, R01B, R01C, R01D, R02Z, R12A, R12B, R12C		17	R01A, R01B, R01C, R01D, R02Z, R12A, R12B, R12C			
	21A	W04A, W04B		21A	W04A, W04B		21A	W04A, W04B			
	21B	X06A, X06B, X06C, X33Z		21B	X06A, X06B, X06C, X33Z		21B	X06A, X06B, X06C, X33Z			
	23	Z01A		23	Z01A		23	Z01A			
	Pre	A07A		Pre	A07A		Pre	A07A			
	5t642.3			BOP, KOP, KOPV, KVT, UOP4, VIAL	5t643.1			BOP, KOP, KOPV, KVT, UOP4, VIAL	5t643.5		BOP, KOP, KOPV, KVT, UOP4, VIAL
		01		B03A, B03B, B18Z			01	B03A, B03B, B18Z		01	B02A, B02B, B02C, B02D, B20A, B20B, B20C, B20D, B20E, B39A, B39B
06		G33Z	06	G33Z		06	G33Z				
07		H33Z, H38Z	07	H33Z, H38Z		07	H33Z, H38Z				
08		I06A, I06B, I06C, I06D, I06E, I08A, I08B, I08C, I08D, I08E, I08F, I09A, I09B, I09C, I09D, I09E	08	I06A, I06B, I06C, I06D, I06E, I08A, I08B, I08C, I08D, I08E, I08F, I09A, I09B, I09C, I09D, I09E		08	I06A, I06B, I06C, I06D, I06E, I08A, I08B, I08C, I08D, I08E, I08F, I09A, I09B, I09C, I09D				
09		J26Z	09	J26Z		09	J26Z				
11		L33Z	11	L33Z		11	L33Z				
17		R01A, R01B, R01C, R01D, R02Z, R12A, R12B, R12C	17	R01A, R01B, R01C, R01D, R02Z, R12A, R12B, R12C		17	R01A, R01B, R01C, R01D, R02Z, R12A, R12B, R12C				
21A		W04A, W04B	21A	W04A, W04B		21A	W04A, W04B				
21B		X06A, X06B, X06C, X33Z	21B	X06A, X06B, X06C, X33Z		21B	X06A, X06B, X06C, X33Z				
23		Z01A	23	Z01A		23	Z01A				
Pre		A07A	Pre	A07A		Pre	A07A				
5t642.4			BOP, KOP, KOPV, KVT, UOP4, VIAL	5t643.2			BOP, KOP, KOPV, KVT, UOP4, VIAL	5t643.6			BOP, KOP, KOPV, KVT, UOP4, VIAL
		01	B03A, B03B, B18Z			01	B03A, B03B, B18Z			01	B02A, B02B, B02C, B02D, B20A, B20B, B20C, B20D, B20E, B39A, B39B
	06	G33Z	06		G33Z	06	G33Z				
	07	H33Z, H38Z	07		H33Z, H38Z	07	H33Z, H38Z				
	08	I06A, I06B, I06C, I06D, I06E, I08A, I08B, I08C, I08D, I08E, I08F, I09A, I09B, I09C, I09D, I09E	08		I06A, I06B, I06C, I06D, I06E, I08A, I08B, I08C, I08D, I08E, I08F, I09A, I09B, I09C, I09D, I09E	08	I06A, I06B, I06C, I06D, I06E, I08A, I08B, I08C, I08D, I08E, I08F				
	09	J26Z	09		J26Z	09	J26Z				
	11	L33Z	11		L33Z	11	L33Z				
	17	R01A, R01B, R01C, R01D, R02Z, R12A, R12B, R12C	17		R01A, R01B, R01C, R01D, R02Z, R12A, R12B, R12C	17	R01A, R01B, R01C, R01D, R02Z, R12A, R12B, R12C				
	21A	W04A, W04B	21A		W04A, W04B	21A	W04A, W04B				
	21B	X06A, X06B, X06C, X33Z	21B		X06A, X06B, X06C, X33Z	21B	X06A, X06B, X06C, X33Z				
	23	Z01A	23		Z01A	23	Z01A				
	Pre	A07A	Pre		A07A	Pre	A07A				
	5t642.5		BOP, KOP, KOPV, KVT, UOP4, VIAL		5t643.3		BOP, KOP, KOPV, KVT, UOP4, VIAL				
		01	B03A, B03B, B18Z			01	B02A, B02B, B02C, B02D, B20A, B20B, B20C, B20D, B20E, B39A, B39B				
06		G33Z	06	G33Z							
07		H33Z, H38Z	07	H33Z, H38Z							
08		I06A, I06B, I06C, I06D, I06E, I08A, I08B, I08C, I08D, I08E, I08F, I09A, I09B, I09C, I09D, I09E	08	I06A, I06B, I06C, I06D, I06E, I08A, I08B, I08C, I08D, I08E, I08F, I09A, I09B, I09C, I09D							
09		J26Z	09	J26Z							
11		L33Z	11	L33Z							
17		R01A, R01B, R01C, R01D, R02Z, R12A, R12B, R12C	17	R01A, R01B, R01C, R01D, R02Z, R12A, R12B, R12C							
21A		W04A, W04B	21A	W04A, W04B							
21B		X06A, X06B, X06C, X33Z	21B	X06A, X06B, X06C, X33Z							
23		Z01A	23	Z01A							
Pre		A07A	Pre	A07A							

ZZV	MDC	DRG	ZZV	MDC	DRG	ZZV	MDC	DRG			
5t64x		BOP, KOP, KOPV, KVT, UOP4, VIAL	5t650.4		BOP, KOP, KOPV, KVT, UOP4, VIAL	5t651.4		BOP, KOP, KOPV, KVT, UOP4, VIAL			
	01	B03A, B03B, B18Z		01	B03A, B03B, B18Z		01	B03A, B03B, B18Z			
	06	G33Z		06	G33Z		06	G33Z			
	07	H33Z, H38Z		07	H33Z, H38Z		07	H33Z, H38Z			
	08	I06A, I06B, I06C, I06D, I06E, I08A, I08B, I08C, I08D, I08E, I08F, I09A, I09B, I09C, I09D, I09E		08	I06A, I06B, I06C, I06D, I06E, I08A, I08B, I08C, I08D, I08E, I08F, I09A, I09B, I09C, I09D		08	I06A, I06B, I06C, I06D, I06E, I08A, I08B, I08C, I08D, I08E, I08F, I09A, I09B, I09C, I09D			
	09	J26Z		09	J26Z		09	J26Z			
	11	L33Z		11	L33Z		11	L33Z			
	17	R01A, R01B, R01C, R01D, R02Z, R12A, R12B, R12C		21A	W04A, W04B		21A	W04A, W04B			
	21A	W04A, W04B		21B	X06A, X06B, X06C, X33Z		21B	X06A, X06B, X06C, X33Z			
	21B	X06A, X06B, X06C		23	Z01A		23	Z01A			
	23	Z01A		Pre	A07A		Pre	A07A			
	Pre	A07A		5t650.5			BOP, KOP, KOPV, KVT, UOP4, VIAL	5t651.5		BOP, KOP, KOPV, KVT, UOP4, VIAL	
	5t650.1				BOP, KOP, KOPV, KVT, UOP4, VIAL		01		B03A, B03B, B18Z	01	B03A, B03B, B18Z
		01			B03A, B03B, B18Z		06		G33Z	06	G33Z
		06			G33Z		07		H33Z, H38Z	07	H33Z, H38Z
		07			H33Z, H38Z		08		I06A, I06B, I06C, I06D, I06E, I08A, I08B, I08C, I08D, I08E, I08F, I09A, I09B, I09C, I09D	08	I06A, I06B, I06C, I06D, I06E, I08A, I08B, I08C, I08D, I08E, I08F, I09A, I09B, I09C, I09D
		08			I06A, I06B, I06C, I06D, I06E, I08A, I08B, I08C, I08D, I08E, I08F, I09A, I09B, I09C, I09D		09		J26Z	09	J26Z
09		J26Z	11		L33Z	11	L33Z				
11		L33Z	21A		W04A, W04B	21A	W04A, W04B				
21A		W04A, W04B	21B		X06A, X06B, X06C, X33Z	21B	X06A, X06B, X06C, X33Z				
21B		X06A, X06B, X06C, X33Z	23		Z01A	23	Z01A				
23		Z01A	Pre		A07A	Pre	A07A				
Pre		A07A	5t651.1			BOP, KOP, KOPV, KVT, UOP4, VIAL	5t652			BOP, KOP, KOPV, KVT, UOP4, VIAL	
5t650.2					BOP, KOP, KOPV, KVT, UOP4, VIAL	01			B03A, B03B, B18Z	01	B03A, B03B, B18Z
		01			B03A, B03B, B18Z	06			G33Z	06	G33Z
		06			G33Z	07			H33Z, H38Z	07	H33Z, H38Z
		07			H33Z, H38Z	08			I06A, I06B, I06C, I06D, I06E, I08A, I08B, I08C, I08D, I08E, I08F, I09A, I09B, I09C, I09D	08	I06A, I06B, I06C, I06D, I06E, I08A, I08B, I08C, I08D, I08E, I08F, I09A, I09B, I09C, I09D
		08			I06A, I06B, I06C, I06D, I06E, I08A, I08B, I08C, I08D, I08E, I08F, I09A, I09B, I09C, I09D	09			J26Z	09	J26Z
		09		J26Z	11	L33Z		11	L33Z		
	11	L33Z		21A	W04A, W04B	21A		W04A, W04B			
	21A	W04A, W04B		21B	X06A, X06B, X06C, X33Z	21B		X06A, X06B, X06C, X33Z			
	21B	X06A, X06B, X06C, X33Z		23	Z01A	23		Z01A			
	23	Z01A		Pre	A07A	Pre		A07A			
	Pre	A07A		5t651.2		BOP, KOP, KOPV, KVT, UOP4, VIAL		5t653		BOP, KOP, KOPV, KVT, UOP4, VIAL	
	5t650.3				BOP, KOP, KOPV, KVT, UOP4, VIAL	01			B03A, B03B, B18Z	01	B03A, B03B, B18Z
		01			B03A, B03B, B18Z	06			G33Z	06	G33Z
		06			G33Z	07			H33Z, H38Z	07	H33Z, H38Z
		07			H33Z, H38Z	08			I06A, I06B, I06C, I06D, I06E, I08A, I08B, I08C, I08D, I08E, I08F, I09A, I09B, I09C, I09D	08	I06A, I06B, I06C, I06D, I06E, I08A, I08B, I08C, I08D, I08E, I08F, I09A, I09B, I09C, I09D
		08			I06A, I06B, I06C, I06D, I06E, I08A, I08B, I08C, I08D, I08E, I08F, I09A, I09B, I09C, I09D	09			J26Z	09	J26Z
		09	J26Z		11	L33Z	11		L33Z		
11		L33Z	21A		W04A, W04B	21A	W04A, W04B				
21A		W04A, W04B	21B		X06A, X06B, X06C, X33Z	21B	X06A, X06B, X06C, X33Z				
21B		X06A, X06B, X06C, X33Z	23		Z01A	23	Z01A				
23		Z01A	Pre		A07A	Pre	A07A				
Pre		A07A	5t651.3			BOP, KOP, KOPV, KVT, UOP4, VIAL	5t654			BOP, KOP, KOPV, KVT, UOP4, VIAL	
		BOP, KOP, KOPV, KVT, UOP4, VIAL			01	B03A, B03B, B18Z			01	B03A, B03B, B18Z	
01		B03A, B03B, B18Z			06	G33Z			06	G33Z	
06		G33Z			07	H33Z, H38Z			07	H33Z, H38Z	
07		H33Z, H38Z			08	I06A, I06B, I06C, I06D, I06E, I08A, I08B, I08C, I08D, I08E, I08F, I09A, I09B, I09C, I09D			08	I06A, I06B, I06C, I06D, I06E, I08A, I08B, I08C, I08D, I08E, I08F, I09A, I09B, I09C, I09D	
08		I06A, I06B, I06C, I06D, I06E, I08A, I08B, I08C, I08D, I08E, I08F, I09A, I09B, I09C, I09D			09	J26Z			09	J26Z	
09		J26Z		11	L33Z	11		L33Z			
11	L33Z	21A		W04A, W04B	21A	W04A, W04B					
21A	W04A, W04B	21B		X06A, X06B, X06C, X33Z	21B	X06A, X06B, X06C, X33Z					
21B	X06A, X06B, X06C, X33Z	23		Z01A	23	Z01A					
23	Z01A	Pre		A07A	Pre	A07A					
Pre	A07A										

VYK

ZZV	MDC	DRG	ZZV	MDC	DRG	ZZV	MDC	DRG			
5t655		BOP, KOP, KOPV, KVT, UOP4, VIAL	5t659		BOP, KOP, KOPV, KVT, UOP4, VIAL	5t65e.1		BOP, KOP, KOPV, KVT, UOP4, VIAL			
	01	B02A, B02B, B02C, B02D, B20A, B20B, B20C, B20D, B20E, B39A, B39B		01	B03A, B03B, B18Z		01	B03A, B03B, B18Z			
	06	G33Z		06	G33Z		06	G33Z			
	07	H33Z, H38Z		07	H33Z, H38Z		07	H33Z, H38Z			
	08	I06A, I06B, I06C, I06D, I06E, I08A, I08B, I08C, I08D, I08E, I08F, I09A, I09B, I09C, I09D, I09E		08	I06A, I06B, I06C, I06D, I06E, I08A, I08B, I08C, I08D, I08E, I08F, I09A, I09B, I09C, I09D		08	I06A, I06B, I06C, I06D, I06E, I08A, I08B, I08C, I08D, I08E, I08F, I09A, I09B, I09C, I09D, I09E			
	09	J26Z		09	J26Z		09	J26Z			
	11	L33Z		11	L33Z		11	L33Z			
	21A	W04A, W04B		21A	W04A, W04B		21A	W04A, W04B			
	21B	X06A, X06B, X06C, X33Z		21B	X06A, X06B, X06C, X33Z		21B	X06A, X06B, X06C			
	23	Z01A		23	Z01A		21B	X06A, X06B, X06C			
	Pre	A07A		Pre	A07A		Pre	A07A			
	5t656			BOP, KOP, KOPV, KVT, UOP4, VIAL	5t65a			BOP, KOP, KOPV, KVT, UOP4, VIAL	5t65e.2		BOP, KOP, KOPV, KVT, UOP4, VIAL
		01		B02A, B02B, B02C, B02D, B20A, B20B, B20C, B20D, B20E, B39A, B39B			01	B03A, B03B, B18Z		01	B03A, B03B, B18Z
		06		G33Z			06	G33Z		06	G33Z
07		H33Z, H38Z	07	H33Z, H38Z		07	H33Z, H38Z				
08		I06A, I06B, I06C, I06D, I06E, I08A, I08B, I08C, I08D, I08E, I08F	08	I06A, I06B, I06C, I06D, I06E, I08A, I08B, I08C, I08D, I08E, I08F, I09A, I09B, I09C, I09D		08	I06A, I06B, I06C, I06D, I06E, I08A, I08B, I08C, I08D, I08E, I08F, I09A, I09B, I09C, I09D, I09E				
09		J26Z	09	J26Z		09	J26Z				
11		L33Z	11	L33Z		11	L33Z				
21A		W04A, W04B	21A	W04A, W04B		21A	W04A, W04B				
21B		X06A, X06B, X06C, X33Z	21B	X06A, X06B, X06C, X33Z		21B	X06A, X06B, X06C				
23		Z01A	23	Z01A		21B	X06A, X06B, X06C				
Pre		A07A	Pre	A07A		Pre	A07A				
5t657			BOP, KOP, KOPV, KVT, UOP4, VIAL	5t65b			BOP, KVT, UOP4, VIAL	5t65e.3			BOP, KOP, KOPV, KVT, UOP4, VIAL
		01	B02A, B02B, B02C, B02D, B20A, B20B, B20C, B20D, B20E, B39A, B39B			08	I08A, I08B, I08C, I08D, I08E, I08F, I28A, I28B			01	B03A, B03B, B18Z
		06	G33Z			09	J26Z			06	G33Z
	07	H33Z, H38Z	21A		W04A, W04B	07	H33Z, H38Z				
	08	I06A, I06B, I06C, I06D, I06E, I08A, I08B, I08C, I08D, I08E, I08F, I09A, I09B, I09C, I09D	21B		X06A, X06B, X06C	08	I06A, I06B, I06C, I06D, I06E, I08A, I08B, I08C, I08D, I08E, I08F, I09A, I09B, I09C, I09D, I09E				
	09	J26Z	21A		W04A, W04B	09	J26Z				
	11	L33Z	21B		X06A, X06B, X06C	11	L33Z				
	21A	W04A, W04B	21A		W04A, W04B	21A	W04A, W04B				
	21B	X06A, X06B, X06C, X33Z	21B		X06A, X06B, X06C, X33Z	21B	X06A, X06B, X06C				
	23	Z01A	Pre		A07A	Pre	A07A				
	Pre	A07A	5t65c			BOP, KOP, KOPV, KVT, UOP4, VIAL	5t65e.4			BOP, KOP, KOPV, KVT, UOP4, VIAL	
	5t658				BOP, KOP, KOPV, KVT, UOP4, VIAL	01			B03A, B03B, B18Z	01	B03A, B03B, B18Z
		01			B03A, B03B, B18Z	06			G33Z	06	G33Z
		06			G33Z	07			H33Z, H38Z	07	H33Z, H38Z
07		H33Z, H38Z		08	I06A, I06B, I06C, I06D, I06E, I08A, I08B, I08C, I08D, I08E, I08F, I09A, I09B, I09C, I09D	08		I06A, I06B, I06C, I06D, I06E, I08A, I08B, I08C, I08D, I08E, I08F, I09A, I09B, I09C, I09D, I09E			
08		I06A, I06B, I06C, I06D, I06E, I08A, I08B, I08C, I08D, I08E, I08F, I09A, I09B, I09C, I09D		09	J26Z	09		J26Z			
09		J26Z		11	L33Z	11		L33Z			
11		L33Z		21A	W04A, W04B	21A		W04A, W04B			
21A		W04A, W04B		21B	X06A, X06B, X06C, X33Z	21B		X06A, X06B, X06C			
21B		X06A, X06B, X06C, X33Z		23	Z01A	Pre		A07A			
23		Z01A		Pre	A07A	5t65e.5			BOP, KOP, KOPV, KVT, UOP4, VIAL		
Pre		A07A		5t65d				BOP, KOP, KOPV, KVT, UOP4, VIAL	01	B03A, B03B, B18Z	
5t659					BOP, KOP, KOPV, KVT, UOP4, VIAL			01	B03A, B03B, B18Z	01	B03A, B03B, B18Z
		01			B03A, B03B, B18Z			06	G33Z	06	G33Z
		06	G33Z		07		H33Z, H38Z	07	H33Z, H38Z		
	07	H33Z, H38Z	08		I06A, I06B, I06C, I06D, I06E, I08A, I08B, I08C, I08D, I08E, I08F, I09A, I09B, I09C, I09D, I09E		08	I06A, I06B, I06C, I06D, I06E, I08A, I08B, I08C, I08D, I08E, I08F, I09A, I09B, I09C, I09D, I09E			
	08	I06A, I06B, I06C, I06D, I06E, I08A, I08B, I08C, I08D, I08E, I08F, I09A, I09B, I09C, I09D	09		J26Z		09	J26Z			
	09	J26Z	11		L33Z		11	L33Z			
	11	L33Z	21A		W04A, W04B		21A	W04A, W04B			
	21A	W04A, W04B	21B		X06A, X06B, X06C, X33Z		21B	X06A, X06B, X06C, X33Z			
	21B	X06A, X06B, X06C, X33Z	23		Z01A		23	Z01A			
	23	Z01A	Pre		A07A		Pre	A07A			
	Pre	A07A									

ZZV	MDC	DRG	ZZV	MDC	DRG	ZZV	MDC	DRG
5t65e.6		BOP, KOP, KOPV, KVT, UOP4, VIAL	5t65e.b		BOP, KOP, KOPV, KVT, UOP4, VIAL	5t65g.a0		BOP, KOP, KOPV, KVT, UOP4, VIAL
	01	B03A, B03B, B18Z		01	B03A, B03B, B18Z		01	B03A, B03B, B18Z
	06	G33Z		06	G33Z		06	G33Z
	07	H33Z, H38Z		07	H33Z, H38Z		07	H33Z, H38Z
	08	I06A, I06B, I06C, I06D, I06E, I08A, I08B, I08C, I08D, I08E, I08F, I09A, I09B, I09C, I09D, I09E		08	I06A, I06B, I06C, I06D, I06E, I08A, I08B, I08C, I08D, I08E, I08F, I09A, I09B, I09C, I09D, I09E		08	I06A, I06B, I06C, I06D, I06E, I08A, I08B, I08C, I08D, I08E, I08F, I09A, I09B, I09C, I09D, I09E
	09	J26Z		09	J26Z		09	J26Z
	11	L33Z		11	L33Z		11	L33Z
	21A	W04A, W04B		21A	W04A, W04B		21A	W04A, W04B
	21B	X06A, X06B, X06C		21B	X06A, X06B, X06C		21B	X06A, X06B, X06C, X33Z
	Pre	A07A		Pre	A07A		Pre	A07A
	5t65e.7			BOP, KOP, KOPV, KVT, UOP4, VIAL	5t65e.c			BOP, KOP, KOPV, KVT, UOP4, VIAL
01		B03A, B03B, B18Z	01	B03A, B03B, B18Z		01	B03A, B03B, B18Z	
06		G33Z	06	G33Z		06	G33Z	
07		H33Z, H38Z	07	H33Z, H38Z		07	H33Z, H38Z	
08		I06A, I06B, I06C, I06D, I06E, I08A, I08B, I08C, I08D, I08E, I08F, I09A, I09B, I09C, I09D, I09E	08	I06A, I06B, I06C, I06D, I06E, I08A, I08B, I08C, I08D, I08E, I08F, I09A, I09B, I09C, I09D, I09E		08	I06A, I06B, I06C, I06D, I06E, I08A, I08B, I08C, I08D, I08E, I08F, I09A, I09B, I09C, I09D, I09E	
09		J26Z	09	J26Z		09	J26Z	
11		L33Z	11	L33Z		11	L33Z	
21A		W04A, W04B	21A	W04A, W04B		21A	W04A, W04B	
21B		X06A, X06B, X06C	21B	X06A, X06B, X06C		21B	X06A, X06B, X06C, X33Z	
Pre		A07A	Pre	A07A		Pre	A07A	
5t65e.8			BOP, KOP, KOPV, KVT, UOP4, VIAL	5t65e.d			BOP, KOP, KOPV, KVT, UOP4, VIAL	5t65g.b0
	01	B03A, B03B, B18Z	01		B03A, B03B, B18Z	01	B03A, B03B, B18Z	
	06	G33Z	06		G33Z	06	G33Z	
	07	H33Z, H38Z	07		H33Z, H38Z	07	H33Z, H38Z	
	08	I06A, I06B, I06C, I06D, I06E, I08A, I08B, I08C, I08D, I08E, I08F, I09A, I09B, I09C, I09D, I09E	08		I06A, I06B, I06C, I06D, I06E, I08A, I08B, I08C, I08D, I08E, I08F, I09A, I09B, I09C, I09D, I09E	08	I06A, I06B, I06C, I06D, I06E, I08A, I08B, I08C, I08D, I08E, I08F, I09A, I09B, I09C, I09D, I09E	
	09	J26Z	09		J26Z	09	J26Z	
	11	L33Z	11		L33Z	11	L33Z	
	21A	W04A, W04B	21A		W04A, W04B	21A	W04A, W04B	
	21B	X06A, X06B, X06C	21B		X06A, X06B, X06C	21B	X06A, X06B, X06C, X33Z	
	Pre	A07A	Pre		A07A	Pre	A07A	
	5t65e.9		BOP, KOP, KOPV, KVT, UOP4, VIAL		5t65f		BOP, KOP, KOPV, KVT, UOP4, VIAL	
01		B03A, B03B, B18Z	01	B03A, B03B, B18Z		01	B03A, B03B, B18Z	
06		G33Z	06	G33Z		06	G33Z	
07		H33Z, H38Z	07	H33Z, H38Z		07	H33Z, H38Z	
08		I06A, I06B, I06C, I06D, I06E, I08A, I08B, I08C, I08D, I08E, I08F, I09A, I09B, I09C, I09D, I09E	08	I06A, I06B, I06C, I06D, I06E, I08A, I08B, I08C, I08D, I08E, I08F, I09A, I09B, I09C, I09D, I09E		08	I06A, I06B, I06C, I06D, I06E, I08A, I08B, I08C, I08D, I08E, I08F, I09A, I09B, I09C, I09D, I09E	
09		J26Z	09	J26Z		09	J26Z	
11		L33Z	11	L33Z		11	L33Z	
21A		W04A, W04B	21A	W04A, W04B		21A	W04A, W04B	
21B		X06A, X06B, X06C	21B	X06A, X06B, X06C, X33Z		21B	X06A, X06B, X06C, X33Z	
Pre		A07A	Pre	A07A		Pre	A07A	
5t65e.a			BOP, KOP, KOPV, KVT, UOP4, VIAL				5t65g.c0	
	01	B03A, B03B, B18Z			01	B03A, B03B, B18Z		
	06	G33Z			06	G33Z		
	07	H33Z, H38Z			07	H33Z, H38Z		
	08	I06A, I06B, I06C, I06D, I06E, I08A, I08B, I08C, I08D, I08E, I08F, I09A, I09B, I09C, I09D, I09E			08	I06A, I06B, I06C, I06D, I06E, I08A, I08B, I08C, I08D, I08E, I08F, I09A, I09B, I09C, I09D, I09E		
	09	J26Z			09	J26Z		
	11	L33Z			11	L33Z		
	21A	W04A, W04B			21A	W04A, W04B		
	21B	X06A, X06B, X06C			21B	X06A, X06B, X06C, X33Z		
	Pre	A07A			Pre	A07A		



ZZV	MDC	DRG	ZZV	MDC	DRG	ZZV	MDC	DRG		
5t65k.1		BOP, KOP, KOPV, KVT, UOP4, VIAL	5t660.2	01	B03A, B03B, B18Z	5t661.4	01	B03A, B03B, B18Z		
	01	B03A, B03B, B18Z		08	I08A, I08B, I08C, I08D, I08E, I08F, I10A, I10B, I10C, I10D, I10E		08	I08A, I08B, I08C, I08D, I08E, I08F, I10A, I10B, I10C, I10D, I10E		
	06	G33Z		09	J26Z		09	J26Z		
	07	H33Z, H38Z		17	R01A, R01B, R01C, R01D, R02Z, R12A, R12B, R12C		17	R01A, R01B, R01C, R01D, R02Z, R12A, R12B, R12C		
	08	I06A, I06B, I06C		21A	W01A, W01B, W01C, W02A, W02B		21A	W01A, W01B, W01C, W02A, W02B		
	09	J26Z					21B	X06A, X06B, X06C		
	11	L33Z		5t660.3	01		B03A, B03B, B18Z	5t662.1	Pre	B61A
	21A	W04A, W04B			08		I08A, I08B, I08C, I08D, I08E, I08F, I10A, I10B, I10C, I10D, I10E		01	B03A, B03B, B18Z
	21B	X06A, X06B, X06C			09		J26Z		08	I08A, I08B, I08C, I08D, I08E, I08F, I10A, I10B, I10C, I10D, I10E
	Pre	A07A			17		R01A, R01B, R01C, R01D, R02Z, R12A, R12B, R12C		09	J26Z
	5t65k.2				BOP, KOP, KOPV, KVT, UOP4, VIAL		5t660.4		21A	W01A, W01B, W01C, W02A, W02B
01		B03A, B03B, B18Z	21B		X06A, X06B, X06C	21A			W01A, W01B, W01C, W02A, W02B	
06		G33Z	01		B03A, B03B, B18Z	21B			X06A, X06B, X06C	
07		H33Z, H38Z	08		I08A, I08B, I08C, I08D, I08E, I08F, I10A, I10B, I10C, I10D, I10E	Pre			B61A	
08		I06A, I06B, I06C	09		J26Z	01			B03A, B03B, B18Z	
09		J26Z	17		R01A, R01B, R01C, R01D, R02Z, R12A, R12B, R12C	08			I08A, I08B, I08C, I08D, I08E, I08F, I10A, I10B, I10C, I10D, I10E	
11		L33Z	21A		W01A, W01B, W01C, W02A, W02B	09			J26Z	
21A		W04A, W04B	21B	X06A, X06B, X06C	17	R01A, R01B, R01C, R01D, R02Z, R12A, R12B, R12C				
21B		X06A, X06B, X06C	5t661.1	01	B03A, B03B, B18Z	21A		W01A, W01B, W01C, W02A, W02B		
Pre		A07A		08	I08A, I08B, I08C, I08D, I08E, I08F, I10A, I10B, I10C, I10D, I10E	21B		X06A, X06B, X06C		
5t65k.3				BOP, KOP, KOPV, KVT, UOP4, VIAL	5t661.2	09		J26Z	5t662.3	Pre
	01	B03A, B03B, B18Z		17		R01A, R01B, R01C, R01D, R02Z, R12A, R12B, R12C	01	B03A, B03B, B18Z		
	06	G33Z		21A		W01A, W01B, W01C, W02A, W02B	08	I08A, I08B, I08C, I08D, I08E, I08F, I10A, I10B, I10C, I10D, I10E		
	07	H33Z, H38Z		21B		X06A, X06B, X06C	09	J26Z		
	08	I06A, I06B, I06C		Pre		B61A	17	R01A, R01B, R01C, R01D, R02Z, R12A, R12B, R12C		
	09	J26Z		5t661.3		01	B03A, B03B, B18Z	21A		W01A, W01B, W01C, W02A, W02B
	11	L33Z				08	I08A, I08B, I08C, I08D, I08E, I08F, I10A, I10B, I10C, I10D, I10E	21B		X06A, X06B, X06C
	21A	W04A, W04B				09	J26Z	Pre		B61A
	21B	X06A, X06B, X06C				17	R01A, R01B, R01C, R01D, R02Z, R12A, R12B, R12C	01		B03A, B03B, B18Z
	Pre	A07A	21A			W01A, W01B, W01C, W02A, W02B	08	I08A, I08B, I08C, I08D, I08E, I08F, I10A, I10B, I10C, I10D, I10E		
	5t65k.4		BOP, KOP, KOPV, KVT, UOP4, VIAL			5t661.3	21B	X06A, X06B, X06C		5t662.4
01		B03A, B03B, B18Z	Pre		B61A		17	R01A, R01B, R01C, R01D, R02Z, R12A, R12B, R12C		
06		G33Z	01		B03A, B03B, B18Z		21A	W01A, W01B, W01C, W02A, W02B		
07		H33Z, H38Z	08		I08A, I08B, I08C, I08D, I08E, I08F, I10A, I10B, I10C, I10D, I10E		21B	X06A, X06B, X06C		
08		I06A, I06B, I06C	09		J26Z		Pre	B61A		
09		J26Z	17		R01A, R01B, R01C, R01D, R02Z, R12A, R12B, R12C		01	B03A, B03B, B18Z		
11		L33Z	21A	W01A, W01B, W01C, W02A, W02B	08		I08A, I08B, I08C, I08D, I08E, I08F, I10A, I10B, I10C, I10D, I10E			
21A		W04A, W04B	21B	X06A, X06B, X06C	09		J26Z			
21B		X06A, X06B, X06C	5t661.3	Pre	B61A		17	R01A, R01B, R01C, R01D, R02Z, R12A, R12B, R12C		
Pre		A07A		01	B03A, B03B, B18Z		21A	W01A, W01B, W01C, W02A, W02B		
5t65x				BOP, KOP, KOPV, KVT, UOP4, VIAL	5t661.3		08	I08A, I08B, I08C, I08D, I08E, I08F, I10A, I10B, I10C, I10D, I10E	5t663.1	
	01	B03A, B03B, B18Z		09		J26Z	01	B03A, B03B, B18Z		
	06	G33Z		17		R01A, R01B, R01C, R01D, R02Z, R12A, R12B, R12C	08	I06A, I08A, I08B, I08C, I08D, I08E, I08F, I09A, I09B, I09C, I09D, I09E		
	07	H33Z, H38Z		21A		W01A, W01B, W01C, W02A, W02B	09	J26Z		
	08	I06A, I06B, I06C, I06D, I06E, I08A, I08B, I08C, I08D, I08E, I08F, I09A, I09B, I09C, I09D, I09E		21B		X06A, X06B, X06C	17	R01A, R01B, R01C, R01D, R02Z, R12A, R12B, R12C		
	09	J26Z		Pre		B61A	21A	W01A, W01B, W01C, W02A, W02B		
	11	L33Z		01		B03A, B03B, B18Z	21B	X06A, X06B, X06C		
	21A	W04A, W04B		08		I08A, I08B, I08C, I08D, I08E, I08F, I10A, I10B, I10C, I10D, I10E	Pre	B61A		
	21B	X06A, X06B, X06C		09		J26Z	01	B03A, B03B, B18Z		
	23	Z01A	17	R01A, R01B, R01C, R01D, R02Z, R12A, R12B, R12C		08	I06A, I08A, I08B, I08C, I08D, I08E, I08F, I09A, I10A, I10B, I10C, I10D, I10E			
	Pre	A07A	21A	W01A, W01B, W01C, W02A, W02B		09	J26Z			
5t660.1	01	B03A, B03B, B18Z	21B	X06A, X06B, X06C	17	R01A, R01B, R01C, R01D, R02Z, R12A, R12B, R12C				
	08	I08A, I08B, I08C, I08D, I08E, I08F, I10A, I10B, I10C, I10D, I10E	Pre	B61A	21A	W01A, W01B, W01C, W02A, W02B				
	09	J26Z			21B	X06A, X06B, X06C				
	17	R01A, R01B, R01C, R01D, R02Z, R12A, R12B, R12C			Pre	B61A				
	21A	W01A, W01B, W01C, W02A, W02B								
	21B	X06A, X06B, X06C								

ZZV	MDC	DRG	ZZV	MDC	DRG	ZZV	MDC	DRG
5t663.2	01	B03A, B03B, B18Z	5t664.4	01	B03A, B03B, B18Z	5t666.2	01	B03A, B03B, B18Z
	08	I06A, I08A, I08B, I08C, I08D, I08E, I08F, I09A, I10A, I10B, I10C, I10D, I10E		08	I06A, I08A, I08B, I08C, I08D, I08E, I08F, I09A, I10A, I10B, I10C, I10D, I10E		08	I06A, I08A, I08B, I08C, I08D, I08E, I08F, I09A, I10A, I10B, I10C, I10D, I10E
	09	J26Z		09	J26Z		09	J26Z
	17	R01A, R01B, R01C, R01D, R02Z, R12A, R12B, R12C		17	R01A, R01B, R01C, R01D, R02Z, R12A, R12B, R12C		17	R01A, R01B, R01C, R01D, R02Z, R12A, R12B, R12C
	21A	W01A, W01B, W01C, W02A, W02B		21A	W01A, W01B, W01C, W02A, W02B		21A	W01A, W01B, W01C, W02A, W02B
5t663.3	21B	X06A, X06B, X06C	5t665.1	21B	X06A, X06B, X06C	5t666.3	21B	X06A, X06B, X06C
	Pre	B61A		Pre	B61A		Pre	B61A
	01	B03A, B03B, B18Z		01	B03A, B03B, B18Z		01	B03A, B03B, B18Z
	08	I06A, I08A, I08B, I08C, I08D, I08E, I08F, I09A, I10A, I10B, I10C, I10D, I10E		08	I06A, I08A, I08B, I08C, I08D, I08E, I08F, I09A, I10A, I10B, I10C, I10D, I10E		08	I06A, I08A, I08B, I08C, I08D, I08E, I08F, I09A, I10A, I10B, I10C, I10D, I10E
	09	J26Z		09	J26Z		09	J26Z
5t663.4	17	R01A, R01B, R01C, R01D, R02Z, R12A, R12B, R12C	5t665.2	17	R01A, R01B, R01C, R01D, R02Z, R12A, R12B, R12C	5t666.4	17	R01A, R01B, R01C, R01D, R02Z, R12A, R12B, R12C
	21A	W01A, W01B, W01C, W02A, W02B		21A	W01A, W01B, W01C, W02A, W02B		21A	W01A, W01B, W01C, W02A, W02B
	21B	X06A, X06B, X06C		21B	X06A, X06B, X06C		21B	X06A, X06B, X06C
	Pre	B61A		Pre	B61A		Pre	B61A
	01	B03A, B03B, B18Z		01	B03A, B03B, B18Z		01	B03A, B03B, B18Z
5t664.1	08	I06A, I08A, I08B, I08C, I08D, I08E, I08F, I09A, I10A, I10B, I10C, I10D, I10E	5t665.3	08	I06A, I08A, I08B, I08C, I08D, I08E, I08F, I09A, I10A, I10B, I10C, I10D, I10E	5t667.1	08	I06A, I08A, I08B, I08C, I08D, I08E, I08F, I09A, I10A, I10B, I10C, I10D, I10E
	09	J26Z		09	J26Z		09	J26Z
	17	R01A, R01B, R01C, R01D, R02Z, R12A, R12B, R12C		17	R01A, R01B, R01C, R01D, R02Z, R12A, R12B, R12C		17	R01A, R01B, R01C, R01D, R02Z, R12A, R12B, R12C
	21A	W01A, W01B, W01C, W02A, W02B		21A	W01A, W01B, W01C, W02A, W02B		21A	W01A, W01B, W01C, W02A, W02B
	21B	X06A, X06B, X06C		21B	X06A, X06B, X06C		21B	X06A, X06B, X06C
5t664.2	Pre	B61A	5t665.4	Pre	B61A	5t667.2	Pre	B61A
	01	B03A, B03B, B18Z		01	B03A, B03B, B18Z		01	B03A, B03B, B18Z
	08	I06A, I08A, I08B, I08C, I08D, I08E, I08F, I09A, I10A, I10B, I10C, I10D, I10E		08	I06A, I08A, I08B, I08C, I08D, I08E, I08F, I09A, I10A, I10B, I10C, I10D, I10E		08	I06A, I08A, I08B, I08C, I08D, I08E, I08F, I09A, I09B, I09C, I09D, I09E, I10A, I10B, I10C, I10D, I10E
	09	J26Z		09	J26Z		09	J26Z
	17	R01A, R01B, R01C, R01D, R02Z, R12A, R12B, R12C		17	R01A, R01B, R01C, R01D, R02Z, R12A, R12B, R12C		17	R01A, R01B, R01C, R01D, R02Z, R12A, R12B, R12C
5t664.3	21A	W01A, W01B, W01C, W02A, W02B	5t666.1	21A	W01A, W01B, W01C, W02A, W02B	5t667.3	21A	W01A, W01B, W01C, W02A, W02B
	21B	X06A, X06B, X06C		21B	X06A, X06B, X06C		21B	X06A, X06B, X06C
	Pre	B61A		Pre	B61A		Pre	B61A
	01	B03A, B03B, B18Z		01	B03A, B03B, B18Z		01	B03A, B03B, B18Z
	08	I06A, I08A, I08B, I08C, I08D, I08E, I08F, I09A, I10A, I10B, I10C, I10D, I10E		08	I06A, I08A, I08B, I08C, I08D, I08E, I08F, I09A, I10A, I10B, I10C, I10D, I10E		08	I06A, I08A, I08B, I08C, I08D, I08E, I08F, I09A, I09B, I09C, I09D, I09E, I10A, I10B, I10C, I10D, I10E
	09	J26Z		09	J26Z		09	J26Z
	17	R01A, R01B, R01C, R01D, R02Z, R12A, R12B, R12C		17	R01A, R01B, R01C, R01D, R02Z, R12A, R12B, R12C		17	R01A, R01B, R01C, R01D, R02Z, R12A, R12B, R12C
	21A	W01A, W01B, W01C, W02A, W02B		21A	W01A, W01B, W01C, W02A, W02B		21A	W01A, W01B, W01C, W02A, W02B
	21B	X06A, X06B, X06C		21B	X06A, X06B, X06C		21B	X06A, X06B, X06C
	Pre	B61A		Pre	B61A		Pre	B61A



ZZV	MDC	DRG	ZZV	MDC	DRG	ZZV	MDC	DRG	
5t667.4	01	B03A, B03B, B18Z	5t66x.2	01	B03A, B03B, B18Z	5t691.4		BOP, KVT, UOP4, VIAL	
	08	I06A, I06B, I06C, I06D, I06E, I08A, I08B, I08C, I08D, I08E, I08F, I09A, I09B, I09C, I09D, I09E, I10A, I10B, I10C, I10D, I10E		08	I08A, I08B, I08C, I08D, I08E, I08F, I10A, I10B, I10C, I10D, I10E		01	B03A, B03B, B18Z	
	09	J26Z		09	J26Z		08	I08A, I08B, I08C, I08D, I08E, I08F, I10C, I10D, I45A	
	21A	W01A, W01B, W01C, W02A, W02B		17	R01A, R01B, R01C, R01D, R02Z, R12A, R12B, R12C		09	J26Z	
	21B	X06A, X06B, X06C, X33Z		21A	W01A, W01B, W01C, W02A, W02B		11	L09A, L38Z	
5t668.1	01	B03A, B03B, B18Z	5t66x.3	01	B03A, B03B, B18Z	5t692	21A	W04A, W04B	
	08	I06A, I06B, I06C, I06D, I06E, I08A, I08B, I08C, I08D, I08E, I08F, I09A, I09B, I09C, I09D, I10A, I10B, I10C, I10D, I10E		08	I08A, I08B, I08C, I08D, I08E, I08F, I10A, I10B, I10C, I10D, I10E		21B	X06A, X06B, X06C	
	09	J26Z		09	J26Z		Pre	B61A	
	17	R01A, R01B, R01C, R01D, R02Z, R12A, R12B, R12C		17	R01A, R01B, R01C, R01D, R02Z, R12A, R12B, R12C		01	BOP, KVT, UOP4, VIAL	
	21A	W01A, W01B, W01C, W02A, W02B		21A	W01A, W01B, W01C, W02A, W02B		05	F13A	
5t668.2	21B	X06A, X06B, X06C	5t66x.4	21B	X06A, X06B, X06C	5t693	08	I08A, I08B, I08C, I08D, I08E, I08F, I10A, I10B, I10C, I10D, I10E	
	Pre	B61A		01	B03A, B03B, B18Z		09	J26Z	
	01	B03A, B03B, B18Z		08	I08A, I08B, I08C, I08D, I08E, I08F, I10A, I10B, I10C, I10D, I10E		11	L09A, L38Z	
	08	I06A, I06B, I06C, I06D, I06E, I08A, I08B, I08C, I08D, I08E, I08F, I09A, I09B, I09C, I09D, I10A, I10B, I10C, I10D, I10E		09	J26Z		17	R01A, R01B, R01C, R01D, R02Z, R12A, R12B, R12C	
	09	J26Z		17	R01A, R01B, R01C, R01D, R02Z, R12A, R12B, R12C		21A	W04A, W04B	
5t668.3	17	R01A, R01B, R01C, R01D, R02Z, R12A, R12B, R12C	5t690	21A	W01A, W01B, W01C, W02A, W02B	5t694	21B	X06A, X06B, X06C	
	21A	W01A, W01B, W01C, W02A, W02B		01	BOP, KVT, UOP4, VIAL		01	B03A, B03B, B18Z	
	21B	X06A, X06B, X06C		08	I08A, I08B, I08C, I08D, I08E, I08F, I10C, I10D, I12A, I12B, I12C, I23A		05	F13A	
	Pre	B61A		09	J26Z		08	I08A, I08B, I08C, I08D, I08E, I08F, I10A, I10B, I10C, I10D, I10E	
	01	B03A, B03B, B18Z		11	L09A, L38Z		09	J26Z	
5t668.4	08	I06A, I06B, I06C, I06D, I06E, I08A, I08B, I08C, I08D, I08E, I08F, I09A, I09B, I09C, I09D, I10A, I10B, I10C, I10D, I10E	5t691.1	21A	W04A, W04B	5t695	11	L09A, L38Z	
	09	J26Z		21B	X06A, X06B, X06C		21A	W04A, W04B	
	17	R01A, R01B, R01C, R01D, R02Z, R12A, R12B, R12C		BOP, KVT, UOP4, VIAL	21B		X06A, X06B, X06C	21B	X06A, X06B, X06C
	21A	W01A, W01B, W01C, W02A, W02B		01	B03A, B03B, B18Z		01	BOP, KVT, UOP4, VIAL	
	21B	X06A, X06B, X06C		08	I08A, I08B, I08C, I08D, I08E, I08F, I10C, I10D, I45A, I45B		05	F13A	
5t66x.1	Pre	B61A	5t691.2	09	J26Z	5t696.1	08	I08A, I08B, I08C, I08D, I08E, I08F, I09A, I09B, I09C, I09D, I09E, I10A, I10B, I10C, I10D, I10E	
	01	B03A, B03B, B18Z		11	L09A, L38Z		09	J26Z	
	08	I06A, I06B, I06C, I06D, I06E, I08A, I08B, I08C, I08D, I08E, I08F, I09A, I09B, I09C, I09D, I10A, I10B, I10C, I10D, I10E		21A	W04A, W04B		11	L09A, L38Z	
	09	J26Z		21B	X06A, X06B, X06C		17	R01A, R01B, R01C, R01D, R02Z, R12A, R12B, R12C	
	17	R01A, R01B, R01C, R01D, R02Z, R12A, R12B, R12C		Pre	B61A		21A	W04A, W04B	
5t66x.2	21A	W01A, W01B, W01C, W02A, W02B	5t691.3	21B	X06A, X06B, X06C	5t696.1	21B	X06A, X06B, X06C	
	21B	X06A, X06B, X06C		Pre	B61A		Pre	B61A	
	Pre	B61A		01	BOP, KVT, UOP4, VIAL		01	BOP, KVT, UOP4, VIAL	
	01	B03A, B03B, B18Z		08	I08A, I08B, I08C, I08D, I08E, I08F, I10C, I10D, I45A		08	I08A, I08B, I08C, I08D, I08E, I08F, I10A, I10B, I10C, I10D, I10E	
	08	I06A, I06B, I06C, I06D, I06E, I08A, I08B, I08C, I08D, I08E, I08F, I09A, I09B, I09C, I09D, I10A, I10B, I10C, I10D, I10E		09	J26Z		09	J26Z	

ZZV	MDC	DRG	ZZV	MDC	DRG	ZZV	MDC	DRG		
5t696.2		BOP, KVT, UOP4, VIAL	5t699.3		BOP, KVT, UOP4, VIAL	5t69c.2		BOP, KVT, UOP4		
	01	B03A, B03B, B18Z		01	B03A, B03B, B18Z		08	I10A, I10B, I10C, I10D, I10E, I10F		
	08	I08A, I08B, I08C, I08D, I08E, I08F, I10A, I10B, I10C, I10D, I10E		08	I08A, I08B, I08C, I08D, I08E, I08F, I10A, I10B, I10C, I10D, I10E		11	L09A, L38Z		
	09	J26Z		11	L09A, L38Z		5t69c.3		BOP, KVT, UOP4	
	11	L09A, L38Z		21A	W04A, W04B			08	I10A, I10B, I10C, I10D, I10E, I10F	
	21A	W04A, W04B		21B	X06A, X06B, X06C		11	L09A, L38Z		
	21B	X06A, X06B, X06C		5t699.4			BOP, KVT, UOP4, VIAL	5t69d.1		BOP, KVT, UOP4, VIAL
	Pre	B61A			01		B03A, B03B, B18Z		01	B03A, B03B, B18Z
	5t696.3				BOP, KVT, UOP4, VIAL		08	I08A, I08B, I08C, I08D, I08E, I08F, I10A, I10B, I10C, I10D, I10E	08	I08A, I08B, I08C, I08D, I08E, I08F, I10A, I10B, I10C, I10D, I10E
		01			B03A, B03B, B18Z		11	L09A, L38Z	11	L09A, L38Z
08		I08A, I08B, I08C, I08D, I08E, I08F, I10A, I10B, I10C, I10D, I10E	21A	W04A, W04B	21A	W04A, W04B				
09		J26Z	21B	X06A, X06B, X06C	21B	X06A, X06B, X06C				
11		L09A, L38Z	Pre	B61A	5t69d.2		BOP, KVT, UOP4, VIAL			
21A		W04A, W04B	5t69a.1			BOP, KVT, UOP4, VIAL	01	B03A, B03B, B18Z		
21B		X06A, X06B, X06C		01	B03A, B03B, B18Z	08	I08A, I08B, I08C, I08D, I08E, I08F, I10A, I10B, I10C, I10D, I10E			
Pre		B61A		08	I08A, I08B, I08C, I08D, I08E, I08F, I09A, I09B, I09C, I09D, I09E	11	L09A, L38Z			
5t696.4				BOP, KVT, UOP4, VIAL	09	J26Z	21A	W04A, W04B		
		01	B03A, B03B, B18Z	11	L09A, L38Z	21B	X06A, X06B, X06C			
	08	I08A, I08B, I08C, I08D, I08E, I08F, I10A, I10B, I10C, I10D, I10E	21A	W04A, W04B	5t69d.3		BOP, KVT, UOP4, VIAL			
	09	J26Z	21B	X06A, X06B, X06C		01	B03A, B03B, B18Z			
	11	L09A, L38Z	5t69a.2		BOP, KVT, UOP4, VIAL	08	I08A, I08B, I08C, I08D, I08E, I08F, I10A, I10B, I10C, I10D, I10E			
	21A	W04A, W04B		01	B03A, B03B, B18Z	11	L09A, L38Z			
	21B	X06A, X06B, X06C		08	I08A, I08B, I08C, I08D, I08E, I08F, I09A, I09B, I09C, I09D	21A	W04A, W04B			
	Pre	B61A		09	J26Z	21B	X06A, X06B, X06C			
	5t697		BOP, KVT, UOP4, VIAL	11	L09A, L38Z	5t69e		BOP, KVT, UOP4, VIAL		
		01	B03A, B03B, B18Z	21A	W04A, W04B		01	B03A, B03B, B18Z		
08		I06A, I06B, I06C, I08A, I08B, I08C, I08D, I08E, I08F, I10A, I10B, I10C, I10D, I10E	21B	X06A, X06B, X06C	08	I08A, I08B, I08C, I08D, I08E, I08F, I10A, I10B, I10C, I10D, I10E				
09		J26Z	5t69a.3		BOP, KVT, UOP4, VIAL	11	L09A, L38Z			
11		L09A, L38Z		01	B03A, B03B, B18Z	21A	W04A, W04B			
21A		W04A, W04B		08	I06A, I06B, I06C, I06D, I06E, I08A, I08B, I08C, I08D, I08E, I08F, I09A, I09B, I09C, I09D	21B	X06A, X06B, X06C			
21B		X06A, X06B, X06C		09	J26Z	5t69f.1		BOP, KVT, UOP4, VIAL		
Pre		B61A	11	L09A, L38Z	01		B03A, B03B, B18Z			
5t698			BOP, KVT, UOP4, VIAL	21A	W04A, W04B	08	I08A, I08B, I08C, I08D, I08E, I08F, I10A, I10B, I10C, I10D, I10E			
		01	B03A, B03B, B18Z	21B	X06A, X06B, X06C	11	L09A, L38Z			
	08	I08A, I08B, I08C, I08D, I08E, I08F, I10A, I10B, I10C, I10D, I10E	5t69a.4		BOP, KVT, UOP4, VIAL	21A	W04A, W04B			
	09	J26Z		01	B03A, B03B, B18Z	21B	X06A, X06B, X06C			
	11	L09A, L38Z		08	I06A, I06B, I06C, I06D, I06E, I08A, I08B, I08C, I08D, I08E, I08F, I09A, I09B, I09C, I09D	5t69f.2		BOP, KVT, UOP4, VIAL		
	21A	W04A, W04B		09	J26Z		01	B03A, B03B, B18Z		
	21B	X06A, X06B, X06C	11	L09A, L38Z	08	I08A, I08B, I08C, I08D, I08E, I08F, I10A, I10B, I10C, I10D, I10E				
	Pre	B61A	21A	W04A, W04B	5t69f.3		BOP, KVT, UOP4, VIAL			
	5t699.1		BOP, KVT, UOP4, VIAL	21B		X06A, X06B, X06C	01	B03A, B03B, B18Z		
		01	B03A, B03B, B18Z	Pre		B61A	08	I08A, I08B, I08C, I08D, I08E, I08F, I10A, I10B, I10C, I10D, I10E		
08		I08A, I08B, I08C, I08D, I08E, I08F, I10A, I10B, I10C, I10D, I10E	5t69b.1			BOP, KVT, UOP4	11	L09A, L38Z		
09		J26Z		08	I10A, I10B, I10C, I10D, I10E, I10F	21A	W04A, W04B			
11		L09A, L38Z	11	L09A, L38Z	21B	X06A, X06B, X06C				
21A		W04A, W04B	5t69b.2		BOP, KVT, UOP4		BOP, KVT, UOP4, VIAL			
21B		X06A, X06B, X06C		08	I10A, I10B, I10C, I10D, I10E, I10F	01	B03A, B03B, B18Z			
5t699.2			BOP, KVT, UOP4, VIAL	11	L09A, L38Z	08	I08A, I08B, I08C, I08D, I08E, I08F, I10A, I10B, I10C, I10D, I10E			
		01	B03A, B03B, B18Z	5t69b.3		BOP, KVT, UOP4	11	L09A, L38Z		
		08	I08A, I08B, I08C, I08D, I08E, I08F, I10A, I10B, I10C, I10D, I10E		08	I10A, I10B, I10C, I10D, I10E, I10F	21A	W04A, W04B		
	11	L09A, L38Z	11	L09A, L38Z	21B	X06A, X06B, X06C				
	21A	W04A, W04B	5t69c.1		BOP, KVT, UOP4					
	21B	X06A, X06B, X06C		08	I10A, I10B, I10C, I10D, I10E, I10F					
			11	L09A, L38Z						

















ZZV	MDC	DRG	ZZV	MDC	DRG	ZZV	MDC	DRG
5t711.7↔		BOP, KVT, UOP4, VIAL	5t713.1↔		BOP, KVT, UOP4, VIAL	5t714.2↔		BOP, KVT, UOP4, VIAL
	08	I32A, I32B, I32C, I32D, I32E, I32F, I32G		08	I32A, I32B, I32C, I32D, I32E, I32F		01	B03A, B03B, B06A, B06B, B07Z, B17A, B17B, B17C
	09	J03A, J03B, J04A, J04B, J08A, J08B, J08C, J11A, J11B, J16Z		09	J03A, J03B, J04A, J04B, J08A, J08B, J08C, J11A, J11B, J16Z		08	I32A, I32B, I32C, I32D, I32E, I32F
	21A	W04A, W04B		21A	W04A, W04B		09	J03A, J03B, J04A, J04B, J08A, J08B, J08C, J11A, J11B, J16Z
	21B	X05A		21B	X05A		21A	W04A, W04B
5t712.0↔		BOP, KVT, UOP4, VIAL	5t713.2↔		BOP, KVT, UOP4, VIAL	5t714.3↔		BOP, KVT, UOP4, VIAL
	08	I32A, I32B, I32C, I32D, I32E, I32F		08	I32A, I32B, I32C, I32D, I32E, I32F		01	B03A, B03B, B06A, B06B, B07Z, B17A, B17B, B17C
	09	J03A, J03B, J04A, J04B, J08A, J08B, J08C, J11A, J11B, J16Z		09	J03A, J03B, J04A, J04B, J08A, J08B, J08C, J11A, J11B, J16Z		08	I32A, I32B, I32C, I32D, I32E, I32F
	21A	W04A, W04B		21A	W04A, W04B		09	J03A, J03B, J04A, J04B, J08A, J08B, J08C, J11A, J11B, J16Z
	21B	X05A		21B	X05A		21A	W04A, W04B
5t712.1↔		BOP, KVT, UOP4, VIAL	5t713.3↔		BOP, KVT, UOP4, VIAL	5t714.4↔		BOP, KVT, UOP4, VIAL
	08	I32A, I32B, I32C, I32D, I32E, I32F		08	I32A, I32B, I32C, I32D, I32E, I32F		01	B03A, B03B, B06A, B06B, B07Z, B17A, B17B, B17C
	09	J03A, J03B, J04A, J04B, J08A, J08B, J08C, J11A, J11B, J16Z		09	J03A, J03B, J04A, J04B, J08A, J08B, J08C, J11A, J11B, J16Z		08	I32A, I32B, I32C, I32D, I32E, I32F
	21A	W04A, W04B		21A	W04A, W04B		21A	W04A, W04B
	21B	X05A		21B	X05A		21B	X05A
5t712.2↔		BOP, KVT, UOP4, VIAL	5t713.4↔		BOP, KVT, UOP4, VIAL	5t714.5↔		BOP, KVT, UOP4, VIAL
	08	I32A, I32B, I32C, I32D, I32E, I32F		08	I32A, I32B, I32C, I32D, I32E, I32F		01	B03A, B03B, B06A, B06B, B07Z, B17A, B17B, B17C
	09	J03A, J03B, J04A, J04B, J08A, J08B, J08C, J11A, J11B, J16Z		21A	W04A, W04B		08	I32A, I32B, I32C, I32D, I32E, I32F
	21A	W04A, W04B		21B	X05A		21A	W04A, W04B
	21B	X05A		5t713.5↔	BOP, KVT, UOP4, VIAL		21B	X05A
5t712.3↔		BOP, KVT, UOP4, VIAL		08	I32A, I32B, I32C, I32D, I32E, I32F	5t714.6↔		BOP, KVT, UOP4, VIAL
	08	I32A, I32B, I32C, I32D, I32E, I32F		21A	W04A, W04B		01	B03A, B03B, B06A, B06B, B07Z, B17A, B17B, B17C
	09	J03A, J03B, J04A, J04B, J08A, J08B, J08C, J11A, J11B, J16Z		21B	X05A		08	I32A, I32B, I32C, I32D, I32E, I32F
	21A	W04A, W04B		5t713.6↔	BOP, KVT, UOP4, VIAL		21A	W04A, W04B
	21B	X05A		08	I32A, I32B, I32C, I32D, I32E, I32F		21B	X05A
5t712.4↔		BOP, KVT, UOP4, VIAL		21A	W04A, W04B	5t714.7↔		BOP, KVT, UOP4, VIAL
	08	I32A, I32B, I32C, I32D, I32E, I32F		21B	X05A		01	B03A, B03B, B06A, B06B, B07Z, B17A, B17B, B17C
	21A	W04A, W04B		5t713.7↔	BOP, KVT, UOP4, VIAL		08	I32A, I32B, I32C, I32D, I32E, I32F
	21B	X05A		08	I32A, I32B, I32C, I32D, I32E, I32F		21A	W04A, W04B
5t712.5↔		BOP, KVT, UOP4, VIAL		21A	W04A, W04B		21B	X05A
	08	I32A, I32B, I32C, I32D, I32E, I32F		5t714.0↔	BOP, KVT, UOP4, VIAL	5t715.0↔		BOP, KVT, UOP4, VIAL
	21A	W04A, W04B		01	B03A, B03B, B06A, B06B, B07Z, B17A, B17B, B17C, B17D		01	B03A, B03B, B06A, B06B, B07Z, B17A, B17B, B17C, B17D
	21B	X05A		08	I32A, I32B, I32C, I32D, I32E, I32F		08	I32A, I32B, I32C, I32D, I32E, I32F
5t712.6↔		BOP, KVT, UOP4, VIAL		09	J03A, J03B, J04A, J04B, J08A, J08B, J08C, J11A, J11B, J16Z		09	J03A, J03B, J04A, J04B, J08A, J08B, J08C, J11A, J11B, J16Z
	08	I32A, I32B, I32C, I32D, I32E, I32F		21A	W04A, W04B		21A	W04A, W04B
	21A	W04A, W04B		21B	X05A		21B	X05A
	21B	X05A	5t712.7↔		BOP, KVT, UOP4, VIAL	5t715.1↔		BOP, KVT, UOP4, VIAL
	08	I32A, I32B, I32C, I32D, I32E, I32F		08	I32A, I32B, I32C, I32D, I32E, I32F		01	B03A, B03B, B06A, B06B, B07Z, B17A, B17B, B17C
	21A	W04A, W04B		21A	W04A, W04B		08	I32A, I32B, I32C, I32D, I32E, I32F
	21B	X05A		01	B03A, B03B, B06A, B06B, B07Z, B17A, B17B, B17C		09	J03A, J03B, J04A, J04B, J08A, J08B, J08C, J11A, J11B, J16Z
5t712.7↔		BOP, KVT, UOP4, VIAL		08	I32A, I32B, I32C, I32D, I32E, I32F		21A	W04A, W04B
	08	I32A, I32B, I32C, I32D, I32E, I32F		09	J03A, J03B, J04A, J04B, J08A, J08B, J08C, J11A, J11B, J16Z		21B	X05A
	21A	W04A, W04B		21A	W04A, W04B		5t715.1↔	BOP, KVT, UOP4, VIAL
	21B	X05A		21B	X05A		01	B03A, B03B, B06A, B06B, B07Z, B17A, B17B, B17C
5t713.0↔		BOP, KVT, UOP4, VIAL		09	J03A, J03B, J04A, J04B, J08A, J08B, J08C, J11A, J11B, J16Z		08	I32A, I32B, I32C, I32D, I32E, I32F
	08	I32A, I32B, I32C, I32D, I32E, I32F		21A	W04A, W04B		09	J03A, J03B, J04A, J04B, J08A, J08B, J08C, J11A, J11B, J16Z
	09	J03A, J03B, J04A, J04B, J08A, J08B, J08C, J11A, J11B, J16Z		21B	X05A		21A	W04A, W04B
	21A	W04A, W04B					21B	X05A
	21B	X05A						

VYK





ZZV	MDC	DRG	ZZV	MDC	DRG	ZZV	MDC	DRG
5t71x.4↔		BOP, KVT, UOP4, VIAL	5t722.0↔		BOP, KVT, UOP4, VIAL	5t725.2↔		BOP, KVT, UOP4, VIAL
	08	I32A, I32B, I32C, I32D, I32E, I32F		08	I32A, I32B, I32C, I32D, I32E, I32F, I32G		01	B03A, B03B, B06A, B06B, B07Z, B17A, B17B, B17C, B17D
	21A	W04A, W04B		09	J03A, J03B, J04A, J04B, J08A, J08B, J08C, J11A, J11B, J16Z		08	I32A, I32B, I32C, I32D, I32E, I32F
5t71x.5↔	21B	X05A, X05B		21A	W04A, W04B		09	J03A, J03B, J04A, J04B, J08A, J08B, J08C, J11A, J11B, J16Z
		BOP, KVT, UOP4, VIAL	5t722.3↔	21B	X05A		21A	W04A, W04B
	08	I32A, I32B, I32C, I32D, I32E, I32F			BOP, KVT, UOP4, VIAL	5t726.1↔	21B	X05A
	21A	W04A, W04B		08	I32A, I32B, I32C, I32D, I32E, I32F, I32G		01	BOP, KVT, UOP4, VIAL
5t71x.6↔	21B	X05A, X05B		09	J03A, J03B, J04A, J04B, J08A, J08B, J08C, J11A, J11B, J16Z		01	B03A, B03B, B06A, B06B, B07Z, B17A, B17B, B17C, B17D
		BOP, KVT, UOP4, VIAL		21A	W04A, W04B		05	F01A, F01B, F01D, F05Z, F07A, F07B, F14A, F14B, F28A, F42Z, F54Z, F59A, F59B
	08	I32A, I32B, I32C, I32D, I32E, I32F		21B	X05A		08	I32A, I32B, I32C, I32D, I32E, I32F
5t71x.7↔	21A	W04A, W04B	5t723.0↔		BOP, KVT, UOP4, VIAL		09	J03A, J03B, J04A, J04B, J08A, J08B, J08C, J11A, J11B, J16Z
	21B	X05A, X05B		08	I32A, I32B, I32C, I32D, I32E, I32F, I32G		21A	W04A, W04B
5t720.1↔		BOP, KVT, UOP4, VIAL		09	J03A, J03B, J04A, J04B, J08A, J08B, J08C, J11A, J11B, J16Z		21B	X05A
	01	B03A, B03B, B06A, B06B, B07Z, B17A, B17B, B17C, B17D	5t723.4↔		BOP, KVT, UOP4, VIAL		10	K09A, K09B
	08	I32A, I32B, I32C, I32D, I32E, I32F, I32G		08	I32A, I32B, I32C, I32D, I32E, I32F, I32G		21A	W04A, W04B
	09	J03A, J03B, J04A, J04B, J08A, J08B, J08C, J11A, J11B, J16Z		09	J03A, J03B, J04A, J04B, J08A, J08B, J08C, J11A, J11B, J16Z	5t726.2↔	21B	X05A
	21A	W04A, W04B		21A	W04A, W04B		01	BOP, KVT, UOP4, VIAL
5t720.2↔	21B	X05A		21B	X05A		01	B03A, B03B, B06A, B06B, B07Z, B17A, B17B, B17C, B17D
		BOP, KVT, UOP4, VIAL	5t724.1↔		BOP, KVT, UOP4, VIAL		05	F01A, F01B, F01D, F05Z, F07A, F07B, F14A, F14B, F28A, F42Z, F54Z, F59A, F59B
	01	B03A, B03B, B06A, B06B, B07Z, B17A, B17B, B17C, B17D		01	B03A, B03B, B06A, B06B, B07Z, B17A, B17B, B17C, B17D		08	I32A, I32B, I32C, I32D, I32E, I32F
	08	I32A, I32B, I32C, I32D, I32E, I32F, I32G		08	I32A, I32B, I32C, I32D, I32E, I32F		09	J03A, J03B, J04A, J04B, J08A, J08B, J08C, J11A, J11B, J16Z
	09	J03A, J03B, J04A, J04B, J08A, J08B, J08C, J11A, J11B, J16Z		09	J03A, J03B, J04A, J04B, J08A, J08B, J08C, J11A, J11B, J16Z		10	K09A, K09B
	21A	W04A, W04B		21A	W04A, W04B		21A	W04A, W04B
5t721.1↔	21B	X05A		21B	X05A		21B	X05A
		BOP, KVT, UOP4, VIAL	5t724.2↔		BOP, KVT, UOP4, VIAL	5t727.1↔		BOP, KVT, UOP4, VIAL
	01	B03A, B03B, B06A, B06B, B07Z, B17A, B17B, B17C, B17D		01	B03A, B03B, B06A, B06B, B07Z, B17A, B17B, B17C, B17D		01	B03A, B03B, B06A, B06B, B07Z, B17A, B17B, B17C, B17D
	08	I32A, I32B, I32C, I32D, I32E, I32F, I32G		08	I32A, I32B, I32C, I32D, I32E, I32F		05	F01A, F01B, F01D, F05Z, F07A, F07B, F14A, F14B, F28A, F42Z, F54Z, F59A, F59B
	09	J03A, J03B, J04A, J04B, J08A, J08B, J08C, J11A, J11B, J16Z		09	J03A, J03B, J04A, J04B, J08A, J08B, J08C, J11A, J11B, J16Z		08	I32A, I32B, I32C, I32D, I32E, I32F
	21A	W04A, W04B		21A	W04A, W04B		09	J03A, J03B, J04A, J04B, J08A, J08B, J08C, J11A, J11B, J16Z
5t721.2↔	21B	X05A		21B	X05A		10	K09A, K09B
		BOP, KVT, UOP4, VIAL	5t725.1↔		BOP, KVT, UOP4, VIAL		21A	W04A, W04B
	01	B03A, B03B, B06A, B06B, B07Z, B17A, B17B, B17C, B17D		01	B03A, B03B, B06A, B06B, B07Z, B17A, B17B, B17C, B17D		21B	X05A
	08	I32A, I32B, I32C, I32D, I32E, I32F, I32G		08	I32A, I32B, I32C, I32D, I32E, I32F			
	09	J03A, J03B, J04A, J04B, J08A, J08B, J08C, J11A, J11B, J16Z		09	J03A, J03B, J04A, J04B, J08A, J08B, J08C, J11A, J11B, J16Z			
	21A	W04A, W04B		21A	W04A, W04B			
	21B	X05A		21B	X05A			

ZZV	MDC	DRG	ZZV	MDC	DRG	ZZV	MDC	DRG					
5t727.2↔	01	BOP, KVT, UOP4, VIAL	5t72a.3↔	08	BOP, KVT, UOP4, VIAL	5t736↔	01	BOP, KVT, UOP4, VIAL					
		B03A, B03B, B06A, B06B, B07Z, B17A, B17B, B17C, B17D			I32A, I32B, I32C, I32D, I32E, I32F, I32G			B03A, B03B, B06A, B06B, B07Z, B17A, B17B, B17C					
	05	F01A, F01B, F01D, F05Z, F07A, F07B, F14A, F14B, F28A, F42Z, F54Z, F59A, F59B		09	J03A, J03B, J04A, J04B, J08A, J08B, J08C, J11A, J11B, J16Z		21A	W04A, W04B	08	I32A, I32B, I32C, I32D, I32E, I32F			
		08			I32A, I32B, I32C, I32D, I32E, I32F			21B		X05A	09	J03A, J03B, J04A, J04B, J08A, J08B, J08C, J10A, J10B, J16Z	
	09			J03A, J03B, J04A, J04B, J08A, J08B, J08C, J11A, J11B, J16Z	5t72a.4↔		08		BOP, KVT, UOP4, VIAL	10		K09A, K09B	
		10		K09A, K09B				08	I32A, I32B, I32C, I32D, I32E, I32F, I32G		21A	W04A, W04B	
	21A			W04A, W04B	09		J03A, J03B, J04A, J04B, J08A, J08B, J08C, J11A, J11B, J16Z		21B	X05A		5t737↔	01
		21B		X05A			21A	W04A, W04B		21B	X05A		
	5t728.1↔			01	BOP, KVT, UOP4, VIAL			5t72x.1↔	08		BOP, KVT, UOP4, VIAL	5t738↔	08
		B03A, B03B, B06A, B06B, B07Z, B17A, B17B, B17C, B17D			I32A, I32B, I32C, I32D, I32E, I32F		B03A, B03B, B06A, B06B, B07Z, B17A, B17B, B17C						
05		F01A, F01B, F01D, F05Z, F07A, F07B, F14A, F14B, F28A, F42Z, F54Z, F59A, F59B	09	J03A, J03B, J04A, J04B, J08A, J08B, J08C, J11A, J11B, J16Z	21A	W04A, W04B	08		I32A, I32B, I32C, I32D, I32E, I32F				
		08		I32A, I32B, I32C, I32D, I32E, I32F		21B			X05A, X05B	09	J03A, J03B, J04A, J04B, J08A, J08B, J08C, J10A, J10B, J16Z		
09			J03A, J03B, J04A, J04B, J08A, J08B, J08C, J11A, J11B, J16Z	5t730↔	08		BOP, KVT, UOP4, VIAL		10		K09A, K09B		
		10	K09A, K09B			08	I32A, I32B, I32C, I32D, I32E, I32F			21A	W04A, W04B		
21A			W04A, W04B	09	J03A, J03B, J04A, J04B, J08A, J08B, J08C, J11A, J11B, J16Z		21B		X05A		5t739↔		01
		21B	X05A		21A	W04A, W04B			21B	X05A			
5t728.2↔			01	BOP, KVT, UOP4, VIAL		5t731↔	08			BOP, KVT, UOP4, VIAL	5t739↔		08
		B03A, B03B, B06A, B06B, B07Z, B17A, B17B, B17C, B17D		I32A, I32B, I32C, I32D, I32E, I32F	B03A, B03B, B06A, B06B, B07Z, B17A, B17B, B17C								
	05	F01A, F01B, F01D, F05Z, F07A, F07B, F14A, F14B, F28A, F42Z, F54Z, F59A, F59B	09	J03A, J03B, J04A, J04B, J08A, J08B, J08C, J11A, J11B, J16Z	21A		W04A, W04B	09	I32A, I32B, I32C, I32D, I32E, I32F				
		08		I32A, I32B, I32C, I32D, I32E, I32F			21B		X05A	09		J03A, J03B, J04A, J04B, J08A, J08B, J08C, J10A, J10B, J16Z	
	09		J03A, J03B, J04A, J04B, J08A, J08B, J08C, J11A, J11B, J16Z	5t732↔	08			BOP, KVT, UOP4, VIAL	10			K09A, K09B	
		10	K09A, K09B				08	I32A, I32B, I32C, I32D, I32E, I32F		21A		W04A, W04B	
	21A		W04A, W04B	09	J03A, J03B, J04A, J04B, J08A, J08B, J08C, J11A, J11B, J16Z			21B	X05A			5t73a↔	01
		21B	X05A		21A		W04A, W04B		21B	X05A			
	5t729.3↔		08	BOP, KVT, UOP4, VIAL			5t733↔	08		BOP, KVT, UOP4, VIAL		5t73b↔	08
		I32A, I32B, I32C, I32D, I32E, I32F, I32G		I32A, I32B, I32C, I32D, I32E, I32F	B03A, B03B, B06A, B06B, B07Z, B17A, B17B, B17C								
09		J03A, J03B, J04A, J04B, J08A, J08B, J08C, J11A, J11B, J16Z	21A	W04A, W04B	21B	X05A		09	I32A, I32B, I32C, I32D, I32E, I32F				
		21A		W04A, W04B		5t734↔			08	BOP, KVT, UOP4, VIAL	21A		W04A, W04B
21B			X05A	08	I32A, I32B, I32C, I32D, I32E, I32F			21B		X05A			5t735↔
		5t729.4↔	08		BOP, KVT, UOP4, VIAL	5t735↔			08	BOP, KVT, UOP4, VIAL	5t73x↔		
I32A, I32B, I32C, I32D, I32E, I32F, I32G				I32A, I32B, I32C, I32D, I32E, I32F	B03A, B03B, B06A, B06B, B07Z, B17A, B17B, B17C								
09			J03A, J03B, J04A, J04B, J08A, J08B, J08C, J11A, J11B, J16Z	09	J03A, J03B, J04A, J04B, J08A, J08B, J08C, J11A, J11B, J16Z			21A	W04A, W04B	21A			W04A, W04B
			21A		W04A, W04B				21B				X05A
21B				X05A	21A			W04A, W04B		21B			X05A

VYK

ZZV	MDC	DRG	ZZV	MDC	DRG	ZZV	MDC	DRG
5t740.0↔		BOP, KVT, UOP4, VIAL	5t741.3↔		BOP, KVT, UOP4, VIAL	5t742.4↔		BOP, KVT, UOP4, VIAL
	08	I32A, I32B, I32C, I32D, I32E, I32F		08	I32A, I32B, I32C, I32D, I32E, I32F		08	I32A, I32B, I32C, I32D, I32E, I32F
	21A	W04A, W04B		09	J03A, J03B, J04A, J04B, J08A, J08B, J08C, J11A, J11B, J16Z		21A	W04A, W04B
	21B	X05A		21A	W04A, W04B		21B	X05A
5t740.1↔		BOP, KVT, UOP4, VIAL		21B	X05A	5t742.5↔		BOP, KVT, UOP4, VIAL
	08	I32A, I32B, I32C, I32D, I32E, I32F	5t741.4↔		BOP, KVT, UOP4, VIAL		08	I32A, I32B, I32C, I32D, I32E, I32F
	21A	W04A, W04B		08	I32A, I32B, I32C, I32D, I32E, I32F		21A	W04A, W04B
	21B	X05A		09	J03A, J03B, J04A, J04B, J08A, J08B, J08C, J11A, J11B, J16Z		21B	X05A
5t740.2↔		BOP, KVT, UOP4, VIAL		21A	W04A, W04B	5t742.6↔		BOP, KVT, UOP4, VIAL
	08	I32A, I32B, I32C, I32D, I32E, I32F		21B	X05A		08	I32A, I32B, I32C, I32D, I32E, I32F
	21A	W04A, W04B	5t741.5↔		BOP, KVT, UOP4, VIAL		21A	W04A, W04B
	21B	X05A		08	I32A, I32B, I32C, I32D, I32E, I32F		21B	X05A
5t740.3↔		BOP, KVT, UOP4, VIAL		09	J03A, J03B, J04A, J04B, J08A, J08B, J08C, J11A, J11B, J16Z	5t742.7↔		BOP, KVT, UOP4, VIAL
	08	I32A, I32B, I32C, I32D, I32E, I32F		21A	W04A, W04B		08	I32A, I32B, I32C, I32D, I32E, I32F
	21A	W04A, W04B		21B	X05A		21A	W04A, W04B
	21B	X05A	5t741.6↔		BOP, KVT, UOP4, VIAL		21B	X05A
5t740.4↔		BOP, KVT, UOP4, VIAL		08	I32A, I32B, I32C, I32D, I32E, I32F	5t742.x↔		BOP, KVT, UOP4, VIAL
	08	I32A, I32B, I32C, I32D, I32E, I32F		09	J03A, J03B, J04A, J04B, J08A, J08B, J08C, J11A, J11B, J16Z		08	I32A, I32B, I32C, I32D, I32E, I32F
	21A	W04A, W04B		21A	W04A, W04B		21A	W04A, W04B
	21B	X05A		21B	X05A		21B	X05A, X05B
5t740.5↔		BOP, KVT, UOP4, VIAL	5t741.7↔		BOP, KVT, UOP4, VIAL	5t743.0↔		BOP, KVT, UOP4, VIAL
	08	I32A, I32B, I32C, I32D, I32E, I32F		08	I32A, I32B, I32C, I32D, I32E, I32F		08	I32A, I32B, I32C, I32D, I32E, I32F
	21A	W04A, W04B		09	J03A, J03B, J04A, J04B, J08A, J08B, J08C, J11A, J11B, J16Z		09	J03A, J03B, J04A, J04B, J08A, J08B, J08C, J11A, J11B, J16Z
	21B	X05A		21A	W04A, W04B		21A	W04A, W04B
5t740.6↔		BOP, KVT, UOP4, VIAL		21B	X05A		21B	X05A
	08	I32A, I32B, I32C, I32D, I32E, I32F	5t741.x↔		BOP, KVT, UOP4, VIAL	5t743.1↔		BOP, KVT, UOP4, VIAL
	21A	W04A, W04B		08	I32A, I32B, I32C, I32D, I32E, I32F		08	I32A, I32B, I32C, I32D, I32E, I32F
	21B	X05A		09	J03A, J03B, J04A, J04B, J08A, J08B, J08C, J11A, J11B, J16Z		09	J03A, J03B, J04A, J04B, J08A, J08B, J08C, J11A, J11B, J16Z
5t740.7↔		BOP, KVT, UOP4, VIAL		21A	W04A, W04B		21A	W04A, W04B
	08	I32A, I32B, I32C, I32D, I32E, I32F		21B	X05A		21B	X05A
	21A	W04A, W04B	5t742.0↔		BOP, KVT, UOP4, VIAL	5t743.2↔		BOP, KVT, UOP4, VIAL
	21B	X05A		08	I32A, I32B, I32C, I32D, I32E, I32F		08	I32A, I32B, I32C, I32D, I32E, I32F
5t740.x↔		BOP, KVT, UOP4, VIAL		09	J03A, J03B, J04A, J04B, J08A, J08B, J08C, J11A, J11B, J16Z		21A	W04A, W04B
	08	I32A, I32B, I32C, I32D, I32E, I32F		21A	W04A, W04B		21B	X05A
	21A	W04A, W04B	5t742.1↔		BOP, KVT, UOP4, VIAL		08	I32A, I32B, I32C, I32D, I32E, I32F
	21B	X05A, X05B		08	I32A, I32B, I32C, I32D, I32E, I32F		21A	W04A, W04B
5t741.0↔		BOP, KVT, UOP4, VIAL		21A	W04A, W04B		21B	X05A
	08	I32A, I32B, I32C, I32D, I32E, I32F		21B	X05A, X05B	5t743.3↔		BOP, KVT, UOP4, VIAL
	09	J03A, J03B, J04A, J04B, J08A, J08B, J08C, J11A, J11B, J16Z	5t742.2↔		BOP, KVT, UOP4, VIAL		08	I32A, I32B, I32C, I32D, I32E, I32F
	21A	W04A, W04B		08	I32A, I32B, I32C, I32D, I32E, I32F		21A	W04A, W04B
	21B	X05A		21A	W04A, W04B		21B	X05A
5t741.1↔		BOP, KVT, UOP4, VIAL		21B	X05A	5t743.4↔		BOP, KVT, UOP4, VIAL
	08	I32A, I32B, I32C, I32D, I32E, I32F		21A	W04A, W04B		08	I32A, I32B, I32C, I32D, I32E, I32F
	09	J03A, J03B, J04A, J04B, J08A, J08B, J08C, J11A, J11B, J16Z	5t742.3↔		BOP, KVT, UOP4, VIAL		21A	W04A, W04B
	21A	W04A, W04B		08	I32A, I32B, I32C, I32D, I32E, I32F		21B	X05A
	21B	X05A		21A	W04A, W04B	5t743.5↔		BOP, KVT, UOP4, VIAL
5t741.2↔		BOP, KVT, UOP4, VIAL		21B	X05A		08	I32A, I32B, I32C, I32D, I32E, I32F
	08	I32A, I32B, I32C, I32D, I32E, I32F		21A	W04A, W04B		21A	W04A, W04B
	09	J03A, J03B, J04A, J04B, J08A, J08B, J08C, J11A, J11B, J16Z		21B	X05A		21B	X05A
	21A	W04A, W04B		21A	W04A, W04B	5t743.6↔		BOP, KVT, UOP4, VIAL
	21B	X05A		21B	X05A		08	I32A, I32B, I32C, I32D, I32E, I32F
				08	I32A, I32B, I32C, I32D, I32E, I32F		21A	W04A, W04B
				21A	W04A, W04B		21B	X05A
				21B	X05A			

















ZZV	MDC	DRG	ZZV	MDC	DRG	ZZV	MDC	DRG
5t78c.0↔		BOP, KVT, UOP4, VIAL	5t793↔		BOP, KVT, UOP4, VIAL	5t79x↔		BOP, KVT, UOP4, VIAL
	01	B03A, B03B, B06A, B06B, B07Z, B17A, B17B, B17C		01	B03A, B03B, B06A, B06B, B07Z, B17A, B17B, B17C		08	I32A, I32B, I32C, I32D, I32E, I32F
	08	I32A, I32B, I32C, I32D, I32E, I32F		05	F01A, F01B, F01D, F05Z, F07A, F07B, F14A, F14B, F28A, F42Z, F54Z, F59A, F59B		21A	W04A, W04B
	09	J03A, J03B, J04A, J04B, J08A, J08B, J08C, J10A, J10B, J16Z		08	I28A, I28B, I28C		21B	X05A, X05B
	21A	W04A, W04B		09	J03A, J03B, J04A, J04B, J08A, J08B, J08C, J11A, J11B, J16Z		5t800.0↔	BOP, KVT, UOP4
5t78c.1↔	21B	X05A, X05B			01	B03A, B03B, B06A, B06B, B07Z, B17A, B17B, B17C	03	D18Z, D28Z, D29Z
		BOP, KVT, UOP4, VIAL	5t794↔		BOP, KVT, UOP4, VIAL	08	I27A, I27B, I27C, I27D	
	01	B03A, B03B, B06A, B06B, B07Z, B17A, B17B, B17C		01	B03A, B03B, B06A, B06B, B07Z, B17A, B17B, B17C	09	J03A, J03B, J04A, J04B, J08A, J08B, J08C, J11A, J11B, J16Z	
	08	I32A, I32B, I32C, I32D, I32E, I32F		05	F01A, F01B, F01D, F05Z, F07A, F07B, F14A, F14B, F28A, F42Z, F54Z, F59A, F59B	21A	W04A, W04B	
	09	J03A, J03B, J04A, J04B, J08A, J08B, J08C, J10A, J10B, J16Z		08	I28A, I28B, I28C	21B	X06A, X06B, X06C	
21A	W04A, W04B	09		J03A, J03B, J04A, J04B, J08A, J08B, J08C, J11A, J11B, J16Z	5t800.1↔	BOP, KVT, UOP4		
5t78x.0↔	21B	X05A, X05B			01	B03A, B03B, B06A, B06B, B17A, B17B, B17C	08	I27A, I27B, I27C, I27D
		BOP, KVT, UOP4, VIAL	5t795↔		BOP, KVT, UOP4, VIAL	09	J03A, J03B, J04A, J04B, J08A, J08B, J08C, J11A, J11B, J16Z	
	01	B03A, B03B, B06A, B06B, B07Z, B17A, B17B, B17C		08	I32A, I32B, I32C, I32D, I32E, I32F	21A	W04A, W04B	
	08	I32A, I32B, I32C, I32D, I32E, I32F		09	J03A, J03B, J04A, J04B, J08A, J08B, J08C, J11A, J11B, J16Z	21B	X06A, X06B, X06C	
	09	J03A, J03B, J04A, J04B, J08A, J08B, J08C, J10A, J10B, J16Z		10	K09A, K09B	5t800.2↔	BOP, KVT, UOP4	
21A	W04A, W04B	21A		W04A, W04B	01	B03A, B03B, B06A, B06B, B17A, B17B, B17C		
5t78x.1↔	21B	X05A, X05B			08	I27A, I27B, I27C, I27D		
		BOP, KVT, UOP4, VIAL	5t796↔		BOP, KVT, UOP4, VIAL	09	J03A, J03B, J04A, J04B, J08A, J08B, J08C, J11A, J11B, J16Z	
	01	B03A, B03B, B06A, B06B, B07Z, B17A, B17B, B17C		01	B03A, B03B, B06A, B06B, B07Z, B17A, B17B, B17C	21A	W04A, W04B	
	08	I32A, I32B, I32C, I32D, I32E, I32F		08	I32A, I32B, I32C, I32D, I32E, I32F	21B	X06A, X06B, X06C	
	09	J03A, J03B, J04A, J04B, J08A, J08B, J08C, J10A, J10B, J16Z		21A	W04A, W04B	5t800.3↔	BOP, KVT, UOP4	
21A	W04A, W04B	21B		X07A, X07B	01	B03A, B03B, B06A, B06B, B17A, B17B, B17C		
5t790↔	21B	X05A, X05B			08	I27A, I27B, I27C, I27D		
		BOP, KVT, UOP4, VIAL	5t797.0↔		BOP, KVT, UOP4, VIAL	09	J03A, J03B, J04A, J04B, J08A, J08B, J08C, J11A, J11B, J16Z	
	08	I32A, I32B, I32C, I32D, I32E, I32F, I32G		01	B03A, B03B, B06A, B06B, B07Z, B17A, B17B, B17C	21A	W04A, W04B	
	09	J03A, J03B, J04A, J04B, J08A, J08B, J08C, J11A, J11B, J16Z		08	I32A, I32B, I32C, I32D, I32E, I32F	21B	X05A, X05B, X06A, X06B, X06C	
	10	K09A, K09B		21A	W04A, W04B	5t800.4↔	BOP, KVT, UOP4	
21A	W04A, W04B	21B		X07A, X07B	01	B03A, B03B, B06A, B06B, B17A, B17B, B17C		
5t791↔	21B	X05A, X05B			08	I27A, I27B, I27C, I27D		
		BOP, KVT, UOP4, VIAL	5t797.1↔		BOP, KVT, UOP4, VIAL	09	J03A, J03B, J04A, J04B, J08A, J08B, J08C, J11A, J11B, J16Z	
	08	I32A, I32B, I32C, I32D, I32E, I32F		01	B03A, B03B, B06A, B06B, B07Z, B17A, B17B, B17C	21A	W04A, W04B	
	21A	W04A, W04B		08	I32A, I32B, I32C, I32D, I32E, I32F	21B	X06A, X06B, X06C	
	21B	X05A, X05B		21A	W04A, W04B	5t800.5↔	BOP, KVT, UOP4	
5t792↔		BOP, KVT, UOP4, VIAL				01	B03A, B03B, B06A, B06B, B17A, B17B, B17C	
	08	I32A, I32B, I32C, I32D, I32E, I32F	5t798↔		BOP, KVT, UOP4, VIAL	08	I27A, I27B, I27C, I27D	
	09	J03A, J03B, J04A, J04B, J08A, J08B, J08C, J11A, J11B, J16Z		01	B03A, B03B, B06A, B06B, B07Z, B17A, B17B, B17C	09	J03A, J03B, J04A, J04B, J08A, J08B, J08C, J11A, J11B, J16Z	
	21A	W04A, W04B		08	I32A, I32B, I32C, I32D, I32E, I32F	21A	W04A, W04B	
	21B	X05A, X05B		21A	W04A, W04B	21B	X06A, X06B, X06C	
	BOP, KVT, UOP4, VIAL				5t800.6↔	BOP, KVT, UOP4		
	BOP, KVT, UOP4, VIAL	5t799↔		BOP, KVT, UOP4, VIAL	01	B03A, B03B, B06A, B06B, B17A, B17B, B17C		
08	I32A, I32B, I32C, I32D, I32E, I32F		01	B03A, B03B, B06A, B06B, B07Z, B17A, B17B, B17C	08	I27A, I27B, I27C, I27D		
09	J03A, J03B, J04A, J04B, J08A, J08B, J08C, J11A, J11B, J16Z		08	I32A, I32B, I32C, I32D, I32E, I32F	09	J03A, J03B, J04A, J04B, J08A, J08B, J08C, J11A, J11B, J16Z		
21A	W04A, W04B		21A	W04A, W04B	21A	W04A, W04B		
21B	X05A, X05B		21B	X07A, X07B	21B	X06A, X06B, X06C		





ZZV	MDC	DRG	ZZV	MDC	DRG	ZZV	MDC	DRG
5t802.6↔		BOP, KVT, UOP4	5t803.3↔		BOP, KVT, UOP4	5t804.1↔		BOP, KVT, UOP4
01		B03A, B03B, B06A, B06B, B07Z, B17A, B17B, B17C	01		B03A, B03B, B06A, B06B, B07Z, B17A, B17B, B17C	08		I27A, I27B, I27C, I27D
08		I27A, I27B, I27C, I27D	08		I27A, I27B, I27C, I27D	21A		W04A, W04B
10		K09A, K09B	10		K09A, K09B	21B		X06A, X06B, X06C
21A		W04A, W04B	21A		W04A, W04B	5t804.2↔		BOP, KVT, UOP4
21B		X04Z, X06A, X06B, X06C	21B		X05A, X05B, X06A, X06B, X06C	08		I27A, I27B, I27C, I27D
5t802.7↔		BOP, KVT, UOP4	5t803.4↔		BOP, KVT, UOP4	21A		W04A, W04B
01		B03A, B03B, B06A, B06B, B07Z, B17A, B17B, B17C	01		B03A, B03B, B06A, B06B, B07Z, B17A, B17B, B17C	21B		X06A, X06B, X06C
08		I27A, I27B, I27C, I27D	08		I27A, I27B, I27C, I27D	5t804.3↔		BOP, KVT, UOP4
10		K09A, K09B	10		K09A, K09B	08		I27A, I27B, I27C, I27D
21A		W04A, W04B	21A		W04A, W04B	21A		W04A, W04B
21B		X04Z, X06A, X06B, X06C	21B		X06A, X06B, X06C	21B		X06A, X06B, X06C
5t802.8↔		BOP, KVT, UOP4	5t803.5↔		BOP, KVT, UOP4	5t804.4↔		BOP, KVT, UOP4
01		B03A, B03B, B06A, B06B, B07Z, B17A, B17B, B17C	01		B03A, B03B, B06A, B06B, B07Z, B17A, B17B, B17C	08		I27A, I27B, I27C, I27D
08		I27A, I27B, I27C, I27D	08		I27A, I27B, I27C, I27D	21A		W04A, W04B
10		K09A, K09B	10		K09A, K09B	21B		X04Z, X06A, X06B, X06C
21A		W04A, W04B	21A		W04A, W04B	5t804.6↔		BOP, KVT, UOP4
21B		X04Z, X06A, X06B, X06C	21B		X06A, X06B, X06C	08		I27A, I27B, I27C, I27D
5t802.a↔		BOP, KVT, UOP4	5t803.6↔		BOP, KVT, UOP4	21A		W04A, W04B
01		B03A, B03B, B06A, B06B, B07Z, B17A, B17B, B17C	01		B03A, B03B, B06A, B06B, B07Z, B17A, B17B, B17C	21B		X06A, X06B, X06C
08		I27A, I27B, I27C, I27D	08		I27A, I27B, I27C, I27D	5t804.7↔		BOP, KVT, UOP4
10		K09A, K09B	10		K09A, K09B	08		I27A, I27B, I27C, I27D
21A		W04A, W04B	21A		W04A, W04B	21A		W04A, W04B
21B		X04Z	21B		X04Z, X06A, X06B, X06C	21B		X04Z, X06A, X06B, X06C
5t802.b↔		BOP, KVT, UOP4	5t803.7↔		BOP, KVT, UOP4	5t804.8↔		BOP, KVT, UOP4
01		B03A, B03B, B06A, B06B, B07Z, B17A, B17B, B17C	01		B03A, B03B, B06A, B06B, B07Z, B17A, B17B, B17C	08		I27A, I27B, I27C, I27D
08		I27A, I27B, I27C, I27D	08		I27A, I27B, I27C, I27D	21A		W04A, W04B
10		K09A, K09B	10		K09A, K09B	21B		X04Z, X06A, X06B, X06C
21A		W04A, W04B	21A		W04A, W04B	5t804.a↔		BOP, KVT, UOP4
21B		X04Z	21B		X04Z, X06A, X06B, X06C	08		I27A, I27B, I27C, I27D
5t802.x		BOP, KVT, UOP4	5t803.8↔		BOP, KVT, UOP4	21A		W04A, W04B
01		B03A, B03B, B06A, B06B, B07Z, B17A, B17B, B17C	01		B03A, B03B, B06A, B06B, B07Z, B17A, B17B, B17C	21B		X04Z, X06A, X06B, X06C
08		I27A, I27B, I27C, I27D	08		I27A, I27B, I27C, I27D	5t804.x		BOP, KVT, UOP4
10		K09A, K09B	10		K09A, K09B	08		I27A, I27B, I27C, I27D
21A		W04A, W04B	21A		W04A, W04B	21A		W04A, W04B
21B		X06A, X06B, X06C	21B		X04Z, X06A, X06B, X06C	21B		X06A, X06B, X06C
5t803.0↔		BOP, KVT, UOP4	5t803.a↔		BOP, KVT, UOP4	5t805.0↔		BOP, KVT, UOP4
01		B03A, B03B, B06A, B06B, B07Z, B17A, B17B, B17C	01		B03A, B03B, B06A, B06B, B07Z, B17A, B17B, B17C	08		I27A, I27B, I27C, I27D
08		I27A, I27B, I27C, I27D	08		I27A, I27B, I27C, I27D	21A		W04A, W04B
10		K09A, K09B	10		K09A, K09B	21B		X06A, X06B, X06C
21A		W04A, W04B	21A		W04A, W04B	5t805.1↔		BOP, KVT, UOP4
21B		X06A, X06B, X06C	21B		X04Z	08		I27A, I27B, I27C, I27D
5t803.1↔		BOP, KVT, UOP4	5t803.b↔		BOP, KVT, UOP4	21A		W04A, W04B
01		B03A, B03B, B06A, B06B, B07Z, B17A, B17B, B17C	01		B03A, B03B, B06A, B06B, B07Z, B17A, B17B, B17C	21B		X06A, X06B, X06C
08		I27A, I27B, I27C, I27D	08		I27A, I27B, I27C, I27D	5t805.2↔		BOP, KVT, UOP4
10		K09A, K09B	10		K09A, K09B	08		I27A, I27B, I27C, I27D
21A		W04A, W04B	21A		W04A, W04B	21A		W04A, W04B
21B		X06A, X06B, X06C	21B		X04Z	21B		X06A, X06B, X06C
5t803.2↔		BOP, KVT, UOP4	5t803.x		BOP, KVT, UOP4	5t805.3↔		BOP, KVT, UOP4
01		B03A, B03B, B06A, B06B, B07Z, B17A, B17B, B17C	01		B03A, B03B, B06A, B06B, B07Z, B17A, B17B, B17C	08		I27A, I27B, I27C, I27D
08		I27A, I27B, I27C, I27D	08		I27A, I27B, I27C, I27D	21A		W04A, W04B
10		K09A, K09B	10		K09A, K09B	21B		X05A, X05B, X06A, X06B, X06C
21A		W04A, W04B	21A		W04A, W04B	5t805.4↔		BOP, KVT, UOP4
21B		X06A, X06B, X06C	21B		X06A, X06B, X06C	08		I27A, I27B, I27C, I27D
5t804.0↔		BOP, KVT, UOP4	5t804.0↔		BOP, KVT, UOP4	21A		W04A, W04B
08		I27A, I27B, I27C, I27D	08		I27A, I27B, I27C, I27D	21B		X04Z, X06A, X06B, X06C
21A		W04A, W04B	21A		W04A, W04B			
21B		X06A, X06B, X06C	21B		X06A, X06B, X06C			

## Príloha B: Index Výkon-MDC-DRG

ZZV	MDC	DRG	ZZV	MDC	DRG	ZZV	MDC	DRG
5t805.7↔		BOP, KVT, UOP4	5t806.5↔	01	BOP, KVT, UOP4	5t807.0↔	01	BOP, KVT, UOP4
	08	I27A, I27B, I27C, I27D		08	B03A, B03B, B06A, B06B, B07Z, B17A, B17B, B17C		08	B03A, B03B, B06A, B06B, B07Z, B17A, B17B, B17C
	21A	W04A, W04B		09	I27A, I27B, I27C, I27D		09	I27A, I27B, I27C, I27D
5t805.8↔	21B	X04Z, X06A, X06B, X06C	5t806.6↔	08	J03A, J03B, J04A, J04B, J08A, J08B, J08C, J11A, J11B, J16Z	5t807.1↔	08	J03A, J03B, J04A, J04B, J08A, J08B, J08C, J11A, J11B, J16Z
		BOP, KVT, UOP4		21A	W04A, W04B		21A	W04A, W04B
	08	I27A, I27B, I27C, I27D		21B	X06A, X06B, X06C		21B	X06A, X06B, X06C
5t805.a↔	21A	W04A, W04B	5t806.7↔	01	BOP, KVT, UOP4	5t807.2↔	01	BOP, KVT, UOP4
	21B	X04Z, X06A, X06B, X06C		01	B03A, B03B, B06A, B06B, B07Z, B17A, B17B, B17C		01	B03A, B03B, B06A, B06B, B07Z, B17A, B17B, B17C
		BOP, KVT, UOP4		08	I27A, I27B, I27C, I27D		08	I27A, I27B, I27C, I27D
5t805.b↔	08	I27A, I27B, I27C, I27D	5t806.8↔	09	J03A, J03B, J04A, J04B, J08A, J08B, J08C, J11A, J11B, J16Z	5t807.3↔	09	J03A, J03B, J04A, J04B, J08A, J08B, J08C, J11A, J11B, J16Z
	21A	W04A, W04B		21A	W04A, W04B		21A	W04A, W04B
	21B	X04Z, X06A, X06B, X06C		21B	X04Z, X06A, X06B, X06C		21B	X06A, X06B, X06C
5t805.x		BOP, KVT, UOP4	5t806.a↔		BOP, KVT, UOP4	5t807.4↔		BOP, KVT, UOP4
	08	I27A, I27B, I27C, I27D		01	B03A, B03B, B06A, B06B, B07Z, B17A, B17B, B17C		01	B03A, B03B, B06A, B06B, B07Z, B17A, B17B, B17C
	21A	W04A, W04B		08	I27A, I27B, I27C, I27D		08	I27A, I27B, I27C, I27D
5t806.0↔	21B	X06A, X06B, X06C	5t806.b↔	09	J03A, J03B, J04A, J04B, J08A, J08B, J08C, J11A, J11B, J16Z	5t807.5↔	09	J03A, J03B, J04A, J04B, J08A, J08B, J08C, J11A, J11B, J16Z
		BOP, KVT, UOP4		21A	W04A, W04B		21A	W04A, W04B
	01	B03A, B03B, B06A, B06B, B07Z, B17A, B17B, B17C		21B	X04Z		21B	X06A, X06B, X06C
5t806.1↔	08	I27A, I27B, I27C, I27D	5t806.x		BOP, KVT, UOP4	5t807.6↔		BOP, KVT, UOP4
	09	J03A, J03B, J04A, J04B, J08A, J08B, J08C, J11A, J11B, J16Z		01	B03A, B03B, B06A, B06B, B07Z, B17A, B17B, B17C		01	B03A, B03B, B06A, B06B, B07Z, B17A, B17B, B17C
	21A	W04A, W04B		08	I27A, I27B, I27C, I27D		08	I27A, I27B, I27C, I27D
5t806.2↔	21B	X06A, X06B, X06C	5t806.3↔	09	J03A, J03B, J04A, J04B, J08A, J08B, J08C, J11A, J11B, J16Z	5t807.6↔	09	J03A, J03B, J04A, J04B, J08A, J08B, J08C, J11A, J11B, J16Z
		BOP, KVT, UOP4		21A	W04A, W04B		21A	W04A, W04B
	01	B03A, B03B, B06A, B06B, B07Z, B17A, B17B, B17C		21B	X04Z		21B	X06A, X06B, X06C
5t806.3↔	08	I27A, I27B, I27C, I27D	5t806.4↔		BOP, KVT, UOP4	5t807.6↔		BOP, KVT, UOP4
	09	J03A, J03B, J04A, J04B, J08A, J08B, J08C, J11A, J11B, J16Z		01	B03A, B03B, B06A, B06B, B07Z, B17A, B17B, B17C		01	B03A, B03B, B06A, B06B, B07Z, B17A, B17B, B17C
	21A	W04A, W04B		08	I27A, I27B, I27C, I27D		08	I27A, I27B, I27C, I27D
5t806.4↔	21B	X06A, X06B, X06C	5t806.4↔	09	J03A, J03B, J04A, J04B, J08A, J08B, J08C, J11A, J11B, J16Z	5t807.6↔	09	J03A, J03B, J04A, J04B, J08A, J08B, J08C, J11A, J11B, J16Z
		BOP, KVT, UOP4		21A	W04A, W04B		21A	W04A, W04B
	01	B03A, B03B, B06A, B06B, B07Z, B17A, B17B, B17C		21B	X06A, X06B, X06C		21B	X06A, X06B, X06C
5t806.4↔	08	I27A, I27B, I27C, I27D		BOP, KVT, UOP4		BOP, KVT, UOP4		
	09	J03A, J03B, J04A, J04B, J08A, J08B, J08C, J11A, J11B, J16Z	01	B03A, B03B, B06A, B06B, B07Z, B17A, B17B, B17C	01	B03A, B03B, B06A, B06B, B07Z, B17A, B17B, B17C		
	21A	W04A, W04B	08	I27A, I27B, I27C, I27D	08	I27A, I27B, I27C, I27D		
5t806.4↔	21B	X06A, X06B, X06C	5t806.4↔	09	J03A, J03B, J04A, J04B, J08A, J08B, J08C, J11A, J11B, J16Z	5t807.6↔	09	J03A, J03B, J04A, J04B, J08A, J08B, J08C, J11A, J11B, J16Z
		BOP, KVT, UOP4		21A	W04A, W04B		21A	W04A, W04B
	01	B03A, B03B, B06A, B06B, B07Z, B17A, B17B, B17C		21B	X06A, X06B, X06C		21B	X06A, X06B, X06C

VYK



ZZV	MDC	DRG	ZZV	MDC	DRG	ZZV	MDC	DRG		
5t809.6↔		BOP, KVT, UOP4	5t80a.2↔		BOP, KVT, UOP4	5t80a.9↔		BOP, KVT, UOP4		
	01	B03A, B03B, B06A, B06B, B07Z, B17A, B17B, B17C		01	B03A, B03B, B06A, B06B, B07Z, B17A, B17B, B17C		01	B03A, B03B, B06A, B06B, B07Z, B17A, B17B, B17C		
	08	I12A, I12B, I12C, I27A, I27B, I27C, I27D		08	I12A, I12B, I12C, I27A, I27B, I27C, I27D		08	I12A, I12B, I12C, I27A, I27B, I27C, I27D		
	09	J03A, J03B, J04A, J04B, J08A, J08B, J08C, J11A, J11B, J16Z		09	J03A, J03B, J04A, J04B, J08A, J08B, J08C, J11A, J11B, J16Z		09	J03A, J03B, J04A, J04B, J08A, J08B, J08C, J11A, J11B, J16Z		
	21A	W04A, W04B		21A	W04A, W04B		21A	W04A, W04B		
5t809.7↔	21B	X04Z, X06A, X06B, X06C	5t80a.3↔	21B	X06A, X06B, X06C	5t80a.x	21B	X04Z, X06A, X06B, X06C		
		BOP, KVT, UOP4			BOP, KVT, UOP4			BOP, KVT, UOP4		
	01	B03A, B03B, B06A, B06B, B07Z, B17A, B17B, B17C		01	B03A, B03B, B06A, B06B, B07Z, B17A, B17B, B17C		01	B03A, B03B, B06A, B06B, B07Z, B17A, B17B, B17C		
	08	I12A, I12B, I12C, I27A, I27B, I27C, I27D		08	I12A, I12B, I12C, I27A, I27B, I27C, I27D		08	I12A, I12B, I12C, I27A, I27B, I27C, I27D		
	09	J03A, J03B, J04A, J04B, J08A, J08B, J08C, J11A, J11B, J16Z		09	J03A, J03B, J04A, J04B, J08A, J08B, J08C, J11A, J11B, J16Z		09	J03A, J03B, J04A, J04B, J08A, J08B, J08C, J11A, J11B, J16Z		
5t809.8↔	21A	W04A, W04B	5t80a.4↔	21A	W04A, W04B	5t80b.0↔	21A	W04A, W04B		
	21B	X04Z, X06A, X06B, X06C		21B	X05A, X05B, X06A, X06B, X06C		21B	X06A, X06B, X06C		
		BOP, KVT, UOP4			BOP, KVT, UOP4			BOP, KVT, UOP4		
	01	B03A, B03B, B06A, B06B, B07Z, B17A, B17B, B17C		01	B03A, B03B, B06A, B06B, B07Z, B17A, B17B, B17C		01	B03A, B03B, B06A, B06B, B07Z, B17A, B17B, B17C		
	08	I12A, I12B, I12C, I27A, I27B, I27C, I27D		08	I12A, I12B, I12C, I27A, I27B, I27C, I27D		03	D12A, D12B		
5t809.9↔	09	J03A, J03B, J04A, J04B, J08A, J08B, J08C, J11A, J11B, J16Z	5t80a.5↔	08	I12A, I12B, I12C, I27A, I27B, I27C, I27D	04	E02A, E02B, E02C			
	21A	W04A, W04B		5t80a.6↔	09	J03A, J03B, J04A, J04B, J08A, J08B, J08C, J11A, J11B, J16Z	05	F21A, F21B, F21C		
	21B	X04Z, X06A, X06B, X06C			5t80a.7↔	21A	W04A, W04B	06	G10Z, G12A, G12B, G12C	
		BOP, KVT, UOP4				5t80a.8↔	21B	X06A, X06B, X06C	07	H06A, H06B, H06C
	01	B03A, B03B, B06A, B06B, B07Z, B17A, B17B, B17C					5t80a.9↔	01	B03A, B03B, B06A, B06B, B07Z, B17A, B17B, B17C	08
08	I12A, I12B, I12C, I20D, I27A, I27B, I27C, I27D	5t80a.x	08					I12A, I12B, I12C, I27A, I27B, I27C, I27D	09	J03A, J03B, J04A, J04B, J08A, J08B, J08C, J16Z, J21Z, J22A, J22B
09	J03A, J03B, J04A, J04B, J08A, J08B, J08C, J11A, J11B, J16Z		5t80b.1↔	09				J03A, J03B, J04A, J04B, J08A, J08B, J08C, J11A, J11B, J16Z	10	K09A, K09B
21A	W04A, W04B			5t80a.0↔	21A			W04A, W04B	11	L09A, L09B, L09C, L09D, L38Z
21B	X04Z, X06A, X06B, X06C				5t80a.1↔	21B		X06A, X06B, X06C	13	N11A, N11B
	BOP, KVT, UOP4					5t80a.2↔		BOP, KVT, UOP4	21A	W04A, W04B
01	B03A, B03B, B06A, B06B, B07Z, B17A, B17B, B17C	5t80a.3↔					01	B03A, B03B, B06A, B06B, B07Z, B17A, B17B, B17C	21B	X06A, X06B, X06C
08	I12A, I12B, I12C, I27A, I27B, I27C, I27D		5t80a.4↔				08	I12A, I12B, I12C, I27A, I27B, I27C, I27D	01	B03A, B03B, B06A, B06B, B07Z, B17A, B17B, B17C
09	J03A, J03B, J04A, J04B, J08A, J08B, J08C, J11A, J11B, J16Z			5t80a.5↔			09	J03A, J03B, J04A, J04B, J08A, J08B, J08C, J11A, J11B, J16Z	03	D12A, D12B
21A	W04A, W04B				5t80a.6↔		21A	W04A, W04B	04	E02A, E02B, E02C
21B	X06A, X06B, X06C					5t80a.7↔	21B	X04Z, X06A, X06B, X06C	05	F21A, F21B, F21C
	BOP, KVT, UOP4	5t80a.8↔						BOP, KVT, UOP4	06	G10Z, G12A, G12B, G12C
01	B03A, B03B, B06A, B06B, B07Z, B17A, B17B, B17C		5t80a.9↔				01	B03A, B03B, B06A, B06B, B07Z, B17A, B17B, B17C	07	H06A, H06B, H06C
08	I12A, I12B, I12C, I27A, I27B, I27C, I27D			5t80a.x			08	I12A, I12B, I12C, I27A, I27B, I27C, I27D	08	I12A, I12B, I12C, I28A, I28B
09	J03A, J03B, J04A, J04B, J08A, J08B, J08C, J11A, J11B, J16Z				5t80b.0↔		09	J03A, J03B, J04A, J04B, J08A, J08B, J08C, J11A, J11B, J16Z	09	J03A, J03B, J04A, J04B, J08A, J08B, J08C, J16Z, J21Z, J22A, J22B
21A	W04A, W04B					5t80b.1↔	21A	W04A, W04B	10	K09A, K09B
21B	X06A, X06B, X06C	5t80b.1↔					21B	X04Z, X06A, X06B, X06C	11	L09A, L09B, L09C, L09D, L38Z
	BOP, KVT, UOP4		5t80b.1↔					BOP, KVT, UOP4	13	N11A, N11B
01	B03A, B03B, B06A, B06B, B07Z, B17A, B17B, B17C			5t80b.1↔			01	B03A, B03B, B06A, B06B, B07Z, B17A, B17B, B17C	21A	W04A, W04B
03	D12A, D12B				5t80b.1↔		03	D12A, D12B	21B	X06A, X06B, X06C
04	E02A, E02B, E02C					5t80b.1↔	04	E02A, E02B, E02C		BOP, KVT, UOP4
05	F21A, F21B, F21C	5t80b.1↔					05	F21A, F21B, F21C	01	B03A, B03B, B06A, B06B, B07Z, B17A, B17B, B17C
06	G10Z, G12A, G12B, G12C		5t80b.1↔				06	G10Z, G12A, G12B, G12C	03	D12A, D12B
07	H06A, H06B, H06C			5t80b.1↔			07	H06A, H06B, H06C	04	E02A, E02B, E02C
08	I12A, I12B, I12C, I28A, I28B				5t80b.1↔		08	I12A, I12B, I12C, I28A, I28B	05	F21A, F21B, F21C
09	J03A, J03B, J04A, J04B, J08A, J08B, J08C, J16Z, J21Z, J22A, J22B					5t80b.1↔	09	J03A, J03B, J04A, J04B, J08A, J08B, J08C, J16Z, J21Z, J22A, J22B	06	G10Z, G12A, G12B, G12C
10	K09A, K09B	5t80b.1↔					10	K09A, K09B	07	H06A, H06B, H06C
11	L09A, L09B, L09C, L09D, L38Z		5t80b.1↔				11	L09A, L09B, L09C, L09D, L38Z	08	I12A, I12B, I12C, I28A, I28B
13	N11A, N11B			5t80b.1↔			13	N11A, N11B	09	J03A, J03B, J04A, J04B, J08A, J08B, J08C, J16Z, J21Z, J22A, J22B
21A	W04A, W04B				5t80b.1↔		21A	W04A, W04B	10	K09A, K09B
21B	X06A, X06B, X06C					5t80b.1↔	21B	X06A, X06B, X06C	11	L09A, L09B, L09C, L09D, L38Z

ZZV	MDC	DRG	ZZV	MDC	DRG	ZZV	MDC	DRG
5t80b.2↔		BOP, KVT, UOP4	5t80b.5↔		BOP, KVT, UOP4	5t80b.8↔		BOP, KVT, UOP4
	01	B03A, B03B, B06A, B06B, B07Z, B17A, B17B, B17C		01	B03A, B03B, B06A, B06B, B07Z, B17A, B17B, B17C		01	B03A, B03B, B06A, B06B, B07Z, B17A, B17B, B17C
	03	D12A, D12B		03	D12A, D12B		03	D12A, D12B
	04	E02A, E02B, E02C		04	E02A, E02B, E02C		04	E02A, E02B, E02C
	05	F21A, F21B, F21C		05	F21A, F21B, F21C		05	F21A, F21B, F21C, F27A, F27B, F27C
	06	G10Z, G12A, G12B, G12C		06	G10Z, G12A, G12B, G12C		06	G10Z, G12A, G12B, G12C
	07	H06A, H06B, H06C		07	H06A, H06B, H06C		07	H06A, H06B, H06C
	08	I12A, I12B, I12C, I28A, I28B		08	I12A, I12B, I12C, I28A, I28B		08	I12A, I12B, I12C, I28A, I28B
	09	J03A, J03B, J04A, J04B, J08A, J08B, J08C, J16Z, J21Z, J22A, J22B		09	J03A, J03B, J04A, J04B, J08A, J08B, J08C, J16Z, J21Z, J22A, J22B		09	J03A, J03B, J04A, J04B, J08A, J08B, J08C, J16Z, J21Z, J22A, J22B
	10	K09A, K09B		10	K09A, K09B		10	K01Z
	11	L09A, L09B, L09C, L09D, L38Z		11	L09A, L09B, L09C, L09D, L38Z		11	L09A, L09B, L09C, L09D, L38Z
	13	N11A, N11B		13	N11A, N11B		13	N11A, N11B
	21A	W04A, W04B		21A	W04A, W04B		21A	W04A, W04B
	21B	X06A, X06B, X06C		21B	X06A, X06B, X06C		21B	X06A, X06B, X06C
5t80b.3↔		BOP, KVT, UOP4	5t80b.6↔		BOP, KVT, UOP4	5t80b.9↔		BOP, KVT, UOP4
	01	B03A, B03B, B06A, B06B, B07Z, B17A, B17B, B17C		01	B03A, B03B, B06A, B06B, B07Z, B17A, B17B, B17C		01	B03A, B03B, B06A, B06B, B07Z, B17A, B17B, B17C
	03	D12A, D12B		03	D12A, D12B		03	D12A, D12B
	04	E02A, E02B, E02C		04	E02A, E02B, E02C		04	E02A, E02B, E02C
	05	F21A, F21B, F21C		05	F21A, F21B, F21C, F27A, F27B, F27C		05	F21A, F21B, F21C, F27A, F27B, F27C
	06	G10Z, G12A, G12B, G12C		06	G10Z, G12A, G12B, G12C		06	G10Z, G12A, G12B, G12C
	07	H06A, H06B, H06C		07	H06A, H06B, H06C		07	H06A, H06B, H06C
	08	I12A, I12B, I12C, I28A, I28B		08	I12A, I12B, I12C, I28A, I28B		08	I12A, I12B, I12C, I28A, I28B
	09	J03A, J03B, J04A, J04B, J08A, J08B, J08C, J16Z, J21Z, J22A, J22B		09	J03A, J03B, J04A, J04B, J08A, J08B, J08C, J16Z, J21Z, J22A, J22B		09	J03A, J03B, J04A, J04B, J08A, J08B, J08C, J16Z, J21Z, J22A, J22B
	10	K09A, K09B		10	K01Z		10	K01Z
	11	L09A, L09B, L09C, L09D, L38Z		11	L09A, L09B, L09C, L09D, L38Z		11	L09A, L09B, L09C, L09D, L38Z
	13	N11A, N11B		13	N11A, N11B		13	N11A, N11B
	21A	W04A, W04B		21A	W04A, W04B		21A	W04A, W04B
	21B	X06A, X06B, X06C		21B	X06A, X06B, X06C		21B	X06A, X06B, X06C
5t80b.4↔		BOP, KVT, UOP4	5t80b.7↔		BOP, KVT, UOP4	5t80b.x		BOP, KVT, UOP4
	01	B03A, B03B, B06A, B06B, B07Z, B17A, B17B, B17C		01	B03A, B03B, B06A, B06B, B07Z, B17A, B17B, B17C		01	B03A, B03B, B06A, B06B, B07Z, B17A, B17B, B17C
	03	D12A, D12B		03	D12A, D12B		03	D12A, D12B
	04	E02A, E02B, E02C		04	E02A, E02B, E02C		04	E02A, E02B, E02C
	05	F21A, F21B, F21C		05	F21A, F21B, F21C, F27A, F27B, F27C		05	F21A, F21B, F21C
	06	G10Z, G12A, G12B, G12C		06	G10Z, G12A, G12B, G12C		06	G10Z, G12A, G12B, G12C
	07	H06A, H06B, H06C		07	H06A, H06B, H06C		07	H06A, H06B, H06C
	08	I12A, I12B, I12C, I28A, I28B		08	I12A, I12B, I12C, I28A, I28B		08	I12A, I12B, I12C, I28A, I28B
	09	J03A, J03B, J04A, J04B, J08A, J08B, J08C, J16Z, J21Z, J22A, J22B		09	J03A, J03B, J04A, J04B, J08A, J08B, J08C, J16Z, J21Z, J22A, J22B		09	J03A, J03B, J04A, J04B, J08A, J08B, J08C, J16Z, J21Z, J22A, J22B
	10	K09A, K09B		10	K01Z		10	K09A, K09B
	11	L09A, L09B, L09C, L09D, L38Z		11	L09A, L09B, L09C, L09D, L38Z		11	L09A, L09B, L09C, L09D, L38Z
	13	N11A, N11B		13	N11A, N11B		13	N11A, N11B
	21A	W04A, W04B		21A	W04A, W04B		21A	W04A, W04B
	21B	X06A, X06B, X06C		21B	X06A, X06B, X06C		21B	X06A, X06B, X06C

ZZV	MDC	DRG	ZZV	MDC	DRG	ZZV	MDC	DRG
5t80c.0↔		BOP, KVT, UOP4	5t80c.3↔		BOP, KVT, UOP4	5t80c.6↔		BOP, KVT, UOP4
	01	B03A, B03B, B06A, B06B, B07Z, B17A, B17B, B17C		01	B03A, B03B, B06A, B06B, B07Z, B17A, B17B, B17C		01	B03A, B03B, B06A, B06B, B07Z, B17A, B17B, B17C
	03	D12A, D12B		03	D12A, D12B		03	D12A, D12B
	04	E02A, E02B, E02C		04	E02A, E02B, E02C		04	E02A, E02B, E02C
	05	F21A, F21B, F21C		05	F21A, F21B, F21C		05	F21A, F21B, F21C, F27A, F27B, F27C
	06	G10Z, G12A, G12B, G12C		06	G10Z, G12A, G12B, G12C		06	G10Z, G12A, G12B, G12C
	07	H06A, H06B, H06C		07	H06A, H06B, H06C		07	H06A, H06B, H06C
	08	I12A, I12B, I12C, I28A, I28B		08	I12A, I12B, I12C, I28A, I28B		08	I12A, I12B, I12C, I28A, I28B
	09	J03A, J03B, J04A, J04B, J08A, J08B, J08C, J16Z, J21Z, J22A, J22B		09	J03A, J03B, J04A, J04B, J08A, J08B, J08C, J16Z, J21Z, J22A, J22B		09	J03A, J03B, J04A, J04B, J08A, J08B, J08C, J16Z, J21Z, J22A, J22B
	10	K09A, K09B		10	K09A, K09B		10	K01Z
	11	L09A, L09B, L09C, L09D, L38Z		11	L09A, L09B, L09C, L09D, L38Z		11	L09A, L09B, L09C, L09D, L38Z
	13	N11A, N11B		13	N11A, N11B		13	N11A, N11B
	21A	W04A, W04B		21A	W04A, W04B		21A	W04A, W04B
21B	X06A, X06B, X06C	21B	X06A, X06B, X06C	21B	X06A, X06B, X06C			
5t80c.1↔		BOP, KVT, UOP4	5t80c.4↔		BOP, KVT, UOP4	5t80c.7↔		BOP, KVT, UOP4
	01	B03A, B03B, B06A, B06B, B07Z, B17A, B17B, B17C		01	B03A, B03B, B06A, B06B, B07Z, B17A, B17B, B17C		01	B03A, B03B, B06A, B06B, B07Z, B17A, B17B, B17C
	03	D12A, D12B		03	D12A, D12B		03	D12A, D12B
	04	E02A, E02B, E02C		04	E02A, E02B, E02C		04	E02A, E02B, E02C
	05	F21A, F21B, F21C		05	F21A, F21B, F21C		05	F21A, F21B, F21C, F27A, F27B, F27C
	06	G10Z, G12A, G12B, G12C		06	G10Z, G12A, G12B, G12C		06	G10Z, G12A, G12B, G12C
	07	H06A, H06B, H06C		07	H06A, H06B, H06C		07	H06A, H06B, H06C
	08	I12A, I12B, I12C, I28A, I28B		08	I12A, I12B, I12C, I28A, I28B		08	I12A, I12B, I12C, I28A, I28B
	09	J03A, J03B, J04A, J04B, J08A, J08B, J08C, J16Z, J21Z, J22A, J22B		09	J03A, J03B, J04A, J04B, J08A, J08B, J08C, J16Z, J21Z, J22A, J22B		09	J03A, J03B, J04A, J04B, J08A, J08B, J08C, J16Z, J21Z, J22A, J22B
	10	K09A, K09B		10	K09A, K09B		10	K01Z
	11	L09A, L09B, L09C, L09D, L38Z		11	L09A, L09B, L09C, L09D, L38Z		11	L09A, L09B, L09C, L09D, L38Z
	13	N11A, N11B		13	N11A, N11B		13	N11A, N11B
	21A	W04A, W04B		21A	W04A, W04B		21A	W04A, W04B
21B	X06A, X06B, X06C	21B	X06A, X06B, X06C	21B	X06A, X06B, X06C			
5t80c.2↔		BOP, KVT, UOP4	5t80c.5↔		BOP, KVT, UOP4	5t80c.8↔		BOP, KVT, UOP4
	01	B03A, B03B, B06A, B06B, B07Z, B17A, B17B, B17C		01	B03A, B03B, B06A, B06B, B07Z, B17A, B17B, B17C		01	B03A, B03B, B06A, B06B, B07Z, B17A, B17B, B17C
	03	D12A, D12B		03	D12A, D12B		03	D12A, D12B
	04	E02A, E02B, E02C		04	E02A, E02B, E02C		04	E02A, E02B, E02C
	05	F21A, F21B, F21C		05	F21A, F21B, F21C		05	F21A, F21B, F21C, F27A, F27B, F27C
	06	G10Z, G12A, G12B, G12C		06	G10Z, G12A, G12B, G12C		06	G10Z, G12A, G12B, G12C
	07	H06A, H06B, H06C		07	H06A, H06B, H06C		07	H06A, H06B, H06C
	08	I12A, I12B, I12C, I28A, I28B		08	I12A, I12B, I12C, I28A, I28B		08	I12A, I12B, I12C, I28A, I28B
	09	J03A, J03B, J04A, J04B, J08A, J08B, J08C, J16Z, J21Z, J22A, J22B		09	J03A, J03B, J04A, J04B, J08A, J08B, J08C, J16Z, J21Z, J22A, J22B		09	J03A, J03B, J04A, J04B, J08A, J08B, J08C, J16Z, J21Z, J22A, J22B
	10	K09A, K09B		10	K09A, K09B		10	K01Z
	11	L09A, L09B, L09C, L09D, L38Z		11	L09A, L09B, L09C, L09D, L38Z		11	L09A, L09B, L09C, L09D, L38Z
	13	N11A, N11B		13	N11A, N11B		13	N11A, N11B
	21A	W04A, W04B		21A	W04A, W04B		21A	W04A, W04B
21B	X06A, X06B, X06C	21B	X06A, X06B, X06C	21B	X06A, X06B, X06C			

VYK

ZZV	MDC	DRG	ZZV	MDC	DRG	ZZV	MDC	DRG
5t80c.9↔		BOP, KVT, UOP4	5t80d.1↔		BOP, KVT, UOP4	5t80d.4↔		BOP, KVT, UOP4
	01	B03A, B03B, B06A, B06B, B07Z, B17A, B17B, B17C		01	B03A, B03B, B06A, B06B, B07Z, B17A, B17B, B17C		01	B03A, B03B, B06A, B06B, B07Z, B17A, B17B, B17C
	03	D12A, D12B		03	D12A, D12B		03	D12A, D12B
	04	E02A, E02B, E02C		04	E02A, E02B, E02C		04	E02A, E02B, E02C
	05	F21A, F21B, F21C, F27A, F27B, F27C		05	F21A, F21B, F21C		05	F21A, F21B, F21C
	06	G10Z, G12A, G12B, G12C		06	G10Z, G12A, G12B, G12C		06	G10Z, G12A, G12B, G12C
	07	H06A, H06B, H06C		07	H06A, H06B, H06C		07	H06A, H06B, H06C
	08	I12A, I12B, I12C, I20D, I28A, I28B		08	I12A, I12B, I12C, I28A, I28B		08	I12A, I12B, I12C, I28A, I28B
	09	J03A, J03B, J04A, J04B, J08A, J08B, J08C, J16Z, J21Z, J22A, J22B		09	J03A, J03B, J04A, J04B, J08A, J08B, J08C, J16Z, J21Z, J22A, J22B		09	J03A, J03B, J04A, J04B, J08A, J08B, J08C, J16Z, J21Z, J22A, J22B
	10	K01Z		10	K09A, K09B		10	K09A, K09B
	11	L09A, L09B, L09C, L09D, L38Z		11	L09A, L09B, L09C, L09D, L38Z		11	L09A, L09B, L09C, L09D, L38Z
	13	N11A, N11B		13	N11A, N11B		13	N11A, N11B
	21A	W04A, W04B		21A	W04A, W04B		21A	W04A, W04B
	21B	X06A, X06B, X06C		21B	X06A, X06B, X06C		21B	X06A, X06B, X06C
5t80c.x		BOP, KVT, UOP4	5t80d.2↔		BOP, KVT, UOP4	5t80d.5↔		BOP, KVT, UOP4
	01	B03A, B03B, B06A, B06B, B07Z, B17A, B17B, B17C		01	B03A, B03B, B06A, B06B, B07Z, B17A, B17B, B17C		01	B03A, B03B, B06A, B06B, B07Z, B17A, B17B, B17C
	03	D12A, D12B		03	D12A, D12B		03	D12A, D12B
	04	E02A, E02B, E02C		04	E02A, E02B, E02C		04	E02A, E02B, E02C
	05	F21A, F21B, F21C		05	F21A, F21B, F21C		05	F21A, F21B, F21C
	06	G10Z, G12A, G12B, G12C		06	G10Z, G12A, G12B, G12C		06	G10Z, G12A, G12B, G12C
	07	H06A, H06B, H06C		07	H06A, H06B, H06C		07	H06A, H06B, H06C
	08	I12A, I12B, I12C, I28A, I28B		08	I12A, I12B, I12C, I28A, I28B		08	I12A, I12B, I12C, I28A, I28B
	09	J03A, J03B, J04A, J04B, J08A, J08B, J08C, J16Z, J21Z, J22A, J22B		09	J03A, J03B, J04A, J04B, J08A, J08B, J08C, J16Z, J21Z, J22A, J22B		09	J03A, J03B, J04A, J04B, J08A, J08B, J08C, J16Z, J21Z, J22A, J22B
	10	K09A, K09B		10	K09A, K09B		10	K09A, K09B
	11	L09A, L09B, L09C, L09D, L38Z		11	L09A, L09B, L09C, L09D, L38Z		11	L09A, L09B, L09C, L09D, L38Z
	13	N11A, N11B		13	N11A, N11B		13	N11A, N11B
	21A	W04A, W04B		21A	W04A, W04B		21A	W04A, W04B
	21B	X06A, X06B, X06C		21B	X06A, X06B, X06C		21B	X06A, X06B, X06C
5t80d.0↔		BOP, KVT, UOP4	5t80d.3↔		BOP, KVT, UOP4	5t80d.6↔		BOP, KVT, UOP4
	01	B03A, B03B, B06A, B06B, B07Z, B17A, B17B, B17C		01	B03A, B03B, B06A, B06B, B07Z, B17A, B17B, B17C		01	B03A, B03B, B06A, B06B, B07Z, B17A, B17B, B17C
	03	D12A, D12B		03	D12A, D12B		03	D12A, D12B
	04	E02A, E02B, E02C		04	E02A, E02B, E02C		04	E02A, E02B, E02C
	05	F21A, F21B, F21C		05	F21A, F21B, F21C		05	F21A, F21B, F21C, F27A, F27B, F27C
	06	G10Z, G12A, G12B, G12C		06	G10Z, G12A, G12B, G12C		06	G10Z, G12A, G12B, G12C
	07	H06A, H06B, H06C		07	H06A, H06B, H06C		07	H06A, H06B, H06C
	08	I12A, I12B, I12C, I28A, I28B		08	I12A, I12B, I12C, I28A, I28B		08	I12A, I12B, I12C, I28A, I28B
	09	J03A, J03B, J04A, J04B, J08A, J08B, J08C, J16Z, J21Z, J22A, J22B		09	J03A, J03B, J04A, J04B, J08A, J08B, J08C, J16Z, J21Z, J22A, J22B		09	J03A, J03B, J04A, J04B, J08A, J08B, J08C, J16Z, J21Z, J22A, J22B
	10	K09A, K09B		10	K09A, K09B		10	K01Z
	11	L09A, L09B, L09C, L09D, L38Z		11	L09A, L09B, L09C, L09D, L38Z		11	L09A, L09B, L09C, L09D, L38Z
	13	N11A, N11B		13	N11A, N11B		13	N11A
	21A	W04A, W04B		21A	W04A, W04B		21A	W04A, W04B
	21B	X06A, X06B, X06C		21B	X06A, X06B, X06C		21B	X06A, X06B, X06C

ZZV	MDC	DRG	ZZV	MDC	DRG	ZZV	MDC	DRG		
5t80d.7↔		BOP, KVT, UOP4	5t80d.x		BOP, KVT, UOP4	5t80x.5		BOP, KVT, UOP4		
	01	B03A, B03B, B06A, B06B, B07Z, B17A, B17B, B17C		01	B03A, B03B, B06A, B06B, B07Z, B17A, B17B, B17C		01	B03A, B03B, B06A, B06B, B07Z, B17A, B17B, B17C		
	03	D12A, D12B		03	D12A, D12B		08	I27A, I27B, I27C, I27D		
	04	E02A, E02B, E02C		04	E02A, E02B, E02C		09	J03A, J03B, J04A, J04B, J08A, J08B, J08C, J11A, J11B, J16Z		
	05	F21A, F21B, F21C, F27A, F27B, F27C		05	F21A, F21B, F21C		21A	W04A, W04B		
	06	G10Z, G12A, G12B, G12C		06	G10Z, G12A, G12B, G12C		21B	X06A, X06B, X06C		
	07	H06A, H06B, H06C		07	H06A, H06B, H06C		5t80x.6↔		BOP, KVT, UOP4	
	08	I12A, I12B, I12C, I28A, I28B		08	I12A, I12B, I12C, I28A, I28B			01	B03A, B03B, B06A, B06B, B07Z, B17A, B17B, B17C	
	09	J03A, J03B, J04A, J04B, J08A, J08B, J08C, J16Z, J21Z, J22A, J22B		09	J03A, J03B, J04A, J04B, J08A, J08B, J08C, J16Z, J21Z, J22A, J22B		08	I27A, I27B, I27C, I27D		
	10	K01Z		10	K09A, K09B		09	J03A, J03B, J04A, J04B, J08A, J08B, J08C, J11A, J11B, J16Z		
	11	L09A, L09B, L09C, L09D, L38Z		11	L09A, L09B, L09C, L09D, L38Z		21A	W04A, W04B		
	13	N11A, N11B		13	N11A, N11B		21B	X04Z, X06A, X06B, X06C		
	21A	W04A, W04B		21A	W04A, W04B		5t80x.7↔		BOP, KVT, UOP4	
	21B	X06A, X06B, X06C		21B	X06A, X06B, X06C			01	B03A, B03B, B06A, B06B, B07Z, B17A, B17B, B17C	
5t80d.8↔		BOP, KVT, UOP4	5t80x.0↔		BOP, KVT, UOP4	5t80x.8↔		BOP, KVT, UOP4		
	01	B03A, B03B, B06A, B06B, B07Z, B17A, B17B, B17C		01	B03A, B03B, B06A, B06B, B07Z, B17A, B17B, B17C		01	B03A, B03B, B06A, B06B, B07Z, B17A, B17B, B17C		
	03	D12A, D12B		08	I27A, I27B, I27C, I27D		08	I27A, I27B, I27C, I27D		
	04	E02A, E02B, E02C		09	J03A, J03B, J04A, J04B, J08A, J08B, J08C, J11A, J11B, J16Z		09	J03A, J03B, J04A, J04B, J08A, J08B, J08C, J11A, J11B, J16Z		
	05	F21A, F21B, F21C, F27A, F27B, F27C		21A	W04A, W04B		21A	W04A, W04B		
	06	G10Z, G12A, G12B, G12C		21B	X06A, X06B, X06C		21B	X04Z, X06A, X06B, X06C		
	07	H06A, H06B, H06C		5t80x.1↔			BOP, KVT, UOP4	5t80x.9↔		BOP, KVT, UOP4
	08	I12A, I12B, I12C, I28A, I28B			01		B03A, B03B, B06A, B06B, B07Z, B17A, B17B, B17C		01	B03A, B03B, B06A, B06B, B07Z, B17A, B17B, B17C
	09	J03A, J03B, J04A, J04B, J08A, J08B, J08C, J16Z, J21Z, J22A, J22B		08	I27A, I27B, I27C, I27D		08	I27A, I27B, I27C, I27D		
	10	K01Z		09	J03A, J03B, J04A, J04B, J08A, J08B, J08C, J11A, J11B, J16Z		09	J03A, J03B, J04A, J04B, J08A, J08B, J08C, J11A, J11B, J16Z		
	11	L09A, L09B, L09C, L09D, L38Z		21A	W04A, W04B		21A	W04A, W04B		
	13	N11A, N11B		21B	X06A, X06B, X06C		21B	X04Z, X06A, X06B, X06C		
	21A	W04A, W04B		5t80x.2↔			BOP, KVT, UOP4	5t80x.x		BOP, KVT, UOP4
	21B	X06A, X06B, X06C			01		B03A, B03B, B06A, B06B, B07Z, B17A, B17B, B17C		01	B03A, B03B, B06A, B06B, B07Z, B17A, B17B, B17C
5t80d.9↔		BOP, KVT, UOP4	5t80x.3↔		BOP, KVT, UOP4	5t810.0↔		BOP, KVT, UOP4		
	01	B03A, B03B, B06A, B06B, B07Z, B17A, B17B, B17C		08	I27A, I27B, I27C, I27D		01	B03A, B03B, B06A, B06B, B17A, B17B, B17C		
	03	D12A, D12B		09	J03A, J03B, J04A, J04B, J08A, J08B, J08C, J11A, J11B, J16Z		03	D18Z, D28Z, D29Z		
	04	E02A, E02B, E02C		21A	W04A, W04B		08	I27A, I27B, I27C, I27D		
	05	F21A, F21B, F21C, F27A, F27B, F27C		21B	X06A, X06B, X06C		09	J03A, J03B, J04A, J04B, J08A, J08B, J11A, J11B, J16Z		
	06	G10Z, G12A, G12B, G12C		5t80x.4↔			BOP, KVT, UOP4	21A	W04A, W04B	
	07	H06A, H06B, H06C			01		B03A, B03B, B06A, B06B, B07Z, B17A, B17B, B17C	21B	X06A, X06B, X06C	
	08	I12A, I12B, I12C, I28A, I28B		08	I27A, I27B, I27C, I27D		5t80x.6↔		BOP, KVT, UOP4	
	09	J03A, J03B, J04A, J04B, J08A, J08B, J08C, J16Z, J21Z, J22A, J22B		09	J03A, J03B, J04A, J04B, J08A, J08B, J08C, J11A, J11B, J16Z			01	B03A, B03B, B06A, B06B, B17A, B17B, B17C	
	10	K01Z		21A	W04A, W04B		08	I27A, I27B, I27C, I27D		
	11	L09A, L09B, L09C, L09D, L38Z		21B	X05A, X05B, X06A, X06B, X06C		09	J03A, J03B, J04A, J04B, J08A, J08B, J11A, J11B, J16Z		
	13	N11A, N11B		5t80x.5↔			BOP, KVT, UOP4	21A	W04A, W04B	
	21A	W04A, W04B			01		B03A, B03B, B06A, B06B, B07Z, B17A, B17B, B17C	21B	X06A, X06B, X06C	
	21B	X06A, X06B, X06C		08	I27A, I27B, I27C, I27D					



ZZV	MDC	DRG	ZZV	MDC	DRG	ZZV	MDC	DRG
5t810.1↔		BOP, KVT, UOP4	5t810.8↔		BOP, KVT, UOP4	5t811.4↔		BOP, KVT, UOP4
	01	B03A, B03B, B06A, B06B, B17A, B17B, B17C		01	B03A, B03B, B06A, B06B, B17A, B17B, B17C		01	B03A, B03B, B06A, B06B, B07Z, B17A, B17B, B17C
	08	I27A, I27B, I27C, I27D		08	I27A, I27B, I27C, I27D		05	F27A, F27B, F27C
	09	J03A, J03B, J04A, J04B, J08A, J08B, J11A, J11B, J16Z		09	J03A, J03B, J04A, J04B, J08A, J08B, J11A, J11B, J16Z		08	I12A, I12B, I12C, I27A, I27B, I27C, I27D
	21A	W04A, W04B		21A	W04A, W04B		09	J08A
	21B	X06A, X06B, X06C		21B	X04Z, X06A, X06B, X06C		10	K09A, K09B
		BOP, KVT, UOP4			BOP, KVT, UOP4		21A	W04A, W04B
5t810.2↔	01	B03A, B03B, B06A, B06B, B17A, B17B, B17C	5t810.9↔	01	B03A, B03B, B06A, B06B, B17A, B17B, B17C	5t811.5↔	01	B03A, B03B, B06A, B06B, B07Z, B17A, B17B, B17C
	08	I27A, I27B, I27C, I27D		08	I27A, I27B, I27C, I27D		05	F27A, F27B, F27C
	09	J03A, J03B, J04A, J04B, J08A, J08B, J11A, J11B, J16Z		09	J03A, J03B, J04A, J04B, J08A, J08B, J11A, J11B, J16Z		08	I12A, I12B, I12C, I27A, I27B, I27C, I27D
	21A	W04A, W04B		21A	W04A, W04B		09	J08A
	21B	X06A, X06B, X06C		21B	X04Z, X06A, X06B, X06C		10	K09A, K09B
		BOP, KVT, UOP4			BOP, KVT, UOP4		21A	W04A, W04B
							21B	X06A, X06B, X06C
5t810.3↔	01	B03A, B03B, B06A, B06B, B17A, B17B, B17C	5t810.x	01	B03A, B03B, B06A, B06B, B17A, B17B, B17C	5t811.6↔	01	B03A, B03B, B06A, B06B, B07Z, B17A, B17B, B17C
	08	I27A, I27B, I27C, I27D		08	I27A, I27B, I27C, I27D		05	F27A, F27B, F27C
	09	J03A, J03B, J04A, J04B, J08A, J08B, J11A, J11B, J16Z		09	J03A, J03B, J04A, J04B, J08A, J08B, J11A, J11B, J16Z		08	I12A, I12B, I12C, I27A, I27B, I27C, I27D
	21A	W04A, W04B		21A	W04A, W04B		09	J08A
	21B	X05A, X05B, X06A, X06B, X06C		21B	X06A, X06B, X06C		10	K09A, K09B
		BOP, KVT, UOP4			BOP, KVT, UOP4		21A	W04A, W04B
							21B	X04Z, X06A, X06B, X06C
5t810.4↔	01	B03A, B03B, B06A, B06B, B17A, B17B, B17C	5t811.0↔	01	B03A, B03B, B06A, B06B, B07Z, B17A, B17B, B17C	5t811.7↔	01	B03A, B03B, B06A, B06B, B07Z, B17A, B17B, B17C
	08	I27A, I27B, I27C, I27D		05	F27A, F27B, F27C		05	F27A, F27B, F27C
	09	J03A, J03B, J04A, J04B, J08A, J08B, J11A, J11B, J16Z		08	I12A, I12B, I12C, I27A, I27B, I27C, I27D		08	I12A, I12B, I12C, I27A, I27B, I27C, I27D
	21A	W04A, W04B		09	J08A		09	J08A
	21B	X06A, X06B, X06C		10	K09A, K09B		10	K09A, K09B
		BOP, KVT, UOP4		21A	W04A, W04B		21A	W04A, W04B
				21B	X06A, X06B, X06C		21B	X04Z, X06A, X06B, X06C
5t810.5↔	01	B03A, B03B, B06A, B06B, B17A, B17B, B17C	5t811.1↔	01	B03A, B03B, B06A, B06B, B07Z, B17A, B17B, B17C	5t811.8↔	01	B03A, B03B, B06A, B06B, B07Z, B17A, B17B, B17C
	08	I27A, I27B, I27C, I27D		05	F27A, F27B, F27C		05	F27A, F27B, F27C
	09	J03A, J03B, J04A, J04B, J08A, J08B, J11A, J11B, J16Z		08	I12A, I12B, I12C, I27A, I27B, I27C, I27D		08	I12A, I12B, I12C, I27A, I27B, I27C, I27D
	21A	W04A, W04B		09	J08A		09	J08A
	21B	X06A, X06B, X06C		10	K09A, K09B		10	K09A, K09B
		BOP, KVT, UOP4		21A	W04A, W04B		21A	W04A, W04B
				21B	X06A, X06B, X06C		21B	X04Z, X06A, X06B, X06C
5t810.6↔	01	B03A, B03B, B06A, B06B, B17A, B17B, B17C	5t811.2↔	01	B03A, B03B, B06A, B06B, B07Z, B17A, B17B, B17C	5t811.9↔	01	B03A, B03B, B06A, B06B, B07Z, B17A, B17B, B17C
	08	I27A, I27B, I27C, I27D		05	F27A, F27B, F27C		05	F27A, F27B, F27C
	09	J03A, J03B, J04A, J04B, J08A, J08B, J11A, J11B, J16Z		08	I12A, I12B, I12C, I27A, I27B, I27C, I27D		08	I12A, I12B, I12C, I27A, I27B, I27C, I27D
	21A	W04A, W04B		09	J08A		09	J08A
	21B	X04Z, X06A, X06B, X06C		10	K09A, K09B		10	K09A, K09B
		BOP, KVT, UOP4		21A	W04A, W04B		21A	W04A, W04B
				21B	X06A, X06B, X06C		21B	X04Z
5t810.7↔	01	B03A, B03B, B06A, B06B, B17A, B17B, B17C	5t811.3↔	01	B03A, B03B, B06A, B06B, B07Z, B17A, B17B, B17C	5t811.x	01	B03A, B03B, B06A, B06B, B07Z, B17A, B17B, B17C
	08	I27A, I27B, I27C, I27D		05	F27A, F27B, F27C		05	F27A, F27B, F27C
	09	J03A, J03B, J04A, J04B, J08A, J08B, J11A, J11B, J16Z		08	I12A, I12B, I12C, I27A, I27B, I27C, I27D		08	I12A, I12B, I12C, I27A, I27B, I27C, I27D
	21A	W04A, W04B		09	J08A		09	J08A
	21B	X04Z, X06A, X06B, X06C		10	K09A, K09B		10	K09A, K09B
		BOP, KVT, UOP4		21A	W04A, W04B		21A	W04A, W04B
				21B	X06A, X06B, X06C		21B	X06A, X06B, X06C

VYK

ZZV	MDC	DRG	ZZV	MDC	DRG	ZZV	MDC	DRG
5t812.0↔		BOP, KVT, UOP4	5t812.6↔		BOP, KVT, UOP4	5t813.3↔		BOP, KVT, UOP4
	01	B03A, B03B, B06A, B06B, B07Z, B17A, B17B, B17C		01	B03A, B03B, B06A, B06B, B07Z, B17A, B17B, B17C		08	I27A, I27B, I27C, I27D
	05	F27A, F27B, F27C		05	F27A, F27B, F27C		09	J08A
	08	I12A, I12B, I12C, I27A, I27B, I27C, I27D		08	I12A, I12B, I12C, I27A, I27B, I27C, I27D		21A	W04A, W04B
	09	J08A		09	J08A		21B	X05A, X05B, X06A, X06B, X06C
	10	K09A, K09B		10	K09A, K09B			BOP, KVT, UOP4
	21A	W04A, W04B		21A	W04A, W04B		5t813.4↔	
	21B	X06A, X06B, X06C		21B	X04Z, X06A, X06B, X06C		08	I27A, I27B, I27C, I27D
							09	J08A
							21A	W04A, W04B
5t812.1↔		BOP, KVT, UOP4	5t812.7↔		BOP, KVT, UOP4	5t813.6↔		BOP, KVT, UOP4
	01	B03A, B03B, B06A, B06B, B07Z, B17A, B17B, B17C		01	B03A, B03B, B06A, B06B, B07Z, B17A, B17B, B17C		08	I27A, I27B, I27C, I27D
	05	F27A, F27B, F27C		05	F27A, F27B, F27C		09	J08A
	08	I12A, I12B, I12C, I27A, I27B, I27C, I27D		08	I12A, I12B, I12C, I27A, I27B, I27C, I27D		21A	W04A, W04B
	09	J08A		09	J08A		21B	X04Z, X06A, X06B, X06C
	10	K09A, K09B		10	K09A, K09B			BOP, KVT, UOP4
	21A	W04A, W04B		21A	W04A, W04B		5t813.7↔	
	21B	X06A, X06B, X06C		21B	X04Z, X06A, X06B, X06C		08	I27A, I27B, I27C, I27D
							09	J08A
							21A	W04A, W04B
5t812.2↔		BOP, KVT, UOP4	5t812.8↔		BOP, KVT, UOP4	5t813.8↔		BOP, KVT, UOP4
	01	B03A, B03B, B06A, B06B, B07Z, B17A, B17B, B17C		01	B03A, B03B, B06A, B06B, B07Z, B17A, B17B, B17C		08	I27A, I27B, I27C, I27D
	05	F27A, F27B, F27C		05	F27A, F27B, F27C		09	J08A
	08	I12A, I12B, I12C, I27A, I27B, I27C, I27D		08	I12A, I12B, I12C, I27A, I27B, I27C, I27D		21A	W04A, W04B
	09	J08A		09	J08A		21B	X04Z, X06A, X06B, X06C
	10	K09A, K09B		10	K09A, K09B			BOP, KVT, UOP4
	21A	W04A, W04B		21A	W04A, W04B		5t813.9↔	
	21B	X06A, X06B, X06C		21B	X04Z, X06A, X06B, X06C		08	I27A, I27B, I27C, I27D
							09	J08A
							21A	W04A, W04B
5t812.3↔		BOP, KVT, UOP4	5t812.9↔		BOP, KVT, UOP4	5t813.x		BOP, KVT, UOP4
	01	B03A, B03B, B06A, B06B, B07Z, B17A, B17B, B17C		01	B03A, B03B, B06A, B06B, B07Z, B17A, B17B, B17C		08	I27A, I27B, I27C, I27D
	05	F27A, F27B, F27C		05	F27A, F27B, F27C		09	J08A
	08	I12A, I12B, I12C, I27A, I27B, I27C, I27D		08	I12A, I12B, I12C, I27A, I27B, I27C, I27D		21A	W04A, W04B
	09	J08A		09	J08A		21B	X06A, X06B, X06C
	10	K09A, K09B		10	K09A, K09B			BOP, KVT, UOP4
	21A	W04A, W04B		21A	W04A, W04B		5t814.0↔	
	21B	X05A, X05B, X06A, X06B, X06C		21B	X04Z		08	I27A, I27B, I27C, I27D
							09	J08A
							21A	W04A, W04B
5t812.4↔		BOP, KVT, UOP4	5t812.x		BOP, KVT, UOP4	5t814.1↔		BOP, KVT, UOP4
	01	B03A, B03B, B06A, B06B, B07Z, B17A, B17B, B17C		01	B03A, B03B, B06A, B06B, B07Z, B17A, B17B, B17C		08	I27A, I27B, I27C, I27D
	05	F27A, F27B, F27C		05	F27A, F27B, F27C		09	J08A
	08	I12A, I12B, I12C, I27A, I27B, I27C, I27D		08	I12A, I12B, I12C, I27A, I27B, I27C, I27D		21A	W04A, W04B
	09	J08A		09	J08A		21B	X06A, X06B, X06C
	10	K09A, K09B		10	K09A, K09B			BOP, KVT, UOP4
	21A	W04A, W04B		21A	W04A, W04B		5t814.2↔	
	21B	X06A, X06B, X06C		21B	X06A, X06B, X06C		08	I27A, I27B, I27C, I27D
							09	J08A
							21A	W04A, W04B
5t812.5↔		BOP, KVT, UOP4	5t813.0↔		BOP, KVT, UOP4	5t814.3↔		BOP, KVT, UOP4
	01	B03A, B03B, B06A, B06B, B07Z, B17A, B17B, B17C		08	I27A, I27B, I27C, I27D		08	I27A, I27B, I27C, I27D
	05	F27A, F27B, F27C		09	J08A		09	J08A
	08	I12A, I12B, I12C, I27A, I27B, I27C, I27D		21A	W04A, W04B		21A	W04A, W04B
	09	J08A		21B	X06A, X06B, X06C		21B	X05A, X05B, X06A, X06B, X06C
	10	K09A, K09B			BOP, KVT, UOP4			BOP, KVT, UOP4
	21A	W04A, W04B		5t813.1↔			08	I27A, I27B, I27C, I27D
	21B	X06A, X06B, X06C		08	I27A, I27B, I27C, I27D		09	J08A
				09	J08A		21A	W04A, W04B
				21A	W04A, W04B		21B	X06A, X06B, X06C
		21B	X06A, X06B, X06C		BOP, KVT, UOP4			
5t812.6↔		BOP, KVT, UOP4	5t813.1↔		BOP, KVT, UOP4	5t814.4↔		BOP, KVT, UOP4
	01	B03A, B03B, B06A, B06B, B07Z, B17A, B17B, B17C		08	I27A, I27B, I27C, I27D		08	I27A, I27B, I27C, I27D
	05	F27A, F27B, F27C		09	J08A		09	J08A
	08	I12A, I12B, I12C, I27A, I27B, I27C, I27D		21A	W04A, W04B		21A	W04A, W04B
	09	J08A		21B	X06A, X06B, X06C		21B	X06A, X06B, X06C
	10	K09A, K09B			BOP, KVT, UOP4			BOP, KVT, UOP4
	21A	W04A, W04B		5t813.2↔			08	I27A, I27B, I27C, I27D
	21B	X06A, X06B, X06C		08	I27A, I27B, I27C, I27D		09	J08A
				09	J08A		21A	W04A, W04B
				21A	W04A, W04B		21B	X06A, X06B, X06C
		21B	X06A, X06B, X06C		BOP, KVT, UOP4			
5t812.7↔		BOP, KVT, UOP4	5t813.2↔		BOP, KVT, UOP4	5t814.6↔		BOP, KVT, UOP4
	01	B03A, B03B, B06A, B06B, B07Z, B17A, B17B, B17C		08	I27A, I27B, I27C, I27D		08	I27A, I27B, I27C, I27D
	05	F27A, F27B, F27C		09	J08A		09	J08A
	08	I12A, I12B, I12C, I27A, I27B, I27C, I27D		21A	W04A, W04B		21A	W04A, W04B
	09	J08A		21B	X06A, X06B, X06C		21B	X06A, X06B, X06C
	10	K09A, K09B			BOP, KVT, UOP4			BOP, KVT, UOP4
	21A	W04A, W04B		5t813.3↔			08	I27A, I27B, I27C, I27D
	21B	X06A, X06B, X06C		08	I27A, I27B, I27C, I27D		09	J08A
				09	J08A		21A	W04A, W04B
				21A	W04A, W04B		21B	X04Z, X06A, X06B, X06C

VYK



ZZV	MDC	DRG	ZZV	MDC	DRG	ZZV	MDC	DRG
5t816.8↔		BOP, KVT, UOP4	5t817.4↔		BOP, KVT, UOP4	5t818.0↔		BOP, KVT, UOP4
	01	B03A, B03B, B06A, B06B, B07Z, B17A, B17B, B17C		01	B03A, B03B, B06A, B06B, B07Z, B17A, B17B, B17C		01	B03A, B03B, B06A, B06B, B07Z, B17A, B17B, B17C
	08	I12A, I12B, I12C, I27A, I27B, I27C, I27D		08	I12A, I12B, I12C, I27A, I27B, I27C, I27D		08	I12A, I12B, I12C, I27A, I27B, I27C, I27D
	09	J03A, J03B, J04A, J04B, J08A, J08B, J11A, J11B, J16Z		09	J03A, J03B, J04A, J04B, J08A, J08B, J11A, J11B, J16Z		09	J03A, J03B, J04A, J04B, J08A, J08B, J11A, J11B, J16Z
	21A	W04A, W04B		21A	W04A, W04B		21A	W04A, W04B
5t816.9↔	21B	X04Z, X06A, X06B, X06C	5t817.5↔	21B	X06A, X06B, X06C	5t818.1↔	21B	X06A, X06B, X06C
		BOP, KVT, UOP4			BOP, KVT, UOP4			BOP, KVT, UOP4
	01	B03A, B03B, B06A, B06B, B07Z, B17A, B17B, B17C		01	B03A, B03B, B06A, B06B, B07Z, B17A, B17B, B17C		01	B03A, B03B, B06A, B06B, B07Z, B17A, B17B, B17C
	08	I12A, I12B, I12C, I27A, I27B, I27C, I27D		08	I12A, I12B, I12C, I27A, I27B, I27C, I27D		08	I12A, I12B, I12C, I27A, I27B, I27C, I27D
	09	J03A, J03B, J04A, J04B, J08A, J08B, J11A, J11B, J16Z		09	J03A, J03B, J04A, J04B, J08A, J08B, J11A, J11B, J16Z		09	J03A, J03B, J04A, J04B, J08A, J08B, J11A, J11B, J16Z
5t816.x	21A	W04A, W04B	5t817.6↔	21A	W04A, W04B	5t818.2↔	21A	W04A, W04B
	21B	X04Z		21B	X06A, X06B, X06C		21B	X06A, X06B, X06C
		BOP, KVT, UOP4			BOP, KVT, UOP4			BOP, KVT, UOP4
	01	B03A, B03B, B06A, B06B, B07Z, B17A, B17B, B17C		01	B03A, B03B, B06A, B06B, B07Z, B17A, B17B, B17C		01	B03A, B03B, B06A, B06B, B07Z, B17A, B17B, B17C
	08	I12A, I12B, I12C, I27A, I27B, I27C, I27D		08	I12A, I12B, I12C, I27A, I27B, I27C, I27D		08	I12A, I12B, I12C, I27A, I27B, I27C, I27D
5t817.0↔	09	J03A, J03B, J04A, J04B, J08A, J08B, J11A, J11B, J16Z	5t817.7↔	09	J03A, J03B, J04A, J04B, J08A, J08B, J11A, J11B, J16Z	5t818.3↔	09	J03A, J03B, J04A, J04B, J08A, J08B, J11A, J11B, J16Z
	21A	W04A, W04B		21A	W04A, W04B		21A	W04A, W04B
	21B	X06A, X06B, X06C		21B	X04Z, X06A, X06B, X06C		21B	X06A, X06B, X06C
		BOP, KVT, UOP4			BOP, KVT, UOP4			BOP, KVT, UOP4
	01	B03A, B03B, B06A, B06B, B07Z, B17A, B17B, B17C		01	B03A, B03B, B06A, B06B, B07Z, B17A, B17B, B17C		01	B03A, B03B, B06A, B06B, B07Z, B17A, B17B, B17C
5t817.1↔	08	I12A, I12B, I12C, I27A, I27B, I27C, I27D	5t817.8↔	08	I12A, I12B, I12C, I27A, I27B, I27C, I27D	5t818.4↔	08	I12A, I12B, I12C, I27A, I27B, I27C, I27D
	09	J03A, J03B, J04A, J04B, J08A, J08B, J11A, J11B, J16Z		09	J03A, J03B, J04A, J04B, J08A, J08B, J11A, J11B, J16Z		09	J03A, J03B, J04A, J04B, J08A, J08B, J11A, J11B, J16Z
	21A	W04A, W04B		21A	W04A, W04B		21A	W04A, W04B
	21B	X06A, X06B, X06C		21B	X04Z, X06A, X06B, X06C		21B	X05A, X05B, X06A, X06B, X06C
		BOP, KVT, UOP4			BOP, KVT, UOP4			BOP, KVT, UOP4
5t817.2↔	01	B03A, B03B, B06A, B06B, B07Z, B17A, B17B, B17C	5t817.9↔	01	B03A, B03B, B06A, B06B, B07Z, B17A, B17B, B17C	5t818.5↔	01	B03A, B03B, B06A, B06B, B07Z, B17A, B17B, B17C
	08	I12A, I12B, I12C, I27A, I27B, I27C, I27D		08	I12A, I12B, I12C, I27A, I27B, I27C, I27D		08	I12A, I12B, I12C, I27A, I27B, I27C, I27D
	09	J03A, J03B, J04A, J04B, J08A, J08B, J11A, J11B, J16Z		09	J03A, J03B, J04A, J04B, J08A, J08B, J11A, J11B, J16Z		09	J03A, J03B, J04A, J04B, J08A, J08B, J11A, J11B, J16Z
	21A	W04A, W04B		21A	W04A, W04B		21A	W04A, W04B
	21B	X06A, X06B, X06C		21B	X04Z		21B	X06A, X06B, X06C
5t817.3↔		BOP, KVT, UOP4	5t817.x		BOP, KVT, UOP4	5t818.6↔		BOP, KVT, UOP4
	01	B03A, B03B, B06A, B06B, B07Z, B17A, B17B, B17C		01	B03A, B03B, B06A, B06B, B07Z, B17A, B17B, B17C		01	B03A, B03B, B06A, B06B, B07Z, B17A, B17B, B17C
	08	I12A, I12B, I12C, I27A, I27B, I27C, I27D		08	I12A, I12B, I12C, I27A, I27B, I27C, I27D		08	I12A, I12B, I12C, I27A, I27B, I27C, I27D
	09	J03A, J03B, J04A, J04B, J08A, J08B, J11A, J11B, J16Z		09	J03A, J03B, J04A, J04B, J08A, J08B, J11A, J11B, J16Z		09	J03A, J03B, J04A, J04B, J08A, J08B, J11A, J11B, J16Z
	21A	W04A, W04B		21A	W04A, W04B		21A	W04A, W04B
21B	X04Z, X06A, X06B, X06C	21B	X06A, X06B, X06C	21B	X04Z, X06A, X06B, X06C			

VYK

ZZV	MDC	DRG	ZZV	MDC	DRG	ZZV	MDC	DRG
5t818.7↔		BOP, KVT, UOP4	5t819.3↔		BOP, KVT, UOP4	5t819.x		BOP, KVT, UOP4
	01	B03A, B03B, B06A, B06B, B07Z, B17A, B17B, B17C		01	B03A, B03B, B06A, B06B, B07Z, B17A, B17B, B17C		01	B03A, B03B, B06A, B06B, B07Z, B17A, B17B, B17C
	08	I12A, I12B, I12C, I27A, I27B, I27C, I27D		08	I12A, I12B, I12C, I27A, I27B, I27C, I27D		08	I12A, I12B, I12C, I27A, I27B, I27C, I27D
	09	J03A, J03B, J04A, J04B, J08A, J08B, J11A, J11B, J16Z		09	J03A, J03B, J04A, J04B, J08A, J08B, J11A, J11B, J16Z		09	J03A, J03B, J04A, J04B, J08A, J08B, J11A, J11B, J16Z
	21A	W04A, W04B		21A	W04A, W04B		21A	W04A, W04B
5t818.8↔	21B	X04Z, X06A, X06B, X06C	5t819.4↔	21B	X05A, X05B, X06A, X06B, X06C	5t81a.0↔	21B	X06A, X06B, X06C
		BOP, KVT, UOP4			BOP, KVT, UOP4			BOP, KVT, UOP4
	01	B03A, B03B, B06A, B06B, B07Z, B17A, B17B, B17C		01	B03A, B03B, B06A, B06B, B07Z, B17A, B17B, B17C		01	B03A, B03B, B06A, B06B, B07Z, B17A, B17B, B17C
	08	I12A, I12B, I12C, I27A, I27B, I27C, I27D		08	I12A, I12B, I12C, I27A, I27B, I27C, I27D		08	I12A, I12B, I12C, I27A, I27B, I27C, I27D
	09	J03A, J03B, J04A, J04B, J08A, J08B, J11A, J11B, J16Z		09	J03A, J03B, J04A, J04B, J08A, J08B, J11A, J11B, J16Z		09	J03A, J03B, J04A, J04B, J08A, J08B, J11A, J11B, J16Z
5t818.9↔	21A	W04A, W04B	5t819.5↔	21A	W04A, W04B	5t81a.1↔	21A	W04A, W04B
	21B	X04Z, X06A, X06B, X06C		21B	X06A, X06B, X06C		21B	X06A, X06B, X06C
		BOP, KVT, UOP4			BOP, KVT, UOP4			BOP, KVT, UOP4
	01	B03A, B03B, B06A, B06B, B07Z, B17A, B17B, B17C		01	B03A, B03B, B06A, B06B, B07Z, B17A, B17B, B17C		01	B03A, B03B, B06A, B06B, B07Z, B17A, B17B, B17C
	08	I12A, I12B, I12C, I27A, I27B, I27C, I27D		08	I12A, I12B, I12C, I27A, I27B, I27C, I27D		08	I12A, I12B, I12C, I27A, I27B, I27C, I27D
5t818.x	09	J03A, J03B, J04A, J04B, J08A, J08B, J11A, J11B, J16Z	5t819.6↔	09	J03A, J03B, J04A, J04B, J08A, J08B, J11A, J11B, J16Z	5t81a.2↔	09	J03A, J03B, J04A, J04B, J08A, J08B, J11A, J11B, J16Z
	21A	W04A, W04B		21A	W04A, W04B		21A	W04A, W04B
	21B	X04Z		21B	X06A, X06B, X06C		21B	X06A, X06B, X06C
		BOP, KVT, UOP4			BOP, KVT, UOP4			BOP, KVT, UOP4
	01	B03A, B03B, B06A, B06B, B07Z, B17A, B17B, B17C		01	B03A, B03B, B06A, B06B, B07Z, B17A, B17B, B17C		01	B03A, B03B, B06A, B06B, B07Z, B17A, B17B, B17C
5t819.0↔	08	I12A, I12B, I12C, I27A, I27B, I27C, I27D	5t819.7↔	08	I12A, I12B, I12C, I27A, I27B, I27C, I27D	5t81a.3↔	08	I12A, I12B, I12C, I27A, I27B, I27C, I27D
	09	J03A, J03B, J04A, J04B, J08A, J08B, J11A, J11B, J16Z		09	J03A, J03B, J04A, J04B, J08A, J08B, J11A, J11B, J16Z		09	J03A, J03B, J04A, J04B, J08A, J08B, J11A, J11B, J16Z
	21A	W04A, W04B		21A	W04A, W04B		21A	W04A, W04B
	21B	X06A, X06B, X06C		21B	X04Z, X06A, X06B, X06C		21B	X06A, X06B, X06C
		BOP, KVT, UOP4			BOP, KVT, UOP4			BOP, KVT, UOP4
5t819.1↔	01	B03A, B03B, B06A, B06B, B07Z, B17A, B17B, B17C	5t819.8↔	01	B03A, B03B, B06A, B06B, B07Z, B17A, B17B, B17C	5t81a.4↔	01	B03A, B03B, B06A, B06B, B07Z, B17A, B17B, B17C
	08	I12A, I12B, I12C, I27A, I27B, I27C, I27D		08	I12A, I12B, I12C, I27A, I27B, I27C, I27D		08	I12A, I12B, I12C, I27A, I27B, I27C, I27D
	09	J03A, J03B, J04A, J04B, J08A, J08B, J11A, J11B, J16Z		09	J03A, J03B, J04A, J04B, J08A, J08B, J11A, J11B, J16Z		09	J03A, J03B, J04A, J04B, J08A, J08B, J11A, J11B, J16Z
	21A	W04A, W04B		21A	W04A, W04B		21A	W04A, W04B
	21B	X06A, X06B, X06C		21B	X04Z, X06A, X06B, X06C		21B	X05A, X05B, X06A, X06B, X06C
5t819.2↔		BOP, KVT, UOP4	5t819.9↔		BOP, KVT, UOP4	5t81a.5↔		BOP, KVT, UOP4
	01	B03A, B03B, B06A, B06B, B07Z, B17A, B17B, B17C		01	B03A, B03B, B06A, B06B, B07Z, B17A, B17B, B17C		01	B03A, B03B, B06A, B06B, B07Z, B17A, B17B, B17C
	08	I12A, I12B, I12C, I27A, I27B, I27C, I27D		08	I12A, I12B, I12C, I27A, I27B, I27C, I27D		08	I12A, I12B, I12C, I27A, I27B, I27C, I27D
	09	J03A, J03B, J04A, J04B, J08A, J08B, J11A, J11B, J16Z		09	J03A, J03B, J04A, J04B, J08A, J08B, J11A, J11B, J16Z		09	J03A, J03B, J04A, J04B, J08A, J08B, J11A, J11B, J16Z
	21A	W04A, W04B		21A	W04A, W04B		21A	W04A, W04B
	X06A, X06B, X06C	21B	X04Z	21B	X06A, X06B, X06C			

ZZV	MDC	DRG	ZZV	MDC	DRG	ZZV	MDC	DRG
5t81a.6↔		BOP, KVT, UOP4	5t81b.2↔		BOP, KVT, UOP4	5t81b.9↔		BOP, KVT, UOP4
	01	B03A, B03B, B06A, B06B, B07Z, B17A, B17B, B17C		01	B03A, B03B, B06A, B06B, B07Z, B17A, B17B, B17C		01	B03A, B03B, B06A, B06B, B07Z, B17A, B17B, B17C
	08	I12A, I12B, I12C, I27A, I27B, I27C, I27D		08	I12A, I12B, I12C, I27A, I27B, I27C, I27D		08	I12A, I12B, I12C, I27A, I27B, I27C, I27D
	09	J03A, J03B, J04A, J04B, J08A, J08B, J11A, J11B, J16Z		09	J03A, J03B, J04A, J04B, J08A, J08B, J11A, J11B, J16Z		09	J03A, J03B, J04A, J04B, J08A, J08B, J11A, J11B, J16Z
	21A	W04A, W04B		21A	W04A, W04B		21A	W04A, W04B
5t81a.7↔	21B	X04Z, X06A, X06B, X06C	5t81b.3↔	21B	X06A, X06B, X06C	5t81b.x	21B	X04Z
		BOP, KVT, UOP4			BOP, KVT, UOP4			BOP, KVT, UOP4
	01	B03A, B03B, B06A, B06B, B07Z, B17A, B17B, B17C		01	B03A, B03B, B06A, B06B, B07Z, B17A, B17B, B17C		01	B03A, B03B, B06A, B06B, B07Z, B17A, B17B, B17C
	08	I12A, I12B, I12C, I27A, I27B, I27C, I27D		08	I12A, I12B, I12C, I27A, I27B, I27C, I27D		08	I12A, I12B, I12C, I27A, I27B, I27C, I27D
	09	J03A, J03B, J04A, J04B, J08A, J08B, J11A, J11B, J16Z		09	J03A, J03B, J04A, J04B, J08A, J08B, J11A, J11B, J16Z		09	J03A, J03B, J04A, J04B, J08A, J08B, J11A, J11B, J16Z
5t81a.8↔	21A	W04A, W04B	5t81b.4↔	21A	W04A, W04B	5t81c.0↔	21A	W04A, W04B
	21B	X04Z, X06A, X06B, X06C		21B	X05A, X05B, X06A, X06B, X06C		21B	X06A, X06B, X06C
		BOP, KVT, UOP4			BOP, KVT, UOP4			BOP, KVT, UOP4
	01	B03A, B03B, B06A, B06B, B07Z, B17A, B17B, B17C		01	B03A, B03B, B06A, B06B, B07Z, B17A, B17B, B17C		01	B03A, B03B, B06A, B06B, B07Z, B17A, B17B, B17C
	08	I12A, I12B, I12C, I27A, I27B, I27C, I27D		08	I12A, I12B, I12C, I27A, I27B, I27C, I27D		08	I12A, I12B, I12C, I27A, I27B, I27C, I27D
5t81a.9↔	09	J03A, J03B, J04A, J04B, J08A, J08B, J11A, J11B, J16Z	5t81b.5↔	09	J03A, J03B, J04A, J04B, J08A, J08B, J11A, J11B, J16Z	5t81c.1↔	09	J03A, J03B, J04A, J04B, J08A, J08B, J11A, J11B, J16Z
	21A	W04A, W04B		21A	W04A, W04B		21A	W04A, W04B
	21B	X06A, X06B, X06C		21B	X06A, X06B, X06C		21B	X06A, X06B, X06C
		BOP, KVT, UOP4			BOP, KVT, UOP4			BOP, KVT, UOP4
	01	B03A, B03B, B06A, B06B, B07Z, B17A, B17B, B17C		01	B03A, B03B, B06A, B06B, B07Z, B17A, B17B, B17C		01	B03A, B03B, B06A, B06B, B07Z, B17A, B17B, B17C
5t81a.x	08	I12A, I12B, I12C, I27A, I27B, I27C, I27D	5t81b.6↔	08	I12A, I12B, I12C, I27A, I27B, I27C, I27D	5t81c.2↔	08	I12A, I12B, I12C, I27A, I27B, I27C, I27D
	09	J03A, J03B, J04A, J04B, J08A, J08B, J11A, J11B, J16Z		09	J03A, J03B, J04A, J04B, J08A, J08B, J11A, J11B, J16Z		09	J03A, J03B, J04A, J04B, J08A, J08B, J11A, J11B, J16Z
	21A	W04A, W04B		21A	W04A, W04B		21A	W04A, W04B
	21B	X04Z		21B	X06A, X06B, X06C		21B	X06A, X06B, X06C
		BOP, KVT, UOP4			BOP, KVT, UOP4			BOP, KVT, UOP4
5t81b.0↔	01	B03A, B03B, B06A, B06B, B07Z, B17A, B17B, B17C	5t81b.7↔	01	B03A, B03B, B06A, B06B, B07Z, B17A, B17B, B17C	5t81c.3↔	01	B03A, B03B, B06A, B06B, B07Z, B17A, B17B, B17C
	08	I12A, I12B, I12C, I27A, I27B, I27C, I27D		08	I12A, I12B, I12C, I27A, I27B, I27C, I27D		08	I12A, I12B, I12C, I27A, I27B, I27C, I27D
	09	J03A, J03B, J04A, J04B, J08A, J08B, J11A, J11B, J16Z		09	J03A, J03B, J04A, J04B, J08A, J08B, J11A, J11B, J16Z		09	J03A, J03B, J04A, J04B, J08A, J08B, J11A, J11B, J16Z
	21A	W04A, W04B		21A	W04A, W04B		21A	W04A, W04B
	21B	X06A, X06B, X06C		21B	X04Z, X06A, X06B, X06C		21B	X05A, X05B, X06A, X06B, X06C
5t81b.1↔		BOP, KVT, UOP4	5t81b.8↔		BOP, KVT, UOP4	5t81c.4↔		BOP, KVT, UOP4
	01	B03A, B03B, B06A, B06B, B07Z, B17A, B17B, B17C		01	B03A, B03B, B06A, B06B, B07Z, B17A, B17B, B17C		01	B03A, B03B, B06A, B06B, B07Z, B17A, B17B, B17C
	08	I12A, I12B, I12C, I27A, I27B, I27C, I27D		08	I12A, I12B, I12C, I27A, I27B, I27C, I27D		08	I12A, I12B, I12C, I27A, I27B, I27C, I27D
	09	J03A, J03B, J04A, J04B, J08A, J08B, J11A, J11B, J16Z		09	J03A, J03B, J04A, J04B, J08A, J08B, J11A, J11B, J16Z		09	J03A, J03B, J04A, J04B, J08A, J08B, J11A, J11B, J16Z
	21A	W04A, W04B		21A	W04A, W04B		21A	W04A, W04B
21B	X06A, X06B, X06C	21B	X04Z, X06A, X06B, X06C	21B	X06A, X06B, X06C			







ZZV	MDC	DRG	ZZV	MDC	DRG	ZZV	MDC	DRG
5t822.4↔		BOP, KVT, UOP4	5t823.6↔		BOP, KVT, UOP4	5t824.3↔		BOP, KVT, UOP4
	08	I12A, I12B, I12C, I27A, I27B, I27C, I27D		08	I12A, I12B, I12C, I27A, I27B, I27C, I27D		01	B03A, B03B, B06A, B06B, B07Z, B17A, B17B, B17C
	10	K09A, K09B		10	K09A, K09B		08	I12A, I12B, I12C, I27A, I27B, I27C, I27D
	21A	W04A, W04B		21A	W04A, W04B		09	J03A, J03B, J04A, J04B, J08A, J08B, J08C, J11A, J11B, J16Z
	21B	X06A, X06B, X06C		21B	X04Z, X06A, X06B, X06C		21A	W04A, W04B
5t822.6↔		BOP, KVT, UOP4	5t823.7↔		BOP, KVT, UOP4		21B	X05A, X05B, X06A, X06B, X06C
	08	I12A, I12B, I12C, I27A, I27B, I27C, I27D		08	I12A, I12B, I12C, I27A, I27B, I27C, I27D	5t824.4↔		BOP, KVT, UOP4
	10	K09A, K09B		10	K09A, K09B		01	B03A, B03B, B06A, B06B, B07Z, B17A, B17B, B17C
	21A	W04A, W04B		21A	W04A, W04B		08	I12A, I12B, I12C, I27A, I27B, I27C, I27D
	21B	X04Z, X06A, X06B, X06C		21B	X04Z, X06A, X06B, X06C		09	J03A, J03B, J04A, J04B, J08A, J08B, J08C, J11A, J11B, J16Z
5t822.7↔		BOP, KVT, UOP4	5t823.8↔		BOP, KVT, UOP4		21A	W04A, W04B
	08	I12A, I12B, I12C, I27A, I27B, I27C, I27D		08	I12A, I12B, I12C, I27A, I27B, I27C, I27D		21B	X06A, X06B, X06C
	10	K09A, K09B		10	K09A, K09B	5t824.5↔		BOP, KVT, UOP4
	21A	W04A, W04B		21A	W04A, W04B		01	B03A, B03B, B06A, B06B, B07Z, B17A, B17B, B17C
	21B	X04Z, X06A, X06B, X06C		21B	X04Z, X06A, X06B, X06C		08	I12A, I12B, I12C, I27A, I27B, I27C, I27D
5t822.8↔		BOP, KVT, UOP4	5t823.9↔		BOP, KVT, UOP4		09	J03A, J03B, J04A, J04B, J08A, J08B, J08C, J11A, J11B, J16Z
	08	I12A, I12B, I12C, I27A, I27B, I27C, I27D		08	I12A, I12B, I12C, I27A, I27B, I27C, I27D		21A	W04A, W04B
	10	K09A, K09B		10	K09A, K09B		21B	X06A, X06B, X06C
	21A	W04A, W04B		21A	W04A, W04B	5t824.6↔		BOP, KVT, UOP4
	21B	X04Z, X06A, X06B, X06C		21B	X04Z, X06A, X06B, X06C		01	B03A, B03B, B06A, B06B, B07Z, B17A, B17B, B17C
5t822.9↔		BOP, KVT, UOP4	5t823.x		BOP, KVT, UOP4		08	I12A, I12B, I12C, I27A, I27B, I27C, I27D
	08	I12A, I12B, I12C, I27A, I27B, I27C, I27D		08	I12A, I12B, I12C, I27A, I27B, I27C, I27D		09	J03A, J03B, J04A, J04B, J08A, J08B, J08C, J11A, J11B, J16Z
	10	K09A, K09B		10	K09A, K09B		21A	W04A, W04B
	21A	W04A, W04B		21A	W04A, W04B		21B	X06A, X06B, X06C
	21B	X04Z, X06A, X06B, X06C		21B	X06A, X06B, X06C	5t824.7↔		BOP, KVT, UOP4
5t822.x		BOP, KVT, UOP4	5t824.0↔		BOP, KVT, UOP4		01	B03A, B03B, B06A, B06B, B07Z, B17A, B17B, B17C
	08	I12A, I12B, I12C, I27A, I27B, I27C, I27D		01	B03A, B03B, B06A, B06B, B07Z, B17A, B17B, B17C		08	I12A, I12B, I12C, I27A, I27B, I27C, I27D
	10	K09A, K09B		08	I12A, I12B, I12C, I27A, I27B, I27C, I27D		09	J03A, J03B, J04A, J04B, J08A, J08B, J08C, J11A, J11B, J16Z
	21A	W04A, W04B		09	J03A, J03B, J04A, J04B, J08A, J08B, J08C, J11A, J11B, J16Z		21A	W04A, W04B
	21B	X06A, X06B, X06C		21A	W04A, W04B		21B	X04Z, X06A, X06B, X06C
5t823.0↔		BOP, KVT, UOP4	5t824.1↔		BOP, KVT, UOP4		01	B03A, B03B, B06A, B06B, B07Z, B17A, B17B, B17C
	08	I12A, I12B, I12C, I27A, I27B, I27C, I27D		01	B03A, B03B, B06A, B06B, B07Z, B17A, B17B, B17C		08	I12A, I12B, I12C, I27A, I27B, I27C, I27D
	10	K09A, K09B		08	I12A, I12B, I12C, I27A, I27B, I27C, I27D		09	J03A, J03B, J04A, J04B, J08A, J08B, J08C, J11A, J11B, J16Z
	21A	W04A, W04B		09	J03A, J03B, J04A, J04B, J08A, J08B, J08C, J11A, J11B, J16Z		21A	W04A, W04B
	21B	X06A, X06B, X06C		21A	W04A, W04B		21B	X06A, X06B, X06C
5t823.1↔		BOP, KVT, UOP4	5t824.2↔		BOP, KVT, UOP4		01	B03A, B03B, B06A, B06B, B07Z, B17A, B17B, B17C
	08	I12A, I12B, I12C, I27A, I27B, I27C, I27D		01	B03A, B03B, B06A, B06B, B07Z, B17A, B17B, B17C		08	I12A, I12B, I12C, I27A, I27B, I27C, I27D
	10	K09A, K09B		08	I12A, I12B, I12C, I27A, I27B, I27C, I27D		09	J03A, J03B, J04A, J04B, J08A, J08B, J08C, J11A, J11B, J16Z
	21A	W04A, W04B		09	J03A, J03B, J04A, J04B, J08A, J08B, J08C, J11A, J11B, J16Z		21A	W04A, W04B
	21B	X06A, X06B, X06C		21A	W04A, W04B		21B	X04Z, X06A, X06B, X06C
5t823.2↔		BOP, KVT, UOP4		21B	X06A, X06B, X06C	5t824.8↔		BOP, KVT, UOP4
	08	I12A, I12B, I12C, I27A, I27B, I27C, I27D		01	B03A, B03B, B06A, B06B, B07Z, B17A, B17B, B17C		01	B03A, B03B, B06A, B06B, B07Z, B17A, B17B, B17C
	10	K09A, K09B		08	I12A, I12B, I12C, I27A, I27B, I27C, I27D		08	I12A, I12B, I12C, I27A, I27B, I27C, I27D
	21A	W04A, W04B		09	J03A, J03B, J04A, J04B, J08A, J08B, J08C, J11A, J11B, J16Z		09	J03A, J03B, J04A, J04B, J08A, J08B, J08C, J11A, J11B, J16Z
	21B	X06A, X06B, X06C		21A	W04A, W04B		21A	W04A, W04B
5t823.3↔		BOP, KVT, UOP4		21B	X06A, X06B, X06C		21B	X04Z, X06A, X06B, X06C
	08	I12A, I12B, I12C, I27A, I27B, I27C, I27D		01	B03A, B03B, B06A, B06B, B07Z, B17A, B17B, B17C	5t824.9↔		BOP, KVT, UOP4
	10	K09A, K09B		08	I12A, I12B, I12C, I27A, I27B, I27C, I27D		01	B03A, B03B, B06A, B06B, B07Z, B17A, B17B, B17C
	21A	W04A, W04B		09	J03A, J03B, J04A, J04B, J08A, J08B, J08C, J11A, J11B, J16Z		08	I12A, I12B, I12C, I27A, I27B, I27C, I27D
	21B	X05A, X05B, X06A, X06B, X06C		21A	W04A, W04B		09	J03A, J03B, J04A, J04B, J08A, J08B, J08C, J11A, J11B, J16Z
5t823.4↔		BOP, KVT, UOP4		21B	X06A, X06B, X06C		21A	W04A, W04B
	08	I12A, I12B, I12C, I27A, I27B, I27C, I27D		01	B03A, B03B, B06A, B06B, B07Z, B17A, B17B, B17C		21B	X04Z, X06A, X06B, X06C
	10	K09A, K09B		08	I12A, I12B, I12C, I27A, I27B, I27C, I27D		01	B03A, B03B, B06A, B06B, B07Z, B17A, B17B, B17C
	21A	W04A, W04B		09	J03A, J03B, J04A, J04B, J08A, J08B, J08C, J11A, J11B, J16Z		08	I12A, I12B, I12C, I27A, I27B, I27C, I27D
	21B	X06A, X06B, X06C		21A	W04A, W04B		09	J03A, J03B, J04A, J04B, J08A, J08B, J08C, J11A, J11B, J16Z

VYK

ZZV	MDC	DRG	ZZV	MDC	DRG	ZZV	MDC	DRG
5t824.x		BOP, KVT, UOP4	5t825.6↔		BOP, KVT, UOP4	5t826.2↔		BOP, KVT, UOP4
	01	B03A, B03B, B06A, B06B, B07Z, B17A, B17B, B17C		01	B03A, B03B, B06A, B06B, B07Z, B17A, B17B, B17C		01	B03A, B03B, B06A, B06B, B07Z, B17A, B17B, B17C
	08	I12A, I12B, I12C, I27A, I27B, I27C, I27D		08	I12A, I12B, I12C, I27A, I27B, I27C, I27D		08	I12A, I12B, I12C, I27A, I27B, I27C, I27D
	09	J03A, J03B, J04A, J04B, J08A, J08B, J08C, J11A, J11B, J16Z		09	J03A, J03B, J04A, J04B, J08A, J08B, J08C, J11A, J11B, J16Z		09	J03A, J03B, J04A, J04B, J08A, J08B, J08C, J11A, J11B, J16Z
	21A	W04A, W04B		21A	W04A, W04B		21A	W04A, W04B
5t825.0↔	21B	X06A, X06B, X06C	5t825.7↔	21B	X04Z, X06A, X06B, X06C	5t826.3↔	21B	X06A, X06B, X06C
		BOP, KVT, UOP4			BOP, KVT, UOP4			BOP, KVT, UOP4
	01	B03A, B03B, B06A, B06B, B07Z, B17A, B17B, B17C		01	B03A, B03B, B06A, B06B, B07Z, B17A, B17B, B17C		01	B03A, B03B, B06A, B06B, B07Z, B17A, B17B, B17C
	08	I12A, I12B, I12C, I27A, I27B, I27C, I27D		08	I12A, I12B, I12C, I27A, I27B, I27C, I27D		08	I12A, I12B, I12C, I27A, I27B, I27C, I27D
	09	J03A, J03B, J04A, J04B, J08A, J08B, J08C, J11A, J11B, J16Z		09	J03A, J03B, J04A, J04B, J08A, J08B, J08C, J11A, J11B, J16Z		09	J03A, J03B, J04A, J04B, J08A, J08B, J08C, J11A, J11B, J16Z
5t825.1↔	21A	W04A, W04B	5t825.8↔	21A	W04A, W04B	5t826.4↔	21A	W04A, W04B
	21B	X06A, X06B, X06C		21B	X04Z, X06A, X06B, X06C		21B	X05A, X05B, X06A, X06B, X06C
		BOP, KVT, UOP4			BOP, KVT, UOP4			BOP, KVT, UOP4
	01	B03A, B03B, B06A, B06B, B07Z, B17A, B17B, B17C		01	B03A, B03B, B06A, B06B, B07Z, B17A, B17B, B17C		01	B03A, B03B, B06A, B06B, B07Z, B17A, B17B, B17C
	08	I12A, I12B, I12C, I27A, I27B, I27C, I27D		08	I12A, I12B, I12C, I27A, I27B, I27C, I27D		08	I12A, I12B, I12C, I27A, I27B, I27C, I27D
5t825.2↔	09	J03A, J03B, J04A, J04B, J08A, J08B, J08C, J11A, J11B, J16Z	5t825.9↔	09	J03A, J03B, J04A, J04B, J08A, J08B, J08C, J11A, J11B, J16Z	5t826.5↔	09	J03A, J03B, J04A, J04B, J08A, J08B, J08C, J11A, J11B, J16Z
	21A	W04A, W04B		21A	W04A, W04B		21A	W04A, W04B
	21B	X06A, X06B, X06C		21B	X04Z, X06A, X06B, X06C		21B	X06A, X06B, X06C
		BOP, KVT, UOP4			BOP, KVT, UOP4			BOP, KVT, UOP4
	01	B03A, B03B, B06A, B06B, B07Z, B17A, B17B, B17C		01	B03A, B03B, B06A, B06B, B07Z, B17A, B17B, B17C		01	B03A, B03B, B06A, B06B, B07Z, B17A, B17B, B17C
5t825.3↔	08	I12A, I12B, I12C, I27A, I27B, I27C, I27D	5t825.x	08	I12A, I12B, I12C, I27A, I27B, I27C, I27D	5t826.6↔	08	I12A, I12B, I12C, I27A, I27B, I27C, I27D
	09	J03A, J03B, J04A, J04B, J08A, J08B, J08C, J11A, J11B, J16Z		09	J03A, J03B, J04A, J04B, J08A, J08B, J08C, J11A, J11B, J16Z		09	J03A, J03B, J04A, J04B, J08A, J08B, J08C, J11A, J11B, J16Z
	21A	W04A, W04B		21A	W04A, W04B		21A	W04A, W04B
	21B	X06A, X06B, X06C		21B	X04Z, X06A, X06B, X06C		21B	X06A, X06B, X06C
		BOP, KVT, UOP4			BOP, KVT, UOP4			BOP, KVT, UOP4
5t825.4↔	01	B03A, B03B, B06A, B06B, B07Z, B17A, B17B, B17C	5t826.0↔	01	B03A, B03B, B06A, B06B, B07Z, B17A, B17B, B17C	5t826.7↔	01	B03A, B03B, B06A, B06B, B07Z, B17A, B17B, B17C
	08	I12A, I12B, I12C, I27A, I27B, I27C, I27D		08	I12A, I12B, I12C, I27A, I27B, I27C, I27D		08	I12A, I12B, I12C, I27A, I27B, I27C, I27D
	09	J03A, J03B, J04A, J04B, J08A, J08B, J08C, J11A, J11B, J16Z		09	J03A, J03B, J04A, J04B, J08A, J08B, J08C, J11A, J11B, J16Z		09	J03A, J03B, J04A, J04B, J08A, J08B, J08C, J11A, J11B, J16Z
	21A	W04A, W04B		21A	W04A, W04B		21A	W04A, W04B
	21B	X06A, X06B, X06C		21B	X06A, X06B, X06C		21B	X04Z, X06A, X06B, X06C
5t825.5↔		BOP, KVT, UOP4	5t826.1↔		BOP, KVT, UOP4	5t826.8↔		BOP, KVT, UOP4
	01	B03A, B03B, B06A, B06B, B07Z, B17A, B17B, B17C		01	B03A, B03B, B06A, B06B, B07Z, B17A, B17B, B17C		01	B03A, B03B, B06A, B06B, B07Z, B17A, B17B, B17C
	08	I12A, I12B, I12C, I27A, I27B, I27C, I27D		08	I12A, I12B, I12C, I27A, I27B, I27C, I27D		08	I12A, I12B, I12C, I27A, I27B, I27C, I27D
	09	J03A, J03B, J04A, J04B, J08A, J08B, J08C, J11A, J11B, J16Z		09	J03A, J03B, J04A, J04B, J08A, J08B, J08C, J11A, J11B, J16Z		09	J03A, J03B, J04A, J04B, J08A, J08B, J08C, J11A, J11B, J16Z
	21A	W04A, W04B		21A	W04A, W04B		21A	W04A, W04B
	X06A, X06B, X06C	21B	X06A, X06B, X06C	21B	X04Z, X06A, X06B, X06C			

ZZV	MDC	DRG	ZZV	MDC	DRG	ZZV	MDC	DRG
5t826.9↔		BOP, KVT, UOP4	5t827.5↔		BOP, KVT, UOP4	5t828.1↔		BOP, KVT, UOP4
	01	B03A, B03B, B06A, B06B, B07Z, B17A, B17B, B17C		01	B03A, B03B, B06A, B06B, B07Z, B17A, B17B, B17C		01	B03A, B03B, B06A, B06B, B07Z, B17A, B17B, B17C
	08	I12A, I12B, I12C, I27A, I27B, I27C, I27D		08	I12A, I12B, I12C, I27A, I27B, I27C, I27D		08	I12A, I12B, I12C, I27A, I27B, I27C, I27D
	09	J03A, J03B, J04A, J04B, J08A, J08B, J08C, J11A, J11B, J16Z		09	J03A, J03B, J04A, J04B, J08A, J08B, J08C, J11A, J11B, J16Z		09	J03A, J03B, J04A, J04B, J08A, J08B, J08C, J11A, J11B, J16Z
	21A	W04A, W04B		21A	W04A, W04B		21A	W04A, W04B
5t826.x	21B	X04Z, X06A, X06B, X06C	5t827.6↔	21B	X06A, X06B, X06C	5t828.2↔	21B	X06A, X06B, X06C
		BOP, KVT, UOP4			BOP, KVT, UOP4			BOP, KVT, UOP4
	01	B03A, B03B, B06A, B06B, B07Z, B17A, B17B, B17C		01	B03A, B03B, B06A, B06B, B07Z, B17A, B17B, B17C		01	B03A, B03B, B06A, B06B, B07Z, B17A, B17B, B17C
	08	I12A, I12B, I12C, I27A, I27B, I27C, I27D		08	I12A, I12B, I12C, I27A, I27B, I27C, I27D		08	I12A, I12B, I12C, I27A, I27B, I27C, I27D
	09	J03A, J03B, J04A, J04B, J08A, J08B, J08C, J11A, J11B, J16Z		09	J03A, J03B, J04A, J04B, J08A, J08B, J08C, J11A, J11B, J16Z		09	J03A, J03B, J04A, J04B, J08A, J08B, J08C, J11A, J11B, J16Z
5t827.0↔	21A	W04A, W04B	5t827.7↔	21A	W04A, W04B	5t828.3↔	21A	W04A, W04B
	21B	X06A, X06B, X06C		21B	X04Z, X06A, X06B, X06C		21B	X06A, X06B, X06C
		BOP, KVT, UOP4			BOP, KVT, UOP4			BOP, KVT, UOP4
	01	B03A, B03B, B06A, B06B, B07Z, B17A, B17B, B17C		01	B03A, B03B, B06A, B06B, B07Z, B17A, B17B, B17C		01	B03A, B03B, B06A, B06B, B07Z, B17A, B17B, B17C
	08	I12A, I12B, I12C, I27A, I27B, I27C, I27D		08	I12A, I12B, I12C, I27A, I27B, I27C, I27D		08	I12A, I12B, I12C, I27A, I27B, I27C, I27D
5t827.1↔	09	J03A, J03B, J04A, J04B, J08A, J08B, J08C, J11A, J11B, J16Z	5t827.8↔	09	J03A, J03B, J04A, J04B, J08A, J08B, J08C, J11A, J11B, J16Z	5t828.4↔	09	J03A, J03B, J04A, J04B, J08A, J08B, J08C, J11A, J11B, J16Z
	21A	W04A, W04B		21A	W04A, W04B		21A	W04A, W04B
	21B	X06A, X06B, X06C		21B	X04Z, X06A, X06B, X06C		21B	X05A, X05B, X06A, X06B, X06C
		BOP, KVT, UOP4			BOP, KVT, UOP4			BOP, KVT, UOP4
	01	B03A, B03B, B06A, B06B, B07Z, B17A, B17B, B17C		01	B03A, B03B, B06A, B06B, B07Z, B17A, B17B, B17C		01	B03A, B03B, B06A, B06B, B07Z, B17A, B17B, B17C
5t827.2↔	08	I12A, I12B, I12C, I27A, I27B, I27C, I27D	5t827.9↔	08	I12A, I12B, I12C, I27A, I27B, I27C, I27D	5t828.5↔	08	I12A, I12B, I12C, I27A, I27B, I27C, I27D
	09	J03A, J03B, J04A, J04B, J08A, J08B, J08C, J11A, J11B, J16Z		09	J03A, J03B, J04A, J04B, J08A, J08B, J08C, J11A, J11B, J16Z		09	J03A, J03B, J04A, J04B, J08A, J08B, J08C, J11A, J11B, J16Z
	21A	W04A, W04B		21A	W04A, W04B		21A	W04A, W04B
	21B	X06A, X06B, X06C		21B	X04Z, X06A, X06B, X06C		21B	X06A, X06B, X06C
		BOP, KVT, UOP4			BOP, KVT, UOP4			BOP, KVT, UOP4
5t827.3↔	01	B03A, B03B, B06A, B06B, B07Z, B17A, B17B, B17C	5t827.x	01	B03A, B03B, B06A, B06B, B07Z, B17A, B17B, B17C	5t828.6↔	01	B03A, B03B, B06A, B06B, B07Z, B17A, B17B, B17C
	08	I12A, I12B, I12C, I27A, I27B, I27C, I27D		08	I12A, I12B, I12C, I27A, I27B, I27C, I27D		08	I12A, I12B, I12C, I27A, I27B, I27C, I27D
	09	J03A, J03B, J04A, J04B, J08A, J08B, J08C, J11A, J11B, J16Z		09	J03A, J03B, J04A, J04B, J08A, J08B, J08C, J11A, J11B, J16Z		09	J03A, J03B, J04A, J04B, J08A, J08B, J08C, J11A, J11B, J16Z
	21A	W04A, W04B		21A	W04A, W04B		21A	W04A, W04B
	21B	X05A, X05B, X06A, X06B, X06C		21B	X04Z, X06A, X06B, X06C		21B	X06A, X06B, X06C
5t827.4↔		BOP, KVT, UOP4	5t828.0↔		BOP, KVT, UOP4	5t828.7↔		BOP, KVT, UOP4
	01	B03A, B03B, B06A, B06B, B07Z, B17A, B17B, B17C		01	B03A, B03B, B06A, B06B, B07Z, B17A, B17B, B17C		01	B03A, B03B, B06A, B06B, B07Z, B17A, B17B, B17C
	08	I12A, I12B, I12C, I27A, I27B, I27C, I27D		08	I12A, I12B, I12C, I27A, I27B, I27C, I27D		08	I12A, I12B, I12C, I27A, I27B, I27C, I27D
	09	J03A, J03B, J04A, J04B, J08A, J08B, J08C, J11A, J11B, J16Z		09	J03A, J03B, J04A, J04B, J08A, J08B, J08C, J11A, J11B, J16Z		09	J03A, J03B, J04A, J04B, J08A, J08B, J08C, J11A, J11B, J16Z
	21A	W04A, W04B		21A	W04A, W04B		21A	W04A, W04B
	X06A, X06B, X06C	21B	X06A, X06B, X06C	21B	X04Z, X06A, X06B, X06C			

ZZV	MDC	DRG	ZZV	MDC	DRG	ZZV	MDC	DRG
5t828.8↔		BOP, KVT, UOP4	5t829.4↔		BOP, KVT, UOP4	5t82a.0↔	08	I12A, I12B, I12C, I27A, I27B, I27C, I27D
	01	B03A, B03B, B06A, B06B, B07Z, B17A, B17B, B17C		01	B03A, B03B, B06A, B06B, B07Z, B17A, B17B, B17C		21A	W04A, W04B
	08	I12A, I12B, I12C, I27A, I27B, I27C, I27D		08	I12A, I12B, I12C, I27A, I27B, I27C, I27D		21B	X06A, X06B, X06C
	09	J03A, J03B, J04A, J04B, J08A, J08B, J08C, J11A, J11B, J16Z		09	J03A, J03B, J04A, J04B, J08A, J08B, J08C, J11A, J11B, J16Z		5t82a.1↔	BOP, KVT, UOP4
	21A	W04A, W04B		21A	W04A, W04B		08	I12A, I12B, I12C, I27A, I27B, I27C, I27D
5t828.9↔		X04Z, X06A, X06B, X06C	5t829.5↔		X06A, X06B, X06C	5t82a.2↔	21A	W04A, W04B
	01	B03A, B03B, B06A, B06B, B07Z, B17A, B17B, B17C		01	B03A, B03B, B06A, B06B, B07Z, B17A, B17B, B17C		21B	X06A, X06B, X06C
	08	I12A, I12B, I12C, I27A, I27B, I27C, I27D		08	I12A, I12B, I12C, I27A, I27B, I27C, I27D		5t82a.3↔	BOP, KVT, UOP4
	09	J03A, J03B, J04A, J04B, J08A, J08B, J08C, J11A, J11B, J16Z		09	J03A, J03B, J04A, J04B, J08A, J08B, J08C, J11A, J11B, J16Z		08	I12A, I12B, I12C, I27A, I27B, I27C, I27D
	21A	W04A, W04B		21A	W04A, W04B		21A	W04A, W04B
5t828.x		X04Z, X06A, X06B, X06C	5t829.6↔		X06A, X06B, X06C	5t82a.4↔	21B	X05A, X05B, X06A, X06B, X06C
	01	B03A, B03B, B06A, B06B, B07Z, B17A, B17B, B17C		01	B03A, B03B, B06A, B06B, B07Z, B17A, B17B, B17C		5t82a.5↔	BOP, KVT, UOP4
	08	I12A, I12B, I12C, I27A, I27B, I27C, I27D		08	I12A, I12B, I12C, I27A, I27B, I27C, I27D		08	I12A, I12B, I12C, I27A, I27B, I27C, I27D
	09	J03A, J03B, J04A, J04B, J08A, J08B, J08C, J11A, J11B, J16Z		09	J03A, J03B, J04A, J04B, J08A, J08B, J08C, J11A, J11B, J16Z		21A	W04A, W04B
	21A	W04A, W04B		21A	W04A, W04B		21B	X06A, X06B, X06C
5t829.0↔		X06A, X06B, X06C	5t829.7↔		X04Z, X06A, X06B, X06C	5t82a.6↔	BOP, KVT, UOP4	
	01	B03A, B03B, B06A, B06B, B07Z, B17A, B17B, B17C		01	B03A, B03B, B06A, B06B, B07Z, B17A, B17B, B17C		08	I12A, I12B, I12C, I27A, I27B, I27C, I27D
	08	I12A, I12B, I12C, I27A, I27B, I27C, I27D		08	I12A, I12B, I12C, I27A, I27B, I27C, I27D		21A	W04A, W04B
	09	J03A, J03B, J04A, J04B, J08A, J08B, J08C, J11A, J11B, J16Z		09	J03A, J03B, J04A, J04B, J08A, J08B, J08C, J11A, J11B, J16Z		21B	X04Z, X06A, X06B, X06C
	21A	W04A, W04B		21A	W04A, W04B		5t82a.7↔	BOP, KVT, UOP4
5t829.1↔		X06A, X06B, X06C	5t829.8↔		X04Z, X06A, X06B, X06C	5t82a.8↔	08	I12A, I12B, I12C, I27A, I27B, I27C, I27D
	01	B03A, B03B, B06A, B06B, B07Z, B17A, B17B, B17C		01	B03A, B03B, B06A, B06B, B07Z, B17A, B17B, B17C		21A	W04A, W04B
	08	I12A, I12B, I12C, I27A, I27B, I27C, I27D		08	I12A, I12B, I12C, I27A, I27B, I27C, I27D		21B	X04Z, X06A, X06B, X06C
	09	J03A, J03B, J04A, J04B, J08A, J08B, J08C, J11A, J11B, J16Z		09	J03A, J03B, J04A, J04B, J08A, J08B, J08C, J11A, J11B, J16Z		5t82a.9↔	BOP, KVT, UOP4
	21A	W04A, W04B		21A	W04A, W04B		08	I12A, I12B, I12C, I27A, I27B, I27C, I27D
5t829.2↔		X06A, X06B, X06C	5t829.9↔		X04Z, X06A, X06B, X06C	5t82a.x	21A	W04A, W04B
	01	B03A, B03B, B06A, B06B, B07Z, B17A, B17B, B17C		01	B03A, B03B, B06A, B06B, B07Z, B17A, B17B, B17C		21B	X04Z
	08	I12A, I12B, I12C, I27A, I27B, I27C, I27D		08	I12A, I12B, I12C, I27A, I27B, I27C, I27D		08	I12A, I12B, I12C, I27A, I27B, I27C, I27D
	09	J03A, J03B, J04A, J04B, J08A, J08B, J08C, J11A, J11B, J16Z		09	J03A, J03B, J04A, J04B, J08A, J08B, J08C, J11A, J11B, J16Z		21A	W04A, W04B
	21A	W04A, W04B		21A	W04A, W04B		21B	X06A, X06B, X06C
5t829.3↔		X06A, X06B, X06C	5t829.x		X04Z, X06A, X06B, X06C	5t82b.0↔	BOP, KVT, UOP4	
	01	B03A, B03B, B06A, B06B, B07Z, B17A, B17B, B17C		01	B03A, B03B, B06A, B06B, B07Z, B17A, B17B, B17C		01	B03A, B03B, B06A, B06B, B07Z, B17A, B17B, B17C
	08	I12A, I12B, I12C, I27A, I27B, I27C, I27D		08	I12A, I12B, I12C, I27A, I27B, I27C, I27D		08	I12A, I12B, I12C, I27A, I27B, I27C, I27D
	09	J03A, J03B, J04A, J04B, J08A, J08B, J08C, J11A, J11B, J16Z		09	J03A, J03B, J04A, J04B, J08A, J08B, J08C, J11A, J11B, J16Z		09	J03A, J03B, J04A, J04B, J08A, J08B, J08C, J11A, J11B, J16Z
	21A	W04A, W04B		21A	W04A, W04B		10	K09A, K09B
						21A	W04A, W04B	
						21B	X06A, X06B, X06C	

VYK



ZZV	MDC	DRG	ZZV	MDC	DRG	ZZV	MDC	DRG	
5t82c.8↔		BOP, KVT, UOP4	5t82d.3↔		BOP, KVT, UOP4	5t82d.9↔		BOP, KVT, UOP4	
	01	B03A, B03B, B06A, B06B, B07Z, B17A, B17B, B17C		01	B03A, B03B, B06A, B06B, B07Z, B17A, B17B, B17C		01	B03A, B03B, B06A, B06B, B07Z, B17A, B17B, B17C	
	08	I12A, I12B, I12C, I27A, I27B, I27C, I27D		08	I12A, I12B, I12C, I27A, I27B, I27C, I27D		08	I12A, I12B, I12C, I27A, I27B, I27C, I27D	
	09	J03A, J03B, J04A, J04B, J08A, J08B, J08C, J11A, J11B, J16Z		09	J03A, J03B, J04A, J04B, J08A, J08B, J08C, J11A, J11B, J16Z		09	J03A, J03B, J04A, J04B, J08A, J08B, J08C, J11A, J11B, J16Z	
	10	K09A, K09B		10	K09A, K09B		10	K09A, K09B	
	21A	W04A, W04B		21A	W04A, W04B		21A	W04A, W04B	
5t82c.9↔	21B	X04Z, X06A, X06B, X06C	5t82d.4↔		BOP, KVT, UOP4	5t82d.x		BOP, KVT, UOP4	
	01	B03A, B03B, B06A, B06B, B07Z, B17A, B17B, B17C		01	B03A, B03B, B06A, B06B, B07Z, B17A, B17B, B17C		01	B03A, B03B, B06A, B06B, B07Z, B17A, B17B, B17C	
	08	I12A, I12B, I12C, I27A, I27B, I27C, I27D		08	I12A, I12B, I12C, I27A, I27B, I27C, I27D		08	I12A, I12B, I12C, I27A, I27B, I27C, I27D	
	09	J03A, J03B, J04A, J04B, J08A, J08B, J08C, J11A, J11B, J16Z		09	J03A, J03B, J04A, J04B, J08A, J08B, J08C, J11A, J11B, J16Z		09	J03A, J03B, J04A, J04B, J08A, J08B, J08C, J11A, J11B, J16Z	
	10	K09A, K09B		10	K09A, K09B		10	K09A, K09B	
	21A	W04A, W04B		10	K09A, K09B		21A	W04A, W04B	
5t82c.x	21B	X04Z, X06A, X06B, X06C	5t82d.5↔		BOP, KVT, UOP4	5t82e.0↔		BOP, KVT, UOP4	
	01	B03A, B03B, B06A, B06B, B07Z, B17A, B17B, B17C		01	B03A, B03B, B06A, B06B, B07Z, B17A, B17B, B17C		01	B03A, B03B, B06A, B06B, B07Z, B17A, B17B, B17C	
	08	I12A, I12B, I12C, I27A, I27B, I27C, I27D		08	I12A, I12B, I12C, I27A, I27B, I27C, I27D		08	I12A, I12B, I12C, I27A, I27B, I27C, I27D	
	09	J03A, J03B, J04A, J04B, J08A, J08B, J08C, J11A, J11B, J16Z		09	J03A, J03B, J04A, J04B, J08A, J08B, J08C, J11A, J11B, J16Z		21A	W04A, W04B	
	10	K09A, K09B		10	K09A, K09B		21B	X04Z, X05A, X05B, X06A, X06B, X06C	
	21A	W04A, W04B		21A	W04A, W04B		5t82e.1↔		BOP, KVT, UOP4
21B	X06A, X06B, X06C	21B	X06A, X06B, X06C	01	B03A, B03B, B06A, B06B, B07Z, B17A, B17B, B17C				
5t82d.0↔		BOP, KVT, UOP4	5t82d.6↔		BOP, KVT, UOP4	5t82e.2↔			BOP, KVT, UOP4
	01	B03A, B03B, B06A, B06B, B07Z, B17A, B17B, B17C		01	B03A, B03B, B06A, B06B, B07Z, B17A, B17B, B17C			01	B03A, B03B, B06A, B06B, B07Z, B17A, B17B, B17C
	03	D12A		08	I12A, I12B, I12C, I27A, I27B, I27C, I27D			08	I12A, I12B, I12C, I27A, I27B, I27C, I27D
	08	I12A, I12B, I12C, I27A, I27B, I27C, I27D		09	J03A, J03B, J04A, J04B, J08A, J08B, J08C, J11A, J11B, J16Z			09	J03A, J03B, J04A, J04B, J08A, J08B, J08C, J11A, J11B, J16Z
	09	J03A, J03B, J04A, J04B, J08A, J08B, J08C, J11A, J11B, J16Z		10	K09A, K09B		10	K09A, K09B	
	10	K09A, K09B		21A	W04A, W04B		21A	W04A, W04B	
5t82d.1↔	21B	X06A, X06B, X06C	5t82d.7↔		BOP, KVT, UOP4	5t82e.3↔		BOP, KVT, UOP4	
	01	B03A, B03B, B06A, B06B, B07Z, B17A, B17B, B17C		01	B03A, B03B, B06A, B06B, B07Z, B17A, B17B, B17C		01	B03A, B03B, B06A, B06B, B07Z, B17A, B17B, B17C	
	08	I12A, I12B, I12C, I27A, I27B, I27C, I27D		08	I12A, I12B, I12C, I27A, I27B, I27C, I27D		08	I12A, I12B, I12C, I27A, I27B, I27C, I27D	
	09	J03A, J03B, J04A, J04B, J08A, J08B, J08C, J11A, J11B, J16Z		09	J03A, J03B, J04A, J04B, J08A, J08B, J08C, J11A, J11B, J16Z		21A	W04A, W04B	
	10	K09A, K09B		10	K09A, K09B		21B	X04Z, X05A, X05B, X06A, X06B, X06C	
	21A	W04A, W04B		21A	W04A, W04B		5t82e.4↔		BOP, KVT, UOP4
21B	X06A, X06B, X06C	21B	X04Z, X06A, X06B, X06C	01	B03A, B03B, B06A, B06B, B07Z, B17A, B17B, B17C				
5t82d.2↔		BOP, KVT, UOP4	5t82d.8↔		BOP, KVT, UOP4	5t82e.5↔			BOP, KVT, UOP4
	01	B03A, B03B, B06A, B06B, B07Z, B17A, B17B, B17C		01	B03A, B03B, B06A, B06B, B07Z, B17A, B17B, B17C			01	B03A, B03B, B06A, B06B, B07Z, B17A, B17B, B17C
	08	I12A, I12B, I12C, I27A, I27B, I27C, I27D		08	I12A, I12B, I12C, I27A, I27B, I27C, I27D			08	I12A, I12B, I12C, I27A, I27B, I27C, I27D
	09	J03A, J03B, J04A, J04B, J08A, J08B, J08C, J11A, J11B, J16Z		09	J03A, J03B, J04A, J04B, J08A, J08B, J08C, J11A, J11B, J16Z			21A	W04A, W04B
	10	K09A, K09B		10	K09A, K09B		21B	X04Z, X05A, X05B, X06A, X06B, X06C	
	21A	W04A, W04B		21A	W04A, W04B		5t82e.5↔		BOP, KVT, UOP4
21B	X06A, X06B, X06C	21B	X04Z, X06A, X06B, X06C	01	B03A, B03B, B06A, B06B, B07Z, B17A, B17B, B17C				



ZZV	MDC	DRG	ZZV	MDC	DRG	ZZV	MDC	DRG
5t82g.8↔		BOP, KVT, UOP4	5t82j.0↔		BOP, KVT, UOP4	5t82x.5		BOP, KVT, UOP4
	01	B03A, B03B, B06A, B06B, B07Z, B17A, B17B, B17C		08	I27A, I27B, I27C, I27D		08	I27A, I27B, I27C, I27D
	08	I12A, I12B, I12C, I27A, I27B, I27C, I27D		21A	W04A, W04B		21A	W04A, W04B
	21A	W04A, W04B	5t82j.1↔		BOP, KVT, UOP4	5t82x.6		BOP, KVT, UOP4
	21B	X04Z, X05A, X05B, X06A, X06B, X06C		08	I27A, I27B, I27C, I27D		08	I27A, I27B, I27C, I27D
5t82g.9↔		BOP, KVT, UOP4	5t82j.2↔		BOP, KVT, UOP4	5t82x.7↔		BOP, KVT, UOP4
	01	B03A, B03B, B06A, B06B, B07Z, B17A, B17B, B17C		08	I27A, I27B, I27C, I27D		08	I27A, I27B, I27C, I27D
	08	I12A, I12B, I12C, I27A, I27B, I27C, I27D		21A	W04A, W04B		21A	W04A, W04B
	21A	W04A, W04B	5t82j.3↔		BOP, KVT, UOP4	5t82x.8↔		BOP, KVT, UOP4
	21B	X04Z, X05A, X05B, X06A, X06B, X06C		08	I27A, I27B, I27C, I27D		08	I27A, I27B, I27C, I27D
5t82g.x		BOP, KVT, UOP4	5t82j.4↔		BOP, KVT, UOP4	5t82x.9↔		BOP, KVT, UOP4
	01	B03A, B03B, B06A, B06B, B07Z, B17A, B17B, B17C		08	I27A, I27B, I27C, I27D		08	I27A, I27B, I27C, I27D
	08	I12A, I12B, I12C, I27A, I27B, I27C, I27D		21A	W04A, W04B		21A	W04A, W04B
	21A	W04A, W04B	5t82j.5↔		BOP, KVT, UOP4	5t82x.x		BOP, KVT, UOP4
	21B	X04Z, X05A, X05B, X06A, X06B, X06C		08	I27A, I27B, I27C, I27D		08	I27A, I27B, I27C, I27D
5t82h.0↔		BOP, KVT, UOP4	5t82j.6↔		BOP, KVT, UOP4	5t830.0↔		BOP, KVT, UOP4
	08	I27A, I27B, I27C, I27D		08	I27A, I27B, I27C, I27D		01	B03A, B03B, B06A, B06B, B07Z, B17A, B17B, B17C
	21A	W04A, W04B		21A	W04A, W04B		08	I12A, I12B, I12C, I27A, I27B, I27C, I27D
	21B	X06A, X06B, X06C	5t82j.7↔		BOP, KVT, UOP4		21A	W04A, W04B
5t82h.1↔		BOP, KVT, UOP4		08	I27A, I27B, I27C, I27D	5t830.1↔		BOP, KVT, UOP4
	08	I27A, I27B, I27C, I27D	5t82j.8↔		BOP, KVT, UOP4		01	B03A, B03B, B06A, B06B, B07Z, B17A, B17B, B17C
	21A	W04A, W04B		08	I27A, I27B, I27C, I27D		08	I12A, I12B, I12C, I27A, I27B, I27C, I27D
	21B	X06A, X06B, X06C	5t82j.9↔		BOP, KVT, UOP4		21A	W04A, W04B
5t82h.2↔		BOP, KVT, UOP4		08	I27A, I27B, I27C, I27D	5t830.2↔		BOP, KVT, UOP4
	08	I27A, I27B, I27C, I27D	5t82j.x		BOP, KVT, UOP4		01	B03A, B03B, B06A, B06B, B07Z, B17A, B17B, B17C
	21A	W04A, W04B		08	I27A, I27B, I27C, I27D		08	I12A, I12B, I12C, I27A, I27B, I27C, I27D
	21B	X06A, X06B, X06C	5t82x.0↔		BOP, KVT, UOP4		21A	W04A, W04B
5t82h.3↔		BOP, KVT, UOP4		08	I27A, I27B, I27C, I27D	5t830.3↔		BOP, KVT, UOP4
	08	I27A, I27B, I27C, I27D	5t82x.1		BOP, KVT, UOP4		01	B03A, B03B, B06A, B06B, B07Z, B17A, B17B, B17C
	21A	W04A, W04B		08	I27A, I27B, I27C, I27D		08	I12A, I12B, I12C, I27A, I27B, I27C, I27D
	21B	X06A, X06B, X06C	5t82x.2↔		BOP, KVT, UOP4		21A	W04A, W04B
5t82h.4↔		BOP, KVT, UOP4		08	I27A, I27B, I27C, I27D	5t830.4↔		BOP, KVT, UOP4
	08	I27A, I27B, I27C, I27D	5t82x.3↔		BOP, KVT, UOP4		01	B03A, B03B, B06A, B06B, B07Z, B17A, B17B, B17C
	21A	W04A, W04B		08	I27A, I27B, I27C, I27D		08	I12A, I12B, I12C, I27A, I27B, I27C, I27D
	21B	X06A, X06B, X06C	5t82x.4		BOP, KVT, UOP4		21A	W04A, W04B
5t82h.5↔		BOP, KVT, UOP4		08	I27A, I27B, I27C, I27D	5t830.5↔		BOP, KVT, UOP4
	08	I27A, I27B, I27C, I27D		21A	W04A, W04B		01	B03A, B03B, B06A, B06B, B07Z, B17A, B17B, B17C
	21A	W04A, W04B		21B	X06A, X06B, X06C		08	I12A, I12B, I12C, I27A, I27B, I27C, I27D
	21B	X06A, X06B, X06C					21A	W04A, W04B
5t82h.6↔		BOP, KVT, UOP4					21B	X06A, X06B, X06C
	08	I27A, I27B, I27C, I27D						
	21A	W04A, W04B						
	21B	X04Z, X06A, X06B, X06C						
5t82h.7↔		BOP, KVT, UOP4						
	08	I27A, I27B, I27C, I27D						
	21A	W04A, W04B						
	21B	X04Z, X06A, X06B, X06C						
5t82h.8↔		BOP, KVT, UOP4						
	08	I27A, I27B, I27C, I27D						
	21A	W04A, W04B						
	21B	X04Z, X06A, X06B, X06C						
5t82h.9↔		BOP, KVT, UOP4						
	08	I27A, I27B, I27C, I27D						
	21A	W04A, W04B						
	21B	X04Z, X06A, X06B, X06C						
5t82h.x		BOP, KVT, UOP4						
	08	I27A, I27B, I27C, I27D						
	21A	W04A, W04B						
	21B	X06A, X06B, X06C						



ZZV	MDC	DRG	ZZV	MDC	DRG	ZZV	MDC	DRG
5t830.6↔		BOP, KVT, UOP4	5t831.3↔		BOP, KVT, UOP4	5t831.x		BOP, KVT, UOP4
	01	B03A, B03B, B06A, B06B, B07Z, B17A, B17B, B17C		08	I12A, I12B, I12C, I27A, I27B, I27C, I27D		08	I12A, I12B, I12C, I27A, I27B, I27C, I27D
	08	I12A, I12B, I12C, I27A, I27B, I27C, I27D		09	J03A, J03B, J04A, J04B, J08A, J08B, J08C, J11A, J11B, J16Z		09	J03A, J03B, J04A, J04B, J08A, J08B, J08C, J11A, J11B, J16Z
	21A	W04A, W04B		10	K09A, K09B		10	K09A, K09B
	21B	X04Z, X06A, X06B, X06C		21A	W04A, W04B		21A	W04A, W04B
5t830.7↔		BOP, KVT, UOP4	5t831.4↔		BOP, KVT, UOP4	5t832.0↔		BOP, KVT, UOP4
	01	B03A, B03B, B06A, B06B, B07Z, B17A, B17B, B17C		08	I12A, I12B, I12C, I27A, I27B, I27C, I27D		01	B03A, B03B, B06A, B06B, B07Z, B17A, B17B, B17C
	08	I12A, I12B, I12C, I27A, I27B, I27C, I27D		09	J03A, J03B, J04A, J04B, J08A, J08B, J08C, J11A, J11B, J16Z		08	I08A, I08B, I08C, I08D, I12A, I12B, I12C, I13A, I13B, I27A, I27B, I27C, I27D
	21A	W04A, W04B		10	K09A, K09B		21A	W04A, W04B
	21B	X04Z, X06A, X06B, X06C		21A	W04A, W04B		21B	X06A, X06B, X06C
5t830.8↔		BOP, KVT, UOP4	5t831.5↔		BOP, KVT, UOP4	5t832.1↔		BOP, KVT, UOP4
	01	B03A, B03B, B06A, B06B, B07Z, B17A, B17B, B17C		08	I12A, I12B, I12C, I27A, I27B, I27C, I27D		01	B03A, B03B, B06A, B06B, B07Z, B17A, B17B, B17C
	08	I12A, I12B, I12C, I27A, I27B, I27C, I27D		09	J03A, J03B, J04A, J04B, J08A, J08B, J08C, J11A, J11B, J16Z		08	I08A, I08B, I08C, I08D, I12A, I12B, I12C, I13A, I13B, I27A, I27B, I27C, I27D
	21A	W04A, W04B		10	K09A, K09B		21A	W04A, W04B
	21B	X04Z, X06A, X06B, X06C		21A	W04A, W04B		21B	X06A, X06B, X06C
5t830.9↔		BOP, KVT, UOP4	5t831.6↔		BOP, KVT, UOP4	5t832.2↔		BOP, KVT, UOP4
	01	B03A, B03B, B06A, B06B, B07Z, B17A, B17B, B17C		08	I12A, I12B, I12C, I27A, I27B, I27C, I27D		01	B03A, B03B, B06A, B06B, B07Z, B17A, B17B, B17C
	08	I12A, I12B, I12C, I27A, I27B, I27C, I27D		09	J03A, J03B, J04A, J04B, J08A, J08B, J08C, J11A, J11B, J16Z		08	I08A, I08B, I08C, I08D, I12A, I12B, I12C, I13A, I13B, I27A, I27B, I27C, I27D
	21A	W04A, W04B		10	K09A, K09B		21A	W04A, W04B
	21B	X04Z, X06A, X06B, X06C		21A	W04A, W04B		21B	X06A, X06B, X06C
5t830.x		BOP, KVT, UOP4	5t831.7↔		BOP, KVT, UOP4	5t832.3↔		BOP, KVT, UOP4
	01	B03A, B03B, B06A, B06B, B07Z, B17A, B17B, B17C		08	I12A, I12B, I12C, I27A, I27B, I27C, I27D		01	B03A, B03B, B06A, B06B, B07Z, B17A, B17B, B17C
	08	I12A, I12B, I12C, I27A, I27B, I27C, I27D		09	J03A, J03B, J04A, J04B, J08A, J08B, J08C, J11A, J11B, J16Z		08	I08A, I08B, I08C, I08D, I12A, I12B, I12C, I13A, I13B, I27A, I27B, I27C, I27D
	21A	W04A, W04B		10	K09A, K09B		21A	W04A, W04B
	21B	X06A, X06B, X06C		21A	W04A, W04B		21B	X06A, X06B, X06C
5t831.0↔		BOP, KVT, UOP4	5t831.8↔		BOP, KVT, UOP4	5t832.4↔		BOP, KVT, UOP4
	08	I12A, I12B, I12C, I27A, I27B, I27C, I27D		08	I12A, I12B, I12C, I27A, I27B, I27C, I27D		01	B03A, B03B, B06A, B06B, B07Z, B17A, B17B, B17C
	09	J03A, J03B, J04A, J04B, J08A, J08B, J08C, J11A, J11B, J16Z		09	J03A, J03B, J04A, J04B, J08A, J08B, J08C, J11A, J11B, J16Z		08	I08A, I08B, I08C, I08D, I12A, I12B, I12C, I13A, I13B, I27A, I27B, I27C, I27D
	10	K09A, K09B		10	K09A, K09B		21A	W04A, W04B
	21A	W04A, W04B		21A	W04A, W04B		21B	X06A, X06B, X06C
5t831.1↔		BOP, KVT, UOP4	5t831.9↔		BOP, KVT, UOP4	5t832.5↔		BOP, KVT, UOP4
	08	I12A, I12B, I12C, I27A, I27B, I27C, I27D		08	I12A, I12B, I12C, I27A, I27B, I27C, I27D		01	B03A, B03B, B06A, B06B, B07Z, B17A, B17B, B17C
	09	J03A, J03B, J04A, J04B, J08A, J08B, J08C, J11A, J11B, J16Z		09	J03A, J03B, J04A, J04B, J08A, J08B, J08C, J11A, J11B, J16Z		08	I08A, I08B, I08C, I08D, I12A, I12B, I12C, I13A, I13B, I27A, I27B, I27C, I27D
	10	K09A, K09B		10	K09A, K09B		21A	W04A, W04B
	21A	W04A, W04B		21A	W04A, W04B		21B	X06A, X06B, X06C
5t831.2↔		BOP, KVT, UOP4	5t831.9↔		BOP, KVT, UOP4	5t832.6↔		BOP, KVT, UOP4
	08	I12A, I12B, I12C, I27A, I27B, I27C, I27D		08	I12A, I12B, I12C, I27A, I27B, I27C, I27D		01	B03A, B03B, B06A, B06B, B07Z, B17A, B17B, B17C
	09	J03A, J03B, J04A, J04B, J08A, J08B, J08C, J11A, J11B, J16Z		09	J03A, J03B, J04A, J04B, J08A, J08B, J08C, J11A, J11B, J16Z		08	I08A, I08B, I08C, I08D, I12A, I12B, I12C, I13A, I13B, I27A, I27B, I27C, I27D
	10	K09A, K09B		10	K09A, K09B		21A	W04A, W04B
	21A	W04A, W04B		21A	W04A, W04B		21B	X06A, X06B, X06C

VYK









ZZV	MDC	DRG	ZZV	MDC	DRG	ZZV	MDC	DRG
5t83x.0↔		BOP, KVT, UOP4	5t83x.9↔		BOP, KVT, UOP4	5t840.7↔		BOP, KVT, UOP4
	01	B03A, B03B, B06A, B06B, B07Z, B17A, B17B, B17C		01	B03A, B03B, B06A, B06B, B07Z, B17A, B17B, B17C		01	B03A, B03B, B06A, B06B, B07Z, B17A, B17B, B17C
	08	I12A, I12B, I12C, I27A, I27B, I27C, I27D		08	I12A, I12B, I12C, I27A, I27B, I27C, I27D		08	I08A, I08B, I08C, I08D, I12A, I12B, I12C, I13A, I13B, I27A, I27B, I27C, I27D
	21A	W04A, W04B		21A	W04A, W04B		21A	W04A, W04B
5t83x.1↔	21B	X06A, X06B, X06C	5t83x.x	21B	X04Z, X06A, X06B, X06C	5t840.8↔	21A	W04A, W04B
		BOP, KVT, UOP4			BOP, KVT, UOP4		21B	X04Z, X06A, X06B, X06C
	01	B03A, B03B, B06A, B06B, B07Z, B17A, B17B, B17C		01	B03A, B03B, B06A, B06B, B07Z, B17A, B17B, B17C		01	BOP, KVT, UOP4
	08	I12A, I12B, I12C, I27A, I27B, I27C, I27D		08	I12A, I12B, I12C, I27A, I27B, I27C, I27D		08	B03A, B03B, B06A, B06B, B07Z, B17A, B17B, B17C
5t83x.2↔	21A	W04A, W04B	5t840.0↔	21A	W04A, W04B	5t840.a↔	08	I08A, I08B, I08C, I08D, I12A, I12B, I12C, I13A, I13B, I27A, I27B, I27C, I27D
	21B	X06A, X06B, X06C		21B	X06A, X06B, X06C		21A	W04A, W04B
		BOP, KVT, UOP4			BOP, KVT, UOP4		21B	X04Z, X06A, X06B, X06C
	01	B03A, B03B, B06A, B06B, B07Z, B17A, B17B, B17C		01	B03A, B03B, B06A, B06B, B07Z, B17A, B17B, B17C		01	BOP, KVT, UOP4
5t83x.3↔	08	I12A, I12B, I12C, I27A, I27B, I27C, I27D	5t840.1↔	08	I08A, I08B, I08C, I08D, I12A, I12B, I12C, I13A, I13B, I27A, I27B, I27C, I27D	5t840.b↔	08	I08A, I08B, I08C, I08D, I12A, I12B, I12C, I13A, I13B, I20D, I27A, I27B, I27C, I27D
	21A	W04A, W04B		21A	W04A, W04B		21A	W04A, W04B
	21B	X06A, X06B, X06C		21B	X06A, X06B, X06C		21B	X04Z, X06A, X06B, X06C
		BOP, KVT, UOP4			BOP, KVT, UOP4			BOP, KVT, UOP4
5t83x.4	01	B03A, B03B, B06A, B06B, B07Z, B17A, B17B, B17C	5t840.2↔	01	B03A, B03B, B06A, B06B, B07Z, B17A, B17B, B17C	5t840.x	01	B03A, B03B, B06A, B06B, B07Z, B17A, B17B, B17C
	08	I12A, I12B, I12C, I27A, I27B, I27C, I27D		08	I08A, I08B, I08C, I08D, I12A, I12B, I12C, I13A, I13B, I27A, I27B, I27C, I27D		08	I08A, I08B, I08C, I08D, I12A, I12B, I12C, I13A, I13B, I27A, I27B, I27C, I27D
	21A	W04A, W04B		21A	W04A, W04B		21A	W04A, W04B
	21B	X06A, X06B, X06C		21B	X06A, X06B, X06C		21B	X04Z, X06A, X06B, X06C
5t83x.5		BOP, KVT, UOP4	5t840.3↔		BOP, KVT, UOP4	5t841.0↔		BOP, KVT, UOP4
	01	B03A, B03B, B06A, B06B, B07Z, B17A, B17B, B17C		01	B03A, B03B, B06A, B06B, B07Z, B17A, B17B, B17C		01	BOP, KVT, UOP4
	08	I12A, I12B, I12C, I27A, I27B, I27C, I27D		08	I08A, I08B, I08C, I08D, I12A, I12B, I12C, I13A, I13B, I27A, I27B, I27C, I27D		08	B03A, B03B, B06A, B06B, B07Z, B17A, B17B, B17C
	21A	W04A, W04B		21A	W04A, W04B		08	I08A, I08B, I08C, I08D, I12A, I12B, I12C, I13A, I13B, I27A, I27B, I27C, I27D
5t83x.6↔	21B	X06A, X06B, X06C	5t840.4↔	21B	X06A, X06B, X06C	5t841.1↔	21A	W04A, W04B
		BOP, KVT, UOP4			BOP, KVT, UOP4		21B	X05A, X05B, X06A, X06B, X06C
	01	B03A, B03B, B06A, B06B, B07Z, B17A, B17B, B17C		01	B03A, B03B, B06A, B06B, B07Z, B17A, B17B, B17C		01	BOP, KVT, UOP4
	08	I12A, I12B, I12C, I27A, I27B, I27C, I27D		08	I08A, I08B, I08C, I08D, I12A, I12B, I12C, I13A, I13B, I27A, I27B, I27C, I27D		08	B03A, B03B, B06A, B06B, B07Z, B17A, B17B, B17C
5t83x.7↔	21A	W04A, W04B	5t840.5↔	21A	W04A, W04B	5t841.1↔	08	I08A, I08B, I08C, I08D, I12A, I12B, I12C, I13A, I13B, I27A, I27B, I27C, I27D
	21B	X04Z, X06A, X06B, X06C		21B	X06A, X06B, X06C		09	J03A, J03B, J04A, J04B, J08A, J08B, J08C, J11A, J11B, J16Z
		BOP, KVT, UOP4			BOP, KVT, UOP4		21A	W04A, W04B
	01	B03A, B03B, B06A, B06B, B07Z, B17A, B17B, B17C		01	B03A, B03B, B06A, B06B, B07Z, B17A, B17B, B17C		21B	X06A, X06B, X06C
5t83x.8↔	08	I12A, I12B, I12C, I27A, I27B, I27C, I27D	5t840.6↔	08	I08A, I08B, I08C, I08D, I12A, I12B, I12C, I13A, I13B, I27A, I27B, I27C, I27D	5t841.1↔	01	BOP, KVT, UOP4
	21A	W04A, W04B		21A	W04A, W04B		01	B03A, B03B, B06A, B06B, B07Z, B17A, B17B, B17C
	21B	X04Z, X06A, X06B, X06C		21B	X06A, X06B, X06C		08	I08A, I08B, I08C, I08D, I12A, I12B, I12C, I13A, I13B, I27A, I27B, I27C, I27D
		BOP, KVT, UOP4			BOP, KVT, UOP4		09	J03A, J03B, J04A, J04B, J08A, J08B, J08C, J11A, J11B, J16Z
	BOP, KVT, UOP4		BOP, KVT, UOP4		BOP, KVT, UOP4	21A	W04A, W04B	
01	B03A, B03B, B06A, B06B, B07Z, B17A, B17B, B17C		B03A, B03B, B06A, B06B, B07Z, B17A, B17B, B17C		B03A, B03B, B06A, B06B, B07Z, B17A, B17B, B17C	21B	X06A, X06B, X06C	
08	I12A, I12B, I12C, I27A, I27B, I27C, I27D		I08A, I08B, I08C, I08D, I12A, I12B, I12C, I13A, I13B, I27A, I27B, I27C, I27D		I08A, I08B, I08C, I08D, I12A, I12B, I12C, I13A, I13B, I27A, I27B, I27C, I27D			
21A	W04A, W04B		W04A, W04B		W04A, W04B			
21B	X04Z, X06A, X06B, X06C		X06A, X06B, X06C		X06A, X06B, X06C			

VYK







ZZV	MDC	DRG	ZZV	MDC	DRG	ZZV	MDC	DRG
5t844.6↔		BOP, KVT, UOP4	5t845.0↔		BOP, KVT, UOP4	5t845.6↔		BOP, KVT, UOP4
	01	B03A, B03B, B06A, B06B, B07Z, B17A, B17B, B17C		01	B03A, B03B, B06A, B06B, B07Z, B17A, B17B, B17C		01	B03A, B03B, B06A, B06B, B07Z, B17A, B17B, B17C
	08	I08A, I08B, I08C, I08D, I12A, I12B, I12C, I13A, I13B, I27A, I27B, I27C, I27D		08	I08A, I08B, I08C, I08D, I12A, I12B, I12C, I13A, I13B, I27A, I27B, I27C, I27D		08	I08A, I08B, I08C, I08D, I12A, I12B, I12C, I13A, I13B, I27A, I27B, I27C, I27D
	09	J03A, J03B, J04A, J04B, J08A, J08B, J08C, J11A, J11B, J16Z		09	J03A, J03B, J04A, J04B, J08A, J08B, J08C, J11A, J11B, J16Z		09	J03A, J03B, J04A, J04B, J08A, J08B, J08C, J11A, J11B, J16Z
	21A	W04A, W04B		21A	W04A, W04B		21A	W04A, W04B
5t844.7↔	21B	X04Z, X06A, X06B, X06C	5t845.1↔	21B	X06A, X06B, X06C	5t845.7↔	21B	X04Z, X06A, X06B, X06C
		BOP, KVT, UOP4			BOP, KVT, UOP4			BOP, KVT, UOP4
	01	B03A, B03B, B06A, B06B, B07Z, B17A, B17B, B17C		01	B03A, B03B, B06A, B06B, B07Z, B17A, B17B, B17C		01	B03A, B03B, B06A, B06B, B07Z, B17A, B17B, B17C
	08	I08A, I08B, I08C, I08D, I12A, I12B, I12C, I13A, I13B, I27A, I27B, I27C, I27D		08	I08A, I08B, I08C, I08D, I12A, I12B, I12C, I13A, I13B, I27A, I27B, I27C, I27D		08	I08A, I08B, I08C, I08D, I12A, I12B, I12C, I13A, I13B, I27A, I27B, I27C, I27D
	09	J03A, J03B, J04A, J04B, J08A, J08B, J08C, J11A, J11B, J16Z		09	J03A, J03B, J04A, J04B, J08A, J08B, J08C, J11A, J11B, J16Z		09	J03A, J03B, J04A, J04B, J08A, J08B, J08C, J11A, J11B, J16Z
5t844.8↔	21A	W04A, W04B	5t845.2↔	21A	W04A, W04B	5t845.8↔	21A	W04A, W04B
	21B	X04Z, X06A, X06B, X06C		21B	X06A, X06B, X06C		21B	X04Z, X06A, X06B, X06C
		BOP, KVT, UOP4			BOP, KVT, UOP4			BOP, KVT, UOP4
	01	B03A, B03B, B06A, B06B, B07Z, B17A, B17B, B17C		01	B03A, B03B, B06A, B06B, B07Z, B17A, B17B, B17C		01	B03A, B03B, B06A, B06B, B07Z, B17A, B17B, B17C
	08	I08A, I08B, I08C, I08D, I12A, I12B, I12C, I13A, I13B, I27A, I27B, I27C, I27D		08	I08A, I08B, I08C, I08D, I12A, I12B, I12C, I13A, I13B, I27A, I27B, I27C, I27D		08	I08A, I08B, I08C, I08D, I12A, I12B, I12C, I13A, I13B, I27A, I27B, I27C, I27D
5t844.a↔	09	J03A, J03B, J04A, J04B, J08A, J08B, J08C, J11A, J11B, J16Z	5t845.3↔	09	J03A, J03B, J04A, J04B, J08A, J08B, J08C, J11A, J11B, J16Z	5t845.a↔	09	J03A, J03B, J04A, J04B, J08A, J08B, J08C, J11A, J11B, J16Z
	21A	W04A, W04B		21A	W04A, W04B		21A	W04A, W04B
	21B	X04Z, X06A, X06B, X06C		21B	X06A, X06B, X06C		21B	X04Z, X06A, X06B, X06C
		BOP, KVT, UOP4			BOP, KVT, UOP4			BOP, KVT, UOP4
	01	B03A, B03B, B06A, B06B, B07Z, B17A, B17B, B17C		01	B03A, B03B, B06A, B06B, B07Z, B17A, B17B, B17C		01	B03A, B03B, B06A, B06B, B07Z, B17A, B17B, B17C
5t844.b↔	08	I08A, I08B, I08C, I08D, I12A, I12B, I12C, I13A, I13B, I20D, I27A, I27B, I27C, I27D	5t845.4↔	08	I08A, I08B, I08C, I08D, I12A, I12B, I12C, I13A, I13B, I27A, I27B, I27C, I27D	5t845.b↔	08	I08A, I08B, I08C, I08D, I12A, I12B, I12C, I13A, I13B, I20D, I27A, I27B, I27C, I27D
	09	J03A, J03B, J04A, J04B, J08A, J08B, J08C, J11A, J11B, J16Z		09	J03A, J03B, J04A, J04B, J08A, J08B, J08C, J11A, J11B, J16Z		09	J03A, J03B, J04A, J04B, J08A, J08B, J08C, J11A, J11B, J16Z
	21A	W04A, W04B		21A	W04A, W04B		21A	W04A, W04B
	21B	X04Z, X06A, X06B, X06C		21B	X05A, X05B, X06A, X06B, X06C		21B	X04Z, X06A, X06B, X06C
		BOP, KVT, UOP4			BOP, KVT, UOP4			BOP, KVT, UOP4
5t844.x	01	B03A, B03B, B06A, B06B, B07Z, B17A, B17B, B17C	5t845.5↔	01	B03A, B03B, B06A, B06B, B07Z, B17A, B17B, B17C	5t845.x	01	B03A, B03B, B06A, B06B, B07Z, B17A, B17B, B17C
	08	I08A, I08B, I08C, I08D, I12A, I12B, I12C, I13A, I13B, I27A, I27B, I27C, I27D		08	I08A, I08B, I08C, I08D, I12A, I12B, I12C, I13A, I13B, I27A, I27B, I27C, I27D		08	I08A, I08B, I08C, I08D, I12A, I12B, I12C, I13A, I13B, I27A, I27B, I27C, I27D
	09	J03A, J03B, J04A, J04B, J08A, J08B, J08C, J11A, J11B, J16Z		09	J03A, J03B, J04A, J04B, J08A, J08B, J08C, J11A, J11B, J16Z		09	J03A, J03B, J04A, J04B, J08A, J08B, J08C, J11A, J11B, J16Z
	21A	W04A, W04B		21A	W04A, W04B		21A	W04A, W04B
	21B	X06A, X06B, X06C		21B	X06A, X06B, X06C		21B	X06A, X06B, X06C





ZZV	MDC	DRG	ZZV	MDC	DRG	ZZV	MDC	DRG
5t849.8↔		BOP, KVT, UOP4	5t84x.5↔		BOP, KVT, UOP4	5t850.3↔		BOP, KVT, UOP4
	01	B03A, B03B, B06A, B06B, B17A, B17B, B17C		01	B03A, B03B, B06A, B06B, B07Z, B17A, B17B, B17C		01	B03A, B03B, B06A, B06B, B07Z, B17A, B17B, B17C
	08	I12A, I12B, I12C, I27A, I27B, I27C, I27D		08	I12A, I12B, I12C, I27A, I27B, I27C, I27D		08	I12A, I12B, I12C, I27A, I27B, I27C, I27D
	21A	W04A, W04B		21A	W04A, W04B		21A	W04A, W04B
5t849.a↔	21B	X04Z, X06A, X06B, X06C	5t84x.6↔	21B	X06A, X06B, X06C	5t850.4↔	21B	X05A, X05B, X06A, X06B, X06C
		BOP, KVT, UOP4			BOP, KVT, UOP4			BOP, KVT, UOP4
	01	B03A, B03B, B06A, B06B, B17A, B17B, B17C		01	B03A, B03B, B06A, B06B, B07Z, B17A, B17B, B17C		01	B03A, B03B, B06A, B06B, B07Z, B17A, B17B, B17C
	08	I12A, I12B, I12C, I20D, I27A, I27B, I27C, I27D		08	I12A, I12B, I12C, I27A, I27B, I27C, I27D		08	I12A, I12B, I12C, I27A, I27B, I27C, I27D
5t849.b↔	21A	W04A, W04B	5t84x.7↔	21A	W04A, W04B	5t850.5↔	21A	W04A, W04B
	21B	X04Z, X06A, X06B, X06C		21B	X04Z, X06A, X06B, X06C		21B	X06A, X06B, X06C
		BOP, KVT, UOP4			BOP, KVT, UOP4			BOP, KVT, UOP4
	01	B03A, B03B, B06A, B06B, B17A, B17B, B17C		01	B03A, B03B, B06A, B06B, B07Z, B17A, B17B, B17C		01	B03A, B03B, B06A, B06B, B07Z, B17A, B17B, B17C
5t849.x	08	I12A, I12B, I12C, I20D, I27A, I27B, I27C, I27D	5t84x.8↔	08	I12A, I12B, I12C, I27A, I27B, I27C, I27D	5t850.6↔	08	I12A, I12B, I12C, I27A, I27B, I27C, I27D
	21A	W04A, W04B		21A	W04A, W04B		21A	W04A, W04B
	21B	X04Z, X06A, X06B, X06C		21B	X04Z, X06A, X06B, X06C		21B	X06A, X06B, X06C
		BOP, KVT, UOP4			BOP, KVT, UOP4			BOP, KVT, UOP4
5t84x.0↔	01	B03A, B03B, B06A, B06B, B07Z, B17A, B17B, B17C	5t84x.a↔	01	B03A, B03B, B06A, B06B, B07Z, B17A, B17B, B17C	5t850.7↔	01	B03A, B03B, B06A, B06B, B07Z, B17A, B17B, B17C
	08	I12A, I12B, I12C, I27A, I27B, I27C, I27D		08	I12A, I12B, I12C, I20D, I27A, I27B, I27C, I27D		08	I12A, I12B, I12C, I27A, I27B, I27C, I27D
	21A	W04A, W04B		21A	W04A, W04B		21A	W04A, W04B
	21B	X06A, X06B, X06C		21B	X04Z, X06A, X06B, X06C		21B	X05A, X05B, X06A, X06B, X06C
5t84x.1↔		BOP, KVT, UOP4	5t84x.b↔		BOP, KVT, UOP4	5t850.8↔		BOP, KVT, UOP4
	01	B03A, B03B, B06A, B06B, B07Z, B17A, B17B, B17C		01	B03A, B03B, B06A, B06B, B07Z, B17A, B17B, B17C		01	B03A, B03B, B06A, B06B, B07Z, B17A, B17B, B17C
	08	I12A, I12B, I12C, I27A, I27B, I27C, I27D		08	I12A, I12B, I12C, I20D, I27A, I27B, I27C, I27D		08	I12A, I12B, I12C, I27A, I27B, I27C, I27D
	21A	W04A, W04B		21A	W04A, W04B		21A	W04A, W04B
5t84x.2↔	21B	X06A, X06B, X06C	5t84x.x	21B	X04Z, X06A, X06B, X06C	5t850.9↔	21B	X04Z, X06A, X06B, X06C
		BOP, KVT, UOP4			BOP, KVT, UOP4			BOP, KVT, UOP4
	01	B03A, B03B, B06A, B06B, B07Z, B17A, B17B, B17C		01	B03A, B03B, B06A, B06B, B07Z, B17A, B17B, B17C		01	B03A, B03B, B06A, B06B, B07Z, B17A, B17B, B17C
	08	I12A, I12B, I12C, I27A, I27B, I27C, I27D		08	I12A, I12B, I12C, I27A, I27B, I27C, I27D		08	I12A, I12B, I12C, I20D, I27A, I27B, I27C, I27D
5t84x.3↔	21A	W04A, W04B	5t850.0↔	21A	W04A, W04B	5t850.x	21A	W04A, W04B
	21B	X06A, X06B, X06C		21B	X06A, X06B, X06C		21B	X04Z, X06A, X06B, X06C
		BOP, KVT, UOP4			BOP, KVT, UOP4			BOP, KVT, UOP4
	01	B03A, B03B, B06A, B06B, B07Z, B17A, B17B, B17C		01	B03A, B03B, B06A, B06B, B07Z, B17A, B17B, B17C		01	B03A, B03B, B06A, B06B, B07Z, B17A, B17B, B17C
5t84x.4↔	08	I12A, I12B, I12C, I27A, I27B, I27C, I27D	5t850.1↔	08	I12A, I12B, I12C, I27A, I27B, I27C, I27D	5t851.0↔	08	I12A, I12B, I12C, I27A, I27B, I27C, I27D
	21A	W04A, W04B		21A	W04A, W04B		21A	W04A, W04B
	21B	X05A, X05B, X06A, X06B, X06C		21B	X06A, X06B, X06C		21B	X06A, X06B, X06C
		BOP, KVT, UOP4			BOP, KVT, UOP4			BOP, KVT, UOP4
5t84x.4↔	01	B03A, B03B, B06A, B06B, B07Z, B17A, B17B, B17C	5t850.2↔	01	B03A, B03B, B06A, B06B, B07Z, B17A, B17B, B17C	5t851.1↔	01	B03A, B03B, B06A, B06B, B07Z, B17A, B17B, B17C
	08	I12A, I12B, I12C, I27A, I27B, I27C, I27D		08	I12A, I12B, I12C, I27A, I27B, I27C, I27D		08	I12A, I12B, I12C, I27A, I27B, I27C, I27D
	21A	W04A, W04B		21A	W04A, W04B		21A	W04A, W04B
	21B	X06A, X06B, X06C		21B	X06A, X06B, X06C		21B	X06A, X06B, X06C



ZZV	MDC	DRG	ZZV	MDC	DRG	ZZV	MDC	DRG
5t854.8↔		BOP, KVT, UOP4	5t856.1↔		BOP, KVT, UOP4	5t857.2↔		BOP, KVT, UOP4
	08	I12A, I12B, I12C, I27A, I27B, I27C, I27D		08	I27A, I27B, I27C, I27D		01	B03A, B03B, B06A, B06B, B07Z, B17A, B17B, B17C
	21A	W04A, W04B		21A	W04A, W04B		08	I12A, I12B, I12C, I27A, I27B, I27C, I27D
	21B	X04Z, X06A, X06B, X06C	5t856.2↔		BOP, KVT, UOP4		09	J03A, J03B, J04A, J04B, J08A, J08B, J08C, J11A, J11B, J16Z
5t854.9↔		BOP, KVT, UOP4		08	I27A, I27B, I27C, I27D		21A	W04A, W04B
	08	I12A, I12B, I12C, I27A, I27B, I27C, I27D		21A	W04A, W04B		21B	X06A, X06B, X06C
	21A	W04A, W04B	5t856.3↔		BOP, KVT, UOP4	5t857.3↔		BOP, KVT, UOP4
	21B	X04Z, X06A, X06B, X06C		08	I32A, I32B, I32C, I32D, I32E, I32F		01	B03A, B03B, B06A, B06B, B07Z, B17A, B17B, B17C
5t854.x		BOP, KVT, UOP4		09	J03A, J03B, J04A, J04B, J08A, J08B, J08C, J11A, J11B, J16Z		08	I12A, I12B, I12C, I27A, I27B, I27C, I27D
	08	I12A, I12B, I12C, I27A, I27B, I27C, I27D		21A	W04A, W04B		09	J03A, J03B, J04A, J04B, J08A, J08B, J08C, J11A, J11B, J16Z
	21A	W04A, W04B		21A	W04A, W04B		21A	W04A, W04B
	21B	X06A, X06B, X06C	5t856.4↔		BOP, KVT, UOP4		21B	X05A, X05B, X06A, X06B, X06C
5t855.0↔		BOP, KVT, UOP4		08	I27A, I27B, I27C, I27D		01	B03A, B03B, B06A, B06B, B07Z, B17A, B17B, B17C
	08	I27A, I27B, I27C, I27D		21A	W04A, W04B		08	I12A, I12B, I12C, I27A, I27B, I27C, I27D
	21A	W04A, W04B		21A	W04A, W04B		09	J03A, J03B, J04A, J04B, J08A, J08B, J08C, J11A, J11B, J16Z
	21B	X06A, X06B, X06C	5t856.5↔		BOP, KVT, UOP4	5t857.4↔		BOP, KVT, UOP4
5t855.1↔		BOP, KVT, UOP4		08	I27A, I27B, I27C, I27D		01	B03A, B03B, B06A, B06B, B07Z, B17A, B17B, B17C
	08	I27A, I27B, I27C, I27D		21A	W04A, W04B		08	I12A, I12B, I12C, I27A, I27B, I27C, I27D
	21A	W04A, W04B		21A	W04A, W04B		09	J03A, J03B, J04A, J04B, J08A, J08B, J08C, J11A, J11B, J16Z
	21B	X06A, X06B, X06C	5t856.6↔		BOP, KVT, UOP4		21A	W04A, W04B
5t855.2↔		BOP, KVT, UOP4		08	I27A, I27B, I27C, I27D		21B	X05A, X05B, X06A, X06B, X06C
	08	I27A, I27B, I27C, I27D		21A	W04A, W04B		01	B03A, B03B, B06A, B06B, B07Z, B17A, B17B, B17C
	21A	W04A, W04B		21B	X06A, X06B, X06C		08	I12A, I12B, I12C, I20D, I27A, I27B, I27C, I27D
	21B	X06A, X06B, X06C	5t856.7↔		BOP, KVT, UOP4	5t857.5↔		BOP, KVT, UOP4
5t855.3↔		BOP, KVT, UOP4		08	I27A, I27B, I27C, I27D		01	B03A, B03B, B06A, B06B, B07Z, B17A, B17B, B17C
	08	I32A, I32B, I32C, I32D, I32E, I32F		21A	W04A, W04B		08	I12A, I12B, I12C, I20D, I27A, I27B, I27C, I27D
	09	J03A, J03B, J04A, J04B, J08A, J08B, J08C, J11A, J11B, J16Z		21B	X04Z, X06A, X06B, X06C		09	J03A, J03B, J04A, J04B, J08A, J08B, J08C, J11A, J11B, J16Z
	21A	W04A, W04B	5t856.8↔		BOP, KVT, UOP4		21A	W04A, W04B
	21B	X05A, X05B		08	I27A, I27B, I27C, I27D		21B	X04Z, X06A, X06B, X06C
5t855.4↔		BOP, KVT, UOP4		21A	W04A, W04B		01	B03A, B03B, B06A, B06B, B07Z, B17A, B17B, B17C
	08	I27A, I27B, I27C, I27D		21B	X04Z		08	I12A, I12B, I12C, I20D, I27A, I27B, I27C, I27D
	21A	W04A, W04B	5t856.9↔		BOP, KVT, UOP4	5t857.6↔		BOP, KVT, UOP4
	21B	X06A, X06B, X06C		08	I20D, I27A, I27B, I27C, I27D		01	B03A, B03B, B06A, B06B, B07Z, B17A, B17B, B17C
5t855.5↔		BOP, KVT, UOP4		21A	W04A, W04B		08	I12A, I12B, I12C, I27A, I27B, I27C, I27D
	08	I27A, I27B, I27C, I27D		21B	X04Z		09	J03A, J03B, J04A, J04B, J08A, J08B, J08C, J11A, J11B, J16Z
	21A	W04A, W04B	5t856.x		BOP, KVT, UOP4		21A	W04A, W04B
	21B	X06A, X06B, X06C		08	I27A, I27B, I27C, I27D		21B	X06A, X06B, X06C
5t855.6↔		BOP, KVT, UOP4		21A	W04A, W04B		01	B03A, B03B, B06A, B06B, B07Z, B17A, B17B, B17C
	08	I27A, I27B, I27C, I27D		21B	X06A, X06B, X06C		08	I12A, I12B, I12C, I27A, I27B, I27C, I27D
	21A	W04A, W04B	5t857.0↔		BOP, KVT, UOP4		09	J03A, J03B, J04A, J04B, J08A, J08B, J08C, J11A, J11B, J16Z
	21B	X04Z, X06A, X06B, X06C		01	B03A, B03B, B06A, B06B, B07Z, B17A, B17B, B17C		21A	W04A, W04B
5t855.7↔		BOP, KVT, UOP4		08	I12A, I12B, I12C, I27A, I27B, I27C, I27D		21B	X04Z, X06A, X06B, X06C
	08	I27A, I27B, I27C, I27D		09	J03A, J03B, J04A, J04B, J08A, J08B, J08C, J11A, J11B, J16Z		01	B03A, B03B, B06A, B06B, B07Z, B17A, B17B, B17C
	21A	W04A, W04B		21A	W04A, W04B		08	I12A, I12B, I12C, I27A, I27B, I27C, I27D
	21B	X04Z, X06A, X06B, X06C	5t857.1↔		BOP, KVT, UOP4	5t857.7↔		BOP, KVT, UOP4
5t855.8↔		BOP, KVT, UOP4		01	B03A, B03B, B06A, B06B, B07Z, B17A, B17B, B17C		01	B03A, B03B, B06A, B06B, B07Z, B17A, B17B, B17C
	08	I27A, I27B, I27C, I27D		08	I12A, I12B, I12C, I27A, I27B, I27C, I27D		08	I12A, I12B, I12C, I27A, I27B, I27C, I27D
	21A	W04A, W04B		09	J03A, J03B, J04A, J04B, J08A, J08B, J08C, J11A, J11B, J16Z		09	J03A, J03B, J04A, J04B, J08A, J08B, J08C, J11A, J11B, J16Z
	21B	X04Z		21A	W04A, W04B		21A	W04A, W04B
5t855.9↔		BOP, KVT, UOP4		21B	X06A, X06B, X06C		21B	X04Z, X06A, X06B, X06C
	08	I20D, I27A, I27B, I27C, I27D		01	B03A, B03B, B06A, B06B, B07Z, B17A, B17B, B17C		01	B03A, B03B, B06A, B06B, B07Z, B17A, B17B, B17C
	21A	W04A, W04B		08	I12A, I12B, I12C, I27A, I27B, I27C, I27D		08	I12A, I12B, I12C, I27A, I27B, I27C, I27D
	21B	X04Z		09	J03A, J03B, J04A, J04B, J08A, J08B, J08C, J11A, J11B, J16Z		09	J03A, J03B, J04A, J04B, J08A, J08B, J08C, J11A, J11B, J16Z
5t855.x		BOP, KVT, UOP4		21A	W04A, W04B	5t857.8↔		BOP, KVT, UOP4
	08	I27A, I27B, I27C, I27D		21B	X06A, X06B, X06C		01	B03A, B03B, B06A, B06B, B07Z, B17A, B17B, B17C
	21A	W04A, W04B		01	B03A, B03B, B06A, B06B, B07Z, B17A, B17B, B17C		08	I12A, I12B, I12C, I27A, I27B, I27C, I27D
	21B	X06A, X06B, X06C		08	I12A, I12B, I12C, I27A, I27B, I27C, I27D		09	J03A, J03B, J04A, J04B, J08A, J08B, J08C, J11A, J11B, J16Z
5t856.0↔		BOP, KVT, UOP4		09	J03A, J03B, J04A, J04B, J08A, J08B, J08C, J11A, J11B, J16Z		21A	W04A, W04B
	08	I27A, I27B, I27C, I27D		21A	W04A, W04B		21B	X04Z, X06A, X06B, X06C
	21A	W04A, W04B		21B	X06A, X06B, X06C			
	21B	X06A, X06B, X06C						

ZZV	MDC	DRG	ZZV	MDC	DRG	ZZV	MDC	DRG
5t857.9↔		BOP, KVT, UOP4	5t858.5↔		BOP, KVT, UOP4	5t859.1↔		BOP, KVT, UOP4
	01	B03A, B03B, B06A, B06B, B07Z, B17A, B17B, B17C		01	B03A, B03B, B06A, B06B, B07Z, B17A, B17B, B17C		01	B03A, B03B, B06A, B06B, B07Z, B17A, B17B, B17C
	08	I12A, I12B, I12C, I20D, I27A, I27B, I27C, I27D		08	I12A, I12B, I12C, I20D, I27A, I27B, I27C, I27D		08	I12A, I12B, I12C, I27A, I27B, I27C, I27D
	09	J03A, J03B, J04A, J04B, J08A, J08B, J08C, J11A, J11B, J16Z		09	J03A, J03B, J04A, J04B, J08A, J08B, J08C, J11A, J11B, J16Z		09	J03A, J03B, J04A, J04B, J08A, J08B, J08C, J11A, J11B, J16Z
	21A	W04A, W04B		21A	W04A, W04B		21A	W04A, W04B
5t857.x	21B	X04Z, X06A, X06B, X06C	5t858.6↔	21B	X04Z, X06A, X06B, X06C	5t859.2↔	21B	X06A, X06B, X06C
		BOP, KVT, UOP4			BOP, KVT, UOP4			BOP, KVT, UOP4
	01	B03A, B03B, B06A, B06B, B07Z, B17A, B17B, B17C		01	B03A, B03B, B06A, B06B, B07Z, B17A, B17B, B17C		01	B03A, B03B, B06A, B06B, B07Z, B17A, B17B, B17C
	08	I12A, I12B, I12C, I27A, I27B, I27C, I27D		08	I12A, I12B, I12C, I27A, I27B, I27C, I27D		08	I12A, I12B, I12C, I27A, I27B, I27C, I27D
	09	J03A, J03B, J04A, J04B, J08A, J08B, J08C, J11A, J11B, J16Z		09	J03A, J03B, J04A, J04B, J08A, J08B, J08C, J11A, J11B, J16Z		09	J03A, J03B, J04A, J04B, J08A, J08B, J08C, J11A, J11B, J16Z
5t858.0↔	21A	W04A, W04B	5t858.7↔	21A	W04A, W04B	5t859.3↔	21A	W04A, W04B
	21B	X06A, X06B, X06C		21B	X04Z, X06A, X06B, X06C		21B	X06A, X06B, X06C
		BOP, KVT, UOP4			BOP, KVT, UOP4			BOP, KVT, UOP4
	01	B03A, B03B, B06A, B06B, B07Z, B17A, B17B, B17C		01	B03A, B03B, B06A, B06B, B07Z, B17A, B17B, B17C		01	B03A, B03B, B06A, B06B, B07Z, B17A, B17B, B17C
	08	I12A, I12B, I12C, I27A, I27B, I27C, I27D		08	I12A, I12B, I12C, I27A, I27B, I27C, I27D		08	I12A, I12B, I12C, I27A, I27B, I27C, I27D
5t858.1↔	09	J03A, J03B, J04A, J04B, J08A, J08B, J08C, J11A, J11B, J16Z	5t858.8↔	09	J03A, J03B, J04A, J04B, J08A, J08B, J08C, J11A, J11B, J16Z	5t859.4↔	09	J03A, J03B, J04A, J04B, J08A, J08B, J08C, J11A, J11B, J16Z
	21A	W04A, W04B		21A	W04A, W04B		21A	W04A, W04B
	21B	X06A, X06B, X06C		21B	X04Z, X06A, X06B, X06C		21B	X05A, X05B, X06A, X06B, X06C
		BOP, KVT, UOP4			BOP, KVT, UOP4			BOP, KVT, UOP4
	01	B03A, B03B, B06A, B06B, B07Z, B17A, B17B, B17C		01	B03A, B03B, B06A, B06B, B07Z, B17A, B17B, B17C		01	B03A, B03B, B06A, B06B, B07Z, B17A, B17B, B17C
5t858.2↔	08	I12A, I12B, I12C, I27A, I27B, I27C, I27D	5t858.9↔	08	I12A, I12B, I12C, I27A, I27B, I27C, I27D	5t859.5↔	08	I12A, I12B, I12C, I27A, I27B, I27C, I27D
	09	J03A, J03B, J04A, J04B, J08A, J08B, J08C, J11A, J11B, J16Z		09	J03A, J03B, J04A, J04B, J08A, J08B, J08C, J11A, J11B, J16Z		09	J03A, J03B, J04A, J04B, J08A, J08B, J08C, J11A, J11B, J16Z
	21A	W04A, W04B		21A	W04A, W04B		21A	W04A, W04B
	21B	X06A, X06B, X06C		21B	X04Z, X06A, X06B, X06C		21B	X06A, X06B, X06C
		BOP, KVT, UOP4			BOP, KVT, UOP4			BOP, KVT, UOP4
5t858.3↔	01	B03A, B03B, B06A, B06B, B07Z, B17A, B17B, B17C	5t858.x	01	B03A, B03B, B06A, B06B, B07Z, B17A, B17B, B17C	5t859.6↔	01	B03A, B03B, B06A, B06B, B07Z, B17A, B17B, B17C
	08	I12A, I12B, I12C, I27A, I27B, I27C, I27D		08	I12A, I12B, I12C, I27A, I27B, I27C, I27D		08	I12A, I12B, I12C, I27A, I27B, I27C, I27D
	09	J03A, J03B, J04A, J04B, J08A, J08B, J08C, J11A, J11B, J16Z		09	J03A, J03B, J04A, J04B, J08A, J08B, J08C, J11A, J11B, J16Z		09	J03A, J03B, J04A, J04B, J08A, J08B, J08C, J11A, J11B, J16Z
	21A	W04A, W04B		21A	W04A, W04B		21A	W04A, W04B
	21B	X05A, X05B, X06A, X06B, X06C		21B	X04Z, X06A, X06B, X06C		21B	X04Z, X06A, X06B, X06C
5t858.4↔		BOP, KVT, UOP4	5t859.0↔		BOP, KVT, UOP4	5t859.7↔		BOP, KVT, UOP4
	01	B03A, B03B, B06A, B06B, B07Z, B17A, B17B, B17C		01	B03A, B03B, B06A, B06B, B07Z, B17A, B17B, B17C		01	B03A, B03B, B06A, B06B, B07Z, B17A, B17B, B17C
	08	I12A, I12B, I12C, I27A, I27B, I27C, I27D		08	I12A, I12B, I12C, I27A, I27B, I27C, I27D		08	I12A, I12B, I12C, I27A, I27B, I27C, I27D
	09	J03A, J03B, J04A, J04B, J08A, J08B, J08C, J11A, J11B, J16Z		09	J03A, J03B, J04A, J04B, J08A, J08B, J08C, J11A, J11B, J16Z		09	J03A, J03B, J04A, J04B, J08A, J08B, J08C, J11A, J11B, J16Z
	21A	W04A, W04B		21A	W04A, W04B		21A	W04A, W04B
	X06A, X06B, X06C	21B	X06A, X06B, X06C	21B	X04Z, X06A, X06B, X06C			

ZZV	MDC	DRG	ZZV	MDC	DRG	ZZV	MDC	DRG
5t859.8↔		BOP, KVT, UOP4	5t85a.4↔		BOP, KVT, UOP4	5t85b.2↔		BOP, KVT, UOP4
	01	B03A, B03B, B06A, B06B, B07Z, B17A, B17B, B17C		01	B03A, B03B, B06A, B06B, B07Z, B17A, B17B, B17C		08	I12A, I12B, I12C, I27A, I27B, I27C, I27D
	08	I12A, I12B, I12C, I27A, I27B, I27C, I27D		08	I12A, I12B, I12C, I27A, I27B, I27C, I27D		21A	W04A, W04B
	09	J03A, J03B, J04A, J04B, J08A, J08B, J08C, J11A, J11B, J16Z		09	J03A, J03B, J04A, J04B, J08A, J08B, J08C, J11A, J11B, J16Z		21B	X06A, X06B, X06C
	21A	W04A, W04B		21A	W04A, W04B		5t85b.3↔	
5t859.9↔		X04Z, X06A, X06B, X06C	5t85a.6↔		X04Z, X06A, X06B, X06C	5t85b.4↔		X04Z, X06A, X06B, X06C
	01	B03A, B03B, B06A, B06B, B07Z, B17A, B17B, B17C		01	B03A, B03B, B06A, B06B, B07Z, B17A, B17B, B17C		08	I12A, I12B, I12C, I27A, I27B, I27C, I27D
	08	I12A, I12B, I12C, I20D, I27A, I27B, I27C, I27D		08	I12A, I12B, I12C, I27A, I27B, I27C, I27D		21A	W04A, W04B
	09	J03A, J03B, J04A, J04B, J08A, J08B, J08C, J11A, J11B, J16Z		09	J03A, J03B, J04A, J04B, J08A, J08B, J08C, J11A, J11B, J16Z		21B	X06A, X06B, X06C
	21A	W04A, W04B		21A	W04A, W04B		5t85b.5↔	
5t859.x		X04Z, X06A, X06B, X06C	5t85a.7↔		X04Z, X06A, X06B, X06C	5t85b.6↔		X04Z, X06A, X06B, X06C
	01	B03A, B03B, B06A, B06B, B07Z, B17A, B17B, B17C		01	B03A, B03B, B06A, B06B, B07Z, B17A, B17B, B17C		08	I12A, I12B, I12C, I27A, I27B, I27C, I27D
	08	I12A, I12B, I12C, I27A, I27B, I27C, I27D		08	I12A, I12B, I12C, I27A, I27B, I27C, I27D		21A	W04A, W04B
	09	J03A, J03B, J04A, J04B, J08A, J08B, J08C, J11A, J11B, J16Z		09	J03A, J03B, J04A, J04B, J08A, J08B, J08C, J11A, J11B, J16Z		21B	X06A, X06B, X06C
	21A	W04A, W04B		21A	W04A, W04B		5t85b.7↔	
5t85a.0↔		X06A, X06B, X06C	5t85a.8↔		X04Z, X06A, X06B, X06C	5t85b.8↔		X04Z, X06A, X06B, X06C
	01	B03A, B03B, B06A, B06B, B07Z, B17A, B17B, B17C		01	B03A, B03B, B06A, B06B, B07Z, B17A, B17B, B17C		08	I12A, I12B, I12C, I27A, I27B, I27C, I27D
	08	I12A, I12B, I12C, I27A, I27B, I27C, I27D		08	I12A, I12B, I12C, I27A, I27B, I27C, I27D		21A	W04A, W04B
	09	J03A, J03B, J04A, J04B, J08A, J08B, J08C, J11A, J11B, J16Z		09	J03A, J03B, J04A, J04B, J08A, J08B, J08C, J11A, J11B, J16Z		21B	X06A, X06B, X06C
	21A	W04A, W04B		21A	W04A, W04B		5t85b.9↔	
5t85a.1↔		X06A, X06B, X06C	5t85a.9↔		X04Z, X06A, X06B, X06C	5t85b.x		X04Z, X06A, X06B, X06C
	01	B03A, B03B, B06A, B06B, B07Z, B17A, B17B, B17C		01	B03A, B03B, B06A, B06B, B07Z, B17A, B17B, B17C		08	I12A, I12B, I12C, I27A, I27B, I27C, I27D
	08	I12A, I12B, I12C, I27A, I27B, I27C, I27D		08	I12A, I12B, I12C, I20D, I27A, I27B, I27C, I27D		21A	W04A, W04B
	09	J03A, J03B, J04A, J04B, J08A, J08B, J08C, J11A, J11B, J16Z		09	J03A, J03B, J04A, J04B, J08A, J08B, J08C, J11A, J11B, J16Z		21B	X06A, X06B, X06C
	21A	W04A, W04B		21A	W04A, W04B		5t85x.0↔	
5t85a.2↔		X06A, X06B, X06C	5t85a.x		X04Z, X06A, X06B, X06C	5t85x.1↔		X04Z, X06A, X06B, X06C
	01	B03A, B03B, B06A, B06B, B07Z, B17A, B17B, B17C		01	B03A, B03B, B06A, B06B, B07Z, B17A, B17B, B17C		08	I12A, I12B, I12C, I27A, I27B, I27C, I27D
	08	I12A, I12B, I12C, I27A, I27B, I27C, I27D		08	I12A, I12B, I12C, I27A, I27B, I27C, I27D		21A	W04A, W04B
	09	J03A, J03B, J04A, J04B, J08A, J08B, J08C, J11A, J11B, J16Z		09	J03A, J03B, J04A, J04B, J08A, J08B, J08C, J11A, J11B, J16Z		21B	X06A, X06B, X06C
	21A	W04A, W04B		21A	W04A, W04B		5t85x.2↔	
5t85a.3↔		X06A, X06B, X06C	5t85b.0↔		X06A, X06B, X06C	5t85x.3↔		X06A, X06B, X06C
	01	B03A, B03B, B06A, B06B, B07Z, B17A, B17B, B17C		01	B03A, B03B, B06A, B06B, B07Z, B17A, B17B, B17C		08	I12A, I12B, I12C, I27A, I27B, I27C, I27D
	08	I12A, I12B, I12C, I27A, I27B, I27C, I27D		08	I12A, I12B, I12C, I27A, I27B, I27C, I27D		21A	W04A, W04B
	09	J03A, J03B, J04A, J04B, J08A, J08B, J08C, J11A, J11B, J16Z		09	J03A, J03B, J04A, J04B, J08A, J08B, J08C, J11A, J11B, J16Z		21B	X06A, X06B, X06C
	21A	W04A, W04B		21A	W04A, W04B		5t85b.1↔	
		BOP, KVT, UOP4			BOP, KVT, UOP4			BOP, KVT, UOP4
		B03A, B03B, B06A, B06B, B07Z, B17A, B17B, B17C			I12A, I12B, I12C, I27A, I27B, I27C, I27D			I12A, I12B, I12C, I27A, I27B, I27C, I27D
		I12A, I12B, I12C, I27A, I27B, I27C, I27D			W04A, W04B			W04A, W04B
		J03A, J03B, J04A, J04B, J08A, J08B, J08C, J11A, J11B, J16Z			X06A, X06B, X06C			X06A, X06B, X06C
		W04A, W04B			BOP, KVT, UOP4			BOP, KVT, UOP4
		X05A, X05B, X06A, X06B, X06C			I12A, I12B, I12C, I27A, I27B, I27C, I27D			I12A, I12B, I12C, I27A, I27B, I27C, I27D
					W04A, W04B			W04A, W04B
					X06A, X06B, X06C			X05A, X05B, X06A, X06B, X06C



ZZV	MDC	DRG	ZZV	MDC	DRG	ZZV	MDC	DRG
5t85x.4		BOP, KVT, UOP4	5t860.3↔	08	BOP, KVT, UOP4	5t860.x↔	01	BOP, KVT, UOP4
	08	I12A, I12B, I12C, I27A, I27B, I27C, I27D		08	I12A, I12B, I12C, I27A, I27B, I27C, I27D		01	B03A, B03B, B06A, B06B, B07Z, B17A, B17B, B17C
	21A	W04A, W04B		09	J03A, J03B, J04A, J04B, J08A, J08B, J08C, J11A, J11B, J16Z		08	I08A, I08B, I08C, I08D, I08E, I12A, I12B, I12C, I13A, I13B, I27A, I27B, I27C, I27D
5t85x.5	21B	X06A, X06B, X06C	5t860.4↔	10	K09A, K09B	5t861.0↔	09	J03A, J03B, J04A, J04B, J08A, J08B, J08C, J11A, J11B, J16Z
	08	BOP, KVT, UOP4		21A	W04A, W04B		21A	W04A, W04B
	08	I12A, I12B, I12C, I27A, I27B, I27C, I27D		21B	X05A, X05B, X06A, X06B, X06C		21B	X06A, X06B, X06C
5t85x.6	21A	W04A, W04B	5t860.5↔	08	BOP, KVT, UOP4	5t861.1↔	01	BOP, KVT, UOP4
	21B	X06A, X06B, X06C		08	I12A, I12B, I12C, I27A, I27B, I27C, I27D		01	B03A, B03B, B06A, B06B, B07Z, B17A, B17B, B17C
	08	BOP, KVT, UOP4		09	J03A, J03B, J04A, J04B, J08A, J08B, J08C, J11A, J11B, J16Z		08	I08A, I08B, I08C, I08D, I08E, I12A, I12B, I12C, I13A, I13B, I27A, I27B, I27C, I27D
5t85x.7↔	21A	W04A, W04B	5t860.6↔	10	K09A, K09B	5t861.2↔	09	J03A, J03B, J04A, J04B, J08A, J08B, J08C, J11A, J11B, J16Z
	21B	X04Z, X06A, X06B, X06C		21A	W04A, W04B		21A	W04A, W04B
	08	BOP, KVT, UOP4		21B	X06A, X06B, X06C		21B	X06A, X06B, X06C
5t85x.8↔	08	I12A, I12B, I12C, I27A, I27B, I27C, I27D	5t860.7↔	08	BOP, KVT, UOP4	5t861.3↔	01	BOP, KVT, UOP4
	21A	W04A, W04B		08	I12A, I12B, I12C, I27A, I27B, I27C, I27D		01	B03A, B03B, B06A, B06B, B07Z, B17A, B17B, B17C
	21B	X04Z, X06A, X06B, X06C		09	J03A, J03B, J04A, J04B, J08A, J08B, J08C, J11A, J11B, J16Z		08	I08A, I08B, I08C, I08D, I08E, I12A, I12B, I12C, I13A, I13B, I27A, I27B, I27C, I27D
5t85x.9↔	08	BOP, KVT, UOP4	5t860.8↔	10	K09A, K09B	5t861.4↔	09	J03A, J03B, J04A, J04B, J08A, J08B, J08C, J11A, J11B, J16Z
	08	I12A, I12B, I12C, I27A, I27B, I27C, I27D		21A	W04A, W04B		21A	W04A, W04B
	21A	W04A, W04B		21B	X04Z, X06A, X06B, X06C		21B	X05A, X05B, X06A, X06B, X06C
5t85x.x	21B	X06A, X06B, X06C	5t860.9↔	08	BOP, KVT, UOP4	5t861.4↔	01	BOP, KVT, UOP4
	08	BOP, KVT, UOP4		08	I12A, I12B, I12C, I27A, I27B, I27C, I27D		01	B03A, B03B, B06A, B06B, B07Z, B17A, B17B, B17C
	08	I12A, I12B, I12C, I27A, I27B, I27C, I27D		09	J03A, J03B, J04A, J04B, J08A, J08B, J08C, J11A, J11B, J16Z		08	I08A, I08B, I08C, I08D, I08E, I12A, I12B, I12C, I13A, I13B, I27A, I27B, I27C, I27D
5t860.0↔	21A	W04A, W04B	5t860.8↔	10	K09A, K09B	5t861.4↔	09	J03A, J03B, J04A, J04B, J08A, J08B, J08C, J11A, J11B, J16Z
	21B	X06A, X06B, X06C		21A	W04A, W04B		21A	W04A, W04B
	08	BOP, KVT, UOP4		21B	X04Z, X06A, X06B, X06C		21B	X06A, X06B, X06C
5t860.1↔	08	I12A, I12B, I12C, I27A, I27B, I27C, I27D	5t860.8↔	08	BOP, KVT, UOP4	5t861.4↔	01	BOP, KVT, UOP4
	09	J03A, J03B, J04A, J04B, J08A, J08B, J08C, J11A, J11B, J16Z		08	I12A, I12B, I12C, I27A, I27B, I27C, I27D		01	B03A, B03B, B06A, B06B, B07Z, B17A, B17B, B17C
	10	K09A, K09B		09	J03A, J03B, J04A, J04B, J08A, J08B, J08C, J11A, J11B, J16Z		08	I08A, I08B, I08C, I08D, I08E, I12A, I12B, I12C, I13A, I13B, I27A, I27B, I27C, I27D
5t860.2↔	21A	W04A, W04B	5t860.8↔	10	K09A, K09B	5t861.4↔	09	J03A, J03B, J04A, J04B, J08A, J08B, J08C, J11A, J11B, J16Z
	21B	X06A, X06B, X06C		21A	W04A, W04B		21A	W04A, W04B
	08	BOP, KVT, UOP4		21B	X04Z, X06A, X06B, X06C		21B	X06A, X06B, X06C
5t860.2↔	08	I12A, I12B, I12C, I27A, I27B, I27C, I27D	5t860.9↔	08	BOP, KVT, UOP4	5t861.4↔	01	BOP, KVT, UOP4
	09	J03A, J03B, J04A, J04B, J08A, J08B, J08C, J11A, J11B, J16Z		08	I12A, I12B, I12C, I27A, I27B, I27C, I27D		01	B03A, B03B, B06A, B06B, B07Z, B17A, B17B, B17C
	10	K09A, K09B		09	J03A, J03B, J04A, J04B, J08A, J08B, J08C, J11A, J11B, J16Z		08	I08A, I08B, I08C, I08D, I08E, I12A, I12B, I12C, I13A, I13B, I27A, I27B, I27C, I27D
5t860.2↔	21A	W04A, W04B	5t860.9↔	10	K09A, K09B	5t861.4↔	09	J03A, J03B, J04A, J04B, J08A, J08B, J08C, J11A, J11B, J16Z
	21B	X06A, X06B, X06C		21A	W04A, W04B		21A	W04A, W04B
	08	BOP, KVT, UOP4		21B	X04Z, X06A, X06B, X06C		21B	X06A, X06B, X06C

VYK





ZZV	MDC	DRG	ZZV	MDC	DRG	ZZV	MDC	DRG
5t864.8↔		BOP, KVT, UOP4	5t865.3↔		BOP, KVT, UOP4	5t865.9↔		BOP, KVT, UOP4
	01	B03A, B03B, B06A, B06B, B07Z, B17A, B17B, B17C		01	B03A, B03B, B06A, B06B, B07Z, B17A, B17B, B17C		01	B03A, B03B, B06A, B06B, B07Z, B17A, B17B, B17C
	08	I08A, I08B, I08C, I08D, I08E, I12A, I12B, I12C, I13A, I13B, I27A, I27B, I27C, I27D		08	I08A, I08B, I08C, I08D, I08E, I12A, I12B, I12C, I13A, I13B, I27A, I27B, I27C, I27D		08	I08A, I08B, I08C, I08D, I08E, I12A, I12B, I12C, I13A, I13B, I27A, I27B, I27C, I27D
	09	J02A, J02B, J02C, J04A, J04B, J08A, J08B, J08C, J16Z, J21Z, J22A, J22B		09	J02A, J02B, J02C, J04A, J04B, J08A, J08B, J08C, J16Z, J21Z, J22A, J22B		09	J02A, J02B, J02C, J04A, J04B, J08A, J08B, J08C, J16Z, J21Z, J22A, J22B
	21A	W04A, W04B		21A	W04A, W04B		21A	W04A, W04B
5t864.9↔	21B	X04Z, X06A, X06B, X06C	5t865.4↔	21B	X05A, X05B, X06A, X06B, X06C	5t865.x	21B	X04Z, X06A, X06B, X06C
		BOP, KVT, UOP4			BOP, KVT, UOP4			BOP, KVT, UOP4
	01	B03A, B03B, B06A, B06B, B07Z, B17A, B17B, B17C		01	B03A, B03B, B06A, B06B, B07Z, B17A, B17B, B17C		01	B03A, B03B, B06A, B06B, B07Z, B17A, B17B, B17C
	08	I08A, I08B, I08C, I08D, I08E, I12A, I12B, I12C, I13A, I13B, I27A, I27B, I27C, I27D		08	I08A, I08B, I08C, I08D, I08E, I12A, I12B, I12C, I13A, I13B, I27A, I27B, I27C, I27D		08	I08A, I08B, I08C, I08D, I08E, I12A, I12B, I12C, I13A, I13B, I27A, I27B, I27C, I27D
	09	J02A, J02B, J02C, J04A, J04B, J08A, J08B, J08C, J16Z, J21Z, J22A, J22B		09	J02A, J02B, J02C, J04A, J04B, J08A, J08B, J08C, J16Z, J21Z, J22A, J22B		09	J02A, J02B, J02C, J04A, J04B, J08A, J08B, J08C, J16Z, J21Z, J22A, J22B
5t864.x	21A	W04A, W04B	5t865.5↔	21A	W04A, W04B	5t866.0↔	21A	W04A, W04B
	21B	X04Z, X06A, X06B, X06C		21B	X06A, X06B, X06C		21B	X06A, X06B, X06C
		BOP, KVT, UOP4			BOP, KVT, UOP4			BOP, KVT, UOP4
	01	B03A, B03B, B06A, B06B, B07Z, B17A, B17B, B17C		01	B03A, B03B, B06A, B06B, B07Z, B17A, B17B, B17C		01	B03A, B03B, B06A, B06B, B07Z, B17A, B17B, B17C
	08	I08A, I08B, I08C, I08D, I08E, I12A, I12B, I12C, I13A, I13B, I27A, I27B, I27C, I27D		08	I08A, I08B, I08C, I08D, I08E, I12A, I12B, I12C, I13A, I13B, I27A, I27B, I27C, I27D		08	I08A, I08B, I08C, I08D, I08E, I12A, I12B, I12C, I13A, I13B, I27A, I27B, I27C, I27D
5t865.0↔	09	J02A, J02B, J02C, J04A, J04B, J08A, J08B, J08C, J16Z, J21Z, J22A, J22B	5t865.6↔	09	J02A, J02B, J02C, J04A, J04B, J08A, J08B, J08C, J16Z, J21Z, J22A, J22B	5t866.1↔	09	J02A, J02B, J02C, J04A, J04B, J08A, J08B, J08C, J16Z, J21Z, J22A, J22B
	21A	W04A, W04B		21A	W04A, W04B		21A	W04A, W04B
	21B	X06A, X06B, X06C		21B	X06A, X06B, X06C		21B	X06A, X06B, X06C
		BOP, KVT, UOP4			BOP, KVT, UOP4			BOP, KVT, UOP4
	01	B03A, B03B, B06A, B06B, B07Z, B17A, B17B, B17C		01	B03A, B03B, B06A, B06B, B07Z, B17A, B17B, B17C		01	B03A, B03B, B06A, B06B, B07Z, B17A, B17B, B17C
5t865.1↔	08	I08A, I08B, I08C, I08D, I08E, I12A, I12B, I12C, I13A, I13B, I27A, I27B, I27C, I27D	5t865.7↔	08	I08A, I08B, I08C, I08D, I08E, I12A, I12B, I12C, I13A, I13B, I27A, I27B, I27C, I27D	5t866.2↔	08	I08A, I08B, I08C, I08D, I08E, I12A, I12B, I12C, I13A, I13B, I27A, I27B, I27C, I27D
	09	J02A, J02B, J02C, J04A, J04B, J08A, J08B, J08C, J16Z, J21Z, J22A, J22B		09	J02A, J02B, J02C, J04A, J04B, J08A, J08B, J08C, J16Z, J21Z, J22A, J22B		09	J02A, J02B, J02C, J04A, J04B, J08A, J08B, J08C, J16Z, J21Z, J22A, J22B
	21A	W04A, W04B		21A	W04A, W04B		21A	W04A, W04B
	21B	X06A, X06B, X06C		21B	X04Z, X06A, X06B, X06C		21B	X06A, X06B, X06C
		BOP, KVT, UOP4			BOP, KVT, UOP4			BOP, KVT, UOP4
5t865.2↔	01	B03A, B03B, B06A, B06B, B07Z, B17A, B17B, B17C	5t865.8↔	01	B03A, B03B, B06A, B06B, B07Z, B17A, B17B, B17C	5t866.3↔	01	B03A, B03B, B06A, B06B, B07Z, B17A, B17B, B17C
	08	I08A, I08B, I08C, I08D, I08E, I12A, I12B, I12C, I13A, I13B, I27A, I27B, I27C, I27D		08	I08A, I08B, I08C, I08D, I08E, I12A, I12B, I12C, I13A, I13B, I27A, I27B, I27C, I27D		08	I08A, I08B, I08C, I08D, I08E, I12A, I12B, I12C, I13A, I13B, I27A, I27B, I27C, I27D
	09	J02A, J02B, J02C, J04A, J04B, J08A, J08B, J08C, J16Z, J21Z, J22A, J22B		09	J02A, J02B, J02C, J04A, J04B, J08A, J08B, J08C, J16Z, J21Z, J22A, J22B		09	J02A, J02B, J02C, J04A, J04B, J08A, J08B, J08C, J16Z, J21Z, J22A, J22B
	21A	W04A, W04B		21A	W04A, W04B		21A	W04A, W04B
	21B	X06A, X06B, X06C		21B	X04Z, X06A, X06B, X06C		21B	X05A, X05B, X06A, X06B, X06C



ZZV	MDC	DRG	ZZV	MDC	DRG	ZZV	MDC	DRG
5t868.0↔		BOP, KVT, UOP4	5t869.0↔	01	BOP, KVT, UOP4	5t869.6↔	01	BOP, KVT, UOP4
	08	I08A, I08B, I08C, I08D, I08E, I12A, I12B, I12C, I13A, I13B, I27A, I27B, I27C, I27D		01	B03A, B03B, B06A, B06B, B07Z, B17A, B17B, B17C		01	B03A, B03B, B06A, B06B, B07Z, B17A, B17B, B17C
	21A	W04A, W04B		08	I08A, I08B, I08C, I08D, I08E, I12A, I12B, I12C, I13A, I13B, I27A, I27B, I27C, I27D		08	I08A, I08B, I08C, I08D, I08E, I12A, I12B, I12C, I13A, I13B, I27A, I27B, I27C, I27D
5t868.1↔	21B	X06A, X06B, X06C	5t869.1↔	09	J02A, J02B, J02C, J04A, J04B, J08A, J08B, J08C, J16Z, J21Z, J22A, J22B	5t869.7↔	09	J02A, J02B, J02C, J04A, J04B, J08A, J08B, J08C, J16Z, J21Z, J22A, J22B
	08	BOP, KVT, UOP4		21A	W04A, W04B		21A	W04A, W04B
	08	I08A, I08B, I08C, I08D, I08E, I12A, I12B, I12C, I13A, I13B, I27A, I27B, I27C, I27D		21B	X06A, X06B, X06C		21B	X04Z, X06A, X06B, X06C
5t868.2↔	21A	W04A, W04B	5t869.2↔	01	BOP, KVT, UOP4	5t869.8↔	01	BOP, KVT, UOP4
	21B	X06A, X06B, X06C		01	B03A, B03B, B06A, B06B, B07Z, B17A, B17B, B17C		01	B03A, B03B, B06A, B06B, B07Z, B17A, B17B, B17C
	08	BOP, KVT, UOP4		08	I08A, I08B, I08C, I08D, I08E, I12A, I12B, I12C, I13A, I13B, I27A, I27B, I27C, I27D		08	I08A, I08B, I08C, I08D, I08E, I12A, I12B, I12C, I13A, I13B, I27A, I27B, I27C, I27D
5t868.3↔	21A	W04A, W04B	5t869.3↔	09	J02A, J02B, J02C, J04A, J04B, J08A, J08B, J08C, J16Z, J21Z, J22A, J22B	5t869.9↔	09	J02A, J02B, J02C, J04A, J04B, J08A, J08B, J08C, J16Z, J21Z, J22A, J22B
	21B	X05A, X05B, X06A, X06B, X06C		21A	W04A, W04B		21A	W04A, W04B
	08	BOP, KVT, UOP4		21B	X06A, X06B, X06C		21B	X04Z, X06A, X06B, X06C
5t868.4↔	08	I08A, I08B, I08C, I08D, I08E, I12A, I12B, I12C, I13A, I13B, I27A, I27B, I27C, I27D	5t869.4↔	01	BOP, KVT, UOP4	5t869.x	01	BOP, KVT, UOP4
	21A	W04A, W04B		01	B03A, B03B, B06A, B06B, B07Z, B17A, B17B, B17C		01	B03A, B03B, B06A, B06B, B07Z, B17A, B17B, B17C
	21B	X06A, X06B, X06C		08	I08A, I08B, I08C, I08D, I08E, I12A, I12B, I12C, I13A, I13B, I27A, I27B, I27C, I27D		08	I08A, I08B, I08C, I08D, I08E, I12A, I12B, I12C, I13A, I13B, I27A, I27B, I27C, I27D
5t868.5↔	08	I08A, I08B, I08C, I08D, I08E, I12A, I12B, I12C, I13A, I13B, I27A, I27B, I27C, I27D	5t869.5↔	09	J02A, J02B, J02C, J04A, J04B, J08A, J08B, J08C, J16Z, J21Z, J22A, J22B	5t86a.0↔	09	J02A, J02B, J02C, J04A, J04B, J08A, J08B, J08C, J16Z, J21Z, J22A, J22B
	21A	W04A, W04B		21A	W04A, W04B		01	B03A, B03B, B06A, B06B, B07Z, B17A, B17B, B17C
	21B	X06A, X06B, X06C		21B	X06A, X06B, X06C		08	I08A, I08B, I08C, I08D, I08E, I12A, I12B, I12C, I13A, I13B, I27A, I27B, I27C, I27D
5t868.6↔	08	I08A, I08B, I08C, I08D, I08E, I12A, I12B, I12C, I13A, I13B, I27A, I27B, I27C, I27D	5t869.6↔	01	BOP, KVT, UOP4	5t869.0↔	01	BOP, KVT, UOP4
	21A	W04A, W04B		01	B03A, B03B, B06A, B06B, B07Z, B17A, B17B, B17C		01	B03A, B03B, B06A, B06B, B07Z, B17A, B17B, B17C
	21B	X04Z, X06A, X06B, X06C		08	I08A, I08B, I08C, I08D, I08E, I12A, I12B, I12C, I13A, I13B, I27A, I27B, I27C, I27D		08	I08A, I08B, I08C, I08D, I08E, I12A, I12B, I12C, I13A, I13B, I27A, I27B, I27C, I27D
5t868.7↔	08	I08A, I08B, I08C, I08D, I08E, I12A, I12B, I12C, I13A, I13B, I27A, I27B, I27C, I27D	5t869.7↔	09	J02A, J02B, J02C, J04A, J04B, J08A, J08B, J08C, J16Z, J21Z, J22A, J22B	5t869.1↔	09	J02A, J02B, J02C, J04A, J04B, J08A, J08B, J08C, J16Z, J21Z, J22A, J22B
	21A	W04A, W04B		21A	W04A, W04B		21A	W04A, W04B
	21B	X04Z, X06A, X06B, X06C		21B	X05A, X05B, X06A, X06B, X06C		21B	X04Z, X06A, X06B, X06C
5t868.8↔	08	I08A, I08B, I08C, I08D, I08E, I12A, I12B, I12C, I13A, I13B, I27A, I27B, I27C, I27D	5t869.8↔	01	BOP, KVT, UOP4	5t869.2↔	01	BOP, KVT, UOP4
	21A	W04A, W04B		01	B03A, B03B, B06A, B06B, B07Z, B17A, B17B, B17C		01	B03A, B03B, B06A, B06B, B07Z, B17A, B17B, B17C
	21B	X04Z, X06A, X06B, X06C		08	I08A, I08B, I08C, I08D, I08E, I12A, I12B, I12C, I13A, I13B, I27A, I27B, I27C, I27D		08	I08A, I08B, I08C, I08D, I08E, I12A, I12B, I12C, I13A, I13B, I27A, I27B, I27C, I27D
5t868.9↔	08	I08A, I08B, I08C, I08D, I08E, I12A, I12B, I12C, I13A, I13B, I27A, I27B, I27C, I27D	5t869.9↔	09	J02A, J02B, J02C, J04A, J04B, J08A, J08B, J08C, J16Z, J21Z, J22A, J22B	5t869.3↔	09	J02A, J02B, J02C, J04A, J04B, J08A, J08B, J08C, J16Z, J21Z, J22A, J22B
	21A	W04A, W04B		21A	W04A, W04B		21A	W04A, W04B
	21B	X04Z, X06A, X06B, X06C		21B	X06A, X06B, X06C		21B	X06A, X06B, X06C
5t868.x	08	I08A, I08B, I08C, I08D, I08E, I12A, I12B, I12C, I13A, I13B, I27A, I27B, I27C, I27D	5t869.x	01	BOP, KVT, UOP4	5t869.4↔	01	BOP, KVT, UOP4
	21A	W04A, W04B		01	B03A, B03B, B06A, B06B, B07Z, B17A, B17B, B17C		01	B03A, B03B, B06A, B06B, B07Z, B17A, B17B, B17C
	21B	X06A, X06B, X06C		08	I08A, I08B, I08C, I08D, I08E, I12A, I12B, I12C, I13A, I13B, I27A, I27B, I27C, I27D		08	I08A, I08B, I08C, I08D, I08E, I12A, I12B, I12C, I13A, I13B, I27A, I27B, I27C, I27D

VYK







ZZV	MDC	DRG	ZZV	MDC	DRG	ZZV	MDC	DRG
5t871.9↔		BOP, KVT, UOP4	5t872.4↔		BOP, KVT, UOP4	5t872.x		BOP, KVT, UOP4
	01	B03A, B03B, B06A, B06B, B07Z, B17A, B17B, B17C		01	B03A, B03B, B06A, B06B, B07Z, B17A, B17B, B17C		01	B03A, B03B, B06A, B06B, B07Z, B17A, B17B, B17C
	08	I08A, I08B, I08C, I08D, I08E, I12A, I12B, I12C, I13A, I13B, I27A, I27B, I27C, I27D		08	I08A, I08B, I08C, I08D, I08E, I12A, I12B, I12C, I13A, I13B, I27A, I27B, I27C, I27D		08	I08A, I08B, I08C, I08D, I08E, I12A, I12B, I12C, I13A, I13B, I27A, I27B, I27C, I27D
	09	J02A, J02B, J04A, J04B, J08A, J08B, J08C, J16Z, J21Z, J22A, J22B		09	J02A, J02B, J04A, J04B, J08A, J08B, J08C, J16Z, J21Z, J22A, J22B		09	J02A, J02B, J04A, J04B, J08A, J08B, J08C, J16Z, J21Z, J22A, J22B
	21A	W04A, W04B		21A	W04A, W04B		21A	W04A, W04B
5t871.x	21B	X04Z, X06A, X06B, X06C	5t872.5↔	21B	X06A, X06B, X06C	5t873.0↔	21B	X06A, X06B, X06C
		BOP, KVT, UOP4			BOP, KVT, UOP4			BOP, KVT, UOP4
	01	B03A, B03B, B06A, B06B, B07Z, B17A, B17B, B17C		01	B03A, B03B, B06A, B06B, B07Z, B17A, B17B, B17C		01	B03A, B03B, B06A, B06B, B07Z, B17A, B17B, B17C
	08	I08A, I08B, I08C, I08D, I08E, I12A, I12B, I12C, I13A, I13B, I27A, I27B, I27C, I27D		08	I08A, I08B, I08C, I08D, I08E, I12A, I12B, I12C, I13A, I13B, I27A, I27B, I27C, I27D		08	I08A, I08B, I08C, I08D, I08E, I12A, I12B, I12C, I13A, I13B, I27A, I27B, I27C, I27D
	09	J02A, J02B, J04A, J04B, J08A, J08B, J08C, J16Z, J21Z, J22A, J22B		09	J02A, J02B, J04A, J04B, J08A, J08B, J08C, J16Z, J21Z, J22A, J22B		09	J02A, J02B, J04A, J04B, J08A, J08B, J08C, J16Z, J21Z, J22A, J22B
5t872.0↔	21A	W04A, W04B	5t872.6↔	21A	W04A, W04B	5t873.1↔	21A	W04A, W04B
	21B	X06A, X06B, X06C		21B	X06A, X06B, X06C		21B	X06A, X06B, X06C
		BOP, KVT, UOP4			BOP, KVT, UOP4			BOP, KVT, UOP4
	01	B03A, B03B, B06A, B06B, B07Z, B17A, B17B, B17C		01	B03A, B03B, B06A, B06B, B07Z, B17A, B17B, B17C		01	B03A, B03B, B06A, B06B, B07Z, B17A, B17B, B17C
	08	I08A, I08B, I08C, I08D, I08E, I12A, I12B, I12C, I13A, I13B, I27A, I27B, I27C, I27D		08	I08A, I08B, I08C, I08D, I08E, I12A, I12B, I12C, I13A, I13B, I27A, I27B, I27C, I27D		08	I08A, I08B, I08C, I08D, I08E, I12A, I12B, I12C, I13A, I13B, I27A, I27B, I27C, I27D
5t872.1↔	09	J02A, J02B, J04A, J04B, J08A, J08B, J08C, J16Z, J21Z, J22A, J22B	5t872.7↔	09	J02A, J02B, J04A, J04B, J08A, J08B, J08C, J16Z, J21Z, J22A, J22B	5t873.2↔	09	J02A, J02B, J04A, J04B, J08A, J08B, J08C, J16Z, J21Z, J22A, J22B
	21A	W04A, W04B		21A	W04A, W04B		21A	W04A, W04B
	21B	X06A, X06B, X06C		21B	X04Z, X06A, X06B, X06C		21B	X06A, X06B, X06C
		BOP, KVT, UOP4			BOP, KVT, UOP4			BOP, KVT, UOP4
	01	B03A, B03B, B06A, B06B, B07Z, B17A, B17B, B17C		01	B03A, B03B, B06A, B06B, B07Z, B17A, B17B, B17C		01	B03A, B03B, B06A, B06B, B07Z, B17A, B17B, B17C
5t872.2↔	08	I08A, I08B, I08C, I08D, I08E, I12A, I12B, I12C, I13A, I13B, I27A, I27B, I27C, I27D	5t872.8↔	08	I08A, I08B, I08C, I08D, I08E, I12A, I12B, I12C, I13A, I13B, I27A, I27B, I27C, I27D	5t873.3↔	08	I08A, I08B, I08C, I08D, I08E, I12A, I12B, I12C, I13A, I13B, I27A, I27B, I27C, I27D
	09	J02A, J02B, J04A, J04B, J08A, J08B, J08C, J16Z, J21Z, J22A, J22B		09	J02A, J02B, J04A, J04B, J08A, J08B, J08C, J16Z, J21Z, J22A, J22B		09	J02A, J02B, J04A, J04B, J08A, J08B, J08C, J16Z, J21Z, J22A, J22B
	21A	W04A, W04B		21A	W04A, W04B		21A	W04A, W04B
	21B	X06A, X06B, X06C		21B	X04Z, X06A, X06B, X06C		21B	X06A, X06B, X06C
		BOP, KVT, UOP4			BOP, KVT, UOP4			BOP, KVT, UOP4
5t872.3↔	01	B03A, B03B, B06A, B06B, B07Z, B17A, B17B, B17C	5t872.9↔	01	B03A, B03B, B06A, B06B, B07Z, B17A, B17B, B17C	5t873.4↔	01	B03A, B03B, B06A, B06B, B07Z, B17A, B17B, B17C
	08	I08A, I08B, I08C, I08D, I08E, I12A, I12B, I12C, I13A, I13B, I27A, I27B, I27C, I27D		08	I08A, I08B, I08C, I08D, I08E, I12A, I12B, I12C, I13A, I13B, I27A, I27B, I27C, I27D		08	I08A, I08B, I08C, I08D, I08E, I12A, I12B, I12C, I13A, I13B, I27A, I27B, I27C, I27D
	09	J02A, J02B, J04A, J04B, J08A, J08B, J08C, J16Z, J21Z, J22A, J22B		09	J02A, J02B, J04A, J04B, J08A, J08B, J08C, J16Z, J21Z, J22A, J22B		09	J02A, J02B, J04A, J04B, J08A, J08B, J08C, J16Z, J21Z, J22A, J22B
	21A	W04A, W04B		21A	W04A, W04B		21A	W04A, W04B
	21B	X05A, X05B, X06A, X06B, X06C		21B	X04Z, X06A, X06B, X06C		21B	X05A, X05B, X06A, X06B, X06C

VYK





ZZV	MDC	DRG	ZZV	MDC	DRG	ZZV	MDC	DRG
5t876.8↔		BOP, KVT, UOP4	5t877.3↔		BOP, KVT, UOP4	5t877.9↔		BOP, KVT, UOP4
	01	B03A, B03B, B06A, B06B, B07Z, B17A, B17B, B17C		01	B03A, B03B, B06A, B06B, B07Z, B17A, B17B, B17C		01	B03A, B03B, B06A, B06B, B07Z, B17A, B17B, B17C
	08	I08A, I08B, I08C, I08D, I08E, I12A, I12B, I12C, I13A, I13B, I27A, I27B, I27C		08	I08A, I08B, I08C, I08D, I08E, I12A, I12B, I12C, I13A, I13B, I27A, I27B, I27C		08	I08A, I08B, I08C, I08D, I08E, I12A, I12B, I12C, I13A, I13B, I27A, I27B, I27C
	09	J02A, J02B, J04A, J04B, J08A, J08B, J08C, J16Z, J21Z, J22A, J22B		09	J02A, J02B, J04A, J04B, J08A, J08B, J08C, J16Z, J21Z, J22A, J22B		09	J02A, J02B, J04A, J04B, J08A, J08B, J08C, J16Z, J21Z, J22A, J22B
	21A	W04A, W04B		21A	W04A, W04B		21A	W04A, W04B
5t876.9↔	21B	X04Z, X06A, X06B, X06C	5t877.4↔	21B	X05A, X05B, X06A, X06B, X06C	5t877.x	21B	X04Z, X06A, X06B, X06C
		BOP, KVT, UOP4			BOP, KVT, UOP4			BOP, KVT, UOP4
	01	B03A, B03B, B06A, B06B, B07Z, B17A, B17B, B17C		01	B03A, B03B, B06A, B06B, B07Z, B17A, B17B, B17C		01	B03A, B03B, B06A, B06B, B07Z, B17A, B17B, B17C
	08	I08A, I08B, I08C, I08D, I08E, I12A, I12B, I12C, I13A, I13B, I27A, I27B, I27C		08	I08A, I08B, I08C, I08D, I08E, I12A, I12B, I12C, I13A, I13B, I27A, I27B, I27C		08	I08A, I08B, I08C, I08D, I08E, I12A, I12B, I12C, I13A, I13B, I27A, I27B, I27C
	09	J02A, J02B, J04A, J04B, J08A, J08B, J08C, J16Z, J21Z, J22A, J22B		09	J02A, J02B, J04A, J04B, J08A, J08B, J08C, J16Z, J21Z, J22A, J22B		09	J02A, J02B, J04A, J04B, J08A, J08B, J08C, J16Z, J21Z, J22A, J22B
5t876.x	21A	W04A, W04B	5t877.5↔	21A	W04A, W04B	5t878.0↔	21A	W04A, W04B
	21B	X04Z, X06A, X06B, X06C		21B	X06A, X06B, X06C		21B	X06A, X06B, X06C
		BOP, KVT, UOP4			BOP, KVT, UOP4			BOP, KVT, UOP4
	01	B03A, B03B, B06A, B06B, B07Z, B17A, B17B, B17C		01	B03A, B03B, B06A, B06B, B07Z, B17A, B17B, B17C		01	B03A, B03B, B06A, B06B, B07Z, B17A, B17B, B17C
	08	I08A, I08B, I08C, I08D, I08E, I12A, I12B, I12C, I13A, I13B, I27A, I27B, I27C		08	I08A, I08B, I08C, I08D, I08E, I12A, I12B, I12C, I13A, I13B, I27A, I27B, I27C		08	I08A, I08B, I08C, I08D, I08E, I12A, I12B, I12C, I13A, I13B, I27A, I27B, I27C
5t877.0↔	09	J02A, J02B, J04A, J04B, J08A, J08B, J08C, J16Z, J21Z, J22A, J22B	5t877.6↔	09	J02A, J02B, J04A, J04B, J08A, J08B, J08C, J16Z, J21Z, J22A, J22B	5t878.1↔	09	J02A, J02B, J04A, J04B, J08A, J08B, J08C, J16Z, J21Z, J22A, J22B
	21A	W04A, W04B		21A	W04A, W04B		21A	W04A, W04B
	21B	X06A, X06B, X06C		21B	X06A, X06B, X06C		21B	X06A, X06B, X06C
		BOP, KVT, UOP4			BOP, KVT, UOP4			BOP, KVT, UOP4
	01	B03A, B03B, B06A, B06B, B07Z, B17A, B17B, B17C		01	B03A, B03B, B06A, B06B, B07Z, B17A, B17B, B17C		01	B03A, B03B, B06A, B06B, B07Z, B17A, B17B, B17C
5t877.1↔	08	I08A, I08B, I08C, I08D, I08E, I12A, I12B, I12C, I13A, I13B, I27A, I27B, I27C	5t877.7↔	08	I08A, I08B, I08C, I08D, I08E, I12A, I12B, I12C, I13A, I13B, I27A, I27B, I27C	5t878.2↔	08	I08A, I08B, I08C, I08D, I08E, I12A, I12B, I12C, I13A, I13B, I27A, I27B, I27C
	09	J02A, J02B, J04A, J04B, J08A, J08B, J08C, J16Z, J21Z, J22A, J22B		09	J02A, J02B, J04A, J04B, J08A, J08B, J08C, J16Z, J21Z, J22A, J22B		09	J02A, J02B, J04A, J04B, J08A, J08B, J08C, J16Z, J21Z, J22A, J22B
	21A	W04A, W04B		21A	W04A, W04B		21A	W04A, W04B
	21B	X06A, X06B, X06C		21B	X04Z, X06A, X06B, X06C		21B	X06A, X06B, X06C
		BOP, KVT, UOP4			BOP, KVT, UOP4			BOP, KVT, UOP4
5t877.2↔	01	B03A, B03B, B06A, B06B, B07Z, B17A, B17B, B17C	5t877.8↔	01	B03A, B03B, B06A, B06B, B07Z, B17A, B17B, B17C	5t878.3↔	01	B03A, B03B, B06A, B06B, B07Z, B17A, B17B, B17C
	08	I08A, I08B, I08C, I08D, I08E, I12A, I12B, I12C, I13A, I13B, I27A, I27B, I27C		08	I08A, I08B, I08C, I08D, I08E, I12A, I12B, I12C, I13A, I13B, I27A, I27B, I27C		08	I08A, I08B, I08C, I08D, I08E, I12A, I12B, I12C, I13A, I13B, I27A, I27B, I27C
	09	J02A, J02B, J04A, J04B, J08A, J08B, J08C, J16Z, J21Z, J22A, J22B		09	J02A, J02B, J04A, J04B, J08A, J08B, J08C, J16Z, J21Z, J22A, J22B		09	J02A, J02B, J04A, J04B, J08A, J08B, J08C, J16Z, J21Z, J22A, J22B
	21A	W04A, W04B		21A	W04A, W04B		21A	W04A, W04B
	21B	X06A, X06B, X06C		21B	X04Z, X06A, X06B, X06C		21B	X05A, X05B, X06A, X06B, X06C

VYK

ZZV	MDC	DRG	ZZV	MDC	DRG	ZZV	MDC	DRG
5t878.4↔		BOP, KVT, UOP4	5t878.x		BOP, KVT, UOP4	5t879.5↔		BOP, KVT, UOP4
	01	B03A, B03B, B06A, B06B, B07Z, B17A, B17B, B17C		01	B03A, B03B, B06A, B06B, B07Z, B17A, B17B, B17C		01	B03A, B03B, B06A, B06B, B07Z, B17A, B17B, B17C
	08	I08A, I08B, I08C, I08D, I08E, I12A, I12B, I12C, I13A, I13B, I27A, I27B, I27C		08	I08A, I08B, I08C, I08D, I08E, I12A, I12B, I12C, I13A, I13B, I27A, I27B, I27C		08	I08A, I08B, I08C, I08D, I08E, I12A, I12B, I12C, I13A, I13B, I27A, I27B, I27C
	09	J02A, J02B, J04A, J04B, J08A, J08B, J08C, J16Z, J21Z, J22A, J22B		09	J02A, J02B, J04A, J04B, J08A, J08B, J08C, J16Z, J21Z, J22A, J22B		09	J02A, J02B, J04A, J04B, J08A, J08B, J08C, J16Z, J21Z, J22A, J22B
	21A	W04A, W04B		21A	W04A, W04B		21A	W04A, W04B
5t878.5↔	21B	X06A, X06B, X06C	5t879.0↔	21B	X04Z	5t879.6↔	21B	X06A, X06B, X06C
		BOP, KVT, UOP4			BOP, KVT, UOP4			BOP, KVT, UOP4
	01	B03A, B03B, B06A, B06B, B07Z, B17A, B17B, B17C		01	B03A, B03B, B06A, B06B, B07Z, B17A, B17B, B17C		01	B03A, B03B, B06A, B06B, B07Z, B17A, B17B, B17C
	08	I08A, I08B, I08C, I08D, I08E, I12A, I12B, I12C, I13A, I13B, I27A, I27B, I27C		08	I08A, I08B, I08C, I08D, I08E, I12A, I12B, I12C, I13A, I13B, I27A, I27B, I27C		08	I08A, I08B, I08C, I08D, I08E, I12A, I12B, I12C, I13A, I13B, I27A, I27B, I27C
	09	J02A, J02B, J04A, J04B, J08A, J08B, J08C, J16Z, J21Z, J22A, J22B		09	J02A, J02B, J04A, J04B, J08A, J08B, J08C, J16Z, J21Z, J22A, J22B		09	J02A, J02B, J04A, J04B, J08A, J08B, J08C, J16Z, J21Z, J22A, J22B
5t878.6↔	21A	W04A, W04B	5t879.1↔	21A	W04A, W04B	5t879.7↔	21A	W04A, W04B
	21B	X06A, X06B, X06C		21B	X06A, X06B, X06C		21B	X05A, X05B, X06A, X06B, X06C
		BOP, KVT, UOP4			BOP, KVT, UOP4			BOP, KVT, UOP4
	01	B03A, B03B, B06A, B06B, B07Z, B17A, B17B, B17C		01	B03A, B03B, B06A, B06B, B07Z, B17A, B17B, B17C		01	B03A, B03B, B06A, B06B, B07Z, B17A, B17B, B17C
	08	I08A, I08B, I08C, I08D, I08E, I12A, I12B, I12C, I13A, I13B, I27A, I27B, I27C		08	I08A, I08B, I08C, I08D, I08E, I12A, I12B, I12C, I13A, I13B, I27A, I27B, I27C		08	I08A, I08B, I08C, I08D, I08E, I12A, I12B, I12C, I13A, I13B, I27A, I27B, I27C
5t878.7↔	09	J02A, J02B, J04A, J04B, J08A, J08B, J08C, J16Z, J21Z, J22A, J22B	5t879.2↔	09	J02A, J02B, J04A, J04B, J08A, J08B, J08C, J16Z, J21Z, J22A, J22B	5t879.8↔	09	J02A, J02B, J04A, J04B, J08A, J08B, J08C, J16Z, J21Z, J22A, J22B
	21A	W04A, W04B		21A	W04A, W04B		21A	W04A, W04B
	21B	X04Z, X06A, X06B, X06C		21B	X06A, X06B, X06C		21B	X05A, X05B, X06A, X06B, X06C
		BOP, KVT, UOP4			BOP, KVT, UOP4			BOP, KVT, UOP4
	01	B03A, B03B, B06A, B06B, B07Z, B17A, B17B, B17C		01	B03A, B03B, B06A, B06B, B07Z, B17A, B17B, B17C		01	B03A, B03B, B06A, B06B, B07Z, B17A, B17B, B17C
5t878.8↔	08	I08A, I08B, I08C, I08D, I08E, I12A, I12B, I12C, I13A, I13B, I27A, I27B, I27C	5t879.3↔	08	I08A, I08B, I08C, I08D, I08E, I12A, I12B, I12C, I13A, I13B, I27A, I27B, I27C	5t879.9↔	08	I08A, I08B, I08C, I08D, I08E, I12A, I12B, I12C, I13A, I13B, I27A, I27B, I27C
	09	J02A, J02B, J04A, J04B, J08A, J08B, J08C, J16Z, J21Z, J22A, J22B		09	J02A, J02B, J04A, J04B, J08A, J08B, J08C, J16Z, J21Z, J22A, J22B		09	J02A, J02B, J04A, J04B, J08A, J08B, J08C, J16Z, J21Z, J22A, J22B
	21A	W04A, W04B		21A	W04A, W04B		21A	W04A, W04B
	21B	X04Z, X06A, X06B, X06C		21B	X06A, X06B, X06C		21B	X05A, X05B, X06A, X06B, X06C
		BOP, KVT, UOP4			BOP, KVT, UOP4			BOP, KVT, UOP4
5t878.9↔	01	B03A, B03B, B06A, B06B, B07Z, B17A, B17B, B17C	5t879.4↔	01	B03A, B03B, B06A, B06B, B07Z, B17A, B17B, B17C	5t879.x	01	B03A, B03B, B06A, B06B, B07Z, B17A, B17B, B17C
	08	I08A, I08B, I08C, I08D, I08E, I12A, I12B, I12C, I13A, I13B, I27A, I27B, I27C		08	I08A, I08B, I08C, I08D, I08E, I12A, I12B, I12C, I13A, I13B, I27A, I27B, I27C		08	I08A, I08B, I08C, I08D, I08E, I12A, I12B, I12C, I13A, I13B, I27A, I27B, I27C
	09	J02A, J02B, J04A, J04B, J08A, J08B, J08C, J16Z, J21Z, J22A, J22B		09	J02A, J02B, J04A, J04B, J08A, J08B, J08C, J16Z, J21Z, J22A, J22B		09	J02A, J02B, J04A, J04B, J08A, J08B, J08C, J16Z, J21Z, J22A, J22B
	21A	W04A, W04B		21A	W04A, W04B		21A	W04A, W04B
	21B	X04Z, X06A, X06B, X06C		21B	X06A, X06B, X06C		21B	X06A, X06B, X06C



ZZV	MDC	DRG	ZZV	MDC	DRG	ZZV	MDC	DRG
5t87x.2↔		BOP, KVT, UOP4	5t87x.8↔		BOP, KVT, UOP4	5t880.2↔		BOP, KVT, UOP4
	01	B03A, B03B, B06A, B06B, B07Z, B17A, B17B, B17C		01	B03A, B03B, B06A, B06B, B07Z, B17A, B17B, B17C		01	B03A, B03B, B06A, B06B, B07Z, B17A, B17B, B17C
	08	I08A, I08B, I08C, I08D, I08E, I12A, I12B, I12C, I13A, I13B, I27A, I27B, I27C, I27D		08	I08A, I08B, I08C, I08D, I08E, I12A, I12B, I12C, I13A, I13B, I27A, I27B, I27C, I27D		03	D12A
	09	J02A, J02B, J02C, J04A, J04B, J08A, J08B, J08C, J16Z, J21Z, J22A, J22B		09	J02A, J02B, J02C, J04A, J04B, J08A, J08B, J08C, J16Z, J21Z, J22A, J22B		05	F21A, F21B, F21C, F27A, F27B, F27C
	21A	W04A, W04B		21A	W04A, W04B		08	I08A, I08B, I08C, I08D, I08E, I12A, I12B, I12C, I13A, I13B, I32A, I32B, I32C, I32D
5t87x.3↔	21B	X06A, X06B, X06C	5t87x.9↔	21B	X04Z, X06A, X06B, X06C	5t880.3↔	09	J02A, J02B, J02C, J04A, J04B, J08A, J08B, J08C, J16Z, J21Z, J22A, J22B
		BOP, KVT, UOP4			BOP, KVT, UOP4		10	K01Z
	01	B03A, B03B, B06A, B06B, B07Z, B17A, B17B, B17C		01	B03A, B03B, B06A, B06B, B07Z, B17A, B17B, B17C		21A	W04A, W04B
	08	I08A, I08B, I08C, I08D, I08E, I12A, I12B, I12C, I13A, I13B, I27A, I27B, I27C, I27D		08	I08A, I08B, I08C, I08D, I08E, I12A, I12B, I12C, I13A, I13B, I27A, I27B, I27C, I27D		21B	X04Z, X05A, X05B, X06A, X06B, X06C
	09	J02A, J02B, J02C, J04A, J04B, J08A, J08B, J08C, J16Z, J21Z, J22A, J22B		09	J02A, J02B, J02C, J04A, J04B, J08A, J08B, J08C, J16Z, J21Z, J22A, J22B		22	Y01Z, Y03A, Y03B
5t87x.4	21A	W04A, W04B	5t87x.x	21A	W04A, W04B	5t880.4↔	01	B03A, B03B, B06A, B06B, B07Z, B17A, B17B, B17C
	21B	X05A, X05B, X06A, X06B, X06C		21B	X06A, X06B, X06C		03	D12A
		BOP, KVT, UOP4		01	B03A, B03B, B06A, B06B, B07Z, B17A, B17B, B17C		05	F21A, F21B, F21C, F27A, F27B, F27C
	01	B03A, B03B, B06A, B06B, B07Z, B17A, B17B, B17C		08	I08A, I08B, I08C, I08D, I08E, I12A, I12B, I12C, I13A, I13B, I27A, I27B, I27C, I27D		08	I08A, I08B, I08C, I08D, I08E, I12A, I12B, I12C, I13A, I13B, I32A, I32B, I32C, I32D
	08	I08A, I08B, I08C, I08D, I08E, I12A, I12B, I12C, I13A, I13B, I27A, I27B, I27C, I27D		09	J02A, J02B, J02C, J04A, J04B, J08A, J08B, J08C, J16Z, J21Z, J22A, J22B		09	J02A, J02B, J02C, J04A, J04B, J08A, J08B, J08C, J16Z, J21Z, J22A, J22B
5t87x.5	09	J02A, J02B, J02C, J04A, J04B, J08A, J08B, J08C, J16Z, J21Z, J22A, J22B	5t880.0↔	21A	W04A, W04B	5t880.4↔	10	K01Z
	21A	W04A, W04B		21B	X06A, X06B, X06C		21A	W04A, W04B
	21B	X06A, X06B, X06C		01	B03A, B03B, B06A, B06B, B07Z, B17A, B17B, B17C		21B	X04Z, X05A, X05B, X06A, X06B, X06C
		BOP, KVT, UOP4		03	D12A		22	Y01Z, Y03A, Y03B
	01	B03A, B03B, B06A, B06B, B07Z, B17A, B17B, B17C		05	F21A, F21B, F21C, F27A, F27B, F27C		01	B03A, B03B, B06A, B06B, B07Z, B17A, B17B, B17C
5t87x.6	08	I08A, I08B, I08C, I08D, I08E, I12A, I12B, I12C, I13A, I13B, I27A, I27B, I27C, I27D	5t880.1↔	08	I08A, I08B, I08C, I08D, I08E, I12A, I12B, I12C, I13A, I13B, I32A, I32B, I32C, I32D	5t880.5↔	03	D12A
	09	J02A, J02B, J02C, J04A, J04B, J08A, J08B, J08C, J16Z, J21Z, J22A, J22B		09	J02A, J02B, J02C, J04A, J04B, J08A, J08B, J08C, J16Z, J21Z, J22A, J22B		05	F21A, F21B, F21C, F27A, F27B, F27C
	21A	W04A, W04B		10	K01Z		08	I08A, I08B, I08C, I08D, I08E, I12A, I12B, I12C, I13A, I13B, I32A, I32B, I32C, I32D
	21B	X06A, X06B, X06C		21A	W04A, W04B		09	J02A, J02B, J02C, J04A, J04B, J08A, J08B, J08C, J16Z, J21Z, J22A, J22B
		BOP, KVT, UOP4		21B	X04Z, X05A, X05B, X06A, X06B, X06C		10	K01Z
5t87x.7↔	01	B03A, B03B, B06A, B06B, B07Z, B17A, B17B, B17C	5t880.1↔	22	Y01Z, Y03A, Y03B	5t880.5↔	21A	W04A, W04B
	08	I08A, I08B, I08C, I08D, I08E, I12A, I12B, I12C, I13A, I13B, I27A, I27B, I27C, I27D		01	B03A, B03B, B06A, B06B, B07Z, B17A, B17B, B17C		21B	X04Z, X05A, X05B, X06A, X06B, X06C
	09	J02A, J02B, J02C, J04A, J04B, J08A, J08B, J08C, J16Z, J21Z, J22A, J22B		03	D12A		22	Y01Z, Y03A, Y03B
	21A	W04A, W04B		05	F21A, F21B, F21C, F27A, F27B, F27C		01	B03A, B03B, B06A, B06B, B07Z, B17A, B17B, B17C
	21B	X04Z, X06A, X06B, X06C		08	I08A, I08B, I08C, I08D, I08E, I12A, I12B, I12C, I13A, I13B, I32A, I32B, I32C, I32D		03	D12A
5t87x.8↔	01	B03A, B03B, B06A, B06B, B07Z, B17A, B17B, B17C	5t880.1↔	09	J02A, J02B, J02C, J04A, J04B, J08A, J08B, J08C, J16Z, J21Z, J22A, J22B	5t880.5↔	05	F21A, F21B, F21C, F27A, F27B, F27C
	08	I08A, I08B, I08C, I08D, I08E, I12A, I12B, I12C, I13A, I13B, I27A, I27B, I27C, I27D		10	K01Z		08	I08A, I08B, I08C, I08D, I08E, I12A, I12B, I12C, I13A, I13B, I32A, I32B, I32C, I32D
	09	J02A, J02B, J02C, J04A, J04B, J08A, J08B, J08C, J16Z, J21Z, J22A, J22B		21A	W04A, W04B		09	J02A, J02B, J02C, J04A, J04B, J08A, J08B, J08C, J16Z, J21Z, J22A, J22B
	21A	W04A, W04B		21B	X04Z, X05A, X05B, X06A, X06B, X06C		10	K01Z
	21B	X04Z, X06A, X06B, X06C		22	Y01Z, Y03A, Y03B		21A	W04A, W04B

VYK











ZZV	MDC	DRG	ZZV	MDC	DRG	ZZV	MDC	DRG
5t884.x		BOP, KVT, UOP4	5t885.5↔		KOP, KOPV	5t886.0↔		KOP, KOPV
	01	B03A, B03B, B06A, B06B, B07Z, B17A, B17B, B17C		06	G33Z		03	D02A, D02B
	03	D12A		07	H33Z, H38Z		06	G33Z
	05	F21A, F21B, F21C, F27A, F27B, F27C		08	I02A, I02B, I02C, I02D, I22A, I32A, I32B, I32C, I32D, I34Z, I50Z		07	H33Z, H38Z
	08	I08A, I08B, I08C, I08D, I08E, I12A, I12B, I12C, I13A, I13B, I32A, I32B, I32C, I32D		09	J01Z, J02A, J02B		08	I02A, I02B, I02C, I02D, I22A, I32A, I32B, I32C, I32D, I34Z, I50Z
	09	J02A, J02B, J02C, J04A, J04B, J08A, J08B, J08C, J16Z, J21Z, J22A, J22B		11	L33Z		09	J01Z, J02A, J02B
	10	K01Z		21B	X01A, X01B, X01C, X33Z		11	L33Z
	21A	W04A, W04B		Pre	A07A		21B	X01A, X01B, X01C, X33Z
	21B	X04Z, X05A, X05B, X06A, X06B, X06C		5t885.6↔			Pre	A07A
	22	Y01Z, Y03A, Y03B		06	KOP, KOPV		5t886.1↔	
	5t885.0↔			KOP, KOPV	06		G33Z	06
03		D02A, D02B	07	H33Z, H38Z	06	G33Z		
06		G33Z	08	I02A, I02B, I02C, I02D, I22A, I32A, I32B, I32C, I32D, I34Z, I50Z	07	H33Z, H38Z		
07		H33Z, H38Z	09	J01Z, J02A, J02B	08	I02A, I02B, I02C, I02D, I22A, I32A, I32B, I32C, I32D, I34Z, I50Z		
08		I02A, I02B, I02C, I02D, I22A, I32A, I32B, I32C, I32D, I34Z, I50Z	11	L33Z	09	J01Z, J02A, J02B		
09		J01Z, J02A, J02B	21B	X01A, X01B, X01C, X33Z	11	L33Z		
11		L33Z	Pre	A07A	21B	X01A, X01B, X01C, X33Z		
21B		X01A, X01B, X01C, X33Z	5t885.7↔		Pre	A07A		
Pre		A07A	06	KOP, KOPV	5t886.2↔			
5t885.1↔			KOP, KOPV	06	G33Z	06	KOP, KOPV	
		06	G33Z	07	H33Z, H38Z	06	G33Z	
	07	H33Z, H38Z	08	I02A, I02B, I02C, I02D, I22A, I32A, I32B, I32C, I32D, I34Z, I50Z	07	H33Z, H38Z		
	08	I02A, I02B, I02C, I02D, I22A, I32A, I32B, I32C, I32D, I34Z, I50Z	09	J01Z, J02A, J02B	08	I02A, I02B, I02C, I02D, I22A, I32A, I32B, I32C, I32D, I34Z, I50Z		
	09	J01Z, J02A, J02B	11	L33Z	09	J01Z, J02A, J02B		
	11	L33Z	21B	X01A, X01B, X01C, X33Z	11	L33Z		
	21B	X01A, X01B, X01C, X33Z	Pre	A07A	21B	X01A, X01B, X01C, X33Z		
	Pre	A07A	5t885.8↔		Pre	A07A		
	5t885.2↔		KOP, KOPV	06	KOP, KOPV	5t886.3↔		
		06	G33Z	06	G33Z	06	KOP, KOPV	
		07	H33Z, H38Z	07	H33Z, H38Z	06	G33Z	
08		I02A, I02B, I02C, I02D, I22A, I32A, I32B, I32C, I32D, I34Z, I50Z	08	I02A, I02B, I02C, I02D, I22A, I32A, I32B, I32C, I32D, I34Z, I50Z	07	H33Z, H38Z		
09		J01Z, J02A, J02B	09	J01Z, J02A, J02B	08	I02A, I02B, I02C, I02D, I22A, I32A, I32B, I32C, I32D, I32E, I32F, I34Z, I50Z		
11		L33Z	11	L33Z	09	J01Z, J02A, J02B		
21B		X01A, X01B, X01C, X33Z	21B	X01A, X01B, X01C, X33Z	11	L33Z		
Pre		A07A	Pre	A07A	21B	X01A, X01B, X01C, X33Z		
5t885.3↔			KOP, KOPV	5t885.9↔		Pre	A07A	
		06	G33Z	06	KOP, KOPV	5t886.4↔		
		07	H33Z, H38Z	06	G33Z	06	KOP, KOPV	
	08	I02A, I02B, I02C, I02D, I22A, I32A, I32B, I32C, I32D, I34Z, I50Z	07	H33Z, H38Z	06	G33Z		
	09	J01Z, J02A, J02B	08	I02A, I02B, I02C, I02D, I22A, I32A, I32B, I32C, I32D, I34Z, I50Z	07	H33Z, H38Z		
	11	L33Z	09	J01Z, J02A, J02B	08	I02A, I02B, I02C, I02D, I22A, I32A, I32B, I32C, I32D, I34Z, I50Z		
	21B	X01A, X01B, X01C, X33Z	11	L33Z	09	J01Z, J02A, J02B		
	Pre	A07A	21B	X01A, X01B, X01C, X33Z	11	L33Z		
	5t885.4↔		KOP, KOPV	5t885.x↔		21B	X01A, X01B, X01C, X33Z	
		06	G33Z	06	KOP, KOPV	Pre	A07A	
		07	H33Z, H38Z	06	G33Z	5t886.5↔		
08		I02A, I02B, I02C, I02D, I22A, I32A, I32B, I32C, I32D, I32E, I32F, I34Z, I50Z	07	H33Z, H38Z	06	KOP, KOPV		
09		J01Z, J02A, J02B	08	I02A, I02B, I02C, I02D, I22A, I32A, I32B, I32C, I32D, I32E, I32F, I34Z, I50Z	06	G33Z		
11		L33Z	09	J01Z, J02A, J02B	07	H33Z, H38Z		
21B		X01A, X01B, X01C, X33Z	11	L33Z	08	I02A, I02B, I02C, I02D, I22A, I32A, I32B, I32C, I32D, I34Z, I50Z		
Pre		A07A	21B	X01A, X01B, X01C, X33Z	09	J01Z, J02A, J02B		
5t885.5↔			KOP, KOPV	Pre	A07A	11	L33Z	
		06	G33Z	06	KOP, KOPV	21B	X01A, X01B, X01C, X33Z	
		07	H33Z, H38Z	07	H33Z, H38Z	Pre	A07A	
	08	I02A, I02B, I02C, I02D, I22A, I32A, I32B, I32C, I32D, I34Z, I50Z	08	I02A, I02B, I02C, I02D, I22A, I32A, I32B, I32C, I32D, I34Z, I50Z	5t886.5↔			
	09	J01Z, J02A, J02B	09	J01Z, J02A, J02B	06	KOP, KOPV		
	11	L33Z	11	L33Z	06	G33Z		



ZZV	MDC	DRG	ZZV	MDC	DRG	ZZV	MDC	DRG			
5t888.2↔		BOP, KOP, KOPV, KVT, UOP4	5t888.6↔		BOP, KOP, KOPV, KVT, UOP4	5t889.0↔		KOP, KOPV			
	06	G33Z		04	E02A, E02B, E02C		03	D02A, D02B			
	07	H33Z, H38Z		06	G33Z		06	G33Z			
	08	I02A, I02B, I02C, I02D, I08A, I08B, I08C, I08D, I08E, I12A, I12B, I12C, I13A, I13B, I22A, I28A, I28B, I32A, I32B, I32C, I32D, I50Z		07	H33Z, H38Z		07	H33Z, H38Z			
	09	J01Z, J02A, J02B, J16Z		08	I02A, I02B, I02C, I02D, I08A, I08B, I08C, I08D, I08E, I12A, I12B, I12C, I13A, I13B, I22A, I28A, I28B, I32A, I32B, I32C, I32D, I50Z		08	I02A, I02B, I02C, I02D, I22A, I32A, I32B, I32C, I32D, I34Z, I50Z			
	11	L33Z		09	J01Z, J02A, J02B, J16Z		09	J01Z, J02A, J02B			
	21A	W04A, W04B		11	L33Z		11	L33Z			
	21B	X01A, X01B, X01C, X33Z		21A	W04A, W04B		21B	X01A, X01B, X01C, X33Z			
	Pre	A07A		21B	X01A, X01B, X01C, X33Z		Pre	A07A			
	5t888.3↔			BOP, KOP, KOPV, KVT, UOP4	5t888.7↔			BOP, KOP, KOPV, KVT, UOP4	5t889.1↔		KOP, KOPV
		06		G33Z			06	G33Z		06	G33Z
		07		H33Z, H38Z			07	H33Z, H38Z		07	H33Z, H38Z
		08		I02A, I02B, I02C, I02D, I08A, I08B, I08C, I08D, I08E, I12A, I12B, I12C, I13A, I13B, I22A, I28A, I28B, I32A, I32B, I32C, I32D, I32E, I32F, I50Z			08	I02A, I02B, I02C, I02D, I08A, I08B, I08C, I08D, I08E, I12A, I12B, I12C, I13A, I13B, I22A, I28A, I28B, I32A, I32B, I32C, I32D, I50Z		08	I02A, I02B, I02C, I02D, I22A, I32A, I32B, I32C, I32D, I34Z, I50Z
09		J01Z, J02A, J02B, J16Z	09	J01Z, J02A, J02B, J16Z		09	J01Z, J02A, J02B				
11		L33Z	11	L33Z		11	L33Z				
21A		W04A, W04B	21A	W04A, W04B		21B	X01A, X01B, X01C, X33Z				
21B		X01A, X01B, X01C, X33Z	21B	X01A, X01B, X01C, X33Z		Pre	A07A				
Pre		A07A	Pre	A07A		Pre	A07A				
5t888.4↔			BOP, KOP, KOPV, KVT, UOP4	5t888.8↔			BOP, KOP, KOPV, KVT, UOP4	5t889.2↔			KOP, KOPV
		04	E02A, E02B, E02C			06	G33Z			06	G33Z
		06	G33Z			07	H33Z, H38Z			07	H33Z, H38Z
		07	H33Z, H38Z			08	I02A, I02B, I02C, I02D, I08A, I08B, I08C, I08D, I08E, I12A, I12B, I12C, I13A, I13B, I22A, I28A, I28B, I32A, I32B, I32C, I32D, I50Z			08	I02A, I02B, I02C, I02D, I22A, I32A, I32B, I32C, I32D, I34Z, I50Z
	08	I02A, I02B, I02C, I02D, I08A, I08B, I08C, I08D, I08E, I12A, I12B, I12C, I13A, I13B, I22A, I28A, I28B, I32A, I32B, I32C, I32D, I50Z	09		J01Z, J02A, J02B, J16Z	09	J01Z, J02A, J02B				
	09	J01Z, J02A, J02B, J16Z	11		L33Z	11	L33Z				
	11	L33Z	11		L33Z	21B	X01A, X01B, X01C, X33Z				
	21A	W04A, W04B	21A		W04A, W04B	Pre	A07A				
	21B	X01A, X01B, X01C, X33Z	21B		X01A, X01B, X01C, X33Z	Pre	A07A				
	Pre	A07A	Pre		A07A	Pre	A07A				
	5t888.5↔		BOP, KOP, KOPV, KVT, UOP4		5t888.9↔		BOP, KOP, KOPV, KVT, UOP4		5t889.3↔		KOP, KOPV
		04	E02A, E02B, E02C			06	G33Z			06	G33Z
		06	G33Z			07	H33Z, H38Z			07	H33Z, H38Z
07		H33Z, H38Z	08	I02A, I02B, I02C, I02D, I08A, I08B, I08C, I08D, I08E, I12A, I12B, I12C, I13A, I13B, I22A, I28A, I28B, I32A, I32B, I32C, I32D, I50Z		08	I02A, I02B, I02C, I02D, I22A, I32A, I32B, I32C, I32D, I32E, I32F, I34Z, I50Z				
08		I02A, I02B, I02C, I02D, I08A, I08B, I08C, I08D, I08E, I12A, I12B, I12C, I13A, I13B, I22A, I28A, I28B, I32A, I32B, I32C, I32D, I50Z	09	J01Z, J02A, J02B, J16Z		09	J01Z, J02A, J02B				
09		J01Z, J02A, J02B, J16Z	11	L33Z		11	L33Z				
11		L33Z	11	L33Z		21B	X01A, X01B, X01C, X33Z				
21A		W04A, W04B	21A	W04A, W04B		Pre	A07A				
21B		X01A, X01B, X01C, X33Z	21B	X01A, X01B, X01C, X33Z		Pre	A07A				
Pre		A07A	Pre	A07A		Pre	A07A				
5t888.x↔			BOP, KOP, KOPV, KVT, UOP4	5t888.x↔			BOP, KOP, KOPV, KVT, UOP4	5t889.4↔			KOP, KOPV
		04	E02A, E02B, E02C			06	G33Z			06	G33Z
		06	G33Z			07	H33Z, H38Z			07	H33Z, H38Z
	07	H33Z, H38Z	08		I02A, I02B, I02C, I02D, I08A, I08B, I08C, I08D, I08E, I12A, I12B, I12C, I13A, I13B, I22A, I28A, I28B, I32A, I32B, I32C, I32D, I50Z	08	I02A, I02B, I02C, I02D, I22A, I32A, I32B, I32C, I32D, I34Z, I50Z				
	08	I02A, I02B, I02C, I02D, I08A, I08B, I08C, I08D, I08E, I12A, I12B, I12C, I13A, I13B, I22A, I28A, I28B, I32A, I32B, I32C, I32D, I50Z	09		J01Z, J02A, J02B, J16Z	09	J01Z, J02A, J02B				
	09	J01Z, J02A, J02B, J16Z	11		L33Z	11	L33Z				
	11	L33Z	11		L33Z	21B	X01A, X01B, X01C, X33Z				
	21A	W04A, W04B	21A		W04A, W04B	Pre	A07A				
	21B	X01A, X01B, X01C, X33Z	21B		X01A, X01B, X01C, X33Z	Pre	A07A				
	Pre	A07A	Pre		A07A	Pre	A07A				
	5t889.0↔		BOP, KOP, KOPV, KVT, UOP4		5t889.5↔		BOP, KOP, KOPV, KVT, UOP4		5t889.5↔		KOP, KOPV
		04	E02A, E02B, E02C			06	G33Z			06	G33Z
		06	G33Z			07	H33Z, H38Z			07	H33Z, H38Z
07		H33Z, H38Z	08	I02A, I02B, I02C, I02D, I08A, I08B, I08C, I08D, I08E, I12A, I12B, I12C, I13A, I13B, I22A, I28A, I28B, I32A, I32B, I32C, I32D, I50Z		08	I02A, I02B, I02C, I02D, I22A, I32A, I32B, I32C, I32D, I34Z, I50Z				
08		I02A, I02B, I02C, I02D, I08A, I08B, I08C, I08D, I08E, I12A, I12B, I12C, I13A, I13B, I22A, I28A, I28B, I32A, I32B, I32C, I32D, I50Z	09	J01Z, J02A, J02B, J16Z		09	J01Z, J02A, J02B				
09		J01Z, J02A, J02B, J16Z	11	L33Z		11	L33Z				
11		L33Z	11	L33Z		21B	X01A, X01B, X01C, X33Z				
21A		W04A, W04B	21A	W04A, W04B		Pre	A07A				
21B		X01A, X01B, X01C, X33Z	21B	X01A, X01B, X01C, X33Z		Pre	A07A				
Pre		A07A	Pre	A07A		Pre	A07A				

VYK

ZZV	MDC	DRG	ZZV	MDC	DRG	ZZV	MDC	DRG
5t889.6↔		KOP, KOPV	5t88x.2↔		KOP, KOPV	5t88x.9↔		KOP, KOPV
	06	G33Z		06	G33Z		06	G33Z
	07	H33Z, H38Z		07	H33Z, H38Z		07	H33Z, H38Z
	08	I02A, I02B, I02C, I02D, I22A, I32A, I32B, I32C, I32D, I34Z, I50Z		08	I02A, I02B, I02C, I02D, I22A, I32A, I32B, I32C, I32D, I34Z, I50Z		08	I02A, I02B, I02C, I02D, I22A, I32A, I32B, I32C, I32D, I34Z, I50Z
	09	J01Z, J02A, J02B		09	J01Z, J02A, J02B		09	J01Z, J02A, J02B
	11	L33Z		11	L33Z		11	L33Z
	21B	X01A, X01B, X01C, X33Z		21B	X01A, X01B, X01C, X33Z		21B	X01A, X01B, X01C, X33Z
	Pre	A07A		Pre	A07A		Pre	A07A
5t889.7↔		KOP, KOPV	5t88x.3↔		KOP, KOPV	5t88x.x↔		KOP, KOPV
	06	G33Z		06	G33Z		06	G33Z
	07	H33Z, H38Z		07	H33Z, H38Z		07	H33Z, H38Z
	08	I02A, I02B, I02C, I02D, I22A, I32A, I32B, I32C, I32D, I34Z, I50Z		08	I02A, I02B, I02C, I02D, I22A, I32A, I32B, I32C, I32D, I32E, I32F, I34Z, I50Z		08	I02A, I02B, I02C, I02D, I22A, I32A, I32B, I32C, I32D, I32E, I32F, I34Z, I50Z
	09	J01Z, J02A, J02B		09	J01Z, J02A, J02B		09	J01Z, J02A, J02B
	11	L33Z		11	L33Z		11	L33Z
	21B	X01A, X01B, X01C, X33Z		21B	X01A, X01B, X01C, X33Z		21B	X01A, X01B, X01C, X33Z
	Pre	A07A		Pre	A07A		Pre	A07A
5t889.8↔		KOP, KOPV	5t88x.4		KOP, KOPV	5t891.0↔		BOP, KVT, UOP4
	06	G33Z		06	G33Z		01	B03A, B03B, B06A, B06B, B17A, B17B, B17C
	07	H33Z, H38Z		07	H33Z, H38Z		08	I12A, I12B, I12C, I27A, I27B, I27C, I27D
	08	I02A, I02B, I02C, I02D, I22A, I32A, I32B, I32C, I32D, I34Z, I50Z		08	I02A, I02B, I02C, I02D, I22A, I32A, I32B, I32C, I32D, I34Z, I50Z		21A	W04A, W04B
	09	J01Z, J02A, J02B		09	J01Z, J02A, J02B		21B	X06A, X06B, X06C
	11	L33Z		11	L33Z		5t891.1↔	BOP, KVT, UOP4
	21B	X01A, X01B, X01C, X33Z		21B	X01A, X01B, X01C, X33Z		01	B03A, B03B, B06A, B06B, B17A, B17B, B17C
	Pre	A07A		Pre	A07A		08	I12A, I12B, I12C, I27A, I27B, I27C, I27D
5t889.9↔		KOP, KOPV	5t88x.5		KOP, KOPV	5t891.2↔		W04A, W04B
	06	G33Z		06	G33Z		21A	W04A, W04B
	07	H33Z, H38Z		07	H33Z, H38Z		21B	X06A, X06B, X06C
	08	I02A, I02B, I02C, I02D, I22A, I32A, I32B, I32C, I32D, I34Z, I50Z		08	I02A, I02B, I02C, I02D, I22A, I32A, I32B, I32C, I32D, I34Z, I50Z		5t891.2↔	BOP, KVT, UOP4
	09	J01Z, J02A, J02B		09	J01Z, J02A, J02B		01	B03A, B03B, B06A, B06B, B17A, B17B, B17C
	11	L33Z		11	L33Z		08	I12A, I12B, I12C, I27A, I27B, I27C, I27D
	21B	X01A, X01B, X01C, X33Z		21B	X01A, X01B, X01C, X33Z		21A	W04A, W04B
	Pre	A07A		Pre	A07A		21B	X06A, X06B, X06C
5t889.x↔		KOP, KOPV	5t88x.6		KOP, KOPV	5t891.3↔		BOP, KVT, UOP4
	06	G33Z		06	G33Z		01	B03A, B03B, B06A, B06B, B17A, B17B, B17C
	07	H33Z, H38Z		07	H33Z, H38Z		08	I12A, I12B, I12C, I27A, I27B, I27C, I27D
	08	I02A, I02B, I02C, I02D, I22A, I32A, I32B, I32C, I32D, I34Z, I32E, I32F, I34Z, I50Z		08	I02A, I02B, I02C, I02D, I22A, I32A, I32B, I32C, I32D, I34Z, I50Z		21A	W04A, W04B
	09	J01Z, J02A, J02B		09	J01Z, J02A, J02B		21B	X05A, X05B, X06A, X06B, X06C
	11	L33Z		11	L33Z		5t891.4↔	BOP, KVT, UOP4
	21B	X01A, X01B, X01C, X33Z		21B	X01A, X01B, X01C, X33Z		01	B03A, B03B, B06A, B06B, B17A, B17B, B17C
	Pre	A07A		Pre	A07A		08	I12A, I12B, I12C, I27A, I27B, I27C, I27D
5t88x.0↔		KOP, KOPV	5t88x.7↔		KOP, KOPV	5t891.4↔		W04A, W04B
	06	G33Z		06	G33Z		21A	W04A, W04B
	07	H33Z, H38Z		07	H33Z, H38Z		21B	X05A, X05B, X06A, X06B, X06C
	08	I02A, I02B, I02C, I02D, I22A, I32A, I32B, I32C, I32D, I34Z, I50Z		08	I02A, I02B, I02C, I02D, I22A, I32A, I32B, I32C, I32D, I34Z, I50Z		5t891.5↔	BOP, KVT, UOP4
	09	J01Z, J02A, J02B		09	J01Z, J02A, J02B		01	B03A, B03B, B06A, B06B, B17A, B17B, B17C
	11	L33Z		11	L33Z		08	I12A, I12B, I12C, I27A, I27B, I27C, I27D
	21B	X01A, X01B, X01C, X33Z		21B	X01A, X01B, X01C, X33Z		21A	W04A, W04B
	Pre	A07A		Pre	A07A		21B	X06A, X06B, X06C
5t88x.1↔		KOP, KOPV	5t88x.8↔		KOP, KOPV	5t891.5↔		X06A, X06B, X06C
	06	G33Z		06	G33Z			
	07	H33Z, H38Z		07	H33Z, H38Z			
	08	I02A, I02B, I02C, I02D, I22A, I32A, I32B, I32C, I32D, I34Z, I50Z		08	I02A, I02B, I02C, I02D, I22A, I32A, I32B, I32C, I32D, I34Z, I50Z			
	09	J01Z, J02A, J02B		09	J01Z, J02A, J02B			
	11	L33Z		11	L33Z			
	21B	X01A, X01B, X01C, X33Z		21B	X01A, X01B, X01C, X33Z			
	Pre	A07A		Pre	A07A			

ZZV	MDC	DRG	ZZV	MDC	DRG	ZZV	MDC	DRG
5t891.6↔		BOP, KVT, UOP4	5t892.6↔	08	I12A, I12B, I12C, I27A, I27B, I27C, I27D	5t893.8↔	08	I12A, I12B, I12C, I27A, I27B, I27C, I27D
	01	B03A, B03B, B06A, B06B, B17A, B17B, B17C		21A	W04A, W04B		21A	W04A, W04B
	08	I12A, I12B, I12C, I27A, I27B, I27C, I27D		21B	X04Z, X06A, X06B, X06C		21B	X04Z, X06A, X06B, X06C
	21A	W04A, W04B						
5t891.7↔	21B	X04Z, X06A, X06B, X06C	5t892.7↔		BOP, KVT, UOP4	5t893.9↔		BOP, KVT, UOP4
		BOP, KVT, UOP4		08	I12A, I12B, I12C, I27A, I27B, I27C, I27D		08	I12A, I12B, I12C, I27A, I27B, I27C, I27D
	01	B03A, B03B, B06A, B06B, B17A, B17B, B17C		21A	W04A, W04B		21A	W04A, W04B
	08	I12A, I12B, I12C, I27A, I27B, I27C, I27D		21B	X04Z, X06A, X06B, X06C		21B	X04Z, X06A, X06B, X06C
5t891.8↔	21A	W04A, W04B	5t892.8↔		BOP, KVT, UOP4	5t893.x		BOP, KVT, UOP4
	21B	X04Z, X06A, X06B, X06C		08	I12A, I12B, I12C, I27A, I27B, I27C, I27D		08	I12A, I12B, I12C, I27A, I27B, I27C, I27D
		BOP, KVT, UOP4		21A	W04A, W04B		21A	W04A, W04B
	01	B03A, B03B, B06A, B06B, B17A, B17B, B17C		21B	X04Z, X06A, X06B, X06C		21B	X04Z, X06A, X06B, X06C
5t891.9↔	08	I12A, I12B, I12C, I27A, I27B, I27C, I27D	5t892.9↔		BOP, KVT, UOP4	5t89x.0↔		BOP, KVT, UOP4
	21A	W04A, W04B		08	I12A, I12B, I12C, I27A, I27B, I27C, I27D		08	I12A, I12B, I12C, I27A, I27B, I27C, I27D
	21B	X04Z, X06A, X06B, X06C		21A	W04A, W04B		21A	W04A, W04B
		BOP, KVT, UOP4		21B	X04Z, X06A, X06B, X06C		21B	X06A, X06B, X06C
5t891.9↔	01	B03A, B03B, B06A, B06B, B17A, B17B, B17C	5t892.x		BOP, KVT, UOP4	5t89x.1↔		BOP, KVT, UOP4
	08	I12A, I12B, I12C, I27A, I27B, I27C, I27D		08	I12A, I12B, I12C, I27A, I27B, I27C, I27D		08	I12A, I12B, I12C, I27A, I27B, I27C, I27D
	21A	W04A, W04B		21A	W04A, W04B		21A	W04A, W04B
	21B	X04Z, X06A, X06B, X06C		21B	X06A, X06B, X06C		21B	X06A, X06B, X06C
5t891.x	01	B03A, B03B, B06A, B06B, B17A, B17B, B17C	5t893.0↔		BOP, KVT, UOP4	5t89x.2↔		BOP, KVT, UOP4
	08	I12A, I12B, I12C, I27A, I27B, I27C, I27D		08	I12A, I12B, I12C, I27A, I27B, I27C, I27D		08	I12A, I12B, I12C, I27A, I27B, I27C, I27D
	21A	W04A, W04B		21A	W04A, W04B		21A	W04A, W04B
	21B	X06A, X06B, X06C		21B	X06A, X06B, X06C		21B	X06A, X06B, X06C
5t892.0↔		BOP, KVT, UOP4	5t893.1↔		BOP, KVT, UOP4	5t89x.3↔		BOP, KVT, UOP4
	01	B03A, B03B, B06A, B06B, B17A, B17B, B17C		08	I12A, I12B, I12C, I27A, I27B, I27C, I27D		08	I12A, I12B, I12C, I27A, I27B, I27C, I27D
	08	I12A, I12B, I12C, I27A, I27B, I27C, I27D		21A	W04A, W04B		21A	W04A, W04B
	21A	W04A, W04B		21B	X06A, X06B, X06C		21B	X05A, X05B, X06A, X06B, X06C
5t892.1↔	21B	X06A, X06B, X06C	5t893.2↔		BOP, KVT, UOP4	5t89x.4		BOP, KVT, UOP4
		BOP, KVT, UOP4		08	I12A, I12B, I12C, I27A, I27B, I27C, I27D		08	I12A, I12B, I12C, I27A, I27B, I27C, I27D
	08	I12A, I12B, I12C, I27A, I27B, I27C, I27D		21A	W04A, W04B		21A	W04A, W04B
	21A	W04A, W04B		21B	X06A, X06B, X06C		21B	X06A, X06B, X06C
5t892.2↔	21B	X06A, X06B, X06C	5t893.3↔		BOP, KVT, UOP4	5t89x.5		BOP, KVT, UOP4
		BOP, KVT, UOP4		08	I12A, I12B, I12C, I27A, I27B, I27C, I27D		08	I12A, I12B, I12C, I27A, I27B, I27C, I27D
	08	I12A, I12B, I12C, I27A, I27B, I27C, I27D		21A	W04A, W04B		21A	W04A, W04B
	21A	W04A, W04B		21B	X05A, X05B, X06A, X06B, X06C		21B	X06A, X06B, X06C
5t892.3↔	21B	X06A, X06B, X06C	5t893.4↔		BOP, KVT, UOP4	5t89x.6		BOP, KVT, UOP4
		BOP, KVT, UOP4		08	I12A, I12B, I12C, I27A, I27B, I27C, I27D		08	I12A, I12B, I12C, I27A, I27B, I27C, I27D
	08	I12A, I12B, I12C, I27A, I27B, I27C, I27D		21A	W04A, W04B		21A	W04A, W04B
	21A	W04A, W04B		21B	X06A, X06B, X06C		21B	X04Z, X06A, X06B, X06C
5t892.4↔	21B	X06A, X06B, X06C	5t893.5↔		BOP, KVT, UOP4	5t89x.7↔		BOP, KVT, UOP4
		BOP, KVT, UOP4		08	I12A, I12B, I12C, I27A, I27B, I27C, I27D		08	I12A, I12B, I12C, I27A, I27B, I27C, I27D
	08	I12A, I12B, I12C, I27A, I27B, I27C, I27D		21A	W04A, W04B		21A	W04A, W04B
	21A	W04A, W04B		21B	X06A, X06B, X06C		21B	X04Z, X06A, X06B, X06C
5t892.5↔	21B	X06A, X06B, X06C	5t893.6↔		BOP, KVT, UOP4	5t89x.8↔		BOP, KVT, UOP4
		BOP, KVT, UOP4		08	I12A, I12B, I12C, I27A, I27B, I27C, I27D		08	I12A, I12B, I12C, I27A, I27B, I27C, I27D
	08	I12A, I12B, I12C, I27A, I27B, I27C, I27D		21A	W04A, W04B		21A	W04A, W04B
	21A	W04A, W04B		21B	X04Z, X06A, X06B, X06C		21B	X04Z, X06A, X06B, X06C
5t892.5↔	21B	X06A, X06B, X06C	5t893.7↔		BOP, KVT, UOP4	5t89x.9↔		BOP, KVT, UOP4
		BOP, KVT, UOP4		08	I12A, I12B, I12C, I27A, I27B, I27C, I27D		08	I12A, I12B, I12C, I27A, I27B, I27C, I27D
	08	I12A, I12B, I12C, I27A, I27B, I27C, I27D		21A	W04A, W04B		21A	W04A, W04B
	21A	W04A, W04B		21B	X04Z, X06A, X06B, X06C		21B	X04Z, X06A, X06B, X06C



ZZV	MDC	DRG	ZZV	MDC	DRG	ZZV	MDC	DRG
5t89x.x		BOP, KVT, UOP4	5t90x↔		BOP, KVT, UOP4	5t920↔		BOP, KVT, UOP4
	08	I12A, I12B, I12C, I27A, I27B, I27C, I27D		05	F13A		05	F13A, F13C
	21A	W04A, W04B		08	I28A, I28B, I32A, I32B, I32C, I32D, I32E, I32F		08	I07Z
5t900↔	21B	X06A, X06B, X06C	5t910↔	11	L09A, L38Z	5t921↔	09	J03A, J03B, J04A, J04B, J08A, J08B, J08C, J11A, J11B, J16Z
		BOP, KVT, UOP4, VIAL		21A	W04A, W04B		11	L09A, L38Z
	05	F13A		21B	X05A, X05B, X07A, X07B		21A	W04A, W04B
	08	I02A, I02B, I02C, I02D, I08A, I08B, I08C, I08D, I08E, I08F, I22A, I50Z			BOP, KVT, UOP4, VIAL		21B	X06A, X06B, X06C
	11	L09A, L38Z		05	F13A		22	Y01Z, Y02A, Y02B, Y03A, Y03B
5t901↔	21A	W04A, W04B	5t911↔	08	I02A, I02B, I02C, I02D, I08A, I08B, I08C, I08D, I08E, I08F, I22A, I50Z	5t922↔		BOP, KVT, UOP4
	21B	X01A, X01B, X01C, X07A		11	L09A, L38Z		05	F13A, F13C
		BOP, KVT, UOP4, VIAL		21A	W01A, W01B, W01C, W02A, W02B		08	I07Z
	05	F13A		21B	X01A, X01B, X01C, X04Z, X07A		09	J03A, J03B, J04A, J04B, J08A, J08B, J08C, J11A, J11B, J16Z
	08	I02A, I02B, I02C, I02D, I08A, I08B, I08C, I08D, I08E, I08F, I22A, I50Z			BOP, KVT, UOP4, VIAL		11	L09A, L38Z
5t902↔	11	L09A, L38Z	5t912↔	05	F13A	5t923↔	21A	W04A, W04B
	21A	W04A, W04B		08	I02A, I02B, I02C, I02D, I18A, I18B, I22A, I30Z, I50Z		21B	X06A, X06B, X06C
	21B	X01A, X01B, X01C, X07A		11	L09A, L38Z		22	Y01Z, Y02A, Y02B, Y03A, Y03B
		BOP, KVT, UOP4, VIAL		21A	W04A, W04B			BOP, KVT, UOP4
	05	F13A		21B	X01A, X01B, X01C, X04Z, X07A		05	F13A, F13C
5t903↔	08	I02A, I02B, I02C, I02D, I08A, I08B, I08C, I08D, I08E, I08F, I22A, I50Z	5t913↔		BOP, KVT, UOP4, VIAL	5t924↔	08	I07Z
	11	L09A, L38Z		05	F13A		09	J03A, J03B, J04A, J04B, J08A, J08B, J08C, J11A, J11B, J16Z
	21A	W04A, W04B		08	I02A, I02B, I02C, I02D, I20A, I20B, I20C, I20D, I22A, I50Z		11	L09A, L38Z
	21B	X01A, X01B, X01C, X07A		11	L09A, L38Z		21A	W04A, W04B
		BOP, KVT, UOP4, VIAL		21A	W01A, W01B, W01C, W02A, W02B		21B	X06A, X06B, X06C
5t904↔	05	F13A	5t914↔	21B	X01A, X01B, X01C, X04Z, X07A	5t92x↔	22	Y01Z, Y02A, Y02B, Y03A, Y03B
	08	I02A, I02B, I02C, I02D, I22A, I32A, I32B, I32C, I32D, I32E, I32F, I50Z			BOP, KVT, UOP4, VIAL			BOP, KVT, UOP4
	11	L09A, L38Z		05	F13A		05	F13A, F13C
	21A	W04A, W04B		08	I02A, I02B, I02C, I02D, I20A, I20B, I20C, I20D, I22A, I50Z		08	I07Z
	21B	X01A, X01B, X01C, X05A, X05B, X07A		11	L09A, L38Z		09	J03A, J03B, J04A, J04B, J08A, J08B, J08C, J11A, J11B, J16Z
5t905↔		BOP, KVT, UOP4, VIAL	5t915↔	21A	W04A, W04B	5t925↔	11	L09A, L38Z
	05	F13A		21B	X01A, X01B, X01C, X04Z, X07A		21A	W04A, W04B
	08	I02A, I02B, I02C, I02D, I22A, I22B, I32A, I32B, I32C, I32D, I32E, I32F, I50Z			BOP, KVT, UOP4, VIAL		21B	X06A, X06B, X06C
	11	L09A, L38Z		05	F13A		22	Y01Z, Y02A, Y02B, Y03A, Y03B
	21A	W04A, W04B		08	I02A, I02B, I02C, I02D, I20A, I20B, I20C, I20D, I22A, I22B, I50Z			BOP, KVT, UOP4
5t906↔	21B	X01A, X01B, X01C, X05A, X05B, X07A, X07B	5t91x↔	11	L09A, L38Z		05	F13A, F13C
		BOP, KVT, UOP4, VIAL		21A	W04A, W04B		08	I07Z
	05	F13A		21B	X01A, X01B, X01C, X04Z, X07A, X07B		09	J03A, J03B, J04A, J04B, J08A, J08B, J08C, J11A, J11B, J16Z
	08	I02A, I02B, I02C, I02D, I22A, I22B, I32A, I32B, I32C, I32D, I32E, I32F, I50Z			BOP, KVT, UOP4		11	L09A, L38Z
	11	L09A, L38Z		05	F13A		21A	W04A, W04B
		08	I02A, I02B, I02C, I02D, I22A, I22B, I28A, I28B, I50Z	21B	X06A, X06B, X06C			
		11	L09A, L38Z	22	Y01Z, Y02A, Y02B, Y03A, Y03B			
		21A	W04A, W04B					
		21B	X01A, X01B, X01C, X05A, X05B, X07A, X07B					

VYK

ZZV	MDC	DRG	ZZV	MDC	DRG	ZZV	MDC	DRG			
5t930↔		BOP, KVT, UOP4	5t936↔		BOP, KVT, UOP4	5t940↔		BOP, KVT, UOP4			
	05	F13A, F13C		05	F13A, F13C		05	F13A, F28A, F28B, F28C			
	08	I07Z		08	I32A, I32B, I32C, I32D, I32E, I32F		08	I07Z, I37Z			
	09	J03A, J03B, J04A, J04B, J08A, J08B, J08C, J11A, J11B, J16Z		09	J03A, J03B, J04A, J04B, J08A, J08B, J08C, J11A, J11B, J16Z		09	J03A, J03B, J04A, J04B, J08A, J08B, J08C, J11A, J11B, J16Z			
	11	L09A, L38Z					11	L09A, L38Z			
	21A	W04A, W04B		21A	W04A, W04B		21A	W01A, W01B, W01C, W02A, W02B			
	21B	X05A, X05B		21B	X05A, X05B		21B	X04Z			
	22	Y01Z, Y02A, Y02B, Y03A, Y03B		22	Y01Z, Y02A, Y02B, Y03A, Y03B		22	Y01Z, Y02A, Y02B, Y03A, Y03B			
	5t931↔			BOP, KVT, UOP4	5t937↔			BOP, KVT, UOP4	5t941↔		BOP, KVT, UOP4
		05		F13A, F13C			05	F13A, F13C		05	F13A, F28A, F28B, F28C
08		I07Z	08	I32A, I32B, I32C, I32D, I32E, I32F		08	I07Z, I37Z				
09		J03A, J03B, J04A, J04B, J08A, J08B, J08C, J11A, J11B, J16Z	09	J03A, J03B, J04A, J04B, J08A, J08B, J08C, J11A, J11B, J16Z		09	J03A, J03B, J04A, J04B, J08A, J08B, J08C, J11A, J11B, J16Z				
21A		W04A, W04B	21A	W04A, W04B		11	L09A, L38Z				
21B		X05A, X05B	21B	X05A, X05B		21A	W01A, W01B, W01C, W02A, W02B				
22		Y01Z, Y02A, Y02B, Y03A, Y03B	22	Y01Z, Y02A, Y02B, Y03A, Y03B		21B	X04Z				
5t932↔			BOP, KVT, UOP4	5t938↔			BOP, KVT, UOP4	5t942↔			BOP, KVT, UOP4
		05	F13A, F13C			05	F13A, F13C			05	F13A, F28A, F28B, F28C
		08	I07Z			08	I32A, I32B, I32C, I32D, I32E, I32F			08	I07Z
	09	J03A, J03B, J04A, J04B, J08A, J08B, J08C, J11A, J11B, J16Z	09		J03A, J03B, J04A, J04B, J08A, J08B, J08C, J11A, J11B, J16Z	09	J03A, J03B, J04A, J04B, J08A, J08B, J08C, J11A, J11B, J16Z				
	21A	W04A, W04B	21A		W04A, W04B	11	L09A, L38Z				
	21B	X05A, X05B	21B		X05A, X05B	21A	W01A, W01B, W01C, W02A, W02B				
	22	Y01Z, Y02A, Y02B, Y03A, Y03B	22		Y01Z, Y02A, Y02B, Y03A, Y03B	21B	X04Z				
	5t933↔		BOP, KVT, UOP4		5t939↔		BOP, KVT, UOP4		5t943↔		BOP, KVT, UOP4
		05	F13A, F13C			05	F13A, F13C			05	F13A, F27A, F27B, F27C, F28A, F28B, F28C
		08	I32A, I32B, I32C, I32D, I32E, I32F			08	I32A, I32B, I32C, I32D, I32E, I32F			08	I07Z
09		J03A, J03B, J04A, J04B, J08A, J08B, J08C, J11A, J11B, J16Z	09	J03A, J03B, J04A, J04B, J08A, J08B, J08C, J11A, J11B, J16Z		09	J03A, J03B, J04A, J04B, J08A, J08B, J08C, J11A, J11B, J16Z				
21A		W04A, W04B	21A	W04A, W04B		10	K01Z				
21B		X05A, X05B	21B	X05A, X05B		11	L09A, L38Z				
22		Y01Z, Y02A, Y02B, Y03A, Y03B	22	Y01Z, Y02A, Y02B, Y03A, Y03B		21A	W01A, W01B, W01C, W02A, W02B				
5t934↔			BOP, KVT, UOP4	5t93a↔			BOP, KVT, UOP4	5t944↔			BOP, KVT, UOP4
		05	F13A, F13C			05	F13A, F13C			05	F13A, F27A, F27B, F27C, F28A, F28B, F28C
		08	I32A, I32B, I32C, I32D, I32E, I32F			08	I07Z			08	I07Z
	09	J03A, J03B, J04A, J04B, J08A, J08B, J08C, J11A, J11B, J16Z	09		J03A, J03B, J04A, J04B, J08A, J08B, J08C, J11A, J11B, J16Z	09	J03A, J03B, J04A, J04B, J08A, J08B, J08C, J11A, J11B, J16Z				
	21A	W04A, W04B	21A		W04A, W04B	10	K01Z				
	21B	X05A, X05B	21B		X05A, X05B	11	L09A, L38Z				
	22	Y01Z, Y02A, Y02B, Y03A, Y03B	22		Y01Z, Y02A, Y02B, Y03A, Y03B	21A	W01A, W01B, W01C, W02A, W02B				
	5t935↔		BOP, KVT, UOP4		5t93x↔		BOP, KVT, UOP4				
		05	F13A, F13C			05	F13A, F13C			05	F13A, F27A, F27B, F27C, F28A, F28B, F28C
		08	I32A, I32B, I32C, I32D, I32E, I32F			08	I32A, I32B, I32C, I32D, I32E, I32F			08	I07Z
09		J03A, J03B, J04A, J04B, J08A, J08B, J08C, J11A, J11B, J16Z	09	J03A, J03B, J04A, J04B, J08A, J08B, J08C, J11A, J11B, J16Z		09	J03A, J03B, J04A, J04B, J08A, J08B, J08C, J11A, J11B, J16Z				
21A		W04A, W04B	21A	W04A, W04B		10	K01Z				
21B		X05A, X05B	21B	X05A, X05B		11	L09A, L38Z				
22		Y01Z, Y02A, Y02B, Y03A, Y03B	22	Y01Z, Y02A, Y02B, Y03A, Y03B		21A	W01A, W01B, W01C, W02A, W02B				

VYK

ZZV	MDC	DRG	ZZV	MDC	DRG	ZZV	MDC	DRG			
5t945↔		BOP, KVT, UOP4	5t94a↔		BOP, KVT, UOP4	5t953↔		BOP, KVT, UOP4			
	05	F13A, F27A, F27B, F27C, F28A, F28B, F28C		05	F13A, F27A, F27B, F27C, F28A, F28B, F28C		05	F13A, F27A, F27B, F27C, F28A, F28B, F28C			
	08	I07Z		08	I07Z		08	I07Z			
	09	J03A, J03B, J04A, J04B, J08A, J08B, J08C, J11A, J11B, J16Z		09	J03A, J03B, J04A, J04B, J08A, J08B, J08C, J11A, J11B, J16Z		09	J03A, J03B, J04A, J04B, J08A, J08B, J08C, J11A, J11B, J16Z			
	10	K01Z		10	K01Z		10	K01Z			
	11	L09A, L38Z		11	L09A, L38Z		21A	W04A, W04B			
	21A	W01A, W01B, W01C, W02A, W02B		21A	W04A, W04B		21B	X04Z			
	21B	X04Z		21B	X04Z		22	Y01Z, Y02A, Y02B, Y03A, Y03B			
	22	Y01Z, Y02A, Y02B, Y03A, Y03B		22	Y01Z, Y02A, Y02B, Y03A, Y03B		5t954↔	BOP, KVT, UOP4			
	5t946↔			BOP, KVT, UOP4	5t94x↔			BOP, KVT, UOP4	5t954↔	05	F13A, F27A, F27B, F27C, F28A, F28B, F28C
05		F13A, F27A, F27B, F27C, F28A, F28B, F28C	05	F13A, F27A, F27B, F27C, F28A, F28B, F28C		08	I07Z				
08		I07Z	08	I07Z		09	J03A, J03B, J04A, J04B, J08A, J08B, J08C, J11A, J11B, J16Z				
09		J03A, J03B, J04A, J04B, J08A, J08B, J08C, J11A, J11B, J16Z	09	J03A, J03B, J04A, J04B, J08A, J08B, J08C, J11A, J11B, J16Z		10	K01Z				
10		K01Z	10	K01Z		21A	W04A, W04B				
11		L09A, L38Z	21A	W04A, W04B		21B	X04Z				
21A		W01A, W01B, W01C, W02A, W02B	21B	X04Z		22	Y01Z, Y02A, Y02B, Y03A, Y03B				
21B		X04Z	22	Y01Z, Y02A, Y02B, Y03A, Y03B		5t955↔	BOP, KVT, UOP4				
22		Y01Z, Y02A, Y02B, Y03A, Y03B	5t950↔	BOP, KVT, UOP4		5t955↔	05	F13A, F27A, F27B, F27C, F28A, F28B, F28C			
5t947↔			BOP, KVT, UOP4	5t950↔				BOP, KVT, UOP4		5t955↔	08
	05	F13A, F27A, F27B, F27C, F28A, F28B, F28C	05		F13A, F27A, F27B, F27C, F28A, F28B, F28C		09	J03A, J03B, J04A, J04B, J08A, J08B, J08C, J11A, J11B, J16Z			
	08	I07Z	08		I07Z		10	K01Z			
	09	J03A, J03B, J04A, J04B, J08A, J08B, J08C, J11A, J11B, J16Z	09		J03A, J03B, J04A, J04B, J08A, J08B, J08C, J11A, J11B, J16Z		21A	W04A, W04B			
	10	K01Z	10		K01Z		21B	X04Z			
	11	L09A, L38Z	21A		W04A, W04B		22	Y01Z, Y02A, Y02B, Y03A, Y03B			
	21A	W04A, W04B	21B		X04Z		5t956↔	BOP, KVT, UOP4			
	21B	X04Z	22		Y01Z, Y02A, Y02B, Y03A, Y03B		5t956↔	05	F13A, F27A, F27B, F27C, F28A, F28B, F28C		
	22	Y01Z, Y02A, Y02B, Y03A, Y03B	5t951↔		BOP, KVT, UOP4			5t956↔	08		I07Z
	5t948↔		BOP, KVT, UOP4		5t951↔				BOP, KVT, UOP4		5t956↔
05		F13A, F27A, F27B, F27C, F28A, F28B, F28C	05	F13A, F27A, F27B, F27C, F28A, F28B, F28C		10			K01Z		
08		I07Z	08	I07Z		21A			W04A, W04B		
09		J03A, J03B, J04A, J04B, J08A, J08B, J08C, J11A, J11B, J16Z	09	J03A, J03B, J04A, J04B, J08A, J08B, J08C, J11A, J11B, J16Z		21B			X04Z		
10		K01Z	10	K01Z		22			Y01Z, Y02A, Y02B, Y03A, Y03B		
11		L09A, L38Z	21A	W04A, W04B		5t957↔			BOP, KVT, UOP4		
21A		W04A, W04B	21B	X04Z		5t957↔			05	F13A, F13C, F27A, F27B, F27C	
21B		X04Z	22	Y01Z, Y02A, Y02B, Y03A, Y03B					5t957↔	08	
22		Y01Z, Y02A, Y02B, Y03A, Y03B	5t952↔	BOP, KVT, UOP4			5t957↔			09	
5t949↔			BOP, KVT, UOP4	5t952↔						BOP, KVT, UOP4	
	05	F13A, F27A, F27B, F27C, F28A, F28B, F28C	05		F13A, F27A, F27B, F27C, F28A, F28B, F28C			21A		W04A, W04B	
	08	I07Z	08		I07Z			21B		X04Z	
	09	J03A, J03B, J04A, J04B, J08A, J08B, J08C, J11A, J11B, J16Z	09		J03A, J03B, J04A, J04B, J08A, J08B, J08C, J11A, J11B, J16Z			22		Y01Z, Y02A, Y02B, Y03A, Y03B	
	10	K01Z	10		K01Z						
	11	L09A, L38Z	21A		W04A, W04B						
	21A	W04A, W04B	21B		X04Z						
	21B	X04Z	22		Y01Z, Y02A, Y02B, Y03A, Y03B						
	22	Y01Z, Y02A, Y02B, Y03A, Y03B									

VYK

ZZV	MDC	DRG	ZZV	MDC	DRG	ZZV	MDC	DRG			
5t958↔		BOP, KVT, UOP4	5t963↔		BOP, KVT, UOP4	5t991		BOP, KVT, UOP4			
	05	F13A, F13C, F27A, F27B, F27C		05	F13A, F13C, F27A, F27B, F27C		01	B03A, B03B, B06A, B06B, B07Z, B17A, B17B, B17C			
	08	I20A, I20B, I20C, I20D, I20E, I20F		08	I14Z		03	D12A			
	09	J03A, J03B, J04A, J04B, J08A, J08B, J08C, J11A, J11B, J16Z		09	J03A, J03B, J04A, J04B, J08A, J08B, J08C, J11A, J11B, J16Z		04	E02A, E02B, E02C			
	10	K01Z		10	K01Z		05	F21A, F21B, F21C, F27A, F27B, F27C			
	21A	W04A, W04B		21A	W04A, W04B		06	G10Z, G12A, G12B			
	21B	X04Z		21B	X04Z, X06A, X06B, X06C		07	H06A, H06B, H06C			
	22	Y01Z, Y02A, Y02B, Y03A, Y03B		22	Y01Z, Y03A, Y03B		08	I28A, I28B			
	5t95x↔			BOP, KVT, UOP4	5t964↔			BOP, KVT, UOP4	5t992		BOP, KVT, UOP4
		05		F13A, F13C, F27A, F27B, F27C			05	F13A, F13C, F27A, F27B, F27C		08	I28A, I28B
		08		I20A, I20B, I20C, I20D, I20E, I20F			08	I14Z		21A	W04A, W04B
09		J03A, J03B, J04A, J04B, J08A, J08B, J08C, J11A, J11B, J16Z	09	J03A, J03B, J04A, J04B, J08A, J08B, J08C, J11A, J11B, J16Z		21B	X06A, X06B, X06C				
10		K01Z	10	K01Z		5t992		BOP, KVT, UOP4			
21A		W04A, W04B	21A	W04A, W04B			08	I28A, I28B			
21B		X04Z	21B	X04Z, X06A, X06B, X06C		21A	W04A, W04B				
22		Y01Z, Y02A, Y02B, Y03A, Y03B	22	Y01Z, Y03A, Y03B		21B	X04Z, X05A, X05B, X06A, X06B, X06C				
5t960↔			BOP, KVT, UOP4	5t965↔			BOP, KVT, UOP4	5t993			BOP, KVT, UOP4
		05	F13A, F13C, F27A, F27B, F27C			05	F13A, F13C, F27A, F27B, F27C			08	I28A, I28B
		08	I14Z			08	I14Z			11	L09A, L38Z
	09	J03A, J03B, J04A, J04B, J08A, J08B, J08C, J11A, J11B, J16Z	09		J03A, J03B, J04A, J04B, J08A, J08B, J08C, J11A, J11B, J16Z	21A	W04A, W04B				
	10	K01Z	10		K01Z	21B	X04Z, X05A, X05B, X06A, X06B, X06C				
	21A	W04A, W04B	21A		W04A, W04B	5t994.2↔			BOP, KVT, UOP4, VIAL		
	21B	X06A, X06B, X06C	21B		X04Z, X06A, X06B, X06C		01		B03A, B03B, B06A, B06B, B07Z, B17A, B17B, B17C		
	22	Y01Z, Y03A, Y03B	22		Y01Z, Y03A, Y03B	08	I32A, I32B, I32C, I32D, I32E, I32F				
	5t961↔		BOP, KVT, UOP4		5t96x		BOP, KVT, UOP4		5t994.3↔		BOP, KVT, UOP4, VIAL
		05	F13A, F13C, F27A, F27B, F27C			05	F13A, F13C, F27A, F27B, F27C			01	B03A, B03B, B06A, B06B, B07Z, B17A, B17B, B17C
		08	I14Z			08	I14Z			08	I32A, I32B, I32C, I32D, I32E, I32F
09		J03A, J03B, J04A, J04B, J08A, J08B, J08C, J11A, J11B, J16Z	09	J03A, J03B, J04A, J04B, J08A, J08B, J08C, J11A, J11B, J16Z		09	J03A, J03B, J04A, J04B, J08A, J08B, J08C, J10A, J10B, J16Z				
10		K01Z	10	K01Z		21A	W04A, W04B				
21A		W04A, W04B	21A	W04A, W04B		21B	X05A, X05B				
21B		X05A, X05B, X06A, X06B, X06C	21B	X06A, X06B, X06C		5t994.4↔		BOP, KVT, UOP4, VIAL			
22		Y01Z, Y03A, Y03B	22	Y01Z, Y03A, Y03B			01	B03A, B03B, B06A, B06B, B07Z, B17A, B17B, B17C			
5t962↔			BOP, KVT, UOP4	5t970↔			BOP, KVT, UOP4	5t994.5↔			BOP, KVT, UOP4, VIAL
		05	F13A, F13C, F27A, F27B, F27C			05	F13A, F13C, F27A, F27B, F27C			08	I32A, I32B, I32C, I32D, I32E, I32F
		08	I14Z			08	I20A, I20B, I20C, I20D			09	J03A, J03B, J04A, J04B, J08A, J08B, J08C, J10A, J10B, J16Z
	09	J03A, J03B, J04A, J04B, J08A, J08B, J08C, J11A, J11B, J16Z	09		J03A, J03B, J04A, J04B, J08A, J08B, J08C, J11A, J11B, J16Z	21A	W04A, W04B				
	10	K01Z	10		K01Z	21B	X05A, X05B				
	21A	W04A, W04B	21A		W04A, W04B	5t994.4↔			BOP, KVT, UOP4, VIAL		
	21B	X05A, X05B, X06A, X06B, X06C	21B		X04Z, X06A, X06B, X06C		01		B03A, B03B, B06A, B06B, B07Z, B17A, B17B, B17C		
	22	Y01Z, Y03A, Y03B	22		Y01Z, Y03A, Y03B	08	I32A, I32B, I32C, I32D, I32E, I32F				
	5t962↔		BOP, KVT, UOP4		5t971		BOP, KVT, UOP4		5t994.5↔		BOP, KVT, UOP4, VIAL
		05	F13A, F13C, F27A, F27B, F27C			05	F13A, F13C, F27A, F27B, F27C			08	I32A, I32B, I32C, I32D, I32E, I32F
		08	I14Z			08	I28A, I28B			09	J03A, J03B, J04A, J04B, J08A, J08B, J08C, J10A, J10B, J16Z
09		J03A, J03B, J04A, J04B, J08A, J08B, J08C, J11A, J11B, J16Z	09	J03A, J03B, J04A, J04B, J08A, J08B, J08C, J11A, J11B, J16Z		21A	W04A, W04B				
10		K01Z	10	K01Z		21B	X05A, X05B				
21A		W04A, W04B	11	L09A, L38Z		5t994.5↔		BOP, KVT, UOP4, VIAL			
21B		X05A, X05B	21A	W01A, W01B, W01C, W02A, W02B			01	B03A, B03B, B06A, B06B, B07Z, B17A, B17B, B17C			
22		Y01Z, Y03A, Y03B	21B	X04Z		08	I32A, I32B, I32C, I32D, I32E, I32F				
						09	J03A, J03B, J04A, J04B, J08A, J08B, J08C, J10A, J10B, J16Z				
						21A	W04A, W04B				
						21B	X05A, X05B				

VYK

ZZV	MDC	DRG	ZZV	MDC	DRG	ZZV	MDC	DRG
5t994.6↔		BOP, KVT, UOP4, VIAL	5u113↔		BOP, KVT, UOP4	5u123.02		BOP, KVT, UOP4
	01	B03A, B03B, B06A, B06B, B07Z, B17A, B17B, B17C		09	J03A, J03B, J04A, J04B, J06Z, J07A, J07B, J08A, J08B, J08C, J16Z, J24A, J24B, J24C, J24D, J25Z		09	J03A, J03B, J04A, J04B, J06Z, J08A, J08B, J08C, J14A, J16Z, J23Z, J24A, J24B, J24C, J26Z
	08	I32A, I32B, I32C, I32D, I32E, I32F		21A	W04A, W04B		11	L09A, L38Z
	09	J03A, J03B, J04A, J04B, J08A, J08B, J08C, J10A, J10B, J16Z		21B	X06A, X06B, X06C		21A	W04A, W04B
	21A	W04A, W04B	5u114↔		BOP, KVT, UOP4		21B	X06A, X06B, X06C
	21B	X05A, X05B		09	J03A, J03B, J04A, J04B, J06Z, J07A, J07B, J08A, J08B, J08C, J16Z, J24A, J24B, J24C, J24D, J25Z	5u123.1		BOP, KVT, UOP4
5t995.2↔		BOP, KVT, UOP4		10	K09A, K09B		03	D12A
	08	I20A, I20B, I20C		21A	W04A, W04B		04	E02A, E02B, E02C
	21A	W04A, W04B		21B	X06A, X06B, X06C		06	G10Z, G12A, G12B
	21B	X04Z, X06A, X06B, X06C		10	K09A, K09B		08	I28A, I28B
5t995.3↔		BOP, KVT, UOP4	5u115.0↔		BOP, KVT, UOP4		09	J03A, J03B, J04A, J04B, J08A, J08B, J08C, J11A, J11B, J16Z, J21Z, J23Z, J24A, J24B, J24C, J24D, J26Z
	08	I20A, I20B, I20C		09	J03A, J03B, J04A, J04B, J08A, J08B, J08C, J16Z, J23Z, J24A, J24B, J24C, J24D, J26Z		10	K09A, K09B
	21A	W04A, W04B		10	K07Z		11	L09A, L09B, L09C, L09D, L38Z
	21B	X04Z, X06A, X06B, X06C		21A	W04A, W04B		13	N11A
5t995.4↔		BOP, KVT, UOP4		21B	X06A, X06B, X06C		14	962Z, O02A, O02B
	08	I20A, I20B, I20C	5u115.1↔		BOP, KVT, UOP4		16	Q03A, Q03B
	21A	W04A, W04B		09	J03A, J03B, J04A, J04B, J08A, J08B, J08C, J16Z, J23Z, J24A, J24B, J24C, J24D, J26Z	5u123.2		BOP, KVT, UOP4
	21B	X04Z, X06A, X06B, X06C		10	K07Z		09	J03A, J03B, J04A, J04B, J06Z, J08A, J08B, J08C, J16Z, J23Z, J24A, J24B, J24C, J26Z
5t995.5↔		BOP, KVT, UOP4		21A	W04A, W04B		11	L09A, L38Z
	08	I20A, I20B, I20C		21B	X06A, X06B, X06C		21A	W04A, W04B
	21A	W04A, W04B	5u121↔		BOP, KVT, UOP4		21B	X06A, X06B, X06C
	21B	X04Z, X06A, X06B, X06C		09	J03A, J03B, J04A, J04B, J06Z, J08A, J08B, J08C, J16Z, J23Z, J24A, J24B, J24C, J24D, J26Z	5u123.x		BOP, KVT, UOP4
5t995.6↔		BOP, KVT, UOP4		11	L09A, L38Z		09	J03A, J03B, J04A, J04B, J06Z, J08A, J08B, J08C, J16Z, J23Z, J24A, J24B, J24C, J26Z
	08	I20A, I20B, I20C		19	U01Z		11	L09A, L38Z
	21A	W04A, W04B		21A	W04A, W04B		21A	W04A, W04B
	21B	X04Z, X06A, X06B, X06C		21B	X06A, X06B, X06C		21B	X06A, X06B, X06C
5u110.0↔		BOP, KVT, UOP4	5u122		BOP, KVT, UOP4	5u124.0		BOP, KVT, UOP4
	09	J03A, J03B, J04A, J04B, J06Z, J07A, J07B, J08A, J08B, J08C, J16Z, J24A, J24B, J24C, J24D, J25Z		03	D12A		09	J03A, J03B, J04A, J04B, J06Z, J08A, J08B, J08C, J16Z, J23Z, J24A, J24B, J24C, J24D, J26Z
	10	K09A, K09B		04	E02A, E02B, E02C		11	L09A, L38Z
	16	Q03A, Q03B		06	G10Z, G12A, G12B		21A	W04A, W04B
	21A	W04A, W04B		08	I28A, I28B		21B	X06A, X06B, X06C
	21B	X06A, X06B, X06C		09	J03A, J03B, J04A, J04B, J08A, J08B, J08C, J11A, J11B, J16Z, J21Z, J23Z, J24A, J24B, J24C, J24D, J26Z	5u124.1		BOP, KVT, UOP4
5u110.1↔		BOP, KVT, UOP4		10	K09A, K09B		09	J03A, J03B, J04A, J04B, J06Z, J08A, J08B, J08C, J16Z, J23Z, J24A, J24B, J24C, J24D, J26Z
	09	J03A, J03B, J04A, J04B, J06Z, J07A, J07B, J08A, J08B, J08C, J16Z, J24A, J24B, J24C, J24D, J25Z		11	L09A, L09B, L09C, L09D, L38Z		11	L09A, L38Z
	10	K09A, K09B		13	N11A		21A	W04A, W04B
	16	Q03A, Q03B		14	962Z, O02A, O02B		21B	X06A, X06B, X06C
	21A	W04A, W04B		16	Q03A, Q03B		21B	X06A, X06B, X06C
	21B	X06A, X06B, X06C	5u123.01		BOP, KVT, UOP4	5u191↔		BOP, KVT, UOP4
5u111↔		BOP, KVT, UOP4		09	J03A, J03B, J04A, J04B, J06Z, J08A, J08B, J08C, J14A, J16Z, J23Z, J24A, J24B, J24C, J26Z		09	J03A, J03B, J04A, J04B, J07A, J07B, J08A, J08B, J08C, J16Z, J24A, J24B, J24C, J24D, J25Z
	09	J03A, J03B, J04A, J04B, J06Z, J07A, J07B, J08A, J08B, J08C, J16Z, J24A, J24B, J24C, J24D, J25Z		10	K09A, K09B		11	L09A, L38Z
	10	K09A, K09B		11	L09A, L09B, L09C, L09D, L38Z		21A	W04A, W04B
	16	Q03A, Q03B		13	N11A		21B	X06A, X06B, X06C
	21A	W04A, W04B		14	962Z, O02A, O02B		21B	X06A, X06B, X06C
	21B	X06A, X06B, X06C		16	Q03A, Q03B			
5u112↔		BOP, KVT, UOP4		09	J03A, J03B, J04A, J04B, J06Z, J08A, J08B, J08C, J14A, J16Z, J23Z, J24A, J24B, J24C, J26Z			
	09	J03A, J03B, J04A, J04B, J06Z, J07A, J07B, J08A, J08B, J08C, J16Z, J24A, J24B, J24C, J24D, J25Z		10	K09A, K09B			
	10	K09A, K09B		11	L09A, L38Z			
	21A	W04A, W04B		21A	W04A, W04B			
	21B	X06A, X06B, X06C		21B	X06A, X06B, X06C			

VYK

ZZV	MDC	DRG	ZZV	MDC	DRG	ZZV	MDC	DRG
5u210.1↔		BOP, KVT, UOP4	5u211.4↔		BOP, KVT, UOP4	5u213.3↔		BOP, KVT, UOP4
	09	J03A, J03B, J04A, J04B, J06Z, J08A, J08B, J08C, J16Z, J23Z, J24A, J24B, J24C, J26Z		09	J03A, J03B, J04A, J04B, J08A, J08B, J08C, J14A, J14B, J16Z, J23Z, J24A, J24B, J24C, J26Z		09	J14A, J26Z
	11	L09A, L38Z		11	L09A, L38Z		11	L09A, L38Z
	19	U01Z		19	U01Z		19	U01Z
	21A	W04A, W04B		21A	W04A, W04B		21A	W04A, W04B
5u210.2↔		BOP, KVT, UOP4	5u211.5↔		BOP, KVT, UOP4	5u213.4↔		BOP, KVT, UOP4
	09	J03A, J03B, J04A, J04B, J06Z, J08A, J08B, J08C, J16Z, J23Z, J24A, J24B, J24C, J26Z		09	J03A, J03B, J04A, J04B, J08A, J08B, J08C, J14A, J14B, J16Z, J23Z, J24A, J24B, J24C, J26Z		09	J03A, J03B, J04A, J04B, J08A, J08B, J08C, J14A, J14B, J16Z, J23Z, J24A, J24B, J24C, J26Z
	11	L09A, L38Z		11	L09A, L38Z		11	L09A, L38Z
	19	U01Z		19	U01Z		19	U01Z
	21A	W04A, W04B		21A	W04A, W04B		21A	W04A, W04B
5u210.3↔		BOP, KVT, UOP4	5u211.7↔		BOP, KVT, UOP4	5u213.5↔		BOP, KVT, UOP4
	09	J03A, J03B, J04A, J04B, J06Z, J08A, J08B, J08C, J16Z, J23Z, J24A, J24B, J24C, J26Z		09	J01Z, J02A, J02B, J14A		09	J03A, J03B, J04A, J04B, J08A, J08B, J08C, J14A, J14B, J16Z, J23Z, J24A, J24B, J24C, J26Z
	10	K07Z		11	L09A, L38Z		11	L09A, L38Z
	21A	W04A, W04B		19	U01Z		19	U01Z
	21B	X06A, X06B		21A	W04A, W04B		21A	W04A, W04B
5u210.4↔		BOP, KVT, UOP4	5u211.x↔		BOP, KVT, UOP4	5u214.1↔		BOP, KVT, UOP4
	09	J03A, J03B, J04A, J04B, J06Z, J08A, J08B, J08C, J16Z, J23Z, J24A, J24B, J24C, J26Z		09	J03A, J03B, J04A, J04B, J08A, J08B, J08C, J14A, J14B, J16Z, J23Z, J24A, J24B, J24C, J26Z		09	J03A, J03B, J04A, J04B, J06Z, J08A, J08B, J08C, J16Z, J23Z, J24A, J24B, J24C, J26Z
	10	K07Z		11	L09A, L38Z		10	K07Z
	21A	W04A, W04B		19	U01Z		21A	W04A, W04B
	21B	X06A, X06B		21A	W04A, W04B		21B	X06A, X06B
5u210.7↔		BOP, KVT, UOP4	5u212.1↔		BOP, KVT, UOP4	5u214.2↔		BOP, KVT, UOP4
	09	J01Z, J02A, J02B, J14A		09	J01Z, J02A, J02B, J14A		09	J03A, J03B, J04A, J04B, J06Z, J08A, J08B, J08C, J16Z, J23Z, J24A, J24B, J24C, J26Z
	11	L09A, L38Z		11	L09A, L38Z		10	K07Z
	19	U01Z		19	U01Z		11	L09A, L38Z
	21A	W04A, W04B		21A	W04A, W04B		21A	W04A, W04B
5u211.1↔		BOP, KVT, UOP4	5u212.2↔		BOP, KVT, UOP4	5u215↔		BOP, KVT, UOP4
	09	J03A, J03B, J04A, J04B, J07A, J07B, J08A, J08B, J08C, J16Z, J24A, J24B, J24C, J25Z		09	J03A, J03B, J04A, J04B, J08A, J08B, J08C, J14A, J14B, J16Z, J23Z, J24A, J24B, J24C, J26Z		09	J03A, J03B, J04A, J04B, J08A, J08B, J08C, J16Z, J23Z, J24A, J24B, J24C, J26Z
	21A	W04A, W04B		19	U01Z		21A	W04A, W04B
	21B	X06A, X06B		21A	W04A, W04B		21B	X06A, X06B
	5u211.2↔			BOP, KVT, UOP4	5u213.1↔			BOP, KVT, UOP4
09		J03A, J03B, J04A, J04B, J08A, J08B, J08C, J16Z, J23Z, J24A, J24B, J24C, J26Z	09	J03A, J03B, J04A, J04B, J08A, J08B, J08C, J14A, J14B, J16Z, J23Z, J24A, J24B, J24C, J26Z		09	J03A, J03B, J04A, J04B, J06Z, J08A, J08B, J08C, J16Z, J23Z, J24A, J24B, J24C, J26Z	
21A		W04A, W04B	11	L09A, L38Z		11	L09A, L38Z	
21B		X06A, X06B	19	U01Z		19	U01Z	
5u211.3↔			BOP, KVT, UOP4	5u213.2↔			BOP, KVT, UOP4	5u216.7
	09	J03A, J03B, J04A, J04B, J08A, J08B, J08C, J14A, J14B, J16Z, J23Z, J24A, J24B, J24C, J26Z	09		J03A, J03B, J04A, J04B, J08A, J08B, J08C, J14A, J14B, J16Z, J23Z, J24A, J24B, J24C, J26Z	09	J01Z, J02A, J02B, J14A	
	11	L09A, L38Z	11		L09A, L38Z	11	L09A, L38Z	
	19	U01Z	19		U01Z	19	U01Z	
	21A	W04A, W04B	21A		W04A, W04B	21A	W04A, W04B	
5u211.2↔		BOP, KVT, UOP4	5u213.1↔		BOP, KVT, UOP4	5u217.0↔		BOP, KVT, UOP4
	09	J03A, J03B, J04A, J04B, J08A, J08B, J08C, J16Z, J23Z, J24A, J24B, J24C, J26Z		09	J03A, J03B, J04A, J04B, J08A, J08B, J08C, J14A, J14B, J16Z, J23Z, J24A, J24B, J24C, J26Z		09	J03A, J03B, J04A, J04B, J06Z, J07A, J07B, J08A, J08B, J08C, J16Z, J24A, J24B, J24C, J25Z
	21A	W04A, W04B		11	L09A, L38Z		21A	W04A, W04B
	21B	X06A, X06B		19	U01Z		21B	X06A, X06B
	5u211.3↔			BOP, KVT, UOP4	5u213.2↔			BOP, KVT, UOP4
09		J03A, J03B, J04A, J04B, J08A, J08B, J08C, J14A, J14B, J16Z, J23Z, J24A, J24B, J24C, J26Z	09	J03A, J03B, J04A, J04B, J08A, J08B, J08C, J14A, J14B, J16Z, J23Z, J24A, J24B, J24C, J26Z		09	J03A, J03B, J04A, J04B, J06Z, J07A, J07B, J08A, J08B, J08C, J16Z, J24A, J24B, J24C, J25Z	
11		L09A, L38Z	11	L09A, L38Z		21A	W04A, W04B	
19		U01Z	19	U01Z		21B	X06A, X06B	
21A		W04A, W04B	21A	W04A, W04B				
21B	X06A, X06B	21B	X06A, X06B					

ZZV	MDC	DRG	ZZV	MDC	DRG	ZZV	MDC	DRG
5u217.1↔		BOP, KVT, UOP4	5u222.3↔		BOP, KVT, UOP4	5u921↔		BOP, KVT, UOP4
	09	J03A, J03B, J04A, J04B, J06Z, J07A, J07B, J08A, J08B, J08C, J16Z, J24A, J24B, J24C, J25Z		09	J03A, J03B, J04A, J04B, J08A, J08B, J08C, J16Z, J23Z, J24A, J24B, J24C, J26Z		09	J03A, J03B, J04A, J04B, J07A, J07B, J08A, J08B, J08C, J16Z, J24A, J24B, J24C, J24D, J25Z
	21A	W04A, W04B		21A	W04A, W04B		19	U01Z
	21B	X06A, X06B		21B	X06A, X06B		21A	W04A, W04B
5u220.1↔		BOP, KVT, UOP4	5u222.4↔		BOP, KVT, UOP4	5u922↔		BOP, KVT, UOP4
	09	J03A, J03B, J04A, J04B, J08A, J08B, J08C, J16Z, J23Z, J24A, J24B, J24C, J26Z		09	J03A, J03B, J04A, J04B, J08A, J08B, J08C, J16Z, J23Z, J24A, J24B, J24C, J26Z		09	J03A, J03B, J04A, J04B, J07A, J07B, J08A, J08B, J08C, J16Z, J24A, J24B, J24C, J24D, J25Z
	21A	W04A, W04B		21A	W04A, W04B		19	U01Z
	21B	X06A, X06B		21B	X06A, X06B		21A	W04A, W04B
5u220.2↔		BOP, KVT, UOP4	5u222.5↔		BOP, KVT, UOP4	5u923↔		BOP, KVT, UOP4
	09	J03A, J03B, J04A, J04B, J08A, J08B, J08C, J16Z, J23Z, J24A, J24B, J24C, J26Z		09	J03A, J03B, J04A, J04B, J08A, J08B, J08C, J16Z, J23Z, J24A, J24B, J24C, J26Z		09	J03A, J03B, J04A, J04B, J07A, J07B, J08A, J08B, J08C, J16Z, J24A, J24B, J24C, J24D, J25Z
	21A	W04A, W04B		21A	W04A, W04B		19	U01Z
	21B	X06A, X06B		21B	X06A, X06B		21A	W04A, W04B
5u220.3↔		BOP, KVT, UOP4	5u222.6↔		BOP, KVT, UOP4			
	09	J03A, J03B, J04A, J04B, J08A, J08B, J08C, J16Z, J23Z, J24A, J24B, J24C, J26Z		09	J03A, J03B, J04A, J04B, J08A, J08B, J08C, J16Z, J23Z, J24A, J24B, J24C, J26Z	5v110‡	03	D40Z
	21A	W04A, W04B		21A	W04A, W04B	5v111.4‡	02	C14Z
	21B	X06A, X06B		21B	X06A, X06B	5v112.4‡	02	C14Z
5u221.0↔		BOP, KVT, UOP4	5u223.1↔		BOP, KVT, UOP4	5v113.0‡	09	J11A, J11B
	09	J03A, J03B, J04A, J04B, J08A, J08B, J08C, J16Z, J23Z, J24A, J24B, J24C, J26Z		09	J03A, J03B, J04A, J04B, J08A, J08B, J08C, J16Z, J23Z, J24A, J24B, J24C, J26Z	5v113.4‡	02	C14Z
	21A	W04A, W04B		21A	W04A, W04B		09	J11A, J11B
	21B	X06A, X06B		21B	X06A, X06B	5v113.5‡	09	J11A, J11B
5u221.1↔		BOP, KVT, UOP4	5u223.2↔		BOP, KVT, UOP4	5v113.6‡↔	09	J11A, J11B, J11C
	09	J03A, J03B, J04A, J04B, J08A, J08B, J08C, J16Z, J23Z, J24A, J24B, J24C, J26Z		09	J03A, J03B, J04A, J04B, J08A, J08B, J08C, J16Z, J23Z, J24A, J24B, J24C, J26Z	5v113.7‡↔	09	J11A, J11B
	21A	W04A, W04B		21A	W04A, W04B	5v113.8‡↔	09	J11A, J11B
	21B	X06A, X06B		21B	X06A, X06B	5v113.9‡↔	09	J11A, J11B
5u222.0↔		BOP, KVT, UOP4	5u224↔		BOP, KVT, UOP4	5v113.a‡	09	J11A, J11B, J11C
	09	J03A, J03B, J04A, J04B, J07A, J07B, J08A, J08B, J08C, J16Z, J24A, J24B, J24C, J24D, J25Z		09	J03A, J03B, J04A, J04B, J08A, J08B, J08C, J16Z, J23Z, J24A, J24B, J24C, J26Z	5v113.b‡	09	J11A, J11B
	10	K09A, K09B		21A	W04A, W04B	5v113.c‡	09	J11A, J11B
	21A	W04A, W04B		21B	X06A, X06B	5v113.d‡	09	J11A, J11B, J11C
	21B	X06A, X06B	5u230.1↔		BOP, KVT, UOP4	5v113.e‡↔	09	J11A, J11B
5u222.1↔		BOP, KVT, UOP4		09	J03A, J03B, J04A, J04B, J07A, J07B, J08A, J08B, J08C, J16Z, J24A, J24B, J24C, J24D, J25Z	5v113.f‡↔	09	J11A, J11B
	09	J03A, J03B, J04A, J04B, J07A, J07B, J08A, J08B, J08C, J16Z, J24A, J24B, J24C, J24D, J25Z		19	U01Z	5v113.g‡↔	09	J11A, J11B
	10	K09A, K09B		21A	W04A, W04B	5v113.x‡	09	J11A, J11B
	21A	W04A, W04B		21B	X06A, X06B	5v114.4‡	02	C14Z
	21B	X06A, X06B	5u230.2↔		BOP, KVT, UOP4	5v130.0	03	D08A, D08B, D18Z, D22A, D22B, D30A, D30B
5u222.2↔		BOP, KVT, UOP4		09	J03A, J03B, J04A, J04B, J07A, J07B, J08A, J08B, J08C, J16Z, J24A, J24B, J24C, J24D, J25Z		05	F13A
	09	J03A, J03B, J04A, J04B, J08A, J08B, J08C, J16Z, J23Z, J24A, J24B, J24C, J26Z		19	U01Z		09	J03A, J03B, J04A, J04B, J08A, J08B, J08C, J11A, J11B, J11C, J16Z
	21A	W04A, W04B		21A	W04A, W04B	5v130.4‡	02	C14Z
	21B	X06A, X06B		21B	X06A, X06B		09	J11A, J11B, J11C
						5v130.5‡	09	J11A, J11B, J11C
						5v130.6‡↔	09	J11A, J11B, J11C
						5v130.7‡↔	09	J11A, J11B, J11C
						5v130.8‡↔	09	J11A, J11B, J11C
						5v130.9‡↔	09	J11A, J11B, J11C
						5v130.a‡	09	J11A, J11B, J11C
						5v130.b‡	09	J11A, J11B, J11C
						5v130.c‡	09	J11A, J11B, J11C
						5v130.d‡	09	J11A, J11B, J11C
						5v130.e‡↔	09	J11A, J11B, J11C
						5v130.f‡↔	09	J11A, J11B, J11C
						5v130.g‡↔	09	J11A, J11B, J11C
						5v130.x‡	09	J11A, J11B, J11C

VYK

## Príloha B: Index Výkon-MDC-DRG

ZZV	MDC	DRG	ZZV	MDC	DRG	ZZV	MDC	DRG
5v131.0	03	D08A, D08B, D18Z, D22A, D22B, D30A, D30B	5v141.4		BOP, KVT, UOP4	5v141.9↔		BOP, KVT, UOP4
	05	F13A		01	B03A, B03B, B06A, B06B, B07Z, B17A, B17B, B17C		01	B03A, B03B, B06A, B06B, B07Z, B17A, B17B, B17C
	09	J03A, J03B, J04A, J04B, J08A, J08B, J08C, J11A, J11B, J11C, J16Z		02	C20A, C20B		05	F13A, F21A, F21B, F21C
5v131.4‡	02	C14Z		03	D12A		08	I27A, I27B, I27C, I27D
	09	J11A, J11B, J11C		05	F13A, F21A, F21B, F21C		09	J03A, J03B, J04A, J04B, J08A, J08B, J08C, J11A, J11B, J11C, J16Z, J21Z
5v131.5‡	09	J11A, J11B, J11C		08	I27A, I27B, I27C, I27D		10	K09A, K09B
5v131.6‡↔	09	J11A, J11B, J11C		09	J03A, J03B, J04A, J04B, J08A, J08B, J08C, J11A, J11B, J11C, J16Z, J21Z		21A	W04A, W04B
5v131.7‡↔	09	J11A, J11B, J11C		10	K09A, K09B		21B	X05A, X05B, X06A, X06B, X06C
5v131.8‡↔	09	J11A, J11B, J11C		21A	W04A, W04B		22	Y01Z, Y03A, Y03B
5v131.9‡↔	09	J11A, J11B, J11C		21B	X06A, X06B, X06C			BOP, KVT, UOP4
5v131.a‡	09	J11A, J11B, J11C		22	Y01Z, Y03A, Y03B	5v141.a		BOP, KVT, UOP4
5v131.b‡	09	J11A, J11B, J11C	5v141.5		BOP, KVT, UOP4		01	B03A, B03B, B06A, B06B, B07Z, B17A, B17B, B17C
5v131.c‡	09	J11A, J11B, J11C		01	B03A, B03B, B06A, B06B, B07Z, B17A, B17B, B17C		05	F13A, F21A, F21B, F21C
5v131.d‡	09	J11A, J11B, J11C		03	D12A		08	I27A, I27B, I27C, I27D
5v131.e‡↔	09	J11A, J11B, J11C		05	F13A, F21A, F21B, F21C		09	J03A, J03B, J04A, J04B, J08A, J08B, J08C, J11A, J11B, J11C, J16Z, J21Z
5v131.f‡↔	09	J11A, J11B, J11C		08	I27A, I27B, I27C, I27D		10	K09A, K09B
5v131.g‡↔	09	J11A, J11B, J11C		09	J03A, J03B, J04A, J04B, J08A, J08B, J08C, J11A, J11B, J11C, J16Z, J21Z		21A	W04A, W04B
5v131.x‡	09	J11A, J11B, J11C		10	K09A, K09B		21B	X06A, X06B, X06C
5v132.4‡	02	C14Z		21A	W04A, W04B		22	Y01Z, Y03A, Y03B
5v132.6‡↔	09	J11A, J11B, J11C		21B	X06A, X06B, X06C	5v141.b		BOP, KVT, UOP4
5v132.c‡	09	J11A, J11B, J11C		22	Y01Z, Y03A, Y03B		01	B03A, B03B, B06A, B06B, B07Z, B17A, B17B, B17C
5v132.x‡	09	J11A, J11B					05	F13A, F21A, F21B, F21C
5v13x.x‡	09	J11A, J11B					08	I27A, I27B, I27C, I27D
5v140.0		BOP, KVT, UOP4					09	J03A, J03B, J04A, J04B, J08A, J08B, J08C, J11A, J11B, J11C, J16Z, J21Z
	03	D08A, D08B, D18Z, D22A, D22B, D30A, D30B	5v141.6↔		BOP, KVT, UOP4		10	K09A, K09B
	05	F13A		01	B03A, B03B, B06A, B06B, B07Z, B17A, B17B, B17C		21A	W04A, W04B
	09	J03A, J03B, J04A, J04B, J08A, J08B, J08C, J11A, J11B, J11C, J16Z		05	F13A, F21A, F21B, F21C		21B	X06A, X06B, X06C
5v140.4‡	02	C20A, C20B		08	I27A, I27B, I27C, I27D		22	Y01Z, Y03A, Y03B
	09	J11A, J11B, J11C		09	J03A, J03B, J04A, J04B, J08A, J08B, J08C, J11A, J11B, J11C, J16Z, J21Z	5v141.c		BOP, KVT, UOP4
5v140.5‡	09	J11A, J11B, J11C		10	K09A, K09B		01	B03A, B03B, B06A, B06B, B07Z, B17A, B17B, B17C
5v140.6‡↔	09	J11A, J11B, J11C		21A	W04A, W04B		05	F13A, F21A, F21B, F21C
5v140.7‡↔	09	J11A, J11B, J11C		21B	X06A, X06B, X06C		08	I27A, I27B, I27C, I27D
5v140.8‡↔	09	J11A, J11B, J11C		22	Y01Z, Y03A, Y03B		09	J03A, J03B, J04A, J04B, J08A, J08B, J08C, J11A, J11B, J11C, J16Z, J21Z
5v140.9‡↔	09	J11A, J11B, J11C	5v141.7↔		BOP, KVT, UOP4		10	K09A, K09B
5v140.a‡	09	J11A, J11B, J11C		01	B03A, B03B, B06A, B06B, B07Z, B17A, B17B, B17C		21A	W04A, W04B
5v140.b‡	09	J11A, J11B, J11C		05	F13A, F21A, F21B, F21C		21B	X04Z, X06A, X06B, X06C
5v140.c‡	09	J11A, J11B, J11C		08	I27A, I27B, I27C, I27D		22	Y01Z, Y03A, Y03B
5v140.d‡	09	J11A, J11B, J11C		09	J03A, J03B, J04A, J04B, J08A, J08B, J08C, J11A, J11B, J11C, J16Z, J21Z	5v141.d		BOP, KVT, UOP4
5v140.e‡↔	09	J11A, J11B, J11C		10	K09A, K09B		01	B03A, B03B, B06A, B06B, B07Z, B17A, B17B, B17C
5v140.f‡↔	09	J11A, J11B, J11C		21A	W04A, W04B		05	F13A, F21A, F21B, F21C
5v140.g‡↔	09	J11A, J11B, J11C		21B	X06A, X06B, X06C		08	I27A, I27B, I27C, I27D
5v140.x‡	09	J11A, J11B, J11C		22	Y01Z, Y03A, Y03B		09	J03A, J03B, J04A, J04B, J08A, J08B, J08C, J11A, J11B, J11C, J16Z, J21Z
5v141.0		BOP, KVT, UOP4					10	K09A, K09B
	01	B03A, B03B, B06A, B06B, B07Z, B17A, B17B, B17C	5v141.8↔		BOP, KVT, UOP4		21A	W04A, W04B
	03	D12A		01	B03A, B03B, B06A, B06B, B07Z, B17A, B17B, B17C		21B	X04Z, X06A, X06B, X06C
	05	F13A, F21A, F21B, F21C		05	F13A, F21A, F21B, F21C		22	Y01Z, Y03A, Y03B
	09	J03A, J03B, J04A, J04B, J08A, J08B, J08C, J11A, J11B, J11C, J16Z, J21Z		08	I27A, I27B, I27C, I27D			BOP, KVT, UOP4
	10	K09A, K09B		09	J03A, J03B, J04A, J04B, J08A, J08B, J08C, J11A, J11B, J11C, J16Z, J21Z		01	B03A, B03B, B06A, B06B, B07Z, B17A, B17B, B17C
	21A	W04A, W04B		10	K09A, K09B		05	F13A, F21A, F21B, F21C
	21B	X06A, X06B, X06C		21A	W04A, W04B		08	I27A, I27B, I27C, I27D
	22	Y01Z, Y03A, Y03B		21B	X05A, X05B, X06A, X06B, X06C		09	J03A, J03B, J04A, J04B, J08A, J08B, J08C, J11A, J11B, J11C, J16Z, J21Z
				22	Y01Z, Y03A, Y03B		10	K09A, K09B
							21A	W04A, W04B
							21B	X04Z, X06A, X06B, X06C
							22	Y01Z, Y03A, Y03B

VYK



ZZV	MDC	DRG	ZZV	MDC	DRG	ZZV	MDC	DRG
5v141.e↔		BOP, KVT, UOP4	5v142.x†	09	J11A, J11B, J11C	5v143.8↔		BOP, KVT, UOP4
	01	B03A, B03B, B06A, B06B, B07Z, B17A, B17B, B17C	5v143.0		BOP, KVT, UOP4		01	B03A, B03B, B06A, B06B, B07Z, B17A, B17B, B17C
	05	F13A, F21A, F21B, F21C		01	B03A, B03B, B06A, B06B, B07Z, B17A, B17B, B17C		05	F13A, F21A, F21B, F21C
	08	I27A, I27B, I27C, I27D		03	D12A		08	I27A, I27B, I27C, I27D
	09	J03A, J03B, J04A, J04B, J08A, J08B, J08C, J11A, J11B, J11C, J16Z, J21Z		05	F13A, F21A, F21B, F21C		09	J03A, J03B, J04A, J04B, J08A, J08B, J08C, J11A, J11B, J11C, J16Z, J21Z
	10	K09A, K09B		09	J03A, J03B, J04A, J04B, J08A, J08B, J08C, J11A, J11B, J11C, J16Z, J21Z		10	K09A, K09B
	21A	W04A, W04B		10	K09A, K09B		21A	W04A, W04B
	21B	X04Z, X06A, X06B, X06C		21A	W04A, W04B		21B	X05A, X05B, X06A, X06B, X06C
	22	Y01Z, Y03A, Y03B		21B	X06A, X06B, X06C		22	Y01Z, Y03A, Y03B
5v141.f↔		BOP, KVT, UOP4	5v143.4		BOP, KVT, UOP4	5v143.9↔		BOP, KVT, UOP4
	01	B03A, B03B, B06A, B06B, B07Z, B17A, B17B, B17C		01	B03A, B03B, B06A, B06B, B07Z, B17A, B17B, B17C		01	B03A, B03B, B06A, B06B, B07Z, B17A, B17B, B17C
	05	F13A, F21A, F21B, F21C		02	C20A, C20B		05	F13A, F21A, F21B, F21C
	08	I27A, I27B, I27C, I27D		03	D12A		08	I27A, I27B, I27C, I27D
	09	J03A, J03B, J04A, J04B, J08A, J08B, J08C, J11A, J11B, J11C, J16Z, J21Z		05	F13A, F21A, F21B, F21C		09	J03A, J03B, J04A, J04B, J08A, J08B, J08C, J11A, J11B, J11C, J16Z, J21Z
	10	K09A, K09B		08	I27A, I27B, I27C, I27D		10	K09A, K09B
	21A	W04A, W04B		09	J03A, J03B, J04A, J04B, J08A, J08B, J08C, J11A, J11B, J11C, J16Z, J21Z		21A	W04A, W04B
	21B	X04Z, X06A, X06B, X06C		10	K09A, K09B		21B	X05A, X05B, X06A, X06B, X06C
	22	Y01Z, Y03A, Y03B		21A	W04A, W04B		22	Y01Z, Y03A, Y03B
5v141.g↔		BOP, KVT, UOP4	5v143.5		BOP, KVT, UOP4	5v143.a		BOP, KVT, UOP4
	01	B03A, B03B, B06A, B06B, B07Z, B17A, B17B, B17C		01	B03A, B03B, B06A, B06B, B07Z, B17A, B17B, B17C		01	B03A, B03B, B06A, B06B, B07Z, B17A, B17B, B17C
	05	F13A, F21A, F21B, F21C		03	D12A		05	F13A, F21A, F21B, F21C
	08	I27A, I27B, I27C, I27D		05	F13A, F21A, F21B, F21C		08	I27A, I27B, I27C, I27D
	09	J03A, J03B, J04A, J04B, J08A, J08B, J08C, J11A, J11B, J11C, J16Z, J21Z		08	I27A, I27B, I27C, I27D		09	J03A, J03B, J04A, J04B, J08A, J08B, J08C, J11A, J11B, J11C, J16Z, J21Z
	10	K09A, K09B		09	J03A, J03B, J04A, J04B, J08A, J08B, J08C, J11A, J11B, J11C, J16Z, J21Z		10	K09A, K09B
	21A	W04A, W04B		10	K09A, K09B		21A	W04A, W04B
	21B	X04Z, X06A, X06B, X06C		21A	W04A, W04B		21B	X06A, X06B, X06C
	22	Y01Z, Y03A, Y03B		21B	X06A, X06B, X06C		22	Y01Z, Y03A, Y03B
5v141.x		BOP, KVT, UOP4	5v143.6↔		BOP, KVT, UOP4	5v143.b		BOP, KVT, UOP4
	01	B03A, B03B, B06A, B06B, B07Z, B17A, B17B, B17C		01	B03A, B03B, B06A, B06B, B07Z, B17A, B17B, B17C		01	B03A, B03B, B06A, B06B, B07Z, B17A, B17B, B17C
	05	F13A, F21A, F21B, F21C		05	F13A, F21A, F21B, F21C		05	F13A, F21A, F21B, F21C
	08	I27A, I27B, I27C, I27D		08	I27A, I27B, I27C, I27D		08	I27A, I27B, I27C, I27D
	09	J03A, J03B, J04A, J04B, J08A, J08B, J08C, J11A, J11B, J11C, J16Z, J21Z		09	J03A, J03B, J04A, J04B, J08A, J08B, J08C, J11A, J11B, J11C, J16Z, J21Z		09	J03A, J03B, J04A, J04B, J08A, J08B, J08C, J11A, J11B, J11C, J16Z, J21Z
	10	K09A, K09B		10	K09A, K09B		10	K09A, K09B
	21A	W04A, W04B		21A	W04A, W04B		21A	W04A, W04B
	21B	X06A, X06B, X06C		21B	X06A, X06B, X06C		21B	X06A, X06B, X06C
	22	Y01Z, Y03A, Y03B		22	Y01Z, Y03A, Y03B		22	Y01Z, Y03A, Y03B
5v142.0		BOP, KVT, UOP4	5v143.7↔		BOP, KVT, UOP4	5v143.c		BOP, KVT, UOP4
	03	D08A, D08B, D18Z, D22A, D22B, D30A, D30B		01	B03A, B03B, B06A, B06B, B07Z, B17A, B17B, B17C		01	B03A, B03B, B06A, B06B, B07Z, B17A, B17B, B17C
	05	F13A		05	F13A, F21A, F21B, F21C		05	F13A, F21A, F21B, F21C
	09	J03A, J03B, J04A, J04B, J08A, J08B, J08C, J11A, J11B, J11C, J16Z		08	I27A, I27B, I27C, I27D		08	I27A, I27B, I27C, I27D
5v142.4†	02	C20A, C20B		09	J03A, J03B, J04A, J04B, J08A, J08B, J08C, J11A, J11B, J11C, J16Z, J21Z		09	J03A, J03B, J04A, J04B, J08A, J08B, J08C, J11A, J11B, J11C, J16Z, J21Z
5v142.5†	09	J11A, J11B, J11C		10	K09A, K09B		10	K09A, K09B
5v142.6†↔	09	J11A, J11B, J11C		21A	W04A, W04B		21A	W04A, W04B
5v142.7†↔	09	J11A, J11B, J11C		21B	X06A, X06B, X06C		21B	X04Z, X06A, X06B, X06C
5v142.8†↔	09	J11A, J11B, J11C		22	Y01Z, Y03A, Y03B		22	Y01Z, Y03A, Y03B
5v142.9†↔	09	J11A, J11B, J11C						
5v142.a†	08	I10A, I10B, I10C, I10D, I10E						
	09	J11A, J11B, J11C						
5v142.b†	09	J11A, J11B, J11C						
5v142.c†	09	J11A, J11B, J11C						
5v142.d†↔	09	J11A, J11B, J11C						
5v142.e†↔	09	J11A, J11B, J11C						
5v142.f†↔	09	J11A, J11B, J11C						
5v142.g†↔	09	J11A, J11B, J11C						

ZZV	MDC	DRG	ZZV	MDC	DRG	ZZV	MDC	DRG			
5v143.d		BOP, KVT, UOP4	5v144.4		BOP, KVT, UOP4	5v144.9↔		BOP, KVT, UOP4			
	01	B03A, B03B, B06A, B06B, B07Z, B17A, B17B, B17C		01	B03A, B03B, B06A, B06B, B07Z, B17A, B17B, B17C		01	B03A, B03B, B06A, B06B, B07Z, B17A, B17B, B17C			
	05	F13A, F21A, F21B, F21C		02	C20A, C20B		05	F13A, F21A, F21B			
	08	I27A, I27B, I27C, I27D		03	D12A		08	I32A, I32B, I32C, I32D, I32E, I32F			
	09	J03A, J03B, J04A, J04B, J08A, J08B, J08C, J11A, J11B, J11C, J16Z, J21Z		05	F13A, F21A, F21B		09	J03A, J03B, J04A, J04B, J08A, J08B, J08C, J16Z, J21Z, J22A, J22B			
	10	K09A, K09B		08	I02A, I02B, I02C, I02D, I22A, I22B, I50Z		21A	W04A, W04B			
	21A	W04A, W04B		09	J02A, J02B, J02C, J04A, J04B, J08A, J08B, J08C, J16Z, J21Z, J22A, J22B		21B	X01A, X01B, X01C			
	21B	X04Z, X06A, X06B, X06C		21A	W04A, W04B		5v144.a	BOP, KVT, UOP4			
	22	Y01Z, Y03A, Y03B		21B	X01A, X01B, X01C		01	B03A, B03B, B06A, B06B, B07Z, B17A, B17B, B17C			
	5v143.e↔			BOP, KVT, UOP4	5v144.5			BOP, KVT, UOP4	5v144.b		BOP, KVT, UOP4
		01		B03A, B03B, B06A, B06B, B07Z, B17A, B17B, B17C			01	B03A, B03B, B06A, B06B, B07Z, B17A, B17B, B17C		05	F13A, F21A, F21B
		05		F13A, F21A, F21B, F21C			03	D12A		06	G10Z, G12A, G12B
08		I27A, I27B, I27C, I27D	05	F13A, F21A, F21B		08	I02A, I02B, I02C, I02D, I22A, I22B, I50Z				
09		J03A, J03B, J04A, J04B, J08A, J08B, J08C, J11A, J11B, J11C, J16Z, J21Z	06	G10Z, G12A, G12B		09	J02A, J02B, J02C, J04A, J04B, J08A, J08B, J08C, J14A, J16Z, J21Z, J22A, J22B				
10		K09A, K09B	08	I28A, I28B		21A	W04A, W04B				
21A		W04A, W04B	09	J02A, J02B, J02C, J04A, J04B, J08A, J08B, J08C, J16Z, J21Z, J22A, J22B		21B	X01A, X01B, X01C				
21B		X04Z, X06A, X06B, X06C	21A	W04A, W04B		01	B03A, B03B, B06A, B06B, B07Z, B17A, B17B, B17C				
22		Y01Z, Y03A, Y03B	21B	X01A, X01B, X01C		05	F13A, F21A, F21B				
5v143.f↔			BOP, KVT, UOP4	5v144.6↔			BOP, KVT, UOP4	5v144.c			BOP, KVT, UOP4
		01	B03A, B03B, B06A, B06B, B07Z, B17A, B17B, B17C			01	B03A, B03B, B06A, B06B, B07Z, B17A, B17B, B17C			01	B03A, B03B, B06A, B06B, B07Z, B17A, B17B, B17C
		05	F13A, F21A, F21B, F21C			05	F13A, F21A, F21B, F27A, F27B, F27C			05	F13A, F21A, F21B
	08	I27A, I27B, I27C, I27D	08		I02A, I02B, I02C, I02D, I22A, I22B, I50Z	06	G10Z, G12A, G12B				
	09	J03A, J03B, J04A, J04B, J08A, J08B, J08C, J11A, J11B, J11C, J16Z, J21Z	08		I02A, I02B, I02C, I02D, I22A, I22B, I50Z	08	I02A, I02B, I02C, I02D, I22A, I22B, I50Z				
	10	K09A, K09B	09		J02A, J02B, J02C, J04A, J04B, J08A, J08B, J08C, J16Z, J21Z, J22A, J22B	09	J02A, J02B, J02C, J04A, J04B, J08A, J08B, J08C, J16Z, J21Z, J22A, J22B				
	21A	W04A, W04B	10		K01Z	21A	W04A, W04B				
	21B	X04Z, X06A, X06B, X06C	21A		W04A, W04B	21B	X01A, X01B, X01C				
	22	Y01Z, Y03A, Y03B	21B		X01A, X01B, X01C	01	B03A, B03B, B06A, B06B, B07Z, B17A, B17B, B17C				
	5v143.g↔		BOP, KVT, UOP4		5v144.7↔		BOP, KVT, UOP4		5v144.d		BOP, KVT, UOP4
		01	B03A, B03B, B06A, B06B, B07Z, B17A, B17B, B17C			01	B03A, B03B, B06A, B06B, B07Z, B17A, B17B, B17C			01	B03A, B03B, B06A, B06B, B07Z, B17A, B17B, B17C
		05	F13A, F21A, F21B, F21C			05	F13A, F21A, F21B			05	F13A, F21A, F21B
08		I27A, I27B, I27C, I27D	08	I02A, I02B, I02C, I02D, I22A, I22B, I50Z		06	G10Z, G12A, G12B				
09		J03A, J03B, J04A, J04B, J08A, J08B, J08C, J11A, J11B, J11C, J16Z, J21Z	08	I02A, I02B, I02C, I02D, I22A, I22B, I50Z		08	I02A, I02B, I02C, I02D, I22A, I22B, I50Z				
10		K09A, K09B	09	J02A, J02B, J02C, J04A, J04B, J08A, J08B, J08C, J16Z, J21Z, J22A, J22B		09	J02A, J02B, J02C, J04A, J04B, J08A, J08B, J08C, J16Z, J21Z, J22A, J22B				
21A		W04A, W04B	21A	W04A, W04B		10	K09A, K09B				
21B		X04Z, X06A, X06B, X06C	21B	X01A, X01B, X01C		12	M04A, M04B, M04C, M04D, M37Z, M38Z				
22		Y01Z, Y03A, Y03B	21B	X01A, X01B, X01C		21A	W04A, W04B				
5v143.x† 5v144.0			BOP, KVT, UOP4	5v144.8↔			BOP, KVT, UOP4	5v144.d			BOP, KVT, UOP4
		03	D08A, D08B, D18Z, D22A, D22B, D30A, D30B			01	B03A, B03B, B06A, B06B, B07Z, B17A, B17B, B17C			01	B03A, B03B, B06A, B06B, B07Z, B17A, B17B, B17C
		05	F13A			05	F13A, F21A, F21B			05	F13A, F21A, F21B
	09	J03A, J03B, J04A, J04B, J08A, J08B, J08C, J10A, J10B, J16Z	08		I02A, I02B, I02C, I02D, I22A, I22B, I32A, I32B, I32C, I32D, I32E, I32F, I50Z	06	G10Z, G12A, G12B				
	21A	W04A, W04B	09		J02A, J02B, J02C, J04A, J04B, J08A, J08B, J08C, J16Z, J21Z, J22A, J22B	08	I02A, I02B, I02C, I02D, I22A, I22B, I50Z				
	21B	X06A, X06B, X06C	21A		W04A, W04B	09	J02A, J02B, J02C, J04A, J04B, J08A, J08B, J08C, J16Z, J21Z, J22A, J22B				
			21B		X01A, X01B, X01C	21A	W04A, W04B				
						21B	X01A, X01B, X01C				

VYK

ZZV	MDC	DRG	ZZV	MDC	DRG	ZZV	MDC	DRG		
5v144.e↔		BOP, KVT, UOP4	5v145.4		BOP, KVT, UOP4	5v145.9↔		BOP, KVT, UOP4		
	01	B03A, B03B, B06A, B06B, B07Z, B17A, B17B, B17C		01	B03A, B03B, B06A, B06B, B07Z, B17A, B17B, B17C		01	B03A, B03B, B06A, B06B, B07Z, B17A, B17B, B17C		
	05	F13A, F21A, F21B, F27A, F27B, F27C		02	C20A, C20B		05	F13A, F21A, F21B		
	08	I02A, I02B, I02C, I02D, I22A, I22B, I50Z		03	D12A		08	I32A, I32B, I32C, I32D, I32E, I32F		
	09	J02A, J02B, J02C, J04A, J04B, J08A, J08B, J08C, J16Z, J21Z, J22A, J22B		05	F13A, F21A, F21B		09	J03A, J03B, J04A, J04B, J08A, J08B, J08C, J16Z, J21Z, J22A, J22B		
	10	K01Z		08	I02A, I02B, I02C, I02D, I22A, I22B, I50Z		21A	W04A, W04B		
	21A	W04A, W04B		09	J02A, J02B, J02C, J04A, J04B, J08A, J08B, J08C, J16Z, J21Z, J22A, J22B		21B	X01A, X01B, X01C		
	21B	X01A, X01B, X01C		21A	W04A, W04B		5v145.a	BOP, KVT, UOP4		
	5v144.f↔			BOP, KVT, UOP4	5v145.5			BOP, KVT, UOP4	01	B03A, B03B, B06A, B06B, B07Z, B17A, B17B, B17C
		01		B03A, B03B, B06A, B06B, B07Z, B17A, B17B, B17C			01	B03A, B03B, B06A, B06B, B07Z, B17A, B17B, B17C	05	F13A, F21A, F21B
		05		F13A, F21A, F21B, F27A, F27B, F27C			03	D12A	06	G10Z, G12A, G12B
08		I02A, I02B, I02C, I02D, I22A, I22B, I50Z	05	F13A, F21A, F21B		08	I02A, I02B, I02C, I02D, I22A, I22B, I50Z			
09		J02A, J02B, J02C, J04A, J04B, J08A, J08B, J08C, J16Z, J21Z, J22A, J22B	06	G10Z, G12A, G12B		09	J02A, J02B, J02C, J04A, J04B, J08A, J08B, J08C, J14A, J16Z, J21Z, J22A, J22B			
10		K01Z	08	I28A, I28B		21A	W04A, W04B			
21A		W04A, W04B	09	J02A, J02B, J02C, J04A, J04B, J08A, J08B, J08C, J16Z, J21Z, J22A, J22B		21B	X01A, X01B, X01C			
21B		X01A, X01B, X01C	21A	W04A, W04B		5v145.b	BOP, KVT, UOP4			
5v144.g↔			BOP, KVT, UOP4	5v145.6↔			BOP, KVT, UOP4	01	B03A, B03B, B06A, B06B, B07Z, B17A, B17B, B17C	
		01	B03A, B03B, B06A, B06B, B07Z, B17A, B17B, B17C			01	B03A, B03B, B06A, B06B, B07Z, B17A, B17B, B17C	05	F13A, F21A, F21B	
		05	F13A, F21A, F21B, F27A, F27B, F27C			05	F13A, F21A, F21B, F27A, F27B, F27C	06	G10Z, G12A, G12B	
	08	I02A, I02B, I02C, I02D, I22A, I22B, I50Z	08		I02A, I02B, I02C, I02D, I22A, I22B, I50Z	08	I02A, I02B, I02C, I02D, I22A, I22B, I50Z			
	09	J02A, J02B, J02C, J04A, J04B, J08A, J08B, J08C, J16Z, J21Z, J22A, J22B	08		I02A, I02B, I02C, I02D, I22A, I22B, I50Z	09	J02A, J02B, J02C, J04A, J04B, J08A, J08B, J08C, J16Z, J21Z, J22A, J22B			
	10	K01Z	09		J02A, J02B, J02C, J04A, J04B, J08A, J08B, J08C, J16Z, J21Z, J22A, J22B	21A	W04A, W04B			
	21A	W04A, W04B	10		K01Z	21B	X01A, X01B, X01C			
	21B	X01A, X01B, X01C	21A		W04A, W04B	5v145.c	BOP, KVT, UOP4			
	5v144.x↔		BOP, KVT, UOP4		5v145.7↔		BOP, KVT, UOP4	01	B03A, B03B, B06A, B06B, B07Z, B17A, B17B, B17C	
		01	B03A, B03B, B06A, B06B, B07Z, B17A, B17B, B17C			01	B03A, B03B, B06A, B06B, B07Z, B17A, B17B, B17C	05	F13A, F21A, F21B	
		05	F13A, F21A, F21B			05	F13A, F21A, F21B	06	G10Z, G12A, G12B	
08		I02A, I02B, I02C, I02D, I22A, I22B, I32A, I32B, I32C, I32D, I32E, I32F, I50Z	08	I02A, I02B, I02C, I02D, I22A, I22B, I50Z		08	I02A, I02B, I02C, I02D, I22A, I22B, I50Z			
09		J02A, J02B, J02C, J04A, J04B, J08A, J08B, J08C, J16Z, J21Z, J22A, J22B	08	I02A, I02B, I02C, I02D, I22A, I22B, I50Z		09	J02A, J02B, J02C, J04A, J04B, J08A, J08B, J08C, J16Z, J21Z, J22A, J22B			
21A		W04A, W04B	09	J02A, J02B, J02C, J04A, J04B, J08A, J08B, J08C, J16Z, J21Z, J22A, J22B		10	K09A, K09B			
21B		X01A, X01B, X01C	21A	W04A, W04B		12	M04A, M04B, M04C, M04D, M37Z, M38Z			
5v145.0			BOP, KVT, UOP4	5v145.8↔			BOP, KVT, UOP4	21A	W04A, W04B	
		03	D08A, D08B, D18Z, D22A, D22B, D30A, D30B			01	B03A, B03B, B06A, B06B, B07Z, B17A, B17B, B17C	21B	X01A, X01B, X01C	
		05	F13A			05	F13A, F21A, F21B	5v145.d	BOP, KVT, UOP4	
		09	J03A, J03B, J04A, J04B, J08A, J08B, J08C, J10A, J10B, J16Z			08	I02A, I02B, I02C, I02D, I22A, I22B, I32A, I32B, I32C, I32D, I32E, I32F, I50Z	01	B03A, B03B, B06A, B06B, B07Z, B17A, B17B, B17C	
	21A	W04A, W04B	09		J02A, J02B, J02C, J04A, J04B, J08A, J08B, J08C, J16Z, J21Z, J22A, J22B	05	F13A, F21A, F21B			
21B	X06A, X06B, X06C	21A	W04A, W04B	06	G10Z, G12A, G12B					
			21B	X01A, X01B, X01C	08	I02A, I02B, I02C, I02D, I22A, I22B, I50Z				

VYK

ZZV	MDC	DRG	ZZV	MDC	DRG	ZZV	MDC	DRG	
5v145.e↔		BOP, KVT, UOP4	5v146.ft↔	09	J11A, J11B, J11C	5v150.7↔	01	B03A, B03B, B06A, B06B, B07Z, B17A, B17B, B17C, B17D	
	01	B03A, B03B, B06A, B06B, B07Z, B17A, B17B, B17C	5v146.gt↔	09	J11A, J11B, J11C		03	D13Z	
	05	F13A, F21A, F21B, F27A, F27B, F27C	5v146.x†	09	J11A, J11B, J11C		04	E02A, E02B, E02C	
	08	I02A, I02B, I02C, I02D, I22A, I22B, I50Z	5v14x.x†	09	J11A, J11B, J11C		05	F21A, F21B, F21C	
	09	J02A, J02B, J02C, J04A, J04B, J08A, J08B, J08C, J16Z, J21Z, J22A, J22B	5v150.0	01	B03A, B03B, B06A, B06B, B07Z, B17A, B17B, B17C, B17D		06	G10Z, G12A, G12B	
	10	K01Z		03	D13Z		07	H06A, H06B, H06C	
	21A	W04A, W04B		04	E02A, E02B, E02C		08	I28A, I28B, I28C	
	21B	X01A, X01B, X01C		05	F21A, F21B, F21C		09	J11A, J11B, J11C	
	5v145.f↔		BOP, KVT, UOP4	06	G10Z, G12A, G12B		10	K09A, K09B	
		01	B03A, B03B, B06A, B06B, B07Z, B17A, B17B, B17C	07	H06A, H06B, H06C		11	L09A, L09B, L09C, L09D, L38Z	
		05	F13A, F21A, F21B, F27A, F27B, F27C	08	I28A, I28B, I28C		5v150.8↔	01	B03A, B03B, B06A, B06B, B07Z, B17A, B17B, B17C, B17D
08		I02A, I02B, I02C, I02D, I22A, I22B, I50Z	09	J11A, J11B, J11C	03	D13Z			
09		J02A, J02B, J02C, J04A, J04B, J08A, J08B, J08C, J16Z, J21Z, J22A, J22B	10	K09A, K09B	04	E02A, E02B, E02C			
10		K01Z	11	L09A, L09B, L09C, L09D, L38Z	05	F21A, F21B, F21C			
21A		W04A, W04B	13	N11A, N11B	06	G10Z, G12A, G12B			
21B		X01A, X01B, X01C	21A	W04A, W04B	07	H06A, H06B, H06C			
5v145.g↔			BOP, KVT, UOP4	21B	X06A, X06B, X06C	08		I28A, I28B, I28C	
		01	B03A, B03B, B06A, B06B, B07Z, B17A, B17B, B17C	5v150.4	01	B03A, B03B, B06A, B06B, B07Z, B17A, B17B, B17C, B17D		09	J11A, J11B, J11C
		05	F13A, F21A, F21B, F27A, F27B, F27C		02	C14Z		10	K09A, K09B
	08	I02A, I02B, I02C, I02D, I22A, I22B, I50Z		03	D13Z	11		L09A, L09B, L09C, L09D, L38Z	
	09	J02A, J02B, J02C, J04A, J04B, J08A, J08B, J08C, J16Z, J21Z, J22A, J22B		04	E02A, E02B, E02C	5v150.9↔		01	B03A, B03B, B06A, B06B, B07Z, B17A, B17B, B17C, B17D
	10	K01Z		05	F21A, F21B, F21C		03	D13Z	
	21A	W04A, W04B		06	G10Z, G12A, G12B		04	E02A, E02B, E02C	
	21B	X01A, X01B, X01C		07	H06A, H06B, H06C		05	F21A, F21B, F21C	
	5v145.x↔		BOP, KVT, UOP4		08		I28A, I28B, I28C	06	G10Z, G12A, G12B
		01	B03A, B03B, B06A, B06B, B07Z, B17A, B17B, B17C		09		J11A, J11B, J11C	07	H06A, H06B, H06C
		05	F13A, F21A, F21B		10		K09A, K09B	08	I28A, I28B, I28C
08		I02A, I02B, I02C, I02D, I22A, I22B, I32A, I32B, I32C, I32D, I32E, I32F, I50Z		11	L09A, L09B, L09C, L09D, L38Z		09	J22A, J22B	
09		J02A, J02B, J02C, J04A, J04B, J08A, J08B, J08C, J16Z, J21Z, J22A, J22B		13	N11A, N11B		10	K09A, K09B	
10		K01Z		21A	W04A, W04B		11	L09A, L09B, L09C, L09D, L38Z	
21A		W04A, W04B		21B	X06A, X06B, X06C		5v150.a	01	B03A, B03B, B06A, B06B, B07Z, B17A, B17B, B17C, B17D
21B		X01A, X01B, X01C	5v150.5	01	B03A, B03B, B06A, B06B, B07Z, B17A, B17B, B17C, B17D	03		D13Z	
5v146.0			BOP, KVT, UOP4		03	D13Z		04	E02A, E02B, E02C
		03	D08A, D08B, D18Z, D22A, D22B, D30A, D30B		04	E02A, E02B, E02C		05	F21A, F21B, F21C
		05	F13A		05	F21A, F21B, F21C		06	G10Z, G12A, G12B
	09	J03A, J03B, J04A, J04B, J08A, J08B, J08C, J11A, J11B, J11C, J16Z		06	G10Z, G12A, G12B	07		H06A, H06B, H06C	
	5v146.4†	02	C20A, C20B		07	H06A, H06B, H06C		08	I28A, I28B, I28C
		09	J11A, J11B, J11C		08	I28A, I28B, I28C		09	J11A, J11B, J11C
	5v146.5†	09	J11A, J11B, J11C		09	J11A, J11B, J11C		10	K09A, K09B
	5v146.6†↔	09	J11A, J11B, J11C		10	K09A, K09B		11	L09A, L09B, L09C, L09D, L38Z
	5v146.7†↔	09	J11A, J11B, J11C		11	L09A, L09B, L09C, L09D, L38Z		5v150.6↔	01
	5v146.8†↔	09	J11A, J11B, J11C		03	D13Z	03		D13Z
	5v146.9†↔	09	J11A, J11B, J11C		04	E02A, E02B, E02C	04		E02A, E02B, E02C
5v146.a†	09	J11A, J11B, J11C		05	F21A, F21B, F21C	05	F21A, F21B, F21C		
5v146.b†	09	J11A, J11B, J11C		06	G10Z, G12A, G12B	06	G10Z, G12A, G12B		
5v146.c†	09	J11A, J11B, J11C		07	H06A, H06B, H06C	07	H06A, H06B, H06C		
5v146.d†	09	J11A, J11B, J11C		08	I28A, I28B, I28C	08	I28A, I28B, I28C		
5v146.e†↔	09	J11A, J11B, J11C		09	J11A, J11B, J11C	09	J11A, J11B, J11C		
				10	K09A, K09B	10	K09A, K09B		
				11	L09A, L09B, L09C, L09D, L38Z	11	L09A, L09B, L09C, L09D, L38Z		
				13	N11A, N11B	13	N11A, N11B		
				21A	W04A, W04B	21A	W04A, W04B		
				21B	X06A, X06B, X06C	21B	X06A, X06B, X06C		

ZZV	MDC	DRG	ZZV	MDC	DRG	ZZV	MDC	DRG			
5v150.b	01	B03A, B03B, B06A, B06B, B07Z, B17A, B17B, B17C, B17D	5v150.f↔	01	B03A, B03B, B06A, B06B, B07Z, B17A, B17B, B17C, B17D	5v151.4	01	B03A, B03B, B06A, B06B, B07Z, B17A, B17B, B17C, B17D			
	03	D13Z		03	D13Z		02	C14Z			
	04	E02A, E02B, E02C		04	E02A, E02B, E02C		03	D13Z			
	05	F21A, F21B, F21C		05	F21A, F21B, F21C		04	E02A, E02B, E02C			
	06	G10Z, G12A, G12B		06	G10Z, G12A, G12B		05	F13A, F21A, F21B, F21C			
	07	H06A, H06B, H06C		07	H06A, H06B, H06C		06	G10Z, G12A, G12B			
	08	I28A, I28B, I28C		08	I28A, I28B, I28C		07	H06A, H06B, H06C			
	09	J11A, J11B, J11C		09	J11A, J11B, J11C		08	I12A, I12B, I12C, I28A, I28B			
	10	K09A, K09B		10	K09A, K09B, K09C		09	J03A, J03B, J04A, J04B, J08A, J08B, J08C, J16Z, J21Z, J22A, J22B			
	11	L09A, L09B, L09C, L09D, L38Z		11	L09A, L09B, L09C, L09D, L38Z		10	K09A, K09B			
	13	N11A, N11B		13	N11A, N11B		11	L09A, L09B, L09C, L09D, L38Z			
	21A	W04A, W04B		21A	W04A, W04B		13	N11A, N11B			
	21B	X06A, X06B, X06C		21B	X06A, X06B, X06C		21A	W04A, W04B			
	5v150.c	01		B03A, B03B, B06A, B06B, B07Z, B17A, B17B, B17C, B17D	5v150.g↔		01	B03A, B03B, B06A, B06B, B07Z, B17A, B17B, B17C, B17D	5v151.5	01	B03A, B03B, B06A, B06B, B07Z, B17A, B17B, B17C, B17D
		03		D13Z			03	D13Z		03	D13Z
		04		E02A, E02B, E02C			04	E02A, E02B, E02C		04	E02A, E02B, E02C
		05		F21A, F21B, F21C			05	F21A, F21B, F21C		05	F13A, F21A, F21B, F21C
06		G10Z, G12A, G12B	06	G10Z, G12A, G12B		06	G10Z, G12A, G12B				
07		H06A, H06B, H06C	07	H06A, H06B, H06C		07	H06A, H06B, H06C				
08		I28A, I28B, I28C	08	I28A, I28B, I28C		08	I12A, I12B, I12C, I28A, I28B				
09		J11A, J11B, J11C	09	J11A, J11B, J11C		09	J03A, J03B, J04A, J04B, J08A, J08B, J08C, J16Z, J21Z, J22A, J22B				
10		K09A, K09B	10	K09A, K09B, K09C		10	K09A, K09B				
11		L09A, L09B, L09C, L09D, L38Z	11	L09A, L09B, L09C, L09D, L38Z		11	L09A, L09B, L09C, L09D, L38Z				
12		M06Z, M09A, M09B, M38Z	13	N11A, N11B		13	N11A, N11B				
13		N11A, N11B	21A	W04A, W04B		21A	W04A, W04B				
21A		W04A, W04B	21B	X06A, X06B, X06C		21B	X06A, X06B, X06C				
21B		X06A, X06B, X06C	5v150.x	01		B03A, B03B, B06A, B06B, B07Z, B17A, B17B, B17C, B17D	5v151.6↔	01		B03A, B03B, B06A, B06B, B07Z, B17A, B17B, B17C, B17D	
5v150.d		01		B03A, B03B, B06A, B06B, B07Z, B17A, B17B, B17C, B17D		03		D13Z		03	D13Z
		03		D13Z		04		E02A, E02B, E02C		04	E02A, E02B, E02C
		04		E02A, E02B, E02C		05		F21A, F21B, F21C		05	F21A, F21B, F21C
	05	F21A, F21B, F21C		06	G10Z, G12A, G12B	06		G10Z, G12A, G12B			
	06	G10Z, G12A, G12B		07	H06A, H06B, H06C	07		H06A, H06B, H06C			
	07	H06A, H06B, H06C		08	I28A, I28B, I28C	08		I28A, I28B, I28C			
	08	I28A, I28B, I28C		09	J11A, J11B, J11C	09		J11A, J11B, J11C			
	09	J11A, J11B, J11C		10	K09A, K09B	10		K09A, K09B			
	10	K09A, K09B		11	L09A, L09B, L09C, L09D, L38Z	11		L09A, L09B, L09C, L09D, L38Z			
	11	L09A, L09B, L09C, L09D, L38Z		13	N11A, N11B	13		N11A, N11B			
	13	N11A, N11B		21A	W04A, W04B	21A		W04A, W04B			
	21A	W04A, W04B		21B	X06A, X06B, X06C	21B		X06A, X06B, X06C			
	21B	X06A, X06B, X06C		5v151.0	01	B03A, B03B, B06A, B06B, B07Z, B17A, B17B, B17C, B17D		5v151.6↔	01	B03A, B03B, B06A, B06B, B07Z, B17A, B17B, B17C, B17D	
	5v150.e↔	01			B03A, B03B, B06A, B06B, B07Z, B17A, B17B, B17C, B17D	03			D13Z	03	D13Z
		03			D13Z	04			E02A, E02B, E02C	04	E02A, E02B, E02C
		04			E02A, E02B, E02C	05			F13A, F21A, F21B, F21C	05	F13A, F21A, F21B, F21C
		05	F21A, F21B, F21C		06	G10Z, G12A, G12B	06		G10Z, G12A, G12B		
06		G10Z, G12A, G12B	07		H06A, H06B, H06C	07	H06A, H06B, H06C				
07		H06A, H06B, H06C	08		I12A, I12B, I12C, I28A, I28B	08	I12A, I12B, I12C, I28A, I28B				
08		I28A, I28B, I28C	09		J03A, J03B, J04A, J04B, J08A, J08B, J08C, J16Z, J21Z, J22A, J22B	09	J03A, J03B, J04A, J04B, J08A, J08B, J08C, J16Z, J21Z, J22A, J22B				
09		J11A, J11B, J11C	10		K09A, K09B	10	K09A, K09B				
10		K09A, K09B, K09C	11		L09A, L09B, L09C, L09D, L38Z	11	L09A, L09B, L09C, L09D, L38Z				
11		L09A, L09B, L09C, L09D, L38Z	13		N11A, N11B	13	N11A, N11B				
13		N11A, N11B	21A		W04A, W04B	21A	W04A, W04B				
21A		W04A, W04B	21B		X06A, X06B, X06C	21B	X06A, X06B, X06C				
21B		X06A, X06B, X06C									

ZZV	MDC	DRG	ZZV	MDC	DRG	ZZV	MDC	DRG
5v151.7↔	01	B03A, B03B, B06A, B06B, B07Z, B17A, B17B, B17C, B17D	5v151.a	01	B03A, B03B, B06A, B06B, B07Z, B17A, B17B, B17C, B17D	5v151.d	01	B03A, B03B, B06A, B06B, B07Z, B17A, B17B, B17C, B17D
	03	D13Z		03	D13Z		03	D13Z
	04	E02A, E02B, E02C		04	E02A, E02B, E02C		04	E02A, E02B, E02C
	05	F13A, F21A, F21B, F21C		05	F13A, F21A, F21B, F21C		05	F13A, F21A, F21B, F21C
	06	G10Z, G12A, G12B		06	G10Z, G12A, G12B		06	G10Z, G12A, G12B
	07	H06A, H06B, H06C		07	H06A, H06B, H06C		07	H06A, H06B, H06C
	08	I12A, I12B, I12C, I28A, I28B		08	I12A, I12B, I12C, I28A, I28B		08	I12A, I12B, I12C, I28A, I28B
	09	J03A, J03B, J04A, J04B, J08A, J08B, J08C, J16Z, J21Z, J22A, J22B		09	J03A, J03B, J04A, J04B, J08A, J08B, J08C, J16Z, J21Z, J22A, J22B		09	J03A, J03B, J04A, J04B, J08A, J08B, J08C, J16Z, J21Z, J22A, J22B
	10	K09A, K09B		10	K09A, K09B		10	K09A, K09B
	11	L09A, L09B, L09C, L09D, L38Z		11	L09A, L09B, L09C, L09D, L38Z		11	L09A, L09B, L09C, L09D, L38Z
	13	N11A, N11B		13	N11A, N11B		13	N11A, N11B
	21A	W04A, W04B		21A	W04A, W04B		21A	W04A, W04B
	21B	X06A, X06B, X06C		21B	X06A, X06B, X06C		21B	X06A, X06B, X06C
5v151.8↔	01	B03A, B03B, B06A, B06B, B07Z, B17A, B17B, B17C, B17D	5v151.b	01	B03A, B03B, B06A, B06B, B07Z, B17A, B17B, B17C, B17D	5v151.e↔	01	B03A, B03B, B06A, B06B, B07Z, B17A, B17B, B17C, B17D
	03	D13Z		03	D13Z		03	D13Z
	04	E02A, E02B, E02C		04	E02A, E02B, E02C		04	E02A, E02B, E02C
	05	F13A, F21A, F21B, F21C		05	F13A, F21A, F21B, F21C		05	F13A, F21A, F21B, F21C, F27A, F27B, F27C
	06	G10Z, G12A, G12B		06	G10Z, G12A, G12B		06	G10Z, G12A, G12B
	07	H06A, H06B, H06C		07	H06A, H06B, H06C		07	H06A, H06B, H06C
	08	I12A, I12B, I12C, I28A, I28B		08	I12A, I12B, I12C, I28A, I28B		08	I12A, I12B, I12C, I28A, I28B
	09	J03A, J03B, J04A, J04B, J08A, J08B, J08C, J16Z, J21Z, J22A, J22B		09	J03A, J03B, J04A, J04B, J08A, J08B, J08C, J16Z, J21Z, J22A, J22B		09	J03A, J03B, J04A, J04B, J08A, J08B, J08C, J16Z, J21Z, J22A, J22B
	10	K09A, K09B		10	K09A, K09B		10	K01Z
	11	L09A, L09B, L09C, L09D, L38Z		11	L09A, L09B, L09C, L09D, L38Z		11	L09A, L09B, L09C, L09D, L38Z
	13	N11A, N11B		13	N11A, N11B		13	N11A, N11B
	21A	W04A, W04B		21A	W04A, W04B		21A	W04A, W04B
	21B	X06A, X06B, X06C		21B	X06A, X06B, X06C		21B	X06A, X06B, X06C
5v151.9↔	01	B03A, B03B, B06A, B06B, B07Z, B17A, B17B, B17C, B17D	5v151.c	01	B03A, B03B, B06A, B06B, B07Z, B17A, B17B, B17C, B17D	5v151.f↔	01	B03A, B03B, B06A, B06B, B07Z, B17A, B17B, B17C, B17D
	03	D13Z		03	D13Z		03	D13Z
	04	E02A, E02B, E02C		04	E02A, E02B, E02C		04	E02A, E02B, E02C
	05	F13A, F21A, F21B, F21C		05	F13A, F21A, F21B, F21C		05	F13A, F21A, F21B, F21C, F27A, F27B, F27C
	06	G10Z, G12A, G12B		06	G10Z, G12A, G12B		06	G10Z, G12A, G12B
	07	H06A, H06B, H06C		07	H06A, H06B, H06C		07	H06A, H06B, H06C
	08	I12A, I12B, I12C, I28A, I28B		08	I12A, I12B, I12C, I28A, I28B		08	I12A, I12B, I12C, I28A, I28B
	09	J03A, J03B, J04A, J04B, J08A, J08B, J08C, J16Z, J21Z, J22A, J22B		09	J03A, J03B, J04A, J04B, J08A, J08B, J08C, J16Z, J21Z, J22A, J22B		09	J03A, J03B, J04A, J04B, J08A, J08B, J08C, J16Z, J21Z, J22A, J22B
	10	K09A, K09B		10	K09A, K09B		10	K01Z
	11	L09A, L09B, L09C, L09D, L38Z		11	L09A, L09B, L09C, L09D, L38Z		11	L09A, L09B, L09C, L09D, L38Z
	13	N11A, N11B		12	M06Z, M09A, M09B, M38Z		11	L09A, L09B, L09C, L09D, L38Z
	21A	W04A, W04B		13	N11A, N11B		13	N11A, N11B
	21B	X06A, X06B, X06C		21A	W04A, W04B		21A	W04A, W04B
		21B	X06A, X06B, X06C	21B	X06A, X06B, X06C			

ZZV	MDC	DRG	ZZV	MDC	DRG	ZZV	MDC	DRG
5v151.g↔	01	B03A, B03B, B06A, B06B, B07Z, B17A, B17B, B17C, B17D	5v152.4	01	B03A, B03B, B06A, B06B, B07Z, B17A, B17B, B17C	5v152.8↔	01	B03A, B03B, B06A, B06B, B07Z, B17A, B17B, B17C
	03	D13Z		02	C14Z		03	D13Z
	04	E02A, E02B, E02C		03	D13Z		04	E02A, E02B, E02C
	05	F13A, F21A, F21B, F21C, F27A, F27B, F27C		04	E02A, E02B, E02C		05	F13A, F21A, F21B, F21C
	06	G10Z, G12A, G12B		05	F13A, F21A, F21B, F21C		06	G10Z, G12A, G12B
	07	H06A, H06B, H06C		06	G10Z, G12A, G12B		07	H06A, H06B, H06C
	08	I12A, I12B, I12C, I28A, I28B		07	H06A, H06B, H06C		08	I12A, I12B, I12C, I28A, I28B
	09	J03A, J03B, J04A, J04B, J08A, J08B, J08C, J16Z, J21Z, J22A, J22B		08	I12A, I12B, I12C, I28A, I28B		09	J03A, J03B, J04A, J04B, J08A, J08B, J08C, J16Z, J21Z, J22A, J22B
	10	K01Z		09	J03A, J03B, J04A, J04B, J08A, J08B, J08C, J16Z, J21Z, J22A, J22B		10	K09A, K09B
	11	L09A, L09B, L09C, L09D, L38Z		10	K09A, K09B		11	L09A, L09B, L09C, L09D, L38Z
	13	N11A, N11B		11	L09A, L09B, L09C, L09D, L38Z		13	N11A, N11B
	21A	W04A, W04B		13	N11A, N11B		21A	W04A, W04B
	21B	X06A, X06B, X06C		21A	W04A, W04B		21B	X06A, X06B, X06C
5v151.x	01	B03A, B03B, B06A, B06B, B07Z, B17A, B17B, B17C, B17D	5v152.5	01	B03A, B03B, B06A, B06B, B07Z, B17A, B17B, B17C	5v152.9↔	01	B03A, B03B, B06A, B06B, B07Z, B17A, B17B, B17C
	03	D13Z		03	D13Z		03	D13Z
	04	E02A, E02B, E02C		04	E02A, E02B, E02C		04	E02A, E02B, E02C
	05	F13A, F21A, F21B, F21C		05	F13A, F21A, F21B, F21C		05	F13A, F21A, F21B, F21C
	06	G10Z, G12A, G12B		06	G10Z, G12A, G12B		06	G10Z, G12A, G12B
	07	H06A, H06B, H06C		07	H06A, H06B, H06C		07	H06A, H06B, H06C
	08	I12A, I12B, I12C, I28A, I28B		08	I12A, I12B, I12C, I28A, I28B		08	I12A, I12B, I12C, I28A, I28B
	09	J03A, J03B, J04A, J04B, J08A, J08B, J08C, J16Z, J21Z, J22A, J22B		09	J03A, J03B, J04A, J04B, J08A, J08B, J08C, J16Z, J21Z, J22A, J22B		09	J03A, J03B, J04A, J04B, J08A, J08B, J08C, J16Z, J21Z, J22A, J22B
	10	K09A, K09B		10	K09A, K09B		10	K09A, K09B
	11	L09A, L09B, L09C, L09D, L38Z		11	L09A, L09B, L09C, L09D, L38Z		11	L09A, L09B, L09C, L09D, L38Z
	13	N11A, N11B		13	N11A, N11B		13	N11A, N11B
	21A	W04A, W04B		21A	W04A, W04B		21A	W04A, W04B
	21B	X06A, X06B, X06C		21B	X06A, X06B, X06C		21B	X06A, X06B, X06C
5v152.0	01	B03A, B03B, B06A, B06B, B07Z, B17A, B17B, B17C	5v152.6↔	01	B03A, B03B, B06A, B06B, B07Z, B17A, B17B, B17C	5v152.a	01	B03A, B03B, B06A, B06B, B07Z, B17A, B17B, B17C
	03	D13Z		03	D13Z		03	D13Z
	04	E02A, E02B, E02C		04	E02A, E02B, E02C		04	E02A, E02B, E02C
	05	F13A, F21A, F21B, F21C		05	F13A, F21A, F21B, F21C		05	F13A, F21A, F21B, F21C
	06	G10Z, G12A, G12B		06	G10Z, G12A, G12B		06	G10Z, G12A, G12B
	07	H06A, H06B, H06C		07	H06A, H06B, H06C		07	H06A, H06B, H06C
	08	I12A, I12B, I12C, I28A, I28B		08	I12A, I12B, I12C, I28A, I28B		08	I12A, I12B, I12C, I28A, I28B
	09	J03A, J03B, J04A, J04B, J08A, J08B, J08C, J16Z, J21Z, J22A, J22B		09	J03A, J03B, J04A, J04B, J08A, J08B, J08C, J16Z, J21Z, J22A, J22B		09	J03A, J03B, J04A, J04B, J08A, J08B, J08C, J16Z, J21Z, J22A, J22B
	10	K09A, K09B		10	K09A, K09B		10	K09A, K09B
	11	L09A, L09B, L09C, L09D, L38Z		11	L09A, L09B, L09C, L09D, L38Z		11	L09A, L09B, L09C, L09D, L38Z
	13	N11A, N11B		13	N11A, N11B		13	N11A, N11B
	21A	W04A, W04B		21A	W04A, W04B		21A	W04A, W04B
	21B	X06A, X06B, X06C		21B	X06A, X06B, X06C		21B	X06A, X06B, X06C
5v152.7↔	01	B03A, B03B, B06A, B06B, B07Z, B17A, B17B, B17C	5v152.7↔	01	B03A, B03B, B06A, B06B, B07Z, B17A, B17B, B17C	5v152.b	01	B03A, B03B, B06A, B06B, B07Z, B17A, B17B, B17C
	03	D13Z		03	D13Z		03	D13Z
	04	E02A, E02B, E02C		04	E02A, E02B, E02C		04	E02A, E02B, E02C
	05	F13A, F21A, F21B, F21C		05	F13A, F21A, F21B, F21C		05	F13A, F21A, F21B, F21C
	06	G10Z, G12A, G12B		06	G10Z, G12A, G12B		06	G10Z, G12A, G12B
	07	H06A, H06B, H06C		07	H06A, H06B, H06C		07	H06A, H06B, H06C
	08	I12A, I12B, I12C, I28A, I28B		08	I12A, I12B, I12C, I28A, I28B		08	I12A, I12B, I12C, I28A, I28B
	09	J03A, J03B, J04A, J04B, J08A, J08B, J08C, J16Z, J21Z, J22A, J22B		09	J03A, J03B, J04A, J04B, J08A, J08B, J08C, J16Z, J21Z, J22A, J22B		09	J03A, J03B, J04A, J04B, J08A, J08B, J08C, J16Z, J21Z, J22A, J22B
	10	K09A, K09B		10	K09A, K09B		10	K09A, K09B
	11	L09A, L09B, L09C, L09D, L38Z		11	L09A, L09B, L09C, L09D, L38Z		11	L09A, L09B, L09C, L09D, L38Z
	13	N11A, N11B		13	N11A, N11B		13	N11A, N11B
	21A	W04A, W04B		21A	W04A, W04B		21A	W04A, W04B
	21B	X06A, X06B, X06C		21B	X06A, X06B, X06C		21B	X06A, X06B, X06C

ZZV	MDC	DRG	ZZV	MDC	DRG	ZZV	MDC	DRG
5v152.c	01	B03A, B03B, B06A, B06B, B07Z, B17A, B17B, B17C	5v152.f↔	01	B03A, B03B, B06A, B06B, B07Z, B17A, B17B, B17C	5v15x.x	01	B03A, B03B, B06A, B06B, B07Z, B17A, B17B, B17C, B17D
	03	D13Z		03	D13Z		03	D13Z
	04	E02A, E02B, E02C		04	E02A, E02B, E02C		04	E02A, E02B, E02C
	05	F13A, F21A, F21B, F21C		05	F13A, F21A, F21B, F21C, F27A, F27B, F27C		05	F21A, F21B, F21C
	06	G10Z, G12A, G12B		06	G10Z, G12A, G12B		06	G10Z, G12A, G12B
	07	H06A, H06B, H06C		07	H06A, H06B, H06C		07	H06A, H06B, H06C
	08	I12A, I12B, I12C, I28A, I28B		08	I12A, I12B, I12C, I28A, I28B		08	I28A, I28B
	09	J03A, J03B, J04A, J04B, J08A, J08B, J08C, J16Z, J21Z, J22A, J22B		09	J03A, J03B, J04A, J04B, J08A, J08B, J08C, J16Z, J21Z, J22A, J22B		09	J11A, J11B
	10	K09A, K09B		10	K01Z		10	K09A, K09B
	11	L09A, L09B, L09C, L09D, L38Z		11	L09A, L09B, L09C, L09D, L38Z		11	L09A, L09B, L09C, L09D, L38Z
	12	M06Z, M09A, M09B, M38Z		13	N11A, N11B		13	N11A, N11B
	13	N11A, N11B		21A	W04A, W04B		21A	W04A, W04B
	21A	W04A, W04B		21B	X06A, X06B, X06C		21B	X06A, X06B, X06C
	5v152.d	01		B03A, B03B, B06A, B06B, B07Z, B17A, B17B, B17C	5v152.g↔		01	B03A, B03B, B06A, B06B, B07Z, B17A, B17B, B17C
03		D13Z	03	D13Z		09	J03A, J03B, J04A, J04B, J08A, J08B, J08C, J11A, J11B, J11C, J16Z	
04		E02A, E02B, E02C	04	E02A, E02B, E02C		21A	W04A, W04B	
05		F13A, F21A, F21B, F21C	05	F13A, F21A, F21B, F21C, F27A, F27B, F27C		21B	X05A, X05B	
06		G10Z, G12A, G12B	06	G10Z, G12A, G12B		5v173↔	BOP, KVT, UOP4	
07		H06A, H06B, H06C	07	H06A, H06B, H06C			08	I32A, I32B, I32C, I32D, I32E, I32F, I32G
08		I12A, I12B, I12C, I28A, I28B	08	I12A, I12B, I12C, I28A, I28B		09	J03A, J03B, J04A, J04B, J08A, J08B, J08C, J11A, J11B, J11C, J16Z	
09		J03A, J03B, J04A, J04B, J08A, J08B, J08C, J16Z, J21Z, J22A, J22B	09	J03A, J03B, J04A, J04B, J08A, J08B, J08C, J16Z, J21Z, J22A, J22B		21A	W04A, W04B	
10		K09A, K09B	10	K01Z		21B	X05A, X05B	
11		L09A, L09B, L09C, L09D, L38Z	11	L09A, L09B, L09C, L09D, L38Z		5v177↔	BOP, KVT, UOP4	
13		N11A, N11B	13	N11A, N11B			08	I32A, I32B, I32C, I32D, I32E, I32F
21A		W04A, W04B	21A	W04A, W04B		09	J03A, J03B, J04A, J04B, J08A, J08B, J08C, J11A, J11B, J11C, J16Z	
21B		X06A, X06B, X06C	21B	X06A, X06B, X06C		21A	W04A, W04B	
5v152.e↔		01	B03A, B03B, B06A, B06B, B07Z, B17A, B17B, B17C	5v152.x		01	B03A, B03B, B06A, B06B, B07Z, B17A, B17B, B17C	5v178↔
	03	D13Z	03		D13Z	BOP, KVT, UOP4		
	04	E02A, E02B, E02C	04		E02A, E02B, E02C	08	I32A, I32B, I32C, I32D, I32E, I32F	
	05	F13A, F21A, F21B, F21C, F27A, F27B, F27C	05		F13A, F21A, F21B, F21C	09	J03A, J03B, J04A, J04B, J08A, J08B, J08C, J11A, J11B, J11C, J16Z	
	06	G10Z, G12A, G12B	06		G10Z, G12A, G12B	21A	W04A, W04B	
	07	H06A, H06B, H06C	07		H06A, H06B, H06C	21B	X05A, X05B	
	08	I12A, I12B, I12C, I28A, I28B	08		I12A, I12B, I12C, I28A, I28B	5v179↔	BOP, KVT, UOP4	
	09	J03A, J03B, J04A, J04B, J08A, J08B, J08C, J16Z, J21Z, J22A, J22B	09		J03A, J03B, J04A, J04B, J08A, J08B, J08C, J16Z, J21Z, J22A, J22B		08	
	10	K01Z	10		K09A, K09B	09	J03A, J03B, J04A, J04B, J08A, J08B, J08C, J11A, J11B, J11C, J16Z	
	11	L09A, L09B, L09C, L09D, L38Z	11		L09A, L09B, L09C, L09D, L38Z	21A	W04A, W04B	
	13	N11A, N11B	13		N11A, N11B	21B	X05A, X05B	
	21A	W04A, W04B	21A		W04A, W04B	5v191	BOP, KVT, UOP4	
	21B	X06A, X06B, X06C	21B		X06A, X06B, X06C		09	
	5v153	01	B03A, B03B, B06A, B06B, B07Z, B17A, B17B, B17C, B17D		5v153	01	B03A, B03B, B06A, B06B, B07Z, B17A, B17B, B17C, B17D	
03		D13Z	03	D13Z		21B	X05A, X05B	
04		E02A, E02B, E02C	04	E02A, E02B, E02C		BOP, KVT, UOP4		
05		F21A, F21B, F21C	05	F21A, F21B, F21C		09	J03A, J03B, J04A, J04B, J08A, J08B, J08C, J09A, J09B, J16Z	
06		G10Z, G12A, G12B	06	G10Z, G12A, G12B		21A	W04A, W04B	
07		H06A, H06B, H06C	07	H06A, H06B, H06C		21B	X06A, X06B, X06C	
08		I28A, I28B	08	I28A, I28B		BOP, KVT, UOP4		
09		J11A, J11B	09	J11A, J11B		09	J03A, J03B, J04A, J04B, J08A, J08B, J08C, J09A, J09B, J16Z	
10		K09A, K09B	10	K09A, K09B		21A	W04A, W04B	
11		L09A, L09B, L09C, L09D, L38Z	11	L09A, L09B, L09C, L09D, L38Z		21B	X06A, X06B, X06C	
13		N11A, N11B	13	N11A, N11B				
21A		W04A, W04B	21A	W04A, W04B				
21B		X06A, X06B, X06C	21B	X06A, X06B, X06C				

VYK



ZZV	MDC	DRG	ZZV	MDC	DRG	ZZV	MDC	DRG	
5v193		BOP, KVT, UOP4	5v210.7↔		BOP, KVT, UOP4	5v210.c		BOP, KVT, UOP4	
	09	J03A, J03B, J04A, J04B, J08A, J08B, J08C, J09A, J09B, J16Z		01	B03A, B03B, B06A, B06B, B07Z, B17A, B17B, B17C		01	B03A, B03B, B06A, B06B, B07Z, B17A, B17B, B17C	
	21A	W04A, W04B		03	D12A, D12B		03	D12A, D12B	
	21B	X06A, X06B, X06C		05	F13A, F21A, F21B, F21C, F27A, F27B, F27C		05	F13A, F21A, F21B, F21C, F27A, F27B, F27C	
	5v194‡	09		J09A, J09B	08		I12A, I12B, I12C	08	I12A, I12B, I12C
		5v201.1‡		05	F13A		09	J02A, J02B, J02C, J04A, J04B, J08A, J08B, J08C, J16Z, J21Z, J22A, J22B	09
	5v210.0				BOP, KVT, UOP4			BOP, KVT, UOP4	
		01		B03A, B03B, B06A, B06B, B07Z, B17A, B17B, B17C	10		K01Z	10	K01Z
		03		D12A, D12B	21A		W04A, W04B	21A	W04A, W04B
		05		F13A, F21A, F21B, F21C, F27A, F27B, F27C	21B		X04Z, X05A, X05B, X06A, X06B, X06C	21B	X04Z, X05A, X05B, X06A, X06B, X06C
08		I12A, I12B, I12C	5v210.8↔		BOP, KVT, UOP4	5v210.d		BOP, KVT, UOP4	
09		J02A, J02B, J02C, J04A, J04B, J08A, J08B, J08C, J16Z, J21Z, J22A, J22B		01	B03A, B03B, B06A, B06B, B07Z, B17A, B17B, B17C		01	B03A, B03B, B06A, B06B, B07Z, B17A, B17B, B17C	
10		K01Z		03	D12A, D12B		03	D12A, D12B	
21A		W04A, W04B		05	F13A, F21A, F21B, F21C, F27A, F27B, F27C		05	F13A, F21A, F21B, F21C, F27A, F27B, F27C	
21B		X04Z, X05A, X05B, X06A, X06B, X06C		08	I12A, I12B, I12C		08	I12A, I12B, I12C	
5v210.4				BOP, KVT, UOP4	09		J02A, J02B, J02C, J04A, J04B, J08A, J08B, J08C, J16Z, J21Z, J22A, J22B	09	J02A, J02B, J02C, J04A, J04B, J08A, J08B, J08C, J16Z, J21Z, J22A, J22B
	01	B03A, B03B, B06A, B06B, B07Z, B17A, B17B, B17C		10	K01Z		10	K01Z	
	03	D12A, D12B		21A	W04A, W04B		21A	W04A, W04B	
	05	F13A, F21A, F21B, F21C, F27A, F27B, F27C		21B	X04Z, X05A, X05B, X06A, X06B, X06C		21B	X04Z, X05A, X05B, X06A, X06B, X06C	
	08	I12A, I12B, I12C		5v210.9↔			BOP, KVT, UOP4	5v210.e↔	
	09	J02A, J02B, J02C, J04A, J04B, J08A, J08B, J08C, J16Z, J21Z, J22A, J22B	01		B03A, B03B, B06A, B06B, B07Z, B17A, B17B, B17C	01	B03A, B03B, B06A, B06B, B07Z, B17A, B17B, B17C		
	10	K01Z	03		D12A, D12B	03	D12A, D12B		
	21A	W04A, W04B	05		F13A, F21A, F21B, F21C, F27A, F27B, F27C	05	F13A, F21A, F21B, F21C, F27A, F27B, F27C		
	21B	X04Z, X05A, X05B, X06A, X06B, X06C	08		I12A, I12B, I12C	08	I12A, I12B, I12C		
	5v210.5		BOP, KVT, UOP4		09	J02A, J02B, J02C, J04A, J04B, J08A, J08B, J08C, J16Z, J21Z, J22A, J22B	09		J02A, J02B, J02C, J04A, J04B, J08A, J08B, J08C, J16Z, J21Z, J22A, J22B
01		B03A, B03B, B06A, B06B, B07Z, B17A, B17B, B17C	10		K01Z	10	K01Z		
03		D12A, D12B	21A		W04A, W04B	21A	W04A, W04B		
05		F13A, F21A, F21B, F21C, F27A, F27B, F27C	21B		X04Z, X05A, X05B, X06A, X06B, X06C	21B	X04Z, X05A, X05B, X06A, X06B, X06C		
08		I12A, I12B, I12C	5v210.a			BOP, KVT, UOP4	5v210.f↔		
09		J02A, J02B, J02C, J04A, J04B, J08A, J08B, J08C, J16Z, J21Z, J22A, J22B		01	B03A, B03B, B06A, B06B, B07Z, B17A, B17B, B17C	01		B03A, B03B, B06A, B06B, B07Z, B17A, B17B, B17C	
10		K01Z		03	D12A, D12B	03		D12A, D12B	
21A		W04A, W04B		05	F13A, F21A, F21B, F21C, F27A, F27B, F27C	05		F13A, F21A, F21B, F21C, F27A, F27B, F27C	
21B		X04Z, X05A, X05B, X06A, X06B, X06C		08	I12A, I12B, I12C	08		I12A, I12B, I12C	
5v210.6↔				BOP, KVT, UOP4	09	J02A, J02B, J02C, J04A, J04B, J08A, J08B, J08C, J16Z, J21Z, J22A, J22B		09	J02A, J02B, J02C, J04A, J04B, J08A, J08B, J08C, J16Z, J21Z, J22A, J22B
	01	B03A, B03B, B06A, B06B, B07Z, B17A, B17B, B17C		10	K01Z	10		K01Z	
	03	D12A, D12B		21A	W04A, W04B	21A		W04A, W04B	
	05	F13A, F21A, F21B, F21C, F27A, F27B, F27C		21B	X04Z, X05A, X05B, X06A, X06B, X06C	21B		X04Z, X05A, X05B, X06A, X06B, X06C	
	08	I12A, I12B, I12C		5v210.b		BOP, KVT, UOP4		5v210.g↔	
	09	J02A, J02B, J02C, J04A, J04B, J08A, J08B, J08C, J16Z, J21Z, J22A, J22B	01		B03A, B03B, B06A, B06B, B07Z, B17A, B17B, B17C	01	B03A, B03B, B06A, B06B, B07Z, B17A, B17B, B17C		
	10	K01Z	03		D12A, D12B	03	D12A, D12B		
	21A	W04A, W04B	05		F13A, F21A, F21B, F21C, F27A, F27B, F27C	05	F13A, F21A, F21B, F21C, F27A, F27B, F27C		
	21B	X04Z, X05A, X05B, X06A, X06B, X06C	08		I12A, I12B, I12C	08	I12A, I12B, I12C		
			09		J02A, J02B, J02C, J04A, J04B, J08A, J08B, J08C, J16Z, J21Z, J22A, J22B	09	J02A, J02B, J02C, J04A, J04B, J08A, J08B, J08C, J16Z, J21Z, J22A, J22B		
		10	K01Z		10	K01Z			
		21A	W04A, W04B		21A	W04A, W04B			
		21B	X04Z, X05A, X05B, X06A, X06B, X06C		21B	X04Z, X05A, X05B, X06A, X06B, X06C			

VYK





ZZV	MDC	DRG	ZZV	MDC	DRG	ZZV	MDC	DRG			
5v212.x		BOP, KVT, UOP4	5v220.6↔		BOP, KVT, UOP4	5v220.c		BOP, KVT, UOP4			
	01	B03A, B03B, B06A, B06B, B07Z, B17A, B17B, B17C		01	B03A, B03B, B06A, B06B, B07Z, B17A, B17B, B17C		01	B03A, B03B, B06A, B06B, B07Z, B17A, B17B, B17C			
	03	D12A, D12B		05	F13A, F21A, F21B, F28A		05	F13A, F21A, F21B, F28A			
	05	F13A, F21A, F21B, F21C, F27A, F27B, F27C		08	I02A, I02B, I02C, I02D, I22A, I22B, I50Z		06	G10Z, G12A, G12B			
	08	I12A, I12B, I12C		09	J02A, J02B, J02C, J04A, J04B, J08A, J08B, J08C, J16Z, J21Z, J22A, J22B		08	I02A, I02B, I02C, I02D, I22A, I22B, I50Z			
	09	J02A, J02B, J02C, J04A, J04B, J08A, J08B, J08C, J16Z, J21Z, J22A, J22B		21A	W04A, W04B		09	J02A, J02B, J02C, J04A, J04B, J08A, J08B, J08C, J16Z, J21Z, J22A, J22B			
	10	K01Z		21B	X01A, X01B, X01C		10	K09A, K09B			
	21A	W04A, W04B			BOP, KVT, UOP4		12	M04A, M04B, M04C, M04D, M37Z, M38Z			
	21B	X04Z, X05A, X05B, X06A, X06B, X06C		01	B03A, B03B, B06A, B06B, B07Z, B17A, B17B, B17C		21A	W04A, W04B			
	5v21x.x			BOP, KVT, UOP4	5v220.7↔			BOP, KVT, UOP4	5v220.d		BOP, KVT, UOP4
		01		B03A, B03B, B06A, B06B, B07Z, B17A, B17B, B17C			05	F13A, F21A, F21B, F28A		01	B03A, B03B, B06A, B06B, B07Z, B17A, B17B, B17C
03		D12A, D12B	08	I02A, I02B, I02C, I02D, I22A, I22B, I50Z		05	F13A, F21A, F21B, F28A				
05		F13A, F21A, F21B, F21C, F27A, F27B, F27C	09	J02A, J02B, J02C, J04A, J04B, J08A, J08B, J08C, J16Z, J21Z, J22A, J22B		06	G10Z, G12A, G12B				
09		J02A, J02B, J02C, J04A, J04B, J08A, J08B, J08C, J16Z, J21Z, J22A, J22B	21A	W04A, W04B		08	I02A, I02B, I02C, I02D, I22A, I22B, I50Z				
10		K01Z	21B	X01A, X01B, X01C		09	J02A, J02B, J02C, J04A, J04B, J08A, J08B, J08C, J16Z, J21Z, J22A, J22B				
21A		W04A, W04B		BOP, KVT, UOP4		21A	W04A, W04B				
21B		X04Z, X05A, X05B, X06A, X06B, X06C	01	B03A, B03B, B06A, B06B, B07Z, B17A, B17B, B17C		21B	X01A, X01B, X01C				
5v220.0			BOP, KVT, UOP4	5v220.8↔			BOP, KVT, UOP4	5v220.e↔			BOP, KVT, UOP4
		03	D08A, D08B, D18Z, D22A, D22B, D30A, D30B			05	F13A, F21A, F21B, F28A			01	B03A, B03B, B06A, B06B, B07Z, B17A, B17B, B17C
		05	F13A, F28A			08	I02A, I02B, I02C, I02D, I22A, I22B, I32A, I32B, I32C, I32D, I32E, I32F, I50Z			05	F13A, F21A, F21B, F27A, F27B, F27C, F28A
	09	J03A, J03B, J04A, J04B, J08A, J08B, J08C, J10A, J10B, J16Z	09		J02A, J02B, J02C, J04A, J04B, J08A, J08B, J08C, J16Z, J21Z, J22A, J22B	08	I02A, I02B, I02C, I02D, I22A, I22B, I50Z				
	21A	W04A, W04B	21A		W04A, W04B	09	J02A, J02B, J02C, J04A, J04B, J08A, J08B, J08C, J16Z, J21Z, J22A, J22B				
	21B	X06A, X06B, X06C	21B		X01A, X01B, X01C	10	K01Z				
	5v220.4		BOP, KVT, UOP4		5v220.9↔		BOP, KVT, UOP4		5v220.f↔		BOP, KVT, UOP4
		01	B03A, B03B, B06A, B06B, B07Z, B17A, B17B, B17C			01	B03A, B03B, B06A, B06B, B07Z, B17A, B17B, B17C			01	B03A, B03B, B06A, B06B, B07Z, B17A, B17B, B17C
		02	C20A, C20B			05	F13A, F21A, F21B, F28A			05	F13A, F21A, F21B, F27A, F27B, F27C, F28A
		03	D18Z, D28Z, D29Z			08	I12A, I12B, I12C, I32A, I32B, I32C, I32D, I32E, I32F			08	I02A, I02B, I02C, I02D, I22A, I22B, I50Z
		05	F13A, F21A, F21B, F28A			09	J03A, J03B, J04A, J04B, J08A, J08B, J08C, J16Z, J21Z, J22A, J22B			09	J02A, J02B, J02C, J04A, J04B, J08A, J08B, J08C, J16Z, J21Z, J22A, J22B
08		I02A, I02B, I02C, I02D, I22A, I22B, I50Z	21A	W04A, W04B		10	K01Z				
09		J02A, J02B, J02C, J04A, J04B, J08A, J08B, J08C, J16Z, J21Z, J22A, J22B	21B	X01A, X01B, X01C		21A	W04A, W04B				
21A		W04A, W04B		BOP, KVT, UOP4		21B	X01A, X01B, X01C				
21B		X01A, X01B, X01C	01	B03A, B03B, B06A, B06B, B07Z, B17A, B17B, B17C		01	B03A, B03B, B06A, B06B, B07Z, B17A, B17B, B17C				
5v220.5			BOP, KVT, UOP4	5v220.a			BOP, KVT, UOP4	5v220.g↔			BOP, KVT, UOP4
		01	B03A, B03B, B06A, B06B, B07Z, B17A, B17B, B17C			05	F13A, F21A, F21B, F28A			01	B03A, B03B, B06A, B06B, B07Z, B17A, B17B, B17C
	03	D18Z, D28Z, D29Z	06		G10Z, G12A, G12B	05	F13A, F21A, F21B, F27A, F27B, F27C, F28A				
	05	F13A, F21A, F21B, F28A	08		I02A, I02B, I02C, I02D, I22A, I22B, I50Z	08	I02A, I02B, I02C, I02D, I22A, I22B, I50Z				
	06	G10Z, G12A, G12B	09		J02A, J02B, J02C, J04A, J04B, J08A, J08B, J08C, J16Z, J21Z, J22A, J22B	09	J02A, J02B, J02C, J04A, J04B, J08A, J08B, J08C, J16Z, J21Z, J22A, J22B				
	08	I28A, I28B	21A		W04A, W04B	10	K01Z				
	09	J02A, J02B, J02C, J04A, J04B, J08A, J08B, J08C, J16Z, J21Z, J22A, J22B	21B		X01A, X01B, X01C	21A	W04A, W04B				
	21A	W04A, W04B			BOP, KVT, UOP4	21B	X01A, X01B, X01C				
	21B	X01A, X01B, X01C	01		B03A, B03B, B06A, B06B, B07Z, B17A, B17B, B17C	01	B03A, B03B, B06A, B06B, B07Z, B17A, B17B, B17C				
	5v220.x		BOP, KVT, UOP4		5v220.b		BOP, KVT, UOP4				BOP, KVT, UOP4
		01	B03A, B03B, B06A, B06B, B07Z, B17A, B17B, B17C			05	F13A, F21A, F21B, F28A			01	B03A, B03B, B06A, B06B, B07Z, B17A, B17B, B17C
03		D18Z, D28Z, D29Z	06	G10Z, G12A, G12B		05	F13A, F21A, F21B, F28A				
05		F13A, F21A, F21B, F28A	08	I02A, I02B, I02C, I02D, I22A, I22B, I50Z		06	G10Z, G12A, G12B				
06		G10Z, G12A, G12B	08	I02A, I02B, I02C, I02D, I22A, I22B, I50Z		08	I02A, I02B, I02C, I02D, I22A, I22B, I50Z				
08		I28A, I28B	09	J02A, J02B, J02C, J04A, J04B, J08A, J08B, J08C, J16Z, J21Z, J22A, J22B		09	J02A, J02B, J02C, J04A, J04B, J08A, J08B, J08C, J16Z, J21Z, J22A, J22B				
09		J02A, J02B, J02C, J04A, J04B, J08A, J08B, J08C, J16Z, J21Z, J22A, J22B	21A	W04A, W04B		10	K01Z				
21A		W04A, W04B	21B	X01A, X01B, X01C		21A	W04A, W04B				
21B		X01A, X01B, X01C		BOP, KVT, UOP4		21B	X01A, X01B, X01C				

VYK

ZZV	MDC	DRG	ZZV	MDC	DRG	ZZV	MDC	DRG			
5v220.x↔		BOP, KVT, UOP4	5v221.8↔		BOP, KVT, UOP4	5v221.e↔		BOP, KVT, UOP4			
	01	B03A, B03B, B06A, B06B, B07Z, B17A, B17B, B17C		01	B03A, B03B, B06A, B06B, B07Z, B17A, B17B, B17C		01	B03A, B03B, B06A, B06B, B07Z, B17A, B17B, B17C			
	05	F13A, F21A, F21B, F28A		05	F13A, F21A, F21B, F28A		05	F13A, F21A, F21B, F27A, F27B, F27C, F28A			
	08	I02A, I02B, I02C, I02D, I22A, I22B, I32A, I32B, I32C, I32D, I32E, I32F, I50Z		08	I02A, I02B, I02C, I02D, I22A, I22B, I32A, I32B, I32C, I32D, I32E, I32F, I50Z		08	I02A, I02B, I02C, I02D, I22A, I22B, I50Z			
	09	J02A, J02B, J02C, J04A, J04B, J08A, J08B, J08C, J16Z, J21Z, J22A, J22B		09	J02A, J02B, J02C, J04A, J04B, J08A, J08B, J08C, J16Z, J21Z, J22A, J22B		09	J02A, J02B, J02C, J04A, J04B, J08A, J08B, J08C, J16Z, J21Z, J22A, J22B			
	21A	W04A, W04B		21A	W04A, W04B		10	K01Z			
	21B	X01A, X01B, X01C		21B	X01A, X01B, X01C		21A	W04A, W04B			
	5v221.0			BOP, KVT, UOP4	5v221.9↔			BOP, KVT, UOP4	5v221.f↔		BOP, KVT, UOP4
		01		B03A, B03B, B06A, B06B, B07Z, B17A, B17B, B17C			01	B03A, B03B, B06A, B06B, B07Z, B17A, B17B, B17C		01	B03A, B03B, B06A, B06B, B07Z, B17A, B17B, B17C
		03		D18Z, D28Z, D29Z			05	F13A, F21A, F21B, F28A		05	F13A, F21A, F21B, F27A, F27B, F27C, F28A
05		F13A, F21A, F21B, F28A	08	I12A, I12B, I12C, I32A, I32B, I32C, I32D, I32E, I32F		08	I02A, I02B, I02C, I02D, I22A, I22B, I50Z				
09		J02A, J02B, J02C, J04A, J04B, J08A, J08B, J08C, J16Z, J21Z, J22A, J22B	09	J02A, J02B, J02C, J04A, J04B, J08A, J08B, J08C, J16Z, J21Z, J22A, J22B		09	J02A, J02B, J02C, J04A, J04B, J08A, J08B, J08C, J16Z, J21Z, J22A, J22B				
21A		W04A, W04B	21A	W04A, W04B		10	K01Z				
21B		X01A, X01B, X01C	21B	X01A, X01B, X01C		21A	W04A, W04B				
5v221.4			BOP, KVT, UOP4	5v221.a			BOP, KVT, UOP4	5v221.g↔			BOP, KVT, UOP4
		01	B03A, B03B, B06A, B06B, B07Z, B17A, B17B, B17C			01	B03A, B03B, B06A, B06B, B07Z, B17A, B17B, B17C			01	B03A, B03B, B06A, B06B, B07Z, B17A, B17B, B17C
		02	C20A, C20B			05	F13A, F21A, F21B, F28A			05	F13A, F21A, F21B, F27A, F27B, F27C, F28A
	03	D18Z, D28Z, D29Z	06		G10Z, G12A, G12B	08	I02A, I02B, I02C, I02D, I22A, I22B, I50Z				
	05	F13A, F21A, F21B, F28A	08		I02A, I02B, I02C, I02D, I22A, I22B, I50Z	09	J02A, J02B, J02C, J04A, J04B, J08A, J08B, J08C, J16Z, J21Z, J22A, J22B				
	08	I02A, I02B, I02C, I02D, I22A, I22B, I50Z	09		J02A, J02B, J02C, J04A, J04B, J08A, J08B, J08C, J16Z, J21Z, J22A, J22B	09	J02A, J02B, J02C, J04A, J04B, J08A, J08B, J08C, J16Z, J21Z, J22A, J22B				
	09	J02A, J02B, J02C, J04A, J04B, J08A, J08B, J08C, J16Z, J21Z, J22A, J22B	21A		W04A, W04B	10	K01Z				
	21A	W04A, W04B	21B		X01A, X01B, X01C	21A	W04A, W04B				
	21B	X01A, X01B, X01C	21B		X01A, X01B, X01C	21B	X01A, X01B, X01C				
	5v221.5		BOP, KVT, UOP4		5v221.b		BOP, KVT, UOP4		5v221.x↔		BOP, KVT, UOP4
01		B03A, B03B, B06A, B06B, B07Z, B17A, B17B, B17C	01	B03A, B03B, B06A, B06B, B07Z, B17A, B17B, B17C		01	B03A, B03B, B06A, B06B, B07Z, B17A, B17B, B17C				
03		D18Z, D28Z, D29Z	05	F13A, F21A, F21B, F28A		05	F13A, F21A, F21B, F28A				
05		F13A, F21A, F21B, F28A	06	G10Z, G12A, G12B		08	I02A, I02B, I02C, I02D, I22A, I22B, I50Z				
08		I02A, I02B, I02C, I02D, I22A, I22B, I50Z	08	I02A, I02B, I02C, I02D, I22A, I22B, I50Z		09	J02A, J02B, J02C, J04A, J04B, J08A, J08B, J08C, J16Z, J21Z, J22A, J22B				
09		J02A, J02B, J02C, J04A, J04B, J08A, J08B, J08C, J16Z, J21Z, J22A, J22B	09	J02A, J02B, J02C, J04A, J04B, J08A, J08B, J08C, J16Z, J21Z, J22A, J22B		09	J02A, J02B, J02C, J04A, J04B, J08A, J08B, J08C, J16Z, J21Z, J22A, J22B				
21A		W04A, W04B	21A	W04A, W04B		09	J02A, J02B, J02C, J04A, J04B, J08A, J08B, J08C, J16Z, J21Z, J22A, J22B				
21B		X01A, X01B, X01C	21B	X01A, X01B, X01C		21A	W04A, W04B				
5v221.6↔			BOP, KVT, UOP4	5v221.c			BOP, KVT, UOP4	5v222.0			BOP, KVT, UOP4
		01	B03A, B03B, B06A, B06B, B07Z, B17A, B17B, B17C			01	B03A, B03B, B06A, B06B, B07Z, B17A, B17B, B17C			01	B03A, B03B, B06A, B06B, B07Z, B17A, B17B, B17C
	05	F13A, F21A, F21B, F28A	05		F13A, F21A, F21B, F28A	05	F13A, F21A, F21B, F28A				
	08	I02A, I02B, I02C, I02D, I22A, I22B, I50Z	06		G10Z, G12A, G12B	06	G10Z, G12A, G12B				
	09	J02A, J02B, J02C, J04A, J04B, J08A, J08B, J08C, J16Z, J21Z, J22A, J22B	08		I02A, I02B, I02C, I02D, I22A, I22B, I50Z	08	I02A, I02B, I02C, I02D, I22A, I22B, I50Z				
	21A	W04A, W04B	09		J02A, J02B, J02C, J04A, J04B, J08A, J08B, J08C, J16Z, J21Z, J22A, J22B	09	J02A, J02B, J02C, J04A, J04B, J08A, J08B, J08C, J16Z, J21Z, J22A, J22B				
	21B	X01A, X01B, X01C	21A		W04A, W04B	09	J02A, J02B, J02C, J04A, J04B, J08A, J08B, J08C, J16Z, J21Z, J22A, J22B				
	5v221.7↔		BOP, KVT, UOP4		5v221.d		BOP, KVT, UOP4				BOP, KVT, UOP4
		01	B03A, B03B, B06A, B06B, B07Z, B17A, B17B, B17C			01	B03A, B03B, B06A, B06B, B07Z, B17A, B17B, B17C			01	B03A, B03B, B06A, B06B, B07Z, B17A, B17B, B17C
		05	F13A, F21A, F21B, F28A			05	F13A, F21A, F21B, F28A			05	F13A, F21A, F21B, F28A
08		I02A, I02B, I02C, I02D, I22A, I22B, I50Z	06	G10Z, G12A, G12B		06	G10Z, G12A, G12B				
09		J02A, J02B, J02C, J04A, J04B, J08A, J08B, J08C, J16Z, J21Z, J22A, J22B	08	I02A, I02B, I02C, I02D, I22A, I22B, I50Z		08	I02A, I02B, I02C, I02D, I22A, I22B, I50Z				
21A		W04A, W04B	09	J02A, J02B, J02C, J04A, J04B, J08A, J08B, J08C, J16Z, J21Z, J22A, J22B		09	J02A, J02B, J02C, J04A, J04B, J08A, J08B, J08C, J16Z, J21Z, J22A, J22B				
21B		X01A, X01B, X01C	21A	W04A, W04B		21A	W04A, W04B				
			21B	X01A, X01B, X01C		21B	X06A, X06B, X06C				

ZZV	MDC	DRG	ZZV	MDC	DRG	ZZV	MDC	DRG
5v222.4		BOP, KVT, UOP4	5v222.a		BOP, KVT, UOP4	5v222.f↔		BOP, KVT, UOP4
	01	B03A, B03B, B06A, B06B, B07Z, B17A, B17B, B17C		01	B03A, B03B, B06A, B06B, B07Z, B17A, B17B, B17C		01	B03A, B03B, B06A, B06B, B07Z, B17A, B17B, B17C
	02	C20A, C20B		05	F13A, F21A, F21B, F21C		05	F13A, F21A, F21B, F21C, F27A, F27B, F27C
	03	D12A, D12B		06	G10Z, G12A, G12B		08	I02A, I02B, I02C, I02D, I22A, I22B, I50Z
	05	F13A, F21A, F21B, F21C		08	I02A, I02B, I02C, I02D, I22A, I22B, I50Z		09	J02A, J02B, J02C, J04A, J04B, J08A, J08B, J08C, J16Z, J21Z, J22A, J22B
	08	I02A, I02B, I02C, I02D, I22A, I22B, I50Z		09	J02A, J02B, J02C, J04A, J04B, J08A, J08B, J08C, J16Z, J21Z, J22A, J22B		10	K01Z
	09	J02A, J02B, J02C, J04A, J04B, J08A, J08B, J08C, J16Z, J21Z, J22A, J22B		21A	W04A, W04B		21A	W04A, W04B
	21A	W04A, W04B		21B	X01A, X01B, X01C		21A	W04A, W04B
	21B	X01A, X01B, X01C			BOP, KVT, UOP4		21B	X01A, X01B, X01C
	5v222.5			BOP, KVT, UOP4	5v222.b			BOP, KVT, UOP4
01		B03A, B03B, B06A, B06B, B07Z, B17A, B17B, B17C	01	B03A, B03B, B06A, B06B, B07Z, B17A, B17B, B17C		01	B03A, B03B, B06A, B06B, B07Z, B17A, B17B, B17C	
03		D12A, D12B	05	F13A, F21A, F21B, F21C		05	F13A, F21A, F21B, F21C, F27A, F27B, F27C	
05		F13A, F21A, F21B, F21C	06	G10Z, G12A, G12B		08	I02A, I02B, I02C, I02D, I22A, I22B, I50Z	
06		G10Z, G12A, G12B	08	I02A, I02B, I02C, I02D, I22A, I22B, I50Z		08	I02A, I02B, I02C, I02D, I12A, I12B, I12C, I22A, I22B, I50Z	
08		I28A, I28B	09	J02A, J02B, J02C, J04A, J04B, J08A, J08B, J08C, J16Z, J21Z, J22A, J22B		09	J02A, J02B, J02C, J04A, J04B, J08A, J08B, J08C, J16Z, J21Z, J22A, J22B	
09		J02A, J02B, J02C, J04A, J04B, J08A, J08B, J08C, J16Z, J21Z, J22A, J22B	21A	W04A, W04B		10	K01Z	
21A		W04A, W04B	21B	X01A, X01B, X01C		21A	W04A, W04B	
21B		X01A, X01B, X01C		BOP, KVT, UOP4		21B	X01A, X01B, X01C	
5v222.6↔			BOP, KVT, UOP4	5v222.c			BOP, KVT, UOP4	5v222.x↔
	01	B03A, B03B, B06A, B06B, B07Z, B17A, B17B, B17C	01		B03A, B03B, B06A, B06B, B07Z, B17A, B17B, B17C	01	B03A, B03B, B06A, B06B, B07Z, B17A, B17B, B17C	
	05	F13A, F21A, F21B, F21C	05		F13A, F21A, F21B, F21C	05	F13A, F21A, F21B, F21C	
	08	I02A, I02B, I02C, I02D, I22A, I22B, I50Z	06		G10Z, G12A, G12B	08	I02A, I02B, I02C, I02D, I22A, I22B, I50Z	
	09	J02A, J02B, J02C, J04A, J04B, J08A, J08B, J08C, J16Z, J21Z, J22A, J22B	08		I02A, I02B, I02C, I02D, I22A, I22B, I50Z	08	I02A, I02B, I02C, I02D, I22A, I22B, I32A, I32B, I32C, I32D, I32E, I32F, I50Z	
	21A	W04A, W04B	09		J02A, J02B, J02C, J04A, J04B, J08A, J08B, J08C, J16Z, J21Z, J22A, J22B	09	J02A, J02B, J02C, J04A, J04B, J08A, J08B, J08C, J16Z, J21Z, J22A, J22B	
	21B	X01A, X01B, X01C	10		K09A, K09B	21A	W04A, W04B	
		BOP, KVT, UOP4	12		M04A, M04B, M04C, M04D, M37Z, M38Z	21B	X01A, X01B, X01C	
	01	B03A, B03B, B06A, B06B, B07Z, B17A, B17B, B17C	21A		W04A, W04B	09	J11A, J11B	
	05	F13A, F21A, F21B, F21C	21B		X01A, X01B, X01C	02	C20A, C20B	
5v222.7↔		BOP, KVT, UOP4	5v222.d		BOP, KVT, UOP4	5v223.0‡		BOP, KVT, UOP4
	01	B03A, B03B, B06A, B06B, B07Z, B17A, B17B, B17C		01	B03A, B03B, B06A, B06B, B07Z, B17A, B17B, B17C		02	C20A, C20B
	05	F13A, F21A, F21B, F21C		05	F13A, F21A, F21B, F21C		09	J11A, J11B
	08	I02A, I02B, I02C, I02D, I22A, I22B, I50Z		06	G10Z, G12A, G12B		09	J11A, J11B
	09	J02A, J02B, J02C, J04A, J04B, J08A, J08B, J08C, J16Z, J21Z, J22A, J22B		08	I02A, I02B, I02C, I02D, I22A, I22B, I50Z		09	J11A, J11B
	21A	W04A, W04B		09	J02A, J02B, J02C, J04A, J04B, J08A, J08B, J08C, J16Z, J21Z, J22A, J22B		09	J11A, J11B
	21B	X01A, X01B, X01C		09	J02A, J02B, J02C, J04A, J04B, J08A, J08B, J08C, J16Z, J21Z, J22A, J22B		09	J11A, J11B
		BOP, KVT, UOP4		21A	W04A, W04B		09	J11A, J11B
	01	B03A, B03B, B06A, B06B, B07Z, B17A, B17B, B17C		21B	X01A, X01B, X01C		09	J11A, J11B
	05	F13A, F21A, F21B, F21C			BOP, KVT, UOP4		09	J11A, J11B
5v222.8↔		BOP, KVT, UOP4	5v222.e↔		BOP, KVT, UOP4	5v223.4‡		BOP, KVT, UOP4
	01	B03A, B03B, B06A, B06B, B07Z, B17A, B17B, B17C		01	B03A, B03B, B06A, B06B, B07Z, B17A, B17B, B17C		02	C20A, C20B
	05	F13A, F21A, F21B, F21C		05	F13A, F21A, F21B, F21C		09	J11A, J11B
	08	I02A, I02B, I02C, I02D, I22A, I22B, I32A, I32B, I32C, I32D, I32E, I32F, I50Z		06	G10Z, G12A, G12B		09	J11A, J11B
	09	J02A, J02B, J02C, J04A, J04B, J08A, J08B, J08C, J16Z, J21Z, J22A, J22B		08	I02A, I02B, I02C, I02D, I22A, I22B, I50Z		09	J11A, J11B
	21A	W04A, W04B		09	J02A, J02B, J02C, J04A, J04B, J08A, J08B, J08C, J16Z, J21Z, J22A, J22B		09	J11A, J11B
	21B	X01A, X01B, X01C		09	J02A, J02B, J02C, J04A, J04B, J08A, J08B, J08C, J16Z, J21Z, J22A, J22B		09	J11A, J11B
		BOP, KVT, UOP4		21A	W04A, W04B		09	J11A, J11B
	01	B03A, B03B, B06A, B06B, B07Z, B17A, B17B, B17C		21B	X01A, X01B, X01C		09	J11A, J11B
	05	F13A, F21A, F21B, F21C			BOP, KVT, UOP4		09	J11A, J11B
5v222.9↔		BOP, KVT, UOP4	5v222.e↔		BOP, KVT, UOP4	5v223.5‡		BOP, KVT, UOP4
	01	B03A, B03B, B06A, B06B, B07Z, B17A, B17B, B17C		01	B03A, B03B, B06A, B06B, B07Z, B17A, B17B, B17C		09	J11A, J11B
	05	F13A, F21A, F21B, F21C		05	F13A, F21A, F21B, F21C, F27A, F27B, F27C		09	J11A, J11B
	08	I12A, I12B, I12C, I32A, I32B, I32C, I32D, I32E, I32F		08	I02A, I02B, I02C, I02D, I22A, I22B, I50Z		09	J11A, J11B
	09	J03A, J03B, J04A, J04B, J08A, J08B, J08C, J16Z, J21Z, J22A, J22B		09	J02A, J02B, J02C, J04A, J04B, J08A, J08B, J08C, J16Z, J21Z, J22A, J22B		09	J11A, J11B
	21A	W04A, W04B		09	J02A, J02B, J02C, J04A, J04B, J08A, J08B, J08C, J16Z, J21Z, J22A, J22B		09	J11A, J11B
	21B	X01A, X01B, X01C		09	J02A, J02B, J02C, J04A, J04B, J08A, J08B, J08C, J16Z, J21Z, J22A, J22B		09	J11A, J11B
		BOP, KVT, UOP4		10	K01Z		09	J11A, J11B
	01	B03A, B03B, B06A, B06B, B07Z, B17A, B17B, B17C		21A	W04A, W04B		09	J11A, J11B
	05	F13A, F21A, F21B, F21C		21B	X01A, X01B, X01C		09	J11A, J11B

ZZV	MDC	DRG	ZZV	MDC	DRG	ZZV	MDC	DRG
5v224.4		BOP, KVT, UOP4	5v224.9↔		BOP, KVT, UOP4	5v224.e↔		BOP, KVT, UOP4
	01	B03A, B03B, B06A, B06B, B07Z, B17A, B17B, B17C		01	B03A, B03B, B06A, B06B, B07Z, B17A, B17B, B17C		01	B03A, B03B, B06A, B06B, B07Z, B17A, B17B, B17C
	02	C20A, C20B		05	F13A, F21A, F21B, F28A		05	F13A, F21A, F21B, F27A, F27B, F27C, F28A
	03	D18Z, D25A, D25B, D25C, D25D		08	I12A, I12B, I12C, I32A, I32B, I32C, I32D, I32E, I32F		08	I02A, I02B, I02C, I02D, I12A, I12B, I12C, I22A, I50Z
	05	F13A, F21A, F21B, F28A		09	J02A, J02B, J02C, J04A, J04B, J08A, J08B, J08C, J16Z, J21Z, J22A, J22B		09	J02A, J02B, J02C, J04A, J04B, J08A, J08B, J08C, J16Z, J21Z, J22A, J22B
	08	I02A, I02B, I02C, I02D, I12A, I12B, I12C, I22A, I50Z		21A	W04A, W04B		10	K01Z
	09	J02A, J02B, J02C, J04A, J04B, J08A, J08B, J08C, J16Z, J21Z, J22A, J22B		21B	X01A, X01B		21A	W04A, W04B
	21A	W04A, W04B		01	B03A, B03B, B06A, B06B, B07Z, B17A, B17B, B17C		21B	X01A, X01B
	21B	X01A, X01B		05	F13A, F21A, F21B, F28A			BOP, KVT, UOP4
	5v224.5			BOP, KVT, UOP4	5v224.a			BOP, KVT, UOP4
01		B03A, B03B, B06A, B06B, B07Z, B17A, B17B, B17C	01	B03A, B03B, B06A, B06B, B07Z, B17A, B17B, B17C		01	B03A, B03B, B06A, B06B, B07Z, B17A, B17B, B17C	
03		D18Z, D25A, D25B, D25C, D25D	05	F13A, F21A, F21B, F28A		05	F13A, F21A, F21B, F27A, F27B, F27C, F28A	
05		F13A, F21A, F21B, F28A	06	G10Z, G12A, G12B		08	I02A, I02B, I02C, I02D, I12A, I12B, I12C, I22A, I50Z	
08		I02A, I02B, I02C, I02D, I12A, I12B, I12C, I22A, I50Z	08	I02A, I02B, I02C, I02D, I12A, I12B, I12C, I22A, I50Z		08	I02A, I02B, I02C, I02D, I12A, I12B, I12C, I22A, I50Z	
09		J02A, J02B, J02C, J04A, J04B, J08A, J08B, J08C, J16Z, J21Z, J22A, J22B	09	J02A, J02B, J02C, J04A, J04B, J08A, J08B, J08C, J16Z, J21Z, J22A, J22B		09	J02A, J02B, J02C, J04A, J04B, J08A, J08B, J08C, J16Z, J21Z, J22A, J22B	
21A		W04A, W04B	21A	W04A, W04B		10	K01Z	
21B		X01A, X01B	21B	X01A, X01B		21A	W04A, W04B	
		BOP, KVT, UOP4	01	B03A, B03B, B06A, B06B, B07Z, B17A, B17B, B17C		21B	X01A, X01B	
5v224.6↔			BOP, KVT, UOP4	5v224.b			BOP, KVT, UOP4	5v224.g↔
	01	B03A, B03B, B06A, B06B, B07Z, B17A, B17B, B17C	01		B03A, B03B, B06A, B06B, B07Z, B17A, B17B, B17C	01	B03A, B03B, B06A, B06B, B07Z, B17A, B17B, B17C	
	05	F13A, F21A, F21B, F28A	05		F13A, F21A, F21B, F28A	05	F13A, F21A, F21B, F27A, F27B, F27C, F28A	
	08	I02A, I02B, I02C, I02D, I12A, I12B, I12C, I22A, I50Z	06		G10Z, G12A, G12B	08	I02A, I02B, I02C, I02D, I12A, I12B, I12C, I22A, I50Z	
	09	J02A, J02B, J02C, J04A, J04B, J08A, J08B, J08C, J16Z, J21Z, J22A, J22B	08		I02A, I02B, I02C, I02D, I12A, I12B, I12C, I22A, I50Z	08	I02A, I02B, I02C, I02D, I12A, I12B, I12C, I22A, I50Z	
	21A	W04A, W04B	09		J02A, J02B, J02C, J04A, J04B, J08A, J08B, J08C, J16Z, J21Z, J22A, J22B	09	J02A, J02B, J02C, J04A, J04B, J08A, J08B, J08C, J16Z, J21Z, J22A, J22B	
	21B	X01A, X01B	21A		W04A, W04B	10	K01Z	
		BOP, KVT, UOP4	21B		X01A, X01B	21A	W04A, W04B	
		BOP, KVT, UOP4	01		B03A, B03B, B06A, B06B, B07Z, B17A, B17B, B17C	21B	X01A, X01B	
	5v224.7↔		BOP, KVT, UOP4		5v224.c		BOP, KVT, UOP4	
01		B03A, B03B, B06A, B06B, B07Z, B17A, B17B, B17C	01	B03A, B03B, B06A, B06B, B07Z, B17A, B17B, B17C		01	B03A, B03B, B06A, B06B, B07Z, B17A, B17B, B17C	
05		F13A, F21A, F21B, F28A	05	F13A, F21A, F21B, F28A		05	F13A, F21A, F21B, F27A, F27B, F27C, F28A	
08		I02A, I02B, I02C, I02D, I12A, I12B, I12C, I22A, I50Z	06	G10Z, G12A, G12B		08	I02A, I02B, I02C, I02D, I12A, I12B, I12C, I22A, I50Z	
09		J02A, J02B, J02C, J04A, J04B, J08A, J08B, J08C, J16Z, J21Z, J22A, J22B	08	I02A, I02B, I02C, I02D, I12A, I12B, I12C, I22A, I50Z		08	I02A, I02B, I02C, I02D, I12A, I12B, I12C, I22A, I32A, I32B, I32C, I32D, I32E, I32F, I50Z	
21A		W04A, W04B	09	J02A, J02B, J02C, J04A, J04B, J08A, J08B, J08C, J16Z, J21Z, J22A, J22B		09	J02A, J02B, J02C, J04A, J04B, J08A, J08B, J08C, J16Z, J21Z, J22A, J22B	
21B		X01A, X01B	21A	W04A, W04B		10	K01Z	
		BOP, KVT, UOP4	21B	X01A, X01B		21A	W04A, W04B	
		BOP, KVT, UOP4	01	B03A, B03B, B06A, B06B, B07Z, B17A, B17B, B17C		21B	X01A, X01B	
5v224.8↔			BOP, KVT, UOP4	5v224.d			BOP, KVT, UOP4	5v225.0
	01	B03A, B03B, B06A, B06B, B07Z, B17A, B17B, B17C	01		B03A, B03B, B06A, B06B, B07Z, B17A, B17B, B17C	01	B03A, B03B, B06A, B06B, B07Z, B17A, B17B, B17C	
	05	F13A, F21A, F21B, F28A	05		F13A, F21A, F21B, F28A	03	D18Z, D25A, D25B, D25C, D25D	
	08	I02A, I02B, I02C, I02D, I12A, I12B, I12C, I22A, I32A, I32B, I32C, I32D, I32E, I32F, I50Z	06		G10Z, G12A, G12B	05	F13A, F21A, F21B, F28A	
	09	J02A, J02B, J02C, J04A, J04B, J08A, J08B, J08C, J16Z, J21Z, J22A, J22B	08		I02A, I02B, I02C, I02D, I12A, I12B, I12C, I22A, I50Z	08	I12A, I12B, I12C	
	21A	W04A, W04B	09		J02A, J02B, J02C, J04A, J04B, J08A, J08B, J08C, J16Z, J21Z, J22A, J22B	09	J02A, J02B, J02C, J04A, J04B, J08A, J08B, J08C, J16Z, J21Z, J22A, J22B	
	21B	X01A, X01B	21A		W04A, W04B	21A	W04A, W04B	
		BOP, KVT, UOP4	21B		X01A, X01B	21B	X01A, X01B	
		BOP, KVT, UOP4	01		B03A, B03B, B06A, B06B, B07Z, B17A, B17B, B17C		BOP, KVT, UOP4	
		BOP, KVT, UOP4	05		F13A, F21A, F21B, F28A		BOP, KVT, UOP4	

ZZV	MDC	DRG	ZZV	MDC	DRG	ZZV	MDC	DRG
5v225.4		BOP, KVT, UOP4	5v225.9↔		BOP, KVT, UOP4	5v225.e↔		BOP, KVT, UOP4
	01	B03A, B03B, B06A, B06B, B07Z, B17A, B17B, B17C		01	B03A, B03B, B06A, B06B, B07Z, B17A, B17B, B17C		01	B03A, B03B, B06A, B06B, B07Z, B17A, B17B, B17C
	02	C20A, C20B		05	F13A, F21A, F21B, F28A		05	F13A, F21A, F21B, F27A, F27B, F27C, F28A
	03	D18Z, D25A, D25B, D25C, D25D		08	I12A, I12B, I12C, I32A, I32B, I32C, I32D, I32E, I32F		08	I02A, I02B, I02C, I02D, I12A, I12B, I12C, I22A, I50Z
	05	F13A, F21A, F21B, F28A		09	J02A, J02B, J02C, J04A, J04B, J08A, J08B, J08C, J16Z, J21Z, J22A, J22B		09	J02A, J02B, J02C, J04A, J04B, J08A, J08B, J08C, J16Z, J21Z, J22A, J22B
	08	I02A, I02B, I02C, I02D, I12A, I12B, I12C, I22A, I50Z		21A	W04A, W04B		10	K01Z
	09	J02A, J02B, J02C, J04A, J04B, J08A, J08B, J08C, J16Z, J21Z, J22A, J22B		21B	X01A, X01B		21A	W04A, W04B
	21A	W04A, W04B		01	B03A, B03B, B06A, B06B, B07Z, B17A, B17B, B17C		21B	X01A, X01B
	21B	X01A, X01B		05	F13A, F21A, F21B, F28A			BOP, KVT, UOP4
				06	G10Z, G12A, G12B			BOP, KVT, UOP4
5v225.5		BOP, KVT, UOP4	5v225.a		BOP, KVT, UOP4	5v225.f↔		BOP, KVT, UOP4
	01	B03A, B03B, B06A, B06B, B07Z, B17A, B17B, B17C		01	B03A, B03B, B06A, B06B, B07Z, B17A, B17B, B17C		01	B03A, B03B, B06A, B06B, B07Z, B17A, B17B, B17C
	03	D18Z, D25A, D25B, D25C, D25D		05	F13A, F21A, F21B, F28A		05	F13A, F21A, F21B, F27A, F27B, F27C, F28A
	05	F13A, F21A, F21B, F28A		08	I02A, I02B, I02C, I02D, I12A, I12B, I12C, I22A, I50Z		08	I02A, I02B, I02C, I02D, I12A, I12B, I12C, I22A, I50Z
	08	I02A, I02B, I02C, I02D, I12A, I12B, I12C, I22A, I50Z		09	J02A, J02B, J02C, J04A, J04B, J08A, J08B, J08C, J16Z, J21Z, J22A, J22B		09	J02A, J02B, J02C, J04A, J04B, J08A, J08B, J08C, J16Z, J21Z, J22A, J22B
	09	J02A, J02B, J02C, J04A, J04B, J08A, J08B, J08C, J16Z, J21Z, J22A, J22B		21A	W04A, W04B		10	K01Z
	21A	W04A, W04B		21B	X01A, X01B		21A	W04A, W04B
	21B	X01A, X01B		01	B03A, B03B, B06A, B06B, B07Z, B17A, B17B, B17C		21B	X01A, X01B
				05	F13A, F21A, F21B, F28A			BOP, KVT, UOP4
				06	G10Z, G12A, G12B			BOP, KVT, UOP4
5v225.6↔		BOP, KVT, UOP4	5v225.b		BOP, KVT, UOP4	5v225.g↔		BOP, KVT, UOP4
	01	B03A, B03B, B06A, B06B, B07Z, B17A, B17B, B17C		01	B03A, B03B, B06A, B06B, B07Z, B17A, B17B, B17C		01	B03A, B03B, B06A, B06B, B07Z, B17A, B17B, B17C
	05	F13A, F21A, F21B, F28A		05	F13A, F21A, F21B, F28A		05	F13A, F21A, F21B, F27A, F27B, F27C, F28A
	08	I02A, I02B, I02C, I02D, I12A, I12B, I12C, I22A, I50Z		08	I02A, I02B, I02C, I02D, I12A, I12B, I12C, I22A, I50Z		08	I02A, I02B, I02C, I02D, I12A, I12B, I12C, I22A, I50Z
	09	J02A, J02B, J02C, J04A, J04B, J08A, J08B, J08C, J16Z, J21Z, J22A, J22B		09	J02A, J02B, J02C, J04A, J04B, J08A, J08B, J08C, J16Z, J21Z, J22A, J22B		09	J02A, J02B, J02C, J04A, J04B, J08A, J08B, J08C, J16Z, J21Z, J22A, J22B
	21A	W04A, W04B		21A	W04A, W04B		10	K01Z
	21B	X01A, X01B		21B	X01A, X01B		21A	W04A, W04B
				01	B03A, B03B, B06A, B06B, B07Z, B17A, B17B, B17C		21B	X01A, X01B
				05	F13A, F21A, F21B, F28A			BOP, KVT, UOP4
				06	G10Z, G12A, G12B			BOP, KVT, UOP4
5v225.7↔		BOP, KVT, UOP4	5v225.c		BOP, KVT, UOP4	5v225.x↔		BOP, KVT, UOP4
	01	B03A, B03B, B06A, B06B, B07Z, B17A, B17B, B17C		01	B03A, B03B, B06A, B06B, B07Z, B17A, B17B, B17C		01	B03A, B03B, B06A, B06B, B07Z, B17A, B17B, B17C
	05	F13A, F21A, F21B, F28A		05	F13A, F21A, F21B, F28A		05	F13A, F21A, F21B, F28A
	08	I02A, I02B, I02C, I02D, I12A, I12B, I12C, I22A, I50Z		08	I02A, I02B, I02C, I02D, I12A, I12B, I12C, I22A, I50Z		08	I02A, I02B, I02C, I02D, I12A, I12B, I12C, I22A, I32A, I32B, I32C, I32D, I32E, I32F, I50Z
	09	J02A, J02B, J02C, J04A, J04B, J08A, J08B, J08C, J16Z, J21Z, J22A, J22B		09	J02A, J02B, J02C, J04A, J04B, J08A, J08B, J08C, J16Z, J21Z, J22A, J22B		09	J02A, J02B, J02C, J04A, J04B, J08A, J08B, J08C, J16Z, J21Z, J22A, J22B
	21A	W04A, W04B		21A	W04A, W04B		21A	W04A, W04B
	21B	X01A, X01B		21B	X01A, X01B		21B	X01A, X01B
				01	B03A, B03B, B06A, B06B, B07Z, B17A, B17B, B17C			BOP, KVT, UOP4
				05	F13A, F21A, F21B, F28A			BOP, KVT, UOP4
				06	G10Z, G12A, G12B			BOP, KVT, UOP4
5v225.8↔		BOP, KVT, UOP4	5v225.d		BOP, KVT, UOP4	5v226.0		BOP, KVT, UOP4
	01	B03A, B03B, B06A, B06B, B07Z, B17A, B17B, B17C		01	B03A, B03B, B06A, B06B, B07Z, B17A, B17B, B17C		03	D08A, D08B, D18Z, D22A, D22B, D30A, D30B
	05	F13A, F21A, F21B, F28A		05	F13A, F21A, F21B, F28A		05	F13A, F28A
	08	I02A, I02B, I02C, I02D, I12A, I12B, I12C, I22A, I32A, I32B, I32C, I32D, I32E, I32F, I50Z		08	I02A, I02B, I02C, I02D, I12A, I12B, I12C, I22A, I50Z		08	I12A, I12B, I12C
	09	J02A, J02B, J02C, J04A, J04B, J08A, J08B, J08C, J16Z, J21Z, J22A, J22B		09	J02A, J02B, J02C, J04A, J04B, J08A, J08B, J08C, J16Z, J21Z, J22A, J22B		09	J03A, J03B, J04A, J04B, J08A, J08B, J08C, J10A, J10B, J16Z
	21A	W04A, W04B		21A	W04A, W04B		21A	W04A, W04B
	21B	X01A, X01B		21B	X01A, X01B		21B	X01A, X01B, X06A, X06B, X06C
				05	F13A, F21A, F21B, F28A			BOP, KVT, UOP4
				06	G10Z, G12A, G12B			BOP, KVT, UOP4
				08	I02A, I02B, I02C, I02D, I12A, I12B, I12C, I22A, I50Z			BOP, KVT, UOP4

VYK



ZZV	MDC	DRG	ZZV	MDC	DRG	ZZV	MDC	DRG	
5v226.4		BOP, KVT, UOP4	5v226.a		BOP, KVT, UOP4	5v226.f↔		BOP, KVT, UOP4	
	01	B03A, B03B, B06A, B06B, B07Z, B17A, B17B, B17C		01	B03A, B03B, B06A, B06B, B07Z, B17A, B17B, B17C		01	B03A, B03B, B06A, B06B, B07Z, B17A, B17B, B17C	
	02	C20A, C20B		05	F13A, F21A, F21B, F28A		05	F13A, F21A, F21B, F27A, F27B, F27C, F28A	
	03	D12A, D12B		06	G10Z, G12A, G12B		08	I02A, I02B, I02C, I02D, I12A, I12B, I12C, I22A, I50Z	
	05	F13A, F21A, F21B, F28A		08	I02A, I02B, I02C, I02D, I12A, I12B, I12C, I22A, I50Z		08	I02A, I02B, I02C, I02D, I12A, I12B, I12C, I22A, I50Z	
	08	I02A, I02B, I02C, I02D, I12A, I12B, I12C, I22A, I50Z		09	J02A, J02B, J02C, J04A, J04B, J08A, J08B, J08C, J16Z, J21Z, J22A		09	J02A, J02B, J02C, J04A, J04B, J08A, J08B, J08C, J16Z, J21Z, J22A, J22B	
	09	J02A, J02B, J02C, J04A, J04B, J08A, J08B, J08C, J16Z, J21Z, J22A		21A	W04A, W04B		10	K01Z	
	21A	W04A, W04B		21B	X01A, X01B		21A	W04A, W04B	
	21B	X01A, X01B			BOP, KVT, UOP4		21B	X01A, X01B	
	5v226.5			BOP, KVT, UOP4	5v226.b			BOP, KVT, UOP4	5v226.g↔
01		B03A, B03B, B06A, B06B, B07Z, B17A, B17B, B17C	01	B03A, B03B, B06A, B06B, B07Z, B17A, B17B, B17C		01	B03A, B03B, B06A, B06B, B07Z, B17A, B17B, B17C		
03		D12A, D12B	05	F13A, F21A, F21B, F28A		05	F13A, F21A, F21B, F27A, F27B, F27C, F28A		
05		F13A, F21A, F21B, F28A	06	G10Z, G12A, G12B		08	I02A, I02B, I02C, I02D, I12A, I12B, I12C, I22A, I50Z		
06		G10Z, G12A, G12B	08	I02A, I02B, I02C, I02D, I12A, I12B, I12C, I22A, I50Z		08	I02A, I02B, I02C, I02D, I12A, I12B, I12C, I22A, I50Z		
08		I12A, I12B, I12C, I28A, I28B	09	J02A, J02B, J02C, J04A, J04B, J08A, J08B, J08C, J16Z, J21Z, J22A, J22B		09	J02A, J02B, J02C, J04A, J04B, J08A, J08B, J08C, J16Z, J21Z, J22A, J22B		
09		J02A, J02B, J02C, J04A, J04B, J08A, J08B, J08C, J16Z, J21Z, J22A, J22B	21A	W04A, W04B		10	K01Z		
21A		W04A, W04B	21B	X01A, X01B		21A	W04A, W04B		
21B		X01A, X01B		BOP, KVT, UOP4		21B	X01A, X01B		
5v226.6↔			BOP, KVT, UOP4	5v226.c			BOP, KVT, UOP4	5v226.x↔	
	01	B03A, B03B, B06A, B06B, B07Z, B17A, B17B, B17C	01		B03A, B03B, B06A, B06B, B07Z, B17A, B17B, B17C	01	B03A, B03B, B06A, B06B, B07Z, B17A, B17B, B17C		
	05	F13A, F21A, F21B, F28A	05		F13A, F21A, F21B, F28A	05	F13A, F21A, F21B, F28A		
	08	I02A, I02B, I02C, I02D, I12A, I12B, I12C, I22A, I50Z	06		G10Z, G12A, G12B	08	I02A, I02B, I02C, I02D, I12A, I12B, I12C, I22A, I50Z		
	08	I02A, I02B, I02C, I02D, I12A, I12B, I12C, I22A, I50Z	08		I02A, I02B, I02C, I02D, I12A, I12B, I12C, I22A, I50Z	08	I02A, I02B, I02C, I02D, I12A, I12B, I12C, I22A, I32C, I32D, I32E, I32F, I50Z		
	09	J02A, J02B, J02C, J04A, J04B, J08A, J08B, J08C, J16Z, J21Z, J22A, J22B	09		J02A, J02B, J02C, J04A, J04B, J08A, J08B, J08C, J16Z, J21Z, J22A, J22B	09	J02A, J02B, J02C, J04A, J04B, J08A, J08B, J08C, J16Z, J21Z, J22A, J22B		
	21A	W04A, W04B	10		K09A, K09B	09	J02A, J02B, J02C, J04A, J04B, J08A, J08B, J08C, J16Z, J21Z, J22A, J22B		
	21B	X01A, X01B	12		M04A, M04B, M04C, M04D, M37Z, M38Z	21A	W04A, W04B		
		BOP, KVT, UOP4	21A		W04A, W04B	21B	X01A, X01B		
	5v226.7↔		BOP, KVT, UOP4		5v226.d		BOP, KVT, UOP4		5v227.0‡
01		B03A, B03B, B06A, B06B, B07Z, B17A, B17B, B17C	01	B03A, B03B, B06A, B06B, B07Z, B17A, B17B, B17C		5v227.4‡	02	C20A, C20B	
05		F13A, F21A, F21B, F28A	05	F13A, F21A, F21B, F28A		09	J11A, J11B		
08		I02A, I02B, I02C, I02D, I12A, I12B, I12C, I22A, I50Z	06	G10Z, G12A, G12B		5v227.5‡	09	J11A, J11B	
08		I02A, I02B, I02C, I02D, I12A, I12B, I12C, I22A, I50Z	05	F13A, F21A, F21B, F28A		5v227.6‡↔	09	J11A, J11B	
09		J02A, J02B, J02C, J04A, J04B, J08A, J08B, J08C, J16Z, J21Z, J22A, J22B	06	G10Z, G12A, G12B		5v227.7‡↔	09	J11A, J11B	
21A		W04A, W04B	08	I02A, I02B, I02C, I02D, I12A, I12B, I12C, I22A, I50Z		5v227.8‡↔	09	J11A, J11B	
21B		X01A, X01B	09	J02A, J02B, J02C, J04A, J04B, J08A, J08B, J08C, J16Z, J21Z, J22A, J22B		5v227.9↔	08	I32A, I32B, I32C, I32D	
		BOP, KVT, UOP4	21A	W04A, W04B		09	J11A, J11B		
5v226.8↔			BOP, KVT, UOP4	5v226.e↔			BOP, KVT, UOP4	5v227.a‡	
	01	B03A, B03B, B06A, B06B, B07Z, B17A, B17B, B17C	01		B03A, B03B, B06A, B06B, B07Z, B17A, B17B, B17C	5v227.b‡	09		J11A, J11B
	05	F13A, F21A, F21B, F28A	05		F13A, F21A, F21B, F27A, F27B, F27C, F28A	5v227.c‡	09		J11A, J11B
	08	I02A, I02B, I02C, I02D, I12A, I12B, I12C, I22A, I32A, I32B, I32C, I32D, I32E, I32F, I50Z	08		I02A, I02B, I02C, I02D, I12A, I12B, I12C, I22A, I50Z	5v227.d‡	09		J11A, J11B
	08	I02A, I02B, I02C, I02D, I12A, I12B, I12C, I22A, I32A, I32B, I32C, I32D, I32E, I32F, I50Z	05		F13A, F21A, F21B, F27A, F27B, F27C, F28A	5v227.e‡↔	09		J11A, J11B
	09	J02A, J02B, J02C, J04A, J04B, J08A, J08B, J08C, J16Z, J21Z, J22A, J22B	08		I02A, I02B, I02C, I02D, I12A, I12B, I12C, I22A, I50Z	5v227.f‡↔	09		J11A, J11B
	21A	W04A, W04B	09		J02A, J02B, J02C, J04A, J04B, J08A, J08B, J08C, J16Z, J21Z, J22A, J22B	5v227.g‡↔	09		J11A, J11B
	21B	X01A, X01B	10		K01Z	5v227.x‡	09		J11A, J11B
		BOP, KVT, UOP4	21A		W04A, W04B	5v228.0‡	09		J11A, J11B
	5v226.9↔		BOP, KVT, UOP4		5v226.e↔		BOP, KVT, UOP4		5v228.4‡
01		B03A, B03B, B06A, B06B, B07Z, B17A, B17B, B17C	01	B03A, B03B, B06A, B06B, B07Z, B17A, B17B, B17C		02	C20A, C20B		
05		F13A, F21A, F21B, F28A	05	F13A, F21A, F21B, F27A, F27B, F27C, F28A		09	J11A, J11B		
08		I12A, I12B, I12C, I32A, I32B, I32C, I32D, I32E, I32F	08	I02A, I02B, I02C, I02D, I12A, I12B, I12C, I22A, I50Z		5v228.5‡	09	J11A, J11B	
08		I12A, I12B, I12C, I32A, I32B, I32C, I32D, I32E, I32F	09	J02A, J02B, J02C, J04A, J04B, J08A, J08B, J08C, J16Z, J21Z, J22A, J22B		5v228.6‡↔	09	J11A, J11B	
09		J03A, J03B, J04A, J04B, J08A, J08B, J08C, J16Z, J21Z, J22A, J22B	10	K01Z		5v228.7‡↔	09	J11A, J11B	
21A		W04A, W04B	21A	W04A, W04B		5v228.8‡↔	09	J11A, J11B	
21B		X01A, X01B	21B	X01A, X01B		5v228.9‡↔	09	J11A, J11B	
		BOP, KVT, UOP4		BOP, KVT, UOP4		5v228.a‡	09	J11A, J11B	
		BOP, KVT, UOP4		BOP, KVT, UOP4		5v228.b‡	09	J11A, J11B	

ZZV	MDC	DRG	ZZV	MDC	DRG	ZZV	MDC	DRG
5v228.g†↔	09	J11A, J11B	5v22a.7↔		BOP, KVT, UOP4	5v22a.d		BOP, KVT, UOP4
5v228.x†	09	J11A, J11B	01		B03A, B03B, B06A, B06B, B07Z, B17A, B17B, B17C	01		B03A, B03B, B06A, B06B, B07Z, B17A, B17B, B17C
5v229.0†	09	J11A, J11B	05		F13A, F21A, F21B, F21C	05		F13A, F21A, F21B, F21C
5v229.4†	02	C20A, C20B	08		I02A, I02B, I02C, I02D, I22A, I22B, I50Z	06		G10Z, G12A, G12B
5v229.5†	09	J11A, J11B	09		J02A, J02B, J02C, J04A, J04B, J08A, J08B, J08C, J16Z, J21Z, J22A, J22B	08		I02A, I02B, I02C, I02D, I22A, I22B, I50Z
5v229.6†↔	09	J11A, J11B	21A		W04A, W04B	09		J02A, J02B, J02C, J04A, J04B, J08A, J08B, J08C, J16Z, J21Z, J22A, J22B
5v229.7†↔	09	J11A, J11B	21B		X01A, X01B, X01C	21A		W04A, W04B
5v229.8†↔	09	J11A, J11B	5v22a.8↔		BOP, KVT, UOP4	21B		X01A, X01B, X01C
5v229.9†↔	09	J11A, J11B	01		B03A, B03B, B06A, B06B, B07Z, B17A, B17B, B17C	5v22a.e↔		BOP, KVT, UOP4
5v229.a†	09	J11A, J11B	05		F13A, F21A, F21B, F21C	01		B03A, B03B, B06A, B06B, B07Z, B17A, B17B, B17C
5v229.b†	09	J11A, J11B	08		I02A, I02B, I02C, I02D, I22A, I22B, I32A, I32B, I32C, I32D, I32E, I32F, I50Z	05		F13A, F21A, F21B, F21C
5v229.c†	09	J11A, J11B	09		J02A, J02B, J02C, J04A, J04B, J08A, J08B, J08C, J16Z, J21Z, J22A, J22B	08		I02A, I02B, I02C, I02D, I22A, I22B, I50Z
5v229.d†	09	J11A, J11B	21A		W04A, W04B	09		J02A, J02B, J02C, J04A, J04B, J08A, J08B, J08C, J16Z, J21Z, J22A, J22B
5v229.e†↔	09	J11A, J11B	21B		X01A, X01B, X01C	21A		W04A, W04B
5v229.f†↔	09	J11A, J11B	5v22a.9↔		BOP, KVT, UOP4	21B		X01A, X01B, X01C
5v229.g†↔	09	J11A, J11B	01		B03A, B03B, B06A, B06B, B07Z, B17A, B17B, B17C	5v22a.f↔		BOP, KVT, UOP4
5v229.x†	09	J11A, J11B	05		F13A, F21A, F21B, F21C	01		B03A, B03B, B06A, B06B, B07Z, B17A, B17B, B17C
5v22a.0		BOP, KVT, UOP4	08		I02A, I02B, I02C, I02D, I22A, I22B, I50Z	05		F13A, F21A, F21B, F21C
	01	B03A, B03B, B06A, B06B, B07Z, B17A, B17B, B17C	09		J02A, J02B, J02C, J04A, J04B, J08A, J08B, J08C, J16Z, J21Z, J22A, J22B	08		I02A, I02B, I02C, I02D, I22A, I22B, I50Z
	03	D12A	21A		W04A, W04B	09		J02A, J02B, J02C, J04A, J04B, J08A, J08B, J08C, J16Z, J21Z, J22A, J22B
	05	F13A, F21A, F21B, F21C	21B		X01A, X01B, X01C	21A		W04A, W04B
	09	J02A, J02B, J02C, J04A, J04B, J08A, J08B, J08C, J16Z, J21Z, J22A, J22B	5v22a.a		BOP, KVT, UOP4	21B		X01A, X01B, X01C
5v22a.4		W04A, W04B	01		B03A, B03B, B06A, B06B, B07Z, B17A, B17B, B17C	5v22a.g↔		BOP, KVT, UOP4
	21B	X01A, X01B, X01C	05		F13A, F21A, F21B, F21C	01		B03A, B03B, B06A, B06B, B07Z, B17A, B17B, B17C
	01	B03A, B03B, B06A, B06B, B07Z, B17A, B17B, B17C	06		G10Z, G12A, G12B	05		F13A, F21A, F21B, F21C
	02	C20A, C20B	08		I02A, I02B, I02C, I02D, I22A, I22B, I50Z	08		I02A, I02B, I02C, I02D, I12A, I12B, I12C, I22A, I22B, I50Z
	03	D12A	09		J02A, J02B, J02C, J04A, J04B, J08A, J08B, J08C, J16Z, J21Z, J22A, J22B	09		J02A, J02B, J02C, J04A, J04B, J08A, J08B, J08C, J16Z, J21Z, J22A, J22B
	05	F13A, F21A, F21B, F21C	21A		W04A, W04B	21A		W04A, W04B
	08	I02A, I02B, I02C, I02D, I22A, I22B, I50Z	21B		X01A, X01B, X01C	21B		X01A, X01B, X01C
	09	J02A, J02B, J02C, J04A, J04B, J08A, J08B, J08C, J16Z, J21Z, J22A, J22B	5v22a.b		BOP, KVT, UOP4	5v22a.h↔		BOP, KVT, UOP4
5v22a.5		BOP, KVT, UOP4	01		B03A, B03B, B06A, B06B, B07Z, B17A, B17B, B17C	01		B03A, B03B, B06A, B06B, B07Z, B17A, B17B, B17C
	01	B03A, B03B, B06A, B06B, B07Z, B17A, B17B, B17C	05		F13A, F21A, F21B, F21C	05		F13A, F21A, F21B, F21C
	03	D12A	06		G10Z, G12A, G12B	08		I02A, I02B, I02C, I02D, I22A, I22B, I32A, I32B, I32C, I32D, I32E, I32F, I50Z
	05	F13A, F21A, F21B, F21C	08		I02A, I02B, I02C, I02D, I22A, I22B, I50Z	09		J02A, J02B, J02C, J04A, J04B, J08A, J08B, J08C, J16Z, J21Z, J22A, J22B
	08	I02A, I02B, I02C, I02D, I22A, I22B, I50Z	09		J02A, J02B, J02C, J04A, J04B, J08A, J08B, J08C, J16Z, J21Z, J22A, J22B	21A		W04A, W04B
	09	J02A, J02B, J02C, J04A, J04B, J08A, J08B, J08C, J16Z, J21Z, J22A, J22B	21A		W04A, W04B	21B		X01A, X01B, X01C
	21A	W04A, W04B	21B		X01A, X01B, X01C	5v22a.i↔		BOP, KVT, UOP4
5v22a.6↔		BOP, KVT, UOP4	5v22a.c		BOP, KVT, UOP4	01		B03A, B03B, B06A, B06B, B07Z, B17A, B17B, B17C
	01	B03A, B03B, B06A, B06B, B07Z, B17A, B17B, B17C	01		B03A, B03B, B06A, B06B, B07Z, B17A, B17B, B17C	05		F13A, F21A, F21B, F21C
	05	F13A, F21A, F21B, F21C	05		F13A, F21A, F21B, F21C	08		I02A, I02B, I02C, I02D, I22A, I22B, I50Z
	08	I02A, I02B, I02C, I02D, I22A, I22B, I50Z	06		G10Z, G12A, G12B	09		J02A, J02B, J02C, J04A, J04B, J08A, J08B, J08C, J16Z, J21Z, J22A, J22B
	09	J02A, J02B, J02C, J04A, J04B, J08A, J08B, J08C, J16Z, J21Z, J22A, J22B	08		I02A, I02B, I02C, I02D, I22A, I22B, I50Z	21A		W04A, W04B
	21A	W04A, W04B	09		J02A, J02B, J02C, J04A, J04B, J08A, J08B, J08C, J16Z, J21Z, J22A, J22B	21B		X01A, X01B, X01C
	21B	X01A, X01B, X01C	21A		W04A, W04B	5v22b.0		BOP, KVT, UOP4
	01	B03A, B03B, B06A, B06B, B07Z, B17A, B17B, B17C	21B		X01A, X01B, X01C	01		B03A, B03B, B06A, B06B, B07Z, B17A, B17B, B17C
	05	F13A, F21A, F21B, F21C	5v22a.d		BOP, KVT, UOP4	03		D12A
	08	I02A, I02B, I02C, I02D, I22A, I22B, I50Z	01		B03A, B03B, B06A, B06B, B07Z, B17A, B17B, B17C	05		F13A, F21A, F21B
	09	J02A, J02B, J02C, J04A, J04B, J08A, J08B, J08C, J16Z, J21Z, J22A, J22B	05		F13A, F21A, F21B, F21C	08		I12A, I12B, I12C
	21A	W04A, W04B	06		G10Z, G12A, G12B	09		J02A, J02B, J02C, J04A, J04B, J08A, J08B, J08C, J16Z, J21Z, J22A, J22B
	21B	X01A, X01B, X01C	08		I02A, I02B, I02C, I02D, I22A, I22B, I50Z	21A		W04A, W04B
	01	B03A, B03B, B06A, B06B, B07Z, B17A, B17B, B17C	09		J02A, J02B, J02C, J04A, J04B, J08A, J08B, J08C, J16Z, J21Z, J22A, J22B	21B		X01A, X01B, X01C
	03	D12A	21A		W04A, W04B			
	05	F13A, F21A, F21B, F21C	21B		X01A, X01B, X01C			
	08	I02A, I02B, I02C, I02D, I22A, I22B, I50Z						
	09	J02A, J02B, J02C, J04A, J04B, J08A, J08B, J08C, J16Z, J21Z, J22A, J22B						
	21A	W04A, W04B						
	21B	X01A, X01B, X01C						

ZZV	MDC	DRG	ZZV	MDC	DRG	ZZV	MDC	DRG			
5v22b.4		BOP, KVT, UOP4	5v22b.a		BOP, KVT, UOP4	5v22b.g↔		BOP, KVT, UOP4			
	01	B03A, B03B, B06A, B06B, B07Z, B17A, B17B, B17C		01	B03A, B03B, B06A, B06B, B07Z, B17A, B17B, B17C		01	B03A, B03B, B06A, B06B, B07Z, B17A, B17B, B17C			
	02	C20A, C20B		05	F13A, F21A, F21B		05	F13A, F21A, F21B			
	03	D12A		06	G10Z, G12A, G12B		08	I02A, I02B, I02C, I02D, I12A, I12B, I12C, I22A, I22B, I50Z			
	05	F13A, F21A, F21B		08	I02A, I02B, I02C, I02D, I12A, I12B, I12C, I22A, I22B, I50Z		08	I02A, I02B, I02C, I02D, I12A, I12B, I12C, I22A, I22B, I50Z			
	08	I02A, I02B, I02C, I02D, I12A, I12B, I12C, I22A, I22B, I50Z		09	J02A, J02B, J02C, J04A, J04B, J08A, J08B, J08C, J16Z, J21Z, J22A, J22B		09	J02A, J02B, J02C, J04A, J04B, J08A, J08B, J08C, J16Z, J21Z, J22A, J22B			
	09	J02A, J02B, J02C, J04A, J04B, J08A, J08B, J08C, J16Z, J21Z, J22A, J22B		21A	W04A, W04B		21A	W04A, W04B			
	21A	W04A, W04B		21B	X01A, X01B, X01C		21B	X01A, X01B, X01C			
	21B	X01A, X01B, X01C			BOP, KVT, UOP4		5v22b.x↔	01	B03A, B03B, B06A, B06B, B07Z, B17A, B17B, B17C		
	5v22b.5			BOP, KVT, UOP4	5v22b.b				BOP, KVT, UOP4	05	F13A, F21A, F21B
		01		B03A, B03B, B06A, B06B, B07Z, B17A, B17B, B17C				01	B03A, B03B, B06A, B06B, B07Z, B17A, B17B, B17C	08	I02A, I02B, I02C, I02D, I12A, I12B, I12C, I22A, I22B, I32A, I32B, I32C, I32D, I32E, I32F, I50Z
03		D12A	05	F13A, F21A, F21B		09		J02A, J02B, J02C, J04A, J04B, J08A, J08B, J08C, J16Z, J21Z, J22A, J22B			
05		F13A, F21A, F21B	06	G10Z, G12A, G12B		21A		W04A, W04B			
08		I02A, I02B, I02C, I02D, I12A, I12B, I12C, I22A, I22B, I50Z	08	I02A, I02B, I02C, I02D, I12A, I12B, I12C, I22A, I22B, I50Z		21B		X01A, X01B, X01C			
09		J02A, J02B, J02C, J04A, J04B, J08A, J08B, J08C, J16Z, J21Z, J22A, J22B	09	J02A, J02B, J02C, J04A, J04B, J08A, J08B, J08C, J16Z, J21Z, J22A, J22B		09		J02A, J02B, J02C, J04A, J04B, J08A, J08B, J08C, J16Z, J21Z, J22A, J22B			
21A		W04A, W04B	21A	W04A, W04B		21A		W04A, W04B			
21B		X01A, X01B, X01C	21B	X01A, X01B, X01C		21B		X01A, X01B, X01C			
5v22b.6↔			BOP, KVT, UOP4	5v22b.c				BOP, KVT, UOP4	09	J11A, J11B	
		01	B03A, B03B, B06A, B06B, B07Z, B17A, B17B, B17C			01		B03A, B03B, B06A, B06B, B07Z, B17A, B17B, B17C	02	C20A, C20B	
		05	F13A, F21A, F21B			05	F13A, F21A, F21B	09	J11A, J11B		
	08	I02A, I02B, I02C, I02D, I12A, I12B, I12C, I22A, I22B, I50Z	06		G10Z, G12A, G12B	09	J11A, J11B				
	09	J02A, J02B, J02C, J04A, J04B, J08A, J08B, J08C, J16Z, J21Z, J22A, J22B	08		I02A, I02B, I02C, I02D, I12A, I12B, I12C, I22A, I22B, I50Z	09	J11A, J11B				
	21A	W04A, W04B	09		J02A, J02B, J02C, J04A, J04B, J08A, J08B, J08C, J16Z, J21Z, J22A, J22B	09	J11A, J11B				
	21B	X01A, X01B, X01C	21A		W04A, W04B	09	J11A, J11B				
	5v22b.7↔		BOP, KVT, UOP4		5v22b.d		BOP, KVT, UOP4	09	J11A, J11B		
		01	B03A, B03B, B06A, B06B, B07Z, B17A, B17B, B17C			01	B03A, B03B, B06A, B06B, B07Z, B17A, B17B, B17C	09	J11A, J11B		
		05	F13A, F21A, F21B			05	F13A, F21A, F21B	09	J11A, J11B		
		08	I02A, I02B, I02C, I02D, I12A, I12B, I12C, I22A, I22B, I50Z			06	G10Z, G12A, G12B	09	J11A, J11B		
09		J02A, J02B, J02C, J04A, J04B, J08A, J08B, J08C, J16Z, J21Z, J22A, J22B	08	I02A, I02B, I02C, I02D, I12A, I12B, I12C, I22A, I22B, I50Z		02	C20A, C20B				
21A		W04A, W04B	09	J02A, J02B, J02C, J04A, J04B, J08A, J08B, J08C, J16Z, J21Z, J22A, J22B		09	J11A, J11B				
21B		X01A, X01B, X01C	21A	W04A, W04B		09	J11A, J11B				
5v22b.8↔			BOP, KVT, UOP4	5v22b.e↔			BOP, KVT, UOP4	09	J11A, J11B		
		01	B03A, B03B, B06A, B06B, B07Z, B17A, B17B, B17C			01	B03A, B03B, B06A, B06B, B07Z, B17A, B17B, B17C	09	J11A, J11B		
		05	F13A, F21A, F21B			05	F13A, F21A, F21B	09	J11A, J11B		
		08	I02A, I02B, I02C, I02D, I12A, I12B, I12C, I22A, I22B, I50Z			08	I02A, I02B, I02C, I02D, I12A, I12B, I12C, I22A, I22B, I50Z	09	J11A, J11B		
	09	J02A, J02B, J02C, J04A, J04B, J08A, J08B, J08C, J16Z, J21Z, J22A, J22B	09		J02A, J02B, J02C, J04A, J04B, J08A, J08B, J08C, J16Z, J21Z, J22A, J22B	09	J11A, J11B				
	21A	W04A, W04B	21A		W04A, W04B	09	J11A, J11B				
	21B	X01A, X01B, X01C	21B		X01A, X01B, X01C	09	J11A, J11B				
	5v22b.9↔		BOP, KVT, UOP4		5v22b.f↔		BOP, KVT, UOP4	09	J11A, J11B		
		01	B03A, B03B, B06A, B06B, B07Z, B17A, B17B, B17C			01	B03A, B03B, B06A, B06B, B07Z, B17A, B17B, B17C	09	J11A, J11B		
		05	F13A, F21A, F21B			05	F13A, F21A, F21B	09	J11A, J11B		
		08	I12A, I12B, I12C, I32A, I32B, I32C, I32D, I32E, I32F			08	I02A, I02B, I02C, I02D, I12A, I12B, I12C, I22A, I22B, I50Z	09	J11A, J11B		
09		J02A, J02B, J02C, J04A, J04B, J08A, J08B, J08C, J16Z, J21Z, J22A, J22B	09	J02A, J02B, J02C, J04A, J04B, J08A, J08B, J08C, J16Z, J21Z, J22A, J22B		09	J11A, J11B				
21A		W04A, W04B	21A	W04A, W04B		09	J11A, J11B				
21B		X01A, X01B, X01C	21B	X01A, X01B, X01C		09	J11A, J11B				
			09	J02A, J02B, J02C, J04A, J04B, J08A, J08B, J08C, J16Z, J21Z, J22A, J22B		09	J11A, J11B				
			21A	W04A, W04B		09	J11A, J11B				
			21B	X01A, X01B, X01C		09	J11A, J11B				
			21B	X01A, X01B, X01C		09	J11A, J11B				

VYK

ZZV	MDC	DRG	ZZV	MDC	DRG	ZZV	MDC	DRG
5v230.4		BOP, KVT, UOP4	5v230.9↔		BOP, KVT, UOP4	5v230.e↔		BOP, KVT, UOP4
	01	B03A, B03B, B06A, B06B, B07Z, B17A, B17B, B17C		01	B03A, B03B, B06A, B06B, B07Z, B17A, B17B, B17C		01	B03A, B03B, B06A, B06B, B07Z, B17A, B17B, B17C
	02	C20A, C20B		05	F13A, F21A, F21B, F21C		05	F13A, F21A, F21B, F21C, F27A, F27B, F27C
	03	D12A, D12B		08	I12A, I12B, I12C, I32A, I32B, I32C, I32D, I32E, I32F		08	I02A, I02B, I02C, I02D, I22A, I22B, I50Z
	05	F13A, F21A, F21B, F21C		09	J03A, J03B, J04A, J04B, J08A, J08B, J08C, J16Z, J21Z, J22A, J22B		09	J02A, J02B, J02C, J04A, J04B, J08A, J08B, J08C, J16Z, J21Z, J22A, J22B
	08	I02A, I02B, I02C, I02D, I22A, I22B, I50Z		21A	W04A, W04B		10	K01Z
	09	J02A, J02B, J02C, J04A, J04B, J08A, J08B, J08C, J16Z, J21Z, J22A, J22B		21B	X01A, X01B, X01C		21A	W04A, W04B
	21A	W04A, W04B		01	B03A, B03B, B06A, B06B, B07Z, B17A, B17B, B17C		21B	X01A, X01B, X01C
	21B	X01A, X01B, X01C		05	F13A, F21A, F21B, F21C			BOP, KVT, UOP4
	5v230.5			BOP, KVT, UOP4	5v230.a			BOP, KVT, UOP4
01		B03A, B03B, B06A, B06B, B07Z, B17A, B17B, B17C	01	B03A, B03B, B06A, B06B, B07Z, B17A, B17B, B17C		01	B03A, B03B, B06A, B06B, B07Z, B17A, B17B, B17C	
03		D12A, D12B	05	F13A, F21A, F21B, F21C		05	F13A, F21A, F21B, F21C, F27A, F27B, F27C	
05		F13A, F21A, F21B, F21C, F27A, F27B, F27C	06	G10Z, G12A, G12B		08	I02A, I02B, I02C, I02D, I22A, I22B, I50Z	
06		G10Z, G12A, G12B	08	I02A, I02B, I02C, I02D, I22A, I22B, I50Z		08	I02A, I02B, I02C, I02D, I22A, I22B, I50Z	
08		I28A, I28B	09	J02A, J02B, J02C, J04A, J04B, J08A, J08B, J08C, J16Z, J21Z, J22A, J22B		09	J02A, J02B, J02C, J04A, J04B, J08A, J08B, J08C, J16Z, J21Z, J22A, J22B	
09		J02A, J02B, J02C, J04A, J04B, J08A, J08B, J08C, J16Z, J21Z, J22A, J22B	21A	W04A, W04B		10	K01Z	
10		K01Z	21B	X01A, X01B, X01C		21A	W04A, W04B	
21A		W04A, W04B	01	B03A, B03B, B06A, B06B, B07Z, B17A, B17B, B17C		21B	X01A, X01B, X01C	
21B		X01A, X01B, X01C	05	F13A, F21A, F21B, F21C			BOP, KVT, UOP4	
5v230.6↔		BOP, KVT, UOP4	5v230.b		BOP, KVT, UOP4	5v230.g↔		BOP, KVT, UOP4
	01	B03A, B03B, B06A, B06B, B07Z, B17A, B17B, B17C		01	B03A, B03B, B06A, B06B, B07Z, B17A, B17B, B17C		01	B03A, B03B, B06A, B06B, B07Z, B17A, B17B, B17C
	05	F13A, F21A, F21B, F21C		05	F13A, F21A, F21B, F21C		05	F13A, F21A, F21B, F21C, F27A, F27B, F27C
	08	I02A, I02B, I02C, I02D, I22A, I22B, I50Z		08	I02A, I02B, I02C, I02D, I22A, I22B, I32A, I32B, I32C, I32D, I32E, I32F, I50Z		08	I02A, I02B, I02C, I02D, I12A, I12B, I12C, I22A, I22B, I50Z
	09	J02A, J02B, J02C, J04A, J04B, J08A, J08B, J08C, J16Z, J21Z, J22A, J22B		09	J02A, J02B, J02C, J04A, J04B, J08A, J08B, J08C, J16Z, J21Z, J22A, J22B		09	J02A, J02B, J02C, J04A, J04B, J08A, J08B, J08C, J16Z, J21Z, J22A, J22B
	21A	W04A, W04B		21A	W04A, W04B		10	K01Z
	21B	X01A, X01B, X01C		21B	X01A, X01B, X01C		21A	W04A, W04B
		BOP, KVT, UOP4		01	B03A, B03B, B06A, B06B, B07Z, B17A, B17B, B17C		21B	X01A, X01B, X01C
	01	B03A, B03B, B06A, B06B, B07Z, B17A, B17B, B17C		05	F13A, F21A, F21B, F21C			BOP, KVT, UOP4
	05	F13A, F21A, F21B, F21C		06	G10Z, G12A, G12B		01	B03A, B03B, B06A, B06B, B07Z, B17A, B17B, B17C
5v230.7↔		BOP, KVT, UOP4	5v230.c		BOP, KVT, UOP4	5v230.x↔		BOP, KVT, UOP4
	01	B03A, B03B, B06A, B06B, B07Z, B17A, B17B, B17C		01	B03A, B03B, B06A, B06B, B07Z, B17A, B17B, B17C		01	B03A, B03B, B06A, B06B, B07Z, B17A, B17B, B17C
	05	F13A, F21A, F21B, F21C		05	F13A, F21A, F21B, F21C		05	F13A, F21A, F21B, F21C
	08	I02A, I02B, I02C, I02D, I22A, I22B, I50Z		08	I02A, I02B, I02C, I02D, I22A, I22B, I50Z		08	I02A, I02B, I02C, I02D, I22A, I22B, I32A, I32B, I32C, I32D, I32E, I32F, I50Z
	09	J02A, J02B, J02C, J04A, J04B, J08A, J08B, J08C, J16Z, J21Z, J22A, J22B		09	J02A, J02B, J02C, J04A, J04B, J08A, J08B, J08C, J16Z, J21Z, J22A, J22B		09	J02A, J02B, J02C, J04A, J04B, J08A, J08B, J08C, J16Z, J21Z, J22A, J22B
	21A	W04A, W04B		10	K09A, K09B		21A	W04A, W04B
	21B	X01A, X01B, X01C		12	M04A, M04B, M04C, M04D, M37Z, M38Z		21B	X01A, X01B, X01C
		BOP, KVT, UOP4		21A	W04A, W04B			BOP, KVT, UOP4
	01	B03A, B03B, B06A, B06B, B07Z, B17A, B17B, B17C		21B	X01A, X01B, X01C		01	B03A, B03B, B06A, B06B, B07Z, B17A, B17B, B17C
	05	F13A, F21A, F21B, F21C		01	B03A, B03B, B06A, B06B, B07Z, B17A, B17B, B17C		05	F13A, F21A, F21B, F21C
5v230.8↔		BOP, KVT, UOP4	5v230.d		BOP, KVT, UOP4	5v231.0		BOP, KVT, UOP4
	01	B03A, B03B, B06A, B06B, B07Z, B17A, B17B, B17C		01	B03A, B03B, B06A, B06B, B07Z, B17A, B17B, B17C		03	D18Z, D28Z, D29Z
	05	F13A, F21A, F21B, F21C		05	F13A, F21A, F21B, F21C		05	F13A
	08	I02A, I02B, I02C, I02D, I22A, I22B, I32A, I32B, I32C, I32D, I32E, I32F, I50Z		06	G10Z, G12A, G12B		09	J03A, J03B, J04A, J04B, J08A, J08B, J08C, J11A, J11B, J16Z
	09	J02A, J02B, J02C, J04A, J04B, J08A, J08B, J08C, J16Z, J21Z, J22A, J22B		08	I02A, I02B, I02C, I02D, I22A, I22B, I50Z		21A	W04A, W04B
	21A	W04A, W04B		09	J02A, J02B, J02C, J04A, J04B, J08A, J08B, J08C, J16Z, J21Z, J22A, J22B		21B	X06A, X06B, X06C
	21B	X01A, X01B, X01C		21A	W04A, W04B			
		BOP, KVT, UOP4		21B	X01A, X01B, X01C			
	01	B03A, B03B, B06A, B06B, B07Z, B17A, B17B, B17C		01	B03A, B03B, B06A, B06B, B07Z, B17A, B17B, B17C			
	05	F13A, F21A, F21B, F21C		05	F13A, F21A, F21B, F21C			

ZZV	MDC	DRG	ZZV	MDC	DRG	ZZV	MDC	DRG
5v231.4		BOP, KVT, UOP4	5v231.9↔		BOP, KVT, UOP4	5v231.e↔		BOP, KVT, UOP4
	01	B03A, B03B, B06A, B06B, B07Z, B17A, B17B, B17C		01	B03A, B03B, B06A, B06B, B07Z, B17A, B17B, B17C		01	B03A, B03B, B06A, B06B, B07Z, B17A, B17B, B17C
	02	C20A, C20B		05	F13A, F21A, F21B		05	F13A, F21A, F21B, F27A, F27B, F27C
	03	D12A, D12B		08	I12A, I12B, I12C, I32A, I32B, I32C, I32D, I32E, I32F		08	I02A, I02B, I02C, I02D, I22A, I22B, I50Z
	05	F13A, F21A, F21B		09	J03A, J03B, J04A, J04B, J08A, J08B, J08C, J16Z, J21Z, J22A, J22B		09	J02A, J02B, J02C, J04A, J04B, J08A, J08B, J08C, J16Z, J21Z, J22A, J22B
	08	I02A, I02B, I02C, I02D, I22A, I22B, I50Z		21A	W04A, W04B		10	K01Z
	09	J02A, J02B, J02C, J04A, J04B, J08A, J08B, J08C, J16Z, J21Z, J22A, J22B		21B	X01A, X01B, X01C		21A	W04A, W04B
	21A	W04A, W04B			BOP, KVT, UOP4		21B	X01A, X01B, X01C
	21B	X01A, X01B, X01C		01	B03A, B03B, B06A, B06B, B07Z, B17A, B17B, B17C			BOP, KVT, UOP4
	5v231.5			BOP, KVT, UOP4	5v231.a			BOP, KVT, UOP4
01		B03A, B03B, B06A, B06B, B07Z, B17A, B17B, B17C	01	B03A, B03B, B06A, B06B, B07Z, B17A, B17B, B17C		01	B03A, B03B, B06A, B06B, B07Z, B17A, B17B, B17C	
03		D12A, D12B	05	F13A, F21A, F21B		05	F13A, F21A, F21B, F27A, F27B, F27C	
05		F13A, F21A, F21B, F27A, F27B, F27C	06	G10Z, G12A, G12B		08	I02A, I02B, I02C, I02D, I22A, I22B, I50Z	
06		G10Z, G12A, G12B	08	I02A, I02B, I02C, I02D, I22A, I22B, I50Z		08	I02A, I02B, I02C, I02D, I22A, I22B, I50Z	
08		I28A, I28B	09	J02A, J02B, J02C, J04A, J04B, J08A, J08B, J08C, J16Z, J21Z, J22A, J22B		08	I02A, I02B, I02C, I02D, I22A, I22B, I50Z	
09		J02A, J02B, J02C, J04A, J04B, J08A, J08B, J08C, J16Z, J21Z, J22A, J22B	21A	W04A, W04B		09	J02A, J02B, J02C, J04A, J04B, J08A, J08B, J08C, J16Z, J21Z, J22A, J22B	
10		K01Z	21B	X01A, X01B, X01C		10	K01Z	
21A		W04A, W04B		BOP, KVT, UOP4		21A	W04A, W04B	
21B		X01A, X01B, X01C	01	B03A, B03B, B06A, B06B, B07Z, B17A, B17B, B17C		21B	X01A, X01B, X01C	
5v231.6↔		BOP, KVT, UOP4	5v231.b		BOP, KVT, UOP4	5v231.g↔		BOP, KVT, UOP4
	01	B03A, B03B, B06A, B06B, B07Z, B17A, B17B, B17C		01	B03A, B03B, B06A, B06B, B07Z, B17A, B17B, B17C		01	B03A, B03B, B06A, B06B, B07Z, B17A, B17B, B17C
	05	F13A, F21A, F21B		05	F13A, F21A, F21B		05	F13A, F21A, F21B, F27A, F27B, F27C
	08	I02A, I02B, I02C, I02D, I22A, I22B, I50Z		06	G10Z, G12A, G12B		08	I02A, I02B, I02C, I02D, I22A, I22B, I32A, I32B, I32C, I32D, I32E, I32F, I50Z
	09	J02A, J02B, J02C, J04A, J04B, J08A, J08B, J08C, J16Z, J21Z, J22A, J22B		08	I02A, I02B, I02C, I02D, I22A, I22B, I32A, I32B, I32C, I32D, I32E, I32F, I50Z		08	I02A, I02B, I02C, I02D, I12A, I12B, I12C, I22A, I22B, I50Z
	21A	W04A, W04B		09	J02A, J02B, J02C, J04A, J04B, J08A, J08B, J08C, J16Z, J21Z, J22A, J22B		09	J02A, J02B, J02C, J04A, J04B, J08A, J08B, J08C, J16Z, J21Z, J22A, J22B
	21B	X01A, X01B, X01C		21A	W04A, W04B		10	K01Z
		BOP, KVT, UOP4		21B	X01A, X01B, X01C		21A	W04A, W04B
	01	B03A, B03B, B06A, B06B, B07Z, B17A, B17B, B17C			BOP, KVT, UOP4		21B	X01A, X01B, X01C
	05	F13A, F21A, F21B		01	B03A, B03B, B06A, B06B, B07Z, B17A, B17B, B17C			BOP, KVT, UOP4
5v231.7↔		BOP, KVT, UOP4	5v231.c		BOP, KVT, UOP4	5v231.x↔		BOP, KVT, UOP4
	01	B03A, B03B, B06A, B06B, B07Z, B17A, B17B, B17C		01	B03A, B03B, B06A, B06B, B07Z, B17A, B17B, B17C		01	B03A, B03B, B06A, B06B, B07Z, B17A, B17B, B17C
	05	F13A, F21A, F21B		05	F13A, F21A, F21B		05	F13A, F21A, F21B
	08	I02A, I02B, I02C, I02D, I22A, I22B, I50Z		06	G10Z, G12A, G12B		08	I02A, I02B, I02C, I02D, I22A, I22B, I32A, I32B, I32C, I32D, I32E, I32F, I50Z
	09	J02A, J02B, J02C, J04A, J04B, J08A, J08B, J08C, J16Z, J21Z, J22A, J22B		08	I02A, I02B, I02C, I02D, I22A, I22B, I50Z		08	I02A, I02B, I02C, I02D, I22A, I22B, I32A, I32B, I32C, I32D, I32E, I32F, I50Z
	21A	W04A, W04B		09	J02A, J02B, J02C, J04A, J04B, J08A, J08B, J08C, J16Z, J21Z, J22A, J22B		09	J02A, J02B, J02C, J04A, J04B, J08A, J08B, J08C, J16Z, J21Z, J22A, J22B
	21B	X01A, X01B, X01C		10	K09A, K09B		10	K01Z
		BOP, KVT, UOP4		12	M04A, M04B, M04C, M04D, M37Z, M38Z		21A	W04A, W04B
	01	B03A, B03B, B06A, B06B, B07Z, B17A, B17B, B17C		21A	W04A, W04B		21B	X01A, X01B, X01C
	05	F13A, F21A, F21B		21B	X01A, X01B, X01C			BOP, KVT, UOP4
5v231.8↔		BOP, KVT, UOP4	5v231.d		BOP, KVT, UOP4	5v232.0		BOP, KVT, UOP4
	01	B03A, B03B, B06A, B06B, B07Z, B17A, B17B, B17C		01	B03A, B03B, B06A, B06B, B07Z, B17A, B17B, B17C		03	D18Z, D28Z, D29Z
	05	F13A, F21A, F21B		05	F13A, F21A, F21B		05	F13A
	08	I02A, I02B, I02C, I02D, I22A, I22B, I32A, I32B, I32C, I32D, I32E, I32F, I50Z		05	F13A, F21A, F21B		09	J03A, J03B, J04A, J04B, J08A, J08B, J08C, J11A, J11B, J16Z
	09	J02A, J02B, J02C, J04A, J04B, J08A, J08B, J08C, J16Z, J21Z, J22A, J22B		06	G10Z, G12A, G12B		21A	W04A, W04B
	21A	W04A, W04B		08	I02A, I02B, I02C, I02D, I22A, I22B, I50Z		21B	X06A, X06B, X06C
	21B	X01A, X01B, X01C		09	J02A, J02B, J02C, J04A, J04B, J08A, J08B, J08C, J16Z, J21Z, J22A, J22B			BOP, KVT, UOP4
		BOP, KVT, UOP4		21A	W04A, W04B			BOP, KVT, UOP4
	01	B03A, B03B, B06A, B06B, B07Z, B17A, B17B, B17C		21B	X01A, X01B, X01C			BOP, KVT, UOP4
	05	F13A, F21A, F21B			BOP, KVT, UOP4			BOP, KVT, UOP4

VYK

ZZV	MDC	DRG	ZZV	MDC	DRG	ZZV	MDC	DRG
5v232.4		BOP, KVT, UOP4	5v232.9↔		BOP, KVT, UOP4	5v232.e↔		BOP, KVT, UOP4
	01	B03A, B03B, B06A, B06B, B07Z, B17A, B17B, B17C		01	B03A, B03B, B06A, B06B, B07Z, B17A, B17B, B17C		01	B03A, B03B, B06A, B06B, B07Z, B17A, B17B, B17C
	02	C20A, C20B		05	F13A, F21A, F21B		05	F13A, F21A, F21B, F27A, F27B, F27C
	03	D12A, D12B		08	I12A, I12B, I12C, I32A, I32B, I32C, I32D, I32E, I32F		08	I02A, I02B, I02C, I02D, I22A, I22B, I50Z
	05	F13A, F21A, F21B		09	J03A, J03B, J04A, J04B, J08A, J08B, J08C, J16Z, J21Z, J22A, J22B		09	J02A, J02B, J02C, J04A, J04B, J08A, J08B, J08C, J16Z, J21Z, J22A, J22B
	08	I02A, I02B, I02C, I02D, I22A, I22B, I50Z		21A	W04A, W04B		10	K01Z
	09	J02A, J02B, J02C, J04A, J04B, J08A, J08B, J08C, J16Z, J21Z, J22A, J22B		21B	X01A, X01B, X01C		21A	W04A, W04B
	21A	W04A, W04B		5v232.a			21B	X01A, X01B, X01C
	21B	X01A, X01B, X01C		01	B03A, B03B, B06A, B06B, B07Z, B17A, B17B, B17C		5v232.f↔	
		BOP, KVT, UOP4		05	F13A, F21A, F21B		01	B03A, B03B, B06A, B06B, B07Z, B17A, B17B, B17C
	5v232.5			BOP, KVT, UOP4	06		G10Z, G12A, G12B	05
01		B03A, B03B, B06A, B06B, B07Z, B17A, B17B, B17C	08	I02A, I02B, I02C, I02D, I22A, I22B, I50Z	08	I02A, I02B, I02C, I02D, I22A, I22B, I50Z		
03		D12A, D12B	09	J02A, J02B, J02C, J04A, J04B, J08A, J08B, J08C, J16Z, J21Z, J22A, J22B	09	J02A, J02B, J02C, J04A, J04B, J08A, J08B, J08C, J16Z, J21Z, J22A, J22B		
05		F13A, F21A, F21B, F27A, F27B, F27C	21A	W04A, W04B	10	K01Z		
06		G10Z, G12A, G12B	21B	X01A, X01B, X01C	21A	W04A, W04B		
08		I28A, I28B	5v232.b		21B	X01A, X01B, X01C		
09		J02A, J02B, J02C, J04A, J04B, J08A, J08B, J08C, J16Z, J21Z, J22A, J22B	01	B03A, B03B, B06A, B06B, B07Z, B17A, B17B, B17C	5v232.g↔			
10		K01Z	05	F13A, F21A, F21B	01	B03A, B03B, B06A, B06B, B07Z, B17A, B17B, B17C		
21A		W04A, W04B	06	G10Z, G12A, G12B	05	F13A, F21A, F21B, F27A, F27B, F27C		
21B		X01A, X01B, X01C	08	I02A, I02B, I02C, I02D, I22A, I22B, I32A, I32B, I32C, I32D, I32E, I32F, I50Z	08	I02A, I02B, I02C, I02D, I12A, I12B, I12C, I22A, I22B, I50Z		
5v232.6↔			BOP, KVT, UOP4	09	J02A, J02B, J02C, J04A, J04B, J08A, J08B, J08C, J16Z, J21Z, J22A, J22B	09	J02A, J02B, J02C, J04A, J04B, J08A, J08B, J08C, J16Z, J21Z, J22A, J22B	
	01	B03A, B03B, B06A, B06B, B07Z, B17A, B17B, B17C	21A	W04A, W04B	10	K01Z		
	05	F13A, F21A, F21B	21B	X01A, X01B, X01C	21A	W04A, W04B		
	08	I02A, I02B, I02C, I02D, I22A, I22B, I50Z	5v232.c		21B	X01A, X01B, X01C		
	09	J02A, J02B, J02C, J04A, J04B, J08A, J08B, J08C, J16Z, J21Z, J22A, J22B	01	B03A, B03B, B06A, B06B, B07Z, B17A, B17B, B17C	5v232.x↔			
	21A	W04A, W04B	05	F13A, F21A, F21B	01	B03A, B03B, B06A, B06B, B07Z, B17A, B17B, B17C		
	21B	X01A, X01B, X01C	06	G10Z, G12A, G12B	05	F13A, F21A, F21B		
		BOP, KVT, UOP4	08	I02A, I02B, I02C, I02D, I22A, I22B, I50Z	08	I02A, I02B, I02C, I02D, I22A, I22B, I32A, I32B, I32C, I32D, I32E, I32F, I50Z		
	01	B03A, B03B, B06A, B06B, B07Z, B17A, B17B, B17C	09	J02A, J02B, J02C, J04A, J04B, J08A, J08B, J08C, J16Z, J21Z, J22A, J22B	09	J02A, J02B, J02C, J04A, J04B, J08A, J08B, J08C, J16Z, J21Z, J22A, J22B		
	05	F13A, F21A, F21B	10	K09A, K09B	21A	W04A, W04B		
	08	I02A, I02B, I02C, I02D, I22A, I22B, I50Z	12	M04A, M04B, M04C, M04D, M37Z, M38Z	21B	X01A, X01B, X01C		
5v232.7↔		BOP, KVT, UOP4	21A	W04A, W04B	5v233.0			
	01	B03A, B03B, B06A, B06B, B07Z, B17A, B17B, B17C	21B	X01A, X01B, X01C	03	D18Z, D28Z, D29Z		
	05	F13A, F21A, F21B	5v232.d		05	F13A		
	08	I02A, I02B, I02C, I02D, I22A, I22B, I32A, I32B, I32C, I32D, I32E, I32F, I50Z	01	B03A, B03B, B06A, B06B, B07Z, B17A, B17B, B17C	09	J03A, J03B, J04A, J04B, J08A, J08B, J08C, J11A, J11B, J16Z		
	09	J02A, J02B, J02C, J04A, J04B, J08A, J08B, J08C, J16Z, J21Z, J22A, J22B	05	F13A, F21A, F21B	21A	W04A, W04B		
	21A	W04A, W04B	06	G10Z, G12A, G12B	21B	X06A, X06B, X06C		
	21B	X01A, X01B, X01C	08	I02A, I02B, I02C, I02D, I22A, I22B, I50Z				
		BOP, KVT, UOP4	09	J02A, J02B, J02C, J04A, J04B, J08A, J08B, J08C, J16Z, J21Z, J22A, J22B				
	01	B03A, B03B, B06A, B06B, B07Z, B17A, B17B, B17C	21A	W04A, W04B				
	05	F13A, F21A, F21B	21B	X01A, X01B, X01C				
	08	I02A, I02B, I02C, I02D, I22A, I22B, I32A, I32B, I32C, I32D, I32E, I32F, I50Z						
5v232.8↔		BOP, KVT, UOP4						
	01	B03A, B03B, B06A, B06B, B07Z, B17A, B17B, B17C						
	05	F13A, F21A, F21B						
	08	I02A, I02B, I02C, I02D, I22A, I22B, I32A, I32B, I32C, I32D, I32E, I32F, I50Z						
	09	J02A, J02B, J02C, J04A, J04B, J08A, J08B, J08C, J16Z, J21Z, J22A, J22B						
	21A	W04A, W04B						
	21B	X01A, X01B, X01C						

ZZV	MDC	DRG	ZZV	MDC	DRG	ZZV	MDC	DRG			
5v233.4		BOP, KVT, UOP4	5v233.a		BOP, KVT, UOP4	5v233.f↔		BOP, KVT, UOP4			
	01	B03A, B03B, B06A, B06B, B07Z, B17A, B17B, B17C		01	B03A, B03B, B06A, B06B, B07Z, B17A, B17B, B17C		01	B03A, B03B, B06A, B06B, B07Z, B17A, B17B, B17C			
	02	C20A, C20B		05	F13A, F21A, F21B, F21C		05	F13A, F21A, F21B, F21C, F27A, F27B, F27C			
	03	D12A, D12B		06	G10Z, G12A, G12B		08	I02A, I02B, I02C, I02D, I22A, I22B, I50Z			
	05	F13A, F21A, F21B, F21C		08	I02A, I02B, I02C, I02D, I22A, I22B, I50Z		08	I02A, I02B, I02C, I02D, I22A, I22B, I50Z			
	08	I02A, I02B, I02C, I02D, I22A, I22B, I50Z		09	J02A, J02B, J02C, J04A, J04B, J08A, J08B, J08C, J16Z, J21Z, J22A, J22B		09	J02A, J02B, J02C, J04A, J04B, J08A, J08B, J08C, J16Z, J21Z, J22A, J22B			
	09	J02A, J02B, J02C, J04A, J04B, J08A, J08B, J08C, J16Z, J21Z, J22A, J22B		21A	W04A, W04B		10	K01Z			
	21A	W04A, W04B		21B	X01A, X01B, X01C		21A	W04A, W04B			
	21B	X01A, X01B, X01C			BOP, KVT, UOP4		21B	X01A, X01B, X01C			
	5v233.5			BOP, KVT, UOP4	5v233.b			BOP, KVT, UOP4	5v233.g↔		BOP, KVT, UOP4
		01		B03A, B03B, B06A, B06B, B07Z, B17A, B17B, B17C			01	B03A, B03B, B06A, B06B, B07Z, B17A, B17B, B17C		01	B03A, B03B, B06A, B06B, B07Z, B17A, B17B, B17C
03		D12A, D12B	05	F13A, F21A, F21B, F21C		05	F13A, F21A, F21B, F21C, F27A, F27B, F27C				
05		F13A, F21A, F21B, F21C	06	G10Z, G12A, G12B		08	I02A, I02B, I02C, I02D, I22A, I22B, I50Z				
08		I02A, I02B, I02C, I02D, I22A, I22B, I50Z	08	I02A, I02B, I02C, I02D, I22A, I22B, I50Z		08	I02A, I02B, I02C, I02D, I12A, I12B, I12C, I22A, I22B, I50Z				
09		J02A, J02B, J02C, J04A, J04B, J08A, J08B, J08C, J16Z, J21Z, J22A, J22B	09	J02A, J02B, J02C, J04A, J04B, J08A, J08B, J08C, J16Z, J21Z, J22A, J22B		09	J02A, J02B, J02C, J04A, J04B, J08A, J08B, J08C, J16Z, J21Z, J22A, J22B				
21A		W04A, W04B	21A	W04A, W04B		10	K01Z				
21B		X01A, X01B, X01C	21B	X01A, X01B, X01C		21A	W04A, W04B				
5v233.6↔			BOP, KVT, UOP4	5v233.c			BOP, KVT, UOP4	5v233.x↔			BOP, KVT, UOP4
		01	B03A, B03B, B06A, B06B, B07Z, B17A, B17B, B17C			01	B03A, B03B, B06A, B06B, B07Z, B17A, B17B, B17C			01	B03A, B03B, B06A, B06B, B07Z, B17A, B17B, B17C
		05	F13A, F21A, F21B, F21C			05	F13A, F21A, F21B, F21C			05	F13A, F21A, F21B, F21C
	08	I02A, I02B, I02C, I02D, I22A, I22B, I50Z	06		G10Z, G12A, G12B	08	I02A, I02B, I02C, I02D, I22A, I22B, I50Z				
	09	J02A, J02B, J02C, J04A, J04B, J08A, J08B, J08C, J16Z, J21Z, J22A, J22B	08		I02A, I02B, I02C, I02D, I22A, I22B, I50Z	08	I02A, I02B, I02C, I02D, I22A, I22B, I32A, I32B, I32C, I32D, I32E, I32F, I50Z				
	21A	W04A, W04B	09		J02A, J02B, J02C, J04A, J04B, J08A, J08B, J08C, J16Z, J21Z, J22A, J22B	09	J02A, J02B, J02C, J04A, J04B, J08A, J08B, J08C, J16Z, J21Z, J22A, J22B				
	21B	X01A, X01B, X01C	21A		W04A, W04B	21A	W04A, W04B				
	5v233.7↔		BOP, KVT, UOP4		5v233.d		BOP, KVT, UOP4		5v234.0		BOP, KVT, UOP4
		01	B03A, B03B, B06A, B06B, B07Z, B17A, B17B, B17C			01	B03A, B03B, B06A, B06B, B07Z, B17A, B17B, B17C			03	D18Z, D28Z, D29Z
		05	F13A, F21A, F21B, F21C			05	F13A, F21A, F21B, F21C			05	F13A
		08	I02A, I02B, I02C, I02D, I22A, I22B, I50Z			06	G10Z, G12A, G12B			09	J03A, J03B, J04A, J04B, J08A, J08B, J08C, J11A, J11B, J16Z
09		J02A, J02B, J02C, J04A, J04B, J08A, J08B, J08C, J16Z, J21Z, J22A, J22B	08	I02A, I02B, I02C, I02D, I22A, I22B, I50Z		21A	W04A, W04B				
21A		W04A, W04B	09	J02A, J02B, J02C, J04A, J04B, J08A, J08B, J08C, J16Z, J21Z, J22A, J22B		21B	X06A, X06B, X06C				
21B		X01A, X01B, X01C	21A	W04A, W04B			BOP, KVT, UOP4				
5v233.8↔			BOP, KVT, UOP4	5v233.e↔			BOP, KVT, UOP4	5v234.4			BOP, KVT, UOP4
		01	B03A, B03B, B06A, B06B, B07Z, B17A, B17B, B17C			01	B03A, B03B, B06A, B06B, B07Z, B17A, B17B, B17C			01	B03A, B03B, B06A, B06B, B07Z, B17A, B17B, B17C
		05	F13A, F21A, F21B, F21C			05	F13A, F21A, F21B, F21C			02	C20A, C20B
		08	I02A, I02B, I02C, I02D, I22A, I22B, I32A, I32B, I32C, I32D, I32E, I32F, I50Z			05	F13A, F21A, F21B, F21C, F27A, F27B, F27C			03	D12A, D12B
	09	J02A, J02B, J02C, J04A, J04B, J08A, J08B, J08C, J16Z, J21Z, J22A, J22B	08		I02A, I02B, I02C, I02D, I22A, I22B, I50Z	05	F13A, F21A, F21B, F21C				
	21A	W04A, W04B	08		I02A, I02B, I02C, I02D, I22A, I22B, I50Z	08	I02A, I02B, I02C, I02D, I22A, I22B, I50Z				
	21B	X01A, X01B, X01C	09		J02A, J02B, J02C, J04A, J04B, J08A, J08B, J08C, J16Z, J21Z, J22A, J22B	09	J02A, J02B, J02C, J04A, J04B, J08A, J08B, J08C, J16Z, J21Z, J22A, J22B				
	5v233.9↔		BOP, KVT, UOP4				10		K01Z	21A	W04A, W04B
		01	B03A, B03B, B06A, B06B, B07Z, B17A, B17B, B17C				21A		W04A, W04B	21B	X01A, X01B, X01C
		05	F13A, F21A, F21B, F21C								
		08	I12A, I12B, I12C, I32A, I32B, I32C, I32D, I32E, I32F								
09		J02A, J02B, J02C, J03A, J03B, J04A, J04B, J08A, J08B, J08C, J16Z, J21Z, J22A, J22B									
21A		W04A, W04B									
21B		X01A, X01B, X01C									

VYK

ZZV	MDC	DRG	ZZV	MDC	DRG	ZZV	MDC	DRG		
5v234.5		BOP, KVT, UOP4	5v234.b		BOP, KVT, UOP4	5v234.g↔		BOP, KVT, UOP4		
	01	B03A, B03B, B06A, B06B, B07Z, B17A, B17B, B17C		01	B03A, B03B, B06A, B06B, B07Z, B17A, B17B, B17C		01	B03A, B03B, B06A, B06B, B07Z, B17A, B17B, B17C		
	03	D12A, D12B		05	F13A, F21A, F21B, F21C		05	F13A, F21A, F21B, F21C, F27A, F27B, F27C		
	05	F13A, F21A, F21B, F21C, F27A, F27B, F27C		06	G10Z, G12A, G12B		08	I02A, I02B, I02C, I02D, I22A, I22B, I32A, I32B, I32C, I32D, I32E, I32F, I50Z		
	06	G10Z, G12A, G12B		08	I02A, I02B, I02C, I02D, I22A, I22B, I32A, I32B, I32C, I32D, I32E, I32F, I50Z		09	J02A, J02B, J02C, J04A, J04B, J08A, J08B, J08C, J16Z, J21Z, J22A, J22B		
	08	I28A, I28B		09	J02A, J02B, J02C, J04A, J04B, J08A, J08B, J08C, J16Z, J21Z, J22A, J22B		10	K01Z		
	09	J02A, J02B, J02C, J04A, J04B, J08A, J08B, J08C, J16Z, J21Z, J22A, J22B		21A	W04A, W04B		21A	W04A, W04B		
	10	K01Z		21B	X01A, X01B, X01C		21B	X01A, X01B, X01C		
	21A	W04A, W04B								
	21B	X01A, X01B, X01C		5v234.c			BOP, KVT, UOP4	5v234.x↔		BOP, KVT, UOP4
	5v234.6↔				BOP, KVT, UOP4		01		B03A, B03B, B06A, B06B, B07Z, B17A, B17B, B17C	01
01	B03A, B03B, B06A, B06B, B07Z, B17A, B17B, B17C	05	F13A, F21A, F21B, F21C		05	F13A, F21A, F21B, F21C				
05	F13A, F21A, F21B, F21C	06	G10Z, G12A, G12B		08	I02A, I02B, I02C, I02D, I22A, I22B, I50Z				
08	I02A, I02B, I02C, I02D, I22A, I22B, I50Z	08	I02A, I02B, I02C, I02D, I22A, I22B, I50Z		09	J02A, J02B, J02C, J04A, J04B, J08A, J08B, J08C, J16Z, J21Z, J22A, J22B				
09	J02A, J02B, J02C, J04A, J04B, J08A, J08B, J08C, J16Z, J21Z, J22A, J22B	09	J02A, J02B, J02C, J04A, J04B, J08A, J08B, J08C, J16Z, J21Z, J22A, J22B		09	J02A, J02B, J02C, J04A, J04B, J08A, J08B, J08C, J16Z, J21Z, J22A, J22B				
21A	W04A, W04B	10	K09A, K09B		21A	W04A, W04B				
21B	X01A, X01B, X01C	12	M04A, M04B, M04C, M04D, M37Z, M38Z		21B	X01A, X01B, X01C				
5v234.7↔		BOP, KVT, UOP4	21A		W04A, W04B	5v235.0			BOP, KVT, UOP4	
01	B03A, B03B, B06A, B06B, B07Z, B17A, B17B, B17C	21B	X01A, X01B, X01C		03		D18Z, D25A, D25B, D25C, D25D			
05	F13A, F21A, F21B, F21C				05		F13A			
08	I02A, I02B, I02C, I02D, I22A, I22B, I50Z	5v234.d		BOP, KVT, UOP4	08		I12A, I12B, I12C			
09	J02A, J02B, J02C, J04A, J04B, J08A, J08B, J08C, J16Z, J21Z, J22A, J22B		01	B03A, B03B, B06A, B06B, B07Z, B17A, B17B, B17C	09		J03A, J03B, J04A, J04B, J08A, J08B, J08C, J11A, J11B, J11C, J16Z			
21A	W04A, W04B		05	F13A, F21A, F21B, F21C	21A		W04A, W04B			
21B	X01A, X01B, X01C		06	G10Z, G12A, G12B	21B		X01A, X01B, X06A, X06B, X06C			
5v234.8↔			BOP, KVT, UOP4	08	I02A, I02B, I02C, I02D, I22A, I22B, I50Z		5v235.4		BOP, KVT, UOP4	
01	B03A, B03B, B06A, B06B, B07Z, B17A, B17B, B17C		09	J02A, J02B, J02C, J04A, J04B, J08A, J08B, J08C, J16Z, J21Z, J22A, J22B	01			B03A, B03B, B06A, B06B, B07Z, B17A, B17B, B17C		
05	F13A, F21A, F21B, F21C		21A	W04A, W04B	02			C20A, C20B		
08	I02A, I02B, I02C, I02D, I22A, I22B, I32A, I32B, I32C, I32D, I32E, I32F, I50Z		21B	X01A, X01B, X01C	03			D12A, D12B		
09	J02A, J02B, J02C, J04A, J04B, J08A, J08B, J08C, J16Z, J21Z, J22A, J22B				05	F13A, F21A, F21B				
21A	W04A, W04B		5v234.e↔		BOP, KVT, UOP4	08		I02A, I02B, I02C, I02D, I12A, I12B, I12C, I22A, I22B, I32A, I32B, I32C, I32D, I50Z		
21B	X01A, X01B, X01C			01	B03A, B03B, B06A, B06B, B07Z, B17A, B17B, B17C	09		J02A, J02B, J02C, J04A, J04B, J08A, J08B, J08C, J16Z, J21Z, J22A, J22B		
5v234.9↔		BOP, KVT, UOP4		05	F13A, F21A, F21B, F21C, F27A, F27B, F27C	21A		W04A, W04B		
01	B03A, B03B, B06A, B06B, B07Z, B17A, B17B, B17C	08		I02A, I02B, I02C, I02D, I22A, I22B, I50Z	21B	X01A, X01B				
05	F13A, F21A, F21B, F21C	09		J02A, J02B, J02C, J04A, J04B, J08A, J08B, J08C, J16Z, J21Z, J22A, J22B	5v235.5			BOP, KVT, UOP4		
08	I12A, I12B, I12C, I32A, I32B, I32C, I32D, I32E, I32F	10		K01Z		01		B03A, B03B, B06A, B06B, B07Z, B17A, B17B, B17C		
09	J03A, J03B, J04A, J04B, J08A, J08B, J08C, J16Z, J21Z, J22A, J22B	21A		W04A, W04B		03	D12A, D12B			
21A	W04A, W04B	21B		X01A, X01B, X01C		05	F13A, F21A, F21B			
21B	X01A, X01B, X01C					08	I02A, I02B, I02C, I02D, I12A, I12B, I12C, I22A, I22B, I50Z			
5v234.a		BOP, KVT, UOP4		01		B03A, B03B, B06A, B06B, B07Z, B17A, B17B, B17C	09	J02A, J02B, J02C, J04A, J04B, J08A, J08B, J08C, J16Z, J21Z, J22A, J22B		
01	B03A, B03B, B06A, B06B, B07Z, B17A, B17B, B17C	5v234.f↔				BOP, KVT, UOP4	21A	W04A, W04B		
05	F13A, F21A, F21B, F21C		01	B03A, B03B, B06A, B06B, B07Z, B17A, B17B, B17C		21B	X01A, X01B			
06	G10Z, G12A, G12B		05	F13A, F21A, F21B, F21C, F27A, F27B, F27C						
08	I02A, I02B, I02C, I02D, I22A, I22B, I50Z		08	I02A, I02B, I02C, I02D, I22A, I22B, I50Z		01	B03A, B03B, B06A, B06B, B07Z, B17A, B17B, B17C			
09	J02A, J02B, J02C, J04A, J04B, J08A, J08B, J08C, J16Z, J21Z, J22A, J22B		09	J02A, J02B, J02C, J04A, J04B, J08A, J08B, J08C, J16Z, J21Z, J22A, J22B		05	F13A, F21A, F21B, F21C, F27A, F27B, F27C			
21A	W04A, W04B		10	K01Z	08	I02A, I02B, I02C, I02D, I22A, I22B, I50Z				
21B	X01A, X01B, X01C		21A	W04A, W04B	09	J02A, J02B, J02C, J04A, J04B, J08A, J08B, J08C, J16Z, J21Z, J22A, J22B				
			21B	X01A, X01B, X01C						



ZZV	MDC	DRG	ZZV	MDC	DRG	ZZV	MDC	DRG			
5v235.6↔		BOP, KVT, UOP4	5v235.b		BOP, KVT, UOP4	5v235.g↔		BOP, KVT, UOP4			
	01	B03A, B03B, B06A, B06B, B07Z, B17A, B17B, B17C		01	B03A, B03B, B06A, B06B, B07Z, B17A, B17B, B17C		01	B03A, B03B, B06A, B06B, B07Z, B17A, B17B, B17C			
	05	F13A, F21A, F21B		05	F13A, F21A, F21B		05	F13A, F21A, F21B, F27A, F27B, F27C			
	08	I02A, I02B, I02C, I02D, I12A, I12B, I12C, I22A, I22B, I50Z		06	G10Z, G12A, G12B		08	I02A, I02B, I02C, I02D, I12A, I12B, I12C, I22A, I22B, I50Z			
	09	J02A, J02B, J02C, J04A, J04B, J08A, J08B, J08C, J16Z, J21Z, J22A, J22B		08	I02A, I02B, I02C, I02D, I12A, I12B, I12C, I22A, I22B, I50Z		09	J02A, J02B, J02C, J04A, J04B, J08A, J08B, J08C, J16Z, J21Z, J22A, J22B			
	21A	W04A, W04B		09	J02A, J02B, J02C, J04A, J04B, J08A, J08B, J08C, J16Z, J21Z, J22A, J22B		09	J02A, J02B, J02C, J04A, J04B, J08A, J08B, J08C, J16Z, J21Z, J22A, J22B			
	21B	X01A, X01B		21A	W04A, W04B		10	K01Z			
	5v235.7↔			BOP, KVT, UOP4	5v235.c			BOP, KVT, UOP4	5v235.x↔		BOP, KVT, UOP4
		01		B03A, B03B, B06A, B06B, B07Z, B17A, B17B, B17C			01	B03A, B03B, B06A, B06B, B07Z, B17A, B17B, B17C		01	B03A, B03B, B06A, B06B, B07Z, B17A, B17B, B17C
		05		F13A, F21A, F21B			05	F13A, F21A, F21B		05	F13A, F21A, F21B
08		I02A, I02B, I02C, I02D, I12A, I12B, I12C, I22A, I22B, I32A, I32B, I32C, I32D, I32E, I32F, I50Z	06	G10Z, G12A, G12B		08	I02A, I02B, I02C, I02D, I12A, I12B, I12C, I22A, I22B, I50Z				
09		J02A, J02B, J02C, J04A, J04B, J08A, J08B, J08C, J16Z, J21Z, J22A, J22B	08	I02A, I02B, I02C, I02D, I12A, I12B, I12C, I22A, I22B, I50Z		08	I02A, I02B, I02C, I02D, I12A, I12B, I12C, I22A, I22B, I32A, I32B, I32C, I32D, I32E, I32F, I50Z				
21A		W04A, W04B	09	J02A, J02B, J02C, J04A, J04B, J08A, J08B, J08C, J16Z, J21Z, J22A, J22B		09	J02A, J02B, J02C, J04A, J04B, J08A, J08B, J08C, J16Z, J21Z, J22A, J22B				
21B		X01A, X01B	21A	W04A, W04B		21A	W04A, W04B				
5v235.8↔			BOP, KVT, UOP4	5v235.d			BOP, KVT, UOP4	5v236.0			BOP, KVT, UOP4
		01	B03A, B03B, B06A, B06B, B07Z, B17A, B17B, B17C			01	B03A, B03B, B06A, B06B, B07Z, B17A, B17B, B17C			03	D18Z, D25A, D25B, D25C, D25D
		05	F13A, F21A, F21B			05	F13A, F21A, F21B			05	F13A
	08	I02A, I02B, I02C, I02D, I12A, I12B, I12C, I22A, I22B, I32A, I32B, I32C, I32D, I32E, I32F, I50Z	06		G10Z, G12A, G12B	08	I12A, I12B, I12C				
	09	J02A, J02B, J02C, J04A, J04B, J08A, J08B, J08C, J16Z, J21Z, J22A, J22B	08		I02A, I02B, I02C, I02D, I12A, I12B, I12C, I22A, I22B, I50Z	09	J03A, J03B, J04A, J04B, J08A, J08B, J08C, J11A, J11B, J16Z				
	21A	W04A, W04B	09		J02A, J02B, J02C, J04A, J04B, J08A, J08B, J08C, J16Z, J21Z, J22A, J22B	21A	W04A, W04B				
	21B	X01A, X01B	21A		W04A, W04B	21B	X01A, X01B, X06A, X06B, X06C				
	5v235.9↔		BOP, KVT, UOP4		5v235.e↔		BOP, KVT, UOP4		5v236.4		BOP, KVT, UOP4
		01	B03A, B03B, B06A, B06B, B07Z, B17A, B17B, B17C			01	B03A, B03B, B06A, B06B, B07Z, B17A, B17B, B17C			01	B03A, B03B, B06A, B06B, B07Z, B17A, B17B, B17C
		05	F13A, F21A, F21B			05	F13A, F21A, F21B, F27A, F27B, F27C			02	C20A, C20B
08		I12A, I12B, I12C, I32A, I32B, I32C, I32D, I32E, I32F	08	I02A, I02B, I02C, I02D, I12A, I12B, I12C, I22A, I22B, I50Z		03	D12A, D12B				
09		J02A, J02B, J02C, J04A, J04B, J08A, J08B, J08C, J16Z, J21Z, J22A, J22B	09	J02A, J02B, J02C, J04A, J04B, J08A, J08B, J08C, J16Z, J21Z, J22A, J22B		05	F13A, F21A, F21B				
21A		W04A, W04B	10	K01Z		08	I02A, I02B, I02C, I02D, I12A, I12B, I12C, I22A, I22B, I50Z				
21B		X01A, X01B	21A	W04A, W04B		09	J02A, J02B, J04A, J04B, J08A, J08B, J08C, J16Z, J21Z, J22A				
5v235.a			BOP, KVT, UOP4	5v235.f↔			BOP, KVT, UOP4	5v236.5			BOP, KVT, UOP4
		01	B03A, B03B, B06A, B06B, B07Z, B17A, B17B, B17C			01	B03A, B03B, B06A, B06B, B07Z, B17A, B17B, B17C			01	B03A, B03B, B06A, B06B, B07Z, B17A, B17B, B17C
		05	F13A, F21A, F21B			05	F13A, F21A, F21B, F27A, F27B, F27C			03	D12A
	06	G10Z, G12A, G12B	08		I02A, I02B, I02C, I02D, I12A, I12B, I12C, I22A, I22B, I50Z	05	F13A, F21A, F21B				
	08	I02A, I02B, I02C, I02D, I12A, I12B, I12C, I22A, I22B, I50Z	08		I02A, I02B, I02C, I02D, I12A, I12B, I12C, I22A, I22B, I50Z	08	I02A, I02B, I02C, I02D, I12A, I12B, I12C, I22A, I22B, I50Z				
	09	J02A, J02B, J02C, J04A, J04B, J08A, J08B, J08C, J16Z, J21Z, J22A, J22B	09		J02A, J02B, J02C, J04A, J04B, J08A, J08B, J08C, J16Z, J21Z, J22A, J22B	09	J02A, J02B, J04A, J04B, J08A, J08B, J08C, J16Z, J21Z, J22A, J22B				
	21A	W04A, W04B	10		K01Z	21A	W04A, W04B				
	21B	X01A, X01B	21A		W04A, W04B	21B	X01A, X01B				

VYK

ZZV	MDC	DRG	ZZV	MDC	DRG	ZZV	MDC	DRG	
5v236.6↔		BOP, KVT, UOP4	5v236.b		BOP, KVT, UOP4	5v236.g↔		BOP, KVT, UOP4	
	01	B03A, B03B, B06A, B06B, B07Z, B17A, B17B, B17C		01	B03A, B03B, B06A, B06B, B07Z, B17A, B17B, B17C		01	B03A, B03B, B06A, B06B, B07Z, B17A, B17B, B17C	
	05	F13A, F21A, F21B		05	F13A, F21A, F21B		05	F13A, F21A, F21B, F27A, F27B, F27C	
	08	I02A, I02B, I02C, I02D, I12A, I12B, I12C, I22A, I22B, I50Z		06	G10Z, G12A, G12B		08	I02A, I02B, I02C, I02D, I12A, I12B, I12C, I22A, I22B, I50Z	
	09	J02A, J02B, J04A, J04B, J08A, J08B, J08C, J16Z, J21Z, J22A, J22B		08	I02A, I02B, I02C, I02D, I12A, I12B, I12C, I22A, I22B, I50Z		09	J02A, J02B, J04A, J04B, J08A, J08B, J08C, J16Z, J21Z, J22A, J22B	
	21A	W04A, W04B		09	J02A, J02B, J04A, J04B, J08A, J08B, J08C, J16Z, J21Z, J22A, J22B		10	K01Z	
	21B	X01A, X01B		13	N11A		21A	W04A, W04B	
	5v236.7↔			BOP, KVT, UOP4	21A		W04A, W04B	21A	W04A, W04B
		01		B03A, B03B, B06A, B06B, B07Z, B17A, B17B, B17C	21B		X01A, X01B	21B	X01A, X01B
		05		F13A, F21A, F21B	5v236.c			5v236.x↔	
08		I02A, I02B, I02C, I02D, I12A, I12B, I12C, I22A, I22B, I32A, I32B, I32C, I32D, I32E, I32F, I50Z	01	B03A, B03B, B06A, B06B, B07Z, B17A, B17B, B17C		01	B03A, B03B, B06A, B06B, B07Z, B17A, B17B, B17C		
09		J02A, J02B, J04A, J04B, J08A, J08B, J08C, J16Z, J21Z, J22A, J22B	05	F13A, F21A, F21B		05	F13A, F21A, F21B		
21A		W04A, W04B	06	G10Z, G12A, G12B		08	I02A, I02B, I02C, I02D, I12A, I12B, I12C, I22A, I22B, I32A, I32B, I32C, I32D, I32E, I32F, I50Z		
21B		X01A, X01B	08	I02A, I02B, I02C, I02D, I12A, I12B, I12C, I22A, I22B, I50Z		09	J02A, J02B, J04A, J04B, J08A, J08B, J08C, J16Z, J21Z, J22A, J22B		
5v236.8↔			BOP, KVT, UOP4	09		J02A, J02B, J04A, J04B, J08A, J08B, J08C, J16Z, J21Z, J22A, J22B	21A		W04A, W04B
		01	B03A, B03B, B06A, B06B, B07Z, B17A, B17B, B17C	13		N11A	21B		X01A, X01B
		05	F13A, F21A, F21B	21A		W04A, W04B	5v237.0		
	08	I02A, I02B, I02C, I02D, I12A, I12B, I12C, I22A, I22B, I32A, I32B, I32C, I32D, I32E, I32F, I50Z	21B	X01A, X01B		03			D18Z, D25A, D25B, D25C, D25D
	09	J02A, J02B, J04A, J04B, J08A, J08B, J08C, J16Z, J21Z, J22A, J22B	5v236.d			05			F13A
	21A	W04A, W04B		01	B03A, B03B, B06A, B06B, B07Z, B17A, B17B, B17C	08		I12A, I12B, I12C	
	21B	X01A, X01B		05	F13A, F21A, F21B	09		J03A, J03B, J04A, J04B, J08A, J08B, J08C, J11A, J11B, J16Z	
	5v236.9↔			BOP, KVT, UOP4	06	G10Z, G12A, G12B		21A	W04A, W04B
		01		B03A, B03B, B06A, B06B, B07Z, B17A, B17B, B17C	08	I02A, I02B, I02C, I02D, I12A, I12B, I12C, I22A, I22B, I50Z		21B	X01A, X01B, X06A, X06B, X06C
		05		F13A, F21A, F21B	09	J02A, J02B, J04A, J04B, J08A, J08B, J08C, J16Z, J21Z, J22A, J22B		5v237.4	
08		I12A, I12B, I12C, I32A, I32B, I32C, I32D, I32E, I32F		13	N11A	01			B03A, B03B, B06A, B06B, B07Z, B17A, B17B, B17C
09		J02A, J02B, J04A, J04B, J08A, J08B, J08C, J16Z, J21Z, J22A, J22B		21A	W04A, W04B	02			C20A, C20B
21A		W04A, W04B		21B	X01A, X01B	03	D12A, D12B		
21B		X01A, X01B		5v236.e↔		05	F13A, F21A, F21B		
5v236.a			BOP, KVT, UOP4		01	B03A, B03B, B06A, B06B, B07Z, B17A, B17B, B17C	08		I02A, I02B, I02C, I02D, I12A, I12B, I12C, I22A, I50Z
		01	B03A, B03B, B06A, B06B, B07Z, B17A, B17B, B17C		05	F13A, F21A, F21B, F27A, F27B, F27C	09		J02A, J02B, J04A, J04B, J08A, J08B, J08C, J16Z, J21Z, J22A, J22B
		05	F13A, F21A, F21B		08	I02A, I02B, I02C, I02D, I12A, I12B, I12C, I22A, I22B, I50Z	21A		W04A, W04B
	06	G10Z, G12A, G12B	09		J02A, J02B, J04A, J04B, J08A, J08B, J08C, J16Z, J21Z, J22A, J22B	21B	X01A, X01B		
	08	I02A, I02B, I02C, I02D, I12A, I12B, I12C, I22A, I22B, I50Z	10		K01Z	5v237.5			BOP, KVT, UOP4
	09	J02A, J02B, J04A, J04B, J08A, J08B, J08C, J16Z, J21Z, J22A, J22B	21A		W04A, W04B		01	B03A, B03B, B06A, B06B, B07Z, B17A, B17B, B17C	
	21A	W04A, W04B	21B		X01A, X01B		03	D12A, D12B	
	21B	X01A, X01B	5v236.f↔				05	F13A, F21A, F21B	
	5v236.b				BOP, KVT, UOP4		01	B03A, B03B, B06A, B06B, B07Z, B17A, B17B, B17C	08
		01		B03A, B03B, B06A, B06B, B07Z, B17A, B17B, B17C	05		F13A, F21A, F21B, F27A, F27B, F27C	09	J02A, J02B, J04A, J04B, J08A, J08B, J08C, J16Z, J21Z, J22A, J22B
05		F13A, F21A, F21B		08	I02A, I02B, I02C, I02D, I12A, I12B, I12C, I22A, I22B, I50Z		21A	W04A, W04B	
06		G10Z, G12A, G12B		09	J02A, J02B, J04A, J04B, J08A, J08B, J08C, J16Z, J21Z, J22A, J22B		21B	X01A, X01B	
08		I02A, I02B, I02C, I02D, I12A, I12B, I12C, I22A, I22B, I50Z		10	K01Z				
09		J02A, J02B, J04A, J04B, J08A, J08B, J08C, J16Z, J21Z, J22A, J22B		21A	W04A, W04B				
21A		W04A, W04B		21B	X01A, X01B				
21B		X01A, X01B							

ZZV	MDC	DRG	ZZV	MDC	DRG	ZZV	MDC	DRG		
5v237.6↔		BOP, KVT, UOP4	5v237.c		BOP, KVT, UOP4	5v237.x↔		BOP, KVT, UOP4		
	01	B03A, B03B, B06A, B06B, B07Z, B17A, B17B, B17C		01	B03A, B03B, B06A, B06B, B07Z, B17A, B17B, B17C		01	B03A, B03B, B06A, B06B, B07Z, B17A, B17B, B17C		
	05	F13A, F21A, F21B		05	F13A, F21A, F21B		05	F13A, F21A, F21B		
	08	I02A, I02B, I02C, I02D, I12A, I12B, I12C, I22A, I50Z		06	G10Z, G12A, G12B		08	I02A, I02B, I02C, I02D, I12A, I12B, I12C, I22A, I50Z		
	09	J02A, J02B, J04A, J04B, J08A, J08B, J08C, J16Z, J21Z, J22A, J22B		08	I02A, I02B, I02C, I02D, I12A, I12B, I12C, I22A, I50Z		09	J02A, J02B, J04A, J04B, J08A, J08B, J08C, J16Z, J21Z, J22A, J22B		
	21A	W04A, W04B		09	J02A, J02B, J04A, J04B, J08A, J08B, J08C, J16Z, J21Z, J22A, J22B		09	J02A, J02B, J04A, J04B, J08A, J08B, J08C, J16Z, J21Z, J22A, J22B		
	21B	X01A, X01B		13	N11A		21A	W04A, W04B		
	5v237.7↔			BOP, KVT, UOP4	21A		W04A, W04B	21B	X01A, X01B	
		01		B03A, B03B, B06A, B06B, B07Z, B17A, B17B, B17C	21B		X01A, X01B	5v238.0		BOP, KVT, UOP4
		05		F13A, F21A, F21B	5v237.d				BOP, KVT, UOP4	
08		I02A, I02B, I02C, I02D, I12A, I12B, I12C, I22A, I32A, I32B, I32C, I32D, I32E, I32F, I50Z	01	B03A, B03B, B06A, B06B, B07Z, B17A, B17B, B17C		03	D18Z, D25A, D25B, D25C, D25D			
09		J02A, J02B, J04A, J04B, J08A, J08B, J08C, J16Z, J21Z, J22A, J22B	05	F13A, F21A, F21B		05	F13A			
21A		W04A, W04B	06	G10Z, G12A, G12B		08	I12A, I12B, I12C			
21B		X01A, X01B	08	I02A, I02B, I02C, I02D, I12A, I12B, I12C, I22A, I50Z		09	J03A, J03B, J04A, J04B, J08A, J08B, J08C, J11A, J11B, J16Z			
5v237.8↔			BOP, KVT, UOP4	09		J02A, J02B, J04A, J04B, J08A, J08B, J08C, J16Z, J21Z, J22A, J22B	21A		W04A, W04B	
		01	B03A, B03B, B06A, B06B, B07Z, B17A, B17B, B17C	13		N11A	21B		X01A, X01B, X06A, X06B, X06C	
		05	F13A, F21A, F21B	21A		W04A, W04B	5v238.4			BOP, KVT, UOP4
	08	I02A, I02B, I02C, I02D, I12A, I12B, I12C, I22A, I32A, I32B, I32C, I32D, I32E, I32F, I50Z	21B	X01A, X01B		01			B03A, B03B, B06A, B06B, B07Z, B17A, B17B, B17C	
	09	J02A, J02B, J04A, J04B, J08A, J08B, J08C, J16Z, J21Z, J22A, J22B	5v237.e↔			BOP, KVT, UOP4		02	C20A, C20B	
	21A	W04A, W04B		01	B03A, B03B, B06A, B06B, B07Z, B17A, B17B, B17C	03		D12A, D12B		
	21B	X01A, X01B		05	F13A, F21A, F21B, F27A, F27B, F27C	05		F13A, F21A, F21B		
	5v237.9↔			BOP, KVT, UOP4	08	I02A, I02B, I02C, I02D, I12A, I12B, I12C, I22A, I50Z		08	I02A, I02B, I02C, I02D, I12A, I12B, I12C, I22A, I50Z	
		01		B03A, B03B, B06A, B06B, B07Z, B17A, B17B, B17C	09	J02A, J02B, J04A, J04B, J08A, J08B, J08C, J16Z, J21Z, J22A, J22B		09	J02A, J02B, J04A, J04B, J08A, J08B, J08C, J16Z, J21Z, J22A, J22B	
		05		F13A, F21A, F21B	10	K01Z		21A	W04A, W04B	
08		I12A, I12B, I12C, I32A, I32B, I32C, I32D, I32E, I32F		21A	W04A, W04B	21B		X01A, X01B		
09		J02A, J02B, J04A, J04B, J08A, J08B, J08C, J16Z, J21Z, J22A, J22B		5v237.f↔		BOP, KVT, UOP4		5v238.5		BOP, KVT, UOP4
21A		W04A, W04B			01	B03A, B03B, B06A, B06B, B07Z, B17A, B17B, B17C	01		B03A, B03B, B06A, B06B, B07Z, B17A, B17B, B17C	
21B		X01A, X01B			05	F13A, F21A, F21B, F27A, F27B, F27C	03		D12A, D12B	
5v237.a			BOP, KVT, UOP4		08	I02A, I02B, I02C, I02D, I12A, I12B, I12C, I22A, I50Z	05		F13A, F21A, F21B	
		01	B03A, B03B, B06A, B06B, B07Z, B17A, B17B, B17C		09	J02A, J02B, J04A, J04B, J08A, J08B, J08C, J16Z, J21Z, J22A, J22B	08		I02A, I02B, I02C, I02D, I12A, I12B, I12C, I22A, I50Z	
		05	F13A, F21A, F21B		10	K01Z	09		J02A, J02B, J04A, J04B, J08A, J08B, J08C, J16Z, J21Z, J22A, J22B	
	06	G10Z, G12A, G12B	21A		W04A, W04B	21A	W04A, W04B			
	08	I02A, I02B, I02C, I02D, I12A, I12B, I12C, I22A, I50Z	21B		X01A, X01B	21B	X01A, X01B			
	09	J02A, J02B, J04A, J04B, J08A, J08B, J08C, J16Z, J21Z, J22A, J22B	5v237.g↔			BOP, KVT, UOP4	5v238.6↔			BOP, KVT, UOP4
	21A	W04A, W04B			01	B03A, B03B, B06A, B06B, B07Z, B17A, B17B, B17C			01	B03A, B03B, B06A, B06B, B07Z, B17A, B17B, B17C
	21B	X01A, X01B		05	F13A, F21A, F21B, F27A, F27B, F27C	05		F13A, F21A, F21B		
	5v237.b			BOP, KVT, UOP4	08	I02A, I02B, I02C, I02D, I12A, I12B, I12C, I22A, I50Z		08	I02A, I02B, I02C, I02D, I12A, I12B, I12C, I22A, I50Z	
		01		B03A, B03B, B06A, B06B, B07Z, B17A, B17B, B17C	09	J02A, J02B, J04A, J04B, J08A, J08B, J08C, J16Z, J21Z, J22A, J22B		08	I02A, I02B, I02C, I02D, I12A, I12B, I12C, I22A, I50Z	
05		F13A, F21A, F21B		10	K01Z	09		J02A, J02B, J04A, J04B, J08A, J08B, J08C, J16Z, J21Z, J22A, J22B		
06		G10Z, G12A, G12B		21A	W04A, W04B	21A		W04A, W04B		
08		I02A, I02B, I02C, I02D, I12A, I12B, I12C, I22A, I50Z		21B	X01A, X01B	21B		X01A, X01B		
09		J02A, J02B, J04A, J04B, J08A, J08B, J08C, J16Z, J21Z, J22A, J22B		5v237.h↔		BOP, KVT, UOP4		5v238.7↔		BOP, KVT, UOP4
13		N11A			01	B03A, B03B, B06A, B06B, B07Z, B17A, B17B, B17C			01	B03A, B03B, B06A, B06B, B07Z, B17A, B17B, B17C
21A		W04A, W04B	05		F13A, F21A, F21B, F27A, F27B, F27C	05	F13A, F21A, F21B			
21B		X01A, X01B	08		I02A, I02B, I02C, I02D, I12A, I12B, I12C, I22A, I50Z	08	I02A, I02B, I02C, I02D, I12A, I12B, I12C, I22A, I50Z			

VYK

ZZV	MDC	DRG	ZZV	MDC	DRG	ZZV	MDC	DRG			
5v238.8↔		BOP, KVT, UOP4	5v238.d		BOP, KVT, UOP4	5v239.0		BOP, KVT, UOP4			
	01	B03A, B03B, B06A, B06B, B07Z, B17A, B17B, B17C		01	B03A, B03B, B06A, B06B, B07Z, B17A, B17B, B17C		03	D18Z, D25A, D25B, D25C, D25D			
	05	F13A, F21A, F21B		05	F13A, F21A, F21B		05	F13A			
	08	I02A, I02B, I02C, I02D, I12A, I12B, I12C, I22A, I32A, I32B, I32C, I32D, I32E, I32F, I50Z		06	G10Z, G12A, G12B		08	I12A, I12B, I12C			
	09	J02A, J02B, J04A, J04B, J08A, J08B, J08C, J16Z, J21Z, J22A, J22B		08	I02A, I02B, I02C, I02D, I12A, I12B, I12C, I22A, I50Z		09	J03A, J03B, J04A, J04B, J08A, J08B, J08C, J11A, J11B, J16Z			
	21A	W04A, W04B		09	J02A, J02B, J04A, J04B, J08A, J08B, J08C, J16Z, J21Z, J22A, J22B		21A	W04A, W04B			
	21B	X01A, X01B		13	N11A		21B	X01A, X01B, X06A, X06B, X06C			
	5v238.9↔			BOP, KVT, UOP4	5v238.e↔			BOP, KVT, UOP4	5v239.4		BOP, KVT, UOP4
		01		B03A, B03B, B06A, B06B, B07Z, B17A, B17B, B17C			01	B03A, B03B, B06A, B06B, B07Z, B17A, B17B, B17C		01	B03A, B03B, B06A, B06B, B07Z, B17A, B17B, B17C
		05		F13A, F21A, F21B			05	F13A, F21A, F21B, F27A, F27B, F27C		02	C20A, C20B
08		I12A, I12B, I12C, I32A, I32B, I32C, I32D, I32E, I32F	08	I02A, I02B, I02C, I02D, I12A, I12B, I12C, I22A, I50Z		03	D12A, D12B				
09		J02A, J02B, J03A, J03B, J04A, J04B, J08A, J08B, J08C, J16Z, J21Z, J22A, J22B	09	J02A, J02B, J04A, J04B, J08A, J08B, J08C, J16Z, J21Z, J22A, J22B		05	F13A, F21A, F21B				
21A		W04A, W04B	10	K01Z		08	I02A, I02B, I02C, I02D, I12A, I12B, I12C, I22A, I22B, I50Z				
21B		X01A, X01B	21A	W04A, W04B		09	J02A, J02B, J04A, J04B, J08A, J08B, J08C, J16Z, J21Z, J22A, J22B				
5v238.a			BOP, KVT, UOP4	5v238.f↔			BOP, KVT, UOP4	5v239.5			BOP, KVT, UOP4
		01	B03A, B03B, B06A, B06B, B07Z, B17A, B17B, B17C			01	B03A, B03B, B06A, B06B, B07Z, B17A, B17B, B17C			01	B03A, B03B, B06A, B06B, B07Z, B17A, B17B, B17C
		05	F13A, F21A, F21B			05	F13A, F21A, F21B, F27A, F27B, F27C			03	D12A, D12B
	06	G10Z, G12A, G12B	08		I02A, I02B, I02C, I02D, I12A, I12B, I12C, I22A, I50Z	05	F13A, F21A, F21B				
	08	I02A, I02B, I02C, I02D, I12A, I12B, I12C, I22A, I50Z	08		I02A, I02B, I02C, I02D, I12A, I12B, I12C, I22A, I50Z	08	I02A, I02B, I02C, I02D, I12A, I12B, I12C, I22A, I22B, I50Z				
	09	J02A, J02B, J04A, J04B, J08A, J08B, J08C, J16Z, J21Z, J22A, J22B	09		J02A, J02B, J04A, J04B, J08A, J08B, J08C, J16Z, J21Z, J22A, J22B	09	J02A, J02B, J04A, J04B, J08A, J08B, J08C, J16Z, J21Z, J22A, J22B				
	21A	W04A, W04B	10		K01Z	21A	W04A, W04B				
	21B	X01A, X01B	21A		W04A, W04B	21B	X01A, X01B				
	5v238.b		BOP, KVT, UOP4		5v238.g↔		BOP, KVT, UOP4		5v239.6↔		BOP, KVT, UOP4
		01	B03A, B03B, B06A, B06B, B07Z, B17A, B17B, B17C			01	B03A, B03B, B06A, B06B, B07Z, B17A, B17B, B17C			01	B03A, B03B, B06A, B06B, B07Z, B17A, B17B, B17C
05		F13A, F21A, F21B	05	F13A, F21A, F21B, F27A, F27B, F27C		05	F13A, F21A, F21B				
06		G10Z, G12A, G12B	08	I02A, I02B, I02C, I02D, I12A, I12B, I12C, I22A, I50Z		08	I02A, I02B, I02C, I02D, I12A, I12B, I12C, I22A, I22B, I50Z				
08		I02A, I02B, I02C, I02D, I12A, I12B, I12C, I22A, I50Z	08	I02A, I02B, I02C, I02D, I12A, I12B, I12C, I22A, I50Z		09	J02A, J02B, J04A, J04B, J08A, J08B, J08C, J16Z, J21Z, J22A, J22B				
09		J02A, J02B, J04A, J04B, J08A, J08B, J08C, J16Z, J21Z, J22A, J22B	09	J02A, J02B, J04A, J04B, J08A, J08B, J08C, J16Z, J21Z, J22A, J22B		21A	W04A, W04B				
13		N11A	09	J02A, J02B, J04A, J04B, J08A, J08B, J08C, J16Z, J21Z, J22A, J22B		21B	X01A, X01B				
21A		W04A, W04B	10	K01Z		21A	W04A, W04B				
21B		X01A, X01B	21A	W04A, W04B		21B	X01A, X01B				
5v238.c			BOP, KVT, UOP4	5v238.x↔			BOP, KVT, UOP4	5v239.7↔			BOP, KVT, UOP4
	01	B03A, B03B, B06A, B06B, B07Z, B17A, B17B, B17C	01		B03A, B03B, B06A, B06B, B07Z, B17A, B17B, B17C	01	B03A, B03B, B06A, B06B, B07Z, B17A, B17B, B17C				
	05	F13A, F21A, F21B	05		F13A, F21A, F21B	05	F13A, F21A, F21B				
	06	G10Z, G12A, G12B	08		I02A, I02B, I02C, I02D, I12A, I12B, I12C, I22A, I50Z	08	I02A, I02B, I02C, I02D, I12A, I12B, I12C, I22A, I22B, I32A, I32B, I32C, I32D, I32E, I32F, I50Z				
	08	I02A, I02B, I02C, I02D, I12A, I12B, I12C, I22A, I50Z	08		I02A, I02B, I02C, I02D, I12A, I12B, I12C, I22A, I32A, I32B, I32C, I32D, I32E, I32F, I50Z	09	J02A, J02B, J04A, J04B, J08A, J08B, J08C, J16Z, J21Z, J22A, J22B				
	09	J02A, J02B, J04A, J04B, J08A, J08B, J08C, J16Z, J21Z, J22A, J22B	09		J02A, J02B, J04A, J04B, J08A, J08B, J08C, J16Z, J21Z, J22A, J22B	21A	W04A, W04B				
	13	N11A	09		J02A, J02B, J04A, J04B, J08A, J08B, J08C, J16Z, J21Z, J22A, J22B	21B	X01A, X01B				
	21A	W04A, W04B	21A		W04A, W04B						
	21B	X01A, X01B	21B		X01A, X01B						

VYK

ZZV	MDC	DRG	ZZV	MDC	DRG	ZZV	MDC	DRG
5v239.8↔		BOP, KVT, UOP4	5v239.d		BOP, KVT, UOP4	5v23a.0		BOP, KVT, UOP4
	01	B03A, B03B, B06A, B06B, B07Z, B17A, B17B, B17C		01	B03A, B03B, B06A, B06B, B07Z, B17A, B17B, B17C		03	D18Z, D28Z, D29Z
	05	F13A, F21A, F21B		05	F13A, F21A, F21B		05	F13A
	08	I02A, I02B, I02C, I02D, I12A, I12B, I12C, I22A, I22B, I32A, I32B, I32C, I32D, I32E, I32F, I50Z		06	G10Z, G12A, G12B		09	J03A, J03B, J04A, J04B, J08A, J08B, J08C, J11A, J11B, J16Z
	09	J02A, J02B, J04A, J04B, J08A, J08B, J08C, J16Z, J21Z, J22A, J22B		08	I02A, I02B, I02C, I02D, I12A, I12B, I12C, I22A, I22B, I50Z		21A	W04A, W04B
	21A	W04A, W04B		09	J02A, J02B, J04A, J04B, J08A, J08B, J08C, J16Z, J21Z, J22A, J22B		21B	X06A, X06B, X06C
	21B	X01A, X01B		13	N11A			BOP, KVT, UOP4
				21A	W04A, W04B		01	B03A, B03B, B06A, B06B, B07Z, B17A, B17B, B17C
				21B	X01A, X01B		02	C20A, C20B
							03	D12A, D12B
5v239.9↔		BOP, KVT, UOP4	5v239.e↔		BOP, KVT, UOP4	5v23a.4		BOP, KVT, UOP4
	01	B03A, B03B, B06A, B06B, B07Z, B17A, B17B, B17C		01	B03A, B03B, B06A, B06B, B07Z, B17A, B17B, B17C		01	B03A, B03B, B06A, B06B, B07Z, B17A, B17B, B17C
	05	F13A, F21A, F21B		05	F13A, F21A, F21B, F27A, F27B, F27C		02	C20A, C20B
	08	I12A, I12B, I12C, I32A, I32B, I32C, I32D, I32E, I32F		08	I02A, I02B, I02C, I02D, I12A, I12B, I12C, I22A, I22B, I50Z		03	D12A, D12B
	09	J02A, J02B, J04A, J04B, J08A, J08B, J08C, J16Z, J21Z, J22A, J22B		09	J02A, J02B, J04A, J04B, J08A, J08B, J08C, J16Z, J21Z, J22A, J22B		05	F13A, F21A, F21B, F21C
	21A	W04A, W04B		08	I02A, I02B, I02C, I02D, I12A, I12B, I12C, I22A, I22B, I50Z		08	I02A, I02B, I02C, I02D, I22A, I22B, I50Z
	21B	X01A, X01B		09	J02A, J02B, J04A, J04B, J08A, J08B, J08C, J16Z, J21Z, J22A, J22B		09	J02A, J02B, J02C, J04A, J04B, J08A, J08B, J08C, J16Z, J21Z, J22A, J22B
				10	K01Z		21A	W04A, W04B
				21A	W04A, W04B		21B	X01A, X01B, X01C
				21B	X01A, X01B			BOP, KVT, UOP4
5v239.a		BOP, KVT, UOP4	5v239.f↔		BOP, KVT, UOP4	5v23a.5		BOP, KVT, UOP4
	01	B03A, B03B, B06A, B06B, B07Z, B17A, B17B, B17C		01	B03A, B03B, B06A, B06B, B07Z, B17A, B17B, B17C		01	B03A, B03B, B06A, B06B, B07Z, B17A, B17B, B17C
	05	F13A, F21A, F21B		05	F13A, F21A, F21B, F27A, F27B, F27C		03	D12A, D12B
	06	G10Z, G12A, G12B		08	I02A, I02B, I02C, I02D, I12A, I12B, I12C, I22A, I22B, I50Z		05	F13A, F21A, F21B, F21C, F27A, F27B, F27C
	08	I02A, I02B, I02C, I02D, I12A, I12B, I12C, I22A, I22B, I50Z		08	I02A, I02B, I02C, I02D, I12A, I12B, I12C, I22A, I22B, I50Z		06	G10Z, G12A, G12B
	09	J02A, J02B, J04A, J04B, J08A, J08B, J08C, J16Z, J21Z, J22A, J22B		09	J02A, J02B, J04A, J04B, J08A, J08B, J08C, J16Z, J21Z, J22A, J22B		08	I28A, I28B
	21A	W04A, W04B		09	J02A, J02B, J04A, J04B, J08A, J08B, J08C, J16Z, J21Z, J22A, J22B		09	J02A, J02B, J02C, J04A, J04B, J08A, J08B, J08C, J16Z, J21Z, J22A, J22B
	21B	X01A, X01B		10	K01Z		10	K01Z
				21A	W04A, W04B		21A	W04A, W04B
				21B	X01A, X01B		21B	X01A, X01B, X01C
5v239.b		BOP, KVT, UOP4	5v239.g↔		BOP, KVT, UOP4	5v23a.6↔		BOP, KVT, UOP4
	01	B03A, B03B, B06A, B06B, B07Z, B17A, B17B, B17C		01	B03A, B03B, B06A, B06B, B07Z, B17A, B17B, B17C		01	B03A, B03B, B06A, B06B, B07Z, B17A, B17B, B17C
	05	F13A, F21A, F21B		05	F13A, F21A, F21B, F27A, F27B, F27C		05	F13A, F21A, F21B, F21C
	06	G10Z, G12A, G12B		08	I02A, I02B, I02C, I02D, I12A, I12B, I12C, I22A, I22B, I50Z		08	I02A, I02B, I02C, I02D, I22A, I22B, I50Z
	08	I02A, I02B, I02C, I02D, I12A, I12B, I12C, I22A, I22B, I50Z		08	I02A, I02B, I02C, I02D, I12A, I12B, I12C, I22A, I22B, I50Z		09	J02A, J02B, J02C, J04A, J04B, J08A, J08B, J08C, J16Z, J21Z, J22A, J22B
	09	J02A, J02B, J04A, J04B, J08A, J08B, J08C, J16Z, J21Z, J22A, J22B		09	J02A, J02B, J04A, J04B, J08A, J08B, J08C, J16Z, J21Z, J22A, J22B		21A	W04A, W04B
	13	N11A		09	J02A, J02B, J04A, J04B, J08A, J08B, J08C, J16Z, J21Z, J22A, J22B		21B	X01A, X01B, X01C
	21A	W04A, W04B		10	K01Z			BOP, KVT, UOP4
	21B	X01A, X01B		21A	W04A, W04B		01	B03A, B03B, B06A, B06B, B07Z, B17A, B17B, B17C
				21B	X01A, X01B		05	F13A, F21A, F21B, F21C
5v239.c		BOP, KVT, UOP4	5v239.x↔		BOP, KVT, UOP4	5v23a.7↔		BOP, KVT, UOP4
	01	B03A, B03B, B06A, B06B, B07Z, B17A, B17B, B17C		01	B03A, B03B, B06A, B06B, B07Z, B17A, B17B, B17C		01	B03A, B03B, B06A, B06B, B07Z, B17A, B17B, B17C
	05	F13A, F21A, F21B		05	F13A, F21A, F21B		05	F13A, F21A, F21B, F21C
	06	G10Z, G12A, G12B		08	I02A, I02B, I02C, I02D, I12A, I12B, I12C, I22A, I22B, I50Z		08	I02A, I02B, I02C, I02D, I22A, I22B, I50Z
	08	I02A, I02B, I02C, I02D, I12A, I12B, I12C, I22A, I22B, I50Z		08	I02A, I02B, I02C, I02D, I12A, I12B, I12C, I22A, I22B, I32A, I32B, I32C, I32D, I32E, I32F, I50Z		09	J02A, J02B, J02C, J04A, J04B, J08A, J08B, J08C, J16Z, J21Z, J22A, J22B
	09	J02A, J02B, J04A, J04B, J08A, J08B, J08C, J16Z, J21Z, J22A, J22B		09	J02A, J02B, J04A, J04B, J08A, J08B, J08C, J16Z, J21Z, J22A, J22B		21A	W04A, W04B
	13	N11A		09	J02A, J02B, J04A, J04B, J08A, J08B, J08C, J16Z, J21Z, J22A, J22B		21B	X01A, X01B, X01C
	21A	W04A, W04B		21A	W04A, W04B			BOP, KVT, UOP4
	21B	X01A, X01B		21B	X01A, X01B		01	B03A, B03B, B06A, B06B, B07Z, B17A, B17B, B17C
							05	F13A, F21A, F21B, F21C

VYK

ZZV	MDC	DRG	ZZV	MDC	DRG	ZZV	MDC	DRG				
5v23a.9↔		BOP, KVT, UOP4	5v23a.e↔		BOP, KVT, UOP4	5v23b.4		BOP, KVT, UOP4				
	01	B03A, B03B, B06A, B06B, B07Z, B17A, B17B, B17C		01	B03A, B03B, B06A, B06B, B07Z, B17A, B17B, B17C		01	B03A, B03B, B06A, B06B, B07Z, B17A, B17B, B17C				
	05	F13A, F21A, F21B, F21C		05	F13A, F21A, F21B, F21C, F27A, F27B, F27C		02	C20A, C20B				
	08	I12A, I12B, I12C, I32A, I32B, I32C, I32D, I32E, I32F		08	I02A, I02B, I02C, I02D, I22A, I22B, I50Z		03	D12A, D12B				
	09	J03A, J03B, J04A, J04B, J08A, J08B, J08C, J16Z, J21Z, J22A, J22B		09	J02A, J02B, J02C, J04A, J04B, J08A, J08B, J08C, J16Z, J21Z, J22A, J22B		05	F13A, F21A, F21B				
	21A	W04A, W04B		10	K01Z		08	I02A, I02B, I02C, I02D, I12A, I12B, I12C, I22A, I22B, I50Z				
	21B	X01A, X01B, X01C		21A	W04A, W04B		09	J02A, J02B, J04A, J04B, J08A, J08B, J08C, J16Z, J21Z, J22A, J22B				
	5v23a.a			BOP, KVT, UOP4	5v23a.f↔			BOP, KVT, UOP4	5v23b.5		BOP, KVT, UOP4	
		01		B03A, B03B, B06A, B06B, B07Z, B17A, B17B, B17C			01	B03A, B03B, B06A, B06B, B07Z, B17A, B17B, B17C		01	B03A, B03B, B06A, B06B, B07Z, B17A, B17B, B17C	
		05		F13A, F21A, F21B, F21C			05	F13A, F21A, F21B, F21C, F27A, F27B, F27C		03	D12A, D12B	
06		G10Z, G12A, G12B	08	I02A, I02B, I02C, I02D, I22A, I22B, I50Z		05	F13A, F21A, F21B					
08		I02A, I02B, I02C, I02D, I22A, I22B, I50Z	09	J02A, J02B, J02C, J04A, J04B, J08A, J08B, J08C, J16Z, J21Z, J22A, J22B		08	I02A, I02B, I02C, I02D, I12A, I12B, I12C, I22A, I22B, I50Z					
09		J02A, J02B, J02C, J04A, J04B, J08A, J08B, J08C, J16Z, J21Z, J22A, J22B	10	K01Z		09	J02A, J02B, J04A, J04B, J08A, J08B, J08C, J16Z, J21Z, J22A, J22B					
21A		W04A, W04B	21A	W04A, W04B		21A	W04A, W04B					
21B		X01A, X01B, X01C	21B	X01A, X01B, X01C		21B	X01A, X01B					
5v23a.b			BOP, KVT, UOP4	5v23a.g↔			BOP, KVT, UOP4	5v23b.6↔			BOP, KVT, UOP4	
		01	B03A, B03B, B06A, B06B, B07Z, B17A, B17B, B17C			01	B03A, B03B, B06A, B06B, B07Z, B17A, B17B, B17C			01	B03A, B03B, B06A, B06B, B07Z, B17A, B17B, B17C	
	05	F13A, F21A, F21B, F21C	05		F13A, F21A, F21B, F21C, F27A, F27B, F27C	05	F13A, F21A, F21B					
	06	G10Z, G12A, G12B	08		I02A, I02B, I02C, I02D, I12A, I12B, I12C, I22A, I22B, I50Z	08	I02A, I02B, I02C, I02D, I12A, I12B, I12C, I22A, I22B, I50Z					
	08	I02A, I02B, I02C, I02D, I22A, I22B, I32A, I32B, I32C, I32D, I32E, I32F, I50Z	09		J02A, J02B, J02C, J04A, J04B, J08A, J08B, J08C, J16Z, J21Z, J22A, J22B	09	J02A, J02B, J04A, J04B, J08A, J08B, J08C, J16Z, J21Z, J22A, J22B					
	09	J02A, J02B, J02C, J04A, J04B, J08A, J08B, J08C, J16Z, J21Z, J22A, J22B	10		K01Z	21A	W04A, W04B					
	21A	W04A, W04B	21A		W04A, W04B	21B	X01A, X01B					
	21B	X01A, X01B, X01C	21B		X01A, X01B, X01C	5v23b.7↔			BOP, KVT, UOP4			
	5v23a.c		BOP, KVT, UOP4		5v23a.x↔				BOP, KVT, UOP4	5v23b.8↔		BOP, KVT, UOP4
		01	B03A, B03B, B06A, B06B, B07Z, B17A, B17B, B17C				01		B03A, B03B, B06A, B06B, B07Z, B17A, B17B, B17C		01	B03A, B03B, B06A, B06B, B07Z, B17A, B17B, B17C
05		F13A, F21A, F21B, F21C	05	F13A, F21A, F21B, F21C			05	F13A, F21A, F21B				
06		G10Z, G12A, G12B	08	I02A, I02B, I02C, I02D, I22A, I22B, I32A, I32B, I32C, I32D, I32E, I32F, I50Z			08	I02A, I02B, I02C, I02D, I12A, I12B, I12C, I22A, I22B, I32A, I32B, I32C, I32D, I32E, I32F, I50Z				
08		I02A, I02B, I02C, I02D, I22A, I22B, I50Z	09	J02A, J02B, J02C, J04A, J04B, J08A, J08B, J08C, J16Z, J21Z, J22A, J22B			09	J02A, J02B, J04A, J04B, J08A, J08B, J08C, J16Z, J21Z, J22A, J22B				
09		J02A, J02B, J02C, J04A, J04B, J08A, J08B, J08C, J16Z, J21Z, J22A, J22B	10	K09A, K09B			21A	W04A, W04B				
12		M04A, M04B, M04C, M04D, M37Z, M38Z	21A	W04A, W04B			21B	X01A, X01B				
21A		W04A, W04B	21B	X01A, X01B, X01C			5v23b.0		BOP, KVT, UOP4			
21B		X01A, X01B, X01C	5v23b.0					BOP, KVT, UOP4	5v23b.0			BOP, KVT, UOP4
5v23a.d				BOP, KVT, UOP4		5v23b.0					BOP, KVT, UOP4	5v23b.0
	01	B03A, B03B, B06A, B06B, B07Z, B17A, B17B, B17C		03	D18Z, D25A, D25B, D25C, D25D			01		B03A, B03B, B06A, B06B, B07Z, B17A, B17B, B17C		
	05	F13A, F21A, F21B, F21C		05	F13A			05		F13A, F21A, F21B		
	06	G10Z, G12A, G12B		08	I12A, I12B, I12C			08		I02A, I02B, I02C, I02D, I12A, I12B, I12C, I22A, I22B, I32A, I32B, I32C, I32D, I32E, I32F, I50Z		
	08	I02A, I02B, I02C, I02D, I22A, I22B, I50Z		09	J03A, J03B, J04A, J04B, J08A, J08B, J08C, J11A, J11B, J16Z			09		J02A, J02B, J04A, J04B, J08A, J08B, J08C, J16Z, J21Z, J22A, J22B		
	09	J02A, J02B, J02C, J04A, J04B, J08A, J08B, J08C, J16Z, J21Z, J22A, J22B		21A	W04A, W04B			21A		W04A, W04B		
	21A	W04A, W04B		21B	X01A, X01B, X06A, X06B, X06C			21B		X01A, X01B		
	21B	X01A, X01B, X01C										

ZZV	MDC	DRG	ZZV	MDC	DRG	ZZV	MDC	DRG
5v23b.9↔		BOP, KVT, UOP4	5v23b.e↔		BOP, KVT, UOP4	5v240.0		BOP, KVT, UOP4
01		B03A, B03B, B06A, B06B, B07Z, B17A, B17B, B17C	01		B03A, B03B, B06A, B06B, B07Z, B17A, B17B, B17C	01		B03A, B03B, B06A, B06B, B07Z, B17A, B17B, B17C
05		F13A, F21A, F21B	05		F13A, F21A, F21B, F27A, F27B, F27C	03		D12A
08		I12A, I12B, I12C, I32A, I32B, I32C, I32D, I32E, I32F	08		I02A, I02B, I02C, I02D, I12A, I12B, I12C, I22A, I22B, I50Z	05		F13A, F21A, F21B, F21C, F27A, F27B, F27C
09		J02A, J02B, J04A, J04B, J08A, J08B, J08C, J16Z, J21Z, J22A, J22B	09		J02A, J02B, J04A, J04B, J08A, J08B, J08C, J16Z, J21Z, J22A, J22B	08		I12A, I12B, I12C
21A		W04A, W04B	10		K01Z	09		J02A, J02B, J02C, J04A, J04B, J08A, J08B, J08C, J16Z, J21Z, J22A, J22B
21B		X01A, X01B	21A		W04A, W04B	10		K01Z
5v23b.a		BOP, KVT, UOP4	21A		W04A, W04B	21A		W04A, W04B
01		B03A, B03B, B06A, B06B, B07Z, B17A, B17B, B17C	21B		X01A, X01B	21B		X04Z, X05A, X05B, X06A, X06B, X06C
05		F13A, F21A, F21B	5v23b.f↔		BOP, KVT, UOP4	5v240.4		BOP, KVT, UOP4
06		G10Z, G12A, G12B	01		B03A, B03B, B06A, B06B, B07Z, B17A, B17B, B17C	01		B03A, B03B, B06A, B06B, B07Z, B17A, B17B, B17C
08		I02A, I02B, I02C, I02D, I12A, I12B, I12C, I22A, I22B, I50Z	05		F13A, F21A, F21B, F27A, F27B, F27C	03		D12A
09		J02A, J02B, J04A, J04B, J08A, J08B, J08C, J16Z, J21Z, J22A, J22B	08		I02A, I02B, I02C, I02D, I12A, I12B, I12C, I22A, I22B, I50Z	05		F13A, F21A, F21B, F21C, F27A, F27B, F27C
21A		W04A, W04B	09		J02A, J02B, J04A, J04B, J08A, J08B, J08C, J16Z, J21Z, J22A, J22B	08		I12A, I12B, I12C
21B		X01A, X01B	10		K01Z	09		J02A, J02B, J02C, J04A, J04B, J08A, J08B, J08C, J16Z, J21Z, J22A, J22B
5v23b.b		BOP, KVT, UOP4	21A		W04A, W04B	10		K01Z
01		B03A, B03B, B06A, B06B, B07Z, B17A, B17B, B17C	21B		X01A, X01B	21A		W04A, W04B
05		F13A, F21A, F21B	5v23b.g↔		BOP, KVT, UOP4	21B		X04Z, X05A, X05B, X06A, X06B, X06C
06		G10Z, G12A, G12B	01		B03A, B03B, B06A, B06B, B07Z, B17A, B17B, B17C	5v240.5		BOP, KVT, UOP4
08		I02A, I02B, I02C, I02D, I12A, I12B, I12C, I22A, I22B, I50Z	05		F13A, F21A, F21B, F27A, F27B, F27C	01		B03A, B03B, B06A, B06B, B07Z, B17A, B17B, B17C
09		J02A, J02B, J04A, J04B, J08A, J08B, J08C, J16Z, J21Z, J22A, J22B	08		I02A, I02B, I02C, I02D, I12A, I12B, I12C, I22A, I22B, I50Z	03		D12A
13		N11A	09		J02A, J02B, J04A, J04B, J08A, J08B, J08C, J16Z, J21Z, J22A, J22B	05		F13A, F21A, F21B, F21C, F27A, F27B, F27C
21A		W04A, W04B	10		K01Z	08		I12A, I12B, I12C
21B		X01A, X01B	21A		W04A, W04B	09		J02A, J02B, J02C, J04A, J04B, J08A, J08B, J08C, J16Z, J21Z, J22A, J22B
5v23b.c		BOP, KVT, UOP4	21B		X01A, X01B	10		K01Z
01		B03A, B03B, B06A, B06B, B07Z, B17A, B17B, B17C	5v23b.x↔		BOP, KVT, UOP4	21A		W04A, W04B
05		F13A, F21A, F21B	01		B03A, B03B, B06A, B06B, B07Z, B17A, B17B, B17C	21B		X04Z, X05A, X05B, X06A, X06B, X06C
06		G10Z, G12A, G12B	05		F13A, F21A, F21B	5v240.6↔		BOP, KVT, UOP4
08		I02A, I02B, I02C, I02D, I12A, I12B, I12C, I22A, I22B, I50Z	08		I02A, I02B, I02C, I02D, I12A, I12B, I12C, I22A, I22B, I32A, I32B, I32C, I32D, I32E, I32F, I50Z	01		B03A, B03B, B06A, B06B, B07Z, B17A, B17B, B17C
09		J02A, J02B, J04A, J04B, J08A, J08B, J08C, J16Z, J21Z, J22A, J22B	09		J02A, J02B, J04A, J04B, J08A, J08B, J08C, J16Z, J21Z, J22A, J22B	03		D12A
13		N11A	10		K01Z	05		F13A, F21A, F21B, F21C, F27A, F27B, F27C
21A		W04A, W04B	21A		W04A, W04B	08		I12A, I12B, I12C
21B		X01A, X01B	21B		X01A, X01B	09		J02A, J02B, J02C, J04A, J04B, J08A, J08B, J08C, J16Z, J21Z, J22A, J22B
5v23b.d		BOP, KVT, UOP4	5v23x.x↔		BOP, KVT, UOP4	10		K01Z
01		B03A, B03B, B06A, B06B, B07Z, B17A, B17B, B17C	01		B03A, B03B, B06A, B06B, B07Z, B17A, B17B, B17C	21A		W04A, W04B
05		F13A, F21A, F21B	05		F13A, F21A, F21B, F21C	21B		X04Z, X05A, X05B, X06A, X06B, X06C
06		G10Z, G12A, G12B	08		I02A, I02B, I02C, I02D, I22A, I22B, I32A, I32B, I32C, I32D, I32E, I32F, I50Z	5v240.7↔		BOP, KVT, UOP4
08		I02A, I02B, I02C, I02D, I12A, I12B, I12C, I22A, I22B, I50Z	09		J02A, J02B, J02C, J04A, J04B, J08A, J08B, J08C, J16Z, J21Z, J22A, J22B	01		B03A, B03B, B06A, B06B, B07Z, B17A, B17B, B17C
09		J02A, J02B, J04A, J04B, J08A, J08B, J08C, J16Z, J21Z, J22A, J22B	10		K01Z	03		D12A
13		N11A	21A		W04A, W04B	05		F13A, F21A, F21B, F21C, F27A, F27B, F27C
21A		W04A, W04B	21B		X01A, X01B, X01C	08		I12A, I12B, I12C
21B		X01A, X01B				09		J02A, J02B, J02C, J04A, J04B, J08A, J08B, J08C, J16Z, J21Z, J22A, J22B
						10		K01Z
						21A		W04A, W04B
						21B		X04Z, X05A, X05B, X06A, X06B, X06C









ZZV	MDC	DRG	ZZV	MDC	DRG	ZZV	MDC	DRG			
5v242.8↔		BOP, KVT, UOP4	5v242.d		BOP, KVT, UOP4	5v250.0		KOP, KOPV			
	01	B03A, B03B, B06A, B06B, B07Z, B17A, B17B, B17C		01	B03A, B03B, B06A, B06B, B07Z, B17A, B17B, B17C		03	D02A, D02B, D18Z, D24A, D24B			
	03	D12A		03	D12A		06	G33Z			
	05	F13A, F21A, F21B, F21C, F27A, F27B, F27C		05	F13A, F21A, F21B, F21C, F27A, F27B, F27C		07	H33Z, H38Z			
	08	I12A, I12B, I12C		08	I12A, I12B, I12C		08	I32A, I32B, I32C, I32D			
	09	J02A, J02B, J02C, J04A, J04B, J08A, J08B, J08C, J16Z, J21Z, J22A, J22B		09	J02A, J02B, J02C, J04A, J04B, J08A, J08B, J08C, J16Z, J21Z, J22A, J22B		09	J01Z, J02A, J02B			
	10	K01Z		10	K01Z		11	L33Z			
	21A	W04A, W04B		21A	W04A, W04B		21B	X01A, X01B, X33Z			
	21B	X04Z, X05A, X05B, X06A, X06B, X06C		21B	X04Z, X05A, X05B, X06A, X06B, X06C		Pre	A07A			
	5v242.9↔			BOP, KVT, UOP4	5v242.e↔			BOP, KVT, UOP4	5v250.4		KOP, KOPV
		01		B03A, B03B, B06A, B06B, B07Z, B17A, B17B, B17C			01	B03A, B03B, B06A, B06B, B07Z, B17A, B17B, B17C		02	C20A, C20B
03		D12A	03	D12A		03	D02A, D02B, D18Z, D24A, D24B				
05		F13A, F21A, F21B, F21C, F27A, F27B, F27C	05	F13A, F21A, F21B, F21C, F27A, F27B, F27C		06	G33Z				
08		I12A, I12B, I12C	08	I12A, I12B, I12C		07	H33Z, H38Z				
09		J02A, J02B, J02C, J04A, J04B, J08A, J08B, J08C, J16Z, J21Z, J22A, J22B	09	J02A, J02B, J02C, J04A, J04B, J08A, J08B, J08C, J16Z, J21Z, J22A, J22B		08	I02A, I02B, I02C, I02D, I22A, I32A, I32B, I32C, I32D, I34Z, I50Z				
10		K01Z	10	K01Z		09	J01Z, J02A, J02B				
21A		W04A, W04B	21A	W04A, W04B		11	L33Z				
21B		X04Z, X05A, X05B, X06A, X06B, X06C	21B	X04Z, X05A, X05B, X06A, X06B, X06C		21B	X01A, X01B, X33Z				
5v242.a			BOP, KVT, UOP4	5v242.f↔			BOP, KVT, UOP4	5v250.5			KOP, KOPV
		01	B03A, B03B, B06A, B06B, B07Z, B17A, B17B, B17C			01	B03A, B03B, B06A, B06B, B07Z, B17A, B17B, B17C			03	D02A, D02B, D18Z, D24A, D24B
	03	D12A	03		D12A	06	G33Z				
	05	F13A, F21A, F21B, F21C, F27A, F27B, F27C	05		F13A, F21A, F21B, F21C, F27A, F27B, F27C	07	H33Z, H38Z				
	08	I12A, I12B, I12C	08		I12A, I12B, I12C	08	I02A, I02B, I02C, I02D, I22A, I32A, I32B, I32C, I32D, I34Z, I50Z				
	09	J02A, J02B, J02C, J04A, J04B, J08A, J08B, J08C, J16Z, J21Z, J22A, J22B	09		J02A, J02B, J02C, J04A, J04B, J08A, J08B, J08C, J16Z, J21Z, J22A, J22B	09	J01Z, J02A, J02B				
	10	K01Z	10		K01Z	11	L33Z				
	21A	W04A, W04B	21A		W04A, W04B	21B	X01A, X01B, X33Z				
	21B	X04Z, X05A, X05B, X06A, X06B, X06C	21B		X04Z, X05A, X05B, X06A, X06B, X06C	Pre	A07A				
	5v242.b		BOP, KVT, UOP4		5v242.g↔		BOP, KVT, UOP4		5v250.6↔		KOP, KOPV
		01	B03A, B03B, B06A, B06B, B07Z, B17A, B17B, B17C			01	B03A, B03B, B06A, B06B, B07Z, B17A, B17B, B17C			06	G33Z
03		D12A	03	D12A		07	H33Z, H38Z				
05		F13A, F21A, F21B, F21C, F27A, F27B, F27C	05	F13A, F21A, F21B, F21C, F27A, F27B, F27C		08	I02A, I02B, I02C, I02D, I22A, I32A, I32B, I32C, I32D, I34Z, I50Z				
08		I12A, I12B, I12C	08	I12A, I12B, I12C		09	J01Z, J02A, J02B				
09		J02A, J02B, J02C, J04A, J04B, J08A, J08B, J08C, J16Z, J21Z, J22A, J22B	09	J02A, J02B, J02C, J04A, J04B, J08A, J08B, J08C, J16Z, J21Z, J22A, J22B		11	L33Z				
10		K01Z	10	K01Z		21B	X01A, X01B, X33Z				
21A		W04A, W04B	21A	W04A, W04B		Pre	A07A				
21B		X04Z, X05A, X05B, X06A, X06B, X06C	21B	X04Z, X05A, X05B, X06A, X06B, X06C		5v250.7↔		KOP, KOPV			
5v242.c			BOP, KVT, UOP4	5v242.x				BOP, KVT, UOP4			G33Z
		01	B03A, B03B, B06A, B06B, B07Z, B17A, B17B, B17C			01	B03A, B03B, B06A, B06B, B07Z, B17A, B17B, B17C	06		H33Z, H38Z	
	03	D12A	03		D12A	07	H33Z, H38Z				
	05	F13A, F21A, F21B, F21C, F27A, F27B, F27C	05		F13A, F21A, F21B, F21C, F27A, F27B, F27C	08	I02A, I02B, I02C, I02D, I22A, I32A, I32B, I32C, I32D, I34Z, I50Z				
	08	I12A, I12B, I12C	08		I12A, I12B, I12C	09	J01Z, J02A, J02B				
	09	J02A, J02B, J02C, J04A, J04B, J08A, J08B, J08C, J16Z, J21Z, J22A, J22B	09		J02A, J02B, J02C, J04A, J04B, J08A, J08B, J08C, J16Z, J21Z, J22A, J22B	11	L33Z				
	10	K01Z	10		K01Z	21B	X01A, X01B, X33Z				
	21A	W04A, W04B	21A		W04A, W04B	Pre	A07A				
	21B	X04Z, X05A, X05B, X06A, X06B, X06C	21B		X04Z, X05A, X05B, X06A, X06B, X06C	5v250.8↔		KOP, KOPV			
								G33Z			
							H33Z, H38Z				
					I02A, I02B, I02C, I02D, I22A, I32A, I32B, I32C, I32D, I32E, I32F, I34Z, I50Z						
					J01Z, J02A, J02B						
					L33Z						
					X01A, X01B, X33Z						
					Pre	A07A					

ZZV	MDC	DRG	ZZV	MDC	DRG	ZZV	MDC	DRG			
5v250.9↔		KOP, KOPV	5v250.g↔		KOP, KOPV	5v251.7↔		BOP, KVT, UOP4			
	06	G33Z		06	G33Z		01	B03A, B03B, B06A, B06B, B07Z, B17A, B17B, B17C			
	07	H33Z, H38Z		07	H33Z, H38Z		05	F13A, F21A, F21B			
	08	I32A, I32B, I32C, I32D, I32E, I32F, I34Z		08	I02A, I02B, I02C, I02D, I22A, I32A, I32B, I32C, I32D, I34Z, I50Z		08	I02A, I02B, I02C, I02D, I12A, I12B, I12C, I22A, I50Z			
	09	J01Z, J02A, J02B		09	J01Z, J02A, J02B		09	J02A, J02B, J04A, J04B, J08A, J08B, J08C, J16Z, J21Z, J22A, J22B			
	11	L33Z		11	L33Z		21A	W04A, W04B			
	21B	X01A, X01B, X33Z		21B	X01A, X01B, X33Z		21B	X01A, X01B			
	Pre	A07A		Pre	A07A						
	5v250.a			KOP, KOPV	5v250.x↔			KOP, KOPV	5v251.8↔		BOP, KVT, UOP4
		06		G33Z			06	G33Z		01	B03A, B03B, B06A, B06B, B07Z, B17A, B17B, B17C
07		H33Z, H38Z	07	H33Z, H38Z		05	F13A, F21A, F21B				
08		I02A, I02B, I02C, I02D, I22A, I32A, I32B, I32C, I32D, I34Z, I50Z	08	I02A, I02B, I02C, I02D, I22A, I32A, I32B, I32C, I32D, I32E, I32F, I34Z, I50Z		08	I02A, I02B, I02C, I02D, I12A, I12B, I12C, I22A, I32A, I32B, I32C, I32D, I32E, I32F, I50Z				
09		J01Z, J02A, J02B	09	J01Z, J02A, J02B		09	J02A, J02B, J04A, J04B, J08A, J08B, J08C, J16Z, J21Z, J22A, J22B				
11		L33Z	11	L33Z		21A	W04A, W04B				
21B		X01A, X01B, X33Z	21B	X01A, X01B, X33Z		21B	X01A, X01B				
Pre		A07A	Pre	A07A							
5v250.b			KOP, KOPV	5v251.0			BOP, KVT, UOP4	5v251.9↔			BOP, KVT, UOP4
		06	G33Z			03	D02A, D02B, D18Z, D24A, D24B			01	B03A, B03B, B06A, B06B, B07Z, B17A, B17B, B17C
	07	H33Z, H38Z	05		F13A	05	F13A, F21A, F21B				
	08	I02A, I02B, I02C, I02D, I22A, I32A, I32B, I32C, I32D, I34Z, I50Z	08		I12A, I12B, I12C	08	I12A, I12B, I12C, I32A, I32B, I32C, I32D, I32E, I32F				
	09	J01Z, J02A, J02B	09		J03A, J03B, J04A, J04B, J08A, J08B, J08C, J11A, J11B, J16Z	09	J02A, J02B, J04A, J04B, J08A, J08B, J08C, J16Z, J21Z, J22A, J22B				
	11	L33Z	21A		W04A, W04B	21A	W04A, W04B				
	21B	X01A, X01B, X33Z	21B		X01A, X01B, X06A, X06B, X06C	21B	X01A, X01B				
	Pre	A07A									
	5v250.c		KOP, KOPV		5v251.4		BOP, KVT, UOP4		5v251.a		BOP, KVT, UOP4
		06	G33Z			01	B03A, B03B, B06A, B06B, B07Z, B17A, B17B, B17C			01	B03A, B03B, B06A, B06B, B07Z, B17A, B17B, B17C
07		H33Z, H38Z	02	C20A, C20B		05	F13A, F21A, F21B				
08		I02A, I02B, I02C, I02D, I22A, I32A, I32B, I32C, I32D, I34Z, I50Z	03	D02A, D02B, D18Z, D24A, D24B		06	G10Z, G12A, G12B				
09		J01Z, J02A, J02B	05	F13A, F21A, F21B		08	I02A, I02B, I02C, I02D, I12A, I12B, I12C, I22A, I50Z				
11		L33Z	08	I02A, I02B, I02C, I02D, I12A, I12B, I12C, I22A, I50Z		09	J02A, J02B, J04A, J04B, J08A, J08B, J08C, J16Z, J21Z, J22A, J22B				
21B		X01A, X01B, X33Z	09	J02A, J02B, J04A, J04B, J08A, J08B, J08C, J16Z, J21Z, J22A, J22B		21A	W04A, W04B				
Pre		A07A	21A	W04A, W04B		21B	X01A, X01B				
5v250.d			KOP, KOPV	5v251.5			BOP, KVT, UOP4	5v251.b			BOP, KVT, UOP4
		06	G33Z			01	B03A, B03B, B06A, B06B, B07Z, B17A, B17B, B17C			01	B03A, B03B, B06A, B06B, B07Z, B17A, B17B, B17C
	07	H33Z, H38Z	03		D02A, D02B, D18Z, D24A, D24B	05	F13A, F21A, F21B				
	08	I02A, I02B, I02C, I02D, I22A, I32A, I32B, I32C, I32D, I34Z, I50Z	05		F13A, F21A, F21B	06	G10Z, G12A, G12B				
	09	J01Z, J02A, J02B	08		I02A, I02B, I02C, I02D, I12A, I12B, I12C, I22A, I50Z	08	I02A, I02B, I02C, I02D, I12A, I12B, I12C, I22A, I50Z				
	11	L33Z	09		J02A, J02B, J04A, J04B, J08A, J08B, J08C, J16Z, J21Z, J22A, J22B	09	J02A, J02B, J04A, J04B, J08A, J08B, J08C, J16Z, J21Z, J22A, J22B				
	21B	X01A, X01B, X33Z	21A		W04A, W04B	21A	W04A, W04B				
	Pre	A07A	21B		X01A, X01B	21B	X01A, X01B				
	5v250.e↔		KOP, KOPV		5v251.6↔		BOP, KVT, UOP4		5v251.c		BOP, KVT, UOP4
		06	G33Z			01	B03A, B03B, B06A, B06B, B07Z, B17A, B17B, B17C			01	B03A, B03B, B06A, B06B, B07Z, B17A, B17B, B17C
07		H33Z, H38Z	05	F13A, F21A, F21B		05	F13A, F21A, F21B				
08		I02A, I02B, I02C, I02D, I22A, I32A, I32B, I32C, I32D, I34Z, I50Z	08	I02A, I02B, I02C, I02D, I12A, I12B, I12C, I22A, I50Z		06	G10Z, G12A, G12B				
09		J01Z, J02A, J02B	09	J02A, J02B, J04A, J04B, J08A, J08B, J08C, J16Z, J21Z, J22A, J22B		08	I02A, I02B, I02C, I02D, I12A, I12B, I12C, I22A, I50Z				
11		L33Z	21A	W04A, W04B		09	J02A, J02B, J04A, J04B, J08A, J08B, J08C, J16Z, J21Z, J22A, J22B				
21B		X01A, X01B, X33Z	21B	X01A, X01B		21A	W04A, W04B				
Pre		A07A				21B	X01A, X01B				
5v250.f↔			KOP, KOPV	5v251.7↔			BOP, KVT, UOP4	5v251.d			BOP, KVT, UOP4
		06	G33Z			01	B03A, B03B, B06A, B06B, B07Z, B17A, B17B, B17C			01	B03A, B03B, B06A, B06B, B07Z, B17A, B17B, B17C
	07	H33Z, H38Z	05		F13A, F21A, F21B	05	F13A, F21A, F21B				
	08	I02A, I02B, I02C, I02D, I22A, I32A, I32B, I32C, I32D, I34Z, I50Z	08		I02A, I02B, I02C, I02D, I12A, I12B, I12C, I22A, I50Z	06	G10Z, G12A, G12B				
	09	J01Z, J02A, J02B	09		J02A, J02B, J04A, J04B, J08A, J08B, J08C, J16Z, J21Z, J22A, J22B	08	I02A, I02B, I02C, I02D, I12A, I12B, I12C, I22A, I50Z				
	11	L33Z	21A		W04A, W04B	09	J02A, J02B, J04A, J04B, J08A, J08B, J08C, J16Z, J21Z, J22A, J22B				
	21B	X01A, X01B, X33Z	21B		X01A, X01B	21A	W04A, W04B				
	Pre	A07A				21B	X01A, X01B				

ZZV	MDC	DRG	ZZV	MDC	DRG	ZZV	MDC	DRG			
5v251.d		BOP, KVT, UOP4	5v252.0		BOP, KVT, UOP4	5v252.8↔		BOP, KVT, UOP4			
	01	B03A, B03B, B06A, B06B, B07Z, B17A, B17B, B17C		03	D02A, D02B, D18Z, D24A, D24B		01	B03A, B03B, B06A, B06B, B07Z, B17A, B17B, B17C			
	05	F13A, F21A, F21B		05	F13A		05	F13A, F21A, F21B			
	06	G10Z, G12A, G12B		08	I12A, I12B, I12C		08	I02A, I02B, I02C, I02D, I12A, I12B, I12C, I22A, I50Z			
	08	I02A, I02B, I02C, I02D, I12A, I12B, I12C, I22A, I50Z		09	J03A, J03B, J04A, J04B, J08A, J08B, J08C, J11A, J11B, J16Z		09	J02A, J02B, J04A, J04B, J08A, J08B, J08C, J16Z, J21Z, J22A, J22B			
	09	J02A, J02B, J04A, J04B, J08A, J08B, J08C, J16Z, J21Z, J22A, J22B		21A	W04A, W04B		21A	W04A, W04B			
	21A	W04A, W04B		21B	X01A, X01B, X06A, X06B, X06C		21A	W04A, W04B			
	21B	X01A, X01B			BOP, KVT, UOP4		21B	X01A, X01B			
	5v251.e↔			BOP, KVT, UOP4	5v252.4			BOP, KVT, UOP4	5v252.9↔		BOP, KVT, UOP4
		01		B03A, B03B, B06A, B06B, B07Z, B17A, B17B, B17C			01	B03A, B03B, B06A, B06B, B07Z, B17A, B17B, B17C		01	B03A, B03B, B06A, B06B, B07Z, B17A, B17B, B17C
05		F13A, F21A, F21B, F27A, F27B, F27C	02	C20A, C20B		05	F13A, F21A, F21B				
08		I02A, I02B, I02C, I02D, I12A, I12B, I12C, I22A, I50Z	03	D02A, D02B, D18Z, D24A, D24B		08	I12A, I12B, I12C, I32A, I32B, I32C, I32D, I32E, I32F				
09		J02A, J02B, J04A, J04B, J08A, J08B, J08C, J16Z, J21Z, J22A, J22B	05	F13A, F21A, F21B		09	J02A, J02B, J04A, J04B, J08A, J08B, J08C, J16Z, J21Z, J22A, J22B				
10		K01Z	08	I02A, I02B, I02C, I02D, I12A, I12B, I12C, I22A, I50Z		21A	W04A, W04B				
21A		W04A, W04B	09	J02A, J02B, J04A, J04B, J08A, J08B, J08C, J16Z, J21Z, J22A, J22B		21B	X01A, X01B				
21B		X01A, X01B	21A	W04A, W04B			BOP, KVT, UOP4				
5v251.f↔			BOP, KVT, UOP4	5v252.5			BOP, KVT, UOP4	5v252.a			BOP, KVT, UOP4
		01	B03A, B03B, B06A, B06B, B07Z, B17A, B17B, B17C			01	B03A, B03B, B06A, B06B, B07Z, B17A, B17B, B17C			01	B03A, B03B, B06A, B06B, B07Z, B17A, B17B, B17C
	05	F13A, F21A, F21B, F27A, F27B, F27C	03		D02A, D02B, D18Z, D24A, D24B	05	F13A, F21A, F21B				
	08	I02A, I02B, I02C, I02D, I12A, I12B, I12C, I22A, I50Z	05		F13A, F21A, F21B	06	G10Z, G12A, G12B				
	09	J02A, J02B, J04A, J04B, J08A, J08B, J08C, J16Z, J21Z, J22A, J22B	08		I02A, I02B, I02C, I02D, I12A, I12B, I12C, I22A, I50Z	08	I02A, I02B, I02C, I02D, I12A, I12B, I12C, I22A, I50Z				
	10	K01Z	09		J02A, J02B, J04A, J04B, J08A, J08B, J08C, J16Z, J21Z, J22A, J22B	09	J02A, J02B, J04A, J04B, J08A, J08B, J08C, J16Z, J21Z, J22A, J22B				
	21A	W04A, W04B	21A		W04A, W04B	21A	W04A, W04B				
	21B	X01A, X01B	21B		X01A, X01B	21B	X01A, X01B				
	5v251.g↔		BOP, KVT, UOP4		5v252.6↔		BOP, KVT, UOP4		5v252.b		BOP, KVT, UOP4
		01	B03A, B03B, B06A, B06B, B07Z, B17A, B17B, B17C			01	B03A, B03B, B06A, B06B, B07Z, B17A, B17B, B17C			01	B03A, B03B, B06A, B06B, B07Z, B17A, B17B, B17C
05		F13A, F21A, F21B, F27A, F27B, F27C	05	F13A, F21A, F21B		05	F13A, F21A, F21B				
08		I02A, I02B, I02C, I02D, I12A, I12B, I12C, I22A, I50Z	08	I02A, I02B, I02C, I02D, I12A, I12B, I12C, I22A, I50Z		06	G10Z, G12A, G12B				
09		J02A, J02B, J04A, J04B, J08A, J08B, J08C, J16Z, J21Z, J22A, J22B	09	J02A, J02B, J04A, J04B, J08A, J08B, J08C, J16Z, J21Z, J22A, J22B		08	I02A, I02B, I02C, I02D, I12A, I12B, I12C, I22A, I50Z				
10		K01Z	21A	W04A, W04B		09	J02A, J02B, J04A, J04B, J08A, J08B, J08C, J16Z, J21Z, J22A, J22B				
21A		W04A, W04B	21B	X01A, X01B		21A	W04A, W04B				
21B		X01A, X01B		BOP, KVT, UOP4		21B	X01A, X01B				
5v251.x↔			BOP, KVT, UOP4	5v252.7↔			BOP, KVT, UOP4	5v252.c			BOP, KVT, UOP4
		01	B03A, B03B, B06A, B06B, B07Z, B17A, B17B, B17C			01	B03A, B03B, B06A, B06B, B07Z, B17A, B17B, B17C			01	B03A, B03B, B06A, B06B, B07Z, B17A, B17B, B17C
	05	F13A, F21A, F21B	05		F13A, F21A, F21B	05	F13A, F21A, F21B				
	08	I02A, I02B, I02C, I02D, I12A, I12B, I12C, I22A, I50Z	08		I02A, I02B, I02C, I02D, I12A, I12B, I12C, I22A, I50Z	06	G10Z, G12A, G12B				
	09	J02A, J02B, J04A, J04B, J08A, J08B, J08C, J16Z, J21Z, J22A, J22B	09		J02A, J02B, J04A, J04B, J08A, J08B, J08C, J16Z, J21Z, J22A, J22B	08	I02A, I02B, I02C, I02D, I12A, I12B, I12C, I22A, I50Z				
	10	K01Z	21A		W04A, W04B	09	J02A, J02B, J04A, J04B, J08A, J08B, J08C, J16Z, J21Z, J22A, J22B				
	21A	W04A, W04B	21B		X01A, X01B	21A	W04A, W04B				
	21B	X01A, X01B			BOP, KVT, UOP4	21B	X01A, X01B				
	5v251.y↔		BOP, KVT, UOP4		5v252.8↔		BOP, KVT, UOP4		5v252.d		BOP, KVT, UOP4
		01	B03A, B03B, B06A, B06B, B07Z, B17A, B17B, B17C			01	B03A, B03B, B06A, B06B, B07Z, B17A, B17B, B17C			01	B03A, B03B, B06A, B06B, B07Z, B17A, B17B, B17C
05		F13A, F21A, F21B	05	F13A, F21A, F21B		05	F13A, F21A, F21B				
08		I02A, I02B, I02C, I02D, I12A, I12B, I12C, I22A, I50Z	08	I02A, I02B, I02C, I02D, I12A, I12B, I12C, I22A, I50Z		06	G10Z, G12A, G12B				
09		J02A, J02B, J04A, J04B, J08A, J08B, J08C, J16Z, J21Z, J22A, J22B	09	J02A, J02B, J04A, J04B, J08A, J08B, J08C, J16Z, J21Z, J22A, J22B		08	I02A, I02B, I02C, I02D, I12A, I12B, I12C, I22A, I50Z				
10		K01Z	21A	W04A, W04B		09	J02A, J02B, J04A, J04B, J08A, J08B, J08C, J16Z, J21Z, J22A, J22B				
21A		W04A, W04B	21B	X01A, X01B		21A	W04A, W04B				
21B		X01A, X01B		BOP, KVT, UOP4		21B	X01A, X01B				

ZZV	MDC	DRG	ZZV	MDC	DRG	ZZV	MDC	DRG			
5v252.e↔		BOP, KVT, UOP4	5v260.4		BOP, KVT, UOP4	5v260.a		BOP, KVT, UOP4			
	01	B03A, B03B, B06A, B06B, B07Z, B17A, B17B, B17C		01	B03A, B03B, B06A, B06B, B07Z, B17A, B17B, B17C		01	B03A, B03B, B06A, B06B, B07Z, B17A, B17B, B17C			
	05	F13A, F21A, F21B, F27A, F27B, F27C		02	C20A, C20B		05	F13A, F21A, F21B			
	08	I02A, I02B, I02C, I02D, I12A, I12B, I12C, I22A, I50Z		03	D12A		06	G10Z, G12A, G12B			
	09	J02A, J02B, J04A, J04B, J08A, J08B, J08C, J16Z, J21Z, J22A, J22B		05	F13A, F21A, F21B		08	I02A, I02B, I02C, I02D, I12A, I12B, I12C, I22A, I50Z			
	10	K01Z		08	I02A, I02B, I02C, I02D, I12A, I12B, I12C, I22A, I50Z		09	J02A, J02B, J04A, J04B, J08A, J08B, J16Z, J21Z, J22A, J22B			
	21A	W04A, W04B		09	J02A, J02B, J04A, J04B, J08A, J08B, J16Z, J21Z, J22A, J22B		21A	W04A, W04B			
	21B	X01A, X01B		21A	W04A, W04B		21B	X01A, X01B			
	5v252.f↔			BOP, KVT, UOP4	5v260.5			BOP, KVT, UOP4	5v260.b		BOP, KVT, UOP4
		01		B03A, B03B, B06A, B06B, B07Z, B17A, B17B, B17C			01	B03A, B03B, B06A, B06B, B07Z, B17A, B17B, B17C		01	B03A, B03B, B06A, B06B, B07Z, B17A, B17B, B17C
		05		F13A, F21A, F21B, F27A, F27B, F27C			03	D12A		05	F13A, F21A, F21B
08		I02A, I02B, I02C, I02D, I12A, I12B, I12C, I22A, I50Z	05	F13A, F21A, F21B		06	G10Z, G12A, G12B				
09		J02A, J02B, J04A, J04B, J08A, J08B, J08C, J16Z, J21Z, J22A, J22B	08	I02A, I02B, I02C, I02D, I12A, I12B, I12C, I22A, I50Z		08	I02A, I02B, I02C, I02D, I12A, I12B, I12C, I22A, I50Z				
10		K01Z	09	J02A, J02B, J04A, J04B, J08A, J08B, J16Z, J21Z, J22A, J22B		09	J02A, J02B, J04A, J04B, J08A, J08B, J16Z, J21Z, J22A, J22B				
21A		W04A, W04B	21A	W04A, W04B		21A	W04A, W04B				
21B		X01A, X01B	21B	X01A, X01B		21B	X01A, X01B				
5v252.g↔			BOP, KVT, UOP4	5v260.6↔			BOP, KVT, UOP4	5v260.c			BOP, KVT, UOP4
		01	B03A, B03B, B06A, B06B, B07Z, B17A, B17B, B17C			01	B03A, B03B, B06A, B06B, B07Z, B17A, B17B, B17C			01	B03A, B03B, B06A, B06B, B07Z, B17A, B17B, B17C
		05	F13A, F21A, F21B, F27A, F27B, F27C			05	F13A, F21A, F21B			05	F13A, F21A, F21B
	08	I02A, I02B, I02C, I02D, I12A, I12B, I12C, I22A, I50Z	08		I02A, I02B, I02C, I02D, I12A, I12B, I12C, I22A, I50Z	06	G10Z, G12A, G12B				
	09	J02A, J02B, J04A, J04B, J08A, J08B, J08C, J16Z, J21Z, J22A, J22B	09		J02A, J02B, J04A, J04B, J08A, J08B, J16Z, J21Z, J22A, J22B	08	I02A, I02B, I02C, I02D, I12A, I12B, I12C, I22A, I50Z				
	10	K01Z	21A		W04A, W04B	09	J02A, J02B, J04A, J04B, J08A, J08B, J16Z, J21Z, J22A, J22B				
	21A	W04A, W04B	21B		X01A, X01B	10	K09A, K09B				
	21B	X01A, X01B	5v260.7↔			12	M04A, M04B, M04C, M04D, M37Z, M38Z				
	5v252.x↔		BOP, KVT, UOP4		5v260.7↔		BOP, KVT, UOP4		5v260.d		BOP, KVT, UOP4
		01	B03A, B03B, B06A, B06B, B07Z, B17A, B17B, B17C			01	B03A, B03B, B06A, B06B, B07Z, B17A, B17B, B17C			21A	W04A, W04B
		05	F13A, F21A, F21B			05	F13A, F21A, F21B			21B	X01A, X01B
08		I02A, I02B, I02C, I02D, I12A, I12B, I12C, I22A, I32A, I32B, I32C, I32D, I32E, I32F, I50Z	08	I02A, I02B, I02C, I02D, I12A, I12B, I12C, I22A, I50Z		01	B03A, B03B, B06A, B06B, B07Z, B17A, B17B, B17C				
09		J02A, J02B, J04A, J04B, J08A, J08B, J08C, J16Z, J21Z, J22A, J22B	09	J02A, J02B, J04A, J04B, J08A, J08B, J16Z, J21Z, J22A, J22B		05	F13A, F21A, F21B				
21A		W04A, W04B	21A	W04A, W04B		06	G10Z, G12A, G12B				
21B		X01A, X01B	21B	X01A, X01B		08	I02A, I02B, I02C, I02D, I12A, I12B, I12C, I22A, I50Z				
5v260.0			BOP, KVT, UOP4	5v260.8↔			BOP, KVT, UOP4	5v260.e↔			BOP, KVT, UOP4
		03	D18Z, D25A, D25B, D25C, D25D			01	B03A, B03B, B06A, B06B, B07Z, B17A, B17B, B17C			01	B03A, B03B, B06A, B06B, B07Z, B17A, B17B, B17C
		05	F13A			05	F13A, F21A, F21B			05	F13A, F21A, F21B, F27A, F27B, F27C
		08	I12A, I12B, I12C			08	I02A, I02B, I02C, I02D, I12A, I12B, I12C, I22A, I32A, I32B, I32C, I32D, I32E, I32F, I50Z			08	I02A, I02B, I02C, I02D, I12A, I12B, I12C, I22A, I50Z
	09	J03A, J03B, J04A, J04B, J08A, J08B, J11A, J11B, J16Z	09		J02A, J02B, J04A, J04B, J08A, J08B, J16Z, J21Z, J22A, J22B	08	I02A, I02B, I02C, I02D, I12A, I12B, I12C, I22A, I50Z				
	21A	W04A, W04B	21A		W04A, W04B	09	J02A, J02B, J04A, J04B, J08A, J08B, J16Z, J21Z, J22A, J22B				
	21B	X01A, X01B, X06A, X06B, X06C	21B		X01A, X01B	10	K01Z				
	5v260.0		BOP, KVT, UOP4		5v260.9↔		BOP, KVT, UOP4		5v260.e↔		BOP, KVT, UOP4
		03	D18Z, D25A, D25B, D25C, D25D			01	B03A, B03B, B06A, B06B, B07Z, B17A, B17B, B17C			01	B03A, B03B, B06A, B06B, B07Z, B17A, B17B, B17C
		05	F13A			05	F13A, F21A, F21B			05	F13A, F21A, F21B, F27A, F27B, F27C
		08	I12A, I12B, I12C			08	I12A, I12B, I12C, I32A, I32B, I32C, I32D, I32E, I32F			08	I02A, I02B, I02C, I02D, I12A, I12B, I12C, I22A, I50Z
09		J03A, J03B, J04A, J04B, J08A, J08B, J11A, J11B, J16Z	09	J02A, J02B, J04A, J04B, J08A, J08B, J16Z, J21Z, J22A, J22B		09	J02A, J02B, J04A, J04B, J08A, J08B, J16Z, J21Z, J22A, J22B				
21A		W04A, W04B	21A	W04A, W04B		10	K01Z				
21B		X01A, X01B, X06A, X06B, X06C	21B	X01A, X01B		21A	W04A, W04B				
5v260.0			BOP, KVT, UOP4	5v260.9↔			BOP, KVT, UOP4	5v260.e↔			BOP, KVT, UOP4
		03	D18Z, D25A, D25B, D25C, D25D			01	B03A, B03B, B06A, B06B, B07Z, B17A, B17B, B17C			21B	X01A, X01B
		05	F13A			05	F13A, F21A, F21B			01	B03A, B03B, B06A, B06B, B07Z, B17A, B17B, B17C
		08	I12A, I12B, I12C			08	I12A, I12B, I12C, I32A, I32B, I32C, I32D, I32E, I32F			05	F13A, F21A, F21B, F27A, F27B, F27C
	09	J03A, J03B, J04A, J04B, J08A, J08B, J11A, J11B, J16Z	09		J02A, J02B, J04A, J04B, J08A, J08B, J16Z, J21Z, J22A, J22B	08	I02A, I02B, I02C, I02D, I12A, I12B, I12C, I22A, I50Z				
	21A	W04A, W04B	21A		W04A, W04B	09	J02A, J02B, J04A, J04B, J08A, J08B, J16Z, J21Z, J22A, J22B				
	21B	X01A, X01B, X06A, X06B, X06C	21B		X01A, X01B	10	K01Z				
	5v260.0		BOP, KVT, UOP4		5v260.9↔		BOP, KVT, UOP4		5v260.e↔		BOP, KVT, UOP4
		03	D18Z, D25A, D25B, D25C, D25D			01	B03A, B03B, B06A, B06B, B07Z, B17A, B17B, B17C			21A	W04A, W04B
		05	F13A			05	F13A, F21A, F21B			21B	X01A, X01B
		08	I12A, I12B, I12C			08	I12A, I12B, I12C, I32A, I32B, I32C, I32D, I32E, I32F			01	B03A, B03B, B06A, B06B, B07Z, B17A, B17B, B17C
09		J03A, J03B, J04A, J04B, J08A, J08B, J11A, J11B, J16Z	09	J02A, J02B, J04A, J04B, J08A, J08B, J16Z, J21Z, J22A, J22B		05	F13A, F21A, F21B, F27A, F27B, F27C				
21A		W04A, W04B	21A	W04A, W04B		08	I02A, I02B, I02C, I02D, I12A, I12B, I12C, I22A, I50Z				
21B		X01A, X01B, X06A, X06B, X06C	21B	X01A, X01B		09	J02A, J02B, J04A, J04B, J08A, J08B, J16Z, J21Z, J22A, J22B				

VYK

ZZV	MDC	DRG	ZZV	MDC	DRG	ZZV	MDC	DRG			
5v260.f↔		BOP, KVT, UOP4	5v261.5		BOP, KVT, UOP4	5v261.b		BOP, KVT, UOP4			
	01	B03A, B03B, B06A, B06B, B07Z, B17A, B17B, B17C		01	B03A, B03B, B06A, B06B, B07Z, B17A, B17B, B17C		01	B03A, B03B, B06A, B06B, B07Z, B17A, B17B, B17C			
	05	F13A, F21A, F21B, F27A, F27B, F27C		03	D12A		05	F13A, F21A, F21B			
	08	I02A, I02B, I02C, I02D, I12A, I12B, I12C, I22A, I50Z		08	I02A, I02B, I02C, I02D, I12A, I12B, I12C, I22A, I50Z		06	G10Z, G12A, G12B			
	09	J02A, J02B, J04A, J04B, J08A, J08B, J16Z, J21Z, J22A, J22B		09	J02A, J02B, J04A, J04B, J08A, J08B, J16Z, J21Z, J22A, J22B		08	I02A, I02B, I02C, I02D, I12A, I12B, I12C, I22A, I50Z			
	10	K01Z		21A	W04A, W04B		09	J02A, J02B, J04A, J04B, J08A, J08B, J16Z, J21Z, J22A, J22B			
	21A	W04A, W04B		21B	X01A, X01B, X33Z		21A	W04A, W04B			
	21B	X01A, X01B			BOP, KVT, UOP4		21B	X01A, X01B, X33Z			
	5v260.g↔			BOP, KVT, UOP4	5v261.6↔			BOP, KVT, UOP4	5v261.c		BOP, KVT, UOP4
		01		B03A, B03B, B06A, B06B, B07Z, B17A, B17B, B17C			01	B03A, B03B, B06A, B06B, B07Z, B17A, B17B, B17C		01	B03A, B03B, B06A, B06B, B07Z, B17A, B17B, B17C
05		F13A, F21A, F21B, F27A, F27B, F27C	05	F13A, F21A, F21B		05	F13A, F21A, F21B				
08		I02A, I02B, I02C, I02D, I12A, I12B, I12C, I22A, I50Z	08	I02A, I02B, I02C, I02D, I12A, I12B, I12C, I22A, I50Z		06	G10Z, G12A, G12B				
09		J02A, J02B, J04A, J04B, J08A, J08B, J16Z, J21Z, J22A, J22B	09	J02A, J02B, J04A, J04B, J08A, J08B, J16Z, J21Z, J22A, J22B		08	I02A, I02B, I02C, I02D, I12A, I12B, I12C, I22A, I50Z				
10		K01Z	21A	W04A, W04B		09	J02A, J02B, J04A, J04B, J08A, J08B, J16Z, J21Z, J22A, J22B				
21A		W04A, W04B	21B	X01A, X01B, X33Z		10	K09A, K09B				
21B		X01A, X01B		BOP, KVT, UOP4		12	M04A, M04B, M04C, M04D, M37Z, M38Z				
5v260.x↔			BOP, KVT, UOP4	5v261.7↔			BOP, KVT, UOP4	5v261.d			BOP, KVT, UOP4
		01	B03A, B03B, B06A, B06B, B07Z, B17A, B17B, B17C			01	B03A, B03B, B06A, B06B, B07Z, B17A, B17B, B17C			21A	W04A, W04B
	05	F13A, F21A, F21B	05		F13A, F21A, F21B	21B	X01A, X01B, X33Z				
	08	I02A, I02B, I02C, I02D, I12A, I12B, I12C, I22A, I32A, I32B, I32C, I32D, I32E, I32F, I50Z	08		I02A, I02B, I02C, I02D, I12A, I12B, I12C, I22A, I50Z	01	B03A, B03B, B06A, B06B, B07Z, B17A, B17B, B17C				
	09	J02A, J02B, J04A, J04B, J08A, J08B, J16Z, J21Z, J22A, J22B	09		J02A, J02B, J04A, J04B, J08A, J08B, J16Z, J21Z, J22A, J22B	05	F13A, F21A, F21B				
	21A	W04A, W04B	21A		W04A, W04B	06	G10Z, G12A, G12B				
	21B	X01A, X01B	21B		X01A, X01B, X33Z	08	I02A, I02B, I02C, I02D, I12A, I12B, I12C, I22A, I50Z				
	5v261.0		BOP, KVT, UOP4		5v261.8↔		BOP, KVT, UOP4		5v261.e↔		BOP, KVT, UOP4
		03	D18Z, D25A, D25B, D25C, D25D			01	B03A, B03B, B06A, B06B, B07Z, B17A, B17B, B17C			01	B03A, B03B, B06A, B06B, B07Z, B17A, B17B, B17C
		05	F13A			05	F13A, F21A, F21B			05	F13A, F21A, F21B
08		I12A, I12B, I12C	08	I02A, I02B, I02C, I02D, I12A, I12B, I12C, I22A, I32A, I32B, I32C, I32D, I32E, I32F, I50Z		06	G10Z, G12A, G12B				
09		J03A, J03B, J04A, J04B, J08A, J08B, J10A, J10B, J16Z	09	J02A, J02B, J04A, J04B, J08A, J08B, J16Z, J21Z, J22A, J22B		08	I02A, I02B, I02C, I02D, I12A, I12B, I12C, I22A, I50Z				
21A		W04A, W04B	21A	W04A, W04B		09	J02A, J02B, J04A, J04B, J08A, J08B, J16Z, J21Z, J22A, J22B				
21B		X01A, X01B, X06A, X06B, X06C, X33Z	21B	X01A, X01B, X33Z		21A	W04A, W04B				
5v261.4			BOP, KVT, UOP4	5v261.9↔			BOP, KVT, UOP4	5v261.f↔			BOP, KVT, UOP4
		01	B03A, B03B, B06A, B06B, B07Z, B17A, B17B, B17C			01	B03A, B03B, B06A, B06B, B07Z, B17A, B17B, B17C			01	B03A, B03B, B06A, B06B, B07Z, B17A, B17B, B17C
		02	C20A, C20B			05	F13A, F21A, F21B			05	F13A, F21A, F21B, F27A, F27B, F27C
	03	D12A	08		I12A, I12B, I12C, I32A, I32B, I32C, I32D, I32E, I32F	08	I02A, I02B, I02C, I02D, I12A, I12B, I12C, I22A, I50Z				
	05	F13A, F21A, F21B	09		J02A, J02B, J04A, J04B, J08A, J08B, J16Z, J21Z, J22A, J22B	09	J02A, J02B, J04A, J04B, J08A, J08B, J16Z, J21Z, J22A, J22B				
	08	I02A, I02B, I02C, I02D, I12A, I12B, I12C, I22A, I50Z	21A		W04A, W04B	08	I02A, I02B, I02C, I02D, I12A, I12B, I12C, I22A, I50Z				
	09	J02A, J02B, J04A, J04B, J08A, J08B, J16Z, J21Z, J22A, J22B	21B		X01A, X01B, X33Z	09	J02A, J02B, J04A, J04B, J08A, J08B, J16Z, J21Z, J22A, J22B				
	21A	W04A, W04B			BOP, KVT, UOP4	10	K01Z				
	21B	X01A, X01B, X33Z			BOP, KVT, UOP4	21A	W04A, W04B				
	5v261.4		BOP, KVT, UOP4		5v261.a		BOP, KVT, UOP4		5v261.g↔		BOP, KVT, UOP4
01		B03A, B03B, B06A, B06B, B07Z, B17A, B17B, B17C	01	B03A, B03B, B06A, B06B, B07Z, B17A, B17B, B17C		01	B03A, B03B, B06A, B06B, B07Z, B17A, B17B, B17C				
02		C20A, C20B	05	F13A, F21A, F21B		05	F13A, F21A, F21B, F27A, F27B, F27C				
03		D12A	08	I12A, I12B, I12C, I32A, I32B, I32C, I32D, I32E, I32F		08	I02A, I02B, I02C, I02D, I12A, I12B, I12C, I22A, I50Z				
05		F13A, F21A, F21B	09	J02A, J02B, J04A, J04B, J08A, J08B, J16Z, J21Z, J22A, J22B		09	J02A, J02B, J04A, J04B, J08A, J08B, J16Z, J21Z, J22A, J22B				
08		I02A, I02B, I02C, I02D, I12A, I12B, I12C, I22A, I50Z	21A	W04A, W04B		08	I02A, I02B, I02C, I02D, I12A, I12B, I12C, I22A, I50Z				
09		J02A, J02B, J04A, J04B, J08A, J08B, J16Z, J21Z, J22A, J22B	21B	X01A, X01B, X33Z		09	J02A, J02B, J04A, J04B, J08A, J08B, J16Z, J21Z, J22A, J22B				
21A		W04A, W04B		BOP, KVT, UOP4		10	K01Z				
21B		X01A, X01B, X33Z		BOP, KVT, UOP4		21A	W04A, W04B				
						21B	X01A, X01B, X33Z				

VYK

ZZV	MDC	DRG	ZZV	MDC	DRG	ZZV	MDC	DRG			
5v261.g↔		BOP, KVT, UOP4	5v262.6↔		BOP, KVT, UOP4	5v262.c		BOP, KVT, UOP4			
	01	B03A, B03B, B06A, B06B, B07Z, B17A, B17B, B17C		01	B03A, B03B, B06A, B06B, B07Z, B17A, B17B, B17C		01	B03A, B03B, B06A, B06B, B07Z, B17A, B17B, B17C			
	05	F13A, F21A, F21B, F27A, F27B, F27C		05	F13A, F21A, F21B		05	F13A, F21A, F21B			
	08	I02A, I02B, I02C, I02D, I12A, I12B, I12C, I22A, I50Z		08	I02A, I02B, I02C, I02D, I12A, I12B, I12C, I22A, I50Z		06	G10Z, G12A, G12B			
	09	J02A, J02B, J04A, J04B, J08A, J08B, J16Z, J21Z, J22A, J22B		09	J02A, J02B, J04A, J04B, J08A, J08B, J16Z, J21Z, J22A, J22B		08	I02A, I02B, I02C, I02D, I12A, I12B, I12C, I22A, I50Z			
	10	K01Z		21A	W04A, W04B		09	J02A, J02B, J04A, J04B, J08A, J08B, J16Z, J21Z, J22A, J22B			
	21A	W04A, W04B		21B	X01A, X01B, X33Z		10	K09A, K09B			
	21B	X01A, X01B, X33Z			BOP, KVT, UOP4		12	M04A, M04B, M04C, M04D, M37Z, M38Z			
	5v261.x↔			BOP, KVT, UOP4	5v262.7↔			BOP, KVT, UOP4	5v262.d		BOP, KVT, UOP4
		01		B03A, B03B, B06A, B06B, B07Z, B17A, B17B, B17C			01	B03A, B03B, B06A, B06B, B07Z, B17A, B17B, B17C		21A	W04A, W04B
05		F13A, F21A, F21B	05	F13A, F21A, F21B		21B	X01A, X01B, X33Z				
08		I02A, I02B, I02C, I02D, I12A, I12B, I12C, I22A, I32A, I32B, I32C, I32D, I32E, I32F, I50Z	08	I02A, I02B, I02C, I02D, I12A, I12B, I12C, I22A, I50Z		01	B03A, B03B, B06A, B06B, B07Z, B17A, B17B, B17C				
09		J02A, J02B, J04A, J04B, J08A, J08B, J16Z, J21Z, J22A, J22B	09	J02A, J02B, J04A, J04B, J08A, J08B, J16Z, J21Z, J22A, J22B		05	F13A, F21A, F21B				
21A		W04A, W04B	21A	W04A, W04B		06	G10Z, G12A, G12B				
21B		X01A, X01B, X33Z	21B	X01A, X01B, X33Z		08	I02A, I02B, I02C, I02D, I12A, I12B, I12C, I22A, I50Z				
5v262.0			BOP, KVT, UOP4	5v262.8↔			BOP, KVT, UOP4	5v262.e↔			BOP, KVT, UOP4
		03	D02A, D02B, D18Z, D24A, D24B			01	B03A, B03B, B06A, B06B, B07Z, B17A, B17B, B17C			01	B03A, B03B, B06A, B06B, B07Z, B17A, B17B, B17C
		05	F13A			05	F13A, F21A, F21B			05	F13A, F21A, F21B, F27A, F27B, F27C
	08	I12A, I12B, I12C	08		I02A, I02B, I02C, I02D, I12A, I12B, I12C, I22A, I32A, I32B, I32C, I32D, I32E, I32F, I50Z	08	I02A, I02B, I02C, I02D, I12A, I12B, I12C, I22A, I50Z				
	09	J03A, J03B, J04A, J04B, J08A, J08B, J11A, J11B, J16Z	09		J02A, J02B, J04A, J04B, J08A, J08B, J16Z, J21Z, J22A, J22B	09	J02A, J02B, J04A, J04B, J08A, J08B, J16Z, J21Z, J22A, J22B				
	21A	W04A, W04B	21A		W04A, W04B	21A	W04A, W04B				
	21B	X01A, X01B, X06A, X06B, X06C, X33Z	21B		X01A, X01B, X33Z	21B	X01A, X01B, X33Z				
	5v262.4		BOP, KVT, UOP4		5v262.9↔		BOP, KVT, UOP4		5v262.f↔		BOP, KVT, UOP4
		01	B03A, B03B, B06A, B06B, B07Z, B17A, B17B, B17C			01	B03A, B03B, B06A, B06B, B07Z, B17A, B17B, B17C			01	B03A, B03B, B06A, B06B, B07Z, B17A, B17B, B17C
		02	C20A, C20B			05	F13A, F21A, F21B			05	F13A, F21A, F21B, F27A, F27B, F27C
03		D12A	08	I12A, I12B, I12C, I32A, I32B, I32C, I32D, I32E, I32F		08	I02A, I02B, I02C, I02D, I12A, I12B, I12C, I22A, I50Z				
05		F13A, F21A, F21B	09	J02A, J02B, J04A, J04B, J08A, J08B, J16Z, J21Z, J22A, J22B		09	J02A, J02B, J04A, J04B, J08A, J08B, J16Z, J21Z, J22A, J22B				
08		I02A, I02B, I02C, I02D, I12A, I12B, I12C, I22A, I50Z	21A	W04A, W04B		10	K01Z				
09		J02A, J02B, J04A, J04B, J08A, J08B, J16Z, J21Z, J22A, J22B	21B	X01A, X01B, X33Z		21A	W04A, W04B				
21A		W04A, W04B		BOP, KVT, UOP4		21B	X01A, X01B, X33Z				
21B		X01A, X01B, X33Z	5v262.a			BOP, KVT, UOP4	5v262.g↔			BOP, KVT, UOP4	
5v262.5				BOP, KVT, UOP4		01		B03A, B03B, B06A, B06B, B07Z, B17A, B17B, B17C		01	B03A, B03B, B06A, B06B, B07Z, B17A, B17B, B17C
	01	B03A, B03B, B06A, B06B, B07Z, B17A, B17B, B17C		05	F13A, F21A, F21B	05		F13A, F21A, F21B, F27A, F27B, F27C			
	03	D12A		06	G10Z, G12A, G12B	08		I02A, I02B, I02C, I02D, I12A, I12B, I12C, I22A, I50Z			
	05	F13A, F21A, F21B		08	I02A, I02B, I02C, I02D, I12A, I12B, I12C, I22A, I50Z	09		J02A, J02B, J04A, J04B, J08A, J08B, J16Z, J21Z, J22A, J22B			
	08	I02A, I02B, I02C, I02D, I12A, I12B, I12C, I22A, I50Z		09	J02A, J02B, J04A, J04B, J08A, J08B, J16Z, J21Z, J22A, J22B	10		K01Z			
	09	J02A, J02B, J04A, J04B, J08A, J08B, J16Z, J21Z, J22A, J22B		21A	W04A, W04B	21A		W04A, W04B			
	21A	W04A, W04B		21B	X01A, X01B, X33Z	21B		X01A, X01B, X33Z			
	21B	X01A, X01B, X33Z		5v262.b		BOP, KVT, UOP4		5v262.h↔		BOP, KVT, UOP4	
	5v262.6				BOP, KVT, UOP4	01			B03A, B03B, B06A, B06B, B07Z, B17A, B17B, B17C	01	B03A, B03B, B06A, B06B, B07Z, B17A, B17B, B17C
		01	B03A, B03B, B06A, B06B, B07Z, B17A, B17B, B17C		05	F13A, F21A, F21B	05		F13A, F21A, F21B, F27A, F27B, F27C		
03		D12A	06		G10Z, G12A, G12B	08	I02A, I02B, I02C, I02D, I12A, I12B, I12C, I22A, I50Z				
05		F13A, F21A, F21B	08		I02A, I02B, I02C, I02D, I12A, I12B, I12C, I22A, I50Z	09	J02A, J02B, J04A, J04B, J08A, J08B, J16Z, J21Z, J22A, J22B				
08		I02A, I02B, I02C, I02D, I12A, I12B, I12C, I22A, I50Z	09		J02A, J02B, J04A, J04B, J08A, J08B, J16Z, J21Z, J22A, J22B	10	K01Z				
09		J02A, J02B, J04A, J04B, J08A, J08B, J16Z, J21Z, J22A, J22B	21A		W04A, W04B	21A	W04A, W04B				
21A		W04A, W04B	21B		X01A, X01B, X33Z	21B	X01A, X01B, X33Z				
21B		X01A, X01B, X33Z			BOP, KVT, UOP4		BOP, KVT, UOP4				
					01	B03A, B03B, B06A, B06B, B07Z, B17A, B17B, B17C			BOP, KVT, UOP4		
				05	F13A, F21A, F21B		BOP, KVT, UOP4				
			06	G10Z, G12A, G12B		BOP, KVT, UOP4					
			08	I02A, I02B, I02C, I02D, I12A, I12B, I12C, I22A, I50Z		BOP, KVT, UOP4					
			09	J02A, J02B, J04A, J04B, J08A, J08B, J16Z, J21Z, J22A, J22B		BOP, KVT, UOP4					
			21A	W04A, W04B		BOP, KVT, UOP4					
			21B	X01A, X01B, X33Z		BOP, KVT, UOP4					

ZZV	MDC	DRG	ZZV	MDC	DRG	ZZV	MDC	DRG			
5v262.x↔		BOP, KVT, UOP4	5v263.8↔		BOP, KVT, UOP4	5v263.d		BOP, KVT, UOP4			
	01	B03A, B03B, B06A, B06B, B07Z, B17A, B17B, B17C		01	B03A, B03B, B06A, B06B, B07Z, B17A, B17B, B17C		01	B03A, B03B, B06A, B06B, B07Z, B17A, B17B, B17C			
	05	F13A, F21A, F21B		05	F13A, F21A, F21B		05	F13A, F21A, F21B			
	08	I02A, I02B, I02C, I02D, I12A, I12B, I12C, I22A, I32A, I32B, I32C, I32D, I32E, I32F, I50Z		08	I02A, I02B, I02C, I02D, I12A, I12B, I12C, I22A, I32A, I32B, I32C, I32D, I32E, I32F, I50Z		06	G10Z, G12A, G12B			
	09	J02A, J02B, J04A, J04B, J08A, J08B, J16Z, J21Z, J22A, J22B		09	J02A, J02B, J04A, J04B, J08A, J08B, J16Z, J21Z, J22A, J22B		08	I02A, I02B, I02C, I02D, I12A, I12B, I12C, I22A, I50Z			
	21A	W04A, W04B		21A	W04A, W04B		09	J02A, J02B, J04A, J04B, J08A, J08B, J16Z, J21Z, J22A, J22B			
	21B	X01A, X01B, X33Z		21B	X01A, X01B, X33Z		21A	W04A, W04B			
	5v263.0			BOP, KVT, UOP4	5v263.9↔			BOP, KVT, UOP4	5v263.e↔		BOP, KVT, UOP4
		03		D02A, D02B, D18Z, D24A, D24B			01	B03A, B03B, B06A, B06B, B07Z, B17A, B17B, B17C		01	B03A, B03B, B06A, B06B, B07Z, B17A, B17B, B17C
		05		F13A			05	F13A, F21A, F21B		05	F13A, F21A, F21B
08		I12A, I12B, I12C	08	I12A, I12B, I12C, I32A, I32B, I32C, I32D, I32E, I32F		08	I02A, I02B, I02C, I02D, I12A, I12B, I12C, I22A, I50Z				
09		J03A, J03B, J04A, J04B, J08A, J08B, J10A, J10B, J16Z	09	J02A, J02B, J04A, J04B, J08A, J08B, J16Z, J21Z, J22A, J22B		09	J02A, J02B, J04A, J04B, J08A, J08B, J16Z, J21Z, J22A, J22B				
21A		W04A, W04B	21A	W04A, W04B		10	K01Z				
21B		X01A, X01B, X06A, X06B, X06C, X33Z	21B	X01A, X01B, X33Z		21A	W04A, W04B				
5v263.4			BOP, KVT, UOP4	5v263.a			BOP, KVT, UOP4	5v263.f↔			BOP, KVT, UOP4
		01	B03A, B03B, B06A, B06B, B07Z, B17A, B17B, B17C			01	B03A, B03B, B06A, B06B, B07Z, B17A, B17B, B17C			01	B03A, B03B, B06A, B06B, B07Z, B17A, B17B, B17C
		02	C20A, C20B			05	F13A, F21A, F21B			05	F13A, F21A, F21B, F27A, F27B, F27C
	03	D12A	06		G10Z, G12A, G12B	08	I02A, I02B, I02C, I02D, I12A, I12B, I12C, I22A, I50Z				
	05	F13A, F21A, F21B	08		I02A, I02B, I02C, I02D, I12A, I12B, I12C, I22A, I50Z	09	J02A, J02B, J04A, J04B, J08A, J08B, J16Z, J21Z, J22A, J22B				
	08	I02A, I02B, I02C, I02D, I12A, I12B, I12C, I22A, I50Z	09		J02A, J02B, J04A, J04B, J08A, J08B, J16Z, J21Z, J22A, J22B	08	I02A, I02B, I02C, I02D, I12A, I12B, I12C, I22A, I50Z				
	09	J02A, J02B, J04A, J04B, J08A, J08B, J16Z, J21Z, J22A, J22B	21A		W04A, W04B	09	J02A, J02B, J04A, J04B, J08A, J08B, J16Z, J21Z, J22A, J22B				
	21A	W04A, W04B	21B		X01A, X01B, X33Z	10	K01Z				
	21B	X01A, X01B, X33Z			BOP, KVT, UOP4	21A	W04A, W04B				
	5v263.5		BOP, KVT, UOP4		5v263.b		BOP, KVT, UOP4		5v263.g↔		BOP, KVT, UOP4
01		B03A, B03B, B06A, B06B, B07Z, B17A, B17B, B17C	01	B03A, B03B, B06A, B06B, B07Z, B17A, B17B, B17C		21B	X01A, X01B, X33Z				
03		D12A	05	F13A, F21A, F21B			BOP, KVT, UOP4				
05		F13A, F21A, F21B	06	G10Z, G12A, G12B		01	B03A, B03B, B06A, B06B, B07Z, B17A, B17B, B17C				
08		I02A, I02B, I02C, I02D, I12A, I12B, I12C, I22A, I50Z	08	I02A, I02B, I02C, I02D, I12A, I12B, I12C, I22A, I50Z		05	F13A, F21A, F21B, F27A, F27B, F27C				
09		J02A, J02B, J04A, J04B, J08A, J08B, J16Z, J21Z, J22A, J22B	09	J02A, J02B, J04A, J04B, J08A, J08B, J16Z, J21Z, J22A, J22B		08	I02A, I02B, I02C, I02D, I12A, I12B, I12C, I22A, I50Z				
21A		W04A, W04B	21A	W04A, W04B		09	J02A, J02B, J04A, J04B, J08A, J08B, J16Z, J21Z, J22A, J22B				
21B		X01A, X01B, X33Z	21B	X01A, X01B, X33Z		10	K01Z				
5v263.6↔			BOP, KVT, UOP4	5v263.c			BOP, KVT, UOP4	5v263.x↔			BOP, KVT, UOP4
		01	B03A, B03B, B06A, B06B, B07Z, B17A, B17B, B17C			01	B03A, B03B, B06A, B06B, B07Z, B17A, B17B, B17C			21A	W04A, W04B
	05	F13A, F21A, F21B	05		F13A, F21A, F21B	21B	X01A, X01B, X33Z				
	08	I02A, I02B, I02C, I02D, I12A, I12B, I12C, I22A, I50Z	06		G10Z, G12A, G12B	01	B03A, B03B, B06A, B06B, B07Z, B17A, B17B, B17C				
	09	J02A, J02B, J04A, J04B, J08A, J08B, J16Z, J21Z, J22A, J22B	08		I02A, I02B, I02C, I02D, I12A, I12B, I12C, I22A, I50Z	05	F13A, F21A, F21B				
	21A	W04A, W04B	09		J02A, J02B, J04A, J04B, J08A, J08B, J16Z, J21Z, J22A, J22B	08	I02A, I02B, I02C, I02D, I12A, I12B, I12C, I22A, I32A, I32B, I32C, I32D, I32E, I32F, I50Z				
	21B	X01A, X01B, X33Z	10		K09A, K09B	09	J02A, J02B, J04A, J04B, J08A, J08B, J16Z, J21Z, J22A, J22B				
	5v263.7↔		BOP, KVT, UOP4		5v263.c		BOP, KVT, UOP4		5v263.x↔		BOP, KVT, UOP4
		01	B03A, B03B, B06A, B06B, B07Z, B17A, B17B, B17C			12	M04A, M04B, M04C, M04D, M37Z, M38Z			21A	W04A, W04B
		05	F13A, F21A, F21B			21A	W04A, W04B			21B	X01A, X01B, X33Z
08		I02A, I02B, I02C, I02D, I12A, I12B, I12C, I22A, I50Z									
09		J02A, J02B, J04A, J04B, J08A, J08B, J16Z, J21Z, J22A, J22B									
21A		W04A, W04B									
21B		X01A, X01B, X33Z									
		BOP, KVT, UOP4									
01		B03A, B03B, B06A, B06B, B07Z, B17A, B17B, B17C									
05		F13A, F21A, F21B									
08	I02A, I02B, I02C, I02D, I12A, I12B, I12C, I22A, I50Z										
09	J02A, J02B, J04A, J04B, J08A, J08B, J16Z, J21Z, J22A, J22B										
21A	W04A, W04B										
21B	X01A, X01B, X33Z										



ZZV	MDC	DRG	ZZV	MDC	DRG	ZZV	MDC	DRG			
5v26x.x↔		BOP, KVT, UOP4	5v270.a		BOP, KVT, UOP4	5v272.0		BOP, KVT, UOP4			
	01	B03A, B03B, B06A, B06B, B07Z, B17A, B17B, B17C		05	F13A		01	B03A, B03B, B06A, B06B, B07Z, B17A, B17B, B17C			
	05	F13A, F21A, F21B		09	J03A, J03B, J04A, J04B, J08A, J08B, J08C, J10A, J10B, J16Z		03	D12A, D12B			
	08	I02A, I02B, I02C, I02D, I22A, I32A, I32B, I32C, I32D, I32E, I32F, I50Z		21A	W04A, W04B		05	F13A, F21A, F21B, F21C			
	09	J02A, J02B, J02C, J04A, J04B, J08A, J08B, J16Z, J21Z, J22A, J22B		21B	X06A, X06B, X06C		08	I12A, I12B, I12C			
	21A	W04A, W04B			BOP, KVT, UOP4		09	J02A, J02B, J02C, J04A, J04B, J08A, J08B, J08C, J16Z, J21Z, J22A, J22B			
	21B	X01A, X01B		05	F13A		21A	W04A, W04B			
	5v270.0			BOP, KVT, UOP4	09		J03A, J03B, J04A, J04B, J08A, J08B, J08C, J10A, J10B, J16Z	21B	X01A, X01B		
		03		D12A, D12B			21A	W04A, W04B	5v272.4		BOP, KVT, UOP4
		05		F13A	21B		X06A, X06B, X06C	01		B03A, B03B, B06A, B06B, B07Z, B17A, B17B, B17C	
09		J03A, J03B, J04A, J04B, J08A, J08B, J08C, J10A, J10B, J16Z		BOP, KVT, UOP4	03	D12A, D12B					
21A		W04A, W04B	05	F13A	05	F13A, F21A, F21B, F21C					
21B		X06A, X06B, X06C	09	J03A, J03B, J04A, J04B, J08A, J08B, J08C, J10A, J10B, J16Z	08	I02A, I02B, I02C, I02D, I12A, I12B, I12C, I22A, I50Z					
5v270.4			BOP, KVT, UOP4	21A	W04A, W04B	09	J02A, J02B, J02C, J04A, J04B, J08A, J08B, J08C, J16Z, J21Z, J22A, J22B				
		03	D12A, D12B	21B	X04Z, X06A, X06B, X06C	21A	W04A, W04B				
		05	F13A		BOP, KVT, UOP4	21B	X01A, X01B				
		09	J03A, J03B, J04A, J04B, J08A, J08B, J08C, J10A, J10B, J16Z	05	F13A	5v272.5		BOP, KVT, UOP4			
	21A	W04A, W04B	09	J03A, J03B, J04A, J04B, J08A, J08B, J08C, J10A, J10B, J16Z	01		B03A, B03B, B06A, B06B, B07Z, B17A, B17B, B17C				
	21B	X06A, X06B, X06C	21A	W04A, W04B	03		D12A, D12B				
	5v270.5		BOP, KVT, UOP4	21B	X04Z, X06A, X06B, X06C		05	F13A, F21A, F21B, F21C			
		03	D12A, D12B		BOP, KVT, UOP4		08	I02A, I02B, I02C, I02D, I12A, I12B, I12C, I22A, I50Z			
		05	F13A	05	F13A		09	J02A, J02B, J02C, J04A, J04B, J08A, J08B, J08C, J16Z, J21Z, J22A, J22B			
		09	J03A, J03B, J04A, J04B, J08A, J08B, J08C, J10A, J10B, J16Z	09	J03A, J03B, J04A, J04B, J08A, J08B, J08C, J10A, J10B, J16Z		21A	W04A, W04B			
21A		W04A, W04B	21A	W04A, W04B	21B		X01A, X01B				
21B		X06A, X06B, X06C	21B	X04Z, X06A, X06B, X06C	5v272.6↔			BOP, KVT, UOP4			
5v270.6↔			BOP, KVT, UOP4				BOP, KVT, UOP4	01	B03A, B03B, B06A, B06B, B07Z, B17A, B17B, B17C		
		05	F13A	05		F13A	05	F13A, F21A, F21B, F21C			
		09	J03A, J03B, J04A, J04B, J08A, J08B, J08C, J10A, J10B, J16Z	09		J03A, J03B, J04A, J04B, J08A, J08B, J08C, J10A, J10B, J16Z	08	I02A, I02B, I02C, I02D, I12A, I12B, I12C, I22A, I50Z			
		21A	W04A, W04B	21A		W04A, W04B	09	J02A, J02B, J02C, J04A, J04B, J08A, J08B, J08C, J16Z, J21Z, J22A, J22B			
	21B	X06A, X06B, X06C	21B	X04Z, X06A, X06B, X06C		21A	W04A, W04B				
	5v270.7↔		BOP, KVT, UOP4			BOP, KVT, UOP4	21B	X01A, X01B			
		05	F13A	05		F13A	5v272.7↔		BOP, KVT, UOP4		
		09	J03A, J03B, J04A, J04B, J08A, J08B, J08C, J10A, J10B, J16Z	09		J03A, J03B, J04A, J04B, J08A, J08B, J08C, J10A, J10B, J16Z		01	B03A, B03B, B06A, B06B, B07Z, B17A, B17B, B17C		
		21A	W04A, W04B	21A		W04A, W04B		05	F13A, F21A, F21B, F21C		
		21B	X06A, X06B, X06C	21B	X04Z, X06A, X06B, X06C	08		I02A, I02B, I02C, I02D, I12A, I12B, I12C, I22A, I50Z			
5v270.8↔			BOP, KVT, UOP4		BOP, KVT, UOP4	09		J02A, J02B, J02C, J04A, J04B, J08A, J08B, J08C, J16Z, J21Z, J22A, J22B			
		05	F13A	05	F13A	21A		W04A, W04B			
		09	J03A, J03B, J04A, J04B, J08A, J08B, J08C, J10A, J10B, J16Z	09	J03A, J03B, J04A, J04B, J08A, J08B, J08C, J10A, J10B, J16Z	21B		X01A, X01B			
		21A	W04A, W04B	21A	W04A, W04B	5v272.8↔			BOP, KVT, UOP4		
		21B	X05A, X05B, X06A, X06B, X06C	21B	X06A, X06B, X06C			01	B03A, B03B, B06A, B06B, B07Z, B17A, B17B, B17C		
	5v270.9↔		BOP, KVT, UOP4		BOP, KVT, UOP4			05	F13A, F21A, F21B, F21C		
		05	F13A	05	F13A		08	I02A, I02B, I02C, I02D, I12A, I12B, I12C, I22A, I32A, I32B, I32C, I32D, I32E, I32F, I50Z			
		09	J03A, J03B, J04A, J04B, J08A, J08B, J08C, J10A, J10B, J16Z	09	J03A, J03B, J04A, J04B, J08A, J08B, J08C, J10A, J10B, J16Z		09	J02A, J02B, J02C, J04A, J04B, J08A, J08B, J08C, J16Z, J21Z, J22A, J22B			
		21A	W04A, W04B	21A	W04A, W04B		21A	W04A, W04B			
		21B	X05A, X05B, X06A, X06B, X06C	21B	X06A, X06B, X06C		21B	X01A, X01B			

ZZV	MDC	DRG	ZZV	MDC	DRG	ZZV	MDC	DRG					
5v272.9↔		BOP, KVT, UOP4	5v272.e↔		BOP, KVT, UOP4	5v273.4		BOP, KVT, UOP4					
	01	B03A, B03B, B06A, B06B, B07Z, B17A, B17B, B17C		01	B03A, B03B, B06A, B06B, B07Z, B17A, B17B, B17C		01	B03A, B03B, B06A, B06B, B07Z, B17A, B17B, B17C					
	05	F13A, F21A, F21B, F21C		05	F13A, F21A, F21B, F21C, F27A, F27B, F27C		03	D12A, D12B					
	08	I12A, I12B, I12C, I32A, I32B, I32C, I32D, I32E, I32F		08	I02A, I02B, I02C, I02D, I12A, I12B, I12C, I22A, I50Z		05	F13A, F21A, F21B, F21C					
	09	J02A, J02B, J02C, J04A, J04B, J08A, J08B, J08C, J16Z, J21Z, J22A, J22B		09	J02A, J02B, J02C, J04A, J04B, J08A, J08B, J08C, J16Z, J21Z, J22A, J22B		08	I02A, I02B, I02C, I02D, I12A, I12B, I12C, I22A, I50Z					
	21A	W04A, W04B		10	K01Z		09	J02A, J02B, J02C, J04A, J04B, J08A, J08B, J08C, J16Z, J21Z, J22A, J22B					
	21B	X01A, X01B		21A	W04A, W04B		21A	W04A, W04B					
	5v272.a			BOP, KVT, UOP4	5v272.f↔			BOP, KVT, UOP4	5v273.5		BOP, KVT, UOP4		
		01		B03A, B03B, B06A, B06B, B07Z, B17A, B17B, B17C			01	B03A, B03B, B06A, B06B, B07Z, B17A, B17B, B17C		01	B03A, B03B, B06A, B06B, B07Z, B17A, B17B, B17C		
		05		F13A, F21A, F21B, F21C			05	F13A, F21A, F21B, F21C, F27A, F27B, F27C		03	D12A, D12B		
06		G10Z, G12A, G12B	08	I02A, I02B, I02C, I02D, I12A, I12B, I12C, I22A, I50Z		05	F13A, F21A, F21B, F21C						
08		I02A, I02B, I02C, I02D, I12A, I12B, I12C, I22A, I50Z	09	J02A, J02B, J02C, J04A, J04B, J08A, J08B, J08C, J16Z, J21Z, J22A, J22B		08	I02A, I02B, I02C, I02D, I12A, I12B, I12C, I22A, I50Z						
09		J02A, J02B, J02C, J04A, J04B, J08A, J08B, J08C, J16Z, J21Z, J22A, J22B	10	K01Z		09	J02A, J02B, J02C, J04A, J04B, J08A, J08B, J08C, J16Z, J21Z, J22A, J22B						
21A		W04A, W04B	21A	W04A, W04B		21A	W04A, W04B						
21B		X01A, X01B	21B	X01A, X01B		21B	X01A, X01B						
5v272.b			BOP, KVT, UOP4	5v272.g↔			BOP, KVT, UOP4	5v273.6↔			BOP, KVT, UOP4		
		01	B03A, B03B, B06A, B06B, B07Z, B17A, B17B, B17C			01	B03A, B03B, B06A, B06B, B07Z, B17A, B17B, B17C			01	B03A, B03B, B06A, B06B, B07Z, B17A, B17B, B17C		
	05	F13A, F21A, F21B, F21C	05		F13A, F21A, F21B, F21C, F27A, F27B, F27C	05	F13A, F21A, F21B, F21C						
	06	G10Z, G12A, G12B	08		I02A, I02B, I02C, I02D, I12A, I12B, I12C, I22A, I50Z	08	I02A, I02B, I02C, I02D, I12A, I12B, I12C, I22A, I50Z						
	08	I02A, I02B, I02C, I02D, I12A, I12B, I12C, I22A, I50Z	09		J02A, J02B, J02C, J04A, J04B, J08A, J08B, J08C, J16Z, J21Z, J22A, J22B	09	J02A, J02B, J02C, J04A, J04B, J08A, J08B, J08C, J16Z, J21Z, J22A, J22B						
	09	J02A, J02B, J02C, J04A, J04B, J08A, J08B, J08C, J16Z, J21Z, J22A, J22B	10		K01Z	21A	W04A, W04B						
	21A	W04A, W04B	21A		W04A, W04B	21B	X01A, X01B						
	21B	X01A, X01B	21B		X01A, X01B	5v273.7↔			BOP, KVT, UOP4				
	5v272.c		BOP, KVT, UOP4		5v272.x↔				BOP, KVT, UOP4	5v273.8↔		BOP, KVT, UOP4	
		01	B03A, B03B, B06A, B06B, B07Z, B17A, B17B, B17C				01		B03A, B03B, B06A, B06B, B07Z, B17A, B17B, B17C		01	B03A, B03B, B06A, B06B, B07Z, B17A, B17B, B17C	
05		F13A, F21A, F21B, F21C	05	F13A, F21A, F21B, F21C			05	F13A, F21A, F21B, F21C					
06		G10Z, G12A, G12B	08	I02A, I02B, I02C, I02D, I12A, I12B, I12C, I22A, I50Z			08	I02A, I02B, I02C, I02D, I12A, I12B, I12C, I22A, I50Z					
08		I02A, I02B, I02C, I02D, I12A, I12B, I12C, I22A, I50Z	09	J02A, J02B, J02C, J04A, J04B, J08A, J08B, J08C, J16Z, J21Z, J22A, J22B			09	J02A, J02B, J02C, J04A, J04B, J08A, J08B, J08C, J16Z, J21Z, J22A, J22B					
09		J02A, J02B, J02C, J04A, J04B, J08A, J08B, J08C, J16Z, J21Z, J22A, J22B	21A	W04A, W04B			21A	W04A, W04B					
21A		W04A, W04B	21B	X01A, X01B			21B	X01A, X01B					
21B		X01A, X01B	5v273.0				BOP, KVT, UOP4	5v273.9↔			BOP, KVT, UOP4		
5v272.d				BOP, KVT, UOP4			5v273.0				BOP, KVT, UOP4	5v273.9↔	
		01		B03A, B03B, B06A, B06B, B07Z, B17A, B17B, B17C		01			B03A, B03B, B06A, B06B, B07Z, B17A, B17B, B17C		01		B03A, B03B, B06A, B06B, B07Z, B17A, B17B, B17C
	05	F13A, F21A, F21B, F21C		03	D12A, D12B	05			F13A, F21A, F21B, F21C				
	06	G10Z, G12A, G12B		05	F13A, F21A, F21B, F21C	08			I02A, I02B, I02C, I02D, I12A, I12B, I12C, I22A, I32A, I32B, I32C, I32D, I32E, I32F, I50Z				
	08	I02A, I02B, I02C, I02D, I12A, I12B, I12C, I22A, I50Z		08	I12A, I12B, I12C	09			J02A, J02B, J02C, J04A, J04B, J08A, J08B, J08C, J16Z, J21Z, J22A, J22B				
	09	J02A, J02B, J02C, J04A, J04B, J08A, J08B, J08C, J16Z, J21Z, J22A, J22B		09	J02A, J02B, J02C, J04A, J04B, J08A, J08B, J08C, J16Z, J21Z, J22A, J22B	21A			W04A, W04B				
	21A	W04A, W04B		21A	W04A, W04B	21B			X01A, X01B				
	21B	X01A, X01B		21B	X01A, X01B	5v273.9↔				BOP, KVT, UOP4			
									01	B03A, B03B, B06A, B06B, B07Z, B17A, B17B, B17C			
					05			F13A, F21A, F21B, F21C					
				08	I02A, I02B, I02C, I02D, I12A, I12B, I12C, I22A, I32A, I32B, I32C, I32D, I32E, I32F, I50Z								
				09	J02A, J02B, J02C, J04A, J04B, J08A, J08B, J08C, J16Z, J21Z, J22A, J22B								
				21A	W04A, W04B								
				21B	X01A, X01B								
				21B	X01A, X01B								
				21B	X01A, X01B								
				21B	X01A, X01B								

ZZV	MDC	DRG	ZZV	MDC	DRG	ZZV	MDC	DRG			
5v273.a		BOP, KVT, UOP4	5v273.f↔		BOP, KVT, UOP4	5v274.5		BOP, KVT, UOP4			
	01	B03A, B03B, B06A, B06B, B07Z, B17A, B17B, B17C		01	B03A, B03B, B06A, B06B, B07Z, B17A, B17B, B17C		01	B03A, B03B, B06A, B06B, B07Z, B17A, B17B, B17C			
	05	F13A, F21A, F21B, F21C		05	F13A, F21A, F21B, F21C, F27A, F27B, F27C		03	D12A, D12B			
	06	G10Z, G12A, G12B		08	I02A, I02B, I02C, I02D, I12A, I12B, I12C, I22A, I50Z		05	F13A, F21A, F21B, F21C			
	08	I02A, I02B, I02C, I02D, I12A, I12B, I12C, I22A, I50Z		08	I02A, I02B, I02C, I02D, I12A, I12B, I12C, I22A, I50Z		08	I02A, I02B, I02C, I02D, I12A, I12B, I12C, I22A, I50Z			
	09	J02A, J02B, J02C, J04A, J04B, J08A, J08B, J08C, J16Z, J21Z, J22A, J22B		09	J02A, J02B, J02C, J04A, J04B, J08A, J08B, J08C, J16Z, J21Z, J22A, J22B		09	J02A, J02B, J02C, J04A, J04B, J08A, J08B, J08C, J16Z, J21Z, J22A, J22B			
	21A	W04A, W04B		10	K01Z		21A	W04A, W04B			
	21B	X01A, X01B		21A	W04A, W04B		21B	X01A, X01B			
	5v273.b			BOP, KVT, UOP4	5v273.g↔			BOP, KVT, UOP4	5v274.6↔		BOP, KVT, UOP4
		01		B03A, B03B, B06A, B06B, B07Z, B17A, B17B, B17C			01	B03A, B03B, B06A, B06B, B07Z, B17A, B17B, B17C		01	B03A, B03B, B06A, B06B, B07Z, B17A, B17B, B17C
05		F13A, F21A, F21B, F21C	05	F13A, F21A, F21B, F21C, F27A, F27B, F27C		05	F13A, F21A, F21B, F21C				
06		G10Z, G12A, G12B	08	I02A, I02B, I02C, I02D, I12A, I12B, I12C, I22A, I50Z		08	I02A, I02B, I02C, I02D, I12A, I12B, I12C, I22A, I50Z				
08		I02A, I02B, I02C, I02D, I12A, I12B, I12C, I22A, I50Z	08	I02A, I02B, I02C, I02D, I12A, I12B, I12C, I22A, I50Z		09	J02A, J02B, J02C, J04A, J04B, J08A, J08B, J08C, J16Z, J21Z, J22A, J22B				
09		J02A, J02B, J02C, J04A, J04B, J08A, J08B, J08C, J16Z, J21Z, J22A, J22B	09	J02A, J02B, J02C, J04A, J04B, J08A, J08B, J08C, J16Z, J21Z, J22A, J22B		21A	W04A, W04B				
21A		W04A, W04B	10	K01Z		21B	X01A, X01B				
21B		X01A, X01B	21A	W04A, W04B		5v274.7↔		BOP, KVT, UOP4			
5v273.c			BOP, KVT, UOP4	5v273.x↔				BOP, KVT, UOP4		01	B03A, B03B, B06A, B06B, B07Z, B17A, B17B, B17C
		01	B03A, B03B, B06A, B06B, B07Z, B17A, B17B, B17C				01	B03A, B03B, B06A, B06B, B07Z, B17A, B17B, B17C		05	F13A, F21A, F21B, F21C
	05	F13A, F21A, F21B, F21C	05		F13A, F21A, F21B, F21C		08	I02A, I02B, I02C, I02D, I12A, I12B, I12C, I22A, I50Z			
	06	G10Z, G12A, G12B	08		I02A, I02B, I02C, I02D, I12A, I12B, I12C, I22A, I32A, I32B, I32C, I32D, I32E, I32F, I50Z		09	J02A, J02B, J02C, J04A, J04B, J08A, J08B, J08C, J16Z, J21Z, J22A, J22B			
	08	I02A, I02B, I02C, I02D, I12A, I12B, I12C, I22A, I50Z	09		J02A, J02B, J02C, J04A, J04B, J08A, J08B, J08C, J16Z, J21Z, J22A, J22B		21A	W04A, W04B			
	09	J02A, J02B, J02C, J04A, J04B, J08A, J08B, J08C, J16Z, J21Z, J22A, J22B	21A		W04A, W04B		21B	X01A, X01B			
	21A	W04A, W04B	21A		W04A, W04B		5v274.8↔		BOP, KVT, UOP4		
	21B	X01A, X01B	21B		X01A, X01B			01	B03A, B03B, B06A, B06B, B07Z, B17A, B17B, B17C		
	5v273.d		BOP, KVT, UOP4		5v274.0				BOP, KVT, UOP4	05	F13A, F21A, F21B, F21C
		01	B03A, B03B, B06A, B06B, B07Z, B17A, B17B, B17C			01		B03A, B03B, B06A, B06B, B07Z, B17A, B17B, B17C	08	I02A, I02B, I02C, I02D, I12A, I12B, I12C, I22A, I32A, I32B, I32C, I32D, I32E, I32F, I50Z	
05		F13A, F21A, F21B, F21C	03	D12A, D12B		09		J02A, J02B, J02C, J04A, J04B, J08A, J08B, J08C, J16Z, J21Z, J22A, J22B			
06		G10Z, G12A, G12B	05	F13A, F21A, F21B, F21C		21A		W04A, W04B			
08		I02A, I02B, I02C, I02D, I12A, I12B, I12C, I22A, I50Z	08	I12A, I12B, I12C		21B		X01A, X01B			
09		J02A, J02B, J02C, J04A, J04B, J08A, J08B, J08C, J16Z, J21Z, J22A, J22B	09	J02A, J02B, J02C, J04A, J04B, J08A, J08B, J08C, J16Z, J21Z, J22A, J22B		5v274.9↔			BOP, KVT, UOP4		
21A		W04A, W04B	21A	W04A, W04B				01	B03A, B03B, B06A, B06B, B07Z, B17A, B17B, B17C		
21B		X01A, X01B	21B	X01A, X01B				05	F13A, F21A, F21B, F21C		
5v273.e↔			BOP, KVT, UOP4	5v274.4				BOP, KVT, UOP4	08	I12A, I12B, I12C, I32A, I32B, I32C, I32D, I32E, I32F	
		01	B03A, B03B, B06A, B06B, B07Z, B17A, B17B, B17C				01	B03A, B03B, B06A, B06B, B07Z, B17A, B17B, B17C	09	J02A, J02B, J02C, J04A, J04B, J08A, J08B, J08C, J16Z, J21Z, J22A, J22B	
	05	F13A, F21A, F21B, F21C, F27A, F27B, F27C	03		D12A, D12B		21A	W04A, W04B			
	08	I02A, I02B, I02C, I02D, I12A, I12B, I12C, I22A, I50Z	05		F13A, F21A, F21B, F21C		21B	X01A, X01B			
	09	J02A, J02B, J02C, J04A, J04B, J08A, J08B, J08C, J16Z, J21Z, J22A, J22B	08		I02A, I02B, I02C, I02D, I12A, I12B, I12C, I22A, I50Z		5v274.a		BOP, KVT, UOP4		
	10	K01Z	09		J02A, J02B, J02C, J04A, J04B, J08A, J08B, J08C, J16Z, J21Z, J22A, J22B			01	B03A, B03B, B06A, B06B, B07Z, B17A, B17B, B17C		
	21A	W04A, W04B	21A		W04A, W04B			05	F13A, F21A, F21B, F21C		
	21B	X01A, X01B	21B		X01A, X01B	06		G10Z, G12A, G12B			
						08		I02A, I02B, I02C, I02D, I12A, I12B, I12C, I22A, I50Z			
						09		J02A, J02B, J02C, J04A, J04B, J08A, J08B, J08C, J16Z, J21Z, J22A, J22B			
				21A	W04A, W04B						
				21B	X01A, X01B						





ZZV	MDC	DRG	ZZV	MDC	DRG	ZZV	MDC	DRG		
5v276.e↔		BOP, KVT, UOP4	5v282	03	D08A, D08B, D18Z, D22A, D22B, D30A, D30B	5v290.8↔	01	B03A, B03B, B06A, B06B, B07Z, B17A, B17B, B17C		
	01	B03A, B03B, B06A, B06B, B07Z, B17A, B17B, B17C		05	F13A		05	F21A, F21B, F21C		
	05	F13A, F21A, F21B, F21C, F27A, F27B, F27C		09	J03A, J03B, J04A, J04B, J08A, J08B, J08C, J10A, J10B, J16Z		08	I02A, I02B, I02C, I02D, I22A, I22B, I32A, I32B, I32C, I32D, I32E, I32F, I50Z		
	08	I02A, I02B, I02C, I02D, I12A, I12B, I12C, I22A, I50Z		21A	W04A, W04B		09	J02A, J02B, J02C, J04A, J04B, J08A, J08B, J08C, J16Z, J21Z, J22A, J22B		
	09	J02A, J02B, J02C, J04A, J04B, J08A, J08B, J08C, J16Z, J21Z, J22A, J22B		21B	X06A, X06B, X06C		21A	W04A, W04B		
	10	K01Z		22	Y01Z, Y03A, Y03B		21B	X01A, X01B, X01C		
	21A	W04A, W04B			BOP, KVT, UOP4		22	Y01Z, Y02A, Y02B, Y02C		
	21B	X01A, X01B		03	D08A, D08B, D18Z, D22A, D22B, D30A, D30B			BOP, KVT, UOP4		
	5v276.f↔			BOP, KVT, UOP4	05		F13A	5v290.9↔	01	B03A, B03B, B06A, B06B, B07Z, B17A, B17B, B17C
		01		B03A, B03B, B06A, B06B, B07Z, B17A, B17B, B17C	09		J03A, J03B, J04A, J04B, J08A, J08B, J08C, J10A, J10B, J16Z		05	F21A, F21B, F21C
		05		F13A, F21A, F21B, F21C, F27A, F27B, F27C	21A		W04A, W04B		08	I32A, I32B, I32C, I32D, I32E, I32F
08		I02A, I02B, I02C, I02D, I12A, I12B, I12C, I22A, I50Z	21B	X06A, X06B, X06C	09	J02A, J02B, J02C, J04A, J04B, J08A, J08B, J08C, J16Z, J21Z, J22A, J22B				
09		J02A, J02B, J02C, J04A, J04B, J08A, J08B, J08C, J16Z, J21Z, J22A, J22B	22	Y01Z, Y03A, Y03B	21A	W04A, W04B				
10		K01Z		BOP, KVT, UOP4	21B	X01A, X01B, X01C				
21A		W04A, W04B	01	B03A, B03B, B06A, B06B, B07Z, B17A, B17B, B17C	22	Y01Z, Y02A, Y02B, Y02C				
21B		X01A, X01B	03	D12A		BOP, KVT, UOP4				
5v276.g↔			BOP, KVT, UOP4	05	F21A, F21B, F21C	5v290.a	01		B03A, B03B, B06A, B06B, B07Z, B17A, B17B, B17C	
		01	B03A, B03B, B06A, B06B, B07Z, B17A, B17B, B17C	09	J02A, J02B, J02C, J04A, J04B, J08A, J08B, J08C, J16Z, J21Z, J22A, J22B		05		F21A, F21B, F21C	
		05	F13A, F21A, F21B, F21C, F27A, F27B, F27C	21A	W04A, W04B		06		G10Z, G12A, G12B	
	08	I02A, I02B, I02C, I02D, I12A, I12B, I12C, I22A, I50Z	21B	X01A, X01B, X01C	08		I02A, I02B, I02C, I02D, I22A, I22B, I50Z			
	09	J02A, J02B, J02C, J04A, J04B, J08A, J08B, J08C, J16Z, J21Z, J22A, J22B	22	Y01Z, Y02A, Y02B, Y02C	09		J02A, J02B, J02C, J04A, J04B, J08A, J08B, J08C, J16Z, J21Z, J22A, J22B			
	10	K01Z		BOP, KVT, UOP4	21A		W04A, W04B			
	21A	W04A, W04B	01	B03A, B03B, B06A, B06B, B07Z, B17A, B17B, B17C	21B		X01A, X01B, X01C			
	21B	X01A, X01B	03	D12A	22		Y01Z, Y02A, Y02B, Y02C			
	5v276.x↔		BOP, KVT, UOP4	05	F21A, F21B, F21C		5v290.b		BOP, KVT, UOP4	
		01	B03A, B03B, B06A, B06B, B07Z, B17A, B17B, B17C	08	I02A, I02B, I02C, I02D, I22A, I22B, I50Z			01	B03A, B03B, B06A, B06B, B07Z, B17A, B17B, B17C	
		05	F13A, F21A, F21B, F21C	09	J02A, J02B, J02C, J04A, J04B, J08A, J08B, J08C, J16Z, J21Z, J22A, J22B			05	F21A, F21B, F21C	
08		I02A, I02B, I02C, I02D, I12A, I12B, I12C, I22A, I32A, I32B, I32C, I32D, I32E, I32F, I50Z	21A	W04A, W04B	06	G10Z, G12A, G12B				
09		J02A, J02B, J02C, J04A, J04B, J08A, J08B, J08C, J16Z, J21Z, J22A, J22B	21B	X01A, X01B, X01C	08	I02A, I02B, I02C, I02D, I22A, I22B, I50Z				
21A		W04A, W04B	22	Y01Z, Y02A, Y02B, Y02C	09	J02A, J02B, J02C, J04A, J04B, J08A, J08B, J08C, J16Z, J21Z, J22A, J22B				
21B		X01A, X01B		BOP, KVT, UOP4	21A	W04A, W04B				
5v27x.x			BOP, KVT, UOP4	01	B03A, B03B, B06A, B06B, B07Z, B17A, B17B, B17C	21B		X01A, X01B, X01C		
		05	F13A	05	F21A, F21B, F21C	22		Y01Z, Y02A, Y02B, Y02C		
		08	I12A, I12B, I12C	08	I02A, I02B, I02C, I02D, I22A, I22B, I50Z			BOP, KVT, UOP4		
		09	J03A, J03B, J04A, J04B, J08A, J08B, J08C, J10A, J10B, J16Z	09	J02A, J02B, J02C, J04A, J04B, J08A, J08B, J08C, J16Z, J21Z, J22A, J22B	01		B03A, B03B, B06A, B06B, B07Z, B17A, B17B, B17C		
	21A	W04A, W04B	21A	W04A, W04B	05	F21A, F21B, F21C				
	21B	X06A, X06B, X06C	21B	X01A, X01B, X01C	06	G10Z, G12A, G12B				
	5v281		BOP, KVT, UOP4	22	Y01Z, Y02A, Y02B, Y02C	08	I02A, I02B, I02C, I02D, I22A, I22B, I50Z			
		03	D08A, D08B, D18Z, D22A, D22B, D30A, D30B		BOP, KVT, UOP4	09	J02A, J02B, J02C, J04A, J04B, J08A, J08B, J08C, J16Z, J21Z, J22A, J22B			
		05	F13A	01	B03A, B03B, B06A, B06B, B07Z, B17A, B17B, B17C	21A	W04A, W04B			
		09	J03A, J03B, J04A, J04B, J08A, J08B, J08C, J10A, J10B, J16Z	05	F21A, F21B, F21C	21B	X01A, X01B, X01C			
		21A	W04A, W04B	08	I02A, I02B, I02C, I02D, I22A, I22B, I50Z	22	Y01Z, Y02A, Y02B, Y02C			
21B		X06A, X06B, X06C	09	J02A, J02B, J02C, J04A, J04B, J08A, J08B, J08C, J16Z, J21Z, J22A, J22B		BOP, KVT, UOP4				
22		Y01Z, Y03A, Y03B	21A	W04A, W04B	01	B03A, B03B, B06A, B06B, B07Z, B17A, B17B, B17C				
			21B	X01A, X01B, X01C	05	F21A, F21B, F21C				
			22	Y01Z, Y02A, Y02B, Y02C	06	G10Z, G12A, G12B				
					08	I02A, I02B, I02C, I02D, I22A, I22B, I50Z				
					09	J02A, J02B, J02C, J04A, J04B, J08A, J08B, J08C, J16Z, J21Z, J22A, J22B				

ZZV	MDC	DRG	ZZV	MDC	DRG	ZZV	MDC	DRG
5v290.d		BOP, KVT, UOP4	5v292.0		BOP, KVT, UOP4	5v292.8↔		BOP, KVT, UOP4
	01	B03A, B03B, B06A, B06B, B07Z, B17A, B17B, B17C		01	B03A, B03B, B06A, B06B, B07Z, B17A, B17B, B17C		01	B03A, B03B, B06A, B06B, B07Z, B17A, B17B, B17C
	05	F21A, F21B, F21C		03	D12A		05	F13A, F21A, F21B, F21C
	06	G10Z, G12A, G12B		05	F13A, F21A, F21B, F21C		08	I02A, I02B, I02C, I02D, I22A, I22B, I32A, I32B, I32C, I32D, I32E, I32F, I50Z
	08	I02A, I02B, I02C, I02D, I22A, I22B, I50Z		09	J02A, J02B, J02C, J04A, J04B, J08A, J08B, J08C, J16Z, J21Z, J22A, J22B		09	J02A, J02B, J02C, J04A, J04B, J08A, J08B, J08C, J16Z, J21Z, J22A, J22B
	09	J02A, J02B, J02C, J04A, J04B, J08A, J08B, J08C, J16Z, J21Z, J22A, J22B		21A	W04A, W04B		09	J02A, J02B, J02C, J04A, J04B, J08A, J08B, J08C, J16Z, J21Z, J22A, J22B
	21A	W04A, W04B		21B	X01A, X01B, X01C		21A	W04A, W04B
	21B	X01A, X01B, X01C			BOP, KVT, UOP4		21B	X01A, X01B, X01C
	22	Y01Z, Y02A, Y02B, Y02C		01	B03A, B03B, B06A, B06B, B07Z, B17A, B17B, B17C			BOP, KVT, UOP4
		BOP, KVT, UOP4		03	D12A		01	B03A, B03B, B06A, B06B, B07Z, B17A, B17B, B17C
	5v290.e↔	01		B03A, B03B, B06A, B06B, B07Z, B17A, B17B, B17C	05		F13A, F21A, F21B, F21C	05
05		F21A, F21B, F21C, F27A, F27B, F27C	08	I02A, I02B, I02C, I02D, I22A, I22B, I50Z	08	I32A, I32B, I32C, I32D, I32E, I32F		
08		I02A, I02B, I02C, I02D, I22A, I22B, I50Z	09	J02A, J02B, J02C, J04A, J04B, J08A, J08B, J08C, J16Z, J21Z, J22A, J22B	09	J02A, J02B, J02C, J04A, J04B, J08A, J08B, J08C, J16Z, J21Z, J22A, J22B		
09		J02A, J02B, J02C, J04A, J04B, J08A, J08B, J08C, J16Z, J21Z, J22A, J22B	21A	W04A, W04B	09	J02A, J02B, J02C, J04A, J04B, J08A, J08B, J08C, J16Z, J21Z, J22A, J22B		
10		K01Z	21B	X01A, X01B, X01C	21A	W04A, W04B		
21A		W04A, W04B		BOP, KVT, UOP4	21B	X01A, X01B, X01C		
21B		X01A, X01B, X01C	01	B03A, B03B, B06A, B06B, B07Z, B17A, B17B, B17C		BOP, KVT, UOP4		
22		Y01Z, Y02A, Y02B, Y02C	03	D12A	01	B03A, B03B, B06A, B06B, B07Z, B17A, B17B, B17C		
		BOP, KVT, UOP4	05	F13A, F21A, F21B, F21C	03	D12A		
		BOP, KVT, UOP4	08	I02A, I02B, I02C, I02D, I22A, I22B, I50Z	05	F13A, F21A, F21B, F21C, F27A, F27B, F27C		
5v290.f↔		01	B03A, B03B, B06A, B06B, B07Z, B17A, B17B, B17C	08	I02A, I02B, I02C, I02D, I22A, I22B, I50Z	06	G10Z, G12A, G12B	
	05	F21A, F21B, F21C, F27A, F27B, F27C	09	J02A, J02B, J02C, J04A, J04B, J08A, J08B, J08C, J16Z, J21Z, J22A, J22B	08	I02A, I02B, I02C, I02D, I22A, I22B, I32A, I32B, I32C, I32D, I32E, I32F, I50Z		
	08	I02A, I02B, I02C, I02D, I22A, I22B, I50Z	21A	W04A, W04B	09	J02A, J02B, J02C, J04A, J04B, J08A, J08B, J08C, J16Z, J21Z, J22A, J22B		
	09	J02A, J02B, J02C, J04A, J04B, J08A, J08B, J08C, J16Z, J21Z, J22A, J22B	21B	X01A, X01B, X01C	10	K01Z		
	10	K01Z		BOP, KVT, UOP4	21A	W04A, W04B		
	21A	W04A, W04B	01	B03A, B03B, B06A, B06B, B07Z, B17A, B17B, B17C	21B	X01A, X01B, X01C		
	21B	X01A, X01B, X01C	03	D12A		BOP, KVT, UOP4		
	22	Y01Z, Y02A, Y02B, Y02C	05	F13A, F21A, F21B, F21C	01	B03A, B03B, B06A, B06B, B07Z, B17A, B17B, B17C		
		BOP, KVT, UOP4	06	G10Z, G12A, G12B	03	D12A		
		BOP, KVT, UOP4	08	I02A, I02B, I02C, I02D, I22A, I22B, I32A, I32B, I32C, I32D, I32E, I32F, I50Z	05	F13A, F21A, F21B, F21C, F27A, F27B, F27C		
	5v290.g↔	01	B03A, B03B, B06A, B06B, B07Z, B17A, B17B, B17C	09	J02A, J02B, J02C, J04A, J04B, J08A, J08B, J08C, J16Z, J21Z, J22A, J22B	06	G10Z, G12A, G12B	
05		F21A, F21B, F21C, F27A, F27B, F27C	21A	W04A, W04B	08	I02A, I02B, I02C, I02D, I22A, I22B, I32A, I32B, I32C, I32D, I32E, I32F, I50Z		
08		I02A, I02B, I02C, I02D, I22A, I22B, I50Z	21B	X01A, X01B, X01C	09	J02A, J02B, J02C, J04A, J04B, J08A, J08B, J08C, J16Z, J21Z, J22A, J22B		
09		J02A, J02B, J02C, J04A, J04B, J08A, J08B, J08C, J16Z, J21Z, J22A, J22B		BOP, KVT, UOP4	10	K01Z		
10		K01Z	01	B03A, B03B, B06A, B06B, B07Z, B17A, B17B, B17C	21A	W04A, W04B		
21A		W04A, W04B	03	D12A	21B	X01A, X01B, X01C		
21B		X01A, X01B, X01C	05	F13A, F21A, F21B, F21C		BOP, KVT, UOP4		
22		Y01Z, Y02A, Y02B, Y02C	08	I02A, I02B, I02C, I02D, I22A, I22B, I32A, I32B, I32C, I32D, I32E, I32F, I50Z	01	B03A, B03B, B06A, B06B, B07Z, B17A, B17B, B17C		
		BOP, KVT, UOP4	09	J02A, J02B, J02C, J04A, J04B, J08A, J08B, J08C, J16Z, J21Z, J22A, J22B	03	D12A		
		BOP, KVT, UOP4	21A	W04A, W04B	05	F13A, F21A, F21B, F21C, F27A, F27B, F27C		
5v290.x↔		01	B03A, B03B, B06A, B06B, B07Z, B17A, B17B, B17C	21B	X01A, X01B, X01C	06	G10Z, G12A, G12B	
	05	F21A, F21B, F21C		BOP, KVT, UOP4	08	I02A, I02B, I02C, I02D, I22A, I22B, I50Z		
	08	I02A, I02B, I02C, I02D, I22A, I22B, I32A, I32B, I32C, I32D, I32E, I32F, I50Z	01	B03A, B03B, B06A, B06B, B07Z, B17A, B17B, B17C	09	J02A, J02B, J02C, J04A, J04B, J08A, J08B, J08C, J16Z, J21Z, J22A, J22B		
	09	J02A, J02B, J02C, J04A, J04B, J08A, J08B, J08C, J16Z, J21Z, J22A, J22B	03	D12A	10	K01Z		
	10	K01Z	05	F13A, F21A, F21B, F21C	21A	W04A, W04B		
	21A	W04A, W04B	08	I02A, I02B, I02C, I02D, I22A, I22B, I32A, I32B, I32C, I32D, I32E, I32F, I50Z	21B	X01A, X01B, X01C		
	21B	X01A, X01B, X01C	09	J02A, J02B, J02C, J04A, J04B, J08A, J08B, J08C, J16Z, J21Z, J22A, J22B		BOP, KVT, UOP4		
	22	Y01Z, Y02A, Y02B, Y02C	21A	W04A, W04B	01	B03A, B03B, B06A, B06B, B07Z, B17A, B17B, B17C		
		BOP, KVT, UOP4	21B	X01A, X01B, X01C	05	F13A, F21A, F21B, F21C		
		BOP, KVT, UOP4			06	G10Z, G12A, G12B		
		BOP, KVT, UOP4			08	I02A, I02B, I02C, I02D, I22A, I22B, I50Z		

VYK

ZZV	MDC	DRG	ZZV	MDC	DRG	ZZV	MDC	DRG			
5v292.d		BOP, KVT, UOP4	5v292.x↔		BOP, KVT, UOP4	5v297.2		BOP, KVT, UOP4			
	01	B03A, B03B, B06A, B06B, B07Z, B17A, B17B, B17C		01	B03A, B03B, B06A, B06B, B07Z, B17A, B17B, B17C		01	B03A, B03B, B06A, B06B, B07Z, B17A, B17B, B17C			
	05	F13A, F21A, F21B, F21C, F27A, F27B, F27C		03	D12A		05	F13A, F21A, F21B, F21C			
	06	G10Z, G12A, G12B		05	F13A, F21A, F21B, F21C, F27A, F27B, F27C		06	G10Z, G12A, G12B			
	08	I02A, I02B, I02C, I02D, I22A, I22B, I32A, I32B, I32C, I32D, I32E, I32F, I50Z		06	G10Z, G12A, G12B		08	I02A, I02B, I02C, I02D, I22A, I22B, I32A, I32B, I32C, I32D, I32E, I32F, I50Z			
	09	J02A, J02B, J02C, J04A, J04B, J08A, J08B, J08C, J16Z, J21Z, J22A, J22B		08	I02A, I02B, I02C, I02D, I22A, I22B, I32A, I32B, I32C, I32D, I32E, I32F, I50Z		09	J02A, J02B, J02C, J04A, J04B, J08A, J08B, J08C, J16Z, J21Z, J22A, J22B			
	10	K01Z		09	J02A, J02B, J02C, J04A, J04B, J08A, J08B, J08C, J16Z, J21Z, J22A, J22B		21A	W04A, W04B			
	21A	W04A, W04B		10	K01Z		21B	X01A, X01B			
	21B	X01A, X01B, X01C		21A	W04A, W04B			BOP, KVT, UOP4			
	5v292.e↔			BOP, KVT, UOP4	5v294‡ 5v295			BOP, KVT, UOP4	5v297.3		BOP, KVT, UOP4
		01		B03A, B03B, B06A, B06B, B07Z, B17A, B17B, B17C			01	B03A, B03B, B06A, B06B, B07Z, B17A, B17B, B17C, B17D		01	B03A, B03B, B06A, B06B, B07Z, B17A, B17B, B17C
05		F13A, F21A, F21B, F21C, F27A, F27B, F27C	09	J11A, J11B		05	F13A, F21A, F21B, F21C				
06		G10Z, G12A, G12B	01	B03A, B03B, B06A, B06B, B07Z, B17A, B17B, B17C, B17D		06	G10Z, G12A, G12B				
08		I02A, I02B, I02C, I02D, I22A, I22B, I32A, I32B, I32C, I32D, I32E, I32F, I50Z	03	D13Z		08	I02A, I02B, I02C, I02D, I12A, I12B, I12C, I22A, I22B, I32A, I32B, I32C, I32D, I32E, I32F, I50Z				
09		J02A, J02B, J02C, J04A, J04B, J08A, J08B, J08C, J16Z, J21Z, J22A, J22B	04	E02A, E02B, E02C		09	J02A, J02B, J02C, J04A, J04B, J08A, J08B, J08C, J16Z, J21Z, J22A, J22B				
10		K01Z	05	F21A, F21B, F21C		21A	W04A, W04B				
21A		W04A, W04B	06	G10Z, G12A, G12B		21B	X01A, X01B				
21B		X01A, X01B, X01C	07	H06A, H06B, H06C			BOP, KVT, UOP4				
5v292.f↔			BOP, KVT, UOP4	5v296‡ 5v297.0↔			BOP, KVT, UOP4	5v297.x			BOP, KVT, UOP4
		01	B03A, B03B, B06A, B06B, B07Z, B17A, B17B, B17C			01	B03A, B03B, B06A, B06B, B07Z, B17A, B17B, B17C			01	B03A, B03B, B06A, B06B, B07Z, B17A, B17B, B17C
	05	F13A, F21A, F21B, F21C, F27A, F27B, F27C	05		F13A, F21A, F21B, F21C, F27A, F27B, F27C	05	F13A, F21A, F21B, F21C				
	08	I02A, I02B, I02C, I02D, I22A, I22B, I50Z	08		I02A, I28B, I28C	08	I02A, I02B, I02C, I02D, I12A, I12B, I12C, I22A, I22B, I32A, I32B, I32C, I32D, I32E, I32F, I50Z				
	09	J02A, J02B, J02C, J04A, J04B, J08A, J08B, J08C, J16Z, J21Z, J22A, J22B	09		J11A, J11B, J11C	09	J02A, J02B, J02C, J04A, J04B, J08A, J08B, J08C, J16Z, J21Z, J22A, J22B				
	10	K01Z	10		K09A, K09B	21A	W04A, W04B				
	21A	W04A, W04B	11		L09A, L09B, L09C, L09D, L38Z	21B	X01A, X01B				
	21B	X01A, X01B, X01C	13		N11A, N11B		BOP, KVT, UOP4				
	5v292.g↔		BOP, KVT, UOP4		5v297.1		BOP, KVT, UOP4		5v400.0		BOP, KVT, UOP4
		01	B03A, B03B, B06A, B06B, B07Z, B17A, B17B, B17C			21A	W04A, W04B			01	B03A, B03B, B06A, B06B, B07Z, B17A, B17B, B17C
		05	F13A, F21A, F21B, F21C, F27A, F27B, F27C			21B	X06A, X06B, X06C			03	D08A, D08B, D18Z, D22A, D22B, D30A, D30B
08		I02A, I02B, I02C, I02D, I22A, I22B, I50Z	05	F13A		09	J03A, J03B, J04A, J04B, J08A, J08B, J08C, J11A, J11B, J16Z				
09		J02A, J02B, J02C, J04A, J04B, J08A, J08B, J08C, J16Z, J21Z, J22A, J22B	08	I02A, I02B, I02C, I02D, I12A, I12B, I12C, I22A, I22B, I32A, I32B, I32C, I32D, I50Z		21A	W04A, W04B				
10		K01Z	09	J02A, J02B, J02C, J04A, J04B, J08A, J08B, J08C, J16Z, J21Z, J22A, J22B		21B	X01A, X01B				
21A		W04A, W04B	10	K01Z			BOP, KVT, UOP4				
21B		X01A, X01B, X01C	21A	W04A, W04B		01	B03A, B03B, B06A, B06B, B07Z, B17A, B17B, B17C				
5v292.g↔			BOP, KVT, UOP4	5v297.1			BOP, KVT, UOP4	5v400.4			BOP, KVT, UOP4
		01	B03A, B03B, B06A, B06B, B07Z, B17A, B17B, B17C			01	B03A, B03B, B06A, B06B, B07Z, B17A, B17B, B17C			01	B03A, B03B, B06A, B06B, B07Z, B17A, B17B, B17C
		05	F13A, F21A, F21B, F21C, F27A, F27B, F27C			05	F13A, F21A, F21B, F21C			03	D12A
	08	I02A, I02B, I02C, I02D, I22A, I22B, I50Z	06		G10Z, G12A, G12B	09	J03A, J03B, J04A, J04B, J08A, J08B, J08C, J10A, J10B, J16Z				
	09	J02A, J02B, J02C, J04A, J04B, J08A, J08B, J08C, J16Z, J21Z, J22A, J22B	08		I02A, I02B, I02C, I02D, I12A, I12B, I12C, I22A, I22B, I50Z	10	K09A, K09B				
	10	K01Z	09		J02A, J02B, J02C, J04A, J04B, J08A, J08B, J08C, J16Z, J21Z, J22A, J22B	21A	W04A, W04B				
	21A	W04A, W04B	21A		W04A, X01B	21B	X06A, X06B, X06C				
	21B	X01A, X01B, X01C	01		BOP, KK11, KKI, KKII, KKP, KVT, UOP4		BOP, KVT, UOP4				
	5v292.g↔		BOP, KVT, UOP4		5v297.1		BOP, KVT, UOP4		5v400.5		BOP, KVT, UOP4
		01	B03A, B03B, B06A, B06B, B07Z, B17A, B17B, B17C			01	B03A, B03B, B06A, B06B, B07Z, B17A, B17B, B17C			03	D12A
		05	F13A, F21A, F21B, F21C, F27A, F27B, F27C			05	F13A, F21A, F21B, F21C			09	J03A, J03B, J04A, J04B, J08A, J08B, J08C, J10A, J10B, J16Z
08		I02A, I02B, I02C, I02D, I22A, I22B, I50Z	06	G10Z, G12A, G12B		10	K09A, K09B				
09		J02A, J02B, J02C, J04A, J04B, J08A, J08B, J08C, J16Z, J21Z, J22A, J22B	08	I02A, I02B, I02C, I02D, I12A, I12B, I12C, I22A, I22B, I50Z		21A	W04A, W04B				
10		K01Z	09	J02A, J02B, J02C, J04A, J04B, J08A, J08B, J08C, J16Z, J21Z, J22A, J22B		21B	X06A, X06B, X06C				
21A		W04A, W04B	21A	W04A, W04B			BOP, KVT, UOP4				
21B		X01A, X01B, X01C	21B	X01A, X01B		03	D12A				
5v292.g↔			BOP, KVT, UOP4	5v297.1			BOP, KVT, UOP4	5v400.5			BOP, KVT, UOP4
		01	B03A, B03B, B06A, B06B, B07Z, B17A, B17B, B17C			01	B03A, B03B, B06A, B06B, B07Z, B17A, B17B, B17C			09	J03A, J03B, J04A, J04B, J08A, J08B, J08C, J10A, J10B, J16Z
		05	F13A, F21A, F21B, F21C, F27A, F27B, F27C			05	F13A, F21A, F21B, F21C			10	K09A, K09B
	08	I02A, I02B, I02C, I02D, I22A, I22B, I50Z	06		G10Z, G12A, G12B	21A	W04A, W04B				
	09	J02A, J02B, J02C, J04A, J04B, J08A, J08B, J08C, J16Z, J21Z, J22A, J22B	08		I02A, I02B, I02C, I02D, I12A, I12B, I12C, I22A, I22B, I50Z	21B	X06A, X06B, X06C				
	10	K01Z	09		J02A, J02B, J02C, J04A, J04B, J08A, J08B, J08C, J16Z, J21Z, J22A, J22B		BOP, KVT, UOP4				
	21A	W04A, W04B	21A		W04A, W04B	03	D12A				
	21B	X01A, X01B, X01C	21B		X01A, X01B	09	J03A, J03B, J04A, J04B, J08A, J08B, J08C, J10A, J10B, J16Z				
	5v292.g↔		BOP, KVT, UOP4		5v297.1		BOP, KVT, UOP4		5v400.5		BOP, KVT, UOP4
		01	B03A, B03B, B06A, B06B, B07Z, B17A, B17B, B17C			01	B03A, B03B, B06A, B06B, B07Z, B17A, B17B, B17C			10	K09A, K09B
		05	F13A, F21A, F21B, F21C, F27A, F27B, F27C			05	F13A, F21A, F21B, F21C			21A	W04A, W04B
08		I02A, I02B, I02C, I02D, I22A, I22B, I50Z	06	G10Z, G12A, G12B		21B	X06A, X06B, X06C				
09		J02A, J02B, J02C, J04A, J04B, J08A, J08B, J08C, J16Z, J21Z, J22A, J22B	08	I02A, I02B, I02C, I02D, I12A, I12B, I12C, I22A, I22B, I50Z			BOP, KVT, UOP4				
10		K01Z	09	J02A, J02B, J02C, J04A, J04B, J08A, J08B, J08C, J16Z, J21Z, J22A, J22B		03	D12A				
21A		W04A, W04B	21A	W04A, W04B		09	J03A, J03B, J04A, J04B, J08A, J08B, J08C, J10A, J10B, J16Z				
21B		X01A, X01B, X01C	21B	X01A, X01B		10	K09A, K09B				
5v292.g↔			BOP, KVT, UOP4	5v297.1			BOP, KVT, UOP4	5v400.5			BOP, KVT, UOP4
		01	B03A, B03B, B06A, B06B, B07Z, B17A, B17B, B17C			01	B03A, B03B, B06A, B06B, B07Z, B17A, B17B, B17C			21A	W04A, W04B
		05	F13A, F21A, F21B, F21C, F27A, F27B, F27C			05	F13A, F21A, F21B, F21C			21B	X06A, X06B, X06C
	08	I02A, I02B, I02C, I02D, I22A, I22B, I50Z	06		G10Z, G12A, G12B		BOP, KVT, UOP4				
	09	J02A, J02B, J02C, J04A, J04B, J08A, J08B, J08C, J16Z, J21Z, J22A, J22B	08		I02A, I02B, I02C, I02D, I12A, I12B, I12C, I22A, I22B, I50Z	03	D12A				
	10	K01Z	09		J02A, J02B, J02C, J04A, J04B, J08A, J08B, J08C, J16Z, J21Z, J22A, J22B	09	J03A, J03B, J04A, J04B, J08A, J08B, J08C, J10A, J10B, J16Z				
	21A	W04A, W04B	21A		W04A, W04B	10	K09A, K09B				
	21B	X01A, X01B, X01C	21B		X01A, X01B	21A	W04A, W04B				
	5v292.g↔		BOP, KVT, UOP4		5v297.1		BOP, KVT, UOP4		5v400.5		BOP, KVT, UOP4
		01	B03A, B03B, B06A, B06B, B07Z, B17A, B17B, B17C			01	B03A, B03B, B06A, B06B, B07Z, B17A, B17B, B17C			21B	X06A, X06B, X06C
		05	F13A, F21A, F21B, F21C, F27A, F27B, F27C			05	F13A, F21A, F21B, F21C				BOP, KVT, UOP4
08		I02A, I02B, I02C, I02D, I22A, I22B, I50Z	06	G10Z, G12A, G12B		03	D12A				
09		J02A, J02B, J02C, J04A, J04B, J08A, J08B, J08C, J16Z, J21Z, J22A, J22B	08	I02A, I02B, I02C, I02D, I12A, I12B, I12C, I22A, I22B, I50Z		09	J03A, J03B, J04A, J04B, J08A, J08B, J08C, J10A, J10B, J16Z				
10		K01Z	09	J02A, J02B, J02C, J04A, J04B, J08A, J08B, J08C, J16Z, J21Z, J22A, J22B		10	K09A, K09B				
21A		W04A, W04B	21A	W04A, W04B		21A	W04A, W04B				
21B		X01A, X01B, X01C	21B	X01A, X01B		21B	X06A, X06B, X06C				

VYK



ZZV	MDC	DRG	ZZV	MDC	DRG	ZZV	MDC	DRG
5v400.6↔		BOP, KVT, UOP4	5v400.f↔		BOP, KVT, UOP4	5v401.9↔		BOP, KVT, UOP4
	09	J03A, J03B, J04A, J04B, J08A, J08B, J08C, J10A, J10B, J16Z		09	J03A, J03B, J04A, J04B, J08A, J08B, J08C, J10A, J10B, J16Z		09	J03A, J03B, J04A, J04B, J08A, J08B, J08C, J10A, J10B, J16Z
	10	K07Z		10	K07Z		10	K07Z
	21A	W04A, W04B		21A	W04A, W04B		21A	W04A, W04B
5v400.7↔	21B	X06A, X06B, X06C	5v400.g↔	21B	X04Z, X06A, X06B, X06C	5v401.a	21B	X05A, X05B, X06A, X06B, X06C
		BOP, KVT, UOP4			BOP, KVT, UOP4			BOP, KVT, UOP4
	09	J03A, J03B, J04A, J04B, J08A, J08B, J08C, J10A, J10B, J16Z		09	J03A, J03B, J04A, J04B, J08A, J08B, J08C, J10A, J10B, J16Z		09	J03A, J03B, J04A, J04B, J08A, J08B, J08C, J10A, J10B, J16Z
	10	K07Z		10	K07Z		10	K07Z
5v400.8↔	21A	W04A, W04B	5v400.x	21A	W04A, W04B	5v401.b	21A	W04A, W04B
	21B	X06A, X06B, X06C		21B	X04Z, X06A, X06B, X06C		21B	X06A, X06B, X06C
		BOP, KVT, UOP4			BOP, KVT, UOP4			BOP, KVT, UOP4
	09	J03A, J03B, J04A, J04B, J08A, J08B, J08C, J10A, J10B, J16Z		09	J03A, J03B, J04A, J04B, J08A, J08B, J08C, J10A, J10B, J16Z		09	J03A, J03B, J04A, J04B, J08A, J08B, J08C, J10A, J10B, J16Z
5v400.9↔	10	K07Z	5v401.0	10	K07Z	5v401.c	10	K07Z
	21A	W04A, W04B		21A	W04A, W04B		21A	W04A, W04B
	21B	X05A, X05B, X06A, X06B, X06C		21B	X06A, X06B, X06C		21B	X06A, X06B, X06C
		BOP, KVT, UOP4			BOP, KVT, UOP4			BOP, KVT, UOP4
5v400.a	09	J03A, J03B, J04A, J04B, J08A, J08B, J08C, J10A, J10B, J16Z	5v401.4	09	J03A, J03B, J04A, J04B, J08A, J08B, J08C, J10A, J10B, J16Z	5v401.d	09	J03A, J03B, J04A, J04B, J08A, J08B, J08C, J10A, J10B, J16Z
	10	K07Z		10	K07Z		10	K07Z
	21A	W04A, W04B		21A	W04A, W04B		21A	W04A, W04B
	21B	X06A, X06B, X06C		21B	X06A, X06B, X06C		21B	X04Z, X06A, X06B, X06C
5v400.b		BOP, KVT, UOP4	5v401.5		BOP, KVT, UOP4	5v401.e↔		BOP, KVT, UOP4
	09	J03A, J03B, J04A, J04B, J08A, J08B, J08C, J10A, J10B, J16Z		09	J03A, J03B, J04A, J04B, J08A, J08B, J08C, J10A, J10B, J16Z		09	J03A, J03B, J04A, J04B, J08A, J08B, J08C, J10A, J10B, J16Z
	10	K07Z		10	K07Z		10	K07Z
	21A	W04A, W04B		21A	W04A, W04B		21A	W04A, W04B
5v400.c	21B	X06A, X06B, X06C	5v401.6↔	21B	X06A, X06B, X06C	5v401.f↔	21B	X04Z, X06A, X06B, X06C
		BOP, KVT, UOP4			BOP, KVT, UOP4			BOP, KVT, UOP4
	09	J03A, J03B, J04A, J04B, J08A, J08B, J08C, J10A, J10B, J16Z		09	J03A, J03B, J04A, J04B, J08A, J08B, J08C, J10A, J10B, J16Z		09	J03A, J03B, J04A, J04B, J08A, J08B, J08C, J10A, J10B, J16Z
	10	K07Z		10	K07Z		10	K07Z
5v400.d	21A	W04A, W04B	5v401.7↔	21A	W04A, W04B	5v401.g↔	21A	W04A, W04B
	21B	X04Z, X06A, X06B, X06C		21B	X06A, X06B, X06C		21B	X04Z, X06A, X06B, X06C
		BOP, KVT, UOP4			BOP, KVT, UOP4			BOP, KVT, UOP4
	09	J03A, J03B, J04A, J04B, J08A, J08B, J08C, J10A, J10B, J16Z		09	J03A, J03B, J04A, J04B, J08A, J08B, J08C, J10A, J10B, J16Z		09	J03A, J03B, J04A, J04B, J08A, J08B, J08C, J10A, J10B, J16Z
5v400.e↔	10	K07Z	5v401.8↔	10	K07Z	5v401.n	10	K07Z
	21A	W04A, W04B		21A	W04A, W04B		21A	W04A, W04B
	21B	X04Z, X06A, X06B, X06C		21B	X06A, X06B, X06C		21B	X04Z, X06A, X06B, X06C
		BOP, KVT, UOP4			BOP, KVT, UOP4			BOP, KVT, UOP4
	09	J03A, J03B, J04A, J04B, J08A, J08B, J08C, J10A, J10B, J16Z		09	J03A, J03B, J04A, J04B, J08A, J08B, J08C, J10A, J10B, J16Z		09	J03A, J03B, J04A, J04B, J08A, J08B, J08C, J10A, J10B, J16Z
	10	K07Z		10	K07Z		10	K07Z
	21A	W04A, W04B		21A	W04A, W04B		21A	W04A, W04B
	21B	X04Z, X06A, X06B, X06C		21B	X05A, X05B, X06A, X06B, X06C		21B	X06A, X06B, X06C

VYK

ZZV	MDC	DRG	ZZV	MDC	DRG	ZZV	MDC	DRG		
5v401.x		BOP, KVT, UOP4	5v402.b		BOP, KVT, UOP4	5v420.a†	09	J11A, J11B		
	09	J03A, J03B, J04A, J04B, J08A, J08B, J08C, J10A, J10B, J16Z		09	J03A, J03B, J04A, J04B, J08A, J08B, J08C, J10A, J10B, J16Z	5v420.b†	09	J11A, J11B		
	10	K07Z		10	K07Z	5v420.c†	09	J11A, J11B		
	21A	W04A, W04B		21A	W04A, W04B	5v420.d†	09	J11A, J11B		
	21B	X06A, X06B, X06C		21B	X06A, X06B, X06C	5v420.e†↔	09	J11A, J11B		
5v402.0		BOP, KVT, UOP4	5v402.c		BOP, KVT, UOP4	5v420.f†↔	09	J11A, J11B		
	09	J03A, J03B, J04A, J04B, J08A, J08B, J08C, J10A, J10B, J16Z		09	J03A, J03B, J04A, J04B, J08A, J08B, J08C, J10A, J10B, J16Z	5v420.g†↔	09	J11A, J11B		
	10	K07Z		10	K07Z	5v420.x†	09	J11A, J11B		
	21A	W04A, W04B		21A	W04A, W04B	5v421.0†	09	J11A, J11B		
	21B	X06A, X06B, X06C		21B	X04Z, X06A, X06B, X06C	5v421.4†	02	C14Z		
5v402.4		BOP, KVT, UOP4	5v402.d		BOP, KVT, UOP4	5v421.5†	09	J11A, J11B		
	09	J03A, J03B, J04A, J04B, J08A, J08B, J08C, J10A, J10B, J16Z		09	J03A, J03B, J04A, J04B, J08A, J08B, J08C, J10A, J10B, J16Z	5v421.6†↔	09	J11A, J11B		
	10	K07Z		10	K07Z	5v421.7†↔	09	J11A, J11B		
	21A	W04A, W04B		21A	W04A, W04B	5v421.8†↔	09	J11A, J11B		
	21B	X06A, X06B, X06C		21B	X04Z, X06A, X06B, X06C	5v421.9†↔	09	J11A, J11B		
5v402.5		BOP, KVT, UOP4	5v402.e↔		BOP, KVT, UOP4	5v421.a†	09	J11A, J11B		
	09	J03A, J03B, J04A, J04B, J08A, J08B, J08C, J10A, J10B, J16Z		09	J03A, J03B, J04A, J04B, J08A, J08B, J08C, J10A, J10B, J16Z	5v421.b†	09	J11A, J11B		
	10	K07Z		10	K07Z	5v421.c†	09	J11A, J11B		
	21A	W04A, W04B		21A	W04A, W04B	5v421.d†	09	J11A, J11B		
	21B	X06A, X06B, X06C		21B	X04Z, X06A, X06B, X06C	5v421.e†↔	09	J11A, J11B		
5v402.6↔		BOP, KVT, UOP4	5v402.f↔		BOP, KVT, UOP4	5v421.f†↔	09	J11A, J11B		
	09	J03A, J03B, J04A, J04B, J08A, J08B, J08C, J10A, J10B, J16Z		09	J03A, J03B, J04A, J04B, J08A, J08B, J08C, J10A, J10B, J16Z	5v421.g†↔	09	J11A, J11B		
	10	K07Z		10	K07Z	5v421.x†	09	J11A, J11B		
	21A	W04A, W04B		21A	W04A, W04B	5v422.0†	09	J11A, J11B		
	21B	X06A, X06B, X06C		21B	X04Z, X06A, X06B, X06C	5v422.4†	02	C14Z		
5v402.7↔		BOP, KVT, UOP4	5v402.g↔		BOP, KVT, UOP4	5v422.5†	09	J11A, J11B, J11C		
	09	J03A, J03B, J04A, J04B, J08A, J08B, J08C, J10A, J10B, J16Z		09	J03A, J03B, J04A, J04B, J08A, J08B, J08C, J10A, J10B, J16Z	5v422.6†↔	09	J11A, J11B, J11C		
	10	K07Z		10	K07Z	5v422.7†↔	09	J11A, J11B, J11C		
	21A	W04A, W04B		21A	W04A, W04B	5v422.8†↔	09	J11A, J11B, J11C		
	21B	X06A, X06B, X06C		21B	X04Z, X06A, X06B, X06C	5v422.9†↔	09	J11A, J11B, J11C		
5v402.8↔		BOP, KVT, UOP4	5v402.x		BOP, KVT, UOP4	5v422.a†	09	J11A, J11B, J11C		
	09	J03A, J03B, J04A, J04B, J08A, J08B, J08C, J10A, J10B, J16Z		09	J03A, J03B, J04A, J04B, J08A, J08B, J08C, J10A, J10B, J16Z	5v422.b†	09	J11A, J11B, J11C		
	10	K07Z		10	K07Z	5v422.c†	09	J11A, J11B, J11C		
	21A	W04A, W04B		21A	W04A, W04B	5v422.d†	09	J11A, J11B, J11C		
	21B	X05A, X05B, X06A, X06B, X06C		21B	X04Z, X06A, X06B, X06C	5v422.e†↔	09	J11A, J11B, J11C		
5v402.9↔		BOP, KVT, UOP4	5v403		BOP, KVT, UOP4	5v422.f†↔	09	J11A, J11B, J11C		
	09	J03A, J03B, J04A, J04B, J08A, J08B, J08C, J10A, J10B, J16Z		09	J03A, J03B, J04A, J04B, J08A, J08B, J08C, J10A, J10B, J16Z	5v422.g†↔	09	J11A, J11B, J11C		
	10	K07Z		10	K07Z	5v422.x†	09	J11A, J11B		
	21A	W04A, W04B		21A	W04A, W04B	5v423.4†	02	C14Z		
	21B	X05A, X05B, X06A, X06B, X06C		21B	X06A, X06B, X06C	5v424.0†	09	J11A, J11B, J11C		
5v402.a		BOP, KVT, UOP4	5v40x.x		BOP, KVT, UOP4	5v424.4†	02	C14Z		
	09	J03A, J03B, J04A, J04B, J08A, J08B, J08C, J10A, J10B, J16Z		03	D08A, D08B, D18Z, D22A, D22B, D30A, D30B	5v424.5†	09	J11A, J11B		
	10	K07Z		09	J03A, J03B, J04A, J04B, J08A, J08B, J08C, J11A, J11B, J16Z	5v424.6†↔	09	J11A, J11B		
	21A	W04A, W04B		09	J11A, J11B	5v424.7†↔	09	J11A, J11B		
	21B	X06A, X06B, X06C		02	C14Z	5v424.8†↔	09	J11A, J11B		
								5v424.9†↔	09	J11A, J11B, J11C
								5v424.a†	09	J11A, J11B, J11C
								5v424.b†	09	J11A, J11B
								5v424.c†	09	J11A, J11B
								5v424.d†	09	J11A, J11B
								5v424.e†↔	09	J11A, J11B
								5v424.f†↔	09	J11A, J11B
								5v424.g†↔	09	J11A, J11B, J11C
								5v424.x†	09	J11A, J11B
								5v425.0†	09	J11A, J11B, J11C
								5v425.4†	02	C14Z
								5v425.5†	09	J11A, J11B, J11C
								5v425.6†↔	09	J11A, J11B, J11C
								5v425.7†↔	09	J11A, J11B, J11C
								5v425.8†↔	09	J11A, J11B, J11C
								5v425.9†↔	09	J11A, J11B, J11C
								5v425.a†	09	J11A, J11B, J11C
								5v425.b†	09	J11A, J11B, J11C

ZZV	MDC	DRG	ZZV	MDC	DRG	ZZV	MDC	DRG
5v425.ct	06	G26Z	5v426.d		BOP, KVT, UOP4	5v427.b		BOP, KVT, UOP4
	09	J11A, J11B, J11C		06	G26Z		09	J03A, J03B, J04A, J04B, J08A, J08B, J08C, J10A, J10B, J16Z
	13	N09A, N09B		09	J03A, J03B, J04A, J04B, J08A, J08B, J08C, J10A, J10B, J16Z		22	Y01Z, Y03A, Y03B
5v425.d	06	G26Z		13	N09A, N09B	5v427.c		BOP, KVT, UOP4
	09	J11A, J11B, J11C		22	Y01Z, Y03A, Y03B		06	G26Z
	13	N09A, N09B	5v426.e		BOP, KVT, UOP4		09	J03A, J03B, J04A, J04B, J08A, J08B, J08C, J10A, J10B, J16Z
5v425.e	09	J11A, J11B, J11C		09	J03A, J03B, J04A, J04B, J08A, J08B, J08C, J10A, J10B, J16Z		13	N09A, N09B
5v425.ft	09	J11A, J11B, J11C		22	Y01Z, Y03A, Y03B		22	Y01Z, Y03A, Y03B
5v425.gt	09	J11A, J11B, J11C	5v426.f		BOP, KVT, UOP4	5v427.d		BOP, KVT, UOP4
5v425.x	06	G26Z		09	J03A, J03B, J04A, J04B, J08A, J08B, J08C, J10A, J10B, J16Z		06	G26Z
	09	J11A, J11B, J11C		22	Y01Z, Y03A, Y03B		09	J03A, J03B, J04A, J04B, J08A, J08B, J08C, J10A, J10B, J16Z
	13	N09A, N09B	5v426.g		BOP, KVT, UOP4		13	N09A, N09B
5v426.0		BOP, KVT, UOP4		09	J03A, J03B, J04A, J04B, J08A, J08B, J08C, J10A, J10B, J16Z		22	Y01Z, Y03A, Y03B
	09	J03A, J03B, J04A, J04B, J08A, J08B, J08C, J10A, J10B, J16Z	5v426.h		BOP, KVT, UOP4	5v427.e		BOP, KVT, UOP4
	22	Y01Z, Y03A, Y03B		09	J03A, J03B, J04A, J04B, J08A, J08B, J08C, J10A, J10B, J16Z		09	J03A, J03B, J04A, J04B, J08A, J08B, J08C, J10A, J10B, J16Z
5v426.4		BOP, KVT, UOP4	5v426.i		BOP, KVT, UOP4		22	Y01Z, Y03A, Y03B
	02	C20A, C20B		09	J03A, J03B, J04A, J04B, J08A, J08B, J08C, J10A, J10B, J16Z		22	Y01Z, Y03A, Y03B
	09	J03A, J03B, J04A, J04B, J08A, J08B, J08C, J10A, J10B, J16Z	5v426.j		BOP, KVT, UOP4	5v427.f		BOP, KVT, UOP4
	22	Y01Z, Y03A, Y03B		09	J03A, J03B, J04A, J04B, J08A, J08B, J08C, J10A, J10B, J16Z		09	J03A, J03B, J04A, J04B, J08A, J08B, J08C, J10A, J10B, J16Z
5v426.5		BOP, KVT, UOP4	5v426.k		BOP, KVT, UOP4		22	Y01Z, Y03A, Y03B
	09	J03A, J03B, J04A, J04B, J08A, J08B, J08C, J10A, J10B, J16Z		09	J03A, J03B, J04A, J04B, J08A, J08B, J08C, J10A, J10B, J16Z	5v427.g		BOP, KVT, UOP4
	22	Y01Z, Y03A, Y03B	5v427.0		BOP, KVT, UOP4		09	J03A, J03B, J04A, J04B, J08A, J08B, J08C, J10A, J10B, J16Z
5v426.6		BOP, KVT, UOP4		09	J03A, J03B, J04A, J04B, J08A, J08B, J08C, J10A, J10B, J16Z		22	Y01Z, Y03A, Y03B
	09	J03A, J03B, J04A, J04B, J08A, J08B, J08C, J10A, J10B, J16Z	5v427.1		BOP, KVT, UOP4	5v427.h		BOP, KVT, UOP4
	22	Y01Z, Y03A, Y03B		09	J03A, J03B, J04A, J04B, J08A, J08B, J08C, J10A, J10B, J16Z		09	J03A, J03B, J04A, J04B, J08A, J08B, J08C, J10A, J10B, J16Z
5v426.7		BOP, KVT, UOP4	5v427.2		BOP, KVT, UOP4		22	Y01Z, Y03A, Y03B
	09	J03A, J03B, J04A, J04B, J08A, J08B, J08C, J10A, J10B, J16Z		02	C20A, C20B	5v427.i		BOP, KVT, UOP4
	22	Y01Z, Y03A, Y03B	5v427.3		BOP, KVT, UOP4		06	G26Z
5v426.8		BOP, KVT, UOP4		09	J03A, J03B, J04A, J04B, J08A, J08B, J08C, J10A, J10B, J16Z		09	J03A, J03B, J04A, J04B, J08A, J08B, J08C, J10A, J10B, J16Z
	09	J03A, J03B, J04A, J04B, J08A, J08B, J08C, J10A, J10B, J16Z	5v427.4		BOP, KVT, UOP4		13	N09A, N09B
	22	Y01Z, Y03A, Y03B		22	Y01Z, Y03A, Y03B		22	Y01Z, Y03A, Y03B
5v426.9		BOP, KVT, UOP4	5v427.5		BOP, KVT, UOP4	5v428.0		BOP, KVT, UOP4
	09	J03A, J03B, J04A, J04B, J08A, J08B, J08C, J10A, J10B, J16Z		09	J03A, J03B, J04A, J04B, J08A, J08B, J08C, J10A, J10B, J16Z		09	J03A, J03B, J04A, J04B, J08A, J08B, J08C, J10A, J10B, J16Z
	22	Y01Z, Y03A, Y03B	5v427.6		BOP, KVT, UOP4		22	Y01Z, Y03A, Y03B
5v426.a		BOP, KVT, UOP4		09	J03A, J03B, J04A, J04B, J08A, J08B, J08C, J10A, J10B, J16Z	5v428.4		BOP, KVT, UOP4
	09	J03A, J03B, J04A, J04B, J08A, J08B, J08C, J10A, J10B, J16Z	5v427.7		BOP, KVT, UOP4		02	C20A, C20B
	22	Y01Z, Y03A, Y03B		22	Y01Z, Y03A, Y03B		09	J03A, J03B, J04A, J04B, J08A, J08B, J08C, J10A, J10B, J16Z
5v426.b		BOP, KVT, UOP4	5v427.8		BOP, KVT, UOP4		22	Y01Z, Y03A, Y03B
	09	J03A, J03B, J04A, J04B, J08A, J08B, J08C, J10A, J10B, J16Z		09	J03A, J03B, J04A, J04B, J08A, J08B, J08C, J10A, J10B, J16Z	5v428.5		BOP, KVT, UOP4
	22	Y01Z, Y03A, Y03B	5v427.9		BOP, KVT, UOP4		09	J03A, J03B, J04A, J04B, J08A, J08B, J08C, J10A, J10B, J16Z
5v426.c		BOP, KVT, UOP4		09	J03A, J03B, J04A, J04B, J08A, J08B, J08C, J10A, J10B, J16Z	5v428.6		BOP, KVT, UOP4
	06	G26Z	5v428.0		BOP, KVT, UOP4		09	J03A, J03B, J04A, J04B, J08A, J08B, J08C, J10A, J10B, J16Z
	09	J03A, J03B, J04A, J04B, J08A, J08B, J08C, J10A, J10B, J16Z		22	Y01Z, Y03A, Y03B		22	Y01Z, Y03A, Y03B
	13	N09A, N09B	5v428.1		BOP, KVT, UOP4	5v428.7		BOP, KVT, UOP4
	22	Y01Z, Y03A, Y03B		09	J03A, J03B, J04A, J04B, J08A, J08B, J08C, J10A, J10B, J16Z		09	J03A, J03B, J04A, J04B, J08A, J08B, J08C, J10A, J10B, J16Z
			5v428.2		BOP, KVT, UOP4		22	Y01Z, Y03A, Y03B
				09	J03A, J03B, J04A, J04B, J08A, J08B, J08C, J10A, J10B, J16Z		22	Y01Z, Y03A, Y03B
				22	Y01Z, Y03A, Y03B			

ZZV	MDC	DRG	ZZV	MDC	DRG	ZZV	MDC	DRG
5v428.8↔		BOP, KVT, UOP4	5v42a.5		BOP, KVT, UOP4	5v42b.0		BOP, KVT, UOP4
	09	J03A, J03B, J04A, J04B, J08A, J08B, J08C, J10A, J10B, J16Z		09	J03A, J03B, J04A, J04B, J08A, J08B, J08C, J10A, J10B, J16Z		09	J03A, J03B, J04A, J04B, J08A, J08B, J08C, J10A, J10B, J16Z
	22	Y01Z, Y03A, Y03B		22	Y01Z, Y03A, Y03B		22	Y01Z, Y03A, Y03B
5v428.9↔		BOP, KVT, UOP4	5v42a.6↔		BOP, KVT, UOP4	5v42b.4		BOP, KVT, UOP4
	09	J03A, J03B, J04A, J04B, J08A, J08B, J08C, J10A, J10B, J16Z		09	J03A, J03B, J04A, J04B, J08A, J08B, J08C, J10A, J10B, J16Z		02	C20A, C20B
	22	Y01Z, Y03A, Y03B		22	Y01Z, Y03A, Y03B		09	J03A, J03B, J04A, J04B, J08A, J08B, J08C, J10A, J10B, J16Z
5v428.a		BOP, KVT, UOP4	5v42a.7↔		BOP, KVT, UOP4	5v42b.5		Y01Z, Y03A, Y03B
	09	J03A, J03B, J04A, J04B, J08A, J08B, J08C, J10A, J10B, J16Z		09	J03A, J03B, J04A, J04B, J08A, J08B, J08C, J10A, J10B, J16Z		09	J03A, J03B, J04A, J04B, J08A, J08B, J08C, J10A, J10B, J16Z
	22	Y01Z, Y03A, Y03B		22	Y01Z, Y03A, Y03B		22	Y01Z, Y03A, Y03B
5v428.b		BOP, KVT, UOP4	5v42a.8↔		BOP, KVT, UOP4	5v42b.6↔		BOP, KVT, UOP4
	09	J03A, J03B, J04A, J04B, J08A, J08B, J08C, J10A, J10B, J16Z		09	J03A, J03B, J04A, J04B, J08A, J08B, J08C, J10A, J10B, J16Z		09	J03A, J03B, J04A, J04B, J08A, J08B, J08C, J10A, J10B, J16Z
	22	Y01Z, Y03A, Y03B		22	Y01Z, Y03A, Y03B		22	Y01Z, Y03A, Y03B
5v428.c		BOP, KVT, UOP4	5v42a.9↔		BOP, KVT, UOP4	5v42b.7↔		BOP, KVT, UOP4
	06	G26Z		09	J03A, J03B, J04A, J04B, J08A, J08B, J08C, J10A, J10B, J16Z		09	J03A, J03B, J04A, J04B, J08A, J08B, J08C, J10A, J10B, J16Z
	09	J03A, J03B, J04A, J04B, J08A, J08B, J08C, J10A, J10B, J16Z		22	Y01Z, Y03A, Y03B		22	Y01Z, Y03A, Y03B
	13	N09A, N09B	5v42a.a		BOP, KVT, UOP4	5v42b.8↔		BOP, KVT, UOP4
	22	Y01Z, Y03A, Y03B		09	J03A, J03B, J04A, J04B, J08A, J08B, J08C, J10A, J10B, J16Z		09	J03A, J03B, J04A, J04B, J08A, J08B, J08C, J10A, J10B, J16Z
5v428.d		BOP, KVT, UOP4	5v42a.b		BOP, KVT, UOP4	5v42b.9↔		BOP, KVT, UOP4
	06	G26Z		09	J03A, J03B, J04A, J04B, J08A, J08B, J08C, J10A, J10B, J16Z		09	J03A, J03B, J04A, J04B, J08A, J08B, J08C, J10A, J10B, J16Z
	09	J03A, J03B, J04A, J04B, J08A, J08B, J08C, J10A, J10B, J16Z		22	Y01Z, Y03A, Y03B		22	Y01Z, Y03A, Y03B
	13	N09A, N09B	5v42a.c		BOP, KVT, UOP4	5v42b.a		BOP, KVT, UOP4
	22	Y01Z, Y03A, Y03B		06	G26Z		09	J03A, J03B, J04A, J04B, J08A, J08B, J08C, J10A, J10B, J16Z
5v428.e↔		BOP, KVT, UOP4	5v42a.d		BOP, KVT, UOP4	5v42b.b		Y01Z, Y03A, Y03B
	09	J03A, J03B, J04A, J04B, J08A, J08B, J08C, J10A, J10B, J16Z		06	G26Z		09	J03A, J03B, J04A, J04B, J08A, J08B, J08C, J10A, J10B, J16Z
	22	Y01Z, Y03A, Y03B		13	N09A, N09B		22	Y01Z, Y03A, Y03B
5v428.f↔		BOP, KVT, UOP4	5v42a.e↔		BOP, KVT, UOP4	5v42b.c		BOP, KVT, UOP4
	09	J03A, J03B, J04A, J04B, J08A, J08B, J08C, J10A, J10B, J16Z		09	J03A, J03B, J04A, J04B, J08A, J08B, J08C, J10A, J10B, J16Z		06	G26Z
	22	Y01Z, Y03A, Y03B		22	Y01Z, Y03A, Y03B		09	J03A, J03B, J04A, J04B, J08A, J08B, J08C, J10A, J10B, J16Z
5v428.g↔		BOP, KVT, UOP4	5v42a.f↔		BOP, KVT, UOP4	5v42b.d		BOP, KVT, UOP4
	09	J03A, J03B, J04A, J04B, J08A, J08B, J08C, J10A, J10B, J16Z		09	J03A, J03B, J04A, J04B, J08A, J08B, J08C, J10A, J10B, J16Z		06	G26Z
	22	Y01Z, Y03A, Y03B		22	Y01Z, Y03A, Y03B		09	J03A, J03B, J04A, J04B, J08A, J08B, J08C, J10A, J10B, J16Z
5v428.x		BOP, KVT, UOP4	5v42a.g↔		BOP, KVT, UOP4	5v42b.e↔		BOP, KVT, UOP4
	06	G26Z		09	J03A, J03B, J04A, J04B, J08A, J08B, J08C, J10A, J10B, J16Z		09	J03A, J03B, J04A, J04B, J08A, J08B, J08C, J10A, J10B, J16Z
	09	J03A, J03B, J04A, J04B, J08A, J08B, J08C, J10A, J10B, J16Z		22	Y01Z, Y03A, Y03B		22	Y01Z, Y03A, Y03B
	13	N09A, N09B	5v42a.x		BOP, KVT, UOP4	5v42b.f↔		BOP, KVT, UOP4
	22	Y01Z, Y03A, Y03B		06	G26Z		09	J03A, J03B, J04A, J04B, J08A, J08B, J08C, J10A, J10B, J16Z
5v429.4‡		C20A, C20B		09	J03A, J03B, J04A, J04B, J08A, J08B, J08C, J10A, J10B, J16Z		22	Y01Z, Y03A, Y03B
5v429.c‡		G26Z		22	Y01Z, Y03A, Y03B		13	N09A, N09B
5v429.d‡		G26Z		22	Y01Z, Y03A, Y03B		22	Y01Z, Y03A, Y03B
5v429.x‡		G26Z		22	Y01Z, Y03A, Y03B		22	Y01Z, Y03A, Y03B
5v42a.0		BOP, KVT, UOP4		09	J03A, J03B, J04A, J04B, J08A, J08B, J08C, J10A, J10B, J16Z		09	J03A, J03B, J04A, J04B, J08A, J08B, J08C, J10A, J10B, J16Z
	09	J03A, J03B, J04A, J04B, J08A, J08B, J08C, J10A, J10B, J16Z		22	Y01Z, Y03A, Y03B		22	Y01Z, Y03A, Y03B
	22	Y01Z, Y03A, Y03B		06	G26Z		09	J03A, J03B, J04A, J04B, J08A, J08B, J08C, J10A, J10B, J16Z
5v42a.4		BOP, KVT, UOP4		09	J03A, J03B, J04A, J04B, J08A, J08B, J08C, J10A, J10B, J16Z		22	Y01Z, Y03A, Y03B
	02	C20A, C20B		13	N09A, N09B		22	Y01Z, Y03A, Y03B
	09	J03A, J03B, J04A, J04B, J08A, J08B, J08C, J10A, J10B, J16Z		22	Y01Z, Y03A, Y03B			
	22	Y01Z, Y03A, Y03B						



ZZV	MDC	DRG	ZZV	MDC	DRG	ZZV	MDC	DRG
5v446.4		BOP, KVT, UOP4	5v447.4		BOP, KVT, UOP4	5v448.a†	09	J11A, J11B
	02	C20A, C20B		02	C20A, C20B	5v448.b†	09	J11A, J11B
	09	J03A, J03B, J04A, J04B, J08A, J08B, J08C, J11A, J11B, J11C, J16Z		09	J03A, J03B, J04A, J04B, J08A, J08B, J08C, J10A, J10B, J16Z	5v448.c†	09	J11A, J11B
5v446.5		BOP, KVT, UOP4	5v447.5		BOP, KVT, UOP4	5v448.d†	09	J11A, J11B
	09	J03A, J03B, J04A, J04B, J08A, J08B, J08C, J11A, J11B, J11C, J16Z		09	J03A, J03B, J04A, J04B, J08A, J08B, J08C, J10A, J10B, J16Z	5v448.e†↔	09	J11A, J11B
5v446.6↔		BOP, KVT, UOP4	5v447.6↔		BOP, KVT, UOP4	5v448.f†↔	09	J11A, J11B
	09	J03A, J03B, J04A, J04B, J08A, J08B, J08C, J11A, J11B, J11C, J16Z		09	J03A, J03B, J04A, J04B, J08A, J08B, J08C, J10A, J10B, J16Z	5v448.g†↔	09	J11A, J11B
5v446.7↔		BOP, KVT, UOP4	5v447.7↔		BOP, KVT, UOP4	5v448.x†	09	J11A, J11B
	09	J03A, J03B, J04A, J04B, J08A, J08B, J08C, J11A, J11B, J11C, J16Z		09	J03A, J03B, J04A, J04B, J08A, J08B, J08C, J10A, J10B, J16Z	5v449.0†	09	J11A, J11B
5v446.8↔		BOP, KVT, UOP4	5v447.8↔		BOP, KVT, UOP4	5v449.4†	02	C20A, C20B
	09	J03A, J03B, J04A, J04B, J08A, J08B, J08C, J11A, J11B, J11C, J16Z		09	J03A, J03B, J04A, J04B, J08A, J08B, J08C, J10A, J10B, J16Z		09	J11A, J11B, J11C
5v446.9↔		BOP, KVT, UOP4	5v447.9↔		BOP, KVT, UOP4	5v449.5†	09	J11A, J11B
	09	J03A, J03B, J04A, J04B, J08A, J08B, J08C, J11A, J11B, J11C, J16Z		09	J03A, J03B, J04A, J04B, J08A, J08B, J08C, J10A, J10B, J16Z	5v449.6†↔	09	J11A, J11B
5v446.a		BOP, KVT, UOP4	5v447.a		BOP, KVT, UOP4	5v449.7†↔	09	J11A, J11B
	09	J03A, J03B, J04A, J04B, J08A, J08B, J08C, J11A, J11B, J11C, J16Z		09	J03A, J03B, J04A, J04B, J08A, J08B, J08C, J10A, J10B, J16Z	5v449.8†↔	09	J11A, J11B
5v446.b		BOP, KVT, UOP4	5v447.b		BOP, KVT, UOP4	5v449.9†↔	09	J11A, J11B
	09	J03A, J03B, J04A, J04B, J08A, J08B, J08C, J11A, J11B, J11C, J16Z		09	J03A, J03B, J04A, J04B, J08A, J08B, J08C, J10A, J10B, J16Z	5v449.a†	09	J11A, J11B
5v446.c		BOP, KVT, UOP4	5v447.c		BOP, KVT, UOP4	5v449.b†	09	J11A, J11B
	06	G26Z		06	G26Z	5v449.c†	09	J11A, J11B
	09	J03A, J03B, J04A, J04B, J08A, J08B, J08C, J11A, J11B, J11C, J16Z		09	J03A, J03B, J04A, J04B, J08A, J08B, J08C, J10A, J10B, J16Z	5v449.d†	09	J11A, J11B
	13	N09A, N09B		13	N09A, N09B	5v449.e†↔	09	J11A, J11B
5v446.d		BOP, KVT, UOP4	5v447.d		BOP, KVT, UOP4	5v449.f†↔	09	J11A, J11B
	06	G26Z		06	G26Z	5v449.g†↔	09	J11A, J11B
	09	J03A, J03B, J04A, J04B, J08A, J08B, J08C, J11A, J11B, J11C, J16Z		09	J03A, J03B, J04A, J04B, J08A, J08B, J08C, J10A, J10B, J16Z	5v449.x†	09	J11A, J11B
	13	N09A, N09B		13	N09A, N09B	5v450.0		BOP, KVT, UOP4
5v446.e↔		BOP, KVT, UOP4	5v447.e↔		BOP, KVT, UOP4		01	B03A, B03B, B06A, B06B, B07Z, B17A, B17B, B17C
	09	J03A, J03B, J04A, J04B, J08A, J08B, J08C, J11A, J11B, J11C, J16Z		09	J03A, J03B, J04A, J04B, J08A, J08B, J08C, J10A, J10B, J16Z		03	D12A
5v446.f↔		BOP, KVT, UOP4	5v447.f↔		BOP, KVT, UOP4		05	F13A, F21A, F21B, F21C
	09	J03A, J03B, J04A, J04B, J08A, J08B, J08C, J11A, J11B, J11C, J16Z		09	J03A, J03B, J04A, J04B, J08A, J08B, J08C, J10A, J10B, J16Z		09	J02A, J02B, J02C, J04A, J04B, J08A, J08B, J08C, J16Z, J21Z, J22A, J22B
5v446.g↔		BOP, KVT, UOP4	5v447.g↔		BOP, KVT, UOP4		21A	W04A, W04B
	09	J03A, J03B, J04A, J04B, J08A, J08B, J08C, J11A, J11B, J11C, J16Z		09	J03A, J03B, J04A, J04B, J08A, J08B, J08C, J10A, J10B, J16Z		21B	X01A, X01B, X01C
5v446.x		BOP, KVT, UOP4	5v447.x		BOP, KVT, UOP4	5v450.4		BOP, KVT, UOP4
	06	G26Z		06	G26Z		01	B03A, B03B, B06A, B06B, B07Z, B17A, B17B, B17C
	09	J03A, J03B, J04A, J04B, J08A, J08B, J08C, J11A, J11B, J11C, J16Z		09	J03A, J03B, J04A, J04B, J08A, J08B, J08C, J10A, J10B, J16Z		02	C20A, C20B
	13	N09A, N09B		13	N09A, N09B		03	D12A
5v447.0		BOP, KVT, UOP4	5v448.0†		J11A, J11B		05	F13A, F21A, F21B, F21C
	09	J03A, J03B, J04A, J04B, J08A, J08B, J08C, J10A, J10B, J16Z	5v448.4†		C20A, C20B		08	I02A, I02B, I02C, I02D, I22A, I22B, I50Z
					J11A, J11B, J11C		09	J02A, J02B, J02C, J04A, J04B, J08A, J08B, J08C, J16Z, J21Z, J22A, J22B
			5v448.5†		J11A, J11B		21A	W04A, W04B
			5v448.6†↔		J11A, J11B		21B	X01A, X01B, X01C
			5v448.7†↔		J11A, J11B	5v450.5		BOP, KVT, UOP4
			5v448.8†↔		J11A, J11B		01	B03A, B03B, B06A, B06B, B07Z, B17A, B17B, B17C
			5v448.9†↔		J11A, J11B		03	D12A
							05	F13A, F21A, F21B, F21C
							08	I02A, I02B, I02C, I02D, I22A, I22B, I50Z
							09	J02A, J02B, J02C, J04A, J04B, J08A, J08B, J08C, J16Z, J21Z, J22A, J22B
							21A	W04A, W04B
							21B	X01A, X01B, X01C
						5v450.6↔		BOP, KVT, UOP4
							01	B03A, B03B, B06A, B06B, B07Z, B17A, B17B, B17C
							05	F13A, F21A, F21B, F21C
							08	I02A, I02B, I02C, I02D, I22A, I22B, I50Z
							09	J02A, J02B, J02C, J04A, J04B, J08A, J08B, J08C, J16Z, J21Z, J22A, J22B
							21A	W04A, W04B
							21B	X01A, X01B, X01C



ZZV	MDC	DRG	ZZV	MDC	DRG	ZZV	MDC	DRG			
5v451.b		BOP, KVT, UOP4	5v451.x↔		BOP, KVT, UOP4	5v452.8↔		BOP, UOP4			
	01	B03A, B03B, B06A, B06B, B07Z, B17A, B17B, B17C		01	B03A, B03B, B06A, B06B, B07Z, B17A, B17B, B17C		01	B03A, B03B, B06A, B06B, B07Z, B17A, B17B, B17C			
	05	F13A, F21A, F21B, F21C		05	F13A, F21A, F21B, F21C		05	F13A, F21A, F21B, F21C			
	06	G10Z, G12A, G12B		08	I02A, I02B, I02C, I02D, I22A, I22B, I32A, I32B, I32C, I32D, I32E, I32F, I50Z		08	I02A, I02B, I02C, I02D, I22A, I22B, I32A, I32B, I32C, I32D, I32E, I32F, I50Z			
	08	I02A, I02B, I02C, I02D, I22A, I22B, I50Z		09	J02A, J02B, J02C, J04A, J04B, J08A, J08B, J08C, J16Z, J21Z, J22A, J22B		09	J02A, J02B, J02C, J04A, J04B, J08A, J08B, J08C, J16Z, J21Z, J22A, J22B			
	09	J02A, J02B, J02C, J04A, J04B, J08A, J08B, J08C, J16Z, J21Z, J22A, J22B		21A	W04A, W04B		21A	W04A, W04B			
	21A	W04A, W04B		21B	X01A, X01B, X01C		21B	X01A, X01B, X01C			
	21B	X01A, X01B, X01C			BOP, UOP4			BOP, UOP4			
	5v451.c			BOP, KVT, UOP4	5v452.0			BOP, UOP4	5v452.9↔		BOP, UOP4
		01		B03A, B03B, B06A, B06B, B07Z, B17A, B17B, B17C			01	B03A, B03B, B06A, B06B, B07Z, B17A, B17B, B17C		01	B03A, B03B, B06A, B06B, B07Z, B17A, B17B, B17C
05		F13A, F21A, F21B, F21C	03	D18Z, D28Z, D29Z		05	F13A, F21A, F21B, F21C				
06		G10Z, G12A, G12B	05	F13A, F21A, F21B, F21C		08	I12A, I12B, I12C, I32A, I32B, I32C, I32D, I32E, I32F				
08		I02A, I02B, I02C, I02D, I22A, I22B, I50Z	09	J02A, J02B, J02C, J04A, J04B, J08A, J08B, J08C, J16Z, J21Z, J22A, J22B		09	J02A, J02B, J02C, J04A, J04B, J08A, J08B, J08C, J16Z, J21Z, J22A, J22B				
09		J02A, J02B, J02C, J04A, J04B, J08A, J08B, J08C, J16Z, J21Z, J22A, J22B	21A	W04A, W04B		21A	W04A, W04B				
21A		W04A, W04B	21B	X01A, X01B, X01C		21A	W04A, W04B				
21B		X01A, X01B, X01C		BOP, UOP4		21B	X01A, X01B, X01C				
5v451.d			BOP, KVT, UOP4	5v452.4			BOP, UOP4	5v452.a			BOP, UOP4
		01	B03A, B03B, B06A, B06B, B07Z, B17A, B17B, B17C			01	B03A, B03B, B06A, B06B, B07Z, B17A, B17B, B17C			01	B03A, B03B, B06A, B06B, B07Z, B17A, B17B, B17C
	05	F13A, F21A, F21B, F21C	02		C20A, C20B	05	F13A, F21A, F21B, F21C				
	06	G10Z, G12A, G12B	03		D18Z, D28Z, D29Z	06	G10Z, G12A, G12B				
	08	I02A, I02B, I02C, I02D, I22A, I22B, I50Z	05		F13A, F21A, F21B, F21C	08	I02A, I02B, I02C, I02D, I22A, I22B, I50Z				
	09	J02A, J02B, J02C, J04A, J04B, J08A, J08B, J08C, J16Z, J21Z, J22A, J22B	08		I02A, I02B, I02C, I02D, I22A, I22B, I50Z	09	J02A, J02B, J02C, J04A, J04B, J08A, J08B, J08C, J16Z, J21Z, J22A, J22B				
	21A	W04A, W04B	09		J02A, J02B, J02C, J04A, J04B, J08A, J08B, J08C, J16Z, J21Z, J22A, J22B	21A	W04A, W04B				
	21B	X01A, X01B, X01C	21A		W04A, W04B	21A	W04A, W04B				
	5v451.e↔		BOP, KVT, UOP4		5v452.5		BOP, UOP4		5v452.b		BOP, UOP4
		01	B03A, B03B, B06A, B06B, B07Z, B17A, B17B, B17C			01	B03A, B03B, B06A, B06B, B07Z, B17A, B17B, B17C			01	B03A, B03B, B06A, B06B, B07Z, B17A, B17B, B17C
05		F13A, F21A, F21B, F21C	03	D18Z, D28Z, D29Z		05	F13A, F21A, F21B, F21C				
08		I02A, I02B, I02C, I02D, I22A, I22B, I50Z	05	F13A, F21A, F21B, F21C		06	G10Z, G12A, G12B				
09		J02A, J02B, J02C, J04A, J04B, J08A, J08B, J08C, J16Z, J21Z, J22A, J22B	08	I02A, I02B, I02C, I02D, I22A, I22B, I50Z		08	I02A, I02B, I02C, I02D, I22A, I22B, I50Z				
21A		W04A, W04B	09	J02A, J02B, J02C, J04A, J04B, J08A, J08B, J08C, J16Z, J21Z, J22A, J22B		09	J02A, J02B, J02C, J04A, J04B, J08A, J08B, J08C, J16Z, J21Z, J22A, J22B				
21B		X01A, X01B, X01C	21A	W04A, W04B		21A	W04A, W04B				
5v451.f↔			BOP, KVT, UOP4	5v452.6↔			BOP, UOP4	5v452.c			BOP, UOP4
		01	B03A, B03B, B06A, B06B, B07Z, B17A, B17B, B17C			01	B03A, B03B, B06A, B06B, B07Z, B17A, B17B, B17C			01	B03A, B03B, B06A, B06B, B07Z, B17A, B17B, B17C
		05	F13A, F21A, F21B, F21C			03	D18Z, D28Z, D29Z			05	F13A, F21A, F21B, F21C
	08	I02A, I02B, I02C, I02D, I22A, I22B, I50Z	05		F13A, F21A, F21B, F21C	06	G10Z, G12A, G12B				
	09	J02A, J02B, J02C, J04A, J04B, J08A, J08B, J08C, J16Z, J21Z, J22A, J22B	08		I02A, I02B, I02C, I02D, I22A, I22B, I50Z	08	I02A, I02B, I02C, I02D, I22A, I22B, I50Z				
	21A	W04A, W04B	09		J02A, J02B, J02C, J04A, J04B, J08A, J08B, J08C, J16Z, J21Z, J22A, J22B	09	J02A, J02B, J02C, J04A, J04B, J08A, J08B, J08C, J16Z, J21Z, J22A, J22B				
	21B	X01A, X01B, X01C	21A		W04A, W04B	21A	W04A, W04B				
	5v451.g↔		BOP, KVT, UOP4		5v452.7↔		BOP, UOP4		5v452.d		BOP, UOP4
		01	B03A, B03B, B06A, B06B, B07Z, B17A, B17B, B17C			01	B03A, B03B, B06A, B06B, B07Z, B17A, B17B, B17C			01	B03A, B03B, B06A, B06B, B07Z, B17A, B17B, B17C
		05	F13A, F21A, F21B, F21C			03	D18Z, D28Z, D29Z			05	F13A, F21A, F21B, F21C
08		I02A, I02B, I02C, I02D, I12A, I12B, I12C, I22A, I22B, I50Z	05	F13A, F21A, F21B, F21C		06	G10Z, G12A, G12B				
09		J02A, J02B, J02C, J04A, J04B, J08A, J08B, J08C, J16Z, J21Z, J22A, J22B	08	I02A, I02B, I02C, I02D, I22A, I22B, I50Z		08	I02A, I02B, I02C, I02D, I22A, I22B, I50Z				
21A		W04A, W04B	09	J02A, J02B, J02C, J04A, J04B, J08A, J08B, J08C, J16Z, J21Z, J22A, J22B		09	J02A, J02B, J02C, J04A, J04B, J08A, J08B, J08C, J16Z, J21Z, J22A, J22B				
21B		X01A, X01B, X01C	21A	W04A, W04B		21A	W04A, W04B				
		BOP, KVT, UOP4	21B	X01A, X01B, X01C		21B	X01A, X01B, X01C				
		BOP, UOP4		BOP, UOP4			BOP, UOP4				
		BOP, UOP4		BOP, UOP4			BOP, UOP4				





## Príloha B: Index Výkon-MDC-DRG

ZZV	MDC	DRG	ZZV	MDC	DRG	ZZV	MDC	DRG
5v453.g↔		BOP, KVT, UOP4	5v454.7↔		BOP, KVT, UOP4	5v454.c		BOP, KVT, UOP4
	01	B03A, B03B, B06A, B06B, B07Z, B17A, B17B, B17C		01	B03A, B03B, B06A, B06B, B07Z, B17A, B17B, B17C		01	B03A, B03B, B06A, B06B, B07Z, B17A, B17B, B17C
	05	F13A, F21A, F21B, F21C		05	F13A, F21A, F21B, F21C		05	F13A, F21A, F21B, F21C, F27A, F27B, F27C
	08	I02A, I02B, I02C, I02D, I12A, I12B, I12C, I22A, I22B, I50Z		08	I02A, I02B, I02C, I02D, I22A, I22B, I50Z		06	G10Z, G12A, G12B
	09	J02A, J02B, J02C, J04A, J04B, J08A, J08B, J08C, J16Z, J21Z, J22A, J22B		09	J02A, J02B, J02C, J04A, J04B, J08A, J08B, J08C, J16Z, J21Z, J22A, J22B		08	I02A, I02B, I02C, I02D, I22A, I22B, I50Z
	21A	W04A, W04B		21A	W04A, W04B		09	J02A, J02B, J02C, J04A, J04B, J08A, J08B, J08C, J16Z, J21Z, J22A, J22B
	21B	X01A, X01B, X01C		21B	X01A, X01B, X01C		10	K01Z
5v453.x↔		BOP, KVT, UOP4	5v454.8↔		BOP, KVT, UOP4	5v454.d		BOP, KVT, UOP4
	01	B03A, B03B, B06A, B06B, B07Z, B17A, B17B, B17C		01	B03A, B03B, B06A, B06B, B07Z, B17A, B17B, B17C		01	B03A, B03B, B06A, B06B, B07Z, B17A, B17B, B17C
	05	F13A, F21A, F21B, F21C		05	F13A, F21A, F21B, F21C		05	F13A, F21A, F21B, F21C
	08	I02A, I02B, I02C, I02D, I22A, I22B, I32A, I32B, I32C, I32D, I32E, I32F, I50Z		08	I02A, I02B, I02C, I02D, I22A, I22B, I32A, I32B, I32C, I32D, I32E, I32F, I50Z		06	G10Z, G12A, G12B
	09	J02A, J02B, J02C, J04A, J04B, J08A, J08B, J08C, J16Z, J21Z, J22A, J22B		09	J02A, J02B, J02C, J04A, J04B, J08A, J08B, J08C, J16Z, J21Z, J22A, J22B		08	I02A, I02B, I02C, I02D, I22A, I22B, I50Z
	21A	W04A, W04B		21A	W04A, W04B		09	J02A, J02B, J02C, J04A, J04B, J08A, J08B, J08C, J16Z, J21Z, J22A, J22B
	21B	X01A, X01B, X01C		21B	X01A, X01B, X01C		21A	W04A, W04B
5v454.0		BOP, KVT, UOP4	5v454.9↔		BOP, KVT, UOP4	5v454.e↔		BOP, KVT, UOP4
	01	B03A, B03B, B06A, B06B, B07Z, B17A, B17B, B17C		01	B03A, B03B, B06A, B06B, B07Z, B17A, B17B, B17C		01	B03A, B03B, B06A, B06B, B07Z, B17A, B17B, B17C
	03	D18Z, D28Z, D29Z		05	F13A, F21A, F21B, F21C		05	F13A, F21A, F21B, F21C
	05	F13A, F21A, F21B, F21C		08	I12A, I12B, I12C, I32A, I32B, I32C, I32D, I32E, I32F		08	I02A, I02B, I02C, I02D, I22A, I22B, I50Z
	09	J02A, J02B, J02C, J04A, J04B, J08A, J08B, J08C, J16Z, J21Z, J22A, J22B		09	J02A, J02B, J02C, J04A, J04B, J08A, J08B, J08C, J16Z, J21Z, J22A, J22B		09	J02A, J02B, J02C, J04A, J04B, J08A, J08B, J08C, J16Z, J21Z, J22A, J22B
	21A	W04A, W04B		21A	W04A, W04B		10	K01Z
	21B	X01A, X01B, X01C		21B	X01A, X01B, X01C		21A	W04A, W04B
5v454.4		BOP, KVT, UOP4	5v454.a		BOP, KVT, UOP4	5v454.f↔		BOP, KVT, UOP4
	01	B03A, B03B, B06A, B06B, B07Z, B17A, B17B, B17C		01	B03A, B03B, B06A, B06B, B07Z, B17A, B17B, B17C		01	B03A, B03B, B06A, B06B, B07Z, B17A, B17B, B17C
	02	C20A, C20B		05	F13A, F21A, F21B, F21C		05	F13A, F21A, F21B, F21C
	03	D18Z, D28Z, D29Z		06	G10Z, G12A, G12B		06	G10Z, G12A, G12B
	05	F13A, F21A, F21B, F21C		08	I02A, I02B, I02C, I02D, I22A, I22B, I50Z		08	I02A, I02B, I02C, I02D, I22A, I22B, I50Z
	08	I02A, I02B, I02C, I02D, I22A, I22B, I50Z		09	J02A, J02B, J02C, J04A, J04B, J08A, J08B, J08C, J16Z, J21Z, J22A, J22B		09	J02A, J02B, J02C, J04A, J04B, J08A, J08B, J08C, J16Z, J21Z, J22A, J22B
	09	J02A, J02B, J02C, J04A, J04B, J08A, J08B, J08C, J16Z, J21Z, J22A, J22B		21A	W04A, W04B		10	K01Z
	21A	W04A, W04B		21B	X01A, X01B, X01C		21A	W04A, W04B
	21B	X01A, X01B, X01C					21B	X01A, X01B, X01C
5v454.5		BOP, KVT, UOP4	5v454.b		BOP, KVT, UOP4	5v454.g↔		BOP, KVT, UOP4
	01	B03A, B03B, B06A, B06B, B07Z, B17A, B17B, B17C		01	B03A, B03B, B06A, B06B, B07Z, B17A, B17B, B17C		01	B03A, B03B, B06A, B06B, B07Z, B17A, B17B, B17C
	03	D18Z, D28Z, D29Z		05	F13A, F21A, F21B, F21C		05	F13A, F21A, F21B, F21C
	05	F13A, F21A, F21B, F21C		06	G10Z, G12A, G12B		05	F13A, F21A, F21B, F21C, F27A, F27B, F27C
	08	I02A, I02B, I02C, I02D, I22A, I22B, I50Z		08	I02A, I02B, I02C, I02D, I22A, I22B, I50Z		08	I02A, I02B, I02C, I02D, I22A, I22B, I50Z
	09	J02A, J02B, J02C, J04A, J04B, J08A, J08B, J08C, J16Z, J21Z, J22A, J22B		09	J02A, J02B, J02C, J04A, J04B, J08A, J08B, J08C, J16Z, J21Z, J22A, J22B		09	J02A, J02B, J02C, J04A, J04B, J08A, J08B, J08C, J16Z, J21Z, J22A, J22B
	21A	W04A, W04B		21A	W04A, W04B		10	K01Z
	21B	X01A, X01B, X01C		21B	X01A, X01B, X01C		21A	W04A, W04B
5v454.6↔		BOP, KVT, UOP4						BOP, KVT, UOP4
	01	B03A, B03B, B06A, B06B, B07Z, B17A, B17B, B17C						B03A, B03B, B06A, B06B, B07Z, B17A, B17B, B17C
	05	F13A, F21A, F21B, F21C						F13A, F21A, F21B, F21C, F27A, F27B, F27C
	08	I02A, I02B, I02C, I02D, I22A, I22B, I50Z						I02A, I02B, I02C, I02D, I22A, I12B, I12C, I22A, I22B, I50Z
	09	J02A, J02B, J02C, J04A, J04B, J08A, J08B, J08C, J16Z, J21Z, J22A, J22B						J02A, J02B, J02C, J04A, J04B, J08A, J08B, J08C, J16Z, J21Z, J22A, J22B
	21A	W04A, W04B						W04A, W04B
	21B	X01A, X01B, X01C						X01A, X01B, X01C

VYK



## Príloha B: Index Výkon-MDC-DRG

ZZV	MDC	DRG	ZZV	MDC	DRG	ZZV	MDC	DRG			
5v456.4		BOP, KVT, UOP4	5v456.a		BOP, KVT, UOP4	5v456.g↔		BOP, KVT, UOP4			
	01	B03A, B03B, B06A, B06B, B07Z, B17A, B17B, B17C		01	B03A, B03B, B06A, B06B, B07Z, B17A, B17B, B17C		01	B03A, B03B, B06A, B06B, B07Z, B17A, B17B, B17C			
	02	C20A, C20B		05	F13A, F21A, F21B, F21C		05	F13A, F21A, F21B, F21C			
	05	F13A, F21A, F21B, F21C		06	G10Z, G12A, G12B		08	I02A, I02B, I02C, I02D, I12A, I12B, I12C, I22A, I22B, I50Z			
	08	I02A, I02B, I02C, I02D, I12A, I12B, I12C, I22A, I22B, I50Z		08	I02A, I02B, I02C, I02D, I12A, I12B, I12C, I22A, I22B, I50Z		09	J02A, J02B, J02C, J04A, J04B, J08A, J08B, J08C, J16Z, J21Z, J22A, J22B			
	09	J02A, J02B, J02C, J04A, J04B, J08A, J08B, J08C, J16Z, J21Z, J22A, J22B		09	J02A, J02B, J02C, J04A, J04B, J08A, J08B, J08C, J16Z, J21Z, J22A, J22B		21A	W04A, W04B			
	21A	W04A, W04B		21A	W04A, W04B		21B	X01A, X01B, X01C			
	21B	X01A, X01B, X01C		21B	X01A, X01B, X01C			BOP, KVT, UOP4			
	5v456.5			BOP, KVT, UOP4	5v456.b			BOP, KVT, UOP4	5v456.x↔	01	B03A, B03B, B06A, B06B, B07Z, B17A, B17B, B17C
		01		B03A, B03B, B06A, B06B, B07Z, B17A, B17B, B17C			01	B03A, B03B, B06A, B06B, B07Z, B17A, B17B, B17C		05	F13A, F21A, F21B, F21C
05		F13A, F21A, F21B, F21C	05	F13A, F21A, F21B, F21C		08	I02A, I02B, I02C, I02D, I12A, I12B, I12C, I22A, I22B, I32A, I32B, I32C, I32D, I32E, I32F, I50Z				
08		I02A, I02B, I02C, I02D, I12A, I12B, I12C, I22A, I22B, I50Z	06	G10Z, G12A, G12B		09	J02A, J02B, J02C, J04A, J04B, J08A, J08B, J08C, J16Z, J21Z, J22A, J22B				
09		J02A, J02B, J02C, J04A, J04B, J08A, J08B, J08C, J16Z, J21Z, J22A, J22B	08	I02A, I02B, I02C, I02D, I12A, I12B, I12C, I22A, I22B, I50Z		21A	W04A, W04B				
21A		W04A, W04B	09	J02A, J02B, J02C, J04A, J04B, J08A, J08B, J08C, J16Z, J21Z, J22A, J22B		21B	X01A, X01B, X01C				
21B		X01A, X01B, X01C	21A	W04A, W04B			BOP, KVT, UOP4				
5v456.6↔			BOP, KVT, UOP4	5v456.c			BOP, KVT, UOP4	5v457.0		01	B03A, B03B, B06A, B06B, B07Z, B17A, B17B, B17C
		01	B03A, B03B, B06A, B06B, B07Z, B17A, B17B, B17C			01	B03A, B03B, B06A, B06B, B07Z, B17A, B17B, B17C			03	D18Z, D25A, D25B, D25C, D25D
		05	F13A, F21A, F21B, F21C			05	F13A, F21A, F21B, F21C			05	F13A, F21A, F21B
	08	I02A, I02B, I02C, I02D, I12A, I12B, I12C, I22A, I22B, I50Z	06		G10Z, G12A, G12B	08	I12A, I12B, I12C				
	09	J02A, J02B, J02C, J04A, J04B, J08A, J08B, J08C, J16Z, J21Z, J22A, J22B	08		I02A, I02B, I02C, I02D, I12A, I12B, I12C, I22A, I22B, I50Z	09	J02A, J02B, J02C, J04A, J04B, J08A, J08B, J08C, J16Z, J21Z, J22A, J22B				
	21A	W04A, W04B	09		J02A, J02B, J02C, J04A, J04B, J08A, J08B, J08C, J16Z, J21Z, J22A, J22B	21A	W04A, W04B				
	21B	X01A, X01B, X01C	21A		W04A, W04B	21B	X01A, X01B, X01C				
	5v456.7↔		BOP, KVT, UOP4		5v456.d		BOP, KVT, UOP4		5v457.4		BOP, UOP4
		01	B03A, B03B, B06A, B06B, B07Z, B17A, B17B, B17C			01	B03A, B03B, B06A, B06B, B07Z, B17A, B17B, B17C			01	B03A, B03B, B06A, B06B, B07Z, B17A, B17B, B17C
		05	F13A, F21A, F21B, F21C			05	F13A, F21A, F21B, F21C			02	C20A, C20B
08		I02A, I02B, I02C, I02D, I12A, I12B, I12C, I22A, I22B, I50Z	06	G10Z, G12A, G12B		03	D18Z, D25A, D25B, D25C, D25D				
09		J02A, J02B, J02C, J04A, J04B, J08A, J08B, J08C, J16Z, J21Z, J22A, J22B	08	I02A, I02B, I02C, I02D, I12A, I12B, I12C, I22A, I22B, I50Z		05	F13A, F21A, F21B				
21A		W04A, W04B	09	J02A, J02B, J02C, J04A, J04B, J08A, J08B, J08C, J16Z, J21Z, J22A, J22B		08	I02A, I02B, I02C, I02D, I12A, I12B, I12C, I22A, I22B, I50Z				
21B		X01A, X01B, X01C	21A	W04A, W04B		09	J02A, J02B, J02C, J04A, J04B, J08A, J08B, J08C, J16Z, J21Z, J22A				
5v456.8↔			BOP, KVT, UOP4	5v456.e↔			BOP, KVT, UOP4	5v457.5		21A	W04A, W04B
		01	B03A, B03B, B06A, B06B, B07Z, B17A, B17B, B17C			01	B03A, B03B, B06A, B06B, B07Z, B17A, B17B, B17C			21B	X01A, X01B, X01C
		05	F13A, F21A, F21B, F21C			05	F13A, F21A, F21B, F21C				BOP, UOP4
	08	I02A, I02B, I02C, I02D, I12A, I12B, I12C, I22A, I22B, I32A, I32B, I32C, I32D, I50Z	08		I02A, I02B, I02C, I02D, I12A, I12B, I12C, I22A, I22B, I50Z	01	B03A, B03B, B06A, B06B, B07Z, B17A, B17B, B17C				
	09	J02A, J02B, J02C, J04A, J04B, J08A, J08B, J08C, J16Z, J21Z, J22A, J22B	09		J02A, J02B, J02C, J04A, J04B, J08A, J08B, J08C, J16Z, J21Z, J22A, J22B	03	D18Z, D25A, D25B, D25C, D25D				
	21A	W04A, W04B	21A		W04A, W04B	05	F13A, F21A, F21B				
	21B	X01A, X01B, X01C	21B		X01A, X01B, X01C	08	I02A, I02B, I02C, I02D, I12A, I12B, I12C, I22A, I22B, I50Z				
	5v456.9↔		BOP, KVT, UOP4		5v456.f↔		BOP, KVT, UOP4			09	J02A, J02B, J02C, J04A, J04B, J08A, J08B, J08C, J16Z, J21Z, J22A, J22B
		01	B03A, B03B, B06A, B06B, B07Z, B17A, B17B, B17C			01	B03A, B03B, B06A, B06B, B07Z, B17A, B17B, B17C			21A	W04A, W04B
		05	F13A, F21A, F21B, F21C			05	F13A, F21A, F21B, F21C			21B	X01A, X01B, X01C
08		I12A, I12B, I12C, I32A, I32B, I32C, I32D, I32E, I32F	08	I02A, I02B, I02C, I02D, I12A, I12B, I12C, I22A, I22B, I50Z			BOP, UOP4				
09		J02A, J02B, J02C, J04A, J04B, J08A, J08B, J08C, J16Z, J21Z, J22A, J22B	09	J02A, J02B, J02C, J04A, J04B, J08A, J08B, J08C, J16Z, J21Z, J22A, J22B		01	B03A, B03B, B06A, B06B, B07Z, B17A, B17B, B17C				
21A		W04A, W04B	21A	W04A, W04B		03	D18Z, D25A, D25B, D25C, D25D				
21B		X01A, X01B, X01C	21B	X01A, X01B, X01C		05	F13A, F21A, F21B				



ZZV	MDC	DRG	ZZV	MDC	DRG	ZZV	MDC	DRG			
5v458.8↔		BOP, KVT, UOP4	5v458.e↔		BOP, KVT, UOP4	5v459.4		BOP, KVT, UOP4			
	01	B03A, B03B, B06A, B06B, B07Z, B17A, B17B, B17C		01	B03A, B03B, B06A, B06B, B07Z, B17A, B17B, B17C		01	B03A, B03B, B06A, B06B, B07Z, B17A, B17B, B17C			
	05	F13A, F21A, F21B		05	F13A, F21A, F21B		02	C20A, C20B			
	08	I02A, I02B, I02C, I02D, I12A, I12B, I12C, I22A, I22B, I50Z		08	I02A, I02B, I02C, I02D, I12A, I12B, I12C, I22A, I22B, I50Z		03	D18Z, D25A, D25B, D25C, D25D			
	09	J02A, J02B, J02C, J04A, J04B, J08A, J08B, J08C, J16Z, J21Z, J22A, J22B		09	J02A, J02B, J02C, J04A, J04B, J08A, J08B, J08C, J16Z, J21Z, J22A, J22B		05	F13A, F21A, F21B			
	21A	W04A, W04B		21A	W04A, W04B		08	I02A, I02B, I02C, I02D, I12A, I12B, I12C, I22A, I22B, I50Z			
	21B	X01A, X01B, X01C		21B	X01A, X01B, X01C		09	J02A, J02B, J02C, J04A, J04B, J08A, J08B, J08C, J16Z, J21Z, J22A, J22B			
	5v458.9↔			BOP, KVT, UOP4	5v458.f↔			BOP, KVT, UOP4	5v459.5	21A	W04A, W04B
		01		B03A, B03B, B06A, B06B, B07Z, B17A, B17B, B17C			01	B03A, B03B, B06A, B06B, B07Z, B17A, B17B, B17C		21B	X01A, X01B, X01C
		05		F13A, F21A, F21B			05	F13A, F21A, F21B			BOP, KVT, UOP4
08		I12A, I12B, I12C, I32A, I32B, I32C, I32D, I32E, I32F	08	I02A, I02B, I02C, I02D, I12A, I12B, I12C, I22A, I22B, I50Z		01	B03A, B03B, B06A, B06B, B07Z, B17A, B17B, B17C				
09		J02A, J02B, J02C, J04A, J04B, J08A, J08B, J08C, J16Z, J21Z, J22A, J22B	09	J02A, J02B, J02C, J04A, J04B, J08A, J08B, J08C, J16Z, J21Z, J22A, J22B		03	D18Z, D25A, D25B, D25C, D25D				
21A		W04A, W04B	21A	W04A, W04B		05	F13A, F21A, F21B				
21B		X01A, X01B, X01C	21B	X01A, X01B, X01C		08	I02A, I02B, I02C, I02D, I12A, I12B, I12C, I22A, I22B, I50Z				
5v458.a			BOP, KVT, UOP4	5v458.g↔			BOP, KVT, UOP4	5v459.6↔		09	J02A, J02B, J02C, J04A, J04B, J08A, J08B, J08C, J16Z, J21Z, J22A, J22B
		01	B03A, B03B, B06A, B06B, B07Z, B17A, B17B, B17C			01	B03A, B03B, B06A, B06B, B07Z, B17A, B17B, B17C			21A	W04A, W04B
		05	F13A, F21A, F21B			05	F13A, F21A, F21B			21B	X01A, X01B, X01C
	06	G10Z, G12A, G12B	08		I02A, I02B, I02C, I02D, I12A, I12B, I12C, I22A, I22B, I50Z		BOP, KVT, UOP4				
	08	I02A, I02B, I02C, I02D, I12A, I12B, I12C, I22A, I22B, I50Z	09		J02A, J02B, J02C, J04A, J04B, J08A, J08B, J08C, J16Z, J21Z, J22A, J22B	01	B03A, B03B, B06A, B06B, B07Z, B17A, B17B, B17C				
	09	J02A, J02B, J02C, J04A, J04B, J08A, J08B, J08C, J16Z, J21Z, J22A, J22B	21A		W04A, W04B	05	F13A, F21A, F21B				
	21A	W04A, W04B	21B		X01A, X01B, X01C	08	I02A, I02B, I02C, I02D, I12A, I12B, I12C, I22A, I22B, I50Z				
	21B	X01A, X01B, X01C			BOP, KVT, UOP4	09	J02A, J02B, J02C, J04A, J04B, J08A, J08B, J08C, J16Z, J21Z, J22A, J22B				
	5v458.b		BOP, KVT, UOP4		5v458.x↔		BOP, KVT, UOP4		5v459.7↔	21A	W04A, W04B
		01	B03A, B03B, B06A, B06B, B07Z, B17A, B17B, B17C			01	B03A, B03B, B06A, B06B, B07Z, B17A, B17B, B17C			21B	X01A, X01B, X01C
05		F13A, F21A, F21B	05	F13A, F21A, F21B			BOP, KVT, UOP4				
06		G10Z, G12A, G12B	08	I02A, I02B, I02C, I02D, I12A, I12B, I12C, I22A, I22B, I32A, I32B, I32C, I32D, I32E, I32F, I50Z		01	B03A, B03B, B06A, B06B, B07Z, B17A, B17B, B17C				
08		I02A, I02B, I02C, I02D, I12A, I12B, I12C, I22A, I22B, I50Z	09	J02A, J02B, J02C, J04A, J04B, J08A, J08B, J08C, J16Z, J21Z, J22A, J22B		05	F13A, F21A, F21B				
09		J02A, J02B, J02C, J04A, J04B, J08A, J08B, J08C, J16Z, J21Z, J22A, J22B	21A	W04A, W04B		08	I02A, I02B, I02C, I02D, I12A, I12B, I12C, I22A, I22B, I50Z				
21A		W04A, W04B	21B	X01A, X01B, X01C		09	J02A, J02B, J02C, J04A, J04B, J08A, J08B, J08C, J16Z, J21Z, J22A, J22B				
21B		X01A, X01B, X01C		BOP, KVT, UOP4		21A	W04A, W04B				
5v458.c			BOP, KVT, UOP4	5v459.0			BOP, KVT, UOP4	5v459.8↔		21B	X01A, X01B, X01C
		01	B03A, B03B, B06A, B06B, B07Z, B17A, B17B, B17C			01	B03A, B03B, B06A, B06B, B07Z, B17A, B17B, B17C				BOP, KVT, UOP4
	05	F13A, F21A, F21B	03		D18Z, D25A, D25B, D25C, D25D	01	B03A, B03B, B06A, B06B, B07Z, B17A, B17B, B17C				
	06	G10Z, G12A, G12B	05		F13A, F21A, F21B	05	F13A, F21A, F21B				
	08	I02A, I02B, I02C, I02D, I12A, I12B, I12C, I22A, I22B, I50Z	08		I12A, I12B, I12C	08	I02A, I02B, I02C, I02D, I12A, I12B, I12C, I22A, I22B, I32A, I32B, I32C, I32D, I32E, I32F, I50Z				
	09	J02A, J02B, J02C, J04A, J04B, J08A, J08B, J08C, J16Z, J21Z, J22A, J22B	09		J02A, J02B, J02C, J04A, J04B, J08A, J08B, J08C, J16Z, J21Z, J22A, J22B	09	J02A, J02B, J02C, J04A, J04B, J08A, J08B, J08C, J16Z, J21Z, J22A, J22B				
	21A	W04A, W04B	21A		W04A, W04B	21A	W04A, W04B				
	21B	X01A, X01B, X01C	21B		X01A, X01B, X01C	21B	X01A, X01B, X01C				
	5v458.d		BOP, KVT, UOP4								
		01	B03A, B03B, B06A, B06B, B07Z, B17A, B17B, B17C								
05		F13A, F21A, F21B									
06		G10Z, G12A, G12B									
08		I02A, I02B, I02C, I02D, I12A, I12B, I12C, I22A, I22B, I50Z									
09		J02A, J02B, J02C, J04A, J04B, J08A, J08B, J08C, J16Z, J21Z, J22A, J22B									
21A		W04A, W04B									
21B		X01A, X01B, X01C									

ZZV	MDC	DRG	ZZV	MDC	DRG	ZZV	MDC	DRG			
5v459.9↔		BOP, KVT, UOP4	5v459.e↔		BOP, KVT, UOP4	5v45a.2		BOP, KK11, KKI, KKII, KKP, KVT, UOP4			
	01	B03A, B03B, B06A, B06B, B07Z, B17A, B17B, B17C		01	B03A, B03B, B06A, B06B, B07Z, B17A, B17B, B17C		01	B03A, B03B, B06A, B06B, B07Z, B17A, B17B, B17C			
	05	F13A, F21A, F21B		05	F13A, F21A, F21B, F27A, F27B, F27C		05	F13A, F21A, F21B, F21C			
	08	I12A, I12B, I12C, I32A, I32B, I32C, I32D, I32E, I32F		08	I02A, I02B, I02C, I02D, I12A, I12B, I12C, I22A, I22B, I50Z		06	G10Z, G12A, G12B			
	09	J02A, J02B, J02C, J04A, J04B, J08A, J08B, J08C, J16Z, J21Z, J22A, J22B		09	J02A, J02B, J02C, J04A, J04B, J08A, J08B, J08C, J16Z, J21Z, J22A, J22B		08	I02A, I02B, I02C, I02D, I12A, I12B, I12C, I22A, I22B, I50Z			
	21A	W04A, W04B		10	K01Z		09	J02A, J02B, J02C, J04A, J04B, J08A, J08B, J08C, J16Z, J21Z, J22A, J22B			
	21B	X01A, X01B, X01C		21A	W04A, W04B		21A	W04A, W04B			
	5v459.a			BOP, KVT, UOP4	5v459.f↔			BOP, KVT, UOP4	5v45a.3		BOP, KVT, UOP4
		01		B03A, B03B, B06A, B06B, B07Z, B17A, B17B, B17C			01	B03A, B03B, B06A, B06B, B07Z, B17A, B17B, B17C		01	B03A, B03B, B06A, B06B, B07Z, B17A, B17B, B17C
		05		F13A, F21A, F21B			05	F13A, F21A, F21B, F27A, F27B, F27C		05	F13A, F21A, F21B, F21C
06		G10Z, G12A, G12B	08	I02A, I02B, I02C, I02D, I12A, I12B, I12C, I22A, I22B, I50Z		06	G10Z, G12A, G12B				
08		I02A, I02B, I02C, I02D, I12A, I12B, I12C, I22A, I22B, I50Z	09	J02A, J02B, J02C, J04A, J04B, J08A, J08B, J08C, J16Z, J21Z, J22A, J22B		08	I02A, I02B, I02C, I02D, I12A, I12B, I12C, I22A, I22B, I50Z				
09		J02A, J02B, J02C, J04A, J04B, J08A, J08B, J08C, J16Z, J21Z, J22A, J22B	10	K01Z		09	J02A, J02B, J02C, J04A, J04B, J08A, J08B, J08C, J16Z, J21Z, J22A, J22B				
21A		W04A, W04B	21A	W04A, W04B		21A	W04A, W04B				
21B		X01A, X01B, X01C	21B	X01A, X01B, X01C		21B	X01A, X01B				
5v459.b			BOP, KVT, UOP4	5v459.g↔			BOP, KVT, UOP4	5v45a.4			BOP, KVT, UOP4
		01	B03A, B03B, B06A, B06B, B07Z, B17A, B17B, B17C			01	B03A, B03B, B06A, B06B, B07Z, B17A, B17B, B17C			01	B03A, B03B, B06A, B06B, B07Z, B17A, B17B, B17C
	05	F13A, F21A, F21B	05		F13A, F21A, F21B, F27A, F27B, F27C	05	F13A, F21A, F21B, F21C				
	06	G10Z, G12A, G12B	08		I02A, I02B, I02C, I02D, I12A, I12B, I12C, I22A, I22B, I50Z	06	G10Z, G12A, G12B				
	08	I02A, I02B, I02C, I02D, I12A, I12B, I12C, I22A, I22B, I50Z	09		J02A, J02B, J02C, J04A, J04B, J08A, J08B, J08C, J16Z, J21Z, J22A, J22B	08	I02A, I02B, I02C, I02D, I12A, I12B, I12C, I22A, I22B, I32A, I32B, I32C, I32D, I32E, I32F, I50Z				
	09	J02A, J02B, J02C, J04A, J04B, J08A, J08B, J08C, J16Z, J21Z, J22A, J22B	10		K01Z	09	J02A, J02B, J02C, J04A, J04B, J08A, J08B, J08C, J16Z, J21Z, J22A, J22B				
	21A	W04A, W04B	21A		W04A, W04B	21A	W04A, W04B				
	21B	X01A, X01B, X01C	21B		X01A, X01B, X01C	21B	X01A, X01B				
	5v459.c		BOP, KVT, UOP4		5v459.x↔		BOP, KVT, UOP4		5v45a.x		BOP, KVT, UOP4
		01	B03A, B03B, B06A, B06B, B07Z, B17A, B17B, B17C			01	B03A, B03B, B06A, B06B, B07Z, B17A, B17B, B17C			01	B03A, B03B, B06A, B06B, B07Z, B17A, B17B, B17C
05		F13A, F21A, F21B, F27A, F27B, F27C	05	F13A, F21A, F21B		05	F13A, F21A, F21B, F21C				
06		G10Z, G12A, G12B	08	I02A, I02B, I02C, I02D, I12A, I12B, I12C, I22A, I22B, I32A, I32B, I32C, I32D, I32E, I32F, I50Z		08	I02A, I02B, I02C, I02D, I12A, I12B, I12C, I22A, I22B, I32A, I32B, I32C, I32D, I32E, I32F, I50Z				
08		I02A, I02B, I02C, I02D, I12A, I12B, I12C, I22A, I22B, I50Z	09	J02A, J02B, J02C, J04A, J04B, J08A, J08B, J08C, J16Z, J21Z, J22A, J22B		08	I02A, I02B, I02C, I02D, I12A, I12B, I12C, I22A, I22B, I32A, I32B, I32C, I32D, I32E, I32F, I50Z				
09		J02A, J02B, J02C, J04A, J04B, J08A, J08B, J08C, J16Z, J21Z, J22A, J22B	10	K01Z		09	J02A, J02B, J02C, J04A, J04B, J08A, J08B, J08C, J16Z, J21Z, J22A, J22B				
10		K01Z	21A	W04A, W04B		21A	W04A, W04B				
21A		W04A, W04B	21B	X01A, X01B, X01C		21B	X01A, X01B				
21B		X01A, X01B, X01C	5v45a.1			BOP, KVT, UOP4	5v45x.x↔			BOP, KVT, UOP4	
5v459.d				BOP, KVT, UOP4		01		B03A, B03B, B06A, B06B, B07Z, B17A, B17B, B17C		01	B03A, B03B, B06A, B06B, B07Z, B17A, B17B, B17C
	01	B03A, B03B, B06A, B06B, B07Z, B17A, B17B, B17C		05	F13A, F21A, F21B, F21C, F27A, F27B, F27C	05		F13A, F21A, F21B, F21C			
	05	F13A, F21A, F21B		08	I02A, I02B, I02C, I02D, I12A, I12B, I12C, I22A, I22B, I32A, I32B, I32C, I32D, I50Z	08		I02A, I02B, I02C, I02D, I22A, I22B, I32A, I32B, I32C, I32D, I32E, I50Z			
	06	G10Z, G12A, G12B		09	J02A, J02B, J02C, J04A, J04B, J08A, J08B, J08C, J16Z, J21Z, J22A, J22B	09		J02A, J02B, J02C, J04A, J04B, J08A, J08B, J08C, J16Z, J21Z, J22A, J22B			
	08	I02A, I02B, I02C, I02D, I12A, I12B, I12C, I22A, I22B, I50Z		10	K01Z	21A		W04A, W04B			
	09	J02A, J02B, J02C, J04A, J04B, J08A, J08B, J08C, J16Z, J21Z, J22A, J22B		21A	W04A, W04B	21B		X01A, X01B, X01C			
	21A	W04A, W04B		21B	X01A, X01B						
	21B	X01A, X01B, X01C									

VYK

Príloha B: Index Výkon-MDC-DRG

ZZV	MDC	DRG	ZZV	MDC	DRG	ZZV	MDC	DRG		
5v460.0↔		BOP, KVT, UOP4	5v464.0↔		BOP, KVT, UOP4	5v47x↔		BOP, KVT, UOP4		
	08	I20A, I20B, I20C, I20D, I20E, I20F, I32A, I32B, I32C, I32D, I32E, I32F		08	I20A, I20B, I20C, I20D, I20E, I20F, I32A, I32B, I32C, I32D, I32E, I32F		08	I20A, I20B, I20C, I20D, I20E, I20F, I32A, I32B, I32C, I32D, I32E, I32F		
	09	J03A, J03B, J04A, J04B, J08A, J08B, J08C, J10A, J10B, J16Z		09	J03A, J03B, J04A, J04B, J08A, J08B, J08C, J10A, J10B, J16Z		09	J03A, J03B, J04A, J04B, J08A, J08B, J08C, J10A, J10B, J16Z		
	21A	W04A, W04B		21A	W04A, W04B		21A	W04A, W04B		
5v460.x↔	21B	X05A, X05B	5v464.1↔	21B	X05A, X05B	5v500.5	21B	X05A, X05B		
		BOP, KVT, UOP4			BOP, KVT, UOP4			BOP, KVT, UOP4		
	08	I20A, I20B, I20C, I20D, I20E, I20F, I32A, I32B, I32C, I32D, I32E, I32F		08	I20A, I20B, I20C, I20D, I32A, I32B, I32C, I32D, I32E, I32F		09	J08A, J08B, J08C, J16Z, J21Z, J22A, J22B		
	09	J03A, J03B, J04A, J04B, J08A, J08B, J08C, J10A, J10B, J16Z		09	J03A, J03B, J04A, J04B, J08A, J08B, J08C, J10A, J10B, J16Z		22	Y01Z, Y03A, Y03B		
5v461.0↔	21A	W04A, W04B	5v465↔	21A	W04A, W04B	5v500.6↔	21A	W04A, W04B		
	21B	X05A, X05B		21B	X05A, X05B		21B	X05A, X05B		
		BOP, KVT, UOP4			BOP, KVT, UOP4			BOP, KVT, UOP4		
	08	I20A, I20B, I20C, I20D, I32A, I32B, I32C, I32D, I32E, I32F		08	I20A, I20B, I20C, I20D, I32A, I32B, I32C, I32D, I32E, I32F		09	J08A, J08B, J08C, J16Z, J21Z, J22A, J22B		
5v461.x↔	09	J03A, J03B, J04A, J04B, J08A, J08B, J08C, J10A, J10B, J16Z	5v46x↔	09	J03A, J03B, J04A, J04B, J08A, J08B, J08C, J10A, J10B, J16Z	5v500.7↔	22	Y01Z, Y03A, Y03B		
	21A	W04A, W04B		5v46x↔	21A		W04A, W04B	5v500.8↔	09	J08A, J08B, J08C, J16Z, J21Z, J22A, J22B
	21B	X05A, X05B			21B		X05A, X05B		09	J08A, J08B, J08C, J16Z, J21Z, J22A, J22B
		BOP, KVT, UOP4					BOP, KVT, UOP4			BOP, KVT, UOP4
08	I20A, I20B, I20C, I20D, I20E, I20F, I32A, I32B, I32C, I32D, I32E, I32F	08	I20A, I20B, I20C, I20D, I20E, I20F, I32A, I32B, I32C, I32D, I32E, I32F		09	J08A, J08B, J08C, J16Z, J21Z, J22A, J22B				
5v462.0↔	09	J03A, J03B, J04A, J04B, J08A, J08B, J08C, J10A, J10B, J16Z	5v470↔	09	J03A, J03B, J04A, J04B, J08A, J08B, J08C, J10A, J10B, J16Z	5v500.9↔	22	Y01Z, Y03A, Y03B		
	21A	W04A, W04B		5v470↔	21A		W04A, W04B	5v500.a	09	J08A, J08B, J08C, J16Z, J21Z, J22A, J22B
	21B	X05A, X05B			21B		X05A, X05B		09	J08A, J08B, J08C, J16Z, J21Z, J22A, J22B
		BOP, KVT, UOP4					BOP, KVT, UOP4			BOP, KVT, UOP4
08	I20A, I20B, I20C, I20D, I32A, I32B, I32C, I32D, I32E, I32F	08	I20A, I20B, I20C, I20D, I32A, I32B, I32C, I32D, I32E, I32F		09	J08A, J08B, J08C, J16Z, J21Z, J22A, J22B				
5v462.1↔	09	J03A, J03B, J04A, J04B, J08A, J08B, J08C, J10A, J10B, J16Z	5v471↔	09	J03A, J03B, J04A, J04B, J08A, J08B, J08C, J10A, J10B, J16Z	5v500.b	22	Y01Z, Y03A, Y03B		
	21A	W04A, W04B		5v471↔	21A		W04A, W04B	5v500.b	09	J08A, J08B, J08C, J16Z, J21Z, J22A, J22B
	21B	X05A, X05B			21B		X05A, X05B		09	J08A, J08B, J08C, J16Z, J21Z, J22A, J22B
		BOP, KVT, UOP4					BOP, KVT, UOP4			BOP, KVT, UOP4
08	I20A, I20B, I20C, I20D, I32A, I32B, I32C, I32D, I32E, I32F	08	I20A, I20B, I20C, I20D, I32A, I32B, I32C, I32D, I32E, I32F		09	J08A, J08B, J08C, J16Z, J21Z, J22A, J22B				
5v462.x↔	09	J03A, J03B, J04A, J04B, J08A, J08B, J08C, J10A, J10B, J16Z	5v472↔	09	J03A, J03B, J04A, J04B, J08A, J08B, J08C, J10A, J10B, J16Z	5v500.e↔	22	Y01Z, Y03A, Y03B		
	21A	W04A, W04B		5v472↔	21A		W04A, W04B	5v500.e↔	09	J08A, J08B, J08C, J16Z, J21Z, J22A, J22B
	21B	X05A, X05B			21B		X05A, X05B		09	J08A, J08B, J08C, J16Z, J21Z, J22A, J22B
		BOP, KVT, UOP4					BOP, KVT, UOP4			BOP, KVT, UOP4
08	I20A, I20B, I20C, I20D, I20E, I20F, I32A, I32B, I32C, I32D, I32E, I32F	08	I20A, I20B, I20C, I20D, I20E, I20F, I32A, I32B, I32C, I32D, I32E, I32F		09	J08A, J08B, J08C, J16Z, J21Z, J22A, J22B				
5v463↔	09	J03A, J03B, J04A, J04B, J08A, J08B, J08C, J10A, J10B, J16Z	5v473↔	09	J03A, J03B, J04A, J04B, J08A, J08B, J08C, J10A, J10B, J16Z	5v500.f↔	22	Y01Z, Y03A, Y03B		
	21A	W04A, W04B		5v473↔	21A		W04A, W04B	5v500.f↔	09	J08A, J08B, J08C, J16Z, J21Z, J22A, J22B
	21B	X05A, X05B			21B		X05A, X05B		09	J08A, J08B, J08C, J16Z, J21Z, J22A, J22B
		BOP, KVT, UOP4					BOP, KVT, UOP4			BOP, KVT, UOP4
08	I20A, I20B, I20C, I20D, I20E, I20F, I32A, I32B, I32C, I32D, I32E, I32F	08	I20A, I20B, I20C, I20D, I32A, I32B, I32C, I32D, I32E, I32F		09	J08A, J08B, J08C, J16Z, J21Z, J22A, J22B				

VYK



ZZV	MDC	DRG	ZZV	MDC	DRG	ZZV	MDC	DRG
5v501.9↔		BOP, KVT, UOP4	5v502.g↔		BOP, KVT, UOP4	5v511.4		BOP, KVT, UOP4
	09	J08A, J08B, J08C, J16Z, J21Z, J22A, J22B		09	J08A, J08B, J08C, J16Z, J21Z, J22A, J22B		05	F13A
	22	Y01Z, Y03A, Y03B		22	Y01Z, Y03A, Y03B		09	J08A, J08B, J08C, J16Z, J21Z, J22A, J22B
5v501.a		BOP, KVT, UOP4	5v503.6↔		BOP, KVT, UOP4		22	Y01Z, Y03A, Y03B
	09	J08A, J08B, J08C, J16Z, J21Z, J22A, J22B		09	J08A, J08B, J08C, J16Z, J21Z, J22A, J22B	5v511.5		BOP, KVT, UOP4
	22	Y01Z, Y03A, Y03B		22	Y01Z, Y03A, Y03B		05	F13A
5v501.b		BOP, KVT, UOP4	5v503.7↔		BOP, KVT, UOP4		09	J08A, J08B, J08C, J16Z, J21Z, J22A, J22B
	09	J08A, J08B, J08C, J16Z, J21Z, J22A, J22B		09	J08A, J08B, J08C, J16Z, J21Z, J22A, J22B		22	Y01Z, Y03A, Y03B
	22	Y01Z, Y03A, Y03B		22	Y01Z, Y03A, Y03B	5v511.6↔		BOP, KVT, UOP4
5v501.e↔		BOP, KVT, UOP4	5v503.8↔		BOP, KVT, UOP4		05	F13A
	09	J08A, J08B, J08C, J16Z, J21Z, J22A, J22B		09	J08A, J08B, J08C, J16Z, J21Z, J22A, J22B		09	J08A, J08B, J08C, J16Z, J21Z, J22A, J22B
	22	Y01Z, Y03A, Y03B		22	Y01Z, Y03A, Y03B		22	Y01Z, Y03A, Y03B
5v501.f↔		BOP, KVT, UOP4	5v503.9↔		BOP, KVT, UOP4	5v511.7↔		BOP, KVT, UOP4
	09	J08A, J08B, J08C, J16Z, J21Z, J22A, J22B		09	J08A, J08B, J08C, J16Z, J21Z, J22A, J22B		05	F13A
	22	Y01Z, Y03A, Y03B		22	Y01Z, Y03A, Y03B		09	J08A, J08B, J08C, J16Z, J21Z, J22A, J22B
5v501.g↔		BOP, KVT, UOP4	5v503.c		BOP, KVT, UOP4	5v511.8↔		BOP, KVT, UOP4
	09	J08A, J08B, J08C, J16Z, J21Z, J22A, J22B		09	J08A, J08B, J08C, J16Z, J21Z, J22A, J22B		05	F13A
	22	Y01Z, Y03A, Y03B		22	Y01Z, Y03A, Y03B		09	J08A, J08B, J08C, J16Z, J21Z, J22A, J22B
5v501.j		BOP, KVT, UOP4	5v503.e↔		BOP, KVT, UOP4		22	Y01Z, Y03A, Y03B
	09	J08A, J08B, J08C, J16Z, J21Z, J22A, J22B		09	J08A, J08B, J08C, J16Z, J21Z, J22A, J22B	5v511.9↔		BOP, KVT, UOP4
	22	Y01Z, Y03A, Y03B		22	Y01Z, Y03A, Y03B		05	F13A
5v502.5		BOP, KVT, UOP4	5v503.f↔		BOP, KVT, UOP4		09	J08A, J08B, J08C, J16Z, J21Z, J22A, J22B
	09	J08A, J08B, J08C, J16Z, J21Z, J22A, J22B		09	J08A, J08B, J08C, J16Z, J21Z, J22A, J22B		22	Y01Z, Y03A, Y03B
	22	Y01Z, Y03A, Y03B		22	Y01Z, Y03A, Y03B	5v511.a		BOP, KVT, UOP4
5v502.6↔		BOP, KVT, UOP4	5v503.g↔		BOP, KVT, UOP4		05	F13A
	09	J08A, J08B, J08C, J16Z, J21Z, J22A, J22B		09	J08A, J08B, J08C, J16Z, J21Z, J22A, J22B		09	J08A, J08B, J08C, J16Z, J21Z, J22A, J22B
	22	Y01Z, Y03A, Y03B		22	Y01Z, Y03A, Y03B		22	Y01Z, Y03A, Y03B
5v502.7↔		BOP, KVT, UOP4	5v503.k		BOP, KVT, UOP4	5v511.b		BOP, KVT, UOP4
	09	J08A, J08B, J08C, J16Z, J21Z, J22A, J22B		09	J08A, J08B, J08C, J16Z, J21Z, J22A, J22B		05	F13A
	22	Y01Z, Y03A, Y03B		22	Y01Z, Y03A, Y03B		09	J08A, J08B, J08C, J16Z, J21Z, J22A, J22B
5v502.8↔		BOP, KVT, UOP4	5v503.m		BOP, KVT, UOP4		22	Y01Z, Y03A, Y03B
	09	J08A, J08B, J08C, J16Z, J21Z, J22A, J22B		09	J08A, J08B, J08C, J16Z, J21Z, J22A, J22B	5v511.c		BOP, KVT, UOP4
	22	Y01Z, Y03A, Y03B		22	Y01Z, Y03A, Y03B		05	F13A
5v502.9↔		BOP, KVT, UOP4	5v50x.x		BOP, KVT, UOP4		09	J08A, J08B, J08C, J16Z, J21Z, J22A, J22B
	09	J08A, J08B, J08C, J16Z, J21Z, J22A, J22B		09	J08A, J08B, J08C, J16Z, J21Z, J22A, J22B		22	Y01Z, Y03A, Y03B
	22	Y01Z, Y03A, Y03B		22	Y01Z, Y03A, Y03B	5v511.d		BOP, KVT, UOP4
5v502.a		BOP, KVT, UOP4	5v511.0		BOP, KVT, UOP4		05	F13A
	09	J08A, J08B, J08C, J16Z, J21Z, J22A, J22B		05	F13A		09	J08A, J08B, J08C, J16Z, J21Z, J22A, J22B
	22	Y01Z, Y03A, Y03B		09	J08A, J08B, J08C, J16Z, J21Z, J22A, J22B	5v511.e↔		BOP, KVT, UOP4
5v502.b		BOP, KVT, UOP4	5v511.1		BOP, KVT, UOP4		05	F13A
	09	J08A, J08B, J08C, J16Z, J21Z, J22A, J22B		05	F13A		09	J08A, J08B, J08C, J16Z, J21Z, J22A, J22B
	22	Y01Z, Y03A, Y03B		09	J08A, J08B, J08C, J16Z, J21Z, J22A, J22B		22	Y01Z, Y03A, Y03B
5v502.c		BOP, KVT, UOP4	5v511.2↔		BOP, KVT, UOP4	5v511.f↔		BOP, KVT, UOP4
	09	J08A, J08B, J08C, J16Z, J21Z, J22A, J22B		05	F13A		05	F13A
	22	Y01Z, Y03A, Y03B		09	J08A, J08B, J08C, J16Z, J21Z, J22A, J22B		09	J08A, J08B, J08C, J16Z, J21Z, J22A, J22B
5v502.e↔		BOP, KVT, UOP4	5v511.3↔		BOP, KVT, UOP4		22	Y01Z, Y03A, Y03B
	09	J08A, J08B, J08C, J16Z, J21Z, J22A, J22B		05	F13A	5v511.g↔		BOP, KVT, UOP4
	22	Y01Z, Y03A, Y03B		09	J08A, J08B, J08C, J16Z, J21Z, J22A, J22B		05	F13A
5v502.f↔		BOP, KVT, UOP4		22	Y01Z, Y03A, Y03B		09	J08A, J08B, J08C, J16Z, J21Z, J22A, J22B
	09	J08A, J08B, J08C, J16Z, J21Z, J22A, J22B		05	F13A		22	Y01Z, Y03A, Y03B
	22	Y01Z, Y03A, Y03B		09	J08A, J08B, J08C, J16Z, J21Z, J22A, J22B	5v511.h		BOP, KVT, UOP4
				22	Y01Z, Y03A, Y03B		05	F13A
							09	J08A, J08B, J08C, J16Z, J21Z, J22A, J22B
							22	Y01Z, Y03A, Y03B

VYK

ZZV	MDC	DRG	ZZV	MDC	DRG	ZZV	MDC	DRG
5v511.j		BOP, KVT, UOP4	5v512.a		BOP, KVT, UOP4	5v513.2↔		BOP, KVT, UOP4
	05	F13A		05	F13A		05	F13A
	09	J08A, J08B, J08C, J16Z, J21Z, J22A, J22B		09	J08A, J08B, J08C, J16Z, J21Z, J22A, J22B		09	J08A, J08B, J08C, J16Z, J21Z, J22A, J22B
5v511.k	22	Y01Z, Y03A, Y03B	5v512.b	22	Y01Z, Y03A, Y03B	5v513.3↔	22	Y01Z, Y03A, Y03B
		BOP, KVT, UOP4			BOP, KVT, UOP4			BOP, KVT, UOP4
	05	F13A		05	F13A		05	F13A
5v511.m	09	J08A, J08B, J08C, J16Z, J21Z, J22A, J22B	5v512.c	09	J08A, J08B, J08C, J16Z, J21Z, J22A, J22B	5v513.4	09	J08A, J08B, J08C, J16Z, J21Z, J22A, J22B
	22	Y01Z, Y03A, Y03B		22	Y01Z, Y03A, Y03B		22	Y01Z, Y03A, Y03B
		BOP, KVT, UOP4			BOP, KVT, UOP4			BOP, KVT, UOP4
5v511.x	05	F13A	5v512.d	05	F13A	5v513.5	05	F13A
	09	J08A, J08B, J08C, J16Z, J21Z, J22A, J22B		09	J08A, J08B, J08C, J16Z, J21Z, J22A, J22B		09	J08A, J08B, J08C, J16Z, J21Z, J22A, J22B
	22	Y01Z, Y03A, Y03B		22	Y01Z, Y03A, Y03B		22	Y01Z, Y03A, Y03B
5v512.0		BOP, KVT, UOP4	5v512.e↔		BOP, KVT, UOP4	5v513.6↔		BOP, KVT, UOP4
	05	F13A		05	F13A		05	F13A
	09	J08A, J08B, J08C, J16Z, J21Z, J22A, J22B		09	J08A, J08B, J08C, J16Z, J21Z, J22A, J22B		09	J08A, J08B, J08C, J16Z, J21Z, J22A, J22B
5v512.1	22	Y01Z, Y03A, Y03B	5v512.f↔	22	Y01Z, Y03A, Y03B	5v513.7↔	22	Y01Z, Y03A, Y03B
		BOP, KVT, UOP4			BOP, KVT, UOP4			BOP, KVT, UOP4
	05	F13A		05	F13A		05	F13A
5v512.2↔	09	J08A, J08B, J08C, J16Z, J21Z, J22A, J22B	5v512.g↔	09	J08A, J08B, J08C, J16Z, J21Z, J22A, J22B	5v513.8↔	09	J08A, J08B, J08C, J16Z, J21Z, J22A, J22B
	22	Y01Z, Y03A, Y03B		22	Y01Z, Y03A, Y03B		22	Y01Z, Y03A, Y03B
		BOP, KVT, UOP4			BOP, KVT, UOP4			BOP, KVT, UOP4
5v512.3↔	05	F13A	5v512.h	05	F13A	5v513.9↔	05	F13A
	09	J08A, J08B, J08C, J16Z, J21Z, J22A, J22B		09	J08A, J08B, J08C, J16Z, J21Z, J22A, J22B		09	J08A, J08B, J08C, J16Z, J21Z, J22A, J22B
	22	Y01Z, Y03A, Y03B		22	Y01Z, Y03A, Y03B		22	Y01Z, Y03A, Y03B
5v512.4		BOP, KVT, UOP4	5v512.j		BOP, KVT, UOP4	5v513.a		BOP, KVT, UOP4
	05	F13A		05	F13A		05	F13A
	09	J08A, J08B, J08C, J16Z, J21Z, J22A, J22B		09	J08A, J08B, J08C, J16Z, J21Z, J22A, J22B		09	J08A, J08B, J08C, J16Z, J21Z, J22A, J22B
5v512.5	22	Y01Z, Y03A, Y03B	5v512.k	22	Y01Z, Y03A, Y03B	5v513.b	22	Y01Z, Y03A, Y03B
		BOP, KVT, UOP4			BOP, KVT, UOP4			BOP, KVT, UOP4
	05	F13A		05	F13A		05	F13A
5v512.6↔	09	J08A, J08B, J08C, J16Z, J21Z, J22A, J22B	5v512.l	09	J08A, J08B, J08C, J16Z, J21Z, J22A, J22B	5v513.c	09	J08A, J08B, J08C, J16Z, J21Z, J22A, J22B
	22	Y01Z, Y03A, Y03B		22	Y01Z, Y03A, Y03B		22	Y01Z, Y03A, Y03B
		BOP, KVT, UOP4			BOP, KVT, UOP4			BOP, KVT, UOP4
5v512.7↔	05	F13A	5v512.m	05	F13A	5v513.d	05	F13A
	09	J08A, J08B, J08C, J16Z, J21Z, J22A, J22B		09	J08A, J08B, J08C, J16Z, J21Z, J22A, J22B		09	J08A, J08B, J08C, J16Z, J21Z, J22A, J22B
	22	Y01Z, Y03A, Y03B		22	Y01Z, Y03A, Y03B		22	Y01Z, Y03A, Y03B
5v512.8↔		BOP, KVT, UOP4	5v513.0		BOP, KVT, UOP4	5v513.e↔		BOP, KVT, UOP4
	05	F13A		05	F13A		05	F13A
	09	J08A, J08B, J08C, J16Z, J21Z, J22A, J22B		09	J08A, J08B, J08C, J16Z, J21Z, J22A, J22B		09	J08A, J08B, J08C, J16Z, J21Z, J22A, J22B
5v512.9↔	22	Y01Z, Y03A, Y03B	5v513.1	22	Y01Z, Y03A, Y03B	5v513.f↔	22	Y01Z, Y03A, Y03B
		BOP, KVT, UOP4			BOP, KVT, UOP4			BOP, KVT, UOP4
	05	F13A		05	F13A		05	F13A
	09	J08A, J08B, J08C, J16Z, J21Z, J22A, J22B		09	J08A, J08B, J08C, J16Z, J21Z, J22A, J22B		09	J08A, J08B, J08C, J16Z, J21Z, J22A, J22B
	22	Y01Z, Y03A, Y03B		22	Y01Z, Y03A, Y03B		22	Y01Z, Y03A, Y03B

ZZV	MDC	DRG	ZZV	MDC	DRG	ZZV	MDC	DRG
5v513.g↔		BOP, KVT, UOP4	5v514.8↔		BOP, KVT, UOP4	5v522		BOP, KVT, UOP4
	05	F13A		05	F13A		05	F13A
	09	J08A, J08B, J08C, J16Z, J21Z, J22A, J22B		09	J08A, J08B, J08C, J16Z, J21Z, J22A, J22B		09	J08A, J08B, J08C, J16Z, J21Z, J22A, J22B
	22	Y01Z, Y03A, Y03B		22	Y01Z, Y03A, Y03B		22	Y01Z, Y03A, Y03B
5v513.h		BOP, KVT, UOP4	5v514.9↔		BOP, KVT, UOP4	5v523		BOP, KVT, UOP4
	05	F13A		05	F13A		05	F13A
	09	J08A, J08B, J08C, J16Z, J21Z, J22A, J22B		09	J08A, J08B, J08C, J16Z, J21Z, J22A, J22B		09	J08A, J08B, J08C, J16Z, J21Z, J22A, J22B
	22	Y01Z, Y03A, Y03B		22	Y01Z, Y03A, Y03B		22	Y01Z, Y03A, Y03B
5v513.j		BOP, KVT, UOP4	5v514.a		BOP, KVT, UOP4	5v52x		BOP, KVT, UOP4
	05	F13A		05	F13A		05	F13A
	09	J08A, J08B, J08C, J16Z, J21Z, J22A, J22B		09	J08A, J08B, J08C, J16Z, J21Z, J22A, J22B		09	J08A, J08B, J08C, J16Z, J21Z, J22A, J22B
	22	Y01Z, Y03A, Y03B		22	Y01Z, Y03A, Y03B		22	Y01Z, Y03A, Y03B
5v513.k		BOP, KVT, UOP4	5v514.b		BOP, KVT, UOP4	5v530.0		BOP, KVT, UOP4
	05	F13A		05	F13A		05	F13A
	09	J08A, J08B, J08C, J16Z, J21Z, J22A, J22B		09	J08A, J08B, J08C, J16Z, J21Z, J22A, J22B		09	J08A, J08B, J08C, J16Z, J21Z, J22A, J22B
	22	Y01Z, Y03A, Y03B		22	Y01Z, Y03A, Y03B		22	Y01Z, Y02A, Y02B, Y02C
5v513.m		BOP, KVT, UOP4	5v514.c		BOP, KVT, UOP4	5v530.1		BOP, KVT, UOP4
	05	F13A		05	F13A		05	F13A
	09	J08A, J08B, J08C, J16Z, J21Z, J22A, J22B		09	J08A, J08B, J08C, J16Z, J21Z, J22A, J22B		08	I02A, I02B, I02C, I02D, I22A, I22B, I50Z
	22	Y01Z, Y03A, Y03B		22	Y01Z, Y03A, Y03B		09	J08A, J08B, J08C, J16Z, J21Z, J22A, J22B
5v513.x		BOP, KVT, UOP4	5v514.d		BOP, KVT, UOP4		21B	X01A, X01B, X01C
	05	F13A		05	F13A		22	Y01Z, Y02A, Y02B, Y02C
	09	J08A, J08B, J08C, J16Z, J21Z, J22A, J22B		09	J08A, J08B, J08C, J16Z, J21Z, J22A, J22B	5v530.2↔		BOP, KVT, UOP4
	22	Y01Z, Y03A, Y03B		22	Y01Z, Y03A, Y03B		05	F13A
5v514.0		BOP, KVT, UOP4	5v514.e↔		BOP, KVT, UOP4		08	I02A, I02B, I02C, I02D, I22A, I22B, I50Z
	05	F13A		05	F13A		09	J08A, J08B, J08C, J16Z, J21Z, J22A, J22B
	09	J08A, J08B, J08C, J16Z, J21Z, J22A, J22B		09	J08A, J08B, J08C, J16Z, J21Z, J22A, J22B		21B	X01A, X01B, X01C
	22	Y01Z, Y03A, Y03B		22	Y01Z, Y03A, Y03B		22	Y01Z, Y02A, Y02B, Y02C
5v514.1		BOP, KVT, UOP4	5v514.f↔		BOP, KVT, UOP4	5v530.3↔		BOP, KVT, UOP4
	05	F13A		05	F13A		05	F13A
	09	J08A, J08B, J08C, J16Z, J21Z, J22A, J22B		09	J08A, J08B, J08C, J16Z, J21Z, J22A, J22B		08	I02A, I02B, I02C, I02D, I22A, I22B, I50Z
	22	Y01Z, Y03A, Y03B		22	Y01Z, Y03A, Y03B		09	J08A, J08B, J08C, J16Z, J21Z, J22A, J22B
5v514.2↔		BOP, KVT, UOP4	5v514.g↔		BOP, KVT, UOP4		21B	X01A, X01B, X01C
	05	F13A		05	F13A		22	Y01Z, Y02A, Y02B, Y02C
	09	J08A, J08B, J08C, J16Z, J21Z, J22A, J22B		09	J08A, J08B, J08C, J16Z, J21Z, J22A, J22B	5v530.4		BOP, KVT, UOP4
	22	Y01Z, Y03A, Y03B		22	Y01Z, Y03A, Y03B		05	F13A
5v514.3↔		BOP, KVT, UOP4	5v514.h		BOP, KVT, UOP4		08	I02A, I02B, I02C, I02D, I22A, I22B, I50Z
	05	F13A		05	F13A		09	J08A, J08B, J08C, J16Z, J21Z, J22A, J22B
	09	J08A, J08B, J08C, J16Z, J21Z, J22A, J22B		09	J08A, J08B, J08C, J16Z, J21Z, J22A, J22B		21B	X01A, X01B, X01C
	22	Y01Z, Y03A, Y03B		22	Y01Z, Y03A, Y03B		22	Y01Z, Y02A, Y02B, Y02C
5v514.4		BOP, KVT, UOP4	5v514.j		BOP, KVT, UOP4	5v530.5		BOP, KVT, UOP4
	05	F13A		05	F13A		05	F13A
	09	J08A, J08B, J08C, J16Z, J21Z, J22A, J22B		09	J08A, J08B, J08C, J16Z, J21Z, J22A, J22B		08	I02A, I02B, I02C, I02D, I22A, I22B, I50Z
	22	Y01Z, Y03A, Y03B		22	Y01Z, Y03A, Y03B		09	J08A, J08B, J08C, J16Z, J21Z, J22A, J22B
5v514.5		BOP, KVT, UOP4	5v514.k		BOP, KVT, UOP4		21B	X01A, X01B, X01C
	05	F13A		05	F13A		22	Y01Z, Y02A, Y02B, Y02C
	09	J08A, J08B, J08C, J16Z, J21Z, J22A, J22B		09	J08A, J08B, J08C, J16Z, J21Z, J22A, J22B	5v530.6↔		BOP, KVT, UOP4
	22	Y01Z, Y03A, Y03B		22	Y01Z, Y03A, Y03B		05	F13A
5v514.6↔		BOP, KVT, UOP4	5v520		BOP, KVT, UOP4		08	I02A, I02B, I02C, I02D, I22A, I22B, I50Z
	05	F13A		05	F13A		09	J08A, J08B, J08C, J16Z, J21Z, J22A, J22B
	09	J08A, J08B, J08C, J16Z, J21Z, J22A, J22B		09	J08A, J08B, J08C, J16Z, J21Z, J22A, J22B		21B	X01A, X01B, X01C
	22	Y01Z, Y03A, Y03B		22	Y01Z, Y03A, Y03B		22	Y01Z, Y02A, Y02B, Y02C
5v514.7↔		BOP, KVT, UOP4	5v521		BOP, KVT, UOP4		05	F13A
	05	F13A		05	F13A		08	I02A, I02B, I02C, I02D, I22A, I22B, I50Z
	09	J08A, J08B, J08C, J16Z, J21Z, J22A, J22B		09	J08A, J08B, J08C, J16Z, J21Z, J22A, J22B		09	J08A, J08B, J08C, J16Z, J21Z, J22A, J22B
	22	Y01Z, Y03A, Y03B		22	Y01Z, Y03A, Y03B		21B	X01A, X01B, X01C
	05	F13A		05	F13A		22	Y01Z, Y02A, Y02B, Y02C
	09	J08A, J08B, J08C, J16Z, J21Z, J22A, J22B		09	J08A, J08B, J08C, J16Z, J21Z, J22A, J22B			
	22	Y01Z, Y03A, Y03B		22	Y01Z, Y03A, Y03B			

ZZV	MDC	DRG	ZZV	MDC	DRG	ZZV	MDC	DRG
5v530.7↔		BOP, KVT, UOP4	5v530.f↔		BOP, KVT, UOP4	5v531.6↔		BOP, KVT, UOP4
	05	F13A		05	F13A		05	F13A
	08	I02A, I02B, I02C, I02D, I22A, I22B, I50Z		08	I02A, I02B, I02C, I02D, I22A, I22B, I50Z		08	I02A, I02B, I02C, I02D, I22A, I22B, I50Z
	09	J08A, J08B, J08C, J16Z, J21Z, J22A, J22B		09	J08A, J08B, J08C, J16Z, J21Z, J22A, J22B		09	J08A, J08B, J08C, J16Z, J21Z, J22A, J22B
	21B	X01A, X01B, X01C		21B	X01A, X01B, X01C		21B	X01A, X01B, X01C
5v530.8↔	22	Y01Z, Y02A, Y02B, Y02C	5v530.g↔	22	Y01Z, Y02A, Y02B, Y02C	5v531.7↔	22	Y01Z, Y02A, Y02B, Y02C
		BOP, KVT, UOP4			BOP, KVT, UOP4			BOP, KVT, UOP4
	05	F13A		05	F13A		05	F13A
	08	I02A, I02B, I02C, I02D, I22A, I22B, I32A, I32B, I32C, I32D, I32E, I32F, I50Z		08	I02A, I02B, I02C, I02D, I22A, I22B, I50Z		08	I02A, I02B, I02C, I02D, I22A, I22B, I50Z
	09	J08A, J08B, J08C, J16Z, J21Z, J22A, J22B		09	J08A, J08B, J08C, J16Z, J21Z, J22A, J22B		09	J08A, J08B, J08C, J16Z, J21Z, J22A, J22B
5v530.9↔	21B	X01A, X01B, X01C	5v530.x↔	21B	X01A, X01B, X01C	5v531.8↔	21B	X01A, X01B, X01C
	22	Y01Z, Y02A, Y02B, Y02C		22	Y01Z, Y02A, Y02B, Y02C		22	Y01Z, Y02A, Y02B, Y02C
		BOP, KVT, UOP4			BOP, KVT, UOP4			BOP, KVT, UOP4
	05	F13A		05	F13A		05	F13A
	08	I32A, I32B, I32C, I32D, I32E, I32F		08	I02A, I02B, I02C, I02D, I22A, I22B, I32A, I32B, I32C, I32D, I32E, I32F, I50Z		08	I02A, I02B, I02C, I02D, I22A, I22B, I32A, I32B, I32C, I32D, I32E, I32F, I50Z
5v530.a	09	J08A, J08B, J08C, J16Z, J21Z, J22A, J22B	5v531.0	09	J08A, J08B, J08C, J16Z, J21Z, J22A, J22B	5v531.9↔	09	J08A, J08B, J08C, J16Z, J21Z, J22A, J22B
	22	Y01Z, Y02A, Y02B, Y02C		21B	X01A, X01B, X01C		21B	X01A, X01B, X01C
		BOP, KVT, UOP4		22	Y01Z, Y02A, Y02B, Y02C		22	Y01Z, Y02A, Y02B, Y02C
	05	F13A			BOP, KVT, UOP4			BOP, KVT, UOP4
	08	I02A, I02B, I02C, I02D, I22A, I22B, I50Z		05	F13A		05	F13A
5v530.b	09	J08A, J08B, J08C, J16Z, J21Z, J22A, J22B	5v531.1	09	J08A, J08B, J08C, J16Z, J21Z, J22A, J22B	5v531.a	08	I32A, I32B, I32C, I32D, I32E, I32F
	21B	X01A, X01B, X01C		22	Y01Z, Y02A, Y02B, Y02C		09	J08A, J08B, J08C, J16Z, J21Z, J22A, J22B
	22	Y01Z, Y02A, Y02B, Y02C		05	F13A		22	Y01Z, Y02A, Y02B, Y02C
		BOP, KVT, UOP4		08	I02A, I02B, I02C, I02D, I22A, I22B, I50Z			BOP, KVT, UOP4
	05	F13A		5v531.2↔	05		F13A	5v531.b
08	I02A, I02B, I02C, I02D, I22A, I22B, I50Z	08	I02A, I02B, I02C, I02D, I22A, I22B, I50Z		08	I02A, I02B, I02C, I02D, I22A, I22B, I50Z		
09	J08A, J08B, J08C, J16Z, J21Z, J22A, J22B	09	J08A, J08B, J08C, J16Z, J21Z, J22A, J22B		09	J08A, J08B, J08C, J16Z, J21Z, J22A, J22B		
21B	X01A, X01B, X01C	21B	X01A, X01B, X01C		21B	X01A, X01B, X01C		
22	Y01Z, Y02A, Y02B, Y02C	22	Y01Z, Y02A, Y02B, Y02C		22	Y01Z, Y02A, Y02B, Y02C		
5v530.c		BOP, KVT, UOP4	5v531.3↔		BOP, KVT, UOP4	5v531.c		BOP, KVT, UOP4
	05	F13A		05	F13A		05	F13A
	08	I02A, I02B, I02C, I02D, I22A, I22B, I50Z		08	I02A, I02B, I02C, I02D, I22A, I22B, I50Z		08	I02A, I02B, I02C, I02D, I22A, I22B, I50Z
	09	J08A, J08B, J08C, J16Z, J21Z, J22A, J22B		09	J08A, J08B, J08C, J16Z, J21Z, J22A, J22B		09	J08A, J08B, J08C, J16Z, J21Z, J22A, J22B
	21B	X01A, X01B, X01C		21B	X01A, X01B, X01C		21B	X01A, X01B, X01C
5v530.d	22	Y01Z, Y02A, Y02B, Y02C	5v531.4	22	Y01Z, Y02A, Y02B, Y02C	5v531.d	22	Y01Z, Y02A, Y02B, Y02C
		BOP, KVT, UOP4			BOP, KVT, UOP4			BOP, KVT, UOP4
	05	F13A		05	F13A		05	F13A
	08	I02A, I02B, I02C, I02D, I22A, I22B, I50Z		08	I02A, I02B, I02C, I02D, I22A, I22B, I50Z		08	I02A, I02B, I02C, I02D, I22A, I22B, I50Z
	09	J08A, J08B, J08C, J16Z, J21Z, J22A, J22B		09	J08A, J08B, J08C, J16Z, J21Z, J22A, J22B		09	J08A, J08B, J08C, J16Z, J21Z, J22A, J22B
5v530.e↔	21B	X01A, X01B, X01C	5v531.5	21B	X01A, X01B, X01C	5v531.d	21B	X01A, X01B, X01C
	22	Y01Z, Y02A, Y02B, Y02C		22	Y01Z, Y02A, Y02B, Y02C		22	Y01Z, Y02A, Y02B, Y02C
		BOP, KVT, UOP4		05	F13A		05	F13A
	05	F13A		08	I02A, I02B, I02C, I02D, I22A, I22B, I50Z		08	I02A, I02B, I02C, I02D, I22A, I22B, I50Z
	08	I02A, I02B, I02C, I02D, I22A, I22B, I50Z		09	J08A, J08B, J08C, J16Z, J21Z, J22A, J22B		09	J08A, J08B, J08C, J16Z, J21Z, J22A, J22B
5v530.e↔	09	J08A, J08B, J08C, J16Z, J21Z, J22A, J22B	5v531.5	09	J08A, J08B, J08C, J16Z, J21Z, J22A, J22B	5v531.d	09	J08A, J08B, J08C, J16Z, J21Z, J22A, J22B
	21B	X01A, X01B, X01C		21B	X01A, X01B, X01C		21B	X01A, X01B, X01C
	22	Y01Z, Y02A, Y02B, Y02C		22	Y01Z, Y02A, Y02B, Y02C		22	Y01Z, Y02A, Y02B, Y02C
		BOP, KVT, UOP4		05	F13A		22	Y01Z, Y02A, Y02B, Y02C
	05	F13A		08	I02A, I02B, I02C, I02D, I22A, I22B, I50Z			BOP, KVT, UOP4

ZZV	MDC	DRG	ZZV	MDC	DRG	ZZV	MDC	DRG
5v531.e↔		BOP, KVT, UOP4	5v532.4		BOP, KVT, UOP4	5v532.c		BOP, KVT, UOP4
	05	F13A		05	F13A		05	F13A
	08	I02A, I02B, I02C, I02D, I22A, I22B, I50Z		08	I02A, I02B, I02C, I02D, I22A, I22B, I50Z		08	I02A, I02B, I02C, I02D, I22A, I22B, I50Z
	09	J08A, J08B, J08C, J16Z, J21Z, J22A, J22B		09	J08A, J08B, J08C, J16Z, J21Z, J22A, J22B		09	J08A, J08B, J08C, J16Z, J21Z, J22A, J22B
	21B	X01A, X01B, X01C		21B	X01A, X01B, X01C		21B	X01A, X01B, X01C
	22	Y01Z, Y02A, Y02B, Y02C		22	Y01Z, Y02A, Y02B, Y02C		22	Y01Z, Y02A, Y02B, Y02C
5v531.f↔		BOP, KVT, UOP4	5v532.5		BOP, KVT, UOP4	5v532.d		BOP, KVT, UOP4
	05	F13A		05	F13A		05	F13A
	08	I02A, I02B, I02C, I02D, I22A, I22B, I50Z		08	I02A, I02B, I02C, I02D, I22A, I22B, I50Z		08	I02A, I02B, I02C, I02D, I22A, I22B, I50Z
	09	J08A, J08B, J08C, J16Z, J21Z, J22A, J22B		09	J08A, J08B, J08C, J16Z, J21Z, J22A, J22B		09	J08A, J08B, J08C, J16Z, J21Z, J22A, J22B
	21B	X01A, X01B, X01C		21B	X01A, X01B, X01C		21B	X01A, X01B, X01C
	22	Y01Z, Y02A, Y02B, Y02C		22	Y01Z, Y02A, Y02B, Y02C		22	Y01Z, Y02A, Y02B, Y02C
5v531.g↔		BOP, KVT, UOP4	5v532.6↔		BOP, KVT, UOP4	5v532.e↔		BOP, KVT, UOP4
	05	F13A		05	F13A		05	F13A
	08	I02A, I02B, I02C, I02D, I22A, I22B, I50Z		08	I02A, I02B, I02C, I02D, I22A, I22B, I50Z		08	I02A, I02B, I02C, I02D, I22A, I22B, I50Z
	09	J08A, J08B, J08C, J16Z, J21Z, J22A, J22B		09	J08A, J08B, J08C, J16Z, J21Z, J22A, J22B		09	J08A, J08B, J08C, J16Z, J21Z, J22A, J22B
	21B	X01A, X01B, X01C		21B	X01A, X01B, X01C		21B	X01A, X01B, X01C
	22	Y01Z, Y02A, Y02B, Y02C		22	Y01Z, Y02A, Y02B, Y02C		22	Y01Z, Y02A, Y02B, Y02C
5v531.h		BOP, KVT, UOP4	5v532.7↔		BOP, KVT, UOP4	5v532.f↔		BOP, KVT, UOP4
	05	F13A		05	F13A		05	F13A
	08	I02A, I02B, I02C, I02D, I22A, I22B, I50Z		08	I02A, I02B, I02C, I02D, I22A, I22B, I50Z		08	I02A, I02B, I02C, I02D, I22A, I22B, I50Z
	09	J08A, J08B, J08C, J16Z, J21Z, J22A, J22B		09	J08A, J08B, J08C, J16Z, J21Z, J22A, J22B		09	J08A, J08B, J08C, J16Z, J21Z, J22A, J22B
	21B	X01A, X01B, X01C		21B	X01A, X01B, X01C		21B	X01A, X01B, X01C
	22	Y01Z, Y02A, Y02B, Y02C		22	Y01Z, Y02A, Y02B, Y02C		22	Y01Z, Y02A, Y02B, Y02C
5v531.x		BOP, KVT, UOP4	5v532.8↔		BOP, KVT, UOP4	5v532.g↔		BOP, KVT, UOP4
	05	F13A		05	F13A		05	F13A
	08	I02A, I02B, I02C, I02D, I22A, I22B, I32A, I32B, I32C, I32D, I32E, I32F, I50Z		08	I02A, I02B, I02C, I02D, I22A, I22B, I32A, I32B, I32C, I32D, I32E, I32F, I50Z		08	I02A, I02B, I02C, I02D, I22A, I22B, I50Z
	09	J08A, J08B, J08C, J16Z, J21Z, J22A, J22B		09	J08A, J08B, J08C, J16Z, J21Z, J22A, J22B		09	J08A, J08B, J08C, J16Z, J21Z, J22A, J22B
	21B	X01A, X01B, X01C		21B	X01A, X01B, X01C		21B	X01A, X01B, X01C
	22	Y01Z, Y02A, Y02B, Y02C		22	Y01Z, Y02A, Y02B, Y02C		22	Y01Z, Y02A, Y02B, Y02C
5v532.0		BOP, KVT, UOP4	5v532.9↔		BOP, KVT, UOP4	5v532.x↔		BOP, KVT, UOP4
	05	F13A		05	F13A		05	F13A
	09	J08A, J08B, J08C, J16Z, J21Z, J22A, J22B		08	I32A, I32B, I32C, I32D, I32E, I32F		08	I02A, I02B, I02C, I02D, I22A, I22B, I32A, I32B, I32C, I32D, I32E, I32F, I50Z
	22	Y01Z, Y02A, Y02B, Y02C		09	J08A, J08B, J08C, J16Z, J21Z, J22A, J22B		09	J08A, J08B, J08C, J16Z, J21Z, J22A, J22B
5v532.1		BOP, KVT, UOP4		22	Y01Z, Y02A, Y02B, Y02C		21B	X01A, X01B, X01C
	05	F13A	5v532.a		BOP, KVT, UOP4		22	Y01Z, Y02A, Y02B, Y02C
	08	I02A, I02B, I02C, I02D, I22A, I22B, I50Z		05	F13A	5v533.0		BOP, KVT, UOP4
	09	J08A, J08B, J08C, J16Z, J21Z, J22A, J22B		08	I02A, I02B, I02C, I02D, I22A, I22B, I50Z		05	F13A
	21B	X01A, X01B, X01C		09	J08A, J08B, J08C, J16Z, J21Z, J22A, J22B		09	J08A, J08B, J08C, J16Z, J21Z, J22A, J22B
	22	Y01Z, Y02A, Y02B, Y02C		21B	X01A, X01B, X01C		22	Y01Z, Y02A, Y02B, Y02C
5v532.2↔		BOP, KVT, UOP4	5v532.b		BOP, KVT, UOP4	5v533.1		BOP, KVT, UOP4
	05	F13A		22	Y01Z, Y02A, Y02B, Y02C		05	F13A
	08	I02A, I02B, I02C, I02D, I22A, I22B, I50Z		22	Y01Z, Y02A, Y02B, Y02C		08	I02A, I02B, I02C, I02D, I22A, I22B, I50Z
	09	J08A, J08B, J08C, J16Z, J21Z, J22A, J22B		05	F13A		09	J08A, J08B, J08C, J16Z, J21Z, J22A, J22B
	21B	X01A, X01B, X01C		08	I02A, I02B, I02C, I02D, I22A, I22B, I50Z		21B	X01A, X01B, X01C
	22	Y01Z, Y02A, Y02B, Y02C		09	J08A, J08B, J08C, J16Z, J21Z, J22A, J22B		22	Y01Z, Y02A, Y02B, Y02C
5v532.3↔		BOP, KVT, UOP4		21B	X01A, X01B, X01C	5v533.2↔		BOP, KVT, UOP4
	05	F13A		22	Y01Z, Y02A, Y02B, Y02C		05	F13A
	08	I02A, I02B, I02C, I02D, I22A, I22B, I50Z					08	I02A, I02B, I02C, I02D, I22A, I22B, I50Z
	09	J08A, J08B, J08C, J16Z, J21Z, J22A, J22B					09	J08A, J08B, J08C, J16Z, J21Z, J22A, J22B
	21B	X01A, X01B, X01C					21B	X01A, X01B, X01C
	22	Y01Z, Y02A, Y02B, Y02C					22	Y01Z, Y02A, Y02B, Y02C

VYK



ZZV	MDC	DRG	ZZV	MDC	DRG	ZZV	MDC	DRG
5v534.a		BOP, KVT, UOP4	5v535.1		BOP, KVT, UOP4	5v535.9↔		BOP, KVT, UOP4
	05	F13A		05	F13A		05	F13A
	08	I02A, I02B, I02C, I02D, I22A, I22B, I50Z		08	I02A, I02B, I02C, I02D, I22A, I22B, I50Z		08	I32A, I32B, I32C, I32D, I32E, I32F
	09	J08A, J08B, J08C, J16Z, J21Z, J22A, J22B		09	J08A, J08B, J08C, J16Z, J21Z, J22A, J22B		09	J08A, J08B, J08C, J16Z, J21Z, J22A, J22B
	21B	X01A, X01B, X01C		21B	X01A, X01B, X01C		22	Y01Z, Y02A, Y02B, Y02C
5v534.b	22	Y01Z, Y02A, Y02B, Y02C	5v535.2↔		BOP, KVT, UOP4	5v535.a		BOP, KVT, UOP4
		BOP, KVT, UOP4			BOP, KVT, UOP4		05	F13A
	05	F13A		05	F13A		08	I02A, I02B, I02C, I02D, I22A, I22B, I50Z
	08	I02A, I02B, I02C, I02D, I22A, I22B, I50Z		08	I02A, I02B, I02C, I02D, I22A, I22B, I50Z		09	J08A, J08B, J08C, J16Z, J21Z, J22A, J22B
	09	J08A, J08B, J08C, J16Z, J21Z, J22A, J22B		09	J08A, J08B, J08C, J16Z, J21Z, J22A, J22B		21B	X01A, X01B, X01C
5v534.c	21B	X01A, X01B, X01C	5v535.3↔	21B	X01A, X01B, X01C	5v535.b	22	Y01Z, Y02A, Y02B, Y02C
	22	Y01Z, Y02A, Y02B, Y02C		22	Y01Z, Y02A, Y02B, Y02C			BOP, KVT, UOP4
		BOP, KVT, UOP4			BOP, KVT, UOP4		05	F13A
	05	F13A		05	F13A		08	I02A, I02B, I02C, I02D, I22A, I22B, I50Z
	08	I02A, I02B, I02C, I02D, I22A, I22B, I50Z		08	I02A, I02B, I02C, I02D, I22A, I22B, I50Z		09	J08A, J08B, J08C, J16Z, J21Z, J22A, J22B
5v534.d	09	J08A, J08B, J08C, J16Z, J21Z, J22A, J22B	5v535.4	09	J08A, J08B, J08C, J16Z, J21Z, J22A, J22B	5v535.c	21B	X01A, X01B, X01C
	21B	X01A, X01B, X01C		21B	X01A, X01B, X01C		22	Y01Z, Y02A, Y02B, Y02C
	22	Y01Z, Y02A, Y02B, Y02C		22	Y01Z, Y02A, Y02B, Y02C			BOP, KVT, UOP4
		BOP, KVT, UOP4			BOP, KVT, UOP4		05	F13A
	05	F13A		05	F13A		08	I02A, I02B, I02C, I02D, I22A, I22B, I50Z
5v534.e↔	08	I02A, I02B, I02C, I02D, I22A, I22B, I50Z	5v535.5	08	I02A, I02B, I02C, I02D, I22A, I22B, I50Z	5v535.d	09	J08A, J08B, J08C, J16Z, J21Z, J22A, J22B
	09	J08A, J08B, J08C, J16Z, J21Z, J22A, J22B		09	J08A, J08B, J08C, J16Z, J21Z, J22A, J22B		21B	X01A, X01B, X01C
	21B	X01A, X01B, X01C		21B	X01A, X01B, X01C		22	Y01Z, Y02A, Y02B, Y02C
	22	Y01Z, Y02A, Y02B, Y02C		22	Y01Z, Y02A, Y02B, Y02C			BOP, KVT, UOP4
		BOP, KVT, UOP4			BOP, KVT, UOP4		05	F13A
5v534.f↔	05	F13A	5v535.6↔	05	F13A	5v535.e↔	08	I02A, I02B, I02C, I02D, I22A, I22B, I50Z
	08	I02A, I02B, I02C, I02D, I22A, I22B, I50Z		08	I02A, I02B, I02C, I02D, I22A, I22B, I50Z		09	J08A, J08B, J08C, J16Z, J21Z, J22A, J22B
	09	J08A, J08B, J08C, J16Z, J21Z, J22A, J22B		09	J08A, J08B, J08C, J16Z, J21Z, J22A, J22B		21B	X01A, X01B, X01C
	21B	X01A, X01B, X01C		21B	X01A, X01B, X01C		22	Y01Z, Y02A, Y02B, Y02C
	22	Y01Z, Y02A, Y02B, Y02C		22	Y01Z, Y02A, Y02B, Y02C			BOP, KVT, UOP4
5v534.g↔		BOP, KVT, UOP4	5v535.7↔		BOP, KVT, UOP4	5v535.f↔	05	F13A
	05	F13A		05	F13A		08	I02A, I02B, I02C, I02D, I22A, I22B, I50Z
	08	I02A, I02B, I02C, I02D, I22A, I22B, I50Z		08	I02A, I02B, I02C, I02D, I22A, I22B, I50Z		09	J08A, J08B, J08C, J16Z, J21Z, J22A, J22B
	09	J08A, J08B, J08C, J16Z, J21Z, J22A, J22B		09	J08A, J08B, J08C, J16Z, J21Z, J22A, J22B		21B	X01A, X01B, X01C
	21B	X01A, X01B, X01C		21B	X01A, X01B, X01C		22	Y01Z, Y02A, Y02B, Y02C
5v534.x↔	22	Y01Z, Y02A, Y02B, Y02C	5v535.8↔	22	Y01Z, Y02A, Y02B, Y02C	5v535.g↔		BOP, KVT, UOP4
		BOP, KVT, UOP4			BOP, KVT, UOP4		05	F13A
	05	F13A		05	F13A		08	I02A, I02B, I02C, I02D, I22A, I22B, I50Z
	08	I02A, I02B, I02C, I02D, I22A, I22B, I32A, I32B, I32C, I32D, I32E, I32F, I50Z		08	I02A, I02B, I02C, I02D, I22A, I22B, I50Z		09	J08A, J08B, J08C, J16Z, J21Z, J22A, J22B
	09	J08A, J08B, J08C, J16Z, J21Z, J22A, J22B		09	J08A, J08B, J08C, J16Z, J21Z, J22A, J22B		21B	X01A, X01B, X01C
5v535.0	21B	X01A, X01B, X01C		21B	X01A, X01B, X01C		22	Y01Z, Y02A, Y02B, Y02C
	22	Y01Z, Y02A, Y02B, Y02C		22	Y01Z, Y02A, Y02B, Y02C			BOP, KVT, UOP4
		BOP, KVT, UOP4			BOP, KVT, UOP4		05	F13A
	05	F13A			F13A		08	I02A, I02B, I02C, I02D, I22A, I22B, I50Z
	09	J08A, J08B, J08C, J16Z, J21Z, J22A, J22B			J08A, J08B, J08C, J16Z, J21Z, J22A, J22B		09	J08A, J08B, J08C, J16Z, J21Z, J22A, J22B
22	Y01Z, Y02A, Y02B, Y02C		Y01Z, Y02A, Y02B, Y02C	21B	X01A, X01B, X01C			

ZZV	MDC	DRG	ZZV	MDC	DRG	ZZV	MDC	DRG
5v535.x↔		BOP, KVT, UOP4	5v536.8↔		BOP, KVT, UOP4	5v536.g↔		BOP, KVT, UOP4
	05	F13A		05	F13A		05	F13A
	08	I02A, I02B, I02C, I02D, I22A, I22B, I32A, I32B, I32C, I32D, I32E, I32F, I50Z		08	I02A, I02B, I02C, I02D, I22A, I22B, I32A, I32B, I32C, I32D, I32E, I32F, I50Z		08	I02A, I02B, I02C, I02D, I22A, I22B, I50Z
	09	J08A, J08B, J08C, J16Z, J21Z, J22A, J22B		09	J08A, J08B, J08C, J16Z, J21Z, J22A, J22B		09	J08A, J08B, J08C, J16Z, J21Z, J22A, J22B
	21B	X01A, X01B, X01C		21B	X01A, X01B, X01C		21B	X01A, X01B, X01C
	22	Y01Z, Y02A, Y02B, Y02C		22	Y01Z, Y02A, Y02B, Y02C		22	Y01Z, Y02A, Y02B, Y02C
5v536.0		BOP, KVT, UOP4	5v536.9↔		BOP, KVT, UOP4	5v536.x↔		BOP, KVT, UOP4
	05	F13A		05	F13A		05	F13A
	09	J08A, J08B, J08C, J16Z, J21Z, J22A, J22B		08	I32A, I32B, I32C, I32D, I32E, I32F		08	I02A, I02B, I02C, I02D, I22A, I22B, I32A, I32B, I32C, I32D, I32E, I32F, I50Z
	22	Y01Z, Y02A, Y02B, Y02C		09	J08A, J08B, J08C, J16Z, J21Z, J22A, J22B		09	J08A, J08B, J08C, J16Z, J21Z, J22A, J22B
5v536.1		BOP, KVT, UOP4		22	Y01Z, Y02A, Y02B, Y02C		21B	X01A, X01B, X01C
	05	F13A	5v536.a		BOP, KVT, UOP4		22	Y01Z, Y02A, Y02B, Y02C
	08	I02A, I02B, I02C, I02D, I22A, I22B, I50Z		05	F13A	5v537.0		BOP, KVT, UOP4
	09	J08A, J08B, J08C, J16Z, J21Z, J22A, J22B		08	I02A, I02B, I02C, I02D, I22A, I22B, I50Z		05	F13A
	21B	X01A, X01B, X01C		09	J08A, J08B, J08C, J16Z, J21Z, J22A, J22B		09	J08A, J08B, J08C, J16Z, J21Z, J22A, J22B
	22	Y01Z, Y02A, Y02B, Y02C		21B	X01A, X01B, X01C		22	Y01Z, Y02A, Y02B, Y02C
5v536.2↔		BOP, KVT, UOP4		22	Y01Z, Y02A, Y02B, Y02C	5v537.1		BOP, KVT, UOP4
	05	F13A	5v536.b		BOP, KVT, UOP4		05	F13A
	08	I02A, I02B, I02C, I02D, I22A, I22B, I50Z		05	F13A		08	I02A, I02B, I02C, I02D, I22A, I22B, I50Z
	09	J08A, J08B, J08C, J16Z, J21Z, J22A, J22B		08	I02A, I02B, I02C, I02D, I22A, I22B, I50Z		09	J08A, J08B, J08C, J16Z, J21Z, J22A, J22B
	21B	X01A, X01B, X01C		09	J08A, J08B, J08C, J16Z, J21Z, J22A, J22B		21B	X01A, X01B, X01C
	22	Y01Z, Y02A, Y02B, Y02C		21B	X01A, X01B, X01C		22	Y01Z, Y02A, Y02B, Y02C
5v536.3↔		BOP, KVT, UOP4		22	Y01Z, Y02A, Y02B, Y02C	5v537.2↔		BOP, KVT, UOP4
	05	F13A	5v536.c		BOP, KVT, UOP4		05	F13A
	08	I02A, I02B, I02C, I02D, I22A, I22B, I50Z		05	F13A		08	I02A, I02B, I02C, I02D, I22A, I22B, I50Z
	09	J08A, J08B, J08C, J16Z, J21Z, J22A, J22B		08	I02A, I02B, I02C, I02D, I22A, I22B, I50Z		09	J08A, J08B, J08C, J16Z, J21Z, J22A, J22B
	21B	X01A, X01B, X01C		09	J08A, J08B, J08C, J16Z, J21Z, J22A, J22B		21B	X01A, X01B, X01C
	22	Y01Z, Y02A, Y02B, Y02C		21B	X01A, X01B, X01C		22	Y01Z, Y02A, Y02B, Y02C
5v536.4		BOP, KVT, UOP4		22	Y01Z, Y02A, Y02B, Y02C	5v537.3↔		BOP, KVT, UOP4
	05	F13A	5v536.d		BOP, KVT, UOP4		05	F13A
	08	I02A, I02B, I02C, I02D, I22A, I22B, I50Z		05	F13A		08	I02A, I02B, I02C, I02D, I22A, I22B, I50Z
	09	J08A, J08B, J08C, J16Z, J21Z, J22A, J22B		08	I02A, I02B, I02C, I02D, I22A, I22B, I50Z		09	J08A, J08B, J08C, J16Z, J21Z, J22A, J22B
	21B	X01A, X01B, X01C		09	J08A, J08B, J08C, J16Z, J21Z, J22A, J22B		21B	X01A, X01B, X01C
	22	Y01Z, Y02A, Y02B, Y02C		21B	X01A, X01B, X01C		22	Y01Z, Y02A, Y02B, Y02C
5v536.5		BOP, KVT, UOP4		22	Y01Z, Y02A, Y02B, Y02C	5v537.4		BOP, KVT, UOP4
	05	F13A	5v536.e↔		BOP, KVT, UOP4		05	F13A
	08	I02A, I02B, I02C, I02D, I22A, I22B, I50Z		05	F13A		08	I02A, I02B, I02C, I02D, I22A, I22B, I50Z
	09	J08A, J08B, J08C, J16Z, J21Z, J22A, J22B		08	I02A, I02B, I02C, I02D, I22A, I22B, I50Z		09	J08A, J08B, J08C, J16Z, J21Z, J22A, J22B
	21B	X01A, X01B, X01C		09	J08A, J08B, J08C, J16Z, J21Z, J22A, J22B		21B	X01A, X01B, X01C
	22	Y01Z, Y02A, Y02B, Y02C		09	J08A, J08B, J08C, J16Z, J21Z, J22A, J22B		22	Y01Z, Y02A, Y02B, Y02C
5v536.6↔		BOP, KVT, UOP4		21B	X01A, X01B, X01C	5v537.5		BOP, KVT, UOP4
	05	F13A	5v536.f↔		BOP, KVT, UOP4		05	F13A
	08	I02A, I02B, I02C, I02D, I22A, I22B, I50Z		05	F13A		08	I02A, I02B, I02C, I02D, I22A, I22B, I50Z
	09	J08A, J08B, J08C, J16Z, J21Z, J22A, J22B		08	I02A, I02B, I02C, I02D, I22A, I22B, I50Z		09	J08A, J08B, J08C, J16Z, J21Z, J22A, J22B
	21B	X01A, X01B, X01C		09	J08A, J08B, J08C, J16Z, J21Z, J22A, J22B		21B	X01A, X01B, X01C
	22	Y01Z, Y02A, Y02B, Y02C		09	J08A, J08B, J08C, J16Z, J21Z, J22A, J22B		22	Y01Z, Y02A, Y02B, Y02C
5v536.7↔		BOP, KVT, UOP4		21B	X01A, X01B, X01C	5v537.6↔		BOP, KVT, UOP4
	05	F13A		22	Y01Z, Y02A, Y02B, Y02C		05	F13A
	08	I02A, I02B, I02C, I02D, I22A, I22B, I50Z					08	I02A, I02B, I02C, I02D, I22A, I22B, I50Z
	09	J08A, J08B, J08C, J16Z, J21Z, J22A, J22B					09	J08A, J08B, J08C, J16Z, J21Z, J22A, J22B
	21B	X01A, X01B, X01C					21B	X01A, X01B, X01C
	22	Y01Z, Y02A, Y02B, Y02C					22	Y01Z, Y02A, Y02B, Y02C



ZZV	MDC	DRG	ZZV	MDC	DRG	ZZV	MDC	DRG
5v537.7↔		BOP, KVT, UOP4	5v537.f↔		BOP, KVT, UOP4	5v538.6↔		BOP, KVT, UOP4
	05	F13A		05	F13A		05	F13A
	08	I02A, I02B, I02C, I02D, I22A, I22B, I50Z		08	I02A, I02B, I02C, I02D, I22A, I22B, I50Z		08	I02A, I02B, I02C, I02D, I22A, I22B, I50Z
	09	J08A, J08B, J08C, J16Z, J21Z, J22A, J22B		09	J08A, J08B, J08C, J16Z, J21Z, J22A, J22B		09	J08A, J08B, J08C, J16Z, J21Z, J22A, J22B
	21B	X01A, X01B, X01C		21B	X01A, X01B, X01C		21B	X01A, X01B, X01C
	22	Y01Z, Y02A, Y02B, Y02C		22	Y01Z, Y02A, Y02B, Y02C		22	Y01Z, Y02A, Y02B, Y02C
5v537.8↔		BOP, KVT, UOP4	5v537.g↔		BOP, KVT, UOP4	5v538.7↔		BOP, KVT, UOP4
	05	F13A		05	F13A		05	F13A
	08	I02A, I02B, I02C, I02D, I22A, I22B, I32A, I32B, I32C, I32D, I32E, I32F, I50Z		08	I02A, I02B, I02C, I02D, I22A, I22B, I50Z		08	I02A, I02B, I02C, I02D, I22A, I22B, I50Z
	09	J08A, J08B, J08C, J16Z, J21Z, J22A, J22B		09	J08A, J08B, J08C, J16Z, J21Z, J22A, J22B		09	J08A, J08B, J08C, J16Z, J21Z, J22A, J22B
	21B	X01A, X01B, X01C		21B	X01A, X01B, X01C		21B	X01A, X01B, X01C
	22	Y01Z, Y02A, Y02B, Y02C		22	Y01Z, Y02A, Y02B, Y02C		22	Y01Z, Y02A, Y02B, Y02C
5v537.9↔		BOP, KVT, UOP4	5v537.x↔		BOP, KVT, UOP4	5v538.8↔		BOP, KVT, UOP4
	05	F13A		05	F13A		05	F13A
	08	I32A, I32B, I32C, I32D, I32E, I32F		08	I02A, I02B, I02C, I02D, I22A, I22B, I32A, I32B, I32C, I32D, I32E, I32F, I50Z		08	I02A, I02B, I02C, I02D, I22A, I22B, I32A, I32B, I32C, I32D, I32E, I32F, I50Z
	09	J08A, J08B, J08C, J16Z, J21Z, J22A, J22B		09	J08A, J08B, J08C, J16Z, J21Z, J22A, J22B		09	J08A, J08B, J08C, J16Z, J21Z, J22A, J22B
	22	Y01Z, Y02A, Y02B, Y02C		21B	X01A, X01B, X01C		21B	X01A, X01B, X01C
5v537.a		BOP, KVT, UOP4		22	Y01Z, Y02A, Y02B, Y02C	5v538.9↔		BOP, KVT, UOP4
	05	F13A	5v538.0		BOP, KVT, UOP4		05	F13A
	08	I02A, I02B, I02C, I02D, I22A, I22B, I50Z	05	F13A	08		I32A, I32B, I32C, I32D, I32E, I32F	
	09	J08A, J08B, J08C, J16Z, J21Z, J22A, J22B	09	J08A, J08B, J08C, J16Z, J21Z, J22A, J22B	09		J08A, J08B, J08C, J16Z, J21Z, J22A, J22B	
	21B	X01A, X01B, X01C		22	Y01Z, Y02A, Y02B, Y02C		21B	X01A, X01B, X01C
5v537.b		BOP, KVT, UOP4	5v538.1		BOP, KVT, UOP4	5v538.a		BOP, KVT, UOP4
	05	F13A	05	F13A	05		F13A	
	08	I02A, I02B, I02C, I02D, I22A, I22B, I50Z	08	I02A, I02B, I02C, I02D, I22A, I22B, I50Z	08		I02A, I02B, I02C, I02D, I22A, I22B, I50Z	
	09	J08A, J08B, J08C, J16Z, J21Z, J22A, J22B		22	Y01Z, Y02A, Y02B, Y02C		09	J08A, J08B, J08C, J16Z, J21Z, J22A, J22B
	21B	X01A, X01B, X01C	5v538.2↔		BOP, KVT, UOP4		21B	X01A, X01B, X01C
5v537.c		BOP, KVT, UOP4		22	Y01Z, Y02A, Y02B, Y02C	5v538.b		BOP, KVT, UOP4
	05	F13A	05	F13A	05		F13A	
	08	I02A, I02B, I02C, I02D, I22A, I22B, I50Z	08	I02A, I02B, I02C, I02D, I22A, I22B, I50Z	08		I02A, I02B, I02C, I02D, I22A, I22B, I50Z	
	09	J08A, J08B, J08C, J16Z, J21Z, J22A, J22B		22	Y01Z, Y02A, Y02B, Y02C		09	J08A, J08B, J08C, J16Z, J21Z, J22A, J22B
	21B	X01A, X01B, X01C	5v538.3↔		BOP, KVT, UOP4		21B	X01A, X01B, X01C
5v537.d		BOP, KVT, UOP4		22	Y01Z, Y02A, Y02B, Y02C	5v538.c		BOP, KVT, UOP4
	05	F13A	05	F13A	05		F13A	
	08	I02A, I02B, I02C, I02D, I22A, I22B, I50Z	08	I02A, I02B, I02C, I02D, I22A, I22B, I50Z	08		I02A, I02B, I02C, I02D, I22A, I22B, I50Z	
	09	J08A, J08B, J08C, J16Z, J21Z, J22A, J22B		22	Y01Z, Y02A, Y02B, Y02C		09	J08A, J08B, J08C, J16Z, J21Z, J22A, J22B
	21B	X01A, X01B, X01C	5v538.4		BOP, KVT, UOP4		21B	X01A, X01B, X01C
5v537.e↔		BOP, KVT, UOP4		22	Y01Z, Y02A, Y02B, Y02C	5v538.d		BOP, KVT, UOP4
	05	F13A	05	F13A	05		F13A	
	08	I02A, I02B, I02C, I02D, I22A, I22B, I50Z	08	I02A, I02B, I02C, I02D, I22A, I22B, I50Z	08		I02A, I02B, I02C, I02D, I22A, I22B, I50Z	
	09	J08A, J08B, J08C, J16Z, J21Z, J22A, J22B		22	Y01Z, Y02A, Y02B, Y02C		09	J08A, J08B, J08C, J16Z, J21Z, J22A, J22B
	21B	X01A, X01B, X01C	5v538.5		BOP, KVT, UOP4		21B	X01A, X01B, X01C
	22	Y01Z, Y02A, Y02B, Y02C		22	Y01Z, Y02A, Y02B, Y02C		22	Y01Z, Y02A, Y02B, Y02C
	05	F13A		05	F13A		05	F13A
	08	I02A, I02B, I02C, I02D, I22A, I22B, I50Z		08	I02A, I02B, I02C, I02D, I22A, I22B, I50Z		08	I02A, I02B, I02C, I02D, I22A, I22B, I50Z
	09	J08A, J08B, J08C, J16Z, J21Z, J22A, J22B		09	J08A, J08B, J08C, J16Z, J21Z, J22A, J22B		09	J08A, J08B, J08C, J16Z, J21Z, J22A, J22B
	21B	X01A, X01B, X01C		21B	X01A, X01B, X01C		21B	X01A, X01B, X01C
	22	Y01Z, Y02A, Y02B, Y02C		22	Y01Z, Y02A, Y02B, Y02C		22	Y01Z, Y02A, Y02B, Y02C

VYK

ZZV	MDC	DRG	ZZV	MDC	DRG	ZZV	MDC	DRG
5v538.e↔		BOP, KVT, UOP4	5v539.5		BOP, KVT, UOP4	5v539.d		BOP, KVT, UOP4
	05	F13A		05	F13A		05	F13A
	08	I02A, I02B, I02C, I02D, I22A, I22B, I50Z		08	I02A, I02B, I02C, I02D, I22A, I22B, I50Z		08	I02A, I02B, I02C, I02D, I22A, I22B, I50Z
	09	J08A, J08B, J08C, J16Z, J21Z, J22A, J22B		09	J08A, J08B, J08C, J16Z, J21Z, J22A, J22B		09	J08A, J08B, J08C, J16Z, J21Z, J22A, J22B
	21B	X01A, X01B, X01C		21B	X01A, X01B, X01C		21B	X01A, X01B, X01C
	22	Y01Z, Y02A, Y02B, Y02C		22	Y01Z, Y02A, Y02B, Y02C		22	Y01Z, Y02A, Y02B, Y02C
5v538.f↔		BOP, KVT, UOP4	5v539.6↔		BOP, KVT, UOP4	5v539.e↔		BOP, KVT, UOP4
	05	F13A		05	F13A		05	F13A
	08	I02A, I02B, I02C, I02D, I22A, I22B, I50Z		08	I02A, I02B, I02C, I02D, I22A, I22B, I50Z		08	I02A, I02B, I02C, I02D, I22A, I22B, I50Z
	09	J08A, J08B, J08C, J16Z, J21Z, J22A, J22B		09	J08A, J08B, J08C, J16Z, J21Z, J22A, J22B		09	J08A, J08B, J08C, J16Z, J21Z, J22A, J22B
	21B	X01A, X01B, X01C		21B	X01A, X01B, X01C		21B	X01A, X01B, X01C
	22	Y01Z, Y02A, Y02B, Y02C		22	Y01Z, Y02A, Y02B, Y02C		22	Y01Z, Y02A, Y02B, Y02C
5v538.g↔		BOP, KVT, UOP4	5v539.7↔		BOP, KVT, UOP4	5v539.f↔		BOP, KVT, UOP4
	05	F13A		05	F13A		05	F13A
	08	I02A, I02B, I02C, I02D, I22A, I22B, I50Z		08	I02A, I02B, I02C, I02D, I22A, I22B, I50Z		08	I02A, I02B, I02C, I02D, I22A, I22B, I50Z
	09	J08A, J08B, J08C, J16Z, J21Z, J22A, J22B		09	J08A, J08B, J08C, J16Z, J21Z, J22A, J22B		09	J08A, J08B, J08C, J16Z, J21Z, J22A, J22B
	21B	X01A, X01B, X01C		21B	X01A, X01B, X01C		21B	X01A, X01B, X01C
	22	Y01Z, Y02A, Y02B, Y02C		22	Y01Z, Y02A, Y02B, Y02C		22	Y01Z, Y02A, Y02B, Y02C
5v538.x↔		BOP, KVT, UOP4	5v539.8↔		BOP, KVT, UOP4	5v539.g↔		BOP, KVT, UOP4
	05	F13A		05	F13A		05	F13A
	08	I02A, I02B, I02C, I02D, I22A, I22B, I32A, I32B, I32C, I32D, I32E, I32F, I50Z		08	I02A, I02B, I02C, I02D, I22A, I22B, I32A, I32B, I32C, I32D, I32E, I32F, I50Z		08	I02A, I02B, I02C, I02D, I22A, I22B, I50Z
	09	J08A, J08B, J08C, J16Z, J21Z, J22A, J22B		09	J08A, J08B, J08C, J16Z, J21Z, J22A, J22B		09	J08A, J08B, J08C, J16Z, J21Z, J22A, J22B
	21B	X01A, X01B, X01C		21B	X01A, X01B, X01C		21B	X01A, X01B, X01C
	22	Y01Z, Y02A, Y02B, Y02C		22	Y01Z, Y02A, Y02B, Y02C		22	Y01Z, Y02A, Y02B, Y02C
5v539.0		BOP, KVT, UOP4	5v539.9↔		BOP, KVT, UOP4	5v539.x↔		BOP, KVT, UOP4
	05	F13A		05	F13A		05	F13A
	09	J08A, J08B, J08C, J16Z, J21Z, J22A, J22B		08	I32A, I32B, I32C, I32D, I32E, I32F		08	I02A, I02B, I02C, I02D, I22A, I22B, I32A, I32B, I32C, I32D, I32E, I32F, I50Z
	22	Y01Z, Y02A, Y02B, Y02C		09	J08A, J08B, J08C, J16Z, J21Z, J22A, J22B		09	J08A, J08B, J08C, J16Z, J21Z, J22A, J22B
5v539.1		BOP, KVT, UOP4		22	Y01Z, Y02A, Y02B, Y02C		21B	X01A, X01B, X01C
	05	F13A	5v539.a		BOP, KVT, UOP4		22	Y01Z, Y02A, Y02B, Y02C
	08	I02A, I02B, I02C, I02D, I22A, I22B, I50Z		05	F13A	5v53x.x↔		BOP, KVT, UOP4
	09	J08A, J08B, J08C, J16Z, J21Z, J22A, J22B		08	I02A, I02B, I02C, I02D, I22A, I22B, I50Z		05	F13A
	21B	X01A, X01B, X01C		09	J08A, J08B, J08C, J16Z, J21Z, J22A, J22B		08	I02A, I02B, I02C, I02D, I22A, I22B, I32A, I32B, I32C, I32D, I32E, I32F, I50Z
	22	Y01Z, Y02A, Y02B, Y02C		21B	X01A, X01B, X01C		09	J08A, J08B, J08C, J16Z, J21Z, J22A, J22B
5v539.2↔		BOP, KVT, UOP4		22	Y01Z, Y02A, Y02B, Y02C		21B	X01A, X01B, X01C
	05	F13A	5v539.b		BOP, KVT, UOP4		22	Y01Z, Y02A, Y02B, Y02C
	08	I02A, I02B, I02C, I02D, I22A, I22B, I50Z		05	F13A	5v540.6↔		BOP, KVT, UOP4
	09	J08A, J08B, J08C, J16Z, J21Z, J22A, J22B		08	I02A, I02B, I02C, I02D, I22A, I22B, I50Z		05	F13A
	21B	X01A, X01B, X01C		09	J08A, J08B, J08C, J16Z, J21Z, J22A, J22B		09	J02A, J02B, J02C, J04A, J04B, J08A, J08B, J08C, J16Z, J21Z, J22A, J22B
	22	Y01Z, Y02A, Y02B, Y02C		21B	X01A, X01B, X01C		09	J02A, J02B, J02C, J04A, J04B, J08A, J08B, J08C, J16Z, J21Z, J22A, J22B
5v539.3↔		BOP, KVT, UOP4		22	Y01Z, Y02A, Y02B, Y02C		22	Y01Z, Y03A, Y03B
	05	F13A	5v539.c		BOP, KVT, UOP4		22	BOP, KVT, UOP4
	08	I02A, I02B, I02C, I02D, I22A, I22B, I50Z		05	F13A	5v540.7↔		BOP, KVT, UOP4
	09	J08A, J08B, J08C, J16Z, J21Z, J22A, J22B		08	I02A, I02B, I02C, I02D, I22A, I22B, I50Z		05	F13A
	21B	X01A, X01B, X01C		09	J08A, J08B, J08C, J16Z, J21Z, J22A, J22B		09	J02A, J02B, J02C, J04A, J04B, J08A, J08B, J08C, J16Z, J21Z, J22A, J22B
	22	Y01Z, Y02A, Y02B, Y02C		21B	X01A, X01B, X01C		22	Y01Z, Y03A, Y03B
5v539.4		BOP, KVT, UOP4		22	Y01Z, Y02A, Y02B, Y02C	5v540.8↔		BOP, KVT, UOP4
	05	F13A					05	F13A
	08	I02A, I02B, I02C, I02D, I22A, I22B, I50Z					09	J02A, J02B, J02C, J04A, J04B, J08A, J08B, J08C, J16Z, J21Z, J22A, J22B
	09	J08A, J08B, J08C, J16Z, J21Z, J22A, J22B					22	Y01Z, Y03A, Y03B
	21B	X01A, X01B, X01C						
	22	Y01Z, Y02A, Y02B, Y02C						

ZZV	MDC	DRG	ZZV	MDC	DRG	ZZV	MDC	DRG
5v540.a		BOP, KVT, UOP4	5v541.6↔		BOP, KVT, UOP4	5v541.m		BOP, KVT, UOP4
	05	F13A		05	F13A		05	F13A
	09	J02A, J02B, J02C, J04A, J04B, J08A, J08B, J08C, J16Z, J21Z, J22A, J22B		09	J02A, J02B, J02C, J04A, J04B, J08A, J08B, J08C, J16Z, J21Z, J22A, J22B		09	J02A, J02B, J02C, J04A, J04B, J08A, J08B, J08C, J16Z, J21Z, J22A, J22B
5v540.b	22	Y01Z, Y03A, Y03B	5v541.7↔	22	Y01Z, Y03A, Y03B	5v541.x	22	Y01Z, Y03A, Y03B
		BOP, KVT, UOP4			BOP, KVT, UOP4			BOP, KVT, UOP4
	05	F13A		05	F13A		05	F13A
5v540.c	09	J02A, J02B, J02C, J04A, J04B, J08A, J08B, J08C, J16Z, J21Z, J22A, J22B	5v541.8↔	09	J02A, J02B, J02C, J04A, J04B, J08A, J08B, J08C, J16Z, J21Z, J22A, J22B	5v542.1	09	J02A, J02B, J02C, J04A, J04B, J08A, J08B, J08C, J16Z, J21Z, J22A, J22B
	22	Y01Z, Y03A, Y03B		22	Y01Z, Y03A, Y03B		22	Y01Z, Y03A, Y03B
		BOP, KVT, UOP4			BOP, KVT, UOP4			BOP, KVT, UOP4
5v540.d	05	F13A	5v541.a	05	F13A	5v542.2↔	05	F13A
	09	J02A, J02B, J02C, J04A, J04B, J08A, J08B, J08C, J16Z, J21Z, J22A, J22B		09	J02A, J02B, J02C, J04A, J04B, J08A, J08B, J08C, J16Z, J21Z, J22A, J22B		09	J02A, J02B, J02C, J04A, J04B, J08A, J08B, J08C, J16Z, J21Z, J22A, J22B
	22	Y01Z, Y03A, Y03B		22	Y01Z, Y03A, Y03B		22	Y01Z, Y03A, Y03B
5v540.e↔		BOP, KVT, UOP4	5v541.b		BOP, KVT, UOP4	5v542.h		BOP, KVT, UOP4
	05	F13A		05	F13A		05	F13A
	09	J02A, J02B, J02C, J04A, J04B, J08A, J08B, J08C, J16Z, J21Z, J22A, J22B		09	J02A, J02B, J02C, J04A, J04B, J08A, J08B, J08C, J16Z, J21Z, J22A, J22B		09	J02A, J02B, J02C, J04A, J04B, J08A, J08B, J08C, J16Z, J21Z, J22A, J22B
5v540.f↔	22	Y01Z, Y03A, Y03B	5v541.c	22	Y01Z, Y03A, Y03B	5v542.x	22	Y01Z, Y03A, Y03B
		BOP, KVT, UOP4			BOP, KVT, UOP4			BOP, KVT, UOP4
	05	F13A		05	F13A		05	F13A
5v540.h	09	J02A, J02B, J02C, J04A, J04B, J08A, J08B, J08C, J16Z, J21Z, J22A, J22B	5v541.d	09	J02A, J02B, J02C, J04A, J04B, J08A, J08B, J08C, J16Z, J21Z, J22A, J22B	5v543.4	09	J02A, J02B, J02C, J04A, J04B, J08A, J08B, J08C, J16Z, J21Z, J22A, J22B
	22	Y01Z, Y03A, Y03B		22	Y01Z, Y03A, Y03B		22	Y01Z, Y03A, Y03B
		BOP, KVT, UOP4			BOP, KVT, UOP4			BOP, KVT, UOP4
5v540.k	05	F13A	5v541.e↔	05	F13A	5v543.5	05	F13A
	09	J02A, J02B, J02C, J04A, J04B, J08A, J08B, J08C, J16Z, J21Z, J22A, J22B		09	J02A, J02B, J02C, J04A, J04B, J08A, J08B, J08C, J16Z, J21Z, J22A, J22B		09	J02A, J02B, J02C, J04A, J04B, J08A, J08B, J08C, J16Z, J21Z, J22A, J22B
	22	Y01Z, Y03A, Y03B		22	Y01Z, Y03A, Y03B		22	Y01Z, Y03A, Y03B
5v540.m		BOP, KVT, UOP4	5v541.f↔		BOP, KVT, UOP4	5v543.6↔		BOP, KVT, UOP4
	05	F13A		05	F13A		05	F13A
	09	J02A, J02B, J02C, J04A, J04B, J08A, J08B, J08C, J16Z, J21Z, J22A, J22B		09	J02A, J02B, J02C, J04A, J04B, J08A, J08B, J08C, J16Z, J21Z, J22A, J22B		09	J02A, J02B, J02C, J04A, J04B, J08A, J08B, J08C, J16Z, J21Z, J22A, J22B
5v540.x	22	Y01Z, Y03A, Y03B	5v541.h	22	Y01Z, Y03A, Y03B	5v543.7↔	22	Y01Z, Y03A, Y03B
		BOP, KVT, UOP4			BOP, KVT, UOP4			BOP, KVT, UOP4
	05	F13A		05	F13A		05	F13A
5v541.5	09	J02A, J02B, J02C, J04A, J04B, J08A, J08B, J08C, J16Z, J21Z, J22A, J22B	5v541.k	09	J02A, J02B, J02C, J04A, J04B, J08A, J08B, J08C, J16Z, J21Z, J22A, J22B	5v543.8↔	09	J02A, J02B, J02C, J04A, J04B, J08A, J08B, J08C, J16Z, J21Z, J22A, J22B
	22	Y01Z, Y03A, Y03B		22	Y01Z, Y03A, Y03B		22	Y01Z, Y03A, Y03B
		BOP, KVT, UOP4			BOP, KVT, UOP4			BOP, KVT, UOP4

VYK



ZZV	MDC	DRG	ZZV	MDC	DRG	ZZV	MDC	DRG
5v545.8↔		BOP, KVT, UOP4	5v545.k		BOP, KVT, UOP4	5v551.6↔		BOP, KVT, UOP4
	05	F13A		05	F13A		05	F13A
	09	J02A, J02B, J02C, J04A, J04B, J08A, J08B, J08C, J16Z, J21Z, J22A, J22B		09	J02A, J02B, J02C, J04A, J04B, J08A, J08B, J08C, J16Z, J21Z, J22A, J22B		08	I02A, I02B, I02C, I02D, I22A, I22B, I50Z
5v545.9↔	22	Y01Z, Y03A, Y03B	5v545.m	22	Y01Z, Y03A, Y03B	5v551.7↔	09	J08A, J08B, J08C, J16Z, J21Z, J22A, J22B
		BOP, KVT, UOP4			BOP, KVT, UOP4		21B	X01A, X01B, X01C
	05	F13A		05	F13A		22	Y01Z, Y02A, Y02B, Y02C
5v545.a	09	J02A, J02B, J02C, J04A, J04B, J08A, J08B, J08C, J16Z, J21Z, J22A, J22B	5v545.x	09	J02A, J02B, J02C, J04A, J04B, J08A, J08B, J08C, J16Z, J21Z, J22A, J22B	5v551.8↔	08	I02A, I02B, I02C, I02D, I22A, I22B, I50Z
	22	Y01Z, Y03A, Y03B		22	Y01Z, Y03A, Y03B		09	J08A, J08B, J08C, J16Z, J21Z, J22A, J22B
		BOP, KVT, UOP4			BOP, KVT, UOP4		21B	X01A, X01B, X01C
5v545.b	05	F13A	5v54x	05	F13A	5v551.9↔	22	Y01Z, Y02A, Y02B, Y02C
	09	J02A, J02B, J02C, J04A, J04B, J08A, J08B, J08C, J16Z, J21Z, J22A, J22B		09	J02A, J02B, J02C, J04A, J04B, J08A, J08B, J08C, J16Z, J21Z, J22A, J22B		05	F13A
	22	Y01Z, Y03A, Y03B		22	Y01Z, Y03A, Y03B		08	I02A, I02B, I02C, I02D, I22A, I22B, I32A, I32B, I32C, I32D, I32E, I32F, I50Z
5v545.c		BOP, KVT, UOP4	5v551.0		BOP, KVT, UOP4	5v551.a	09	J08A, J08B, J08C, J16Z, J21Z, J22A, J22B
	05	F13A		03	D08A, D08B, D18Z, D22A, D22B, D30A, D30B		21B	X01A, X01B, X01C
	09	J02A, J02B, J02C, J04A, J04B, J08A, J08B, J08C, J16Z, J21Z, J22A, J22B		05	F13A		22	Y01Z, Y02A, Y02B, Y02C
5v545.d	22	Y01Z, Y03A, Y03B	5v551.1	09	J03A, J03B, J04A, J04B, J08A, J08B, J08C, J10A, J10B, J16Z, J21Z, J22A, J22B	5v551.b	05	F13A
		BOP, KVT, UOP4		21A	W04A, W04B		08	I02A, I02B, I02C, I02D, I22A, I22B, I50Z
	05	F13A		21B	X06A, X06B, X06C		09	J08A, J08B, J08C, J16Z, J21Z, J22A, J22B
5v545.e↔	09	J02A, J02B, J02C, J04A, J04B, J08A, J08B, J08C, J16Z, J21Z, J22A, J22B	5v551.2↔	22	Y01Z, Y03A, Y03B	5v551.c	21B	X01A, X01B, X01C
	22	Y01Z, Y03A, Y03B		05	F13A		22	Y01Z, Y02A, Y02B, Y02C
		BOP, KVT, UOP4		09	J08A, J08B, J08C, J16Z, J21Z, J22A, J22B		05	F13A
5v545.f↔	05	F13A	5v551.3↔	09	J08A, J08B, J08C, J16Z, J21Z, J22A, J22B	5v551.d	08	I02A, I02B, I02C, I02D, I22A, I22B, I50Z
	09	J02A, J02B, J02C, J04A, J04B, J08A, J08B, J08C, J16Z, J21Z, J22A, J22B		22	Y01Z, Y03A, Y03B		09	J08A, J08B, J08C, J16Z, J21Z, J22A, J22B
	22	Y01Z, Y03A, Y03B		05	F13A		10	K09A, K09B
5v545.g↔		BOP, KVT, UOP4	5v551.4	08	I02A, I02B, I02C, I02D, I22A, I22B, I50Z	5v551.5	12	M04A, M04B, M04C, M04D, M37Z, M38Z
	05	F13A		09	J08A, J08B, J08C, J16Z, J21Z, J22A, J22B		21A	W04A, W04B
	09	J02A, J02B, J02C, J04A, J04B, J08A, J08B, J08C, J16Z, J21Z, J22A, J22B		21B	X01A, X01B, X01C		21B	X06A, X06B, X06C
5v545.h	22	Y01Z, Y03A, Y03B	5v551.5	22	Y01Z, Y02A, Y02B, Y02C	5v551.d	22	Y01Z, Y03A, Y03B
		BOP, KVT, UOP4		05	F13A			BOP, KVT, UOP4
	05	F13A		08	I02A, I02B, I02C, I02D, I22A, I22B, I50Z		05	F13A
5v545.i	09	J02A, J02B, J02C, J04A, J04B, J08A, J08B, J08C, J16Z, J21Z, J22A, J22B	5v551.5	09	J08A, J08B, J08C, J16Z, J21Z, J22A, J22B	5v551.d	08	I02A, I02B, I02C, I02D, I22A, I22B, I50Z
	22	Y01Z, Y03A, Y03B		21B	X01A, X01B, X01C		09	J08A, J08B, J08C, J16Z, J21Z, J22A, J22B
		BOP, KVT, UOP4		22	Y01Z, Y02A, Y02B, Y02C		21B	X01A, X01B, X01C
5v545.j	05	F13A	5v551.5	22	Y01Z, Y02A, Y02B, Y02C	5v551.d	22	Y01Z, Y02A, Y02B, Y02C
	09	J02A, J02B, J02C, J04A, J04B, J08A, J08B, J08C, J16Z, J21Z, J22A, J22B		05	F13A			BOP, KVT, UOP4
	22	Y01Z, Y03A, Y03B		08	I02A, I02B, I02C, I02D, I22A, I22B, I50Z		05	F13A

## Príloha B: Index Výkon-MDC-DRG

ZZV	MDC	DRG	ZZV	MDC	DRG	ZZV	MDC	DRG	
5v551.e↔		BOP, KVT, UOP4	5v552.0		BOP, KVT, UOP4	5v552.9↔		BOP, KVT, UOP4	
	05	F13A		03	D08A, D08B, D18Z, D22A, D22B, D30A, D30B		05	F13A	
	08	I02A, I02B, I02C, I02D, I22A, I22B, I50Z		05	F13A		08	I32A, I32B, I32C, I32D, I32E, I32F	
	09	J08A, J08B, J08C, J16Z, J21Z, J22A, J22B		09	J03A, J03B, J04A, J04B, J08A, J08B, J08C, J10A, J10B, J16Z, J21Z, J22A, J22B		09	J08A, J08B, J08C, J16Z, J21Z, J22A, J22B	
	21B	X01A, X01B, X01C		21A	W04A, W04B	5v552.a		22	Y01Z, Y02A, Y02B, Y02C
	22	Y01Z, Y02A, Y02B, Y02C		21B	X06A, X06B, X06C		05	F13A	
5v551.f↔		BOP, KVT, UOP4		22	Y01Z, Y03A, Y03B		08	I02A, I02B, I02C, I02D, I22A, I22B, I50Z	
	05	F13A	5v552.1		BOP, KVT, UOP4		09	J08A, J08B, J08C, J16Z, J21Z, J22A, J22B	
	08	I02A, I02B, I02C, I02D, I22A, I22B, I50Z		05	F13A		21B	X01A, X01B, X01C	
	09	J08A, J08B, J08C, J16Z, J21Z, J22A, J22B		09	J08A, J08B, J08C, J16Z, J21Z, J22A, J22B		22	Y01Z, Y02A, Y02B, Y02C	
	21B	X01A, X01B, X01C		22	Y01Z, Y02A, Y02B, Y03A, Y03B	5v552.b		BOP, KVT, UOP4	
	22	Y01Z, Y02A, Y02B, Y02C			BOP, KVT, UOP4		05	F13A	
5v551.g↔		BOP, KVT, UOP4	5v552.2↔		BOP, KVT, UOP4		08	I02A, I02B, I02C, I02D, I22A, I22B, I50Z	
	05	F13A		05	F13A		09	J08A, J08B, J08C, J16Z, J21Z, J22A, J22B	
	08	I02A, I02B, I02C, I02D, I22A, I22B, I50Z		09	J08A, J08B, J08C, J16Z, J21Z, J22A, J22B		21B	X01A, X01B, X01C	
	09	J08A, J08B, J08C, J16Z, J21Z, J22A, J22B		22	Y01Z, Y03A, Y03B		22	Y01Z, Y02A, Y02B, Y02C	
	21B	X01A, X01B, X01C	5v552.3↔		BOP, KVT, UOP4	5v552.c		BOP, KVT, UOP4	
	22	Y01Z, Y02A, Y02B, Y02C		05	F13A		05	F13A	
5v551.h		BOP, KVT, UOP4		09	J08A, J08B, J08C, J16Z, J21Z, J22A, J22B		09	J08A, J08B, J08C, J16Z, J21Z, J22A, J22B	
	05	F13A		22	Y01Z, Y03A, Y03B		21B	X01A, X01B, X01C	
	08	I02A, I02B, I02C, I02D, I22A, I22B, I50Z	5v552.4		BOP, KVT, UOP4		22	Y01Z, Y02A, Y02B, Y02C	
	09	J08A, J08B, J08C, J16Z, J21Z, J22A, J22B		05	F13A			BOP, KVT, UOP4	
	21B	X01A, X01B, X01C		08	I02A, I02B, I02C, I02D, I22A, I22B, I50Z		10	K09A, K09B	
	22	Y01Z, Y02A, Y02B, Y02C		09	J08A, J08B, J08C, J16Z, J21Z, J22A, J22B		12	M04A, M04B, M04C, M04D, M37Z, M38Z	
5v551.j		BOP, KVT, UOP4		21B	X01A, X01B, X01C		21A	W04A, W04B	
	05	F13A		22	Y01Z, Y02A, Y02B, Y02C		21B	X06A, X06B, X06C	
	08	I02A, I02B, I02C, I02D, I22A, I22B, I50Z	5v552.5		BOP, KVT, UOP4	5v552.d		22	Y01Z, Y03A, Y03B
	09	J08A, J08B, J08C, J16Z, J21Z, J22A, J22B		05	F13A			BOP, KVT, UOP4	
	21B	X01A, X01B, X01C		08	I02A, I02B, I02C, I02D, I22A, I22B, I50Z		05	F13A	
	22	Y01Z, Y02A, Y02B, Y02C		09	J08A, J08B, J08C, J16Z, J21Z, J22A, J22B		08	I02A, I02B, I02C, I02D, I22A, I22B, I50Z	
5v551.k		BOP, KVT, UOP4		21B	X01A, X01B, X01C		09	J08A, J08B, J08C, J16Z, J21Z, J22A, J22B	
	05	F13A		22	Y01Z, Y02A, Y02B, Y02C		21B	X01A, X01B, X01C	
	09	J08A, J08B, J08C, J16Z, J21Z, J22A, J22B	5v552.6↔		BOP, KVT, UOP4	5v552.e↔		22	Y01Z, Y02A, Y02B, Y02C
	10	K09A, K09B		05	F13A			BOP, KVT, UOP4	
	12	M04A, M04B, M04C, M04D, M37Z, M38Z		08	I02A, I02B, I02C, I02D, I22A, I22B, I50Z		05	F13A	
	21A	W04A, W04B		09	J08A, J08B, J08C, J16Z, J21Z, J22A, J22B		08	I02A, I02B, I02C, I02D, I22A, I22B, I50Z	
	21B	X06A, X06B, X06C		21B	X01A, X01B, X01C		09	J08A, J08B, J08C, J16Z, J21Z, J22A, J22B	
	22	Y01Z, Y03A, Y03B		22	Y01Z, Y02A, Y02B, Y02C		21B	X01A, X01B, X01C	
5v551.m		BOP, KVT, UOP4			BOP, KVT, UOP4	5v552.f↔		22	Y01Z, Y02A, Y02B, Y02C
	05	F13A	5v552.7↔		BOP, KVT, UOP4			BOP, KVT, UOP4	
	08	I02A, I02B, I02C, I02D, I22A, I22B, I32A, I32B, I32C, I32D, I32E, I32F, I50Z		05	F13A		05	F13A	
	09	J08A, J08B, J08C, J16Z, J21Z, J22A, J22B		08	I02A, I02B, I02C, I02D, I22A, I22B, I50Z		08	I02A, I02B, I02C, I02D, I22A, I22B, I50Z	
	21B	X01A, X01B, X01C		09	J08A, J08B, J08C, J16Z, J21Z, J22A, J22B		09	J08A, J08B, J08C, J16Z, J21Z, J22A, J22B	
	22	Y01Z, Y02A, Y02B, Y02C		21B	X01A, X01B, X01C		21B	X01A, X01B, X01C	
5v551.x↔		BOP, KVT, UOP4	5v552.8↔		BOP, KVT, UOP4	5v552.g↔		22	Y01Z, Y02A, Y02B, Y02C
	05	F13A		05	F13A			BOP, KVT, UOP4	
	08	I02A, I02B, I02C, I02D, I22A, I22B, I32A, I32B, I32C, I32D, I32E, I32F, I50Z		08	I02A, I02B, I02C, I02D, I22A, I22B, I32A, I32B, I32C, I32D, I32E, I32F, I50Z		05	F13A	
	09	J08A, J08B, J08C, J16Z, J21Z, J22A, J22B		09	J08A, J08B, J08C, J16Z, J21Z, J22A, J22B		08	I02A, I02B, I02C, I02D, I22A, I22B, I50Z	
	21B	X01A, X01B, X01C		21B	X01A, X01B, X01C		09	J08A, J08B, J08C, J16Z, J21Z, J22A, J22B	
	22	Y01Z, Y02A, Y02B, Y02C		22	Y01Z, Y02A, Y02B, Y02C		21B	X01A, X01B, X01C	
							22	Y01Z, Y02A, Y02B, Y02C	

ZZV	MDC	DRG	ZZV	MDC	DRG	ZZV	MDC	DRG	
5v552.h		BOP, KVT, UOP4	5v553.3↔	02	BOP, KVT, UOP4	5v554.2↔	06	KOP, KOPV	
	05	F13A			05		F13A	07	G33Z
	08	I02A, I02B, I02C, I02D, I22A, I22B, I50Z			08		I17Z	08	H33Z, H38Z
	09	J08A, J08B, J08C, J16Z, J21Z, J22A, J22B			09		J03A, J03B, J04A, J04B, J08A, J08B, J08C, J10A, J10B, J16Z, J21Z, J22A, J22B	09	I02A, I02B, I02C, I02D, I22A, I22B, I32A, I32B, I32C, I32D, I34Z, I50Z
	21B	X01A, X01B, X01C			10		K09A, K09B	11	J01Z, J02A, J02B
5v552.j	22	Y01Z, Y02A, Y02B, Y02C		21A	W04A, W04B	21B	L33Z		
		BOP, KVT, UOP4		21B	X06A, X06B, X06C	Pre	X01A, X01B, X01C, X33Z		
	05	F13A	5v553.4‡	09	J11A, J11B	06	Y01Z, Y03A, Y03B		
	08	I02A, I02B, I02C, I02D, I22A, I22B, I50Z	5v553.5‡	09	J11A, J11B	Pre	A07A		
	09	J08A, J08B, J08C, J16Z, J21Z, J22A, J22B	5v553.6‡↔	09	J11A, J11B	5v554.3↔	KOP, KOPV		
5v552.k	21B	X01A, X01B, X01C		09	J11A, J11B	06	G33Z		
	22	Y01Z, Y02A, Y02B, Y02C	5v553.7‡↔	09	J11A, J11B	07	H33Z, H38Z		
		BOP, KVT, UOP4	5v553.8‡↔	09	J11A, J11B	08	I02A, I02B, I02C, I02D, I22A, I22B, I32A, I32B, I32C, I32D, I34Z, I50Z		
	05	F13A	5v553.9‡↔	09	J11A, J11B	09	J01Z, J02A, J02B		
	09	J08A, J08B, J08C, J16Z, J21Z, J22A, J22B	5v553.a‡	09	J11A, J11B	11	L33Z		
5v552.l	10	K09A, K09B	5v553.b‡	09	J11A, J11B	21B	X01A, X01B, X01C, X33Z		
	12	M04A, M04B, M04C, M04D, M37Z, M38Z	5v553.c‡	09	J11A, J11B	22	Y01Z, Y03A, Y03B		
	21A	W04A, W04B	5v553.d‡	09	J11A, J11B	Pre	A07A		
	21B	X06A, X06B, X06C	5v553.e‡↔	09	J11A, J11B	5v554.4	KOP, KOPV		
	22	Y01Z, Y03A, Y03B	5v553.f‡↔	09	J11A, J11B	06	G33Z		
5v552.m		BOP, KVT, UOP4	5v553.g‡↔	09	J11A, J11B	07	H33Z, H38Z		
	05	F13A	5v553.h‡	09	J11A, J11B	08	I02A, I02B, I02C, I02D, I22A, I22B, I32A, I32B, I32C, I32D, I34Z, I50Z		
	08	I02A, I02B, I02C, I02D, I22A, I22B, I32A, I32B, I32C, I32D, I32E, I32F, I50Z	5v553.i‡	09	J11A, J11B	09	J01Z, J02A, J02B		
	09	J08A, J08B, J08C, J16Z, J21Z, J22A, J22B	5v553.j‡	09	J11A, J11B	11	L33Z		
	21B	X01A, X01B, X01C	5v553.k‡	09	J11A, J11B	21B	X01A, X01B, X01C, X33Z		
5v552.n	22	Y01Z, Y02A, Y02B, Y02C	5v553.l‡	09	J11A, J11B	22	Y01Z, Y02A, Y02B, Y02C		
		BOP, KVT, UOP4	5v553.m‡	09	J11A, J11B	Pre	A07A		
	05	F13A	5v553.n‡	09	J11A, J11B	5v554.5	KOP, KOPV		
	08	I02A, I02B, I02C, I02D, I22A, I22B, I32A, I32B, I32C, I32D, I32E, I32F, I50Z	5v554.0	06	KOP, KOPV	06	G33Z		
	09	J08A, J08B, J08C, J16Z, J21Z, J22A, J22B		07	G33Z	07	H33Z, H38Z		
5v552.o	21B	X01A, X01B, X01C		08	H33Z, H38Z	08	I02A, I02B, I02C, I02D, I22A, I22B, I32A, I32B, I32C, I32D, I34Z, I50Z		
	22	Y01Z, Y02A, Y02B, Y02C		08	I32A, I32B, I32C, I32D	09	J01Z, J02A, J02B		
	09	J11A, J11B		09	J01Z, J02A, J02B	11	L33Z		
	22	Y01Z, Y03A, Y03B		11	L33Z	21B	X01A, X01B, X01C, X33Z		
		BOP, KVT, UOP4		21B	X01A, X01B, X01C, X33Z	22	Y01Z, Y02A, Y02B, Y02C		
5v552.p	03	D09Z, D30A		Pre	A07A	Pre	A07A		
	05	F13A	5v554.1	06	G33Z	5v554.6↔	KOP, KOPV		
	08	I28A, I28B		07	H33Z, H38Z	06	G33Z		
	09	J03A, J03B, J04A, J04B, J08A, J08B, J08C, J10A, J10B, J16Z, J21Z, J22A, J22B		08	I02A, I02B, I02C, I02D, I22A, I22B, I32A, I32B, I32C, I32D, I34Z, I50Z	07	H33Z, H38Z		
	21A	W04A, W04B		09	J01Z, J02A, J02B	08	I02A, I02B, I02C, I02D, I22A, I22B, I32A, I32B, I32C, I32D, I34Z, I50Z		
5v552.q	21B	X06A, X06B, X06C		11	L33Z	09	J01Z, J02A, J02B		
	22	Y01Z, Y02A, Y02B, Y03A, Y03B		21B	X01A, X01B, X01C, X33Z	11	L33Z		
		BOP, KVT, UOP4		Pre	A07A	21B	X01A, X01B, X01C, X33Z		
	03	D09Z, D30A		Pre	A07A	22	Y01Z, Y02A, Y02B, Y02C		
	05	F13A		Pre	A07A	Pre	A07A		
5v552.r	09	J03A, J03B, J04A, J04B, J08A, J08B, J08C, J10A, J10B, J16Z, J21Z, J22A, J22B		06	G33Z	5v554.7↔	KOP, KOPV		
	21A	W04A, W04B		07	H33Z, H38Z	06	G33Z		
	21B	X06A, X06B, X06C		08	I02A, I02B, I02C, I02D, I22A, I22B, I32A, I32B, I32C, I32D, I34Z, I50Z	07	H33Z, H38Z		
	22	Y01Z, Y03A, Y03B		09	J01Z, J02A, J02B	08	I02A, I02B, I02C, I02D, I22A, I22B, I32A, I32B, I32C, I32D, I34Z, I50Z		
		BOP, KVT, UOP4		11	L33Z	09	J01Z, J02A, J02B		
5v552.s	03	D09Z, D30A		21B	X01A, X01B, X01C, X33Z	11	L33Z		
	05	F13A		22	Y01Z, Y03A, Y03B	21B	X01A, X01B, X01C, X33Z		
	09	J03A, J03B, J04A, J04B, J08A, J08B, J08C, J10A, J10B, J16Z, J21Z, J22A, J22B		Pre	A07A	22	Y01Z, Y02A, Y02B, Y02C		
	21A	W04A, W04B		Pre	A07A	Pre	A07A		
	21B	X06A, X06B, X06C		Pre	A07A				
5v552.t	22	Y01Z, Y03A, Y03B		Pre	A07A				

## Príloha B: Index Výkon-MDC-DRG

ZZV	MDC	DRG	ZZV	MDC	DRG	ZZV	MDC	DRG			
5v554.8↔		KOP, KOPV	5v554.e↔		KOP, KOPV	5v555.2↔		BOP, KVT, UOP4			
	06	G33Z		06	G33Z		03	D12A			
	07	H33Z, H38Z		07	H33Z, H38Z		05	F13A			
	08	I02A, I02B, I02C, I02D, I22A, I22B, I32A, I32B, I32C, I32D, I32E, I32F, I34Z, I50Z		08	I02A, I02B, I02C, I02D, I22A, I22B, I32A, I32B, I32C, I32D, I34Z, I50Z		09	J02A, J02B, J02C, J04A, J04B, J08A, J08B, J08C, J16Z, J21Z, J22A, J22B			
	09	J01Z, J02A, J02B		09	J01Z, J02A, J02B		21A	W04A, W04B			
	11	L33Z		11	L33Z		21B	X01A, X01B, X01C			
	21B	X01A, X01B, X01C, X33Z		21B	X01A, X01B, X01C, X33Z		22	Y01Z, Y03A, Y03B			
	22	Y01Z, Y02A, Y02B, Y02C		22	Y01Z, Y02A, Y02B, Y02C			BOP, KVT, UOP4			
	Pre	A07A		Pre	A07A		5v555.3↔	02	C01A, C01B, C16Z, C20A, C20B		
	5v554.9↔			KOP, KOPV	5v554.f↔			KOP, KOPV	5v555.4		F13A
		06		G33Z			06	G33Z		05	F13A
07		H33Z, H38Z	07	H33Z, H38Z		08	I17Z				
08		I32A, I32B, I32C, I32D, I32E, I32F, I34Z	08	I02A, I02B, I02C, I02D, I22A, I22B, I32A, I32B, I32C, I32D, I34Z, I50Z		09	J03A, J03B, J04A, J04B, J08A, J08B, J08C, J10A, J10B, J16Z, J21Z, J22A, J22B				
09		J01Z, J02A, J02B	09	J01Z, J02A, J02B		21A	W04A, W04B				
11		L33Z	11	L33Z		21B	X06A, X06B, X06C				
21B		X01A, X01B, X01C, X33Z	21B	X01A, X01B, X01C, X33Z		22	Y01Z, Y03A, Y03B				
22		Y01Z, Y02A, Y02B, Y02C	22	Y01Z, Y02A, Y02B, Y02C			BOP, KVT, UOP4				
Pre		A07A	Pre	A07A		5v555.5	03	D12A			
5v554.a			KOP, KOPV	5v554.g↔			KOP, KOPV	5v555.6↔			F13A
		06	G33Z			06	G33Z			05	F13A
	07	H33Z, H38Z	07		H33Z, H38Z	08	I02A, I02B, I02C, I02D, I22A, I22B, I50Z				
	08	I02A, I02B, I02C, I02D, I22A, I22B, I32A, I32B, I32C, I32D, I34Z, I50Z	08		I02A, I02B, I02C, I02D, I22A, I22B, I32A, I32B, I32C, I32D, I34Z, I50Z	09	J02A, J02B, J02C, J04A, J04B, J08A, J08B, J08C, J16Z, J21Z, J22A, J22B				
	09	J01Z, J02A, J02B	09		J01Z, J02A, J02B	21A	W04A, W04B				
	11	L33Z	11		L33Z	21B	X01A, X01B, X01C				
	21B	X01A, X01B, X01C, X33Z	21B		X01A, X01B, X01C, X33Z	22	Y01Z, Y02A, Y02B, Y02C				
	22	Y01Z, Y02A, Y02B, Y02C	22		Y01Z, Y02A, Y02B, Y02C		BOP, KVT, UOP4				
	Pre	A07A	Pre		A07A	5v555.7↔	03		D12A		
	5v554.b		KOP, KOPV		5v554.x↔		KOP, KOPV		5v555.8↔		F13A
		06	G33Z			06	G33Z			05	F13A
07		H33Z, H38Z	07	H33Z, H38Z		08	I02A, I02B, I02C, I02D, I22A, I22B, I50Z				
08		I02A, I02B, I02C, I02D, I22A, I22B, I32A, I32B, I32C, I32D, I34Z, I50Z	08	I02A, I02B, I02C, I02D, I22A, I22B, I32A, I32B, I32C, I32D, I32E, I32F, I34Z, I50Z		09	J02A, J02B, J02C, J04A, J04B, J08A, J08B, J08C, J16Z, J21Z, J22A, J22B				
09		J01Z, J02A, J02B	09	J01Z, J02A, J02B		21A	W04A, W04B				
11		L33Z	11	L33Z		21B	X01A, X01B, X01C				
21B		X01A, X01B, X01C, X33Z	21B	X01A, X01B, X01C, X33Z		22	Y01Z, Y02A, Y02B, Y02C				
22		Y01Z, Y02A, Y02B, Y02C	22	Y01Z, Y03A, Y03B			BOP, KVT, UOP4				
Pre		A07A	Pre	A07A		5v555.9↔	05	F13A			
5v554.c			KOP, KOPV	5v555.0			BOP, KVT, UOP4	5v555.10↔			I02A, I02B, I02C, I02D, I22A, I22B, I50Z
		06	G33Z			03	D18Z, D25A, D25B, D25C, D25D			08	I02A, I02B, I02C, I02D, I22A, I22B, I50Z
	07	H33Z, H38Z	05		F13A	09	J02A, J02B, J02C, J04A, J04B, J08A, J08B, J08C, J16Z, J21Z, J22A, J22B				
	08	I02A, I02B, I02C, I02D, I22A, I22B, I32A, I32B, I32C, I32D, I34Z, I50Z	09		J03A, J03B, J04A, J04B, J08A, J08B, J08C, J11A, J11B, J16Z, J21Z, J22A, J22B	21A	W04A, W04B				
	09	J01Z, J02A, J02B				21B	X01A, X01B, X01C				
	11	L33Z	21A		W04A, W04B	22	Y01Z, Y02A, Y02B, Y02C				
	21B	X01A, X01B, X01C, X33Z	21B		X06A, X06B, X06C		BOP, KVT, UOP4				
	22	Y01Z, Y03A, Y03B	22		Y01Z, Y03A, Y03B	05	F13A				
	Pre	A07A	Pre		A07A	08	I02A, I02B, I02C, I02D, I22A, I22B, I50Z				
	5v554.d		KOP, KOPV		5v555.1		BOP, KVT, UOP4		5v555.11↔		F13A
		06	G33Z			03	D12A			05	F13A
07		H33Z, H38Z	05	F13A		09	J02A, J02B, J02C, J04A, J04B, J08A, J08B, J08C, J16Z, J21Z, J22A, J22B				
08		I02A, I02B, I02C, I02D, I22A, I22B, I32A, I32B, I32C, I32D, I34Z, I50Z	09	J02A, J02B, J02C, J04A, J04B, J08A, J08B, J08C, J16Z, J21Z, J22A, J22B		21A	W04A, W04B				
09		J01Z, J02A, J02B	21A	W04A, W04B		21B	X01A, X01B, X01C				
11		L33Z	21B	X01A, X01B, X01C		22	Y01Z, Y02A, Y02B, Y02C				
21B		X01A, X01B, X01C, X33Z	21B	X01A, X01B, X01C			BOP, KVT, UOP4				
22		Y01Z, Y03A, Y03B	22	Y01Z, Y02A, Y02B, Y03A, Y03B		05	F13A				
Pre		A07A	Pre	A07A		08	I02A, I02B, I02C, I02D, I22A, I22B, I50Z				

VYK



ZZV	MDC	DRG	ZZV	MDC	DRG	ZZV	MDC	DRG
5v555.8↔		BOP, KVT, UOP4	5v555.e↔		BOP, KVT, UOP4	5v556.2↔		BOP, KVT, UOP4
	05	F13A		05	F13A		03	D12A
	08	I02A, I02B, I02C, I02D, I22A, I22B, I32A, I32B, I32C, I32D, I32E, I32F, I50Z		08	I02A, I02B, I02C, I02D, I22A, I22B, I50Z		05	F13A
	09	J02A, J02B, J02C, J04A, J04B, J08A, J08B, J08C, J16Z, J21Z, J22A, J22B		09	J02A, J02B, J02C, J04A, J04B, J08A, J08B, J08C, J16Z, J21Z, J22A, J22B		09	J02A, J02B, J02C, J04A, J04B, J08A, J08B, J08C, J16Z, J21Z, J22A, J22B
	21A	W04A, W04B		21A	W04A, W04B		21A	W04A, W04B
	21B	X01A, X01B, X01C		21B	X01A, X01B, X01C		21B	X01A, X01B, X01C
	22	Y01Z, Y02A, Y02B, Y02C		22	Y01Z, Y02A, Y02B, Y02C	5v556.3↔		Y01Z, Y03A, Y03B
5v555.9↔		BOP, KVT, UOP4	5v555.f↔		BOP, KVT, UOP4			BOP, KVT, UOP4
	05	F13A		05	F13A		02	C01A, C01B, C16Z, C20A, C20B
	08	I32A, I32B, I32C, I32D, I32E, I32F		08	I02A, I02B, I02C, I02D, I22A, I22B, I50Z		05	F13A
	09	J02A, J02B, J02C, J04A, J04B, J08A, J08B, J08C, J16Z, J21Z, J22A, J22B		09	J02A, J02B, J02C, J04A, J04B, J08A, J08B, J08C, J16Z, J21Z, J22A, J22B		08	I17Z
	21A	W04A, W04B		21A	W04A, W04B		09	J03A, J03B, J04A, J04B, J08A, J08B, J08C, J10A, J10B, J16Z, J21Z, J22A, J22B
	21B	X01A, X01B, X01C		21B	X01A, X01B, X01C		10	K09A, K09B
	22	Y01Z, Y02A, Y02B, Y02C		22	Y01Z, Y02A, Y02B, Y02C		21A	W04A, W04B
5v555.a		BOP, KVT, UOP4	5v555.g↔		BOP, KVT, UOP4		21B	X06A, X06B, X06C
	05	F13A		05	F13A		22	Y01Z, Y03A, Y03B
	08	I02A, I02B, I02C, I02D, I22A, I22B, I50Z		08	I02A, I02B, I02C, I02D, I22A, I22B, I50Z	5v556.4		BOP, KVT, UOP4
	09	J02A, J02B, J02C, J04A, J04B, J08A, J08B, J08C, J16Z, J21Z, J22A, J22B		09	J02A, J02B, J02C, J04A, J04B, J08A, J08B, J08C, J16Z, J21Z, J22A, J22B		03	D12A
	21A	W04A, W04B		21A	W04A, W04B		05	F13A
	21B	X01A, X01B, X01C		21B	X01A, X01B, X01C		08	I02A, I02B, I02C, I02D, I22A, I22B, I50Z
	22	Y01Z, Y02A, Y02B, Y02C		22	Y01Z, Y02A, Y02B, Y02C		09	J02A, J02B, J02C, J04A, J04B, J08A, J08B, J08C, J16Z, J21Z, J22A, J22B
5v555.b		BOP, KVT, UOP4	5v555.x↔		BOP, KVT, UOP4		21A	W04A, W04B
	05	F13A		05	F13A		21B	X01A, X01B, X01C
	08	I02A, I02B, I02C, I02D, I22A, I22B, I50Z		08	I02A, I02B, I02C, I02D, I22A, I22B, I32A, I32B, I32C, I32D, I32E, I32F, I50Z	5v556.5		Y01Z, Y02A, Y02B, Y02C
	09	J02A, J02B, J02C, J04A, J04B, J08A, J08B, J08C, J16Z, J21Z, J22A, J22B		09	J02A, J02B, J02C, J04A, J04B, J08A, J08B, J08C, J16Z, J21Z, J22A, J22B		22	BOP, KVT, UOP4
	21A	W04A, W04B		21A	W04A, W04B		03	D12A
	21B	X01A, X01B, X01C		21B	X01A, X01B, X01C		05	F13A
	22	Y01Z, Y02A, Y02B, Y02C		22	Y01Z, Y02A, Y02B, Y02C		08	I02A, I02B, I02C, I02D, I22A, I22B, I50Z
5v555.c		BOP, KVT, UOP4	5v556.0		BOP, KVT, UOP4		09	J02A, J02B, J02C, J04A, J04B, J08A, J08B, J08C, J16Z, J21Z, J22A, J22B
	05	F13A		03	D02A, D02B, D18Z, D24A, D24B		21A	W04A, W04B
	08	I02A, I02B, I02C, I02D, I22A, I22B, I50Z		05	F13A		21B	X01A, X01B, X01C
	09	J02A, J02B, J02C, J04A, J04B, J08A, J08B, J08C, J16Z, J21Z, J22A, J22B		09	J03A, J03B, J04A, J04B, J08A, J08B, J08C, J11A, J11B, J16Z, J21Z, J22A, J22B		22	Y01Z, Y02A, Y02B, Y02C
	21A	W04A, W04B		21A	W04A, W04B	5v556.6↔		BOP, KVT, UOP4
	21B	X01A, X01B, X01C		21B	X06A, X06B, X06C		05	F13A
	22	Y01Z, Y03A, Y03B		22	Y01Z, Y03A, Y03B		08	I02A, I02B, I02C, I02D, I22A, I22B, I50Z
5v555.d		BOP, KVT, UOP4	5v556.1		BOP, KVT, UOP4		09	J02A, J02B, J02C, J04A, J04B, J08A, J08B, J08C, J16Z, J21Z, J22A, J22B
	05	F13A		03	D12A		21A	W04A, W04B
	08	I02A, I02B, I02C, I02D, I22A, I22B, I50Z		05	F13A	5v556.7↔		X01A, X01B, X01C
	09	J02A, J02B, J02C, J04A, J04B, J08A, J08B, J08C, J16Z, J21Z, J22A, J22B		09	J02A, J02B, J02C, J04A, J04B, J08A, J08B, J08C, J16Z, J21Z, J22A, J22B		22	Y01Z, Y02A, Y02B, Y02C
	21A	W04A, W04B		21A	W04A, W04B			BOP, KVT, UOP4
	21B	X01A, X01B, X01C		21B	X01A, X01B, X01C		05	F13A
	22	Y01Z, Y03A, Y03B		22	Y01Z, Y02A, Y02B, Y03A, Y03B		08	I02A, I02B, I02C, I02D, I22A, I22B, I50Z
							09	J02A, J02B, J02C, J04A, J04B, J08A, J08B, J08C, J16Z, J21Z, J22A, J22B
							21A	W04A, W04B
							21B	X01A, X01B, X01C
							22	Y01Z, Y02A, Y02B, Y02C

ZZV	MDC	DRG	ZZV	MDC	DRG	ZZV	MDC	DRG
5v556.8↔		BOP, KVT, UOP4	5v556.e↔		BOP, KVT, UOP4	5v557.3↔		BOP, KVT, UOP4
	05	F13A		05	F13A		02	C01A, C01B, C16Z, C20A, C20B
	08	I02A, I02B, I02C, I02D, I22A, I22B, I32A, I32B, I32C, I32D, I32E, I32F, I50Z		08	I02A, I02B, I02C, I02D, I22A, I22B, I50Z		05	F13A
	09	J02A, J02B, J02C, J04A, J04B, J08A, J08B, J08C, J16Z, J21Z, J22A, J22B		09	J02A, J02B, J02C, J04A, J04B, J08A, J08B, J08C, J16Z, J21Z, J22A, J22B		08	I17Z
	21A	W04A, W04B		21A	W04A, W04B		09	J03A, J03B, J04A, J04B, J08A, J08B, J08C, J10A, J10B, J16Z, J21Z, J22A, J22B
	21B	X01A, X01B, X01C		21B	X01A, X01B, X01C		10	K09A, K09B
	22	Y01Z, Y02A, Y02B, Y02C		22	Y01Z, Y02A, Y02B, Y02C		21A	W04A, W04B
							21B	X06A, X06B, X06C
							22	Y01Z, Y03A, Y03B
							09	J11A, J11B
5v556.9↔		BOP, KVT, UOP4	5v556.f↔		BOP, KVT, UOP4	5v557.4‡		J11A, J11B
	05	F13A		05	F13A		22	Y01Z, Y02A, Y02B, Y02C
	08	I32A, I32B, I32C, I32D, I32E, I32F		08	I02A, I02B, I02C, I02D, I22A, I22B, I50Z		09	J11A, J11B
	09	J02A, J02B, J02C, J04A, J04B, J08A, J08B, J08C, J16Z, J21Z, J22A, J22B		09	J02A, J02B, J02C, J04A, J04B, J08A, J08B, J08C, J16Z, J21Z, J22A, J22B		09	J11A, J11B
	21A	W04A, W04B		21A	W04A, W04B		22	Y01Z, Y02A, Y02B, Y02C
	21B	X01A, X01B, X01C		21B	X01A, X01B, X01C		09	J11A, J11B
	22	Y01Z, Y02A, Y02B, Y02C		22	Y01Z, Y02A, Y02B, Y02C		22	Y01Z, Y02A, Y02B, Y02C
							09	J11A, J11B
							22	Y01Z, Y02A, Y02B, Y02C
							09	J11A, J11B
5v556.a		BOP, KVT, UOP4	5v556.g↔		BOP, KVT, UOP4	5v557.5‡		J11A, J11B
	05	F13A		05	F13A		22	Y01Z, Y02A, Y02B, Y02C
	08	I02A, I02B, I02C, I02D, I22A, I22B, I50Z		08	I02A, I02B, I02C, I02D, I22A, I22B, I50Z		09	J11A, J11B
	09	J02A, J02B, J02C, J04A, J04B, J08A, J08B, J08C, J16Z, J21Z, J22A, J22B		09	J02A, J02B, J02C, J04A, J04B, J08A, J08B, J08C, J16Z, J21Z, J22A, J22B		22	Y01Z, Y02A, Y02B, Y02C
	21A	W04A, W04B		21A	W04A, W04B		09	J11A, J11B
	21B	X01A, X01B, X01C		21B	X01A, X01B, X01C		22	Y01Z, Y02A, Y02B, Y02C
	22	Y01Z, Y02A, Y02B, Y02C		22	Y01Z, Y02A, Y02B, Y02C		09	J11A, J11B
							22	Y01Z, Y02A, Y02B, Y02C
							09	J11A, J11B
							22	Y01Z, Y02A, Y02B, Y02C
5v556.b		BOP, KVT, UOP4	5v556.x↔		BOP, KVT, UOP4	5v557.6‡↔		J11A, J11B
	05	F13A		05	F13A		22	Y01Z, Y02A, Y02B, Y02C
	08	I02A, I02B, I02C, I02D, I22A, I22B, I50Z		08	I02A, I02B, I02C, I02D, I22A, I22B, I50Z		09	J11A, J11B
	09	J02A, J02B, J02C, J04A, J04B, J08A, J08B, J08C, J16Z, J21Z, J22A, J22B		09	J02A, J02B, J02C, J04A, J04B, J08A, J08B, J08C, J16Z, J21Z, J22A, J22B		22	Y01Z, Y02A, Y02B, Y02C
	21A	W04A, W04B		21A	W04A, W04B		09	J11A, J11B
	21B	X01A, X01B, X01C		21B	X01A, X01B, X01C		22	Y01Z, Y02A, Y02B, Y02C
	22	Y01Z, Y02A, Y02B, Y02C		22	Y01Z, Y02A, Y02B, Y02C		09	J11A, J11B
							22	Y01Z, Y03A, Y03B
							09	J11A, J11B
							22	Y01Z, Y02A, Y02B, Y02C
5v556.c		BOP, KVT, UOP4	5v557.0‡		BOP, KVT, UOP4	5v557.7‡↔		J11A, J11B
	05	F13A		05	F13A		22	Y01Z, Y02A, Y02B, Y02C
	08	I02A, I02B, I02C, I02D, I22A, I22B, I50Z		08	I02A, I02B, I02C, I02D, I22A, I22B, I50Z		09	J11A, J11B
	09	J02A, J02B, J02C, J04A, J04B, J08A, J08B, J08C, J16Z, J21Z, J22A, J22B		09	J02A, J02B, J02C, J04A, J04B, J08A, J08B, J08C, J16Z, J21Z, J22A, J22B		22	Y01Z, Y02A, Y02B, Y02C
	21A	W04A, W04B		21A	W04A, W04B		09	J11A, J11B
	21B	X01A, X01B, X01C		21B	X01A, X01B, X01C		22	Y01Z, Y02A, Y02B, Y02C
	22	Y01Z, Y03A, Y03B		22	Y01Z, Y02A, Y02B, Y02C		09	J11A, J11B
							22	Y01Z, Y02A, Y02B, Y02C
							09	J11A, J11B
							22	Y01Z, Y02A, Y02B, Y02C
5v556.d		BOP, KVT, UOP4	5v557.1		BOP, KVT, UOP4	5v557.8‡↔		J11A, J11B
	05	F13A		03	D09Z, D30A		22	Y01Z, Y02A, Y02B, Y02C
	08	I02A, I02B, I02C, I02D, I22A, I22B, I50Z		05	F13A		09	J11A, J11B
	09	J02A, J02B, J02C, J04A, J04B, J08A, J08B, J08C, J16Z, J21Z, J22A, J22B		08	I28A, I28B		22	Y01Z, Y02A, Y02B, Y02C
	21A	W04A, W04B		09	J03A, J03B, J04A, J04B, J08A, J08B, J08C, J10A, J10B, J16Z, J21Z, J22A, J22B		09	J11A, J11B
	21B	X01A, X01B, X01C					22	Y01Z, Y02A, Y02B, Y02C
	22	Y01Z, Y03A, Y03B		21A	W04A, W04B		09	J11A, J11B
				21B	X06A, X06B, X06C		22	Y01Z, Y02A, Y02B, Y02C
				22	Y01Z, Y02A, Y02B, Y03A, Y03B		09	J11A, J11B
							22	Y01Z, Y02A, Y03A, Y03B
								BOP, KVT, UOP4
								D09Z, D30A
								F13A
								I28A, I28B
								J03A, J03B, J04A, J04B, J08A, J08B, J08C, J10A, J10B, J16Z, J21Z, J22A, J22B
								W04A, W04B
								X06A, X06B, X06C
								Y01Z, Y02A, Y03A, Y03B
								BOP, KVT, UOP4
								D09Z, D30A
								F13A
								J03A, J03B, J04A, J04B, J08A, J08B, J08C, J10A, J10B, J16Z, J21Z, J22A, J22B
								W04A, W04B
								X06A, X06B, X06C
								Y01Z, Y02A, Y03A, Y03B
								BOP, KVT, UOP4
								D09Z, D30A
								F13A
								J03A, J03B, J04A, J04B, J08A, J08B, J08C, J10A, J10B, J16Z, J21Z, J22A, J22B
								W04A, W04B
								X06A, X06B, X06C
								Y01Z, Y02A, Y03A, Y03B
								BOP, KVT, UOP4
								D09Z, D30A
								F13A
								J03A, J03B, J04A, J04B, J08A, J08B, J08C, J10A, J10B, J16Z, J21Z, J22A, J22B
								W04A, W04B
								X06A, X06B, X06C
								Y01Z, Y02A, Y03A, Y03B

ZZV	MDC	DRG	ZZV	MDC	DRG	ZZV	MDC	DRG
5v558.3↔		BOP, KVT, UOP4	5v559.3↔		BOP, KVT, UOP4	5v55a.3↔		BOP, KVT, UOP4
	02	C01A, C01B, C16Z, C20A, C20B		02	C01A, C01B, C16Z, C20A, C20B		02	C01A, C01B, C16Z, C20A, C20B
	05	F13A		05	F13A		05	F13A
	08	I17Z		08	I17Z		08	I17Z
	09	J03A, J03B, J04A, J04B, J08A, J08B, J08C, J10A, J10B, J16Z, J21Z, J22A, J22B		09	J03A, J03B, J04A, J04B, J08A, J08B, J08C, J10A, J10B, J16Z, J21Z, J22A, J22B		09	J03A, J03B, J04A, J04B, J08A, J08B, J08C, J10A, J10B, J16Z, J21Z, J22A, J22B
	10	K09A, K09B		10	K09A, K09B		10	K09A, K09B
	21A	W04A, W04B		21A	W04A, W04B		21A	W04A, W04B
	21B	X06A, X06B, X06C		21B	X06A, X06B, X06C		21B	X06A, X06B, X06C
	22	Y01Z, Y02A, Y03A, Y03B		22	Y01Z, Y02A, Y03A, Y03B		22	Y01Z, Y03A, Y03B
5v558.4‡	09	J11A, J11B	5v559.4‡	09	J11A, J11B	5v55a.4‡	09	J11A, J11B
	22	Y01Z, Y02A, Y02B, Y02C		22	Y01Z, Y02A, Y02B, Y02C		22	Y01Z, Y02A, Y02B, Y02C
5v558.5‡	09	J11A, J11B	5v559.5‡	09	J11A, J11B	5v55a.5‡	09	J11A, J11B
	22	Y01Z, Y02A, Y02B, Y02C		22	Y01Z, Y02A, Y02B, Y02C		22	Y01Z, Y02A, Y02B, Y02C
5v558.6‡↔	09	J11A, J11B	5v559.6‡↔	09	J11A, J11B	5v55a.6‡↔	09	J11A, J11B
	22	Y01Z, Y02A, Y02B, Y02C		22	Y01Z, Y02A, Y02B, Y02C		22	Y01Z, Y02A, Y02B, Y02C
5v558.7‡↔	09	J11A, J11B	5v559.7‡↔	09	J11A, J11B	5v55a.7‡↔	09	J11A, J11B
	22	Y01Z, Y02A, Y02B, Y02C		22	Y01Z, Y02A, Y02B, Y02C		22	Y01Z, Y02A, Y02B, Y02C
5v558.8‡↔	09	J11A, J11B	5v559.8‡↔	09	J11A, J11B	5v55a.8‡↔	09	J11A, J11B
	22	Y01Z, Y02A, Y02B, Y02C		22	Y01Z, Y02A, Y02B, Y02C		22	Y01Z, Y02A, Y02B, Y02C
5v558.9‡↔	09	J11A, J11B	5v559.9‡↔	09	J11A, J11B	5v55a.9‡↔	09	J11A, J11B
	22	Y01Z, Y02A, Y02B, Y02C		22	Y01Z, Y02A, Y02B, Y02C		22	Y01Z, Y02A, Y02B, Y02C
5v558.a‡	09	J11A, J11B	5v559.a‡	09	J11A, J11B	5v55a.a‡	09	J11A, J11B
	22	Y01Z, Y02A, Y02B, Y02C		22	Y01Z, Y02A, Y02B, Y02C		22	Y01Z, Y02A, Y02B, Y02C
5v558.b‡	09	J11A, J11B	5v559.b‡	09	J11A, J11B	5v55a.b‡	09	J11A, J11B
	22	Y01Z, Y02A, Y02B, Y02C		22	Y01Z, Y02A, Y02B, Y02C		22	Y01Z, Y02A, Y02B, Y02C
5v558.c‡	09	J11A, J11B	5v559.c‡	09	J11A, J11B	5v55a.c‡	09	J11A, J11B
	22	Y01Z, Y02A, Y03A, Y03B		22	Y01Z, Y02A, Y03A, Y03B		22	Y01Z, Y03A, Y03B
5v558.d‡	09	J11A, J11B	5v559.d‡	09	J11A, J11B	5v55a.d‡	09	J11A, J11B
	22	Y01Z, Y02A, Y02B, Y02C		22	Y01Z, Y02A, Y02B, Y02C		22	Y01Z, Y02A, Y02B, Y02C
5v558.e‡↔	09	J11A, J11B	5v559.e‡↔	09	J11A, J11B	5v55a.e‡↔	09	J11A, J11B
	22	Y01Z, Y02A, Y02B, Y02C		22	Y01Z, Y02A, Y02B, Y02C		22	Y01Z, Y02A, Y02B, Y02C
5v558.f‡↔	09	J11A, J11B	5v559.f‡↔	09	J11A, J11B	5v55a.f‡↔	09	J11A, J11B
	22	Y01Z, Y02A, Y02B, Y02C		22	Y01Z, Y02A, Y02B, Y02C		22	Y01Z, Y02A, Y02B, Y02C
5v558.g‡↔	09	J11A, J11B	5v559.g‡↔	09	J11A, J11B	5v55a.g‡↔	09	J11A, J11B
	22	Y01Z, Y02A, Y02B, Y02C		22	Y01Z, Y02A, Y02B, Y02C		22	Y01Z, Y02A, Y02B, Y02C
5v558.x‡	09	J11A, J11B	5v559.x‡	09	J11A, J11B	5v55a.x‡	09	J11A, J11B
	22	Y01Z, Y02A, Y02B, Y02C		22	Y01Z, Y02A, Y02B, Y02C		22	Y01Z, Y02A, Y02B, Y02C
5v559.0‡	09	J11A, J11B	5v55a.0‡	09	J11A, J11B	5v55b.0‡	09	J11A, J11B
	22	Y01Z, Y02A, Y03A, Y03B		22	Y01Z, Y03A, Y03B		22	Y01Z, Y03A, Y03B
5v559.1		BOP, KVT, UOP4	5v55a.1		BOP, KVT, UOP4	5v55b.1		BOP, KVT, UOP4
	03	D09Z, D30A		03	D09Z, D30A		03	D09Z, D30A
	05	F13A		05	F13A		05	F13A
	08	I28A, I28B		08	I28A, I28B		08	I28A, I28B
	09	J03A, J03B, J04A, J04B, J08A, J08B, J08C, J10A, J10B, J16Z, J21Z, J22A, J22B		09	J03A, J03B, J04A, J04B, J08A, J08B, J08C, J10A, J10B, J16Z, J21Z, J22A, J22B		09	J03A, J03B, J04A, J04B, J08A, J08B, J08C, J10A, J10B, J16Z, J21Z, J22A, J22B
	21A	W04A, W04B		21A	W04A, W04B		21A	W04A, W04B
	21B	X06A, X06B, X06C		21B	X06A, X06B, X06C		21B	X06A, X06B, X06C
	22	Y01Z, Y02A, Y03A, Y03B		22	Y01Z, Y02A, Y02B, Y03A, Y03B		22	Y01Z, Y02A, Y02B, Y03A, Y03B
5v559.2↔		BOP, KVT, UOP4	5v55a.2↔		BOP, KVT, UOP4	5v55b.2↔		BOP, KVT, UOP4
	03	D09Z, D30A		03	D09Z, D30A		03	D09Z, D30A
	05	F13A		05	F13A		05	F13A
	09	J03A, J03B, J04A, J04B, J08A, J08B, J08C, J10A, J10B, J16Z, J21Z, J22A, J22B		09	J03A, J03B, J04A, J04B, J08A, J08B, J08C, J10A, J10B, J16Z, J21Z, J22A, J22B		09	J03A, J03B, J04A, J04B, J08A, J08B, J08C, J10A, J10B, J16Z, J21Z, J22A, J22B
	21A	W04A, W04B		21A	W04A, W04B		21A	W04A, W04B
	21B	X06A, X06B, X06C		21B	X06A, X06B, X06C		21B	X06A, X06B, X06C
	22	Y01Z, Y02A, Y03A, Y03B		22	Y01Z, Y03A, Y03B		22	Y01Z, Y03A, Y03B

ZZV	MDC	DRG	ZZV	MDC	DRG	ZZV	MDC	DRG
5v55b.3↔		BOP, KVT, UOP4	5v55c.3↔		BOP, KVT, UOP4	5v55d.3↔		BOP, KVT, UOP4
	02	C01A, C01B, C16Z, C20A, C20B		02	C01A, C01B, C16Z, C20A, C20B		02	C01A, C01B, C16Z, C20A, C20B
	05	F13A		05	F13A		05	F13A
	08	I17Z		08	I17Z		08	I17Z
	09	J03A, J03B, J04A, J04B, J08A, J08B, J08C, J10A, J10B, J16Z, J21Z, J22A, J22B		09	J03A, J03B, J04A, J04B, J08A, J08B, J08C, J10A, J10B, J16Z, J21Z, J22A, J22B		09	J03A, J03B, J04A, J04B, J08A, J08B, J08C, J10A, J10B, J16Z, J21Z, J22A, J22B
	10	K09A, K09B		10	K09A, K09B		10	K09A, K09B
	21A	W04A, W04B		21A	W04A, W04B		21A	W04A, W04B
	21B	X06A, X06B, X06C		21B	X06A, X06B, X06C		21B	X06A, X06B, X06C
	22	Y01Z, Y03A, Y03B		22	Y01Z, Y03A, Y03B		22	Y01Z, Y03A, Y03B
5v55b.4‡	09	J11A, J11B	5v55c.4‡	09	J11A, J11B	5v55d.4‡	09	J11A, J11B
	22	Y01Z, Y02A, Y02B, Y02C		22	Y01Z, Y02A, Y02B, Y02C		22	Y01Z, Y02A, Y02B, Y02C
5v55b.5‡	09	J11A, J11B	5v55c.5‡	09	J11A, J11B	5v55d.5‡	09	J11A, J11B
	22	Y01Z, Y02A, Y02B, Y02C		22	Y01Z, Y02A, Y02B, Y02C		22	Y01Z, Y02A, Y02B, Y02C
5v55b.6‡↔	09	J11A, J11B	5v55c.6‡↔	09	J11A, J11B	5v55d.6‡↔	09	J11A, J11B
	22	Y01Z, Y02A, Y02B, Y02C		22	Y01Z, Y02A, Y02B, Y02C		22	Y01Z, Y02A, Y02B, Y02C
5v55b.7‡↔	09	J11A, J11B	5v55c.7‡↔	09	J11A, J11B	5v55d.7‡↔	09	J11A, J11B
	22	Y01Z, Y02A, Y02B, Y02C		22	Y01Z, Y02A, Y02B, Y02C		22	Y01Z, Y02A, Y02B, Y02C
5v55b.8‡↔	09	J11A, J11B	5v55c.8‡↔	09	J11A, J11B	5v55d.8‡↔	09	J11A, J11B
	22	Y01Z, Y02A, Y02B, Y02C		22	Y01Z, Y02A, Y02B, Y02C		22	Y01Z, Y02A, Y02B, Y02C
5v55b.9‡↔	09	J11A, J11B	5v55c.9‡↔	09	J11A, J11B	5v55d.9‡↔	09	J11A, J11B
	22	Y01Z, Y02A, Y02B, Y02C		22	Y01Z, Y02A, Y02B, Y02C		22	Y01Z, Y02A, Y02B, Y02C
5v55b.a‡	09	J11A, J11B	5v55c.a‡	09	J11A, J11B	5v55d.a‡	09	J11A, J11B
	22	Y01Z, Y02A, Y02B, Y02C		22	Y01Z, Y02A, Y02B, Y02C		22	Y01Z, Y02A, Y02B, Y02C
5v55b.b‡	09	J11A, J11B	5v55c.b‡	09	J11A, J11B	5v55d.b‡	09	J11A, J11B
	22	Y01Z, Y02A, Y02B, Y02C		22	Y01Z, Y02A, Y02B, Y02C		22	Y01Z, Y02A, Y02B, Y02C
5v55b.c‡	09	J11A, J11B	5v55c.c‡	09	J11A, J11B	5v55d.c‡	09	J11A, J11B
	22	Y01Z, Y03A, Y03B		22	Y01Z, Y03A, Y03B		22	Y01Z, Y03A, Y03B
5v55b.d‡	09	J11A, J11B	5v55c.d‡	09	J11A, J11B	5v55d.d‡	09	J11A, J11B
	22	Y01Z, Y02A, Y02B, Y02C		22	Y01Z, Y02A, Y02B, Y02C		22	Y01Z, Y02A, Y02B, Y02C
5v55b.e‡↔	09	J11A, J11B	5v55c.e‡↔	09	J11A, J11B	5v55d.e‡↔	09	J11A, J11B
	22	Y01Z, Y02A, Y02B, Y02C		22	Y01Z, Y02A, Y02B, Y02C		22	Y01Z, Y02A, Y02B, Y02C
5v55b.f‡	09	J11A, J11B	5v55c.f‡↔	09	J11A, J11B	5v55d.f‡↔	09	J11A, J11B
	22	Y01Z, Y02A, Y02B, Y02C		22	Y01Z, Y02A, Y02B, Y02C		22	Y01Z, Y02A, Y02B, Y02C
5v55b.g‡↔	09	J11A, J11B	5v55c.g‡↔	09	J11A, J11B	5v55d.g‡↔	09	J11A, J11B
	22	Y01Z, Y02A, Y02B, Y02C		22	Y01Z, Y02A, Y02B, Y02C		22	Y01Z, Y02A, Y02B, Y02C
5v55b.x‡	09	J11A, J11B	5v55c.x‡	09	J11A, J11B	5v55d.x‡	09	J11A, J11B
	22	Y01Z, Y02A, Y02B, Y02C		22	Y01Z, Y02A, Y02B, Y02C		22	Y01Z, Y02A, Y02B, Y02C
5v55c.0‡	09	J11A, J11B	5v55d.0‡	09	J11A, J11B	5v560.0		BOP, KVT, UOP4
	22	Y01Z, Y03A, Y03B		22	Y01Z, Y03A, Y03B		03	D18Z, D25A, D25B, D25C, D25D
5v55c.1		BOP, KVT, UOP4	5v55d.1		BOP, KVT, UOP4		05	F13A
	03	D09Z, D30A		03	D09Z, D30A		09	J03A, J03B, J04A, J04B, J08A, J08B, J08C, J11A, J11B, J16Z, J21Z, J22A, J22B
	05	F13A		05	F13A		21A	W04A, W04B
	08	I28A, I28B		08	I28A, I28B		21B	X06A, X06B, X06C
	09	J03A, J03B, J04A, J04B, J08A, J08B, J08C, J10A, J10B, J16Z, J21Z, J22A, J22B		09	J03A, J03B, J04A, J04B, J08A, J08B, J08C, J10A, J10B, J16Z, J21Z, J22A, J22B		22	Y01Z, Y03A, Y03B
	21A	W04A, W04B		21A	W04A, W04B	5v560.1		BOP, KVT, UOP4
	21B	X06A, X06B, X06C		21B	X06A, X06B, X06C		03	D12A
	22	Y01Z, Y02A, Y02B, Y03A, Y03B		22	Y01Z, Y02A, Y02B, Y03A, Y03B		05	F13A
5v55c.2↔		BOP, KVT, UOP4	5v55d.2↔		BOP, KVT, UOP4		09	J02A, J02B, J02C, J04A, J04B, J08A, J08B, J08C, J16Z, J21Z, J22A, J22B
	03	D09Z, D30A		03	D09Z, D30A		21A	W04A, W04B
	05	F13A		05	F13A		21B	X01A, X01B, X01C
	09	J03A, J03B, J04A, J04B, J08A, J08B, J08C, J10A, J10B, J16Z, J21Z, J22A, J22B		09	J03A, J03B, J04A, J04B, J08A, J08B, J08C, J10A, J10B, J16Z, J21Z, J22A, J22B		22	Y01Z, Y02A, Y02B, Y03A, Y03B
	21A	W04A, W04B		21A	W04A, W04B			
	21B	X06A, X06B, X06C		21B	X06A, X06B, X06C			
	22	Y01Z, Y03A, Y03B		22	Y01Z, Y03A, Y03B			

VYK

ZZV	MDC	DRG	ZZV	MDC	DRG	ZZV	MDC	DRG			
5v560.2↔		BOP, KVT, UOP4	5v560.8↔		BOP, KVT, UOP4	5v560.f↔		BOP, KVT, UOP4			
	03	D12A		05	F13A		05	F13A			
	05	F13A		08	I02A, I02B, I02C, I02D, I22A, I22B, I32A, I32B, I32C, I32D, I32E, I32F, I50Z		08	I02A, I02B, I02C, I02D, I22A, I22B, I50Z			
	09	J02A, J02B, J02C, J04A, J04B, J08A, J08B, J08C, J16Z, J21Z, J22A, J22B		09	J02A, J02B, J02C, J04A, J04B, J08A, J08B, J08C, J16Z, J21Z, J22A, J22B		09	J02A, J02B, J02C, J04A, J04B, J08A, J08B, J08C, J16Z, J21Z, J22A, J22B			
	21A	W04A, W04B		21A	W04A, W04B		21A	W04A, W04B			
	21B	X01A, X01B, X01C		21B	X01A, X01B, X01C		21B	X01A, X01B, X01C			
	22	Y01Z, Y03A, Y03B		22	Y01Z, Y02A, Y02B, Y02C		22	Y01Z, Y02A, Y02B, Y02C			
	5v560.3↔			BOP, KVT, UOP4	5v560.9↔			BOP, KVT, UOP4	5v560.g↔		BOP, KVT, UOP4
		02		C01A, C01B, C16Z, C20A, C20B			05	F13A		05	F13A
		05		F13A			08	I32A, I32B, I32C, I32D, I32E, I32F		08	I02A, I02B, I02C, I02D, I22A, I22B, I50Z
08		I17Z	09	J02A, J02B, J02C, J04A, J04B, J08A, J08B, J08C, J16Z, J21Z, J22A, J22B		09	J02A, J02B, J02C, J04A, J04B, J08A, J08B, J08C, J16Z, J21Z, J22A, J22B				
09		J03A, J03B, J04A, J04B, J08A, J08B, J08C, J10A, J10B, J16Z, J21Z, J22A, J22B	21A	W04A, W04B		21A	W04A, W04B				
10		K09A, K09B	21B	X01A, X01B, X01C		21B	X01A, X01B, X01C				
21A		W04A, W04B	22	Y01Z, Y02A, Y02B, Y02C		22	Y01Z, Y02A, Y02B, Y02C				
21B		X06A, X06B, X06C	5v560.a			BOP, KVT, UOP4	5v560.x↔			BOP, KVT, UOP4	
22		Y01Z, Y03A, Y03B		05		F13A		05		F13A	
5v560.4				BOP, KVT, UOP4		08		I02A, I02B, I02C, I02D, I22A, I22B, I50Z		08	I02A, I02B, I02C, I02D, I22A, I22B, I32A, I32B, I32C, I32D, I32E, I32F, I50Z
	03	D12A		09	J02A, J02B, J02C, J04A, J04B, J08A, J08B, J08C, J16Z, J21Z, J22A, J22B	09		J02A, J02B, J02C, J04A, J04B, J08A, J08B, J08C, J16Z, J21Z, J22A, J22B			
	05	F13A		21A	W04A, W04B	21A		W04A, W04B			
	08	I02A, I02B, I02C, I02D, I22A, I22B, I50Z		21B	X01A, X01B, X01C	21B		X01A, X01B, X01C			
	09	J02A, J02B, J02C, J04A, J04B, J08A, J08B, J08C, J16Z, J21Z, J22A, J22B		22	Y01Z, Y02A, Y02B, Y02C	22		Y01Z, Y02A, Y02B, Y02C			
	21A	W04A, W04B		5v560.b		BOP, KVT, UOP4		5v561.0		BOP, KVT, UOP4	
	21B	X01A, X01B, X01C			05	F13A			03	D18Z, D25A, D25B, D25C, D25D	
	22	Y01Z, Y02A, Y02B, Y02C			08	I02A, I02B, I02C, I02D, I22A, I22B, I50Z			05	F13A	
	5v560.5		BOP, KVT, UOP4		09	J02A, J02B, J02C, J04A, J04B, J08A, J08B, J08C, J16Z, J21Z, J22A, J22B	09		J03A, J03B, J04A, J04B, J08A, J08B, J08C, J11A, J11B, J16Z, J21Z, J22A, J22B		
		03	D12A		21A	W04A, W04B	21A		W04A, W04B		
05		F13A	21B		X01A, X01B, X01C	21B	X01A, X01B, X01C				
08		I02A, I02B, I02C, I02D, I22A, I22B, I50Z	22		Y01Z, Y02A, Y02B, Y02C	22	Y01Z, Y03A, Y03B				
09		J02A, J02B, J02C, J04A, J04B, J08A, J08B, J08C, J16Z, J21Z, J22A, J22B	5v560.c			BOP, KVT, UOP4	5v561.1			BOP, KVT, UOP4	
21A		W04A, W04B			05	F13A			03	D12A	
21B		X01A, X01B, X01C			08	I02A, I02B, I02C, I02D, I22A, I22B, I50Z			05	F13A	
22		Y01Z, Y02A, Y02B, Y02C		09	J02A, J02B, J02C, J04A, J04B, J08A, J08B, J08C, J16Z, J21Z, J22A, J22B	09		J02A, J02B, J02C, J04A, J04B, J08A, J08B, J08C, J16Z, J21Z, J22A, J22B			
5v560.6↔				BOP, KVT, UOP4	21A	W04A, W04B		21A	W04A, W04B		
		05		F13A	21B	X01A, X01B, X01C		21B	X01A, X01B, X01C		
	08	I02A, I02B, I02C, I02D, I22A, I22B, I50Z		22	Y01Z, Y02A, Y02B, Y02C	22		Y01Z, Y02A, Y02B, Y03A, Y03B			
	09	J02A, J02B, J02C, J04A, J04B, J08A, J08B, J08C, J16Z, J21Z, J22A, J22B		5v560.d		BOP, KVT, UOP4		5v561.2↔		BOP, KVT, UOP4	
	21A	W04A, W04B			05	F13A			03	D12A	
	21B	X01A, X01B, X01C			08	I02A, I02B, I02C, I02D, I22A, I22B, I50Z			05	F13A	
	22	Y01Z, Y02A, Y02B, Y02C	09		J02A, J02B, J02C, J04A, J04B, J08A, J08B, J08C, J16Z, J21Z, J22A, J22B	09	J02A, J02B, J02C, J04A, J04B, J08A, J08B, J08C, J16Z, J21Z, J22A, J22B				
	5v560.7↔		BOP, KVT, UOP4		21A	W04A, W04B	21A		W04A, W04B		
		05	F13A		21B	X01A, X01B, X01C	21B		X01A, X01B, X01C		
		08	I02A, I02B, I02C, I02D, I22A, I22B, I50Z		22	Y01Z, Y02A, Y02B, Y02C	22		Y01Z, Y03A, Y03B		
09		J02A, J02B, J02C, J04A, J04B, J08A, J08B, J08C, J16Z, J21Z, J22A, J22B	5v560.e↔			BOP, KVT, UOP4					
21A		W04A, W04B			05	F13A					
21B		X01A, X01B, X01C			09	J02A, J02B, J02C, J04A, J04B, J08A, J08B, J08C, J16Z, J21Z, J22A, J22B					
22		Y01Z, Y02A, Y02B, Y02C		21A	W04A, W04B						
				21B	X01A, X01B, X01C						
				22	Y01Z, Y02A, Y02B, Y02C						

VYK

ZZV	MDC	DRG	ZZV	MDC	DRG	ZZV	MDC	DRG			
5v561.3↔		BOP, KVT, UOP4	5v561.9↔	05	F13A	5v561.g↔	05	F13A			
	02	C01A, C01B, C16Z, C20A, C20B		08	I32A, I32B, I32C, I32D, I32E, I32F		08	I02A, I02B, I02C, I02D, I22A, I22B, I50Z			
	05	F13A		09	J02A, J02B, J02C, J04A, J04B, J08A, J08B, J08C, J16Z, J21Z, J22A, J22B		09	J02A, J02B, J02C, J04A, J04B, J08A, J08B, J08C, J16Z, J21Z, J22A, J22B			
	08	I17Z		21A	W04A, W04B		21A	W04A, W04B			
	09	J03A, J03B, J04A, J04B, J08A, J08B, J08C, J10A, J10B, J16Z, J21Z, J22A, J22B		21B	X01A, X01B, X01C		21B	X01A, X01B, X01C			
	10	K09A, K09B		22	Y01Z, Y02A, Y02B, Y02C		22	Y01Z, Y02A, Y02B, Y02C			
	21A	W04A, W04B		5v561.a	BOP, KVT, UOP4		5v561.x↔	BOP, KVT, UOP4			
	21B	X06A, X06B, X06C		05	F13A		05	F13A			
	22	Y01Z, Y03A, Y03B		08	I02A, I02B, I02C, I02D, I22A, I22B, I50Z		08	I02A, I02B, I02C, I02D, I22A, I22B, I32A, I32B, I32C, I32D, I32E, I32F, I50Z			
	5v561.4			BOP, KVT, UOP4	5v561.b		09	J02A, J02B, J02C, J04A, J04B, J08A, J08B, J08C, J16Z, J21Z, J22A, J22B	5v562.0	09	J02A, J02B, J02C, J04A, J04B, J08A, J08B, J08C, J16Z, J21Z, J22A, J22B
		03		D12A			21A	W04A, W04B		21A	W04A, W04B
05		F13A	21B	X01A, X01B, X01C		21B	X01A, X01B, X01C				
08		I02A, I02B, I02C, I02D, I22A, I22B, I50Z	22	Y01Z, Y02A, Y02B, Y02C		22	Y01Z, Y02A, Y02B, Y02C				
09		J02A, J02B, J02C, J04A, J04B, J08A, J08B, J08C, J16Z, J21Z, J22A, J22B	5v561.b	BOP, KVT, UOP4		5v562.0	BOP, KVT, UOP4				
21A		W04A, W04B	05	F13A		03	D18Z, D25A, D25B, D25C, D25D				
21B		X01A, X01B, X01C	08	I02A, I02B, I02C, I02D, I22A, I22B, I50Z		05	F13A				
22		Y01Z, Y02A, Y02B, Y02C	09	J02A, J02B, J02C, J04A, J04B, J08A, J08B, J08C, J16Z, J21Z, J22A, J22B		09	J03A, J03B, J04A, J04B, J08A, J08B, J08C, J11A, J11B, J16Z, J21Z, J22A, J22B				
5v561.5			BOP, KVT, UOP4	5v561.c		21A	W04A, W04B	5v562.1		21A	W04A, W04B
		03	D12A			21B	X01A, X01B, X01C			21B	X06A, X06B, X06C
		05	F13A			22	Y01Z, Y02A, Y02B, Y02C			22	Y01Z, Y03A, Y03B
	08	I02A, I02B, I02C, I02D, I22A, I22B, I50Z	5v561.c		BOP, KVT, UOP4	22	BOP, KVT, UOP4				
	09	J02A, J02B, J02C, J04A, J04B, J08A, J08B, J08C, J16Z, J21Z, J22A, J22B	05		F13A	03	D12A				
	21A	W04A, W04B	08		I02A, I02B, I02C, I02D, I22A, I22B, I50Z	05	F13A				
	21B	X01A, X01B, X01C	09		J02A, J02B, J02C, J04A, J04B, J08A, J08B, J08C, J16Z, J21Z, J22A, J22B	09	J02A, J02B, J02C, J04A, J04B, J08A, J08B, J08C, J16Z, J21Z, J22A, J22B				
	22	Y01Z, Y02A, Y02B, Y02C	21A		W04A, W04B	21A	W04A, W04B				
	5v561.6↔		BOP, KVT, UOP4		5v561.d	21B	X01A, X01B, X01C		5v562.2↔	21B	X01A, X01B, X01C
		05	F13A			22	Y01Z, Y02A, Y02B, Y02C			22	Y01Z, Y02A, Y02B, Y03A, Y03B
		08	I02A, I02B, I02C, I02D, I22A, I22B, I50Z			5v561.d	BOP, KVT, UOP4			5v562.2↔	BOP, KVT, UOP4
09		J02A, J02B, J02C, J04A, J04B, J08A, J08B, J08C, J16Z, J21Z, J22A, J22B	05	F13A		03	D12A				
21A		W04A, W04B	08	I02A, I02B, I02C, I02D, I22A, I22B, I50Z		05	F13A				
21B		X01A, X01B, X01C	09	J02A, J02B, J02C, J04A, J04B, J08A, J08B, J08C, J16Z, J21Z, J22A, J22B		09	J02A, J02B, J02C, J04A, J04B, J08A, J08B, J08C, J16Z, J21Z, J22A, J22B				
22		Y01Z, Y02A, Y02B, Y02C	21A	W04A, W04B		21A	W04A, W04B				
5v561.7↔			BOP, KVT, UOP4	5v561.e↔		21B	X01A, X01B, X01C	5v562.3↔		21B	X01A, X01B, X01C
		05	F13A			22	Y01Z, Y02A, Y02B, Y02C			22	Y01Z, Y03A, Y03B
		08	I02A, I02B, I02C, I02D, I22A, I22B, I50Z			5v561.e↔	BOP, KVT, UOP4			5v562.3↔	BOP, KVT, UOP4
		09	J02A, J02B, J02C, J04A, J04B, J08A, J08B, J08C, J16Z, J21Z, J22A, J22B			05	F13A			02	C01A, C01B, C16Z, C20A, C20B
	21A	W04A, W04B	08		I02A, I02B, I02C, I02D, I22A, I22B, I50Z	05	F13A				
	21B	X01A, X01B, X01C	09		J02A, J02B, J02C, J04A, J04B, J08A, J08B, J08C, J16Z, J21Z, J22A, J22B	08	I17Z				
	22	Y01Z, Y02A, Y02B, Y02C	21A		W04A, W04B	09	J03A, J03B, J04A, J04B, J08A, J08B, J08C, J10A, J10B, J16Z, J21Z, J22A, J22B				
	5v561.8↔		BOP, KVT, UOP4		5v561.f↔	21B	X01A, X01B, X01C			10	K09A, K09B
		05	F13A			22	Y01Z, Y02A, Y02B, Y02C			21A	W04A, W04B
		08	I02A, I02B, I02C, I02D, I22A, I22B, I32A, I32B, I32C, I32D, I32E, I32F, I50Z			5v561.f↔	BOP, KVT, UOP4			21B	X06A, X06B, X06C
		09	J02A, J02B, J02C, J04A, J04B, J08A, J08B, J08C, J16Z, J21Z, J22A, J22B			05	F13A			22	Y01Z, Y03A, Y03B
21A		W04A, W04B	08	I02A, I02B, I02C, I02D, I22A, I22B, I50Z							
21B		X01A, X01B, X01C	09	J02A, J02B, J02C, J04A, J04B, J08A, J08B, J08C, J16Z, J21Z, J22A, J22B							
22		Y01Z, Y02A, Y02B, Y02C	21A	W04A, W04B							
			21B	X01A, X01B, X01C							
			22	Y01Z, Y02A, Y02B, Y02C							

VYK

ZZV	MDC	DRG	ZZV	MDC	DRG	ZZV	MDC	DRG			
5v562.4		BOP, KVT, UOP4	5v562.a		BOP, KVT, UOP4	5v562.x↔		BOP, KVT, UOP4			
	03	D12A		05	F13A		05	F13A			
	05	F13A		08	I02A, I02B, I02C, I02D, I22A, I22B, I50Z		08	I02A, I02B, I02C, I02D, I22A, I22B, I32A, I32B, I32C, I32D, I32E, I32F, I50Z			
	08	I02A, I02B, I02C, I02D, I22A, I22B, I50Z		09	J02A, J02B, J02C, J04A, J04B, J08A, J08B, J08C, J16Z, J21Z, J22A, J22B		09	J02A, J02B, J02C, J04A, J04B, J08A, J08B, J08C, J16Z, J21Z, J22A, J22B			
	09	J02A, J02B, J02C, J04A, J04B, J08A, J08B, J08C, J16Z, J21Z, J22A, J22B		21A	W04A, W04B		21A	W04A, W04B			
	21A	W04A, W04B		21B	X01A, X01B, X01C		21A	W04A, W04B			
	21B	X01A, X01B, X01C		22	Y01Z, Y02A, Y02B, Y02C		21B	X01A, X01B, X01C			
	22	Y01Z, Y02A, Y02B, Y02C		22	BOP, KVT, UOP4		22	Y01Z, Y02A, Y02B, Y02C			
	5v562.5			BOP, KVT, UOP4	5v562.b			BOP, KVT, UOP4	5v563.0		BOP, KVT, UOP4
		03		D12A			05	F13A		03	D18Z, D25A, D25B, D25C, D25D
05		F13A	08	I02A, I02B, I02C, I02D, I22A, I22B, I50Z		05	F13A				
08		I02A, I02B, I02C, I02D, I22A, I22B, I50Z	09	J02A, J02B, J02C, J04A, J04B, J08A, J08B, J08C, J16Z, J21Z, J22A, J22B		09	J03A, J03B, J04A, J04B, J08A, J08B, J08C, J11A, J11B, J16Z, J21Z, J22A, J22B				
09		J02A, J02B, J02C, J04A, J04B, J08A, J08B, J08C, J16Z, J21Z, J22A, J22B	21A	W04A, W04B		21A	W04A, W04B				
21A		W04A, W04B	21B	X01A, X01B, X01C		21B	X06A, X06B, X06C				
21B		X01A, X01B, X01C	22	Y01Z, Y02A, Y02B, Y02C		22	Y01Z, Y03A, Y03B				
22		Y01Z, Y02A, Y02B, Y02C	22	BOP, KVT, UOP4		22	BOP, KVT, UOP4				
5v562.6↔			BOP, KVT, UOP4	5v562.c			BOP, KVT, UOP4	5v563.1			BOP, KVT, UOP4
		05	F13A			05	F13A			03	D12A
	08	I02A, I02B, I02C, I02D, I22A, I22B, I50Z	08		I02A, I02B, I02C, I02D, I22A, I22B, I50Z	05	F13A				
	09	J02A, J02B, J02C, J04A, J04B, J08A, J08B, J08C, J16Z, J21Z, J22A, J22B	09		J02A, J02B, J02C, J04A, J04B, J08A, J08B, J08C, J16Z, J21Z, J22A, J22B	09	J02A, J02B, J02C, J04A, J04B, J08A, J08B, J08C, J16Z, J21Z, J22A, J22B				
	09	J02A, J02B, J02C, J04A, J04B, J08A, J08B, J08C, J16Z, J21Z, J22A, J22B	21A		W04A, W04B	21A	W04A, W04B				
	21A	W04A, W04B	21B		X01A, X01B, X01C	21B	X01A, X01B, X01C				
	21B	X01A, X01B, X01C	22		Y01Z, Y02A, Y02B, Y02C	22	Y01Z, Y02A, Y02B, Y03A, Y03B				
	22	Y01Z, Y02A, Y02B, Y02C	22		BOP, KVT, UOP4	22	Y01Z, Y02A, Y02B, Y03A, Y03B				
	5v562.7↔		BOP, KVT, UOP4		5v562.d		BOP, KVT, UOP4		5v563.2↔		BOP, KVT, UOP4
		05	F13A			05	F13A			03	D12A
08		I02A, I02B, I02C, I02D, I22A, I22B, I50Z	08	I02A, I02B, I02C, I02D, I22A, I22B, I50Z		05	F13A				
09		J02A, J02B, J02C, J04A, J04B, J08A, J08B, J08C, J16Z, J21Z, J22A, J22B	09	J02A, J02B, J02C, J04A, J04B, J08A, J08B, J08C, J16Z, J21Z, J22A, J22B		09	J02A, J02B, J02C, J04A, J04B, J08A, J08B, J08C, J16Z, J21Z, J22A, J22B				
09		J02A, J02B, J02C, J04A, J04B, J08A, J08B, J08C, J16Z, J21Z, J22A, J22B	21A	W04A, W04B		21A	W04A, W04B				
21A		W04A, W04B	21B	X01A, X01B, X01C		21B	X01A, X01B, X01C				
21B		X01A, X01B, X01C	22	Y01Z, Y02A, Y02B, Y02C		22	Y01Z, Y03A, Y03B				
22		Y01Z, Y02A, Y02B, Y02C	22	BOP, KVT, UOP4		22	Y01Z, Y03A, Y03B				
5v562.8↔			BOP, KVT, UOP4	5v562.e↔			BOP, KVT, UOP4	5v563.3↔			BOP, KVT, UOP4
		05	F13A			05	F13A			02	C01A, C01B, C16Z, C20A, C20B
	08	I02A, I02B, I02C, I02D, I22A, I22B, I32A, I32B, I32C, I32D, I32E, I32F, I50Z	08		I02A, I02B, I02C, I02D, I22A, I22B, I50Z	05	F13A				
	09	J02A, J02B, J02C, J04A, J04B, J08A, J08B, J08C, J16Z, J21Z, J22A, J22B	09		J02A, J02B, J02C, J04A, J04B, J08A, J08B, J08C, J16Z, J21Z, J22A, J22B	08	I17Z				
	09	J02A, J02B, J02C, J04A, J04B, J08A, J08B, J08C, J16Z, J21Z, J22A, J22B	21A		W04A, W04B	09	J03A, J03B, J04A, J04B, J08A, J08B, J08C, J10A, J10B, J16Z, J21Z, J22A, J22B				
	21A	W04A, W04B	21B		X01A, X01B, X01C	21A	W04A, W04B				
	21B	X01A, X01B, X01C	22		Y01Z, Y02A, Y02B, Y02C	21B	X01A, X01B, X01C				
	22	Y01Z, Y02A, Y02B, Y02C	22		Y01Z, Y02A, Y02B, Y02C	22	Y01Z, Y03A, Y03B				
	5v562.9↔		BOP, KVT, UOP4		5v562.f↔		BOP, KVT, UOP4		5v563.4		BOP, KVT, UOP4
		05	F13A			05	F13A			03	D12A
08		I32A, I32B, I32C, I32D, I32E, I32F	08	I02A, I02B, I02C, I02D, I22A, I22B, I50Z		05	F13A				
09		J02A, J02B, J02C, J04A, J04B, J08A, J08B, J08C, J16Z, J21Z, J22A, J22B	09	J02A, J02B, J02C, J04A, J04B, J08A, J08B, J08C, J16Z, J21Z, J22A, J22B		08	I02A, I02B, I02C, I02D, I22A, I22B, I50Z				
09		J02A, J02B, J02C, J04A, J04B, J08A, J08B, J08C, J16Z, J21Z, J22A, J22B	21A	W04A, W04B		09	J02A, J02B, J02C, J04A, J04B, J08A, J08B, J08C, J16Z, J21Z, J22A, J22B				
21A		W04A, W04B	21B	X01A, X01B, X01C		21A	W04A, W04B				
21B		X01A, X01B, X01C	22	Y01Z, Y02A, Y02B, Y02C		21B	X01A, X01B, X01C				
22		Y01Z, Y02A, Y02B, Y02C	22	Y01Z, Y02A, Y02B, Y02C		22	Y01Z, Y02A, Y02B, Y02C				
5v562.9↔			BOP, KVT, UOP4	5v562.g↔			BOP, KVT, UOP4	5v563.4			BOP, KVT, UOP4
		05	F13A			05	F13A			03	D12A
	08	I32A, I32B, I32C, I32D, I32E, I32F	08		I02A, I02B, I02C, I02D, I22A, I22B, I50Z	05	F13A				
	09	J02A, J02B, J02C, J04A, J04B, J08A, J08B, J08C, J16Z, J21Z, J22A, J22B	09		J02A, J02B, J02C, J04A, J04B, J08A, J08B, J08C, J16Z, J21Z, J22A, J22B	08	I02A, I02B, I02C, I02D, I22A, I22B, I50Z				
	09	J02A, J02B, J02C, J04A, J04B, J08A, J08B, J08C, J16Z, J21Z, J22A, J22B	21A		W04A, W04B	09	J02A, J02B, J02C, J04A, J04B, J08A, J08B, J08C, J16Z, J21Z, J22A, J22B				
	21A	W04A, W04B	21B		X01A, X01B, X01C	21A	W04A, W04B				
	21B	X01A, X01B, X01C	22		Y01Z, Y02A, Y02B, Y02C	21B	X01A, X01B, X01C				
	22	Y01Z, Y02A, Y02B, Y02C	22		Y01Z, Y02A, Y02B, Y02C	22	Y01Z, Y02A, Y02B, Y02C				

ZZV	MDC	DRG	ZZV	MDC	DRG	ZZV	MDC	DRG
5v563.5		BOP, KVT, UOP4	5v563.c		BOP, KVT, UOP4	5v564.0		BOP, KVT, UOP4
	03	D12A		05	F13A		03	D18Z, D25A, D25B, D25C, D25D
	05	F13A		08	I02A, I02B, I02C, I02D, I22A, I22B, I50Z		05	F13A
	08	I02A, I02B, I02C, I02D, I22A, I22B, I50Z		09	J02A, J02B, J02C, J04A, J04B, J08A, J08B, J08C, J16Z, J21Z, J22A, J22B		09	J03A, J03B, J04A, J04B, J08A, J08B, J08C, J11A, J11B, J16Z, J21Z, J22A, J22B
	09	J02A, J02B, J02C, J04A, J04B, J08A, J08B, J08C, J16Z, J21Z, J22A, J22B		21A	W04A, W04B		21A	W04A, W04B
	21A	W04A, W04B		21B	X01A, X01B, X01C		21B	X06A, X06B, X06C
	21B	X01A, X01B, X01C		22	Y01Z, Y02A, Y02B, Y02C		22	Y01Z, Y03A, Y03B
	22	Y01Z, Y02A, Y02B, Y02C						
5v563.6↔		BOP, KVT, UOP4	5v563.d		BOP, KVT, UOP4	5v564.1		BOP, KVT, UOP4
	05	F13A, F21A, F21B		05	F13A		03	D12A
	09	J02A, J02B, J02C, J04A, J04B, J08A, J08B, J08C, J16Z, J21Z, J22A, J22B		08	I02A, I02B, I02C, I02D, I22A, I22B, I50Z		05	F13A
	21A	W04A, W04B		09	J02A, J02B, J02C, J04A, J04B, J08A, J08B, J08C, J16Z, J21Z, J22A, J22B		09	J02A, J02B, J02C, J04A, J04B, J08A, J08B, J08C, J16Z, J21Z, J22A, J22B
	21B	X01A, X01B, X01C		21A	W04A, W04B		21A	W04A, W04B
	22	Y01Z, Y02A, Y02B, Y02C		21B	X01A, X01B, X01C		21B	X01A, X01B, X01C
				22	Y01Z, Y02A, Y02B, Y02C		22	Y01Z, Y02A, Y02B, Y03A, Y03B
5v563.7↔		BOP, KVT, UOP4	5v563.e↔		BOP, KVT, UOP4	5v564.2↔		BOP, KVT, UOP4
	05	F13A		05	F13A		03	D12A
	08	I02A, I02B, I02C, I02D, I22A, I22B, I50Z		08	I02A, I02B, I02C, I02D, I22A, I22B, I50Z		05	F13A
	09	J02A, J02B, J02C, J04A, J04B, J08A, J08B, J08C, J16Z, J21Z, J22A, J22B		09	J02A, J02B, J02C, J04A, J04B, J08A, J08B, J08C, J16Z, J21Z, J22A, J22B		09	J02A, J02B, J02C, J04A, J04B, J08A, J08B, J08C, J16Z, J21Z, J22A, J22B
	21A	W04A, W04B		21A	W04A, W04B		21A	W04A, W04B
	21B	X01A, X01B, X01C		21B	X01A, X01B, X01C		21B	X01A, X01B, X01C
	22	Y01Z, Y02A, Y02B, Y02C		22	Y01Z, Y02A, Y02B, Y02C		22	Y01Z, Y03A, Y03B
5v563.8↔		BOP, KVT, UOP4	5v563.f↔		BOP, KVT, UOP4	5v564.3↔		BOP, KVT, UOP4
	05	F13A		05	F13A		02	C01A, C01B, C16Z, C20A, C20B
	08	I02A, I02B, I02C, I02D, I22A, I22B, I32A, I32B, I32C, I32D, I32E, I32F, I50Z		08	I02A, I02B, I02C, I02D, I22A, I22B, I50Z		05	F13A
	09	J02A, J02B, J02C, J04A, J04B, J08A, J08B, J08C, J16Z, J21Z, J22A, J22B		09	J02A, J02B, J02C, J04A, J04B, J08A, J08B, J08C, J16Z, J21Z, J22A, J22B		08	I17Z
	21A	W04A, W04B		21A	W04A, W04B		09	J03A, J03B, J04A, J04B, J08A, J08B, J08C, J10A, J10B, J16Z, J21Z, J22A, J22B
	21B	X01A, X01B, X01C		21B	X01A, X01B, X01C		10	K09A, K09B
	22	Y01Z, Y02A, Y02B, Y02C		22	Y01Z, Y02A, Y02B, Y02C		21A	W04A, W04B
							21B	X06A, X06B, X06C
5v563.9↔		BOP, KVT, UOP4	5v563.g↔		BOP, KVT, UOP4	5v564.4		BOP, KVT, UOP4
	05	F13A		05	F13A		03	D12A
	08	I32A, I32B, I32C, I32D, I32E, I32F		08	I02A, I02B, I02C, I02D, I22A, I22B, I50Z		05	F13A
	09	J02A, J02B, J02C, J04A, J04B, J08A, J08B, J08C, J16Z, J21Z, J22A, J22B		09	J02A, J02B, J02C, J04A, J04B, J08A, J08B, J08C, J16Z, J21Z, J22A, J22B		08	I02A, I02B, I02C, I02D, I22A, I22B, I50Z
	21A	W04A, W04B		21A	W04A, W04B		09	J02A, J02B, J02C, J04A, J04B, J08A, J08B, J08C, J16Z, J21Z, J22A, J22B
	21B	X01A, X01B, X01C		21B	X01A, X01B, X01C		21A	W04A, W04B
	22	Y01Z, Y02A, Y02B, Y02C		22	Y01Z, Y02A, Y02B, Y02C		21B	X01A, X01B, X01C
							22	Y01Z, Y03A, Y03B
5v563.a		BOP, KVT, UOP4	5v563.x↔		BOP, KVT, UOP4	5v564.5		BOP, KVT, UOP4
	05	F13A		05	F13A		03	D12A
	08	I02A, I02B, I02C, I02D, I22A, I22B, I50Z		08	I02A, I02B, I02C, I02D, I22A, I22B, I32A, I32B, I32C, I32D, I32E, I32F, I50Z		05	F13A
	09	J02A, J02B, J02C, J04A, J04B, J08A, J08B, J08C, J16Z, J21Z, J22A, J22B		09	J02A, J02B, J02C, J04A, J04B, J08A, J08B, J08C, J16Z, J21Z, J22A, J22B		08	I02A, I02B, I02C, I02D, I22A, I22B, I50Z
	21A	W04A, W04B		21A	W04A, W04B		09	J02A, J02B, J02C, J04A, J04B, J08A, J08B, J08C, J16Z, J21Z, J22A, J22B
	21B	X01A, X01B, X01C		21B	X01A, X01B, X01C		21A	W04A, W04B
	22	Y01Z, Y02A, Y02B, Y02C		22	Y01Z, Y02A, Y02B, Y02C		21B	X01A, X01B, X01C
							22	Y01Z, Y02A, Y02B, Y02C
5v563.b		BOP, KVT, UOP4						
	05	F13A						
	08	I02A, I02B, I02C, I02D, I22A, I22B, I50Z						
	09	J02A, J02B, J02C, J04A, J04B, J08A, J08B, J08C, J16Z, J21Z, J22A, J22B						
	21A	W04A, W04B						
	21B	X01A, X01B, X01C						
	22	Y01Z, Y02A, Y02B, Y02C						



ZZV	MDC	DRG	ZZV	MDC	DRG	ZZV	MDC	DRG
5v564.6↔		BOP, KVT, UOP4	5v564.c		BOP, KVT, UOP4	5v565.0		BOP, KVT, UOP4
	05	F13A		05	F13A		03	D18Z, D25A, D25B, D25C, D25D
	08	I02A, I02B, I02C, I02D, I22A, I22B, I50Z		08	I02A, I02B, I02C, I02D, I22A, I22B, I50Z		05	F13A
	09	J02A, J02B, J02C, J04A, J04B, J08A, J08B, J08C, J16Z, J21Z, J22A, J22B		09	J02A, J02B, J02C, J04A, J04B, J08A, J08B, J08C, J16Z, J21Z, J22A, J22B		09	J03A, J03B, J04A, J04B, J08A, J08B, J08C, J11A, J11B, J16Z, J21Z, J22A, J22B
	21A	W04A, W04B		21A	W04A, W04B		21A	W04A, W04B
	21B	X01A, X01B, X01C		21B	X01A, X01B, X01C		21B	X06A, X06B, X06C
	22	Y01Z, Y02A, Y02B, Y02C		22	Y01Z, Y02A, Y02B, Y02C		22	Y01Z, Y03A, Y03B
5v564.7↔		BOP, KVT, UOP4	5v564.d		BOP, KVT, UOP4	5v565.1		BOP, KVT, UOP4
	05	F13A		05	F13A		03	D12A
	08	I02A, I02B, I02C, I02D, I22A, I22B, I50Z		08	I02A, I02B, I02C, I02D, I22A, I22B, I50Z		05	F13A
	09	J02A, J02B, J02C, J04A, J04B, J08A, J08B, J08C, J16Z, J21Z, J22A, J22B		09	J02A, J02B, J02C, J04A, J04B, J08A, J08B, J08C, J16Z, J21Z, J22A, J22B		09	J02A, J02B, J02C, J04A, J04B, J08A, J08B, J08C, J16Z, J21Z, J22A, J22B
	21A	W04A, W04B		21A	W04A, W04B		21A	W04A, W04B
	21B	X01A, X01B, X01C		21B	X01A, X01B, X01C		21B	X01A, X01B, X01C
	22	Y01Z, Y02A, Y02B, Y02C		22	Y01Z, Y02A, Y02B, Y02C		22	Y01Z, Y02A, Y02B, Y03A, Y03B
5v564.8↔		BOP, KVT, UOP4	5v564.e↔		BOP, KVT, UOP4	5v565.2↔		BOP, KVT, UOP4
	05	F13A		05	F13A		03	D12A
	08	I02A, I02B, I02C, I02D, I22A, I22B, I32A, I32B, I32C, I32D, I32E, I32F, I50Z		08	I02A, I02B, I02C, I02D, I22A, I22B, I50Z		05	F13A
	09	J02A, J02B, J02C, J04A, J04B, J08A, J08B, J08C, J16Z, J21Z, J22A, J22B		09	J02A, J02B, J02C, J04A, J04B, J08A, J08B, J08C, J16Z, J21Z, J22A, J22B		09	J02A, J02B, J02C, J04A, J04B, J08A, J08B, J08C, J16Z, J21Z, J22A, J22B
	21A	W04A, W04B		21A	W04A, W04B		21A	W04A, W04B
	21B	X01A, X01B, X01C		21B	X01A, X01B, X01C		21B	X01A, X01B, X01C
	22	Y01Z, Y02A, Y02B, Y02C		22	Y01Z, Y02A, Y02B, Y02C		22	Y01Z, Y03A, Y03B
5v564.9↔		BOP, KVT, UOP4	5v564.f↔		BOP, KVT, UOP4	5v565.3↔		BOP, KVT, UOP4
	05	F13A		05	F13A		02	C01A, C01B, C16Z, C20A, C20B
	08	I32A, I32B, I32C, I32D, I32E, I32F		08	I02A, I02B, I02C, I02D, I22A, I22B, I50Z		05	F13A
	09	J02A, J02B, J02C, J04A, J04B, J08A, J08B, J08C, J16Z, J21Z, J22A, J22B		09	J02A, J02B, J02C, J04A, J04B, J08A, J08B, J08C, J16Z, J21Z, J22A, J22B		08	I17Z
	21A	W04A, W04B		21A	W04A, W04B		09	J03A, J03B, J04A, J04B, J08A, J08B, J08C, J10A, J10B, J16Z, J21Z, J22A, J22B
	21B	X01A, X01B, X01C		21B	X01A, X01B, X01C		10	K09A, K09B
	22	Y01Z, Y02A, Y02B, Y02C		22	Y01Z, Y02A, Y02B, Y02C		21A	W04A, W04B
5v564.a		BOP, KVT, UOP4	5v564.g↔		BOP, KVT, UOP4	5v565.4		BOP, KVT, UOP4
	05	F13A		05	F13A		03	D12A
	08	I02A, I02B, I02C, I02D, I22A, I22B, I50Z		08	I02A, I02B, I02C, I02D, I22A, I22B, I50Z		05	F13A
	09	J02A, J02B, J02C, J04A, J04B, J08A, J08B, J08C, J16Z, J21Z, J22A, J22B		09	J02A, J02B, J02C, J04A, J04B, J08A, J08B, J08C, J16Z, J21Z, J22A, J22B		08	I02A, I02B, I02C, I02D, I22A, I22B, I50Z
	21A	W04A, W04B		21A	W04A, W04B		09	J02A, J02B, J02C, J04A, J04B, J08A, J08B, J08C, J16Z, J21Z, J22A, J22B
	21B	X01A, X01B, X01C		21B	X01A, X01B, X01C		21A	W04A, W04B
	22	Y01Z, Y02A, Y02B, Y02C		22	Y01Z, Y02A, Y02B, Y02C		21B	X01A, X01B, X01C
5v564.b		BOP, KVT, UOP4	5v564.x↔		BOP, KVT, UOP4	5v565.5		BOP, KVT, UOP4
	05	F13A		05	F13A		03	D12A
	08	I02A, I02B, I02C, I02D, I22A, I22B, I50Z		08	I02A, I02B, I02C, I02D, I22A, I22B, I32A, I32B, I32C, I32D, I32E, I32F, I50Z		05	F13A
	09	J02A, J02B, J02C, J04A, J04B, J08A, J08B, J08C, J16Z, J21Z, J22A, J22B		09	J02A, J02B, J02C, J04A, J04B, J08A, J08B, J08C, J16Z, J21Z, J22A, J22B		08	I02A, I02B, I02C, I02D, I22A, I22B, I50Z
	21A	W04A, W04B		21A	W04A, W04B		09	J02A, J02B, J02C, J04A, J04B, J08A, J08B, J08C, J16Z, J21Z, J22A, J22B
	21B	X01A, X01B, X01C		21B	X01A, X01B, X01C		21A	W04A, W04B
	22	Y01Z, Y02A, Y02B, Y02C		22	Y01Z, Y02A, Y02B, Y02C		21B	X01A, X01B, X01C

VYK

ZZV	MDC	DRG	ZZV	MDC	DRG	ZZV	MDC	DRG
5v565.6↔		BOP, KVT, UOP4	5v565.c		BOP, KVT, UOP4	5v570.0		BOP, KVT, UOP4
	05	F13A		05	F13A		03	D18Z, D25A, D25B, D25C, D25D
	08	I02A, I02B, I02C, I02D, I22A, I22B, I50Z		08	I02A, I02B, I02C, I02D, I22A, I22B, I50Z		05	F13A
	09	J02A, J02B, J02C, J04A, J04B, J08A, J08B, J08C, J16Z, J21Z, J22A, J22B		09	J02A, J02B, J02C, J04A, J04B, J08A, J08B, J08C, J16Z, J21Z, J22A, J22B		09	J03A, J03B, J04A, J04B, J08A, J08B, J08C, J11A, J11B, J16Z, J21Z, J22A, J22B
	21A	W04A, W04B		21A	W04A, W04B		21A	W04A, W04B
	21B	X01A, X01B, X01C		21B	X01A, X01B, X01C		21B	X06A, X06B, X06C
	22	Y01Z, Y02A, Y02B, Y02C		22	Y01Z, Y03A, Y03B		22	Y01Z, Y03A, Y03B
5v565.7↔		BOP, KVT, UOP4	5v565.d		BOP, KVT, UOP4	5v570.1		BOP, KVT, UOP4
	05	F13A		05	F13A		03	D12A
	08	I02A, I02B, I02C, I02D, I22A, I22B, I50Z		08	I02A, I02B, I02C, I02D, I22A, I22B, I50Z		05	F13A
	09	J02A, J02B, J02C, J04A, J04B, J08A, J08B, J08C, J16Z, J21Z, J22A, J22B		09	J02A, J02B, J02C, J04A, J04B, J08A, J08B, J08C, J16Z, J21Z, J22A, J22B		09	J02A, J02B, J02C, J04A, J04B, J08A, J08B, J08C, J16Z, J21Z, J22A, J22B
	21A	W04A, W04B		21A	W04A, W04B		21A	W04A, W04B
	21B	X01A, X01B, X01C		21B	X01A, X01B, X01C		21B	X01A, X01B, X01C
	22	Y01Z, Y02A, Y02B, Y02C		22	Y01Z, Y02A, Y02B, Y02C		22	Y01Z, Y02A, Y02B, Y03A, Y03B
5v565.8↔		BOP, KVT, UOP4	5v565.e↔		BOP, KVT, UOP4	5v570.2↔		BOP, KVT, UOP4
	05	F13A		05	F13A		03	D12A
	08	I02A, I02B, I02C, I02D, I22A, I22B, I32A, I32B, I32C, I32D, I32E, I32F, I50Z		08	I02A, I02B, I02C, I02D, I22A, I22B, I50Z		05	F13A
	09	J02A, J02B, J02C, J04A, J04B, J08A, J08B, J08C, J16Z, J21Z, J22A, J22B		09	J02A, J02B, J02C, J04A, J04B, J08A, J08B, J08C, J16Z, J21Z, J22A, J22B		09	J02A, J02B, J02C, J04A, J04B, J08A, J08B, J08C, J16Z, J21Z, J22A, J22B
	21A	W04A, W04B		21A	W04A, W04B		21A	W04A, W04B
	21B	X01A, X01B, X01C		21B	X01A, X01B, X01C		21B	X01A, X01B, X01C
	22	Y01Z, Y02A, Y02B, Y02C		22	Y01Z, Y02A, Y02B, Y02C		22	Y01Z, Y03A, Y03B
5v565.9↔		BOP, KVT, UOP4	5v565.f↔		BOP, KVT, UOP4	5v570.3↔		BOP, KVT, UOP4
	05	F13A		05	F13A		02	C01A, C01B, C16Z, C20A, C20B
	08	I32A, I32B, I32C, I32D, I32E, I32F		08	I02A, I02B, I02C, I02D, I22A, I22B, I50Z		05	F13A
	09	J02A, J02B, J02C, J04A, J04B, J08A, J08B, J08C, J16Z, J21Z, J22A, J22B		09	J02A, J02B, J02C, J04A, J04B, J08A, J08B, J08C, J16Z, J21Z, J22A, J22B		08	I17Z
	21A	W04A, W04B		21A	W04A, W04B		09	J03A, J03B, J04A, J04B, J08A, J08B, J08C, J10A, J10B, J16Z, J21Z, J22A, J22B
	21B	X01A, X01B, X01C		21B	X01A, X01B, X01C		10	K09A, K09B
	22	Y01Z, Y02A, Y02B, Y02C		22	Y01Z, Y02A, Y02B, Y02C		21A	W04A, W04B
5v565.a		BOP, KVT, UOP4	5v565.g↔		BOP, KVT, UOP4	5v570.4		BOP, KVT, UOP4
	05	F13A		05	F13A		03	D12A
	08	I02A, I02B, I02C, I02D, I22A, I22B, I50Z		08	I02A, I02B, I02C, I02D, I22A, I22B, I50Z		05	F13A
	09	J02A, J02B, J02C, J04A, J04B, J08A, J08B, J08C, J16Z, J21Z, J22A, J22B		09	J02A, J02B, J02C, J04A, J04B, J08A, J08B, J08C, J16Z, J21Z, J22A, J22B		08	I02A, I02B, I02C, I02D, I22A, I22B, I50Z
	21A	W04A, W04B		21A	W04A, W04B		09	J02A, J02B, J02C, J04A, J04B, J08A, J08B, J08C, J16Z, J21Z, J22A, J22B
	21B	X01A, X01B, X01C		21B	X01A, X01B, X01C		21A	W04A, W04B
	22	Y01Z, Y02A, Y02B, Y02C		22	Y01Z, Y02A, Y02B, Y02C		21B	X01A, X01B, X01C
5v565.b		BOP, KVT, UOP4	5v565.x↔		BOP, KVT, UOP4	5v570.5		BOP, KVT, UOP4
	05	F13A		05	F13A		03	D12A
	08	I02A, I02B, I02C, I02D, I22A, I22B, I50Z		08	I02A, I02B, I02C, I02D, I22A, I22B, I32A, I32B, I32C, I32D, I32E, I32F, I50Z		05	F13A
	09	J02A, J02B, J02C, J04A, J04B, J08A, J08B, J08C, J16Z, J21Z, J22A, J22B		09	J02A, J02B, J02C, J04A, J04B, J08A, J08B, J08C, J16Z, J21Z, J22A, J22B		08	I02A, I02B, I02C, I02D, I22A, I22B, I50Z
	21A	W04A, W04B		21A	W04A, W04B		09	J02A, J02B, J02C, J04A, J04B, J08A, J08B, J08C, J16Z, J21Z, J22A, J22B
	21B	X01A, X01B, X01C		21B	X01A, X01B, X01C		21A	W04A, W04B
	22	Y01Z, Y02A, Y02B, Y02C		22	Y01Z, Y02A, Y02B, Y02C		21B	X01A, X01B, X01C

ZZV	MDC	DRG	ZZV	MDC	DRG	ZZV	MDC	DRG
5v570.6↔		BOP, KVT, UOP4	5v570.c		BOP, KVT, UOP4	5v571.0		BOP, KVT, UOP4
	05	F13A		05	F13A		03	D18Z, D25A, D25B, D25C, D25D
	08	I02A, I02B, I02C, I02D, I22A, I22B, I50Z		08	I02A, I02B, I02C, I02D, I22A, I22B, I50Z		05	F13A
	09	J02A, J02B, J02C, J04A, J04B, J08A, J08B, J08C, J16Z, J21Z, J22A, J22B		09	J02A, J02B, J02C, J04A, J04B, J08A, J08B, J08C, J16Z, J21Z, J22A, J22B		09	J03A, J03B, J04A, J04B, J08A, J08B, J08C, J11A, J11B, J16Z, J21Z, J22A, J22B
	21A	W04A, W04B		21A	W04A, W04B		21A	W04A, W04B
	21B	X01A, X01B, X01C		21B	X01A, X01B, X01C		21B	X06A, X06B, X06C
	22	Y01Z, Y02A, Y02B, Y02C		22	Y01Z, Y03A, Y03B		22	Y01Z, Y03A, Y03B
5v570.7↔		BOP, KVT, UOP4	5v570.d		BOP, KVT, UOP4	5v571.1		BOP, KVT, UOP4
	05	F13A		05	F13A		03	D12A
	08	I02A, I02B, I02C, I02D, I22A, I22B, I50Z		08	I02A, I02B, I02C, I02D, I22A, I22B, I50Z		05	F13A
	09	J02A, J02B, J02C, J04A, J04B, J08A, J08B, J08C, J16Z, J21Z, J22A, J22B		09	J02A, J02B, J02C, J04A, J04B, J08A, J08B, J08C, J16Z, J21Z, J22A, J22B		09	J02A, J02B, J02C, J04A, J04B, J08A, J08B, J08C, J16Z, J21Z, J22A, J22B
	21A	W04A, W04B		21A	W04A, W04B		21A	W04A, W04B
	21B	X01A, X01B, X01C		21B	X01A, X01B, X01C		21B	X01A, X01B, X01C
	22	Y01Z, Y02A, Y02B, Y02C		22	Y01Z, Y02A, Y02B, Y02C		22	Y01Z, Y02A, Y02B, Y03A, Y03B
5v570.8↔		BOP, KVT, UOP4	5v570.e↔		BOP, KVT, UOP4	5v571.2↔		BOP, KVT, UOP4
	05	F13A		05	F13A		03	D12A
	08	I02A, I02B, I02C, I02D, I22A, I22B, I32A, I32B, I32C, I32D, I32E, I32F, I50Z		08	I02A, I02B, I02C, I02D, I22A, I22B, I50Z		05	F13A
	09	J02A, J02B, J02C, J04A, J04B, J08A, J08B, J08C, J16Z, J21Z, J22A, J22B		09	J02A, J02B, J02C, J04A, J04B, J08A, J08B, J08C, J16Z, J21Z, J22A, J22B		09	J02A, J02B, J02C, J04A, J04B, J08A, J08B, J08C, J16Z, J21Z, J22A, J22B
	21A	W04A, W04B		21A	W04A, W04B		21A	W04A, W04B
	21B	X01A, X01B, X01C		21B	X01A, X01B, X01C		21B	X01A, X01B, X01C
	22	Y01Z, Y02A, Y02B, Y02C		22	Y01Z, Y02A, Y02B, Y02C		22	Y01Z, Y03A, Y03B
5v570.9↔		BOP, KVT, UOP4	5v570.f↔		BOP, KVT, UOP4	5v571.3↔		BOP, KVT, UOP4
	05	F13A		05	F13A		02	C01A, C01B, C16Z, C20A, C20B
	08	I32A, I32B, I32C, I32D, I32E, I32F		08	I02A, I02B, I02C, I02D, I22A, I22B, I50Z		05	F13A
	09	J02A, J02B, J02C, J04A, J04B, J08A, J08B, J08C, J16Z, J21Z, J22A, J22B		09	J02A, J02B, J02C, J04A, J04B, J08A, J08B, J08C, J16Z, J21Z, J22A, J22B		08	I17Z
	21A	W04A, W04B		21A	W04A, W04B		09	J03A, J03B, J04A, J04B, J08A, J08B, J08C, J10A, J10B, J16Z, J21Z, J22A, J22B
	21B	X01A, X01B, X01C		21B	X01A, X01B, X01C		10	K09A, K09B
	22	Y01Z, Y02A, Y02B, Y02C		22	Y01Z, Y02A, Y02B, Y02C		21A	W04A, W04B
5v570.a		BOP, KVT, UOP4	5v570.g↔		BOP, KVT, UOP4	5v571.4		BOP, KVT, UOP4
	05	F13A		05	F13A		03	D12A
	08	I02A, I02B, I02C, I02D, I22A, I22B, I50Z		08	I02A, I02B, I02C, I02D, I22A, I22B, I50Z		05	F13A
	09	J02A, J02B, J02C, J04A, J04B, J08A, J08B, J08C, J16Z, J21Z, J22A, J22B		09	J02A, J02B, J02C, J04A, J04B, J08A, J08B, J08C, J16Z, J21Z, J22A, J22B		08	I02A, I02B, I02C, I02D, I22A, I22B, I50Z
	21A	W04A, W04B		21A	W04A, W04B		09	J02A, J02B, J02C, J04A, J04B, J08A, J08B, J08C, J16Z, J21Z, J22A, J22B
	21B	X01A, X01B, X01C		21B	X01A, X01B, X01C		21A	W04A, W04B
	22	Y01Z, Y02A, Y02B, Y02C		22	Y01Z, Y02A, Y02B, Y02C		21B	X01A, X01B, X01C
5v570.b		BOP, KVT, UOP4	5v570.x↔		BOP, KVT, UOP4	5v571.5		BOP, KVT, UOP4
	05	F13A		05	F13A		03	D12A
	08	I02A, I02B, I02C, I02D, I22A, I22B, I50Z		08	I02A, I02B, I02C, I02D, I22A, I22B, I32A, I32B, I32C, I32D, I32E, I32F, I50Z		05	F13A
	09	J02A, J02B, J02C, J04A, J04B, J08A, J08B, J08C, J16Z, J21Z, J22A, J22B		09	J02A, J02B, J02C, J04A, J04B, J08A, J08B, J08C, J16Z, J21Z, J22A, J22B		08	I02A, I02B, I02C, I02D, I22A, I22B, I50Z
	21A	W04A, W04B		21A	W04A, W04B		09	J02A, J02B, J02C, J04A, J04B, J08A, J08B, J08C, J16Z, J21Z, J22A, J22B
	21B	X01A, X01B, X01C		21B	X01A, X01B, X01C		21A	W04A, W04B
	22	Y01Z, Y02A, Y02B, Y02C		22	Y01Z, Y02A, Y02B, Y02C		21B	X01A, X01B, X01C

ZZV	MDC	DRG	ZZV	MDC	DRG	ZZV	MDC	DRG
5v571.6↔		BOP, KVT, UOP4	5v571.c		BOP, KVT, UOP4	5v572.0		BOP, KVT, UOP4
	05	F13A		05	F13A		03	D02A, D02B, D18Z, D24A, D24B
	08	I02A, I02B, I02C, I02D, I22A, I22B, I50Z		08	I02A, I02B, I02C, I02D, I22A, I22B, I50Z		05	F13A
	09	J02A, J02B, J02C, J04A, J04B, J08A, J08B, J08C, J16Z, J21Z, J22A, J22B		09	J02A, J02B, J02C, J04A, J04B, J08A, J08B, J08C, J16Z, J21Z, J22A, J22B		09	J03A, J03B, J04A, J04B, J08A, J08B, J08C, J11A, J11B, J16Z, J21Z, J22A, J22B
	21A	W04A, W04B		21A	W04A, W04B		21A	W04A, W04B
	21B	X01A, X01B, X01C		21B	X01A, X01B, X01C		21B	X06A, X06B, X06C
	22	Y01Z, Y02A, Y02B, Y02C		22	Y01Z, Y03A, Y03B		22	Y01Z, Y03A, Y03B
5v571.7↔		BOP, KVT, UOP4	5v571.d		BOP, KVT, UOP4	5v572.1		BOP, KVT, UOP4
	05	F13A		05	F13A		03	D12A
	08	I02A, I02B, I02C, I02D, I22A, I22B, I50Z		08	I02A, I02B, I02C, I02D, I22A, I22B, I50Z		05	F13A
	09	J02A, J02B, J02C, J04A, J04B, J08A, J08B, J08C, J16Z, J21Z, J22A, J22B		09	J02A, J02B, J02C, J04A, J04B, J08A, J08B, J08C, J16Z, J21Z, J22A, J22B		09	J02A, J02B, J02C, J04A, J04B, J08A, J08B, J08C, J16Z, J21Z, J22A, J22B
	21A	W04A, W04B		21A	W04A, W04B		21A	W04A, W04B
	21B	X01A, X01B, X01C		21B	X01A, X01B, X01C		21B	X01A, X01B, X01C
	22	Y01Z, Y02A, Y02B, Y02C		22	Y01Z, Y02A, Y02B, Y02C		22	Y01Z, Y02A, Y02B, Y03A, Y03B
5v571.8↔		BOP, KVT, UOP4	5v571.e↔		BOP, KVT, UOP4	5v572.2↔		BOP, KVT, UOP4
	05	F13A		05	F13A		03	D12A
	08	I02A, I02B, I02C, I02D, I22A, I22B, I32A, I32B, I32C, I32D, I32E, I32F, I50Z		08	I02A, I02B, I02C, I02D, I22A, I22B, I50Z		05	F13A
	09	J02A, J02B, J02C, J04A, J04B, J08A, J08B, J08C, J16Z, J21Z, J22A, J22B		09	J02A, J02B, J02C, J04A, J04B, J08A, J08B, J08C, J16Z, J21Z, J22A, J22B		09	J02A, J02B, J02C, J04A, J04B, J08A, J08B, J08C, J16Z, J21Z, J22A, J22B
	21A	W04A, W04B		21A	W04A, W04B		21A	W04A, W04B
	21B	X01A, X01B, X01C		21B	X01A, X01B, X01C		21B	X01A, X01B, X01C
	22	Y01Z, Y02A, Y02B, Y02C		22	Y01Z, Y02A, Y02B, Y02C		22	Y01Z, Y03A, Y03B
5v571.9↔		BOP, KVT, UOP4	5v571.f↔		BOP, KVT, UOP4	5v572.3↔		BOP, KVT, UOP4
	05	F13A		05	F13A		02	C01A, C01B, C16Z, C20A, C20B
	08	I32A, I32B, I32C, I32D, I32E, I32F		08	I02A, I02B, I02C, I02D, I22A, I22B, I50Z		05	F13A
	09	J02A, J02B, J02C, J04A, J04B, J08A, J08B, J08C, J16Z, J21Z, J22A, J22B		09	J02A, J02B, J02C, J04A, J04B, J08A, J08B, J08C, J16Z, J21Z, J22A, J22B		08	I17Z
	21A	W04A, W04B		21A	W04A, W04B		09	J03A, J03B, J04A, J04B, J08A, J08B, J08C, J10A, J10B, J16Z, J21Z, J22A, J22B
	21B	X01A, X01B, X01C		21B	X01A, X01B, X01C		10	K09A, K09B
	22	Y01Z, Y02A, Y02B, Y02C		22	Y01Z, Y02A, Y02B, Y02C		21A	W04A, W04B
5v571.a		BOP, KVT, UOP4	5v571.g↔		BOP, KVT, UOP4	5v572.4		BOP, KVT, UOP4
	05	F13A		05	F13A		03	D12A
	08	I02A, I02B, I02C, I02D, I22A, I22B, I50Z		08	I02A, I02B, I02C, I02D, I22A, I22B, I50Z		05	F13A
	09	J02A, J02B, J02C, J04A, J04B, J08A, J08B, J08C, J16Z, J21Z, J22A, J22B		09	J02A, J02B, J02C, J04A, J04B, J08A, J08B, J08C, J16Z, J21Z, J22A, J22B		08	I02A, I02B, I02C, I02D, I22A, I22B, I50Z
	21A	W04A, W04B		21A	W04A, W04B		09	J02A, J02B, J02C, J04A, J04B, J08A, J08B, J08C, J16Z, J21Z, J22A, J22B
	21B	X01A, X01B, X01C		21B	X01A, X01B, X01C		21A	W04A, W04B
	22	Y01Z, Y02A, Y02B, Y02C		22	Y01Z, Y02A, Y02B, Y02C		21B	X01A, X01B, X01C
5v571.b		BOP, KVT, UOP4	5v571.x↔		BOP, KVT, UOP4	5v572.5		BOP, KVT, UOP4
	05	F13A		05	F13A		03	D12A
	08	I02A, I02B, I02C, I02D, I22A, I22B, I50Z		08	I02A, I02B, I02C, I02D, I22A, I22B, I32A, I32B, I32C, I32D, I32E, I32F, I50Z		05	F13A
	09	J02A, J02B, J02C, J04A, J04B, J08A, J08B, J08C, J16Z, J21Z, J22A, J22B		09	J02A, J02B, J02C, J04A, J04B, J08A, J08B, J08C, J16Z, J21Z, J22A, J22B		08	I02A, I02B, I02C, I02D, I22A, I22B, I50Z
	21A	W04A, W04B		21A	W04A, W04B		09	J02A, J02B, J02C, J04A, J04B, J08A, J08B, J08C, J16Z, J21Z, J22A, J22B
	21B	X01A, X01B, X01C		21B	X01A, X01B, X01C		21A	W04A, W04B
	22	Y01Z, Y02A, Y02B, Y02C		22	Y01Z, Y02A, Y02B, Y02C		21B	X01A, X01B, X01C

ZZV	MDC	DRG	ZZV	MDC	DRG	ZZV	MDC	DRG
5v572.6↔		BOP, KVT, UOP4	5v572.c		BOP, KVT, UOP4	5v573.0		BOP, KVT, UOP4
	05	F13A		05	F13A		03	D02A, D02B, D18Z, D24A, D24B
	08	I02A, I02B, I02C, I02D, I22A, I22B, I50Z		08	I02A, I02B, I02C, I02D, I22A, I22B, I50Z		05	F13A
	09	J02A, J02B, J02C, J04A, J04B, J08A, J08B, J08C, J16Z, J21Z, J22A, J22B		09	J02A, J02B, J02C, J04A, J04B, J08A, J08B, J08C, J16Z, J21Z, J22A, J22B		09	J03A, J03B, J04A, J04B, J08A, J08B, J08C, J11A, J11B, J16Z, J21Z, J22A, J22B
	21A	W04A, W04B		21A	W04A, W04B		21A	W04A, W04B
	21B	X01A, X01B, X01C		21B	X01A, X01B, X01C		21B	X06A, X06B, X06C
	22	Y01Z, Y02A, Y02B, Y02C		22	Y01Z, Y03A, Y03B		22	Y01Z, Y03A, Y03B
5v572.7↔		BOP, KVT, UOP4	5v572.d		BOP, KVT, UOP4	5v573.1		BOP, KVT, UOP4
	05	F13A		05	F13A		03	D12A
	08	I02A, I02B, I02C, I02D, I22A, I22B, I50Z		08	I02A, I02B, I02C, I02D, I22A, I22B, I50Z		05	F13A
	09	J02A, J02B, J02C, J04A, J04B, J08A, J08B, J08C, J16Z, J21Z, J22A, J22B		09	J02A, J02B, J02C, J04A, J04B, J08A, J08B, J08C, J16Z, J21Z, J22A, J22B		09	J02A, J02B, J02C, J04A, J04B, J08A, J08B, J08C, J16Z, J21Z, J22A, J22B
	21A	W04A, W04B		21A	W04A, W04B		21A	W04A, W04B
	21B	X01A, X01B, X01C		21B	X01A, X01B, X01C		21B	X01A, X01B, X01C
	22	Y01Z, Y02A, Y02B, Y02C		22	Y01Z, Y02A, Y02B, Y02C		22	Y01Z, Y02A, Y02B, Y03A, Y03B
5v572.8↔		BOP, KVT, UOP4	5v572.e↔		BOP, KVT, UOP4	5v573.2↔		BOP, KVT, UOP4
	05	F13A		05	F13A		03	D12A
	08	I02A, I02B, I02C, I02D, I22A, I22B, I32A, I32B, I32C, I32D, I32E, I32F, I50Z		08	I02A, I02B, I02C, I02D, I22A, I22B, I50Z		05	F13A
	09	J02A, J02B, J02C, J04A, J04B, J08A, J08B, J08C, J16Z, J21Z, J22A, J22B		09	J02A, J02B, J02C, J04A, J04B, J08A, J08B, J08C, J16Z, J21Z, J22A, J22B		09	J02A, J02B, J02C, J04A, J04B, J08A, J08B, J08C, J16Z, J21Z, J22A, J22B
	21A	W04A, W04B		21A	W04A, W04B		21A	W04A, W04B
	21B	X01A, X01B, X01C		21B	X01A, X01B, X01C		21B	X01A, X01B, X01C
	22	Y01Z, Y02A, Y02B, Y02C		22	Y01Z, Y02A, Y02B, Y02C		22	Y01Z, Y03A, Y03B
5v572.9↔		BOP, KVT, UOP4	5v572.f↔		BOP, KVT, UOP4	5v573.3↔		BOP, KVT, UOP4
	05	F13A		05	F13A		02	C01A, C01B, C16Z, C20A, C20B
	08	I32A, I32B, I32C, I32D, I32E, I32F		08	I02A, I02B, I02C, I02D, I22A, I22B, I50Z		05	F13A
	09	J02A, J02B, J02C, J04A, J04B, J08A, J08B, J08C, J16Z, J21Z, J22A, J22B		09	J02A, J02B, J02C, J04A, J04B, J08A, J08B, J08C, J16Z, J21Z, J22A, J22B		08	I17Z
	21A	W04A, W04B		21A	W04A, W04B		09	J03A, J03B, J04A, J04B, J08A, J08B, J08C, J10A, J10B, J16Z, J21Z, J22A, J22B
	21B	X01A, X01B, X01C		21B	X01A, X01B, X01C		10	K09A, K09B
	22	Y01Z, Y02A, Y02B, Y02C		22	Y01Z, Y02A, Y02B, Y02C		21A	W04A, W04B
5v572.a		BOP, KVT, UOP4	5v572.g↔		BOP, KVT, UOP4	5v573.4		BOP, KVT, UOP4
	05	F13A		05	F13A		03	D12A
	08	I02A, I02B, I02C, I02D, I22A, I22B, I50Z		08	I02A, I02B, I02C, I02D, I22A, I22B, I50Z		05	F13A
	09	J02A, J02B, J02C, J04A, J04B, J08A, J08B, J08C, J16Z, J21Z, J22A, J22B		09	J02A, J02B, J02C, J04A, J04B, J08A, J08B, J08C, J16Z, J21Z, J22A, J22B		08	I02A, I02B, I02C, I02D, I22A, I22B, I50Z
	21A	W04A, W04B		21A	W04A, W04B		09	J02A, J02B, J02C, J04A, J04B, J08A, J08B, J08C, J16Z, J21Z, J22A, J22B
	21B	X01A, X01B, X01C		21B	X01A, X01B, X01C		21A	W04A, W04B
	22	Y01Z, Y02A, Y02B, Y02C		22	Y01Z, Y02A, Y02B, Y02C		21B	X01A, X01B, X01C
5v572.b		BOP, KVT, UOP4	5v572.x↔		BOP, KVT, UOP4	5v573.5		BOP, KVT, UOP4
	05	F13A		05	F13A		03	D12A
	08	I02A, I02B, I02C, I02D, I22A, I22B, I50Z		08	I02A, I02B, I02C, I02D, I22A, I22B, I32A, I32B, I32C, I32D, I32E, I32F, I50Z		05	F13A
	09	J02A, J02B, J02C, J04A, J04B, J08A, J08B, J08C, J16Z, J21Z, J22A, J22B		09	J02A, J02B, J02C, J04A, J04B, J08A, J08B, J08C, J16Z, J21Z, J22A, J22B		08	I02A, I02B, I02C, I02D, I22A, I22B, I50Z
	21A	W04A, W04B		21A	W04A, W04B		09	J02A, J02B, J02C, J04A, J04B, J08A, J08B, J08C, J16Z, J21Z, J22A, J22B
	21B	X01A, X01B, X01C		21B	X01A, X01B, X01C		21A	W04A, W04B
	22	Y01Z, Y02A, Y02B, Y02C		22	Y01Z, Y02A, Y02B, Y02C		21B	X01A, X01B, X01C

ZZV	MDC	DRG	ZZV	MDC	DRG	ZZV	MDC	DRG
5v573.6↔		BOP, KVT, UOP4	5v573.c		BOP, KVT, UOP4	5v580.3↔		BOP, KVT, UOP4
	05	F13A		05	F13A		02	C01A, C01B, C16Z, C20A, C20B
	08	I02A, I02B, I02C, I02D, I22A, I22B, I50Z		08	I02A, I02B, I02C, I02D, I22A, I22B, I50Z		05	F13A
	09	J02A, J02B, J02C, J04A, J04B, J08A, J08B, J08C, J16Z, J21Z, J22A, J22B		09	J02A, J02B, J02C, J04A, J04B, J08A, J08B, J08C, J16Z, J21Z, J22A, J22B		08	I17Z
	21A	W04A, W04B		21A	W04A, W04B		09	J03A, J03B, J04A, J04B, J08A, J08B, J08C, J10A, J10B, J16Z, J21Z, J22A, J22B
	21B	X01A, X01B, X01C		21B	X01A, X01B, X01C		21A	W04A, W04B
	22	Y01Z, Y02A, Y02B, Y02C		22	Y01Z, Y03A, Y03B		21B	X06A, X06B, X06C
5v573.7↔		BOP, KVT, UOP4	5v573.d		BOP, KVT, UOP4	5v581.3↔		BOP, KVT, UOP4
	05	F13A		05	F13A		02	C01A, C01B, C16Z, C20A, C20B
	08	I02A, I02B, I02C, I02D, I22A, I22B, I50Z		08	I02A, I02B, I02C, I02D, I22A, I22B, I50Z		05	F13A
	09	J02A, J02B, J02C, J04A, J04B, J08A, J08B, J08C, J16Z, J21Z, J22A, J22B		09	J02A, J02B, J02C, J04A, J04B, J08A, J08B, J08C, J16Z, J21Z, J22A, J22B		08	I17Z
	21A	W04A, W04B		21A	W04A, W04B		09	J03A, J03B, J04A, J04B, J08A, J08B, J08C, J10A, J10B, J16Z, J21Z, J22A, J22B
	21B	X01A, X01B, X01C		21B	X01A, X01B, X01C		21A	W04A, W04B
	22	Y01Z, Y02A, Y02B, Y02C		22	Y01Z, Y02A, Y02B, Y02C		21B	X06A, X06B, X06C
5v573.8↔		BOP, KVT, UOP4	5v573.e↔		BOP, KVT, UOP4	5v582.3↔		BOP, KVT, UOP4
	05	F13A		05	F13A		02	C01A, C01B, C16Z, C20A, C20B
	08	I02A, I02B, I02C, I02D, I22A, I22B, I32A, I32B, I32C, I32D, I32E, I32F, I50Z		08	I02A, I02B, I02C, I02D, I22A, I22B, I50Z		05	F13A
	09	J02A, J02B, J02C, J04A, J04B, J08A, J08B, J08C, J16Z, J21Z, J22A, J22B		09	J02A, J02B, J02C, J04A, J04B, J08A, J08B, J08C, J16Z, J21Z, J22A, J22B		08	I17Z
	21A	W04A, W04B		21A	W04A, W04B		09	J03A, J03B, J04A, J04B, J08A, J08B, J08C, J10A, J10B, J16Z, J21Z, J22A, J22B
	21B	X01A, X01B, X01C		21B	X01A, X01B, X01C		21A	W04A, W04B
	22	Y01Z, Y02A, Y02B, Y02C		22	Y01Z, Y02A, Y02B, Y02C		21B	X06A, X06B, X06C
5v573.9↔		BOP, KVT, UOP4	5v573.f↔		BOP, KVT, UOP4	5v584.0		BOP, KVT, UOP4
	05	F13A		05	F13A		03	D12A, D12B
	08	I32A, I32B, I32C, I32D, I32E, I32F		08	I02A, I02B, I02C, I02D, I22A, I22B, I50Z		05	F13A
	09	J02A, J02B, J02C, J04A, J04B, J08A, J08B, J08C, J16Z, J21Z, J22A, J22B		09	J02A, J02B, J02C, J04A, J04B, J08A, J08B, J08C, J16Z, J21Z, J22A, J22B		09	J02A, J02B, J02C, J04A, J04B, J08A, J08B, J08C, J16Z, J21Z, J22A, J22B
	21A	W04A, W04B		21A	W04A, W04B		21A	W04A, W04B
	21B	X01A, X01B, X01C		21B	X01A, X01B, X01C		21B	X01A, X01B, X01C
	22	Y01Z, Y02A, Y02B, Y02C		22	Y01Z, Y02A, Y02B, Y02C		22	Y01Z, Y02A, Y02B, Y02C
5v573.a		BOP, KVT, UOP4	5v573.g↔		BOP, KVT, UOP4	5v584.1		BOP, KVT, UOP4
	05	F13A		05	F13A		03	D12A, D12B
	08	I02A, I02B, I02C, I02D, I22A, I22B, I50Z		08	I02A, I02B, I02C, I02D, I22A, I22B, I50Z		05	F13A
	09	J02A, J02B, J02C, J04A, J04B, J08A, J08B, J08C, J16Z, J21Z, J22A, J22B		09	J02A, J02B, J02C, J04A, J04B, J08A, J08B, J08C, J16Z, J21Z, J22A, J22B		09	J02A, J02B, J02C, J04A, J04B, J08A, J08B, J08C, J16Z, J21Z, J22A, J22B
	21A	W04A, W04B		21A	W04A, W04B		21A	W04A, W04B
	21B	X01A, X01B, X01C		21B	X01A, X01B, X01C		21B	X01A, X01B, X01C
	22	Y01Z, Y02A, Y02B, Y02C		22	Y01Z, Y02A, Y02B, Y02C		22	Y01Z, Y02A, Y02B, Y02C
5v573.b		BOP, KVT, UOP4	5v573.x↔		BOP, KVT, UOP4	5v584.2↔		BOP, KVT, UOP4
	05	F13A		05	F13A		03	D12A, D12B
	08	I02A, I02B, I02C, I02D, I22A, I22B, I50Z		08	I02A, I02B, I02C, I02D, I22A, I22B, I32A, I32B, I32C, I32D, I32E, I32F, I50Z		05	F13A
	09	J02A, J02B, J02C, J04A, J04B, J08A, J08B, J08C, J16Z, J21Z, J22A, J22B		09	J02A, J02B, J02C, J04A, J04B, J08A, J08B, J08C, J16Z, J21Z, J22A, J22B		09	J02A, J02B, J02C, J04A, J04B, J08A, J08B, J08C, J16Z, J21Z, J22A, J22B
	21A	W04A, W04B		21A	W04A, W04B		21A	W04A, W04B
	21B	X01A, X01B, X01C		21B	X01A, X01B, X01C		21B	X01A, X01B, X01C
	22	Y01Z, Y02A, Y02B, Y02C		22	Y01Z, Y02A, Y02B, Y02C		22	Y01Z, Y02A, Y02B, Y02C

ZZV	MDC	DRG	ZZV	MDC	DRG	ZZV	MDC	DRG
5v584.3↔		BOP, KVT, UOP4	5v584.9↔		BOP, KVT, UOP4	5v584.g↔		BOP, KVT, UOP4
	03	D12A, D12B		05	F13A		05	F13A
	05	F13A		08	I32A, I32B, I32C, I32D, I32E, I32F		08	I02A, I02B, I02C, I02D, I22A, I22B, I50Z
	08	I02A, I02B, I02C, I02D, I22A, I22B, I50Z		09	J02A, J02B, J02C, J04A, J04B, J08A, J08B, J08C, J16Z, J21Z, J22A, J22B		09	J02A, J02B, J02C, J04A, J04B, J08A, J08B, J08C, J16Z, J21Z, J22A, J22B
	09	J02A, J02B, J02C, J04A, J04B, J08A, J08B, J08C, J16Z, J21Z, J22A, J22B		21A	W04A, W04B		21A	W04A, W04B
	21A	W04A, W04B		21B	X01A, X01B, X01C		21B	X01A, X01B, X01C
	21B	X01A, X01B, X01C		22	Y01Z, Y02A, Y02B, Y02C		22	Y01Z, Y02A, Y02B, Y02C
	22	Y01Z, Y02A, Y02B, Y02C		5v584.a			5v584.x	
		BOP, KVT, UOP4		05	F13A		05	F13A
		D12A, D12B		08	I02A, I02B, I02C, I02D, I22A, I22B, I50Z		08	I02A, I02B, I02C, I02D, I22A, I22B, I50Z
5v584.4	03	D12A, D12B	09	J02A, J02B, J02C, J04A, J04B, J08A, J08B, J08C, J16Z, J21Z, J22A, J22B	09	J02A, J02B, J02C, J04A, J04B, J08A, J08B, J08C, J16Z, J21Z, J22A, J22B		
	05	F13A	21A	W04A, W04B	21A	W04A, W04B		
	08	I02A, I02B, I02C, I02D, I22A, I22B, I50Z	21B	X01A, X01B, X01C	21B	X01A, X01B, X01C		
	09	J02A, J02B, J02C, J04A, J04B, J08A, J08B, J08C, J16Z, J21Z, J22A, J22B	22	Y01Z, Y02A, Y02B, Y02C	22	Y01Z, Y02A, Y02B, Y02C		
	21A	W04A, W04B	5v584.b		5v585.0			
	21B	X01A, X01B, X01C	BOP, KVT, UOP4	03	D12A, D12B			
	22	Y01Z, Y02A, Y02B, Y02C	05	F13A	05	F13A		
		BOP, KVT, UOP4	08	I02A, I02B, I02C, I02D, I22A, I22B, I50Z	09	J02A, J02B, J02C, J04A, J04B, J08A, J08B, J08C, J16Z, J21Z, J22A, J22B		
		D12A, D12B	09	J02A, J02B, J02C, J04A, J04B, J08A, J08B, J08C, J16Z, J21Z, J22A, J22B	21A	W04A, W04B		
		F13A	21A	W04A, W04B	21B	X01A, X01B, X01C		
5v584.5	03	D12A, D12B	21B	X01A, X01B, X01C	22	Y01Z, Y02A, Y02B, Y02C		
	05	F13A	22	Y01Z, Y02A, Y02B, Y02C	5v585.1			
	08	I02A, I02B, I02C, I02D, I22A, I22B, I50Z	BOP, KVT, UOP4	03	D12A, D12B			
	09	J02A, J02B, J02C, J04A, J04B, J08A, J08B, J08C, J16Z, J21Z, J22A, J22B	05	F13A	05	F13A		
	21B	X01A, X01B, X01C	08	I02A, I02B, I02C, I02D, I22A, I22B, I50Z	09	J02A, J02B, J02C, J04A, J04B, J08A, J08B, J08C, J16Z, J21Z, J22A, J22B		
	22	Y01Z, Y02A, Y02B, Y02C	09	J02A, J02B, J02C, J04A, J04B, J08A, J08B, J08C, J16Z, J21Z, J22A, J22B	21A	W04A, W04B		
		BOP, KVT, UOP4	21A	W04A, W04B	21B	X01A, X01B, X01C		
		D12A, D12B	21B	X01A, X01B, X01C	22	Y01Z, Y02A, Y02B, Y02C		
		F13A	22	Y01Z, Y02A, Y02B, Y02C	BOP, KVT, UOP4			
		I02A, I02B, I02C, I02D, I22A, I22B, I50Z	5v584.c		03	D12A, D12B		
5v584.6↔	05	F13A	05	F13A	05	F13A		
	08	I02A, I02B, I02C, I02D, I22A, I22B, I50Z	08	I02A, I02B, I02C, I02D, I22A, I22B, I50Z	09	J02A, J02B, J02C, J04A, J04B, J08A, J08B, J08C, J16Z, J21Z, J22A, J22B		
	09	J02A, J02B, J02C, J04A, J04B, J08A, J08B, J08C, J16Z, J21Z, J22A, J22B	09	J02A, J02B, J02C, J04A, J04B, J08A, J08B, J08C, J16Z, J21Z, J22A, J22B	21A	W04A, W04B		
	21A	W04A, W04B	21A	W04A, W04B	21B	X01A, X01B, X01C		
	21B	X01A, X01B, X01C	21B	X01A, X01B, X01C	22	Y01Z, Y02A, Y02B, Y02C		
	22	Y01Z, Y02A, Y02B, Y02C	22	Y01Z, Y02A, Y02B, Y02C	BOP, KVT, UOP4			
		BOP, KVT, UOP4	5v584.d		03	D12A, D12B		
		D12A, D12B	05	F13A	05	F13A		
		F13A	08	I02A, I02B, I02C, I02D, I22A, I22B, I50Z	09	J02A, J02B, J02C, J04A, J04B, J08A, J08B, J08C, J16Z, J21Z, J22A, J22B		
		I02A, I02B, I02C, I02D, I22A, I22B, I50Z	09	J02A, J02B, J02C, J04A, J04B, J08A, J08B, J08C, J16Z, J21Z, J22A, J22B	21A	W04A, W04B		
5v584.7↔	05	F13A	21A	W04A, W04B	21B	X01A, X01B, X01C		
	08	I02A, I02B, I02C, I02D, I22A, I22B, I50Z	21B	X01A, X01B, X01C	22	Y01Z, Y02A, Y02B, Y02C		
	09	J02A, J02B, J02C, J04A, J04B, J08A, J08B, J08C, J16Z, J21Z, J22A, J22B	22	Y01Z, Y02A, Y02B, Y02C	BOP, KVT, UOP4			
	21A	W04A, W04B	5v584.e↔		03	D12A, D12B		
	21B	X01A, X01B, X01C	BOP, KVT, UOP4	05	F13A			
	22	Y01Z, Y02A, Y02B, Y02C	05	F13A	08	I02A, I02B, I02C, I02D, I22A, I22B, I50Z		
		BOP, KVT, UOP4	08	I02A, I02B, I02C, I02D, I22A, I22B, I50Z	09	J02A, J02B, J02C, J04A, J04B, J08A, J08B, J08C, J16Z, J21Z, J22A, J22B		
		D12A, D12B	09	J02A, J02B, J02C, J04A, J04B, J08A, J08B, J08C, J16Z, J21Z, J22A, J22B	21A	W04A, W04B		
		F13A	21A	W04A, W04B	21B	X01A, X01B, X01C		
		I02A, I02B, I02C, I02D, I22A, I22B, I50Z	21B	X01A, X01B, X01C	22	Y01Z, Y02A, Y02B, Y02C		
5v584.8↔	05	F13A	22	Y01Z, Y02A, Y02B, Y02C	5v585.2↔			
	08	I02A, I02B, I02C, I02D, I22A, I22B, I32A, I32B, I32C, I32D, I32E, I32F, I50Z	5v584.f↔		03	D12A, D12B		
	09	J02A, J02B, J02C, J04A, J04B, J08A, J08B, J08C, J16Z, J21Z, J22A, J22B	BOP, KVT, UOP4	05	F13A			
	21A	W04A, W04B	05	F13A	08	I02A, I02B, I02C, I02D, I22A, I22B, I50Z		
	21B	X01A, X01B, X01C	08	I02A, I02B, I02C, I02D, I22A, I22B, I50Z	09	J02A, J02B, J02C, J04A, J04B, J08A, J08B, J08C, J16Z, J21Z, J22A, J22B		
	22	Y01Z, Y02A, Y02B, Y02C	09	J02A, J02B, J02C, J04A, J04B, J08A, J08B, J08C, J16Z, J21Z, J22A, J22B	21A	W04A, W04B		
		BOP, KVT, UOP4	21A	W04A, W04B	21B	X01A, X01B, X01C		
		D12A, D12B	21B	X01A, X01B, X01C	22	Y01Z, Y02A, Y02B, Y02C		
		F13A	22	Y01Z, Y02A, Y02B, Y02C	BOP, KVT, UOP4			
		I02A, I02B, I02C, I02D, I22A, I22B, I50Z	5v585.3↔		03	D12A, D12B		
	I02A, I02B, I02C, I02D, I22A, I22B, I50Z	05	F13A	05	F13A			
	I02A, I02B, I02C, I02D, I22A, I22B, I50Z	08	I02A, I02B, I02C, I02D, I22A, I22B, I50Z	08	I02A, I02B, I02C, I02D, I22A, I22B, I50Z			
	J02A, J02B, J02C, J04A, J04B, J08A, J08B, J08C, J16Z, J21Z, J22A, J22B	09	J02A, J02B, J02C, J04A, J04B, J08A, J08B, J08C, J16Z, J21Z, J22A, J22B	09	J02A, J02B, J02C, J04A, J04B, J08A, J08B, J08C, J16Z, J21Z, J22A, J22B			
	J02A, J02B, J02C, J04A, J04B, J08A, J08B, J08C, J16Z, J21Z, J22A, J22B	21A	W04A, W04B	21A	W04A, W04B			
	J02A, J02B, J02C, J04A, J04B, J08A, J08B, J08C, J16Z, J21Z, J22A, J22B	21B	X01A, X01B, X01C	21B	X01A, X01B, X01C			
	W04A, W04B	22	Y01Z, Y02A, Y02B, Y02C	22	Y01Z, Y02A, Y02B, Y02C			
	X01A, X01B, X01C	5v585.4		BOP, KVT, UOP4				
	Y01Z, Y02A, Y02B, Y02C	03	D12A, D12B	03	D12A, D12B			
	Y01Z, Y02A, Y02B, Y02C	05	F13A	05	F13A			
	Y01Z, Y02A, Y02B, Y02C	08	I02A, I02B, I02C, I02D, I22A, I22B, I50Z	08	I02A, I02B, I02C, I02D, I22A, I22B, I50Z			
	Y01Z, Y02A, Y02B, Y02C	09	J02A, J02B, J02C, J04A, J04B, J08A, J08B, J08C, J16Z, J21Z, J22A, J22B	09	J02A, J02B, J02C, J04A, J04B, J08A, J08B, J08C, J16Z, J21Z, J22A, J22B			
	Y01Z, Y02A, Y02B, Y02C	21A	W04A, W04B	21A	W04A, W04B			
	Y01Z, Y02A, Y02B, Y02C	21B	X01A, X01B, X01C	21B	X01A, X01B, X01C			
	Y01Z, Y02A, Y02B, Y02C	22	Y01Z, Y02A, Y02B, Y02C	22	Y01Z, Y02A, Y02B, Y02C			









ZZV	MDC	DRG	ZZV	MDC	DRG	ZZV	MDC	DRG
5v588.6↔		BOP, KVT, UOP4	5v588.c		BOP, KVT, UOP4	5v590.4		BOP, KVT, UOP4
	05	F13A		05	F13A		03	D12A, D12B
	08	I02A, I02B, I02C, I02D, I22A, I22B, I50Z		08	I02A, I02B, I02C, I02D, I22A, I22B, I50Z		05	F13A
	09	J02A, J02B, J02C, J04A, J04B, J08A, J08B, J08C, J16Z, J21Z, J22A, J22B		09	J02A, J02B, J02C, J04A, J04B, J08A, J08B, J08C, J16Z, J21Z, J22A, J22B		08	I02A, I02B, I02C, I02D, I22A, I22B, I50Z
	21A	W04A, W04B		21A	W04A, W04B		09	J02A, J02B, J02C, J04A, J04B, J08A, J08B, J08C, J16Z, J21Z, J22A, J22B
	21B	X01A, X01B, X01C		21B	X01A, X01B, X01C		21A	W04A, W04B
	22	Y01Z, Y02A, Y02B, Y02C		22	Y01Z, Y02A, Y02B, Y02C		21B	X01A, X01B, X01C
5v588.7↔		BOP, KVT, UOP4	5v588.d		BOP, KVT, UOP4	5v590.5		BOP, KVT, UOP4
	05	F13A		05	F13A		03	D12A, D12B
	08	I02A, I02B, I02C, I02D, I22A, I22B, I50Z		08	I02A, I02B, I02C, I02D, I22A, I22B, I50Z		05	F13A
	09	J02A, J02B, J02C, J04A, J04B, J08A, J08B, J08C, J16Z, J21Z, J22A, J22B		09	J02A, J02B, J02C, J04A, J04B, J08A, J08B, J08C, J16Z, J21Z, J22A, J22B		08	I02A, I02B, I02C, I02D, I22A, I22B, I50Z
	21A	W04A, W04B		21A	W04A, W04B		09	J02A, J02B, J02C, J04A, J04B, J08A, J08B, J08C, J16Z, J21Z, J22A, J22B
	21B	X01A, X01B, X01C		21B	X01A, X01B, X01C		21A	W04A, W04B
	22	Y01Z, Y02A, Y02B, Y02C		22	Y01Z, Y02A, Y02B, Y02C		21B	X01A, X01B, X01C
5v588.8↔		BOP, KVT, UOP4	5v588.e↔		BOP, KVT, UOP4	5v590.6↔		BOP, KVT, UOP4
	05	F13A		05	F13A		03	D12A, D12B
	08	I02A, I02B, I02C, I02D, I22A, I22B, I32A, I32B, I32C, I32D, I32E, I32F, I50Z		08	I02A, I02B, I02C, I02D, I22A, I22B, I50Z		05	F13A
	09	J02A, J02B, J02C, J04A, J04B, J08A, J08B, J08C, J16Z, J21Z, J22A, J22B		09	J02A, J02B, J02C, J04A, J04B, J08A, J08B, J08C, J16Z, J21Z, J22A, J22B		08	I02A, I02B, I02C, I02D, I22A, I22B, I32A, I32B, I32C, I32D, I32E, I32F, I50Z
	21A	W04A, W04B		21A	W04A, W04B		09	J02A, J02B, J02C, J04A, J04B, J08A, J08B, J08C, J16Z, J21Z, J22A, J22B
	21B	X01A, X01B, X01C		21B	X01A, X01B, X01C		21A	W04A, W04B
	22	Y01Z, Y02A, Y02B, Y02C		22	Y01Z, Y02A, Y02B, Y02C		21B	X01A, X01B, X01C
5v588.9↔		BOP, KVT, UOP4	5v588.f↔		BOP, KVT, UOP4	5v590.7↔		BOP, KVT, UOP4
	05	F13A		05	F13A		03	D12A, D12B
	08	I32A, I32B, I32C, I32D, I32E, I32F		08	I02A, I02B, I02C, I02D, I22A, I22B, I50Z		05	F13A
	09	J02A, J02B, J02C, J04A, J04B, J08A, J08B, J08C, J16Z, J21Z, J22A, J22B		09	J02A, J02B, J02C, J04A, J04B, J08A, J08B, J08C, J16Z, J21Z, J22A, J22B		08	I02A, I02B, I02C, I02D, I22A, I22B, I32A, I32B, I32C, I32D, I32E, I32F, I50Z
	21A	W04A, W04B		21A	W04A, W04B		09	J02A, J02B, J02C, J04A, J04B, J08A, J08B, J08C, J16Z, J21Z, J22A, J22B
	21B	X01A, X01B, X01C		21B	X01A, X01B, X01C		21A	W04A, W04B
	22	Y01Z, Y02A, Y02B, Y02C		22	Y01Z, Y02A, Y02B, Y02C		21B	X01A, X01B, X01C
5v588.a		BOP, KVT, UOP4	5v588.g↔		BOP, KVT, UOP4	5v590.8↔		BOP, KVT, UOP4
	05	F13A		05	F13A		05	F13A
	08	I02A, I02B, I02C, I02D, I22A, I22B, I50Z		08	I02A, I02B, I02C, I02D, I22A, I22B, I50Z		08	I02A, I02B, I02C, I02D, I22A, I22B, I32A, I32B, I32C, I32D, I32E, I32F, I50Z
	09	J02A, J02B, J02C, J04A, J04B, J08A, J08B, J08C, J16Z, J21Z, J22A, J22B		09	J02A, J02B, J02C, J04A, J04B, J08A, J08B, J08C, J16Z, J21Z, J22A, J22B		09	J02A, J02B, J02C, J04A, J04B, J08A, J08B, J08C, J16Z, J21Z, J22A, J22B
	21A	W04A, W04B		21A	W04A, W04B		21A	W04A, W04B
	21B	X01A, X01B, X01C		21B	X01A, X01B, X01C		21B	X01A, X01B, X01C
	22	Y01Z, Y02A, Y02B, Y02C		22	Y01Z, Y02A, Y02B, Y02C		22	Y01Z, Y03A, Y03B
5v588.b		BOP, KVT, UOP4	5v588.x		BOP, KVT, UOP4	5v590.9↔		BOP, KVT, UOP4
	05	F13A		05	F13A		05	F13A
	08	I02A, I02B, I02C, I02D, I22A, I22B, I50Z		08	I02A, I02B, I02C, I02D, I22A, I22B, I50Z		08	I32A, I32B, I32C, I32D, I32E, I32F
	09	J02A, J02B, J02C, J04A, J04B, J08A, J08B, J08C, J16Z, J21Z, J22A, J22B		09	J02A, J02B, J02C, J04A, J04B, J08A, J08B, J08C, J16Z, J21Z, J22A, J22B		09	J02A, J02B, J02C, J04A, J04B, J08A, J08B, J08C, J16Z, J21Z, J22A, J22B
	21A	W04A, W04B		21A	W04A, W04B		21A	W04A, W04B
	21B	X01A, X01B, X01C		21B	X01A, X01B, X01C		21B	X01A, X01B, X01C
	22	Y01Z, Y02A, Y02B, Y02C		22	Y01Z, Y02A, Y02B, Y02C		22	Y01Z, Y03A, Y03B
5v588.c		BOP, KVT, UOP4	5v590.0		BOP, KVT, UOP4			BOP, KVT, UOP4
	05	F13A		03	D12A, D12B			
	08	I02A, I02B, I02C, I02D, I22A, I22B, I50Z		05	F13A			
	09	J02A, J02B, J02C, J04A, J04B, J08A, J08B, J08C, J16Z, J21Z, J22A, J22B		09	J02A, J02B, J02C, J04A, J04B, J08A, J08B, J08C, J16Z, J21Z, J22A, J22B			
	21A	W04A, W04B		21A	W04A, W04B			
	21B	X01A, X01B, X01C		21B	X01A, X01B, X01C			
	22	Y01Z, Y02A, Y02B, Y02C		22	Y01Z, Y03A, Y03B			
				21A	W04A, W04B			
				21B	X01A, X01B, X01C			
				22	Y01Z, Y03A, Y03B			

VYK

## Príloha B: Index Výkon-MDC-DRG

ZZV	MDC	DRG	ZZV	MDC	DRG	ZZV	MDC	DRG				
5v590.a		BOP, KVT, UOP4	5v590.g↔		BOP, KVT, UOP4	5v591.7↔		BOP, KVT, UOP4				
	03	D12A, D12B		05	F13A		05	F13A				
	05	F13A		08	I02A, I02B, I02C, I02D, I22A, I22B, I50Z		08	I02A, I02B, I02C, I02D, I22A, I22B, I50Z				
	08	I02A, I02B, I02C, I02D, I22A, I22B, I32A, I32B, I32C, I32D, I32E, I32F, I50Z		09	J02A, J02B, J02C, J04A, J04B, J08A, J08B, J08C, J16Z, J21Z, J22A, J22B		09	J02A, J02B, J02C, J04A, J04B, J08A, J08B, J08C, J16Z, J21Z, J22A, J22B				
	09	J02A, J02B, J02C, J04A, J04B, J08A, J08B, J08C, J16Z, J21Z, J22A, J22B		21A	W04A, W04B		21A	W04A, W04B				
	21A	W04A, W04B		21B	X01A, X01B, X01C		21B	X01A, X01B, X01C				
	21B	X01A, X01B, X01C		22	Y01Z, Y03A, Y03B		22	Y01Z, Y03A, Y03B				
	22	Y01Z, Y03A, Y03B			BOP, KVT, UOP4		5v591.8↔		BOP, KVT, UOP4			
	5v590.b			BOP, KVT, UOP4	5v590.x↔				BOP, KVT, UOP4	5v591.9↔		BOP, KVT, UOP4
		03		D12A, D12B				03	D12A, D12B		05	F13A
		05		F13A				05	F13A		08	I02A, I02B, I02C, I02D, I22A, I22B, I32A, I32B, I32C, I32D, I32E, I32F, I50Z
		08		I02A, I02B, I02C, I02D, I22A, I22B, I32A, I32B, I32C, I32D, I32E, I32F, I50Z				08	I02A, I02B, I02C, I02D, I22A, I22B, I32A, I32B, I32C, I32D, I32E, I32F, I50Z		09	J02A, J02B, J02C, J04A, J04B, J08A, J08B, J08C, J16Z, J21Z, J22A, J22B
09		J02A, J02B, J02C, J04A, J04B, J08A, J08B, J08C, J16Z, J21Z, J22A, J22B	09	J02A, J02B, J02C, J04A, J04B, J08A, J08B, J08C, J16Z, J21Z, J22A, J22B		21A		W04A, W04B				
21A		W04A, W04B	21A	W04A, W04B		21B		X01A, X01B, X01C				
21B		X01A, X01B, X01C	21B	X01A, X01B, X01C		22		Y01Z, Y03A, Y03B				
22		Y01Z, Y03A, Y03B	22	Y01Z, Y03A, Y03B				BOP, KVT, UOP4				
5v590.c			BOP, KVT, UOP4	5v591.0				BOP, KVT, UOP4	5v591.a			BOP, KVT, UOP4
		03	D12A, D12B			03		D12A, D12B			05	F13A
		05	F13A			05		F13A			08	I32A, I32B, I32C, I32D, I32E, I32F
		08	I02A, I02B, I02C, I02D, I22A, I22B, I32A, I32B, I32C, I32D, I32E, I32F, I50Z			09	J02A, J02B, J02C, J04A, J04B, J08A, J08B, J08C, J16Z, J21Z, J22A, J22B	09			J02A, J02B, J02C, J04A, J04B, J08A, J08B, J08C, J16Z, J21Z, J22A, J22B	
	09	J02A, J02B, J02C, J04A, J04B, J08A, J08B, J08C, J16Z, J21Z, J22A, J22B	21A		W04A, W04B	21A	W04A, W04B					
	21A	W04A, W04B	21B		X01A, X01B, X01C	21B	X01A, X01B, X01C					
	21B	X01A, X01B, X01C	22		Y01Z, Y03A, Y03B	22	Y01Z, Y03A, Y03B					
	22	Y01Z, Y03A, Y03B			BOP, KVT, UOP4	5v591.b		BOP, KVT, UOP4				
	5v590.d		BOP, KVT, UOP4		5v591.4			BOP, KVT, UOP4		5v591.b		BOP, KVT, UOP4
		05	F13A				03	D12A, D12B			05	F13A
		08	I02A, I02B, I02C, I02D, I22A, I22B, I32A, I32B, I32C, I32D, I32E, I32F, I50Z				05	F13A			08	I02A, I02B, I02C, I02D, I22A, I22B, I50Z
		09	J02A, J02B, J02C, J04A, J04B, J08A, J08B, J08C, J16Z, J21Z, J22A, J22B				08	I02A, I02B, I02C, I02D, I22A, I22B, I50Z			09	J02A, J02B, J02C, J04A, J04B, J08A, J08B, J08C, J16Z, J21Z, J22A, J22B
21A		W04A, W04B	09	J02A, J02B, J02C, J04A, J04B, J08A, J08B, J08C, J16Z, J21Z, J22A, J22B			21A	W04A, W04B				
21B		X01A, X01B, X01C	21A	W04A, W04B			21B	X01A, X01B, X01C				
22		Y01Z, Y03A, Y03B	21B	X01A, X01B, X01C			22	Y01Z, Y03A, Y03B				
5v590.e↔			BOP, KVT, UOP4	5v591.5				BOP, KVT, UOP4	5v591.c			BOP, KVT, UOP4
		05	F13A				03	D12A, D12B			05	F13A
		08	I02A, I02B, I02C, I02D, I22A, I22B, I32A, I32B, I32C, I32D, I32E, I32F, I50Z				05	F13A			08	I02A, I02B, I02C, I02D, I22A, I22B, I50Z
		09	J02A, J02B, J02C, J04A, J04B, J08A, J08B, J08C, J16Z, J21Z, J22A, J22B				08	I02A, I02B, I02C, I02D, I22A, I22B, I50Z			09	J02A, J02B, J02C, J04A, J04B, J08A, J08B, J08C, J16Z, J21Z, J22A, J22B
		21A	W04A, W04B			09	J02A, J02B, J02C, J04A, J04B, J08A, J08B, J08C, J16Z, J21Z, J22A, J22B	21A			W04A, W04B	
	21B	X01A, X01B, X01C	21A		W04A, W04B	21B	X01A, X01B, X01C					
	22	Y01Z, Y03A, Y03B	21B		X01A, X01B, X01C	22	Y01Z, Y03A, Y03B					
	5v590.f↔		BOP, KVT, UOP4		5v591.6↔		BOP, KVT, UOP4	5v591.c			BOP, KVT, UOP4	
		05	F13A			03	D12A, D12B			05	F13A	
		08	I02A, I02B, I02C, I02D, I22A, I22B, I50Z			05	F13A			08	I02A, I02B, I02C, I02D, I22A, I22B, I50Z	
		09	J02A, J02B, J02C, J04A, J04B, J08A, J08B, J08C, J16Z, J21Z, J22A, J22B			08	I02A, I02B, I02C, I02D, I22A, I22B, I50Z			09	J02A, J02B, J02C, J04A, J04B, J08A, J08B, J08C, J16Z, J21Z, J22A, J22B	
		21A	W04A, W04B			09	J02A, J02B, J02C, J04A, J04B, J08A, J08B, J08C, J16Z, J21Z, J22A, J22B			21A	W04A, W04B	
21B		X01A, X01B, X01C	21A	W04A, W04B		21B	X01A, X01B, X01C					
22		Y01Z, Y03A, Y03B	21B	X01A, X01B, X01C		22	Y01Z, Y03A, Y03B					

ZZV	MDC	DRG	ZZV	MDC	DRG	ZZV	MDC	DRG			
5v591.d		BOP, KVT, UOP4	5v611.20		BOP, KVT, UOP4	5v620.6↔		BOP, KVT, UOP4			
	05	F13A		09	J03A, J03B, J04A, J04B, J08A, J08B, J08C, J10A, J10B, J16Z		01	B03A, B03B, B06A, B06B, B07Z, B17A, B17B, B17C			
	08	I02A, I02B, I02C, I02D, I22A, I22B, I50Z		10	K07Z		05	F13A, F21A, F21B, F28A			
	09	J02A, J02B, J02C, J04A, J04B, J08A, J08B, J08C, J16Z, J21Z, J22A, J22B		21A	W04A, W04B		08	I02A, I02B, I02C, I02D, I22A, I22B, I50Z			
	21A	W04A, W04B		21B	X06A, X06B, X06C		09	J02A, J02B, J02C, J04A, J04B, J08A, J08B, J08C, J16Z, J21Z, J22A, J22B			
	21B	X01A, X01B, X01C		5v611.21			BOP, KVT, UOP4	21A	W04A, W04B		
	22	Y01Z, Y03A, Y03B			09		J03A, J03B, J04A, J04B, J08A, J08B, J08C, J10A, J10B, J16Z	21B	X01A, X01B, X01C		
	5v591.e↔				BOP, KVT, UOP4		10	K07Z	5v620.7↔		BOP, KVT, UOP4
		05			F13A		21A	W04A, W04B		01	B03A, B03B, B06A, B06B, B07Z, B17A, B17B, B17C
		08			I02A, I02B, I02C, I02D, I22A, I22B, I50Z		21B	X06A, X06B, X06C		05	F13A, F21A, F21B, F28A
09		J02A, J02B, J02C, J04A, J04B, J08A, J08B, J08C, J16Z, J21Z, J22A, J22B	5v611.30			BOP, KVT, UOP4	08	I02A, I02B, I02C, I02D, I22A, I22B, I50Z			
21A		W04A, W04B			09	J03A, J03B, J04A, J04B, J08A, J08B, J08C, J10A, J10B, J16Z	09	J02A, J02B, J02C, J04A, J04B, J08A, J08B, J08C, J16Z, J21Z, J22A, J22B			
21B		X01A, X01B, X01C			10	K07Z	21A	W04A, W04B			
22		Y01Z, Y03A, Y03B			21A	W04A, W04B	21B	X01A, X01B, X01C			
5v591.f↔					BOP, KVT, UOP4	21B	X06A, X06B, X06C	5v620.8↔			BOP, KVT, UOP4
		05		F13A	5v611.31		BOP, KVT, UOP4			01	B03A, B03B, B06A, B06B, B07Z, B17A, B17B, B17C
		08		I02A, I02B, I02C, I02D, I22A, I22B, I50Z		09	J03A, J03B, J04A, J04B, J08A, J08B, J08C, J10A, J10B, J16Z			05	F13A, F21A, F21B, F28A
	09	J02A, J02B, J02C, J04A, J04B, J08A, J08B, J08C, J16Z, J21Z, J22A, J22B		10		K07Z	08		I02A, I02B, I02C, I02D, I22A, I22B, I32A, I32B, I32C, I32D, I32E, I32F, I50Z		
	21A	W04A, W04B		21A		W04A, W04B	09		J02A, J02B, J02C, J04A, J04B, J08A, J08B, J08C, J16Z, J21Z, J22A, J22B		
	21B	X01A, X01B, X01C		5v611.x0			BOP, KVT, UOP4		21A	W04A, W04B	
	22	Y01Z, Y03A, Y03B	09			J03A, J03B, J04A, J04B, J08A, J08B, J08C, J10A, J10B, J16Z	21B		X01A, X01B, X01C		
	5v591.g↔		BOP, KVT, UOP4			10	K07Z		5v620.9↔		BOP, KVT, UOP4
		05	F13A			21A	W04A, W04B			01	B03A, B03B, B06A, B06B, B07Z, B17A, B17B, B17C
		08	I02A, I02B, I02C, I02D, I22A, I22B, I50Z			21B	X06A, X06B, X06C			05	F13A, F21A, F21B, F28A
09		J02A, J02B, J02C, J04A, J04B, J08A, J08B, J08C, J16Z, J21Z, J22A, J22B	5v611.x1				BOP, KVT, UOP4	08		I12A, I12B, I12C, I32A, I32B, I32C, I32D, I32E, I32F	
21A		W04A, W04B			09	J03A, J03B, J04A, J04B, J08A, J08B, J08C, J10A, J10B, J16Z	09	J03A, J03B, J04A, J04B, J08A, J08B, J08C, J16Z, J21Z, J22A, J22B			
21B		X01A, X01B, X01C			10	K07Z	21A	W04A, W04B			
22		Y01Z, Y03A, Y03B			21A	W04A, W04B	21B	X01A, X01B, X01C			
5v591.x↔					BOP, KVT, UOP4	21B	X06A, X06B, X06C	5v620.a			BOP, KVT, UOP4
		05		F13A	5v620.4		BOP, KVT, UOP4			01	B03A, B03B, B06A, B06B, B07Z, B17A, B17B, B17C
		08		I02A, I02B, I02C, I02D, I22A, I22B, I32A, I32B, I32C, I32D, I32E, I32F, I50Z		01	B03A, B03B, B06A, B06B, B07Z, B17A, B17B, B17C			05	F13A, F21A, F21B, F28A
	09	J02A, J02B, J02C, J04A, J04B, J08A, J08B, J08C, J16Z, J21Z, J22A, J22B		02		C20A, C20B	06		G10Z, G12A, G12B		
	21A	W04A, W04B		03		D18Z, D28Z, D29Z	08		I02A, I02B, I02C, I02D, I22A, I22B, I50Z		
	21B	X01A, X01B, X01C		05		F13A, F21A, F21B, F28A	09		J02A, J02B, J02C, J04A, J04B, J08A, J08B, J08C, J16Z, J21Z, J22A, J22B		
	22	Y01Z, Y03A, Y03B	08	I02A, I02B, I02C, I02D, I22A, I22B, I50Z		21A	W04A, W04B				
	5v611.10		BOP, KVT, UOP4	09		J02A, J02B, J02C, J04A, J04B, J08A, J08B, J08C, J16Z, J21Z, J22A, J22B	21B		X01A, X01B, X01C		
		09	J03A, J03B, J04A, J04B, J08A, J08B, J08C, J10A, J10B, J16Z	5v620.5			BOP, KVT, UOP4		01	B03A, B03B, B06A, B06B, B07Z, B17A, B17B, B17C	
		10	K07Z			01	B03A, B03B, B06A, B06B, B07Z, B17A, B17B, B17C		05	F13A, F21A, F21B, F28A	
21A		W04A, W04B	03			D18Z, D28Z, D29Z	06	G10Z, G12A, G12B			
21B		X06A, X06B, X06C	05		F13A, F21A, F21B, F28A	08	I02A, I02B, I02C, I02D, I22A, I22B, I50Z				
5v611.11			BOP, KVT, UOP4		06	G10Z, G12A, G12B	5v620.b		BOP, KVT, UOP4		
		09	J03A, J03B, J04A, J04B, J08A, J08B, J08C, J10A, J10B, J16Z		08	I28A, I28B		01	B03A, B03B, B06A, B06B, B07Z, B17A, B17B, B17C		
		10	K07Z		09	J02A, J02B, J02C, J04A, J04B, J08A, J08B, J08C, J16Z, J21Z, J22A, J22B		05	F13A, F21A, F21B, F28A		
		21A	W04A, W04B		5v620.6↔			BOP, KVT, UOP4	06	G10Z, G12A, G12B	
		21B	X06A, X06B, X06C			01		B03A, B03B, B06A, B06B, B07Z, B17A, B17B, B17C	08	I02A, I02B, I02C, I02D, I22A, I22B, I50Z	
			03			D18Z, D28Z, D29Z		09	J02A, J02B, J02C, J04A, J04B, J08A, J08B, J08C, J16Z, J21Z, J22A, J22B		
			05	F13A, F21A, F21B, F28A		21A		W04A, W04B			
			06	G10Z, G12A, G12B		21B		X01A, X01B, X01C			
			08	I28A, I28B							
			09	J02A, J02B, J02C, J04A, J04B, J08A, J08B, J08C, J16Z, J21Z, J22A, J22B							
		21A	W04A, W04B								
		21B	X01A, X01B, X01C								

ZZV	MDC	DRG	ZZV	MDC	DRG	ZZV	MDC	DRG			
5v620.c		BOP, KVT, UOP4	5v620.s↔		BOP, KVT, UOP4	5v621.e↔		BOP, KVT, UOP4			
	01	B03A, B03B, B06A, B06B, B07Z, B17A, B17B, B17C		01	B03A, B03B, B06A, B06B, B07Z, B17A, B17B, B17C		01	B03A, B03B, B06A, B06B, B07Z, B17A, B17B, B17C			
	05	F13A, F21A, F21B, F28A		05	F13A, F21A, F21B, F28A		05	F13A, F21A, F21B, F27A, F27B, F27C, F28A			
	06	G10Z, G12A, G12B		08	I02A, I02B, I02C, I02D, I22A, I22B, I50Z		08	I02A, I02B, I02C, I02D, I22A, I22B, I50Z			
	08	I02A, I02B, I02C, I02D, I22A, I22B, I50Z		09	J02A, J02B, J02C, J04A, J04B, J08A, J08B, J08C, J16Z, J21Z, J22A, J22B		09	J02A, J02B, J02C, J04A, J04B, J08A, J08B, J08C, J16Z, J21Z, J22A, J22B			
	09	J02A, J02B, J02C, J04A, J04B, J08A, J08B, J08C, J16Z, J21Z, J22A, J22B		21A	W04A, W04B		10	K01Z			
	10	K09A, K09B		21B	X01A, X01B, X01C		21A	W04A, W04B			
	12	M04A, M04B, M04C, M04D, M37Z, M38Z		5v620.x↔			BOP, KVT, UOP4	21B	X01A, X01B, X01C		
	21A	W04A, W04B			01		B03A, B03B, B06A, B06B, B07Z, B17A, B17B, B17C	5v621.f↔		BOP, KVT, UOP4	
	21B	X01A, X01B, X01C		05	F13A, F21A, F21B, F28A		01		B03A, B03B, B06A, B06B, B07Z, B17A, B17B, B17C		
	5v620.d			BOP, KVT, UOP4	5v621.6↔			BOP, KVT, UOP4	5v621.g↔		BOP, KVT, UOP4
		01		B03A, B03B, B06A, B06B, B07Z, B17A, B17B, B17C			01	B03A, B03B, B06A, B06B, B07Z, B17A, B17B, B17C		01	B03A, B03B, B06A, B06B, B07Z, B17A, B17B, B17C
05		F13A, F21A, F21B, F28A	05	F13A, F21A, F21B, F28A		05	F13A, F21A, F21B, F27A, F27B, F27C, F28A				
06		G10Z, G12A, G12B	08	I02A, I02B, I02C, I02D, I22A, I22B, I50Z		08	I02A, I02B, I02C, I02D, I12A, I12B, I12C, I22A, I22B, I50Z				
08		I02A, I02B, I02C, I02D, I22A, I22B, I50Z	09	J02A, J02B, J02C, J04A, J04B, J08A, J08B, J08C, J16Z, J21Z, J22A, J22B		09	J02A, J02B, J02C, J04A, J04B, J08A, J08B, J08C, J16Z, J21Z, J22A, J22B				
09		J02A, J02B, J02C, J04A, J04B, J08A, J08B, J08C, J16Z, J21Z, J22A, J22B	21A	W04A, W04B		10	K01Z				
21A		W04A, W04B	21B	X01A, X01B, X01C		21A	W04A, W04B				
21B		X01A, X01B, X01C	5v621.7↔			BOP, KVT, UOP4	21B	X01A, X01B, X01C			
5v620.e↔				BOP, KVT, UOP4		01	B03A, B03B, B06A, B06B, B07Z, B17A, B17B, B17C	5v621.x↔			BOP, KVT, UOP4
		01	B03A, B03B, B06A, B06B, B07Z, B17A, B17B, B17C	05		F13A, F21A, F21B, F28A	01			B03A, B03B, B06A, B06B, B07Z, B17A, B17B, B17C	
		05	F13A, F21A, F21B, F27A, F27B, F27C, F28A	08		I02A, I02B, I02C, I02D, I22A, I22B, I50Z	05			F13A, F21A, F21B, F27A, F27B, F27C, F28A	
		08	I02A, I02B, I02C, I02D, I22A, I22B, I50Z	09		J02A, J02B, J02C, J04A, J04B, J08A, J08B, J08C, J16Z, J21Z, J22A, J22B	08			I02A, I02B, I02C, I02D, I12A, I12B, I12C, I22A, I22B, I50Z	
	09	J02A, J02B, J02C, J04A, J04B, J08A, J08B, J08C, J16Z, J21Z, J22A, J22B	21A	W04A, W04B	09	J02A, J02B, J02C, J04A, J04B, J08A, J08B, J08C, J16Z, J21Z, J22A, J22B					
	10	K01Z	21B	X01A, X01B, X01C	10	K01Z					
	21A	W04A, W04B	5v621.8↔		BOP, KVT, UOP4	21A	W04A, W04B				
	21B	X01A, X01B, X01C		01	B03A, B03B, B06A, B06B, B07Z, B17A, B17B, B17C	21B	X01A, X01B, X01C				
	5v620.f↔		BOP, KVT, UOP4	05	F13A, F21A, F21B, F28A	5v622.4			BOP, KVT, UOP4		
		01	B03A, B03B, B06A, B06B, B07Z, B17A, B17B, B17C	08	I02A, I02B, I02C, I02D, I22A, I22B, I50Z		01		B03A, B03B, B06A, B06B, B07Z, B17A, B17B, B17C		
		05	F13A, F21A, F21B, F27A, F27B, F27C, F28A	09	J02A, J02B, J02C, J04A, J04B, J08A, J08B, J08C, J16Z, J21Z, J22A, J22B		02		C20A, C20B		
		08	I02A, I02B, I02C, I02D, I22A, I22B, I50Z	21A	W04A, W04B		03		D18Z, D28Z, D29Z		
09		J02A, J02B, J02C, J04A, J04B, J08A, J08B, J08C, J16Z, J21Z, J22A, J22B	21B	X01A, X01B, X01C	05		F13A, F21A, F21B, F28A				
10		K01Z	5v621.9↔		BOP, KVT, UOP4		08	I02A, I02B, I02C, I02D, I22A, I22B, I50Z			
21A		W04A, W04B		01	B03A, B03B, B06A, B06B, B07Z, B17A, B17B, B17C		09	J02A, J02B, J02C, J04A, J04B, J08A, J08B, J08C, J16Z, J21Z, J22A, J22B			
21B		X01A, X01B, X01C	05	F13A, F21A, F21B, F28A	21A		W04A, W04B				
5v620.g↔			BOP, KVT, UOP4	08	I02A, I02B, I02C, I02D, I22A, I22B, I32A, I32B, I32C, I32D, I32E, I32F, I50Z		21B	X01A, X01B, X01C			
		01	B03A, B03B, B06A, B06B, B07Z, B17A, B17B, B17C	09	J02A, J02B, J02C, J04A, J04B, J08A, J08B, J08C, J16Z, J21Z, J22A, J22B						
		05	F13A, F21A, F21B, F27A, F27B, F27C, F28A	21A	W04A, W04B						
		08	I02A, I02B, I02C, I02D, I12A, I12B, I12C, I22A, I22B, I50Z	21B	X01A, X01B, X01C						
	09	J02A, J02B, J02C, J04A, J04B, J08A, J08B, J08C, J16Z, J21Z, J22A, J22B	5v620.x↔		BOP, KVT, UOP4						
	10	K01Z		01	B03A, B03B, B06A, B06B, B07Z, B17A, B17B, B17C						
	21A	W04A, W04B		05	F13A, F21A, F21B, F28A						
	21B	X01A, X01B, X01C		08	I02A, I02B, I02C, I02D, I22A, I22B, I32A, I32B, I32C, I32D, I32E, I32F, I50Z						
				09	J02A, J02B, J02C, J04A, J04B, J08A, J08B, J08C, J16Z, J21Z, J22A, J22B						
				21A	W04A, W04B						
				21B	X01A, X01B, X01C						
				01	B03A, B03B, B06A, B06B, B07Z, B17A, B17B, B17C						
		05		F13A, F21A, F21B, F28A							
		08		I02A, I02B, I02C, I02D, I22A, I22B, I32A, I32B, I32C, I32D, I32E, I32F, I50Z							
		09		J02A, J02B, J02C, J04A, J04B, J08A, J08B, J08C, J16Z, J21Z, J22A, J22B							
		21A		W04A, W04B							
		21B	X01A, X01B, X01C								

VYK



ZZV	MDC	DRG	ZZV	MDC	DRG	ZZV	MDC	DRG			
5v623.9↔		BOP, KVT, UOP4	5v624.1		BOP, KVT, UOP4	5v624.8↔		BOP, KVT, UOP4			
	01	B03A, B03B, B06A, B06B, B07Z, B17A, B17B, B17C		01	B03A, B03B, B06A, B06B, B07Z, B17A, B17B, B17C		01	B03A, B03B, B06A, B06B, B07Z, B17A, B17B, B17C			
	05	F13A, F21A, F21B, F28A		02	C20A, C20B		05	F13A, F21A, F21B, F28A			
	08	I12A, I12B, I12C, I32A, I32B, I32C, I32D, I32E, I32F		03	D18Z, D28Z, D29Z		08	I02A, I02B, I02C, I02D, I22A, I22B, I50Z			
	09	J03A, J03B, J04A, J04B, J08A, J08B, J08C, J16Z, J21Z, J22A, J22B		05	F13A, F21A, F21B, F28A		09	J02A, J02B, J02C, J04A, J04B, J08A, J08B, J08C, J16Z, J21Z, J22A, J22B			
	21A	W04A, W04B		08	I02A, I02B, I02C, I02D, I22A, I22B, I50Z		21A	W04A, W04B			
	21B	X01A, X01B, X01C		09	J02A, J02B, J02C, J04A, J04B, J08A, J08B, J08C, J16Z, J21Z, J22A, J22B		21B	X01A, X01B, X01C			
	5v623.e↔			BOP, KVT, UOP4	5v624.4			BOP, KVT, UOP4	5v624.9↔		BOP, KVT, UOP4
		01		B03A, B03B, B06A, B06B, B07Z, B17A, B17B, B17C			01	B03A, B03B, B06A, B06B, B07Z, B17A, B17B, B17C		01	B03A, B03B, B06A, B06B, B07Z, B17A, B17B, B17C
		05		F13A, F21A, F21B, F27A, F27B, F27C, F28A			02	C20A, C20B		05	F13A, F21A, F21B, F28A
08		I02A, I02B, I02C, I02D, I22A, I22B, I50Z	03	D18Z, D28Z, D29Z		08	I12A, I12B, I12C, I32A, I32B, I32C, I32D, I32E, I32F				
09		J02A, J02B, J02C, J04A, J04B, J08A, J08B, J08C, J16Z, J21Z, J22A, J22B	05	F13A, F21A, F21B, F28A		09	J03A, J03B, J04A, J04B, J08A, J08B, J08C, J16Z, J21Z, J22A, J22B				
10		K01Z	08	I02A, I02B, I02C, I02D, I22A, I22B, I50Z		21A	W04A, W04B				
21A		W04A, W04B	09	J02A, J02B, J02C, J04A, J04B, J08A, J08B, J08C, J16Z, J21Z, J22A, J22B		21B	X01A, X01B, X01C				
21B		X01A, X01B, X01C	5v624.5			BOP, KVT, UOP4	5v624.a			BOP, KVT, UOP4	
5v623.f↔				BOP, KVT, UOP4		01		B03A, B03B, B06A, B06B, B07Z, B17A, B17B, B17C		01	B03A, B03B, B06A, B06B, B07Z, B17A, B17B, B17C
		01		B03A, B03B, B06A, B06B, B07Z, B17A, B17B, B17C		03		D18Z, D28Z, D29Z		05	F13A, F21A, F21B, F28A
	05	F13A, F21A, F21B, F27A, F27B, F27C, F28A		06	G10Z, G12A, G12B	06		G10Z, G12A, G12B			
	08	I02A, I02B, I02C, I02D, I22A, I22B, I50Z		08	I28A, I28B	08		I02A, I02B, I02C, I02D, I22A, I22B, I50Z			
	09	J02A, J02B, J02C, J04A, J04B, J08A, J08B, J08C, J16Z, J21Z, J22A, J22B		09	J02A, J02B, J02C, J04A, J04B, J08A, J08B, J08C, J16Z, J21Z, J22A, J22B	09		J02A, J02B, J02C, J04A, J04B, J08A, J08B, J08C, J16Z, J21Z, J22A, J22B			
	10	K01Z		5v624.6↔		BOP, KVT, UOP4		5v624.b		BOP, KVT, UOP4	
	21A	W04A, W04B			01	B03A, B03B, B06A, B06B, B07Z, B17A, B17B, B17C			01	B03A, B03B, B06A, B06B, B07Z, B17A, B17B, B17C	
	21B	X01A, X01B, X01C			05	F13A, F21A, F21B, F28A			05	F13A, F21A, F21B, F28A	
	5v623.g↔				BOP, KVT, UOP4	08			I02A, I02B, I02C, I02D, I22A, I22B, I50Z	06	G10Z, G12A, G12B
		01	B03A, B03B, B06A, B06B, B07Z, B17A, B17B, B17C		08	I02A, I02B, I02C, I02D, I22A, I22B, I50Z	08		I02A, I02B, I02C, I02D, I22A, I22B, I50Z		
05		F13A, F21A, F21B, F27A, F27B, F27C, F28A	09		J02A, J02B, J02C, J04A, J04B, J08A, J08B, J08C, J16Z, J21Z, J22A, J22B	08	I02A, I02B, I02C, I02D, I22A, I22B, I50Z				
08		I02A, I02B, I02C, I02D, I12A, I12B, I12C, I22A, I22B, I50Z	5v624.7↔			BOP, KVT, UOP4	5v624.c			BOP, KVT, UOP4	
09		J02A, J02B, J02C, J04A, J04B, J08A, J08B, J08C, J16Z, J21Z, J22A, J22B			01	B03A, B03B, B06A, B06B, B07Z, B17A, B17B, B17C			01	B03A, B03B, B06A, B06B, B07Z, B17A, B17B, B17C	
10		K01Z			05	F13A, F21A, F21B, F28A			05	F13A, F21A, F21B, F28A	
21A		W04A, W04B			08	I02A, I02B, I02C, I02D, I22A, I22B, I50Z			06	G10Z, G12A, G12B	
21B		X01A, X01B, X01C		08	I02A, I02B, I02C, I02D, I22A, I22B, I50Z	08		I02A, I02B, I02C, I02D, I22A, I22B, I50Z			
5v623.x↔				BOP, KVT, UOP4	09	J02A, J02B, J02C, J04A, J04B, J08A, J08B, J08C, J16Z, J21Z, J22A, J22B		09	J02A, J02B, J02C, J04A, J04B, J08A, J08B, J08C, J16Z, J21Z, J22A, J22B		
		01		B03A, B03B, B06A, B06B, B07Z, B17A, B17B, B17C	5v624.0			BOP, KVT, UOP4	5v624.c		BOP, KVT, UOP4
	05	F13A, F21A, F21B, F28A		01		B03A, B03B, B06A, B06B, B07Z, B17A, B17B, B17C		01		B03A, B03B, B06A, B06B, B07Z, B17A, B17B, B17C	
	08	I02A, I02B, I02C, I02D, I22A, I22B, I32A, I32B, I32C, I32D, I32E, I32F, I50Z		05		F13A, F21A, F21B, F28A		05		F13A, F21A, F21B, F28A	
	09	J02A, J02B, J02C, J04A, J04B, J08A, J08B, J08C, J16Z, J21Z, J22A, J22B		08		I02A, I02B, I02C, I02D, I22A, I22B, I50Z		06		G10Z, G12A, G12B	
	21A	W04A, W04B	08	I02A, I02B, I02C, I02D, I22A, I22B, I50Z		08	I02A, I02B, I02C, I02D, I22A, I22B, I50Z				
	21B	X01A, X01B, X01C	09	J02A, J02B, J02C, J04A, J04B, J08A, J08B, J08C, J16Z, J21Z, J22A, J22B		09	J02A, J02B, J02C, J04A, J04B, J08A, J08B, J08C, J16Z, J21Z, J22A, J22B				
	5v624.0		BOP, KVT, UOP4	21A		W04A, W04B	21A	W04A, W04B			
		03	D08A, D08B, D18Z, D22A, D22B, D30A, D30B	21B		X01A, X01B, X01C	21B	X01A, X01B, X01C			
		05	F13A, F28A								
09		J03A, J03B, J04A, J04B, J08A, J08B, J08C, J10A, J10B, J16Z									
21A		W04A, W04B									
21B		X06A, X06B, X06C									



ZZV	MDC	DRG	ZZV	MDC	DRG	ZZV	MDC	DRG			
5v624.d		BOP, KVT, UOP4	5v624.n↔		BOP, KVT, UOP4	5v624.u↔		BOP, KVT, UOP4			
	01	B03A, B03B, B06A, B06B, B07Z, B17A, B17B, B17C		01	B03A, B03B, B06A, B06B, B07Z, B17A, B17B, B17C		01	B03A, B03B, B06A, B06B, B07Z, B17A, B17B, B17C			
	05	F13A, F21A, F21B, F28A		05	F13A, F21A, F21B, F28A		05	F13A, F21A, F21B, F28A			
	06	G10Z, G12A, G12B		06	G10Z, G12A, G12B		08	I02A, I02B, I02C, I02D, I22A, I22B, I50Z			
	08	I02A, I02B, I02C, I02D, I22A, I22B, I50Z		08	I02A, I02B, I02C, I02D, I22A, I22B, I50Z		09	J02A, J02B, J02C, J04A, J04B, J08A, J08B, J08C, J16Z, J21Z, J22A, J22B			
	09	J02A, J02B, J02C, J04A, J04B, J08A, J08B, J08C, J16Z, J21Z, J22A, J22B		09	J02A, J02B, J02C, J04A, J04B, J08A, J08B, J08C, J16Z, J21Z, J22A, J22B		21A	W04A, W04B			
	21A	W04A, W04B		21A	W04A, W04B		21B	X01A, X01B, X01C			
	21B	X01A, X01B, X01C		21B	X01A, X01B, X01C			BOP, KVT, UOP4			
	5v624.e↔			BOP, KVT, UOP4	5v624.p↔			BOP, KVT, UOP4	5v624.v↔		BOP, KVT, UOP4
		01		B03A, B03B, B06A, B06B, B07Z, B17A, B17B, B17C			01	B03A, B03B, B06A, B06B, B07Z, B17A, B17B, B17C		01	B03A, B03B, B06A, B06B, B07Z, B17A, B17B, B17C
05		F13A, F21A, F21B, F27A, F27B, F27C, F28A	05	F13A, F21A, F21B, F28A		05	F13A, F21A, F21B, F28A				
08		I02A, I02B, I02C, I02D, I22A, I22B, I50Z	08	I02A, I02B, I02C, I02D, I22A, I22B, I32A, I32B, I32C, I32D, I32E, I32F, I50Z		08	I02A, I02B, I02C, I02D, I22A, I22B, I32A, I32B, I32C, I32D, I32E, I32F, I50Z				
09		J02A, J02B, J02C, J04A, J04B, J08A, J08B, J08C, J16Z, J21Z, J22A, J22B	09	J02A, J02B, J02C, J04A, J04B, J08A, J08B, J08C, J16Z, J21Z, J22A, J22B		09	J02A, J02B, J02C, J04A, J04B, J08A, J08B, J08C, J16Z, J21Z, J22A, J22B				
10		K01Z	21A	W04A, W04B		21A	W04A, W04B				
21A		W04A, W04B	21B	X01A, X01B, X01C		21B	X01A, X01B, X01C				
21B		X01A, X01B, X01C		BOP, KVT, UOP4			BOP, KVT, UOP4				
5v624.f↔			BOP, KVT, UOP4	5v624.r			BOP, KVT, UOP4	5v624.w↔			BOP, KVT, UOP4
		01	B03A, B03B, B06A, B06B, B07Z, B17A, B17B, B17C			01	B03A, B03B, B06A, B06B, B07Z, B17A, B17B, B17C			01	B03A, B03B, B06A, B06B, B07Z, B17A, B17B, B17C
	05	F13A, F21A, F21B, F27A, F27B, F27C, F28A	02		C20A, C20B	05	F13A, F21A, F21B, F28A				
	08	I02A, I02B, I02C, I02D, I22A, I22B, I50Z	03		D18Z, D28Z, D29Z	08	I02A, I02B, I02C, I02D, I22A, I22B, I32A, I32B, I32C, I32D, I32E, I32F, I50Z				
	09	J02A, J02B, J02C, J04A, J04B, J08A, J08B, J08C, J16Z, J21Z, J22A, J22B	05		F13A, F21A, F21B, F28A	09	J02A, J02B, J02C, J04A, J04B, J08A, J08B, J08C, J16Z, J21Z, J22A, J22B				
	10	K01Z	08		I02A, I02B, I02C, I02D, I22A, I22B, I50Z	21A	W04A, W04B				
	21A	W04A, W04B	09		J02A, J02B, J02C, J04A, J04B, J08A, J08B, J08C, J16Z, J21Z, J22A, J22B	21B	X01A, X01B, X01C				
	21B	X01A, X01B, X01C	21A		W04A, W04B		BOP, KVT, UOP4				
	5v624.g↔		BOP, KVT, UOP4		5v624.s↔		BOP, KVT, UOP4		5v624.x↔		BOP, KVT, UOP4
		01	B03A, B03B, B06A, B06B, B07Z, B17A, B17B, B17C			01	B03A, B03B, B06A, B06B, B07Z, B17A, B17B, B17C			01	B03A, B03B, B06A, B06B, B07Z, B17A, B17B, B17C
05		F13A, F21A, F21B, F27A, F27B, F27C, F28A	05	F13A, F21A, F21B, F28A		05	F13A, F21A, F21B, F28A				
08		I02A, I02B, I02C, I02D, I12A, I12B, I12C, I22A, I22B, I50Z	08	I02A, I02B, I02C, I02D, I22A, I22B, I32A, I32B, I32C, I32D, I32E, I32F, I50Z		08	I02A, I02B, I02C, I02D, I22A, I22B, I32A, I32B, I32C, I32D, I32E, I32F, I50Z				
09		J02A, J02B, J02C, J04A, J04B, J08A, J08B, J08C, J16Z, J21Z, J22A, J22B	09	J02A, J02B, J02C, J04A, J04B, J08A, J08B, J08C, J16Z, J21Z, J22A, J22B		09	J02A, J02B, J02C, J04A, J04B, J08A, J08B, J08C, J16Z, J21Z, J22A, J22B				
10		K01Z	21A	W04A, W04B		21A	W04A, W04B				
21A		W04A, W04B	21B	X01A, X01B, X01C		21B	X01A, X01B, X01C				
21B		X01A, X01B, X01C		BOP, KVT, UOP4			BOP, KVT, UOP4				
5v624.h			BOP, KVT, UOP4	5v624.t↔			BOP, KVT, UOP4	5v624.y			BOP, KVT, UOP4
		01	B03A, B03B, B06A, B06B, B07Z, B17A, B17B, B17C			01	B03A, B03B, B06A, B06B, B07Z, B17A, B17B, B17C			01	B03A, B03B, B06A, B06B, B07Z, B17A, B17B, B17C
	02	C20A, C20B	05		F13A, F21A, F21B, F28A	02	C20A, C20B				
	03	D18Z, D28Z, D29Z	08		I02A, I02B, I02C, I02D, I22A, I22B, I32A, I32B, I32C, I32D, I32E, I32F, I50Z	03	D18Z, D28Z, D29Z				
	05	F13A, F21A, F21B, F28A	09		J02A, J02B, J02C, J04A, J04B, J08A, J08B, J08C, J16Z, J21Z, J22A, J22B	05	F13A, F21A, F21B, F28A				
	08	I02A, I02B, I02C, I02D, I22A, I22B, I50Z	21A		W04A, W04B	08	I02A, I02B, I02C, I02D, I22A, I22B, I50Z				
	09	J02A, J02B, J02C, J04A, J04B, J08A, J08B, J08C, J16Z, J21Z, J22A, J22B	21B		X01A, X01B, X01C	09	J02A, J02B, J02C, J04A, J04B, J08A, J08B, J08C, J16Z, J21Z, J22A, J22B				
	21A	W04A, W04B			BOP, KVT, UOP4	21A	W04A, W04B				
	21B	X01A, X01B, X01C			BOP, KVT, UOP4	21B	X01A, X01B, X01C				
							BOP, KVT, UOP4				
					D08A, D08B, D18Z, D22A, D22B, D30A, D30B						
					F13A, F28A						
					J03A, J03B, J04A, J04B, J08A, J08B, J08C, J10A, J10B, J16Z						
					W04A, W04B						
					X06A, X06B, X06C						

ZZV	MDC	DRG	ZZV	MDC	DRG	ZZV	MDC	DRG		
5v625.1		BOP, KVT, UOP4	5v625.8↔		BOP, KVT, UOP4	5v625.d		BOP, KVT, UOP4		
	01	B03A, B03B, B06A, B06B, B07Z, B17A, B17B, B17C		01	B03A, B03B, B06A, B06B, B07Z, B17A, B17B, B17C		01	B03A, B03B, B06A, B06B, B07Z, B17A, B17B, B17C		
	02	C20A, C20B		05	F13A, F21A, F21B, F28A		05	F13A, F21A, F21B, F28A		
	03	D18Z, D28Z, D29Z		08	I02A, I02B, I02C, I02D, I22A, I22B, I32A, I32B, I32C, I32D, I32E, I32F, I50Z		06	G10Z, G12A, G12B		
	05	F13A, F21A, F21B, F28A		09	J02A, J02B, J02C, J04A, J04B, J08A, J08B, J08C, J16Z, J21Z, J22A, J22B		08	I02A, I02B, I02C, I02D, I22A, I22B, I50Z		
	08	I02A, I02B, I02C, I02D, I22A, I22B, I50Z		21A	W04A, W04B		09	J02A, J02B, J02C, J04A, J04B, J08A, J08B, J08C, J16Z, J21Z, J22A, J22B		
	09	J02A, J02B, J02C, J04A, J04B, J08A, J08B, J08C, J16Z, J21Z, J22A, J22B		21B	X01A, X01B, X01C		21A	W04A, W04B		
	21A	W04A, W04B					21B	X01A, X01B, X01C		
	21B	X01A, X01B, X01C		5v625.9↔			BOP, KVT, UOP4	5v625.e↔		BOP, KVT, UOP4
	5v625.4				BOP, KVT, UOP4		01		B03A, B03B, B06A, B06B, B07Z, B17A, B17B, B17C	01
01		B03A, B03B, B06A, B06B, B07Z, B17A, B17B, B17C	05		F13A, F21A, F21B, F28A	05	F13A, F21A, F21B, F27A, F27B, F27C, F28A			
02		C20A, C20B	08		I12A, I12B, I12C, I32A, I32B, I32C, I32D, I32E, I32F	08	I02A, I02B, I02C, I02D, I22A, I22B, I50Z			
03		D18Z, D28Z, D29Z	09		J03A, J03B, J04A, J04B, J08A, J08B, J08C, J16Z, J21Z, J22A, J22B	09	J02A, J02B, J02C, J04A, J04B, J08A, J08B, J08C, J16Z, J21Z, J22A, J22B			
05		F13A, F21A, F21B, F28A	21A		W04A, W04B	10	K01Z			
08		I02A, I02B, I02C, I02D, I22A, I22B, I50Z	21B		X01A, X01B, X01C	21A	W04A, W04B			
09		J02A, J02B, J02C, J04A, J04B, J08A, J08B, J08C, J16Z, J21Z, J22A, J22B				21B	X01A, X01B, X01C			
21A		W04A, W04B	5v625.a			BOP, KVT, UOP4	5v625.f↔			BOP, KVT, UOP4
21B		X01A, X01B, X01C			01	B03A, B03B, B06A, B06B, B07Z, B17A, B17B, B17C			01	B03A, B03B, B06A, B06B, B07Z, B17A, B17B, B17C
5v625.5				BOP, KVT, UOP4	05	F13A, F21A, F21B, F28A		05	F13A, F21A, F21B, F27A, F27B, F27C, F28A	
	01	B03A, B03B, B06A, B06B, B07Z, B17A, B17B, B17C		06	G10Z, G12A, G12B	08		I02A, I02B, I02C, I02D, I22A, I22B, I50Z		
	03	D18Z, D28Z, D29Z		08	I02A, I02B, I02C, I02D, I22A, I22B, I50Z	09		J02A, J02B, J02C, J04A, J04B, J08A, J08B, J08C, J16Z, J21Z, J22A, J22B		
	05	F13A, F21A, F21B, F28A		09	J02A, J02B, J02C, J04A, J04B, J08A, J08B, J08C, J16Z, J21Z, J22A, J22B	10		K01Z		
	06	G10Z, G12A, G12B		21A	W04A, W04B	21A		W04A, W04B		
	08	I28A, I28B		21B	X01A, X01B, X01C	21B		X01A, X01B, X01C		
	09	J02A, J02B, J02C, J04A, J04B, J08A, J08B, J08C, J16Z, J21Z, J22A, J22B								
	21A	W04A, W04B		5v625.b		BOP, KVT, UOP4		5v625.g↔		BOP, KVT, UOP4
	21B	X01A, X01B, X01C	01		B03A, B03B, B06A, B06B, B07Z, B17A, B17B, B17C	01	B03A, B03B, B06A, B06B, B07Z, B17A, B17B, B17C			
	5v625.6↔		BOP, KVT, UOP4		05	F13A, F21A, F21B, F28A	05		F13A, F21A, F21B, F27A, F27B, F27C, F28A	
01		B03A, B03B, B06A, B06B, B07Z, B17A, B17B, B17C	06		G10Z, G12A, G12B	08	I02A, I02B, I02C, I02D, I12A, I12B, I12C, I22A, I22B, I50Z			
05		F13A, F21A, F21B, F28A	08		I02A, I02B, I02C, I02D, I22A, I22B, I50Z	09	J02A, J02B, J02C, J04A, J04B, J08A, J08B, J08C, J16Z, J21Z, J22A, J22B			
08		I02A, I02B, I02C, I02D, I22A, I22B, I50Z	09		J02A, J02B, J02C, J04A, J04B, J08A, J08B, J08C, J16Z, J21Z, J22A, J22B	10	K01Z			
09		J02A, J02B, J02C, J04A, J04B, J08A, J08B, J08C, J16Z, J21Z, J22A, J22B	21A		W04A, W04B	21A	W04A, W04B			
21A		W04A, W04B	21B		X01A, X01B, X01C	21B	X01A, X01B, X01C			
21B		X01A, X01B, X01C	5v625.c			BOP, KVT, UOP4	5v625.h			BOP, KVT, UOP4
5v625.7↔					BOP, KVT, UOP4	01			B03A, B03B, B06A, B06B, B07Z, B17A, B17B, B17C	01
		01		B03A, B03B, B06A, B06B, B07Z, B17A, B17B, B17C	05	F13A, F21A, F21B, F28A		02	C20A, C20B	
		05		F13A, F21A, F21B, F28A	06	G10Z, G12A, G12B		03	D18Z, D28Z, D29Z	
	08	I02A, I02B, I02C, I02D, I22A, I22B, I50Z		08	I02A, I02B, I02C, I02D, I22A, I22B, I50Z	05		F13A, F21A, F21B, F28A		
	09	J02A, J02B, J02C, J04A, J04B, J08A, J08B, J08C, J16Z, J21Z, J22A, J22B		09	J02A, J02B, J02C, J04A, J04B, J08A, J08B, J08C, J16Z, J21Z, J22A, J22B	08		I02A, I02B, I02C, I02D, I22A, I22B, I50Z		
	21A	W04A, W04B		10	K09A, K09B	09		J02A, J02B, J02C, J04A, J04B, J08A, J08B, J08C, J16Z, J21Z, J22A, J22B		
	21B	X01A, X01B, X01C		12	M04A, M04B, M04C, M04D, M37Z, M38Z	21A		W04A, W04B		
				21A	W04A, W04B	21B		X01A, X01B, X01C		
				21B	X01A, X01B, X01C					



ZZV	MDC	DRG	ZZV	MDC	DRG	ZZV	MDC	DRG			
5v626.8↔		BOP, KVT, UOP4	5v626.d		BOP, KVT, UOP4	5v626.n↔		BOP, KVT, UOP4			
	01	B03A, B03B, B06A, B06B, B07Z, B17A, B17B, B17C		01	B03A, B03B, B06A, B06B, B07Z, B17A, B17B, B17C		01	B03A, B03B, B06A, B06B, B07Z, B17A, B17B, B17C			
	05	F13A, F21A, F21B, F28A		05	F13A, F21A, F21B, F28A		05	F13A, F21A, F21B, F28A			
	08	I02A, I02B, I02C, I02D, I22A, I22B, I32A, I32B, I32C, I32D, I32E, I32F, I50Z		06	G10Z, G12A, G12B		06	G10Z, G12A, G12B			
	09	J02A, J02B, J02C, J04A, J04B, J08A, J08B, J08C, J16Z, J21Z, J22A, J22B		08	I02A, I02B, I02C, I02D, I22A, I22B, I50Z		08	I02A, I02B, I02C, I02D, I22A, I22B, I50Z			
	21A	W04A, W04B		09	J02A, J02B, J02C, J04A, J04B, J08A, J08B, J08C, J16Z, J21Z, J22A, J22B		09	J02A, J02B, J02C, J04A, J04B, J08A, J08B, J08C, J16Z, J21Z, J22A, J22B			
	21B	X01A, X01B, X01C		21A	W04A, W04B		21A	W04A, W04B			
	5v626.9↔			BOP, KVT, UOP4	5v626.e↔			BOP, KVT, UOP4	5v626.p↔		BOP, KVT, UOP4
		01		B03A, B03B, B06A, B06B, B07Z, B17A, B17B, B17C			01	B03A, B03B, B06A, B06B, B07Z, B17A, B17B, B17C		01	B03A, B03B, B06A, B06B, B07Z, B17A, B17B, B17C
		05		F13A, F21A, F21B, F28A			05	F13A, F21A, F21B, F27A, F27B, F27C, F28A		05	F13A, F21A, F21B, F28A
08		I12A, I12B, I12C, I32A, I32B, I32C, I32D, I32E, I32F	08	I02A, I02B, I02C, I02D, I22A, I22B, I50Z		08	I02A, I02B, I02C, I02D, I22A, I22B, I32A, I32B, I32C, I32D, I32E, I32F, I50Z				
09		J03A, J03B, J04A, J04B, J08A, J08B, J08C, J16Z, J21Z, J22A, J22B	09	J02A, J02B, J02C, J04A, J04B, J08A, J08B, J08C, J16Z, J21Z, J22A, J22B		09	J02A, J02B, J02C, J04A, J04B, J08A, J08B, J08C, J16Z, J21Z, J22A, J22B				
21A		W04A, W04B	10	K01Z		21A	W04A, W04B				
21B		X01A, X01B, X01C	21A	W04A, W04B		21B	X01A, X01B, X01C				
5v626.a			BOP, KVT, UOP4	5v626.f↔			BOP, KVT, UOP4	5v626.q↔			BOP, KVT, UOP4
		01	B03A, B03B, B06A, B06B, B07Z, B17A, B17B, B17C			01	B03A, B03B, B06A, B06B, B07Z, B17A, B17B, B17C			01	B03A, B03B, B06A, B06B, B07Z, B17A, B17B, B17C
		05	F13A, F21A, F21B, F28A			05	F13A, F21A, F21B, F27A, F27B, F27C, F28A			05	F13A, F21A, F21B, F28A
	06	G10Z, G12A, G12B	08		I02A, I02B, I02C, I02D, I22A, I22B, I50Z	08	I02A, I02B, I02C, I02D, I22A, I22B, I32A, I32B, I32C, I32D, I32E, I32F, I50Z				
	08	I02A, I02B, I02C, I02D, I22A, I22B, I50Z	09		J02A, J02B, J02C, J04A, J04B, J08A, J08B, J08C, J16Z, J21Z, J22A, J22B	09	J02A, J02B, J02C, J04A, J04B, J08A, J08B, J08C, J16Z, J21Z, J22A, J22B				
	09	J02A, J02B, J02C, J04A, J04B, J08A, J08B, J08C, J16Z, J21Z, J22A, J22B	09		J02A, J02B, J02C, J04A, J04B, J08A, J08B, J08C, J16Z, J21Z, J22A, J22B	21A	W04A, W04B				
	21A	W04A, W04B	10		K01Z	21B	X01A, X01B, X01C				
	21B	X01A, X01B, X01C	21A		W04A, W04B	5v626.r			BOP, KVT, UOP4		
	5v626.b		BOP, KVT, UOP4		5v626.g↔				BOP, KVT, UOP4	01	B03A, B03B, B06A, B06B, B07Z, B17A, B17B, B17C
		01	B03A, B03B, B06A, B06B, B07Z, B17A, B17B, B17C				01		B03A, B03B, B06A, B06B, B07Z, B17A, B17B, B17C	02	C20A, C20B
05		F13A, F21A, F21B, F28A	05	F13A, F21A, F21B, F27A, F27B, F27C, F28A			03	D18Z, D28Z, D29Z			
06		G10Z, G12A, G12B	08	I02A, I02B, I02C, I02D, I12A, I12B, I12C, I22A, I22B, I50Z			05	F13A, F21A, F21B, F28A			
08		I02A, I02B, I02C, I02D, I22A, I22B, I50Z	09	J02A, J02B, J02C, J04A, J04B, J08A, J08B, J08C, J16Z, J21Z, J22A, J22B			08	I02A, I02B, I02C, I02D, I22A, I22B, I50Z			
09		J02A, J02B, J02C, J04A, J04B, J08A, J08B, J08C, J16Z, J21Z, J22A, J22B	09	J02A, J02B, J02C, J04A, J04B, J08A, J08B, J08C, J16Z, J21Z, J22A, J22B			09	J02A, J02B, J02C, J04A, J04B, J08A, J08B, J08C, J16Z, J21Z, J22A, J22B			
21A		W04A, W04B	10	K01Z			21A	W04A, W04B			
21B		X01A, X01B, X01C	21A	W04A, W04B			21B	X01A, X01B, X01C			
5v626.c			BOP, KVT, UOP4	5v626.h				BOP, KVT, UOP4	5v626.s↔		BOP, KVT, UOP4
		01	B03A, B03B, B06A, B06B, B07Z, B17A, B17B, B17C			01	B03A, B03B, B06A, B06B, B07Z, B17A, B17B, B17C	01		B03A, B03B, B06A, B06B, B07Z, B17A, B17B, B17C	
	05	F13A, F21A, F21B, F28A	02		C20A, C20B	05	F13A, F21A, F21B, F28A				
	06	G10Z, G12A, G12B	03		D18Z, D28Z, D29Z	08	I02A, I02B, I02C, I02D, I22A, I22B, I32A, I32B, I32C, I32D, I32E, I32F, I50Z				
	08	I02A, I02B, I02C, I02D, I22A, I22B, I50Z	05		F13A, F21A, F21B, F28A	09	J02A, J02B, J02C, J04A, J04B, J08A, J08B, J08C, J16Z, J21Z, J22A, J22B				
	09	J02A, J02B, J02C, J04A, J04B, J08A, J08B, J08C, J16Z, J21Z, J22A, J22B	08		I02A, I02B, I02C, I02D, I22A, I22B, I50Z	21A	W04A, W04B				
	10	K09A, K09B	09		J02A, J02B, J02C, J04A, J04B, J08A, J08B, J08C, J16Z, J21Z, J22A, J22B	21B	X01A, X01B, X01C				
	12	M04A, M04B, M04C, M04D, M37Z, M38Z	21A		W04A, W04B						
	21A	W04A, W04B	21B		X01A, X01B, X01C						
	21B	X01A, X01B, X01C									

VYK

ZZV	MDC	DRG	ZZV	MDC	DRG	ZZV	MDC	DRG			
5v626.t↔		BOP, KVT, UOP4	5v627.1		BOP, KVT, UOP4	5v627.8↔		BOP, KVT, UOP4			
	01	B03A, B03B, B06A, B06B, B07Z, B17A, B17B, B17C		01	B03A, B03B, B06A, B06B, B07Z, B17A, B17B, B17C		01	B03A, B03B, B06A, B06B, B07Z, B17A, B17B, B17C			
	05	F13A, F21A, F21B, F28A		02	C20A, C20B		05	F13A, F21A, F21B, F28A			
	08	I02A, I02B, I02C, I02D, I22A, I22B, I32A, I32B, I32C, I32D, I32E, I32F, I50Z		03	D18Z, D28Z, D29Z		08	I02A, I02B, I02C, I02D, I22A, I22B, I50Z			
	09	J02A, J02B, J02C, J04A, J04B, J08A, J08B, J08C, J16Z, J21Z, J22A, J22B		05	F13A, F21A, F21B, F28A		09	J02A, J02B, J02C, J04A, J04B, J08A, J08B, J08C, J16Z, J21Z, J22A, J22B			
	21A	W04A, W04B		08	I02A, I02B, I02C, I02D, I22A, I22B, I50Z		21A	W04A, W04B			
	21B	X01A, X01B, X01C		09	J02A, J02B, J02C, J04A, J04B, J08A, J08B, J08C, J16Z, J21Z, J22A, J22B		21B	X01A, X01B, X01C			
	5v626.u↔			BOP, KVT, UOP4	5v627.4			BOP, KVT, UOP4	5v627.9↔		BOP, KVT, UOP4
		01		B03A, B03B, B06A, B06B, B07Z, B17A, B17B, B17C			01	B03A, B03B, B06A, B06B, B07Z, B17A, B17B, B17C		01	B03A, B03B, B06A, B06B, B07Z, B17A, B17B, B17C
		05		F13A, F21A, F21B, F28A			02	C20A, C20B		05	F13A, F21A, F21B, F28A
08		I02A, I02B, I02C, I02D, I22A, I22B, I32A, I32B, I32C, I32D, I32E, I32F, I50Z	03	D18Z, D28Z, D29Z		08	I12A, I12B, I12C, I32A, I32B, I32C, I32D, I32E, I32F				
09		J02A, J02B, J02C, J04A, J04B, J08A, J08B, J08C, J16Z, J21Z, J22A, J22B	05	F13A, F21A, F21B, F28A		09	J03A, J03B, J04A, J04B, J08A, J08B, J08C, J16Z, J21Z, J22A, J22B				
21A		W04A, W04B	08	I02A, I02B, I02C, I02D, I22A, I22B, I50Z		21A	W04A, W04B				
21B		X01A, X01B, X01C	09	J02A, J02B, J02C, J04A, J04B, J08A, J08B, J08C, J16Z, J21Z, J22A, J22B		21B	X01A, X01B, X01C				
5v626.w↔			BOP, KVT, UOP4	5v627.5			BOP, KVT, UOP4	5v627.a			BOP, KVT, UOP4
		01	B03A, B03B, B06A, B06B, B07Z, B17A, B17B, B17C			21A	W04A, W04B			01	B03A, B03B, B06A, B06B, B07Z, B17A, B17B, B17C
		05	F13A, F21A, F21B, F28A			21B	X01A, X01B, X01C			05	F13A, F21A, F21B, F28A
	08	I02A, I02B, I02C, I02D, I22A, I22B, I32A, I32B, I32C, I32D, I32E, I32F, I50Z	01		B03A, B03B, B06A, B06B, B07Z, B17A, B17B, B17C	06	G10Z, G12A, G12B				
	09	J02A, J02B, J02C, J04A, J04B, J08A, J08B, J08C, J16Z, J21Z, J22A, J22B	03		D18Z, D28Z, D29Z	08	I02A, I02B, I02C, I02D, I22A, I22B, I50Z				
	21A	W04A, W04B	05		F13A, F21A, F21B, F28A	09	J02A, J02B, J02C, J04A, J04B, J08A, J08B, J08C, J16Z, J21Z, J22A, J22B				
	21B	X01A, X01B, X01C	06		G10Z, G12A, G12B	21A	W04A, W04B				
	5v626.x↔		BOP, KVT, UOP4		5v627.6↔		BOP, KVT, UOP4		5v627.b		BOP, KVT, UOP4
		01	B03A, B03B, B06A, B06B, B07Z, B17A, B17B, B17C			21A	W04A, W04B			01	B03A, B03B, B06A, B06B, B07Z, B17A, B17B, B17C
		05	F13A, F21A, F21B, F28A			21B	X01A, X01B, X01C			05	F13A, F21A, F21B, F28A
08		I02A, I02B, I02C, I02D, I22A, I22B, I32A, I32B, I32C, I32D, I32E, I32F, I50Z	01	B03A, B03B, B06A, B06B, B07Z, B17A, B17B, B17C		06	G10Z, G12A, G12B				
09		J02A, J02B, J02C, J04A, J04B, J08A, J08B, J08C, J16Z, J21Z, J22A, J22B	05	F13A, F21A, F21B, F28A		08	I02A, I02B, I02C, I02D, I22A, I22B, I50Z				
21A		W04A, W04B	08	I02A, I02B, I02C, I02D, I22A, I22B, I50Z		09	J02A, J02B, J02C, J04A, J04B, J08A, J08B, J08C, J16Z, J21Z, J22A, J22B				
21B		X01A, X01B, X01C	09	J02A, J02B, J02C, J04A, J04B, J08A, J08B, J08C, J16Z, J21Z, J22A, J22B		21A	W04A, W04B				
5v626.y			BOP, KVT, UOP4	5v627.7↔			BOP, KVT, UOP4	5v627.c			BOP, KVT, UOP4
		01	B03A, B03B, B06A, B06B, B07Z, B17A, B17B, B17C			21A	W04A, W04B			01	B03A, B03B, B06A, B06B, B07Z, B17A, B17B, B17C
		02	C20A, C20B			21B	X01A, X01B, X01C			05	F13A, F21A, F21B, F28A
	03	D18Z, D28Z, D29Z	01		B03A, B03B, B06A, B06B, B07Z, B17A, B17B, B17C	06	G10Z, G12A, G12B				
	05	F13A, F21A, F21B, F28A	05		F13A, F21A, F21B, F28A	08	I02A, I02B, I02C, I02D, I22A, I22B, I50Z				
	08	I02A, I02B, I02C, I02D, I22A, I22B, I50Z	08		I02A, I02B, I02C, I02D, I22A, I22B, I50Z	09	J02A, J02B, J02C, J04A, J04B, J08A, J08B, J08C, J16Z, J21Z, J22A, J22B				
	09	J02A, J02B, J02C, J04A, J04B, J08A, J08B, J08C, J16Z, J21Z, J22A, J22B	09		J02A, J02B, J02C, J04A, J04B, J08A, J08B, J08C, J16Z, J21Z, J22A, J22B	21A	W04A, W04B				
	21A	W04A, W04B	21A		W04A, W04B	21B	X01A, X01B, X01C				
	21B	X01A, X01B, X01C	21B		X01A, X01B, X01C	01	B03A, B03B, B06A, B06B, B07Z, B17A, B17B, B17C				
	5v627.0		BOP, KVT, UOP4		5v627.7↔		BOP, KVT, UOP4		5v627.c		BOP, KVT, UOP4
03		D08A, D08B, D18Z, D22A, D22B, D30A, D30B	01	B03A, B03B, B06A, B06B, B07Z, B17A, B17B, B17C		05	F13A, F21A, F21B, F28A				
05		F13A, F28A	05	F13A, F21A, F21B, F28A		06	G10Z, G12A, G12B				
09		J03A, J03B, J04A, J04B, J08A, J08B, J08C, J10A, J10B, J16Z	08	I02A, I02B, I02C, I02D, I22A, I22B, I50Z		08	I02A, I02B, I02C, I02D, I22A, I22B, I50Z				
21A		W04A, W04B	09	J02A, J02B, J02C, J04A, J04B, J08A, J08B, J08C, J16Z, J21Z, J22A, J22B		09	J02A, J02B, J02C, J04A, J04B, J08A, J08B, J08C, J16Z, J21Z, J22A, J22B				
21B		X06A, X06B, X06C	21A	W04A, W04B		10	K09A, K09B				
			21B	X01A, X01B, X01C		12	M04A, M04B, M04C, M04D, M37Z, M38Z				
						21A	W04A, W04B				
						21B	X01A, X01B, X01C				

ZZV	MDC	DRG	ZZV	MDC	DRG	ZZV	MDC	DRG			
5v627.d		BOP, KVT, UOP4	5v627.n↔		BOP, KVT, UOP4	5v627.t↔		BOP, KVT, UOP4			
	01	B03A, B03B, B06A, B06B, B07Z, B17A, B17B, B17C		01	B03A, B03B, B06A, B06B, B07Z, B17A, B17B, B17C		01	B03A, B03B, B06A, B06B, B07Z, B17A, B17B, B17C			
	05	F13A, F21A, F21B, F28A		05	F13A, F21A, F21B, F28A		05	F13A, F21A, F21B, F28A			
	06	G10Z, G12A, G12B		06	G10Z, G12A, G12B		08	I02A, I02B, I02C, I02D, I22A, I22B, I50Z			
	08	I02A, I02B, I02C, I02D, I22A, I22B, I50Z		08	I02A, I02B, I02C, I02D, I22A, I22B, I50Z		09	J02A, J02B, J02C, J04A, J04B, J08A, J08B, J08C, J16Z, J21Z, J22A, J22B			
	09	J02A, J02B, J02C, J04A, J04B, J08A, J08B, J08C, J16Z, J21Z, J22A, J22B		09	J02A, J02B, J02C, J04A, J04B, J08A, J08B, J08C, J16Z, J21Z, J22A, J22B		09	J02A, J02B, J02C, J04A, J04B, J08A, J08B, J08C, J16Z, J21Z, J22A, J22B			
	21A	W04A, W04B		21A	W04A, W04B		21A	W04A, W04B			
	21B	X01A, X01B, X01C		21B	X01A, X01B, X01C		21B	X01A, X01B, X01C			
	5v627.e↔			BOP, KVT, UOP4	5v627.p↔			BOP, KVT, UOP4	5v627.u↔		BOP, KVT, UOP4
		01		B03A, B03B, B06A, B06B, B07Z, B17A, B17B, B17C			01	B03A, B03B, B06A, B06B, B07Z, B17A, B17B, B17C		01	B03A, B03B, B06A, B06B, B07Z, B17A, B17B, B17C
05		F13A, F21A, F21B, F27A, F27B, F27C, F28A	05	F13A, F21A, F21B, F28A		05	F13A, F21A, F21B, F28A				
08		I02A, I02B, I02C, I02D, I22A, I22B, I50Z	08	I02A, I02B, I02C, I02D, I22A, I22B, I32A, I32B, I32C, I32D, I32E, I32F, I50Z		08	I02A, I02B, I02C, I02D, I22A, I22B, I32A, I32B, I32C, I32D, I32E, I32F, I50Z				
09		J02A, J02B, J02C, J04A, J04B, J08A, J08B, J08C, J16Z, J21Z, J22A, J22B	09	J02A, J02B, J02C, J04A, J04B, J08A, J08B, J08C, J16Z, J21Z, J22A, J22B		09	J02A, J02B, J02C, J04A, J04B, J08A, J08B, J08C, J16Z, J21Z, J22A, J22B				
10		K01Z				21A	W04A, W04B				
21A		W04A, W04B	21A	W04A, W04B		21A	W04A, W04B				
21B		X01A, X01B, X01C	21B	X01A, X01B, X01C		21B	X01A, X01B, X01C				
5v627.f↔			BOP, KVT, UOP4	5v627.q↔			BOP, KVT, UOP4	5v627.w↔			BOP, KVT, UOP4
		01	B03A, B03B, B06A, B06B, B07Z, B17A, B17B, B17C			01	B03A, B03B, B06A, B06B, B07Z, B17A, B17B, B17C			01	B03A, B03B, B06A, B06B, B07Z, B17A, B17B, B17C
	05	F13A, F21A, F21B, F27A, F27B, F27C, F28A	05		F13A, F21A, F21B, F28A	05	F13A, F21A, F21B, F28A				
	08	I02A, I02B, I02C, I02D, I22A, I22B, I50Z	08		I02A, I02B, I02C, I02D, I22A, I22B, I32A, I32B, I32C, I32D, I32E, I32F, I50Z	08	I02A, I02B, I02C, I02D, I22A, I22B, I32A, I32B, I32C, I32D, I32E, I32F, I50Z				
	09	J02A, J02B, J02C, J04A, J04B, J08A, J08B, J08C, J16Z, J21Z, J22A, J22B	09		J02A, J02B, J02C, J04A, J04B, J08A, J08B, J08C, J16Z, J21Z, J22A, J22B	09	J02A, J02B, J02C, J04A, J04B, J08A, J08B, J08C, J16Z, J21Z, J22A, J22B				
	10	K01Z				21A	W04A, W04B				
	21A	W04A, W04B	21A		W04A, W04B	21A	W04A, W04B				
	21B	X01A, X01B, X01C	21B		X01A, X01B, X01C	21B	X01A, X01B, X01C				
	5v627.g↔		BOP, KVT, UOP4		5v627.r		BOP, KVT, UOP4		5v627.x↔		BOP, KVT, UOP4
		01	B03A, B03B, B06A, B06B, B07Z, B17A, B17B, B17C			01	B03A, B03B, B06A, B06B, B07Z, B17A, B17B, B17C			01	B03A, B03B, B06A, B06B, B07Z, B17A, B17B, B17C
05		F13A, F21A, F21B, F27A, F27B, F27C, F28A	02	C20A, C20B		05	F13A, F21A, F21B, F28A				
08		I02A, I02B, I02C, I02D, I12A, I12B, I12C, I22A, I22B, I50Z	03	D18Z, D28Z, D29Z		08	I02A, I02B, I02C, I02D, I22A, I22B, I32A, I32B, I32C, I32D, I32E, I32F, I50Z				
09		J02A, J02B, J02C, J04A, J04B, J08A, J08B, J08C, J16Z, J21Z, J22A, J22B	05	F13A, F21A, F21B, F28A		09	J02A, J02B, J02C, J04A, J04B, J08A, J08B, J08C, J16Z, J21Z, J22A, J22B				
10		K01Z	08	I02A, I02B, I02C, I02D, I22A, I22B, I50Z		09	J02A, J02B, J02C, J04A, J04B, J08A, J08B, J08C, J16Z, J21Z, J22A, J22B				
21A		W04A, W04B	09	J02A, J02B, J02C, J04A, J04B, J08A, J08B, J08C, J16Z, J21Z, J22A, J22B		21A	W04A, W04B				
21B		X01A, X01B, X01C	21A	W04A, W04B		21B	X01A, X01B, X01C				
5v627.h			BOP, KVT, UOP4	5v627.s↔			BOP, KVT, UOP4	5v627.y			BOP, KVT, UOP4
		01	B03A, B03B, B06A, B06B, B07Z, B17A, B17B, B17C			01	B03A, B03B, B06A, B06B, B07Z, B17A, B17B, B17C			01	B03A, B03B, B06A, B06B, B07Z, B17A, B17B, B17C
	02	C20A, C20B	05		F13A, F21A, F21B, F28A	02	C20A, C20B				
	03	D18Z, D28Z, D29Z	08		I02A, I02B, I02C, I02D, I22A, I22B, I32A, I32B, I32C, I32D, I32E, I32F, I50Z	03	D18Z, D28Z, D29Z				
	05	F13A, F21A, F21B, F28A	09		J02A, J02B, J02C, J04A, J04B, J08A, J08B, J08C, J16Z, J21Z, J22A, J22B	05	F13A, F21A, F21B, F28A				
	08	I02A, I02B, I02C, I02D, I22A, I22B, I50Z	09		J02A, J02B, J02C, J04A, J04B, J08A, J08B, J08C, J16Z, J21Z, J22A, J22B	08	I02A, I02B, I02C, I02D, I22A, I22B, I50Z				
	09	J02A, J02B, J02C, J04A, J04B, J08A, J08B, J08C, J16Z, J21Z, J22A, J22B	21A		W04A, W04B	09	J02A, J02B, J02C, J04A, J04B, J08A, J08B, J08C, J16Z, J21Z, J22A, J22B				
	21A	W04A, W04B	21A		W04A, W04B	21A	W04A, W04B				
	21B	X01A, X01B, X01C	21B		X01A, X01B, X01C	21B	X01A, X01B, X01C				
	5v627.i		BOP, KVT, UOP4		5v627.v↔		BOP, KVT, UOP4		5v62x.0		BOP, KVT, UOP4
01		B03A, B03B, B06A, B06B, B07Z, B17A, B17B, B17C	01	B03A, B03B, B06A, B06B, B07Z, B17A, B17B, B17C		03	D08A, D08B, D18Z, D22A, D22B, D30A, D30B				
02		C20A, C20B	05	F13A, F21A, F21B, F28A		05	F13A, F28A				
03		D18Z, D28Z, D29Z	08	I02A, I02B, I02C, I02D, I22A, I22B, I32A, I32B, I32C, I32D, I32E, I32F, I50Z		09	J03A, J03B, J04A, J04B, J08A, J08B, J08C, J10A, J10B, J16Z				
05		F13A, F21A, F21B, F28A	09	J02A, J02B, J02C, J04A, J04B, J08A, J08B, J08C, J16Z, J21Z, J22A, J22B		21A	W04A, W04B				
08		I02A, I02B, I02C, I02D, I22A, I22B, I50Z	21B	X01A, X01B, X01C		21B	X06A, X06B, X06C				
09		J02A, J02B, J02C, J04A, J04B, J08A, J08B, J08C, J16Z, J21Z, J22A, J22B									
21A		W04A, W04B									
21B		X01A, X01B, X01C									

VYK

ZZV	MDC	DRG	ZZV	MDC	DRG	ZZV	MDC	DRG		
5v62x.1		BOP, KVT, UOP4	5v62x.8↔		BOP, KVT, UOP4	5v62x.d		BOP, KVT, UOP4		
	01	B03A, B03B, B06A, B06B, B07Z, B17A, B17B, B17C		01	B03A, B03B, B06A, B06B, B07Z, B17A, B17B, B17C		01	B03A, B03B, B06A, B06B, B07Z, B17A, B17B, B17C		
	02	C20A, C20B		05	F13A, F21A, F21B, F28A		05	F13A, F21A, F21B, F28A		
	03	D18Z, D28Z, D29Z		08	I02A, I02B, I02C, I02D, I22A, I22B, I32A, I32B, I32C, I32D, I32E, I32F, I50Z		06	G10Z, G12A, G12B		
	05	F13A, F21A, F21B, F28A		09	J02A, J02B, J02C, J04A, J04B, J08A, J08B, J08C, J16Z, J21Z, J22A, J22B		08	I02A, I02B, I02C, I02D, I22A, I22B, I50Z		
	08	I02A, I02B, I02C, I02D, I22A, I22B, I50Z		21A	W04A, W04B		09	J02A, J02B, J02C, J04A, J04B, J08A, J08B, J08C, J16Z, J21Z, J22A, J22B		
	09	J02A, J02B, J02C, J04A, J04B, J08A, J08B, J08C, J16Z, J21Z, J22A, J22B		21B	X01A, X01B, X01C		21A	W04A, W04B		
	21A	W04A, W04B					21B	X01A, X01B, X01C		
	21B	X01A, X01B, X01C		5v62x.9↔			BOP, KVT, UOP4	5v62x.e↔		BOP, KVT, UOP4
	5v62x.4				BOP, KVT, UOP4		01		B03A, B03B, B06A, B06B, B07Z, B17A, B17B, B17C	01
01		B03A, B03B, B06A, B06B, B07Z, B17A, B17B, B17C	05		F13A, F21A, F21B, F28A	05	F13A, F21A, F21B, F27A, F27B, F27C, F28A			
02		C20A, C20B	08		I12A, I12B, I12C, I32A, I32B, I32C, I32D, I32E, I32F	08	I02A, I02B, I02C, I02D, I22A, I22B, I50Z			
03		D18Z, D28Z, D29Z	09		J03A, J03B, J04A, J04B, J08A, J08B, J08C, J16Z, J21Z, J22A, J22B	09	J02A, J02B, J02C, J04A, J04B, J08A, J08B, J08C, J16Z, J21Z, J22A, J22B			
05		F13A, F21A, F21B, F28A	21A		W04A, W04B	10	K01Z			
08		I02A, I02B, I02C, I02D, I22A, I22B, I50Z	21B		X01A, X01B, X01C	21A	W04A, W04B			
09		J02A, J02B, J02C, J04A, J04B, J08A, J08B, J08C, J16Z, J21Z, J22A, J22B				21B	X01A, X01B, X01C			
21A		W04A, W04B	5v62x.a			BOP, KVT, UOP4	5v62x.f↔			BOP, KVT, UOP4
21B		X01A, X01B, X01C			01	B03A, B03B, B06A, B06B, B07Z, B17A, B17B, B17C			01	B03A, B03B, B06A, B06B, B07Z, B17A, B17B, B17C
5v62x.5				BOP, KVT, UOP4	05	F13A, F21A, F21B, F28A		05	F13A, F21A, F21B, F27A, F27B, F27C, F28A	
	01	B03A, B03B, B06A, B06B, B07Z, B17A, B17B, B17C		06	G10Z, G12A, G12B	08		I02A, I02B, I02C, I02D, I22A, I22B, I50Z		
	03	D18Z, D28Z, D29Z		08	I02A, I02B, I02C, I02D, I22A, I22B, I50Z	09		J02A, J02B, J02C, J04A, J04B, J08A, J08B, J08C, J16Z, J21Z, J22A, J22B		
	05	F13A, F21A, F21B, F28A		09	J02A, J02B, J02C, J04A, J04B, J08A, J08B, J08C, J16Z, J21Z, J22A, J22B	10		K01Z		
	06	G10Z, G12A, G12B		21A	W04A, W04B	21A		W04A, W04B		
	08	I28A, I28B		21B	X01A, X01B, X01C	21B		X01A, X01B, X01C		
	09	J02A, J02B, J02C, J04A, J04B, J08A, J08B, J08C, J16Z, J21Z, J22A, J22B								
	21A	W04A, W04B		5v62x.b		BOP, KVT, UOP4		5v62x.g↔		BOP, KVT, UOP4
	21B	X01A, X01B, X01C	01		B03A, B03B, B06A, B06B, B07Z, B17A, B17B, B17C	01	B03A, B03B, B06A, B06B, B07Z, B17A, B17B, B17C			
	5v62x.6↔		BOP, KVT, UOP4		05	F13A, F21A, F21B, F28A	05		F13A, F21A, F21B, F27A, F27B, F27C, F28A	
01		B03A, B03B, B06A, B06B, B07Z, B17A, B17B, B17C	06		G10Z, G12A, G12B	08	I02A, I02B, I02C, I02D, I12A, I12B, I12C, I22A, I22B, I50Z			
05		F13A, F21A, F21B, F28A	08		I02A, I02B, I02C, I02D, I22A, I22B, I50Z	09	J02A, J02B, J02C, J04A, J04B, J08A, J08B, J08C, J16Z, J21Z, J22A, J22B			
08		I02A, I02B, I02C, I02D, I22A, I22B, I50Z	09		J02A, J02B, J02C, J04A, J04B, J08A, J08B, J08C, J16Z, J21Z, J22A, J22B	10	K01Z			
09		J02A, J02B, J02C, J04A, J04B, J08A, J08B, J08C, J16Z, J21Z, J22A, J22B	21A		W04A, W04B	21A	W04A, W04B			
21A		W04A, W04B	21B		X01A, X01B, X01C	21B	X01A, X01B, X01C			
21B		X01A, X01B, X01C	5v62x.c			BOP, KVT, UOP4	5v62x.h			BOP, KVT, UOP4
5v62x.7↔					BOP, KVT, UOP4	01			B03A, B03B, B06A, B06B, B07Z, B17A, B17B, B17C	01
		01		B03A, B03B, B06A, B06B, B07Z, B17A, B17B, B17C	05	F13A, F21A, F21B, F28A		02	C20A, C20B	
		05		F13A, F21A, F21B, F28A	06	G10Z, G12A, G12B		03	D18Z, D28Z, D29Z	
	08	I02A, I02B, I02C, I02D, I22A, I22B, I50Z		08	I02A, I02B, I02C, I02D, I22A, I22B, I50Z	05		F13A, F21A, F21B, F28A		
	09	J02A, J02B, J02C, J04A, J04B, J08A, J08B, J08C, J16Z, J21Z, J22A, J22B		09	J02A, J02B, J02C, J04A, J04B, J08A, J08B, J08C, J16Z, J21Z, J22A, J22B	08		I02A, I02B, I02C, I02D, I22A, I22B, I50Z		
	21A	W04A, W04B		10	K09A, K09B	09		J02A, J02B, J02C, J04A, J04B, J08A, J08B, J08C, J16Z, J21Z, J22A, J22B		
	21B	X01A, X01B, X01C		12	M04A, M04B, M04C, M04D, M37Z, M38Z	21A		W04A, W04B		
				21A	W04A, W04B	21B		X01A, X01B, X01C		
				21B	X01A, X01B, X01C					

ZZV	MDC	DRG	ZZV	MDC	DRG	ZZV	MDC	DRG			
5v62x.n↔		BOP, KVT, UOP4	5v62x.u↔		BOP, KVT, UOP4	5v630.0		BOP, KVT, UOP4			
	01	B03A, B03B, B06A, B06B, B07Z, B17A, B17B, B17C		01	B03A, B03B, B06A, B06B, B07Z, B17A, B17B, B17C		01	B03A, B03B, B06A, B06B, B07Z, B17A, B17B, B17C			
	05	F13A, F21A, F21B, F28A		05	F13A, F21A, F21B, F28A		03	D18Z, D25A, D25B, D25C, D25D			
	06	G10Z, G12A, G12B		08	I02A, I02B, I02C, I02D, I22A, I22B, I32A, I32B, I32C, I32D, I32E, I32F, I50Z		05	F13A, F21A, F21B, F28A			
	08	I02A, I02B, I02C, I02D, I22A, I22B, I50Z		09	J02A, J02B, J02C, J04A, J04B, J08A, J08B, J08C, J16Z, J21Z, J22A, J22B		08	I12A, I12B, I12C			
	09	J02A, J02B, J02C, J04A, J04B, J08A, J08B, J08C, J16Z, J21Z, J22A, J22B		21A	W04A, W04B		09	J02A, J02B, J02C, J04A, J04B, J08A, J08B, J08C, J16Z, J21Z, J22A, J22B			
	21A	W04A, W04B		21B	X01A, X01B, X01C		21A	W04A, W04B			
	21B	X01A, X01B, X01C					21B	X01A, X01B			
	5v62x.p↔			BOP, KVT, UOP4	5v62x.v↔			BOP, KVT, UOP4	5v630.1		BOP, KVT, UOP4
		01		B03A, B03B, B06A, B06B, B07Z, B17A, B17B, B17C			01	B03A, B03B, B06A, B06B, B07Z, B17A, B17B, B17C		01	B03A, B03B, B06A, B06B, B07Z, B17A, B17B, B17C
05		F13A, F21A, F21B, F28A	05	F13A, F21A, F21B, F28A		02	C20A, C20B				
08		I02A, I02B, I02C, I02D, I22A, I22B, I32A, I32B, I32C, I32D, I32E, I32F, I50Z	08	I02A, I02B, I02C, I02D, I22A, I22B, I32A, I32B, I32C, I32D, I32E, I32F, I50Z		03	D18Z, D25A, D25B, D25C, D25D				
09		J02A, J02B, J02C, J04A, J04B, J08A, J08B, J08C, J16Z, J21Z, J22A, J22B	09	J02A, J02B, J02C, J04A, J04B, J08A, J08B, J08C, J16Z, J21Z, J22A, J22B		05	F13A, F21A, F21B, F28A				
21A		W04A, W04B	21A	W04A, W04B		08	I02A, I02B, I02C, I02D, I12A, I12B, I12C, I22A, I50Z				
21B		X01A, X01B, X01C	21B	X01A, X01B, X01C		09	J02A, J02B, J02C, J04A, J04B, J08A, J08B, J08C, J16Z, J21Z, J22A, J22B				
5v62x.r			BOP, KVT, UOP4	5v62x.w↔			BOP, KVT, UOP4	5v630.4			BOP, KVT, UOP4
		01	B03A, B03B, B06A, B06B, B07Z, B17A, B17B, B17C			01	B03A, B03B, B06A, B06B, B07Z, B17A, B17B, B17C			01	B03A, B03B, B06A, B06B, B07Z, B17A, B17B, B17C
		02	C20A, C20B			05	F13A, F21A, F21B, F28A			02	C20A, C20B
	03	D18Z, D28Z, D29Z	08		I02A, I02B, I02C, I02D, I22A, I22B, I32A, I32B, I32C, I32D, I32E, I32F, I50Z	03	D18Z, D25A, D25B, D25C, D25D				
	05	F13A, F21A, F21B, F28A	09		J02A, J02B, J02C, J04A, J04B, J08A, J08B, J08C, J16Z, J21Z, J22A, J22B	05	F13A, F21A, F21B, F28A				
	08	I02A, I02B, I02C, I02D, I22A, I22B, I50Z	21A		W04A, W04B	08	I02A, I02B, I02C, I02D, I12A, I12B, I12C, I22A, I50Z				
	09	J02A, J02B, J02C, J04A, J04B, J08A, J08B, J08C, J16Z, J21Z, J22A, J22B	21B		X01A, X01B, X01C	09	J02A, J02B, J02C, J04A, J04B, J08A, J08B, J08C, J16Z, J21Z, J22A, J22B				
	21A	W04A, W04B				21A	W04A, W04B				
	21B	X01A, X01B, X01C	5v62x.x↔			BOP, KVT, UOP4	21B		X01A, X01B		
	5v62x.s↔				BOP, KVT, UOP4	01	B03A, B03B, B06A, B06B, B07Z, B17A, B17B, B17C		5v630.5		BOP, KVT, UOP4
01		B03A, B03B, B06A, B06B, B07Z, B17A, B17B, B17C		05	F13A, F21A, F21B, F28A	01	B03A, B03B, B06A, B06B, B07Z, B17A, B17B, B17C				
05		F13A, F21A, F21B, F28A		08	I02A, I02B, I02C, I02D, I22A, I22B, I32A, I32B, I32C, I32D, I32E, I32F, I50Z	03	D18Z, D25A, D25B, D25C, D25D				
08		I02A, I02B, I02C, I02D, I22A, I22B, I32A, I32B, I32C, I32D, I32E, I32F, I50Z		09	J02A, J02B, J02C, J04A, J04B, J08A, J08B, J08C, J16Z, J21Z, J22A, J22B	05	F13A, F21A, F21B, F28A				
09		J02A, J02B, J02C, J04A, J04B, J08A, J08B, J08C, J16Z, J21Z, J22A, J22B		21A	W04A, W04B	08	I02A, I02B, I02C, I02D, I12A, I12B, I12C, I22A, I50Z				
21A		W04A, W04B		21B	X01A, X01B, X01C	09	J02A, J02B, J02C, J04A, J04B, J08A, J08B, J08C, J16Z, J21Z, J22A, J22B				
21B		X01A, X01B, X01C		5v62x.y		BOP, KVT, UOP4	21A	W04A, W04B			
5v62x.t↔					BOP, KVT, UOP4	01	B03A, B03B, B06A, B06B, B07Z, B17A, B17B, B17C	21B		X01A, X01B	
		01			B03A, B03B, B06A, B06B, B07Z, B17A, B17B, B17C	02	C20A, C20B	5v630.6↔			BOP, KVT, UOP4
		05	F13A, F21A, F21B, F28A		03	D18Z, D28Z, D29Z	01			B03A, B03B, B06A, B06B, B07Z, B17A, B17B, B17C	
	08	I02A, I02B, I02C, I02D, I22A, I22B, I32A, I32B, I32C, I32D, I32E, I32F, I50Z	05		F13A, F21A, F21B, F28A	05	F13A, F21A, F21B, F28A				
	09	J02A, J02B, J02C, J04A, J04B, J08A, J08B, J08C, J16Z, J21Z, J22A, J22B	08		I02A, I02B, I02C, I02D, I22A, I22B, I50Z	08	I02A, I02B, I02C, I02D, I12A, I12B, I12C, I22A, I50Z				
	21A	W04A, W04B	09		J02A, J02B, J02C, J04A, J04B, J08A, J08B, J08C, J16Z, J21Z, J22A, J22B	09	J02A, J02B, J02C, J04A, J04B, J08A, J08B, J08C, J16Z, J21Z, J22A, J22B				
	21B	X01A, X01B, X01C	21A		W04A, W04B	21A	W04A, W04B				
			21B		X01A, X01B, X01C	21B	X01A, X01B				



ZZV	MDC	DRG	ZZV	MDC	DRG	ZZV	MDC	DRG			
5v630.7↔		BOP, KVT, UOP4	5v630.d		BOP, KVT, UOP4	5v630.n↔		BOP, KVT, UOP4			
	01	B03A, B03B, B06A, B06B, B07Z, B17A, B17B, B17C		01	B03A, B03B, B06A, B06B, B07Z, B17A, B17B, B17C		01	B03A, B03B, B06A, B06B, B07Z, B17A, B17B, B17C			
	05	F13A, F21A, F21B, F28A		05	F13A, F21A, F21B, F28A		05	F13A, F21A, F21B, F28A			
	08	I02A, I02B, I02C, I02D, I12A, I12B, I12C, I22A, I50Z		06	G10Z, G12A, G12B		06	G10Z, G12A, G12B			
	09	J02A, J02B, J02C, J04A, J04B, J08A, J08B, J08C, J16Z, J21Z, J22A, J22B		08	I02A, I02B, I02C, I02D, I12A, I12B, I12C, I22A, I50Z		08	I02A, I02B, I02C, I02D, I12A, I12B, I12C, I22A, I50Z			
	21A	W04A, W04B		09	J02A, J02B, J02C, J04A, J04B, J08A, J08B, J08C, J16Z, J21Z, J22A, J22B		09	J02A, J02B, J02C, J04A, J04B, J08A, J08B, J08C, J16Z, J21Z, J22A, J22B			
	21B	X01A, X01B		21A	W04A, W04B		21A	W04A, W04B			
	5v630.8↔			BOP, KVT, UOP4	5v630.e↔			BOP, KVT, UOP4	5v630.p↔		BOP, KVT, UOP4
		01		B03A, B03B, B06A, B06B, B07Z, B17A, B17B, B17C			01	B03A, B03B, B06A, B06B, B07Z, B17A, B17B, B17C		01	B03A, B03B, B06A, B06B, B07Z, B17A, B17B, B17C
		05		F13A, F21A, F21B, F28A			05	F13A, F21A, F21B, F27A, F27B, F27C, F28A		05	F13A, F21A, F21B, F27A, F27B, F27C, F28A
08		I02A, I02B, I02C, I02D, I12A, I12B, I12C, I22A, I32A, I32B, I32C, I32D, I32E, I32F, I50Z	08	I02A, I02B, I02C, I02D, I12A, I12B, I12C, I22A, I50Z		08	I02A, I02B, I02C, I02D, I12A, I12B, I12C, I22A, I32A, I32B, I32C, I32D, I32E, I32F, I50Z				
09		J02A, J02B, J02C, J04A, J04B, J08A, J08B, J08C, J16Z, J21Z, J22A, J22B	09	J02A, J02B, J02C, J04A, J04B, J08A, J08B, J08C, J16Z, J21Z, J22A, J22B		09	J02A, J02B, J02C, J04A, J04B, J08A, J08B, J08C, J16Z, J21Z, J22A, J22B				
21A		W04A, W04B	10	K01Z		10	K01Z				
21B		X01A, X01B	21A	W04A, W04B		21A	W04A, W04B				
5v630.9↔			BOP, KVT, UOP4	5v630.f↔			BOP, KVT, UOP4	5v630.q↔			BOP, KVT, UOP4
		01	B03A, B03B, B06A, B06B, B07Z, B17A, B17B, B17C			01	B03A, B03B, B06A, B06B, B07Z, B17A, B17B, B17C			01	B03A, B03B, B06A, B06B, B07Z, B17A, B17B, B17C
		05	F13A, F21A, F21B, F28A			05	F13A, F21A, F21B, F27A, F27B, F27C, F28A			05	F13A, F21A, F21B, F27A, F27B, F27C, F28A
	08	I12A, I12B, I12C, I32A, I32B, I32C, I32D, I32E, I32F	08		I02A, I02B, I02C, I02D, I12A, I12B, I12C, I22A, I50Z	08	I02A, I02B, I02C, I02D, I12A, I12B, I12C, I22A, I32A, I32B, I32C, I32D, I32E, I32F, I50Z				
	09	J02A, J02B, J02C, J04A, J04B, J08A, J08B, J08C, J16Z, J21Z, J22A, J22B	09		J02A, J02B, J02C, J04A, J04B, J08A, J08B, J08C, J16Z, J21Z, J22A, J22B	09	J02A, J02B, J02C, J04A, J04B, J08A, J08B, J08C, J16Z, J21Z, J22A, J22B				
	21A	W04A, W04B	10		K01Z	10	K01Z				
	21B	X01A, X01B	21A		W04A, W04B	21A	W04A, W04B				
	5v630.a		BOP, KVT, UOP4		5v630.g↔		BOP, KVT, UOP4		5v630.r↔		BOP, KVT, UOP4
		01	B03A, B03B, B06A, B06B, B07Z, B17A, B17B, B17C			01	B03A, B03B, B06A, B06B, B07Z, B17A, B17B, B17C			01	B03A, B03B, B06A, B06B, B07Z, B17A, B17B, B17C
		05	F13A, F21A, F21B, F28A			05	F13A, F21A, F21B, F27A, F27B, F27C, F28A			05	F13A, F21A, F21B, F27A, F27B, F27C, F28A
06		G10Z, G12A, G12B	08	I02A, I02B, I02C, I02D, I12A, I12B, I12C, I22A, I50Z		08	I02A, I02B, I02C, I02D, I12A, I12B, I12C, I22A, I32A, I32B, I32C, I32D, I32E, I32F, I50Z				
08		I02A, I02B, I02C, I02D, I12A, I12B, I12C, I22A, I50Z	09	J02A, J02B, J02C, J04A, J04B, J08A, J08B, J08C, J16Z, J21Z, J22A, J22B		09	J02A, J02B, J02C, J04A, J04B, J08A, J08B, J08C, J16Z, J21Z, J22A, J22B				
09		J02A, J02B, J02C, J04A, J04B, J08A, J08B, J08C, J16Z, J21Z, J22A, J22B	10	K01Z		10	K01Z				
21A		W04A, W04B	21A	W04A, W04B		21A	W04A, W04B				
21B		X01A, X01B	21B	X01A, X01B		21B	X01A, X01B				
5v630.b			BOP, KVT, UOP4	5v630.h			BOP, KVT, UOP4	5v630.s↔			BOP, KVT, UOP4
		01	B03A, B03B, B06A, B06B, B07Z, B17A, B17B, B17C			01	B03A, B03B, B06A, B06B, B07Z, B17A, B17B, B17C			01	B03A, B03B, B06A, B06B, B07Z, B17A, B17B, B17C
	05	F13A, F21A, F21B, F28A	02		C20A, C20B	05	F13A, F21A, F21B, F27A, F27B, F27C, F28A				
	06	G10Z, G12A, G12B	03		D18Z, D25A, D25B, D25C, D25D	08	I02A, I02B, I02C, I02D, I12A, I12B, I12C, I22A, I50Z				
	08	I02A, I02B, I02C, I02D, I12A, I12B, I12C, I22A, I50Z	05		F13A, F21A, F21B, F28A	08	I02A, I02B, I02C, I02D, I12A, I12B, I12C, I22A, I32A, I32B, I32C, I32D, I32E, I32F, I50Z				
	09	J02A, J02B, J02C, J04A, J04B, J08A, J08B, J08C, J16Z, J21Z, J22A, J22B	08		I02A, I02B, I02C, I02D, I12A, I12B, I12C, I22A, I50Z	09	J02A, J02B, J02C, J04A, J04B, J08A, J08B, J08C, J16Z, J21Z, J22A, J22B				
	21A	W04A, W04B	21A		W04A, W04B	10	K01Z				
	21B	X01A, X01B	21B		X01A, X01B	21A	W04A, W04B				
	5v630.c		BOP, KVT, UOP4		5v630.i		BOP, KVT, UOP4		5v630.t↔		BOP, KVT, UOP4
		01	B03A, B03B, B06A, B06B, B07Z, B17A, B17B, B17C			01	B03A, B03B, B06A, B06B, B07Z, B17A, B17B, B17C			01	B03A, B03B, B06A, B06B, B07Z, B17A, B17B, B17C
05		F13A, F21A, F21B, F28A	02	C20A, C20B		05	F13A, F21A, F21B, F27A, F27B, F27C, F28A				
06		G10Z, G12A, G12B	03	D18Z, D25A, D25B, D25C, D25D		08	I02A, I02B, I02C, I02D, I12A, I12B, I12C, I22A, I32A, I32B, I32C, I32D, I32E, I32F, I50Z				
08		I02A, I02B, I02C, I02D, I12A, I12B, I12C, I22A, I50Z	05	F13A, F21A, F21B, F28A		09	J02A, J02B, J02C, J04A, J04B, J08A, J08B, J08C, J16Z, J21Z, J22A, J22B				
09		J02A, J02B, J02C, J04A, J04B, J08A, J08B, J08C, J16Z, J21Z, J22A, J22B	08	I02A, I02B, I02C, I02D, I12A, I12B, I12C, I22A, I50Z		10	K01Z				
21A		W04A, W04B	21A	W04A, W04B		21A	W04A, W04B				
21B		X01A, X01B	21B	X01A, X01B		21B	X01A, X01B				







ZZV	MDC	DRG	ZZV	MDC	DRG	ZZV	MDC	DRG			
5v632.n↔		BOP, KVT, UOP4	5v632.t↔		BOP, KVT, UOP4	5v633.0		BOP, KVT, UOP4			
	01	B03A, B03B, B06A, B06B, B07Z, B17A, B17B, B17C		01	B03A, B03B, B06A, B06B, B07Z, B17A, B17B, B17C		01	B03A, B03B, B06A, B06B, B07Z, B17A, B17B, B17C			
	05	F13A, F21A, F21B, F28A		05	F13A, F21A, F21B, F27A, F27B, F27C, F28A		03	D18Z, D25A, D25B, D25C, D25D			
	06	G10Z, G12A, G12B		08	I02A, I02B, I02C, I02D, I12A, I12B, I12C, I22A, I50Z		05	F13A, F21A, F21B, F28A			
	08	I02A, I02B, I02C, I02D, I12A, I12B, I12C, I22A, I50Z		08	I02A, I02B, I02C, I02D, I12A, I12B, I12C, I22A, I32A, I32B, I32C, I32D, I32E, I32F, I50Z		08	I12A, I12B, I12C			
	09	J02A, J02B, J02C, J04A, J04B, J08A, J08B, J08C, J16Z, J21Z, J22A, J22B		09	J02A, J02B, J02C, J04A, J04B, J08A, J08B, J08C, J16Z, J21Z, J22A, J22B		09	J02A, J02B, J02C, J04A, J04B, J08A, J08B, J08C, J16Z, J21Z, J22A, J22B			
	21A	W04A, W04B		10	K01Z		21A	W04A, W04B			
	21B	X01A, X01B		21A	W04A, W04B		21B	X01A, X01B			
	5v632.p↔			BOP, KVT, UOP4	5v632.u↔			BOP, KVT, UOP4	5v633.1		BOP, KVT, UOP4
		01		B03A, B03B, B06A, B06B, B07Z, B17A, B17B, B17C			01	B03A, B03B, B06A, B06B, B07Z, B17A, B17B, B17C		01	B03A, B03B, B06A, B06B, B07Z, B17A, B17B, B17C
		05		F13A, F21A, F21B, F27A, F27B, F27C, F28A			05	F13A, F21A, F21B, F27A, F27B, F27C, F28A		02	C20A, C20B
08		I02A, I02B, I02C, I02D, I12A, I12B, I12C, I22A, I32A, I32B, I32C, I32D, I32E, I32F, I50Z	08	I02A, I02B, I02C, I02D, I12A, I12B, I12C, I22A, I32A, I32B, I32C, I32D, I32E, I32F, I50Z		03	D18Z, D25A, D25B, D25C, D25D				
09		J02A, J02B, J02C, J04A, J04B, J08A, J08B, J08C, J16Z, J21Z, J22A, J22B	08	I02A, I02B, I02C, I02D, I12A, I12B, I12C, I22A, I32A, I32B, I32C, I32D, I32E, I32F, I50Z		05	F13A, F21A, F21B, F28A				
10		K01Z	09	J02A, J02B, J02C, J04A, J04B, J08A, J08B, J08C, J16Z, J21Z, J22A, J22B		08	I02A, I02B, I02C, I02D, I12A, I12B, I12C, I22A, I50Z				
21A		W04A, W04B	10	K01Z		09	J02A, J02B, J02C, J04A, J04B, J08A, J08B, J08C, J16Z, J21Z, J22A, J22B				
21B		X01A, X01B	21A	W04A, W04B		21A	W04A, W04B				
5v632.q↔			BOP, KVT, UOP4	5v632.w↔			BOP, KVT, UOP4	5v633.4			BOP, KVT, UOP4
		01	B03A, B03B, B06A, B06B, B07Z, B17A, B17B, B17C			01	B03A, B03B, B06A, B06B, B07Z, B17A, B17B, B17C			01	B03A, B03B, B06A, B06B, B07Z, B17A, B17B, B17C
		05	F13A, F21A, F21B, F27A, F27B, F27C, F28A			05	F13A, F21A, F21B, F27A, F27B, F27C, F28A			02	C20A, C20B
	08	I02A, I02B, I02C, I02D, I12A, I12B, I12C, I22A, I32A, I32B, I32C, I32D, I32E, I32F, I50Z	08		I02A, I02B, I02C, I02D, I12A, I12B, I12C, I22A, I32A, I32B, I32C, I32D, I32E, I32F, I50Z	03	D18Z, D25A, D25B, D25C, D25D				
	09	J02A, J02B, J02C, J04A, J04B, J08A, J08B, J08C, J16Z, J21Z, J22A, J22B	08		I02A, I02B, I02C, I02D, I12A, I12B, I12C, I22A, I32A, I32B, I32C, I32D, I32E, I32F, I50Z	05	F13A, F21A, F21B, F28A				
	10	K01Z	09		J02A, J02B, J02C, J04A, J04B, J08A, J08B, J08C, J16Z, J21Z, J22A, J22B	08	I02A, I02B, I02C, I02D, I12A, I12B, I12C, I22A, I50Z				
	21A	W04A, W04B	10		K01Z	09	J02A, J02B, J02C, J04A, J04B, J08A, J08B, J08C, J16Z, J21Z, J22A, J22B				
	21B	X01A, X01B	21A		W04A, W04B	21A	W04A, W04B				
	5v632.r↔		BOP, KVT, UOP4		5v632.x↔		BOP, KVT, UOP4		5v633.5		BOP, KVT, UOP4
		01	B03A, B03B, B06A, B06B, B07Z, B17A, B17B, B17C			01	B03A, B03B, B06A, B06B, B07Z, B17A, B17B, B17C			01	B03A, B03B, B06A, B06B, B07Z, B17A, B17B, B17C
		05	F13A, F21A, F21B, F27A, F27B, F27C, F28A			05	F13A, F21A, F21B, F27A, F27B, F27C, F28A			03	D18Z, D25A, D25B, D25C, D25D
08		I02A, I02B, I02C, I02D, I12A, I12B, I12C, I22A, I32A, I32B, I32C, I32D, I32E, I32F, I50Z	08	I02A, I02B, I02C, I02D, I12A, I12B, I12C, I22A, I32A, I32B, I32C, I32D, I32E, I32F, I50Z		05	F13A, F21A, F21B, F28A				
09		J02A, J02B, J02C, J04A, J04B, J08A, J08B, J08C, J16Z, J21Z, J22A, J22B	08	I02A, I02B, I02C, I02D, I12A, I12B, I12C, I22A, I32A, I32B, I32C, I32D, I32E, I32F, I50Z		08	I02A, I02B, I02C, I02D, I12A, I12B, I12C, I22A, I50Z				
10		K01Z	09	J02A, J02B, J02C, J04A, J04B, J08A, J08B, J08C, J16Z, J21Z, J22A, J22B		09	J02A, J02B, J02C, J04A, J04B, J08A, J08B, J08C, J16Z, J21Z, J22A, J22B				
21A		W04A, W04B	10	K01Z		21A	W04A, W04B				
21B		X01A, X01B	21A	W04A, W04B		21B	X01A, X01B				
5v632.s↔			BOP, KVT, UOP4	5v632.y			BOP, KVT, UOP4	5v633.6↔			BOP, KVT, UOP4
		01	B03A, B03B, B06A, B06B, B07Z, B17A, B17B, B17C			01	B03A, B03B, B06A, B06B, B07Z, B17A, B17B, B17C			01	B03A, B03B, B06A, B06B, B07Z, B17A, B17B, B17C
		05	F13A, F21A, F21B, F27A, F27B, F27C, F28A			02	C20A, C20B			05	F13A, F21A, F21B, F28A
	08	I02A, I02B, I02C, I02D, I12A, I12B, I12C, I22A, I32A, I32B, I32C, I32D, I32E, I32F, I50Z	03		D18Z, D25A, D25B, D25C, D25D	08	I02A, I02B, I02C, I02D, I12A, I12B, I12C, I22A, I50Z				
	09	J02A, J02B, J02C, J04A, J04B, J08A, J08B, J08C, J16Z, J21Z, J22A, J22B	05		F13A, F21A, F21B, F28A	09	J02A, J02B, J02C, J04A, J04B, J08A, J08B, J08C, J16Z, J21Z, J22A, J22B				
	10	K01Z	08		I02A, I02B, I02C, I02D, I12A, I12B, I12C, I22A, I50Z	21A	W04A, W04B				
	21A	W04A, W04B	09		J02A, J02B, J02C, J04A, J04B, J08A, J08B, J08C, J16Z, J21Z, J22A, J22B	21B	X01A, X01B				
	21B	X01A, X01B	21A		W04A, W04B						
			21B		X01A, X01B						

VYK

ZZV	MDC	DRG	ZZV	MDC	DRG	ZZV	MDC	DRG			
5v633.7↔		BOP, KVT, UOP4	5v633.d		BOP, KVT, UOP4	5v633.n↔		BOP, KVT, UOP4			
	01	B03A, B03B, B06A, B06B, B07Z, B17A, B17B, B17C		01	B03A, B03B, B06A, B06B, B07Z, B17A, B17B, B17C		01	B03A, B03B, B06A, B06B, B07Z, B17A, B17B, B17C			
	05	F13A, F21A, F21B, F28A		05	F13A, F21A, F21B, F28A		05	F13A, F21A, F21B, F28A			
	08	I02A, I02B, I02C, I02D, I12A, I12B, I12C, I22A, I50Z		06	G10Z, G12A, G12B		06	G10Z, G12A, G12B			
	09	J02A, J02B, J02C, J04A, J04B, J08A, J08B, J08C, J16Z, J21Z, J22A, J22B		08	I02A, I02B, I02C, I02D, I12A, I12B, I12C, I22A, I50Z		08	I02A, I02B, I02C, I02D, I12A, I12B, I12C, I22A, I50Z			
	21A	W04A, W04B		09	J02A, J02B, J02C, J04A, J04B, J08A, J08B, J08C, J16Z, J21Z, J22A, J22B		09	J02A, J02B, J02C, J04A, J04B, J08A, J08B, J08C, J16Z, J21Z, J22A, J22B			
	21B	X01A, X01B		21A	W04A, W04B		21A	W04A, W04B			
	5v633.8↔			BOP, KVT, UOP4	5v633.e↔			BOP, KVT, UOP4	5v633.p↔		BOP, KVT, UOP4
		01		B03A, B03B, B06A, B06B, B07Z, B17A, B17B, B17C			01	B03A, B03B, B06A, B06B, B07Z, B17A, B17B, B17C		01	B03A, B03B, B06A, B06B, B07Z, B17A, B17B, B17C
		05		F13A, F21A, F21B, F28A			05	F13A, F21A, F21B, F27A, F27B, F27C, F28A		05	F13A, F21A, F21B, F27A, F27B, F27C, F28A
08		I02A, I02B, I02C, I02D, I12A, I12B, I12C, I22A, I32A, I32B, I32C, I32D, I32E, I32F, I50Z	08	I02A, I02B, I02C, I02D, I12A, I12B, I12C, I22A, I50Z		08	I02A, I02B, I02C, I02D, I12A, I12B, I12C, I22A, I32A, I32B, I32C, I32D, I32E, I32F, I50Z				
09		J02A, J02B, J02C, J04A, J04B, J08A, J08B, J08C, J16Z, J21Z, J22A, J22B	09	J02A, J02B, J02C, J04A, J04B, J08A, J08B, J08C, J16Z, J21Z, J22A, J22B		09	J02A, J02B, J02C, J04A, J04B, J08A, J08B, J08C, J16Z, J21Z, J22A, J22B				
21A		W04A, W04B	10	K01Z		10	K01Z				
21B		X01A, X01B	21A	W04A, W04B		21A	W04A, W04B				
5v633.9↔			BOP, KVT, UOP4	5v633.f↔			BOP, KVT, UOP4	5v633.q↔			BOP, KVT, UOP4
		01	B03A, B03B, B06A, B06B, B07Z, B17A, B17B, B17C			01	B03A, B03B, B06A, B06B, B07Z, B17A, B17B, B17C			01	B03A, B03B, B06A, B06B, B07Z, B17A, B17B, B17C
		05	F13A, F21A, F21B, F28A			05	F13A, F21A, F21B, F27A, F27B, F27C, F28A			05	F13A, F21A, F21B, F27A, F27B, F27C, F28A
	08	I12A, I12B, I12C, I32A, I32B, I32C, I32D, I32E, I32F	08		I02A, I02B, I02C, I02D, I12A, I12B, I12C, I22A, I50Z	08	I02A, I02B, I02C, I02D, I12A, I12B, I12C, I22A, I32A, I32B, I32C, I32D, I32E, I32F, I50Z				
	09	J02A, J02B, J02C, J04A, J04B, J08A, J08B, J08C, J16Z, J21Z, J22A, J22B	09		J02A, J02B, J02C, J04A, J04B, J08A, J08B, J08C, J16Z, J21Z, J22A, J22B	09	J02A, J02B, J02C, J04A, J04B, J08A, J08B, J08C, J16Z, J21Z, J22A, J22B				
	21A	W04A, W04B	10		K01Z	10	K01Z				
	21B	X01A, X01B	21A		W04A, W04B	21A	W04A, W04B				
	5v633.a		BOP, KVT, UOP4		5v633.g↔		BOP, KVT, UOP4		5v633.r↔		BOP, KVT, UOP4
		01	B03A, B03B, B06A, B06B, B07Z, B17A, B17B, B17C			01	B03A, B03B, B06A, B06B, B07Z, B17A, B17B, B17C			01	B03A, B03B, B06A, B06B, B07Z, B17A, B17B, B17C
		05	F13A, F21A, F21B, F28A			05	F13A, F21A, F21B, F27A, F27B, F27C, F28A			05	F13A, F21A, F21B, F27A, F27B, F27C, F28A
06		G10Z, G12A, G12B	08	I02A, I02B, I02C, I02D, I12A, I12B, I12C, I22A, I50Z		08	I02A, I02B, I02C, I02D, I12A, I12B, I12C, I22A, I32A, I32B, I32C, I32D, I32E, I32F, I50Z				
08		I02A, I02B, I02C, I02D, I12A, I12B, I12C, I22A, I50Z	09	J02A, J02B, J02C, J04A, J04B, J08A, J08B, J08C, J16Z, J21Z, J22A, J22B		09	J02A, J02B, J02C, J04A, J04B, J08A, J08B, J08C, J16Z, J21Z, J22A, J22B				
09		J02A, J02B, J02C, J04A, J04B, J08A, J08B, J08C, J16Z, J21Z, J22A, J22B	10	K01Z		10	K01Z				
21A		W04A, W04B	21A	W04A, W04B		21A	W04A, W04B				
21B		X01A, X01B	21B	X01A, X01B		21B	X01A, X01B				
5v633.b			BOP, KVT, UOP4	5v633.h			BOP, KVT, UOP4	5v633.s↔			BOP, KVT, UOP4
		01	B03A, B03B, B06A, B06B, B07Z, B17A, B17B, B17C			01	B03A, B03B, B06A, B06B, B07Z, B17A, B17B, B17C			01	B03A, B03B, B06A, B06B, B07Z, B17A, B17B, B17C
	05	F13A, F21A, F21B, F28A	02		C20A, C20B	01	B03A, B03B, B06A, B06B, B07Z, B17A, B17B, B17C				
	06	G10Z, G12A, G12B	03		D18Z, D25A, D25B, D25C, D25D	05	F13A, F21A, F21B, F27A, F27B, F27C, F28A				
	08	I02A, I02B, I02C, I02D, I12A, I12B, I12C, I22A, I50Z	05		F13A, F21A, F21B, F28A	08	I02A, I02B, I02C, I02D, I12A, I12B, I12C, I22A, I32A, I32B, I32C, I32D, I32E, I32F, I50Z				
	09	J02A, J02B, J02C, J04A, J04B, J08A, J08B, J08C, J16Z, J21Z, J22A, J22B	08		I02A, I02B, I02C, I02D, I12A, I12B, I12C, I22A, I50Z	09	J02A, J02B, J02C, J04A, J04B, J08A, J08B, J08C, J16Z, J21Z, J22A, J22B				
	21A	W04A, W04B	09		J02A, J02B, J02C, J04A, J04B, J08A, J08B, J08C, J16Z, J21Z, J22A, J22B	10	K01Z				
	21B	X01A, X01B	21A		W04A, W04B	21A	W04A, W04B				
	5v633.c		BOP, KVT, UOP4				BOP, KVT, UOP4				BOP, KVT, UOP4
		01	B03A, B03B, B06A, B06B, B07Z, B17A, B17B, B17C			01	B03A, B03B, B06A, B06B, B07Z, B17A, B17B, B17C			01	B03A, B03B, B06A, B06B, B07Z, B17A, B17B, B17C
05		F13A, F21A, F21B, F28A	02	C20A, C20B		05	F13A, F21A, F21B, F27A, F27B, F27C, F28A				
06		G10Z, G12A, G12B	03	D18Z, D25A, D25B, D25C, D25D		08	I02A, I02B, I02C, I02D, I12A, I12B, I12C, I22A, I32A, I32B, I32C, I32D, I32E, I32F, I50Z				
08		I02A, I02B, I02C, I02D, I12A, I12B, I12C, I22A, I50Z	05	F13A, F21A, F21B, F28A		09	J02A, J02B, J02C, J04A, J04B, J08A, J08B, J08C, J16Z, J21Z, J22A, J22B				
09		J02A, J02B, J02C, J04A, J04B, J08A, J08B, J08C, J16Z, J21Z, J22A, J22B	08	I02A, I02B, I02C, I02D, I12A, I12B, I12C, I22A, I50Z		10	K01Z				
21A		W04A, W04B	09	J02A, J02B, J02C, J04A, J04B, J08A, J08B, J08C, J16Z, J21Z, J22A, J22B		21A	W04A, W04B				
21B		X01A, X01B	21A	W04A, W04B		21B	X01A, X01B				



ZZV	MDC	DRG	ZZV	MDC	DRG	ZZV	MDC	DRG			
5v63x.d		BOP, KVT, UOP4	5v63x.n↔		BOP, KVT, UOP4	5v63x.t↔		BOP, KVT, UOP4			
	01	B03A, B03B, B06A, B06B, B07Z, B17A, B17B, B17C		01	B03A, B03B, B06A, B06B, B07Z, B17A, B17B, B17C		01	B03A, B03B, B06A, B06B, B07Z, B17A, B17B, B17C			
	05	F13A, F21A, F21B, F28A		05	F13A, F21A, F21B, F28A		05	F13A, F21A, F21B, F27A, F27B, F27C, F28A			
	06	G10Z, G12A, G12B		06	G10Z, G12A, G12B		06	G10Z, G12A, G12B			
	08	I02A, I02B, I02C, I02D, I12A, I12B, I12C, I22A, I50Z		08	I02A, I02B, I02C, I02D, I12A, I12B, I12C, I22A, I50Z		08	I02A, I02B, I02C, I02D, I12A, I12B, I12C, I22A, I32A, I32B, I32C, I32D, I32E, I32F, I50Z			
	09	J02A, J02B, J02C, J04A, J04B, J08A, J08B, J08C, J16Z, J21Z, J22A, J22B		09	J02A, J02B, J02C, J04A, J04B, J08A, J08B, J08C, J16Z, J21Z, J22A, J22B		09	J02A, J02B, J02C, J04A, J04B, J08A, J08B, J08C, J16Z, J21Z, J22A, J22B			
	21A	W04A, W04B		21A	W04A, W04B		10	K01Z			
	21B	X01A, X01B		21B	X01A, X01B		21A	W04A, W04B			
	5v63x.e↔			BOP, KVT, UOP4	5v63x.p↔			BOP, KVT, UOP4	5v63x.u↔		BOP, KVT, UOP4
		01		B03A, B03B, B06A, B06B, B07Z, B17A, B17B, B17C			01	B03A, B03B, B06A, B06B, B07Z, B17A, B17B, B17C		01	B03A, B03B, B06A, B06B, B07Z, B17A, B17B, B17C
05		F13A, F21A, F21B, F27A, F27B, F27C, F28A	05	F13A, F21A, F21B, F27A, F27B, F27C, F28A		05	F13A, F21A, F21B, F27A, F27B, F27C, F28A				
08		I02A, I02B, I02C, I02D, I12A, I12B, I12C, I22A, I50Z	08	I02A, I02B, I02C, I02D, I12A, I12B, I12C, I22A, I32A, I32B, I32C, I32D, I32E, I32F, I50Z		08	I02A, I02B, I02C, I02D, I12A, I12B, I12C, I22A, I32A, I32B, I32C, I32D, I32E, I32F, I50Z				
09		J02A, J02B, J02C, J04A, J04B, J08A, J08B, J08C, J16Z, J21Z, J22A, J22B	09	J02A, J02B, J02C, J04A, J04B, J08A, J08B, J08C, J16Z, J21Z, J22A, J22B		09	J02A, J02B, J02C, J04A, J04B, J08A, J08B, J08C, J16Z, J21Z, J22A, J22B				
10		K01Z	10	K01Z		10	K01Z				
21A		W04A, W04B	21A	W04A, W04B		21A	W04A, W04B				
21B		X01A, X01B	21B	X01A, X01B		21B	X01A, X01B				
5v63x.f↔			BOP, KVT, UOP4	5v63x.q↔			BOP, KVT, UOP4	5v63x.w↔			BOP, KVT, UOP4
		01	B03A, B03B, B06A, B06B, B07Z, B17A, B17B, B17C			01	B03A, B03B, B06A, B06B, B07Z, B17A, B17B, B17C			01	B03A, B03B, B06A, B06B, B07Z, B17A, B17B, B17C
	05	F13A, F21A, F21B, F27A, F27B, F27C, F28A	05		F13A, F21A, F21B, F27A, F27B, F27C, F28A	05	F13A, F21A, F21B, F27A, F27B, F27C, F28A				
	08	I02A, I02B, I02C, I02D, I12A, I12B, I12C, I22A, I50Z	08		I02A, I02B, I02C, I02D, I12A, I12B, I12C, I22A, I32A, I32B, I32C, I32D, I32E, I32F, I50Z	08	I02A, I02B, I02C, I02D, I12A, I12B, I12C, I22A, I32A, I32B, I32C, I32D, I32E, I32F, I50Z				
	09	J02A, J02B, J02C, J04A, J04B, J08A, J08B, J08C, J16Z, J21Z, J22A, J22B	09		J02A, J02B, J02C, J04A, J04B, J08A, J08B, J08C, J16Z, J21Z, J22A, J22B	09	J02A, J02B, J02C, J04A, J04B, J08A, J08B, J08C, J16Z, J21Z, J22A, J22B				
	10	K01Z	10		K01Z	10	K01Z				
	21A	W04A, W04B	21A		W04A, W04B	10	K01Z				
	21B	X01A, X01B	21B		X01A, X01B	21A	W04A, W04B				
	5v63x.g↔		BOP, KVT, UOP4		5v63x.r↔		BOP, KVT, UOP4		5v63x.x↔		BOP, KVT, UOP4
		01	B03A, B03B, B06A, B06B, B07Z, B17A, B17B, B17C			01	B03A, B03B, B06A, B06B, B07Z, B17A, B17B, B17C			01	B03A, B03B, B06A, B06B, B07Z, B17A, B17B, B17C
05		F13A, F21A, F21B, F27A, F27B, F27C, F28A	05	F13A, F21A, F21B, F27A, F27B, F27C, F28A		05	F13A, F21A, F21B, F27A, F27B, F27C, F28A				
08		I02A, I02B, I02C, I02D, I12A, I12B, I12C, I22A, I50Z	08	I02A, I02B, I02C, I02D, I12A, I12B, I12C, I22A, I32A, I32B, I32C, I32D, I32E, I32F, I50Z		08	I02A, I02B, I02C, I02D, I12A, I12B, I12C, I22A, I32A, I32B, I32C, I32D, I32E, I32F, I50Z				
09		J02A, J02B, J02C, J04A, J04B, J08A, J08B, J08C, J16Z, J21Z, J22A, J22B	09	J02A, J02B, J02C, J04A, J04B, J08A, J08B, J08C, J16Z, J21Z, J22A, J22B		09	J02A, J02B, J02C, J04A, J04B, J08A, J08B, J08C, J16Z, J21Z, J22A, J22B				
10		K01Z	10	K01Z		10	K01Z				
21A		W04A, W04B	21A	W04A, W04B		21A	W04A, W04B				
21B		X01A, X01B	21B	X01A, X01B		21B	X01A, X01B				
5v63x.h			BOP, KVT, UOP4	5v63x.s↔			BOP, KVT, UOP4	5v63x.y			BOP, KVT, UOP4
		01	B03A, B03B, B06A, B06B, B07Z, B17A, B17B, B17C			01	B03A, B03B, B06A, B06B, B07Z, B17A, B17B, B17C			01	B03A, B03B, B06A, B06B, B07Z, B17A, B17B, B17C
	02	C20A, C20B	05		F13A, F21A, F21B, F27A, F27B, F27C, F28A	02	C20A, C20B				
	03	D18Z, D25A, D25B, D25C, D25D	08		I02A, I02B, I02C, I02D, I12A, I12B, I12C, I22A, I50Z	03	D18Z, D25A, D25B, D25C, D25D				
	05	F13A, F21A, F21B, F28A	09		J02A, J02B, J02C, J04A, J04B, J08A, J08B, J08C, J16Z, J21Z, J22A, J22B	05	F13A, F21A, F21B, F28A				
	08	I02A, I02B, I02C, I02D, I12A, I12B, I12C, I22A, I50Z	10		K01Z	08	I02A, I02B, I02C, I02D, I12A, I12B, I12C, I22A, I50Z				
	09	J02A, J02B, J02C, J04A, J04B, J08A, J08B, J08C, J16Z, J21Z, J22A, J22B	21A		W04A, W04B	09	J02A, J02B, J02C, J04A, J04B, J08A, J08B, J08C, J16Z, J21Z, J22A, J22B				
	21A	W04A, W04B	21A		W04A, W04B	21A	W04A, W04B				
	21B	X01A, X01B	21B		X01A, X01B	21B	X01A, X01B				
						11	L20B				

VYK



ZZV	MDC	DRG	ZZV	MDC	DRG	ZZV	MDC	DRG
5z110.1‡	11	L20B	8c225	01	B12Z	8f101.0		KKI, KKP
5z110.2‡	11	L20B		05	F01A, F01B, F01D, F05Z, F06C, F06D, F06E, F12A, F12B, F15Z, F24A, F24B, F36A, F36B, F52A, F52B, F56A, F56B, F58A, F58B		05	F21A, F21B, F21C
5z110.3‡	11	L20B					06	G10Z, G12A, G12B
5z110.4‡	11	L20B					07	H12A, H12B
5z110.5‡	11	L20B					11	L09A, L09B, L09C, L09D, L38Z
5z110.6‡	11	L20B					13	N11A, N11B
5z110.x‡	11	L20B		Pre	A13F		17	R01A, R01B, R01C, R01D, R02Z, R12A, R12B, R12C
5z112.4‡	05	F30Z, F42Z	8c22x	05	F01A, F01B, F01D, F15Z, F24A, F24B, F28A, F36A, F36B, F54Z, F59A, F59B		21A	W04A, W04B
5z113‡		KVT					21B	X06A, X06B, X06C
5z121.21‡	Pre	A17A		10	K09A, K09B		22	Y01Z, Y03A, Y03B
5z136.0‡	Pre	B61A	8c320.1‡↔	11	L11Z, L19Z, L42A, L42B	8f101.1		KKI, KKP
5z136.1‡	Pre	B61A	8c320.2‡↔	11	L11Z, L19Z, L42A, L42B		05	F21A, F21B, F21C
5z136.2‡	Pre	B61A	8c322‡	07	H41A, H41B, H41C		06	G10Z, G12A, G12B
5z142‡	02	C10A	8c323‡	11	L11Z, L19Z, L42A, L42B		07	H12A, H12B
	05	F13A	8c324‡↔	11	L11Z, L19Z, L42A, L42B		11	L09A, L09B, L09C, L09D, L38Z
8a210.1‡	15	P66C, P67B, P67C	8d102‡	11	L42A		13	N11A, N11B
8a210.2‡	15	P66C, P67B, P67C	8d103‡	11	L42A, L64A, L74Z		17	R01A, R01B, R01C, R01D, R02Z, R12A, R12B, R12C
8a210.3‡	15	P66C, P67B, P67C	8d104‡	11	L42A, L64A, L74Z		21A	W04A, W04B
8a220.1‡	15	P66C, P67B, P67C	8d117‡	11	L42A		21B	X06A, X06B, X06C
8a220.2‡	15	P66C, P67B, P67C	8d119‡	11	L42A		22	Y01Z, Y03A, Y03B
8a220.3‡	15	P66C, P67B, P67C	8d125‡	11	L42A	8f101.2		KKI, KKP
8a973.2↔		BOP, KVT, UOP4	8d210‡	15	P66C, P67B, P67C		05	F21A, F21B, F21C
	02	C01A, C01B, C10A, C10B, C10C, C16Z	8d220‡	07	H41A, H41B, H41C		06	G10Z, G12A, G12B
8a973.3↔		BOP, KVT, UOP4	8d221‡	07	H41A, H41B, H41C		07	H12A, H12B
	02	C01A, C01B, C10A, C10B, C10C, C16Z	8d240.1‡	06	G40Z, G46A, G46B, G46C, G47Z, G50Z		11	L09A, L09B, L09C, L09D, L38Z
8a973.4↔		BOP, KVT, UOP4	8d240.2‡	06	G40Z, G46A, G46B, G46C, G47Z, G50Z		13	N11A, N11B
	02	C01A, C01B, C10A, C10B, C10C, C16Z	8d241.1‡	06	G40Z, G46A, G46B, G46C, G47Z, G50Z		17	R01A, R01B, R01C, R01D, R02Z, R12A, R12B, R12C
8c104‡	06	G40Z, G48A, G48B, G48C		07	H41A, H41B		21A	W04A, W04B
8c105‡	06	G40Z, G46A, G46B, G46C, G47Z, G50Z	8d241.2‡	06	G40Z, G46A, G46B, G46C, G47Z, G50Z		21B	X06A, X06B, X06C
8c106‡	06	G40Z, G46A, G46B, G46C, G47Z, G50Z		07	H41A, H41B, H41C	8f101.x		KKI, KKP
8c107‡	06	G40Z, G46A, G46B, G46C, G47Z, G50Z	8d242		BOP, KVT, UOP4		05	F21A, F21B, F21C
8c108‡	06	G40Z, G46A, G46B, G46C, G47Z, G50Z		06	G10Z, G12A, G12B		06	G10Z, G12A, G12B
8c109‡	06	G40Z, G48A, G48B, G48C	8d243		H05Z		07	H12A, H12B
8c220.1	01	B12Z		06	G03A, G10Z, G33Z, G38Z		11	L09A, L09B, L09C, L09D, L38Z
	05	F01A, F01B, F01D, F05Z, F06C, F06D, F06E, F12A, F12B, F15Z, F24A, F24B, F36A, F36B, F52A, F52B, F56A, F56B, F58A, F58B		07	H02A, H02B, H33Z, H38Z		13	N11A, N11B
	Pre	A13F		11	L33Z		17	R01A, R01B, R01C, R01D, R02Z, R12A, R12B, R12C
8c220.x	05	F01A, F01B, F01D, F15Z, F24A, F24B, F28A, F36A, F36B, F54Z, F59A, F59B		17	R01A, R01B, R01C, R01D, R02Z, R12A, R12B, R12C		21A	W04A, W04B
	10	K09A, K09B		21A	W04A, W04B		21B	X06A, X06B, X06C
8c221	01	B12Z		21B	X06A, X06B, X06C, X33Z	8f102.0↔		KKI, KKP
	05	F01A, F01B, F01D, F05Z, F06C, F06D, F06E, F12A, F12B, F15Z, F24A, F24B, F36A, F36B, F52A, F52B, F56A, F56B, F58A, F58B		23	Z01A		05	F21A, F21B, F21C
	Pre	A13F		Pre	A07A		06	G10Z, G12A, G12B
8c223	01	B12Z	8d245.1		BOP, KOP, KOPV, KVT, UOP4		07	H12A, H12B
	05	F01A, F01B, F01D, F05Z, F06C, F06D, F06E, F12A, F12B, F15Z, F24A, F24B, F36A, F36B, F52A, F52B, F56A, F56B, F58A, F58B		06	G15Z, G19A, G19B, G38Z		11	L09A, L09B, L09C, L09D, L38Z
	Pre	A13F		07	H06A, H06B, H06C, H33Z, H38Z		13	N11A, N11B
	05	F01A, F01B, F01D, F05Z, F06C, F06D, F06E, F12A, F12B, F15Z, F24A, F24B, F36A, F36B, F52A, F52B, F56A, F56B, F58A, F58B		11	L33Z		17	R01A, R01B, R01C, R01D, R02Z, R12A, R12B, R12C
	Pre	A13F	8d245.2‡		Z01A		21A	W04A, W04B
	01	B12Z		Pre	A07A		21B	X06A, X06B, X06C
	05	F01A, F01B, F01D, F05Z, F06C, F06D, F06E, F12A, F12B, F15Z, F24A, F24B, F36A, F36B, F52A, F52B, F56A, F56B, F58A, F58B	8d301‡	06	G40Z, G46A, G46B, G46C, G47Z, G50Z		22	Y01Z, Y03A, Y03B
	Pre	A13F			G40Z, G46A, G46B, G46C, G47Z, G50Z			
	05	F01A, F01B, F01D, F05Z, F06C, F06D, F06E, F12A, F12B, F15Z, F24A, F24B, F36A, F36B, F52A, F52B, F56A, F56B, F58A, F58B	8f100.11‡↔		KKI, KKP			
	Pre	A13F						

ZZV	MDC	DRG	ZZV	MDC	DRG	ZZV	MDC	DRG
8f103.0		KKI, KKP	8f606.4		BOP, KVT, UOP4, VIAL	8g114	01	B03A, B03B, B06A, B06B, B07Z, B17A, B17B, B17C, B17D
	05	F21A, F21B, F21C		01	B02A, B02B, B02C, B02D, B20A, B20B, B20C, B20D, B20E, B39A, B39B		03	D13Z
	06	G10Z, G12A, G12B		08	I08A, I08B, I08C, I08D, I08E, I08F, I10A, I10B, I10C, I10D, I10E		04	E02A, E02B, E02C
	07	H12A, H12B		11	L09A, L38Z		05	F13A, F21A, F21B, F21C
	11	L09A, L09B, L09C, L09D, L38Z		17	R01A, R01B, R01C, R01D, R02Z, R12A, R12B, R12C		06	G10Z, G12A, G12B
	13	N11A, N11B		21A	W04A, W04B		07	H06A, H06B, H06C
	17	R01A, R01B, R01C, R01D, R02Z, R12A, R12B, R12C		21B	X06A, X06B, X06C		08	I12A, I12B, I12C, I28A, I28B
	21A	W04A, W04B					09	J03A, J03B, J04A, J04B, J08A, J08B, J08C, J16Z, J21Z, J22A, J22B
	21B	X06A, X06B, X06C	8f608.40		BOP, KVT, UOP4		10	K09A, K09B
	22	Y01Z, Y03A, Y03B		11	L18A, L18B, L19Z, L20A, L20B, L20C, L38Z		11	L09A, L09B, L09C, L09D, L38Z
8f103.1		KK11, KKI, KKII, KKP	8f608.41		BOP, KVT, UOP4		13	N11A, N11B
	05	F21A, F21B, F21C		11	L18A, L18B, L19Z, L20A, L20B, L20C, L38Z		21A	W04A, W04B
	06	G10Z, G12A, G12B	8f608.42		BOP, KVT, UOP4	8g115	21B	X06A, X06B, X06C
	07	H12A, H12B		11	L18A, L18B, L19Z, L20A, L20B, L20C, L38Z		01	B03A, B03B, B06A, B06B, B07Z, B17A, B17B, B17C, B17D
	10	K09A, K09B	8f608.42		BOP, KVT, UOP4		03	D13Z
	11	L09A, L09B, L09C, L09D, L38Z		11	L18A, L18B, L19Z, L20A, L20B, L20C, L38Z		04	E02A, E02B, E02C
	13	N11A, N11B	8f608.50		BOP, KVT, UOP4		05	F13A, F21A, F21B, F21C
	17	R01A, R01B, R01C, R01D, R02Z, R12A, R12B, R12C		11	L18A, L18B, L19Z, L20A, L20B, L20C, L38Z		06	G10Z, G12A, G12B
	21A	W04A, W04B	8f608.51		BOP, KVT, UOP4		07	H06A, H06B, H06C
	21B	X06A, X06B, X06C		11	L18A, L18B, L19Z, L20A, L20B, L20C, L38Z		08	I12A, I12B, I12C, I28A, I28B
	22	Y01Z, Y03A, Y03B	8f608.52		BOP, KVT, UOP4		09	J03A, J03B, J04A, J04B, J08A, J08B, J08C, J16Z, J21Z, J22A, J22B
8f103.2		KK11, KKI, KKII, KKP	8f608.60		BOP, KVT, UOP4		10	K09A, K09B
	05	F21A, F21B, F21C		11	L18A, L18B, L19Z, L20A, L20B, L20C, L38Z		11	L09A, L09B, L09C, L09D, L38Z
	06	G10Z, G12A, G12B	8f608.61		BOP, KVT, UOP4		13	N11A, N11B
	07	H12A, H12B		11	L18A, L18B, L19Z, L20A, L20B, L20C, L38Z		21A	W04A, W04B
	10	K09A, K09B	8f608.62		BOP, KVT, UOP4	8g121.0	21B	X06A, X06B, X06C
	11	L09A, L09B, L09C, L09D, L38Z		11	L18A, L18B, L19Z, L20A, L20B, L20C, L38Z		01	B03A, B03B, B06A, B06B, B07Z, B17A, B17B, B17C, B17D
	13	N11A, N11B	8f608.70		BOP, KVT, UOP4		03	D13Z
	17	R01A, R01B, R01C, R01D, R02Z, R12A, R12B, R12C		11	L18A, L18B, L19Z, L20A, L20B, L20C, L38Z		04	E02A, E02B, E02C
	21A	W04A, W04B	8f608.71		BOP, KVT, UOP4		05	F13A, F21A, F21B, F21C
	21B	X06A, X06B, X06C		11	L18A, L18B, L19Z, L20A, L20B, L20C, L38Z		06	G10Z, G12A, G12B
	22	Y01Z, Y03A, Y03B	8f608.72		BOP, KVT, UOP4		07	H06A, H06B, H06C
8f103.x		F21A, F21B, F21C		11	L18A, L18B, L19Z, L20A, L20B, L20C, L38Z		08	I12A, I12B, I12C, I28A, I28B
	05	F21A, F21B, F21C	8f608.8		BOP, KVT, UOP4		09	J03A, J03B, J04A, J04B, J08A, J08B, J08C, J16Z, J21Z, J22A, J22B
	06	G10Z, G12A, G12B		11	L18A, L18B, L19Z, L20A, L20B, L20C, L38Z		10	K09A, K09B
	07	H12A, H12B	8f608.8		BOP, KVT, UOP4		11	L09A, L09B, L09C, L09D, L38Z
	11	L09A, L09B, L09C, L09D, L38Z		11	L18A, L18B, L19Z, L20A, L20B, L20C, L38Z		13	N11A, N11B
	13	N11A, N11B	8g113	01	B03A, B03B, B06A, B06B, B07Z, B17A, B17B, B17C, B17D		21A	W04A, W04B
	17	R01A, R01B, R01C, R01D, R02Z, R12A, R12B, R12C		03	D13Z		21B	X06A, X06B, X06C
	21A	W04A, W04B		04	E02A, E02B, E02C			
	21B	X06A, X06B, X06C		05	F13A, F21A, F21B, F21C			
	22	Y01Z, Y03A, Y03B		06	G10Z, G12A, G12B			
8f108.0↔	02	C01A, C01B, C13Z, C16Z		07	H06A, H06B, H06C			
	03	D12A, D12B		08	I12A, I12B, I12C, I28A, I28B			
8f108.1↔	03	D06A, D06B, D06C		09	J03A, J03B, J04A, J04B, J08A, J08B, J08C, J16Z, J21Z, J22A, J22B			
8f108.2↔	13	N10Z		10	K09A, K09B			
8f108.3↔	02	C01A, C01B, C13Z, C16Z		11	L09A, L09B, L09C, L09D, L38Z			
	03	D12A, D12B		13	N11A, N11B			
8f300.5↔	02	C14Z		21A	W04A, W04B			
	21A	W04A, W04B		21B	X06A, X06B, X06C			
8f300.6↔	02	C01A, C01B, C15Z, C16Z						
	10	K09A, K09B						
	21A	W04A, W04B						
	21B	X06A, X06B, X06C						
8f304.0↔	11	L42A						
8f304.1↔	11	L42A						
8f306.0↔	13	N25Z						
8f400.0↔	02	C01A, C01B, C13Z, C16Z						
	03	D12A, D12B						
8f403.0	04	E02A, E02B, E02C						

ZZV	MDC	DRG	ZZV	MDC	DRG	ZZV	MDC	DRG	
8g121.1	01	B03A, B03B, B06A, B06B, B07Z, B17A, B17B, B17C, B17D	8g121.4	01	B03A, B03B, B06A, B06B, B07Z, B17A, B17B, B17C, B17D	8m131.0		BOP, KK11, KKI, KKII, KKP, KVT, UOP4	
	03	D13Z		03	D13Z		01	B02A, B02B, B02C, B15Z, B16Z, B39A, B39B	
	04	E02A, E02B, E02C		04	E02A, E02B, E02C		02	C02A, C02B, C16Z	
	05	F13A, F21A, F21B, F21C		05	F13A, F21A, F21B, F21C		03	D18Z, D19Z, D20A, D20B	
	06	G10Z, G12A, G12B		06	G10Z, G12A, G12B		04	E08A, E08B, E08C	
	07	H06A, H06B, H06C		07	H06A, H06B, H06C		06	G15Z, G27A, G27B, G29A, G29B	
	08	I12A, I12B, I12C, I28A, I28B		08	I12A, I12B, I12C, I28A, I28B		07	H01A, H01B, H15Z, H16Z	
	09	J03A, J03B, J04A, J04B, J08A, J08B, J08C, J16Z, J21Z, J22A, J22B		09	J03A, J03B, J04A, J04B, J08A, J08B, J08C, J16Z, J21Z, J22A, J22B		08	I39Z, I54Z	
	10	K09A, K09B		10	K09A, K09B		09	J16Z, J17Z, J18Z	
	11	L09A, L09B, L09C, L09D, L38Z		11	L09A, L09B, L09C, L09D, L38Z		10	K15A, K15B, K15C	
	13	N11A, N11B		13	N11A, N11B		11	L12Z	
	21A	W04A, W04B		21A	W04A, W04B		12	M10A, M10B, M60A	
	21B	X06A, X06B, X06C		21B	X06A, X06B, X06C		13	N15Z, N16Z, N60A	
	8g121.2	01		B03A, B03B, B06A, B06B, B07Z, B17A, B17B, B17C, B17D	8g121.5		01	B03A, B03B, B06A, B06B, B07Z, B17A, B17B, B17C, B17D	8m131.1
03		D13Z	03	D13Z			01	B02A, B02B, B02C, B15Z, B16Z, B39A, B39B	
04		E02A, E02B, E02C	04	E02A, E02B, E02C			02	C02A, C02B, C16Z	
05		F13A, F21A, F21B, F21C	05	F13A, F21A, F21B, F21C			03	D18Z, D19Z, D20A, D20B	
06		G10Z, G12A, G12B	06	G10Z, G12A, G12B		04	E08A, E08B, E08C		
07		H06A, H06B, H06C	07	H06A, H06B, H06C		06	G15Z, G27A, G27B, G29A, G29B		
08		I12A, I12B, I12C, I28A, I28B	08	I12A, I12B, I12C, I28A, I28B		07	H01A, H01B, H15Z, H16Z		
09		J03A, J03B, J04A, J04B, J08A, J08B, J08C, J16Z, J21Z, J22A, J22B	09	J03A, J03B, J04A, J04B, J08A, J08B, J08C, J16Z, J21Z, J22A, J22B		08	I39Z, I54Z		
10		K09A, K09B	10	K09A, K09B		09	J16Z, J17Z, J18Z		
11		L09A, L09B, L09C, L09D, L38Z	11	L09A, L09B, L09C, L09D, L38Z		10	K15A, K15B, K15C		
13		N11A, N11B	13	N11A, N11B		11	L12Z		
21A		W04A, W04B	21A	W04A, W04B		12	M10A, M10B, M60A		
21B		X06A, X06B, X06C	21B	X06A, X06B, X06C		13	N15Z, N16Z, N60A		
8g121.3		01	B03A, B03B, B06A, B06B, B07Z, B17A, B17B, B17C, B17D	8g210		01	B03A, B03B, B06A, B06B, B07Z, B17A, B17B, B17C, B17D	8m131.2	
	03	D13Z	03		D13Z	01	B02A, B02B, B02C, B15Z, B16Z, B39A, B39B		
	04	E02A, E02B, E02C	04		E02A, E02B, E02C	02	C02A, C02B, C16Z		
	05	F13A, F21A, F21B, F21C	05		F21A, F21B, F21C	03	D18Z, D19Z, D20A, D20B		
	06	G10Z, G12A, G12B	06		G10Z, G12A, G12B	04	E08A, E08B, E08C		
	07	H06A, H06B, H06C	07		H06A, H06B, H06C	06	G15Z, G27A, G27B, G29A, G29B		
	08	I12A, I12B, I12C, I28A, I28B	08		I28A, I28B	07	H01A, H01B, H15Z, H16Z		
	09	J03A, J03B, J04A, J04B, J08A, J08B, J08C, J16Z, J21Z, J22A, J22B	09		J11A, J11B	08	I39Z, I54Z		
	10	K09A, K09B	10		K09A, K09B	09	J16Z, J17Z, J18Z		
	11	L09A, L09B, L09C, L09D, L38Z	11		L09A, L09B, L09C, L09D, L38Z	10	K15A, K15B, K15C		
	13	N11A, N11B	13		N11A, N11B	11	L12Z		
	21A	W04A, W04B	21A		W04A, W04B	12	M10A, M10B, M60A		
	21B	X06A, X06B, X06C	21B		X06A, X06B, X06C	13	N15Z, N16Z, N60A		
	8g121.3	01	B03A, B03B, B06A, B06B, B07Z, B17A, B17B, B17C, B17D		8m105†	06	G40Z, G46A, G46B, G46C, G47Z		8m131.4
03		D13Z	06	G40Z, G46A, G46B, G46C, G47Z		01	B02A, B02B, B02C, B15Z, B16Z, B39A, B39B		
04		E02A, E02B, E02C	06	G40Z, G46A, G46B, G46C, G47Z		02	C02A, C02B, C16Z		
05		F13A, F21A, F21B, F21C	06	G40Z, G46A, G46B, G46C, G47Z		03	D18Z, D19Z, D20A, D20B		
06		G10Z, G12A, G12B	06	G40Z, G46A, G46B, G46C, G47Z		04	E08A, E08B, E08C		
07		H06A, H06B, H06C	06	G40Z, G46A, G46B, G46C, G47Z		06	G15Z, G27A, G27B, G29A, G29B		
08		I12A, I12B, I12C, I28A, I28B	06	G40Z, G46A, G46B, G46C, G47Z		07	H01A, H01B, H15Z, H16Z		
09		J03A, J03B, J04A, J04B, J08A, J08B, J08C, J16Z, J21Z, J22A, J22B	06	G40Z, G46A, G46B, G46C, G47Z		08	I39Z, I54Z		
10		K09A, K09B	06	G40Z, G46A, G46B, G46C, G47Z		09	J16Z, J17Z, J18Z		
11		L09A, L09B, L09C, L09D, L38Z	06	G40Z, G46A, G46B, G46C, G47Z		10	K15A, K15B, K15C		
13		N11A, N11B	06	G40Z, G46A, G46B, G46C, G47Z		11	L12Z		
21A		W04A, W04B	06	G40Z, G46A, G46B, G46C, G47Z		12	M10A, M10B, M60A		
21B		X06A, X06B, X06C	06	G40Z, G46A, G46B, G46C, G47Z		13	N15Z, N16Z, N60A		
8g121.3		01	B03A, B03B, B06A, B06B, B07Z, B17A, B17B, B17C, B17D	8m110			BOP, KK11, KKI, KKII, KKP, KVT, UOP4	8m131.4	
	03	D13Z			BOP, KK11, KKI, KKII, KKP, KVT, UOP4	01	B02A, B02B, B02C, B15Z, B16Z, B39A, B39B		
	04	E02A, E02B, E02C	01		B02A, B02B, B02C, B16Z, B39A, B39B	02	C02A, C02B, C16Z		
	05	F13A, F21A, F21B, F21C	02		C02A, C02B, C16Z	03	D18Z, D19Z, D20A, D20B		
	06	G10Z, G12A, G12B	03		D18Z, D20A, D20B	04	E08A, E08B, E08C		
	07	H06A, H06B, H06C	04		E08A, E08B, E08C	06	G15Z, G27A, G27B, G29A, G29B		
	08	I12A, I12B, I12C, I28A, I28B	06		G15Z, G29A, G29B	07	H01A, H01B, H15Z, H16Z		
	09	J03A, J03B, J04A, J04B, J08A, J08B, J08C, J16Z, J21Z, J22A, J22B	07		H01A, H01B, H16Z	08	I39Z, I54Z		
	10	K09A, K09B	08		I54Z	09	J16Z, J17Z, J18Z		
	11	L09A, L09B, L09C, L09D, L38Z	09		J16Z, J18Z	10	K15A, K15B, K15C		
	13	N11A, N11B	10		K15A, K15B, K15C	11	L12Z		
	21A	W04A, W04B	11		L12Z	12	M10A, M10B, M60A		
	21B	X06A, X06B, X06C	12		M10A, M10B, M60A	13	N15Z, N16Z, N60A		
			13		N16Z, N60A	17	R05Z, R06Z, R07A, R07B		
		17	R05Z, R06Z, R07A, R07B						

ZZV	MDC	DRG	ZZV	MDC	DRG	ZZV	MDC	DRG			
8m132.00		BOP, KK11, KKI, KKII, KKP, KVT, UOP4	8m133.00		BOP, KK11, KKI, KKII, KKP, KVT, UOP4	8m134.0		BOP, KK11, KKI, KKII, KKP, KVT, UOP4			
	01	B02A, B02B, B02C, B15Z, B16Z, B39A, B39B		01	B02A, B02B, B02C, B15Z, B16Z, B39A, B39B		01	B02A, B02B, B02C, B15Z, B16Z, B39A, B39B			
	02	C02A, C02B, C16Z		02	C02A, C02B, C16Z		02	C02A, C02B, C16Z			
	03	D18Z, D19Z, D20A, D20B		03	D18Z, D19Z, D20A, D20B		03	D18Z, D19Z, D20A, D20B			
	04	E08A, E08B, E08C		04	E08A, E08B, E08C		04	E08A, E08B, E08C			
	06	G15Z, G27A, G27B, G29A, G29B		06	G15Z, G27A, G27B, G29A, G29B		06	G15Z, G27A, G27B, G29A, G29B			
	07	H01A, H01B, H15Z, H16Z		07	H01A, H01B, H15Z, H16Z		07	H01A, H01B, H15Z, H16Z			
	08	I39Z, I54Z		08	I39Z, I54Z		08	I39Z, I54Z			
	09	J16Z, J17Z, J18Z		09	J16Z, J17Z, J18Z		09	J16Z, J17Z, J18Z			
	10	K15A, K15B, K15C		10	K15A, K15B, K15C		10	K15A, K15B, K15C			
	11	L12Z		11	L12Z		11	L12Z			
	12	M10A, M10B, M60A		12	M10A, M10B, M60A		12	M10A, M10B, M60A			
	13	N15Z, N16Z, N60A		13	N15Z, N16Z, N60A		13	N15Z, N16Z, N60A			
	17	R05Z, R06Z, R07A, R07B		17	R05Z, R06Z, R07A, R07B		17	R05Z, R06Z, R07A, R07B			
	8m132.01			BOP, KK11, KKI, KKII, KKP, KVT, UOP4	8m133.01			BOP, KK11, KKI, KKII, KKP, KVT, UOP4	8m134.1		BOP, KK11, KKI, KKII, KKP, KVT, UOP4
		01		B02A, B02B, B02C, B15Z, B16Z, B39A, B39B			01	B02A, B02B, B02C, B15Z, B16Z, B39A, B39B		01	B02A, B02B, B02C, B15Z, B16Z, B39A, B39B
		02		C02A, C02B, C16Z			02	C02A, C02B, C16Z		02	C02A, C02B, C16Z
03		D18Z, D19Z, D20A, D20B	03	D18Z, D19Z, D20A, D20B		03	D18Z, D19Z, D20A, D20B				
04		E08A, E08B, E08C	04	E08A, E08B, E08C		04	E08A, E08B, E08C				
06		G15Z, G27A, G27B, G29A, G29B	06	G15Z, G27A, G27B, G29A, G29B		06	G15Z, G27A, G27B, G29A, G29B				
07		H01A, H01B, H15Z, H16Z	07	H01A, H01B, H15Z, H16Z		07	H01A, H01B, H15Z, H16Z				
08		I39Z, I54Z	08	I39Z, I54Z		08	I39Z, I54Z				
09		J16Z, J17Z, J18Z	09	J16Z, J17Z, J18Z		09	J16Z, J17Z, J18Z				
10		K15A, K15B, K15C	10	K15A, K15B, K15C		10	K15A, K15B, K15C				
11		L12Z	11	L12Z		11	L12Z				
12		M10A, M10B, M60A	12	M10A, M10B, M60A		12	M10A, M10B, M60A				
13		N15Z, N16Z, N60A	13	N15Z, N16Z, N60A		13	N15Z, N16Z, N60A				
17		R05Z, R06Z, R07A, R07B	17	R05Z, R06Z, R07A, R07B		17	R05Z, R06Z, R07A, R07B				
8m132.10			BOP, KK11, KKI, KKII, KKP, KVT, UOP4	8m133.10			BOP, KK11, KKI, KKII, KKP, KVT, UOP4	8m13x			BOP, KK11, KKI, KKII, KKP, KVT, UOP4
		01	B02A, B02B, B02C, B15Z, B16Z, B39A, B39B			01	B02A, B02B, B02C, B15Z, B16Z, B39A, B39B			01	B02A, B02B, B02C, B15Z, B16Z, B39A, B39B
		02	C02A, C02B, C16Z			02	C02A, C02B, C16Z			02	C02A, C02B, C16Z
	03	D18Z, D19Z, D20A, D20B	03		D18Z, D19Z, D20A, D20B	03	D18Z, D19Z, D20A, D20B				
	04	E08A, E08B, E08C	04		E08A, E08B, E08C	04	E08A, E08B, E08C				
	06	G15Z, G27A, G27B, G29A, G29B	06		G15Z, G27A, G27B, G29A, G29B	06	G15Z, G27A, G27B, G29A, G29B				
	07	H01A, H01B, H15Z, H16Z	07		H01A, H01B, H15Z, H16Z	07	H01A, H01B, H15Z, H16Z				
	08	I39Z, I54Z	08		I39Z, I54Z	08	I39Z, I54Z				
	09	J16Z, J17Z, J18Z	09		J16Z, J17Z, J18Z	09	J16Z, J17Z, J18Z				
	10	K15A, K15B, K15C	10		K15A, K15B, K15C	10	K15A, K15B, K15C				
	11	L12Z	11		L12Z	11	L12Z				
	12	M10A, M10B, M60A	12		M10A, M10B, M60A	12	M10A, M10B, M60A				
	13	N15Z, N16Z, N60A	13		N15Z, N16Z, N60A	13	N15Z, N16Z, N60A				
	17	R05Z, R06Z, R07A, R07B	17		R05Z, R06Z, R07A, R07B	17	R05Z, R06Z, R07A, R07B				
	8m132.11		BOP, KK11, KKI, KKII, KKP, KVT, UOP4		8m133.11		BOP, KK11, KKI, KKII, KKP, KVT, UOP4				
		01	B02A, B02B, B02C, B15Z, B16Z, B39A, B39B			01	B02A, B02B, B02C, B15Z, B16Z, B39A, B39B				
		02	C02A, C02B, C16Z			02	C02A, C02B, C16Z				
03		D18Z, D19Z, D20A, D20B	03	D18Z, D19Z, D20A, D20B							
04		E08A, E08B, E08C	04	E08A, E08B, E08C							
06		G15Z, G27A, G27B, G29A, G29B	06	G15Z, G27A, G27B, G29A, G29B							
07		H01A, H01B, H15Z, H16Z	07	H01A, H01B, H15Z, H16Z							
08		I39Z, I54Z	08	I39Z, I54Z							
09		J16Z, J17Z, J18Z	09	J16Z, J17Z, J18Z							
10		K15A, K15B, K15C	10	K15A, K15B, K15C							
11		L12Z	11	L12Z							
12		M10A, M10B, M60A	12	M10A, M10B, M60A							
13		N15Z, N16Z, N60A	13	N15Z, N16Z, N60A							
17		R05Z, R06Z, R07A, R07B	17	R05Z, R06Z, R07A, R07B							

VYK

ZZV	MDC	DRG	ZZV	MDC	DRG	ZZV	MDC	DRG
8m140.1		BOP, KK11, KKI, KKII, KKP, KVT, UOP4	8m141.2		BOP, KK11, KKI, KKII, KKP, KVT, UOP4	8m145.0		BOP, KK11, KKI, KKII, KKP, KVT, UOP4
	01	B02A, B02B, B02C, B15Z, B16Z, B39A, B39B		01	B02A, B02B, B02C, B15Z, B16Z, B39A, B39B		01	B02A, B02B, B02C, B15Z, B16Z, B39A, B39B
	02	C02A, C02B, C16Z		02	C02A, C02B, C16Z		02	C02A, C02B, C16Z
	03	D18Z, D19Z, D20A, D20B		03	D18Z, D19Z, D20A, D20B		03	D18Z, D19Z, D20A, D20B
	04	E08A, E08B, E08C		04	E08A, E08B, E08C		04	E08A, E08B, E08C
	06	G15Z, G27A, G27B, G29A, G29B		06	G15Z, G27A, G27B, G29A, G29B		06	G15Z, G27A, G27B, G29A, G29B
	07	H01A, H01B, H15Z, H16Z		07	H01A, H01B, H15Z, H16Z		07	H01A, H01B, H15Z, H16Z
	08	I39Z, I54Z		08	I39Z, I54Z		08	I39Z, I54Z
	09	J16Z, J17Z, J18Z		09	J16Z, J17Z, J18Z		09	J16Z, J17Z, J18Z
	10	K15A, K15B, K15C		10	K15A, K15B, K15C		10	K15A, K15B, K15C
	11	L12Z		11	L12Z		11	L12Z
	12	M10A, M10B, M60A		12	M10A, M10B, M60A		12	M10A, M10B, M60A
	13	N15Z, N16Z, N60A		13	N15Z, N16Z, N60A		13	N15Z, N16Z, N60A
	17	R05Z, R06Z, R07A, R07B		17	R05Z, R06Z, R07A, R07B		17	R05Z, R06Z, R07A, R07B
	21A	W01A, W01B, W01C, W36Z		21A	W01A, W01B, W01C, W36Z		21A	W01A, W01B, W01C, W36Z
	21B	X06A, X06B, X06C		21B	X06A, X06B, X06C		21B	X06A, X06B, X06C
	8m140.2			BOP, KK11, KKI, KKII, KKP, KVT, UOP4	8m143			BOP, KK11, KKI, KKII, KKP, KVT, UOP4
01		B02A, B02B, B02C, B15Z, B16Z, B39A, B39B	01	B02A, B02B, B02C, B15Z, B16Z, B39A, B39B		01	B02A, B02B, B02C, B15Z, B16Z, B39A, B39B	
02		C02A, C02B, C16Z	02	C02A, C02B, C16Z		02	C02A, C02B, C16Z	
03		D18Z, D19Z, D20A, D20B	03	D18Z, D19Z, D20A, D20B		03	D18Z, D19Z, D20A, D20B	
04		E08A, E08B, E08C	04	E08A, E08B, E08C		04	E08A, E08B, E08C	
06		G15Z, G27A, G27B, G29A, G29B	06	G15Z, G27A, G27B, G29A, G29B		06	G15Z, G27A, G27B, G29A, G29B	
07		H01A, H01B, H15Z, H16Z	07	H01A, H01B, H15Z, H16Z		07	H01A, H01B, H15Z, H16Z	
08		I39Z, I54Z	08	I39Z, I54Z		08	I39Z, I54Z	
09		J16Z, J17Z, J18Z	09	J16Z, J17Z, J18Z		09	J16Z, J17Z, J18Z	
10		K15A, K15B, K15C	10	K15A, K15B, K15C		10	K15A, K15B, K15C	
11		L12Z	11	L12Z		11	L12Z	
12		M10A, M10B, M60A	12	M10A, M10B, M60A		12	M10A, M10B, M60A	
13		N15Z, N16Z, N60A	13	N15Z, N16Z, N60A		13	N15Z, N16Z, N60A	
17		R05Z, R06Z, R07A, R07B	17	R05Z, R06Z, R07A, R07B		17	R05Z, R06Z, R07A, R07B	
21A		W01A, W01B, W01C, W36Z	21A	W01A, W01B, W01C, W36Z		21A	W01A, W01B, W01C, W36Z	
21B		X06A, X06B, X06C	21B	X06A, X06B, X06C		21B	X06A, X06B, X06C	
8m141.1			BOP, KK11, KKI, KKII, KKP, KVT, UOP4	8m144			BOP, KK11, KKI, KKII, KKP, KVT, UOP4	8m145.2
	01	B02A, B02B, B02C, B15Z, B16Z, B39A, B39B	01		B02A, B02B, B02C, B15Z, B16Z, B39A, B39B	01	B02A, B02B, B02C, B15Z, B16Z, B39A, B39B	
	02	C02A, C02B, C16Z	02		C02A, C02B, C16Z	02	C02A, C02B, C16Z	
	03	D18Z, D19Z, D20A, D20B	03		D18Z, D19Z, D20A, D20B	03	D18Z, D19Z, D20A, D20B	
	04	E08A, E08B, E08C	04		E08A, E08B, E08C	04	E08A, E08B, E08C	
	06	G15Z, G27A, G27B, G29A, G29B	06		G15Z, G27A, G27B, G29A, G29B	06	G15Z, G27A, G27B, G29A, G29B	
	07	H01A, H01B, H15Z, H16Z	07		H01A, H01B, H15Z, H16Z	07	H01A, H01B, H15Z, H16Z	
	08	I39Z, I54Z	08		I39Z, I54Z	08	I39Z, I54Z	
	09	J16Z, J17Z, J18Z	09		J16Z, J17Z, J18Z	09	J16Z, J17Z, J18Z	
	10	K15A, K15B, K15C	10		K15A, K15B, K15C	10	K15A, K15B, K15C	
	11	L12Z	11		L12Z	11	L12Z	
	12	M10A, M10B, M60A	12		M10A, M10B, M60A	12	M10A, M10B, M60A	
	13	N15Z, N16Z, N60A	13		N15Z, N16Z, N60A	13	N15Z, N16Z, N60A	
	17	R05Z, R06Z, R07A, R07B	17		R05Z, R06Z, R07A, R07B	17	R05Z, R06Z, R07A, R07B	
	21A	W01A, W01B, W01C, W36Z	21A		W01A, W01B, W01C, W36Z	21A	W01A, W01B, W01C, W36Z	
	21B	X06A, X06B, X06C	21B		X06A, X06B, X06C	21B	X06A, X06B, X06C	

ZZV	MDC	DRG	ZZV	MDC	DRG	ZZV	MDC	DRG			
8m146		BOP, KK11, KKI, KKII, KKP, KVT, UOP4	8m14x		BOP, KK11, KKI, KKII, KKP, KVT, UOP4	8m150.11		BOP, KK11, KKI, KKII, KKP, KVT, UOP4			
	01	B02A, B02B, B02C, B15Z, B16Z, B39A, B39B		01	B02A, B02B, B02C, B15Z, B16Z, B39A, B39B		01	B02A, B02B, B02C, B15Z, B16Z, B39A, B39B			
	02	C02A, C02B, C16Z		02	C02A, C02B, C16Z		02	C02A, C02B, C16Z			
	03	D18Z, D19Z, D20A, D20B		03	D18Z, D19Z, D20A, D20B		03	D18Z, D19Z, D20A, D20B			
	04	E08A, E08B, E08C		04	E08A, E08B, E08C		04	E08A, E08B, E08C			
	06	G15Z, G27A, G27B, G29A, G29B		06	G15Z, G27A, G27B, G29A, G29B		06	G15Z, G27A, G27B, G29A, G29B			
	07	H01A, H01B, H15Z, H16Z		07	H01A, H01B, H15Z, H16Z		07	H01A, H01B, H15Z, H16Z			
	08	I39Z, I54Z		08	I39Z, I54Z		08	I39Z, I54Z			
	09	J16Z, J17Z, J18Z		09	J16Z, J17Z, J18Z		09	J16Z, J17Z, J18Z			
	10	K15A, K15B, K15C		10	K15A, K15B, K15C		10	K15A, K15B, K15C			
	11	L12Z		11	L12Z		11	L12Z			
	12	M10A, M10B, M60A		12	M10A, M10B, M60A		12	M10A, M10B, M60A			
	13	N15Z, N16Z, N60A		13	N15Z, N16Z, N60A		13	N15Z, N16Z, N60A			
	17	R05Z, R06Z, R07A, R07B		17	R05Z, R06Z, R07A, R07B		17	R05Z, R06Z, R07A, R07B			
	21A	W01A, W01B, W01C, W36Z		8m150.00			BOP, KK11, KKI, KKII, KKP, KVT, UOP4	8m151		BOP, KK11, KKI, KKII, KKP, KVT, UOP4	
	21B	X06A, X06B, X06C			01		B02A, B02B, B02C, B15Z, B16Z, B39A, B39B		01	B02A, B02B, B02C, B15Z, B16Z, B39A, B39B	
	8m147			BOP, KK11, KKI, KKII, KKP, KVT, UOP4	8m150.01		01	B02A, B02B, B02C, B15Z, B16Z, B39A, B39B	8m152	01	B02A, B02B, B02C, B15Z, B16Z, B39A, B39B
		01		B02A, B02B, B02C, B15Z, B16Z, B39A, B39B			02	C02A, C02B, C16Z		02	C02A, C02B, C16Z
		02		C02A, C02B, C16Z			03	D18Z, D19Z, D20A, D20B		03	D18Z, D19Z, D20A, D20B
		03		D18Z, D19Z, D20A, D20B			04	E08A, E08B, E08C		04	E08A, E08B, E08C
04		E08A, E08B, E08C	06	G15Z, G27A, G27B, G29A, G29B		06	G15Z, G27A, G27B, G29A, G29B				
06		G15Z, G27A, G27B, G29A, G29B	07	H01A, H01B, H15Z, H16Z		07	H01A, H01B, H15Z, H16Z				
07		H01A, H01B, H15Z, H16Z	08	I39Z, I54Z		08	I39Z, I54Z				
08		I39Z, I54Z	09	J16Z, J17Z, J18Z		09	J16Z, J17Z, J18Z				
09		J16Z, J17Z, J18Z	10	K15A, K15B, K15C		10	K15A, K15B, K15C				
10		K15A, K15B, K15C	11	L12Z		11	L12Z				
11		L12Z	12	M10A, M10B, M60A		12	M10A, M10B, M60A				
12		M10A, M10B, M60A	13	N15Z, N16Z, N60A		13	N15Z, N16Z, N60A				
13		N15Z, N16Z, N60A	17	R05Z, R06Z, R07A, R07B		17	R05Z, R06Z, R07A, R07B				
8m148		BOP, KK11, KKI, KKII, KKP, KVT, UOP4	8m150.10		BOP, KK11, KKI, KKII, KKP, KVT, UOP4	8m161.0		BOP, KK11, KKI, KKII, KKP, KVT, UOP4			
	01	B02A, B02B, B02C, B15Z, B16Z, B39A, B39B		01	B02A, B02B, B02C, B15Z, B16Z, B39A, B39B		01	B02A, B02B, B02C, B15Z, B16Z, B39A, B39B			
	02	C02A, C02B, C16Z		02	C02A, C02B, C16Z		02	C02A, C02B, C16Z			
	03	D18Z, D19Z, D20A, D20B		03	D18Z, D19Z, D20A, D20B		03	D18Z, D19Z, D20A, D20B			
	04	E08A, E08B, E08C		04	E08A, E08B, E08C		04	E08A, E08B, E08C			
	06	G15Z, G27A, G27B, G29A, G29B		06	G15Z, G27A, G27B, G29A, G29B		06	G15Z, G27A, G27B, G29A, G29B			
	07	H01A, H01B, H15Z, H16Z		07	H01A, H01B, H15Z, H16Z		07	H01A, H01B, H15Z, H16Z			
	08	I39Z, I54Z		08	I39Z, I54Z		08	I39Z, I54Z			
	09	J16Z, J17Z, J18Z		09	J16Z, J17Z, J18Z		09	J16Z, J17Z, J18Z			
	10	K15A, K15B, K15C		10	K15A, K15B, K15C		10	K15A, K15B, K15C			
	11	L12Z		11	L12Z		11	L12Z			
	12	M10A, M10B, M60A		12	M10A, M10B, M60A		12	M10A, M10B, M60A			
	13	N15Z, N16Z, N60A		13	N15Z, N16Z, N60A		13	N09A, N14Z, N16Z			
	17	R05Z, R06Z, R07A, R07B		17	R05Z, R06Z, R07A, R07B		17	R05Z, R06Z, R07A, R07B			
				01	B02A, B02B, B02C, B15Z, B16Z, B39A, B39B		01	B02A, B02B, B02C, B16Z, B39A, B39B			
				02	C02A, C02B, C16Z		02	C02A, C02B, C16Z			
				03	D18Z, D19Z, D20A, D20B		03	D18Z, D20A, D20B			
		04	E08A, E08B, E08C	04	E08A, E08B, E08C						
		06	G15Z, G27A, G27B, G29A, G29B	06	G15Z, G29A, G29B						
		07	H01A, H01B, H15Z, H16Z	07	H01A, H01B, H16Z						
		08	I39Z, I54Z	08	I54Z						
		09	J16Z, J17Z, J18Z	09	J16Z, J18Z						
		10	K15A, K15B, K15C	10	K15A, K15B, K15C						
		11	L12Z	11	L12Z						
		12	M10A, M10B, M60A	12	M10A, M10B, M60A						
		13	N15Z, N16Z, N60A	13	N15Z, N16Z, N60A						
		17	R05Z, R06Z, R07A, R07B	17	R05Z, R06Z, R07A, R07B						

VYK

ZZV	MDC	DRG	ZZV	MDC	DRG	ZZV	MDC	DRG			
8m161.1		BOP, KK11, KKI, KKII, KKP, KVT, UOP4	8m162		BOP, KK11, KKI, KKII, KKP, KVT, UOP4	8m164.1		BOP, KK11, KKI, KKII, KKP, KVT, UOP4			
	01	B02A, B02B, B02C, B16Z, B39A, B39B		01	B02A, B02B, B02C, B03A, B03B, B06A, B06B, B07Z, B16Z, B17A, B17B, B17C, B39A, B39B		01	B02A, B02B, B02C, B03A, B03B, B06A, B06B, B07Z, B16Z, B17A, B17B, B17C, B39A, B39B			
	02	C02A, C02B, C16Z		02	C02A, C02B, C16Z		02	C02A, C02B, C16Z			
	03	D18Z, D20A, D20B		03	D12A, D18Z, D20A, D20B		03	D12A, D18Z, D20A, D20B			
	04	E08A, E08B, E08C		04	E03Z, E08A, E08B, E08C		04	E03Z, E08A, E08B, E08C			
	06	G15Z, G29A, G29B		05	F15Z, F24A, F24B, F36A, F36B, F52A, F52B, F56A, F56B		05	F15Z, F24A, F24B, F36A, F36B, F52A, F52B, F56A, F56B			
	07	H01A, H01B, H16Z		06	G10Z, G12A, G12B, G15Z, G29A, G29B		06	G10Z, G12A, G12B, G15Z, G29A, G29B			
	08	I54Z		07	H01A, H01B, H16Z		07	H01A, H01B, H16Z			
	09	J16Z, J18Z		08	I54Z		08	I54Z			
	10	K15A, K15B, K15C		09	J03A, J03B, J04A, J04B, J08A, J08B, J08C, J11A, J11B, J16Z, J18Z		09	J03A, J03B, J04A, J04B, J08A, J08B, J08C, J11A, J11B, J16Z, J18Z			
	11	L12Z		10	K15A, K15B, K15C		10	K15A, K15B, K15C			
	12	M10A, M10B, M60A		11	L12Z		11	L12Z			
	13	N09A, N14Z, N16Z		12	M10A, M10B, M60A		12	M10A, M10B, M60A			
	17	R05Z, R06Z, R07A, R07B		13	N09A, N14Z, N16Z		13	N09A, N14Z, N16Z			
	8m161.2			BOP, KK11, KKI, KKII, KKP, KVT, UOP4	8m163.0			BOP, KK11, KKI, KKII, KKP, KVT, UOP4	8m164.2		BOP, KK11, KKI, KKII, KKP, KVT, UOP4
		01		B02A, B02B, B02C, B16Z, B39A, B39B			01	B02A, B02B, B02C, B16Z, B39A, B39B		01	B02A, B02B, B02C, B03A, B03B, B06A, B06B, B07Z, B16Z, B17A, B17B, B17C, B39A, B39B
		02		C02A, C02B, C16Z			02	C02A, C02B, C16Z		02	C02A, C02B, C16Z
03		D18Z, D20A, D20B	03	D18Z, D20A, D20B		03	D12A, D18Z, D20A, D20B				
04		E08A, E08B, E08C	04	E08A, E08B, E08C		04	E03Z, E08A, E08B, E08C				
06		G15Z, G29A, G29B	06	G15Z, G29A, G29B		05	F15Z, F24A, F24B, F36A, F36B, F52A, F52B, F56A, F56B				
07		H01A, H01B, H16Z	07	H01A, H01B, H16Z		06	G10Z, G12A, G12B, G15Z, G29A, G29B				
08		I54Z	08	I54Z		07	H01A, H01B, H16Z				
09		J16Z, J18Z	09	J16Z, J18Z		08	I54Z				
10		K15A, K15B, K15C	10	K15A, K15B, K15C		09	J03A, J03B, J04A, J04B, J08A, J08B, J08C, J11A, J11B, J16Z, J18Z				
11		L12Z	11	L12Z		10	K15A, K15B, K15C				
12		M10A, M10B, M60A	12	M10A, M10B, M60A		11	L12Z				
13		N09A, N14Z, N16Z	13	N09A, N14Z, N16Z		12	M10A, M10B, M60A				
17		R05Z, R06Z, R07A, R07B	17	R05Z, R06Z, R07A, R07B		13	N09A, N14Z, N16Z				
8m161.x			BOP, KK11, KKI, KKII, KKP, KVT, UOP4	8m163.1			BOP, KK11, KKI, KKII, KKP, KVT, UOP4	8m164.2			BOP, KK11, KKI, KKII, KKP, KVT, UOP4
		01	B02A, B02B, B02C, B03A, B03B, B06A, B06B, B07Z, B16Z, B17A, B17B, B17C, B39A, B39B			01	B02A, B02B, B02C, B16Z, B39A, B39B			01	B02A, B02B, B02C, B03A, B03B, B06A, B06B, B07Z, B16Z, B17A, B17B, B17C, B39A, B39B
		02	C02A, C02B, C16Z			02	C02A, C02B, C16Z			02	C02A, C02B, C16Z
	03	D12A, D18Z, D20A, D20B	03		D18Z, D20A, D20B	03	D12A, D18Z, D20A, D20B				
	04	E03Z, E08A, E08B, E08C	04		E08A, E08B, E08C	04	E03Z, E08A, E08B, E08C				
	06	G10Z, G12A, G12B, G15Z, G29A, G29B	06		G15Z, G29A, G29B	05	F15Z, F24A, F24B, F36A, F36B, F52A, F52B, F56A, F56B				
	07	H01A, H01B, H16Z	07		H01A, H01B, H16Z	06	G10Z, G12A, G12B, G15Z, G29A, G29B				
	08	I54Z	08		I54Z	07	H01A, H01B, H16Z				
	09	J03A, J03B, J04A, J04B, J08A, J08B, J08C, J11A, J11B, J16Z, J18Z	09		J16Z, J18Z	08	I54Z				
	10	K15A, K15B, K15C	10		K15A, K15B, K15C	09	J03A, J03B, J04A, J04B, J08A, J08B, J08C, J11A, J11B, J16Z, J18Z				
	11	L12Z	11		L12Z	10	K15A, K15B, K15C				
	12	M10A, M10B, M60A	12		M10A, M10B, M60A	11	L12Z				
	13	N09A, N14Z, N16Z	13		N09A, N14Z, N16Z	12	M10A, M10B, M60A				
	17	R05Z, R06Z, R07A, R07B	17		R05Z, R06Z, R07A, R07B	13	N09A, N14Z, N16Z				
	21A	W04A, W04B	21A		W04A, W04B	17	R05Z, R06Z, R07A, R07B				
	21B	X04Z, X05A, X05B, X06A, X06B, X06C	21B		X04Z, X05A, X05B, X06A, X06B, X06C	21A	W04A, W04B				
			21B		X04Z, X05A, X05B, X06A, X06B, X06C	21B	X04Z, X05A, X05B, X06A, X06B, X06C				

ZZV	MDC	DRG	ZZV	MDC	DRG	ZZV	MDC	DRG			
8m165.01		BOP, KK11, KKI, KKII, KKP, KVT, UOP4	8m165.03		BOP, KK11, KKI, KKII, KKP, KVT, UOP4	8m165.11		BOP, KK11, KKI, KKII, KKP, KVT, UOP4			
	01	B02A, B02B, B02C, B03A, B03B, B06A, B06B, B07Z, B16Z, B17A, B17B, B17C, B39A, B39B		01	B02A, B02B, B02C, B03A, B03B, B06A, B06B, B07Z, B16Z, B17A, B17B, B17C, B39A, B39B		01	B02A, B02B, B02C, B03A, B03B, B06A, B06B, B07Z, B16Z, B17A, B17B, B17C, B39A, B39B			
	02	C02A, C02B, C16Z		02	C02A, C02B, C16Z		02	C02A, C02B, C16Z			
	03	D12A, D18Z, D20A, D20B		03	D12A, D18Z, D20A, D20B		03	D12A, D18Z, D20A, D20B			
	04	E03Z, E08A, E08B, E08C		04	E03Z, E08A, E08B, E08C		04	E03Z, E08A, E08B, E08C			
	06	G10Z, G12A, G12B, G15Z, G29A, G29B		06	G10Z, G12A, G12B, G15Z, G29A, G29B		06	G10Z, G12A, G12B, G15Z, G29A, G29B			
	07	H01A, H01B, H16Z		07	H01A, H01B, H16Z		07	H01A, H01B, H16Z			
	08	I54Z		08	I54Z		08	I54Z			
	09	J03A, J03B, J04A, J04B, J08A, J08B, J08C, J11A, J11B, J16Z, J18Z		09	J03A, J03B, J04A, J04B, J08A, J08B, J08C, J11A, J11B, J16Z, J18Z		09	J03A, J03B, J04A, J04B, J08A, J08B, J08C, J11A, J11B, J16Z, J18Z			
	10	K15A, K15B, K15C		10	K15A, K15B, K15C		10	K15A, K15B, K15C			
	11	L12Z		11	L12Z		11	L12Z			
	12	M10A, M10B, M60A		12	M10A, M10B, M60A		12	M10A, M10B, M60A			
	13	N09A, N14Z, N16Z		13	N09A, N14Z, N16Z		13	N09A, N14Z, N16Z			
	17	R05Z, R06Z, R07A, R07B		17	R05Z, R06Z, R07A, R07B		17	R05Z, R06Z, R07A, R07B			
	21A	W04A, W04B		21A	W04A, W04B		21A	W04A, W04B			
	21B	X04Z, X05A, X05B, X06A, X06B, X06C		21B	X04Z, X05A, X05B, X06A, X06B, X06C		21B	X04Z, X05A, X05B, X06A, X06B, X06C			
	8m165.02			BOP, KK11, KKI, KKII, KKP, KVT, UOP4	8m165.0x			BOP, KK11, KKI, KKII, KKP, KVT, UOP4	8m165.12		BOP, KK11, KKI, KKII, KKP, KVT, UOP4
		01		B02A, B02B, B02C, B03A, B03B, B06A, B06B, B07Z, B16Z, B17A, B17B, B17C, B39A, B39B			01	B02A, B02B, B02C, B03A, B03B, B06A, B06B, B07Z, B16Z, B17A, B17B, B17C, B39A, B39B		01	B02A, B02B, B02C, B03A, B03B, B06A, B06B, B07Z, B16Z, B17A, B17B, B17C, B39A, B39B
		02		C02A, C02B, C16Z			02	C02A, C02B, C16Z		02	C02A, C02B, C16Z
		03		D12A, D18Z, D20A, D20B			03	D12A, D18Z, D20A, D20B		03	D12A, D18Z, D20A, D20B
04		E03Z, E08A, E08B, E08C	04	E03Z, E08A, E08B, E08C		04	E03Z, E08A, E08B, E08C				
06		G10Z, G12A, G12B, G15Z, G29A, G29B	06	G10Z, G12A, G12B, G15Z, G29A, G29B		06	G10Z, G12A, G12B, G15Z, G29A, G29B				
07		H01A, H01B, H16Z	07	H01A, H01B, H16Z		07	H01A, H01B, H16Z				
08		I54Z	08	I54Z		08	I54Z				
09		J03A, J03B, J04A, J04B, J08A, J08B, J08C, J11A, J11B, J16Z, J18Z	09	J03A, J03B, J04A, J04B, J08A, J08B, J08C, J11A, J11B, J16Z, J18Z		09	J03A, J03B, J04A, J04B, J08A, J08B, J08C, J11A, J11B, J16Z, J18Z				
10		K15A, K15B, K15C	10	K15A, K15B, K15C		10	K15A, K15B, K15C				
11		L12Z	11	L12Z		11	L12Z				
12		M10A, M10B, M60A	12	M10A, M10B, M60A		12	M10A, M10B, M60A				
13		N09A, N14Z, N16Z	13	N09A, N14Z, N16Z		13	N09A, N14Z, N16Z				
17		R05Z, R06Z, R07A, R07B	17	R05Z, R06Z, R07A, R07B		17	R05Z, R06Z, R07A, R07B				
21A		W04A, W04B	21A	W04A, W04B		21A	W04A, W04B				
21B		X04Z, X05A, X05B, X06A, X06B, X06C	21B	X04Z, X05A, X05B, X06A, X06B, X06C		21B	X04Z, X05A, X05B, X06A, X06B, X06C				



ZZV	MDC	DRG	ZZV	MDC	DRG	ZZV	MDC	DRG		
8m165.13		BOP, KK11, KKI, KKII, KKP, KVT, UOP4	8m165.21		BOP, KK11, KKI, KKII, KKP, KVT, UOP4	8m167		BOP, KK11, KKI, KKII, KKP, KVT, UOP4		
	01	B02A, B02B, B02C, B03A, B03B, B06A, B06B, B07Z, B16Z, B17A, B17B, B17C, B39A, B39B		01	B02A, B02B, B02C, B03A, B03B, B06A, B06B, B07Z, B16Z, B17A, B17B, B17C, B39A, B39B		01	B02A, B02B, B02C, B16Z, B39A, B39B		
	02	C02A, C02B, C16Z		02	C02A, C02B, C16Z		02	C02A, C02B, C16Z		
	03	D12A, D18Z, D20A, D20B		03	D12A, D18Z, D20A, D20B		03	D18Z, D20A, D20B		
	04	E03Z, E08A, E08B, E08C		04	E03Z, E08A, E08B, E08C		04	E08A, E08B, E08C		
	06	G10Z, G12A, G12B, G15Z, G29A, G29B		06	G10Z, G12A, G12B, G15Z, G29A, G29B		06	G15Z, G29A, G29B		
	07	H01A, H01B, H16Z		07	H01A, H01B, H16Z		07	H01A, H01B, H16Z		
	08	I54Z		08	I54Z		08	I54Z		
	09	J03A, J03B, J04A, J04B, J08A, J08B, J08C, J11A, J11B, J16Z, J18Z		09	J03A, J03B, J04A, J04B, J08A, J08B, J08C, J11A, J11B, J16Z, J18Z		09	J16Z, J18Z		
	10	K15A, K15B, K15C		10	K15A, K15B, K15C		10	K15A, K15B, K15C		
	11	L12Z		11	L12Z		11	L12Z		
	12	M10A, M10B, M60A		12	M10A, M10B, M60A		12	M10A, M10B, M60A		
	13	N09A, N14Z, N16Z		13	N09A, N14Z, N16Z		13	N09A, N14Z, N16Z		
	17	R05Z, R06Z, R07A, R07B		17	R05Z, R06Z, R07A, R07B		17	R05Z, R06Z, R07A, R07B		
	21A	W04A, W04B		21A	W04A, W04B					
	21B	X04Z, X05A, X05B, X06A, X06B, X06C		21B	X04Z, X05A, X05B, X06A, X06B, X06C		8m16x	BOP, KK11, KKI, KKII, KKP, KVT, UOP4		
	8m165.1x			BOP, KK11, KKI, KKII, KKP, KVT, UOP4	8m165.22			BOP, KK11, KKI, KKII, KKP, KVT, UOP4		
		01		B02A, B02B, B02C, B03A, B03B, B06A, B06B, B07Z, B16Z, B17A, B17B, B17C, B39A, B39B		01	B02A, B02B, B02C, B03A, B03B, B06A, B06B, B07Z, B16Z, B17A, B17B, B17C, B39A, B39B	01	B02A, B02B, B02C, B03A, B03B, B06A, B06B, B07Z, B16Z, B17A, B17B, B17C, B39A, B39B	
		02		C02A, C02B, C16Z		02	C02A, C02B, C16Z	02	C02A, C02B, C16Z	
		03		D12A, D18Z, D20A, D20B		03	D12A, D18Z, D20A, D20B	03	D12A, D18Z, D20A, D20B	
		04		E03Z, E08A, E08B, E08C		04	E03Z, E08A, E08B, E08C	04	E03Z, E08A, E08B, E08C	
06		G10Z, G12A, G12B, G15Z, G29A, G29B	06	G10Z, G12A, G12B, G15Z, G29A, G29B		06	G10Z, G12A, G12B, G15Z, G29A, G29B			
07		H01A, H01B, H16Z	07	H01A, H01B, H16Z		07	H01A, H01B, H16Z			
08		I54Z	08	I54Z		08	I54Z			
09		J03A, J03B, J04A, J04B, J08A, J08B, J08C, J11A, J11B, J16Z, J18Z	09	J03A, J03B, J04A, J04B, J08A, J08B, J08C, J11A, J11B, J16Z, J18Z		09	J03A, J03B, J04A, J04B, J08A, J08B, J08C, J11A, J11B, J16Z, J18Z			
10		K15A, K15B, K15C	10	K15A, K15B, K15C		10	K15A, K15B, K15C			
11		L12Z	11	L12Z		11	L12Z			
12		M10A, M10B, M60A	12	M07Z, M10A, M10B, M60A		12	M10A, M10B, M60A			
13		N09A, N14Z, N16Z	13	N09A, N14Z, N16Z		13	N09A, N14Z, N16Z			
17		R05Z, R06Z, R07A, R07B	17	R05Z, R06Z, R07A, R07B		17	R05Z, R06Z, R07A, R07B			
21A		W04A, W04B	21A	W04A, W04B		21A	W04A, W04B			
21B		X04Z, X05A, X05B, X06A, X06B, X06C	21B	X04Z, X05A, X05B, X06A, X06B, X06C		21B	X04Z, X05A, X05B, X06A, X06B, X06C			
			8m166			BOP, KK11, KKI, KKII, KKP, KVT, UOP4	8m170.0		BOP, KK11, KKI, KKII, KKP, KVT, UOP4	
				01		B02A, B02B, B02C, B16Z, B39A, B39B		01	B02A, B02B, B02C, B16Z, B39A, B39B	
				02		C02A, C02B, C16Z		02	C02A, C02B, C16Z	
				03		D18Z, D20A, D20B		03	D18Z, D20A, D20B	
				04		E08A, E08B, E08C		04	E08A, E08B, E08C	
		06		G15Z, G29A, G29B	06	G15Z, G29A, G29B				
		07		H01A, H01B, H16Z	07	H01A, H01B, H16Z				
		08		I54Z	08	I54Z				
		09		J16Z, J18Z	09	J16Z, J18Z				
		10		K15A, K15B, K15C	10	K15A, K15B, K15C				
		11		L12Z	11	L12Z				
		12		M10A, M10B, M60A	12	M10A, M10B, M60A				
		13		N09A, N14Z, N16Z	13	N16Z, N60A				
		17		R05Z, R06Z, R07A, R07B	17	R05Z, R06Z, R07A, R07B				

ZZV	MDC	DRG	ZZV	MDC	DRG	ZZV	MDC	DRG			
8m170.1		BOP, KK11, KKI, KKII, KKP, KVT, UOP4	8m171.2		BOP, KK11, KKI, KKII, KKP, KVT, UOP4	8m172.0		BOP, KK11, KKI, KKII, KKP, KVT, UOP4			
	01	B02A, B02B, B02C, B16Z, B39A, B39B		01	B02A, B02B, B02C, B16Z, B39A, B39B		01	B02A, B02B, B02C, B16Z, B39A, B39B			
	02	C02A, C02B, C16Z		02	C02A, C02B, C16Z		02	C02A, C02B, C16Z			
	03	D18Z, D20A, D20B		03	D18Z, D20A, D20B		03	D18Z, D20A, D20B			
	04	E08A, E08B, E08C		04	E08A, E08B, E08C		04	E08A, E08B, E08C			
	06	G15Z, G29A, G29B		06	G15Z, G29A, G29B		06	G15Z, G29A, G29B			
	07	H01A, H01B, H16Z		07	H01A, H01B, H16Z		07	H01A, H01B, H16Z			
	08	I54Z		08	I54Z		08	I54Z			
	09	J16Z, J18Z		09	J16Z, J18Z		09	J16Z, J18Z			
	10	K15A, K15B, K15C		10	K15A, K15B, K15C		10	K15A, K15B, K15C			
	11	L12Z		11	L12Z		11	L12Z			
	12	M10A, M10B, M60A		12	M10A, M10B, M60A		12	M10A, M10B, M60A			
	13	N16Z, N60A		13	N16Z, N60A		13	N16Z, N60A			
	17	R05Z, R06Z, R07A, R07B		17	R05Z, R06Z, R07A, R07B		17	R05Z, R06Z, R07A, R07B			
	8m170.2			BOP, KK11, KKI, KKII, KKP, KVT, UOP4	8m171.3			BOP, KK11, KKI, KKII, KKP, KVT, UOP4	8m172.10		BOP, KK11, KKI, KKII, KKP, KVT, UOP4
		01		B02A, B02B, B02C, B16Z, B39A, B39B			01	B02A, B02B, B02C, B16Z, B39A, B39B		01	B02A, B02B, B02C, B16Z, B39A, B39B
		02		C02A, C02B, C16Z			02	C02A, C02B, C16Z		02	C02A, C02B, C16Z
03		D18Z, D20A, D20B	03	D18Z, D20A, D20B		03	D18Z, D20A, D20B				
04		E08A, E08B, E08C	04	E08A, E08B, E08C		04	E08A, E08B, E08C				
06		G15Z, G29A, G29B	06	G15Z, G29A, G29B		06	G15Z, G29A, G29B				
07		H01A, H01B, H16Z	07	H01A, H01B, H16Z		07	H01A, H01B, H16Z				
08		I54Z	08	I54Z		08	I54Z				
09		J16Z, J18Z	09	J16Z, J18Z		09	J16Z, J18Z				
10		K15A, K15B, K15C	10	K15A, K15B, K15C		10	K15A, K15B, K15C				
11		L12Z	11	L12Z		11	L12Z				
12		M10A, M10B, M60A	12	M10A, M10B, M60A		12	M10A, M10B, M60A				
13		N16Z, N60A	13	N16Z, N60A		13	N16Z, N60A				
17		R05Z, R06Z, R07A, R07B	17	R05Z, R06Z, R07A, R07B		17	R05Z, R06Z, R07A, R07B				
8m170.x			BOP, KK11, KKI, KKII, KKP, KVT, UOP4	8m171.4			BOP, KK11, KKI, KKII, KKP, KVT, UOP4	8m172.11			BOP, KK11, KKI, KKII, KKP, KVT, UOP4
		01	B02A, B02B, B02C, B16Z, B39A, B39B			01	B02A, B02B, B02C, B16Z, B39A, B39B			01	B02A, B02B, B02C, B16Z, B39A, B39B
		02	C02A, C02B, C16Z			02	C02A, C02B, C16Z			02	C02A, C02B, C16Z
	03	D18Z, D20A, D20B	03		D18Z, D20A, D20B	03	D18Z, D20A, D20B				
	04	E08A, E08B, E08C	04		E08A, E08B, E08C	04	E08A, E08B, E08C				
	06	G15Z, G29A, G29B	06		G15Z, G29A, G29B	06	G15Z, G29A, G29B				
	07	H01A, H01B, H16Z	07		H01A, H01B, H16Z	07	H01A, H01B, H16Z				
	08	I54Z	08		I54Z	08	I54Z				
	09	J16Z, J18Z	09		J16Z, J18Z	09	J16Z, J18Z				
	10	K15A, K15B, K15C	10		K15A, K15B, K15C	10	K15A, K15B, K15C				
	11	L12Z	11		L12Z	11	L12Z				
	12	M10A, M10B, M60A	12		M10A, M10B, M60A	12	M10A, M10B, M60A				
	13	N16Z, N60A	13		N16Z, N60A	13	N16Z, N60A				
	17	R05Z, R06Z, R07A, R07B	17		R05Z, R06Z, R07A, R07B	17	R05Z, R06Z, R07A, R07B				
	8m171.1		BOP, KK11, KKI, KKII, KKP, KVT, UOP4		8m171.x		BOP, KK11, KKI, KKII, KKP, KVT, UOP4		8m172.20		BOP, KK11, KKI, KKII, KKP, KVT, UOP4
		01	B02A, B02B, B02C, B16Z, B39A, B39B			01	B02A, B02B, B02C, B16Z, B39A, B39B			01	B02A, B02B, B02C, B16Z, B39A, B39B
		02	C02A, C02B, C16Z			02	C02A, C02B, C16Z			02	C02A, C02B, C16Z
03		D18Z, D20A, D20B	03	D18Z, D20A, D20B		03	D18Z, D20A, D20B				
04		E08A, E08B, E08C	04	E08A, E08B, E08C		04	E08A, E08B, E08C				
06		G15Z, G29A, G29B	06	G15Z, G29A, G29B		06	G15Z, G29A, G29B				
07		H01A, H01B, H16Z	07	H01A, H01B, H16Z		07	H01A, H01B, H16Z				
08		I54Z	08	I54Z		08	I54Z				
09		J16Z, J18Z	09	J16Z, J18Z		09	J16Z, J18Z				
10		K15A, K15B, K15C	10	K15A, K15B, K15C		10	K15A, K15B, K15C				
11		L12Z	11	L12Z		11	L12Z				
12		M10A, M10B, M60A	12	M10A, M10B, M60A		12	M10A, M10B, M60A				
13		N16Z, N60A	13	N16Z, N60A		13	N16Z, N60A				
17		R05Z, R06Z, R07A, R07B	17	R05Z, R06Z, R07A, R07B		17	R05Z, R06Z, R07A, R07B				

ZZV	MDC	DRG	ZZV	MDC	DRG	ZZV	MDC	DRG			
8m172.21		BOP, KK11, KKI, KKII, KKP, KVT, UOP4	8m180.x		BOP, KK11, KKI, KKII, KVT, UOP4	8m183.1		BOP, KK11, KKI, KKII, KVT, UOP4			
	01	B02A, B02B, B02C, B16Z, B39A, B39B		01	B02A, B02B, B02C, B16Z, B39A, B39B		01	B02A, B02B, B02C, B16Z, B39A, B39B			
	02	C02A, C02B, C16Z		02	C02A, C02B, C16Z		02	C02A, C02B, C16Z			
	03	D18Z, D20A, D20B		03	D18Z, D20A, D20B		03	D18Z, D20A, D20B			
	04	E08A, E08B, E08C		04	E08A, E08B, E08C		04	E08A, E08B, E08C			
	06	G15Z, G29A, G29B		06	G15Z, G29A, G29B		06	G15Z, G29A, G29B			
	07	H01A, H01B, H16Z		07	H01A, H01B, H16Z		07	H01A, H01B, H16Z			
	08	I54Z		08	I54Z		08	I54Z			
	09	J16Z, J18Z		09	J16Z, J18Z		09	J16Z, J18Z			
	10	K15A, K15B, K15C		10	K15A, K15B, K15C		10	K15A, K15B, K15C			
	11	L12Z		11	L12Z		11	L12Z			
	12	M10A, M10B, M60A		12	M10A, M10B, M60A		12	M10A, M10B, M60A			
	13	N16Z, N60A		13	N16Z, N60A		13	N16Z, N60A			
	17	R05Z, R06Z, R07A, R07B		17	R05Z, R06Z, R07A, R07B		17	R05Z, R06Z, R07A, R07B			
	8m172.3			BOP, KK11, KKI, KKII, KKP, KVT, UOP4	8m181.0			BOP, KK11, KKI, KKII, KVT, UOP4	8m183.2		BOP, KK11, KKI, KKII, KVT, UOP4
		01		B02A, B02B, B02C, B16Z, B39A, B39B			01	B02A, B02B, B02C, B16Z, B39A, B39B		01	B02A, B02B, B02C, B16Z, B39A, B39B
		02		C02A, C02B, C16Z			02	C02A, C02B, C16Z		02	C02A, C02B, C16Z
03		D18Z, D20A, D20B	03	D18Z, D20A, D20B		03	D18Z, D20A, D20B				
04		E08A, E08B, E08C	04	E08A, E08B, E08C		04	E08A, E08B, E08C				
06		G15Z, G29A, G29B	06	G15Z, G29A, G29B		06	G15Z, G29A, G29B				
07		H01A, H01B, H16Z	07	H01A, H01B, H16Z		07	H01A, H01B, H16Z				
08		I54Z	08	I54Z		08	I54Z				
09		J16Z, J18Z	09	J16Z, J18Z		09	J16Z, J18Z				
10		K15A, K15B, K15C	10	K15A, K15B, K15C		10	K15A, K15B, K15C				
11		L12Z	11	L12Z		11	L12Z				
12		M10A, M10B, M60A	12	M10A, M10B, M60A		12	M10A, M10B, M60A				
13		N16Z, N60A	13	N16Z, N60A		13	N16Z, N60A				
17		R05Z, R06Z, R07A, R07B	17	R05Z, R06Z, R07A, R07B		17	R05Z, R06Z, R07A, R07B				
8m180.0			BOP, KK11, KKI, KKII, KVT, UOP4	8m181.1			BOP, KK11, KKI, KKII, KVT, UOP4	8m183.3			BOP, KK11, KKI, KKII, KVT, UOP4
		01	B02A, B02B, B02C, B16Z, B39A, B39B			01	B02A, B02B, B02C, B16Z, B39A, B39B			01	B02A, B02B, B02C, B16Z, B39A, B39B
		02	C02A, C02B, C16Z			02	C02A, C02B, C16Z			02	C02A, C02B, C16Z
	03	D18Z, D20A, D20B	03		D18Z, D20A, D20B	03	D18Z, D20A, D20B				
	04	E08A, E08B, E08C	04		E08A, E08B, E08C	04	E08A, E08B, E08C				
	06	G15Z, G29A, G29B	06		G15Z, G29A, G29B	06	G15Z, G29A, G29B				
	07	H01A, H01B, H16Z	07		H01A, H01B, H16Z	07	H01A, H01B, H16Z				
	08	I54Z	08		I54Z	08	I54Z				
	09	J16Z, J18Z	09		J16Z, J18Z	09	J16Z, J18Z				
	10	K15A, K15B, K15C	10		K15A, K15B, K15C	10	K15A, K15B, K15C				
	11	L12Z	11		L12Z	11	L12Z				
	12	M10A, M10B, M60A	12		M10A, M10B, M60A	12	M10A, M10B, M60A				
	13	N16Z, N60A	13		N16Z, N60A	13	N16Z, N60A				
	17	R05Z, R06Z, R07A, R07B	17		R05Z, R06Z, R07A, R07B	17	R05Z, R06Z, R07A, R07B				
	8m180.1		BOP, KK11, KKI, KKII, KVT, UOP4		8m181.x		BOP, KK11, KKI, KKII, KVT, UOP4		8m183.4		BOP, KK11, KKI, KKII, KVT, UOP4
		01	B02A, B02B, B02C, B16Z, B39A, B39B			01	B02A, B02B, B02C, B16Z, B39A, B39B			01	B02A, B02B, B02C, B16Z, B39A, B39B
		02	C02A, C02B, C16Z			02	C02A, C02B, C16Z			02	C02A, C02B, C16Z
03		D18Z, D20A, D20B	03	D18Z, D20A, D20B		03	D18Z, D20A, D20B				
04		E08A, E08B, E08C	04	E08A, E08B, E08C		04	E08A, E08B, E08C				
06		G15Z, G29A, G29B	06	G15Z, G29A, G29B		06	G15Z, G29A, G29B				
07		H01A, H01B, H16Z	07	H01A, H01B, H16Z		07	H01A, H01B, H16Z				
08		I54Z	08	I54Z		08	I54Z				
09		J16Z, J18Z	09	J16Z, J18Z		09	J16Z, J18Z				
10		K15A, K15B, K15C	10	K15A, K15B, K15C		10	K15A, K15B, K15C				
11		L12Z	11	L12Z		11	L12Z				
12		M10A, M10B, M60A	12	M10A, M10B, M60A		12	M10A, M10B, M60A				
13		N16Z, N60A	13	N16Z, N60A		13	N16Z, N60A				
17		R05Z, R06Z, R07A, R07B	17	R05Z, R06Z, R07A, R07B		17	R05Z, R06Z, R07A, R07B				

ZZV	MDC	DRG	ZZV	MDC	DRG	ZZV	MDC	DRG	
8m183.5		BOP, KK11, KKI, KKII, KVT, UOP4	8m301.x†		KK11, KKI, KKII, KKP	8m303.26†		KKP	
	01	B02A, B02B, B02C, B16Z, B39A, B39B		17	R60F, R63D, R63I		17	R60C, R60D, R60E, R60F, R63D, R63E, R63H	
	02	C02A, C02B, C16Z	8m302.1†	Pre	A42A	Pre	A42A		
	03	D18Z, D20A, D20B		17	R60C, R60D, R60E, R60F, R63D, R63E, R63H	8m303.27†	KKP		
	04	E08A, E08B, E08C	8m302.2†	Pre	A42A	17	R60C, R60D, R60E, R60F, R63D, R63E, R63H		
	06	G15Z, G29A, G29B		17	R60C, R60D, R60E, R60F, R63D, R63E, R63H	Pre	A42A		
	07	H01A, H01B, H16Z	8m302.3†	Pre	A42A	8m303.32†	KKP		
	08	I54Z		17	R60C, R60D, R60E, R60F, R63D, R63E, R63H	17	R60C, R60D, R60E, R60F, R63D, R63E, R63H		
	09	J16Z, J18Z	8m302.4†	Pre	A42A	Pre	A42A		
	10	K15A, K15B, K15C		17	R60C, R60D, R60E, R60F, R63D, R63E, R63H	8m303.33†	KKP		
	11	L12Z	8m302.5†	Pre	A42A	17	R60C, R60D, R60E, R60F, R63D, R63E, R63H		
	12	M10A, M10B, M60A		17	R60C, R60D, R60E, R60F, R63D, R63E, R63H	Pre	A42A		
	13	N16Z, N60A	8m302.6†	Pre	A42A	8m303.34†	KKP		
	17	R05Z, R06Z, R07A, R07B		17	R60C, R60D, R60E, R60F, R63D, R63E, R63H	17	R60C, R60D, R60E, R60F, R63D, R63E, R63H		
	8m183.7		BOP, KK11, KKI, KKII, KVT, UOP4	8m302.6†	Pre	A42A	8m303.35†	Pre	A42A
		01	B02A, B02B, B02C, B16Z, B39A, B39B		17	R60C, R60D, R60E, R60F, R63D, R63E, R63H		17	R60C, R60D, R60E, R60F, R63D, R63E, R63H
		02	C02A, C02B, C16Z	8m302.7†	Pre	A42A	Pre	A42A	
03		D18Z, D20A, D20B	17		R60C, R60D, R60E, R60F, R63D, R63E, R63H	8m303.36†	KKP		
04		E08A, E08B, E08C	8m302.8†	Pre	A42A	17	R60C, R60D, R60E, R60F, R63D, R63E, R63H		
06		G15Z, G29A, G29B		17	R60C, R60D, R60E, R60F, R63D, R63E, R63H	Pre	A42A		
07		H01A, H01B, H16Z	8m302.9†	Pre	A42A	8m303.37†	KKP		
08		I54Z		17	R60C, R60D, R60E, R60F, R63D, R63E, R63H	17	R60C, R60D, R60E, R60F, R63D, R63E, R63H		
09		J16Z, J18Z	8m303.12†	Pre	A42A	8m303.42†	Pre	A42A	
10		K15A, K15B, K15C		17	R60C, R60D, R60E, R60F, R63D, R63E, R63H		17	R60C, R60D, R60E, R60F, R63D, R63E, R63H	
11		L12Z	8m303.13†	Pre	A42A	8m303.43†	Pre	A42A	
12		M10A, M10B, M60A		17	R60C, R60D, R60E, R60F, R63D, R63E, R63H		17	R60C, R60D, R60E, R60F, R63D, R63E, R63H	
13		N16Z, N60A	8m303.14†	Pre	A42A	8m303.44†	Pre	A42A	
17		R05Z, R06Z, R07A, R07B		17	R60C, R60D, R60E, R60F, R63D, R63E, R63H		17	R60C, R60D, R60E, R60F, R63D, R63E, R63H	
8m183.x			BOP, KK11, KKI, KKII, KVT, UOP4	8m303.15†	Pre	A42A	8m303.45†	Pre	A42A
		01	B02A, B02B, B02C, B16Z, B39A, B39B		17	R60C, R60D, R60E, R60F, R63D, R63E, R63H		17	R60C, R60D, R60E, R60F, R63D, R63E, R63H
		02	C02A, C02B, C16Z	8m303.16†	Pre	A42A	8m303.46†	Pre	A42A
	03	D18Z, D20A, D20B	17		R60C, R60D, R60E, R60F, R63D, R63E, R63H	17		R60C, R60D, R60E, R60F, R63D, R63E, R63H	
	04	E08A, E08B, E08C	8m303.17†	Pre	A42A	8m303.47†	Pre	A42A	
	06	G15Z, G29A, G29B		17	R60C, R60D, R60E, R60F, R63D, R63E, R63H		17	R60C, R60D, R60E, R60F, R63D, R63E, R63H	
	07	H01A, H01B, H16Z	8m303.22†	Pre	A42A	8m303.52†	Pre	A42A	
	08	I54Z		17	R60C, R60D, R60E, R60F, R63D, R63E, R63H		17	R60C, R60D, R60E, R60F, R63D, R63E, R63H	
	09	J16Z, J18Z	8m303.23†	Pre	A42A	8m303.53†	Pre	A42A	
	10	K15A, K15B, K15C		17	R60C, R60D, R60E, R60F, R63D, R63E, R63H		17	R60C, R60D, R60E, R60F, R63D, R63E, R63H	
	11	L12Z	8m303.24†	Pre	A42A	8m303.54†	Pre	A42A	
	12	M10A, M10B, M60A		17	R60C, R60D, R60E, R60F, R63D, R63E, R63H		17	R60C, R60D, R60E, R60F, R63D, R63E, R63H	
	13	N16Z, N60A	8m303.25†	Pre	A42A				
	17	R05Z, R06Z, R07A, R07B		17	R60C, R60D, R60E, R60F, R63D, R63E, R63H				
	8m301.0†		KK11, KKI, KKII, KKP	8m303.17†	Pre	A42A	8m303.46†	Pre	A42A
		17	R60F, R63D, R63I		17	R60C, R60D, R60E, R60F, R63D, R63E, R63H			
	8m301.1†	Pre	A42A	8m303.22†	Pre	A42A	8m303.47†	Pre	A42A
17		KK11, KKI, KKII, KKP	17		R60C, R60D, R60E, R60F, R63D, R63E, R63H				
8m301.2†↔	Pre	A42A	8m303.23†	Pre	A42A	8m303.52†	Pre	A42A	
	17	R60F, R63D, R63I		17	R60C, R60D, R60E, R60F, R63D, R63E, R63H				
8m301.3†	Pre	A42A	8m303.24†	Pre	A42A	8m303.53†	Pre	A42A	
	17	KK11, KKI, KKII, KKP		17	R60C, R60D, R60E, R60F, R63D, R63E, R63H				
8m301.4†	Pre	A42A	8m303.25†	Pre	A42A				
	17	R60F, R63D, R63I		17	R60C, R60D, R60E, R60F, R63D, R63E, R63H				
8m301.5†↔	Pre	A42A	8m303.25†	Pre	A42A				
	17	KK11, KKI, KKII, KKP		17	R60C, R60D, R60E, R60F, R63D, R63E, R63H				
8m301.6†	Pre	A42A							
	17	R60F, R63D, R63I							17
	Pre	A42A		Pre	A42A		Pre	A42A	

ZZV	MDC	DRG	ZZV	MDC	DRG	ZZV	MDC	DRG
8m303.55‡		KKP 17 R60C, R60D, R60E, R60F, R63D, R63E, R63H	8m303.84‡		KKP 17 R60C, R60D, R60E, R60F, R63D, R63E, R63H	8m400.0		BOP, KK11, KKI, KKII, KKP, KVT, UOP4
8m303.56‡	Pre	A42A	8m303.85‡	Pre	A42A	01		B02A, B02B, B02C, B16Z, B39A, B39B
	17	R60C, R60D, R60E, R60F, R63D, R63E, R63H		17	R60C, R60D, R60E, R60F, R63D, R63E, R63H	02		C02A, C02B, C16Z
	Pre	A42A		Pre	A42A	03		D18Z, D20A, D20B
8m303.57‡		KKP 17 R60C, R60D, R60E, R60F, R63D, R63E, R63H	8m303.86‡		KKP 17 R60C, R60D, R60E, R60F, R63D, R63E, R63H	04		E03Z, E08A, E08B, E08C
	17	R60C, R60D, R60E, R60F, R63D, R63E, R63H		17	R60C, R60D, R60E, R60F, R63D, R63E, R63H	06		G15Z, G29A, G29B
	Pre	A42A		Pre	A42A	07		H01A, H01B, H16Z
8m303.62‡		KKP 17 R60C, R60D, R60E, R60F, R63D, R63E, R63H	8m303.87‡		KKP 17 R60C, R60D, R60E, R60F, R63D, R63E, R63H	08		I54Z
	17	R60C, R60D, R60E, R60F, R63D, R63E, R63H		17	R60C, R60D, R60E, R60F, R63D, R63E, R63H	09		J16Z, J18Z
	Pre	A42A		Pre	A42A	10		K15A, K15B, K15C, K15D
8m303.63‡		KKP 17 R60C, R60D, R60E, R60F, R63D, R63E, R63H	8m303.92‡		KKP 17 R60C, R60D, R60E, R60F, R63D, R63E, R63H	11		L12Z
	17	R60C, R60D, R60E, R60F, R63D, R63E, R63H		17	R60C, R60D, R60E, R60F, R63D, R63E, R63H	12		M10A, M10B, M60A
	Pre	A42A		Pre	A42A	13		N16Z, N60A
8m303.64‡		KKP 17 R60C, R60D, R60E, R60F, R63D, R63E, R63H	8m303.93‡		KKP 17 R60C, R60D, R60E, R60F, R63D, R63E, R63H	17		R14Z
	17	R60C, R60D, R60E, R60F, R63D, R63E, R63H		17	R60C, R60D, R60E, R60F, R63D, R63E, R63H	8m400.1		BOP, KK11, KKI, KKII, KKP, KVT, UOP4
	Pre	A42A		Pre	A42A	01		B02A, B02B, B02C, B16Z, B39A, B39B
8m303.65‡		KKP 17 R60C, R60D, R60E, R60F, R63D, R63E, R63H	8m303.94‡		KKP 17 R60C, R60D, R60E, R60F, R63D, R63E, R63H	02		C02A, C02B, C16Z
	17	R60C, R60D, R60E, R60F, R63D, R63E, R63H		17	R60C, R60D, R60E, R60F, R63D, R63E, R63H	03		D18Z, D20A, D20B
	Pre	A42A		Pre	A42A	04		E03Z, E08A, E08B, E08C
8m303.66‡		KKP 17 R60C, R60D, R60E, R60F, R63D, R63E, R63H	8m303.95‡		KKP 17 R60C, R60D, R60E, R60F, R63D, R63E, R63H	06		G15Z, G29A, G29B
	17	R60C, R60D, R60E, R60F, R63D, R63E, R63H		17	R60C, R60D, R60E, R60F, R63D, R63E, R63H	07		H01A, H01B, H16Z
	Pre	A42A		Pre	A42A	08		I54Z
8m303.67‡		KKP 17 R60C, R60D, R60E, R60F, R63D, R63E, R63H	8m303.96‡		KKP 17 R60C, R60D, R60E, R60F, R63D, R63E, R63H	09		J16Z, J18Z
	17	R60C, R60D, R60E, R60F, R63D, R63E, R63H		17	R60C, R60D, R60E, R60F, R63D, R63E, R63H	10		K15A, K15B, K15C
	Pre	A42A		Pre	A42A	11		L12Z
8m303.72‡		KKP 17 R60C, R60D, R60E, R60F, R63D, R63E, R63H	8m303.97‡		KKP 17 R60C, R60D, R60E, R60F, R63D, R63E, R63H	12		M10A, M10B, M60A
	17	R60C, R60D, R60E, R60F, R63D, R63E, R63H		17	R60C, R60D, R60E, R60F, R63D, R63E, R63H	13		N16Z, N60A
	Pre	A42A		Pre	A42A	17		R14Z
8m303.73‡		KKP 17 R60C, R60D, R60E, R60F, R63D, R63E, R63H	8m304.1‡		KKP 08 I65A 12 M60B 17 R16Z, R60A, R60B, R60C, R60D, R60E, R61A, R63A, R63B, R63C, R63E, R63G	8m401.0		BOP, KK11, KKI, KKII, KKP, KVT, UOP4
	17	R60C, R60D, R60E, R60F, R63D, R63E, R63H		08	I65A	01		B02A, B02B, B02C, B16Z, B39A, B39B
	Pre	A42A		12	M60B	02		C02A, C02B, C16Z
8m303.74‡		KKP 17 R60C, R60D, R60E, R60F, R63D, R63E, R63H	8m304.2‡		KKP 08 I65A 12 M60B 17 R16Z, R60A, R61A, R63A	03		D18Z, D20A, D20B
	17	R60C, R60D, R60E, R60F, R63D, R63E, R63H		08	I65A	04		E03Z, E08A, E08B, E08C
	Pre	A42A		12	M60B	06		G15Z, G29A, G29B
8m303.75‡		KKP 17 R60C, R60D, R60E, R60F, R63D, R63E, R63H	8m305.0‡		KK11, KKII, KKP 17 R60F, R63D, R63I	07		H01A, H01B, H16Z
	17	R60C, R60D, R60E, R60F, R63D, R63E, R63H		17	R60F, R63D, R63I	08		I54Z
	Pre	A42A		Pre	A42A	09		J16Z, J18Z
8m303.76‡		KKP 17 R60C, R60D, R60E, R60F, R63D, R63E, R63H	8m305.1‡		KK11, KKII, KKP 17 R60F, R63D, R63I	10		K15A, K15B, K15C
	17	R60C, R60D, R60E, R60F, R63D, R63E, R63H		17	R60F, R63D, R63I	11		L12Z
	Pre	A42A		Pre	A42A	12		M10A, M10B, M60A
8m303.77‡		KKP 17 R60C, R60D, R60E, R60F, R63D, R63E, R63H	8m305.x‡		KK11, KKII, KKP 17 R60F, R63D, R63I	13		N16Z, N60A
	17	R60C, R60D, R60E, R60F, R63D, R63E, R63H		17	R60F, R63D, R63I	17		R14Z
	Pre	A42A		Pre	A42A	8m401.1		BOP, KK11, KKI, KKII, KKP, KVT, UOP4
8m303.82‡		KKP 17 R60C, R60D, R60E, R60F, R63D, R63E, R63H	8m311.0‡		KK11, KKI, KKII, KKP 17 R60F, R63D, R63I	01		B02A, B02B, B02C, B16Z, B39A, B39B
	17	R60C, R60D, R60E, R60F, R63D, R63E, R63H		17	R60F, R63D, R63I	02		C02A, C02B, C16Z
	Pre	A42A		Pre	A42A	03		D18Z, D20A, D20B
8m303.83‡		KKP 17 R60C, R60D, R60E, R60F, R63D, R63E, R63H	8m311.1‡		KK11, KKI, KKII, KKP 17 R60F, R63D, R63I	04		E03Z, E08A, E08B, E08C
	17	R60C, R60D, R60E, R60F, R63D, R63E, R63H		17	R60F, R63D, R63I	06		G15Z, G29A, G29B
	Pre	A42A		Pre	A42A	07		H01A, H01B, H16Z
	Pre	A42A		Pre	A42A	08		I54Z
	Pre	A42A		Pre	A42A	09		J16Z, J18Z
	Pre	A42A		Pre	A42A	10		K15A, K15B, K15C
	Pre	A42A		Pre	A42A	11		L12Z
	Pre	A42A		Pre	A42A	12		M10A, M10B, M60A
	Pre	A42A		Pre	A42A	13		N16Z, N60A
	Pre	A42A		Pre	A42A	17		R14Z

ZZV	MDC	DRG	ZZV	MDC	DRG	ZZV	MDC	DRG			
8m402.0		BOP, KK11, KKI, KKII, KKP, KVT, UOP4	8m412		BOP, KK11, KKI, KKII, KKP, KVT, UOP4	8m416.01		BOP, KK11, KKI, KKII, KKP, KVT, UOP4			
	01	B02A, B02B, B02C, B16Z, B39A, B39B		01	B02A, B02B, B02C, B16Z, B39A, B39B		01	B02A, B02B, B02C, B16Z, B39A, B39B			
	02	C02A, C02B, C16Z		02	C02A, C02B, C16Z		02	C02A, C02B, C16Z			
	03	D18Z, D20A, D20B		03	D18Z, D20A, D20B		03	D18Z, D20A, D20B			
	04	E03Z, E08A, E08B, E08C		04	E03Z, E08A, E08B, E08C		04	E03Z, E08A, E08B, E08C			
	06	G15Z, G29A, G29B		06	G15Z, G29A, G29B		06	G15Z, G29A, G29B			
	07	H01A, H01B, H16Z		07	H01A, H01B, H16Z		07	H01A, H01B, H16Z			
	08	I54Z		08	I54Z		08	I54Z			
	09	J16Z, J18Z		09	J16Z, J18Z		09	J16Z, J18Z			
	10	K15A, K15B, K15C		10	K15A, K15B, K15C		10	K15A, K15B, K15C			
	11	L12Z		11	L12Z		11	L12Z			
	12	M10A, M10B, M60A		12	M10A, M10B, M60A		12	M10A, M10B, M60A			
	13	N16Z, N60A		13	N16Z, N60A		13	N16Z, N60A			
	17	R14Z		17	R14Z		17	R14Z			
	8m402.1			BOP, KK11, KKI, KKII, KKP, KVT, UOP4	8m414.1			BOP, KK11, KKI, KKII, KKP, KVT, UOP4	8m416.02		BOP, KK11, KKI, KKII, KKP, KVT, UOP4
		01		B02A, B02B, B02C, B16Z, B39A, B39B			01	B02A, B02B, B02C, B16Z, B39A, B39B		01	B02A, B02B, B02C, B16Z, B39A, B39B
		02		C02A, C02B, C16Z			02	C02A, C02B, C16Z		02	C02A, C02B, C16Z
03		D18Z, D20A, D20B	03	D18Z, D20A, D20B		03	D18Z, D20A, D20B				
04		E03Z, E08A, E08B, E08C	04	E03Z, E08A, E08B, E08C		04	E03Z, E08A, E08B, E08C				
06		G15Z, G29A, G29B	06	G15Z, G29A, G29B		06	G15Z, G29A, G29B				
07		H01A, H01B, H16Z	07	H01A, H01B, H16Z		07	H01A, H01B, H16Z				
08		I54Z	08	I54Z		08	I54Z				
09		J16Z, J18Z	09	J16Z, J18Z		09	J16Z, J18Z				
10		K15A, K15B, K15C	10	K15A, K15B, K15C		10	K15A, K15B, K15C				
11		L12Z	11	L12Z		11	L12Z				
12		M10A, M10B, M60A	12	M10A, M10B, M60A		12	M10A, M10B, M60A				
13		N16Z, N60A	13	N16Z, N60A		13	N16Z, N60A				
17		R14Z	17	R14Z		17	R14Z				
8m403			BOP, KK11, KKI, KKII, KKP, KVT, UOP4	8m414.2			BOP, KK11, KKI, KKII, KKP, KVT, UOP4	8m416.1			BOP, KK11, KKI, KKII, KKP, KVT, UOP4
		01	B02A, B02B, B02C, B16Z, B39A, B39B			01	B02A, B02B, B02C, B16Z, B39A, B39B			01	B02A, B02B, B02C, B16Z, B39A, B39B
		02	C02A, C02B, C16Z			02	C02A, C02B, C16Z			02	C02A, C02B, C16Z
	03	D18Z, D20A, D20B	03		D18Z, D20A, D20B	03	D18Z, D20A, D20B				
	04	E03Z, E08A, E08B, E08C	04		E03Z, E08A, E08B, E08C	04	E03Z, E08A, E08B, E08C				
	06	G15Z, G29A, G29B	06		G15Z, G29A, G29B	06	G15Z, G29A, G29B				
	07	H01A, H01B, H16Z	07		H01A, H01B, H16Z	07	H01A, H01B, H16Z				
	08	I54Z	08		I54Z	08	I54Z				
	09	J16Z, J18Z	09		J16Z, J18Z	09	J16Z, J18Z				
	10	K15A, K15B, K15C, K15D	10		K15A, K15B, K15C	10	K15A, K15B, K15C				
	11	L12Z	11		L12Z	11	L12Z				
	12	M10A, M10B, M60A	12		M10A, M10B, M60A	12	M10A, M10B, M60A				
	13	N16Z, N60A	13		N16Z, N60A	13	N16Z, N60A				
	17	R14Z	17		R14Z	17	R14Z				
	8m411		BOP, KK11, KKI, KKII, KVT, UOP4		8m415		BOP, KK11, KKI, KKII, KKP, KVT, UOP4		8m416.2		BOP, KK11, KKI, KKII, KKP, KVT, UOP4
		01	B02A, B02B, B02C, B16Z, B39A, B39B			01	B02A, B02B, B02C, B16Z, B39A, B39B			01	B02A, B02B, B02C, B16Z, B39A, B39B
		02	C02A, C02B, C16Z			02	C02A, C02B, C16Z			02	C02A, C02B, C16Z
03		D18Z, D20A, D20B	03	D18Z, D20A, D20B		03	D18Z, D20A, D20B				
04		E03Z	04	E03Z, E08A, E08B, E08C		04	E03Z, E08A, E08B, E08C				
06		G15Z, G29A, G29B	06	G15Z, G29A, G29B		06	G15Z, G29A, G29B				
07		H01A, H01B, H16Z	07	H01A, H01B, H16Z		07	H01A, H01B, H16Z				
08		I54Z	08	I54Z		08	I54Z				
09		J16Z, J18Z	09	J16Z, J18Z		09	J16Z, J18Z				
10		K15A, K15B, K15C	10	K15A, K15B, K15C		10	K15A, K15B, K15C				
11		L12Z	11	L12Z		11	L12Z				
12		M10A, M10B, M60A	12	M10A, M10B, M60A		12	M10A, M10B, M60A				
13		N16Z, N60A	13	N16Z, N60A		13	N16Z, N60A				
17		R14Z	17	R14Z		17	R14Z				

ZZV	MDC	DRG	ZZV	MDC	DRG	ZZV	MDC	DRG			
8m416.3		BOP, KK11, KKI, KKII, KKP, KVT, UOP4	8m418.1		BOP, KK11, KKI, KKII, KKP, KVT, UOP4	8m419		BOP, KK11, KKI, KKII, KKP, KVT, UOP4			
	01	B02A, B02B, B02C, B16Z, B39A, B39B		01	B02A, B02B, B02C, B16Z, B39A, B39B		01	B02A, B02B, B02C, B16Z, B39A, B39B			
	02	C02A, C02B, C16Z		02	C02A, C02B, C16Z		02	C02A, C02B, C16Z			
	03	D18Z, D20A, D20B		03	D18Z, D20A, D20B		03	D18Z, D20A, D20B			
	04	E03Z, E08A, E08B, E08C		04	E03Z, E08A, E08B, E08C		04	E03Z, E08A, E08B, E08C			
	06	G15Z, G29A, G29B		06	G15Z, G29A, G29B		06	G15Z, G29A, G29B			
	07	H01A, H01B, H16Z		07	H01A, H01B, H16Z		07	H01A, H01B, H16Z			
	08	I54Z		08	I54Z		08	I54Z			
	09	J16Z, J18Z		09	J16Z, J18Z		09	J16Z, J18Z			
	10	K15A, K15B, K15C		10	K15A, K15B, K15C		10	K15A, K15B, K15C			
	11	L12Z		11	L12Z		11	L12Z			
	12	M10A, M10B, M60A		12	M10A, M10B, M60A		12	M10A, M10B, M60A			
	13	N16Z, N60A		13	N16Z, N60A		13	N16Z, N60A			
	17	R14Z		17	R14Z		17	R14Z			
	8m416.x			BOP, KK11, KKI, KKII, KKP, KVT, UOP4	8m418.2			BOP, KK11, KKI, KKII, KKP, KVT, UOP4	8m41a		BOP, KK11, KKI, KKII, KKP, KVT, UOP4
		01		B02A, B02B, B02C, B16Z, B39A, B39B			01	B02A, B02B, B02C, B16Z, B39A, B39B		01	B02A, B02B, B02C, B16Z, B39A, B39B
		02		C02A, C02B, C16Z			02	C02A, C02B, C16Z		02	C02A, C02B, C16Z
03		D18Z, D20A, D20B	03	D18Z, D20A, D20B		03	D18Z, D20A, D20B				
04		E03Z, E08A, E08B, E08C	04	E03Z, E08A, E08B, E08C		04	E03Z, E08A, E08B, E08C				
06		G15Z, G29A, G29B	06	G15Z, G29A, G29B		06	G15Z, G29A, G29B				
07		H01A, H01B, H16Z	07	H01A, H01B, H16Z		07	H01A, H01B, H16Z				
08		I54Z	08	I54Z		08	I54Z				
09		J16Z, J18Z	09	J16Z, J18Z		09	J16Z, J18Z				
10		K15A, K15B, K15C	10	K15A, K15B, K15C		10	K15A, K15B, K15C				
11		L12Z	11	L12Z		11	L12Z				
12		M10A, M10B, M60A	12	M10A, M10B, M60A		12	M10A, M10B, M60A				
13		N16Z, N60A	13	N16Z, N60A		13	N16Z, N60A				
17		R14Z	17	R14Z		17	R14Z				
8m417			BOP, KK11, KKI, KKII, KKP, KVT, UOP4	8m418.30			BOP, KK11, KKI, KKII, KKP, KVT, UOP4	8n100.2‡			GVRH
		01	B02A, B02B, B02C, B16Z, B39A, B39B			01	B02A, B02B, B02C, B16Z, B39A, B39B	8n100.3‡			GVRH
		02	C02A, C02B, C16Z			02	C02A, C02B, C16Z	8n110.2‡		01	B11Z, B42A, B42B
	03	D18Z, D20A, D20B	03		D18Z, D20A, D20B	8n110.3‡		VRH			
	04	E03Z, E08A, E08B, E08C	04		E03Z, E08A, E08B, E08C		01	B11Z, B42A, B42B			
	06	G15Z, G29A, G29B	06		G15Z, G29A, G29B	8n110.4‡	08	I96Z			
	07	H01A, H01B, H16Z	07		H01A, H01B, H16Z		01	B11Z, B43Z			
	08	I54Z	08		I54Z		08	I96Z			
	09	J16Z, J18Z	09		J16Z, J18Z	8n110.5‡		VRH			
	10	K15A, K15B, K15C	10		K15A, K15B, K15C		01	B11Z, B43Z			
	11	L12Z	11		L12Z	8n110.6‡	08	I96Z			
	12	M10A, M10B, M60A	12		M10A, M10B, M60A		01	B11Z, B43Z			
	13	N16Z, N60A	13		N16Z, N60A		08	I96Z			
	17	R14Z	17		R14Z	8n121.1‡		VRH			
	8m418.0		BOP, KK11, KKI, KKII, KKP, KVT, UOP4		8m418.31		BOP, KK11, KKI, KKII, KKP, KVT, UOP4	8n121.2‡	01	B42A, B42B, B48Z	
		01	B02A, B02B, B02C, B16Z, B39A, B39B			01	B02A, B02B, B02C, B16Z, B39A, B39B	8n121.3‡		VRH	
		02	C02A, C02B, C16Z			02	C02A, C02B, C16Z	8n121.3‡	01	B42A, B42B, B48Z	
03		D18Z, D20A, D20B	03	D18Z, D20A, D20B		8n121.4‡		VRH			
04		E03Z, E08A, E08B, E08C	04	E03Z, E08A, E08B, E08C			01	B42A, B42B, B48Z			
06		G15Z, G29A, G29B	06	G15Z, G29A, G29B		8n122.1‡	01	B42A, B42B, B48Z			
07		H01A, H01B, H16Z	07	H01A, H01B, H16Z				VRH			
08		I54Z	08	I54Z		8n122.2‡	01	B42A, B42B, B48Z			
09		J16Z, J18Z	09	J16Z, J18Z			08	I96Z			
10		K15A, K15B, K15C	10	K15A, K15B, K15C		8n122.2‡		VRH			
11		L12Z	11	L12Z			01	B42A, B42B, B48Z			
12		M10A, M10B, M60A	12	M10A, M10B, M60A		8n122.3‡	08	I96Z			
13		N16Z, N60A	13	N16Z, N60A				VRH			
17		R14Z	17	R14Z		8n122.3‡	01	B42A, B42B, B48Z			
						8n122.4‡	08	I96Z			
							01	B42A, B42B, B48Z			
							08	I96Z			

VYK

ZZV	MDC	DRG	ZZV	MDC	DRG	ZZV	MDC	DRG
8n123.1‡		VRH	8p101‡	15	P65A, P65B, P66A, P66B, P67A, P67B	8r124.0c‡		DIAL, KK11, KKI, KKII, KKP
	01	B42A, B42B, B48Z					11	L02B, L09A, L09B, L38Z
	08	I96Z	8p102.1‡	15	P65A, P65B, P66A, P66B, P67A, P67B	8r124.0d‡		DIAL, KK11, KKI, KKII, KKP
8n123.2‡		VRH					11	L02B, L09A, L09B, L38Z
	01	B42A, B42B, B48Z	8p102.2‡	15	P65A, P65B, P66A, P66B, P67A, P67B	8r124.0e‡		DIAL, KK11, KKI, KKII, KKP
	08	I96Z					11	L02B, L09A, L09B, L38Z
8n123.3‡		VRH	8p102.a‡	15	P65A, P65B, P66A, P66B, P67A, P67B	8r124.0f‡		DIAL, KK11, KKI, KKII, KKP
	01	B42A, B42B, B48Z					11	L02B, L09A, L09B, L38Z
	08	I96Z	8p102.b‡	15	P65A, P65B, P66A, P66B, P67A, P67B	8r124.0g‡		DIAL, KK11, KKI, KKII, KKP
8n123.4‡		VRH					11	L02B, L09A, L09B, L38Z
	01	B42A, B42B, B48Z	8p102.c‡	15	P65A, P65B, P66A, P66B, P67A, P67B	8r124.0h‡		DIAL, KK11, KKI, KKII, KKP
	08	I96Z					11	L02B, L09A, L09B, L38Z
8n124.1‡		VRH	8p102.d‡	15	P65A, P65B, P66A, P66B, P67A, P67B	8r124.0j‡		DIAL, KK11, KKI, KKII, KKP
	01	B42A, B42B, B48Z					11	L02B, L09A, L09B, L38Z
	08	I96Z	8p102.e‡	15	P65A, P65B, P66A, P66B, P67A, P67B	8r124.0k‡		DIAL, KK11, KKI, KKII, KKP
8n124.2‡		VRH					11	L02B, L09A, L09B, L38Z
	01	B42A, B42B, B48Z	8p107‡	15	P65A, P65B, P66A, P66B, P67A, P67B	8r124.0m‡		DIAL, KK11, KKI, KKII, KKP
	08	I96Z					11	L02B, L09A, L09B, L38Z
8n124.3‡		VRH	8p133‡	15	P65A, P65B, P66A, P66B, P67A, P67B	8r124.0n‡		DIAL, KK11, KKI, KKII, KKP
	01	B42A, B42B, B48Z					11	L02B, L09A, L09B, L38Z
	08	I96Z	8p141‡	03	D15A, D15B, D18Z			DIAL, KK11, KKI, KKII, KKP
8n124.4‡		VRH		04	E02A, E02B, E02C	8r124.1a‡		DIAL, KK11, KKI, KKII, KKP
	01	B42A, B42B, B48Z		21A	W01A, W01B, W01C, W36Z	8r124.1b‡		DIAL, KK11, KKI, KKII, KKP
	08	I96Z	8q111‡			8r124.1c‡		DIAL, KK11, KKI, KKII, KKP
8n125.1‡		VRH		05	KK11, KKI, KKII, KKP		11	L02B, L09A, L09B, L38Z
	01	B42A, B42B, B48Z	8q121‡		F62A	8r124.1d‡		DIAL, KK11, KKI, KKII, KKP
	08	I96Z		05	KK11, KKI, KKII, KKP		11	L02B, L09A, L09B, L38Z
8n125.2‡		VRH	8q123‡		F62A	8r124.1e‡		DIAL, KK11, KKI, KKII, KKP
	01	B42A, B42B, B48Z		05	KK11, KKI, KKII, KKP		11	L02B, L09A, L09B, L38Z
	08	I96Z	8q124‡		F62A	8r124.1f‡		DIAL, KK11, KKI, KKII, KKP
8n125.3‡		VRH		05	KK11, KKI, KKII, KKP		11	L02B, L09A, L09B, L38Z
	01	B42A, B42B, B48Z	8q902‡	15	P05A, P05B, P05C, P66A, P66B, P66C, P66D, P67A	8r124.1g‡		DIAL, KK11, KKI, KKII, KKP
	08	I96Z					11	L02B, L09A, L09B, L38Z
8n125.4‡		VRH	8r110‡		DIAL, KKI, KKP	8r124.1h‡		DIAL, KK11, KKI, KKII, KKP
	01	B42A, B42B, B48Z	8r113.0‡		DIAL, KK11, KKI, KKII, KKP		11	L02B, L09A, L09B, L38Z
	08	I96Z	8r113.2‡	11	L02B, L09A, L09B, L38Z	8r124.1j‡		DIAL, KK11, KKI, KKII, KKP
8n126.1‡		VRH	8r113.3‡	11	L02B, L09A, L09B, L38Z		11	L02B, L09A, L09B, L38Z
	01	B42A, B42B, B48Z	8r113.4‡	11	L02B, L09A, L09B, L38Z	8r124.1k‡		DIAL, KK11, KKI, KKII, KKP
	08	I96Z	8r113.5‡	11	L02B, L09A, L09B, L38Z		11	L02B, L09A, L09B, L38Z
8n126.2‡		VRH	8r113.7‡	11	L02B, L09A, L09B, L38Z	8r124.1m‡		DIAL, KK11, KKI, KKII, KKP
	01	B42A, B42B, B48Z	8r113.8‡	11	L02B, L09A, L09B, L38Z		11	L02B, L09A, L09B, L38Z
	08	I96Z	8r113.9‡	11	L02B, L09A, L09B, L38Z	8r124.1n‡		DIAL, KK11, KKI, KKII, KKP
8n126.3‡		VRH	8r113.a‡	11	L02B, L09A, L09B, L38Z		11	L02B, L09A, L09B, L38Z
	01	B42A, B42B, B48Z	8r113.b‡	11	L02B, L09A, L09B, L38Z	8r141.1‡		L02B, L09A, L09B, L38Z
	08	I96Z	8r113.c‡	11	L02B, L09A, L09B, L38Z	8r141.2‡		L02B, L09A, L09B, L38Z
8n126.4‡		VRH	8r114.0‡		DIAL, KK11, KKI, KKII, KKP	8r142.1‡		L02B, L09A, L09B, L38Z
	01	B42A, B42B, B48Z	8r114.2‡	11	L02B, L09A, L09B, L38Z	8r142.2‡		L02B, L09A, L09B, L38Z
	08	I96Z	8r114.3‡	11	L02B, L09A, L09B, L38Z	8r143.1‡		DIAL, KKI, KKP
8n202.1‡	15	P65C, P66C, P67B, P67C	8r114.4‡	11	L02B, L09A, L09B, L38Z		11	L02B, L09A, L09B, L38Z
8n202.2‡	15	P65C, P66C, P67B, P67C	8r114.5‡	11	L02B, L09A, L09B, L38Z	8r143.2‡		DIAL, KKI, KKP
8n202.3‡	15	P65C, P66C, P67B, P67C	8r114.7‡	11	L02B, L09A, L09B, L38Z		11	L02B, L09A, L09B, L38Z
8n202.4‡	15	P65C, P66C, P67B, P67C	8r114.8‡	11	L02B, L09A, L09B, L38Z	8r144.0a‡		DIAL, KK11, KKI, KKII, KKP
8n202.5‡	15	P65C, P66C, P67B, P67C	8r114.9‡	11	L02B, L09A, L09B, L38Z	8r144.0b‡		DIAL, KK11, KKI, KKII, KKP
8n202.6‡	15	P65C, P66C, P67B, P67C	8r114.a‡	11	L02B, L09A, L09B, L38Z	8r144.0c‡		DIAL, KK11, KKI, KKII, KKP
8n202.7‡	15	P65C, P66C, P67B, P67C	8r114.b‡	11	L02B, L09A, L09B, L38Z		11	L02B, L09A, L09B, L38Z
8n219.1‡	15	P65C, P66C, P67B, P67C	8r114.c‡	11	L02B, L09A, L09B, L38Z	8r144.0d‡		DIAL, KK11, KKI, KKII, KKP
8n219.2‡	15	P65C, P66C, P67B, P67C	8r121.1‡		DIAL, KKI, KKP		11	L02B, L09A, L09B, L38Z
8n21d‡		KVT	8r121.2‡	11	L02B, L09A, L09B, L38Z	8r144.0e‡		DIAL, KK11, KKI, KKII, KKP
8p100.1‡	15	P65A, P65B, P66A, P66B, P67A, P67B	8r122.1‡	11	L02B, L09A, L09B, L38Z		11	L02B, L09A, L09B, L38Z
8p100.2‡	15	P65A, P65B, P66A, P66B, P67A, P67B	8r122.2‡	11	L02B, L09A, L09B, L38Z	8r144.0f‡		DIAL, KK11, KKI, KKII, KKP
8p100.3‡	15	P65A, P65B, P66A, P66B, P67A, P67B	8r123.1‡		DIAL, KKI, KKP		11	L02B, L09A, L09B, L38Z
8p100.4‡	15	P65A, P65B, P66A, P66B, P67A, P67B	8r123.2‡	11	L02B, L09A, L09B, L38Z	8r144.0g‡		DIAL, KK11, KKI, KKII, KKP
8p100.5‡	15	P65A, P65B, P66A, P66B, P67A, P67B	8r123.3‡	11	L02B, L09A, L09B, L38Z		11	L02B, L09A, L09B, L38Z
						8r144.0h‡		DIAL, KK11, KKI, KKII, KKP
							11	L02B, L09A, L09B, L38Z
						8r144.0j‡		DIAL, KK11, KKI, KKII, KKP
							11	L02B, L09A, L09B, L38Z
						8r144.0k‡		DIAL, KK11, KKI, KKII, KKP
							11	L02B, L09A, L09B, L38Z





ZZV	MDC	DRG	ZZV	MDC	DRG	ZZV	MDC	DRG
8r20a.5†	15	P65C, P66C, P67B, P67C	8r22e.11	Pre	A04A, A04B, A04D, A09A, A18Z	8r251.62†		KK11, KKI, KKII, KKP
8r20a.6†	15	P65C, P66C, P67B, P67C				15		P65C, P66C, P67B, P67C
8r20a.7†	15	P65C, P66C, P67B, P67C	8r22f.00	Pre	A04A, A04B, A04D, A09A, A18Z	8r251.70†		KK11, KKI, KKII, KKP
8r20a.8†	15	P65C, P66C, P67B, P67C				15		P65C, P66C, P67B, P67C
8r20a.9†	15	P65C, P66C, P67B, P67C	8r22f.01	Pre	A04A, A04B, A04D, A09A, A18Z	8r251.71†		KK11, KKI, KKII, KKP
8r20a.a†	15	P65C, P66C, P67B, P67C				15		P65C, P66C, P67B, P67C
8r20a.b†	15	P65C, P66C, P67B, P67C	8r22f.10	Pre	A04A, A04B, A04C, A04D, A09A, A18Z	8r251.72†		KK11, KKI, KKII, KKP
8r20a.c†	15	P65C, P66C, P67B, P67C				15		P65C, P66C, P67B, P67C
8r20b.1†	15	P65C, P66C, P67B, P67C	8r22f.11	Pre	A04A, A04B, A04D, A09A, A18Z	8r251.80†		KK11, KKI, KKII, KKP
8r20b.2†	15	P65C, P66C, P67B, P67C				15		P65C, P66C, P67B, P67C
8r20b.3†	15	P65C, P66C, P67B, P67C	8r24c.2†		KK11, KKI, KKII, KKP	8r251.81†		KK11, KKI, KKII, KKP
8r20b.4†	15	P65C, P66C, P67B, P67C	8r250.60†	15	KK11, KKI, KKII, KKP	15		P65C, P66C, P67B, P67C
8r20b.5†	15	P65C, P66C, P67B, P67C				8r251.82†		KK11, KKI, KKII, KKP
8r20b.6†	15	P65C, P66C, P67B, P67C	8r250.61†	15	KK11, KKI, KKII, KKP	15		P65C, P66C, P67B, P67C
8r20b.7†	15	P65C, P66C, P67B, P67C				8r251.90†		KK11, KKI, KKII, KKP
8r20c.1†	15	P65C, P66C, P67B, P67C	8r250.62†	15	KK11, KKI, KKII, KKP	15		P65C, P66C, P67B, P67C
8r20c.2†	15	P65C, P66C, P67B, P67C				8r251.91†		KK11, KKI, KKII, KKP
8r20c.3†	15	P65C, P66C, P67B, P67C	8r250.70†	15	KK11, KKI, KKII, KKP	15		P65C, P66C, P67B, P67C
8r20c.4†	15	P65C, P66C, P67B, P67C				8r251.92†		KK11, KKI, KKII, KKP
8r20c.5†	15	P65C, P66C, P67B, P67C	8r250.71†	15	KK11, KKI, KKII, KKP	15		P65C, P66C, P67B, P67C
8r20c.6†	15	P65C, P66C, P67B, P67C				8r251.a0†		KK11, KKI, KKII, KKP
8r20c.7†	15	P65C, P66C, P67B, P67C	8r250.72†	15	KK11, KKI, KKII, KKP	15		P65C, P66C, P67B, P67C
8r20c.8†	15	P65C, P66C, P67B, P67C				8r251.a1†		KK11, KKI, KKII, KKP
8r20c.9†	15	P65C, P66C, P67B, P67C	8r250.80†	15	KK11, KKI, KKII, KKP	15		P65C, P66C, P67B, P67C
8r20c.a†	15	P65C, P66C, P67B, P67C				8r251.a2†		KK11, KKI, KKII, KKP
8r20c.b†	15	P65C, P66C, P67B, P67C	8r250.81†	15	KK11, KKI, KKII, KKP	15		P65C, P66C, P67B, P67C
8r20c.c†	15	P65C, P66C, P67B, P67C				8r251.b0†		KK11, KKI, KKII, KKP
8r20c.d†	15	P65C, P66C, P67B, P67C	8r250.82†	15	KK11, KKI, KKII, KKP	15		P65C, P66C, P67B, P67C
8r20c.e†	15	P65C, P66C, P67B, P67C				8r251.b1†		KK11, KKI, KKII, KKP
8r222.0	05	F96Z	8r250.90†	15	KK11, KKI, KKII, KKP	15		P65C, P66C, P67B, P67C
8r222.1	05	F96Z				8r251.b2†		KK11, KKI, KKII, KKP
8r222.2		BOP, KVT, UOP4	8r250.91†	15	KK11, KKI, KKII, KKP	15		P65C, P66C, P67B, P67C
	11	L06A, L06B				8r251.c0†		KK11, KKI, KKII, KKP
	12	M06Z, M09A, M09B, M38Z	8r250.92†	15	KK11, KKI, KKII, KKP	15		P65C, P66C, P67B, P67C
	13	N13A, N13B				8r251.c1†		KK11, KKI, KKII, KKP
8r222.6†	08	I64B	8r250.a0†	15	KK11, KKI, KKII, KKP	15		P65C, P66C, P67B, P67C
8r22a.0	Pre	A09A, A11A, A13A, A15A, A15B, A15C, A15D, A18Z	8r250.a1†	15	KK11, KKI, KKII, KKP	8r251.c2†		KK11, KKI, KKII, KKP
8r22a.1	Pre	A09A, A11A, A13A, A15A, A15C, A15D, A18Z				15		P65C, P66C, P67B, P67C
8r22a.2	Pre	A09A, A11A, A13A, A15A, A15B, A15C, A15D, A18Z	8r250.a2†	15	KK11, KKI, KKII, KKP	8r251.d0†		KK11, KKI, KKII, KKP
8r22a.3	Pre	A09A, A11A, A13A, A15A, A15C, A15D, A18Z				15		P65C, P66C, P67B, P67C
8r22b.00	Pre	A04A, A04B, A04D, A09A, A18Z	8r250.b0†	15	KK11, KKI, KKII, KKP	8r251.d1†		KK11, KKI, KKII, KKP
8r22b.02	Pre	A04A, A04B, A04D, A09A, A18Z				15		P65C, P66C, P67B, P67C
8r22b.03	Pre	A04A, A04B, A04D, A09A, A18Z	8r250.b1†	15	KK11, KKI, KKII, KKP	8r251.d2†		KK11, KKI, KKII, KKP
8r22b.10	Pre	A04A, A04B, A04C, A04D, A09A, A18Z				15		P65C, P66C, P67B, P67C
8r22b.11	Pre	A04A, A04B, A04D, A09A, A18Z	8r250.c0†	15	KK11, KKI, KKII, KKP	8r251.e0†		KK11, KKI, KKII, KKP
8r22c.00	Pre	A04A, A04B, A04D, A09A, A18Z				15		P65C, P66C, P67B, P67C
8r22c.01	Pre	A04A, A04B, A04D, A09A, A18Z	8r250.c1†	15	KK11, KKI, KKII, KKP	8r251.e1†		KK11, KKI, KKII, KKP
8r22c.10	Pre	A04A, A04B, A04C, A04D, A09A, A18Z				15		P65C, P66C, P67B, P67C
8r22c.11	Pre	A04A, A04B, A04D, A09A, A18Z	8r250.d0†	15	KK11, KKI, KKII, KKP	8r251.e2†		KK11, KKI, KKII, KKP
8r22e.00	Pre	A04A, A04B, A04D, A09A, A18Z	8r250.d1†	15	KK11, KKI, KKII, KKP	15		P65C, P66C, P67B, P67C
8r22e.02	Pre	A04A, A04B, A04D, A09A, A18Z				8r251.f0†		KK11, KKI, KKII, KKP
8r22e.03	Pre	A04A, A04B, A04D, A09A, A18Z	8r250.e0†	15	KK11, KKI, KKII, KKP	15		P65C, P66C, P67B, P67C
8r22e.10	Pre	A04A, A04B, A04C, A04D, A09A, A18Z				8r251.f1†		KK11, KKI, KKII, KKP
			8r250.e1†	15	KK11, KKI, KKII, KKP	15		P65C, P66C, P67B, P67C
						8r251.f2†		KK11, KKI, KKII, KKP
			8r250.f0†	15	KK11, KKI, KKII, KKP	15		P65C, P66C, P67B, P67C
						8r251.g0†		KK11, KKI, KKII, KKP
			8r250.f1†	15	KK11, KKI, KKII, KKP	15		P65C, P66C, P67B, P67C
						8r251.g1†		KK11, KKI, KKII, KKP
			8r250.g0†	15	KK11, KKI, KKII, KKP	15		P65C, P66C, P67B, P67C
						8r251.g2†		KK11, KKI, KKII, KKP
			8r250.g1†	15	KK11, KKI, KKII, KKP	15		P65C, P66C, P67B, P67C
						8r263.7†		KK11, KKI, KKII, KKP
			8r251.60†	15	KK11, KKI, KKII, KKP	15		P65C, P66C, P67B, P67C
						8r280.1†		P65C, P66C, P67B, P67C
			8r251.61†	15	KK11, KKI, KKII, KKP	15		P65C, P66C, P67B, P67C
						8r280.2†		P65C, P66C, P67B, P67C
						8r280.3†		P65C, P66C, P67B, P67C
						8r280.4†		KK11, KKI, KKII, KKP
								P65C, P66C, P67B, P67C

ZZV	MDC	DRG	ZZV	MDC	DRG	ZZV	MDC	DRG
8r280.5‡		KK11, KKI, KKII, KKP	8r303.0a	05	F01A, F01B, F01D, F14A, F14B, F15Z, F24A, F24B, F28A, F36A, F36B, F54Z, F59A, F59B	8r303.73↔	05	F01A, F01B, F01D, F14A, F14B, F15Z, F24A, F24B, F28A, F36A, F36B, F54Z, F59A, F59B
8r280.6‡	15	P65C, P66C, P67B, P67C		06	G10Z, G12A, G12B		09	J11A, J11B, J11C
8r280.7‡	15	P65C, P66C, P67B, P67C		11	L09A, L09B, L09C, L09D, L38Z		10	K09A, K09B
8r280.8‡	15	P65C, P66C, P67B, P67C	8r303.0b↔	05	F01A, F01B, F01D, F15Z, F24A, F24B, F28A, F36A, F36B, F54Z, F59A, F59B		21A	W04A, W04B
8r280.9‡	15	P65C, P66C, P67B, P67C		05	F01A, F01B, F01D, F15Z, F24A, F24B, F28A, F36A, F36B, F54Z, F59A, F59B	8r303.74	21B	X06A, X06B, X06C
8r280.a‡	15	P65C, P66C, P67B, P67C	8r303.0c↔	05	F01A, F01B, F01D, F15Z, F24A, F24B, F28A, F36A, F36B, F54Z, F59A, F59B		05	F01A, F01B, F01D, F15Z, F19A, F19B, F19C, F24A, F24B, F36A, F36B
8r280.b‡	15	P65C, P66C, P67B, P67C		10	K09A, K09B		09	J11A, J11B, J11C
8r280.c‡	15	P65C, P66C, P67B, P67C	8r303.0d	05	F01A, F01B, F01D, F14A, F14B, F15Z, F24A, F24B, F28A, F36A, F36B, F54Z, F59A, F59B	8r303.75	05	F01A, F01B, F01D, F15Z, F19A, F19B, F19C, F24A, F24B, F36A, F36B
8r303.00		BOP, KOP, UOP4		10	K09A, K09B		09	J11A, J11B, J11C
	01	B02A, B02B, B02C, B02D, B20A, B20B, B20C, B20D, B20E, B20F, B39A, B39B	8r303.0e	05	F01A, F01B, F01D, F14A, F14B, F15Z, F24A, F24B, F28A, F36A, F36B, F54Z, F59A, F59B	8r303.76	05	F01A, F01B, F01D, F15Z, F19A, F19B, F19C, F24A, F24B, F36A, F36B
	05	F01A, F01B, F01D, F14A, F14B, F15Z, F24A, F24B, F28A, F36A, F36B, F54Z, F59A, F59B		10	K09A, K09B		09	J11A, J11B, J11C
	21B	X33Z	8r303.0f	05	F01A, F01B, F01D, F14A, F14B, F15Z, F24A, F24B, F28A, F36A, F36B, F54Z, F59A, F59B	8r303.77	05	F01A, F01B, F01D, F14A, F14B, F15Z, F24A, F24B, F28A, F36A, F36B, F54Z, F59A, F59B
8r303.01↔	23	Z01A		10	K09A, K09B		09	J11A, J11B, J11C
		BOP, KOP, UOP4	8r303.0g	05	F01A, F01B, F01D, F14A, F14B, F15Z, F24A, F24B, F28A, F36A, F36B, F54Z, F59A, F59B	8r303.78↔	05	F01A, F01B, F01D, F14A, F14B, F15Z, F24A, F24B, F28A, F36A, F36B, F54Z, F59A, F59B
	01	B02A, B02B, B02C, B02D, B20A, B20B, B20C, B20D, B20E, B20F, B39A, B39B		06	G10Z, G12A, G12B		09	J11A, J11B, J11C
	05	F01A, F01B, F01D, F14A, F14B, F15Z, F24A, F24B, F28A, F36A, F36B, F54Z, F59A, F59B	8r303.0h↔	05	F01A, F01B, F01D, F15Z, F24A, F24B, F28A, F36A, F36B, F54Z, F59A, F59B		10	K09A, K09B
	21B	X33Z		11	L09A, L09B, L09C, L09D, L38Z	8r303.79↔	21A	W04A, W04B
8r303.02↔	23	Z01A	8r303.0i↔	05	F01A, F01B, F01D, F15Z, F24A, F24B, F28A, F36A, F36B, F54Z, F59A, F59B		21B	X06A, X06B, X06C
		BOP, KOP, UOP4	8r303.70	01	B02A, B02B, B02C, B02D, B20A, B20B, B20C, B20D, B20E, B20F, B39A, B39B		05	F01A, F01B, F01D, F14A, F14B, F15Z, F24A, F24B, F28A, F36A, F36B, F54Z, F59A, F59B
	01	B02A, B02B, B02C, B02D, B20A, B20B, B20C, B20D, B20E, B20F, B39A, B39B		05	F01A, F01B, F01D, F14A, F14B, F15Z, F24A, F24B, F28A, F36A, F36B, F54Z, F59A, F59B	8r303.7a	05	F01A, F01B, F01D, F14A, F14B, F15Z, F24A, F24B, F28A, F36A, F36B, F54Z, F59A, F59B
	05	F01A, F01B, F01D, F14A, F14B, F15Z, F24A, F24B, F28A, F36A, F36B, F54Z, F59A, F59B		09	J11A, J11B, J11C		06	G10Z, G12A, G12B
	21B	X33Z	8r303.71↔	21A	W01A, W01B, W01C, W36Z		07	H06A, H06B
8r303.03↔	05	F01A, F01B, F01D, F15Z, F24A, F24B, F28A, F36A, F36B, F54Z, F59A, F59B		21B	X06A, X06B, X06C, X33Z		09	J11A, J11B, J11C
	10	K09A, K09B		01	B04A, B04B, B04C, B04D		11	L09A, L09B, L09C, L09D, L38Z
	05	F01A, F01B, F01D, F15Z, F24A, F24B, F28A, F36A, F36B, F54Z, F59A, F59B		03	D12A		12	M06Z, M09A, M09B, M38Z
	10	K09A, K09B		05	F01A, F01B, F01D, F14A, F14B, F15Z, F24A, F24B, F28A, F36A, F36B, F54Z, F59A, F59B		13	N04Z
	11	L09A, L09B, L09C, L09D, L38Z	8r303.72↔	05	F01A, F01B, F01D, F14A, F14B, F15Z, F24A, F24B, F28A, F36A, F36B, F54Z, F59A, F59B		21A	W04A, W04B
8r303.04	05	F01A, F01B, F01D, F15Z, F19A, F19B, F19C, F24A, F24B, F36A, F36B		09	J11A, J11B, J11C	8r303.7b↔	21B	X06A, X06B, X06C
		BOP, KOP, UOP4		21A	W04A, W04B		05	F01A, F01B, F01D, F14A, F14B, F15Z, F24A, F24B, F28A, F36A, F36B, F54Z, F59A, F59B
8r303.05	05	F01A, F01B, F01D, F15Z, F19A, F19B, F19C, F24A, F24B, F36A, F36B		21B	X06A, X06B, X06C		06	G10Z, G12A, G12B
		BOP, KOP, UOP4	8r303.73↔	05	F01A, F01B, F01D, F14A, F14B, F15Z, F24A, F24B, F28A, F36A, F36B, F54Z, F59A, F59B		07	H06A, H06B
8r303.06	05	F01A, F01B, F01D, F15Z, F19A, F19B, F19C, F24A, F24B, F36A, F36B		09	J11A, J11B, J11C		09	J11A, J11B, J11C
		BOP, KOP, UOP4		05	F01A, F01B, F01D, F14A, F14B, F15Z, F24A, F24B, F28A, F36A, F36B, F54Z, F59A, F59B		11	L09A, L09B, L09C, L09D, L38Z
8r303.07	05	F01A, F01B, F01D, F14A, F14B, F15Z, F24A, F24B, F28A, F36A, F36B, F54Z, F59A, F59B		21A	W04A, W04B		21A	W04A, W04B
		BOP, KOP, UOP4		21B	X06A, X06B, X06C		21B	X06A, X06B, X06C
8r303.08↔	05	F01A, F01B, F01D, F15Z, F24A, F24B, F28A, F36A, F36B, F54Z, F59A, F59B	8r303.74↔	05	F01A, F01B, F01D, F14A, F14B, F15Z, F24A, F24B, F28A, F36A, F36B, F54Z, F59A, F59B		05	F01A, F01B, F01D, F14A, F14B, F15Z, F24A, F24B, F28A, F36A, F36B, F54Z, F59A, F59B
		BOP, KOP, UOP4		09	J11A, J11B, J11C		09	J11A, J11B, J11C
8r303.09↔	05	F01A, F01B, F01D, F15Z, F24A, F24B, F28A, F36A, F36B, F54Z, F59A, F59B		10	K09A, K09B		10	K09A, K09B
		BOP, KOP, UOP4		21A	W04A, W04B		21A	W04A, W04B
		BOP, KOP, UOP4		21B	X06A, X06B, X06C		21B	X04Z

VYK



ZZV	MDC	DRG	ZZV	MDC	DRG	ZZV	MDC	DRG
8r304.51	04	E02A, E02B, E02C	8r304.72	04	E02A, E02B, E02C	8r304.85	05	F01A, F01B, F01D, F14A, F14B, F15Z, F19A, F19B, F19C, F24A, F24B, F36A, F36B, F54Z
	05	F01A, F01B, F01D, F19A, F19B, F19C		05	F01A, F01B, F01D, F19A, F19B, F19C		09	J03A, J03B, J04A, J04B, J08A, J08B, J08C, J11A, J11B, J16Z
	10	K09A, K09B		10	K09A, K09B		10	K09A, K09B
8r304.52	Pre	A13F	8r304.73	Pre	A13F	8r304.a	21A	W04A, W04B
	04	E02A, E02B, E02C		05	F01A, F01B, F01D, F14A, F14B, F15Z, F19A, F19B, F19C, F24A, F24B, F36A, F36B, F54Z		04	E02A, E02B, E02C
	05	F01A, F01B, F01D, F19A, F19B, F19C		09	J03A, J03B, J04A, J04B, J08A, J08B, J08C, J11A, J11B, J16Z		05	F01A, F01B, F01D, F19A, F19B, F19C
8r304.53	10	K09A, K09B	8r304.74	10	K09A, K09B	8r304.d1	10	K09A, K09B
	Pre	A13F		21A	W04A, W04B		Pre	A13F
	05	F01A, F01B, F01D, F14A, F14B, F15Z, F19A, F19B, F19C, F24A, F24B, F36A, F36B, F54Z		21B	X06A, X06B, X06C		01	B12Z
8r304.54	09	J03A, J03B, J04A, J04B, J08A, J08B, J08C, J11A, J11B, J16Z	8r304.75	05	F01A, F01B, F01D, F14A, F14B, F15Z, F19A, F19B, F19C, F24A, F24B, F36A, F36B, F54Z, F59A, F59B	8r304.d2	05	F01A, F01B, F01D, F12A, F12B, F15Z, F24A, F24B, F36A, F36B, F52A, F52B, F56A, F56B, F58A, F58B
	10	K09A, K09B		09	J03A, J03B, J04A, J04B, J08A, J08B, J08C, J11A, J11B, J16Z		Pre	A13F
	21A	W04A, W04B		10	K09A, K09B		01	B12Z
8r304.60	21B	X06A, X06B, X06C	8r304.80	21B	X06A, X06B, X06C	8r304.e1	05	F01A, F01B, F01D, F12A, F12B, F15Z, F24A, F24B, F36A, F36B, F52A, F52B, F56A, F56B, F58A, F58B
	05	F01A, F01B, F01D, F14A, F14B, F15Z, F24A, F24B, F28A, F36A, F36B, F54Z, F59A, F59B		05	F01A, F01B, F01D, F14A, F14B, F15Z, F19A, F19B, F19C, F24A, F24B, F36A, F36B, F54Z		01	B12Z
	09	J03A, J03B, J04A, J04B, J08A, J08B, J08C, J11A, J11B, J16Z		09	J03A, J03B, J04A, J04B, J08A, J08B, J08C, J11A, J11B, J16Z		05	F01A, F01B, F01D, F12A, F12B, F15Z, F24A, F24B, F36A, F36B, F52A, F52B, F56A, F56B, F58A, F58B
8r304.61	10	K09A, K09B	8r304.81	10	K09A, K09B	8r304.e2	Pre	A13F
	21A	W04A, W04B		21A	W04A, W04B		01	B12Z
	21B	X06A, X06B, X06C		21B	X06A, X06B, X06C		05	F01A, F01B, F01D, F12A, F12B, F15Z, F24A, F24B, F36A, F36B, F52A, F52B, F56A, F56B, F58A, F58B
8r304.63	04	E02A, E02B, E02C	8r304.83	04	E02A, E02B, E02C	8r305.12	Pre	A13F
	05	F01A, F01B, F01D, F19A, F19B, F19C		05	F01A, F01B, F01D, F19A, F19B, F19C		04	E02A, E02B, E02C
	10	K09A, K09B		05	F01A, F01B, F01D, F19A, F19B, F19C		05	F01A, F01B, F01D, F19A, F19B, F19C
8r304.64	Pre	A13F	8r304.84	10	K09A, K09B	8r305.13	10	K09A, K09B
	05	F01A, F01B, F01D, F14A, F14B, F15Z, F19A, F19B, F19C, F24A, F24B, F36A, F36B, F54Z		Pre	A13F		04	E02A, E02B, E02C
	09	J03A, J03B, J04A, J04B, J08A, J08B, J08C, J11A, J11B, J16Z		05	F01A, F01B, F01D, F14A, F14B, F15Z, F19A, F19B, F19C, F24A, F24B, F36A, F36B, F54Z		05	F01A, F01B, F01D, F19A, F19B, F19C
8r304.70	10	K09A, K09B	8r304.88	09	J03A, J03B, J04A, J04B, J08A, J08B, J08C, J11A, J11B, J16Z	8r305.1x↔	Pre	A13F
	21A	W04A, W04B		10	K09A, K09B		04	E02A, E02B, E02C
	21B	X06A, X06B, X06C		21A	W04A, W04B		05	F01A, F01B, F01D, F19A, F19B, F19C
8r304.71	04	E02A, E02B, E02C	8r304.91	21B	X06A, X06B, X06C	8r305.20	10	K09A, K09B
	05	F01A, F01B, F01D, F19A, F19B, F19C		05	F01A, F01B, F01D, F14A, F14B, F15Z, F24A, F24B, F28A, F36A, F36B, F54Z, F59A, F59B		Pre	A13F
	10	K09A, K09B		09	J03A, J03B, J04A, J04B, J08A, J08B, J08C, J11A, J11B, J16Z		04	E02A, E02B, E02C
8r304.77	Pre	A13F	8r304.92	10	K09A, K09B	8r305.21↔	05	F01A, F01B, F01D, F19A, F19B, F19C
	04	E02A, E02B, E02C		21A	W04A, W04B		10	K09A, K09B
	05	F01A, F01B, F01D, F19A, F19B, F19C		21B	X06A, X06B, X06C		Pre	A13F
8r304.78	10	K09A, K09B	8r304.93	04	E02A, E02B, E02C	8r305.23	04	E02A, E02B, E02C
	Pre	A13F		05	F01A, F01B, F01D, F19A, F19B, F19C		05	F01A, F01B, F01D, F19A, F19B, F19C
	04	E02A, E02B, E02C		10	K09A, K09B		10	K09A, K09B
8r304.79	05	F01A, F01B, F01D, F19A, F19B, F19C	8r304.94	21A	W04A, W04B	8r305.24	Pre	A13F
	10	K09A, K09B		04	E02A, E02B, E02C		04	E02A, E02B, E02C
	Pre	A13F		05	F01A, F01B, F01D, F14A, F14B, F15Z, F24A, F24B, F28A, F36A, F36B, F54Z, F59A, F59B		05	F01A, F01B, F01D, F19A, F19B, F19C

VYK

ZZV	MDC	DRG	ZZV	MDC	DRG	ZZV	MDC	DRG		
8r305.24	04	E02A, E02B, E02C	8r305.46	04	E02A, E02B, E02C	8r306.05		BOP, KOP, KOPV, KVT, UOP4		
	05	F01A, F01B, F01D, F19A, F19B, F19C		05	F01A, F01B, F01D, F19A, F19B, F19C		01	B02A, B02B, B02C, B20A, B20B, B20C, B20D, B20E, B39A, B39B		
	10	K09A, K09B		10	K09A, K09B		05	F01A, F01B, F01D, F05Z, F07A, F07B, F08A, F08B, F08C, F08D, F08E, F28A, F42Z		
	Pre	A13F		Pre	A13F		06	G33Z		
8r305.25	04	E02A, E02B, E02C	8r305.4x↔	04	E02A, E02B, E02C	8r306.06	07	H33Z, H38Z		
	05	F01A, F01B, F01D, F19A, F19B, F19C		05	F01A, F01B, F01D, F19A, F19B, F19C		11	L33Z		
	10	K09A, K09B		10	K09A, K09B		21B	X33Z		
	Pre	A13F		Pre	A13F		23	Z01A		
8r305.2x↔	04	E02A, E02B, E02C	8r306.01		BOP, KOP, KOPV, KVT, UOP4	Pre	A07A			
	05	F01A, F01B, F01D, F19A, F19B, F19C		01	B02A, B02B, B02C, B20A, B20B, B20C, B20D, B20E, B39A, B39B	8r306.0x	BOP, KOP, KOPV, KVT, UOP4			
	10	K09A, K09B		05	F01A, F01B, F01D, F05Z, F07A, F07B, F08A, F08B, F08C, F08D, F08E, F28A, F42Z		01	B02A, B02B, B02C, B20A, B20B, B20C, B20D, B20E, B39A, B39B		
	Pre	A13F		06	G33Z		05	F01A, F01B, F01D, F05Z, F07A, F07B, F08A, F08B, F08C, F08D, F08E, F28A, F42Z		
8r305.30	04	E02A, E02B, E02C	8r306.02	07	H33Z, H38Z		8r307.0	23	Z01A	
	05	F01A, F01B, F01D, F19A, F19B, F19C		11	L33Z	Pre		A07A		
	10	K09A, K09B		21B	X33Z	06		G33Z		
	Pre	A13F		23	Z01A	07		H33Z, H38Z		
8r305.31↔	04	E02A, E02B, E02C	8r306.03	Pre	A07A	11	L33Z			
	05	F01A, F01B, F01D, F19A, F19B, F19C			BOP, KOP, KOPV, KVT, UOP4	21B	X33Z			
	10	K09A, K09B		01	B02A, B02B, B02C, B20A, B20B, B20C, B20D, B20E, B39A, B39B	23	Z01A			
	Pre	A13F		05	F01A, F01B, F01D, F05Z, F07A, F07B, F08A, F08B, F08C, F08D, F08E, F28A, F42Z	Pre	A07A			
8r305.32	04	E02A, E02B, E02C	8r306.04	06	G33Z	8r307.10	05	F01A, F01B, F01D, F05Z, F07A, F07B, F09A, F09B, F09C, F42Z		
	05	F01A, F01B, F01D, F19A, F19B, F19C		07	H33Z, H38Z		23	Z01A		
	10	K09A, K09B		11	L33Z		8r307.11	KKP		
	Pre	A13F		21B	X33Z			05	F01A, F01B, F01D, F05Z, F07A, F07B, F09A, F09B, F09C, F42Z	
8r305.34	04	E02A, E02B, E02C	8r306.03	23	Z01A	8r308.1		05	F01A, F01B, F01D, F14A, F14B, F28A, F54Z, F59A, F59B	
	05	F01A, F01B, F01D, F19A, F19B, F19C		Pre	A07A			06	G15Z, G19A, G19B, G38Z	
	10	K09A, K09B			BOP, KOP, KOPV, KVT, UOP4		07	H01A, H01B, H09A, H09B, H09C, H38Z		
	Pre	A13F		01	B02A, B02B, B02C, B20A, B20B, B20C, B20D, B20E, B39A, B39B		23	Z01A		
8r305.35	04	E02A, E02B, E02C	8r306.03	05	F01A, F01B, F01D, F05Z, F07A, F07B, F08A, F08B, F08C, F08D, F08E, F28A, F42Z	8r307.11	05	F01A, F01B, F01D, F05Z, F07A, F07B, F09A, F09B, F09C, F42Z		
	05	F01A, F01B, F01D, F19A, F19B, F19C		06	G33Z		8r308.1	23	Z01A	
	10	K09A, K09B		07	H33Z, H38Z			8r307.10	KKP	
	Pre	A13F		11	L33Z				05	F01A, F01B, F01D, F05Z, F07A, F07B, F09A, F09B, F09C, F42Z
8r305.3x↔	04	E02A, E02B, E02C	8r306.03	21B	X33Z	8r307.10			23	Z01A
	05	F01A, F01B, F01D, F19A, F19B, F19C		23	Z01A		8r307.11		KKP	
	10	K09A, K09B		Pre	A07A			05	F01A, F01B, F01D, F05Z, F07A, F07B, F09A, F09B, F09C, F42Z	
	Pre	A13F			BOP, KOP, KOPV, KVT, UOP4			8r308.1	23	Z01A
8r305.40	04	E02A, E02B, E02C	8r306.04	05	F01A, F01B, F01D, F05Z, F07A, F07B, F08A, F08B, F08C, F08D, F08E, F28A, F42Z	8r307.10			05	F01A, F01B, F01D, F05Z, F07A, F07B, F09A, F09B, F09C, F42Z
	05	F01A, F01B, F01D, F19A, F19B, F19C		06	G33Z		8r308.1		23	Z01A
	10	K09A, K09B		07	H33Z, H38Z				8r307.10	KKP
	Pre	A13F		11	L33Z			05		F01A, F01B, F01D, F05Z, F07A, F07B, F09A, F09B, F09C, F42Z
8r305.41↔	04	E02A, E02B, E02C	8r306.04	21B	X33Z	8r307.10		23		Z01A
	05	F01A, F01B, F01D, F19A, F19B, F19C		23	Z01A		8r307.11	KKP		
	10	K09A, K09B		Pre	A07A			05	F01A, F01B, F01D, F05Z, F07A, F07B, F09A, F09B, F09C, F42Z	
	Pre	A13F			BOP, KOP, KOPV, KVT, UOP4			8r308.1	23	Z01A
8r305.42	04	E02A, E02B, E02C	8r306.04	01	B02A, B02B, B02C, B20A, B20B, B20C, B20D, B20E, B39A, B39B	8r307.11			05	F01A, F01B, F01D, F05Z, F07A, F07B, F09A, F09B, F09C, F42Z
	05	F01A, F01B, F01D, F19A, F19B, F19C		05	F01A, F01B, F01D, F05Z, F07A, F07B, F08A, F08B, F08C, F08D, F08E, F28A, F42Z		8r308.1		23	Z01A
	10	K09A, K09B		06	G33Z				8r307.10	KKP
	Pre	A13F		07	H33Z, H38Z			05		F01A, F01B, F01D, F05Z, F07A, F07B, F09A, F09B, F09C, F42Z
8r305.44	04	E02A, E02B, E02C	8r306.04	11	L33Z	8r307.10		23		Z01A
	05	F01A, F01B, F01D, F19A, F19B, F19C		21B	X33Z		8r307.11	KKP		
	10	K09A, K09B		23	Z01A			05	F01A, F01B, F01D, F05Z, F07A, F07B, F09A, F09B, F09C, F42Z	
	Pre	A13F		Pre	A07A			8r308.1	23	Z01A
8r305.45	04	E02A, E02B, E02C	8r306.04	05	F01A, F01B, F01D, F05Z, F07A, F07B, F08A, F08B, F08C, F08D, F08E, F28A, F42Z	8r307.10			05	F01A, F01B, F01D, F05Z, F07A, F07B, F09A, F09B, F09C, F42Z
	05	F01A, F01B, F01D, F19A, F19B, F19C		06	G33Z		8r308.1		23	Z01A
	10	K09A, K09B		07	H33Z, H38Z				8r307.10	KKP
	Pre	A13F		11	L33Z			05		F01A, F01B, F01D, F05Z, F07A, F07B, F09A, F09B, F09C, F42Z

ZZV	MDC	DRG	ZZV	MDC	DRG	ZZV	MDC	DRG
8r308.2	05	F01A, F01B, F01D, F14A, F14B, F15Z, F19A, F19B, F19C, F24A, F24B, F36A, F36B, F54Z	8r410	05	F01A, F01B, F01D, F14A, F14B, F15Z, F24A, F24B, F28A, F36A, F36B, F54Z, F59A, F59B	8r416↔	05	F01A, F01B, F01D, F14A, F14B, F15Z, F24A, F24B, F28A, F36A, F36B, F54Z, F59A, F59B
	09	J03A, J03B, J04A, J04B, J08A, J08B, J08C, J11A, J11B, J16Z		06	G10Z, G12A, G12B		09	J03A, J03B, J04A, J04B, J08A, J08B, J08C, J11A, J11B, J16Z
	10	K09A, K09B		09	J03A, J03B, J04A, J04B, J08A, J08B, J08C, J11A, J11B, J16Z		10	K09A, K09B
	21A	W04A, W04B		10	K09A, K09B		21A	W04A, W04B
	21B	X06A, X06B, X06C		11	L09A, L09B, L09C, L09D, L38Z		21B	X06A, X06B, X06C
8r310	05	F01A, F01B, F01D, F15Z, F19A, F19B, F19C, F24A, F24B, F36A, F36B		21A	W04A, W04B	8r417		BOP, KOP, KVT, UOP4
				21B	X06A, X06B, X06C		04	E36Z
8r311.0	05	F01A, F01B, F01D, F15Z, F19A, F19B, F19C, F24A, F24B, F36A, F36B	8r411↔		BOP, UOP4		05	F01A, F01B, F01D, F05Z, F07A, F07B, F08A, F08B, F08C, F08D, F08E, F27A, F28A, F36A, F42Z, F51A, F51B
				01	B04A, B04B, B04C, B04D		06	G36Z
				05	F01A, F01B, F01D, F14A, F14B, F15Z, F24A, F24B, F28A, F36A, F36B, F54Z, F59A, F59B		08	I08A, I08B, I08C, I08D, I08E, I13A, I13B, I26Z
8r311.1	05	F01A, F01B, F01D, F14A, F14B, F15Z, F24A, F24B, F28A, F36A, F36B, F54Z, F59A, F59B		09	J03A, J03B, J04A, J04B, J08A, J08B, J08C, J11A, J11B, J16Z		11	L33Z
	06	G10Z, G12A, G12B		10	K09A, K09B		21A	W36Z
	11	L09A, L09B, L09C, L09D, L38Z		21A	W04A, W04B		21B	X33Z
8r313.0		BOP, UOP4		21B	X06A, X06B, X06C		23	Z01A
	01	B04A, B04B, B04C, B04D	8r412↔	05	F01A, F01B, F01D, F14A, F14B, F15Z, F24A, F24B, F28A, F36A, F36B, F54Z, F59A, F59B		Pre	A06A, A07A, A09A, A11A, A13A
	05	F01A, F01B, F01D, F14A, F14B, F15Z, F24A, F24B, F28A, F36A, F36B, F54Z, F59A, F59B		09	J03A, J03B, J04A, J04B, J08A, J08B, J08C, J11A, J11B, J16Z	8r41b		BOP, KOP, UOP4
	23	Z01A		10	K09A, K09B		01	B02A, B02B, B02C, B20A, B20B, B20C, B20D, B20E, B39A, B39B
8r313.1		BOP, UOP4		21A	W04A, W04B		05	F01A, F01B, F01D, F14A, F14B, F15Z, F24A, F24B, F28A, F36A, F36B, F54Z, F59A, F59B
	01	B04A, B04B, B04C, B04D		21B	X06A, X06B, X06C		09	J03A, J03B, J04A, J04B, J08A, J08B, J08C, J11A, J11B, J16Z
	05	F01A, F01B, F01D, F14A, F14B, F15Z, F24A, F24B, F28A, F36A, F36B, F54Z, F59A, F59B	8r413	05	F01A, F01B, F01D, F14A, F14B, F15Z, F19A, F19B, F19C, F24A, F24B, F36A, F36B, F54Z		10	K09A, K09B
	23	Z01A		09	J03A, J03B, J04A, J04B, J08A, J08B, J08C, J11A, J11B, J16Z		21A	W04A, W04B
8r315	01	B12Z		10	K09A, K09B		21B	X06A, X06B, X06C, X33Z
	05	F01A, F01B, F01D, F12A, F12B, F15Z, F24A, F24B, F36A, F36B, F52A, F52B, F56A, F56B, F58A, F58B		21A	W04A, W04B	8r41c		B12Z
	Pre	A13F		21B	X06A, X06B, X06C		05	F01A, F01B, F01D, F12A, F12B, F15Z, F24A, F24B, F36A, F36B, F52A, F52B, F56A, F56B, F58A, F58B
8r316	01	B12Z	8r414.0	05	F01A, F01B, F01D, F15Z, F19A, F19B, F19C, F24A, F24B, F36A, F36B		Pre	A13F
	05	F01A, F01B, F01D, F12A, F12B, F15Z, F24A, F24B, F36A, F36B, F52A, F52B, F56A, F56B, F58A, F58B		05	F01A, F01B, F01D, F14A, F14B, F15Z, F24A, F24B, F28A, F36A, F36B, F54Z, F59A, F59B	8r41d		F01A, F01B, F01D, F14A, F14B, F15Z, F24A, F24B, F28A, F36A, F36B, F54Z, F59A, F59B
	Pre	A13F		06	G10Z, G12A, G12B		09	J03A, J03B, J04A, J04B, J08A, J08B, J08C, J11A, J11B, J16Z
8r317	05	F01A, F01B, F01D, F14A, F14B, F15Z, F24A, F24B, F28A, F36A, F36B, F54Z, F59A, F59B		11	L09A, L09B, L09C, L09D, L38Z		10	K09A, K09B
	06	G10Z, G12A, G12B					21A	W04A, W04B
	11	L09A, L09B, L09C, L09D, L38Z	8r415↔	05	F01A, F01B, F01D, F14A, F14B, F15Z, F24A, F24B, F28A, F36A, F36B, F54Z, F59A, F59B	8r420		X04Z, X06A, X06B, X06C
8r318	05	F01A, F01B, F01D, F14A, F14B, F15Z, F24A, F24B, F28A, F36A, F36B, F54Z, F59A, F59B		09	J03A, J03B, J04A, J04B, J08A, J08B, J08C, J11A, J11B, J16Z		05	F01A, F01B, F01D, F14A, F14B, F15Z, F19A, F19B, F19C, F24A, F24B, F36A, F36B, F54Z
	06	G10Z, G12A, G12B		10	K09A, K09B		09	J03A, J03B, J04A, J04B, J08A, J08B, J08C, J11A, J11B, J16Z
	11	L09A, L09B, L09C, L09D, L38Z		21A	W04A, W04B		10	K09A, K09B
8r319	05	F01A, F01B, F01D, F15Z, F24A, F24B, F28A, F36A, F36B, F54Z, F59A, F59B		21B	X06A, X06B, X06C		21A	W04A, W04B
8r31a	05	F01A, F01B, F01D, F15Z, F24A, F24B, F28A, F36A, F36B, F54Z, F59A, F59B					21B	X06A, X06B, X06C
8r31b	05	F01A, F01B, F01D, F15Z, F24A, F24B, F28A, F36A, F36B, F54Z, F59A, F59B						

ZZV	MDC	DRG	ZZV	MDC	DRG	ZZV	MDC	DRG																		
8r421		BOP, KOP, KVT, UOP4	8r430.14	05	F01A, F01B, F01D, F14A, F14B, F15Z, F19A, F19B, F19C, F24A, F24B, F36A, F36B, F54Z	8r430.1a	05	F01A, F01B, F01D, F14A, F14B, F15Z, F24A, F24B, F28A, F36A, F36B, F54Z, F59A, F59B																		
	04	E36Z		09	J03A, J03B, J04A, J04B, J08A, J08B, J08C, J11A, J11B, J16Z		06	G10Z, G12A, G12B																		
	05	F01A, F01B, F01D, F05Z, F07A, F07B, F08A, F08B, F08C, F08D, F08E, F27A, F28A, F36A, F42Z, F51A, F51B		10	K09A, K09B		09	J03A, J03B, J04A, J04B, J08A, J08B, J08C, J11A, J11B, J16Z																		
	06	G36Z		21A	W04A, W04B		10	K09A, K09B																		
	08	I08A, I08B, I08C, I08D, I08E, I13A, I13B, I26Z		21B	X06A, X06B, X06C		11	L09A, L09B, L09C, L09D, L38Z																		
	11	L33Z		8r430.15	05		F01A, F01B, F01D, F14A, F14B, F15Z, F19A, F19B, F19C, F24A, F24B, F36A, F36B, F54Z	21A	W04A, W04B																	
	21A	W36Z	09		J03A, J03B, J04A, J04B, J08A, J08B, J08C, J11A, J11B, J16Z	21B	X06A, X06B, X06C																			
	21B	X33Z	10		K09A, K09B	8r430.1b↔	05	F01A, F01B, F01D, F14A, F14B, F15Z, F24A, F24B, F28A, F36A, F36B, F54Z, F59A, F59B																		
	23	Z01A	21A		W04A, W04B		09	J03A, J03B, J04A, J04B, J08A, J08B, J08C, J11A, J11B, J16Z																		
	Pre	A06A, A07A, A09A, A11A, A13A	21B		X06A, X06B, X06C	10	K09A, K09B																			
	8r424		BOP, KVT, UOP4	8r430.16	05	F01A, F01B, F01D, F14A, F14B, F15Z, F19A, F19B, F19C, F24A, F24B, F36A, F36B, F54Z	8r430.1c↔	05	F01A, F01B, F01D, F14A, F14B, F15Z, F24A, F24B, F28A, F36A, F36B, F54Z, F59A, F59B																	
		05	F01A, F01B, F01D, F05Z, F07A, F07B, F08A, F08B, F08C, F08D, F08E, F27A, F28A, F42Z		09	J03A, J03B, J04A, J04B, J08A, J08B, J08C, J11A, J11B, J16Z		09	J03A, J03B, J04A, J04B, J08A, J08B, J08C, J11A, J11B, J16Z																	
		08	I08A, I08B, I08C, I08D, I08E, I13A, I13B		10	K09A, K09B		10	K09A, K09B																	
		21B	X33Z		21A	W04A, W04B		21A	W04A, W04B																	
23		Z01A	21B		X06A, X06B, X06C	21B		X04Z, X06A, X06B, X06C																		
8r427	01	B12Z	8r430.17	05	F01A, F01B, F01D, F14A, F14B, F15Z, F24A, F24B, F28A, F36A, F36B, F54Z, F59A, F59B	8r430.1d	05	F01A, F01B, F01D, F14A, F14B, F15Z, F24A, F24B, F28A, F36A, F36B, F54Z, F59A, F59B																		
	05	F01A, F01B, F01D, F12A, F12B, F19A, F19B, F19C		09	J03A, J03B, J04A, J04B, J08A, J08B, J08C, J11A, J11B, J16Z		09	J03A, J03B, J04A, J04B, J08A, J08B, J08C, J11A, J11B, J16Z																		
Pre	A13F	10		K09A, K09B	10		K09A, K09B																			
8r430.10		BOP, KOP, UOP4		21A	W04A, W04B		21A	W04A, W04B																		
	01	B02A, B02B, B02C, B20A, B20B, B20C, B20D, B20E, B39A, B39B		21B	X06A, X06B, X06C		21B	X04Z, X05A, X05B, X06A, X06B, X06C																		
	05	F01A, F01B, F01D, F14A, F14B, F15Z, F24A, F24B, F28A, F36A, F36B, F54Z, F59A, F59B	8r430.18↔	05	F01A, F01B, F01D, F14A, F14B, F15Z, F24A, F24B, F28A, F36A, F36B, F54Z, F59A, F59B	8r430.1e	05	F01A, F01B, F01D, F14A, F14B, F15Z, F24A, F24B, F28A, F36A, F36B, F54Z, F59A, F59B																		
	09	J03A, J03B, J04A, J04B, J08A, J08B, J08C, J11A, J11B, J16Z		09	J03A, J03B, J04A, J04B, J08A, J08B, J08C, J11A, J11B, J16Z		09	J03A, J03B, J04A, J04B, J08A, J08B, J08C, J11A, J11B, J16Z																		
	10	K09A, K09B		10	K09A, K09B		10	K09A, K09B																		
21A	W04A, W04B	21A		W04A, W04B	21A		W04A, W04B																			
21B	X06A, X06B, X06C, X33Z	21B		X06A, X06B, X06C	21B		X04Z, X05A, X05B, X06A, X06B, X06C																			
8r430.12↔	05	F01A, F01B, F01D, F14A, F14B, F15Z, F24A, F24B, F28A, F36A, F36B, F54Z, F59A, F59B	8r430.19↔	05	F01A, F01B, F01D, F14A, F14B, F15Z, F24A, F24B, F28A, F36A, F36B, F54Z, F59A, F59B	8r430.1f	05	F01A, F01B, F01D, F14A, F14B, F15Z, F24A, F24B, F28A, F36A, F36B, F54Z, F59A, F59B																		
	09	J03A, J03B, J04A, J04B, J08A, J08B, J08C, J11A, J11B, J16Z		09	J03A, J03B, J04A, J04B, J08A, J08B, J08C, J11A, J11B, J16Z		09	J03A, J03B, J04A, J04B, J08A, J08B, J08C, J11A, J11B, J16Z																		
	10	K09A, K09B		10	K09A, K09B		10	K09A, K09B																		
	21A	W04A, W04B		21A	W04A, W04B		21A	W04A, W04B																		
	21B	X06A, X06B, X06C		21B	X06A, X06B, X06C		21B	X04Z, X05A, X05B, X06A, X06B, X06C																		
8r430.13↔	05	F01A, F01B, F01D, F14A, F14B, F15Z, F24A, F24B, F28A, F36A, F36B, F54Z, F59A, F59B																								
	09	J03A, J03B, J04A, J04B, J08A, J08B, J08C, J11A, J11B, J16Z																								
	10	K09A, K09B																								
	21A	W04A, W04B																								
	21B	X05A, X05B, X06A, X06B, X06C																								



ZZV	MDC	DRG	ZZV	MDC	DRG	ZZV	MDC	DRG			
8r430.1g	05	F01A, F01B, F01D, F14A, F14B, F15Z, F24A, F24B, F28A, F36A, F36B, F54Z, F59A, F59B	8r430.1n↔	01	BOP, UOP4	8r430.25	05	F01A, F01B, F01D, F15Z, F19A, F19B, F19C, F24A, F24B, F36A, F36B			
		06			G10Z, G12A, G12B			05	F01A, F01B, F01D, F14A, F14B, F15Z, F24A, F24B, F28A, F36A, F36B, F54Z, F59A, F59B	09	J03A, J03B, J04A, J04B, J08A, J08B, J08C, J11A, J11B, J16Z
	09			J03A, J03B, J04A, J04B, J08A, J08B, J08C, J11A, J11B, J16Z	09		J03A, J03B, J04A, J04B, J08A, J08B, J08C, J11A, J11B, J16Z		10		K09A, K09B
		10		K09A, K09B			10	K09A, K09B		21A	W04A, W04B
	11			L09A, L09B, L09C, L09D, L38Z	10			K09A, K09B	21A		W04A, W04B
		21A		W04A, W04B			21A	W04A, W04B		21B	X06A, X06B, X06C
	21B			X06A, X06B, X06C	21B			X06A, X06B, X06C	8r430.26		05
		BOP, UOP4		8r430.1x↔			05	F01A, F01B, F01D, F14A, F14B, F15Z, F24A, F24B, F28A, F36A, F36B, F54Z, F59A, F59B		09	
	8r430.1h↔	01		B04A, B04B, B04C, B04D	8r430.20		05	F01A, F01B, F01D, F14A, F14B, F15Z, F24A, F24B, F28A, F36A, F36B, F54Z, F59A, F59B	8r430.27		05
				05				F01A, F01B, F01D, F14A, F14B, F15Z, F24A, F24B, F28A, F36A, F36B, F54Z, F59A, F59B		09	
09		J03A, J03B, J04A, J04B, J08A, J08B, J08C, J11A, J11B, J16Z	10			K09A, K09B	10	K09A, K09B			
		10		K09A, K09B		21A		W04A, W04B		21A	W04A, W04B
21A			W04A, W04B	21B			X06A, X06B, X06C	21B			X06A, X06B, X06C
		21B	X06A, X06B, X06C			21B	X06A, X06B, X06C			8r430.28↔	05
BOP, UOP4			8r430.22↔	05			F01A, F01B, F01D, F14A, F14B, F15Z, F24A, F24B, F28A, F36A, F36B, F54Z, F59A, F59B	09			
8r430.1j↔		01	B04A, B04B, B04C, B04D	8r430.23↔		05	F01A, F01B, F01D, F14A, F14B, F15Z, F24A, F24B, F28A, F36A, F36B, F54Z, F59A, F59B			8r430.29↔	05
			05				F01A, F01B, F01D, F14A, F14B, F15Z, F24A, F24B, F28A, F36A, F36B, F54Z, F59A, F59B	09			
		09				J03A, J03B, J04A, J04B, J08A, J08B, J08C, J11A, J11B, J16Z	10				K09A, K09B
	10		K09A, K09B		21A	W04A, W04B		21A	W04A, W04B		
		21A	W04A, W04B			21B	X06A, X06B, X06C		21B		X06A, X06B, X06C
	21B		X06A, X06B, X06C		21B		X06A, X06B, X06C	8r430.2a			05
		BOP, UOP4	8r430.24			05	F01A, F01B, F01D, F14A, F19A, F19B, F19C, F24A, F24B, F36A, F36B		06		
	8r430.1k↔	01	B04A, B04B, B04C, B04D		8r430.2b↔	09	J03A, J03B, J04A, J04B, J08A, J08B, J08C, J11A, J11B, J16Z	8r430.2b↔			05
			05				F01A, F01B, F01D, F14A, F14B, F15Z, F24A, F24B, F28A, F36A, F36B, F54Z, F59A, F59B		10		
		09				J03A, J03B, J04A, J04B, J08A, J08B, J08C, J11A, J11B, J16Z	21A				W04A, W04B
10			K09A, K09B	21B		X05A, X05B, X06A, X06B, X06C			11	L09A, L09B, L09C, L09D, L38Z	
		21A	W04A, W04B			21B	X06A, X06B, X06C			21A	W04A, W04B
21B			X06A, X06B, X06C	21B			X06A, X06B, X06C		21B		X06A, X06B, X06C
		BOP, UOP4	8r430.24			05	F01A, F01B, F01D, F15Z, F19A, F19B, F19C, F24A, F24B, F36A, F36B			05	F01A, F01B, F01D, F14A, F14B, F15Z, F24A, F24B, F28A, F36A, F36B, F54Z, F59A, F59B
8r430.1m↔		01	B04A, B04B, B04C, B04D	8r430.24		09	J03A, J03B, J04A, J04B, J08A, J08B, J08C, J11A, J11B, J16Z		8r430.2b↔		05
			05				F01A, F01B, F01D, F14A, F14B, F15Z, F24A, F24B, F28A, F36A, F36B, F54Z, F59A, F59B			10	
		09				J03A, J03B, J04A, J04B, J08A, J08B, J08C, J11A, J11B, J16Z	21A				W04A, W04B
	10		K09A, K09B		21B	X06A, X06B, X06C		21A		W04A, W04B	
		21A	W04A, W04B			21B	X06A, X06B, X06C			21B	X04Z, X06A, X06B, X06C
	21B		X06A, X06B, X06C		21B		X06A, X06B, X06C	21B			X04Z, X06A, X06B, X06C

VYK

ZZV	MDC	DRG	ZZV	MDC	DRG	ZZV	MDC	DRG					
8r430.2c↔	05	F01A, F01B, F01D, F14A, F14B, F15Z, F24A, F24B, F28A, F36A, F36B, F54Z, F59A, F59B	8r430.2j↔	01	BOP, UOP4	8r430.30	01	BOP, KOP, UOP4					
		09			J03A, J03B, J04A, J04B, J08A, J08B, J08C, J11A, J11B, J16Z			05	F01A, F01B, F01D, F14A, F14B, F15Z, F24A, F24B, F28A, F36A, F36B, F54Z, F59A, F59B	05	F01A, F01B, F01D, F14A, F14B, F15Z, F24A, F24B, F28A, F36A, F36B, F54Z, F59A, F59B		
					10			K09A, K09B	09	J03A, J03B, J04A, J04B, J08A, J08B, J08C, J11A, J11B, J16Z	09	J03A, J03B, J04A, J04B, J08A, J08B, J08C, J11A, J11B, J16Z	
								21A	W04A, W04B	10	K09A, K09B	10	K09A, K09B
								21B	X04Z, X06A, X06B, X06C	21A	W04A, W04B	21A	W04A, W04B
8r430.2d	05	F01A, F01B, F01D, F14A, F14B, F15Z, F24A, F24B, F28A, F36A, F36B, F54Z, F59A, F59B	8r430.2k↔	01	BOP, UOP4	8r430.32↔	05	F01A, F01B, F01D, F14A, F14B, F15Z, F24A, F24B, F28A, F36A, F36B, F54Z, F59A, F59B					
		09			J03A, J03B, J04A, J04B, J08A, J08B, J08C, J11A, J11B, J16Z			05	F01A, F01B, F01D, F14A, F14B, F15Z, F24A, F24B, F28A, F36A, F36B, F54Z, F59A, F59B	09	J03A, J03B, J04A, J04B, J08A, J08B, J08C, J11A, J11B, J16Z		
					10			K09A, K09B	09	J03A, J03B, J04A, J04B, J08A, J08B, J08C, J11A, J11B, J16Z	10	K09A, K09B	
								21A	W04A, W04B	10	K09A, K09B	21A	W04A, W04B
								21B	X04Z, X05A, X05B, X06A, X06B, X06C	21B	X06A, X06B, X06C	21B	X06A, X06B, X06C
8r430.2e	05	F01A, F01B, F01D, F14A, F14B, F15Z, F24A, F24B, F28A, F36A, F36B, F54Z, F59A, F59B	8r430.2m↔	01	B04A, B04B, B04C, B04D	8r430.33↔	05	F01A, F01B, F01D, F14A, F14B, F15Z, F24A, F24B, F28A, F36A, F36B, F54Z, F59A, F59B					
		09			J03A, J03B, J04A, J04B, J08A, J08B, J08C, J11A, J11B, J16Z			05	F01A, F01B, F01D, F14A, F14B, F15Z, F24A, F24B, F28A, F36A, F36B, F54Z, F59A, F59B	09	J03A, J03B, J04A, J04B, J08A, J08B, J08C, J11A, J11B, J16Z		
					10			K09A, K09B	09	J03A, J03B, J04A, J04B, J08A, J08B, J08C, J11A, J11B, J16Z	10	K09A, K09B	
								21A	W04A, W04B	10	K09A, K09B	21A	W04A, W04B
								21B	X04Z, X05A, X05B, X06A, X06B, X06C	21B	X06A, X06B, X06C	21B	X06A, X06B, X06C
8r430.2f	05	F01A, F01B, F01D, F14A, F14B, F15Z, F24A, F24B, F28A, F36A, F36B, F54Z, F59A, F59B	8r430.2n↔	01	B04A, B04B, B04C, B04D	8r430.34	05	F01A, F01B, F01D, F15Z, F19A, F19B, F19C, F24A, F24B, F36A, F36B					
		09			J03A, J03B, J04A, J04B, J08A, J08B, J08C, J11A, J11B, J16Z			05	F01A, F01B, F01D, F14A, F14B, F15Z, F24A, F24B, F28A, F36A, F36B, F54Z, F59A, F59B	09	J03A, J03B, J04A, J04B, J08A, J08B, J08C, J11A, J11B, J16Z		
					10			K09A, K09B	09	J03A, J03B, J04A, J04B, J08A, J08B, J08C, J11A, J11B, J16Z	10	K09A, K09B	
								21A	W04A, W04B	10	K09A, K09B	21A	W04A, W04B
								21B	X04Z, X05A, X05B, X06A, X06B, X06C	21B	X06A, X06B, X06C	21B	X06A, X06B, X06C
8r430.2g	05	F01A, F01B, F01D, F14A, F14B, F15Z, F24A, F24B, F28A, F36A, F36B, F54Z, F59A, F59B	8r430.2x↔	01	B04A, B04B, B04C, B04D	8r430.35	05	F01A, F01B, F01D, F15Z, F19A, F19B, F19C, F24A, F24B, F36A, F36B					
		06			G10Z, G12A, G12B			05	F01A, F01B, F01D, F14A, F14B, F15Z, F24A, F24B, F28A, F36A, F36B, F54Z, F59A, F59B	09	J03A, J03B, J04A, J04B, J08A, J08B, J08C, J11A, J11B, J16Z		
					09			J03A, J03B, J04A, J04B, J08A, J08B, J08C, J11A, J11B, J16Z	09	J03A, J03B, J04A, J04B, J08A, J08B, J08C, J11A, J11B, J16Z	10	K09A, K09B	
								10	K09A, K09B	10	K09A, K09B	21A	W04A, W04B
									11	L09A, L09B, L09C, L09D, L38Z	09	J03A, J03B, J04A, J04B, J08A, J08B, J08C, J11A, J11B, J16Z	21B
21A	W04A, W04B	10	K09A, K09B	21B	X06A, X06B, X06C								
8r430.2h↔	01	B04A, B04B, B04C, B04D	8r430.2y↔	01	B04A, B04B, B04C, B04D	8r430.36	05	F01A, F01B, F01D, F15Z, F19A, F19B, F19C, F24A, F24B, F36A, F36B					
		05			F01A, F01B, F01D, F14A, F14B, F15Z, F24A, F24B, F28A, F36A, F36B, F54Z, F59A, F59B			05	F01A, F01B, F01D, F14A, F14B, F15Z, F24A, F24B, F28A, F36A, F36B, F54Z, F59A, F59B	09	J03A, J03B, J04A, J04B, J08A, J08B, J08C, J11A, J11B, J16Z		
					09			J03A, J03B, J04A, J04B, J08A, J08B, J08C, J11A, J11B, J16Z	09	J03A, J03B, J04A, J04B, J08A, J08B, J08C, J11A, J11B, J16Z	10	K09A, K09B	
								10	K09A, K09B	10	K09A, K09B	21A	W04A, W04B
									21A	W04A, W04B	21A	W04A, W04B	21B
21B	X06A, X06B, X06C	21B	X06A, X06B, X06C	21B	X06A, X06B, X06C								

ZZV	MDC	DRG	ZZV	MDC	DRG	ZZV	MDC	DRG
8r430.37	05	F01A, F01B, F01D, F14A, F14B, F15Z, F24A, F24B, F28A, F36A, F36B, F54Z, F59A, F59B	8r430.3d	05	F01A, F01B, F01D, F14A, F14B, F15Z, F24A, F24B, F28A, F36A, F36B, F54Z, F59A, F59B	8r430.3k↔		BOP, UOP4
	09	J03A, J03B, J04A, J04B, J08A, J08B, J08C, J11A, J11B, J16Z		09	J03A, J03B, J04A, J04B, J08A, J08B, J08C, J11A, J11B, J16Z		01	B04A, B04B, B04C, B04D
	10	K09A, K09B		10	K09A, K09B		05	F01A, F01B, F01D, F14A, F14B, F15Z, F24A, F24B, F28A, F36A, F36B, F54Z, F59A, F59B
	21A	W04A, W04B		21A	W04A, W04B		09	J03A, J03B, J04A, J04B, J08A, J08B, J08C, J11A, J11B, J16Z
	21B	X06A, X06B, X06C		21B	X04Z, X05A, X05B, X06A, X06B, X06C		10	K09A, K09B
8r430.38↔	05	F01A, F01B, F01D, F14A, F14B, F15Z, F24A, F24B, F28A, F36A, F36B, F54Z, F59A, F59B	8r430.3e	05	F01A, F01B, F01D, F14A, F14B, F15Z, F24A, F24B, F28A, F36A, F36B, F54Z, F59A, F59B	8r430.3m↔	21A	W04A, W04B
	09	J03A, J03B, J04A, J04B, J08A, J08B, J08C, J11A, J11B, J16Z		09	J03A, J03B, J04A, J04B, J08A, J08B, J08C, J11A, J11B, J16Z		21B	X06A, X06B, X06C
	10	K09A, K09B		10	K09A, K09B			BOP, UOP4
	21A	W04A, W04B		21A	W04A, W04B		01	B04A, B04B, B04C, B04D
	21B	X06A, X06B, X06C		21B	X04Z, X05A, X05B, X06A, X06B, X06C		05	F01A, F01B, F01D, F14A, F14B, F15Z, F24A, F24B, F28A, F36A, F36B, F54Z, F59A, F59B
8r430.39↔	05	F01A, F01B, F01D, F14A, F14B, F15Z, F24A, F24B, F28A, F36A, F36B, F54Z, F59A, F59B	8r430.3f	05	F01A, F01B, F01D, F14A, F14B, F15Z, F24A, F24B, F28A, F36A, F36B, F54Z, F59A, F59B	8r430.3n↔	09	J03A, J03B, J04A, J04B, J08A, J08B, J08C, J11A, J11B, J16Z
	09	J03A, J03B, J04A, J04B, J08A, J08B, J08C, J11A, J11B, J16Z		09	J03A, J03B, J04A, J04B, J08A, J08B, J08C, J11A, J11B, J16Z		10	K09A, K09B
	10	K09A, K09B		10	K09A, K09B		21A	W04A, W04B
	21A	W04A, W04B		21A	W04A, W04B		21B	X06A, X06B, X06C
	21B	X06A, X06B, X06C		21B	X04Z, X05A, X05B, X06A, X06B, X06C			BOP, UOP4
8r430.3a	05	F01A, F01B, F01D, F14A, F14B, F15Z, F24A, F24B, F28A, F36A, F36B, F54Z, F59A, F59B	8r430.3g	05	F01A, F01B, F01D, F14A, F14B, F15Z, F24A, F24B, F28A, F36A, F36B, F54Z, F59A, F59B	8r430.3x↔	01	B04A, B04B, B04C, B04D
	06	G10Z, G12A, G12B		06	G10Z, G12A, G12B		05	F01A, F01B, F01D, F14A, F14B, F15Z, F24A, F24B, F28A, F36A, F36B, F54Z, F59A, F59B
	09	J03A, J03B, J04A, J04B, J08A, J08B, J08C, J11A, J11B, J16Z		09	J03A, J03B, J04A, J04B, J08A, J08B, J08C, J11A, J11B, J16Z		09	J03A, J03B, J04A, J04B, J08A, J08B, J08C, J11A, J11B, J16Z
	10	K09A, K09B		10	K09A, K09B		10	K09A, K09B
	11	L09A, L09B, L09C, L09D, L38Z		11	L09A, L09B, L09C, L09D, L38Z		21A	W04A, W04B
8r430.3b↔	21A	W04A, W04B	8r430.3h↔	21A	W04A, W04B	8r430.40	21B	X06A, X06B, X06C
	21B	X06A, X06B, X06C		21B	X06A, X06B, X06C			BOP, KOP, UOP4
	05	F01A, F01B, F01D, F14A, F14B, F15Z, F24A, F24B, F28A, F36A, F36B, F54Z, F59A, F59B		01	B04A, B04B, B04C, B04D		01	B02A, B02B, B02C, B20A, B20B, B20C, B20D, B20E, B39A, B39B
	09	J03A, J03B, J04A, J04B, J08A, J08B, J08C, J11A, J11B, J16Z		05	F01A, F01B, F01D, F14A, F14B, F15Z, F24A, F24B, F28A, F36A, F36B, F54Z, F59A, F59B		05	F01A, F01B, F01D, F14A, F14B, F15Z, F24A, F24B, F28A, F36A, F36B, F54Z, F59A, F59B
	10	K09A, K09B		09	J03A, J03B, J04A, J04B, J08A, J08B, J08C, J11A, J11B, J16Z		09	J03A, J03B, J04A, J04B, J08A, J08B, J08C, J11A, J11B, J16Z
8r430.3c↔	21A	W04A, W04B	8r430.3j↔	21A	W04A, W04B	8r430.42↔	09	J03A, J03B, J04A, J04B, J08A, J08B, J08C, J11A, J11B, J16Z
	21B	X04Z, X06A, X06B, X06C		21B	X06A, X06B, X06C		10	K09A, K09B
	05	F01A, F01B, F01D, F14A, F14B, F15Z, F24A, F24B, F28A, F36A, F36B, F54Z, F59A, F59B			BOP, UOP4		21A	W04A, W04B
	09	J03A, J03B, J04A, J04B, J08A, J08B, J08C, J11A, J11B, J16Z		01	B04A, B04B, B04C, B04D		21B	X06A, X06B, X06C
	10	K09A, K09B		05	F01A, F01B, F01D, F14A, F14B, F15Z, F24A, F24B, F28A, F36A, F36B, F54Z, F59A, F59B		05	F01A, F01B, F01D, F14A, F14B, F15Z, F24A, F24B, F28A, F36A, F36B, F54Z, F59A, F59B
8r430.3e↔	21A	W04A, W04B	8r430.3i↔	09	J03A, J03B, J04A, J04B, J08A, J08B, J08C, J11A, J11B, J16Z	8r430.44↔	09	J03A, J03B, J04A, J04B, J08A, J08B, J08C, J11A, J11B, J16Z
	21B	X04Z, X06A, X06B, X06C		10	K09A, K09B		10	K09A, K09B
	05	F01A, F01B, F01D, F14A, F14B, F15Z, F24A, F24B, F28A, F36A, F36B, F54Z, F59A, F59B		21A	W04A, W04B		21A	W04A, W04B
	09	J03A, J03B, J04A, J04B, J08A, J08B, J08C, J11A, J11B, J16Z		21B	X06A, X06B, X06C		21B	X06A, X06B, X06C
	10	K09A, K09B			BOP, UOP4			

ZZV	MDC	DRG	ZZV	MDC	DRG	ZZV	MDC	DRG
8r430.43↔	05	F01A, F01B, F01D, F14A, F14B, F15Z, F24A, F24B, F28A, F36A, F36B, F54Z, F59A, F59B	8r430.4a	05	F01A, F01B, F01D, F14A, F14B, F15Z, F24A, F24B, F28A, F36A, F36B, F54Z, F59A, F59B	8r430.4g	05	F01A, F01B, F01D, F14A, F14B, F15Z, F24A, F24B, F28A, F36A, F36B, F54Z, F59A, F59B
	09	J03A, J03B, J04A, J04B, J08A, J08B, J08C, J11A, J11B, J16Z		06	G10Z, G12A, G12B		06	G10Z, G12A, G12B
	10	K09A, K09B		09	J03A, J03B, J04A, J04B, J08A, J08B, J08C, J11A, J11B, J16Z		09	J03A, J03B, J04A, J04B, J08A, J08B, J08C, J11A, J11B, J16Z
	21A	W04A, W04B		10	K09A, K09B		10	K09A, K09B
	21B	X05A, X05B, X06A, X06B, X06C		11	L09A, L09B, L09C, L09D, L38Z		11	L09A, L09B, L09C, L09D, L38Z
8r430.44	05	F01A, F01B, F01D, F15Z, F19A, F19B, F19C, F24A, F24B, F36A, F36B	8r430.4b↔	21A	W04A, W04B	8r430.4h↔	21A	W04A, W04B
	09	J03A, J03B, J04A, J04B, J08A, J08B, J08C, J11A, J11B, J16Z		21B	X06A, X06B, X06C		21B	X06A, X06B, X06C
	10	K09A, K09B		05	F01A, F01B, F01D, F14A, F14B, F15Z, F24A, F24B, F28A, F36A, F36B, F54Z, F59A, F59B		01	B04A, B04B, B04C, B04D
	21A	W04A, W04B		09	J03A, J03B, J04A, J04B, J08A, J08B, J08C, J11A, J11B, J16Z		05	F01A, F01B, F01D, F14A, F14B, F15Z, F24A, F24B, F28A, F36A, F36B, F54Z, F59A, F59B
	21B	X06A, X06B, X06C		10	K09A, K09B		09	J03A, J03B, J04A, J04B, J08A, J08B, J08C, J11A, J11B, J16Z
8r430.45	05	F01A, F01B, F01D, F15Z, F19A, F19B, F19C, F24A, F24B, F36A, F36B	8r430.4c↔	21A	W04A, W04B	8r430.4j↔	10	K09A, K09B
	09	J03A, J03B, J04A, J04B, J08A, J08B, J08C, J11A, J11B, J16Z		21B	X04Z, X06A, X06B, X06C		21A	W04A, W04B
	10	K09A, K09B		05	F01A, F01B, F01D, F14A, F14B, F15Z, F24A, F24B, F28A, F36A, F36B, F54Z, F59A, F59B		21B	X06A, X06B, X06C
	21A	W04A, W04B		09	J03A, J03B, J04A, J04B, J08A, J08B, J08C, J11A, J11B, J16Z		BOP, UOP4	BOP, UOP4
	21B	X06A, X06B, X06C		10	K09A, K09B		01	B04A, B04B, B04C, B04D
8r430.46	05	F01A, F01B, F01D, F15Z, F19A, F19B, F19C, F24A, F24B, F36A, F36B	8r430.4d	21A	W04A, W04B	8r430.4k↔	05	F01A, F01B, F01D, F14A, F14B, F15Z, F24A, F24B, F28A, F36A, F36B, F54Z, F59A, F59B
	09	J03A, J03B, J04A, J04B, J08A, J08B, J08C, J11A, J11B, J16Z		21B	X04Z, X06A, X06B, X06C		09	J03A, J03B, J04A, J04B, J08A, J08B, J08C, J11A, J11B, J16Z
	10	K09A, K09B		05	F01A, F01B, F01D, F14A, F14B, F15Z, F24A, F24B, F28A, F36A, F36B, F54Z, F59A, F59B		10	K09A, K09B
	21A	W04A, W04B		09	J03A, J03B, J04A, J04B, J08A, J08B, J08C, J11A, J11B, J16Z		21A	W04A, W04B
	21B	X06A, X06B, X06C		10	K09A, K09B		21B	X06A, X06B, X06C
8r430.47	05	F01A, F01B, F01D, F14A, F14B, F15Z, F24A, F24B, F28A, F36A, F36B, F54Z, F59A, F59B	8r430.4e	09	J03A, J03B, J04A, J04B, J08A, J08B, J08C, J11A, J11B, J16Z	8r430.4m↔	01	B04A, B04B, B04C, B04D
	09	J03A, J03B, J04A, J04B, J08A, J08B, J08C, J11A, J11B, J16Z		05	F01A, F01B, F01D, F14A, F14B, F15Z, F24A, F24B, F28A, F36A, F36B, F54Z, F59A, F59B		05	F01A, F01B, F01D, F14A, F14B, F15Z, F24A, F24B, F28A, F36A, F36B, F54Z, F59A, F59B
	10	K09A, K09B		09	J03A, J03B, J04A, J04B, J08A, J08B, J08C, J11A, J11B, J16Z		09	J03A, J03B, J04A, J04B, J08A, J08B, J08C, J11A, J11B, J16Z
	21A	W04A, W04B		10	K09A, K09B		10	K09A, K09B
	21B	X06A, X06B, X06C		21A	W04A, W04B		21A	W04A, W04B
8r430.48↔	05	F01A, F01B, F01D, F14A, F14B, F15Z, F24A, F24B, F28A, F36A, F36B, F54Z, F59A, F59B	8r430.4f	21B	X04Z, X05A, X05B, X06A, X06B, X06C	8r430.4n↔	21B	X06A, X06B, X06C
	09	J03A, J03B, J04A, J04B, J08A, J08B, J08C, J11A, J11B, J16Z		05	F01A, F01B, F01D, F14A, F14B, F15Z, F24A, F24B, F28A, F36A, F36B, F54Z, F59A, F59B		01	B04A, B04B, B04C, B04D
	10	K09A, K09B		09	J03A, J03B, J04A, J04B, J08A, J08B, J08C, J11A, J11B, J16Z		05	F01A, F01B, F01D, F14A, F14B, F15Z, F24A, F24B, F28A, F36A, F36B, F54Z, F59A, F59B
	21A	W04A, W04B		10	K09A, K09B		09	J03A, J03B, J04A, J04B, J08A, J08B, J08C, J11A, J11B, J16Z
	21B	X06A, X06B, X06C		21A	W04A, W04B		10	K09A, K09B
8r430.49↔	05	F01A, F01B, F01D, F14A, F14B, F15Z, F24A, F24B, F28A, F36A, F36B, F54Z, F59A, F59B		21B	X04Z, X05A, X05B, X06A, X06B, X06C		21B	X06A, X06B, X06C
	09	J03A, J03B, J04A, J04B, J08A, J08B, J08C, J11A, J11B, J16Z		05	F01A, F01B, F01D, F14A, F14B, F15Z, F24A, F24B, F28A, F36A, F36B, F54Z, F59A, F59B		01	B04A, B04B, B04C, B04D
	10	K09A, K09B		09	J03A, J03B, J04A, J04B, J08A, J08B, J08C, J11A, J11B, J16Z		05	F01A, F01B, F01D, F14A, F14B, F15Z, F24A, F24B, F28A, F36A, F36B, F54Z, F59A, F59B
	21A	W04A, W04B		10	K09A, K09B		09	J03A, J03B, J04A, J04B, J08A, J08B, J08C, J11A, J11B, J16Z
	21B	X06A, X06B, X06C		21A	W04A, W04B		10	K09A, K09B

VYK

ZZV	MDC	DRG	ZZV	MDC	DRG	ZZV	MDC	DRG			
8r430.4n↔		BOP, UOP4	8r430.55	05	F01A, F01B, F01D, F15Z, F19A, F19B, F19C, F24A, F24B, F36A, F36B	8r430.5c↔	05	F01A, F01B, F01D, F14A, F14B, F15Z, F24A, F24B, F28A, F36A, F36B, F54Z, F59A, F59B			
	01	B04A, B04B, B04C, B04D		09	J03A, J03B, J04A, J04B, J08A, J08B, J08C, J11A, J11B, J16Z		09	J03A, J03B, J04A, J04B, J08A, J08B, J08C, J11A, J11B, J16Z			
	05	F01A, F01B, F01D, F14A, F14B, F15Z, F24A, F24B, F28A, F36A, F36B, F54Z, F59A, F59B		10	K09A, K09B		10	K09A, K09B			
	09	J03A, J03B, J04A, J04B, J08A, J08B, J08C, J11A, J11B, J16Z		21A	W04A, W04B		21A	W04A, W04B			
	10	K09A, K09B		21B	X06A, X06B, X06C		21A	W04A, W04B			
	21A	W04A, W04B		8r430.56	05		F01A, F01B, F01D, F15Z, F19A, F19B, F19C, F24A, F24B, F36A, F36B	8r430.5d	21B	X04Z, X06A, X06B, X06C	
	21B	X06A, X06B, X06C			09		J03A, J03B, J04A, J04B, J08A, J08B, J08C, J11A, J11B, J16Z		05	F01A, F01B, F01D, F14A, F14B, F15Z, F24A, F24B, F28A, F36A, F36B, F54Z, F59A, F59B	
	8r430.4x↔	05			F01A, F01B, F01D, F14A, F14B, F15Z, F24A, F24B, F28A, F36A, F36B, F54Z, F59A, F59B		10		K09A, K09B	09	J03A, J03B, J04A, J04B, J08A, J08B, J08C, J11A, J11B, J16Z
		09			J03A, J03B, J04A, J04B, J08A, J08B, J08C, J11A, J11B, J16Z		21A		W04A, W04B	10	K09A, K09B
		10			K09A, K09B		21B		X06A, X06B, X06C	21A	W04A, W04B
21A		W04A, W04B	8r430.57		05	F01A, F01B, F01D, F14A, F14B, F15Z, F24A, F24B, F28A, F36A, F36B, F54Z, F59A, F59B	8r430.5e		21B	X04Z, X05A, X05B, X06A, X06B, X06C	
21B		X06A, X06B, X06C			09	J03A, J03B, J04A, J04B, J08A, J08B, J08C, J11A, J11B, J16Z			05	F01A, F01B, F01D, F14A, F14B, F15Z, F24A, F24B, F28A, F36A, F36B, F54Z, F59A, F59B	
8r430.50		BOP, KOP, UOP4			10	K09A, K09B			09	J03A, J03B, J04A, J04B, J08A, J08B, J08C, J11A, J11B, J16Z	
		01			B02A, B02B, B02C, B20A, B20B, B20C, B20D, B20E, B39A, B39B	21A			W04A, W04B	10	K09A, K09B
		05			F01A, F01B, F01D, F14A, F14B, F15Z, F24A, F24B, F28A, F36A, F36B, F54Z, F59A, F59B	21B			X06A, X06B, X06C	21A	W04A, W04B
		09		J03A, J03B, J04A, J04B, J08A, J08B, J08C, J11A, J11B, J16Z	8r430.58↔	05		F01A, F01B, F01D, F14A, F14B, F15Z, F24A, F24B, F28A, F36A, F36B, F54Z, F59A, F59B	8r430.5f	21B	X04Z, X05A, X05B, X06A, X06B, X06C
		10		K09A, K09B		09		J03A, J03B, J04A, J04B, J08A, J08B, J08C, J11A, J11B, J16Z		05	F01A, F01B, F01D, F14A, F14B, F15Z, F24A, F24B, F28A, F36A, F36B, F54Z, F59A, F59B
	21A	W04A, W04B		10		K09A, K09B		09		J03A, J03B, J04A, J04B, J08A, J08B, J08C, J11A, J11B, J16Z	
	21B	X06A, X06B, X06C, X33Z		21A		W04A, W04B		10		K09A, K09B	
	8r430.52↔	05		F01A, F01B, F01D, F14A, F14B, F15Z, F24A, F24B, F28A, F36A, F36B, F54Z, F59A, F59B		8r430.59↔		21B		X06A, X06B, X06C	8r430.5g
		09	J03A, J03B, J04A, J04B, J08A, J08B, J08C, J11A, J11B, J16Z	09			J03A, J03B, J04A, J04B, J08A, J08B, J08C, J11A, J11B, J16Z	05		F01A, F01B, F01D, F14A, F14B, F15Z, F24A, F24B, F28A, F36A, F36B, F54Z, F59A, F59B	
		10	K09A, K09B	10			K09A, K09B	06		G10Z, G12A, G12B	
21A		W04A, W04B	21A	W04A, W04B			09	J03A, J03B, J04A, J04B, J08A, J08B, J08C, J11A, J11B, J16Z			
21B		X06A, X06B, X06C	8r430.5a	05			F01A, F01B, F01D, F14A, F14B, F15Z, F24A, F24B, F28A, F36A, F36B, F54Z, F59A, F59B	10		K09A, K09B	
8r430.53↔		05		F01A, F01B, F01D, F14A, F14B, F15Z, F24A, F24B, F28A, F36A, F36B, F54Z, F59A, F59B			06	G10Z, G12A, G12B		11	
		09		J03A, J03B, J04A, J04B, J08A, J08B, J08C, J11A, J11B, J16Z	09		J03A, J03B, J04A, J04B, J08A, J08B, J08C, J11A, J11B, J16Z	21A	W04A, W04B		
		10		K09A, K09B	10		K09A, K09B	21B	X06A, X06B, X06C		
		21A		W04A, W04B	8r430.5b↔		05	F01A, F01B, F01D, F14A, F14B, F15Z, F24A, F24B, F28A, F36A, F36B, F54Z, F59A, F59B	8r430.5h↔	BOP, UOP4	
		21B		X05A, X05B, X06A, X06B, X06C			09	J03A, J03B, J04A, J04B, J08A, J08B, J08C, J11A, J11B, J16Z		01	
	8r430.54	05		F01A, F01B, F01D, F15Z, F19A, F19B, F19C, F24A, F24B, F36A, F36B		10	K09A, K09B	05		F01A, F01B, F01D, F14A, F14B, F15Z, F24A, F24B, F28A, F36A, F36B, F54Z, F59A, F59B	
		09		J03A, J03B, J04A, J04B, J08A, J08B, J08C, J11A, J11B, J16Z		21A	W04A, W04B	09		J03A, J03B, J04A, J04B, J08A, J08B, J08C, J11A, J11B, J16Z	
		10		K09A, K09B		8r430.5b↔	09	J03A, J03B, J04A, J04B, J08A, J08B, J08C, J11A, J11B, J16Z		10	K09A, K09B
		21A		W04A, W04B			10	K09A, K09B		21A	W04A, W04B
		21B	X06A, X06B, X06C	21B			X04Z, X06A, X06B, X06C	21B		X06A, X06B, X06C	

## Príloha B: Index Výkon-MDC-DRG

ZZV	MDC	DRG	ZZV	MDC	DRG	ZZV	MDC	DRG			
8r430.5j↔		BOP, UOP4	8r430.60		BOP, KOP, UOP4	8r430.67	05	F01A, F01B, F01D, F14A, F14B, F15Z, F24A, F24B, F28A, F36A, F36B, F54Z, F59A, F59B			
	01	B04A, B04B, B04C, B04D		01	B02A, B02B, B02C, B20A, B20B, B20C, B20D, B20E, B39A, B39B		09	J03A, J03B, J04A, J04B, J08A, J08B, J08C, J11A, J11B, J16Z			
	05	F01A, F01B, F01D, F14A, F14B, F15Z, F24A, F24B, F28A, F36A, F36B, F54Z, F59A, F59B		05	F01A, F01B, F01D, F14A, F14B, F15Z, F24A, F24B, F28A, F36A, F36B, F54Z, F59A, F59B		10	K09A, K09B			
	09	J03A, J03B, J04A, J04B, J08A, J08B, J08C, J11A, J11B, J16Z		09	J03A, J03B, J04A, J04B, J08A, J08B, J08C, J11A, J11B, J16Z		21A	W04A, W04B			
	10	K09A, K09B		10	K09A, K09B		21B	X06A, X06B, X06C			
	21A	W04A, W04B		21A	W04A, W04B		8r430.68↔	05	F01A, F01B, F01D, F14A, F14B, F15Z, F24A, F24B, F28A, F36A, F36B, F54Z, F59A, F59B		
	21B	X06A, X06B, X06C		21B	X06A, X06B, X06C, X33Z			09	J03A, J03B, J04A, J04B, J08A, J08B, J08C, J11A, J11B, J16Z		
	8r430.5k↔			BOP, UOP4	8r430.62↔				F01A, F01B, F01D, F14A, F14B, F15Z, F24A, F24B, F28A, F36A, F36B, F54Z, F59A, F59B	10	K09A, K09B
		01		B04A, B04B, B04C, B04D				05	F01A, F01B, F01D, F14A, F14B, F15Z, F24A, F24B, F28A, F36A, F36B, F54Z, F59A, F59B	21A	W04A, W04B
		05		F01A, F01B, F01D, F14A, F14B, F15Z, F24A, F24B, F28A, F36A, F36B, F54Z, F59A, F59B				09	J03A, J03B, J04A, J04B, J08A, J08B, J08C, J11A, J11B, J16Z	21B	X06A, X06B, X06C
09		J03A, J03B, J04A, J04B, J08A, J08B, J08C, J11A, J11B, J16Z	10	K09A, K09B		8r430.69↔		05	F01A, F01B, F01D, F14A, F14B, F15Z, F24A, F24B, F28A, F36A, F36B, F54Z, F59A, F59B		
10		K09A, K09B	10	K09A, K09B				09	J03A, J03B, J04A, J04B, J08A, J08B, J08C, J11A, J11B, J16Z		
21A		W04A, W04B	21A	W04A, W04B				10	K09A, K09B		
21B		X06A, X06B, X06C	21B	X06A, X06B, X06C				21A	W04A, W04B		
8r430.5m↔			BOP, UOP4	8r430.63↔					F01A, F01B, F01D, F14A, F14B, F15Z, F24A, F24B, F28A, F36A, F36B, F54Z, F59A, F59B	21B	X06A, X06B, X06C
		01	B04A, B04B, B04C, B04D				05	F01A, F01B, F01D, F14A, F14B, F15Z, F24A, F24B, F28A, F36A, F36B, F54Z, F59A, F59B	8r430.6a	05	F01A, F01B, F01D, F14A, F14B, F15Z, F24A, F24B, F28A, F36A, F36B, F54Z, F59A, F59B
		05	F01A, F01B, F01D, F14A, F14B, F15Z, F24A, F24B, F28A, F36A, F36B, F54Z, F59A, F59B				09	J03A, J03B, J04A, J04B, J08A, J08B, J08C, J11A, J11B, J16Z		06	G10Z, G12A, G12B
	09	J03A, J03B, J04A, J04B, J08A, J08B, J08C, J11A, J11B, J16Z	10		K09A, K09B		09	J03A, J03B, J04A, J04B, J08A, J08B, J08C, J11A, J11B, J16Z			
	10	K09A, K09B	21A		W04A, W04B		10	K09A, K09B			
	21A	W04A, W04B	21B		X05A, X05B, X06A, X06B, X06C		11	L09A, L09B, L09C, L09D, L38Z			
	21B	X06A, X06B, X06C	8r430.64		05	F01A, F01B, F01D, F15Z, F19A, F19B, F19C, F24A, F24B, F36A, F36B	21A	W04A, W04B			
	8r430.5n↔				BOP, UOP4	09	J03A, J03B, J04A, J04B, J08A, J08B, J08C, J11A, J11B, J16Z	21B		X06A, X06B, X06C	
		01			B04A, B04B, B04C, B04D	10	K09A, K09B	8r430.6b↔		05	F01A, F01B, F01D, F14A, F14B, F15Z, F24A, F24B, F28A, F36A, F36B, F54Z, F59A, F59B
		05			F01A, F01B, F01D, F14A, F14B, F15Z, F24A, F24B, F28A, F36A, F36B, F54Z, F59A, F59B	21A	W04A, W04B			09	J03A, J03B, J04A, J04B, J08A, J08B, J08C, J11A, J11B, J16Z
09		J03A, J03B, J04A, J04B, J08A, J08B, J08C, J11A, J11B, J16Z		21B	X06A, X06B, X06C	10	K09A, K09B				
10		K09A, K09B		8r430.65	05	F01A, F01B, F01D, F15Z, F19A, F19B, F19C, F24A, F24B, F36A, F36B	21A		W04A, W04B		
21A		W04A, W04B			09	J03A, J03B, J04A, J04B, J08A, J08B, J08C, J11A, J11B, J16Z	21B		X04Z, X06A, X06B, X06C		
21B		X06A, X06B, X06C			10	K09A, K09B	8r430.6c↔		05	F01A, F01B, F01D, F14A, F14B, F15Z, F24A, F24B, F28A, F36A, F36B, F54Z, F59A, F59B	
8r430.5x↔					BOP, UOP4	09			J03A, J03B, J04A, J04B, J08A, J08B, J08C, J11A, J11B, J16Z	09	J03A, J03B, J04A, J04B, J08A, J08B, J08C, J11A, J11B, J16Z
		01			B04A, B04B, B04C, B04D	10			K09A, K09B	10	K09A, K09B
		05	F01A, F01B, F01D, F14A, F14B, F15Z, F24A, F24B, F28A, F36A, F36B, F54Z, F59A, F59B		21A	W04A, W04B			21A	W04A, W04B	
	09	J03A, J03B, J04A, J04B, J08A, J08B, J08C, J11A, J11B, J16Z	21B		X06A, X06B, X06C	21B			X04Z, X06A, X06B, X06C		
	10	K09A, K09B	8r430.66		05	F01A, F01B, F01D, F15Z, F19A, F19B, F19C, F24A, F24B, F36A, F36B		05	F01A, F01B, F01D, F14A, F14B, F15Z, F24A, F24B, F28A, F36A, F36B, F54Z, F59A, F59B		
	21A	W04A, W04B			09	J03A, J03B, J04A, J04B, J08A, J08B, J08C, J11A, J11B, J16Z		09	J03A, J03B, J04A, J04B, J08A, J08B, J08C, J11A, J11B, J16Z		
	21B	X06A, X06B, X06C			10	K09A, K09B		10	K09A, K09B		
	8r430.5y↔			BOP, UOP4	21A	W04A, W04B		21A	W04A, W04B		
		01		B04A, B04B, B04C, B04D	21B	X06A, X06B, X06C		21B	X04Z, X06A, X06B, X06C		
		05		F01A, F01B, F01D, F14A, F14B, F15Z, F24A, F24B, F28A, F36A, F36B, F54Z, F59A, F59B	8r430.66	05	F01A, F01B, F01D, F15Z, F19A, F19B, F19C, F24A, F24B, F36A, F36B	09	J03A, J03B, J04A, J04B, J08A, J08B, J08C, J11A, J11B, J16Z		
09		J03A, J03B, J04A, J04B, J08A, J08B, J08C, J11A, J11B, J16Z		09		J03A, J03B, J04A, J04B, J08A, J08B, J08C, J11A, J11B, J16Z	10	K09A, K09B			
10		K09A, K09B		10		K09A, K09B	21A	W04A, W04B			
21A		W04A, W04B		21A		W04A, W04B	21B	X06A, X06B, X06C			
21B		X06A, X06B, X06C		21B		X06A, X06B, X06C					



ZZV	MDC	DRG	ZZV	MDC	DRG	ZZV	MDC	DRG			
8r431.1a	05	F01A, F01B, F01D, F14A, F14B, F15Z, F24A, F24B, F28A, F36A, F36B, F54Z, F59A, F59B	8r431.1g	05	F01A, F01B, F01D, F14A, F14B, F15Z, F24A, F24B, F28A, F36A, F36B, F54Z, F59A, F59B	8r431.1n↔		BOP, UOP4			
		06			G10Z, G12A, G12B			06	G10Z, G12A, G12B	01	B04A, B04B, B04C, B04D
	09	J03A, J03B, J04A, J04B, J08A, J08B, J08C, J11A, J11B, J16Z		09	J03A, J03B, J04A, J04B, J08A, J08B, J08C, J11A, J11B, J16Z		05	F01A, F01B, F01D, F14A, F14B, F15Z, F24A, F24B, F28A, F36A, F36B, F54Z, F59A, F59B			
	10	K09A, K09B		10	K09A, K09B		09	J03A, J03B, J04A, J04B, J08A, J08B, J08C, J11A, J11B, J16Z			
	11	L09A, L09B, L09C, L09D, L38Z		11	L09A, L09B, L09C, L09D, L38Z		10	K09A, K09B			
	21A	W04A, W04B		21A	W04A, W04B		21A	W04A, W04B			
	21B	X06A, X06B, X06C		21B	X06A, X06B, X06C		21B	X06A, X06B, X06C			
	8r431.1b↔	05		F01A, F01B, F01D, F14A, F14B, F15Z, F24A, F24B, F28A, F36A, F36B, F54Z, F59A, F59B	8r431.1h↔		01	B04A, B04B, B04C, B04D	8r431.1x↔	05	F01A, F01B, F01D, F14A, F14B, F15Z, F24A, F24B, F28A, F36A, F36B, F54Z, F59A, F59B
				09				J03A, J03B, J04A, J04B, J08A, J08B, J08C, J11A, J11B, J16Z			09
		10		K09A, K09B			09	J03A, J03B, J04A, J04B, J08A, J08B, J08C, J11A, J11B, J16Z		10	K09A, K09B
21A		W04A, W04B	10	K09A, K09B		21A	W04A, W04B				
21B		X04Z, X06A, X06B, X06C	21A	W04A, W04B		21B	X06A, X06B, X06C				
8r431.1c↔		05	F01A, F01B, F01D, F14A, F14B, F15Z, F24A, F24B, F28A, F36A, F36B, F54Z, F59A, F59B	8r431.1j↔		01	B04A, B04B, B04C, B04D	8r431.20		01	B02A, B02B, B02C, B20A, B20B, B20C, B20D, B20E, B39A, B39B
			09				J03A, J03B, J04A, J04B, J08A, J08B, J08C, J11A, J11B, J16Z				05
		10	K09A, K09B			09	J03A, J03B, J04A, J04B, J08A, J08B, J08C, J11A, J11B, J16Z			09	J03A, J03B, J04A, J04B, J08A, J08B, J08C, J11A, J11B, J16Z
		21A	W04A, W04B			10	K09A, K09B			10	K09A, K09B
		21B	X04Z, X06A, X06B, X06C			21A	W04A, W04B			21A	W04A, W04B
	8r431.1d	05	F01A, F01B, F01D, F14A, F14B, F15Z, F24A, F24B, F28A, F36A, F36B, F54Z, F59A, F59B		8r431.1k↔	01	B04A, B04B, B04C, B04D		8r431.22↔	05	F01A, F01B, F01D, F14A, F14B, F15Z, F24A, F24B, F28A, F36A, F36B, F54Z, F59A, F59B
			09				J03A, J03B, J04A, J04B, J08A, J08B, J08C, J11A, J11B, J16Z				05
		10	K09A, K09B			09	J03A, J03B, J04A, J04B, J08A, J08B, J08C, J11A, J11B, J16Z			10	K09A, K09B
		21A	W04A, W04B			10	K09A, K09B			21A	W04A, W04B
		21B	X04Z, X05A, X05B, X06A, X06B, X06C			21A	W04A, W04B			21B	X06A, X06B, X06C
8r431.1e		05	F01A, F01B, F01D, F14A, F14B, F15Z, F24A, F24B, F28A, F36A, F36B, F54Z, F59A, F59B	8r431.1m↔		01	B04A, B04B, B04C, B04D	8r431.23↔		05	F01A, F01B, F01D, F14A, F14B, F15Z, F24A, F24B, F28A, F36A, F36B, F54Z, F59A, F59B
			09				J03A, J03B, J04A, J04B, J08A, J08B, J08C, J11A, J11B, J16Z				05
		10	K09A, K09B			09	J03A, J03B, J04A, J04B, J08A, J08B, J08C, J11A, J11B, J16Z			10	K09A, K09B
		21A	W04A, W04B			10	K09A, K09B			21A	W04A, W04B
		21B	X04Z, X05A, X05B, X06A, X06B, X06C			21A	W04A, W04B			21B	X06A, X06B, X06C
	8r431.1f	05	F01A, F01B, F01D, F14A, F14B, F15Z, F24A, F24B, F28A, F36A, F36B, F54Z, F59A, F59B		8r431.1l↔	01	B04A, B04B, B04C, B04D		8r431.24	05	F01A, F01B, F01D, F15Z, F19A, F19B, F19C, F24A, F24B, F36A, F36B
			09				J03A, J03B, J04A, J04B, J08A, J08B, J08C, J11A, J11B, J16Z				05
		10	K09A, K09B			09	J03A, J03B, J04A, J04B, J08A, J08B, J08C, J11A, J11B, J16Z			10	K09A, K09B
		21A	W04A, W04B			10	K09A, K09B			21A	W04A, W04B
		21B	X04Z, X05A, X05B, X06A, X06B, X06C			21A	W04A, W04B			21B	X06A, X06B, X06C

VYK



ZZV	MDC	DRG	ZZV	MDC	DRG	ZZV	MDC	DRG
8r431.25	05	F01A, F01B, F01D, F15Z, F19A, F19B, F19C, F24A, F24B, F36A, F36B	8r431.2c↔	05	F01A, F01B, F01D, F14A, F14B, F15Z, F24A, F24B, F28A, F36A, F36B, F54Z, F59A, F59B	8r431.2j↔		BOP, UOP4
	09	J03A, J03B, J04A, J04B, J08A, J08B, J08C, J11A, J11B, J16Z		09	J03A, J03B, J04A, J04B, J08A, J08B, J08C, J11A, J11B, J16Z		01	B04A, B04B, B04C, B04D
	10	K09A, K09B		10	K09A, K09B		05	F01A, F01B, F01D, F14A, F14B, F15Z, F24A, F24B, F28A, F36A, F36B, F54Z, F59A, F59B
	21A	W04A, W04B		21A	W04A, W04B		09	J03A, J03B, J04A, J04B, J08A, J08B, J08C, J11A, J11B, J16Z
	21B	X06A, X06B, X06C		21B	X04Z, X06A, X06B, X06C		10	K09A, K09B
8r431.26	05	F01A, F01B, F01D, F15Z, F19A, F19B, F19C, F24A, F24B, F36A, F36B	8r431.2d	05	F01A, F01B, F01D, F14A, F14B, F15Z, F24A, F24B, F28A, F36A, F36B, F54Z, F59A, F59B	8r431.2k↔	21A	W04A, W04B
	09	J03A, J03B, J04A, J04B, J08A, J08B, J08C, J11A, J11B, J16Z		09	J03A, J03B, J04A, J04B, J08A, J08B, J08C, J11A, J11B, J16Z		21B	X06A, X06B, X06C
	10	K09A, K09B		10	K09A, K09B		01	B04A, B04B, B04C, B04D
	21A	W04A, W04B		21A	W04A, W04B		05	F01A, F01B, F01D, F14A, F14B, F15Z, F24A, F24B, F28A, F36A, F36B, F54Z, F59A, F59B
	21B	X06A, X06B, X06C		21B	X04Z, X05A, X05B, X06A, X06B, X06C		09	J03A, J03B, J04A, J04B, J08A, J08B, J08C, J11A, J11B, J16Z
8r431.27	05	F01A, F01B, F01D, F14A, F14B, F15Z, F24A, F24B, F28A, F36A, F36B, F54Z, F59A, F59B	8r431.2e	05	F01A, F01B, F01D, F14A, F14B, F15Z, F24A, F24B, F28A, F36A, F36B, F54Z, F59A, F59B	8r431.2m↔	21A	W04A, W04B
	09	J03A, J03B, J04A, J04B, J08A, J08B, J08C, J11A, J11B, J16Z		09	J03A, J03B, J04A, J04B, J08A, J08B, J08C, J11A, J11B, J16Z		21B	X06A, X06B, X06C
	10	K09A, K09B		10	K09A, K09B		BOP, UOP4	
	21A	W04A, W04B		21A	W04A, W04B		01	B04A, B04B, B04C, B04D
	21B	X06A, X06B, X06C		21B	X04Z, X05A, X05B, X06A, X06B, X06C		05	F01A, F01B, F01D, F14A, F14B, F15Z, F24A, F24B, F28A, F36A, F36B, F54Z, F59A, F59B
8r431.28↔	05	F01A, F01B, F01D, F14A, F14B, F15Z, F24A, F24B, F28A, F36A, F36B, F54Z, F59A, F59B	8r431.2f	05	F01A, F01B, F01D, F14A, F14B, F15Z, F24A, F24B, F28A, F36A, F36B, F54Z, F59A, F59B	8r431.2n↔	09	J03A, J03B, J04A, J04B, J08A, J08B, J08C, J11A, J11B, J16Z
	09	J03A, J03B, J04A, J04B, J08A, J08B, J08C, J11A, J11B, J16Z		09	J03A, J03B, J04A, J04B, J08A, J08B, J08C, J11A, J11B, J16Z		10	K09A, K09B
	10	K09A, K09B		10	K09A, K09B		21A	W04A, W04B
	21A	W04A, W04B		21A	W04A, W04B		21B	X06A, X06B, X06C
	21B	X06A, X06B, X06C		21B	X04Z, X05A, X05B, X06A, X06B, X06C		BOP, UOP4	
8r431.29↔	05	F01A, F01B, F01D, F14A, F14B, F15Z, F24A, F24B, F28A, F36A, F36B, F54Z, F59A, F59B	8r431.2g	05	F01A, F01B, F01D, F14A, F14B, F15Z, F24A, F24B, F28A, F36A, F36B, F54Z, F59A, F59B	8r431.2x↔	01	B04A, B04B, B04C, B04D
	09	J03A, J03B, J04A, J04B, J08A, J08B, J08C, J11A, J11B, J16Z		06	G10Z, G12A, G12B		05	F01A, F01B, F01D, F14A, F14B, F15Z, F24A, F24B, F28A, F36A, F36B, F54Z, F59A, F59B
	10	K09A, K09B		09	J03A, J03B, J04A, J04B, J08A, J08B, J08C, J11A, J11B, J16Z		09	J03A, J03B, J04A, J04B, J08A, J08B, J08C, J11A, J11B, J16Z
	21A	W04A, W04B		10	K09A, K09B		10	K09A, K09B
	21B	X06A, X06B, X06C		11	L09A, L09B, L09C, L09D, L38Z		21A	W04A, W04B
8r431.2a	05	F01A, F01B, F01D, F14A, F14B, F15Z, F24A, F24B, F28A, F36A, F36B, F54Z, F59A, F59B	8r431.2h↔	01	B04A, B04B, B04C, B04D	8r431.2y↔	21B	X06A, X06B, X06C
	06	G10Z, G12A, G12B		05	F01A, F01B, F01D, F14A, F14B, F15Z, F24A, F24B, F28A, F36A, F36B, F54Z, F59A, F59B		05	F01A, F01B, F01D, F14A, F14B, F15Z, F24A, F24B, F28A, F36A, F36B, F54Z, F59A, F59B
	09	J03A, J03B, J04A, J04B, J08A, J08B, J08C, J11A, J11B, J16Z		09	J03A, J03B, J04A, J04B, J08A, J08B, J08C, J11A, J11B, J16Z		09	J03A, J03B, J04A, J04B, J08A, J08B, J08C, J11A, J11B, J16Z
	10	K09A, K09B		10	K09A, K09B		10	K09A, K09B
	11	L09A, L09B, L09C, L09D, L38Z		21A	W04A, W04B		21A	W04A, W04B
8r431.2b↔	21A	W04A, W04B	8r431.2i↔	01	B04A, B04B, B04C, B04D	8r431.2z↔	21B	X06A, X06B, X06C
	21B	X06A, X06B, X06C		05	F01A, F01B, F01D, F14A, F14B, F15Z, F24A, F24B, F28A, F36A, F36B, F54Z, F59A, F59B		05	F01A, F01B, F01D, F14A, F14B, F15Z, F24A, F24B, F28A, F36A, F36B, F54Z, F59A, F59B
	05	F01A, F01B, F01D, F14A, F14B, F15Z, F24A, F24B, F28A, F36A, F36B, F54Z, F59A, F59B		09	J03A, J03B, J04A, J04B, J08A, J08B, J08C, J11A, J11B, J16Z		09	J03A, J03B, J04A, J04B, J08A, J08B, J08C, J11A, J11B, J16Z
	09	J03A, J03B, J04A, J04B, J08A, J08B, J08C, J11A, J11B, J16Z		10	K09A, K09B		10	K09A, K09B
	10	K09A, K09B		21A	W04A, W04B		21A	W04A, W04B
	21B	X04Z, X06A, X06B, X06C		21B	X06A, X06B, X06C			

VYK

ZZV	MDC	DRG	ZZV	MDC	DRG	ZZV	MDC	DRG									
8r431.30	01	BOP, KOP, UOP4	8r431.37	05	F01A, F01B, F01D, F14A, F14B, F15Z, F24A, F24B, F28A, F36A, F36B, F54Z, F59A, F59B	8r431.3d	05	F01A, F01B, F01D, F14A, F14B, F15Z, F24A, F24B, F28A, F36A, F36B, F54Z, F59A, F59B									
		05			F01A, F01B, F01D, F14A, F14B, F15Z, F24A, F24B, F28A, F36A, F36B, F54Z, F59A, F59B			09	J03A, J03B, J04A, J04B, J08A, J08B, J08C, J11A, J11B, J16Z	09	J03A, J03B, J04A, J04B, J08A, J08B, J08C, J11A, J11B, J16Z						
	09				J03A, J03B, J04A, J04B, J08A, J08B, J08C, J11A, J11B, J16Z				10		K09A, K09B	10	K09A, K09B				
				10	K09A, K09B		21A				W04A, W04B		21A	W04A, W04B			
	21A				W04A, W04B				21B		X06A, X06B, X06C	21B		X04Z, X05A, X05B, X06A, X06B, X06C			
					21B						X06A, X06B, X06C, X33Z			05	F01A, F01B, F01D, F14A, F14B, F15Z, F24A, F24B, F28A, F36A, F36B, F54Z, F59A, F59B	05	F01A, F01B, F01D, F14A, F14B, F15Z, F24A, F24B, F28A, F36A, F36B, F54Z, F59A, F59B
	8r431.32↔	05		F01A, F01B, F01D, F14A, F14B, F15Z, F24A, F24B, F28A, F36A, F36B, F54Z, F59A, F59B	8r431.38↔		09	J03A, J03B, J04A, J04B, J08A, J08B, J08C, J11A, J11B, J16Z	8r431.3e	09	J03A, J03B, J04A, J04B, J08A, J08B, J08C, J11A, J11B, J16Z						
09			J03A, J03B, J04A, J04B, J08A, J08B, J08C, J11A, J11B, J16Z	10		K09A, K09B		10			K09A, K09B						
			21A			W04A, W04B					21A	W04A, W04B	21B	X04Z, X05A, X05B, X06A, X06B, X06C			
						21B						X06A, X06B, X06C		05	F01A, F01B, F01D, F14A, F14B, F15Z, F24A, F24B, F28A, F36A, F36B, F54Z, F59A, F59B	05	F01A, F01B, F01D, F14A, F14B, F15Z, F24A, F24B, F28A, F36A, F36B, F54Z, F59A, F59B
8r431.33↔			05	F01A, F01B, F01D, F14A, F14B, F15Z, F24A, F24B, F28A, F36A, F36B, F54Z, F59A, F59B		8r431.39↔		09			J03A, J03B, J04A, J04B, J08A, J08B, J08C, J11A, J11B, J16Z	8r431.3f	09	J03A, J03B, J04A, J04B, J08A, J08B, J08C, J11A, J11B, J16Z			
				09							J03A, J03B, J04A, J04B, J08A, J08B, J08C, J11A, J11B, J16Z			10	K09A, K09B	10	K09A, K09B
											21A				W04A, W04B		21A
	21B	X06A, X06B, X06C			05		F01A, F01B, F01D, F14A, F14B, F15Z, F24A, F24B, F28A, F36A, F36B, F54Z, F59A, F59B		05	F01A, F01B, F01D, F14A, F14B, F15Z, F24A, F24B, F28A, F36A, F36B, F54Z, F59A, F59B							
	8r431.34	05		F01A, F01B, F01D, F15Z, F19A, F19B, F19C, F24A, F24B, F36A, F36B	8r431.3a		09		J03A, J03B, J04A, J04B, J08A, J08B, J08C, J11A, J11B, J16Z	8r431.3g	09			J03A, J03B, J04A, J04B, J08A, J08B, J08C, J11A, J11B, J16Z			
				09					J03A, J03B, J04A, J04B, J08A, J08B, J08C, J11A, J11B, J16Z					10	K09A, K09B	10	K09A, K09B
									21A						W04A, W04B		21A
21B			X05A, X05B, X06A, X06B, X06C			06		G10Z, G12A, G12B				06	G10Z, G12A, G12B				
8r431.35			05	F01A, F01B, F01D, F15Z, F19A, F19B, F19C, F24A, F24B, F36A, F36B		8r431.3b↔		09	J03A, J03B, J04A, J04B, J08A, J08B, J08C, J11A, J11B, J16Z			8r431.3h↔	09	J03A, J03B, J04A, J04B, J08A, J08B, J08C, J11A, J11B, J16Z			
				09					J03A, J03B, J04A, J04B, J08A, J08B, J08C, J11A, J11B, J16Z					10	K09A, K09B	10	K09A, K09B
									21A						W04A, W04B		21A
	21B	X06A, X06B, X06C			05		F01A, F01B, F01D, F14A, F14B, F15Z, F24A, F24B, F28A, F36A, F36B, F54Z, F59A, F59B			05	F01A, F01B, F01D, F14A, F14B, F15Z, F24A, F24B, F28A, F36A, F36B, F54Z, F59A, F59B						
	8r431.36	05		F01A, F01B, F01D, F15Z, F19A, F19B, F19C, F24A, F24B, F36A, F36B	8r431.3c↔		09		J03A, J03B, J04A, J04B, J08A, J08B, J08C, J11A, J11B, J16Z	8r431.3j↔	09			J03A, J03B, J04A, J04B, J08A, J08B, J08C, J11A, J11B, J16Z			
				09					J03A, J03B, J04A, J04B, J08A, J08B, J08C, J11A, J11B, J16Z					10	K09A, K09B	10	K09A, K09B
									21A						W04A, W04B		21A
21B			X06A, X06B, X06C			05		F01A, F01B, F01D, F14A, F14B, F15Z, F24A, F24B, F28A, F36A, F36B, F54Z, F59A, F59B				05	F01A, F01B, F01D, F14A, F14B, F15Z, F24A, F24B, F28A, F36A, F36B, F54Z, F59A, F59B				

VYK





ZZV	MDC	DRG	ZZV	MDC	DRG	ZZV	MDC	DRG					
8r431.5c↔	05	F01A, F01B, F01D, F14A, F14B, F15Z, F24A, F24B, F28A, F36A, F36B, F54Z, F59A, F59B	8r431.5j↔	01	BOP, UOP4	8r431.60	01	BOP, KOP, UOP4					
		09			J03A, J03B, J04A, J04B, J08A, J08B, J08C, J11A, J11B, J16Z			05	B04A, B04B, B04C, B04D	05	B02A, B02B, B02C, B20A, B20B, B20C, B20D, B20E, B39A, B39B		
					10			K09A, K09B	09	F01A, F01B, F01D, F14A, F14B, F15Z, F24A, F24B, F28A, F36A, F36B, F54Z, F59A, F59B	09	F01A, F01B, F01D, F14A, F14B, F15Z, F24A, F24B, F28A, F36A, F36B, F54Z, F59A, F59B	
								21A	W04A, W04B	10	J03A, J03B, J04A, J04B, J08A, J08B, J08C, J11A, J11B, J16Z	09	J03A, J03B, J04A, J04B, J08A, J08B, J08C, J11A, J11B, J16Z
								21B	X04Z, X06A, X06B, X06C	21A	K09A, K09B	10	K09A, K09B
8r431.5d	05	F01A, F01B, F01D, F14A, F14B, F15Z, F24A, F24B, F28A, F36A, F36B, F54Z, F59A, F59B	8r431.5k↔	01	BOP, UOP4	8r431.62↔	05	F01A, F01B, F01D, F14A, F14B, F15Z, F24A, F24B, F28A, F36A, F36B, F54Z, F59A, F59B					
		09			J03A, J03B, J04A, J04B, J08A, J08B, J08C, J11A, J11B, J16Z			05	B04A, B04B, B04C, B04D	09	J03A, J03B, J04A, J04B, J08A, J08B, J08C, J11A, J11B, J16Z		
					10			K09A, K09B	09	F01A, F01B, F01D, F14A, F14B, F15Z, F24A, F24B, F28A, F36A, F36B, F54Z, F59A, F59B	10	K09A, K09B	
								21A	W04A, W04B	10	J03A, J03B, J04A, J04B, J08A, J08B, J08C, J11A, J11B, J16Z	21A	W04A, W04B
								21B	X04Z, X05A, X05B, X06A, X06B, X06C	21B	K09A, K09B	21B	W04A, W04B
8r431.5e	05	F01A, F01B, F01D, F14A, F14B, F15Z, F24A, F24B, F28A, F36A, F36B, F54Z, F59A, F59B	8r431.5m↔	01	BOP, UOP4	8r431.63↔	05	F01A, F01B, F01D, F14A, F14B, F15Z, F24A, F24B, F28A, F36A, F36B, F54Z, F59A, F59B					
		09			J03A, J03B, J04A, J04B, J08A, J08B, J08C, J11A, J11B, J16Z			05	B04A, B04B, B04C, B04D	09	J03A, J03B, J04A, J04B, J08A, J08B, J08C, J11A, J11B, J16Z		
					10			K09A, K09B	09	F01A, F01B, F01D, F14A, F14B, F15Z, F24A, F24B, F28A, F36A, F36B, F54Z, F59A, F59B	10	K09A, K09B	
								21A	W04A, W04B	10	J03A, J03B, J04A, J04B, J08A, J08B, J08C, J11A, J11B, J16Z	21A	W04A, W04B
								21B	X04Z, X05A, X05B, X06A, X06B, X06C	21B	K09A, K09B	21B	X06A, X06B, X06C
8r431.5f	05	F01A, F01B, F01D, F14A, F14B, F15Z, F24A, F24B, F28A, F36A, F36B, F54Z, F59A, F59B	8r431.5n↔	01	BOP, UOP4	8r431.64	05	F01A, F01B, F01D, F15Z, F19A, F19B, F19C, F24A, F24B, F36A, F36B					
		09			J03A, J03B, J04A, J04B, J08A, J08B, J08C, J11A, J11B, J16Z			05	B04A, B04B, B04C, B04D	09	J03A, J03B, J04A, J04B, J08A, J08B, J08C, J11A, J11B, J16Z		
					10			K09A, K09B	09	F01A, F01B, F01D, F14A, F14B, F15Z, F24A, F24B, F28A, F36A, F36B, F54Z, F59A, F59B	10	K09A, K09B	
								21A	W04A, W04B	10	J03A, J03B, J04A, J04B, J08A, J08B, J08C, J11A, J11B, J16Z	21A	W04A, W04B
								21B	X04Z, X05A, X05B, X06A, X06B, X06C	21B	K09A, K09B	21B	X06A, X06B, X06C
8r431.5g	05	F01A, F01B, F01D, F14A, F14B, F15Z, F24A, F24B, F28A, F36A, F36B, F54Z, F59A, F59B	8r431.5x↔	01	BOP, UOP4	8r431.65	05	F01A, F01B, F01D, F15Z, F19A, F19B, F19C, F24A, F24B, F36A, F36B					
		06			G10Z, G12A, G12B			05	B04A, B04B, B04C, B04D	09	J03A, J03B, J04A, J04B, J08A, J08B, J08C, J11A, J11B, J16Z		
					09			J03A, J03B, J04A, J04B, J08A, J08B, J08C, J11A, J11B, J16Z	09	F01A, F01B, F01D, F14A, F14B, F15Z, F24A, F24B, F28A, F36A, F36B, F54Z, F59A, F59B	10	K09A, K09B	
								10	K09A, K09B	10	J03A, J03B, J04A, J04B, J08A, J08B, J08C, J11A, J11B, J16Z	21A	W04A, W04B
									11	L09A, L09B, L09C, L09D, L38Z	10	K09A, K09B	21B
8r431.5h↔	01	B04A, B04B, B04C, B04D	8r431.5y↔	01	B04A, B04B, B04C, B04D	8r431.66	05	F01A, F01B, F01D, F15Z, F19A, F19B, F19C, F24A, F24B, F36A, F36B					
		05			F01A, F01B, F01D, F14A, F14B, F15Z, F24A, F24B, F28A, F36A, F36B, F54Z, F59A, F59B			05	F01A, F01B, F01D, F14A, F14B, F15Z, F24A, F24B, F28A, F36A, F36B, F54Z, F59A, F59B	09	J03A, J03B, J04A, J04B, J08A, J08B, J08C, J11A, J11B, J16Z		
					09			J03A, J03B, J04A, J04B, J08A, J08B, J08C, J11A, J11B, J16Z	09	F01A, F01B, F01D, F14A, F14B, F15Z, F24A, F24B, F28A, F36A, F36B, F54Z, F59A, F59B	10	K09A, K09B	
								10	K09A, K09B	10	J03A, J03B, J04A, J04B, J08A, J08B, J08C, J11A, J11B, J16Z	21A	W04A, W04B
									21A	W04A, W04B	10	K09A, K09B	21B
21B	X06A, X06B, X06C	21B	X06A, X06B, X06C	21B	X06A, X06B, X06C								

VYK

ZZV	MDC	DRG	ZZV	MDC	DRG	ZZV	MDC	DRG			
8r431.67	05	F01A, F01B, F01D, F14A, F14B, F15Z, F24A, F24B, F28A, F36A, F36B, F54Z, F59A, F59B	8r431.6d	05	F01A, F01B, F01D, F14A, F14B, F15Z, F24A, F24B, F28A, F36A, F36B, F54Z, F59A, F59B	8r431.6k↔		BOP, UOP4			
	09	J03A, J03B, J04A, J04B, J08A, J08B, J08C, J11A, J11B, J16Z		09	J03A, J03B, J04A, J04B, J08A, J08B, J08C, J11A, J11B, J16Z		01	B04A, B04B, B04C, B04D			
	10	K09A, K09B		10	K09A, K09B		05	F01A, F01B, F01D, F14A, F14B, F15Z, F24A, F24B, F28A, F36A, F36B, F54Z, F59A, F59B			
	21A	W04A, W04B		21A	W04A, W04B		09	J03A, J03B, J04A, J04B, J08A, J08B, J08C, J11A, J11B, J16Z			
	21B	X06A, X06B, X06C		21B	X04Z, X05A, X05B, X06A, X06B, X06C		10	K09A, K09B			
8r431.68↔	05	F01A, F01B, F01D, F14A, F14B, F15Z, F24A, F24B, F28A, F36A, F36B, F54Z, F59A, F59B	8r431.6e	05	F01A, F01B, F01D, F14A, F14B, F15Z, F24A, F24B, F28A, F36A, F36B, F54Z, F59A, F59B	8r431.6m↔	21A	W04A, W04B			
	09	J03A, J03B, J04A, J04B, J08A, J08B, J08C, J11A, J11B, J16Z		09	J03A, J03B, J04A, J04B, J08A, J08B, J08C, J11A, J11B, J16Z		21B	X06A, X06B, X06C			
	10	K09A, K09B		10	K09A, K09B			BOP, UOP4			
	21A	W04A, W04B		21A	W04A, W04B		01	B04A, B04B, B04C, B04D			
	21B	X06A, X06B, X06C		21B	X04Z, X05A, X05B, X06A, X06B, X06C		05	F01A, F01B, F01D, F14A, F14B, F15Z, F24A, F24B, F28A, F36A, F36B, F54Z, F59A, F59B			
8r431.69↔	05	F01A, F01B, F01D, F14A, F14B, F15Z, F24A, F24B, F28A, F36A, F36B, F54Z, F59A, F59B	8r431.6f	05	F01A, F01B, F01D, F14A, F14B, F15Z, F24A, F24B, F28A, F36A, F36B, F54Z, F59A, F59B	8r431.6n↔	09	J03A, J03B, J04A, J04B, J08A, J08B, J08C, J11A, J11B, J16Z			
	09	J03A, J03B, J04A, J04B, J08A, J08B, J08C, J11A, J11B, J16Z		09	J03A, J03B, J04A, J04B, J08A, J08B, J08C, J11A, J11B, J16Z		10	K09A, K09B			
	10	K09A, K09B		10	K09A, K09B		21A	W04A, W04B			
	21A	W04A, W04B		21A	W04A, W04B		21B	X06A, X06B, X06C			
	21B	X06A, X06B, X06C		21B	X04Z, X05A, X05B, X06A, X06B, X06C			BOP, UOP4			
8r431.6a	05	F01A, F01B, F01D, F14A, F14B, F15Z, F24A, F24B, F28A, F36A, F36B, F54Z, F59A, F59B	8r431.6g	05	F01A, F01B, F01D, F14A, F14B, F15Z, F24A, F24B, F28A, F36A, F36B, F54Z, F59A, F59B	8r431.6x↔	01	B04A, B04B, B04C, B04D			
	06	G10Z, G12A, G12B		06	G10Z, G12A, G12B		05	F01A, F01B, F01D, F14A, F14B, F15Z, F24A, F24B, F28A, F36A, F36B, F54Z, F59A, F59B			
	09	J03A, J03B, J04A, J04B, J08A, J08B, J08C, J11A, J11B, J16Z		09	J03A, J03B, J04A, J04B, J08A, J08B, J08C, J11A, J11B, J16Z		09	J03A, J03B, J04A, J04B, J08A, J08B, J08C, J11A, J11B, J16Z			
	10	K09A, K09B		10	K09A, K09B		10	K09A, K09B			
	11	L09A, L09B, L09C, L09D, L38Z		11	L09A, L09B, L09C, L09D, L38Z		21A	W04A, W04B			
	21A	W04A, W04B		21A	W04A, W04B		21B	X06A, X06B, X06C			
	21B	X06A, X06B, X06C		21B	X06A, X06B, X06C			BOP, UOP4			
	8r431.6b↔	05		F01A, F01B, F01D, F14A, F14B, F15Z, F24A, F24B, F28A, F36A, F36B, F54Z, F59A, F59B	8r431.6h↔		01	B04A, B04B, B04C, B04D	8r432.10	01	B02A, B02B, B02C, B02D, B20A, B20B, B20C, B20D, B20E, B39A, B39B
		09		J03A, J03B, J04A, J04B, J08A, J08B, J08C, J11A, J11B, J16Z			05	F01A, F01B, F01D, F14A, F14B, F15Z, F24A, F24B, F28A, F36A, F36B, F54Z, F59A, F59B		05	F01A, F01B, F01D, F14A, F14B, F15Z, F24A, F24B, F28A, F36A, F36B, F54Z, F59A, F59B
		10		K09A, K09B			09	J03A, J03B, J04A, J04B, J08A, J08B, J08C, J11A, J11B, J16Z		09	J03A, J03B, J04A, J04B, J08A, J08B, J08C, J11A, J11B, J16Z
		21A		W04A, W04B			10	K09A, K09B		10	K09A, K09B
21B		X04Z, X06A, X06B, X06C	21A	W04A, W04B		21A	W04A, W04B				
8r431.6c↔	05	F01A, F01B, F01D, F14A, F14B, F15Z, F24A, F24B, F28A, F36A, F36B, F54Z, F59A, F59B	8r431.6j↔	01	B04A, B04B, B04C, B04D	8r432.12↔	21B	X06A, X06B, X06C			
	09	J03A, J03B, J04A, J04B, J08A, J08B, J08C, J11A, J11B, J16Z		05	F01A, F01B, F01D, F14A, F14B, F15Z, F24A, F24B, F28A, F36A, F36B, F54Z, F59A, F59B		05	F01A, F01B, F01D, F14A, F14B, F15Z, F24A, F24B, F28A, F36A, F36B, F54Z, F59A, F59B			
	10	K09A, K09B		09	J03A, J03B, J04A, J04B, J08A, J08B, J08C, J11A, J11B, J16Z		09	J03A, J03B, J04A, J04B, J08A, J08B, J08C, J11A, J11B, J16Z			
	21A	W04A, W04B		10	K09A, K09B		10	K09A, K09B			
	21B	X04Z, X06A, X06B, X06C		21A	W04A, W04B		21A	W04A, W04B			
				21B	X06A, X06B, X06C						

ZZV	MDC	DRG	ZZV	MDC	DRG	ZZV	MDC	DRG
8r432.13↔	05	F01A, F01B, F01D, F14A, F14B, F15Z, F24A, F24B, F28A, F36A, F36B, F54Z, F59A, F59B	8r432.1a	05	F01A, F01B, F01D, F14A, F14B, F15Z, F24A, F24B, F28A, F36A, F36B, F54Z, F59A, F59B	8r432.1g	05	F01A, F01B, F01D, F14A, F14B, F15Z, F24A, F24B, F28A, F36A, F36B, F54Z, F59A, F59B
	09	J03A, J03B, J04A, J04B, J08A, J08B, J08C, J11A, J11B, J16Z		06	G10Z, G12A, G12B		06	G10Z, G12A, G12B
	10	K09A, K09B		09	J03A, J03B, J04A, J04B, J08A, J08B, J08C, J11A, J11B, J16Z		09	J03A, J03B, J04A, J04B, J08A, J08B, J08C, J11A, J11B, J16Z
	21A	W04A, W04B		10	K09A, K09B		10	K09A, K09B
	21B	X05A, X05B, X06A, X06B, X06C		11	L09A, L09B, L09C, L09D, L38Z		11	L09A, L09B, L09C, L09D, L38Z
8r432.14	05	F01A, F01B, F01D, F14A, F14B, F15Z, F19A, F19B, F19C, F24A, F24B, F36A, F36B, F54Z	8r432.1b↔	21A	W04A, W04B	8r432.1h↔	21A	W04A, W04B
	09	J03A, J03B, J04A, J04B, J08A, J08B, J08C, J11A, J11B, J16Z		21B	X06A, X06B, X06C		21B	X06A, X06B, X06C
	10	K09A, K09B		05	F01A, F01B, F01D, F14A, F14B, F15Z, F24A, F24B, F28A, F36A, F36B, F54Z, F59A, F59B		01	B04A, B04B, B04C, B04D
	21A	W04A, W04B		09	J03A, J03B, J04A, J04B, J08A, J08B, J08C, J11A, J11B, J16Z		05	F01A, F01B, F01D, F14A, F14B, F15Z, F24A, F24B, F28A, F36A, F36B, F54Z, F59A, F59B
	21B	X06A, X06B, X06C		10	K09A, K09B		09	J03A, J03B, J04A, J04B, J08A, J08B, J08C, J11A, J11B, J16Z
8r432.15	05	F01A, F01B, F01D, F14A, F14B, F15Z, F19A, F19B, F19C, F24A, F24B, F36A, F36B, F54Z	8r432.1c↔	21A	W04A, W04B	8r432.1j↔	10	K09A, K09B
	09	J03A, J03B, J04A, J04B, J08A, J08B, J08C, J11A, J11B, J16Z		21B	X04Z, X06A, X06B, X06C		21A	W04A, W04B
	10	K09A, K09B		05	F01A, F01B, F01D, F14A, F14B, F15Z, F24A, F24B, F28A, F36A, F36B, F54Z, F59A, F59B		21B	X06A, X06B, X06C
	21A	W04A, W04B		09	J03A, J03B, J04A, J04B, J08A, J08B, J08C, J11A, J11B, J16Z		01	B04A, B04B, B04C, B04D
	21B	X06A, X06B, X06C		10	K09A, K09B		05	F01A, F01B, F01D, F14A, F14B, F15Z, F24A, F24B, F28A, F36A, F36B, F54Z, F59A, F59B
8r432.16	05	F01A, F01B, F01D, F14A, F14B, F15Z, F19A, F19B, F19C, F24A, F24B, F36A, F36B, F54Z	8r432.1d	21A	W04A, W04B	8r432.1k↔	09	J03A, J03B, J04A, J04B, J08A, J08B, J08C, J11A, J11B, J16Z
	09	J03A, J03B, J04A, J04B, J08A, J08B, J08C, J11A, J11B, J16Z		21B	X04Z, X06A, X06B, X06C		10	K09A, K09B
	10	K09A, K09B		05	F01A, F01B, F01D, F14A, F14B, F15Z, F24A, F24B, F28A, F36A, F36B, F54Z, F59A, F59B		21A	W04A, W04B
	21A	W04A, W04B		09	J03A, J03B, J04A, J04B, J08A, J08B, J08C, J11A, J11B, J16Z		21B	X06A, X06B, X06C
	21B	X06A, X06B, X06C		10	K09A, K09B		01	B04A, B04B, B04C, B04D
8r432.17	05	F01A, F01B, F01D, F14A, F14B, F15Z, F24A, F24B, F28A, F36A, F36B, F54Z, F59A, F59B	8r432.1e	21A	W04A, W04B	8r432.1m↔	05	F01A, F01B, F01D, F14A, F14B, F15Z, F24A, F24B, F28A, F36A, F36B, F54Z, F59A, F59B
	09	J03A, J03B, J04A, J04B, J08A, J08B, J08C, J11A, J11B, J16Z		21B	X04Z, X05A, X05B, X06A, X06B, X06C		09	J03A, J03B, J04A, J04B, J08A, J08B, J08C, J11A, J11B, J16Z
	10	K09A, K09B		05	F01A, F01B, F01D, F14A, F14B, F15Z, F24A, F24B, F28A, F36A, F36B, F54Z, F59A, F59B		10	K09A, K09B
	21A	W04A, W04B		09	J03A, J03B, J04A, J04B, J08A, J08B, J08C, J11A, J11B, J16Z		21A	W04A, W04B
	21B	X06A, X06B, X06C		10	K09A, K09B		21B	X06A, X06B, X06C
8r432.18↔	05	F01A, F01B, F01D, F14A, F14B, F15Z, F24A, F24B, F28A, F36A, F36B, F54Z, F59A, F59B	8r432.1f	21A	W04A, W04B	8r432.1n↔	01	B04A, B04B, B04C, B04D
	09	J03A, J03B, J04A, J04B, J08A, J08B, J08C, J11A, J11B, J16Z		21B	X04Z, X05A, X05B, X06A, X06B, X06C		05	F01A, F01B, F01D, F14A, F14B, F15Z, F24A, F24B, F28A, F36A, F36B, F54Z, F59A, F59B
	10	K09A, K09B		05	F01A, F01B, F01D, F14A, F14B, F15Z, F24A, F24B, F28A, F36A, F36B, F54Z, F59A, F59B		09	J03A, J03B, J04A, J04B, J08A, J08B, J08C, J11A, J11B, J16Z
	21A	W04A, W04B		09	J03A, J03B, J04A, J04B, J08A, J08B, J08C, J11A, J11B, J16Z		10	K09A, K09B
	21B	X06A, X06B, X06C		10	K09A, K09B		21A	W04A, W04B
8r432.19↔	05	F01A, F01B, F01D, F14A, F14B, F15Z, F24A, F24B, F28A, F36A, F36B, F54Z, F59A, F59B	8r432.1g	21B	X04Z, X05A, X05B, X06A, X06B, X06C	8r432.1o↔	21B	X06A, X06B, X06C
	09	J03A, J03B, J04A, J04B, J08A, J08B, J08C, J11A, J11B, J16Z		10	K09A, K09B		01	B04A, B04B, B04C, B04D
	10	K09A, K09B		21A	W04A, W04B		05	F01A, F01B, F01D, F14A, F14B, F15Z, F24A, F24B, F28A, F36A, F36B, F54Z, F59A, F59B
	21A	W04A, W04B		21B	X06A, X06B, X06C		09	J03A, J03B, J04A, J04B, J08A, J08B, J08C, J11A, J11B, J16Z
	21B	X06A, X06B, X06C		10	K09A, K09B		10	K09A, K09B

VYK

ZZV	MDC	DRG	ZZV	MDC	DRG	ZZV	MDC	DRG			
8r432.1n↔		BOP, UOP4	8r432.25	05	F01A, F01B, F01D, F15Z, F19A, F19B, F19C, F24A, F24B, F36A, F36B	8r432.2c↔	05	F01A, F01B, F01D, F14A, F14B, F15Z, F24A, F24B, F28A, F36A, F36B, F54Z, F59A, F59B			
	01	B04A, B04B, B04C, B04D		09	J03A, J03B, J04A, J04B, J08A, J08B, J08C, J11A, J11B, J16Z		09	J03A, J03B, J04A, J04B, J08A, J08B, J08C, J11A, J11B, J16Z			
	05	F01A, F01B, F01D, F14A, F14B, F15Z, F24A, F24B, F28A, F36A, F36B, F54Z, F59A, F59B		10	K09A, K09B		10	K09A, K09B			
	09	J03A, J03B, J04A, J04B, J08A, J08B, J08C, J11A, J11B, J16Z		21A	W04A, W04B		10	K09A, K09B			
	10	K09A, K09B		21B	X06A, X06B, X06C		21A	W04A, W04B			
	21A	W04A, W04B		05	F01A, F01B, F01D, F15Z, F19A, F19B, F19C, F24A, F24B, F36A, F36B		21B	X04Z, X06A, X06B, X06C			
	21B	X06A, X06B, X06C		09	J03A, J03B, J04A, J04B, J08A, J08B, J08C, J11A, J11B, J16Z		05	F01A, F01B, F01D, F14A, F14B, F15Z, F24A, F24B, F28A, F36A, F36B, F54Z, F59A, F59B			
	8r432.1x↔	05		F01A, F01B, F01D, F14A, F14B, F15Z, F24A, F24B, F28A, F36A, F36B, F54Z, F59A, F59B	8r432.26		05	F01A, F01B, F01D, F15Z, F19A, F19B, F19C, F24A, F24B, F36A, F36B	8r432.2d	05	F01A, F01B, F01D, F14A, F14B, F15Z, F24A, F24B, F28A, F36A, F36B, F54Z, F59A, F59B
		09		J03A, J03B, J04A, J04B, J08A, J08B, J08C, J11A, J11B, J16Z			09	J03A, J03B, J04A, J04B, J08A, J08B, J08C, J11A, J11B, J16Z		09	J03A, J03B, J04A, J04B, J08A, J08B, J08C, J11A, J11B, J16Z
		10		K09A, K09B			10	K09A, K09B		10	K09A, K09B
		21A		W04A, W04B			21A	W04A, W04B		21A	W04A, W04B
21B		X06A, X06B, X06C	21B	X06A, X06B, X06C		21B	X04Z, X05A, X05B, X06A, X06B, X06C				
8r432.20		BOP, KOP, UOP4	8r432.27	05	F01A, F01B, F01D, F14A, F14B, F15Z, F24A, F24B, F28A, F36A, F36B, F54Z, F59A, F59B	8r432.2e	05	F01A, F01B, F01D, F14A, F14B, F15Z, F24A, F24B, F28A, F36A, F36B, F54Z, F59A, F59B			
	01	B02A, B02B, B02C, B02D, B20A, B20B, B20C, B20D, B20E, B39A, B39B		09	J03A, J03B, J04A, J04B, J08A, J08B, J08C, J11A, J11B, J16Z		09	J03A, J03B, J04A, J04B, J08A, J08B, J08C, J11A, J11B, J16Z			
	05	F01A, F01B, F01D, F14A, F14B, F15Z, F24A, F24B, F28A, F36A, F36B, F54Z, F59A, F59B		10	K09A, K09B		10	K09A, K09B			
	09	J03A, J03B, J04A, J04B, J08A, J08B, J08C, J11A, J11B, J16Z		21A	W04A, W04B		21A	W04A, W04B			
	10	K09A, K09B		21B	X06A, X06B, X06C		21B	X04Z, X05A, X05B, X06A, X06B, X06C			
	21A	W04A, W04B		05	F01A, F01B, F01D, F14A, F14B, F15Z, F24A, F24B, F28A, F36A, F36B, F54Z, F59A, F59B		05	F01A, F01B, F01D, F14A, F14B, F15Z, F24A, F24B, F28A, F36A, F36B, F54Z, F59A, F59B			
	21B	X06A, X06B, X06C, X33Z		09	J03A, J03B, J04A, J04B, J08A, J08B, J08C, J11A, J11B, J16Z		09	J03A, J03B, J04A, J04B, J08A, J08B, J08C, J11A, J11B, J16Z			
	8r432.22↔	05		F01A, F01B, F01D, F14A, F14B, F15Z, F24A, F24B, F28A, F36A, F36B, F54Z, F59A, F59B	8r432.28↔		05	F01A, F01B, F01D, F14A, F14B, F15Z, F24A, F24B, F28A, F36A, F36B, F54Z, F59A, F59B	8r432.2f	05	F01A, F01B, F01D, F14A, F14B, F15Z, F24A, F24B, F28A, F36A, F36B, F54Z, F59A, F59B
		09		J03A, J03B, J04A, J04B, J08A, J08B, J08C, J11A, J11B, J16Z			09	J03A, J03B, J04A, J04B, J08A, J08B, J08C, J11A, J11B, J16Z		05	F01A, F01B, F01D, F14A, F14B, F15Z, F24A, F24B, F28A, F36A, F36B, F54Z, F59A, F59B
		10		K09A, K09B			10	K09A, K09B		09	J03A, J03B, J04A, J04B, J08A, J08B, J08C, J11A, J11B, J16Z
21A		W04A, W04B	21A	W04A, W04B		10	K09A, K09B				
21B		X06A, X06B, X06C	21B	X06A, X06B, X06C		21B	X04Z, X05A, X05B, X06A, X06B, X06C				
8r432.23↔	05	F01A, F01B, F01D, F14A, F14B, F15Z, F24A, F24B, F28A, F36A, F36B, F54Z, F59A, F59B	8r432.29↔	05	F01A, F01B, F01D, F14A, F14B, F15Z, F24A, F24B, F28A, F36A, F36B, F54Z, F59A, F59B	8r432.2g	05	F01A, F01B, F01D, F14A, F14B, F15Z, F24A, F24B, F28A, F36A, F36B, F54Z, F59A, F59B			
	09	J03A, J03B, J04A, J04B, J08A, J08B, J08C, J11A, J11B, J16Z		09	J03A, J03B, J04A, J04B, J08A, J08B, J08C, J11A, J11B, J16Z		06	G10Z, G12A, G12B			
	10	K09A, K09B		10	K09A, K09B		09	J03A, J03B, J04A, J04B, J08A, J08B, J08C, J11A, J11B, J16Z			
	21A	W04A, W04B		06	G10Z, G12A, G12B		10	K09A, K09B			
	21B	X05A, X05B, X06A, X06B, X06C		09	J03A, J03B, J04A, J04B, J08A, J08B, J08C, J11A, J11B, J16Z		11	L09A, L09B, L09C, L09D, L38Z			
	8r432.24	05		F01A, F01B, F01D, F15Z, F19A, F19B, F19C, F24A, F24B, F36A, F36B	8r432.2a		05	F01A, F01B, F01D, F14A, F14B, F15Z, F24A, F24B, F28A, F36A, F36B, F54Z, F59A, F59B	8r432.2h↔	01	B04A, B04B, B04C, B04D
		09		J03A, J03B, J04A, J04B, J08A, J08B, J08C, J11A, J11B, J16Z			06	G10Z, G12A, G12B		05	F01A, F01B, F01D, F14A, F14B, F15Z, F24A, F24B, F28A, F36A, F36B, F54Z, F59A, F59B
10		K09A, K09B	09	J03A, J03B, J04A, J04B, J08A, J08B, J08C, J11A, J11B, J16Z		09	J03A, J03B, J04A, J04B, J08A, J08B, J08C, J11A, J11B, J16Z				
21A		W04A, W04B	10	K09A, K09B		10	K09A, K09B				
21B		X06A, X06B, X06C	11	L09A, L09B, L09C, L09D, L38Z		21A	W04A, W04B				
8r432.2b↔	05	F01A, F01B, F01D, F14A, F14B, F15Z, F24A, F24B, F28A, F36A, F36B, F54Z, F59A, F59B	8r432.2b↔	05	F01A, F01B, F01D, F14A, F14B, F15Z, F24A, F24B, F28A, F36A, F36B, F54Z, F59A, F59B	8r432.2i↔	01	B04A, B04B, B04C, B04D			
	09	J03A, J03B, J04A, J04B, J08A, J08B, J08C, J11A, J11B, J16Z		09	J03A, J03B, J04A, J04B, J08A, J08B, J08C, J11A, J11B, J16Z		05	F01A, F01B, F01D, F14A, F14B, F15Z, F24A, F24B, F28A, F36A, F36B, F54Z, F59A, F59B			
	10	K09A, K09B		10	K09A, K09B		09	J03A, J03B, J04A, J04B, J08A, J08B, J08C, J11A, J11B, J16Z			
	21A	W04A, W04B		09	J03A, J03B, J04A, J04B, J08A, J08B, J08C, J11A, J11B, J16Z		10	K09A, K09B			
	21B	X06A, X06B, X06C		10	K09A, K09B		21A	W04A, W04B			
				21A	W04A, W04B		21B	X06A, X06B, X06C			
				21B	X04Z, X06A, X06B, X06C						



ZZV	MDC	DRG	ZZV	MDC	DRG	ZZV	MDC	DRG	
8r432.2j↔		BOP, UOP4	8r432.30		BOP, KOP, UOP4	8r432.37	05	F01A, F01B, F01D, F14A, F14B, F15Z, F24A, F24B, F28A, F36A, F36B, F54Z, F59A, F59B	
	01	B04A, B04B, B04C, B04D		01	B02A, B02B, B02C, B02D, B20A, B20B, B20C, B20D, B20E, B39A, B39B		09	J03A, J03B, J04A, J04B, J08A, J08B, J08C, J11A, J11B, J16Z	
	05	F01A, F01B, F01D, F14A, F14B, F15Z, F24A, F24B, F28A, F36A, F36B, F54Z, F59A, F59B		05	F01A, F01B, F01D, F14A, F14B, F15Z, F24A, F24B, F28A, F36A, F36B, F54Z, F59A, F59B		10	K09A, K09B	
	09	J03A, J03B, J04A, J04B, J08A, J08B, J08C, J11A, J11B, J16Z		09	J03A, J03B, J04A, J04B, J08A, J08B, J08C, J11A, J11B, J16Z		21A	W04A, W04B	
	10	K09A, K09B		10	K09A, K09B		21B	X06A, X06B, X06C	
	21A	W04A, W04B		21A	W04A, W04B		8r432.38↔	05	F01A, F01B, F01D, F14A, F14B, F15Z, F24A, F24B, F28A, F36A, F36B, F54Z, F59A, F59B
	21B	X06A, X06B, X06C		21B	X06A, X06B, X06C, X33Z			09	J03A, J03B, J04A, J04B, J08A, J08B, J08C, J11A, J11B, J16Z
		BOP, UOP4		21B	X06A, X06B, X06C			10	K09A, K09B
8r432.2k↔		BOP, UOP4	8r432.32↔		BOP, KOP, UOP4	8r432.39↔	05	F01A, F01B, F01D, F14A, F14B, F15Z, F24A, F24B, F28A, F36A, F36B, F54Z, F59A, F59B	
	01	B04A, B04B, B04C, B04D		05	F01A, F01B, F01D, F14A, F14B, F15Z, F24A, F24B, F28A, F36A, F36B, F54Z, F59A, F59B		09	J03A, J03B, J04A, J04B, J08A, J08B, J08C, J11A, J11B, J16Z	
	05	F01A, F01B, F01D, F14A, F14B, F15Z, F24A, F24B, F28A, F36A, F36B, F54Z, F59A, F59B		09	J03A, J03B, J04A, J04B, J08A, J08B, J08C, J11A, J11B, J16Z		10	K09A, K09B	
	09	J03A, J03B, J04A, J04B, J08A, J08B, J08C, J11A, J11B, J16Z		09	J03A, J03B, J04A, J04B, J08A, J08B, J08C, J11A, J11B, J16Z		21A	W04A, W04B	
	10	K09A, K09B		10	K09A, K09B		21B	X06A, X06B, X06C	
	21A	W04A, W04B		21A	W04A, W04B		8r432.3a	05	F01A, F01B, F01D, F14A, F14B, F15Z, F24A, F24B, F28A, F36A, F36B, F54Z, F59A, F59B
	21B	X06A, X06B, X06C		21B	X06A, X06B, X06C			09	J03A, J03B, J04A, J04B, J08A, J08B, J08C, J11A, J11B, J16Z
		BOP, UOP4		21B	X05A, X05B, X06A, X06B, X06C			10	K09A, K09B
8r432.2m↔		BOP, UOP4	8r432.33↔		BOP, KOP, UOP4	8r432.3b↔	06	G10Z, G12A, G12B	
	01	B04A, B04B, B04C, B04D		05	F01A, F01B, F01D, F15Z, F19A, F19B, F19C, F24A, F24B, F36A, F36B		09	J03A, J03B, J04A, J04B, J08A, J08B, J08C, J11A, J11B, J16Z	
	05	F01A, F01B, F01D, F14A, F14B, F15Z, F24A, F24B, F28A, F36A, F36B, F54Z, F59A, F59B		09	J03A, J03B, J04A, J04B, J08A, J08B, J08C, J11A, J11B, J16Z		10	K09A, K09B	
	09	J03A, J03B, J04A, J04B, J08A, J08B, J08C, J11A, J11B, J16Z		10	K09A, K09B		21A	W04A, W04B	
	10	K09A, K09B		21A	W04A, W04B		21B	X06A, X06B, X06C	
	21A	W04A, W04B		21B	X06A, X06B, X06C		8r432.3c↔	05	F01A, F01B, F01D, F14A, F14B, F15Z, F24A, F24B, F28A, F36A, F36B, F54Z, F59A, F59B
	21B	X06A, X06B, X06C		09	J03A, J03B, J04A, J04B, J08A, J08B, J08C, J11A, J11B, J16Z			09	J03A, J03B, J04A, J04B, J08A, J08B, J08C, J11A, J11B, J16Z
		BOP, UOP4		10	K09A, K09B			10	K09A, K09B
8r432.2n↔		BOP, UOP4	8r432.34		BOP, KOP, UOP4	8r432.3b↔	21A	W04A, W04B	
	01	B04A, B04B, B04C, B04D		05	F01A, F01B, F01D, F15Z, F19A, F19B, F19C, F24A, F24B, F36A, F36B		21A	W04A, W04B	
	05	F01A, F01B, F01D, F14A, F14B, F15Z, F24A, F24B, F28A, F36A, F36B, F54Z, F59A, F59B		09	J03A, J03B, J04A, J04B, J08A, J08B, J08C, J11A, J11B, J16Z		21B	X04Z, X06A, X06B, X06C	
	09	J03A, J03B, J04A, J04B, J08A, J08B, J08C, J11A, J11B, J16Z		09	J03A, J03B, J04A, J04B, J08A, J08B, J08C, J11A, J11B, J16Z		05	F01A, F01B, F01D, F14A, F14B, F15Z, F24A, F24B, F28A, F36A, F36B, F54Z, F59A, F59B	
	10	K09A, K09B		10	K09A, K09B		09	J03A, J03B, J04A, J04B, J08A, J08B, J08C, J11A, J11B, J16Z	
	21A	W04A, W04B		21A	W04A, W04B		10	K09A, K09B	
	21B	X06A, X06B, X06C		21B	X06A, X06B, X06C		21A	W04A, W04B	
		BOP, UOP4		21B	X06A, X06B, X06C		21B	X04Z, X06A, X06B, X06C	
8r432.2x↔		BOP, UOP4	8r432.35		BOP, KOP, UOP4	8r432.3c↔	05	F01A, F01B, F01D, F14A, F14B, F15Z, F24A, F24B, F28A, F36A, F36B, F54Z, F59A, F59B	
	01	B04A, B04B, B04C, B04D		05	F01A, F01B, F01D, F15Z, F19A, F19B, F19C, F24A, F24B, F36A, F36B		09	J03A, J03B, J04A, J04B, J08A, J08B, J08C, J11A, J11B, J16Z	
	05	F01A, F01B, F01D, F14A, F14B, F15Z, F24A, F24B, F28A, F36A, F36B, F54Z, F59A, F59B		09	J03A, J03B, J04A, J04B, J08A, J08B, J08C, J11A, J11B, J16Z		10	K09A, K09B	
	09	J03A, J03B, J04A, J04B, J08A, J08B, J08C, J11A, J11B, J16Z		10	K09A, K09B		21A	W04A, W04B	
	10	K09A, K09B		21A	W04A, W04B		21B	X06A, X06B, X06C	
	21A	W04A, W04B		21B	X06A, X06B, X06C		8r432.3c↔	05	F01A, F01B, F01D, F14A, F14B, F15Z, F24A, F24B, F28A, F36A, F36B, F54Z, F59A, F59B
	21B	X06A, X06B, X06C		09	J03A, J03B, J04A, J04B, J08A, J08B, J08C, J11A, J11B, J16Z			09	J03A, J03B, J04A, J04B, J08A, J08B, J08C, J11A, J11B, J16Z
		BOP, UOP4		10	K09A, K09B			10	K09A, K09B
8r432.2x↔		BOP, UOP4	8r432.36		BOP, KOP, UOP4	8r432.3c↔	21A	W04A, W04B	
	01	B04A, B04B, B04C, B04D		05	F01A, F01B, F01D, F15Z, F19A, F19B, F19C, F24A, F24B, F36A, F36B		21A	W04A, W04B	
	05	F01A, F01B, F01D, F14A, F14B, F15Z, F24A, F24B, F28A, F36A, F36B, F54Z, F59A, F59B		09	J03A, J03B, J04A, J04B, J08A, J08B, J08C, J11A, J11B, J16Z		21B	X06A, X06B, X06C	
	09	J03A, J03B, J04A, J04B, J08A, J08B, J08C, J11A, J11B, J16Z		10	K09A, K09B		05	F01A, F01B, F01D, F14A, F14B, F15Z, F24A, F24B, F28A, F36A, F36B, F54Z, F59A, F59B	
	10	K09A, K09B		10	K09A, K09B		09	J03A, J03B, J04A, J04B, J08A, J08B, J08C, J11A, J11B, J16Z	
	21A	W04A, W04B		21A	W04A, W04B		10	K09A, K09B	
	21B	X06A, X06B, X06C		21B	X06A, X06B, X06C		21A	W04A, W04B	
		BOP, UOP4		21B	X06A, X06B, X06C		21B	X04Z, X06A, X06B, X06C	

VYK

ZZV	MDC	DRG	ZZV	MDC	DRG	ZZV	MDC	DRG
8r432.3d	05	F01A, F01B, F01D, F14A, F14B, F15Z, F24A, F24B, F28A, F36A, F36B, F54Z, F59A, F59B	8r432.3k↔	01	B0P, UOP4	8r432.43↔	05	F01A, F01B, F01D, F14A, F14B, F15Z, F24A, F24B, F28A, F36A, F36B, F54Z, F59A, F59B
		09			J03A, J03B, J04A, J04B, J08A, J08B, J08C, J11A, J11B, J16Z			09
	10	K09A, K09B		10	K09A, K09B		10	K09A, K09B
	21A	W04A, W04B		21A	W04A, W04B		21A	W04A, W04B
	21B	X04Z, X05A, X05B, X06A, X06B, X06C		21B	X06A, X06B, X06C		21B	X05A, X05B, X06A, X06B, X06C
8r432.3e	05	F01A, F01B, F01D, F14A, F14B, F15Z, F24A, F24B, F28A, F36A, F36B, F54Z, F59A, F59B	8r432.3m↔	01	B0P, UOP4	8r432.44	05	F01A, F01B, F01D, F15Z, F19A, F19B, F19C, F24A, F24B, F36A, F36B
		09			J03A, J03B, J04A, J04B, J08A, J08B, J08C, J11A, J11B, J16Z			09
	10	K09A, K09B		10	K09A, K09B		10	K09A, K09B
	21A	W04A, W04B		21A	W04A, W04B		21A	W04A, W04B
	21B	X04Z, X05A, X05B, X06A, X06B, X06C		21B	X06A, X06B, X06C		21B	X06A, X06B, X06C
8r432.3f	05	F01A, F01B, F01D, F14A, F14B, F15Z, F24A, F24B, F28A, F36A, F36B, F54Z, F59A, F59B	8r432.3n↔	01	B0P, UOP4	8r432.45	05	F01A, F01B, F01D, F15Z, F19A, F19B, F19C, F24A, F24B, F36A, F36B
		09			J03A, J03B, J04A, J04B, J08A, J08B, J08C, J11A, J11B, J16Z			09
	10	K09A, K09B		10	K09A, K09B		10	K09A, K09B
	21A	W04A, W04B		21A	W04A, W04B		21A	W04A, W04B
	21B	X04Z, X05A, X05B, X06A, X06B, X06C		21B	X06A, X06B, X06C		21B	X06A, X06B, X06C
8r432.3g	05	F01A, F01B, F01D, F14A, F14B, F15Z, F24A, F24B, F28A, F36A, F36B, F54Z, F59A, F59B	8r432.3x↔	01	B04A, B04B, B04C, B04D	8r432.46	05	F01A, F01B, F01D, F15Z, F19A, F19B, F19C, F24A, F24B, F36A, F36B
		09			J03A, J03B, J04A, J04B, J08A, J08B, J08C, J11A, J11B, J16Z			09
	10	K09A, K09B		10	K09A, K09B		10	K09A, K09B
	21A	W04A, W04B		21A	W04A, W04B		21A	W04A, W04B
	21B	X06A, X06B, X06C		21B	X06A, X06B, X06C		21B	X06A, X06B, X06C
8r432.3h↔	06	G10Z, G12A, G12B	8r432.40	05	F01A, F01B, F01D, F14A, F14B, F15Z, F24A, F24B, F28A, F36A, F36B, F54Z, F59A, F59B	8r432.47	05	F01A, F01B, F01D, F14A, F14B, F15Z, F24A, F24B, F28A, F36A, F36B, F54Z, F59A, F59B
		09			J03A, J03B, J04A, J04B, J08A, J08B, J08C, J11A, J11B, J16Z			09
	10	K09A, K09B		10	K09A, K09B		10	K09A, K09B
	11	L09A, L09B, L09C, L09D, L38Z		11	L09A, L09B, L09C, L09D, L38Z		11	L09A, L09B, L09C, L09D, L38Z
	21A	W04A, W04B		21A	W04A, W04B		21A	W04A, W04B
8r432.3i↔	01	B0P, UOP4	8r432.42↔	01	B0P, KOP, UOP4	8r432.48↔	05	F01A, F01B, F01D, F14A, F14B, F15Z, F24A, F24B, F28A, F36A, F36B, F54Z, F59A, F59B
		05			F01A, F01B, F01D, F14A, F14B, F15Z, F24A, F24B, F28A, F36A, F36B, F54Z, F59A, F59B			05
	09	J03A, J03B, J04A, J04B, J08A, J08B, J08C, J11A, J11B, J16Z		09	J03A, J03B, J04A, J04B, J08A, J08B, J08C, J11A, J11B, J16Z		09	J03A, J03B, J04A, J04B, J08A, J08B, J08C, J11A, J11B, J16Z
	10	K09A, K09B		10	K09A, K09B		10	K09A, K09B
	21A	W04A, W04B		21A	W04A, W04B		21A	W04A, W04B
8r432.3j↔	01	B0P, UOP4	8r432.49↔	01	B0P, UOP4	8r432.49↔	05	F01A, F01B, F01D, F14A, F14B, F15Z, F24A, F24B, F28A, F36A, F36B, F54Z, F59A, F59B
		05			F01A, F01B, F01D, F14A, F14B, F15Z, F24A, F24B, F28A, F36A, F36B, F54Z, F59A, F59B			05
	09	J03A, J03B, J04A, J04B, J08A, J08B, J08C, J11A, J11B, J16Z		09	J03A, J03B, J04A, J04B, J08A, J08B, J08C, J11A, J11B, J16Z		09	J03A, J03B, J04A, J04B, J08A, J08B, J08C, J11A, J11B, J16Z
	10	K09A, K09B		10	K09A, K09B		10	K09A, K09B
	21A	W04A, W04B		21A	W04A, W04B		21A	W04A, W04B
21B	X06A, X06B, X06C	21B	X06A, X06B, X06C	21B	X06A, X06B, X06C			

ZZV	MDC	DRG	ZZV	MDC	DRG	ZZV	MDC	DRG			
8r432.4a	05	F01A, F01B, F01D, F14A, F14B, F15Z, F24A, F24B, F28A, F36A, F36B, F54Z, F59A, F59B	8r432.4g	05	F01A, F01B, F01D, F14A, F14B, F15Z, F24A, F24B, F28A, F36A, F36B, F54Z, F59A, F59B	8r432.4n↔		BOP, UOP4			
		06			G10Z, G12A, G12B			06	G10Z, G12A, G12B	01	B04A, B04B, B04C, B04D
	09	J03A, J03B, J04A, J04B, J08A, J08B, J08C, J11A, J11B, J16Z		09	J03A, J03B, J04A, J04B, J08A, J08B, J08C, J11A, J11B, J16Z		05	F01A, F01B, F01D, F14A, F14B, F15Z, F24A, F24B, F28A, F36A, F36B, F54Z, F59A, F59B			
	10	K09A, K09B		10	K09A, K09B		09	J03A, J03B, J04A, J04B, J08A, J08B, J08C, J11A, J11B, J16Z			
	11	L09A, L09B, L09C, L09D, L38Z		11	L09A, L09B, L09C, L09D, L38Z		10	K09A, K09B			
	21A	W04A, W04B		21A	W04A, W04B		21A	W04A, W04B			
	21B	X06A, X06B, X06C		21B	X06A, X06B, X06C		21B	X06A, X06B, X06C			
	8r432.4b↔	05		F01A, F01B, F01D, F14A, F14B, F15Z, F24A, F24B, F28A, F36A, F36B, F54Z, F59A, F59B	8r432.4h↔		01	B04A, B04B, B04C, B04D	8r432.4x↔	05	F01A, F01B, F01D, F14A, F14B, F15Z, F24A, F24B, F28A, F36A, F36B, F54Z, F59A, F59B
				09				J03A, J03B, J04A, J04B, J08A, J08B, J08C, J11A, J11B, J16Z			09
		10		K09A, K09B			09	J03A, J03B, J04A, J04B, J08A, J08B, J08C, J11A, J11B, J16Z		10	K09A, K09B
21A		W04A, W04B	10	K09A, K09B		21A	W04A, W04B				
21B		X04Z, X06A, X06B, X06C	21A	W04A, W04B		21B	X06A, X06B, X06C				
8r432.4c↔		05	F01A, F01B, F01D, F14A, F14B, F15Z, F24A, F24B, F28A, F36A, F36B, F54Z, F59A, F59B	8r432.4j↔		01	B04A, B04B, B04C, B04D	8r432.50		01	B02A, B02B, B02C, B02D, B20A, B20B, B20C, B20D, B20E, B39A, B39B
			09				J03A, J03B, J04A, J04B, J08A, J08B, J08C, J11A, J11B, J16Z				05
		10	K09A, K09B			09	J03A, J03B, J04A, J04B, J08A, J08B, J08C, J11A, J11B, J16Z			09	J03A, J03B, J04A, J04B, J08A, J08B, J08C, J11A, J11B, J16Z
		21A	W04A, W04B			10	K09A, K09B			10	K09A, K09B
		21B	X04Z, X06A, X06B, X06C			21A	W04A, W04B			21A	W04A, W04B
	8r432.4d	05	F01A, F01B, F01D, F14A, F14B, F15Z, F24A, F24B, F28A, F36A, F36B, F54Z, F59A, F59B		8r432.4k↔	01	B04A, B04B, B04C, B04D		8r432.52↔	05	F01A, F01B, F01D, F14A, F14B, F15Z, F24A, F24B, F28A, F36A, F36B, F54Z, F59A, F59B
			09				J03A, J03B, J04A, J04B, J08A, J08B, J08C, J11A, J11B, J16Z				05
		10	K09A, K09B			09	J03A, J03B, J04A, J04B, J08A, J08B, J08C, J11A, J11B, J16Z			09	J03A, J03B, J04A, J04B, J08A, J08B, J08C, J11A, J11B, J16Z
		21A	W04A, W04B			10	K09A, K09B			10	K09A, K09B
		21B	X04Z, X05A, X05B, X06A, X06B, X06C			21A	W04A, W04B			21A	W04A, W04B
8r432.4e		05	F01A, F01B, F01D, F14A, F14B, F15Z, F24A, F24B, F28A, F36A, F36B, F54Z, F59A, F59B	8r432.4m↔		01	B04A, B04B, B04C, B04D	8r432.53↔		05	F01A, F01B, F01D, F14A, F14B, F15Z, F24A, F24B, F28A, F36A, F36B, F54Z, F59A, F59B
			09				J03A, J03B, J04A, J04B, J08A, J08B, J08C, J11A, J11B, J16Z				05
		10	K09A, K09B			09	J03A, J03B, J04A, J04B, J08A, J08B, J08C, J11A, J11B, J16Z			09	J03A, J03B, J04A, J04B, J08A, J08B, J08C, J11A, J11B, J16Z
		21A	W04A, W04B			10	K09A, K09B			10	K09A, K09B
		21B	X04Z, X05A, X05B, X06A, X06B, X06C			21A	W04A, W04B			21A	W04A, W04B
	8r432.4f	05	F01A, F01B, F01D, F14A, F14B, F15Z, F24A, F24B, F28A, F36A, F36B, F54Z, F59A, F59B		8r432.4n↔	01	B04A, B04B, B04C, B04D		8r432.54	05	F01A, F01B, F01D, F15Z, F19A, F19B, F19C, F24A, F24B, F36A, F36B
			09				J03A, J03B, J04A, J04B, J08A, J08B, J08C, J11A, J11B, J16Z				05
		10	K09A, K09B			09	J03A, J03B, J04A, J04B, J08A, J08B, J08C, J11A, J11B, J16Z			09	J03A, J03B, J04A, J04B, J08A, J08B, J08C, J11A, J11B, J16Z
		21A	W04A, W04B			10	K09A, K09B			10	K09A, K09B
		21B	X04Z, X05A, X05B, X06A, X06B, X06C			21A	W04A, W04B			21A	W04A, W04B
			21B	X06A, X06B, X06C		21B	X06A, X06B, X06C				



ZZV	MDC	DRG	ZZV	MDC	DRG	ZZV	MDC	DRG			
8r432.60	01	BOP, KOP, UOP4	8r432.67	05	F01A, F01B, F01D, F14A, F14B, F15Z, F24A, F24B, F28A, F36A, F36B, F54Z, F59A, F59B	8r432.6d	05	F01A, F01B, F01D, F14A, F14B, F15Z, F24A, F24B, F28A, F36A, F36B, F54Z, F59A, F59B			
		B02A, B02B, B02C, B02D, B20A, B20B, B20C, B20D, B20E, B39A, B39B			09			J03A, J03B, J04A, J04B, J08A, J08B, J08C, J11A, J11B, J16Z	09	J03A, J03B, J04A, J04B, J08A, J08B, J08C, J11A, J11B, J16Z	
	05	F01A, F01B, F01D, F14A, F14B, F15Z, F24A, F24B, F28A, F36A, F36B, F54Z, F59A, F59B		10			K09A, K09B	10		K09A, K09B	
		09			J03A, J03B, J04A, J04B, J08A, J08B, J08C, J11A, J11B, J16Z		21A		W04A, W04B	21A	W04A, W04B
	10			K09A, K09B	21B			X06A, X06B, X06C	21B		X04Z, X05A, X05B, X06A, X06B, X06C
		21A		W04A, W04B			8r432.68↔	05		F01A, F01B, F01D, F14A, F14B, F15Z, F24A, F24B, F28A, F36A, F36B, F54Z, F59A, F59B	8r432.6e
	21B			X06A, X06B, X06C, X33Z	09				J03A, J03B, J04A, J04B, J08A, J08B, J08C, J11A, J11B, J16Z	09	
8r432.62↔		05	F01A, F01B, F01D, F14A, F14B, F15Z, F24A, F24B, F28A, F36A, F36B, F54Z, F59A, F59B	8r432.69↔		05	F01A, F01B, F01D, F14A, F14B, F15Z, F24A, F24B, F28A, F36A, F36B, F54Z, F59A, F59B	8r432.6f	05		F01A, F01B, F01D, F14A, F14B, F15Z, F24A, F24B, F28A, F36A, F36B, F54Z, F59A, F59B
	09		J03A, J03B, J04A, J04B, J08A, J08B, J08C, J11A, J11B, J16Z		09		J03A, J03B, J04A, J04B, J08A, J08B, J08C, J11A, J11B, J16Z			09	J03A, J03B, J04A, J04B, J08A, J08B, J08C, J11A, J11B, J16Z
		10	K09A, K09B			10	K09A, K09B		10		K09A, K09B
	21A		W04A, W04B		21A		W04A, W04B			21A	W04A, W04B
		21B	X06A, X06B, X06C			21B	X06A, X06B, X06C		21B		X04Z, X05A, X05B, X06A, X06B, X06C
	8r432.63↔		05		F01A, F01B, F01D, F14A, F14B, F15Z, F24A, F24B, F28A, F36A, F36B, F54Z, F59A, F59B		8r432.6a			05	F01A, F01B, F01D, F14A, F14B, F15Z, F24A, F24B, F28A, F36A, F36B, F54Z, F59A, F59B
		09			J03A, J03B, J04A, J04B, J08A, J08B, J08C, J11A, J11B, J16Z	09			J03A, J03B, J04A, J04B, J08A, J08B, J08C, J11A, J11B, J16Z		09
10			K09A, K09B	10	K09A, K09B			10	K09A, K09B		
		21A	W04A, W04B		11	L09A, L09B, L09C, L09D, L38Z			11	L09A, L09B, L09C, L09D, L38Z	
21B			X05A, X05B, X06A, X06B, X06C	21A		W04A, W04B		21A		W04A, W04B	
		8r432.64	05		F01A, F01B, F01D, F15Z, F19A, F19B, F19C, F24A, F24B, F36A, F36B	8r432.6b↔			05	F01A, F01B, F01D, F14A, F14B, F15Z, F24A, F24B, F28A, F36A, F36B, F54Z, F59A, F59B	8r432.6h↔
09				J03A, J03B, J04A, J04B, J08A, J08B, J08C, J11A, J11B, J16Z	09			J03A, J03B, J04A, J04B, J08A, J08B, J08C, J11A, J11B, J16Z		09	
	10		K09A, K09B	10			K09A, K09B	10	K09A, K09B		
21A			W04A, W04B		21A		W04A, W04B		21A	W04A, W04B	
	21B		X06A, X06B, X06C	21B			X04Z	21B		X06A, X06B, X06C	
8r432.65			05		F01A, F01B, F01D, F15Z, F19A, F19B, F19C, F24A, F24B, F36A, F36B		8r432.6c↔		05	F01A, F01B, F01D, F14A, F14B, F15Z, F24A, F24B, F28A, F36A, F36B, F54Z, F59A, F59B	
	09			J03A, J03B, J04A, J04B, J08A, J08B, J08C, J11A, J11B, J16Z	09			J03A, J03B, J04A, J04B, J08A, J08B, J08C, J11A, J11B, J16Z		05	
		10	K09A, K09B	10		K09A, K09B		09	J03A, J03B, J04A, J04B, J08A, J08B, J08C, J11A, J11B, J16Z		
	21A		W04A, W04B		10	K09A, K09B			10	K09A, K09B	
		21B	X06A, X06B, X06C	21A		W04A, W04B		21A		W04A, W04B	
	8r432.66		05		F01A, F01B, F01D, F15Z, F19A, F19B, F19C, F24A, F24B, F36A, F36B	8r432.6d↔			05	F01A, F01B, F01D, F14A, F14B, F15Z, F24A, F24B, F28A, F36A, F36B, F54Z, F59A, F59B	8r432.6k↔
		09		J03A, J03B, J04A, J04B, J08A, J08B, J08C, J11A, J11B, J16Z	09			J03A, J03B, J04A, J04B, J08A, J08B, J08C, J11A, J11B, J16Z		05	
10			K09A, K09B	10			K09A, K09B	09	J03A, J03B, J04A, J04B, J08A, J08B, J08C, J11A, J11B, J16Z		
		21A	W04A, W04B		10		K09A, K09B		10	K09A, K09B	
21B			X06A, X06B, X06C	21A			W04A, W04B	21A		W04A, W04B	
		05	F01A, F01B, F01D, F14A, F14B, F15Z, F24A, F24B, F28A, F36A, F36B, F54Z, F59A, F59B		21B		X04Z, X06A, X06B, X06C		21B	X06A, X06B, X06C	
09			J03A, J03B, J04A, J04B, J08A, J08B, J08C, J11A, J11B, J16Z	21B			X06A, X06B, X06C	21B		X06A, X06B, X06C	
	10	K09A, K09B	21B		X06A, X06B, X06C	21B	X06A, X06B, X06C				
21A		W04A, W04B		21B	X06A, X06B, X06C		21B	X06A, X06B, X06C			
	21B	X06A, X06B, X06C	21B		X06A, X06B, X06C	21B		X06A, X06B, X06C			

VYK

ZZV	MDC	DRG	ZZV	MDC	DRG	ZZV	MDC	DRG			
8r432.6k↔		BOP, UOP4	8r433.13↔	05	F01A, F01B, F01D, F14A, F14B, F15Z, F24A, F24B, F28A, F36A, F36B, F54Z, F59A, F59B	8r433.1a	05	F01A, F01B, F01D, F14A, F14B, F15Z, F24A, F24B, F28A, F36A, F36B, F54Z, F59A, F59B			
	01	B04A, B04B, B04C, B04D		09	J03A, J03B, J04A, J04B, J08A, J08B, J08C, J11A, J11B, J16Z		06	G10Z, G12A, G12B			
	05	F01A, F01B, F01D, F14A, F14B, F15Z, F24A, F24B, F28A, F36A, F36B, F54Z, F59A, F59B		10	K09A, K09B		09	J03A, J03B, J04A, J04B, J08A, J08B, J08C, J11A, J11B, J16Z			
	09	J03A, J03B, J04A, J04B, J08A, J08B, J08C, J11A, J11B, J16Z		21A	W04A, W04B		10	K09A, K09B			
	10	K09A, K09B		21B	X05A, X05B, X06A, X06B, X06C		11	L09A, L09B, L09C, L09D, L38Z			
	21A	W04A, W04B					21A	W04A, W04B			
	21B	X06A, X06B, X06C		8r433.14	05		F01A, F01B, F01D, F14A, F14B, F15Z, F19A, F19B, F19C, F24A, F24B, F36A, F36B, F54Z	21B	X06A, X06B, X06C		
	8r432.6m↔				BOP, UOP4		09	J03A, J03B, J04A, J04B, J08A, J08B, J08C, J11A, J11B, J16Z	8r433.1b↔	05	F01A, F01B, F01D, F14A, F14B, F15Z, F24A, F24B, F28A, F36A, F36B, F54Z, F59A, F59B
01		B04A, B04B, B04C, B04D	10		K09A, K09B	09	J03A, J03B, J04A, J04B, J08A, J08B, J08C, J11A, J11B, J16Z				
05		F01A, F01B, F01D, F14A, F14B, F15Z, F24A, F24B, F28A, F36A, F36B, F54Z, F59A, F59B	21A		W04A, W04B	10	K09A, K09B				
09		J03A, J03B, J04A, J04B, J08A, J08B, J08C, J11A, J11B, J16Z	21B		X06A, X06B, X06C	21A	W04A, W04B				
10		K09A, K09B	8r433.15		05	F01A, F01B, F01D, F14A, F14B, F15Z, F19A, F19B, F19C, F24A, F24B, F36A, F36B, F54Z	21B	X04Z, X06A, X06B, X06C			
21A		W04A, W04B			09	J03A, J03B, J04A, J04B, J08A, J08B, J08C, J11A, J11B, J16Z	8r433.1c↔	05		F01A, F01B, F01D, F14A, F14B, F15Z, F24A, F24B, F28A, F36A, F36B, F54Z, F59A, F59B	
21B		X06A, X06B, X06C			10	K09A, K09B		09		J03A, J03B, J04A, J04B, J08A, J08B, J08C, J11A, J11B, J16Z	
8r432.6n↔				BOP, UOP4	21A	W04A, W04B		10		K09A, K09B	
	01	B04A, B04B, B04C, B04D		21B	X06A, X06B, X06C	21A		W04A, W04B			
	05	F01A, F01B, F01D, F14A, F14B, F15Z, F24A, F24B, F28A, F36A, F36B, F54Z, F59A, F59B		8r433.16	05	F01A, F01B, F01D, F14A, F14B, F15Z, F19A, F19B, F19C, F24A, F24B, F36A, F36B, F54Z		21B	X04Z, X06A, X06B, X06C		
	09	J03A, J03B, J04A, J04B, J08A, J08B, J08C, J11A, J11B, J16Z			09	J03A, J03B, J04A, J04B, J08A, J08B, J08C, J11A, J11B, J16Z		8r433.1d	05	F01A, F01B, F01D, F14A, F14B, F15Z, F24A, F24B, F28A, F36A, F36B, F54Z, F59A, F59B	
	10	K09A, K09B			10	K09A, K09B			09	J03A, J03B, J04A, J04B, J08A, J08B, J08C, J11A, J11B, J16Z	
	21A	W04A, W04B	21A		W04A, W04B	10			K09A, K09B		
	21B	X06A, X06B, X06C	21B		X06A, X06B, X06C	21A	W04A, W04B				
	8r432.6x↔	05	F01A, F01B, F01D, F14A, F14B, F15Z, F24A, F24B, F28A, F36A, F36B, F54Z, F59A, F59B		8r433.17	05	F01A, F01B, F01D, F14A, F14B, F15Z, F24A, F24B, F28A, F36A, F36B, F54Z, F59A, F59B		8r433.1e	05	F01A, F01B, F01D, F14A, F14B, F15Z, F24A, F24B, F28A, F36A, F36B, F54Z, F59A, F59B
09		J03A, J03B, J04A, J04B, J08A, J08B, J08C, J11A, J11B, J16Z	09			J03A, J03B, J04A, J04B, J08A, J08B, J08C, J11A, J11B, J16Z	09			J03A, J03B, J04A, J04B, J08A, J08B, J08C, J11A, J11B, J16Z	
10		K09A, K09B	10			K09A, K09B	10			K09A, K09B	
21A		W04A, W04B	21A	W04A, W04B		21A	W04A, W04B				
21B		X06A, X06B, X06C	21B	X06A, X06B, X06C		21B	X04Z, X05A, X05B, X06A, X06B, X06C				
8r433.10			BOP, KOP, UOP4	8r433.18↔		05	F01A, F01B, F01D, F14A, F14B, F15Z, F24A, F24B, F28A, F36A, F36B, F54Z, F59A, F59B	8r433.1f		05	F01A, F01B, F01D, F14A, F14B, F15Z, F24A, F24B, F28A, F36A, F36B, F54Z, F59A, F59B
		01	B02A, B02B, B02C, B02D, B20A, B20B, B20C, B20D, B20E, B39A, B39B			09	J03A, J03B, J04A, J04B, J08A, J08B, J08C, J11A, J11B, J16Z			05	F01A, F01B, F01D, F14A, F14B, F15Z, F24A, F24B, F28A, F36A, F36B, F54Z, F59A, F59B
		05	F01A, F01B, F01D, F14A, F14B, F15Z, F24A, F24B, F28A, F36A, F36B, F54Z, F59A, F59B			10	K09A, K09B			09	J03A, J03B, J04A, J04B, J08A, J08B, J08C, J11A, J11B, J16Z
	09	J03A, J03B, J04A, J04B, J08A, J08B, J08C, J11A, J11B, J16Z	21A		W04A, W04B	10	K09A, K09B				
	10	K09A, K09B	21B		X06A, X06B, X06C	21A	W04A, W04B				
	21A	W04A, W04B	8r433.19↔		05	F01A, F01B, F01D, F14A, F14B, F15Z, F24A, F24B, F28A, F36A, F36B, F54Z, F59A, F59B	21B		X06A, X06B, X06C		
	21B	X06A, X06B, X06C			09	J03A, J03B, J04A, J04B, J08A, J08B, J08C, J11A, J11B, J16Z	10		K09A, K09B		
	8r433.12↔	05			F01A, F01B, F01D, F14A, F14B, F15Z, F24A, F24B, F28A, F36A, F36B, F54Z, F59A, F59B	10	K09A, K09B		21A	W04A, W04B	
09		J03A, J03B, J04A, J04B, J08A, J08B, J08C, J11A, J11B, J16Z		21A	W04A, W04B	21B	X04Z, X05A, X05B, X06A, X06B, X06C				
10		K09A, K09B		21B	X06A, X06B, X06C	8r433.1g	05	F01A, F01B, F01D, F14A, F14B, F15Z, F24A, F24B, F28A, F36A, F36B, F54Z, F59A, F59B			
21A		W04A, W04B		09	J03A, J03B, J04A, J04B, J08A, J08B, J08C, J11A, J11B, J16Z		09	J03A, J03B, J04A, J04B, J08A, J08B, J08C, J11A, J11B, J16Z			
21B		X06A, X06B, X06C		10	K09A, K09B		10	K09A, K09B			
09		J03A, J03B, J04A, J04B, J08A, J08B, J08C, J11A, J11B, J16Z		21A	W04A, W04B		21A	W04A, W04B			
10		K09A, K09B	21B	X06A, X06B, X06C	21B		X04Z, X05A, X05B, X06A, X06B, X06C				
21A		W04A, W04B									
21B	X06A, X06B, X06C										



ZZV	MDC	DRG	ZZV	MDC	DRG	ZZV	MDC	DRG				
8r433.2c↔	05	F01A, F01B, F01D, F14A, F14B, F15Z, F24A, F24B, F28A, F36A, F36B, F54Z, F59A, F59B	8r433.2j↔	01	BOP, UOP4	8r433.30	01	BOP, KOP, UOP4				
		09			J03A, J03B, J04A, J04B, J08A, J08B, J08C, J11A, J11B, J16Z			05	F01A, F01B, F01D, F14A, F14B, F15Z, F24A, F24B, F28A, F36A, F36B, F54Z, F59A, F59B	05	F01A, F01B, F01D, F14A, F14B, F15Z, F24A, F24B, F28A, F36A, F36B, F54Z, F59A, F59B	
					10			K09A, K09B	09	J03A, J03B, J04A, J04B, J08A, J08B, J08C, J11A, J11B, J16Z	09	J03A, J03B, J04A, J04B, J08A, J08B, J08C, J11A, J11B, J16Z
								21A	W04A, W04B	10	K09A, K09B	10
					21B			X04Z, X06A, X06B, X06C	21A	W04A, W04B	21A	W04A, W04B
8r433.2d	05	F01A, F01B, F01D, F14A, F14B, F15Z, F24A, F24B, F28A, F36A, F36B, F54Z, F59A, F59B	8r433.2k↔	01	BOP, UOP4	8r433.32↔	05	F01A, F01B, F01D, F14A, F14B, F15Z, F24A, F24B, F28A, F36A, F36B, F54Z, F59A, F59B				
		09			J03A, J03B, J04A, J04B, J08A, J08B, J08C, J11A, J11B, J16Z			05	F01A, F01B, F01D, F14A, F14B, F15Z, F24A, F24B, F28A, F36A, F36B, F54Z, F59A, F59B	09	J03A, J03B, J04A, J04B, J08A, J08B, J08C, J11A, J11B, J16Z	
					10			K09A, K09B	09	J03A, J03B, J04A, J04B, J08A, J08B, J08C, J11A, J11B, J16Z	10	K09A, K09B
								21A	W04A, W04B	10	K09A, K09B	21A
					21B			X04Z, X05A, X05B, X06A, X06B, X06C	21B	X06A, X06B, X06C	21B	X06A, X06B, X06C
8r433.2e	05	F01A, F01B, F01D, F14A, F14B, F15Z, F24A, F24B, F28A, F36A, F36B, F54Z, F59A, F59B	8r433.2m↔	01	BOP, UOP4	8r433.33↔	05	F01A, F01B, F01D, F14A, F14B, F15Z, F24A, F24B, F28A, F36A, F36B, F54Z, F59A, F59B				
		09			J03A, J03B, J04A, J04B, J08A, J08B, J08C, J11A, J11B, J16Z			05	F01A, F01B, F01D, F14A, F14B, F15Z, F24A, F24B, F28A, F36A, F36B, F54Z, F59A, F59B	09	J03A, J03B, J04A, J04B, J08A, J08B, J08C, J11A, J11B, J16Z	
					10			K09A, K09B	09	J03A, J03B, J04A, J04B, J08A, J08B, J08C, J11A, J11B, J16Z	10	K09A, K09B
								21A	W04A, W04B	10	K09A, K09B	21A
					21B			X04Z, X05A, X05B, X06A, X06B, X06C	21B	X06A, X06B, X06C	21B	X06A, X06B, X06C
8r433.2f	05	F01A, F01B, F01D, F14A, F14B, F15Z, F24A, F24B, F28A, F36A, F36B, F54Z, F59A, F59B	8r433.2n↔	01	BOP, UOP4	8r433.34	05	F01A, F01B, F01D, F15Z, F19A, F19B, F19C, F24A, F24B, F36A, F36B				
		09			J03A, J03B, J04A, J04B, J08A, J08B, J08C, J11A, J11B, J16Z			05	F01A, F01B, F01D, F14A, F14B, F15Z, F24A, F24B, F28A, F36A, F36B, F54Z, F59A, F59B	09	J03A, J03B, J04A, J04B, J08A, J08B, J08C, J11A, J11B, J16Z	
					10			K09A, K09B	09	J03A, J03B, J04A, J04B, J08A, J08B, J08C, J11A, J11B, J16Z	10	K09A, K09B
								21A	W04A, W04B	10	K09A, K09B	21A
					21B			X04Z, X05A, X05B, X06A, X06B, X06C	21B	X06A, X06B, X06C	21B	X06A, X06B, X06C
8r433.2g	05	F01A, F01B, F01D, F14A, F14B, F15Z, F24A, F24B, F28A, F36A, F36B, F54Z, F59A, F59B	8r433.2x↔	01	BOP, UOP4	8r433.35	05	F01A, F01B, F01D, F15Z, F19A, F19B, F19C, F24A, F24B, F36A, F36B				
		06			G10Z, G12A, G12B			05	F01A, F01B, F01D, F14A, F14B, F15Z, F24A, F24B, F28A, F36A, F36B, F54Z, F59A, F59B	09	J03A, J03B, J04A, J04B, J08A, J08B, J08C, J11A, J11B, J16Z	
					09			J03A, J03B, J04A, J04B, J08A, J08B, J08C, J11A, J11B, J16Z	09	J03A, J03B, J04A, J04B, J08A, J08B, J08C, J11A, J11B, J16Z	10	K09A, K09B
								10	K09A, K09B	10	K09A, K09B	21A
					11				L09A, L09B, L09C, L09D, L38Z	09	J03A, J03B, J04A, J04B, J08A, J08B, J08C, J11A, J11B, J16Z	21B
8r433.2h↔	01	B04A, B04B, B04C, B04D	8r433.2y↔	01	B04A, B04B, B04C, B04D	8r433.36	05	F01A, F01B, F01D, F15Z, F19A, F19B, F19C, F24A, F24B, F36A, F36B				
		05			F01A, F01B, F01D, F14A, F14B, F15Z, F24A, F24B, F28A, F36A, F36B, F54Z, F59A, F59B			05	F01A, F01B, F01D, F14A, F14B, F15Z, F24A, F24B, F28A, F36A, F36B, F54Z, F59A, F59B	09	J03A, J03B, J04A, J04B, J08A, J08B, J08C, J11A, J11B, J16Z	
					09			J03A, J03B, J04A, J04B, J08A, J08B, J08C, J11A, J11B, J16Z	09	J03A, J03B, J04A, J04B, J08A, J08B, J08C, J11A, J11B, J16Z	10	K09A, K09B
								10	K09A, K09B	10	K09A, K09B	21A
					21A				W04A, W04B	21A	W04A, W04B	21B
21B	X06A, X06B, X06C	21B	X06A, X06B, X06C	21B	X06A, X06B, X06C							



ZZV	MDC	DRG	ZZV	MDC	DRG	ZZV	MDC	DRG
8r433.37	05	F01A, F01B, F01D, F14A, F14B, F15Z, F24A, F24B, F28A, F36A, F36B, F54Z, F59A, F59B	8r433.3d	05	F01A, F01B, F01D, F14A, F14B, F15Z, F24A, F24B, F28A, F36A, F36B, F54Z, F59A, F59B	8r433.3k↔		BOP, UOP4
	09	J03A, J03B, J04A, J04B, J08A, J08B, J08C, J11A, J11B, J16Z		09	J03A, J03B, J04A, J04B, J08A, J08B, J08C, J11A, J11B, J16Z		01	B04A, B04B, B04C, B04D
	10	K09A, K09B		10	K09A, K09B		05	F01A, F01B, F01D, F14A, F14B, F15Z, F24A, F24B, F28A, F36A, F36B, F54Z, F59A, F59B
	21A	W04A, W04B		21A	W04A, W04B		09	J03A, J03B, J04A, J04B, J08A, J08B, J08C, J11A, J11B, J16Z
	21B	X06A, X06B, X06C		21B	X04Z, X05A, X05B, X06A, X06B, X06C		10	K09A, K09B
8r433.38↔	05	F01A, F01B, F01D, F14A, F14B, F15Z, F24A, F24B, F28A, F36A, F36B, F54Z, F59A, F59B	8r433.3e	05	F01A, F01B, F01D, F14A, F14B, F15Z, F24A, F24B, F28A, F36A, F36B, F54Z, F59A, F59B	8r433.3m↔	21A	W04A, W04B
	09	J03A, J03B, J04A, J04B, J08A, J08B, J08C, J11A, J11B, J16Z		09	J03A, J03B, J04A, J04B, J08A, J08B, J08C, J11A, J11B, J16Z		21B	X06A, X06B, X06C
	10	K09A, K09B		10	K09A, K09B			BOP, UOP4
	21A	W04A, W04B		21A	W04A, W04B		01	B04A, B04B, B04C, B04D
	21B	X06A, X06B, X06C		21B	X04Z, X05A, X05B, X06A, X06B, X06C		05	F01A, F01B, F01D, F14A, F14B, F15Z, F24A, F24B, F28A, F36A, F36B, F54Z, F59A, F59B
8r433.39↔	05	F01A, F01B, F01D, F14A, F14B, F15Z, F24A, F24B, F28A, F36A, F36B, F54Z, F59A, F59B	8r433.3f	05	F01A, F01B, F01D, F14A, F14B, F15Z, F24A, F24B, F28A, F36A, F36B, F54Z, F59A, F59B	8r433.3n↔	09	J03A, J03B, J04A, J04B, J08A, J08B, J08C, J11A, J11B, J16Z
	09	J03A, J03B, J04A, J04B, J08A, J08B, J08C, J11A, J11B, J16Z		09	J03A, J03B, J04A, J04B, J08A, J08B, J08C, J11A, J11B, J16Z		10	K09A, K09B
	10	K09A, K09B		10	K09A, K09B		21A	W04A, W04B
	21A	W04A, W04B		21A	W04A, W04B		21B	X06A, X06B, X06C
	21B	X06A, X06B, X06C		21B	X04Z, X05A, X05B, X06A, X06B, X06C			BOP, UOP4
8r433.3a	05	F01A, F01B, F01D, F14A, F14B, F15Z, F24A, F24B, F28A, F36A, F36B, F54Z, F59A, F59B	8r433.3g	05	F01A, F01B, F01D, F14A, F14B, F15Z, F24A, F24B, F28A, F36A, F36B, F54Z, F59A, F59B	8r433.3x↔	01	B04A, B04B, B04C, B04D
	06	G10Z, G12A, G12B		06	G10Z, G12A, G12B		05	F01A, F01B, F01D, F14A, F14B, F15Z, F24A, F24B, F28A, F36A, F36B, F54Z, F59A, F59B
	09	J03A, J03B, J04A, J04B, J08A, J08B, J08C, J11A, J11B, J16Z		09	J03A, J03B, J04A, J04B, J08A, J08B, J08C, J11A, J11B, J16Z		09	J03A, J03B, J04A, J04B, J08A, J08B, J08C, J11A, J11B, J16Z
	10	K09A, K09B		10	K09A, K09B		10	K09A, K09B
	11	L09A, L09B, L09C, L09D, L38Z		11	L09A, L09B, L09C, L09D, L38Z		21A	W04A, W04B
	21A	W04A, W04B		21A	W04A, W04B		21B	X06A, X06B, X06C
	21B	X06A, X06B, X06C		21B	X06A, X06B, X06C			BOP, KOP, UOP4
8r433.3b↔	05	F01A, F01B, F01D, F14A, F14B, F15Z, F24A, F24B, F28A, F36A, F36B, F54Z, F59A, F59B	8r433.3h↔	01	B04A, B04B, B04C, B04D	8r433.40	01	B02A, B02B, B02C, B02D, B20A, B20B, B20C, B20D, B20E, B39A, B39B
	09	J03A, J03B, J04A, J04B, J08A, J08B, J08C, J11A, J11B, J16Z		05	F01A, F01B, F01D, F14A, F14B, F15Z, F24A, F24B, F28A, F36A, F36B, F54Z, F59A, F59B		05	F01A, F01B, F01D, F14A, F14B, F15Z, F24A, F24B, F28A, F36A, F36B, F54Z, F59A, F59B
	10	K09A, K09B		09	J03A, J03B, J04A, J04B, J08A, J08B, J08C, J11A, J11B, J16Z		09	J03A, J03B, J04A, J04B, J08A, J08B, J08C, J11A, J11B, J16Z
	21A	W04A, W04B		10	K09A, K09B		10	K09A, K09B
	21B	X04Z, X06A, X06B, X06C		21A	W04A, W04B		21A	W04A, W04B
8r433.3c↔	05	F01A, F01B, F01D, F14A, F14B, F15Z, F24A, F24B, F28A, F36A, F36B, F54Z, F59A, F59B	8r433.3j↔	01	B04A, B04B, B04C, B04D	8r433.42↔	21B	X06A, X06B, X06C, X33Z
	09	J03A, J03B, J04A, J04B, J08A, J08B, J08C, J11A, J11B, J16Z		05	F01A, F01B, F01D, F14A, F14B, F15Z, F24A, F24B, F28A, F36A, F36B, F54Z, F59A, F59B		05	F01A, F01B, F01D, F14A, F14B, F15Z, F24A, F24B, F28A, F36A, F36B, F54Z, F59A, F59B
	10	K09A, K09B		09	J03A, J03B, J04A, J04B, J08A, J08B, J08C, J11A, J11B, J16Z		09	J03A, J03B, J04A, J04B, J08A, J08B, J08C, J11A, J11B, J16Z
	21A	W04A, W04B		10	K09A, K09B		10	K09A, K09B
	21B	X04Z, X06A, X06B, X06C		21A	W04A, W04B		21A	W04A, W04B

ZZV	MDC	DRG	ZZV	MDC	DRG	ZZV	MDC	DRG
8r433.43↔	05	F01A, F01B, F01D, F14A, F14B, F15Z, F24A, F24B, F28A, F36A, F36B, F54Z, F59A, F59B	8r433.4a	05	F01A, F01B, F01D, F14A, F14B, F15Z, F24A, F24B, F28A, F36A, F36B, F54Z, F59A, F59B	8r433.4g	05	F01A, F01B, F01D, F14A, F14B, F15Z, F24A, F24B, F28A, F36A, F36B, F54Z, F59A, F59B
	09	J03A, J03B, J04A, J04B, J08A, J08B, J08C, J11A, J11B, J16Z		06	G10Z, G12A, G12B		06	G10Z, G12A, G12B
	10	K09A, K09B		09	J03A, J03B, J04A, J04B, J08A, J08B, J08C, J11A, J11B, J16Z		09	J03A, J03B, J04A, J04B, J08A, J08B, J08C, J11A, J11B, J16Z
	21A	W04A, W04B		10	K09A, K09B		10	K09A, K09B
	21B	X05A, X05B, X06A, X06B, X06C		11	L09A, L09B, L09C, L09D, L38Z		11	L09A, L09B, L09C, L09D, L38Z
8r433.44	05	F01A, F01B, F01D, F15Z, F19A, F19B, F19C, F24A, F24B, F36A, F36B	8r433.4b↔	21A	W04A, W04B	8r433.4h↔	21A	W04A, W04B
	09	J03A, J03B, J04A, J04B, J08A, J08B, J08C, J11A, J11B, J16Z		21B	X06A, X06B, X06C		21B	X06A, X06B, X06C
	10	K09A, K09B		05	F01A, F01B, F01D, F14A, F14B, F15Z, F24A, F24B, F28A, F36A, F36B, F54Z, F59A, F59B		01	B04A, B04B, B04C, B04D
	21A	W04A, W04B		09	J03A, J03B, J04A, J04B, J08A, J08B, J08C, J11A, J11B, J16Z		05	F01A, F01B, F01D, F14A, F14B, F15Z, F24A, F24B, F28A, F36A, F36B, F54Z, F59A, F59B
	21B	X06A, X06B, X06C		10	K09A, K09B		09	J03A, J03B, J04A, J04B, J08A, J08B, J08C, J11A, J11B, J16Z
8r433.45	05	F01A, F01B, F01D, F15Z, F19A, F19B, F19C, F24A, F24B, F36A, F36B	8r433.4c↔	21A	W04A, W04B	8r433.4j↔	10	K09A, K09B
	09	J03A, J03B, J04A, J04B, J08A, J08B, J08C, J11A, J11B, J16Z		21B	X04Z, X06A, X06B, X06C		21A	W04A, W04B
	10	K09A, K09B		05	F01A, F01B, F01D, F14A, F14B, F15Z, F24A, F24B, F28A, F36A, F36B, F54Z, F59A, F59B		21B	X06A, X06B, X06C
	21A	W04A, W04B		09	J03A, J03B, J04A, J04B, J08A, J08B, J08C, J11A, J11B, J16Z		BOP, UOP4	
	21B	X06A, X06B, X06C		10	K09A, K09B		01	B04A, B04B, B04C, B04D
8r433.46	05	F01A, F01B, F01D, F15Z, F19A, F19B, F19C, F24A, F24B, F36A, F36B	8r433.4d	21A	W04A, W04B	8r433.4k↔	05	F01A, F01B, F01D, F14A, F14B, F15Z, F24A, F24B, F28A, F36A, F36B, F54Z, F59A, F59B
	09	J03A, J03B, J04A, J04B, J08A, J08B, J08C, J11A, J11B, J16Z		21B	X04Z, X06A, X06B, X06C		09	J03A, J03B, J04A, J04B, J08A, J08B, J08C, J11A, J11B, J16Z
	10	K09A, K09B		05	F01A, F01B, F01D, F14A, F14B, F15Z, F24A, F24B, F28A, F36A, F36B, F54Z, F59A, F59B		10	K09A, K09B
	21A	W04A, W04B		09	J03A, J03B, J04A, J04B, J08A, J08B, J08C, J11A, J11B, J16Z		21A	W04A, W04B
	21B	X06A, X06B, X06C		10	K09A, K09B		21B	X06A, X06B, X06C
8r433.47	05	F01A, F01B, F01D, F14A, F14B, F15Z, F24A, F24B, F28A, F36A, F36B, F54Z, F59A, F59B	8r433.4e	09	J03A, J03B, J04A, J04B, J08A, J08B, J08C, J11A, J11B, J16Z	8r433.4l↔	01	B04A, B04B, B04C, B04D
	09	J03A, J03B, J04A, J04B, J08A, J08B, J08C, J11A, J11B, J16Z		10	K09A, K09B		05	F01A, F01B, F01D, F14A, F14B, F15Z, F24A, F24B, F28A, F36A, F36B, F54Z, F59A, F59B
	10	K09A, K09B		21A	W04A, W04B		09	J03A, J03B, J04A, J04B, J08A, J08B, J08C, J11A, J11B, J16Z
	21A	W04A, W04B		21B	X04Z, X05A, X05B, X06A, X06B, X06C		10	K09A, K09B
	21B	X06A, X06B, X06C		05	F01A, F01B, F01D, F14A, F14B, F15Z, F24A, F24B, F28A, F36A, F36B, F54Z, F59A, F59B		21A	W04A, W04B
8r433.48↔	05	F01A, F01B, F01D, F14A, F14B, F15Z, F24A, F24B, F28A, F36A, F36B, F54Z, F59A, F59B	8r433.4f	09	J03A, J03B, J04A, J04B, J08A, J08B, J08C, J11A, J11B, J16Z	8r433.4m↔	21B	X06A, X06B, X06C
	09	J03A, J03B, J04A, J04B, J08A, J08B, J08C, J11A, J11B, J16Z		10	K09A, K09B		BOP, UOP4	
	10	K09A, K09B		21A	W04A, W04B		01	B04A, B04B, B04C, B04D
	21A	W04A, W04B		21B	X04Z, X05A, X05B, X06A, X06B, X06C		05	F01A, F01B, F01D, F14A, F14B, F15Z, F24A, F24B, F28A, F36A, F36B, F54Z, F59A, F59B
	21B	X06A, X06B, X06C		05	F01A, F01B, F01D, F14A, F14B, F15Z, F24A, F24B, F28A, F36A, F36B, F54Z, F59A, F59B		09	J03A, J03B, J04A, J04B, J08A, J08B, J08C, J11A, J11B, J16Z
8r433.49↔	05	F01A, F01B, F01D, F14A, F14B, F15Z, F24A, F24B, F28A, F36A, F36B, F54Z, F59A, F59B	8r433.4g	09	J03A, J03B, J04A, J04B, J08A, J08B, J08C, J11A, J11B, J16Z	8r433.4n↔	10	K09A, K09B
	09	J03A, J03B, J04A, J04B, J08A, J08B, J08C, J11A, J11B, J16Z		10	K09A, K09B		21A	W04A, W04B
	10	K09A, K09B		21A	W04A, W04B		21B	X06A, X06B, X06C
	21A	W04A, W04B		21B	X04Z, X05A, X05B, X06A, X06B, X06C		BOP, UOP4	
	21B	X06A, X06B, X06C		05	F01A, F01B, F01D, F14A, F14B, F15Z, F24A, F24B, F28A, F36A, F36B, F54Z, F59A, F59B		01	B04A, B04B, B04C, B04D

VYK

ZZV	MDC	DRG	ZZV	MDC	DRG	ZZV	MDC	DRG			
8r433.4n↔		BOP, UOP4	8r433.55	05	F01A, F01B, F01D, F15Z, F19A, F19B, F19C, F24A, F24B, F36A, F36B	8r433.5c↔	05	F01A, F01B, F01D, F14A, F14B, F15Z, F24A, F24B, F28A, F36A, F36B, F54Z, F59A, F59B			
	01	B04A, B04B, B04C, B04D		09	J03A, J03B, J04A, J04B, J08A, J08B, J08C, J11A, J11B, J16Z		09	J03A, J03B, J04A, J04B, J08A, J08B, J08C, J11A, J11B, J16Z			
	05	F01A, F01B, F01D, F14A, F14B, F15Z, F24A, F24B, F28A, F36A, F36B, F54Z, F59A, F59B		10	K09A, K09B		10	K09A, K09B			
	09	J03A, J03B, J04A, J04B, J08A, J08B, J08C, J11A, J11B, J16Z		21A	W04A, W04B		21A	W04A, W04B			
	10	K09A, K09B		21B	X06A, X06B, X06C		21A	W04A, W04B			
	21A	W04A, W04B		8r433.56	05		F01A, F01B, F01D, F15Z, F19A, F19B, F19C, F24A, F24B, F36A, F36B	8r433.5d	21B	X04Z, X06A, X06B, X06C	
	21B	X06A, X06B, X06C			09		J03A, J03B, J04A, J04B, J08A, J08B, J08C, J11A, J11B, J16Z		05	F01A, F01B, F01D, F14A, F14B, F15Z, F24A, F24B, F28A, F36A, F36B, F54Z, F59A, F59B	
	8r433.4x↔	05			F01A, F01B, F01D, F14A, F14B, F15Z, F24A, F24B, F28A, F36A, F36B, F54Z, F59A, F59B		10		K09A, K09B	09	J03A, J03B, J04A, J04B, J08A, J08B, J08C, J11A, J11B, J16Z
		09			J03A, J03B, J04A, J04B, J08A, J08B, J08C, J11A, J11B, J16Z		21A		W04A, W04B	10	K09A, K09B
		10			K09A, K09B		21B		X06A, X06B, X06C	21A	W04A, W04B
21A		W04A, W04B	8r433.57		05	F01A, F01B, F01D, F14A, F14B, F15Z, F24A, F24B, F28A, F36A, F36B, F54Z, F59A, F59B	8r433.5e		21B	X04Z, X05A, X05B, X06A, X06B, X06C	
21B		X06A, X06B, X06C			09	J03A, J03B, J04A, J04B, J08A, J08B, J08C, J11A, J11B, J16Z			05	F01A, F01B, F01D, F14A, F14B, F15Z, F24A, F24B, F28A, F36A, F36B, F54Z, F59A, F59B	
8r433.50		BOP, KOP, UOP4			10	K09A, K09B			09	J03A, J03B, J04A, J04B, J08A, J08B, J08C, J11A, J11B, J16Z	
		01			B02A, B02B, B02C, B02D, B20A, B20B, B20C, B20D, B20E, B39A, B39B	21A			W04A, W04B	10	K09A, K09B
		05			F01A, F01B, F01D, F14A, F14B, F15Z, F24A, F24B, F28A, F36A, F36B, F54Z, F59A, F59B	21B			X06A, X06B, X06C	21A	W04A, W04B
		09		J03A, J03B, J04A, J04B, J08A, J08B, J08C, J11A, J11B, J16Z	8r433.58↔	05		F01A, F01B, F01D, F14A, F14B, F15Z, F24A, F24B, F28A, F36A, F36B, F54Z, F59A, F59B	8r433.5f	21B	X04Z, X05A, X05B, X06A, X06B, X06C
		10		K09A, K09B		09		J03A, J03B, J04A, J04B, J08A, J08B, J08C, J11A, J11B, J16Z		05	F01A, F01B, F01D, F14A, F14B, F15Z, F24A, F24B, F28A, F36A, F36B, F54Z, F59A, F59B
	21A	W04A, W04B		10		K09A, K09B		09		J03A, J03B, J04A, J04B, J08A, J08B, J08C, J11A, J11B, J16Z	
	21B	X06A, X06B, X06C, X33Z		21A		W04A, W04B		10		K09A, K09B	
	8r433.52↔	05		F01A, F01B, F01D, F14A, F14B, F15Z, F24A, F24B, F28A, F36A, F36B, F54Z, F59A, F59B		8r433.59↔		21B		X06A, X06B, X06C	8r433.5g
		09	J03A, J03B, J04A, J04B, J08A, J08B, J08C, J11A, J11B, J16Z	09			J03A, J03B, J04A, J04B, J08A, J08B, J08C, J11A, J11B, J16Z	05		F01A, F01B, F01D, F14A, F14B, F15Z, F24A, F24B, F28A, F36A, F36B, F54Z, F59A, F59B	
		10	K09A, K09B	10			K09A, K09B	06		G10Z, G12A, G12B	
21A		W04A, W04B	21A	W04A, W04B			09	J03A, J03B, J04A, J04B, J08A, J08B, J08C, J11A, J11B, J16Z			
21B		X06A, X06B, X06C	8r433.5a	05			F01A, F01B, F01D, F14A, F14B, F15Z, F24A, F24B, F28A, F36A, F36B, F54Z, F59A, F59B	10		K09A, K09B	
8r433.53↔		05		F01A, F01B, F01D, F14A, F14B, F15Z, F24A, F24B, F28A, F36A, F36B, F54Z, F59A, F59B			06	G10Z, G12A, G12B		11	
		09		J03A, J03B, J04A, J04B, J08A, J08B, J08C, J11A, J11B, J16Z	09		J03A, J03B, J04A, J04B, J08A, J08B, J08C, J11A, J11B, J16Z	8r433.5h↔	21A	W04A, W04B	
		10		K09A, K09B	10		K09A, K09B		21B	X06A, X06B, X06C	
		21A		W04A, W04B	11		L09A, L09B, L09C, L09D, L38Z		BOP, UOP4		
		21B		X05A, X05B, X06A, X06B, X06C	21A		W04A, W04B		01	B04A, B04B, B04C, B04D	
	8r433.54	05		F01A, F01B, F01D, F15Z, F19A, F19B, F19C, F24A, F24B, F36A, F36B	8r433.5b↔	21B	X06A, X06B, X06C		05	F01A, F01B, F01D, F14A, F14B, F15Z, F24A, F24B, F28A, F36A, F36B, F54Z, F59A, F59B	
		09		J03A, J03B, J04A, J04B, J08A, J08B, J08C, J11A, J11B, J16Z		05	F01A, F01B, F01D, F14A, F14B, F15Z, F24A, F24B, F28A, F36A, F36B, F54Z, F59A, F59B		09	J03A, J03B, J04A, J04B, J08A, J08B, J08C, J11A, J11B, J16Z	
		10		K09A, K09B		09	J03A, J03B, J04A, J04B, J08A, J08B, J08C, J11A, J11B, J16Z		10	K09A, K09B	
		21A		W04A, W04B		10	K09A, K09B		21A	W04A, W04B	
		21B	X06A, X06B, X06C	21A		W04A, W04B	21B		X06A, X06B, X06C		

## Príloha B: Index Výkon-MDC-DRG

ZZV	MDC	DRG	ZZV	MDC	DRG	ZZV	MDC	DRG	
8r433.5j↔		BOP, UOP4	8r433.60		BOP, KOP, UOP4	8r433.67	05	F01A, F01B, F01D, F14A, F14B, F15Z, F24A, F24B, F28A, F36A, F36B, F54Z, F59A, F59B	
	01	B04A, B04B, B04C, B04D		01	B02A, B02B, B02C, B02D, B20A, B20B, B20C, B20D, B20E, B39A, B39B		09	J03A, J03B, J04A, J04B, J08A, J08B, J08C, J11A, J11B, J16Z	
	05	F01A, F01B, F01D, F14A, F14B, F15Z, F24A, F24B, F28A, F36A, F36B, F54Z, F59A, F59B		05	F01A, F01B, F01D, F14A, F14B, F15Z, F24A, F24B, F28A, F36A, F36B, F54Z, F59A, F59B		10	K09A, K09B	
	09	J03A, J03B, J04A, J04B, J08A, J08B, J08C, J11A, J11B, J16Z		09	J03A, J03B, J04A, J04B, J08A, J08B, J08C, J11A, J11B, J16Z		21A	W04A, W04B	
	10	K09A, K09B		10	K09A, K09B		21B	X06A, X06B, X06C	
	21A	W04A, W04B		21A	W04A, W04B		8r433.68↔	05	F01A, F01B, F01D, F14A, F14B, F15Z, F24A, F24B, F28A, F36A, F36B, F54Z, F59A, F59B
	21B	X06A, X06B, X06C		21B	X06A, X06B, X06C, X33Z			09	J03A, J03B, J04A, J04B, J08A, J08B, J08C, J11A, J11B, J16Z
8r433.5k↔		BOP, UOP4	8r433.62↔		F01A, F01B, F01D, F14A, F14B, F15Z, F24A, F24B, F28A, F36A, F36B, F54Z, F59A, F59B	8r433.69↔	05	F01A, F01B, F01D, F14A, F14B, F15Z, F24A, F24B, F28A, F36A, F36B, F54Z, F59A, F59B	
	01	B04A, B04B, B04C, B04D		05	F01A, F01B, F01D, F14A, F14B, F15Z, F24A, F24B, F28A, F36A, F36B, F54Z, F59A, F59B		09	J03A, J03B, J04A, J04B, J08A, J08B, J08C, J11A, J11B, J16Z	
	05	F01A, F01B, F01D, F14A, F14B, F15Z, F24A, F24B, F28A, F36A, F36B, F54Z, F59A, F59B		09	J03A, J03B, J04A, J04B, J08A, J08B, J08C, J11A, J11B, J16Z		10	K09A, K09B	
	09	J03A, J03B, J04A, J04B, J08A, J08B, J08C, J11A, J11B, J16Z		10	K09A, K09B		21A	W04A, W04B	
	10	K09A, K09B		21A	W04A, W04B		21B	X06A, X06B, X06C	
	21A	W04A, W04B		21B	X06A, X06B, X06C		8r433.6a	05	F01A, F01B, F01D, F14A, F14B, F15Z, F24A, F24B, F28A, F36A, F36B, F54Z, F59A, F59B
	21B	X06A, X06B, X06C		21B	X06A, X06B, X06C			06	G10Z, G12A, G12B
8r433.5m↔		BOP, UOP4	8r433.63↔		F01A, F01B, F01D, F14A, F14B, F15Z, F24A, F24B, F28A, F36A, F36B, F54Z, F59A, F59B	8r433.6b↔	05	F01A, F01B, F01D, F14A, F14B, F15Z, F24A, F24B, F28A, F36A, F36B, F54Z, F59A, F59B	
	01	B04A, B04B, B04C, B04D		05	F01A, F01B, F01D, F14A, F14B, F15Z, F24A, F24B, F28A, F36A, F36B, F54Z, F59A, F59B		09	J03A, J03B, J04A, J04B, J08A, J08B, J08C, J11A, J11B, J16Z	
	05	F01A, F01B, F01D, F14A, F14B, F15Z, F24A, F24B, F28A, F36A, F36B, F54Z, F59A, F59B		09	J03A, J03B, J04A, J04B, J08A, J08B, J08C, J11A, J11B, J16Z		10	K09A, K09B	
	09	J03A, J03B, J04A, J04B, J08A, J08B, J08C, J11A, J11B, J16Z		10	K09A, K09B		11	L09A, L09B, L09C, L09D, L38Z	
	10	K09A, K09B		21A	W04A, W04B		21A	W04A, W04B	
	21A	W04A, W04B		21B	X06A, X06B, X06C		21B	X06A, X06B, X06C	
	21B	X06A, X06B, X06C		21B	X06A, X06B, X06C		8r433.6c↔	05	F01A, F01B, F01D, F14A, F14B, F15Z, F24A, F24B, F28A, F36A, F36B, F54Z, F59A, F59B
8r433.5n↔		BOP, UOP4	8r433.64		F01A, F01B, F01D, F15Z, F19A, F19B, F19C, F24A, F24B, F36A, F36B	8r433.6c↔		09	J03A, J03B, J04A, J04B, J08A, J08B, J08C, J11A, J11B, J16Z
	01	B04A, B04B, B04C, B04D		05	F01A, F01B, F01D, F15Z, F19A, F19B, F19C, F24A, F24B, F36A, F36B		09	J03A, J03B, J04A, J04B, J08A, J08B, J08C, J11A, J11B, J16Z	
	05	F01A, F01B, F01D, F14A, F14B, F15Z, F24A, F24B, F28A, F36A, F36B, F54Z, F59A, F59B		09	J03A, J03B, J04A, J04B, J08A, J08B, J08C, J11A, J11B, J16Z		10	K09A, K09B	
	09	J03A, J03B, J04A, J04B, J08A, J08B, J08C, J11A, J11B, J16Z		10	K09A, K09B		21A	W04A, W04B	
	10	K09A, K09B		21A	W04A, W04B		21B	X06A, X06B, X06C	
	21A	W04A, W04B		21B	X06A, X06B, X06C		8r433.66	05	F01A, F01B, F01D, F15Z, F19A, F19B, F19C, F24A, F24B, F36A, F36B
	21B	X06A, X06B, X06C		21B	X06A, X06B, X06C			09	J03A, J03B, J04A, J04B, J08A, J08B, J08C, J11A, J11B, J16Z
8r433.5x↔		BOP, UOP4	8r433.65		F01A, F01B, F01D, F15Z, F19A, F19B, F19C, F24A, F24B, F36A, F36B	8r433.66	05	F01A, F01B, F01D, F15Z, F19A, F19B, F19C, F24A, F24B, F36A, F36B	
	01	B04A, B04B, B04C, B04D		05	F01A, F01B, F01D, F15Z, F19A, F19B, F19C, F24A, F24B, F36A, F36B		09	J03A, J03B, J04A, J04B, J08A, J08B, J08C, J11A, J11B, J16Z	
	05	F01A, F01B, F01D, F14A, F14B, F15Z, F24A, F24B, F28A, F36A, F36B, F54Z, F59A, F59B		09	J03A, J03B, J04A, J04B, J08A, J08B, J08C, J11A, J11B, J16Z		10	K09A, K09B	
	09	J03A, J03B, J04A, J04B, J08A, J08B, J08C, J11A, J11B, J16Z		10	K09A, K09B		21A	W04A, W04B	
	10	K09A, K09B		21A	W04A, W04B		21B	X06A, X06B, X06C	
	21A	W04A, W04B		21B	X06A, X06B, X06C		8r433.6c↔	05	F01A, F01B, F01D, F14A, F14B, F15Z, F24A, F24B, F28A, F36A, F36B, F54Z, F59A, F59B
	21B	X06A, X06B, X06C		21B	X06A, X06B, X06C			09	J03A, J03B, J04A, J04B, J08A, J08B, J08C, J11A, J11B, J16Z
							10	K09A, K09B	
							21A	W04A, W04B	
							21B	X04Z, X06A, X06B, X06C	

ZZV	MDC	DRG	ZZV	MDC	DRG	ZZV	MDC	DRG			
8r433.6d	05	F01A, F01B, F01D, F14A, F14B, F15Z, F24A, F24B, F28A, F36A, F36B, F54Z, F59A, F59B	8r433.6k↔	01	BOP, UOP4	8r434.03↔	05	F01A, F01B, F01D, F14A, F14B, F15Z, F24A, F24B, F28A, F36A, F36B, F54Z, F59A, F59B			
		09			J03A, J03B, J04A, J04B, J08A, J08B, J08C, J11A, J11B, J16Z			09	J03A, J03B, J04A, J04B, J08A, J08B, J08C, J11A, J11B, J16Z		
		10			K09A, K09B			10	K09A, K09B		
		21A			W04A, W04B			21A	W04A, W04B		
		21B			X04Z, X05A, X05B, X06A, X06B, X06C			21B	X05A, X05B, X06A, X06B, X06C		
8r433.6e	05	F01A, F01B, F01D, F14A, F14B, F15Z, F24A, F24B, F28A, F36A, F36B, F54Z, F59A, F59B	8r433.6m↔	01	BOP, UOP4	8r434.04	05	F01A, F01B, F01D, F14A, F14B, F15Z, F19A, F19B, F19C, F24A, F24B, F36A, F36B, F54Z			
		09			J03A, J03B, J04A, J04B, J08A, J08B, J08C, J11A, J11B, J16Z			09	J03A, J03B, J04A, J04B, J08A, J08B, J08C, J11A, J11B, J16Z		
		10			K09A, K09B			10	K09A, K09B		
		21A			W04A, W04B			21A	W04A, W04B		
		21B			X04Z, X05A, X05B, X06A, X06B, X06C			21B	X06A, X06B, X06C		
8r433.6f	05	F01A, F01B, F01D, F14A, F14B, F15Z, F24A, F24B, F28A, F36A, F36B, F54Z, F59A, F59B	8r433.6n↔	01	BOP, UOP4	8r434.05	05	F01A, F01B, F01D, F14A, F14B, F15Z, F19A, F19B, F19C, F24A, F24B, F36A, F36B, F54Z			
		09			J03A, J03B, J04A, J04B, J08A, J08B, J08C, J11A, J11B, J16Z			09	J03A, J03B, J04A, J04B, J08A, J08B, J08C, J11A, J11B, J16Z		
		10			K09A, K09B			10	K09A, K09B		
		21A			W04A, W04B			21A	W04A, W04B		
		21B			X04Z, X05A, X05B, X06A, X06B, X06C			21B	X06A, X06B, X06C		
8r433.6g	05	F01A, F01B, F01D, F14A, F14B, F15Z, F24A, F24B, F28A, F36A, F36B, F54Z, F59A, F59B	8r433.6x↔	01	B04A, B04B, B04C, B04D	8r434.06	05	F01A, F01B, F01D, F14A, F14B, F15Z, F19A, F19B, F19C, F24A, F24B, F36A, F36B, F54Z			
		06			G10Z, G12A, G12B			05	F01A, F01B, F01D, F14A, F14B, F15Z, F24A, F24B, F28A, F36A, F36B, F54Z, F59A, F59B		
		09			J03A, J03B, J04A, J04B, J08A, J08B, J08C, J11A, J11B, J16Z			09	J03A, J03B, J04A, J04B, J08A, J08B, J08C, J11A, J11B, J16Z		
		10			K09A, K09B			10	K09A, K09B		
		11			L09A, L09B, L09C, L09D, L38Z			10	K09A, K09B		
8r433.6h↔	21A	W04A, W04B	8r434.00	21A	W04A, W04B	8r434.07	05	F01A, F01B, F01D, F14A, F14B, F15Z, F24A, F24B, F28A, F36A, F36B, F54Z, F59A, F59B			
		21B			X06A, X06B, X06C			21B	X06A, X06B, X06C		
		01			B04A, B04B, B04C, B04D			01	B02A, B02B, B02C, B02D, B20A, B20B, B20C, B20D, B20E, B39A, B39B		
		05			F01A, F01B, F01D, F14A, F14B, F15Z, F24A, F24B, F28A, F36A, F36B, F54Z, F59A, F59B			05	F01A, F01B, F01D, F14A, F14B, F15Z, F24A, F24B, F28A, F36A, F36B, F54Z, F59A, F59B		
		09			J03A, J03B, J04A, J04B, J08A, J08B, J08C, J11A, J11B, J16Z			09	J03A, J03B, J04A, J04B, J08A, J08B, J08C, J11A, J11B, J16Z		
8r433.6j↔	21A	W04A, W04B	8r434.02↔	10	K09A, K09B	8r434.08↔	05	F01A, F01B, F01D, F14A, F14B, F15Z, F24A, F24B, F28A, F36A, F36B, F54Z, F59A, F59B			
		21B			X06A, X06B, X06C			21B	X06A, X06B, X06C		
		01			B04A, B04B, B04C, B04D			21A	W04A, W04B	09	J03A, J03B, J04A, J04B, J08A, J08B, J08C, J11A, J11B, J16Z
		05			F01A, F01B, F01D, F14A, F14B, F15Z, F24A, F24B, F28A, F36A, F36B, F54Z, F59A, F59B			21B	X06A, X06B, X06C, X33Z	10	K09A, K09B
		09			J03A, J03B, J04A, J04B, J08A, J08B, J08C, J11A, J11B, J16Z			05	F01A, F01B, F01D, F14A, F14B, F15Z, F24A, F24B, F28A, F36A, F36B, F54Z, F59A, F59B	21A	W04A, W04B
8r433.6j↔	21B	X06A, X06B, X06C	8r434.02↔	10	K09A, K09B	8r434.09↔	05	F01A, F01B, F01D, F14A, F14B, F15Z, F24A, F24B, F28A, F36A, F36B, F54Z, F59A, F59B			
		01			B04A, B04B, B04C, B04D			10	K09A, K09B		
		05			F01A, F01B, F01D, F14A, F14B, F15Z, F24A, F24B, F28A, F36A, F36B, F54Z, F59A, F59B			21A	W04A, W04B		
		09			J03A, J03B, J04A, J04B, J08A, J08B, J08C, J11A, J11B, J16Z			21B	X06A, X06B, X06C		
		10			K09A, K09B			09	J03A, J03B, J04A, J04B, J08A, J08B, J08C, J11A, J11B, J16Z		
8r433.6j↔	21A	W04A, W04B	8r434.02↔	21A	W04A, W04B	8r434.09↔	09	J03A, J03B, J04A, J04B, J08A, J08B, J08C, J11A, J11B, J16Z			
		21B			X06A, X06B, X06C			21B	X06A, X06B, X06C		
		01			B04A, B04B, B04C, B04D			21A	W04A, W04B		
		05			F01A, F01B, F01D, F14A, F14B, F15Z, F24A, F24B, F28A, F36A, F36B, F54Z, F59A, F59B			21B	X06A, X06B, X06C		
		09			J03A, J03B, J04A, J04B, J08A, J08B, J08C, J11A, J11B, J16Z			09	J03A, J03B, J04A, J04B, J08A, J08B, J08C, J11A, J11B, J16Z		

VYK

ZZV	MDC	DRG	ZZV	MDC	DRG	ZZV	MDC	DRG			
8r434.0a	05	F01A, F01B, F01D, F14A, F14B, F15Z, F24A, F24B, F28A, F36A, F36B, F54Z, F59A, F59B	8r434.0g	05	F01A, F01B, F01D, F14A, F14B, F15Z, F24A, F24B, F28A, F36A, F36B, F54Z, F59A, F59B	8r434.0n↔		BOP, UOP4			
	06	G10Z, G12A, G12B		06	G10Z, G12A, G12B		01	B04A, B04B, B04C, B04D			
	09	J03A, J03B, J04A, J04B, J08A, J08B, J08C, J11A, J11B, J16Z		09	J03A, J03B, J04A, J04B, J08A, J08B, J08C, J11A, J11B, J16Z		05	F01A, F01B, F01D, F14A, F14B, F15Z, F24A, F24B, F28A, F36A, F36B, F54Z, F59A, F59B			
	10	K09A, K09B		10	K09A, K09B		09	J03A, J03B, J04A, J04B, J08A, J08B, J08C, J11A, J11B, J16Z			
	11	L09A, L09B, L09C, L09D, L38Z		11	L09A, L09B, L09C, L09D, L38Z		10	K09A, K09B			
	21A	W04A, W04B		21A	W04A, W04B		21A	W04A, W04B			
	21B	X06A, X06B, X06C		21B	X06A, X06B, X06C		21B	X06A, X06B, X06C			
8r434.0b↔	05	F01A, F01B, F01D, F14A, F14B, F15Z, F24A, F24B, F28A, F36A, F36B, F54Z, F59A, F59B	8r434.0h↔		BOP, UOP4	8r434.0x↔	05	F01A, F01B, F01D, F14A, F14B, F15Z, F24A, F24B, F28A, F36A, F36B, F54Z, F59A, F59B			
	09	J03A, J03B, J04A, J04B, J08A, J08B, J08C, J11A, J11B, J16Z		01	B04A, B04B, B04C, B04D		09	J03A, J03B, J04A, J04B, J08A, J08B, J08C, J11A, J11B, J16Z			
	10	K09A, K09B		05	F01A, F01B, F01D, F14A, F14B, F15Z, F24A, F24B, F28A, F36A, F36B, F54Z, F59A, F59B		10	K09A, K09B			
	21A	W04A, W04B		09	J03A, J03B, J04A, J04B, J08A, J08B, J08C, J11A, J11B, J16Z		21A	W04A, W04B			
	21B	X04Z, X06A, X06B, X06C		10	K09A, K09B		21B	X06A, X06B, X06C			
	8r434.0c↔	05		F01A, F01B, F01D, F14A, F14B, F15Z, F24A, F24B, F28A, F36A, F36B, F54Z, F59A, F59B	8r434.0j↔		21A	W04A, W04B	8r434.10	01	B02A, B02B, B02C, B02D, B20A, B20B, B20C, B20D, B20E, B39A, B39B
		09		J03A, J03B, J04A, J04B, J08A, J08B, J08C, J11A, J11B, J16Z			21B	X06A, X06B, X06C		05	F01A, F01B, F01D, F14A, F14B, F15Z, F24A, F24B, F28A, F36A, F36B, F54Z, F59A, F59B
10		K09A, K09B		BOP, UOP4		09	J03A, J03B, J04A, J04B, J08A, J08B, J08C, J11A, J11B, J16Z				
21A		W04A, W04B	01	B04A, B04B, B04C, B04D		10	K09A, K09B				
21B		X04Z, X06A, X06B, X06C	05	F01A, F01B, F01D, F14A, F14B, F15Z, F24A, F24B, F28A, F36A, F36B, F54Z, F59A, F59B		21A	W04A, W04B				
8r434.0d		05	F01A, F01B, F01D, F14A, F14B, F15Z, F24A, F24B, F28A, F36A, F36B, F54Z, F59A, F59B	8r434.0k↔		09	J03A, J03B, J04A, J04B, J08A, J08B, J08C, J11A, J11B, J16Z	8r434.12↔		21B	X06A, X06B, X06C, X33Z
		09	J03A, J03B, J04A, J04B, J08A, J08B, J08C, J11A, J11B, J16Z			10	K09A, K09B			05	F01A, F01B, F01D, F14A, F14B, F15Z, F24A, F24B, F28A, F36A, F36B, F54Z, F59A, F59B
	10	K09A, K09B	21A		W04A, W04B	09	J03A, J03B, J04A, J04B, J08A, J08B, J08C, J11A, J11B, J16Z				
	21A	W04A, W04B	21B		X06A, X06B, X06C	10	K09A, K09B				
	21B	X04Z, X05A, X05B, X06A, X06B, X06C			BOP, UOP4	21A	W04A, W04B				
	8r434.0e	05	F01A, F01B, F01D, F14A, F14B, F15Z, F24A, F24B, F28A, F36A, F36B, F54Z, F59A, F59B		8r434.0m↔	01	B04A, B04B, B04C, B04D		8r434.13↔	21B	X06A, X06B, X06C
		09	J03A, J03B, J04A, J04B, J08A, J08B, J08C, J11A, J11B, J16Z			05	F01A, F01B, F01D, F14A, F14B, F15Z, F24A, F24B, F28A, F36A, F36B, F54Z, F59A, F59B			05	F01A, F01B, F01D, F14A, F14B, F15Z, F24A, F24B, F28A, F36A, F36B, F54Z, F59A, F59B
10		K09A, K09B	09	J03A, J03B, J04A, J04B, J08A, J08B, J08C, J11A, J11B, J16Z		09	J03A, J03B, J04A, J04B, J08A, J08B, J08C, J11A, J11B, J16Z				
21A		W04A, W04B	10	K09A, K09B		10	K09A, K09B				
21B		X04Z, X05A, X05B, X06A, X06B, X06C	21A	W04A, W04B		21A	W04A, W04B				
8r434.0f		05	F01A, F01B, F01D, F14A, F14B, F15Z, F24A, F24B, F28A, F36A, F36B, F54Z, F59A, F59B	8r434.0o↔		21B	X06A, X06B, X06C	8r434.14		21B	X05A, X05B, X06A, X06B, X06C
		09	J03A, J03B, J04A, J04B, J08A, J08B, J08C, J11A, J11B, J16Z			01	B04A, B04B, B04C, B04D			05	F01A, F01B, F01D, F14A, F14B, F15Z, F19A, F19B, F19C, F24A, F24B, F36A, F36B, F54Z
	10	K09A, K09B	05		F01A, F01B, F01D, F14A, F14B, F15Z, F24A, F24B, F28A, F36A, F36B, F54Z, F59A, F59B	09	J03A, J03B, J04A, J04B, J08A, J08B, J08C, J11A, J11B, J16Z				
	21A	W04A, W04B	09		J03A, J03B, J04A, J04B, J08A, J08B, J08C, J11A, J11B, J16Z	10	K09A, K09B				
	21B	X04Z, X05A, X05B, X06A, X06B, X06C	10		K09A, K09B	21A	W04A, W04B				
			21A		W04A, W04B	21B	X06A, X06B, X06C				
			21B		X06A, X06B, X06C						

VYK

ZZV	MDC	DRG	ZZV	MDC	DRG	ZZV	MDC	DRG
8r434.15	05	F01A, F01B, F01D, F14A, F14B, F15Z, F19A, F19B, F19C, F24A, F24B, F36A, F36B, F54Z	8r434.1b↔	05	F01A, F01B, F01D, F14A, F14B, F15Z, F24A, F24B, F28A, F36A, F36B, F54Z, F59A, F59B	8r434.1h↔		BOP, UOP4
	09	J03A, J03B, J04A, J04B, J08A, J08B, J08C, J11A, J11B, J16Z		09	J03A, J03B, J04A, J04B, J08A, J08B, J08C, J11A, J11B, J16Z		01	B04A, B04B, B04C, B04D
	10	K09A, K09B		10	K09A, K09B		05	F01A, F01B, F01D, F14A, F14B, F15Z, F24A, F24B, F28A, F36A, F36B, F54Z, F59A, F59B
	21A	W04A, W04B		21A	W04A, W04B		09	J03A, J03B, J04A, J04B, J08A, J08B, J08C, J11A, J11B, J16Z
	21B	X06A, X06B, X06C		21B	X04Z, X06A, X06B, X06C		10	K09A, K09B
8r434.16	05	F01A, F01B, F01D, F14A, F14B, F15Z, F19A, F19B, F19C, F24A, F24B, F36A, F36B, F54Z	8r434.1c↔	05	F01A, F01B, F01D, F14A, F14B, F15Z, F24A, F24B, F28A, F36A, F36B, F54Z, F59A, F59B	8r434.1j↔	21A	W04A, W04B
	09	J03A, J03B, J04A, J04B, J08A, J08B, J08C, J11A, J11B, J16Z		09	J03A, J03B, J04A, J04B, J08A, J08B, J08C, J11A, J11B, J16Z		21B	X06A, X06B, X06C
	10	K09A, K09B		10	K09A, K09B			BOP, UOP4
	21A	W04A, W04B		21A	W04A, W04B		01	B04A, B04B, B04C, B04D
	21B	X06A, X06B, X06C		21B	X04Z, X06A, X06B, X06C		05	F01A, F01B, F01D, F14A, F14B, F15Z, F24A, F24B, F28A, F36A, F36B, F54Z, F59A, F59B
8r434.17	05	F01A, F01B, F01D, F14A, F14B, F15Z, F24A, F24B, F28A, F36A, F36B, F54Z, F59A, F59B	8r434.1d	05	F01A, F01B, F01D, F14A, F14B, F15Z, F24A, F24B, F28A, F36A, F36B, F54Z, F59A, F59B	8r434.1k↔	09	J03A, J03B, J04A, J04B, J08A, J08B, J08C, J11A, J11B, J16Z
	09	J03A, J03B, J04A, J04B, J08A, J08B, J08C, J11A, J11B, J16Z		09	J03A, J03B, J04A, J04B, J08A, J08B, J08C, J11A, J11B, J16Z		10	K09A, K09B
	10	K09A, K09B		10	K09A, K09B		21A	W04A, W04B
	21A	W04A, W04B		21A	W04A, W04B		21B	X06A, X06B, X06C
	21B	X06A, X06B, X06C		21B	X04Z, X05A, X05B, X06A, X06B, X06C			BOP, UOP4
8r434.18↔	05	F01A, F01B, F01D, F14A, F14B, F15Z, F24A, F24B, F28A, F36A, F36B, F54Z, F59A, F59B	8r434.1e	05	F01A, F01B, F01D, F14A, F14B, F15Z, F24A, F24B, F28A, F36A, F36B, F54Z, F59A, F59B	8r434.1l↔	01	B04A, B04B, B04C, B04D
	09	J03A, J03B, J04A, J04B, J08A, J08B, J08C, J11A, J11B, J16Z		09	J03A, J03B, J04A, J04B, J08A, J08B, J08C, J11A, J11B, J16Z		05	F01A, F01B, F01D, F14A, F14B, F15Z, F24A, F24B, F28A, F36A, F36B, F54Z, F59A, F59B
	10	K09A, K09B		10	K09A, K09B		09	J03A, J03B, J04A, J04B, J08A, J08B, J08C, J11A, J11B, J16Z
	21A	W04A, W04B		10	K09A, K09B		10	K09A, K09B
	21B	X06A, X06B, X06C		21A	W04A, W04B		21A	W04A, W04B
8r434.19↔	05	F01A, F01B, F01D, F14A, F14B, F15Z, F24A, F24B, F28A, F36A, F36B, F54Z, F59A, F59B	8r434.1f	05	F01A, F01B, F01D, F14A, F14B, F15Z, F24A, F24B, F28A, F36A, F36B, F54Z, F59A, F59B	8r434.1m↔	21B	X06A, X06B, X06C
	09	J03A, J03B, J04A, J04B, J08A, J08B, J08C, J11A, J11B, J16Z		09	J03A, J03B, J04A, J04B, J08A, J08B, J08C, J11A, J11B, J16Z			BOP, UOP4
	10	K09A, K09B		10	K09A, K09B		01	B04A, B04B, B04C, B04D
	21A	W04A, W04B		10	K09A, K09B		05	F01A, F01B, F01D, F14A, F14B, F15Z, F24A, F24B, F28A, F36A, F36B, F54Z, F59A, F59B
	21B	X06A, X06B, X06C		21A	W04A, W04B		09	J03A, J03B, J04A, J04B, J08A, J08B, J08C, J11A, J11B, J16Z
8r434.1a	05	F01A, F01B, F01D, F14A, F14B, F15Z, F24A, F24B, F28A, F36A, F36B, F54Z, F59A, F59B	8r434.1g	05	F01A, F01B, F01D, F14A, F14B, F15Z, F24A, F24B, F28A, F36A, F36B, F54Z, F59A, F59B	8r434.1n↔	21B	X06A, X06B, X06C
	06	G10Z, G12A, G12B		06	G10Z, G12A, G12B			BOP, UOP4
	09	J03A, J03B, J04A, J04B, J08A, J08B, J08C, J11A, J11B, J16Z		09	J03A, J03B, J04A, J04B, J08A, J08B, J08C, J11A, J11B, J16Z		01	B04A, B04B, B04C, B04D
	10	K09A, K09B		09	J03A, J03B, J04A, J04B, J08A, J08B, J08C, J11A, J11B, J16Z		05	F01A, F01B, F01D, F14A, F14B, F15Z, F24A, F24B, F28A, F36A, F36B, F54Z, F59A, F59B
	11	L09A, L09B, L09C, L09D, L38Z		06	G10Z, G12A, G12B		09	J03A, J03B, J04A, J04B, J08A, J08B, J08C, J11A, J11B, J16Z
	21A	W04A, W04B		09	J03A, J03B, J04A, J04B, J08A, J08B, J08C, J11A, J11B, J16Z		10	K09A, K09B
	21B	X06A, X06B, X06C		09	J03A, J03B, J04A, J04B, J08A, J08B, J08C, J11A, J11B, J16Z		21A	W04A, W04B
		10	K09A, K09B	21B	X06A, X06B, X06C			
		11	L09A, L09B, L09C, L09D, L38Z	10	K09A, K09B	8r434.1x↔	05	F01A, F01B, F01D, F14A, F14B, F15Z, F24A, F24B, F28A, F36A, F36B, F54Z, F59A, F59B
		21A	W04A, W04B	11	L09A, L09B, L09C, L09D, L38Z		09	J03A, J03B, J04A, J04B, J08A, J08B, J08C, J11A, J11B, J16Z
		21B	X06A, X06B, X06C	21A	W04A, W04B		10	K09A, K09B
				21B	X06A, X06B, X06C		21A	W04A, W04B
							21B	X06A, X06B, X06C

VYK

ZZV	MDC	DRG	ZZV	MDC	DRG	ZZV	MDC	DRG				
8r435.00	01	BOP, KOP, UOP4	8r435.07	05	F01A, F01B, F01D, F14A, F14B, F15Z, F24A, F24B, F28A, F36A, F36B, F54Z, F59A, F59B	8r435.0d	05	F01A, F01B, F01D, F14A, F14B, F15Z, F24A, F24B, F28A, F36A, F36B, F54Z, F59A, F59B				
		B02A, B02B, B02C, B02D, B20A, B20B, B20C, B20D, B20E, B39A, B39B			09			J03A, J03B, J04A, J04B, J08A, J08B, J08C, J11A, J11B, J16Z	09	J03A, J03B, J04A, J04B, J08A, J08B, J08C, J11A, J11B, J16Z		
	05	F01A, F01B, F01D, F14A, F14B, F15Z, F24A, F24B, F28A, F36A, F36B, F54Z, F59A, F59B		10			K09A, K09B	10		K09A, K09B		
		09			J03A, J03B, J04A, J04B, J08A, J08B, J08C, J11A, J11B, J16Z		21A		W04A, W04B	21A	W04A, W04B	
	10			K09A, K09B	21B			X06A, X06B, X06C	21B		X04Z, X05A, X05B, X06A, X06B, X06C	
		21A		W04A, W04B			8r435.08↔	05		F01A, F01B, F01D, F14A, F14B, F15Z, F24A, F24B, F28A, F36A, F36B, F54Z, F59A, F59B	8r435.0e	05
	21B			X06A, X06B, X06C, X33Z	09				J03A, J03B, J04A, J04B, J08A, J08B, J08C, J11A, J11B, J16Z	09		
		8r435.02↔		05			F01A, F01B, F01D, F14A, F14B, F15Z, F24A, F24B, F28A, F36A, F36B, F54Z, F59A, F59B	10	K09A, K09B		8r435.09↔	05
	09				J03A, J03B, J04A, J04B, J08A, J08B, J08C, J11A, J11B, J16Z		21A		W04A, W04B	21A		
				10	K09A, K09B			21B	X06A, X06B, X06C			21B
21A	W04A, W04B		8r435.0a		05	F01A, F01B, F01D, F14A, F14B, F15Z, F24A, F24B, F28A, F36A, F36B, F54Z, F59A, F59B	8r435.0f		05	F01A, F01B, F01D, F14A, F14B, F15Z, F24A, F24B, F28A, F36A, F36B, F54Z, F59A, F59B		
	21B			X06A, X06B, X06C		09		J03A, J03B, J04A, J04B, J08A, J08B, J08C, J11A, J11B, J16Z		09		J03A, J03B, J04A, J04B, J08A, J08B, J08C, J11A, J11B, J16Z
8r435.03↔			05	F01A, F01B, F01D, F14A, F14B, F15Z, F24A, F24B, F28A, F36A, F36B, F54Z, F59A, F59B	10		K09A, K09B	8r435.0g	05			F01A, F01B, F01D, F14A, F14B, F15Z, F24A, F24B, F28A, F36A, F36B, F54Z, F59A, F59B
	09			J03A, J03B, J04A, J04B, J08A, J08B, J08C, J11A, J11B, J16Z		21A	W04A, W04B			21A		W04A, W04B
			10	K09A, K09B	21B		X06A, X06B, X06C		21B			X04Z, X05A, X05B, X06A, X06B, X06C
	21A			W04A, W04B		8r435.0b↔	05			F01A, F01B, F01D, F14A, F14B, F15Z, F24A, F24B, F28A, F36A, F36B, F54Z, F59A, F59B		8r435.0h↔
			21B	X06A, X06B, X06C	09				J03A, J03B, J04A, J04B, J08A, J08B, J08C, J11A, J11B, J16Z	05		
	8r435.04	05		F01A, F01B, F01D, F14A, F14B, F15Z, F19A, F19B, F19C, F24A, F24B, F36A, F36B, F54Z		10	K09A, K09B		8r435.0i↔		05	F01A, F01B, F01D, F14A, F14B, F15Z, F24A, F24B, F28A, F36A, F36B, F54Z, F59A, F59B
			09	J03A, J03B, J04A, J04B, J08A, J08B, J08C, J11A, J11B, J16Z	21A		W04A, W04B			21A		W04A, W04B
		10		K09A, K09B		21B	X06A, X06B, X06C				21B	X06A, X06B, X06C
			21A	W04A, W04B	8r435.0c↔		05			F01A, F01B, F01D, F14A, F14B, F15Z, F24A, F24B, F28A, F36A, F36B, F54Z, F59A, F59B		8r435.0j↔
		21B		X06A, X06B, X06C		09				J03A, J03B, J04A, J04B, J08A, J08B, J08C, J11A, J11B, J16Z	05	
8r435.05			05	F01A, F01B, F01D, F14A, F14B, F15Z, F19A, F19B, F19C, F24A, F24B, F36A, F36B, F54Z	10		K09A, K09B	8r435.0k↔		01		B04A, B04B, B04C, B04D
		09		J03A, J03B, J04A, J04B, J08A, J08B, J08C, J11A, J11B, J16Z		21A	W04A, W04B				05	F01A, F01B, F01D, F14A, F14B, F15Z, F24A, F24B, F28A, F36A, F36B, F54Z, F59A, F59B
			10	K09A, K09B	21B		X06A, X06B, X06C			09		J03A, J03B, J04A, J04B, J08A, J08B, J08C, J11A, J11B, J16Z
		21A		W04A, W04B		8r435.0l↔	05				F01A, F01B, F01D, F14A, F14B, F15Z, F24A, F24B, F28A, F36A, F36B, F54Z, F59A, F59B	09
			21B	X06A, X06B, X06C	10					K09A, K09B	21A	
	8r435.06	05		F01A, F01B, F01D, F14A, F14B, F15Z, F19A, F19B, F19C, F24A, F24B, F36A, F36B, F54Z		21B	X06A, X06B, X06C		8r435.0m↔	01		BOP, UOP4
			09	J03A, J03B, J04A, J04B, J08A, J08B, J08C, J11A, J11B, J16Z	10		K09A, K09B				05	F01A, F01B, F01D, F14A, F14B, F15Z, F24A, F24B, F28A, F36A, F36B, F54Z, F59A, F59B
		10		K09A, K09B		21A	W04A, W04B			09		J03A, J03B, J04A, J04B, J08A, J08B, J08C, J11A, J11B, J16Z
			21A	W04A, W04B	21B		X06A, X06B, X06C				10	K09A, K09B
		21B		X06A, X06B, X06C		8r435.0n↔	05			F01A, F01B, F01D, F14A, F14B, F15Z, F24A, F24B, F28A, F36A, F36B, F54Z, F59A, F59B		21A
09			J03A, J03B, J04A, J04B, J08A, J08B, J08C, J11A, J11B, J16Z	10	K09A, K09B			21B		X06A, X06B, X06C		
		10	K09A, K09B		21A	W04A, W04B	21B			X06A, X06B, X06C		
21A			W04A, W04B	8r435.0o↔		05		F01A, F01B, F01D, F14A, F14B, F15Z, F24A, F24B, F28A, F36A, F36B, F54Z, F59A, F59B		01	B04A, B04B, B04C, B04D	
		21B	X06A, X06B, X06C		09		J03A, J03B, J04A, J04B, J08A, J08B, J08C, J11A, J11B, J16Z	05			F01A, F01B, F01D, F14A, F14B, F15Z, F24A, F24B, F28A, F36A, F36B, F54Z, F59A, F59B	

VYK







ZZV	MDC	DRG	ZZV	MDC	DRG	ZZV	MDC	DRG								
8r510	01	BOP, KOP, UOP4	8r516	05	F01A, F01B, F01D, F14A, F14B, F15Z, F24A, F24B, F28A, F36A, F36B, F54Z, F59A, F59B	8r610.06	05	BOP, KVT, UOP4								
		B02A, B02B, B02C, B02D, B20A, B20B, B20C, B20D, B20E, B20F, B39A, B39B			F01A, F01B, F01D, F12A, F12B, F50A, F50B, F50C, F50D											
	05	F01A, F01B, F01D, F14A, F14B, F15Z, F24A, F24B, F28A, F36A, F36B, F54Z, F59A, F59B		09	J11A, J11B, J11C		8r610.07	05	BOP, KVT, UOP4							
		F01A, F01B, F01D, F12A, F12B, F50A, F50B, F50C, F50D			J11A, J11B, J11C											
	09	J11A, J11B, J11C		10	K09A, K09B			8r610.08	05	F01A, F01B, F01D, F12A, F12B, F50A, F50B, F50C, F50D						
		W01A, W01B, W01C, W36Z			W04A, W04B											
	21A	W01A, W01B, W01C, W36Z		21A	W04A, W04B				8r610.10	05	BOP, KVT, UOP4					
		W01A, W01B, W01C, W36Z			X06A, X06B, X06C											
	21B	X06A, X06B, X06C, X33Z		21B	X06A, X06B, X06C					8r610.13	05	F01A, F01B, F01D, F12A, F12B, F50A, F50B, F50C, F50D				
		BOP, KOP, UOP4			B03A, B03B, B06A, B06B, B07Z, B17A, B17B, B17C											
8r511	01	B02A, B02B, B02C, B02D, B20A, B20B, B20C, B20D, B20E, B20F, B39A, B39B	8r517	05	F01A, F01B, F01D, F14A, F14B, F15Z, F24A, F24B, F28A, F36A, F36B, F54Z, F59A, F59B	8r610.14					05	BOP, KVT, UOP4				
		B02A, B02B, B02C, B02D, B20A, B20B, B20C, B20D, B20E, B20F, B39A, B39B			F01A, F01B, F01D, F12A, F12B, F50A, F50B, F50C, F50D											
	05	F01A, F01B, F01D, F14A, F14B, F15Z, F24A, F24B, F28A, F36A, F36B, F54Z, F59A, F59B		09	J11A, J11B, J11C		8r610.15				05	F01A, F01B, F01D, F12A, F12B, F50A, F50B, F50C, F50D				
		F01A, F01B, F01D, F12A, F12B, F50A, F50B, F50C, F50D			J11A, J11B, J11C											
	09	J11A, J11B, J11C		10	K09A, K09B			8r610.16			05	BOP, KVT, UOP4				
		W01A, W01B, W01C, W36Z			W04A, W04B											
	21A	W01A, W01B, W01C, W36Z		21A	W04A, W04B				8r610.17		05	F01A, F01B, F01D, F12A, F12B, F50A, F50B, F50C, F50D				
		W01A, W01B, W01C, W36Z			X06A, X06B, X06C											
	21B	X06A, X06B, X06C, X33Z		21B	X06A, X06B, X06C					8r610.30	05	BOP, KVT, UOP4				
		BOP, KOP, UOP4			F01A, F01B, F01D, F12A, F12B, F50A, F50B, F50C, F50D											
8r512	01	B02A, B02B, B02C, B02D, B20A, B20B, B20C, B20D, B20E, B20F, B39A, B39B	8r518	05	F01A, F01B, F01D, F14A, F14B, F15Z, F24A, F24B, F28A, F36A, F36B, F54Z, F59A, F59B	8r610.31					05	BOP, KVT, UOP4				
		B02A, B02B, B02C, B02D, B20A, B20B, B20C, B20D, B20E, B20F, B39A, B39B			F01A, F01B, F01D, F12A, F12B, F50A, F50B, F50C, F50D											
	05	F01A, F01B, F01D, F14A, F14B, F15Z, F24A, F24B, F28A, F36A, F36B, F54Z, F59A, F59B		06	G10Z, G12A, G12B		8r610.32				05	F01A, F01B, F01D, F12A, F12B, F50A, F50B, F50C, F50D				
		F01A, F01B, F01D, F12A, F12B, F50A, F50B, F50C, F50D			H06A, H06B											
	09	J11A, J11B, J11C		07	H06A, H06B			8r610.33			05	BOP, KVT, UOP4				
		W01A, W01B, W01C, W36Z			J11A, J11B, J11C											
	21A	W01A, W01B, W01C, W36Z		09	J11A, J11B, J11C				8r610.34		05	F01A, F01B, F01D, F12A, F12B, F50A, F50B, F50C, F50D				
		W01A, W01B, W01C, W36Z			L09A, L09B, L09C, L09D, L38Z											
	21B	X06A, X06B, X06C, X33Z		11	L09A, L09B, L09C, L09D, L38Z					8r610.35	05	BOP, KVT, UOP4				
		BOP, KOP, UOP4			W04A, W04B											
8r513	01	B02A, B02B, B02C, B02D, B20A, B20B, B20C, B20D, B20E, B20F, B39A, B39B	8r519	05	F01A, F01B, F01D, F14A, F14B, F15Z, F24A, F24B, F28A, F36A, F36B, F54Z, F59A, F59B	8r611.00					05	F01A, F01B, F01D, F12A, F12B, F50A, F50B, F50C, F50D				
		B02A, B02B, B02C, B02D, B20A, B20B, B20C, B20D, B20E, B20F, B39A, B39B			F01A, F01B, F01D, F12A, F12B, F50A, F50B, F50C, F50D											
	05	F01A, F01B, F01D, F14A, F14B, F15Z, F24A, F24B, F28A, F36A, F36B, F54Z, F59A, F59B		21A	W04A, W04B		8r611.03				05	BOP, KVT, UOP4				
		F01A, F01B, F01D, F12A, F12B, F50A, F50B, F50C, F50D			X06A, X06B, X06C											
	09	J11A, J11B, J11C		21B	X06A, X06B, X06C			8r611.04			05	F01A, F01B, F01D, F12A, F12B, F50A, F50B, F50C, F50D				
		W01A, W01B, W01C, W36Z			BOP, KVT, UOP4											
	21A	W01A, W01B, W01C, W36Z		01	B04A, B04B, B04C, B04D				8r610.00		05	F01A, F01B, F01D, F12A, F12B, F50A, F50B, F50C, F50D				
		W01A, W01B, W01C, W36Z			D12A											
	21B	X06A, X06B, X06C, X33Z		03	D12A					8r610.03	05	BOP, KVT, UOP4				
		BOP, KOP, UOP4			F01A, F01B, F01D, F14A, F14B, F15Z, F24A, F24B, F28A, F36A, F36B, F54Z, F59A, F59B											
8r514	01	B04A, B04B, B04C, B04D	8r51a	01	B04A, B04B, B04C, B04D	8r610.32					05	F01A, F01B, F01D, F12A, F12B, F50A, F50B, F50C, F50D				
		D12A			D12A											
	03	D12A		05	F01A, F01B, F01D, F14A, F14B, F15Z, F24A, F24B, F28A, F36A, F36B, F54Z, F59A, F59B		8r610.33				05	BOP, KVT, UOP4				
		D12A			F01A, F01B, F01D, F12A, F12B, F50A, F50B, F50C, F50D											
	05	F01A, F01B, F01D, F14A, F14B, F15Z, F24A, F24B, F28A, F36A, F36B, F54Z, F59A, F59B		09	J11A, J11B, J11C			8r610.34			05	F01A, F01B, F01D, F12A, F12B, F50A, F50B, F50C, F50D				
		F01A, F01B, F01D, F12A, F12B, F50A, F50B, F50C, F50D			J11A, J11B, J11C											
	09	J11A, J11B, J11C		21A	W04A, W04B				8r610.35		05	BOP, KVT, UOP4				
		W01A, W01B, W01C, W36Z			X06A, X06B, X06C											
	21A	W01A, W01B, W01C, W36Z		21B	X06A, X06B, X06C					8r611.00	05	F01A, F01B, F01D, F12A, F12B, F50A, F50B, F50C, F50D				
		W01A, W01B, W01C, W36Z			H06B											
21B	X06A, X06B, X06C, X33Z	07	H06B	8r611.03	05	BOP, KVT, UOP4										
	BOP, KOP, UOP4		H06B													
8r515	01	B04A, B04B, B04C, B04D	8r520.01‡		07	H06B	8r611.04				05	F01A, F01B, F01D, F12A, F12B, F50A, F50B, F50C, F50D				
		D12A				H06B										
	03	D12A			8r520.02‡	H06B		8r610.04			05	BOP, KVT, UOP4				
		D12A				H06B										
	05	F01A, F01B, F01D, F14A, F14B, F15Z, F24A, F24B, F28A, F36A, F36B, F54Z, F59A, F59B			8r520.03‡	H06B			8r610.05		05	F01A, F01B, F01D, F12A, F12B, F50A, F50B, F50C, F50D				
		F01A, F01B, F01D, F12A, F12B, F50A, F50B, F50C, F50D				H06B										
	09	J11A, J11B, J11C			8r520.04‡	H06B				8r610.00	05	BOP, KVT, UOP4				
		W01A, W01B, W01C, W36Z				H06B										
	11	L09A, L09B, L09C, L09D, L38Z		8r520.3‡	H06B	8r610.03					05	F01A, F01B, F01D, F12A, F12B, F50A, F50B, F50C, F50D				
		L09A, L09B, L09C, L09D, L38Z			H06B											
21A	W04A, W04B	8r610.00	BOP, KVT, UOP4	8r610.35	05		BOP, KVT, UOP4									
	W04A, W04B		F01A, F01B, F01D, F12A, F12B, F50A, F50B, F50C, F50D													
21B	X06A, X06B, X06C	8r610.00	F01A, F01B, F01D, F12A, F12B, F50A, F50B, F50C, F50D		8r611.00		05	F01A, F01B, F01D, F12A, F12B, F50A, F50B, F50C, F50D								
	X06A, X06B, X06C		BOP, KVT, UOP4													
8r515	05	F01A, F01B, F01D, F14A, F14B, F15Z, F24A, F24B, F28A, F36A, F36B, F54Z, F59A, F59B	8r610.03				05	F01A, F01B, F01D, F12A, F12B, F50A, F50B, F50C, F50D	8r611.03		05	BOP, KVT, UOP4				
		F01A, F01B, F01D, F12A, F12B, F50A, F50B, F50C, F50D						F01A, F01B, F01D, F12A, F12B, F50A, F50B, F50C, F50D								
	06	G10Z, G12A, G12B					8r610.03	05		F01A, F01B, F01D, F12A, F12B, F50A, F50B, F50C, F50D	8r611.04	05	F01A, F01B, F01D, F12A, F12B, F50A, F50B, F50C, F50D			
		G10Z, G12A, G12B								F01A, F01B, F01D, F12A, F12B, F50A, F50B, F50C, F50D						
	07	H06A, H06B				8r610.04		05		BOP, KVT, UOP4		8r611.04	05	BOP, KVT, UOP4		
		H06A, H06B								F01A, F01B, F01D, F12A, F12B, F50A, F50B, F50C, F50D						
	09	J11A, J11B, J11C		8r610.04				05		BOP, KVT, UOP4			8r611.04	05	F01A, F01B, F01D, F12A, F12B, F50A, F50B, F50C, F50D	
		W01A, W01B, W01C, W36Z								F01A, F01B, F01D, F12A, F12B, F50A, F50B, F50C, F50D						
	11	L09A, L09B, L09C, L09D, L38Z			8r610.05			05		BOP, KVT, UOP4				8r611.04	05	BOP, KVT, UOP4
		L09A, L09B, L09C, L09D, L38Z								F01A, F01B, F01D, F12A, F12B, F50A, F50B, F50C, F50D						
12	M06Z, M09A, M09B, M38Z	8r610.05	05					BOP, KVT, UOP4	8r611.04	05					F01A, F01B, F01D, F12A, F12B, F50A, F50B, F50C, F50D	
	M06Z, M09A, M09B, M38Z							F01A, F01B, F01D, F12A, F12B, F50A, F50B, F50C, F50D								
13	N04Z		8r610.05				05	BOP, KVT, UOP4		8r611.04	05				BOP, KVT, UOP4	
	N04Z							F01A, F01B, F01D, F12A, F12B, F50A, F50B, F50C, F50D								
21A	W04A, W04B					8r610.05	05	BOP, KVT, UOP4			8r611.04	05			F01A, F01B, F01D, F12A, F12B, F50A, F50B, F50C, F50D	
	W04A, W04B							F01A, F01B, F01D, F12A, F12B, F50A, F50B, F50C, F50D								
21B	X06A, X06B, X06C			8r610.05			05	BOP, KVT, UOP4				8r611.04	05		F01A, F01B, F01D, F12A, F12B, F50A, F50B, F50C, F50D	
	X06A, X06B, X06C							F01A, F01B, F01D, F12A, F12B, F50A, F50B, F50C, F50D								

VYK

ZZV	MDC	DRG	ZZV	MDC	DRG	ZZV	MDC	DRG
8r611.05		BOP, KVT, UOP4	8r717.3		KOP, KOPV	8r741.1	01	B03A, B03B, B06A, B06B, B07Z, B17A, B17B, B17C
	05	F01A, F01B, F01D, F12A, F12B, F50A, F50B, F50C		05	F03B, F05Z, F07A, F07B, F42Z		05	F01A, F01B, F01D, F14A, F14B, F15Z, F24A, F24B, F28A, F36A, F36B, F54Z, F59A, F59B
8r611.06		BOP, KVT, UOP4		06	G33Z		09	J11A, J11B, J11C
	05	F01A, F01B, F01D, F12A, F12B, F50A, F50B, F50C		07	H33Z, H38Z	8r741.2	01	B03A, B03B, B06A, B06B, B07Z, B17A, B17B, B17C
8r611.07		BOP, KVT, UOP4		11	L33Z		05	F01A, F01B, F01D, F14A, F14B, F15Z, F24A, F24B, F28A, F36A, F36B, F54Z, F59A, F59B
	05	F01A, F01B, F01D, F12A, F12B, F50A, F50B, F50C	8r717.4	Pre	A07A		09	J11A, J11B, J11C
8r612.00		BOP, KVT, UOP4			KOP, KOPV		01	B03A, B03B, B06A, B06B, B07Z, B17A, B17B, B17C
	05	F01A, F01B, F01D, F12A, F12B, F50A, F50B, F50C, F50D		05	F03B, F05Z, F07A, F07B, F42Z		05	F01A, F01B, F01D, F14A, F14B, F15Z, F24A, F24B, F28A, F36A, F36B, F54Z, F59A, F59B
8r612.03		BOP, KVT, UOP4		06	G33Z		09	J11A, J11B, J11C
	05	F01A, F01B, F01D, F12A, F12B, F50A, F50B, F50C, F50D	8r717.x	07	H33Z, H38Z		05	F01A, F01B, F01D, F14A, F14B, F15Z, F24A, F24B, F28A, F36A, F36B, F54Z, F59A, F59B
8r612.04		BOP, KVT, UOP4		11	L33Z	8r741.5	06	G10Z, G12A, G12B
	05	F01A, F01B, F01D, F12A, F12B, F50A, F50B, F50C, F50D		Pre	A07A		07	H06A, H06B, H06C
8r612.05		BOP, KVT, UOP4	8r722.3	Pre	A07A		09	J11A, J11B, J11C
	05	F01A, F01B, F01D, F12A, F12B, F50A, F50B, F50C, F50D		KKP			11	L09A, L09B, L09C, L09D, L38Z
8r612.06		BOP, KVT, UOP4		05	F01A, F01B, F01D, F05Z, F07A, F07B, F09A, F09B, F09C, F42Z		21A	W04A, W04B
	05	F01A, F01B, F01D, F12A, F12B, F50A, F50B, F50C, F50D	8r730	23	Z01A	8r750‡	21B	X06A, X06B, X06C
8r612.07		BOP, KVT, UOP4			BOP, UOP4	8r751.00‡	Pre	A09E, A11F, A13F
	05	F01A, F01B, F01D, F12A, F12B, F50A, F50B, F50C, F50D		01	B04A, B04B, B04C, B04D	8r751.01‡	Pre	A09E, A11F, A13F
8r61b		BOP, KVT, UOP4		05	F01A, F01B, F01D, F14A, F14B, F15Z, F24A, F24B, F28A, F36A, F36B, F54Z, F59A, F59B	8r751.02‡	Pre	A09E, A11F, A13F
	05	F01A, F01B, F01D, F12A, F12B, F50A, F50B, F50C, F50D	8r731.0	10	K09A, K09B	8r751.20‡	Pre	A09E, A11F, A13F
	06	G10Z, G12A, G12B			BOP, UOP4	8r751.21‡	Pre	A09E, A11F, A13F
	11	L09A, L09B, L09C, L09D, L38Z		01	B04A, B04B, B04C, B04D	8r751.22‡	Pre	A09E, A11F, A13F
8r61c		BOP, KVT, UOP4		05	F01A, F01B, F01D, F14A, F14B, F15Z, F24A, F24B, F28A, F36A, F36B, F54Z, F59A, F59B	8r751.23‡	Pre	A09E, A11F, A13F
	05	F01A, F01B, F01D, F12A, F12B, F50A, F50B, F50C, F50D	8r731.1	10	K09A, K09B	8r751.24‡	Pre	A09E, A11F, A13F
8r61x		BOP, KVT, UOP4		01	B04A, B04B, B04C, B04D	8r751.25‡	Pre	A09E, A11F, A13F
	05	F01A, F01B, F01D, F12A, F12B, F50A, F50B, F50C, F50D		05	F01A, F01B, F01D, F14A, F14B, F15Z, F24A, F24B, F28A, F36A, F36B, F54Z, F59A, F59B	8r751.30‡	Pre	A09E, A11F, A13F
8r716		KKP	8r731.2	10	K09A, K09B	8r751.31‡	Pre	A09E, A11F, A13F
	05	F01A, F01B, F01D, F05Z, F07A, F07B, F09A, F09B, F09C, F42Z			BOP, UOP4	8r751.32‡	Pre	A09E, A11F, A13F
	23	Z01A		01	B04A, B04B, B04C, B04D	8r752	05	F01A, F01B, F01D, F14A, F14B, F15Z, F24A, F24B, F28A, F36A, F36B, F54Z, F56A, F56B, F59A, F59B
8r717.0		KOP, KOPV	8r732	05	F01A, F01B, F01D, F14A, F14B, F15Z, F24A, F24B, F28A, F36A, F36B, F54Z, F59A, F59B	8r914.0	01	B12Z
	05	F05Z, F07A, F07B, F42Z		10	K09A, K09B		05	F12A, F12B, F95A, F95B
	06	G33Z			BOP, UOP4		15	P02A, P02B, P02C
	07	H33Z, H38Z		01	B04A, B04B, B04C, B04D	8r914.1	Pre	A13F
	11	L33Z		05	F01A, F01B, F01D, F14A, F14B, F15Z, F24A, F24B, F28A, F36A, F36B, F54Z, F59A, F59B		01	B12Z
	Pre	A07A		10	K09A, K09B		05	F12A, F12B, F95A, F95B
8r717.1		KOP, KOPV	8r741.0	01	B02A, B02B, B02C, B02D, B20A, B20B, B20C, B20D, B20E, B39A, B39B	8r914.20	01	B12Z
	05	F05Z, F07A, F07B, F42Z		05	F01A, F01B, F01D, F14A, F14B, F15Z, F24A, F24B, F28A, F36A, F36B, F54Z, F59A, F59B		05	F12A, F12B, F95A, F95B
	06	G33Z		10	K09A, K09B		15	P02A, P02B, P02C
	07	H33Z, H38Z			BOP, UOP4	8r914.21	Pre	A13F
	11	L33Z		01	B02A, B02B, B02C, B02D, B20A, B20B, B20C, B20D, B20E, B39A, B39B		01	B12Z
	Pre	A07A		05	F01A, F01B, F01D, F14A, F14B, F15Z, F24A, F24B, F28A, F36A, F36B, F54Z, F59A, F59B		05	F12A, F12B, F95A, F95B
8r717.2		KOP, KOPV		10	K09A, K09B	8r914.4	Pre	A13F
	05	F05Z, F07A, F07B, F42Z		01	B02A, B02B, B02C, B02D, B20A, B20B, B20C, B20D, B20E, B39A, B39B		01	B12Z
	06	G33Z		05	F01A, F01B, F01D, F14A, F14B, F15Z, F24A, F24B, F28A, F36A, F36B, F54Z, F59A, F59B		05	F12A, F12B, F95A, F95B
	07	H33Z, H38Z		09	J11A, J11B, J11C	8r915.01	05	F01A, F01B, F01D, F14A, F14B, F15Z, F24A, F24B, F28A, F36A, F36B, F54Z, F59A, F59B
	11	L33Z		21A	W01A, W01B, W01C, W36Z		10	K09A, K09B
	Pre	A07A						

ZZV	MDC	DRG	ZZV	MDC	DRG	ZZV	MDC	DRG
8r915.02	05	F01A, F01B, F01D, F14A, F14B, F15Z, F24A, F24B, F28A, F36A, F36B, F54Z, F59A, F59B	8r925		BOP, KOP, KOPV, KVT, UOP4	8t911‡	05	F49A, F49D
	10	K09A, K09B		04	E05A, E05B, E05C, E08A, E08B, E08C		06	G40Z, G46A, G46B, G48A, G48B, G48C
8r915.0x	05	F01A, F01B, F01D, F14A, F14B, F15Z, F24A, F24B, F28A, F36A, F36B, F54Z, F59A, F59B		05	F01A, F01B, F01D, F05Z, F07A, F07B, F09A, F09B, F09C, F30Z, F42Z	8t914‡	05	F49A, F49D
	10	K09A, K09B		06	G15Z, G19A, G19B, G33Z, G38Z		06	G40Z, G46A, G46B, G48A, G48B, G48C
8r915.10	05	F01A, F01B, F01D, F14A, F14B, F15Z, F24A, F24B, F28A, F36A, F36B, F54Z, F59A, F59B		07	H33Z, H38Z	8u103		KK11, KKI, KKII, KKP
	10	K09A, K09B		08	I08A, I08B, I08C, I08D, I08E, I13A, I13B		01	B09A, B09B
8r915.11	05	F01A, F01B, F01D, F14A, F14B, F15Z, F24A, F24B, F28A, F36A, F36B, F54Z, F59A, F59B		11	L09A, L33Z, L38Z		17	R01A, R01B, R01C, R01D, R02Z, R12A, R12B, R12C
	10	K09A, K09B		15	P02A, P02B, P02C	8u104	21A	W04A, W04B
8r915.1x	05	F01A, F01B, F01D, F14A, F14B, F15Z, F24A, F24B, F28A, F36A, F36B, F54Z, F59A, F59B		21A	W04A, W04B		21B	X06A, X06B, X06C
	10	K09A, K09B		21B	X06A, X06B, X06C, X33Z			KK11, KKI, KKII, KKP
8r915.x	05	F01A, F01B, F01D, F14A, F14B, F15Z, F24A, F24B, F28A, F36A, F36B, F54Z, F59A, F59B		23	Z01A		01	B09A, B09B
	10	K09A, K09B		Pre	A07A		17	R01A, R01B, R01C, R01D, R02Z, R12A, R12B, R12C
8r917.0	05	F01A, F01B, F01D, F15Z, F24A, F24B, F28A, F36A, F36B, F54Z, F59A, F59B	8r926	01	B12Z		21A	W04A, W04B
	10	K09A, K09B		05	F01A, F01B, F01D, F12A, F12B, F19A, F19B, F19C	8u105	21B	X06A, X06B, X06C
8r917.1	05	F01A, F01B, F01D, F15Z, F24A, F24B, F28A, F36A, F36B, F54Z, F59A, F59B		Pre	A13F		01	B09A, B09B
	10	K09A, K09B		01	B12Z		17	R01A, R01B, R01C, R01D, R02Z, R12A, R12B, R12C
8r917.2	05	F01A, F01B, F01D, F15Z, F24A, F24B, F28A, F36A, F36B, F54Z, F59A, F59B	8r928	05	F01A, F01B, F01D, F05Z, F06C, F06D, F06E, F12A, F12B, F15Z, F24A, F24B, F36A, F36B, F52A, F52B, F56A, F56B, F58A, F58B		21A	W04A, W04B
	10	K09A, K09B		Pre	A13F	8u106	21B	X06A, X06B, X06C
8r918	05	F01A, F01B, F01D, F14A, F14B, F15Z, F24A, F24B, F28A, F36A, F36B, F54Z, F59A, F59B		01	B12Z		01	B09A, B09B
	10	K09A, K09B		05	F01A, F01B, F01D, F05Z, F06C, F06D, F06E, F12A, F12B, F15Z, F24A, F24B, F36A, F36B, F52A, F52B, F56A, F56B, F58A, F58B		17	R01A, R01B, R01C, R01D, R02Z, R12A, R12B, R12C
8r921	04	E02A, E02B, E02C	8r929	01	B12Z		21A	W04A, W04B
	05	F01A, F01B, F01D, F14A, F14B, F28A, F54Z, F59A, F59B		05	F01A, F01B, F01D, F12A, F12B, F15Z, F24A, F24B, F36A, F36B, F52A, F52B, F56A, F56B, F58A, F58B	8u110‡	21B	X06A, X06B, X06C
	14	962Z, O02A, O02B		Pre	A13F		01	B76C, B76D, B76E
	21A	W04A, W04B	8r930	01	B12Z	8u130‡		KK11, KKI, KKII, KKP
	21B	X06A, X06B, X06C		05	F01A, F01B, F01D, F05Z, F06C, F06D, F06E, F12A, F12B, F15Z, F24A, F24B, F36A, F36B, F52A, F52B, F56A, F56B, F58A, F58B	8u133.0‡		KK11, KKI, KKII, KKP
				Pre	A13F	8u133.1‡		KK11, KKI, KKII, KKP
				01	B12Z	8u161‡	01	B02A, B02B, B02C, B20B
				05	F01A, F01B, F01D, F05Z, F06C, F06D, F06E, F12A, F12B, F15Z, F24A, F24B, F36A, F36B, F52A, F52B, F56A, F56B, F58A, F58B	8u162‡	01	B02A, B02B, B02C, B20B
				Pre	A13F	8u163‡	01	B02A, B02B, B02C, B20B
				05	F01A, F01B, F01D, F15Z, F24A, F24B, F28A, F36A, F36B, F54Z, F59A, F59B	8u901.1		BOP, KOP, KVT, UOP4
				10	K09A, K09B		01	B09A, B09B
				01	B12Z		08	I15A, I15B
				05	F01A, F01B, F01D, F12A, F12B, F15Z, F24A, F24B, F36A, F36B, F52A, F52B, F56A, F56B, F58A, F58B		17	R01A, R01B, R01C, R01D, R02Z, R12A, R12B, R12C
			8r931	05	F01A, F01B, F01D, F15Z, F24A, F24B, F28A, F36A, F36B, F54Z, F59A, F59B		21A	W01A, W01B, W01C, W36Z
				10	K09A, K09B	8u901.2		BOP, KOP, KVT, UOP4
				01	B12Z		01	B09A, B09B
				05	F01A, F01B, F01D, F12A, F12B, F15Z, F24A, F24B, F36A, F36B, F52A, F52B, F56A, F56B, F58A, F58B		08	I15A, I15B
			8r932	01	B12Z		17	R01A, R01B, R01C, R01D, R02Z, R12A, R12B, R12C
				05	F01A, F01B, F01D, F12A, F12B, F15Z, F24A, F24B, F36A, F36B, F52A, F52B, F56A, F56B, F58A, F58B		21A	W01A, W01B, W01C, W36Z
				Pre	A13F	8u901.3		BOP, KOP, KVT, UOP4
				01	B04C		01	B09A, B09B
			8r938‡	05	F59A		08	I15A, I15B
			8r939	01	B12Z		17	R01A, R01B, R01C, R01D, R02Z, R12A, R12B, R12C
			8r980	05	F01A, F01B, F01D, F05Z, F06C, F06D, F06E, F12A, F12B, F15Z, F24A, F24B, F36A, F36B, F52A, F52B, F56A, F56B, F58A, F58B	8u904‡	21A	W01A, W01B, W01C, W36Z
				Pre	A13F		06	G40Z, G46A, G46B, G46C, G47Z, G50Z
				01	B47Z	8u906‡		KK11, KKI, KKII, KKP
			8t250‡	08	I42Z		05	F62A
				19	U42Z	8v111‡	01	B76A
				23	Z44Z	8v112‡	01	B76A
			8t910‡	05	F49A, F49D	8v113‡	01	B76A
				06	G40Z, G46A, G46B, G48A, G48B, G48C	8v121.0‡	Pre	B61A, B61B
						8v121.1‡	Pre	B61A, B61B
						8v121.2‡	Pre	B61A, B61B
						8v121.3‡	Pre	B61A, B61B
						8v122.2‡	Pre	B61A, B61B
						8v122.3‡	Pre	B61A, B61B
						8v122.4‡	Pre	B61A, B61B

ZZV	MDC	DRG	ZZV	MDC	DRG	ZZV	MDC	DRG
8v131‡	01	B02A, B02B, B02C, B02D, B20A, B20B, B20D, B70B	8v1a4.1‡	04	E77B	8v31e‡		S1105, S553
8v132‡	01	B02A, B02B, B02C, B02D, B20A, B20B, B20D, B70B		05	F77Z	01		B36A
8v133‡	01	B02A, B02B, B02C, B02D, B20A, B20B, B20D, B70B		06	G77Z	Pre		A06A, A07A, A07C, A09A, A09B, A09C, A11A, A13A, A36A
8v151.2‡	01	B49Z		09	J77Z	8v31f‡		S1105, S553
8v151.3‡	01	B49Z		10	K25Z, K77Z	01		B36A
8v161.1‡	01	B39A, B39B, B39C, B42A, B44A, B44C, B69B, B69C, B70A, B70B, B70C, B70D, B70G	8v1a4.2‡	11	L63A	Pre		A06A, A07A, A07C, A09A, A09B, A09C, A11A, A13A, A36A
8v161.2‡	01	B39A, B39B, B42A, B44A, B44C, B69A, B70A, B70B, B70G		18B	T77Z	8v31g‡		S1105, S553
	Pre	A09E, A11F, A13F		04	E77B	01		B36A
8v162.0‡	01	B69C, B70C, B70D, B70G	8v224.0‡		PTX	Pre		A06A, A07A, A07C, A09A, A09B, A09C, A11A, A13A, A36A
8v162.1‡	01	B69C, B70C, B70D, B70G	8v224.1‡		PTX	8v31h‡		S1105, S553
8v163.0‡	01	B69C, B70C, B70G	8v224.2‡		PTX	01		B36A
8v163.1‡	01	B69C, B70C, B70G	8v224.3‡		PTX	Pre		A06A, A07A, A07C, A09A, A09B, A09C, A11A, A13A, A36A
8v172.1‡	08	I97Z	8v224.4‡		PTX	8v31j‡		S1105, S553
8v172.2‡	08	I97Z	8v224.5‡		PTX	01		B36A
8v173.1‡	08	I97Z	8v224.6‡		PTX	Pre		A06A, A07A, A07C, A09A, A09B, A09C, A11A, A13A, A36A
8v173.2‡	08	I97Z	8v224.x‡		PTX	8v31k‡		S1105, S553
8v181.01‡	10	K60A	8v225.0‡		PTX	01		B36A
8v181.02‡	10	K60A	8v225.1‡		PTX	Pre		A06A, A07A, A07C, A09A, A09B, A09C, A11A, A13A, A36A
8v181.03‡	10	K60A	8v225.2‡		PTX	8v31l‡		S1105, S553
8v181.1‡	10	K60A	8v225.3‡		PTX	01		B36A
8v181.2‡	10	K60A	8v225.4‡		PTX	Pre		A06A, A07A, A07C, A09A, A09B, A09C, A11A, A13A, A36A
8v181.3‡	10	K60A	8v225.5‡		PTX	8v31m‡		S1105, S553
8v192‡	01	B71A, B71B	8v225.6‡		PTX	01		B36A
8v193‡	01	B71A, B71B	8v225.x‡		PTX	Pre		A06A, A07A, A07C, A09A, A09B, A09C, A11A, A13A, A36A
	08	I32A	8v226.0‡		PTX	8v31n‡		S1105, S553
8v194‡	01	B71A, B71B	8v226.1‡		PTX	01		B36A
	08	I32A	8v226.2‡		PTX	Pre		A06A, A07A, A07C, A09A, A09B, A09C, A11A, A13A, A36A
8v1a2.1‡	04	E77B	8v226.3‡		PTX	8v31m‡		S1105, S553
	05	F77Z	8v226.4‡		PTX	01		B36A
	06	G77Z	8v226.5‡		PTX	Pre		A06A, A07A, A07C, A09A, A09B, A09C, A11A, A13A, A36A
	09	J77Z	8v226.6‡		PTX	8v31n‡		S1105, S553
	10	K25Z, K77Z	8v226.x‡		PTX	01		B36A
	11	L63A	8v314‡		S553	Pre		A06A, A07A, A07C, A09A, A09B, A09C, A11A, A13A, A36A
	18B	T77Z	8v315‡		S553	8v31n‡		S1105, S553
8v1a2.2‡	04	E77B		17	R36Z	01		B36A
	05	F77Z	8v316‡		W36Z	Pre		A06A, A07A, A07C, A09A, A09B, A09C, A11A, A13A, A36A
	06	G77Z	8v317‡		S1105, S553	8v322‡	04	E40A, E77A
	09	J77Z		Pre	S1105, S553	8v323‡	04	E40A, E77A
	10	K25Z, K77Z	8v318‡		A09D	06		G01Z
	11	L63A		01	S1105, S553	8v324‡	04	E40A, E77A
	18B	T77Z	8v319‡		B36A	06		G01Z
8v1a3.1‡	04	E77B		Pre	A09D, A11A, A13A, A36A	8v325‡	04	E40A, E77A
	05	F77Z	8v319‡		S1105, S553	06		G01Z
	06	G77Z		01	B36A	8v326‡	04	E40A, E77A
	09	J77Z	8v31a‡		A09D, A11A, A13A, A36A	06		G01Z
	10	K25Z, K77Z		Pre	S1105, S553	8v327‡	04	E40A, E77A
	11	L63A		01	B36A	06		G01Z
	18B	T77Z	8v31b‡		A07C, A09C, A11A, A13A, A36A	8v328‡	04	E40A, E77A
8v1a3.2‡	04	E77B		01	S1105, S553	06		G01Z
	05	F77Z		Pre	B36A	8v329‡	04	E40A, E77A
	06	G77Z	8v31c‡		A07C, A09C, A11A, A13A, A36A	06		G01Z
	09	J77Z		01	S1105, S553	8v32a‡	04	E40A, E77A
	10	K25Z, K77Z		Pre	B36A	06		G01Z
	11	L63A		01	B36A	8v32b‡	04	E40A, E77A
	18B	T77Z	8v31d‡		A07C, A09C, A11A, A13A, A36A	06		G01Z
				01	S1105, S553	8v32c‡	04	E40A, E77A
				Pre	B36A	06		G01Z
					A07C, A09A, A09B, A09C, A11A, A13A, A36A	8v32d‡	04	E40A, E77A
						06		G01Z
						8v32e‡	04	E40A, E77A
						06		G01Z

VYK

ZZV	MDC	DRG	ZZV	MDC	DRG	ZZV	MDC	DRG
8v32f†	04	E40A, E77A	8v32n†	04	E40A, E77A	91518	13	N11A, N11B
	06	G01Z		06	G01Z	91519	13	N11A, N11B
8v32g†	04	E40A, E77A	8v32o†	04	E40A, E77A	91520	13	N01A, N01B, N01C, N01D, N01E, N02A, N02B, N02C, N03A, N03B, N07Z, N25Z, N38Z
	06	G01Z		06	G01Z			
8v32h†	04	E40A, E77A	8v32p†	04	E40A, E77A	91521	13	N11A, N11B
	06	G01Z		06	G01Z	91522†	13	N11A, N11B
8v32j†	04	E40A, E77A	8v32q†	04	E40A, E77A	99700†	01	B46Z
	06	G01Z		06	G01Z		19	U41Z
8v32k†	04	E40A, E77A	8v412†	20	V40Z	99701†	19	U43Z
	06	G01Z	8v413†	20	V40Z			
8v32l†	04	E40A, E77A	8v414†	20	V40Z			
	06	G01Z	8z211†	09	J11A, J11B			
8v32m†	04	E40A, E77A	91515	13	N11A, N11B			
	06	G01Z	91516	13	N11A, N11B			

## Globálne tabuľky výkonov

Tabuľky výkonov používané vo viacerých MDC

### Všetky OP výkony

Všetky OP výkony

MDC	DRG
01	B03A, B03B
05	F13A
10	K25Z
12	M60B, M60C
13	N60B
14	O01A, O01B, O01C, O01D, O01E, O01F, O01G, O01H, O04A, O04B
15	P01Z, P03A, P03B, P03C, P04A, P04B, P04C, P05A, P05B, P05C, P06A, P06B, P06C, P61A, P61C, P62A

MDC	DRG
16	Q02A, Q02B, Q02C
17	R03Z, R04A, R04B, R11A, R11B, R11C, R13Z, R14Z, R16Z
18A	S01Z
18B	T01A, T01B, T01C
21A	W05Z
23	Z01A, Z01B



## Prehľad funkcií

Tento prehľad obsahuje zoznam funkcií s uvedením DRG, v ktorých sú tieto funkcie používané. Presná definícia funkcií vrátane prislúchajúcich zoznamov kódov sa nachádza na konci zväzku 4 Definičnej príručky

### Určité OP-výkony [BOP]

MDC	DRG
01	B11Z, B36A, B36B, B39A, B39B, B39C
05	F29Z, F36A, F36B, F43B
06	G14Z, G38Z

MDC	DRG
08	I34Z, I96Z
14	O05A, O05B
Pre	A11A, A11C, A11E, A13A, A13B, A13C, A13E, A13G

### Komplexné OP-výkony [KOP]

MDC	DRG
06	G10Z, G12A
07	H06A
08	I02A, I02B, I02C
11	L09A, L38Z
17	R01A, R01C, R02Z, R12B

MDC	DRG
18B	T01A
21B	X01A, X01B, X06B
22	Y02A, Y02B
Pre	A06A, A06B, A07A, A07B, A07C, A09A, A09B, A09C, A11A, A11B, A11D, A13A, A13B, A13D, B61A

### Komplikujúce konštelácie I [KKI]

MDC	DRG
01	B02A, B02B, B02C, B02D, B39A, B66A
04	E01A, E62A, E62B
05	F03A, F05Z, F06A, F06C, F07A, F08A, F09A, F14A, F14B, F15Z, F36A, F36B, F42Z, F43B, F61A
07	H06A, H07A
08	I02A, I02B, I02C, I02D, I22A, I22B
14	O01A, O01B, O01C, O01D, O01F, O02A
17	R61A

MDC	DRG
18B	T01A, T60A, T60B, T60C, T61A
21A	W01A, W01B, W01C, W02A, W04A
21B	X01A
22	Y02A, Y02B
23	Z01A
Pre	A36A, A36B

### Dialýza [DIAL]

MDC	DRG
05	F49A, F49D, F62A
06	G67A, G67B
07	H06A

MDC	DRG
11	L60A, L60B, L60C, L71Z
17	R60B, R60C, R60D, R60E, R62A, R63B, R63C, R63D, R63F
22	Y02A, Y02B

### Polytrauma [PTR]

MDC	DRG
Pre	A06A, A06B, A07A, A07B, A07C, A09A, A09B, A09C

MDC	DRG
-----	-----

### Výkon na viacerých lokalizáciach [VIAL]

MDC	DRG
08	I02A, I02B, I02C, I02D, I08A, I08B, I08C, I08D, I08E, I13A, I13B, I22A, I22B
21A	W01A, W01B, W01C, W02A, W04A

MDC	DRG
21B	X01A

**Intenzívna komplexná ZS > 1104 bodov [S1105]****MDC DRG**

01	B36A, B36B
05	F36A
06	G36Z

**MDC DRG**

17	R36Z
21A	W36Z
Pre	A11E, A13A, A13B, A13C, A13G

**Intenzívna komplexná ZS > 552 bodov [S553]****MDC DRG**

01	B36A, B36B
04	E36Z
05	F36A, F36B
07	H36Z
08	I26Z

**MDC DRG**

11	L36Z
18B	T36Z
22	Y02A, Y02B
Pre	A13E, A13G, A36A, A36B

**Geriatrická včasná rehabilitačná ZS [GFK]****MDC DRG**

01	B44A, B44B, B44C, B44D
04	E42Z
05	F48Z
06	G14Z, G38Z, G52Z
07	H44Z

**MDC DRG**

08	I34Z, I41Z
09	J44Z
10	K01Z, K44Z
11	L44Z
19	U40Z

**Včasná rehabilitácia [VRH]****MDC DRG**

04	E41Z
05	F29Z, F45Z
06	G51Z
08	I40Z

**MDC DRG**

10	K01Z, K43Z
21A	W01A, W05Z, W40Z
Pre	A43Z

**Komplexné OP-výkony vo viacerých dňoch [KOPV]****MDC DRG**

01	B01Z
03	D33Z
05	F06A, F06B
07	H33Z, H38Z

**MDC DRG**

10	K33Z
13	N33Z
15	P03A, P03B, P04A, P04B, P05A, P05B, P06A

**Určité OP-výkony v štyroch dňoch [UOP4]****MDC DRG**

22	Y02A
----	------

**MDC DRG****Predtransplantačná hospitalizácia [PTX]****MDC DRG**

04	E37Z
05	F37Z

**MDC DRG**

07	H37Z
----	------

**Ťažké problémy u novorodencov [TPN]****MDC DRG**

15	P65A, P65B, P66A, P66B, P67A, P67B
----	------------------------------------

**MDC DRG**

**Viaceré ťažké problémy u novorodencov [VTPN]**

MDC	DRG
15	P03A, P03B, P04A, P04B, P05A, P05B, P05C, P06A, P06B, P65A, P66A, P66B, P66C, P66D, P67A

MDC	DRG
-----	-----

**Komplikujúce konštelácie pred-MDC [KKP]**

MDC	DRG
Pre	A07B, A09B, A09C, A11A, A11B, A11C, A11E, A13A, A13B, A13C, A13E, A13G

MDC	DRG
-----	-----

**Komplikujúce konštelácie II [KKII]**

MDC	DRG
06	G03A, G16A, G19A, G38Z, G40Z, G46A, G46B, G46C, G48A, G48B, G48C
07	H38Z, H78Z

MDC	DRG
12	M38Z
13	N01A, N38Z

**Komplikujúce konštelácie MDC 11 [KK11]**

MDC	DRG
11	L38Z

MDC	DRG
-----	-----

**Komplexná vákuová terapia [KVT]**

MDC	DRG
06	G35Z
08	I02B, I98Z

MDC	DRG
09	J35Z
21A	W01A, W01B, W01C

**Multiviscerálny výkon [MVV]**

MDC	DRG
06	G37Z, G38Z
11	L02A, L02B, L02C, L37Z, L38Z

MDC	DRG
13	N01B, N38Z

**Bez úmrtia alebo preloženia [Not EP]**

MDC	DRG
Pre	A13C, A13E

MDC	DRG
-----	-----

**Exitus alebo preloženie [EP]**

MDC	DRG
15	P60A, P60B, P60C

MDC	DRG
-----	-----

# Príloha C

## Prítomnosť CC, vyradenie CC, stanovenie CCL a PCCL

### C.1 Úvod

Prítomnosť komplikácií a/alebo komorbidít (CC) môže zdravotnú starostlivosť komplikovať, čo môže byť spojené s vyššími nákladmi. Preto je pre klasifikáciu DRG dôležité ich prítomnosť identifikovať a vziať do úvahy.

**Komplikácie a/alebo komorbidity (CC)** CC- kódy komplikácií a/alebo komorbidít reprezentujú vedľajšie diagnózy, ktoré spravidla vedú k významnej vyššej spotrebe zdrojov

Táto príloha sa zaoberá komplikáciami a komorbiditami (CC) a postupmi, ktorými Grouper priraduje k jednotlivým záznamom hodnoty PCCL. Ku kódom označeným znakom „•“ sa nepriraduje žiadna hodnota CCL pri prepustení na vlastnú žiadosť bez odporúčenia lekára.

### C.2 Komplikácie a komorbidity

Vo verzii SK-DRG Systém 2021 sú v tejto prílohe vymenované kódy diagnóz posudzované ako CC pre všetky prípady okrem neonatologickej starostlivosti.

Kód diagnózy môže stratiť svoj status CC, (i) keď je v úzkej súvislosti s hlavnou diagnózou hospitalizačného prípadu, alebo (ii) keď sa ten istý kód už nachádza na inom mieste v tom istom zázname.

Vo verzii SK-DRG Systém 2021 majú aj iné faktory, ako napr. pohlavie pacientov alebo príčina prepustenia, vplyv na CC status kódu diagnózy. Zoznam CC, ktorý tvorí prevažnú časť tejto prílohy, obsahuje všetky CC a tomu zodpovedajúce CCL.

### C.3 Stupeň komplikácií a komorbidít (CCL) a stupeň klinickej závažnosti prípadu (PCCL)

**Stupne závažnosti komplikácií a/alebo komorbidít (CCL)** sú stupne, ktoré sú priradené ku všetkým vedľajším diagnózam. Ich hodnota môže byť medzi 0 až 4 pri operačných a neonatologických hospitalizačných prípadoch a 0 až 3 pri hospitalizačných prípadoch v medicínskom segmente. V rôznych základných-DRG môžu nadobúdať tie isté diagnózy rôzne hodnoty CCL. Napríklad diagnóza J96.00 Akútna respiračná insuficiencia, inde neklasifikovaná: typ1[hypoxická] v základnej-DRG B70 Apoplexia má hodnotu CCL 2, zatiaľ čo v základnej-DRG B71 Ochorenia mozgových nervov a periférnych nervov má hodnotu CCL 3.

Aká hodnota CCL bude skutočne priradená k diagnóze závisí od toho, či ide pri danom kóde o platnú CC a či je vo vzťahu k základnej-DRG záznamu považovaná za ľahkú, stredne ťažkú, ťažkú alebo veľmi ťažkú CC.

Možné hodnoty pre CCL sú definované nasledovne:

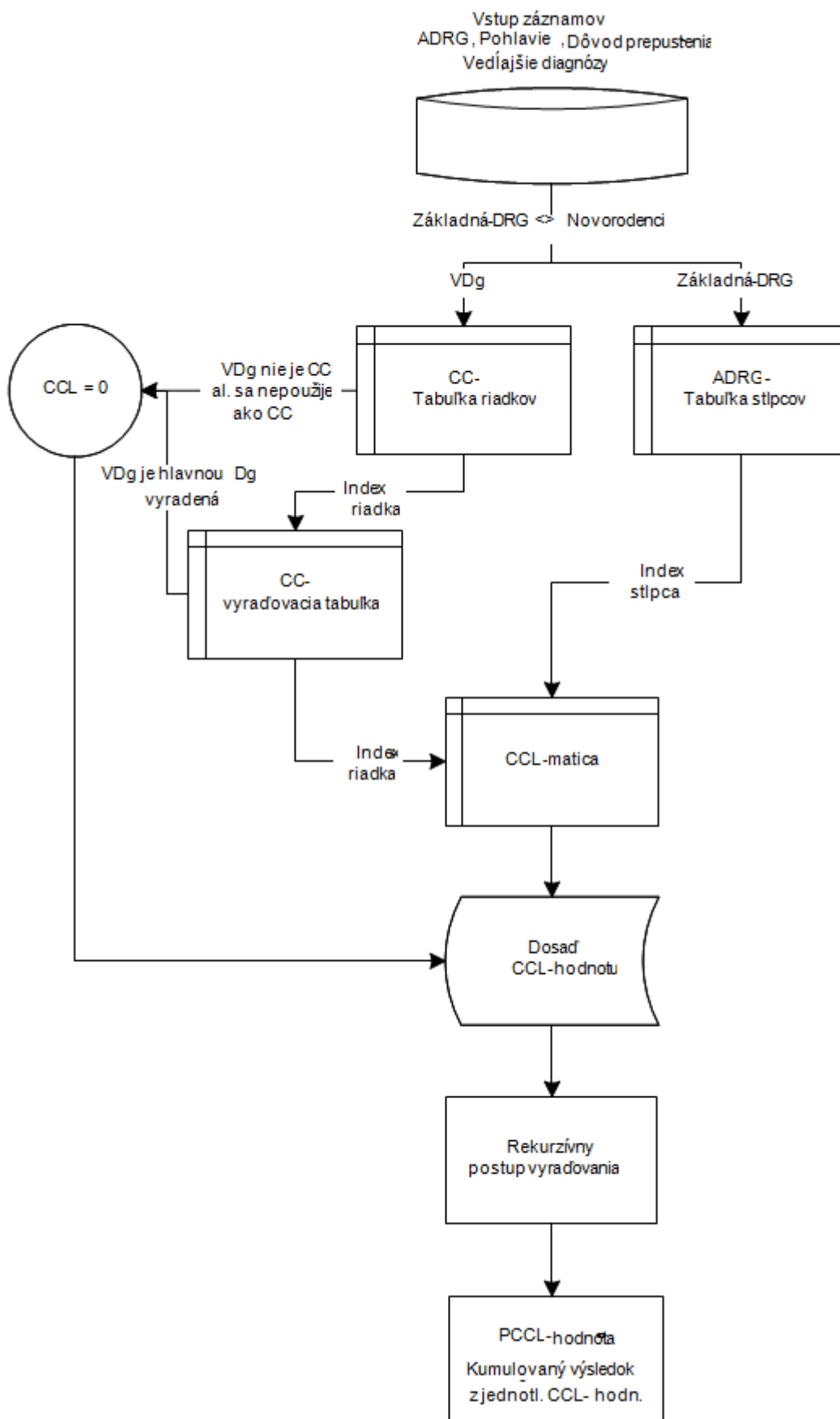
CCL = 0	Kód nie je žiadnou komplikáciou alebo komorbidity, alebo kód označuje komplikáciu alebo komorbidity úzko zviazanú s hlavnou diagnózou alebo ten istý kód je už obsiahnutý v zázname na inom mieste
CCL = 1	Hodnota vyjadruje ľahkú CC
CCL = 2	Hodnota vyjadruje stredne ťažkú CC
CCL = 3	Hodnota vyjadruje ťažkú CC
CCL = 4	Hodnota vyjadruje veľmi ťažkú CC

Grouper priraduje každej diagnóze v zázname hodnotu CCL automaticky, avšak pri novorodencoch a v prípadoch mimo novorodencov používa odlišné postupy. V prípadoch, v ktorých nejde o novorodencov, postupuje Grouper nasledovne:

1. Grouper identifikuje základnú-DRG, ktorej hospitalizačný prípad prislúcha.
2. Grouper overuje, či základná-DRG obsahuje diagnózy Polytrauma (základná-DRG W01-61) alebo HIV (základná-DRG S01-65). Nakoľko diagnóza Trauma je zohľadnená už pri zaradovaní do MDC 21, nie je vedľajšia diagnóza Trauma rozpoznaná ako CC a jej CCL hodnota je 0. Podobne sa postupuje aj pri diagnózach HIV v MDC 18.
3. Grouper overuje, či diagnóza nie je duplikátom hlavnej diagnózy alebo už predtým spracovanej inej vedľajšej diagnózy. Pokiaľ je, priradí sa kódu CCL hodnota 0.
4. Grouper overuje, či kód vzhľadom na úzky vzťah k hlavnej diagnóze nemá byť ako CC vyradený. Pokiaľ je tomu tak, CC má hodnotu 0.
5. Grouper na základe čísla základnej-DRG určí číslo stĺpca z ADRG-tabuľky stĺpcov. Ak je toto priradené číslo nula, obdrží príslušný kód pre CC hodnotu 0.
6. Grouper s prihliadnutím na faktory pohlavie pacienta a/alebo dôvod prepustenia určí z CC-tabuľky riadkov číslo riadku.
7. Grouper určí hodnotu CCL podľa CCL-Matice pomocou čísla riadku a stĺpca.

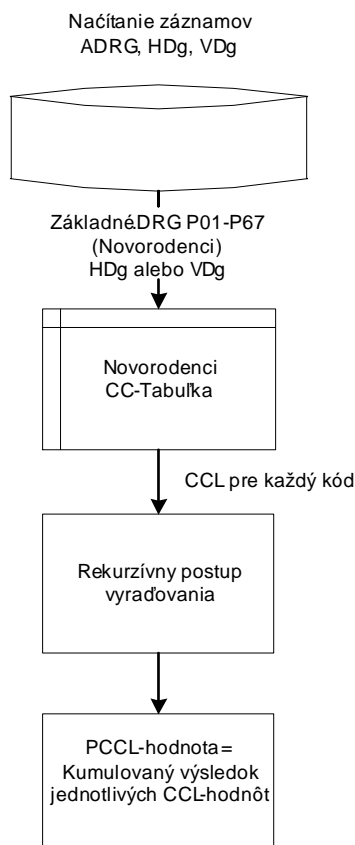
Obrázok č. 1 zobrazuje postupnosť krokov pri priradovaní hodnôt CCL okrem prípadov novorodencov. (Pozn: hoci Grouper určuje CCL hodnoty aj v týchto prípadoch, nepoužíva ich ku kalkulácii PCCL.)

**OBRÁZOK C.1 Postup pre určenie PCCL pre prípady okrem novorodencov**



Pre hospitalizačné prípady novorodencov - t.zn. prípady priradené k základnej-DRG P01-P67 - sú používané iné postupy. Všetky kódy diagnóz sú tu použité ako vedľajšie diagnózy. Detaily k hodnotám CC a PCCL sú uvádzané podľa samostatnej tabuľky CC pre novorodencov. Diagnózy, ktoré sa v tejto tabuľke nenachádzajú, majú nulovú hodnotu CC. Obrázok č. 2 poskytuje prehľad o postupnosti jednotlivých krokov v priradovaní hodnôt CC u novorodencov [Pozn.: Hodnoty CCL a PCCL stanovené pre novorodencov neslúžia k zaradovaniu do DRG-skupín. Hospitalizačné prípady novorodencov sú zaradované do DRG na základe zoznamu vážnych problémov prostredníctvom MDC 15 (pozri zväzok 2)].

## OBRÁZOK C.2 Postup pre určenie PCCL u novorodencov



**Stupeň klinickej závažnosti prípadu (PCCL):** PCCL je stupeň klinickej komplexnosti prípadu – je vyjadrením miery kumulatívneho efektu CC každého hospitalizačného prípadu. Stanovuje sa komplexným postupom tak, aby sa zabránilo viacnásobnému zhodnoteniu podobných „obtíží“. PCCL môže nadobúdať nasledovné hodnoty:

- 0 = žiadne CC
- 1 = ľahké CC
- 2 = stredne ťažké CC
- 3 = ťažké CC
- 4 = veľmi ťažké CC

Potom, ako bola ku každej diagnóze záznamu stanovená hodnota CCL (nezávisle na tom, či ide o novorodencov alebo iný hospitalizačný prípad), zotriedi Grouper zostupne podľa hodnoty CCL všetky vedľajšie diagnózy a spustí proces vyradovania. V tomto procese, ktorý zabezpečuje vyradenie nesignifikantných diagnóz a zohľadnenie podobných diagnóz iba jedenkrát, je každá diagnóza v poradí posudzovaná tak, akoby bola hlavnou diagnózou. To znamená, že každá diagnóza je jedna po druhej posudzovaná ako „kotviaca diagnóza“ a status CC iných diagnóz je posudzovaný vo vzťahu k tejto „kotviacej diagnóze“. Výsledkom procesu je, že niektoré vedľajšie diagnózy sú ako CC vyradené (hodnota CCL= nula).

Je potrebné si uvedomiť, že Grouperom vymedzené hodnoty CCL sú tie, ktoré boli priradené pred procesom vyradovania.

Na konci rekurzívneho postupu vyradovania vypočíta Grouper pomocou vzorca na základe zostávajúcich hodnôt CCL hodnotu PCCL.

#### Vzorec pre výpočet PCCL

Pokiaľ je {CCL(i)} zotriedený zoznam CCL hodnôt po ukončení vyradovacieho postupu, je vzorec na výpočet PCCL nasledovný:

$$PCCL = \begin{cases} 0 & \text{v prípade, že neexistujú žiadne VD} \\ 4 & \text{ak } x > 4 \\ x & \text{vo všetkých iných prípadoch} \end{cases}$$

$$\text{Pričom } x = \text{round} \left\{ \frac{\ln \left\{ \sum_{i=k}^{\infty} CCL(i) * \exp(-\alpha * (i-k)) \right\}}{\ln(3/\alpha) / 4} \right\}$$

Parameter  $\alpha = 0,4$

$k = 1$  pre základné-DRG P01 - P67,  $k = 2$  pre všetky ostatné základné-DRG

Tento algoritmus vyvinul Dr. Xichuan (Mark) Zhang v rámci CCL Refinement projektu.

Nasledujúca tabuľka obsahuje hodnoty pre PCCL, ktoré vzniknú pri rozličných kombináciách CCL-hodnôt.

**TABUĽKA C.1 Kombinácie CCL-hodnôt k dosiahnutiu PCCL od 1 do 4**

PCCL	CCL1	CCL2	CCL3	CCL4	CCL5	CCL6
4	4	3				
3	4	2				
3	4	1	1			
3	3	3				
3	3	2	2			
3	3	2	1	1		
3	2	2	2	2		
3	2	2	2	1	1	1
3	4					
3	4	1				
3	3	2				
3	3	2	1			
3	2	2				
3	2	2	2			
2	2	2				
2	2	1				
2	3					
2	1	1	1	1	1	
1	2					
1	1	1				
0	1					



ICD	Text	OP. CCL	Med. CCL	ICD	Text	OP. CCL	Med. CCL
A01.0	Brušný týfus	4	4	A16.2	TBC pľúc,bez úd.o	3,4	3,4
A01.1	Paratýfus A	4	4		bakter.molek.biolog./hist.potvrdená		
A01.2	Paratýfus B	4	4	A16.3	TBC vnútrohr.lymf.uzl.bez úd.o	3,4	3
A01.3	Paratýfus C	4	4		bakter.molek.biolog./hist.pot.		
A01.4	Paratýfus,blížšie neurčený	4	4	A16.4	TBC hrt.,priedušn.a prieduš.bez úd.o	3,4	3
A02.0	Salmonelová enteritída	2,4	2,4		bakt.mol-bio./hist.pot.		
A02.1	Salmonelová sepsa	2,4	2,4	A16.5	TBC pleuritída,bez úd.o	3,4	3
A02.2	Lokalizovaná salmonelová infekcia	4	4		bakter.molek.biolog./hist.pot.		
A02.8	Iná salmonelová infekcia,blížšie určená	4	4	A16.6	Latentná tuberkulózná infekcia	3,4	3
A02.9	Salmonelová infekcia,blížšie neurčená	4	4	A16.7	Prim.TBC dých.súst,bez úd.o	3,4	3,4
A03.0	Šigelóza zapríčinená Shigella dysenteriae	4	4		bakter.molek.biolog./hist.pot.		
A03.1	Šigelóza zapríčinená Shigella flexneri	4	4	A16.8	Iná TBC dých.súst.,bez úd.o	3,4	3
A03.2	Šigelóza zapríčinená Shigella boydii	4	4		bakter.molek.biolog./hist.pot.		
A03.3	Šigelóza zapríčinená Shigella sonnei	4	4	A16.9	TBC dých.súst.,bez úd.o	3,4	3,4
A03.8	Iná šigelóza	4	4		bakter.molek.biolog./hist.pot.,b.n		
A03.9	Šigelóza,blížšie neurčená	4	4	A17.0	Tuberkulózná meningitída (G01*)	3,4	3,4
A04.0	Infekcia zapríčinená enteropatogénnou Escherichia coli	4	4	A17.1	Meningový tuberkulóm (G07*)	3,4	3,4
				A17.8	Iná tuberkulóza nervovej sústavy	3,4	3,4
A04.1	Infekcia zapríčinená enterotoxikogénnou Escherichia coli	4	4	A17.9	Tuberkulóza nervovej sústavy,blížšie neurčená	3,4	3,4
A04.2	Infekcia zapríčinená enteroinvazívnou Escherichia coli	4	4	A18.0	Tuberkulóza kostí a kĺbov	2	2
				A18.1	Tuberkulóza močovopohľadne sústavy	2,3,4	2,3
A04.3	Infekcia zapríčinená enterohemoragickou Escherichia coli	3,4	3,4	A18.2	Tuberkulózná periférna lymfadenopatia	2,3,4	1,2,3
				A18.3	TBC čriev,peritonea a mezenteriových lymfatických uzlín	3,4	3
A04.4	Iné črevné infekcie zapríčinené Escherichia coli	4	4	A18.5	Tuberkulóza oka	2,3,4	2,4
A04.5	Enteritída zapríčinená kamylobakterom	4	4	A18.6	Tuberkulóza ucha	2	2
A04.6	Enteritída zapríčinená Yersinia enterocolitica	4	4	A18.7	Tuberkulóza nadobličiek (E35.1*)	2	1,2
A04.7	Enterokolitída zapríčinená Clostridium difficile	2,3,4	1,2,3,4	A18.8	Tuberkulóza iných blížšie určených orgánov	2	2
A04.81	Enteritída zapríčinená Arcobacter spp.	4	4	A19.0	Akútna miliárna TBC na jedinom blíž.urč.mieste	3,4	3
A04.89	Iná baktériová črevná infekcia, blížšie určená	4	4				
A04.9	Baktériová črevná infekcia,blížšie neurčená	2	2	A19.1	Akútna miliárna tuberkulóza na viacerých miestach	3,4	3
A05.0	Potravinová otrava zapríčinená stafylokokmi	4	4				
A05.1	Botulizmus	4	4	A19.2	Akútna miliárna tuberkulóza,blížšie neurčená	3,4	3
A05.2	Potravinová otrava zapríčinená Clostridium perfringens	4	4	A19.8	Iná miliárna tuberkulóza	3,4	3
				A19.9	Miliárna tuberkulóza,blížšie neurčená	3,4	3
A05.3	Potravinová otrava zapríčinená Vibrio parahaemolyticus	4	4	A26.0	Kožný eryzpeloid	4	4
				A26.7	Eryzpelotrixová sepsa	4	4
A07.1	Giardióza [lambliaza]	2	2	A26.8	Iná forma eryzpeloidu	4	4
A07.3	Izosporiáza	2	2	A26.9	Blížšie neurčený eryzpeloid	4	4
A08.0	Rotavírusová enteritída	1,2	2	A27.0	Leptospiróza zapríčinená Leptospira icterohaemorrhagiae	4	4
A08.1	Akútna gastroenteritída zapríčinená norovírusom [Norwalk]	1,2,3,4	1,2,3				
				A27.8	Iná forma leptospirózy	4	4
A08.5	Iné,blížšie určené črevné infekcie	4	4	A27.9	Leptospiróza,blížšie neurčená	4	4
A09.0	Iná a blíž.neurč.gastroenteritída a kolitída infekčného pôvodu	1,2,4	2,4	A28.0	Pasteurelóza	4	4
				A28.1	Choroba z mačacieho škrabnutia	4	4
A15.0	TBC pľúc,potvrdená mikros.vyš.spúta s a bez dôk.kultiv./mol-biol.	3,4	3,4	A28.2	Extraintestinálna yersinióza	4	4
				A28.8	Iná baktériová zoonóza,blíž.určená,nezatriedená inde	4	4
A15.1	Tuberkulóza pľúc,potvrdená len kultivačne	3,4	3,4	A28.9	Baktériová zoonóza,blížšie neurčená	4	4
A15.2	Tuberkulóza pľúc,potvrdená histologicky	3,4	3,4	A31.0	Pľúcna mykobakteriáza	3,4	3
A15.3	TBC pľúc,potvrdená inými a blíž.nurč.metódami	3,4	3,4	A31.80	Diseminovaná atypická mykobakteriáza	3,4	3
A15.4	TBC vnútrohrud.lymf.uzlín.potvrdená bakter.molek.biolog./hist.	3,4	3	A32.0	Kožná listerióza	4	4
				A32.1	Listerióva meningitída a meningoencefalitída	3,4	3,4
A15.5	TBC hrtana priedušnice a prieduš.potv.bakt.molek.biolog./hist.	3,4	3	A32.7	Listerióva sepsa	3,4	3,4
				A32.8	Iná forma listeriózy	4	4
A15.6	TBC pleuritída,potvedná bakteriol.molek.biolog./hist.	3,4	3	A32.9	Listerióza,blížšie neurčená	4	4
				A33	Tetanus novorodencov	4	4
A15.7	Primárna TBC dých.org.potv.bakt.molek.biolog./hist.	3,4	3,4	A34	Tetanus počas gravidity,pôrodu a v šestonedelí	2	2
A15.8	Iná TBC dých.org.potvrdená bakter.molek.biolog./hist.	3,4	3	A35	Iný tetanus	3,4	3,4
				A37.0	Pertussis zapríčinený Bordetella pertussis	4	4
A15.9	TBC dých.súst,potvrdená bakter.molek.biolog./hist.,b.n	3,4	3,4	A37.1	Pertussis zapríčinený Bordetella parapertussis	4	4
A16.0	TBC pľúc,bakter.molek.biolog.a hist.negat.	3,4	3,4	A37.8	Pertussis zapríčinený iným druhom bordetely	4	4
A16.1	TBC pľúc,bez vyk.bakter.molek.biolog.a hist.vyš.	3,4	3,4	A37.9	Pertussis,blížšie neurčený	4	4
				A39.0	Meningokoková meningitída (G01*)	3,4	3,4
				A39.1	Waterhouseov-Friderichsenov syndróm (E35.1*)	3,4	3,4

ICD	Text	OP. CCL	Med. CCL	ICD	Text	OP. CCL	Med. CCL
A39.2	Akútna meningokoková sepsa	3,4	3,4	A74.82	Chlamýdiová myokarditída	4	4
A39.3	Chronická meningokoková sepsa	3,4	3,4	A74.83	Chlamýdiová endokarditída	4	4
A39.4	Meningokoková sepsa, bližšie neurčená	3,4	3,4	A74.84	Chlamýdiová artritída	4	4
A39.5	Meningokokové ochorenie srdca	1,2,3,4	1,2,4	A74.89	Iná chlamýdiová choroba	4	4
A39.8	Iná meningokoková infekcia	3,4	3	A81.1	Subakútna sklerotizujúca panencefalitída	2,3,4	1,2,3,4
A39.9	Meningokoková infekcia, bližšie neurčená	3,4	3	A81.2	Progressívna multifokálna leukoencefalopatia	2,3	1,2,3
A40.0	Sepsa zapríčinená streptokokom zo skupiny A	3,4	1,3,4	A84.1	Streptokoková kliešťová encefalitída	2,3	1,2,3
A40.1	Sepsa zapríčinená streptokokom zo skupiny B	3,4	1,3	A85.0	Enterovírusová encefalitída (G05.1*)	2,3	1,2,3
A40.2	Sepsa zapríčinená streptokokom zo skupiny D	3,4	1,3,4	A85.8	Iná vírusová encefalitída, bližšie určená	2,3	1,2,3
A40.3	Sepsa zapríčinená Streptococcus pneumoniae	3,4	1,3,4	A86	Vírusová encefalitída, bližšie neurčená	2,3,4	1,2,3,4
A40.81	Sepsa zapríčinená streptokokom zo skupiny C	3,4	1,3	A87.0	Enterovírusová meningitída (G02.0*)	2,3	1,2,3
A40.89	Iná streptokoková sepsa	3,4	1,3	A89	Vírusová infekcia CNS, bliž. neurč.	4	4
A40.9	Sepsa zapríčinená streptokokmi, bližšie neurčená	3,4	1,3	A96.0	Hemoragická horúčka zapríčinená vírusom Junin	4	4
A41.0	Sepsa zapríčinená Staphylococcus aureus	3,4	1,3	A96.1	Hemoragická horúčka zapríčinená vírusom Machupo	4	4
A41.1	Sepsa zapríčinená iným bližšie určeným stafylokokom	3,4	1,3	A96.2	Horúčka Lassa	4	4
A41.2	Sepsa zapríčinená bližšie neurčeným stafylokokom	3,4	1,3	A96.8	Iná arenavírusová hemoragická horúčka	4	4
A41.3	Sepsa zapríčinená Haemophilus influenzae	3,4	1,3,4	A96.9	Arenavírusová hemoragická horúčka, bližšie neurčená	4	4
A41.4	Sepsa zapríčinená anaeróbnou baktériou	3,4	1,3	A98.3	Choroba zapríčinená vírusom Marburg	4	4
A41.51	Sepsa zapríčinená Escherichia coli [E. coli]	3,4	1,3	A98.5	Hemoragická horúčka s renálnym syndrómom	3,4	2,3,4
A41.52	Sepsa zapríčinená pseudomonas	3,4	1,3,4	B00.0	Herpetický ekzém	4	4
A41.53	Sepsa zapríč. multirezistentnou gramnegat. baktériou	3,4	1,3,4	B00.1	Herpetická vezikulárna dermatitída	2,4	2,4
A41.58	Sepsa zapríčinená inou gramnegatívnou baktériou	3,4	1,3,4	B00.2	Herpetická gingivostomatitída a tonzilofaryngitída	4	4
A41.81	Sepsa zapríč. multirezistentnou grampozit. baktériou	3,4	1,3	B00.3	Herpetická meningitída (G02.0*)	3,4	3,4
A41.89	Iná sepsa, bližšie určená	3,4	1,3	B00.4	Herpetická encefalitída (G05.1*)	3,4	3,4
A41.9	Sepsa, bližšie neurčená	3,4	1,3	B00.5	Očná infekcia herpetickým vírusom	4	4
A42.0	Pľúcna aktinomykóza	3,4	3	B00.7	Diseminovaná herpetická choroba	2,3,4	3,4
A42.1	Brušná aktinomykóza	3,4	3	B00.8	Iná forma herpetickej infekcie	2,4	2,4
A42.7	Aktinomykotická sepsa	3,4	3	B00.9	Herpetická infekcia, bližšie neurčená	4	4
A43.0	Pľúcna nokardióza	3,4	3	B01.0	Varicelová meningitída (G02.0*)	2,4	2,4
A48.0	Plynová gangréna	3,4	3,4	B01.1	Varicelová encefalitída (G05.1*)	3,4	3,4
A48.1	Legionelóza s pneumóniou [Legionárska choroba]	3,4	3,4	B01.2	Varicelový zápal pľúc (J17.1*)	3,4	3,4
A48.2	Legionelóza bez pneumónie [Pontiacka horúčka]	3,4	3,4	B01.8	Varicela s inými komplikáciami	2,4	2,4
A48.3	Syndróm toxického šoku	3,4	3	B01.9	Varicela bez komplikácií	2,4	2,4
A49.0	Stafylokoková infekcia bez bližšieho určenia miesta	3,4	3	B02.0	Zosterová encefalitída (G05.1*)	3,4	3,4
A49.1	Streptokoková infekcia bez bližšieho určenia miesta	3,4	3	B02.1	Zosterová meningitída (G02.0*)	3,4	3,4
A49.2	Infekcia haemophilus influenzae na b.n.m.	3,4	3	B02.2	Zoster s postihnutím iných častí nervovej sústavy	3,4	3,4
A50.0	Včasný vrodený syfilis, symptomatický	4	4	B02.3	Zosterová choroba oka	4	4
A50.1	Včasný vrodený syfilis, latentný	4	4	B02.7	Diseminovaný zoster	2,4	2,4
A50.2	Včasný vrodený syfilis, bližšie neurčený	4	4	B02.8	Zoster s inými komplikáciami	2,4	2,4
A50.3	Neskorá vrodená syfilitická okulopatia	4	4	B02.9	Zoster bez komplikácií	4	4
A50.4	Neskorý vrodený neurosyfilis [Juvenilný neurosyfilis]	3,4	3,4	B05.0	Osýpky komplikované encefalitídou (G05.1*)	3,4	3,4
A52.0	Kardiovaskulárny syfilis	1,2,3	1,2	B05.1	Osýpky komplikované meningitídou (G05.1*)	2,4	2,4
A52.1	Neurosyfilis, symptomatický	2,3	1,2,3	B05.2	Osýpky komplikované pneumóniou (J17.1*)	3,4	3,4
A52.2	Neurosyfilis, asymptomatický	3,4	3	B05.3	Osýpky komplikované zápalom stredného ucha	2,4	2,4
A52.3	Neurosyfilis, bližšie neurčený	2,3	1,2,3	B05.4	Osýpky s črevnými komplikáciami	2,4	2,4
A54.0	Gonok. inf. dol. časti moč.-pohl. súst. bez abs. uretr./preds. žliaz	2	2	B05.8	Osýpky s inými komplikáciami	2,4	2,4
A54.1	Gonok. inf. dol. časti moč.-pohl. súst. s abs. uretr. a preds. žliaz	2	2	B06.0	Ružienka s nervovými komplikáciami	2,4	2,4
A54.2	Gonok. pelveoperitonitída a iná gonokok. moč.-pohl. infekcia	2	2	B06.8	Ružienka s inými komplikáciami	2,4	2,4
A71.1	Trachóm, aktívne štádium	4	4	B08.5	Enterovírusová vezikulárna faryngitída	4	4
A74.81	Chlamýdiová dilatčná kardiomyopatia	4	4	B15.0	Akútna hepatitída A s pečeňovou kómou	4	4
				B15.9	Akútna hepatitída A bez pečeňovej kómy	4	4
				B16.0	Akútna hepatit. B s Delta vírusom (koinfekcia) ,s pečeň. kómou	1,2,3,4	1,2,3,4
				B16.1	Akútna hepatit. B s Delta vírusom (koinfekcia) ,bez pečeň. kómy	1,2,3,4	1,2,3,4
				B16.2	Akútna hepatit. B bez Delta vírusu, s pečeňovou kómou	1,2,3,4	1,2,3,4
				B16.9	Akútna hepatit. B bez Delta vírusu, bez pečeňovej kómy	1,2,3,4	1,2,3,4
				B17.0	Akútna Delta-vírus. (super)infekcia nosiča vírusu hepatit. B	1,2,3,4	1,2,3,4
				B17.1	Akútna hepatitída C	1,2,3,4	1,2,3,4

ICD	Text	OP. CCL	Med. CCL	ICD	Text	OP. CCL	Med. CCL
B17.2	Akútna hepatitída E	1,2,3,4	1,2,3,4	B27.0	Mononukleóza zapríčinená gamma - Herpes vírusom	4	4
B17.8	Iná akútna vírusová hepatitída, bližšie určená	1,2,3,4	1,2,3,4	B27.1	Cytomegalovírusová mononukleóza	4	4
B17.9	Akútna vírusová hepatitída, bližšie neurčená	1,2,3,4	1,2,3,4	B27.8	Iná infekčná mononukleóza	4	4
B18.0	Chronická hepatitída B s Delta vírusom	1,2,3,4	1,2,4	B27.9	Infekčná mononukleóza, bližšie neurčená	4	4
B18.1	Chronická hepatitída B bez Delta vírusu	1,2,3,4	1,2,4	B30.1	Konjunktivitída zapríčinená adenovírusom (H13.1*)	4	4
B18.2	Chronická hepatitída C	1,2,3,4	1,2,4	B30.3	Akútna epidemická hemorag. konjunktivitída (enterovír.)	4	4
B18.8	Iná chronická vírusová hepatitída	1,2,3,4	1,2,4	B33.2	Vírusová karditída	4	4
B18.9	Chronická vírusová hepatitída, bližšie neurčená	1,2,3,4	1,2,4	B34.0	Adenovírusová infekcia bez bližšieho určenia miesta	4	4
B19.0	Vírusová hepatit. s pečeňovou kómou, bliž. neurč.	1,2,3,4	1,2,3,4	B37.0	Kandidová stomatitída	2,3	2,3
B19.9	Vírusová hepatit. bez pečeňovej kómy, bliž. neurč.	1,2,3,4	1,2,3,4	B37.1	Pľúcna kandidóza	3,4	3,4
B20.0	Choroba HIV následnými mykobakteriovými infekciami	1,2,3,4	1,2,3,4	B37.4	Kandidóza iných častí močovopohlavnej sústavy	2,4	2,4
B20.1	Choroba HIV následnými inými bakteriovými infekciami	1,2,3,4	1,2,3,4	B37.5	Kandidová meningitída(G02.1*)	3,4	3,4
B20.2	Choroba HIV následnými cytomegalovírusovou chorobou	1,2,3,4	1,2,3,4	B37.6	Kandidová endokarditída(I39.8*)	3,4	3,4
B20.3	Choroba HIV následnými do inými vírusovými infekciami	1,2,3,4	1,2,3,4	B37.7	Kandidová sepsa	3,4	3
B20.4	Choroba HIV s následnými kandidózami	1,2,3,4	1,2,3,4	B37.81	Kandidová ezofagitída	2,4	2,3,4
B20.5	Choroba HIV s následnými inými mykózami	1,2,3,4	1,2,3,4	B37.88	Kandidóza na iných miestach	3,4	2,3
B20.6	Choroba HIV s následnou pneumocystovou pneumóniou	1,2,3,4	1,2,3,4	B38.0	Akútna kokcidioidomykóza pľúc	3,4	3,4
B20.7	Choroba HIV s následnými viacpočetnými infekciami	1,2,3,4	1,2,3,4	B38.1	Chronická kokcidioidomykóza pľúc	3,4	3,4
B20.8	Choroba HIV následnými iných. infekčnými a parazit. chorobami	1,2,3,4	1,2,3,4	B38.2	Kokcidioidomykóza pľúc, bližšie neurčená	3,4	3,4
B20.9	Choroba HIV následnými infekčnými/paraz. chor. bliž. neurč.	1,2,3,4	1,2,3,4	B38.3	Kokcidioidomykóza kože	4	4
B21.0	Choroba HIV s následným Kaposiho sarkómom	1,2,3,4	1,2,3,4	B38.4	Kokcidioidomykotická meningitída (G02.1*)	3,4	3,4
B21.1	Choroba HIV s následným Burkittovým lymfómom	1,2,3,4	1,2,3,4	B38.7	Diseminovaná kokcidioidomykóza	3,4	3,4
B21.2	Choroba HIV násled. inými typmi ne Hodgkinovho lymfómu	1,2,3,4	1,2,3,4	B38.8	Iná forma kokcidioidomykózy	3,4	3,4
B21.3	Choroba HIV násled. inými zhub. nád. lymf. krvotv. a príb. tkan.	1,2,3,4	1,2,3,4	B38.9	Kokcidioidomykóza, bližšie neurčená	2	2
B21.7	Choroba HIV násled. viacpočetnými zhub. nádormi	1,2,3,4	1,2,3,4	B39.0	Akútna histoplazmóza pľúc zapríč. Histoplasma capsulatum	2,4	2,4
B21.8	Choroba HIV s následnými inými zhubnými nádormi	1,2,3,4	1,2,3,4	B39.1	Chronická histoplazmóza pľúc zapríč. Histoplasma capsulatum	2,4	2,4
B21.9	Choroba HIV následnými zhubnými nádormi, bliž. neur.	1,2,3,4	1,2,3,4	B39.2	Histoplazmóza pľúc zapríč. Histoplasma capsulatum, bliž. neurč.	2,4	2,4
B22.0	Choroba HIV s následnou encefalopatiou	1,2,3,4	1,2,3,4	B39.3	Diseminovaná histoplazmóza zapríč. Histoplasma capsulatum	2	2
B22.1	Choroba HIV s násled. lymfoidnou intersticiál. pneumoniídou	1,2,3,4	1,2,3,4	B39.4	Histoplazmóza zapríč. Histoplasma capsulatum, bliž. neurč.	2	2
B22.2	Choroba HIV s následným syndrómom celkového upadania	1,2,3,4	1,2,3,4	B39.5	Histoplazmóza zapríčinená Histoplasma duboisii	2	2
B22.7	Choroba HIVs následnými rozličnými chorobami zatried. inde	1,2,3,4	1,2,3,4	B39.9	Histoplazmóza, bližšie neurčená	2	2
B23.0	Syndróm akútnej infekcie HIV	1,2,3,4	1,2,3,4	B40.0	Akútna blastomykóza pľúc	2,4	2,4
B23.8	Choroba HIV s inými následnými, bliž. urč. stavmi	1,2,3,4	1,2,3,4	B40.1	Chronická blastomykóza pľúc	2,4	2,4
B24	Choroba HIV, bližšie neurčená	1,2,3,4	1,2,3,4	B40.2	Blastomykóza pľúc, bližšie neurčená	2,4	2,4
B25.0	Cytomegalovírusová pneumónia(J17.1*)	3,4	3,4	B40.3	Blastomykóza kože	2,4	2,4
B25.1	Cytomegalovírusová hepatitída(K77.0*)	3,4	3,4	B40.7	Diseminovaná blastomykóza	2,4	2,4
B25.2	Cytomegalovírusová pankreatitída(K87.1*)	3,4	3,4	B40.8	Iná forma blastomykózy	2,4	2,4
B25.80	Cytomegalovírusová infekcia tráviacej trubice	3,4	3,4	B40.9	Blastomykóza, bližšie neurčená	2,4	2,4
B25.88	Iná cytomegalovírusová choroba	3,4	3,4	B41.0	Parakokcidioidomykóza pľúc	2,4	2,4
B25.9	Cytomegalovírusová choroba, bližšie neurčená	3,4	3,4	B41.7	Diseminovaná parakokcidioidomykóza	2,4	2,4
B26.0	Parotitická orchitída(N51.1*)	2,4	2,4	B41.8	Iná forma parakokcidioidomykózy	2,4	2,4
B26.1	Parotitická meningitída(G02.0*)	3,4	3,4	B41.9	Parakokcidioidomykóza, bližšie neurčená	2,4	2,4
B26.2	Parotitická encefalitída(G05.1*)	3,4	3,4	B44.0	Invazívna aspergilóza pľúc	3,4	3,4
B26.3	Parotitická pankreatitída(K87.1*)	2,3,4	2,4	B44.1	Iná aspergilóza pľúc	3,4	3,4
B26.8	Parotitída s inými komplikáciami	2,4	2,4	B44.2	Aspergilóza tonzíl	3,4	3,4
				B44.7	Diseminovaná aspergilóza	3,4	3,4
				B44.8	Iná forma aspergilózy	3,4	3,4
				B44.9	Aspergilóza, bližšie neurčená	3,4	3,4
				B45.0	Kryptokokóza pľúc	3,4	3,4
				B45.1	Kryptokokóza mozgu	3,4	3,4
				B45.2	Kryptokokóza kože	3,4	3,4
				B45.3	Kryptokokóza kostí	3,4	3,4
				B45.7	Diseminovaná kryptokokóza	3,4	3,4
				B45.8	Iná forma kryptokokózy	3,4	3,4
				B45.9	Kryptokokóza, bližšie neurčená	3,4	3,4
				B46.0	Mukormykóza pľúc	2,4	2,4
				B46.1	Rinocerebrálna mukormykóza	2,4	2,4

ICD	Text	OP. CCL	Med. CCL	ICD	Text	OP. CCL	Med. CCL
B46.2	Mukormykóza tráviacej trubice	2,4	2,4	B95.5	Streptokok,blíž.neurč.,ako príčina chorôb zatried.inde	1,2	1,2
B46.3	Mukormykóza kože	2,4	2,4	B95.6	Staphylococcus aureus ako príčina chorôb zatried.inde	1,2	1,2
B46.4	Diseminovaná mukormykóza	2,4	2,4	B95.7	Iný stafylokok ako príčina chorôb zatriedených inde	1,2	1,2
B46.5	Mukormykóza,blížšie neurčená	2,4	2,4	B95.8	Stafylokok,blíž.neurč.,ako príčina chorôb zatried.inde	1,2	1,2
B46.8	Iná zygomykóza	2,4	2,4	B96.3	Haemophilus a Moraxella ako príčina chorôb zatried.inde	3,4	3
B46.9	Zygomykóza,blížšie neurčená	2,4	2,4	B96.5	Pseudomonas a iná neferment.baktéria ako prič.chorôb.z.i.	2,3,4	2,3
B47.0	Eumycetóm	3,4	3,4	B97.0	Adenovírus ako príčina chorôb zatriedených inde	4	4
B47.1	Aktinomycetóm	3,4	3,4	B97.1	Enterovírus ako príčina chorôb zatriedených inde	4	4
B48.2	Allescheriáza	2,4	2,4	C00.0	Zhubný nádor vonkajšej hornej pery	4	4
B48.7	Mykóza zapríčinená oportunistickým patogénom	3,4	3,4	C00.1	Zhubný nádor vonkajšej dolnej pery	4	4
B50.0	Malária zapríč. Plasmodium falciparum s mozgov.kompl.	4	4	C00.2	Zhubný nádor vonkajšej pery,blížšie neurčený	4	4
B50.8	Iná ťažká a kompl.malária zapríč.Plasmodium falciparum	4	4	C00.3	Zhubný nádor vnútornej strany hornej pery	4	4
B50.9	Malária zapríčinená Plasmodium falciparum,b.n.	4	4	C00.4	Zhubný nádor vnútornej strany dolnej pery	4	4
B51.0	Malária zapríčinená Plasmodium vivax s ruptúrou sleziny	4	4	C00.5	Zhubný nádor vnútornej strany pery,blíž.neurč.	4	4
B51.8	Malária zapríčinená Plasmodium vivax s i.kompl.	4	4	C00.6	Zhubný nádor spojky perí	4	4
B51.9	Malária zapríčinená Plasmodium vivax bez kompl.	4	4	C00.8	Zhubný nádor pery presahujúci viaceré oblasti	4	4
B52.0	Malária zapríčinená Plasmodium malariae s nefropatiou	4	4	C00.9	Zhubný nádor pery,blížšie neurčený	4	4
B52.8	Malária zapríčinená Plasmodium malariae s i.kompl.	4	4	C01	Zhubný nádor koreňa jazyka	4	4
B52.9	Malária zapríčinená Plasmodium malariae bez kompl.	4	4	C02.0	Zhubný nádor chrbtovej strany jazyka	4	4
B53.0	Malária zapríčinená Plasmodium ovale	4	4	C02.1	Zhubný nádor okraja jazyka	4	4
B53.1	Malária zapríčinená opičimi plazmódiami	4	4	C02.2	Zhubný nádor spodnej strany jazyka	4	4
B53.8	Iná parazitologicky potvrdená malária,nezatriedená.inde	4	4	C02.3	Zhubný nádor predných dvoch tretín jazyka, blíž.neurč.časť	4	4
B54	Malária,blížšie neurčená	4	4	C02.8	Zhubný nádor jazyka presahujúci viaceré oblasti	4	4
B57.0	Akútna Chagasova choroba s postihnutím srdca	1,2,3	1,2	C02.9	Zhubný nádor jazyka,blížšie neurčený	4	4
B57.2	Chagasova choroba(chronická)s postihnutím srdca	1,2,3	1,2	C03.0	Zhubný nádor horného dasna	4	4
B58.0	Toxoplazmová okulopatia	1,2,3,4	1,2,4	C03.1	Zhubný nádor dolného dasna	4	4
B58.1	Toxoplazmová hepatitída (K77.0*)	1,2,3,4	1,2,3,4	C03.9	Zhubný nádor dasna,blížšie neurčený	4	4
B58.2	Toxoplazmová meningoencefalitída(G05.2*)	3,4	3,4	C04.0	Zhubný nádor prednej časti ústnej spodiny	4	4
B58.3	Toxoplazmóza pľúc(J17.3*)	3,4	3,4	C04.1	Zhubný nádor bočnej časti ústnej spodiny	4	4
B58.8	Toxoplazmóza s postihnutím iných orgánov	2,4	2,4	C04.8	Zhub.nádor ústnej spodiny presah.viacere obl.	4	4
B58.9	Toxoplazmóza,blížšie neurčená	4	4	C04.9	Zhubný nádor ústnej spodiny,blížšie neurčený	4	4
B59	Pneumocystóza (J17.3*)	3,4	3,4	C05.0	Zhubný nádor tvrdého podnebia	4	4
B60.0	Babezióza	2	2	C05.1	Zhubný nádor mäkkého podnebia	4	4
B60.1	Akantamebóza	2	2	C05.2	Zhubný nádor uvuly	4	4
B60.2	Naeglerióza	2	2	C05.8	Zhubný nádor podnebia presahujúci viaceré oblasti	4	4
B60.8	Iná protozoárna choroba,blížšie určená	2	2	C05.9	Zhubný nádor podnebia,blížšie neurčený	4	4
B78.0	Črevná strongyloidóza	2	2	C06.0	Zhubný nádor sliznice líca	4	4
B78.1	Kožná strongyloidóza	2	2	C06.1	Zhubný nádor vestibulum oris	4	4
B78.7	Diseminovaná strongyloidóza	2	2	C06.2	Zhubný nádor retromolárnej časti úst	4	4
B78.9	Strongyloidóza,blížšie neurčená	2	2	C06.8	Zhubný nádor iných a blíž.neurč.častí.úst,presah.viacere obl.	4	4
B79	Trichuridóza	2	2	C06.9	Zhubný nádor úst,blížšie neurčený	4	4
B90.0	Následky tuberkulózy centrálnej nervovej sústavy	1,2	2	C07	Zhubný nádor priušnej žľazy	4	4
B90.1	Následky tuberkulózy močovopohlavnej sústavy	2,3,4	2,3	C08.0	Zhubný nádor submandibulárnej slinnej žľazy	4	4
B90.9	Následky respiračnej a blíž.nerč.TBC	2	2	C08.1	Zhubný nádor sublingválnej slinnej žľazy	4	4
B91	Následky poliomyelitídy	1,2	2	C08.8	Zhubný nádor veľkých slinných žliaz,presah.viac.obl.	4	4
B95.2	Streptokok skupiny D ako príčina chorôb zatried.inde	1,2	1,2	C08.9	Zhubný nádor veľkej slinnej žľazy,blížšie neurčený	4	4
B95.3	Streptococcus pneumoniae ako príčina chorôb zatried.inde	1,2	1,2	C09.0	Zhubný nádor fossa tonsillaris	4	4
B95.42	Streptokok skupiny G ako príčina chorôb zatried.inde	1,2	1,2	C09.1	Zhubný nádor podnebného oblúka(predná časť)(zadná časť)	4	4
B95.48	Iný streptokok,blíž.urč.ako príčina chorôb zatried.inde	1,2	1,2	C09.8	Zhubný nádor mandle presahujúci viaceré oblasti	4	4
				C10.0	Zhubný nádor vallecula epiglottica	4	4

ICD	Text	OP. CCL	Med. CCL	ICD	Text	OP. CCL	Med. CCL
C10.1	Zhubný nádor prednej plochy epiglottis	4	4	C21.1	Zhubný nádor análneho kanála	1,2,3,4	1,2,4
C10.2	Zhubný nádor bočnej steny orofaryngu	4	4	C21.2	Zhubný nádor kloakovej oblasti	1,2,3,4	1,2,4
C10.3	Zhubný nádor zadnej steny orofaryngu	4	4	C21.8	Zhubný nádor rekta, anusu a análneho kanála presah. viac.obl.	1,2,3,4	1,2,4
C10.4	Zhubný nádor branchiálneho rázštetu	4	4	C22.0	Hepatocelulárny karcinóm	1,2,3,4	1,2,4
C10.8	Zhubný nádor orofaryngu presahujúci viaceré oblasti	4	4	C22.1	Karcinóm vnútropečeňových žľazových ciest	1,2,3,4	1,2,4
C10.9	Zhubný nádor orofaryngu, bližšie neurčený	4	4	C22.2	Hepatoblastóm	1,2,3,4	1,2,4
C11.0	Zhubný nádor hornej steny nazofaryngu	4	4	C22.3	Angiosarkóm pečene	1,2,3,4	1,2,4
C11.1	Zhubný nádor zadnej steny nazofaryngu	4	4	C22.4	Iný sarkóm pečene	1,2,3,4	1,2,4
C11.2	Zhubný nádor bočnej steny nazofaryngu	4	4	C22.7	Iný karcinóm pečene, bližšie určený	1,2,3,4	1,2,4
C11.3	Zhubný nádor prednej steny nazofaryngu	4	4	C22.9	Zhubný nádor pečene, bližšie neurčený	1,2,3,4	1,2,4
C11.8	Zhubný nádor nosohltana presah. viac.obl.	4	4	C23	Zhubný nádor žľazníka	1,2,3,4	1,2,4
C11.9	Zhubný nádor nazofaryngu, bližšie neurčený	4	4	C24.0	Zhubný nádor mimopečeňových žľazových ciest	1,2,3,4	1,2,4
C12	Zhubný nádor recessus piriformis	4	4	C24.1	Zhubný nádor ampulla Vateri	1,2,3,4	1,2,4
C13.0	Zhubný nádor regio postcricoidea	4	4	C24.8	Zhubný nádor žľazových ciest presah. viac.obl.	1,2,3,4	1,2,4
C13.1	Zhubný nádor hypofaryngovej strany aryepiglotickej krkvy	4	4	C24.9	Zhubný nádor žľazových ciest, bližšie neurčený	1,2,3,4	1,2,4
C13.2	Zhubný nádor zadnej steny hypofaryngu	4	4	C25.0	Zhubný nádor hlavy podžalúdkovej žľazy	1,2,3,4	1,2,4
C13.8	Zhubný nádor hypofaryngu presah. viac. obl.	4	4	C25.1	Zhubný nádor tela podžalúdkovej žľazy	1,2,3,4	1,2,4
C13.9	Zhubný nádor hypofaryngu, bližšie neurčený	4	4	C25.2	Zhubný nádor chvosta podžalúdkovej žľazy	1,2,3,4	1,2,4
C14.0	Zhubný nádor faryngu, bližšie neurčený	4	4	C25.3	Zhubný nádor vývodu podžalúdkovej žľazy	1,2,3,4	1,2,4
C14.2	Zhubný nádor Waldeyerovho lymfatického okruhu	4	4	C25.4	Zhubný nádor endokrinnnej časti podžalúdkovej žľazy	1,2,3,4	1,2,4
C14.8	Zhub. nádor pery, ústnej dutiny a hltana presah. viac.obl.	4	4	C25.7	Zhubný nádor iných častí podžalúdkovej žľazy	1,2,3,4	1,2,4
C15.0	Zhubný nádor krčnej časti pažeráka	1,2,3,4	1,2,4	C25.8	Zhubný nádor podžalúdkovej žľazy presah. viac.obl.	1,2,3,4	1,2,4
C15.1	Zhubný nádor hrudníkovej časti pažeráka	1,2,3,4	1,2,4	C25.9	Zhubný nádor podžalúdkovej žľazy, bližšie neurčený	1,2,3,4	1,2,4
C15.2	Zhubný nádor brušnej časti pažeráka	1,2,3,4	1,2,4	C26.0	Zhubný nádor bliž. neurč. časti črevného traktu	4	4
C15.3	Zhubný nádor hornej tretiny pažeráka	1,2,3,4	1,2,4	C26.1	Zhubný nádor sleziny	4	4
C15.4	Zhubný nádor strednej tretiny pažeráka	1,2,3,4	1,2,4	C26.8	Zhubný nádor tráviacej sústavy presah. viac.obl.	1,2,3,4	1,2,4
C15.5	Zhubný nádor dolnej tretiny pažeráka	1,2,3,4	1,2,4	C26.9	Zhubný nádor na nepresne určenom mieste tráviacej súst.	4	4
C15.8	Zhubný nádor pažeráka presahujúci viaceré oblasti	1,2,3,4	1,2,4	C30.0	Zhubný nádor nosovej dutiny	4	4
C15.9	Zhubný nádor pažeráka, bližšie neurčený	1,2,3,4	1,2,4	C30.1	Zhubný nádor stredného ucha	4	4
C16.0	Zhubný nádor kardie	1,2,3,4	1,2,4	C31.0	Zhubný nádor čelústnej dutiny	4	4
C16.1	Zhubný nádor fundu žalúdka	1,2,3,4	1,2,4	C31.1	Zhubný nádor čuchovej dutiny	4	4
C16.2	Zhubný nádor tela žalúdka	1,2,3,4	1,2,4	C31.2	Zhubný nádor čelovej dutiny	4	4
C16.3	Zhubný nádor antra pyloru	1,2,3,4	1,2,4	C31.3	Zhubný nádor dutiny klinovej kosti	4	4
C16.4	Zhubný nádor pyloru	1,2,3,4	1,2,4	C31.8	Zhubný nádor prínosovej dutiny presah. viac.obl.	4	4
C16.5	Zhub. nádor malej kurvatúry žalúdka, bliž. neurč.	1,2,3,4	1,2,4	C31.9	Zhubný nádor bližšie neurčenej prínosovej dutiny	4	4
C16.6	Zhub. nádor veľkej kurvatúry žalúdka, bliž. neurč.	1,2,3,4	1,2,4	C32.0	Zhubný nádor glottis	4	4
C16.8	Zhubný nádor žalúdka presahujúci viaceré oblasti	1,2,3,4	1,2,4	C32.1	Zhubný nádor supraglottis	4	4
C16.9	Zhubný nádor žalúdka, bližšie neurčený	1,2,3,4	1,2,4	C32.2	Zhubný nádor subglottis	4	4
C17.0	Zhubný nádor dvanástnika	1,2,3,4	1,2,4	C32.3	Zhubný nádor hrtanovej chrupky	4	4
C17.1	Zhubný nádor jejúna	1,2,3,4	1,2,4	C32.8	Zhubný nádor hrtana presahujúci viaceré oblasti	4	4
C17.2	Zhubný nádor ilea	1,2,3,4	1,2,4	C32.9	Zhubný nádor hrtana, bližšie neurčený	4	4
C17.3	Zhubný nádor Meckelovho divertikula	1,2,3,4	1,2,4	C33	Zhubný nádor priedušnice	1,2,3,4	1,2,4
C17.8	Zhubný nádor tenkého čreva presah. viac.obl.	1,2,3,4	1,2,4	C34.0	Zhubný nádor hlavnej priedušky	1,2,3,4	1,2,4
C17.9	Zhubný nádor tenkého čreva, bližšie neurčený	1,2,3,4	1,2,4	C34.1	Zhubný nádor priedušky alebo pľúc v hornom laloku	1,2,3,4	1,2,4
C18.0	Zhubný nádor slepého čreva	1,2,3,4	1,2,4	C34.2	Zhubný nádor priedušky alebo pľúc v strednom laloku	1,2,3,4	1,2,4
C18.1	Zhubný nádor červovitého prívesku slepého čreva	1,2,3,4	1,2,4	C34.3	Zhubný nádor priedušky alebo pľúc v dolnom laloku	1,2,3,4	1,2,4
C18.2	Zhubný nádor vzostupnej časti hrubého čreva	1,2,3,4	1,2,4	C34.8	Zhubný nádor priedušky alebo pľúc, presah. viac.obl.	1,2,3,4	1,2,4
C18.3	Zhubný nádor pečeňového ohybu hrubého čreva	1,2,3,4	1,2,4	C34.9	Zhubný nádor priedušky alebo pľúc, bližšie neurčený	1,2,3,4	1,2,4
C18.4	Zhubný nádor priečnej časti hrubého čreva	1,2,3,4	1,2,4	C37	Zhubný nádor týmusu	1,2,3,4	1,2,4
C18.5	Zhubný nádor slezinového ohybu hrubého čreva	1,2,3,4	1,2,4	C38.0	Zhubný nádor srdca	1,2,3,4	1,2,4
C18.6	Zhubný nádor zostupnej časti hrubého čreva	1,2,3,4	1,2,4	C38.1	Zhubný nádor predného mediastína	1,2,3,4	1,2,4
C18.7	Zhubný nádor esovitej časti hrubého čreva	1,2,3,4	1,2,4	C38.2	Zhubný nádor zadného mediastína	1,2,3,4	1,2,4
C18.8	Zhubný nádor hrubého čreva presah. viac.obl.	1,2,3,4	1,2,4				
C18.9	Zhubný nádor hrubého čreva, bližšie neurčený	1,2,3,4	1,2,4				
C19	Zhubný nádor rektosigmoidového spojenia hrubého čreva	1,2,3,4	1,2,4				
C20	Zhubný nádor konečníka	1,2,3,4	1,2,4				
C21.0	Zhubný nádor anusu, bližšie neurčený	1,2,3,4	1,2,4				

ICD	Text	OP. CCL	Med. CCL	ICD	Text	OP. CCL	Med. CCL
C38.3	Zhubný nádor bližšie neurčenej časti mediastína	1,2,3,4	1,2,4	C44.8	Zhubný nádor kože presahujúci viaceré oblasti	4	4
C38.4	Zhubný nádor pohrudnice	1,2,3,4	1,2,4	C44.9	Zhubný nádor kože, bližšie neurčený	4	4
C38.8	Zhubný nádor srdca, mediastína a pohrudnice presah. viac.obl.	1,2,3,4	1,2,4	C45.0	Mezotelióm pohrudnice	1,2,3,4	1,2,4
C39.0	Zhubný nádor bliž. neurč. časti horných dýchacích ciest	4	4	C45.1	Mezotelióm pobrušnice	1,2,3,4	1,2,4
C39.8	Zhubný nádor dých. a vnútrohrod.orgánov presah. viac.obl.	4	4	C45.2	Mezotelióm osrdcovníka	1,2,3,4	1,2,4
C39.9	Zhubný nádor na nepres.urč.miestach dýchacej sústavy	4	4	C45.7	Mezotelióm na inom mieste	2,3,4	1,2,3,4
C40.0	Zhubný nádor kosti a kĺb.chrupky lopatky a dlhých kostí HK	1,2,3,4	1,2,3,4	C45.9	Mezotelióm, bližšie neurčený	2,3,4	1,2,3,4
C40.1	Zhubný nádor kosti a kĺbovej chrupky krátkych kostí HK	1,2,3,4	1,2,3,4	C46.3	Kaposiho sarkóm lymfatických uzlín	1,2,3	1,2
C40.2	Zhubný nádor kosti a kĺbovej chrupky dlhých kostí DK	1,2,3,4	1,2,3,4	C46.8	Kaposiho sarkóm viacerých orgánov	2	2
C40.3	Zhubný nádor kosti a kĺbovej chrupky krátkych kostí DK	1,2,3,4	1,2,3,4	C47.0	Zhubný nádor periférnych nervov hlavy, tváre a krku	4	4
C40.8	Zhubný nádor kosti a kĺb.chrupky končatín, presah. viac.obl.	1,2,3,4	1,2,3,4	C47.1	Zhubný nádor periférnych nervov HK vrátane pleca	4	4
C40.9	Zhubný nádor kosti a kĺbovej chrupky končatiny, bliž. neurč.	4	4	C47.2	Zhubný nádor periférnych nervov DK vrátane bedra	4	4
C41.01	Zhubný nádor kosti a kĺbovej chrupky v kraniofaciálnej obl.	1,2,3,4	1,2,3	C47.3	Zhubný nádor periférnych nervov hrudníka	4	4
C41.02	Zhubný nádor kosti a kĺbovej chrupky v maxilofaciálnej obl.	1,2,3,4	1,2,3	C47.4	Zhubný nádor periférnych nervov brucha	4	4
C41.1	Zhubný nádor kosti a kĺbovej chrupky dolnej čeľuste(sánky)	1,2,3,4	1,2,3,4	C47.5	Zhubný nádor periférnych nervov panvy	4	4
C41.2	Zhubný nádor kosti a kĺbovej chrupky chrbtice	1,2,3,4	1,2,3,4	C47.6	Zhubný nádor periférnych nervov trupu, bliž. neurč.	4	4
C41.30	Zhubný nádor kosti a kĺbovej chrupky rebra	1,2,3,4	1,2,3,4	C47.8	Zhub. nádor perifér. nerv. a autonóm. nerv. súst. presah. viac.obl.	4	4
C41.31	Zhubný nádor kosti a kĺbovej chrupky hrudnej kosti	1,2,3,4	1,2,3,4	C47.9	Zhubný nádor perifér. nervov a autonóm. nerv. súst., bliž. neurč.	4	4
C41.32	Zhubný nádor kosti a kĺbovej chrupky kľúčnej kosti	1,2,3,4	1,2,3,4	C48.0	Zhubný nádor retroperitonea	4	4
C41.4	Zhubný nádor kosti a kĺbovej chrupky panvovej kosti	1,2,3,4	1,2,3,4	C48.1	Zhubný nádor pobrušnice, bližšie určenej časti	4	4
C41.8	Zhubný nádor kosti a kĺbovej chrupky presah. viac.obl.	1,2,3,4	1,2,3,4	C48.2	Zhubný nádor pobrušnice, bližšie neurčenej časti	4	4
C41.9	Zhubný nádor kosti a kĺbovej chrupky, bliž. neurč.	4	4	C48.8	Zhubný nádor retroperitonea a pobrušnice presah. viac.obl.	4	4
C43.0	Malígný melanóm pery	4	4	C49.0	Zhubný nádor spojivového a mäkk.tkaniva hlavy, tváre a krku	4	4
C43.1	Malígný melanóm mihalnice vrátane očného kútika	4	4	C49.1	Zhubný nádor spojivového a mäkk.tkaniva HK vrátane pleca	4	4
C43.2	Malígný melanóm ucha a vonkajšieho zvukovodu	4	4	C49.2	Zhubný nádor spojivového a mäkk.tkaniva DK vrátane bedra	4	4
C43.3	Malígný melanóm inej a bliž. neurč. časti tváre	4	4	C49.3	Zhubný nádor spojivového a mäkkého tkaniva hrudníka	4	4
C43.4	Malígný melanóm vlasatej časti hlavy a krku	4	4	C49.4	Zhubný nádor spojivového a mäkkého tkaniva brucha	4	4
C43.5	Malígný melanóm trupu	4	4	C49.5	Zhubný nádor spojivového a mäkkého tkaniva malej panvy	4	4
C43.6	Malígný melanóm hornej končatiny vrátane pleca	4	4	C49.6	Zhubný nádor spojivového a mäkkého tkaniva trupu, bliž. neurč.	4	4
C43.7	Malígný melanóm dolnej končatiny vrátane bedra	4	4	C49.8	Zhub. nádor spojiv. a mäkk. tkan., presah. viac.obl.	4	4
C43.8	Malígný melanóm presahujúci viaceré oblasti	4	4	C49.9	Zhub. nádor spojiv. a mäkk. tkan., b.n.	4	4
C43.9	Malígný melanóm kože, bližšie neurčený	4	4	C50.0	Zhubný nádor prsnikovej bradavky a dvorčeka	2,3,4	2,4
C44.0	Iný zhubný nádor kože pery	4	4	C50.1	Zhubný nádor strednej časti prsníka	4	4
C44.1	Iný zhubný nádor kože mihalnice vrátane očného kútika	4	4	C50.2	Zhubný nádor horného vnútorného kvadrantu prsníka	4	4
C44.2	Iný zhubný nádor kože ucha a vonkajšieho zvukovodu	4	4	C50.3	Zhubný nádor dolného vnútorného kvadrantu prsníka	4	4
C44.3	Iný zhubný nádor kože iných a bliž. neurč. časti tváre	4	4	C50.4	Zhubný nádor horného vonkajšieho kvadrantu prsníka	4	4
C44.4	Iný zhubný nádor kože vlasatej časti hlavy a krku	4	4	C50.5	Zhubný nádor dolného vonkajšieho kvadrantu prsníka	4	4
C44.5	Iný zhubný nádor kože trupu	4	4	C50.6	Zhubný nádor axilárnej časti prsníka	4	4
C44.6	Zhubný nádor kože hornej končatiny vrátane pleca	4	4	C50.8	Zhubný nádor prsníka presahujúci viaceré oblasti	4	4
C44.7	Zhubný nádor kože dolnej končatiny vrátane bedra	4	4	C50.9	Zhubný nádor prsníka, bližšie neurčený	4	4
				C51.0	Zhubný nádor veľkého pysku	4	4
				C51.1	Zhubný nádor malého pysku	4	4
				C51.2	Zhubný nádor klitorisu	4	4
				C51.8	Zhubný nádor vulvy presahujúci viaceré oblasti	4	4
				C51.9	Zhubný nádor vulvy, bližšie neurčený	4	4

ICD	Text	OP. CCL	Med. CCL	ICD	Text	OP. CCL	Med. CCL
C52	Zhubný nádor pošvy	4	4	C68.9	Zhubný nádor bližšie neurčených močových orgánov	4	4
C53.0	Zhubný nádor endocervixu maternice	4	4	C69.0	Zhubný nádor spojovky	4	4
C53.1	Zhubný nádor exocervixu maternice	4	4	C69.1	Zhubný nádor rohovky	4	4
C53.8	Zhubný nádor krčka maternice presah.viac.obl.	4	4	C69.2	Zhubný nádor sietnice	4	4
C53.9	Zhubný nádor krčka maternice,bližšie neurčený	4	4	C69.3	Zhubný nádor cievovky	4	4
C54.0	Zhubný nádor istmu maternice	4	4	C69.4	Zhubný nádor vráskovca	4	4
C54.1	Zhubný nádor endometria	4	4	C69.5	Zhubný nádor slznej žľazy a nosovoslzného kanála	4	4
C54.2	Zhubný nádor myometria	4	4	C69.6	Zhubný nádor očnice	4	4
C54.3	Zhubný nádor dna maternice	4	4	C69.8	Zhub.nádor oka a očných adnexov presah.viac.obl.	4	4
C54.8	Zhub.nádor tela maternice presah.viac.obl.	4	4	C69.9	Zhubný nádor oka,bližšie neurčený	4	4
C54.9	Zhubný nádor tela maternice,bližšie neurčený	4	4	C70.0	Zhubný nádor mozgovomiechových obalov: mozog	1,2,3,4	1,2,3,4
C55	Zhubný nádor bližšie neurčenej časti maternice	4	4	C70.1	Zhubný nádor mozgovomiechových obalov: miecha	1,2,3,4	1,2,3,4
C56	Zhubný nádor vaječníka	4	4	C70.9	Zhubný nádor mozgovomiechových obalov,bližšie neurčený	1,2,3,4	1,2,3,4
C57.0	Zhubný nádor vajíčkovodu	4	4	C71.0	Zhubný nádor mozgu okrem lalokov a komôr	1,2,3,4	1,2,3,4
C57.1	Zhubný nádor širokého väzu maternice	4	4	C71.1	Zhubný nádor čelového laloka mozgu	1,2,3,4	1,2,3,4
C57.2	Zhubný nádor oblého väzu maternice	4	4	C71.2	Zhubný nádor spánkového laloka mozgu	1,2,3,4	1,2,3,4
C57.3	Zhubný nádor parametria	4	4	C71.3	Zhubný nádor temenného laloka mozgu	1,2,3,4	1,2,3,4
C57.4	Zhubný nádor adnexov maternice,bližšie neurčený	4	4	C71.4	Zhubný nádor záhlavového laloka mozgu	1,2,3,4	1,2,3,4
C57.7	Zhubný nádor iných ženských pohlavných orgánov,bliž.urč.	4	4	C71.5	Zhubný nádor mozgovej komory mozgu	1,2,3,4	1,2,3,4
C57.8	Zhubný nádor ženských.pohlavných orgánov,presah.viac.obl.	4	4	C71.6	Zhubný nádor mozočka	1,2,3,4	1,2,3,4
C57.9	Zhubný nádor ženského pohlavného orgánu,bliž.neurč.	4	4	C71.7	Zhubný nádor mozgového kmeňa	1,2,3,4	1,2,3,4
C60.0	Zhubný nádor predkožky penisu	4	4	C71.8	Zhubný nádor mozgu presahujúci viaceré oblasti	1,2,3,4	1,2,3,4
C60.1	Zhubný nádor žaluďa penisu	4	4	C71.9	Zhubný nádor mozgu, bližšie neurčený	1,2,3,4	1,2,3,4
C60.2	Zhubný nádor tela penisu	4	4	C72.0	Zhubný nádor miechy	1,2,3,4	1,2,3,4
C60.8	Zhubný nádor penisu presahujúci viaceré oblasti	4	4	C72.1	Zhubný nádor cauda equina	1,2,3,4	1,2,3,4
C60.9	Zhubný nádor penisu,bližšie neurčený	4	4	C72.2	Zhubný nádor čuchového nervu[nn.olfactorii]	1,2,3,4	1,2,3,4
C62.0	Zhubný nádor nezostúpeného semenníka	4	4	C72.3	Zhubný nádor zrakového nervu[n.opticus]	1,2,3,4	1,2,3,4
C62.1	Zhubný nádor zostúpeného semenníka	4	4	C72.4	Zhubný nádor sluchového nervu	1,2,3,4	1,2,3,4
C62.9	Zhubný nádor semenníka,bližšie neurčený	4	4	C72.5	Zhubný nádor iných a bliž.neurč.hlavových nervov	1,2,3,4	1,2,3,4
C63.0	Zhubný nádor nadsemenníka	4	4	C72.8	Zhubný nádor,lézia presahujúca mozog a iné časti CNS	1,2,3,4	1,2,3,4
C63.1	Zhubný nádor semenného povrazca	4	4	C72.9	Zhubný nádor centrálnej nervovej sústavy,bližšie neurčený	4	4
C63.2	Zhubný nádor mieška	4	4	C73	Zhubný nádor štítnej žľazy	4	4
C63.7	Zhubný nádor iných mužských pohlavných orgánov,bliž.urč.	4	4	C74.0	Zhubný nádor kóry nadobličky	4	4
C63.8	Zhubný nádor mužských pohlavných orgánov presah.viac.obl.	4	4	C74.1	Zhubný nádor drene nadobličky	4	4
C63.9	Zhubný nádor mužského pohlavného orgánu,bliž.neurč.	4	4	C74.9	Zhubný nádor nadobličky,bližšie neurčený	4	4
C64	Zhubný nádor obličky okrem obličkovej panvičky	2,4	2,4	C75.0	Zhubný nádor prítitnej žľazy	4	4
C65	Zhubný nádor obličkovej panvičky	2,4	2,4	C75.1	Zhubný nádor podmozgovej žľazy	4	4
C66	Zhubný nádor močovodu	2,4	2,4	C75.2	Zhubný nádor kraniofaryngového vývodu	4	4
C67.0	Zhubný nádor trigonum močového mechúra	4	4	C75.3	Zhubný nádor epifýzy	4	4
C67.1	Zhubný nádor klenby močového mechúra	4	4	C75.4	Zhubný nádor glomus caroticum	4	4
C67.2	Zhubný nádor bočnej steny močového mechúra	4	4	C75.5	Zhubný nádor glomus aorticum a iných paraganglií	4	4
C67.3	Zhubný nádor prednej steny močového mechúra	4	4	C75.8	Zhubný nádor s postih.viacerých žliaz,bliž.neurč.	4	4
C67.4	Zhubný nádor zadnej steny močového mechúra	4	4	C75.9	Zhubný nádor žliaz s vnútorným vylučovaním,bliž.neurč.	4	4
C67.5	Zhubný nádor krčka močového mechúra	4	4	C76.0	Zhubný nádor na i.a nepres.urč.miestach hlavy,tváre a krku	4	4
C67.6	Zhubný nádor ústia močovodu	4	4	C76.1	Zhubný nádor na iných a nepres.urč.miestach hrudníka	4	4
C67.7	Zhubný nádor urachu	4	4	C76.2	Zhubný nádor na iných a nepres.urč.miestach brucha	4	4
C67.8	Zhubný nádor močového mechúra,presah.viac.obl.	4	4	C76.3	Zhubný nádor na iných a nepres.urč.miestach panvy	4	4
C67.9	Zhubný nádor močového mechúra,bližšie neurčený	4	4	C76.4	Zhubný nádor na iných a nepres.urč.miestach HK	4	4
C68.0	Zhubný nádor močovej rúry	4	4	C76.5	Zhubný nádor na iných a nepres.urč.miestach DK	4	4
C68.1	Zhubný nádor parauretrálnej žľazy	4	4				
C68.8	Zhubný nádor močových orgánov presah.viac.obl.	4	4				

ICD	Text	OP. CCL	Med. CCL	ICD	Text	OP. CCL	Med. CCL
C76.7	Zhubný nádor na iných a nepresne určených miestach	4	4	C81.9	Hodgkinov lymfóm, bližšie neurčený	1,2,3,4	1,2,4
C76.8	Zhubný nádor na iných a nepres. urč. miestach, presah. viac. obl.	4	4	C82.0	Folikulový lymfóm, štádium I	1,2,3,4	1,2,4
C77.0	Sekundár. a bliž. neu. zhub. nádor lymf. uzliny hlavy, tváre a krku	1,2,3,4	1,2,3,4	C82.1	Folikulový lymfóm, štádium II	1,2,3,4	1,2,4
C77.1	Sekundárny a bliž. neu. zhub. nádor vnútrohrud. lymf. uzliny	1,2,4	1,2,4	C82.2	Folikulový lymfóm, štádium III, bližšie neurčený	1,2,3,4	1,2,4
C77.2	Sekundárny a bliž. neu. zhub. nádor vnútrobruš. lymf. uzliny	1,2,4	1,2,4	C82.3	Folikulový lymfóm, štádium IIIa	1,2,3,4	1,2,4
C77.3	Sekundárny a bliž. neu. zhub. nádor lymf. uzliny pazuchy a HK	1,2,4	1,2,4	C82.4	Folikulový lymfóm, štádium IIIb	1,2,3,4	1,2,4
C77.4	Sekundárny a bliž. neu. zhub. nádor lymf. uzliny slabiny a DK	1,2,4	1,2,4	C82.5	Difúzny lymfóm folikulového centra	1,2,3,4	1,2,4
C77.5	Sekundárny a bliž. neu. zhub. nádor vnútropanv. lymf. uzliny	1,2,4	1,2,4	C82.6	Kožný lymfóm folikulového centra	1,2,3,4	1,2,4
C77.8	Sekundárny a bliž. neu. zhub. nádor lymf. uzliny viac. obl.	1,2,4	1,2,4	C82.7	Iný typ folikulového lymfómu	1,2,3,4	1,2,4
C77.9	Sekundárny a bliž. neu. zhub. nádor bliž. neurč. lymf. uzlín	1,2,4	1,2,4	C82.9	Folikulový lymfóm, bližšie neurčený	1,2,3,4	1,2,4
C78.0	Sekundárny zhubný nádor pľúc	2,3,4	1,2,3,4	C83.0	Malobunkový lymfóm z B-buniek	1,2,3,4	1,2,4
C78.1	Sekundárny zhubný nádor mediastína	2,3,4	1,2,3,4	C83.1	Lymfóm z plášťových buniek	1,2,3,4	1,2,4
C78.2	Sekundárny zhubný nádor pohrudnice	1,2,3,4	1,2,3,4	C83.3	Difúzny veľkobunkový lymfóm z B-buniek	1,2,3,4	1,2,4
C78.3	Sekundárny zhubný nádor iných a bliž. neurč. dýchacích orgánov	1,2,3,4	1,2,4	C83.5	Lymfoblastový lymfóm	1,2,3,4	1,2,4
C78.4	Sekundárny zhubný nádor tenkého čreva	1,2,3,4	1,2,4	C83.7	Burkittov lymfóm	1,2,3,4	1,2,4
C78.5	Sekundárny zhubný nádor hrubého čreva a konečníka	1,2,3,4	1,2,4	C83.8	Iný nefolikulový lymfóm	1,2,3,4	1,2,4
C78.6	Sekundárny zhubný nádor retroperitonea a pobrušnice	1,2,3,4	1,2,4	C83.9	Nefolikulový lymfóm, bližšie neurčený	1,2,3,4	1,2,4
C78.7	Sekundárny zhubný nádor pečene a vnútropečeň. žľozododov	1,2,3,4	1,2,4	C84.0	Mycosis fungoides	1,2,3,4	1,2,4
C78.8	Sekundárny zhubný nádor i. a bliž. neurč. tráviacich orgánov	1,2,3,4	1,2,4	C84.1	Sézaryho choroba	1,2,3,4	1,2,4
C79.0	Sekundárny zhubný nádor obličky a obličkovej panvičky	1,2,3,4	1,2,3,4	C84.4	Periférny lymfóm z T-buniek, nezatriedený	1,2,3,4	1,2,4
C79.1	Sekundárny zhubný nádor moč. mechúra a i. a b. neurč. moč. org.	1,2,3,4	1,2,4	C84.5	Iný lymfóm zo zreých T/NK-buniek	1,2,3,4	1,2,4
C79.2	Sekundárny zhubný nádor kože	2,3,4	2,4	C84.6	Anaplastický veľkobunkový lymfóm, ALK-pozitívny	1,2,3,4	1,2,4
C79.3	Sekundárny zhubný nádor mozgu a mozgových plien	1,2,3,4	1,2,4	C84.7	Anaplastický veľkobunkový lymfóm, ALK-negatívny	1,2,3,4	1,2,4
C79.4	Sekundárny zhubný nádor i. a bliž. neu. častí nervov. súst.	1,2,3,4	1,2,4	C84.8	Kožný lymfóm z T-buniek, bližšie neurčený	1,2,3,4	1,2,4
C79.5	Sekundárny zhubný nádor kosti a kostnej drene	1,2,3,4	1,2,3,4	C84.9	Lymfóm zo zreých T/NK-buniek, bližšie neurčený	1,2,3,4	1,2,4
C79.6	Sekundárny zhubný nádor vaječníka	3,4	3,4	C85.1	Lymfóm z B-buniek, bližšie neurčený	1,2,3,4	1,2,4
C79.7	Sekundárny zhubný nádor nadobličky	1,2,3,4	1,2,3,4	C85.2	Mediastinálny (týmsový) veľkobunkový lymfóm z B-buniek	1,2,3,4	1,2,4
C79.81	Sekundárny zhubný nádor prsníka	2,3,4	2,4	C85.7	Iný bližšie určený typ non-Hodgkinovho lymfómu	1,2,3,4	1,2,4
C79.82	Sekundárny zhubný nádor pohlavných orgánov	3,4	3,4	C85.9	Non-Hodgkinov lymfóm, bližšie neurčený	1,2,3,4	1,2,4
C79.83	Sekundárny zhubný nádor perikardu	1,2,3,4	1,2,4	C86.0	Extranodálny lymfóm z NK/T- buniek, nosový typ	1,2,3,4	1,2,4
C79.84	Iné sekundárne zhubné nádory srdca	1,2,3,4	1,2,4	C86.1	Hepatosplenický lymfóm z T-buniek	1,2,3,4	1,2,4
C79.88	Sekundárny zhubný nádor na iných bliž. urč. miestach	1,2,3,4	1,2,4	C86.2	Enteropatický (intestinálny) lymfóm z T-buniek	1,2,3,4	1,2,4
C79.9	Sekundárny zhubný nádor bez bliž. urč. miesta	1,2,3,4	1,2	C86.3	Podkožný panikulitída podobný lymfóm z T-buniek	1,2,3,4	1,2,4
C80.0	Zhubný nádor, bliž. neznámej primárnej lokalizácie, tak označený	1,2,3,4	1,2	C86.4	Blastový lymfóm z NK-buniek	1,2,3,4	1,2,4
C80.9	Zhubný nádor, bližšie neurčenej primárnej lokalizácie	1,2,3,4	1,2	C86.5	Angioimunoblastový lymfóm z T-buniek	1,2,3,4	1,2,4
C81.0	Nodulárny Hodgkinov lymfóm s prevahou lymfocytov	1,2,3,4	1,2,4	C86.6	Primárna kožná CD30-pozitívna lymfoprolif. chor. z T-buniek	1,2,3,4	1,2,4
C81.1	Klasický Hodgkinov lymfóm s nodulárnou sklerózou	1,2,3,4	1,2,4	C88.00	Waldenströmova makroglobulinémia, bez komplet. remisie	1,2,3,4	1,2,4
C81.2	Klasický Hodgkinov lymfóm so zmiešanou celularitou	1,2,3,4	1,2,4	C88.01	Waldenströmova makroglobulinémia, v komplet. remisie	1,2,3,4	1,2,4
C81.3	Klasický Hodgkinov lymfóm chudobný na lymfocyty	1,2,3,4	1,2,4	C88.20	Iná choroba ťažkých reťazcov, bez komplet. rem.	4	4
C81.4	Klasický Hodgkinov lymfóm bohatý na lymfocyty	1,2,3,4	1,2,4	C88.21	Iná choroba ťažkých reťazcov, v kompletnej remisii	4	4
C81.7	Iný klasický Hodgkinov lymfóm	1,2,3,4	1,2,4	C88.30	Imunoproliferatívna choroba tenkého čreva, bez komplet. rem.	1,2,3,4	1,2,4
				C88.31	Imunoproliferatívna choroba tenkého čreva, v komplet. remisii	1,2,3,4	1,2,4
				C88.40	Extranod. lymf. z B-bun. marginál. zóny lymf. tka. sliz. bez kompl. r.	1,2,3,4	1,2,4
				C88.41	Extranod. lymf. z B-bun. marginál. zóny lymf. tka. sliz., v kompl. r.	1,2,3,4	1,2,4
				C88.70	Iná zhubná imunoproliferatívna choroba, bez komplet. rem.	1,2,3,4	1,2,4
				C88.71	Iná zhubná imunoproliferatívna choroba, v komplet. rem.	1,2,3,4	1,2,4
				C88.90	Zhubná imunoproliferatívna choroba, bliž. neurč., bez kompl. rem.	1,2,3,4	1,2,4
				C88.91	Zhubná imunoproliferatívna choroba, bliž. neurč., v kompl. rem.	1,2,3,4	1,2,4



ICD	Text	OP. CCL	Med. CCL	ICD	Text	OP. CCL	Med. CCL
C90.00	Mnohopočetný myelóm,bez kompletnej remisie	1,2,3,4	1,2,4	C92.60	Akútna myeloická leukémia s 11q23 abnormal.,bez komplet.rem.	1,2,3,4	1,2,3,4
C90.01	Mnohopočetný myelóm,v kompletnej remisii	1,2,3,4	1,2,4	C92.61	Akútna myeloická leukémia s 11q23 abnormal.,v komplet.rem.	1,2,3,4	1,2,3,4
C90.10	Plazmocytová leukémia,bez kompletnej remisie	1,2,3,4	1,2,4	C92.70	Iná myeloická leukémia,bez kompletnej remisie	1,2,3,4	1,2,4
C90.11	Plazmocytová leukémia,v kompletnej remisii	1,2,3,4	1,2,4	C92.71	Iná myeloická leukémia,v kompletnej remisii	1,2,3,4	1,2,4
C90.20	Extramedulárny plazmocytóm,bez kompletnej remisie	1,2,3,4	1,2,4	C92.80	Akútna myeloická leukém.s multilinéár.dyspl.,bez komplet.rem.	1,2,3,4	1,2,3,4
C90.21	Extramedulárny plazmocytóm,v kompletnej remisii	1,2,3,4	1,2,4	C92.81	Akútna myeloická leukém.s multilinéár.dyspl.,v komplet.rem.	1,2,3,4	1,2,3,4
C90.30	Solitárny plazmocytóm,bez kompletnej remisie	1,2,3,4	1,2,4	C92.90	Myeloická leukémia bliž.neurč.,bez kompl.remisie	1,2,3,4	1,2,4
C90.31	Solitárny plazmocytóm,v kompletnej remisii	1,2,3,4	1,2,4	C92.91	Myeloická leukémia bliž.neurč.,v kompl.remisii	1,2,3,4	1,2,4
C91.00	Akútna lymfoblastová leukémia,bez komplet.remisie	1,2,3,4	1,2,3,4	C93.00	Akút.monoblastová/monocytová leukémia,bez komplet.remisie	1,2,3,4	1,2,3,4
C91.01	Akútna lymfoblastová leukémia,v komplet.remisii	1,2,3,4	1,2,3,4	C93.01	Akút.monoblastová/monocytová leukémia,v komplet.rem.	1,2,3,4	1,2,3,4
C91.10	Chronická lymfatická leukémia,bez komplet.remisie	1,2,3,4	1,2,4	C93.10	Chronická myelomonocytová leukémia bez.komplet.remisie	1,2,3,4	1,2,4
C91.11	Chronická lymfatická leukémia,v kompletnej remisii	1,2,3,4	1,2,4	C93.11	Chronická myelomonocytová leukémia,v komplet.rem.	1,2,3,4	1,2,4
C91.30	Prolymfocytová leukémia z B-buniek,bez komplet.remisie	1,2,3,4	1,2,4	C93.30	Juvenilná myelomonocytová leukémia,bez komplet.rem.	1,2,3,4	1,2,4
C91.31	Prolymfocytová leukémia z B-buniek,v komplet.remisii	1,2,3,4	1,2,4	C93.31	Juvenilná myelomonocytová leukémia,v komplet.rem.	1,2,3,4	1,2,4
C91.40	Vlasatobunková leukémia,bez kompletnej remisie	1,2,3,4	1,2,4	C93.70	Iná monocytová leukémia,bez kompletnej remisie	1,2,3,4	1,2,4
C91.41	Vlasatobunková leukémia,v kompletnej remisii	1,2,3,4	1,2,4	C93.71	Iná monocytová leukémia,v kompletnej remisii	1,2,3,4	1,2,4
C91.50	Leukém./lymf.z dos.T-buniek spoj.s infek.HTLV-1,b.kompl.rem.	1,2,3,4	1,2,4	C93.90	Monocytová leukémia,bliž.neurč.,bez kompl.rem.	1,2,3,4	1,2,4
C91.51	Leukém./lymf.z dos.T-buniek spoj.s infek.HTLV-1,v kompl.rem.	1,2,3,4	1,2,4	C93.91	Monocytová leukémia,bliž.neurč.,v kompl.rem.	1,2,3,4	1,2,4
C91.60	Prolymfocytová leukémia z T-buniek,bez kompl.rem.	1,2,3,4	1,2,4	C94.00	Akútna erytroleukémia,bez kompletnej remisie	1,2,3,4	1,2,3,4
C91.61	Prolymfocytová leukémia z T-buniek,v komplet.rem.	1,2,3,4	1,2,4	C94.01	Akútna erytroleukémia,v kompletnej remisii	1,2,3,4	1,2,3,4
C91.70	Iná lymfatická leukémia,bez kompletnej remisie	1,2,3,4	1,2,4	C94.20	Akútna megakaryoblastová leukémia,bez komplet.rem.	1,2,3,4	1,2,4
C91.71	Iná lymfatická leukémia,v kompletnej remisii	1,2,3,4	1,2,4	C94.21	Akútna megakaryoblastová leukémia,v komplet.rem.	1,2,3,4	1,2,4
C91.80	Leukémia zo zreých B-buniek Burkittovho typu,bez kompl.rem.	1,2,3,4	1,2,3,4	C94.30	Mastocytová leukémia,bez kompletnej remisie	1,2,3,4	1,2,4
C91.81	Leukémia zo zreých B-buniek Burkittovho typu,v kompl.rem.	1,2,3,4	1,2,3,4	C94.31	Mastocytová leukémia,v kompletnej remisii	1,2,3,4	1,2,4
C91.90	Lymfatická leukémia,bliž.neurč.,bez kompl.rem.	1,2,3,4	1,2,4	C94.40	Akút.panmyelóza s myelofibrózou,bez komplet.rem.	1,2,3,4	1,2,4
C91.91	Lymfatická leukémia,bliž.neurč.,v kompl.rem.	1,2,3,4	1,2,4	C94.41	Akút.panmyelóza s myelofibrózou,v komplet.rem.	1,2,3,4	1,2,4
C92.00	Akútna myeloblastová leukémia (AML),bez kompl.rem.	1,2,3,4	1,2,3,4	C94.60	Myelodyspl.a myeloprolif.choroba.,bez komplet.rem.,i.n.	4	4
C92.01	Akútna myeloblastová leukémia (AML),v kompl.rem.	1,2,3,4	1,2,3,4	C94.61	Myelodyspl.a myeloprolif.choroba.,v komplet.rem.,inde.nezat.	4	4
C92.10	Chronická myeloická leukémia BCR/ABL-pozit.,b.komplet.rem.	1,2,3,4	1,2,4	C94.70	Iná bližšie určená leukémia,bez kompletnej remisie	1,2,3,4	1,2,4
C92.11	Chronická myeloická leukémia BCR/ABL-pozit.,v komplet.rem.	1,2,3,4	1,2,4	C94.71	Iná bližšie určená leukémia,v kompletnej remisii	1,2,3,4	1,2,4
C92.20	Atypická chron.myeloická leuk.,BCR/ABL-neg.,b.komplet.rem.	1,2,3,4	1,2,4	C95.00	Akútna leukémia bliž.neurč.bunkového typu,bez komplet.rem.	1,2,3,4	1,2,3,4
C92.21	Atypická chron.myeloická leuk. BCR/ABL-neg.,v komplet.rem.	1,2,3,4	1,2,4	C95.01	Akútna leukémia bliž.neurč.bunkového typu,v komplet.rem.	1,2,3,4	1,2,3,4
C92.30	Myelosarkóm,bez kompletnej remisie	1,2,3,4	1,2,4	C95.10	Chronická leukémia bliž.neurč.bunkového typu,bez komplet.rem.	1,2,3	1,2
C92.31	Myelosarkóm,v kompletnej remisii	1,2,3,4	1,2,4	C95.11	Chronická leukémia bliž.neurč.bunkového typu,v komplet.rem.	1,2,3	1,2
C92.40	Akútna promyelocytová leukémia,bez komplet.rem.	1,2,3,4	1,2,3,4	C95.70	Iná leukémia bliž.neurč.bunkového typu,bez komplet.rem.	1,2,3,4	1,2,4
C92.41	Akútna promyelocytová leukémia,v komplet.rem.	1,2,3,4	1,2,3,4	C95.71	Iná leukémia bliž.neurč.bunkového typu,v komplet.rem.	1,2,3,4	1,2,4
C92.50	Akútna myelomonocytová leukémia,b.komplet.rem.	1,2,3,4	1,2,3,4	C95.90	Leukémia,bližšie neurčená,bez kompletnej remisie	1,2,3,4	1,2,4
C92.51	Akútna myelomonocytová leukémia,v komplet.rem.	1,2,3,4	1,2,3,4				

ICD	Text	OP. CCL	Med. CCL	ICD	Text	OP. CCL	Med. CCL
C95.91	Leukémia, bližšie neurčená, v kompletnej remisii	1,2,3,4	1,2,4	D16.2	Nezhubný nádor dlhých kostí DK	4	4
C96.0	Multifokálna a multisyst. histiocytóza z Langerhansových bun.	1,2,3,4	1,2,4	D16.3	Nezhubný nádor krátkych kostí DK	4	4
C96.2	Zhubný mastocytový nádor	1,2,3,4	1,2,4	D16.41	Nezhubný nádor kosti a klb. chrupky, kraniofaciálna obl.	4	4
C96.4	Sarkóm z dendritických buniek (akcesórnych buniek)	1,2,3,4	1,2,4	D16.42	Nezhubný nádor kosti a klb. chrupky, maxilofaciálna obl.	4	4
C96.7	Iný bliž. ur. zhub. nád. lymf., hematopoetic. a príbuz. tkan.	1,2,3,4	1,2,4	D16.5	Nezhubný nádor kostí dolnej čeľuste	4	4
C96.8	Histiocytový sarkóm	1,2,3,4	1,2,4	D16.6	Nezhubný nádor chrbtice	4	4
C96.9	Zhubný nádor lymf., hematopoetického a príbuz. tkan., bliž. n.	1,2,3,4	1,2,4	D16.70	Nezhubný nádor kosti a kĺbovej chrupky rebier	4	4
C97	Zhubné nádory s primárnym výskytom na roz. m.	1,2,3,4	1,2,4	D16.71	Nezhubný nádor kosti a kĺbovej chrupky hrudnej kosti	4	4
D10.0	Nezhubný nádor pery	4	4	D16.72	Nezhubný nádor kosti a kĺbovej chrupky kľúčnej kosti	4	4
D10.1	Nezhubný nádor jazyka	4	4	D16.8	Nezhubný nádor panv. kostí, kríž. kostí a kostrče	4	4
D10.2	Nezhubný nádor spodiny úst	4	4	D16.9	Nezhubný nádor kosti a kĺbovej chrupky, bliž. neurč.	4	4
D10.3	Nezhubný nádor inej a bližšie neurčenej časti úst	4	4	D18.00	Hemangióm bez bližšieho určenia miesta	4	4
D10.5	Nezhubný nádor inej časti orofaryngu	4	4	D18.10	Lymfangióm - hygroma colli cysticum	4	4
D10.6	Nezhubný nádor nazofaryngu	4	4	D18.11	Lymfangióm axily	4	4
D10.7	Nezhubný nádor hypofaryngu	4	4	D18.12	Lymfangióm ingvíny	4	4
D10.9	Nezhubný nádor faryngu, bližšie neurčený	4	4	D18.13	Lymfangióm retroperitonea	4	4
D11.0	Nezhubný nádor príušnej žľazy	4	4	D18.18	Lymfangióm na inom mieste	4	4
D11.7	Nezhubný nádor inej veľkej slinnej žľazy	4	4	D18.19	Lymfangióm bez bližšieho určenia miesta	4	4
D11.9	Nezhubný nádor bliž. neurč. veľkej slinnej žľazy	4	4	D19.0	Nezhubný nádor mezotelového tkaniva pohrudnice	4	4
D12.0	Nezhubný nádor slepého čreva	4	4	D19.1	Nezhubný nádor mezotelového tkaniva pobrušnice	4	4
D12.1	Nezhubný nádor červovitého príviesku slepého čreva	4	4	D19.7	Nezhubný nádor mezotelového tkaniva na inom mieste	4	4
D12.2	Nezhubný nádor vzostupnej časti hrubého čreva	4	4	D19.9	Nezhubný nádor mezotelového tkaniva, bliž. neurč.	4	4
D12.3	Nezhubný nádor priečnej časti hrubého čreva	4	4	D20.0	Nezhubný nádor retroperitonea	4	4
D12.4	Nezhubný nádor zostupnej časti hrubého čreva	4	4	D20.1	Nezhubný nádor pobrušnice	4	4
D12.5	Nezhubný nádor esovitej časti hrubého čreva	4	4	D21.0	Nezhubný nádor spojiv. a iného mäkk. tkan. hlavy, tváre a krku	4	4
D12.6	Nezhubný nádor hrubého čreva, bližšie neurčený	4	4	D21.1	Nezhubný nádor spojiv. a iného mäkk. tkan. HK vrátane pleca	4	4
D12.7	Nezhubný nádor rektosigmoidového spojenia	4	4	D21.2	Nezhubný nádor spojiv. a iného mäkk. tkan. DK vrátane bedra	4	4
D12.8	Nezhubný nádor konečníka	4	4	D21.3	Nezhubný nádor spojiv. a iného mäkk. tkaniva hrudníka	4	4
D12.9	Nezhubný nádor anusu a análneho kanála	4	4	D21.4	Nezhubný nádor spojiv. a iného mäkk. tkaniva brucha	4	4
D13.0	Nezhubný nádor pažeráka	4	4	D21.5	Nezhubný nádor spojiv. a iného mäkk. tkaniva panvy	4	4
D13.1	Nezhubný nádor žalúdka	4	4	D21.6	Nezhubný nádor spojiv. a iného mäkk. tkaniva trupu, bliž. neurč.	4	4
D13.2	Nezhubný nádor dvanástnika	4	4	D21.9	Nezhubný nádor spojiv. a iného mäkk. tkaniva, bliž. neurč.	4	4
D13.3	Nezhubný nádor iných a bliž. neurč. častí tenkého čreva	4	4	D24	Nezhubný nádor prsníka	4	4
D13.4	Nezhubný nádor pečene	4	4	D25.0	Submukózný leiomyóm maternice	4	4
D13.5	Nezhubný nádor extrahepatálnych žilových ciest	4	4	D25.1	Intramurálny leiomyóm maternice	4	4
D13.6	Nezhubný nádor podžalúdkovej žľazy	4	4	D25.2	Subserózný leiomyóm maternice	4	4
D13.7	Nezhubný nádor endokrinného pankreasu	4	4	D25.9	Leiomyóm maternice, bližšie neurčený	4	4
D13.9	Nezhubný nádor na neurčenom mieste tráviacej súst.	4	4	D26.0	Iný nezhubný nádor krčka maternice	4	4
D14.0	Nezhubný nádor stred. ucha, nos. dutiny a prinos. dutín	4	4	D26.1	Iný nezhubný nádor tela maternice	4	4
D14.1	Nezhubný nádor hrtana	4	4	D26.9	Iný nezhubný nádor maternice, bližšie neurčený	4	4
D14.2	Nezhubný nádor priedušnice	4	4	D27	Nezhubný nádor vaječníka	4	4
D14.3	Nezhubný nádor priedušky a pľúc	4	4	D28.0	Nezhubný nádor vulvy	4	4
D14.4	Nezhubný nádor dýchacej sústavy, bližšie neurčený	4	4	D28.1	Nezhubný nádor pošvy	4	4
D15.0	Nezhubný nádor týmusu	4	4	D28.2	Nezhubný nádor vajíčkovodov a väzov maternice	4	4
D15.1	Nezhubný nádor srdca	4	4	D28.7	Nezhubný nádor iných bliž. urč. ženských pohlav. org.	4	4
D15.2	Nezhubný nádor mediastína	4	4	D28.9	Nezhubný nádor bliž. neurč. ženských pohlav. org.	4	4
D15.7	Nezhubný nádor iných určených vnútrohrod. org.	4	4				
D15.9	Nezhubný nádor vnútrohrod. orgánov, bliž. neurč.	4	4				
D16.0	Nezhub. nádor lopatky a dlhých kostí HK	4	4				
D16.1	Nezhubný nádor krátkych kostí HK	4	4				

ICD	Text	OP. CCL	Med. CCL	ICD	Text	OP. CCL	Med. CCL
D29.0	Nezhubný nádor penisu	4	4	D37.4	Nádor s neurčitým/neznám.správaním:hrubé črevo	4	4
D29.1	Nezhubný nádor prostaty	4	4	D37.5	Nádor s neurčitým/neznám.správaním:konečník	4	4
D29.2	Nezhubný nádor semenníka	4	4	D37.6	Nádor s neurčitým/neznám.správaním:pečeň,žlčník,žlčové cesty	4	4
D29.3	Nezhubný nádor nadsemenníka	4	4	D37.70	Nádor s neurčitým/neznám.správaním:pankreas	4	4
D29.4	Nezhubný nádor mieška (skróta)	4	4	D37.78	Nádor s neurčitým/neznám.správaním:iný tráv.org.	4	4
D29.7	Nezhubný nádor iných mužských pohlavných orgánov	4	4	D37.9	Nádor s neurčitým/neznám.správaním:.,bliž.neurč.tráv.org.	4	4
D29.9	Nezhubný nádor bliž.neurč.mužských pohlav.org.	4	4	D38.0	Nádor s neurčitým/neznám.správaním:hrtan	4	4
D30.0	Nezhubný nádor obličky	4	4	D38.1	Nádor s neurčitým/neznám.správaním:priedušn.,prieduška,plúca	4	4
D30.1	Nezhubný nádor obličkovej panvičky	4	4	D38.2	Nádor s neurčitým/neznám.správaním:pohrudnica	4	4
D30.2	Nezhubný nádor močovoodu	4	4	D38.3	Nádor s neurčitým/neznám.správaním:mediastinum	4	4
D30.3	Nezhubný nádor močového mechúra	4	4	D38.4	Nádor s neurčitým/neznám.správaním: týmus	4	4
D30.4	Nezhubný nádor močovej rúry	4	4	D38.5	Nádor s neurčitým/neznám.správaním:iný dých.org.	4	4
D30.7	Nezhubný nádor iných močových orgánov	4	4	D38.6	Nádor s neurčitým/neznám.správaním:.,bliž.neurč.dých.org.	4	4
D30.9	Nezhubný nádor močového orgánu,bližšie neurčeného	4	4	D39.0	Nádor s neurčitým/neznám.správaním:maternica	4	4
D31.0	Nezhubný nádor spojovky	4	4	D39.1	Nádor s neurčitým/neznám.správaním:vaječník	4	4
D31.1	Nezhubný nádor rohovky	4	4	D39.2	Nádor s neurčitým/neznám.správaním:placenta	4	4
D31.2	Nezhubný nádor sietnice	4	4	D39.7	Nádor s neurčitým/neznám.správaním:i.žen.pohl.org.	4	4
D31.3	Nezhubný nádor cievovky	4	4	D39.9	Nádor s neurčitým/neznám.správaním:.,bliž.neurč.žen.pohl.org.	4	4
D31.4	Nezhubný nádor vráskovca	4	4	D40.0	Nádor s neurčitým/neznám.správaním:predstojnica (prostata)	4	4
D31.5	Nezhubný nádor slznej žľazy a nosovoslzného kanála	4	4	D40.1	Nádor s neurčitým/neznám.správaním:semenník	4	4
D31.6	Nezhubný nádor očnice,bližšie neurčený	4	4	D40.7	Nádor s neurčitým/neznám.správaním:i.muž.pohl.org.	4	4
D31.9	Nezhubný nádor oka,bližšie neurčený	4	4	D40.9	Nádor s neurčitým/neznám.správaním:.,bliž.neurč.muž.pohl.org.	4	4
D32.0	Nezhubný nádor mozgovomiechových obalov: mozog	4	4	D41.0	Nádor s neurčitým/neznám.správaním:oblička	4	4
D32.1	Nezhubný nádor mozgovomiechových obalov: miecha	4	4	D41.1	Nádor s neurčitým/neznám.správaním:obličková panvička	4	4
D32.9	Nezhubný nádor mozgovomiechových plien,bliž.neurč.	4	4	D41.2	Nádor s neurčitým/neznám.správaním:močovod	4	4
D33.0	Nezhubný nádor mozgu: supratentoriálne	4	4	D41.3	Nádor s neurčitým/neznám.správaním:močová rúra	4	4
D33.1	Nezhubný nádor mozgu: infratentoriálne	4	4	D41.4	Nádor s neurčitým/neznám.správaním:močový mechúr	4	4
D33.2	Nezhubný nádor mozgu,bližšie neurčený	4	4	D41.7	Nádor s neurčitým/neznám.správaním:i.moč.org.	4	4
D33.3	Nezhubný nádor hlavových nervov	4	4	D41.9	Nádor s neurčitým/neznám.správaním:.,bliž.neurč.moč.org.	4	4
D33.4	Nezhubný nádor miechy	4	4	D42.0	Nádor s neurčitým/neznám.správaním:mozgovomiech.obaly:mozog	4	4
D33.7	Nezhubný nádor iných,bliž.urč.častí CNS	4	4				
D33.9	Nezhubný nádor CNS,bližšie neurčený	4	4				
D34	Nezhubný nádor štítnej žľazy	4	4				
D35.0	Nezhubný nádor nadobličky	4	4				
D35.1	Nezhubný nádor prítstnej žľazy	4	4				
D35.2	Nezhubný nádor podmozgovej žľazy	4	4				
D35.3	Nezhubný nádor kraniofaryngového vývodu	4	4				
D35.4	Nezhubný nádor epifýzy	4	4				
D35.5	Nezhubný nádor glomus caroticum	4	4				
D35.6	Nezhubný nádor glomus aorticum a iných paraganglií	4	4				
D35.7	Nezhubný nádor iných,bliž.urč.žliaz s vnút.vylučovaním	4	4				
D35.8	Nezhubný nádor viacerých žliaz s vnútorným vylučovaním	4	4				
D35.9	Nezhubný nádor žľazy s vnút.vylučovaním,bliž.neurč.	4	4				
D36.0	Nezhubný nádor lymfatických uzlín	4	4				
D36.1	Nezhubný nádor periférnych nervov a autonóm.nerv.sústavy	4	4				
D36.7	Nezhubný nádor na iných,bližšie určených miestach	4	4				
D36.9	Nezhubný nádor bez bližšieho určenia miesta	4	4				
D37.0	Nádor pery,ústnej dutiny a hltana s neurč./nezn.správ.	4	4				
D37.1	Nádor s neurčitým alebo neznámym správaním: žalúdok	4	4				
D37.2	Nádor s neurčitým/neznám.správaním:tenké črevo	4	4				
D37.3	Nádor s neurčitým/neznám.správaním:červovitý privesok	4	4				

ICD	Text	OP. CCL	Med. CCL	ICD	Text	OP. CCL	Med. CCL
D42.1	Nádor s neurč./neznám.správaním:mozgovomiech.obaly:miecha	4	4	D47.7	Iný bliž.urč.nádor lymf.,krvotv.a príb.tk.s neu./nez.správ.	4	4
D42.9	Nádor s neurčítým/neznám.správaním:mozgovomiech.obaly b.n.	4	4	D47.9	Nádor lymf.,krvotv.a príbuz.tk.s neu./nezn.správ.,b.n.	4	4
D43.0	Nád.Nádor s neurč./neznám.správaním:mozog-supratentriálne	4	4	D48.0	Nádor s neurčítým/neznám.správ.kosť a kĺbová chrupka	4	4
D43.1	Nádor s neurčítým/neznám.správaním:mozog - infratentoriálne	4	4	D48.1	Nádor s neurčítým/neznám.správ.spojivové a i.mäkké tkanivo	4	4
D43.2	Nádor s neurčítým/neznám.správaním:mozog,bliž.neurč.	4	4	D48.2	Nádor s neurčítým/neznám.správ.perif.nervy a auton.nerv.súst.	4	4
D43.3	Nádor s neurčítým/neznám.správaním:hlavové nervy	4	4	D48.3	Nádor s neurčítým/neznám.správ.retropéritoneum	4	4
D43.4	Nádor s neurčítým/neznám.správaním:miecha	4	4	D48.4	Nádor s neurčítým/neznám.správ.pobrušnica	4	4
D43.7	Nádor s neurčítým/neznám.správaním:i.časť CNS	4	4	D48.5	Nádor s neurčítým/neznám.správ.koža	4	4
D43.9	Nádor s neurčítým/neznám.správaním:CNS,časť bliž.neurč.	4	4	D48.6	Nádor s neurčítým/neznám.správ.prsník	4	4
D44.0	Nádor s neurčítým/neznám.správaním:štitna žľaza	4	4	D48.7	Nádor s neurčítým/neznám.správ.iné bliž.urč.miesto	4	4
D44.1	Nádor s neurčítým/neznám.správaním:nadoblička	4	4	D48.9	Nádor s neurčítým/neznám.správ.,bliž.neurč.	4	4
D44.2	Nádor s neurčítým/neznám.správaním:príštitna žľaza	4	4	D50.0	Anémia z nedostatku železa pri chronických stratách krvi(D50.0)	1,2,3	1,2
D44.3	Nádor s neurčítým/neznám.správaním:podmozg.žľaza	4	4	D50.1	Sideropenická dysfágia	2,3	1,2,3
D44.4	Nádor s neurčítým/neznám.správaním:raniofaryngový vývod	4	4	D50.8	Iná anémia z nedostatku železa	1,2,3	1,2
D44.5	Nádor s neurčítým/neznámym správaním:epifýza	4	4	D50.9	Bližšie neurčená anémia z nedostatku železa	1,2,3	1,2
D44.6	Nádor s neurčítým/neznám.správaním:glomus caroticum	4	4	D52.0	Anémia z nedostatku kyseliny listovej v potrave	2,3	1,2,3
D44.7	Nádor s neurč./neznám.správ.:glomus aorticum a i.paragangliá	4	4	D52.1	Anémia z nedostatku kyseliny listovej zapríč.liekmí	2,3	1,2,3
D44.8	Nádor s neurčítým/neznám.správaním:viac.endokrinné žľazy	2	1,2	D52.8	Iná anémia z nedostatku kyseliny listovej	2,3	1,2,3
D44.9	Nádor s neurčítým/neznám.správaním:bliž.n.žľaza s vnút.vyluč.	4	4	D52.9	Anémia z nedostatku kyseliny listovej,bliž.neurč.	2,3	1,2,3
D45	Polycythaemia vera	4	4	D53.0	Anémia z nedostatku bielkovín	2,3	1,2,3
D46.0	Refraktérna anémia bez prstencových sideroblastov,potvrđ.	4	4	D53.1	Iná megaloblastová anémia,nezatriedená inde	2,3	1,2,3
D46.1	Refraktérna anémia s prstencovými sideroblastmi	4	4	D53.2	Skorbutová anémia	2,3	1,2,3
D46.2	Refraktérna anémia s veľkým množstvom blastov	1,2,3,4	1,2,4	D53.8	Iná bližšie určená nutričná anémia	2,3	1,2,3
D46.4	Refraktérna anémia,bližšie neurčená	4	4	D53.9	Bližšie neurčená nutričná anémia	2,3	1,2,3
D46.5	Refraktérna anémia s dyspláziou viacerých línií	4	4	D55.0	Anémia zapríč.nedost.aktiv.glukóza-6-fosfát-dehydrogenázy	4	4
D46.6	Myelodysplastický synd.s izolovanou chromozóm.anom.del (5q)	4	4	D55.1	Anémia zapríč.inou poruchou metabolizmu glutatiónu	4	4
D46.7	Iný myelodysplastický syndróm	4	4	D56.0	Alfa-talasémia	2,3	1,2,3
D46.9	Myelodysplastický syndróm,bližšie neurčený	4	4	D56.1	Beta-talasémia	2,3	1,2,3
D47.0	Histiocytový a mastocytový nádor s neurč./neznám.správ.	4	4	D56.2	Delta-beta-talasémia	2,3	1,2,3
D47.1	Chronická myeloproliferatívna choroba	4	4	D56.3	Talasmická črta	2,3	1,2,3
D47.2	Monoklonová gamapatia nejasného významu (MGUS)	4	4	D56.4	Dedičné pretrvávanie fetálneho hemoglobínu	2,3	1,2,3
D47.3	Esenciálna(hemoragická)trombocytémia	4	4	D56.8	Iná talasémia	2,3	1,2,3
D47.4	Osteomyelofibróza	4	4	D56.9	Talasémia,bližšie neurčená	2,3	1,2,3
D47.5	Chron.eozinofilová leukémia (hypereozinofilový synd.)	4	4	D57.0	Kosáčikovitá anémia s krízou	2,3,4	1,2,3,4
				D57.1	Kosáčikovitá anémia bez krízy	2,3	1,2,3
				D57.2	Zdvojená heterozygotná kosáčikovitá choroba	2,3	1,2,3
				D57.8	Iná kosáčikovitá porucha	2,3	1,2,3
				D58.9	Dedičná hemolytická anémia,bližšie neurčená	2,3	1,2,3
				D59.0	Autoimunitná hemolytická anémia zapríčinená liekmí	2,3	1,2,3
				D59.1	Iná autoimunitná hemolytická anémia	2,3	1,2,3
				D59.2	Neautoimunitná hemolytická anémia zapr.liek.	2,3	1,2,3
				D59.3	Hemolyticko-uremický syndróm	2,3,4	1,2,3,4
				D59.4	Iná neautoimunitná hemolytická anémia	2,3	1,2,3
				D59.5	Paroxyzmálna nočná hemoglobinúria	2,3	1,2,3
				D59.6	Hemoglobinúria zapríč.hemolýzou z iných vonk.pričin	2,3	1,2,3
				D59.8	Iná získaná hemolytická anémia	2,3	1,2,3
				D59.9	Získaná hemolytická anémia,bližšie neurčená	2,3	1,2,3
				D60.0	Chronická získaná čistá aplázia červených krviniek	2,3,4	1,2,3,4
				D60.1	Prechodná získaná čistá aplázia červených krviniek	2,3,4	1,2,3,4
				D60.8	Iná získaná čistá aplázia červených krviniek	2,3,4	1,2,3,4

ICD	Text	OP. CCL	Med. CCL	ICD	Text	OP. CCL	Med. CCL
D60.9	Získaná čistá aplázia červených krviniek, bližšie neurčená	2,3,4	1,2,3,4	D70.11	Agranulocytóz a neutrop.zapr.liek.s krit.f.10 do 20 dní	2,3,4	1,2,3,4
D61.0	Vrodená aplastická anémia	2,3,4	1,2,3,4	D70.12	Agranulocytóz a neutrop.zapr.liek.s krit.f.20 a viac dní	2,3,4	1,2,3,4
D61.10	Aplastická anémia zapríčinená cytostatickou liečbou	2,3,4	1,2,3,4	D70.13	Agranulocytóz a neutrop.zapr.liek.s krit.f.4 do7 dní	2,3,4	1,2,3,4
D61.18	Iná aplastická anémia zapríčinená liekmi	2,3,4	1,2,3,4	D70.14	Agranulocytóz a neutrop.zapr.liek.s krit.f.7 do10 dní	2,3,4	1,2,3,4
D61.19	Aplastická anémia zapríčinená liekmi, bližšie neurčená	2,3,4	1,2,3,4	D70.18	Agranulocytóz a neutrop.zapr.liek.s i.priebehom	2,3,4	1,2,3,4
D61.2	Aplastická anémia z iných vonkajších príčin	2,3,4	1,2,3,4	D70.19	Agranulocytóz a neutrop.zapr.liek., b.n.	2,3,4	1,2,3,4
D61.3	Idiopatická aplastická anémia	2,3,4	1,2,3,4	D70.3	Iná agranulocytóza	2,3,4	1,2,3,4
D61.8	Iná aplastická anémia, bližšie určená	2,3,4	1,2,3,4	D70.5	Cyklická neutropénia	2,3,4	1,2,3,4
D61.9	Aplastická anémia, bližšie neurčená	2,3,4	1,2,3,4	D70.6	Iná neutropénia	2,3,4	1,2,3,4
D62	Akútna posthemoragická anémia	1,2,3,4	1,2	D70.7	Neutropénia, bližšie neurčená	2,3,4	1,2,3,4
D63.0	Anémia pri nádorových chorobách	1,2,3,4	1,2	D71	Funkčná porucha polymorfonukleárných neutrofilov	2,3,4	1,2,3
D64.0	Dedičná sideroblastová [sideroachrestická] anémia	2,3,4	1,2,3,4	D73.1	Hypersplenizmus	2	2
D64.1	Sekundárna sideroblastová anémia zapríč. ochorením	2,3,4	1,2,3,4	D73.3	Absces sleziny	2	2
D64.2	Sekundárna sideroblastová anémia zapríč. liekmi toxic.lát.	2,3,4	1,2,3,4	D73.5	Infarkt sleziny	2	2
D64.3	Iná sideroblastová [sideroachrestická] anémia	2,3,4	1,2,3,4	D80.0	Dedičná hypogamaglobulinémia	2,3,4	1,2,3,4
D65.0	Získaná afibrinogenémia	2,3	1,2,3	D80.2	Selektívny nedostatok imunoglobulínu A [IgA]	4	4
D65.1	Diseminovaná intravaskulárna koagulácia [DIK, DIC]	2,3	1,2,3	D80.3	Selektívny nedostatok podtried imunoglobulínu G (IgG)	2,3,4	1,2,3,4
D65.2	Získané fibrinolytické krvácanie	2,3	1,2,3	D80.4	Selektívny nedostatok imunoglobulínu M [IgM]	2,3,4	1,2,3,4
D65.9	Defibrinačný syndróm, bližšie neurčený	2,3	1,2,3	D80.5	Imunodeficit so zvýšeným imunoglobulínu M [IgM]	2,3,4	1,2,3,4
D66	Dedičný nedostatok faktora VIII	2,3,4	1,2,3,4	D80.6	Deficit protil.s takmer norm.imunoglob./s hyperimunog.	2,3,4	1,2,3
D67	Dedičný nedostatok faktora IX	2,3,4	1,2,3,4	D80.7	Prechodná hypogamaglobulinémia v detstve	2,3,4	1,2,3
D68.0	Von Willebrandova choroba	2,3,4	1,2,3,4	D80.8	Iný imunodeficit s prevahou nedostatku protilátok	2,3,4	1,2,3
D68.1	Dedičný nedostatok faktora XI	2,3,4	1,2,3,4	D80.9	Imunodef. bliž. neurč. s prevahou nedostatku protilátok	2,3,4	1,2,3
D68.2	Dedičný nedostatok iných koagulačných faktorov	2,3,4	1,2,3,4	D81.0	Ťažký komb.imunodef.(SCID)s retikulovou dysgenézou	2,3,4	1,2,3,4
D68.30	Stav krvácanosti zapríčinený antikoagulantami	1,2,3,4	1,2,3,4	D81.1	Ťažký komb.imunodef.(SCID)s malým počtom T-bun.a B-buniek	2,3,4	1,2,3,4
D68.31	Stav krvácanosti zapríč.zvýš.protilátok proti faktoru VIII	2,3,4	1,2,3,4	D81.2	Ťažký komb.imunodef.(SCID)s malým/norm.počtom B-buniek	2,3,4	1,2,3,4
D68.32	Stav krvác.zapr.zvýš.plazma.konc.protil.proti i.fak.zráž.krvi	2,3,4	1,2,3,4	D81.3	Deficit adenozeindenzaminázy [ADA]	4	4
D68.38	Iný stav krvác.zapr.i.a b.n.protilátkami	2,3,4	1,2,3,4	D81.4	Nezelofosf. syndróm	2,3,4	1,2,3,4
D68.4	Získaný nedostatok koagulačného faktora	1,2,3	1,2,3	D81.5	Nedostatok purín nukleozid-fosforylázy [PNP]	4	4
D68.5	Primárny trombofílny stav (trombofília)	2,3	1,2,3	D81.6	Deficit hlavného komplexu histokompatibility I.triedy	2,3,4	1,2,3,4
D68.6	Iný trombofílny stav (trombofília)	2,3	1,2,3	D81.7	Deficit hlavného komplexu histokompatibility II.triedy	2,3,4	1,2,3,4
D68.8	Iná porucha zrážanlivosti krvi, bližšie určená	1,2,3	1,2,3	D81.8	Iný kombinovaný imunodeficit	2,3,4	1,2,3,4
D68.9	Porucha zrážanlivosti krvi, bližšie neurčená	1,2,3	1,2,3	D81.9	Kombinovaný imunodeficit, bližšie neurčený	2,3,4	1,2,3,4
D69.0	Alergická purpura	2,3	1,2,3	D82.0	Wiskottov-Aldrichov syndróm	2,3,4	1,2,3,4
D69.1	Kvalitatívna porucha doštičiek	2,3	1,2,3	D82.1	Di Georgeov syndróm	2,3,4	1,2,3,4
D69.2	Iná netrombocytopenická purpura	2,3	1,2,3	D82.2	Imunodeficit spojený s disproporčným malým vzrastom	2,3,4	1,2,3
D69.3	Idiopatická trombocytopenická purpura	2,3	1,2,3	D82.3	Imunodef.spoj.s vrod.defektnou odpov.na EBV	2,3,4	1,2,3
D69.40	Iná primárna trombocytopenia, nereag.na transf.lieč.	2,3	1,2,3	D82.4	Syndróm nadbytku imunoglobulínu E [IgE]	2,3,4	1,2,3
D69.41	Iná primárna trombocytopenia, reag.na transf.lieč.	2,3	1,2,3	D82.8	Imunodef.spojený s i.ťažkými poruchami, b.u.	2,3,4	1,2,3
D69.52	Trombocytopenia indukovaná heparínom, typ I	2,3	1,2,3	D82.9	Imunodef.spojený s ťažkou poruchou, b.n.	2,3,4	1,2,3
D69.53	Trombocytopenia zapríčinená heparínom, typ II	2,3	1,2,3	D83.0	Bežný premen.imunodef.s prev.abnor.v počte a funkcii B-buniek	2,3,4	1,2,3,4
D69.57	Iná sekundárna trombocytopenia, označ.ako refrakt.na transf.lieč.	2,3	1,2,3	D83.1	Bežný premen.imunodeficit s prevaž.poruch.imunoreg.T-buniek	2,3,4	1,2,3,4
D69.58	Iná sekundárna trombocytopenia, neozn.ako refrak.na transf.lieč.	2,3	1,2,3	D83.2	Bežný premen.imunodeficit s autoproti.proti B-/T-bunkám	2,3,4	1,2,3,4
D69.59	Sekundárna trombocytopenia, bližšie neurčená	2,3	1,2,3	D83.8	Iný bežný premenlivý imunodeficit	2,3,4	1,2,3,4
D69.60	Trombocytopenia, bliž. neu. označ. ako nereag.na transf.lieč.	2,3	1,2,3	D83.9	Bežný premenlivý imunodeficit, bližšie neurčený	2,3,4	1,2,3,4
D69.61	Trombocytopenia, bliž. neu. neozn. ako nereag.na transf.lieč.	2,3	1,2,3	D84.0	Porucha lymfocytového funkčného antigénu 1 [LFA-1]	2,3,4	1,2,3
D69.8	Iný stav krvácanosti, bližšie určený	2,3	1,2,3				
D69.9	Stav krvácanosti, bližšie neurčený	2,3,4	1,2,3,4				
D70.0	Vrodená agranulocytóza a neutropénia	2,3,4	1,2,3,4				
D70.10	Agranulocytóza a neutrop.zapr.liek.s krit.f.do 4 dni	2,3,4	1,2,3,4				

ICD	Text	OP. CCL	Med. CCL	ICD	Text	OP. CCL	Med. CCL
D84.1	Porucha komplementového systému	2,3,4	1,2,3	E11.50	DM 2.typu:s perif.cievnyimi kompl.,kompENZ.	2,3,4	2,3
D84.8	Iný imunodeficit,bližšie určený	2,3,4	1,2,3	E11.51	DM 2.typu:s perif.cievnyimi kompl.,dekomp.	2,3,4	2,3
D84.9	Imunodeficit,bližšie neurčený	2,3,4	1,2,3	E11.60	DM 2.typu:s i.bliž.urč.kompl.,kompENZ.	1,2	1,2,3
D86.0	Sarkoidóza pľúc	2	2	E11.61	DM 2.typu:s i.bliž.urč.kompl.,dekomp.	1,2	1,2,3
D86.1	Sarkoidóza lymfatických uzlín	2	2	E11.72	DM 2.typu:s i.mnohopočEt.kompl.,kompENZ.	1,2	2,3
D86.2	Sarkoidóza pľúc so sarkoidózou lymfatických uzlín	2	2	E11.73	DM 2.typu:s i.mnohopočEt.kompl.,dekomp.	1,2	2,3
D86.3	Sarkoidóza kože	2	2	E11.74	DM 2.typu:s mnohopočEt.kompl.,so synd.diab.nohy,kompENZ.	1,2	2,3
D86.8	Sarkoidóza na iných a viacerých miestach	2	2	E11.75	DM 2.typu:s mnohopočEt.kompl.,so synd.diab.nohy,dekomp.	1,2	2,3
D86.9	Sarkoidóza,bližšie neurčená	2	2	E11.80	DM 2.typu:s bliž.neurč.kompl.,kompENZ.	1,2	1,2,3
D89.0	Polyklonálna hypermaglobulinémia	4	4	E11.81	DM 2.typu:s bliž.neurč.kompl.,dekomp.	1,2	1,2,3
D89.1	Kryoglobulinémia	4	4	E11.91	DM 2.typu:bez kompl.,dekomp.	1,2	1,2,3
E00.0	Vrodený syndróm z nedostatku jódu,neurologický typ	4	4	E12.01	DM spojený s podvýž.:s kómou ,dekomp.	2	2,3
E00.1	Vrodený syndróm z nedostatku jódu,myxedémový typ	4	4	E12.11	DM spojený s podvýž.:s ketoacidózou,dekomp.	2	2,3
E00.2	Vrodený syndróm z nedostatku jódu,zmiešaný typ	4	4	E12.20	DM spojený s podvýž.:s obličk.kompl.,kompENZ.	2,3,4	1,2
E00.9	Vrodený syndróm z nedostatku jódu,bližšie neurčený	4	4	E12.21	DM spojený s podvýž.:s obličk.kompl.,dekomp.	2,3,4	1,2
E01.8	Iná chor.ŠŽ spojená s nedost.jódu a pridruž.stavy	4	4	E12.30	DM spojený s podvýž.:s očnými kompl.,kompENZ.	1,2,3,4	1,2
E02	Subklinická hypotyreóza z nedostatku jódu	4	4	E12.31	DM spojený s podvýž.:s očnými kompl.,dekomp.	1,2,3,4	1,2
E03.0	Vrodená hypotyreóza s difúznou strumou	4	4	E12.40	DM spojený s podvýž.: nervovými kompl.,kompENZ.	2	2
E03.1	Vrodená hypotyreóza bez strumy	4	4	E12.41	DM spojený s podvýž.:s nervovými kompl.,dekomp.	2	2
E03.5	Myxedémová kóma	3,4	3,4	E12.50	DM spojený s podvýž.:s perif.ciev.kompl.,kompENZ.	2,3,4	2,3
E05.0	Hypertyreóza s difúznou strumou	2	1,2	E12.51	DM spojený s podvýž.:s perif.ciev.kompl.,dekomp.	2,3,4	2,3
E05.1	Hypertyreóza s jedným toxickým tyreoidálnym uzlom	2	1,2	E12.60	DM spojený s podvýž.:s i.b.u.kompl.,kompENZ.	2	2,3
E05.2	Hypertyreóza s toxickou viacuzlovou strumou	2	1,2	E12.61	DM spojený s podvýž.:s i.b.u.kompl.,dekomp.	2	2,3
E05.3	Hypertyreóza zapríč.ektopickým tkan.ŠŽ	2	1,2	E12.72	DM spojený s podvýž.:s viac.kompl.,kompENZ.	2	2,3
E05.4	Hypertyreóza zapríč.umelo(hyperthyreosis factitia)	2	1,2	E12.73	DM spojený s podvýž.:s viac.kompl.,dekomp.	2	2,3
E05.5	Tyreotoxická kríza	2	1,2	E12.74	DM spo.s pod.:s viac.kompl.,so synd.diab.nohy,kompENZ.	2	2,3
E06.0	Akútna tyreoiditída	4	4	E12.75	DM spo.s pod.:s viac.kompl.,so synd.diab.nohy,dekomp.	2	2,3
E06.4	Tyreoiditída zapríčinená liekom	4	4	E12.80	DM spojený s podvýž.:s bliž.neu.kompl.,kompENZ.	2	2,3
E07.1	Dyshormonogénna struma (hrvol)	4	4	E12.81	DM spojený s podvýž.:s bliž.neu.kompl.,dekomp.	2	2,3
E10.01	Diabetes mellitus 1.typu: s kómou, dekompenzovaný	2	2,3	E12.90	DM spojený s podvýž.:bez kompl.,kompENZ.	2	2,3
E10.11	DM 1.typu:s ketoacidózou,dekomp.	2	2,3	E12.91	DM spojený s podvýž.:bez kompl.,dekomp.	2	2,3
E10.20	DM 1.typu:s obličk.kompl.,kompENZ.	2,3,4	1,2	E13.01	Iný DM,bliž.ur.:s kómou,dekomp.	2	2,3
E10.21	DM 1.typu:s obličk.kompl.,dekomp.	2,3,4	1,2	E13.11	Iný DM,bliž.ur.:s ketoacidózou,dekomp.	2	2,3
E10.30	DM 1.typu:s očnými kompl.,kompENZ.	1,2,3,4	1,2	E13.20	Iný DM,bliž.ur.:s obličk.kompl.,kompez.	2,3,4	1,2
E10.31	DM 1.typu:s očnými kompl.,dekomp.	1,2,3,4	1,2	E13.21	Iný DM,bliž.ur.:s obličk.kompl.,dekomp.	2,3,4	1,2
E10.40	DM 1.typu:s nervovými kompl.,kompENZ.	2	2	E13.30	Iný DM,bliž.ur.:s očnými kompl.,kompENZ.	1,2,3,4	1,2
E10.41	DM 1.typu:s nervovými kompl.,dekomp.	2	2	E13.31	Iný DM,bliž.ur.:s očnými kompl.,dekomp.	1,2,3,4	1,2
E10.50	DM 1.typu:s perif.cievnyimi kompl.,kompENZ.	2,3,4	2,3	E13.40	Iný DM,bliž.ur.:s nervovými kompl.,kompENZ.	2	2
E10.51	DM 1.typu:s perif.cievnyimi kompl.,dekomp.	2,3,4	2,3	E13.41	Iný DM,bliž.ur.:s nervovými kompl.,dekomp.	2	2
E10.60	DM 1.typu:s i.bliž.ur.kompl.,kompENZ.	2	2,3	E13.50	Iný DM,bliž.ur.:s perif.cievnyimi kompl.,kompENZ.	2,3,4	2,3
E10.61	DM 1.typu:s i.bliž.ur.kompl.,dekomp.	2	2,3	E13.51	Iný DM,bliž.ur.:s perif.cievnyimi kompl.,dekomp.	2,3,4	2,3
E10.72	DM 1.typu:s i.mnohopočEt.kompl.,kompENZ.	2	2,3	E13.60	Iný DM,bliž.ur.:s i.bliž.ur.kompl.,kompENZ.	2	2,3
E10.73	DM 1.typu:s i.mnohopočEt.kompl.,dekomp.	2	2,3	E13.61	Iný DM,bliž.ur.:s i.bliž.ur.kompl.,dekomp.	2	2,3
E10.74	DM 1.typu:s mnohopočEt.kompl.,so synd.diab.nohy,kompENZ.	2	2,3	E13.72	Iný DM,bliž.ur.:s i.mnohopočEt.kompl.,kompENZ.	2	2,3
E10.75	DM 1.typu:s mnohopočEt.kompl.,so synd.diab.nohy,dekomp.	2	2,3	E13.73	Iný DM,bliž.ur.:s i.mnohopočEt.kompl.,dekomp.	2	2,3
E10.80	DM 1.typu:s bliž.neu.kompl.,kompENZ.	2	2,3	E13.74	Iný DM,bliž.ur.:s mnohop.kompl.,so synd.diab.nohy,kompENZ.	2	2,3
E10.81	DM 1.typu:s bliž.neu.kompl.,dekomp.	2	2,3				
E10.90	DM 1.typu:bez kompl.,kompENZ.	2	2,3				
E10.91	DM 1.typu:bez kompl.,dekomp.	2	2,3				
E11.01	DM 2.typu: s kómou, dekompenzovaný	1,2	2,3				
E11.11	DM 2.typu:s ketoacidózou,dekomp.	1,2	2,3				
E11.20	DM 2.typu:s obličk.kompl.,kompENZ.	1,2,3,4	1,2				
E11.21	DM 2.typu:s obličk.kompl.,dekomp.	1,2,3,4	1,2				
E11.30	DM 2.typu:s očnými kompl.,kompENZ.	1,2,3,4	1,2				
E11.31	DM 2.typu:s očnými kompl.,dekomp.	1,2,3,4	1,2				
E11.40	DM 2.typu:s nervovými kompl.,kompENZ.	1,2	2				
E11.41	DM 2.typu:s nervovými kompl.,dekomp.	1,2	2				

ICD	Text	OP. CCL	Med. CCL	ICD	Text	OP. CCL	Med. CCL
E13.75	Iný DM, bliž. ur.:s mnohop.kompl.,so synd.diabet.nohy,dekom.	2	2,3	E42	Marantický kvašiorok	2,3,4	2,3
E13.80	Iný DM, bliž. ur.:s bliž.neurč.kompl.,kompenz.	2	2,3	E43	Ťažká proteínovo-energetická podvýživa,b.n.	2,3,4	2,3
E13.81	Iný DM, bliž. ur.:s bliž.neurč.kompl.,dekom.	2	2,3	E44.0	Proteínovo-energetická podvýživa stredného stupňa	2,3,4	2,3
E13.90	Iný DM, bližšie určený:bez kompl.,kompenz.	2	2,3	E44.1	Proteínovo-energetická podvýživa mierneho stupňa	2,3,4	2,3
E13.91	Iný DM, bližšie určený:bez kompl.,dekom.	2	2,3	E45	Zaostávanie vo výv.v dôsl.proteínovo-energet.podvýživy	2,3,4	2,3
E14.30	DM, bliž.neu.:s očnými kompl.,kompenz.	1,2,3,4	1,2	E46	Proteínovo-energetická podvýživa, bližšie neurčená	1,2,3,4	1,2,3
E14.31	DM, bliž.neu.:s očnými kompl.,dekom.	1,2,3,4	1,2	E53.8	Nedost.iného bliž.urč.vit.skupiny B	1,2,3,4	1,2,3
E14.60	DM, bliž.neu.:s i.bliž.ur.kompl.,kompenz.	1,2	1,2,3	E56.1	Nedostatok vitamínu K	2,3,4	2,3
E14.61	DM, bliž.neu.:s i.bliž.ur.kompl.,dekom.	1,2	1,2,3	E61.1	Nedostatok železa	2,3,4	2,3
E14.72	DM, bliž.neu.:s i.mnohopočet.kompl.,kompenz.	1,2	2,3	E61.7	Nedostatok viacerých stopových prvkov	2,3,4	2,3
E14.73	DM, bliž.neu.:s mnohopočet.kompl.,dekom.	1,2	2,3	E63.0	Nedostatok esenciálnych mastných kyselín	2,3,4	2,3
E14.74	DM, bliž.neu.:s mnohop.kompl.,so synd.diab..nohy,kompenz.	1,2	2,3	E64.0	Následky proteínovo-energetickej podvýživy	2,3,4	2,3
E14.75	DM, bliž.neu.:s mnohop.kompl.,so synd.diab.nohy,dekom.	1,2	2,3	E64.1	Následky nedostatku vitamínu A	2,3,4	2,3
E15	Nediabetická hypoglykemická kóma	2,3,4	2,3,4	E64.2	Následky nedostatku vitamínu C	2,3,4	2,3
E20.0	Idiopatická hypoparatyreóza	2,4	1,2,4	E64.8	Následky iných nedostatkov vo výžive	2,3,4	2,3
E20.1	Pseudohypoparatyreóza	2,3,4	2,3	E64.9	Následky bližšie neurčených nedostatkov vo výžive	2,3,4	2,3
E20.8	Iná hypoparatyreóza	2,4	1,2,4	E70.0	Klasická fenylketonúria	4	4
E20.9	Hypoparatyreóza, bližšie neurčená	2,4	1,2,4	E70.1	Iná hyperfenylalaninémia	4	4
E21.0	Primárna hyperparatyreóza	2	1,2	E70.2	Porucha metabolizmu tyrozínu	4	4
E21.1	Sekundárna hyperparatyreóza, nezatriedená inde	2	1,2	E70.3	Albinizmus	4	4
E21.2	Iná hyperparatyreóza	2	1,2	E70.8	Iná porucha metabolizmu aromatických aminokyselín	4	4
E21.3	Hyperparatyreóza, bližšie neurčená	2	1,2	E70.9	Porucha metaboliz. aromatických aminokyselín, b.n.	4	4
E23.0	Hypopituitarizmus	2	1,2	E71.0	Choroba javorového sirupu [Leucinóza]	4	4
E23.2	Diabetes insipidus	2,4	1,2,4	E71.1	Iná porucha metabolizmu aminokys. rozve.refazcom	4	4
E24.0	Centrálny Cushingov syndróm	2	1,2	E71.2	Porucha metab. aminokyselín s rozve.refazcom, b.n.	4	4
E24.1	Nelsonov syndróm	2	1,2	E72.0	Porucha transportu aminokyselín	4	4
E24.2	Cushingov syndróm zapríčinený liekom	2	1,2	E72.1	Porucha metabolizmu aminokyselín obsahujúcich síru	4	4
E24.3	Ektopický ACTH-syndróm	2	1,2	E72.2	Porucha metabolického cyklu močoviny	4	4
E24.4	Pseudo-Cushingov syndróm zapríčinený alkoholom	2	1,2	E72.3	Porucha metabolizmu lyzínu a hydroxylyzínu	4	4
E24.8	Iný Cushingov syndróm	2	1,2	E72.4	Porucha metabolizmu ornitínu	4	4
E24.9	Cushingov syndróm, bližšie neurčený	2	1,2	E72.5	Porucha metabolizmu glycinu	4	4
E25.00	Adrenogenit.por., typ 3(nedost.21-hydrox.) ,klas.for.	4	4	E72.8	Iná porucha metabol. aminokyselín, bliž. určená	4	4
E25.01	Adrenogenit.por., typ 3(nedost.21-hydrox.) ,for.s nesk.nás.	4	4	E72.9	Porucha metabolizmu aminokyselín, bližšie neurčená	4	4
E25.08	Iná vrod.adrenogenitálna por.spoj.s nedost.enz.	4	4	E74.0	Choroba z nahromadenia glykogénu (glykogenóza)	4	4
E25.09	Vrod.adrenogenitálna por.spoj.s nedost.enz., b.n.	4	4	E74.1	Porucha metabolizmu fruktózy	4	4
E25.8	Iná adrenogenitálna porucha	4	4	E74.2	Porucha metabolizmu galaktózy	4	4
E25.9	Adrenogenitálna porucha, bližšie neurčená	4	4	E76.0	Mukopolysacharidóza, typ I	4	4
E27.0	Iná hyperfunkcia kôry nadobličiek	2,4	1,2,4	E76.1	Mukopolysacharidóza, typ II	4	4
E27.1	Prim.nedostatočnosť kôry nadoblič. (Addisonova chor.)	2,4	1,2,4	E76.2	Iná mukopolysacharidóza	4	4
E27.2	Addisonova kríza	2,4	1,2,4	E76.3	Mukopolysacharidóza, bližšie neurčená	4	4
E27.3	Nedostatočnosť kôry nadobličiek zapríčinená liekmi	2,4	1,2,4	E76.8	Iná porucha metabolizmu glykozaminoglykán	4	4
E27.4	Iná a bliž.neu.nedostatočnosť kôry nadobličiek	2,4	1,2,4	E76.9	Porucha metabol.glykozaminoglykán, b.n.	4	4
E27.5	Hyperfunkcia drene nadobličiek	2,4	1,2,4	E78.6	Nedostatok lipoproteínov	4	4
E27.8	Iná choroba nadobličiek, bližšie určená	4	4	E78.9	Porucha metabolizmu lipoproteínov, bližšie neurčená	4	4
E29.0	Hyperfunkcia semenníkov	4	4	E79.0	Hyperurikémia bez znakov zápal.artritídy/tofovej dny	4	4
E31.0	Autoimunitná polyglandulárna insuficiencia	2	1,2	E79.1	Leschov-Nyhanov syndróm	4	4
E31.1	Polyglandulárna hyperfunkcia	2	1,2	E79.8	Iná porucha metabolizmu purínu a pyrimidínu	4	4
E31.8	Iná polyglandulárna dysfunkcia	2	1,2	E79.9	Porucha metabol.purínu a pyrimidínu, b.n.	4	4
E31.9	Polyglandulárna dysfunkcia, bližšie neurčená	2	1,2	E80.0	Dedičná erythropoetická porfýria	4	4
E32.1	Absces týmusu	2,3,4	1,2,3,4	E80.1	Porphyria cutanea tarda	4	4
E34.0	Karcinoidový syndróm	2	1,2	E80.2	Iná porfýria	4	4
E34.3	Nízky vzrast, nezatriedený inde	4	4	E83.0	Porucha metabolizmu medi	4	4
E35.1	Choroba štítnej žľazy pri chorobách zatriedených inde	4	4	E84.0	Cystická fibróza s pľúcnymi prejavmi	2,3,4	2,4
E40	Kvašiorok	2,3,4	2,3	E84.1	Cystická fibróza s črevnými prejavmi	2,4	2,3,4
E41	Nutričný marazmus	2,3,4	2,3				

CCL

ICD	Text	OP. CCL	Med. CCL	ICD	Text	OP. CCL	Med. CCL
E84.80	Cystická fibróza s pľúcnymi a črevnými prejavmi	2,3,4	2,4	F10.8	Iná porucha psychiky a správania zapríč.užív.alkoholu	1,2	1,2
E84.87	Cystická fibróza s inými mnohopočetnými prejavmi	2,3,4	2,4	F11.0	Porucha psych.a správ.zaprič.užív.opiát.:akút.intox.	2	1,2
E84.88	Cystická fibróza s inými prejavmi	2,3,4	2,4	F11.1	Porucha psych.a správ.zaprič.užív.opiát.:škod.užív.	2	1,2
E84.9	Cystická fibróza,blížšie neurčená	2,3,4	2,4	F11.2	Porucha psych.a správ.zaprič.užív.opiát.:synd.závisl.	2	1,2
E87.0	Hyperosmolalita a hypernatriémia	1,2,3	2,3	F11.3	Porucha psych.a správ.zaprič.užív.opiát.:abstin.synd.	2	2
E87.1	Hypoosmolalita a hyponatriémia	1,2		F11.4	Porucha psych.a správ.zaprič.užív.opiát.:ab.synd.s delír.	2	2
E87.4	Zmiešaná porucha acidobázickej rovnováhy	1,2		F11.5	Porucha psych.a správ.zaprič.užív.opiát.:psych.porucha	2	2
E87.5	Hyperkaliémia	1	1	F11.6	Porucha psych.a správ.zaprič.užív.opiát.:amne.synd.	2	2
E87.6	Hypokaliémia	1,2	1	F11.7	Porucha psych.a správ.zaprič.užív.opiát.:rez.a nesk.psych.p.	2	2
E88.1	Lipodystrofia,nezatriedená inde	4	4	F11.8	Iná porucha psych.a správ.zaprič.užív.opiátov	2	2
E88.3	Syndróm z rozpadu nádoru (tumor lysis syndrome)	3,4	3	F11.9	Porucha psych.a správ.zapr.užív.opiát.,b.n.	2	2
E89.1	Hypoinzulinémia po lekárskom výkone	2,3,4	2,3	F12.3	Porucha psych.a správ.zaprič.užív.kanab.:abstin.synd.	2	2
E89.2	Hypoparatyreóza po lekárskom výkone	2,4	1,2,4	F12.4	Porucha psych.a správ.zaprič.užív.kanab.:ab.synd.s delír.	2	2
E89.6	Hypofunkcia kôry nadoblič./drene nadoblič.po lek.výkone	2,4	1,2,4	F12.5	Porucha psych.a správ.zaprič.užív.kanab.:psych.porucha	2	2
F00.0	Demencia pri Alzheimerovej chor.so skorým začiat.(typ 2)	2,3,4	1,2,3	F12.6	Porucha psych.a správ.zaprič.užív.kanab.:amne.synd.	2	2
F00.1	Demencia pri Alzheimerovej chor.s neskorým začiat.(typ 1)	2,3,4	1,2,3	F12.7	Porucha psych.a správ.zaprič.užív.kanab.:rez.a nesk.psych.p.	2	2
F00.2	Demencia pri Alzheimerovej chor.,atypická/zmiešaná forma	2,3,4	1,2,3	F12.8	Iná porucha psych.a správ.,zaprič.užív.kanabinooidov	2	2
F00.9	Demencia pri Alzheimerovej chorobe,b.n.	2,3,4	1,2,3	F12.9	Porucha psych.a správ.,zaprič.užív.kanab.,b.n.	2	2
F01.0	Vaskulárna demencia s akútnym začiatkom	2,3,4	1,2,3	F13.0	Porucha psych.a správ.zaprič.užív.sedat./hypno.:akút.intox.	2	1,2
F01.1	Mnohoinfarktová demencia	2,3,4	1,2,3	F13.1	Porucha psych.a správ.zaprič.užív.sedat./hypno.:škod.užív.	2	1,2
F01.2	Subkortikálna vaskulárna demencia	2,3,4	1,2,3	F13.2	Porucha psych.a správ.zaprič.užív.sedat./hypno.:synd.závisl.	2	1,2
F01.3	Zmiešaná kortikálna a subkortikálna vaskul.demencia	2,3,4	1,2,3	F13.3	Porucha psych.a správ.zaprič.užív.sedat./hypno.:abstin.synd.	2	2
F01.8	Iná vaskulárna demencia	2,3,4	1,2,3	F13.4	Porucha psych.a správ.zapr.užív.sedat./hypno.:ab.synd.s delír.	2	2
F01.9	Vaskulárna demencia,blížšie neurčená	2,3,4	1,2,3	F13.5	Porucha psych.a správ.zaprič.užív.sedat./hypno.:psych.poruch a	2	2
F02.0	Demencia pri Pickovej chorobe (G31.0†)	2,3,4	1,2,3	F13.6	Porucha psych.a správ.zaprič.užív.sedat./hypno.:amne.synd.	2	2
F02.1	Demencia pri Creutzfeldtovej-Jakobovej chorobe	2,3,4	1,2,3	F13.7	Porucha psych.a správ.zaprič.užív.sed./hypno.:rez.a nesk.psych.p.	2	2
F02.2	Demencia pri Huntingtonovej chorobe (G10†)	2,3,4	1,2,3	F13.8	Iná Porucha psych.a správ ,zapr.užív.sedat./hypno	2	2
F02.3	Demencia pri Parkinsonovej chorobe (G20.-†)	2,3,4	1,2,3	F13.9	Porucha psych.a správ.zapr.užív.sedat./hypno.,b.n.	2	2
F02.4	Demencia pri chorobe HIV (B22†)	2,3,4	1,2,3,4	F14.0	Porucha psych.a správ.zapr.užív.kokai.:akút.intox.	2	1,2
F04	Org.amnestický synd.,nezaprič.alkoh./i.psychoakt.lát.	2,3,4	1,2,3	F14.1	Porucha psych.a správ.zaprič.užív.kokai.:škod.užív.	2	1,2
F05.0	Delírium bez demencie	2,3,4	1,2,3	F14.2	Porucha psych.a správ.zaprič.užív.kokai.:synd.závisl.	2	1,2
F05.1	Delírium pri demencii	2,3,4	1,2,3	F14.3	Porucha psych.a správ.zaprič.užív.kokai.:bstin.synd.	2	2
F05.8	Iné delírium	2,3,4	1,2,3	F14.4	Porucha psych.a správ.zaprič.užív.kokai.:ab.synd.s delír.	2	2
F05.9	Delírium,blížšie neurčené	2,3,4	1,2,3	F14.5	Porucha psych.a správ.zaprič.užív.kokai.:psych.porucha	2	2
F06.0	Organická halucinóza	2,3,4	1,2,3	F14.6	Porucha psych.a správ.zaprič.užív.kokai.:amne.synd.	2	2
F06.1	Organická katatonická porucha	2,3,4	1,2,3				
F06.2	Organická porucha s bludmi [podobná schizofrénii]	2,3,4	1,2,3				
F06.3	Organická afektívna porucha	2,3,4	1,2,3				
F06.4	Organická úzkostná porucha	2,3,4	1,2,3				
F06.5	Organická disociatívna porucha	2,3,4	1,2,3				
F06.6	Emočná labilita [asténia] na organickom podklade	2,3,4	1,2,3				
F07.0	Porucha osobnosti na organickom podklade	2,3,4	1,2,3				
F10.1	Porucha psych.a správ.zaprič.užív.alkoholu:škod.užív.	1,2	1,2				
F10.2	Porucha psych.a správ.zaprič.užív.alkoholu:ynd.závisl.	1,2	1,2				
F10.3	Porucha psych.a správ.zaprič.užív.alkoholu:abstin.synd.	1,2	1,2				
F10.4	Porucha psych.a správ.zaprič.užív.alkoholu:ab.synd.s delír.	2,3,4	1,2,3				
F10.5	Porucha psych.a správ.zaprič.užív.alkoholu:psych.por.	1,2	1,2				
F10.6	Porucha psych.a správ.zaprič.užív.alkoholu:amne.synd.	2,3,4	1,2,3				
F10.7	Porucha psych.a správ.zaprič.užív.alkoh.:rez.a nesk.psych.p.	1,2	1,2				



ICD	Text	OP. CCL	Med. CCL	ICD	Text	OP. CCL	Med. CCL
F14.7	Porucha psych.a správ.zaprič.užív.kokai.:rez.a nesk.psych.p.	2	2	F19.3	Porucha psych.a správ.zaprič.uží.drog,i.psych.l.:abstin.synd.	2	2
F14.8	Iná porucha psychiky a správ.zaprič.užív.kokainu	2	2	F19.4	Porucha psych.a správ.zapri.uží.drog,i.psych.l.:abs.synd.s del	2	2
F14.9	Porucha psych.a správ.zaprič.užív.kokai.,bliž.neurč.	2	2	F19.5	Porucha psych.a správ.zapri.uží.drog,i.psych.l.:psych.porucha	2	2
F15.0	Porucha psych.a správ.zaprič.užív.i.stim.vr.kof.:akút.intox.	2	1,2	F19.6	Porucha psych.a správ.zaprič.uží.drog,i.psych.l.:amne. synd.	2	2
F15.1	Porucha psych.a správ.zaprič.užív.i.stim.vr.kof.:škod.užív.	2	1,2	F19.7	Porucha psych.a správ.zapr.už.dro,i.psych.l.:rez./nes.psych.p.	2	2
F15.2	Porucha psych.a správ.zaprič.užív.i.stim.vr.kof.:synd.závisl.	2	1,2	F19.8	Iná porucha psych.a správ.zaprič.užív.v.drog,i.psych.l.	2	2
F15.3	Porucha psych.a správ.zaprič.užív.i.stim.vr.kof.:abstin.synd.	2	2	F19.9	Porucha psych.a správ.zaprič.užív.v.drog,i.psych.l.,b.n.	2	2
F15.4	Porucha psych.a správ.zapri.užív.i.stim.vr.kof.:ab.synd.s del.	2	2	F20.0	Paranoidná schizofrénia	2	2
F15.5	Porucha psych.a správ.zapri.užív.i.stim.vr.kof.:psych.porucha	2	2	F20.1	Hebefrénna schizofrénia	2	2
F15.6	Porucha psych.a správ.zaprič.užív.i.stim.vr.kof.:amne.synd.	2	2	F20.2	Katatónická schizofrénia	2	2
F15.7	Porucha psych.a správ.zapr.uží.i.stim.vr.kof.:rez./nesk.psy.p.	2	2	F20.3	Nediferencovaná schizofrénia	2	2
F15.8	Iná porucha psych.a správ.zaprič.užív.i.stim.vr.kof.	2	2	F20.5	Reziduálna schizofrénia	2	2
F15.9	Porucha psych.a správ.zaprič.užív.i.stimul.vrát.kof.,b.n.	2	2	F20.6	Jednoduchá schizofrénia	2	2
F16.0	Porucha psych.a správ.zaprič.užív.haluc.:akút.intox.	2	1,2	F20.8	Iná schizofrénia	2	2
F16.1	Porucha psych.a správ.zaprič.užív.haluc.:škod.užív.	2	1,2	F20.9	Schizofrénia, bližšie neurčená	2	2
F16.2	Porucha psych.a správ.zaprič.užív.haluc.:synd.závisl.	2	1,2	F23.0	Akút.polymorfná psychotická por.bez prízn.schizofrénie	2	2
F16.3	Porucha psych.a správ.zaprič.užív.haluc.:abstin.synd.	2	2	F23.1	Akút.polymorfná psychotická por.s prízn.schizofrénie	2	2
F16.4	Porucha psych.a správ.zaprič.užív.haluc.:ab.synd.s del.	2	2	F23.2	Akútna psychotická porucha podobná schizofrénii	2	2
F16.5	Porucha psych.a správ.zap.užív.haluc.:psych.porucha	2	2	F23.3	Iné akútne psychotické poruchy s prevahou bludov	2	2
F16.6	Porucha psych.a správ.zaprič.užív.haluc.:amne.synd.	2	2	F23.8	Iné akútne a prechodné psychotické poruchy	2	2
F16.7	Porucha psych.a správ.zaprič.užív.haluc.:rez.a nesk.psy.p.	2	2	F23.9	Akút.psychotická por.a prech.psychotická por.,b.n.	2	2
F16.8	Iná porucha psych.a správ.zaprič.užív.haluc.	2	2	F25.0	Schizoafektívna porucha,manický typ	2	2
F16.9	Porucha psych.a správ.zaprič.užív.haluc.,b.n.	2	2	F25.1	Schizoafektívna porucha,depresívny typ	2	2
F18.0	Porucha psych.a správ.zaprič.užív.prch.rozp.:akút.intox.	2	1,2	F25.2	Schizoafektívna porucha,zmiešaný typ	2	2
F18.1	Porucha psych.a správ.zaprič.užív.prch.rozp.:škod.užív.	2	1,2	F25.8	Iná schizoafektívna porucha	2	2
F18.2	Porucha psych.a správ.zaprič.užív.prch.rozp.:synd.závisl.	2	1,2	F25.9	Schizoafektívna porucha, bližšie neurčená	2	2
F18.3	Porucha psych.a správ.zaprič.užív.prch.rozp.:abstin.synd.	2	2	F29	Neorganická psychóza,bližšie neurčená	2	2
F18.4	Porucha psych.a správ.zaprič.užív.prch.rozp.:abs.synd.s del.	2	2	F30.0	Hypománia	2	2
F18.5	Porucha psych.a správ.zaprič.užív.prch.rozp.:psych.porucha	2	2	F30.1	Mánia bez psychotických príznakov	2	2
F18.6	Porucha psych.a správ.zaprič.užív.prch.rozp.:amne.synd.	2	2	F30.2	Mánia s psychotickými príznakmi	2	2
F18.7	Porucha psych.a správ.zapr.uží.prch.rozp.:rezid./nesk.psych.p.	2	2	F30.8	Iná manická epizóda	2	2
F18.8	Iná porucha psych.a správ.zaprič.užív.prchav.rozpúš.	2	2	F30.9	Manická epizóda, bližšie neurčená	2	2
F18.9	Porucha psych.a správ.zaprič.užív.prchav.rozpúš.,b.n.	2	2	F31.0	Bipolárna afekt.porucha,terajš.hypomanická epizóda	2	2
F19.0	Porucha psych.a správ.zaprič.uží.drog,i.psych.l.:akút.intox.	2	1,2	F31.1	Bipolárna afekt.porucha,terajš.manic.epiz.bez psychot.príz.	2	2
F19.1	Porucha psych.a správ.zaprič.uží.drog,i.psych.l.:škod.užív.	2	1,2	F31.2	Bipolárna afekt.porucha,terajš.manic.epiz.s psychot.príz.	2	2
F19.2	Porucha psych.a správ.zaprič.uží.drog,i.psych.l.:synd.závisl.	2	1,2	F31.4	Bipolárna afekt.porucha,terajš.epiz.ťaž.depre. b.psych.príz.	2	2
				F31.5	Bipolárna afekt.porucha,terajš.epiz.ťaž.depre.s psych.príz.	2	2
				F31.6	Bipolárna afekt.porucha,terajš.zmiešaná epizóda	2	2
				F31.8	Iná bipolárna afektívna porucha	2	2
				F31.9	Bipolárna afektívna porucha,bližšie neurčená	2	2
				F32.2	Epizóda ťažkej depresie bez psychotických príznakov	2	2
				F32.3	Epizóda ťažkej depresie s psychotickými príznakmi	2	2
				F33.2	Recidivujúca depres.porucha,terajš.ťaž.epiz.bez psychot.príz.	2	2
				F33.3	Recidivujúca depres.porucha,terajš.ťaž.epiz.s psychot.príz.	2	2
				F33.8	Iná recidivujúca depresívna porucha	2	2

ICD	Text	OP. CCL	Med. CCL	ICD	Text	OP. CCL	Med. CCL
F33.9	Recidivujúca depresívna porucha, bližšie neurčená	2	2	G14	Postpoliomyelitický syndróm	1,2	2
F50.0	Mentálna anorexia	1,2	1,2	G20.00	Parkinson.chor.bez obm./s min.obm.,bez mot.fluktuácie	2,3	1,2,3
F50.1	Atypická mentálna anorexia	1,2	1,2	G20.01	Parkinson.chor.bez obm./s min.obm.,s mot.fluktuáciou	2,3	1,2,3
F50.2	Mentálna bulímia	1,2	1,2	G20.10	Parkinson.chor.s mier.až str.ťaž.obm.,b.mot.fluktuácie	2,3	1,2,3
F50.3	Atypická mentálna bulímia	1,2	1,2	G20.11	Parkinson.chor.s mier.až str.ťaž.pbm.,s mot.fluktuáciou	2,3	1,2,3
F50.4	Prejedanie spojené s inými psychickými poruchami	1,2	1,2	G20.20	Parkinson.chor.s veľmi ťaž.obm.,bez mot.fluktuácie	2,3	1,2,3
F50.8	Iná porucha príjmu potravy	1,2	1,2	G20.21	Parkinson.chor.s veľmi ťaž.obm.,s motoric.fluktuáciou	2,3	1,2,3
F50.9	Porucha príjmu potravy, bližšie neurčená	1,2	1,2	G20.90	Parkinson.chor.bliž.neu.,bez motoric.fluktuácie	2,3	1,2,3
F84.0	Detský autizmus	1,2	1,2	G20.91	Parkinson.chor.bliž.neu.,s motoric.fluktuáciou	2,3	1,2,3
F84.1	Atypický autizmus	1,2	1,2	G35.0	Roztrúsená skleróza, prvá manifestácia	2	2
F84.2	Rettov syndróm	2,3	1,2,3	G35.10	SM s relaps-remitujúcim priebeh.,bez prejav.relapsu/progr.	2	2
F84.3	Iná detská dezintegračná porucha	1,2	1,2	G35.11	SM s relaps-remitujúcim priebeh.,s prejav.relapsu/progr.	2	2
F84.4	Hyperakt.por.spojená s duševnou zaost.a stereot.pohybmi	1,2	1,2	G35.20	SM s primár.progresívnym priebeh.,bez prejav.relapsu/progr.	2	2
F84.5	Aspergerov syndróm	1,2	1,2	G35.21	SM s primár.progresívnym priebeh.,s prejav.relapsu/progr.	2	2
F84.8	Iná pervazívna vývinová porucha	1,2	1,2	G35.30	SM so sekund.progresívnym priebeh.,bez prejav.relapsu/progr.	2	2
F84.9	Pervazívna vývinová porucha, bližšie neurčená	1,2	1,2	G35.31	SM so sekund.progresívnym priebeh.,s prejav.elapsu/progr.	2	2
F98.2	Porucha príjmu potravy v ranom detstve	1,2	1,2	G35.9	Roztrúsená skleróza, bližšie neurčená	2	2
G00.0	Meningitída zapríčinená Haemophilus influenzae	3,4	3,4	G40.3	Generalizovaná idiopatická epilepsia a epileptický syndróm	1,2,3,4	1,2
G00.1	Pneumokoková meningitída	3,4	3,4	G40.6	Záchvaty grand mal, bliž. neurč. so záchv./bez záchv. petit mal	1,2,3,4	1,2
G00.2	Streptokoková meningitída	3,4	3,4	G41.0	Status epilepticus grand mal	1,2,3,4	1,2
G00.3	Stafylokoková meningitída	3,4	3,4	G41.1	Status epilepticus petit mal	1,2,3,4	1,2
G00.8	Iná baktériová meningitída	3,4	3,4	G41.2	Komplexný čiastkový epileptický stav	1,2,3,4	1,2
G00.9	Baktériová meningitída, bližšie neurčená	3,4	3,4	G41.8	Iný status epilepticus	1,2,3,4	1,2
G01	Meningitída pri baktériových chorobách zatried.inde	3,4	3,4	G41.9	Status epilepticus, bližšie neurčený	1,2,3,4	1,2
G02.0	Meningitída pri vírusových chorobách zatried.inde	3,4	3,4	G46.3	Syndróm cievného postihnutia mozgového kmeňa	3,4	2,3
G02.1	Meningitída pri mykózach zatriedených inde	3,4	3,4	G46.4	Syndróm cievného postihnutia mozočka	3,4	2,3
G02.8	Meningitída pri iných bliž.urč.infekč.a parazit.chor.z.i.	3,4	3,4	G52.7	Porucha viacerých hlavových nervov	4	4
G03.0	Nehnisová meningitída	3,4	3,4	G53.1	Obrna viac.hlavových nervov pri inf.a paraz.chor.z.i	4	4
G03.1	Chronická meningitída	3,4	3,4	G53.2	Obrna viacerých hlav.nervov pri sarkoidóze	4	4
G03.2	Benigna recidivujúca meningitída [Mollaretova]	3,4	3,4	G53.3	Obrna viacerých hlav.nervov pri nád.chor.	4	4
G03.8	Meningitída zapríčinená inými bliž.urč.príčinami	3,4	3,4	G54.1	Poškodenie plexus lumbosacralis	4	4
G03.9	Meningitída, bližšie neurčená	3,4	3,4	G55.1	Kompresia nerv.koreňov a spleť pri pošk.medzistav.plat.	4	4
G04.0	Akútna diseminovaná encefalitída	3,4	3	G55.2	Kompresia nerv.koreňov a spleť pri spondylóze	4	4
G04.1	Tropická spastická paraplégia	3,4	3	G61.0	Guillainov-Barrého syndróm	2	2
G04.2	Baktériová meningoencefalitída a meningoencefalitída, n.i.	3,4	3	G70.0	Myasthenia gravis	2,3,4	1,2,3,4
G04.8	Iná encefalitída, myelitída a encefalomyelitída	3,4	3	G70.2	Vrodená a vývinová myasténia	2,3,4	1,2,3,4
G04.9	Encefalitída, myelit.a encefalomyelit., b.n.	3,4	3	G70.8	Iná myoneurálna porucha, bližšie určená	4	4
G05.0	Encefalitída, myelitída a encefalomyelit.pri bakt.chor.z.i.	3,4	3,4	G71.0	Svalová dystrofia	2,3,4	1,2,3,4
G05.1	Encefalitída, myelitída a encefalomyelit.pri vir.chor.z.i.	3,4	3,4	G71.1	Myotonická porucha	4	4
G05.2	Encefalitída, myelit.a encefalomy.pri i.inf.a paraz.chor.z.i.	3,4	3,4	G71.2	Vrodená myopatia	2,3,4	1,2,3,4
G05.8	Encefalitída, myelitída a encefalomyelit.pri i.chor.z.i.	3,4	3,4	G71.3	Mitochondriová myopatia, nezatriedená inde	2,3	1,2,3
G06.0	Intrakraniálny absces a granulóm	3,4	3,4	G71.8	Iná primárna choroba svalov	2,3	1,2,3
G06.1	Intraspinalný absces a granulóm	3,4	3,4	G71.9	Primárna choroba svalov, bližšie neurčená	2,3,4	1,2,3,4
G06.2	Extradurálny a subdurálny absces, bližšie neurčený	3,4	3,4	G72.0	Myopatia zapríčinená liekmi	3,4	3
G07	Intrakran.a intraspin.absces a granulóm pri chor.z.i.	3,4	3,4	G72.1	Alkoholová myopatia	3,4	3
G08	Intrakran.a intraspin.flebitída a tromboflebitída	1,2,4	2,4	G72.2	Myopatia zapríčinená inými toxickými látkami	3,4	3
G12.0	Detská spinálna svalová atrofia, typ I	2,3,4	1,2,3,4	G72.4	Zápalová myopatia, nezatriedená inde	2,3	1,2,3
G12.1	Iná zdedená spinálna svalová atrofia	2,3,4	1,2,3,4	G73.0	Myastenický syndróm pri endokrinných chorobách	2,3	1,2,3
G12.2	Choroba motorického neurónu	2,3	1,2,3				
G12.8	Iná spinálna svalová atrofia a príbuzný syndróm	2,3,4	1,2,3,4				
G12.9	Spinálna svalová atrofia, bližšie neurčená	2,3,4	1,2,3,4				

ICD	Text	OP. CCL	Med. CCL	ICD	Text	OP. CCL	Med. CCL
G73.1	Eatonov-Lambertov myastenický syndróm (C00-D48†)	2,3	1,2,3	G82.41	Spast.tetrap.a tetrapl.akút.nekomp.prieč.poš.miechy	2,4	2,3
G73.2	Iný myastenický synd. pri nádorovej chor.	2,3	1,2,3		neur.pôv.		
G73.3	Myastenický syndróm pri iných chor.z.i.	2,3	1,2,3	G82.42	Spast.tetrap.a tetrapl.chron.komplet.prieč.poš.miechy	2,4	2,3,4
G73.6	Myopatia pri metabolických chorobách	3,4	3	G82.43	Spast.tetrap.a tetrapl.chron.nekomplet.prieč.poš.miechy	2,4	2,3
G80.0	Spastická tetraplegická detská mozgová obrna	2,4	2,3	G82.49	Spastická tetraparéza a tetraplégia,blíž.neurč.	2,4	2,3,4
G80.1	Spastická diplegická detská mozgová obrna	2,4	2,3	G82.50	Tetrapa.a tetrapl.b.n.akút.komplet.prieč.poš.miechy	2,4	2,3,4
G80.2	Spastická hemiplegická detská mozgová obrna	2,4	2,3		neur.pôv.		
G80.3	Dyskinetická detská mozgová obrna	2,4	2,3	G82.51	Tetrapa.a tetrapl.b.n.akút.nekompl..prieč.poš.miechy	2,4	2,3
G80.4	Ataktická detská mozgová obrna	2,4	2,3		netr.pôv.		
G80.8	Iná detská mozgová obrna	2,4	2,3	G82.52	Tetrapar.a tetrapl.b.n.chron.komplet.prieč.poš.miechy	2,4	2,3,4
G80.9	Detská mozgová obrna,blížšie neurčená	2,4	2,3	G82.53	Tetrapar.a tetrapl.b.n.chron.nekomplet.prieč.poš.miechy	2,4	2,3
G81.0	Chabá hemiparéza a hemiplégia	2,3	1,2,3	G82.59	Tetraparéza a tetraplégia, blížšie neurčená	2,4	2,3,4
G81.1	Spastická hemiparéza a hemiplégia	2,3	1,2,3	G83.0	Diparéza a diplégia horných končatín	2,3,4	1,2,3,4
G81.9	Hemiparéza a hemiplégia,blížšie neurčená	2,3	1,2,3	G83.1	Monoparéza a monoplégia dolnej končatiny	4	4
G82.00	Chabá parapar.a parapl.,ak.komplet.prieč.poš.miechy n.pôv.	2,4	2,3	G83.2	Monoparéza a monoplégia hornej končatiny	4	4
G82.01	Chabá parapar.parapl.akút.nekompet.prieč.poš.miechy n.pôv.	2,4	2,3	G83.3	Monoparéza a monoplégia,blížšie neurčená	4	4
G82.02	Chabá parapar.a parapl.,chron.komplet.prieč.pošk.miechy	2,4	2,3	G83.40	Syndróm cauda equina,kompletný	2,3,4	1,2,3,4
G82.03	Chabá parapar.a parapl.,chron.nekomplet.prieč.pošk.miechy	2,4	2,3	G83.41	Syndróm cauda equina,nekompletný	2,3,4	1,2,3,4
G82.09	Chabá paraparéza a paraplégia,blížšie neurčená	2,4	2,3	G83.49	Syndróm cauda equina,blížšie neurčený	2,3,4	1,2,3,4
G82.10	Spast.parapar.a parapl.,ak.komplet.prieč.poš.miechy neur.pôv.	2,4	2,3	G83.80	Locked-in syndróm	2,3	1,2,3
G82.11	Spast.parapar.a parapl.ak.nekomplet.prieč.poš.miechy neur.pôv.	2,4	2,3	G83.88	Iný paralytický syndróm,blížšie určený	2,3	1,2,3
G82.12	Spast.parapar.a parapl.,chron.komplet.prieč.pošk.miechy	2,4	2,3	G91.1	Obštrukčný hydrocefalus	2,3,4	1,2,3,4
G82.13	Spast.parapar.a parapl.,chron.nekomplet.prieč.pošk.miechy	2,4	2,3	G91.20	Idiopatický normotenčný hydrocefalus	2,3,4	1,2,3,4
G82.19	Spastická paraparéza a paraplégia,blížšie neurčená	2,4	2,3	G91.21	Sekundárny normotenčný hydrocefalus	2,3,4	1,2,3,4
G82.20	Parapar.a parapl.b.n.akút.komplet.prieč.poš.miechy neur.pôv.	2,4	2,3	G91.29	Normotenčný hydrocefalus,blížšie neurčený	2,3,4	1,2,3,4
G82.21	Parapar.a parapl.b.n.akút.nekomplet.prieč.poš.miechy neur.pôv.	2,4	2,3	G91.3	Pouúrazový hydrocefalus,blížšie neurčený	2,3,4	1,2,3,4
G82.22	Parapar.a parapl.blíž.neu.chron.komplet.prieč.poš.miechy	2,4	2,3	G91.8	Iný hydrocefalus	2,3,4	1,2,3,4
G82.23	Parapar.a parapl.blíž.neu.chron.nekomplet.prieč.poš.miechy	2,4	2,3	G91.9	Hydrocefalus,blížšie neurčený	2,3,4	1,2,3,4
G82.29	Paraparéza a paraplégia,blížšie neurčená	2,4	2,3	G92	Toxická encefalopatia	3,4	3
G82.30	Chabá tetrap.a tetrapl.akút.komplet.prieč.poš.miechy neur.pôv.	2,4	2,3,4	G93.1	Anoxické poškodenie mozgu,nezatriedené inde	2,3	1,2,3
G82.31	Chabá tetrap.a tetrapl.akút.nekompl.prieč.poš.miechy neur.pôv.	2,4	2,3	G94.0	Hydrocefalus pri infekčných a parazitových chor.z.i	2,3,4	1,2,3,4
G82.32	Chabá tetrap.a tetrapl.chron.komplet.prieč.poš.miechy	2,4	2,3,4	G94.1	Hydrocefalus pri nádorovej chorobe (C00-D48†)	2,3,4	1,2,3,4
G82.33	Chabá tetrap.a tetrapl.chron.nekomplet.prieč.poš.miechy	2,4	2,3	G94.2	Hydrocefalus pri iných chorobách zatriedených inde	2,3,4	1,2,3,4
G82.39	Chabá tetraparéza a tetraplégia, blížšie neurčená	2,4	2,3,4	G95.1	Cievna myelopatia	4	4
G82.40	Spast.tetrap.a tetrapl.akút.komplet.prieč.poš.miechy neur.pôv.	2,4	2,3,4	G95.2	Kompresia miechy,blížšie neurčená	4	4
				G95.9	Choroba miechy,blížšie neurčená	4	4
				G96.0	Presakovanie mozgovomiechového moku	1,3,4	3,4
				G97.0	Presakovanie mozgovomiechového moku po spinálnej punkcii	1,3,4	1,3,4
				G97.1	Iná reakcia na spinálnu a lumbálnu punkciu	1,3,4	1,3
				G97.2	Vnútroľbovková hypotenzia po komorovom skrate	1,2,3	1,2
				G97.80	Pooperačná likvorea	3,4	3
				H13.3	Očný pemfigoid (L12.-†)	4	4
				H16.8	Iná keratitída	4	4
				H19.1	Herpetická keratitída a keratokonjunktivitída (B00.5†)	4	4
				H19.2	Keratitída a keratokonjunkt.pri i.infekč.a parazit.chor.z.i.	4	4
				H32.0	Chorioretinitída pri infekčných a parazit.chorobách z.i.	4	4
				H47.1	Opuch papily zrakového nervu,blížšie neurčený	1,2	2
				H58.0	Anomálie funkcie zrenice pri chor.z.i.	4	4
				H59.0	Afakická bulózna keratopatia po operácii katarakty	2,3,4	2,3
				H60.1	Flegmóna vonkajšieho ucha	2	2

ICD	Text	OP. CCL	Med. CCL	ICD	Text	OP. CCL	Med. CCL
H62.1	Zápal vonkajšieho ucha pri vírusových chor.z.i.	4	4	I21.2	Akútny transmuralny IM na i.miestach	3,4	2,3
H66.0	Akútny hnisový zápal stredného ucha	4	4	I21.3	Akútny transmuralny IM bez bliž.urč.miesta	3,4	2,3
H95.0	Recidivujúci cholesteatóm v dutine po mastoidektómii	2	2	I21.4	Akútny subendokardiálny infarkt myokardu	3,4	2,3
H95.1	Iná choroba po mastoidektómii	2	2	I21.9	Akútny infarkt myokardu,blížšie neurčený	3,4	2,3
H95.8	Iná choroba ucha a hlávkového výbežku	2	2	I23.0	Hemoperikard ako akútna komplikácia po akútnom IM	2,3,4	3
H95.9	Choroba ucha a hlávkového výbežku po lek.výk.,b.n.	2	2	I23.1	Defekt predsieň.septa ako akútna komplikácia po akútnom IM	1,2,3	1,2
I05.0	Mitrálna stenóza	2,3	2,3	I23.2	Defekt komorovej priehradky ako akútna komplikácia po akút. IM	1,2,3	1,2
I05.1	Reumatická mitrálna insuficiencia	2,3	2,3	I23.3	Ruptúra srdc.steny bez hemoperik.ako akútna kompl.po akút.IM	1,2,3	1,2
I05.2	Mitrálna stenóza s insuficienciou	2,3	2,3	I23.4	Ruptúra chordae tendineae ako akútna kompl.po akút.IM	2,3	2,3
I05.8	Iná choroba mitrálnej chlopne	2,3	2,3	I23.5	Ruptúra papilárneho svalu ako akútna kompl.po akút.IM	2,3	2,3
I06.0	Reumatická aortálna stenóza	2,3	2,3	I23.6	Trombóza predsieň.preds.uška a komory ako ak.kompl.po ak.IM	1,2,3	1,2
I06.1	Reumatická aortálna insuficiencia	2,3	2,3	I23.8	Iná akútna komplikácia po akútnom infarkte myokardu	1,2,3	1,2
I06.2	Reumatická aortálna stenóza s insuficienciou	2,3	2,3	I24.0	Koronárna trombóza,ktorá nevedla k IM	2	2,3
I06.8	Iná reumatická choroba aortálnej chlopne	2,3	2,3	I24.1	Poinfarktový syndróm	1,2,3	1,2
I07.0	Trikuspidálna stenóza	2,3	2,3	I24.8	Iná forma akútnej ischemickej choroby srdca	2	2,3
I07.1	Trikuspidálna insuficiencia	1,2,3	1,2,3	I26.0	Pľúcna embólia s prejavmi akútneho cor pulmonale	3,4	2,3,4
I07.2	Trikuspidálna stenóza s insuficienciou	2,3	2,3	I26.9	Pľúcna embólia bez prejavov akútneho cor pulmonale	3,4	2,3,4
I07.8	Iná choroba trikuspidálnej chlopne	2,3	2,3	I27.0	Primárna pľúcna hypertenzia	1,2,3,4	1,2,4
I08.0	Kombinovaná choroba mitrálnej a aortálnej chlopne	2,3	2,3	I27.1	Srdcová choroba pri kyfoskolióze	4	4
I08.1	Súčasná choroba mitrálnej a trikuspid.chlopne	1,2,3	1,2,3	I27.20	Pľúcna hypertenzia pri chron.tromboembol.chor.	4	4
I08.2	Súčasná choroba aortálnej a trikuspid.hlopne	2,3	2,3	I27.28	Iná bližšie určená sekundárna pľúcna hypertenzia	4	4
I08.3	Súčasná choroba mitrálnej,aortál.a trikuspidál.chlopne	2,3	2,3	I27.8	Iné srdcovopľúcne choroby,blížšie určené	4	4
I08.8	Iná choroba viacerých chlopní	2,3	2,3	I27.9	Srdcovopľúcna choroba,blížšie neurčená	4	4
I08.9	Choroba viacerých chlopní,blížšie neurčená	1,2,3	1,2,3	I30.0	Akútna nešpecifická idiopatická perikarditída	1,2,3,4	1,2,4
I09.0	Reumatická myokarditída	1,2,3	1,2	I30.1	Infekčná perikarditída	2,3,4	3,4
I09.1	Reumatická choroba endokardu bliž.neurč.chlopne	2,3	2,3	I30.8	Iná forma akútnej perikarditídy	2,3,4	3,4
I09.8	Iná reumatická choroba srdca,blížšie určená	1,2,3	1,2	I30.9	Akútna perikarditída,blížšie neurčená	1,2,3,4	1,2,4
I11.00	Hyperten.chor.srdca s kong.srdc.zlyh.bez prej.hypert.kríz.	1,2	1,2,3	I31.0	Chronická adhezívna perikarditída	2,3,4	3
I11.01	Hyperten.chor.srdca s kong.srdc.zlyh.s hypert.kríz.	1,2	1,2,3	I31.1	Chronická konstriktívna perikarditída	2,3,4	3
I12.00	Hypertenzná chor.oblič.s obličk.zlyh.bez prej.hypert.krízy	4	4	I31.2	Hemoperikard,nezatriedený inde	2,3,4	3,4
I12.01	Hypertenzná chor.oblič.s obličk.zlyh.s prej.hypert.krízy	4	4	I31.3	Perikardový výpotok (nezápalový)	1,2,3,4	1,2,4
I12.90	Hypertenzná chor.oblič.bez obličk.zlyh.bez prej.hypert.krízy	4	4	I31.8	Iná choroba perikardu,blížšie určená	4	4
I12.91	Hypertenzná chor.oblič.bez obličk.zlyh.s prej.hypert.krízy	4	4	I31.9	Choroba perikardu,blížšie neurčená	4	4
I13.00	Hypert.chor.srd.a oblič.s kong.srdc.zlyh.,b.hyper.kríz.	1,2	2,3	I32.0	Perikarditída pri bakt.chor.z.i.	1,2,3,4	1,2,4
I13.01	Hypert.chor.srd.a oblič.s kong.srdc.zlyh.,s hyper.kríz.	1,2	2,3	I32.1	Perikarditída pri i.infekč.a parazit.chor.z.i.	1,2,3,4	1,2,4
I13.20	Hypert.chor.srdca a oblič.s kong.srdc.a obl.zlyh.bez hyp.kríz.	1,2	2,3	I32.8	Perikarditída pri iných chorobách zatriedených inde	1,2,3,4	1,2,4
I13.21	Hypert.chor.srdca a oblič.s kong.srdc.a obl.zlyh.s hyp.kríz.	1,2	2,3	I33.0	Akútna a subakútna infekčná endokarditída	3,4	3,4
I15.00	Renovaskulárna artér.hypertenzia bez hypert.krízy	4	4	I33.9	Akútna endokarditída,blížšie neurčená	3,4	3,4
I15.01	Renovaskulárna artér.hypertenzia s hypert.krízou	4	4	I34.1	Prolaps mitrálnej chlopne	2,3	2,3
I15.10	Sekundár.artér.hypert.zapr.i.chor.oblič.bez hypert.krízy	4	4	I34.2	Nereumatická mitrálna stenóza	1	1
I15.11	Sekundár.artér.hypert.zapr.i.chor.oblič.s hypert.krízou	4	4	I34.80	Nereumatická mitrálna stenóza a insuficiencia	1,2	1,2
I20.0	Nestabilná angina pectoris	2	2,3	I35.0	Aortálna stenóza	2,3	2,3
I20.1	Angina pectoris s dokázaným krčom vencovitých tepien	2	2,3	I35.2	Aortálna stenóza s aortálnou insuficienciou	2,3	2,3
I21.0	Akútny transmuralny infarkt myokardu prednej steny	3,4	2,3	I36.0	Nereumatická trikuspidálna stenóza	2,3	2,3
I21.1	Akútny transmuralny infarkt myokardu spodnej steny	3,4	2,3	I36.1	Nereumatická trikuspidálna insuficiencia	2,3	2,3
				I36.2	Nereumatická trikuspidálna stenóza a insuficiencia	2,3	2,3
				I36.8	Iná nereumatická choroba trikuspidálnej chlopne	2,3	2,3
				I37.0	Pulmonálna stenóza	2,3	2,3
				I37.1	Pulmonálna insuficiencia	2,3	2,3
				I37.2	Pulmonálna stenóza a insuficiencia	2,3	2,3
				I37.8	Iná choroba pulmonálnej chlopne	2,3	2,3
				I39.0	Choroba mitrál.chlopne pri chorobách zatried.i.	2,3,4	2,3,4

ICD	Text	OP. CCL	Med. CCL	ICD	Text	OP. CCL	Med. CCL
I39.1	Choroba aortál.chlopne pri chorobách zatried.i.	2,3,4	2,3,4	I48.9	Fibrilácia a flater predsieni,blížšie neurčené	4	4
I39.2	Choroba trikuspid.chlopne pri chorobách zatried.i.	2,3,4	2,3,4	I49.0	Flater komôr a fibrilácia komôr	2,3,4	1,2,3,4
I39.3	Choroba pulmonál.chlopne pri chorobách zatried.i.	2,3,4	2,3,4	I50.00	Primárne zlyhávanie pravej komory	2,3,4	1,2,3,4
I39.4	Choroba viacerých chlopni pri chorobách.zatried.i.	2,3,4	2,3,4	I50.01	Sekundárne zlyhávanie pravej komory	2,3,4	1,2,3,4
I39.8	Endokarditída n.chlopne pri chor.z.i.	4	4	I50.11	Zlyhávanie ľavej komory: bez ťažkostí	4	4
I40.0	Infekčná myokarditída	1,2,3,4	1,2,4	I50.12	Zlyhávanie ľavej komory,s ťažkosťami pri veľkom zaťažení	4	4
I40.1	Izolovaná myokarditída	1,2,3	1,2	I50.13	Zlyhávanie ľavej komory,s ťažkosťami pri malom zaťažení	2,3,4	1,2,3,4
I40.8	Iná akútna myokarditída	1,2,3	1,2	I50.14	Zlyhávanie ľavej komory,s ťažkosťami v pokoji	2,3,4	2,3,4
I40.9	Akútna myokarditída, bližšie neurčená	1,2,3,4	1,2,4	I50.19	Zlyhávanie ľavej komory,blížšie neurčené	4	4
I41.0	Myokarditída pri bakteriálnych chor.z.i.	1,2,3,4	1,2,4	I50.9	Zlyhávanie srdca,blížšie neurčené	4	4
I41.1	Myokarditída pri vírusových chor.z.i.	1,2,3,4	1,2,4	I51.0	Získaný defekt srdcovej priehradky	1,2,3	1,2
I41.2	Myokarditída pri i.infekč.a parazit.chorobách zatried.i.	1,2,3,4	1,2,4	I51.1	Ruptúra chordae tendineae,nezatriedená inde	1,2,3,4	2,3,4
I41.8	Myokarditída pri iných chorobách zatriedených inde	1,2,3,4	1,2,4	I51.2	Ruptúra papilárneho svalu,nezatriedená inde	1,2,3,4	2,3,4
I42.0	Dilatačná kardiomyopatia	1,2,3	1,2	I51.3	Vnútroštrcová trombóza,nezatriedená inde	1,2,3	1,2
I42.1	Obštrukčná hypertrofická kardiomyopatia	1,2,3	1,2	I51.4	Myokarditída,blížšie neurčená	4	4
I42.2	Iná hypertrofická kardiomyopatia	1,2,3	1,2	I51.5	Degenerácia myokardu	4	4
I42.3	Endomyokardová(eozinofilná)choroba	1,2,3	1,2	I51.6	Srdcovocievna choroba,blížšie neurčená	4	4
I42.4	Endokardová fibroelastóza	1,2,3	1,2	I60.0	Subarachnoidálne krvácanie z karotického sifónu a bifurkácie	3,4	2,3,4
I42.5	Iná reštrikčná kardiomyopatia	1,2,3	1,2	I60.1	Subarachnoidálne krvácanie z a.cerebri media	3,4	2,3,4
I42.6	Alkoholová kardiomyopatia	1,2,3	1,2	I60.2	Subarachnoidálne krvácanie z a.communicans anterior	3,4	2,3,4
I42.7	Kardiomyopatia zapríč.liekmi a inými vpk.faktormi	1,2,3	1,2	I60.3	Subarachnoidálne krvácanie z a.communicans posterior	3,4	2,3,4
I42.80	Arytmogénna pravokomorová kardiomyopatia [ARVCM]	1,2,3	1,2	I60.4	Subarachnoidálne krvácanie z a.basilis	3,4	2,3,4
I42.88	Iná kardiomyopatia	1,2,3	1,2	I60.5	Subarachnoidálne krvácanie z a.vertebralis	3,4	2,3,4
I42.9	Kardiomyopatia,blížšie neurčená	1,2,3	1,2	I60.6	Subarachnoidálne krvácanie z i.intrakraniálnych tep.	3,4	2,3,4
I43.0	Kardiomyopatia pri infekč.a parazit.chorobách zatried.i.	1,2,3	1,2	I60.7	Subarachnoidálne krvácanie z intrakraniálnej tepny,b.n.	3,4	2,3,4
I43.1	Kardiomyopatia pri metabolických chorobách	2,3,4	3,4	I60.8	Iné subarachnoidálne krvácanie	3,4	2,3,4
I43.2	Kardiomyopatia pri poruchách výživy	2,3,4	3,4	I60.9	Subarachnoidálne krvácanie,blížšie neurčené	3,4	2,3,4
I43.8	Kardiomyopatia pri iných chorobách zatried.i.	1,2,3	1,2	I61.0	Vnútroštrcové krvácanie do mozg.hemisféry,subkortikálne	3,4	2,3,4
I44.0	Atrioventrikulárna blokáda 1. stupňa	4	4	I61.1	Vnútroštrcové krvácanie do hemisféry,kortikálne	3,4	2,3,4
I44.1	Atrioventrikulárna blokáda 2. stupňa	2,3,4	1,2,3,4	I61.2	Vnútroštrcové krvácanie do hemisféry,blížšie neurčené	3,4	2,3,4
I44.2	Atrioventrikulárna blokáda 3. stupňa	2,3,4	1,2,3,4	I61.3	Vnútroštrcové krvácanie do mozgového kmeňa	3,4	2,3,4
I44.3	Iná a bližšie neurčená atrioventrikulárna blokáda	4	4	I61.4	Vnútroštrcové krvácanie do mozočka (cerebela)	3,4	2,3,4
I44.4	Ľavá predná fascikulárna blokáda	4	4	I61.5	Vnútroštrcové vnútrokomorové (intraventrik.)krvácanie	3,4	2,3,4
I44.5	Ľavá zadná fascikulárna blokáda	4	4	I61.6	Vnútroštrcové krvácanie na viacerých miestach	3,4	2,3,4
I44.6	Iná a bližšie neurčená fascikulárna blokáda	4	4	I61.8	Iné vnútroštrcové krvácanie	3,4	2,3,4
I44.7	Blokáda ľavého ramienka,blížšie neurčená	4	4	I61.9	Vnútroštrcové krvácanie,blížšie neurčené	3,4	2,3,4
I45.0	Pravá fascikulárna blokáda	4	4	I62.00	Subdurálne krvácanie (neúrazové),akútne	3,4	2,3,4
I45.1	Iná a bližšie neurčená blokáda pravého ramienka	4	4	I62.01	Subdurálne krvácanie (neúrazové),subakútne	3,4	2,3,4
I45.2	Bifascikulárna blokáda	4	4	I62.02	Subdurálne krvácanie (neúrazové),chronické	3,4	2,3,4
I45.3	Trifascikulárna blokáda	2,3,4	1,2,3,4	I62.09	Subdurálne krvácanie (neúrazové),blížšie neurčené	3,4	2,3,4
I45.4	Nešpecifická intraventrikulárna blokáda	4	4	I62.1	Neúrazové extradurálne krvácanie	3,4	2,3,4
I45.5	Iná bližšie určená srdcová blokáda	2,3,4	1,2,3,4	I62.9	Intrakraniálne krvácanie(neúrazové),b.n.	3,4	2,3,4
I45.6	Syndróm preexcitácie	2,3,4	1,2,3,4	I63.0	Mozgový infarkt,zapříč.trombózou prív.mozg.tep.	3,4	2,3,4
I45.8	Iné poruchy vedenia srdcových vzruchov,b.u.	2,3,4	2,3,4	I63.1	Mozgový infarkt,zapříč.embolizáciou prív.mozg.tep.	3,4	2,3,4
I45.9	Porucha vedenia srdcových vzruchov,b.n.	2,3,4	1,2,3,4	I63.2	Mozgový infarkt,zapříč.blíž.n.záverom/zúž.prívod.mozg.tep.	3,4	2,3,4
I46.0	Zastavenie srdca s úspešnou resuscitáciou	2,3,4	1,2,3,4	I63.3	Mozgový infarkt,zapříč.trombózou mozg.tep.	3,4	2,3,4
I46.1	Náhla srdcová smrť, takto opísaná	4	4	I63.4	Mozgový infarkt,zapříč.embóliou mozg.tep.	3,4	2,3,4
I46.8	Zlyhanie srdca	4	4				
I46.9	Zastavenie srdca,blížšie neurčené	4	4				
I47.1	Supraventrikulárna tachykardia	2,3,4	2,3,4				
I47.2	Komorová tachykardia	2,3,4	1,2,3,4				
I47.9	Paroxyzmálna tachykardia,blížšie neurčená	2,3,4	1,2,3,4				
I48.0	Fibrilácia predsieni,paroxyzmálna	4	4				
I48.1	Fibrilácia predsieni,perzistentná	4	4				
I48.2	Fibrilácia predsieni,permanetná	4	4				
I48.3	Flater predsieni,typický	4	4				
I48.4	Flater predsieni,atypický	4	4				

ICD	Text	OP. CCL	Med. CCL	ICD	Text	OP. CCL	Med. CCL
163.5	Mozgový infarkt,zaprič.b.n.uzáverom/zúž.mozg.tep.	3,4	2,3,4	171.8	Aneurizma aorty bez bliž.urč.miesta,s ruptúrou	3,4	3,4
163.6	Mozgový infarkt,zaprič.nehnis.mozg.žilovou trombózou	1,2,4	2,4	171.9	Aneurizma aorty bez bliž.urč.miesta,bez prejavov ruptúry	4	4
163.8	Iný mozgový infarkt	3,4	2,3,4	172.0	Aneurizma a disekcia krčnej tepny	3,4	3
163.9	Mozgový infarkt,blížšie neurčený	1,2,4	2,4	173.0	Raynaudov syndróm	1,2	1,2
164	Cievna mozgová príhoda bliž.neurč.ako krvácanie/infarkt	3,4	1,2,3	173.8	Iné choroby periférnych ciev,blížšie určené	4	4
165.0	Uzáver a zúženie a.vertebralis	2,3,4	1,2,3,4	173.9	Choroba periférnych ciev,blížšie neurčená	4	4
165.1	Uzáver a zúženie a.basilaris	2,3,4	1,2,3,4	174.0	Embólia a trombóza brušnej aorty	2,3,4	2,3,4
165.2	Uzáver a zúženie a.carotis	1,2,3,4	2,3,4	174.1	Embólia a trombóza i.a bliž.ne.častí aorty	2,3,4	2,3,4
165.3	Uzáver a zúženie viac.prívod.mozgových tepien,obojsstranne	2,3,4	1,2,3,4	174.2	Embólia a trombóza tepien horných končatín	2,3,4	2,3,4
165.8	Uzáver a zúženie iných prírodných mozgových tepien	4	4	174.3	Embólia a trombóza tepien dolných končatín	2,3,4	2,3,4
165.9	Uzáver a zúženie bliž.neur.prívodnej mozgovej tepny	4	4	174.4	Embólia a trombóza tepien končatín,b.n.	2,3,4	2,3,4
166.0	Uzáver a zúženie a.cerebri media	2,3,4	2,3,4	174.5	Embólia a trombóza a.iliiaca	2,3,4	2,3,4
166.1	Uzáver a zúženie a.cerebri anterior	2,3,4	2,3,4	174.8	Embólia a trombóza iných tepien	2,3,4	2,3,4
166.2	Uzáver a zúženie a.cerebri posterior	2,3,4	2,3,4	174.9	Embólia a trombóza blížšie neurčenej tepny	2,3,4	2,3,4
166.3	Uzáver a zúženie mozočkových tepien	2,3,4	2,3,4	177.2	Ruptúra tepny	4	4
166.4	Uzáver a zúženie viac.mozgových tepien,obojsstranne	2,3,4	2,3,4	177.5	Nekróza tepny	4	4
166.8	Uzáver a zúženie inej mozgovej tepny	2,3,4	2,3,4	179.0	Aneurizma aorty pri chorobách zatriedených inde	4	4
166.9	Uzáver a zúženie blížšie neurčenej mozgovej tepny	4	4	179.2	Periférna angiopatia pri chor.z.i.	4	4
167.0	Disekcia mozgovej tepny	1,2	1,2	180.0	Trombóza,flebitída a tromboflebit.povrch.žil DK	1,2,3,4	1,2,3
167.10	Získaná mozgová aneurizma	4	4	180.1	Trombóza,flebitída a tromboflebitída v. femoralis	2,3,4	1,2,3,4
167.11	Získaná mozgová artériovenózna fistula	3,4	2,3,4	180.2	Trombóza,flebitída a tromboflebit.i.hlbkových žil DK	2,3,4	1,2,3,4
167.4	Hypertenzná encefalopatia	2	1,2	180.3	Trombóza,flebitída a tromboflebit. DK, b.n.	2,3,4	1,2,3
167.5	Syndróm moyamoya	1,2	2	181	Trombóza v. portae	1,2,3,4	1,2,3,4
167.6	Nehnisová trombóza intrakraniálneho žilového systému	1,2,4	2,4	182.0	Buddov-Chiariho syndróm	1,2,3,4	1,2,3,4
167.7	Mozgová arteritída,nezatriedená inde	1,2,3,4	1,2	182.1	Migrujúca tromboflebitída	2,3,4	2,3
167.80	Vazospazmy pri subarachnoidálnom krvácaní	3,4	2,3	182.2	Embólia a trombóza v.cava	2,3,4	2,3,4
168.1	Mozgová arteritída pri infekč.a parazit.chorobách z.i.	1,2,3,4	1,2	182.3	Embólia a trombóza obličkovej žily	2,3,4	1,2,4
168.2	Mozgová arteritída pri iných chorobách .zatried.i.	1,2,3,4	1,2	182.8	Embólia a trombóza iných blížšie určených žil	2,3,4	2,3
169.0	Následky subarachnoidálneho krvácania	1,2,3,4	1,2,3	182.9	Embólia a trombóza blížšie neurčenej žily	1,2,4	1,2
169.1	Následky vnútromozgového krvácania	1,2,3,4	1,2,3	183.0	Varixy dolných končatín s vredom	1,2,3	1,2
169.2	Následky iného neúrazového intrakraniálneho krvácania	1,2,3,4	1,2,3	183.2	Varixy dolných končatín s vredom a zápalom	1,2,3	1,2
169.3	Následky mozgového infarktu	1,2,3,4	1,2,3	185.0	Varixy pažeráka s krvácaním	1,2,3,4	2,3,4
170.23	Ateroskleróza končat.tep.s postih.panvy a DK,s ulceráciami	1,2,3,4	1,2,3	189.1	Lymfangitída	4	4
170.24	Ateroskleróza končat.tep.s postih.panvy a DK,s gangrén.	1,2,3,4	1,2,3	189.8	Iné neinfekčné chor.lymfatických ciev a lymfát.uzlín,b.u.	4	4
171.00	Disekcia aorty bez bliž.urč.miesta bez prej.ruptúry	3,4	3,4	197.0	Postkardiotomický syndróm	1,2,3,4	1,2,4
171.01	Disekcia hrudníkovej aorty,bez prejavov ruptúry	3,4	3,4	197.1	Iná funkčná porucha po operácii srdca	1,2,3,4	1,2,4
171.02	Disekcia brušnej aorty,bez prejavov ruptúry	3,4	3,4	197.8	Iná komplikácia obeh.súst.po lekár.výkone,n.i.	1,2,3,4	1,2,3
171.03	Disekcia hrudník.-bruš.aorty,bez prejav.ruptúry	3,4	3,4	197.9	Komplikácia obeh.súst.po lekár. výkone,b.n.	1,2,3	1,2
171.04	Disekcia aorty bez bliž.urč.miesta,s ruptúrou	3,4	3,4	198.0	Kardiovaskulárny syfilis	4	4
171.05	Disekcia hrudníkovej aorty,s ruptúrou	3,4	3,4	198.1	Porucha obeh.súst.pri iných infekč.a parazit.chor.z.i.	4	4
171.06	Disekcia brušnej aorty,s ruptúrou	3,4	3,4	198.2	Varixy pažeráka a žalúdka pri chorobách zatried.i.bez krvác.	3,4	1,2,3
171.07	Disekcia hrudníkovo-brušnej aorty,s ruptúrou	3,4	3,4	198.3	Varixy pažeráka a žalúdka pri chorobách zatried.i.s krvác.	3,4	1,3
171.1	Aneurizma hrudníkovej aorty,s ruptúrou	3,4	3,4	J01.0	Akútny zápal čelustnej dutiny	2	2
171.2	Aneurizma hrudníkovej aorty,bez prejavov ruptúry	4	4	J01.1	Akútny zápal čelovej dutiny	2	2
171.3	Aneurizma brušnej aorty,s ruptúrou	3,4	3,4	J01.2	Akútny zápal čuchovej dutiny	2	2
171.4	Aneurizma brušnej aorty,bez prejavov ruptúry	4	4	J01.3	Akútny zápal klinovitej dutiny	2	2
171.5	Aneurizma hrudníkovo-brušnej aorty,s ruptúrou	3,4	3,4	J01.4	Akútna pansinusitída	2	2
171.6	Aneurizma hrudník.-bruš.aorty,bez údajov o ruptúre	4	4	J01.8	Iný akútny zápal prínosových dutín	2	2
				J01.9	Zápal prínosových dutín,blížšie neurčený	2	2
				J05.0	Akútny obštrukčný zápal hrtana[krup]	2	2
				J05.1	Akútny zápal hrtanovej príklopky[epiglottitída]	2	2
				J09	Chrípka zaprič.určitým identifikov.vírusom chrípky	2,3,4	1,2,3,4
				J10.0	Chrípka zaprič.i.identifikov.vírus.chrípky so zápalom pľúc	2,3,4	1,2,3,4
				J10.1	Chrípka zaprič.i.identifikov.vírus.chrípky s i.respir.prejav.	2,4	2,4
				J10.8	Chrípka zaprič.i.identifikov.vírus.chrípky s i.prej.	4	4

ICD	Text	OP. CCL	Med. CCL	ICD	Text	OP. CCL	Med. CCL
J11.0	Chríпка zaprič.neidentifovan.vírusom so zápalom pľúc	2,3,4	1,2,3,4	J38.01	Jednostranná čiastočná obrna hlasiviek a hrtana	2	2
J11.1	Chríпка zaprič.neidentifovan.vírusom s i.respir.prejav.	2,4	2,4	J38.02	Jednostranná kompletná obrna hlasiviek a hrtana	2,4	2,4
J11.8	Chríпка zaprič.neidentifovan.vírusom s i.prejavmi	4	4	J38.03	Obojstranná čiastočná obrna hlasiviek a hrtana	2,4	2,4
J12.0	Zápal pľúc zapríčinený adenovírusom	4	4	J38.4	Opuch hrtana	2	2
J12.1	Zápal pľúc zaprič.respiračným syncyciálnym vírusom	4	4	J38.6	Stenóza hrtana	4	4
J12.2	Zápal pľúc zapríčinený vírusom parainfluenzy	4	4	J38.7	Iná choroba hrtana	4	4
J12.3	Zápal pľúc zapríčinený ľudským metapneumovírusom	4	4	J39.0	Retrofaryngový a parafaryngový absces	2,4	2,4
J12.8	Iný vírusový zápal pľúc	4	4	J41.1	Hlienovohnisová chronická bronchitída	1,2,3	1,2,3
J12.9	Vírusový zápal pľúc,blížšie neurčený	4	4	J41.8	Zmiešaná jednod.a hlienovohnis.chron.bronchitída	1,2,3	1,2,3
J13	Zápal pľúc zapríčinený Streptococcus pneumoniae	2,3,4	1,2,3,4	J42	Chronická bronchitída,blížšie neurčená	1	1
J14	Zápal pľúc zapríčinený Haemophilus influenzae	2,3,4	1,2,3,4	J43.0	MacLeodov syndróm	2,3	1,2,3
J15.0	Zápal pľúc zapríčinený Klebsiella pneumoniae	3,4	3,4	J43.1	Panlobulárny emfyzém	2,3	1,2,3
J15.1	Zápal pľúc zapríčinený pseudomonas	3,4	3,4	J43.2	Centrilobulárny emfyzém	2,3	1,2,3
J15.2	Zápal pľúc zapríčinený stafylokokom	3,4	3,4	J43.8	Iný emfyzém	2,3	1,2,3
J15.3	Zápal pľúc zapríčinený streptokokom skupiny B	2,3,4	1,2,3,4	J43.9	Emfyzém, blížšie neurčený	1,2,3	1,2,3
J15.4	Zápal pľúc zapríčinený iným streptokokom	2,3,4	1,2,3,4	J44.00	CHOCHP s akútnou infekc.dolných DC,FEV1 < 35 % pris.hodn.	1,2,3	1,2,3
J15.5	Zápal pľúc zapríčinený Escherichia coli	3,4	3,4	J44.01	CHOCHP s ak.infekc.dolných DC,FEV1 >= 35 < 50 %pris.h.	1,2,3	1,2,3
J15.6	Zápal pľúc,zapr.i.aeróbnou gramnegat.baktériou	3,4	3,4	J44.02	CHOCHP s ak.infek.dol.DC,FEV1 >= 50 % a < 70 % pris.hodn.	1,2,3	1,2,3
J15.7	Zápal pľúc zapríčinený Mycoplasma pneumoniae	2,3,4	1,2,3,4	J44.03	CHOCHP s ak.infek.dolných DC,FEV1 >= 70 % pris.hodn.	1,2	1,2
J15.8	Iný bakteriálny zápal pľúc	3,4	3,4	J44.09	CHOCHP s akútnou infekc.dolných DC,hodn.FEV1 blíž.neurč.	1,2	1,2
J15.9	Bakteriálny zápal pľúc,blížšie neurčený	2,3,4	1,2,3,4	J44.10	CHOCHP s akút.exacer.chor.blíž.neurč.FEV1<35 % pris.hodn.	1,2,3	1,2,3
J16.0	Zápal pľúc zapríčinený chlamýdiami	2,3,4	1,2,3,4	J44.11	CHOCHP s ak.exacer.chor.bl.neu.FEV1 >= 35% a <50 %pris.h.	1,2,3	1,2,3
J16.8	Zápal pľúc zaprič.iným blíž.urč.infekčným organ.	2,3,4	1,2,3,4	J44.12	CHOCHP s ak.exacer.chor.bl.neu.FEV1>= 50 % a <70 %pris.h.	1,2,3	1,2,3
J17.0	Zápal pľúc pri bakteriálnych chorobách z.i.	3,4	3,4	J44.13	CHOCHP s ak.exacer.chor.blíž.neurč.FEV1 >= 70 % prísluš.h.	1,2	1,2
J17.1	Zápal pľúc pri vírusových chorobách z.i.	3,4	3,4	J44.19	CHOCHP s ak.exacer.chor.blíž.neurč.,hodnota FEV1 b.n.	1,2	1,2
J17.2	Zápal pľúc pri mykózach zatriedených inde	3,4	3,4	J44.80	Iná CHOCHP,blíž.urč.FEV1 < 35 % pris.hodnoty	1,2,3	1,2,3
J17.3	Zápal pľúc pri parazitových chorobách	3,4	3,4	J44.81	Iná CHOCHP,blíž.urč.FEV1 >= 35 % a < 50 % pris.hodnoty	1,2,3	1,2,3
J17.8	Zápal pľúc pri iných chorobách zatriedených inde	4	4	J46	Status asthmaticus	2	1,2
J18.0	Bronchopneumónia,blížšie neurčená	2,3,4	1,2,3,4	J47	Bronchiectázie	2,3	1,2,3
J18.1	Lobárny zápal pľúc,blížšie neurčený	2,3,4	1,2,3,4	J67.0	Farmárske pľúca	2	2
J18.2	Hypostatický zápal pľúc,blížšie neurčený	2,3,4	2,3	J67.1	Bagasóza	2	2
J18.8	Iný zápal pľúc,zapríč.blíž.neurč.organizmom	2,3,4	1,2,3,4	J67.2	Pľúcna choroba chovateľov vtákov	2	2
J18.9	Zápal pľúc,blížšie neurčený	2,3,4	1,2,3,4	J67.3	Suberóza	2	2
J20.0	Akútna bronchitída zaprič.Mycoplasma pneumoniae	2	1,2	J67.4	Sladovnícke pľúca	2	2
J20.1	Akútna bronchitída zaprič.Haemophilus influenzae	2	1,2	J67.5	Pľúcna choroba pestovateľov húb	2	2
J20.2	Akútna bronchitída zapríčinená streptokokom	2	1,2	J67.6	Pľúcna choroba lúpačov javorovej kôry	2	2
J20.3	Akútna bronchitída zapríčinená vírusom Coxsackie	2	1,2	J67.7	Pľúcna choroba zaprič.ventilačnými a zvlhčovacími zariadeniami	2	2
J20.4	Akút.bronchitída zaprič.vírusom parainfluenzy	2	1,2	J67.8	Alergická alveolitída zaprič.i.organickým prachom	2	2
J20.5	Akút.bronchitída zaprič.respirač.syncyciálnym vírusom	2	1,2	J67.9	Alergická alveolitída zaprič.blíž.neurč.organickým prachom	2	2
J20.6	Akútna bronchitída zapríčinená rinovírusom	2	1,2	J68.0	Bronchit.a pneumonit.,zaprič.chem.,plyn.,dym.a výpar.	2,3	1,2
J20.7	Akútna bronchitída zapríčinená vírusom ECHO	2	1,2	J68.1	Akútny pľúcny edém,zapríč.chemikál.plyn.dym.a výparmi	2,3,4	2,3
J20.8	Akút.bronchitída zaprič.iným.blíž.urč.organ.	2	1,2	J69.0	Zápal pľúc,zapríč.vdýchnutím potravy a zvratkov	3,4	3,4
J20.9	Akútna bronchitída,blížšie neurčená	2	1,2	J69.1	Zápal pľúc,zapríčinený olejmi a esenciami	3,4	3,4
J21.0	Akútna bronchiolitída zaprič.respirač.syncyciálnym vírusom	4	4	J69.8	Zápal pľúc,zapríč.i.tuhými látkami a tekutinami	3,4	3,4
J21.1	Akútna bronchiolitída zaprič.ludským metapneumovírusom	4	4	J70.0	Akútne pľúcne prejavy zapríčinené žiarením	2,3	1,2
J21.8	Akútna bronchiolitída zaprič.i.blíž.urč.organ.	4	4				
J21.9	Akútna bronchiolitída,blížšie neurčená	4	4				
J36	Peritonziálny absces	2	2				
J38.00	Obrna hlasiviek a hrtana, blížšie neurčená	2,4	2,4				

ICD	Text	OP. CCL	Med. CCL	ICD	Text	OP. CCL	Med. CCL
J70.1	Chronické a iné pľúcne prejavy zapríčinené žiarením	2	2	K12.22	Submandib.absces s rozšír.do mediast.,parafaryn./cerv.pries.	2,3	2,3
J70.2	Akútna pľúcna intersticiálna choroba zapríč.liekmi	2,3	1,2	K12.23	Absces líca	2,3	2,3
J70.3	Chronická pľúcna intersticiálna choroba zapríč.liekmi	2,3	1,2	K12.28	Iná flegmóna a absces úst	2,3	2,3
J70.4	Pľúcna intersticiálna choroba zapríč.liekmi,b.n.	2,3	1,2	K12.29	Flegmóna a absces úst,blížšie neurčený	2,3	2,3
J80	Syndróm respiračnej tiesne [ARDS]	1,2	1,2	K22.2	Nepriechodnosť pažeráka	4	4
J81	Pľúcny opuch	2,3,4	2,3	K22.3	Prederavenie pažeráka	2,4	2,3,4
J84.0	Alveolové a parietoalveolové stavy	2	2	K22.4	Dyskinéza pažeráka	4	4
J84.1	Iná choroba interstícia pľúc s fibrózou	2	2	K22.6	Malloryho-Weisssov syndróm	1,2,3,4	2,3
J84.8	Iná choroba interstícia pľúc,blížšie určená	2	2	K23.0	Tuberkulóza pažeráka (A18.8†)	2,4	2,3
J84.9	Choroba interstícia pľúc,blížšie neurčená	2	2	K25.0	Vred žalúdka,akútny s krvácaním	1,2,3,4	2,3
J85.0	Gangréna a nekróza pľúc	3,4	3,4	K25.1	Vred žalúdka,akútny s perforáciou	2,3,4	2
J85.1	Absces pľúc so zápalom pľúc	3,4	3,4	K25.2	Vred žalúdka,akútny s krvácaním a perforáciou	1,2,3,4	2,3
J85.2	Absces pľúc bez zápalu pľúc	3,4	3,4	K25.4	Vred žalúdka,chron./bliž.neurč.s krvácaním	1,2,3,4	2,3
J85.3	Absces mediastína	3,4	3,4	K25.5	Vred žalúdka,chron./bliž.neurč.s perforáciou	2,3,4	2
J86.0	Pyotorax s fistulou	3,4	3,4	K25.6	Vred žalúdka,chron./bliž.neurč.s krvác.a perfor.	1,2,3,4	2,3
J86.9	Pyotorax bez fistuly	3,4	3,4	K26.0	Vred dvanástnika,akútny s krvácaním	1,2,3,4	2,3
J90	Pohrudnicový výpotok,nezatriedený inde	1,2,3,4	1,2,3,4	K26.1	Vred dvanástnika,akútny s perforáciou	2,3,4	2
J91	Pohrudnicový výpotok pri chor.z.i.	2,3,4	1,2,3,4	K26.2	Vred dvanástnika,akútny s krvácaním a perforáciou	1,2,3,4	2,3
J93.0	Spontánny tenzný pneumotorax	2,3,4	2,3	K26.4	Vred dvanástnika,chron./bliž.neurč.s krvácaním	1,2,3,4	2,3
J93.1	Iný spontánny pneumotorax	2,3,4	2,3	K26.5	Vred dvanástnika,chron./bliž.neurč.s perforáciou	2,3,4	2
J93.8	Iný pneumotorax	2,3,4	2,3	K26.6	Vred dvanástnika,chron./bliž.neurč.s krvác.a perfor.	1,2,3,4	2,3
J93.9	Pneumotorax,blížšie neurčený	2,3,4	2,3	K27.0	Peptický vred bez bliž.urč.miesta,akút.s krvácaním	1,2,3,4	2,3
J94.0	Chylózný pohrudnicový výpotok	2,3,4	2,3,4	K27.1	Peptický vred bez bliž.urč.miesta,akút.s perforáciou	2,3,4	2
J94.1	Fibrotorax	2,3,4	1,2,3	K27.2	Peptický vred bez bliž.urč.miesta,akút.s krvác.a perfor.	1,2,3,4	2,3
J94.2	Hemotorax	2,3,4	2,3,4	K27.4	Peptický vred bez bliž.urč.m.,chron./bli.neu.s krvác.a perfor.	1,2,3,4	2,3
J94.8	Iná choroba pohrudnice,blížšie určená	4	4	K27.5	Peptický vred bez bliž.urč.miesta,chron./bliž.neurč.s perfor.	2,3,4	2
J94.9	Choroba pohrudnice,blížšie neurčená	4	4	K27.6	Peptický vred bez bliž.urč.m.,chron./bli.neu.s krvác.a perfor.	1,2,3,4	2,3
J95.0	Porucha funkcie tracheostómie	3,4	1,3,4	K28.0	Peptický vred jejúna, akútny s krvácaním	1,2,3,4	2,3
J95.1	Akútna pulmonálna insuficien.po hrudníkovej operácii	2,3,4	2,3	K28.1	Peptický vred jejúna, akútny s perforáciou	2,3,4	2
J95.2	Akútna pulmonálna insuficien.po mimohrudník.chir.výkone	2,3,4	2,3	K28.2	Peptický vred jejúna,akútny s krvácaním a perforáciou	1,2,3,4	2,3
J95.3	Chronická pulmonálna insuficien.po chir.výkone	2,3,4	2,3	K28.4	Peptický vred jejúna,chron./bliž.neurč.s krvácaním	1,2,3,4	2,3
J95.4	Mendelsonov syndróm	3,4	1,3	K28.5	Peptický vred jejúna,chron./bliž.neurč.s perforáciou	2,3,4	2
J95.5	Subglotická stenóza po chirurgickom výkone	3,4	1,3	K28.6	Peptický vred jejúna,chron./bliž.neurč.s krvác.a perfor.	1,2,3,4	2,3
J95.80	Iatrogénny pneumotorax	3,4	1,3,4	K29.0	Akútna hemoragická gastritída	1,2,3,4	2,3
J95.81	Stenóza priedušnice po lekárskom výkone	3,4	1,3	K31.0	Akútna dilatácia žalúdka	2,4	2,3
J95.88	Iná porucha dýchacích orgánov po lekárskom výkone	3,4	1,3	K31.1	Hypertrofická pylorostenóza dospelých	2,3,4	2
J96.00	Akútna respirač.insuficien.n.i.,typ I(hypoxém.)	2,3,4	1,2,3	K31.5	Nepriechodnosť dvanástnika	2,3,4	2
J96.01	Akútna respirač.insuficien.n.i.,typ II (hypoxém.-hyperkap.typ)	2,3,4	1,2,3	K31.6	Fistula žalúdka a dvanástnika	2,4	2,3,4
J96.09	Akútna respirač.insuficien.n.i.,typ bliž.neurč.	2,3,4	1,2,3	K31.82	Angiodysplázia žalúdka a dvanástnika s prejavmi krvác.	1,2,3,4	2,3
J96.10	Chronická respirač.insuficien.,nezat.i.,typ I (hypoxém.)	2,3,4	1,2,3	K35.2	Akútna apendicitída s generalizovanou peritonitídou	3,4	3,4
J96.11	Chronická respirač.insuficien.,n.i.,typ II (hypoxém.-hyperkap.)	2,3,4	1,2,3	K35.30	Akútna apendicitída s lokaliz.peritonitídou,bez perfor./rupt.	2,4	2,3,4
J96.19	Chronická respirač.insuficien.,nezat.i.,typ bliž.neurč.	2,3,4	1,2,3	K35.31	Akút.apendicitída s lokaliz.peritonitídou,s perfor./ruptúrou	3,4	3,4
J98.1	Kolaps pľúc	3,4	1,3	K35.32	Akútna apendicitída s abscesom pobrušnice	2,4	2,3,4
J98.2	Intersticiálny emfyzém	2,3,4	2,3	K35.8	Akútna apendicitída,blížšie neurčená	2,4	2,3,4
J98.50	Mediastinitída	2,3,4	1,2,3	K37	Apendicitída,blížšie neurčená	4	4
J99.0	Reumatoidná choroba pľúc (M05.1-t)	2	2	K40.00	Obojstran.slabin.prietrž s obšt.bez gang.neozn.ako recid.	2,4	2,3,4
J99.1	Choroba dýchac.súst.pri i.difúzných chor.spojiv.tkan.	2	2				
J99.8	Choroba dýchac.súst.pri iných chorobách z.i.	2	2				
K07.1	Anomálie polohy čelustí oproti lebkovej spodine	4	4				
K07.8	Iné dentofaciálne anomálie	4	4				
K11.3	Absces slinnej žľazy	2	2				
K11.4	Fistula slinnej žľazy	2	2				
K12.20	Flegmóna ústnej spodiny	2,3	2,3				
K12.21	Submandib.absces bez rozšír.do mediast.,parafaryn./cerv.pries.	2,3	2,3				



ICD	Text	OP. CCL	Med. CCL	ICD	Text	OP. CCL	Med. CCL
K40.01	Obojstranná slabin.prietrž s obšt.bez gang.recidiv.	2,4	2,3,4	K57.33	Divertikulitída hrubého čreva bez perfor./absc.s krvác.	1,2,3,4	2,3
K40.10	Obojstranná slabinová prietrž s gang.neozn.ako recidiv.	2,4	2,3,4	K57.40	Divertik.tenk.-hrub.čreva s perfor.a absc.bez prej.krv.	2,4	2,3
K40.11	Obojstranná slabinová prietrž s gang.recidivujúca	2,4	2,3,4	K57.41	Divertikulóza tenk.-hrub.čreva s perfor.absc.a krvác.	1,2,3,4	2,3
K40.30	Jednostr./neurč.slab.prietrž s obšt.bez gang.neozn.ako recid.	2,4	2,3,4	K57.42	Divertikulitída tenk.-hrub.čreva s perfor.a absc.bez prej.krv.	2,4	2,3
K40.31	Jednostr./neurč.slab.prietrž s obšt.bez gang.recid.	2,4	2,3,4	K57.43	Divertikulitída tenk.-hrub.čreva s perfor.absc.a krvác.	1,2,3,4	2,3
K40.40	Jednostran./neurč.slab.prietrž s gang.neozn.ako recid.	2,4	2,3,4	K57.51	Divertikulóza tenk.-hrub.čreva bez perfor./absc.s krvác.	1,2,3,4	2,3
K40.41	Jednostran./neurč.slab.prietrž s gang.recid.	2,4	2,3,4	K57.53	Divertikulitída tenk.-hrub.čreva bez perfor./absc.s krvác	1,2,3,4	2,3
K41.0	Obojstranná stehnová prietrž s obšt.bez gang.	2,4	2,3,4	K57.80	Divertikulóza čreva,časť bliž.ne.s perfor.a absc.bez prej.krv.	2,4	2,3
K41.1	Obojstranná stehnová prietrž s gangrénou	2,4	2,3,4	K57.81	Divertikulóza čreva,časť bliž.neurč.s perfor.absc.a krvác.	1,2,3,4	2,3
K41.3	Jednostran./bliž.neu.stehno.prietrž s obšt.bez gang.	2,4	2,3,4	K57.82	Divertikulitída čreva,časť bliž.ne.s perf.a absc.bez prej.krv.	2,4	2,3
K41.4	Jednostran./bliž.neu.stehno.prietrž s gang.	2,4	2,3,4	K57.83	Divertikulitída čreva,časť bliž.neurč.s perfor.absc.a krvác.	1,2,3,4	2,3
K42.0	Pupková prietrž s obštrukciou bez gangrény	2,4	2,3,4	K57.91	Divertikulóza čreva,časť bliž.neurč.bez perfor./absc.s krvác.	1,2,3,4	2,3
K42.1	Pupková prietrž s gangrénou	2,4	2,3,4	K57.93	Divertikulitída čreva,časť bliž.neur.bez perfor./absc.s krv.	1,2,3,4	2,3
K43.0	Prietrž v jazve s obštrukciou bez gangrény	2,4	2,3,4	K59.3	Megakolon,nezatriedený inde	4	4
K43.1	Prietrž v jazve s gangrénou	2,4	2,3,4	K61.0	Análny absces	2,4	2,3,4
K43.3	Parastomická prietrž s obštrukciou bez gangrény	2,4	2,3,4	K61.1	Rektálny absces	2,4	2,3,4
K43.4	Parastomická prietrž s gangrénou	2,4	2,3,4	K61.2	Anorektálny absces	2,4	2,3,4
K44.0	Bránicová prietrž s obštrukciou bez gangrény	2,4	2,3,4	K61.3	Ischiorektálny absces	2,4	2,3,4
K44.1	Bránicová prietrž s gangrénou	2,4	2,3,4	K61.4	Vnútrošfinkterový absces	2,4	2,3,4
K45.0	Iná brušná prietrž,bliž.urč.s obštruk.bez gangrény	2,4	2,3	K62.2	Prolaps anusu	4	4
K45.1	Iná brušná prietrž,bližšie určená s gangrénou	2,4	2,3,4	K62.3	Prolaps konečníka	4	4
K46.0	Brušná prietrž,bliž.neurč.s obštruk.bez gangrény	2,4	2,3	K62.4	Stenóza anusu a konečníka	4	4
K46.1	Brušná prietrž,bližšie neurčená s gangrénou	2,4	2,3,4	K62.5	Krvácanie z anusu a konečníka	1,2,3,4	2,3
K52.0	Gastroenteritída a kolitída zaprič.radiáciou (postradiáč.)	2,4	2,3	K63.0	Absces čreva	2,4	2,3,4
K52.1	Toxická gastroenteritída a kolitída	2,4	2,3,4	K63.1	Perforácia čreva (neúrazová)	3,4	3,4
K55.0	Akútna cievna choroba čreva	3,4	3,4	K63.2	Fistula čreva	4	4
K55.21	Angiodysplázia hrubého čreva,bez prejavov krvác.	4	4	K63.3	Vred čreva	4	4
K55.22	Angiodysplázia hrubého čreva,s krvácaním	1,2,3,4	2,3	K65.0	Akútny zápal pobrušnice	3,4	3,4
K55.82	Angiodysplázia tenkého čreva,s krvácaním	1,2,3,4	2,3	K65.8	Iný zápal pobrušnice	3,4	3,4
K56.0	Paralytický ileus	2,3,4	2,3,4	K65.9	Zápal pobrušnice,bližšie neurčený	3,4	3,4
K56.1	Invaginácia	2,3,4	2,3,4	K66.0	Pobrušnicové zrasty	4	4
K56.2	Volvulus	2,3,4	2,3,4	K66.1	Hemoperitoneum	2,4	2,3,4
K56.3	Ileus zapríčinený žlčovým kameňom	2,3,4	2,3	K66.8	Iné choroby pobrušnice,bližšie určené	4	4
K56.4	Iná obturácia čreva	2,3,4	2,3,4	K67.0	Zápal pobrušnice,zapríčinený chlamýdiami (A74.8†)	3,4	3,4
K56.5	Črevné adhézie[zrasty] s nepriechodnosťou	2,3,4	2,3	K67.1	Gonokokový zápal pobrušnice (A54.8†)	3,4	3,4
K56.6	Iný a bližšie neurčený mechanický ileus	2,3,4	2,3,4	K67.2	Syfilitický zápal pobrušnice (A52.7†)	3,4	3
K56.7	Ileus,bližšie neurčený	2,3,4	2,3,4	K67.3	Tuberkulózný zápal pobrušnice (A18.3†)	3,4	3,4
K57.00	Divertikulóza tenkého čreva s perfor.a absc.,bez prej.krv.	2,4	2,3	K67.8	Iná choroba pobrušnice pri infekč.chor.z.i.	3,4	3,4
K57.01	Divertikulóza tenkého čreva s perfor.abscesom a krvác.	1,2,3,4	2,3	K70.2	Alkoholová fibróza a skleróza pečene	2,3	2
K57.02	Divertikulitída tenkého čreva s perfor.a absc.bez.prej.krvác.	2,4	2,3	K70.3	Alkoholová cirhóza pečene	2,3	1,2
K57.03	Divertikulitída tenkého čreva s perfor.absc.a krvácaním	1,2,3,4	2,3	K70.4	Alkoholové zlyhávanie pečene	2,3	2
K57.11	Divertikulóza tenkého čreva bez perfor.a absc.s krvác.	1,2,3,4	2,3	K71.0	Toxická choroba pečene s cholestázou	1,2,3,4	1,2,3,4
K57.13	Divertikulitída tenkého čreva bez perfor.a absc.s krvác.	1,2,3,4	2,3	K71.1	Toxická choroba pečene s pečňovou nekrózou	1,2,3,4	1,2,3,4
K57.21	Divertikulóza hrubého čreva s perfor.absc.a krvácaním	1,2,3,4	2,3	K71.2	Toxická choroba pečene s akútnou hepatitídou	1,2,3,4	1,2,3,4
K57.23	Divertikulitída hrubého čreva s perfor.absc.a krvác.	1,2,3,4	2,3	K71.3	Toxická chor.pečene s chronick.perzistujúcou hepatitídou	1,2,3,4	1,2,3,4
K57.31	Divertikulóza hrubého čreva bez perfor./absc.s krv.	1,2,3,4	2,3	K71.4	Toxická chor.pečene s chronick.lobulárnou hepatitídou	1,2,3,4	1,2,3,4
				K71.5	Toxická choroba pečene s chron.aktívnou hepatitídou	1,2,3,4	1,2,3,4
				K71.6	Toxická choroba pečene s hepatitídou,n.i.	1,2,3,4	1,2,3,4
				K71.7	Toxická choroba pečene s fibrózou a cirhózou pečene	2,3,4	2,4

ICD	Text	OP. CCL	Med. CCL	ICD	Text	OP. CCL	Med. CCL
K71.8	Toxická choroba pečene s inými poruchami pečene	1,2,3,4	1,2,3,4	K80.80	Iná cholelitiáza,bez prejavov obšt. žlč.ciest	2,3,4	2,3
K71.9	Toxická choroba pečene,blížšie neurčená	1,2,3,4	1,2,4	K80.81	Iná cholelitiáza,s obštrukciou žlčových ciest	2,3,4	2,3
K72.0	Akútne a subakútne pečeňové zlyhávajúce	1,2,3,4	1,2,3,4	K81.0	Akútna cholecystitída	2,3,4	2,3
K72.1	Chronické pečeňové zlyhávajúce	1,2,3,4	1,2,3	K82.0	Obštrukcia žlčníka	2,3,4	2,3
K72.71	Pečeňová encefalopatia,1.stupeň	1,2,3,4	1,2	K82.1	Hydrops žlčníka	2,3,4	2,3
K72.72	Pečeňová encefalopatia,2.stupeň	1,2,3,4	1,2,3	K82.2	Perforácia žlčníka	2,3,4	2,3
K72.73	Pečeňová encefalopatia,3.stupeň	1,2,3,4	1,2,3	K82.3	Fistula žlčníka	2,3,4	2,3
K72.74	Pečeňová encefalopatia,4.stupeň	1,2,3,4	1,2,3	K83.0	Zápal žlčových ciest	2,3,4	2,3
K72.79	Pečeňová encefalopatia neurčeného stupňa	1,2,3,4	1,2	K83.2	Perforácia žlčových ciest	2,3,4	2,3
K72.9	Pečeňové zlyhávajúce,blížšie neurčené	1,2,3,4	1,2,3	K83.3	Fistula žlčových ciest	2,3,4	2,3
K73.1	Chronická lobulárna hepatitída, nezatriedená inde	1,2,3,4	1,2,3	K85.00	Idiopatická akútna pankreatitída,bez org.kompl.	2,3	2
K73.2	Chronická aktívna hepatitída,nezatriedená inde	1,2,3,4	1,2,3	K85.01	Idiopatická akútna pankreatitída,s org.kompl.	2,3	2
K73.8	Iná chronická hepatitída,nezatriedená inde	1,2,3,4	1,2,3	K85.10	Akútna biliárna pankreatitída,bez org.kompl.	2,3	2
K74.0	Fibróza pečene	2,3,4	2,4	K85.11	Akútna biliárna pankreatitída,s org.kompl.	2,3	2
K74.2	Fibróza pečene so sklerózou pečene	2,3,4	2,4	K85.20	Akút.pankreatitída zapr.alkoholom,bez org.kompl.	2,3	2
K74.3	Primárna biliárna cirhóza	2,3,4	2,4	K85.21	Akút.pankreatitída zapr.alkoholom,s org.kompl.	2,3	2
K74.4	Sekundárna biliárna cirhóza	2,3,4	2,4	K85.30	Akútna pankreatitída zaprič.liekom,bez org.kompl.	2,3	2
K74.5	Biliárna cirhóza,blížšie neurčená	2,3,4	2,4	K85.31	Akútna pankreatitída zaprič.liekom,s org.kompl.	2,3	2
K74.6	Iná a blížšie neurčená cirhóza pečene	1,2,3,4	1,2,4	K85.80	Iná akútna pankreatitída,bez orgánovej komplikácie	2,3	2
K75.0	Absces pečene	1,2,3,4	1,2,3,4	K85.81	Iná akútna pankreatitída,s orgánovou komplikáciou	2,3	2
K75.1	Flebitída vrátnice (v. portae)	1,2,3,4	1,2,3,4	K85.90	Akútna pankreatitída,blíž.neurč.bez org.kompl.	2,3	2
K75.2	Nešpecifická reaktívna hepatitída	1,2,3,4	1,2,3,4	K85.91	Akútna pankreatitída,blíž.neurč.s org.kompl.	2,3	2
K75.3	Granulomatózna hepatitída,nezatriedená inde	1,2,3,4	1,2,3,4	K86.0	Chronická pankreatitída zapríčinená alkoholom	2,3	1,2
K75.4	Autoimunitná hepatitída	1,2,3,4	1,2,3,4	K86.1	Iná chronická pankreatitída	2,3	1,2
K75.8	Iná zápalová choroba pečene,blížšie určená	1,2,3,4	1,2,3,4	K86.2	Cysta pankreasu	2,3	2
K75.9	Zápalová choroba pečene,blížšie neurčená	1,2,3,4	1,2,3,4	K86.3	Pseudocysta pankreasu	2,3	2
K76.0	Stukovatenie pečene, nezatriedené inde	4	4	K90.2	Syndróm slepej slučky,nezatriedený inde	4	4
K76.2	Centrálna hemoragická nekróza pečene	1,2,3,4	1,2,3,4	K90.3	Pankreatická steatorea	4	4
K76.3	Infarkt pečene	1,2,3,4	1,2,3,4	K91.1	Syndrómy po operácii žalúdka	4	4
K76.4	Pelióza pečene	1,2,3,4	1,2,3,4	K91.2	Malabsorpcia po chirurgickom výkone,n.i.	2,4	2,3
K76.5	Venoocluzívna choroba pečene(Stuartov-Brasov syndróm)	1,2,3,4	1,2,3	K91.3	Mechanická črevná nepriechodnosť po chir.výk.	2,3,4	3
K76.6	Portálna hypertenzia	4	4	K91.4	Porucha funkcie kolostómie a enterostómie	1,2	1
K76.7	Hepatorenálny syndróm	1,2,3,4	1,2,3,4	K91.80	Generalizovaná mukozitída pri imunokompromitácii	3,4	3
K77.0	Pečeňová porucha pri infekč./parazit.chor.z.i.	1,2,3,4	1,2,3,4	K91.88	Iná porucha tráviacej súst.po lekář.výkone,n.i.	1,2	1
K77.11	Postihnutie pečene pri akút.chor.štetu proti host.GvH,1.štád.	1,2,3,4	1,2,3,4	K92.0	Hemateméza	1,2,3,4	2,3
K77.12	Postihnutie pečene pri akút.chor.štetu proti host.GvH,2.štád.	1,2,3,4	1,2,3,4	K92.1	Meléna	1,2,3,4	2,3
K77.13	Postihnutie pečene pri akút.chor.štetu proti host.GvH,3.štád.	1,2,3,4	1,2,3,4	K92.2	Gastrointestinálne krvácanie,blížšie neurčené	1,2,3,4	2,3
K77.14	Postihnutie pečene pri akút.chor.štetu proti host.GvH,4.štád.	1,2,3,4	1,2,3,4	K93.0	TBC čriev,pobrušnice a lymfatických uzlín mezenteria	2,4	2,3
K77.8	Pečeňová porucha pri iných chorobáchz.i.	1,2,3,4	1,2,3,4	K93.1	Megakolon pri Chagasovej chorobe (B57.3t)	4	4
K80.00	Kameň žlčníka s akút.cholecystitídou,bez prej.obštr.žlč.ciest	2,3,4	2,3	L00.0	Synd.obar.kože zaprič.stafylok.s postih.men.ako 30% povrch.t.	4	4
K80.01	Kameň žlčníka s akút.cholecystitídou,s obštr.žlč.ciest	2,3,4	2,3	L00.1	Synd.obarenej kože zaprič.stafylok.s postih.30%p.t.a viac	4	4
K80.10	Kameň žlčníka s i.cholecystitídou,bez prej.obštr.žlč. ciest	2,3,4	2,3	L01.0	Kontaktné impetigo akejkoľf.lok.zaprič.ktorýmkoľf.organiz.	2,3,4	2,3
K80.11	Kameň žlčníka s i.cholecystitídou,s obštr.žlč. ciest	2,3,4	2,3	L01.1	Sekundárna impetiginizácia inej choroby kože	2,3,4	2,3
K80.21	Kameň žlčníka bez cholecystitídou,s obštr.žlč. ciest	2,3,4	2,3	L03.10	Flegmóna hornej končatiny	2,3,4	2,3
K80.30	Kameň žlč.výv.s cholecystitídou,bez prej.obštr.žlč. ciest	2,3,4	2,3	L03.11	Flegmóna dolnej končatiny	2,3,4	2,3
K80.31	Kameň žlč.výv.s cholecystitídou,s obštr.žlč. ciest	2,3,4	2,3	L03.2	Flegmóna tváre	2,3,4	2,3
K80.40	Kameň žlč.výv.s cholecystitídou,bez prej.obštr.žlč. ciest	2,3,4	2,3	L03.3	Flegmóna trupu	2,3,4	2,3
K80.41	Kameň žlč.výv.s cholecystitídou,s obštr.žlč. ciest	2,3,4	2,3	L03.8	Flegmóna na inom mieste	2,3,4	2,3
K80.50	Kameň žlč.výv.bez cholan./cholecyst. bez prej.obštr.žlč. ciest	2,3,4	2,3	L03.9	Flegmóna,blížšie neurčená	2,3,4	2,3
K80.51	Kameň žlč.výv.bez cholangit./cholecyst.s obš.žlč. ciest	2,3,4	2,3	L05.0	Pilonidálna cysta s abscesom	2,3,4	2,3
				L10.0	Pemphigus vulgaris	2	2
				L10.1	Pemphigus vegetans	2	2
				L10.2	Pemphigus foliaceus	2,4	2,4
				L10.3	Brazílsky pemphigus [fogo selvagem]	2	2

ICD	Text	OP. CCL	Med. CCL	ICD	Text	OP. CCL	Med. CCL
L10.4	Pemphigus erythematosus	2	2	L89.38	Dekubitus 4.stupňa: Iná oblasť dolnej končatiny	3,4	2,3
L10.5	Pemphigus, zapríčinený liekom	2	2	L89.39	Dekubitus 4.stupňa: Blížšie neurčené miesto	3,4	2,3
L10.8	Iný pemphigus	2	2	L94.4	Gottronov syndróm	1,2	1,2
L10.9	Pemphigus, bližšie neurčený	2	2	L98.3	Eozinofilná celulitída(Wellsov syndróm)	2,3,4	2,3
L11.8	Iná akantolytická dermatóza,blížšie určená	4	4	M00.00	Artritída a polyartrit.zaprič.stafylo. na viac.m.	2,4	2,4
L11.9	Akantolytická dermatóza,blížšie neurčená	4	4	M00.01	Artritída a polyartrit.zaprič.stafylok v obl.pleca	2,4	2,4
L12.0	Pľuzgierový(bulózny)pemfigoid	2,4	2,4	M00.02	Artritída a polyartrit.zaprič.stafylok.v obl.nadlaktia	2,4	2,4
L12.1	Jazvový pemfigoid	2	2	M00.03	Artritída a polyartrit.zaprič.stafylok.v obl.predlak.	2,4	2,4
L12.2	Chronická pľuzgierová(bulózna)choroba detského veku	2	2	M00.04	Artritída a polyartrit.zaprič.stafylok.v obl.ruky	2,4	2,4
L12.3	Získaná pľuzgierová (bulózna) epidermolýza	2,4	2,4	M00.05	Artritída a polyartrit.zaprič.stafylok.panv.obl.a stehna	2,4	2,4
L12.8	Iný pemfigoid	2,4	2,4	M00.06	Artritída a polyartrit.zaprič.stafylok.v obl.predkol.	2,4	2,4
L12.9	Pemfigoid,blížšie neurčený	2,4	2,4	M00.07	Artritída a polyartrit.zaprič.stafylok.v obl.čl.a nohy	2,4	2,4
L13.0	Herpetiformná dermatitída(dermatitis herpetiformis)	4	4	M00.08	Artritída a polyartrit.zaprič.stafylok.na i.mieste	2,4	2,4
L13.1	Dermatitis pustulosa subcornealis	4	4	M00.09	Artritída a polyartrit.zaprič.stafylok.na n.mieste	2,4	2,4
L13.8	Iné pľuzgierové(bulózne)dermatózy,blížšie určené	4	4	M00.10	Artritída a polyartrit.zaprič.pneumok.,na viac.m.	2,4	2,4
L14	Pľuzgierová dermatóza pri choroba zatried.i.	4	4	M00.11	Artritída a polyartrit.zaprič.pneumok.v obl.pleca	2,4	2,4
L40.1	Generalizovaná pustulová psoriáza	4	4	M00.12	Artritída a polyartrit.zaprič.pneumok.v obl.nadlaktia	2,4	2,4
L40.5	Artropatická psoriáza (M07.0-M07.3*, M09.0-*)	1,2	1,2	M00.13	Artritída a polyartrit.zaprič.pneumok.v obl.predlak.	2,4	2,4
L44.4	Detská papulárna akrodermatitída(Giannotti-Crosti synd.)	2	2	M00.14	Artritída a polyartrit.zaprič.pneumok.v obl.ruky	2,4	2,4
L51.0	Nepľuzgierový multiformný erytém	4	4	M00.15	Artritída a polyartrit.zaprič.pneumok.panv.obl.a stehna	2,4	2,4
L51.1	Pľuzgierový multiformný erytém	4	4	M00.16	Artritída a polyartrit.zaprič.pneumok.v obl.predkol.	2,4	2,4
L51.20	Toxická nekrolýza epidermy s postih.men.ako 30%povrchu t.	4	4	M00.17	Artritída a polyartrit.zaprič.pneumok.v obl.čl.a nohy	2,4	2,4
L51.21	Toxická nekrolýza epidermy s postih.30%povrchu tela a viac	4	4	M00.18	Artritída a polyartrit.zaprič.pneumok.na i.mieste	2,4	2,4
L51.8	Iný multiformný erytém	4	4	M00.19	Artritída a polyartrit.zaprič.pneumok.na n.mieste	2,4	2,4
L51.9	Multiformný erytém,blížšie neurčený	4	4	M00.20	Artritída a polyartrit.zaprič.i.streptok.na viac.m.	2,4	2,4
L53.0	Toxický erytém	2	2	M00.21	Artritída a polyartrit.zaprič.i.streptok.v obl.pleca	2,4	2,4
L53.1	Erythema annulare centrifugum	2	2	M00.22	Artritída a polyartrit.zaprič.i.streptok.v obl.nadlaktia	2,4	2,4
L53.2	Erythema marginatum	2	2	M00.23	Artritída a polyartrit.zaprič.i.streptok.v obl.predlak.	2,4	2,4
L53.3	Iný chronický obrazcový erytém	2	2	M00.24	Artritída a polyartrit.zaprič.i.streptok.v obl.ruky	2,4	2,4
L74.4	Anhidróza	4	4	M00.25	Artritída a polyartrit.zaprič.i.streptok.panv.obl.a stehna	2,4	2,4
L89.10	Dekubitus 2.stupňa: Hlava	3,4	2,3	M00.26	Artritída a polyartrit.zaprič.i.streptok.v obl.predkol.	2,4	2,4
L89.11	Dekubitus 2.stupňa: Horná končatina	3,4	2,3	M00.27	Artritída a polyartrit.zaprič.i.streptok.v obl.čl.a nohy	2,4	2,4
L89.12	Dekubitus 2.stupňa: Tříňový výbežok	3,4	2,3	M00.28	Artritída a polyartrit.zaprič.i.streptok.na i.mieste	2,4	2,4
L89.13	Dekubitus 2.stupňa: Lopata bedrovej kosti	3,4	2,3	M00.29	Artritída a polyartrit.zaprič.i.streptok.na n.mieste	2,4	2,4
L89.14	Dekubitus 2.stupňa: Krížová oblasť	3,4	2,3	M00.80	Artritída a polyartrit.zaprič.i.blíž.urč.baktér.viac.mies.	4	4
L89.15	Dekubitus 2.stupňa: Sedacia oblasť	3,4	2,3	M00.81	Artritída a polyartrit.zaprič.i.blíž.urč.baktér.v obl.pleca	4	4
L89.16	Dekubitus 2.stupňa: Trochanter	3,4	2,3	M00.82	Artritída a polyartrit. zapr.i.blíž.urč.baktér.v obl.nadlaktia	4	4
L89.17	Dekubitus 2.stupňa: Päta	3,4	2,3	M00.83	Artritída a polyartrit. zapr.i.blíž.urč.baktér.v obl.predlak.	4	4
L89.18	Dekubitus 2.stupňa: Iná oblasť dolnej končatiny	3,4	2,3	M00.84	Artritída a polyartrit.zapr.i.blíž.urč.baktér.v obl.ruky	4	4
L89.19	Dekubitus 2.stupňa: Blížšie neurčené miesto	3,4	2,3				
L89.20	Dekubitus 3.stupňa: Hlava	3,4	2,3				
L89.21	Dekubitus 3.stupňa: Horná končatina	3,4	2,3				
L89.22	Dekubitus 3.stupňa: Tříňový výbežok	3,4	2,3				
L89.23	Dekubitus 3.stupňa: Lopata bedrovej kosti	3,4	2,3				
L89.24	Dekubitus 3.stupňa: Krížová oblasť	3,4	2,3				
L89.25	Dekubitus 3.stupňa: Sedacia oblasť	3,4	2,3				
L89.26	Dekubitus 3.stupňa: Trochanter	3,4	2,3				
L89.27	Dekubitus 3.stupňa: Päta	3,4	2,3				
L89.28	Dekubitus 3.stupňa: Iná oblasť dolnej končatiny	3,4	2,3				
L89.29	Dekubitus 3.stupňa: Blížšie neurčené miesto	3,4	2,3				
L89.30	Dekubitus 4.stupňa: Hlava	3,4	2,3				
L89.31	Dekubitus 4.stupňa: Horná končatina	3,4	2,3				
L89.32	Dekubitus 4.stupňa: Tříňový výbežok	3,4	2,3				
L89.33	Dekubitus 4.stupňa: Lopata bedrovej kosti	3,4	2,3				
L89.34	Dekubitus 4.stupňa: Krížová oblasť	3,4	2,3				
L89.35	Dekubitus 4.stupňa: Sedacia oblasť	3,4	2,3				
L89.36	Dekubitus 4.stupňa: Trochanter	3,4	2,3				
L89.37	Dekubitus 4.stupňa: Päta	3,4	2,3				

ICD	Text	OP. CCL	Med. CCL	ICD	Text	OP. CCL	Med. CCL
M00.85	Artritída a polyartrit.zapr.i.bliž.urč.baktér.panv.obl.a steh.	4	4	M01.60	Artritída pri mykózach na viac.m.	2,4	2,4
M00.86	Artritída a polyartrit.zapr.i.bliž.urč.baktér.v obl.predkol.	4	4	M01.61	Artritída pri mykózach v obl.pleca	2,4	2,4
M00.87	Artritída a polyartrit.zapr.i.bliž.urč.baktér.v obl.čl.a nohy	4	4	M01.62	Artritída pri mykózach v obl.nadlaktia	2,4	2,4
M00.88	Artritída a polyartrit. zapr.i.bliž.urč.baktér.na i.mieste	4	4	M01.63	Artritída pri mykózach v obl. predlak.	2,4	2,4
M00.89	Artritída a polyartrit.zapr.i.bliž.urč.baktér.mies.bliž.urč.	4	4	M01.64	Artritída pri mykózach v obl.ruky	2,4	2,4
M00.90	Pyogénna artritída,bliž.neurč.na viac.miastach	2,4	2	M01.65	Artritída pri mykózach panv.obl.a stehna	2,4	2,4
M00.91	Pyogénna artritída,bliž.neurč.v obl.pleca	2,4	2	M01.66	Artritída pri mykózach v obl.predkol.	2,4	2,4
M00.92	Pyogénna artritída,bliž.neurč.v obl.nadlaktia	2,4	2	M01.67	Artritída pri mykózach v obl.čl. a nohy	2,4	2,4
M00.93	Pyogénna artritída,bliž.neurč.v obl.predlak.	2,4	2	M01.68	Artritída pri mykózach na i.mieste	2,4	2,4
M00.94	Pyogénna artritída,bliž.neurč.v obl.ruky	2,4	2	M01.69	Artritída pri mykózach na.mieste	2,4	2,4
M00.95	Pyogénna artritída,bliž.neurč.v panv.obl.a stehna	2,4	2	M05.00	Felyho syndróm na viacerých miestach	1,2	1,2
M00.96	Pyogénna artritída,bliž.neurč.v obl.predkol.	2,4	2	M05.01	Felyho syndróm v obl.pleca	1,2	1,2
M00.97	Pyogénna artritída,bliž.neurč.v obl.čl.a nohy	2,4	2	M05.02	Felyho syndróm nadlaktia	1,2	1,2
M00.98	Pyogénna artritída,bliž.neurč.na i.mieste	2,4	2	M05.03	Felyho syndróm predlak.	1,2	1,2
M00.99	Pyogénna artritída,bliž.neurč.,miesto bliž.neurč.	2,4	2	M05.04	Felyho syndróm ruky	1,2	1,2
M01.00	Artritída zaprič.meningok.na viac.m.	2,4	2,4	M05.05	Felyho syndróm panv.obl.a stehna	1,2	1,2
M01.01	Artritída zaprič.meningok.v obl.pleca	2,4	2,4	M05.06	Felyho syndróm predkol.	1,2	1,2
M01.02	Artritída zaprič.meningok.v obl. nadlaktia	2,4	2,4	M05.07	Felyho syndróm čl.a nohy	1,2	1,2
M01.03	Artritída zaprič.meningok.v obl.predlak.	2,4	2,4	M05.08	Felyho syndróm na i.mieste	1,2	1,2
M01.04	Artritída zaprič.meningok.v obl.ruky	2,4	2,4	M05.09	Felyho syndróm,miesto bližšie neurčené	1,2	1,2
M01.05	Artritída zaprič.meningok.panv.obl.a stehna	2,4	2,4	M05.20	Reumat.artritída s vaskulitídou,na viac.m.	1,2	1,2
M01.06	Artritída zaprič.meningok.v obl.predkol.	2,4	2,4	M05.21	Reumat.artritída s vaskulitídou,v obl.pleca	1,2	1,2
M01.07	Artritída zaprič.meningok.v obl.čl.a nohy	2,4	2,4	M05.22	Reumat.artritída s vaskulitídou,v obl.nadlaktia	1,2	1,2
M01.08	Artritída zaprič.meningok.na i.mieste	2,4	2,4	M05.23	Reumat.artritída s vaskulitídou,v obl.predlak.	1,2	1,2
M01.09	Artritída zaprič.meningok.na n. mieste	2,4	2,4	M05.24	Reumat.artritída s vaskulitídou,v obl.ruky	1,2	1,2
M01.10	Tuberkulózna artritída na viac.m.	4	4	M05.25	Reumat.artritída s vaskulitídou,v obl.panv.a stehna	1,2	1,2
M01.11	TBC artritída v obl.pleca	4	4	M05.26	Reumat.artritída s vaskulitídou,v obl.predkol.	1,2	1,2
M01.12	TBC artritída nadlaktia	4	4	M05.27	Reumat.artritída s vaskulitídou,v obl.čl.a nohy	1,2	1,2
M01.13	TBC artritída predlak.	4	4	M05.28	Reumat.artritída s vaskulitídou,na i.mieste	1,2	1,2
M01.14	TBC artritída ruky	4	4	M05.29	Reumat.artritída s vaskulitídou,miesto bliž.neurč.	1,2	1,2
M01.15	TBC artritída panv.obl.a stehna	4	4	M05.30	Reumatoidná artritída s postih.i.org.a súst.,na viac.miast.	1,2	1,2
M01.16	TBC artritída predkol.	4	4	M05.31	Reumatoidná artritída s postih.i.org.a súst.,v obl.pleca	1,2	1,2
M01.17	TBC artritída čl.a nohy	4	4	M05.32	Reumatoidná artritída s postih.i.org.a súst.,v obl.nadlaktia	1,2	1,2
M01.18	TBC artritída na i.mieste	4	4	M05.33	Reumatoidná artritída s postih.i.org.a súst.,v obl.predlak.	1,2	1,2
M01.19	Tuberkulózna artritída na n.mieste	4	4	M05.34	Reumatoidná artritída s postih.i.org.a súst.,v obl.ruky	1,2	1,2
M01.30	Artritída pri i.baktér.chor.zatried.i.na viac.m.	4	4	M05.35	Reumat.artritída s postih.i.org.a súst.,v obl.panv.a steh.	1,2	1,2
M01.31	Artritída pri i.baktér.chor.zatried.i.obl.pleca	4	4	M05.36	Reumatoidná artritída s postih.i.org.a súst.,v obl.predkol.	1,2	1,2
M01.32	Artritída pri i.baktér.chor.zatried.i.v obl.nadlaktia	4	4	M05.37	Reumatoidná artritída s postih.i.org.a súst.,v obl.čl.a nohy	1,2	1,2
M01.33	Artritída pri i.baktér.chor.zatried.i.v obl.predlak.	4	4	M05.38	Reumatoidná artritída s postih.i.org.a súst.,na i.mieste	1,2	1,2
M01.34	Artritída pri i.baktér.chor.zatried.i.v obl.ruky	4	4	M05.39	Reumatoidná artritída s postih.i.org.a súst.,miesto b.n.	1,2	1,2
M01.35	Artritída pri i.baktér.chor.zatried.i.panv.obl.a stehna	4	4	M06.10	Stillova chor.dospelých s postih.kĺbov na viac.miastach	1,2	1,2
M01.36	Artritída pri i.baktér.chor.zatried.i.v obl.predkol.	4	4	M06.11	Stillova chor.dospelých s postih.kĺbov v pleca	1,2	1,2
M01.37	Artritída pri i.baktér.chor.zatried.i.v obl.čl.a nohy	4	4	M06.12	Stillova chor.dospelých s postih.kĺbov nadlaktia	1,2	1,2
M01.38	Artritída pri i.baktér.chor.zatried.i.na i.mieste	4	4	M06.13	Stillova chor.dospelých s postih.kĺbov predlak.	1,2	1,2
M01.39	Artritída pri i.baktér.chor.zatried.i.miasto bližš.neurč.	4	4	M06.14	Stillova chor.dospelých s postih.kĺbov ruky	1,2	1,2
M01.40	Artritída pri ružienke na viac.m.	4	4	M06.15	Stillova chor.dospelých s postih.kĺbov panvy a stehna	1,2	1,2
M01.41	Artritída pri ružienke v obl.pleca.	4	4	M06.16	Stillova chor.dospelých s postih.kĺbov predkol.	1,2	1,2
M01.42	Artritída pri ružienke v obl.nadlaktia	4	4	M06.17	Stillova chor.dospelých s postih.kĺbov čl.a nohy	1,2	1,2
M01.43	Artritída pri ružienke v obl.predlak.	4	4	M06.18	Stillova chor.dospelých s postih.kĺbov na i.mieste	1,2	1,2
M01.44	Artritída pri ružienke v obl.ruky	4	4	M06.19	Stillova chor.dospelých s postih.kĺbov na n.mieste	1,2	1,2
M01.45	Artritída pri ružienke panv.obl.a stehna	4	4	M07.04	Distálna psoriatická artritída ruky	1,2	1,2
M01.46	Artritída pri ružienke v obl.predkol.	4	4				
M01.47	Artritída pri ružienke v obl.čl.a nohy	4	4				
M01.48	Artritída pri ružienke na i.mieste	4	4				
M01.49	Artritída pri ružienken na n. mieste	4	4				

ICD	Text	OP. CCL	Med. CCL	ICD	Text	OP. CCL	Med. CCL
M07.07	Distálna psoriatická artritída čl.a nohy	1,2	1,2	M08.04	Juvenilná reumatoid.artritída dospelých v obl.ruky	1,2	1,2
M07.09	Distálna psoriatická artritída na n.mieste	1,2	1,2	M08.05	Juvenilná reumatoid.artritída dospelých v obl.panvy a stehna	1,2	1,2
M07.10	Arthritis mutilans, na viacerých miestach (L40.5†)	1,2	1,2	M08.06	Juvenilná reumatoid.artritída dospelých v obl.predkol.	1,2	1,2
M07.11	Arthritis mutilans v obl.pleca	1,2	1,2	M08.07	Juvenilná reumatoid.artritída dospelých v obl.čl.a nohy	1,2	1,2
M07.12	Arthritis mutilans v obl.nadlaktia	1,2	1,2	M08.08	Juvenilná reumatoid.artritída dospelých na i.mieste	1,2	1,2
M07.13	Arthritis mutilans v obl. predlak.	1,2	1,2	M08.09	Juvenilná reumatoid.artritída dospelých,miesto bliž.neurč.	1,2	1,2
M07.14	Arthritis mutilans v obl.ruky	1,2	1,2	M08.10	Juven.ankylozujúca spondylitída na viac.miestach	1,2	1,2
M07.15	Arthritis mutilans panv.obl.a stehna	1,2	1,2	M08.11	Juven.ankylozujúca spondylitída v obl.pleca	1,2	1,2
M07.16	Arthritis mutilans v obl.predkol.	1,2	1,2	M08.12	Juven.ankylozujúca spondylitída nadlaktia	1,2	1,2
M07.17	Arthritis mutilans v obl.čl.a nohy	1,2	1,2	M08.13	Juven.ankylozujúca spondylitída predlak.	1,2	1,2
M07.18	Arthritis mutilans na i.mieste	1,2	1,2	M08.14	Juven.ankylozujúca spondylitída ruky	1,2	1,2
M07.19	Arthritis mutilans na n.mieste	1,2	1,2	M08.15	Juven.ankylozujúca spondylitída panv.obl.a stehna	1,2	1,2
M07.2	Psoriatická spondylitída (L40.5†)	1,2	1,2	M08.16	Juven.ankylozujúca spondylitída predkol.	1,2	1,2
M07.30	Iná psoriatická artritídana viac.m.	1,2	1,2	M08.17	Juven.ankylozujúca spondylitída čl.a nohy	1,2	1,2
M07.31	Iná psoriatická artritídav obl.pleca	1,2	1,2	M08.18	Juven.ankylozujúca spondylitída na i.mieste	1,2	1,2
M07.32	Iná psoriatická artritídav obl.nadlaktia	1,2	1,2	M08.19	Juven.ankylozujúca spondylitída na n.mieste	1,2	1,2
M07.33	Iná psoriatická artritídav obl.predlak.	1,2	1,2	M08.20	Juven.chron.artritída so systém.začiat.,na v.miest.	1,2	1,2
M07.34	Iná psoriatická artritídav obl.ruky	1,2	1,2	M08.21	Juven.chron.artritída so systém.začiat.,v obl.pleca	1,2	1,2
M07.35	Iná psoriatická artritídav obl.panv.a stehna	1,2	1,2	M08.22	Juven.chron.artritída so systém.začiat.,v o.nadlaktia	1,2	1,2
M07.36	Iná psoriatická artritídav obl.predkol.	1,2	1,2	M08.23	Juven.chron.artritída so systém.začiat.,v o.predlak.	1,2	1,2
M07.37	Iná psoriatická artritídav obl.čl.a nohy	1,2	1,2	M08.24	Juven.chron.artritída so systém.začiat.,v o.ruky	1,2	1,2
M07.38	Iná psoriatická artritídana i.mieste	1,2	1,2	M08.25	Juven.chron.artritída so systém.začiat.,v o.panvy a stehna	1,2	1,2
M07.39	Iná psoriatická artritídana n.mieste	1,2	1,2	M08.26	Juven.chron.artritída so systém.začiat.,v o.predkol.	1,2	1,2
M07.40	Artritída pri Crohn.chor. s postih.kĺbov na viac.m.	1,2	1,2	M08.27	Juven.chron.artritída so systém.začiat.,v o.čl.a nohy	1,2	1,2
M07.41	Artritída pri Crohn.chor.s postih.kĺbov v obl.pleca	1,2	1,2	M08.28	Juven.chron.artritída so systém.začiat.,na i.mieste	1,2	1,2
M07.42	Artritída pri Crohn.chor.s postih.kĺbov nadlaktia	1,2	1,2	M08.29	Juven.chron.artritída so systém.začiat.,na n.mieste	1,2	1,2
M07.43	Artritída pri Crohn.chor.s postih.kĺbov predlak.	1,2	1,2	M08.3	Juven.chron.artritída (séronegatívna),polyartikulárna forma	1,2	1,2
M07.44	Artritída pri Crohn.chor.s postih.kĺbov ruky	1,2	1,2	M08.40	Juven.chron.artritída,oligoart.forma,s postih.na viac.m.	1,2	1,2
M07.45	Artritída pri Crohn.chor.s postih.kĺbov panvy a stehna	1,2	1,2	M08.41	Juven.chron.artritída,oligoart.forma,s postih.v obl.pleca	1,2	1,2
M07.46	Artritída pri Crohn.chor.s postih.kĺbov predkol.	1,2	1,2	M08.42	Juven.chron.artritída,oligoart.forma,s postih.nadlaktia	1,2	1,2
M07.47	Artritída pri Crohn.chor.s postih.kĺbov čl.a nohy	1,2	1,2	M08.43	Juven.chron.artritída,oligoart.forma,s postih.predlak.	1,2	1,2
M07.48	Artritída pri Crohn.chor.s postih.kĺbov na i.mieste	1,2	1,2	M08.44	Juven.chron.artritída,oligoart.forma,s postih.ruky	1,2	1,2
M07.49	Artritída pri Crohn.chor.s postih.kĺbov na n.mieste	1,2	1,2	M08.45	Juven.chron.artritída,oligoart.forma,s postih.pan.a stehna	1,2	1,2
M07.50	Artritída pri ulcer.kolitíde s postih.kĺbov na viac.m.	1,2	1,2	M08.46	Juven.chron.artritída,oligoart.forma,s postih.predkol.	1,2	1,2
M07.51	Artritída pri ulcer.kolitíde s postih.kĺbov v obl.pleca	1,2	1,2	M08.47	Juven.chron.artritída,oligoart.forma,s postih.čl.a nohy	1,2	1,2
M07.52	Artritída pri ulcer.kolitíde s postih.kĺbov nadlaktia	1,2	1,2	M08.48	Juven.chron.artritída,oligoart.forma,s postih.na i.mieste	1,2	1,2
M07.53	Artritída pri ulcer.kolitíde s postih.kĺbov predlak.	1,2	1,2	M08.49	Juven.chron.artritída,oligoart.forma,s postih.na n.mieste	1,2	1,2
M07.54	Artritída pri ulcer.kolitíde s postih.kĺbov ruky	1,2	1,2	M08.70	Juven.artritída s vaskulit.s postih.kĺb.na viac.m.	1,2	1,2
M07.55	Artritída pri ulcer.kolitíde s postih.kĺbov pan.a stehna	1,2	1,2	M08.71	Juven.artritída s vaskulit.s postih.kĺb.v obl.pleca	1,2	1,2
M07.56	Artritída pri ulcer.kolitíde s postih.kĺbov predkol.	1,2	1,2				
M07.57	Artritída pri ulcer.kolitíde s postih.kĺbov čl.a nohy	1,2	1,2				
M07.58	Artritída pri ulcer.kolitíde s postih.kĺbov na i.mieste	1,2	1,2				
M07.59	Artritída pri ulcer.kolitíde s postih.kĺbov na n.mieste	1,2	1,2				
M08.00	Juvenilná reumatoid.artritída dospelých na viac.m.	1,2	1,2				
M08.01	Juvenilná reumatoid.artritída dospelých v obl.pleca	1,2	1,2				
M08.02	Juvenilná reumatoid.artritída dospelých v obl.nadlaktia	1,2	1,2				
M08.03	Juvenilná reumatoid.artritída dospelých v obl.predlak.	1,2	1,2				

CCL

ICD	Text	OP. CCL	Med. CCL	ICD	Text	OP. CCL	Med. CCL
M08.72	Juven.artritída s vaskulit.s postih.kĺb.v obl.nadlaktia	1,2	1,2	M09.17	Juven.artritída pri Crohn.chor.,s postih.kĺb.čl.a nohy	1,2	1,2
M08.73	Juven.artritída s vaskulit.s postih.kĺb.v obl.predlak.	1,2	1,2	M09.18	Juven.artritída pri Crohn.chor.,s postih.kĺb.na i.mieste	1,2	1,2
M08.74	Juven.artritída s vaskulit.s postih.kĺb.v obl.ruky	1,2	1,2	M09.19	Juven.artritída pri Crohn.chor.,s postih.kĺb.na n.mieste	1,2	1,2
M08.75	Juven.artritída s vaskulit.s postih.kĺb.v obl.panvy a stehna	1,2	1,2	M09.20	Juven.artritída pri ulcer.kolitíde,s postih.kĺb.na viac.m.	1,2	1,2
M08.76	Juven.artritída s vaskulit.s postih.kĺb.v obl.predkol.	1,2	1,2	M09.21	Juven.artritída pri ulcer.kolitíde,s postih.kĺb.v obl.pleca	1,2	1,2
M08.77	Juven.artritída s vaskulit.s postih.kĺb.v obl.čl.a nohy	1,2	1,2	M09.22	Juven.artritída pri ulcer.kolitíde,s postih.kĺb.nadlaktia	1,2	1,2
M08.78	Juven.artritída s vaskulit.s postih.kĺb.na i.mieste	1,2	1,2	M09.23	Juven.artritída pri ulcer.kolitíde,s postih.kĺb.predlak.	1,2	1,2
M08.79	Juven.artritída s vaskulit.s postih.kĺb.,miesto bliž.neurč.	1,2	1,2	M09.24	Juven.artritída pri ulcer.kolitíde,s postih.kĺb.ruky	1,2	1,2
M08.80	Iná juvenilná artritída na viacerých miestach	1,2	1,2	M09.25	Juven.artritída pri ulcer.kolit.,s post.kĺb.panvy a stehna	1,2	1,2
M08.81	Iná juvenilná artritída v obl.pleca	1,2	1,2	M09.26	Juven.artritída pri ulcer.kolitíde,s postih.kĺb.predkol.	1,2	1,2
M08.82	Iná juvenilná artritída nadlaktia	1,2	1,2	M09.27	Juven.artritída pri ulcer.kolitíde,s postih.kĺb.čl.a nohy	1,2	1,2
M08.83	Iná juvenilná artritída predlak.	1,2	1,2	M09.28	Juven.artritída pri ulcer.kolitíde,s postih.kĺb.na i.mieste	1,2	1,2
M08.84	Iná juvenilná artritída ruky	1,2	1,2	M09.29	Juven.artritída pri ulcer.kolitíde,s postih.kĺb.na n.mieste	1,2	1,2
M08.85	Iná juvenilná artritída panv.obl.a stehna	1,2	1,2	M09.80	Juven.artritída pri i.chor.zatr.i.s postih.kĺb.na viac.m.	1,2	1,2
M08.86	Iná juvenilná artritída predkol.	1,2	1,2	M09.81	Juven.artritída pri i.chor.zatr.i.s postih.kĺb.v obl.pleca	1,2	1,2
M08.87	Iná juvenilná artritída čl.a nohy	1,2	1,2	M09.82	Juven.artritída pri i.chor.zatr.i.s postih.kĺb.nadlaktia	1,2	1,2
M08.88	Iná juvenilná artritída na i.mieste	1,2	1,2	M09.83	Juven.artritída pri i.chor.zatr.i.s postih.kĺb.predlak.	1,2	1,2
M08.89	Iná juvenilná artritída,miesto bližšie neurčené	1,2	1,2	M09.84	Juven.artritída pri i.chor.zatr.i.s postih.kĺb.ruky	1,2	1,2
M08.90	Juven.artritída,bliž.neurč.na viac.m.	1,2	1,2	M09.85	Juven.artritída pri i.chor.zatr.i.s postih.kĺb.panvy a stehna	1,2	1,2
M08.91	Juven.artritída,bliž.neurč.v obl.pleca	1,2	1,2	M09.86	Juven.artritída pri i.chor.zatr.i.s postih.kĺb.predkol.	1,2	1,2
M08.92	Juven.artritída,bliž.neurč.v obl.nadlaktia	1,2	1,2	M09.87	Juven.artritída pri i.chor.zatr.i.s postih.kĺb.čl.a nohy	1,2	1,2
M08.93	Juven.artritída,bliž.neurč.v obl.predlak.	1,2	1,2	M09.88	Juven.artritída pri i.chor.zatr.i.s postih.kĺb.na i.mieste	1,2	1,2
M08.94	Juven.artritída,bliž.neurč.v obl.ruky	1,2	1,2	M09.89	Juven.artritída pri i.chor.zatr.i.s postih.kĺb.,m.bliž.neurč.	1,2	1,2
M08.95	Juven.artritída,bliž.neurč.panv.obl.a stehna	1,2	1,2	M10.10	Dna zapríčinená olovom, na viacerých miestach	4	4
M08.96	Juven.artritída,bliž.neurč.v obl.predkol.	1,2	1,2	M10.11	Dna zapríč. olovom,v obl.pleca	4	4
M08.97	Juven.artritída,bliž.neurč.v obl.čl.a nohy	1,2	1,2	M10.12	Dna zapríč. olovom,v obl.nadlaktia	4	4
M08.98	Juven.artritída,bliž.neurč.na i.mieste	1,2	1,2	M10.13	Dna zapríč. olovom,v obl.predlak.	4	4
M08.99	Juven.artritída,bliž.neurč.,miesto bliž.neurč.	1,2	1,2	M10.14	Dna zapríč. olovom,v obl.ruky	4	4
M09.00	Juven.artritída pri psoriáze,s postih.kĺb.na viac.m.	1,2	1,2	M10.15	Dna zapríč. olovom,v obl.panvy a stehna	4	4
M09.01	Juven.artritída pri psoriáze,s postih.kĺb.v obl.pleca	1,2	1,2	M10.16	Dna zapríč. olovom,v obl.predkol.	4	4
M09.02	Juven.artritída pri psoriáze,s postih.kĺb.nadlaktia	1,2	1,2	M10.17	Dna zapríč. olovom,v obl.čl.a nohy	4	4
M09.03	Juven.artritída pri psoriáze,s postih.kĺb.predlak.	1,2	1,2	M10.18	Dna zapríč. olovom na i.mieste	4	4
M09.04	Juven.artritída pri psoriáze,s postih.kĺb.ruky	1,2	1,2	M10.19	Dna zapríčinená olovom,miesto bliž.neurč.	4	4
M09.05	Juven.artritída pri psoriáze,s postih.kĺb.panvy a stehna	1,2	1,2	M10.20	Dna zapríčinená liekmi, na viacerých miestach	4	4
M09.06	Juven.artritída pri psoriáze,s postih.kĺb.predkol.	1,2	1,2	M10.21	Dna zapríč.liekmi,v obl.pleca	4	4
M09.07	Juven.artritída pri psoriáze,s postih.kĺb.čl.a nohy	1,2	1,2	M10.22	Dna zapríč.liekmi,v obl.nadlaktia	4	4
M09.08	Juven.artritída pri psoriáze,s postih.kĺb.na i.mieste	1,2	1,2	M10.23	Dna zapríč.liekmi,v obl.predlak.	4	4
M09.09	Juven.artritída pri psoriáze,s postih.kĺb.na n.mieste	1,2	1,2	M10.24	Dna zapríč.liekmi,v obl.ruky	4	4
M09.10	Juven.artritída pri Crohn.chor.,s postih.kĺb.na viac.m.	1,2	1,2	M10.25	Dna zapríč.liekmi,v obl.panvy a stehna	4	4
M09.11	Juven.artritída pri Crohn.chor.,s postih.kĺb.v obl.pleca	1,2	1,2	M10.26	Dna zapríč.liekmi,v obl.predkol.	4	4
M09.12	Juven.artritída pri Crohn.chor.,s postih.kĺb.nadlaktia	1,2	1,2	M10.27	Dna zapríč.liekmi,v obl.čl.a nohy	4	4
M09.13	Juven.artritída pri Crohn.chor.,s postih.kĺb.predlak.	1,2	1,2	M10.28	Dna zapríč.liekmi,na i.mieste	4	4
M09.14	Juven.artritída pri Crohn.chor.,s postih.kĺb.ruky	1,2	1,2	M10.29	Dna zapríčinená liekmi, miesto bližšie neurčené	4	4
M09.15	Juven.artritída pri Crohn.chor.,s postih.kĺb.panvy a stehna	1,2	1,2	M14.8	Artropatia pri i.bliž.urč.chorobách zatried.i.	4	4
M09.16	Juven.artritída pri Crohn.chor.,s postih.kĺb.predkol.	1,2	1,2	M30.0	Polyarthritis nodosa	1,2	1,2

ICD	Text	OP. CCL	Med. CCL	ICD	Text	OP. CCL	Med. CCL
M30.1	Polyarteritída s postihnutím pľúc	1,2	1,2	M48.47	Únavová zlomenina stavca v driekovokrižovej oblasti	2,3,4	1,2,3,4
M30.2	Juvenilná polyarteritída	1,2	1,2	M48.48	Únavová zlomenina stavca v križ.a križovokostř.obl.	2,3,4	1,2,3,4
M30.8	Iné choroby príbuzné polyarteritis nodosa	1,2	1,2	M48.49	Únavová zlomenina stavca: oblasť bližšie neurčená	2,3,4	1,2,3,4
M31.0	Hypersenzitívna vaskulitída	1,2	1,2	M48.50	Kompresia tela stavca na v.miest. chrbt.,nezatr.inde	2,3,4	1,2,3,4
M31.1	Trombotická mikroangiopatia	1,2	1,2	M48.51	Kompresia tela stavca v okcip.-atl.-axiál.obl.,nezatr.inde	2,3,4	1,2,3,4
M31.2	Letálny granulóm strednej čiary	2,3,4	1,2,3	M48.52	Kompresia tela stavca v krčnej obl.,nezatr.inde	2,3,4	1,2,3,4
M31.3	Wegenerova granulomatóza	1,2	1,2	M48.53	Kompresia tela stavca v krč.hrud.obl.,nezatr.inde	2,3,4	1,2,3,4
M31.4	Syndróm aortálneho oblúka [Takayasu syndrom]	1,2	1,2	M48.54	Kompresia tela stavca v hrud.obl.,nezatr.inde	2,3,4	1,2,3,4
M31.5	Obrovskobunková arteritída s polymyalgia rheumatica	1,2	1,2	M48.55	Kompresia tela stavca v hrud.driek.obl.,nezatr.inde	2,3,4	1,2,3,4
M31.6	Iná obrovskobunková arteritída	1,2	1,2	M48.56	Kompresia tela stavca v driek.obl.,nezatr.inde	2,3,4	1,2,3,4
M31.7	Mikroskopická polyangiitída	1,2	1,2	M48.57	Kompresia tela stavca v driek.križ.obl.,nezatr.inde	2,3,4	1,2,3,4
M31.8	Iná nekrotizujúca vaskulopatia,bližšie určená	1,2	1,2	M48.58	Kompresia tela stavca v križ.a križ.kostř.obl.,nezatr.inde	2,3,4	1,2,3,4
M31.9	Nekrotizujúca vaskulopatia,bližšie neurčená	1,2	1,2	M48.59	Kompresia tela stavca : oblasť bliž.neurč.,nezatr.inde.	2,3,4	1,2,3,4
M32.0	Lupus erythematosus, zapríčinený liekmi	1,2,4	1,2,4	M49.50	Kompresia tela stavca pri chorobe zatried.i.,na viac.m.chrbt.	2,3,4	1,2,3,4
M32.1	Systémový lupus erythematosus s postih.org./systémov	1,2,4	1,2,4	M49.51	Kompresia tela stavca pri chorobe zatr.i.,okcip.-atl.axiál.o.	2,3,4	1,2,3,4
M32.8	Iná forma systémového lupus erythematosus	1,2,4	1,2,4	M49.52	Kompresia tela stavca pri chorobe zatr.i.,v krčnej obl.	2,3,4	1,2,3,4
M32.9	Systémový lupus erythematosus,bližšie neurčený	1,2,4	1,2,4	M49.53	Kompresia tela stavca pri chorobe zatr.i.,v krčnohrud.obl.	2,3,4	1,2,3,4
M33.0	Juvenilná dermatomyozitída	1,2	1,2	M49.54	Kompresia tela stavca pri chorobe zatr.i.,v hrudník.obl.	2,3,4	1,2,3,4
M33.1	Iná dermatomyozitída	1,2	1,2	M49.55	Kompresia tela stavca pri chor.zatr.i.,v hrudník.driek.obl.	2,3,4	1,2,3,4
M33.2	Polymyozitída	1,2	1,2	M49.56	Kompresia tela stavca pri chorobe zatr.i.,v driekovej obl.	2,3,4	1,2,3,4
M33.9	Dermatopolymyozitída,bližšie neurčená	1,2	1,2	M49.57	Kompresia tela stavca pri chorobe zatr.i.,v driek.križ.obl.	2,3,4	1,2,3,4
M34.0	Progresívna systémová skleróza	1,2	1,2	M49.58	Kompresia tela stavca pri chor.zatr.i.,križ.a križ.kostř.obl.	2,3,4	1,2,3,4
M34.1	Syndróm CR(E)ST	1,2	1,2	M49.59	Kompresia tela stavca pri chor.zatr.i.:oblasť bliž.neurč.	2,3,4	1,2,3,4
M34.2	Systémová skleróza,zapríčinená liekmi/chemickými lát.	1,2	1,2	M60.00	Infekčná myozitída na viacerých miestach	2	2
M34.8	Iná forma systémovej sklerózy	1,2	1,2	M60.01	Inf.myozitída v obl.pleca	2	2
M34.9	Systémová skleróza,bližšie neurčená	1,2	1,2	M60.02	Infekčná myozitída nadlaktia	2	2
M35.1	Iné prekrývajúce sa syndrómy	1,2	1,2	M60.03	Infekčná myozitída predlak.	2	2
M35.4	Difúzna (eozinofilná) fasciitída	2	2	M60.04	Infekčná myozitída ruky	2	2
M35.5	Multifokálna fibroskleróza	1,2	1,2	M60.05	Infekčná myozitída panv.obl.a stehna	2	2
M35.8	Iné systémové postihnutie spojiva,bližšie určené	1,2	1,2	M60.06	Infekčná myozitída predkol.	2	2
M36.0	Dermatomyozitída – polymyozitída pri nádorovej chorobe	1,2	1,2	M60.07	Infekčná myozitída čl.a nohy	2	2
M36.1	Artropatia pri nádorovej chorobe	4	4	M60.08	Infekčná myozitída na i.mieste	2	2
M36.2	Hemofilická artropatia	4	4	M60.09	Infekčná myozitída,miesto bližšie neurčené	2	2
M36.3	Artropatia pri i.chorobách krvi zatried.i.	4	4	M62.00	Diastáza svalu na viacerých miestach	2	2
M36.8	Systémové choroba spojiva pri i.chorobách zatried.i.	4	4	M62.01	Diastáza svalu v obl.pleca	2	2
M46.20	Osteomyelitída stavca na viac.m.chrbt.	4	4	M62.02	Diastáza svalu nadlaktia	2	2
M46.21	Osteomyelitída stavca v okcip.-atl.-axiál. obl.	4	4	M62.03	Diastáza svalu predlak.	2	2
M46.22	Osteomyelitída stavca v krčnej oblasti	4	4	M62.04	Diastáza svalu ruky	2	2
M46.23	Osteomyelitída stavca v krčnohrudníkovej oblasti	4	4	M62.05	Diastáza svalu panv.obl.a stehna	2	2
M46.24	Osteomyelitída stavca v hrudníkovej oblasti	4	4	M62.06	Diastáza svalu predkolenia	2	2
M46.25	Osteomyelitída stavca v hrudníkovodriekovej oblasti	4	4	M62.07	Diastáza svalu čl.a nohy	2	2
M46.26	Osteomyelitída stavca v driekovej oblasti	4	4	M62.08	Diastáza svalu na i.mieste	2	2
M46.27	Osteomyelitída stavca v driekovokrižovej oblasti	4	4	M62.09	Diastáza svalu,miesto bližšie neurčené	2	2
M46.28	Osteomyelitída stavca v križ.a križovokostř.obl.	4	4	M62.10	Iné roztrhnutie svalu (neúrazové) na viac.m.	2	2
M46.29	Osteomyelitída stavca v: oblasť bližšie neurčená	4	4	M62.11	Iné roztrhnutie svalu (neúraz.)v obl.pleca	2	2
M48.40	Únavová zlomenina stavca na viac.m.chrbt.	2,3,4	1,2,3,4	M62.12	Iné roztrhnutie svalu (neúraz.)v obl.nadlaktia	2	2
M48.41	Únavová zlomenina stavca v okcip.atl.axiál.obl.	2,3,4	1,2,3,4	M62.13	Iné roztrhnutie svalu (neúraz.)v obl.predlak.	2	2
M48.42	Únavová zlomenina stavca v krčnej oblasti	2,3,4	1,2,3,4	M62.14	Iné roztrhnutie svalu (neúraz.)v obl.ruky	2	2
M48.43	Únavová zlomenina stavca v krčnohrudníkovej oblasti	2,3,4	1,2,3,4				
M48.44	Únavová zlomenina stavca v hrudníkovej oblasti	2,3,4	1,2,3,4				
M48.45	Únavová zlomenina stavca v hrudníkovodriek.obl.	2,3,4	1,2,3,4				
M48.46	Únavová zlomenina stavca v driekovej oblasti	2,3,4	1,2,3,4				

ICD	Text	OP. CCL	Med. CCL	ICD	Text	OP. CCL	Med. CCL
M62.15	Iné roztrhnutie svalu (neúraz.)v obl.panvy a stehna	2	2	M62.86	Iné choroby svalov,blíž.urč.v obl.predkol.	2	2
M62.16	Iné roztrhnutie svalu (neúraz.)v obl.predkol.	2	2	M62.87	Iné choroby svalov,blíž.urč.v obl.čl.a nohy	2	2
M62.17	Iné roztrhnutie svalu (neúraz.)v obl.čl. a nohy	2	2	M62.88	Iné choroby svalov,blíž.urč.na i.mieste	2	2
M62.18	Iné roztrhnutie svalu (neúraz.)na i.mieste	2	2	M63.00	Myozitída pri bakteriovej chorobe zatried.i.na viac.m.	2	2
M62.19	Iné roztrhnutie svalu (neúrazové),miesto blíž.neurč.	2	2	M63.01	Myozitída pri bakteriovej chorobe zatried.i.v obl.pleca	2	2
M62.20	Ischemický infarkt svalu na viac.m.	2	2	M63.02	Myozitída pri bakteriovej chorobe zatried.i.v obl.nadlaktia	2	2
M62.21	Ischemický infarkt svalu v obl.pleca	2	2	M63.03	Myozitída pri bakteriovej chorobe zatried.i.v obl.predlak.	2	2
M62.22	Ischemický infarkt svalu nadlaktia	2	2	M63.04	Myozitída pri bakteriovej chorobe zatried.i.v obl.ruky	2	2
M62.23	Ischemický infarkt svalu predlak.	2	2	M63.05	Myozitída pri bakteriovej chor.zatried.i.v obl.panvy a stehna	2	2
M62.24	Ischemický infarkt svalu ruky	2	2	M63.06	Myozitída pri bakteriovej chorobe zatried.i.v obl.predkol.	2	2
M62.25	Ischemický infarkt svalu panv.obl.a stehna	2	2	M63.07	Myozitída pri bakteriovej chorobe zatried.i.v obl.čl.a nohy	2	2
M62.26	Ischemický infarkt svalu predkol.	2	2	M63.08	Myozitída pri bakteriovej chorobe zatried.i.na i.mieste	2	2
M62.27	Ischemický infarkt svalu čl.a nohy	2	2	M63.09	Myozitída pri bakteriovej chorobe zatried.i.,miesto blíž.neurč	2	2
M62.28	Ischemický infarkt svalu na i.mieste	2	2	M63.10	Myozitída pri prvoko.a parazit.infek.zatried.i.na viac.m.	2	2
M62.29	Ischemický infarkt svalu na n.mieste	2	2	M63.11	Myozitída pri prvoko.a parazit.infek.zatried.i.v obl.pleca	2	2
M62.30	Syndróm nehybnosti (paraplegický) na viac.m.	2	2	M63.12	Myozitída pri prvoko.a parazit.infek.zatried.i.v obl.nadlaktia	2	2
M62.31	Syndróm nehybnosti (paraplegický)v obl.pleca	2	2	M63.13	Myozitída pri prvoko.a parazit.infek.zatried.i.v obl.predlak.	2	2
M62.32	Syndróm nehybnosti (paraplegický)v obl.nadlaktia	2	2	M63.14	Myozitída pri prvoko.a parazit.infek.zatried.i.v obl.ruky	2	2
M62.33	Syndróm nehybnosti (paraplegický)v obl.predlak.	2	2	M63.15	Myozitída pri prvoko.a parazit.infek.zatr.i.v obl.pan.a steh.	2	2
M62.34	Syndróm nehybnosti (paraplegický)v obl.ruky	2	2	M63.16	Myozitída pri prvoko.a parazit.infek.zatried.i.v obl.predkol.	2	2
M62.35	Syndróm nehybnosti (paraplegický)v obl.panvy a stehna	2	2	M63.17	Myozitída pri prvoko.a parazit.infek.zatried.i.v obl.čl.a nohy	2	2
M62.36	Syndróm nehybnosti (paraplegický)v obl.predkol.	2	2	M63.18	Myozitída pri prvoko.a parazit.infek.zatried.i.na i.mieste	2	2
M62.37	Syndróm nehybnosti (paraplegický)v obl.čl.a nohy	2	2	M63.19	Myozitída pri prvoko.a parazit.infek.zatr.i,miesto blíž.neurč.	2	2
M62.38	Syndróm nehybnosti (paraplegický)na i.mieste	2	2	M63.20	Myozitída pri inej infek.chorobe zatried.i.na viac.m.	2	2
M62.39	Syndróm nehybnosti (paraplegický),miesto blíž.neurč.	2	2	M63.21	Myozitída pri inej infek.chorobe zatried.i.v obl.pleca	2	2
M62.40	Kontraktúra svalu na viacerých miestach	2	2	M63.22	Myozitída pri inej infek.chorobe zatried.i.v obl.nadlaktia	2	2
M62.41	Kontraktúra svalu v obl.pleca	2	2	M63.23	Myozitída pri inej infek.chorobe zatried.i.v obl.predlak.	2	2
M62.42	Kontraktúra svalu nadlaktia	2	2	M63.24	Myozitída pri inej infek.chorobe zatried.i.v obl.ruky	2	2
M62.43	Kontraktúra svalu predlak.	2	2	M63.25	Myozitída pri inej infek.chorobe zatried.i.v obl.pan.a stehna	2	2
M62.44	Kontraktúra svalu ruky	2	2	M63.26	Myozitída pri inej infek.chorobe zatried.i.v obl.predkol.	2	2
M62.45	Kontraktúra svalu panv.obl.a stehna	2	2	M63.27	Myozitída pri inej infek.chorobe zatried.i.v obl.čl.a nohy	2	2
M62.46	Kontraktúra svalu predkol.	2	2	M63.28	Myozitída pri inej infek.chorobe zatried.i.na i.mieste	2	2
M62.47	Kontraktúra svalu čl.a nohy	2	2	M63.29	Myozitída pri inej infek.chorobe zatried.i.,miesto blíž.neurč.	2	2
M62.48	Kontraktúra svalu na i.mieste	2	2	M63.30	Myozitída pri sarkoidóze na viac.m.	2	2
M62.49	Kontraktúra svalu,miesto blížšie neurčené	2	2	M63.31	Myozitída pri sarkoidóze,v obl.pleca	2	2
M62.50	Zmenšenie a atrofia svalu,nezatr.i.na viac.m.	2	2	M63.32	Myozitída pri sarkoidóze,v obl.nadlaktia	2	2
M62.51	Zmenšenie a atrofia svalu,nezatr.i.v obl.pleca	2	2	M63.33	Myozitída pri sarkoidóze,v obl.predlak.	2	2
M62.52	Zmenšenie a atrofia svalu,nezatr.i.v obl.nadlaktia	2	2	M63.34	Myozitída pri sarkoidóze,v obl.ruky	2	2
M62.53	Zmenšenie a atrofia svalu,nezatr.i.v obl.predlak.	2	2	M63.35	Myozitída pri sarkoidóze,v obl.panv.a stehna	2	2
M62.54	Zmenšenie a atrofia svalu,nezatr.i.v obl.ruky	2	2	M63.36	Myozitída pri sarkoidóze,v obl.predkol.	2	2
M62.55	Zmenšenie a atrofia svalu,nezatr.i.v obl.panvy a stehna	2	2				
M62.56	Zmenšenie a atrofia svalu,nezatr.i.v obl.predkol.	2	2				
M62.57	Zmenšenie a atrofia svalu,nezatr.i.v obl.čl.a nohy	2	2				
M62.58	Zmenšenie a atrofia svalu,nezatr.i.na i.mieste	2	2				
M62.59	Zmenšenie a atrofia svalu,nezatr.i.,miesto blíž.neurč.	2	2				
M62.80	Iné choroby svalov,blíž.urč.na viac.m.	2	2				
M62.81	Iné choroby svalov,blíž.urč.v obl.pleca	2	2				
M62.82	Iné choroby svalov,blíž.urč.v obl.nadlaktia	2	2				
M62.83	Iné choroby svalov,blíž.urč.v obl.predlak.	2	2				
M62.84	Iné choroby svalov,blíž.urč.v obl.ruky	2	2				
M62.85	Iné choroby svalov,blíž.urč.v obl.panvy a stehna	2	2				



ICD	Text	OP. CCL	Med. CCL	ICD	Text	OP. CCL	Med. CCL
M63.37	Myozitída pri sarkoidóze, v obl. čl. a nohy	2	2	M84.30	Únavová zlomenina, nezatr. i. na viac.m.	2,3,4	1,2,3,4
M63.38	Myozitída pri sarkoidóze, na i. mieste	2	2	M84.31	Únavová zlomenina, nezatr. i. v obl. pleca	2,3,4	1,2,3,4
M63.39	Myozitída pri sarkoidóze, miesto bliž. neurč.	2	2	M84.32	Únavová zlomenina, nezatr. i. v obl. nadlaktia	2,3,4	1,2,3,4
M63.80	Iné choroby svalov pri chor. zatried. i. na viac.m.	2	2	M84.33	Únavová zlomenina, nezatr. i. v obl. predlak.	2,3,4	1,2,3,4
M63.81	Iné choroby svalov pri chor. zatried. i. v obl. pleca	2	2	M84.34	Únavová zlomenina, nezatr. i. v obl. ruky	2,3,4	1,2,3,4
M63.82	Iné choroby svalov pri chor. zatried. i. v obl. nadlaktia	2	2	M84.35	Únavová zlomenina, nezatr. i. v obl. panvy a stehna	2,3,4	1,2,3,4
M63.83	Iné choroby svalov pri chor. zatried. i. v obl. predlak.	2	2	M84.36	Únavová zlomenina, nezatr. i. v obl. predkol.	2,3,4	1,2,3,4
M63.84	Iné choroby svalov pri chor. zatried. i. v obl. ruky	2	2	M84.37	Únavová zlomenina, nezatr. i. v obl. čl. a nohy	2,3,4	1,2,3,4
M63.85	Iné choroby svalov pri chor. zatried. i. v obl. pan. a stehna	2	2	M84.38	Únavová zlomenina, nezatr. i. na i. mieste	2,3,4	1,2,3,4
M63.86	Iné choroby svalov pri chor. zatried. i. v obl. predkol.	2	2	M84.39	Únavová zlomenina, nezatr. i., miesto bliž. neurč.	2,3,4	1,2,3,4
M63.87	Iné choroby svalov pri chor. zatried. i. v obl. čl. a nohy	2	2	M84.40	Patologická zlomenina, nezatr. i. na viac.m.	2,3,4	1,2,3,4
M63.88	Iné choroby svalov pri chor. zatried. i. na i. mieste	2	2	M84.41	Patologická zlomenina, nezatr. i. v obl. pleca	2,3,4	1,2,3,4
M63.89	Iné choroby svalov pri chor. zatried. i., miesto bliž. neurč.	2	2	M84.42	Patologická zlomenina, nezatr. i. v obl. nadlaktia	2,3,4	1,2,3,4
M73.00	Gonokoková burzitída na viacerých miestach (A54.4†)	4	4	M84.43	Patologická zlomenina, nezatr. i. na i. mieste	2,3,4	1,2,3,4
M73.01	Gonokokov burzitída v obl. pleca	4	4	M84.44	Patologická zlomenina, nezatr. i. v obl. ruky	2,3,4	1,2,3,4
M73.02	Gonokokov burzitída nadlaktia	4	4	M84.45	Patologická zlomenina, nezatr. i. v obl. panv. obl. a stehna	2,3,4	1,2,3,4
M73.03	Gonokokov burzitída predlak.	4	4	M84.46	Patologická zlomenina, nezatr. i. v obl. predkol.	2,3,4	1,2,3,4
M73.04	Gonokokov burzitída ruky	4	4	M84.47	Patologická zlomenina, nezatr. i. v obl. čl. a nohy	2,3,4	1,2,3,4
M73.05	Gonokokov burzitída panv. obl. a stehna	4	4	M84.48	Patologická zlomenina, nezatr. i. na i. mieste	2,3,4	1,2,3,4
M73.06	Gonokokov burzitída predkol.	4	4	M84.49	Patologická zlomenina, nezatr. i., miesto bliž. neurč.	2,3,4	1,2,3,4
M73.07	Gonokokov burzitída čl. a nohy	4	4	M86.00	Akútna hematogénna osteomyelitída na viac.m.	2,3,4	2,4
M73.08	Gonokokov burzitída na i. mieste	4	4	M86.01	Akútna hematogénna osteomyelitída v obl. pleca	2,3,4	2,4
M73.09	Gonokokov burzitída, miesto bliž. neurč.	4	4	M86.02	Akútna hematogénna osteomyelitída nadlaktia	2,3,4	2,4
M84.00	Zle zahojená zlomenina na viacerých miestach	2,3	2	M86.03	Akútna hematogénna osteomyelitída predlak.	2,3,4	2,4
M84.01	Zle zahojená zlomenina v obl. pleca	2,3	2	M86.04	Akútna hematogénna osteomyelitída ruky	2,3,4	2,4
M84.02	Zle zahojená zlomenina nadlaktia	2,3	2	M86.05	Akútna hematogénna osteomyelitída panv. obl. a stehna	2,3,4	2,4
M84.03	Zle zahojená zlomenina predlak.	2,3	2	M86.06	Akútna hematogénna osteomyelitída predkol.	2,3,4	2,4
M84.04	Zle zahojená zlomenina ruky	2,3	2	M86.07	Akútna hematogénna osteomyelitída čl. a nohy	2,3,4	2,4
M84.05	Zle zahojená zlomenina panv. obl. a stehna	2,3	2	M86.08	Akútna hematogénna osteomyelitída na i. mieste	2,3,4	2,4
M84.06	Zle zahojená zlomenina predkol.	2,3	2	M86.09	Akútna hematogénna osteomyelitída, miesto bliž. neurč.	2,3,4	2,4
M84.07	Zle zahojená zlomenina čl. a nohy	2,3	2	M86.10	Iná akútna osteomyelitída na viacerých miestach	2,3,4	2,4
M84.08	Zle zahojená zlomenina na i. mieste	2,3	2	M86.11	Iná akútna osteomyelitída v obl. pleca	2,3,4	2,4
M84.09	Zle zahojená zlomenina, miesto bliž. neurč.	2,3	2	M86.12	Iná akútna osteomyelitída nadlaktia	2,3,4	2,4
M84.10	Pseudoartróza po zlomenine na viacerých miestach	2,3	2	M86.13	Iná akútna osteomyelitída predlakútna	2,3,4	2,4
M84.11	Pseudoartróza po zlomenine v obl. pleca	2,3	2	M86.14	Iná akútna osteomyelitída ruky	2,3,4	2,4
M84.12	Pseudoartróza po zlomenine nadlaktia	2,3	2	M86.15	Iná akútna osteomyelitída panv. obl. a stehna	2,3,4	2,4
M84.13	Pseudoartróza po zlomenine predlak.	2,3	2	M86.16	Iná akútna osteomyelitída predkol.	2,3,4	2,4
M84.14	Pseudoartróza po zlomenine ruky	2,3	2	M86.17	Iná akútna osteomyelitída l. a nohy	2,3,4	2,4
M84.15	Pseudoartróza po zlomenine panv. obl. a stehna	2,3	2	M86.18	Iná akútna osteomyelitída na i. mieste	2,3,4	2,4
M84.16	Pseudoartróza po zlomenine predkol.	2,3	2	M86.19	Iná akútna osteomyelitída, miesto bliž. neurč.	2,3,4	2,4
M84.17	Pseudoartróza po zlomenine čl. a nohy	2,3	2	M86.20	Subakútna osteomyelitída na viacerých miestach	2,3,4	2,4
M84.18	Pseudoartróza po zlomenine na i. mieste	2,3	2	M86.21	Subakútna osteomyelitída v obl. pleca	2,3,4	2,4
M84.19	Pseudoartróza po zlomenine, miesto bliž. neurč.	2,3	2	M86.22	Subakútna osteomyelitída nadlaktia	2,3,4	2,4
M84.20	Predĺžené hojenie zlomeniny na viacerých miestach	2,3	2	M86.23	Subakútna osteomyelitída predlak.	2,3,4	2,4
M84.21	Predĺžené zahojenie zlomeniny v obl. pleca	2,3	2	M86.24	Subakútna osteomyelitída ruky	2,3,4	2,4
M84.22	Predĺžené zahojenie zlomeniny nadlaktia	2,3	2	M86.25	Subakútna osteomyelitída panv. obl. a stehna	2,3,4	2,4
M84.23	Predĺžené zahojenie zlomeniny predlak.	2,3	2	M86.26	Subakútna osteomyelitída predkol.	2,3,4	2,4
M84.24	Predĺžené zahojenie zlomeniny ruky	2,3	2	M86.27	Subakútna osteomyelitída čl. a nohy	2,3,4	2,4
M84.25	Predĺžené zahojenie zlomeniny panv. obl. a stehna	2,3	2	M86.28	Subakútna osteomyelitída na i. mieste	2,3,4	2,4
M84.26	Predĺžené zahojenie zlomeniny predkol.	2,3	2	M86.29	Subakútna osteomyelitída, miesto bliž. neurč.	2,3,4	2,4
M84.27	Predĺžené zahojenie zlomeniny čl. a nohy	2,3	2	M86.30	Chron. multifokálna osteomyelitída na viac.m.	2,3,4	2,4
M84.28	Predĺžené zahojenie zlomeniny na i. mieste	2,3	2	M86.31	Chron. multifokálna osteomyelitída v obl. pleca	2,3,4	2,4
M84.29	Predĺžené zahojenie zlomeniny na n. mieste	2,3	2	M86.32	Chron. multifokálna osteomyelitída nadlaktia	2,3,4	2,4
				M86.33	Chron. multifokálna osteomyelitída predlak.	2,3,4	2,4
				M86.34	Chron. multifokálna osteomyelitída ruky	2,3,4	2,4

ICD	Text	OP. CCL	Med. CCL	ICD	Text	OP. CCL	Med. CCL
M86.35	Chron.multifokálna osteomyelitída panv.obl.a stehna	2,3,4	2,4	M86.96	Osteomyelitída,blíž.neurč.v obl.predkol.	4	4
M86.36	Chron.multifokálna osteomyelitída predkol.	2,3,4	2,4	M86.97	Osteomyelitída,blíž.neurč.v obl.čl.a nohy	4	4
M86.37	Chron.multifokálna osteomyelitída čl.a nohy	2,3,4	2,4	M86.98	Osteomyelitída,blíž.neurč.na i.mieste	4	4
M86.38	Chron.multifokálna osteomyelitída na i.mieste	2,3,4	2,4	M86.99	Osteomyelitída,blíž.neurč.n.miesto blíž.neurč.	4	4
M86.39	Chron.multifokálna osteomyelitída,miesto blíž.neurč.	2,3,4	2,4	M87.02	Idiopat.aseptická nekróza kosti nadlaktia	4	4
M86.40	Chronická osteomyelitída s fistulou na viac.m.	2,3,4	2,4	M87.05	Idiopat.aseptická nekróza kosti panv.obl.a stehna	4	4
M86.41	Chronická osteomyelitída s fistulou v obl.pleca	2,3,4	2,4	M87.06	Idiopat.aseptická nekróza kosti predkol.	4	4
M86.42	Chronická osteomyelitída s fistulou nadlaktia	2,3,4	2,4	M87.07	Idiopat.aseptická nekróza kosti čl.a nohy	4	4
M86.43	Chronická osteomyelitída s fistulou predlak.	2,3,4	2,4	M87.09	Idiopat.aseptická nekróza kosti ,miesto blíž.neurč.	4	4
M86.44	Chronická osteomyelitída s fistulou ruky	2,3,4	2,4	M87.10	Osteonekróza zaprič.liekmi,na viac.m.	4	4
M86.45	Chronická osteomyelitída s fistulou panv.obl.a stehna	2,3,4	2,4	M87.11	Osteonekróza zaprič.liekmi,v obl.pleca	4	4
M86.46	Chronická osteomyelitída s fistulou predkol.	2,3,4	2,4	M87.12	Osteonekróza zaprič.liekmi,v obl.nadlaktia	4	4
M86.47	Chronická osteomyelitída s fistulou čl.a nohy	2,3,4	2,4	M87.13	Osteonekróza zaprič.liekmi,v obl.predlak.	4	4
M86.48	Chronická osteomyelitída s fistulou na i.mieste	2,3,4	2,4	M87.14	Osteonekróza zaprič.liekmi,v obl.ruky	4	4
M86.49	Chronická osteomyelitída s fistulou,miesto blíž.neurč.	2,3,4	2,4	M87.15	Osteonekróza zaprič.liekmi,panv.obl.a stehna	4	4
M86.50	Iná chronická hematogénna osteomyelit.na viac.m.	2,3,4	2,4	M87.16	Osteonekróza zaprič.liekmi,v obl.predkol.	4	4
M86.51	Iná chronická hematogénna osteomyelit.v obl.pleca	2,3,4	2,4	M87.17	Osteonekróza zaprič.liekmi,v obl.čl.a nohy	4	4
M86.52	Iná chronická hematogénna osteomyelit.nadlaktia	2,3,4	2,4	M87.18	Osteonekróza zaprič.liekmi,na i.mieste	4	4
M86.53	Iná chronická hematogénna osteomyelit.predlak.	2,3,4	2,4	M87.19	Osteonekróza zaprič.liekmi,miesto blíž.neurč.	4	4
M86.54	Iná chronická hematogénna osteomyelit.ruky	2,3,4	2,4	M87.20	Osteonekróza zaprič.predchádz.úrazom,na viac.m.	4	4
M86.55	Iná chronická hematogénna osteomyelit.panv.obl.a stehna	2,3,4	2,4	M87.21	Osteonekróza zaprič.predchádz.úrazom,v obl.pleca	4	4
M86.56	Iná chronická hematogénna osteomyelit.predkol.	2,3,4	2,4	M87.22	Osteonekróza zaprič.predchádz.úrazom,nadlaktia	4	4
M86.57	Iná chronická hematogénna osteomyelit.čl.a nohy	2,3,4	2,4	M87.23	Osteonekróza zaprič.predchádz.úrazom,predlak.	4	4
M86.58	Iná chronická hematogénna osteomyelit.na i.mieste	2,3,4	2,4	M87.24	Osteonekróza zaprič.predchádz.úrazom,ruky	4	4
M86.59	Iná chronická hematogénna osteomyelit,miesto blíž.neurč.	2,3,4	2,4	M87.25	Osteonekróza zaprič.predchádz.úrazom,panv.obl.a stehna	4	4
M86.60	Iná chronická osteomyelitída na viacerých miestach	4	4	M87.26	Osteonekróza zaprič.predchádz.úrazom,predkol.	4	4
M86.61	Iná chronická osteomyelitída v obl.pleca	4	4	M87.27	Osteonekróza zaprič.predchádz.úrazom,čl.a nohy	4	4
M86.62	Iná chronická osteomyelitída nadlaktia	4	4	M87.28	Osteonekróza zaprič.predchádz.úrazom,na i.mieste	4	4
M86.63	Iná chronická osteomyelitída predlak.	4	4	M87.29	Osteonekróza zaprič.predchádz.úrazom,miesto blíž.neurč.	4	4
M86.64	Iná chronická osteomyelitída ruky	4	4	M87.30	Iná sekundárna osteonekróza na viacerých miestach	4	4
M86.65	Iná chronická osteomyelitída panv.obl.a stehna	4	4	M87.31	Iná sekundárna osteonekróza v obl.pleca	4	4
M86.66	Iná chronická osteomyelitída predkol.	4	4	M87.32	Iná sekundárna osteonekróza nadlaktia	4	4
M86.67	Iná chronická osteomyelitída čl.a nohy	4	4	M87.33	Iná sekundárna osteonekróza predlak.	4	4
M86.68	Iná chronická osteomyelitída na i.mieste	4	4	M87.34	Iná sekundárna osteonekróza ruky	4	4
M86.69	Iná chronická osteomyelitída,miesto blíž.neurč.	4	4	M87.35	Iná sekundárna osteonekróza panv.obl.a stehna	4	4
M86.80	Iná osteomyelitída na viacerých miestach	4	4	M87.36	Iná sekundárna osteonekróza predkol.	4	4
M86.81	Iná osteomyelitída v obl.pleca	4	4	M87.37	Iná sekundárna osteonekróza čl.a nohy	4	4
M86.82	Iná osteomyelitída nadlaktia	4	4	M87.38	Iná sekundárna osteonekróza na i.mieste	4	4
M86.83	Iná osteomyelitída predlak.	4	4	M87.39	Iná sekundárna osteonekróza,miesto blíž.neurč.	4	4
M86.84	Iná osteomyelitída ruky	4	4	M87.80	Iná osteonekróza na viacerých miestach	4	4
M86.85	Iná osteomyelitída panv.obl.a stehna	4	4	M87.81	Iná osteonekróza v obl.pleca	4	4
M86.86	Iná osteomyelitída predkol.	4	4	M87.82	Iná osteonekróza nadlaktia	4	4
M86.87	Iná osteomyelitída čl.a nohy	4	4	M87.83	Iná osteonekróza predlak.	4	4
M86.88	Iná osteomyelitída na i.mieste	4	4	M87.84	Iná osteonekróza ruky	4	4
M86.89	Iná osteomyelitída,miesto blíž.neurč.	4	4	M87.85	Iná osteonekróza panv.obl.a stehna	4	4
M86.90	Osteomyelitída,blíž.neurč.na viac.m.	4	4	M87.86	Iná osteonekróza predkol.	4	4
M86.91	Osteomyelitída,blíž.neurč.v obl.pleca	4	4	M87.87	Iná osteonekróza čl.a nohy	4	4
M86.92	Osteomyelitída,blíž.neurč.v obl.nadlaktia	4	4	M87.88	Iná osteonekróza na i.mieste	4	4
M86.93	Osteomyelitída,blíž.neurč.v obl.predlak.	4	4	M87.89	Iná osteonekróza,miesto blížšie neurčené	4	4
M86.94	Osteomyelitída,blíž.neurč.v obl.ruky	4	4	M87.90	Osteonekróza,blíž.neurč.na viac.m.	4	4
M86.95	Osteomyelitída,blíž.neurč.panv.obl.a stehna	4	4	M87.91	Osteonekróza,blíž.neurč.v obl.pleca	4	4
				M87.92	Osteonekróza,blíž.neurč.v obl.nadlaktia	4	4
				M87.93	Osteonekróza,blíž.neurč.v obl.predlak.	4	4
				M87.94	Osteonekróza,blíž.neurč.v obl.ruky	4	4
				M87.95	Osteonekróza,blíž.neurč.panv.obl.a stehna	4	4

ICD	Text	OP. CCL	Med. CCL	ICD	Text	OP. CCL	Med. CCL
M87.96	Osteonekróza,blíž.neurč.v obl.predkol.	4	4	M90.40	Osteonekróza zapríč.hemoglobinopatiou,na viac.m.(D50-D64†)	2,4	2
M87.97	Osteonekróza,blíž.neurč.v obl.čl.a nohy	4	4	M90.41	Osteonekróza zapríč.hemoglobinopat.v obl.pleca	2,4	2
M87.98	Osteonekróza,blíž.neurč.na i.mieste	4	4	M90.42	Osteonekróza zapríč.hemoglobinopat.v obl.nadlaktia	2,4	2
M87.99	Osteonekróza,blíž.neurč.,miesto blíž.neur.	4	4	M90.43	Osteonekróza zapríč.hemoglobinopat.v obl.predlak.	2,4	2
M90.00	Tuberkulóza kosti na viacerých miestach (A18.0†)	2,4	2,4	M90.44	Osteonekróza zapríč.hemoglobinopat.v obl.ruky	2,4	2
M90.01	TBC kosti v obl.pleca	2,4	2,4	M90.45	Osteonekróza zapríč.hemoglobinopat.v obl.panvy a stehna	2,4	2
M90.02	TBC kosti nadlaktia	2,4	2,4	M90.46	Osteonekróza zapríč.hemoglobinopat.v obl.predkol.	2,4	2
M90.03	TBC kosti predlak.	2,4	2,4	M90.47	Osteonekróza zapríč.hemoglobinopat.v obl.čl.a nohy	2,4	2
M90.04	TBC kosti ruky	2,4	2,4	M90.48	Osteonekróza zapríč.hemoglobinopat.,na i.mieste	2,4	2
M90.05	TBC kosti panv.obl.a stehna	2,4	2,4	M90.49	Osteonekróza zapríč.hemoglobinopat.,miesto blíž.neurč.	2,4	2
M90.06	TBC kosti predkol.	2,4	2,4	M90.60	Deform.osteodystrofia pri nádoroch,na viac.m.	2,4	2
M90.07	TBC kosti čl.a nohy	2,4	2,4	M90.61	Deform.osteodystrofia pri nádoroch,v obl.pleca	2,4	2
M90.08	TBC kosti na i.mieste	2,4	2,4	M90.62	Deform.osteodystrofia pri nádoroch,v obl.nadlaktia	2,4	2
M90.09	Tuberkulóza kosti,miesto bližšie neurčené (A18.0†)	2,4	2,4	M90.63	Deform.osteodystrofia pri nádoroch,v obl.predlak.	2,4	2
M90.10	Periostitída pri i.infekč.chor.zatried.i.na viac.m.	2,4	2,4	M90.64	Deform.osteodystrofia pri nádoroch,v obl.ruky	2,4	2
M90.11	Periostitída pri i.infekč.chor.zatried.i.v obl.pleca	2,4	2,4	M90.65	Deform. osteodystrofia pri nádoroch,v obl.panvy a stehna	2,4	2
M90.12	Periostitída pri i.infekč.chor.zatried.i.v obl.nadlaktia	2,4	2,4	M90.66	Deform.osteodystrofia pri nádoroch,v obl.predkol.	2,4	2
M90.13	Periostitída pri i.infekč.chor.zatried.i.v obl.predlak.	2,4	2,4	M90.67	Deform.osteodystrofia pri nádoroch,v obl.čl.a nohy	2,4	2
M90.14	Periostitída pri i.infekč.chor.zatried.i.v obl.ruky	2,4	2,4	M90.68	Deform.osteodystrofia pri nádoroch,na i.mieste	2,4	2
M90.15	Periostitída pri i.infekč.chor.zatried.i.v obl.panvy a stehna	2,4	2,4	M90.69	Deform.osteodystrofia pri nádoroch,miesto blíž.neurč.	2,4	2
M90.16	Periostitída pri i.infekč.chor.zatried.i.v obl.predkol.	2,4	2,4	M90.70	Zlomenina kosti pri nádore,na viac.m.t	2,3,4	1,2,3,4
M90.17	Periostitída pri i.infekč.chor.zatried.i.v obl.čl.a nohy	2,4	2,4	M90.71	Zlomenina kosti pri nádore,v obl.pleca	2,3,4	1,2,3,4
M90.18	Periostitída pri i.infekč.chor.zatried.i.na i.mieste	2,4	2,4	M90.72	Zlomenina kosti pri nádore,v obl.nadlaktia	2,3,4	1,2,3,4
M90.19	Periostitída pri i.infekč.chor.zatried.i.,miesto blíž.neurč.	2,4	2,4	M90.73	Zlomenina kosti pri nádore,v obl.predlak.	2,3,4	1,2,3,4
M90.20	Osteopatia pri i.infekč.chor.zatried.i.na viac.m.	2,4	2,4	M90.74	Zlomenina kosti pri nádore,v obl.ruky	2,3,4	1,2,3,4
M90.21	Osteopatia pri i.infekč.chor.zatried.i.v obl.pleca	2,4	2,4	M90.75	Zlomenina kosti pri nádore,v obl.panvy a stehna	2,3,4	1,2,3,4
M90.22	Osteopatia pri i.infekč.chor.zatried.i.v obl.nadlaktia	2,4	2,4	M90.76	Zlomenina kosti pri nádore,v obl.predkol.	2,3,4	1,2,3,4
M90.23	Osteopatia pri i.infekč.chor.zatried.i.v obl.predlak.	2,4	2,4	M90.77	Zlomenina kosti pri nádore,v obl.čl.a nohy	2,3,4	1,2,3,4
M90.24	Osteopatia pri i.infekč.chor.zatried.i.v obl.ruky	2,4	2,4	M90.78	Zlomenina kosti pri nádore,na i.mieste	2,3,4	1,2,3,4
M90.25	Osteopatia pri i.infekč.chor.zatried.i.v obl.panvy a stehna	2,4	2,4	M90.79	Zlomenina kosti pri nádore,miesto blíž.neurč.	2,3,4	1,2,3,4
M90.26	Osteopatia pri i.infekč.chor.zatried.i.v obl.predkol.	2,4	2,4	M96.0	Pseudoartróza po fúzii alebo artrodéze	2,3	2
M90.27	Osteopatia pri i.infekč.chor.zatried.i. obl.čl.a nohy	2,4	2,4	M96.6	Zlomen.kosti po vlož.ortop.impl.,kĺb.protézy/kostnej platničky	2,3,4	2,3,4
M90.28	Osteopatia pri i.infekč.chor.zatried.i.na i.mieste	2,4	2,4	M96.80	Elektívne ponechané otvor.sternum po chirurg.výk.na hrudníku	2,3,4	2,3,4
M90.29	Osteopatia pri i.infekč.chor.zatried.i.miesto blíž.neurč.	2,4	2,4	M96.81	Nestabilný hrudný kôš po chir.výk. na hrudníku	2,3,4	2,3,4
M90.30	Osteonekróza pri kesónovej chor.na viac.m.	2,4	2	M96.88	Iná choroba sústavy sval.a kostí po lek.výk.	2,3,4	2,3,4
M90.31	Osteonekróza pri kesónovej chor.v obl.pleca	2,4	2	M96.9	Choroba svalovej a kostrovej sústavy po lekár.výk.blíž.neurč.	2,3,4	2,4
M90.32	Osteonekróza pri kesónovej chor.v obl.nadlaktia	2,4	2	N00.0	Akútny nefritický syndróm:malé abnormality glomerulov	2,3,4	2,3
M90.33	Osteonekróza pri kesónovej chor.v obl.predlak.	2,4	2	N00.1	Akútny nefritický synd.:fok.a segm.lézie glomerulov	2,3,4	2,3
M90.34	Osteonekróza pri kesónovej chor.v obl.ruky	2,4	2	N00.2	Akútny nefritický synd.:dif.membránová glomerulonefrit.	2,3,4	2,3
M90.35	Osteonekróza pri kesónovej chor.v obl.panvy a stehna	2,4	2	N00.3	Akútny nefritický synd.:dif.mezangioprolif.glomerulonefrit.	2,3,4	2,3
M90.36	Osteonekróza pri kesónovej chor.v obl.predkol.	2,4	2	N00.4	Akútny nefritický synd.:dif.endokap.prolif.glomerulonefrit.	2,3,4	2,3
M90.37	Osteonekróza pri kesónovej chor.v obl.čl.a nohy	2,4	2				
M90.38	Osteonekróza pri kesónovej chor.na i.mieste	2,4	2				
M90.39	Osteonekróza pri kesónovej chor.miesto blíž.neurč.	2,4	2				

ICD	Text	OP. CCL	Med. CCL	ICD	Text	OP. CCL	Med. CCL
N00.5	Akútny nefritický synd.:dif.mezangiokap.glomerulonefrit.	2,3,4	2,3	N08.3	Glomerul.choroba pri DM	4	4
N00.6	Akútny nefritický synd.:chor.denzných depozitov	2,3,4	2,3	N10	Akútna tubulointersticiálna nefritída	2,3,4	2,3,4
N00.7	Akútny nefritický synd.:dif.glomerulonefrit.s výrastkami	2,3,4	2,3	N12	Tubulointersticiálna nefritída,n.ako akút./chron.	2,3,4	2,3
N00.8	Akútny nefritický synd.: iné morfológické zmeny	2,3,4	2,3	N13.0	Hydronefróza s obštrukciou pyeloureterového prechodu	2,3,4	1,2,3
N00.9	Akútny nefritický synd.:morfol.zmena,blíž.neurč.	2,3,4	2,3	N13.1	Hydronefróza so striktúrou močovodu,n.i.	2,3,4	1,2,3
N01.0	Rýchlo progred.nefritický synd.:malé abn.glomerulov	2,3,4	2,3	N13.2	Hydronefróza pri obštrukcii kameňom obličky a močovodu	2,3,4	1,2,3
N01.1	Rýchlo progred.nefrit.synd.:fok.a segm.lézie glomer.	2,3,4	2,3	N13.3	Iná a bližšie neurčená hydronefróza	2,3,4	1,2,3
N01.2	Rýchlo progred.nefrit.ynd.:dif.membránová glom.nefrit.	2,3,4	2,3	N13.4	Hydroureter	2,3,4	1,2,3
N01.3	Rýchlo progred.nefrit.synd.:dif.mezangioprolif glom.nefrit.	2,3,4	2,3	N13.5	Zalomenie a striktúra močovodu bez hydronefrózy	4	4
N01.4	Rýchlo progred.nefrit.synd.:dif.endokap.prolif.glom.ne frit.	2,3,4	2,3	N13.6	Pyonefros	2,3,4	1,2,3
N01.5	Rýchlo progred.nefrit.synd.:dif.mezangiokap.glomerul onefrit.	2,3,4	2,3	N13.8	Iná obštrukčná a refluxová uropatia	4	4
N01.6	Rýchlo progred.nefritický synd.:chor.denzných depozitov	2,3,4	2,3	N13.9	Obštrukčná a refluxová uropatia, bližšie neurčená	2,4	1,2,4
N01.7	Rýchlo progred.nefritický synd.:dif.glomerulonefrit.s výras.	2,3,4	2,3	N15.10	Absces obličky	2,3,4	2,3,4
N01.8	Rýchlo progred.nefritický synd.:i.morfol.zemny	2,3,4	2,3	N15.11	Perinefritický absces	2,3,4	2,3,4
N01.9	Rýchlo progred.nefritický synd.:morfol.zmena,b.n.	2,3,4	2,3	N17.0	Akútne zlyhanie obličiek s tubulovou nekrózou	2,3,4	2,3,4
N02.0	Recid.a pretrv.hematúria:malé abn.glomerulov	2,3	2,3	N17.1	Akútne zlyhanie obličiek s akútnou kortikálnou nekrózou	2,3,4	2,3,4
N02.1	Recid.a pretrv.hematúria:fok.a segm.lézie glomerulov	2,3	2,3	N17.2	Akútne zlyhanie obličiek s dreňovou nekrózou	2,3,4	2,3,4
N02.2	Recid.a pretrv.hematúria:dif.membránová glomerulonefrit.	2,3	2,3	N17.8	Iné akútne zlyhanie obličiek	2,3,4	2,3,4
N02.3	Recid.a pretrv.hematúria:dif.mezangioprolif glomerulonefrit.	2,3	2,3	N17.9	Akútne zlyhanie obličiek,bližšie neurčené	2,3,4	2,3,4
N02.4	Recid.a pretrv.hematúria:dif.endokap.prolif glomerulonefrit.	2,3	2,3	N18.1	Chronická choroba obličiek,1.štádium	1,2,4	1,2,3,4
N02.5	Recid.a pretrv.hematúria:dif.mezangiokap glomerulonefrit.	2,3	2,3	N18.2	Chronická choroba obličiek,2.štádium	1,2,4	1,2,3,4
N02.6	Recid.a pretrv.hematúria:chor.denzných depozitov	2,3	2,3	N18.3	Chronická choroba obličiek,3.štádium	1,2,3,4	1,2,3,4
N02.7	Recid.a pretrv.hematúria:dif.glomerulonefrit.s výrastkami	2,3	2,3	N18.4	Chronická choroba obličiek,4.štádium	2,3,4	2,3,4
N02.8	Recid.a pretrv.hematúria:iné morfol.zmeny	2,3	2,3	N18.5	Chronická choroba obličiek,5.štádium	2,3,4	2,3
N02.9	Recid.a pretrv.hematúria:morfol.zmena,blíž.neurč.	2,3	2,3	N18.80	Jednostranná chronická porucha funkcie obličky	1,2,4	1,2,3,4
N03.6	Chron.nefritický synd.:chor.denzných depozitov	2,3,4	1,2,4	N18.89	Iná chronická choroba obličiek,štádium,b.n.	4	4
N04.0	Nefrotický syndróm:malé abnormality glomerulov	2,3,4	2,3,4	N18.9	Chronická choroba obličiek,bližšie neurčená	4	4
N04.1	Nefrotický synd.:fok.a segm.lézie glomerulov	2,3,4	1,2,4	N19	Zlyhanie obličiek,bližšie neurčené	4	4
N04.2	Nefrotický synd.:dif.membránová glomerulonefrit.	2,3,4	1,2,4	N20.0	Konkrement obličky	4	4
N04.3	Nefrotický synd.:dif.mezangioprolif.glomerulonefrit.	2,3,4	2,3,4	N20.1	Konkrement močovodu	2,3,4	1,2,3
N04.4	Nefrotický synd.:dif.endokap.prolif.glomerulonefrit.	2,3,4	2,3,4	N20.2	Konkrement obličky s konkrementom močovodu	4	4
N04.5	Nefrotický synd.:dif.mezangiokap.glomerulonefrit.	2,3,4	2,3,4	N25.1	Nefrogénny diabetes insipidus	4	4
N04.6	Nefrotický syndróm: choroba denzných depozitov	2,3,4	2,3,4	N28.0	Ischémia a infarkt obličky	4	4
N04.7	Nefrotický synd.:dif.glomerulonefrit.s výrastkami	2,3,4	1,2,4	N30.0	Akútna cystitída	1	1
N04.8	Nefrotický syndróm: iné morfológické zmeny	2,3,4	1,2,4	N30.1	Intersticiálna cystitída (chronická)	2,3,4	2,3
N04.9	Nefrotický synd.:morfol.zmena,blíž.neurč.	2,3,4	1,2,4	N30.4	Postradiačná cystitída	2,3,4	1,2
				N31.2	Atonický neurogénny močový mechúr,nezatr.i.	2,3,4	1,2
				N32.0	Obštrukcia krčka močového mechúra	2,3,4	1,2
				N32.1	Vezikointestinálna fistula	2,3,4	2,3,4
				N32.2	Fistula močového mechúra,nezatriedená inde	2,3,4	2,3,4
				N32.3	Divertikul močového mechúra	4	4
				N32.4	Ruptúra močového mechúra,neúrazová	2,3,4	2,3,4
				N33.0	Tuberkulózná cystitída (A18.1†)	2,3,4	2,3
				N33.8	Choroba močového mechúra pri iných chor.zi	2,3,4	2,3
				N34.0	Absces močovej rúry	2,3,4	2,3,4
				N35.0	Pouúrazová striktúra uretry	2	2
				N35.8	Iná striktúra uretry	4	4
				N36.0	Fistula uretry	4	4
				N36.1	Divertikul uretry	4	4
				N39.3	Stresová inkontinencia moču	1	1
				N39.40	Reflexná inkontinencia moču	1	1
				N39.41	Inkontinencia moču z pretekania	1	1
				N39.42	Nutková inkontinencia moču	1	1
				N39.43	Extrauretrálna inkontinencia moču	1	1
				N39.47	Recidivujúca inkontinencia moču	1	1
				N39.48	Iná inkontinencia moču,bližšie určená	1	1
				N41.0	Akútna prostatitída	2	2
				N41.2	Absces prostaty	2	2

ICD	Text	OP. CCL	Med. CCL	ICD	Text	OP. CCL	Med. CCL
N41.3	Prostacystitída	2	2	O08.2	Embólia po potrate,mimomat.grav.a grav.s molou hydatídosa	2	2
N42.1	Kongescia a krvácanie z prostaty	1,2	1,2	O08.3	Šok po potrate,mimomat.grav.a grav.s molou hydatídosa	2	2
N43.1	Infikovaná hydrokéla	2,4	2,4	O08.4	Zlyháv.obličiek po potrate,mimomat.grav.a grav.s mal hydati.	2	2
N44.0	Torzia semenníka	4	4	O08.5	Metabické poruchy po potrate,mimomat.gr.a gr.s mal.hydati.	2	2
N44.1	Torzia hidatídy [Morgagni]	4	4	O08.6	Pošk.panv.org.a tk.potr,mimomat.gr.a grav.s malou hydati.	2	2
N45.0	Orchitída,epididymitída a epididymoorchitída s abscesom	2,4	2,4	O08.7	Iné žil.kompl.po potrate,mimomat.grav.a grav.s malou hydati.	2	2
N63	Hrčka v prsníku,blížšie neurčená	1,2	2	O08.8	Iné kompl.po potrate,mimomat.grav.a grav.s molou hydatid.	2	2
N70.0	Akútna salpingitída a ooforitída	2	2	O08.9	Kompl.po potrate,mimomat.grav.a grav.s molou hydatid.b.n.	2	2
N71.0	Akútna zápalová choroba maternice	2	2	O11	Pred.exi.art.hypert.,kompl.grav.,pôr.a šest.,s nas.preek.	2	2
N73.0	Akútna parametritída a panvová celulitída	2	2	O13	Gestačná artér.hypert.bez významnej proteinúrie	2	2
N73.3	Akútna pelveoperitonitída u žien	2	2	O14.0	Mierna a stredne ťažká preeklampsia	2	2
N73.5	Pelveoperitonitída u žien,blížšie neurčená	2	2	O14.1	Ťažká preeklampsia	2	2
N74.0	Tuberkulózna infekcia krčka maternice (A18.1†)	2	2	O14.2	Syndróm HELLP	2	2
N74.1	Tuberkulózný zápal ženských panvov.org.	2	2	O14.9	Preeklampsia,blížšie neurčená	2	2
N75.1	Absces Bartholinovej žľazy	2	2	O15.0	Eklampsia v gravidite	2	2
N76.4	Absces vulvy	2,4	2,4	O15.1	Eklampsia pri pôrode	2	2
N82.0	Vezikovaginálna fistula	4	4	O15.2	Eklampsia v šestonedelí	2	2
N82.1	Iná fistula medzi ženskými moč.a pohlav.oránmi	4	4	O15.9	Eklampsia,časovo blížšie neurčená	2	2
N82.2	Fistula medzi pošvou a tenkým črevom	2,4	2,3,4	O20.0	Hrozaci potrat (abortus imminens)	2	2
N82.3	Fistula medzi pošvou a hrubým črevom	2,4	2,3,4	O20.8	Iné krvácanie vo včasnej gravidite	2	2
N82.4	Iná fistula medzi ženskými pohlav.org.a črevom	2,4	2,3,4	O20.9	Krvácanie vo včasnej gravidite,blížšie neurčené	2	2
N82.5	Fistula medzi ženskými pohlavnými orgánmi a kožou	4	4	O22.2	Povrchová tromboflebitída v gravidite	2	2
N82.8	Iná fistula ženských pohlavných orgánov	4	4	O22.3	Hĺbková flebotrombóza v gravidite	2	2
N82.9	Fistula ženských pohlavných orgánov,blíž.neurč.	4	4	O22.5	Trombóza mozgových žil v gravidite	2	2
N83.5	Torzia vaječníka, topky vaječníka a vajčkovodu	4	4	O23.0	Infekcia obličiek v gravidite	2	2
N83.7	Hematóm širokého väzu maternice	1,2	1	O23.1	Infekcia močového mechúra v gravidite	2	2
N98.0	Infekcia spojená s umelým oplodnením	2,3,4	2,3	O23.2	Infekcia močovej rúry v gravidite	2	2
N98.2	Komplikácie pri pokuse zaviesť oplod.vajičko po oplod.in vitro	2,3,4	2,3	O23.3	Infekcia iných častí močovej sústavy v gravidite	2	2
N98.3	Komplikácie pri pokuse zaviesť embryo pri prenose embrya	2,3,4	2,3	O23.4	Infekcia moč.sústavy v gravidite,b.n.	2	2
N98.8	Iné komplikácie spojené s umelým oplodnením	2,3,4	2,3	O23.5	Infekcia pohlavných orgánov v gravidite	2	2
N98.9	Komplikácie spojené s umelým oplodnením,b.n.	2,3,4	2,3	O23.9	Iná a blíž.neu.infekcia močovopohl.org.v grav.	2	2
N99.1	Striktúra uretry po lekárskom výkone	4	4	O24.0	DM v gravidite predtým existuj.DM,typ 1	1,2	1,2
N99.3	Prolaps pošvovej klenby po hysterektómii	1,2	1	O24.1	DM v gravidite predtým existuj.DM,typ 2	1,2	1,2
O03.0	Spont.potrat:nekomplet.potrat,kompl.infekc.po hl.a panv.org.	2	2	O24.2	DM v gravidite predtým existuj.DM súvis.s podvýživou	1,2	1,2
O03.1	Spont.potrat:nekomplet.potrat,kompl.oneskor./nadmer.krvác.	2	2	O24.3	DM v gravidite predtým existuj.DM,b.n.	1,2	1,2
O03.2	Spont.potrat:nekomplet.potrat,komplikovaný embóliou	2	2	O24.4	Diabetes mellitus so vznikom v gravidite	1,2	1,2
O03.3	Spont.potrat:nekomplet.potrat s i.a blíž.neurč.kompl.	2	2	O24.9	Diabetes mellitus v gravidite,blížšie neurčený	1,2	1,2
O03.4	Spont.potrat:nekomplet.potrat bez kompl.	2	2	O26.6	Choroba pečene v gravidite,pri pôrode a v šestonedelí	2	2
O03.5	Spont.potrat:komplet./blíž.n.potrat,kompl.inf.p ohl.a panv.org.	2	2	O29.0	Pľúcne komplikácie anestézie v gravidite	2	2
O03.6	Spont.potrat:komplet./blíž.n.potrat,kompl.oneskor./nadm.krvác.	2	2	O29.1	Srdcové komplikácie anestézie v gravidite	2	2
O03.7	Spont.potrat:komplet./blíž.neurč.potrat,kompl.embóliou	2	2	O29.2	Komplikácie v CNS v spoj.s anestéziou v gavidite	2	2
O03.8	Spont.potrat:komplet./blíž.neurč.potrat s i.a blíž.neur.kompl.	2	2	O29.3	Toxická reakcia na lokálnu anestéziu v gravidite	2	2
O03.9	Spont.potrat:komplet./blíž.n.eurč.potrat bez kompl.	2	2	O29.4	Bolesť hlavy,po spinál.a epidurál.anest.v grav.	2	2
O08.0	Infekcia pohlav.a panv.org.po potrate,mimomat.gr.a gr.s MH	2	2	O29.5	Iná komplikácia spinál.a epidurál.anestézie v grav.	2	2
O08.1	Onesk./nadm.krvác.po potr,mimomat.gr.a grav.s malou hydati.	2	2	O29.6	Neúspešná alebo sťažená intubácia v gravidite	2	2
				O29.8	Iné komplikácie anestézie v gravidite	2	2
				O29.9	Komplikácia anestézie v gravidite,blížšie neurčená	2	2
				O44.00	Nízko uložená placenta bez krvácania	1,2	2
				O44.01	Placenta praevia bez krvácania	1,2	2

ICD	Text	OP. CCL	Med. CCL	ICD	Text	OP. CCL	Med. CCL
O44.10	Nízko uložená placenta s prebiehajúcim krvácaním	1,2	2	O89.9	Kompl.anestézie v šestonedelí,b.n.	2	2
O44.11	Placenta praevia s prebiehajúcim krvácaním	1,2	2	O90.1	Dehiscencia pôrodnicej rany hrádze	2	2
O45.0	Predčasné odlupovanie placenty s poruchou koagulácie	2	2	O90.3	Kardiomyopatia v šestonedelí	2	2
O46.0	Krvácanie pred pôrodom s poruchou zrážanlivosti	2	2	O90.4	Akútne poškodenie obličiek po pôrode	2	2
O46.8	Iné krvácanie pred pôrodom	2	2	O98.0	TBC,kompl.graviditu,pôrod a šestonedelie	2	2
O46.9	Krvácanie pred pôrodom, bližšie neurčené	2	2	O99.0	Anémia,komplikujúca graviditu,pôrod a šestonedelie	2	2
O47.0	Falošná pôr.činnosť pred ukonč.37.týž.gravidity	2	2	O99.4	Choroba obeh.súst.kompl.grav.pôrod a šeston.	2	2
O67.0	Krvácanie pri pôrode s poruchou koagulácie	2	2	P01.6	Poškodenie plodu a novorodenca smrťou matky	3	3
O67.8	Iné krvácanie pri pôrode	1,2	2	P07.00	Novorodenec s pôrod.hmotnosť.menej ako 500 gr.	2,3,4	1,2,3
O67.9	Krvácanie pri pôrode,bližšie neurčené	1,2	2	P07.01	Novorodenec s pôrod.hmotnosť.od 500 do 750 gr.	2,3,4	1,2,3
O71.0	Ruptúra maternice pred začiatkom pôrodnej činnosti	2	2	P07.02	Novorodenec s pôrod.hmotnosť.od 750 do 1000 gr.	2,3,4	1,2,3
O71.1	Ruptúra maternice počas pôrodnej činnosti	2	2	P07.2	Novorodenec s extrémnou nezrelosťou	2,3,4	1,2,3
O72.3	Poruchy zrážanlivosti krvi po pôrode	2	2	P10.0	Subdurálne kvácanie zapríč.poran.pri pôrode	4	4
O74.0	Aspiračná pneumónia zapríč.anestéziou počas pôr.č. a pôrodu	2	2	P10.1	Mozgové krvácanie zapríčinené poranením pri pôrode	4	4
O74.1	Iné pľúcne kompl.anestézie počas pôrod čin.a pôrodu	2	2	P10.2	Vnútrokomorové kvácanie zapríč.poran.pri pôrode	4	4
O74.2	Srdcové kompl.anestézie počas pôrod.chin.a pôrodu	2	2	P10.3	Subarachnoidálne kvácanie zapríč.poran.pri pôrode	4	4
O74.3	Komplik.CNS s spojení s anestéziou počas pôrod čin.	2	2	P10.4	Roztrhnutie tentória zapríč.poran.pri pôrode	4	4
O74.4	Toxická reakcia na lokálnu anestéziu počas pôr.čin.a pôrodu	2	2	P10.8	Iné vnútroleb.poran.a kvácania zapríč.poran.pri pôrode	4	4
O74.5	Bolesť hlavy,zapr.spinál.a epidurál.anest.počas pôr.čin.a pôr.	2	2	P10.9	Bliž.neur.vnútroleb.poran.a kvácanie zapríč.poran. pri pôrode	4	4
O74.6	Iné kompl.spinál.a epidurál.anestézie počas pôr.čin.a pôrodu	2	2	P11.1	Iné poškodenie mozgu,zapříč.poran.pri pôrode,b.u.	4	4
O74.7	Neúspešná/sťažená intubácia počas pôr.čin.a pôrodu	2	2	P11.2	Bliž.neur.poškodenie mozgu,zapříč.poran.pri pôrode	4	4
O74.8	Iné komplik.anestézie počas pôr.čin.a pôrodu	2	2	P11.50	Pôrodné poran.chrbtice a miechy s akút. ochmutím	2,4	2,3
O74.9	Komplik.anestézie počas pôr.čin.a pôrodu,b.n.	2	2	P11.51	Pôrodné poran.chrbtice a miechy s chron.ochmutím	2,4	2,3
O75.1	Šok počas pôrodnej činnosti,po nej a po pôrode	2	2	P11.59	Pôrodné poran.chrbtice a miechy,b.n.	2,4	2,3
O75.3	Iná infekcia počas pôrodnej činnosti	2	2	P15.6	Nekróza podkožného tuku,zapříč.poran. ri pôrode	4	4
O85	Puerperálna sepsa	2	2	P21.0	Ťažká pôrodná asfyxia	1,2	2
O86.0	Infekcia pôrodnicej operačnej rany	2	2	P22.0	Synd.respiračnej tiesne novorod.	4	4
O86.1	Iná infekcia pohlavných orgánov po pôrode	2	2	P23.0	Vrodený zápal pľúc,zapříčinený vírusom	4	4
O86.3	Iná infekcia močovopohlavnej sústavy po pôrode	2	2	P23.1	Vrodený zápal pľúc,zapříčinený chlamýdiou	4	4
O86.8	Iná puerperálna infekcia,bližšie určená	2	2	P23.2	Vrodený zápal pľúc,zapříčinený stafylokokom	4	4
O87.0	Povrchová tromboflebitída v šestonedelí	2	2	P23.3	Vrodený zápal pľúc,zapr.streptok.skupiny B	4	4
O87.1	Hĺbková žilová trombóza (flebotrombóza) v šestonedelí	2	2	P23.4	Vrodený zápal pľúc,zapříčinený Escherichia coli	4	4
O87.3	Trombóza mozgových žil v šestonedelí	2	2	P23.5	Vrodený zápal pľúc,zapříčinený pseudomonas	4	4
O88.0	Vzduchová embólia v gestačnom období	2	2	P23.6	Vrodený zápal pľúc,zapříčinený inou baktériou	4	4
O88.1	Embólia plodovou vodou	2	2	P23.8	Vrodený zápal pľúc,zapříčinený iným organizmom	4	4
O88.20	Tromboembólia pľúc v gestačnom období	2	2	P23.9	Vrodený zápal pľúc,bližšie neurčený	4	4
O88.28	Iná tromboembólia v gestačnom období	2	2	P24.0	Novorodenecká aspirácia smolky	4	4
O88.3	Pyemická a septická embólia v gestačnom období	2	2	P24.1	Novorodenecká aspirácia plodovej vody a hlienu	4	4
O88.8	Iná embólia v gestačnom období	2	2	P24.2	Novorodenecká aspirácia krvi	4	4
O89.0	Pľúcne komplikácie anestézie v šestonedelí	2	2	P24.3	Novorod.aspirácia mlieka a regurgitovanej potravy	4	4
O89.1	Srdcové komplikácie anestézie v šestonedelí	2	2	P24.8	Iný novorodenecký syndróm z aspirácie	4	4
O89.2	Komplikácie CNS v spojení s anestéziou v šestonedelí	2	2	P24.9	Novorodenecký syndróm z aspirácie,bližšie neurčený	4	4
O89.3	Toxická reakcia na lokálnu anestéziu v šestonedelí	2	2	P25.0	Interstic.emfyzém so vznikom v perinatálnom obd.	4	4
O89.4	Bolesť hlavy,zapříč.spinál.a epidurál.anest.v šeston.	2	2	P25.1	Pneumotorax so vznikom v perinatálnom období	4	4
O89.5	Iné kompl.spin.a epid.anestézie v šeston.	2	2				
O89.6	Neúspešná alebo sťažená intubácia v šestonedelí	2	2				
O89.8	Iné komplikácie anestézie v šestonedelí	2	2				

ICD	Text	OP. CCL	Med. CCL	ICD	Text	OP. CCL	Med. CCL
P25.2	Pneumomediastinum so vznikom v perinatálnom období	4	4	P59.2	Novorod.žltáčka z iného a bliž.neurč.pošk.pečeňových buniek	1,2,3,4	1,2,3,4
P25.3	Pneumoperikard so vznikom v perinatálnom období	4	4	P60	Diseminovaná intravaskulárna koagul.plodu a novorod.	2,3,4	1,2,3,4
P25.8	Iné stavy súvis.s interstic.emfyz.so vznik.v perinat.obd.	4	4	P61.0	Prechodná novorodenecká trombocytopenia	2,3,4	1,2,3,4
P26.0	Tracheobronchiálne krvácanie so vznik.v perinat.obd.	4	4	P61.6	Iná prechodná novorodenecká porucha zrážania	2,3	1,2,3
P26.1	Masívne pľúcne krvác.so vznikom v perinat.obd.	4	4	P70.2	Diabetes mellitus u novorodenca	2,4	2,3,4
P26.8	Iné pľúcne krvác.so vznikom v perinat.období	4	4	P70.3	latrogénna hypoglykémia u novorodenca	2,3	2
P26.9	Pľúcne krvác.so vznik.v perinat.období.b.n.	4	4	P70.4	Iná hypoglykémia u novorodenca	2,3	2
P27.0	Wilsonov-Mikityho syndróm	2,3,4	2,4	P71.0	Hypokalciémia z kravského mlieka u novorodenca	2,3,4	2,3
P27.1	Bronchopulmonálna dysplázia so vznik.v perin.obd.	2,3,4	2,4	P71.1	Iná hypokalciémia u novorodenca	2,3,4	2,3
P27.8	Iná chronická respirač.chor.so vznik.v perinatál.obd.	2,3,4	2,4	P71.2	Hypomagneziémia u novorodenca	2,3,4	2,3
P27.9	Bliž.neurč.chron.respirač.choroba so vznikom v perinat.období	2,3,4	2,4	P71.3	Novorod.tetania bez nedost.kalcia/magnézia	2,3,4	2,3
P35.0	Rubeolová embryopatia	2,4	2,4	P71.4	Prechodná hypoparatyreóza u novorodenca	2,3,4	2,3
P35.1	Vrodená cytomegalovírusová infekcia	2,4	2,4	P71.8	Iná prech.porucha metabol.vápnika a horčička u novorod.	2,3,4	2,3
P35.2	Vrodená infekcia vírusom herpes simplex	2,4	2,4	P71.9	Prechodná porucha metabol.vápnika a horčička u novorod.,b.n.	2,3,4	2,3
P35.3	Vrodená vírusová hepatitída	1,2,3,4	1,2,3,4	P72.0	Struma u novorodenca,nezatriedená inde	2,3,4	2,3
P35.8	Iná vrodená vírusová choroba	2,4	2,4	P72.1	Prechodná hypertyreóza u novorodenca	4	4
P35.9	Vrodená vírusová choroba,bližšie neurčená	2,4	2,4	P74.0	Neskorá metabolická acidóza u novorodenca	2,3,4	2,3
P36.0	Sepsa u novorod.zaprič.sterpt.zo skupiny B	4	4	P74.1	Dehydratácia u novorodenca	2,3,4	2,3
P36.1	Sepsa u novorod.zaprič.i.a b.n.sterpt.	4	4	P74.2	Porucha rovnováhy sodíka u novorodenca	2,3,4	2,3
P36.2	Sepsa u novorod.zaprič.staphylococcus aureus	4	4	P74.3	Porucha rovnováhy draslíka u novorodenca	2,3,4	2,3
P36.3	Sepsa u novorod.zaprič.i.a bliž.neirč.stafylokokom	4	4	P74.4	Iná prechodná elektrolytová porucha u novorodenca	2,3,4	2,3
P36.4	Sepsa u novorodenca,zapričinená escherichia coli	4	4	P76.2	Črevná nepriechod.zaprič.zahusteným mliekom	2,3,4	2,3
P36.5	Sepsa u novorod.zaprič.anaeróbnym mikroorganizmom	4	4	P77	Nekrotizujúca enterokolitída plodu a novorodenca	2,4	2,3,4
P36.8	Iná bakteriálna sepsa u novorodenca	4	4	P78.0	Perinatálna perforácia čreva	4	4
P36.9	Baktériálna sepsa u novorodenca,bližšie neurčená	4	4	P78.1	Iná novorodenecká peritonitída	4	4
P37.0	Vrodená tuberkulóza	4	4	P83.0	Sclerema neonatorum	4	4
P37.1	Vrodená toxoplazmóza	4	4	P83.2	Hydrops plodu, nezapričinený hemolytickou chorobou	4	4
P37.2	Novorodenecká (diseminovaná) listerióza	4	4	P90	Kŕče [konvulzie] u novorodenca	1,2,3,4	1,2,4
P37.3	Vrodená malária plasmodium falciparum	4	4	P91.3	Mozgová dráždivosť novorodencov	1,2	2
P37.4	Iná vrodená malária	4	4	P91.5	Kóma u novorodenca	3,4	3
P37.8	Iná vrodená infekčná a parazit.choroba,b.u.	4	4	P92.0	Vracanie u novorodenca	1,2	1,2,3
P37.9	Vrod.infekčná/parazitová choroba,b.n.	4	4	P92.1	Regurgitácia a ruminácia u novorodenca	2,3,4	2,3
P52.0	Vnútrokomorové(neúraz.)krvác.plodu a novorod.1.st.	4	4	P92.2	Pomalý príjem potravy u novorodenca	1,2	1,2,3
P52.1	Vnútrokomorové(neúraz.)krvác.plodu a novorod.2.st.	4	4	P92.3	Podvýživa (znižený príjem potravy) u novorodenca	2,3,4	2,3
P52.2	Vnútrokomorové(neúraz.)krvác.plodu a novorod.3.st.	2,3,4	1,2,3,4	P92.4	Nadmerná výživa u novorodenca	2,3,4	2,3
P52.3	Vnútrokomorové(neúraz.)krvác.plodu a novorod.,b.n.	4	4	P92.5	Problém s dojčením u novorodenca	2,3,4	2,3
P52.5	Subarachnoidálne (neúraz.)krvác.plodu a novorod.	4	4	P94.0	Prechodná myasthenia gravis u novorodenca	2,3,4	1,2,3,4
P53	Hemoragická choroba plodu a novorodenca	2,3,4	1,2,3,4	P96.1	Abstin.synd.u novorod.matky uživ.návyk.látky a drogy	4	4
P54.4	Krvácanie do nadobličky u novorodenca	4	4	P96.2	Abstin.synd.novorod.pri lieč.podávaní liečiv	4	4
P55.0	Rh izoimunizácia plodu a novorodenca	2,3	1,2,3	Q00.0	Anencefália	3,4	3,4
P55.1	ABO izoimunizácia plodu a novorodenca	2,3	1,2,3	Q00.1	Kraniorachischíza	3,4	3,4
P55.8	Iná hemolytická choroba plodu a novorodenca	2,3	1,2,3	Q00.2	Iniencefália	3,4	3,4
P55.9	Hemolytická chor.plodu a novorod.,b.n.	2,3	1,2,3	Q01.0	Čelová encefalokéla	3,4	3,4
P56.0	Hydrops plodu v dôsledku izoimunizácie	4	4	Q01.1	Nosovočelová encefalokéla	3,4	3,4
P56.9	Hydrops plodu v dôsl.i.a b.n.hemolytickej chor.	4	4	Q01.2	Okcipitálna encefalokéla	3,4	3,4
P57.0	Jadrový ikterus v dôsledku izoimunizácie	4	4	Q01.8	Encefalokéla na inom mieste	3,4	3,4
P57.8	Iný jadrový ikterus,bližšie určený	4	4	Q01.9	Encefalokéla,bližšie neurčená	4	4
P57.9	Jadrový ikterus,bližšie neurčený	4	4	Q02	Mikrocefália	3,4	3
P59.1	Syndróm hustej žľče	1,2,3,4	1,2,3,4	Q03.0	Chyby mozgového mokovodu	3,4	3,4
				Q03.1	Atrézia prístredného a boč.otvoru štvrtej komory	3,4	3,4
				Q03.8	Iný vrodený hydrocefalus	2,3,4	1,2,3,4
				Q03.9	Vrodený hydrocefalus, bližšie neurčený	2,3,4	1,2,3,4
				Q04.0	Vrodená chyba corpus callosum	3,4	3,4
				Q04.1	Anencefália	3,4	3,4
				Q04.2	Holoprocencefália	3,4	3,4
				Q04.3	Iná redukčná deformita mozgu	3,4	3,4

ICD	Text	OP. CCL	Med. CCL	ICD	Text	OP. CCL	Med. CCL
Q04.4	Septooptická dysplázia	3,4	3,4	Q20.2	Dvojvýtoková ľavá komora	3,4	3,4
Q04.5	Megalencefália	3,4	3,4	Q20.3	Nezhodné [diskordantné] komorovotepnové spojenie	3,4	3,4
Q04.6	Vrodená cysta mozgu	3,4	3,4	Q20.4	Dvojvýtoková komora	3,4	3,4
Q04.8	Iná vrodená chyba mozgu, bližšie určená	4	4	Q20.5	Nezhodné (diskordantné) predsieňovokomorové spojenie	3,4	3,4
Q05.0	Krčná spina bifida s hydrocefalom	3,4	3,4	Q20.6	Súmernosť [izomerizmus] predsieňových ušík	3,4	3
Q05.1	Hrudníková spina bifida s hydrocefalom	3,4	3,4	Q20.8	Iná vrodená chyba srdcových dutín a ich spojení	3,4	3
Q05.2	Drieková spina bifida s hydrocefalom	3,4	3,4	Q20.9	Vrod.chyba srdcových dutín a ich spojení, b.n.	3,4	3
Q05.3	Krížová spina bifida s hydrocefalom	3,4	3,4	Q21.0	Defekt medzikomorovej priehradky	3,4	3
Q05.4	Spina bifida s hydrocefalom, b.n.	3,4	3,4	Q21.1	Defekt predsieňovej priehradky	4	4
Q05.5	Krčná spina bifida bez hydrocefalu	3,4	3,4	Q21.2	Defekt predsieňovo-komorovej priehradky	3,4	3,4
Q05.6	Hrudníková spina bifida bez hydrocefalu	3,4	3,4	Q21.3	Fallotova tetralógia	3,4	3,4
Q05.7	Drieková spina bifida bez hydrocefalu	3,4	3,4	Q21.4	Defekt aortapulmonálneho septa	3,4	3,4
Q05.8	Krížová spina bifida bez hydrocefalu	3,4	3,4	Q21.80	Fallotova pentalógia	3,4	3
Q05.9	Spina bifida (rázštep chrbtice), bližšie neurčená	1,2,4	2,4	Q21.88	Iná vrodená chyba srdcových priehradiek	3,4	3
Q06.0	Amyélie	3,4	3,4	Q22.0	Atrézia pulmonálnej chlopne	3,4	3,4
Q06.1	Hypoplázia a dysplázia miechy	3,4	3,4	Q22.1	Vrodené zúženie pulmonálnej chlopne	3,4	3,4
Q06.2	Diastematomyélie	3,4	3,4	Q22.2	Vrodená pulmonálna insuficiencia	1,2,3	1,2
Q06.3	Iná vrodená chyba konského chvosta (cauda equina)	3,4	3,4	Q22.3	Iná vrodená chyba pulmonálnej chlopne	1,2,3	1,2
Q06.4	Hydromyélie	3,4	3,4	Q22.4	Vrodená trikuspidálna stenóza	1,2,3,4	1,2,4
Q06.8	Iná vrodená chyba miechy, bližšie určená	3,4	3,4	Q22.5	Ebsteinova anomália	2,3,4	2,3,4
Q07.0	Arnoldov-Chiariho syndróm	3,4	3,4	Q22.6	Hypoplastický pravokomorový syndróm	3,4	3,4
Q07.8	Iná vrodená chyba nervovej sústavy, bližšie určená	3,4	3	Q22.8	Iná vrodená chyba trikuspidálnej chlopne	1,2,3,4	1,2,4
Q10.0	Vrodená ptóza	3	3	Q22.9	Vrod.chyba trikuspidálnej chlopne, b.n.	1,2,3,4	1,2,4
Q10.1	Vrodené ektropium	3	3	Q23.0	Vrodená aortálna stenóza	3,4	3,4
Q10.2	Vrodené entropium	3	3	Q23.1	Vrodená aortálna insuficiencia	1,2,3,4	1,2,4
Q10.3	Iná vrodená chyba mihalnice	3	3	Q23.2	Vrodená mitrálna stenóza	1,2,3,4	1,2,4
Q10.6	Iná vrodená chyba slzných orgánov	3	3	Q23.3	Vrodená mitrálna insuficiencia	1,2,3,4	1,2,4
Q10.7	Vrodená chyba očí	3	3	Q23.4	Hypoplastický ľavokomorový syndróm	3,4	3,4
Q11.0	Cystická očná guľa	3,4	3	Q23.8	Iná vrodená chyba aortálnej a mitrálnaj chlopne	1,2,3,4	1,2,4
Q11.1	Iný anoftalmus	3,4	3	Q23.9	Vrod.hyba aortálnej a mitrálnaj chlopne, b.n.	1,2,3,4	1,2,4
Q11.2	Mikroftalmus	3,4	3	Q24.0	Dextrokardia	3,4	3
Q11.3	Makroftalmus	3,4	3	Q24.1	Levokardia	3,4	3
Q12.0	Vrodený sivý zákal (katarakta)	3	3	Q24.2	Cor triatriatum (trojpredsieňové srdce)	3,4	3,4
Q12.1	Vrodená dislokácia šošovky	3	3	Q24.3	Infundibulárna stenóza pľúcnice	3,4	3,4
Q12.2	Kolobóm šošovky	3	3	Q24.4	Vrodená subaortálna stenóza	1,2,3,4	1,2,4
Q12.3	Vrodená afakia	3	3	Q24.5	Chyba koronárnych ciev	4	4
Q12.4	Sférofakia	3	3	Q24.6	Vrodená srdcová blokáda	3,4	3,4
Q12.8	Iná vrodená chyba šošovky	3	3	Q24.8	Iná vrodená chyba srdca, bližšie určená	4	4
Q12.9	Vrodená chyba šošovky, bližšie neurčená	3	3	Q25.0	Otvorený tepnový spoj [Ductus arteriosus patens]	3,4	3
Q13.0	Kolobóm dúhovky	3	3	Q25.1	Koarktácia aorty	3,4	3,4
Q13.1	Chýbanie dúhovky	3	3	Q25.2	Atrézia aorty	3,4	3,4
Q13.2	Iná vrodená chyba dúhovky	3	3	Q25.3	Stenóza aorty	1,2,3,4	1,2,4
Q13.3	Vrodený zákal rohovky	3	3	Q25.5	Atrézia pľúcnej tepny	3,4	3
Q13.4	Iná vrodená chyba rohovky	3	3	Q25.6	Stenóza pľúcnej tepny	3,4	3
Q13.5	Belasá skléra	3	3	Q25.7	Iná vrodená chyba pľúcnej tepny	3,4	3
Q13.8	Iná vrodená chyba predného segmentu oka	3	3	Q26.0	Vrodená stenóza dutej žily	3,4	3
Q14.0	Vrodená chyba sklovca	3	3	Q26.1	Pretrvávajúca ľavá horná dutá žila	3,4	3
Q14.1	Vrodená chyba sietnice	3	3	Q26.2	Kompletný anomálny návrat pľúcnych žíl	3,4	3,4
Q14.2	Vrodená chyba terča zrkovitého nervu	3	3	Q26.3	Čiastočný anomálny návrat pľúcnych žíl	3,4	3,4
Q14.3	Vrodená chyba cievovky	3	3	Q26.4	Anomálny návrat pľúcnych žíl, bližšie neurčený	3,4	3
Q14.8	Iná vrodená chyba zadného segmentu oka	3	3	Q26.5	Anomálny návrat v. portae	3,4	3
Q15.0	Vrodený glaukóm	4	4	Q26.6	Fistula medzi v. portae a a.hepatica	3,4	3
Q15.8	Iná vrodená chyba oka, bližšie určená	3	3	Q27.0	Vrodené chýbanie a hypoplázia pupkovej tepny	3,4	3
Q16.0	Vrodené chýbanie ušnice	3	3	Q28.00	Vrod.artériovenózna aneuryzma precerebrálnych ciev	3,4	3,4
Q16.1	Vrod.chýbanie, atrézia a striktúra (vonkajšieho) zvukovodu	3	3	Q28.01	Vrodená artériovenózna fistula precerebrálnych ciev	3,4	3,4
Q16.2	Chýbanie sluchovej [Eustachovej] trubice (vrodené)	3	3	Q28.08	Iná vrod.artériovenózna chyba precerebrálnych ciev	3,4	3,4
Q16.3	Vrodená chyba sluchových kostičiek	3	3	Q28.09	Vrod.artériovenózna chyba precerebrálnych ciev, b.n.	4	4
Q16.4	Iná vrodená chyba stredného ucha	3	3				
Q16.5	Vrodená chyba vnútorného ucha	3	3				
Q16.9	Vrod.chyba ucha, zapríč.zhoršenie sluchu, b.n.	3	3				
Q20.0	Spoločný tepnový kmeň [truncus arteriosus communis]	3,4	3,4				
Q20.1	Dvojvýtoková pravá komora	3,4	3,4				



ICD	Text	OP. CCL	Med. CCL	ICD	Text	OP. CCL	Med. CCL
Q28.10	Vrodená aneuryzma precerebrálnych ciev	3,4	3,4	Q39.3	Vrodené zúženie (stenóza alebo striktúra) pažeráka	4	4
Q28.11	Vrodená fistula precerebrálnych ciev	3,4	3,4	Q39.4	Pažeráková membrána	2,4	2,3,4
Q28.18	Iná vrodená chyba precerebrálnych ciev	3,4	3,4	Q39.5	Vrodené rozšírenie pažeráka	3	3
Q28.19	Vrod.chyba precerebrálnych ciev,b.n.	4	4	Q39.6	Divertikul pažeráka (vrodený)	3	3
Q28.20	Vrodená artériovenózna aneuryzma cerebrálnych ciev	3,4	3,4	Q39.8	Iná vrodená chyba pažeráka	3	3
Q28.21	Vrodená artériovenózna fistula cerebrálnych ciev	3,4	3,4	Q40.0	Vrodená hypertrofická pylorostenóza	3,4	3
Q28.28	Iná vrodená artériovenózna chyba cerebrálnych ciev	3,4	3,4	Q40.1	Vrodená hiátová hernia	3	3
Q28.29	Vrod.artériovenózna malformácia cerebrálnych ciev,b.n.	4	4	Q41.0	Vrodené chýbanie,atrézia a stenóza dvanástnika	3,4	3,4
Q28.30	Vrodená aneuryzma cerebrálnych ciev	3,4	3,4	Q41.1	Vrodené chýbanie,atrézia a stenóza jejúna	3,4	3,4
Q28.31	Vrodená fistula cerebrálnych ciev	3,4	3,4	Q41.2	Vrodené chýbanie,atrézia a stenóza ilea	3,4	3,4
Q28.38	Iná vrodená chyba cerebrálnych ciev	4	4	Q41.8	Vrod.chýbanie,atrézia a stenóza blíž.urč.častí ten.čreva	3,4	3,4
Q28.39	Vrodená chyba cerebrálnych ciev, bližšie neurčená	4	4	Q41.9	Vrod.chýbanie,atrézia a stenóza ten.čreva b.n.č.	4	4
Q28.80	Iná vrodená aneuryzma	3	3	Q42.0	Vrod.chýbanie,atrézia a stenóza konečníka s fistulou	3,4	3,4
Q28.81	Iná vrodená fistula obehovej sústavy	3	3	Q42.1	Vrod.chýbanie,atrézia a stenóza konečníka bez fistuly	3,4	3,4
Q28.88	Iná vrodená chyba obehovej sústavy,bližšie určená	3	3	Q42.2	Vrod.chýbanie,atrézia a stenóza anusu s fistulou	3,4	3,4
Q30.0	Atrézia choán	4	4	Q42.3	Vrod.chýbanie,atrézia a stenóza anusu bez fistuly	3,4	3,4
Q31.0	Diafragma hrtana	3,4	3,4	Q42.8	Vrod.chýbanie,atrézia a stenóza č.hrub.čreva	3,4	3,4
Q31.1	Vrodená subglotická stenóza	3,4	3,4	Q42.9	Vrod.chýbanie,atrézia a stenóza blíž.neurč.č.hrub.čreva	3,4	3,4
Q31.2	Hypoplázia hrtana	3,4	3,4	Q43.0	Meckelov divertikul	4	4
Q31.3	Laryngokéla	3,4	3,4	Q43.1	Hirschprungova choroba	3,4	3,4
Q31.5	Vrodená laryngomalácia	3,4	3,4	Q43.2	Iná vrodená porucha funkcie hrubého čreva	4	4
Q31.8	Iná vrodená chyba hrtana	3,4	3,4	Q43.3	Vrodená chyba fixácie čriev	4	4
Q31.9	Vrodená chyba hrtana,bližšie neurčená	4	4	Q43.40	Zdvojenie tenkého čreva	3,4	3
Q32.0	Vrodená tracheomalácia	3,4	3,4	Q43.41	Zdvojenie hrubého čreva	3,4	3
Q32.1	Iná vrodená chyba priedušnice	3,4	3,4	Q43.42	Zdvojenie rekta	3,4	3
Q32.2	Vrodená malácia priedušky	3,4	3,4	Q43.49	Zdvojenie čreva,bližšie neurčené	3	3
Q32.3	Vrodené zúženie priedušky	3,4	3,4	Q43.5	Ektopický anus	3,4	3
Q32.4	Iná vrodená chyba priedušiek	3,4	3,4	Q43.6	Vrodená fistula rekta a anusu	3,4	3
Q33.0	Vrodené cystické pľúca	3,4	3,4	Q43.7	Pretrvávajúca kloaka	3,4	3
Q33.1	Prídavný lalok pľúc	3,4	3	Q43.8	Iná vrodená chyba čreva,bližšie určená	3	3
Q33.2	Sekvestrácia pľúc	3,4	3,4	Q43.9	Vrodená chyba čreva,bližšie neurčená	3	3
Q33.3	Nevyvinutie pľúc	3,4	3,4	Q44.0	Agenéza,aplázia a hypoplázia žľaz	3,4	3
Q33.4	Vrodené bronchiektázie	3,4	3,4	Q44.2	Atrézia žľazových ciest	3,4	3,4
Q33.5	Ektopické tkanivo v pľúcach	3,4	3	Q44.3	Vrodené stenóza alebo striktúra žľazových ciest	3,4	3,4
Q33.6	Hypoplázia a dysplázia pľúc	3,4	3,4	Q44.4	Cysta žľazovodu	3,4	3
Q33.8	Iná vrodená chyba pľúc	3,4	3	Q44.5	Iná vrodená chyba žľazových ciest	2,3,4	2,3
Q35.1	Rázštep tvrdého podnebia	3,4	3	Q44.6	Cystická choroba pečene	3,4	3,4
Q35.3	Rázštep mäkkého podnebia	3	3	Q45.0	Agenéza,aplázia a hypoplázia podžalúdkovej žľazy	3,4	3,4
Q35.5	Rázštep tvrdého podnebia s rázštep.mäkk.podn.	3,4	3	Q45.1	Prstencová podžalúdková žľaza[pancreas anulare]	4	4
Q35.7	Rázštep čapíka [uvuly]	3	3	Q45.2	Vrodená cysta podžalúdkovej žľazy	4	4
Q35.9	Rázštep podnebia,bližšie neurčený	3	3	Q45.3	Iná vrodená chyba podžalúdkovej žľazy a jej vývodu	4	4
Q36.0	Obojstranný rázštep pery	3	3	Q50.0	Vrodené chýbanie vaječníka	3,4	3
Q36.1	Stredový rázštep pery	3	3	Q50.2	Vrodená torzia vaječníka	3,4	3
Q36.9	Jednostranný rázštep pery	3	3	Q51.0	Agenéza a aplázia maternice	3,4	3
Q37.0	Rázštep tvrd.podnebia s obojstr.rázštep.pery	3,4	3,4	Q51.1	Dvojité maternica s dvoj.krčkom a dvoj.pošvou	3,4	3
Q37.1	Rázštep tvrd.podnebia s jednostr.rázštep.pery	3,4	3,4	Q51.2	Iné zdvojenie maternice	3,4	3
Q37.2	Rázštep mäkk.podnebia s obojstr.rázštep.pery	3,4	3,4	Q51.5	Agenéza a aplázia krčka maternice	3,4	3
Q37.3	Rázštep mäkk.podnebia s jednostr.rázštep.pery	3,4	3,4	Q51.7	Vrod. fistula medzi maternicou,tráviacim a moč.traktom	3,4	3
Q37.4	Rázštep tvrd.a mäk.podnebia s obojstr.rázštep.pery	3,4	3,4	Q52.0	Vrodené chýbanie pošvy	3,4	3
Q37.5	Rázštep tvrd.a mäk.podnebia s jednostr.rázštep.pery	3,4	3,4	Q52.1	Zdvojenie pošvy	3,4	3
Q37.8	Rázštep podnebia s obojstr.rázštep.pery,b.n.	4	4	Q52.2	Vrodená fistula medzi konečníkom a pošvou	3,4	3
Q37.9	Rázštep podnebia s jednostr.rázštep.pery,b.n.	4	4	Q54.0	Hypospádia žalúda [balanická]	3,4	3
Q38.7	Vačok hltana (faryngový pouch)	4	4	Q54.1	Hypospádia penisu [penilná]	3,4	3
Q39.0	Atrézia pažeráka bez fistuly	3,4	3,4	Q54.2	Hypospádia penisu a skróta [penoskrotálna]	3,4	3
Q39.1	Atrézia pažeráka s fistulou medzi priedušn.a pažerákom	3,4	3,4				
Q39.2	Vrod.fistula m.priedušn.a pažerákom bez atrézie	3,4	3,4				

ICD	Text	OP. CCL	Med. CCL	ICD	Text	OP. CCL	Med. CCL
Q54.3	Hypospádia perineálna	3,4	3	Q71.8	Iný redukčný defekt hornej končatiny (končatín)	3,4	3
Q55.0	Chýbanie a aplázia semenníka	3,4	3	Q71.9	Redukčný defekt hornej končatiny, bližšie neurčený	3	3
Q55.1	Hypoplázia semenníka a mieška	3,4	3	Q72.0	Vrod.kompletné chýbanie DK (končatín)	3,4	3
Q55.3	Atrézia semenovodu	3,4	3	Q72.1	Vrod.chýbanie stehna a predkolenia s prítomnou nohou	3,4	3
Q55.4	Iná vrod.chyba semenov.,nadsemen.,semen.vač.a prostaty	3,4	3	Q72.2	Vrodené chýbanie predkolenia a nohy	3,4	3
Q55.5	Vrodené chýbanie a aplázia penisu	3,4	3	Q72.3	Vrodené chýbanie nohy a prstov	3,4	3
Q55.6	Iná vrodená chyba penisu	3,4	3	Q72.4	Skrátenie stehnovej kosti	3,4	3
Q56.0	Hermafroditizmus, nezatriedený inde	3,4	3,4	Q72.5	Skrátenie pištaly	3,4	3
Q56.1	Mužský pseudohermafroditizmus, nezatriedený inde	3,4	3,4	Q72.6	Skrátenie ihlice	3,4	3
Q56.2	Ženský pseudohermafroditizmus, nezatriedený inde	3,4	3,4	Q72.7	Rázštep nohy	3,4	3
Q56.3	Pseudohermafroditizmus, bližšie neurčený	3,4	3,4	Q72.8	Iný redukčný defekt dolnej končatiny (končatín)	3,4	3
Q56.4	Neurčité pohlavie, bližšie neurčené	3,4	3,4	Q74.3	Arthrogryposis multiplex congenita	3,4	3
Q60.0	Jednostranná agenéza obličky	4	4	Q75.0	Kraniosynostóza	3,4	3,4
Q60.1	Obojstranná agenéza obličky	3,4	3,4	Q75.1	Kraniofaciálna dyzostóza	3,4	3,4
Q60.2	Agénéza obličky, bližšie neurčená	4	4	Q75.2	Hypertelorizmus	3,4	3,4
Q60.3	Jednostranná hypoplázia obličky	4	4	Q75.3	Makrocefália	3,4	3,4
Q60.4	Obojstranná hypoplázia obličky	4	4	Q75.4	Mandibulofaciálna dyzostóza	3,4	3,4
Q60.5	Hypoplázia obličky, bližšie neurčená	4	4	Q75.5	Okulomandibulárna dyzostóza	3,4	3,4
Q60.6	Potterovej syndróm	3,4	3,4	Q75.8	Iná vrod.chyba kostí lebky a tvárových kostí, b.u.	3,4	3,4
Q61.0	Vrodená samostatná (solitárna) cysta obličky	3	3	Q75.9	Vrod.chyba kostí lebky a tvárových kostí, b.n.	4	4
Q61.1	Polycystické obličky, autozomálne recesívne	3,4	3,4	Q76.1	Klippelov-Feilov syndróm	3,4	3,4
Q61.2	Polycystické obličky, autozomálne dominantné	3,4	3	Q76.3	Vrodená skolióza zapríčinená vrodenou chybou kostí	3,4	3
Q61.3	Polycystické obličky, bližšie neurčené	3	3	Q76.4	Iná vrodená chyba chrčtice bez skoliózy	3	3
Q61.4	Dysplázia obličiek	3	3	Q77.0	Achondrogenéza	3,4	3,4
Q61.5	Medulárna cystická oblička	3	3	Q77.1	Letálny nanizmus	3,4	3,4
Q61.8	Iná cystická choroba obličiek	3	3	Q77.2	Syndróm krátkeho rebra	3,4	3,4
Q61.9	Cystická choroba obličiek, bližšie neurčená	3	3	Q77.3	Chondrodysplasia punctata	3,4	3,4
Q62.0	Vrodená hydronefroza	3,4	3	Q77.4	Achondroplázia	3,4	3,4
Q62.1	Atrézia a vrodená stenóza močového	3,4	3	Q77.5	Diastrofická dysplázia	3,4	3,4
Q62.2	Vrodený megaureter	3,4	3	Q77.6	Chondroektodermálna dysplázia	3,4	3,4
Q62.3	Iná obštrukčná chyba obličkovej panvičky a močového	3,4	3	Q77.7	Spondyloepifýzová dysplázia	3,4	3,4
Q62.4	Agénéza močového	3,4	3	Q77.8	Iná osteochondrodyspl.s por.rastu dlhých kostí a chrčt.	3,4	3,4
Q62.7	Vrodený veziko-uretero-renálny reflux	3,4	3	Q77.9	Osteochondrodyspl.s por.rastu dlhých kostí a chrčt., b.n.	4	4
Q64.0	Epispádia	3,4	3	Q78.0	Osteogenesis imperfecta	3,4	3,4
Q64.1	Exstrofia močového mechúra	3,4	3,4	Q78.1	Polyostotická fibrózna dysplázia	3,4	3,4
Q64.2	Vrodená zadná chlopňa močovej rúry	4	4	Q78.2	Osteopetróza	3,4	3,4
Q64.3	Iná atrézia a stenóza močovej rúry a krčka moč.mech.	4	4	Q78.3	Progresívna diafýzová dysplázia	3,4	3,4
Q64.4	Chyba urachu [prvomočovodu]	3,4	3	Q78.4	Enchondromatóza	3,4	3,4
Q64.5	Vrodené chýbanie mechúra a močovej rúry	3,4	3	Q78.5	Metafýzová dysplázia	3,4	3
Q64.6	Vrodený divertikul mechúra	3	3	Q78.6	Mnohopočetné vrodené exostózy	3,4	3,4
Q64.7	Iná vrodená chyba močového mechúra a močovej rúry	3	3	Q78.8	Iná osteochondrodysplázia, bližšie určená	3,4	3
Q65.0	Jednostranné vrodené vyklbenie bedra	3,4	3	Q78.9	Osteochondrodysplázia, bližšie neurčená	4	4
Q65.1	Obojstranné vrodené vyklbenie bedra	3,4	3	Q79.0	Vrodená diafragmatická hernia (bránicová prietrž)	3,4	3,4
Q65.2	Vrodené vyklbenie bedra, bližšie neurčené	3	3	Q79.1	Iná vrodená chyba bránice	3,4	3,4
Q65.3	Jednostranná vrodená subluxácia bedra	3,4	3	Q79.2	Exomfalus	3,4	3,4
Q65.4	Obojstranná vrodená subluxácia bedra	3,4	3	Q79.3	Gastroschiza	3,4	3,4
Q65.5	Vrodená subluxácia bedra, bližšie neurčená	3	3	Q79.4	Agénéza brušných svalov [Prune belly syndróm]	3,4	3,4
Q65.6	Nestabilné bedro	3,4	3	Q79.5	Iná vrodená chyba brušnej steny	4	4
Q67.2	Dolichocefália	3,4	3	Q79.6	Ehlersov-Danlosov syndróm	3,4	3,4
Q67.3	Plagiocefália	3,4	3	Q79.8	Iná vrodená chyba svalov a kostí	3,4	3
Q67.5	Vrodená deformita chrčtice	3	3	Q80.0	Ichthyosis vulgaris	4	4
Q68.2	Vrodená deformita kolena	3	3	Q80.1	Ichtyóza viazaná na chromozóm X	4	4
Q71.0	Vrod.kompletné chýbanie HK (končatín)	3,4	3	Q80.2	Lamelárna ichtyóza	4	4
Q71.1	Vrod.chýbanie ramena a predlaktia s prítomnosťou ruky	3,4	3	Q80.3	Vrodená bulózne ichtyoziformná erythrodermia	4	4
Q71.2	Vrodené chýbanie predlaktia a ruky	3,4	3	Q80.4	Ichthyosis congenita gravis [Harlekinfetus]	4	4
Q71.3	Vrodené chýbanie ruky a prsta (prstov)	3,4	3	Q80.8	Iná vrodená ichtyóza	4	4
Q71.4	Pozdĺžny redukčný defekt vretenovitej kosti (radius)	3,4	3	Q80.9	Vrodená ichtyóza, bližšie neurčená	4	4
Q71.5	Skrátenie laktovej kosti	3,4	3	Q81.0	Jednoduchá bulózna epidermolýza	3,4	3
Q71.6	Klepetovitá ruka	3,4	3				

ICD	Text	OP. CCL	Med. CCL	ICD	Text	OP. CCL	Med. CCL
Q81.1	Letálna bulózna epidermolýza	3,4	3	Q93.9	Delécia autozómov, bližšie neurčená	4	4
Q81.2	Dystrofická bulózna epidermolýza	3,4	3	Q95.0	Vyvážená translokácia a inercia u normálneho jednotlivca	3,4	3
Q81.8	Iná bulózna epidermolýza	3,4	3	Q95.1	Chromozómová inverzia u normálneho jednotlivca	3,4	3
Q82.0	Dedičný lymfédém	3	3	Q95.2	Vyváž. autozóm. prestavba u abnormáln. jednotlivca	3,4	3,4
Q82.4	Ektodermálna dysplázia (anhidrotická)	4	4	Q95.3	Vyváž. prest. medzi pohlav. a autozóm. chromoz. u abn. jednotlivca	3,4	3,4
Q85.0	Neurofibromatóza (benígna)	3,4	3,4	Q95.4	Jednotlivec s nadpočetným (marker) heterochromatínom	3,4	3,4
Q85.1	Tuberózna skleróza	3,4	3,4	Q95.5	Jednotlivec s fragilnými miestami na autozómoch	3,4	3,4
Q85.8	Iná fakomatóza, nezatriedená inde	3,4	3,4	Q95.8	Iné vyváž. prestavba a štrukt. markery (abn. chromozómy)	3,4	3,4
Q85.9	Fakomatóza, bližšie neurčená	4	4	Q95.9	Vyváž. prestavba a štrukt. marker (abn. gén) ,b.n.	4	4
Q86.0	Alkoholový syndróm plodu (dysmorfický)	3,4	3	Q96.0	Karyotyp 45,X	3,4	3
Q86.1	Hydantoínový syndróm plodu	3,4	3,4	Q96.1	Karyotyp 46,X izo (Xq)	3,4	3
Q86.2	Dysmorfizmus, zapríčinený warfarínom	3,4	3,4	Q96.2	Karyotyp 46,X s pat. pohl. chrom., s výnimkou izo (Xq)	3,4	3
Q86.8	Iný syndróm vrod. chýb zapríč. známymi vonk. príčinami	3,4	3,4	Q96.3	Mozaicizmus, 45,X/46, XX alebo XY	3,4	3
Q87.0	Syndróm vrod. chýb postih. najmä výzor tváre	3,4	3,4	Q96.4	Mozaicizmus, 45,X/i. bunková línia (e)s pat. pohl. chromoz.	3,4	3
Q87.1	Syndróm vrod. chýb spojený najmä s nízkym vzrastom	3,4	3,4	Q96.8	Iný variant Turnerovho syndrómu	3,4	3
Q87.2	Syndrómy vrozených chýb zahŕňajúce najmä končatiny	3,4	3,4	Q96.9	Turnerov syndróm, bližšie neurčený	3	3
Q87.3	Syndróm vrod. chýb zahŕňajúci skorý nadmerný rast	3,4	3,4	Q97.0	Karyotyp 47,XXX	3,4	3
Q87.4	Marfanov syndróm	3,4	3,4	Q97.1	Ženský fenotyp s viac ako troma chromozómami X	3,4	3
Q87.5	Iné syndrómy vrozených chýb s inými zmenami kostí	3,4	3,4	Q97.2	Mozaicizmus, línie s rozličným počtom X chromozómov	3,4	3
Q87.8	Iné syndróm vrozených chýb, nezat. inde., b.u.	3,4	3,4	Q97.3	Ženský fenotyp s karyotypom 46, XY	3,4	3
Q89.0	Vrozená chyba sleziny	3	3	Q97.8	Iná abnormáln. pohlav. chromoz. so žensk. fenotypom, b.u.	3,4	3
Q89.1	Vrozená chyba nadobličiek	4	4	Q97.9	Abnormalita pohlav. chromoz. so žensk. fenotypom, b.n.	3	3
Q89.3	Obrátená poloha ( situs inversus)	3	3	Q98.0	Klinefelterov syndróm karyotyp 47,XXY	3,4	3
Q89.4	Spojené (zrastené) dvojčatá	3,4	3,4	Q98.1	Klinefelterov syndróm. muž. fenotyp s viac ako dvoma chromoz. X	3,4	3
Q89.7	Mnohopočetné vrozené chyby, nezatriedené inde	4	4	Q98.2	Klinefelterov syndróm muž. fenotyp s karyotypom 46,XX	3,4	3
Q89.8	Iná vrozená chyba, bližšie určená	4	4	Q98.3	Iný mužský fenotyp s karyotypom 46,XX	3,4	3
Q90.0	Trizómia 21, meiotická nondisjunkcia	3,4	3,4	Q98.4	Klinefelterov syndróm, bližšie neurčený	3	3
Q90.1	Trizómia 21, mozaicizmus (mitotická nondisjunkcia)	3,4	3,4	Q98.5	Karyotyp 47,XY	3,4	3
Q90.2	Trizómia 21, translokácia	3,4	3,4	Q98.6	Mužský fenotyp so štruktúrnou abnormal. pohl. chromoz.	3,4	3
Q90.9	Downov syndróm, bližšie neurčený	3,4	3,4	Q98.7	Mužský fenotyp s mozaicizmom pohlavných chromozómov	3,4	3
Q91.0	Trizómia 18, meiotická nondisjunkcia	3,4	3,4	Q98.8	Iná abnormáln. pohlav. chromoz. s mužsk. fenotypom, b.u.	3,4	3
Q91.1	Trizómia 18, mozaicizmus (mitotická nondisjunkcia)	3,4	3,4	Q98.9	Abnormalita pohlav. chromoz. s mužsk. fenotypom, b.n.	3	3
Q91.2	Trizómia 18, translokácia	3,4	3,4	Q99.0	Chiméra 46,XX/46,XY	3,4	3,4
Q91.3	Edwardsov syndróm, bližšie neurčený	3,4	3,4	Q99.1	Pravý hermafrodit 46,XX	3,4	3,4
Q91.4	Trizómia 13, meiotická nondisjunkcia	3,4	3,4	Q99.2	Fragilný chromozóm X	3,4	3,4
Q91.5	Trizómia 13, mozaicizmus (mitotická nondisjunkcia)	3,4	3,4	Q99.8	Iná chromozómová abnormalita, bližšie určená	3,4	3
Q91.6	Trizómia 13, translokácia	3,4	3,4	R02	Gangréna, nezatriedená inde	4	4
Q91.7	Patauov syndróm, bližšie neurčený	3,4	3,4	R04.2	Hemoptýza	1,2	1,2
Q92.0	Kompletná chromoz. trizómia, meiotická nondisjunkcia	3,4	3,4	R04.8	Krvácanie z iných miest v dýchacích cestách	1,2	1,2
Q92.1	Kompletná chromoz. trizómia, mozaicizmus	3,4	3,4	R04.9	Krvácanie z dýchacích ciest, bližšie neurčené	1,2	1,2
Q92.2	Veľká čiastočná trizómia	3,4	3,4	R09.2	Zastavenie dýchania	3,4	1,3
Q92.3	Malá čiastočná trizómia	3,4	3,4	R15	Inkontinencia stolice	1	1
Q92.4	Duplikácie viditeľné iba v prometafáze	3,4	3,4	R16.2	Hepatomegália so splenomegáliou, nezatriedená inde	4	4
Q92.5	Duplikácie s inou komplexnou prestavbou	3,4	3,4	R18	Ascites	1,2,3	1,2,3
Q92.6	Nadpočetné (marker) chromozómy	3,4	3,4	R29.0	Tetania	2,3,4	2,3
Q92.7	Triploidia a polyploidia	3,4	3,4	R31	Hematúria, bližšie neurčená	1,2	1,2
Q92.8	Iná trizómia a čiast. trizómia autozómov, n.i.	3,4	3,4	R40.2	Kóma, bližšie neurčená	3,4	3,4
Q92.9	Trizómia a čiastočná trizómia autozómov, b.n.	4	4	R47.0	Dysfázia a afázia	1	1
Q93.0	Kompletná chromoz. monozómia, meiotická nondisjunkcia	3,4	3,4				
Q93.1	Kompletná chromoz. monozómia, mozaicizmus	3,4	3,4				
Q93.2	Prsteňovitý alebo dicentrický chromozóm	3,4	3,4				
Q93.3	Delécia krátkeho ramena chromozómu 4	3,4	3,4				
Q93.4	Delécia krátkeho ramena chromozómu 5	3,4	3,4				
Q93.5	Iná delécia časti chromozómu	3,4	3,4				
Q93.6	Delécia viditeľná iba v prometafáze	3,4	3,4				
Q93.7	Delécia s inou komplexnou prestavbou	3,4	3,4				
Q93.8	Iná delécia autozómov	3,4	3,4				

CCL

ICD	Text	OP. CCL	Med. CCL	ICD	Text	OP. CCL	Med. CCL
R47.1	Dysartria a anartria	1,2	1,2	S05.6	Penetrujúca rana očnej gule bez cudzieho telesa	4	4
R47.8	Iná a bližšie neurčená porucha reči	1	1	S05.7	Avulzia (vytrhnutie) oka	1,2,3,4	1,2,4
R56.0	Febrilné krče	1,2	1,2	S05.8	Iné poranenie oka a očné	1,2,3,4	1,2,4
R56.8	Iné krče, bližšie neurčené	1	1	S06.0	Otras mozgu	4	4
R57.0	Kardiogénny šok	2,3,4	2,3	S06.1	Pourazový opuch mozgu	2,3,4	2,4
R57.1	Hypovolemický šok	3,4	3	S06.20	Difúzne poranenie mozgu a mozočka, bližšie neurčené	2,3,4	2,4
R57.2	Septický šok	3,4	3	S06.21	Difúzne pomliaždenie mozgu	2,3,4	2,4
R57.8	Iný šok	3,4	2,3	S06.22	Difúzne pomliaždenie mozočka	2,3,4	2,4
R57.9	Šok, bližšie neurčený	2,3,4	2,3	S06.23	Viacere vnútromozgové a mozočkové hematómy	2,3,4	2,4
R58	Krvácanie, nezatriedené inde	1,2,3	1,2	S06.28	Iné difúzne poranenie mozgu a mozočka	2,3,4	2,4
R63.3	Ťažkosť s výživou a nesprávne usmerňovanie výživy	1,2	1,2	S06.30	Ložiskové poranenie mozgu a mozočkabližšie neurčené	2,3,4	2,4
R64	Kachexia (vycivenosť)	1,2,3	1,2,3	S06.31	Ložiskové pomliaždenie mozgu	2,3,4	2,4
R65.0	SIRS infekčného pôvodu bez orgánového zlyh.	3,4	1,3	S06.32	Ložiskové pomliaždenie mozočka	2,3,4	2,4
R65.1	SIRS infekčnej genézy s orgánovým zlyh.	3,4	1,3	S06.33	Ložiskový hematóm mozgu	2,3,4	2,4
R65.2	SIRS neinfekčnej genézy bez orgánového zlyh.	3,4	1,3	S06.34	Ložiskový hematóm mozočka	2,3,4	2,4
R65.3	SIRS neinfekčnej genézy s orgánovým zlyh.	3,4	1,3	S06.38	Iné ložiskové poranenie mozgu a mozočka	2,3,4	2,4
R65.9	Syndróm systémovej zápalovej odpovede (SIRS), bliž. neurč.	3,4	1,3	S06.4	Epidurálne krvácanie	2,3,4	2,4
R82.0	Chylúria	2,3	2,3	S06.5	Subdurálne krvácanie po úraze	2,3,4	2,4
R82.1	Myoglobinúria	2,3,4	2,3	S06.6	Subarachnoidálne krvácanie po úraze	2,3,4	2,4
S01.35	Otvorená rana ucha: sluchová trubica	4	4	S06.70	Bezvedomie pri poranení lebky a mozgu, menej ako 30 min.	1,2,4	1,2,4
S01.36	Otvorená rana ucha: sluchové kostičky	4	4	S06.71	Bezvedomie pri poranení lebky a mozgu, 30 min. až 24 hod.	2,3,4	2,4
S01.37	Otvorená rana ucha: bubienok	4	4	S06.72	Bezvedom. s poran. lebky a mozgu, viac ako 24 h, návrat pôv. st. v.	2,3,4	2,4
S01.38	Otvorená rana: vnútorné ucho	4	4	S06.73	Bezvedom., poraním leb. a mozgu, viac ako 24 hod., bez náv. p. s. v.	2,3,4	2
S01.39	Otvorená rana ucha: iné a viaceré časti ucha a sluch. štruktúr	4	4	S06.79	Bezvedomie pri poranení lebky a mozgu bliž. neurčeného trvania	1,2,4	1,2,4
S01.50	Otvorená rana pery a ústnej dutiny: ústa, bl. neurč. časti	4	4	S06.8	Iné vnútrolebkové poranenie	2,3,4	2,4
S01.52	Otvorená rana pery a ústnej dutiny: sliznica líca	4	4	S06.9	Vnútrolebkové poranenie, bližšie neurčené	4	4
S01.53	Otvorená rana pery a ústnej dutiny: dasná	4	4	S07.0	Drvivé poranenie tváre	2,3,4	2,4
S01.54	Otvorená rana pery a ústnej dutiny: jazyk a ústna spodina	4	4	S07.1	Drvivé poranenie lebky	2,3,4	2,4
S01.55	Otvorená rana pery a ústnej dutiny: podnebie	4	4	S07.8	Drvivé poranenie iných častí hlavy	2,3,4	2,4
S01.59	Otvorená rana pery a úst. dut. iné, viaceré časti pier, úst. dut.	4	4	S07.9	Drvivé poranenie hlavy, časť bližšie neurčená	2,3,4	2,4
S02.0	Zlomenina lebkovej klenby	2,3,4	2,4	S08.8	Úrazová amputácia inej časti hlavy	2,3	2
S02.1	Zlomenina spodiny lebky	2,3,4	2,4	S09.0	Poranenie cievy hlavy, nezatriedené inde	2,3	2
S02.2	Zlomenina nosových kostí	4	4	S09.2	Úrazové roztrhnutie ušného bubienka	4	4
S02.3	Zlomenina spodiny očné	1,2,3,4	1,2,4	S09.9	Poranenie hlavy, bližšie neurčené	4	4
S02.4	Zlomenina jarmovej kosti a hornej čeľuste	2,3,4	2,3,4	S11.01	Otvorená rana hrtana	2,4	2,4
S02.60	Zlomenina sánky: bližšie neurčená časť	2,3,4	2,3,4	S11.02	Otvorená rana krčnej časti priedušnice	2,3,4	2,4
S02.61	Zlomenina sánky: processus condylaris	2,3,4	2,3,4	S11.1	Otvorená rana postihujúca štítnu žľazu	4	4
S02.62	Zlomenina sánky: subkondylová	2,3,4	2,3,4	S11.21	Otvorená rana hltana	4	4
S02.63	Zlomenina sánky: processus coronoideus	2,3,4	2,3,4	S11.22	Otvorená rana krčnej časti pažeráka	4	4
S02.64	Zlomenina sánky: ramus mandibulae, bližšie neurčený	2,3,4	2,3,4	S12.0	Zlomenina 1. krčného stavca	2,3,4	2,4
S02.65	Zlomenina sánky: angulus mandibulae	2,3,4	2,3,4	S12.1	Zlomenina 2. krčného stavca	2,3,4	2,4
S02.66	Zlomenina sánky: symphysis mandibulae	2,3,4	2,3,4	S12.21	Zlomenina 3. krčného stavca	2,3,4	2,4
S02.67	Zlomenina sánky: pars alveolaris	2,3,4	2,3,4	S12.22	Zlomenina 4. krčného stavca	2,3,4	2,4
S02.68	Zlom. sánky: corpus mandibulae, iné a bližšie neurčené časti	2,3,4	2,3,4	S12.23	Zlomenina 5. krčného stavca	2,3,4	2,4
S02.69	Zlomenina sánky: viaceré časti	2,3,4	2,3,4	S12.24	Zlomenina 6. krčného stavca	2,3,4	2,4
S02.7	Viacere zlomeniny lebky a tvárových kostí	2,3	2	S12.25	Zlomenina 7. krčného stavca	2,3,4	2,4
S02.8	Zlomenina inej kosti lebky a tváre	2,3	2	S12.7	Viacere zlomeniny krčnej chrčtice	2,3,4	2,4
S02.9	Zlomenina kosti lebky a tváre, bližšie neurčená časť	1,2,3	1,2	S12.8	Zlomenina iných častí krku	2,4	2,4
S05.2	Tržná rana, roztrhnutie oka s prolapsom/stratou vnútrooč. tk.	1,2,3,4	1,2,4	S12.9	Zlomenina krku, bližšie neurčenej časti	2,4	2,4
S05.3	Tržná rana oka bez prolapsu al. straty vnútroočného tkaniva	1,2,3,4	1,2,4	S13.0	Úrazové natrhnutie krčnej medzistavcovej platničky	2,3,4	2,4
S05.4	Penetrujúca rana očnice s cudzím telesom/bez cudzieho telesa	1,2,3,4	1,2,4	S13.10	Vykĺbenie krčného stavca v bližšie neurčenej úrovni	2,3,4	2,4
S05.5	Penetrujúca rana očnej gule s cudzím telesom	4	4	S13.11	Vykĺbenie krčného stavca v úrovni C1/C2	2,3,4	2,4
				S13.12	Vykĺbenie krčného stavca v úrovni C2/C3	2,3,4	2,4
				S13.13	Vykĺbenie krčného stavca v úrovni C3/C4	2,3,4	2,4
				S13.14	Vykĺbenie krčného stavca v úrovni C4/C5	2,3,4	2,4
				S13.15	Vykĺbenie krčného stavca v úrovni C5/C6	2,3,4	2,4
				S13.16	Vykĺbenie krčného stavca v úrovni C6/C7	2,3,4	2,4

ICD	Text	OP. CCL	Med. CCL	ICD	Text	OP. CCL	Med. CCL
S13.17	Vykĺbenie krčného stavca v úrovni C7/Th1	2,3,4	2,4	S22.1	Viaceré zlomeniny hrudníkovej chrbtice	2,3,4	2,4
S13.18	Vykĺbenie krčného stavca v inej úrovni	2,3,4	2,4	S22.2	Zlomenina mostíka (sterna)	2,3,4	2,4
S13.2	Vykĺbenie inej a bližšie neurčenej časti krku	2,3,4	2,4	S22.40	Sériová zlomenina rebier, bližšie neurčená	2,3,4	2,4
S13.3	Viaceré vykĺbenia v oblasti krku	2,3,4	2,4	S22.41	Sériová zlomenina rebier s postihnutím prvého rebra	2,3,4	2,4
S14.0	Otras a opuch krčnej miechy	2,4	2,3,4	S22.42	Sériová zlomenina rebier s postihnutím dvoch rebier	2,3,4	2
S14.10	Poranenie krčnej miechy, bližšie neurčené	2,4	2,3,4	S22.43	Sériová zlomenina rebier s postihnutím troch rebier	2,3,4	2
S14.11	Kompletné priečne poranenie krčnej miechy	2,4	2,3,4	S22.44	Sériová zlomen.rebier s postih.štyroch a viac.rebier	2,3,4	2,4
S14.12	Poranenie centr.časti krč.miechy (nekompletné prieč.poranenie)	2,4	2,3,4	S22.5	Instabilný(vlajúci)hrudník	2,3,4	2,4
S14.13	Iné nekompletné priečne poranenie krčnej miechy	2,4	2,3,4	S23.0	Úrazové natrhnutie hrudníkovej medzistavcovej platničky	4	4
S14.2	Poranenie krčného nervového koreňa	2,4	2,4	S23.10	Vykĺbenie hrudníkového stavca v bližšie neurčenej úrovni	4	4
S14.3	Poranenie plexus brachialis	2,4	2,4	S23.11	Vykĺbenie hrudníkového stavca v úrovni Th1/Th2 a Th2/Th3	4	4
S14.5	Poranenie nervov krčného sympatika	4	4	S23.12	Vykĺbenie hrudníkového stavca v úrovni Th3/Th4 a Th4/Th5	4	4
S14.70	Funkčná úroveň pri poranení krčnej miechy: bližšie neurčená	2,4	2,3,4	S23.13	Vykĺbenie hrudníkového stavca v úrovni Th5/Th6 a Th6/Th7	4	4
S14.71	Funkčná úroveň pri poranení krčnej miechy: C1	2,4	2,3,4	S23.14	Vykĺbenie hrudníkového stavca v úrovni Th7/Th8 a Th8/Th9	4	4
S14.72	Funkčná úroveň pri poranení krčnej miechy: C2	2,4	2,3,4	S23.15	Vykĺbenie hrudníkového stavca v úrovni Th9/Th10 a Th10/Th11	4	4
S14.73	Funkčná úroveň pri poranení krčnej miechy: C3	2,4	2,3,4	S23.16	Vykĺbenie hrudníkového stavca v úrovni Th11/Th12	4	4
S14.74	Funkčná úroveň pri poranení krčnej miechy: C4	2,4	2,3,4	S23.17	Vykĺbenie hrudníkového stavca v úrovni Th12/L1	4	4
S14.75	Funkčná úroveň pri poranení krčnej miechy: C5	2,4	2,3,4	S24.0	Otras a opuch hrudníkovej miechy	2,4	2,3,4
S14.76	Funkčná úroveň pri poranení krčnej miechy: C6	2,4	2,3,4	S24.10	Poranenie hrudníkovej miechy, bližšie neurčené	2,4	2,3,4
S14.77	Funkčná úroveň pri poranení krčnej miechy: C7	2,4	2,3,4	S24.11	Kompletné priečne poranenie hrudníkovej miechy	2,4	2,3,4
S14.78	Funkčná úroveň pri poranení krčnej miechy: C8	2,4	2,3,4	S24.12	Nekompletné priečne poranenie hrudníkovej miechy	2,4	2,3,4
S15.00	Poranenie a.carotis, časť bližšie neurčená	2,3,4	2,4	S24.2	Poranenie hrudníkového nervového koreňa	2,4	2,4
S15.01	Poranenie a.carotis communis	2,3,4	2,4	S24.4	Poranenie nervov hrudníkového sympatika	4	4
S15.02	Poranenie a.carotis externa	2,3,4	2,4	S24.70	Funkčná výška pri poranení hrudníkovej miechy: úroveň b.n.	2,4	2,3,4
S15.03	Poranenie a.carotis interna	2,3,4	2,4	S24.71	Funkčná výška pri poranení hrudníkovej miechy: Th1	2,4	2,3,4
S15.1	Poranenie a.vertebralis	2,3	2	S24.72	Funkčná výška pri poranení hrudníkovej miechy: Th2/Th3	2,4	2,3,4
S15.2	Poranenie v.jugularis externa	2,3	2	S24.73	Funkčná výška pri poranení hrudníkovej miechy: Th4/Th5	2,4	2,3,4
S15.3	Poranenie v.jugularis interna	2,3,4	2,4	S24.74	Funkčná výška pri poranení hrudníkovej miechy: Th6/Th7	2,4	2,3,4
S15.7	Poranenie viacerých krvných ciev v úrovni krku	2,3	2	S24.75	Funkčná výška pri poranení hrudníkovej miechy: Th8/Th9	2,4	2,3,4
S15.8	Poranenie iných krvných ciev v úrovni krku	2,3	2	S24.76	Funkčná výška pri poranení hrudníkovej miechy: Th10/Th11	2,4	2,3,4
S15.9	Poranenie krvných ciev v úrovni krku, bližšie neurčených	2,3	2	S24.77	Funkčná výška pri poranení hrudníkovej miechy: Th12	2,4	2,3,4
S17.0	Drvivé poranenie hrtana a priehradnice	2,3,4	2,4	S25.0	Poranenie hrudníkovej aorty	2,3,4	2,4
S17.8	Drvivé poranenie inej časti krku	2,3,4	2,4	S25.1	Poranenie truncus brachiocephalicus alebo a.subclavia	2,3,4	2,4
S17.9	Drvivé poranenie bližšie neurčenej časti krku	2,3,4	2,4	S25.2	Poranenie hornej dutej žily	2,3,4	2,4
S21.1	Otvorená rana prednej steny hrudníka	4	4	S25.3	Poran.v.innominata(v.brachiocephalica)alebo v.subclavia	2,3,4	2,4
S21.2	Otvorená rana zadnej steny hrudníka	4	4	S25.4	Poranenie pľúcnych krvných ciev	2,3	2
S21.7	Viaceré otvorené rany steny hrudníka	4	4	S25.7	Poranenie viacerých krvných ciev hrudníka	2,3	2
S21.80	Otvor.rana i.časti hrudníka, b.n.	4	4	S26.0	Poran.srdca so zakrvác.do osrdcovník.vaku	1,2,3,4	1,2,4
S21.83	Otvor.rana každej č.hrud.v spojení s vnútrohud.por.	4	4	S26.81	Pomliaždenie srdca	1,2,3,4	1,2,4
S21.87	Poškodenie mäk.č.I.st.pri otvor.zlomeninách, vykĺben.na hrud.	4	4	S26.82	Tržné poranenie srdca bez otvorenia srdcovej dutiny	1,2,3,4	1,2,4
S21.88	Poškodenie mäk.č.II.st.pri otvor.zlomeninách, vykĺben.na hrud.	4	4	S26.83	Tržné poranenie srdca s otvorením srdcovej dutiny	1,2,3,4	1,2,4
S21.89	Poškodenie mäk.č.III.st.pri otvor.zlomeninách, vykĺben.na hrud.	4	4	S26.88	Iné poranenia srdca	4	4
S21.9	Otvorená rana hrudníka, bližšie neurčenej časti	4	4				
S22.00	Zlomenina hrudníkového stavca, úroveň bližšie neurčená	2,3,4	2,4				
S22.01	Zlomenina hrudníkového stavca Th1 a Th2	2,3,4	2,4				
S22.02	Zlomenina hrudníkového stavca Th3 a Th4	2,3,4	2,4				
S22.03	Zlomenina hrudníkového stavca Th5 a Th6	2,3,4	2,4				
S22.04	Zlomenina hrudníkového stavca Th7 a Th8	2,3,4	2,4				
S22.05	Zlomenina hrudníkového stavca Th9 a Th10	2,3,4	2,4				
S22.06	Zlomenina hrudníkového stavca Th11 a Th12	2,3,4	2,4				

ICD	Text	OP. CCL	Med. CCL	ICD	Text	OP. CCL	Med. CCL
S26.9	Poranenie srdca, bližšie neurčené	1,2,3,4	1,2,4	S34.5	Poranenie nervov driek a križ. sympatika a panvov. sympat.n.	4	4
S27.0	Úrazový pneumotorax	2,3,4	2,3,4	S34.70	Funkčná úroveň pri poranení driekovokrižovej miechy: b.ne.	2,4	2,3,4
S27.1	Úrazový hemotorax	2,3,4	2,3,4	S34.71	Funkčná úroveň pri poranení driekovokrižovej miechy: L1	2,4	2,3,4
S27.2	Úrazový hemopneumotorax	2,3,4	2,3,4	S34.72	Funkčná úroveň pri poranení driekovokrižovej miechy: L2	2,4	2,3,4
S27.32	Tržné poranenie pľúc	2,3,4	2,4	S34.73	Funkčná úroveň pri poranení driekovokrižovej miechy: L3	2,4	2,3,4
S27.38	Iné a bližšie neurčené poranenie pľúc	4	4	S34.74	Funkčná úroveň pri poranení driekovokrižovej miechy: L4	2,4	2,3,4
S27.4	Poranenie priedušky	2,3,4	2,4	S34.75	Funkčná úroveň pri poranení driekovokrižovej miechy: L5	2,4	2,3,4
S27.5	Poranenie priedušnice v oblasti hrudníka	2,3,4	1,2,4	S34.76	Funkčná úroveň pri poranení driekovokrižovej miechy: S1	2,4	2,3,4
S27.6	Poranenie pohrudnice	2,3,4	1,2,4	S34.77	Funkčná úroveň pri poranení driekovokrižovej miechy: S2 – S5	2,4	2,3,4
S27.7	Viaceré poranenia vnútrohrudníkových orgánov	4	4	S35.0	Poranenie brušnej aorty	2,3,4	2,4
S27.81	Poranenie bránice	4	4	S35.1	Poranenie dolnej dutej žily	2,3,4	2,4
S27.82	Poranenie ductus thoracicus	2,3,4	1,2,4	S35.2	Poranenie truncus coeliacus alebo a.mesenterica	2,3,4	2,4
S27.83	Poranenie hrudnej časti pažeráka	2,4	2,3,4	S35.3	Poranenie v. portae alebo v. lienalis	2,3,4	2,4
S27.84	Poranenie dojčenskej žľazy [týmusu]	2,3,4	1,2,4	S35.4	Poranenie krvných ciev obličky	2,3,4	2,4
S27.88	Poran.iných b.u.vnútrohrud.org.a štruktúr	4	4	S35.5	Poranenie iliakálnych krvných ciev	2,3,4	2,4
S27.9	Poran.vnútrohrudníkového orgánu,b.n.	4	4	S35.7	Poranenie viacerých krvných ciev brucha,drieku a panvy	2,3,4	2,4
S28.0	Rozdrvený hrudník	2,3,4	2,4	S35.8	Poranenie iných krvných ciev brucha,drieku a panvy	4	4
S28.1	Úrazová amputácia časti hrudníka	2,3,4	2,4	S35.9	Poranenie bl.neurč.krvnej cievy v úrovni brucha,drieku a panvy	4	4
S31.0	Otvorená rana drieku a panvy	4	4	S36.00	Poranenie sleziny bližšie neurčené	2,3,4	1,2,3
S31.1	Otvorená rana brušnej steny	4	4	S36.01	Hematóm sleziny	2,3,4	1,2,3,4
S31.3	Otvorená rana skróta a semenníkov	4	4	S36.02	Roztrhnutie puzdra sleziny, bez väčších trhlín parenchýmu	2,3,4	1,2,3,4
S31.7	Viaceré otvorené rany brucha, drieku a panvy	4	4	S36.03	Tržné poranenie sleziny vrátane parenchýmu	2,3,4	1,2,3,4
S31.80	Otvorená rana inej a bližšie neurčenej časti brucha	4	4	S36.04	Masívna ruptúra parenchýmu sleziny	2,3,4	1,2,3
S31.83	Otvor.rana(kaž.č.brucha,drieku,panvy)spoj.s vnútrobruš.poran.	4	4	S36.08	Iné poranenie sleziny	2,3,4	1,2,3
S31.87	Poškodenie mäk.č.II.st.pri otv.zlom.,vyklb.driek.chrbtice,panvy	4	4	S36.10	Poranenie pečene, bližšie neurčené	1,2,3,4	1,2,3,4
S31.88	Poškoden.mäk.č.II.st.pri otv.zlom.,vyklb.driek.chrbtice,panvy	4	4	S36.11	Pomliaždenie a hematóm pečene	1,2,3,4	1,2,3,4
S31.89	Poškoden.mäk.č.III.st.pri otv.zlom.,vyklb.driek.chrbtice,panvy	4	4	S36.12	Tržné poranenie pečene, bližšie neurčené	1,2,3,4	1,2,3,4
S32.00	Zlomenina driekového stavca, úroveň bližšie neurčená	2,3,4	2,4	S36.13	Lahké tržné poranenie pečene	1,2,3,4	1,2,3,4
S32.01	Zlomenina driekového stavca L1	2,3,4	2,4	S36.14	Stredne ťažké poranenie pečene	1,2,3,4	1,2,3,4
S32.02	Zlomenina driekového stavca L2	2,3,4	2,4	S36.15	Ťažké tržné poranenie pečene	1,2,3,4	1,2,3,4
S32.03	Zlomenina driekového stavca L3	2,3,4	2,4	S36.16	Iné poranenie pečene	1,2,3,4	1,2,3,4
S32.04	Zlomenina driekového stavca L4	2,3,4	2,4	S36.17	Poranenie žlčníka	2,3,4	2,3,4
S32.05	Zlomenina driekového stavca L5	2,3,4	2,4	S36.18	Poranenie žlčových ciest	2,3,4	2,3,4
S32.1	Zlomenina križovej kosti	2,3,4	2,4	S36.40	Poranenie tenkého čreva, časť bližšie neurčená	4	4
S32.2	Zlomenina kostrče	2,3,4	2,4	S36.50	Poranenie hrubého čreva, časť bližšie neurčená	4	4
S32.4	Zlomenina acetabula	3,4	2,3	S36.52	Poranenie colon transversum	4	4
S32.5	Zlomenina os pubis	3,4	2,3	S36.53	Poranenie colon descendens	4	4
S32.82	Zlomenina driekovej chrbtice a križovej kosti, bl.neurč.časť	2,3,4	2,4	S36.59	Poranenie iných a viacerých častí hrubého čreva	4	4
S32.83	Zlomenina panvy, bližšie neurčená časť	2,3	2	S36.6	Poranenie konečníka	4	4
S32.89	Zlomenina iných a viacerých častí panvy	3,4	2,3,4	S36.7	Poranenie viacerých vnútrobrušných orgánov	4	4
S33.0	Úrazové natrhnutie driekovej medzistavcovej platničky	4	4	S36.81	Poranenie pobrušnice	2,4	2,3,4
S33.10	Vyklb.driek.stavca,úroveň b.n.	4	4	S36.83	Poranenie retroperitonea	2,3,4	2,3,4
S33.11	Vyklbenie driekového stavca L1/L2	4	4	S36.88	Poranenie iných vnútrobrušných orgánov	2,4	2,3
S33.12	Vyklbenie driekového stavca L2/L3	4	4	S36.9	Poranenie bližšie neurčeného vnútrobrušného orgánu	2,4	2,3
S33.13	Vyklbenie driekového stavca L3/L4	4	4	S37.00	Poranenie obličky, bližšie neurčené	2,3,4	1,2
S33.14	Vyklbenie driekového stavca L4/L5	4	4	S37.01	Pomliaždenie a hematóm obličky	2,3,4	1,2
S33.15	Vyklbenie driekového stavca L5/S1	4	4	S37.02	Tržné poranenie obličky	2,3,4	1,2,4
S34.0	Otras a opuch driekovej časti miechy	2,4	2,3,4	S37.03	Kompletná ruptúra parenchýmu obličky	2,3,4	1,2
S34.10	Kompletné priečne poranenie driekovej časti miechy	2,4	2,3,4	S37.1	Poranenie močovodu	2,3,4	2,3,4
S34.11	Nekompletné priečne poranenie driekovej časti miechy	2,4	2,3,4	S37.20	Poranenie močového mechúra, bližšie neurčené	2,3,4	2,3
S34.18	Iné poranenie driekovej časti miechy	2,4	2,3,4				
S34.2	Poranenie driekového a križového nervového koreňa	2,4	2,4				
S34.30	Kompletný úrazový syndróm cauda equina	2,4	2,3,4				
S34.31	Nekompletný úrazový syndróm cauda equina	2,4	2,3,4				
S34.38	Iné a bližšie neurčené poranenie cauda equina	2,4	2,3,4				
S34.4	Poranenie plexus lumbosacralis	2,4	2,4				

ICD	Text	OP. CCL	Med. CCL	ICD	Text	OP. CCL	Med. CCL
S37.21	Pomliaždenie močového mechúra	2,3,4	2,3	S65.1	Poranenie a.radialis v úrovni zápästia a ruky	4	4
S37.22	Roztrhnutie močového mechúra	2,3,4	2,3	S65.2	Poranenie ciev povrchového dlaňového oblúka	4	4
S37.28	Iné poranenie močového mechúra	2,3,4	2,3	S65.3	Poranenie ciev hĺbkového dlaňového oblúka	4	4
S37.30	Poranenie močovej rúry, bližšie neurčené	2,3,4	2,3	S65.4	Poranenie krvnej cievy (ciev) palca	4	4
S37.31	Poranenie močovej rúry, pars membranacea	2,3,4	2,3	S65.5	Poranenie krvnej cievy (ciev) iného prsta ruky	4	4
S37.32	Poranenie močovej rúry, pars spongiosa	2,3,4	2,3	S65.7	Poranenie viacerých krvných ciev v úrov. zápäs.a ruky	4	4
S37.33	Poranenie močovej rúry, pars prostatica	2,3,4	2,3	S65.8	Poranenie i.krvnej cievy v úrov.zápäs.a ruky	4	4
S37.38	Poranenie močovej rúry, iná časť	2,3,4	2,3	S65.9	Poranenie bliž.neurč.krvnej cievy v úrov.zápása ruky	4	4
S37.4	Poranenie vaječníka	1,2	1	S67.0	Drvivé poran.palca a iného prsta/prstov ruky	4	4
S37.5	Poranenie vajčkovodu	1,2	1	S67.8	Drvivé poran.i.a bliž.neurč.časti zápäs.a ruky	4	4
S37.6	Poranenie matrice	1,2	1	S68.3	Kombinovaná úraz.amput.(č.)prsta (prstov)s i.č.zápäs.a ruky	2,3	2
S37.7	Poranenie viacerých panvových orgánov	1,2	1,2	S68.4	Úrazová amputácia ruky v úrovni zápästia	2,3	2
S37.81	Poranenie nadobličky	1,2	1	S68.8	Úrazová amputácia inej časti zápästia a ruky	2,3	2
S37.82	Poranenie prostaty	1,2	1,2	S68.9	Úraz.amput.zápäs.a ruky v b.n.úr.	2,3	2
S37.83	Poranenie semenného vďaka	1,2	1,2	S70.1	Pomliaždenie stehna	4	4
S37.84	Poranenie semenovodu	1,2	1,2	S72.00	Zlomenina krčka stehn.kosti, časť b.n.	2,3,4	2,3
S37.9	Poranenie bližšie neurčeného panvového orgánu	1,2	1	S72.01	Zlomenina krčka stehnovej kosti, intrakapsulárna	2,3,4	2,3
S38.0	Drvivé poranenie vonkajších pohlavných orgánov	4	4	S72.02	Zlomenina krčka stehn.kosti,prox.epifýza (rozp.epifýzy)	2,3,4	2,3
S38.1	Drvivé poranenie iných a bl.neurč.častí brucha, drieku a panvy	4	4	S72.03	Zlomenina krčka stehnovej kosti, subkapitálna	2,3,4	2,3
S38.3	Úrazová amputácia iných a bl.neurč.častí brucha, drieku a panvy	4	4	S72.04	Zlomenina krčka stehnovej kosti, mediocervikálna	2,3,4	2,3
S39.6	Poranenie vnútrobruš.orgánov s poranením panvových orgánov	1,2	1,2	S72.05	Zlomenina krčka stehnovej kosti, báza	2,3,4	2,3
S39.7	Viacere poranenia brucha, drieku a panvy	2,3	2	S72.08	Zlomenina krčka stehnovej kosti, iná časť	2,3,4	2,3
S42.21	Zlomenina horného konca ramennej kosti, hlava	4	4	S72.10	Zlomenina stehnovej kosti, trochanterová, b.n.	2,3,4	2,3
S42.22	Zlomenina hor.konca ramennej kosti, collum chirurgicum	2,3	2	S72.11	Zlomenina stehnovej kosti, intertrochanterová	2,3,4	2,3
S42.23	Zlomenina hor.konca ramennej kosti, collum anatomicum	2,3	2	S72.12	Subtrochanterová zlomenina	2,3,4	2,3
S42.29	Zlomenina hor.konca ramennej kosti, iné a mnoho poč.častí	4	4	S72.3	Zlomenina diafýzy stehnovej kosti	2,3,4	2,3
S45.0	Poranenie a.axillaris	4	4	S72.40	Zlomen.dolného konca stehn.kosti, č.b.n.	2,3,4	2,3
S45.1	Poranenie a.brachialis	4	4	S72.41	Zlomen.dolné.konca stehn.kosti, condylus (lateralis)(medialis)	2,3,4	2,3
S45.2	Poranenie v.axillaris a v.brachialis	4	4	S72.42	Zlomen.dolného konca stehn.kosti, epifýza (rozpustenie epifýzy)	2,3,4	2,3
S45.3	Poranenie povrchovej žily v úrovni pleca a ramena	4	4	S72.43	Zlomen.dolného konca stehn.kosti, suprakondylová	2,3,4	2,3
S45.7	Poranenie viacerých krvných ciev v úrovni pleca a ramena	4	4	S72.44	Zlomen.dolného konca stehn.kosti, interkondylová	2,3,4	2,3
S45.8	Poranenie iných krvných ciev v úrovni pleca a ramena	4	4	S72.8	Zlomenina inej časti stehnovej kosti	2,3,4	2,3
S45.9	Poranenie bliž.neurč.krvnej cievy v úrovni pleca a ramena	4	4	S72.9	Zlomenina stehnovej kosti, časť bližšie neurčená	2,3,4	2,3
S47	Drvivé poranenie pleca a ramena	4	4	S75.0	Poranenie a.femoralis	2,3	2
S48.0	Úrazová amputácia v plecovom kĺbe	2,3	2	S75.7	Poranenie viacerých krvných ciev v úrovni bedra a stehna	4	4
S48.1	Úrazová amputácia v úrovni medzi plec a lakťom	2,3	2	S75.8	Poranenie iných krvných ciev v úrovni bedra a stehna	4	4
S48.9	Úrazová amputácia v obl.pleca a ram., úroveň b.n.	2,3	2	S75.9	Poran.enie bliž.neurč.krvných ciev v úrovni bedra a stehna	4	4
S55.0	Poranenie a.ulnaris v úrovni predlaktia	4	4	S77.0	Drvivé poranenie bedra	4	4
S55.1	Poranenie a.radialis v úrovni predlaktia	4	4	S77.1	Drvivé poranenie stehna	4	4
S55.2	Poranenie žily v úrovni predlaktia	4	4	S77.2	Drvivé poranenie bedra a stehna	4	4
S55.7	Poranenie viac.krvných ciev v úrovni predlak.	4	4	S78.0	Úrazová amputácia v bedrovom kĺbe	2,3	2
S55.8	Poranenie iných krvných ciev v úrovni predlaktia	4	4	S78.1	Úrazová amputácia v úrovni medzi bedrom a kolenom	2,3	2
S55.9	Poranenie bliž.neurč.krvnej cievy v úrovni predlak.	4	4	S78.9	Úrazová amput.bedra a stehna v b.n.úrovni	2,3	2
S57.0	Drvivé poranenie lakťa	4	4	S82.11	Zlomenina hor.konca pišťaly, so zlom.ihlice (každá č.)	4	4
S57.8	Drvivé poranenie iných častí predlaktia	4	4	S82.41	Zlomenina ihlice, izolovaná, horný koniec	4	4
S57.9	Drvivé poranenie predlaktia, bliž.neurč.časti	4	4	S85.1	Poranenie (pred.)(zad.)pišťal.tepny	4	4
S58.0	Úrazová amputácia v lakti	2,3	2	S85.2	Poranenie ihlicovej tepny [a.peronea]	4	4
S58.1	Úrazová amputácia medzi lakťom a zápästím	2,3	2	S85.7	Poranenie viac.krv. ciev v úrov.predkol.	4	4
S58.9	Úraz.amput.predlak., úroveň b.n.	2,3	2	S85.9	Poranenie bliž.neurč.krv.cievy v úrov.predkol.	4	4
S62.8	Zlomenina iných.a bliž.neurč.častí zápäs.a ruky	4	4	S87.0	Drvivé poranenie kolena	4	4
S65.0	Poranenie a.ulnaris v úrovni zápästia a ruky	4	4	S87.8	Drvivé poranenie i.a bliž.neurč.časti predkol.	4	4
				S88.0	Úrazová amputácia v úrovni kolena	2,3	2

CCL

ICD	Text	OP. CCL	Med. CCL	ICD	Text	OP. CCL	Med. CCL
S88.1	Úrazová amputácia v úrovni medzi kolenom a členkom	2,3	2	T09.1	Otvorená rana trupu v bližšie neurčenej úrovni	4	4
S88.9	Úrazová amputácia predkol.v bliž.neurč.úrovni	2,3	2	T09.3	Poranenie miechy v bližšie neurčenej úrovni	2,4	2,3,4
S95.0	Poranenie a.dorsalis pedis	4	4	T09.4	Poran.bliž.neurč.nervu,miech.koreňa a nerv.spleti trupu	2,4	2,4
S95.1	Poranenie a.plantarís pedis	4	4	T09.6	Úrazová amputácia trupu v bližšie neurčenej úrovni	4	4
S95.2	Poranenie v. dorsalis pedis	4	4	T11.4	Poranenie bliž.neurč.ciev HK,v bliž.neurč.úrovni	4	4
S95.7	Poranenie viac.krných .ciev v úrov.členka a nohy	4	4	T11.6	Úrazová amputácia HK,v bliž.neurč.úrovni	2,3	2
S95.8	Poranenie inej krvnej cievy v úrovni členka a nohy	4	4	T13.4	Poranenie bliž.neurč.krv.cievy DK,v bliž.neurč.úrovni	4	4
S95.9	Poranenie bliž.neurč.krvnej cievy v úrov.členka a nohy	4	4	T13.6	Úrazová amputácia DK,v bliž.neurč.úrovni	2,3	2
S97.0	Drvivé poranenie členka	4	4	T14.5	Poranenie krvnej cievy (ciev):oblasť bliž.neurč.tela	4	4
S97.1	Drvivé poranenie prsta (prstov) nohy	4	4	T14.7	Drvivé poran.a úraz.amput.oblasť bliž.neurč.tela	4	4
S97.8	Drvivé poranenie inej časti členka a nohy	4	4	T20.3	Popálenina hlavy a krku 3. stupňa	4	4
S98.0	Úrazová amputácia nohy v úrovni členka	2,3	2	T20.7	Poleptanie hlavy a krku 3. stupňa	4	4
S98.3	Úrazová amputácia inej časti nohy	2,3	2	T21.30	Popálenina trupu 3. stupňa,časť bližšie neurčená	4	4
S98.4	Úrazová amputácia nohy v bližšie neurčenej úrovni	2,3	2	T21.31	Popálenina trupu 3. stupňa,prsník	4	4
T02.00	Zlomeniny postih.hlavu aj krk,zatv./bez b.u.	2,3,4	2,4	T21.32	Popál.trupu 3.st.,stena hrud.s výn.prsníka a bradavky	4	4
T02.01	Zlomeniny postihujúce hlavu aj krk, otvorené	2,3,4	2,4	T21.33	Popálenina trupu 3. stupňa,brušná stena	4	4
T02.11	Zlom.postih.hrud.-driek.križ.obl./hrud.aj panv.,otvor.	4	4	T21.34	Popál.trupu 3.st.,chrbát	4	4
T02.40	Zlomeniny postih.viac.obl.oboch HK,zatv./bez b.u.	4	4	T21.35	Popálenina trupu 3. stupňa,vonkajšie genitálie	4	4
T02.41	Zlomeniny postih.viac.obl.oboch HK,otvor.	4	4	T21.39	Popálenina trupu 3. stupňa,iná časť	4	4
T02.50	Zlomeniny viac.obl.oboch DK,zatv./bez b.u.	4	4	T21.70	Poleptanie trupu 3.stupňa,časť bližšie neurčená	4	4
T02.51	Zlomeniny viac.obl.oboch DK,otvor.	4	4	T21.71	Poleptanie trupu 3.stupňa,prsník	4	4
T02.60	Zlomeniny postih viac.obl.Hk a DK,zatv./bez b.u.	4	4	T21.72	Polept.trupu 3.st.,stena hrud.s výn.prsníka a bradavky	4	4
T02.61	Zlomeniny viac.obl.HK,DK,otvor.	4	4	T21.73	Poleptanie trupu 3 stupňa,brušná stena	4	4
T02.70	Zlomen.postih.hrud.driek.končat./hrud.panv.k onč.zatv./bez b.u.	4	4	T21.74	Poleptanie trupu 3.stupňa,chrbát	4	4
T02.71	Zlomen.postih.hrud.s driek.a konč./hrud.s panv.a konč.,otvor.	4	4	T21.75	Poleptanie trupu 3.stupňa,vonkajšie genitálie	4	4
T04.0	Drvivé poranenie postihujúce hlavu aj krk	2,3,4	2,4	T21.79	Poleptanie trupu 3.stupňa,iná časť	4	4
T04.1	Drvivé poran.postih.hrud.aj brucho,hrud.aj driek,hrud.aj panvu	4	4	T22.30	Popál.pleca a HK okr.zápäs.a ruky,3.st.,časť bliž.neurč.	4	4
T04.2	Drvivé poran.postih.viac.obl.HK	4	4	T22.31	Popál.pleca a HK okr.zápäs.a ruky,3.st.,lak.a predlak.	4	4
T04.3	Drvivé poran.postih.viac.obl.DK	4	4	T22.32	Popál.pleca a HK okr.zápäs.a ruky,3.st.,ram.a plece	4	4
T04.4	Drvivé poran.postih.viac.obl.HK.aj DK	2,3,4	2,4	T22.33	Popál.pleca a HK okr.zápäs.a ruky,3.st.,podpazušie	4	4
T04.7	Drv.por.pos.hr.,bru.a konč./hr.,drie.a konč./hr.,pan.a kon.	2,3,4	2,4	T22.70	Polept.pleca a HK okr.zápäs.a ruky,3.st.,časť bliž.neurč.	4	4
T04.8	Drvivé poran.postih.i.komb.telesných obl.	2,3,4	2,4	T22.71	Polept.pleca a HK okr.zápäs.a ruky,3.st.,lak.a predlak.	4	4
T04.9	Viaceré drvivé poranenia,bližšie neurčené	2,3,4	2,4	T22.72	Polept.pleca a HK okr.zápäs.a ruky,3.st.,ram.a ple.	4	4
T05.0	Úrazová amputácia oboch rúk	2,3	2	T22.73	Polept.pleca a HK okr.zápäs.a ruky,3.st.,podpazušie	4	4
T05.1	Úrazová amput.jednej ruky a druhej HK (okr.ruky)	2,3	2	T23.3	Popálenina zápästia a ruky 3.stupňa	4	4
T05.2	Úrazová amput.oboch HK (ktorákoľvek úr.)	2,3	2	T23.7	Poleptanie zápästia a ruky 3.stupňa	4	4
T05.3	Úrazová amputácia oboch nôh	2,3	2	T24.3	Popál.bedra a DK okr.čl.a nohy 3.st.	4	4
T05.4	Úrazová amput.jednej nohy a druhej DK (okr.nohy)	2,3	2	T24.7	Polept.bedra a DK okr.čl.a nohy 3.st.	4	4
T05.5	Úrazová amput.oboch DK	2,3	2	T25.3	Popálenina členka a nohy 3.stupňa	4	4
T05.6	Úrazová amput.HK.aj DKv akejkoľvek komb.	2,3	2	T25.7	Poleptanie členka a nohy 3.stupňa	4	4
T05.8	Úrazová amput.post.i.komb.telesných obl.	4	4	T26.0	Popálenina mihalnice a okolia oka	4	4
T06.0	Poran.mozg.a hlav.nerv.komb.s por.nerv.a miechy v úr.krku	2,4	2,3,4	T26.1	Popálenina rohovky a spojovkového vaku	4	4
T06.1	Poran.nervov a miechy postih.i.viac.telesné obl.	2,4	2,3,4	T26.2	Popál.s následnou rupt.a deštruk.očnej gule	4	4
T06.3	Poranenie krvných ciev postihujúce viaceré oblasti	4	4	T26.3	Popálenina iných častí oka a očných adnexov	4	4
T06.5	Poran.vnútrohrud.aj vnútrobruš.org./vn-hrud.aj panv.org.	2,3	2	T26.4	Popál.b.n.časti oka a oč.adnexov	4	4
T08.0	Zlomenina chrčtice v bliž.neuč.úrovni,zatvor./bez b.u.	2,3,4	2,4	T26.5	Poleptanie mihalnice a okolia oka	4	4
T08.1	Zlomenina chrčtice v bliž.neurč.úrovni,otvorená	2,3,4	2,4	T26.6	Poleptanie rohovky a spojovkového vaku	4	4
				T26.7	Polept.s následnou rupt. a deštruk.očnej gule	4	4
				T26.8	Poleptanie iných častí oka a očných adnexov	4	4



ICD	Text	OP. CCL	Med. CCL	ICD	Text	OP. CCL	Med. CCL
T26.9	Poleptanie bliž.neurč.časti oka a očnýchadnexov	4	4	T31.88	Popál.80-89%povr.tela,80-89%popál.3.st.	4	4
T27.0	Popálenina hrtana a priedušnice	4	4	T31.90	Popál.90 a viac%povr.tela,<ako10 %/b.n.č.-popál.3.st.	4	4
T27.1	Popálenina hrtana a priedušnice s pľúcami	3,4	3,4	T31.91	Popál.90 a viac%povr.tela,10-19%popál.3.st.	4	4
T27.2	Popálenina iných častí dýchacích ciest	4	4	T31.92	Popál.90 a viac%povr.tela,20-29%popál.3.st.	4	4
T27.3	Popálenina bližšie neurčenej časti dýchacích ciest	4	4	T31.93	Popál.90 a viac%povr. tela,30-39%popál.3.st.	4	4
T27.4	Poleptanie hrtana a priedušnice	4	4	T31.94	Popál.90 a viac%povr.tela,40-49%popál.3.st.	4	4
T27.5	Poleptanie hrtana a priedušnice s pľúcami	3,4	3,4	T31.95	Popál.90 a viac%povr.tela,50-59%popál.3.st.	4	4
T27.6	Poleptanie iných častí dýchacích ciest	4	4	T31.96	Popál.90 a viac%povr.tela,60-69%popál.3.st.	4	4
T27.7	Poleptanie bližšie neurčenej časti dýchacích ciest	4	4	T31.97	Popál.90 a viac%povr.tela,70-79%popál.3.st.	4	4
T28.0	Popálenina úst a hltana	4	4	T31.98	Popál.90 a viac%povr.tela,80-89%popál.3.st.	4	4
T28.1	Popálenina pažeráka	4	4	T31.99	Popál.90 a viac%povr.tela,90 %/viac popál.3.st.	4	4
T28.2	Popálenina iných častí tráviacej sústavy	4	4	T32.22	Polept.20-29%povr.tela,20-29%polept.3.st.	4	4
T28.3	Popálenina vnútorných močovopohlavných orgánov	4	4	T32.32	Polept.30-39%povr.tela,20-29%polept.3.st.	4	4
T28.4	Popálenina iných a bliž.neurč.vnút.org.	4	4	T32.33	Polept.30-39%povr.tela,30-39%polept.3.st.	4	4
T28.5	Poleptanie úst a hltana	4	4	T32.42	Polept.40-49%povr.tela,20-29%polept.3.st.	4	4
T28.6	Poleptanie pažeráka	4	4	T32.43	Polept.40-49%povr.tela,30-39%polept.3.st.	4	4
T28.7	Poleptanie iných častí tráviacej sústavy	4	4	T32.44	Polept.40-49%povr.tela,40-49%polept.3.st.	4	4
T28.8	Poleptanie vnútorných močovopohlavných orgánov	4	4	T32.50	Polept.50-59%povr.tela,<ako10 %/b.n.č.-polept.3.st.	4	4
T28.9	Poleptanie iných a bliž.neurč.vnút.org.	4	4	T32.51	Polept.50-59%povr.tela,10-19%polept.3.st.	4	4
T29.0	Popálenina viac.obl.tela bliž.neurč.stupňa	4	4	T32.52	Polept.50-59%povr.tela,20-29%polept.3.st.	4	4
T29.3	Popál.viac.obl.tela,uvedený najmen.raz 3.st.	4	4	T32.53	Polept.50-59%povr.tela,30-39%polept.3.st.	4	4
T29.4	Polept.viac.častí tela bliž.neurč.stupňa	4	4	T32.54	Polept.50-59%povr.tela,40-49%polept.3.st.	4	4
T29.7	Polept.viac.častí tela,uvedený najmen.raz 3.st.	4	4	T32.55	Polept.50-59%povr.tela,50-59%polept.3.st.	4	4
T31.22	Popál.20-29%povr.tela,20-29%popál.3.st.	4	4	T32.60	Polept.60-69%povr.tela,<ako10 %/b.n.č.-polept.3.st.	4	4
T31.32	Popál.30-39%povr.tela,20-29%popál.3.st.	4	4	T32.61	Polept.60-69%povr.tela,10-19%polept.3.st.	4	4
T31.33	Popál.30-39%povr.tela,30-39%popál.3.st.	4	4	T32.62	Polept.60-69%povr.tela,20-29%polept.3.st.	4	4
T31.42	Popál.40-49%povr.tela,20-29%popál.3.st.	4	4	T32.63	Polept.60-69%povr.tela,30-39%polept.3.st.	4	4
T31.43	Popál.40-49%povr.tela,30-39%popál.3.st.	4	4	T32.64	Polept.60-69%povr.tela,40-49%polept.3.st.	4	4
T31.44	Popál.40-49%povr.tela,40-49%popál.3.st.	4	4	T32.65	Polept.60-69%povr.tela,50-59%polept.3.st.	4	4
T31.50	Popál.50-59%povr.tela,<ako10 %/b.n.č.-popál.3.st.	4	4	T32.66	Polept.60-69%povr.tela,60-69%polept.3.st.	4	4
T31.51	Popál.50-59%povr.tela,10-19%popál.3.st.	4	4	T32.70	Polept.70-79%povr.tela,<ako10 %/b.n.č.-polept.3.st.	4	4
T31.52	Popál.50-59%povr.tela,20-29%popál.3.st.	4	4	T32.71	Polept.70-79%povr.tela,10-19%polept.3.st.	4	4
T31.53	Popál.50-59%povr.tela,30-39%popál.3.st.	4	4	T32.72	Polept.70-79%povr.tela,20-29%polept.3.st.	4	4
T31.54	Popál.50-59%povr.tela,40-49%popál.3.st.	4	4	T32.73	Polept.70-79%povr.tela,30-39%polept.3.st.	4	4
T31.55	Popál.50-59%povr.tela,50-59%popál.3.st.	4	4	T32.74	Polept.70-79%povr.tela,40-49%polept.3.st.	4	4
T31.60	Popál.60-69%povr.tela,<ako10 %/b.n.č.-popál.3.st.	4	4	T32.75	Polept.70-79%povr.tela,50-59%polept.3.st.	4	4
T31.61	Popál.60-69%povr.tela,10-19%popál.3.st.	4	4	T32.76	Polept.70-79%povr.tela,60-69%polept.3.st.	4	4
T31.62	Popál.60-69%povr.tela,20-29%popál.3.st.	4	4	T32.77	Polept.70-79%povr.tela,70-79%polept.3.st.	4	4
T31.63	Popál.60-69%povr.tela,30-39%popál.3.st.	4	4	T32.80	Polept.80-89%povr.tela,<ako10 %/b.n.č.-polept.3.st.	4	4
T31.64	Popál.60-69%povr.tela,40-49%popál.3.st.	4	4	T32.81	Polept.80-89%povr.tela,10-19%polept.3.st.	4	4
T31.65	Popál.60-69%povr.tela,50-59%popál.3.st.	4	4	T32.82	Polept.80-89%povr.tela,20-29%polept.3.st.	4	4
T31.66	Popál.60-69%povr.tela,60-69%popál.3.st.	4	4	T32.83	Polept.80-89%povr.tela,30-39%polept.3.st.	4	4
T31.70	Popál.70-79%povr.tela,<ako10 %/b.n.č.-popál.3.st.	4	4	T32.84	Polept.80-89%povr.tela,40-49%polept.3.st.	4	4
T31.71	Popál.70-79%povr.tela,10-19%popál.3.st.	4	4	T32.85	Polept.80-89%povr.tela,50-59%polept.3.st.	4	4
T31.72	Popál.70-79%povr.tela,20-29%popál.3.st.	4	4	T32.86	Polept.80-89%povr.tela,60-69%polept.3.st.	4	4
T31.73	Popál.70-79%povr.tela,30-39%popál.3.st.	4	4	T32.87	Polept.80-89%povr.tela,70-79%polept.3.st.	4	4
T31.74	Popál.70-79%povr.tela,40-49%popál.3.st.	4	4	T32.88	Polept.80-89%povr.tela,80-89%polept.3.st.	4	4
T31.75	Popál.70-79%povr.tela,50-59%popál.3.st.	4	4	T32.90	Polept.90 a viac%povr.tela,<ako10 %/b.n.č.-polept.3.st.	4	4
T31.76	Popál.70-79%povr.tela,60-69%popál.3.st.	4	4	T32.91	Polept.90 a viac%povr.tela,10-19%polept.3.st.	4	4
T31.77	Popál.70-79%povr.tela,70-79%popál.3.st.	4	4	T32.92	Polept.90 a viac%povr.tela,20-29%polept.3.st.	4	4
T31.80	Popál.80-89%povr.tela,<ako10 %/b.n.č.-popál.3.st.	4	4	T32.93	Polept.90 a viac%povr.tela,30-39%polept.3.st.	4	4
T31.81	Popál.80-89%povr.tela,10-19%popál.3.st.	4	4	T32.94	Polept.90 a viac%povr.tela,40-49%polept.3.st.	4	4
T31.82	Popál.80-89%povr.tela,20-29%popál.3.st.	4	4	T32.95	Polept.90 a viac%povr.tela,50-59%polept.3.st.	4	4
T31.83	Popál.80-89%povr.tela,30-39%popál.3.st.	4	4	T32.96	Polept.90 a viac%povr.tela,60-69%polept.3.st.	4	4
T31.84	Popál.80-89%povr.tela,40-49%popál.3.st.	4	4	T32.97	Polept.90 a viac%povr.tela,70-79%polept.3.st.	4	4
T31.85	Popál.80-89%povr.tela,50-59%popál.3.st.	4	4				
T31.86	Popál.80-89%povr.tela,60-69%popál.3.st.	4	4				
T31.87	Popál.80-89%povr.tela,70-79%popál.3.st.	4	4				

CCL

ICD	Text	OP. CCL	Med. CCL	ICD	Text	OP. CCL	Med. CCL
T32.98	Polept.90 a viac%povr.tela,80-89%polept.3.st.	4	4	T38.6	Otr.antigonadotrop.,antiestrogén.,antiandrogé n.,n.i.	4	4
T32.99	Polept.90 a viac%povr.tela,90% a viac polept.3.st.	4	4	T38.7	Otrava androgénmi a príbuznými anabolikami	4	4
T33.0	Povrchová omrzlina hlavy	4	4	T38.8	Otrava i.a bliž.neurč.hormónmi a ich syntetickými náhradami	4	4
T33.1	Povrchová omrzlina krku	4	4	T38.9	Otrava i.a bliž.neurč.antagonistami hormónov	4	4
T33.2	Povrchová omrzlina hrudníka	4	4	T39.0	Otrava salicylátmi	4	4
T33.3	Povrchová omrzlina brušnej steny, drieku a panvy	4	4	T39.1	Otrava derivátmi 4-aminofenolu	4	4
T33.4	Povrchová omrzlina hornej končatiny	4	4	T39.2	Otrava pyrazolónovými derivátmi	4	4
T33.5	Povrchová omrzlina zápästia a ruky	4	4	T39.3	Otrava inými nesteroidovými antiflogistikami	4	4
T33.6	Povrchová omrzlina bedra a stehna	4	4	T39.4	Otrava antireumatikami, nezatriedenými inde	4	4
T33.7	Povrchová omrzlina kolena a predkolenia	4	4	T39.8	Otrava i.neopioid.analget.a antipyret.,n.i.	4	4
T33.8	Povrchová omrzlina členka a nohy	4	4	T39.9	Otrava neopioid.analget.antipyr.a antireumatik.,b.n.	4	4
T33.9	Povrch.omrzlina na i.a b.n.miestach	4	4	T40.0	Otrava opiom	4	4
T34.0	Omrzlina s nekrózou tkaniva hlavy	4	4	T40.1	Otrava heroínom	4	4
T34.1	Omrzlina s nekrózou tkaniva krku	4	4	T40.2	Otrava inými opioidmi	4	4
T34.2	Omrzlina s nekrózou tkaniva hrudníka	4	4	T40.3	Otrava metadónom	4	4
T34.3	Omrzl.s nekróz.tkaniva brušnej steny,drieku a panvy	4	4	T40.4	Otrava inými syntetickými opiátmi	4	4
T34.4	Omrzlina s nekrózou tkaniva hornej končatiny	4	4	T40.5	Otrava kokainom	4	4
T34.5	Omrzlina s nekrózou tkaniva zápästia a ruky	4	4	T40.6	Otrava inými a bližšie neurčenými opiátmi	4	4
T34.6	Omrzlina s nekrózou tkaniva bedra a stehna	4	4	T40.7	Otrava derivátmi cannabis	4	4
T34.7	Omrzlina s nekrózou tkaniva kolena a predkolenia	4	4	T40.8	Otrava lysergidom [LSD]	4	4
T34.8	Omrzlina s nekrózou tkaniva členka a nohy	4	4	T40.9	Otrava i.a b.n.psychodysleptikami (halucinogénmi)	4	4
T34.9	Omrzlina s nekróz.tkan.na i.a bliž.neurč.miestach	4	4	T41.0	Otrava inhalačnými anestetikami	4	4
T35.0	Povrchová omrzlina postihujúca viaceré časti tela	4	4	T41.1	Otrava intravenóznymi anestetikami	4	4
T35.1	Omrzl.s tkanivovou nekróz.post.viac.č.tela	4	4	T41.2	Otrava i.a bliž.neurč.celkovými anestetikami	4	4
T35.2	Omrzlina hlavy a krku, bližšie neurčená	4	4	T41.3	Otrava lokálnymi anestetikami	4	4
T35.3	Omrzl.hrud.,brucha,drieku a panvy b.n.	4	4	T41.4	Otrava anestetikami,bližšie neurčenými	4	4
T35.4	Omrzlina hornej končatiny,bližšie neurčená	4	4	T41.5	Otrava liečebnými plynmi	4	4
T35.5	Omrzlina dolnej končatiny,bližšie neurčená	4	4	T42.0	Otrava derivátmi hydantoínu	4	4
T35.6	Omrzlina postihujúcv viac.časti tela,b.n.	4	4	T42.1	Otrava iminostilbénmi	4	4
T35.7	Omrzlina bliž.neurč.časti tela,b.n.	4	4	T42.2	Otrava sukcinimidmi a oxazolidínmi	4	4
T36.0	Otrava penicilínmi	4	4	T42.3	Otrava barbiturátmi	4	4
T36.1	Otrava cefalosp.a i.betalaktámovými ATB	4	4	T42.4	Otrava benzodiazepínmi	4	4
T36.2	Otrava liekmi zo skupiny chloramfenikolu	4	4	T42.5	Otrava zmiešanými antiepilept.,n.i.	4	4
T36.3	Otrava makrolidmi	4	4	T42.6	Otrava i.antiepilept.,sedatívami a hypnotikami	4	4
T36.4	Otrava tetracyklínmi	4	4	T42.7	Otrava antiepileptik.sedatív.a hypnotik.,b.n.	4	4
T36.5	Otrava aminoglykozidmi	4	4	T42.8	Otrava antiparkins.a i.centrálnymi myorelax.	4	4
T36.6	Otrava rifamycínmi	4	4	T43.0	Otrava tricyklickými a tetracyklickými antidepresívami	4	4
T36.7	Otrava pro.-plesň.ATB používanými systémovo	4	4	T43.1	Otrava.antidep.mi skup.inhib.monoaminoxidázy	4	4
T36.8	Otrava inými celkovo účinkujúcimi antibiotikami	4	4	T43.2	Otrava inými a bližšie neurčenými antidepresívami	4	4
T36.9	Otrava.celk.účink.ATB,b.n.	4	4	T43.3	Otrava fenotiazínovými antipsychotikami a neuroleptikami	4	4
T37.0	Otrava sulfonamidmi	4	4	T43.4	Otrava butyrofenónovými a tioxanténovými neuroleptikami	4	4
T37.1	Otrava antimykobaktériovými liekmi	4	4	T43.5	Otrava i.a bliž.neurč.antipsychotikami a neuroleptikami	4	4
T37.2	Otrava antimalarikami a liek.účink.na i.krv.prvky	4	4	T43.6	Otrava psychostimulanciami s nebezpečenstvom návyku	4	4
T37.3	Otrava inými antiprotozoárnymi liekmi	4	4	T43.8	Otrava i.psychotropnými látkami,n.i.	4	4
T37.4	Otrava antihelmintikami	4	4	T43.9	Otrava psychotropnou látkou,bližšie neurčenou	4	4
T37.5	Otrava protivírusovými liekmi	4	4	T44.0	Otrava inhibítormi cholinesterázy	4	4
T37.8	Otrava i.bliž.urč.celk.účink.protiinf.a antiparaz.liekmi	4	4	T44.1	Otrava i.parasympatikomimetikami (cholínergikami)	4	4
T37.9	Otrava celk.účink.protiinf.a antiparaz.liekmi,b.n.	4	4	T44.2	Otrava liekmi blok.gangliá,n.i.	4	4
T38.0	Otrava glukokortikoidmi a ich syntetickými analógmi	4	4	T44.3	Otrava i.parasympatikolytikami a spazmolytikami,n.i.	4	4
T38.1	Otrava hormónmi štítnej žľazy a ich náhradami	4	4	T44.4	Otrava agonistami prevaž.alfa-adrenorec.,n.i.	4	4
T38.2	Otrava tyreostatikami	4	4	T44.5	Otrava.agonistami prevaž.beta-adrenorec.,n.i.	4	4
T38.3	Otrava inzulínom a orálnymi antidiabetikami	4	4	T44.6	Otrava.antagon.alfa-adrenorec.,n.i.	4	4
T38.4	Otrava orálnymi kontraceptívami	4	4	T44.7	Otrava antagon.beta-adrenorec.,n.i.	4	4
T38.5	Otrava inými estrogénmi a progesterónmi	4	4	T44.8	Otrava prostr.,úč.cent.a blok.adrenergý neurón,n.i.	4	4

ICD	Text	OP. CCL	Med. CCL	ICD	Text	OP. CCL	Med. CCL
T44.9	Otrava i.a blíž.neurč.liekmi,účink.prim.na auton.nervov.súst.	4	4	T49.8	Otrava inými prostriedkami na miestne použitie	4	4
T45.0	Otrava anti alergikami a antiemetikami	4	4	T49.9	Otrava prostried.na miestne použ.,b.n.	4	4
T45.1	Otrava antineoplastickými a imunosupresívnymi liekmi	4	4	T50.0	Otrava mineralokortikoidmi a ich antagonistami	4	4
T45.2	Otrava vitamínmi, nezatriedenými inde	4	4	T50.1	Otrava slučkovými diuretikami	4	4
T45.3	Otrava enzýmami, nezatriedenými inde	4	4	T50.2	Otrava inhib.karboanhydrázy,benzotiadiazid.a.i.diuret	4	4
T45.4	Otrava železom a jeho zlúčeninami	4	4	T50.3	Otrava prostr.ovplyvň.elektrolyt.energat.a vodnú rovnov.	4	4
T45.5	Otrava antikoagulanciami	4	4	T50.4	Otrava liekmi,ovplyvň.metaboliz.kys.močovej	4	4
T45.6	Otrava liekmi, ovplyvňujúcimi fibrinolýzu	4	4	T50.5	Otrava liekmi,znižuj.chuť do jedenia (anorektiká)	4	4
T45.7	Otrava antagon. antikoagulancií, vit.K a i.koagulanciami	4	4	T50.6	Otrava antidótami a chelátujúcimi prostr.,n.i.	4	4
T45.8	Otrava i.prostr.,účink.najmä celk.a na zložky krvi	4	4	T50.7	Otrava analeptikami a antagon.opioidových rec.	4	4
T45.9	Otrava blíž.neurč.prostr.účink.najmä celk.a na zložky krvi	4	4	T50.8	Otrava diagnostickými prostriedkami	4	4
T46.0	Otrava srdcovými glykozidmi a liečiv.s pod.účink.	4	4	T50.9	Otrava i.a blíž.neurč.liekmi,liečivami a biolog.látkami	4	4
T46.1	Otrava kalciovými antagonistami	4	4	T51.0	Toxický účinok etanolu	4	4
T46.2	Otrava inými antiarytmikami, nezatriedenými inde	4	4	T51.1	Toxický účinok metanolu	4	4
T46.3	Otrava koronárnymi vazodilatanciami,n.i.	4	4	T51.2	Toxický účinok 2-propanolu	4	4
T46.4	Otrava inhibítormi enzýmu, konvertujúceho angiotenzín	4	4	T51.3	Otrava zmesou vyšších alkoh.,vznik.pri alkoh.kvasení	4	4
T46.5	Otrava i.antihypertenzívami,n.i.	4	4	T51.8	Toxický účinok iných alkoholov	4	4
T46.6	Otrava hypolipidemikami a pr.artériosklerotickými liek.	4	4	T51.9	Toxický účinok alkoholu,blížšie neurčeného	4	4
T46.7	Otrava periférnymi vazodilatanciami	4	4	T52.0	Toxický účinok výrobkov z ropy	4	4
T46.8	Otrava anti varikóznymi liek. vr.sklerotizujúcich látok	4	4	T52.1	Toxický účinok benzénu	4	4
T46.9	Otrava i.a blíž.neurč.prostr.účink.najmä na obehovú súst.	4	4	T52.2	Toxický účinok homológov benzénu	4	4
T47.0	Otrava antagonistami histamínových H2-receptorov	4	4	T52.3	Toxický účinok glykolov	4	4
T47.1	Otrava i.antacidami a liek,tlmiacimi žal.sekr.	4	4	T52.4	Toxický účinok ketónov	4	4
T47.2	Otrava dráždivými (stimulujúcimi) preháňadlami	4	4	T52.8	Toxický účinok iných organických rozpúšťadiel	4	4
T47.3	Otrava salinickými a osmotickými preháňadlami	4	4	T52.9	Toxický účinok org.rozpúšť.,b.n.	4	4
T47.4	Otrava inými preháňadlami	4	4	T53.0	Toxický účinok karbón tetrachloridu	4	4
T47.5	Otrava digestívami	4	4	T53.1	Toxický účinok chloroformu	4	4
T47.6	Otrava liekmi proti hnačke	4	4	T53.2	Toxický účinok trichlóretylénu	4	4
T47.7	Otrava emetikami	4	4	T53.3	Toxický účinok tetrachlóretylénu	4	4
T47.8	Otrava i.prostr.,účink.najmä na tráv.súst.	4	4	T53.4	Toxický účinok dichlómetánu	4	4
T47.9	Otrava blíž.neurč.liekom,účinkuj.najmä na tráv.súst.	4	4	T53.5	Toxický účinok chlórófluórokarbónov	4	4
T48.0	Otrava oxytocikami	4	4	T53.6	Toxický účin.i.halog.derivátov alif.uhľov.	4	4
T48.1	Otrava relaxanciami kostr.svalov	4	4	T53.7	Toxický účin.i.halog.derivátov arom.uhľov.	4	4
T48.2	Otrava i.a blíž.neurč.prostr.účink.najmä na svaly	4	4	T53.9	Toxický účin.halog.derivátov alif.a arom.uhľov.,n.u.	4	4
T48.3	Otrava antitusikami	4	4	T54.0	Toxický účinok fenolu a homológov fenolu	4	4
T48.4	Otrava expektoranciami	4	4	T54.1	Toxický účinok inej leptavej organickej zlúčeniny	4	4
T48.5	Otrava liekmi proti prechladnutiu	4	4	T54.2	Toxický účinok leptavej kys.a lát.podobnej kysel.	4	4
T48.6	Otrava antiastmatikami,nezatriedenými inde	4	4	T54.3	Toxický účinok leptavého lúhu a látky podobnej lúhom	4	4
T48.7	Otrava i.a blíž.neurč.prostr.účink.najmä na dýchaciu súst.	4	4	T54.9	Toxický účinok leptavej látky,blížšie neurčenej	4	4
T49.0	Otrava pr.plesň.,protiinf.a protizáp.liek.s mies.ú.,n.i.	4	4	T55	Toxický účinok mydla a detergencia	4	4
T49.1	Otrava anti pruriginózami	4	4	T56.0	Toxický účinok olova a jeho zlúčenín	4	4
T49.2	Otrava lokálnymi adstringenciami a detergenciami	4	4	T56.1	Toxický účinok ortuti a jej zlúčenín	4	4
T49.3	Otrava emolieniami,demulcenciami a ochrannými prostr.	4	4	T56.2	Toxický účinok chrómu a jeho zlúčenín	4	4
T49.4	Otrava keratolyt.,keratoplast.a i.liek.a prípr.na oš.vla.	4	4	T56.3	Toxický účinok kadmia a jeho zlúčenín	4	4
T49.5	Otrava liekmi a prípravkami používanými v oftalmológii	4	4	T56.4	Toxický účinok medi a jej zlúčenín	4	4
T49.6	Otrava liek.a prípravkami používanými v ORL	4	4	T56.5	Toxický účinok zinku a jeho zlúčenín	4	4
T49.7	Otrava zubnými liekmi na miestne použitie	4	4	T56.6	Toxický účinok cínu a jeho zlúčenín	4	4
				T56.7	Toxický účinok berýlia a jeho zlúčenín	4	4
				T56.8	Toxický účinok iného kovu	4	4
				T56.9	Toxický účinok blížšie neurčeného kovu	4	4
				T57.0	Toxický účinok arzénu a jeho zlúčenín	4	4
				T57.1	Toxický účinok fosforu a jeho zlúčenín	4	4
				T57.2	Toxický účinok mangánu a jeho zlúčenín	4	4
				T57.3	Toxický účinok kyanovodíku	4	4
				T57.8	Toxický účinok i.anorganickej látky,b.u.	4	4

ICD	Text	OP. CCL	Med. CCL	ICD	Text	OP. CCL	Med. CCL
T57.9	Toxický účinok bližšie neurčenej anorganickej látky	4	4	T81.1	Šok počas výkonu alebo po výkone, nezatriedený inde	2,3,4	1,2,3
T58	Toxický účinok oxidu uhoľnatého (CO)	4	4	T81.2	Náhodné naštiepenie a natrhnutie poč.výkonu, n.i.	2,3,4	1,2,3
T59.0	Toxický účinok oxidu dusíka	4	4	T81.3	Rozpad operačnej rany, nezatriedený inde	1,2,3,4	1,2,3,4
T59.1	Toxický účinok oxidu siričitého	4	4	T81.5	Cudz.teleso náhodne ponech.v tel.dutine/oper.rane po výk.	2,3,4	1,2,3,4
T59.2	Toxický účinok formaldehydu	4	4	T81.6	Akút.reakcia na cudziu látku, ponech.náhodne poč.výk.	2,3,4	1,2,3,4
T59.3	Toxický účinok szotvorného plynu	4	4	T81.7	Cievna komplikácia po výkone, nezatriedená inde	1	1
T59.4	Toxický účinok plynného chlóru	4	4	T81.8	Iná komplikácia výkonu, nezatriedená inde	1	1
T59.5	Toxický účinok plynného fluóru a fluorovodíka	4	4	T82.0	Mechanická komplik.zaprič.srdc.chlop.protézou	2,3,4	2,3,4
T59.6	Toxický účinok sirovodíka	4	4	T82.1	Mechanická komplik.zaprič.srdc.elektronickou pomôc.	2,3,4	2,3,4
T59.7	Toxický účinok oxidu uhličitého	4	4	T82.2	Mechanická komplik.zaprič.obch.venc.tepny a chlop.náhr.	1,2,3,4	1,2,4
T59.8	Toxický účinok iného plynu, dymu a výparov, b.u.	4	4	T82.3	Mechanická komplik.zaprič.i.cievnym transpl.	1,2,3,4	1,2,4
T59.9	Toxický účinok plynu, dymu a výparov, b.n.	4	4	T82.4	Mechanická komplik.zaprič.cievnym dialyzačným katétrom	2,3,4	3,4
T60.0	Toxický úč.organofosfátového a karbamátového insekticídu	4	4	T82.5	Mechanická komplik.zaprič.i.srdc.a ciev.pom.a impl.	1,2,3,4	1,2,4
T60.1	Toxický účinok halogénovaného insekticídu	4	4	T82.6	Infekcia a zápal.reakcia zaprič.srdc.chlop.protézou	2,3,4	3,4
T60.2	Toxický účinok iného insekticídu	4	4	T82.7	Infekcia a zápal.reak.zapr.i.srdc.a ciev.prot.,impl.a transpl.	2,3,4	3,4
T60.3	Toxický účinok herbicídu a fungicídu	4	4	T82.8	Iná kompl.zapr.srdc.a ciev.prot.,impl.a transpl.,b.u.	1,2,3,4	1,2,4
T60.4	Toxický účinok rodenticídu	4	4	T82.9	Kompl.zaprič.srdc.a ciev.protézou, impl.a transpl.,b.n.	4	4
T60.8	Toxický účinok iného pesticídu	4	4	T83.0	Mechanická komplik.zaprič.moč.katétrom	4	4
T60.9	Toxický účinok bližšie neurčeného pesticídu	4	4	T83.1	Mechanická komplik.zaprič.i.moč.pomôc.a impl.	4	4
T63.0	Toxický účinok hadieho jedu	4	4	T83.2	Mechanická komplik.zaprič.transpl.moč.org.	2,3,4	1,2,4
T63.1	Toxický účinok jedu iných plazov	4	4	T83.4	Mechanická komplik.zaprič.i.prot.,impl.a transpl.v pohl.súst.	4	4
T63.2	Toxický účinok jedu škorpióna	4	4	T83.5	Infekcia a zápal.reak.zaprič.proté.impl.a transpl.v moč.súst.	1,4	1,4
T63.3	Toxický účinok jedu pavúka	4	4	T83.6	Infekcia a zápal.reak.zaprič.proté.impl.a transpl.v pohl.súst	1,4	1,4
T63.4	Toxický účinok jedu iných článkonožcov	4	4	T83.8	Iná kompl.zaprič.proté.impl.a transpl.v moč-pohl.súst.	4	4
T63.5	Toxický účinok kontaktu s rybou	4	4	T83.9	Bliž.neu.kompl.zaprič.proté.,impl.a transp.v moč-pohl.súst.	4	4
T63.6	Toxický účinok kontaktu s inými morským živočíchom	4	4	T84.0	Mechanická komplik.zaprič.kĺbovou endoprotézou	2,3,4	2,3,4
T63.8	Toxický účinok kontaktu s iným jedovatým živočíchom	4	4	T84.1	Mechanická komplik.zaprič.pomôc.na vnút.fixáciu kostí konč.	1,2,3,4	2,3,4
T63.9	Toxický účinok kont.s jedovatým živoč., b.n.	4	4	T84.2	Mechanická komplik.zaprič.pomôc.na vnút.fixáciu i.kostí	1,2,3,4	2,3,4
T64	Toxický účinok aflatoxínu a i.mykotoxínov, znečís.potravu	4	4	T84.3	Mechanická komplik.zaprič.i.kostnou pomôc.,impl.a transpl.	2,3,4	2,3,4
T65.0	Toxický účinok kyanidu	4	4	T84.4	Mechanická komplik.zaprič.i.vnút.ortop.pomôc.,impl.a transpl.	2,3,4	2,3,4
T65.1	Toxický účinok strychnínu a jeho solí	4	4	T84.5	Infekcia a zápal.reak.zaprič.kĺbovou endoprot.	2,3,4	2,3,4
T65.2	Toxický účinok tabaku a nikotínu	4	4	T84.6	Infekcia a zápal.reak.zaprič.vnút.kostnou fixačnou pomôc.	2,3,4	2,3,4
T65.3	Tox.úč.nitroderiv.a aminoderiv.benzénu a jeho homológov	4	4	T84.7	Infekcia a zápal.reak.zaprič.i.ortop.endoprot.,impl.a štepom	2,3,4	2,3,4
T65.4	Toxický účinok korbónidusulfidu	4	4	T84.8	Iná kompl.zaprič.ortop.endoprot.impl.a štepom	1,2,3,4	2,3,4
T65.5	Toxický účinok nitroglycerínu a i.nitrokyselín a esterov	4	4	T84.9	Bliž.neu.kompl.vnút.ortoped.protet.pomôc.,im pl. a štepu	1,2,3,4	2,3,4
T65.6	Toxický účinok náterov a farieb, n.i.	4	4	T85.0	Mechanická komplik.zaprič.vnútroľbovou komor.skratkou	3,4	3,4
T65.8	Toxický účinok inej bližšie určenej látky	4	4				
T65.9	Toxický účinok bližšie neurčenej látky	4	4				
T67.0	Tepelný a snečný úpal	4	4				
T67.1	Synkopa z horúčavy	4	4				
T71	Zadusenie	4	4				
T73.1	Účinky smädu	4	4				
T75.4	Účinok elektrického prúdu	4	4				
T79.0	Vzduchová embólia (poúrazová)	1,3,4	2,3,4				
T79.1	Tuková embólia (poúrazová)	1,3,4	2,3,4				
T79.2	Poúrazové druhotné a opakované krvácanie	1,2,4	1,2				
T79.3	Poúrazová infekcia rany, nezatriedená inde	1,2,3,4	2,3				
T79.4	Úrazový šok	1,2,4	1,2				
T79.5	Úrazová anúria	1,3,4	2,3				
T79.6	Poúrazová ischémia svalu	4	4				
T79.7	Poúrazový podkožný emfyzém	1,2,3,4	2,3,4				
T80.0	Vzduchová embólia po infúzii, transf.a liečebnej injekcii	3,4	2,3,4				
T80.3	Reakcia zapríčinená inkompatibilitou v systéme ABO	2,3	1,2,3				
T80.4	Reakcia zapríčinená inkompatibilitou v systéme Rh	2,3	1,2,3				
T80.5	Anafylaktický šok, zapríčinený sérom	2	2				
T80.6	Iná reakcia na sérum	2	2				
T81.0	Krvácanie a hematóm, komplikujúci výk., n.i.	1	1				

ICD	Text	OP. CCL	Med. CCL	ICD	Text	OP. CCL	Med. CCL
T85.1	Mechanická komplik.zapríč. implant.elekt.n.stim.nerv.súst.	3,4	3,4	T88.1	Iná komplikácia po imunizácii, nezatriedená inde	4	4
T85.2	Mechanická komplik.zapríč.vnútroočnou šošovkou	1,2,3,4	1,2,4	T88.2	Šok,zapríčený anestéziou	2,4	1,2
T85.3	Mechanická komplik.zapríč.i.očnou protét.pom.,impl.a.transpl.	1,2,3,4	1,2,4	T88.3	Maligna hypertermia zapríčinená anestéziou	2,3,4	2,3,4
T85.4	Mechanická komplik.zapríč.prot./impl.prsníka	1,2,4	2,4	T88.4	Nevydarená alebo ťažká intubácia	4	4
T85.5	Mechanická komplik.zapríč.gastroint.prot.,impl.a.transpl.	2,3,4	2,3,4	T88.6	Anafyl.šok ako nežiad.úč.spr.ind.a spr.pod.lieku/lieč.	2	2
T85.6	Mechanická komplik.zapr.i.gastroint.prot.impl.a.transpl.,b.u.	2,3,4	2,3,4	T91.3	Neskoré následky poranenia miechy	2,4	2,3
T85.71	Inf.a zápal.reak.zapr.katétrom na peritoneálnu dialýzu	2,3,4	1,2,4	U60.1	Klinické kategórie choroby HIV: kategória A	3,4	3
T85.78	Inf.a zápal.reak.zapr.i.vnúť.prot.,impl./transpl.	2,3,4	2,3,4	U60.2	Klinické kategórie choroby HIV: kategória B	3,4	3
T85.81	Iná kompl.zapr.vnúť.prot.,impl./transpl.,v nerv.súst.	1,2,4	2,4	U60.3	Klinické kategórie choroby HIV: kategória C	3,4	3
T85.82	Kapsulová fibróza prsníka,zapr.prot./impl.prsníka	2,3,4	2,3,4	U61.1	Počet pomocných T-buniek pri chorobe HIV	3,4	3
T85.88	Iná kompl.zapr.vnúť.prot.,impl./transpl.,n.i.	1,2,4	2,4	U61.2	Počet pomocných T-buniek pri chorobe HIV	3,4	3
T85.9	Kompl.zapr.vnúť.prot.,impl./transpl.,b.n.	4	4	U61.3	Počet pomocných T-buniek pri chorobe HIV	3,4	3
T86.00	Zlyha.transpl.krv.kmeň.buniek	3,4	3	U80.0	Staph.aur.rez.na OXA,glp.ATB,chin.,streptogr./oxazolid.	1,3,4	1,2,3
T86.01	Akút.choroba graft versus host[GVHD]:1.a 2.st.	3,4	3	U80.1	Str.pn.rez.na PNC,OXA,makrolid.ATB,oxazolid./streptogr.	3,4	3
T86.02	Akút.choroba graft versus host[GVHD]:3.a 4.st.	3,4	3	U80.2	Ent.faecalis rez.na glp.ATB,oxazolid.streptogr./v.úr.amg.rez.	1,2,3,4	1,2,3
T86.03	Chron.choroba graft versus host,ohraničená forma	3,4	3	U80.3	Ent.faecium rez.na glp.ATB,oxazolid.,streptogr./v.úr.amg.rez.	2,3	1,2,3
T86.04	Chron.choroba graft versus host,rozšírená forma	3,4	3	U80.4	Esch.klebs.prot.rez.chin.karbak.amik./dok.rez.vš.btl.ATB	3,4	1,2,3
T86.09	Choroba graft versus host [GVHD]: bližšie neurčená	3,4	3	U80.5	Enterobacter,citrobacter a serratia rez.-karbak.,chin./amik.	2,3	1,2,3
T86.10	Akútne zhoršenie funkcie transplantovanej obličky	3,4	3,4	U80.6	Ps.aer.a i.non-ferm.p.rez.karbak.chin.amik.ceft./pip.s tazob.	3,4	2,3
T86.11	Chron.zhoršenie funkcie transpl.obličky	3,4	3,4	U80.7	Burkh.a stenotroph.rez.-chin.,amik.,ceft.,pip.s tazob./CTM	3,4	3
T86.12	Predĺžené prijatie funkcie transplantátu	3,4	3,4	U82.0	Myc.tbc s rez.pr.jed./viac.antituberk.prv.radu	2,3	1,2,3
T86.19	Iná a bliž.neurč.por.funkc.porucha zlyháv.odvrh.transpl.obličky	3,4	3,4	U82.1	Multirezistentná tuberkulóza [MDR-TB]	2,3	1,2,3
T86.2	Zlyhávajúce a odvrhnutie transplantovaného srdca	3,4	3,4	U82.2	Atyp.mykobakt./nocardia s rez.na jed./viac.liek.prv.radu	2,3	1,2,3
T86.3	Zlyhávajúce a odvrhnutie súčasne transpl.srdca a pľúc	3,4	3,4	U83	Kandida s rezistenciou na flukonazol/vorikonazol	1,2,3,4	1,2,3
T86.40	Akútne zhoršenie funkcie transplantovanej pečene	3,4	3,4	U84	Herpesvírusy s rezistenciou na virostatiká	2,3	1,2,3
T86.41	Chronické zhoršenie funkcie transplantovanej pečene	3,4	3,4	U85	Vírus HIV s rezistenciou na virostatiká/inhib.proteináz	3,4	3
T86.49	Iná a bliž.neurč.por.funkcie,zlyh. a odvrh.transpl.pečene	3,4	3,4	U99.01	Inkontinencia moču, 2. stupeň	1	1
T86.50	Porucha prekrvenia transplantovanej kože	2,3,4	2,3,4	U99.02	Inkontinencia moču a stolice, 3. stupeň, trvalá	1	1
T86.51	Nekróza transplantovanej kože	2,3,4	2,3,4	U99.03	Inkont.moču a stolice, 3. stupeň, trvalá a nezvratná	1	1
T86.52	Strata kožného transplantátu	2,3,4	2,3,4	Z43.0	Ošetrovanie tracheostómie	2,3	1,2
T86.59	Iná a bliž.neurč.por.funkcie,zlyh. a odvrh.transpl.kože	2,3,4	2,3,4	Z76.8	Osoba,ktorá vyhľad.zdrav.služby za i,b.u.okolností	3	3
T86.81	Zlyhanie a odvrhnutie transplantovaných pľúc	3,4	3,4	Z90.3	Získané chýbanie časti žalúdka	4	4
T86.82	Zlyhanie a odvrhnutie transplantovaného pankreasu	3,4	3,4	Z93.0	Stav s predtým vytvorenou tracheostómiou	2,3	1,2
T86.88	Zlyh. a odvrhnutie i.transpl.orgánu a tkan.	3,4	3,4	Z94.0	Stav po transplantácii obličky	3,4	2,3
T86.9	Zlyhávajúce a odvrhnutie b.n.orgánu a tkan.	2,3,4	2,3,4	Z94.1	Stav po transplantácii srdca	3,4	2,3
T87.0	Kompl.súvisiaca so znovupripojením (č.)HK	2,3	2,3	Z94.2	Stav po transplantácii pľúc	3,4	2,3
T87.1	Kompl.súvisiaca so znovupripojením (č.)DK	2,3	2,3	Z94.3	Stav po transplantácii srdca a pľúc	3,4	2,3
T87.2	Komplikácia inej znovupripojenej časti tela	2,3	2,3	Z94.4	Stav po transplantácii pečene	3,4	2,3
T87.4	Infekcia kýtľa po amputácii	2,3,4	3	Z94.80	Stav po traspl.krvotv.(kmeň.)bun.,bez súč.imunosupr.	3,4	2,3
T87.5	Nekróza kýtľa po amputácii	3,4	3	Z94.81	Stav po traspl.krvotv.(kmeň.)bun.,so súč.imunosupr.	3,4	2,3
T88.0	Infekcia po imunizácii	3,4	3	Z94.82	Stav po transplantácii pankreasu	3,4	2,3
				Z94.83	Stav po transplantácii obličky a pankreasu	3,4	2,3
				Z94.88	Stav po transplantácii iného orgánu alebo tkaniva	3,4	2,3

# Príloha D

## Overovanie demografických a klinických údajov

### D.1 Úvod

Pred priradením prípadu k MDC kategórii overuje Grouper na základe demografických a klinických údajov platnosť jednotlivých premenných. Keď sa v procese spracovania zistia určité závažné inkonzistencie alebo neplatné údaje, v dôsledku čoho nie je možné zaradiť prípad do žiadnej MDC/DRG je výsledkom zaradenia jedna z troch DRG skupín: 960Z, 961Z alebo 963Z.

V nasledujúcej časti tejto prílohy sú uvedené bližšie informácie k jednotlivým premenným.

### D.2 Prípustné hodnoty pre demografické premenné

Premenná	Prípustné hodnoty	Poznámka
<b>Dĺžka ošetrovacej doby v dňoch</b>	Prípustné hodnoty: 1-9999	V prípade platnosti vypočítanej hodnoty a aj zadanej hodnoty sa berie do úvahy nižšia hodnota
<b>Pohlavie</b>	N, 0 nezistené M, 1 mužské F, 2 ženské	
<b>Vek v dňoch</b>	Prípustné hodnoty: 1 – 364/5 dní	Ak je možné vypočítať vek z údajov o narodení a z dátumu prijatia – berie grouper do úvahy vypočítanú hodnotu veku. Ak táto nemôže byť vypočítaná a neexistuje ani zadaná hodnota veku, je hospitalizačný prípad zaradený do DRG 960Z.
<b>Vek v rokoch</b>	Prípustné hodnoty: 0 – 124 rokov	
<b>Hmotnosť pri prijatí</b>	hodnoty: 250 až 19999	Tento údaj sa overuje, ak je pacient mladší ako 1 rok. Ak je pole prázdne alebo má hodnotu NULL, použije sa pre ďalšie spracovanie hodnota 2500 gramov.
<b>Dĺžka UPV</b>	Prípustné hodnoty: 1-9999	
<b>Druh prijatia</b>	1 odporúčenie lekárom 2 akútny príjem 3 neodkladné preloženie 4 pôrod/narodenie novorodenca 5 preloženie z inej nemocnice, ošetrovacia doba v prekladajúcej nemocnici $\geq$ 24 hod. 6 preloženie z inej nemocnice, ošetrovacia doba v prekladajúcej nemocnici $<$ 24 hod. 9 doprovod (sprevádzajúca osoba)	
<b>Dôvod prijatia</b>	1 ústavná zdravotná starostlivosť 4 pôrod/narodenie novorodenca 5 opätovné prijatie kvôli komplikáciám 6 príjem do nemocnice na odber orgánov	
<b>Dôvod prepustenia</b>	1 hospitalizácia riadne ukončená, pacient prepustený domov 2 prepustenie do ústavu sociálnej starostlivosti, hospicu 4 preloženie do inej nemocnice 5 hospitalizácia ukončená bez súhlasu lekára 6 zomrel a bol pitvaný 7 zomrel a nebol pitvaný 10 preloženie do rehabilitačného zariadenia 11 prepustenie do domácej ošetrovateľskej starostlivosti 12 preloženie na psychiatrickú liečbu do inej nemocnice 13 preloženie v rámci nemocnice na non-DRG oddelenie (s iným úhradovým mechanizmom)	

### D.3 Prípustné hodnoty pre klinické premenné

Gruper overuje platnosť všetkých diagnóz a výkonov nielen vo vzťahu k číselníkom MKCH-10-SK a ZZV-DRG ale aj vo vzťahu k veku a pohlaviu pacienta. Okrem toho sa overuje, či je diagnóza povolená ako hlavná diagnóza (pozri pravidlá kódovania v systéme DRG).

Premenná	Prípustné hodnoty	Poznámka
<b>Diagnózy (MKCH-10-SK)</b>	Platný terminálny kód z MKCH-10-SK-2021	Viacnásobne zadaná rovnaká diagnóza sa ignoruje. Za platný terminálny kód sa považuje kód podľa MKCH, ktorý už nemá definované ďalšie členenie.
<b>Zdravotné výkony (ZZV-DRG)</b>	Platný terminálny kód zo ZZV-DRG-2021	

### D.4 Konflikty klinických premenných s vekom

Platnosť klinických premenných sa overuje ďalej v súvislosti s vekom pacienta. K tomuto účelu sa rozlišujú vekové kategórie, definované kritériami uvedenými v nasledovnej tabuľke. Tieto kategórie slúžia výlučne pre účely DRG. V stĺpci „poznámka“ sú vymenované označenia tabuliek, ktoré sú použité v zaraďovacom algoritme pre overenie prípadného konfliktu klinickej premennej s vekom.

Kategória	Vek	Poznámky
<b>Dojča</b>	1 deň – 364/5 dní	Diagnózy - D.4a
<b>Malé dieťa</b>	< 2 roky	Diagnózy - D.4b
<b>Dieťa</b>	< 10 rokov	Diagnózy - D.4c
<b>Deti a dorast</b>	< 19 rokov	Diagnózy - D.4d
<b>„Post-neonatal“</b>	> 27 dní	Diagnózy - D.4e
<b>Starší ako dojča</b>	≥ 1 rok	Diagnózy - D.4f
<b>Puberta</b>	8-19 rokov	Diagnózy - D.4g
<b>Plodný vek</b>	12-55 rokov	Diagnózy - D.4h, Výkony D.4i
<b>Dospelý</b>	≥ 15 rokov	Diagnózy - D.4j
<b>„Zrelý“ dospelý</b>	≥ 30 rokov	Diagnózy - D.4k

### D.5 Konflikty klinických premenných s pohlavím

Platnosť vykázaných klinických údajov je overovaná v zaraďovacom algoritme aj v kontexte pohlavia pacienta. Tabuľky D.5a-d obsahujú diagnózy a zdravotné výkony, ktoré môžu byť vykonávané iba u pacientov s príslušným pohlavím.

## D.4a Konflikt s vekom: Dojča

Kód	Popis	Kód	Popis
A33	Tetanus novorodencov	P10.3	Subarachnoidálne kvácanie zaprič.poran.pri pôrode
P00.0	Pošk.plodu a novorodneca artériovou hypertenziou matky	P10.4	Roztrhnutie tentória zaprič.poran.pri pôrode
P00.1	Pošk.plodu a novorod.chor.obličiek a moč.ciest matky	P10.8	Iné vnútroleb.poran.a kvácania zaprič.poran.pri pôrode
P00.2	Pošk.plodu a novorod.infekč.a parazit.chorobami matky	P10.9	Bliž.neur.vnútroleb.poran.a kvácanie zaprič.poran. pri pôrode
P00.3	Pošk.plodu a novorod i.obehov.a dých.chorobami matky	P11.0	Mozgový opuch,zapričinený poranením pri pôrode
P00.4	Pošk.plodu a novorod.poruchami výživy matky	P11.1	Iné poškodenie mozgu,zaprič.poran.pri pôrode,b.u.
P00.5	Poškodenie plodu a novorodenca poranením matky	P11.2	Bliž.neur.poškodenie mozgu,zaprič.poran.pri pôrode
P00.6	Pošk.plodu a novorodenca chir.výkonom u matky	P11.3	Pôrodné poranenie tvárového nervu
P00.7	Pošk.plodu a novorodenca .iným.lekár.výkon.u matky,n.i.	P11.4	Pôrodné poranenie iných hlavových nervov
P00.8	Poškodenie plodu a novorodenca inými stavmi matky	P11.50	Pôrodné poran.chrbtice a miechy s akút. ochrnutím
P00.9	Poškodenie plodu a novorodenca bliž.neurč.stavmi matky	P11.51	Pôrodné poran.chrbtice a miechy s chron.ochrnutím
P01.0	Poškodenie plodu a novorod.insuficienciou krčka maternice	P11.59	Pôrodné poran.chrbtice a miechy,b.n.
P01.1	Poškodenie plodu a novorod.predčasným puknutím blán	P11.9	Pôrodné poranenie centrálnej nervovej sústavy,b.n.
P01.2	Poškodenie plodu a novorodenca oligohydramniómom	P12.0	Zakrvácanie pod okosticu lebky,zaprič.poran.pri pôrode
P01.3	Poškodenie plodu a novorodenca polyhydramniómom	P12.1	Pôrodný nádor záhlavia,zaprič.poranením pri pôrode
P01.4	Poškodenie plodu a novorodenca ektopickou graviditou	P12.2	Epikraniál.subaponeurotické krvác.,zaprič.poran.pri pôrode
P01.5	Poškodenie plodu a novorodenca viacpočetnou graviditou	P12.3	Podliatina vlas.časti hlavy zaprič.poranením pri pôrode
P01.6	Poškodenie plodu a novorodenca smrťou matky	P12.4	Poranenie vlasovej časti hlavy novorod.,zaprič.monitor.
P01.7	Pošk.plodu a novor.nepřavid.naliehaním pred začiat.pôrodu	P12.8	Iné pôrodné poranenia vlasatej časti hlavy
P01.8	Pošk.plodu a novorod..i.materskými komplik.gravidity	P12.9	Pôrodné poranenia vlasatej časti hlavy,b.n.
P01.9	Pošk.plodu a novorod.materskými kompl.gravidity b.n.	P13.0	Zlomenina lebky zapričinená poranením pri pôrode
P02.0	Poškodenie plodu a novorodenca vcestnou placentou	P13.1	Iné pôrodné poranenia lebky
P02.1	Pošk.plodu a novorod.i.form.odlúpenia placenty a krvác.	P13.2	Pôrodné poranenie stehnovej kosti
P02.2	Pošk.plodu a novorod.i.a b.n.morf.a funkč.abn.placenty	P13.3	Pôrodné poranenie iných dlhých kostí
P02.3	Pošk.plodu a novorod.placentovými transfúznymi synd.	P13.4	Zlomenina kľúčnej kosti,zaprič.poranením pri pôrode
P02.4	Pošk.plodu a novorod.vyklznutým pupočníkom	P13.8	Pôrodné poranenie iných častí kostry
P02.5	Pošk.plodu a novorod.i.stlačením pupočníka	P13.9	Pôrodné poranenie kostry,bližšie neurčené
P02.6	Pošk.plodu a novorod.i.a bliž.neurč.stavmi pupoč.	P14.0	Erbovo ochrnutie zapričinené poranením pri pôrode
P02.7	Poškodenie plodu a novorodenca chorioamnionitídou	P14.1	Klumpkeovej ochrnutie zaprič.poranením pri pôrode
P02.8	Poškodenie plodu a novorod.i.abnrmalit.blán	P14.2	Ochrnutie bránicového nervu zaprič.poran.pri pôr.
P02.9	Poškodenie plodu a novorod.bliž.neurč.abnormalit.blán	P14.3	Iné poranenie plexus brachialis pri pôrode
P03.0	Pošk.plodu a novorod.pôr.panvov.koncom a extrakciou	P14.8	Pôrodné poranenie i.častí perif.nervovj sústavy
P03.1	Pošk.plod a nov.i.nepr.nalie.,drž.tela,pol.,disp.,poč.pôr.čin.	P14.9	Pôrodné poranenie perif.nervovej.sústavy ,b.n.
P03.2	Poškodenie plodu a novorodenca kliešťovým pôrodom	P15.0	Pôrodné poranenie pečene
P03.3	Pošk.plodu a novorod.plodu pôr.vákuovým extraktorom	P15.1	Pôrodné poranenie sleziny
P03.4	Pošk.plodu a novorod.pôr.cisárskym rezom	P15.2	Poranenie kývača hlavy,zaprič.poran.pri pôrode
P03.5	Poškodenie plodu a novorodenca náhlým pôrodom	P15.3	Pôrodné poranenie oka
P03.6	Pošk.plodu a novorod.abn.maternicovými kontrakciami	P15.4	Pôrodné poranenie tváre
P03.8	Pošk.plodu a novorod.i.bliž.urč.kompl.pôr.činn.a pôrodu	P15.5	Pôrodné poranenie vonkajších genitálií
P03.9	Pošk.plodu a novorod.kompl.pôr.činn.a pôrodu,b.n.	P15.6	Nekróza podkožného tuku,zaprič.poran. ri pôrode
P04.0	Pošk.plodu a novorod.anest.,analg.m.v grav.poč.pôr.čin.a pôr.	P15.8	Iné pôrodné poranenie,bližšie určené
P04.1	Poškodenie plodu a novorodenca inou liečbou matky	P15.9	Pôrodné poranenie,bližšie neurčené
P04.2	Pošk.plodu a novorod.užív.tabaku matkou	P20.0	Vnútromat.hypoxia zaznamen.po prvýkrát pred zač.pôr.čin.
P04.3	Pošk.plodu a novorod.užív.alkoholu matkou	P20.1	Vnútromat.hypoxia zaznamen.po prvýkrát,poč.pôr.čin.a pôrodu
P04.4	Pošk.plodu a novorod.užív.návykových liekov a drog matkou	P20.9	Vnútromaternicová hypoxia, bližšie neurčená
P04.5	Pošk.plodu a novorod.chem.lát.z potravj matky	P21.0	Ťažká pôrodná asfyxia
P04.6	Pošk.plodu a novorod.pri vyst.matky chem.lát.zo živ.prostr.	P21.1	Ľahká a stredná pôrodná asfyxia
P04.8	Pošk.plodu a novorod.i.škodl.vplyvmi pôsob.na matku	P21.9	Pôrodná asfyxia,bližšie neurčená
P04.9	Pošk.plodu a novorod.škodl.vplyvom pôsob.na matku,b.n.	P22.0	Synd.respiračnej tiesne novorod.
P05.0	Plod priveľmi ľahký na svoj gestačný vek	P22.1	Prechodná tachypnea novorodenca
P05.1	Plod priveľmi malý na svoj gestačný vek	P22.8	Iná respiračná tieseň novorodenca
P05.2	Podvýž.plo.bez uv.,či ide o p.ľah./p.malý plo.na svoj ges.vek	P22.9	Respiračná tieseň novorodenca,bližšie neurčená
P05.9	Pomalý rast plodu,bližšie neurčený	P23.0	Vrodený zápal pľúc,zapričinený vírusom
P07.00	Novorodenec s pôrod.hmotnosť.menej ako 500 gr.	P23.1	Vrodený zápal pľúc,zapričinený chlamýdiou
P07.01	Novorodenec s pôrod.hmotnosť.od 500 do 750 gr.	P23.2	Vrodený zápal pľúc,zapričinený stafylokokom
P07.02	Novorodenec s pôrod.hmotnosť.od 750 do 1000 gr.	P23.3	Vrodený zápal pľúc,zapr.streptok.skupiny B
P07.10	Novorodenec s pôrod.hmotnosť.od 1000 do 1250 gr.	P23.4	Vrodený zápal pľúc,zapričinený Escherichia coli
P07.11	Novorodenec s pôrod.hmotnosť.od 1250 do 1500 gr.	P23.5	Vrodený zápal pľúc,zapričinený pseudomonas
P07.12	Novorodenec s pôrod.hmotnosť.od 1500 do 2500 gr.	P23.6	Vrodený zápal pľúc,zapričinený inou baktériou
P07.2	Novorodenec s extrémnou nezrelosťou	P23.8	Vrodený zápal pľúc,zapričinený iným organizmom
P07.3	Iný predčasne narodený novorodenec	P23.9	Vrodený zápal pľúc,bližšie neurčený
P08.0	Výnimočne veľký novorodenec	P24.0	Novorodenecká aspirácia smolky
P08.1	Iný novorodenec priveľmi ťažký vzhľ.na dĺžku gravidity	P24.1	Novorodenecká aspirácia plodovej vody a hlienu
P08.2	Prenáš.novorod.ktorý nie je priveľmi ťaž.vzhľ.na dĺž.grav.	P24.2	Novorodenecká aspirácia krvi
P10.0	Subdurálne kvácanie zaprič.poran.pri pôrode	P24.3	Novorod.aspirácia mlieka a regurgitovanej potravj
P10.1	Mozgové kvácanie zapričinené poranením pri pôrode	P24.8	Iný novorodenecký syndróm z aspirácie
P10.2	Vnútrokomorové kvácanie zaprič.poran.pri pôrode	P24.9	Novorodenecký syndróm z aspirácie,bližšie neurčený



Kód	Popis	Kód	Popis
P25.0	Interstic.emfyzém so vznikom v perinatálnom obd.	P52.6	Mozočkové(neúraz.)krvác. a krvác.do zad.jamy plodu a nov.
P25.1	Pneumotorax so vznikom v perinatálnom období	P52.8	Iné vnútrolebkové (neúraz.)krvác.plodu a novorod.
P25.2	Pneumomediastinum so vznikom v perinatálnom období	P52.9	Vnútrolebkové (neúraz.)krvác.plodu a novorod.,b.n.
P25.3	Pneumoperikard so vznikom v perinatálnom období	P53	Hemoragická choroba plodu a novorodenca
P25.8	Iné stavy súvis.s interstic.emfyz.so vznik.v perinat.obd.	P54.0	Hemateméza u novorodenca
P26.0	Tracheobronchiálne krvácanie so vznik.v perinat.obd.	P54.1	Meléna u novorodenca
P26.1	Masívne pľúcne krvác.so vznikom v perinat.obd.	P54.2	Krvácanie z konečníka u novorodenca
P26.8	Iné pľúcne krvác.so vznikom v perinat.období	P54.3	Iné gastrointestinálne krvácanie u novorodenca
P26.9	Pľúcne krvác.so vznik.v perinat.období.b.n.	P54.4	Krvácanie do nadobličky u novorodenca
P27.0	Wilsonov-Mikityho syndróm	P54.5	Kožné krvácanie u novorodenca
P27.1	Bronchopulmonálna dysplázia so vznik.v perin.obd.	P54.6	Pošvové krvácanie u novorodenca
P27.8	Iná chronická respirač.chor.so vznik.v perinatál.obd.	P54.8	Iné bližšie určené krvácanie novorodenca
P27.9	Bliž.neurč.chron.respirač.choroba so vznikom v perinat.období	P54.9	Krvácanie novorodenca, bližšie neurčené
P28.0	Primárna atelektáza novorodenca	P55.0	Rh izoimunizácia plodu a novorodenca
P28.1	Iná a bližšie neurčená atelektáza novorodenca	P55.1	ABO izoimunizácia plodu a novorodenca
P28.2	Záchvaty cyanózy novorodenca	P55.8	Iná hemolytická choroba plodu a novorodenca
P28.3	Primárne spánkové apnoe novorodenca	P55.9	Hemolytická chor.plodu a novorod.,b.n.
P28.4	Iné apnoe novorodenca	P56.0	Hydrops plodu v dôsledku izoimunizácie
P28.5	Respiračné zlyhanie novorodenca	P56.9	Hydrops plodu v dôsl.i.a b.n.hemolytickej chor.
P28.8	Iná porucha dýchania novorodenca,bližšie určená	P57.0	Jadrový ikterus v dôsledku izoimunizácie
P28.9	Porucha dýchania novorodenca,bližšie neurčená	P57.8	Iný jadrový ikterus,bližšie určený
P29.0	Srdcové zlyhávanie u novorodenca	P57.9	Jadrový ikterus,bližšie neurčený
P29.1	Porucha srdcového rytmu u novorodenca	P58.0	Novorodenecká žltáčka zapríčinená podliatinami
P29.2	Arteriálna hypertenzia u novorodenca	P58.1	Novorodenecká žltáčka zapríčinená krvácaním
P29.3	Pretrvávajúci fetálny obeh	P58.2	Novorodenecká žltáčka zapríčinená infekciou
P29.4	Prechodná ischémia myokardu u novorodenca	P58.3	Novorodenecká žltáčka zapríčinená polycytémiou
P29.8	Iná srdcovocievna porucha so vznik.v perinat.obd.	P58.4	Novorod.žltáčka zaprič.liek/tox.,prenes.z matky/pod.nov.
P29.9	Srdcovocievna porucha so vznik.v perinat.obd.,b.n.	P58.5	Novorod.žltáčka zaprič.prehltnutím materskej krvi
P36.0	Sepsa u novorod.zaprič.sterpt.zo skupiny B	P58.8	Novorod.žltáčka zaprič.i.bliž.urč.nadmernou hemolýzou
P36.1	Sepsa u novorod.zaprič.i.a b.n.sterpt.	P58.9	Novorod.žltáčka zaprič.nadmernou hemolýzou,b.n.
P36.2	Sepsa u novorod.zaprič.staphylococcus aureus	P59.0	Novorod.žltáčka súvisiaca s predč.pôrodom
P36.3	Sepsa u novorod.zaprič.i.a bliž.neurč.stafylokokom	P59.1	Syndróm hustej žlče
P36.4	Sepsa u novorodenca,zapričinená escherichia coli	P59.2	Novorod.žltáčka z iného a bliž.neurč.pošk.pečeňových buniek
P36.5	Sepsa u novorod.zaprič.anaeróbnym mikroorganizmom	P59.3	Novorod.žltáčka z inhibítorov materského mlieka
P36.8	Iná baktériová sepsa u novorodenca	P59.8	Novorod.žltáčka z iných bliž.urč.pričin
P36.9	Baktériová sepsa u novorodenca,bližšie neurčená	P59.9	Novorodenecká žltáčka,bližšie neurčená
P37.0	Vrodená tuberkulóza	P60	Diseminovaná intravaskulárna koagul.plodu a novorod.
P37.1	Vrodená toxoplazmóza	P61.0	Prechodná novorodenecká trombocytopenia
P37.2	Novorodenecká (diseminovaná) listerióza	P61.1	Novorodenecká polycytémia
P37.3	Vrodená malária plasmodium falciparum	P61.2	Anémia nedonosných
P37.4	Iná vrodená malária	P61.3	Vrodená anémia z fetálnej straty krvi
P37.5	Kandidóza u novorodenca	P61.4	Iná vrodená anémia,nezatriedené inde
P37.8	Iná vrodená infekčná a parazit.choroba,b.u.	P61.5	Prechodná novorodenecká neutropénia
P37.9	Vrod.infekčná/parazitová choroba,b.n.	P61.6	Iná prechodná novorodenecká porucha zrážania
P38	Omfalítida u novorod.bez krvác./s miernym krvác.	P61.8	Iná perinatálna hematologická porucha,b.u.
P39.0	Novorodenecká infekčná mastitída (zápal prsníkov)	P61.9	Perinatálna hematologická porucha, bližšie neurčená
P39.1	Novorodenecká konjunktivitída a dakryocystitída	P70.0	Syndróm dieťaťa matky s gestačným diabetes mellitus
P39.2	Intraamniotická infekcia plodu, nezatriedená inde	P70.1	Syndróm dieťaťa matky s diabetes mellitus
P39.3	Novorodenecká infekcia močovej sústavy	P70.2	Diabetes mellitus u novorodenca
P39.4	Novorodenecká kožná infekcia	P70.3	Iatrogénna hypoglykémia u novorodenca
P39.8	Iná bliž.urč.infekcia špecifická pre perinat.obdobie	P70.4	Iná hypoglykémia u novorodenca
P39.9	Infekcia špecifická pre perinatálnom obd.,b.n.	P70.8	Iná prech.porucha metab.sacharidov plodu a novorod.
P50.0	Fetálna strata krvi pri vasa praevia (vcestných cievach)	P70.9	Prech.porucha metabol.sacharidov plodu a novorod.,b.n.
P50.1	Fetálna strata krvi z roztrhnutého pupočníka	P71.0	Hypokalcémia z kravského mlieka u novorodenca
P50.2	Fetálna strata krvi z placenty	P71.1	Iná hypokalcémia u novorodenca
P50.3	Krvácanie do dvojčat'a (fetofetálne)	P71.2	Hypomagneziémia u novorodenca
P50.4	Krvácanie do obehu matky	P71.3	Novorod.tetania bez nedost.kalcia/magnézia
P50.5	Fetálna strata krvi z prerez.pupoč.druhého dvojčat'a	P71.4	Prechodná hypoparatyreóza u novorodenca
P50.8	Iná fetálna strata krvi	P71.8	Iná prech.porucha metabol.vápnika a horčika u novorod.
P50.9	Fetálna strata krvi, bližšie neurčená	P71.9	Prechodná porucha metabol.vápnika a horčika u novorod.,b.n.
P51.0	Masívne krvácanie z pupočníka novorodenca	P72.0	Struma u novorodenca,nezatriedená inde
P51.8	Iné krvácanie z pupočníka novorodenca	P72.1	Prechodná hypertyreóza u novorodenca
P51.9	Krvácanie z pupočníka novorodenca,bližšie neurčené	P72.2	Iná prech.porucha funkcie štítnej žľazy u novorod.,n.i.
P52.0	Vnútrokomorové(neúraz.)krvác.plodu a novorod.1.st.	P72.8	Iná prechod.endokrinná porucha u novorod.,b.u.
P52.1	Vnútrokomorové(neúraz.)krvác.plodu a novorod.2.st.	P72.9	Prech.endokrinná por.u novorod.,b.n.
P52.2	Vnútrokomorové(neúraz.)krvác.plodu a novorod.3.st.	P74.0	Neskorá metabolická acidóza u novorodenca
P52.3	Vnútrokomorové(neúraz.)krvác.plodu a novorod.,b.n.	P74.1	Dehydratácia u novorodenca
P52.4	Mozgové (neúrazové) krvácanie plodu a novorodenca	P74.2	Porucha rovnováhy sodíka u novorodenca
P52.5	Subarachnoidálne (neúraz.)krvác.plodu a novorod.	P74.3	Porucha rovnováhy draslíka u novorodenca

Kód	Popis	Kód	Popis
P74.4	Iná prechodná elektrolytová porucha u novorodenca	P91.5	Kóma u novorodenca
P74.5	Prechodná tyrozinémia u novorodenca	P91.6	Hypoxicko-ischemická encefalopatia u novorodenca
P74.8	Iná prechodná metabolická porucha u novorodenca	P91.80	Locked-in syndróm a apalický syndróm novorodenca
P74.9	Prechodná metabol.porucha u novorod.,b.n.	P91.88	Iná porucha mozgovej funkcie novorod.,b.u.
P75	Choroby tráviacej sústavy plodu a novorodenca	P91.9	Mozgová porucha u novorodenca, bližšie neurčená
P76.0	Syndróm mekóniovej zátky	P92.0	Vracanie u novorodenca
P76.1	Prechodný ileus u novorodenca	P92.1	Regurgitácia a ruminácia u novorodenca
P76.2	Črevná nepriechod.zaprič.zahusteným mliekom	P92.2	Pomalý príjem potravy u novorodenca
P76.8	Iná črevná nepriechod.u novorod.,b.u.	P92.3	Podvýživa (znížený príjem potravy) u novorodenca
P76.9	Črevná nepriechod.u novorod.,b.n.	P92.4	Nadmerná výživa u novorodenca
P77	Nekrotizujúca enterokolitída plodu a novorodenca	P92.5	Problém s dojčením u novorodenca
P78.0	Perinatálna perforácia čreva	P92.8	Iný problém s výživou (kŕmením) u novorodenca
P78.1	Iná novorodenecká peritonitída	P92.9	Prob.s výživou u novorod.,b.n.
P78.2	Novorod.hemateméza a meléna zapr.prehlt.mater.krvi	P93	Reakcia na lieky a intox.liekmí podanými plodu a novorod.
P78.3	Neinfekčná novorodenecká hnačka	P94.0	Prechodná myasthenia gravis u novorodenca
P78.8	Iná perinatálna porucha tráviacej sústavy,b.u.	P94.1	Vrodená svalová hypertónia
P78.9	Perinatálna porucha tráviaceho systému,b.n.	P94.2	Vrodená svalová hypotónia
P80.0	Syndróm poškodenia chladom (podchladenia) u novorod.	P94.8	Iná porucha svalového tonusu u novorodenca
P80.8	Iná hypotermia u novorodenca	P94.9	Porucha svalového tonusu u novorod.,b.n.
P80.9	Hypotermia u novorodenca, bližšie neurčená	P95	Smrť plodu z bližšie neurčenej príčiny
P81.0	Hypertermia u novorodenca z prehriateho prostredia	P96.0	Vrodené zlyhávanie obličiek
P81.8	Iná porucha regulácie telesnej teploty u novorod.,b.u.	P96.1	Abstin.synd.u novorod.matky užív.návyk.látky a drogy
P81.9	Porucha regulácie telesnej teploty u novorod.,b.n.	P96.2	Abstin.synd.novorod.pri lieč.podávaní liečiv
P83.0	Sclerema neonatorum	P96.3	Široké lebkové švy u novorodenca
P83.1	Novorodenecký toxický erytém	P96.4	Ukončenie gravidity ako príč.pošk.plodu a novorod.
P83.2	Hydrops plodu, nezapríčený hemolytickou chorobou	P96.5	Kompl.vnútromat.výkon,nez.i.,ako príč.pat.stav.plodu a nov.
P83.3	Iný opuch špecifický pre plod a novorod.,b.u.	P96.8	Iná porucha so začiatkom v perinat.obd.,b.u.
P83.4	Zdureníe prsných žliaz u novorodenca	P96.9	Porucha so začiatkom v perinat.obd.,b.n.
P83.5	Kongenitálna hydrokéla	Q86.0	Alkoholový syndróm plodu (dysmorfický)
P83.6	Pupkový polyp u novorodenca	Z38.0	Jedno dieťa, narodené v nemocnici
P83.8	Iná choroba kože špecifická pre plod a novorod.,b.u.	Z38.1	Jedno dieťa, narodené mimo nemocnice
P83.9	Porucha kože špecifická pre plod a novorod.,b.n.	Z38.2	Jedno dieťa, miesto narodenia bližšie neurčené
P90	Kríče [konvulzie] u novorodenca	Z38.3	Dvojčatá, narodené v nemocnici
P91.0	Mozgová ischémia u novorodenca	Z38.4	Dvojčatá, narodené mimo nemocnice
P91.1	Získaná periventrikulárna cysta u novorodenca	Z38.5	Dvojčatá, miesto narodenia bližšie neurčené
P91.2	Mozgová leukomalácia u novorodenca	Z38.6	Deti z i.viacnásobnej gravid.,narodené v nemocnici
P91.3	Mozgová dráždivosť novorodencov	Z38.7	Deti z i.viacnásobnej gravid.,narodené mimo nemocnice
P91.4	Mozgový útlm novorodencov	Z38.8	Deti z i.viacnásobnej gravid.,b.n.miesto narodenia

**D.4b Konflikt s vekom: Malé dieťa**

<b>Kód</b>	<b>Popis</b>	<b>Kód</b>	<b>Popis</b>
Q89.4	Spojené (zrastené) dvojčatá	R95.0	Syndróm náhlej smrti dojčťa [SIDS] so zmienkou o pitve
R06.80	Akútna život ohrozujúca príhoda v dojčenskom veku	R95.9	Syndróm náhlej smrti dojčťa [SIDS] bez zmienky o pitve

D.4b

#### D.4c Konflikt s vekom: Dieťa

<b>Kód</b>	<b>Popis</b>	<b>Kód</b>	<b>Popis</b>
E30.1	Predčasná puberta	R68.1	Nešpecifické príz.charakter.pre dojčenský vek

## D.4d Konflikt s vekom: Deti a dorast

Kód	Popis	Kód	Popis
E55.0	Aktívna rachitída	M09.03	Juven.artritída pri psoriáze,s postih.klb.predlak.
G93.7	Reyeov syndróm	M09.04	Juven.artritída pri psoriáze,s postih.klb.ruky
L21.1	Seboroická dermatitída detského veku	M09.05	Juven.artritída pri psoriáze,s postih.klb.panvy a stehna
M08.00	Juvenilná reumatoid.artritída dospelých na viac.m.	M09.06	Juven.artritída pri psoriáze,s postih.klb.predkol.
M08.01	Juvenilná reumatoid.artritída dospelých v obl.pleca	M09.07	Juven.artritída pri psoriáze,s postih.klb.čl.a nohy
M08.02	Juvenilná reumatoid.artritída dospelých v obl.nadlaktia	M09.08	Juven.artritída pri psoriáze,s postih.klb.na i.mieste
M08.03	Juvenilná reumatoid.artritída dospelých v obl.predlak.	M09.09	Juven.artritída pri psoriáze,s postih.klb.na n.mieste
M08.04	Juvenilná reumatoid.artritída dospelých v obl.ruky	M09.10	Juven.artritída pri Crohn.chor.,s postih.klb.na viac.m.
M08.05	Juvenilná reumatoid.artritída dospelých v obl.panvy a stehna	M09.11	Juven.artritída pri Crohn.chor.,s postih.klb.v obl.pleca
M08.06	Juvenilná reumatoid.artritída dospelých v obl.predkol.	M09.12	Juven.artritída pri Crohn.chor.,s postih.klb.nadlaktia
M08.07	Juvenilná reumatoid.artritída dospelých v obl.čl.a nohy	M09.13	Juven.artritída pri Crohn.chor.,s postih.klb.predlak.
M08.08	Juvenilná reumatoid.artritída dospelých na i.mieste	M09.14	Juven.artritída pri Crohn.chor.,s postih.klb.ruky
M08.09	Juvenilná reumatoid.artritída dospelých,miesto bliž.neurč.	M09.15	Juven.artritída pri Crohn.chor.,s postih.klb.panvy a stehna
M08.10	Juven.ankylozujúca spondylitída na viac.miestach	M09.16	Juven.artritída pri Crohn.chor.,s postih.klb.predkol.
M08.11	Juven.ankylozujúca spondylitída v obl.pleca	M09.17	Juven.artritída pri Crohn.chor.,s postih.klb.čl.a nohy
M08.12	Juven.ankylozujúca spondylitída nadlaktia	M09.18	Juven.artritída pri Crohn.chor.,s postih.klb.na i.mieste
M08.13	Juven.ankylozujúca spondylitída predlak.	M09.19	Juven.artritída pri Crohn.chor.,s postih.klb.na n.mieste
M08.14	Juven.ankylozujúca spondylitída ruky	M09.20	Juven.artritída pri ulcer.kolitíde,s postih.klb.na viac.m.
M08.15	Juven.ankylozujúca spondylitída panv.obl.a stehna	M09.21	Juven.artritída pri ulcer.kolitíde,s postih.klb.v obl.pleca
M08.16	Juven.ankylozujúca spondylitída predkol.	M09.22	Juven.artritída pri ulcer.kolitíde,s postih.klb.nadlaktia
M08.17	Juven.ankylozujúca spondylitída čl.a nohy	M09.23	Juven.artritída pri ulcer.kolitíde,s postih.klb.predlak.
M08.18	Juven.ankylozujúca spondylitída na i.mieste	M09.24	Juven.artritída pri ulcer.kolitíde,s postih.klb.ruky
M08.19	Juven.ankylozujúca spondylitída na n.mieste	M09.25	Juven.artritída pri ulcer.kolit.,s post.klb.panvy a stehna
M08.20	Juven.chron.artritída so systém.začiat.,na v.miest.	M09.26	Juven.artritída pri ulcer.kolitíde,s postih.klb.predkol.
M08.21	Juven.chron.artritída so systém.začiat.,v obl.pleca	M09.27	Juven.artritída pri ulcer.kolitíde,s postih.klb.čl. a nohy
M08.22	Juven.chron.artritída so systém.začiat.,v o.nadlaktia	M09.28	Juven.artritída pri ulcer.kolitíde,s postih.klb.na i.mieste
M08.23	Juven.chron.artritída so systém.začiat.,v o.predlak.	M09.29	Juven.artritída pri ulcer.kolitíde,s postih.klb.na n.mieste
M08.24	Juven.chron.artritída so systém.začiat.,v o.ruky	M09.80	Juven.artritída pri i.chor.zatr.i.s postih.klb.na viac.m.
M08.25	Juven.chron.artritída so systém.začiat.,v o.panvy a stehna	M09.81	Juven.artritída pri i.chor.zatr.i.s postih.klb.v obl.pleca
M08.26	Juven.chron.artritída so systém.začiat.,v o.predkol.	M09.82	Juven.artritída pri i.chor.zatr.i.s postih.klb.nadlaktia
M08.27	Juven.chron.artritída so systém.začiat.,v o.čl.a nohy	M09.83	Juven.artritída pri i.chor.zatr.i.s postih.klb.predlak.
M08.28	Juven.chron.artritída so systém.začiat.,na i.mieste	M09.84	Juven.artritída pri i.chor.zatr.i.s postih.klb.ruky
M08.29	Juven.chron.artritída so systém.začiat.,na n.mieste	M09.85	Juven.artritída pri i.chor.zatr.i.s postih.klb.panvy a stehna
M08.3	Juven.chron.artritída (séronegatívna),polyartikulárna forma	M09.86	Juven.artritída pri i.chor.zatr.i.s postih.klb.predkol.
M08.40	Juven.chron.artritída,oligoart.forma,s postih.na viac.m.	M09.87	Juven.artritída pri i.chor.zatr.i.s postih.klb.čl.a nohy
M08.41	Juven.chron.artritída,oligoart.forma,s postih.v obl.pleca	M09.88	Juven.artritída pri i.chor.zatr.i.s postih.klb.na i.mieste
M08.42	Juven.chron.artritída,oligoart.forma,s postih.nadlaktia	M09.89	Juven.artritída pri i.chor.zatr.i.s postih.klb.,m.bliž.neurč.
M08.43	Juven.chron.artritída,oligoart.forma,s postih.predlak.	M30.2	Juvenilná polyarteritída
M08.44	Juven.chron.artritída,oligoart.forma,s postih.ruky	M33.0	Juvenilná dermatomyozitída
M08.45	Juven.chron.artritída,oligoart.forma,s postih.pan.a stehna	M41.10	Juvenilná idiopat.skolióza na viac.m.chrbtice
M08.46	Juven.chron.artritída,oligoart.forma,s postih.predkol.	M41.11	Juvenilná idiopat.skolióza okcip.-atlanto.-axiál.oblasti
M08.47	Juven.chron.artritída,oligoart.forma,s postih.čl.a nohy	M41.12	Juvenilná idiopat.skolióza krčnej oblasti
M08.48	Juven.chron.artritída,oligoart.forma,s postih.na i.mieste	M41.13	Juvenilná idiopat.skolióza krčnohrudnej oblasti
M08.49	Juven.chron.artritída,oligoart.forma,s postih.na n.mieste	M41.14	Juvenilná idiopat.skolióza hrudníkovej oblasti
M08.80	Iná juvenilná artritída na viacerých miestach	M41.15	Juvenilná idiopat.skolióza hrudníkovodriekovej oblasti
M08.81	Iná juvenilná artritída v obl.pleca	M41.16	Juvenilná idiopat.skolióza driekovej oblasti
M08.82	Iná juvenilná artritída nadlaktia	M41.17	Juvenilná idiopat.skolióza driekovokrížovej oblasti
M08.83	Iná juvenilná artritída predlak.	M41.18	Juvenilná idiopat.skolióza krížovej a krížovokostrč.oblasti
M08.84	Iná juvenilná artritída ruky	M41.19	Juvenilná idiopat.skolióza:oblasť bliž.neurč.
M08.85	Iná juvenilná artritída panv.obl.a stehna	M42.00	Juvenilna osteochondróza chrbtice na viac.m.
M08.86	Iná juvenilná artritída predkol.	M42.01	Juvenilna osteochondróza chrbtice v okcip.-atlanto.-axiál.obl.
M08.87	Iná juvenilná artritída čl.a nohy	M42.02	Juvenilná osteochondróza chrbtice v krčnej oblasti
M08.88	Iná juvenilná artritída na i.mieste	M42.03	Juvenilná osteochondróza chrbtice v krčnohrudníkovej obl.
M08.89	Iná juvenilná artritída,miesto bližšie neurčené	M42.04	Juvenilná osteochondróza chrbtice v hrudníkovej obl.
M08.90	Juven.artritída,bliž.neurč.na viac.m.	M42.05	Juvenilná osteochondróza chrbtice v hrudník-driekovej obl.
M08.91	Juven.artritída,bliž.neurč.v obl.pleca	M42.06	Juvenilná osteochondróza chrbtice v driekovej obl.
M08.92	Juven.artritída,bliž.neurč.v obl.nadlaktia	M42.07	Juvenilná osteochondróza chrbtice v driek.-krížovej obl.
M08.93	Juven.artritída,bliž.neurč.v obl.predlak.	M42.08	Juvenilná osteochondróza chrbt.v kríž.a krížovokostrč.obl.
M08.94	Juven.artritída,bliž.neurč.v obl.ruky	M42.09	Juvenilná osteochondróza chrbtice:oblasť bliž.neurč.
M08.95	Juven.artritída,bliž.neurč.panv.obl.a stehna	M89.10	Zastavenie rastu v epifýze,na viacerých miestach
M08.96	Juven.artritída,bliž.neurč.v obl.predkol.	M89.11	Zastavenie rastu v epifýze,v obl.pleca
M08.97	Juven.artritída,bliž.neurč.v obl.čl.a nohy	M89.12	Zastavenie rastu v epifýze,v obl.nadlaktia
M08.98	Juven.artritída,bliž.neurč.na i.mieste	M89.13	Zastavenie rastu v epifýze,v obl.predlak.
M08.99	Juven.artritída,bliž.neurč.,miesto bliž.neurč.	M89.14	Zastavenie rastu v epifýze,v obl.ruky
M09.00	Juven.artritída pri psoriáze,s postih.klb.na viac.m.	M89.15	Zastavenie rastu v epifýze,v obl.panv.a stehna
M09.01	Juven.artritída pri psoriáze,s postih.klb.v obl.pleca	M89.16	Zastavenie rastu v epifýze,v obl.predkol.
M09.02	Juven.artritída pri psoriáze,s postih.klb.nadlaktia	M89.17	Zastavenie rastu v epifýze,v obl.čl.a nohy

Kód	Popis	Kód	Popis
M89.18	Zastavenie rastu v epifýze, na i. mieste	M91.8	Iná juvenilná osteochondróza bedra a panvy
M89.19	Zastavenie rastu v epifýze, miesto bliž. neurč.	M91.9	Juvenilná osteochond. bedra a panvy, b.n.
M89.20	Iné poruchy vývinu a rastu kosti na viac.m.	M92.0	Juvenilná osteochondróza ramennej kosti
M89.21	Iné poruchy vývinu a rastu kosti v obl. pleca	M92.1	Juvenilná osteochondróza vretennej a lakt'ovej kosti
M89.22	Iné poruchy vývinu a rastu kosti nadlaktia	M92.2	Juvenilná osteochondróza ruky
M89.23	Iné poruchy vývinu a rastu kosti predlak.	M92.3	Iná juvenilná osteochondróza hornej končatiny
M89.24	Iné poruchy vývinu a rastu kosti ruky	M92.4	Juvenilná osteochondróza pately
M89.25	Iné poruchy vývinu a rastu kosti panv. obl. a stehna	M92.5	Juvenilná osteochondróza píštalý a ihlice
M89.26	Iné poruchy vývinu a rastu kosti predkol.	M92.6	Juvenilná osteochondróza priehlavku
M89.27	Iné poruchy vývinu a rastu kosti čl. a nohy	M92.7	Juvenilná osteochondróza predpriehlavku (metatarzu)
M89.28	Iné poruchy vývinu a rastu kosti na i. mieste	M92.8	Iná juvenilná osteochondróza, bližšie určená
M89.29	Iné poruchy vývinu a rastu kosti, miesto bliž. neurč.	M92.9	Juvenilná osteochondróza, bližšie neurčená
M91.0	Juvenilná osteochondróza panvy	R62.0	Oneskorené dosiahnutie očakáv. stupňa. fyziol. vývinu
M91.1	Juvenilná osteochond. hlavice steh. kosti	R62.8	Iné zaostávanie v očakávanom fyziologickom vývine
M91.2	Coxa plana	R62.9	Zaostávanie v očakávanom normálnom fyziol. vývine, b.n.
M91.3	Pseudokoxalgia		

**D.4e Konflikt s vekom: Post-neonatal**

Kód	Popis	Kód	Popis
E12.01	DM spojený s podvýž.:s kórou ,dekomp.	E14.60	DM,blíž.neu.:s i.blíž.ur.kompl.,kompenz.
E12.11	DM spojený s podvýž.:s ketoacidózou,dekomp.	E14.61	DM,blíž.neu.:s i.blíž.ur.kompl.,dekomp.
E12.20	DM spojený s podvýž.:s obličk.kompl.,kompenz.	E14.72	DM,blíž.neu.:s i.mnohopočét.kompl.,kompenz.
E12.21	DM spojený s podvýž.:s obličk.kompl.,dekomp.	E14.73	DM,blíž.neu.:s mnohopočét.kompl.,dekomp.
E12.30	DM spojený s podvýž.:s očnými kompl.,kompenz.	E14.74	DM,blíž.neu.:s mnohop.kompl.,so synd.diab..nohy,kompenz.
E12.31	DM spojený s podvýž.:s očnými kompl.,dekomp.	E14.75	DM,blíž.neu.:s mnohop.kompl.,so synd.diab.nohy,dekomp.
E12.40	DM spojený s podvýž.:s nervovými kompl.,kompenz.	E14.80	DM,blíž.neu.:s blíž.neu.kompl.,kompenz.
E12.41	DM spojený s podvýž.:s nervovými kompl.,dekomp.	E14.81	DM,blíž.neu.:s blíž.neu.kompl.,dekomp.
E12.50	DM spojený s podvýž.:s perif.ciev. kompl.,kompenz.	E14.90	DM,blíž.neu.:bez kompl.,kompenz.
E12.51	DM spojený s podvýž.:s perif.ciev. kompl.,dekomp.	E14.91	DM,blíž.neu.:bez kompl.,dekomp.
E12.60	DM spojený s podvýž.:s i.b.u.kompl.,kompenz.	E56.1	Nedostatok vitamínu K
E12.61	DM spojený s podvýž.:s i.b.u.kompl.,dekomp.	E63.0	Nedostatok esenciálnych mastných kyselín
E12.72	DM spojený s podvýž.:s viac.kompl.,kompenz.	E63.1	Nedost.vo výžive v dôsl.nerov. v zložení potravy
E12.73	DM spojený s podvýž.:s viac.kompl.,dekomp.	E63.8	Iný nedostatok vo výžive,blížšie určený
E12.74	DM spo.s pod.:s viac.kompl.,so synd.diab.nohy,kompenz.	E63.9	Nedostatok vo výžive,blížšie neurčený
E12.75	DM spo.s pod.:s viac.kompl.,so synd.diab.nohy,dekomp.	E64.0	Následky proteínovo-energetickej podvýživy
E12.80	DM spojený s podvýž.:s blíž.neu.kompl.,kompenz.	E64.1	Následky nedostatku vitamínu A
E12.81	DM spojený s podvýž.:s blíž.neu.kompl.,dekomp.	E64.2	Následky nedostatku vitamínu C
E12.90	DM spojený s podvýž.:bez kompl.,kompenz.	E64.3	Následky rachitídy
E12.91	DM spojený s podvýž.:bez kompl.,dekomp.	E64.8	Následky iných nedostatkov vo výžive
E13.01	Iný DM,blíž.ur.:s kórou,dekomp.	E64.9	Následky blížšie neurčených nedostatkov vo výžive
E13.11	Iný DM,blíž.ur.:s ketoacidózou,dekomp.	E65	Lokalizovaná obezita
E13.20	Iný DM,blíž.ur.:s obličk.kompl.,kompez.	E66.00	Obezita zapr.nadm.ener.prij.,BMI:od 30 do men.ako 35
E13.21	Iný DM,blíž.ur.:s obličk.kompl.,dekomp.	E66.01	Obezita zapr.nadm.ener.prij.,BMI:od 35 do men.ako 40
E13.30	Iný DM,blíž.ur.:s očnými kompl.,kompenz.	E66.02	Obezita zapr.nadm.ener.prij.,BMI:40 a viac
E13.31	Iný DM,blíž.ur.:s očnými kompl.,dekomp.	E66.09	Obezita zapr.nadm.ener.prij.,BMI:neurčený
E13.40	Iný DM,blíž.ur.:s nervovými kompl.,kompenz.	E66.10	Obezita zapr.liék.,BMI:od 30 do men.ako 35
E13.41	Iný DM,blíž.ur.:s nervovými kompl.,dekomp.	E66.11	Obezita zapr.liék.,BMI:od 35 do men.ako 40
E13.50	Iný DM,blíž.ur.:s perif.cievnyimi kompl.,kompenz.	E66.12	Obezita zapríčinená liekmi,BMI:40 a viac
E13.51	Iný DM,blíž.ur.:s perif.cievnyimi kompl.,dekomp.	E66.19	Obezita zapríčinená liekmi,BMI:neurčený
E13.60	Iný DM,blíž.ur.:s i.blíž.ur.kompl.,kompenz.	E66.20	Extr.obezita s alveol.hypovent.,BMI:od 30 do men.ako 35
E13.61	Iný DM,blíž.ur.:s i.blíž.ur.kompl.,dekomp.	E66.21	Extr.obezita s alveol.hypovent.,BMI:od 35 do men.ako 40
E13.72	Iný DM,blíž.ur.:s i.mnohopočét.kompl.,kompenz.	E66.22	Extr.obezita s alveol.hypovent.,BMI:40 a viac
E13.73	Iný DM,blíž.ur.:s i.mnohopočét.kompl.,dekomp.	E66.29	Extr.obezita s alveol.hypovent.,BMI:.,b.n.
E13.74	Iný DM,blíž.ur.:s mnohop.kompl.,so synd.diab.nohy,kompenz.	E66.80	Iná obezita,BMI:od 30 do menej ako 35
E13.75	Iný DM,blíž.ur.:s mnohop.kompl.,so synd.diabet.nohy,dekomp.	E66.81	Iná obezita,BMI:od 35 do menej ako 40
E13.80	Iný DM,blíž.ur.:s blíž.neurč.kompl.,kompenz.	E66.82	Iná obezita,BMI:40 a viac
E13.81	Iný DM,blíž.ur.:s blíž.neurč.kompl.,dekomp.	E66.89	Iná obezita,BMI:neurčený
E13.90	Iný DM,blížšie určený:bez kompl.,kompenz.	E66.90	Obezita,blíž.neu.,BMI:od 30 do men.ako 35
E13.91	Iný DM,blížšie určený:bez kompl.,dekomp.	E66.91	Obezita,blíž.neu.,BMI:od 35 do men.ako 40
E14.01	DM,blíž.neu.:s kórou,dekomp.	E66.92	Obezita,blížšie neurčená, BMI:40 a viac
E14.11	DM,blíž.neu.:s ketoacidózou,dekomp.	E66.99	Obezita,blížšie neurčená, BMI:neurčený
E14.20	DM,blíž.neu.:s obličk.kompl.,kompenz.	E67.0	Hypervitaminóza A
E14.21	DM,blíž.neu.:s obličk.kompl.,dekomp.	E67.1	Hyperkarotenémia
E14.30	DM,blíž.neu.:s očnými kompl.,kompenz.	E67.2	Syndróm nadbytku vitamínu B6
E14.31	DM,blíž.neu.:s očnými kompl.,dekomp.	E67.3	Hypervitaminóza D
E14.40	DM,blíž.neu.:s nervovými kompl.,kompenz.	E67.8	Iná blížšie určená nadmerná výživa
E14.41	DM,blíž.neu.:s nervovými kompl.,dekomp.	E68	Následok nadmernej výživy
E14.50	DM,blíž.neu.:s perif.ciev.kompl.,kompenz.	K92.1	Meléna
E14.51	DM,blíž.neu.:s perif.ciev.kompl.,dekomp.		

## D.4f Konflikt s vekom: Starší ako dojča

Kód	Popis	Kód	Popis
A50.3	Neskorá vrodená syfilitická okulopatia	J44.12	CHOCHP s ak.exacer.chor.bl.neu.FEV1 >= 50 % a <70 %prís.h.
A50.4	Neskorý vrodenný neurosyfilis[Juvenilný neurosyfilis]	J44.13	CHOCHP s ak.exacer.chor.bliž.neurč.FEV1 >= 70 % prísluš.h.
A50.5	Iný neskorý vrodenný syfilis,symptomatický	J44.19	CHOCHP s ak.exacer.chor.bliž.neurč.,hodnota FEV1 b.n.
A50.6	Neskorý vrodenný syfilis,latentný	J44.80	Iná CHOCHP,bliž.urč.FEV1 < 35 % prís.hodnoty
A50.7	Neskorý vrodenný syfilis,bližšie neurčený	J44.81	Iná CHOCHP,bliž.urč.FEV1 >= 35 % a < 50 % prís.hodnoty
B94.0	Následky trachómu	J44.82	Iná CHOCHP,bliž.urč.FEV1 >= 50 % a < 70 % prís.hodnoty
B94.1	Následky vírusovej encefalitídy	J44.83	Iná CHOCHP,bliž.urč.FEV1 >= 70 % prís.hodnoty
B94.2	Následky vírusovej hepatitídy	J44.89	Iná CHOCHP,bliž.urč.hodnota FEV1 bliž.neurč.
B94.8	Následky iných.bliž.urč.infekčných a parazitových chorôb	K00.0	Anodoncia
B94.9	Následky bliž.neurč.infekčných/parazitových chorôb	K00.1	Nadpočetné zuby
F80.0	Špecifická porucha artikulácie	K00.2	Abnormalita veľkosti a tvaru zubov
F80.1	Expresívna porucha reči	K00.3	Škvrité zuby
F80.20	Porucha sluchového vnímania a spracovania	K00.4	Porucha tvorby zubov
F80.28	Iná perceptívna porucha reči	K00.5	Dedičná porucha zubnej štruktúry,nezatriedená inde
F80.3	Získaná afázia s epilepsiou (Landauov-Kleffnerov syndróm)	K00.6	Porucha prerezávania zubov
F80.8	Iná vývinová porucha reči a jazyka	K00.7	Syndróm rastu chrupu
F80.9	Vývinová porucha reči a jazyka,bližšie neurčená	K00.8	Iná porucha zubného vývinu
F81.0	Špecifická porucha čítania	K00.9	Porucha zubného vývinu,bližšie neurčená
F81.1	Špecifická porucha hláskovania	K01.0	Neprezerané zuby
F81.2	Špecifická porucha aritmetických schopností	K01.1	Vrastené zuby
F81.3	Zmiešaná porucha školských zručností	K02.0	Kaz ohraničený na sklovinu
F81.8	Iná vývinová porucha školských zručností	K02.1	Kaz dentínu
F81.9	Vývinová porucha školských zručností,b.n.	K02.2	Kaz cementu
F82.0	Špecifická porucha vývinu hrubej motoriky	K02.3	Zastavený zubný kaz
F82.1	Špecifická porucha vývinu jemnej motoriky a grafomotoriky	K02.4	Odontoklázia
F82.2	Špecifická porucha vývinu ústnej motoriky	K02.5	Zubný kaz s obnažením drene
F82.9	Špecifická porucha vývinu motorických funkcií,b.n.	K02.8	Iný zubný kaz
F83	Zmiešaná špecifická vývinová porucha	K02.9	Zubný kaz,bližšie neurčený
F88	Iná porucha psychického vývinu	K03.0	Nadmerné obrusovanie zubov
F89	Porucha psychického vývinu, bližšie neurčená	K03.1	Abrázia zubov
H40.0	Podозrenie na glaukóm	K03.2	Erózia zubov
H40.1	Primárny glaukóm s otvoreným uhlom	K03.3	Patologická resorpcia zubov
H40.2	Primárny glaukóm so zatvoreným uhlom	K03.4	Hypercementóza
H40.3	Sekundárny glaukóm po poranení oka	K03.5	Ankylóza zubov
H40.4	Sekundárny glaukóm po zápale oka	K03.6	Usadeniny[povlaky]na zochob
H40.5	Sekundárny glaukóm pri iných chorobách	K03.7	Farebné zmeny tvrdých zubných tkanív po prerezaní zubov
H40.6	Sekundárny glaukóm zapríčinený liekmi	K03.8	Iné choroby tvrdých tkanív zubov,bližšie určené
H40.8	Iný glaukóm	K03.9	Choroby tvrdých tkanív zubov,bližšie neurčené
H40.9	Glaukóm,bližšie neurčený	K04.0	Zápal zubnej drene
H42.0	Glaukóm pri endokrín.,nutričných a metabol.chor.z.i.	K04.1	Nekróza zubnej drene
H42.8	Glaukóm pri iných chorobách zatriedených inde	K04.2	Degenerácia zubnej drene
I09.0	Reumatická myokarditída	K04.3	Abnormálna tvorba tvrdého tkaniva v zubnej dreni
I09.1	Reumatická choroba endokardu bliž.neurč.chlopne	K04.4	Akútna apikálna periodontitída dreňového pôvodu
I09.2	Chronická reumatická perikarditída	K04.5	Chronická apikálna periodontitída
I09.8	Iná reumatická choroba srdca,bližšie určená	K04.6	Periapikálny absces s fistulou
I09.9	Reumatická choroba srdca,bližšie neurčená	K04.7	Periapikálny absces bez fistuly
I26.0	Pľúcna embólia s prejavmi akútneho cor pulmonale	K04.8	Radikulárna cysta
I27.0	Primárna pľúcna hypertenzia	K04.9	Iná a bliž.neurč.choroba zubnej drene a periapikálnych tkan.
I27.1	Srdcová choroba pri kyfoskolióze	K05.0	Akútny zápal ďasien
J37.0	Chronický zápal hrtana	K05.1	Chronický zápal ďasien
J37.1	Chronický zápal hrtana a priedušnice	K05.2	Akútna parodontitída
J41.0	Jednoduchá chronická bronchitída	K05.3	Chronická parodontitída
J41.1	Hlienovohnisová chronická bronchitída	K05.4	Parodontóza
J41.8	Zmiešaná jednod.a hlienovohnis.chron.bronchitída	K05.5	Iná choroba parodontu
J42	Chronická bronchitída,bližšie neurčená	K05.6	Choroba parodontu,bližšie neurčená
J43.0	MacLeodov syndróm	K06.0	Atrofia ďasien
J43.1	Panlobulárny emfyzém	K06.1	Hypertrofia ďasien
J43.2	Centrilobulárny emfyzém	K06.2	Pošk.ďasien a bezzubého alveol.hrebeňa,zapr.traumou
J43.8	Iný emfyzém	K06.8	Iná choroba ďasien a bezzubého alveol.hrebeňa,b.u.
J43.9	Emfyzém, bližšie neurčený	K06.9	Choroba ďasien a bezzubého alveol.hrebeňa,b.n.
J44.00	CHOCHP s akútnou infekc.dolných DC,FEV1 < 35 % prís.hodn.	K07.0	Väčšie anomálie veľkosti čelustí
J44.01	CHOCHP s ak.infekc.dolných DC,FEV1 >= 35 < 50 %prís.h.	K07.1	Anomálie polohy čelustí oproti lebkovej spodine
J44.02	CHOCHP s ak.infek.dol.DC,FEV1 >= 50 % a < 70 % prís.hodn.	K07.2	Anomálie vzájomnej polohy zubných oblúkov
J44.03	CHOCHP s ak.infek.dolných DC,FEV1 >= 70 % prís.hodn.	K07.3	Anomálie postavenia zubov
J44.09	CHOCHP s akútnou infekc.dolných DC,hodn.FEV1 bliž.neurč.	K07.4	Chybný zhryz,bližšie neurčený
J44.10	CHOCHP s akút.exacer.chor.bliž.neurč.FEV1<35 % prís.hodn.	K07.5	Dentofaciálne funkčné abnormality
J44.11	CHOCHP s ak.exacer.chor.bl.neu.FEV1 >= 35% a <50 %prís.h.	K07.6	Choroba temporomandibulárneho kĺbu



Kód	Popis	Kód	Popis
K07.8	Iné dentofaciálne anomálie	N01.5	Rýchlo progred.nefrit.synd.:dif.mezangiokap.glomerulonefrit.
K07.9	Dentofaciálna anomália,blížšie neurčená	N01.6	Rýchlo progred.nefritický synd.:chor.denzných depozitov
K08.0	Exfoliácia zubov zapríčinená systémovou chorobou	N01.7	Rýchlo progred.nefritický synd.:dif.glomerulonefrit.s výras.
K08.1	Strata zubov zapríč.úrazom,extrakci./lokál.chor.parodontu	N01.8	Rýchlo progred.nefritický synd.:i.morfol.zemny
K08.2	Atrofia bezzubého alveolového hrebeňa	N01.9	Rýchlo progred.nefritický synd.:morfol.zmena,b.n.
K08.3	Retinovaný zubný koreň[radix relicta]	N03.0	Chron.nefritický syndróm:malé abn.glomerulov
K08.81	Patologická zlomenina zuba	N03.1	Chron.nefritický synd.:fok.a segm.lézie glomerulov
K08.88	Iné choroba zubov a podpomých štruktúr,b.u.	N03.2	Chron.nefritický synd.:dif.membránová glomerulonefrit.
K08.9	Choroba zubov a podpomých štruktúr,b.n.	N03.3	Chron.nefritický synd.:dif.mezangioprolif.glomerulonefrit.
K22.0	Achalázia kardie	N03.4	Chron.nefritický synd.:dif.endokap.prolif.glomerulonefrit.
K22.2	Nepriechodnosť pažeráka	N03.5	Chron.nefritický synd.:dif.mezangiokap.glomerulonefrit.
K22.9	Choroba pažeráka,blížšie neurčená	N03.6	Chron.nefritický synd.:chor.denzných depozitov
K73.0	Chronická perzistujúca hepatitída,n.i.	N03.7	Chron.nefritický synd.:dif.glomerulonefrit.s výrastkami
K73.1	Chronická lobulárna hepatitída, nezatriedená inde	N03.8	Chron.nefritický synd.:i.morfol.zmeny
K73.2	Chronická aktívna hepatitída,nezatriedená inde	N03.9	Chron.nefritický synd.:morfol.zmena,blíž.neurč.
K73.8	Iná chronická hepatitída,nezatriedená inde	N18.1	Chronická choroba obličiek,1.štádium
K73.9	Chronická hepatitída,blížšie neurčená	N18.2	Chronická choroba obličiek,2.štádium
K76.0	Stukovatenie pečene, nezatriedené inde	N18.3	Chronická choroba obličiek,3.štádium
N01.0	Rýchlo progred.nefritický synd.:malé abn.glomerulov	N18.4	Chronická choroba obličiek,4.štádium
N01.1	Rýchlo progred.nefrit.synd.:fok.a segm.lézie glomer.	N18.80	Jednostranná chronická porucha funkcie obličky
N01.2	Rýchlo progred.nefrit.ynd.:dif.membránová glom.nefrit.	N18.89	Iná chronická choroba obličiek,štádium,b.n.
N01.3	Rýchlo progred.nefrit.synd.:dif.mezangioprolif glom.nefrit.	N18.9	Chronická choroba obličiek,blížšie neurčená
N01.4	Rýchlo progred.nefrit.synd.:dif.endokap.prolif.glom.nefrit.	N19	Zlyhanie obličiek,blížšie neurčené

#### D.4g Konflikt s vekom: Puberta

Kód	Popis	Kód	Popis
E30.8	Iná porucha puberty	M35.2	Behçetova choroba
E30.9	Porucha puberty, bližšie neurčená	N92.2	Nadmerná menštruácia v puberte

D.4g

## D.4h Konflikt s vekom: Diagnózy v plodnom veku

Kód	Popis	Kód	Popis
A34	Tetanus počas gravidity,pôrodu a v šestonedelí	O03.6	Spont.potrat:komplet./bliž.n.potrat,kompl.oneskor./nadm.krvác.
C58	Zhubný nádor placenty	O03.7	Spont.potrat:komplet./bliž.neurč.potrat,kompl.embóliou
F53.0	Mierna duševná porucha a por.správ.v šestonedelí,nezat.inde	O03.8	Spont.potrat:komplet./bliž.neurč.potrat s i.a bliž.neur.kompl.
F53.1	Ťažká duševná porucha a por.správ.v šestonedelí,nezat.inde	O03.9	Spont.potrat:komplet./bliž.n.eurč.potrat bez kompl.
F53.8	Iná duševná porucha a por.správ.v šestonedelí,nezat.inde	O04.0	Lek.potrat:nekomplet.potrat,kompl.infek.pohlav.a panv.org.
F53.9	Duševná porucha v šestonedelí,bližšie neurčená	O04.1	Lek.potrat:nekomplet.potrat,kompl.oneskor./nadmer.krvác.
M83.00	Osteomalácia v šestonedelí na viacerých miestach	O04.2	Lek.potrat:nekomplet.potrat,komplikovaný embóliou
M83.01	Osteomalácia v šestonedelí v obl.pleca	O04.3	Lek.potrat:nekomplet.potrat s i.a bliž.neurč.kompl.
M83.02	Osteomalácia v šestonedelí v obl.nadlaktia	O04.4	Lekársky potrat:nekompletný potrat bez komplikácií
M83.03	Osteomalácia v šestonedelí v obl.predlak.	O04.5	Lek.potrat:komplet./bliž.neu.potrat,kompl.inf.pohl.a panv.org.
M83.04	Osteomalácia v šestonedelí v obl.ruky	O04.6	Lek.potrat:komplet./bliž.n.potrat,kompl.oneskor./nadmer.krvác.
M83.05	Osteomalácia v šestonedelí v obl.panv.obl.a stehna	O04.7	Lek.potrat:komplet./bliž.neurč.potrat,kompl.embóliou
M83.06	Osteomalácia v šestonedelí v obl.predkol.	O04.8	Lek.potrat:komplet./bliž.neur.potrat s i.a b.n.kompl.
M83.07	Osteomalácia v šestonedelí v obl.čl.a nohy	O04.9	Lek.potrat:komplet./bliž.neur.potrat bez kompl.
M83.08	Osteomalácia v šestonedelí na i.mieste	O05.0	Iný potrat:nekomplet.potrat,kompl.inf.pohl.a panv.org.
M83.09	Osteomalácia v šestonedelí,miesto bliž.neurč.	O05.1	Iný potrat:nekomplet.potrat,kompl.oneskor./nadmer.krvác.
N91.0	Primárna amenorea	O05.2	Iný potrat:nekomplet.potrat,kompl.embóliou
N91.1	Sekundárna amenorea	O05.3	Iný potrat:nekomplet.potrat s i.a bliž.neurč.kompl.
N91.2	Amenorea,bližšie neurčená	O05.4	Iný potrat: nekompletný potrat bez komplikácií
N91.3	Primárna oligomenorea	O05.5	Iný potrat:komplet./bliž.neu.potrat,kompl.inf.pohl.a panv.org.
N91.4	Sekundárna oligomenorea	O05.6	Iný potrat:komplet./bliž.n.potrat,kompl.oneskor./nadmer.krvác.
N91.5	Oligomenorea,bližšie neurčená	O05.7	Iný potrat:komplet./bliž.neurč.potrat,kompl.embóliou
N92.0	Nadmerná/častá menštruácia s pravidelným cyklom	O05.8	Iný potrat:komplet./bliž.neurč.potrat s i.a b.n.kompl.
N92.1	Nadmerná/častá menštruácia s nepravidelným cyklom	O05.9	Iný potrat:komplet./bliž.neurč.potrat bez kompl.
N92.3	Ovulačné krvácanie	O06.0	Potrat,bliž.neurč:nekomplet.potrat,kompl.inf.pohl.a panv.org.
N92.4	Nadmerné krvácanie v premenopauze	O06.1	Potrat,bliž.neu.:nekomplet.potrat,kompl.oneskor./nadmer.krvác.
N92.5	Iná nepravidelná menštruácia,bližšie určená	O06.2	Potrat,bliž.neurč:nekomplet.potrat,kompl.embóliou
N92.6	Nepravidelná menštruácia,bližšie neurčená	O06.3	Potrat,bliž.neurč:nekomplet.potrat s i.a b.n.kompl.
N94.0	Ovulačná bolesť (Mittelschmerz)	O06.4	Potrat,bliž.neurč:neúplný potrat bez kompl.
N94.1	Dyspareunia	O06.5	Potrat,bliž.n.:komplet./bliž.n.potrat,kompl.inf.pohl.a panv.org.
N94.2	Vaginizmus	O06.6	Potrat,bliž.n.:komplet./bli.n.potrat,kompl.oneskor./nadmer.krvác.
N94.3	Predmenštruačný syndróm	O06.7	Potrat,bliž.neurč:komplet./bliž.neurč.potrat,kompl.embóliou
N94.4	Primárna dysmenorea	O06.8	Potrat,bliž.neurč:komplet./bliž.neurč.potrat s i.a b.n.kompl.
N94.5	Sekundárna dysmenorea	O06.9	Potrat,bliž.neurč:komplet./bliž.neurč.potrat bez kompl.
N94.6	Dysmenorea,bližšie neurčená	O07.0	Neúsp.lek.pokus o potrat,kompl.inf.pohl.a panv.org.
N96	Sklon k habituálnemu potrácaniu	O07.1	Neúsp.lek.pokus o potrat,kompl.oneskor./nadmer.krvác.
N97.0	Ženská neplodnosť spojená s anovuláciou	O07.2	Neúsp.lek.pokus o potrat,kompl.embóliou
N97.1	Ženská neplodnosť tubárneho pôvodu	O07.3	Neúsp.lek.pokus o potrat s i.a bliž.neur.kompl.
N97.2	Ženská neplodnosť maternicového pôvodu	O07.4	Neúspešný lekársky pokus o potrat bez komplikácií
N97.3	Ženská neplodnosť krčkového pôvodu	O07.5	Iný a bliž.neu.neús.pokus o potrat,kompl.inf.pohl.a panv.org.
N97.4	Ženská neplodnosť spojená s mužskými faktormi	O07.6	Iný a bliž.neu.neús.pokus o potrat,kompl.oneskor./nadm.krvác.
N97.8	Ženská neplodnosť iného pôvodu	O07.7	Iný a bliž.neurč.neús.pokus o potrat,kompl.embóliou
N97.9	Ženská neplodnosť,bližšie neurčená	O07.8	Iný a bliž.neurč.neús.pokus o potrat s i.a b.n.kompl.
N98.0	Infekcia spojená s umelým oplodnením	O07.9	Iný a bliž.neurč.neús.pokus o potrat bez kompl.
N98.1	Hyperstimulácia vaječníkov	O08.0	Infekcia pohlav.a panv.org.po potrate,mimomat.gr.a gr.s MH
N98.2	Komplikácie pri pokuse zaviesť oplod.vajíčko po oplod.in.vitro	O08.1	Onesk./nadm.krvác.po potr,mimomat.gr.a grav.s malou hydati.
N98.3	Komplikácie pri pokuse zaviesť embryo pri prenose embrya	O08.2	Embólia po potrate,mimomat.grav.a grav.s molou hydatidosu
N98.8	Iné komplikácie spojené s umelým oplodnením	O08.3	Šok po potrate,mimomat.grav.a grav.s molou hydatidosu
N98.9	Komplikácie spojené s umelým oplodnením,b.n.	O08.4	Zlyháv.obličiek po potrate,mimomat.grav.a grav.s mal hydati.
O00.0	Abdominálna gravidita	O08.5	Metabické poruchy po potrate,mimomat.gr.a gr.s mal hydati.
O00.1	Tubárna gravidita	O08.6	Pošk.panv.org.a tk.po potr,mimomat.gr.a grav.s malou hydati.
O00.2	Ováriová gravidita	O08.7	Iné žil.kompl.po potrate,mimomat.grav.a grav.s malou hydati.
O00.8	Iná mimomaternicová gravidita	O08.8	Iné kompl.po potrate,mimomat.grav.a grav.s molou hydatid.
O00.9	Mimomaternicová gravidita,bližšie neurčená	O08.9	Kompl.po potrate,mimomat.grav.a grav.s molou hydatid.b.n.
O01.0	Klasická mola hydatidosu	O09.0	Trvanie gravidity menej ako 5 ukončených týždňov
O01.1	Nekompletná a parciálna mola hydatidosu	O09.1	Trvanie gravidity od začat.5 po ukonč.13.týždeň
O01.9	Mola hydatidosu,bližšie neurčená	O09.2	Trvanie gravidity od začat.14.po ukonč.19.týž.
O02.0	Poškodené plodové vajce a nehydatidová mola	O09.3	Trvanie gravidity od začat.20.po ukonč.25.týž.
O02.1	Missed abortion (zadržaný potrat)	O09.4	Trvanie gravidity od začat.26.po ukonč.33.týž.
O02.8	Iný abnormálny výtvor počatia,bližšie určený	O09.5	Trvanie gravidity od začat.34.po ukonč.36.týž.
O02.9	Abnormálny výtvor počatia,bližšie neurčený	O09.9	Artériová hypertenzia matky,bližšie neurčená
O03.0	Spont.potrat:nekomplet.potrat,kompl.infek.pohl.a panv.org.	O10.0	Predt.exist.prim.artér.hypert.,kompl.grav.,pôr.a šeston.
O03.1	Spont.potrat:nekomplet.potrat,kompl.oneskor./nadmer.krvác.	O10.1	Predt.exist.hypert.chor.srdca,kompl.grav.,pôr.a šeston.
O03.2	Spont.potrat:nekomplet.potrat,komplikovaný embóliou	O10.2	Predt.exist.hypert.chor.oblič.,kompl.grav.,pôr.a šeston.
O03.3	Spont.potrat:nekomplet.potrat s i.a bliž.neurč.kompl.	O10.3	Predt.exi.hypert.chor.srd.a oblič.,kompl.grav.,pôr.a šest.
O03.4	Spont.potrat:nekomplet.potrat bez kompl.	O10.4	Predt.exist.sek.artér.hypert.,kompl.grav.,pôr.a šeston.
O03.5	Spont.potrat:komplet./bliž.n.potrat,kompl.inf.pohl.a panv.org.	O10.9	Predt.exist.artér.hypert.,kompl.grav.,pôr.a šeston.,b.n.

Kód	Popis	Kód	Popis
O11	Pred.exi.art.hypert.,kompl.grav.,pôr.a šest.,s nas.preek.	O29.4	Bolesť hlavy,po spinál.a epidurál.anest.v grav.
O12.0	Gestačné opuchy	O29.5	Iná komplikácia spinál.a epidurál.anestézie v grav.
O12.1	Gestačná proteinúria	O29.6	Neúspešná alebo sťažená intubácia v gravidite
O12.2	Gestačné opuchy s proteinúriou	O29.8	Iné komplikácie anestézie v gravidite
O13	Gestačná artér.hypert.bez významnej proteinúrie	O29.9	Komplikácia anestézie v gravidite,bližšie neurčená
O14.0	Mierna a stredne ťažká preeklampsia	O30.0	Gravidita s dvojčatami
O14.1	Ťažká preeklampsia	O30.1	Gravidita s trojčatami
O14.2	Syndróm HELLP	O30.2	Gravidita so štvorčatami
O14.9	Preeklampsia,bližšie neurčená	O30.8	Iná viacplodová gravidita
O15.0	Eklampsia v gravidite	O30.9	Viacplodová gravidita,bližšie neurčená
O15.1	Eklampsia pri pôrode	O31.0	Fetus papyraceus
O15.2	Eklampsia v šestonedelí	O31.1	Pokračujúca gravidita po potrate jedného/viac.plodov
O15.9	Eklampsia,časovo bližšie neurčená	O31.2	Pokračujúca gravidita po vnútrmat.smrťi jedného/viac.plodov
O16	Arteriálna hypertenzia matky,bližšie neurčená	O31.8	Iná kompl.špecifická pre viacplodovú graviditu
O20.0	Hrozíaci potrat (abortus imminens)	O32.0	Starostlivosť o matku pre nestabilnú polohu plodu
O20.8	Iné krvácanie vočasnej gravidite	O32.1	Starostl.o matku pre naliehanie plodu panv.koncom
O20.9	Krvácanie vočasnej gravidite,bližšie neurčené	O32.2	Starostl.o matku pre priečna a šikmá polohu plodu
O21.0	Hyperemesis gravidarum mierneho stupňa	O32.3	Star.o mat.pre tvár.a čel.polohu plod.a pri nalieh.plod.brad.
O21.1	Hyperemesis gravidarum s poruchou vnút.prostredia	O32.4	Star.o matku pre veľká hlavička plodu v termíne
O21.2	Neskoré vracanie v gravidite	O32.5	Star.o mat.pre viacplod.grav.s nespr.nalie.a nespr.poloh.plod
O21.8	Iné vracanie,komplikujúce graviditu	O32.6	Star.o matku pre súčasné nespráv.nalieh a nespráv.poloh.plodu
O21.9	Vracanie počas gravidity,bližšie neurčené	O32.8	Star.o matku pre iné nespr.naliehanie/nespr.poloha plodu
O22.0	Variety dolných končatín v gravidite	O32.9	Star.o matku pre iné nepravid.naliehanie/nespr.plo.plodu,b.n.
O22.1	Variety pohlavných orgánov v gravidite	O33.0	Star.o mat.pre nepomer medzi plod.a panv.,zapr.def.panv.k.
O22.2	Povrchová tromboflebitída v gravidite	O33.1	Star.o mat.pre nepomer medzi plod.a panv.zapr.celk.zúž.panva
O22.3	Hĺbková flebotrombóza v gravidite	O33.2	Star.o mat.pre nepomer medzi plod.a panv.zapr.zúž.panv.vch.
O22.4	Hemoroidy v gravidite	O33.3	Star.o mat.pre nepomer medzi plod.a panv.zapr.zúž.panv.vých.
O22.5	Trombóza mozgových žíl v gravidite	O33.4	Star.o mat.pre nep.medzi plod.a panv.,zapr.rozl.pr.matka/plod
O22.8	Iné žilové choroby ako komplikácie v gravidite	O33.5	Star.o matku pre nepom.medzi plod.a panv.,zapr.nezvy.vel.plod.
O22.9	Žilová choroba ako komplikácia v gravidite,b.n.	O33.6	Star.o matku pre nepom.medzi plod.a panv.,zapr.hydrocefus pl.
O23.0	Infekcia obličiek v gravidite	O33.7	Star.o mat. pre nepom.medzi plod.a panv.,zapr.i.abnormal.pl.
O23.1	Infekcia močového mechúra v gravidite	O33.8	Star.o matku pre nepom.medzi plod.a panv.z i.pričin
O23.2	Infekcia močovej rúry v gravidite	O33.9	Star.o matku pre nepom.medzi plod.a panvou,b.n.
O23.3	Infekcia iných častí močovej sústavy v gravidite	O34.0	Starostlivosť o matku pre vrodenú chybu maternice
O23.4	Infekcia moč.sústavy v gravidite,b.n.	O34.1	Starostlivosť o matku pre nádor tela maternice
O23.5	Infekcia pohlavných orgánov v gravidite	O34.2	Star.o matku jazvu na maternici po predchádz.chir.výk.
O23.9	Iná a bliž.neu.infekcia močovopohl.org.v grav.	O34.30	Star.o matku pri dlž.kčka mater.p.10 mm/pri insuf.pot.vag.USG
O24.0	DM v gravidite predtým existuj.DM,typ 1	O34.31	Starostlivosť o matku pri prolapse plodového vaku
O24.1	DM v gravidite predtým existuj.DM,typ 2	O34.38	Star.o matku pri i.insuficiencii krčka maternice
O24.2	DM v gravidite predtým existuj.DM súvis.s podvýživou	O34.39	Star.o matku pri b.n.insuficiencii krčka maternice
O24.3	DM v gravidite predtým existuj.DM,b.n.	O34.4	Star.o matku pre iné abnor.krčka maternice
O24.4	Diabetes mellitus so vznikom v gravidite	O34.5	Star.o matku pre Iné abnor.gravidnej maternice
O24.9	Diabetes mellitus v gravidite,bližšie neurčený	O34.6	Starostlivosť o matku pre abnormalitu pošvy
O25	Podvýživa v gravidite	O34.7	Star.o matku pre abnor.vulvy a hrádze
O26.0	Nadmerný hmotnostný prírastok v gravidite	O34.8	Star.o matku pre i.abnormal.panv.org.
O26.1	Malý hmotnostný prírastok v gravidite	O34.9	Star.o matku pre abnormal.panv.org.,b.n.
O26.2	Starost.o gravidnú ženu pri habituálnom potrácaní	O35.0	Star.o matku pre(susp.)výv.chybu CNS plodu
O26.3	Ponechané vnútrmat.antikoncepčné teliesko v grav.	O35.1	Star.o matku pre(susp.)chromozómovú anomáliu plodu
O26.4	Herpes gestationis	O35.2	Star.o matku pre(susp.)dedičnú chorobu plodu
O26.5	Syndróm arteriovej hypotenzie matky	O35.3	Star.o matku pre(susp.)pošk.plodu vír.chor.matky
O26.6	Choroba pečene v gravidite,pri pôrode a v šestonedelí	O35.4	Star.o matku pre(susp.)pošk.plodu alkoholom
O26.7	Sublux.symphysis ossis pubis v grav.,pri pôrode a v šeston.	O35.5	Star.o matku pre(susp.)pošk.plodu liekom/drogou
O26.81	Choroba obličiek súvisiaca s graviditou	O35.6	Star.o matku pre(susp.)pošk.plodu žiarením
O26.82	Syndróm karpálneho tunela počas gravidity	O35.7	Star.o matku pre(susp.)pošk.plodu iným lekárom.výkon.
O26.83	Periférna neuritída počas gravidity	O35.8	Star.o matku-inú (susp.)abn.a (susp.)pošk.plodu
O26.88	Iné stavy súvisiace s graviditou,bližšie určené	O35.9	Star.o matku pre(susp.)b.n.abn.a (susp.)pošk.plodu
O26.9	Stav súvisiaci s graviditou,bližšie neurčený	O36.0	Star.o matku pre izoimunizáciu v systéme Rh
O28.0	Abnorm.hematol.nález v prenatal.skríningu matky	O36.1	Starostlivosť o matku pre inú izoimunizáciu
O28.1	Abnorm.biochem.nález v prenatal.skríningu matky	O36.2	Starostlivosť o matku pre fetálny hypodrops
O28.2	Abnorm.cytolog.nález v prenatal.skríningu matky	O36.3	Starostlivosť o matku pre príznaky hypoxie plodu
O28.3	Abnorm.UZV nález v prenatal.skríningu matky	O36.4	Star.o matku pre vnútrmaternicovú smrť plodu
O28.4	Abnorm.rádiolog.nález v prenatal.skríningu matky	O36.5	Starostlivosť o matku pre zníženú hmotnosť plodu
O28.5	Abnorm.chromoz.a genetic.nález v prenatal.skríningu matky	O36.6	Starostlivosť o matku pre nadmernú hmotnosť plodu
O28.8	Iný abnormálny nález v prenatal.skríningu matky	O36.7	Starost.o matku pre abdom.grav.so živým plodu
O28.9	Abnorm.nález v prenatal.skríningu matky,b.n.	O36.8	Starost.o matku pre i.problémy plodu,b.u.
O29.0	Pľúcne komplikácie anestézie v gravidite	O36.9	Starost.o matku pre problémy plodu,b.n.
O29.1	Srdcové komplikácie anestézie v gravidite	O40	Polyhydramnion
O29.2	Komplikácie v CNS v spoj.s anestéziou v gravidite	O41.0	Oligohydramnion
O29.3	Toxická reakcia na lokálnu anestéziu v gravidite	O41.1	Infekcia plodového vaku a plodových obalov

Kód	Popis	Kód	Popis
O41.8	Iné poruchy plodovej vody a obalov, bližšie určené	O66.9	Nepokračujúci pôrod, bližšie neurčený
O41.9	Poruchy plodovej vody a obalov, bližšie neurčené	O67.0	Krvácanie pri pôrode s poruchou koagulácie
O42.0	Predčasné puknutie plod.obalov, zač.pôr.čín.do 24hod.	O67.8	Iné krvácanie pri pôrode
O42.11	Predčasné puknutie plod.obalov, zač.pôr.činn.po 1-7dňoch	O67.9	Krvácanie pri pôrode, bližšie neurčené
O42.12	Predčasné puknutie plod.obalov, zač.pôr.činn.po viac ako 7d.	O68.0	Kompl.pôrod.čín.a pôrodu pre abn.srd.frekv.plodu
O42.2	Predčasné puknutie plod.obalov, pôrododdialený liečbou	O68.1	Kompl.pôrod.čín.a pôrodu pre mekónium v plod.vode
O42.9	Predčasné pukn. plod.obalov, b.n.	O68.2	Kompl.pôrod.čín.a pôro.pre abn.srdc.fr.plod.s mekón.v plod.v.
O43.0	Syndróm placentárnej transfúzie	O68.3	Kompl.pôrod.čín.a pôrodu pre biochem.dôkaz distresu plodu
O43.1	Malformácia placenty	O68.8	Kompl.pôrod.čín.a pôrodu pre iný dôkaz distresu plodu
O43.20	Placenta accreta	O68.9	Kompl.pôrod.čín.a pôrodu pre distres plodu, b.n.
O43.21	Placenta increta alebo placenta percreta	O69.0	Kompl.pôr.čín.a pôr.pre prolaps pupočín.
O43.8	Iná porucha placenty	O69.1	Kompl.pôr.čín.a pôr.pre ovin.pupočín.ok.krku, s kompr.krku
O43.9	Porucha placenty, bližšie neurčená	O69.2	Kompl.pôr.čín.a pôr.pre i.zapletenie pupočín., s kompr.
O44.00	Nízko uložená placenta bez krvácania	O69.3	Kompl.pôr.čín.a pôr.pre krátky pupočník
O44.01	Placenta praevia bez krvácania	O69.4	Kompl.pôr.čín.a pôr.pre vcestné cievy
O44.10	Nízko uložená placenta s prebiehajúcim krvácaním	O69.5	Kompl.pôr.čín.a pôr.pre pošk.ciev pupočín.
O44.11	Placenta praevia s prebiehajúcim krvácaním	O69.8	Kompl.pôr.čín.a pôr.pre i.por.pupočín.
O45.0	Predčasné odlupovanie placenty s poruchou koagulácie	O69.9	Kompl.pôr.čín.a pôr.pre poruchu pupoč., b.n.
O45.8	Iné predčasné odlupovanie placenty	O70.0	Natrhnutie hrádze 1.stupňa pri pôrode
O45.9	Predčasné odlupovanie placenty, bližšie neurčené	O70.1	Natrhnutie hrádze 2.stupňa pri pôrode
O46.0	Krvácanie pred pôrodom s poruchou zrážanlivosti	O70.2	Natrhnutie hrádze 3.stupňa pri pôrode
O46.8	Iné krvácanie pred pôrodom	O70.3	Natrhnutie hrádze 4.stupňa pri pôrode
O46.9	Krvácanie pred pôrodom, bližšie neurčené	O70.9	Natrhnutie hrádze pri pôrode, bližšie neurčené
O47.0	Falošná pôr.činnosť pred ukonč.37.týž.gravidity	O71.0	Ruptúra maternice pred začiatkom pôrodnej činnosti
O47.1	Falošná pôr.činnosť po ukonč. 37.týž.gravidity a neskôr	O71.1	Ruptúra maternice počas pôrodnej činnosti
O47.9	Falošná pôrodná činnosť, bližšie neurčená	O71.2	Inverzia maternice po pôrode
O48	Predĺžená gravidita	O71.3	Natrhnutie krčka maternice pri pôrode
O60.0	Predčasná pôrodná činnosť bez pôrodu	O71.4	Samostatná vysoká lacerácia pošvy pri pôrode
O60.1	Predčasná pôrodná činnosť s predčasným pôrodom	O71.5	Iné poranenie panvových orgánov pri pôrode
O60.2	Predčasná pôrodná činnosť s pôrodom v termíne	O71.6	Poškodenie panvových kĺbov a väzov pri pôrode
O60.3	Predčasný pôrod bez spontánnej pôrodnej činnosti	O71.7	Hematóm panvy pri pôrode
O61.0	Neúspešná lieková indukcia pôrodnej činnosti	O71.8	Iné poranenie pri pôrode, bližšie určené
O61.1	Neúspešná inštrumentálna indukcia pôrodnej činnosti	O71.9	Poranenie pri pôrode, bližšie neurčené
O61.8	Iná neúspešná indukcia pôrodnej činnosti	O72.0	Krvácanie v 3.pôrodnej dobe
O61.9	Neúspešná indukcia pôrod.činnosti, b.n.	O72.1	Iné krvácanie bezprostredne po pôrode
O62.0	Primárne slabá pôrodná činnosť	O72.2	Oneskorené a sekundárne krvácanie po pôrode
O62.1	Sekundárne slabá pôrodná činnosť	O72.3	Poruchy zrážanlivosti krvi po pôrode
O62.2	Iná slabá pôrodná činnosť	O73.0	Zadržanie placenty bez krvácania
O62.3	Náhly pôrod (partus praecipitatus)	O73.1	Zadržanie častí placenty a blán bez krvácania
O62.4	Hyperton., nekoord. a predĺžené kontrakcie maternice	O74.0	Aspiračná pneumónia zapríč.anestéziou počas pôr.č. a pôrodu
O62.8	Iná porucha pôrodnej činnosti	O74.1	Iné pľúcne kompl.anestézie počas pôrod čín.a pôrodu
O62.9	Porucha pôrodnej činnosti, bližšie neurčená	O74.2	Srdcové kompl.anestézie počas pôrod.čín.a pôrodu
O63.0	Predĺžená prvá pôrodná doba	O74.3	Komplik.CNS s spojením s anestéziou počas pôrod čín.
O63.1	Predĺžená druhá pôrodná doba	O74.4	Toxická reakcia na lokálnu anestéziu počas pôr.čín.a pôrodu
O63.2	Oneskorený pôrod druhého dvojčaťa, trojčaťa atď.	O74.5	Bolesť hlavy, zapr.spinál.a epidurál.anest.pčas pôr.čín.a pôr.
O63.9	Predĺžený pôrod, bližšie neurčený	O74.6	Iné kompl.spinál.a epidurál.anestézie počas pôr.čín.a pôrodu
O64.0	Nepokračujúci pôrod, zapríč.neúplnou rotáciou hlavičky plodu	O74.7	Neúspešná/sťažená intubácia počas pôr.čín.a pôrodu
O64.1	Nepokračujúci pôrod, zapríč.polojou panvovým koncom	O74.8	Iné komplik.anestézie počas pôr.čín.a pôrodu
O64.2	Nepokračujúci pôrod, zapríč.tvárovou polojou	O74.9	Komplik.anestézie počas pôr.čín.a pôrodu, b.n.
O64.3	Nepokračujúci pôrod, zapríč.čelovou polojou	O75.0	Distres matky počas pôrodnej činnosti a pôrodu
O64.4	Nepokračujúci pôrod, zapríč.naliehaním pliecka	O75.1	Šok počas pôrodnej činnosti, po nej a po pôrode
O64.5	Nepokračujúci pôrod, zapríč.komb.por.naliehaním plodu	O75.2	Horúčka počas pôrodu, nezatriedená inde
O64.8	Nepokračujúci pôrod, zapríč.i.nespr.pol.a naliehaním plodu	O75.3	Iná infekcia počas pôrodnej činnosti
O64.9	Nepokračujúci pôrod, zapríč.nespr.pol.a naliehaním plodu, b.n.	O75.4	Iná komplikácia pôrodných operácií a výkonov
O65.0	Nepokračujúci pôrod, zapríč.deformovanou panvou	O75.5	Protrahovaný pôrod po umelom pretrhnutí plodových blán
O65.1	Nepokračujúci pôrod, zapríč.celkovo zúženou panvou	O75.6	Protrahovaný pôrod po spont./bliž.neurč.puknutí plod.blán
O65.2	Nepokračujúci pôrod, zapríč.zúžením panvového vchodu	O75.7	Vaginálny pôrod po predchádzajúcom cisárskom reze
O65.3	Nepokrač.pôr.zapr.zúž.panv.vých.a kontr.stred.časti.panv.dut.	O75.8	Iná komplikácie pôrod.činn.a pôrodu, b.u.
O65.4	Nepokračujúci pôrod, zapríč.nepom.medzi plod.a panv., b.n.	O75.9	Komplikácia pôrod.činn.a pôrodu, b.n.
O65.5	Nepokračujúci pôrod, zapríč.abn.panv.org.matky	O80.0	Spontánny pôrod jedného plodu záhlavím
O65.8	Nepokračujúci pôrod, zapríč.i.abn.panvy matky	O80.1	Spontánny pôrod jedného plodu panvovým koncom
O65.9	Nepokračujúci pôrod, zapríč.abnor.panvy matky, b.n.	O80.8	Iný spontánny pôrod jedného plodu
O66.0	Nepokračujúci pôrod, zapríč.dystokiou pliecka plodu	O80.9	Spontánny pôrod jedného plodu, bližšie neurčený
O66.1	Komplikác.pôrodu, zapríč.zakliesnením dvojčiat	O81.0	Pôrod jedného plodu východovými kliešťami
O66.2	Nepokrač.pôrod, zapríč.nezvyčajne veľkým plodom	O81.1	Pôrod jedného plodu strednými kliešťami
O66.3	Nepokrač.pôrod, zapríč.inými.abnormalitami plodu	O81.2	Pôrod jedného plodu stred.kliešťami s rotáciou hlavičky
O66.4	Neúspešný pokus o pôrod, bližšie neurčený	O81.3	Iný pôrod jedného plodu kliešťami, bližšie neurčený
O66.5	Neúspeš.použ.vákuového extraktora/klieští, b.n.	O81.4	Pôrod jedného plodu vákuovým extraktorom
O66.8	Iný nepokračujúci pôrod, bližšie určený	O81.5	Pôrod jedného plodu s použ.kombi.klieští a vákuo.extrak.

Kód	Popis	Kód	Popis
O82.0	Pôrod jedného plodu elektívnym cisárskym rezom	O92.50	Zastavenie laktácie,bez ťažkostí pri priložení
O82.1	Pôrod jedného plodu naliehavým cisárskym rezom	O92.51	Zastavenie laktácie,s ťažkosťami pri priložení
O82.2	Pôrod jedného plodu cisárskym rezom s hysterektómiou	O92.60	Galaktorea,bez ťažkostí pri priložení
O82.8	Iný pôrod jedného plodu cisárskym rezom	O92.61	Galaktorea,s ťažkosťami pri priložení
O82.9	Pôrod cisárskym rezom,blížšie neurčený	O92.70	Iná a bliž.neurč.porucha laktácie,bez ťažk.pri priložení
O83.0	Extrakcia plodu pri polohe panvovým koncom	O92.71	Iná a bliž.neurč.porucha laktácie,s ťažk.pri priložení
O83.1	Iné vedenie pôrodu jedného plodu pri polohe panvo.koncom	O94	Následky kompl.gravidity,pôrodu a šestonedelia
O83.2	Iné operačné vedenie pôrodu jedného plodu	O95	Smrť v gravidite z bližšie neurčenej príčiny
O83.3	Pôrod živého plodu pri brušnej gravidite	O96.0	Smrť z priam.pôr.príč.,kt.nast.po 42 d.,ale m.ako 1.r.od pôr.
O83.4	Zmenšovacie operácie na uľahčenie pôrodu jedného plodu	O96.1	Smrť z nepriam.pôr.príč.,kt.nast.po 42 d.,-men.ako 1.r.od pôr.
O83.8	Iné vedenie pôrodu jedného plodu,blížšie určené	O96.9	Smrť z bliž.ne.pôr.príč.,kt.nastala po42 d.,m.ako 1.r.od pôr.
O83.9	Vedenie pôrodu jedného plodu,blížšie neurčené	O97.0	Smrť z následkov priamej pôrodnickej príčiny
O84.0	Pôrody pri viacplodovej gravidite,všetky spontánne	O97.1	Smrť z následkov nepriamej pôrodnickej príčiny
O84.1	Pôrody pri viacplod.grav.všetky kliešť.a vákuumextrak.	O97.9	Smrť z následkov b.n. pôrod.príčiny
O84.2	Pôrody pri viacplod.grav.všetky cisárskym rezom	O98.0	TBC,kompl.graviditu,pôrod a šestonedelie
O84.8	Iné pôrody pri viacplodovej gravidite	O98.1	Syfilis,kompl.graviditu,pôrod a šestonedelie
O84.9	Pôrody pri viacplodovej gravidite,blížšie neurčené	O98.2	Kvapavka,kompl.graviditu,pôrod a šestonedelie
O85	Puerperálna sepsa	O98.3	Iná infcia s prevaž.pohl.spôs.pren.,kompl.grav.,pôr.a šesto.
O86.0	Infekcia pôrodnickej operačnej rany	O98.4	Vír.hepatitída,kompl.grav.,pôrod a šeston.
O86.1	Iná infekcia pohlavných orgánov po pôrode	O98.5	Iná vírus.choroba,kompl.grav.,pôrod a šeston.
O86.2	Infekcia močových orgánov po pôrode	O98.6	Prvoková choroba,kompl.grav.pôrod a šeston.
O86.3	Iná infekcia močovopohlavnej sústavy po pôrode	O98.7	Choroba HIV,kompl. graviditu,pôrod a šestonedelie
O86.4	Horúčka neznámeho pôvodu po pôrode	O98.8	Iná infekč.a parazit.chor.matky,kompl.grav.pôrod a šeston.
O86.8	Iná puerperálna infekcia,blížšie určená	O98.9	Infekč.a parazit.chor.matky,kompl.grav.pôrod a šeston. b.n.
O87.0	Povrchová tromboflebitída v šestonedelí	O99.0	Anémia,komplikujúca graviditu,pôrod a šestonedelie
O87.1	Hĺbková žilová trombóza (flebotrombóza) v šestonedelí	O99.1	Iné chor.krvi a krvotv.,urč.por.imun.,kompl.grav.pôr.šesto.
O87.2	Hemoroidy v šestonedelí	O99.2	Endokrin.nutričné a metabol.chor.kompl.grav.pôr.a šesto.
O87.3	Trombóza mozgových žíl v šestonedelí	O99.3	Duševná choroba a chor.nervov.súst.kompl.grav.pôr.a šesto.
O87.8	Iné žilové choroby ako komplikácie v šestonedelí	O99.4	Choroba obeh.súst.kompl.grav.pôrod a šeston.
O87.9	Žilová chor.ako komplikácia v šestonedelí,b.n.	O99.5	Choroba dých.súst.kompl.grav.pôrod a šeston.
O88.0	Vzduchová embólia v gestačnom období	O99.6	Choroba tráv.súst.kompl.grav.pôrod a šeston.
O88.1	Embólia plodovou vodou	O99.7	Choroba kože a podkož.tkan.kompl.grav.pôrod a šeston.
O88.20	Tromboembólia pľúc v gestačnom období	O99.8	Iné choroby a stavy komplikujúci grav.pôrod a šeston.b.u.
O88.28	Iná tromboembólia v gestačnom období	T83.3	Mechanická komplik.zapríč.vnúťmatr.antikoncepčnou pomôc.
O88.3	Pyemická a septická embólia v gestačnom období	Z30.1	Zavedenie (vnúťmater.) antikoncepčného telieska
O88.8	Iná embólia v gestačnom období	Z32.0	Gravidita, (ešte) nepotvrdená
O89.0	Pľúcne komplikácie anestézie v šestonedelí	Z32.1	Potvrdená gravidita
O89.1	Srdoové komplikácie anestézie v šestonedelí	Z34.0	Dohľad nad normálnou prvou graviditou
O89.2	Komplikácie CNS v spojení s anestéziou v šestonedelí	Z34.8	Dohľad nad inou normálnou graviditou
O89.3	Toxická reakcia na lokálnu anestéziu v šestonedelí	Z34.9	Dohľad nad normálnou graviditou, bližšie neurčenou
O89.4	Bolesť hlavy,zapríč.spinál.a epidurál.anest.v šeston.	Z35.0	Dohľad nad graviditou s anamnézou neplodnosti
O89.5	Iné kompl.spin.a epid.anestézie v šeston.	Z35.1	Dohľad nad graviditou s anamnézou potratu
O89.6	Neúspešná alebo sťažená intubácia v šestonedelí	Z35.2	Dohľad nad gravid.s i.nepriaznivou pôr.anamnézou
O89.8	Iné komplikácie anestézie v šestonedelí	Z35.3	Dohľad nad gravid.s anamnézou nedost.prenatálnej star.
O89.9	Kompl.anestézie v šestonedelí,b.n.	Z35.4	Dohľad nad graviditou mnohoroďičky
O90.0	Dehiscencia rany po cisárskom reze	Z35.5	Dohľad nad staršou prvoroďičkou
O90.1	Dehiscencia pôrodnickej rany hrádze	Z35.6	Dohľad nad veľmi mladou prvoroďičkou
O90.2	Hematóm pôrodnickej rany	Z35.7	Dohľad nad rizik. gravid.v dôsledku sociál.problem.
O90.3	Kardiomyopatia v šestonedelí	Z35.8	Dohľad nad inou rizikovou graviditou
O90.4	Akútne poškodenie obličiek po pôrode	Z35.9	Dohľad nad rizikovou graviditou, bližšie neurčenou
O90.5	Zápal štítnej žľazy po pôrode	Z36.0	Prenatálny skrining chromozómových anomálií
O90.8	Iná komplikácia šestonedelia,nezatriedená inde	Z36.1	Prenatál.skrin.na zvýšenú hodnotu alfafetoproteínu
O90.9	Komplikácia šestonedelia,blížšie neurčená	Z36.2	Iný prenatálny skrining, založený na amniocentéze
O91.00	Infekcie bradavky v súvis.s pôr.bez ťažk.pri priložení	Z36.3	Prenatál.skrin. malformácii UZV a i.fyzik.metódami
O91.01	Infekcie bradavky v súvis.s pôr.s ťažk.pri priložení	Z36.4	Prenatál.skrin. spomalenia rastu plodu UZV a i.fyzik.met.
O91.10	Abces prsníka v súvis.s pôr.bez ťažk.pri priložení	Z36.5	Prenatálny skrining izoimunizácie
O91.11	Abces prsníka v súvis.s pôr.s ťažk.pri priložení	Z36.8	Iný prenatálny skrining
O91.20	Nehnisová mastitída v súvis.s pôr.bez ťažk.pri priložení	Z36.9	Prenatálny skrining, bližšie neurčený
O91.21	Nehnisová mastitída v súvis.s pôr.s ťažk.pri priložení	Z37.0	Jedno dieťa, živonarodené
O92.00	Retrakcia bradavky v súvis.s pôr.bez ťažk.pri priložení	Z37.1	Jedno dieťa, mŕtvonarodené
O92.01	Retrakcia bradavky v súvis.s pôr.s ťažk.pri priložení	Z37.2	Dvojčatá, živonarodené
O92.10	Trhlínka bradavky v súvis.s pôr.bez ťažk.pri priložení	Z37.3	Dvojčatá, jedno živonarodené, jedno mŕtvonarodené
O92.11	Trhlínka bradavky v súvis.s pôr.s ťažk.pri priložení	Z37.4	Dvojčatá, mŕtvonarodené
O92.20	Iná a bliž.neurč.chor.prsní.v súvis.s pôr.bez ťažk.pri prilož.	Z37.5	Iný viacpočetný pôrod, všetky deti živonarodené
O92.21	Iná a bliž.neurč.chor.prsníka v súvis.s pôr.s ťažk.pri prilož.	Z37.6	Iný viacpočetný pôrod, niektoré deti živonarodené
O92.30	Agalakcia,bez ťažkostí pri priložení	Z37.7	Iný viacpočetný pôrod, všetky deti mŕtvonarodené
O92.31	Agalakcia,s ťažkosťami pri priložení	Z37.9	Výsledok pôrodu, bližšie neurčený
O92.40	Hypogalakcia,bez ťažkostí pri priložení	Z39.0	Starostlivosť a vyšetrenie matky ihneď po pôrode
O92.41	Hypogalakcia,s ťažkosťami pri priložení		

<b>Kód</b>	<b>Popis</b>	<b>Kód</b>	<b>Popis</b>
Z39.1	Starostlivosť a vyšetrenie matky počas laktácie	Z64.0	Problémy súvisiace s nechcenou graviditou
Z39.2	Ďalšie bežné sledovanie matky po pôrode		

## D.4i Konflikt s vekom: Výkony v plodnom veku

Kód	Popis	Kód	Popis
5r111‡	Asistovaný pôrod pomocou inštrumentov	5r334.0↔	Parc.salpingektómia s rekonštr.:lpt.
5r112‡	Asist.pôrod koncom panv.s mauálnymi hmatmi	5r334.1↔	Parc.salpingektómia s rekonštr.:lšk.
5r113‡	Kombinov.pôrod pomocou inštrumentov a špec.úchyto	5r334.4↔	Parc.salpingektómia s rek:vag.lšk.as.
5r114‡	Vedenie pôrodu koncom panv.pri viacplod.grav.	5r334.6↔	Parc.salpingektómia s rek:konv.z.vag.-otv.chir.
5r11x‡	Iný spont.a vag.OP pôrod pri polohe koncom panv.	5r334.7↔	Parc.salpingektómia s rek:vag.
5r121‡	Pôrod pomocou východových klieští	5r334.x↔	Parc.salpingektómia s rekonštr.:iná
5r122‡	Pôrod pomocou stredových klieští	5r335.0↔	Totál.salpingektómia:lpt.
5r12x‡	Pôrod pomocou klieští:iný	5r335.1↔	Totál.salpingektómia:vag.lšk.as.
5r131‡	Ukonč.pôr.pri polohe KP manuál.extrakciu plodu	5r335.4↔	Totál.salpingektómia:lšk.
5r132‡	Ukončenie pôr.pri polohe KP inštrum.extrakciu pl.	5r335.6↔	Totál.salpingektómia:konv.z.vag.-otv.chir.
5r133‡	Ukonč.pôr.pri polohe KP manuál.a inštrum.extrak.plodu	5r335.7↔	Totál.salpingektómia:vag.
5r13x‡	Ukončenie pôr.pri polohe KP inou extrakciu plodu	5r335.x↔	Totál.salpingektómia:ost.
5r141‡	Ukončenie pôr.vákuumextrakciu z panv.východu	5r336.0	Lokál.medikam.liečba pri tubárnej gravid:lpt.
5r142‡	Ukončenie pôr.vákuumextrakciu z panv.hlbiny	5r336.1	Lok.medikam.liečba pri tubár.gravid:vag.lšk.asist
5r14x‡	Ukončenie pôrodu vákuumextrakciu:ost.	5r336.4	Lok.medikam.liečba pri tuba.gravidite:lšk.
5r211‡	Vnúť.obrat plodu vnút.hmatmi bez extrakcie	5r336.6	Lok.medikam.liečba pri tuba.grav:konv.z.vag.-otv.chir.
5r212‡	Kombinovaný obrat plodu bez extrakcie	5r336.7	Lokál.medikam.liečba pri tuba.gravid:vag.
5r213‡	Obrat plodu s extrakciu bez ďalších kompl.	5r336.x	Lok.medikam.liečba pri tubárnej grav:ost.
5r214‡	Obrat plodu s extrakciu kliešťami	5r339	Operácia extrauterinnej gravidity:ost.
5r215‡	Rotácia hlavičky pomocou klieští	5r341	Odstránenie extrauter.embrya:otv.chir.
5r216‡	Obrat plodu s extrakciu pri iných kompl.	5r342	Odstr.extrauterinneho embrya:lšk.
5r217‡	Obrat na druhom dvojčati	5r343	Odstr.extrauterinneho embrya kuldoskopio
5r221‡	Neúspešný kliešťový pôrod	5r34x	Iné odstránenie extrauterinneho embrya
5r222‡	Neúspešná extrakcia vákuovou pumpou	5r411‡	Intrauterinná transfúzia plodu
5r223‡	Neúspešné vnútorné otočenie	5r412‡	Intrauterinná infúzia plodu
5r224‡	Neúspešné kombinované otočenie	5r413	Intrauterinná laserová terapia plodu
5r231‡	Embryotómia	5r414‡	Výmena plodovej vody
5r232‡	Deštrukcia plodu	5r415‡	Vysokofrekv.ablácia nádor.buniek a/alebo ciev placenty
5r233‡	Dekapitácia	5r416‡	Zavedenie shuntu u plodu intrauterinne
5r234‡	Iné zmenšovacie operácie na plode	5r417‡	Intrauterinná terapia plodu drenážou
5r235	Amniotómia	5r418‡	Medikament.intrauterinná terapia plodu
5r311.1	Primárny cisársky rez	5r421‡	Terap.amniocentéza s násl.amniioinfúziou
5r311.2	Sekundárny cisársky rez	5r422‡	Terapeutická amniocentéza s kordocentézou
5r312.1	Primárny Misgav-Ladach cisársky rez	5r423‡	Terapeutická amniocentéza za účelom fetocidy
5r312.2	Sekundárny Misgav-Ladach cisársky rez	5r491	Segment.resekcia polycystic.plúc plodu
5r314	Cisársky rez extraperitoneálne	5r492	Intrauterinná OP plodu postihnutého VVCH
5r315.1	Primárny cisársky rez supracervikálny	5r493‡	Intraamniálna inj.apl.medikament.k ukonč.gravidity
5r315.2	Cisársky rez supracervikálny	5r911	Sutúra ruptúry alebo nástrihu hrádze
5r316.1	Primár.korporálny cisársky rez pozdĺžnou incíziou	5r912	Sutúra ruptúry alebo nástrihu krčka maternice
5r316.2	Sekundár.korporálny cisársky rez pozdĺžnou incíziou	5r913‡	Sutúra ruptúry alebo nástrihu pošvy
5r317.1	Primárny cisársky rez korporálny T-incíziou	5r914.1‡	Ošetrovanie ruptúry I.stupňa
5r317.2	Sekundárny SC korporálny T-incíziou	5r914.2‡	Ošetrovanie ruptúry II.stupňa
5r321.1	Primárny cisársky rez a sterilizácia	5r914.3‡	Ošetrovanie ruptúry III.stupňa
5r321.2	Sekundárny cisársky rez a sterilizácia	5r914.4‡	Ošetrovanie ruptúry IV.stupňa
5r322.1	Primárny cisársky rez s následnou HYE s adnexektómiou	5r921‡	Revízia dutiny maternice po pôrode
5r322.2	Sekundárny cisársky rez s násled.HYE s adnexektómiou	5r922‡	Revízia dutiny maternice po spontán.potrato
5r323.1	Primárny cisársky rez s následnou hysterektómiou	5r923‡	Manuálne vybavenie zadržanej placenty
5r323.2	Sekundárny cisársky rez s následnou hysterektómiou	5r924	Inštrumentálne vybavenie zadržanej placenty
5r331.0↔	Salpingotómia: otv.chir.	5r925‡	Iné vybavenie zadržanej placenty
5r331.1↔	Salpingotómia:vag.s lšk.asist.	5r931	Rekonštrukcia močového mechúra a utery
5r331.4↔	Salpingotómia:lšk.	5r932‡	Rekonštrukcia konečníka a análneho zvierača
5r331.6↔	Salpingotómia:konv.z.vag.-otv.chir.	5r991	Kyretáž pre ukončenie tehotnosti
5r331.7↔	Salpingotómia:vag.	91110	Intenzív.oše.st.o rodičku pri prekotnom pôrode
5r331.x↔	Salpingotómia:ost.	91111	Intenz.oše.st.o rodičku-I.doba pôrod.pri fyziol.pôrode
5r332.0↔	Salpingotómia s rekonštr.:otv.chir.	91112	Intenz.oše.st.o rodičku-II.doba pôrod.pri fyz.pôrode
5r332.1↔	Salpingotómia s rekonštrukciu:lpt.	91113	Intenz.oše.st.o rodičku-III.doba pôrod.pri fyz.pôrode
5r332.4↔	Salpingotómia s rekonštrukciu:lšk.	91114	Apl.metód nefarmakol.tlmenia bolesti v I.dobe pôrodnej
5r332.6↔	Salpingotómia s rekonštr.:konv.z.vag.-otv.chir.	91121	Uvolnenie dolného pólu plodového vajca
5r332.7↔	Salpingotómia s rekonštrukciu:vag.	91127	Sledovanie a vedenie rizikového pôrodu
5r332.x↔	Salpingotómia s rekonštr.:ost.	91515	Transfer embrya
5r333.0↔	Parciálna salpingektómia:otv.chir.	91516	Zavedenie zmrazeného embrya
5r333.1↔	Parc.salpingektómia:vag.lšk.as.	91518	Inseminácia umelá cerviko-vaginálna
5r333.4↔	Parc.salpingektómia:lšk.	91519	Inseminácia umelá intrakavitálna alebo intratubárna
5r333.6↔	Parc.salpingektómia:konv.z.vag.-otv.chir.	91520	V.asist.reprod.s odber.oocytov k in vitro fertili.b.pren.embryi
5r333.7↔	Parc.salpingektómia:vag.	91521	Výkon asist.reprodukcie komplexný cyklus s prenosom embryi
5r333.x↔	Parc.salpingektómia:ost.	91522‡	Asistovaná fertilizácia



## D.4j Konflikt s vekom: Dospelý

Kód	Popis	Kód	Popis
A51.0	Primárny genitálny syfilis	G30.9	Alzheimerova choroba, bližšie neurčená
A51.1	Primárny análny syfilis	G31.0	Ohraničená atrofia mozgu
A51.2	Primárny syfilis na inom mieste	G31.1	Starecká degenerácia mozgu, nezatriedená inde
A51.3	Sekundárny syfilis kože a slizníc	G31.2	Degenerácia nervovej sústavy zapríčinená alkoholom
A51.4	Iná forma sekundárneho syfilisu	G31.81	Mitochondriová cytopatia
A51.5	Včasný syfilis, latentný	G31.82	Demencia s Lewyho telieskami
A51.9	Včasný syfilis, bližšie neurčený	G31.88	Iná degeneratívna choroba nervovej súst., bliž. urč.
A52.0	Kardiovaskulárny syfilis	G31.9	Degeneratívna choroba nervovej súst., bliž. neurč.
A52.1	Neurosyfilis, symptomatický	G32.0	Subak. kombinovaná degenerácia miechy pri chor. z. i.
A52.2	Neurosyfilis, asymptomatický	G32.8	Iná bliž. urč. degeneratívna chor. nervovej súst. pri chor. z. i.
A52.3	Neurosyfilis, bližšie neurčený	G35.0	Roztrúsená skleróza, prvá manifestácia
A52.7	Neskorý syfilis, symptomatický, iná forma	G35.10	SM s relaps-remitujúcim priebeh., bez prejav. relapsu/progr.
A52.8	Neskorý syfilis, latentný	G35.11	SM s relaps-remitujúcim priebeh., s prejav. relapsu/progr.
A52.9	Neskorý syfilis, bližšie neurčený	G35.20	SM s primár. progresívnym priebeh., bez prejav. relapsu/progr.
A53.0	Latentný syfilis, bliž. neurč. ako včasný/neskorý	G35.21	SM s primár. progresívnym priebeh., s prejav. relapsu/progr.
A53.9	Syfilis, bližšie neurčený	G35.30	SM so sekund. progresívnym priebeh., bez prejav. relapsu/progr.
A54.0	Gonok. inf. dol. časti moč.-pohl. súst. bez abs. uretr./preds. žliaz	G35.31	SM so sekund. progresívnym priebeh., s prejav. elapsu/progr.
A54.1	Gonok. inf. dol. časti moč.-pohl. súst. s abs. uretr. a preds. žliaz	G35.9	Roztrúsená skleróza, bližšie neurčená
A54.2	Gonok. pelveoperitonitída a iná gonokok. moč.-pohl. infekcia	I10.00	Benigna primárna artér. hypert. bez hypertenznej krízy
A54.3	Gonokoková infekcia oka	I10.01	Benigna primárna artér. hypert. s prej. hypertenznej krízy
A54.4	Gonokoková infekcia svalovo-kostrovej sústavy	I10.10	Maligna prim. artér. hypert. bez prej. hypert. krízy
A54.5	Gonokoková faryngitída	I10.11	Maligna prim. artér. hypert. s prej. hypert. krízy
A54.6	Gonokoková infekcia anusu a rekta	I10.90	Primárna artér. hypert. bliž. neu. bez prej. hypert. krízy
A54.8	Iná gonokoková infekcia	I10.91	Primárna artér. hypert. bliž. neu. s prej. hypert. krízy
A54.9	Gonokoková infekcia, bližšie neurčená	I11.00	Hyperten. chor. srdca s kong. srdc. zlyh. bez prej. hypert. kríz.
A55	Lymphogranuloma venereum (chlamýdiový)	I11.01	Hyperten. chor. srdca s kong. srdc. zlyh. s hypert. kríz.
A56.0	Chlamýdiová infekcia dolných častí moč.-pohlav. súst.	I11.90	Hyperten. chor. srdca bez kongest. srdc. zlyh. bez hypert. kríz.
A56.1	Chlamýdiová infekcia panvovej pobrušnice a moč.-pohlav. org.	I11.91	Hyperten. chor. srdca bez kongest. srdc. zlyh. s hypert. kríz.
A56.2	Chlamýdiová infekcia moč.-pohlav. súst., bliž. neurč.	I13.00	Hypert. chor. srd. a oblič. s kong. srdc. zlyh., b. hyper. kríz.
A56.3	Chlamýdiová infekcia anusu a rekta	I13.01	Hypert. chor. srd. a oblič. s kong. srdc. zlyh., s hyper. kríz.
A56.4	Chlamýdiová infekcia faryngu	I13.10	Hypert. chor. srd. a oblič. s oblič. zlyh., bez hypert. kríz.
A56.8	Pohlavne prenosná chlamýdiová infekcia na iných miestach	I13.11	Hypert. chor. srd. a oblič. s oblič. zlyh., s hypert. kríz.
A57	Mäkký vred [ulcus molle]	I13.20	Hypert. chor. srdca a oblič. s kong. srdc. a obl. zlyh. bez hyp. kríz.
A58	Granuloma venereum (inguinale)	I13.21	Hypert. chor. srdca a oblič. s kong. srdc. a obl. zlyh. s hyp. kríz.
A59.0	Urogenitálna trichomonóza	I13.90	Hypertenzná chor. srdca a oblič. bez prej. hypert. krízy, b. n.
A59.8	Trichomonóza na iných miestach	I13.91	Hypertenzná chor. srdca a oblič. bliž. neu. s prej. hypert. rízy
A59.9	Trichomonóza, bližšie neurčená	I15.20	Sekundár. artér. hypert., zapr. endokr. chor. bez hypert. kríz.
A60.0	Infekcia genitálií a moč.-pohlav. súst. herpetickým vírusom	I15.21	Sekundár. artér. hypert., zapr. endokr. chor. s hypert. kríz.
A60.1	Infekcia perianálnej kože a rekta, zapríč. herpetickým vírusom	I15.80	Iná sekundárna artér. hypert. bez prej. hypert. krízy
A60.9	Anogenitálna infekcia zapríč. herpetickým vírusom, bliž. neurč.	I15.81	Iná sekundárna artér. hypert. s prej. hypert. krízy
A63.0	Anogenitálne (venerické) bradavice	I15.90	Sekundárna artér. hypert. bliž. neu. bez prej. hypert. krízy
A63.8	Iná prevažne pohlavne prenosná choroba, bliž. urč.	I15.91	Sekundárna artér. hypert. bliž. neu. s prej. hypert. krízy
A64	Pohlavne prenosná choroba, bližšie neurčená	I20.0	Nestabilná angina pectoris
B91	Následky poliomyelitídy	I20.1	Angina pectoris s dokázaným kŕčom vencovitých tepien
F01.0	Vaskulárna demencia s akútnym začiatkom	I20.8	Iná forma angina pectoris
F01.1	Mnohoinfarktová demencia	I20.9	Angina pectoris, bližšie neurčená
F01.2	Subkortikálna vaskulárna demencia	I21.0	Akútny transmuralný infarkt myokardu prednej steny
F01.3	Zmiešaná kortikálna a subkortikálna vaskul. demencia	I21.1	Akútny transmuralný infarkt myokardu spodnej steny
F01.8	Iná vaskulárna demencia	I21.2	Akútny transmuralný IM na i. miestach
F01.9	Vaskulárna demencia, bližšie neurčená	I21.3	Akútny transmuralný IM bez bliž. urč. miesta
F03	Demencia, bližšie neurčená	I21.4	Akútny subendokardiálny infarkt myokardu
G12.2	Choroba motorického neurónu	I21.9	Akútny infarkt myokardu, bližšie neurčený
G14	Postpoliomyelitický syndróm	I22.0	Ďalší infarkt myokardu prednej steny
G20.00	Parkinson. chor. bez obm./s min. obm., bez mot. fluktuácie	I22.1	Ďalší infarkt myokardu spodnej steny
G20.01	Parkinson. chor. bez obm./s min. obm., s mot. fluktuáciou	I22.8	Ďalší infarkt myokardu na inom mieste
G20.10	Parkinson. chor. s mier. až str. ťaž. obm., b. mot. fluktuácie	I22.9	Ďalší infarkt myokardu bez bližšieho určenia miesta
G20.11	Parkinson. chor. s mier. až str. ťaž. pbm., s mot. fluktuáciou	I23.0	Hemoperikard ako akútna komplikácia po akútnom IM
G20.20	Parkinson. chor. s veľmi ťaž. obm., bez mot. fluktuácie	I23.1	Defekt predsieň. septa ako akútna komplikácia po akútnom IM
G20.21	Parkinson. chor. s veľmi ťaž. obm., s motoric. fluktuáciou	I23.2	Defekt komorovej priehradky ako akútna komplikácia po akút. IM
G20.90	Parkinson. chor. bliž. neu., bez motoric. fluktuácie	I23.3	Ruptúra srdc. steny bez hemoperik. ako akútna kompl. po akút. IM
G20.91	Parkinson. chor. bliž. neu., s motoric. fluktuáciou	I23.4	Ruptúra chordae tendineae ako akútna kompl. po akút. IM
G25.80	Periodické pohyby nôh v spánku	I23.5	Ruptúra papilárneho svalu ako akútna kompl. po akút. IM
G25.81	Syndróm nepokojných nôh	I23.6	Trombóza predsieň. preds. uška a komory ako ak. kompl. po ak. IM
G25.88	Iná extrapyramídová porucha a por. hybnosti, bliž. urč.	I23.8	Iná akútna komplikácia po akútnom infarkte myokardu
G25.9	Extrapyramídová porucha a por. hybnosti, bliž. neurč.	I24.0	Koronárna trombóza, ktorá nevedla k IM
G26	Extrapyramídové porucha a por. hybnosti pri chor. zatried. inde	I24.8	Iná forma akútnej ischemickej choroby srdca
G30.8	Iná Alzheimerova choroba (F00.2*)		

Kód	Popis	Kód	Popis
I24.9	Akútna ischemická choroba srdca, bližšie neurčená	J80	Syndróm respiračnej tiesne [ARDS]
I25.0	Aterosklerotická srdcovocievna choroba, takto označená	J84.0	Alveolové a parietoalveolové stavy
I25.10	Aterosklerotická chor. srdca, bez hemodynam. závažných stenóz	J84.1	Iná choroba interstícia pľúc s fibrózou
I25.11	Aterosklerotická chor. srdca, jednocievne postihnutie	J84.8	Iná choroba interstícia pľúc, bližšie určená
I25.12	Aterosklerotická chor. srdca, dvojcievne postihnutie	J84.9	Choroba interstícia pľúc, bližšie neurčená
I25.13	Aterosklerotická chor. srdca, trojcievne postihnutie	K25.0	Vred žalúdka, akútny s krvácaním
I25.14	Aterosklerotická chor. srdca, stenóza ľavého hlavného kmeňa	K25.1	Vred žalúdka, akútny s perforáciou
I25.15	Aterosklerotická choroba srdca so stenózou bajpasu	K25.2	Vred žalúdka, akútny s krvácaním a perforáciou
I25.16	Aterosklerotická choroba srdca so stenózou stentu	K25.3	Vred žalúdka, akútny bez krvácania alebo perforácie
I25.19	Aterosklerotická choroba srdca, bližšie neurčená	K25.4	Vred žalúdka, chron./bliž. neurč. s krvácaním
I25.20	Starý infarkt myokardu, od 29 dní až po 4 mesiace	K25.5	Vred žalúdka, chron./bliž. neurč. s perforáciou
I25.21	Starý infarkt myokardu, od 4 mesiacov až po 1 rok	K25.6	Vred žalúdka, chron./bliž. neurč. s krvác. a perfor.
I25.22	Starý infarkt myokardu, od 1 roka vyššie	K25.7	Vred žalúdka, chron. bez krvácania/perforácie
I25.29	Starý infarkt myokardu, bližšie neurčený	K25.9	Vred žalúdka, bliž. neurč. ako akút./chron. bez krvác./perfor.
I25.3	Aneuryzma (steny) srdca	K26.0	Vred dvanástnika, akútny s krvácaním
I25.4	Aneuryzma vencovitej tepny	K26.1	Vred dvanástnika, akútny s perforáciou
I25.5	Ischemická kardiomyopatia	K26.2	Vred dvanástnika, akútny s krvácaním a perforáciou
I25.6	Nebolestivá (tichá) ischemia myokardu	K26.3	Vred dvanástnika, akútny bez krvácania alebo perforácie
I25.8	Iná forma chronickej ischemickej choroby srdca	K26.4	Vred dvanástnika, chron./bliž. neurč. s krvácaním
I25.9	Chronická ischemická choroba srdca, b.n.	K26.5	Vred dvanástnika, chron./bliž. neurč. s perforáciou
I70.0	Ateroskleróza aorty	K26.6	Vred dvanástnika, chron./bliž. neurč. s krvác. a perfor.
I70.1	Ateroskleróza obličkovej tepny	K26.7	Vred dvanástnika, chron. bez krvác./perfor.
I70.20	Ateroskleróza i. a bliž. neu. končat. tepien	K26.9	Vred dvanástnika, bliž. neurč. ako akút./chron. bez krvác./perfor.
I70.21	Ateroskle. končat. tep. s postih. panvy a DK, s isch. bolesť. po zát.	K27.0	Peptický vred bez bliž. urč. miesta, akút. s krvácaním
I70.22	Ateroskleróza končat. tep. s postih. panvy a DK, s bolesť. v pokoji	K27.1	Peptický vred bez bliž. urč. miesta, akút. s perforáciou
I70.23	Ateroskleróza končat. tep. s postih. panvy a DK, s ulceráciami	K27.2	Peptický vred bez bliž. urč. miesta, akút. s krvác. a perfor.
I70.24	Ateroskleróza končat. tep. s postih. panvy a DK, s gangréň.	K27.3	Peptický vred bez bliž. urč. miesta, akút. bez krvác./perfor.
I70.25	Ateroskleróza končat. tep. s postih. pleca a HK, všetky štádiá	K27.4	Peptický vred bez bliž. urč. m., chron./bli. neu. s krvác. a perfor.
I70.8	Ateroskleróza iných tepien	K27.5	Peptický vred bez bliž. urč. miesta, chron./bliž. neurč. s perfor.
I70.9	Generalizovaná a bližšie neurčená ateroskleróza	K27.6	Peptický vred bez bliž. urč. m., chron./bli. neu. s krvác. a perfor.
I83.0	Varixy dolných končatín s vredom	K27.7	Peptický vred bez bliž. urč. miesta, chron. bez krvác./perfor.
I83.1	Varixy dolných končatín so zápalom	K27.9	Pept. vred bez bliž. urč. m. b. n. ako akút./chro., bez krvác./perf.
I83.2	Varixy dolných končatín s vredom a zápalom	K28.0	Peptický vred jejúna, akútny s krvácaním
I83.9	Varixy dolných končatín bez vredu alebo zápalu	K28.1	Peptický vred jejúna, akútny s perforáciou
I97.2	Postmastektomický lymfédém	K28.2	Peptický vred jejúna, akútny s krvácaním a perforáciou
I98.2	Varixy pažeráka a žalúdka pri chorobách zatried. i. bez krvác.	K28.3	Peptický vred jejúna, akútny bez krvácania/perforácie
I98.3	Varixy pažeráka a žalúdka pri chorobách zatried. i. s krvác.	K28.4	Peptický vred jejúna, chron./bliž. neurč. s krvácaním
J44.90	CHOCHP, bliž. neurč. FEV1 < 35 % prís. hodnoty	K28.5	Peptický vred jejúna, chron./bliž. neurč. s perforáciou
J44.91	CHOCHP, bliž. neurč. FEV1 >= 35 % a < 50 % prís. hodn.	K28.6	Peptický vred jejúna, chron./bliž. neurč. s krvác. a perfor.
J44.92	CHOCHP, bliž. neurč. FEV1 >= 50 % a < 70 % prís. hodn.	K28.7	Peptický vred jejúna, chron. bez krvác./perfor.
J44.93	CHOCHP, bliž. neurč. FEV1 >= 70 % príslušnej hodnoty	K28.9	Pept. vred jejúna, bliž. neu. ako akút./chron., bez krvác./perfor.
J44.99	CHOCHP, bliž. neurč., hodnota FEV1 bliž. neurč.	K64.0	Hemoroidy 1. stupňa
J60	Pneumokonióza baníkov uhoľných baní	K64.1	Hemoroidy 2. stupňa
J61	Pneumokonióza zapr. azbestom a i. anorg. vláknami	K64.2	Hemoroidy 3. stupňa
J62.0	Pneumokonióza zapríčinená prachom mastenca (talkom)	K64.3	Hemoroidy 4. stupňa
J62.8	Pneumokonióza zapríč. i. prachom obsahujúcim kremeň	K64.4	Reziduálne hemoroidálne kožné protuberancie
J63.0	Aluminóza (pľúc)	K64.5	Perianálna žilová trombóza
J63.1	Bauxitová fibróza (pľúc)	K64.8	Iné hemoroidy, bližšie určené
J63.2	Berylióza	K64.9	Hemoroidy, bližšie neurčené
J63.3	Grafitová fibróza (pľúc)	K70.0	Alkoholová tuková choroba pečene
J63.4	Sideróza	K70.1	Alkoholová hepatitída
J63.5	Stanóza	K70.2	Alkoholová fibróza a skleróza pečene
J63.8	Pneumokonióza zapríč. i. bliž. urč. anorganickými prachmi	K70.3	Alkoholová cirhóza pečene
J64	Pneumokonióza, bližšie neurčená	K70.4	Alkoholové zlyhávanie pečene
J65	Pneumokonióza združená s tuberkulózou	K70.9	Alkoholová choroba pečene, bližšie neurčená
J66.0	Bysinóza	K80.00	Kameň žlčníka s akút. cholecystitídou, bez prej. obštr. žlč. ciest
J66.1	Choroba spracovateľov ľanu	K80.01	Kameň žlčníka s akút. cholecystitídou, s obštr. žlč. ciest
J66.2	Kanabinóza	K80.10	Kameň žlčníka s i. cholecystitídou, bez prej. obštr. žlč. ciest
J66.8	Choroba dých ciest, zapríč. i. bliž. urč. organickým prachom	K80.11	Kameň žlčníka s i. cholecystitídou, s obštr. žlč. ciest
J67.0	Farmárske pľúca	K80.20	Kameň žlčníka bez cholecystitídou, bez prej. obštr. žlč. ciest
J67.1	Bagasóza	K80.21	Kameň žlčníka bez cholecystitídou, s obštr. žlč. ciest
J67.2	Pľúcna choroba chovateľov vtákov	K80.30	Kameň žlč. výv. s cholecystitídou, bez prej. obštr. žlč. ciest
J67.3	Suberóza	K80.31	Kameň žlč. výv. s cholecystitídou, s obštr. žlč. ciest
J67.4	Sladovnícke pľúca	K80.40	Kameň žlč. výv. s cholecystitídou, bez prej. obštr. žlč. ciest
J67.5	Pľúcna choroba pestovateľov húb	K80.41	Kameň žlč. výv. s cholecystitídou, s obštr. žlč. ciest
J67.6	Pľúcna choroba lúpačov javorovej kôry	K80.50	Kameň žlč. výv. bez chol. /cholecyst. bez prej. obštr. žlč. ciest
J67.7	Pľúcna choroba zapríč. ventilačnými a zvlhčovacími zariadeniami	K80.51	Kameň žlč. výv. bez cholangit./cholecyst. s obš. žlč. ciest
J67.8	Alergická alveolitída zapríč. i. organickým prachom	K80.80	Iná cholelitiáza, bez prejavov obštr. žlč. ciest
J67.9	Alergická alveolitída zapríč. bliž. neurč. organickým prachom	K80.81	Iná cholelitiáza, s obštrukciou žlčových ciest

Kód	Popis	Kód	Popis
K81.0	Akútna cholecystitída	M05.29	Reumat.artritída s vaskulitídou,miesto bliž.neurč.
K81.1	Chronická cholecystitída	M05.30	Reumatoidná artritída s postih.i.org.a súst.,na viac.miest.
K81.8	Iná cholecystitída	M05.31	Reumatoidná artritída s postih.i.org.a súst.,v obl.pleca
K81.9	Cholecystitída,bližšie neurčená	M05.32	Reumatoidná artritída s postih.i.org.a súst.,v obl.nadlaktia
K82.0	Obštrukcia žľčníka	M05.33	Reumatoidná artritída s postih.i.org.a súst.,v obl.predlak.
K82.1	Hydrops žľčníka	M05.34	Reumatoidná artritída s postih.i.org.a súst.,v obl.ruky
K82.2	Perforácia žľčníka	M05.35	Reumat.artritída s postih.i.org.a súst.,v obl.panv.a steh.
K82.3	Fistula žľčníka	M05.36	Reumatoidná artritída s postih.i.org.a súst.,v obl.predkol.
K82.4	Cholesterolóza žľčníka	M05.37	Reumatoidná artritída s postih.i.org.a súst.,v obl.čl.a nohy
K82.8	Iná choroba žľčníka,bližšie určená	M05.38	Reumatoidná artritída s postih.i.org.a súst.,na i.mieste
K82.9	Choroba žľčníka,bližšie neurčená	M05.39	Reumatoidná artritída s postih.i.org.a súst.,miesto b.n.
K83.0	Zápal žľčových ciest	M05.80	Iná séropozitívna reumatoid.artritída na viac.m.
K83.1	Obštrukcia žľčových ciest	M05.81	Iná séropozitívna reumatoid.artritída v obl.pleca
K83.2	Perforácia žľčových ciest	M05.82	Iná séropozitívna reumatoid.artritída v obl.nadlaktia
K83.3	Fistula žľčových ciest	M05.83	Iná séropozitívna reumatoid.artritída v obl.predlak.
K83.4	Spazmus Oddiho zvierača	M05.84	Iná séropozitívna reumatoid.artritída v obl.ruky
K83.5	Žľčová cysta	M05.85	Iná séropozitívna reumatoid.artritída v obl.panv.o.a stehna
K83.8	Iná choroba žľčových ciest,bližšie určená	M05.86	Iná séropozitívna reumatoid.artritída v obl.predkol.
K83.9	Choroba žľčových ciest,bližšie neurčená	M05.87	Iná séropozitívna reumatoid.artritída v obl.čl.a nohy
K85.00	Idiopatická akútna pankreatitída,bez org.kompl.	M05.88	Iná séropozitívna reumatoid.artritída na i.mieste
K85.01	Idiopatická akútna pankreatitída,s org.kompl.	M05.89	Iná séropozitívna reumatoid.artritída miesto b.n.
K85.10	Akútna biliárna pankreatitída,bez org.kompl.	M05.90	Séropoz.reumatoid.artritída,bliž.neurč.na viac.m.
K85.11	Akútna biliárna pankreatitída,s org.kompl.	M05.91	Séropoz.reumatoid.artritída,bliž.neurč.v obl.pleca
K85.20	Akút.pankreatitída zapr.alkoholom,bez org.kompl.	M05.92	Séropoz.reumatoid.artritída,bliž.neurč.v obl.nadlaktia
K85.21	Akút.pankreatitída zapr.alkoholom,s org.kompl.	M05.93	Séropoz.reumatoid.artritída,bliž.neurč.v obl.predlak.
K85.30	Akútna pankreatitída zaprič.liekom,bez org.kompl.	M05.94	Séropoz.reumatoid.artritída,bliž.neurč.v obl.ruky
K85.31	Akútna pankreatitída zaprič.liekom,s org.kompl.	M05.95	Séropoz.reumatoid.artritída,bliž.neurč.v obl.panv.a stehna
K85.80	Iná akútna pankreatitída,bez orgánovej komplikácie	M05.96	Séropoz.reumatoid.artritída,bliž.neurč.v obl.predkol.
K85.81	Iná akútna pankreatitída,s orgánovou komplikáciou	M05.97	Séropoz.reumatoid.artritída,bliž.neurč.v obl.čl.a nohy
K85.90	Akútna pankreatitída,bliž.neurč.bez org.kompl.	M05.98	Séropoz.reumatoid.artritída,bliž.neurč.na i.mieste,b.n.
K85.91	Akútna pankreatitída,bliž.neurč.s org.kompl.	M05.99	Séropoz.reumatoid.artritída,bliž.neurč.,miesto bliž.neurč.
K86.0	Chronická pankreatitída zapríčinená alkoholom	M06.00	Séronegat.reumatoid.artritída,na viac.m.
K86.1	Iná chronická pankreatitída	M06.01	Séronegat.reumatoid.artritída,v obl.pleca
K86.2	Cysta pankreasu	M06.02	Séronegat.reumatoid.artritída,v obl.nadlaktia
K86.3	Pseudocysta pankreasu	M06.03	Séronegat.reumatoid.artritída,v obl.predlak.
K86.8	Iná choroba podžalúdkovej žľazy,bližšie určená	M06.04	Séronegat.reumatoid.artritída,v obl.ruky
K86.9	Choroba podžalúdkovej žľazy,bližšie neurčená	M06.05	Séronegat.reumatoid.artritída,v obl.panv.a stehna
K87.0	Choroba žľčníka a žľč.ciest pri chor.z.i.	M06.06	Séronegat.reumatoid.artritída,v obl.predkol.
K87.1	Choroby pankreasu pri chorobách zatriedených inde	M06.07	Séronegat.reumatoid.artritída,v obl.čl.a nohy
K91.5	Postcholecystektomický syndróm	M06.08	Séronegat.reumatoid.artritída,na i.mieste
M02.30	Reiterova choroba na viacerých miestach	M06.09	Séronegat.reumatoid.artritída,miesto b.n.
M02.31	Reiterova choroba v obl.pleca	M06.10	Stillova chor.dospelých s postih.kĺbov na viac.miestach
M02.32	Reiterova choroba v obl.nadlaktia	M06.11	Stillova chor.dospelých s postih.kĺbov v pleca
M02.33	Reiterova choroba v obl.predlak.	M06.12	Stillova chor.dospelých s postih.kĺbov nadlaktia
M02.34	Reiterova choroba v obl.ruky	M06.13	Stillova chor.dospelých s postih.kĺbov predlak.
M02.35	Reiterova choroba v obl.panv.a stehna	M06.14	Stillova chor.dospelých s postih.kĺbov ruky
M02.36	Reiterova choroba v obl.predkol.	M06.15	Stillova chor.dospelých s postih.Kĺbov panvy a stehna
M02.37	Reiterova choroba v obl.čl.a nohy	M06.16	Stillova chor.dospelých s postih.kĺbov predkol.
M02.38	Reiterova choroba na i.mieste	M06.17	Stillova chor.dospelých s postih.kĺbov čl.a nohy
M02.39	Reiterova choroba,miesto bliž.neurč.	M06.18	Stillova chor.dospelých s postih.kĺbov na i.mieste
M05.10	Séropoz.reumat.artritída s pľúc.prej.,na viac.m.	M06.19	Stillova chor.dospelých s postih.kĺbov na n.mieste
M05.11	Séropoz.reumat.artritída s pľúc.prej.,v obl.pleca	M06.80	Iná reumatoid.artritída,bliž.urč.na viac.m.
M05.12	Séropoz.reumat.artritída s pľúc.prej.,v obl.nadlaktia	M06.81	Iná reumatoid.artritída,bliž.urč.v obl.pleca
M05.13	Séropoz.reumat.artritída s pľúc.prej.,v obl.predlak.	M06.82	Iná reumatoid.artritída,bliž.urč.v obl.nadlaktia
M05.14	Séropoz.reumat.artritída s pľúc.prej.,v obl.ruky	M06.83	Iná reumatoid.artritída,bliž.urč.v obl.predlak.
M05.15	Séropoz.reumat.artritída s pľúc.prej.,v obl.panv.a stehna.	M06.84	Iná reumatoid.artritída,bliž.urč.v obl.ruky
M05.16	Séropoz.reumat.artritída s pľúc.prej.,v obl.predkol.	M06.85	Iná reumatoid.artritída,bliž.urč.v obl.panv.a stehna
M05.17	Séropoz.reumat.artritída s pľúc.prej.,v obl.čl.a nohy	M06.86	Iná reumatoid.artritída,bliž.urč.v obl. predkol.,
M05.18	Séropoz.reumat.artritída s pľúc.prej.,v obl.na i.mieste	M06.87	Iná reumatoid.artritída,bliž.urč.v obl.čl.a nohy
M05.19	Séropoz.reumat.artritída s pľúc.prej.,miesto b.n.	M06.88	Iná reumatoid.artritída,bliž.urč.v obl.na i.mieste
M05.20	Reumat.artritída s vaskulitídou,na viac.m.	M06.89	Iná reumatoid.artritída,bliž.urč.,miesto bliž.neurč.
M05.21	Reumat.artritída s vaskulitídou,v obl.pleca	M06.90	Reumatoid.artritída,bliž.neurč.na viac.m.
M05.22	Reumat.artritída s vaskulitídou,v obl.nadlaktia	M06.91	Reumatoid.artritída,bliž.neurč.v obl.pleca
M05.23	Reumat.artritída s vaskulitídou,v obl.predlak.	M06.92	Reumatoid.artritída,bliž.neurč.v obl.nadlaktia
M05.24	Reumat.artritída s vaskulitídou,v obl.ruky	M06.93	Reumatoid.artritída,bliž.neurč.v obl. predlak.
M05.25	Reumat.artritída s vaskulitídou,v obl.panv.a stehna	M06.94	Reumatoid.artritída,bliž.neurč.v obl.ruky
M05.26	Reumat.artritída s vaskulitídou,v obl.predkol.	M06.95	Reumatoid.artritída,bliž.neurč.panv.obl.a stehna
M05.27	Reumat.artritída s vaskulitídou,v obl.čl.a nohy	M06.96	Reumatoid.artritída,bliž.neurč.v obl.predkol.
M05.28	Reumat.artritída s vaskulitídou,na i.mieste	M06.97	Reumatoid.artritída,bliž.neurč.v obl.čl.a nohy

Kód	Popis	Kód	Popis
M06.98	Reumatoid.artritída,blíž.neurč.na i.mieste	M15.1	Heberdenove uzly (s artropatiou)
M06.99	Reumatoid.artritída,blíž.neurč.,miesto blíž.neurč.	M15.2	Bouchardove uzly (s artropatiou)
M07.00	Distálna psoriatická artritída na viac.miestach	M15.3	Sekundárna mnohopočetná artróza
M07.04	Distálna psoriatická artritída ruky	M15.4	Erozívna (osteo-)artróza
M07.07	Distálna psoriatická artritída čl.a nohy	M15.8	Iná polyartróza
M07.09	Distálna psoriatická artritída na n.mieste	M15.9	Polyartróza,blížšie neurčená
M07.10	Arthritis mutilans, na viacerých miestach (L40.5†)	M30.0	Polyarteriitis nodosa
M07.11	Arthritis mutilans v obl.pleca	M31.5	Obrovskobunková artritída s polymyalgia rheumatica
M07.12	Arthritis mutilans v obl.nadlaktia	M31.7	Mikroskopická polyangitída
M07.13	Arthritis mutilans v obl. predlak.	M33.1	Iná dermatomyozitída
M07.14	Arthritis mutilans v obl.ruky	M35.3	Polymyalgia rheumatica
M07.15	Arthritis mutilans panv.obl.a stehna	M42.10	Osteochondróza chrbtice v dospelosti na v.miest.
M07.16	Arthritis mutilans v obl.predkol.	M42.11	Osteochondróza chrbt.v dosp.v okcip.-atlanto.-axiál.obl.
M07.17	Arthritis mutilans v obl.čl.a nohy	M42.12	Osteochondróza chrbtice v dospelosti v krčnej obl.
M07.18	Arthritis mutilans na i.mieste	M42.13	Osteochondróza chrbtice v dospel.v krčnrohudník.obl.
M07.19	Arthritis mutilans na n.mieste	M42.14	Osteochondróza chrbtice v dospel.v hrudník.obl.
M07.2	Psoriatická spondylitída (L40.5†)	M42.15	Osteochondróza chrbtice v dospel.v hrudník-driek.obl.
M07.30	Iná psoriatická artritídana viac.m.	M42.16	Osteochondróza chrbtice v dospel.v driekovej obl.
M07.31	Iná psoriatická artritídav obl.pleca	M42.17	Osteochondróza chrbtice v dospel.v driekovokriž.obl.
M07.32	Iná psoriatická artritídav obl.nadlaktia	M42.18	Osteochondróza chrbtice v dospel.v križ.a križovokostř.obl.
M07.33	Iná psoriatická artritídav obl.predlak.	M42.19	Osteochondróza chrbt.ice v dospel.:oblasť blíž.neurč.
M07.34	Iná psoriatická artritídav obl.ruky	M45.00	Ankylozujúca spondylitída na viac.m.chrbt.
M07.35	Iná psoriatická artritídav obl.panv.a stehna	M45.01	Ankylozujúca spondylitída okcip.-atl.-axiál.obl.
M07.36	Iná psoriatická artritídav obl.predkol.	M45.02	Ankylozujúca spondylitída krčnej oblasti
M07.37	Iná psoriatická artritídav obl.čl.a nohy	M45.03	Ankylozujúca spondylitída krčnrohudníkovej oblasti
M07.38	Iná psoriatická artritídana i.mieste	M45.04	Ankylozujúca spondylitída hrudníkovej oblasti
M07.39	Iná psoriatická artritídana n.mieste	M45.05	Ankylozujúca spondylitída hrudníkovodriek.obl.
M07.40	Artritída pri Crohn.chor. s postih.kĺbov na viac.m.	M45.06	Ankylozujúca spondylitída driekovej oblasti
M07.41	Artritída pri Crohn.chor.s postih.kĺbov v obl.pleca	M45.07	Ankylozujúca spondylitída driekovokrižovej oblasti
M07.42	Artritída pri Crohn.chor.s postih.kĺbov nadlaktia	M45.08	Ankylozujúca spondylitída križ.a križovokostř.obl.
M07.43	Artritída pri Crohn.chor.s postih.kĺbov predlak.	M45.09	Ankylozujúca spondylitída:oblasť blížšie neurčená
M07.44	Artritída pri Crohn.chor.s postih.kĺbov ruky	M48.00	Stenóza spinálneho kanála na viac.m.chrbt.
M07.45	Artritída pri Crohn.chor.s postih.kĺbov panvy a stehna	M48.01	Stenóza spinálneho kanála v okcip.-atl.-axiál.obl.
M07.46	Artritída pri Crohn.chor.s postih.kĺbov predkol.	M48.02	Stenóza spinálneho kanála v krčnej oblasti
M07.47	Artritída pri Crohn.chor.s postih.kĺbov čl.a nohy	M48.03	Stenóza spinálneho kanála v krčnrohudník.obl.
M07.48	Artritída pri Crohn.chor.s postih.kĺbov na i.mieste	M48.04	Stenóza spinálneho kanála v hrudníkovej oblasti
M07.49	Artritída pri Crohn.chor.s postih.kĺbov na n.mieste	M48.05	Stenóza spinálneho kanála v hrudníkovodriek. obl.
M07.50	Artritída pri ulcer.kolitíde s postih.kĺbov na viac.m.	M48.06	Stenóza spinálneho kanála v driekovej oblasti
M07.51	Artritída pri ulcer.kolitíde s postih.kĺbov v obl.pleca	M48.07	Stenóza spinálneho kanála v driekovokriž. obl.
M07.52	Artritída pri ulcer.kolitíde s postih.kĺbov nadlaktia	M48.08	Stenóza spinálneho kanála v križ.a križovokostř.obl.
M07.53	Artritída pri ulcer.kolitíde s postih.kĺbov predlak.	M48.09	Stenóza spinálneho kanála:oblasť blížšie neurčená
M07.54	Artritída pri ulcer.kolitíde s postih.kĺbov ruky	M50.1	Poškodenie krčnej medzistav.plat.s radikulopatiou
M07.55	Artritída pri ulcer.kolitíde s postih.kĺbov pan.a stehna	M50.2	Iná dislokácia krčnej medzistavcovej platničky
M07.56	Artritída pri ulcer.kolitíde s postih.kĺbov predkol.	M50.3	Iná degenerácia krčnej medzistavcovej platničky
M07.57	Artritída pri ulcer.kolitíde s postih.kĺbov čl.a nohy	M50.8	Iné poškodenie krčnej medzistavcovej platničky
M07.58	Artritída pri ulcer.kolitíde s postih.kĺbov na i.mieste	M50.9	Poškodenie krčnej medzistav.platničky,blíž.neurč.
M07.59	Artritída pri ulcer.kolitíde s postih.kĺbov na n.mieste	M51.0	Poškodenie driekov a i.medzistavcových platnič.s myelopatiou
M07.60	Iná enteropatická artritída na viacerých miestach	M51.1	Poškodenie driekov a i.medzistavc.platnič.s radikulopatiou
M07.61	Iná enteropatická artritída obl.pleca	M51.2	Iná dislokácia medzistavcovej platničky,b.u.
M07.62	Iná enteropatická artritída nadlaktia	M51.3	Iná degenerácia medzistavcovej platničky,b.u.
M07.63	Iná enteropatická artritída predlak.	M51.4	Schmorlove uzly
M07.64	Iná enteropatická artritída ruky	M51.8	Iná poškodenie medzistavcovej platničky,b.u.
M07.65	Iná enteropatická artritída panv.obl.a stehna	M51.9	Poškodenie medzistavcovej platničky,b.n.
M07.66	Iná enteropatická artritída predkol.	M72.0	Fibromatóza palm.aponeurózy (Dupuytrenova kontraktúra)
M07.67	Iná enteropatická artritída čl.a nohy	M75.0	Adhezívna kapsulitída pleca
M07.68	Iná enteropatická artritída na i.mieste	M75.1	Syndróm manžety rotátorov
M07.69	Iná enteropatická artritída,miesto blíž.neurč.	M75.3	Vápenatejúca tendinitída pleca
M08.70	Juven.artritída s vaskulit.s postih.kĺb.na viac.m.	M75.4	Syndróm narazeného ramena
M08.71	Juven.artritída s vaskulit.s postih.kĺb.v obl.pleca	M80.10	Postovariektom.osteopor.s pat.zlomeninou na viac.m.
M08.72	Juven.artritída s vaskulit.s postih.kĺb.v obl.nadlaktia	M80.11	Postovariektom.osteopor.s pat.zlomeninou v obl.pleca
M08.73	Juven.artritída s vaskulit.s postih.kĺb.v obl.predlak.	M80.12	Postovariektom.osteopor.s pat.zlomeninou nadlaktia
M08.74	Juven.artritída s vaskulit.s postih.kĺb.v obl.ruky	M80.13	Postovariektom.osteopor.s pat.zlomeninou predlak.
M08.75	Juven.artritída s vaskulit.s postih.kĺb.v obl.panvy a stehna	M80.14	Postovariektom.osteopor.s pat.zlomeninou ruky
M08.76	Juven.artritída s vaskulit.s postih.kĺb.v obl.predkol.	M80.15	Postovariektom.osteopor.s pat.zlome. panv.obl.a stehna
M08.77	Juven.artritída s vaskulit.s postih.kĺb.v obl.čl.a nohy	M80.16	Postovariektom.osteopor.s pat.zlomeninou predkol.
M08.78	Juven.artritída s vaskulit.s postih.kĺb.na i.mieste	M80.17	Postovariektom.osteopor.s pat.zlomeninou čl.a nohy
M08.79	Juven.artritída s vaskulit.s postih.kĺb.,miesto blíž.neurč.	M80.18	Postovariektom.osteopor.s pat.zlomeninou na i.mieste
M14.0	Dnová artropatia,zaprič.enzým.defektmi a i.dedič.poruchami	M80.19	Postovariektom.osteopor.s pat.zlomeninou,miesto blíž.neurč.
M15.0	Primárna generalizovaná (osteo-)artróza	M80.50	Idiopat.osteoporóza s pat.zlomeninou na viac.m.

Kód	Popis	Kód	Popis
M80.51	Idiopatická osteoporóza s pat.zlomeninou v obl.pleca	M83.80	Iná osteomalácia v dospelosti na viacerých miestach
M80.52	Idiopatická osteoporóza s pat.zlomeninou nadlaktia	M83.81	Iná osteomalácia v dospelosti v obl.pleca
M80.53	Idiopatická osteoporóza s pat.zlomeninou predlak.	M83.82	Iná osteomalácia v dospelosti v obl.nadlaktia
M80.54	Idiopatická osteoporóza s pat.zlomeninou ruky	M83.83	Iná osteomalácia v dospelosti v obl.predlak.
M80.55	Idiopatická osteoporóza s pat.zlomeninou panv.obl.a stehna	M83.84	Iná osteomalácia v dospelosti v obl.ruky
M80.56	Idiopatická osteoporóza s pat.zlomeninou predkol.	M83.85	Iná osteomalácia v dospelosti v obl.panvy a stehna
M80.57	Idiopatická osteoporóza s pat.zlomeninou čl.a nohy	M83.86	Iná osteomalácia v dospelosti v obl.predkol.
M80.58	Idiopatická osteoporóza s pat.zlomeninou na i.mieste	M83.87	Iná osteomalácia v dospelosti v obl.čl.a nohy
M80.59	Idiopatická osteoporóza s pat.zlomeninou,miesto bliž.neurč.	M83.88	Iná osteomalácia v dospelosti na i.mieste
M81.10	Postvariektomická osteopor.na viac.m.	M83.89	Iná osteomalácia v dospelosti,miesto bliž.neurč.
M81.11	Postvariektomická osteopor.v obl.pleca	M83.90	Osteomalácia v dospelosti,bliž.neurč.na viac.miast.
M81.12	Postvariektomická osteopor.nadlaktia	M83.91	Osteomalácia v dospelosti,bliž.neurč.v obl.pleca
M81.13	Postvariektomická osteopor.predlak.	M83.92	Osteomalácia v dospelosti,bliž.neurč.v obl.nadlaktia
M81.14	Postvariektomická osteopor.ruky	M83.93	Osteomalácia v dospelosti,bliž.neurč.v obl.predlak.
M81.15	Postvariektomická osteopor.panv.obl.a stehna	M83.94	Osteomalácia v dospelosti,bliž.neurč.v obl.ruky
M81.16	Postvariektomická osteopor.predkol.	M83.95	Osteomalácia v dospelosti,bliž.neurč.v obl.a stehna
M81.17	Postvariektomická osteopor.čl.a nohy	M83.96	Osteomalácia v dospelosti,bliž.neurč.v obl.predkol.
M81.18	Postvariektomická osteopor.na i.mieste	M83.97	Osteomalácia v dospelosti,bliž.neurč.v obl.čl.a nohy
M81.19	Postvariektomická osteopor.,miesto bliž.neurč.	M83.98	Osteomalácia v dospelosti,bliž.neurč.na i.mieste
M81.50	Idiopatická osteoporóza na viacerých miestach	M83.99	Osteomalácia v dospelosti,miesto bliž.neurč.
M81.51	Idiopatická osteoporóza v obl.pleca	M88.0	Deformujúca osteodystrofia [Pagetova choroba] lebky
M81.52	Idiopatická osteoporóza nadlaktia	M88.80	Deformujúca osteodystrofia i.kostí,na viac.miast.
M81.53	Idiopatická osteoporóza predlak.	M88.81	Deformujúca osteodystrofia i.kostí,v obl.pleca
M81.54	Idiopatická osteoporóza ruky	M88.82	Deformujúca osteodystrofia i.kostí,na i.nadlaktia
M81.55	Idiopatická osteoporóza panv.obl.a stehna	M88.83	Deformujúca osteodystrofia i.kostí,v obl.predlak.
M81.56	Idiopatická osteoporóza predkol.	M88.84	Deformujúca osteodystrofia i.kostí,v obl.ruky
M81.57	Idiopatická osteoporóza čl.a nohy	M88.85	Deformujúca osteodystrofia i.kostí,panv.obl.a stehna
M81.58	Idiopatická osteoporóza na i.mieste	M88.86	Deformujúca osteodystrofia i.kostí,v obl.predkol.
M81.59	Idiopatická osteoporóza,miesto bliž.neurč.	M88.87	Deformujúca osteodystrofia i.kostí,v obl.čl.a nohy
M83.20	Osteomalácia v dosp.zaprič.malabsorpciou,na viacer.miast.	M88.88	Deformujúca osteodystrofia i.kostí,na i.mieste
M83.21	Osteomalácia v dospelosti zaprič.malabsorpciou v obl.pleca	M88.89	Deformujúca osteodystrofia i.kostí,miesto bliž.neurč.
M83.22	Osteomalácia v dosp.zaprič.malabsorpciou,v obl.nadlaktia	M88.90	Deformujúca osteodystrofia,bliž.neur.na viac.m.
M83.23	Osteomalácia v dosp.zaprič.malabsorpciou,v obl.predlak.	M88.91	Deformujúca osteodystrofia,bliž.neur.v obl.pleca
M83.24	Osteomalácia v dosp.zaprič.malabsorpciou,v obl.ruky	M88.92	Deformujúca osteodystrofia,bliž.neur.v obl.nadlaktia
M83.25	Osteomalácia v dosp.zaprič.malabsorpciou,v obl.pan. a stehna	M88.93	Deformujúca osteodystrofia,bliž.neur.v obl.predlak.
M83.26	Osteomalácia v dosp.zaprič.malabsorpciou,v obl.predkol.	M88.94	Deformujúca osteodystrofia,bliž.neur.v obl.ruky
M83.27	Osteomalácia v dosp.zaprič.malabsorpciou,v obl.čl.a nohy	M88.95	Deformujúca osteodystrofia,bliž.neur.panv.obl.a stehna
M83.28	Osteomalácia v dosp.zaprič.malabsorpciou,na i.mieste	M88.96	Deformujúca osteodystrofia,bliž.neur.v obl.predkol.,
M83.29	Osteomalácia v dosp.zaprič.malabsorpciou,miesto bliž.neurč.	M88.97	Deformujúca osteodystrofia,bliž.neur.v obl.čl.a nohy
M83.30	Osteomalácia dospelých zaprič.podvýživou,na viac.m.	M88.98	Deformujúca osteodystrofia,bliž.neur.na i.mieste
M83.31	Osteomalácia dospelých zaprič.podvýživou,v obl.pleca	M88.99	Deformujúca osteodystrofia,bliž.neur.,miesto bliž.neurč.
M83.32	Osteomalácia dospelých zaprič.podvýživou,v obl.nadlaktia	M93.1	Kienböckova choroba dospelých
M83.33	Osteomalácia dospelých zaprič.podvýživou,v obl.predlak.	M96.1	Postlaminektomický syndróm,nezatriedený inde
M83.34	Osteomalácia dospelých zaprič.podvýživou,v obl.ruky	M96.3	Kyfóza po laminektómii
M83.35	Osteomalácia dospel.zaprič.podvýživou,v obl.panvy a stehna	N14.0	Nefropatia zapríčinená analgetikami
M83.36	Osteomalácia dospelých zaprič.podvýživou,v obl.predkol.	N18.5	Chronická choroba obličiek,5.štádium
M83.37	Osteomalácia dospelých zaprič.podvýživou,v obl.čl.a nohy	N34.1	Zápal močovej rúry,bližšie neučený
M83.38	Osteomalácia dospelých zaprič.podvýživou,na i.mieste	N34.2	Iný zápal močovej rúry
M83.39	Osteomalácia dospelých zaprič.podvýživou,miesto bliž.neurč.	N39.3	Stresová inkontinencia moču
M83.40	Hliniková kostná choroba na viacerých miestach	N41.0	Akútna prostatitída
M83.41	Hliniková kostná choroba v obl.pleca	N46	Mužská neplodnosť
M83.42	Hliniková kostná choroba nadlaktia	N48.4	Impotencia organického pôvodu
M83.43	Hliniková kostná choroba predlak.	N60.0	Solitárna cysta prsníka
M83.44	Hliniková kostná choroba ruky	N60.1	Difúzna cystická mastopatia
M83.45	Hliniková kostná choroba panv.obl.a stehna	N60.2	Fibroadenóza prsníka
M83.46	Hliniková kostná choroba predkol.	N60.3	Fibroskleróza prsníka
M83.47	Hliniková kostná choroba čl.a nohy	N60.4	Rozšírenie mliekovodu prsníka
M83.48	Hliniková kostná choroba na i.mieste	N60.8	Iná benígna dysplázia prsníka
M83.49	Hliniková kostná choroba,miesto bliž.neurč.	N60.9	Benígna dysplázia prsníka,bližšie neurčená
M83.50	Iná osteomalácia v dospelosti zapr.liekmi,na viac.m.	N64.3	Galaktorea bez súvislosti s pôrodom
M83.51	Iná osteomalácia v dospelosti zapr.liekmi v obl.pleca	N70.1	Chronická salpingitída a ooforitída
M83.52	Iná osteomalácia v dospelosti zapr.liekmi v obl.nadlaktia	N71.1	Chronická zápalová choroba matrice
M83.53	Iná osteomalácia v dospelosti zapr.liekmi v obl.predlak.	N72	Zápalová choroba krčka matrice
M83.54	Iná osteomalácia v dospelosti zapr.liekmi v obl.ruky	N73.1	Chronická parametritída a panvová celulitída
M83.55	Iná osteomalácia v dospelosti zapr.liek.v obl.pan.a stehna	N73.4	Chronická pelveoperitonitída u žien
M83.56	Iná osteomalácia v dospelosti zapr.liekmi v obl.predkol.	N80.0	Endometrióza matrice
M83.57	Iná osteomalácia v dospelosti zapr.liekmi v obl.čl.a nohy	N80.1	Endometrióza vaječníka
M83.58	Iná osteomalácia v dospelosti zapr.liekmi na i.mieste	N80.2	Endometrióza vajíčkovodu
M83.59	Iná osteomalácia v dospelosti zapr.liekmi,miestol bliž.neurč.	N80.3	Endometrióza panvového peritonea

## Príloha D: Overovania klinických a demografických údajov

Kód	Popis	Kód	Popis
N80.4	Endometrióza rektovaginálneho septa a pošvy	N81.4	Uterovaginálny prolaps, bližšie neurčený
N80.5	Endometrióza čreva	N81.5	Pošvová enterokéla
N80.6	Endometrióza v kožnej jazve	N81.6	Rektokéla
N80.8	Iná endometrióza	N81.8	Iný prolaps pohlavných orgánov u ženy
N80.9	Endometrióza, bližšie neurčená	N81.9	Prolaps pohlavných orgánov u ženy, bližšie neurčený
N81.0	Uretrokéla u ženy	N99.2	Adhézie pošvy po chirurgickom výkone
N81.1	Cystokéla	N99.3	Prolaps pošvovej klenby po hysterektómii
N81.2	Nekompletný uterovaginálny prolaps	R86.1	Abn.nález vo vzorkách z muž.pohl.org.:abn.hodn.hormón.
N81.3	Kompletný uterovaginálny prolaps		

**D.4k Konflikt s vekom: Dospelý v zrelom veku**

Kód	Popis	Kód	Popis
B90.0	Následky tuberkulózy centrálnej nervovej sústavy	M81.08	Postmenopauzálna osteopor.na i.mieste
B90.1	Následky tuberkulózy močovopohlavnej sústavy	M81.09	Postmenopauzálna osteoporóza,miesto bliž.neurč.
B90.2	Následky tuberkulózy kostí a kĺbov	M83.10	Starecká osteomalácia na viacerých miestach
B90.8	Následky tuberkulózy iných orgánov	M83.11	Starecká osteomalácia v obl.pleca
B90.9	Následky respiračnej a bliž.nerč.TBC	M83.12	Starecká osteomalácia nadlaktia
B92	Následky lepy	M83.13	Starecká osteomalácia predlak.
C61	Zhubný nádor prostaty	M83.14	Starecká osteomalácia ruky
G30.1	Alzheimerova choroba s neskorým začiatkom (F00.1*)	M83.15	Starecká osteomalácia panv.obl.a stehna
H25.0	Začínajúca senilná katarakta	M83.16	Starecká osteomalácia predkol.
H25.1	Senilná katarakta nukleárna[fakoskleróm]	M83.17	Starecká osteomalácia čl.a nohy
H25.2	Senilná katarakta, Morgagniho typ	M83.18	Starecká osteomalácia na i.mieste
H25.8	Iná senilná katarakta	M83.19	Starecká osteomalácia, miesto bližšie neurčené
H25.9	Senilná katarakta,bližšie neurčená	N40	Hyperplázia prostaty
M80.00	Postmenopauz.osteopor.s patol.zlomeninou na viac.m.	N41.1	Chronická prostatitída
M80.01	Postmenopauz.osteopor.s patol.zlomeninou v obl.pleca	N41.2	Absces prostaty
M80.02	Postmenopauz.osteopor.s patol.zlomeninou nadlaktia	N41.3	Prostatocystitída
M80.03	Postmenopauz.osteopor.s patol.zlomeninou predlak.	N41.8	Iná zápalová choroba prostaty
M80.04	Postmenopauz.osteopor.s patol.lomeninou ruky	N41.9	Zápalová choroba prostaty,bližšie neurčená
M80.05	Postmenopauz.osteopor.s patol.zlomeninou panv.obl.a stehna	N42.0	Konkrement prostaty
M80.06	Postmenopauz.osteopor.s patol.zlomeninou predkol.	N42.1	Kongescia a krvácanie z prostaty
M80.07	Postmenopauz.osteopor.s patol.zlomeninou čl.a nohy	N42.2	Atrofia prostaty
M80.08	Postmenopauz.osteopor.s patol.zlomeninou na i.mieste	N42.8	Iná choroba prostaty,bližšie určená
M80.09	Postmenopauz.osteopor.s patol.zlomeninou,miesto bliž.neurč.	N42.9	Choroba prostaty,bližšie neurčená
M81.00	Postmenopauzálna osteoporóza na viacerých miestach	N51.0	Choroby prostaty pri chorobách zatriedených inde
M81.01	Postmenopauzálna osteopor.v obl.pleca	N95.0	Pomenopauzové krvácanie
M81.02	Postmenopauzálna osteopor.nadlaktia	N95.1	Menopauzové a klimakterické poruchy
M81.03	Postmenopauzálna osteopor.predlak.	N95.2	Pomenopauzová atrofická vaginitída
M81.04	Postmenopauzálna osteopor.ruky	N95.3	Poruchy spojené s arteficiálnou menopauzou
M81.05	Postmenopauzálna osteopor.panv.obl.a stehna	N95.8	Iná menopauzové a perimenopauzové poruchy,b.u.
M81.06	Postmenopauzálna osteopor.predkol.	N95.9	Menopauzové a perimenopauzové poruchy,b.n.
M81.07	Postmenopauzálna osteopor.čl.a nohy	R54	Senilita

**D.5a Konflikt s pohlavím: Choroby ženy**

Kód	Popis	Kód	Popis
A34	Tetanus počas gravidity,pôrodu a v šestonedelí	F52.6	Neorganická dyspareunia
B37.3	Kandidóza vulvy a pošvy(N77.1*)	F53.0	Mierna duševná porucha a por.správ.v šestonedelí,nezat.inde
C51.0	Zhubný nádor veľkého pysku	F53.1	Ťažká duševná porucha a por.správ.v šestonedelí,nezat.inde
C51.1	Zhubný nádor malého pysku	F53.8	Iná duševná porucha a por.správ.v šestonedelí,nezat.inde
C51.2	Zhubný nádor klitoris	F53.9	Duševná porucha v šestonedelí,bližšie neurčená
C51.8	Zhubný nádor vulvy presahujúci viaceré oblasti	I86.3	Varixy vulvy
C51.9	Zhubný nádor vulvy,bližšie neurčený	I97.2	Postmastektomický lymfédém
C52	Zhubný nádor pošvy	L29.2	Svrbenie vulvy
C53.0	Zhubný nádor endocervixu maternice	L70.5	Acne excoriée des jeunes filles
C53.1	Zhubný nádor exocervixu maternice	M80.00	Postmenopauz.osteopor.s patol.zlomeninou na viac.m.
C53.8	Zhubný nádor krčka maternice presah.viac.obl.	M80.01	Postmenopauz.osteopor.s patol.zlomeninou v obl.pleca
C53.9	Zhubný nádor krčka maternice,bližšie neurčený	M80.02	Postmenopauz.osteopor.s patol.zlomeninou nadlaktia
C54.0	Zhubný nádor istmu maternice	M80.03	Postmenopauz.osteopor.s patol.zlomeninou predlak.
C54.1	Zhubný nádor endometria	M80.04	Postmenopauz.osteopor.s patol.lomeninou ruky
C54.2	Zhubný nádor myometria	M80.05	Postmenopauz.osteopor.s patol.zlomeninou panv.obl.a stehna
C54.3	Zhubný nádor dna maternice	M80.06	Postmenopauz.osteopor.s patol.zlomeninou predkol.
C54.8	Zhub.nádor tela maternice presah.viac.obl.	M80.07	Postmenopauz.osteopor.s patol.zlomeninou čl.a nohy
C54.9	Zhubný nádor tela maternice,bližšie neurčený	M80.08	Postmenopauz.osteopor.s patol.zlomeninou na i.mieste
C55	Zhubný nádor bližšie neurčenej časti maternice	M80.09	Postmenopauz.osteopor.s patol.zlomeninou,miesto bliž.neurč.
C56	Zhubný nádor vaječníka	M80.10	Postovariektom.osteopor.s pat.zlomeninou na viac.m.
C57.0	Zhubný nádor vajíčkovodu	M80.11	Postovariektom.osteopor.s pat.zlomeninou v obl.pleca
C57.1	Zhubný nádor širokého väzu maternice	M80.12	Postovariektom.osteopor.s pat.zlomeninou nadlaktia
C57.2	Zhubný nádor oblého väzu maternice	M80.13	Postovariektom.osteopor.s pat.zlomeninou predlak.
C57.3	Zhubný nádor parametria	M80.14	Postovariektom.osteopor.s pat.zlomeninou ruky
C57.4	Zhubný nádor adnexe maternice,bližšie neurčený	M80.15	Postovariektom.osteopor.s pat.zlome. panv.obl.a stehna
C57.7	Zhubný nádor iných ženských pohlavných orgánov,bliž.urč.	M80.16	Postovariektom.osteopor.s pat.zlomeninou predkol.
C57.8	Zhubný nádor ženských.pohlavných orgánov,presah.viac.obl.	M80.17	Postovariektom.osteopor.s pat.zlomeninou čl.a nohy
C57.9	Zhubný nádor ženského pohlavného orgánu,bliž.neurč.	M80.18	Postovariektom.osteopor.s pat.zlomeninou na i.mieste
C58	Zhubný nádor placenty	M80.19	Postovariektom.osteopor.s pat.zlomeninou,miesto bliž.neurč.
C79.6	Sekundárny zhubný nádor vaječníka	M81.00	Postmenopauzálna osteoporóza na viacerých miestach
D06.0	Karcinóm in situ endocervixu	M81.01	Postmenopauzálna osteopor.v obl.pleca
D06.1	Karcinóm in situ exocervixu	M81.02	Postmenopauzálna osteopor.nadlaktia
D06.7	Karcinóm in situ inej časti krčka maternice	M81.03	Postmenopauzálna osteopor.predlak.
D06.9	Karcinóm in situ krčka maternice,bližšie neurčený	M81.04	Postmenopauzálna osteopor.ruky
D07.0	Karcinóm in situ endometria	M81.05	Postmenopauzálna osteopor.panv.obl.a stehna
D07.1	Karcinóm in situ vulvy	M81.06	Postmenopauzálna osteopor.predkol.
D07.2	Karcinóm in situ pošvy	M81.07	Postmenopauzálna osteopor.čl.a nohy
D07.3	Karcinóm in situ iných bliž.neurč.ženských pohlav.org.	M81.08	Postmenopauzálna osteopor.na i.mieste
D24	Nezhubný nádor prsníka	M81.09	Postmenopauzálna osteoporóza,miesto bliž.neurč.
D25.0	Submukózný leiomyóm maternice	M81.10	Postovariektomická osteopor.na viac.m.
D25.1	Intramurálny leiomyóm maternice	M81.11	Postovariektomická osteopor.v obl.pleca
D25.2	Subserózný leiomyóm maternice	M81.12	Postovariektomická osteopor.nadlaktia
D25.9	Leiomyóm maternice,bližšie neurčený	M81.13	Postovariektomická osteopor.predlak.
D26.0	Iný nezhubný nádor krčka maternice	M81.14	Postovariektomická osteopor.ruky
D26.1	Iný nezhubný nádor tela maternice	M81.15	Postovariektomická osteopor.panv.obl.a stehna
D26.7	Iný nezhubný nádor iných bliž.urč.ženských pohlav.org.	M81.16	Postovariektomická osteopor.predkol.
D26.9	Iný nezhubný nádor maternice,bližšie neurčený	M81.17	Postovariektomická osteopor.čl.a nohy
D27	Nezhubný nádor vaječníka	M81.18	Postovariektomická osteopor.na i.mieste
D28.0	Nezhubný nádor vulvy	M81.19	Postovariektomická osteopor.,miesto bliž.neurč.
D28.1	Nezhubný nádor pošvy	M83.00	Osteomalácia v šestonedelí na viacerých miestach
D28.2	Nezhubný nádor vajíčkovodov a väzov maternice	M83.01	Osteomalácia v šestonedelí v obl.pleca
D28.7	Nezhubný nádor iných bliž.urč.ženských pohlav.org.	M83.02	Osteomalácia v šestonedelí v obl.nadlaktia
D28.9	Nezhubný nádor bliž.neurč.ženských pohlav.org.	M83.03	Osteomalácia v šestonedelí v obl.predlak.
D39.0	Nádor s neurčitým/nezným.správaním:maternica	M83.04	Osteomalácia v šestonedelí v obl.ruky
D39.1	Nádor s neurčitým/nezným.správaním:vaječník	M83.05	Osteomalácia v šestonedelí v obl.panv.obl.a stehna
D39.2	Nádor s neurčitým/nezným.správaním:placenta	M83.06	Osteomalácia v šestonedelí v obl.predkol.
D39.7	Nádor s neurčitým/nezným.správaním:i.žen.pohl.org.	M83.07	Osteomalácia v šestonedelí v obl.čl.a nohy
D39.9	Nádor s neurčitým/nezným.správaním:bliž.neurč.žen.pohl.org.	M83.08	Osteomalácia v šestonedelí na i.mieste
D48.6	Nádor s neurčitým/nezným.správ.prsník	M83.09	Osteomalácia v šestonedelí,miesto bliž.neurč.
E28.0	Porucha funkcie vaječníkov s nadbytkom estrogénov	N60.1	Difúzna cystická mastopatia
E28.1	Porucha funkcie vaječníkov s nadbytkom androgénov	N60.2	Fibroadenóza prsníka
E28.2	Syndróm polycystických ovárií	N60.3	Fibroskleróza prsníka
E28.3	Primárna nedostatočnosť vaječníkov	N60.4	Rozšírenie mliekovodu prsníka
E28.8	Iná porucha funkcie vaječníkov	N60.8	Iná benígna dysplázia prsníka
E28.9	Porucha funkcie vaječníkov,bližšie neurčená	N60.9	Benígna dysplázia prsníka,bližšie neurčená
E89.4	Zlyhanie vaječníkov po lekárskom výkone	N64.0	Fisúra a fistula bradavky
F52.5	Neorganický vaginizmus	N64.1	Tuková nekróza prsníka



Kód	Popis	Kód	Popis
N64.2	Atrofia prsníka	N83.2	Iná a bližšie neurčená cysta vaječníkov
N64.3	Galaktorea bez súvislosti s pôrodom	N83.3	Získaná atrofia vaječníka a vajíčkovodu
N64.4	Mastodýnia	N83.4	Prolaps a hernia vaječníka a vajíčkovodu
N70.0	Akútna salpingitída a ooforitída	N83.5	Torzia vaječníka, topky vaječníka a vajíčkovodu
N70.1	Chronická salpingitída a ooforitída	N83.6	Hematosalpinx
N70.9	Salpingitída a ooforitída, bližšie neurčená	N83.7	Hematóm širokého väzu maternice
N71.0	Akútna zápalová choroba maternice	N83.8	Iné nežápal.zmeny vaječníka, vajíčkovodu a šir.väzu maternice
N71.1	Chronická zápalová choroba maternice	N83.9	Nezápal.zmeny vaječníka, vajíčkov.a šir.väzu maternice, b.n.
N71.9	Zápalová choroba maternice, bližšie neurčená	N84.0	Polyp tela maternice
N72	Zápalová choroba krčka maternice	N84.1	Polyp krčka maternice
N73.0	Akútna parametritída a panvová celulitída	N84.2	Polyp pošvy
N73.1	Chronická parametritída a panvová celulitída	N84.3	Polyp vulvy
N73.2	Parametritída a panvová celulitída, b.n.	N84.8	Polyp iných častí ženských pohlavných orgánov
N73.3	Akútna pelveoperitonitída u žien	N84.9	Polyp ženských pohlavných orgánov, bližšie neurčený
N73.4	Chronická pelveoperitonitída u žien	N85.0	Glandulárna hyperplázia endometria
N73.5	Pelveoperitonitída u žien, bližšie neurčená	N85.1	Adenomatózna hyperplázia endometria
N73.6	Panvové peritoneálne adhézie u žien	N85.2	Hypertrofia maternice
N73.8	Iné zápalové choroby ženských panvov.orgánov, b.u.	N85.3	Subinvolúcia maternice
N73.9	Zápalová choroba ženských panvov.orgánov, b.n.	N85.4	Malpozícia maternice
N74.0	Tuberkulózná infekcia krčka maternice (A18.1†)	N85.5	Inverzia maternice
N74.1	Tuberkulózný zápal ženských panvov.org.	N85.6	Vnútromaternicové zrasty
N74.2	Syfilitický zápal ženských panvov.org.	N85.7	Hematometra
N74.3	Gonokokový zápal ženských panvov.org.	N85.8	Iná nežápalová choroba maternice, bližšie určená
N74.4	Chlamýdiový zápal ženských panvových orgánov	N85.9	Nezápalová choroba maternice, bližšie neurčená
N74.8	Zápalová choroba ženských panvov.org.pri i.chor.z.i.	N86	Erózia a ektropium krčka maternice
N75.0	Cysta Bartholinovej žľazy	N87.0	Ľahká dysplázia krčka maternice
N75.1	Absces Bartholinovej žľazy	N87.1	Stredná dysplázia krčka maternice
N75.8	Iné choroby Bartholinovej žľazy	N87.2	Ťažká dysplázia krčka maternice, nezatriedená inde
N75.9	Choroba Bartholinovej žľazy, bližšie neurčená	N87.9	Dysplázia krčka maternice, bližšie neurčená
N76.0	Akútna vaginitída	N88.0	Leukoplakia krčka maternice
N76.1	Subakútna a chronická vaginitída	N88.1	Stará lacerácia krčka maternice
N76.2	Akútna vulvitída	N88.2	Striktúra a stenóza krčka maternice
N76.3	Subakútna a chronická vulvitída	N88.3	Inkompetencia krčka maternice
N76.4	Absces vulvy	N88.4	Hypertrofické predĺženie krčka maternice
N76.5	Ulcerácia pošvy	N88.8	Iná nežápalová choroba krčka maternice, b.u.
N76.6	Ulcerácia vulvy	N88.9	Nezápalová choroba krčka maternice, b.n.
N76.80	Fournierova gangréna u ženy	N89.0	Ľahká dysplázia pošvy
N76.88	Iné zápaly pošvy a vulvy, bližšie určené	N89.1	Stredne pokročilá dysplázia pošvy
N77.0	Ulcerácia vulvy pri infek./parazit.chor.z.i.	N89.2	Ťažká dysplázia pošvy, nezatriedená inde
N77.1	Vaginitída, vulvitída a vulvovaginit.pri infek./paraz.chor.z.i.	N89.3	Dysplázia pošvy, bližšie neurčená
N77.8	Vulvovaginálna ulcerácia a zápal pri iných chorobách z.i.	N89.4	Leukoplakia pošvy
N80.0	Endometrióza maternice	N89.5	Striktúra a atrézia pošvy
N80.1	Endometrióza vaječníka	N89.6	Tesný prsteneč hymenu
N80.2	Endometrióza vajíčkovodu	N89.7	Hematokolpos
N80.3	Endometrióza panvového peritonea	N89.8	Iná nežápalová choroba pošvy, bližšie určená
N80.4	Endometrióza rektovaginálneho septa a pošvy	N89.9	Nezápalová choroba pošvy, bližšie neurčená
N80.5	Endometrióza čreva	N90.0	Ľahká dysplázia vulvy
N80.6	Endometrióza v kožnej jazve	N90.1	Stredne ťažká dysplázia vulvy
N80.8	Iná endometrióza	N90.2	Ťažká dysplázia vulvy, nezatriedená inde
N80.9	Endometrióza, bližšie neurčená	N90.3	Dysplázia vulvy, bližšie neurčená
N81.0	Uretrokéla u ženy	N90.4	Leukoplakia vulvy
N81.1	Cystokéla	N90.5	Atrofia vulvy
N81.2	Nekompletný uterovaginálny prolaps	N90.6	Hypertrofia vulvy
N81.3	Kompletný uterovaginálny prolaps	N90.7	Cysta vulvy
N81.4	Uterovaginálny prolaps, bližšie neurčený	N90.8	Iná nežápalová choroba vulvy a hrádze, b.u.
N81.5	Pošvová enterokéla	N90.9	Nezápalová choroba vulvy a hrádze, bližšie neurčená
N81.6	Rektokéla	N91.0	Primárna amenorea
N81.8	Iný prolaps pohlavných orgánov u ženy	N91.1	Sekundárna amenorea
N81.9	Prolaps pohlavných orgánov u ženy, bližšie neurčený	N91.2	Amenorea, bližšie neurčená
N82.0	Vezikovaginálna fistula	N91.3	Primárna oligomenorea
N82.1	Iná fistula medzi ženskými moč.a pohlav.oránmi	N91.4	Sekundárna oligomenorea
N82.2	Fistula medzi pošvou a tenkým črevom	N91.5	Oligomenorea, bližšie neurčená
N82.3	Fistula medzi pošvou a hrubým črevom	N92.0	Nadmerná/častá menštruácia s pravidelným cyklom
N82.4	Iná fistula medzi ženskými pohlav.org.a črevom	N92.1	Nadmerná/častá menštruácia s nepravidelným cyklom
N82.5	Fistula medzi ženskými pohlavnými orgánmi a kožou	N92.2	Nadmerná menštruácia v puberte
N82.8	Iná fistula ženských pohlavných orgánov	N92.3	Ovulačné krvácanie
N82.9	Fistula ženských pohlavných orgánov, bliž. neurč.	N92.4	Nadmerné krvácanie v premenopauze
N83.0	Folikulová cysta vaječníka	N92.5	Iná nepravidelná menštruácia, bližšie určená
N83.1	Luteálna cysta	N92.6	Nepravidelná menštruácia, bližšie neurčená

Kód	Popis	Kód	Popis
N93.0	Postkoitálne a kontaktné krvácanie	O05.3	Iný potrat:nekomplet.potrat s i.a bliž.neurč.kompl.
N93.8	Iné abnormálne krvác.z matrice/pošvy,b.u.	O05.4	Iný potrat: nekompletný potrat bez komplikácií
N93.9	Abnormál.krvácanie z matrice/pošvy,b.n.	O05.5	Iný potrat:komplet./bliž.neu.potrat,kompl.inf.pohl.a panv.org.
N94.0	Ovulačná bolesť (Mittelschmerz)	O05.6	Iný potrat:komplet./bliž.n.potrat,kompl.oneskor./nadmer.krvác.
N94.1	Dyspareunia	O05.7	Iný potrat:komplet./bliž.neurč.potrat,kompl.embóliou
N94.2	Vaginizmus	O05.8	Iný potrat:komplet./bliž.neurč.potrat s i.a b.n.kompl.
N94.3	Predmenštruačný syndróm	O05.9	Iný potrat:komplet./bliž.neurč.potrat bez kompl.
N94.4	Primárna dysmenorea	O06.0	Potrat,bliž.neurč:nekomplet.potrat,kompl.inf.pohl.a panv.org.
N94.5	Sekundárna dysmenorea	O06.1	Potrat,bliž.neu.:nekomplet.potrat,kompl.oneskor./nadmer.krvác.
N94.6	Dysmenorea,bližšie neurčená	O06.2	Potrat,bliž.neurč:nekomplet.potrat,kompl.embóliou
N94.8	Iná odchýlka spoj.so žensk.pohlav.org.a menštruač.cyklo,b.u.	O06.3	Potrat,bliž.neurč:nekomplet.potrat s i.a b.n.kompl.
N94.9	Odchýlka spoj.so žensk.pohlav.org.a menštruač.cyklo,b.n.	O06.4	Potrat,bliž.neurč:neúplný potrat bez kompl.
N95.0	Pomenopauzové krvácanie	O06.5	Potrat,bliž.n.:komplet./bliž.n.pot.kompl.inf.pohl.a panv.org.
N95.1	Menopauzové a klimakterické poruchy	O06.6	Potrat,bliž.n.:komplet./bli.n.pot.kompl.oneskor./nadmer.krvác.
N95.2	Pomenopauzová atrofická vaginitída	O06.7	Potrat,bliž.neurč:komplet./bliž.neurč.potrat,kompl.embóliou
N95.3	Poruchy spojené s arteficiálnou menopauzou	O06.8	Potrat,bliž.neurč:komplet./bliž.neurč.potrat s i.a b.n.kompl.
N95.8	Iná menopauzové a perimenopauzové poruchy,b.u.	O06.9	Potrat,bliž.neurč:komplet./bliž.neurč.potrat bez kompl.
N95.9	Menopauzové a perimenopauzové poruchy,b.n.	O07.0	Neúsp.lek.pokus o potrat,kompl.inf.pohl.a panv.org.
N96	Sklon k habituálnemu potrácianiu	O07.1	Neúsp.lek.pokus o potrat,kompl.oneskor./nadmer.krvác.
N97.0	Ženská neplodnosť spojená s anovuláciou	O07.2	Neúsp.lek.pokus o potrat,kompl.embóliou
N97.1	Ženská neplodnosť tubárneho pôvodu	O07.3	Neúsp.lek.pokus o potrat s i.a bliž.neur.kompl.
N97.2	Ženská neplodnosť maternicového pôvodu	O07.4	Neúspešný lekársky pokus o potrat bez komplikácií
N97.3	Ženská neplodnosť krčkového pôvodu	O07.5	Iný a bliž.neu.neús.pokus o potrat,kompl.inf.pohl.a panv.org.
N97.4	Ženská neplodnosť spojená s mužskými faktormi	O07.6	Iný a bliž.neu.neús.pokus o potrat,kompl.oneskor./nadm.krvác.
N97.8	Ženská neplodnosť iného pôvodu	O07.7	Iný a bliž.neurč.neús.pokus o potrat,kompl.embóliou
N97.9	Ženská neplodnosť,bližšie neurčená	O07.8	Iný a bliž.neurč.neús.pokus o potrat s i.a b.n.kompl.
N98.0	Infekcia spojená s umelým oplodnením	O07.9	Iný a bliž.neurč.neús.pokus o potrat bez kompl.
N98.1	Hyperstimulácia vaječnikov	O08.0	Infekcia pohlav.a panv.org.po potrate,mimomat.gr.a gr.s MH
N98.2	Komplikácie pri pokuse zaviesť oplod.vajíčko po oplod.in vitro	O08.1	Onesk./nadm.krvác.po potr,mimomat.gr.a grav.s malou hydati.
N98.3	Komplikácie pri pokuse zaviesť embryo pri prenose embrya	O08.2	Embólia po potrate,mimomat.grav.a grav.s molou hydatidosa
N98.8	Iné komplikácie spojené s umelým oplodnením	O08.3	Šok po potrate,mimomat.grav.a grav.s molou hydatidosa
N98.9	Komplikácie spojené s umelým oplodnením,b.n.	O08.4	Zlyháv.obličiek po potrate,mimomat.grav.a grav.s mal hydati.
N99.2	Adhézie pošvy po chirurgickom výkone	O08.5	Metabické poruchy po potrate,mimomat.gr.a gr.s mal.hydati.
N99.3	Prolaps pošvovej klenby po hysterektómii	O08.6	Pošk.panv.org.a tk.po potr,mimomat.gr.a grav.s malou hydati.
O00.0	Abdominálna gravidita	O08.7	Iné žil.kompl.po potrate,mimomat.grav.a grav.s malou hydati.
O00.1	Tubárna gravidita	O08.8	Iné kompl.po potrate,mimomat.grav.a grav.s molou hydatid.
O00.2	Ováriová gravidita	O08.9	Kompl.po potrate,mimomat.grav.a grav.s molou hydatid.b.n.
O00.8	Iná mimomaternicová gravidita	O09.0	Trvanie gravidity menej ako 5 ukončených týždňov
O00.9	Mimomaternicová gravidita,bližšie neurčená	O09.1	Trvanie gravidity od začat.5 po ukonč.13.týždeň
O01.0	Klasická mola hydatidosa	O09.2	Trvanie gravidity od začat.14.po ukonč.19.týž.
O01.1	Nekompletná a parciálna mola hydatidosa	O09.3	Trvanie gravidity od začat.20.po ukonč.25.týž.
O01.9	Mola hydatidosa,bližšie neurčená	O09.4	Trvanie gravidity od začat.26.po ukonč.33.týž.
O02.0	Poškodené plodové vajce a nehydatidová mola	O09.5	Trvanie gravidity od začat.34.po ukonč.36.týž.
O02.1	Missed abortion (zadržaný potrat)	O09.9	Artériová hypertenzia matky,bližšie neurčená
O02.8	Iný abnormálny výtvor počatia,bližšie určený	O10.0	Predt.exist.prim.artér.hypert.,kompl.grav.,pôr.a šeston.
O02.9	Abnormálny výtvor počatia,bližšie neurčený	O10.1	Predt.exist.hypert.chor.srdca,kompl.grav.,pôr.a šeston.
O03.0	Spont.potrat:nekomplet.potrat,kompl.infek.pohl.a panv.org.	O10.2	Predt.exist.hypert.chor.oblič.,kompl.grav.,pôr.a šeston.
O03.1	Spont.potrat:nekomplet.potrat,kompl.oneskor./nadmer.krvác.	O10.3	Predt.exi.hypert.chor.srd.a oblič.,kompl.grav.,pôr.a šest.
O03.2	Spont.potrat:nekomplet.potrat,komplikovaný embóliou	O10.4	Predt.exist.sek.artér.hypert.,kompl.grav.,pôr.a šeston.
O03.3	Spont.potrat:nekomplet.potrat s i.a bliž.neurč.kompl.	O10.9	Predt.exist.artér.hypert.,kompl.grav.,pôr.a šeston.,b.n.
O03.4	Spont.potrat:nekomplet.potrat bez kompl.	O11	Predt.exi.art.hypert.,kompl.grav.,pôr.a šest.,s nas.preek.
O03.5	Spont.potrat:komplet./bliž.n.potrat,kompl.inf.pohl.a panv.org.	O12.0	Gestačné opuchy
O03.6	Spont.potrat:komplet./bliž.n.potrat,kompl.oneskor./nadm.krvác.	O12.1	Gestačná proteinúria
O03.7	Spont.potrat:komplet./bliž.neurč.potrat,kompl.embóliou	O12.2	Gestačné opuchy s proteinúriou
O03.8	Spont.potrat:komplet./bliž.neurč.potrat s i.a bliž.neur.kompl.	O13	Gestačná artér.hypert.bez významnej proteinúrie
O03.9	Spont.potrat:komplet./bliž.n.eurč.potrat bez kompl.	O14.0	Mierna a stredne ťažká preeklampsia
O04.0	Lek.potrat:nekomplet.potrat,kompl.infek.pohlav.a panv.org.	O14.1	Ťažká preeklampsia
O04.1	Lek.potrat:nekomplet.potrat,kompl.oneskor./nadmer.krvác.	O14.2	Syndróm HELLP
O04.2	Lek.potrat:nekomplet.potrat,komplikovaný embóliou	O14.9	Preeklampsia,bližšie neurčená
O04.3	Lek.potrat:nekomplet.potrat s i.a bliž.neurč.kompl.	O15.0	Eklampsia v gravidite
O04.4	Lekársky potrat:nekompletný potrat bez komplikácií	O15.1	Eklampsia pri pôrode
O04.5	Lek.potrat:komplet./bliž.neu.potrat,kompl.inf.pohl.a panv.org.	O15.2	Eklampsia v šestonedelí
O04.6	Lek.potrat:komplet./bliž.n.potrat,kompl.oneskor./nadmer.krvác.	O15.9	Eklampsia,časovo bližšie neurčená
O04.7	Lek.potrat:komplet./bliž.neurč.potrat,kompl.embóliou	O16	Artériová hypertenzia matky,bližšie neurčená
O04.8	Lek.potrat:komplet./bliž.neur.potrat s i.a b.n.kompl.	O20.0	Hroziaci potrat (abortus imminens)
O04.9	Lek.potrat:komplet./bliž.neur.potrat bez kompl.	O20.8	Iné krvácanie vočasnej gravidite
O05.0	Iný potrat:nekomplet.potrat,kompl.inf.pohl.a panv.org.	O20.9	Krvácanie vočasnej gravidite,bližšie neurčené
O05.1	Iný potrat:nekomplet.potrat,kompl.oneskor./nadmer.krvác.	O21.0	Hyperemesis gravidarum mierneho stupňa
O05.2	Iný potrat:nekomplet.potrat,kompl.embóliou	O21.1	Hyperemesis gravidarum s poruchou vnút.prostredia

Kód	Popis	Kód	Popis
O21.2	Neskoré vracanie v gravidite	O32.5	Star.o mat.pre viacplod.grav.s nespr.nalieh.a nespr.poloh.plod
O21.8	Iné vracanie,komplikujúce graviditu	O32.6	Star.o matku pre súčasné nespráv.nalieh a nespráv.poloh.plodu
O21.9	Vracanie počas gravidity,bližšie neurčené	O32.8	Star.o matku pre iné nespr.naliehanie/nespr.poloha plodu
O22.0	Variety dolných končatín v gravidite	O32.9	Star.o matku pre iné nepravid.naliehanie/nespr.polo.plodu,b.n.
O22.1	Variety pohlavných orgánov v gravidite	O33.0	Star.o mat.pre nepomer medzi plodom a panv.,zapr.def.panv.k.
O22.2	Povrchová tromboflebitída v gravidite	O33.1	Star.o mat.pre nepomer medzi plod.a panv.zapr.celk.zúž.panva
O22.3	Hĺbková flebotrombóza v gravidite	O33.2	Star.o mat.pre nepomer medzi plod.a panv.zapr.zúž.panv.vch.
O22.4	Hemoroidy v gravidite	O33.3	Star.o mat.pre nepomer medzi plod.a panv.zapr.zúž.panv.vých.
O22.5	Trombóza mozgových žíl v gravidite	O33.4	Star.o mat.pre nep.medzi plod.a panv.,zapr.rozl.pr.matka/plod
O22.8	Iné žilové choroby ako komplikácie v gravidite	O33.5	Star.o matku pre nepom.medzi plod.a panv.,zapr.nezvy.vef.plod.
O22.9	Žilová choroba ako komplikácia v gravidite,b.n.	O33.6	Star.o matku pre nepom.medzi plod.a panv.,zapr.hydrocefus pl.
O23.0	Infekcia obličiek v gravidite	O33.7	Star.o mat. pre nepom.medzi plod.a panv.,zapr.i.abnormal.pl.
O23.1	Infekcia močového mechúra v gravidite	O33.8	Star.o matku pre nepom.medzi plod.a panv.z i.príčin
O23.2	Infekcia močovej rúry v gravidite	O33.9	Star.o matku pre nepom.medzi plod.a panvou,b.n.
O23.3	Infekcia iných častí močovej sústavy v gravidite	O34.0	Starostlivosť o matku pre vrodenú chybu maternice
O23.4	Infekcia moč.sústavy v gravidite,b.n.	O34.1	Starostlivosť o matku pre nádor tela maternice
O23.5	Infekcia pohlavných orgánov v gravidite	O34.2	Star.o matku jazvu na maternici po predchádz.chir.výk.
O23.9	Iná a bliž.neu.infekcia močovopohl.org.v grav.	O34.30	Star.o matku pri dlž.kčka mater.p.10 mm/pri insuf.pot.vag.USG
O24.0	DM v gravidite predtým existuj.DM,typ 1	O34.31	Starostlivosť o matku pri prolapse plodového vaku
O24.1	DM v gravidite predtým existuj.DM,typ 2	O34.38	Star.o matku pri i.insuficiencii krčka maternice
O24.2	DM v gravidite predtým existuj.DM súvis.s podvýživou	O34.39	Star.o matku pri b.n.insuficiencii krčka maternice
O24.3	DM v gravidite predtým existuj.DM,b.n.	O34.4	Star.o matku pre iné abnor.krčka maternice
O24.4	Diabetes mellitus so vznikom v gravidite	O34.5	Star.o matku pre Iné abnor.gravidnej maternice
O24.9	Diabetes mellitus v gravidite,bližšie neurčený	O34.6	Starostlivosť o matku pre abnormalitu pošvy
O25	Podvýživa v gravidite	O34.7	Star.o matku pre abnor.vulvy a hrázde
O26.0	Nadmerný hmotnostný prírastok v gravidite	O34.8	Star.o matku pre i.abnormal.panv.org.
O26.1	Malý hmotnostný prírastok v gravidite	O34.9	Star.o matku pre abnormal.panv.org.,b.n.
O26.2	Starost.o gravidnú ženu pri habituálnom potrácaní	O35.0	Star.o matku pre(susp.)výv.chybu CNS plodu
O26.3	Ponechané vnútroamat.antikoncepčné teliesko v grav.	O35.1	Star.o matku pre(susp.)chromozómovú anomáliu plodu
O26.4	Herpes gestationis	O35.2	Star.o matku pre(susp.)dedičnú chorobu plodu
O26.5	Syndróm arteriovej hypotenzie matky	O35.3	Star.o matku pre(susp.)pošk.plodu vír.chor.matky
O26.6	Choroba pečene v gravidite,pri pôrode a v šestonedelí	O35.4	Star.o matku pre(susp.)pošk.plodu alkoholom
O26.7	Sublux.symphysis ossis pubis v grav.,pri pôrode a v šeston.	O35.5	Star.o matku pre(susp.)pošk.plodu liekom/drogou
O26.81	Choroba obličiek súvisiaca s graviditou	O35.6	Star.o matku pre(susp.)pošk.plodu žiarením
O26.82	Syndróm karpálneho tunela počas gravidity	O35.7	Star.o matku pre(susp.)pošk.plodu iným lekář.výkon.
O26.83	Periférna neuritída počas gravidity	O35.8	Star.o matku-inú (susp.)abn.a (susp.)pošk.plodu
O26.88	Iné stavy súvisiace s graviditou,bližšie určené	O35.9	Star.o matku pre(susp.)b.n.abn.a (susp.)pošk.plodu
O26.9	Stav súvisiaci s graviditou,bližšie neurčený	O36.0	Star.o matku pre izoimunizáciu v systéme Rh
O28.0	Abnorm.hematol.nález v prenatal.skríningu matky	O36.1	Starostlivosť o matku pre inú izoimunizáciu
O28.1	Abnorm.biochem.nález v prenatal.skríningu matky	O36.2	Starostlivosť o matku pre fetálny hydrops
O28.2	Abnorm.cytolog.nález v prenatal.skríningu matky	O36.3	Starostlivosť o matku pre príznaky hypoxie plodu
O28.3	Abnorm.UZV nález v prenatal.skríningu matky	O36.4	Star.o matku pre vnútromaternicovú smrť plodu
O28.4	Abnorm.rádiolog.nález v prenatal.skríningu matky	O36.5	Starostlivosť o matku pre zníženú hmotnosť plodu
O28.5	Abnorm.chromoz.a genetic.nález v prenatal.skríningu matky	O36.6	Starostlivosť o matku pre nadmernú hmotnosť plodu
O28.8	Iný abnormálny nález v prenatal.skríningu matky	O36.7	Starost.o matku pre abdom.grav.so živým plodu
O28.9	Abnorm.nález v prenatal.skríningu matky,b.n.	O36.8	Starost.o matku pre i.problémy plodu,b.u.
O29.0	Plúcne komplikácie anestézie v gravidite	O36.9	Starost.o matku pre problémy plodu,b.n.
O29.1	Srdcové komplikácie anestézie v gravidite	O40	Polyhydramnion
O29.2	Komplikácie v CNS v spoj.s anestéziou v gravidite	O41.0	Oligohydramnion
O29.3	Toxická reakcia na lokálnu anestéziu v gravidite	O41.1	Infekcia plodového vaku a plodových obalov
O29.4	Bolesť hlavy,po spinál.a epidurál.anest.v grav.	O41.8	Iné poruchy plodovej vody a obalov,bližšie určené
O29.5	Iná komplikácia spinál.a epidurál.anestézie v grav.	O41.9	Poruchy plodovej vody a obalov,bližšie neurčené
O29.6	Neúspešná alebo sťažená intubácia v gravidite	O42.0	Predčasné puknutie plod.obalov,zač.pôr.čin.do 24hod.
O29.8	Iné komplikácie anestézie v gravidite	O42.11	Predčasné puknutie plod.obalov,zač.pôr.činn.po 1-7dňoch
O29.9	Komplikácia anestézie v gravidite,bližšie neurčená	O42.12	Predčasné puknutie plod.obalov,zač.pôr.činn.po viac ako 7d.
O30.0	Gravidita s dvojčatami	O42.2	Predčasné puknutie plod.obalov,pôrododialený liečbou
O30.1	Gravidita s trojčatami	O42.9	Predčasné pukn. plod.obalov,b.n.
O30.2	Gravidita so štvorčatami	O43.0	Syndróm placentárnej transfúzie
O30.8	Iná viacplodová gravidita	O43.1	Malformácia placenty
O30.9	Viacplodová gravidita,bližšie neurčená	O43.20	Placenta accreta
O31.0	Fetus papyraceus	O43.21	Placenta increta alebo placenta percreta
O31.1	Pokračujúca gravidita po potrate jedného/viac.plodov	O43.8	Iná porucha placenty
O31.2	Pokračujúca gravidita po vnútroamat.smrťi jedného/viac.plodov	O43.9	Porucha placenty,bližšie neurčená
O31.8	Iná kompl.špecifická pre viacplodovú graviditu	O44.00	Nízko uložená placenta bez krvácania
O32.0	Starostlivosť o matku pre nestabilnú polohu plodu	O44.01	Placenta praevia bez krvácania
O32.1	Starostl.o matku pre naliehanie plodu panv.koncom	O44.10	Nízko uložená placenta s prebiehajúcim krvácaním
O32.2	Starostl.o matku pre priečna a šikmá polohu plodu	O44.11	Placenta praevia s prebiehajúcim krvácaním
O32.3	Star.o mat.pre tvár.a čel.polohu plod.a pri nalieh.plod.brad.	O45.0	Predčasné odlupovanie placenty s poruchou koagulácie
O32.4	Star.o matku pre veľká hlavička plodu v termine	O45.8	Iné predčasné odlupovanie placenty

Kód	Popis	Kód	Popis
O45.9	Predčasné odlupovanie placenty, bližšie neurčené	O70.1	Natrhnutie hrádze 2. stupňa pri pôrode
O46.0	Krvácanie pred pôrodom s poruchou zrážanlivosti	O70.2	Natrhnutie hrádze 3. stupňa pri pôrode
O46.8	Iné krvácanie pred pôrodom	O70.3	Natrhnutie hrádze 4. stupňa pri pôrode
O46.9	Krvácanie pred pôrodom, bližšie neurčené	O70.9	Natrhnutie hrádze pri pôrode, bližšie neurčené
O47.0	Falošná pôr. činnosť pred ukonč. 37. týž. gravidity	O71.0	Ruptúra maternice pred začiatkom pôrodnej činnosti
O47.1	Falošná pôr. činnosť po ukonč. 37. týž. gravidity a neskôr	O71.1	Ruptúra maternice počas pôrodnej činnosti
O47.9	Falošná pôrodná činnosť, bližšie neurčená	O71.2	Inverzia maternice po pôrode
O48	Predĺžená gravidita	O71.3	Natrhnutie krčka maternice pri pôrode
O60.0	Predčasná pôrodná činnosť bez pôrodu	O71.4	Samostatná vysoká lacerácia pošvy pri pôrode
O60.1	Predčasná pôrodná činnosť s predčasným pôrodom	O71.5	Iné poranenie panvových orgánov pri pôrode
O60.2	Predčasná pôrodná činnosť s pôrodom v termíne	O71.6	Poškodenie panvových kĺbov a väzov pri pôrode
O60.3	Predčasný pôrod bez spontánnej pôrodnej činnosti	O71.7	Hematóm panvy pri pôrode
O61.0	Neúspešná lieková indukcia pôrodnej činnosti	O71.8	Iné poranenie pri pôrode, bližšie určené
O61.1	Neúspešná inštrumentálna indukcia pôrodnej činnosti	O71.9	Poranenie pri pôrode, bližšie neurčené
O61.8	Iná neúspešná indukcia pôrodnej činnosti	O72.0	Krvácanie v 3. pôrodnej dobe
O61.9	Neúspešná indukcia pôrod. činnosti, b.n.	O72.1	Iné krvácanie bezprostredne po pôrode
O62.0	Primárne slabá pôrodná činnosť	O72.2	Oneskorené a sekundárne krvácanie po pôrode
O62.1	Sekundárne slabá pôrodná činnosť	O72.3	Poruchy zrážanlivosti krvi po pôrode
O62.2	Iná slabá pôrodná činnosť	O73.0	Zadržanie placenty bez krvácania
O62.3	Náhly pôrod (partus praecipitatus)	O73.1	Zadržanie častí placenty a blán bez krvácania
O62.4	Hyperton., nekoord. a predĺžené kontrakcie maternice	O74.0	Aspiračná pneumónia zapríč. anestéziou počas pôr. č. a pôrodu
O62.8	Iná porucha pôrodnej činnosti	O74.1	Iné pľúcne kompl. anestézie počas pôrod. čin. a pôrodu
O62.9	Porucha pôrodnej činnosti, bližšie neurčená	O74.2	Srdcové kompl. anestézie počas pôrod. čin. a pôrodu
O63.0	Predĺžená prvá pôrodná doba	O74.3	Komplik. CNS s spojením s anestéziou počas pôrod. čin.
O63.1	Predĺžená druhá pôrodná doba	O74.4	Toxická reakcia na lokálnu anestéziu počas pôrod. čin. a pôrodu
O63.2	Oneskorený pôrod druhého dvojčaťa, trojčaťa atď.	O74.5	Bolesť hlavy, zapr. spinál. a epidurál. anest. počas pôrod. čin. a pôrod.
O63.9	Predĺžený pôrod, bližšie neurčený	O74.6	Iné kompl. spinál. a epidurál. anestézie počas pôrod. čin. a pôrodu
O64.0	Nepokračujúci pôrod, zapríč. neúplnou rotáciou hlavičky plodu	O74.7	Neúspešná/sťažená intubácia počas pôrod. čin. a pôrodu
O64.1	Nepokračujúci pôrod, zapríč. polohou panvovým koncom	O74.8	Iné kompl. anestézie počas pôrod. čin. a pôrodu
O64.2	Nepokračujúci pôrod, zapríč. tvárovou polohou	O74.9	Komplik. anestézie počas pôrod. čin. a pôrodu, b.n.
O64.3	Nepokračujúci pôrod, zapríč. čelovou polohou	O75.0	Distres matky počas pôrodnej činnosti a pôrodu
O64.4	Nepokračujúci pôrod, zapríč. naliehaním pliecka	O75.1	Šok počas pôrodnej činnosti, po nej a po pôrode
O64.5	Nepokračujúci pôrod, zapríč. komb. por. naliehaním plodu	O75.2	Horúčka počas pôrodu, nezatriedená inde
O64.8	Nepokračujúci pôrod, zapríč. i. nespr. pol. a naliehaním plodu	O75.3	Iná infekcia počas pôrodnej činnosti
O64.9	Nepokračujúci pôrod, zapríč. nespr. pol. a naliehaním plodu, b.n.	O75.4	Iná komplikácia pôrodných operácií a výkonov
O65.0	Nepokračujúci pôrod, zapríč. deformovanou panvou	O75.5	Protrahovaný pôrod po umelom pretrhnutí plodových blán
O65.1	Nepokračujúci pôrod, zapríč. celkovo zúženou panvou	O75.6	Protrahovaný pôrod po spont./bliž. neurč. puknutí plod. blán
O65.2	Nepokračujúci pôrod, zapríč. zúžením panvového vchodu	O75.7	Vaginálny pôrod po predchádzajúcom cisárskom reze
O65.3	Nepokrač. pôr. zapr. zúž. panv. vých. a kontr. stred. časti. panv. dut.	O75.8	Iná komplikácie pôrod. činn. a pôrodu, b.u.
O65.4	Nepokračujúci pôrod, zapríč. nepom. medzi plod. a panv., b.n.	O75.9	Komplikácia pôrod. činn. a pôrodu, b.n.
O65.5	Nepokračujúci pôrod, zapríč. abn. panv. org. matky	O80.0	Spontánny pôrod jedného plodu záhlavím
O65.8	Nepokračujúci pôrod, zapríč. i. abn. panvy matky	O80.1	Spontánny pôrod jedného plodu panvovým koncom
O65.9	Nepokračujúci pôrod, zapríč. abnor. panvy matky, b.n.	O80.8	Iný spontánny pôrod jedného plodu
O66.0	Nepokračujúci pôrod, zapríč. dystokiou pliecka plodu	O80.9	Spontánny pôrod jedného plodu, bližšie neurčený
O66.1	Komplikác. pôrodu, zapríč. zakliesnením dvojčiat	O81.0	Pôrod jedného plodu východovými kliešťami
O66.2	Nepokrač. pôrod, zapríč. nezvyčajne veľkým plodom	O81.1	Pôrod jedného plodu strednými kliešťami
O66.3	Nepokrač. pôrod, zapríč. inými. abnormalitami plodu	O81.2	Pôrod jedného plodu stred. kliešťami s rotáciou hlavičky
O66.4	Neúspešný pokus o pôrod, bližšie neurčený	O81.3	Iný pôrod jedného plodu kliešťami, bližšie neurčený
O66.5	Neúspeš. použ. vákuového extraktora/kliešti, b.n.	O81.4	Pôrod jedného plodu vákuovým extraktorom
O66.8	Iný nepokračujúci pôrod, bližšie určený	O81.5	Pôrod jedného plodu s použ. kombi. kliešti a vákuo. ekstrak.
O66.9	Nepokračujúci pôrod, bližšie neurčený	O82.0	Pôrod jedného plodu elektívnym cisárskym rezom
O67.0	Krvácanie pri pôrode s poruchou koagulácie	O82.1	Pôrod jedného plodu naliehavým cisárskym rezom
O67.8	Iné krvácanie pri pôrode	O82.2	Pôrod jedného plodu cisárskym rezom s hysterektómiou
O67.9	Krvácanie pri pôrode, bližšie neurčené	O82.8	Iný pôrod jedného plodu cisárskym rezom
O68.0	Kompl. pôrod. čin. a pôrodu pre abn. srd. frekv. plodu	O82.9	Pôrod cisárskym rezom, bližšie neurčený
O68.1	Kompl. pôrod. čin. a pôrodu pre mekónium v plod. vode	O83.0	Extrakcia plodu pri polohe panvovým koncom
O68.2	Kompl. pôrod. čin. a pôrodu pre abn. srdc. fr. plod. s mekón. v plod. v.	O83.1	Iné vedenie pôrodu jedného plodu pri polohe panvo. koncom
O68.3	Kompl. pôrod. čin. a pôrodu pre biochem. dôkaz distresu plodu	O83.2	Iné operačné vedenie pôrodu jedného plodu
O68.8	Kompl. pôrod. čin. a pôrodu pre iný dôkaz distresu plodu	O83.3	Pôrod živého plodu pri brušnej gravidite
O68.9	Kompl. pôrod. čin. a pôrodu pre distres plodu, b.n.	O83.4	Zmenšovacie operácie na ulahčenie pôrodu jedného plodu
O69.0	Kompl. pôr. čin. a pôr. pre prolaps pupočín.	O83.8	Iné vedenie pôrodu jedného plodu, bližšie určené
O69.1	Kompl. pôr. čin. a pôr. pre ovin. pupočín. ok. krku, s kompr. krku	O83.9	Vedenie pôrodu jedného plodu, bližšie neurčené
O69.2	Kompl. pôr. čin. a pôr. pre i. zapletenie pupočín., s kompr.	O84.0	Pôrody pri viacplodovej gravidite, všetky spontánne
O69.3	Kompl. pôr. čin. a pôr. pre krátky pupočník	O84.1	Pôrody pri viacplod. grav. všetky kliešť. a vákuumextrak.
O69.4	Kompl. pôr. čin. a pôr. pre vcestné cievy	O84.2	Pôrody pri viacplod. grav. všetky cisárskym rezom
O69.5	Kompl. pôr. čin. a pôr. pre pošk. ciev pupočín.	O84.8	Iné pôrody pri viacplodovej gravidite
O69.8	Kompl. pôr. čin. a pôr. pre i. por. pupočín.	O84.9	Pôrody pri viacplodovej gravidite, bližšie neurčené
O69.9	Kompl. pôr. č. a pôr. pre poruchu pupoč., b.n.	O85	Puerperálna sepsa
O70.0	Natrhnutie hrádze 1. stupňa pri pôrode	O86.0	Infekcia pôrodnickej operačnej rany

Kód	Popis	Kód	Popis
O86.1	Iná infekcia pohlavných orgánov po pôrode	O98.5	Iná vírus.choroba,kompl.grav.,pôrod a šeston.
O86.2	Infekcia močových orgánov po pôrode	O98.6	Prvoková choroba,kompl.grav.pôrod a šeston.
O86.3	Iná infekcia močovopohlavnej sústavy po pôrode	O98.7	Choroba HIV,kompl. graviditu,pôrod a šestonedelie
O86.4	Horúčka neznámeho pôvodu po pôrode	O98.8	Iná infekč.a parazit.chor.matky,kompl.grav.pôrod a šeston.
O86.8	Iná puerperálna infekcia,blížšie určená	O98.9	Infekč.a parazit.chor.matky,kompl.grav.pôrod a šeston. b.n.
O87.0	Povrchová tromboflebitída v šestonedelí	O99.0	Anémia,komplikujúca graviditu,pôrod a šestonedelie
O87.1	Hĺbková žilová trombóza (flebotrombóza) v šestonedelí	O99.1	Iné chor.krví a krvotv.,urč.por.imun.,kompl.grav.pôr.šesto.
O87.2	Hemoroidy v šestonedelí	O99.2	Endokrin.nutričné a metabol.chor.kompl.grav.pôr.a šesto.
O87.3	Trombóza mozgových žíl v šestonedelí	O99.3	Duševná choroba a chor.nervov.súst.kompl.grav.pôr.a šesto.
O87.8	Iné žilové choroby ako komplikácie v šestonedelí	O99.4	Choroba obeh.súst.kompl.grav.pôrod a šeston.
O87.9	Žilová chor.ako komplikácia v šestonedelí,b.n.	O99.5	Choroba dých.súst.kompl.grav.pôrod a šeston.
O88.0	Vzduchová embólia v gestačnom období	O99.6	Choroba tráv.súst.kompl.grav.pôrod a šeston.
O88.1	Embólia plodovou vodou	O99.7	Choroba kože a podkož.tkan.kompl.grav.pôrod a šeston.
O88.20	Tromboembólia pľúc v gestačnom období	O99.8	Iné choroby a stavy komplikujúci grav.pôrod a šeston.b.u.
O88.28	Iná tromboembólia v gestačnom období	P54.6	Pošťové krvácanie u novorodenca
O88.3	Pyemická a septická embólia v gestačnom období	Q50.0	Vrodené chýbanie vaječníka
O88.8	Iná embólia v gestačnom období	Q50.1	Vývinová (dysontogenetická) cysta vaječníka
O89.0	Pľúcne komplikácie anestézie v šestonedelí	Q50.2	Vrodená torzia vaječníka
O89.1	Srdcové komplikácie anestézie v šestonedelí	Q50.3	Iná vrodená chyba vaječníka
O89.2	Komplikácie CNS v spojení s anestéziou v šestonedelí	Q50.4	Embryonálna cysta vajíčkovodu
O89.3	Toxická reakcia na lokálnu anestéziu v šestonedelí	Q50.5	Embryonálna cysta šir.vázu maternice
O89.4	Bolesť hlavy,zaprič.spinál.a epidurál.anest.v šeston.	Q50.6	Iná vrodená chyba vajíčkovodu a širokého väzu
O89.5	Iné kompl.spin.a epid.anestézie v šeston.	Q51.0	Agenéza a aplázia maternice
O89.6	Neúspešná alebo sťažaná intubácia v šestonedelí	Q51.1	Dvojitá maternica s dvoj.krčkom a dvoj.pošvou
O89.8	Iné komplikácie anestézie v šestonedelí	Q51.2	Iné zdvojenie maternice
O89.9	Kompl.anestézie v šestonedelí,b.n.	Q51.3	Dvojrohá maternica[uterus bicornis ]
O90.0	Dehiscencia rany po cisárskom reze	Q51.4	Jednorohá maternica[uterus unicornis]
O90.1	Dehiscencia pôrodnickej rany hrádze	Q51.5	Agenéza a aplázia krčka maternice
O90.2	Hematóm pôrodnickej rany	Q51.6	Embryonálna cysta krčka maternice
O90.3	Kardiomyopatia v šestonedelí	Q51.7	Vrod. fistula medzi matricou,tráviacim a moč.traktom
O90.4	Akútne poškodenie obličiek po pôrode	Q51.8	Iná vrodená chyba maternice a krčka maternice
O90.5	Zápal štítnej žľazy po pôrode	Q51.9	Vrod.chyba maternice a krčka maternice,b.n.
O90.8	Iná komplikácia šestonedelia,nezatriedená inde	Q52.0	Vrodené chýbanie pošvy
O90.9	Komplikácia šestonedelia,blížšie neurčená	Q52.1	Zdvojenie pošvy
O91.00	Infekcie bradavky v súvis.s pôr.bez ťažk.pri priložení	Q52.2	Vrodená fistula medzi konečníkom a pošvou
O91.01	Infekcie bradavky v súvis.s pôr.s ťažk.pri priložení	Q52.3	Neperforovaný hymen
O91.10	Abces prsníka v súvis.s pôr.bez ťažk.pri priložení	Q52.4	Iná vrodená chyba pošvy
O91.11	Abces prsníka v súvis.s pôr.s ťažk.pri priložení	Q52.5	Fúzia pyskov
O91.20	Nehnisová mastitída v súvis.s pôr.bez ťažk.pri priložení	Q52.6	Vrodená chyba klitorisu
O91.21	Nehnisová mastitída v súvis.s pôr.s ťažk.pri priložení	Q52.7	Iná vrodená chyba vulvy
O92.00	Retrakcia bradavky v súvis.s pôr.bez ťažk.pri priložení	Q52.8	Iná vrod.chyba ženských pohlav.org.,b.u.
O92.01	Retrakcia bradavky v súvis.s pôr.s ťažk.pri priložení	Q52.9	Vrodená chyba ženských pohlav.org.,b.n.
O92.10	Trhlina bradavky v súvis.s pôr.bez ťažk.pri priložení	R87.0	Abn.nález vo vzorkách zo žen.pohl.org.:abn.hlad.enzymov
O92.11	Trhlina bradavky v súvis.s pôr.s ťažk.pri priložení	R87.1	Abn.nález vo vzorkách zo žen.pohl.org.:abn.hlad.hormónov
O92.20	Iná a blíž.neurč.chor.prsní.v súvis.s pôr.bez ťažk.pri prilož.	R87.2	Abn.nález vo vzor.zo žen.pohl.org.abn.hlad.liek.,biol.akt.lát.
O92.21	Iná a blíž.neurč.chor.prsníka v súvis.s pôr.s ťažk.pri prilož.	R87.3	Abn.nález vo vzor.zo žen.pohl.org.abn.hlad.látok nemed.povahy
O92.30	Agalackia,bez ťažkostí pri priložení	R87.4	Abn.nález vo vzorkách zo žen.pohl.org.:abn.imun.nález
O92.31	Agalackia,s ťažkosťami pri priložení	R87.5	Abn.nález vo vzorkách zo žen.pohl.org.:abn.mikrob.nález
O92.40	Hypogalakcia,bez ťažkostí pri priložení	R87.60	Abnormál.skvamózne bunky neznámej signifikancie (ASCUS)
O92.41	Hypogalakcia,s ťažkosťami pri priložení	R87.61	Abnormálne skvanózne bunky vysokého stupňa (ASC-H)
O92.50	Zastavenie laktácie,bez ťažkostí pri priložení	R87.62	Skvamózna intraepiteliálna lézia nízkeho stupňa (L-SIL)
O92.51	Zastavenie laktácie,s ťažkosťami pri priložení	R87.63	Skvamózna intraepiteliálna lézia vysokého stupňa (H-SIL)
O92.60	Galaktorea,bez ťažkostí pri priložení	R87.64	Cytologický dôkaz malignity zo steru krčka maternice
O92.61	Galaktorea,s ťažkosťami pri priložení	R87.65	Chýbajúce žľazové bunky transformačnej zóny
O92.70	Iná a blíž.neurč.porucha laktácie,bez ťažk.pri priložení	R87.66	Iný abnormálny cytologický nález
O92.71	Iná a blíž.neurč.porucha laktácie,s ťažk.pri priložení	R87.67	Nešpecifikovaný abnormálny cytologický nález
O94	Následky kompl.gravidity,pôrodu a šestonedelia	R87.7	Abn.nález vo vzorkách zo žen.pohl.org.:abn.hist.nález
O95	Smrť v gravidite z blížšie neurčenej príčiny	R87.8	Abn.nález vo vzorkách zo žen.pohl.org.:iný abn.nález
O96.0	Smrť z priam.pôr.prič.,kt.nast.po 42 d.,ale m.ako 1.r.od pôr.	R87.9	Abn.nález vo vzorkách zo žen.pohl.org.:b.n.abn.nález
O96.1	Smrť z nepriam.pôr.prič.,kt.nast.po 42 d.,-men.ako 1.r.od pôr.	R92	Abnorm.nález pri diag.zobrazení prsníka
O96.9	Smrť z blíž.ne.pôr.prič.,kt.nastala po42 d.,m.ako 1.r.od pôr.	S20.0	Pomliaždenie prsníka
O97.0	Smrť z následkov priamej pôrodnickej príčiny	S20.10	Iné a bl.neurč.povrch.poranenia prsníka:druh poranen.bl.neurč.
O97.1	Smrť z následkov nepriamej pôrodnickej príčiny	S20.11	Iné a bl.neurč.povrch.poranenia prsníka:odrenina
O97.9	Smrť z následkov b.n. pôrod.príčiny	S20.12	Iné a bl.neurč.povrch.poranenia prsníka:tvorba pľuzg.(neterm.)
O98.0	TBC,kompl.graviditu,pôrod a šestonedelie	S20.13	Iné a b.n.povrch.poranenia prsníka:uštip.hmyz,vpich(nejed.)
O98.1	Syfilis,kompl.graviditu,pôrod a šestonedelie	S20.14	Iné a b.n.povrch.poranenia prsníka:povrch.cudz.telesá(úlomky)
O98.2	Kvapavka,kompl.graviditu,pôrod a šestonedelie	S20.18	Iné a blížšie neurčené povrchové poranenia prsníka:iné
O98.3	Iná infcia s prevaž.pohl.spôs.pren.,kompl.grav.,pôr.a šesto.	S21.0	Otvorená rana prsníka
O98.4	Vír.hepatitída,kompl.grav.,pôrod a šeston.	S31.4	Otvorená rana pošvy a vulvy

Kód	Popis	Kód	Popis
S37.4	Poranenie vaječníka	Z35.9	Dohľad nad rizikovou graviditou, bližšie neurčenou
S37.5	Poranenie vajíčkovodu	Z36.0	Prenatálny skrining chromozómových anomálií
S37.6	Poranenie maternice	Z36.1	Prenatál.skrin.na zvýšenú hodnotu alfafetoproteínu
T19.2	Cudzie teleso vo vulve a pošve	Z36.2	Iný prenatálny skrining, založený na amniocentéze
T19.3	Cudzie teleso v maternici (ktorejkoľvek časti)	Z36.3	Prenatál.skrin. malformácii UZV a i.fyzik.metódami
T21.01	Popálenina trupu bližšie neurčeného stupňa,prsník	Z36.4	Prenatál.skrin. spomalenia rastu plodu UZV a i.fyzik.met.
T21.11	Popálenina trupu 1. stupňa,prsník	Z36.5	Prenatálny skrining izoimunizácie
T21.31	Popálenina trupu 3. stupňa,prsník	Z36.8	Iný prenatálny skrining
T21.41	Poleptanie trupu bližšie neurčeného stupňa, prsník	Z36.9	Prenatálny skrining, bližšie neurčený
T21.51	Poleptanie trupu 1.stupňa,prsník	Z37.0	Jedno dieťa, živonarodené
T21.71	Poleptanie trupu 3.stupňa,prsník	Z37.1	Jedno dieťa, mŕtvonarodené
T83.3	Mechanická komplik.zaprič.vnútroamat.antikoncepčnou pomôc.	Z37.2	Dvojčatá, živonarodené
Z01.4	Gynekologické vyšetrenie (celkové) (rutinné)	Z37.3	Dvojčatá, jedno živonarodené, jedno mŕtvonarodené
Z30.1	Zavedenie (vnútromater.) antikoncepčného telieska	Z37.4	Dvojčatá, mŕtvonarodené
Z31.1	Umelé oplodnenie	Z37.5	Iný viacpočetný pôrod, všetky deti živonarodené
Z31.2	Oplodnenie in vitro	Z37.6	Iný viacpočetný pôrod, niektoré deti živonarodené
Z32.0	Gravidita, (ešte) nepotvrdená	Z37.7	Iný viacpočetný pôrod, všetky deti mŕtvonarodené
Z32.1	Potvrdená gravidita	Z37.9	Výsledok pôrodu, bližšie neurčený
Z34.0	Dohľad nad normálnou prvou graviditou	Z39.0	Starostlivosť a vyšetrenie matky ihneď po pôrode
Z34.8	Dohľad nad inou normálnou graviditou	Z39.1	Starostlivosť a vyšetrenie matky počas laktácie
Z34.9	Dohľad nad normálnou graviditou, bližšie neurčenou	Z39.2	Ďalšie bežné sledovanie matky po pôrode
Z35.0	Dohľad nad graviditou s anamnézou neplodnosti	Z40.00	Profylaktický chir.výk.pre ohrozenie zhub.nád.prsníka
Z35.1	Dohľad nad graviditou s anamnézou potratu	Z40.01	Profylaktický chir.výk.pre ohrozenie zhub.nád.vaječ.
Z35.2	Dohľad nad gravid.s i.nepriaznivou pôr.anamnézou	Z43.7	Ošetrovanie umelo vytvorenej pošvy
Z35.3	Dohľad nad gravid.s anamnézou nedost.prenatálnej star.	Z44.3	Skúšanie a prispôsobovanie vonk.protézy prsníka
Z35.4	Dohľad nad graviditou mnohorodičky	Z64.0	Problémy súvisiace s nechcenou graviditou
Z35.5	Dohľad nad staršou prvorodičkou	Z80.3	Zhubný nádor prsníka v rodinnej anamnéze
Z35.6	Dohľad nad veľmi mladou prvorodičkou	Z87.5	Kompl.gravidity,pôr.a šestonedelia v osob.anam.
Z35.7	Dohľad nad rizik. gravid.v dôsledku sociál.problem.	Z90.1	Získané chýbanie prsníka (prsníkov)
Z35.8	Dohľad nad inou rizikovou graviditou		

## D.5b Konflikt s pohlavím: Výkony u ženy

Kód	Popis	Kód	Popis
12q10.0↔	Perkutánná (ihl.) biopsia vaječníkov	5q001.8↔	Enukleácia ovariálnej cysty:robot.
12q10.1↔	Perkutánná (ihl.) biopsia tuba uterina	5q002.0	Excízia peritoneálnej endometriózy:lpt.
12q10.2	Perkutánná (ihl.) biopsia maternice	5q002.1	Excízia peritoneál.endometriózy:vag.lsk.asist.
12q10.3↔	Perkutánná (ihl.) biopsia záves.aparátu maternice	5q002.4	Excízia peritoneálnej endometriózy:lsk.
12q10.4	Perkutánná (ihl.) biopsia pošvy	5q002.8	Excízia peritoneálnej endometriózy:robot.
12q10.5	Perkutánná (ihl.) biopsia vulvy	5q003	Resek.rektovag.septa pri infiltr.endometrióze
12q10.6	Perkutánná (ihl.) biopsia perinea žens.pohl.org.	5q010.0↔	Parciálna resekcia vaječníka:lpt.
12q10.x↔	Perkutánná (ihl.) biopsia ženských pohl.org.,ostatné	5q010.4↔	Parciálna resekcia vaječníka:lsk.
12q11.0	Biopsia endometria bez incízie, dg.mikrokyretáž	5q010.8↔	Parciálna resekcia vaječníka:robot.
12q11.1	Biopsia endometria bez incízie, aspiračná kyretáž	5q011.0↔	Ovarektómia po predch.parc.resekcii:lpt.
12q11.2	Biopsia endometria bez incízie, frakcion.kyretáž	5q011.4↔	Ovarektómia po predch.parc.resekcii:lsk.
12q11.x	Biopsia endometria bez incízie, ostatné	5q011.8↔	Ovarektómia po predch.parc.resekcii:robot.
12q12.0	Biopsia krčka maternice bez incízie,abrázia	5q012.0	Ovarektómia, laparotomicky
12q12.x	Biopsia krčka maternice bez incízie,ostatné	5q012.1↔	Ovarektómia:vag.lsk.asist.
12q20.1‡	Biopsia bez incí.chorio.klkov gravid.mat.,transvagin.zobr.m.	5q012.4↔	Ovarektómia:lsk.
12q20.2‡	Biopsia bez inciz.plođu gravid.mater.s použ.zobraz.metód	5q012.7↔	Ovarektómia:vag.
12q20.3‡	Biopsia bez incí.umbilik.ciev gravid.mater.zobr.m.(kordocent.)	5q013.0↔	Rad.ovarektómia [sek.debulking-cyto redukcia]:lpt.
12q20.x‡↔	Biopsia bez inciz.gravid.mater.s použ.zobraz.metód,ostatné	5q013.4↔	Rad.ovarektómia [sek.debulking-cyto redukcia]:lsk.
12q23.0↔	Perkutánná biopsia vaječníkov s použ.zobraz.metód	5q013.8↔	Rad.ovarektómia [sek.debulking-cyto redukcia]:rob.
12q23.1↔	Perkutánná biopsia tuba uterina s použ.zobraz.metód	5q014.0↔	Radikálna ovarektómia:lpt.
12q23.2	Perkutánná biopsia maternice s použ.zobraz.metód	5q014.4↔	Radikálna ovarektómia:lsk.
12q23.3↔	Perkut.biopsia záves.ap.maternice s použ.zobraz.metód	5q014.8↔	Radikálna ovarektómia:robot.
12q23.4	Perkutánná biopsia pošvy s použ.zobraz.metód	5q030.0↔	Salpingoovariolýza:lpt.
12q23.5	Perkutánná biopsia vulvy s použ.zobraz.metód	5q030.4↔	Salpingoovariolýza:lsk.
12q23.6	Perkut.biopsia perinea žen.pohl.org.s použ.zobraz.m.	5q030.8↔	Salpingoovariolýza:robot.
12q23.x↔	Perkutánná biops.žen.pohl.org.s použ.zobraz.metód,ostatné	5q031.0↔	Adnexektómia:lpt.
13q00.0↔	Biopsia s incíziou vaječníkov	5q031.4↔	Adnexektómia:lsk.
13q00.1↔	Biopsia s incíziou tuby uterina	5q031.5↔	Adnexektómia:konv.z endoskopie na otv.ch.
13q01.0↔	Biopsia s incíziou závesného aparátu maternice	5q031.7↔	Adnexektómia:vaginálne
13q01.1	Biopsia s incíziou tela maternice	5q031.8↔	Adnexektómia:robot.
13q01.2	Biopsia s incíziou krčka maternice	5q042.0↔	Transpozícia vaječníkov:lpt.
13q02	Biopsia s incíziou pošvy	5q042.4↔	Transpozícia vaječníkov:lsk.
13q03	Biopsia s incíziou vulvy	5q043.0↔	Transpozícia vaječníkov súč.s iným výk:lpt.
13q04	Biopsia s incíziou ženského perinea	5q043.4↔	Transpozícia vaječníkov súč.s iným výk:lsk.
13q05	Vaginál.biopsia s incíziou Douglasovho priestoru	5q043.8↔	Transpozícia vaječníkov súč.s iným výk:robot.
13q0x	Biopsia s incíziou ostat.ženských pohlavných orgánov	5q090.0↔	Parovariálna cystektómia:lpt.
3131a	Endosonografia ženských pohlavných orgánov	5q090.1↔	Parovariálna cystektómia:s.lsk.asist.
5o31a.0	Jednoduchá cystektómia u ženy:otv.chir.	5q090.4↔	Parovariálna cystektómia:lsk.
5o31a.4	Jednoduchá cystektómia u ženy:lsk.	5q090.8↔	Parovariálna cystektómia:robot.
5o31a.x	Jednoduchá cystektómia u ženy:iný spôsob	5q101.0↔	Salpingektómia:lpt.
5o31b.0	Rad.cystektómia bez uretrektómie u ženy:otv.chir.	5q101.4↔	Salpingektómia:lsk.
5o31b.4	Rad.cystektómia bez uretrektómie u ženy:lsk.	5q101.8↔	Salpingektómia:robot.
5o31b.x	Rad.cystektómia bez uretrektómie u ženy:iný spôsob	5q110.0	Uzáver tuby pre sterilizáciu:lpt.
5o31d.0	Rad.cystektómia s uretrektómiou u ženy:otv.chir.	5q110.3	Uzáver tuby pre sterilizáciu:hsk.
5o31d.4	Radikálna cystektómia s uretrektómiou,žena:lsk.	5q110.4	Uzáver tuby pre sterilizáciu laparoskopicky
5o31d.x	Radikálna cystektómia s uretrektómiou,žena:ost.	5q110.7	Uzáver tuby pre sterilizáciu:vag.
5o40c	Plastická rekoštrukcia ženskej epispadie	5q120.0↔	Narezanie vajíčkovodu:lpt.
5o40d	Plastická rekonštr.ženskej hypospadie	5q120.4↔	Narezanie vajíčkovodu:lsk.
5o41c	Jednoduchá uretrektómia u ženy ako samostat.výkon	5q120.8↔	Narezanie vajíčkovodu:robot.
5o41d	Radikálna uretrektómia u ženy ako samostat.výkon	5q130.0↔	Neostómia:lpt.
5o930.1	Transvag.závesná OP s použ.autolog.m:plastika levátorov	5q130.4↔	Neostómia:lsk.
5o930.2	Transvag.závesná OP s pou.autolog.m:pubokolokocygeál.pl	5q130.8↔	Neostómia:robot.
5o930.3	Transvag.závesná OP s použ.autolog.m:fasciová závesná OP	5q131.0↔	Fimbrioplastika:lpt.
5o930.x	Transvag.závesná OP s použ.autolog.m:ost.	5q131.4↔	Fimbrioplastika:lsk.
5o931.1	Transvag.závesná OP dury s použ.alogen.m	5q131.8↔	Fimbrioplastika:robot.
5o931.2	Transvag.závesná OP fascie s použ.alogen.m	5q132.0	Reanastomóza:lpt.
5o931.x	Transvag.závesná OP s použ.alogen.m:ost.	5q132.4	Reanastomóza:lsk.
5o932.1	Transvag.závesná OP s použitím alopl.mat:TVT/TOT	5q132.8	Reanastomóza:robot.
5o932.x	Transvag.závesná OP s použitím alopl.mat:iné	5q133↔	Rekonštrukcia vajíčkovodu:lpt.
5o93x	Transvaginálna závesná operácia:iná	5q140↔	Pertubácia terapeutická
5o955	Uretrocystolýza u ženy	5q141↔	Rekanalizácia vajíčkovodov pod hysterorsk.kontrolou
5o961	Uretrokolposuspenzia	5q142↔	Rekanalizácia vajíčkovodov pod skiaskop.kontr.
5o962	Uretrokolposuspenzia s laterálnou fixáciou pošvy	5q210	Konizácia krčka maternice
5q001.0↔	Enukleácia ovariálnej cysty:lpt.	5q211	Elektrokonizácia krčka maternice
5q001.1↔	Enukleácia ovariálnej cysty:vag.lsk.asist.	5q212	Laserová konizácia krčka maternice
5q001.2	Enukleácia ovariálnej cysty, vaginálne	5q213	Kryonizácia krčka maternice
5q001.4↔	Enukleácia ovariálnej cysty:lsk.	5q220	Excízia z krčka maternice

Kód	Popis	Kód	Popis
5q221.0	Rad.trachelektómia a detekcia sentin.LU:lpt.	5q594	Intrauterinná aspirácia u virgo
5q221.1	Rad.trachelektómia a det.sentin.LU:vag.lsk.asist.	5q595	Elektrodiatermokoag./kryochir.zásah v obl.krčka maternice
5q221.4	Rad.trachelektómia a detekcia sentin.LU:lsk.	5q597.0	Ventrosuspenzia maternice:lpt.
5q221.7	Rad.trachelektómia a detekcia sentin.LU:vag.	5q597.4	Ventrosuspenzia maternice:lsk.
5q223	Amputácia krčka maternice	5q597.7	Ventrosuspenzia maternice:vag.
5q230	Serkláž krčka maternice rôznymi technikami	5q597.8	Ventrosuspenzia maternice:robot.
5q231.0	Abdominálna serkláž:lpt.	5q598†	Operačná hysteroskopia elektrochirurgiou
5q231.4	Abdominálna serkláž:lsk.	5q610	Hymenotómia,hymenektómia
5q291	Tracheloplastika	5q620.1	Excízia z pošvy
5q292	Odstránenie serkláže	5q620.2	Exstirpácia nádoru pošvy
5q401.0	Odstránenie myómov maternice:abd.	5q621	Kryonizácia v oblasti pošvy alebo vulvy
5q401.1	Odstránenie myómov maternice kombinovane	5q630	Kolpokleisis
5q401.4	Odstránenie myómov maternice:lsk.	5q632	Semikolpokleisis
5q401.7	Odstránenie myómov maternice:vag.	5q633.0	Parciálna kolpektómia:abdominálne
5q401.8	Odstr.mýomov maternice:roboticky	5q633.7	Čiastočná kolpektómia:vaginálne
5q402.2	Dilatácia a kyretáž:vag.s hysteroskop.asist.	5q634.0	Totálna kolpektómia:abdominálne
5q402.7	Dilatácia a kyretáž:vaginálne kyretou	5q634.7	Totálna kolpektómia:vaginálne
5q403	Deštrukcia endometria:termoabláciou	5q640	Predná vaginálna plastika s plastikou panvového dna
5q404.0	Odstránenie endometriomu techn.strippingu:lpt.	5q641	Zadná vaginálna plastika s plastikou panvového dna
5q404.4	Odstránenie endometriomu techn.strippingu:lsk.	5q642	Vaginál.plastika s elev.maternice s plast.panv.dna,vaginál.
5q404.8	Odstránenie endometriomu techn.Strippingu:rob.	5q650.4	Neoplastika pošvy,laparoskopicky
5q405.0	Pelvicná exenterácia:lpt.	5q650.7	Neoplastika pošvy,vaginálne
5q405.4	Pelvicná exenterácia:lsk.	5q651	Excízia kongenitálneho [vrod.]septa pošvy
5q405.8	Pelvicná exenterácia:robot.	5q652	Vaginálna operácia pri aplázii pošvy
5q410.0	Trachelektómia:lpt.	5q653	Vag.OP pri neúplnom zdvojení vnút.rodidiel
5q410.4	Trachelektómia:lsk.	5q654	Plastika vaginálneho vchodu
5q410.7	Trachelektómia:vag.	5q690	Fistulektómia a plastika
5q420	Hemihysterektómia	5q691	Kolpost.intersex.malf.,Prader IV.aV.s uz.sin-vag./uretrov.fist
5q426.10	Subt.simplex.HYE(b.odstr.vaječnika/vaječnikov),abdomin.	5q692	Kolpost.pri intersex.malf.,Prader IV. a V.,plast.pošv.vchodu
5q426.14	Subt.simplex.HYE(b.odstr.vaječnika/vaječnikov),lsk	5q693	Kolpostómia pri parc.aplázii distálnej č.pošvy
5q426.18	Subt.simplex.HYE(b.odstr.vaječnika/vaječnikov),robot.	5q710	Incízia Bartolínskej žľazy
5q426.20	Subtotál.HYE s odstr.vaječnika/vaječnikov,abdominálne	5q711	Marsupializácia Bartolínskej žľazy
5q426.24	Subtotál.HYE s odstr.vaječnika/vaječnikov,laparoskopicky	5q712	Exstirpácia Bartolínskej žľazy
5q426.28	Subtotál.HYE s odstr.vaječnika/vaječnikov,roboticky	5q720.1	Excízia vulvy
5q426.30	HYE simpl.(b.odstr.vaječnika/vaječnikov),abdominálne	5q720.2	Extirpácia nádoru vulvy
5q426.31	HYE simpl.(b.odstr.vaječnika/vaječnikov),kombi.s lsk asist.	5q721	Elektrodiatermok.a.l.kryochir.zásah v obl.pošvy/vulvy
5q426.34	HYE simpl.(b.odstr.vaječnika/vaječnikov),laparoskopicky	5q722	Resekcia malého pysku
5q426.37	HYE simpl.(b.odstr.vaječnika/vaječnikov),vagin.bez plastiky	5q730	Resekcia klitorisu
5q426.38	HYE simpl.(b.odstr.vaječnika/vaječnikov),roboticky	5q731	Klitoridektómia
5q427.10	HYE s odstr.vaječnika/vaječnikov,laparotomicky	5q732	Klitoridektómia s neoplastikou malých pyskov
5q427.11	HYE s odstr.vaječnika/vaječnikov,kombinovaná	5q740	Jednoduchá vulvektómia
5q427.14	HYE s odstr.vaječnika/vaječnikov,laparoskopicky	5q741	Radikálna vulvektómia (predná, zadná)
5q427.17	HYE s odstr.vaječnika/vaječnikov,vaginálne	5q742	Skinning vulvektómia
5q427.18	HYE s odstr.vaječnika/vaječnikov,roboticky	5q743	Hemivulvektómia
5q427.21	Vaginálna hysterektómia s prednou pošvovou plastikou	5q750	Labioplastika
5q427.22	Vaginálna hysterektómia so zadnou pošvovou plastikou	5q751	Chir.ošetr.úrazu vonk.rodidiel u dieťaťa
5q428.00	Radik.HYE s odstr.vaječnika/vaječnikov,abdominálne	5q752	Chir.ošetr.úrazu vonk.rodidiel a pošvy u dieťaťa
5q428.04	Radik.HYE s odstr.vaječnika/vaječnikov,laparoskopicky	5q790	Operácia synechií vulvy
5q428.07	Radik.HYE s odstr.vaječnika/vaječnikov,vaginálne	5r111†	Asistovaný pôrod pomocou inštrumentov
5q428.08	Radik.HYE s odstr.vaječnika/vaječnikov,roboticky	5r112†	Asist.pôrod koncom panv.s mauálnymi hmatmi
5q428.10	Rad.HYE s odstr.vaječvaječnikov,abdomin.a detekt.sentin.LU	5r113†	Kombinov.pôrod pomocou inštrumentov a špec.úchytov
5q428.20	Radik.HYE s transpozíciou vaječnikov,abdominálne	5r114†	Vedenie pôrodu koncom panv.pri viacplod.grav.
5q428.24	Radik.HYE s transpozíciou vaječnikov,laparoskopicky	5r11x†	Iný spont.a vag.OP pôrod pri polohe koncom panv.
5q428.27	Radik.HYE s transpozíciou vaječnikov,vaginálne	5r121†	Pôrod pomocou východových klieští
5q428.28	Radik.HYE s transpozíciou vaječnikov,roboticky	5r122†	Pôrod pomocou stredových klieští
5q428.30	Radik.HYE s transpoz.vaječnikov,abdominálne a detekt.sent.LU	5r12x†	Pôrod pomocou klieští:iný
5q428.34	Radik.HYE s transpozíciou vaječnikov,lsk a detekt.sent.LU	5r131†	Ukonč.pôr.pri polohe KP manuál.extrakciou plodu
5q428.37	Radik.HYE s transpozíciou vaječnikov,vagin. a detekt.sent.LU	5r132†	Ukončenie pôr.pri polohe KP inštrum.extrakciou pl.
5q428.38	Radik.HYE s transpozíciou vaječnikov,robot.a detekt.sent.LU	5r133†	Ukonč.pôr.pri polohe KP manuál.a inštrum.extrak.plodu
5q501	Frakcionovaná kyretáž vákuom aspiračnou kyretou	5r13x†	Ukončenie pôr.pri polohe KP inou extrakciou plodu
5q502	Frakcionovaná kyretáž:vaginálnou kyretou	5r141†	Ukončenie pôr.vákuumextrakciou z panv.východu
5q520	Radikálna parametrektómia	5r142†	Ukončenie pôr.vákuumextrakciou z panv.hlbiny
5q530.0	Rekonštrukčná OP VVCH maternice:lpt.	5r14x†	Ukončenie pôrodu vákuumextrakciou:ost.
5q530.3	Rekonštrukčná OP VVCH maternice:hysterosk.	5r211†	Vnút.obrat plodu vnút.hmatmi bez extrakcie
5q530.4	Rekonštrukčná OP VVCH maternice:lsk.	5r212†	Kombinovaný obrat plodu bez extrakcie
5q530.8	Rekonštrukčná OP VVCH maternice:robot.	5r213†	Obrat plodu s extrakciou bez ďalších kompl.
5q590	Odstránenie intrauterinného telieska	5r214†	Obrat plodu s extrakciou kliešťami
5q591	Odstránenie intrauterinného telieska [IUD] háčikom	5r215†	Rotácia hlavičky pomocou klieští
5q593	Kyretáž vákuovou kyretou	5r216†	Obrat plodu s extrakciou pri iných kompl.



Kód	Popis	Kód	Popis
5r217‡	Obrat na druhom dvojčati	5r343	Odstr.extraterinneho embrya kuldoskopioiu
5r221‡	Neúspešný kliešťový pôrod	5r34x	Iné odstránenie extraterinneho embrya
5r222‡	Neúspešná extrakcia vákuovou pumpou	5r411‡	Intrauterinná transfúzia plodu
5r223‡	Neúspešné vnútorné otočenie	5r412‡	Intrauterinná infúzia plodu
5r224‡	Neúspešné kombinované otočenie	5r413	Intrauterinná laserová terapia plodu
5r231‡	Embryotómia	5r414‡	Výmena plodovej vody
5r232‡	Deštrukcia plodu	5r415‡	Vysokofrekv.ablácia nádor.buniek a/alebo ciev placenty
5r233‡	Dekapitácia	5r416‡	Zavedenie shuntu u plodu intrauterinne
5r234‡	Iné zmenšovacie operácie na plode	5r417‡	Intrauterinná terapia plodu drenážou
5r235	Amniotómia	5r418‡	Medikament.intrauterinná terapia plodu
5r311.1	Primárny cisársky rez	5r421‡	Terap.amniocentéza s násl.amniocentézou
5r311.2	Sekundárny cisársky rez	5r422‡	Terapeutická amniocentéza s kordocentézou
5r312.1	Primárny Misgav-Ladach cisársky rez	5r423‡	Terapeutická amniocentéza za účelom fetocídy
5r312.2	Sekundárny Misgav-Ladach cisársky rez	5r491	Segment.resekcia polycystic.plúc plodu
5r314	Cisársky rez extraperitoneálne	5r492	Intrauterinná OP plodu postihnúťého VVCH
5r315.1	Primárny cisársky rez supracervikálny	5r493‡	Intraamniálna inj.apl.medikament.k ukonč.gravidity
5r315.2	Cisársky rez supracervikálny	5r911	Sutúra ruptúry alebo nástrihu hrádze
5r316.1	Primár.korporálny cisársky rez pozdĺžnou incíziou	5r912	Sutúra ruptúry alebo nástrihu krčka maternice
5r316.2	Sekundár.korporálny cisársky rez pozdĺžnou incíziou	5r913‡	Sutúra ruptúry alebo nástrihu pošvy
5r317.1	Primárny cisársky rez korporálny T-incíziou	5r914.1‡	Ošetrovanie ruptúry I.stupňa
5r317.2	Sekundárny SC korporálny T-incíziou	5r914.2‡	Ošetrovanie ruptúry II.stupňa
5r321.1	Primárny cisársky rez a sterilizácia	5r914.3‡	Ošetrovanie ruptúry III.stupňa
5r321.2	Sekundárny cisársky rez a sterilizácia	5r914.4‡	Ošetrovanie ruptúry IV.stupňa
5r322.1	Primárny cisársky rez s následnou HYE s adnexektómiou	5r921‡	Revízia dutiny maternice po pôrode
5r322.2	Sekundárny cisársky rez s násled.HYE s adnexektómiou	5r922‡	Revízia dutiny maternice po spontán.potrata
5r323.1	Primárny cisársky rez s následnou hysterektómiou	5r923‡	Manuálne vybavenie zadržanej placenty
5r323.2	Sekundárny cisársky rez s následnou hysterektómiou	5r924	Inštrumentálne vybavenie zadržanej placenty
5r331.0↔	Salpingotómia: otv.chir.	5r925‡	Iné vybavenie zadržanej placenty
5r331.1↔	Salpingotómia:vag.s lsk.asist.	5r931	Rekonštrukcia močového mechúra a utery
5r331.4↔	Salpingotómia:lsk.	5r932‡	Rekonštrukcia konečníka a análneho zvierača
5r331.6↔	Salpingotómia:konv.z vag.-otv.chir.	5r991	Kyretáž pre ukončenie tehotnosti
5r331.7↔	Salpingotómia:vag.	5u210.1↔	Korekcia asymetrie prsníka vloženími implantátů
5r331.x↔	Salpingotómia:ost.	5u210.2↔	Korekcia asymetrie prsníka vloženími implantátů-expandéru
5r332.0↔	Salpingotómia s rekonštr:otv.chir.	5u211.3↔	Rekonštrukcia prsníka muskulokutánnym lalokom
5r332.1↔	Salpingotómia s rekonštrukciou:lpt.	5u214.1↔	Redukč.mamoplastika pre hypertrof.fahk.a stred.závaž.st.
5r332.4↔	Salpingotómia s rekonštrukciou:lsk.	5u214.2↔	Redukčná mamoplastika s transplantáciou areoly
5r332.6↔	Salpingotómia s rekonštr:konv.z vag.-otv.chir.	5u216.1↔	Zväčšenie prsníka vloženími implantátů
5r332.7↔	Salpingotómia s rekonštrukciou:vag.	5u217.0↔	Mastopexia
5r332.x↔	Salpingotómia s rekonštr:ost.	5u217.1↔	Mastopexia s vloženími prsníkových implantátů
5r333.0↔	Parciálna salpingektómia:otv.chir.	5u220.1↔	Výmena protetického implantátů prsníka
5r333.1↔	Parc.salpingektómia:vag.lsk.as.	5u220.2↔	Výmena expandér-implantátů prsníka
5r333.4↔	Parc.salpingektómia:lsk.	5u220.3↔	Výmena expandér-implantátů za implantát prsníka
5r333.6↔	Parc.salpingektómia:konv.z vag.-otv.chir.	5u221.x↔	Odstránenie protetického materiálu z prsníka.ost.
5r333.7↔	Parc.salpingektómia:vag.	5u223.1↔	Revízia implantátů prsníka s výmenou
5r333.x↔	Parc.salpingektómia:ost.	5u224↔	Operačná revízia periprotetickej kapsuly prsníka
5r334.0↔	Parc.salpingektómia s rekonštr:lpt.	8c160	Hysteroskop.odstránenie cudzieho telesa z maternice
5r334.1↔	Parc.salpingektómia s rekonštr:lsk.	8c260	Odstránenie cudzieho telesa z pošvy dieťaťa
5r334.4↔	Parc.salpingektómia s rek:vag.lsk.as.	8f108.2‡↔	Terap.katetri.a kanyl.vajčkovođu cez hysterosk.pristup
5r334.6↔	Parc.salpingektómia s rek:konv.z vag.-otv.chir.	8f306.0↔	Perkutánná terapeutická punkcia a aspirácia vaječníka
5r334.7↔	Parc.salpingektómia s rek:vag.	8f306.1	Perkutánná terapeutická punkcia a aspirácia maternice
5r334.x↔	Parc.salpingektómia s rekonštr:iná	8f306.x↔	Perkut.terapeut.punkcia a aspirácia žens.pohlav.org, ost
5r335.0↔	Totál.salpingektómia:lpt.	91110	Intenziv.oše.st.o rodičku pri prekotnom pôrode
5r335.1↔	Totál.salpingektómia:vag.lsk.as.	91111	Intenz.oše.st.o rodičku-I.doba pôrod.pri fyziol.pôrode
5r335.4↔	Totál.salpingektómia:lsk.	91112	Intenz.oše.st.o rodičku-II.doba pôrod.pri fyz.pôrode
5r335.6↔	Totál.salpingektómia:konv.z vag.-otv.chir.	91113	Intenz.oše.st.o rodičku-III.doba pôrod.pri fyz.pôrode
5r335.7↔	Totál.salpingektómia:vag.	91114	Apl.metód nefarmakol.tlmenia bolesti v I.dobe pôrodnej
5r335.x↔	Totál.salpingektómia:ost.	91121	Uvoľnenie dolného pólu plodového vajca
5r336.0	Lokál.medikam.liečba pri tubárnej gravid:lpt.	91127	Sledovanie a vedenie rizikového pôrodu
5r336.1	Lok.medikam.liečba pri tubár.gravid:vag.lsk.asist	91515	Transfer embrya
5r336.4	Lok.medikam.liečba pri tuba.gravidite:lsk.	91516	Zavedenie zmrazeného embrya
5r336.6	Lok.medikam.liečba pri tuba.grav:konv.z vag.-otv.chir.	91518	Inseminácia umelá cerviko-vaginálna
5r336.7	Lokál.medikam.liečba pri tuba.gravid:vag.	91519	Inseminácia umelá intrakavitálna alebo intratubárna
5r336.x	Lok.medikam.liečba pri tubárnej grav:ost.	91520	V.asist.reprod.s odber.oocytov k in vitro fertili.b.pren.embryi
5r339	Operácia extraterinnej gravidity:ost.	91521	Výkon asist.reprodukcie komplexný cyklus s prenosom embryi
5r341	Odstránenie extrater.embrya:otv.chir.	91522‡	Asistovaná fertilizácia
5r342	Odstr.extraterinneho embrya:lsk.		

## D.5c Konflikt s pohlavím: Choroby muža

Kód	Popis	Kód	Popis
B26.0	Parotitická orchitída(N51.1*)	N48.0	Leukoplakia penisu
C60.0	Zhubný nádor predkožky penisu	N48.1	Balanopostitída
C60.1	Zhubný nádor žaluďa penisu	N48.2	Iná zápalová choroba penisu
C60.2	Zhubný nádor tela penisu	N48.30	Nízkoprietokový priapizmus
C60.8	Zhubný nádor penisu presahujúci viaceré oblasti	N48.31	Vysokoprietokový priapizmus
C60.9	Zhubný nádor penisu, bližšie neurčený	N48.38	Iný priapizmus
C61	Zhubný nádor prostaty	N48.39	Priapizmus, bližšie neurčený
C62.0	Zhubný nádor nezostúpeného semenníka	N48.4	Impotencia organického pôvodu
C62.1	Zhubný nádor zostúpeného semenníka	N48.5	Vred penisu
C62.9	Zhubný nádor semenníka, bližšie neurčený	N48.6	Induratio penis plastica (balanitis xerotica obliterans)
C63.0	Zhubný nádor nadsemenníka	N48.8	Iné choroby penisu, bližšie určené
C63.1	Zhubný nádor semenného povrazca	N48.9	Choroba penisu, bližšie neurčená
C63.2	Zhubný nádor mieška	N49.0	Zápalová choroba semenných mechúrikov
C63.7	Zhubný nádor iných mužských pohlavných orgánov, bliž. urč.	N49.1	Zápal. chor. semen. povrazca, semenník. pošv. obalu a semenov.
C63.8	Zhubný nádor mužských pohlavných orgánov presah. viac. obl.	N49.2	Zápalová choroba mieška
C63.9	Zhubný nádor mužského pohlavného orgánu, bliž. neurč.	N49.80	Fourmierova gangrénna u muža
D07.4	Karcinóm in situ penisu	N49.88	Zápalová choroba i. bliž. urč. mužských pohlav. org.
D07.5	Karcinóm in situ prostaty	N49.9	Zápalová choroba bliž. neu. mužských pohlav. org.
D07.6	Karcinóm in situ iných a bliž. neurč. mužských pohlav. org.	N50.0	Atrofia semenníka
D17.6	Nezhubný lipomatózny nádor semenného povrazca	N50.1	Cievne choroby mužských pohlavných orgánov
D29.0	Nezhubný nádor penisu	N50.8	Iné choroby mužských pohlavných org. b. u.
D29.1	Nezhubný nádor prostaty	N50.9	Choroby mužských pohlavných org. b. n.
D29.2	Nezhubný nádor semenníka	N51.0	Choroby prostaty pri chorobách zatriedených inde
D29.3	Nezhubný nádor nadsemenníka	N51.1	Choroby semenníka a nadsemenníka pri chor. z. i.
D29.4	Nezhubný nádor mieška (skróta)	N51.2	Balanitída pri chorobách zatriedených inde
D29.7	Nezhubný nádor iných mužských pohlavných orgánov	N51.8	Iné choroby mužských pohlav. org. pri chorobách. z. i.
D29.9	Nezhubný nádor bliž. neurč. mužských pohlav. org.	Q53.0	Ektopický semenník
D40.0	Nádor s neurčitým/nezná. správaním: predstojnica (prostata)	Q53.1	Jednostranne nezostúpený semenník
D40.1	Nádor s neurčitým/nezná. správaním: semenník	Q53.2	Obojstranne nezostúpený semenník
D40.7	Nádor s neurčitým/nezná. správaním: i. muž. pohl. org.	Q53.9	Nezostúpený semenník, bližšie neurčený
D40.9	Nádor s neurčitým/nezná. správaním: bliž. neurč. muž. pohl. org.	Q54.0	Hypospádia žaluďa [balanická]
E29.0	Hyperfunkcia semenníkov	Q54.1	Hypospádia penisu [penilná]
E29.1	Hypofunkcia semenníkov	Q54.2	Hypospádia penisu a skróta [penoskrotálna]
E29.8	Iná porucha funkcie semenníkov	Q54.3	Hypospádia perineálna
E29.9	Porucha funkcie semenníkov, bližšie neurčená	Q54.4	Vrodené ventrálné ohnutie penisu [vrodená chordea]
E89.5	Hypofunkcia semenníkov po lekárskom výkone	Q54.8	Iná hypospádia
F52.4	Predčasná ejakulácia	Q54.9	Hypospádia, bližšie neurčená
I86.1	Varixy skróta	Q55.0	Chýbanie a aplázia semenníka
L29.1	Svrbenie skróta	Q55.1	Hypoplázia semenníka a mieška
N36.3	Prolaps sliznice uretry	Q55.2	Iná vrodená chyba semenníka a mieška
N40	Hyperplázia prostaty	Q55.3	Atrézia semenovodu
N41.0	Akútna prostatitída	Q55.4	Iná vrod. chyba semenov., nadsemen., semen. vač. a prostaty
N41.1	Chronická prostatitída	Q55.5	Vrodené chýbanie a aplázia penisu
N41.2	Absces prostaty	Q55.6	Iná vrodená chyba penisu
N41.3	Prostatocystitída	Q55.8	Iná vrod. chyba mužských pohlav. org., b. u.
N41.8	Iná zápalová choroba prostaty	Q55.9	Vrod. chyba mužských pohlav. org., b. n.
N41.9	Zápalová choroba prostaty, bližšie neurčená	R86.0	Abn. nález vo vzorkách z muž. pohl. org.: abn. hodn. enzým.
N42.0	Konkrement prostaty	R86.1	Abn. nález vo vzorkách z muž. pohl. org.: abn. hodn. hormón.
N42.1	Kongescia a krvácanie z prostaty	R86.2	Abn. nález vo vzor. z muž. pohl. org. abn. hodn. liek. a biol. akt. lát.
N42.2	Atrofia prostaty	R86.3	Abn. nález vo vzorkách z muž. pohl. org.: abn. hodn. lát. nemed. p.
N42.3	Dysplázia prostaty	R86.4	Abn. nález vo vzorkách z muž. pohl. org.: abn. imun. nález
N42.8	Iná choroba prostaty, bližšie určená	R86.5	Abn. nález vo vzorkách z muž. pohl. org.: abn. mikrob. nález
N42.9	Choroba prostaty, bližšie neurčená	R86.6	Abn. nález vo vzorkách z muž. pohl. org.: abn. cytol. nález
N43.0	Encystovaná hydrokéla	R86.7	Abn. nález vo vzorkách z muž. pohl. org.: abn. hist. nález
N43.1	Infikovaná hydrokéla	R86.8	Abn. nález vo vzorkách z muž. pohl. org.: iný abn. nález
N43.2	Iná hydrokéla	R86.9	Abn. nález vo vzorkách z muž. pohl. org.: b. n. abn. nález
N43.3	Hydrokéla, bližšie neurčená	S31.2	Otvorená rana penisu
N43.4	Spermatokéla	S31.3	Otvorená rana skróta a semenníkov
N44.0	Torzia semenníka	S37.32	Poranenie močovej rúry, pars spongiosa
N44.1	Torzia hidatídy [Morgagni]	S37.33	Poranenie močovej rúry, pars prostatica
N45.0	Orchitída, epididymitída a epididymoorchitída s abscesom	S37.82	Poranenie prostaty
N45.9	Orchitída, epididymitída a epididymoorchitída bez abscesu	S37.83	Poranenie semenného vácika
N46	Mužská neplodnosť	S37.84	Poranenie semenovodu
N47	Hyperplastická predkožka, fimóza a parafimóza		

## D.5d Konflikt s pohlavím: Výkony u muža

Kód	Popis	Kód	Popis
12o20.1	Perkutánná biopsia prostaty s použ.zobraz.metód	5o31c.4	Rad.cystektómia bez uretrekt.,šetr.nerv.ciev.zv.žena:lsk.
12o20.2↔	Perkutánná biopsia vesiculae seminales s použ.zobraz.m.	5o31c.x	Rad.cystektómia bez uretrektómie,šetr.nerv.ciev.zv.žena:ost.
12o20.3	Perkutánná biopsia penisu s použ.zobraz.metód	5o400	Rekonštr.prostat/membranóz.časti moč.rúry po poran.
12o20.4‡↔	Perkutánná biopsia semenníka s použ.zobraz.metód	5o401	Uzavretie uretrostómie
12o20.5↔	Perkutánná biopsia nadsemenníka s použ.zobraz.metód	5o40a.1	1-dobá plast.rekonštr.moč.rúry s použ.kože predkožky
12o20.6↔	Perkutánná biopsia ductus defer.s použ.zobraz.m.	5o40a.2	1-dobá plast.rekonštr.moč.rúry s použ.kože penisu
12o20.7↔	Perkutánná biopsia funiculus spermat.s použ.zobraz.m.	5o40b.1	2-dobá plast.rekonštr.moč.rúry:1.doba s použ.kože predkožky
12o20.8	Perk.biops.moč.sys.a muž.pohl.org.zobr.m.:pre urč.št.ch.	5o40b.2	2-dobá plast.rekonštr.moč.rúry:1.doba s použ.kože penisu
12o21	Perkut.biopsia perivezikál.tk. s použ.zobraz.m.	5o413	Jednoduchá uretrektómia u muža ako samostat.výkon
12o22	Perkut.biopsia peripostat.tk. s použ.zobraz.m.	5o414	Radikálna uretrektómia u muža ako samostat.výkon
12p10.1	Perkutánná (ihlová) biopsia prostaty	5o49b	Posunutie vonkajšieho ústia moč.rú.a glanduloplastika
12p10.2↔	Perkutánná (ihlová) biopsia vesiculae seminales	5o49c	Duckettova plastika
12p10.3	Perkutánná (ihlová) biopsia penisu	5p111.t	Incizia prostaty, transuretrálne
12p10.4‡↔	Perkutánná (ihlová) biopsia semenníkov	5p111.x	Incizia prostaty, ostatné
12p10.5↔	Perkutánná (ihlová) biopsia nadsemenníkov	5p112	Incizia periprostatického tkaniva bez drenáže
12p10.6↔	Perkutánná (ihlová) biopsia ductus deferens	5p113	Incizia a drenáž periprostatického tkaniva
12p10.7↔	Perkutánná (ihlová) biopsia funiculus spermaticus	5p114	Incizia abscesu prostaty transuretrálna
12p10.8	Perkutánná (ihlová) biopsia skrota	5p115	Drenáž abscesu prostaty transrektálne
12p10.9	Perkut.(ihl.) biopsia perinea mužs.pohl.org.	5p116	Excizia periprostatického tkaniva
12p10.x↔	Perkut.(ihl.) biopsia mužs.pohl.org.,ost.	5p11x	Incizia prostaty,Incizia/excizia periprostatického tk:ost.
12p30.01	Ihl.biopsia prostaty transrektál.,menej ako 20 vzoriek	5p121.1	Prostatektómia:suprapubicky-transvezikálne,ipt.
12p30.02	Ihl.biopsia prostaty transrektál., 20 a viac vzoriek	5p121.2	Prostatektómia retropubicky:laparotomicky
12p30.2	Biopsia prostaty transrektálne,aspiračne	5p121.3	Prostatektómia retropubicky:laparoskopicky
12p30.3↔	Biopsia vesiculae seminales transrektálne	5p121.4	Prostatektómia transperineálne:ipt.
12p30.x↔	Biopsia mužs.pohl.org.transrektálne,ostatné	5p121.x	Prostatektómia:ost.
13p00.0	Biopsia s incíziou prostaty	5p122.2	Rad.prostatektómia bez reg.LNE:retropubicky
13p00.1	Biopsia s incíziou periprostatického tkaniva	5p122.3	Rad.prostatektómia bez reg.LNE:perineálne
13p01.0	Biopsia s incíziou glans penis	5p122.4	Radikál.prostatektómia bez reg.LNE:lsk.
13p01.1	Biopsia s incíziou tela penisu	5p122.8	Rad.prostatektómia bez reg.LNE:rob.
13p02.0↔	Biopsia s incíziou semenníkov	5p123.2	Rad.prostatekt.b.reg.LNE,šetr.nervovociev.zv:retropub
13p02.1↔	Biopsia s incíziou epididymis	5p123.3	Rad.prostatekt.b.reg.lymfadenekt,šetr.nerv.ciev.zv:perineál
13p02.2↔	Biopsia s incíziou ductus deferens	5p123.4	Rad.prostatektómia bez reg.LNE,šetrenie nervovociev.zv:lsk.
13p02.3↔	Biopsia s incíziou vesiculae seminalis	5p123.8	Rad.prostatekt.bez reg.LNE,šetrenie nervovociev.zv:robot.
13p02.4↔	Biopsia s incíziou funiculus spermaticus	5p124.2	Rad.prostatektómia s regionál.LNE:retropubicky
13p03	Biopsia s incíziou mužského perinea	5p124.3	Rad.prostatekt.s reg.lymfadenek:perineál,lsk.lymfadenekt
15p10.0↔	Dg.punkcia a aspirácia semenníka	5p124.4	Radikál.prostatektómia s reg.LNE:lsk.
15p10.1↔	Dg.punkcia a aspirácia nadsemenníka	5p124.8	Rad.prostatektómia s reg.LNE:robot.
15p10.2↔	Dg.punkcia a aspirácia hydrokély	5p125.2	Rad.prostatekt.s reg.LNE,šetr.nervovociev.zv:retropub
15p10.3↔	Dg.punkcia a aspirácia spermatokély	5p125.3	Rad.prostatekt.s r.LNE,šet.n.c.zv:perin,lsk.lymfadenekt
15p10.4	Dg.punkcia a aspirácia prostaty	5p125.4	Rad.prostatektómia s reg.LNE,šetrenie nervovociev.zv:lsk.
15p10.5↔	Dg.punkcia a aspirácia semenných mechúrikov	5p125.5	Rad.prostatektómia s reg.LNE,šetrenie nervovociev.zv:rob.
15p10.x↔	Ostatné dg.punkcie a aspirácie mužs.pohl.orgánov	5p126.2	Radik. prostatekt.s rozšír.LNE:retropubicky
31317.1	Endosonografia mužských pohlav.orgánov,transrektálne	5p126.3	Radik.prostatekt.s rozš.LNE:perineál.a lsk.lymfadenekt.
31317.2‡	Endosonografia mužských pohlav.orgánov,transuretrálne	5p126.4	Radik. prostatekt. s rozšír.lymfadenekt:laparoskopicky
5b323.1↔	Laparotomická adrenalectómia u muža	5p126.8	Radik. prostatekt. s rozš.lymfadenekt:roboticky
5b323.2↔	Lumbotomická adrenalectómia u muža	5p127.2	Radik.prostatekt.s rozš.LNE,šetr.nerv.ciev.zváz:retropub
5b323.4↔	Laparoskopická adrenalectómia u muža	5p127.3	Rad.prostatekt.s rozš.LNE,šetr.nerv.c.zváz:perineál.a lsk.LNE
5b323.x↔	Adrenalectómia u muža, ostatné	5p127.4	Radik.prostatekt.s rozš.LNE,šetr.nerv.ciev.zváz:lsk.
5n810.1↔	Uzavr.inguin.her.bez plast:s res.steny hydrokély	5p127.5	Radik.prostatekt.s rozš.LNE,šetr.nerv.ciev.zváz:robot.
5n810.2↔	Uzavr.inguin.her.bez plas:s funikulol.a dislok.semenníka	5p12x	Iná radikálna prostatektómia
5n815.1↔	Uzavr.inguin.her.pri recidíve s plast.s funikulo-orchidolýzou	5p131	Transrektál.a perkutánná termodeštrukcia tkaniva prostaty
5o311.0	Jednoduchá cystektómia u muža:otv.chir.	5p132	Transrektál.a perkutánná deštrukcia tkaniva prostaty UZV
5o311.4	Jednoduchá cystektómia u muža:lsk.	5p133	Transrekt.a perkut.deštrukcia tk.prostaty nosičmi žiarenia
5o311.x	Jednoduchá cystektómia u muža:ostatné	5p134	Aplikácia rádiových zrn do prostaty
5o312.0	Radik.cystektómia u muža bez uretrektóm:otv.chir	5p135	Kryodeštrukcia tkaniva prostaty
5o312.4	Radikálna cystektómia u muža bez uretrektómie:lsk.	5p136	Mikrovlňná deštrukcia prostaty
5o312.x	Radik.cystektómia u muža bez uretrektómie:ost.	5p13x	Transrektálna a perkutánná deštr.tk.prostaty:ost.
5o313.0	Rad.cystekt.b.uretrekt,šetr.nerv.ciev.zv.zach.pot.muža:o.chir	5p140.1	Transuretr.endores.tk.prostaty:elektrores.TURP
5o313.4	Rad.cystekt.b.uretrekt,šetr.nerv.ciev.zv.zach.pot.,muž:lsk.	5p140.2	Transuretr.endores.tk.prost:elektrores s epicystostóm.trok.
5o313.x	Rad.cystekt.b.uretrekt.,šetr.nerv.ciev.zv.zach.pot.,muž:ost.	5p141	Transuretrálna endoresekcia tk.prostaty:kryoablácia
5o314.0	Rad.cystektómia s uretrektómiou,muž:otv.chir.	5p142	Transuretr.endores.tk.prostaty:termores/termodešt.
5o314.4	Rad.cystektómia s uretrektómiou,muž:lsk.	5p143.1	Transuretr.endores.tk.prostaty:intersticiál.laser.deštr
5o314.x	Rad.cystektómia s uretrektómiou,muž:ost.	5p143.2	Transuretrál.endoresekcia tk.prostaty:viz.kontr.las.ab [VLAP]
5o315.0	Eviscerácia malej panvy u muža:otv.chir.	5p143.3	Transuretr.endores.tk.prostaty:laser.vaporizácia prostaty
5o315.4	Eviscerácia malej panvy u muža:lsk.	5p143.x	Transuretrálna endoresekcia tk.prostaty:laserová deštr.iná
5o315.x	Eviscerácia malej panvy u muža:ostatné	5p144	Transur.endores.tk.prostaty:transuretr.ihl.abl.tk.prost[TUNA]
5o31c.0	Rad.cystektómia bez uretrekt.,šetr.nerv.ciev.zv.žena:otv.ch.	5p145	Transur.endores.tk.prostaty:elektrická vaporizácia

Kód	Popis	Kód	Popis
5p146	Transur.endores.tk.prostaty:bipolár.resekcia(enukleácia)	5p404↔	Operácia hydrokély testis
5p14x	Transuretrálna endoresekcia tk.prostaty:ost.	5p40x↔	Oper.th.varikokély a hydrokély semenného povrazca:ost
5p151↔	Incízia na semenných mechúrikoch	5p411↔	Excízia cysty v oblasti nadsemenníka
5p152↔	Excízia na semenných mechúrikoch	5p412↔	Excízia spermatokély v obl.nadsemenníka
5p153↔	Exstirpácia na semenných mechúrikoch	5p413↔	Excízia Morgan.hydatídy v obl.nadsemenníka
5p15x↔	Operácie na semenných mechúrikoch:ost.	5p41x↔	Excízia v oblasti nadsemenníka,ost.
5p190.1	Ošetrovanie krvácania na prostate:laparotom.	5p421↔	Parciálna epididymektómia
5p190.t	Ošetrovanie krvácania na prostate:transuretrál.	5p422↔	Totálna epididymektómia
5p191	Rekonštrukcia prostaty po poranení	5p42x↔	Epididymektómia, ostatné
5p192	Dilatácia prostatickej močovej rúry	5p431↔	Sutúra semenného povrazca po poranení
5p193	Zavedenie stentu do prostatickej močovej rúry	5p432↔	Plastická rekonštrukcia semenného povrazca
5p194	Výmena stentu v prostatickej močovej rúre	5p433‡↔	Detorkv.semen.povrazca pri torzii,vrát.kontralat.orchidopex
5p195‡	Odstránenie stentu z prostatickej močovej rúry	5p434‡↔	Detorzia testis manuálne
5p196	Iné operácie na prostate:revízia	5p43x‡↔	Rekonštrukcia semenného povrazca:ost.
5p197	Zavedenie prostatickej endoprotézy	5p451↔	Sklerotizácia semenovodu
5p198‡	Odstránenie prostatickej endoprotézy	5p452↔	Ligatúra semenovodu
5p19x‡	Iné operácie na prostate:ost	5p453↔	Resekcia semenovodu [vazoresekcia]
5p201	Excízia fistuly skróta	5p45x↔	Deštrukcia,ligatúra a resekcia semenovodu:ost.
5p20x	Iná excízia a deštr.chor.tk.skróta	5p461↔	Sutúra semenovodu a nadsemenníka po poranení
5p211	Parciálna resekcia chorého tkaniva skróta	5p462↔	Vazovazostómia
5p212	Radikálna resekcia chorého tkaniva skróta	5p463↔	Epididymovazostómia
5p221	Operácia skróta pre úraz	5p464↔	Tubulovazostómia
5p230	Incízia skróta a tunica vaginalis testis:bez d.zásahov	5p465↔	Vytvorenie umelej spermatokély
5p231	Incízia skróta a tunica vaginalis testis:drenáž	5p46x↔	Rekonštrukcia semenovodu a nadsemenníka:ost.
5p233	Incízia skróta a tunica vaginalis testis:odstr.cudz.t.	5p491↔	Incízia rozrušenia zrastov, epididymotómia
5p23x	Incízia skróta a tunica vaginalis testis:iná	5p492↔	Incízia rozrušenia zrastov spermatického povrazca
5p240	Sutúra skróta a tunica vaginalis testis po poranení	5p493↔	Adheziolyza semenného povrazca
5p241	Plastická rekonštrukcia skróta a tunica vaginalis testis	5p494↔	Odber tkaniva nadsemenníka v prípr.pred umel.oplodnením
5p242	Vytvor.a rekonštrukcia skróta a tunica vaginalis testis	5p49x↔	Iné OP na semen.povrazci,nadsemenníku a semenovode:ost
5p24x	Plastická rekonštr.skróta a tunica vaginalis testis:ost.	5p501	Frenulotómia predkožky
5p301.0↔	Orchiectómia bez epididymektómie:inguin.retenca semenn	5p502	Dorzálne preťatie predkožky
5p301.2↔	Orchiectómia bez epididymektómie:skrotálne	5p503	Cirkumcizia
5p302.0↔	Orchiectómia s epididymektómiou:inguin.reten.semenníka	5p504	Frenuloplastika a plastika predkožky
5p302.2↔	Orchiectómia s epididymektómiou:skrotálne	5p505.1	Krvavá repozícia na predkožke pre parafimózu v celk.anestézii
5p303.1↔	Abdominálna retenca semenníka:lpt.	5p505.2	Nekrvavá repoz. na predkožke pre parafimózu v CA
5p303.4↔	Abdominálna retenca semenníka:lsk.	5p506	Uvoľn.prepucciálnych zrastov na predkožke[synechiolyza]
5p304↔	"Rad.orchiekt,epididymekt.a odstránením""spermatic cord""	5p509	Operácie na predkožke:ost.
5p305.0↔	Odstr.zostávajúceho semenníka:inguinálne	5p511	Lok.excízia chor.tk.penisu
5p305.2↔	Odstr.zostávajúceho semenníka:skrotálne	5p512	Lok.deštrukcia chor.tk.penisu
5p306↔	Orchiectómia u novorod.pre intrauter.torziu testis:inguinál.	5p51x	Lok.excízia a deštr.chor.tk.penisu:ost.
5p30x↔	Orchiectómia:ost.	5p521	Čiastočná amputácia penisu
5p311↔	Orchidopexia s funikulolýzou	5p522	Totálna amputácia penisu
5p312↔	Orchidopexia skrotálne	5p523	Emaskulinizácia penisu
5p31x↔	Orchidopexia:ost.	5p530	Sutúra penisu pri poranení
5p320.1↔	Oper.premies.abd.ulož.semenníka bez mikrovask.anast:lpt.	5p531	Narovnanie tela penisu
5p320.4↔	Oper.premiestn.abd.ulož.sem.bez mikrovaskul.anastom:lsk.	5p532	Plast.rekonštrukcia penisu pri zmene pohlavia
5p321.1↔	OP premiestn.abdomin.ulož.sem.s mikrovaskul.anast:lpt.	5p533	Úprava penoskrotálnej transpozície
5p321.4↔	OP premiestn.abd.ulož.sem.s mikrovaskulárnou anast:lsk.	5p534	Operácia zanoreného penisu
5p32x↔	OP premiestnenie abdominál.uloženého semenníka:ost.	5p535	Operácia zlomeniny penisu
5p341‡↔	Implantácia protézy semenníka	5p536	Preťatie ligamentum suspensorium penis
5p342‡↔	Výmena protézy semenníka	5p537	Operácie pri induratio penis plastica
5p343‡↔	Odstránenie protézy semenníka	5p53x	Plastická rekonštrukcia penisu:ost.
5p34x‡↔	Implantácia,výmena a odstr.protézy semenníka:ost.	5p541	Plast.rek.epispád,muž:narovnanie tela penisu a chordektóm
5p351↔	Sutúra semeníka po poranení	5p542	Plast.rek.episp.muž:uvoľ.kaver.tel,ventr.transpoz.moč.rúry
5p35x↔	Rekonštrukcia semeníka:ost.	5p543.0	Plast.rekonštr.epispádie,muž:vytv.moč.rúry pou.kože predkož
5p391.0	Explorácia pri kryptorchizme:inguin.	5p543.1	Plast.rekonštr.epispádie,muž:vytv.moč.rúry pou.kože penisu
5p391.1↔	Explorácia pri kryptorchizme:lpt.	5p543.2	Plast.rekonštr.epispádie,muž:vytv.moč.rúry pou.bukál.slizn.
5p391.4	Explorácia pri kryptorchizme:lsk.	5p543.3	Plast.rekonštr.epispád,muž:vytv.moč.rúry pou.slizn.m.mech
5p391.x	Explorácia pri kryptorchizme:ost	5p543.x	Plast.rekonštr.epispádie,muž:vytv.moč.rúry:ost.
5p392↔	Odobratie tk.semenníka v príprave umel.oplodnenia	5p54x	Plastická rekonštrukcia epispádie u muža:ost
5p393↔	Incízia semeníka	5p551	Plast.rekonštr.hyospádie,muž:meatoglandulárna plast.
5p394↔	Excízia a deštrukcia chorého tkaniva semenníka	5p552	Plast.rek.hyosp.muž:narovnanie tela pen,chordekt
5p39x‡↔	Iné operácie na semenníku:ost	5p553.0	Plast.rekonštr.hyospádie,muž:vytv.moč.rúry:s kože predkožky
5p401.2↔	Sklerotizácia testikulárnej žily:skrotálne	5p553.1	Plast.rekonštr.hyospádie,muž:vytv.moč.rúry:s kože penisu
5p402.0↔	Resekcia testikulárnej žily a testikulárnej tepny:inguin	5p553.2	Pl.rekonštr.hyospádie,muž:vytv.moč.rúry:transpl.bukál.sl
5p402.1↔	Resekcia testikulárnej žily a testikulárnej tepny:otv.mikrochir	5p553.3	Pl.rekonštr.hyospád,muž:vytv.moč.rúry:transpl.sl.m.mech
5p402.3↔	Resekcia testikulárnej žily a testikulárnej tepny:lumb	5p553.x	Plast.rekonštr.hyospádie,muž:vytv.moč.rúry:iné
5p402.4↔	Resekcia testikulárnej žily a testikulárnej tepny:lsk.	5p554	King-Duplay plastika
5p403↔	OP hydrokély semenn.povrazca	5p555	Plastická rekonštr.hyospádie u muža:sekundárny výkon

Kód	Popis	Kód	Popis
5p556	Mathieau plastika	5p598	Odstránenie penilnej protézy
5p55x	Plastická rekonštr.hypospádie u muža:ost.	5p599	Replantácia na penise
5p590	Incizia na penise	5p59x	Iné operácie na penise:ost.
5p591	Adheziolýza na penise	5p5a0	OP na zmenu pohlavia:zo ženy na muža
5p592	Uzavretie venózneho úniku penisu	5p5a1	OP na zmenu pohlavia:z muža na ženu
5p593	Revaskularizač.OP na penise	5q293	Vaporizácia laserová
5p594	Shuntové OP kavemóz.telesách penisu	5u115.0↔	Operácia gynekomastie bez liposukcie
5p595.1	Implantácia semirigidnej penilnej protézy	5u115.1↔	Operácia gynekomastie s liposukciou
5p595.2	Implantácia hydraulickéj penilnej protézy	8f305.0↔	Perkutánná terapeutická punkcia a aspirácia hydrokély
5p595.x	Implantácia penilnej protézy,ost.	8f305.1↔	Perkutánná terapeutická punkcia a aspirácia spermatokély
5p596	Revízia penilnej protézy	8f305.2	Perkutánná terapeutická punkcia a aspirácia prostaty
5p597.1	Výmena penilnej protézy na semirigidnu protézu	8f305.3↔	Perkut.terapeut.punkcia a aspirácia semenných mechúrikov
5p597.2	Výmena penilnej protézy na hydraulickú protézu	8f305.x↔	Perkut.terapeut.punkcia a aspirácia mužs.pohlav.org.,ost
5p597.x	Výmena penilnej protézy, ostatné		

## D.6 Status groupera

Na konci zaradovania hospitalizačného prípadu sa priradí každému hospitalizačnému prípadu tzv. status groupera (ďalej GST). Ak nie je možné zaradiť prípad do DRG skupiny na základe chýbajúcich alebo neplatných informácií, je hospitalizačný prípad zaradený do DRG 960Z *Nezaraditeľné do skupín*.

Bližšie údaje k jednotlivým hodnotám GST sa nachádzajú v nasledovnej tabuľke.

Kód	Popis	Poznámky
00	Normálne zaradenie	
01	Neplatná alebo chýbajúca hlavná diagnóza	
02	Diagnóza nie je prípustná ako hlavná diagnóza	Ak sa napr. ako hlavná diagnóza uvedie diagnóza začínajúca na V, W, X, Y Zoznam neprípustných hlavných diagnóz je uvedený v tabuľke D.7
04	neplatný vek	Ak nie je možné stanoviť vek pacienta v platnom rozsahu
05	neplatné pohlavie	
06	neplatný dôvod prijatia, prepustenia, druh prijatia	
07	neplatná hmotnosť pri prijatí	Ak je vek pacienta < 1rok, hlavná diagnóza je novorodenecká a hodnota premennej hmotnosť pri prijatí je neplatná
08	neplatná ošetrovacia doba	Ak ošetrovaciu dobu nie je možné z údajov vypočítať

## D.7 Nepriputná hlavná diagnóza

Kód	Popis	Kód	Popis
A63.0	Anogenitálne (venerické) bradavice	F02.0	Demencia pri Pickovej chorobe (G31.0†)
B23.0	Syndróm akútnej infekcie HIV	F02.1	Demencia pri Creutzfeldtovej-Jakobovej chorobe
B90.0	Následky tuberkulózy centrálnej nervovej sústavy	F02.2	Demencia pri Huntingtonovej chorobe (G10†)
B90.1	Následky tuberkulózy močovopohlavnej sústavy	F02.3	Demencia pri Parkinsonovej chorobe (G20.-†)
B90.2	Následky tuberkulózy kostí a kĺbov	F02.4	Demencia pri chorobe HIV (B22†)
B90.8	Následky tuberkulózy iných orgánov	F02.8	Demencia pri i.bliž.urč.chorobách z.i.
B90.9	Následky respiračnej a bliž.nerč.TBC	G01	Meningitída pri bakteriálnych chorobách zatried.inde
B91	Následky poliomyelitídy	G02.0	Meningitída pri vírusových chorobách zatried.inde
B92	Následky lepry	G02.1	Meningitída pri mykózach zatriedených inde
B94.0	Následky trachómu	G02.8	Meningitída pri iných bliž.urč.infekč.a parazit.chor.z.i.
B94.1	Následky vírusovej encefalitídy	G05.0	Encefalitída,myelitída a encefalomyelit.pri bakt.chor.z.i.
B94.2	Následky vírusovej hepatitídy	G05.1	Encefalitída,myelitída a encefalomyelit.pri vir.chor.z.i.
B94.8	Následky iných.bliž.urč.infekčných a parazitových chorôb	G05.2	Encefalitída,myelit.a encefalomy.pri i.inf.a paraz.chor.z.i.
B94.9	Následky bliž.neurč.infekčných/parazitových chorôb	G05.8	Encefalitída,myelitída a encefalomyelit.pri i.chor.z.i.
B95.0	Streptokok skupiny A ako príčina chorôb zatried.inde	G07	Intrakran.a intrasp.in.absces a granulóm pri chor.z.i.
B95.1	Streptokok skupiny B ako príčina chorôb zatried.inde	G09	Následky zápalových chorôb centrálnej nerv.sústavy
B95.2	Streptokok skupiny D ako príčina chorôb zatried.inde	G13.0	Paraneoplastická neuromyopatia a neuropatia
B95.3	Streptococcus pneumoniae ako príčina chorôb zatried.inde	G13.1	Iná systémová atrofia post.najmä CNS pri nádor.chor.
B95.41	Streptokok skupiny C ako príčina chorôb zatried.inde	G13.2	Systémová atrofia post.najmä CNS pri myxedéme
B95.42	Streptokok skupiny G ako príčina chorôb zatried.inde	G13.8	Systémová atrofia post.najmä CNS pri i.chor.z.i.
B95.48	Iný streptokok,bliž.urč.ako príčina chorôb zatried.inde	G14	Postpoliomyelitický syndróm
B95.5	Streptokok,bliž.neurč.,ako príčina chorôb zatried.inde	G22	Parkinsonov syndróm pri chorobách zatriedených inde
B95.6	Staphylococcus aureus ako príčina chorôb zatried.inde	G26	Extrapyramídové porucha a por.hybnosti pri chor.zatried.inde
B95.7	Iný stafylokok ako príčina chorôb zatriedených inde	G31.1	Starecká degenerácia mozgu,nezatriedená inde
B95.8	Stafylokok,bliž.neurč.,ako príčina chorôb zatried.inde	G32.0	Subak.kombinovaná degenerácia miechy pri chor.z.i.
B95.90	Iný grampozit.aerób.mikroorganiz.bliž.urč.,ako príč.chor.z.i.	G32.8	Iná bliž.urč.degeneratívna chor.nervovej súst.pri chor.z.i.
B95.91	Iný grampozit.aerób.nesporul.mikroorg.bl.ur.ako príč.chor.z.i.	G46.0	Syndróm strednej mozgovej tepny
B96.0	Mykoplazma a ureaplazma ako príčina chorôb zatried.inde	G46.1	Syndróm prednej mozgovej tepny
B96.2	Escherichia coli a iné Enterobact.ako príčina.chor.zatried.i.	G46.2	Syndróm zadnej mozgovej tepny
B96.3	Haemophilus a Moraxella ako príčina chorôb zatried.inde	G46.3	Syndróm cievneho postihnutia mozgového kmeňa
B96.5	Pseudomonas a iná neferment.baktéria ako príč.chorôb.z.i.	G46.4	Syndróm cievneho postihnutia mozočka
B96.6	Bacteroides fragilis a i.gramneg.anaerób.bak.príč.chor.z.i.	G46.5	Čistý motorický lakunárny syndróm
B96.7	Clostridium perfringens a i.grampoz.anaer.bakt.príč.chor.z.i.	G46.6	Čistý senzorický lakunárny syndróm
B96.8	Iná baktéria,bliž.urč.,ako príčina chorôb zatriedených inde	G46.7	Iný lakunárny syndróm
B97.0	Adenovírus ako príčina chorôb zatriedených inde	G46.8	Iný cievny mozgový syndróm pri cievnych mozgov.chorobách
B97.1	Enterovírus ako príčina chorôb zatriedených inde	G53.0	Neuralgia po herpes zoster (B02.2†)
B97.2	Koronavírus ako príčina chorôb zatriedených inde	G53.1	Obna viac.hlavových nervov pri inf.a paraz.chor.z.i.
B97.3	Retrovírus ako príčina chorôb zatriedených inde	G53.2	Obna viacerých hlav.nervov pri sarkoidóze
B97.4	Respiračný syncytiálny vírus ako príč.chorôb zatried.i.	G53.3	Obna viacerých hlav.nervov pri nád.chor.
B97.5	Reovírus ako príčina chorôb zatriedených inde	G53.8	Iná choroba hlav.nervu pri iných chorobách z.i.
B97.6	Parvovírus ako príčina chorôb zatriedených inde	G55.0	Kompresia nerv.koreňov a spletí pri nád.chor.
B97.7	Papilomavírus ako príčina chorôb zatriedených inde	G55.1	Kompresia nerv.koreňov a spletí pri pošk.medzistav.plat.
B97.8	Iný vírus ako príčina chorôb zatriedených inde	G55.2	Kompresia nerv.koreňov a spletí pri spondylóze
B98.0	Helicobacter pylori ako príčina chorôb zatried.inde	G55.3	Kompresia nerv.koreňov a spletí pri i.dorzopatiách
B98.1	Vibrio vulnificus ako príčina chorôb.zried.inde	G55.8	Kompresia nerv.koreňov a spletí pri i.chor.z.i.
C94.8	Blastová kríza pri chronickej myeloidkej leukémii (CML)	G59.0	Diabetická mononeuropatia
C95.8	Leukémia refraktérna na štandardnú indukčnú liečbu	G59.8	Iná mononeuropatia pri chorobách zatriedených inde
C97	Zhubné nádory s primárnym výskytom na roz.m.	G63.0	Polyneuropatia pri inf.a paraz.chor.z.i.
D63.0	Anémia pri nádorových chorobách	G63.1	Polyneuropatia pri nádorovej chorobe(C00-D48†)
D63.8	Anémia pri iných chron.chobách zatried.inde	G63.2	Diabetická polyneuropatia
D77	Iné poruchy krvi a krvotv.org.pri chor.z.i.	G63.3	Polyneuropatia pri iných endokrin.a metabol.chorobách
E35.0	Endokrinná porucha, bližšie neurčená	G63.4	Polyneuropatia pri nedostatku vo výžive (E40-E64†)
E35.1	Choroba štítnej žľazy pri chorobách zatriedených inde	G63.5	Polyneuropatia pri systémových chor.spojiva
E35.8	Choroba nadobličiek pri chorobách zatriedených inde	G63.6	Polyneuropatia pri iných svalovokotr.chorobách
E64.0	Následky proteínovo-energetickej podvýživy	G63.8	Polyneuropatia pri iných chorobách.z.i.
E64.1	Následky nedostatku vitamínu A	G73.0	Myastenický syndróm pri endokrinných chorobách
E64.2	Následky nedostatku vitamínu C	G73.1	Eatonov-Lambertov myastenický syndróm (C00-D48†)
E64.3	Následky rachitídy	G73.2	Iný myastenický synd. pri nádorovej chor.
E64.8	Následky iných nedostatkov vo výžive	G73.3	Myastenický syndróm pri iných chor.z.i.
E64.9	Následky bližšie neurčených nedostatkov vo výžive	G73.4	Myopatia pri infekčných a parazitových chor.z.i.
E68	Následok nadmernej výživy	G73.5	Myopatia pri endokrinných chorobách
E87.7	Preťaženie tekutinou	G73.6	Myopatia pri metabolických chorobách
E90	Nutričná a metab.por.pri chor.z.i.	G73.7	Myopatia pri iných chorobách zatriedených inde
F00.0	Demencia pri Alzheimerovej chor.so skorým začiat.(typ 2)	G82.60	Funkčná úroveň pri poškodení miechy: C1 – C3
F00.1	Demencia pri Alzheimerovej chor.s neskorým začiat.(typ 1)	G82.61	Funkčná úroveň pri poškodení miechy: C4 – C5
F00.2	Demencia pri Alzheimerovej chor.,atypická/zmiešaná forma	G82.62	Funkčná úroveň pri poškodení miechy: C6 – C8
F00.9	Demencia pri Alzheimerovej chorobe,b.n.	G82.63	Funkčná úroveň pri poškodení miechy: Th1 – Th6

Kód	Popis	Kód	Popis
G82.64	Funkčná úroveň pri poškodení miechy: Th7 – Th10	I25.29	Starý infarkt myokardu, bližšie neurčený
G82.65	Funkčná úroveň pri poškodení miechy: Th11 – L1	I32.0	Perikarditída pri bakt.chor.z.i.
G82.66	Funkčná úroveň pri poškodení miechy: L2 – S1	I32.1	Perikarditída pri i.infekč.a parazit.chor.z.i.
G82.67	Funkčná úroveň pri poškodení miechy: S2 – S5	I32.8	Perikarditída pri iných chorobách zatriedených inde
G82.69	Funkčná úroveň pri poškod.miechy bliž.neur.	I39.0	Choroba mitrál.chlopne pri chorobách zatried.i.
G94.0	Hydrocefalus pri infekčných a parazitových chor.z.i	I39.1	Choroba aortál.chlopne pri chorobách zatried.i.
G94.1	Hydrocefalus pri nádorovej chorobe (C00-D48†)	I39.2	Choroba trikuspid.chlopne pri chorobách zatried.i.
G94.2	Hydrocefalus pri iných chorobách zatriedených inde	I39.3	Choroba pulmonál.chlopne pri chorobách zatried.i.
G94.8	Iná choroba mozgu pri chorobách zatriedených inde,b.u.	I39.4	Choroba viacerých chlopni pri chorobách.zatried.i.
G99.0	Autonómna neuropatia pri endokrin.a metabol.chorobách	I39.8	Endokarditída n.chlopne pri chor.z.i.
G99.1	Iná choroba autonómnej nervovej súst.pri iných chor.z.i.	I41.0	Myokarditída pri baktériových chor.z.i.
G99.2	Myelopatia pri chorobách zatriedených inde	I41.1	Myokarditída pri vírusových chor.z.i.
G99.8	Iná choroba nervovej súst.pri chorobách zatried.i.,b.u.	I41.2	Myokarditída pri i.infekč.a parazit.chorobách zatried.i.
H03.0	Parazitové zamorenie mihalnice pri chor.zatried.i.	I41.8	Myokarditída pri iných chorobách zatriedených inde
H03.1	Postihnutie mihalnice pri iných infekčných chor.zatried.i.	I43.0	Kardiomyopatia pri infekč.a parazit.chorobách zatried.i.
H03.8	Postihnutie mihalnice pri iných chorobách zatried.i.	I43.1	Kardiomyopatia pri metabolických chorobách
H06.0	Choroba slzných orgánov pri chorobách z.i.	I43.2	Kardiomyopatia pri poruchách výživy
H06.1	Parazitové zamorenie očnice pri chorách z.i.	I43.8	Kardiomyopatia pri iných chorobách zatried.i.
H06.2	Exoftalmus pri poruche funkcie štítnej žľazy (E05.-†)	I52.0	Iná choroba srdca pri baktériových chor.z.i.
H06.3	Iná choroba očnice pri chorobách zatriedených inde	I52.1	Iná choroba srdca pri i.infekč.a parazit.chor.z.i.
H13.0	Filáriová infekcia spojovky (B74.-†)	I52.8	Iná choroba srdca pri iných chor.z.i.
H13.1	Konjunktivitída pri infekčných a parazit.chor.z.i.	I67.80	Vazospazmy pri subarachnoidálnom krvácaní
H13.2	Konjunktivitída pri iných chorobách zatried.i.	I68.0	Mozgová amyloidová angiopatia
H13.3	Očný pemfigoid (L12.-†)	I68.1	Mozgová arteritída pri infekč.a parazit.chorobách z.i.
H13.8	Iná choroba spojovky pri chorobách zatried.i.	I68.2	Mozgová arteritída pri iných chorobách .zatried.i.
H19.0	Skleritída a episkleritída pri chorobách zatried.i.	I68.8	Iná cievna choroba mozgu pri chorobách zatried.i.
H19.1	Herpetická keratitída a keratokonjunktivitída (B00.5†)	I69.0	Následky subarachnoidálneho krvácania
H19.2	Keratitída a keratokonjunkt.pri i.infekč.a parazit.chor.z.i.	I69.1	Následky vnútromozgového krvácania
H19.3	Keratitída a keratokonjunkt.pri iných chorob.zatried.i.	I69.2	Následky iného neúrazového intrakraniálneho krvácania
H19.8	Iná choroba očného bielka a rohovky pri chorách z.i.	I69.3	Následky mozgového infarktu
H22.0	Iridocyklitída pri inf.a paraz.chor.z.i.	I69.4	Následky cievnej mozg.príhody bliž.neu.ako krvác./infarkt
H22.1	Iridocyklitída pri iných chorobách zatried.i.	I69.8	Následky iných a bliž.neu.cievnych chor.mozgu
H22.8	Iná choroba dúhovky a vráskovca pri chor.z.i.	I79.0	Aneurizma aorty pri chorobách zatriedených inde
H28.0	Diabetická katarakta (E10-E14, štvrtá pozícia .3†)	I79.1	Aortitída pri chorobách zatriedených inde
H28.1	Zákal šošovky pri i.endokrin.,nutričných a metabol.chor.	I79.2	Periféra angiopatia pri chor.z.i.
H28.2	Zákal šošovky pri iných chorobách zatriedených inde	I79.8	Iná choroba tepien,tepničiek a vlásočnic pri chor.,z.i.
H28.8	Iná choroba šošovky pri chorobách zatriedených inde	I98.0	Kardiovaskulárny syfilis
H32.0	Chorioretinitída pri infekčných a parazit.chorobách z.i.	I98.1	Porucha obeh.súst.pri iných infekč.a parazit.chor.z.i.
H32.8	Iná choroba cievovky a sietnice pri chorobách z.i.	I98.2	Variety pažeráka a žalúdka pri chorobách zatried.i.bez krvác.
H36.0	Diabetická retinopatia	I98.3	Variety pažeráka a žalúdka pri chorobách zatried.i.s krvác.
H36.8	Iná choroba sietnice pri chor.z.i.	I98.8	Iná bliž.urč.porucha obehovej súst.pri chorobách z.i.
H42.0	Glaukóm pri endokrin.,nutričných a metabol.chor.z.i.	J17.0	Zápal pľúc pri baktériových chorobách z.i.
H42.8	Glaukóm pri iných chorobách zatriedených inde	J17.1	Zápal pľúc pri vírusových chorobách z.i.
H45.0	Krvácanie do sklovca pri chorobách z.i.	J17.2	Zápal pľúc pri mykózach zatriedených inde
H45.1	Endoftalmitída pri chorobách zatriedených inde	J17.3	Zápal pľúc pri parazitových chorobách
H45.8	Iná choroba sklovca a očnej gule pri chor.z.i.	J17.8	Zápal pľúc pri iných chorobách zatriedených inde
H48.0	Atrofia zrakového nervu pri chorách z.i.	J91	Pohrudnicový výpotok pri chor.z.i.
H48.1	Retinobulbárna neuritída pri chorobách z.i.	J99.0	Reumatoidná choroba pľúc (M05.1-†)
H48.8	Iná choroba zrakového nervu a zrak.dráh pri chor.z.i.	J99.1	Choroba dýchac.súst.pri i.difúzných chor.spojiv.tkan.
H58.0	Anomálie funkcie zrenice pri chor.z.i.	J99.8	Choroba dýchac.súst.pri iných chorobách z.i.
H58.1	Poruchy videnia pri chorobách zatriedených inde	K23.0	Tuberkulóza pažeráka (A18.8†)
H58.8	Iná choroba oka a jeho adnexov,bliž.urč. pri chor.z.i.	K23.1	Megaezofág pri Chagasovej chorobe (B57.3†)
H62.0	Zápal vonkajšieho ucha pri baktériov.chor.z.i.	K23.8	Choroba pažeráka pri i.chorobe,z.i.
H62.1	Zápal vonkajšieho ucha pri vírusových chor.z.i.	K67.0	Zápal pobrušnice,zapričinený chlamýdiami (A74.8†)
H62.2	Zápal vonkajšieho ucha pri mykózach z.i.	K67.1	Gonokokový zápal pobrušnice (A54.8†)
H62.3	Zápal vonkajšieho ucha pri iných infekč.a parazit.chor.z.i.	K67.2	Syfilitický zápal pobrušnice (A52.7†)
H62.4	Zápal vonkajšieho ucha pri iných chorobách z.i.	K67.3	Tuberkulózný zápal pobrušnice (A18.3†)
H62.8	Iná choroba vonkajšieho ucha pri chorobách z.i.	K67.8	Iná choroba pobrušnice pri infekč.chor.z.i.
H67.0	Zápal stredného ucha pri baktér.chor.z.i.	K72.71	Pečeňová encefalopatia,1.stupeň
H67.1	Zápal stredného ucha pri vírus.chor.z.i.	K72.72	Pečeňová encefalopatia,2.stupeň
H67.8	Zápal stredného ucha pri iných chor.z.i.	K72.73	Pečeňová encefalopatia,3.stupeň
H75.0	Mastoiditída pri infekč.a parazit.chorobách z.i.	K72.74	Pečeňová encefalopatia,4.stupeň
H75.8	Iná choroba stred.ucha a hlávk.výbež.,bliž.urč.,pri chor.z.i.	K72.79	Pečeňová encefalopatia neurčeného stupňa
H82	Závratový syndróm pri chorobách zatriedených inde	K77.0	Pečeňová porucha pri infekč./parazit.chor.z.i.
H94.0	Zápal sluch.nervu pri infekč.a parazit.chor.z.i.	K77.11	Postihnutie pečene pri akút.chor.štetu proti host.GvH,1.štád.
H94.8	Iná bliž.urč.choroba ucha pri chorobách zatried.i.	K77.12	Postihnutie pečene pri akút.chor.štetu proti host.GvH,2.štád.
I25.20	Starý infarkt myokardu,od 29 dní až po 4 mesiace	K77.13	Postihnutie pečene pri akút.chor.štetu proti host.GvH,3.štád.
I25.21	Starý infarkt myokardu,od 4 mesiacov až po 1 rok	K77.14	Postihnutie pečene pri akút.chor.štetu proti host.GvH,4.štád.
I25.22	Starý infarkt myokardu,od 1 roka vyššie	K77.8	Pečeňová porucha pri iných chorobáchz.i.



Kód	Popis	Kód	Popis
K87.0	Choroba žľazníka a žľaz. ciest pri chor.z.i.	M01.47	Artritída pri ružienke v obl.čl.a nohy
K87.1	Choroby pankreasu pri chorobách zatriedených inde	M01.48	Artritída pri ružienke na i.mieste
K93.0	TBC čriev,pobrušnice a lymfatických uzlín mezenteria	M01.49	Artritída pri ružienkena n. mieste
K93.1	Megakolon pri Chagasovej chorobe (B57.3†)	M01.50	Artritída pri i.vírus.chor.zatried.i.na viac.m.
K93.21	Postihnutie tráv.trub.pri akút.chor.štetu proti host.GvH,1.št.	M01.51	Artritída pri i.vírus.chor.zatried.i.v obl.pleca
K93.22	Postihnutie tráv.trub.pri akút.chor.štetu proti host.GvH,2.št.	M01.52	Artritída pri i.vírus.chor.zatried.i.v obl.nadlaktia
K93.23	Postihnutie tráv.trub.pri akút.chor.štetu proti host.GvH,3.št.	M01.53	Artritída pri i.vírus.chor.zatried.i.v obl.predlak.
K93.24	Postihnutie tráv.trub.pri akút.chor.štetu proti host.GvH,4.št.	M01.54	Artritída pri i.vírus.chor.zatried.i.v obl.ruky
K93.8	Choroby i.tráviacich org.,b.u.,pri chorobách z.i.	M01.55	Artritída pri i.vírus.chor.zatried.i.panv.obl.a stehna
L14	Pluzgierová dermatóza pri choroba zatried.i.	M01.56	Artritída pri i.vírus.chor.zatried.i.v obl.predkol.
L45	Papuloskvamózna choroba kože pri chor.z.i.	M01.57	Artritída pri i.vírus.chor.zatried.i.v obl.čl.a nohy
L54.0	Erythema marginatum pri akútnej reumatickej horúčke	M01.58	Artritída pri i.vírus.chor.zatried.i.na i.mieste
L54.8	Erytém pri iných chorobách zatriedených inde	M01.59	Artritída pri i.vírus.chor.zatried.i.miesto bližš.neurč.
L62.0	Nechty tvaru hod.sklička pri pachydermoperiostóze	M01.60	Artritída pri mykózach na viac.m.
L62.8	Choroba nechto pri inej chorobe zatriedenej inde	M01.61	Artritída pri mykózach v obl.pleca
L86	Keratoderma pri chorobách zatriedených inde	M01.62	Artritída pri mykózach v obl.nadlaktia
L99.0	Amyloidóza kože (E85.-†)	M01.63	Artritída pri mykózach v obl. predlak.
L99.11	Postih.kože pri akút.chor.štetu proti hostit.GvHD:1.štád.	M01.64	Artritída pri mykózach v obl.ruky
L99.12	Postih.kože pri akút.chor.štetu proti hostit.GvHD:2.štád.	M01.65	Artritída pri mykózach panv.obl.a stehna
L99.13	Postih.kože pri akút.chor.štetu proti hostit.GvHD:3.štád.	M01.66	Artritída pri mykózach v obl.predkol.
L99.14	Postih.kože pri akút.chor.štetu proti hostit.GvHD:4.štád.	M01.67	Artritída pri mykózach v obl.čl. a nohy
L99.8	Iná choroba kože a podkožného tkaniva pri chor.zatried.i,b.u.	M01.68	Artritída pri mykózach na i.mieste
M01.00	Artritída zaprič.meningok.na viac.m.	M01.69	Artritída pri mykózach na mieste
M01.01	Artritída zaprič.meningok.v obl.pleca	M01.80	Artritída pri i.infekč.a parazit.chor.zatried.i.na viac.m.
M01.02	Artritída zaprič.meningok.v obl. nadlaktia	M01.81	Artritída pri i.infekč.a parazit.chor.zatried.i.v obl.pleca
M01.03	Artritída zaprič.meningok.v obl.predlak.	M01.82	Artritída pri i.infekč.a parazit.chor.zat.i.v obl.nadlaktia
M01.04	Artritída zaprič.meningok.v obl.ruky	M01.83	Artritída pri i.infekč.a parazit.chor.zatried.i.v obl.predlak.
M01.05	Artritída zaprič.meningok.panv.obl.a stehna	M01.84	Artritída pri i.infekč.a parazit.chor.zatried.i.v obl.ruky
M01.06	Artritída zaprič.meningok.v obl.predkol.	M01.85	Artritída pri i.inf.a parazit.chor.zatr.i.panv.obl.a stehna
M01.07	Artritída zaprič.meningok.v obl.čl.a nohy	M01.86	Artritída pri i.infekč.a parazit.chor.zatried.i.v obl.predkol.
M01.08	Artritída zaprič.meningok.na i.mieste	M01.87	Artritída pri i.infekč.a parazit.chor.zat.i.v obl.čl.a nohy
M01.09	Artritída zaprič.meningok.na n. mieste	M01.88	Artritída pri i.infekč.a parazit.chor.zatried.i.na i.mieste
M01.10	Tuberkulózna artritída na viac.m.	M01.89	Artritída pri i.infekč.a parazit.chor.zat.i.,m.bližš.neurč.
M01.11	TBC artritída v obl.pleca	M03.00	Artritída po meningokok.inf.na viac.m.
M01.12	TBC artritída nadlaktia	M03.01	Artritída po meningokok.inf.v obl.pleca
M01.13	TBC artritída predlak.	M03.02	Artritída po meningokok.inf.v obl.nadlaktia
M01.14	TBC artritída ruky	M03.03	Artritída po meningokok.inf.v obl.predlak.
M01.15	TBC artritída panv.obl.a stehna	M03.04	Artritída po meningokok.inf.v obl.ruk
M01.16	TBC artritída predkol.	M03.05	Artritída po meningokok.inf.v obl.panvy a stehna
M01.17	TBC artritída čl.a nohy	M03.06	Artritída po meningokok.inf.v obl.predkol.
M01.18	TBC artritída na i.mieste	M03.07	Artritída po meningokok.inf.v obl.čl.a nohy
M01.19	Tuberkulózna artritída na n.mieste	M03.08	Artritída po meningokok.inf.na i.mieste
M01.20	Artritída pri Lymsej chorobe na viac.m.	M03.09	Artritída po meningokok.inf.na i.mieste
M01.21	Artritída pri Lymsej chorobe v obl.pleca	M03.10	Poinfekčná artritída pri syfilise na viac.miastach
M01.22	Artritída pri Lymsej chorobe v obl.nadlaktiaze	M03.11	Poinfekčná artritída pri syfilise v obl.pleca
M01.23	Artritída pri Lymsej chorobe v obl.predlak.	M03.12	Poinfekčná artritída pri syfilise v obl.nadlaktia
M01.24	Artritída pri Lymsej chorobe v obl.ruky	M03.13	Poinfekčná artritída pri syfilise v obl.predlak.
M01.25	Artritída pri Lymsej chorobe panv.obl.a stehna	M03.14	Poinfekčná artritída pri syfilise v obl.ruky
M01.26	Artritída pri Lymsej chorobe v obl.predkol.	M03.15	Poinfekčná artritída pri syfilise v obl.panvy a stehna
M01.27	Artritída pri Lymsej chorobe v obl.čl.a nohy	M03.16	Poinfekčná artritída pri syfilise v obl.predkol.
M01.28	Artritída pri Lymsej chorobe na i.mieste	M03.17	Poinfekčná artritída pri syfilise v obl.čl. a nohy
M01.29	Artritída pri Lymsej chorobe miesto bližšie	M03.18	Poinfekčná artritída pri syfilise na i.mieste
M01.30	Artritída pri i.baktér.chor.zatried.i.na viac.m.	M03.19	Poinfekčná artritída pri syfilise miesto bližš.neurč.
M01.31	Artritída pri i.baktér.chor.zatried.i.obl.pleca	M03.20	Iné poinfek.artritída pri chor.zat.i.na viac.m
M01.32	Artritída pri i.baktér.chor.zatried.i.v obl.nadlaktia	M03.21	Iné poinfek.artritída pri chor.zat.i.v obl.pleca
M01.33	Artritída pri i.baktér.chor.zatried.i.v obl.predlak.	M03.22	Iné poinfek.artritída pri chor.zat.i.v obl.nadlaktia
M01.34	Artritída pri i.baktér.chor.zatried.i.v obl.ruky	M03.23	Iné poinfek.artritída pri chor.zat.i.v obl.predlak.
M01.35	Artritída pri i.baktér.chor.zatried.i.panv.obl.a stehna	M03.24	Iné poinfek.artritída pri chor.zat.i.v obl.ruky
M01.36	Artritída pri i.baktér.chor.zatried.i.v obl.predkol.	M03.25	Iné poinfek.artritída pri chor.zat.i.v obl.panv.a stehna.
M01.37	Artritída pri i.baktér.chor.zatried.i.v obl.čl.a nohy	M03.26	Iné poinfek.artritída pri chor.zat.i.v obl.predkol.
M01.38	Artritída pri i.baktér.chor.zatried.i.na i.mieste	M03.27	Iné poinfek.artritída pri chor.zat.i.v obl.čl.a nohy
M01.39	Artritída pri i.baktér.chor.zatried.i.miesto bližš.neurč.	M03.28	Iné poinfek.artritída pri chor.zat.i.na i.mieste
M01.40	Artritída pri ružienke na viac.m.	M03.29	Iné poinfek.artritída pri chor.zat.i.,miesto bližš.neurč.
M01.41	Artritída pri ružienke v obl.pleca.	M03.60	Reaktívna artritída pri i.chorobách z.i.,na viac.m.
M01.42	Artritída pri ružienke v obl.nadlaktia	M03.61	Reaktívna artritída pri i.chorobách z.i.v obl.pleca
M01.43	Artritída pri ružienke v obl.predlak.	M03.62	Reaktívna artritída pri i.chorobách z.i.v obl.nadlaktia
M01.44	Artritída pri ružienke v obl.ruky	M03.63	Reaktívna artritída pri i.chorobách z.i.v obl.predlak.
M01.45	Artritída pri ružienke panv.obl.a stehna	M03.64	Reaktívna artritída pri i.chorobách z.i.v obl.ruky
M01.46	Artritída pri ružienke v obl.predkol.	M03.65	Reaktívna artritída pri i.chorobách z.i.v obl.panv.a stehna

Kód	Popis	Kód	Popis
M03.66	Reaktívna artritída pri i.chorobách z.i.v obl.predkol.	M09.10	Juven.artritída pri Crohn.chor.,s postih.klb.na viac.m.
M03.67	Reaktívna artritída pri i.chorobách z.i.v obl.čl.a nohy	M09.11	Juven.artritída pri Crohn.chor.,s postih.klb.v obl.pleca
M03.68	Reaktívna artritída pri i.chorobách z.i.na i.mieste	M09.12	Juven.artritída pri Crohn.chor.,s postih.klb.nadlaktia
M03.69	Reaktívna artritída pri i.chorobách z.i.miesto bliž.neurč.	M09.13	Juven.artritída pri Crohn.chor.,s postih.klb.predlak.
M07.00	Distálna psoriatická artritída na viac.miestach	M09.14	Juven.artritída pri Crohn.chor.,s postih.klb.ruky
M07.04	Distálna psoriatická artritída ruy	M09.15	Juven.artritída pri Crohn.chor.,s postih.klb.panvy a stehna
M07.07	Distálna psoriatická artritída čl.a nohy	M09.16	Juven.artritída pri Crohn.chor.,s postih.klb.predkol.
M07.09	Distálna psoriatická artritída na n.mieste	M09.17	Juven.artritída pri Crohn.chor.,s postih.klb.čl.a nohy
M07.10	Arthritis mutilans, na viacerých miestach (L40.5†)	M09.18	Juven.artritída pri Crohn.chor.,s postih.klb.na i.mieste
M07.11	Arthritis mutilans v obl.pleca	M09.19	Juven.artritída pri Crohn.chor.,s postih.klb.na n.mieste
M07.12	Arthritis mutilans v obl.nadlaktia	M09.20	Juven.artritída pri ulcer.kolitíde,s postih.klb.na viac.m.
M07.13	Arthritis mutilans v obl. predlak.	M09.21	Juven.artritída pri ulcer.kolitíde,s postih.klb.v obl.pleca
M07.14	Arthritis mutilans v obl.ruky	M09.22	Juven.artritída pri ulcer.kolitíde,s postih.klb.nadlaktia
M07.15	Arthritis mutilans panv.obl.a stehna	M09.23	Juven.artritída pri ulcer.kolitíde,s postih.klb.predlak.
M07.16	Arthritis mutilans v obl.predkol.	M09.24	Juven.artritída pri ulcer.kolitíde,s postih.klb.ruky
M07.17	Arthritis mutilans v obl.čl.a nohy	M09.25	Juven.artritída pri ulcer.kolit.,s post.klb.panvy a stehna
M07.18	Arthritis mutilans na i.mieste	M09.26	Juven.artritída pri ulcer.kolitíde,s postih.klb.predkol.
M07.19	Arthritis mutilans na n.mieste	M09.27	Juven.artritída pri ulcer.kolitíde,s postih.klb.čl. a nohy
M07.2	Psoriatická spondylitída (L40.5†)	M09.28	Juven.artritída pri ulcer.kolitíde,s postih.klb.na i.mieste
M07.30	Iná psoriatická artritídana viac.m.	M09.29	Juven.artritída pri ulcer.kolitíde,s postih.klb.na n.mieste
M07.31	Iná psoriatická artritídav obl.pleca	M09.80	Juven.artritída pri i.chor.zatr.i.s postih.klb.na viac.m.
M07.32	Iná psoriatická artritídav obl.nadlaktia	M09.81	Juven.artritída pri i.chor.zatr.i.s postih.klb.v obl.pleca
M07.33	Iná psoriatická artritídav obl.predlak.	M09.82	Juven.artritída pri i.chor.zatr.i.s postih.klb.nadlaktia
M07.34	Iná psoriatická artritídav obl.ruky	M09.83	Juven.artritída pri i.chor.zatr.i.s postih.klb.predlak.
M07.35	Iná psoriatická artritídav obl.panv.a stehna	M09.84	Juven.artritída pri i.chor.zatr.i.s postih.klb.ruky
M07.36	Iná psoriatická artritídav obl.predkol.	M09.85	Juven.artritída pri i.chor.zatr.i.s postih.klb.panvy a stehna
M07.37	Iná psoriatická artritídav obl.čl.a nohy	M09.86	Juven.artritída pri i.chor.zatr.i.s postih.klb.predkol.
M07.38	Iná psoriatická artritídana i.mieste	M09.87	Juven.artritída pri i.chor.zatr.i.s postih.klb.čl.a nohy
M07.39	Iná psoriatická artritídana n.mieste	M09.88	Juven.artritída pri i.chor.zatr.i.s postih.klb.na i.mieste
M07.40	Artritída pri Crohn.chor.s postih.klbov na viac.m.	M09.89	Juven.artritída pri i.chor.zatr.i.s postih.klb.,m.bliž.neurč.
M07.41	Artritída pri Crohn.chor.s postih.klbov v obl.pleca	M14.0	Dnová artropatia,zaprič.enzym.defektmi a i.dedič.poruchami
M07.42	Artritída pri Crohn.chor.s postih.klbov nadlaktia	M14.1	Kryštalová artropat.pri i.metabolic.poruchách z.i.
M07.43	Artritída pri Crohn.chor.s postih.klbov predlak.	M14.2	Diabetická artropatia (E10-E14, štvrtá pozícia .6†)
M07.44	Artritída pri Crohn.chor.s postih.klbov ruky	M14.3	Multicentrická retikulohistiocytóza (E78.8†)
M07.45	Artritída pri Crohn.chor.s postih.klbov panvy a stehna	M14.4	Artropatia pri amyloidóze (E85.-†)
M07.46	Artritída pri Crohn.chor.s postih.klbov predkol.	M14.5	Artropatia pri i.endokrin.nutričných a metabol.chorobách
M07.47	Artritída pri Crohn.chor.s postih.klbov čl.a nohy	M14.6	Neuropatická artropatia
M07.48	Artritída pri Crohn.chor.s postih.klbov na i.mieste	M14.8	Artropatia pri i.bliž.urč.chorobách zatried.i.
M07.49	Artritída pri Crohn.chor.s postih.klbov na n.mieste	M36.0	Dermatomyozitída – polymyozitída pri nádorovej chorobe
M07.50	Artritída pri ulcer.kolitíde s postih.klbov na viac.m.	M36.1	Artropatia pri nádorovej chorobe
M07.51	Artritída pri ulcer.kolitíde s postih.klbov v obl.pleca	M36.2	Hemofilická artropatia
M07.52	Artritída pri ulcer.kolitíde s postih.klbov nadlaktia	M36.3	Artropatia pri i.chorobách krvi zatried.i.
M07.53	Artritída pri ulcer.kolitíde s postih.klbov predlak.	M36.4	Artropatia pri hypersenzitívnych reakciách zatried.i.
M07.54	Artritída pri ulcer.kolitíde s postih.klbov ruky	M36.8	Systémové choroba spojiva pri i.chorobách zatried.i.
M07.55	Artritída pri ulcer.kolitíde s postih.klbov pan.a stehna	M49.00	Tuberkulóza chrbtice na viacerých miestach
M07.56	Artritída pri ulcer.kolitíde s postih.klbov predkol.	M49.01	TBC chrbtice v okcip.-atl.-axiál.obl.
M07.57	Artritída pri ulcer.kolitíde s postih.klbov čl.a nohy	M49.02	Tuberkulóza chrbtice v krčnej oblasti (A18.0†)
M07.58	Artritída pri ulcer.kolitíde s postih.klbov na i.mieste	M49.03	TBC chrbtice v krčnohrudníkovej oblasti
M07.59	Artritída pri ulcer.kolitíde s postih.klbov na n.mieste	M49.04	Tuberkulóza chrbtice v hrudníkovej oblasti (A18.0†)
M07.60	Iná enteropatická artritída na viacerých miestach	M49.05	TBC chrbtice v hrudníkovodriekovej oblasti
M07.61	Iná enteropatická artritída obl.pleca	M49.06	Tuberkulóza chrbtice v driekovej oblasti (A18.0†)
M07.62	Iná enteropatická artritída nadlaktia	M49.07	TBC chrbtice v driekovokřížovej oblasti
M07.63	Iná enteropatická artritída predlak.	M49.08	TBC chrbtice v križ.a križovokostrč.oblasti
M07.64	Iná enteropatická artritída ruky	M49.09	Tuberkulóza v neurčenej oblasti chrbtice (A18.0†)
M07.65	Iná enteropatická artritída panv.obl.a stehna	M49.10	Brucelová spondylitída na viac.m.chrbt.
M07.66	Iná enteropatická artritída predkol.	M49.11	Brucelová spondylitída v okcip.-atl.-axiál.obl.
M07.67	Iná enteropatická artritída čl.a nohy	M49.12	Brucelová spondylitída v krčnej oblasti (A23.-†)
M07.68	Iná enteropatická artritída na i.mieste	M49.13	Brucelová spondylitída v krčnohrudník.oblasti
M07.69	Iná enteropatická artritída,miesto bliž.neurč.	M49.14	Brucelová spondylitída v hrudníkovej oblasti
M09.00	Juven.artritída pri psoriáze,s postih.klb.na viac.m.	M49.15	Brucelová spondylitída v hrudníkovodriek.oblasti
M09.01	Juven.artritída pri psoriáze,s postih.klb.v obl.pleca	M49.16	Brucelová spondylitída v driekovej oblasti (A23.-†)
M09.02	Juven.artritída pri psoriáze,s postih.klb.nadlaktia	M49.17	Brucelová spondylitída v driekovokřížovej oblasti
M09.03	Juven.artritída pri psoriáze,s postih.klb.predlak.	M49.18	Brucelová spondylitída v križ.a križovokostrč.oblasti
M09.04	Juven.artritída pri psoriáze,s postih.klb.ruky	M49.19	Brucelová spondylitída v b.n.obl.
M09.05	Juven.artritída pri psoriáze,s postih.klb.panvy a stehna	M49.20	Enterobaktériová spondylitída na viac.m.chrbtice
M09.06	Juven.artritída pri psoriáze,s postih.klb.predkol.	M49.21	Enterobaktériová spondylitída v okcip.-atl.-axiál.obl.
M09.07	Juven.artritída pri psoriáze,s postih.klb.čl.a nohy	M49.22	Enterobaktériová spondylitída v krčnej oblasti
M09.08	Juven.artritída pri psoriáze,s postih.klb.na i.mieste	M49.23	Enterobaktériová spondylitída v krčnohrud.oblasti
M09.09	Juven.artritída pri psoriáze,s postih.klb.na n.mieste	M49.24	Enterobaktériová spondylitída v hrudník.oblasti

Kód	Popis	Kód	Popis
M49.25	Enterobaktériová spondylitída v hrudníkovodriek.oblasti	M63.24	Myozitída pri inej infek.chorobe zatried.i.v obl.ruky
M49.26	Enterobaktériová spondylitída v driekovej oblasti	M63.25	Myozitída pri inej infek.chorobe zatried.i.v obl.pan.a stehna
M49.27	Enterobaktériová spondylitída v driekovokríž.oblasti	M63.26	Myozitída pri inej infek.chorobe zatried.i.v obl.predkol.
M49.28	Enterobaktériová spondylitída v kríž.a krížovokostř.oblasti	M63.27	Myozitída pri inej infek.chorobe zatried.i.v obl.čl.a nohy
M49.29	Enterobaktériová spondylitída v neurčenej oblasti	M63.28	Myozitída pri inej infek.chorobe zatried.i.na i.mieste
M49.30	Spondylopat.pri i.inf/paraz.chor.zatried.i.na viac.m.chrbt.	M63.29	Myozitída pri inej infek.chorobe zatried.i.,miesto bliž.neurč.
M49.31	Spondylopat.pri i.inf/paraz.chor.zatried.i.v ok.-atl.-ax.-o.	M63.30	Myozitída pri sarkoidóze na viac.m.
M49.32	Spondylopat.pri i.inf/paraz.chor.zatried.i.v krčnej obl.	M63.31	Myozitída pri sarkoidóze,v obl.pleca
M49.33	Spondylopat.pri i.inf/paraz.chor.zatried.i.v krč.hrud.obl.	M63.32	Myozitída pri sarkoidóze,v obl.nadlaktia
M49.34	Spondylopat.pri i.inf/paraz.chor.zatried.i.v hrud.obl.	M63.33	Myozitída pri sarkoidóze,v obl.predlak.
M49.35	Spondylopat.pri i.inf/paraz.chor.zatried.i.v hrud.driek.obl.	M63.34	Myozitída pri sarkoidóze,v obl.ruky
M49.36	Spondylopat.pri i.inf/paraz.chor.zatried.i.v driek.obl.	M63.35	Myozitída pri sarkoidóze,v obl.panv.a stehna
M49.37	Spondylopat.pri i.inf/paraz.chor.zatried.i.v driek.kríž.obl.	M63.36	Myozitída pri sarkoidóze,v obl.predkol.
M49.38	Spondylopat.pri i.inf/paraz.chor.z.i.v kríž.a kríž.kostrč.obl.	M63.37	Myozitída pri sarkoidóze,v obl.čl. a nohy
M49.39	Spondylopat.pri i.inf/paraz.chor.zatried.i.oblasť bliž.neurč.	M63.38	Myozitída pri sarkoidóze,na i.mieste
M49.40	Neuropatická spondylopatia na viac.m.chrbt.	M63.39	Myozitída pri sarkoidóze,miesto bliž.neurč.
M49.41	Neuropatická spondylopatia v okcip.-atl.-axiál.obl.	M63.80	Iné choroby svalov pri chor.zatried.i.na viac.m.
M49.42	Neuropatická spondylopatia v krčnej oblasti	M63.81	Iné choroby svalov pri chor.zatried.i.v obl.pleca
M49.43	Neuropatická spondylopatia v krčnohrud. obl.	M63.82	Iné choroby svalov pri chor.zatried.i.v obl.nadlaktia
M49.44	Neuropatická spondylopatia v hrudníkovej oblasti	M63.83	Iné choroby svalov pri chor.zatried.i.v obl.predlak.
M49.45	Neuropatická spondylopatia v hrudníkovodriek.obl.	M63.84	Iné choroby svalov pri chor.zatried.i.v obl.ruky
M49.46	Neuropatická spondylopatia v driekovej oblasti	M63.85	Iné choroby svalov pri chor.zatried.i.v obl.pan.a stehna
M49.47	Neuropatická spondylopatia v driekovokríž.j obl.	M63.86	Iné choroby svalov pri chor.zatried.i.v obl.predkol.
M49.48	Neuropatická spondylopatia v kríž.a krížovokostř.obl.	M63.87	Iné choroby svalov pri chor.zatried.i.v obl.čl.a nohy
M49.49	Neuropatická spondylopatia v neurčenej oblasti chrbtice	M63.88	Iné choroby svalov pri chor.zatried.i.na i.mieste
M49.50	Kompresia tela stavca pri chorobe zatried.i.,na viac.m.chrbt.	M63.89	Iné choroby svalov pri chor.zatried.i.,miesto bliž.neurč.
M49.51	Kompresia tela stavca pri chorobe zatr.i.,okcip.-atl.axiál.o.	M68.00	Synovit.a tendosynovit.pri baktér.chor.zatried.i.na viac.m.
M49.52	Kompresia tela stavca pri chorobe zatr.i.,v krčnej obl.	M68.01	Synovit.a tendosynovit.pri baktér.chor.zatried.i.v obl.pleca
M49.53	Kompresia tela stavca pri chorobe zatr.i.,v krčnohrud.obl.	M68.02	Synovit.a tendosynovit.pri baktér.chor.zat.i.v obl.nadlaktia
M49.54	Kompresia tela stavca pri chorobe zatr.i.,v hrudník.obl.	M68.03	Synovit.a tendosynovit.pri baktér.chor.zat.i.v obl.predlak.
M49.55	Kompresia tela stavca pri chor.zatr.i.,v hrudník.driek.obl.	M68.04	Synovit.a tendosynovit.pri baktér.chor.zatried.i.v obl.ruky
M49.56	Kompresia tela stavca pri chorobe zatr.i.,v driekovej obl.	M68.05	Synovit.a tendosynovit.pri baktér.chor.zat.i.v obl.pan.a steh.
M49.57	Kompresia tela stavca pri chorobe zatr.i.,v driek.kríž.obl.	M68.06	Synovit.a tendosynovit.pri baktér.chor.zat.i.v obl.predkol.
M49.58	Kompresia tela stavca pri chor.zatr.i.,kríž.a kríž.kostrč.obl.	M68.07	Synovit.a tendosynovit.pri baktér.chor.zat.i.v obl.čl.a nohy
M49.59	Kompresia tela stavca pri chor.zatr.i.:oblasť bliž.neurč.	M68.08	Synovit.a tendosynovit.pri baktér.chor.zatried.i.na i.mieste
M49.80	Spondylopatia pri i.chorobe zatried.i.na viac.m.chrbt.	M68.09	Synovit.a tendosynovit.pri baktér.chor.zatried.i.na i.mieste
M49.81	Spondylopatia pri i.chorobe zatried.i.v okcip.atl.axiál.obl.	M68.80	Iná chor.synov.blany a šliach pri chor.zatried.i.na viac.m.
M49.82	Spondylopatia pri i.chorobe zatried.i.v krčnej obl.	M68.81	Iná chor.synov.blany a šliach pri chor.zatried.i.v obl.pleca
M49.83	Spondylopatia pri i.chorobe zatried.i.v krč.hrud.obl.	M68.82	Iná chor.synov.blany a šliach pri chor.zatried.i.obl.nadlaktia
M49.84	Spondylopatia pri i.chorobe zatried.i.v hrud.obl.	M68.83	Iná chor.synov.blany a šliach pri chor.zatr.i.v obl.predlak.
M49.85	Spondylopatia pri i.chorobe zatried.i.v hrud.driek.obl.	M68.84	Iná chor.synov.blany a šliach pri chor.zatr.i.v obl.ruky
M49.86	Spondylopatia pri i.chorobe zatried.i.v driek.obl.	M68.85	Iná chor.synov.blany a šliach pri chor.zatr.i.v.o.pan.a steh.
M49.87	Spondylopatia pri i.chorobe zatried.i.v driek.kríž.obl.	M68.86	Iná chor.synov.blany a šliach pri chor.zatr.i.obl.predkol.
M49.88	Spondylopatia pri i.chorobe zatr.i.v kríž.a kríž.kostrč.obl.	M68.87	Iná chor.synov.blany a šliach pri chor.zatr.i.obl.čl. a nohy
M49.89	Spondylopatia pri i.chorobe.zatried.i.v neurč.oblasti	M68.88	Iná chor.synov.blany a šliach pri chor.zatried.i.v inej obl.
M63.00	Myozitída pri baktériovej chorobe zatried.i.na viac.m.	M68.89	Iná chor.synov.blany a šliach pri chor.zatr.i.,m.bliž.neurč.
M63.01	Myozitída pri baktériovej chorobe zatried.i.v obl.pleca	M73.00	Gonokoková burzitída na viacerých miestach (A54.4†)
M63.02	Myozitída pri baktériovej chorobe zatried.i.v obl.nadlaktia	M73.01	Gonokokov burzitída v obl.pleca
M63.03	Myozitída pri baktériovej chorobe zatried.i.v obl.predlak.	M73.02	Gonokokov burzitída nadlaktia
M63.04	Myozitída pri baktériovej chorobe zatried.i.v obl.ruky	M73.03	Gonokokov burzitída predlak.
M63.05	Myozitída pri baktériovej chor.zatried.i.v obl.panvy a stehna	M73.04	Gonokokov burzitída ruky
M63.06	Myozitída pri baktériovej chorobe zatried.i.v obl.predkol.	M73.05	Gonokokov burzitída panv.obl.a stehna
M63.07	Myozitída pri baktériovej chorobe zatried.i.v obl.čl.a nohy	M73.06	Gonokokov burzitída predkol.
M63.08	Myozitída pri baktériovej chorobe zatried.i.na i.mieste	M73.07	Gonokokov burzitída čl.a nohy
M63.09	Myozitída pri baktériovej chorobe zatried.i.,miesto bliž.neurč.	M73.08	Gonokokov burzitída na i.mieste
M63.10	Myozitída pri prvoko.a parazit.infek.zatried.i.na viac.m.	M73.09	Gonokokov burzitída,miesto bliž.neurč.
M63.11	Myozitída pri prvoko.a parazit.infek.zatried.i.v obl.pleca	M73.10	Syfilitická burzitída na viac.m.
M63.12	Myozitída pri prvoko.a parazit.infek.zatried.i.v obl.nadlaktia	M73.11	Syfilitická burzitída v obl.pleca
M63.13	Myozitída pri prvoko.a parazit.infek.zatried.i.v obl.predlak.	M73.12	Syfilitická burzitída nadlaktia
M63.14	Myozitída pri prvoko.a parazit.infek.zatried.i.v obl.ruky	M73.13	Syfilitická burzitída predlak.
M63.15	Myozitída pri prvoko.a parazit.infek.zatr.i.v obl.pan.a steh.	M73.14	Syfilitická burzitída ruky
M63.16	Myozitída pri prvoko.a parazit.infek.zatried.i.v obl.predkol.	M73.15	Syfilitická burzitída panv.obl.a stehna
M63.17	Myozitída pri prvoko.a parazit.infek.zatried.i.v obl.čl.a nohy	M73.16	Syfilitická burzitída predkol.
M63.18	Myozitída pri prvoko.a parazit.infek.zatried.i.na i.mieste	M73.17	Syfilitická burzitída čl.a nohy
M63.19	Myozitída pri prvoko.a parazit.infek.zatr.i.,miesto bliž.neurč.	M73.18	Syfilitická burzitída na i.mieste
M63.20	Myozitída pri inej infek.chorobe zatried.i.na viac.m.	M73.19	Syfilitická burzitída ,miesto bliž.neurč.
M63.21	Myozitída pri inej infek.chorobe zatried.i.v obl.pleca	M73.80	Iné choroby mäk.tkan.pri chor.zatried.i.na v.miast
M63.22	Myozitída pri inej infek.chorobe zatried.i.v obl.nadlaktia	M73.81	Iné choroby mäk.tkan.pri chor.zatried.i.v obl.pleca
M63.23	Myozitída pri inej infek.chorobe zatried.i.v obl.predlak.	M73.82	Iné choroby mäk.tkan.pri chor.zatried.i.v obl.nadlaktia

Kód	Popis	Kód	Popis
M73.83	Iné choroby mäkk.tkan.pri chor.zatried.i.v obl.predlak.	M90.32	Osteonekróza pri kesónovej chor.v obl.nadlaktia
M73.84	Iné choroby mäkk.tkan.pri chor.zatried.i.v obl.ruky	M90.33	Osteonekróza pri kesónovej chor.v obl.predlak.
M73.85	Iné choroby mäkk.tkan.pri chor.zatried.i.v obl.panvy a stehna	M90.34	Osteonekróza pri kesónovej chor.v obl.ruky
M73.86	Iné choroby mäkk.tkan.pri chor.zatried.i.v obl.predkol.	M90.35	Osteonekróza pri kesónovej chor.v obl.panvy a stehna
M73.87	Iné choroby mäkk.tkan.pri chor.zatried.i.v obl.čl.a nohy	M90.36	Osteonekróza pri kesónovej chor.v obl.predkol.
M73.88	Iné choroby mäkk.tkan.pri chor.zatried.i.na i.mieste	M90.37	Osteonekróza pri kesónovej chor.v obl.čl.a nohy
M73.89	Iné choroby mäkk.tkan.pri chor.zatried.i.,miesto bliž.neurč.	M90.38	Osteonekróza pri kesónovej chor.na i.mieste
M82.00	Osteoporóza pri mnohopoč.myelóme na viac.m.	M90.39	Osteonekróza pri kesónovej chor.miesto bliž.neurč.
M82.01	Osteoporóza pri mnohopoč.myelóme v obl.pleca	M90.40	Osteonekróza zaprič.hemoglobinopatiou,na viac.m.(D50-D64†)
M82.02	Osteoporóza pri mnohopoč.myelóme v obl.nadlaktia	M90.41	Osteonekróza zaprič.hemoglobinopat.v obl.pleca
M82.03	Osteoporóza pri mnohopoč.myelóme v obl.predlak.	M90.42	Osteonekróza zaprič.hemoglobinopat.v obl.nadlaktia
M82.04	Osteoporóza pri mnohopoč.myelóme v obl.ruky	M90.43	Osteonekróza zaprič.hemoglobinopat.v obl.predlak.
M82.05	Osteoporóza pri mnohopoč.myelóme v obl.panvy a stehna	M90.44	Osteonekróza zaprič.hemoglobinopat.v obl.ruky
M82.06	Osteoporóza pri mnohopoč.myelóme v obl.predkol.	M90.45	Osteonekróza zaprič.hemoglobinopat.v obl.panvy a stehna
M82.07	Osteoporóza pri mnohopoč.myelóme v obl.čl.a nohy	M90.46	Osteonekróza zaprič.hemoglobinopat.v obl.predkol.
M82.08	Osteoporóza pri mnohopoč.myelóme na i.mieste	M90.47	Osteonekróza zaprič.hemoglobinopat.v obl.čl.a nohy
M82.09	Osteoporóza pri mnohopoč.myelóme,miesto bliž.neurč.	M90.48	Osteonekróza zaprič.hemoglobinopat.,na i.mieste
M82.10	Osteoporóza pri chor.žliaz s vnútor.vyluč.na viac.m.	M90.49	Osteonekróza zaprič.hemoglobinopat.,miesto bliž.neurč.
M82.11	Osteoporóza pri chor.žliaz s vnútor.vyluč.v obl.pleca	M90.50	Osteonekróza pri.iných chor.zatried.i.na viac.m.
M82.12	Osteoporóza pri chor.žliaz s vnútor.vyluč.v obl.nadlaktia	M90.51	Osteonekróza pri.iných chor.zatried.i.v obl.pleca
M82.13	Osteoporóza pri chor.žliaz s vnútor.vyluč.v obl.predlak.	M90.52	Osteonekróza pri.iných chor.zatried.i.v obl.nadlaktia
M82.14	Osteoporóza pri chor.žliaz s vnútor.vyluč.v obl.ruky	M90.53	Osteonekróza pri.iných chor.zatried.i.v obl.predlak.
M82.15	Osteoporóza pri chor.žliaz s vnútor.vyluč.v obl.a stehn.	M90.54	Osteonekróza pri.iných chor.zatried.i.v obl.ruky
M82.16	Osteoporóza pri chor.žliaz s vnútor.vyluč.v obl.predko.	M90.55	Osteonekróza pri.iných chor.zatried.i.v obl.panvy a stehna
M82.17	Osteoporóza pri chor.žliaz s vnútor.vyluč.v obl.čl.a nohy	M90.56	Osteonekróza pri.iných chor.zatried.i.v obl.predkol.
M82.18	Osteoporóza pri chor.žliaz s vnútor.vyluč.na inom.m.	M90.57	Osteonekróza pri.iných chor.zatried.i.v obl.čl.a nohy
M82.19	Osteoporóza pri chor.žliaz s vnútor.vyluč.,miesto bliž.neurč.	M90.58	Osteonekróza pri.iných chor.zatried.i.na i.mieste
M82.80	Osteoporóza pri iných chor.zatried.i.na viac.m.	M90.59	Osteonekróza pri.iných chor.zatried.i.miesto bliž.neurč.
M82.81	Osteoporóza pri iných chor.zatried.i.v obl.pleca	M90.60	Deform.osteodystrofia pri nádoroch,na viac.m.
M82.82	Osteoporóza pri iných chor.zatried.i.v obl.nadlaktia	M90.61	Deform.osteodystrofia pri nádoroch,v obl.pleca
M82.83	Osteoporóza pri iných chor.zatried.i.v obl.predlak.	M90.62	Deform.osteodystrofia pri nádoroch,v obl.nadlaktia
M82.84	Osteoporóza pri iných chor.zatried.i.v obl.ruky	M90.63	Deform.osteodystrofia pri nádoroch,v obl.predlak.
M82.85	Osteoporóza pri iných chor.zatried.i.v obl.panvy a stehna	M90.64	Deform.osteodystrofia pri nádoroch,v obl.ruky
M82.86	Osteoporóza pri iných chor.zatried.i.v obl.predkol.	M90.65	Deform.osteodystrofia pri nádoroch,v obl.panvy a stehna
M82.87	Osteoporóza pri iných chor.zatried.i. obl.čl.a nohy	M90.66	Deform.osteodystrofia pri nádoroch,v obl.predkol.
M82.88	Osteoporóza pri iných chor.zatried.i.na i.mieste	M90.67	Deform.osteodystrofia pri nádoroch,v obl.čl.a nohy
M82.89	Osteoporóza pri iných chor.zatried.i.,miesto bliž.neurč.	M90.68	Deform.osteodystrofia pri nádoroch,na i.mieste
M90.00	Tuberkulóza kostí na viacerých miestach (A18.0†)	M90.69	Deform.osteodystrofia pri nádoroch,miesto bliž.neurč.
M90.01	TBC kostí v obl.pleca	M90.70	Zlomenina kosti pri nádore,na viac.m.t.
M90.02	TBC kostí nadlaktia	M90.71	Zlomenina kosti pri nádore,v obl.pleca
M90.03	TBC kostí predlak.	M90.72	Zlomenina kosti pri nádore,v obl.nadlaktia
M90.04	TBC kostí ruky	M90.73	Zlomenina kosti pri nádore,v obl.predlak.
M90.05	TBC kostí panv.obl.a stehna	M90.74	Zlomenina kosti pri nádore,v obl.ruky
M90.06	TBC kostí predkol.	M90.75	Zlomenina kosti pri nádore,v obl.panvy a stehna
M90.07	TBC kostí čl.a nohy	M90.76	Zlomenina kosti pri nádore,v obl.predkol.
M90.08	TBC kostí na i.mieste	M90.77	Zlomenina kosti pri nádore,v obl.čl.a nohy
M90.09	Tuberkulóza kostí,miesto bližšie neurčené (A18.0†)	M90.78	Zlomenina kosti pri nádore,na i.mieste
M90.10	Periostitída pri i.infekč.chor.zatried.i.na viac.m.	M90.79	Zlomenina kosti pri nádore,miesto bliž.neurč.
M90.11	Periostitída pri i.infekč.chor.zatried.i.v obl.pleca	M90.80	Osteopatia pri i.chor.zatried.i.na viac.m.
M90.12	Periostitída pri i.infekč.chor.zatried.i.v obl.nadlaktia	M90.81	Osteopatia pri i.chor.zatried.i.v obl.pleca
M90.13	Periostitída pri i.infekč.chor.zatried.i.v obl.predlak.	M90.82	Osteopatia pri i.chor.zatried.i.v obl.nadlaktia
M90.14	Periostitída pri i.infekč.chor.zatried.i.v obl.ruky	M90.83	Osteopatia pri i.chor.zatried.i.v obl.predlak.
M90.15	Periostitída pri i.infekč.chor.zatried.i.v obl.panvy a stehna	M90.84	Osteopatia pri i.chor.zatried.i. obl.ruky
M90.16	Periostitída pri i.infekč.chor.zatried.i.v obl.predkol.	M90.85	Osteopatia pri i.chor.zatried.i.v obl.panvy a stehna
M90.17	Periostitída pri i.infekč.chor.zatried.i.v obl.čl.a nohy	M90.86	Osteopatia pri i.chor.zatried.i.v obl.predkol.
M90.18	Periostitída pri i.infekč.chor.zatried.i.na i.mieste	M90.87	Osteopatia pri i.chor.zatried.i.v obl.čl.a a nohy
M90.19	Periostitída pri i.infekč.chor.zatried.i.,miesto bliž.neurč.	M90.88	Osteopatia pri i.chor.zatried.i.na i.mieste
M90.20	Osteopatia pri i.infekč.chor.zatried.i.na viac.m.	M90.89	Osteopatia pri i.chor.zatried.i.miesto bliž.neurč.
M90.21	Osteopatia pri i.infekč.chor.zatried.i.v obl.pleca	M99.00	Segmentová a somatická dysfun.obl.hlavy
M90.22	Osteopatia pri i.infekč.chor.zatried.i.v obl.nadlaktia	M99.01	Segmentová a somatická dysfun.krčnej obl.
M90.23	Osteopatia pri i.infekč.chor.zatried.i.v obl.predlak.	M99.02	Segmentová a somatická dysfun.hrud.obl.
M90.24	Osteopatia pri i.infekč.chor.zatried.i.v obl.ruky	M99.03	Segmentová a somatická dysfun.v driek.obl.
M90.25	Osteopatia pri i.infekč.chor.zatried.i.v obl.panvy a stehna	M99.04	Segmentová a somatická dysfun.kríž.obl.
M90.26	Osteopatia pri i.infekč.chor.zatried.i.v obl.predkol.	M99.05	Segmentová a somatická dysfun.panv.obl.
M90.27	Osteopatia pri i.infekč.chor.zatried.i. obl.čl.a nohy	M99.06	Segmentová a somatická dysfunkcia DK
M90.28	Osteopatia pri i.infekč.chor.zatried.i.na i.mieste	M99.07	Segmentová a somatická dysfunkcia HK
M90.29	Osteopatia pri i.infekč.chor.zatried.i.miesto bliž.neurč.	M99.08	Segmentová a somatická dysf.hrudného koša
M90.30	Osteonekróza pri kesónovej chor.na viac.m.	M99.09	Segmentová a somatická dysf.v bruchu a na i.m
M90.31	Osteonekróza pri kesónovej chor.v obl.pleca	M99.10	Subluxačný komplex stavcov obl.hlavy

Kód	Popis	Kód	Popis
M99.11	Subluxačný komplex stavcov krčnej obl.	N16.2	Tubulointersticiálna chor.oblič.pri chor.krvi a por.imun.syst.
M99.12	Subluxačný komplex stavcov hrud.obl.	N16.3	Tubulointersticiálna chor.oblič.pri metabol.chor.
M99.13	Subluxačný komplex stavcov driek.obl.	N16.4	Tubulointersticiálna chor.oblič.pri systém.chor.spojiva
M99.14	Subluxačný komplex stavcov kríž.obl.	N16.5	Tubulointersticiálna chor.oblič.pri odvrh.transplantátu
M99.19	Subluxačný komplex stavcov v bruchu a na i.m.	N16.8	Tubulointersticiálna chor.oblič.pri iných chor.z.i.
M99.20	Subluxačná stenóza spin.kanála obl.hlavy	N22.0	Močový konkrement pri schistosomóze (bilharzióze)
M99.21	Subluxačná stenóza spin.kanála krčnej obl.	N22.8	Konkrement močovej sústavy pri iných chor.zatried.i.
M99.22	Subluxačná stenóza spin.kanála hrud.obl.	N29.0	Neskorý syfilis obličiek (A52.7†)
M99.23	Subluxačná stenóza spin.kanála driek.obl.	N29.1	Iná choroba obličiek a močovodov pri inf.a paraz.chor.z.i.
M99.24	Subluxačná stenóza spin.kanála kríž.obl.	N29.8	Iné choroby obličiek a močovodov pri i.chor.z.i.
M99.29	Subluxačná stenóza spin.kanála v bruchu a na i.m.	N33.0	Tuberkulóza cystitída (A18.1†)
M99.30	Kostná stenóza spin.kanála obl.hlavy	N33.8	Choroba močového mechúra pri iných chor.z.i
M99.31	Kostná stenóza spin.kanála krčnej obl.	N37.0	Uretritída pri chorobách zatriedených inde
M99.32	Kostná stenóza spin.kanála hrud.obl.	N37.8	Iná choroba močovej trubice pri chorobách z.i.
M99.33	Kostná stenóza spin.kanála driek.obl.	N39.47	Recidivujúca inkontinencia moču
M99.34	Kostná stenóza spin.kanála kríž.obl.	N51.0	Choroby prostaty pri chorobách zatriedených inde
M99.39	Kostná stenóza spin.kanála v bruchu a na i.m.	N51.1	Choroby semenníka a nadsemenníka pri chor.z.i.
M99.40	Stenóza spinál.kanála spoj.tkan.v obl.hlavy	N51.2	Balanitída pri chorobách zatriedených inde
M99.41	Stenóza spinál.kanála spoj.tkan.v krčnej obl.	N51.8	Iné choroby mužských pohlav.org.pri chorobách.z.i.
M99.42	Stenóza spinál.kanála spoj.tkan.v hrud.obl.	N74.0	Tuberkulóza infekcia krčka maternice (A18.1†)
M99.43	Stenóza spinál.kanála spoj.tkan.v driek.obl.	N74.1	Tuberkulózný zápal ženských panvov.org.
M99.44	Stenóza spinál.kanála spoj.tkan.v kríž.obl.	N74.2	Syfilitický zápal ženských panvov.org.
M99.49	Stenóza spinál.kanála spoj.tkan.v bruchu a na i.m.	N74.3	Gonokokový zápal ženských panvov.org.
M99.50	Stenóza spinál.kanála medzistav.platnič.v obl.hlavy	N74.4	Chlamydiový zápal ženských panvových orgánov
M99.51	Stenóza spinál.kanála medzistav.platnič.v krčnej obl.	N74.8	Zápalová choroba ženských panvov.org.pri i.chor.z.i.
M99.52	Stenóza spinál.kanála medzistav.platnič.v hrud.obl.	N77.0	Ulcerácia vulvy pri infek./parazit.chor.z.i.
M99.53	Stenóza spinál.kanála medzistav.platnič.v driek.obl.	N77.1	Vaginitída,vulvitída a vulvovaginit.pri infik./paraz.chor.z.i.
M99.59	Stenóza spinál.kanála m-stav.platnič.v bruchu a na i.m.	N77.8	Vulvovaginálna ulcerácia a zápal pri iných chorobách z.i.
M99.60	Kostná/subluxačná sten.medzistav.otv.v obl.hlavy	O09.0	Trvanie gravidity menej ako 5 ukončených týždňov
M99.61	Kostná/subluxačná sten.medzistav.otv.v krčnej obl.	O09.1	Trvanie gravidity od začat.5 po ukonč.13.týždň
M99.62	Kostná/subluxačná sten.medzistav.otv.v hrud.obl.	O09.2	Trvanie gravidity od začat.14.po ukonč.19.týž.
M99.63	Kostná/subluxačná sten.medzistav.otv.v driek.obl.	O09.3	Trvanie gravidity od začat.20.po ukonč.25.týž.
M99.64	Kostná/subluxačná sten.medzistav.otv.v kríž.obl.	O09.4	Trvanie gravidity od začat.26.po ukonč.33.týž.
M99.69	Kostná/subluxačná sten.medzistav.otv.v bruchu a na i.m.	O09.5	Trvanie gravidity od začat.34.po ukonč.36.týž.
M99.70	Stenóz.medzistav.otv.spoj.tkan./medzistav.platnič.v obl.hlavy	O09.6	Trvanie gravidity od začat.37.po ukonč.41.týž.
M99.71	Stenóz.medzistav.otv.spoj.tkan./medzistav.platnič.v krčn.obl.	O09.7	Trvanie gravidity viac ako 41 ukončených týždňov
M99.72	Stenóz.medzistav.otv.spoj.tkan./medzistav.platnič.v hrud.obl.	O09.9	Arteriálna hypertenzia matky,blížšie neurčená
M99.73	Stenóz.medzistav.otv.spoj.tkan./medzistav.platnič.v driek.obl.	O47.9	Falošná pôrodná činnosť,blížšie neurčená
M99.74	Stenóza medzistav.otvor.spoj.tkan./medzistav.plat.v kríž.obl.	O94	Následky kompl.gravidity,pôrodu a šestonedelia
M99.79	Sten.medzistav.otv.spoj.tkan./medzistav.platn.,obl.brucha.a i.m.	O95	Smrť v gravidite z blížšie neurčenej príčiny
M99.80	Iná biomechanická porucha funkcie v obl.hlavy	O96.0	Smrť z priam.pôr.prič.,kt.nast.po 42 d.,ale m.ako 1.r.od pôr.
M99.81	Iná biomechanická porucha funkcie v krčnej obl.	O96.1	Smrť z nepriam.pôr.prič.,kt.nast.po 42 d.,-men.ako 1.r.od pôr.
M99.82	Iná biomechanická porucha funkcie v hrud.obl.	O96.9	Smrť z blíž.ne.pôr.prič.,kt.nastala po42 d.,m.ako 1.r.od pôr.
M99.83	Iná biomechanická porucha funkcie v driek.obl.	O97.0	Smrť z následkov priamej pôrodnickej príčiny
M99.84	Iná biomechanická porucha funkcie v kríž.obl.	O97.1	Smrť z následkov nepriamej pôrodnickej príčiny
M99.85	Iná biomechanická porucha funkcie v panv.obl.	O97.9	Smrť z následkov b.n. pôrod.príčiny
M99.86	Iná biomechanická porucha funkcie v obl.DK	P75	Choroby tráviacej sústavy plodu a novorodenca
M99.87	Iná biomechanická porucha funkcie v obl.HK	P95	Smrť plodu z blížšie neurčenej príčiny
M99.88	Iná biomechanická porucha funkcie v obl.hrud. koša	P96.4	Ukončenie gravidity ako prič.pošk.plodu a novorod.
M99.89	Iná biomechanická porucha funkcie v obl.brucha.a i.m.	Q87.0	Syndróm vrod.chýb postih.najmä výzor tváre
M99.90	Biomechanická porucha funkcie,blíž.neurč.v obl.hlavy	Q87.1	Syndróm vrod.chýb spojený najmä s nízkym vzrastom
M99.91	Biomechanická porucha funkcie,blíž.neurč.v krčnej obl.	Q87.2	Syndrómy vrozených chýb zahŕňajúce najmä končatiny
M99.92	Biomechanická porucha funkcie,blíž.neurč.v hrud.obl.	Q87.3	Syndróm vrod.chýb zahŕňajúci skorý nadmemný rast
M99.93	Biomechanická porucha funkcie,blíž.neurč.v driek.obl.	Q87.5	Iné syndrómy vrozených chýb s inými zmenami kostí
M99.94	Biomechanická porucha funkcie,blíž.neurč.v kríž.obl.	Q87.8	Iné syndrómy vrozených chýb,nezat.inde.,b.u.
M99.95	Biomechanická porucha funkcie,blíž.neurč.v panv.obl.	R65.0	SIRS infekčného pôvodu bez orgánového zlyh.
M99.96	Biomechanická porucha funkcie,blíž.neurč.v obl.DK,b.n.	R65.1	SIRS infekčnej genézy s orgánovým zlyh.
M99.97	Biomechanická porucha funkcie,blíž.neurč.v obl.HK,b.n.	R65.2	SIRS neinfekčnej genézy bez orgánového zlyh.
M99.98	Biomechanická porucha funkcie,blíž.neurč.v obl.hrud.koša	R65.3	SIRS neinfekčnej genézy s orgánovým zlyh.
M99.99	Biomechanická porucha funkcie,blíž.neurč.v brucha a na i.m.	R65.9	Syndróm systémovej zápalovej odpovede (SIRS),blíž.neurč.
N08.0	Glomerulová chor.pri infekč./parazit.chor.z.i.	R69	Neznáme a blížšie neurčené príčiny chorobnosti
N08.1	Glomerulová choroba pri nádorových chorobách	R75	Laboratórny dôkaz vírusu ľudskej imunodeficiencie (HIV)
N08.2	Glomerul.chor.pri chorobách krvi a poruch.imunit.systému	R78.0	Nález alkoholu v krvi
N08.3	Glomerul.choroba pri DM	R96.0	Náhla smrť
N08.4	Glomerul.choroba pri i.endokrin.,nutričnej a metabol.chor.	R96.1	Smrť,ktorá nastala za men.ako 24hod.od zač.prízn.,ináč nevysv.
N08.5	Glomerul.chor.pri systémovej chorobe spojiva	R98	Smrť bez svedkov
N08.8	Glomerulová choroba pri iných chorobách zatried.i..	R99	Iná nepresne určená a neurčená príčina smrti
N16.0	Tubulointersticiálna chor.pri infekč./parazit.chor.zatried.i.	S01.83	Otvor.rana(obl.hlavy)v spojení s intrakraniál.poranením
N16.1	Tubulointersticiálna chor.pri nádor.chor.	S01.84	Poškod.mäkkých častí I.st.pri zatvor.zlom.,vyklbení na hlavu

Kód	Popis	Kód	Popis
S01.85	Poškod.mäkkých častí II.st.pri zatvor.zlom.,vyklbení na hlave	S61.85	Pošk.mäk.č.II.st.pri zatvor.zlom./vyklb.zápäs.a ruky
S01.86	Poškod.mäkkých častí III.st.pri zatvor.zlom.,vyklbení na hlave	S61.86	Pošk.mäk.č.III.st.pri zatvor.zlom./vyklb.zápäs.a ruky
S01.87	Poškod.mäkkých častí I.st.pri otvor.zlom.,vyklbení na hlave	S61.87	Pošk.mäk.č.I.st.pri otvor.zlom./vyklb.zápäs.a ruky
S01.88	Poškod.mäkkých častí II.st.pri otvor.zlom.,vyklbení na hlave	S61.88	Pošk.mäk.č.II.st.pri otvor.zlom./vyklb.zápäs.a ruky
S01.89	Poškod.mäkkých častí III.st.pri otvor.zlom.,vyklbení na hlave	S61.89	Pošk.mäk.č.III.st.pri otvor.zlom./vyklb.zápäs.a ruky
S06.70	Bezvedomie pri poranení lebky a mozgu,menej.ako 30 min.	S71.84	Pošk.mäk.č.I.st.pri zatvor.zlom./vyklb.bedra a stehna
S06.71	Bezvedomie pri poranení lebky a mozgu,30 min.až 24hod.	S71.85	Pošk.mäk.č.II.st.pri zatvor.zlom./vyklb.bedra a stehna
S06.72	Bezvedom.s poran.lebky a mozgu,viac ako24 h,návrat pôv.st.v.	S71.86	Pošk.mäk.č.III.st.pri zatvor.zlom./vyklb.bedra a stehna
S06.73	Bezvedom.,poranení leb.a mozgu,viac ako24hod.,bez náv.r.p.s.v.	S71.87	Pošk.mäk.č.I.st.pri otvor.zlom./vyklb.bedra a stehna
S06.79	Bezvedomie pri poranení lebky a mozgu blíž.neurčeného trvania	S71.88	Pošk.mäk.č.II.st.pri otvor.zlom./vyklb.bedra a stehna
S11.84	Poškodenie mäč.č.I.st.pri zatvor.zlomenine,vyklbení na krku	S71.89	Pošk.mäk.č.III.st.pri otvor.zlom./vyklb.bedra a stehna
S11.85	Poškodenie mäč.č.II.st.pri zatvor.zlomenine,vyklbení na krku	S81.84	Poškodenie mäč.č.I.st.pri zatvor.zlomenine,vyklbení predkolenia
S11.86	Poškodenie mäč.č.III.st.pri zatvor.zlom./vyklb.na krku	S81.85	Pošk.mäk.č.II.st.pri zatvor.zlom./vyklb.predkol.
S11.87	Poškodenie mäkkých č.I.st.pri otvor.zlomenine,vyklbení na krku	S81.86	Pošk.mäk.č.III.st.pri zatvor.zlom./vyklb.predkol.
S11.88	Poškodenie mäč.č.II.st.pri otvor.zlomenine,vyklbení na krku	S81.87	Pošk.mäk.č.I.st.pri otvor.zlom./vyklb.predkol.
S11.89	Poškodenie mäč.č.III.st.pri otvor.zlomenine,vyklbení na krku	S81.88	Pošk.mäk.č.II.st.pri otvor.zlom./vyklb.predkol.
S14.70	Funkčná úroveň pri poranení krčnej miechy:blížšie neurčená	S81.89	Pošk.mäk.č.III.st.pri otvor.zlom./vyklb.predkol.
S14.71	Funkčná úroveň pri poranení krčnej miechy: C1	S91.84	Poškodenie mäč.č.I.st.pri zatvor.zlom./vyklb.nohy
S14.72	Funkčná úroveň pri poranení krčnej miechy: C2	S91.85	Poškodenie mäč.č.II.st.pri zatvor.zlom./vyklb.nohy
S14.73	Funkčná úroveň pri poranení krčnej miechy: C3	S91.86	Poškodenie mäč.č.III.st.pri zatvor.zlom./vyklb.nohy
S14.74	Funkčná úroveň pri poranení krčnej miechy: C4	S91.87	Poškodenie mäč.č.I.st.pri otvor.zlom./vyklb.nohy
S14.75	Funkčná úroveň pri poranení krčnej miechy: C5	S91.88	Poškodenie mäč.č.II.st.pri otvor.zlom./vyklb.nohy
S14.76	Funkčná úroveň pri poranení krčnej miechy: C6	S91.89	Poškodenie mäč.č.III.st.pri otvor.zlom./vyklb.nohy
S14.77	Funkčná úroveň pri poranení krčnej miechy: C7	T31.00	Popál.postih.men.ako10 %povrch.tela b.n.podiel popál.3.st
S14.78	Funkčná úroveň pri poranení krčnej miechy: C8	T31.10	Popál.10-19%povr.tela,<ako10 %/b.n.č.-popál.3.st.
S21.83	Otvor.rana každej č.hrud.v spojení s vnútrohrud.por.	T31.11	Popál.10-19%povr.tela,10-19%popál.3.st.
S21.84	Poškodenie mäč.č.I.st.pri zatvor.zlomeninách,vyklben.na hrud.	T31.20	Popál.20-29%povr.tela,<ako10 %/b.n.č.-popál.3.st.
S21.85	Poškodenie mäč.č.II.st.pri zatvor.zlomeninách,vyklben.na hrud.	T31.21	Popál.20-29%povr.tela,10-19%popál.3.st.
S21.86	Poškodenie mäč.č.III.st.pri zatvor.zlomeninách,vyklben.na hrud.	T31.22	Popál.20-29%povr.tela,20-29%popál.3.st.
S21.87	Poškodenie mäč.č.I.st.pri otvor.zlomeninách,vyklben.na hrud.	T31.30	Popál.30-39%povr.tela,<ako10 %/b.n.č.-popál.3.st.
S21.88	Poškodenie mäč.č.II.st.pri otvor.zlomeninách,vyklben.na hrud.	T31.31	Popál.30-39%povr.tela,10-19%popál.3.st.
S21.89	Poškodenie mäč.č.III.st.pri otvor.zlomeninách,vyklben.na hrud.	T31.32	Popál.30-39%povr.tela,20-29%popál.3.st.
S24.70	Funkčná výška pri poranení hrudíkovej miechy: úroveň b.n.	T31.33	Popál.30-39%povr.tela,30-39%popál.3.st.
S24.71	Funkčná výška pri poranení hrudníkovej miechy:Th1	T31.40	Popál.40-49%povr.tela,<ako10 %/b.n.č.-popál.3.st.
S24.72	Funkčná výška pri poranení hrudníkovej miechy:Th2/Th3	T31.41	Popál.40-49%povr.tela,10-19%popál.3.st.
S24.73	Funkčná výška pri poranení hrudníkovej miechy:Th4/Th5	T31.42	Popál.40-49%povr.tela,20-29%popál.3.st.
S24.74	Funkčná výška pri poranení hrudníkovej miechy:Th6/Th7	T31.43	Popál.40-49%povr.tela,30-39%popál.3.st.
S24.75	Funkčná výška pri poranení hrudníkovej miechy:Th8/Th9	T31.44	Popál.40-49%povr.tela,40-49%popál.3.st.
S24.76	Funkčná výška pri poranení hrudníkovej miechy:Th10/Th11	T31.50	Popál.50-59%povr.tela,<ako10 %/b.n.č.-popál.3.st.
S24.77	Funkčná výška pri poranení hrudníkovej miechy:Th12	T31.51	Popál.50-59%povr.tela,10-19%popál.3.st.
S31.83	Otvor.rana(kaž.č.brucha,drieku,panvy)spoj.s vnútrobruš.poran.	T31.52	Popál.50-59%povr.tela,20-29%popál.3.st.
S31.84	Poškodenie mäč.č.I.st.pri zatv.zlom.vyklb.driek.chrbtice,panvy	T31.53	Popál.50-59%povr.tela,30-39%popál.3.st.
S31.85	Poškoden.mäk.č.II.st.pri zatv.zlom.,vyklb.driek.chrbtice,panvy	T31.54	Popál.50-59%povr.tela,40-49%popál.3.st.
S31.86	Poškoden.mäk.č.III.st.pri zatv.zlom.,vyklb.driek.chrbtice,panvy	T31.55	Popál.50-59%povr.tela,50-59%popál.3.st.
S31.87	Poškodenie mäč.č.I.st.pri otv.zlom.,vyklb.driek.chrbtice,panvy	T31.60	Popál.60-69%povr.tela,<ako10 %/b.n.č.-popál.3.st.
S31.88	Poškoden.mäk.č.II.st.pri otv.zlom.,vyklb.driek.chrbtice,panvy	T31.61	Popál.60-69%povr.tela,10-19%popál.3.st.
S31.89	Poškoden.mäk.č.III.st.pri otv.zlom.,vyklb.driek.chrbtice,panvy	T31.62	Popál.60-69%povr.tela,20-29%popál.3.st.
S34.70	Funkčná úroveň pri poranení driekovokřížovej miechy: b.ne.	T31.63	Popál.60-69%povr.tela,30-39%popál.3.st.
S34.71	Funkčná úroveň pri poranení driekovokřížovej miechy: L1	T31.64	Popál.60-69%povr.tela,40-49%popál.3.st.
S34.72	Funkčná úroveň pri poranení driekovokřížovej miechy: L2	T31.65	Popál.60-69%povr.tela,50-59%popál.3.st.
S34.73	Funkčná úroveň pri poranení driekovokřížovej miechy: L3	T31.66	Popál.60-69%povr.tela,60-69%popál.3.st.
S34.74	Funkčná úroveň pri poranení driekovokřížovej miechy: L4	T31.70	Popál.70-79%povr.tela,<ako10 %/b.n.č.-popál.3.st.
S34.75	Funkčná úroveň pri poranení driekovokřížovej miechy: L5	T31.71	Popál.70-79%povr.tela,10-19%popál.3.st.
S34.76	Funkčná úroveň pri poranení driekovokřížovej miechy: S1	T31.72	Popál.70-79%povr.tela,20-29%popál.3.st.
S34.77	Funkčná úroveň pri poranení driekovokřížovej miechy: S2 – S5	T31.73	Popál.70-79%povr.tela,30-39%popál.3.st.
S41.84	Poškodenie mäč.č.I.st.pri zatvor.zlomenine,vyklbení ramena	T31.74	Popál.70-79%povr.tela,40-49%popál.3.st.
S41.85	Poškodenie mäč.č.II.st.pri zatvor.zlomenine,vyklbení ramena	T31.75	Popál.70-79%povr.tela,50-59%popál.3.st.
S41.86	Poškodenie mäč.č.III.st.pri zatvor.zlomenine,vyklbení ramena	T31.76	Popál.70-79%povr.tela,60-69%popál.3.st.
S41.87	Poškodenie mäč.č.I.st.pri otvor.zlomenine,vyklbení ramena	T31.77	Popál.70-79%povr.tela,70-79%popál.3.st.
S41.88	Poškodenie mäč.č.II.st.pri otvor.zlomenine,vyklbení ramena	T31.80	Popál.80-89%povr.tela,<ako10 %/b.n.č.-popál.3.st.
S41.89	Poškodenie mäč.č.III.st.pri otvor.zlomenine,vyklbení ramena	T31.81	Popál.80-89%povr.tela,10-19%popál.3.st.
S51.84	Poškodenie mäč.č.I.st.pri zatvor.zlomenine,vyklb.predlaktia	T31.82	Popál.80-89%povr.tela,20-29%popál.3.st.
S51.85	Poškodenie mäč.č.II.st.pri zatvor.zlom./vyklb.predlak.	T31.83	Popál.80-89%povr.tela,30-39%popál.3.st.
S51.86	Poškodenie mäč.č.III.st.pri zatvor.zlom./vyklb.predlak.	T31.84	Popál.80-89%povr.tela,40-49%popál.3.st.
S51.87	Poškodenie mäč.č.I.st.pri otvor.zlom./vyklb.predlak.	T31.85	Popál.80-89%povr.tela,50-59%popál.3.st.
S51.88	Poškodenie mäč.č.II.st.pri otvor.zlom./vyklb.predlak.	T31.86	Popál.80-89%povr.tela,60-69%popál.3.st.
S51.89	Poškodenie mäč.č.III.st.pri otvor.zlom./vyklb.predlak.	T31.87	Popál.80-89%povr.tela,70-79%popál.3.st.
S61.84	Pošk.mäk.č.I.st.pri zatvor.zlom./vyklb.zápäs.a ruky	T31.88	Popál.80-89%povr.tela,80-89%popál.3.st.
		T31.90	Popál.90 a viac%povr.tela,<ako10 %/b.n.č.-popál.3.st.

Kód	Popis	Kód	Popis
T31.91	Popál.90 a viac%povr.tela,10-19%popál.3.st.	T74.9	Syndróm,zaprič.zlým zaobchádzaním,b.n.
T31.92	Popál.90 a viac%povr.tela,20-29%popál.3.st.	T90.0	Neskoré následky povrchového poranenia hlavy
T31.93	Popál.90 a viac%povr. tela,30-39%popál.3.st.	T90.1	Neskoré následky otvorenej rany hlavy
T31.94	Popál.90 a viac%povr.tela,40-49%popál.3.st.	T90.2	Neskoré následky zlomeniny lebky a tvárových kostí
T31.95	Popál.90 a viac%povr.tela,50-59%popál.3.st.	T90.3	Neskoré následky poranenia hlavových nervov
T31.96	Popál.90 a viac%povr.tela,60-69%popál.3.st.	T90.4	Neskoré následky poranenia oka a očnice
T31.97	Popál.90 a viac%povr.tela,70-79%popál.3.st.	T90.5	Neskoré následky vnútrolebkového poranenia
T31.98	Popál.90 a viac%povr.tela,80-89%popál.3.st.	T90.8	Neskoré následky iného bliž.urč.poranenia hlavy
T31.99	Popál.90 a viac%povr.tela,90 %/viac popál.3.st.	T90.9	Neskoré následky bližšie neurčeného poranenia hlavy
T32.00	Polept.<ako10%povr.tela,<ako10 %/b.n.č.-polept.3.st.	T91.0	Neskoré násl.povrch.ho poran.a otvor.rany krku a trupu
T32.10	Polept.10-19%povr.tela,<ako10 %/b.n.č.-polept.3.st.	T91.1	Neskoré následky zlomeniny chrčtice
T32.11	Polept.10-19%povr.tela,10-19%polept.3.st.	T91.2	Neskoré následky inej zlomeniny hrudníka a panvy
T32.20	Polept.20-29%povr.tela,<ako10 %/b.n.č.-polept.3.st.	T91.3	Neskoré následky poranenia miechy
T32.21	Polept.20-29%povr.tela,10-19%polept.3.st.	T91.4	Neskoré následky poranenia vnútrohrud.org.
T32.22	Polept.20-29%povr.tela,20-29%polept.3.st.	T91.5	Neskoré následky poran.vnútrobruš. a panv.org.
T32.30	Polept.30-39%povr.tela,<ako10 %/b.n.č.-polept.3.st.	T91.8	Neskoré následky i.bliž.urč.poran.krku a trupu
T32.31	Polept.30-39%povr.tela,10-19%polept.3.st.	T91.9	Neskoré následky bliž.neurč.poran.krku a trupu
T32.32	Polept.30-39%povr.tela,20-29%polept.3.st.	T92.0	Neskoré následky otvorenej rany hornej končatiny
T32.33	Polept.30-39%povr.tela,30-39%polept.3.st.	T92.1	Neskoré následky zlomeniny ramena
T32.40	Polept.40-49%povr.tela,<ako10 %/b.n.č.-polept.3.st.	T92.2	Neskoré následky zlomeniny v úrovni zápastia a ruky
T32.41	Polept.40-49%povr.tela,10-19%polept.3.st.	T92.3	Nesk.následky vyklbenia,vyvr.t.a natiah.HK
T32.42	Polept.40-49%povr.tela,20-29%polept.3.st.	T92.4	Neskoré následky poranenia nervu hornej končatiny
T32.43	Polept.40-49%povr.tela,30-39%polept.3.st.	T92.5	Neskoré následky poran.svalu a šlachy HK
T32.44	Polept.40-49%povr.tela,40-49%polept.3.st.	T92.6	Neskoré následky drvivého poran.a úraz.amput. HK
T32.50	Polept.50-59%povr.tela,<ako10 %/b.n.č.-polept.3.st.	T92.8	Neskoré následky i.bliž.urč.por.HK
T32.51	Polept.50-59%povr.tela,10-19%polept.3.st.	T92.9	Neskoré následky bliž.neurč.poran.HK
T32.52	Polept.50-59%povr.tela,20-29%polept.3.st.	T93.0	Neskoré následky otvorenej rany dolnej končatiny
T32.53	Polept.50-59%povr.tela,30-39%polept.3.st.	T93.1	Neskoré následky zlomeniny stehnovej kosti
T32.54	Polept.50-59%povr.tela,40-49%polept.3.st.	T93.2	Neskoré následky inej zlomeniny dolnej končatiny
T32.55	Polept.50-59%povr.tela,50-59%polept.3.st.	T93.3	Nesk.následky vyklb.vyvr.t.a natiah.DK
T32.60	Polept.60-69%povr.tela,<ako10 %/b.n.č.-polept.3.st.	T93.4	Neskoré následky poranenia nervu dolnej končatiny
T32.61	Polept.60-69%povr.tela,10-19%polept.3.st.	T93.5	Neskoré následky poran.svalu a šlachy DK
T32.62	Polept.60-69%povr.tela,20-29%polept.3.st.	T93.6	Neskoré následky drvivého poran.a úraz.amput. DK
T32.63	Polept.60-69%povr.tela,30-39%polept.3.st.	T93.8	Neskoré následky i.bliž.urč.poranenia DK
T32.64	Polept.60-69%povr.tela,40-49%polept.3.st.	T93.9	Neskoré následky bliž.neurč.poranenia DK
T32.65	Polept.60-69%povr.tela,50-59%polept.3.st.	T94.0	Neskoré následky poranenia viacerých oblastí tela
T32.66	Polept.60-69%povr.tela,60-69%polept.3.st.	T94.1	Neskoré následky poranenia:oblasť bliž.neurč.tela
T32.70	Polept.70-79%povr.tela,<ako10 %/b.n.č.-polept.3.st.	T95.0	Neskoré následky popál.,polept.a omrzliny hlavy a krku
T32.71	Polept.70-79%povr.tela,10-19%polept.3.st.	T95.1	Neskoré následky popál.,polept.a omrzliny trupu
T32.72	Polept.70-79%povr.tela,20-29%polept.3.st.	T95.2	Neskoré následky popál.,polept.a omrzliny HK
T32.73	Polept.70-79%povr.tela,30-39%polept.3.st.	T95.3	Neskoré následky popál.,polept.a omrzliny DK
T32.74	Polept.70-79%povr.tela,40-49%polept.3.st.	T95.4	Neskoré násl.popál.a polept.zatr.iba p.rozs.postih.povr.tela
T32.75	Polept.70-79%povr.tela,50-59%polept.3.st.	T95.8	Neskoré následky i.bliž.urč.popál.,polept.a omrzliny
T32.76	Polept.70-79%povr.tela,60-69%polept.3.st.	T95.9	Neskoré následky bliž.neurč.popál.,polept.a omrzliny
T32.77	Polept.70-79%povr.tela,70-79%polept.3.st.	T96	Neskoré následky otravy liekmi,l.a biol.akt.lát.
T32.80	Polept.80-89%povr.tela,<ako10 %/b.n.č.-polept.3.st.	T97	Neskoré následky tox.úč.lát.používanej najmä mimo lekárstva
T32.81	Polept.80-89%povr.tela,10-19%polept.3.st.	T98.0	Neskoré násl.úč.cudz.telesa vniknutého prirodz.m otvorom
T32.82	Polept.80-89%povr.tela,20-29%polept.3.st.	T98.1	Neskoré následky i.a bliž.neurč.účinkov vonk.příčin
T32.83	Polept.80-89%povr.tela,30-39%polept.3.st.	T98.2	Neskoré následky niektorých včasných kompl.úrazov
T32.84	Polept.80-89%povr.tela,40-49%polept.3.st.	T98.3	Neskoré následky komplikácií chir.výkonu a lekář.star.,n.i.
T32.85	Polept.80-89%povr.tela,50-59%polept.3.st.	U06.0	Nepokrytý kód U06.0
T32.86	Polept.80-89%povr.tela,60-69%polept.3.st.	U06.1	Nepokrytý kód U06.1
T32.87	Polept.80-89%povr.tela,70-79%polept.3.st.	U06.2	Nepokrytý kód U06.2
T32.88	Polept.80-89%povr.tela,80-89%polept.3.st.	U06.3	Nepokrytý kód U06.3
T32.90	Polept.90 a viac%povr.tela,<ako10 %/b.n.č.-polept.3.st.	U06.4	Nepokrytý kód U06.4
T32.91	Polept.90 a viac%povr.tela,10-19%polept.3.st.	U06.5	Nepokrytý kód U06.5
T32.92	Polept.90 a viac%povr.tela,20-29%polept.3.st.	U06.6	Nepokrytý kód U06.6
T32.93	Polept.90 a viac%povr.tela,30-39%polept.3.st.	U06.7	Nepokrytý kód U06.7
T32.94	Polept.90 a viac%povr.tela,40-49%polept.3.st.	U06.8	Nepokrytý kód U06.8
T32.95	Polept.90 a viac%povr.tela,50-59%polept.3.st.	U06.9	Choroba zapríčinená vírusom Zika, bližšie neurčená
T32.96	Polept.90 a viac%povr.tela,60-69%polept.3.st.	U07.0	Nepokrytý kód U07.0
T32.97	Polept.90 a viac%povr.tela,70-79%polept.3.st.	U07.1	Potvrdená infekcia COVID-19
T32.98	Polept.90 a viac%povr.tela,80-89%polept.3.st.	U07.2	Podozrenie z infekcie COVID-19
T32.99	Polept.90 a viac%povr.tela,90% a viac polept.3.st.	U07.3	Nepokrytý kód U07.3
T74.0	Zanedbanie alebo opustenie	U07.4	Nepokrytý kód U07.4
T74.1	Fyzické zneužitie	U07.5	Nepokrytý kód U07.5
T74.2	Pohlavné zneužitie	U07.6	Nepokrytý kód U07.6
T74.3	Psychické zneužitie	U07.7	Nepokrytý kód U07.7
T74.8	Iný syndróm,zapříčinený zlým zaobchádzaním	U07.8	Nepokrytý kód U07.8

Kód	Popis	Kód	Popis
U07.9	Nepokrytý kód U07.9	U99.10	Liečba inkretínovými injekčnými mimetikami
U50.00	Nijaké/min.obm.pohyb.funkcií,Barthelovej index100b.	U99.2	Nepokrytý kód U99.2
U50.01	Nijaké/min.obm.pohyb.funkcií,mot.FIM 85-91b.	U99.3	Nepokrytý kód U99.3
U50.10	Lahké obm.pohyb.funkcií,Barthelovej index80-95b.	U99.4	Nepokrytý kód U99.4
U50.11	Lahké obm.pohyb.funkcií,mot.FIM 69-84b.	U99.5	Nepokrytý kód U99.5
U50.20	Stredné obm.pohyb.funkcií,Barthelovej index60-75b.	U99.6	Nepokrytý kód U99.6
U50.21	Stredné obm.pohyb.funkcií,mot.FIM 59-68b.	U99.7	Nepokrytý kód U99.7
U50.30	Stredne ťažké obm.pohyb.funkcií,Barthelovej index40-55b.	U99.8	Nepokrytý kód U99.8
U50.31	Stredne ťažké obm.pohyb.funkcií,mot.FIM 43-58b.	U99.9	Nepokrytý kód U99.9
U50.40	Ťažké obm.pohyb.funkcií,Barthelovej index20-35b.	Z00.0	Všeobecné lekárske vyšetrenie
U50.41	Ťažké obm.pohyb.funkcií,mot.FIM 31-42b.	Z00.1	Rutinné vyšetrenie zdravotného stavu dieťaťa
U50.50	Veľmi ťažké obm.pohyb.funkcií,Barthelovej index0-15b.	Z00.2	Vyšetrenie v období rýchleho rastu v detstve
U50.51	Veľmi ťažké obm.pohyb.funkcií,mot.FIM 13-30b.	Z00.3	Vyšetrenie vývinu dospievajúceho
U51.00	Nijaké/min.obm.kogn.funkcií,rozš.Barthelovej index70-90b.	Z00.4	Všeobecné psychiatrické vyšetrenie,n.i.
U51.01	Nijaké/min.obm.kogn.funkcií,kognitívny FIM 30-35b.	Z00.6	Vyšetrenie na porovn.a kontrolu v rámci klin.výsk.progr.
U51.02	Nijaké/min.obm.kogn.funkcií,MMSE 24-30b.	Z00.8	Iné všeobecné vyšetrenie
U51.10	Stredné obm.kogn.funkcií,rozš.Barthelovej index20-65b.	Z01.6	Rádiologické vyšetrenie, nezatriedené inde
U51.11	Stredné obm.kogn.funkcií,kogn.IM 11-29b.	Z01.7	Laboratórne vyšetrenie
U51.12	Stredné obm.kogn.funkcií,MMSE 17-23b.	Z01.9	Špeciálne vyšetrenie, bližšie neurčené
U51.20	Ťažké obm.kogn.funkcií,rozš.Barthelovej index0-15b.	Z04.9	Vyš.a pozor. z blíž.neu.dôvodov
U51.21	Ťažké obm.kogn.funkcií,kogn. FIM 5-10b.	Z21	Bezprizn.stav inf.HIV (vir.ľudského imunodef.)
U51.22	Ťažké obm.kogn.funkcií,MMSE 0 – 16 bodov	Z32.0	Gravidita, (ešte) nepotvrdená
U52.0	Barthelovej index pri včasnej rhb.31 a viac	Z32.1	Potvrdená gravidita
U52.1	Barthelovej index pri včasnej rhb.-75 až 30b.	Z33	Gravidita ako vedľajší nález
U52.2	Barthelovej indexpri včasnej rhb.-200 až-76b.	Z34.0	Dohľad nad normálnou prvou graviditou
U52.3	Barthelovej indexpri včasnej rhb.men.ako-200b.	Z34.8	Dohľad nad inou normálnou graviditou
U55.10	Vyk.zápis do zozn.čak.na transpl.srdca,b.ozn.st./vys.nalieh.	Z34.9	Dohľad nad normálnou graviditou, bližšie neurčenou
U55.11	Vyk.zápis do zozn.čak.na transpl.srdca,označ.st.nalieh.	Z35.0	Dohľad nad graviditou s anamnézou neplodnosti
U55.12	Vyk.zápis do zozn.čak.na transpl.srdca,čak.st.vys.nalieh.	Z35.1	Dohľad nad graviditou s anamnézou potratu
U55.20	Vyk.zápis do zozn.čak.na transpl.plúc,b.ozn.st./vys.nal.	Z35.2	Dohľad nad gravid.s i.nepriaznivou pôr.anamnézou
U55.21	Vyk.zápis do zozn.čak.na transpl.plúc,označ.st.nal.	Z35.3	Dohľad nad gravid.s anamnézou nedost.prenatálnej star.
U55.22	Vyk.zápis do zozn.čak.na transpl.plúc,označ.st.vys.nal.	Z35.4	Dohľad nad graviditou mnohorodičky
U55.30	Vyk.záp.do zozn.čak.na transpl.srdca a pl.,b.ozn.st./vys.nal.	Z35.5	Dohľad nad staršou prvoroďičkou
U55.31	Vyk.zápis do zozn.čak.na transpl.srdca a plúc,označ.st.nal.	Z35.6	Dohľad nad veľmi mladou prvoroďičkou
U55.32	Vyk.zápis do zozn.čak.na transpl.srdca a pl.,označ.vys.nal.	Z35.7	Dohľad nad rizik. gravid.v dôsledku sociál.problem.
U60.1	Klinické kategórie choroby HIV: kategória A	Z35.8	Dohľad nad inou rizikovou graviditou
U60.2	Klinické kategórie choroby HIV: kategória B	Z35.9	Dohľad nad rizikovou graviditou, bližšie neurčenou
U60.3	Klinické kategórie choroby HIV: kategória C	Z37.0	Jedno dieťa, živonarodené
U60.9	Klinické kategórie choroby HIV, bližšie neurčené	Z37.1	Jedno dieťa, mŕtvonarodené
U61.1	Počet pomocných T-buniiek pri chorobe HIV	Z37.2	Dvojčatá, živonarodené
U61.2	Počet pomocných T-buniiek pri chorobe HIV	Z37.3	Dvojčatá, jedno živonarodené, jedno mŕtvonarodené
U61.3	Počet pomocných T-buniiek pri chorobe HIV	Z37.4	Dvojčatá, mŕtvonarodené
U61.9	Počet (CD4+-) pomocných T-buniiek pri chorobe HIV	Z37.5	Iný viacpočetný pôrod, všetky deti živonarodené
U69.00	Sek.klas.za ú.ext.kontr.kv.:záp.pl.dosp.,z.i.,získ.v nem.	Z37.6	Iný viacpočetný pôrod, niektoré deti živonarodené
U69.10	Sek.klas.,o.adm.ú.:chor.z.i.-podozr.,med.neind.est.op.	Z37.7	Iný viacpočetný pôrod, všetky deti mŕtvonarodené
U69.20	Sek.klas.na o.epid.ú.:chripka A/H1N1,pandémia 2009	Z37.9	Výsledok pôrodu, bližšie neurčený
U69.21	Sek.klas.na o.epid.ú.:chripka A/H5N1,epidémia	Z44.8	Skúšanie a prispôs.i.vonk.protet.pom.
U80.0	Staph.aer.rez.na OXA,glp.ATB,chin.,streptogr./oxazolid.	Z44.9	Skúšanie a prispôs.b.n.vonk.protet.pom.
U80.1	Str.pn.rez.na PNC,OXA,makrolid.ATB,oxazolid./streptogr.	Z47.0	Násled.star.,zahŕň.odstr.kostnej dlahy/í.vnúť.fix.pom.
U80.2	Ent.faecalis rez.na glp.ATB,oxazolid.streptogr./v.úr.amg.rez.	Z49.2	Iná dialýza
U80.3	Ent.faecium rez.na glp.ATB,oxazolid.,streptogr./v.úr.amg.rez.	Z50.0	Rehabilitácia pri chorobách srdca
U80.4	Esch.klebs.prot.rez.chin.karbab.amik./dok.rez.vš.bt.ATB	Z50.1	Iná fyzikálna liečba
U80.5	Enterobacter,citrobacter a serratia rez.-karbab.,chin./amik.	Z50.2	Rehabilitácia pri alkoholizme
U80.6	Ps.aer.a i.non-ferm.p.rez.karbab.chin.amik.ceft./pip.s tazob.	Z50.3	Rehabilitácia pri liek./drog.j závislosti
U80.7	Burkh.a stenotroph.rez.-chin.,amik.,ceft.,pip.s tazob./CTM	Z50.4	Psychoterapia, nezatriedená inde
U81	Pôvodca s mutirezistenciou na antibiotiká	Z50.5	Logopedická liečba (liečba porúch hlasu, reči)
U82.0	Myc.tbc s rez.pr.jed./viac.antituberk.prv.radu	Z50.6	Ortopedické cvičenia
U82.1	Multirezistentná tuberkulóza [MDR-TB]	Z50.7	Pracovná liečba a rehabilitácia, nezatriedená inde
U82.2	Atyp.mykobakt./nocardia s rez.na jed./viac.liek.prv.radu	Z50.8	Starostlivosť, zahŕňajúca iné rehabilitačné výkony
U83	Kandida s rezistenciou na flukonazol/vorikonazol	Z50.9	Starostlivosť,zahŕň.ehabilitačné výk. b.n.
U84	Herpesvírus s rezistenciou na virostatiká	Z51.0	Liečebná rádioterapia
U85	Vírus HIV s rezistenciou na virostatiká/inhib.proteináz	Z51.1	Cykus chemoterapie pre zhubný nádor
U99.04	Trvalá a nezvratná kolostómia	Z51.2	Iná chemoterapia
U99.05	Trvalá a nezvratná ileostómia	Z51.3	Transfúzia krvi bez uvedenia diagnózy
U99.06	Trvalá a nezvratná urostómia	Z51.5	Paliatívna starostlivosť
U99.07	Intenzifikovaný inzulínový režim	Z51.81	Aferéza
U99.08	Konvenčný inzulínový režim	Z51.82	Komb.liečba zhubného nád.žiarením a chemoterapiou
U99.09	Liečba perorálnymi antidiabetikami a diétou	Z52.00	Darca plnej krvi
U99.1	Nepokrytý kód U99.1	Z54.0	Rekonvalescencia po operačnom výkone



Kód	Popis	Kód	Popis
Z54.1	Rekonvalescencia po rádioterapii	Z61.9	Negatívna udalosť v detstve, bližšie neurčená
Z54.2	Rekonvalescencia po chemoterapii	Z62.0	Nedostatočný rodičovský dozor a kontrola
Z54.3	Rekonvalescencia po psychoterapii	Z62.1	Nadmerná rodičovská ochrana
Z54.4	Rekonvalescencia po liečbe zlomeniny	Z62.2	Ústavná výchova
Z54.7	Rekonvalescencia po kombinovanej liečbe	Z62.3	Nepriateľstvo voči dieťaťu, dieťa ako obetný baránok
Z54.8	Rekonvalescencia po inej liečbe	Z62.4	Emočné zanedbávanie dieťaťa
Z54.9	Rekonvalescencia po bližšie neurčenej liečbe	Z62.5	Iné problémy súvisiace so zanedbávaním výchovy
Z55.0	Negramotnosť a nízky stupeň gramotnosti	Z62.6	Nepřim.rodič.nátlak a iné abnor.spôsoby výchovy
Z55.1	Nedostupné a nedosiahnuteľné školské vzdelanie	Z62.8	Iné bližšie určené problémy súvisiace s výchovou
Z55.2	Nezvládnutie skúšok	Z62.9	Problém súvisiaci s výchovou, bližšie neurčený
Z55.3	Zlý prospech v škole	Z63.0	Problémy vo vzťahu medzi manželmi alebo partnermi
Z55.4	Zlá prispôs.pri vyuč.a konflikty s učiteľmi a spolužiakmi	Z63.1	Problémy vo vzťahu s rodičmi a svokrovcami
Z55.8	Iné problémy súvis.so vzdelávaním a gramotnosťou	Z63.2	Neprimeraná rodinná podpora
Z55.9	Problémy súvis.so vzdel.a gramotnosťou, bliž.neu.	Z63.3	Neprítomnosť člena rodiny
Z56.0	Nezamestnanosť, bližšie neurčená	Z63.4	Zmiznutie a smrť člena rodiny
Z56.1	Zmena zamestnania	Z63.5	Rozpadnutie rodiny odlúčením a rozvodom
Z56.2	Hrozba straty zamestnania	Z63.6	Príbuzný odkazáný na domácu starostlivosť
Z56.3	Stresujúci pracovný režim	Z63.7	Iné stres.život.udal.postih.rodinu a domácnosť
Z56.4	Konflikt s nadriadeným a spolupracovníkmi	Z63.8	Iné bliž.ur.probl.úvis.so skup.prim.star.
Z56.5	Nevhodná práca	Z63.9	Problémy súvis.so skup.prim.star.,b.n.
Z56.6	Iné fyzické a duševné vypätie v súvislosti s prácou	Z64.0	Problémy súvisiace s nechcenou graviditou
Z56.7	Iné a bliž.neu.problémy súvisiace so zamestnaním	Z64.8	Iné kont.prílež.vo vzťahu k urč.psychosoc.okol.
Z57.0	Profesionálne vystavenie hluku	Z70.0	Poradenstvo súvisiace s pohlavným postojom
Z57.1	Profesionálne vystavenie žiareniu (radiácii)	Z70.1	Porad.súvis.s pac.pohla.správaním a orientáciou
Z57.2	Profesionálne vystavenie prachu	Z70.2	Porad.súvis.s pohl.správ. a orient.tretej osoby
Z57.3	Profes.vystav.ným znečisťujúcim látkam v ovzduší	Z70.3	Porad.súvis.s komb.probl.pohla.postoja, správ. a orient.
Z57.4	Profes.vystav.toxickým látkam v poľnohospodárstve	Z70.8	Iné sexuologické poradenstvo
Z57.5	Profes.vystav.toxickým látkam v i.priemys.odvetviach	Z70.9	Sexuologické poradenstvo, bližšie neurčené
Z57.6	Profesionálne vystavenie extrémnej teplote	Z72.0	Problémy v súvislosti s užívaním tabaku
Z57.7	Profesionálne vystavenie vibráciám	Z72.1	Problémy v súvislosti s užívaním alkoholu
Z57.8	Profesionálne vystavenie iným rizikovým faktorom	Z72.2	Problémy v súvislosti s užívaním návykových látok
Z57.9	Profes.vystav.bliž.neu.rizikóvemu faktoru	Z75.0	Zdravotné služby nedostupné v domácom prostredí
Z58.0	Vystavenie hluku	Z75.1	Osoba čakajúca inde na prijatie do vhodného zariadenia
Z58.1	Vystavenie znečistenému ovzdušiu	Z75.2	Čakacia doba na vyšetrenie a liečbu
Z58.2	Vystavenie znečistenej vode	Z75.3	Nedostupnosť a neprístupnosť zdravotníckych služieb
Z58.3	Vystavenie znečistenej pôde	Z75.4	Nedostupnosť a neprístupnosť iných pomocných služieb
Z58.4	Vystavenie žiareniu	Z75.5	Starostlivosť počas dovolenky
Z58.5	Vystavenie inému znečisteniu	Z75.60	Vykonaná reg.na org.transpl.b.vys.st.nalieh.:oblička
Z58.6	Nedostatočné zásobovanie pitnou vodou	Z75.64	Vykon.reg.na org.transpl.b.vys.st.nalieh.:oblička-pankr.
Z58.7	Vystavenie tabakovému dymu	Z75.65	Vykonaná reg.na org.transpl.b.vys.st.nalieh.:pankreas
Z58.8	Iné problémy súvisiace so životným prostredím	Z75.66	Vykonaná reg.na org.transpl.b.vys.st.nalieh.:tenké črevo
Z58.9	Problém súvis.so životným prostredím,b.n.	Z75.67	Vykonaná reg.na org.transpl.b.vys.st.nalieh.:pečeň
Z59.0	Bezdomovstvo	Z75.68	Vykonaná reg.na org.transpl.b.vys.st.nalieh.:iný orgán
Z59.1	Neprimerané bývanie	Z75.69	Vykonaná reg.na org.transpl.b.vys.st.nalieh.:b.n.orgán
Z59.2	Nezhody so susedmi, nájomníkmi a vlastníkom	Z75.70	Vykonaná reg.na org.transpl.s vys.st.nalieh.:oblička
Z59.3	Problémy súvisiace s bývaním v ubytovacom zariadení	Z75.74	Vykon. reg.na org.transpl.s vys.st.nalieh.:oblička-pankr.
Z59.4	Nedostatok primeranej potravy	Z75.75	Vykonaná reg.na org.transpl.s vys.st.nalieh.:pankreas
Z59.5	Extrémna chudoba	Z75.76	Vykonaná reg.na org.transpl.s vys.st.nalieh.:tenké črevo
Z59.6	Nízky príjem	Z75.77	Vykonaná reg.na org.transpl.s vys.st.nalieh.:pečeň
Z59.7	Nedostatočné soc.poistenie a soc.starostlivosť	Z75.78	Vykonaná reg.na org.transpl.s vys.st.nalieh.:iný orgán
Z59.8	Iné problémy súvis.s bývaním a ekonomickou situáciou	Z75.79	Vykonaná reg.na org.transpl.s vys.st.nalieh.:b.n.orgán
Z59.9	Problém súvis.s bývaním a ekonomickou situáciou,b.n.	Z75.8	Iné prob.súvis.s možn.zdrav.star./s i.zdrav.opaterou
Z60.0	Problémy s prispôbením sa zmenám životného cyklu	Z75.9	Bliž.neu.prob.súvis.s možn.zdrav.star./s i.zdrav.opaterou
Z60.1	Atypická rodičovská situácia	Z76.3	Zdravá osoba sprevádzajúca chorého
Z60.2	Osamelo žijúca osoba	Z76.5	Simulant (vedomá simulácia)
Z60.3	Ťažkosti s kultúrnou asimiláciou	Z85.0	Zhubný nádor tráviacich orgánov v osobnej anamnéze
Z60.4	Sociálne vylúčenie a odvrhnutie	Z85.1	Zhub.nád.priedušn.,priedušiek a pľúc v osob.anam.
Z60.5	Terč diskriminácie a perzekúcie	Z85.2	Zhub.nád.i.dých.a vnútrohrud.org.v osob.anam.
Z60.8	Iné problémy súvisiace so sociálnym prostredím	Z85.3	Zhubný nádor prsníka v osobnej anamnéze
Z60.9	Problém súvis.so soc.prostredím,b.n.	Z85.4	Zhubný nádor pohlavných orgánov v osobnej anamnéze
Z61.0	Strata láskyplného vzťahu v detstve	Z85.5	Zhubný nádor močovej sústavy v osobnej anamnéze
Z61.1	Premiestnenie z domova v detstve	Z85.6	Leukémia v osobnej anamnéze
Z61.2	Zmena rodinných vzťahov v detstve	Z85.7	Iné zhub.nád.lymf.,krvotv.a príbuz.tkan.v osob.anam.
Z61.3	Udalosti vedúce k strate sebaúcty v detstve	Z85.8	Zhub.nád.i.org./systémov v osob.anam.
Z61.4	Probl.súvis.s údaj.pohl.zneuž.dieť.os.z okr.prim.star.	Z85.9	Zhubný nádor v osobnej anamnéze, bližšie neurčený
Z61.5	Probl.súvis.s údaj.pohl.zneuž.dieť.os.mimo okr.prim.star.	Z86.0	Iné nádory v osobnej anamnéze
Z61.6	Problémy súvisiace s údajným fyzickým zneužitím dieťaťa	Z86.1	Infekčné a parazitové choroby v osobnej anamnéze
Z61.7	Osobná desivá skúsenosť v detstve	Z86.2	Chor.krvi/krvotv.org.a niekt.por.,tyk.sa imun.v osb.anam.
Z61.8	Iné negatívne udalosti v detstve	Z86.3	Endokrinné,nutričné a metab.chor.v os.anam.

Kód	Popis	Kód	Popis
Z86.4	Abúzus psychoaktívnych látok v osobnej anamnéze	Z93.3	Stav s predtým vytvorenou kolostómiou
Z86.5	Iné poruchy psychiky a správania v osobnej anamnéze	Z93.4	Stav s predtým umelo vytvor. výstením gastrointest.súst.
Z86.6	Choroba nervového systému a zmysl.org.v os.anam.	Z93.5	Stav s predtým vytvorenou cystostómiou
Z86.7	Choroby obehovej sústavy v osobnej anamnéze	Z93.6	Stav s predtým vytvor.i.umelým vyústením moč.súst.
Z87.0	Choroby dýchacej sústavy v osobnej anamnéze	Z93.80	Stav s predtým vytvorenou hrudníkovou stómiou
Z87.1	Choroby tráviacich orgánov v osobnej anamnéze	Z93.88	Stav s predtým umelo vytvoreným iným vyústením
Z87.2	Choroby kože a podkožného tkaniva v osob.anam.	Z93.9	Stav s predtým umelo vytvor.vyústením,b.n.
Z87.3	Choroba sval.a kostr.súst.a spojiv.tkan.v osob.anam.	Z94.0	Stav po transplantácii obličky
Z87.4	Choroby močovopohlavnej sústavy v osobnej anamnéze	Z94.1	Stav po transplantácii srdca
Z87.5	Kompl.gravidity,pôr.a šestonedelia v osob.anam.	Z94.2	Stav po transplantácii pľúc
Z87.6	Niektoré patolog.stavy v perinat.obd.v osob.anam.	Z94.3	Stav po transplantácii srdca a pľúc
Z87.7	Vrod.chyby,defor. a chrom.anomálie v osob.anam.	Z94.4	Stav po transplantácii pečene
Z87.8	Iné bližšie určené choroby v osobnej anamnéze	Z94.5	Stav po transplantácii kože
Z88.0	Alergia na penicilín v osobnej anamnéze	Z94.6	Stav po transplantácii kosti
Z88.1	Alergia na iné antibiotiká v osobnej anamnéze	Z94.7	Stav po transplantácii rohovky
Z88.2	Alergia na sulfonamidy v osobnej anamnéze	Z94.80	Stav po traspl.krvotv.(kmeň.)bun.,bez súč.imunosupr.
Z88.3	Alergia na iné protinfekčné lieky v osob.anam.	Z94.81	Stav po traspl.krvotv.(kmeň.)bun.,so súč.imunosupr.
Z88.4	Alergia na anestetiká v osobnej anamnéze	Z94.82	Stav po transplantácii pankreasu
Z88.5	Alergia na opiáty v osobnej anamnéze	Z94.83	Stav po transplantácii obličky a pankreasu
Z88.6	Alergia na analgetiká v osobnej anamnéze	Z94.88	Stav po transplantácii iného orgánu alebo tkaniva
Z88.7	Alergia na sérum a vakcinu v osobnej anamnéze	Z94.9	Stav po traspl.orgánu/tkan. b.n.
Z88.8	Alergia na i.liek.,lieč.a biol.aktív.lát.v osob.anam.	Z95.0	Stav po implantácii kardiostimulátora
Z88.9	Alergia na b.n.liek.,lieč.a biol.aktív.lát.v osob.anam.	Z95.1	Stav po implantácii aortokoron.bajpasu pomocou štepu
Z89.0	Získané chýbanie prsta (prstov,vr.palca),jednostranné	Z95.2	Stav po implantácii protetckej srdcovej chlopne
Z89.1	Získané chýbanie ruky a zápästia	Z95.3	Stav po implantácii xenogénnej srdcovej chlopne
Z89.2	Získané chýbanie hornej končatiny nad zápästím	Z95.4	Stav po implantácii inej náhrady srdcovej chlopne
Z89.3	Získané chýbanie oboch HK na akejkoľvek úr.	Z95.5	Stav po implantácii koron.angioplastického impl. a štepu
Z89.4	Získané chýbanie nohy a členka	Z95.80	Stav po implantácii systému podporujúceho srdce
Z89.5	Získané chýbanie DK v úr.kol./pod kol.,jednostranné	Z95.81	Stav po implantácii cievného permanentného katétra
Z89.6	Získané chýbanie DK nad kol.,jednostranné	Z95.88	Stav po implant.i.srdc./ciev.implantátov/transplantátov
Z89.7	Získané chýbanie oboch DK(kt.koľvek úr.,okr.prstov)	Z95.9	Stav po implant.srd./ciev.implantátu/štepu,b.n.
Z89.8	Získané chýbanie HK a DK (kt.koľvek úr.)	Z96.0	Stav po implantácii močovopohlavných implantátov
Z89.9	Získané chýbanie končatiny, bližšie neurčené	Z96.1	Stav po implantácii vnútroočnej šošovky
Z90.0	Získané chýbanie časti hlavy a krku	Z96.2	Stav po implant.ušných a audiologických implantátov
Z90.1	Získané chýbanie prsníka (prsníkov)	Z96.3	Stav po implantácii umelého hrtana
Z90.2	Získané chýbanie (časti) pľúc	Z96.4	Stav po implantácii endokrinného implantátu
Z90.3	Získané chýbanie časti žalúdka	Z96.5	Stav po implant.implantátov zub.koreňa/sánk.implantátov
Z90.4	Získané chýbanie iných častí tráviacej sústavy	Z96.6	Stav po implant.ortopedických kĺbových implantátov
Z90.5	Získané chýbanie obličky	Z96.7	Stav po implant.i.kostného a šľachového implantátu
Z90.6	Získané chýbanie iných orgánov močovej sústavy	Z96.80	Stav po implantácii bronchového stentu
Z90.7	Získané chýbanie pohlavného orgánu (orgánov)	Z96.81	Stav po implantácii tracheového stentu
Z90.8	Získané chýbanie iných orgánov	Z96.88	Stav po implant.iných.bliž.ur.funkč.implantátov
Z91.0	Alergia na i.lát.ako liek.a biol.lát.v osob.anam.	Z96.9	Stav po implant.funkč.implantátov b.n.
Z91.1	Nedodržiavanie lieč.a lieč.ho režimu v os.anam.	Z97.1	Stav po rekonštrukcii umelej konč.(kompl./čias.)
Z91.8	Iné bliž.ur.rizikové faktory,n.i.	Z97.8	Stav po implantácii iných bližšie určených pomôcok
Z92.1	Dlhodobé (súčasné)užív.antikoagulancií v osob.anam.	Z98.0	Stav po vytvorení črevného bajpasu alebo anastomózy
Z92.2	Dlhodobé (súčasné)užív.i.liekov v osob.anam.	Z98.1	Artrodéza
Z92.3	Rádioterapia v osobnej anamnéze	Z98.2	Stav po implantácii pom.na drenáž mozgovomiechového moku
Z92.4	Veľký chir.výk.v osob.anam.,n.i.	Z98.8	Iné bližšie určené pooperačné stavy
Z92.6	Chemoterapia pre zhubný nádor v osobnej anamnéze	Z99.0	Závislosť od aspirátora
Z92.8	Iná liečba v osobnej anamnéze	Z99.1	Závislosť od respirátora
Z92.9	Liečba v osobnej anamnéze, bližšie neurčená	Z99.2	Závislosť od obličkovej dialýzy
Z93.0	Stav s predtým vytvorenou tracheostómiou	Z99.3	Závislosť od invalidného vozika
Z93.1	Stav s predtým vytvorenou gastrostómiou	Z99.8	Závislosť od i.pomocných prístrojov/pomôcok
Z93.2	Stav s predtým vytvorenou ileostómiou	Z99.9	Závislosť od pomocného prístroja/pom.,b.n.

# Slovník pojmov

## Australian Refined Diagnosis Related Groups (AR-DRG)

Druhý národný DRG-klasifikačný systém v Austrálii, vyvíjaný spoločnosťou Commonwealth Department of Health and Family Services.

### Dátum prijatia

Dátum prijatia pacienta do nemocnice.

## Diagnosis Related Group (DRG)

Skupiny súvisiacich diagnóz, do ktorých sú zaradované prípady s klinickou a nákladovou podobnosťou.

## DRG-klasifikačný systém

Je klasifikačný systém, zaraďujúci pacientov do čo najhomogénnejších skupín vo vzťahu k spotrebe zdrojov nemocnice a to podľa medicínskych a ďalších kritérií.

### Funkcie

Funkcie sú zaraďovacie algoritmy, prípadne kódy diagnóz alebo výkonov, ktoré sa používajú vo viacerých MDC alebo základných DRG v rámci MDC.

## German Diagnosis Related Groups (G-DRG)

Nemecký DRG-klasifikačný systém, vyvíjaný spoločnosťou Institut für das Entgeltsystem im Krankenhaus GmbH (InEK GmbH).

### Grouper

Grouper (gruper) je SW-nástroj (počítačový program), ktorý zabezpečuje zaradenie hospitalizačného prípadu do konkrétnej DRG.

## Hlavná diagnostická kategória (MDC)

Je založená na podobnosti prípadov predovšetkým z hľadiska orgánových systémov, prípadne etiológie ochorenia, ktorého liečba je naviazaná na špeciálnu medicínsku odbornosť.

## Hlavná diagnóza (HDg)

Je diagnóza, ktorá bola analýzou stanovená ako hlavná príčina vedúca k hospitalizácii pacienta.

## Hmotnosť pri prijatí

Hmotnosť v čase prijatia do nemocnice pre deti vo veku menej ako 1 rok.

## Chybové a ostatné DRG

Záznam údajov o hospitalizácii s klinicky netypickými alebo neplatnými informáciami sa zaraďuje do chybovej alebo ostatnej DRG.

## Jeden ošetrovací deň

Jeden ošetrovací deň je definovaný ako deň prijatia na hospitalizáciu v kalendárny deň a prepustenie v ten istý kalendárny deň alebo v nasledujúci kalendárny deň.

## Komorbidity

Je súčasný výskyt dvoch alebo viacerých chorobných procesov bez vzájomného vzťahu, ktoré boli prítomné pri prijatí.

## Komplikácia

Je chorobný proces (alebo udalosť), objaviaci sa počas ochorenia (po prijatí), ktorý však nie je esenciálnou súčasťou tohto ochorenia, aj keď z tohto ochorenia môže vychádzať alebo môže mať nezávislé príčiny.

## Komplikácia a/alebo komorbidity (CC)

Komplikácie a komorbidity sú vedľajšie diagnózy, ktoré spravidla vedú k signifikantne vyššej spotrebe zdrojov.

## Neoperačný výkon (nie-OP-výkon)

Výkon, ktorý je v rámci niektorých MDC signifikantný pre zatriedenie hospitalizačného prípadu. Neoperačné výkony v zmysle SK-DRG môžu byť aj výkony, ktoré sa prevádzajú na operačných sálach.

## Operačný, iný a medicínsky segment

MDC sú rozdelené maximálne do troch rozličných segmentov (operačný, iný, a medicínsky). Zaradenie prípadu do segmentu sa riadi podľa vykonania alebo nevykonania OP-výkonu a nie-OP-výkonu.

## Operačný výkon (OP-výkon)

Výkon, ktorý je signifikantný v rámci kompletnej systematiky SK-DRG.

## Ošetrovacía doba (OD)

Ošetrovacía doba pacienta sa vypočíta ako rozdiel medzi dátumom prepustenia z nemocnice a dátumom prijatia do nemocnice. Dni na priepustke vrátane dňa, kedy pacient na priepustku odchádza, sa do ošetrovacej doby nezapočítavajú. Pri prijatí a prepustení v ten istý kalendárny deň je ošetrovacía doba jeden deň.

## Slovak Diagnosis Related Groups (SK-DRG)

Slovenský DRG-klasifikačný systém. Bližšie informácie k SK-DRG sa nachádzajú v časti Úvod, zväzok 1.

## Stupeň klinickej obtiažnosti prípadu (PCCL)

Je miera kumulatívneho efektu komplikácií a komorbidií vypočítavaná samostatne pre každý hospitalizačný prípad.

### **Stupeň závažnosti komplikácií a komorbidít (CCL)**

Stupne závažnosti komplikácií a komorbidít sa pridelujú všetkým vedľajším diagnózam. Hodnoty CCL môžu byť 0 až 4 pre prípady s operáciami a pre novorodencov.

V ostatných prípadoch môžu byť hodnoty CCL 0 až 3.

Hodnoty znaenajú:

- 1=ľahká komplikácia alebo komorbidita,
- 2=stredne ťažká komplikácia alebo komorbidita,
- 3=ťažká komplikácia alebo komorbidita,
- 4=veľmi ťažká komplikácia alebo komorbidita.

### **Vedľajšia diagnóza (VDg)**

Je ochorenie alebo poruchy (diagnóza), ktoré sa vyskytujú súčasne s hlavnou diagnózou alebo sa vyvinuli počas hospitalizácie.

### **Základná DRG (ADRG)**

Jedna alebo viaceré DRG, ktoré sú definované vždy rovnakým zoznamom diagnóz a výkonov. DRG v rámci jednej základnej DRG sa rozlišujú spotrebou zdrojov a sú členené na základe rozličných faktorov ako napr. komplikujúce diagnózy/výkony, vek a/alebo stupeň klinickej obtiažnosti prípadu (PCCL).

<http://www.udzs-sk.sk/drg-klasifikacny-system>