

SK-DRG

**Slovak
Diagnosis
Related
Groups**

System 2022

**Definičná príručka
Zväzok 5
Prílohy**

□ 2021 by Úrad pre dohľad nad zdravotnou starostlivosťou - Centrum pre klasifikačný systém a Institut für das Entgeltsystem im Krankenhaus GmbH (InEK), Siegburg, Nemecko

Všetky práva vyhradené.

Definičné príručky pre SK-DRG systém sú chránené podľa autorského zákona. Každé využitie presahujúce hranice medzinárodne platných zákonov o autorských právach a podmienok "Zmluvy o spolupráci pri zavádzaní systému DRG v Slovenskej republike" medzi Institut für das Entgeltsystem im Krankenhaus GmbH a Úradom pre dohľad nad zdravotnou starostlivosťou (ÚDZS) je bez písomného súhlasu ÚDZS neprípustné.

Príloha A

Kódy diagnóz-/MDC-/DRG-Index

Táto príloha obsahuje zoznam všetkých kódov diagnóz MKCH-10-SK-2021, ktoré sa používajú v SK-DRG systéme 2021 na definovanie hlavných diagnostických kategórií (MDC) a DRG-skupín. Hlavná alebo vedľajšia diagnóza môže byť relevantná pre zarovňovací algoritmus priamo (výskytom v tabuľke) alebo môže byť súčasťou niektorej funkcie (napr. Funkcia polytrauma [PTR]). Relevantnosť vedľajších diagnóz pre zarovňovanie v rámci CCL-systému nemá pre prílohu A žiadny význam. (porovnaj s prílohou C tejto publikácie).

V niektorých prípadoch je jeden kód priradený DRG skupinám viacerých základných-DRG. Vyskytuje sa to predovšetkým vtedy, keď sa diagnóza použije na stanovenie stupňa a ťažkosti operatívnej základnej-DRG, keď je základná-DRG bližšie definovaná diagnózami, aby bolo možné zaznamenať údaje hospitalizačného prípadu správne zaradiť do jednej z viacerých operatívnych-DRG, alebo ak ide o MDC 18A alebo MDC 21A a diagnóza sa použije nielen pre jednu z týchto MDC, ale aj pre jednu medicínsku DRG inej MDC.

Zarovňovanie pri polytraume je rovnaké ako pri inom MDC-zarovňovaní.

ICD	MDC	DRG	ICD	MDC	DRG	ICD	MDC	DRG
A00.0	06	G46A, G46B, G46C, G50Z, G67A, G67B, G67C	A03.1	06	G46A, G46B, G46C, G50Z, G67A, G67B, G67C	A05.1	15	TPN, VTPN
	Pre	A07D, A09E, A11F, A13F		15	TPN, VTPN		18B	T64A, T64B, T64C
A00.1	06	G46A, G46B, G46C, G50Z, G67A, G67B, G67C	A03.2	06	G46A, G46B, G46C, G50Z, G67A, G67B, G67C	A05.2	06	G46A, G46B, G46C, G50Z, G67A, G67B, G67C, G67D
	Pre	A07D, A09E, A11F, A13F		15	TPN, VTPN		15	TPN, VTPN
A00.9	06	G46A, G46B, G46C, G50Z, G67A, G67B, G67C	A03.3	06	G46A, G46B, G46C, G50Z, G67A, G67B, G67C	A05.3	06	G46A, G46B, G46C, G50Z, G67A, G67B, G67C, G67D
	Pre	A07D, A09E, A11F, A13F		15	TPN, VTPN		15	TPN, VTPN
A01.0	05	F62A	A03.8	06	G46A, G46B, G46C, G50Z, G67A, G67B, G67C	A05.4	06	G46A, G46B, G46C, G50Z, G67A, G67B, G67C, G67D
	06	G67A		15	TPN, VTPN	A05.8	06	G46A, G46B, G46C, G50Z, G67A, G67B, G67C, G67D
	15	TPN, VTPN	A03.9	06	G46A, G46B, G46C, G50Z, G67A, G67B, G67C	A05.9	06	G46A, G46B, G46C, G50Z, G67A, G67B, G67C, G67D
	17	R60B, R60C, R61A, R62A, R63B, R63C, R63D, R63F		15	TPN, VTPN	A06.0	06	G46A, G46B, G46C, G50Z, G67A, G67B, G67C
	18B	T01B, T60A, T60B, T60C, T60D, T60E, T60F, T61A	A04.0	06	G46A, G46B, G46C, G50Z, G67A, G67B, G67C		Pre	A07D, A09E, A11F, A13F
	Pre	A07D, A09E, A11F, A13F		15	TPN, VTPN	A06.1	06	G46A, G46B, G46C, G50Z, G67A, G67B, G67C
A01.1	05	F62A	A04.1	06	G46A, G46B, G46C, G50Z, G67A, G67B, G67C		Pre	A07D, A09E, A11F, A13F
	06	G67A		15	TPN, VTPN	A06.2	06	G46A, G46B, G46C, G50Z, G67A, G67B, G67C
	15	TPN, VTPN	A04.2	06	G46A, G46B, G46C, G50Z, G67A, G67B, G67C		Pre	A07D, A09E, A11F, A13F
	17	R60B, R60C, R61A, R62A, R63B, R63C, R63D, R63F		15	TPN, VTPN	A06.3	18B	T64A, T64B, T64C
	18B	T01B, T60A, T60B, T60C, T60D, T60E, T60F, T61A	A04.3	06	G40Z, G46A, G46B, G46C, G48A, G48B, G50Z, G67A, G67B, G67C		Pre	A07D, A09E, A11F, A13F
	Pre	A07D, A09E, A11F, A13F		15	TPN, VTPN	A06.4	07	H63A, H63B, H63C, H78Z
A01.2	05	F62A	A04.4	06	G40Z, G46A, G46B, G46C, G48A, G48B, G50Z, G67A, G67B, G67C		Pre	A07D, A09E, A11F, A13F
	06	G67A		15	TPN, VTPN	A06.5	04	E62A, E62B, E77A, E77B, E77C, E77D, E77F
	15	TPN, VTPN	A04.5	06	G40Z, G46A, G46B, G46C, G48A, G48B, G50Z, G67A, G67B, G67C		Pre	A07D, A09E, A11F, A13F
	17	R60B, R60C, R61A, R62A, R63B, R63C, R63D, R63F		15	TPN, VTPN	A06.6	01	B72A, B72B
	18B	T01B, T60A, T60B, T60C, T60D, T60E, T60F, T61A	A04.6	06	G40Z, G46A, G46B, G46C, G48A, G48B, G50Z, G67A, G67B, G67C		Pre	A07D, A09E, A11F, A13F
	Pre	A07D, A09E, A11F, A13F		15	TPN, VTPN	A06.7	09	J61A, J61B, J61C, J68A, J68B
A01.3	05	F62A		18A	S63A, S63B		Pre	A07D, A09E, A11F, A13F
	06	G67A	A04.7	06	G40Z, G46A, G46B, G46C, G48A, G48B, G50Z, G67A, G67B, G67C		18B	T64A, T64B, T64C
	15	TPN, VTPN		15	TPN, VTPN	A06.8	Pre	A07D, A09E, A11F, A13F
	17	R60B, R60C, R61A, R62A, R63B, R63C, R63D, R63F		17	R62A		Pre	A07D, A09E, A11F, A13F
	18B	T01B, T60A, T60B, T60C, T60D, T60E, T60F, T61A	A04.81	06	G46A, G46B, G46C, G50Z, G67A, G67B, G67C, G67D		18B	T64A, T64B, T64C
	Pre	A07D, A09E, A11F, A13F		15	TPN, VTPN	A06.9	Pre	A07D, A09E, A11F, A13F
A01.4	15	TPN, VTPN		18A	S63A, S63B	A07.0	06	G46A, G46B, G46C, G50Z, G67A, G67B, G67C
	18B	T64A, T64B, T64C		Pre	A07D, A09E, A11F, A13F		Pre	A07D, A09E, A11F, A13F
	Pre	A07D, A09E, A11F, A13F	A04.89	06	G46A, G46B, G46C, G50Z, G67A, G67B, G67C, G67D	A07.1	06	G46A, G46B, G46C, G50Z, G67A, G67B, G67C
A02.0	06	G46A, G46B, G46C, G50Z, G67A, G67B, G67C		15	TPN, VTPN		Pre	A07D, A09E, A11F, A13F
	15	TPN, VTPN		18A	S63A, S63B	A07.2	06	G46A, G46B, G46C, G50Z, G67A, G67B, G67C
	18A	S63A, S63B		Pre	A07D, A09E, A11F, A13F		18A	S63A, S63B
A02.1	05	F62A		06	G40Z, G46A, G46B, G46C, G48A, G48B, G50Z, G67A, G67B, G67C		Pre	A07D, A09E, A11F, A13F
	06	G67A		15	TPN, VTPN	A07.3	06	G46A, G46B, G46C, G50Z, G67A, G67B, G67C
	15	TPN, VTPN		17	R62A		18A	S63A, S63B
	17	R60B, R60C, R61A, R62A, R63B, R63C, R63D, R63F		18A	S63A, S63B		Pre	A07D, A09E, A11F, A13F
	18A	S63A, S63B		Pre	A07D, A09E, A11F, A13F	A07.8	06	G46A, G46B, G46C, G50Z, G67A, G67B, G67C
	18B	T01B, T60A, T60B, T60C, T60D, T60E, T60F, T61A		18A	S63A, S63B		Pre	A07D, A09E, A11F, A13F
	Pre	A07D, A09E, A11F, A13F		Pre	A07D, A09E, A11F, A13F	A07.9	06	G46A, G46B, G46C, G50Z, G67A, G67B, G67C
A02.2	15	TPN, VTPN		15	TPN, VTPN		Pre	A07D, A09E, A11F, A13F
	18A	S63A, S63B		18A	S63A, S63B	A08.0	06	G46A, G46B, G46C, G50Z, G67A, G67B, G67C
	18B	T64A, T64B, T64C		06	G46A, G46B, G46C, G50Z, G67A, G67B, G67C, G67D		15	P65C, P66C, P67B, P67C
A02.8	15	TPN, VTPN		15	TPN, VTPN		18A	S63A, S63B
	18A	S63A, S63B		18A	S63A, S63B	A08.1	06	G46A, G46B, G46C, G50Z, G67A, G67B, G67C
	18B	T64A, T64B, T64C		06	G46A, G46B, G46C, G50Z, G67A, G67B, G67C, G67D		15	TPN, VTPN
A02.9	15	TPN, VTPN		18A	S63A, S63B		18A	S63A, S63B
	18A	S63A, S63B	A04.9	06	G46A, G46B, G46C, G50Z, G67A, G67B, G67C, G67D			
	18B	T64A, T64B, T64C		18A	S63A, S63B			
A03.0	06	G46A, G46B, G46C, G50Z, G67A, G67B, G67C	A05.0	06	G46A, G46B, G46C, G50Z, G67A, G67B, G67C, G67D			
	15	TPN, VTPN		15	TPN, VTPN			

ICD	MDC	DRG	ICD	MDC	DRG	ICD	MDC	DRG
A08.2	06	G46A, G46B, G46C, G50Z, G67A, G67B, G67C	A16.0	04	E41Z, E42Z, E76A, E76B, E76C	A18.1	11	L63A, L63B, L63C, L63D, L63E, L63F, L74Z
	15	P65C, P66C, P67B, P67C		15	TPN, VTPN		18A	S63A, S63B
	18A	S63A, S63B		18A	S63A		Pre	A07D, A09E, A11F, A13F
A08.3	06	G46A, G46B, G46C, G50Z, G67A, G67B, G67C, G67D	A16.1	04	A07D, A09E, A11F, A13F E41Z, E42Z, E76A, E76B, E76C	A18.2	04	E41Z, E42Z, E76A, E76B, E76C
	18A	S63A, S63B		15	TPN, VTPN		18A	S63A
A08.4	06	G46A, G46B, G46C, G50Z, G67A, G67B, G67C, G67D		18A	S63A		Pre	A07D, A09E, A11F, A13F
	18A	S63A, S63B		Pre	A07D, A09E, A11F, A13F	A18.3	06	G46A, G46B, G46C, G50Z, G64A, G64B, G64C, G70A, G70B
A08.5	06	G46A, G46B, G46C, G50Z, G67A, G67B, G67C, G67D	A16.2	04	E41Z, E42Z, E76A, E76B, E76C		18A	S63A, S63B
	15	TPN, VTPN		15	TPN, VTPN		Pre	A07D, A09E, A11F, A13F
	18A	S63A, S63B		18A	S63A	A18.4	09	J08A, J08B, J08C, J61A, J61B, J61C, J68A, J68B
A09.0	06	G46A, G46B, G46C, G50Z, G67A, G67B, G67C, G67D	A16.3	04	A07D, A09E, A11F, A13F E41Z, E42Z, E76A, E76B, E76C		18A	S63A, S63B
	15	TPN, VTPN		18A	S63A		Pre	A07D, A09E, A11F, A13F
A09.9	06	G46A, G46B, G46C, G50Z, G67A, G67B, G67C, G67D	A16.4	04	A07D, A09E, A11F, A13F E41Z, E42Z, E76A, E76B, E76C	A18.5	02	C60Z
	18A	S65A, S65B		Pre	A07D, A09E, A11F, A13F		15	TPN, VTPN
A15.0	04	E41Z, E42Z, E76A, E76B, E76C	A16.5	04	E41Z, E42Z, E76A, E76B, E76C		18A	S63A, S63B
	15	TPN, VTPN		18A	S63A	A18.6	03	D66Z
	18A	S63A		Pre	A07D, A09E, A11F, A13F		18A	S63A, S63B
	Pre	A07D, A09E, A11F, A13F	A16.6	04	E41Z, E42Z, E76A, E76B, E76C		Pre	A07D, A09E, A11F, A13F
A15.1	04	E41Z, E42Z, E76A, E76B, E76C		18A	S63A	A18.7	10	K64A, K64B, K64C, K64D
	15	TPN, VTPN		Pre	A07D, A09E, A11F, A13F		18A	S63A, S63B
	18A	S63A		04	E41Z, E42Z, E76A, E76B, E76C		Pre	A07D, A09E, A11F, A13F
	Pre	A07D, A09E, A11F, A13F	A16.7	04	A07D, A09E, A11F, A13F E41Z, E42Z, E76A, E76B, E76C	A18.8	04	E41Z, E42Z, E76A, E76B, E76C
A15.2	04	E41Z, E42Z, E76A, E76B, E76C		18A	S63A		18A	S63A
	15	TPN, VTPN		Pre	A07D, A09E, A11F, A13F		Pre	A07D, A09E, A11F, A13F
	18A	S63A		04	E41Z, E42Z, E76A, E76B, E76C	A19.0	04	E41Z, E42Z, E76A, E76B, E76C
	Pre	A07D, A09E, A11F, A13F	A16.8	04	A07D, A09E, A11F, A13F E41Z, E42Z, E76A, E76B, E76C		05	F62A
A15.3	04	E41Z, E42Z, E76A, E76B, E76C		18A	S63A		06	G67A
	15	TPN, VTPN		Pre	A07D, A09E, A11F, A13F		17	R60B, R60C, R61A, R62A, R63B, R63C, R63D, R63F
	18A	S63A		04	E41Z, E42Z, E76A, E76B, E76C		18A	S63A
	Pre	A07D, A09E, A11F, A13F	A16.9	04	A07D, A09E, A11F, A13F E41Z, E42Z, E76A, E76B, E76C	A19.1	04	A07D, A09E, A11F, A13F E41Z, E42Z, E76A, E76B, E76C
A15.4	04	E41Z, E42Z, E76A, E76B, E76C		15	TPN, VTPN		05	F62A
	18A	S63A		18A	S63A		06	G67A
	Pre	A07D, A09E, A11F, A13F		Pre	A07D, A09E, A11F, A13F		17	R60B, R60C, R61A, R62A, R63B, R63C, R63D, R63F
A15.5	04	E41Z, E42Z, E76A, E76B, E76C	A17.0	04	A07D, A09E, A11F, A13F E41Z, E42Z, E76A, E76B, E76C		18A	S63A
	18A	S63A		15	TPN, VTPN		Pre	A07D, A09E, A11F, A13F
	Pre	A07D, A09E, A11F, A13F		18A	S63A	A19.2	04	E41Z, E42Z, E76A, E76B, E76C
A15.6	04	E41Z, E42Z, E76A, E76B, E76C		Pre	A07D, A09E, A11F, A13F		05	F62A
	18A	S63A		04	E41Z, E42Z, E76A, E76B, E76C		06	G67A
	Pre	A07D, A09E, A11F, A13F	A17.1	04	A07D, A09E, A11F, A13F E41Z, E42Z, E76A, E76B, E76C		17	R60B, R60C, R61A, R62A, R63B, R63C, R63D, R63F
A15.7	04	E41Z, E42Z, E76A, E76B, E76C		15	TPN, VTPN		18A	S63A
	15	TPN, VTPN		18A	S63A		Pre	A07D, A09E, A11F, A13F
	18A	S63A		Pre	A07D, A09E, A11F, A13F	A19.8	04	E41Z, E42Z, E76A, E76B, E76C
	Pre	A07D, A09E, A11F, A13F	A17.8	04	E41Z, E42Z, E76A, E76B, E76C		05	F62A
A15.8	04	E41Z, E42Z, E76A, E76B, E76C		15	TPN, VTPN		06	G67A
	18A	S63A		18A	S63A		17	R60B, R60C, R61A, R62A, R63B, R63C, R63D, R63F
	Pre	A07D, A09E, A11F, A13F	A17.9	04	A07D, A09E, A11F, A13F E41Z, E42Z, E76A, E76B, E76C		18A	S63A
A15.9	04	E41Z, E42Z, E76A, E76B, E76C		15	TPN, VTPN		Pre	A07D, A09E, A11F, A13F
	15	TPN, VTPN		18A	S63A			
	18A	S63A	A18.0	08	I08A, I08B, I08C, I08D, I08E, I12A, I12B, I12C, I13A, I13B, I64A, I64B, I64C			
	Pre	A07D, A09E, A11F, A13F		18A	S63A, S63B			
				Pre	A07D, A09E, A11F, A13F			

Dg

ICD	MDC	DRG	ICD	MDC	DRG	ICD	MDC	DRG
A19.9	04	E41Z, E42Z, E76A, E76B, E76C	A22.8	18B	T64A, T64B, T64C	A27.8	01	B72A, B72B
	05	F62A		Pre	A07D, A09E, A11F, A13F		15	TPN, VTPN
	06	G67A	A22.9	18B	T64A, T64B, T64C		Pre	A07D, A09E, A11F, A13F
	17	R60B, R60C, R61A, R62A, R63B, R63C, R63D, R63F		Pre	A07D, A09E, A11F, A13F	A27.9	15	TPN, VTPN
	18A	S63A	A23.0	18B	T64A, T64B, T64C		18B	T64A, T64B, T64C
	Pre	A07D, A09E, A11F, A13F		Pre	A07D, A09E, A11F, A13F		Pre	A07D, A09E, A11F, A13F
A20.0	18B	T64A, T64B, T64C	A23.1	18B	T64A, T64B, T64C	A28.0	15	TPN, VTPN
	Pre	A07D, A09E, A11F, A13F		Pre	A07D, A09E, A11F, A13F		18B	T64A, T64B, T64C
A20.1	18B	T64A, T64B, T64C	A23.2	18B	T64A, T64B, T64C		Pre	A07D, A09E, A11F, A13F
	Pre	A07D, A09E, A11F, A13F		Pre	A07D, A09E, A11F, A13F	A28.1	15	TPN, VTPN
A20.2	04	E62A, E62B, E77A, E77B, E77C, E77D, E77F	A23.3	18B	T64A, T64B, T64C		16	Q60A, Q60B, Q60C
	Pre	A07D, A09E, A11F, A13F		Pre	A07D, A09E, A11F, A13F		Pre	A07D, A09E, A11F, A13F
A20.3	01	B72A, B72B	A23.8	18B	T64A, T64B, T64C	A28.2	15	TPN, VTPN
	Pre	A07D, A09E, A11F, A13F		Pre	A07D, A09E, A11F, A13F		18B	T64A, T64B, T64C
A20.7	05	F62A	A23.9	18B	T64A, T64B, T64C		Pre	A07D, A09E, A11F, A13F
	06	G67A		Pre	A07D, A09E, A11F, A13F	A28.8	15	TPN, VTPN
	17	R60B, R60C, R61A, R62A, R63B, R63C, R63D, R63F	A24.0	05	F62A		18B	T64A, T64B, T64C
	18B	T01B, T60A, T60B, T60C, T60D, T60E, T60F, T61A		06	G67A		Pre	A07D, A09E, A11F, A13F
	Pre	A07D, A09E, A11F, A13F		17	R60B, R60C, R61A, R62A, R63B, R63C, R63D, R63F	A28.9	15	TPN, VTPN
A20.8	18B	T64A, T64B, T64C		18B	T01B, T60A, T60B, T60C, T60D, T60E, T60F, T61A		18B	T64A, T64B, T64C
	Pre	A07D, A09E, A11F, A13F	A24.1	Pre	A07D, A09E, A11F, A13F		Pre	A07D, A09E, A11F, A13F
A20.9	18B	T64A, T64B, T64C		05	F62A	A30.0	18B	T64A, T64B, T64C
	Pre	A07D, A09E, A11F, A13F		06	G67A		Pre	A07D, A09E, A11F, A13F
A21.0	18B	T64A, T64B, T64C		17	R60B, R60C, R61A, R62A, R63B, R63C, R63D, R63F	A30.1	18B	T64A, T64B, T64C
	Pre	A07D, A09E, A11F, A13F		18B	T01B, T60A, T60B, T60C, T60D, T60E, T60F, T61A		Pre	A07D, A09E, A11F, A13F
A21.1	18B	T64A, T64B, T64C		Pre	A07D, A09E, A11F, A13F	A30.2	18B	T64A, T64B, T64C
	Pre	A07D, A09E, A11F, A13F	A24.2	18B	T64A, T64B, T64C		Pre	A07D, A09E, A11F, A13F
A21.2	04	E62A, E62B, E77A, E77B, E77C, E77D, E77F		Pre	A07D, A09E, A11F, A13F	A30.3	18B	T64A, T64B, T64C
	Pre	A07D, A09E, A11F, A13F	A24.3	18B	T64A, T64B, T64C		Pre	A07D, A09E, A11F, A13F
A21.3	06	G46A, G46B, G46C, G50Z, G71Z		Pre	A07D, A09E, A11F, A13F	A30.4	18B	T64A, T64B, T64C
	Pre	A07D, A09E, A11F, A13F	A24.4	18B	T64A, T64B, T64C		Pre	A07D, A09E, A11F, A13F
A21.7	05	F62A		Pre	A07D, A09E, A11F, A13F	A30.5	18B	T64A, T64B, T64C
	06	G67A	A25.0	18B	T64A, T64B, T64C		Pre	A07D, A09E, A11F, A13F
	17	R60B, R60C, R61A, R62A, R63B, R63C, R63D, R63F		Pre	A07D, A09E, A11F, A13F	A30.8	18B	T64A, T64B, T64C
	18B	T01B, T60A, T60B, T60C, T60D, T60E, T60F, T61A	A25.1	18B	T64A, T64B, T64C		Pre	A07D, A09E, A11F, A13F
	Pre	A07D, A09E, A11F, A13F		Pre	A07D, A09E, A11F, A13F	A30.9	18B	T64A, T64B, T64C
A21.81	18B	T64A, T64B, T64C	A25.9	18B	T64A, T64B, T64C		Pre	A07D, A09E, A11F, A13F
	Pre	A07D, A09E, A11F, A13F		Pre	A07D, A09E, A11F, A13F	A31.0	04	E41Z, E42Z, E76A, E76B, E76C
A21.82	18B	T64A, T64B, T64C	A26.0	15	TPN, VTPN		18A	S63A
	Pre	A07D, A09E, A11F, A13F		18B	T64A, T64B, T64C		Pre	A07D, A09E, A11F, A13F
A21.89	18B	T64A, T64B, T64C		Pre	A07D, A09E, A11F, A13F	A31.1	09	J08A, J08B, J08C, J61A, J61B, J61C, J68A, J68B
	Pre	A07D, A09E, A11F, A13F	A26.7	05	F62A		18A	S63A, S63B
A21.9	18B	T64A, T64B, T64C		06	G67A		Pre	A07D, A09E, A11F, A13F
	Pre	A07D, A09E, A11F, A13F		15	TPN, VTPN	A31.80	18A	S63A, S63B
A22.0	09	J08A, J08B, J08C, J61A, J61B, J61C, J68A, J68B		17	R60B, R60C, R61A, R62A, R63B, R63C, R63D, R63F		18B	T64A, T64B, T64C
	Pre	A07D, A09E, A11F, A13F	A26.8	18B	T01B, T60A, T60B, T60C, T60D, T60E, T60F, T61A		Pre	A07D, A09E, A11F, A13F
A22.1	04	E62A, E62B, E77A, E77B, E77C, E77D, E77F		Pre	A07D, A09E, A11F, A13F	A31.88	18A	S63A, S63B
	Pre	A07D, A09E, A11F, A13F	A26.9	15	TPN, VTPN		18B	T64A, T64B, T64C
A22.2	06	G46A, G46B, G46C, G50Z, G71Z		18B	T64A, T64B, T64C		Pre	A07D, A09E, A11F, A13F
	Pre	A07D, A09E, A11F, A13F	A27.0	Pre	A07D, A09E, A11F, A13F	A31.9	18A	S63A, S63B
A22.7	05	F62A		05	F62A		18B	T64A, T64B, T64C
	06	G67A		06	G67A		Pre	A07D, A09E, A11F, A13F
	17	R60B, R60C, R61A, R62A, R63B, R63C, R63D, R63F		15	TPN, VTPN	A32.0	15	TPN, VTPN
	18B	T01B, T60A, T60B, T60C, T60D, T60E, T60F, T61A		17	R60B, R60C, R61A, R62A, R63B, R63C, R63D, R63F		18B	T64A, T64B, T64C
	Pre	A07D, A09E, A11F, A13F		18B	T01B, T60A, T60B, T60C, T60D, T60E, T60F, T61A		Pre	A07D, A09E, A11F, A13F
	Pre	A07D, A09E, A11F, A13F		Pre	A07D, A09E, A11F, A13F	A32.1	01	B72A, B72B
	Pre	A07D, A09E, A11F, A13F		Pre	A07D, A09E, A11F, A13F		15	TPN, VTPN
	Pre	A07D, A09E, A11F, A13F		Pre	A07D, A09E, A11F, A13F		Pre	A07D, A09E, A11F, A13F
	Pre	A07D, A09E, A11F, A13F		Pre	A07D, A09E, A11F, A13F	A32.7	05	F62A
	Pre	A07D, A09E, A11F, A13F		Pre	A07D, A09E, A11F, A13F		06	G67A
	Pre	A07D, A09E, A11F, A13F		Pre	A07D, A09E, A11F, A13F		15	TPN, VTPN
	Pre	A07D, A09E, A11F, A13F		Pre	A07D, A09E, A11F, A13F		17	R60B, R60C, R61A, R62A, R63B, R63C, R63D, R63F
	Pre	A07D, A09E, A11F, A13F		Pre	A07D, A09E, A11F, A13F		18B	T01B, T60A, T60B, T60C, T60D, T60E, T60F, T61A
	Pre	A07D, A09E, A11F, A13F		Pre	A07D, A09E, A11F, A13F		Pre	A07D, A09E, A11F, A13F

ICD	MDC	DRG	ICD	MDC	DRG	ICD	MDC	DRG
A32.8	15	TPN, VTPN	A39.4	05	F62A	A40.81	05	F62A
	18B	T64A, T64B, T64C		06	G67A		06	G67A
	Pre	A07D, A09E, A11F, A13F		15	TPN, VTPN		15	TPN, VTPN
A32.9	15	TPN, VTPN		17	R60B, R60C, R61A, R62A, R63B, R63C, R63D, R63F		17	R60B, R60C, R61A, R62A, R63B, R63C, R63D, R63F
	18B	T64A, T64B, T64C		18B	T01B, T60A, T60B, T60C, T60F, T61A		18A	S63A, S63B
	Pre	A07D, A09E, A11F, A13F		Pre	A07D, A09E, A11F, A13F		18B	T01B, T60A, T60B, T60C, T60D, T60E, T60F, T61A
A33	15	TPN, VTPN	A39.5	05	F75A, F75B, F75C, F75D		22	Y02A
	Pre	963Z, A07D, A09E, A11F, A13F		15	TPN, VTPN		Pre	A07D, A09E, A11F, A13F
A34	14	O04A, O04B, O61Z	A39.8	05	F62A	A40.89	05	F62A
	Pre	A07D, A09E, A11F, A13F		06	G67A		06	G67A
A35	15	TPN, VTPN		17	R60B, R60C, R61A, R62A, R63B, R63C, R63D, R63F		15	TPN, VTPN
	18B	T64A, T64B, T64C		18B	T01B, T60A, T60B, T60C, T60F, T61A		17	R60B, R60C, R61A, R62A, R63B, R63C, R63D, R63F
	Pre	A07D, A09E, A11F, A13F		Pre	A07D, A09E, A11F, A13F		18A	S63A, S63B
A36.0	03	D66Z	A39.9	05	F62A		18B	T01B, T60A, T60B, T60C, T60D, T60E, T60F, T61A
	Pre	A07D, A09E, A11F, A13F		06	G67A		22	Y02A
A36.1	03	D66Z		17	R60B, R60C, R61A, R62A, R63B, R63C, R63D, R63F	A40.9	Pre	A07D, A09E, A11F, A13F
	Pre	A07D, A09E, A11F, A13F		18B	T01B, T60A, T60B, T60C, T60F, T61A		05	F62A
A36.2	03	D66Z		Pre	A07D, A09E, A11F, A13F		06	G67A
	Pre	A07D, A09E, A11F, A13F		17	R60B, R60C, R61A, R62A, R63B, R63C, R63D, R63F		15	TPN, VTPN
A36.3	09	J61A, J61B, J61C, J68A, J68B		18B	T01B, T60A, T60B, T60C, T60F, T61A		17	R60B, R60C, R61A, R62A, R63B, R63C, R63D, R63F
	Pre	A07D, A09E, A11F, A13F		Pre	A07D, A09E, A11F, A13F		18A	S63A, S63B
A36.8	18B	T64A, T64B, T64C	A40.0	05	F62A		18B	T01B, T60A, T60B, T60C, T60D, T60E, T60F, T61A
	Pre	A07D, A09E, A11F, A13F		06	G67A		22	Y02A
A36.9	18B	T64A, T64B, T64C		15	TPN, VTPN		Pre	A07D, A09E, A11F, A13F
	Pre	A07D, A09E, A11F, A13F		17	R60B, R60C, R61A, R62A, R63B, R63C, R63D, R63F	A41.0	05	F62A
A37.0	04	E70A, E70B		18A	S63A, S63B		06	G67A
	15	TPN, VTPN		18B	T01B, T60A, T60B, T60C, T60D, T60E, T60F, T61A		15	TPN, VTPN
	Pre	A07D, A09E, A11F, A13F		22	Y02A		17	R60B, R60C, R61A, R62A, R63B, R63C, R63D, R63F
A37.1	04	E70A, E70B	A40.1	05	F62A		18A	S63A, S63B
	15	TPN, VTPN		06	G67A		18B	T01B, T60A, T60B, T60C, T60D, T60E, T60F, T61A
	Pre	A07D, A09E, A11F, A13F		15	TPN, VTPN		22	Y02A
A37.8	04	E70A, E70B		17	R60B, R60C, R61A, R62A, R63B, R63C, R63D, R63F	A41.1	Pre	A07D, A09E, A11F, A13F
	15	TPN, VTPN		18A	S63A, S63B		05	F62A
	Pre	A07D, A09E, A11F, A13F		18B	T01B, T60A, T60B, T60C, T60D, T60E, T60F, T61A		06	G67A
A37.9	04	E70A, E70B		22	Y02A		15	TPN, VTPN
	15	TPN, VTPN		Pre	A07D, A09E, A11F, A13F		17	R60B, R60C, R61A, R62A, R63B, R63C, R63D, R63F
	Pre	A07D, A09E, A11F, A13F		05	F62A		18A	S63A, S63B
A38	18B	T64A, T64B, T64C		06	G67A		18B	T01B, T60A, T60B, T60C, T60D, T60E, T60F, T61A
	Pre	A07D, A09E, A11F, A13F		15	TPN, VTPN		22	Y02A
A39.0	01	B72A, B72B	A40.2	05	F62A		Pre	A07D, A09E, A11F, A13F
	15	TPN, VTPN		06	G67A		05	F62A
	Pre	A07D, A09E, A11F, A13F		15	TPN, VTPN		06	G67A
A39.1	05	F62A		17	R60B, R60C, R61A, R62A, R63B, R63C, R63D, R63F	A41.2	15	TPN, VTPN
	06	G67A		18A	S63A, S63B		17	R60B, R60C, R61A, R62A, R63B, R63C, R63D, R63F
	15	TPN, VTPN		18B	T01B, T60A, T60B, T60C, T60D, T60E, T60F, T61A		18A	S63A, S63B
	17	R60B, R60C, R61A, R62A, R63B, R63C, R63D, R63F		Pre	A07D, A09E, A11F, A13F		18B	T01B, T60A, T60B, T60C, T60D, T60E, T60F, T61A
	18B	T01B, T60A, T60B, T60C, T60F, T61A		15	TPN, VTPN		22	Y02A
	Pre	A07D, A09E, A11F, A13F		17	R60B, R60C, R61A, R62A, R63B, R63C, R63D, R63F		Pre	A07D, A09E, A11F, A13F
A39.2	05	F62A	A40.3	05	F62A		05	F62A
	06	G67A		06	G67A		06	G67A
	15	TPN, VTPN		15	TPN, VTPN		15	TPN, VTPN
	17	R60B, R60C, R61A, R62A, R63B, R63C, R63D, R63F		17	R60B, R60C, R61A, R62A, R63B, R63C, R63D, R63F		17	R60B, R60C, R61A, R62A, R63B, R63C, R63D, R63F
	18B	T01B, T60A, T60B, T60C, T60F, T61A		18A	S63A, S63B		18A	S63A, S63B
	Pre	A07D, A09E, A11F, A13F		18B	T01B, T60A, T60B, T60C, T60D, T60E, T60F, T61A		18B	T01B, T60A, T60B, T60C, T60D, T60E, T60F, T61A
A39.3	05	F62A		22	Y02A	A41.3	22	Y02A
	06	G67A		Pre	A07D, A09E, A11F, A13F		Pre	A07D, A09E, A11F, A13F
	15	TPN, VTPN		18A	S63A, S63B		05	F62A
	17	R60B, R60C, R61A, R62A, R63B, R63C, R63D, R63F		18B	T01B, T60A, T60B, T60C, T60D, T60E, T60F, T61A		06	G67A
	18B	T01B, T60A, T60B, T60C, T60F, T61A		22	Y02A		15	TPN, VTPN
	Pre	A07D, A09E, A11F, A13F		Pre	A07D, A09E, A11F, A13F		17	R60B, R60C, R61A, R62A, R63B, R63C, R63D, R63F
	05	F62A		18A	S63A, S63B		18A	S63A, S63B
	06	G67A		18B	T01B, T60A, T60B, T60C, T60D, T60E, T60F, T61A		18B	T01B, T60A, T60B, T60C, T60D, T60E, T60F, T61A
	15	TPN, VTPN		22	Y02A		22	Y02A
	17	R60B, R60C, R61A, R62A, R63B, R63C, R63D, R63F		Pre	A07D, A09E, A11F, A13F		Pre	A07D, A09E, A11F, A13F
	18B	T01B, T60A, T60B, T60C, T60F, T61A		18A	S63A, S63B		18A	S63A, S63B
	Pre	A07D, A09E, A11F, A13F		18B	T01B, T60A, T60B, T60C, T60D, T60E, T60F, T61A		18B	T01B, T60A, T60B, T60C, T60D, T60E, T60F, T61A
	05	F62A		22	Y02A		22	Y02A
	06	G67A		Pre	A07D, A09E, A11F, A13F		Pre	A07D, A09E, A11F, A13F
	15	TPN, VTPN		18A	S63A, S63B		18A	S63A, S63B
	17	R60B, R60C, R61A, R62A, R63B, R63C, R63D, R63F		18B	T01B, T60A, T60B, T60C, T60D, T60E, T60F, T61A		18B	T01B, T60A, T60B, T60C, T60D, T60E, T60F, T61A
	18B	T01B, T60A, T60B, T60C, T60F, T61A		22	Y02A		22	Y02A
	Pre	A07D, A09E, A11F, A13F		Pre	A07D, A09E, A11F, A13F		Pre	A07D, A09E, A11F, A13F

ICD	MDC	DRG	ICD	MDC	DRG	ICD	MDC	DRG	
A41.4	05	F62A	A41.9	05	F62A	A48.1	04	E62A, E62B, E77A, E77B, E77C, E77D, E77F	
	06	G67A		06	G67A		15	TPN, VTPN	
	15	TPN, VTPN		15	P65C, P66C, P67B, P67C		18A	S63A, S63B	
	17	R60B, R60C, R61A, R62A, R63B, R63C, R63D, R63F		18A	S63A, S63B		22	Y02A, Y02B	
	18A	S63A, S63B		18B	T01B, T60A, T60B, T60C, T60D, T60E, T60F, T61A		Pre	A07D, A09E, A11F, A13F	
	18B	T01B, T60A, T60B, T60C, T60D, T60E, T60F, T61A		22	Y02A		A48.2	04	E62A, E62B, E77A, E77B, E77C, E77D, E77E, E77F, E77G
	22	Y02A		Pre	A07D, A09E, A11F, A13F		15	TPN, VTPN	
	Pre	A07D, A09E, A11F, A13F		A42.0	04		E62A, E62B, E77A, E77B, E77C, E77D, E77F	18A	S63A, S63B
	A41.51	05		F62A	Pre		A07D, A09E, A11F, A13F	22	Y02A, Y02B
		06		G67A	A42.1		06	G46A, G46B, G46C, G50Z, G71Z	Pre
15		TPN, VTPN	Pre	A07D, A09E, A11F, A13F	A48.3	05	F62A		
17		R60B, R60C, R61A, R62A, R63B, R63C, R63D, R63F	A42.2	09	J08A, J08B, J08C, J61A, J61B, J61C, J68A, J68B	06	G67A		
18A		S63A, S63B	Pre	A07D, A09E, A11F, A13F	17	R60B, R60C, R61A, R62A, R63B, R63C, R63D, R63F			
18B		T01B, T60A, T60B, T60C, T60D, T60E, T60F, T61A	A42.7	05	F62A	18B	T01B, T60A, T60B, T60C, T60D, T60E, T60F, T61A		
22		Y02A	06	G67A	Pre	A07D, A09E, A11F, A13F			
Pre		A07D, A09E, A11F, A13F	17	R60B, R60C, R61A, R62A, R63B, R63C, R63D, R63F	A48.4	18B	T64A, T64B, T64C		
A41.52		05	F62A	18B	T01B, T60A, T60B, T60C, T60F, T61A	Pre	A07D, A09E, A11F, A13F		
		06	G67A	Pre	A07D, A09E, A11F, A13F	A48.8	18B	T64A, T64B, T64C	
	15	TPN, VTPN	A42.8	18B	T64A, T64B, T64C	A49.0	18B	T64A, T64B, T64C	
	17	R60B, R60C, R61A, R62A, R63B, R63C, R63D, R63F	Pre	A07D, A09E, A11F, A13F	A49.1	15	P65C, P66C, P67B, P67C		
	18A	S63A, S63B	A42.9	18B	T64A, T64B, T64C	18B	T64A, T64B, T64C		
	18B	T01B, T60A, T60B, T60C, T60D, T60E, T60F, T61A	Pre	A07D, A09E, A11F, A13F	A49.2	18B	T64A, T64B, T64C		
	22	Y02A	A43.0	04	E41Z, E42Z, E76A, E76B, E76C	A49.3	18B	T64A, T64B, T64C	
	Pre	A07D, A09E, A11F, A13F	18A	S63A, S63B	A49.8	18B	T64A, T64B, T64C		
	A41.53	05	F62A	Pre	A07D, A09E, A11F, A13F	A49.9	18B	T64A, T64B, T64C	
		06	G67A	A43.1	09	J08A, J08B, J08C, J61A, J61B, J61C, J68A, J68B	A50.0	15	TPN, VTPN
15		TPN, VTPN	18A	S63A, S63B	18B	T64A, T64B, T64C			
17		R60B, R60C, R61A, R62A, R63B, R63C, R63D, R63F	Pre	A07D, A09E, A11F, A13F	A50.1	15	TPN, VTPN		
18A		S63A, S63B	A43.8	18A	S63A, S63B	18B	T64A, T64B, T64C		
18B		T01B, T60A, T60B, T60C, T60D, T60E, T60F, T61A	18B	T64A, T64B, T64C	A50.2	15	TPN, VTPN		
22		Y02A	Pre	A07D, A09E, A11F, A13F	18B	T64A, T64B, T64C			
Pre		A07D, A09E, A11F, A13F	A43.9	18A	S63A, S63B	A50.3	02	C60Z	
A41.58		05	F62A	18B	T64A, T64B, T64C	15	TPN, VTPN		
		06	G67A	Pre	A07D, A09E, A11F, A13F	A50.4	01	B72A, B72B	
	15	TPN, VTPN	A44.0	05	F62A	15	TPN, VTPN		
	17	R60B, R60C, R61A, R62A, R63B, R63C, R63D, R63F	06	G67A	A50.5	18B	T64A, T64B, T64C		
	18A	S63A, S63B	17	R60B, R60C, R61A, R62A, R63B, R63C, R63D, R63F	A50.6	18B	T64A, T64B, T64C		
	18B	T01B, T60A, T60B, T60C, T60D, T60E, T60F, T61A	18B	T01B, T60A, T60B, T60C, T60D, T60E, T60F, T61A	A50.7	18B	T64A, T64B, T64C		
	22	Y02A	Pre	A07D, A09E, A11F, A13F	A50.9	18B	T64A, T64B, T64C		
	Pre	A07D, A09E, A11F, A13F	A44.1	18B	T64A, T64B, T64C	A51.0	12	M62Z	
	A41.81	05	F62A	Pre	A07D, A09E, A11F, A13F	13	N04Z, N05A, N05B, N14Z, N21Z, N25Z, N61Z		
		06	G67A	A44.8	18B	T64A, T64B, T64C	18A	S63A, S63B	
15		TPN, VTPN	Pre	A07D, A09E, A11F, A13F	A51.1	06	G46A, G46B, G46C, G50Z, G71Z		
17		R60B, R60C, R61A, R62A, R63B, R63C, R63D, R63F	A44.9	18B	T64A, T64B, T64C	18A	S63A, S63B		
18A		S63A, S63B	A46	09	J11A, J11B, J64A, J64B	A51.2	18A	S63A, S63B	
18B		T01B, T60A, T60B, T60C, T60D, T60E, T60F, T61A	15	TPN, VTPN	18B	T64A, T64B, T64C			
22		Y02A	Pre	A07D, A09E, A11F, A13F	A51.3	09	J61A, J61B, J61C, J68A, J68B		
Pre		A07D, A09E, A11F, A13F	A48.0	05	F62A	18A	S63A, S63B		
A41.89		05	F62A	06	G67A	A51.4	18A	S63A, S63B	
		06	G67A	15	TPN, VTPN	18B	T64A, T64B, T64C		
	15	TPN, VTPN	17	R60B, R60C, R61A, R62A, R63B, R63C, R63D, R63F	A51.5	18A	S63A, S63B		
	17	R60B, R60C, R61A, R62A, R63B, R63C, R63D, R63F	18B	T01B, T60A, T60B, T60C, T60D, T60E, T60F, T61A	18B	T64A, T64B, T64C			
	18A	S63A, S63B	Pre	A07D, A09E, A11F, A13F	A51.9	18A	S63A, S63B		
	18B	T01B, T60A, T60B, T60C, T60D, T60E, T60F, T61A	15	TPN, VTPN	18B	T64A, T64B, T64C			
	22	Y02A	A52.0	05	F75A, F75B, F75C, F75D	18A	S63A, S63B		
	Pre	A07D, A09E, A11F, A13F	18A	S63A, S63B	A52.1	01	B72A, B72B		
	A41.89	05	F62A	18A	S63A, S63B	18A	S63A, S63B		
		06	G67A	Pre	A07D, A09E, A11F, A13F	A52.2	01	B72A, B72B	
15		TPN, VTPN	A52.3	01	B72A, B72B	18A	S63A, S63B		
17		R60B, R60C, R61A, R62A, R63B, R63C, R63D, R63F	18A	S63A, S63B	18A	S63A, S63B			
18A		S63A, S63B							
18B		T01B, T60A, T60B, T60C, T60D, T60E, T60F, T61A							
22		Y02A							
Pre		A07D, A09E, A11F, A13F							

ICD	MDC	DRG	ICD	MDC	DRG	ICD	MDC	DRG
A52.7	18A	S63A, S63B	A63.8	12	M62Z	A75.2	18B	T64A, T64B, T64C
	18B	T64A, T64B, T64C		13	N04Z, N05A, N05B, N14Z, N21Z, N25Z, N61Z	Pre	A07D, A09E, A11F, A13F	
A52.8	18A	S63A, S63B	A64	12	M62Z	A75.3	18B	T64A, T64B, T64C
	18B	T64A, T64B, T64C		13	N04Z, N05A, N05B, N14Z, N21Z, N25Z, N61Z	Pre	A07D, A09E, A11F, A13F	
A52.9	18A	S63A, S63B	A65	18B	T64A, T64B, T64C	A75.9	18B	T64A, T64B, T64C
	18B	T64A, T64B, T64C	A66.0	09	J67A, J67B, J68A, J68B	Pre	A07D, A09E, A11F, A13F	
A53.0	18A	S63A, S63B	A66.1	09	J67A, J67B, J68A, J68B	A77.0	18B	T64A, T64B, T64C
	18B	T64A, T64B, T64C	A66.2	09	J61A, J61B, J61C, J68A, J68B	Pre	A07D, A09E, A11F, A13F	
A53.9	18A	S63A, S63B	A66.3	09	J61A, J61B, J61C, J68A, J68B	A77.1	18B	T64A, T64B, T64C
	18B	T64A, T64B, T64C	A66.4	09	J61A, J61B, J61C, J68A, J68B	Pre	A07D, A09E, A11F, A13F	
A54.0	12	M62Z	A66.5	03	D66Z	A77.2	18B	T64A, T64B, T64C
	13	N04Z, N05A, N05B, N14Z, N21Z, N25Z, N61Z	A66.6	08	I08A, I08B, I08C, I08D, I08E, I13A, I13B, I76A, I76B	Pre	A07D, A09E, A11F, A13F	
A54.1	12	M62Z	A66.7	18B	T64A, T64B, T64C	A77.3	18B	T64A, T64B, T64C
	13	N04Z, N05A, N05B, N14Z, N21Z, N25Z, N61Z	A66.8	18B	T64A, T64B, T64C	Pre	A07D, A09E, A11F, A13F	
A54.2	12	M62Z	A66.9	18B	T64A, T64B, T64C	A77.8	18B	T64A, T64B, T64C
	13	N04Z, N05A, N05B, N14Z, N21Z, N25Z, N61Z	A67.0	09	J67A, J67B, J68A, J68B	Pre	A07D, A09E, A11F, A13F	
A54.3	02	C60Z	A67.1	09	J67A, J67B, J68A, J68B	A77.9	18B	T64A, T64B, T64C
A54.4	08	I08A, I08B, I08C, I08D, I08E, I13A, I13B, I76A, I76B	A67.2	18B	T64A, T64B, T64C	Pre	A07D, A09E, A11F, A13F	
A54.5	03	D62Z, D63Z	A67.3	09	J67A, J67B, J68A, J68B	A78	05	F62A
A54.6	06	G46A, G46B, G46C, G50Z, G71Z	A67.9	18B	T64A, T64B, T64C	06	G67A	
A54.8	18B	T64A, T64B, T64C	A68.0	18B	T64A, T64B, T64C	17	R60B, R60C, R61A, R62A, R63B, R63C, R63D, R63F	
A54.9	18B	T64A, T64B, T64C	A68.1	18B	T64A, T64B, T64C	18B	T01B, T60A, T60B, T60C, T60F, T61A	
A55	12	M62Z	A68.9	18B	T64A, T64B, T64C	Pre	A07D, A09E, A11F, A13F	
	13	N04Z, N05A, N05B, N14Z, N21Z, N25Z, N61Z	A69.0	03	D62Z, D63Z	A79.0	18B	T64A, T64B, T64C
A56.0	12	M62Z	A69.1	03	D62Z, D63Z	Pre	A07D, A09E, A11F, A13F	
	13	N04Z, N05A, N05B, N14Z, N21Z, N25Z, N61Z	A69.21	18B	T64A, T64B	A79.1	18B	T64A, T64B, T64C
A56.1	12	M62Z	A69.22	18B	T64A, T64B	Pre	A07D, A09E, A11F, A13F	
	13	N04Z, N05A, N05B, N14Z, N21Z, N25Z, N61Z	A69.23	18B	T64A, T64B	A79.8	18B	T64A, T64B, T64C
A56.2	12	M62Z	A69.24	18B	T64A, T64B	Pre	A07D, A09E, A11F, A13F	
	13	N04Z, N05A, N05B, N14Z, N21Z, N25Z, N61Z	A69.25	18B	T64A, T64B	A79.9	18B	T64A, T64B, T64C
A56.3	06	G46A, G46B, G46C, G50Z, G71Z	A69.26	18B	T64A, T64B	Pre	A07D, A09E, A11F, A13F	
A56.4	03	D62Z, D63Z	A69.27	18B	T64A, T64B	A80.0	01	B72A, B72B
A56.8	12	M62Z	A69.29	18B	T64A, T64B	Pre	A07D, A09E, A11F, A13F	
	13	N04Z, N05A, N05B, N14Z, N21Z, N25Z, N61Z	A69.8	18B	T64A, T64B, T64C	A80.1	01	B72A, B72B
A57	12	M62Z	A69.9	18B	T64A, T64B, T64C	Pre	A07D, A09E, A11F, A13F	
	13	N04Z, N05A, N05B, N14Z, N21Z, N25Z, N61Z	A70	04	E62A, E62B, E77A, E77B, E77C, E77D, E77E, E77F, E77G	A80.2	01	B72A, B72B
A58	12	M62Z	A71.0	02	C60Z	Pre	A07D, A09E, A11F, A13F	
	13	N04Z, N05A, N05B, N14Z, N21Z, N25Z, N61Z	A71.1	02	C60Z	A80.3	01	B72A, B72B
A59.0	12	M62Z	A71.9	15	TPN, VTPN	Pre	A07D, A09E, A11F, A13F	
	13	N04Z, N05A, N05B, N14Z, N21Z, N25Z, N61Z	A74.0	02	C60Z	A80.4	18B	T63A, T63B, T63C
A59.8	18B	T64A, T64B, T64C	A74.81	15	TPN, VTPN	Pre	A07D, A09E, A11F, A13F	
A59.9	18B	T64A, T64B, T64C		18A	S63A, S63B	A80.9	01	B72A, B72B
A60.0	12	M62Z	A74.82	15	TPN, VTPN	Pre	A07D, A09E, A11F, A13F	
	13	N04Z, N05A, N05B, N14Z, N21Z, N25Z, N61Z		18A	S63A, S63B	A81.0	01	B17A, B48Z, B85A, B85B, B85C
A60.1	18A	S63A, S63B	A74.83	15	TPN, VTPN	Pre	A07D, A09E, A11F, A13F	
	12	M62Z		18A	S63A, S63B	A81.1	01	B17A, B48Z, B85A, B85B, B85C
	13	N04Z, N05A, N05B, N14Z, N21Z, N25Z, N61Z		18B	T63A, T63B, T63C	15	TPN, VTPN	
A60.9	18A	S63A, S63B	A74.84	15	TPN, VTPN	Pre	A07D, A09E, A11F, A13F	
	12	M62Z		18A	S63A, S63B	A81.2	01	B48Z, B85A, B85B, B85C, B85D
	13	N04Z, N05A, N05B, N14Z, N21Z, N25Z, N61Z	A74.89	15	TPN, VTPN	18A	S63A, S63B	
	18A	S63A, S63B		18B	T63A, T63B, T63C	Pre	A07D, A09E, A11F, A13F	
	12	M62Z	A74.9	18A	S63A, S63B	A81.8	01	B48Z, B85A, B85B, B85C, B85D
	13	N04Z, N05A, N05B, N14Z, N21Z, N25Z, N61Z		18B	T63A, T63B, T63C	18A	S65A, S65B	
	18A	S63A, S63B	A75.0	18B	T64A, T64B, T64C	Pre	A07D, A09E, A11F, A13F	
	18A	S63A, S63B	Pre	A07D, A09E, A11F, A13F	A81.9	01	B48Z, B85A, B85B, B85C, B85D	
	18A	S63A, S63B	A75.1	18B	T64A, T64B, T64C	18A	S65A, S65B	
	18A	S63A, S63B	Pre	A07D, A09E, A11F, A13F	A82.0	01	B72A, B72B	
	18A	S63A, S63B		Pre	A07D, A09E, A11F, A13F	Pre	A07D, A09E, A11F, A13F	
	18A	S63A, S63B		Pre	A07D, A09E, A11F, A13F	A82.1	01	B72A, B72B
	18A	S63A, S63B		Pre	A07D, A09E, A11F, A13F	Pre	A07D, A09E, A11F, A13F	

Dg

ICD	MDC	DRG	ICD	MDC	DRG	ICD	MDC	DRG
A82.9	01	B72A, B72B	A90	18B	T63A, T63B, T63C	B00.0	09	J61A, J61B, J61C, J68A, J68B
	Pre	A07D, A09E, A11F, A13F		Pre	A07D, A09E, A11F, A13F		15	TPN, VTPN
A83.0	01	B72A, B72B	A91	18B	T63A, T63B, T63C		18A	S63A, S63B
	Pre	A07D, A09E, A11F, A13F		Pre	A07D, A09E, A11F, A13F	B00.1	15	TPN, VTPN
A83.1	01	B72A, B72B	A92.0	18B	T63A, T63B, T63C		18A	S63A, S63B
	Pre	A07D, A09E, A11F, A13F		Pre	A07D, A09E, A11F, A13F		18B	T63A, T63B, T63C
A83.2	01	B72A, B72B	A92.1	18B	T63A, T63B, T63C	B00.2	03	D40Z, D67Z
	Pre	A07D, A09E, A11F, A13F		Pre	A07D, A09E, A11F, A13F		15	TPN, VTPN
A83.3	01	B72A, B72B	A92.2	01	B72A, B72B	B00.3	18A	S63A, S63B
	Pre	A07D, A09E, A11F, A13F		Pre	A07D, A09E, A11F, A13F		01	B73Z
A83.4	01	B72A, B72B	A92.3	18B	T63A, T63B, T63C		15	TPN, VTPN
	Pre	A07D, A09E, A11F, A13F		Pre	A07D, A09E, A11F, A13F		18A	S63A, S63B
A83.5	01	B72A, B72B	A92.4	18B	T63A, T63B, T63C	B00.4	Pre	A07D, A09E, A11F, A13F
	Pre	A07D, A09E, A11F, A13F		Pre	A07D, A09E, A11F, A13F		01	B72A, B72B
A83.6	01	B72A, B72B	A92.8	18B	T63A, T63B, T63C		15	TPN, VTPN
	Pre	A07D, A09E, A11F, A13F		Pre	A07D, A09E, A11F, A13F		18A	S63A, S63B
A83.8	01	B72A, B72B	A92.9	18B	T63A, T63B, T63C	B00.5	Pre	A07D, A09E, A11F, A13F
	Pre	A07D, A09E, A11F, A13F		Pre	A07D, A09E, A11F, A13F		02	C60Z
A83.9	01	B72A, B72B	A93.0	18B	T63A, T63B, T63C		15	TPN, VTPN
	Pre	A07D, A09E, A11F, A13F		Pre	A07D, A09E, A11F, A13F		18A	S63A, S63B
A84.0	01	B72A, B72B	A93.1	18B	T63A, T63B, T63C	B00.7	05	F62A
	Pre	A07D, A09E, A11F, A13F		Pre	A07D, A09E, A11F, A13F		06	G67A
A84.1	01	B72A, B72B	A93.2	18B	T63A, T63B, T63C		15	TPN, VTPN
	Pre	A07D, A09E, A11F, A13F		Pre	A07D, A09E, A11F, A13F		17	R60B, R60C, R61A, R62A, R63B, R63C, R63D, R63F
A84.8	01	B72A, B72B	A93.8	18B	T63A, T63B, T63C		18A	S63A, S63B
	Pre	A07D, A09E, A11F, A13F		Pre	A07D, A09E, A11F, A13F		18B	T01B, T60A, T60B, T60C, T60D, T60E, T60F, T61A
A84.9	01	B72A, B72B	A94	18B	T63A, T63B, T63C	B00.8	15	TPN, VTPN
	Pre	A07D, A09E, A11F, A13F		Pre	A07D, A09E, A11F, A13F		18A	S63A, S63B
A85.0	01	B72A, B72B	A95.0	18B	T63A, T63B, T63C		18B	T63A, T63B, T63C
	18A	S65A, S65B		Pre	A07D, A09E, A11F, A13F	B00.9	09	J61A, J61B, J61C, J68A, J68B
	Pre	A07D, A09E, A11F, A13F	A95.1	18B	T63A, T63B, T63C		15	TPN, VTPN
A85.1	01	B72A, B72B		Pre	A07D, A09E, A11F, A13F		18A	S63A, S63B
	18A	S65A, S65B	A95.9	18B	T63A, T63B, T63C	B01.0	18A	T63A, T63B, T63C
	Pre	A07D, A09E, A11F, A13F		Pre	A07D, A09E, A11F, A13F		01	B73Z
A85.2	01	B72A, B72B	A96.0	15	TPN, VTPN		15	TPN, VTPN
	Pre	A07D, A09E, A11F, A13F		18B	T63A, T63B, T63C	B01.1	Pre	A07D, A09E, A11F, A13F
A85.8	01	B72A, B72B		Pre	A07D, A09E, A11F, A13F		01	B72A, B72B
	18A	S65A, S65B	A96.1	15	TPN, VTPN		15	TPN, VTPN
	Pre	A07D, A09E, A11F, A13F		18B	T63A, T63B, T63C	B01.2	Pre	A07D, A09E, A11F, A13F
A86	01	B72A, B72B		Pre	A07D, A09E, A11F, A13F		04	E62A, E62B, E77A, E77B, E77C, E77D, E77E, E77F, E77G
	15	TPN, VTPN	A96.2	15	TPN, VTPN		15	TPN, VTPN
	18A	S65A, S65B		18B	T63A, T63B, T63C	B01.8	Pre	A07D, A09E, A11F, A13F
	Pre	A07D, A09E, A11F, A13F		Pre	A07D, A09E, A11F, A13F		15	TPN, VTPN
A87.0	01	B73Z	A96.8	15	TPN, VTPN	B01.9	18B	T63A, T63B, T63C
	15	TPN, VTPN		18B	T63A, T63B, T63C		15	TPN, VTPN
	18A	S63A, S63B		Pre	A07D, A09E, A11F, A13F	B02.0	18B	T63A, T63B, T63C
	Pre	A07D, A09E, A11F, A13F	A96.9	15	TPN, VTPN		15	TPN, VTPN
A87.1	01	B73Z		18B	T63A, T63B, T63C		18B	T63A, T63B, T63C
	18A	S63A, S63B	A98.0	18B	T63A, T63B, T63C	B02.1	01	B72A, B72B
	Pre	A07D, A09E, A11F, A13F		Pre	A07D, A09E, A11F, A13F		15	TPN, VTPN
A87.2	01	B73Z		Pre	A07D, A09E, A11F, A13F		18A	S63A, S63B
	Pre	A07D, A09E, A11F, A13F	A98.1	18B	T63A, T63B, T63C		Pre	A07D, A09E, A11F, A13F
A87.8	01	B73Z		Pre	A07D, A09E, A11F, A13F	B02.2	01	B73Z
	18A	S63A, S63B	A98.2	18B	T63A, T63B, T63C		15	TPN, VTPN
	Pre	A07D, A09E, A11F, A13F		Pre	A07D, A09E, A11F, A13F		18A	S63A, S63B
A87.9	01	B73Z	A98.3	15	TPN, VTPN	B02.3	Pre	A07D, A09E, A11F, A13F
	18A	S63A, S63B		18B	T63A, T63B, T63C		01	B73Z
	Pre	A07D, A09E, A11F, A13F		Pre	A07D, A09E, A11F, A13F		15	TPN, VTPN
A88.0	01	B72A, B72B	A98.4	18B	T63A, T63B, T63C		18A	S63A, S63B
	Pre	A07D, A09E, A11F, A13F		Pre	A07D, A09E, A11F, A13F	B02.7	01	B81A, B81B
A88.1	01	B81A, B81B	A98.5	11	L63A, L63B, L63C, L63D, L63E, L63F, L74Z		15	TPN, VTPN
	Pre	A07D, A09E, A11F, A13F		15	TPN, VTPN		18A	S63A, S63B
A88.8	01	B72A, B72B		Pre	A07D, A09E, A11F, A13F		15	TPN, VTPN
	18A	S65A, S65B	A98.8	18B	T63A, T63B, T63C		18A	S63A, S63B
	Pre	A07D, A09E, A11F, A13F		Pre	A07D, A09E, A11F, A13F		18B	T63A, T63B, T63C
A89	01	B72A, B72B	A99	18B	T63A, T63B, T63C	B02.8	15	TPN, VTPN
	15	TPN, VTPN		Pre	A07D, A09E, A11F, A13F		18A	S63A, S63B
	18A	S65A, S65B					18B	T63A, T63B, T63C
	Pre	A07D, A09E, A11F, A13F					18B	T63A, T63B, T63C

ICD	MDC	DRG	ICD	MDC	DRG	ICD	MDC	DRG
B02.9	09	J64A, J64B, J68A, J68B	B17.2	07	H63A, H63B, H63C, H78Z	B20.9	14	O01C, O01D, O01F
	15	TPN, VTPN		15	TPN, VTPN		15	TPN, VTPN
	18A	S63A, S63B		Pre	A07D, A09E, A11F, A13F		18A	S63A, S63B
B03	18B	T63A, T63B, T63C	B17.8	07	H63A, H63B, H63C, H78Z		20	V60A, V60B
B04	18B	T63A, T63B, T63C		15	TPN, VTPN		Pre	A07D, A09E, A11F, A13F
B05.0	01	B72A, B72B	B17.9	07	H63A, H63B, H63C, H78Z	B21.0	14	O01C, O01D, O01F
	15	TPN, VTPN		15	TPN, VTPN		15	TPN, VTPN
	18A	S63A, S63B	B18.0	07	H63A, H63B, H63C, H78Z		18A	S62Z
	Pre	A07D, A09E, A11F, A13F		15	TPN, VTPN		20	V60A, V60B
B05.1	01	B73Z	B18.1	07	H63A, H63B, H63C, H78Z		Pre	A07D, A09E, A11F, A13F
	15	TPN, VTPN		15	TPN, VTPN	B21.1	14	O01C, O01D, O01F
	18A	S63A, S63B	B18.2	07	H63A, H63B, H63C, H78Z		15	TPN, VTPN
	Pre	A07D, A09E, A11F, A13F		15	TPN, VTPN		18A	S62Z
B05.2	04	E62A, E62B, E77A, E77B, E77C, E77D, E77E, E77F, E77G		Pre	A07D, A09E, A11F, A13F		20	V60A, V60B
	15	TPN, VTPN	B18.8	07	H63A, H63B, H63C, H78Z		Pre	A07D, A09E, A11F, A13F
	18A	S63A, S63B		15	TPN, VTPN	B21.2	14	O01C, O01D, O01F
B05.3	03	D62Z, D63Z	B18.9	07	H63A, H63B, H63C, H78Z		15	TPN, VTPN
	15	TPN, VTPN		15	TPN, VTPN		18A	S62Z
	18A	S63A, S63B	B19.0	07	H63A, H63B, H63C, H78Z		20	V60A, V60B
B05.4	15	TPN, VTPN		15	TPN, VTPN	B21.3	14	O01C, O01D, O01F
	18A	S63A, S63B	B19.9	07	H63A, H63B, H63C, H78Z		15	TPN, VTPN
	18B	T63A, T63B, T63C		15	TPN, VTPN		18A	S62Z
B05.8	15	TPN, VTPN	B20.0	14	O01C, O01D, O01F		20	V60A, V60B
	18A	S63A, S63B		15	TPN, VTPN		Pre	A07D, A09E, A11F, A13F
	18B	T63A, T63B, T63C		18A	S63A, S63B	B21.7	14	O01C, O01D, O01F
B05.9	18A	S63A, S63B		20	V60A, V60B		15	TPN, VTPN
	18B	T63A, T63B, T63C	B20.1	14	O01C, O01D, O01F		18A	S62Z
B06.0	01	B72A, B72B		15	TPN, VTPN		20	V60A, V60B
	15	TPN, VTPN		18A	S63A, S63B	B21.8	14	O01C, O01D, O01F
B06.8	15	TPN, VTPN		20	V60A, V60B		15	TPN, VTPN
	18B	T63A, T63B, T63C	B20.2	14	O01C, O01D, O01F		18A	S62Z
B06.9	18B	T63A, T63B, T63C		15	TPN, VTPN		20	V60A, V60B
B07	09	J67A, J67B, J68A, J68B		18A	S63A, S63B		Pre	A07D, A09E, A11F, A13F
B08.0	18B	T63A, T63B, T63C		20	V60A, V60B	B21.9	14	O01C, O01D, O01F
B08.1	09	J67A, J67B, J68A, J68B		Pre	A07D, A09E, A11F, A13F		15	TPN, VTPN
B08.2	18B	T63A, T63B, T63C	B20.3	14	O01C, O01D, O01F		18A	S62Z
B08.3	18B	T63A, T63B, T63C		15	TPN, VTPN		20	V60A, V60B
B08.4	18B	T63A, T63B, T63C		18A	S63A, S63B		Pre	A07D, A09E, A11F, A13F
B08.5	03	D62Z, D63Z		20	V60A, V60B	B22.0	14	O01C, O01D, O01F
	15	TPN, VTPN		Pre	A07D, A09E, A11F, A13F		15	TPN, VTPN
B08.8	18B	T63A, T63B, T63C	B20.4	14	O01C, O01D, O01F		18A	S65A, S65B
B09	15	P65C, P66C, P67B, P67C		15	TPN, VTPN		20	V60A, V60B
	18B	T63A, T63B, T63C		18A	S63A, S63B		Pre	A07D, A09E, A11F, A13F
B15.0	07	H63A, H63B, H63C, H78Z		20	V60A, V60B	B22.1	14	O01C, O01D, O01F
	15	TPN, VTPN		Pre	A07D, A09E, A11F, A13F		15	TPN, VTPN
B15.9	07	H63A, H63B, H63C, H78Z	B20.5	14	O01C, O01D, O01F		18A	S65A, S65B
	15	TPN, VTPN		15	TPN, VTPN		20	V60A, V60B
	18A	S63A, S63B		18A	S63A, S63B		Pre	A07D, A09E, A11F, A13F
B16.0	07	H63A, H63B, H63C, H78Z		20	V60A, V60B	B22.2	14	O01C, O01D, O01F
	15	TPN, VTPN		Pre	A07D, A09E, A11F, A13F		15	TPN, VTPN
	Pre	A07D, A09E, A11F, A13F	B20.6	14	O01C, O01D, O01F		18A	S65A, S65B
B16.1	07	H63A, H63B, H63C, H78Z		15	TPN, VTPN		20	V60A, V60B
	15	TPN, VTPN		18A	S63A, S63B		Pre	A07D, A09E, A11F, A13F
B16.2	07	H63A, H63B, H63C, H78Z		20	V60A, V60B	B22.7	14	O01C, O01D, O01F
	15	TPN, VTPN		Pre	A07D, A09E, A11F, A13F		15	TPN, VTPN
	Pre	A07D, A09E, A11F, A13F	B20.7	14	O01C, O01D, O01F		18A	S65A, S65B
B16.9	07	H63A, H63B, H63C, H78Z		15	TPN, VTPN		20	V60A, V60B
	15	TPN, VTPN		18A	S63A, S63B		Pre	A07D, A09E, A11F, A13F
B17.0	07	H63A, H63B, H63C, H78Z		20	V60A, V60B	B23.0	14	O01C, O01D, O01F
	15	TPN, VTPN		Pre	A07D, A09E, A11F, A13F		15	TPN, VTPN
	Pre	A07D, A09E, A11F, A13F	B20.8	14	O01C, O01D, O01F		18A	S65A, S65B
B17.1	07	H63A, H63B, H63C, H78Z		15	TPN, VTPN		20	V60A, V60B
	15	TPN, VTPN		18A	S63A, S63B		Pre	A07D, A09E, A11F, A13F
	18A	S63A, S63B		20	V60A, V60B			
	Pre	A07D, A09E, A11F, A13F		Pre	A07D, A09E, A11F, A13F			

Dg

ICD	MDC	DRG	ICD	MDC	DRG	ICD	MDC	DRG
B23.1	14	O01C, O01D, O01F	B30.8	02	C63Z	B37.4	12	M62Z
	15	TPN, VTPN	B30.9	02	C63Z		13	N04Z, N05A, N05B, N14Z, N21Z, N25Z, N61Z
	18A	S65A, S65B	B33.0	04	E62A, E62B, E77A, E77B, E77C, E77D, E77E, E77F, E77G	B37.5	15	TPN, VTPN
	20	V60A, V60B					01	B72A, B72B
Pre	A07D, A09E, A11F, A13F		B33.1	18B	T63A, T63B, T63C		15	TPN, VTPN
B23.2	14	O01C, O01D, O01F	B33.2	05	F75A, F75B, F75C, F75D		18A	S63A, S63B
	15	TPN, VTPN		15	TPN, VTPN	B37.6	Pre	A07D, A09E, A11F, A13F
	18A	S65A, S65B	Pre	A07D, A09E, A11F, A13F			05	F15Z, F36A, F36B, F61A, F61B
	20	V60A, V60B	B33.3	18B	T63A, T63B, T63C		15	TPN, VTPN
Pre	A07D, A09E, A11F, A13F		B33.4	18B	T63A, T63B, T63C		18A	S63A, S63B
B23.8	14	O01C, O01D, O01F	Pre	A07D, A09E, A11F, A13F		B37.7	Pre	A07D, A09E, A11F, A13F
	15	TPN, VTPN	B33.8	18B	T63A, T63B, T63C		05	F62A
	18A	S65A, S65B	B34.0	15	TPN, VTPN		06	G67A
	20	V60A, V60B		18B	T63A, T63B, T63C		17	R60B, R60C, R61A, R62A, R63B, R63C, R63D, R63F
Pre	A07D, A09E, A11F, A13F		B34.1	18B	T63A, T63B, T63C		18A	S63A, S63B
B24	14	O01C, O01D, O01F	B34.2	18B	T63A, T63B, T63C		18B	T01B, T60A, T60B, T60C, T60F, T61A
	15	TPN, VTPN	B34.3	18B	T63A, T63B, T63C	B37.81	Pre	A07D, A09E, A11F, A13F
	18A	S65A, S65B	B34.4	18A	S63A, S63B		06	G46A, G46B, G46C, G50Z, G67A, G67B, G67C
	20	V60A, V60B		18B	T63A, T63B, T63C		15	TPN, VTPN
Pre	A07D, A09E, A11F, A13F		B34.8	18B	T63A, T63B, T63C	B37.88	18A	S63A, S63B
B25.0	04	E62A, E77A, E77B, E77C, E77D, E77F	B34.9	18A	S63A, S63B		18B	T64A, T64B, T64C
	15	TPN, VTPN		18B	T63A, T63B, T63C	B37.9	18A	S63A, S63B
	18A	S63A, S63B	B35.0	09	J67A, J67B, J68A, J68B		18B	T64A, T64B, T64C
Pre	A07D, A09E, A11F, A13F			18A	S63A, S63B	B38.0	04	E62A, E62B, E77A, E77B, E77C, E77D, E77E, E77F, E77G
B25.1	15	TPN, VTPN	B35.1	09	J67A, J67B, J68A, J68B		15	TPN, VTPN
	18A	S63A, S63B		18A	S63A, S63B		18A	S63A, S63B
	18B	T63A, T63B	B35.2	09	J67A, J67B, J68A, J68B	B37.9	Pre	A07D, A09E, A11F, A13F
Pre	A07D, A09E, A11F, A13F			18A	S63A, S63B	B38.1	04	E62A, E62B, E77A, E77B, E77C, E77D, E77E, E77F, E77G
B25.2	15	TPN, VTPN	B35.3	09	J02A, J02B, J02C, J03A, J03B, J04A, J04B, J08A, J08B, J08C, J67A, J67B, J68A, J68B		15	TPN, VTPN
	18A	S63A, S63B		18A	S63A, S63B		18A	S63A, S63B
	18B	T63A, T63B	B35.4	09	J67A, J67B, J68A, J68B		Pre	A07D, A09E, A11F, A13F
Pre	A07D, A09E, A11F, A13F			18A	S63A, S63B	B38.2	04	E62A, E62B, E77A, E77B, E77C, E77D, E77E, E77F, E77G
B25.80	15	TPN, VTPN	B35.5	09	J67A, J67B, J68A, J68B		15	TPN, VTPN
	18A	S63A, S63B		18A	S63A, S63B		18A	S63A, S63B
	18B	T63A, T63B	B35.6	09	J67A, J67B, J68A, J68B		Pre	A07D, A09E, A11F, A13F
B25.88	15	TPN, VTPN		18A	S63A, S63B	B38.3	09	J61A, J61B, J61C, J68A, J68B
	18A	S63A, S63B	B35.8	09	J67A, J67B, J68A, J68B		15	TPN, VTPN
	18B	T63A, T63B		18A	S63A, S63B	B38.4	18A	S63A, S63B
B25.9	15	TPN, VTPN	B35.9	09	J67A, J67B, J68A, J68B		01	B72A, B72B
	18A	S63A, S63B		18A	S63A, S63B		15	TPN, VTPN
	18B	T63A, T63B	B36.0	09	J67A, J67B, J68A, J68B	B38.7	18A	S63A, S63B
B26.0	12	M62Z		18A	S63A, S63B		05	F62A
	15	TPN, VTPN	B36.1	09	J67A, J67B, J68A, J68B		06	G67A
B26.1	01	B73Z		18A	S63A, S63B		15	TPN, VTPN
	15	TPN, VTPN	B36.2	09	J67A, J67B, J68A, J68B		17	R60B, R60C, R61A, R62A, R63B, R63C, R63D, R63F
Pre	A07D, A09E, A11F, A13F			18A	S63A, S63B	B38.8	18A	S63A, S63B
B26.2	01	B72A, B72B	B36.3	09	J67A, J67B, J68A, J68B		18B	T01B, T60A, T60B, T60C, T60F, T61A
	15	TPN, VTPN		18A	S63A, S63B	B38.9	Pre	A07D, A09E, A11F, A13F
Pre	A07D, A09E, A11F, A13F		B36.8	09	J67A, J67B, J68A, J68B		15	TPN, VTPN
B26.3	07	H62A, H62B, H62C		18A	S63A, S63B		18A	S63A, S63B
	15	TPN, VTPN	B36.9	09	J67A, J67B, J68A, J68B		18B	T64A, T64B, T64C
B26.8	15	TPN, VTPN		18A	S63A, S63B		18A	S63A, S63B
	18B	T63A, T63B, T63C	B37.0	03	D40Z, D67Z		18B	T64A, T64B, T64C
B26.9	18B	T63A, T63B, T63C		18A	S63A, S63B		18B	T64A, T64B, T64C
B27.0	15	TPN, VTPN	B37.1	04	E62A, E62B, E77A, E77B, E77C, E77D, E77F		18B	T64A, T64B, T64C
	18B	T63A, T63B, T63C		15	TPN, VTPN			
B27.1	15	TPN, VTPN		18A	S63A, S63B			
	18B	T63A, T63B, T63C		Pre	A07D, A09E, A11F, A13F			
B27.8	15	TPN, VTPN	B37.2	09	J67A, J67B, J68A, J68B			
	18B	T63A, T63B, T63C		15	TPN, VTPN			
B27.9	15	TPN, VTPN		18A	S63A, S63B			
	18B	T63A, T63B, T63C		18A	S63A, S63B			
B30.0	02	C63Z	B37.3	13	N04Z, N05A, N05B, N14Z, N21Z, N25Z, N61Z			
B30.1	02	C63Z						
	15	TPN, VTPN						
B30.2	02	C63Z						
B30.3	02	C63Z						
	15	TPN, VTPN						

ICD	MDC	DRG	ICD	MDC	DRG	ICD	MDC	DRG
B39.0	04	E74Z	B42.0	04	E62A, E62B, E77A, E77B, E77C, E77D, E77E, E77F, E77G	B45.7	05	F62A
	15	TPN, VTPN					06	G67A
	18A	S63A, S63B					15	TPN, VTPN
	Pre	A07D, A09E, A11F, A13F					17	R60B, R60C, R61A, R62A, R63B, R63C, R63D, R63F
B39.1	04	E74Z	B42.1	18B	T64A, T64B, T64C		18A	S63A, S63B
	15	TPN, VTPN	B42.7	05	F62A		18B	T01B, T60A, T60B, T60C, T60F, T61A
	18A	S63A, S63B		06	G67A		Pre	A07D, A09E, A11F, A13F
	Pre	A07D, A09E, A11F, A13F		17	R60B, R60C, R61A, R62A, R63B, R63C, R63D, R63F	B45.8	15	TPN, VTPN
B39.2	04	E74Z		18B	T01B, T60A, T60B, T60C, T60F, T61A		18A	S63A, S63B
	15	TPN, VTPN		Pre	A07D, A09E, A11F, A13F		18B	T64A, T64B, T64C
	18A	S63A, S63B		18B	T64A, T64B, T64C	B45.9	15	TPN, VTPN
	Pre	A07D, A09E, A11F, A13F	B42.8	18B	T64A, T64B, T64C		18A	S63A, S63B
B39.3	05	F62A	B42.9	18B	T64A, T64B, T64C		18B	T64A, T64B, T64C
	06	G67A	B43.0	18B	T64A, T64B, T64C	B46.0	04	E62A, E62B, E77A, E77B, E77C, E77D, E77E, E77F, E77G
	17	R60B, R60C, R61A, R62A, R63B, R63C, R63D, R63F	B43.1	18B	T64A, T64B, T64C		15	TPN, VTPN
	18A	S63A, S63B		Pre	A07D, A09E, A11F, A13F		Pre	A07D, A09E, A11F, A13F
	18B	T01B, T60A, T60B, T60C, T60F, T61A	B43.2	18B	T64A, T64B, T64C		18A	S63A, S63B
	Pre	A07D, A09E, A11F, A13F	B43.8	18B	T64A, T64B, T64C		Pre	A07D, A09E, A11F, A13F
B39.4	18A	S63A, S63B	B43.9	18B	T64A, T64B, T64C	B46.1	01	B72A, B72B
	18B	T64A, T64B, T64C	B44.0	04	E62A, E62B, E77A, E77B, E77C, E77D, E77E, E77F		15	TPN, VTPN
	Pre	A07D, A09E, A11F, A13F		15	TPN, VTPN		Pre	A07D, A09E, A11F, A13F
B39.5	18A	S63A, S63B		18A	S63A, S63B	B46.2	15	TPN, VTPN
	18B	T64A, T64B, T64C		Pre	A07D, A09E, A11F, A13F		18B	T64A, T64B, T64C
	Pre	A07D, A09E, A11F, A13F	B44.1	04	E62A, E62B, E77A, E77B, E77C, E77D, E77F		Pre	A07D, A09E, A11F, A13F
B39.9	18A	S63A, S63B		15	TPN, VTPN	B46.3	15	TPN, VTPN
	18B	T64A, T64B, T64C		18A	S63A, S63B		18B	T64A, T64B, T64C
	Pre	A07D, A09E, A11F, A13F		Pre	A07D, A09E, A11F, A13F	B46.4	05	F62A
B40.0	04	E62A, E62B, E77A, E77B, E77C, E77D, E77E, E77F, E77G		15	TPN, VTPN		06	G67A
	15	TPN, VTPN	B44.2	15	TPN, VTPN		15	TPN, VTPN
	Pre	A07D, A09E, A11F, A13F		18A	S63A, S63B		17	R60B, R60C, R61A, R62A, R63B, R63C, R63D, R63F
B40.1	04	E62A, E62B, E77A, E77B, E77C, E77D, E77E, E77F, E77G		18B	T64A, T64B, T64C		18B	T01B, T60A, T60B, T60C, T60F, T61A
	15	TPN, VTPN	B44.7	05	F62A		Pre	A07D, A09E, A11F, A13F
	Pre	A07D, A09E, A11F, A13F		06	G67A	B46.5	15	TPN, VTPN
B40.2	04	E62A, E62B, E77A, E77B, E77C, E77D, E77E, E77F, E77G		15	TPN, VTPN		18B	T64A, T64B, T64C
	15	TPN, VTPN		17	R60B, R60C, R61A, R62A, R63B, R63C, R63D, R63F	B46.8	15	TPN, VTPN
	Pre	A07D, A09E, A11F, A13F		18A	S63A, S63B		18B	T64A, T64B, T64C
B40.3	15	TPN, VTPN		18B	T01B, T60A, T60B, T60C, T60F, T61A	B46.9	15	TPN, VTPN
	18B	T64A, T64B, T64C	B44.8	15	TPN, VTPN		18B	T64A, T64B, T64C
B40.7	15	TPN, VTPN		18A	S63A, S63B	B47.0	15	TPN, VTPN
	18B	T64A, T64B, T64C	B44.9	15	TPN, VTPN		18B	T64A, T64B, T64C
	Pre	A07D, A09E, A11F, A13F		18A	S63A, S63B	B47.1	15	TPN, VTPN
B40.8	15	TPN, VTPN		18B	T64A, T64B, T64C	B47.9	18B	T64A, T64B, T64C
	18B	T64A, T64B, T64C	B45.0	04	E62A, E62B, E77A, E77B, E77C, E77D, E77E, E77F, E77G	B48.0	18B	T64A, T64B, T64C
	Pre	A07D, A09E, A11F, A13F		15	TPN, VTPN	B48.1	18B	T64A, T64B, T64C
B40.9	15	TPN, VTPN		18A	S63A, S63B	B48.2	15	TPN, VTPN
	18B	T64A, T64B, T64C		Pre	A07D, A09E, A11F, A13F		18B	T64A, T64B, T64C
B41.0	15	TPN, VTPN		18A	S63A, S63B	B48.3	18B	T64A, T64B, T64C
	18B	T64A, T64B, T64C	B45.1	01	B72A, B72B	B48.4	18B	T64A, T64B, T64C
	Pre	A07D, A09E, A11F, A13F		15	TPN, VTPN	B48.7	15	TPN, VTPN
B41.7	05	F62A		18A	S63A, S63B		18A	S63A, S63B
	06	G67A		Pre	A07D, A09E, A11F, A13F	B48.8	18B	T64A, T64B, T64C
	15	TPN, VTPN	B45.2	15	TPN, VTPN		18B	T64A, T64B, T64C
	17	R60B, R60C, R61A, R62A, R63B, R63C, R63D, R63F		18A	S63A, S63B	B50.0	01	B72A, B72B
	18B	T01B, T60A, T60B, T60C, T60F, T61A		18B	T64A, T64B, T64C		15	TPN, VTPN
	Pre	A07D, A09E, A11F, A13F	B45.3	15	TPN, VTPN		Pre	A07D, A09E, A11F, A13F
B41.8	15	TPN, VTPN		18A	S63A, S63B	B50.8	05	F62A
	18B	T64A, T64B, T64C		18B	T64A, T64B, T64C		06	G67A
B41.9	15	TPN, VTPN		Pre	A07D, A09E, A11F, A13F		15	TPN, VTPN
	18B	T64A, T64B, T64C					17	R60B, R60C, R61A, R62A, R63B, R63C, R63D, R63F
	18B	T64A, T64B, T64C					18B	T01B, T60A, T60B, T60C, T60D, T60E, T60F, T61A
							Pre	A07D, A09E, A11F, A13F

Dg

ICD	MDC	DRG	ICD	MDC	DRG	ICD	MDC	DRG	
B50.9	15	TPN, VTPN	B57.3	18B	T64A, T64B, T64C	B67.0	07	H63A, H63B, H63C, H78Z	
	18B	T64A, T64B, T64C		Pre	A07D, A09E, A11F, A13F		Pre	A07D, A09E, A11F, A13F	
	Pre	A07D, A09E, A11F, A13F	B57.4	18B	T64A, T64B, T64C	B67.1	04	E62A, E62B, E77A, E77B, E77C, E77D, E77E, E77F, E77G	
B51.0	05	F62A		Pre	A07D, A09E, A11F, A13F		Pre	A07D, A09E, A11F, A13F	
	06	G67A	B57.5	18B	T64A, T64B, T64C	B67.2	18B	T64A, T64B, T64C	
	15	TPN, VTPN		Pre	A07D, A09E, A11F, A13F		Pre	A07D, A09E, A11F, A13F	
	17	R60B, R60C, R61A, R62A, R63B, R63C, R63D, R63F	B58.0	02	C66Z	B67.3	18B	T64A, T64B, T64C	
	18B	T01B, T60A, T60B, T60C, T60D, T60E, T60F, T61A		15	TPN, VTPN		Pre	A07D, A09E, A11F, A13F	
	Pre	A07D, A09E, A11F, A13F	B58.1	07	H63A, H63B, H63C, H78Z	B67.4	18B	T64A, T64B, T64C	
B51.8	15	TPN, VTPN		15	TPN, VTPN		Pre	A07D, A09E, A11F, A13F	
	18B	T64A, T64B, T64C		18A	S63A, S63B	B67.5	07	H63A, H63B, H63C, H78Z	
	Pre	A07D, A09E, A11F, A13F	B58.2	01	B72A, B72B		Pre	A07D, A09E, A11F, A13F	
B51.9	15	TPN, VTPN		15	TPN, VTPN	B67.6	18B	T64A, T64B, T64C	
	18B	T64A, T64B, T64C		18A	S63A, S63B		Pre	A07D, A09E, A11F, A13F	
	Pre	A07D, A09E, A11F, A13F	B58.3	04	E62A, E62B, E77A, E77B, E77C, E77D, E77E, E77F, E77G	B67.7	18B	T64A, T64B, T64C	
B52.0	15	TPN, VTPN		15	TPN, VTPN		Pre	A07D, A09E, A11F, A13F	
	18B	T64A, T64B, T64C		18A	S63A, S63B	B67.8	07	H63A, H63B, H63C, H78Z	
	Pre	A07D, A09E, A11F, A13F	B58.8	15	TPN, VTPN		Pre	A07D, A09E, A11F, A13F	
B52.8	05	F62A		18A	S63A, S63B	B67.9	18B	T64A, T64B, T64C	
	06	G67A		Pre	A07D, A09E, A11F, A13F		Pre	A07D, A09E, A11F, A13F	
	15	TPN, VTPN	B58.9	15	TPN, VTPN	B68.0	06	G46A, G46B, G46C, G50Z, G67A, G67B, G67C, G67D	
	17	R60B, R60C, R61A, R62A, R63B, R63C, R63D, R63F		18A	S63A, S63B	B68.1	06	G46A, G46B, G46C, G50Z, G67A, G67B, G67C, G67D	
	18B	T01B, T60A, T60B, T60C, T60D, T60E, T60F, T61A		18B	T64A, T64B, T64C	B68.9	06	G46A, G46B, G46C, G50Z, G67A, G67B, G67C, G67D	
	Pre	A07D, A09E, A11F, A13F	B59	04	E62A, E77A, E77B, E77C, E77D, E77F	B69.0	01	B72A, B72B	
B52.9	15	TPN, VTPN		15	TPN, VTPN		Pre	A07D, A09E, A11F, A13F	
	18B	T64A, T64B, T64C		18A	S63A, S63B	B69.1	02	C63Z	
	Pre	A07D, A09E, A11F, A13F	B60.0	18A	S63A, S63B		Pre	A07D, A09E, A11F, A13F	
B53.0	15	TPN, VTPN		18B	T64A, T64B, T64C	B69.8	06	G46A, G46B, G46C, G50Z, G67A, G67B, G67C, G67D	
	18B	T64A, T64B, T64C		Pre	A07D, A09E, A11F, A13F	B69.9	06	G46A, G46B, G46C, G50Z, G67A, G67B, G67C, G67D	
	Pre	A07D, A09E, A11F, A13F	B60.1	18A	S63A, S63B	B70.0	06	G46A, G46B, G46C, G50Z, G67A, G67B, G67C, G67D	
B53.1	15	TPN, VTPN		18B	T64A, T64B, T64C	B70.1	06	G46A, G46B, G46C, G50Z, G67A, G67B, G67C, G67D	
	18B	T64A, T64B, T64C		Pre	A07D, A09E, A11F, A13F	B71.0	06	G46A, G46B, G46C, G50Z, G67A, G67B, G67C, G67D	
	Pre	A07D, A09E, A11F, A13F	B60.2	18A	S63A, S63B	B71.1	06	G46A, G46B, G46C, G50Z, G67A, G67B, G67C, G67D	
B53.8	15	TPN, VTPN		18B	T64A, T64B, T64C	B71.8	06	G46A, G46B, G46C, G50Z, G67A, G67B, G67C, G67D	
	18B	T64A, T64B, T64C		Pre	A07D, A09E, A11F, A13F	B71.9	06	G46A, G46B, G46C, G50Z, G67A, G67B, G67C, G67D	
	Pre	A07D, A09E, A11F, A13F	B64	18B	T64A, T64B, T64C	B72	18B	T64A, T64B, T64C	
B54	15	TPN, VTPN		B65.0	11	L63A, L63B, L63C, L63D, L63E, L63F, L74Z	B73	18B	T64A, T64B, T64C
	18B	T64A, T64B, T64C			Pre	A07D, A09E, A11F, A13F	B74.0	18B	T64A, T64B, T64C
	Pre	A07D, A09E, A11F, A13F	B60.8	18A	S63A, S63B	B74.1	18B	T64A, T64B, T64C	
B55.0	05	F62A		18B	T64A, T64B, T64C	B74.2	18B	T64A, T64B, T64C	
	06	G67A		Pre	A07D, A09E, A11F, A13F	B74.3	18B	T64A, T64B, T64C	
	17	R60B, R60C, R61A, R62A, R63B, R63C, R63D, R63F	B64	18B	T64A, T64B, T64C	B74.4	18B	T64A, T64B, T64C	
	18A	S63A, S63B		Pre	A07D, A09E, A11F, A13F	B74.8	18B	T64A, T64B, T64C	
	18B	T01B, T60A, T60B, T60C, T60F, T61A	B65.0	07	H63A, H63B, H63C, H78Z	B74.9	18B	T64A, T64B, T64C	
	Pre	A07D, A09E, A11F, A13F	B65.1	07	H63A, H63B, H63C, H78Z	B75	18B	T64A, T64B, T64C	
B55.1	09	J61A, J61B, J61C, J68A, J68B		Pre	A07D, A09E, A11F, A13F	B76.0	06	G46A, G46B, G46C, G50Z, G67A, G67B, G67C, G67D	
	Pre	A07D, A09E, A11F, A13F	B65.2	18B	T64A, T64B, T64C	B76.1	06	G46A, G46B, G46C, G50Z, G67A, G67B, G67C, G67D	
B55.2	09	J61A, J61B, J61C, J68A, J68B		Pre	A07D, A09E, A11F, A13F	B76.8	06	G46A, G46B, G46C, G50Z, G67A, G67B, G67C, G67D	
	Pre	A07D, A09E, A11F, A13F	B65.3	09	J61A, J61B, J61C, J68A, J68B	B76.9	06	G46A, G46B, G46C, G50Z, G67A, G67B, G67C, G67D	
B55.9	18B	T64A, T64B, T64C		B65.8	18B	T64A, T64B, T64C	B77.0	06	G46A, G46B, G46C, G50Z, G67A, G67B, G67C, G67D
	Pre	A07D, A09E, A11F, A13F	B65.9	18B	T64A, T64B, T64C	B77.8	06	G46A, G46B, G46C, G50Z, G67A, G67B, G67C, G67D	
B56.0	18B	T64A, T64B, T64C	B66.0	07	H63A, H63B, H63C, H78Z				
	Pre	A07D, A09E, A11F, A13F	B66.1	07	H63A, H63B, H63C, H78Z				
B56.1	18B	T64A, T64B, T64C		B66.2	18B	T64A, T64B, T64C			
	Pre	A07D, A09E, A11F, A13F	B66.3	07	H63A, H63B, H63C, H78Z				
B56.9	18B	T64A, T64B, T64C		B66.4	04	E62A, E62B, E77A, E77B, E77C, E77D, E77E, E77F, E77G			
	Pre	A07D, A09E, A11F, A13F	B66.5	07	H63A, H63B, H63C, H78Z				
B57.0	05	F75A, F75B, F75C, F75D		B66.8	18B	T64A, T64B, T64C			
	Pre	A07D, A09E, A11F, A13F	B66.9	18B	T64A, T64B, T64C				
B57.1	18B	T64A, T64B, T64C							
	Pre	A07D, A09E, A11F, A13F							
B57.2	05	F75A, F75B, F75C, F75D							
	Pre	A07D, A09E, A11F, A13F							

ICD	MDC	DRG	ICD	MDC	DRG	ICD	MDC	DRG
B77.9	06	G46A, G46B, G46C, G50Z, G67A, G67B, G67C, G67D	C00.0	03	D06B, D08A, D08B, D09Z, D25A, D25B, D28Z, D60A, D60B, D60C	C00.9	03	D06B, D08A, D08B, D09Z, D25A, D25B, D28Z, D60A, D60B, D60C
B78.0	06	G46A, G46B, G46C, G50Z, G67A, G67B, G67C, G67D		06	G17A, G38Z, G67A		06	G17A, G38Z, G67A
	18A	S63A, S63B		08	I54Z		08	I54Z
B78.1	06	G46A, G46B, G46C, G50Z, G67A, G67B, G67C, G67D		15	TPN, VTPN		15	TPN, VTPN
	18A	S63A, S63B		Pre	A07D, A09A, A09E, A11B, A11F, A13F		Pre	A07D, A09A, A09E, A11B, A11F, A13F
B78.7	06	G46A, G46B, G46C, G50Z, G67A, G67B, G67C, G67D	C00.1	03	D06B, D08A, D08B, D09Z, D25A, D25B, D28Z, D60A, D60B, D60C	C01	03	D06B, D08A, D08B, D09Z, D25A, D25B, D28Z, D60A, D60B, D60C
	18A	S63A, S63B		06	G17A, G38Z, G67A		06	G17A, G38Z, G67A
B78.9	06	G46A, G46B, G46C, G50Z, G67A, G67B, G67C, G67D		08	I54Z		08	I54Z
	18A	S63A, S63B		15	TPN, VTPN		15	TPN, VTPN
B79	06	G46A, G46B, G46C, G50Z, G67A, G67B, G67C, G67D		Pre	A07D, A09A, A09E, A11B, A11F, A13F		Pre	A07D, A09A, A09E, A11B, A11F, A13F
B80	06	G46A, G46B, G46C, G50Z, G67A, G67B, G67C, G67D	C00.2	03	D06B, D08A, D08B, D09Z, D25A, D25B, D28Z, D60A, D60B, D60C	C02.0	03	D06B, D08A, D08B, D09Z, D25A, D25B, D28Z, D60A, D60B, D60C
B81.0	06	G46A, G46B, G46C, G50Z, G67A, G67B, G67C, G67D		06	G17A, G38Z, G67A		06	G17A, G38Z, G67A
B81.1	06	G46A, G46B, G46C, G50Z, G67A, G67B, G67C, G67D		08	I54Z		08	I54Z
B81.2	06	G46A, G46B, G46C, G50Z, G67A, G67B, G67C, G67D		15	TPN, VTPN		15	TPN, VTPN
B81.3	06	G46A, G46B, G46C, G50Z, G67A, G67B, G67C, G67D		Pre	A07D, A09A, A09E, A11B, A11F, A13F		Pre	A07D, A09A, A09E, A11B, A11F, A13F
B81.4	18B	T64A, T64B, T64C	C00.3	03	D06B, D08A, D08B, D09Z, D25A, D25B, D28Z, D60A, D60B, D60C	C02.1	03	D06B, D08A, D08B, D09Z, D25A, D25B, D28Z, D60A, D60B, D60C
B81.8	06	G46A, G46B, G46C, G50Z, G67A, G67B, G67C, G67D		06	G17A, G38Z, G67A		06	G17A, G38Z, G67A
B82.0	06	G46A, G46B, G46C, G50Z, G67A, G67B, G67C, G67D		08	I54Z		08	I54Z
B82.9	06	G46A, G46B, G46C, G50Z, G67A, G67B, G67C, G67D		15	TPN, VTPN		15	TPN, VTPN
B83.0	18B	T64A, T64B, T64C		Pre	A07D, A09A, A09E, A11B, A11F, A13F		Pre	A07D, A09A, A09E, A11B, A11F, A13F
B83.1	18B	T64A, T64B, T64C	C00.4	03	D06B, D08A, D08B, D09Z, D25A, D25B, D28Z, D60A, D60B, D60C	C02.2	03	D06B, D08A, D08B, D09Z, D25A, D25B, D28Z, D60A, D60B, D60C
B83.2	18B	T64A, T64B, T64C		06	G17A, G38Z, G67A		06	G17A, G38Z, G67A
B83.3	18B	T64A, T64B, T64C		08	I54Z		08	I54Z
B83.4	18B	T64A, T64B, T64C		15	TPN, VTPN		15	TPN, VTPN
B83.8	18B	T64A, T64B, T64C		Pre	A07D, A09A, A09E, A11B, A11F, A13F		Pre	A07D, A09A, A09E, A11B, A11F, A13F
B83.9	18B	T64A, T64B, T64C	C00.5	03	D06B, D08A, D08B, D09Z, D25A, D25B, D28Z, D60A, D60B, D60C	C02.3	03	D06B, D08A, D08B, D09Z, D25A, D25B, D28Z, D60A, D60B, D60C
B85.0	09	J67A, J67B, J68A, J68B		06	G17A, G38Z, G67A		06	G17A, G38Z, G67A
B85.1	09	J67A, J67B, J68A, J68B		08	I54Z		08	I54Z
B85.2	09	J67A, J67B, J68A, J68B		15	TPN, VTPN		15	TPN, VTPN
B85.3	09	J67A, J67B, J68A, J68B		Pre	A07D, A09A, A09E, A11B, A11F, A13F		Pre	A07D, A09A, A09E, A11B, A11F, A13F
B85.4	09	J67A, J67B, J68A, J68B		03	D06B, D08A, D08B, D09Z, D25A, D25B, D28Z, D60A, D60B, D60C		03	D06B, D08A, D08B, D09Z, D25A, D25B, D28Z, D60A, D60B, D60C
B86	09	J67A, J67B, J68A, J68B		06	G17A, G38Z, G67A		06	G17A, G38Z, G67A
B87.0	09	J67A, J67B, J68A, J68B		08	I54Z		08	I54Z
B87.1	09	J67A, J67B, J68A, J68B		15	TPN, VTPN		15	TPN, VTPN
B87.2	09	J67A, J67B, J68A, J68B		Pre	A07D, A09A, A09E, A11B, A11F, A13F		Pre	A07D, A09A, A09E, A11B, A11F, A13F
B87.3	09	J67A, J67B, J68A, J68B	C00.6	03	D06B, D08A, D08B, D09Z, D25A, D25B, D28Z, D60A, D60B, D60C	C02.4	03	D06B, D08A, D08B, D09Z, D25A, D25B, D28Z, D60A, D60B, D60C
B87.4	09	J67A, J67B, J68A, J68B		06	G17A, G38Z, G67A		06	G17A, G38Z, G67A
B87.8	09	J67A, J67B, J68A, J68B		08	I54Z		08	I54Z
B87.9	09	J67A, J67B, J68A, J68B		15	TPN, VTPN		15	TPN, VTPN
B88.0	09	J67A, J67B, J68A, J68B		Pre	A07D, A09A, A09E, A11B, A11F, A13F		Pre	A07D, A09A, A09E, A11B, A11F, A13F
B88.1	09	J67A, J67B, J68A, J68B		03	D06B, D08A, D08B, D09Z, D25A, D25B, D28Z, D60A, D60B, D60C		03	D06B, D08A, D08B, D09Z, D25A, D25B, D28Z, D60A, D60B, D60C
B88.2	09	J67A, J67B, J68A, J68B		06	G17A, G38Z, G67A		06	G17A, G38Z, G67A
B88.3	09	J67A, J67B, J68A, J68B	C00.8	03	D06B, D08A, D08B, D09Z, D25A, D25B, D28Z, D60A, D60B, D60C	C02.8	03	D06B, D08A, D08B, D09Z, D25A, D25B, D28Z, D60A, D60B, D60C
B88.8	18A	S63A, S63B		08	I54Z		08	I54Z
	18B	T64A, T64B, T64C		15	TPN, VTPN		15	TPN, VTPN
B88.9	09	J67A, J67B, J68A, J68B		Pre	A07D, A09A, A09E, A11B, A11F, A13F		Pre	A07D, A09A, A09E, A11B, A11F, A13F
B89	18B	T64A, T64B, T64C		03	D06B, D08A, D08B, D09Z, D25A, D25B, D28Z, D60A, D60B, D60C		03	D06B, D08A, D08B, D09Z, D25A, D25B, D28Z, D60A, D60B, D60C
B97.0	15	TPN, VTPN		06	G17A, G38Z, G67A		06	G17A, G38Z, G67A
B97.1	15	TPN, VTPN		08	I54Z		08	I54Z
B97.4	04	E65A, E65B, E65C, E69B		15	TPN, VTPN		15	TPN, VTPN
B99	15	P65C, P66C, P67B, P67C		Pre	A07D, A09A, A09E, A11B, A11F, A13F		Pre	A07D, A09A, A09E, A11B, A11F, A13F
	18B	T64A, T64B, T64C		03	D06B, D08A, D08B, D09Z, D25A, D25B, D28Z, D60A, D60B, D60C	C02.9	03	D06B, D08A, D08B, D09Z, D25A, D25B, D28Z, D60A, D60B, D60C
				06	G17A, G38Z, G67A		06	G17A, G38Z, G67A
				08	I54Z		08	I54Z
				15	TPN, VTPN		15	TPN, VTPN
				Pre	A07D, A09A, A09E, A11B, A11F, A13F		Pre	A07D, A09A, A09E, A11B, A11F, A13F

Dg

ICD	MDC	DRG	ICD	MDC	DRG	ICD	MDC	DRG
C26.8	06	G17A, G19A, G38Z, G40Z, G46A, G46B, G46C, G47Z, G60A, G60B, G67A	C31.9	03	D06B, D08A, D08B, D09Z, D25A, D25B, D28Z, D35Z, D60A, D60B, D60C	C34.1	04	E05B, E71A, E71B
	08	I54Z		06	G17A, G38Z, G67A		06	G17A, G38Z, G67A
	15	TPN, VTPN		08	I54Z		08	I54Z
C26.9	Pre	A07D, A09A, A09E, A11B, A11F, A13F	C32.0	15	TPN, VTPN	C34.2	15	TPN, VTPN
	06	G17A, G19A, G38Z, G40Z, G46A, G46B, G46C, G47Z, G60A, G60B, G67A		Pre	A07D, A09A, A09E, A11B, A11F, A13F		04	E05B, E71A, E71B
	08	I54Z		03	D06B, D08A, D08B, D09Z, D25A, D25B, D28Z, D60A, D60B, D60C		06	G17A, G38Z, G67A
C30.0	15	TPN, VTPN	C32.1	06	G17A, G38Z, G67A	C34.3	08	I54Z
	Pre	A07D, A09A, A09E, A11B, A11F, A13F		08	I54Z		15	TPN, VTPN
	03	D06B, D08A, D08B, D09Z, D25A, D25B, D28Z, D35Z, D60A, D60B, D60C		15	TPN, VTPN		Pre	A07D, A09A, A09E, A11B, A11F, A13F
C30.1	06	G17A, G38Z, G67A	C32.2	Pre	A07D, A09A, A09E, A11B, A11F, A13F	C34.8	04	E05B, E71A, E71B
	08	I54Z		03	D06B, D08A, D08B, D09Z, D25A, D25B, D28Z, D60A, D60B, D60C		06	G17A, G38Z, G67A
	15	TPN, VTPN		06	G17A, G38Z, G67A		08	I54Z
C31.0	Pre	A07D, A09A, A09E, A11B, A11F, A13F	C32.3	08	I54Z	C34.9	15	TPN, VTPN
	03	D06B, D08A, D08B, D09Z, D25A, D25B, D28Z, D35Z, D60A, D60B, D60C		15	TPN, VTPN		04	E05B, E71A, E71B
	06	G17A, G38Z, G67A		Pre	A07D, A09A, A09E, A11B, A11F, A13F		06	G17A, G38Z, G67A
C31.1	08	I54Z	C32.8	03	D06B, D08A, D08B, D09Z, D25A, D25B, D28Z, D60A, D60B, D60C	C37	08	I54Z
	15	TPN, VTPN		06	G17A, G38Z, G67A		15	TPN, VTPN
	Pre	A07D, A09A, A09E, A11B, A11F, A13F		08	I54Z		17	R04A, R04B, R12A, R12B, R12C, R13Z, R14Z, R62A, R62B, R62C
C31.2	03	D06B, D08A, D08B, D09Z, D25A, D25B, D28Z, D35Z, D60A, D60B, D60C	C32.9	15	TPN, VTPN	C38.0	Pre	A07D, A09A, A09E, A11B, A11F, A13F
	06	G17A, G38Z, G67A		Pre	A07D, A09A, A09E, A11B, A11F, A13F		05	F75A, F75B, F75C, F75D
	08	I54Z		03	D06B, D08A, D08B, D09Z, D25A, D25B, D28Z, D60A, D60B, D60C		06	G17A, G38Z, G67A
C31.3	15	TPN, VTPN	C33	06	G17A, G38Z, G67A	C38.1	08	I54Z
	Pre	A07D, A09A, A09E, A11B, A11F, A13F		08	I54Z		15	TPN, VTPN
	03	D06B, D08A, D08B, D09Z, D25A, D25B, D28Z, D35Z, D60A, D60B, D60C		15	TPN, VTPN		Pre	A07D, A09A, A09E, A11B, A11F, A13F
C31.8	06	G17A, G38Z, G67A	C34.0	Pre	A07D, A09A, A09E, A11B, A11F, A13F	C38.2	04	E05B, E71A, E71B
	08	I54Z		04	E05B, E71A, E71B		06	G17A, G38Z, G67A
	15	TPN, VTPN		06	G17A, G38Z, G67A		08	I54Z
C31.8	Pre	A07D, A09A, A09E, A11B, A11F, A13F	C33	08	I54Z	C38.3	15	TPN, VTPN
	03	D06B, D08A, D08B, D09Z, D25A, D25B, D28Z, D35Z, D60A, D60B, D60C		15	TPN, VTPN		04	E05B, E71A, E71B
	06	G17A, G38Z, G67A		Pre	A07D, A09A, A09E, A11B, A11F, A13F		06	G17A, G38Z, G67A
C31.8	08	I54Z	C34.0	Pre	A07D, A09A, A09E, A11B, A11F, A13F	C38.4	08	I54Z
	15	TPN, VTPN		04	E05B, E71A, E71B		15	TPN, VTPN
	Pre	A07D, A09A, A09E, A11B, A11F, A13F		06	G17A, G38Z, G67A		Pre	A07D, A09A, A09E, A11B, A11F, A13F

ICD	MDC	DRG	ICD	MDC	DRG	ICD	MDC	DRG
C38.8	04	E05B, E71A, E71B	C41.1	06	G17A, G38Z, G67A	C43.4	06	G17A, G38Z, G67A
	06	G17A, G38Z, G67A		08	I06C, I54Z, I65A, I65B, I65C		08	I54Z
	08	I54Z		15	TPN, VTPN		09	J01Z, J10A, J61A, J61B, J61C, J68A
	15	TPN, VTPN		Pre	A07D, A09A, A09E, A11B, A11F, A13F		15	TPN, VTPN
C39.0	Pre	A07D, A09A, A09E, A11B, A11F, A13F	C41.2	06	G17A, G38Z, G67A	C43.5	Pre	A07D, A09A, A09E, A11B, A11F, A13F
	03	D06B, D08A, D08B, D09Z, D25A, D25B, D28Z, D60A, D60B, D60C		08	I06C, I54Z, I65A, I65B, I65C		06	G17A, G38Z, G67A
	06	G17A, G38Z, G67A		15	TPN, VTPN		08	I54Z
	08	I54Z		Pre	A07D, A09A, A09E, A11B, A11F, A13F		09	J01Z, J06Z, J07A, J07B, J10A, J14A, J14B, J16Z, J23Z, J25Z, J26Z, J61A, J61B, J61C, J68A
C39.8	15	TPN, VTPN	C41.30	06	G17A, G38Z, G67A	C43.6	15	TPN, VTPN
	Pre	A07D, A09A, A09E, A11B, A11F, A13F		08	I06C, I54Z, I65A, I65B, I65C		Pre	A07D, A09A, A09E, A11B, A11F, A13F
	04	E05B, E71A, E71B		15	TPN, VTPN		06	G17A, G38Z, G67A
	06	G17A, G38Z, G67A		Pre	A07D, A09A, A09E, A11B, A11F, A13F		08	I54Z
C39.9	08	I54Z	C41.31	06	G17A, G38Z, G67A	C43.7	09	J01Z, J06Z, J07A, J07B, J10A, J14A, J14B, J16Z, J23Z, J25Z, J26Z, J61A, J61B, J61C, J68A
	15	TPN, VTPN		08	I06C, I54Z, I65A, I65B, I65C		15	TPN, VTPN
	Pre	A07D, A09A, A09E, A11B, A11F, A13F		15	TPN, VTPN		Pre	A07D, A09A, A09E, A11B, A11F, A13F
	04	E05B, E71A, E71B		Pre	A07D, A09A, A09E, A11B, A11F, A13F		06	G17A, G38Z, G67A
C40.0	06	G17A, G38Z, G67A	C41.32	06	G17A, G38Z, G67A	C43.8	08	I02B, I02C, I54Z
	08	I06C, I54Z, I65A, I65B, I65C		08	I06C, I54Z, I65A, I65B, I65C		09	J01Z, J02A, J02B, J02C, J03A, J03B, J04A, J04B, J08A, J08B, J08C, J10A, J61A, J61B, J61C, J68A
	15	TPN, VTPN		15	TPN, VTPN		15	TPN, VTPN
	Pre	A07D, A09A, A09E, A11B, A11F, A13F		Pre	A07D, A09A, A09E, A11B, A11F, A13F		Pre	A07D, A09A, A09E, A11B, A11F, A13F
C40.1	06	G17A, G38Z, G67A	C41.4	06	G17A, G38Z, G67A	C43.9	06	G17A, G38Z, G67A
	08	I06C, I32A, I32B, I32C, I32D, I32E, I32F, I32G, I54Z, I65A, I65B, I65C		08	I02B, I02C, I06C, I37Z, I54Z, I65A, I65B, I65C		08	I54Z
	15	TPN, VTPN		15	TPN, VTPN		09	J01Z, J06Z, J07A, J07B, J10A, J14A, J14B, J16Z, J23Z, J25Z, J26Z, J61A, J61B, J61C, J68A
	Pre	A07D, A09A, A09E, A11B, A11F, A13F		Pre	A07D, A09A, A09E, A11B, A11F, A13F		15	TPN, VTPN
C40.2	06	G17A, G38Z, G67A	C41.8	06	G17A, G38Z, G67A	C44.0	Pre	A07D, A09A, A09E, A11B, A11F, A13F
	08	I01Z, I02B, I02C, I03A, I03B, I04Z, I06C, I54Z, I65A, I65B, I65C		08	I06C, I54Z, I65A, I65B, I65C		06	G17A, G38Z, G67A
	15	TPN, VTPN		15	TPN, VTPN		08	I54Z
	Pre	A07D, A09A, A09E, A11B, A11F, A13F		Pre	A07D, A09A, A09E, A11B, A11F, A13F		09	J01Z, J10A, J61A, J61B, J61C, J68A
C40.3	06	G17A, G38Z, G67A	C41.9	06	G17A, G38Z, G67A	C44.1	15	TPN, VTPN
	08	I01Z, I03A, I03B, I04Z, I06C, I54Z, I65A, I65B, I65C		08	I06C, I54Z, I65A, I65B, I65C		18A	S62Z
	15	TPN, VTPN		15	TPN, VTPN		Pre	A07D, A09A, A09E, A11B, A11F, A13F
	Pre	A07D, A09A, A09E, A11B, A11F, A13F		Pre	A07D, A09A, A09E, A11B, A11F, A13F		02	C02A, C65Z
C40.8	06	G17A, G38Z, G67A	C41.9	06	G17A, G38Z, G67A	C44.2	06	G17A, G38Z, G67A
	08	I01Z, I03A, I03B, I04Z, I06C, I54Z, I65A, I65B, I65C		08	I06C, I54Z, I65A, I65B, I65C		08	I54Z
	15	TPN, VTPN		15	TPN, VTPN		09	J01Z, J10A, J61A, J61B, J61C, J68A
	Pre	A07D, A09A, A09E, A11B, A11F, A13F		Pre	A07D, A09A, A09E, A11B, A11F, A13F		15	TPN, VTPN
C40.9	06	G17A, G38Z, G67A	C43.0	06	G17A, G38Z, G67A	C44.1	18A	S62Z
	08	I06C, I54Z, I65A, I65B, I65C		08	I54Z		Pre	A07D, A09A, A09E, A11B, A11F, A13F
	15	TPN, VTPN		09	J01Z, J10A, J61A, J61B, J61C, J68A		06	G17A, G38Z, G67A
	Pre	A07D, A09A, A09E, A11B, A11F, A13F		15	TPN, VTPN		08	I54Z
C41.01	06	G17A, G38Z, G67A	C43.1	02	C02A, C65Z	C44.2	15	TPN, VTPN
	08	I06C, I54Z, I65A, I65B, I65C		06	G17A, G38Z, G67A		18A	S62Z
	15	TPN, VTPN		08	I54Z		Pre	A07D, A09A, A09E, A11B, A11F, A13F
	Pre	A07D, A09A, A09E, A11B, A11F, A13F		09	J01Z, J10A, J61A, J61B, J61C, J68A		06	G17A, G38Z, G67A
C41.02	06	G17A, G38Z, G67A	C43.2	06	G17A, G38Z, G67A	C44.2	08	I54Z
	08	I06C, I54Z, I65A, I65B, I65C		08	I54Z		09	J01Z, J10A, J61A, J61B, J61C, J68A
	15	TPN, VTPN		09	J01Z, J10A, J61A, J61B, J61C, J68A		15	TPN, VTPN
	Pre	A07D, A09A, A09E, A11B, A11F, A13F		Pre	A07D, A09A, A09E, A11B, A11F, A13F		18A	S62Z
C41.1	06	G17A, G38Z, G67A	C43.3	06	G17A, G38Z, G67A	C44.2	Pre	A07D, A09A, A09E, A11B, A11F, A13F
	08	I06C, I54Z, I65A, I65B, I65C		08	I54Z		06	G17A, G38Z, G67A
	15	TPN, VTPN		09	J01Z, J10A, J61A, J61B, J61C, J68A		08	I54Z
	Pre	A07D, A09A, A09E, A11B, A11F, A13F		15	TPN, VTPN		09	J01Z, J10A, J61A, J61B, J61C, J68A
C41.2	06	G17A, G38Z, G67A	C43.3	06	G17A, G38Z, G67A	C44.2	15	TPN, VTPN
	08	I06C, I54Z, I65A, I65B, I65C		08	I54Z		18A	S62Z
	15	TPN, VTPN		09	J01Z, J10A, J61A, J61B, J61C, J68A		Pre	A07D, A09A, A09E, A11B, A11F, A13F
	Pre	A07D, A09A, A09E, A11B, A11F, A13F		Pre	A07D, A09A, A09E, A11B, A11F, A13F			

Dg

ICD	MDC	DRG	ICD	MDC	DRG	ICD	MDC	DRG	
C44.3	06	G17A, G38Z, G67A	C45.1	06	G17A, G19A, G38Z, G40Z, G46A, G46B, G46C, G47Z, G60A, G60B, G67A	C46.9	06	G17A, G38Z, G67A	
	08	I54Z		08	I54Z		08	I54Z	
	09	J01Z, J10A, J61A, J61B, J61C, J68A		15	TPN, VTPN		18A	S62Z	
	15	TPN, VTPN		Pre	A07D, A09A, A09E, A11B, A11F, A13F		Pre	A07D, A09A, A09E, A11B, A11F, A13F	
	18A	S62Z							
Pre	A07D, A09A, A09E, A11B, A11F, A13F	C45.2	05	F75A, F75B, F75C, F75D	C47.0	06	G17A, G38Z, G67A		
C44.4	06		G17A, G38Z, G67A	06		G17A, G38Z, G67A	08	I06C, I54Z, I65A, I65B, I65C	
	08		I54Z	08		I54Z	15	TPN, VTPN	
	09		J01Z, J10A, J61A, J61B, J61C, J68A	15		TPN, VTPN	Pre	A07D, A09A, A09E, A11B, A11F, A13F	
	15		TPN, VTPN	Pre		A07D, A09A, A09E, A11B, A11F, A13F	C47.1	06	G17A, G38Z, G67A
	18A	S62Z	C45.7	06	G17A, G38Z, G67A	08		I06C, I32A, I32B, I32C, I32D, I32E, I32F, I32G, I54Z, I65A, I65B, I65C	
Pre	A07D, A09A, A09E, A11B, A11F, A13F	08		I06C, I54Z, I65A, I65B, I65C	15	TPN, VTPN			
C44.5	06	G17A, G38Z, G67A		15	TPN, VTPN	Pre		A07D, A09A, A09E, A11B, A11F, A13F	
	08	I54Z		C45.9	06	G17A, G38Z, G67A		C47.2	06
	09	J01Z, J10A, J61A, J61B, J61C, J68A			08	I06C, I54Z, I65A, I65B, I65C	08		I06C, I37Z, I54Z, I65A, I65B, I65C
	15	TPN, VTPN	15		TPN, VTPN	15	TPN, VTPN		
	18A	S62Z	Pre		A07D, A09A, A09E, A11B, A11F, A13F	Pre	A07D, A09A, A09E, A11B, A11F, A13F		
Pre	A07D, A09A, A09E, A11B, A11F, A13F	C46.0	06		G17A, G38Z, G67A	C47.3	06		G17A, G38Z, G67A
C44.6	06		G17A, G38Z, G67A	08	I54Z		08	I06C, I54Z, I65A, I65B, I65C	
	08		I54Z	09	J01Z, J10A, J61A, J61B, J61C, J68A		15	TPN, VTPN	
	09		J01Z, J10A, J61A, J61B, J61C, J68A	18A	S62Z		Pre	A07D, A09A, A09E, A11B, A11F, A13F	
	15		TPN, VTPN	Pre	A07D, A09A, A09E, A11B, A11F, A13F		C47.4	06	G17A, G38Z, G67A
	18A	S62Z	C46.1	06	G17A, G38Z, G67A	08		I06C, I54Z, I65A, I65B, I65C	
Pre	A07D, A09A, A09E, A11B, A11F, A13F	08		I54Z	15	TPN, VTPN			
C44.7	06	G17A, G38Z, G67A		09	J01Z, J10A, J61A, J61B, J61C, J68A	Pre		A07D, A09A, A09E, A11B, A11F, A13F	
	08	I54Z		18A	S62Z	C47.5		06	G17A, G38Z, G67A
	09	J01Z, J02A, J02B, J02C, J03A, J03B, J04A, J04B, J08A, J08B, J08C, J10A, J61A, J61B, J61C, J68A		Pre	A07D, A09A, A09E, A11B, A11F, A13F		08	I06C, I37Z, I54Z, I65A, I65B, I65C	
	15	TPN, VTPN	C46.2	03	D06B, D08A, D08B, D09Z, D25A, D25B, D28Z, D60A, D60B, D60C		15	TPN, VTPN	
	18A	S62Z		06	G17A, G38Z, G67A		Pre	A07D, A09A, A09E, A11B, A11F, A13F	
Pre	A07D, A09A, A09E, A11B, A11F, A13F	08		I54Z	C47.6		06	G17A, G38Z, G67A	
C44.8	06	G17A, G38Z, G67A		18A		S62Z	08	I06C, I54Z, I65A, I65B, I65C	
	08	I54Z		Pre		A07D, A09A, A09E, A11B, A11F, A13F	15	TPN, VTPN	
	09	J01Z, J10A, J61A, J61B, J61C, J68A	C46.3	06		G17A, G38Z, G67A	Pre	A07D, A09A, A09E, A11B, A11F, A13F	
	15	TPN, VTPN		08		I54Z	C47.8	06	G17A, G38Z, G67A
	18A	S62Z		17	R01A, R01B, R01C, R01D, R03Z, R11A, R11B, R11C, R61A, R61B, R61C, R61D, R61E, R61F, R61G, R61H	08		I06C, I54Z, I65A, I65B, I65C	
Pre	A07D, A09A, A09E, A11B, A11F, A13F	18A		S62Z	15	TPN, VTPN			
C44.9	06	G17A, G38Z, G67A		Pre	A07D, A09A, A09E, A11B, A11F, A13F	Pre		A07D, A09A, A09E, A11B, A11F, A13F	
	08	I54Z	C46.7	06	G17A, G38Z, G67A	C47.9		06	G17A, G38Z, G67A
	09	J01Z, J10A, J61A, J61B, J61C, J68A		08	I54Z		08	I06C, I54Z, I65A, I65B, I65C	
	15	TPN, VTPN		09	J01Z, J10A, J61A, J61B, J61C, J68A		15	TPN, VTPN	
	18A	S62Z		18A	S62Z		Pre	A07D, A09A, A09E, A11B, A11F, A13F	
Pre	A07D, A09A, A09E, A11B, A11F, A13F	C46.8		06	G17A, G38Z, G67A		C48.0	06	G17A, G38Z, G67A
C45.0	04		E05B, E71A, E71B	08	I54Z	08		I54Z	
	06		G17A, G38Z, G67A	09	J01Z, J10A, J61A, J61B, J61C, J68A	15		TPN, VTPN	
	08		I54Z	18A	S62Z	17		R04A, R04B, R12A, R12B, R12C, R13Z, R14Z, R62A, R62B, R62C	
	15		TPN, VTPN	Pre	A07D, A09A, A09E, A11B, A11F, A13F	Pre		A07D, A09A, A09E, A11B, A11F, A13F	
	Pre	A07D, A09A, A09E, A11B, A11F, A13F							

ICD	MDC	DRG	ICD	MDC	DRG	ICD	MDC	DRG
C48.1	06	G17A, G19A, G38Z, G40Z, G46A, G46B, G46C, G47Z, G60A, G60B, G67A	C49.8	06	G17A, G38Z, G67A	C50.6	06	G17A, G38Z, G67A
	08	I54Z		08	I01Z, I02B, I02C, I03A, I03B, I04Z, I06C, I27A, I27B, I27C, I54Z, I65A, I65B, I65C		08	I54Z
	15	TPN, VTPN		15	TPN, VTPN		09	J01Z, J06Z, J07A, J07B, J08A, J08B, J08C, J10A, J14A, J14B, J16Z, J23Z, J25Z, J26Z, J62A, J62B
	Pre	A07D, A09A, A09E, A11B, A11F, A13F		Pre	A07D, A09A, A09E, A11B, A11F, A13F		Pre	A07D, A09A, A09E, A11B, A11F, A13F
C48.2	06	G17A, G19A, G38Z, G40Z, G46A, G46B, G46C, G47Z, G60A, G60B, G67A	C49.9	06	G17A, G38Z, G67A	C50.8	06	G17A, G38Z, G67A
	08	I54Z		08	I06C, I54Z, I65A, I65B, I65C		08	I54Z
	15	TPN, VTPN		15	TPN, VTPN		09	J01Z, J06Z, J07A, J07B, J08A, J08B, J08C, J10A, J14A, J14B, J16Z, J23Z, J25Z, J26Z, J62A, J62B
	Pre	A07D, A09A, A09E, A11B, A11F, A13F		Pre	A07D, A09A, A09E, A11B, A11F, A13F		Pre	A07D, A09A, A09E, A11B, A11F, A13F
C48.8	06	G17A, G19A, G38Z, G40Z, G46A, G46B, G46C, G47Z, G60A, G60B, G67A	C50.0	06	G17A, G38Z, G67A	C50.9	06	G17A, G38Z, G67A
	08	I54Z		08	I54Z		08	I54Z
	15	TPN, VTPN		15	TPN, VTPN		09	J01Z, J06Z, J07A, J07B, J08A, J08B, J08C, J10A, J14A, J14B, J16Z, J23Z, J25Z, J26Z, J62A, J62B
	Pre	A07D, A09A, A09E, A11B, A11F, A13F		Pre	A07D, A09A, A09E, A11B, A11F, A13F		Pre	A07D, A09A, A09E, A11B, A11F, A13F
C49.0	06	G17A, G38Z, G67A	C50.1	06	G17A, G38Z, G67A	C51.0	06	G17A, G38Z, G67A
	08	I06C, I27A, I27B, I27C, I54Z, I65A, I65B, I65C		08	I54Z		08	I54Z
	15	TPN, VTPN		09	J01Z, J06Z, J07A, J07B, J08A, J08B, J08C, J10A, J14A, J14B, J16Z, J23Z, J25Z, J26Z, J62A, J62B		13	N03A, N03B, N38Z, N60A, N60B
	Pre	A07D, A09A, A09E, A11B, A11F, A13F		Pre	A07D, A09A, A09E, A11B, A11F, A13F		Pre	A07D, A09A, A09E, A11B, A11F, A13F
C49.1	06	G17A, G38Z, G67A	C50.2	06	G17A, G38Z, G67A	C51.1	06	G17A, G38Z, G67A
	08	I06C, I27A, I27B, I27C, I32A, I32B, I32C, I32D, I32E, I32F, I32G, I54Z, I65A, I65B, I65C		08	I54Z		08	I54Z
	15	TPN, VTPN		09	J01Z, J06Z, J07A, J07B, J08A, J08B, J08C, J10A, J14A, J14B, J16Z, J23Z, J25Z, J26Z, J62A, J62B		13	N03A, N03B, N38Z, N60A, N60B
	Pre	A07D, A09A, A09E, A11B, A11F, A13F		Pre	A07D, A09A, A09E, A11B, A11F, A13F		Pre	A07D, A09A, A09E, A11B, A11F, A13F
C49.2	06	G17A, G38Z, G67A	C50.3	06	G17A, G38Z, G67A	C51.2	06	G17A, G38Z, G67A
	08	I01Z, I02B, I02C, I03A, I03B, I04Z, I06C, I27A, I27B, I27C, I37Z, I54Z, I65A, I65B, I65C		08	I54Z		08	I54Z
	15	TPN, VTPN		09	J01Z, J06Z, J07A, J07B, J08A, J08B, J08C, J10A, J14A, J14B, J16Z, J23Z, J25Z, J26Z, J62A, J62B		13	N03A, N03B, N38Z, N60A, N60B
	Pre	A07D, A09A, A09E, A11B, A11F, A13F		Pre	A07D, A09A, A09E, A11B, A11F, A13F		Pre	A07D, A09A, A09E, A11B, A11F, A13F
C49.3	06	G17A, G38Z, G67A	C50.4	06	G17A, G38Z, G67A	C51.8	06	G17A, G38Z, G67A
	08	I06C, I27A, I27B, I27C, I54Z, I65A, I65B, I65C		08	I54Z		08	I54Z
	15	TPN, VTPN		09	J01Z, J06Z, J07A, J07B, J08A, J08B, J08C, J10A, J14A, J14B, J16Z, J23Z, J25Z, J26Z, J62A, J62B		13	N03A, N03B, N38Z, N60A, N60B
	Pre	A07D, A09A, A09E, A11B, A11F, A13F		Pre	A07D, A09A, A09E, A11B, A11F, A13F		Pre	A07D, A09A, A09E, A11B, A11F, A13F
C49.4	06	G17A, G38Z, G67A	C50.5	06	G17A, G38Z, G67A	C51.9	06	G17A, G38Z, G67A
	08	I06C, I27A, I27B, I27C, I54Z, I65A, I65B, I65C		08	I54Z		08	I54Z
	15	TPN, VTPN		09	J01Z, J06Z, J07A, J07B, J08A, J08B, J08C, J10A, J14A, J14B, J16Z, J23Z, J25Z, J26Z, J62A, J62B		13	N03A, N03B, N38Z, N60A, N60B
	Pre	A07D, A09A, A09E, A11B, A11F, A13F		Pre	A07D, A09A, A09E, A11B, A11F, A13F		Pre	A07D, A09A, A09E, A11B, A11F, A13F
C49.5	06	G17A, G38Z, G67A	C50.5	06	G17A, G38Z, G67A	C52	06	G17A, G38Z, G67A
	08	I02B, I02C, I06C, I27A, I27B, I27C, I37Z, I54Z, I65A, I65B, I65C		08	I54Z		08	I54Z
	15	TPN, VTPN		09	J01Z, J06Z, J07A, J07B, J08A, J08B, J08C, J10A, J14A, J14B, J16Z, J23Z, J25Z, J26Z, J62A, J62B		13	N03A, N03B, N38Z, N60A, N60B
	Pre	A07D, A09A, A09E, A11B, A11F, A13F		Pre	A07D, A09A, A09E, A11B, A11F, A13F		Pre	A07D, A09A, A09E, A11B, A11F, A13F
C49.6	06	G17A, G38Z, G67A	C50.5	06	G17A, G38Z, G67A	C52	06	G17A, G38Z, G67A
	08	I02B, I02C, I06C, I27A, I27B, I27C, I54Z, I65A, I65B, I65C		08	I54Z		08	I54Z
	15	TPN, VTPN		09	J01Z, J06Z, J07A, J07B, J08A, J08B, J08C, J10A, J14A, J14B, J16Z, J23Z, J25Z, J26Z, J62A, J62B		13	N03A, N03B, N38Z, N60A, N60B
	Pre	A07D, A09A, A09E, A11B, A11F, A13F		Pre	A07D, A09A, A09E, A11B, A11F, A13F		Pre	A07D, A09A, A09E, A11B, A11F, A13F

Dg

ICD	MDC	DRG	ICD	MDC	DRG	ICD	MDC	DRG
C74.9	06	G17A, G38Z, G67A	C76.1	04	E05B, E71A, E71B	C77.2	06	G17A, G38Z, G67A
	08	I54Z		06	G17A, G38Z, G67A		08	I54Z
	10	K03A, K03B, K64A, K64B, K64C		08	I54Z		15	TPN, VTPN
	15	TPN, VTPN		15	TPN, VTPN		17	R04A, R04B, R12A, R12B, R12C, R13Z, R14Z, R62A, R62B, R62C
C75.0	Pre	A07D, A09A, A09E, A11B, A11F, A13F	C76.2	Pre	A07D, A09A, A09E, A11B, A11F, A13F	C77.3	Pre	A07D, A09A, A09E, A11B, A11F, A13F
	06	G17A, G38Z, G67A		06	G17A, G19A, G38Z, G40Z, G46A, G46B, G46C, G47Z, G60A, G60B, G67A		06	G17A, G38Z, G67A
	08	I54Z		08	I54Z		08	I54Z
	10	K06A, K06C, K64A, K64B, K64C, K64D		15	TPN, VTPN		15	TPN, VTPN
C75.1	15	TPN, VTPN	C76.3	Pre	A07D, A09A, A09E, A11B, A11F, A13F	C77.4	17	R04A, R04B, R12A, R12B, R12C, R13Z, R14Z, R62A, R62B, R62C
	Pre	A07D, A09A, A09E, A11B, A11F, A13F		06	G17A, G38Z, G67A		Pre	A07D, A09A, A09E, A11B, A11F, A13F
	01	B02A, B02B, B02C, B02D		08	I54Z		06	G17A, G38Z, G67A
	06	G17A, G38Z, G67A		12	M09A, M09B, M60A, M60B, M60C		08	I54Z
C75.2	08	I54Z	C76.4	13	N03A, N03B, N38Z, N60A, N60B	C77.5	15	TPN, VTPN
	10	K64A, K64B, K64C, K64D		15	TPN, VTPN		17	R04A, R04B, R12A, R12B, R12C, R13Z, R14Z, R62A, R62B, R62C
	15	TPN, VTPN		Pre	A07D, A09A, A09E, A11B, A11F, A13F		Pre	A07D, A09A, A09E, A11B, A11F, A13F
	Pre	A07D, A09A, A09E, A11B, A11F, A13F		06	G17A, G38Z, G67A		06	G17A, G38Z, G67A
C75.3	01	B02A, B02B, B02C, B02D, B03A, B03B, B66A, B66B, B66C, B66D	C76.5	08	I54Z	C77.8	08	I54Z
	06	G17A, G38Z, G67A		15	TPN, VTPN		15	TPN, VTPN
	08	I54Z		17	R04A, R04B, R12A, R12B, R12C, R13Z, R14Z, R62A, R62B, R62C		17	R04A, R04B, R12A, R12B, R12C, R13Z, R14Z, R62A, R62B, R62C
	15	TPN, VTPN		Pre	A07D, A09A, A09E, A11B, A11F, A13F		Pre	A07D, A09A, A09E, A11B, A11F, A13F
C75.4	Pre	A07D, A09A, A09E, A11B, A11F, A13F	C76.7	06	G17A, G38Z, G67A	C77.9	06	G17A, G38Z, G67A
	01	B03A, B03B, B66A, B66B, B66C, B66D		08	I54Z		08	I54Z
	06	G17A, G38Z, G67A		15	TPN, VTPN		15	TPN, VTPN
	08	I54Z		17	R04A, R04B, R12A, R12B, R12C, R13Z, R14Z, R62A, R62B, R62C		17	R04A, R04B, R12A, R12B, R12C, R13Z, R14Z, R62A, R62B, R62C
C75.5	15	TPN, VTPN	C76.8	Pre	A07D, A09A, A09E, A11B, A11F, A13F	C78.0	Pre	A07D, A09A, A09E, A11B, A11F, A13F
	Pre	A07D, A09A, A09E, A11B, A11F, A13F		06	G17A, G38Z, G67A		04	E05B, E71A, E71B
	01	B03A, B03B, B66A, B66B, B66C, B66D		08	I54Z		06	G17A, G38Z, G67A
	06	G17A, G38Z, G67A		15	TPN, VTPN		08	I54Z
C75.8	08	I54Z	C77.0	17	R04A, R04B, R12A, R12B, R12C, R13Z, R14Z, R62A, R62B, R62C	C78.1	15	TPN, VTPN
	15	TPN, VTPN		Pre	A07D, A09A, A09E, A11B, A11F, A13F		Pre	A07D, A09A, A09E, A11B, A11F, A13F
	Pre	A07D, A09A, A09E, A11B, A11F, A13F		06	G17A, G38Z, G67A		04	E05B, E71A, E71B
	06	G17A, G38Z, G67A		08	I54Z		06	G17A, G38Z, G67A
C75.9	08	I54Z	C77.1	15	TPN, VTPN	C78.2	08	I54Z
	10	K64A, K64B, K64C		17	R04A, R04B, R12A, R12B, R12C, R13Z, R14Z, R62A, R62B, R62C		04	E05B, E71A, E71B
	15	TPN, VTPN		Pre	A07D, A09A, A09E, A11B, A11F, A13F		06	G17A, G38Z, G67A
	Pre	A07D, A09A, A09E, A11B, A11F, A13F		08	I54Z		15	TPN, VTPN
C76.0	06	G17A, G38Z, G67A	C77.2	15	TPN, VTPN	C78.2	Pre	A07D, A09A, A09E, A11B, A11F, A13F
	08	I54Z		17	R04A, R04B, R12A, R12B, R12C, R13Z, R14Z, R62A, R62B, R62C		04	E05B, E71A, E71B
	15	TPN, VTPN		Pre	A07D, A09A, A09E, A11B, A11F, A13F		06	G17A, G38Z, G67A
	Pre	A07D, A09A, A09E, A11B, A11F, A13F		08	I54Z		15	TPN, VTPN

Dg

ICD	MDC	DRG	ICD	MDC	DRG	ICD	MDC	DRG	
C78.3	04	E05B, E71A, E71B	C79.3	01	B03A, B03B, B66A, B66B, B66C, B66D, B70A, B70B, B70C, B70E	C79.84	06	G17A, G38Z, G67A	
	06	G17A, G38Z, G67A		06	G17A, G38Z, G67A		08	I54Z	
	08	I54Z		08	I54Z		15	TPN, VTPN	
	15	TPN, VTPN		15	TPN, VTPN		17	R04A, R04B, R12A, R12B, R12C, R13Z, R14Z, R62A, R62B, R62C	
	Pre	A07D, A09A, A09E, A11B, A11F, A13F		17	R61A, R61B		Pre	A07D, A09A, A09E, A11B, A11F, A13F	
C78.4	06	G17A, G19A, G38Z, G40Z, G46A, G46B, G46C, G47Z, G60A, G60B, G67A	C79.4	01	B03A, B03B, B66A, B66B, B66C, B66D	C79.88	06	G17A, G38Z, G67A	
	08	I54Z		06	G17A, G38Z, G67A		08	I54Z	
	15	TPN, VTPN		08	I54Z		15	TPN, VTPN	
	Pre	A07D, A09A, A09E, A11B, A11F, A13F		15	TPN, VTPN		17	R04A, R04B, R12A, R12B, R12C, R13Z, R14Z, R62A, R62B, R62C	
	C78.5	06		G17A, G19A, G38Z, G40Z, G46A, G46B, G46C, G47Z, G60A, G60B, G67A	C79.5		06	G17A, G38Z, G67A	C79.9
08		I54Z	08	I01Z, I03A, I03B, I04Z, I37Z, I54Z, I65A, I65B, I65C		08	I54Z		
15		TPN, VTPN	15	TPN, VTPN		17	R04A, R04B, R12A, R12B, R12C, R13Z, R14Z, R62A, R62B, R62C		
Pre		A07D, A09A, A09E, A11B, A11F, A13F	17	R61F, R61G, R62A, R62B		Pre	A07D, A09A, A09E, A11B, A11F, A13F, A15C		
C78.6		06	G01Z, G02Z, G17A, G19A, G38Z, G40Z, G46A, G46B, G46C, G47Z, G60A, G60B, G67A	C79.6		06	G17A, G38Z, G67A	C80.0	
	08	I54Z	08		I54Z	08	I54Z		
	15	TPN, VTPN	13		N01A, N01B, N01C, N01D, N01E, N02A, N02B, N02C, N38Z, N60A, N60B	17	R04A, R04B, R12A, R12B, R12C, R13Z, R14Z, R62A, R62B, R62C		
	Pre	A07D, A09A, A09E, A11B, A11F, A13F	15		TPN, VTPN	Pre	A07D, A09A, A09E, A11B, A11F, A13F, A15C		
	C78.7	06	G01Z, G02Z, G17A, G38Z, G67A		C79.7	06	G17A, G38Z, G67A		C80.9
07		H07A, H08A, H09B, H61A, H61B, H78Z	08	I54Z		08	I54Z		
08		I54Z	10	K03A, K03B, K64A, K64B, K64C, K64D		17	R04A, R04B, R12A, R12B, R12C, R13Z, R14Z, R62A, R62B, R62C		
15		TPN, VTPN	15	TPN, VTPN		Pre	A07D, A09A, A09E, A11B, A11F, A13F, A15C		
Pre		A07D, A09A, A09E, A11B, A11F, A13F	Pre	A07D, A09A, A09E, A11B, A11F, A13F		C81.0	06	G17A, G38Z, G67A	
C78.8	06	G17A, G19A, G38Z, G40Z, G46A, G46B, G46C, G47Z, G60A, G60B, G67A	C79.81	06	G17A, G38Z, G67A		C81.1	06	G17A, G38Z, G67A
	08	I54Z		08	I54Z			08	I54Z
	15	TPN, VTPN		09	J01Z, J06Z, J07A, J07B, J10A, J14A, J14B, J16Z, J23Z, J25Z, J26Z, J62A, J62B			15	TPN, VTPN
	Pre	A07D, A09A, A09E, A11B, A11F, A13F		15	TPN, VTPN			17	R01A, R01B, R01C, R01D, R03Z, R11A, R11B, R11C, R61A, R61B, R61C, R61D, R61E, R61F, R61G, R61H
	C79.0	06		G17A, G38Z, G67A	C79.82	06		G17A, G38Z, G67A	Pre
08		I54Z	08	I54Z		C81.2	06	G17A, G38Z, G67A	
11		L02A, L02B, L02C, L03Z, L10Z, L13A, L13B, L38Z, L62A, L62B	12	M09A, M09B, M60A, M60B, M60C			08	I54Z	
15		TPN, VTPN	13	N03A, N03B, N38Z, N60A, N60B			15	TPN, VTPN	
Pre		A07D, A09A, A09E, A11B, A11F, A13F	15	TPN, VTPN			17	R01A, R01B, R01C, R01D, R03Z, R11A, R11B, R11C, R61A, R61B, R61C, R61D, R61E, R61F, R61G, R61H	
C79.1	06	G17A, G38Z, G67A	C79.83	06	G17A, G38Z, G67A		C81.2	06	G17A, G38Z, G67A
	08	I54Z		08	I54Z	08		I54Z	
	11	L02A, L02B, L02C, L03Z, L10Z, L13A, L13B, L38Z, L62A, L62B		15	TPN, VTPN	15		TPN, VTPN	
	15	TPN, VTPN		17	R04A, R04B, R12A, R12B, R12C, R13Z, R14Z, R62A, R62B, R62C	17		R01A, R01B, R01C, R01D, R03Z, R11A, R11B, R11C, R61A, R61B, R61C, R61D, R61E, R61F, R61G, R61H	
	Pre	A07D, A09A, A09E, A11B, A11F, A13F		Pre	A07D, A09A, A09E, A11B, A11F, A13F	Pre		A07D, A09A, A09E, A11B, A11F, A13A, A13F, A15C	
C79.2	06	G17A, G38Z, G67A	C79.83	06	G17A, G38Z, G67A	C81.2	06	G17A, G38Z, G67A	
	08	I54Z		08	I54Z		08	I54Z	
	09	J01Z, J06Z, J07A, J07B, J10A, J14A, J14B, J16Z, J23Z, J25Z, J26Z, J62A, J62B		15	TPN, VTPN		15	TPN, VTPN	
	15	TPN, VTPN		17	R04A, R04B, R12A, R12B, R12C, R13Z, R14Z, R62A, R62B, R62C		17	R01A, R01B, R01C, R01D, R03Z, R11A, R11B, R11C, R61A, R61B, R61C, R61D, R61E, R61F, R61G, R61H	
	Pre	A07D, A09A, A09E, A11B, A11F, A13F		Pre	A07D, A09A, A09E, A11B, A11F, A13F		Pre	A07D, A09A, A09E, A11B, A11F, A13A, A13F, A15C	

ICD	MDC	DRG	ICD	MDC	DRG	ICD	MDC	DRG
C96.0	06	G17A, G38Z, G67A	D00.2	06	G19A, G38Z, G40Z, G46A, G46B, G46C, G47Z, G60A, G60B	D03.3	08	I54Z
	08	I54Z		08	I54Z		09	J01Z, J67A, J67B, J68A, J68B
	15	TPN, VTPN		Pre	A09A, A11B	Pre	A09A, A11B	
	17	R04A, R04B, R12A, R12B, R12C, R13Z, R14Z, R62A, R62B, R62C		D01.0	06	G19A, G38Z, G40Z, G46A, G46B, G46C, G47Z, G60A, G60B	D03.4	08
Pre	A07D, A09A, A09E, A11B, A11F, A13A, A13F	08	I54Z		09	J01Z, J67A, J67B, J68A, J68B		
C96.2	06	G17A, G38Z, G67A	D01.1	06	G19A, G38Z, G40Z, G46A, G46B, G46C, G47Z, G60A, G60B	D03.5	08	I54Z
	08	I54Z		08	I54Z		09	J01Z, J67A, J67B, J68A, J68B
	15	TPN, VTPN	Pre	A09A, A11B	Pre	A09A, A11B		
	17	R01A, R01B, R01C, R01D, R03Z, R11A, R11B, R11C, R61A, R61B, R61C, R61D, R61E, R61F, R61G	D01.2	06	G19A, G38Z, G40Z, G46A, G46B, G46C, G47Z, G60A, G60B	D03.6	08	I54Z
Pre	A07D, A09A, A09E, A11B, A11F, A13A, A13F	08		I54Z	09	J01Z, J67A, J67B, J68A, J68B		
C96.4	06	G17A, G38Z, G67A	D01.3	06	G19A, G38Z, G40Z, G46A, G46B, G46C, G47Z, G60A, G60B	D03.7	08	I54Z
	08	I54Z		08	I54Z		09	J01Z, J02A, J02B, J02C, J03A, J03B, J04A, J04B, J08A, J08B, J08C, J67A, J67B, J68A, J68B
	15	TPN, VTPN	Pre	A09A, A11B	Pre	A09A, A11B		
	17	R01A, R01B, R01C, R01D, R03Z, R11A, R11B, R11C, R61A, R61B, R61C, R61D, R61E, R61F, R61G	D01.4	06	G19A, G38Z, G40Z, G46A, G46B, G46C, G47Z, G60A, G60B	D03.8	08	I54Z
Pre	A07D, A09A, A09E, A11B, A11F, A13A, A13F	08		I54Z	09	J01Z, J67A, J67B, J68A, J68B		
C96.5	10	K63A, K63B, K63C	D01.5	07	H09B, H61A, H61B, H78Z	D03.9	08	I54Z
	Pre	A07D, A09A, A09E, A11B, A11F, A13F		08	I54Z		09	J01Z, J67A, J67B, J68A, J68B
C96.6	10	K63A, K63B, K63C	D01.7	06	G19A, G38Z, G40Z, G46A, G46B, G46C, G47Z, G60A, G60B	D04.0	08	I54Z
	Pre	A07D, A09A, A09E, A11B, A11F, A13F		08	I54Z		09	J01Z, J67A, J67B, J68A, J68B
C96.7	06	G17A, G38Z, G67A	D01.9	06	G19A, G38Z, G40Z, G46A, G46B, G46C, G47Z, G60A, G60B	D04.1	02	C02A, C63Z
	08	I54Z		08	I54Z		08	I54Z
	15	TPN, VTPN	Pre	A09A, A11B	Pre	A09A, A11B		
	17	R01A, R01B, R01C, R01D, R03Z, R11A, R11B, R11C, R61A, R61B, R61C, R61D, R61E, R61F, R61G, R61H	D02.0	03	D09Z, D25A, D25B, D28Z, D60A, D60B, D60C	D04.2	08	I54Z
Pre	A07D, A09A, A09E, A11B, A11F, A13A, A13F	08		I54Z	09		J01Z, J67A, J67B, J68A, J68B	
C96.8	06	G17A, G38Z, G67A	D02.1	04	E05B, E71A, E71B	D04.3	08	I54Z
	08	I54Z		08	I54Z		09	J01Z, J02A, J02B, J02C, J03A, J03B, J04A, J04B, J08A, J08B, J08C, J67A, J67B, J68A, J68B
	15	TPN, VTPN	Pre	A09A, A11B	Pre	A09A, A11B		
	17	R01A, R01B, R01C, R01D, R03Z, R11A, R11B, R11C, R61A, R61B, R61C, R61D, R61E, R61F, R61G	D02.2	04	E05B, E71A, E71B	D04.4	08	I54Z
Pre	A07D, A09A, A09E, A11B, A11F, A13A, A13F	08		I54Z	09		J01Z, J67A, J67B, J68A, J68B	
C96.9	06	G17A, G38Z, G67A	D02.3	04	E05B, E71A, E71B	D04.5	08	I54Z
	08	I54Z		08	I54Z		09	J01Z, J67A, J67B, J68A, J68B
	15	TPN, VTPN	Pre	A09A, A11B	Pre	A09A, A11B		
	17	R01A, R01B, R01C, R01D, R03Z, R11A, R11B, R11C, R61A, R61B, R61C, R61D, R61E, R61F, R61G, R61H	D02.4	04	E05B, E71A, E71B	D04.6	08	I54Z
Pre	A07D, A09A, A09E, A11B, A11F, A13A, A13F	08		I54Z	09		J01Z, J67A, J67B, J68A, J68B	
C97	06	G17A, G38Z, G67A	D03.0	08	I54Z	D04.7	08	I54Z
	08	I54Z		09	J01Z, J67A, J67B, J68A, J68B		09	J01Z, J02A, J02B, J02C, J03A, J03B, J04A, J04B, J08A, J08B, J08C, J67A, J67B, J68A, J68B
D00.0	03	D09Z, D25A, D25B, D28Z, D60A, D60B, D60C	D03.1	02	C63Z	D04.8	08	I54Z
	08	I54Z		08	I54Z		09	J01Z, J67A, J67B, J68A, J68B
D00.1	Pre	A09A, A11B	D03.2	Pre	A09A, A11B	D04.9	08	I54Z
	06	G19A, G38Z, G40Z, G46A, G46B, G46C, G47Z, G60A, G60B		08	I54Z		09	J01Z, J67A, J67B, J68A, J68B
	08	I54Z		09	J01Z, J67A, J67B, J68A, J68B	D05.0	08	I54Z
	Pre	A09A, A11B		Pre	A09A, A11B		09	J01Z, J06Z, J07A, J07B, J08A, J08B, J08C, J14A, J14B, J16Z, J23Z, J25Z, J26Z, J62A, J62B
				Pre	A09A, A11B	D05.1	Pre	A09A, A11B
							08	I54Z
						09	J01Z, J06Z, J07A, J07B, J08A, J08B, J08C, J14A, J14B, J16Z, J23Z, J25Z, J26Z, J62A, J62B	
						Pre	A09A, A11B	

ICD	MDC	DRG	ICD	MDC	DRG	ICD	MDC	DRG
D05.7	08	I54Z	D09.7	08	I54Z	D12.6	06	G46A, G46B, G46C, G50Z, G71Z
	09	J01Z, J06Z, J07A, J07B, J08A, J08B, J08C, J14A, J14B, J16Z, J23Z, J25Z, J26Z, J62A, J62B		17	R04A, R04B, R12A, R12B, R12C, R13Z, R14Z, R62A, R62B, R62C		15	TPN, VTPN
	Pre	A09A, A11B		Pre	A09A, A11B	D12.7	06	G46A, G46B, G46C, G50Z, G71Z
D05.9	08	I54Z	D09.9	08	I54Z		15	TPN, VTPN
	09	J01Z, J06Z, J07A, J07B, J08A, J08B, J08C, J14A, J14B, J16Z, J23Z, J25Z, J26Z, J62A, J62B		17	R04A, R04B, R12A, R12B, R12C, R13Z, R14Z, R62A, R62B, R62C		Pre	A09A, A11B
	Pre	A09A, A11B		Pre	A09A, A11B	D12.8	06	G46A, G46B, G46C, G50Z, G71Z
D06.0	08	I54Z	D10.0	03	D40Z, D67Z		15	TPN, VTPN
	13	N04Z, N05A, N05B, N14Z, N21Z, N25Z, N62A, N62B		15	TPN, VTPN		Pre	A09A, A11B
	Pre	A09A, A11B		Pre	A09A, A11B	D12.9	06	G46A, G46B, G46C, G50Z, G71Z
D06.1	08	I54Z	D10.1	03	D40Z, D67Z		15	TPN, VTPN
	13	N04Z, N05A, N05B, N14Z, N21Z, N25Z, N62A, N62B		15	TPN, VTPN		Pre	A09A, A11B
	Pre	A09A, A11B		Pre	A09A, A11B	D13.0	06	G46A, G46B, G46C, G50Z, G71Z
D06.7	08	I54Z	D10.2	03	D40Z, D67Z		15	TPN, VTPN
	13	N04Z, N05A, N05B, N14Z, N21Z, N25Z, N62A, N62B		15	TPN, VTPN		Pre	A09A, A11B
	Pre	A09A, A11B		Pre	A09A, A11B	D13.1	06	G46A, G46B, G46C, G50Z, G71Z
D06.9	08	I54Z	D10.3	03	D40Z, D67Z		15	TPN, VTPN
	13	N04Z, N05A, N05B, N14Z, N21Z, N25Z, N62A, N62B		15	TPN, VTPN		Pre	A09A, A11B
	Pre	A09A, A11B		Pre	A09A, A11B	D13.2	06	G46A, G46B, G46C, G50Z, G71Z
D07.0	08	I54Z	D10.4	03	D66Z		15	TPN, VTPN
	13	N04Z, N05A, N05B, N14Z, N21Z, N25Z, N62A, N62B		Pre	A09A, A11B		Pre	A09A, A11B
	Pre	A09A, A11B		Pre	A09A, A11B	D13.3	06	G46A, G46B, G46C, G50Z, G71Z
D07.1	08	I54Z	D10.5	03	D66Z		15	TPN, VTPN
	13	N04Z, N05A, N05B, N14Z, N21Z, N25Z, N62A, N62B		15	TPN, VTPN		Pre	A09A, A11B
	Pre	A09A, A11B		Pre	A09A, A11B	D13.4	07	H63A, H63B, H63C, H78Z
D07.2	08	I54Z	D10.6	03	D66Z		15	TPN, VTPN
	13	N04Z, N05A, N05B, N14Z, N21Z, N25Z, N62A, N62B		15	TPN, VTPN		Pre	A09A, A11B
	Pre	A09A, A11B		Pre	A09A, A11B	D13.5	07	H63A, H63B, H63C, H78Z
D07.3	08	I54Z	D10.7	03	D66Z		15	TPN, VTPN
	13	N04Z, N05A, N05B, N14Z, N21Z, N25Z, N62A, N62B		15	TPN, VTPN		Pre	A09A, A11B
	Pre	A09A, A11B		Pre	A09A, A11B	D13.6	07	H62A, H62B, H62C
D07.4	08	I54Z	D10.9	03	D66Z		15	TPN, VTPN
	12	M09A, M09B, M60A, M60B, M60C		15	TPN, VTPN		Pre	A09A, A11B
	Pre	A09A, A11B		Pre	A09A, A11B	D13.7	10	K64A, K64B, K64C, K64D
D07.5	08	I54Z	D11.0	03	D66Z		15	TPN, VTPN
	12	M09A, M09B, M60A, M60B, M60C		15	TPN, VTPN		Pre	A09A, A11B
	Pre	A09A, A11B		Pre	A09A, A11B	D13.9	06	G46A, G46B, G46C, G50Z, G71Z
D07.6	08	I54Z	D11.7	03	D66Z		15	TPN, VTPN
	12	M09A, M09B, M60A, M60B, M60C		15	TPN, VTPN		Pre	A09A, A11B
	Pre	A09A, A11B		Pre	A09A, A11B	D14.0	03	D66Z
D09.0	08	I54Z	D11.9	03	D66Z		15	TPN, VTPN
	11	L02A, L02B, L02C, L03Z, L10Z, L13A, L13B, L38Z, L62A, L62B		15	TPN, VTPN		Pre	A09A, A11B
	Pre	A09A, A11B		Pre	A09A, A11B	D14.1	03	D66Z
D09.1	08	I54Z	D12.0	06	G46A, G46B, G46C, G50Z, G71Z		15	TPN, VTPN
	11	L02A, L02B, L02C, L03Z, L10Z, L13A, L13B, L38Z, L62A, L62B		15	TPN, VTPN		Pre	A09A, A11B
	Pre	A09A, A11B		Pre	A09A, A11B	D14.2	04	E71A, E71B
D09.2	02	C02A, C63Z	D12.1	06	G46A, G46B, G46C, G50Z, G71Z		15	TPN, VTPN
	08	I54Z		15	TPN, VTPN		Pre	A09A, A11B
	Pre	A09A, A11B		Pre	A09A, A11B	D14.3	04	E71A, E71B
D09.3	08	I54Z	D12.2	06	G46A, G46B, G46C, G50Z, G71Z		15	TPN, VTPN
	17	R04A, R04B, R12A, R12B, R12C, R13Z, R14Z, R62A, R62B, R62C		15	TPN, VTPN		Pre	A09A, A11B
	Pre	A09A, A11B		Pre	A09A, A11B	D14.4	04	E71A, E71B
			D12.3	06	G46A, G46B, G46C, G50Z, G71Z		15	TPN, VTPN
				15	TPN, VTPN		Pre	A09A, A11B
			D12.4	06	G46A, G46B, G46C, G50Z, G71Z		15	TPN, VTPN
				15	TPN, VTPN		Pre	A09A, A11B
			D12.5	06	G46A, G46B, G46C, G50Z, G71Z		15	TPN, VTPN
				15	TPN, VTPN		Pre	A09A, A11B
				Pre	A09A, A11B	D15.0	16	Q60A, Q60B, Q60C
				Pre	A09A, A11B		Pre	A09A, A11B
				Pre	A09A, A11B	D15.1	05	F75A, F75B, F75C, F75D
				Pre	A09A, A11B		15	TPN, VTPN
				Pre	A09A, A11B		Pre	A09A, A11B

ICD	MDC	DRG	ICD	MDC	DRG	ICD	MDC	DRG	
D15.2	04	E71A, E71B	D18.00	09	J11A, J11B, J11C, J67A, J67B, J68A, J68B	D21.0	08	I76A, I76B	
	15	TPN, VTPN		15	TPN, VTPN	15	TPN, VTPN		
	Pre	A09A, A11B		Pre	A09A, A11B	Pre	A09A, A11B		
D15.7	04	E71A, E71B	D18.01	09	J11A, J11B, J11C, J67A, J67B, J68A, J68B	D21.1	08	I32A, I32B, I32C, I32D, I32E, I32F, I32G, I76A, I76B	
	15	TPN, VTPN		Pre	A09A, A11B	15	TPN, VTPN		
	Pre	A09A, A11B		Pre	A09A, A11B	Pre	A09A, A11B		
D15.9	04	E71A, E71B	D18.02	01	B81A, B81B	D21.2	08	I76A, I76B	
	15	TPN, VTPN		Pre	A09A, A11B	15	TPN, VTPN		
	Pre	A09A, A11B		Pre	A09A, A11B	Pre	A09A, A11B		
D16.0	08	I76A, I76B	D18.03	07	H63A, H63B, H63C, H78Z	D21.3	08	I76A, I76B	
	15	TPN, VTPN		Pre	A09A, A11B	15	TPN, VTPN		
	Pre	A09A, A11B		D18.04	06	G46A, G46B, G46C, G50Z, G67A, G67B, G67C, G67D	Pre	A09A, A11B	
D16.1	08	I32A, I32B, I32C, I32D, I32E, I32F, I32G, I76A, I76B		Pre	A09A, A11B	D21.4	08	I76A, I76B	
	15	TPN, VTPN		D18.05	03	D66Z	15	TPN, VTPN	
	Pre	A09A, A11B		Pre	A09A, A11B	Pre	A09A, A11B		
D16.2	08	I76A, I76B	D18.08	09	J11A, J11B, J11C, J67A, J67B, J68A, J68B	D21.5	08	I76A, I76B	
	15	TPN, VTPN		Pre	A09A, A11B	15	TPN, VTPN		
	Pre	A09A, A11B		D18.10	15	TPN, VTPN	Pre	A09A, A11B	
D16.3	08	I76A, I76B		16	Q60A, Q60B, Q60C, Q60D, Q60E	D21.6	08	I76A, I76B	
	15	TPN, VTPN		Pre	A09A, A11B	15	TPN, VTPN		
	Pre	A09A, A11B		D18.11	15	TPN, VTPN	Pre	A09A, A11B	
D16.41	08	I76A, I76B		16	Q60A, Q60B, Q60C, Q60D, Q60E	D21.9	08	I76A, I76B	
	15	TPN, VTPN		Pre	A09A, A11B	15	TPN, VTPN		
	Pre	A09A, A11B		D18.12	15	TPN, VTPN	Pre	A09A, A11B	
D16.42	08	I76A, I76B		16	Q60A, Q60B, Q60C, Q60D, Q60E	D22.0	09	J67A, J67B, J68A, J68B	
	15	TPN, VTPN		Pre	A09A, A11B	Pre	A09A, A11B		
	Pre	A09A, A11B		D18.13	15	TPN, VTPN	D22.1	02	C63Z
D16.5	03	D40Z, D67Z		16	Q60A, Q60B, Q60C, Q60D, Q60E	Pre	A09A, A11B		
	15	TPN, VTPN		Pre	A09A, A11B	D22.2	09	J67A, J67B, J68A, J68B	
	Pre	A09A, A11B		D18.18	15	TPN, VTPN	Pre	A09A, A11B	
D16.6	08	I76A, I76B		16	Q60A, Q60B, Q60C, Q60D, Q60E	D22.3	09	J67A, J67B, J68A, J68B	
	15	TPN, VTPN		Pre	A09A, A11B	Pre	A09A, A11B		
	Pre	A09A, A11B		D18.19	15	TPN, VTPN	D22.4	09	J67A, J67B, J68A, J68B
D16.70	04	E71A, E71B		16	Q60A, Q60B, Q60C, Q60D, Q60E	Pre	A09A, A11B		
	15	TPN, VTPN		D19.0	04	E71A, E71B	D22.5	09	J67A, J67B, J68A, J68B
	Pre	A09A, A11B		15	TPN, VTPN	Pre	A09A, A11B		
D16.71	04	E71A, E71B		16	Q60A, Q60B, Q60C, Q60D, Q60E	D22.6	09	J67A, J67B, J68A, J68B	
	15	TPN, VTPN		Pre	A09A, A11B	Pre	A09A, A11B		
	Pre	A09A, A11B		D19.1	06	G46A, G46B, G46C, G50Z, G71Z	D22.7	09	J02A, J02B, J02C, J03A, J03B, J04A, J04B, J08A, J08B, J08C, J67A, J67B, J68A, J68B
D16.72	04	E71A, E71B		15	TPN, VTPN	Pre	A09A, A11B		
	15	TPN, VTPN		Pre	A09A, A11B	D22.9	09	J67A, J67B, J68A, J68B	
	Pre	A09A, A11B		D19.7	15	TPN, VTPN	Pre	A09A, A11B	
D16.8	08	I76A, I76B		17	R04A, R04B, R12A, R12B, R12C, R13Z, R14Z, R62A, R62B, R62C	D23.0	09	J67A, J67B, J68A, J68B	
	15	TPN, VTPN		Pre	A09A, A11B	Pre	A09A, A11B		
	Pre	A09A, A11B		D19.9	15	TPN, VTPN	D23.1	02	C63Z
D16.9	08	I76A, I76B		17	R04A, R04B, R12A, R12B, R12C, R13Z, R14Z, R62A, R62B, R62C	Pre	A09A, A11B		
	15	TPN, VTPN		Pre	A09A, A11B	D23.2	09	J67A, J67B, J68A, J68B	
	Pre	A09A, A11B		D20.0	06	G46A, G46B, G46C, G50Z, G71Z	Pre	A09A, A11B	
D17.0	09	J67A, J67B, J68A, J68B		15	TPN, VTPN	D23.3	09	J67A, J67B, J68A, J68B	
	Pre	A09A, A11B		Pre	A09A, A11B	Pre	A09A, A11B		
D17.1	09	J67A, J67B, J68A, J68B		D19.9	15	TPN, VTPN	D23.4	09	J67A, J67B, J68A, J68B
	Pre	A09A, A11B		17	R04A, R04B, R12A, R12B, R12C, R13Z, R14Z, R62A, R62B, R62C	Pre	A09A, A11B		
D17.2	09	J67A, J67B, J68A, J68B		Pre	A09A, A11B	D23.5	09	J67A, J67B, J68A, J68B	
	Pre	A09A, A11B		D20.1	06	G46A, G46B, G46C, G50Z, G71Z	Pre	A09A, A11B	
D17.3	09	J67A, J67B, J68A, J68B		15	TPN, VTPN	D23.6	09	J67A, J67B, J68A, J68B	
	Pre	A09A, A11B		Pre	A09A, A11B	Pre	A09A, A11B		
D17.4	04	E71A, E71B		D20.1	06	G46A, G46B, G46C, G50Z, G71Z	D23.7	09	J02A, J02B, J02C, J03A, J03B, J04A, J04B, J08A, J08B, J08C, J67A, J67B, J68A, J68B
	Pre	A09A, A11B		15	TPN, VTPN	Pre	A09A, A11B		
D17.5	06	G46A, G46B, G46C, G50Z, G71Z		Pre	A09A, A11B	D23.9	09	J67A, J67B, J68A, J68B	
	Pre	A09A, A11B		D20.1	06	G46A, G46B, G46C, G50Z, G71Z	Pre	A09A, A11B	
D17.6	12	M64Z		15	TPN, VTPN	D24	09	J67A, J67B	
	Pre	A09A, A11B		Pre	A09A, A11B	15	TPN, VTPN		
D17.7	09	J67A, J67B, J68A, J68B		D20.1	06	G46A, G46B, G46C, G50Z, G71Z	Pre	A09A, A11B	
	Pre	A09A, A11B		15	TPN, VTPN				
D17.9	09	J67A, J67B, J68A, J68B		Pre	A09A, A11B				
	Pre	A09A, A11B							

Dg

ICD	MDC	DRG	ICD	MDC	DRG	ICD	MDC	DRG
D25.0	13	N04Z, N05A, N05B, N14Z, N21Z, N25Z, N62A, N62B	D29.7	12	M64Z	D32.9	01	B02A, B02B, B02C, B02D, B66A, B66B, B66C, B66D
	15	TPN, VTPN		15	TPN, VTPN		15	TPN, VTPN
	Pre	A09A, A11B		Pre	A09A, A11B		Pre	A07D, A09A, A09E, A11B, A11F, A13F
D25.1	13	N04Z, N05A, N05B, N14Z, N21Z, N25Z, N62A, N62B	D29.9	12	M64Z	D33.0	01	B02A, B02B, B02C, B02D, B66A, B66B, B66C, B66D
	15	TPN, VTPN		15	TPN, VTPN		15	TPN, VTPN
	Pre	A09A, A11B		Pre	A09A, A11B		Pre	A07D, A09A, A09E, A11B, A11F, A13F
D25.2	13	N04Z, N05A, N05B, N14Z, N21Z, N25Z, N62A, N62B	D30.0	11	L02A, L02B, L02C, L03Z, L10Z, L13A, L13B, L38Z, L62A, L62B	D33.1	01	B02A, B02B, B02C, B02D, B66A, B66B, B66C, B66D
	15	TPN, VTPN		15	TPN, VTPN		15	TPN, VTPN
	Pre	A09A, A11B		Pre	A09A, A11B		Pre	A07D, A09A, A09E, A11B, A11F, A13F
D25.9	13	N04Z, N05A, N05B, N14Z, N21Z, N25Z, N62A, N62B	D30.1	11	L02A, L02B, L02C, L03Z, L10Z, L13A, L13B, L38Z, L62A, L62B	D33.2	01	B02A, B02B, B02C, B02D, B66A, B66B, B66C, B66D
	15	TPN, VTPN		15	TPN, VTPN		15	TPN, VTPN
	Pre	A09A, A11B		Pre	A09A, A11B		Pre	A07D, A09A, A09E, A11B, A11F, A13F
D26.0	13	N04Z, N05A, N05B, N14Z, N21Z, N25Z, N62A, N62B	D30.2	11	L02A, L02B, L02C, L03Z, L10Z, L13A, L13B, L38Z, L62A, L62B	D33.3	01	B02A, B02B, B02C, B02D, B66A, B66B, B66C, B66D
	15	TPN, VTPN		15	TPN, VTPN		15	TPN, VTPN
	Pre	A09A, A11B		Pre	A09A, A11B		Pre	A07D, A09A, A09E, A11B, A11F, A13F
D26.1	13	N04Z, N05A, N05B, N14Z, N21Z, N25Z, N62A, N62B	D30.3	11	L02A, L02B, L02C, L03Z, L10Z, L13A, L13B, L38Z, L62A, L62B	D33.4	01	B02A, B02B, B02C, B02D, B66A, B66B, B66C, B66D
	15	TPN, VTPN		15	TPN, VTPN		15	TPN, VTPN
	Pre	A09A, A11B		Pre	A09A, A11B		Pre	A07D, A09A, A09E, A11B, A11F, A13F
D26.7	13	N04Z, N05A, N05B, N14Z, N21Z, N25Z, N62A, N62B	D30.4	11	L02A, L02B, L02C, L03Z, L10Z, L13A, L13B, L38Z, L62A, L62B	D33.7	01	B02A, B02B, B02C, B02D, B66A, B66B, B66C, B66D
	15	TPN, VTPN		15	TPN, VTPN		15	TPN, VTPN
	Pre	A09A, A11B		Pre	A09A, A11B		Pre	A07D, A09A, A09E, A11B, A11F, A13F
D26.9	13	N04Z, N05A, N05B, N14Z, N21Z, N25Z, N62A, N62B	D30.7	11	L02A, L02B, L02C, L03Z, L10Z, L13A, L13B, L38Z, L62A, L62B	D33.9	01	B02A, B02B, B02C, B02D, B66A, B66B, B66C, B66D
	15	TPN, VTPN		15	TPN, VTPN		15	TPN, VTPN
	Pre	A09A, A11B		Pre	A09A, A11B		Pre	A07D, A09A, A09E, A11B, A11F, A13F
D27	13	N04Z, N05A, N05B, N14Z, N21Z, N25Z, N62A, N62B	D30.9	11	L02A, L02B, L02C, L03Z, L10Z, L13A, L13B, L38Z, L62A, L62B	D34	10	K64A, K64B, K64C, K64D
	15	TPN, VTPN		15	TPN, VTPN		15	TPN, VTPN
	Pre	A09A, A11B		Pre	A09A, A11B		Pre	A09A, A11B
D28.0	13	N04Z, N05A, N05B, N14Z, N21Z, N25Z, N62A, N62B	D31.0	02	C63Z	D35.0	05	F67B
	15	TPN, VTPN		15	TPN, VTPN		10	K64A, K64B, K64C, K64D
	Pre	A09A, A11B		Pre	A09A, A11B		15	TPN, VTPN
D28.1	13	N04Z, N05A, N05B, N14Z, N21Z, N25Z, N62A, N62B	D31.1	02	C63Z	D35.1	10	K64A, K64B, K64C, K64D
	15	TPN, VTPN		15	TPN, VTPN		15	TPN, VTPN
	Pre	A09A, A11B		Pre	A09A, A11B		Pre	A09A, A11B
D28.2	13	N04Z, N05A, N05B, N14Z, N21Z, N25Z, N62A, N62B	D31.2	02	C63Z	D35.2	01	B02A, B02B, B02C, B02D
	15	TPN, VTPN		15	TPN, VTPN		10	K64A, K64B, K64C, K64D
	Pre	A09A, A11B		Pre	A09A, A11B		15	TPN, VTPN
D28.7	13	N04Z, N05A, N05B, N14Z, N21Z, N25Z, N62A, N62B	D31.3	02	C63Z	D35.3	01	B02A, B02B, B02C, B02D, B66A, B66B, B66C, B66D
	15	TPN, VTPN		15	TPN, VTPN		15	TPN, VTPN
	Pre	A09A, A11B		Pre	A09A, A11B		Pre	A09A, A11B
D28.9	13	N04Z, N05A, N05B, N14Z, N21Z, N25Z, N62A, N62B	D31.4	02	C63Z	D35.4	01	B02A, B02B, B02C, B02D, B66A, B66B, B66C, B66D
	15	TPN, VTPN		15	TPN, VTPN		15	TPN, VTPN
	Pre	A09A, A11B		Pre	A09A, A11B		Pre	A09A, A11B
D29.0	12	M64Z	D31.5	02	C63Z	D35.5	01	B66A, B66B, B66C, B66D
	15	TPN, VTPN		15	TPN, VTPN		15	TPN, VTPN
	Pre	A09A, A11B		Pre	A09A, A11B		Pre	A09A, A11B
D29.1	12	M64Z	D31.6	02	C63Z	D35.6	01	B66A, B66B, B66C, B66D
	15	TPN, VTPN		15	TPN, VTPN		15	TPN, VTPN
	Pre	A09A, A11B		Pre	A09A, A11B		Pre	A09A, A11B
D29.2	12	M64Z	D31.9	02	C63Z			
	15	TPN, VTPN		15	TPN, VTPN			
	Pre	A09A, A11B		Pre	A09A, A11B			
D29.3	12	M64Z	D32.0	01	B02A, B02B, B02C, B02D, B66A, B66B, B66C, B66D			
	15	TPN, VTPN		15	TPN, VTPN			
	Pre	A09A, A11B		Pre	A07D, A09A, A09E, A11B, A11F, A13F			
D29.4	12	M64Z	D32.1	01	B02A, B02B, B02C, B02D, B66A, B66B, B66C, B66D			
	15	TPN, VTPN		15	TPN, VTPN			
	Pre	A09A, A11B		Pre	A07D, A09A, A09E, A11B, A11F, A13F			

ICD	MDC	DRG	ICD	MDC	DRG	ICD	MDC	DRG
D35.7	10	K64A, K64B, K64C, K64D	D38.1	04	E05B, E71A, E71B	D41.3	11	L02A, L02B, L02C, L03Z, L10Z, L13A, L13B, L38Z, L62A, L62B
	15	TPN, VTPN		15	TPN, VTPN		15	TPN, VTPN
	Pre	A09A, A11B		Pre	A09A, A11B		Pre	A09A, A11B, A15C
D35.8	10	K64A, K64B, K64C, K64D	D38.2	04	E05B, E71A, E71B	D41.4	11	L02A, L02B, L02C, L03Z, L10Z, L13A, L13B, L38Z, L62A, L62B
	15	TPN, VTPN		15	TPN, VTPN		15	TPN, VTPN
	Pre	A09A, A11B		Pre	A09A, A11B		Pre	A09A, A11B, A15C
D35.9	10	K64A, K64B, K64C, K64D	D38.3	04	E05B, E71A, E71B	D41.7	11	L02A, L02B, L02C, L03Z, L10Z, L13A, L13B, L38Z, L62A, L62B
	15	TPN, VTPN		15	TPN, VTPN		15	TPN, VTPN
	Pre	A09A, A11B		Pre	A09A, A11B		Pre	A09A, A11B, A15C
D36.0	15	TPN, VTPN	D38.4	04	E05B, E71A, E71B	D41.9	11	L02A, L02B, L02C, L03Z, L10Z, L13A, L13B, L38Z, L62A, L62B
	16	Q60A, Q60B, Q60C, Q60D, Q60E		15	TPN, VTPN		15	TPN, VTPN
	Pre	A09A, A11B		Pre	A09A, A11B		Pre	A09A, A11B, A15C
D36.1	01	B66A, B66B, B66C, B66D	D38.5	04	E05B, E71A, E71B	D42.0	01	B02A, B02B, B02C, B02D, B66A, B66B, B66C, B66D
	15	TPN, VTPN		15	TPN, VTPN		15	TPN, VTPN
	Pre	A09A, A11B		Pre	A09A, A11B		Pre	A09A, A11B, A15C
D36.7	15	TPN, VTPN	D38.6	04	E05B, E71A, E71B	D42.1	01	B02A, B02B, B02C, B02D, B66A, B66B, B66C, B66D
	17	R04A, R04B, R12A, R12B, R12C, R13Z, R14Z, R62A, R62B, R62C		15	TPN, VTPN		15	TPN, VTPN
	Pre	A09A, A11B		Pre	A09A, A11B		Pre	A09A, A11B, A15C
D36.9	15	TPN, VTPN	D39.0	13	N03A, N03B, N38Z, N60A, N60B	D42.9	01	B02A, B02B, B02C, B02D, B66A, B66B, B66C, B66D
	17	R04A, R04B, R12A, R12B, R12C, R13Z, R14Z, R62A, R62B, R62C		15	TPN, VTPN		15	TPN, VTPN
	Pre	A09A, A11B		Pre	A09A, A11B		Pre	A09A, A11B, A15C
D37.0	03	D09Z, D25A, D25B, D28Z, D60A, D60B, D60C	D39.1	13	N01A, N01B, N01C, N01D, N01E, N02A, N02B, N02C, N38Z, N60A, N60B	D43.0	01	B02A, B02B, B02C, B02D, B66A, B66B, B66C, B66D
	15	TPN, VTPN		15	TPN, VTPN		15	TPN, VTPN
	Pre	A09A, A11B		Pre	A09A, A11B		Pre	A09A, A11B, A15C
D37.1	06	G19A, G38Z, G46A, G46B, G46C, G50Z, G60A, G60B	D39.2	13	N03A, N03B, N38Z, N60A, N60B	D43.1	01	B02A, B02B, B02C, B02D, B66A, B66B, B66C, B66D
	15	TPN, VTPN		15	TPN, VTPN		15	TPN, VTPN
	Pre	A09A, A11B		Pre	A09A, A11B		Pre	A09A, A11B, A15C
D37.2	06	G19A, G38Z, G46A, G46B, G46C, G50Z, G60A, G60B	D39.7	13	N03A, N03B, N38Z, N60A, N60B	D43.2	01	B02A, B02B, B02C, B02D, B66A, B66B, B66C, B66D
	15	TPN, VTPN		15	TPN, VTPN		15	TPN, VTPN
	Pre	A09A, A11B		Pre	A09A, A11B		Pre	A09A, A11B, A15C
D37.3	06	G19A, G38Z, G46A, G46B, G46C, G50Z, G60A, G60B	D39.9	13	N03A, N03B, N38Z, N60A, N60B	D43.3	01	B02A, B02B, B02C, B02D, B66A, B66B, B66C, B66D
	15	TPN, VTPN		15	TPN, VTPN		15	TPN, VTPN
	Pre	A09A, A11B		Pre	A09A, A11B		Pre	A09A, A11B, A15C
D37.4	06	G19A, G38Z, G46A, G46B, G46C, G50Z, G60A, G60B	D40.0	12	M09A, M09B, M60A, M60B, M60C	D43.4	01	B02A, B02B, B02C, B02D, B66A, B66B, B66C, B66D
	15	TPN, VTPN		15	TPN, VTPN		15	TPN, VTPN
	Pre	A09A, A11B		Pre	A09A, A11B, A15C		Pre	A09A, A11B, A15C
D37.5	06	G19A, G38Z, G46A, G46B, G46C, G50Z, G60A, G60B	D40.1	12	M09A, M09B, M60A, M60B, M60C	D43.7	01	B02A, B02B, B02C, B02D, B66A, B66B, B66C, B66D
	15	TPN, VTPN		15	TPN, VTPN		15	TPN, VTPN
	Pre	A09A, A11B		Pre	A09A, A11B, A15C		Pre	A09A, A11B, A15C
D37.6	07	H09B, H61A, H61B, H78Z	D40.7	12	M09A, M09B, M60A, M60B, M60C	D43.9	01	B02A, B02B, B02C, B02D, B66A, B66B, B66C, B66D
	15	TPN, VTPN		15	TPN, VTPN		15	TPN, VTPN
	Pre	A09A, A11B		Pre	A09A, A11B, A15C		Pre	A09A, A11B, A15C
D37.70	06	G19A, G38Z, G46A, G46B, G46C, G50Z, G60A, G60B	D40.9	12	M09A, M09B, M60A, M60B, M60C	D44.0	10	K64A, K64B, K64C, K64D
	15	TPN, VTPN		15	TPN, VTPN		15	TPN, VTPN
	Pre	A09A, A11B		Pre	A09A, A11B, A15C		Pre	A09A, A11B, A15C
D37.78	06	G19A, G38Z, G46A, G46B, G46C, G50Z, G60A, G60B	D41.0	11	L02A, L02B, L02C, L03Z, L10Z, L13A, L13B, L38Z, L62A, L62B	D44.1	05	F67B
	15	TPN, VTPN		15	TPN, VTPN		10	K03A, K03B, K64A, K64B, K64C, K64D
	Pre	A09A, A11B		Pre	A09A, A11B, A15C		15	TPN, VTPN
D37.9	06	G19A, G38Z, G46A, G46B, G46C, G50Z, G60A, G60B	D41.1	11	L02A, L02B, L02C, L03Z, L10Z, L13A, L13B, L38Z, L62A, L62B		Pre	A09A, A11B, A15C
	15	TPN, VTPN		15	TPN, VTPN		10	K64A, K64B, K64C, K64D
	Pre	A09A, A11B		Pre	A09A, A11B, A15C		15	TPN, VTPN
D38.0	03	D09Z, D25A, D25B, D28Z, D60A, D60B, D60C	D41.2	11	L02A, L02B, L02C, L03Z, L10Z, L13A, L13B, L38Z, L62A, L62B	D44.2	10	K64A, K64B, K64C, K64D
	15	TPN, VTPN		15	TPN, VTPN		15	TPN, VTPN
	Pre	A09A, A11B		Pre	A09A, A11B, A15C		Pre	A09A, A11B, A15C

Dg

ICD	MDC	DRG	ICD	MDC	DRG	ICD	MDC	DRG
D44.3	01	B02A, B02B, B02C, B02D	D46.6	15	TPN, VTPN	D48.1	08	I65A, I65B, I65C
	10	K64A, K64B, K64C, K64D		17	R01A, R01B, R01C, R01D, R03Z, R11A, R11B, R11C, R61A, R61B, R61C, R61D, R61E, R61F, R61G, R61H		15	TPN, VTPN
	15	TPN, VTPN				Pre	A09A, A11B	
	Pre	A09A, A11B, A15C				D48.2	08	I65A, I65B, I65C
D44.4	01	B02A, B02B, B02C, B02D, B66A, B66B, B66C, B66D		Pre	A07D, A09A, A09E, A11B, A11F, A13F		15	TPN, VTPN
	15	TPN, VTPN	D46.7	15	TPN, VTPN	Pre	A09A, A11B	
	Pre	A09A, A11B, A15C		17	R01A, R01B, R01C, R01D, R03Z, R11A, R11B, R11C, R61A, R61B, R61C, R61D, R61E, R61F, R61G, R61H	D48.3	06	G19A, G38Z, G46A, G46B, G46C, G50Z, G60A, G60B
D44.5	01	B02A, B02B, B02C, B02D, B66A, B66B, B66C, B66D					15	TPN, VTPN
	15	TPN, VTPN				Pre	A09A, A11B	
	Pre	A09A, A11B, A15C		Pre	A07D, A09A, A09E, A11B, A11F, A13F	D48.4	06	G19A, G38Z, G46A, G46B, G46C, G50Z, G60A, G60B
D44.6	01	B66A, B66B, B66C, B66D					15	TPN, VTPN
	15	TPN, VTPN	D46.9	15	TPN, VTPN	Pre	A09A, A11B	
	Pre	A09A, A11B, A15C		17	R01A, R01B, R01C, R01D, R03Z, R11A, R11B, R11C, R61A, R61B, R61C, R61D, R61E, R61F, R61G, R61H	D48.5	09	J67A, J67B, J68A, J68B
D44.7	01	B66A, B66B, B66C, B66D					15	TPN, VTPN
	15	TPN, VTPN				Pre	A09A, A11B	
	Pre	A09A, A11B, A15C		Pre	A07D, A09A, A09E, A11B, A11F, A13F	D48.6	09	J06Z, J07A, J07B, J08A, J08B, J08C, J14A, J14B, J16Z, J23Z, J25Z, J26Z, J62A, J62B
D44.8	10	K64A, K64B, K64C, K64D					15	TPN, VTPN
	Pre	A09A, A11B, A15C	D47.0	15	TPN, VTPN	Pre	A09A, A11B	
D44.9	10	K64A, K64B, K64C, K64D		17	R01A, R01B, R01C, R01D, R03Z, R11A, R11B, R11C, R61A, R61B, R61C, R61D, R61E, R61F, R61G, R61H	D48.7	15	TPN, VTPN
	15	TPN, VTPN					17	R04A, R04B, R12A, R12B, R12C, R13Z, R14Z, R62A, R62B, R62C
	Pre	A09A, A11B, A15C		Pre	A07D, A09A, A09E, A11B, A11F, A13F	Pre	A09A, A11B	
D45	15	TPN, VTPN	D47.1	15	TPN, VTPN	D48.9	15	TPN, VTPN
	17	R01A, R01B, R01C, R01D, R03Z, R11A, R11B, R11C, R61A, R61B, R61C, R61D, R61E, R61F, R61G, R61H		17	R01A, R01B, R01C, R01D, R03Z, R11A, R11B, R11C, R61A, R61B, R61C, R61D, R61E, R61F, R61G, R61H		17	R04A, R04B, R12A, R12B, R12C, R13Z, R14Z, R62A, R62B, R62C
	Pre	A07D, A09A, A09E, A11B, A11F, A13F				Pre	A09A, A11B	
D46.0	15	TPN, VTPN	D47.2	15	TPN, VTPN	D50.0	16	Q61A, Q61B, Q61C, Q61D, Q61E
	17	R01A, R01B, R01C, R01D, R03Z, R11A, R11B, R11C, R61A, R61B, R61C, R61D, R61E, R61F, R61G, R61H		16	Q60A, Q60B, Q60C		18A	S65A, S65B
	Pre	A07D, A09A, A09E, A11B, A11F, A13F		Pre	A09A, A11B	Pre	A09A, A11B	
D46.1	15	TPN, VTPN	D47.3	15	TPN, VTPN	D50.1	16	Q61A, Q61B, Q61C, Q61D, Q61E
	17	R01A, R01B, R01C, R01D, R03Z, R11A, R11B, R11C, R61A, R61B, R61C, R61D, R61E, R61F, R61G, R61H		17	R01A, R01B, R01C, R01D, R03Z, R11A, R11B, R11C, R61A, R61B, R61C, R61D, R61E, R61F, R61G, R61H		18A	S65A, S65B
	Pre	A07D, A09A, A09E, A11B, A11F, A13F				Pre	A09A, A11B	
D46.2	15	TPN, VTPN	D47.4	15	TPN, VTPN	D50.8	16	Q61A, Q61B, Q61C, Q61D, Q61E
	17	R04A, R04B, R12A, R12B, R12C, R13Z, R14Z, R60A, R60B, R60C, R60D, R60E, R60F, R60G		17	R01A, R01B, R01C, R01D, R03Z, R11A, R11B, R11C, R61A, R61B, R61C, R61D, R61E, R61F, R61G, R61H		18A	S65A, S65B
	Pre	A07D, A09A, A09E, A11B, A11F, A13F				Pre	A09A, A11B	
D46.4	15	TPN, VTPN	D47.5	15	TPN, VTPN	D50.9	16	Q61A, Q61B, Q61C, Q61D, Q61E
	17	R01A, R01B, R01C, R01D, R03Z, R11A, R11B, R11C, R61A, R61B, R61C, R61D, R61E, R61F, R61G, R61H		17	R01A, R01B, R01C, R01D, R03Z, R11A, R11B, R11C, R61A, R61B, R61C, R61D, R61E, R61F, R61G, R61H		18A	S65A, S65B
	Pre	A07D, A09A, A09E, A11B, A11F, A13F				Pre	A09A, A11B	
D46.5	15	TPN, VTPN	D47.7	15	TPN, VTPN	D51.0	16	Q61B, Q61C, Q61D
	17	R01A, R01B, R01C, R01D, R03Z, R11A, R11B, R11C, R61A, R61B, R61C, R61D, R61E, R61F, R61G, R61H		17	R01A, R01B, R01C, R01D, R03Z, R11A, R11B, R11C, R61A, R61B, R61C, R61D, R61E, R61F, R61G, R61H		18A	S65A, S65B
	Pre	A07D, A09A, A09E, A11B, A11F, A13F				Pre	A09A, A11B	
	Pre	A07D, A09A, A09E, A11B, A11F, A13F	D47.9	15	TPN, VTPN	D51.1	16	Q61B, Q61C, Q61D
				17	R01A, R01B, R01C, R01D, R03Z, R11A, R11B, R11C, R61A, R61B, R61C, R61D, R61E, R61F, R61G, R61H		18A	S65A, S65B
						Pre	A09A, A11B	
			D48.0	08	I65A, I65B, I65C	D51.2	16	Q61B, Q61C, Q61D
				15	TPN, VTPN		18A	S65A, S65B
				Pre	A09A, A11B	Pre	A09A, A11B	
						D51.3	16	Q61B, Q61C, Q61D
							18A	S65A, S65B
						Pre	A09A, A11B	
						D51.8	16	Q61B, Q61C, Q61D
							18A	S65A, S65B
						Pre	A09A, A11B	
						D51.9	16	Q61B, Q61C, Q61D
							18A	S65A, S65B
						Pre	A09A, A11B	
						D52.0	16	Q61A, Q61B, Q61C, Q61D, Q61E
							18A	S65A, S65B
						Pre	A09A, A11B	

ICD	MDC	DRG	ICD	MDC	DRG	ICD	MDC	DRG
D52.1	16	Q61A, Q61B, Q61C, Q61D, Q61E	D56.9	16	Q61A, Q61B, Q61C, Q61D, Q61E	D60.0	15	TPN, VTPN
	18A	S65A, S65B		Pre	A09A, A11B		16	Q61A, Q61B, Q61C, Q61D, Q61E
	Pre	A09A, A11B	D57.0	15	TPN, VTPN		18A	S65A, S65B
D52.8	16	Q61A, Q61B, Q61C, Q61D, Q61E		16	Q61B, Q61C, Q61D		Pre	A07D, A09A, A09E, A11B, A11F, A13F
	18A	S65A, S65B	D57.1	16	Q61A, Q61B, Q61C, Q61D, Q61E	D60.1	15	TPN, VTPN
	Pre	A09A, A11B		Pre	A09A, A11B		16	Q61A, Q61B, Q61C, Q61D, Q61E
D52.9	16	Q61A, Q61B, Q61C, Q61D, Q61E	D57.2	16	Q61A, Q61B, Q61C, Q61D, Q61E		18A	S65A, S65B
	18A	S65A, S65B		Pre	A09A, A11B		Pre	A07D, A09A, A09E, A11B, A11F, A13F
	Pre	A09A, A11B	D57.3	16	Q61A, Q61B, Q61C, Q61D, Q61E	D60.8	15	TPN, VTPN
D53.0	16	Q61A, Q61B, Q61C, Q61D, Q61E		Pre	A09A, A11B		16	Q61A, Q61B, Q61C, Q61D, Q61E
	18A	S65A, S65B	D57.8	16	Q61A, Q61B, Q61C, Q61D, Q61E		18A	S65A, S65B
	Pre	A09A, A11B		Pre	A09A, A11B		Pre	A07D, A09A, A09E, A11B, A11F, A13F
D53.1	16	Q61A, Q61B, Q61C, Q61D, Q61E	D58.0	16	Q61A, Q61B, Q61C, Q61D, Q61E	D60.9	15	TPN, VTPN
	18A	S65A, S65B		Pre	A09A, A11B		16	Q61A, Q61B, Q61C, Q61D, Q61E
	Pre	A09A, A11B	D58.1	16	Q61A, Q61B, Q61C, Q61D, Q61E		18A	S65A, S65B
D53.2	16	Q61A, Q61B, Q61C, Q61D, Q61E		Pre	A09A, A11B		Pre	A07D, A09A, A09E, A11B, A11F, A13F
	18A	S65A, S65B	D58.2	16	Q61A, Q61B, Q61C, Q61D, Q61E	D61.0	15	TPN, VTPN
	Pre	A09A, A11B		Pre	A09A, A11B		16	Q61B, Q61C, Q61D
D53.8	16	Q61A, Q61B, Q61C, Q61D, Q61E	D58.8	16	Q61A, Q61B, Q61C, Q61D, Q61E		Pre	A07D, A09A, A09E, A11B, A11F, A13F
	18A	S65A, S65B		Pre	A09A, A11B	D61.10	15	TPN, VTPN
	Pre	A09A, A11B	D58.9	16	Q61A, Q61B, Q61C, Q61D, Q61E		16	Q61B, Q61C, Q61D
D53.9	16	Q61A, Q61B, Q61C, Q61D, Q61E		Pre	A09A, A11B		18A	S65A, S65B
	18A	S65A, S65B	D59.0	16	Q61B, Q61C, Q61D		Pre	A07D, A09A, A09E, A11B, A11F, A13F
	Pre	A09A, A11B		18A	S65A, S65B	D61.18	15	TPN, VTPN
D55.0	15	TPN, VTPN	D59.1	16	Q61B, Q61C, Q61D		16	Q61B, Q61C, Q61D
	16	Q61A, Q61B, Q61C, Q61D, Q61E		18A	S65A, S65B		18A	S65A, S65B
	Pre	A09A, A11B	D59.2	16	Q61A, Q61B, Q61C, Q61D, Q61E		Pre	A07D, A09A, A09E, A11B, A11F, A13F
D55.1	15	TPN, VTPN		Pre	A09A, A11B	D61.19	15	TPN, VTPN
	16	Q61A, Q61B, Q61C, Q61D, Q61E	D59.3	11	L72Z		16	Q61B, Q61C, Q61D
	Pre	A09A, A11B		15	TPN, VTPN		18A	S65A, S65B
D55.2	16	Q61A, Q61B, Q61C, Q61D, Q61E	D59.4	16	Q61A, Q61B, Q61C, Q61D, Q61E		Pre	A07D, A09A, A09E, A11B, A11F, A13F
	Pre	A09A, A11B		18A	S65A, S65B	D61.3	15	TPN, VTPN
D55.3	16	Q61A, Q61B, Q61C, Q61D, Q61E	D59.5	16	Q61A, Q61B, Q61C, Q61D, Q61E		16	Q61B, Q61C, Q61D
	Pre	A09A, A11B		Pre	A09A, A11B		18A	S65A, S65B
D55.8	16	Q61A, Q61B, Q61C, Q61D, Q61E		18A	S65A, S65B		Pre	A07D, A09A, A09E, A11B, A11F, A13F
	Pre	A09A, A11B	D59.6	16	Q61A, Q61B, Q61C, Q61D, Q61E	D61.8	15	TPN, VTPN
D55.9	16	Q61A, Q61B, Q61C, Q61D, Q61E		Pre	A09A, A11B		16	Q61B, Q61C, Q61D
	Pre	A09A, A11B	D59.8	16	Q61A, Q61B, Q61C, Q61D, Q61E		18A	S65A, S65B
D56.0	16	Q61A, Q61B, Q61C, Q61D, Q61E		18A	S65A, S65B		Pre	A07D, A09A, A09E, A11B, A11F, A13F
	Pre	A09A, A11B	D59.9	16	Q61A, Q61B, Q61C, Q61D, Q61E	D61.9	15	TPN, VTPN
D56.1	16	Q61A, Q61B, Q61C, Q61D, Q61E		Pre	A09A, A11B		16	Q61B, Q61C, Q61D
	Pre	A09A, A11B		18A	S65A, S65B		18A	S65A, S65B
D56.2	16	Q61A, Q61B, Q61C, Q61D, Q61E		Pre	A09A, A11B		Pre	A07D, A09A, A09E, A11B, A11F, A13F
	Pre	A09A, A11B	D59.8	16	Q61A, Q61B, Q61C, Q61D, Q61E	D61.9	15	TPN, VTPN
D56.3	16	Q61A, Q61B, Q61C, Q61D, Q61E		18A	S65A, S65B		16	Q61B, Q61C, Q61D
	Pre	A09A, A11B	D59.9	16	Q61A, Q61B, Q61C, Q61D, Q61E		18A	S65A, S65B
D56.4	16	Q61A, Q61B, Q61C, Q61D, Q61E		Pre	A09A, A11B	D62	16	Q61A, Q61B, Q61C, Q61D, Q61E
	Pre	A09A, A11B		18A	S65A, S65B		18A	S65A, S65B
D56.8	16	Q61A, Q61B, Q61C, Q61D, Q61E		Pre	A09A, A11B		Pre	A09A, A11B
	Pre	A09A, A11B		Pre	A09A, A11B	D63.0	Pre	A09A, A11B
						D63.8	Pre	A09A, A11B

Dg

ICD	MDC	DRG	ICD	MDC	DRG	ICD	MDC	DRG
D64.0	15	TPN, VTPN	D68.0	03	D30A	D69.52	16	Q60A, Q60B, Q60C
	16	Q61A, Q61B, Q61C, Q61D, Q61E		06	G67A	18A	S65A, S65B	
	18A	S65A, S65B		10	K62A	18B	T64A, T64B	
	Pre	A09A, A11B		15	TPN, VTPN	Pre	A07D, A09A, A09E, A11B, A11F, A13F	
D64.1	15	TPN, VTPN		16	Q60A, Q60B, Q60C	D69.53	KK11, KKI, KKII, KKP	
	16	Q61A, Q61B, Q61C, Q61D, Q61E		Pre	A07D, A09A, A09E, A11B, A11F, A13F	07	H08A	
	18A	S65A, S65B	D68.1	03	D30A	10	K62A	
	Pre	A09A, A11B		06	G67A	16	Q60A, Q60B, Q60C	
D64.2	15	TPN, VTPN		10	K62A	18A	S65A, S65B	
	16	Q61A, Q61B, Q61C, Q61D, Q61E		15	TPN, VTPN	18B	T64A, T64B	
	18A	S65A, S65B		16	Q60A, Q60B, Q60C	Pre	A07D, A09A, A09E, A11B, A11F, A13F	
	Pre	A09A, A11B		Pre	A07D, A09A, A09E, A11B, A11F, A13F	D69.57	16 Q60A, Q60B, Q60C	
D64.3	15	TPN, VTPN	D68.2	10	K62A	17	R62A	
	16	Q61A, Q61B, Q61C, Q61D, Q61E		15	TPN, VTPN	18A	S65A, S65B	
	18A	S65A, S65B		16	Q60A, Q60B, Q60C	18B	T64A, T64B	
	Pre	A09A, A11B		Pre	A07D, A09A, A09E, A11B, A11F, A13F	Pre	A07D, A09A, A09E, A11B, A11F, A13F	
D64.4	16	Q61A, Q61B, Q61C, Q61D, Q61E	D68.30	15	TPN, VTPN	D69.58	16 Q60A, Q60B, Q60C	
	18A	S65A, S65B		16	Q60A, Q60B, Q60C	18A	S65A, S65B	
	Pre	A09A, A11B		Pre	A07D, A09A, A09E, A11B, A11F, A13F	18B	T64A, T64B	
D64.8	16	Q61A, Q61B, Q61C, Q61D, Q61E	D68.31	15	TPN, VTPN	Pre	A07D, A09A, A09E, A11B, A11F, A13F	
	18A	S65A, S65B		16	Q60A, Q60B, Q60C	D69.59	16 Q60A, Q60B, Q60C	
	Pre	A09A, A11B		Pre	A07D, A09A, A09E, A11B, A11F, A13F	18A	S65A, S65B	
D64.9	16	Q61A, Q61B, Q61C, Q61D, Q61E	D68.32	15	TPN, VTPN	18B	T64A, T64B	
	18A	S65A, S65B		16	Q60A, Q60B, Q60C	Pre	A07D, A09A, A09E, A11B, A11F, A13F	
	Pre	A09A, A11B		Pre	A07D, A09A, A09E, A11B, A11F, A13F	D69.60	16 Q60A, Q60B, Q60C	
D65.0	KK11, KKI, KKII, KKP		D68.38	15	TPN, VTPN	18A	S65A, S65B	
	03	D30A		16	Q60A, Q60B, Q60C	Pre	A07D, A09A, A09E, A11B, A11F, A13F	
	10	K62A		Pre	A07D, A09A, A09E, A11B, A11F, A13F	D69.61	16 Q60A, Q60B, Q60C	
	16	Q60A, Q60B, Q60C	D68.4	16	Q60A, Q60B, Q60C	18A	S65A, S65B	
	Pre	A07D, A09A, A09E, A11B, A11F, A13F		Pre	A07D, A09A, A09E, A11B, A11F, A13F	Pre	A07D, A09A, A09E, A11B, A11F, A13F	
D65.1	KK11, KKI, KKII, KKP		D68.5	16	Q60A, Q60B, Q60C	D69.8	16 Q60A, Q60B, Q60C, Q60D, Q60E	
	03	D30A		Pre	A07D, A09A, A09E, A11B, A11F, A13F	Pre	A07D, A09A, A09E, A11B, A11F, A13F	
	10	K62A	D68.6	16	Q60A, Q60B, Q60C	D69.9	15 TPN, VTPN	
	16	Q60A, Q60B, Q60C		Pre	A07D, A09A, A09E, A11B, A11F, A13F	16	Q60A, Q60B, Q60C, Q60D, Q60E	
	Pre	A07D, A09A, A09E, A11B, A11F, A13F	D68.8	16	Q60A, Q60B, Q60C	Pre	A07D, A09A, A09E, A11B, A11F, A13F	
D65.2	KK11, KKI, KKII, KKP			Pre	A07D, A09A, A09E, A11B, A11F, A13F	D70.0	06 G67A	
	03	D30A	D68.9	16	Q60A, Q60B, Q60C, Q60D, Q60E	14	O01A, O01B, O01C, O01D, O01E, O01F, O01G, O60A, O60B, O60C	
	16	Q60A, Q60B, Q60C		Pre	A07D, A09A, A09E, A11B, A11F, A13F	15	TPN, VTPN	
	Pre	A07D, A09A, A09E, A11B, A11F, A13F	D69.0	16	Q60A, Q60B, Q60C	16	Q60A, Q60B, Q60C	
D65.9	KK11, KKI, KKII, KKP			Pre	A07D, A09A, A09E, A11B, A11F, A13F	17	R60B, R60C, R61A, R61B, R61C, R61E, R62A, R63B, R63C, R63D, R63F	
	03	D30A	D69.1	16	Q60A, Q60B, Q60C	18A	S65A, S65B	
	16	Q60A, Q60B, Q60C		Pre	A07D, A09A, A09E, A11B, A11F, A13F	Pre	A07D, A09A, A09E, A11B, A11F, A13F	
	Pre	A07D, A09A, A09E, A11B, A11F, A13F	D69.2	16	Q60A, Q60B, Q60C			
D66	03	D30A		Pre	A07D, A09A, A09E, A11B, A11F, A13F			
	06	G67A	D69.3	16	Q60A, Q60B, Q60C			
	10	K62A		Pre	A07D, A09A, A09E, A11B, A11F, A13F			
	15	TPN, VTPN	D69.40	16	Q60A, Q60B, Q60C			
	16	Q60A, Q60B, Q60C		Pre	A07D, A09A, A09E, A11B, A11F, A13F			
	Pre	A07D, A09A, A09E, A11B, A11F, A13F	D69.41	16	Q60A, Q60B, Q60C			
D67	03	D30A		Pre	A07D, A09A, A09E, A11B, A11F, A13F			
	06	G67A						
	10	K62A						
	15	TPN, VTPN						
	16	Q60A, Q60B, Q60C						
	Pre	A07D, A09A, A09E, A11B, A11F, A13F						

ICD	MDC	DRG	ICD	MDC	DRG	ICD	MDC	DRG		
D70.10	06	G67A	D70.18	06	G67A	D72.8	16	Q60A, Q60B, Q60C, Q60D, Q60E		
	14	O01A, O01B, O01C, O01D, O01E, O01F, O01G, O60A, O60B, O60C		14	O01A, O01B, O01C, O01D, O01E, O01F, O01G, O60A, O60B, O60C		Pre	A09A, A11B		
	15	TPN, VTPN		15	TPN, VTPN	D72.9	16	Q60A, Q60B, Q60C, Q60D, Q60E		
	16	Q60A, Q60B, Q60C		16	Q60A, Q60B, Q60C		Pre	A09A, A11B		
	17	R60B, R60C, R61A, R61B, R61C, R61E, R62A, R63B, R63C, R63D, R63F		17	R60B, R60C, R61A, R61B, R61C, R61E, R62A, R63B, R63C, R63D, R63F	D73.0	16	Q60A, Q60B, Q60C, Q60D, Q60E		
	18A	S65A, S65B		18A	S65A, S65B		Pre	A07D, A09A, A09E, A11B, A11F, A13F		
	18B	T64A, T64B		18B	T64A, T64B	D73.1	16	Q60A, Q60B, Q60C		
	Pre	A07D, A09A, A09E, A11B, A11F, A13F		Pre	A07D, A09A, A09E, A11B, A11F, A13F		18A	S65A, S65B		
	D70.11	06		G67A	D70.19	06	G67A	D73.2	16	Q60A, Q60B, Q60C
		14		O01A, O01B, O01C, O01D, O01E, O01F, O01G, O60A, O60B, O60C		14	O01A, O01B, O01C, O01D, O01E, O01F, O01G, O60A, O60B, O60C		Pre	A07D, A09A, A09E, A11B, A11F, A13F
15		TPN, VTPN	15	TPN, VTPN		D73.3	16	Q60A, Q60B, Q60C		
16		Q60A, Q60B, Q60C	16	Q60A, Q60B, Q60C			Pre	A07D, A09A, A09E, A11B, A11F, A13F		
17		R60B, R60C, R61A, R61B, R61C, R61E, R62A, R63B, R63C, R63D, R63F	17	R60B, R60C, R63B, R63C, R63D, R63F		D73.4	16	Q60A, Q60B, Q60C, Q60D, Q60E		
18A		S65A, S65B	18A	S65A, S65B			Pre	A09A, A11B		
18B		T64A, T64B	18B	T64A, T64B		D73.5	16	Q60A, Q60B, Q60C		
Pre		A07D, A09A, A09E, A11B, A11F, A13F	Pre	A07D, A09A, A09E, A11B, A11F, A13F			Pre	A07D, A09A, A09E, A11B, A11F, A13F		
D70.12		06	G67A	D70.3		06	G67A	D73.8	16	Q60A, Q60B, Q60C
		14	O01A, O01B, O01C, O01D, O01E, O01F, O01G, O60A, O60B, O60C			14	O01A, O01B, O01C, O01D, O01E, O01F, O01G, O60A, O60B, O60C		Pre	A09A, A11B
	15	TPN, VTPN	15		TPN, VTPN	D73.9	16	Q60A, Q60B, Q60C, Q60D, Q60E		
	16	Q60A, Q60B, Q60C	16		Q60A, Q60B, Q60C		Pre	A09A, A11B		
	17	R60B, R60C, R61A, R61B, R61C, R61E, R62A, R63B, R63C, R63D, R63F	17		R60B, R60C, R63B, R63C, R63D, R63F	D74.0	16	Q61A, Q61B, Q61C, Q61D, Q61E		
	18A	S65A, S65B	18A		S65A, S65B		Pre	A07D, A09A, A09E, A11B, A11F, A13F		
	18B	T64A, T64B	Pre		A07D, A09A, A09E, A11B, A11F, A13F	D74.8	16	Q61A, Q61B, Q61C, Q61D, Q61E		
	Pre	A07D, A09A, A09E, A11B, A11F, A13F	D70.5		06		G67A	Pre	A07D, A09A, A09E, A11B, A11F, A13F	
	D70.13	06	G67A		D70.6	06	G67A	D74.9	16	Q61A, Q61B, Q61C, Q61D, Q61E
		14	O01A, O01B, O01C, O01D, O01E, O01F, O01G, O60A, O60B, O60C			14	O01A, O01B, O01C, O01D, O01E, O01F, O01G, O60A, O60B, O60C		Pre	A07D, A09A, A09E, A11B, A11F, A13F
15		TPN, VTPN	15	TPN, VTPN		D75.0	16	Q60A, Q60B, Q60C		
16		Q60A, Q60B, Q60C	16	Q60A, Q60B, Q60C			Pre	A07D, A09A, A09E, A11B, A11F, A13F		
17		R60B, R60C, R61A, R61B, R61C, R61E, R62A, R63B, R63C, R63D, R63F	17	R60B, R60C, R61A, R61B, R61C, R61E, R62A, R63B, R63C, R63D, R63F		D75.1	16	Q60A, Q60B, Q60C		
18A		S65A, S65B	17	R60B, R60C, R61A, R61B, R61C, R61E, R62A, R63B, R63C, R63D, R63F			Pre	A07D, A09A, A09E, A11B, A11F, A13F		
18B		T64A, T64B	18A	S65A, S65B		D75.8	16	Q60A, Q60B, Q60C		
Pre		A07D, A09A, A09E, A11B, A11F, A13F	Pre	A07D, A09A, A09E, A11B, A11F, A13F			Pre	A07D, A09A, A09E, A11B, A11F, A13F		
D70.14		06	G67A	D70.7		06	G67A	D75.9	16	Q60A, Q60B, Q60C
		14	O01A, O01B, O01C, O01D, O01E, O01F, O01G, O60A, O60B, O60C			14	O01A, O01B, O01C, O01D, O01E, O01F, O01G, O60A, O60B, O60C		18A	S65A, S65B
	15	TPN, VTPN	15		TPN, VTPN	D76.1	Pre	A07D, A09A, A09E, A11B, A11F, A13F		
	16	Q60A, Q60B, Q60C	16		Q60A, Q60B, Q60C		10	K38Z, K63A, K63B, K63C		
	17	R60B, R60C, R61A, R61B, R61C, R61E, R62A, R63B, R63C, R63D, R63F	17		R60B, R60C, R63B, R63C, R63D, R63F	D76.2	Pre	A07D, A09A, A09E, A11B, A11F, A13F		
	18A	S65A, S65B	18A		S65A, S65B		10	K38Z, K63A, K63B, K63C		
	18B	T64A, T64B	Pre		A07D, A09A, A09E, A11B, A11F, A13F	D76.3	Pre	A07D, A09A, A09E, A11B, A11F, A13F		
	Pre	A07D, A09A, A09E, A11B, A11F, A13F	D71		16		Q60A, Q60B, Q60C	10	K63A, K63B, K63C	
	D70.15	06	G67A		D72.0	06	G67A	D77	Pre	A07D, A09A, A09E, A11B, A11F, A13F
		14	O01A, O01B, O01C, O01D, O01E, O01F, O01G, O60A, O60B, O60C			14	O01A, O01B, O01C, O01D, O01E, O01F, O01G, O60A, O60B, O60C		Pre	A07D, A09A, A09E, A11B, A11F, A13F
15		TPN, VTPN	15	TPN, VTPN		Pre	A07D, A09A, A09E, A11B, A11F, A13F			
D70.16	06	G67A	D72.1	06	G67A					
	14	O01A, O01B, O01C, O01D, O01E, O01F, O01G, O60A, O60B, O60C		14	O01A, O01B, O01C, O01D, O01E, O01F, O01G, O60A, O60B, O60C					
	15	TPN, VTPN		15	TPN, VTPN					

ICD	MDC	DRG	ICD	MDC	DRG	ICD	MDC	DRG
D89.0	15	TPN, VTPN	E06.0	10	K64A, K64B, K64C, K64D	E11.60	05	F27A, F27B, F27C
	16	Q60A, Q60B, Q60C		15	TPN, VTPN	10	K01Z, K60A, K60B, K60C, K60D, K60E	
	Pre	A07D, A09A, A09E, A11B, A11F, A13F	E06.1	10	K64A, K64B, K64C, K64D	E11.61	05	F27A, F27B, F27C
D89.1	15	TPN, VTPN	E06.2	10	K64A, K64B, K64C, K64D	10	K01Z, K60A, K60B, K60C, K60D, K60E	
	17	R01A, R01B, R01C, R01D, R03Z, R11A, R11B, R11C, R61A, R61B, R61C, R61D, R61E, R61F, R61G, R61H	E06.3	10	K64A, K64B, K64C, K64D	E11.72	05	F27A, F27B, F27C
	Pre	A07D, A09A, A09E, A11B, A11F, A13F	E06.4	10	K64A, K64B, K64C, K64D	10	K01Z, K60A, K60B, K60C, K60D, K60E	
D89.2	16	Q60A, Q60B, Q60C		15	TPN, VTPN	E11.73	05	F27A, F27B, F27C
	Pre	A07D, A09A, A09E, A11B, A11F, A13F	E06.5	10	K64A, K64B, K64C, K64D	10	K01Z, K60A, K60B, K60C, K60D, K60E	
D89.3	16	Q60A, Q60B, Q60C	E06.9	10	K64A, K64B, K64C, K64D	E11.74	05	F27A, F27B, F27C
	Pre	A07D, A09A, A09E, A11B, A11F, A13F	E07.0	10	K64A, K64B, K64C, K64D	10	K01Z, K60A, K60B, K60C, K60D, K60E	
D89.8	16	Q60A, Q60B, Q60C	E07.1	10	K64A, K64B, K64C, K64D	E11.75	05	F27A, F27B, F27C
	Pre	A07D, A09A, A09E, A11B, A11F, A13F		15	TPN, VTPN	10	K01Z, K60A, K60B, K60C, K60D, K60E	
D89.9	16	Q60A, Q60B, Q60C, Q60D, Q60E	E07.8	10	K64A, K64B, K64C, K64D	E11.80	10	K60A, K60B, K60C, K60D, K60E
	18A	S65A, S65B	E07.9	10	K64A, K64B, K64C, K64D	E11.81	10	K60A, K60B, K60C, K60D, K60E
	Pre	A07D, A09A, A09E, A11B, A11F, A13F	E10.01	10	K60A, K60B, K60C, K60D, K60E	E11.88	10	K60A, K60B, K60C, K60D, K60E
D90	16	Q60A, Q60B, Q60C	E10.11	10	K60A, K60B, K60C, K60D, K60E	E11.90	10	K60A, K60B, K60C, K60D, K60E
	18B	T64A, T64B		11	L69A, L69B	E11.91	10	K60A, K60B, K60C, K60D, K60E
	Pre	A07D, A09A, A09E, A11B, A11F, A13F	E10.20	11	L69A, L69B	E12.01	10	K60A, K60B, K60C, K60D, K60E
E00.0	10	K64A, K64B, K64C, K64D	E10.21	11	L69A, L69B	E12.11	10	K60A, K60B, K60C, K60D, K60E
E00.1	10	K64A, K64B, K64C, K64D	E10.30	02	C66Z	E12.20	11	L68A, L68B, L74Z
E00.2	10	K64A, K64B, K64C, K64D	E10.31	02	C66Z	E12.21	11	L68A, L68B, L74Z
E00.9	10	K64A, K64B, K64C, K64D	E10.40	01	B71A, B71B, B71C, B71D	E12.30	02	C66Z
E01.0	10	K64A, K64B, K64C, K64D	E10.41	01	B71A, B71B, B71C, B71D	E12.31	02	C66Z
E01.1	10	K64A, K64B, K64C, K64D	E10.44	05	F27A, F27B, F27C, F65A, F65B	E12.40	01	B71A, B71B, B71C, B71D
E01.2	10	K64A, K64B, K64C, K64D	E10.50	05	F27A, F27B, F27C, F65A, F65B	E12.41	01	B71A, B71B, B71C, B71D
E01.8	10	K64A, K64B, K64C, K64D	E10.51	05	F27A, F27B, F27C, F65A, F65B	E12.44	01	B71A, B71B, B71C, B71D
E02	10	K64A, K64B, K64C, K64D		05	F27A, F27B, F27C, F65A, F65B	E12.50	05	F27A, F27B, F27C, F65A, F65B
E02	15	TPN, VTPN	E10.60	05	F27A, F27B, F27C	E12.51	05	F27A, F27B, F27C, F65A, F65B
E03.0	10	K64A, K64B, K64C, K64D		10	K01Z, K60A, K60B, K60C, K60D, K60E	E12.60	05	F27A, F27B, F27C
E03.1	10	K64A, K64B, K64C, K64D	E10.61	05	F27A, F27B, F27C	10	K01Z, K60A, K60B, K60C, K60D, K60E	
E03.2	10	K64A, K64B, K64C, K64D		10	K01Z, K60A, K60B, K60C, K60D, K60E	E12.61	05	F27A, F27B, F27C
E03.3	10	K64A, K64B, K64C, K64D	E10.72	05	F27A, F27B, F27C	10	K01Z, K60A, K60B, K60C, K60D, K60E	
E03.4	10	K64A, K64B, K64C, K64D		10	K01Z, K60A, K60B, K60C, K60D, K60E	E12.72	05	F27A, F27B, F27C
E03.5	01	B66A, B66B, B66C, B66D	E10.73	05	F27A, F27B, F27C	10	K01Z, K60A, K60B, K60C, K60D, K60E	
	15	TPN, VTPN		10	K01Z, K60A, K60B, K60C, K60D, K60E	E12.73	05	F27A, F27B, F27C
E03.8	10	K64A, K64B, K64C, K64D	E10.74	05	F27A, F27B, F27C	10	K01Z, K60A, K60B, K60C, K60D, K60E	
E03.9	10	K64A, K64B, K64C, K64D		10	K01Z, K60A, K60B, K60C, K60D, K60E	E12.74	05	F27A, F27B, F27C
E04.0	10	K64A, K64B, K64C, K64D	E10.75	05	F27A, F27B, F27C	10	K01Z, K60A, K60B, K60C, K60D, K60E	
E04.1	10	K64A, K64B, K64C, K64D		10	K01Z, K60A, K60B, K60C, K60D, K60E	E12.75	05	F27A, F27B, F27C
E04.2	10	K64A, K64B, K64C, K64D	E10.80	10	K60A, K60B, K60C, K60D, K60E	10	K01Z, K60A, K60B, K60C, K60D, K60E	
E04.8	10	K64A, K64B, K64C, K64D		10	K60A, K60B, K60C, K60D, K60E	E12.80	10	K60A, K60B, K60C, K60D, K60E
E04.9	10	K64A, K64B, K64C, K64D	E10.81	10	K60A, K60B, K60C, K60D, K60E	E12.81	10	K60A, K60B, K60C, K60D, K60E
E05.0	10	K64A, K64B, K64C, K64D		10	K60A, K60B, K60C, K60D, K60E	E12.90	10	K60A, K60B, K60C, K60D, K60E
E05.1	10	K64A, K64B, K64C, K64D	E10.90	10	K60A, K60B, K60C, K60D, K60E	E12.91	10	K60A, K60B, K60C, K60D, K60E
E05.2	10	K64A, K64B, K64C, K64D		10	K60A, K60B, K60C, K60D, K60E	E13.01	10	K60A, K60B, K60C, K60D, K60E
E05.3	10	K64A, K64B, K64C, K64D	E10.91	10	K60A, K60B, K60C, K60D, K60E	E13.11	10	K60A, K60B, K60C, K60D, K60E
E05.4	10	K64A, K64B, K64C, K64D		10	K60A, K60B, K60C, K60D, K60E	E13.20	11	L69A, L69B
E05.5	10	K64A, K64B, K64C	E11.01	10	K60A, K60B, K60C, K60D, K60E			
E05.8	10	K64A, K64B, K64C, K64D		10	K60A, K60B, K60C, K60D, K60E			
E05.9	10	K64A, K64B, K64C, K64D	E11.11	10	K60A, K60B, K60C, K60D, K60E			
			E11.20	11	L69A, L69B			
			E11.21	11	L69A, L69B			
			E11.30	02	C66Z			
			E11.31	02	C66Z			
			E11.40	01	B71A, B71B, B71C, B71D			
			E11.41	01	B71A, B71B, B71C, B71D			
			E11.50	05	F27A, F27B, F27C, F65A, F65B			
			E11.51	05	F27A, F27B, F27C, F65A, F65B			

ICD	MDC	DRG	ICD	MDC	DRG	ICD	MDC	DRG
E13.21	11	L69A, L69B	E14.81	10	K60A, K60B, K60C, K60D, K60E	E27.0	10	K64A, K64B, K64C, K64D
E13.30	02	C66Z				15		TPN, VTPN
E13.31	02	C66Z	E14.90	10	K60A, K60B, K60C, K60D, K60E	E27.1	10	K64A, K64B, K64C, K64D
E13.40	01	B71A, B71B, B71C, B71D				15		TPN, VTPN
E13.41	01	B71A, B71B, B71C, B71D	E14.91	10	K60A, K60B, K60C, K60D, K60E	E27.2	10	K64A, K64B, K64C
E13.50	05	F27A, F27B, F27C, F65A, F65B				15		TPN, VTPN
E13.51	05	F27A, F27B, F27C, F65A, F65B	E15	10	K62A, K62B	E27.3	10	K64A, K64B, K64C, K64D
				15	TPN, VTPN		15	TPN, VTPN
E13.60	05	F27A, F27B, F27C	E16.0	10	K64A, K64B, K64C, K64D	E27.4	10	K64A, K64B, K64C, K64D
	10	K01Z, K60A, K60B, K60C, K60D, K60E	E16.1	10	K64A, K64B, K64C, K64D		15	TPN, VTPN
E13.61	05	F27A, F27B, F27C	E16.2	10	K62A, K62B	E27.5	10	K64A, K64B, K64C, K64D
	10	K01Z, K60A, K60B, K60C, K60D, K60E	E16.3	10	K64A, K64B, K64C, K64D		15	TPN, VTPN
E13.72	05	F27A, F27B, F27C	E16.4	06	G40Z, G46A, G46B, G46C, G47Z, G67A, G67B, G67C, G67D, G73Z	E27.8	10	K64A, K64B, K64C, K64D
	10	K01Z, K60A, K60B, K60C, K60D, K60E					15	TPN, VTPN
E13.73	05	F27A, F27B, F27C	E16.8	10	K64A, K64B, K64C, K64D	E27.9	10	K64A, K64B, K64C, K64D
	10	K01Z, K60A, K60B, K60C, K60D, K60E	E16.9	10	K64A, K64B, K64C, K64D	E28.0	13	N04Z, N05A, N05B, N14Z, N21Z, N25Z, N62A, N62B
E13.73	05	F27A, F27B, F27C	E20.0	10	K64A, K64B, K64C, K64D			
	10	K01Z, K60A, K60B, K60C, K60D, K60E		15	TPN, VTPN	E28.1	13	N04Z, N05A, N05B, N14Z, N21Z, N25Z, N62A, N62B
E13.74	05	F27A, F27B, F27C	E20.1	10	K62A, K62B			
	10	K01Z, K60A, K60B, K60C, K60D, K60E		22	Y02A, Y02B	E28.2	13	N04Z, N05A, N05B, N14Z, N21Z, N25Z, N62A, N62B
E13.75	05	F27A, F27B, F27C	E20.8	10	K64A, K64B, K64C, K64D			
	10	K01Z, K60A, K60B, K60C, K60D, K60E		15	TPN, VTPN	E28.3	13	N04Z, N05A, N05B, N14Z, N21Z, N25Z, N62A, N62B
E13.80	10	K60A, K60B, K60C, K60D, K60E	E20.9	10	K64A, K64B, K64C, K64D			
E13.81	10	K60A, K60B, K60C, K60D, K60E		15	TPN, VTPN	E28.8	13	N04Z, N05A, N05B, N14Z, N21Z, N25Z, N62A, N62B
E13.90	10	K60A, K60B, K60C, K60D, K60E	E21.0	05	F67B			
E13.91	10	K60A, K60B, K60C, K60D, K60E		10	K64A, K64B, K64C, K64D	E28.9	13	N04Z, N05A, N05B, N14Z, N21Z, N25Z, N62A, N62B
E14.01	10	K60A, K60B, K60C, K60D, K60E	E21.1	10	K64A, K64B, K64C, K64D			
E14.11	10	K60A, K60B, K60C, K60D, K60E	E21.2	10	K64A, K64B, K64C, K64D	E29.0	10	K64A, K64B, K64C, K64D
E14.20	11	L69A, L69B	E21.3	10	K64A, K64B, K64C, K64D			
E14.21	11	L69A, L69B	E21.4	10	K64A, K64B, K64C, K64D	E29.1	10	K64A, K64B, K64C, K64D
E14.30	02	C66Z	E21.5	10	K64A, K64B, K64C, K64D	E29.8	10	K64A, K64B, K64C, K64D
E14.31	02	C66Z	E22.0	10	K64A, K64B, K64C, K64D	E29.9	10	K64A, K64B, K64C, K64D
E14.40	01	B71A, B71B, B71C, B71D	E22.1	10	K64A, K64B, K64C, K64D	E30.0	10	K64A, K64B, K64C, K64D
E14.41	01	B71A, B71B, B71C, B71D	E22.2	10	K64A, K64B, K64C	E30.1	10	K64A, K64B, K64C, K64D
E14.50	05	F27A, F27B, F27C, F65A, F65B	E22.8	10	K64A, K64B, K64C, K64D	E30.8	10	K64A, K64B, K64C, K64D
E14.51	05	F27A, F27B, F27C, F65A, F65B	E22.9	10	K64A, K64B, K64C, K64D	E30.9	10	K64A, K64B, K64C, K64D
E14.60	05	F27A, F27B, F27C	E23.0	10	K64A, K64B, K64C, K64D	E31.0	10	K64A, K64B, K64C, K64D
	10	K01Z, K60A, K60B, K60C, K60D, K60E	E23.1	10	K64A, K64B, K64C, K64D	E31.1	10	K64A, K64B, K64C, K64D
E14.61	05	F27A, F27B, F27C	E23.2	10	K64A, K64B, K64C, K64D	E31.8	10	K64A, K64B, K64C, K64D
	10	K01Z, K60A, K60B, K60C, K60D, K60E		15	TPN, VTPN	E31.9	10	K64A, K64B, K64C, K64D
E14.72	05	F27A, F27B, F27C	E23.3	10	K64A, K64B, K64C, K64D	E32.0	16	Q60A, Q60B, Q60C
	10	K01Z, K60A, K60B, K60C, K60D, K60E		10	K64A, K64B, K64C, K64D	E32.1	15	TPN, VTPN
E14.73	05	F27A, F27B, F27C	E23.6	10	K64A, K64B, K64C, K64D			
	10	K01Z, K60A, K60B, K60C, K60D, K60E	E23.7	10	K64A, K64B, K64C, K64D	E32.8	16	Q60A, Q60B, Q60C, Q60D, Q60E
E14.73	05	F27A, F27B, F27C	E24.0	10	K64A, K64B, K64C			
	10	K01Z, K60A, K60B, K60C, K60D, K60E	E24.1	10	K64A, K64B, K64C, K64D	E32.9	16	Q60A, Q60B, Q60C, Q60D, Q60E
E14.74	05	F27A, F27B, F27C	E24.2	10	K64A, K64B, K64C, K64D			
	10	K01Z, K60A, K60B, K60C, K60D, K60E	E24.3	10	K64A, K64B, K64C, K64D	E34.0	10	K64A, K64B, K64C, K64D
E14.75	05	F27A, F27B, F27C	E24.4	10	K64A, K64B, K64C, K64D			
	10	K01Z, K60A, K60B, K60C, K60D, K60E	E24.8	10	K64A, K64B, K64C, K64D	E34.1	10	K64A, K64B, K64C, K64D
E14.80	10	K60A, K60B, K60C, K60D, K60E	E24.9	10	K64A, K64B, K64C, K64D	E34.2	10	K64A, K64B, K64C, K64D
			E25.00	10	K64A, K64B, K64C, K64D	E34.3	10	K64A, K64B, K64C, K64D
				15	TPN, VTPN		15	TPN, VTPN
			E25.01	10	K64A, K64B, K64C, K64D	E34.4	23	Z64A, Z64B
				15	TPN, VTPN	E34.50	10	K64A, K64B, K64C, K64D
			E25.08	10	K64A, K64B, K64C, K64D	E34.51	10	K64A, K64B, K64C, K64D
				15	TPN, VTPN	E34.59	10	K64A, K64B, K64C, K64D
			E25.09	10	K64A, K64B, K64C, K64D	E34.8	10	K64A, K64B, K64C, K64D
				15	TPN, VTPN	E34.9	10	K64A, K64B, K64C, K64D
			E25.8	10	K64A, K64B, K64C, K64D	E35.1	15	TPN, VTPN
				15	TPN, VTPN	E40	10	K60A, K60B, K60C, K60D
			E25.9	10	K64A, K64B, K64C, K64D		18A	S65A, S65B
				15	TPN, VTPN		22	Y02A, Y02B
			E26.0	05	F67B	E41	10	K60A, K60B, K60C, K60D
				10	K64A, K64B, K64C, K64D		18A	S65A, S65B
			E26.1	10	K64A, K64B, K64C, K64D		22	Y02A, Y02B
			E26.8	10	K64A, K64B, K64C, K64D	E42	10	K60A, K60B, K60C, K60D
			E26.9	10	K64A, K64B, K64C, K64D		18A	S65A, S65B
							22	Y02A, Y02B

ICD	MDC	DRG	ICD	MDC	DRG	ICD	MDC	DRG	
E43	10	K60A, K60B, K60C, K60D	E53.1	10	K62A, K62B	E61.9	10	K62A, K62B	
	18A	S65A, S65B		18A	S65A, S65B		18A	S65A, S65B	
	22	Y02A, Y02B		22	Y02A, Y02B		22	Y02A, Y02B	
E44.0	10	K60A, K60B, K60C, K60D	E53.8	10	K62A, K62B	E63.0	10	K62A, K62B	
	18A	S65A, S65B		18A	S65A, S65B		18A	S65A, S65B	
	22	Y02A, Y02B		22	Y02A, Y02B		22	Y02A, Y02B	
E44.1	10	K60A, K60B, K60C, K60D	E53.9	10	K62A, K62B	E63.1	10	K62A, K62B	
	18A	S65A, S65B		18A	S65A, S65B		18A	S65A, S65B	
	22	Y02A, Y02B		22	Y02A, Y02B		22	Y02A, Y02B	
E45	10	K62A, K62B	E54	10	K62A, K62B	E63.8	10	K62A, K62B	
	18A	S65A, S65B		18A	S65A, S65B		18A	S65A, S65B	
	22	Y02A, Y02B		22	Y02A, Y02B		22	Y02A, Y02B	
E46	10	K60A, K60B, K60C, K60D	E55.0	08	I69A, I69B	E63.9	10	K62A, K62B	
	15	TPN, VTPN		18A	S65A, S65B		18A	S65A, S65B	
	18A	S65A, S65B		22	Y02A, Y02B		22	Y02A, Y02B	
	22	Y02A, Y02B		E55.9	10	K62A, K62B	E64.0	22	Y02A, Y02B
E50.0	02	C63Z		18A	S65A, S65B	E64.1	22	Y02A, Y02B	
	18A	S65A, S65B		22	Y02A, Y02B	E64.2	22	Y02A, Y02B	
	22	Y02A, Y02B		E56.0	10	K62A, K62B	E64.3	22	Y02A, Y02B
E50.1	02	C63Z		18A	S65A, S65B	E64.8	22	Y02A, Y02B	
	18A	S65A, S65B		22	Y02A, Y02B	E64.9	22	Y02A, Y02B	
	22	Y02A, Y02B		E56.1	10	K62A, K62B	E65	10	K62A, K62B
E50.2	02	C63Z		18A	S65A, S65B	E66.00	10	K62A, K62B	
	18A	S65A, S65B		22	Y02A, Y02B	E66.01	10	K62A, K62B	
	22	Y02A, Y02B		E56.8	10	K62A, K62B	E66.02	10	K62A, K62B
E50.3	02	C63Z		15	P65C, P66C, P67B, P67C	E66.09	10	K62A, K62B	
	18A	S65A, S65B		18A	S65A, S65B	E66.10	10	K62A, K62B	
	22	Y02A, Y02B		22	Y02A, Y02B	E66.11	10	K62A, K62B	
E50.4	02	C63Z		E56.9	10	K62A, K62B	E66.12	10	K62A, K62B
	18A	S65A, S65B		18A	S65A, S65B	E66.19	10	K62A, K62B	
	22	Y02A, Y02B		22	Y02A, Y02B	E66.20	04	E07Z, E63Z	
E50.5	02	C63Z		E58	10	K62A, K62B	E66.21	04	E07Z, E63Z
	18A	S65A, S65B		18A	S65A, S65B	E66.22	04	E07Z, E63Z	
	22	Y02A, Y02B		22	Y02A, Y02B	E66.29	04	E07Z, E63Z	
E50.6	02	C63Z		E59	10	K62A, K62B	E66.80	10	K62A, K62B
	18A	S65A, S65B		18A	S65A, S65B	E66.81	10	K62A, K62B	
	22	Y02A, Y02B		22	Y02A, Y02B	E66.82	10	K62A, K62B	
E50.7	02	C63Z		E60	10	K62A, K62B	E66.89	10	K62A, K62B
	18A	S65A, S65B		18A	S65A, S65B	E66.90	10	K62A, K62B	
	22	Y02A, Y02B		22	Y02A, Y02B	E66.91	10	K62A, K62B	
E50.8	10	K62A, K62B		E61.0	10	K62A, K62B	E66.92	10	K62A, K62B
	18A	S65A, S65B		18A	S65A, S65B	E66.99	10	K62A, K62B	
	22	Y02A, Y02B		22	Y02A, Y02B	E67.0	10	K62A, K62B	
E50.9	10	K62A, K62B		E61.1	10	K62A, K62B	E67.1	10	K62A, K62B
	18A	S65A, S65B		18A	S65A, S65B	E67.2	10	K62A, K62B	
	22	Y02A, Y02B		22	Y02A, Y02B	E67.3	10	K62A, K62B	
E51.1	10	K62A, K62B		E61.2	10	K62A, K62B	E67.8	10	K62A, K62B
	18A	S65A, S65B		18A	S65A, S65B	E70.0	10	K63A, K63B, K63C	
	22	Y02A, Y02B		22	Y02A, Y02B		15	TPN, VTPN	
	Pre	A07D, A09E, A11F, A13F		E61.3	10	K62A, K62B		Pre	A07D, A09E, A11F, A13F
E51.2	10	K60A, K60B, K60C, K60D		18A	S65A, S65B	E70.1	10	K63A, K63B, K63C	
	18A	S65A, S65B		22	Y02A, Y02B		15	TPN, VTPN	
	22	Y02A, Y02B		E61.4	10	K62A, K62B		Pre	A07D, A09E, A11F, A13F
	Pre	A07D, A09E, A11F, A13F		18A	S65A, S65B	E70.2	10	K63A, K63C	
E51.8	10	K60A, K60B, K60C, K60D		22	Y02A, Y02B		15	TPN, VTPN	
	18A	S65A, S65B		E61.5	10	K62A, K62B		Pre	A07D, A09E, A11F, A13F
	22	Y02A, Y02B		18A	S65A, S65B	E70.3	10	K63A, K63B, K63C	
	Pre	A07D, A09E, A11F, A13F		22	Y02A, Y02B		15	TPN, VTPN	
E51.9	10	K60A, K60B, K60C, K60D		E61.6	10	K62A, K62B		Pre	A07D, A09E, A11F, A13F
	18A	S65A, S65B		18A	S65A, S65B	E70.8	10	K63A, K63B, K63C	
	22	Y02A, Y02B		22	Y02A, Y02B		15	TPN, VTPN	
E52	10	K62A, K62B		E61.7	10	K62A, K62B		Pre	A07D, A09E, A11F, A13F
	18A	S65A, S65B		18A	S65A, S65B	E70.9	10	K63A, K63B, K63C	
	22	Y02A, Y02B		22	Y02A, Y02B		15	TPN, VTPN	
E53.0	10	K62A, K62B		E61.8	10	K62A, K62B		Pre	A07D, A09E, A11F, A13F
	18A	S65A, S65B		18A	S65A, S65B	E71.0	10	K63A, K63B, K63C	
	22	Y02A, Y02B		22	Y02A, Y02B		15	TPN, VTPN	
							Pre	A07D, A09E, A11F, A13F	

Dg

ICD	MDC	DRG	ICD	MDC	DRG	ICD	MDC	DRG
E71.1	10	K63A, K63C	E75.1	01	B48Z, B85A, B85B, B85C, B85D	E80.6	07	H63A, H63B, H63C, H78Z
	15	TPN, VTPN				15		TPN, VTPN
	Pre	A07D, A09E, A11F, A13F		Pre	A07D, A09E, A11F, A13F	E80.7	07	H63A, H63B, H63C, H78Z
E71.2	10	K63A, K63B, K63C	E75.2	01	B17A, B48Z, B85A, B85B, B85C	E83.0	10	K63A, K63B, K63C
	15	TPN, VTPN				15		TPN, VTPN
	Pre	A07D, A09E, A11F, A13F		Pre	A07D, A09E, A11F, A13F	E83.1	16	Q61A, Q61B, Q61C, Q61D, Q61E
E71.3	10	K62A, K62B	E75.3	10	K63A, K63B, K63C	E83.2	10	K63A, K63B, K63C
	15	P65C, P66C, P67B, P67C		Pre	A07D, A09E, A11F, A13F	E83.30	10	K63A, K63B, K63C
	Pre	A07D, A09E, A11F, A13F	E75.4	01	B48Z, B85A, B85B, B85C, B85D	E83.31	10	K63A, K63B, K63C
E72.0	10	K63A, K63B, K63C				E83.38	10	K63A, K63B, K63C
	15	TPN, VTPN		Pre	A07D, A09E, A11F, A13F	E83.39	10	K63A, K63B, K63C
	Pre	A07D, A09E, A11F, A13F	E75.5	10	K63A, K63B, K63C	E83.4	10	K62A, K62B
E72.1	10	K63A, K63B, K63C		Pre	A07D, A09E, A11F, A13F	E83.50	10	K62A, K62B
	15	TPN, VTPN	E75.6	10	K63A, K63B, K63C		11	L09A, L09B, L38Z, L60A, L60B
	Pre	A07D, A09E, A11F, A13F	E76.0	10	K63A, K63B, K63C		22	Y02A, Y02B
E72.2	10	K63A, K63C		15	TPN, VTPN	E83.58	10	K62A, K62B
	15	TPN, VTPN		Pre	A07D, A09E, A11F, A13F		22	Y02A, Y02B
	Pre	A07D, A09E, A11F, A13F	E76.1	10	K63A, K63B, K63C	E83.59	10	K62A, K62B
E72.3	10	K63A, K63B, K63C		15	TPN, VTPN		22	Y02A, Y02B
	15	TPN, VTPN		Pre	A07D, A09E, A11F, A13F	E83.8	10	K63A, K63B, K63C
	Pre	A07D, A09E, A11F, A13F	E76.2	10	K63A, K63B, K63C	E83.9	10	K63A, K63B, K63C
E72.4	10	K63A, K63B, K63C		15	TPN, VTPN	E84.0	04	E60A, E60B
	15	TPN, VTPN		Pre	A07D, A09E, A11F, A13F		15	TPN, VTPN
	Pre	A07D, A09E, A11F, A13F	E76.3	10	K63A, K63B, K63C	E84.1	06	A07D, A09E, A11F, A13F
E72.5	10	K63A, K63B, K63C		15	TPN, VTPN			G40Z, G46A, G46B, G46C, G47Z, G64A, G64B, G64C, G70A, G70B
	15	TPN, VTPN		Pre	A07D, A09E, A11F, A13F		15	TPN, VTPN
	Pre	A07D, A09E, A11F, A13F	E76.8	10	K63A, K63B, K63C		Pre	A07D, A09E, A11F, A13F
E72.8	10	K63A, K63C		15	TPN, VTPN	E84.80	04	E60A, E60B
	15	TPN, VTPN		Pre	A07D, A09E, A11F, A13F		15	TPN, VTPN
	Pre	A07D, A09E, A11F, A13F	E76.9	10	K63A, K63B, K63C		Pre	A07D, A09E, A11F, A13F
E72.9	10	K63A, K63B, K63C		15	TPN, VTPN	E84.87	04	E60A, E60B
	15	TPN, VTPN		Pre	A07D, A09E, A11F, A13F		15	TPN, VTPN
	Pre	A07D, A09E, A11F, A13F	E77.0	10	K63A, K63B, K63C	E84.88	04	E60A, E60B
E73.0	06	G46A, G46B, G46C, G50Z, G67A, G67B, G67C, G67D		Pre	A07D, A09E, A11F, A13F		15	TPN, VTPN
			E77.1	10	K63A, K63B, K63C		Pre	A07D, A09E, A11F, A13F
	Pre	A07D, A09E, A11F, A13F		Pre	A07D, A09E, A11F, A13F	E84.88	04	E60A, E60B
E73.1	06	G46A, G46B, G46C, G50Z, G67A, G67B, G67C, G67D		Pre	A07D, A09E, A11F, A13F		15	TPN, VTPN
			E77.8	10	K63A, K63B, K63C		Pre	A07D, A09E, A11F, A13F
	Pre	A07D, A09E, A11F, A13F		Pre	A07D, A09E, A11F, A13F	E84.9	04	E60A, E60B
E73.8	06	G46A, G46B, G46C, G50Z, G67A, G67B, G67C, G67D		Pre	A07D, A09E, A11F, A13F		15	TPN, VTPN
			E77.9	10	K63A, K63B, K63C		Pre	A07D, A09E, A11F, A13F
	Pre	A07D, A09E, A11F, A13F		Pre	A07D, A09E, A11F, A13F	E85.0	08	I66A, I66B, I66C
E73.9	06	G46A, G46B, G46C, G50Z, G67A, G67B, G67C, G67D		Pre	A07D, A09E, A11F, A13F		Pre	A07D, A09E, A11F, A13F
			E78.0	10	K63A, K63B, K63C	E85.1	08	I66A, I66B, I66C
	Pre	A07D, A09E, A11F, A13F		Pre	A07D, A09E, A11F, A13F		Pre	A07D, A09E, A11F, A13F
E74.0	10	K63A, K63C		Pre	A07D, A09E, A11F, A13F	E85.2	08	I66A, I66B, I66C
	15	TPN, VTPN		Pre	A07D, A09E, A11F, A13F		Pre	A07D, A09E, A11F, A13F
	Pre	A07D, A09E, A11F, A13F	E78.5	10	K62A, K62B	E85.3	08	I66A, I66B, I66C
E74.1	06	G46A, G46B, G46C, G50Z, G67A, G67B, G67C, G67D		Pre	A07D, A09E, A11F, A13F		Pre	A07D, A09E, A11F, A13F
			E78.6	10	K63A, K63C	E85.4	08	I66A, I66B, I66C
	15	TPN, VTPN		15	TPN, VTPN	E85.8	08	I66A, I66B, I66C
	Pre	A07D, A09E, A11F, A13F		Pre	A07D, A09E, A11F, A13F	E85.9	08	I66A, I66B, I66C
E74.2	10	K63A, K63B, K63C		Pre	A07D, A09E, A11F, A13F	E86	10	K62A, K62B
	15	TPN, VTPN		Pre	A07D, A09E, A11F, A13F		15	P65C, P66C, P67B, P67C
	Pre	A07D, A09E, A11F, A13F	E79.0	10	K63A, K63B, K63C		18A	S65A, S65B
E74.3	06	G46A, G46B, G46C, G50Z, G67A, G67B, G67C, G67D		15	TPN, VTPN		22	Y02A, Y02B
			E79.1	10	K63A, K63B, K63C	E87.0	10	K62A, K62B
	Pre	A07D, A09E, A11F, A13F		15	TPN, VTPN		22	Y02A, Y02B
E74.4	10	K63A, K63B, K63C		Pre	A07D, A09E, A11F, A13F	E87.1	10	K62A, K62B
	15	TPN, VTPN		Pre	A07D, A09E, A11F, A13F		22	Y02A, Y02B
	Pre	A07D, A09E, A11F, A13F	E79.8	10	K63A, K63B, K63C	E87.2	10	K62A, K62B
E74.8	10	K63A, K63B, K63C		15	TPN, VTPN		15	P65C, P66C, P67B, P67C
	15	TPN, VTPN		Pre	A07D, A09E, A11F, A13F	E87.3	10	K62A, K62B
	Pre	A07D, A09E, A11F, A13F	E80.0	10	K63A, K63B, K63C		22	Y02A, Y02B
E74.9	10	K63A, K63B, K63C		15	TPN, VTPN	E87.3	10	K62A, K62B
	15	TPN, VTPN		Pre	A07D, A09E, A11F, A13F	E87.4	10	K62A, K62B
	Pre	A07D, A09E, A11F, A13F	E80.1	10	K63A, K63B, K63C		22	Y02A, Y02B
E75.0	01	B48Z, B85A, B85B, B85C, B85D		Pre	A07D, A09E, A11F, A13F	E87.5	10	K62A, K62B
			E80.2	10	K63A, K63B, K63C		22	Y02A, Y02B
	Pre	A07D, A09E, A11F, A13F		15	TPN, VTPN		22	Y02A, Y02B
			E80.3	10	K63A, K63B, K63C		22	Y02A, Y02B
			E80.4	07	H63A, H63B, H63C, H78Z		22	Y02A, Y02B
			E80.5	07	H63A, H63B, H63C, H78Z		22	Y02A, Y02B

ICD	MDC	DRG	ICD	MDC	DRG	ICD	MDC	DRG
E87.6	10	K62A, K62B	F02.3	01	B67A	F07.1	01	B63Z
	22	Y02A, Y02B		14	O01A, O01B, O01C, O01D, O01E, O01F, O01G, O60A, O60B, O60C	F07.2	01	B76A, B76B, B76C, B76D, B76E, B76F, B76G
E87.7	22	Y02A, Y02B				F07.8	01	B63Z
E87.8	10	K62A, K62B	F02.4	14	O01A, O01B, O01C, O01D, O01E, O01F, O01G, O60A, O60B, O60C	F07.9	01	B64Z
	22	Y02A, Y02B		15	TPN, VTPN	F09	18A	S65A, S65B
E88.0	10	K63A, K63B, K63C		01	B20D, B63Z		01	B63Z
E88.1	10	K63A, K63B, K63C	F03	14	O01A, O01B, O01C, O01D, O01E, O01F, O01G, O60A, O60B, O60C		18A	S65A, S65B
	15	TPN, VTPN		01	B64Z	F10.0	14	O01A, O01B, O01C, O01D, O01E, O01F, O01G, O60A, O60B, O60C
	18A	S65A, S65B		18A	S65A, S65B		20	V60A, V60B, V60C
E88.2	10	K63A, K63B, K63C	F04	01	B63Z	F10.1	14	O01A, O01B, O01C, O01D, O01E, O01F, O01G, O60A, O60B, O60C
	15	P65C, P66C, P67B, P67C		14	O01A, O01B, O01C, O01D, O01E, O01F, O01G, O60A, O60B, O60C		20	V60A, V60B, V60C
E88.3	10	K63A, K63B, K63C		01	B64Z	F10.2	14	O01A, O01B, O01C, O01D, O01E, O01F, O01G, O60A, O60B, O60C
E88.8	10	K63A, K63B, K63C		01	B64Z		20	V60A, V60B, V60C
E88.9	10	K63A, K63B, K63C		14	O01A, O01B, O01C, O01D, O01E, O01F, O01G, O60A, O60B, O60C	F10.3	14	O01A, O01B, O01C, O01D, O01E, O01F, O01G, O60A, O60B, O60C
	18A	S65A, S65B		18A	S65A, S65B		20	V60A, V60B
E89.0	10	K64A, K64B, K64C, K64D	F05.0	01	B64Z	F10.4	14	O01A, O01B, O01C, O01D, O01E, O01F, O01G, O60A, O60B, O60C
E89.1	10	K62A, K62B		14	O01A, O01B, O01C, O01D, O01E, O01F, O01G, O60A, O60B, O60C		20	V60A, V60B
E89.2	10	K64A, K64B, K64C, K64D		01	B64Z	F10.5	14	O01A, O01B, O01C, O01D, O01E, O01F, O01G, O60A, O60B, O60C
	15	TPN, VTPN		14	O01A, O01B, O01C, O01D, O01E, O01F, O01G, O60A, O60B, O60C		20	V60A, V60B
E89.3	10	K64A, K64B, K64C, K64D		01	B64Z	F10.6	14	O01A, O01B, O01C, O01D, O01E, O01F, O01G, O60A, O60B, O60C
E89.4	13	N04Z, N05A, N05B, N14Z, N21Z, N25Z, N62A, N62B	F05.1	01	B64Z		20	V60A, V60B
				14	O01A, O01B, O01C, O01D, O01E, O01F, O01G, O60A, O60B, O60C	F10.7	14	O01A, O01B, O01C, O01D, O01E, O01F, O01G, O60A, O60B, O60C
E89.5	10	K64A, K64B, K64C, K64D		01	B64Z		20	V60A, V60B
E89.6	10	K64A, K64B, K64C, K64D		14	O01A, O01B, O01C, O01D, O01E, O01F, O01G, O60A, O60B, O60C	F10.8	14	O01A, O01B, O01C, O01D, O01E, O01F, O01G, O60A, O60B, O60C
	15	TPN, VTPN		18A	S65A, S65B		20	V60A, V60B, V60C
E89.8	10	K64A, K64B, K64C, K64D	F05.8	01	B64Z	F10.9	14	O01A, O01B, O01C, O01D, O01E, O01F, O01G, O60A, O60B, O60C
E89.9	10	K64A, K64B, K64C, K64D		14	O01A, O01B, O01C, O01D, O01E, O01F, O01G, O60A, O60B, O60C		20	V60A, V60B, V60C
F00.0	14	O01A, O01B, O01C, O01D, O01E, O01F, O01G, O60A, O60B, O60C		01	B64Z	F11.0	14	O01A, O01B, O01C, O01D, O01E, O01F, O01G, O60A, O60B, O60C
				14	O01A, O01B, O01C, O01D, O01E, O01F, O01G, O60A, O60B, O60C		20	V63Z
F00.2	14	O01A, O01B, O01C, O01D, O01E, O01F, O01G, O60A, O60B, O60C	F05.9	01	B64Z	F11.1	14	O01A, O01B, O01C, O01D, O01E, O01F, O01G, O60A, O60B, O60C
				14	O01A, O01B, O01C, O01D, O01E, O01F, O01G, O60A, O60B, O60C		20	V63Z
F00.9	14	O01A, O01B, O01C, O01D, O01E, O01F, O01G, O60A, O60B, O60C	F06.0	01	B64Z, B67A	F11.2	14	O01A, O01B, O01C, O01D, O01E, O01F, O01G, O60A, O60B, O60C
				14	O01A, O01B, O01C, O01D, O01E, O01F, O01G, O60A, O60B, O60C		20	V63Z
F01.0	01	B63Z		01	B64Z	F11.3	14	O01A, O01B, O01C, O01D, O01E, O01F, O01G, O60A, O60B, O60C
	14	O01A, O01B, O01C, O01D, O01E, O01F, O01G, O60A, O60B, O60C	F06.1	01	B64Z		20	V61Z
				14	O01A, O01B, O01C, O01D, O01E, O01F, O01G, O60A, O60B, O60C	F11.4	14	O01A, O01B, O01C, O01D, O01E, O01F, O01G, O60A, O60B, O60C
F01.1	01	B63Z		14	O01A, O01B, O01C, O01D, O01E, O01F, O01G, O60A, O60B, O60C		20	V61Z
	14	O01A, O01B, O01C, O01D, O01E, O01F, O01G, O60A, O60B, O60C	F06.2	01	B64Z, B67A			
				14	O01A, O01B, O01C, O01D, O01E, O01F, O01G, O60A, O60B, O60C			
F01.2	01	B63Z		01	B64Z, B67A			
	14	O01A, O01B, O01C, O01D, O01E, O01F, O01G, O60A, O60B, O60C	F06.3	01	B64Z			
				14	O01A, O01B, O01C, O01D, O01E, O01F, O01G, O60A, O60B, O60C			
F01.3	01	B63Z	F06.4	01	B64Z			
	14	O01A, O01B, O01C, O01D, O01E, O01F, O01G, O60A, O60B, O60C		14	O01A, O01B, O01C, O01D, O01E, O01F, O01G, O60A, O60B, O60C			
F01.8	01	B63Z		01	B64Z			
	14	O01A, O01B, O01C, O01D, O01E, O01F, O01G, O60A, O60B, O60C	F06.5	01	B64Z			
				14	O01A, O01B, O01C, O01D, O01E, O01F, O01G, O60A, O60B, O60C			
F01.9	01	B63Z		01	B64Z			
	14	O01A, O01B, O01C, O01D, O01E, O01F, O01G, O60A, O60B, O60C	F06.6	01	B64Z			
				14	O01A, O01B, O01C, O01D, O01E, O01F, O01G, O60A, O60B, O60C			
F02.0	14	O01A, O01B, O01C, O01D, O01E, O01F, O01G, O60A, O60B, O60C		01	B64Z			
			F06.7	01	B64Z			
F02.1	14	O01A, O01B, O01C, O01D, O01E, O01F, O01G, O60A, O60B, O60C	F06.8	01	B63Z			
				18A	S65A, S65B			
F02.2	14	O01A, O01B, O01C, O01D, O01E, O01F, O01G, O60A, O60B, O60C	F06.9	01	B63Z			
				18A	S65A, S65B			
			F07.0	01	B63Z			
				14	O01A, O01B, O01C, O01D, O01E, O01F, O01G, O60A, O60B, O60C			

ICD	MDC	DRG	ICD	MDC	DRG	ICD	MDC	DRG
F16.9	14	O01A, O01B, O01C, O01D, O01E, O01F, O01G, O60A, O60B, O60C	F19.4	14	O01A, O01B, O01C, O01D, O01E, O01F, O01G, O60A, O60B, O60C	F23.2	14	O01A, O01B, O01C, O01D, O01E, O01F, O01G, O60A, O60B, O60C
	20	V61Z		20	V61Z		19	U61Z
F17.0	20	V64Z	F19.5	14	O01A, O01B, O01C, O01D, O01E, O01F, O01G, O60A, O60B, O60C	F23.3	14	O01A, O01B, O01C, O01D, O01E, O01F, O01G, O60A, O60B, O60C
F17.1	20	V64Z		20	V61Z		19	U61Z
F17.2	20	V64Z	F19.6	14	O01A, O01B, O01C, O01D, O01E, O01F, O01G, O60A, O60B, O60C	F23.8	14	O01A, O01B, O01C, O01D, O01E, O01F, O01G, O60A, O60B, O60C
F17.3	20	V61Z		20	V61Z		19	U61Z
F17.4	20	V61Z	F19.7	14	O01A, O01B, O01C, O01D, O01E, O01F, O01G, O60A, O60B, O60C	F23.9	14	O01A, O01B, O01C, O01D, O01E, O01F, O01G, O60A, O60B, O60C
F17.5	20	V61Z		20	V61Z		19	U61Z
F17.6	20	V61Z	F19.8	14	O01A, O01B, O01C, O01D, O01E, O01F, O01G, O60A, O60B, O60C	F24	19	U61Z
F17.7	20	V61Z		20	V61Z	F25.0	14	O01A, O01B, O01C, O01D, O01E, O01F, O01G, O60A, O60B, O60C
F17.8	20	V61Z	F19.9	14	O01A, O01B, O01C, O01D, O01E, O01F, O01G, O60A, O60B, O60C		19	U61Z
F17.9	20	V61Z		20	V61Z	F25.1	14	O01A, O01B, O01C, O01D, O01E, O01F, O01G, O60A, O60B, O60C
F18.0	14	O01A, O01B, O01C, O01D, O01E, O01F, O01G, O60A, O60B, O60C	F20.0	14	O01A, O01B, O01C, O01D, O01E, O01F, O01G, O60A, O60B, O60C		19	U61Z
	20	V64Z		19	U61Z	F25.2	14	O01A, O01B, O01C, O01D, O01E, O01F, O01G, O60A, O60B, O60C
F18.1	14	O01A, O01B, O01C, O01D, O01E, O01F, O01G, O60A, O60B, O60C	F20.1	14	O01A, O01B, O01C, O01D, O01E, O01F, O01G, O60A, O60B, O60C		19	U61Z
	20	V64Z		19	U61Z	F25.8	14	O01A, O01B, O01C, O01D, O01E, O01F, O01G, O60A, O60B, O60C
F18.2	14	O01A, O01B, O01C, O01D, O01E, O01F, O01G, O60A, O60B, O60C	F20.2	14	O01A, O01B, O01C, O01D, O01E, O01F, O01G, O60A, O60B, O60C		19	U61Z
	20	V64Z		19	U61Z	F25.9	14	O01A, O01B, O01C, O01D, O01E, O01F, O01G, O60A, O60B, O60C
F18.3	14	O01A, O01B, O01C, O01D, O01E, O01F, O01G, O60A, O60B, O60C	F20.3	14	O01A, O01B, O01C, O01D, O01E, O01F, O01G, O60A, O60B, O60C		19	U61Z
	20	V61Z		19	U61Z	F28	19	U61Z
F18.4	14	O01A, O01B, O01C, O01D, O01E, O01F, O01G, O60A, O60B, O60C	F20.4	19	U61Z	F29	14	O01A, O01B, O01C, O01D, O01E, O01F, O01G, O60A, O60B, O60C
	20	V61Z	F20.5	14	O01A, O01B, O01C, O01D, O01E, O01F, O01G, O60A, O60B, O60C		18A	S65A, S65B
F18.5	14	O01A, O01B, O01C, O01D, O01E, O01F, O01G, O60A, O60B, O60C		19	U61Z		19	U61Z
	20	V61Z	F20.6	14	O01A, O01B, O01C, O01D, O01E, O01F, O01G, O60A, O60B, O60C	F30.0	14	O01A, O01B, O01C, O01D, O01E, O01F, O01G, O60A, O60B, O60C
F18.6	14	O01A, O01B, O01C, O01D, O01E, O01F, O01G, O60A, O60B, O60C		19	U61Z		18A	S65A, S65B
	20	V61Z	F20.8	14	O01A, O01B, O01C, O01D, O01E, O01F, O01G, O60A, O60B, O60C		19	U63Z
F18.7	14	O01A, O01B, O01C, O01D, O01E, O01F, O01G, O60A, O60B, O60C		19	U61Z	F30.1	14	O01A, O01B, O01C, O01D, O01E, O01F, O01G, O60A, O60B, O60C
	20	V61Z	F20.9	14	O01A, O01B, O01C, O01D, O01E, O01F, O01G, O60A, O60B, O60C		18A	S65A, S65B
F18.8	14	O01A, O01B, O01C, O01D, O01E, O01F, O01G, O60A, O60B, O60C		19	U61Z		19	U63Z
	20	V61Z	F21	19	U61Z	F30.2	14	O01A, O01B, O01C, O01D, O01E, O01F, O01G, O60A, O60B, O60C
F18.9	14	O01A, O01B, O01C, O01D, O01E, O01F, O01G, O60A, O60B, O60C	F22.0	19	U61Z		18A	S65A, S65B
	20	V61Z	F22.8	19	U61Z		19	U63Z
F19.0	14	O01A, O01B, O01C, O01D, O01E, O01F, O01G, O60A, O60B, O60C	F22.9	19	U61Z	F30.8	14	O01A, O01B, O01C, O01D, O01E, O01F, O01G, O60A, O60B, O60C
	20	V64Z	F23.0	14	O01A, O01B, O01C, O01D, O01E, O01F, O01G, O60A, O60B, O60C		19	U63Z
F19.1	14	O01A, O01B, O01C, O01D, O01E, O01F, O01G, O60A, O60B, O60C		19	U61Z	F30.9	14	O01A, O01B, O01C, O01D, O01E, O01F, O01G, O60A, O60B, O60C
	20	V64Z	F23.1	14	O01A, O01B, O01C, O01D, O01E, O01F, O01G, O60A, O60B, O60C		18A	S65A, S65B
F19.2	14	O01A, O01B, O01C, O01D, O01E, O01F, O01G, O60A, O60B, O60C		19	U61Z		19	U63Z
	20	V64Z		19	U61Z	F31.0	14	O01A, O01B, O01C, O01D, O01E, O01F, O01G, O60A, O60B, O60C
F19.3	14	O01A, O01B, O01C, O01D, O01E, O01F, O01G, O60A, O60B, O60C		19	U61Z		19	U63Z
	15	TPN, VTPN					19	U63Z
	20	V61Z						

Dg

ICD	MDC	DRG	ICD	MDC	DRG	ICD	MDC	DRG
F31.1	14	O01A, O01B, O01C, O01D, O01E, O01F, O01G, O60A, O60B, O60C	F40.1	19	U64Z	F50.3	14	O01A, O01B, O01C, O01D, O01E, O01F, O01G, O60A, O60B, O60C
	19	U63Z	F40.2	19	U64Z		19	U66Z
F31.2	14	O01A, O01B, O01C, O01D, O01E, O01F, O01G, O60A, O60B, O60C	F40.8	19	U64Z	F50.4	14	O01A, O01B, O01C, O01D, O01E, O01F, O01G, O60A, O60B, O60C
	19	U63Z	F40.9	19	U64Z		19	U66Z
F31.3	19	U63Z	F41.0	19	U64Z		19	U66Z
F31.4	14	O01A, O01B, O01C, O01D, O01E, O01F, O01G, O60A, O60B, O60C	F41.1	19	U64Z	F50.8	14	O01A, O01B, O01C, O01D, O01E, O01F, O01G, O60A, O60B, O60C
	19	U63Z	F41.2	19	U64Z		19	U66Z
F31.5	14	O01A, O01B, O01C, O01D, O01E, O01F, O01G, O60A, O60B, O60C	F41.3	19	U64Z	F50.9	14	O01A, O01B, O01C, O01D, O01E, O01F, O01G, O60A, O60B, O60C
	19	U63Z	F41.8	19	U64Z		19	U66Z
F31.6	14	O01A, O01B, O01C, O01D, O01E, O01F, O01G, O60A, O60B, O60C	F41.9	19	U64Z	F51.0	19	U64Z
	19	U63Z	F42.0	19	U66Z	F51.1	19	U64Z
F31.7	19	U63Z	F42.1	19	U66Z	F51.2	19	U64Z
F31.8	14	O01A, O01B, O01C, O01D, O01E, O01F, O01G, O60A, O60B, O60C	F42.2	19	U66Z	F51.3	19	U64Z
	19	U63Z	F42.8	19	U66Z	F51.4	19	U64Z
F31.9	14	O01A, O01B, O01C, O01D, O01E, O01F, O01G, O60A, O60B, O60C	F42.9	19	U66Z	F51.5	19	U64Z
	19	U63Z	F43.0	19	U66Z	F51.8	19	U64Z
F32.0	19	U63Z	F43.1	19	U66Z	F51.9	19	U64Z
F32.1	19	U63Z	F43.2	19	U66Z	F52.0	19	U66Z
F32.2	14	O01A, O01B, O01C, O01D, O01E, O01F, O01G, O60A, O60B, O60C	F43.8	19	U66Z	F52.1	19	U66Z
	19	U63Z	F43.9	19	U66Z	F52.2	12	M64Z
F32.3	14	O01A, O01B, O01C, O01D, O01E, O01F, O01G, O60A, O60B, O60C	F44.0	19	U64Z		13	N04Z, N05A, N05B, N14Z, N21Z, N25Z, N62B
	19	U63Z	F44.1	19	U64Z	F52.3	19	U66Z
F32.8	19	U63Z	F44.2	19	U64Z	F52.4	19	U66Z
F32.9	19	U64Z	F44.3	19	U64Z	F52.5	13	N04Z, N05A, N05B, N14Z, N21Z, N25Z, N62B
F33.0	19	U63Z	F44.4	15	P65C, P66C, P67B, P67C	F52.6	19	U66Z
F33.1	19	U63Z		19	U64Z	F52.7	19	U66Z
F33.2	14	O01A, O01B, O01C, O01D, O01E, O01F, O01G, O60A, O60B, O60C	F44.5	19	U64Z	F52.8	19	U66Z
	19	U63Z	F44.6	19	U64Z	F52.9	19	U66Z
F33.3	14	O01A, O01B, O01C, O01D, O01E, O01F, O01G, O60A, O60B, O60C	F44.7	19	U64Z	F53.0	14	O04A, O04B, O61Z
	19	U63Z	F44.80	19	U64Z	F53.1	14	O04A, O04B, O61Z
F33.4	19	U63Z	F44.81	19	U64Z	F53.8	14	O04A, O04B, O61Z
F33.8	14	O01A, O01B, O01C, O01D, O01E, O01F, O01G, O60A, O60B, O60C	F44.82	19	U64Z	F53.9	14	O04A, O04B, O61Z
	19	U63Z	F44.88	19	U64Z	F54	19	U66Z
F33.9	14	O01A, O01B, O01C, O01D, O01E, O01F, O01G, O60A, O60B, O60C	F44.9	19	U64Z	F55.0	20	V64Z
	19	U63Z	F45.0	19	U64Z	F55.1	20	V64Z
F34.0	19	U64Z	F45.1	19	U64Z	F55.2	20	V64Z
F34.1	19	U64Z	F45.2	19	U64Z	F55.3	20	V64Z
F34.8	19	U63Z	F45.30	05	F73Z	F55.4	20	V64Z
F34.9	19	U63Z	F45.31	19	U64Z	F55.5	20	V64Z
F38.0	19	U63Z	F45.32	19	U64Z	F55.6	20	V64Z
F38.1	19	U63Z	F45.33	04	E65A, E65B, E69A, E69B, E69C, E69D, E69E, E69F, E75A, E75B, E75C	F55.8	20	V64Z
F38.8	19	U63Z			L68A, L68B, L74Z	F55.9	20	V64Z
F39	19	U63Z	F45.34	11	L68A, L68B, L74Z	F59	19	U64Z
F40.00	19	U64Z	F45.37	19	U64Z	F60.0	19	U66Z
F40.01	19	U64Z	F45.38	19	U64Z	F60.1	19	U66Z
			F45.39	19	U64Z	F60.2	19	U66Z
			F45.40	19	U64Z	F60.30	19	U66Z
			F45.41	19	U64Z	F60.31	19	U66Z
			F45.8	19	U64Z	F60.4	19	U66Z
			F45.9	19	U64Z	F60.5	19	U66Z
			F48.0	19	U64Z	F60.6	19	U66Z
			F48.1	19	U64Z	F60.7	19	U66Z
			F48.8	19	U64Z	F60.8	19	U66Z
			F48.9	19	U64Z	F60.9	19	U66Z
			F50.0	14	O01A, O01B, O01C, O01D, O01E, O01F, O01G, O60A, O60B, O60C	F61	19	U66Z
				19	U66Z	F62.0	19	U66Z
			F50.1	14	O01A, O01B, O01C, O01D, O01E, O01F, O01G, O60A, O60B, O60C	F62.1	19	U66Z
				19	U66Z	F62.80	19	U66Z
			F50.2	14	O01A, O01B, O01C, O01D, O01E, O01F, O01G, O60A, O60B, O60C	F62.88	19	U66Z
				19	U66Z			

ICD	MDC	DRG	ICD	MDC	DRG	ICD	MDC	DRG
F62.9	19	U66Z	F81.8	19	U66Z	F94.9	19	U66Z
F63.0	19	U66Z	F81.9	19	U66Z	F95.0	01	B81A, B81B
F63.1	19	U66Z	F82.0	15	TPN, VTPN	F95.1	01	B81A, B81B
F63.2	19	U66Z		19	U66Z	F95.2	01	B81A, B81B
F63.3	19	U66Z	F82.1	15	TPN, VTPN	F95.8	01	B81A, B81B
F63.8	19	U66Z		19	U66Z	F95.9	01	B81A, B81B
F63.9	19	U66Z	F82.2	15	TPN, VTPN	F98.0	19	U66Z
F64.0	19	U01Z, U66Z		19	U66Z	F98.1	19	U66Z
F64.1	19	U01Z, U66Z	F82.9	15	TPN, VTPN	F98.2	19	U66Z
F64.2	19	U66Z		19	U66Z	F98.3	19	U66Z
F64.8	19	U01Z, U66Z	F83	15	TPN, VTPN	F98.4	19	U66Z
F64.9	19	U01Z, U66Z		19	U66Z	F98.5	01	B81A, B81B
F65.0	19	U66Z	F84.0	14	O01A, O01B, O01C, O01D, O01E, O01F, O01G, O60A, O60B, O60C	F98.6	01	B81A, B81B
F65.1	19	U66Z		19	U66Z	F98.8	19	U66Z
F65.2	19	U66Z	F84.1	14	O01A, O01B, O01C, O01D, O01E, O01F, O01G, O60A, O60B, O60C	F98.9	19	U66Z
F65.3	19	U66Z		19	U66Z	F99	19	U64Z
F65.4	19	U66Z		14	O01A, O01B, O01C, O01D, O01E, O01F, O01G, O60A, O60B, O60C	G00.0	01	B72A, B72B
F65.5	19	U66Z		19	U66Z		15	TPN, VTPN
F65.6	19	U66Z	F84.2	01	B48Z, B85A, B85B, B85C, B85D	Pre	A07D, A09E, A11F, A13F	
F65.8	19	U66Z		14	O01A, O01B, O01C, O01D, O01E, O01F, O01G, O60A, O60B, O60C	G00.1	01	B72A, B72B
F65.9	19	U66Z		19	U66Z		15	TPN, VTPN
F66.0	19	U66Z	F84.3	14	O01A, O01B, O01C, O01D, O01E, O01F, O01G, O60A, O60B, O60C	Pre	A07D, A09E, A11F, A13F	
F66.1	19	U66Z		19	U66Z	G00.2	01	B72A, B72B
F66.2	19	U66Z		14	O01A, O01B, O01C, O01D, O01E, O01F, O01G, O60A, O60B, O60C		15	TPN, VTPN
F66.8	19	U66Z	F84.4	14	O01A, O01B, O01C, O01D, O01E, O01F, O01G, O60A, O60B, O60C	Pre	A07D, A09E, A11F, A13F	
F66.9	19	U66Z		19	U66Z	G00.3	01	B72A, B72B
F68.0	19	U64Z		14	O01A, O01B, O01C, O01D, O01E, O01F, O01G, O60A, O60B, O60C		15	TPN, VTPN
F68.1	19	U66Z	F84.5	14	O01A, O01B, O01C, O01D, O01E, O01F, O01G, O60A, O60B, O60C	Pre	A07D, A09E, A11F, A13F	
F68.8	19	U66Z		19	U66Z	G00.8	01	B72A, B72B
F69	19	U66Z		14	O01A, O01B, O01C, O01D, O01E, O01F, O01G, O60A, O60B, O60C		15	TPN, VTPN
F70.0	01	B81A, B81B		19	U66Z	Pre	A07D, A09E, A11F, A13F	
F70.1	01	B81A, B81B	F84.8	14	O01A, O01B, O01C, O01D, O01E, O01F, O01G, O60A, O60B, O60C	G00.9	01	B72A, B72B
F70.8	01	B81A, B81B		19	U66Z		15	TPN, VTPN
F70.9	01	B81A, B81B	F84.9	14	O01A, O01B, O01C, O01D, O01E, O01F, O01G, O60A, O60B, O60C	Pre	A07D, A09E, A11F, A13F	
F71.0	01	B81A, B81B		19	U66Z	G01	15	TPN, VTPN
F71.1	01	B81A, B81B		14	O01A, O01B, O01C, O01D, O01E, O01F, O01G, O60A, O60B, O60C	Pre	A07D, A09E, A11F, A13F	
F71.8	01	B81A, B81B		19	U66Z	G02.0	15	TPN, VTPN
F71.9	01	B81A, B81B		14	O01A, O01B, O01C, O01D, O01E, O01F, O01G, O60A, O60B, O60C	Pre	A07D, A09E, A11F, A13F	
F72.0	01	B81A, B81B		19	U66Z	G02.1	15	TPN, VTPN
F72.1	01	B81A, B81B	F88	19	U66Z	Pre	A07D, A09E, A11F, A13F	
F72.8	01	B81A, B81B	F89	19	U66Z	G02.8	15	TPN, VTPN
F72.9	01	B81A, B81B	F90.0	19	U66Z	Pre	A07D, A09E, A11F, A13F	
F73.0	01	B81A, B81B	F90.1	19	U66Z	G03.0	01	B72A, B72B
F73.1	01	B81A, B81B	F90.8	19	U66Z		15	TPN, VTPN
F73.8	01	B81A, B81B	F90.9	19	U66Z	Pre	A07D, A09E, A11F, A13F	
F73.9	01	B81A, B81B	F91.0	19	U66Z	G03.1	01	B72A, B72B
F74.0	01	B81A, B81B	F91.1	19	U66Z		15	TPN, VTPN
F74.1	01	B81A, B81B	F91.2	19	U66Z	Pre	A07D, A09E, A11F, A13F	
F74.8	01	B81A, B81B	F91.3	19	U66Z	G03.2	01	B72A, B72B
F74.9	01	B81A, B81B	F91.8	19	U66Z		15	TPN, VTPN
F78.0	01	B81A, B81B	F91.9	19	U66Z	Pre	A07D, A09E, A11F, A13F	
F78.1	01	B81A, B81B	F92.0	19	U66Z	G03.8	01	B72A, B72B
F78.8	01	B81A, B81B	F92.8	19	U66Z		15	TPN, VTPN
F78.9	01	B81A, B81B	F92.9	19	U66Z	Pre	A07D, A09E, A11F, A13F	
F79.0	01	B81A, B81B	F93.0	19	U66Z	G03.9	01	B72A, B72B
F79.1	01	B81A, B81B	F93.1	19	U66Z		15	TPN, VTPN
F79.8	01	B81A, B81B	F93.2	19	U66Z	Pre	A07D, A09E, A11F, A13F	
F79.9	01	B81A, B81B	F93.3	19	U66Z	G04.0	01	B72A, B72B
F80.0	19	U66Z	F93.8	19	U66Z	Pre	A07D, A09E, A11F, A13F	
F80.1	19	U66Z	F93.9	19	U66Z			
F80.20	19	U66Z	F94.0	19	U66Z			
F80.28	19	U66Z	F94.1	19	U66Z			
F80.3	19	U66Z	F94.2	19	U66Z			
F80.8	19	U66Z	F94.8	19	U66Z			
F80.9	19	U66Z						
F81.0	19	U66Z						
F81.1	19	U66Z						
F81.2	19	U66Z						
F81.3	19	U66Z						

ICD	MDC	DRG	ICD	MDC	DRG	ICD	MDC	DRG	
G04.1	01	B03A, B48Z, B60A, B60B	G11.8	01	B03A, B03B, B06A, B06B, B17A, B17B, B17C, B17D, B48Z, B68A, B68B, B68C	G23.2	01	B17A, B48Z, B85A, B85B, B85C	
	04	E40B, E69A, E77F		Pre	A07D, A09E, A11F, A13F		Pre	A07D, A09E, A11F, A13F	
	06	G67C	G11.9		01	B03A, B03B, B06A, B06B, B17A, B17B, B17C, B17D, B48Z, B68A, B68B, B68C		G23.8	01
	08	I06A, I08C, I09D, I10C, I13A, I13B, I68A, I68B, I69A, I69B		Pre	A07D, A09E, A11F, A13F	G23.9	01		B67A, B67B
	09	J02A, J08A, J08B, J08C, J11A	G12.0		01		B03A, B03B, B06A, B06B, B17A, B17B, B17C, B17D, B48Z, B85A, B85B, B85C, B85D	G24.0	01
	10	K62A		Pre	A07D, A09E, A11F, A13F	G24.1	01		B48Z, B85A, B85B, B85C, B85D
	11	L18A, L18B, L20A, L20B, L38Z, L42A, L74Z	15		TPN, VTPN		G24.2	01	B48Z, B85A, B85B, B85C, B85D
	18B	T60B		Pre	A07D, A09E, A11F, A13F	G24.3		01	B81A, B81B
	Pre	A07D, A09E, A11F, A13F	G12.1		01		B03A, B03B, B06A, B06B, B17A, B17B, B17C, B17D, B48Z, B85A, B85B, B85C, B85D	G24.4	01
	G04.2	01		B72A, B72B	15	TPN, VTPN	G24.5		02
	18A	S65A, S65B	Pre	A07D, A09E, A11F, A13F		G24.8		01	B81A, B81B
Pre	A07D, A09E, A11F, A13F	G12.2		01	B03A, B03B, B06A, B06B, B17A, B17B, B17C, B17D, B48Z, B85A, B85B, B85C, B85D		G24.9	01	B81A, B81B
G04.8	01		B72A, B72B	15	TPN, VTPN	G25.0		01	B81A, B81B
18A	S65A, S65B	Pre	A07D, A09E, A11F, A13F		G25.1		01	B81A, B81B	
Pre	A07D, A09E, A11F, A13F		G12.8	01		B03A, B03B, B06A, B06B, B17A, B17B, B17C, B17D, B48Z, B85A, B85B, B85C, B85D	G25.2	01	B81A, B81B
G04.9	01	B72A, B72B		15	TPN, VTPN	G25.3		01	B76A, B76B, B76C, B76D, B76E, B76F, B76G
18A	S65A, S65B	Pre	A07D, A09E, A11F, A13F		G25.4		01	B48Z, B85A, B85B, B85C, B85D	
Pre	A07D, A09E, A11F, A13F		G12.9	01		B03A, B03B, B06A, B06B, B17A, B17B, B17C, B17D, B48Z, B85A, B85B, B85C, B85D	G25.5	01	B48Z, B85A, B85B, B85C, B85D
G05.0	15	TPN, VTPN		15	TPN, VTPN	G25.6		01	B81A, B81B
Pre	A07D, A09E, A11F, A13F	G13.0	Pre		A07D, A09E, A11F, A13F		G25.80	01	B03A, B03B, B06A, B06B, B17A, B17B, B17C, B17D, B48Z, B85A, B85B, B85C, B85D
G05.1	15		TPN, VTPN	G13.1	Pre	A07D, A09E, A11F, A13F		G25.81	01
Pre	A07D, A09E, A11F, A13F	G13.2	Pre		A07D, A09E, A11F, A13F	G25.88	01		B03A, B03B, B06A, B06B, B17A, B17B, B17C, B17D, B48Z, B85A, B85B, B85C, B85D
G05.2	15		TPN, VTPN	G13.8	Pre		A07D, A09E, A11F, A13F	G25.9	01
Pre	A07D, A09E, A11F, A13F	G20.00	01		B67A, B67B	G30.0	01		B63Z
G05.8	15		TPN, VTPN	G20.01	01		B67A, B67B	G30.1	01
Pre	A07D, A09E, A11F, A13F	G20.10	01		B67A, B67B	G30.8	01		B63Z
G06.0	01		B02A, B02B, B02C, B02D, B72A, B72B	G20.11	Pre		A07D, A09E, A11F, A13F	G30.9	01
15	TPN, VTPN	Pre	A07D, A09E, A11F, A13F		G20.20	01	B67A		G31.0
Pre	A07D, A09E, A11F, A13F		G13.0	Pre		A07D, A09E, A11F, A13F	G20.21	01	
G06.1	01	B02A, B02B, B02C, B02D, B72A, B72B		G13.1	Pre	A07D, A09E, A11F, A13F		G20.90	01
15	TPN, VTPN	G13.2	Pre		A07D, A09E, A11F, A13F	G20.91	01		B67A, B67B
Pre	A07D, A09E, A11F, A13F		G13.8	Pre	A07D, A09E, A11F, A13F		G21.0	01	B03A, B03B, B06A, B06B, B17A, B17B, B17C, B17D, B67A, B67B
G06.2	01	B72A, B72B		G20.00	01	B67A, B67B		G21.1	01
15	TPN, VTPN	Pre	A07D, A09E, A11F, A13F		G20.01	01	B67A, B67B		Pre
Pre	A07D, A09E, A11F, A13F		G07	15		TPN, VTPN	G20.10	01	
G07	15	TPN, VTPN		G20.11	01	B67A, B67B		G31.2	01
Pre	A07D, A09E, A11F, A13F	G08	01		B81A	G30.0	01		B63Z
01	B81A		15	TPN, VTPN	Pre		A07D, A09E, A11F, A13F	G30.1	01
15	TPN, VTPN	G20.20		01		B67A	G30.8		01
Pre	A07D, A09E, A11F, A13F		G20.21	Pre	A07D, A09E, A11F, A13F	G30.9		01	B63Z
G09	Pre	A07D, A09E, A11F, A13F		G20.90	01		B67A, B67B	G31.0	01
G10	01	B48Z, B85A, B85B, B85C, B85D	G20.91		01	B67A, B67B	G31.2		01
Pre	A07D, A09E, A11F, A13F	G11.0		01	B03A, B03B, B06A, B06B, B17A, B17B, B17C, B17D, B48Z, B68A, B68B, B68C	G31.81		01	B17A, B48Z, B76F, B85A, B85B, B85C
01	B03A, B03B, B06A, B06B, B17A, B17B, B17C, B17D, B48Z, B68A, B68B, B68C		G21.0	01	B03A, B03B, B06A, B06B, B17A, B17B, B17C, B17D, B67A, B67B		G31.82	Pre	A07D, A09E, A11F, A13F
Pre	A07D, A09E, A11F, A13F	G21.1		Pre	A07D, A09E, A11F, A13F	01		B17A, B48Z, B76F, B85A, B85B, B85C	
G11.1	01		B03A, B03B, B06A, B06B, B17A, B17B, B17C, B17D, B48Z, B68A, B68B, B68C	G21.2	01		B67A, B67B	G31.88	01
Pre	A07D, A09E, A11F, A13F	G21.2	Pre		A07D, A09E, A11F, A13F	G31.9	01		B48Z, B85A, B85B, B85C, B85D
G11.2	01		B03A, B03B, B06A, B06B, B17A, B17B, B17C, B17D, B48Z, B68A, B68B, B68C	G21.3	01		B67A, B67B	G35.0	01
Pre	A07D, A09E, A11F, A13F	G21.3	Pre		A07D, A09E, A11F, A13F	14	O01A, O01B, O01C, O01D, O01E, O01F, O01G, O60A, O60B, O60C		
G11.3	01		B03A, B03B, B06A, B06B, B17A, B17B, B17C, B17D, B48Z, B68A, B68B, B68C	G21.4	01		B67A, B67B	Pre	A07D, A09E, A11F, A13F
Pre	A07D, A09E, A11F, A13F	G21.8	01		B67A, B67B	G21.9	01		B67A, B67B
G11.4	01		B03A, B03B, B06A, B06B, B17A, B17B, B17C, B17D, B48Z, B68A, B68B, B68C	G23.0	01		B67A, B67B	G23.1	01
Pre	A07D, A09E, A11F, A13F	G23.1	Pre		A07D, A09E, A11F, A13F	Pre	A07D, A09E, A11F, A13F		
01	B03A, B03B, B06A, B06B, B17A, B17B, B17C, B17D, B48Z, B68A, B68B, B68C		Pre	A07D, A09E, A11F, A13F	01		B03A, B03B, B06A, B06B, B17A, B17B, B17C, B17D, B67A, B67B		
Pre	A07D, A09E, A11F, A13F	Pre		A07D, A09E, A11F, A13F		01	B03A, B03B, B06A, B06B, B17A, B17B, B17C, B17D, B67A, B67B		
			Pre	A07D, A09E, A11F, A13F	Pre		A07D, A09E, A11F, A13F		

ICD	MDC	DRG	ICD	MDC	DRG	ICD	MDC	DRG
G40.8	01	B03A, B03B, B06A, B06B, B17A, B17B, B17C, B17D, B76A, B76B, B76C, B76D, B76E, B76F, B76G	G44.0	01	B03A, B03B, B06A, B06B, B17A, B17B, B17C, B17D, B77Z	G45.89	01	B03A, B03B, B06A, B06B, B17A, B17B, B17C, B17D, B39A, B39B, B39C, B69A, B69B, B69C, B69D
	14	O01A, O01B, O01C, O01D, O01E, O01F, O01G, O60A, O60B, O60C	G44.1	01	B03A, B03B, B06A, B06B, B17A, B17B, B17C, B17D, B77Z		G45.92	01
G40.9	01	B03A, B03B, B06A, B06B, B17A, B17B, B17C, B17D, B76A, B76B, B76C, B76D, B76E, B76F, B76G	G44.2	01	B77Z	G45.93	01	B03A, B03B, B06A, B06B, B17A, B17B, B17C, B17D, B39A, B39B, B39C, B69A, B69B, B69C, B69D
	14	O01A, O01B, O01C, O01D, O01E, O01F, O01G, O60A, O60B, O60C	G44.3	01	B77Z		G45.99	01
G41.0	01	B03A, B03B, B06A, B06B, B17A, B17B, B17C, B17D, B70A, B70B, B70C, B70E, B76A, B76B, B76C, B76D, B76F	G44.4	01	B03A, B03B, B06A, B06B, B17A, B17B, B17C, B17D, B77Z	G47.0	19	U64Z
	14	O01A, O01B, O01C, O01D, O01E, O01F, O01G, O60A, O60B, O60C	G44.8	01	B77Z		G47.1	19
G41.1	01	A07D, A09E, A11F, A13F B03A, B03B, B06A, B06B, B17A, B17B, B17C, B17D, B76A, B76B, B76C, B76D, B76F	G45.02	01	B03A, B03B, B06A, B06B, B17A, B17B, B17C, B17D, B39A, B39B, B39C, B69A, B69B, B69C, B69D	G47.2	19	U64Z
	14	O01A, O01B, O01C, O01D, O01E, O01F, O01G, O60A, O60B, O60C	G45.03	01	B03A, B03B, B06A, B06B, B17A, B17B, B17C, B17D, B39A, B39B, B39C, B69A, B69B, B69C, B69D	G47.30	04	E07Z, E63Z
G41.2	Pre	A07D, A09E, A11F, A13F	G45.09	01	B03A, B03B, B06A, B06B, B17A, B17B, B17C, B17D, B39A, B39B, B39C, B69A, B69B, B69C, B69D	G47.31	04	E07Z, E63Z
	01	B03A, B03B, B06A, B06B, B17A, B17B, B17C, B17D, B76A, B76B, B76C, B76D, B76F	G45.12	01	B03A, B03B, B06A, B06B, B17A, B17B, B17C, B17D, B39A, B39B, B39C, B69A, B69B, B69C, B69D	G47.32	04	E07Z, E63Z
G41.8	14	O01A, O01B, O01C, O01D, O01E, O01F, O01G, O60A, O60B, O60C	G45.13	01	B03A, B03B, B06A, B06B, B17A, B17B, B17C, B17D, B39A, B39B, B39C, B69A, B69B, B69C, B69D	G47.38	04	E07Z, E63Z
	Pre	A07D, A09E, A11F, A13F	G45.19	01	B03A, B03B, B06A, B06B, B17A, B17B, B17C, B17D, B39A, B39B, B39C, B69A, B69B, B69C, B69D	G47.39	04	E07Z, E63Z
G41.9	01	B03A, B03B, B06A, B06B, B17A, B17B, B17C, B17D, B76A, B76B, B76C, B76D, B76F	G45.22	01	B03A, B03B, B06A, B06B, B17A, B17B, B17C, B17D, B39A, B39B, B39C, B69A, B69B, B69C, B69D	G47.4	01	B03A, B03B, B06A, B06B, B17A, B17B, B17C, B17D, B81A, B81B
	14	O01A, O01B, O01C, O01D, O01E, O01F, O01G, O60A, O60B, O60C	G45.23	01	B03A, B03B, B06A, B06B, B17A, B17B, B17C, B17D, B39A, B39B, B39C, B69A, B69B, B69C, B69D	G47.8	19	U64Z
G43.0	01	B03A, B03B, B06A, B06B, B17A, B17B, B17C, B17D, B77Z	G45.29	01	B03A, B03B, B06A, B06B, B17A, B17B, B17C, B17D, B39A, B39B, B39C, B69A, B69B, B69C, B69D	G47.9	19	U64Z
	01	B03A, B03B, B06A, B06B, B17A, B17B, B17C, B17D, B77Z	G45.32	02	C61Z	G50.0	01	B03A, B03B, B06A, B06B, B17A, B17B, B17C, B17D, B20D, B20E, B71A, B71B, B71C, B71D
G43.1	01	B03A, B03B, B06A, B06B, B17A, B17B, B17C, B17D, B77Z	G45.33	02	C61Z	G50.1	01	B03A, B03B, B06A, B06B, B17A, B17B, B17C, B17D, B20D, B71A, B71B, B71C, B71D
	01	B03A, B03B, B06A, B06B, B17A, B17B, B17C, B17D, B77Z	G45.39	02	C61Z		G50.8	01
G43.2	01	B03A, B03B, B06A, B06B, B17A, B17B, B17C, B17D, B77Z	G45.42	01	B03A, B03B, B06A, B06B, B17A, B17B, B17C, B17D, B39A, B39B, B39C, B69A, B69B, B69C, B69D	G50.9	01	B03A, B03B, B06A, B06B, B17A, B17B, B17C, B17D, B20D, B71A, B71B, B71C, B71D
	01	B03A, B03B, B06A, B06B, B17A, B17B, B17C, B17D, B77Z	G45.43	01	B03A, B03B, B06A, B06B, B17A, B17B, B17C, B17D, B39A, B39B, B39C, B69A, B69B, B69C, B69D		G51.0	01
G43.3	01	B03A, B03B, B06A, B06B, B17A, B17B, B17C, B17D, B77Z	G45.49	01	B03A, B03B, B06A, B06B, B17A, B17B, B17C, B17D, B39A, B39B, B39C, B69A, B69B, B69C, B69D	G51.1	15	TPN, VTPN
	01	B03A, B03B, B06A, B06B, B17A, B17B, B17C, B17D, B77Z	G45.82	01	B03A, B03B, B06A, B06B, B17A, B17B, B17C, B17D, B39A, B39B, B39C, B69A, B69B, B69C, B69D		01	B03A, B03B, B06A, B06B, B17A, B17B, B17C, B17D, B20D, B71A, B71B, B71C, B71D
G43.8	01	B03A, B03B, B06A, B06B, B17A, B17B, B17C, B17D, B77Z	G45.83	01	B03A, B03B, B06A, B06B, B17A, B17B, B17C, B17D, B39A, B39B, B39C, B69A, B69B, B69C, B69D	G51.2	01	B03A, B03B, B06A, B06B, B17A, B17B, B17C, B17D, B20D, B71A, B71B, B71C, B71D
	01	B03A, B03B, B06A, B06B, B17A, B17B, B17C, B17D, B77Z					G51.3	01
G43.9	01	B03A, B03B, B06A, B06B, B17A, B17B, B17C, B17D, B77Z				G51.4	01	B03A, B03B, B06A, B06B, B17A, B17B, B17C, B17D, B20D, B71A, B71B, B71C, B71D
	01	B03A, B03B, B06A, B06B, B17A, B17B, B17C, B17D, B77Z					G51.8	01

ICD	MDC	DRG	ICD	MDC	DRG	ICD	MDC	DRG
G51.9	01	B03A, B03B, B06A, B06B, B17A, B17B, B17C, B17D, B20D, B71A, B71B, B71C, B71D	G55.2	15	TPN, VTPN	G60.2	01	B03A, B03B, B06A, B06B, B17A, B17B, B17C, B17D, B71A, B71B, B71C, B71D
G52.0	01	B03A, B03B, B06A, B06B, B17A, B17B, B17C, B17D, B20D, B71A, B71B, B71C, B71D	G56.0	01	B03A, B03B, B06A, B06B, B17A, B17B, B17C, B17D, B82Z	G60.3	01	B03A, B03B, B06A, B06B, B17A, B17B, B17C, B17D, B71A, B71B, B71C, B71D
G52.1	01	B03A, B03B, B06A, B06B, B17A, B17B, B17C, B17D, B20D, B71A, B71B, B71C, B71D	G56.1	01	B03A, B03B, B06A, B06B, B17A, B17B, B17C, B17D, B71A, B71B, B71C, B71D	G60.8	01	B03A, B03B, B06A, B06B, B17A, B17B, B17C, B17D, B71A, B71B, B71C, B71D
G52.2	01	B03A, B03B, B06A, B06B, B17A, B17B, B17C, B17D, B20D, B71A, B71B, B71C, B71D	G56.2	01	B03A, B03B, B06A, B06B, B17A, B17B, B17C, B17D, B71A, B71B, B71C, B71D	G60.9	01	B03A, B03B, B06A, B06B, B17A, B17B, B17C, B17D, B71A, B71B, B71C, B71D
G52.3	01	B03A, B03B, B06A, B06B, B17A, B17B, B17C, B17D, B20D, B71A, B71B, B71C, B71D	G56.3	01	B03A, B03B, B06A, B06B, B17A, B17B, B17C, B17D, B71A, B71B, B71C, B71D	G61.0	01	B03A, B03B, B06A, B06B, B17A, B17B, B17C, B17D, B71A, B71B, B71C
G52.7	01	B03A, B03B, B06A, B06B, B17A, B17B, B17C, B17D, B20D, B71A, B71B, B71C, B71D	G56.4	01	B03A, B03B, B06A, B06B, B17A, B17B, B17C, B17D, B71A, B71B, B71C, B71D	G61.0	18A	S65A, S65B
G52.8	01	B03A, B03B, B06A, B06B, B17A, B17B, B17C, B17D, B20D, B71A, B71B, B71C, B71D	G56.8	01	B03A, B03B, B06A, B06B, B17A, B17B, B17C, B17D, B71A, B71B, B71C, B71D	G61.0	Pre	A07D, A09E, A11F, A13F
G52.8	15	TPN, VTPN	G56.9	01	B03A, B03B, B06A, B06B, B17A, B17B, B17C, B17D, B71A, B71B, B71C, B71D	G61.1	01	B03A, B03B, B06A, B06B, B17A, B17B, B17C, B17D, B71A, B71B, B71C, B71D
G52.9	01	B03A, B03B, B06A, B06B, B17A, B17B, B17C, B17D, B20D, B71A, B71B, B71C, B71D	G57.0	01	B03A, B03B, B06A, B06B, B17A, B17B, B17C, B17D, B71A, B71B, B71C, B71D	G61.1	Pre	A07D, A09E, A11F, A13F
G53.1	15	TPN, VTPN	G57.1	01	B03A, B03B, B06A, B06B, B17A, B17B, B17C, B17D, B71A, B71B, B71C, B71D	G61.8	01	B03A, B03B, B06A, B06B, B17A, B17B, B17C, B17D, B71A, B71B, B71C, B71D
G53.2	15	TPN, VTPN	G57.2	01	B03A, B03B, B06A, B06B, B17A, B17B, B17C, B17D, B71A, B71B, B71C, B71D	G61.9	18A	S65A, S65B
G53.3	15	TPN, VTPN	G57.3	01	B03A, B03B, B06A, B06B, B17A, B17B, B17C, B17D, B71A, B71B, B71C, B71D	G61.9	Pre	A07D, A09E, A11F, A13F
G54.0	01	B03A, B03B, B06A, B06B, B17A, B17B, B17C, B17D, B71A, B71B, B71C, B71D	G57.4	01	B03A, B03B, B06A, B06B, B17A, B17B, B17C, B17D, B71A, B71B, B71C, B71D	G62.0	01	B03A, B03B, B06A, B06B, B17A, B17B, B17C, B17D, B71A, B71B, B71C, B71D
G54.1	01	B03A, B03B, B06A, B06B, B17A, B17B, B17C, B17D, B71A, B71B, B71C, B71D	G57.5	01	B03A, B03B, B06A, B06B, B17A, B17B, B17C, B17D, B71A, B71B, B71C, B71D	G62.1	Pre	A07D, A09E, A11F, A13F
G54.1	15	P65C, P66C, P67B, P67C	G57.6	01	B03A, B03B, B06A, B06B, B17A, B17B, B17C, B17D, B71A, B71B, B71C, B71D	G62.1	01	B03A, B03B, B06A, B06B, B17A, B17B, B17C, B17D, B71A, B71B, B71C, B71D
G54.2	01	B03A, B03B, B06A, B06B, B17A, B17B, B17C, B17D, B71A, B71B, B71C, B71D	G57.8	01	B03A, B03B, B06A, B06B, B17A, B17B, B17C, B17D, B71A, B71B, B71C, B71D	G62.2	01	B03A, B03B, B06A, B06B, B17A, B17B, B17C, B17D, B71A, B71B, B71C, B71D
G54.3	01	B03A, B03B, B06A, B06B, B17A, B17B, B17C, B17D, B71A, B71B, B71C, B71D	G57.9	01	B03A, B03B, B06A, B06B, B17A, B17B, B17C, B17D, B71A, B71B, B71C, B71D	G62.2	Pre	A07D, A09E, A11F, A13F
G54.4	01	B03A, B03B, B06A, B06B, B17A, B17B, B17C, B17D, B71A, B71B, B71C, B71D	G58.0	01	B03A, B03B, B06A, B06B, B17A, B17B, B17C, B17D, B82Z	G62.80	01	B03A, B03B, B06A, B06B, B17A, B17B, B17C, B17D, B71A, B71B, B71C, B71D
G54.5	01	B03A, B03B, B06A, B06B, B17A, B17B, B17C, B17D, B71A, B71B, B71C, B71D	G58.7	01	B03A, B03B, B06A, B06B, B17A, B17B, B17C, B17D, B71A, B71B, B71C, B71D	G62.88	18A	S65A, S65B
G54.6	01	B03A, B03B, B06A, B06B, B17A, B17B, B17C, B17D, B20D, B71A, B71B, B71C, B71D	G58.8	01	B03A, B03B, B06A, B06B, B17A, B17B, B17C, B17D, B71A, B71B, B71C, B71D	G62.88	Pre	A07D, A09E, A11F, A13F
G54.7	01	B03A, B03B, B06A, B06B, B17A, B17B, B17C, B17D, B20D, B71A, B71B, B71C, B71D	G58.9	01	B03A, B03B, B06A, B06B, B17A, B17B, B17C, B17D, B71A, B71B, B71C, B71D	G62.9	01	B03A, B03B, B06A, B06B, B17A, B17B, B17C, B17D, B71A, B71B, B71C, B71D
G54.8	01	B03A, B03B, B06A, B06B, B17A, B17B, B17C, B17D, B20D, B71A, B71B, B71C, B71D	G60.0	01	B03A, B03B, B06A, B06B, B17A, B17B, B17C, B17D, B71A, B71B, B71C, B71D	G62.9	18A	S65A, S65B
G54.9	01	B03A, B03B, B06A, B06B, B17A, B17B, B17C, B17D, B20D, B71A, B71B, B71C, B71D	G60.1	Pre	A07D, A09E, A11F, A13F	G63.0	Pre	A07D, A09E, A11F, A13F
G55.1	15	TPN, VTPN	G60.1	01	B03A, B03B, B06A, B06B, B17A, B17B, B17C, B17D, B81A, B81B	G63.1	Pre	A07D, A09E, A11F, A13F
						G63.2	10	K60B
						G63.2	Pre	A07D, A09E, A11F, A13F
						G63.3	Pre	A07D, A09E, A11F, A13F
						G63.4	Pre	A07D, A09E, A11F, A13F
						G63.5	Pre	A07D, A09E, A11F, A13F
						G63.6	Pre	A07D, A09E, A11F, A13F

Dg

ICD	MDC	DRG	ICD	MDC	DRG	ICD	MDC	DRG			
G82.09	01	B03A, B48Z, B60A, B60B, B71A, B71B, B71C	G82.22	01	B03A, B48Z, B60A, B60B, B71A, B71B, B71C	G82.39	01	B03A, B48Z, B60A, B60B, B71A, B71B, B71C			
	04	E40B, E69A, E77F		04	E40B, E69A, E77F		04	E40B, E69A, E77F			
	06	G67A, G67C		06	G67A, G67C		06	G67A, G67C			
	08	I06A, I08C, I09D, I10C, I13A, I13B, I68A, I68B, I69A, I69B		08	I06A, I08C, I09D, I10C, I13A, I13B, I68A, I68B, I69A, I69B		08	I06A, I08C, I09D, I10C, I13A, I13B, I68A, I68B, I69A, I69B			
	09	J02A, J08A, J08B, J08C, J11A, J61A, J61B, J61C		09	J02A, J08A, J08B, J08C, J11A, J61A, J61B, J61C		09	J02A, J08A, J08B, J08C, J11A, J61A, J61B, J61C			
	10	K62A		10	K62A		10	K62A			
	11	L18A, L18B, L20A, L20B, L38Z, L42A, L74Z		11	L18A, L18B, L20A, L20B, L38Z, L42A, L74Z		11	L18A, L18B, L20A, L20B, L38Z, L42A, L74Z			
	18B	T60B		18B	T60B		15	TPN, VTPN			
	G82.10	01		B71A, B71B, B71C	G82.23		01	B03A, B48Z, B60A, B60B, B71A, B71B, B71C	G82.40	01	B71A, B71B, B71C
		06		G67A			04	E40B, E69A, E77F		06	G67A
		09		J61A, J61B, J61C			06	G67A, G67C		09	J61A, J61B, J61C
G82.11	Pre	B61A, B61B	G82.29	08	I06A, I08C, I09D, I10C, I13A, I13B, I68A, I68B, I69A, I69B	G82.41	15	TPN, VTPN			
	01	B71A, B71B, B71C		09	J02A, J08A, J08B, J08C, J11A, J61A, J61B, J61C		01	B71A, B71B, B71C			
	06	G67A		10	K62A		06	G67A			
G82.12	09	J61A, J61B, J61C	G82.30	11	L18A, L18B, L20A, L20B, L38Z, L42A, L74Z	G82.42	09	J61A, J61B, J61C			
	Pre	B61A, B61B		18B	T60B		Pre	B61A, B61B			
	01	B03A, B48Z, B60A, B60B, B71A, B71B, B71C		01	B03A, B48Z, B60A, B60B, B71A, B71B, B71C		01	B03A, B48Z, B60A, B60B, B71A, B71B, B71C			
G82.13	04	E40B, E69A, E77F	G82.31	04	E40B, E69A, E77F	G82.43	04	E40B, E69A, E77F			
	06	G67A, G67C		06	G67A, G67C		06	G67A, G67C			
	08	I06A, I08C, I09D, I10C, I13A, I13B, I68A, I68B, I69A, I69B		08	I06A, I08C, I09D, I10C, I13A, I13B, I68A, I68B, I69A, I69B		08	I06A, I08C, I09D, I10C, I13A, I13B, I68A, I68B, I69A, I69B			
	09	J02A, J08A, J08B, J08C, J11A, J61A, J61B, J61C		09	J02A, J08A, J08B, J08C, J11A, J61A, J61B, J61C		09	J02A, J08A, J08B, J08C, J11A, J61A, J61B, J61C			
	10	K62A		10	K62A		10	K62A			
	11	L18A, L18B, L20A, L20B, L38Z, L42A, L74Z		11	L18A, L18B, L20A, L20B, L38Z, L42A, L74Z		11	L18A, L18B, L20A, L20B, L38Z, L42A, L74Z			
	18B	T60B		18B	T60B		18B	T60B			
	G82.19	01		B03A, B48Z, B60A, B60B, B71A, B71B, B71C	G82.32		01	B03A, B48Z, B60A, B60B, B71A, B71B, B71C	G82.49	01	B03A, B48Z, B60A, B60B, B71A, B71B, B71C
		04		E40B, E69A, E77F			04	E40B, E69A, E77F		04	E40B, E69A, E77F
		06		G67A, G67C			06	G67A, G67C		06	G67A, G67C
		08		I06A, I08C, I09D, I10C, I13A, I13B, I68A, I68B, I69A, I69B			08	I06A, I08C, I09D, I10C, I13A, I13B, I68A, I68B, I69A, I69B		08	I06A, I08C, I09D, I10C, I13A, I13B, I68A, I68B, I69A, I69B
09		J02A, J08A, J08B, J08C, J11A, J61A, J61B, J61C	09	J02A, J08A, J08B, J08C, J11A, J61A, J61B, J61C		09	J02A, J08A, J08B, J08C, J11A, J61A, J61B, J61C				
10		K62A	10	K62A		10	K62A				
11		L18A, L18B, L20A, L20B, L38Z, L42A, L74Z	11	L18A, L18B, L20A, L20B, L38Z, L42A, L74Z		11	L18A, L18B, L20A, L20B, L38Z, L42A, L74Z				
18B		T60B	15	TPN, VTPN		15	TPN, VTPN				
G82.20		01	B71A, B71B, B71C	G82.33		01	B03A, B48Z, B60A, B60B, B71A, B71B, B71C	G82.50		01	B71A, B71B, B71C
		06	G67A			04	E40B, E69A, E77F			06	G67A
		09	J61A, J61B, J61C			06	G67A, G67C			09	J61A, J61B, J61C
G82.21	Pre	B61A, B61B	G82.51	08	I06A, I08C, I09D, I10C, I13A, I13B, I68A, I68B, I69A, I69B	G82.51	15	TPN, VTPN			
	01	B71A, B71B, B71C		09	J02A, J08A, J08B, J08C, J11A, J61A, J61B, J61C		01	B71A, B71B, B71C			
	06	G67A		10	K62A		06	G67A			
G82.22	09	J61A, J61B, J61C	G82.52	11	L18A, L18B, L20A, L20B, L38Z, L42A, L74Z	G82.52	09	J61A, J61B, J61C			
	Pre	B61A, B61B		18B	T60B		Pre	B61A, B61B			

ICD	MDC	DRG	ICD	MDC	DRG	ICD	MDC	DRG																						
G82.52	01	B03A, B48Z, B60A, B60B, B71A, B71B, B71C	G83.88	01	B03A, B03B, B06A, B06B, B17A, B17B, B17C, B17D, B48Z, B85A, B85B, B85C, B85D	G93.0	01	B03A, B03B, B06A, B06B, B17A, B17B, B17C, B17D, B81A, B81B																						
	04	E40B, E69A, E77F		G83.9	01		B03A, B03B, B06A, B06B, B17A, B17B, B17C, B17D, B81A, B81B	15	P65C, P66C, P67B, P67C																					
	06	G67A, G67C			G90.00		05	F71A, F71B	Pre	A07D, A09E, A11F, A13F																				
	08	I06A, I08C, I09D, I10C, I13A, I13B, I68A, I68B, I69A, I69B					G90.08	01	B03A, B03B, B06A, B06B, B17A, B17B, B17C, B17D, B71A, B71B, B71C, B71D	G93.1	01	B03A, B03B, B06A, B06B, B17A, B17B, B17C, B17D, B48Z, B85A, B85B, B85C, B85D																		
	09	J02A, J08A, J08B, J08C, J11A, J61A, J61B, J61C						G90.09	01		B03A, B03B, B06A, B06B, B17A, B17B, B17C, B17D, B71A, B71B, B71C, B71D	G93.2	01	B03A, B03B, B06A, B06B, B17A, B17B, B17C, B17D, B20D, B81A, B81B																
	10	K62A							G90.1		01		B03A, B03B, B06A, B06B, B17A, B17B, B17C, B17D, B81A, B81B	G93.3	18A	S65A, S65B														
	11	L18A, L18B, L20A, L20B, L38Z, L42A, L74Z									G90.2		01		B03A, B03B, B06A, B06B, B17A, B17B, B17C, B17D, B71A, B71B, B71C, B71D	23	Z65Z													
	15	TPN, VTPN											G90.3		01	B03A, B03B, B06A, B06B, B17A, B17B, B17C, B17D, B71A, B71B, B71C, B71D	G93.4	01	B03A, B03B, B06A, B06B, B17A, B17B, B17C, B17D, B39A, B39B, B39C, B48Z, B70A, B70B, B70C, B70D, B70E, B70F, B70G, B70H, B70I											
	18B	T60B													G90.40	Pre		A07D, A09E, A11F, A13F	G93.5	01	B03A, B03B, B06A, B06B, B17A, B17B, B17C, B17D, B66A, B66B, B66C, B66D									
	G82.53	01														B03A, B48Z, B60A, B60B, B71A, B71B, B71C		G90.41		01	B03A, B03B, B06A, B06B, B17A, B17B, B17C, B17D, B71A, B71B, B71C, B71D	G93.6	01	B03A, B03B, B06A, B06B, B17A, B17B, B17C, B17D, B66A, B66B, B66C, B66D						
		04														E40B, E69A, E77F				G90.48	01		B03A, B03B, B06A, B06B, B17A, B17B, B17C, B17D, B71A, B71B, B71C, B71D	G93.7	Pre	A07D, A09E, A11F, A13F				
06		G67A, G67C	G90.49			01										B03A, B03B, B06A, B06B, B17A, B17B, B17C, B17D, B71A, B71B, B71C, B71D					G93.80		01		B03A, B03B, B06A, B06B, B17A, B17B, B17C, B17D, B63Z					
08		I06A, I08C, I09D, I10C, I13A, I13B, I68A, I68B, I69A, I69B		G90.8		01										B03A, B03B, B06A, B06B, B17A, B17B, B17C, B17D, B71A, B71B, B71C, B71D							G93.88		08	I08A, I27B, I71A				
09		J02A, J08A, J08B, J08C, J11A, J61A, J61B, J61C			G90.9	01										B03A, B03B, B06A, B06B, B17A, B17B, B17C, B17D, B71A, B71B, B71C, B71D									G93.9	Pre	A43Z			
10		K62A				G91.0	01			B48Z, B85A, B85B, B85C, B85D						G94.0										15	TPN, VTPN			
11		L18A, L18B, L20A, L20B, L38Z, L42A, L74Z					G91.1	01		B48Z, B85A, B85B, B85C, B85D		G94.1														15	TPN, VTPN			
15		TPN, VTPN						G91.20	Pre	A07D, A09E, A11F, A13F				G94.2												15	TPN, VTPN			
18B		T60B							G91.21	01	B20D, B48Z, B85A, B85B, B85C, B85D															G95.0	01	B03A, B03B, B06A, B06B, B17A, B17B, B17C, B17D, B48Z, B85A, B85B, B85C, B85D		
G82.59		01								B03A, B48Z, B60A, B60B, B71A, B71B, B71C	G91.29		01				B20D, B48Z, B85A, B85B, B85C, B85D										G95.1	01	B03A, B84Z	
		04								E40B, E69A, E77F			G91.3		15		TPN, VTPN		G94.0									04	E40B, E69A, E77F	
	06	G67A, G67C								G91.3					01		B20D, B48Z, B85A, B85B, B85C, B85D	G94.1				06						G67C		
	08	I06A, I08C, I09D, I10C, I13A, I13B, I68A, I68B, I69A, I69B													G91.8		15			TPN, VTPN		G94.2		08				I06A, I08C, I09D, I10C, I13A, I13B, I68A, I68B, I69A, I69B		
	09	J02A, J08A, J08B, J08C, J11A, J61A, J61B, J61C	G91.8														01			B48Z, B85A, B85B, B85C, B85D	G94.2			09				J02A, J08A, J08B, J08C, J11A		
	10	K62A		G91.9													15			TPN, VTPN			G95.0	10				K62A		
	11	L18A, L18B, L20A, L20B, L38Z, L42A, L74Z			G92												01			B20D, B48Z, B85A, B85B, B85C, B85D				G95.1	11			L18A, L18B, L20A, L20B, L38Z, L42A, L74Z		
	15	TPN, VTPN				G92										15	TPN, VTPN			G95.1					15			TPN, VTPN		
	18B	T60B					G92					01				B03A, B03B, B06A, B06B, B17A, B17B, B17C, B17D, B81A, B81B	G95.1								18B			T60B		
	G83.0	01						B03A, B03B, B06A, B06B, B17A, B17B, B17C, B17D, B48Z, B85A, B85B, B85C				G92		Pre		A07D, A09E, A11F, A13F									G95.1			Pre	B61A, B61B	
		15						TPN, VTPN	G92					Pre		A07D, A09E, A11F, A13F										G95.1				
G83.1		01						B03A, B03B, B06A, B06B, B17A, B17B, B17C, B17D, B81A, B81B			G92			Pre		A07D, A09E, A11F, A13F											G95.1			
		15						TPN, VTPN					G92	Pre		A07D, A09E, A11F, A13F			G95.1											
		G83.2						01		B03A, B03B, B06A, B06B, B17A, B17B, B17C, B17D, B81A, B81B				G92		Pre		A07D, A09E, A11F, A13F										G95.1		
								15		TPN, VTPN					G92	Pre		A07D, A09E, A11F, A13F				G95.1								
			G83.3					01		B03A, B03B, B06A, B06B, B17A, B17B, B17C, B17D, B81A, B81B						G92		Pre			A07D, A09E, A11F, A13F								G95.1	
				15				TPN, VTPN		G92								Pre			A07D, A09E, A11F, A13F		G95.1							
				G83.40	01			B03A, B03B, B06A, B06B, B17A, B17B, B17C, B17D, B71A, B71B, B71C										G92			Pre			A07D, A09E, A11F, A13F						G95.1
					15	TPN, VTPN		G92												Pre	A07D, A09E, A11F, A13F			G95.1						
					G83.41	01	B03A, B03B, B06A, B06B, B17A, B17B, B17C, B17D, B71A, B71B, B71C										G92			Pre	A07D, A09E, A11F, A13F									
	15					TPN, VTPN	G92					Pre								A07D, A09E, A11F, A13F	G95.1									
	G83.49					01			B03A, B03B, B06A, B06B, B17A, B17B, B17C, B17D, B71A, B71B, B71C			G92								Pre					A07D, A09E, A11F, A13F	G95.1				
15						TPN, VTPN			G92		Pre									A07D, A09E, A11F, A13F					G95.1					
G83.80						01					B03A, B03B, B06A, B06B, B17A, B17B, B17C, B17D, B48Z, B85A, B85B, B85C, B85D		G92						Pre	A07D, A09E, A11F, A13F							G95.1			
		Pre				A43Z					G92			Pre					A07D, A09E, A11F, A13F	G95.1										

ICD	MDC	DRG	ICD	MDC	DRG	ICD	MDC	DRG																																							
G95.2	01	B03A, B86Z	G96.8	01	B03A, B03B, B06A, B06B, B17A, B17B, B17C, B17D, B39A, B39B, B39C, B48Z, B70A, B70B, B70C, B70D, B70E, B70F, B70G, B70H, B70I	H11.1	02	C63Z																																							
	04	E40B, E69A, E77F		H11.2	02	C63Z																																									
	06	G67C		H11.3	02	C62Z																																									
	08	I06A, I08C, I09D, I10C, I13A, I13B, I68A, I68B, I69A, I69B		H11.4	02	C63Z																																									
	09	J02A, J08A, J08B, J08C, J11A		H11.8	02	C63Z																																									
	10	K62A		H11.9	02	C63Z																																									
	11	L18A, L18B, L20A, L20B, L38Z, L42A, L74Z		H13.3	15	TPN, VTPN																																									
	15	TPN, VTPN		H15.0	02	C63Z																																									
	18A	S65A, S65B		H15.1	02	C63Z																																									
	18B	T60B		H15.8	02	C63Z																																									
	Pre	B61A, B61B		H15.9	02	C63Z																																									
	G95.80	01		B03A	G96.9	01	B03A, B03B, B06A, B06B, B17A, B17B, B17C, B17D, B63Z	H16.0	02	C60Z																																					
		04		E40B, E69A, E77F		G97.0	18A	S65A, S65B	H16.1	02	C63Z																																				
		06		G67C			01	B03A, B03B, B06A, B06B, B17A, B17B, B17C, B17D, B81A, B81B	H16.2	02	C63Z																																				
		08		I06A, I08C, I09D, I10C, I13A, I13B, I68A, I68B, I69A, I69B			G97.1	15	TPN, VTPN	H16.2	02	C63Z																																			
09		J02A, J08A, J08B, J08C, J11A	01	B03A, B03B, B06A, B06B, B17A, B17B, B17C, B17D, B77Z				H16.3	02	C60Z																																					
10		K62A	G97.2	01				B81A, B81B	H16.4	02	C63Z																																				
11		L18A, L18B, L20A, L20B, L38Z, L42A, L73Z, L74Z		G97.80				01	B81A, B81B	H16.8	02	C60Z																																			
18B		T60B		G97.81				01	B81A, B81B	H16.9	02	C63Z																																			
Pre		B61A, B61B		G97.88				01	B81A, B81B		H17.0	02	C63Z																																		
G95.81		01		B03A				G97.9	01		B81A, B81B	H17.1	02	C63Z																																	
		04		E40B, E69A, E77F					G98		01	B03A, B03B, B06A, B06B, B17A, B17B, B17C, B17D, B63Z	H17.8	02	C63Z																																
		06		G67C							H00.0	18A	S65A, S65B	H17.9	02	C63Z																															
		08		I06A, I08C, I09D, I10C, I13A, I13B, I68A, I68B, I69A, I69B								02	C63Z	H18.0	02	C63Z																															
		09		J02A, J08A, J08B, J08C, J11A								H00.1	02	C64Z	H18.1	02	C63Z																														
		10		K62A								H01.0	02	C63Z	H18.2	02	C63Z																														
	11	L18A, L18B, L20A, L20B, L38Z, L42A, L73Z, L74Z		H01.1	02							C63Z	H18.3	02	C63Z																																
	18B	T60B		H01.8	02	C63Z						H18.4	02	C63Z																																	
	Pre	B61A, B61B		H01.9	02	C63Z						H18.5	02	C63Z																																	
	G95.82	Pre		B61A, B61B	H02.0	02	C64Z					H18.6	02	C63Z																																	
		G95.83		Pre	B61A, B61B	H02.1	02					C64Z	H18.7	02	C63Z																																
			G95.84	Pre	B61A, B61B	H02.2	02					C64Z	H18.8	02	C63Z																																
				G95.85	Pre	B61A, B61B	H02.3					02	C64Z	H18.9	02	C63Z																															
					G95.88	01	B03A			H02.4		02	C61Z	H19.1	15	TPN, VTPN																															
						04	E40B, E69A, E77F			H02.5		02	C64Z	H19.2	15	TPN, VTPN																															
06						G67C	H02.6	09		J67A, J67B, J68A, J68B		H20.0	02	C66Z																																	
08						I06A, I08C, I09D, I10C, I13A, I13B, I68A, I68B, I69A, I69B	H02.7	02	C64Z	H20.1		02	C63Z																																		
09						J02A, J08A, J08B, J08C, J11A	H02.8	02	C64Z	H20.2	02	C63Z																																			
10						K62A	H02.9	02	C64Z	H20.8	02	C63Z																																			
11						L18A, L18B, L20A, L20B, L38Z, L42A, L74Z	H04.0	02	C63Z	H20.9	02	C63Z																																			
18B						T60B	H04.1	02	C63Z	H21.0	02	C62Z																																			
Pre						B61A, B61B	H04.2	02	C63Z	H21.1	02	C63Z																																			
G95.9						01	B03A, B86Z	H04.3	02	C63Z	H21.2	02	C63Z																																		
						04	E40B, E69A, E77F	H04.4	02	C63Z	H21.3	02	C63Z																																		
	06					G67C	H04.5	02	C64Z	H21.4	02	C63Z																																			
	08	I06A, I08C, I09D, I10C, I13A, I13B, I68A, I68B, I69A, I69B				H04.6	02	C64Z	H21.5	02	C63Z																																				
	09	J02A, J08A, J08B, J08C, J11A	H04.8			02	C64Z	H21.9	02	C63Z																																					
	10	K62A	H04.9	02		C64Z	H25.0	02	C64Z																																						
	11	L18A, L18B, L20A, L20B, L38Z, L42A, L74Z	H05.0	02	C60Z	H25.1	02	C64Z																																							
	15	TPN, VTPN	H05.1	15	P65C, P66C, P67B, P67C	H25.2	02	C64Z																																							
	18A	S65A, S65B		02	C63Z	H25.8	02	C64Z																																							
	18B	T60B		H05.2	02	C63Z	H25.9	02	C64Z																																						
	Pre	B61A, B61B		H05.3	02	C63Z	H26.0	02	C63Z																																						
	G96.0	01		B03A, B03B, B06A, B06B, B17A, B17B, B17C, B17D, B81A, B81B	H05.4	02	C63Z	H26.1	02	C62Z																																					
		G96.1		15	TPN, VTPN	H05.5	02	C62Z	H26.2	02	C63Z																																				
				01	B03A, B03B, B06A, B06B, B17A, B17B, B17C, B17D, B81A, B81B	H05.8	02	C63Z	H26.3	02	C64Z																																				
				G96.8	01	B03A, B03B, B06A, B06B, B17A, B17B, B17C, B17D, B81A, B81B	H05.9	02	C63Z	H26.4	02	C64Z																																			
G96.9					01	B03A, B03B, B06A, B06B, B17A, B17B, B17C, B17D, B63Z	H10.0	02	C63Z	H26.8	02	C64Z																																			
					G97.0	18A	S65A, S65B	H10.1	02	C63Z	H26.9	02	C64Z																																		
						G97.1	01	B03A, B03B, B06A, B06B, B17A, B17B, B17C, B17D, B77Z	H10.2	02	C63Z	H27.0	02	C63Z																																	
							G97.2	01	B81A, B81B	H10.3	02	C63Z	H27.1	02	C63Z																																
								G97.80	01	B81A, B81B	H10.4	02	C63Z	H27.8	02	C63Z																															
									G97.81	01	B81A, B81B	H10.5	15	P65C, P66C, P67B, P67C	H27.9	02	C63Z																														
										G97.88	01		B81A, B81B	02	C63Z	H30.0	02	C63Z																													
			G97.9								01		B81A, B81B	02	C63Z	H30.1	18A	S65A, S65B																													
											G98		01	B03A, B03B, B06A, B06B, B17A, B17B, B17C, B17D, B63Z	H10.8		02	C63Z	02	C63Z																											
													H00.0	02	C63Z		H10.9	02	C63Z	18A	S65A, S65B																										
														H00.1	02		C64Z	H11.0	02	C63Z	02	C63Z																									
	H01.0														02		C63Z	H11.1	02	C63Z	H30.2	02	C63Z																								
		H01.1													02		C63Z		H11.2	02		C63Z	H30.2	02	C63Z																						
															H01.8		02			C63Z		H11.3		02	C62Z	H30.2	02	C63Z																			
				H01.9													02			C63Z				H11.4	02		C63Z	H30.2	02	C63Z																	
H02.0																	02			C64Z					H11.8		02		C63Z	H30.2	02	C63Z															
					H02.1												02			C64Z							H11.9		02		C63Z	H30.2	02	C63Z													
						H02.2											02			C64Z									H13.3		15		TPN, VTPN	H30.2	02	C63Z											
							H02.3										02			C64Z											H15.0		02		C63Z	H30.2	02	C63Z									
								H02.4									02			C61Z													H15.1		02		C63Z	H30.2	02	C63Z							
									H02.5			02					C64Z			H15.8															02		C63Z		H30.2	02	C63Z						
										H02.6		09					J67A, J67B, J68A, J68B																		H15.9		02			C63Z	H30.2	02	C63Z				
			H02.7									02				C64Z	H16.0																				02			C60Z		H30.2	02	C63Z			
											H02.8	02				C64Z																					H16.1			02			C63Z	H30.2	02	C63Z	
												H02.9	02			C64Z																								H16.2			02		C63Z	H30.2	02
													H04.0	02		C63Z																											H16.3		02		C60Z
	H04.1													02		C63Z		H16.4			02																								C63Z		H30.2
		H04.2												02		C63Z			H16.8		02		C60Z																						H30.2		
														H04.3	02	C63Z					H16.9	02	C63Z			H30.2																					
				H04.4											02	C63Z						H17.0	02	C63Z				H30.2																			
H04.5															02	C64Z							H17.1	02	C63Z					H30.2																	
					H04.6										02	C64Z								H17.8	02		C63Z					H30.2															
						H04.8									02	C64Z									H17.9		02		C63Z					H30.2													
							H04.9								02	C64Z											H18.0		02		C63Z					H30.2											
								H05.0							02	C60Z													H18.1		02		C63Z					H30.2									
									H05.1						02	C63Z				H18.2											02		C63Z						H30.2								
										H05.2					02	C63Z															H18.3		02		C63Z						H30.2						
			H05.3												02	C63Z	H18.4																02		C63Z							H30.2					
											H05.4				02	C63Z																	H18.5		02		C63Z							H30.2			
												H05.5			02	C62Z																			H18.6		02			C63Z						H30.2	
													H05.8		02	C63Z																					H18.7			02			C63Z				
	H05.9														02	C63Z		H18.8																						02			C63Z				H30.2
		H10.0													02	C63Z			H18.9																					02			C63Z		H30.2		
														H10.1	02	C63Z					H19.1					15														TPN, VTPN			H30.2				
				H10.2											02	C63Z						H19.2				15		TPN, VTPN												H30.2							
H10.3															02	C63Z							H20.0			02		C66Z		H30.2																	
					H10.4										02	C63Z								H20.1		02		C63Z				H30.2															
						H10.5									02	C63Z									H20.2	02		C63Z						H30.2													
							H10.8								02	C63Z										H20.8	02	C63Z								H30.2											
								H10.9							02	C63Z											H20.9	02	C63Z									H30.2									
									H11.0						02	C63Z				H21.0								02	C62Z										H30.2								
										H11.1					02	C63Z												H21.1	02		C63Z										H30.2						
			H11.2												02	C63Z	H21.2												02		C63Z											H30.2					
											H11.3				02	C62Z													H21.3		02		C63Z											H30.2			
												H11.4			02	C63Z															H21.4		02		C63Z											H30.2	
													H11.8		02	C63Z																	H21.5		02		C63Z										
	H11.9														02	C63Z		H21.9																	02		C63Z										H30.2
		H13.3													15	TPN, VTPN			H25.0																02		C64Z								H30.2		
														H15.0	02	C63Z					H25.1														02		C64Z						H30.2				
				H15.1											02	C63Z						H25.2													02		C64Z			H30.2							
H15.8															02	C63Z							H25.8							02					C64Z		H30.2										
					H15.9										02	C63Z								H25.9						02		C64Z			H30.2												
						H16.0									02	C60Z									H26.0					02		C63Z		H30.2													
							H16.1								02	C63Z										H26.1				02		C62Z				H30.2											
								H16.2							02	C63Z											H26.2			02		C63Z						H30.2									
									H16.3						02	C60Z				H26.3										02		C64Z							H30.2								
										H16.4					02	C63Z												H26.4		02		C64Z									H30.2						
			H16.8												02	C60Z	H26.8													02		C64Z										H30.2					
											H16.9				02	C63Z													H26.9	02		C64Z												H30.2			
												H17.0			02	C63Z														H27.0	02	C63Z														H30.2	
													H17.1		02	C63Z															H27.1	02	C63Z														
	H17.8														02	C63Z		H27.8														02	C63Z														H30.2
		H17.9													02	C63Z			H27.9													02	C63Z												H30.2		
														H18.0	02	C63Z					H30.0											02	C63Z										H30.2				
				H18.1											02	C63Z						H30.1										18A	S65A, S65B							H30.2							
H18.2															02	C63Z							H30.1									02	C63Z				H30.2										
					H18.3										02	C63Z								H30.1								18A	S65A, S65B		H30.2												
						H18.4									02																																

ICD	MDC	DRG	ICD	MDC	DRG	ICD	MDC	DRG
H30.8	02	C63Z	H47.5	01	B03A, B03B, B06A, B06B, B17A, B17B, B17C, B17D, B81A, B81B	H57.8	02	C63Z
H30.9	02	C63Z				H57.9	02	C63Z
	18A	S65A, S65B	H47.6	01	B03A, B03B, B06A, B06B, B17A, B17B, B17C, B17D, B81A, B81B	H58.0	15	TPN, VTPN
H31.0	02	C62Z				H59.0	02	C63Z
H31.1	02	C63Z				H59.8	02	C62Z
H31.2	02	C63Z				H59.9	02	C63Z
H31.3	02	C62Z	H47.7	01	B03A, B03B, B06A, B06B, B17A, B17B, B17C, B17D, B81A, B81B	H60.0	03	D66Z
H31.4	02	C62Z				H60.1	03	D66Z
H31.8	02	C63Z				H60.2	03	D09Z, D25A, D25B, D28Z, D60A, D60B, D60C
H31.9	02	C63Z	H49.0	02	C61Z			
H32.0	15	TPN, VTPN	H49.1	02	C61Z	H60.3	03	D66Z
H33.0	02	C62Z	H49.2	02	C61Z	H60.4	03	D66Z
H33.1	02	C63Z	H49.3	02	C61Z	H60.5	03	D66Z
H33.2	02	C62Z	H49.4	02	C61Z	H60.8	03	D66Z
H33.3	02	C62Z	H49.8	02	C61Z	H60.9	03	D66Z
H33.4	02	C62Z	H49.9	02	C61Z	H61.0	03	D66Z
H33.5	02	C62Z	H50.0	02	C61Z	H61.1	03	D66Z
H34.0	02	C61Z	H50.1	02	C61Z	H61.2	03	D66Z
H34.1	02	C61Z	H50.2	02	C61Z	H61.3	03	D66Z
H34.2	02	C61Z	H50.3	02	C61Z	H61.8	03	D66Z
H34.8	02	C61Z	H50.4	02	C61Z	H61.9	03	D66Z
H34.9	02	C61Z	H50.5	02	C61Z	H62.1	15	TPN, VTPN
H35.0	02	C63Z	H50.6	02	C63Z	H65.0	03	D62Z, D63Z
	18A	S65A, S65B	H50.8	02	C61Z	H65.1	03	D62Z, D63Z
H35.1	02	C63Z	H50.9	02	C63Z	H65.2	03	D62Z, D63Z
H35.2	02	C63Z	H51.0	02	C63Z	H65.3	03	D62Z, D63Z
H35.3	02	C63Z	H51.1	02	C63Z	H65.4	03	D62Z, D63Z
H35.4	02	C63Z	H51.2	01	B03A, B03B, B06A, B06B, B17A, B17B, B17C, B17D, B81A, B81B	H65.5	03	D62Z, D63Z
H35.5	02	C63Z				H65.9	03	D62Z, D63Z
H35.6	02	C62Z	H51.8	02	C61Z	H66.0	03	D62Z, D63Z
H35.7	02	C63Z	H51.9	02	C63Z		15	TPN, VTPN
H35.8	02	C63Z	H52.0	02	C63Z	H66.1	03	D62Z, D63Z
H35.9	02	C63Z	H52.1	02	C63Z	H66.2	03	D62Z, D63Z
H36.0	10	K60B	H52.2	02	C63Z	H66.3	03	D62Z, D63Z
H40.0	02	C64Z	H52.3	02	C63Z	H66.4	03	D62Z, D63Z
H40.1	02	C64Z	H52.4	02	C63Z	H66.9	03	D62Z, D63Z
H40.2	02	C64Z	H52.5	02	C63Z	H68.0	03	D62Z, D63Z
H40.3	02	C64Z	H52.6	02	C63Z	H68.1	03	D66Z
H40.4	02	C64Z	H52.7	02	C63Z	H69.0	03	D66Z
H40.5	02	C64Z	H53.0	02	C63Z	H69.8	03	D66Z
H40.6	02	C64Z	H53.1	02	C63Z	H69.9	03	D66Z
H40.8	02	C64Z	H53.2	02	C61Z	H70.0	03	D06B, D62Z, D63Z
H40.9	02	C64Z	H53.3	02	C63Z	H70.1	03	D06B, D62Z, D63Z
H43.0	02	C63Z	H53.4	02	C61Z	H70.2	03	D62Z, D63Z
H43.1	02	C62Z	H53.5	02	C63Z	H70.8	03	D66Z
H43.2	02	C63Z	H53.6	02	C63Z	H70.9	03	D62Z, D63Z
H43.3	02	C63Z	H53.8	02	C63Z	H71	03	D66Z
H43.8	02	C63Z	H53.9	02	C63Z	H72.0	03	D66Z
H43.9	02	C63Z	H54.0	02	C63Z	H72.1	03	D66Z
H44.0	02	C60Z				H72.2	03	D66Z
H44.1	02	C60Z				H72.8	03	D66Z
H44.2	02	C63Z				H72.9	03	D66Z
H44.3	02	C63Z	H54.1	02	C63Z	H73.0	03	D62Z, D63Z
H44.4	02	C63Z		18A	S65A, S65B	H73.1	03	D62Z, D63Z
H44.5	02	C63Z	H54.2	02	C63Z	H73.8	03	D66Z
H44.6	02	C62Z		18A	S65A, S65B	H73.9	03	D66Z
H44.7	02	C62Z	H54.3	02	C63Z	H74.0	03	D66Z
H44.8	02	C63Z		18A	S65A, S65B	H74.1	03	D66Z
H44.9	02	C63Z	H54.4	02	C63Z	H74.2	03	D66Z
H46	02	C61Z		18A	S65A, S65B	H74.3	03	D66Z
H47.0	02	C61Z	H54.5	02	C63Z	H74.4	03	D66Z
H47.1	01	B03A, B03B, B06A, B06B, B17A, B17B, B17C, B17D, B81A, B81B		18A	S65A, S65B	H74.8	03	D66Z
H47.2	02	C61Z	H54.6	02	C63Z	H74.9	03	D66Z
H47.3	02	C61Z		18A	S65A, S65B	H80.0	03	D66Z
H47.4	01	B03A, B03B, B06A, B06B, B17A, B17B, B17C, B17D, B81A, B81B	H54.9	02	C63Z	H80.1	03	D66Z
				18A	S65A, S65B	H80.2	03	D66Z
			H55	02	C61Z	H80.8	03	D66Z
			H57.0	02	C63Z	H80.9	03	D66Z
			H57.1	02	C63Z	H81.0	03	D61A, D61B
						H81.1	03	D61A, D61B

ICD	MDC	DRG	ICD	MDC	DRG	ICD	MDC	DRG
H81.2	03	D61A	108.1	05	F69A, F69B	121.1	05	F06C, F06D, F15Z, F24A, F24B, F36A, F36B, F41A, F41B, F52A, F52B, F60A, F60B
H81.3	03	D61A, D61B	108.2	05	F69A, F69B		18A	S65A
H81.4	03	D61A	108.3	05	F69A, F69B		Pre	A07D, A09E, A11F, A13F
H81.8	03	D61A, D61B	108.8	05	F69A, F69B	121.2	05	F06C, F06D, F15Z, F24A, F24B, F36A, F36B, F41A, F41B, F52A, F52B, F60A, F60B
H81.9	03	D61A, D61B	108.9	05	F69A, F69B		18A	S65A
H83.0	03	D61A	109.0	05	F75A, F75B, F75C, F75D		Pre	A07D, A09E, A11F, A13F
H83.1	03	D66Z	109.1	05	F69A, F69B	121.3	05	F06C, F06D, F15Z, F24A, F24B, F36A, F36B, F41A, F41B, F52A, F52B, F60A, F60B
H83.2	03	D61A	109.2	05	F75A, F75B, F75C, F75D		18A	S65A
H83.3	03	D66Z	109.8	05	F75A, F75B, F75C, F75D		Pre	A07D, A09E, A11F, A13F
H83.8	03	D66Z	109.9	05	F75A, F75B, F75C, F75D	121.4	05	F06C, F06D, F15Z, F24A, F24B, F36A, F36B, F41A, F41B, F52A, F52B, F60A, F60B
H83.9	03	D66Z	110.00	05	F67A, F67B, F67C, F67D		18A	S65A
H90.0	03	D66Z	110.01	05	F67A, F67B, F67C, F67D		Pre	A07D, A09E, A11F, A13F
H90.1	03	D66Z	110.10	05	F67A, F67B, F67C, F67D	121.9	05	F06C, F06D, F15Z, F24A, F24B, F36A, F36B, F41A, F41B, F52A, F52B, F60A, F60B
H90.2	03	D66Z	110.11	05	F67A, F67B, F67C, F67D		18A	S65A
H90.3	03	D66Z	110.90	05	F67A, F67B, F67C, F67D		Pre	A07D, A09E, A11F, A13F
H90.4	03	D66Z	110.91	05	F67A, F67B, F67C, F67D	122.0	05	F06C, F06D, F15Z, F24A, F24B, F36A, F36B, F41A, F41B, F52A, F52B, F60A, F60B
H90.5	03	D66Z	111.00	05	F62A, F62B, F62C		18A	S65A
H90.6	03	D66Z	111.01	05	F62A, F62B, F62C		Pre	A07D, A09E, A11F, A13F
H90.7	03	D66Z	111.90	05	F67A, F67B, F67C, F67D	122.1	05	F06C, F06D, F15Z, F24A, F24B, F36A, F36B, F41A, F41B, F52A, F52B, F60A, F60B
H90.8	03	D66Z	111.91	05	F67A, F67B, F67C, F67D		18A	S65A
H91.0	03	D61A, D61B	112.00	11	L02B, L09A, L09B, L38Z, L60A, L60B, L60C, L60D, L71Z		Pre	A07D, A09E, A11F, A13F
H91.1	03	D66Z		15	TPN, VTPN	122.8	05	F06C, F06D, F15Z, F24A, F24B, F36A, F36B, F41A, F41B, F52A, F52B, F60A, F60B
H91.2	03	D61A	112.01	11	L02B, L09A, L09B, L38Z, L60A, L60B, L60C, L60D, L71Z		18A	S65A
H91.3	03	D66Z		15	TPN, VTPN	122.9	05	F06C, F06D, F15Z, F24A, F24B, F36A, F36B, F41A, F41B, F52A, F52B, F60A, F60B
H91.8	03	D66Z	112.90	11	L68A, L68B, L74Z		18A	S65A
H91.9	03	D66Z		15	TPN, VTPN	123.0	05	F15Z, F24A, F24B, F36A, F36B, F52A, F52B, F75A, F75B, F75C, F75D
H92.0	03	D66Z	112.91	11	L68A, L68B, L74Z		18A	S65A
H92.1	03	D66Z	112.91	11	L68A, L68B, L74Z		Pre	A07D, A09E, A11F, A13F
H92.2	03	D66Z	113.00	05	F62A, F62B, F62C	123.1	05	F15Z, F24A, F24B, F36A, F36B, F52A, F52B, F75A, F75B, F75C, F75D
H92.3	03	D66Z	113.01	05	F62A, F62B, F62C		18A	S65A
H93.0	03	D66Z	113.10	11	L02B, L09A, L09B, L38Z, L60A, L60B, L60C, L60D, L71Z		Pre	A07D, A09E, A11F, A13F
H93.01	03	D61A	113.11	11	L02B, L09A, L09B, L38Z, L60A, L60B, L60C, L60D, L71Z	123.2	05	F15Z, F24A, F24B, F36A, F36B, F52A, F52B, F75A, F75B, F75C, F75D
H93.02	03	D61A		15	TPN, VTPN		18A	S65A
H93.03	03	D61A	113.20	05	F62A, F62B, F62C		Pre	A07D, A09E, A11F, A13F
H93.09	03	D61A	113.21	05	F62A, F62B, F62C	123.3	05	F15Z, F24A, F24B, F36A, F36B, F52A, F52B, F75A, F75B, F75C, F75D
H93.1	03	D61A	113.90	05	F67A, F67B, F67C, F67D		18A	S65A
H93.2	03	D66Z	113.91	05	F67A, F67B, F67C, F67D		Pre	A07D, A09E, A11F, A13F
H93.3	03	D61A	115.00	05	F67A, F67B, F67C, F67D		18A	S65A
H93.8	03	D66Z	115.01	05	F67A, F67B, F67C, F67D		Pre	A07D, A09E, A11F, A13F
H93.9	03	D66Z	115.10	05	F67A, F67B, F67C, F67D		18A	S65A
H95.0	03	D66Z	115.11	05	F67A, F67B, F67C, F67D		Pre	A07D, A09E, A11F, A13F
H95.1	03	D66Z	115.20	05	F67A, F67B, F67C, F67D		18A	S65A
H95.8	03	D66Z	115.21	05	F67A, F67B, F67C, F67D		Pre	A07D, A09E, A11F, A13F
H95.9	21B	X62Z	115.80	05	F67A, F67B, F67C, F67D		18A	S65A
I00	08	I66A, I66B, I66C	115.81	05	F67A, F67B, F67C, F67D		Pre	A07D, A09E, A11F, A13F
I01.0	05	F75A, F75B, F75C, F75D	115.90	05	F67A, F67B, F67C, F67D		18A	S65A
I01.1	05	F15Z, F36A, F36B, F61A, F61B	115.91	05	F67A, F67B, F67C, F67D		Pre	A07D, A09E, A11F, A13F
	Pre	A07D, A09E, A11F, A13F	120.0	05	F72A, F72B		18A	S65A
I01.2	05	F75A, F75B, F75C, F75D		18A	S65A, S65B		Pre	A07D, A09E, A11F, A13F
	Pre	A07D, A09E, A11F, A13F	120.1	05	F72A, F72B		18A	S65A
I01.8	05	F75A, F75B, F75C, F75D		18A	S65A, S65B		Pre	A07D, A09E, A11F, A13F
I01.9	05	F75A, F75B, F75C, F75D	120.8	05	F66A, F66B		18A	S65A
I02.0	05	F75A, F75B, F75C, F75D		18A	S65A, S65B		Pre	A07D, A09E, A11F, A13F
I02.9	05	F75A, F75B, F75C, F75D	120.9	05	F66A, F66B		18A	S65A
I05.0	05	F69A, F69B		18A	S65A, S65B		Pre	A07D, A09E, A11F, A13F
I05.1	05	F69A, F69B	121.0	05	F06C, F06D, F15Z, F24A, F24B, F36A, F36B, F41A, F41B, F52A, F52B, F60A, F60B		18A	S65A
I05.2	05	F69A, F69B		18A	S65A, S65B		Pre	A07D, A09E, A11F, A13F
I05.8	05	F69A, F69B		18A	S65A, S65B		18A	S65A
I05.9	05	F69A, F69B		18A	S65A, S65B		Pre	A07D, A09E, A11F, A13F
I06.0	05	F69A, F69B		18A	S65A, S65B		18A	S65A
I06.1	05	F69A, F69B		18A	S65A, S65B		Pre	A07D, A09E, A11F, A13F
I06.2	05	F69A, F69B		18A	S65A, S65B		18A	S65A
I06.8	05	F69A, F69B		18A	S65A, S65B		Pre	A07D, A09E, A11F, A13F
I06.9	05	F69A, F69B		18A	S65A, S65B		18A	S65A
I07.0	05	F69A, F69B		18A	S65A, S65B		Pre	A07D, A09E, A11F, A13F
I07.1	05	F69A, F69B		18A	S65A, S65B		18A	S65A
I07.2	05	F69A, F69B		18A	S65A, S65B		Pre	A07D, A09E, A11F, A13F
I07.8	05	F69A, F69B		18A	S65A, S65B		18A	S65A
I07.9	05	F69A, F69B		18A	S65A, S65B		Pre	A07D, A09E, A11F, A13F
I08.0	05	F69A, F69B		18A	S65A, S65B		18A	S65A

ICD	MDC	DRG	ICD	MDC	DRG	ICD	MDC	DRG
123.4	05	F15Z, F24A, F24B, F36A, F36B, F52A, F52B, F69A, F69B	126.9	04	E64A	135.9	05	F69A, F69B
	18A	S65A		10	K62A	136.0	05	F69A, F69B
	Pre	A07D, A09E, A11F, A13F		15	TPN, VTPN	136.1	05	F69A, F69B
123.5	05	F15Z, F24A, F24B, F36A, F36B, F52A, F52B, F69A, F69B	127.0	05	F46A, F46B, F75A, F75B, F75C, F75D	136.2	05	F69A, F69B
	18A	S65A		15	TPN, VTPN	136.8	05	F69A, F69B
	Pre	A07D, A09E, A11F, A13F		Pre	A07D, A09E, A11F, A13F	136.9	05	F69A, F69B
123.6	05	F15Z, F24A, F24B, F36A, F36B, F52A, F52B, F75A, F75B, F75C, F75D	127.1	05	F75A, F75B, F75C, F75D	137.0	05	F69A, F69B
	18A	S65A		15	TPN, VTPN		15	TPN, VTPN
	Pre	A07D, A09E, A11F, A13F	127.20	05	F75A, F75B, F75C, F75D	137.1	05	F69A, F69B
123.8	05	F75A, F75B, F75C, F75D	127.28	05	F75A, F75B, F75C, F75D	137.2	05	F69A, F69B
	18A	S65A		15	TPN, VTPN	137.8	05	F69A, F69B
124.0	05	F72A, F72B	127.8	05	F75A, F75B, F75C, F75D	137.9	05	F69A, F69B
	18A	S65A, S65B		15	TPN, VTPN	138	05	F15Z, F36A, F36B, F61A, F61B
124.1	05	F75A, F75B, F75C, F75D	127.9	05	F75A, F75B, F75C, F75D		08	I06A, I06C
	18A	S65A, S65B		15	TPN, VTPN		18A	S63A, S63B
124.8	05	F72A, F72B	128.0	05	F75A, F75B, F75C, F75D	139.0	08	I06A, I06C
	18A	S65A, S65B	128.1	05	F75A, F75B, F75C, F75D		15	TPN, VTPN
124.9	05	F72A, F72B	128.8	05	F75A, F75B, F75C, F75D	139.1	08	I06A, I06C
	18A	S65A, S65B	128.9	05	F75A, F75B, F75C, F75D		15	TPN, VTPN
125.0	05	F66A, F66B	130.0	05	F75A, F75B, F75C, F75D	139.2	08	I06A, I06C
	18A	S65A		15	TPN, VTPN		15	TPN, VTPN
125.10	05	F50A, F66A, F66B	130.1	05	F75A, F75B, F75C, F75D	139.3	08	I06A, I06C
	18A	S65A		15	TPN, VTPN		15	TPN, VTPN
125.11	05	F50A, F66A, F66B	130.8	05	F75A, F75B, F75C, F75D	139.4	08	I06A, I06C
	18A	S65A		15	TPN, VTPN		15	TPN, VTPN
125.12	05	F50A, F66A, F66B	130.9	05	F75A, F75B, F75C, F75D	139.8	08	I06A, I06C
	18A	S65A		15	TPN, VTPN		15	TPN, VTPN
125.13	05	F50A, F66A, F66B	131.0	05	F75A, F75B, F75C, F75D	140.0	05	F75A, F75B, F75C, F75D
	18A	S65A		15	TPN, VTPN		15	TPN, VTPN
125.14	05	F50A, F66A, F66B	131.1	05	F46A, F46B, F75A, F75B, F75C, F75D		18A	S63A, S63B
	18A	S65A		15	TPN, VTPN		Pre	A07D, A09E, A11F, A13F
125.15	05	F50A, F66A, F66B	131.2	05	F75A, F75B, F75C, F75D	140.1	05	F75A, F75B, F75C, F75D
	18A	S65A		15	TPN, VTPN		18A	S63A, S63B
125.16	05	F50A, F66A, F66B	131.3	05	F75A, F75B, F75C, F75D	140.8	05	F75A, F75B, F75C, F75D
	18A	S65A		15	TPN, VTPN		18A	S63A, S63B
125.19	05	F50A, F66A, F66B	131.8	05	F75A, F75B, F75C, F75D	140.9	05	F75A, F75B, F75C, F75D
	18A	S65A		15	TPN, VTPN		15	TPN, VTPN
125.20	18A	S65A	131.9	05	F75A, F75B, F75C, F75D		18A	S63A, S63B
125.21	18A	S65A		Pre	A07D, A09E, A11F, A13F	141.0	15	TPN, VTPN
125.22	18A	S65A	132.0	15	TPN, VTPN	141.1	15	TPN, VTPN
125.29	18A	S65A	132.1	15	TPN, VTPN	141.2	15	TPN, VTPN
125.3	05	F75A, F75B, F75C, F75D	132.8	15	TPN, VTPN	141.8	15	TPN, VTPN
	18A	S65A	133.0	05	F03C, F03D, F03E, F14A, F14B, F15Z, F36A, F36B, F54Z, F61A, F61B	142.0	05	F46A, F46B, F50A, F75A, F75B, F75C, F75D
125.4	05	F75A, F75B, F75C, F75D		08	I06A, I06C		Pre	A07D, A09E, A11F, A13F
	18A	S65A		15	TPN, VTPN	142.1	05	F15Z, F24A, F24B, F36A, F36B, F46A, F46B, F50A, F52A, F52B, F75A, F75B, F75C, F75D
125.5	05	F50A, F66A, F66B		18A	S63A, S63B		15	P65C, P66C, P67B, P67C
	18A	S65A		Pre	A07D, A09E, A11F, A13F		Pre	A07D, A09E, A11F, A13F
	Pre	A07D, A09E, A11F, A13F	133.9	05	F03C, F03D, F03E, F15Z, F36A, F36B, F61A, F61B	142.2	05	F46A, F46B, F50A, F75A, F75B, F75C, F75D
125.6	05	F66A, F66B		08	I06A, I06C	142.3	05	F46A, F46B, F50A, F75A, F75B, F75C, F75D
	18A	S65A		15	TPN, VTPN	142.4	05	F46A, F46B, F50A, F75A, F75B, F75C, F75D
125.8	05	F66A, F66B		18A	S63A, S63B	142.5	05	F46A, F46B, F50A, F75A, F75B, F75C, F75D
	18A	S65A		05	F69A, F69B	142.6	05	F46A, F46B, F50A, F75A, F75B, F75C, F75D
125.9	05	F66A, F66B	134.0	05	F69A, F69B	142.7	05	F46A, F46B, F50A, F75A, F75B, F75C, F75D
	18A	S65A	134.1	05	F69A, F69B	142.80	05	F46A, F46B, F50A, F75A, F75B, F75C, F75D
126.0	04	E64A	134.80	05	F69A, F69B		05	F46A, F46B, F50A, F75A, F75B, F75C, F75D
	10	K62A	134.88	05	F69A, F69B	142.88	05	F46A, F46B, F50A, F75A, F75B, F75C, F75D
	15	TPN, VTPN	134.9	05	F69A, F69B		05	F46A, F46B, F50A, F75A, F75B, F75C, F75D
	17	R62A	135.0	05	F69A, F69B	142.9	05	F46A, F46B, F50A, F75A, F75B, F75C, F75D
	22	Y02A, Y02B		15	P65C, P66C, P67B, P67C		18A	S63A, S63B
	Pre	A07D, A09E, A11F, A13F	135.1	05	F69A, F69B			
			135.2	05	F69A, F69B			
			135.8	05	F69A, F69B			

ICD	MDC	DRG	ICD	MDC	DRG	ICD	MDC	DRG
177.2	05	F65A, F65B	188.8	16	Q60A, Q60B, Q60C, Q60D, Q60E	J11.1	03	D62Z, D63Z
	15	TPN, VTPN				15	TPN, VTPN	
	Pre	A07D, A09E, A11F, A13F	188.9	16	Q60A, Q60B, Q60C, Q60D, Q60E	J11.8	15	TPN, VTPN
177.3	05	F65A, F65B	189.0	09	J67A, J67B, J68A, J68B	J12.0	18B	T63A, T63B, T63C
177.4	06	G46A, G46B, G46C, G50Z, G67A, G67B, G67C, G67D	189.1	09	J64A, J64B	04	E62A, E62B, E77A, E77B, E77C, E77D, E77E, E77F, E77G	
177.5	05	F65A, F65B	189.8	15	TPN, VTPN	15	TPN, VTPN	
	15	TPN, VTPN		16	Q60A, Q60B, Q60C	22	Y02A, Y02B	
177.6	08	I66A, I66B, I66C	189.9	16	Q60A, Q60B, Q60C, Q60D, Q60E	J12.1	04	E62A, E62B, E65A, E65B, E65C, E69B, E77A, E77B, E77C, E77D, E77F
177.8	05	F65A, F65B	195.0	05	F73Z	15	TPN, VTPN	
177.9	05	F65A, F65B	195.1	05	F73Z	22	Y02A, Y02B	
178.0	05	F65A, F65B	195.2	05	F73Z	J12.2	04	E62A, E62B, E77A, E77B, E77C, E77D, E77E, E77F, E77G
178.1	09	J67A, J67B, J68A, J68B	195.8	05	F73Z	15	TPN, VTPN	
178.8	05	F65A, F65B	195.9	05	F73Z	22	Y02A, Y02B	
178.9	05	F65A, F65B	197.0	05	F75A, F75B, F75C, F75D	15	TPN, VTPN	
179.0	15	TPN, VTPN		15	TPN, VTPN	22	Y02A, Y02B	
179.2	15	TPN, VTPN	197.1	05	F75A, F75B, F75C, F75D	J12.3	04	E62A, E62B, E77A, E77B, E77C, E77D, E77E, E77F, E77G
180.0	05	F63A, F63B		15	TPN, VTPN	15	TPN, VTPN	
180.1	05	F63A, F63B	197.2	09	J67A, J67B	18A	S63A, S63B	
	15	TPN, VTPN	197.8	05	F65A, F65B	22	Y02A, Y02B	
180.2	05	F63A, F63B	197.9	05	F75A, F75B, F75C, F75D	J12.8	04	E62A, E62B, E77A, E77B, E77C, E77D, E77E, E77F, E77G
	15	TPN, VTPN	198.0	15	TPN, VTPN	15	TPN, VTPN	
180.3	05	F63A, F63B	198.1	15	TPN, VTPN	18A	S63A, S63B	
180.8	05	F63A, F63B	198.3	07	H40Z	22	Y02A, Y02B	
180.9	05	F63A, F63B	199	05	F66A, F66B	J12.9	04	E62A, E62B, E77A, E77B, E77C, E77D, E77E, E77F, E77G
181	07	H63A, H63B, H63C, H78Z	J00	03	D62Z, D63Z	15	TPN, VTPN	
	15	TPN, VTPN	J01.0	03	D62Z, D63Z	18A	S63A, S63B	
182.0	07	H63A, H63B, H63C, H78Z	J01.1	03	D62Z, D63Z	22	Y02A, Y02B	
	15	TPN, VTPN	J01.2	03	D62Z, D63Z	J13	04	E62A, E62B, E77A, E77B, E77C, E77D, E77E, E77F, E77G
182.1	05	F65A, F65B	J01.3	03	D62Z, D63Z	15	TPN, VTPN	
182.2	05	F69A, F69B	J01.4	03	D62Z, D63Z	18A	S63A, S63B	
	15	TPN, VTPN	J01.8	03	D62Z, D63Z	22	Y02A, Y02B	
182.3	11	L68A, L68B, L74Z	J01.9	03	D62Z, D63Z	J14	04	E62A, E62B, E77A, E77B, E77C, E77D, E77E, E77F, E77G
	15	TPN, VTPN	J02.0	03	D62Z, D63Z	15	TPN, VTPN	
182.8	05	F63A, F63B	J02.8	03	D62Z, D63Z	18A	S63A, S63B	
	22	Y02A, Y02B	J02.9	03	D62Z, D63Z	22	Y02A, Y02B	
182.9	05	F63A, F63B	J03.0	03	D62Z, D63Z	J15	04	E62A, E62B, E77A, E77B, E77C, E77D, E77E, E77F, E77G
183.0	05	F20Z, F39A, F64Z	J03.8	03	D62Z, D63Z	15	TPN, VTPN	
183.1	05	F65A, F65B	J03.9	03	D62Z, D63Z	18A	S63A, S63B	
183.2	05	F20Z, F39A, F64Z	J04.0	03	D62Z, D63Z	22	Y02A, Y02B	
183.9	05	F65A, F65B	J04.1	04	E65A, E65B, E69A, E69B, E69C, E69D, E69E, E69F	J14	04	E62A, E62B, E77A, E77B, E77C, E77D, E77E, E77F, E77G
185.0	06	G40Z, G46A, G46B, G46C, G47Z, G67A, G67B, G67C, G67D, G73Z	J04.2	03	D64Z	15	TPN, VTPN	
	07	H40Z	J04.2	03	D64Z	18A	S63A, S63B	
	15	TPN, VTPN	J05.0	03	D64Z	22	Y02A, Y02B	
	Pre	A07D, A09E, A11F, A13F	J05.1	03	D64Z	J15.0	04	E62A, E62B, E77A, E77B, E77C, E77D, E77F
185.9	06	G46A, G46B, G46C, G50Z, G71Z	Pre	A07D, A09E, A11F, A13F		15	TPN, VTPN	
186.0	05	F65A, F65B	J06.0	03	D62Z, D63Z	17	R62A	
186.1	12	M64Z	J06.8	03	D62Z, D63Z	18A	S63A, S63B	
186.2	12	M64Z	J06.9	03	D62Z, D63Z	22	Y02A, Y02B	
	13	N04Z, N05A, N05B, N14Z, N21Z, N25Z, N62A, N62B	J09	04	E62A, E62B, E77A, E77B, E77C, E77D, E77E, E77F, E77G	J15.1	04	E62A, E62B, E77A, E77B, E77C, E77D, E77E, E77F, E77G
186.3	13	N04Z, N05A, N05B, N14Z, N21Z, N25Z, N62A, N62B		15	TPN, VTPN	15	TPN, VTPN	
186.4	05	F65A, F65B	J10.0	04	E62A, E62B, E77A, E77B, E77C, E77D, E77E, E77F, E77G	17	R62A	
186.8	05	F65A, F65B				18A	S63A, S63B	
187.00	05	F65A, F65B				22	Y02A, Y02B	
187.01	05	F65A, F65B	J10.1	03	D62Z, D63Z	J15.2	04	E62A, E62B, E77A, E77B, E77C, E77D, E77E, E77F, E77G
187.1	05	F65A, F65B		15	TPN, VTPN	15	TPN, VTPN	
187.2	05	F65A, F65B	J10.8	15	TPN, VTPN	17	R62A	
187.8	05	F66A, F66B		18B	T63A, T63B, T63C	18A	S63A, S63B	
187.9	05	F66A, F66B				22	Y02A, Y02B	
188.0	06	G46A, G46B, G46C, G50Z, G66Z, G72A, G72B	J11.0	04	E62A, E62B, E77A, E77B, E77C, E77D, E77E, E77F, E77G	J15.1	04	E62A, E62B, E77A, E77B, E77C, E77D, E77E, E77F, E77G
188.1	16	Q60A, Q60B, Q60C, Q60D, Q60E		15	TPN, VTPN	15	TPN, VTPN	

ICD	MDC	DRG	ICD	MDC	DRG	ICD	MDC	DRG
J44.12	04	E65A, E65B, E65C	J68.4	04	E65A, E65B, E65C	J92.9	04	E62A, E62B, E77A, E77B, E77C, E77D, E77E, E77F, E77G
J44.13	04	E65A, E65B, E65C	J68.8	04	E65A, E65B, E65C			
J44.19	04	E65A, E65B, E65C	J68.9	04	E65A, E65B, E65C	J93.0	04	E76A, E76B, E76C
J44.80	04	E65A, E65B	J69.0	04	E62A, E62B, E77A, E77B, E77C, E77D, E77E, E77F, E77G	15	P65C, P66C, P67B, P67C	
J44.81	04	E65A, E65B, E65C		15	TPN, VTPN	Pre	A07D, A09E, A11F, A13F	
J44.82	04	E65A, E65B, E65C		04	E62A, E62B, E77A, E77B, E77C, E77D, E77E, E77F, E77G	J93.1	04	E76A, E76B, E76C
J44.83	04	E65A, E65B, E65C	J69.1	04	E62A, E62B, E77A, E77B, E77C, E77D, E77E, E77F, E77G	18A	S63A, S63B	
J44.89	04	E65A, E65B, E65C		15	TPN, VTPN	J93.8	04	E76A, E76B, E76C
J44.90	04	E65A, E65B		04	E62A, E62B, E77A, E77B, E77C, E77D, E77E, E77F, E77G	18A	S63A, S63B	
J44.91	04	E65A, E65B, E65C		15	TPN, VTPN	J93.9	04	E76A, E76B, E76C
J44.92	04	E65A, E65B, E65C	J69.8	04	E62A, E62B, E77A, E77B, E77C, E77D, E77E, E77F, E77G	18A	S63A, S63B	
J44.93	04	E65A, E65B, E65C		15	TPN, VTPN	J94.0	04	E73A, E73B
J44.99	04	E65A, E65B, E65C		04	E62A, E62B, E77A, E77B, E77C, E77D, E77E, E77F, E77G	15	TPN, VTPN	
J45.0	04	E65A, E65B, E69A, E69B, E69C, E69D, E69E, E69F	J70.0	04	E75A, E75B, E75C	J94.1	04	E62A, E62B, E77A, E77B, E77C, E77D, E77E, E77F, E77G
J45.1	04	E65A, E65B, E69A, E69B, E69C, E69D, E69E, E69F	J70.1	04	E74Z			
J45.8	04	E65A, E65B, E69A, E69B, E69C, E69D, E69E, E69F	J70.2	04	E75A, E75B, E75C	J94.2	04	E73A, E73B
J45.9	04	E65A, E65B, E69A, E69B, E69C, E69D, E69E, E69F	J70.3	04	E75A, E75B, E75C	15	TPN, VTPN	
J46	04	E65A, E65B, E69A, E69B, E69C, E69D, E69E, E69F	J70.4	04	E75A, E75B, E75C	J94.8	04	E73A, E73B
	Pre	A07D, A09E, A11F, A13F	J70.8	04	E75A, E75B, E75C	15	TPN, VTPN	
J47	04	E65A, E65B	J70.9	04	E75A, E75B, E75C	J94.9	04	E73A, E73B
J60	04	E74Z	J80	04	E40A, E40B	15	TPN, VTPN	
J61	04	E74Z		Pre	A07D, A09E, A11F, A13F	J95.0	04	E75A, E75B, E75C
J62.0	04	E74Z	J81	05	F62A, F62B, F62C	15	TPN, VTPN	
J62.8	04	E74Z	J82	04	E74Z	J95.1	04	E64A, E64B, E64C, E64D
J63.0	04	E74Z	J84.0	04	E74Z	Pre	A07D, A09E, A11F, A13F	
J63.1	04	E74Z	J84.1	04	E74Z	J95.2	04	E64A, E64B, E64C, E64D
J63.2	04	E74Z		Pre	A07D, A09E, A11F, A13F	J95.3	04	E64A, E64B, E64C, E64D
J63.3	04	E74Z	J84.8	04	E74Z	J95.4	04	E75A, E75B, E75C
J63.4	04	E74Z		18A	S65A, S65B	J95.5	04	E75A, E75B, E75C
J63.5	04	E74Z	J84.9	04	E74Z	J95.80	04	E76A, E76B, E76C
J63.8	04	E74Z	J85.0	04	E62A, E62B, E77A, E77B, E77C, E77D, E77F	15	TPN, VTPN	
J64	04	E74Z		15	TPN, VTPN	J95.81	04	E75A, E75B, E75C
J65	04	E41Z, E42Z, E76A, E76B, E76C		18A	S63A, S63B	J95.88	04	E75A, E75B, E75C
J66.0	04	E74Z		Pre	A07D, A09E, A11F, A13F	J95.9	04	E75A, E75B, E75C
J66.1	04	E74Z		Pre	A07D, A09E, A11F, A13F	J96.00	04	E64A, E64B, E64C, E64D
J66.2	04	E74Z		04	E62A, E62B, E77A, E77B, E77C, E77D, E77F	J96.01	04	E64A, E64B, E64C, E64D
J66.8	04	E74Z		15	TPN, VTPN	J96.09	04	E64A, E64B, E64C, E64D
J67.0	04	E74Z		18A	S63A, S63B	J96.10	04	E64A, E64B, E64C, E64D
J67.1	Pre	A07D, A09E, A11F, A13F		Pre	A07D, A09E, A11F, A13F	J96.11	04	E64A, E64B, E64C, E64D
	04	E74Z		Pre	A07D, A09E, A11F, A13F	J96.19	04	E64A, E64B, E64C, E64D
J67.2	Pre	A07D, A09E, A11F, A13F		04	E62A, E62B, E77A, E77B, E77C, E77D, E77F	J96.90	04	E64A, E64B, E64C, E64D
	04	E74Z		15	TPN, VTPN	J96.91	04	E64A, E64B, E64C, E64D
J67.3	Pre	A07D, A09E, A11F, A13F		18A	S63A, S63B	J96.99	04	E64A, E64B, E64C, E64D
	04	E74Z		Pre	A07D, A09E, A11F, A13F	J98.0	04	E65A, E65B, E69A, E69B, E69C, E69D, E69E, E69F
J67.4	Pre	A07D, A09E, A11F, A13F		04	E62A, E62B, E77A, E77B, E77C, E77D, E77F	J98.1	04	E75A, E75B, E75C
	04	E74Z		15	TPN, VTPN	J98.2	04	E76A, E76B, E76C
J67.5	Pre	A07D, A09E, A11F, A13F		18A	S63A	J98.3	04	E75A, E75B, E75C
	04	E74Z		Pre	A07D, A09E, A11F, A13F	J98.4	04	E75A, E75B, E75C
J67.6	Pre	A07D, A09E, A11F, A13F		Pre	A07D, A09E, A11F, A13F	J98.50	04	E75A, E75B, E75C
	04	E74Z		04	E01A, E62A, E62B, E77A, E77B, E77C, E77D, E77F	J98.58	04	E75A, E75B, E75C
J67.7	Pre	A07D, A09E, A11F, A13F		15	TPN, VTPN	J98.6	04	E75A, E75B, E75C
	04	E74Z		18A	S63A	J98.8	04	E75A, E75B, E75C
J67.8	Pre	A07D, A09E, A11F, A13F		Pre	A07D, A09E, A11F, A13F	J98.9	04	E75A, E75B, E75C
	04	E74Z		04	E62A, E62B, E77A, E77B, E77C, E77D, E77F	K00.0	03	D40Z, D67Z
J67.9	Pre	A07D, A09E, A11F, A13F		15	TPN, VTPN	K00.1	03	D40Z, D67Z
	04	E74Z		18A	S63A	K00.2	03	D40Z, D67Z
J68.0	04	E75A, E75B, E75C		Pre	A07D, A09E, A11F, A13F	K00.3	03	D40Z, D67Z
J68.1	04	E64A, E64B, E64C, E64D	J90	04	E73A, E73B	K00.4	03	D40Z, D67Z
J68.2	04	E75A, E75B, E75C		15	TPN, VTPN	K00.5	03	D40Z, D67Z
J68.3	04	E65A, E65B, E69A, E69B, E69C, E69D, E69E, E69F, E75A, E75B, E75C	J91	15	TPN, VTPN	K00.6	03	D40Z, D67Z
			J92.0	04	E62A, E62B, E77A, E77B, E77C, E77D, E77E, E77F, E77G	K00.7	03	D40Z, D67Z
						K00.8	03	D40Z, D67Z
						K00.9	03	D40Z, D67Z
						K01.0	03	D40Z, D67Z
						K01.1	03	D40Z, D67Z
						K02.0	03	D40Z, D67Z

ICD	MDC	DRG	ICD	MDC	DRG	ICD	MDC	DRG
K02.1	03	D40Z, D67Z	K10.8	03	D40Z, D67Z	K22.4	06	G46A, G46B, G46C, G50Z, G67A, G67B, G67C
K02.2	03	D40Z, D67Z	K10.9	03	D40Z, D67Z		15	TPN, VTPN
K02.3	03	D40Z, D67Z	K11.0	03	D66Z	K22.5	06	G46A, G46B, G46C, G50Z, G67A, G67B, G67C
K02.4	03	D40Z, D67Z	K11.1	03	D66Z	K22.6	06	G40Z, G46A, G46B, G46C, G47Z, G67A, G67B, G67C, G67D, G73Z
K02.5	03	D40Z, D67Z	K11.2	03	D66Z	K22.7	06	G46A, G46B, G46C, G50Z, G67A, G67B, G67C, G67D
K02.8	03	D40Z, D67Z	K11.3	03	D06B, D66Z	K22.8	06	G46A, G46B, G46C, G50Z, G67A, G67B, G67C, G67D
K02.9	03	D40Z, D67Z	K11.4	03	D66Z	K22.9	06	G46A, G46B, G46C, G50Z, G67A, G67B, G67C, G67D
K03.0	03	D40Z, D67Z	K11.5	03	D66Z	K25.0	06	G40Z, G46A, G46B, G46C, G47Z, G67A, G67B, G67C, G67D, G73Z
K03.1	03	D40Z, D67Z	K11.6	03	D66Z		Pre	A07D, A09E, A11F, A13F
K03.2	03	D40Z, D67Z	K11.7	03	D66Z	K25.1	06	G40Z, G46A, G46B, G46C, G47Z, G67A, G67B, G67C, G67D, G73Z
K03.3	03	D40Z, D67Z	K11.8	03	D66Z		Pre	A07D, A09E, A11F, A13F
K03.4	03	D40Z, D67Z	K11.9	03	D66Z	K25.2	06	G40Z, G46A, G46B, G46C, G47Z, G67A, G67B, G67C, G67D, G73Z
K03.5	03	D40Z, D67Z		18A	S65A, S65B		Pre	A07D, A09E, A11F, A13F
K03.6	03	D40Z, D67Z	K12.0	03	D40Z, D67Z	K25.3	06	G40Z, G46A, G46B, G46C, G47Z, G67A, G67B, G67C, G67D, G73Z
K03.7	03	D40Z, D67Z		18A	S65A, S65B		Pre	A07D, A09E, A11F, A13F
K03.8	03	D40Z, D67Z	K12.1	03	D40Z, D67Z	K25.4	06	G40Z, G46A, G46B, G46C, G47Z, G67A, G67B, G67C, G67D, G73Z
K03.9	03	D40Z, D67Z	K12.20	03	D06B, D40Z, D67Z	K25.5	06	G40Z, G46A, G46B, G46C, G47Z, G67A, G67B, G67C, G67D, G73Z
K04.0	03	D40Z, D67Z		Pre	A07D, A09E, A11F, A13F		Pre	A07D, A09E, A11F, A13F
K04.1	03	D40Z, D67Z	K12.21	03	D06B, D40Z, D67Z	K25.6	06	G40Z, G46A, G46B, G46C, G47Z, G67A, G67B, G67C, G67D, G73Z
K04.2	03	D40Z, D67Z		Pre	A07D, A09E, A11F, A13F		Pre	A07D, A09E, A11F, A13F
K04.3	03	D40Z, D67Z	K12.22	03	D06B, D40Z, D67Z	K25.7	06	G40Z, G46A, G46B, G46C, G47Z, G67A, G67B, G67C, G67D, G73Z
K04.4	03	D40Z, D67Z		Pre	A07D, A09E, A11F, A13F	K25.9	06	G40Z, G46A, G46B, G46C, G47Z, G67A, G67B, G67C, G67D, G73Z
K04.5	03	D40Z, D67Z	K12.23	03	D40Z, D67Z	K26.0	06	G40Z, G46A, G46B, G46C, G47Z, G67A, G67B, G67C, G67D, G73Z
K04.6	03	D40Z, D67Z	K12.28	03	D06B, D40Z, D67Z		Pre	A07D, A09E, A11F, A13F
K04.7	03	D40Z, D67Z	K12.29	03	D40Z, D67Z	K26.1	06	G40Z, G46A, G46B, G46C, G47Z, G67A, G67B, G67C, G67D, G73Z
K04.8	03	D40Z, D67Z	K12.3	03	D40Z, D67Z		Pre	A07D, A09E, A11F, A13F
K04.9	03	D40Z, D67Z	K13.0	03	D40Z, D67Z	K26.2	06	G40Z, G46A, G46B, G46C, G47Z, G67A, G67B, G67C, G67D, G73Z
K05.0	03	D40Z, D67Z		18A	S65A, S65B		Pre	A07D, A09E, A11F, A13F
K05.1	03	D40Z, D67Z	K13.1	03	D40Z, D67Z	K26.3	06	G40Z, G46A, G46B, G46C, G47Z, G67A, G67B, G67C, G67D, G73Z
K05.2	03	D40Z, D67Z	K13.2	03	D40Z, D67Z		Pre	A07D, A09E, A11F, A13F
K05.3	03	D40Z, D67Z		18A	S65A, S65B	K26.4	06	G40Z, G46A, G46B, G46C, G47Z, G67A, G67B, G67C, G67D, G73Z
K05.4	03	D40Z, D67Z	K13.3	03	D40Z, D67Z		Pre	A07D, A09E, A11F, A13F
K05.5	03	D40Z, D67Z		18A	S65A, S65B	K26.5	06	G40Z, G46A, G46B, G46C, G47Z, G67A, G67B, G67C, G67D, G73Z
K05.6	03	D40Z, D67Z	K13.4	03	D40Z, D67Z	K26.6	06	G40Z, G46A, G46B, G46C, G47Z, G67A, G67B, G67C, G67D, G73Z
K05.7	03	D40Z, D67Z	K13.5	03	D40Z, D67Z		Pre	A07D, A09E, A11F, A13F
K06.0	03	D40Z, D67Z	K13.6	03	D40Z, D67Z	K26.7	06	G40Z, G46A, G46B, G46C, G47Z, G67A, G67B, G67C, G67D, G73Z
K06.1	03	D40Z, D67Z	K13.7	03	D40Z, D67Z		Pre	A07D, A09E, A11F, A13F
K06.2	03	D40Z, D67Z	K14.0	03	D40Z, D67Z		Pre	A07D, A09E, A11F, A13F
K06.8	03	D40Z, D67Z	K14.1	03	D40Z, D67Z		Pre	A07D, A09E, A11F, A13F
K06.9	03	D40Z, D67Z	K14.2	03	D40Z, D67Z		Pre	A07D, A09E, A11F, A13F
K07.0	03	D40Z, D67Z	K14.3	03	D40Z, D67Z		Pre	A07D, A09E, A11F, A13F
K07.1	03	D40Z, D67Z	K14.4	03	D40Z, D67Z		Pre	A07D, A09E, A11F, A13F
	15	TPN, VTPN	K14.5	03	D40Z, D67Z		Pre	A07D, A09E, A11F, A13F
K07.2	03	D40Z, D67Z	K14.6	03	D40Z, D67Z		Pre	A07D, A09E, A11F, A13F
K07.3	03	D40Z, D67Z	K14.8	03	D40Z, D67Z		Pre	A07D, A09E, A11F, A13F
K07.4	03	D40Z, D67Z	K14.9	03	D40Z, D67Z		Pre	A07D, A09E, A11F, A13F
K07.5	03	D40Z, D67Z	K20	06	G40Z, G46A, G46B, G46C, G50Z, G67A, G67B, G67C, G67D		Pre	A07D, A09E, A11F, A13F
K07.6	03	D40Z, D67Z					Pre	A07D, A09E, A11F, A13F
K07.8	03	D40Z, D67Z	K21.0	06	G40Z, G46A, G46B, G46C, G50Z, G67A, G67B, G67C, G67D		Pre	A07D, A09E, A11F, A13F
	15	TPN, VTPN					Pre	A07D, A09E, A11F, A13F
K07.9	03	D40Z, D67Z	K21.9	06	G40Z, G46A, G46B, G46C, G50Z, G67A, G67B, G67C, G67D		Pre	A07D, A09E, A11F, A13F
K08.0	03	D40Z, D67Z					Pre	A07D, A09E, A11F, A13F
K08.1	03	D40Z, D67Z	K22.0	06	G46A, G46B, G46C, G50Z, G67A, G67B, G67C		Pre	A07D, A09E, A11F, A13F
K08.2	03	D40Z, D67Z					Pre	A07D, A09E, A11F, A13F
K08.3	03	D40Z, D67Z	K22.1	06	G40Z, G46A, G46B, G46C, G47Z, G67A, G67B, G67C, G67D, G73Z		Pre	A07D, A09E, A11F, A13F
K08.81	03	D40Z, D67Z					Pre	A07D, A09E, A11F, A13F
K08.88	03	D40Z, D67Z					Pre	A07D, A09E, A11F, A13F
K08.9	03	D40Z, D67Z					Pre	A07D, A09E, A11F, A13F
K09.0	03	D40Z, D67Z					Pre	A07D, A09E, A11F, A13F
K09.1	03	D40Z, D67Z					Pre	A07D, A09E, A11F, A13F
K09.2	03	D40Z, D67Z					Pre	A07D, A09E, A11F, A13F
K09.8	03	D40Z, D67Z	K22.2	06	G46A, G46B, G46C, G50Z, G67A, G67B, G67C		Pre	A07D, A09E, A11F, A13F
K09.9	03	D40Z, D67Z					Pre	A07D, A09E, A11F, A13F
K10.0	03	D40Z, D67Z					Pre	A07D, A09E, A11F, A13F
K10.1	03	D40Z, D67Z					Pre	A07D, A09E, A11F, A13F
K10.20	03	D06B, D40Z, D67Z	K22.3	06	G46A, G46B, G46C, G50Z, G67A, G67B, G67C		Pre	A07D, A09E, A11F, A13F
K10.21	03	D06B, D40Z, D67Z					Pre	A07D, A09E, A11F, A13F
K10.28	03	D06B, D40Z, D67Z					Pre	A07D, A09E, A11F, A13F
K10.29	03	D40Z, D67Z					Pre	A07D, A09E, A11F, A13F
K10.3	03	D40Z, D67Z					Pre	A07D, A09E, A11F, A13F

ICD	MDC	DRG	ICD	MDC	DRG	ICD	MDC	DRG
K26.9	06	G40Z, G46A, G46B, G46C, G47Z, G67A, G67B, G67C, G67D, G73Z	K29.6	06	G46A, G46B, G46C, G50Z, G67A, G67B, G67C, G67D	K38.3	06	G46A, G46B, G46C, G50Z, G71Z
K27.0	06	G40Z, G46A, G46B, G46C, G47Z, G67A, G67B, G67C, G67D, G73Z	K29.7	06	G46A, G46B, G46C, G50Z, G67A, G67B, G67C, G67D	K38.8	06	G46A, G46B, G46C, G50Z, G72A, G72B
K27.1	06	G40Z, G46A, G46B, G46C, G47Z, G67A, G67B, G67C, G67D, G73Z	K29.8	06	G46A, G46B, G46C, G50Z, G67A, G67B, G67C, G67D	K38.9	06	G46A, G46B, G46C, G50Z, G72A, G72B
K27.2	06	G40Z, G46A, G46B, G46C, G47Z, G67A, G67B, G67C, G67D, G73Z	K29.9	06	G46A, G46B, G46C, G50Z, G67A, G67B, G67C, G67D	K40.00	06	G09Z, G24Z, G46A, G46B, G46C, G50Z, G71Z
K27.3	06	G40Z, G46A, G46B, G46C, G47Z, G67A, G67B, G67C, G67D, G73Z	K30	18A	S65A, S65B	K40.01	06	G09Z, G24Z, G46A, G46B, G46C, G50Z, G71Z
K27.4	06	G40Z, G46A, G46B, G46C, G47Z, G67A, G67B, G67C, G67D, G73Z	K31.0	06	G46A, G46B, G46C, G50Z, G67A, G67B, G67C, G67D	K40.10	06	G09Z, G24Z, G46A, G46B, G46C, G50Z, G71Z
K27.5	06	G40Z, G46A, G46B, G46C, G47Z, G67A, G67B, G67C, G67D, G73Z	K31.1	06	G40Z, G46A, G46B, G46C, G47Z, G67A, G67B, G67C, G73Z	K40.11	15	TPN, VTPN
K27.6	06	G40Z, G46A, G46B, G46C, G47Z, G67A, G67B, G67C, G67D, G73Z	K31.2	06	G46A, G46B, G46C, G50Z, G67A, G67B, G67C, G67D	K40.11	06	G09Z, G24Z, G46A, G46B, G46C, G50Z, G71Z
K27.7	06	G40Z, G46A, G46B, G46C, G47Z, G67A, G67B, G67C, G67D, G73Z	K31.3	06	G46A, G46B, G46C, G50Z, G67A, G67B, G67C, G67D	K40.20	15	TPN, VTPN
K27.9	06	G40Z, G46A, G46B, G46C, G47Z, G67A, G67B, G67C, G67D, G73Z	K31.4	06	G46A, G46B, G46C, G50Z, G67A, G67B, G67C, G67D	K40.20	Pre	A07D, A09E, A11F, A13F
K28.0	06	G40Z, G46A, G46B, G46C, G47Z, G67A, G67B, G67C, G67D, G73Z	K31.5	06	G40Z, G46A, G46B, G46C, G47Z, G67A, G67B, G67C, G73Z	K40.20	06	G09Z, G24Z, G46A, G46B, G46C, G50Z, G71Z
K28.1	06	G40Z, G46A, G46B, G46C, G47Z, G67A, G67B, G67C, G67D, G73Z	K31.6	06	G46A, G46B, G46C, G50Z, G67A, G67B, G67C	K40.21	06	G09Z, G24Z, G46A, G46B, G46C, G50Z, G71Z
K28.2	06	G40Z, G46A, G46B, G46C, G47Z, G67A, G67B, G67C, G67D, G73Z	K31.7	15	TPN, VTPN	K40.30	06	G09Z, G24Z, G46A, G46B, G46C, G50Z, G71Z
K28.3	06	G40Z, G46A, G46B, G46C, G47Z, G67A, G67B, G67C, G67D, G73Z	K31.81	06	G46A, G46B, G46C, G50Z, G67A, G67B, G67C, G67D	K40.31	15	TPN, VTPN
K28.4	06	G40Z, G46A, G46B, G46C, G47Z, G67A, G67B, G67C, G67D, G73Z	K31.82	06	G40Z, G46A, G46B, G46C, G47Z, G67A, G67B, G67C, G67D, G73Z	K40.31	06	G09Z, G24Z, G46A, G46B, G46C, G50Z, G71Z
K28.5	06	G40Z, G46A, G46B, G46C, G47Z, G67A, G67B, G67C, G67D, G73Z	K31.88	06	G46A, G46B, G46C, G50Z, G67A, G67B, G67C, G67D	K40.40	15	TPN, VTPN
K28.6	06	G40Z, G46A, G46B, G46C, G47Z, G67A, G67B, G67C, G67D, G73Z	K31.9	06	G46A, G46B, G46C, G50Z, G67A, G67B, G67C, G67D	K40.40	06	G09Z, G24Z, G46A, G46B, G46C, G50Z, G71Z
K28.7	06	G40Z, G46A, G46B, G46C, G47Z, G67A, G67B, G67C, G67D, G73Z	K35.2	06	G07A, G07B, G07C, G22A, G22B, G22C, G46A, G46B, G46C, G50Z, G71Z	K40.41	15	TPN, VTPN
K28.9	06	G40Z, G46A, G46B, G46C, G47Z, G67A, G67B, G67C, G67D, G73Z	K35.30	15	TPN, VTPN	K40.41	Pre	A07D, A09E, A11F, A13F
K29.0	06	G40Z, G46A, G46B, G46C, G47Z, G67A, G67B, G67C, G67D, G73Z	K35.31	06	G46A, G46B, G46C, G50Z, G72A, G72B	K40.41	06	G09Z, G24Z, G46A, G46B, G46C, G50Z, G71Z
K29.1	06	G46A, G46B, G46C, G50Z, G67A, G67B, G67C, G67D	K35.31	15	TPN, VTPN	K41.0	15	TPN, VTPN
K29.2	06	G46A, G46B, G46C, G50Z, G67A, G67B, G67C, G67D	K35.31	06	G07A, G07B, G07C, G22A, G22B, G22C, G46A, G46B, G46C, G50Z, G71Z	K41.0	06	G09Z, G24Z, G46A, G46B, G46C, G50Z, G71Z
K29.3	06	G46A, G46B, G46C, G50Z, G67A, G67B, G67C, G67D	K35.32	15	TPN, VTPN	K41.1	15	TPN, VTPN
K29.4	06	G46A, G46B, G46C, G50Z, G67A, G67B, G67C, G67D	K35.32	06	G07A, G07B, G07C, G22A, G22B, G22C, G46A, G46B, G46C, G50Z, G71Z	K41.1	06	G09Z, G24Z, G46A, G46B, G46C, G50Z, G71Z
K29.5	18A	S65A, S65B	K35.8	15	TPN, VTPN	K41.2	15	TPN, VTPN
	06	G46A, G46B, G46C, G50Z, G67A, G67B, G67C, G67D	K36	06	G46A, G46B, G46C, G50Z, G72A, G72B	K41.2	Pre	A07D, A09E, A11F, A13F
	18A	S65A, S65B	K37	06	G46A, G46B, G46C, G50Z, G72A, G72B	K41.3	06	G09Z, G24Z, G46A, G46B, G46C, G50Z, G71Z
			K38.0	15	TPN, VTPN	K41.3	15	TPN, VTPN
			K38.1	06	G46A, G46B, G46C, G50Z, G71Z	K41.4	06	G09Z, G24Z, G46A, G46B, G46C, G50Z, G71Z
			K38.2	06	G46A, G46B, G46C, G50Z, G71Z	K41.4	15	TPN, VTPN
						K41.9	Pre	A07D, A09E, A11F, A13F
						K42.0	06	G46A, G46B, G46C, G50Z, G71Z
						K42.1	06	G46A, G46B, G46C, G50Z, G71Z
						K42.9	06	G46A, G46B, G46C, G50Z, G71Z

ICD	MDC	DRG	ICD	MDC	DRG	ICD	MDC	DRG
K43.0	06	G46A, G46B, G46C, G50Z, G71Z	K51.0	06	G40Z, G46A, G46B, G46C, G47Z, G48A, G48B, G64A, G64B, G64C	K55.82	06	G40Z, G46A, G46B, G46C, G47Z, G67A, G67B, G67C, G67D, G73Z
	15	TPN, VTPN						
K43.1	06	G46A, G46B, G46C, G50Z, G71Z	K51.2	06	G40Z, G46A, G46B, G46C, G47Z, G48A, G48B, G64A, G64B, G64C	K55.88	06	G46A, G46B, G46C, G50Z, G71Z
	15	TPN, VTPN						
	Pre	A07D, A09E, A11F, A13F	K51.3	06	G40Z, G46A, G46B, G46C, G47Z, G48A, G48B, G64A, G64B, G64C	K55.9	06	G46A, G46B, G46C, G50Z, G71Z
K43.2	06	G46A, G46B, G46C, G50Z, G71Z				K56.0	06	G40Z, G46A, G46B, G46C, G47Z, G65Z
K43.3	06	G46A, G46B, G46C, G50Z, G71Z	K51.4	06	G40Z, G46A, G46B, G46C, G47Z, G48A, G48B, G64A, G64B, G64C		15	TPN, VTPN
	15	TPN, VTPN				K56.1	06	G40Z, G46A, G46B, G46C, G47Z, G65Z
K43.4	06	G46A, G46B, G46C, G50Z, G71Z	K51.5	06	G40Z, G46A, G46B, G46C, G47Z, G48A, G48B, G64A, G64B, G64C		15	TPN, VTPN
	15	TPN, VTPN				K56.2	06	G40Z, G46A, G46B, G46C, G47Z, G65Z
	Pre	A07D, A09E, A11F, A13F	K51.8	06	G40Z, G46A, G46B, G46C, G47Z, G48A, G48B, G64A, G64B, G64C		15	TPN, VTPN
K43.5	06	G46A, G46B, G46C, G50Z, G71Z				K56.3	06	G40Z, G46A, G46B, G46C, G47Z, G65Z
K43.6	06	G46A, G46B, G46C, G50Z, G71Z	K51.9	06	G40Z, G46A, G46B, G46C, G47Z, G48A, G48B, G64A, G64B, G64C	K56.4	06	G40Z, G46A, G46B, G46C, G47Z, G65Z
K43.7	06	G46A, G46B, G46C, G50Z, G71Z	K52.0	06	G46A, G46B, G46C, G50Z, G71Z		15	TPN, VTPN
K43.9	06	G46A, G46B, G46C, G50Z, G71Z				K56.5	06	G40Z, G46A, G46B, G46C, G47Z, G65Z
K44.0	06	G46A, G46B, G46C, G50Z, G67A, G67B, G67C, G67D	K52.1	06	G46A, G46B, G46C, G50Z, G71Z	K56.6	06	G40Z, G46A, G46B, G46C, G47Z, G65Z
	15	TPN, VTPN					15	TPN, VTPN
K44.1	06	G46A, G46B, G46C, G50Z, G71Z	K52.2	06	G46A, G46B, G46C, G50Z, G67A, G67B, G67C, G67D	K56.7	06	G40Z, G46A, G46B, G46C, G47Z, G65Z
	15	TPN, VTPN					15	TPN, VTPN
	Pre	A07D, A09E, A11F, A13F	K52.30	06	G46A, G46B, G46C, G50Z, G67A, G67B, G67C, G67D	K57.00	06	G46A, G46B, G46C, G50Z, G67A, G67B, G67C
K44.9	06	G46A, G46B, G46C, G50Z, G67A, G67B, G67C, G67D				K57.01	06	G40Z, G46A, G46B, G46C, G47Z, G67A, G67B, G67C, G67D, G73Z
K45.0	06	G46A, G46B, G46C, G50Z, G71Z						
K45.1	06	G46A, G46B, G46C, G50Z, G71Z	K52.31	06	G46A, G46B, G46C, G50Z, G67A, G67B, G67C, G67D	K57.02	06	G46A, G46B, G46C, G50Z, G67A, G67B, G67C
	15	TPN, VTPN						
	Pre	A07D, A09E, A11F, A13F	K52.32	06	G46A, G46B, G46C, G50Z, G67A, G67B, G67C, G67D	K57.03	06	G40Z, G46A, G46B, G46C, G47Z, G67A, G67B, G67C, G67D, G73Z
K45.8	06	G46A, G46B, G46C, G50Z, G71Z				K57.10	06	G46A, G46B, G46C, G50Z, G67A, G67B, G67C
K46.0	06	G46A, G46B, G46C, G50Z, G71Z						
K46.1	06	G46A, G46B, G46C, G50Z, G71Z	K52.38	06	G46A, G46B, G46C, G50Z, G67A, G67B, G67C, G67D	K57.11	06	G40Z, G46A, G46B, G46C, G47Z, G67A, G67B, G67C, G67D, G73Z
	15	TPN, VTPN						
K46.9	06	G46A, G46B, G46C, G50Z, G71Z	K52.8	06	G46A, G46B, G46C, G50Z, G67A, G67B, G67C, G67D	K57.12	06	G46A, G46B, G46C, G50Z, G67A, G67B, G67C
K50.0	06	G40Z, G46A, G46B, G46C, G47Z, G48A, G48B, G64A, G64B, G64C						
K50.1	06	G40Z, G46A, G46B, G46C, G47Z, G48A, G48B, G64A, G64B, G64C	K52.9	06	G46A, G46B, G46C, G50Z, G67A, G67B, G67C, G67D	K57.13	06	G40Z, G46A, G46B, G46C, G47Z, G67A, G67B, G67C, G67D, G73Z
K50.80	06	G40Z, G46A, G46B, G46C, G47Z, G48A, G48B, G64A, G64B, G64C	K55.0	06	G46A, G46B, G46C, G50Z, G64A, G64B, G64C, G70A, G70B	K57.20	06	G46A, G46B, G46C, G50Z, G67A, G67B, G67C
K50.81	06	G40Z, G46A, G46B, G46C, G47Z, G48A, G48B, G64A, G64B, G64C						
						K57.21	06	G40Z, G46A, G46B, G46C, G47Z, G67A, G67B, G67C, G67D, G73Z
K50.82	06	G40Z, G46A, G46B, G46C, G47Z, G48A, G48B, G64A, G64B, G64C						
						K57.22	06	G46A, G46B, G46C, G50Z, G67A, G67B, G67C
K50.88	06	G40Z, G46A, G46B, G46C, G47Z, G48A, G48B, G64A, G64B, G64C	K55.1	06	G46A, G46B, G46C, G50Z, G64A, G64B, G64C, G70A, G70B	K57.23	06	G40Z, G46A, G46B, G46C, G47Z, G67A, G67B, G67C, G67D, G73Z
K50.9	06	G40Z, G46A, G46B, G46C, G47Z, G48A, G48B, G64A, G64B, G64C	K55.21	06	G46A, G46B, G46C, G50Z, G71Z	K57.30	06	G46A, G46B, G46C, G50Z, G67A, G67B, G67C
			K55.22	06	G40Z, G46A, G46B, G46C, G47Z, G67A, G67B, G67C, G67D, G73Z	K57.31	06	G40Z, G46A, G46B, G46C, G47Z, G67A, G67B, G67C, G67D, G73Z
			K55.81	06	G46A, G46B, G46C, G50Z, G67A, G67B, G67C, G67D	K57.32	06	G46A, G46B, G46C, G50Z, G67A, G67B, G67C
						K57.33	06	G40Z, G46A, G46B, G46C, G47Z, G67A, G67B, G67C, G67D, G73Z
						K57.40	06	G46A, G46B, G46C, G50Z, G67A, G67B, G67C

Dg

ICD	MDC	DRG	ICD	MDC	DRG	ICD	MDC	DRG	
K57.41	06	G40Z, G46A, G46B, G46C, G47Z, G67A, G67B, G67C, G67D, G73Z	K61.0	06	G46A, G46B, G46C, G50Z, G71Z	K64.3	06	G46A, G46B, G46C, G50Z, G72A, G72B	
K57.42	06	G46A, G46B, G46C, G50Z, G67A, G67B, G67C		15	TPN, VTPN	K64.4	06	G46A, G46B, G46C, G50Z, G72A, G72B	
K57.43	06	G40Z, G46A, G46B, G46C, G47Z, G67A, G67B, G67C, G67D, G73Z	K61.1	06	G46A, G46B, G46C, G50Z, G71Z	K64.5	06	G46A, G46B, G46C, G50Z, G72A, G72B	
K57.50	06	G46A, G46B, G46C, G50Z, G67A, G67B, G67C		15	TPN, VTPN	K64.8	06	G46A, G46B, G46C, G50Z, G72A, G72B	
K57.51	06	G40Z, G46A, G46B, G46C, G47Z, G67A, G67B, G67C, G67D, G73Z	K61.2	06	G46A, G46B, G46C, G50Z, G71Z	K64.9	06	G46A, G46B, G46C, G50Z, G72A, G72B	
K57.52	06	G46A, G46B, G46C, G50Z, G67A, G67B, G67C		15	TPN, VTPN	K65.0	06	G01Z, G02Z, G07A, G07B, G07C, G22A, G22B, G22C, G38Z, G40Z, G46A, G46B, G46C, G47Z, G48A, G48B, G64A, G64B, G64C, G70A, G70B	
K57.53	06	G40Z, G46A, G46B, G46C, G47Z, G67A, G67B, G67C, G67D, G73Z	K61.3	06	G46A, G46B, G46C, G50Z, G71Z		15	TPN, VTPN	
K57.80	06	G46A, G46B, G46C, G50Z, G67A, G67B, G67C		15	TPN, VTPN	K65.8	Pre	A07D, A09E, A11F, A13F	
K57.81	06	G40Z, G46A, G46B, G46C, G47Z, G67A, G67B, G67C, G67D, G73Z	K62.0	06	G46A, G46B, G46C, G50Z, G71Z		06	G01Z, G02Z, G07A, G07B, G07C, G22A, G22B, G22C, G38Z, G40Z, G46A, G46B, G46C, G47Z, G64A, G64B, G64C, G70A, G70B	
K57.82	06	G46A, G46B, G46C, G50Z, G67A, G67B, G67C	K62.1	06	G46A, G46B, G46C, G50Z, G71Z		15	TPN, VTPN	
K57.83	06	G40Z, G46A, G46B, G46C, G47Z, G67A, G67B, G67C, G67D, G73Z		15	TPN, VTPN	K65.9	06	G01Z, G02Z, G07A, G07B, G07C, G22A, G22B, G22C, G38Z, G40Z, G46A, G46B, G46C, G47Z, G48A, G48B, G64A, G64B, G64C, G70A, G70B	
K57.90	06	G46A, G46B, G46C, G50Z, G67A, G67B, G67C	K62.2	06	G46A, G46B, G46C, G50Z, G71Z		15	TPN, VTPN	
K57.91	06	G40Z, G46A, G46B, G46C, G47Z, G67A, G67B, G67C, G67D, G73Z		15	TPN, VTPN	K66.0	06	G46A, G46B, G46C, G50Z, G71Z	
K57.92	06	G46A, G46B, G46C, G50Z, G67A, G67B, G67C	K62.3	06	G46A, G46B, G46C, G50Z, G71Z		15	TPN, VTPN	
K57.93	06	G40Z, G46A, G46B, G46C, G47Z, G67A, G67B, G67C, G67D, G73Z		15	TPN, VTPN	K66.1	Pre	A07D, A09E, A11F, A13F	
K58.0	06	G46A, G46B, G46C, G50Z, G67A, G67B, G67C, G67D	K62.4	06	G46A, G46B, G46C, G50Z, G71Z		06	G40Z, G46A, G46B, G46C, G48A, G48B, G50Z, G64A, G64B, G64C, G70A, G70B	
K58.9	06	G46A, G46B, G46C, G50Z, G67A, G67B, G67C, G67D		15	TPN, VTPN		15	TPN, VTPN	
K59.0	06	G46A, G46B, G46C, G50Z, G67A, G67B, G67C, G67D	K62.5	06	G40Z, G46A, G46B, G46C, G47Z, G67A, G67B, G67C, G67D, G73Z		Pre	A07D, A09E, A11F, A13F	
K59.1	06	G46A, G46B, G46C, G50Z, G67A, G67B, G67C, G67D		15	TPN, VTPN	K66.8	06	G46A, G46B, G46C, G50Z, G71Z	
K59.2	06	G46A, G46B, G46C, G50Z, G67A, G67B, G67C, G67D	K62.6	06	G46A, G46B, G46C, G50Z, G71Z		15	TPN, VTPN	
K59.3	06	G46A, G46B, G46C, G50Z, G71Z		15	TPN, VTPN	K66.9	Pre	A07D, A09E, A11F, A13F	
	15	TPN, VTPN	K62.7	06	G46A, G46B, G46C, G50Z, G71Z		06	G46A, G46B, G46C, G50Z, G71Z	
K59.4	06	G46A, G46B, G46C, G50Z, G67A, G67B, G67C, G67D		15	TPN, VTPN	K67.0	15	TPN, VTPN	
K59.8	06	G46A, G46B, G46C, G50Z, G67A, G67B, G67C, G67D	K62.8	06	G46A, G46B, G46C, G50Z, G71Z		Pre	A07D, A09E, A11F, A13F	
K59.9	06	G46A, G46B, G46C, G50Z, G67A, G67B, G67C, G67D		15	TPN, VTPN	K67.1	15	TPN, VTPN	
K60.0	06	G46A, G46B, G46C, G50Z, G71Z	K62.9	06	G46A, G46B, G46C, G50Z, G71Z		Pre	A07D, A09E, A11F, A13F	
K60.1	06	G46A, G46B, G46C, G50Z, G71Z		15	TPN, VTPN	K67.2	Pre	A07D, A09E, A11F, A13F	
K60.2	06	G46A, G46B, G46C, G50Z, G71Z	K63.0	06	G46A, G46B, G46C, G50Z, G64A, G64B, G64C, G70A, G70B		Pre	A07D, A09E, A11F, A13F	
	15	P65C, P66C, P67B, P67C		15	TPN, VTPN	K67.3	15	TPN, VTPN	
K60.3	06	G46A, G46B, G46C, G50Z, G71Z		15	TPN, VTPN		Pre	A07D, A09E, A11F, A13F	
K60.4	06	G46A, G46B, G46C, G50Z, G71Z	K63.1	06	G01Z, G02Z, G38Z, G46A, G46B, G46C, G50Z, G64A, G64B, G64C, G70A, G70B		Pre	A07D, A09E, A11F, A13F	
K60.5	06	G46A, G46B, G46C, G50Z, G71Z		15	TPN, VTPN	K67.8	15	TPN, VTPN	
			K63.2	06	G46A, G46B, G46C, G50Z, G64A, G64B, G64C, G70A, G70B		Pre	A07D, A09E, A11F, A13F	
				15	TPN, VTPN	K70.0	07	H40Z, H60Z, H62A, H62B, H78Z	
			K63.3	06	G46A, G46B, G46C, G50Z, G64A, G64B, G64C, G70A, G70B		K70.1	07	H40Z, H60Z, H62A, H62B, H78Z
				15	TPN, VTPN		K70.2	07	H40Z, H60Z, H62A, H62B, H78Z
			K63.4	06	G46A, G46B, G46C, G50Z, G71Z		K70.3	07	H40Z, H60Z, H62A, H62B, H78Z
				15	TPN, VTPN		K70.4	07	H40Z, H60Z, H62A, H62B, H78Z
			K63.5	06	G46A, G46B, G46C, G50Z, G71Z			Pre	A07D, A09E, A11F, A13F
				15	TPN, VTPN	K70.9	07	H40Z, H60Z, H62A, H62B, H78Z	
			K63.8	06	G46A, G46B, G46C, G50Z, G71Z				
				15	TPN, VTPN				
			K63.9	06	G46A, G46B, G46C, G50Z, G71Z				
				15	TPN, VTPN				
			K64.0	06	G46A, G46B, G46C, G50Z, G72A, G72B				
				15	TPN, VTPN				
			K64.1	06	G46A, G46B, G46C, G50Z, G72A, G72B				
				15	TPN, VTPN				
			K64.2	06	G46A, G46B, G46C, G50Z, G72A, G72B				

ICD	MDC	DRG	ICD	MDC	DRG	ICD	MDC	DRG
K71.0	07	H40Z, H63A, H63B, H63C, H78Z	K74.6	07	H40Z, H60Z, H62A, H62B, H78Z	K80.51	07	H64Z
	15	TPN, VTPN		15	TPN, VTPN	K80.80	07	H64Z
K71.1	07	H40Z, H63A, H63B, H63C, H78Z	K75.0	07	H40Z, H63A, H63B, H63C, H78Z	K80.81	07	H64Z
	15	TPN, VTPN		15	TPN, VTPN	K81.0	07	H64Z
K71.2	07	H40Z, H63A, H63B, H63C, H78Z	Pre	A07D, A09E, A11F, A13F	K81.1	07	H64Z	
	15	TPN, VTPN	K75.1	07	H40Z, H63A, H63B, H63C, H78Z	K81.8	07	H64Z
K71.3	07	H40Z, H63A, H63B, H63C, H78Z	Pre	A07D, A09E, A11F, A13F	K81.9	07	H64Z	
	15	TPN, VTPN	K75.2	07	H40Z, H63A, H63B, H63C, H78Z	K82.0	07	H64Z
K71.4	07	H40Z, H63A, H63B, H63C, H78Z	Pre	A07D, A09E, A11F, A13F	K82.1	07	H64Z	
	15	TPN, VTPN	K75.3	07	H40Z, H63A, H63B, H63C, H78Z	K82.2	07	H64Z
K71.5	07	H40Z, H63A, H63B, H63C, H78Z	Pre	A07D, A09E, A11F, A13F	K82.3	07	H64Z	
	15	TPN, VTPN	K75.4	07	H40Z, H63A, H63B, H63C, H78Z	K82.4	07	H64Z
K71.6	07	H40Z, H63A, H63B, H63C, H78Z	Pre	A07D, A09E, A11F, A13F	K82.8	07	H64Z	
	15	TPN, VTPN	K75.8	07	H40Z, H63A, H63B, H63C, H78Z	K82.9	07	H64Z
K71.7	07	H40Z, H60Z, H62A, H62B, H78Z	Pre	A07D, A09E, A11F, A13F	K83.0	07	H64Z	
	15	TPN, VTPN	K75.9	07	H40Z, H63A, H63B, H63C, H78Z	K83.1	07	H64Z
K71.8	07	H40Z, H63A, H63B, H63C, H78Z	Pre	A07D, A09E, A11F, A13F	K83.2	15	TPN, VTPN	
	15	TPN, VTPN	K76.0	07	H40Z, H63A, H63B, H63C, H78Z	K83.3	07	H64Z
K71.9	07	H40Z, H63A, H63B, H63C, H78Z	Pre	A07D, A09E, A11F, A13F	K83.4	07	H64Z	
	15	TPN, VTPN	K76.1	07	H40Z, H63A, H63B, H63C, H78Z	K83.5	07	H64Z
K72.0	07	H06A, H63A, H63B, H63C, H78Z	Pre	A07D, A09E, A11F, A13F	K83.8	07	H64Z	
	15	TPN, VTPN	K76.2	07	H63A, H63B, H63C, H78Z	K83.9	07	H64Z
Pre	A07D, A09E, A11F, A13F		15	TPN, VTPN	K85.00	07	H07A, H08A, H62A, H62B	
K72.1	07	H40Z, H63A, H63B, H63C, H78Z	K76.3	07	H40Z, H63A, H63B, H63C, H78Z	18A	S65A, S65B	
K72.73	Pre	A07D, A09E, A11F, A13F	15	TPN, VTPN	K85.01	07	H07A, H08A, H62A, H62B	
K72.74	Pre	A07D, A09E, A11F, A13F	K76.4	07	H40Z, H63A, H63B, H63C, H78Z	18A	S65A, S65B	
K72.9	07	H40Z, H63A, H63B, H63C, H78Z	15	TPN, VTPN	Pre	A07D, A09E, A11F, A13F		
K73.0	07	H40Z, H63A, H63B, H63C, H78Z	K76.5	07	H40Z, H63A, H63B, H63C, H78Z	K85.10	07	H07A, H08A, H62A, H62B
K73.1	07	H40Z, H63A, H63B, H63C, H78Z	K76.6	07	H40Z, H63A, H63B, H63C, H78Z	18A	S65A, S65B	
K73.2	07	H40Z, H63A, H63B, H63C, H78Z	15	TPN, VTPN	K85.11	07	H07A, H08A, H62A, H62B	
K73.8	07	H40Z, H63A, H63B, H63C, H78Z	K76.7	07	H40Z, H63A, H63B, H63C, H78Z	18A	S65A, S65B	
K73.9	07	H40Z, H63A, H63B, H63C, H78Z	15	TPN, VTPN	Pre	A07D, A09E, A11F, A13F		
K74.0	07	H40Z, H60Z, H62A, H62B, H78Z	Pre	A07D, A09E, A11F, A13F	K85.20	07	H07A, H08A, H62A, H62B	
	15	TPN, VTPN	K76.8	07	H40Z, H63A, H63B, H63C, H78Z	18A	S65A, S65B	
K74.1	07	H40Z, H63A, H63B, H63C, H78Z	K76.9	07	H40Z, H63A, H63B, H63C, H78Z	K85.21	07	H07A, H08A, H62A, H62B
K74.2	07	H40Z, H60Z, H62A, H62B, H78Z	K77.0	15	TPN, VTPN	18A	S65A, S65B	
	15	TPN, VTPN	K77.11	15	TPN, VTPN	Pre	A07D, A09E, A11F, A13F	
K74.3	07	H40Z, H60Z, H62A, H62B, H78Z	K77.12	15	TPN, VTPN	K86.0	07	H07A, H08A, H62A, H62B, H62C
	15	TPN, VTPN	K77.13	15	TPN, VTPN	K86.1	07	H07A, H08A, H62A, H62B, H62C
Pre	A07D, A09E, A11F, A13F		K77.14	15	TPN, VTPN	K86.2	07	H07A, H08A, H62A, H62B, H62C
K74.4	07	H40Z, H60Z, H62A, H62B, H78Z	K77.8	15	TPN, VTPN	K86.3	07	H07A, H08A, H62A, H62B, H62C
	15	TPN, VTPN	K80.00	07	H64Z	K86.8	07	H07A, H08A, H62A, H62B, H62C
K74.5	07	H40Z, H60Z, H62A, H62B, H78Z	K80.01	07	H64Z	K86.9	07	H07A, H08A, H62A, H62B, H62C
	15	TPN, VTPN	K80.10	07	H64Z	K90.0	06	G40Z, G46A, G46B, G46C, G48A, G48B, G50Z, G67A, G67B, G67C
	15	TPN, VTPN	K80.21	07	H64Z			
	15	TPN, VTPN	K80.30	07	H64Z			
	15	TPN, VTPN	K80.31	07	H64Z			
	15	TPN, VTPN	K80.40	07	H64Z			
	15	TPN, VTPN	K80.41	07	H64Z			
	15	TPN, VTPN	K80.50	07	H64Z			

ICD	MDC	DRG	ICD	MDC	DRG	ICD	MDC	DRG
K90.1	06	G40Z, G46A, G46B, G46C, G48A, G48B, G50Z, G67A, G67B, G67C	L01.0	09	J64A, J64B	L10.2	09	J61A, J61B, J61C, J68A, J68B
K90.2	06	G40Z, G46A, G46B, G46C, G48A, G48B, G50Z, G67A, G67B, G67C	L01.1	09	J64A, J64B	15	TPN, VTPN	
	15	TPN, VTPN	L02.0	09	J64A, J64B	L10.3	09	J08A, J08B, J08C, J61A, J61B, J61C, J68A, J68B
K90.3	06	G40Z, G46A, G46B, G46C, G48A, G48B, G50Z, G67A, G67B, G67C	L02.1	09	J64A, J64B	L10.4	09	J61A, J61B, J61C, J68A, J68B
	15	TPN, VTPN	L02.2	09	J64A, J64B	L10.5	09	J08A, J08B, J08C, J61A, J61B, J61C, J68A, J68B
K90.31	06	G40Z, G46A, G46B, G46C, G48A, G48B, G50Z, G67A, G67B, G67C	L02.3	09	J64A, J64B	L10.8	09	J61A, J61B, J61C, J68A, J68B
	15	TPN, VTPN	L02.4	09	J64A, J64B	L10.9	09	J61A, J61B, J61C, J68A, J68B
K90.4	06	G40Z, G46A, G46B, G46C, G48A, G48B, G50Z, G67A, G67B, G67C	L02.8	09	J64A, J64B	L11.0	09	J67A, J67B, J68A, J68B
	15	TPN, VTPN	L02.9	09	J64A, J64B	L11.1	09	J67A, J67B, J68A, J68B
K90.8	06	G40Z, G46A, G46B, G46C, G48A, G48B, G50Z, G67A, G67B, G67C	L03.01	09	J02A, J02B, J02C, J03A, J03B, J08A, J08B, J08C, J64A, J64B	L11.8	09	J08A, J08B, J08C, J61A, J61B, J61C, J68A, J68B
	15	TPN, VTPN	L03.02	09	J02A, J02B, J02C, J03A, J03B, J04A, J04B, J08A, J08B, J08C, J64A, J64B	15	TPN, VTPN	
K90.9	06	G40Z, G46A, G46B, G46C, G48A, G48B, G50Z, G67A, G67B, G67C	L03.10	09	J02A, J02B, J02C, J03A, J03B, J08A, J08B, J08C, J64A, J64B	L11.9	09	J08A, J08B, J08C, J61A, J61B, J61C, J68A, J68B
	15	TPN, VTPN		18A	S65A, S65B	15	TPN, VTPN	
K91.0	06	G46A, G46B, G46C, G50Z, G67A, G67B, G67C	L03.11	09	J02A, J02B, J02C, J03A, J03B, J04A, J04B, J08A, J08B, J08C, J64A, J64B	L12.0	09	J08A, J08B, J08C, J61A, J61B, J61C, J68A, J68B
	18A	S65A, S65B		22	Y02A, Y02B	15	TPN, VTPN	
K91.1	06	G46A, G46B, G46C, G50Z, G67A, G67B, G67C	L03.2	09	J02A, J02B, J02C, J03A, J03B, J08A, J08B, J08C, J64A, J64B	L12.1	09	J61A, J61B, J61C, J68A, J68B
	15	TPN, VTPN		18A	S65A, S65B	L12.2	09	J08A, J08B, J08C, J61A, J61B, J61C, J68A, J68B
K91.2	06	G46A, G46B, G46C, G50Z, G67A, G67B, G67C	L03.3	09	J02A, J02B, J02C, J03A, J03B, J08A, J08B, J08C, J64A, J64B	L12.3	09	J61A, J61B, J61C, J68A, J68B
	15	TPN, VTPN		22	Y02A, Y02B	15	TPN, VTPN	
K91.3	06	G46A, G46B, G46C, G50Z, G71Z	L03.8	09	J02A, J02B, J02C, J03A, J03B, J08A, J08B, J08C, J64A, J64B	L12.8	09	J61A, J61B, J61C, J68A, J68B
	15	TPN, VTPN		18A	S65A, S65B	15	TPN, VTPN	
K91.4	06	G46A, G46B, G46C, G50Z, G71Z	L04.0	16	Q60A, Q60B, Q60C, Q60D, Q60E	L12.9	09	J61A, J61B, J61C, J68A, J68B
	15	TPN, VTPN		18A	S65A, S65B	15	TPN, VTPN	
K91.5	07	H64Z	L04.1	16	Q60A, Q60B, Q60C, Q60D, Q60E	L13.0	09	J61A, J61B, J61C, J68A, J68B
K91.80	06	G46A, G46B, G46C, G50Z, G64A, G64B, G64C, G70A, G70B	L04.2	16	Q60A, Q60B, Q60C, Q60D, Q60E	L13.1	09	J61A, J61B, J61C, J68A, J68B
	Pre	A07D, A09E, A11A, A11C, A13A, A13B, A13C, A13F	L04.3	16	Q60A, Q60B, Q60C, Q60D, Q60E	15	TPN, VTPN	
	15	TPN, VTPN	L04.8	16	Q60A, Q60B, Q60C, Q60D, Q60E	L13.8	09	J61A, J61B, J61C, J68A, J68B
K91.88	06	G46A, G46B, G46C, G50Z, G64A, G64B, G64C, G70A, G70B	L04.9	16	Q60A, Q60B, Q60C, Q60D, Q60E	15	TPN, VTPN	
	15	TPN, VTPN	L05.0	09	J64A, J64B	L13.9	09	J61A, J61B, J61C, J68A, J68B
K91.9	06	G46A, G46B, G46C, G50Z, G71Z	L08.0	09	J64A, J64B	L14	15	TPN, VTPN
	15	TPN, VTPN	L08.1	09	J61A, J61B, J61C, J68A, J68B	L20.0	09	J61A, J61B, J61C, J68A, J68B
K92.0	06	G40Z, G46A, G46B, G46C, G47Z, G67A, G67B, G67C, G67D, G73Z	L08.8	09	J64A, J64B	L20.8	09	J61A, J61B, J61C, J68A, J68B
	15	TPN, VTPN	L08.9	09	J64A, J64B	L20.9	09	J61A, J61B, J61C, J68A, J68B
K92.1	06	G40Z, G46A, G46B, G46C, G47Z, G67A, G67B, G67C, G67D, G73Z	L10.0	09	J61A, J61B, J61C, J68A, J68B	L21.0	09	J67A, J67B, J68A, J68B
	15	TPN, VTPN	L10.1	09	J08A, J08B, J08C, J61A, J61B, J61C, J68A, J68B	L21.1	09	J61A, J61B, J61C, J68A, J68B
K92.2	06	G40Z, G46A, G46B, G46C, G47Z, G67A, G67B, G67C, G67D, G73Z				L21.8	09	J67A, J67B, J68A, J68B
	15	TPN, VTPN				L21.9	09	J67A, J67B, J68A, J68B
K92.8	06	G46A, G46B, G46C, G50Z, G71Z				L22	09	J67A, J67B, J68A, J68B
	15	TPN, VTPN				L23.0	09	J67A, J67B, J68A, J68B
K92.9	06	G46A, G46B, G46C, G50Z, G71Z				L23.1	09	J67A, J67B, J68A, J68B
	15	TPN, VTPN				L23.2	09	J67A, J67B, J68A, J68B
K93.0	Pre	A07D, A09E, A11F, A13F				L23.3	09	J67A, J67B, J68A, J68B
K93.1	15	TPN, VTPN				L23.4	09	J61A, J61B, J61C, J68A, J68B
	Pre	A07D, A09E, A11F, A13F				L23.5	09	J67A, J67B, J68A, J68B
K93.21	Pre	A07D, A09E, A11F, A13F				L23.6	09	J67A, J67B, J68A, J68B
K93.22	Pre	A07D, A09E, A11F, A13F				L23.7	09	J67A, J67B, J68A, J68B
K93.23	Pre	A07D, A09E, A11F, A13F				L23.8	09	J61A, J61B, J61C, J68A, J68B
K93.24	Pre	A07D, A09E, A11F, A13F				L23.9	09	J61A, J61B, J61C, J68A, J68B
L00.0	09	J61A, J61B, J61C, J68A, J68B				L24.0	09	J67A, J67B, J68A, J68B
	15	TPN, VTPN				L24.1	09	J67A, J67B, J68A, J68B
L00.1	09	J08A, J08B, J08C, J61A, J61B, J68A, J68B				L24.2	09	J67A, J67B, J68A, J68B
	15	TPN, VTPN				L24.3	09	J67A, J67B, J68A, J68B
						L24.4	09	J67A, J67B, J68A, J68B
						L24.5	09	J67A, J67B, J68A, J68B
						L24.6	09	J67A, J67B, J68A, J68B
						L24.7	09	J67A, J67B, J68A, J68B
						L24.8	09	J61A, J61B, J61C, J68A, J68B
						L24.9	09	J61A, J61B, J61C, J68A, J68B
						L25.0	09	J67A, J67B, J68A, J68B
						L25.1	09	J67A, J67B, J68A, J68B
						L25.2	09	J61A, J61B, J61C, J68A, J68B
						L25.3	09	J67A, J67B, J68A, J68B

ICD	MDC	DRG	ICD	MDC	DRG	ICD	MDC	DRG
L25.4	09	J67A, J67B, J68A, J68B	L44.3	09	J67A, J67B, J68A, J68B	L60.4	09	J67A, J67B, J68A, J68B
L25.5	09	J67A, J67B, J68A, J68B	L44.4	09	J61A, J61B, J61C, J68A, J68B	L60.5	09	J67A, J67B, J68A, J68B
L25.8	09	J61A, J61B, J61C, J68A, J68B	L44.8	09	J61A, J61B, J61C, J68A, J68B	L60.8	09	J67A, J67B, J68A, J68B
L25.9	09	J61A, J61B, J61C, J68A, J68B	L44.9	09	J61A, J61B, J61C, J68A, J68B	L60.9	09	J67A, J67B, J68A, J68B
L26	09	J61A, J61B, J61C, J68A, J68B	L50.0	09	J67A, J67B, J68A, J68B	L63.0	09	J67A, J67B, J68A, J68B
L27.0	09	J61A, J61B, J61C, J68A, J68B	L50.1	09	J67A, J67B, J68A, J68B	L63.1	09	J67A, J67B, J68A, J68B
	18A	S65A, S65B	L50.2	09	J67A, J67B, J68A, J68B	L63.2	09	J67A, J67B, J68A, J68B
L27.1	09	J61A, J61B, J61C, J68A, J68B	L50.3	09	J67A, J67B, J68A, J68B	L63.8	09	J67A, J67B, J68A, J68B
	18A	S65A, S65B	L50.4	09	J67A, J67B, J68A, J68B	L63.9	09	J67A, J67B, J68A, J68B
L27.2	09	J67A, J67B, J68A, J68B	L50.5	09	J67A, J67B, J68A, J68B	L64.0	09	J67A, J67B, J68A, J68B
L27.8	09	J67A, J67B, J68A, J68B	L50.6	09	J67A, J67B, J68A, J68B	L64.8	09	J67A, J67B, J68A, J68B
L27.9	09	J67A, J67B, J68A, J68B	L50.8	09	J67A, J67B, J68A, J68B	L64.9	09	J67A, J67B, J68A, J68B
L28.0	09	J61A, J61B, J61C, J68A, J68B	L50.9	09	J67A, J67B, J68A, J68B	L65.0	09	J67A, J67B, J68A, J68B
L28.1	09	J61A, J61B, J61C, J68A, J68B	L51.0	09	J08A, J08B, J08C, J61A, J61B, J61C, J68A, J68B	L65.1	09	J67A, J67B, J68A, J68B
L28.2	09	J61A, J61B, J61C, J68A, J68B		15	TPN, VTPN	L65.2	09	J67A, J67B, J68A, J68B
L29.0	09	J67A, J67B, J68A, J68B	L51.1	09	J08A, J08B, J08C, J61A, J61B, J68A, J68B	L65.8	09	J67A, J67B, J68A, J68B
L29.1	12	M64Z		15	TPN, VTPN	L65.9	09	J67A, J67B, J68A, J68B
L29.2	13	N04Z, N05A, N05B, N14Z, N21Z, N25Z, N61Z		15	TPN, VTPN	L66.0	09	J61A, J61B, J61C, J68A, J68B
L29.3	12	M64Z	L51.20	09	J08A, J08B, J08C, J61A, J61B, J61C, J68A, J68B	L66.1	09	J61A, J61B, J61C, J68A, J68B
	13	N04Z, N05A, N05B, N14Z, N21Z, N25Z, N61Z		15	TPN, VTPN	L66.2	09	J61A, J61B, J61C, J68A, J68B
L29.8	09	J67A, J67B, J68A, J68B		15	TPN, VTPN	L66.3	09	J61A, J61B, J61C, J68A, J68B
L29.9	09	J67A, J67B, J68A, J68B	L51.21	Pre	A07D, A09E, A11F, A13F	L66.4	09	J61A, J61B, J61C, J68A, J68B
L30.0	09	J61A, J61B, J61C, J68A, J68B		09	J08A, J08B, J08C, J61A, J61B, J68A, J68B	L66.8	09	J61A, J61B, J61C, J68A, J68B
L30.1	09	J61A, J61B, J61C, J68A, J68B		15	TPN, VTPN	L66.9	09	J61A, J61B, J61C, J68A, J68B
L30.2	09	J61A, J61B, J61C, J68A, J68B		Pre	A07D, A09E, A11F, A13F	L67.0	09	J67A, J67B, J68A, J68B
L30.3	09	J61A, J61B, J61C, J68A, J68B	L51.8	09	J61A, J61B, J61C, J68A, J68B	L67.1	09	J67A, J67B, J68A, J68B
L30.4	09	J61A, J61B, J61C, J68A, J68B		15	TPN, VTPN	L67.8	09	J67A, J67B, J68A, J68B
L30.5	09	J67A, J67B, J68A, J68B	L51.9	09	J61A, J61B, J61C, J68A, J68B	L67.9	09	J67A, J67B, J68A, J68B
L30.8	09	J61A, J61B, J61C, J68A, J68B		15	TPN, VTPN	L68.0	09	J67A, J67B, J68A, J68B
L30.9	09	J61A, J61B, J61C, J68A, J68B	L52	09	J61A, J61B, J61C, J68A, J68B	L68.1	09	J67A, J67B, J68A, J68B
L40.0	09	J08A, J08B, J08C, J61A, J61B, J61C, J68A, J68B	L53.0	09	J61A, J61B, J61C, J68A, J68B	L68.2	09	J67A, J67B, J68A, J68B
L40.1	09	J08A, J08B, J08C, J61A, J61B, J61C, J68A, J68B	L53.1	09	J61A, J61B, J61C, J68A, J68B	L68.3	09	J67A, J67B, J68A, J68B
	15	TPN, VTPN	L53.2	09	J61A, J61B, J61C, J68A, J68B	L68.8	09	J67A, J67B, J68A, J68B
L40.2	09	J61A, J61B, J61C, J68A, J68B	L53.3	09	J61A, J61B, J61C, J68A, J68B	L68.9	09	J67A, J67B, J68A, J68B
L40.3	09	J08A, J08B, J08C, J61A, J61B, J61C, J68A, J68B	L53.8	09	J61A, J61B, J61C, J68A, J68B	L70.0	09	J67A, J67B, J68A, J68B
L40.4	09	J08A, J08B, J08C, J61A, J61B, J61C, J68A, J68B	L53.9	09	J08A, J08B, J08C, J61A, J61B, J61C, J68A, J68B	L70.1	09	J61A, J61B, J61C, J68A, J68B
L40.5	08	I08A, I08B, I08C, I08D, I08E, I13A, I13B, I32C, I32D, I66A, I66B, I66C	L55.0	09	J67A, J67B, J68A, J68B	L70.2	09	J61A, J61B, J61C, J68A, J68B
L40.8	09	J08A, J08B, J08C, J61A, J61B, J61C, J68A, J68B	L55.1	09	J67A, J67B, J68A, J68B	L70.3	09	J61A, J61B, J61C, J68A, J68B
L40.9	09	J08A, J08B, J08C, J61A, J61B, J61C, J68A, J68B	L55.2	09	J67A, J67B, J68A, J68B	L70.4	09	J67A, J67B, J68A, J68B
L41.0	09	J61A, J61B, J61C, J68A, J68B	L55.8	09	J67A, J67B, J68A, J68B	L70.5	09	J67A, J67B, J68A, J68B
L41.1	09	J61A, J61B, J61C, J68A, J68B	L55.9	09	J67A, J67B, J68A, J68B	L70.8	09	J67A, J67B, J68A, J68B
L41.2	09	J61A, J61B, J61C, J68A, J68B	L56.0	09	J67A, J67B, J68A, J68B	L70.9	09	J67A, J67B, J68A, J68B
L41.3	09	J61A, J61B, J61C, J68A, J68B	L56.1	09	J67A, J67B, J68A, J68B	L71.0	09	J67A, J67B, J68A, J68B
L41.4	09	J61A, J61B, J61C, J68A, J68B	L56.2	09	J67A, J67B, J68A, J68B	L71.1	09	J67A, J67B, J68A, J68B
L41.5	09	J08A, J08B, J08C, J61A, J61B, J61C, J68A, J68B	L56.3	09	J67A, J67B, J68A, J68B	L71.8	09	J67A, J67B, J68A, J68B
			L56.4	09	J67A, J67B, J68A, J68B	L71.9	09	J67A, J67B, J68A, J68B
L41.8	09	J61A, J61B, J61C, J68A, J68B	L56.5	09	J67A, J67B, J68A, J68B	L72.0	09	J67A, J67B, J68A, J68B
L41.9	09	J61A, J61B, J61C, J68A, J68B	L56.6	09	J67A, J67B, J68A, J68B	L72.1	09	J67A, J67B, J68A, J68B
L42	09	J67A, J67B, J68A, J68B	L56.7	09	J67A, J67B, J68A, J68B	L72.2	09	J67A, J67B, J68A, J68B
L43.0	09	J61A, J61B, J61C, J68A, J68B	L57.0	09	J67A, J67B, J68A, J68B	L72.8	09	J67A, J67B, J68A, J68B
L43.1	09	J61A, J61B, J61C, J68A, J68B	L57.1	09	J61A, J61B, J61C, J68A, J68B	L72.9	09	J67A, J67B, J68A, J68B
L43.2	09	J61A, J61B, J61C, J68A, J68B	L57.2	09	J67A, J67B, J68A, J68B	L73.0	09	J67A, J67B, J68A, J68B
L43.3	09	J61A, J61B, J61C, J68A, J68B	L57.3	09	J67A, J67B, J68A, J68B	L73.1	09	J67A, J67B, J68A, J68B
L43.8	09	J61A, J61B, J61C, J68A, J68B	L57.4	09	J67A, J67B, J68A, J68B	L73.2	09	J61A, J61B, J61C, J68A, J68B
L43.9	09	J61A, J61B, J61C, J68A, J68B	L57.5	09	J67A, J67B, J68A, J68B	L73.8	09	J67A, J67B, J68A, J68B
L44.0	09	J08A, J08B, J08C, J61A, J61B, J61C, J68A, J68B	L57.8	09	J67A, J67B, J68A, J68B	L73.9	09	J67A, J67B, J68A, J68B
			L57.9	09	J67A, J67B, J68A, J68B	L74.0	09	J67A, J67B, J68A, J68B
L44.1	09	J67A, J67B, J68A, J68B	L58.0	09	J61A, J61B, J61C, J68A, J68B	L74.1	09	J67A, J67B, J68A, J68B
L44.2	09	J67A, J67B, J68A, J68B	L58.1	09	J67A, J67B, J68A, J68B	L74.2	09	J67A, J67B, J68A, J68B
			L58.9	09	J61A, J61B, J61C, J68A, J68B	L74.3	09	J67A, J67B, J68A, J68B
			L59.0	09	J67A, J67B, J68A, J68B	L74.4	09	J67A, J67B, J68A, J68B
			L59.8	09	J67A, J67B, J68A, J68B		15	TPN, VTPN
			L59.9	09	J67A, J67B, J68A, J68B	L74.8	09	J67A, J67B, J68A, J68B
			L60.0	09	J67A, J67B, J68A, J68B	L74.9	09	J67A, J67B, J68A, J68B
			L60.1	09	J67A, J67B, J68A, J68B	L75.0	09	J67A, J67B, J68A, J68B
			L60.2	09	J67A, J67B, J68A, J68B	L75.1	09	J67A, J67B, J68A, J68B
			L60.3	09	J67A, J67B, J68A, J68B	L75.2	09	J67A, J67B, J68A, J68B
						L75.8	09	J67A, J67B, J68A, J68B
						L75.9	09	J67A, J67B, J68A, J68B

ICD	MDC	DRG	ICD	MDC	DRG	ICD	MDC	DRG
L95.8	09	J61A, J61B, J61C, J68A, J68B	M00.10	08	I08A, I08B, I08C, I08D, I08E, I12A, I12B, I12C, I13A, I13B, I76A, I76B	M00.24	08	I08A, I08B, I08C, I08D, I08E, I13A, I13B, I32A, I32B, I32C, I32D, I32E, I32F, I32G, I76A, I76B
L95.9	09	J61A, J61B, J61C, J68A, J68B		15	TPN, VTPN		15	TPN, VTPN
L97	09	J02A, J02B, J02C, J03A, J03B, J04A, J04B, J08A, J08B, J08C, J11A, J11B, J60Z		18A	S65A, S65B		18A	S65A, S65B
	18A	S65A, S65B	M00.11	08	I08A, I08B, I08C, I08D, I08E, I12A, I12B, I12C, I13A, I13B, I76A, I76B	M00.25	08	I01Z, I03A, I03B, I08A, I08B, I08C, I08D, I08E, I12A, I12B, I12C, I13A, I13B, I76A, I76B
L98.0	09	J64A, J64B		15	TPN, VTPN		15	TPN, VTPN
L98.1	09	J61A, J61B, J61C, J68A, J68B		18A	S65A, S65B		18A	S65A, S65B
L98.2	09	J61A, J61B, J61C, J68A, J68B	M00.12	08	I08A, I08B, I08C, I08D, I08E, I12A, I12B, I12C, I13A, I13B, I76A, I76B	M00.26	08	I01Z, I04Z, I08A, I08B, I08C, I08D, I08E, I12A, I12B, I12C, I13A, I13B, I76A, I76B
L98.3	09	J02A, J02B, J02C, J03A, J03B, J08A, J08B, J08C, J64A, J64B		15	TPN, VTPN		15	TPN, VTPN
	18A	S65A, S65B		18A	S65A, S65B		18A	S65A, S65B
	22	Y02A, Y02B	M00.13	08	I08A, I08B, I08C, I08D, I08E, I12A, I12B, I12C, I13A, I13B, I76A, I76B	M00.27	08	I08A, I08B, I08C, I08D, I08E, I13A, I13B, I76A, I76B
L98.4	09	J02A, J02B, J02C, J03A, J03B, J08A, J08B, J08C, J60Z		15	TPN, VTPN		15	TPN, VTPN
L98.5	09	J67A, J67B, J68A, J68B		18A	S65A, S65B		18A	S65A, S65B
L98.6	09	J67A, J67B, J68A, J68B	M00.14	08	I08A, I08B, I08C, I08D, I08E, I13A, I13B, I32A, I32B, I32C, I32D, I32E, I32F, I32G, I76A, I76B	M00.28	08	I08A, I08B, I08C, I08D, I08E, I13A, I13B, I76A, I76B
L98.8	09	J67A, J67B, J68A, J68B		15	TPN, VTPN		15	TPN, VTPN
L98.9	09	J67A, J67B, J68A, J68B		18A	S65A, S65B		18A	S65A, S65B
M00.00	08	I08A, I08B, I08C, I08D, I08E, I12A, I12B, I12C, I13A, I13B, I76A, I76B	M00.15	08	I01Z, I03A, I03B, I08A, I08B, I08C, I08D, I08E, I12A, I12B, I12C, I13A, I13B, I76A, I76B	M00.29	08	I08A, I08B, I08C, I08D, I08E, I13A, I13B, I76A, I76B
	15	TPN, VTPN		15	TPN, VTPN		15	TPN, VTPN
	18A	S65A, S65B		18A	S65A, S65B		18A	S65A, S65B
M00.01	08	I08A, I08B, I08C, I08D, I08E, I12A, I12B, I12C, I13A, I13B, I76A, I76B	M00.16	08	I01Z, I04Z, I08A, I08B, I08C, I08D, I08E, I12A, I12B, I12C, I13A, I13B, I76A, I76B	M00.80	08	I08A, I08B, I08C, I08D, I08E, I12A, I12B, I12C, I13A, I13B, I76A, I76B
	15	TPN, VTPN		15	TPN, VTPN		15	TPN, VTPN
	18A	S65A, S65B		18A	S65A, S65B		18A	S65A, S65B
M00.02	08	I08A, I08B, I08C, I08D, I08E, I12A, I12B, I12C, I13A, I13B, I76A, I76B	M00.17	08	I08A, I08B, I08C, I08D, I08E, I13A, I13B, I76A, I76B	M00.81	08	I08A, I08B, I08C, I08D, I08E, I12A, I12B, I12C, I13A, I13B, I76A, I76B
	15	TPN, VTPN		15	TPN, VTPN		15	TPN, VTPN
	18A	S65A, S65B		18A	S65A, S65B		15	TPN, VTPN
M00.03	08	I08A, I08B, I08C, I08D, I08E, I12A, I12B, I12C, I13A, I13B, I76A, I76B	M00.18	08	I08A, I08B, I08C, I08D, I08E, I13A, I13B, I76A, I76B	M00.82	08	I08A, I08B, I08C, I08D, I08E, I12A, I12B, I12C, I13A, I13B, I76A, I76B
	15	TPN, VTPN		15	TPN, VTPN		15	TPN, VTPN
	18A	S65A, S65B		18A	S65A, S65B		15	TPN, VTPN
M00.04	08	I08A, I08B, I08C, I08D, I08E, I13A, I13B, I32A, I32B, I32C, I32D, I32E, I32F, I32G, I76A, I76B	M00.19	08	I08A, I08B, I08C, I08D, I08E, I13A, I13B, I76A, I76B	M00.83	08	I08A, I08B, I08C, I08D, I08E, I12A, I12B, I12C, I13A, I13B, I76A, I76B
	15	TPN, VTPN		15	TPN, VTPN		15	TPN, VTPN
	18A	S65A, S65B		18A	S65A, S65B		15	TPN, VTPN
M00.05	08	I01Z, I03A, I03B, I08A, I08B, I08C, I08D, I08E, I12A, I12B, I12C, I13A, I13B, I76A, I76B	M00.20	08	I08A, I08B, I08C, I08D, I08E, I12A, I12B, I12C, I13A, I13B, I76A, I76B	M00.84	08	I08A, I08B, I08C, I08D, I08E, I13A, I13B, I32A, I32B, I32C, I32D, I32E, I32F, I32G, I76A, I76B
	15	TPN, VTPN		15	TPN, VTPN		15	TPN, VTPN
	18A	S65A, S65B		18A	S65A, S65B		15	TPN, VTPN
M00.06	08	I01Z, I04Z, I08A, I08B, I08C, I08D, I08E, I12A, I12B, I12C, I13A, I13B, I76A, I76B	M00.21	08	I08A, I08B, I08C, I08D, I08E, I12A, I12B, I12C, I13A, I13B, I76A, I76B	M00.85	08	I01Z, I03A, I03B, I08A, I08B, I08C, I08D, I08E, I12A, I12B, I12C, I13A, I13B, I76A, I76B
	15	TPN, VTPN		15	TPN, VTPN		15	TPN, VTPN
	18A	S65A, S65B		18A	S65A, S65B		15	TPN, VTPN
M00.07	08	I08A, I08B, I08C, I08D, I08E, I13A, I13B, I76A, I76B	M00.22	08	I08A, I08B, I08C, I08D, I08E, I12A, I12B, I12C, I13A, I13B, I76A, I76B	M00.86	08	I01Z, I04Z, I08A, I08B, I08C, I08D, I08E, I12A, I12B, I12C, I13A, I13B, I76A, I76B
	15	TPN, VTPN		15	TPN, VTPN		15	TPN, VTPN
	18A	S65A, S65B		18A	S65A, S65B		15	TPN, VTPN
M00.08	08	I08A, I08B, I08C, I08D, I08E, I13A, I13B, I76A, I76B	M00.23	08	I08A, I08B, I08C, I08D, I08E, I12A, I12B, I12C, I13A, I13B, I76A, I76B	M00.87	08	I08A, I08B, I08C, I08D, I08E, I13A, I13B, I76A, I76B
	15	TPN, VTPN		15	TPN, VTPN		15	TPN, VTPN
	18A	S65A, S65B		18A	S65A, S65B		15	TPN, VTPN
M00.09	08	I08A, I08B, I08C, I08D, I08E, I13A, I13B, I76A, I76B		15	TPN, VTPN	M00.88	08	I08A, I08B, I08C, I08D, I08E, I13A, I13B, I76A, I76B
	15	TPN, VTPN		18A	S65A, S65B		15	TPN, VTPN
	18A	S65A, S65B				M00.89	08	I08A, I08B, I08C, I08D, I08E, I13A, I13B, I76A, I76B
							15	TPN, VTPN
						M00.90	08	I08A, I08B, I08C, I08D, I08E, I12A, I12B, I12C, I13A, I13B, I76A, I76B
							18A	S65A, S65B

ICD	MDC	DRG	ICD	MDC	DRG	ICD	MDC	DRG
M00.91	08	I08A, I08B, I08C, I08D, I08E, I12A, I12B, I12C, I13A, I13B, I76A, I76B	M01.46	15	TPN, VTPN	M02.32	08	I08A, I08B, I08C, I08D, I08E, I12A, I12B, I12C, I13A, I13B, I66A, I66B, I66C
	18A	S65A, S65B	M01.47	15	TPN, VTPN	M02.33	08	I08A, I08B, I08C, I08D, I08E, I12A, I12B, I12C, I13A, I13B, I66A, I66B, I66C
M00.92	08	I08A, I08B, I08C, I08D, I08E, I12A, I12B, I12C, I13A, I13B, I76A, I76B	M01.48	15	TPN, VTPN	M02.34	08	I08A, I08B, I08C, I08D, I08E, I13A, I13B, I32A, I32B, I32C, I32D, I32E, I32F, I32G, I66A, I66B, I66C
	18A	S65A, S65B	M01.49	15	TPN, VTPN	M02.35	08	I08A, I08B, I08C, I08D, I08E, I12A, I12B, I12C, I13A, I13B, I66A, I66B, I66C
M00.93	08	I08A, I08B, I08C, I08D, I08E, I12A, I12B, I12C, I13A, I13B, I76A, I76B	M01.60	15	TPN, VTPN	M02.36	08	I08A, I08B, I08C, I08D, I08E, I12A, I12B, I12C, I13A, I13B, I66A, I66B, I66C
	18A	S65A, S65B	M01.61	15	TPN, VTPN	M02.37	08	I08A, I08B, I08C, I08D, I08E, I13A, I13B, I66A, I66B, I66C
M00.94	08	I08A, I08B, I08C, I08D, I08E, I13A, I13B, I32A, I32B, I32C, I32D, I32E, I32F, I32G, I76A, I76B	M01.62	15	TPN, VTPN	M02.38	08	I08A, I08B, I08C, I08D, I08E, I13A, I13B, I66A, I66B, I66C
	18A	S65A, S65B	M01.63	15	TPN, VTPN	M02.39	08	I08A, I08B, I08C, I08D, I08E, I13A, I13B, I66A, I66B, I66C
M00.95	08	I01Z, I03A, I03B, I08A, I08B, I08C, I08D, I08E, I12A, I12B, I12C, I13A, I13B, I76A, I76B	M01.64	15	TPN, VTPN	M02.80	08	I74A
	18A	S65A, S65B	M01.65	15	TPN, VTPN	M02.81	08	I74A
M00.96	08	I01Z, I04Z, I08A, I08B, I08C, I08D, I08E, I12A, I12B, I12C, I13A, I13B, I76A, I76B	M01.66	15	TPN, VTPN	M02.82	08	I74A
	18A	S65A, S65B	M01.67	15	TPN, VTPN	M02.83	08	I74A
M00.97	08	I08A, I08B, I08C, I08D, I08E, I13A, I13B, I76A, I76B	M01.68	15	TPN, VTPN	M02.84	08	I32A, I32B, I32C, I32D, I32E, I32F, I32G, I74A
	18A	S65A, S65B	M01.69	15	TPN, VTPN	M02.85	08	I74A
M00.98	08	I08A, I08B, I08C, I08D, I08E, I13A, I13B, I76A, I76B	M02.00	08	I74A	M02.86	08	I74A
	18A	S65A, S65B	M02.01	08	I74A	M02.87	08	I74A
M00.99	08	I08A, I08B, I08C, I08D, I08E, I13A, I13B, I76A, I76B	M02.02	08	I74A	M02.88	08	I74A
	18A	S65A, S65B	M02.03	08	I74A	M02.89	08	I74A
M01.00	15	TPN, VTPN	M02.04	08	I32A, I32B, I32C, I32D, I32E, I32F, I32G, I74A	M02.90	08	I08A, I08B, I08C, I08D, I08E, I12A, I12B, I12C, I13A, I13B, I74A
M01.01	15	TPN, VTPN	M02.05	08	I74A	M02.91	08	I08A, I08B, I08C, I08D, I08E, I12A, I12B, I12C, I13A, I13B, I74A
M01.02	15	TPN, VTPN	M02.06	08	I74A	M02.92	08	I08A, I08B, I08C, I08D, I08E, I12A, I12B, I12C, I13A, I13B, I74A
M01.03	15	TPN, VTPN	M02.07	08	I74A	M02.93	08	I08A, I08B, I08C, I08D, I08E, I12A, I12B, I12C, I13A, I13B, I74A
M01.04	15	TPN, VTPN	M02.08	08	I74A	M02.94	08	I08A, I08B, I08C, I08D, I08E, I13A, I13B, I32A, I32B, I32C, I32D, I32E, I32F, I32G, I74A
M01.05	15	TPN, VTPN	M02.09	08	I74A	M02.95	08	I08A, I08B, I08C, I08D, I08E, I12A, I12B, I12C, I13A, I13B, I74A
M01.06	15	TPN, VTPN	M02.10	08	I08A, I08B, I08C, I08D, I08E, I12A, I12B, I12C, I13A, I13B, I69A	M02.96	08	I08A, I08B, I08C, I08D, I08E, I12A, I12B, I12C, I13A, I13B, I74A
M01.07	15	TPN, VTPN	M02.11	08	I08A, I08B, I08C, I08D, I08E, I12A, I12B, I12C, I13A, I13B, I69A	M02.97	08	I08A, I08B, I08C, I08D, I08E, I13A, I13B, I74A
M01.08	15	TPN, VTPN	M02.12	08	I08A, I08B, I08C, I08D, I08E, I12A, I12B, I12C, I13A, I13B, I69A	M02.98	08	I08A, I08B, I08C, I08D, I08E, I13A, I13B, I74A
M01.09	15	TPN, VTPN	M02.13	08	I08A, I08B, I08C, I08D, I08E, I12A, I12B, I12C, I13A, I13B, I69A	M02.99	08	I08A, I08B, I08C, I08D, I08E, I13A, I13B, I74A
M01.10	15	TPN, VTPN	M02.14	08	I08A, I08B, I08C, I08D, I08E, I13A, I13B, I32A, I32B, I32C, I32D, I32E, I32F, I32G, I69A	M03.00	05	F62A
M01.11	15	TPN, VTPN	M02.15	08	I08A, I08B, I08C, I08D, I08E, I12A, I12B, I12C, I13A, I13B, I69A		06	G67A
M01.12	15	TPN, VTPN	M02.16	08	I08A, I08B, I08C, I08D, I08E, I12A, I12B, I12C, I13A, I13B, I69A		17	R60B, R60C, R61A, R62A, R63B, R63C, R63D, R63F
M01.13	15	TPN, VTPN	M02.17	08	I08A, I08B, I08C, I08D, I08E, I13A, I13B, I69A		18B	T61A
M01.14	15	TPN, VTPN	M02.18	08	I08A, I08B, I08C, I08D, I08E, I13A, I13B, I69A	M03.01	05	F62A
M01.15	15	TPN, VTPN	M02.19	08	I08A, I08B, I08C, I08D, I08E, I13A, I13B, I69A		06	G67A
M01.16	15	TPN, VTPN	M02.20	08	I74A		17	R60B, R60C, R61A, R62A, R63B, R63C, R63D, R63F
M01.17	15	TPN, VTPN	M02.21	08	I74A		18B	T61A
M01.18	15	TPN, VTPN	M02.22	08	I74A			
M01.19	15	TPN, VTPN	M02.23	08	I74A			
M01.30	15	TPN, VTPN	M02.24	08	I32A, I32B, I32C, I32D, I32E, I32F, I32G, I74A			
M01.31	15	TPN, VTPN	M02.25	08	I74A			
M01.32	15	TPN, VTPN	M02.26	08	I74A			
M01.33	15	TPN, VTPN	M02.27	08	I74A			
M01.34	15	TPN, VTPN	M02.28	08	I74A			
M01.35	15	TPN, VTPN	M02.29	08	I74A			
M01.36	15	TPN, VTPN	M02.30	08	I08A, I08B, I08C, I08D, I08E, I12A, I12B, I12C, I13A, I13B, I66A, I66B, I66C			
M01.37	15	TPN, VTPN	M02.31	08	I08A, I08B, I08C, I08D, I08E, I12A, I12B, I12C, I13A, I13B, I66A, I66B, I66C			
M01.38	15	TPN, VTPN						
M01.39	15	TPN, VTPN						
M01.40	15	TPN, VTPN						
M01.41	15	TPN, VTPN						
M01.42	15	TPN, VTPN						
M01.43	15	TPN, VTPN						
M01.44	15	TPN, VTPN						
M01.45	15	TPN, VTPN						

ICD	MDC	DRG	ICD	MDC	DRG	ICD	MDC	DRG
M03.02	05	F62A	M05.12	04	E74Z	M05.82	08	I08A, I08B, I08C, I08D, I08E, I12A, I12B, I12C, I13A, I13B, I69A
	06	G67A	M05.13	04	E74Z	M05.83	08	I08A, I08B, I08C, I08D, I08E, I12A, I12B, I12C, I13A, I13B, I69A
	17	R60B, R60C, R61A, R62A, R63B, R63C, R63D, R63F	M05.14	04	E74Z	M05.84	08	I08A, I08B, I08C, I08D, I08E, I13A, I13B, I32C, I32D, I69A
	18B	T61A	M05.15	04	E74Z	M05.85	08	I08A, I08B, I08C, I08D, I08E, I12A, I12B, I12C, I13A, I13B, I69A
M03.03	05	F62A	M05.16	04	E74Z	M05.86	08	I08A, I08B, I08C, I08D, I08E, I12A, I12B, I12C, I13A, I13B, I69A
	06	G67A	M05.17	04	E74Z	M05.87	08	I08A, I08B, I08C, I08D, I08E, I13A, I13B, I20A, I20B, I20D, I69A
	17	R60B, R60C, R61A, R62A, R63B, R63C, R63D, R63F	M05.18	04	E74Z	M05.88	08	I08A, I08B, I08C, I08D, I08E, I13A, I13B, I69A
	18B	T61A	M05.19	04	E74Z	M05.89	08	I08A, I08B, I08C, I08D, I08E, I13A, I13B, I69A
M03.04	05	F62A	M05.20	08	I08A, I08B, I08C, I08D, I08E, I12A, I12B, I12C, I13A, I13B, I20D, I66A, I66B, I66C	M05.90	08	I08A, I08B, I08C, I08D, I08E, I12A, I12B, I12C, I13A, I13B, I20A, I20B, I20D, I69A
	06	G67A	M05.21	08	I08A, I08B, I08C, I08D, I08E, I12A, I12B, I12C, I13A, I13B, I66A, I66B, I66C	M05.91	08	I08A, I08B, I08C, I08D, I08E, I12A, I12B, I12C, I13A, I13B, I69A
	17	R60B, R60C, R61A, R62A, R63B, R63C, R63D, R63F	M05.22	08	I08A, I08B, I08C, I08D, I08E, I12A, I12B, I12C, I13A, I13B, I66A, I66B, I66C	M05.92	08	I08A, I08B, I08C, I08D, I08E, I12A, I12B, I12C, I13A, I13B, I69A
	18B	T61A	M05.23	08	I08A, I08B, I08C, I08D, I08E, I12A, I12B, I12C, I13A, I13B, I66A, I66B, I66C	M05.93	08	I08A, I08B, I08C, I08D, I08E, I12A, I12B, I12C, I13A, I13B, I69A
M03.05	05	F62A	M05.24	08	I08A, I08B, I08C, I08D, I08E, I13A, I13B, I66A, I66B, I66C	M05.94	08	I08A, I08B, I08C, I08D, I08E, I13A, I13B, I69A
	06	G67A	M05.25	08	I08A, I08B, I08C, I08D, I08E, I12A, I12B, I12C, I13A, I13B, I66A, I66B, I66C	M05.95	08	I08A, I08B, I08C, I08D, I08E, I12A, I12B, I12C, I13A, I13B, I69A
	17	R60B, R60C, R61A, R62A, R63B, R63C, R63D, R63F	M05.26	08	I08A, I08B, I08C, I08D, I08E, I12A, I12B, I12C, I13A, I13B, I66A, I66B, I66C	M05.96	08	I08A, I08B, I08C, I08D, I08E, I12A, I12B, I12C, I13A, I13B, I69A
	18B	T61A	M05.27	08	I08A, I08B, I08C, I08D, I08E, I13A, I13B, I20D, I66A, I66B, I66C	M05.97	08	I08A, I08B, I08C, I08D, I08E, I13A, I13B, I20A, I20B, I20D, I69A
M03.06	05	F62A	M05.28	08	I08A, I08B, I08C, I08D, I08E, I13A, I13B, I66A, I66B, I66C	M05.98	08	I08A, I08B, I08C, I08D, I08E, I13A, I13B, I69A
	06	G67A	M05.29	08	I08A, I08B, I08C, I08D, I08E, I13A, I13B, I66A, I66B, I66C	M05.99	08	I08A, I08B, I08C, I08D, I08E, I13A, I13B, I69A
	17	R60B, R60C, R61A, R62A, R63B, R63C, R63D, R63F	M05.30	08	I08A, I08B, I08C, I08D, I08E, I12A, I12B, I12C, I13A, I13B, I20A, I20B, I20D, I66A, I66B, I66C	M06.00	08	I08A, I08B, I08C, I08D, I08E, I12A, I12B, I12C, I13A, I13B, I20A, I20B, I20D, I32C, I32D, I69A
	18B	T61A	M05.31	08	I08A, I08B, I08C, I08D, I08E, I12A, I12B, I12C, I13A, I13B, I66A, I66B, I66C	M06.01	08	I08A, I08B, I08C, I08D, I08E, I12A, I12B, I12C, I13A, I13B, I69A
M03.07	05	F62A	M05.32	08	I08A, I08B, I08C, I08D, I08E, I12A, I12B, I12C, I13A, I13B, I66A, I66B, I66C	M06.02	08	I08A, I08B, I08C, I08D, I08E, I12A, I12B, I12C, I13A, I13B, I69A
	06	G67A	M05.33	08	I08A, I08B, I08C, I08D, I08E, I12A, I12B, I12C, I13A, I13B, I66A, I66B, I66C	M06.03	08	I08A, I08B, I08C, I08D, I08E, I12A, I12B, I12C, I13A, I13B, I69A
	17	R60B, R60C, R61A, R62A, R63B, R63C, R63D, R63F	M05.34	08	I08A, I08B, I08C, I08D, I08E, I13A, I13B, I66A, I66B, I66C	M06.04	08	I08A, I08B, I08C, I08D, I08E, I13A, I13B, I32C, I32D, I69A
	18B	T61A	M05.35	08	I08A, I08B, I08C, I08D, I08E, I12A, I12B, I12C, I13A, I13B, I66A, I66B, I66C	M06.05	08	I08A, I08B, I08C, I08D, I08E, I12A, I12B, I12C, I13A, I13B, I69A
M03.08	05	F62A	M05.36	08	I08A, I08B, I08C, I08D, I08E, I12A, I12B, I12C, I13A, I13B, I66A, I66B, I66C	M06.06	08	I08A, I08B, I08C, I08D, I08E, I12A, I12B, I12C, I13A, I13B, I69A
	06	G67A	M05.37	08	I08A, I08B, I08C, I08D, I08E, I13A, I13B, I20A, I20B, I20D, I66A, I66B, I66C	M06.07	08	I08A, I08B, I08C, I08D, I08E, I13A, I13B, I20A, I20B, I20D, I69A
	17	R60B, R60C, R61A, R62A, R63B, R63C, R63D, R63F	M05.38	08	I08A, I08B, I08C, I08D, I08E, I13A, I13B, I66A, I66B, I66C			
	18B	T61A	M05.39	08	I08A, I08B, I08C, I08D, I08E, I13A, I13B, I66A, I66B, I66C			
M03.09	05	F62A	M05.80	08	I08A, I08B, I08C, I08D, I08E, I12A, I12B, I12C, I13A, I13B, I20A, I20B, I20D, I32C, I32D, I69A			
	06	G67A	M05.81	08	I08A, I08B, I08C, I08D, I08E, I12A, I12B, I12C, I13A, I13B, I69A			
	17	R60B, R60C, R61A, R62A, R63B, R63C, R63D, R63F						
	18B	T61A						
M05.00	08	I08A, I08B, I08C, I08D, I08E, I12A, I12B, I12C, I13A, I13B, I20A, I20B, I20D, I66A, I66B, I66C						
M05.01	08	I08A, I08B, I08C, I08D, I08E, I12A, I12B, I12C, I13A, I13B, I66A, I66B, I66C						
M05.02	08	I08A, I08B, I08C, I08D, I08E, I12A, I12B, I12C, I13A, I13B, I66A, I66B, I66C						
M05.03	08	I08A, I08B, I08C, I08D, I08E, I12A, I12B, I12C, I13A, I13B, I66A, I66B, I66C						
M05.04	08	I08A, I08B, I08C, I08D, I08E, I13A, I13B, I66A, I66B, I66C						
M05.05	08	I08A, I08B, I08C, I08D, I08E, I12A, I12B, I12C, I13A, I13B, I66A, I66B, I66C						
M05.06	08	I08A, I08B, I08C, I08D, I08E, I12A, I12B, I12C, I13A, I13B, I66A, I66B, I66C						
M05.07	08	I08A, I08B, I08C, I08D, I08E, I13A, I13B, I20A, I20B, I20D, I66A, I66B, I66C						
M05.08	08	I08A, I08B, I08C, I08D, I08E, I13A, I13B, I66A, I66B, I66C						
M05.09	08	I08A, I08B, I08C, I08D, I08E, I13A, I13B, I66A, I66B, I66C						
M05.10	04	E74Z						
	08	I20D						
M05.11	04	E74Z						

ICD	MDC	DRG	ICD	MDC	DRG	ICD	MDC	DRG
M08.18	08	I66A, I66B, I66C	M08.74	08	I08A, I08B, I08C, I08D, I08E, I13A, I13B, I66A, I66B, I66C	M09.20	08	I20A, I20B
M08.19	08	I66A, I66B, I66C	M08.75	08	I08A, I08B, I08C, I08D, I08E, I12A, I12B, I12C, I13A, I13B, I66A, I66B, I66C	M09.27	08	I20A, I20B
M08.20	08	I08A, I08B, I08C, I08D, I08E, I12A, I12B, I12C, I13A, I13B, I66A, I66B, I66C	M08.76	08	I08A, I08B, I08C, I08D, I08E, I12A, I12B, I12C, I13A, I13B, I66A, I66B, I66C	M09.80	08	I20A, I20B
M08.21	08	I08A, I08B, I08C, I08D, I08E, I12A, I12B, I12C, I13A, I13B, I66A, I66B, I66C	M08.77	08	I08A, I08B, I08C, I08D, I08E, I13A, I13B, I66A, I66B, I66C	M09.87	08	I20A, I20B
M08.22	08	I08A, I08B, I08C, I08D, I08E, I12A, I12B, I12C, I13A, I13B, I66A, I66B, I66C	M08.78	08	I08A, I08B, I08C, I08D, I08E, I13A, I13B, I66A, I66B, I66C	M10.00	08	I69A
M08.23	08	I08A, I08B, I08C, I08D, I08E, I12A, I12B, I12C, I13A, I13B, I66A, I66B, I66C	M08.79	08	I08A, I08B, I08C, I08D, I08E, I13A, I13B, I66A, I66B, I66C	M10.01	08	I69A
M08.24	08	I08A, I08B, I08C, I08D, I08E, I13A, I13B, I66A, I66B, I66C	M08.80	08	I08A, I08B, I08C, I08D, I08E, I12A, I12B, I12C, I13A, I13B, I20A, I20B, I66A, I66B, I66C	M10.02	08	I69A
M08.25	08	I08A, I08B, I08C, I08D, I08E, I12A, I12B, I12C, I13A, I13B, I66A, I66B, I66C	M08.81	08	I08A, I08B, I08C, I08D, I08E, I12A, I12B, I12C, I13A, I13B, I66A, I66B, I66C	M10.03	08	I69A
M08.26	08	I08A, I08B, I08C, I08D, I08E, I12A, I12B, I12C, I13A, I13B, I66A, I66B, I66C	M08.82	08	I08A, I08B, I08C, I08D, I08E, I12A, I12B, I12C, I13A, I13B, I66A, I66B, I66C	M10.04	08	I69A
M08.27	08	I08A, I08B, I08C, I08D, I08E, I13A, I13B, I20A, I20B, I66A, I66B, I66C	M08.83	08	I08A, I08B, I08C, I08D, I08E, I12A, I12B, I12C, I13A, I13B, I66A, I66B, I66C	M10.05	08	I69A
M08.28	08	I08A, I08B, I08C, I08D, I08E, I13A, I13B, I66A, I66B, I66C	M08.84	08	I08A, I08B, I08C, I08D, I08E, I13A, I13B, I66A, I66B, I66C	M10.06	08	I69A
M08.29	08	I08A, I08B, I08C, I08D, I08E, I13A, I13B, I66A, I66B, I66C	M08.85	08	I08A, I08B, I08C, I08D, I08E, I12A, I12B, I12C, I13A, I13B, I66A, I66B, I66C	M10.07	08	I69A
M08.3	08	I08A, I08B, I08C, I08D, I08E, I12A, I12B, I12C, I13A, I13B, I20A, I20B, I66A, I66B, I66C	M08.86	08	I08A, I08B, I08C, I08D, I08E, I12A, I12B, I12C, I13A, I13B, I66A, I66B, I66C	M10.08	08	I69A
M08.40	08	I08A, I08B, I08C, I08D, I08E, I12A, I12B, I12C, I13A, I13B, I20A, I20B, I66A, I66B, I66C	M08.87	08	I08A, I08B, I08C, I08D, I08E, I13A, I13B, I20A, I20B, I66A, I66B, I66C	M10.09	08	I69A
M08.41	08	I08A, I08B, I08C, I08D, I08E, I12A, I12B, I12C, I13A, I13B, I66A, I66B, I66C	M08.88	08	I08A, I08B, I08C, I08D, I08E, I13A, I13B, I66A, I66B, I66C	M10.10	15	TPN, VTPN 21B X64Z
M08.42	08	I08A, I08B, I08C, I08D, I08E, I12A, I12B, I12C, I13A, I13B, I66A, I66B, I66C	M08.89	08	I08A, I08B, I08C, I08D, I08E, I13A, I13B, I66A, I66B, I66C	M10.11	15	TPN, VTPN 21B X64Z
M08.43	08	I08A, I08B, I08C, I08D, I08E, I12A, I12B, I12C, I13A, I13B, I66A, I66B, I66C	M08.90	08	I08A, I08B, I08C, I08D, I08E, I12A, I12B, I12C, I13A, I13B, I20A, I20B, I66A, I66B, I66C	M10.12	15	TPN, VTPN 21B X64Z
M08.44	08	I08A, I08B, I08C, I08D, I08E, I13A, I13B, I66A, I66B, I66C	M08.91	08	I08A, I08B, I08C, I08D, I08E, I12A, I12B, I12C, I13A, I13B, I66A, I66B, I66C	M10.13	15	TPN, VTPN 21B X64Z
M08.45	08	I08A, I08B, I08C, I08D, I08E, I12A, I12B, I12C, I13A, I13B, I66A, I66B, I66C	M08.92	08	I08A, I08B, I08C, I08D, I08E, I12A, I12B, I12C, I13A, I13B, I66A, I66B, I66C	M10.14	15	TPN, VTPN 21B X64Z
M08.46	08	I08A, I08B, I08C, I08D, I08E, I12A, I12B, I12C, I13A, I13B, I66A, I66B, I66C	M08.93	08	I08A, I08B, I08C, I08D, I08E, I12A, I12B, I12C, I13A, I13B, I66A, I66B, I66C	M10.15	15	TPN, VTPN 21B X64Z
M08.47	08	I08A, I08B, I08C, I08D, I08E, I13A, I13B, I20A, I20B, I66A, I66B, I66C	M08.94	08	I08A, I08B, I08C, I08D, I08E, I13A, I13B, I66A, I66B, I66C	M10.16	15	TPN, VTPN 21B X64Z
M08.48	08	I08A, I08B, I08C, I08D, I08E, I13A, I13B, I66A, I66B, I66C	M08.95	08	I08A, I08B, I08C, I08D, I08E, I12A, I12B, I12C, I13A, I13B, I66A, I66B, I66C	M10.17	15	TPN, VTPN 21B X64Z
M08.49	08	I08A, I08B, I08C, I08D, I08E, I13A, I13B, I66A, I66B, I66C	M08.96	08	I08A, I08B, I08C, I08D, I08E, I12A, I12B, I12C, I13A, I13B, I66A, I66B, I66C	M10.18	15	TPN, VTPN 21B X64Z
M08.70	08	I08A, I08B, I08C, I08D, I08E, I12A, I12B, I12C, I13A, I13B, I66A, I66B, I66C	M08.97	08	I08A, I08B, I08C, I08D, I08E, I13A, I13B, I20A, I20B, I66A, I66B, I66C	M10.19	15	TPN, VTPN 21B X64Z
M08.71	08	I08A, I08B, I08C, I08D, I08E, I12A, I12B, I12C, I13A, I13B, I66A, I66B, I66C	M08.98	08	I08A, I08B, I08C, I08D, I08E, I13A, I13B, I66A, I66B, I66C	M10.20	08	I69A
M08.72	08	I08A, I08B, I08C, I08D, I08E, I12A, I12B, I12C, I13A, I13B, I66A, I66B, I66C	M08.99	08	I08A, I08B, I08C, I08D, I08E, I13A, I13B, I66A, I66B, I66C	M10.21	08	I69A
M08.73	08	I08A, I08B, I08C, I08D, I08E, I12A, I12B, I12C, I13A, I13B, I66A, I66B, I66C	M09.00	08	I20A, I20B	M10.22	15	TPN, VTPN
			M09.07	08	I20A, I20B	M10.23	08	I69A
			M09.10	08	I20A, I20B	M10.24	08	I69A
			M09.17	08	I20A, I20B	M10.25	08	I69A
						M10.26	08	I69A
						M10.27	08	I69A
						M10.28	08	I69A
						M10.29	08	I69A
						M10.30	11	L68A, L68B, L74Z
						M10.31	11	L68A, L68B, L74Z
						M10.32	11	L68A, L68B, L74Z
						M10.33	11	L68A, L68B, L74Z
						M10.34	11	L68A, L68B, L74Z
						M10.35	11	L68A, L68B, L74Z
						M10.36	11	L68A, L68B, L74Z
						M10.37	11	L68A, L68B, L74Z
						M10.38	11	L68A, L68B, L74Z
						M10.39	11	L68A, L68B, L74Z
						M10.40	08	I69A
						M10.41	08	I69A
						M10.42	08	I69A
						M10.43	08	I69A
						M10.44	08	I69A

Dg

ICD	MDC	DRG	ICD	MDC	DRG	ICD	MDC	DRG
M10.45	08	I69A	M11.99	08	I69A	M12.49	08	I69A, I69B
M10.46	08	I69A	M12.00	08	I08A, I08B, I08C, I08D, I08E, I12A, I12B, I12C, I13A, I13B, I69A, I69B	M12.50	08	I69A, I69B
M10.47	08	I69A				M12.51	08	I69A, I69B
M10.48	08	I69A	M12.01	08	I08A, I08B, I08C, I08D, I08E, I12A, I12B, I12C, I13A, I13B, I69A, I69B	M12.52	08	I69A, I69B
M10.49	08	I69A				M12.53	08	I69A, I69B
M10.90	08	I69A	M12.02	08	I08A, I08B, I08C, I08D, I08E, I12A, I12B, I12C, I13A, I13B, I69A, I69B	M12.54	08	I32A, I32B, I32C, I32D, I32E, I32F, I32G, I69A, I69B
M10.91	08	I69A				M12.55	08	I69A, I69B
M10.92	08	I69A	M12.03	08	I08A, I08B, I08C, I08D, I08E, I12A, I12B, I12C, I13A, I13B, I69A, I69B	M12.56	08	I69A, I69B
M10.93	08	I69A				M12.57	08	I69A, I69B
M10.94	08	I69A	M12.04	08	I08A, I08B, I08C, I08D, I08E, I13A, I13B, I69A, I69B	M12.58	08	I69A, I69B
M10.95	08	I69A				M12.59	08	I69A, I69B
M10.96	08	I69A	M12.05	08	I08A, I08B, I08C, I08D, I08E, I12A, I12B, I12C, I13A, I13B, I69A, I69B	M12.80	08	I74A
M10.97	08	I69A				M12.81	08	I74A
M10.98	08	I69A	M12.06	08	I08A, I08B, I08C, I08D, I08E, I12A, I12B, I12C, I13A, I13B, I69A, I69B	M12.82	08	I74A
M10.99	08	I69A				M12.83	08	I74A
M11.00	08	I69A	M12.07	08	I08A, I08B, I08C, I08D, I08E, I13A, I13B, I69A, I69B	M12.84	08	I32A, I32B, I32C, I32D, I32E, I32F, I32G, I74A
M11.01	08	I69A				M12.85	08	I74A
M11.02	08	I69A	M12.08	08	I08A, I08B, I08C, I08D, I08E, I13A, I13B, I69A, I69B	M12.86	08	I74A
M11.03	08	I69A				M12.87	08	I74A
M11.04	08	I32A, I32B, I32C, I32D, I32E, I32F, I32G, I69A	M12.09	08	I08A, I08B, I08C, I08D, I08E, I13A, I13B, I69A, I69B	M12.88	08	I74A
M11.05	08	I69A				M12.89	08	I74A
M11.06	08	I69A	M12.10	08	I69A, I69B	M13.0	08	I69A
M11.07	08	I69A	M12.11	08	I69A, I69B	M13.11	08	I74A
M11.08	08	I69A	M12.12	08	I69A, I69B	M13.12	08	I74A
M11.09	08	I69A	M12.13	08	I69A, I69B	M13.13	08	I32C, I32D, I74A
M11.10	08	I69A	M12.14	08	I32A, I32B, I32C, I32D, I32E, I32F, I32G, I69A, I69B	M13.14	08	I32A, I32B, I32C, I32D, I32E, I32F, I32G, I74A
M11.11	08	I69A				M13.15	08	I74A
M11.12	08	I69A	M12.15	08	I69A, I69B	M13.16	08	I74A
M11.13	08	I69A	M12.16	08	I69A, I69B	M13.17	08	I74A
M11.14	08	I32A, I32B, I32C, I32D, I32E, I32F, I32G, I69A	M12.17	08	I69A, I69B	M13.18	08	I74A
M11.15	08	I69A	M12.18	08	I69A, I69B	M13.19	08	I74A
M11.16	08	I69A	M12.19	08	I69A, I69B	M13.80	08	I74A
M11.17	08	I69A	M12.20	08	I69A, I69B	M13.81	08	I74A
M11.18	08	I69A	M12.21	08	I69A, I69B	M13.82	08	I74A
M11.19	08	I69A	M12.22	08	I69A, I69B	M13.83	08	I32C, I32D, I74A
M11.20	08	I69A	M12.23	08	I69A, I69B	M13.84	08	I32A, I32B, I32C, I32D, I32G, I74A
M11.21	08	I69A	M12.24	08	I32A, I32B, I32C, I32D, I32E, I32F, I32G, I69A, I69B	M13.85	08	I74A
M11.22	08	I69A				M13.86	08	I74A
M11.23	08	I69A	M12.25	08	I69A, I69B	M13.87	08	I74A
M11.24	08	I32A, I32B, I32C, I32D, I32E, I32F, I32G, I69A	M12.26	08	I69A, I69B	M13.88	08	I74A
M11.25	08	I69A	M12.27	08	I69A, I69B	M13.89	08	I74A
M11.26	08	I69A	M12.28	08	I69A, I69B	M13.90	08	I74A
M11.27	08	I69A	M12.29	08	I69A, I69B		18A	S65A, S65B
M11.28	08	I69A	M12.30	08	I69A	M13.91	08	I74A
M11.29	08	I69A	M12.31	08	I69A		18A	S65A, S65B
M11.80	08	I69A	M12.32	08	I69A	M13.92	08	I74A
M11.81	08	I69A	M12.33	08	I69A		18A	S65A, S65B
M11.82	08	I69A	M12.34	08	I32A, I32B, I32C, I32D, I32E, I32F, I32G, I69A	M13.93	08	I74A
M11.83	08	I69A					18A	S65A, S65B
M11.84	08	I32A, I32B, I32C, I32D, I32E, I32F, I32G, I69A	M12.35	08	I69A	M13.94	08	I32A, I32B, I32C, I32D, I32E, I32F, I32G, I74A
M11.85	08	I69A	M12.36	08	I69A		18A	S65A, S65B
M11.86	08	I69A	M12.37	08	I69A	M13.95	08	I74A
M11.87	08	I69A	M12.38	08	I69A		18A	S65A, S65B
M11.88	08	I69A	M12.39	08	I69A	M13.96	08	I74A
M11.89	08	I69A	M12.40	08	I69A, I69B		18A	S65A, S65B
M11.90	08	I69A	M12.41	08	I69A, I69B	M13.97	08	I74A
M11.91	08	I69A	M12.42	08	I69A, I69B		18A	S65A, S65B
M11.92	08	I69A	M12.43	08	I69A, I69B	M13.98	08	I74A
M11.93	08	I69A	M12.44	08	I32A, I32B, I32C, I32D, I32E, I32F, I32G, I69A, I69B		18A	S65A, S65B
M11.94	08	I32A, I32B, I32C, I32D, I32E, I32F, I32G, I69A				M13.99	08	I74A
M11.95	08	I69A	M12.45	08	I69A, I69B		18A	S65A, S65B
M11.96	08	I69A	M12.46	08	I69A, I69B	M14.8	15	TPN, VTPN
M11.97	08	I69A	M12.47	08	I69A, I69B	M15.0	08	I69A, I69B
M11.98	08	I69A	M12.48	08	I69A, I69B	M15.1	08	I69A, I69B

Dg

ICD	MDC	DRG	ICD	MDC	DRG	ICD	MDC	DRG
M15.2	08	I69A, I69B	M19.93	08	I69A, I69B	M21.76	08	I33Z, I76A, I76B
M15.3	08	I69A, I69B	M19.94	08	I69A, I69B	M21.77	08	I33Z, I76A, I76B
M15.4	08	I69A, I69B	M19.95	08	I69A, I69B	M21.79	08	I33Z, I76A, I76B
M15.8	08	I74A	M19.97	08	I69A, I69B	M21.80	08	I33Z, I76A, I76B
M15.9	08	I69A, I69B	M19.98	08	I69A, I69B	M21.81	08	I33Z, I76A, I76B
M16.0	08	I69A, I69B	M19.99	08	I69A, I69B	M21.82	08	I33Z, I76A, I76B
M16.1	08	I69A, I69B	M20.0	08	I32A, I32B, I32C, I32D, I32E, I32F, I32G, I76A, I76B	M21.83	08	I33Z, I76A, I76B
M16.2	08	I69A, I69B	M20.1	08	I76A, I76B	M21.84	08	I32A, I32B, I32C, I32D, I32E, I32F, I32G, I33Z, I76A, I76B
M16.3	08	I69A, I69B	M20.2	08	I76A, I76B	M21.85	08	I33Z, I76A, I76B
M16.4	08	I69A, I69B	M20.3	08	I76A, I76B	M21.86	08	I33Z, I76A, I76B
M16.5	08	I69A, I69B	M20.4	08	I76A, I76B	M21.87	08	I33Z, I76A, I76B
M16.6	08	I69A, I69B	M20.5	08	I76A, I76B	M21.89	08	I33Z, I76A, I76B
M16.7	08	I69A, I69B	M20.6	08	I76A, I76B	M21.90	08	I76A, I76B
M16.9	08	I69A, I69B	M21.00	08	I33Z, I76A, I76B	M21.91	08	I76A, I76B
M17.0	08	I69A, I69B	M21.01	08	I33Z, I76A, I76B	M21.92	08	I76A, I76B
M17.1	08	I69A, I69B	M21.02	08	I33Z, I76A, I76B	M21.93	08	I76A, I76B
M17.2	08	I69A, I69B	M21.03	08	I33Z, I76A, I76B	M21.94	08	I32A, I32B, I32C, I32D, I32E, I32F, I32G, I76A, I76B
M17.3	08	I69A, I69B	M21.04	08	I33Z, I76A, I76B	M21.95	08	I76A, I76B
M17.4	08	I69A, I69B	M21.05	08	I33Z, I76A, I76B	M21.96	08	I76A, I76B
M17.5	08	I69A, I69B	M21.06	08	I33Z, I76A, I76B	M21.97	08	I76A, I76B
M17.9	08	I69A, I69B	M21.07	08	I33Z, I76A, I76B	M21.99	08	I76A, I76B
M18.0	08	I32A, I32B, I32C, I32D, I32E, I32F, I32G, I69A, I69B	M21.08	08	I33Z, I76A, I76B	M22.0	08	I77Z
M18.1	08	I32A, I32B, I32C, I32D, I32E, I32F, I32G, I69A, I69B	M21.09	08	I33Z, I76A, I76B	M22.1	08	I77Z
M18.2	08	I32A, I32B, I32C, I32D, I32E, I32F, I32G, I69A, I69B	M21.10	08	I33Z, I76A, I76B	M22.2	08	I77Z
M18.3	08	I32A, I32B, I32C, I32D, I32E, I32F, I32G, I69A, I69B	M21.11	08	I33Z, I76A, I76B	M22.3	08	I77Z
M18.4	08	I32A, I32B, I32C, I32D, I32E, I32F, I32G, I69A, I69B	M21.12	08	I33Z, I76A, I76B	M22.4	08	I77Z
M18.5	08	I32A, I32B, I32C, I32D, I32E, I32F, I32G, I69A, I69B	M21.13	08	I33Z, I76A, I76B	M22.8	08	I77Z
M18.9	08	I32A, I32B, I32C, I32D, I32E, I32F, I32G, I69A, I69B	M21.14	08	I33Z, I76A, I76B	M22.9	08	I77Z
M19.01	08	I69A, I69B	M21.15	08	I33Z, I76A, I76B	M23.00	08	I77Z
M19.02	08	I69A, I69B	M21.16	08	I33Z, I76A, I76B	M23.01	08	I77Z
M19.03	08	I69A, I69B	M21.17	08	I33Z, I76A, I76B	M23.02	08	I77Z
M19.04	08	I69A, I69B	M21.18	08	I33Z, I76A, I76B	M23.03	08	I77Z
M19.05	08	I69A, I69B	M21.19	08	I33Z, I76A, I76B	M23.04	08	I77Z
M19.07	08	I69A, I69B	M21.20	08	I33Z, I76A, I76B	M23.05	08	I77Z
M19.08	08	I69A, I69B	M21.21	08	I33Z, I76A, I76B	M23.06	08	I77Z
M19.09	08	I69A, I69B	M21.22	08	I33Z, I76A, I76B	M23.09	08	I77Z
M19.11	08	I69A, I69B	M21.23	08	I33Z, I76A, I76B	M23.10	08	I77Z
M19.12	08	I69A, I69B	M21.24	08	I33Z, I76A, I76B	M23.11	08	I77Z
M19.13	08	I69A, I69B	M21.25	08	I33Z, I76A, I76B	M23.12	08	I77Z
M19.14	08	I69A, I69B	M21.26	08	I33Z, I76A, I76B	M23.13	08	I77Z
M19.15	08	I69A, I69B	M21.27	08	I33Z, I76A, I76B	M23.14	08	I77Z
M19.17	08	I69A, I69B	M21.28	08	I33Z, I76A, I76B	M23.15	08	I77Z
M19.18	08	I69A, I69B	M21.29	08	I33Z, I76A, I76B	M23.16	08	I77Z
M19.19	08	I69A, I69B	M21.30	08	I76A, I76B	M23.19	08	I77Z
M19.21	08	I69A, I69B	M21.33	01	B03A, B03B, B06A, B06B, B17A, B17B, B17C, B17D, B71A, B71B, B71C, B71D	M23.20	08	I77Z
M19.22	08	I69A, I69B	M21.37	08	I76A, I76B	M23.21	08	I77Z
M19.23	08	I69A, I69B	M21.40	08	I76A, I76B	M23.22	08	I77Z
M19.24	08	I69A, I69B	M21.41	08	I76A, I76B	M23.23	08	I77Z
M19.25	08	I69A, I69B	M21.42	08	I76A, I76B	M23.24	08	I77Z
M19.27	08	I69A, I69B	M21.43	08	I76A, I76B	M23.25	08	I77Z
M19.28	08	I69A, I69B	M21.44	08	I76A, I76B	M23.26	08	I77Z
M19.29	08	I69A, I69B	M21.50	01	B03A, B03B, B06A, B06B, B17A, B17B, B17C, B17D, B71A, B71B, B71C, B71D	M23.29	08	I77Z
M19.81	08	I69A, I69B	M21.54	01	B03A, B03B, B06A, B06B, B17A, B17B, B17C, B17D, B71A, B71B, B71C, B71D	M23.30	08	I77Z
M19.82	08	I69A, I69B	M21.57	08	I76A, I76B	M23.31	08	I77Z
M19.83	08	I69A, I69B	M21.60	08	I33Z, I76A, I76B	M23.32	08	I77Z
M19.84	08	I69A, I69B	M21.67	08	I33Z, I76A, I76B	M23.33	08	I77Z
M19.85	08	I69A, I69B	M21.70	08	I33Z, I76A, I76B	M23.34	08	I77Z
M19.87	08	I69A, I69B	M21.71	08	I33Z, I76A, I76B	M23.35	08	I77Z
M19.88	08	I69A, I69B	M21.72	08	I33Z, I76A, I76B	M23.36	08	I77Z
M19.89	08	I69A, I69B	M21.73	08	I33Z, I76A, I76B	M23.39	08	I77Z
M19.91	08	I69A, I69B	M21.74	08	I33Z, I76A, I76B	M23.40	08	I76A, I76B
M19.92	08	I69A, I69B	M21.75	08	I33Z, I76A, I76B	M23.41	08	I76A, I76B
						M23.42	08	I76A, I76B
						M23.43	08	I76A, I76B
						M23.44	08	I76A, I76B
						M23.45	08	I76A, I76B
						M23.46	08	I76A, I76B

Dg

ICD	MDC	DRG	ICD	MDC	DRG	ICD	MDC	DRG
M23.47	08	I76A, I76B	M24.34	08	I32A, I32B, I32C, I32D, I32E, I32F, I32G, I74A, I74B, I74C	M25.07	08	I69A, I69B
M23.49	08	I76A, I76B	M24.35	08	I76A, I76B	M25.08	08	I69A, I69B
M23.50	08	I77Z	M24.36	08	I77Z	M25.09	08	I69A, I69B
M23.51	08	I77Z	M24.37	08	I77Z	M25.10	08	I69A, I69B, I71A, I71B
M23.52	08	I77Z	M24.38	08	I76A, I76B	M25.11	08	I69A, I69B, I71A, I71B
M23.53	08	I77Z	M24.39	08	I74A, I74B, I74C	M25.12	08	I69A, I69B, I71A, I71B
M23.54	08	I77Z	M24.40	08	I08A, I27B, I71A, I76A, I76B	M25.13	08	I69A, I69B, I71A, I71B
M23.55	08	I77Z	M24.41	08	I77Z	M25.14	08	I32A, I32B, I32C, I32D, I32E, I32F, I32G, I69A, I69B, I71A, I71B
M23.56	08	I77Z	M24.42	08	I77Z	M25.15	08	I69A, I69B, I71A, I71B
M23.57	08	I77Z	M24.43	08	I74A, I74B, I74C	M25.16	08	I69A, I69B, I71A, I71B
M23.60	08	I77Z	M24.44	08	I32A, I32B, I32C, I32D, I32E, I32F, I32G, I74A, I74B, I74C	M25.17	08	I69A, I69B, I71A, I71B
M23.61	08	I77Z	M24.45	08	I76A, I76B	M25.18	08	I69A, I69B, I71A, I71B
M23.62	08	I77Z	M24.46	08	I77Z	M25.19	08	I69A, I69B, I71A, I71B
M23.63	08	I77Z	M24.47	08	I77Z	M25.20	08	I76A, I76B
M23.64	08	I77Z	M24.48	08	I76A, I76B	M25.21	08	I76A, I76B
M23.67	08	I77Z	M24.49	08	I76A, I76B	M25.22	08	I76A, I76B
M23.80	08	I77Z	M24.50	08	I08A, I27B, I71A, I76A	M25.23	08	I76A, I76B
M23.81	08	I77Z	M24.51	08	I76A, I76B	M25.24	08	I32A, I32B, I32C, I32D, I32E, I32F, I32G, I76A, I76B
M23.82	08	I77Z	M24.52	08	I76A, I76B	M25.25	08	I76A, I76B
M23.83	08	I77Z	M24.53	08	I76A, I76B	M25.26	08	I77Z
M23.84	08	I77Z	M24.54	08	I32A, I32B, I32C, I32D, I32E, I32F, I32G, I76A, I76B	M25.27	08	I76A, I76B
M23.85	08	I77Z	M24.55	08	I76A, I76B	M25.28	08	I76A, I76B
M23.86	08	I77Z	M24.56	08	I76A, I76B	M25.29	08	I76A, I76B
M23.87	08	I77Z	M24.57	08	I76A, I76B	M25.30	08	I76A, I76B
M23.89	08	I77Z	M24.58	08	I76A, I76B	M25.31	08	I76A, I76B
M23.90	08	I77Z	M24.59	08	I76A, I76B	M25.32	08	I76A, I76B
M23.91	08	I77Z	M24.60	08	I69A, I69B	M25.33	08	I76A, I76B
M23.92	08	I77Z	M24.61	08	I69A, I69B	M25.34	08	I32A, I32B, I32C, I32D, I32E, I32F, I32G, I76A, I76B
M23.93	08	I77Z	M24.62	08	I69A, I69B	M25.35	08	I76A, I76B
M23.94	08	I77Z	M24.63	08	I69A, I69B	M25.36	08	I77Z
M23.95	08	I77Z	M24.64	08	I32A, I32B, I32C, I32D, I32E, I32F, I32G, I69A, I69B	M25.37	08	I76A, I76B
M23.96	08	I77Z	M24.65	08	I69A, I69B	M25.38	08	I76A, I76B
M23.97	08	I77Z	M24.66	08	I69A, I69B	M25.39	08	I76A, I76B
M24.00	08	I76A, I76B	M24.67	08	I69A, I69B	M25.40	08	I76A, I76B
M24.01	08	I76A, I76B	M24.68	08	I69A, I69B	M25.41	08	I76A, I76B
M24.02	08	I76A, I76B	M24.69	08	I69A, I69B	M25.42	08	I76A, I76B
M24.03	08	I76A, I76B	M24.7	08	I76A, I76B	M25.43	08	I76A, I76B
M24.04	08	I32A, I32B, I32C, I32D, I32E, I32F, I32G, I76A, I76B	M24.80	08	I76A, I76B	M25.44	08	I32A, I32B, I32C, I32D, I32E, I32F, I32G, I76A, I76B
M24.05	08	I76A, I76B	M24.81	08	I76A, I76B	M25.45	08	I76A, I76B
M24.07	08	I76A, I76B	M24.82	08	I76A, I76B	M25.46	08	I76A, I76B
M24.08	08	I76A, I76B	M24.83	08	I76A, I76B	M25.47	08	I76A, I76B
M24.09	08	I76A, I76B	M24.84	08	I32A, I32B, I32C, I32D, I32E, I32F, I32G, I76A, I76B	M25.48	08	I76A, I76B
M24.10	08	I76A, I76B	M24.85	08	I76A, I76B	M25.49	08	I76A, I76B
M24.11	08	I77Z	M24.87	08	I76A, I76B	M25.50	08	I69A, I69B, I71A, I71B
M24.12	08	I77Z	M24.88	08	I76A, I76B	M25.51	08	I69A, I69B, I71A, I71B
M24.13	08	I74A, I74B, I74C	M24.89	08	I76A, I76B	M25.52	08	I69A, I69B, I71A, I71B
M24.14	08	I32A, I32B, I32C, I32D, I32E, I32F, I32G, I74A, I74B, I74C	M24.90	08	I76A, I76B	M25.53	08	I69A, I69B, I71A, I71B
M24.15	08	I76A, I76B	M24.91	08	I76A, I76B	M25.54	08	I32A, I32B, I32C, I32D, I32E, I32F, I32G, I69A, I69B, I71A, I71B
M24.17	08	I77Z	M24.92	08	I76A, I76B	M25.55	08	I69A, I69B, I71A, I71B
M24.18	08	I76A, I76B	M24.93	08	I76A, I76B	M25.56	08	I69A, I69B, I71A, I71B
M24.19	08	I76A, I76B	M24.94	08	I32A, I32B, I32C, I32D, I32E, I32F, I32G, I76A, I76B	M25.57	08	I69A, I69B, I71A, I71B
M24.20	08	I72Z, I75A, I75B	M24.95	08	I76A, I76B	M25.58	08	I69A, I69B, I71A, I71B
M24.21	08	I72Z, I75A, I75B	M24.97	08	I76A, I76B	M25.59	08	I69A, I69B, I71A, I71B
M24.22	08	I72Z, I75A, I75B	M24.98	08	I76A, I76B	M25.60	08	I69A, I69B, I71A, I71B
M24.23	08	I72Z, I75A, I75B	M24.99	08	I76A, I76B	M25.61	08	I69A, I69B, I71A, I71B
M24.24	08	I72Z, I75A, I75B	M25.00	08	I69A, I69B	M25.62	08	I69A, I69B, I71A, I71B
M24.25	08	I72Z, I75A, I75B	M25.01	08	I69A, I69B	M25.63	08	I69A, I69B, I71A, I71B
M24.27	08	I72Z, I75A, I75B	M25.02	08	I69A, I69B	M25.64	08	I32A, I32B, I32C, I32D, I32E, I32F, I32G, I69A, I69B, I71A, I71B
M24.28	08	I72Z, I75A, I75B	M25.03	08	I69A, I69B	M25.65	08	I69A, I69B, I71A, I71B
M24.29	08	I72Z, I75A, I75B	M25.04	08	I32A, I32B, I32C, I32D, I32E, I32F, I32G, I69A, I69B	M25.66	08	I69A, I69B, I71A, I71B
M24.30	08	I76A, I76B	M25.05	08	I69A, I69B			
M24.31	08	I77Z	M25.06	08	I69A, I69B			
M24.32	08	I77Z						
M24.33	08	I74A, I74B, I74C						

ICD	MDC	DRG	ICD	MDC	DRG	ICD	MDC	DRG
M25.67	08	I69A, I69B, I71A, I71B	M33.1	08	I08A, I08B, I08C, I08D, I08E, I12A, I12B, I12C, I13A, I13B, I32C, I32D, I66A, I66B, I66C	M40.12	08	I06A, I06B, I06C, I06D, I06E, I09A, I09B, I09C, I09D, I09E, I68A, I68B, I68C, I68D, I68E
M25.68	08	I69A, I69B, I71A, I71B				M40.13	08	I06A, I06B, I06C, I06D, I06E, I09A, I09B, I09C, I09D, I09E, I68A, I68B, I68C, I68D, I68E
M25.69	08	I69A, I69B, I71A, I71B	M33.2	08	I08A, I08B, I08C, I08D, I08E, I12A, I12B, I12C, I13A, I13B, I32C, I32D, I66A, I66B, I66C	M40.14	08	I06A, I06B, I06C, I06D, I06E, I09A, I09B, I09C, I09D, I09E, I68A, I68B, I68C, I68D, I68E
M25.70	08	I76A, I76B				M40.15	08	I06A, I06B, I06C, I06D, I06E, I09A, I09B, I09C, I09D, I09E, I68A, I68B, I68C, I68D, I68E
M25.71	08	I76A, I76B	M33.9	08	I32C, I32D, I66A, I66B, I66C	M40.16	08	I06A, I06B, I06C, I06D, I06E, I09A, I09B, I09C, I09D, I09E, I68A, I68B, I68C, I68D, I68E
M25.72	08	I76A, I76B	M34.0	08	I08A, I08B, I08C, I08D, I08E, I12A, I12B, I12C, I13A, I13B, I32C, I32D, I66A, I66B, I66C	M40.17	08	I06A, I06B, I06C, I06D, I06E, I09A, I09B, I09C, I09D, I09E, I68A, I68B, I68C, I68D, I68E
M25.73	08	I76A, I76B				M40.18	08	I06A, I06B, I06C, I06D, I06E, I09A, I09B, I09C, I09D, I09E, I68A, I68B, I68C, I68D, I68E
M25.74	08	I32A, I32B, I32C, I32D, I32E, I32F, I32G, I76A, I76B	M34.1	08	I66A, I66B, I66C	M40.19	08	I06A, I06B, I06C, I06D, I06E, I09A, I09B, I09C, I09D, I09E, I68A, I68B, I68C, I68D, I68E
			M34.2	08	I66A, I66B, I66C	M40.20	08	I06A, I06B, I06C, I06D, I06E, I09A, I09B, I09C, I09D, I09E, I68A, I68B, I68C, I68D, I68E
M25.75	08	I76A, I76B	M34.8	08	I32C, I32D, I66A, I66B, I66C	M40.21	08	I06A, I06B, I06C, I06D, I06E, I09A, I09B, I09C, I09D, I09E, I68A, I68B, I68C, I68D, I68E
M25.76	08	I77Z	M34.9	08	I08A, I08B, I08C, I08D, I08E, I12A, I12B, I12C, I13A, I13B, I32C, I32D, I66A, I66B, I66C	M40.22	08	I06A, I06B, I06C, I06D, I06E, I09A, I09B, I09C, I09D, I09E, I68A, I68B, I68C, I68D, I68E
M25.77	08	I76A, I76B				M40.23	08	I06A, I06B, I06C, I06D, I06E, I09A, I09B, I09C, I09D, I09E, I68A, I68B, I68C, I68D, I68E
M25.78	08	I76A, I76B	M35.0	08	I66A, I66B, I66C	M40.24	08	I06A, I06B, I06C, I06D, I06E, I09A, I09B, I09C, I09D, I09E, I68A, I68B, I68C, I68D, I68E
M25.79	08	I76A, I76B	M35.1	08	I08A, I08B, I08C, I08D, I08E, I12A, I12B, I12C, I13A, I13B, I66A, I66B, I66C	M40.25	08	I06A, I06B, I06C, I06D, I06E, I09A, I09B, I09C, I09D, I09E, I68A, I68B, I68C, I68D, I68E
M25.80	08	I69A, I69B, I71A, I71B				M40.26	08	I06A, I06B, I06C, I06D, I06E, I09A, I09B, I09C, I09D, I09E, I68A, I68B, I68C, I68D, I68E
M25.81	08	I69A, I69B, I71A, I71B	M35.2	08	I08A, I08B, I08C, I08D, I08E, I12A, I12B, I12C, I13A, I13B, I66A, I66B, I66C	M40.27	08	I06A, I06B, I06C, I06D, I06E, I09A, I09B, I09C, I09D, I09E, I68A, I68B, I68C, I68D, I68E
M25.82	08	I69A, I69B, I71A, I71B				M40.28	08	I06A, I06B, I06C, I06D, I06E, I09A, I09B, I09C, I09D, I09E, I68A, I68B, I68C, I68D, I68E
M25.83	08	I69A, I69B, I71A, I71B	M35.3	08	I08A, I08B, I08C, I08D, I08E, I12A, I12B, I12C, I13A, I13B, I66A, I66B, I66C	M40.29	08	I06A, I06B, I06C, I06D, I06E, I09A, I09B, I09C, I09D, I09E, I68A, I68B, I68C, I68D, I68E
M25.84	08	I32A, I32B, I32C, I32D, I32E, I32F, I32G, I69A, I69B, I71A, I71B				M40.30	08	I06A, I06B, I06C, I06D, I06E, I09A, I09B, I09C, I09D, I09E, I68A, I68B, I68C, I68D, I68E
			M35.4	08	I72Z, I75A, I75B	M40.31	08	I06A, I06B, I06C, I06D, I06E, I09A, I09B, I09C, I09D, I09E, I68A, I68B, I68C, I68D, I68E
M25.85	08	I69A, I69B, I71A, I71B	M35.5	08	I66A, I66B, I66C	M40.32	08	I06A, I06B, I06C, I06D, I06E, I09A, I09B, I09C, I09D, I09E, I68A, I68B, I68C, I68D, I68E
M25.86	08	I69A, I69B, I71A, I71B	M35.6	09	J61A, J61B, J61C, J68A, J68B	M40.33	08	I06A, I06B, I06C, I06D, I06E, I09A, I09B, I09C, I09D, I09E, I68A, I68B, I68C, I68D, I68E
M25.87	08	I69A, I69B, I71A, I71B	M35.7	08	I72Z, I75A, I75B	M40.34	08	I06A, I06B, I06C, I06D, I06E, I09A, I09B, I09C, I09D, I09E, I68A, I68B, I68C, I68D, I68E
M25.88	08	I69A, I69B, I71A, I71B	M35.8	08	I66A, I66B, I66C	M40.35	08	I06A, I06B, I06C, I06D, I06E, I09A, I09B, I09C, I09D, I09E, I68A, I68B, I68C, I68D, I68E
M25.89	08	I69A, I69B, I71A, I71B	M35.9	08	I66A, I66B, I66C			
M25.90	08	I69A, I69B, I71A, I71B	M36.1	15	TPN, VTPN			
M25.91	08	I69A, I69B, I71A, I71B	M36.2	15	TPN, VTPN			
M25.92	08	I69A, I69B, I71A, I71B	M36.3	15	TPN, VTPN			
M25.93	08	I69A, I69B, I71A, I71B	M36.8	15	TPN, VTPN			
M25.94	08	I32A, I32B, I32C, I32D, I32E, I32F, I32G, I69A, I69B, I71A, I71B	M40.00	08	I06A, I06B, I06C, I06D, I06E, I09A, I09B, I09C, I09D, I09E, I68A, I68B, I68C, I68D, I68E			
			M40.01	08	I06A, I06B, I06C, I06D, I06E, I09A, I09B, I09C, I09D, I09E, I68A, I68B, I68C, I68D, I68E			
M25.95	08	I69A, I69B, I71A, I71B	M40.02	08	I06A, I06B, I06C, I06D, I06E, I09A, I09B, I09C, I09D, I09E, I68A, I68B, I68C, I68D, I68E			
M25.96	08	I69A, I69B, I71A, I71B	M40.03	08	I06A, I06B, I06C, I06D, I06E, I09A, I09B, I09C, I09D, I09E, I68A, I68B, I68C, I68D, I68E			
M25.97	08	I69A, I69B, I71A, I71B	M40.04	08	I06A, I06B, I06C, I06D, I06E, I09A, I09B, I09C, I09D, I09E, I68A, I68B, I68C, I68D, I68E			
M25.98	08	I76A, I76B	M40.05	08	I06A, I06B, I06C, I06D, I06E, I09A, I09B, I09C, I09D, I09E, I68A, I68B, I68C, I68D, I68E			
M25.99	08	I69A, I69B, I71A, I71B	M40.06	08	I06A, I06B, I06C, I06D, I06E, I09A, I09B, I09C, I09D, I09E, I68A, I68B, I68C, I68D, I68E			
M30.0	08	I66A, I66B, I66C	M40.07	08	I06A, I06B, I06C, I06D, I06E, I09A, I09B, I09C, I09D, I09E, I68A, I68B, I68C, I68D, I68E			
M30.1	08	I66A, I66B, I66C	M40.08	08	I06A, I06B, I06C, I06D, I06E, I09A, I09B, I09C, I09D, I09E, I68A, I68B, I68C, I68D, I68E			
M30.2	08	I66A, I66B, I66C	M40.09	08	I06A, I06B, I06C, I06D, I06E, I09A, I09B, I09C, I09D, I09E, I68A, I68B, I68C, I68D, I68E			
M30.3	08	I66A, I66B, I66C	M40.10	08	I06A, I06B, I06C, I06D, I06E, I09A, I09B, I09C, I09D, I09E, I68A, I68B, I68C, I68D, I68E			
M30.8	08	I66A, I66B, I66C	M40.11	08	I06A, I06B, I06C, I06D, I06E, I09A, I09B, I09C, I09D, I09E, I68A, I68B, I68C, I68D, I68E			
M31.0	08	I66A, I66B, I66C						
M31.1	11	L72Z						
	Pre	A07D, A09E, A11F, A13F						
M31.2	08	I65A, I65B, I65C						
	Pre	A07D, A09E, A11F, A13F						
M31.3	08	I66A, I66B, I66C						
	Pre	A07D, A09E, A11F, A13F						
M31.4	08	I66A, I66B, I66C						
	Pre	A07D, A09E, A11F, A13F						
M31.5	08	I66A, I66B, I66C						
	Pre	A07D, A09E, A11F, A13F						
M31.6	08	I66A, I66B, I66C						
M31.7	08	I66A, I66B, I66C						
M31.8	08	I66A, I66B, I66C						
M31.9	08	I66A, I66B, I66C						
M32.0	08	I66A, I66B, I66C						
	15	TPN, VTPN						
M32.1	08	I32C, I32D, I66A, I66B, I66C						
	15	TPN, VTPN						
	Pre	A07D, A09E, A11F, A13F						
M32.8	08	I32C, I32D, I66A, I66B, I66C						
	15	TPN, VTPN						
M32.9	08	I32C, I32D, I66A, I66B, I66C						
	15	TPN, VTPN						
M33.0	08	I32C, I32D, I66A, I66B, I66C						

ICD	MDC	DRG	ICD	MDC	DRG	ICD	MDC	DRG
M71.85	08	I72Z, I75A, I75B	M73.00	15	TPN, VTPN	M79.23	01	B03A, B03B, B06A, B06B, B17A, B17B, B17C, B17D, B71A, B71B, B71C, B71D
M71.86	08	I72Z, I75A, I75B	M73.01	15	TPN, VTPN		18A	S65A, S65B
M71.87	08	I72Z, I75A, I75B	M73.02	15	TPN, VTPN	M79.24	01	B03A, B03B, B06A, B06B, B17A, B17B, B17C, B17D, B71A, B71B, B71C, B71D
M71.88	08	I72Z, I75A, I75B	M73.03	15	TPN, VTPN		18A	S65A, S65B
M71.89	08	I72Z, I75A, I75B	M73.04	15	TPN, VTPN	M79.25	01	B03A, B03B, B06A, B06B, B17A, B17B, B17C, B17D, B71A, B71B, B71C, B71D
M71.90	08	I72Z, I75A, I75B	M73.05	15	TPN, VTPN		18A	S65A, S65B
M71.91	08	I72Z, I75A, I75B	M73.06	15	TPN, VTPN	M79.26	01	B03A, B03B, B06A, B06B, B17A, B17B, B17C, B17D, B71A, B71B, B71C, B71D
M71.92	08	I72Z, I75A, I75B	M73.07	15	TPN, VTPN		18A	S65A, S65B
M71.93	08	I72Z, I75A, I75B	M73.08	15	TPN, VTPN	M79.27	01	B03A, B03B, B06A, B06B, B17A, B17B, B17C, B17D, B71A, B71B, B71C, B71D
M71.94	08	I72Z, I75A, I75B	M73.09	15	TPN, VTPN		18A	S65A, S65B
M71.95	08	I72Z, I75A, I75B	M75.0	08	I72Z, I75A, I75B	M79.28	01	B03A, B03B, B06A, B06B, B17A, B17B, B17C, B17D, B71A, B71B, B71C, B71D
M71.96	08	I72Z, I75A, I75B	M75.1	08	I72Z, I75A, I75B		18A	S65A, S65B
M71.97	08	I72Z, I75A, I75B	M75.2	08	I72Z, I75A, I75B	M79.29	01	B03A, B03B, B06A, B06B, B17A, B17B, B17C, B17D, B71A, B71B, B71C, B71D
M71.98	08	I72Z, I75A, I75B	M75.3	08	I72Z, I75A, I75B		18A	S65A, S65B
M71.99	08	I72Z, I75A, I75B	M75.4	08	I72Z, I75A, I75B	M79.30	09	J61A, J61B, J61C, J68A, J68B
M72.0	08	I32A, I32B, I32C, I32D, I32E, I32F, I32G, I72Z, I75A, I75B	M75.5	08	I72Z, I75A, I75B	M79.31	09	J61A, J61B, J61C, J68A, J68B
M72.1	08	I72Z, I75A, I75B	M75.8	08	I72Z, I75A, I75B	M79.32	09	J61A, J61B, J61C, J68A, J68B
M72.2	08	I72Z, I75A, I75B	M75.9	08	I72Z, I75A, I75B	M79.33	09	J61A, J61B, J61C, J68A, J68B
M72.40	08	I72Z, I75A, I75B	M76.0	08	I72Z, I75A, I75B	M79.34	09	J61A, J61B, J61C, J68A, J68B
M72.41	08	I72Z, I75A, I75B	M76.1	08	I72Z, I75A, I75B	M79.35	09	J61A, J61B, J61C, J68A, J68B
M72.42	08	I72Z, I75A, I75B	M76.2	08	I72Z, I75A, I75B	M79.36	09	J61A, J61B, J61C, J68A, J68B
M72.43	08	I72Z, I75A, I75B	M76.3	08	I72Z, I75A, I75B	M79.37	09	J61A, J61B, J61C, J68A, J68B
M72.44	08	I72Z, I75A, I75B	M76.4	08	I72Z, I75A, I75B	M79.38	09	J61A, J61B, J61C, J68A, J68B
M72.45	08	I72Z, I75A, I75B	M76.5	08	I72Z, I75A, I75B	M79.39	09	J61A, J61B, J61C, J68A, J68B
M72.46	08	I72Z, I75A, I75B	M76.6	08	I72Z, I75A, I75B	M79.46	08	I76A, I76B
M72.47	08	I72Z, I75A, I75B	M76.7	08	I72Z, I75A, I75B	M79.50	08	I76A, I76B
M72.48	08	I72Z, I75A, I75B	M76.8	08	I72Z, I75A, I75B	M79.51	08	I76A, I76B
M72.49	08	I72Z, I75A, I75B	M76.9	08	I72Z, I75A, I75B	M79.52	08	I76A, I76B
M72.60	08	I72Z, I75A, I75B	M77.0	08	I72Z, I75A, I75B	M79.53	08	I76A, I76B
	Pre	A07D, A09E, A11F, A13F	M77.1	08	I72Z, I75A, I75B	M79.54	08	I76A, I76B
M72.61	08	I72Z, I75A, I75B	M77.2	08	I72Z, I75A, I75B	M79.55	08	I76A, I76B
	Pre	A07D, A09E, A11F, A13F	M77.3	08	I76A, I76B	M79.56	08	I76A, I76B
M72.62	08	I72Z, I75A, I75B	M77.4	08	I72Z, I75A, I75B	M79.57	08	I76A, I76B
	Pre	A07D, A09E, A11F, A13F	M77.5	08	I72Z, I75A, I75B	M79.58	08	I76A, I76B
M72.63	08	I72Z, I75A, I75B	M77.8	08	I72Z, I75A, I75B	M79.59	08	I76A, I76B
	Pre	A07D, A09E, A11F, A13F	M77.9	08	I72Z, I75A, I75B	M79.60	08	I69A, I69B, I71A, I71B
M72.64	08	I72Z, I75A, I75B	M79.00	08	I79Z	M79.61	08	I69A, I69B, I71A, I71B
	Pre	A07D, A09E, A11F, A13F	M79.01	08	I79Z	M79.62	08	I69A, I69B, I71A, I71B
M72.65	08	I72Z, I75A, I75B	M79.02	08	I79Z	M79.63	08	I69A, I69B, I71A, I71B
	Pre	A07D, A09E, A11F, A13F	M79.03	08	I79Z	M79.64	08	I69A, I69B, I71A, I71B
M72.66	08	I72Z, I75A, I75B	M79.04	08	I79Z	M79.65	08	I69A, I69B, I71A, I71B
	Pre	A07D, A09E, A11F, A13F	M79.05	08	I79Z	M79.66	08	I69A, I69B, I71A, I71B
M72.67	08	I72Z, I75A, I75B	M79.06	08	I79Z	M79.67	08	I69A, I69B, I71A, I71B
	Pre	A07D, A09E, A11F, A13F	M79.07	08	I79Z	M79.69	08	I69A, I69B, I71A, I71B
M72.68	08	I72Z, I75A, I75B	M79.08	08	I79Z	M79.70	08	I79Z
	Pre	A07D, A09E, A11F, A13F	M79.09	08	I08A, I08B, I08C, I08D, I08E, I13A, I13B, I79Z	M79.80	08	I69A, I69B, I71A, I71B
M72.69	08	I72Z, I75A, I75B	M79.10	08	I69A, I69B, I71A, I71B	M79.81	08	I69A, I69B, I71A, I71B
	Pre	A07D, A09E, A11F, A13F	M79.11	08	I69A, I69B, I71A, I71B	M79.82	08	I69A, I69B, I71A, I71B
M72.80	08	I72Z, I75A, I75B	M79.12	08	I69A, I69B, I71A, I71B	M79.83	08	I69A, I69B, I71A, I71B
M72.81	08	I72Z, I75A, I75B	M79.13	08	I69A, I69B, I71A, I71B	M79.84	08	I69A, I69B, I71A, I71B
M72.82	08	I72Z, I75A, I75B	M79.14	08	I69A, I69B, I71A, I71B	M79.85	08	I69A, I69B, I71A, I71B
M72.83	08	I72Z, I75A, I75B	M79.15	08	I69A, I69B, I71A, I71B	M79.86	08	I69A, I69B, I71A, I71B
M72.84	08	I72Z, I75A, I75B	M79.16	08	I69A, I69B, I71A, I71B	M79.87	08	I69A, I69B, I71A, I71B
M72.85	08	I72Z, I75A, I75B	M79.17	08	I69A, I69B, I71A, I71B	M79.88	08	I69A, I69B, I71A, I71B
M72.86	08	I72Z, I75A, I75B	M79.18	08	I69A, I69B, I71A, I71B	M79.89	08	I69A, I69B, I71A, I71B
M72.87	08	I72Z, I75A, I75B	M79.19	08	I69A, I69B, I71A, I71B	M79.90	08	I69A, I69B, I71A, I71B
M72.88	08	I72Z, I75A, I75B	M79.20	01	B03A, B03B, B06A, B06B, B17A, B17B, B17C, B17D, B71A, B71B, B71C, B71D			
M72.89	08	I72Z, I75A, I75B		18A	S65A, S65B			
M72.90	08	I72Z, I75A, I75B	M79.21	01	B03A, B03B, B06A, B06B, B17A, B17B, B17C, B17D, B71A, B71B, B71C, B71D			
M72.91	08	I72Z, I75A, I75B		18A	S65A, S65B			
M72.92	08	I72Z, I75A, I75B		18A	S65A, S65B			
M72.93	08	I72Z, I75A, I75B	M79.22	01	B03A, B03B, B06A, B06B, B17A, B17B, B17C, B17D, B71A, B71B, B71C, B71D			
M72.94	08	I72Z, I75A, I75B		18A	S65A, S65B			
M72.95	08	I72Z, I75A, I75B		18A	S65A, S65B			
M72.96	08	I72Z, I75A, I75B		18A	S65A, S65B			
M72.97	08	I72Z, I75A, I75B		18A	S65A, S65B			
M72.98	08	I72Z, I75A, I75B		18A	S65A, S65B			
M72.99	08	I72Z, I75A, I75B		18A	S65A, S65B			

ICD	MDC	DRG	ICD	MDC	DRG	ICD	MDC	DRG
M83.09	08	I69A	M83.43	08	I69A	M83.92	08	I69A
	22	Y02A, Y02B		22	Y02A, Y02B		22	Y02A, Y02B
M83.10	08	I69A	M83.44	08	I69A	M83.93	08	I69A
	22	Y02A, Y02B		22	Y02A, Y02B		22	Y02A, Y02B
M83.11	08	I69A	M83.45	08	I69A	M83.94	08	I69A
	22	Y02A, Y02B		22	Y02A, Y02B		22	Y02A, Y02B
M83.12	08	I69A	M83.46	08	I69A	M83.95	08	I69A
	22	Y02A, Y02B		22	Y02A, Y02B		22	Y02A, Y02B
M83.13	08	I69A	M83.47	08	I69A	M83.96	08	I69A
	22	Y02A, Y02B		22	Y02A, Y02B		22	Y02A, Y02B
M83.14	08	I69A	M83.48	08	I69A	M83.97	08	I69A
	22	Y02A, Y02B		22	Y02A, Y02B		22	Y02A, Y02B
M83.15	08	I69A	M83.49	08	I69A	M83.98	08	I69A
	22	Y02A, Y02B		22	Y02A, Y02B		22	Y02A, Y02B
M83.16	08	I69A	M83.50	08	I69A	M83.99	08	I69A
	22	Y02A, Y02B		18A	S65A, S65B		22	Y02A, Y02B
M83.17	08	I69A		22	Y02A, Y02B	M84.00	08	I76A, I76B
	22	Y02A, Y02B	M83.51	08	I69A	M84.01	08	I76A, I76B
M83.18	08	I69A		18A	S65A, S65B	M84.02	08	I76A, I76B
	22	Y02A, Y02B		22	Y02A, Y02B	M84.03	08	I76A, I76B
M83.19	08	I69A	M83.52	08	I69A	M84.04	08	I76A, I76B
	22	Y02A, Y02B		18A	S65A, S65B	M84.05	08	I76A, I76B
M83.20	08	I69A		22	Y02A, Y02B	M84.06	08	I76A, I76B
	22	Y02A, Y02B	M83.53	08	I69A	M84.07	08	I76A, I76B
M83.21	08	I69A		18A	S65A, S65B	M84.08	08	I76A, I76B
	22	Y02A, Y02B		22	Y02A, Y02B	M84.09	08	I76A, I76B
M83.22	08	I69A	M83.54	08	I69A	M84.10	08	I13D, I76A, I76B
	22	Y02A, Y02B		18A	S65A, S65B	M84.11	08	I13D, I76A, I76B
M83.23	08	I69A		22	Y02A, Y02B	M84.12	08	I13D, I76A, I76B
	22	Y02A, Y02B	M83.55	08	I69A	M84.13	08	I13D, I76A, I76B
M83.24	08	I69A		18A	S65A, S65B	M84.14	08	I13D, I32B, I32C, I32D, I76A, I76B
	22	Y02A, Y02B		22	Y02A, Y02B			
M83.25	08	I69A	M83.56	08	I69A	M84.15	08	I13D, I76A, I76B
	22	Y02A, Y02B		18A	S65A, S65B	M84.16	08	I13D, I76A, I76B
M83.26	08	I69A		22	Y02A, Y02B	M84.17	08	I13D, I76A, I76B
	22	Y02A, Y02B	M83.57	08	I69A	M84.18	08	I13D, I76A, I76B
M83.27	08	I69A		18A	S65A, S65B	M84.19	08	I13D, I76A, I76B
	22	Y02A, Y02B		22	Y02A, Y02B	M84.20	08	I76A, I76B
M83.28	08	I69A	M83.58	08	I69A	M84.21	08	I76A, I76B
	22	Y02A, Y02B		18A	S65A, S65B	M84.22	08	I76A, I76B
M83.29	08	I69A		22	Y02A, Y02B	M84.23	08	I76A, I76B
	22	Y02A, Y02B	M83.59	08	I69A	M84.24	08	I76A, I76B
M83.30	08	I69A		18A	S65A, S65B	M84.25	08	I76A, I76B
	22	Y02A, Y02B		22	Y02A, Y02B	M84.26	08	I76A, I76B
M83.31	08	I69A	M83.80	08	I69A	M84.27	08	I76A, I76B
	22	Y02A, Y02B		22	Y02A, Y02B	M84.28	08	I76A, I76B
M83.32	08	I69A	M83.81	08	I69A	M84.29	08	I76A, I76B
	22	Y02A, Y02B		22	Y02A, Y02B	M84.30	08	I65A, I65B, I65C
M83.33	08	I69A	M83.82	08	I69A		15	TPN, VTPN
	22	Y02A, Y02B		22	Y02A, Y02B	M84.31	08	I65A, I65B, I65C
M83.34	08	I69A	M83.83	08	I69A		15	TPN, VTPN
	22	Y02A, Y02B		22	Y02A, Y02B	M84.32	08	I65A, I65B, I65C
M83.35	08	I69A	M83.84	08	I69A		15	TPN, VTPN
	22	Y02A, Y02B		22	Y02A, Y02B	M84.33	08	I65A, I65B, I65C
M83.36	08	I69A	M83.85	08	I69A		15	TPN, VTPN
	22	Y02A, Y02B		22	Y02A, Y02B	M84.34	08	I65A, I65B, I65C
M83.37	08	I69A	M83.86	08	I69A		15	TPN, VTPN
	22	Y02A, Y02B		22	Y02A, Y02B	M84.35	08	I65A, I65B, I65C
M83.38	08	I69A	M83.87	08	I69A		15	TPN, VTPN
	22	Y02A, Y02B		22	Y02A, Y02B	M84.36	08	I65A, I65B, I65C
M83.39	08	I69A	M83.88	08	I69A		15	TPN, VTPN
	22	Y02A, Y02B		22	Y02A, Y02B	M84.37	08	I65A, I65B, I65C
M83.40	08	I69A	M83.89	08	I69A		15	TPN, VTPN
	22	Y02A, Y02B		22	Y02A, Y02B	M84.38	08	I65A, I65B, I65C
M83.41	08	I69A	M83.90	08	I69A		15	TPN, VTPN
	22	Y02A, Y02B		22	Y02A, Y02B	M84.39	08	I65A, I65B, I65C
M83.42	08	I69A	M83.91	08	I69A		15	TPN, VTPN
	22	Y02A, Y02B		22	Y02A, Y02B			

Dg

ICD	MDC	DRG	ICD	MDC	DRG	ICD	MDC	DRG
M86.57	05	F61A	M86.82	05	F61A	M86.96	05	F61A
	08	I08A, I08B, I08C, I08D, I08E, I13A, I13B, I64A, I64B, I64C		08	I08A, I08B, I08C, I08D, I08E, I12A, I12B, I12C, I13A, I13B, I64A, I64B, I64C		08	I01Z, I04Z, I08A, I08B, I08C, I08D, I08E, I12A, I12B, I12C, I13A, I13B, I64A, I64B, I64C
M86.58	15	TPN, VTPN	M86.83	15	TPN, VTPN	M86.97	15	TPN, VTPN
	05	F61A		05	F61A		05	F61A
M86.59	08	I08A, I08B, I08C, I08D, I08E, I13A, I13B, I64A, I64B, I64C	M86.84	08	I08A, I08B, I08C, I08D, I08E, I12A, I12B, I12C, I13A, I13B, I64A, I64B, I64C	M86.98	08	I08A, I08B, I08C, I08D, I08E, I13A, I13B, I64A, I64B, I64C
	15	TPN, VTPN		15	TPN, VTPN		15	TPN, VTPN
M86.60	05	F61A	M86.85	05	F61A	M86.99	05	F61A
	08	I08A, I08B, I08C, I08D, I08E, I12A, I12B, I12C, I13A, I13B, I64A, I64B, I64C		08	I08A, I08B, I08C, I08D, I08E, I13A, I13B, I32A, I32B, I32C, I32D, I32E, I32F, I32G, I64A, I64B, I64C		08	I08A, I08B, I08C, I08D, I08E, I13A, I13B, I64A, I64B, I64C
M86.61	15	TPN, VTPN	M86.86	15	TPN, VTPN	M87.00	15	TPN, VTPN
	05	F61A		05	F61A		08	I69A, I69B
M86.62	08	I08A, I08B, I08C, I08D, I08E, I12A, I12B, I12C, I13A, I13B, I64A, I64B, I64C	M86.87	08	I01Z, I03A, I03B, I04Z, I08A, I08B, I08C, I08D, I08E, I12A, I12B, I12C, I13A, I13B, I64A, I64B, I64C	M87.01	08	I69A, I69B
	15	TPN, VTPN		M86.88	15		TPN, VTPN	M87.02
M86.63	05	F61A	M86.89		05	F61A	M87.03	
	08	I08A, I08B, I08C, I08D, I08E, I12A, I12B, I12C, I13A, I13B, I64A, I64B, I64C		08	I08A, I08B, I08C, I08D, I08E, I13A, I13B, I64A, I64B, I64C	M87.04		08
M86.64	15	TPN, VTPN	M86.90	15	TPN, VTPN		M87.05	15
	05	F61A		05	F61A	M87.06		08
M86.65	08	I08A, I08B, I08C, I08D, I08E, I13A, I13B, I32A, I32B, I32C, I32D, I32E, I32F, I32G, I64A, I64B, I64C	M86.91	08	I08A, I08B, I08C, I08D, I08E, I13A, I13B, I64A, I64B, I64C		M87.07	15
	15	TPN, VTPN		M86.92	15	TPN, VTPN		M87.08
M86.66	05	F61A	M86.93		05	F61A	M87.09	
	08	I01Z, I04Z, I08A, I08B, I08C, I08D, I08E, I12A, I12B, I12C, I13A, I13B, I64A, I64B, I64C		08	I08A, I08B, I08C, I08D, I08E, I12A, I12B, I12C, I13A, I13B, I64A, I64B, I64C	M87.10		15
M86.67	15	TPN, VTPN	M86.94	15	TPN, VTPN		M87.11	15
	05	F61A		05	F61A	M87.12		08
M86.68	08	I08A, I08B, I08C, I08D, I08E, I13A, I13B, I64A, I64B, I64C	M86.95	08	I08A, I08B, I08C, I08D, I08E, I12A, I12B, I12C, I13A, I13B, I64A, I64B, I64C		M87.13	15
	15	TPN, VTPN		M86.96	15	TPN, VTPN		M87.14
M86.69	05	F61A	M86.97		05	F61A	M87.15	
	08	I08A, I08B, I08C, I08D, I08E, I13A, I13B, I64A, I64B, I64C		08	I08A, I08B, I08C, I08D, I08E, I12A, I12B, I12C, I13A, I13B, I64A, I64B, I64C	M87.16		15
M86.80	15	TPN, VTPN	M86.98	15	TPN, VTPN		M87.17	08
	05	F61A		M86.99	05	F61A		M87.18
M86.81	08	I08A, I08B, I08C, I08D, I08E, I12A, I12B, I12C, I13A, I13B, I64A, I64B, I64C	M87.00		08	I01Z, I03A, I03B, I04Z, I08A, I08B, I08C, I08D, I08E, I12A, I12B, I12C, I13A, I13B, I64A, I64B, I64C	M87.19	
	15	TPN, VTPN		M87.01	15	TPN, VTPN		M87.20
			M87.02		08	I08A, I08B, I08C, I08D, I08E, I12A, I12B, I12C, I13A, I13B, I64A, I64B, I64C	M87.21	
				M87.03	15	TPN, VTPN		M87.21
			M87.04		05	F61A		
				M87.05	08	I08A, I08B, I08C, I08D, I08E, I13A, I13B, I64A, I64B, I64C		
			M87.06		15	TPN, VTPN		
				M87.07	05	F61A		
			M87.08		08	I08A, I08B, I08C, I08D, I08E, I13A, I13B, I64A, I64B, I64C		
				M87.09	15	TPN, VTPN		
			M87.10		05	F61A		
				M87.11	08	I08A, I08B, I08C, I08D, I08E, I13A, I13B, I64A, I64B, I64C		
			M87.12		15	TPN, VTPN		
				M87.13	05	F61A		
			M87.14		08	I08A, I08B, I08C, I08D, I08E, I12A, I12B, I12C, I13A, I13B, I64A, I64B, I64C		
				M87.15	15	TPN, VTPN		
			M87.16		05	F61A		
				M87.17	08	I08A, I08B, I08C, I08D, I08E, I12A, I12B, I12C, I13A, I13B, I64A, I64B, I64C		
			M87.18		15	TPN, VTPN		
				M87.19	05	F61A		
			M87.20		08	I08A, I08B, I08C, I08D, I08E, I13A, I13B, I64A, I64B, I64C		
				M87.21	15	TPN, VTPN		

ICD	MDC	DRG	ICD	MDC	DRG	ICD	MDC	DRG
M87.22	08	I08A, I08B, I08C, I08D, I08E, I13A, I13B, I64A, I64B, I64C	M87.84	08	I08A, I08B, I08C, I08D, I08E, I13A, I13B, I32A, I32B, I32C, I32D, I32E, I32F, I32G, I64A, I64B, I64C	M88.97	08	I69A, I69B
	15	TPN, VTPN				M88.98	08	I69A, I69B
M87.23	08	I08A, I08B, I08C, I08D, I08E, I13A, I13B, I64A, I64B, I64C		15	TPN, VTPN	M88.99	08	I69A, I69B
	15	TPN, VTPN	M87.85	08	I08A, I08B, I08C, I08D, I08E, I13A, I13B, I64A, I64B, I64C	M89.00	01	B03A, B03B, B06A, B06B, B17A, B17B, B17C, B17D, B20D, B71A, B71B, B71C, B71D
M87.24	08	I08A, I08B, I08C, I08D, I08E, I13A, I13B, I32A, I32B, I32C, I32D, I32E, I32F, I32G, I64A, I64B, I64C		15	TPN, VTPN	M89.01	01	B03A, B03B, B06A, B06B, B17A, B17B, B17C, B17D, B20D, B71A, B71B, B71C, B71D
	15	TPN, VTPN	M87.86	08	I08A, I08B, I08C, I08D, I08E, I13A, I13B, I64A, I64B, I64C	M89.02	01	B03A, B03B, B06A, B06B, B17A, B17B, B17C, B17D, B20D, B71A, B71B, B71C, B71D
M87.25	08	I08A, I08B, I08C, I08D, I08E, I13A, I13B, I64A, I64B, I64C	M87.87	08	I08A, I08B, I08C, I08D, I08E, I13A, I13B, I64A, I64B, I64C	M89.03	01	B03A, B03B, B06A, B06B, B17A, B17B, B17C, B17D, B20D, B71A, B71B, B71C, B71D
	15	TPN, VTPN		15	TPN, VTPN	M89.04	01	B03A, B03B, B06A, B06B, B17A, B17B, B17C, B17D, B20D, B71A, B71B, B71C, B71D
M87.26	08	I08A, I08B, I08C, I08D, I08E, I13A, I13B, I64A, I64B, I64C	M87.88	08	I08A, I08B, I08C, I08D, I08E, I13A, I13B, I64A, I64B, I64C	M89.05	01	B03A, B03B, B06A, B06B, B17A, B17B, B17C, B17D, B20D, B71A, B71B, B71C, B71D
	15	TPN, VTPN		15	TPN, VTPN	M89.06	01	B03A, B03B, B06A, B06B, B17A, B17B, B17C, B17D, B20D, B71A, B71B, B71C, B71D
M87.27	08	I08A, I08B, I08C, I08D, I08E, I13A, I13B, I64A, I64B, I64C	M87.89	08	I08A, I08B, I08C, I08D, I08E, I13A, I13B, I64A, I64B, I64C	M89.07	01	B03A, B03B, B06A, B06B, B17A, B17B, B17C, B17D, B20D, B71A, B71B, B71C, B71D
	15	TPN, VTPN		15	TPN, VTPN	M89.08	01	B03A, B03B, B06A, B06B, B17A, B17B, B17C, B17D, B20D, B71A, B71B, B71C, B71D
M87.28	08	I08A, I08B, I08C, I08D, I08E, I13A, I13B, I64A, I64B, I64C	M87.90	08	I08A, I08B, I08C, I08D, I08E, I13A, I13B, I64A, I64B, I64C	M89.09	01	B03A, B03B, B06A, B06B, B17A, B17B, B17C, B17D, B20D, B71A, B71B, B71C, B71D
	15	TPN, VTPN		15	TPN, VTPN	M89.10	08	I76A, I76B
M87.29	08	I08A, I08B, I08C, I08D, I08E, I13A, I13B, I64A, I64B, I64C	M87.91	08	I08A, I08B, I08C, I08D, I08E, I13A, I13B, I64A, I64B, I64C	M89.11	08	I76A, I76B
	15	TPN, VTPN		15	TPN, VTPN	M89.12	08	I76A, I76B
M87.30	08	I08A, I08B, I08C, I08D, I08E, I13A, I13B, I64A, I64B, I64C	M87.92	08	I08A, I08B, I08C, I08D, I08E, I13A, I13B, I64A, I64B, I64C	M89.13	08	I76A, I76B
	15	TPN, VTPN		15	TPN, VTPN	M89.14	08	I76A, I76B
M87.31	08	I08A, I08B, I08C, I08D, I08E, I13A, I13B, I64A, I64B, I64C	M87.93	08	I08A, I08B, I08C, I08D, I08E, I13A, I13B, I64A, I64B, I64C	M89.15	08	I76A, I76B
	15	TPN, VTPN		15	TPN, VTPN	M89.16	08	I76A, I76B
M87.32	08	I08A, I08B, I08C, I08D, I08E, I13A, I13B, I64A, I64B, I64C	M87.94	08	I08A, I08B, I08C, I08D, I08E, I13A, I13B, I32A, I32B, I32C, I32D, I32E, I32F, I32G, I64A, I64B, I64C	M89.17	08	I76A, I76B
	15	TPN, VTPN		15	TPN, VTPN	M89.18	08	I76A, I76B
M87.33	08	I08A, I08B, I08C, I08D, I08E, I13A, I13B, I64A, I64B, I64C	M87.95	08	I08A, I08B, I08C, I08D, I08E, I13A, I13B, I64A, I64B, I64C	M89.19	08	I76A, I76B
	15	TPN, VTPN		15	TPN, VTPN	M89.20	08	I76A, I76B
M87.34	08	I08A, I08B, I08C, I08D, I08E, I13A, I13B, I32A, I32B, I32C, I32D, I32E, I32F, I32G, I64A, I64B, I64C	M87.96	08	I08A, I08B, I08C, I08D, I08E, I13A, I13B, I64A, I64B, I64C	M89.21	08	I76A, I76B
	15	TPN, VTPN		15	TPN, VTPN	M89.22	08	I76A, I76B
M87.35	08	I08A, I08B, I08C, I08D, I08E, I13A, I13B, I64A, I64B, I64C	M87.97	08	I08A, I08B, I08C, I08D, I08E, I13A, I13B, I64A, I64B, I64C	M89.23	08	I76A, I76B
	15	TPN, VTPN		15	TPN, VTPN	M89.24	08	I76A, I76B
M87.36	08	I08A, I08B, I08C, I08D, I08E, I13A, I13B, I64A, I64B, I64C	M87.98	08	I08A, I08B, I08C, I08D, I08E, I13A, I13B, I64A, I64B, I64C	M89.25	08	I76A, I76B
	15	TPN, VTPN		15	TPN, VTPN	M89.26	08	I76A, I76B
M87.37	08	I08A, I08B, I08C, I08D, I08E, I13A, I13B, I64A, I64B, I64C	M87.99	08	I08A, I08B, I08C, I08D, I08E, I13A, I13B, I64A, I64B, I64C	M89.27	08	I76A, I76B
	15	TPN, VTPN		15	TPN, VTPN	M89.28	08	I76A, I76B
M87.38	08	I08A, I08B, I08C, I08D, I08E, I13A, I13B, I64A, I64B, I64C	M88.0	08	I69A, I69B	M89.29	08	I76A, I76B
	15	TPN, VTPN	M88.80	08	I69A, I69B	M89.30	08	I76A, I76B
M87.39	08	I08A, I08B, I08C, I08D, I08E, I13A, I13B, I64A, I64B, I64C	M88.81	08	I69A, I69B	M89.31	08	I76A, I76B
	15	TPN, VTPN	M88.82	08	I69A, I69B	M89.32	08	I76A, I76B
M87.80	08	I08A, I08B, I08C, I08D, I08E, I13A, I13B, I64A, I64B, I64C	M88.83	08	I69A, I69B	M89.33	08	I76A, I76B
	15	TPN, VTPN	M88.84	08	I69A, I69B	M89.34	08	I76A, I76B
M87.81	08	I08A, I08B, I08C, I08D, I08E, I13A, I13B, I64A, I64B, I64C	M88.85	08	I69A, I69B	M89.35	08	I76A, I76B
	15	TPN, VTPN	M88.86	08	I69A, I69B	M89.36	08	I76A, I76B
M87.82	08	I08A, I08B, I08C, I08D, I08E, I13A, I13B, I64A, I64B, I64C	M88.87	08	I69A, I69B	M89.37	08	I76A, I76B
	15	TPN, VTPN	M88.88	08	I69A, I69B			
M87.83	08	I08A, I08B, I08C, I08D, I08E, I13A, I13B, I64A, I64B, I64C	M88.89	08	I69A, I69B			
	15	TPN, VTPN	M88.90	08	I69A, I69B			
			M88.91	08	I69A, I69B			
			M88.92	08	I69A, I69B			
			M88.93	08	I69A, I69B			
			M88.94	08	I69A, I69B			
			M88.95	08	I69A, I69B			
			M88.96	08	I69A, I69B			

ICD	MDC	DRG	ICD	MDC	DRG	ICD	MDC	DRG
M89.38	08	I76A, I76B	M89.95	08	I76A, I76B	M92.8	08	I69A, I69B
M89.39	08	I76A, I76B	M89.96	08	I76A, I76B	M92.9	08	I69A, I69B
M89.40	08	I69A, I69B	M89.97	08	I76A, I76B	M93.0	08	I69A, I69B
M89.41	08	I69A, I69B	M89.98	08	I76A, I76B	M93.1	08	I69A, I69B
M89.42	08	I69A, I69B	M89.99	08	I76A, I76B	M93.2	08	I69A, I69B
M89.43	08	I69A, I69B	M90.00	15	TPN, VTPN	M93.8	08	I69A, I69B
M89.44	08	I69A, I69B	M90.01	15	TPN, VTPN	M93.9	08	I69A, I69B
M89.45	08	I69A, I69B	M90.02	15	TPN, VTPN	M94.0	04	E65A, E65B, E69A, E69B, E69C, E69D, E69E, E69F, E75A, E75B, E75C
M89.46	08	I69A, I69B	M90.03	15	TPN, VTPN	M94.1	08	I76A
M89.47	08	I69A, I69B	M90.04	15	TPN, VTPN	M94.20	08	I69A, I69B
M89.48	08	I69A, I69B	M90.05	15	TPN, VTPN	M94.21	08	I69A, I69B
M89.49	08	I69A, I69B	M90.06	15	TPN, VTPN	M94.22	08	I69A, I69B
M89.50	08	I76A	M90.07	15	TPN, VTPN	M94.23	08	I69A, I69B
	17	R61F, R61G, R62A, R62B	M90.08	15	TPN, VTPN	M94.24	08	I69A, I69B
M89.51	08	I76A, I76B	M90.09	15	TPN, VTPN	M94.25	08	I69A, I69B
	17	R61F, R61G, R62A, R62B	M90.10	15	TPN, VTPN	M94.26	08	I69A, I69B
M89.52	08	I76A, I76B	M90.11	15	TPN, VTPN	M94.27	08	I69A, I69B
	17	R61F, R61G, R62A, R62B	M90.12	15	TPN, VTPN	M94.28	08	I69A, I69B
M89.53	08	I76A, I76B	M90.13	15	TPN, VTPN	M94.29	08	I69A, I69B
	17	R61F, R61G, R62A, R62B	M90.14	15	TPN, VTPN	M94.30	08	I76A, I76B
M89.54	08	I76A, I76B	M90.15	15	TPN, VTPN	M94.31	08	I76A, I76B
	17	R61F, R61G, R62A, R62B	M90.16	15	TPN, VTPN	M94.32	08	I76A, I76B
M89.55	08	I04Z, I76A, I76B	M90.17	15	TPN, VTPN	M94.33	08	I76A, I76B
	17	R61F, R61G, R62A, R62B	M90.18	15	TPN, VTPN	M94.34	08	I76A, I76B
M89.56	08	I04Z, I76A, I76B	M90.19	15	TPN, VTPN	M94.35	08	I76A, I76B
	17	R61F, R61G, R62A, R62B	M90.20	15	TPN, VTPN	M94.36	08	I76A, I76B
M89.57	08	I76A, I76B	M90.21	15	TPN, VTPN	M94.37	08	I76A, I76B
	17	R61F, R61G, R62A, R62B	M90.22	15	TPN, VTPN	M94.38	08	I76A, I76B
M89.58	08	I76A	M90.23	15	TPN, VTPN	M94.39	08	I76A, I76B
	17	R61F, R61G, R62A, R62B	M90.24	15	TPN, VTPN	M94.80	08	I76A, I76B
M89.59	08	I76A, I76B	M90.25	15	TPN, VTPN	M94.81	08	I76A, I76B
	17	R61F, R61G, R62A, R62B	M90.26	15	TPN, VTPN	M94.82	08	I76A, I76B
M89.60	08	I08A, I08B, I08C, I08D, I08E, I13A, I13B, I76A, I76B	M90.27	15	TPN, VTPN	M94.83	08	I76A, I76B
			M90.28	15	TPN, VTPN	M94.84	08	I76A, I76B
M89.61	08	I08A, I08B, I08C, I08D, I08E, I13A, I13B, I76A, I76B	M90.29	15	TPN, VTPN	M94.85	08	I76A, I76B
			M90.70	15	TPN, VTPN	M94.86	08	I76A, I76B
M89.62	08	I08A, I08B, I08C, I08D, I08E, I13A, I13B, I76A, I76B		17	R61F, R61G, R62A, R62B	M94.87	08	I76A, I76B
			M90.71	15	TPN, VTPN	M94.88	08	I76A, I76B
M89.63	08	I08A, I08B, I08C, I08D, I08E, I13A, I13B, I76A, I76B		17	R61F, R61G, R62A, R62B	M94.89	08	I76A, I76B
			M90.72	15	TPN, VTPN	M94.90	08	I76A, I76B
M89.64	08	I08A, I08B, I08C, I08D, I08E, I13A, I13B, I32A, I32B, I32C, I32D, I32E, I32F, I32G, I76A, I76B		17	R61F, R61G, R62A, R62B	M94.91	08	I76A, I76B
			M90.73	15	TPN, VTPN	M94.92	08	I76A, I76B
M89.65	08	I08A, I08B, I08C, I08D, I08E, I13A, I13B, I76A, I76B		17	R61F, R61G, R62A, R62B	M94.93	08	I76A, I76B
			M90.74	15	TPN, VTPN	M94.94	08	I76A, I76B
M89.66	08	I08A, I08B, I08C, I08D, I08E, I13A, I13B, I76A, I76B		17	R61F, R61G, R62A, R62B	M94.95	08	I76A, I76B
			M90.75	15	TPN, VTPN	M94.96	08	I76A, I76B
M89.67	08	I08A, I08B, I08C, I08D, I08E, I13A, I13B, I76A, I76B		17	R61F, R61G, R62A, R62B	M94.97	08	I76A, I76B
			M90.76	15	TPN, VTPN	M94.98	08	I76A, I76B
M89.68	08	I08A, I08B, I08C, I08D, I08E, I13A, I13B, I76A, I76B		17	R61F, R61G, R62A, R62B	M94.99	08	I76A, I76B
			M90.77	15	TPN, VTPN	M95.0	03	D65Z
M89.69	08	I08A, I08B, I08C, I08D, I08E, I13A, I13B, I76A, I76B		17	R61F, R61G, R62A, R62B	M95.1	03	D66Z
			M90.78	15	TPN, VTPN	M95.2	08	I76A, I76B
M89.80	08	I76A, I76B		17	R61F, R61G, R62A, R62B	M95.3	08	I76A, I76B
M89.81	08	I76A, I76B	M90.79	15	TPN, VTPN	M95.4	08	I76A, I76B
M89.82	08	I76A, I76B		17	R61F, R61G, R62A, R62B	M95.5	08	I76A, I76B
M89.83	08	I76A, I76B	M91.0	08	I69A, I69B	M95.8	08	I76A, I76B
M89.84	08	I76A, I76B	M91.1	08	I69A, I69B	M95.9	08	I76A, I76B
M89.85	08	I76A, I76B	M91.2	08	I69A, I69B	M96.0	08	I76A, I76B
M89.86	08	I76A, I76B	M91.3	08	I69A, I69B	M96.1	08	I68A, I68B, I68C, I68D, I68E
M89.87	08	I76A, I76B	M91.8	08	I69A, I69B	M96.2	08	I06A, I06B, I06C, I06D, I06E, I09A, I09B, I09C, I09D, I09E, I68A, I68B, I68C, I68D, I68E
M89.88	08	I76A, I76B	M91.9	08	I69A, I69B			
M89.89	08	I76A, I76B	M92.0	08	I69A, I69B	M96.3	08	I06A, I06B, I06C, I06D, I06E, I09A, I09B, I09C, I09D, I09E, I68A, I68B, I68C, I68D, I68E
M89.90	08	I76A, I76B	M92.1	08	I69A, I69B			
M89.91	08	I76A, I76B	M92.2	08	I69A, I69B			
M89.92	08	I76A, I76B	M92.3	08	I69A, I69B			
M89.93	08	I76A, I76B	M92.4	08	I69A, I69B			
M89.94	08	I76A, I76B	M92.5	08	I69A, I69B			
			M92.6	08	I69A, I69B			
			M92.7	08	I69A, I69B			

ICD	MDC	DRG	ICD	MDC	DRG	ICD	MDC	DRG
M96.4	08	I06A, I06B, I06C, I06D, I06E, I09A, I09B, I09C, I09D, I09E, I68A, I68B, I68C, I68D, I68E	N01.7	11	L68A, L68B, L74Z	N05.0	11	L68A, L68B, L74Z
M96.5	08	I06A, I06B, I06C, I06D, I06E, I09A, I09B, I09C, I09D, I09E, I68A, I68B, I68C, I68D, I68E	N01.8	11	L68A, L68B, L74Z		18A	S65A, S65B
M96.6	08	I01Z, I03A, I03B, I04Z, I08A, I08B, I08C, I08D, I08E, I13A, I13B, I73Z	N01.9	11	L68A, L68B, L74Z	N05.1	11	L68A, L68B, L74Z
M96.80	08	I01Z, I03A, I03B, I04Z, I08A, I08B, I08C, I08D, I08E, I13A, I13B, I73Z	N02.0	11	L64A, L74Z		18A	S65A, S65B
	15	TPN, VTPN	N02.1	11	L64A, L74Z	N05.2	11	L68A, L68B, L74Z
M96.81	08	I01Z, I03A, I03B, I04Z, I08A, I08B, I08C, I08D, I08E, I13A, I13B, I73Z	N02.2	11	L64A, L74Z		18A	S65A, S65B
	15	TPN, VTPN	N02.3	11	L64A, L74Z	N05.3	11	L68A, L68B, L74Z
M96.88	08	I01Z, I03A, I03B, I04Z, I08A, I08B, I08C, I08D, I08E, I13A, I13B, I73Z	N02.4	11	L64A, L74Z		18A	S65A, S65B
	15	TPN, VTPN	N02.5	11	L64A, L74Z	N05.4	11	L68A, L68B, L74Z
M96.9	08	I08A, I08B, I08C, I08D, I08E, I13A, I13B, I73Z	N02.6	11	L64A, L74Z		18A	S65A, S65B
	15	TPN, VTPN	N02.7	11	L64A, L74Z	N05.5	11	L68A, L68B, L74Z
N00.0	11	L68A, L68B, L74Z	N02.8	11	L64A, L74Z		18A	S65A, S65B
	18A	S65A, S65B	N02.9	11	L64A, L74Z	N05.6	11	L68A, L68B, L74Z
N00.1	Pre	A07D, A09E, A11F, A13F	N03.0	11	L68A, L68B, L74Z		18A	S65A, S65B
	11	L68A, L68B, L74Z		18A	S65A, S65B	N05.7	11	L68A, L68B, L74Z
N00.2	Pre	A07D, A09E, A11F, A13F	N03.1	11	L68A, L68B, L74Z		18A	S65A, S65B
	11	L68A, L68B, L74Z		18A	S65A, S65B	N05.8	11	L68A, L68B, L74Z
	18A	S65A, S65B	N03.2	11	L68A, L68B, L74Z		18A	S65A, S65B
N00.3	Pre	A07D, A09E, A11F, A13F	N03.3	11	L68A, L68B, L74Z	N05.9	11	L68A, L68B, L74Z
	11	L68A, L68B, L74Z		18A	S65A, S65B		18A	S65A, S65B
	18A	S65A, S65B	N03.4	11	L68A, L68B, L74Z	N06.0	11	L68A, L68B, L74Z
N00.4	Pre	A07D, A09E, A11F, A13F		18A	S65A, S65B	N06.1	11	L68A, L68B, L74Z
	11	L68A, L68B, L74Z	N03.5	11	L68A, L68B, L74Z	N06.2	11	L68A, L68B, L74Z
	18A	S65A, S65B		18A	S65A, S65B	N06.3	11	L68A, L68B, L74Z
N00.5	Pre	A07D, A09E, A11F, A13F	N03.6	11	L68A, L68B, L74Z	N06.4	11	L68A, L68B, L74Z
	11	L68A, L68B, L74Z		15	TPN, VTPN	N06.5	11	L68A, L68B, L74Z
	18A	S65A, S65B	N03.7	11	L68A, L68B, L74Z	N06.6	11	L68A, L68B, L74Z
N00.6	Pre	A07D, A09E, A11F, A13F		18A	S65A, S65B	N06.7	11	L68A, L68B, L74Z
	11	L68A, L68B, L74Z	N03.8	11	L68A, L68B, L74Z	N06.8	11	L68A, L68B, L74Z
	18A	S65A, S65B		18A	S65A, S65B	N06.9	11	L68A, L68B, L74Z
N00.7	Pre	A07D, A09E, A11F, A13F	N03.9	11	L68A, L68B, L74Z	N07.0	11	L68A, L68B, L74Z
	11	L68A, L68B, L74Z		18A	S65A, S65B	N07.1	11	L68A, L68B, L74Z
	18A	S65A, S65B	N04.0	11	L69A, L69B	N07.2	11	L68A, L68B, L74Z
N00.8	Pre	A07D, A09E, A11F, A13F		15	TPN, VTPN	N07.3	11	L68A, L68B, L74Z
	11	L68A, L68B, L74Z	N04.1	11	L69A, L69B	N07.4	11	L68A, L68B, L74Z
	18A	S65A, S65B		18A	S65A, S65B	N07.5	11	L68A, L68B, L74Z
N00.9	Pre	A07D, A09E, A11F, A13F	N04.2	11	L69A, L69B	N07.6	11	L68A, L68B, L74Z
	11	L68A, L68B, L74Z		15	TPN, VTPN	N07.7	11	L68A, L68B, L74Z
	18A	S65A, S65B	N04.3	11	L69A, L69B	N07.8	11	L68A, L68B, L74Z
N01.0	Pre	A07D, A09E, A11F, A13F		18A	S65A, S65B	N07.9	11	L68A, L68B, L74Z
	11	L68A, L68B, L74Z	N04.4	11	L69A, L69B	N08.3	10	K60B
	18A	S65A, S65B		15	TPN, VTPN		15	TPN, VTPN
N01.1	Pre	A07D, A09E, A11F, A13F	N04.5	11	L69A, L69B	N10	11	L63A, L63B, L63C, L63D, L63E, L63F, L74Z
	11	L68A, L68B, L74Z		18A	S65A, S65B		15	TPN, VTPN
	18A	S65A, S65B	N04.6	11	L69A, L69B		Pre	A07D, A09E, A11F, A13F
N01.2	Pre	A07D, A09E, A11F, A13F		15	TPN, VTPN	N11.0	11	L68A, L68B, L74Z
	11	L68A, L68B, L74Z	N04.7	11	L69A, L69B	N11.1	11	L63A, L63B, L63C, L63D, L63E, L63F, L74Z
	18A	S65A, S65B		18A	S65A, S65B	N11.8	11	L63A, L63B, L63C, L63D, L63E, L63F, L74Z
N01.3	Pre	A07D, A09E, A11F, A13F	N04.8	11	L69A, L69B	N11.9	11	L63A, L63B, L63C, L63D, L63E, L63F, L74Z
	11	L68A, L68B, L74Z		15	TPN, VTPN	N12	11	L63A, L63B, L63C, L63D, L63E, L63F, L74Z
	18A	S65A, S65B	N04.9	11	L69A, L69B		15	TPN, VTPN
N01.4	Pre	A07D, A09E, A11F, A13F		18A	S65A, S65B	N13.0	11	L42A, L42B, L64A, L64B, L74Z
	11	L68A, L68B, L74Z		15	TPN, VTPN	N13.1	11	L42A, L42B, L64A, L64B, L74Z
	18A	S65A, S65B		18A	S65A, S65B	N13.2	11	L42A, L42B, L64A, L64B, L74Z
N01.5	Pre	A07D, A09E, A11F, A13F		18A	S65A, S65B	N13.3	11	L42A, L42B, L64A, L64B, L74Z
	11	L68A, L68B, L74Z		11	L69A, L69B		Pre	A07D, A09E, A11F, A13F
	18A	S65A, S65B		15	TPN, VTPN	N13.4	11	L42A, L42B, L64A, L64B, L74Z
N01.6	Pre	A07D, A09E, A11F, A13F		18A	S65A, S65B	N13.5	11	L42A, L42B, L64A, L64B, L74Z
	11	L68A, L68B, L74Z		11	L69A, L69B		15	TPN, VTPN
	18A	S65A, S65B		15	TPN, VTPN	N13.6	11	L63A, L63B, L63C, L63D, L63E, L63F, L74Z
	18A	S65A, S65B		18A	S65A, S65B	N13.7	11	L64A, L64B, L74Z

ICD	MDC	DRG	ICD	MDC	DRG	ICD	MDC	DRG
N13.8	11	L63A, L63B, L63C, L63D, L63E, L63F, L74Z	N18.1	11	L02B, L09A, L09B, L38Z, L60A, L60B, L60C, L60D, L71Z	N31.1	11	L68A, L68B, L74Z
	15	TPN, VTPN		15	TPN, VTPN	N31.2	11	L68A, L68B, L74Z
N13.9	11	L64A, L64B, L74Z	N18.2	11	L02B, L09A, L09B, L38Z, L60A, L60B, L60C, L60D, L71Z	N31.80	11	L68A, L68B, L74Z
	15	TPN, VTPN		15	TPN, VTPN	N31.81	11	L68A, L68B, L74Z
N14.0	11	L68A, L68B, L74Z	N18.3	11	L02B, L09A, L09B, L38Z, L60A, L60B, L60C, L60D, L71Z	N31.82	11	L68A, L68B, L74Z
	18A	S65A, S65B		15	TPN, VTPN	N31.88	11	L68A, L68B, L74Z
N14.1	11	L68A, L68B, L74Z	N18.4	11	L02B, L09A, L09B, L38Z, L60A, L60B, L60C, L60D, L71Z	N31.9	11	L68A, L68B, L74Z
	18A	S65A, S65B		15	TPN, VTPN	N32.0	11	L68A, L68B, L74Z
N14.2	11	L68A, L68B, L74Z	N18.4	11	L02B, L09A, L09B, L38Z, L60A, L60B, L60C, L60D, L71Z	N32.1	11	L68A, L68B, L74Z
	18A	S65A, S65B		15	TPN, VTPN		15	TPN, VTPN
N14.3	11	L68A, L68B, L74Z	N18.5	10	K60B	N32.2	11	L68A, L68B, L74Z
	18A	S65A, S65B		11	L02B, L09A, L09B, L38Z, L60A, L60B, L60C, L60D, L71Z		15	TPN, VTPN
N14.4	11	L68A, L68B, L74Z		Pre	A07D, A09E, A11F, A13F	N32.3	11	L68A, L68B, L74Z
	18A	S65A, S65B	N18.5	10	K60B		15	TPN, VTPN
N15.0	11	L68A, L68B, L74Z		11	L02B, L09A, L09B, L38Z, L60A, L60B, L60C, L60D, L71Z	N32.4	11	L68A, L68B, L74Z
	18A	S65A, S65B		Pre	A07D, A09E, A11F, A13F		15	TPN, VTPN
N15.10	11	L63A, L63B, L63C, L63D, L63E, L63F, L74Z	N18.80	11	L02B, L09A, L09B, L38Z, L60A, L60B, L60C, L60D, L71Z	N32.8	11	L68A, L68B, L74Z
	15	TPN, VTPN		15	TPN, VTPN	N32.9	11	L68A, L68B, L74Z
N15.11	11	L63A, L63B, L63C, L63D, L63E, L63F, L74Z	N18.89	11	L02B, L09A, L09B, L38Z, L60A, L60B, L60C, L60D, L71Z	N34.0	11	L63A, L63B, L63C, L63D, L63E, L63F, L74Z
	15	TPN, VTPN		15	TPN, VTPN		15	TPN, VTPN
N15.8	11	L68A, L68B, L74Z	N18.9	11	L02B, L09A, L09B, L38Z, L60A, L60B, L60C, L60D, L71Z	N34.1	11	L63A, L63B, L63C, L63D, L63E, L63F, L74Z
	18A	S65A, S65B		15	TPN, VTPN	N34.2	11	L63A, L63B, L63C, L63D, L63E, L63F, L74Z
N15.9	11	L68A, L68B, L74Z	N19	11	L60A, L60B, L60C, L60D, L71Z	N34.3	11	L63A, L63B, L63C, L63D, L63E, L63F, L74Z
	18A	S65A, S65B		15	TPN, VTPN	N35.0	11	L64A, L74Z
N17.0	05	F62A	N20.0	11	L20B, L42A, L42B, L64A, L64B, L74Z	N35.1	11	L64A, L74Z
	06	G67A		15	TPN, VTPN	N35.8	11	L64A, L74Z
	07	H06A	N20.1	11	L42A, L42B, L64A, L64B, L74Z		15	TPN, VTPN
	10	K62A	N20.2	11	L20B, L42A, L42B, L64A, L64B, L74Z	N35.9	11	L64A, L74Z
	11	L02B, L09A, L09B, L38Z, L60A, L60B, L60C, L60D, L71Z		15	TPN, VTPN	N36.0	11	L68A, L68B, L74Z
	15	TPN, VTPN	N20.9	11	L42A, L42B, L64A, L64B, L74Z		15	TPN, VTPN
	Pre	A07D, A09E, A11F, A13F	N21.0	11	L42A, L42B, L64A, L64B, L74Z	N36.1	11	L68A, L68B, L74Z
N17.1	05	F62A	N21.1	11	L42A, L42B, L64A, L64B, L74Z		15	TPN, VTPN
	06	G67A	N21.8	11	L42A, L42B, L64A, L64B, L74Z	N36.2	11	L68A, L68B, L74Z
	07	H06A	N21.9	11	L42A, L42B, L64A, L64B, L74Z	N36.3	11	L68A, L68B, L74Z
	10	K62A	N23	11	L42A, L42B, L64A, L64B, L74Z	N36.8	11	L68A, L68B, L74Z
	11	L02B, L09A, L09B, L38Z, L60A, L60B, L60C, L60D, L71Z	N25.0	11	L68A, L68B, L74Z	N36.9	11	L68A, L68B, L74Z
	15	TPN, VTPN	N25.1	11	L68A, L68B, L74Z	N39.0	11	L63A, L63B, L63C, L63D, L63E, L63F, L74Z
	Pre	A07D, A09E, A11F, A13F		15	TPN, VTPN		15	TPN, VTPN
N17.2	05	F62A	N25.8	11	L68A, L68B, L74Z	N39.1	11	L64A, L64B, L74Z
	06	G67A	N25.9	11	L68A, L68B, L74Z	N39.2	11	L64A, L64B, L74Z
	07	H06A	N26	11	L64A, L64B, L74Z	N39.3	11	L64A, L74Z
	10	K62A	N27.0	11	L68A, L68B, L74Z	N39.40	11	L64A, L74Z
	11	L02B, L09A, L09B, L38Z, L60A, L60B, L60C, L60D, L71Z	N27.1	11	L68A, L68B, L74Z	N39.41	11	L64A, L74Z
	15	TPN, VTPN	N27.9	11	L68A, L68B, L74Z	N39.42	11	L64A, L74Z
	Pre	A07D, A09E, A11F, A13F	N28.0	11	L69A, L69B	N39.43	11	L64A, L74Z
N17.8	05	F62A		15	TPN, VTPN	N39.48	11	L64A, L74Z
	06	G67A	N28.1	11	L68A, L68B, L74Z	N39.81	11	L64A, L64B, L74Z
	07	H06A	N28.8	11	L68A, L68B, L74Z	N39.88	11	L64A, L64B, L74Z
	10	K62A	N28.9	11	L68A, L68B, L74Z	N39.9	11	L64A, L64B, L74Z
	11	L02B, L09A, L09B, L38Z, L60A, L60B, L60C, L60D, L71Z		18A	S65A, S65B	N40	12	M61Z
	15	TPN, VTPN	N30.0	11	L63A, L63B, L63C, L63D, L63E, L63F, L74Z	N41.0	12	M62Z
	Pre	A07D, A09E, A11F, A13F		11	L64A, L64B, L74Z	N41.1	12	M62Z
N17.9	05	F62A	N30.1	11	L63A, L63B, L63C, L63D, L63E, L63F, L74Z	N41.2	12	M62Z
	06	G67A	N30.2	11	L63A, L63B, L63C, L63D, L63E, L63F, L74Z	N41.3	12	M62Z
	07	H06A	N30.3	11	L63A, L63B, L63C, L63D, L63E, L63F, L74Z	N41.8	12	M62Z
	10	K62A		11	L62A, L62B	N41.9	12	M62Z
	11	L02B, L09A, L09B, L38Z, L60A, L60B, L60C, L60D, L71Z	N30.4	11	L63A, L63B, L63C, L63D, L63E, L63F, L74Z	N42.0	12	M64Z
	15	TPN, VTPN	N30.8	11	L63A, L63B, L63C, L63D, L63E, L63F, L74Z	N42.1	12	M64Z
	Pre	A07D, A09E, A11F, A13F	N30.9	11	L63A, L63B, L63C, L63D, L63E, L63F, L74Z	N42.2	12	M64Z
			N31.0	11	L68A, L68B, L74Z	N42.3	08	I54Z
							12	M09A, M09B, M60A, M60B, M60C
							Pre	A09A, A11B
						N42.8	12	M64Z

Dg

ICD	MDC	DRG	ICD	MDC	DRG	ICD	MDC	DRG
N42.9	12	M64Z	N72	13	N04Z, N05A, N05B, N14Z, N21Z, N25Z, N61Z	N81.0	13	N04Z, N05A, N05B, N14Z, N21Z, N25Z, N62A, N62B
N43.0	12	M64Z	N73.0	13	N04Z, N05A, N05B, N07Z, N14Z, N21Z, N25Z, N61Z	N81.1	13	N04Z, N05A, N05B, N14Z, N21Z, N25Z, N62A, N62B
N43.1	12	M62Z	N73.1	13	N04Z, N05A, N05B, N07Z, N14Z, N21Z, N25Z, N61Z	N81.2	13	N04Z, N05A, N05B, N14Z, N21Z, N25Z, N62A, N62B
N43.2	12	M64Z	N73.2	13	N04Z, N05A, N05B, N07Z, N14Z, N21Z, N25Z, N61Z	N81.3	13	N04Z, N05A, N05B, N14Z, N21Z, N25Z, N62A, N62B
N43.3	12	M64Z	N73.3	13	N04Z, N05A, N05B, N07Z, N14Z, N21Z, N25Z, N61Z	N81.4	13	N04Z, N05A, N05B, N14Z, N21Z, N25Z, N62A, N62B
N43.4	12	M64Z	N73.4	13	N04Z, N05A, N05B, N07Z, N14Z, N21Z, N25Z, N61Z	N81.5	13	N04Z, N05A, N05B, N14Z, N21Z, N25Z, N62A, N62B
N44.0	12	M64Z	N73.5	13	N04Z, N05A, N05B, N07Z, N14Z, N21Z, N25Z, N61Z	N81.6	13	N04Z, N05A, N05B, N14Z, N21Z, N25Z, N62A, N62B
N44.1	12	M64Z	N73.6	13	N04Z, N05A, N05B, N07Z, N14Z, N21Z, N25Z, N62A, N62B	N81.8	13	N04Z, N05A, N05B, N14Z, N21Z, N25Z, N62A, N62B
N45.0	12	M62Z	N73.8	13	N04Z, N05A, N05B, N07Z, N14Z, N21Z, N25Z, N61Z	N81.9	13	N04Z, N05A, N05B, N14Z, N21Z, N25Z, N62A, N62B
N45.9	12	M62Z	N73.9	13	N04Z, N05A, N05B, N07Z, N14Z, N21Z, N25Z, N61Z	N82.0	13	N04Z, N05A, N05B, N14Z, N21Z, N25Z, N62A, N62B
N46	12	M64Z	N75.0	13	N04Z, N05A, N05B, N14Z, N21Z, N25Z, N62B	N82.1	13	N04Z, N05A, N05B, N14Z, N21Z, N25Z, N62A, N62B
N47	12	M62Z	N75.1	13	N04Z, N05A, N05B, N14Z, N21Z, N25Z, N61Z	N82.1	15	TPN, VTPN
N48.0	12	M64Z	N75.8	13	N04Z, N05A, N05B, N14Z, N21Z, N25Z, N61Z	N82.2	13	N04Z, N05A, N05B, N14Z, N21Z, N25Z, N62A, N62B
N48.1	12	M62Z	N75.9	13	N04Z, N05A, N05B, N14Z, N21Z, N25Z, N61Z	N82.2	15	TPN, VTPN
N48.2	12	M62Z	N76.0	13	N04Z, N05A, N05B, N14Z, N21Z, N25Z, N61Z	N82.2	06	G46A, G46B, G46C, G50Z, G64A, G64B, G64C, G70A, G70B
N48.30	12	M64Z	N76.1	13	N04Z, N05A, N05B, N14Z, N21Z, N25Z, N61Z	N82.3	15	TPN, VTPN
N48.31	12	M64Z	N76.2	13	N04Z, N05A, N05B, N14Z, N21Z, N25Z, N61Z	N82.3	06	G46A, G46B, G46C, G50Z, G64A, G64B, G64C, G70A, G70B
N48.38	12	M64Z	N76.3	13	N04Z, N05A, N05B, N14Z, N21Z, N25Z, N61Z	N82.4	15	TPN, VTPN
N48.39	12	M64Z	N76.4	13	N04Z, N05A, N05B, N14Z, N21Z, N25Z, N61Z	N82.4	06	G46A, G46B, G46C, G50Z, G64A, G64B, G64C, G70A, G70B
N48.4	12	M64Z	N76.5	13	N04Z, N05A, N05B, N14Z, N21Z, N25Z, N61Z	N82.5	15	TPN, VTPN
N48.5	12	M64Z	N76.6	13	N04Z, N05A, N05B, N14Z, N21Z, N25Z, N62A, N62B	N82.5	13	N04Z, N05A, N05B, N14Z, N21Z, N25Z, N62A, N62B
N48.6	12	M62Z	N76.80	13	N04Z, N05A, N05B, N14Z, N21Z, N25Z, N61Z	N82.8	15	TPN, VTPN
N48.8	12	M64Z	N76.88	13	N04Z, N05A, N05B, N14Z, N21Z, N25Z, N61Z	N82.8	13	N04Z, N05A, N05B, N14Z, N21Z, N25Z, N62A, N62B
N48.9	12	M64Z	N80.0	13	N04Z, N05A, N05B, N07Z, N14Z, N21Z, N25Z, N62A, N62B	N82.9	13	N04Z, N05A, N05B, N14Z, N21Z, N25Z, N62A, N62B
N49.0	12	M62Z	N80.1	13	N04Z, N05A, N05B, N07Z, N14Z, N21Z, N25Z, N62A, N62B	N83.0	15	TPN, VTPN
N49.1	12	M62Z	N80.2	13	N04Z, N05A, N05B, N07Z, N14Z, N21Z, N25Z, N62A, N62B	N83.0	13	N04Z, N05A, N05B, N14Z, N21Z, N25Z, N62B
N49.2	12	M62Z	N80.3	13	N04Z, N05A, N05B, N07Z, N14Z, N21Z, N25Z, N62A, N62B	N83.1	13	N04Z, N05A, N05B, N14Z, N21Z, N25Z, N62B
N49.80	12	M04A, M37Z, M62Z	N80.4	13	N04Z, N05A, N05B, N07Z, N14Z, N21Z, N25Z, N62A, N62B	N83.2	13	N04Z, N05A, N05B, N14Z, N21Z, N25Z, N62B
N49.88	Pre	A07D, A09E, A11F, A13F	N80.5	06	G46A, G46B, G46C, G50Z, G67A, G67B, G68A, J68B	N83.3	13	N04Z, N05A, N05B, N14Z, N21Z, N25Z, N62A, N62B
N49.9	12	M62Z	N80.6	09	J67A, J67B, J68A, J68B	N83.4	13	N04Z, N05A, N05B, N14Z, N21Z, N25Z, N62A, N62B
N49.9	12	M62Z	N80.8	13	N04Z, N05A, N05B, N07Z, N14Z, N21Z, N25Z, N62A, N62B	N83.5	13	N04Z, N05A, N05B, N14Z, N21Z, N25Z, N62A, N62B
N50.0	12	M64Z	N80.9	13	N04Z, N05A, N05B, N07Z, N14Z, N21Z, N25Z, N62A, N62B	N83.5	15	TPN, VTPN
N50.1	12	M64Z				N83.6	13	N04Z, N05A, N05B, N14Z, N21Z, N25Z, N62A, N62B
N50.8	12	M64Z				N83.7	13	N04Z, N05A, N05B, N14Z, N21Z, N25Z, N62A, N62B
N50.9	12	M64Z				N83.8	13	N04Z, N05A, N05B, N14Z, N21Z, N25Z, N62B
N60.0	09	J67A, J67B				N83.9	13	N04Z, N05A, N05B, N14Z, N21Z, N25Z, N62B
N60.1	09	J67A, J67B				N84.0	13	N04Z, N05A, N05B, N14Z, N21Z, N25Z, N62A, N62B
N60.2	09	J67A, J67B				N84.1	13	N04Z, N05A, N05B, N14Z, N21Z, N25Z, N62A, N62B
N60.3	09	J67A, J67B						
N60.4	09	J67A, J67B						
N60.8	09	J67A, J67B						
N60.9	09	J67A, J67B						
N61	09	J67A, J67B						
N62	09	J67A, J67B						
N63	09	J67A, J67B						
N64.0	09	J67A, J67B						
N64.1	09	J67A, J67B						
N64.2	09	J67A, J67B						
N64.3	09	J67A, J67B						
N64.4	09	J67A, J67B						
N64.5	09	J67A, J67B						
N64.8	09	J67A, J67B						
N64.9	09	J67A, J67B						
N70.0	13	N04Z, N05A, N05B, N07Z, N14Z, N21Z, N25Z, N61Z						
N70.1	13	N04Z, N05A, N05B, N07Z, N14Z, N21Z, N25Z, N61Z						
N70.9	13	N04Z, N05A, N05B, N07Z, N14Z, N21Z, N25Z, N61Z						
N71.0	13	N04Z, N05A, N05B, N07Z, N14Z, N21Z, N25Z, N61Z						
N71.1	13	N04Z, N05A, N05B, N07Z, N14Z, N21Z, N25Z, N61Z						
N71.9	13	N04Z, N05A, N05B, N07Z, N14Z, N21Z, N25Z, N61Z						

ICD	MDC	DRG	ICD	MDC	DRG	ICD	MDC	DRG
O88.3	14	962Z, O04A, O04B, O61Z	O98.8	14	962Z, O04A, O04B, O61Z, O65A, O65B, O65C	P04.1	15	P65C, P66C, P67B, P67C
O88.8	14	962Z, O04A, O04B, O61Z	O98.9	14	962Z, O04A, O04B, O61Z, O65A, O65B, O65C	Pre	963Z	
O89.0	14	962Z, O01A, O01B, O01C, O01D, O01E, O01F, O01G, O04A, O04B, O60A, O60B, O60C, O61Z	O99.0	14	962Z, O04A, O04B, O61Z, O65A, O65B, O65C	P04.2	Pre	963Z
O89.1	14	962Z, O04A, O04B, O61Z	O99.1	14	962Z, O04A, O04B, O61Z, O65A, O65B, O65C	P04.3	Pre	963Z
O89.2	14	962Z, O04A, O04B, O61Z	O99.2	14	962Z, O04A, O04B, O61Z, O65A, O65B, O65C	P04.4	15	P65C, P66C, P67B, P67C
O89.3	14	962Z, O04A, O04B, O61Z	O99.3	14	962Z, O04A, O04B, O61Z, O65A, O65B, O65C	Pre	963Z	
O89.4	14	962Z, O04A, O04B, O61Z	O99.4	14	962Z, O04A, O04B, O61Z, O65A, O65B, O65C	P04.5	Pre	963Z
O89.5	14	962Z, O04A, O04B, O61Z	O99.5	14	962Z, O04A, O04B, O61Z, O65A, O65B, O65C	P04.6	Pre	963Z
O89.6	14	962Z, O04A, O04B, O61Z	O99.6	14	962Z, O04A, O04B, O61Z, O65A, O65B, O65C	P04.8	Pre	963Z
O89.8	14	962Z, O04A, O04B, O61Z	O99.7	14	962Z, O04A, O04B, O61Z, O65A, O65B, O65C	P04.9	Pre	963Z
O89.9	14	962Z, O04A, O04B, O61Z	O99.8	14	962Z, O04A, O04B, O61Z, O65A, O65B, O65C	P05.0	Pre	963Z
O90.0	14	962Z, O01A, O01B, O01C, O01D, O01E, O01F, O01G, O04A, O04B, O60A, O60B, O60C, O61Z	P00.0	Pre	963Z	P05.1	Pre	963Z
O90.1	14	962Z, O01A, O01B, O01C, O01D, O01E, O01F, O01G, O04A, O04B, O60A, O60B, O60C, O61Z	P00.1	Pre	963Z	P05.2	Pre	963Z
O90.2	14	962Z, O04A, O04B, O61Z	P00.2	Pre	963Z	P05.9	Pre	963Z
O90.3	14	962Z, O01A, O01B, O01C, O01D, O01E, O01F, O01G, O04A, O04B, O60A, O60B, O60C, O61Z	P00.3	Pre	963Z	P07.00	Pre	963Z
O90.4	14	962Z, O04A, O04B, O61Z	P00.4	Pre	963Z	P07.01	Pre	963Z
O90.5	14	962Z, O04A, O04B, O61Z	P00.5	Pre	963Z	P07.02	Pre	963Z
O90.8	14	962Z, O04A, O04B, O61Z	P00.6	Pre	963Z	P07.10	Pre	963Z
O90.9	14	962Z, O04A, O04B, O61Z	P00.7	Pre	963Z	P07.11	Pre	963Z
O91.00	14	962Z, O04A, O04B, O61Z	P00.8	Pre	963Z	P07.12	Pre	963Z
O91.01	14	962Z, O04A, O04B, O61Z	P00.9	Pre	963Z	P07.2	15	P65C, P66C, P67B, P67C
O91.10	14	962Z, O04A, O04B, O61Z	P01.0	Pre	963Z	Pre	963Z	
O91.11	14	962Z, O04A, O04B, O61Z	P01.1	Pre	963Z	P07.3	Pre	963Z
O91.20	14	962Z, O04A, O04B, O61Z	P01.2	Pre	963Z	P08.0	Pre	963Z
O91.21	14	962Z, O04A, O04B, O61Z	P01.3	Pre	963Z	P08.1	Pre	963Z
O92.00	14	962Z, O04A, O04B, O61Z	P01.4	Pre	963Z	P08.2	Pre	963Z
O92.01	14	962Z, O04A, O04B, O61Z	P01.5	15	P65C, P66C, P67B, P67C	P10.0	15	TPN, VTPN
O92.10	14	962Z, O04A, O04B, O61Z	P01.6	15	P65C, P66C, P67B, P67C	Pre	963Z	
O92.11	14	962Z, O04A, O04B, O61Z	P01.7	Pre	963Z	P10.1	15	TPN, VTPN
O92.20	14	962Z, O04A, O04B, O61Z	P01.8	Pre	963Z	Pre	963Z	
O92.21	14	962Z, O04A, O04B, O61Z	P01.9	Pre	963Z	P10.2	15	TPN, VTPN
O92.30	14	962Z, O04A, O04B, O61Z	P02.0	Pre	963Z	Pre	963Z	
O92.31	14	962Z, O04A, O04B, O61Z	P02.1	15	TPN, VTPN	P10.3	15	TPN, VTPN
O92.40	14	962Z, O04A, O04B, O61Z	P02.2	Pre	963Z	Pre	963Z	
O92.41	14	962Z, O04A, O04B, O61Z	P02.3	Pre	963Z	P10.4	15	TPN, VTPN
O92.50	14	962Z, O04A, O04B, O61Z	P02.4	15	P65C, P66C, P67B, P67C	Pre	963Z	
O92.60	14	962Z, O04A, O04B, O61Z	P02.5	Pre	963Z	P10.8	15	TPN, VTPN
O92.61	14	962Z, O04A, O04B, O61Z	P02.6	Pre	963Z	Pre	963Z	
O92.70	14	962Z, O04A, O04B, O61Z	P02.7	15	P65C, P66C, P67B, P67C	P10.9	15	TPN, VTPN
O92.71	14	962Z, O04A, O04B, O61Z	P02.8	Pre	963Z	Pre	963Z	
O98.0	14	962Z, O04A, O04B, O61Z, O65A, O65B, O65C	P02.9	Pre	963Z	P11.0	Pre	963Z
O98.1	14	962Z, O04A, O04B, O61Z, O65A, O65B, O65C	P03.0	Pre	963Z	P11.1	15	TPN, VTPN
O98.2	14	962Z, O04A, O04B, O61Z, O65A, O65B, O65C	P03.1	15	TPN, VTPN	Pre	963Z	
O98.3	14	962Z, O04A, O04B, O61Z, O65A, O65B, O65C	P03.2	Pre	963Z	P11.2	15	TPN, VTPN
O98.4	14	962Z, O04A, O04B, O61Z, O65A, O65B, O65C	P03.3	Pre	963Z	Pre	963Z	
O98.5	14	962Z, O04A, O04B, O61Z, O65A, O65B, O65C	P03.4	Pre	963Z	P11.3	01	B03A, B03B, B06A, B06B, B17A, B17B, B17C, B17D, B71A, B71B, B71C, B71D
O98.6	14	962Z, O04A, O04B, O61Z, O65A, O65B, O65C	P03.5	Pre	963Z	P11.4	01	B03A, B03B, B06A, B06B, B17A, B17B, B17C, B17D, B71A, B71B, B71C, B71D
O98.7	14	962Z, O01C, O01D, O01F, O04A, O04B, O61Z, O65A, O65B, O65C	P03.6	Pre	963Z	P11.50	Pre	B61A, B61B
			P03.8	Pre	963Z	P11.51	01	B03A, B48Z, B60A, B60B
			P03.9	Pre	963Z	04	E40B, E69A, E77F	
			P04.0	15	TPN, VTPN	06	G67C	
				Pre	963Z	08	I06A, I08C, I09D, I10C, I13A, I13B, I68A, I68B, I69A, I69B	
						09	J02A, J08A, J08B, J08C, J11A	
						10	K62A	
						11	L18A, L18B, L20A, L20B, L38Z, L42A, L74Z	
						18B	T60B	
						P11.59	Pre	B61A, B61B
						P11.9	Pre	963Z
						P12.0	Pre	963Z
						P12.1	Pre	963Z
						P12.2	Pre	963Z
						P12.3	Pre	963Z

ICD	MDC	DRG	ICD	MDC	DRG	ICD	MDC	DRG
P12.4	15	P65C, P66C, P67B, P67C	P23.4	15	TPN, VTPN	P35.0	15	TPN, VTPN
	Pre	963Z		Pre	963Z		23	Z65Z
P12.8	Pre	963Z	P23.5	15	TPN, VTPN	P35.1	15	TPN, VTPN
P12.9	Pre	963Z		Pre	963Z		18B	T63A, T63B
P13.0	01	B79Z	P23.6	15	TPN, VTPN	P35.2	05	F62A
P13.1	Pre	963Z		Pre	963Z		06	G67A
P13.2	Pre	963Z	P23.8	15	TPN, VTPN		15	TPN, VTPN
P13.3	Pre	963Z		Pre	963Z		17	R60B, R60C, R61A, R62A,
P13.4	Pre	963Z	P23.9	15	TPN, VTPN			R63B, R63C, R63D, R63F
P13.8	Pre	963Z		Pre	963Z		18B	T01B, T60A, T60B, T60C,
P13.9	Pre	963Z	P24.0	04	E69A, E69B, E69C, E69D			T60D, T60E, T60F, T61A
P14.0	01	B03A, B03B, B06A, B06B, B17A, B17B, B17C, B17D, B71A, B71B, B71C, B71D		15	TPN, VTPN	P35.3	07	H63A, H63B, H63C, H78Z
			P24.1	15	TPN, VTPN		15	TPN, VTPN
P14.1	01	B03A, B03B, B06A, B06B, B17A, B17B, B17C, B17D, B71A, B71B, B71C, B71D		Pre	963Z	P35.8	15	TPN, VTPN
			P24.2	15	TPN, VTPN		18B	T64A, T64B, T64C
P14.2	01	B03A, B03B, B06A, B06B, B17A, B17B, B17C, B17D, B71A, B71B, B71C, B71D		Pre	963Z	P35.9	15	TPN, VTPN
			P24.3	15	TPN, VTPN		18B	T64A, T64B, T64C
P14.3	01	B03A, B03B, B06A, B06B, B17A, B17B, B17C, B17D, B71A, B71B, B71C, B71D		Pre	963Z	P36.0	15	TPN, VTPN
			P24.8	15	TPN, VTPN		Pre	963Z
P14.8	01	B03A, B03B, B06A, B06B, B17A, B17B, B17C, B17D, B71A, B71B, B71C, B71D		Pre	963Z	P36.1	15	TPN, VTPN
			P24.9	15	TPN, VTPN		Pre	963Z
P14.9	01	B03A, B03B, B06A, B06B, B17A, B17B, B17C, B17D, B71A, B71B, B71C, B71D		Pre	963Z	P36.2	15	TPN, VTPN
			P25.0	15	TPN, VTPN		Pre	963Z
P15.0	Pre	963Z		Pre	963Z	P36.3	15	TPN, VTPN
P15.1	Pre	963Z		Pre	963Z		Pre	963Z
P15.2	Pre	963Z	P25.1	15	TPN, VTPN	P36.4	15	TPN, VTPN
P15.3	Pre	963Z		Pre	963Z		Pre	963Z
P15.4	Pre	963Z	P25.2	15	TPN, VTPN	P36.5	15	TPN, VTPN
P15.5	Pre	963Z		Pre	963Z		Pre	963Z
P15.6	15	TPN, VTPN	P25.3	15	TPN, VTPN	P36.8	15	TPN, VTPN
	Pre	963Z		Pre	963Z		Pre	963Z
P15.8	Pre	963Z	P25.8	15	TPN, VTPN	P36.9	15	TPN, VTPN
P15.9	Pre	963Z		Pre	963Z		Pre	963Z
P20.0	15	TPN, VTPN	P26.0	15	TPN, VTPN	P37.0	15	TPN, VTPN
	Pre	963Z		Pre	963Z		18B	T64A, T64B, T64C
P20.1	Pre	963Z	P26.1	15	TPN, VTPN	P37.1	15	TPN, VTPN
P20.9	Pre	963Z		Pre	963Z		18B	T64A, T64B, T64C
P21.0	01	B03A, B03B, B06A, B06B, B17A, B17B, B17C, B17D, B81A, B81B	P26.8	15	TPN, VTPN	P37.2	05	F62A
				Pre	963Z		06	G67A
P21.1	01	B03A, B03B, B06A, B06B, B17A, B17B, B17C, B17D, B81A, B81B		Pre	963Z		15	TPN, VTPN
			P26.9	15	TPN, VTPN		17	R60B, R60C, R61A, R62A,
P21.9	01	B03A, B03B, B06A, B06B, B17A, B17B, B17C, B17D, B81A, B81B		Pre	963Z			R63B, R63C, R63D, R63F
			P27.0	04	E69A, E69B, E69C, E69D		18B	T01B, T60A, T60B, T60C,
P22.0	15	P65C, P66C, P67B, P67C		15	TPN, VTPN			T60D, T60E, T60F, T61A
	15	TPN, VTPN	P27.1	04	E69A, E69B, E69C, E69D	P37.3	15	TPN, VTPN
	Pre	963Z		15	TPN, VTPN		18B	T64A, T64B, T64C
P22.1	Pre	963Z	P27.8	04	E69A, E69B, E69C, E69D	P37.4	15	TPN, VTPN
P22.8	04	E69A, E69B, E69C, E69D		15	TPN, VTPN		18B	T64A, T64B, T64C
	15	P65C, P66C, P67B, P67C	P27.9	04	E69A, E69B, E69C, E69D	P37.5	Pre	963Z
P22.9	04	E69A, E69B, E69C, E69D		15	TPN, VTPN	P37.8	15	TPN, VTPN
P23.0	15	TPN, VTPN		Pre	963Z		18B	T64A, T64B, T64C
	Pre	963Z	P28.0	Pre	963Z	P37.9	15	TPN, VTPN
P23.1	15	TPN, VTPN		Pre	963Z		18B	T64A, T64B, T64C
	Pre	963Z	P28.1	Pre	963Z	P38	15	P65C, P66C, P67B, P67C
P23.2	15	TPN, VTPN		Pre	963Z		Pre	963Z
	Pre	963Z	P28.2	04	E69A, E69B, E69C, E69D	P39.0	15	P65C, P66C, P67B, P67C
P23.3	15	TPN, VTPN		Pre	963Z		Pre	963Z
	Pre	963Z	P28.3	04	E69A, E69B, E69C, E69D	P39.1	Pre	963Z
				15	P65C, P66C, P67B, P67C	P39.2	Pre	963Z
			P28.4	04	E69A, E69B, E69C, E69D	P39.3	15	P65C, P66C, P67B, P67C
				15	P65C, P66C, P67B, P67C		Pre	963Z
			P28.5	04	E69A, E69B, E69C, E69D	P39.4	15	P65C, P66C, P67B, P67C
				15	TPN, VTPN		Pre	963Z
			P28.8	04	E69A, E69B, E69C, E69D	P39.8	Pre	963Z
				Pre	963Z	P39.9	Pre	963Z
			P28.9	Pre	963Z	P50.0	Pre	963Z
			P29.0	15	TPN, VTPN	P50.1	Pre	963Z
				Pre	963Z	P50.2	Pre	963Z
			P29.1	15	P65C, P66C, P67B, P67C	P50.3	Pre	963Z
				Pre	963Z			
			P29.2	Pre	963Z			
			P29.3	Pre	963Z			
			P29.4	Pre	963Z			
			P29.8	Pre	963Z			
			P29.9	Pre	963Z			

Dg

ICD	MDC	DRG	ICD	MDC	DRG	ICD	MDC	DRG
P50.4	Pre	963Z	P59.3	07	H63A, H63B, H63C, H78Z	P78.0	15	TPN, VTPN
P50.5	Pre	963Z	P59.8	15	P65C, P66C, P67B, P67C	Pre	963Z	
P50.8	Pre	963Z		Pre	963Z	P78.1	15	TPN, VTPN
P50.9	Pre	963Z	P59.9	Pre	963Z	Pre	963Z	
P51.0	Pre	963Z	P60	15	TPN, VTPN	P78.2	Pre	963Z
P51.8	Pre	963Z		16	Q60A, Q60B, Q60C	P78.3	06	G46A, G46B, G46C, G50Z, G71Z
P51.9	Pre	963Z	P61.0	15	TPN, VTPN		15	P65C, P66C, P67B, P67C
P52.0	15	TPN, VTPN		16	Q60A, Q60B, Q60C	P78.8	06	G46A, G46B, G46C, G50Z, G71Z
	Pre	963Z	P61.1	Pre	963Z		06	G46A, G46B, G46C, G50Z, G71Z
P52.1	15	TPN, VTPN	P61.2	16	Q61A, Q61B, Q61C, Q61D, Q61E	P78.9	06	G46A, G46B, G46C, G50Z, G71Z
	Pre	963Z				P80.0	Pre	963Z
P52.2	15	TPN, VTPN	P61.3	16	Q61A, Q61B, Q61C, Q61D, Q61E	P80.8	Pre	963Z
	Pre	963Z				P80.9	Pre	963Z
P52.3	15	TPN, VTPN	P61.4	16	Q61A, Q61B, Q61C, Q61D, Q61E	P81.0	Pre	963Z
	Pre	963Z				P81.8	Pre	963Z
P52.4	15	P65C, P66C, P67B, P67C	P61.5	16	Q60A, Q60B, Q60C, Q60D, Q60E	P81.9	Pre	963Z
	Pre	963Z				P83.0	15	TPN, VTPN
P52.5	15	TPN, VTPN	P61.6	16	Q60A, Q60B, Q60C	Pre	963Z	
	Pre	963Z	P61.8	Pre	963Z	P83.1	09	J67A, J67B, J68A, J68B
P52.6	Pre	963Z	P61.9	Pre	963Z	P83.2	15	TPN, VTPN
P52.8	Pre	963Z	P70.0	15	TPN, VTPN	Pre	963Z	
P52.9	Pre	963Z		Pre	963Z	P83.3	23	Z65Z
P53	15	TPN, VTPN	P70.1	15	TPN, VTPN	P83.4	09	J67A, J67B
	16	Q60A, Q60B, Q60C		Pre	963Z	P83.5	12	M64Z
	Pre	963Z	P70.2	10	K60A, K60B, K60C, K60D, K60E	P83.6	09	J67A, J67B, J68A, J68B
P54.0	Pre	963Z				P83.8	09	J67A, J67B, J68A, J68B
P54.1	Pre	963Z		15	TPN, VTPN	P83.9	09	J67A, J67B, J68A, J68B
P54.2	Pre	963Z	P70.3	10	K63A, K63B, K63C	P90	01	B03A, B03B, B06A, B06B, B17A, B17B, B17C, B17D, B76A, B76B, B76C, B76D, B76E, B76F, B76G
P54.3	Pre	963Z					15	TPN, VTPN
P54.4	15	TPN, VTPN	P70.4	10	K63A, K63B, K63C	P91.0	01	B03A, B03B, B06A, B06B, B17A, B17B, B17C, B17D, B66A, B66B, B66C, B66D
	Pre	963Z					01	B03A, B03B, B06A, B06B, B17A, B17B, B17C, B17D, B66A, B66B, B66C, B66D
P54.5	Pre	963Z	P70.8	10	K62A, K62B	P91.1	01	B03A, B03B, B06A, B06B, B17A, B17B, B17C, B17D, B66A, B66B, B66C, B66D
P54.6	Pre	963Z	P70.9	10	K62A, K62B		01	B03A, B03B, B06A, B06B, B17A, B17B, B17C, B17D, B66A, B66B, B66C, B66D
P54.8	Pre	963Z	P71.0	10	K62A, K62B	P91.2	01	B03A, B03B, B06A, B06B, B17A, B17B, B17C, B17D, B66A, B66B, B66C, B66D
P54.9	Pre	963Z	P71.1	10	K62A, K62B		01	B03A, B03B, B06A, B06B, B17A, B17B, B17C, B17D, B66A, B66B, B66C, B66D
P55.0	15	P65C, P66C, P67B, P67C		15	P65C, P66C, P67B, P67C	P91.3	01	B03A, B03B, B06A, B06B, B17A, B17B, B17C, B17D, B66A, B66B, B66C, B66D
	16	Q61A, Q61B, Q61C, Q61D, Q61E	P71.2	10	K62A, K62B		01	B03A, B03B, B06A, B06B, B17A, B17B, B17C, B17D, B66A, B66B, B66C, B66D
	Pre	963Z	P71.3	10	K62A, K62B	P91.4	01	B03A, B03B, B06A, B06B, B17A, B17B, B17C, B17D, B66A, B66B, B66C, B66D
P55.1	15	P65C, P66C, P67B, P67C	P71.4	10	K62A, K62B		01	B03A, B03B, B06A, B06B, B17A, B17B, B17C, B17D, B66A, B66B, B66C, B66D
	16	Q61A, Q61B, Q61C, Q61D, Q61E	P71.8	10	K62A, K62B	P91.5	01	B03A, B03B, B06A, B06B, B17A, B17B, B17C, B17D, B66A, B66B, B66C, B66D
	Pre	963Z	P71.9	10	K62A, K62B		01	B03A, B03B, B06A, B06B, B17A, B17B, B17C, B17D, B66A, B66B, B66C, B66D
P55.8	15	P65C, P66C, P67B, P67C	P72.0	10	K62A, K62B	P91.6	01	B03A, B03B, B06A, B06B, B17A, B17B, B17C, B17D, B66A, B66B, B66C, B66D
	16	Q61A, Q61B, Q61C, Q61D, Q61E	P72.1	10	K64A, K64B, K64C, K64D		01	B03A, B03B, B06A, B06B, B17A, B17B, B17C, B17D, B66A, B66B, B66C, B66D
	Pre	963Z		15	TPN, VTPN	P91.80	01	B03A, B03B, B06A, B06B, B17A, B17B, B17C, B17D, B66A, B66B, B66C, B66D
P55.9	16	Q61A, Q61B, Q61C, Q61D, Q61E	P72.2	10	K62A, K62B	Pre	A43Z	
	Pre	963Z	P72.8	10	K62A, K62B	P91.88	01	B03A, B03B, B06A, B06B, B17A, B17B, B17C, B17D, B66A, B66B, B66C, B66D
P56.0	15	TPN, VTPN	P72.9	10	K62A, K62B		01	B03A, B03B, B06A, B06B, B17A, B17B, B17C, B17D, B66A, B66B, B66C, B66D
	Pre	963Z	P74.0	10	K62A, K62B	P91.9	01	B03A, B03B, B06A, B06B, B17A, B17B, B17C, B17D, B66A, B66B, B66C, B66D
P56.9	15	TPN, VTPN		15	P65C, P66C, P67B, P67C		10	K62A, K62B
	Pre	963Z	P74.1	10	K62A, K62B	P92.1	10	K62A, K62B
P57.0	15	TPN, VTPN	P74.2	10	K62A, K62B	P92.2	10	K62A, K62B
	Pre	963Z	P74.3	10	K62A, K62B	P92.3	10	K62A, K62B
P57.8	15	TPN, VTPN	P74.4	10	K62A, K62B	P92.4	10	K62A, K62B
	Pre	963Z	P74.5	10	K62A, K62B	P92.5	10	K62A, K62B
P57.9	15	TPN, VTPN	P74.8	10	K62A, K62B			
	Pre	963Z	P74.9	10	K62A, K62B			
P58.0	Pre	963Z	P75	Pre	963Z			
P58.1	Pre	963Z	P76.0	15	P65C, P66C, P67B, P67C			
P58.2	Pre	963Z		Pre	963Z			
P58.3	Pre	963Z	P76.1	06	G46A, G46B, G46C, G50Z, G71Z			
P58.4	Pre	963Z						
P58.5	Pre	963Z	P76.2	06	G40Z, G46A, G46B, G46C, G47Z, G65Z			
P58.8	Pre	963Z						
P58.9	Pre	963Z	P76.8	06	G46A, G46B, G46C, G50Z, G71Z			
P59.0	15	P65C, P66C, P67B, P67C						
	Pre	963Z	P76.9	06	G46A, G46B, G46C, G50Z, G71Z			
P59.1	07	H63A, H63B, H63C, H78Z						
	15	TPN, VTPN	P77	06	G46A, G46B, G46C, G50Z, G71Z			
P59.2	07	H63A, H63B, H63C, H78Z		15	TPN, VTPN			
	15	TPN, VTPN						

ICD	MDC	DRG	ICD	MDC	DRG	ICD	MDC	DRG	
P92.8	10	K62A, K62B	Q01.8	01	B03A, B03B, B06A, B06B, B17A, B17B, B17C, B17D, B76D, B81A, B81B	Q04.3	01	B03A, B03B, B06A, B06B, B17A, B17B, B17C, B17D, B76D, B81A	
P92.9	10	K62A, K62B		06	G18A, G38Z		06	G18A, G38Z	
P93	Pre	963Z		15	TPN, VTPN		15	TPN, VTPN	
P94.0	01	B03A, B03B, B06A, B06B, B17A, B17B, B17C, B17D, B48Z, B85A, B85B, B85C, B85D		Pre	A07D, A09A, A09E, A11B, A11F, A13F		Pre	A07D, A09A, A09E, A11B, A11F, A13F	
	15	TPN, VTPN	Q01.9	01	B03A, B03B, B06A, B06B, B17A, B17B, B17C, B17D, B76D, B81A, B81B	Q04.4	01	B03A, B03B, B06A, B06B, B17A, B17B, B17C, B17D, B76D, B81A, B81B	
P94.1	Pre	963Z		06	G18A, G38Z		06	G18A, G38Z	
P94.2	01	B81A, B81B		15	TPN, VTPN		15	TPN, VTPN	
	15	TPN, VTPN		Pre	A07D, A09A, A09E, A11B, A11F, A13F		Pre	A07D, A09A, A09E, A11B, A11F, A13F	
P94.8	Pre	963Z	Q02	01	B03A, B03B, B06A, B06B, B17A, B17B, B17C, B17D, B76D, B81A, B81B	Q04.5	01	B03A, B03B, B06A, B06B, B17A, B17B, B17C, B17D, B76D, B81A, B81B	
P94.9	Pre	963Z		06	G18A, G38Z		06	G18A, G38Z	
P95	Pre	963Z		15	TPN, VTPN		15	TPN, VTPN	
P96.0	15	TPN, VTPN		Pre	A07D, A09A, A09E, A11B, A11F, A13F		Pre	A07D, A09A, A09E, A11B, A11F, A13F	
	Pre	963Z	Q03.0	01	B03A, B03B, B06A, B06B, B17A, B17B, B17C, B17D, B76D, B81A, B81B	Q04.6	01	B03A, B03B, B06A, B06B, B17A, B17B, B17C, B17D, B76D, B81A	
P96.1	15	TPN, VTPN		06	G18A, G38Z		15	TPN, VTPN	
	Pre	963Z		15	TPN, VTPN		Pre	A07D, A09A, A09E, A11B, A11F, A13F	
P96.2	15	TPN, VTPN		Pre	A07D, A09A, A09E, A11B, A11F, A13F		Pre	A07D, A09A, A09E, A11B, A11F, A13F	
	Pre	963Z	Q03.1	01	B03A, B03B, B06A, B06B, B17A, B17B, B17C, B17D, B76D, B81A, B81B	Q04.8	01	B03A, B03B, B06A, B06B, B17A, B17B, B17C, B17D, B76D, B81A	
P96.3	Pre	963Z		06	G18A, G38Z		15	TPN, VTPN	
P96.4	Pre	963Z		15	TPN, VTPN		Pre	A07D, A09A, A09E, A11B, A11F, A13F	
P96.5	Pre	963Z		Pre	A07D, A09A, A09E, A11B, A11F, A13F		Pre	A07D, A09A, A09E, A11B, A11F, A13F	
P96.8	Pre	963Z	Q03.8	01	B03A, B03B, B06A, B06B, B17A, B17B, B17C, B17D, B76D, B81A, B81B	Q04.9	01	B03A, B03B, B06A, B06B, B17A, B17B, B17C, B17D, B76D, B81A	
P96.9	Pre	963Z		06	G18A, G38Z		Pre	A07D, A09A, A09E, A11B, A11F, A13F	
Q00.0	01	B03A, B03B, B06A, B06B, B17A, B17B, B17C, B17D, B76D, B81A, B81B		15	TPN, VTPN		Q05.0	01	B03A, B03B, B06A, B06B, B17A, B17B, B17C, B17D, B76D, B81A, B81B
	06	G18A, G38Z		15	TPN, VTPN		06	G18A, G38Z	
	15	TPN, VTPN		Pre	A07D, A09A, A09E, A11B, A11F, A13F		15	TPN, VTPN	
	Pre	A07D, A09A, A09E, A11B, A11F, A13F	Q03.9	01	B03A, B03B, B06A, B06B, B17A, B17B, B17C, B17D, B76D, B81A, B81B	Q05.1	01	B03A, B03B, B06A, B06B, B17A, B17B, B17C, B17D, B76D, B81A, B81B	
Q00.1	01	B03A, B03B, B06A, B06B, B17A, B17B, B17C, B17D, B76D, B81A, B81B		06	G18A, G38Z		01	B03A, B03B, B06A, B06B, B17A, B17B, B17C, B17D, B76D, B81A, B81B	
	06	G18A, G38Z		15	TPN, VTPN		06	G18A, G38Z	
	15	TPN, VTPN		Pre	A07D, A09A, A09E, A11B, A11F, A13F		15	TPN, VTPN	
	Pre	A07D, A09A, A09E, A11B, A11F, A13F	Q04.0	01	B03A, B03B, B06A, B06B, B17A, B17B, B17C, B17D, B76D, B81A, B81B	Q05.2	01	B03A, B03B, B06A, B06B, B17A, B17B, B17C, B17D, B76D, B81A, B81B	
Q00.2	01	B03A, B03B, B06A, B06B, B17A, B17B, B17C, B17D, B76D, B81A, B81B		06	G18A, G38Z		01	B03A, B03B, B06A, B06B, B17A, B17B, B17C, B17D, B76D, B81A, B81B	
	06	G18A, G38Z		15	TPN, VTPN		06	G18A, G38Z	
	15	TPN, VTPN		Pre	A07D, A09A, A09E, A11B, A11F, A13F		15	TPN, VTPN	
	Pre	A07D, A09A, A09E, A11B, A11F, A13F	Q04.1	01	B03A, B03B, B06A, B06B, B17A, B17B, B17C, B17D, B76D, B81A, B81B	Q05.3	01	B03A, B03B, B06A, B06B, B17A, B17B, B17C, B17D, B76D, B81A, B81B	
Q01.0	01	B03A, B03B, B06A, B06B, B17A, B17B, B17C, B17D, B76D, B81A, B81B		06	G18A, G38Z		01	B03A, B03B, B06A, B06B, B17A, B17B, B17C, B17D, B76D, B81A, B81B	
	06	G18A, G38Z		15	TPN, VTPN		06	G18A, G38Z	
	15	TPN, VTPN		Pre	A07D, A09A, A09E, A11B, A11F, A13F		15	TPN, VTPN	
	Pre	A07D, A09A, A09E, A11B, A11F, A13F	Q04.2	01	B03A, B03B, B06A, B06B, B17A, B17B, B17C, B17D, B76D, B81A, B81B		Pre	A07D, A09A, A09E, A11B, A11F, A13F	
Q01.1	01	B03A, B03B, B06A, B06B, B17A, B17B, B17C, B17D, B76D, B81A, B81B		06	G18A, G38Z		06	G18A, G38Z	
	06	G18A, G38Z		15	TPN, VTPN		15	TPN, VTPN	
	15	TPN, VTPN		Pre	A07D, A09A, A09E, A11B, A11F, A13F		Pre	A07D, A09A, A09E, A11B, A11F, A13F	
	Pre	A07D, A09A, A09E, A11B, A11F, A13F		15	TPN, VTPN		Pre	A07D, A09A, A09E, A11B, A11F, A13F	
Q01.2	01	B03A, B03B, B06A, B06B, B17A, B17B, B17C, B17D, B76D, B81A, B81B		Pre	A07D, A09A, A09E, A11B, A11F, A13F		Pre	A07D, A09A, A09E, A11B, A11F, A13F	
	06	G18A, G38Z		15	TPN, VTPN		06	G18A, G38Z	
	15	TPN, VTPN		Pre	A07D, A09A, A09E, A11B, A11F, A13F		15	TPN, VTPN	
	Pre	A07D, A09A, A09E, A11B, A11F, A13F		Pre	A07D, A09A, A09E, A11B, A11F, A13F		Pre	A07D, A09A, A09E, A11B, A11F, A13F	

Dg

ICD	MDC	DRG	ICD	MDC	DRG	ICD	MDC	DRG	
Q16.2	03	D66Z	Q20.2	05	F03C, F03D, F03E, F30Z, F42Z, F46A, F46B, F68A, F68B	Q21.4	05	F03C, F03D, F03E, F46A, F46B, F68A, F68B	
	15	P65C, P66C, P67B, P67C		06	G18A, G38Z		10	K62A	
	Pre	A09A, A11B		10	K62A		15	TPN, VTPN	
Q16.3	03	D66Z		15	TPN, VTPN	Q21.80	05	F03C, F03D, F03E, F46A, F46B, F68A, F68B	
	15	P65C, P66C, P67B, P67C		Pre	A07D, A09A, A09E, A11B, A11F, A13F		10	K62A	
	Pre	A09A, A11B	Q20.3	05	F03C, F03D, F03E, F30Z, F42Z, F46A, F46B, F68A, F68B		15	TPN, VTPN	
Q16.4	03	D66Z		06	G18A, G38Z	Pre	A07D, A09A, A09E, A11B, A11F, A13F		
	15	P65C, P66C, P67B, P67C		10	K62A	Q21.88	05	F03C, F03D, F03E, F46A, F46B, F68A, F68B	
	Pre	A09A, A11B		15	TPN, VTPN		10	K62A	
Q16.5	03	D66Z	Q20.4	05	F03C, F03D, F03E, F30Z, F42Z, F46A, F46B, F68A, F68B		15	TPN, VTPN	
	15	P65C, P66C, P67B, P67C		06	G18A, G38Z	Pre	A07D, A09A, A09E, A11B, A11F, A13F		
	Pre	A09A, A11B		10	K62A	Q21.9	05	F03C, F03D, F03E, F46A, F46B, F68A, F68B	
Q16.9	03	D66Z		15	TPN, VTPN		10	K62A	
	15	P65C, P66C, P67B, P67C	Q20.5	05	F03C, F03D, F03E, F30Z, F42Z, F46A, F46B, F68A, F68B		15	TPN, VTPN	
	Pre	A09A, A11B		06	G18A, G38Z	Pre	A07D, A09A, A09E, A11B, A11F, A13F		
Q17.0	03	D66Z		10	K62A	Q22.0	05	F03C, F03D, F03E, F30Z, F42Z, F46A, F46B, F68A, F68B	
	15	P65C, P66C, P67B, P67C		15	TPN, VTPN		06	G18A, G38Z	
	Pre	A09A, A11B		Pre	A07D, A09A, A09E, A11B, A11F, A13F		10	K62A	
Q17.1	03	D66Z	Q20.6	05	F03C, F03D, F03E, F30Z, F42Z, F46A, F46B, F68A, F68B		15	TPN, VTPN	
	Pre	A09A, A11B		06	G18A, G38Z	Pre	A07D, A09A, A09E, A11B, A11F, A13F		
Q17.2	03	D66Z		10	K62A	Q22.1	05	F03C, F03D, F03E, F46A, F46B, F68A, F68B	
	Pre	A09A, A11B		15	TPN, VTPN		06	G18A, G38Z	
Q17.3	03	D66Z	Q20.8	05	F03C, F03D, F03E, F30Z, F42Z, F46A, F46B, F68A, F68B		10	K62A	
	15	P65C, P66C, P67B, P67C		06	G18A, G38Z	Pre	A07D, A09A, A09E, A11B, A11F, A13F		
	Pre	A09A, A11B		10	K62A	Q22.2	05	F03C, F03D, F03E, F46A, F46B, F68A, F68B	
Q17.4	03	D66Z		15	TPN, VTPN		06	G18A, G38Z	
	Pre	A09A, A11B	Q20.9	05	F03C, F03D, F03E, F46A, F46B, F68A, F68B		10	K62A	
Q17.5	03	D66Z		10	K62A	Pre	A07D, A09A, A09E, A11B, A11F, A13F		
	Pre	A09A, A11B		15	TPN, VTPN	Q22.3	05	F03C, F03D, F03E, F46A, F46B, F68A, F68B	
Q17.8	03	D66Z	Q21.0	05	F03C, F03D, F03E, F46A, F46B, F68A, F68B		10	K62A	
	Pre	A09A, A11B		10	K62A	Pre	A07D, A09A, A09E, A11B, A11F, A13F		
Q17.9	03	D66Z		15	TPN, VTPN	Q22.4	05	F03C, F03D, F03E, F46A, F46B, F68A, F68B	
	Pre	A09A, A11B	Q21.1	05	F03C, F03D, F03E, F46A, F46B, F68A, F68B		06	G18A, G38Z	
Q18.0	03	D66Z		10	K62A		10	K62A	
	15	P65C, P66C, P67B, P67C		15	TPN, VTPN	Pre	A07D, A09A, A09E, A11B, A11F, A13F		
	Pre	A09A, A11B	Q21.2	05	F03C, F03D, F03E, F46A, F46B, F68A, F68B		15	TPN, VTPN	
Q18.1	03	D66Z		10	K62A	Pre	A07D, A09A, A09E, A11B, A11F, A13F		
	Pre	A09A, A11B		15	TPN, VTPN	Q22.5	05	F03C, F03D, F03E, F46A, F46B, F68A, F68B	
Q18.2	03	D66Z	Q21.3	05	F03C, F03D, F03E, F46A, F46B, F68A, F68B		06	G18A, G38Z	
	Pre	A09A, A11B		10	K62A		10	K62A	
Q18.3	09	J67A, J67B, J68A, J68B		15	TPN, VTPN	Pre	A07D, A09A, A09E, A11B, A11F, A13F		
	Pre	A09A, A11B		Pre	A07D, A09A, A09E, A11B, A11F, A13F	Q22.6	05	F03C, F03D, F03E, F30Z, F42Z, F46A, F46B, F68A, F68B	
Q18.4	03	D40Z, D67Z		06	G18A, G38Z		06	G18A, G38Z	
	Pre	A09A, A11B		10	K62A		10	K62A	
Q18.5	03	D40Z, D67Z		15	TPN, VTPN		15	TPN, VTPN	
	Pre	A09A, A11B		Pre	A07D, A09A, A09E, A11B, A11F, A13F	Pre	A07D, A09A, A09E, A11B, A11F, A13F		
Q18.6	03	D40Z, D67Z		06	G18A, G38Z		15	TPN, VTPN	
	Pre	A09A, A11B		10	K62A	Pre	A07D, A09A, A09E, A11B, A11F, A13F		
Q18.7	03	D40Z, D67Z		15	TPN, VTPN		Pre	A07D, A09A, A09E, A11B, A11F, A13F	
	Pre	A09A, A11B		Pre	A07D, A09A, A09E, A11B, A11F, A13F		Pre	A07D, A09A, A09E, A11B, A11F, A13F	
Q18.8	03	D66Z		06	G18A, G38Z		10	K62A	
	Pre	A09A, A11B		10	K62A		15	TPN, VTPN	
Q18.9	09	J67A, J67B, J68A, J68B		15	TPN, VTPN		Pre	A07D, A09A, A09E, A11B, A11F, A13F	
	Pre	A09A, A11B		Pre	A07D, A09A, A09E, A11B, A11F, A13F		Pre	A07D, A09A, A09E, A11B, A11F, A13F	
Q20.0	05	F03C, F03D, F03E, F30Z, F42Z, F46A, F46B, F68A, F68B		06	G18A, G38Z		15	TPN, VTPN	
	06	G18A, G38Z		10	K62A		Pre	A07D, A09A, A09E, A11B, A11F, A13F	
	10	K62A		15	TPN, VTPN		Pre	A07D, A09A, A09E, A11B, A11F, A13F	
	15	TPN, VTPN		Pre	A07D, A09A, A09E, A11B, A11F, A13F		Pre	A07D, A09A, A09E, A11B, A11F, A13F	
	Pre	A07D, A09A, A09E, A11B, A11F, A13F		06	G18A, G38Z		10	K62A	
Q20.1	05	F03C, F03D, F03E, F30Z, F42Z, F46A, F46B, F68A, F68B		10	K62A		15	TPN, VTPN	
	06	G18A, G38Z		15	TPN, VTPN		Pre	A07D, A09A, A09E, A11B, A11F, A13F	
	10	K62A		Pre	A07D, A09A, A09E, A11B, A11F, A13F		Pre	A07D, A09A, A09E, A11B, A11F, A13F	
	15	TPN, VTPN		06	G18A, G38Z		10	K62A	
	Pre	A07D, A09A, A09E, A11B, A11F, A13F		10	K62A		15	TPN, VTPN	
	Pre	A07D, A09A, A09E, A11B, A11F, A13F		15	TPN, VTPN		Pre	A07D, A09A, A09E, A11B, A11F, A13F	
	Pre	A07D, A09A, A09E, A11B, A11F, A13F		Pre	A07D, A09A, A09E, A11B, A11F, A13F		Pre	A07D, A09A, A09E, A11B, A11F, A13F	

Dg

ICD	MDC	DRG	ICD	MDC	DRG	ICD	MDC	DRG
Q22.8	05	F03C, F03D, F03E, F46A, F46B, F68A, F68B	Q24.2	05	F03C, F03D, F03E, F46A, F46B, F68A, F68B	Q25.4	05	F03C, F03D, F03E, F46A, F46B, F68A, F68B
	10	K62A		10	K62A		10	K62A
	15	TPN, VTPN		15	TPN, VTPN		Pre	A07D, A09A, A09E, A11B, A11F, A13F
	Pre	A07D, A09A, A09E, A11B, A11F, A13F		Pre	A07D, A09A, A09E, A11B, A11F, A13F	Q25.5	05	F03C, F03D, F03E, F30Z, F42Z, F46A, F46B, F68A, F68B
Q22.9	05	F03C, F03D, F03E, F46A, F46B, F68A, F68B	Q24.3	05	F03C, F03D, F03E, F46A, F46B, F68A, F68B		06	G18A, G38Z
	10	K62A		06	G18A, G38Z		10	K62A
	15	TPN, VTPN		10	K62A		Pre	A07D, A09A, A09E, A11B, A11F, A13F
	Pre	A07D, A09A, A09E, A11B, A11F, A13F		15	TPN, VTPN	Q25.6	05	F03C, F03D, F03E, F46A, F46B, F68A, F68B
Q23.0	05	F03C, F03D, F03E, F46A, F46B, F68A, F68B	Q24.4	05	F03C, F03D, F03E, F46A, F46B, F68A, F68B		06	G18A, G38Z
	06	G18A, G38Z		06	G18A, G38Z		10	K62A
	10	K62A		10	K62A		Pre	A07D, A09A, A09E, A11B, A11F, A13F
	15	TPN, VTPN		15	TPN, VTPN	Q25.7	05	F03C, F03D, F03E, F46A, F46B, F68A, F68B
	Pre	A07D, A09A, A09E, A11B, A11F, A13F		Pre	A07D, A09A, A09E, A11B, A11F, A13F		10	K62A
Q23.1	05	F03C, F03D, F03E, F46A, F46B, F68A, F68B	Q24.5	05	F03C, F03D, F03E, F46A, F46B, F68A, F68B		Pre	A07D, A09A, A09E, A11B, A11F, A13F
	06	G18A, G38Z		10	K62A	Q25.8	05	F03C, F03D, F03E, F46A, F46B, F65A, F65B
	10	K62A		15	TPN, VTPN		10	K62A
	15	TPN, VTPN		Pre	A07D, A09A, A09E, A11B, A11F, A13F		Pre	A07D, A09A, A09E, A11B, A11F, A13F
	Pre	A07D, A09A, A09E, A11B, A11F, A13F		Pre	A07D, A09A, A09E, A11B, A11F, A13F	Q25.9	05	F03C, F03D, F03E, F46A, F46B, F65A, F65B
Q23.2	05	F03C, F03D, F03E, F46A, F46B, F68A, F68B	Q24.6	05	F03C, F03D, F03E, F46A, F46B, F68A, F68B		10	K62A
	06	G18A, G38Z		10	K62A		15	TPN, VTPN
	10	K62A		15	TPN, VTPN		Pre	A07D, A09A, A09E, A11B, A11F, A13F
	15	TPN, VTPN		Pre	A07D, A09A, A09E, A11B, A11F, A13F	Q26.0	05	F03C, F03D, F03E, F46A, F46B, F68A, F68B
	Pre	A07D, A09A, A09E, A11B, A11F, A13F		Pre	A07D, A09A, A09E, A11B, A11F, A13F		06	G18A, G38Z
Q23.3	05	F03C, F03D, F03E, F46A, F46B, F68A, F68B	Q24.8	05	F03C, F03D, F03E, F46A, F46B, F68A, F68B		10	K62A
	06	G18A, G38Z		10	K62A		15	TPN, VTPN
	10	K62A		15	TPN, VTPN		Pre	A07D, A09A, A09E, A11B, A11F, A13F
	15	TPN, VTPN		Pre	A07D, A09A, A09E, A11B, A11F, A13F	Q26.1	05	F03C, F03D, F03E, F46A, F46B, F68A, F68B
	Pre	A07D, A09A, A09E, A11B, A11F, A13F		Pre	A07D, A09A, A09E, A11B, A11F, A13F		10	K62A
Q23.4	05	F03C, F03D, F03E, F30Z, F42Z, F46A, F46B, F68A, F68B	Q24.9	05	F03C, F03D, F03E, F46A, F46B, F68A, F68B		Pre	A07D, A09A, A09E, A11B, A11F, A13F
	06	G18A, G38Z		10	K62A	Q26.2	05	F03C, F03D, F03E, F30Z, F42Z, F46A, F46B, F68A, F68B
	10	K62A		10	K62A		06	G18A, G38Z
	15	TPN, VTPN		15	TPN, VTPN		10	K62A
	Pre	A07D, A09A, A09E, A11B, A11F, A13F		Pre	A07D, A09A, A09E, A11B, A11F, A13F		15	TPN, VTPN
Q23.8	05	F03C, F03D, F03E, F46A, F46B, F68A, F68B	Q25.0	05	F03C, F03D, F03E, F46A, F46B, F68A, F68B		Pre	A07D, A09A, A09E, A11B, A11F, A13F
	10	K62A		10	K62A	Q26.3	05	F03C, F03D, F03E, F46A, F46B, F68A, F68B
	15	TPN, VTPN		15	TPN, VTPN		06	G18A, G38Z
	Pre	A07D, A09A, A09E, A11B, A11F, A13F		Pre	A07D, A09A, A09E, A11B, A11F, A13F		10	K62A
Q23.9	05	F03C, F03D, F03E, F46A, F46B, F68A, F68B	Q25.1	05	F03C, F03D, F03E, F46A, F46B, F68A, F68B		15	TPN, VTPN
	10	K62A		10	K62A		Pre	A07D, A09A, A09E, A11B, A11F, A13F
	15	TPN, VTPN		15	TPN, VTPN	Q26.4	05	F03C, F03D, F03E, F46A, F46B, F68A, F68B
	Pre	A07D, A09A, A09E, A11B, A11F, A13F		Pre	A07D, A09A, A09E, A11B, A11F, A13F		10	K62A
Q24.0	05	F03C, F03D, F03E, F46A, F46B, F68A, F68B	Q25.2	05	F03C, F03D, F03E, F30Z, F42Z, F46A, F46B, F68A, F68B		Pre	A07D, A09A, A09E, A11B, A11F, A13F
	10	K62A		06	G18A, G38Z	Q26.5	05	F03C, F03D, F03E, F46A, F46B, F68A, F68B
	15	TPN, VTPN		10	K62A		10	K62A
	Pre	A07D, A09A, A09E, A11B, A11F, A13F		15	TPN, VTPN		Pre	A07D, A09A, A09E, A11B, A11F, A13F
Q24.1	05	F03C, F03D, F03E, F46A, F46B, F68A, F68B	Q25.3	05	F03C, F03D, F03E, F46A, F46B, F68A, F68B		Pre	A07D, A09A, A09E, A11B, A11F, A13F
	10	K62A		06	G18A, G38Z		10	K62A
	15	TPN, VTPN		10	K62A		15	TPN, VTPN
	Pre	A07D, A09A, A09E, A11B, A11F, A13F		15	TPN, VTPN		Pre	A07D, A09A, A09E, A11B, A11F, A13F

ICD	MDC	DRG	ICD	MDC	DRG	ICD	MDC	DRG
Q26.6	05	F03C, F03D, F03E, F46A, F46B, F68A, F68B	Q28.09	01	B03A, B03B, B06A, B06B, B17A, B17B, B17C, B17D, B81A, B81B	Q28.31	01	B03A, B03B, B06A, B06B, B17A, B17B, B17C, B17D, B81A, B81B
	10	K62A		10	K62A		10	K62A
	Pre	A07D, A09A, A09E, A11B, A11F, A13F		15	TPN, VTPN		15	TPN, VTPN
Q26.8	05	F03C, F03D, F03E, F46A, F46B, F68A, F68B		Pre	A07D, A09A, A09E, A11B, A11F, A13F	Q28.38	Pre	A07D, A09A, A09E, A11B, A11F, A13F
	10	K62A	Q28.10	01	B03A, B03B, B06A, B06B, B17A, B17B, B17C, B17D, B81A, B81B		01	B03A, B03B, B06A, B06B, B17A, B17B, B17C, B17D, B81A, B81B
	Pre	A07D, A09A, A09E, A11B, A11F, A13F		10	K62A		10	K62A
Q26.9	05	F03C, F03D, F03E, F46A, F46B, F68A, F68B		15	TPN, VTPN		15	TPN, VTPN
	10	K62A		Pre	A07D, A09A, A09E, A11B, A11F, A13F		Pre	A07D, A09A, A09E, A11B, A11F, A13F
	Pre	A07D, A09A, A09E, A11B, A11F, A13F	Q28.11	01	B03A, B03B, B06A, B06B, B17A, B17B, B17C, B17D, B81A, B81B	Q28.39	01	B03A, B03B, B06A, B06B, B17A, B17B, B17C, B17D, B81A, B81B
Q27.0	05	F03C, F03D, F03E, F65A, F65B		10	K62A		10	K62A
	10	K62A		15	TPN, VTPN		15	TPN, VTPN
	Pre	A07D, A09A, A09E, A11B, A11F, A13F		Pre	A07D, A09A, A09E, A11B, A11F, A13F		Pre	A07D, A09A, A09E, A11B, A11F, A13F
Q27.1	05	F03C, F03D, F03E, F65A, F65B	Q28.18	01	B03A, B03B, B06A, B06B, B17A, B17B, B17C, B17D, B81A, B81B	Q28.80	05	F03C, F03D, F03E, F65A, F65B
	10	K62A		10	K62A		10	K62A
	Pre	A07D, A09A, A09E, A11B, A11F, A13F		15	TPN, VTPN		15	P65C, P66C, P67B, P67C
Q27.2	05	F03C, F03D, F03E, F65A, F65B		15	TPN, VTPN		Pre	A07D, A09A, A09E, A11B, A11F, A13F
	10	K62A		Pre	A07D, A09A, A09E, A11B, A11F, A13F	Q28.81	05	F03C, F03D, F03E, F65A, F65B
	Pre	A07D, A09A, A09E, A11B, A11F, A13F	Q28.19	01	B03A, B03B, B06A, B06B, B17A, B17B, B17C, B17D, B81A, B81B		10	K62A
Q27.3	05	F03C, F03D, F03E, F65A, F65B		10	K62A		15	P65C, P66C, P67B, P67C
	10	K62A		15	TPN, VTPN		Pre	A07D, A09A, A09E, A11B, A11F, A13F
	Pre	A07D, A09A, A09E, A11B, A11F, A13F		Pre	A07D, A09A, A09E, A11B, A11F, A13F	Q28.88	05	F03C, F03D, F03E, F65A, F65B
Q27.4	05	F03C, F03D, F03E, F65A, F65B	Q28.20	01	B03A, B03B, B06A, B06B, B17A, B17B, B17C, B17D, B81A, B81B		10	K62A
	10	K62A		10	K62A		15	P65C, P66C, P67B, P67C
	Pre	A07D, A09A, A09E, A11B, A11F, A13F		15	TPN, VTPN		Pre	A07D, A09A, A09E, A11B, A11F, A13F
Q27.8	05	F03C, F03D, F03E, F65A, F65B		Pre	A07D, A09A, A09E, A11B, A11F, A13F	Q28.9	05	F03C, F03D, F03E, F65A, F65B
	10	K62A	Q28.21	01	B03A, B03B, B06A, B06B, B17A, B17B, B17C, B17D, B81A, B81B		10	K62A
	Pre	A07D, A09A, A09E, A11B, A11F, A13F		10	K62A		Pre	A07D, A09A, A09E, A11B, A11F, A13F
Q27.9	05	F03C, F03D, F03E, F65A, F65B		15	TPN, VTPN	Q30.0	03	D66Z
	10	K62A		Pre	A07D, A09A, A09E, A11B, A11F, A13F		15	TPN, VTPN
	Pre	A07D, A09A, A09E, A11B, A11F, A13F	Q28.28	01	B03A, B03B, B06A, B06B, B17A, B17B, B17C, B17D, B81A, B81B		Pre	A07D, A09A, A09E, A11B, A11F, A13F
Q28.00	01	B03A, B03B, B06A, B06B, B17A, B17B, B17C, B17D, B81A, B81B		10	K62A	Q30.1	03	D66Z
	10	K62A		15	TPN, VTPN		Pre	A09A, A11B
	15	TPN, VTPN		Pre	A07D, A09A, A09E, A11B, A11F, A13F	Q30.2	03	D66Z
	Pre	A07D, A09A, A09E, A11B, A11F, A13F	Q28.29	01	B03A, B03B, B06A, B06B, B17A, B17B, B17C, B17D, B81A, B81B		Pre	A09A, A11B
Q28.01	01	B03A, B03B, B06A, B06B, B17A, B17B, B17C, B17D, B81A, B81B		10	K62A	Q30.3	03	D66Z
	10	K62A		15	TPN, VTPN		Pre	A09A, A11B
	15	TPN, VTPN		Pre	A07D, A09A, A09E, A11B, A11F, A13F	Q30.8	03	D66Z
	Pre	A07D, A09A, A09E, A11B, A11F, A13F	Q28.30	01	B03A, B03B, B06A, B06B, B17A, B17B, B17C, B17D, B81A, B81B		Pre	A09A, A11B
Q28.08	01	B03A, B03B, B06A, B06B, B17A, B17B, B17C, B17D, B81A, B81B		10	K62A	Q30.9	03	D66Z
	10	K62A		15	TPN, VTPN		Pre	A09A, A11B
	15	TPN, VTPN		Pre	A07D, A09A, A09E, A11B, A11F, A13F	Q31.0	03	D66Z
	Pre	A07D, A09A, A09E, A11B, A11F, A13F		Pre	A07D, A09A, A09E, A11B, A11F, A13F		15	TPN, VTPN
	Pre	A07D, A09A, A09E, A11B, A11F, A13F		Pre	A07D, A09A, A09E, A11B, A11F, A13F	Q31.1	03	D66Z
	Pre	A07D, A09A, A09E, A11B, A11F, A13F		Pre	A07D, A09A, A09E, A11B, A11F, A13F		15	TPN, VTPN
	Pre	A07D, A09A, A09E, A11B, A11F, A13F		Pre	A07D, A09A, A09E, A11B, A11F, A13F	Q31.2	03	D66Z
	Pre	A07D, A09A, A09E, A11B, A11F, A13F		Pre	A07D, A09A, A09E, A11B, A11F, A13F		15	TPN, VTPN
	Pre	A07D, A09A, A09E, A11B, A11F, A13F		Pre	A07D, A09A, A09E, A11B, A11F, A13F		Pre	A07D, A09A, A09E, A11B, A11F, A13F

Dg

ICD	MDC	DRG	ICD	MDC	DRG	ICD	MDC	DRG
Q31.3	03	D66Z	Q33.9	04	E75A, E75B, E75C	Q37.9	03	D03Z, D40Z, D67Z
	15	TPN, VTPN		Pre	A07D, A09A, A09E, A11B, A11F, A13F		15	TPN, VTPN
	Pre	A07D, A09A, A09E, A11B, A11F, A13F	Q34.0	04	E75A, E75B, E75C	Q38.0	03	D40Z, D67Z
Q31.5	03	D66Z		Pre	A07D, A09A, A09E, A11B, A11F, A13F		Pre	A09A, A11B
	15	TPN, VTPN	Q34.1	04	E75A, E75B, E75C	Q38.1	03	D40Z, D67Z
	Pre	A07D, A09A, A09E, A11B, A11F, A13F		Pre	A07D, A09A, A09E, A11B, A11F, A13F	Q38.2	03	D40Z, D67Z
Q31.8	03	D66Z	Q34.8	04	E75A, E75B, E75C	Q38.3	03	D40Z, D67Z
	15	TPN, VTPN		Pre	A07D, A09A, A09E, A11B, A11F, A13F	Q38.4	03	D40Z, D67Z
	Pre	A07D, A09A, A09E, A11B, A11F, A13F	Q34.9	04	E75A, E75B, E75C	Q38.5	03	D40Z, D67Z
Q31.9	03	D66Z		Pre	A07D, A09A, A09E, A11B, A11F, A13F	Q38.6	03	D40Z, D67Z
	15	TPN, VTPN	Q35.1	03	D03Z, D40Z, D67Z		15	P65C, P66C, P67B, P67C
	Pre	A07D, A09A, A09E, A11B, A11F, A13F		Pre	A07D, A09A, A09E, A11B, A11F, A13F	Q38.7	03	D66Z
Q32.0	03	D66Z	Q35.3	03	D03Z, D40Z, D67Z		15	TPN, VTPN
	15	TPN, VTPN		Pre	A07D, A09A, A09E, A11B, A11F, A13F	Q38.8	03	D66Z
	Pre	A07D, A09A, A09E, A11B, A11F, A13F	Q35.5	03	D03Z, D40Z, D67Z	Q39.0	06	G18A, G38Z, G46A, G46B, G46C, G50Z, G71Z
Q32.1	03	D66Z		15	P65C, P66C, P67B, P67C		15	TPN, VTPN
	15	TPN, VTPN	Q35.7	03	D03Z, D40Z, D67Z	Q39.1	06	G18A, G38Z, G46A, G46B, G46C, G50Z, G64A, G64B, G64C, G70A, G70B
	Pre	A07D, A09A, A09E, A11B, A11F, A13F		Pre	A09A, A11B		15	TPN, VTPN
Q32.2	03	D66Z	Q35.9	03	D03Z, D40Z, D67Z		Pre	A07D, A09A, A09E, A11B, A11F, A13F
	15	TPN, VTPN		Pre	A09A, A11B	Q39.2	06	G18A, G38Z, G46A, G46B, G46C, G50Z, G71Z
	Pre	A07D, A09A, A09E, A11B, A11F, A13F	Q36.0	03	D03Z, D40Z, D67Z		15	TPN, VTPN
Q32.3	03	D66Z		15	P65C, P66C, P67B, P67C	Q39.3	06	G18A, G38Z, G46A, G46B, G46C, G50Z, G71Z
	15	TPN, VTPN	Q36.1	03	D03Z, D40Z, D67Z		15	TPN, VTPN
	Pre	A07D, A09A, A09E, A11B, A11F, A13F		Pre	A09A, A11B	Q39.4	06	G18A, G38Z, G46A, G46B, G46C, G50Z, G71Z
Q32.4	03	D66Z	Q36.9	03	D03Z, D40Z, D67Z		15	TPN, VTPN
	15	TPN, VTPN		Pre	A09A, A11B	Q39.5	06	G18A, G38Z, G46A, G46B, G46C, G50Z, G71Z
	Pre	A07D, A09A, A09E, A11B, A11F, A13F	Q37.0	03	D03Z, D40Z, D67Z		15	P65C, P66C, P67B, P67C
Q33.0	04	E75A, E75B, E75C		Pre	A07D, A09A, A09E, A11B, A11F, A13F	Q39.6	06	G18A, G38Z, G46A, G46B, G46C, G50Z, G71Z
	15	TPN, VTPN	Q36.9	03	D03Z, D40Z, D67Z		15	P65C, P66C, P67B, P67C
	Pre	A07D, A09A, A09E, A11B, A11F, A13F		Pre	A09A, A11B	Q39.8	06	G18A, G38Z, G46A, G46B, G46C, G50Z, G71Z
Q33.1	04	E75A, E75B, E75C	Q37.1	03	D03Z, D40Z, D67Z		15	P65C, P66C, P67B, P67C
	15	P65C, P66C, P67B, P67C		Pre	A07D, A09A, A09E, A11B, A11F, A13F	Q39.9	06	G18A, G38Z, G46A, G46B, G46C, G50Z, G71Z
	Pre	A07D, A09A, A09E, A11B, A11F, A13F	Q37.2	03	D03Z, D40Z, D67Z		Pre	A07D, A09A, A09E, A11B, A11F, A13F
Q33.2	04	E75A, E75B, E75C		15	TPN, VTPN	Q39.9	06	G18A, G38Z, G46A, G46B, G46C, G50Z, G71Z
	15	TPN, VTPN	Q37.3	03	D03Z, D40Z, D67Z		Pre	A07D, A09A, A09E, A11B, A11F, A13F
	Pre	A07D, A09A, A09E, A11B, A11F, A13F		Pre	A07D, A09A, A09E, A11B, A11F, A13F		Pre	A07D, A09A, A09E, A11B, A11F, A13F
Q33.3	04	E75A, E75B, E75C	Q37.4	03	D03Z, D40Z, D67Z		06	G18A, G38Z, G46A, G46B, G46C, G50Z, G71Z
	15	TPN, VTPN		15	TPN, VTPN		15	P65C, P66C, P67B, P67C
	Pre	A07D, A09A, A09E, A11B, A11F, A13F	Q37.5	03	D03Z, D40Z, D67Z		Pre	A07D, A09A, A09E, A11B, A11F, A13F
Q33.4	04	E65A, E65B, E65C		15	TPN, VTPN		06	G18A, G38Z, G46A, G46B, G46C, G50Z, G71Z
	15	TPN, VTPN	Q37.8	03	D03Z, D40Z, D67Z		15	P65C, P66C, P67B, P67C
	Pre	A07D, A09A, A09E, A11B, A11F, A13F		Pre	A07D, A09A, A09E, A11B, A11F, A13F		Pre	A07D, A09A, A09E, A11B, A11F, A13F
Q33.5	04	E75A, E75B, E75C		15	TPN, VTPN		06	G18A, G38Z, G46A, G46B, G46C, G50Z, G71Z
	15	P65C, P66C, P67B, P67C		Pre	A07D, A09A, A09E, A11B, A11F, A13F		15	P65C, P66C, P67B, P67C
	Pre	A07D, A09A, A09E, A11B, A11F, A13F		Pre	A07D, A09A, A09E, A11B, A11F, A13F		Pre	A07D, A09A, A09E, A11B, A11F, A13F
Q33.6	04	E75A, E75B, E75C		03	D03Z, D40Z, D67Z		06	G18A, G38Z, G46A, G46B, G46C, G50Z, G71Z
	15	TPN, VTPN		15	TPN, VTPN		15	P65C, P66C, P67B, P67C
	Pre	A07D, A09A, A09E, A11B, A11F, A13F		Pre	A07D, A09A, A09E, A11B, A11F, A13F		Pre	A07D, A09A, A09E, A11B, A11F, A13F
Q33.8	04	E75A, E75B, E75C		03	D03Z, D40Z, D67Z		06	G18A, G38Z, G46A, G46B, G46C, G50Z, G71Z
	15	P65C, P66C, P67B, P67C		15	TPN, VTPN		15	P65C, P66C, P67B, P67C
	Pre	A07D, A09A, A09E, A11B, A11F, A13F		Pre	A07D, A09A, A09E, A11B, A11F, A13F		Pre	A07D, A09A, A09E, A11B, A11F, A13F

ICD	MDC	DRG	ICD	MDC	DRG	ICD	MDC	DRG
Q40.0	06	G18A, G38Z, G46A, G46B, G46C, G50Z, G64A, G64B, G64C, G70A, G70B	Q42.2	06	G18A, G38Z, G46A, G46B, G46C, G50Z, G64A, G64B, G64C, G70A, G70B	Q43.6	06	G18A, G38Z, G46A, G46B, G46C, G50Z, G71Z
	15	P65C, P66C, P67B, P67C		15	TPN, VTPN		15	P65C, P66C, P67B, P67C
	Pre	A07D, A09A, A09E, A11B, A11F, A13F		Pre	A07D, A09A, A09E, A11B, A11F, A13F		Pre	A07D, A09A, A09E, A11B, A11F, A13F
Q40.1	06	G18A, G38Z, G46A, G46B, G46C, G50Z, G71Z	Q42.3	06	G18A, G38Z, G46A, G46B, G46C, G50Z, G64A, G64B, G64C, G70A, G70B	Q43.7	06	G18A, G38Z, G46A, G46B, G46C, G50Z, G64A, G64B, G64C, G70A, G70B
	15	P65C, P66C, P67B, P67C		15	TPN, VTPN		15	P65C, P66C, P67B, P67C
	Pre	A07D, A09A, A09E, A11B, A11F, A13F		Pre	A07D, A09A, A09E, A11B, A11F, A13F		Pre	A07D, A09A, A09E, A11B, A11F, A13F
Q40.2	06	G18A, G38Z, G46A, G46B, G46C, G50Z, G71Z	Q42.8	06	G18A, G38Z, G46A, G46B, G46C, G50Z, G71Z	Q43.8	06	G18A, G38Z, G46A, G46B, G46C, G50Z, G71Z
	Pre	A07D, A09A, A09E, A11B, A11F, A13F		15	TPN, VTPN		15	P65C, P66C, P67B, P67C
Q40.3	06	G18A, G38Z, G46A, G46B, G46C, G50Z, G71Z		Pre	A07D, A09A, A09E, A11B, A11F, A13F		Pre	A07D, A09A, A09E, A11B, A11F, A13F
	Pre	A07D, A09A, A09E, A11B, A11F, A13F	Q42.9	06	G18A, G38Z, G46A, G46B, G46C, G50Z, G71Z	Q43.9	06	G18A, G38Z, G46A, G46B, G46C, G50Z, G71Z
Q40.8	06	G18A, G38Z, G46A, G46B, G46C, G50Z, G71Z		15	TPN, VTPN		15	P65C, P66C, P67B, P67C
	Pre	A07D, A09A, A09E, A11B, A11F, A13F		Pre	A07D, A09A, A09E, A11B, A11F, A13F		Pre	A07D, A09A, A09E, A11B, A11F, A13F
Q40.9	06	G18A, G38Z, G46A, G46B, G46C, G50Z, G71Z	Q43.0	06	G40Z, G46A, G46B, G46C, G47Z, G67A, G67B, G67C, G67D, G73Z	Q44.0	07	H63A, H63B, H63C, H78Z
	Pre	A07D, A09A, A09E, A11B, A11F, A13F		15	TPN, VTPN		Pre	A07D, A09A, A09E, A11B, A11F, A13F
	Pre	A07D, A09A, A09E, A11B, A11F, A13F		Pre	A07D, A09A, A09E, A11B, A11F, A13F	Q44.1	07	H63A, H63B, H63C, H78Z
Q41.0	06	G18A, G38Z, G46A, G46B, G46C, G50Z, G64A, G64B, G64C, G70A, G70B	Q43.1	06	G18A, G38Z, G46A, G46B, G46C, G50Z, G64A, G64B, G64C, G70A, G70B		Pre	A07D, A09A, A09E, A11B, A11F, A13F
	15	TPN, VTPN		15	TPN, VTPN	Q44.2	06	G18A, G38Z
	Pre	A07D, A09A, A09E, A11B, A11F, A13F		Pre	A07D, A09A, A09E, A11B, A11F, A13F		07	H64Z
Q41.1	06	G18A, G38Z, G46A, G46B, G46C, G50Z, G64A, G64B, G64C, G70A, G70B	Q43.2	06	G18A, G38Z, G46A, G46B, G46C, G50Z, G71Z		15	TPN, VTPN
	15	TPN, VTPN		15	TPN, VTPN	Q44.3	06	G18A, G38Z
	Pre	A07D, A09A, A09E, A11B, A11F, A13F		Pre	A07D, A09A, A09E, A11B, A11F, A13F		07	H64Z
Q41.2	06	G18A, G38Z, G46A, G46B, G46C, G50Z, G64A, G64B, G64C, G70A, G70B	Q43.3	06	G18A, G38Z, G46A, G46B, G46C, G50Z, G64A, G64B, G64C, G70A, G70B		Pre	A07D, A09A, A09E, A11B, A11F, A13F
	15	TPN, VTPN		15	TPN, VTPN	Q44.4	07	H63A, H63B, H63C, H78Z
	Pre	A07D, A09A, A09E, A11B, A11F, A13F		Pre	A07D, A09A, A09E, A11B, A11F, A13F		Pre	A07D, A09A, A09E, A11B, A11F, A13F
Q41.8	06	G18A, G38Z, G46A, G46B, G46C, G50Z, G71Z	Q43.40	06	G18A, G38Z, G46A, G46B, G46C, G50Z, G71Z	Q44.5	07	H63A, H63B, H63C, H78Z
	15	TPN, VTPN		15	P65C, P66C, P67B, P67C		Pre	A07D, A09A, A09E, A11B, A11F, A13F
	Pre	A07D, A09A, A09E, A11B, A11F, A13F		Pre	A07D, A09A, A09E, A11B, A11F, A13F	Q44.6	07	H63A, H63B, H63C, H78Z
Q41.9	06	G18A, G38Z, G46A, G46B, G46C, G50Z, G71Z	Q43.41	06	G18A, G38Z, G46A, G46B, G46C, G50Z, G71Z		15	TPN, VTPN
	15	TPN, VTPN		15	P65C, P66C, P67B, P67C	Q44.7	07	H63A, H63B, H63C, H78Z
	Pre	A07D, A09A, A09E, A11B, A11F, A13F		Pre	A07D, A09A, A09E, A11B, A11F, A13F		15	TPN, VTPN
Q42.0	06	G18A, G38Z, G46A, G46B, G46C, G50Z, G64A, G64B, G64C, G70A, G70B	Q43.42	06	G18A, G38Z, G46A, G46B, G46C, G50Z, G71Z		Pre	A07D, A09A, A09E, A11B, A11F, A13F
	15	TPN, VTPN		15	P65C, P66C, P67B, P67C	Q45.0	07	H62A, H62B, H62C
	Pre	A07D, A09A, A09E, A11B, A11F, A13F		Pre	A07D, A09A, A09E, A11B, A11F, A13F		15	TPN, VTPN
Q42.1	06	G18A, G38Z, G46A, G46B, G46C, G50Z, G64A, G64B, G64C, G70A, G70B	Q43.49	06	G18A, G38Z, G46A, G46B, G46C, G50Z, G71Z		Pre	A07D, A09A, A09E, A11B, A11F, A13F
	15	TPN, VTPN		15	P65C, P66C, P67B, P67C	Q45.1	07	H62A, H62B, H62C
	Pre	A07D, A09A, A09E, A11B, A11F, A13F		Pre	A07D, A09A, A09E, A11B, A11F, A13F		15	TPN, VTPN
	Pre	A07D, A09A, A09E, A11B, A11F, A13F	Q43.5	06	G18A, G38Z, G46A, G46B, G46C, G50Z, G71Z	Q45.2	07	H62A, H62B, H62C
	Pre	A07D, A09A, A09E, A11B, A11F, A13F		15	P65C, P66C, P67B, P67C		15	TPN, VTPN
	Pre	A07D, A09A, A09E, A11B, A11F, A13F		Pre	A07D, A09A, A09E, A11B, A11F, A13F		Pre	A07D, A09A, A09E, A11B, A11F, A13F
	Pre	A07D, A09A, A09E, A11B, A11F, A13F		Pre	A07D, A09A, A09E, A11B, A11F, A13F	Q45.3	07	H62A, H62B, H62C
	Pre	A07D, A09A, A09E, A11B, A11F, A13F		Pre	A07D, A09A, A09E, A11B, A11F, A13F		15	TPN, VTPN
	Pre	A07D, A09A, A09E, A11B, A11F, A13F		Pre	A07D, A09A, A09E, A11B, A11F, A13F		Pre	A07D, A09A, A09E, A11B, A11F, A13F

Dg

ICD	MDC	DRG	ICD	MDC	DRG	ICD	MDC	DRG
Q45.8	06	G18A, G38Z, G46A, G46B, G46C, G50Z, G71Z	Q52.3	13	N04Z, N05A, N05B, N14Z, N21Z, N25Z, N62A, N62B	Q56.2	10	K64A, K64B, K64C, K64D
	Pre	A07D, A09A, A09E, A11B, A11F, A13F		Pre	A09A, A11B		15	TPN, VTPN
Q45.9	06	G18A, G38Z, G46A, G46B, G46C, G50Z, G71Z	Q52.4	13	N04Z, N05A, N05B, N14Z, N21Z, N25Z, N62A, N62B	Q56.3	10	K64A, K64B, K64C, K64D
	Pre	A07D, A09A, A09E, A11B, A11F, A13F		Pre	A09A, A11B		15	TPN, VTPN
Q50.0	13	N04Z, N05A, N05B, N14Z, N21Z, N25Z, N62A, N62B	Q52.5	13	N04Z, N05A, N05B, N14Z, N21Z, N25Z, N62A, N62B	Q56.4	10	K64A, K64B, K64C, K64D
	Pre	A09A, A11B		Pre	A09A, A11B		15	TPN, VTPN
Q50.1	13	N04Z, N05A, N05B, N14Z, N21Z, N25Z, N62A, N62B	Q52.6	13	N04Z, N05A, N05B, N14Z, N21Z, N25Z, N62A, N62B	Q60.0	11	L64A, L64B, L74Z
	Pre	A09A, A11B		Pre	A09A, A11B		15	TPN, VTPN
Q50.2	13	N04Z, N05A, N05B, N14Z, N21Z, N25Z, N62A, N62B	Q52.7	13	N04Z, N05A, N05B, N14Z, N21Z, N25Z, N62A, N62B	Q60.1	06	G18A, G38Z
	Pre	A09A, A11B		Pre	A09A, A11B		11	L68A, L68B, L74Z
Q50.3	13	N04Z, N05A, N05B, N14Z, N21Z, N25Z, N62A, N62B	Q52.8	13	N04Z, N05A, N05B, N14Z, N21Z, N25Z, N62A, N62B		15	TPN, VTPN
	Pre	A09A, A11B		Pre	A09A, A11B	Q60.2	11	L64A, L64B, L74Z
Q50.4	13	N04Z, N05A, N05B, N14Z, N21Z, N25Z, N62A, N62B	Q52.9	13	N04Z, N05A, N05B, N14Z, N21Z, N25Z, N62A, N62B		15	TPN, VTPN
	Pre	A09A, A11B		Pre	A09A, A11B	Q60.3	11	L64A, L64B, L74Z
Q50.5	13	N04Z, N05A, N05B, N14Z, N21Z, N25Z, N62A, N62B	Q53.0	12	M64Z		15	TPN, VTPN
	Pre	A09A, A11B		Pre	A09A, A11B	Q60.4	06	G18A, G38Z
Q50.6	13	N04Z, N05A, N05B, N14Z, N21Z, N25Z, N62A, N62B	Q53.1	12	M64Z		11	L68A, L68B, L74Z
	Pre	A09A, A11B		Pre	A09A, A11B		15	TPN, VTPN
Q51.0	13	N04Z, N05A, N05B, N14Z, N21Z, N25Z, N62A, N62B	Q53.2	12	M64Z	Q60.5	11	L64A, L64B, L74Z
	Pre	A09A, A11B		Pre	A09A, A11B		15	TPN, VTPN
Q51.1	13	N04Z, N05A, N05B, N14Z, N21Z, N25Z, N62A, N62B	Q53.9	12	M64Z	Q60.6	06	G18A, G38Z
	Pre	A09A, A11B		Pre	A09A, A11B		11	L64A, L64B, L74Z
Q51.2	13	N04Z, N05A, N05B, N14Z, N21Z, N25Z, N62A, N62B	Q54.0	12	M64Z		15	TPN, VTPN
	Pre	A09A, A11B		Pre	A09A, A11B	Q61.0	11	L68A, L68B, L74Z
Q51.3	13	N04Z, N05A, N05B, N14Z, N21Z, N25Z, N62A, N62B	Q54.1	12	M64Z		15	P65C, P66C, P67B, P67C
	Pre	A09A, A11B		Pre	A09A, A11B	Q61.1	11	L68A, L68B, L74Z
Q51.4	13	N04Z, N05A, N05B, N14Z, N21Z, N25Z, N62A, N62B	Q54.2	12	M64Z		15	TPN, VTPN
	Pre	A09A, A11B		Pre	A09A, A11B	Q61.2	11	L68A, L68B, L74Z
Q51.5	13	N04Z, N05A, N05B, N14Z, N21Z, N25Z, N62A, N62B	Q54.3	12	M64Z		15	P65C, P66C, P67B, P67C
	Pre	A09A, A11B		Pre	A09A, A11B	Q61.3	11	L68A, L68B, L74Z
Q51.6	13	N04Z, N05A, N05B, N14Z, N21Z, N25Z, N62A, N62B	Q54.4	12	M64Z		15	P65C, P66C, P67B, P67C
	Pre	A09A, A11B		Pre	A09A, A11B	Q61.4	11	L68A, L68B, L74Z
Q51.7	13	N04Z, N05A, N05B, N14Z, N21Z, N25Z, N62A, N62B	Q54.8	12	M64Z		15	P65C, P66C, P67B, P67C
	Pre	A09A, A11B		Pre	A09A, A11B	Q61.5	11	L68A, L68B, L74Z
Q51.8	13	N04Z, N05A, N05B, N14Z, N21Z, N25Z, N62A, N62B	Q54.9	12	M64Z		15	P65C, P66C, P67B, P67C
	Pre	A09A, A11B		Pre	A09A, A11B	Q61.8	11	L68A, L68B, L74Z
Q51.9	13	N04Z, N05A, N05B, N14Z, N21Z, N25Z, N62A, N62B	Q55.0	12	M64Z		15	P65C, P66C, P67B, P67C
	Pre	A09A, A11B		Pre	A09A, A11B	Q61.9	11	L68A, L68B, L74Z
Q52.0	13	N04Z, N05A, N05B, N14Z, N21Z, N25Z, N62A, N62B	Q55.1	12	M64Z		15	P65C, P66C, P67B, P67C
	Pre	A09A, A11B		Pre	A09A, A11B	Q62.0	11	L64A, L64B, L74Z
Q52.1	13	N04Z, N05A, N05B, N14Z, N21Z, N25Z, N62A, N62B	Q55.2	12	M64Z		15	P65C, P66C, P67B, P67C
	Pre	A09A, A11B		Pre	A09A, A11B	Q62.1	11	L64A, L64B, L74Z
Q52.2	13	N04Z, N05A, N05B, N14Z, N21Z, N25Z, N62A, N62B	Q55.3	12	M64Z		15	P65C, P66C, P67B, P67C
	Pre	A09A, A11B		Pre	A09A, A11B	Q62.2	11	L64A, L64B, L74Z
	Pre	A09A, A11B	Q55.4	12	M64Z		15	P65C, P66C, P67B, P67C
	Pre	A09A, A11B	Q55.5	12	M64Z		15	P65C, P66C, P67B, P67C
	Pre	A09A, A11B	Q55.6	12	M64Z		15	P65C, P66C, P67B, P67C
	Pre	A09A, A11B	Q55.8	12	M64Z		15	P65C, P66C, P67B, P67C
	Pre	A09A, A11B	Q55.9	12	M64Z		15	P65C, P66C, P67B, P67C
	Pre	A09A, A11B	Q56.0	10	K64A, K64B, K64C, K64D		11	L64A, L64B, L74Z
	Pre	A09A, A11B		15	TPN, VTPN		15	P65C, P66C, P67B, P67C
	Pre	A09A, A11B	Q56.1	10	K64A, K64B, K64C, K64D		11	L64A, L64B, L74Z
	Pre	A09A, A11B		15	TPN, VTPN		15	P65C, P66C, P67B, P67C
	Pre	A09A, A11B		Pre	A09A, A11B		15	P65C, P66C, P67B, P67C
	Pre	A09A, A11B		Pre	A09A, A11B		15	P65C, P66C, P67B, P67C

ICD	MDC	DRG	ICD	MDC	DRG	ICD	MDC	DRG
Q62.3	11	L64A, L64B, L74Z	Q65.5	08	I76A, I76B	Q69.0	08	I32A, I32B, I32C, I32D, I32E, I32F, I32G, I76A, I76B
	15	P65C, P66C, P67B, P67C		15	P65C, P66C, P67B, P67C		Pre	A09A, A11B
	Pre	A09A, A11B		Pre	A09A, A11B	Q69.1	08	I32A, I32B, I32C, I32D, I32E, I32F, I32G, I76A, I76B
Q62.4	11	L64A, L64B, L74Z	Q65.6	08	I76A, I76B		Pre	A09A, A11B
	Pre	A09A, A11B		15	P65C, P66C, P67B, P67C	Q69.2	08	I76A, I76B
Q62.5	11	L64A, L64B, L74Z		Pre	A09A, A11B		Pre	A09A, A11B
	Pre	A09A, A11B	Q65.8	08	I76A, I76B	Q69.9	08	I76A, I76B
Q62.6	11	L64A, L64B, L74Z		Pre	A09A, A11B		Pre	A09A, A11B
	Pre	A09A, A11B	Q65.9	08	I76A, I76B	Q69.9	08	I76A, I76B
Q62.7	11	L64A, L64B, L74Z		Pre	A09A, A11B	Q70.0	08	I32A, I32B, I32C, I32D, I32G, I76A, I76B
	Pre	A09A, A11B	Q66.0	08	I76A, I76B		Pre	A09A, A11B
Q62.8	11	L64A, L64B, L74Z		Pre	A09A, A11B	Q70.1	08	I32A, I32B, I32C, I32D, I32G, I76A, I76B
	Pre	A09A, A11B	Q66.1	08	I76A, I76B		Pre	A09A, A11B
Q63.0	11	L64A, L64B, L74Z		Pre	A09A, A11B	Q70.2	08	I76A, I76B
	Pre	A09A, A11B	Q66.2	08	I76A, I76B		Pre	A09A, A11B
Q63.1	11	L64A, L64B, L74Z		Pre	A09A, A11B	Q70.2	08	I76A, I76B
	Pre	A09A, A11B	Q66.3	08	I76A, I76B		Pre	A09A, A11B
Q63.2	11	L64A, L64B, L74Z		Pre	A09A, A11B	Q70.3	08	I76A, I76B
	Pre	A09A, A11B	Q66.4	08	I76A, I76B		Pre	A09A, A11B
Q63.3	11	L64A, L64B, L74Z		Pre	A09A, A11B	Q70.4	08	I32B, I32C, I32D, I76A, I76B
	Pre	A09A, A11B	Q66.5	08	I76A, I76B		Pre	A09A, A11B
Q63.8	11	L64A, L64B, L74Z		Pre	A09A, A11B	Q70.9	08	I32B, I32C, I32D, I76A, I76B
	Pre	A09A, A11B	Q66.6	08	I76A, I76B		Pre	A09A, A11B
Q63.9	11	L64A, L64B, L74Z		Pre	A09A, A11B	Q71.0	08	I32A, I32B, I32C, I32D, I32G, I33Z, I76A, I76B
	Pre	A09A, A11B	Q66.7	08	I76A, I76B		15	P65C, P66C, P67B, P67C
Q64.0	12	M64Z		Pre	A09A, A11B		Pre	A09A, A11B
	13	N04Z, N05A, N05B, N14Z, N21Z, N25Z, N62A, N62B	Q66.8	08	I76A, I76B	Q71.1	08	I32A, I32B, I32C, I32D, I32G, I33Z, I76A, I76B
	Pre	A09A, A11B		Pre	A09A, A11B		15	P65C, P66C, P67B, P67C
Q64.1	11	L68A, L68B, L74Z		Pre	A09A, A11B		Pre	A09A, A11B
	15	TPN, VTPN	Q67.0	08	I76A, I76B	Q71.2	08	I32B, I32C, I32D, I33Z, I76A, I76B
	Pre	A09A, A11B		15	P65C, P66C, P67B, P67C		15	P65C, P66C, P67B, P67C
Q64.2	11	L68A, L68B, L74Z		Pre	A09A, A11B		Pre	A09A, A11B
	15	TPN, VTPN	Q67.1	08	I76A, I76B	Q71.3	08	I32A, I32B, I32C, I32D, I32G, I33Z, I76A, I76B
	Pre	A09A, A11B		Pre	A09A, A11B		15	P65C, P66C, P67B, P67C
Q64.3	11	L68A, L68B, L74Z		Pre	A09A, A11B	Q71.3	08	I32A, I32B, I32C, I32D, I32G, I33Z, I76A, I76B
	15	TPN, VTPN	Q67.2	08	I76A, I76B		15	P65C, P66C, P67B, P67C
	Pre	A09A, A11B		Pre	A09A, A11B	Q71.4	08	I32B, I32C, I32D, I33Z, I76A, I76B
Q64.4	11	L68A, L68B, L74Z		Pre	A09A, A11B		15	P65C, P66C, P67B, P67C
	15	P65C, P66C, P67B, P67C	Q67.3	08	I76A, I76B		Pre	A09A, A11B
	Pre	A09A, A11B		Pre	A09A, A11B	Q71.4	08	I32B, I32C, I32D, I33Z, I76A, I76B
Q64.5	11	L68A, L68B, L74Z		Pre	A09A, A11B	Q71.5	15	P65C, P66C, P67B, P67C
	15	P65C, P66C, P67B, P67C	Q67.4	08	I76A, I76B		Pre	A09A, A11B
	Pre	A09A, A11B		Pre	A09A, A11B	Q71.5	08	I32B, I32C, I32D, I33Z, I76A, I76B
Q64.6	11	L68A, L68B, L74Z		15	P65C, P66C, P67B, P67C		15	P65C, P66C, P67B, P67C
	15	P65C, P66C, P67B, P67C	Q67.5	08	I06A, I06B, I06C, I06D, I06E, I09A, I09B, I09C, I09D, I09E, I76A, I76B		Pre	A09A, A11B
	Pre	A09A, A11B		Pre	A09A, A11B	Q71.6	08	I32A, I32B, I32C, I32D, I32G, I33Z, I76A, I76B
Q64.7	11	L68A, L68B, L74Z		Pre	A09A, A11B		15	P65C, P66C, P67B, P67C
	15	P65C, P66C, P67B, P67C	Q67.6	04	E75A, E75B, E75C		Pre	A09A, A11B
	Pre	A09A, A11B		Pre	A09A, A11B	Q71.6	08	I32A, I32B, I32C, I32D, I32G, I33Z, I76A, I76B
Q64.8	11	L68A, L68B, L74Z		Pre	A09A, A11B		15	P65C, P66C, P67B, P67C
	Pre	A09A, A11B	Q67.7	04	E75A, E75B, E75C		Pre	A09A, A11B
Q64.9	11	L68A, L68B, L74Z		Pre	A09A, A11B	Q71.8	08	I32B, I32C, I32D, I33Z, I76A, I76B
	Pre	A09A, A11B	Q67.8	08	I76A, I76B		Pre	A09A, A11B
Q65.0	08	I76A		Pre	A09A, A11B	Q71.9	08	I32B, I32C, I32D, I33Z, I76A, I76B
	15	P65C, P66C, P67B, P67C	Q68.0	08	I76A, I76B		15	P65C, P66C, P67B, P67C
	Pre	A09A, A11B		Pre	A09A, A11B		Pre	A09A, A11B
Q65.1	08	I76A	Q68.1	08	I32A, I32B, I32C, I32D, I32G, I76A, I76B	Q72.0	08	I33Z, I76A, I76B
	15	P65C, P66C, P67B, P67C		Pre	A09A, A11B		15	P65C, P66C, P67B, P67C
	Pre	A09A, A11B	Q68.2	08	I77Z		Pre	A09A, A11B
Q65.2	08	I76A		15	P65C, P66C, P67B, P67C	Q72.0	08	I33Z, I76A, I76B
	15	P65C, P66C, P67B, P67C	Q68.3	08	I76A, I76B		15	P65C, P66C, P67B, P67C
	Pre	A09A, A11B		Pre	A09A, A11B	Q72.1	08	I33Z, I76A, I76B
Q65.3	08	I76A, I76B		Pre	A09A, A11B		15	P65C, P66C, P67B, P67C
	15	P65C, P66C, P67B, P67C	Q68.4	08	I76A, I76B		Pre	A09A, A11B
	Pre	A09A, A11B		Pre	A09A, A11B	Q72.2	08	I33Z, I76A, I76B
Q65.4	08	I76A, I76B	Q68.5	08	I76A, I76B		15	P65C, P66C, P67B, P67C
	15	P65C, P66C, P67B, P67C		Pre	A09A, A11B		Pre	A09A, A11B
	Pre	A09A, A11B	Q68.8	08	I76A, I76B		Pre	A09A, A11B
	Pre	A09A, A11B		Pre	A09A, A11B		Pre	A09A, A11B

Dg

ICD	MDC	DRG	ICD	MDC	DRG	ICD	MDC	DRG	
Q72.3	08	I33Z, I76A, I76B	Q76.1	08	I76A, I76B	Q78.1	08	I76A, I76B	
	15	P65C, P66C, P67B, P67C		15	TPN, VTPN		15	TPN, VTPN	
	Pre	A09A, A11B		Pre	A09A, A11B		Pre	A07D, A09A, A09E, A11B,	
Q72.4	08	I33Z, I76A, I76B	Q76.21	08	I68A, I68B, I68C, I68D, I68E	Q78.2	08	A11F, A13F	
	15	P65C, P66C, P67B, P67C		Pre	A09A, A11B		15	I76A, I76B	
	Pre	A09A, A11B	Q76.22	08	I68A, I68B, I68C, I68D, I68E		Pre	TPN, VTPN	
Q72.5	08	I33Z, I76A, I76B		Pre	A09A, A11B	Q78.3	08	A07D, A09A, A09E, A11B,	
	15	P65C, P66C, P67B, P67C	Q76.3	08	I68A, I68B, I68C, I68D, I68E		15	A11F, A13F	
	Pre	A09A, A11B		15	P65C, P66C, P67B, P67C	Q78.4	08	I76A, I76B	
Q72.6	08	I33Z, I76A, I76B	Q76.4	08	I68A, I68B, I68C, I68D, I68E		15	TPN, VTPN	
	15	P65C, P66C, P67B, P67C		15	P65C, P66C, P67B, P67C	Q78.5	08	A07D, A09A, A09E, A11B,	
	Pre	A09A, A11B	Q76.5	08	I76A, I76B		Pre	A11F, A13F	
Q72.7	08	I33Z, I76A, I76B		Pre	A09A, A11B	Q78.6	08	I76A, I76B	
	15	P65C, P66C, P67B, P67C	Q76.6	04	E75A, E75B, E75C		15	TPN, VTPN	
	Pre	A09A, A11B		Pre	A09A, A11B	Q78.7	08	A07D, A09A, A09E, A11B,	
Q72.8	08	I33Z, I76A, I76B	Q76.7	04	E75A, E75B, E75C		Pre	A11F, A13F	
	15	P65C, P66C, P67B, P67C		Pre	A09A, A11B	Q78.8	08	I76A, I76B	
	Pre	A09A, A11B	Q76.8	08	I76A, I76B		Pre	A07D, A09A, A09E, A11B,	
Q72.9	08	I33Z, I76A, I76B		Pre	A09A, A11B	Q78.9	08	A11F, A13F	
	Pre	A09A, A11B	Q76.9	08	I76A, I76B		15	TPN, VTPN	
Q73.0	08	I33Z, I76A, I76B		Pre	A09A, A11B	Q79.0	04	E75A, E75B, E75C	
	Pre	A09A, A11B	Q77.0	08	I76A, I76B		06	G18A, G38Z	
Q73.1	08	I33Z, I76A, I76B		15	TPN, VTPN		15	TPN, VTPN	
	Pre	A09A, A11B		Pre	A07D, A09A, A09E, A11B,	Q79.1	04	A07D, A09A, A09E, A11B,	
Q73.8	08	I33Z, I76A, I76B			A11F, A13F		15	A11F, A13F	
	Pre	A09A, A11B	Q77.1	08	I76A, I76B	Q79.2	06	G18A, G38Z, G46A, G46B,	
Q74.0	08	I33Z, I76A		15	TPN, VTPN		15	G46C, G50Z, G71Z	
	Pre	A09A, A11B		Pre	A07D, A09A, A09E, A11B,	Q79.3	06	TPN, VTPN	
Q74.1	08	I33Z, I76A			A11F, A13F		15	TPN, VTPN	
	Pre	A09A, A11B	Q77.2	08	I76A, I76B	Q79.4	06	A07D, A09A, A09E, A11B,	
Q74.2	08	I33Z, I76A		15	TPN, VTPN		15	A11F, A13F	
	Pre	A09A, A11B		Pre	A07D, A09A, A09E, A11B,	Q79.5	06	G18A, G38Z, G46A, G46B,	
Q74.3	08	I33Z, I76A			A11F, A13F		15	G46C, G50Z, G71Z	
	15	TPN, VTPN	Q77.3	08	I76A, I76B	Q79.6	08	TPN, VTPN	
	Pre	A09A, A11B		15	TPN, VTPN		15	TPN, VTPN	
Q74.8	08	I33Z, I76A, I76B		Pre	A07D, A09A, A09E, A11B,	Q79.7	08	A07D, A09A, A09E, A11B,	
	Pre	A09A, A11B	Q77.4	08	I76A, I76B		15	A11F, A13F	
Q74.9	08	I33Z, I76A, I76B		15	TPN, VTPN	Q79.8	06	G18A, G38Z, G46A, G46B,	
	Pre	A09A, A11B		Pre	A07D, A09A, A09E, A11B,		15	G46C, G50Z, G71Z	
Q75.0	08	I76A, I76B			A11F, A13F	Q79.9	08	TPN, VTPN	
	15	TPN, VTPN	Q77.5	08	I76A, I76B		15	TPN, VTPN	
	Pre	A09A, A11B		15	TPN, VTPN	Q79.9	08	A07D, A09A, A09E, A11B,	
Q75.1	08	I76A, I76B		Pre	A07D, A09A, A09E, A11B,		Pre	A11F, A13F	
	15	TPN, VTPN	Q77.6	08	I76A, I76B	Q79.9	08	I76A, I76B	
	Pre	A09A, A11B		15	TPN, VTPN		15	TPN, VTPN	
Q75.2	08	I76A, I76B		Pre	A07D, A09A, A09E, A11B,	Q79.9	08	A07D, A09A, A09E, A11B,	
	15	TPN, VTPN			A11F, A13F		Pre	A11F, A13F	
	Pre	A09A, A11B	Q77.7	08	I76A, I76B	Q79.9	08	I76A, I76B	
Q75.3	08	I76A, I76B		15	TPN, VTPN		15	TPN, VTPN	
	15	TPN, VTPN		Pre	A07D, A09A, A09E, A11B,	Q79.9	08	A07D, A09A, A09E, A11B,	
	Pre	A09A, A11B			A11F, A13F		Pre	A11F, A13F	
Q75.4	08	I76A, I76B		Q77.8	08	I76A, I76B	Q79.9	08	I76A, I76B
	15	TPN, VTPN		15	TPN, VTPN		15	TPN, VTPN	
	Pre	A09A, A11B		Pre	A07D, A09A, A09E, A11B,	Q79.9	08	A07D, A09A, A09E, A11B,	
Q75.5	08	I76A, I76B			A11F, A13F		Pre	A11F, A13F	
	15	TPN, VTPN	Q77.9	08	I76A, I76B	Q79.9	08	I76A, I76B	
	Pre	A09A, A11B		15	TPN, VTPN		15	TPN, VTPN	
Q75.8	08	I76A, I76B		Pre	A07D, A09A, A09E, A11B,	Q79.9	08	A07D, A09A, A09E, A11B,	
	15	TPN, VTPN			A11F, A13F		Pre	A11F, A13F	
	Pre	A09A, A11B	Q78.0	08	I76A, I76B	Q79.9	08	I76A, I76B	
Q75.9	08	I76A, I76B		15	TPN, VTPN		15	TPN, VTPN	
	15	TPN, VTPN		Pre	A07D, A09A, A09E, A11B,	Q79.9	08	A07D, A09A, A09E, A11B,	
	Pre	A09A, A11B			A11F, A13F		Pre	A11F, A13F	
Q76.0	01	B03A, B03B, B06A, B06B, B17A, B17B, B17C, B17D, B81A, B81B		08	I76A, I76B	Q79.9	08	I76A, I76B	
	Pre	A09A, A11B		15	TPN, VTPN		15	TPN, VTPN	
				Pre	A07D, A09A, A09E, A11B,	Q79.9	08	A07D, A09A, A09E, A11B,	
					A11F, A13F		Pre	A11F, A13F	

ICD	MDC	DRG	ICD	MDC	DRG	ICD	MDC	DRG
Q80.0	09	J08A, J08B, J08C, J61A, J61B, J61C, J68A, J68B	Q82.8	09	J67A, J67B, J68A, J68B	Q86.8	15	TPN, VTPN
	15	TPN, VTPN		Pre	A09A, A11B		23	Z65Z
	Pre	A07D, A09A, A09E, A11B, A11F, A13F	Q82.9	09	J67A, J67B, J68A, J68B		Pre	A07D, A09A, A09E, A11B, A11F, A13F
Q80.1	09	J08A, J08B, J08C, J61A, J61B, J61C, J68A, J68B	Q83.0	09	J67A, J67B	Q87.0	04	E77A, E77B
	15	TPN, VTPN		Pre	A09A, A11B		06	G18A, G38Z
	Pre	A07D, A09A, A09E, A11B, A11F, A13F	Q83.1	09	J67A, J67B		15	TPN, VTPN
Q80.2	09	J08A, J08B, J08C, J61A, J61B, J61C, J68A, J68B		Pre	A09A, A11B		Pre	A07D, A09A, A09E, A11B, A11F, A13F
	15	TPN, VTPN	Q83.2	09	J67A, J67B	Q87.1	04	E77A, E77B
	Pre	A07D, A09A, A09E, A11B, A11F, A13F		Pre	A09A, A11B		06	G18A, G38Z
Q80.3	09	J08A, J08B, J08C, J61A, J61B, J61C, J68A, J68B	Q83.3	09	J67A, J67B		15	TPN, VTPN
	15	TPN, VTPN		Pre	A09A, A11B		Pre	A07D, A09A, A09E, A11B, A11F, A13F
	Pre	A07D, A09A, A09E, A11B, A11F, A13F	Q83.8	09	J01Z, J67A, J67B	Q87.2	04	E77A, E77B
Q80.4	09	J08A, J08B, J08C, J61A, J61B, J61C, J68A, J68B		Pre	A09A, A11B		06	G18A, G38Z
	15	TPN, VTPN	Q83.9	09	J67A, J67B		15	TPN, VTPN
	Pre	A07D, A09A, A09E, A11B, A11F, A13F		Pre	A09A, A11B		Pre	A07D, A09A, A09E, A11B, A11F, A13F
Q80.8	09	J08A, J08B, J08C, J61A, J61B, J61C, J68A, J68B	Q84.0	09	J67A, J67B, J68A, J68B	Q87.3	04	E77A, E77B
	15	TPN, VTPN		Pre	A09A, A11B		06	G18A, G38Z
	Pre	A07D, A09A, A09E, A11B, A11F, A13F	Q84.1	09	J67A, J67B, J68A, J68B		15	TPN, VTPN
Q80.9	09	J08A, J08B, J08C, J61A, J61B, J61C, J68A, J68B		Pre	A09A, A11B		Pre	A07D, A09A, A09E, A11B, A11F, A13F
	15	TPN, VTPN	Q84.2	09	J67A, J67B, J68A, J68B	Q87.4	04	E77A, E77B
	Pre	A07D, A09A, A09E, A11B, A11F, A13F		Pre	A09A, A11B		06	G18A, G38Z
Q81.0	09	J67A, J67B, J68A	Q84.3	09	J67A, J67B, J68A, J68B		15	TPN, VTPN
	Pre	A07D, A09A, A09E, A11B, A11F, A13F		Pre	A09A, A11B		Pre	A07D, A09A, A09E, A11B, A11F, A13F
Q81.1	09	J61A, J61B, J61C, J68A	Q84.4	09	J67A, J67B, J68A, J68B	Q87.5	04	E77A, E77B
	Pre	A07D, A09A, A09E, A11B, A11F, A13F		Pre	A09A, A11B		06	G18A, G38Z
Q81.2	09	J61A, J61B, J61C, J68A	Q84.5	09	J67A, J67B, J68A, J68B		15	TPN, VTPN
	Pre	A07D, A09A, A09E, A11B, A11F, A13F		Pre	A09A, A11B		23	Z65Z
Q81.8	09	J67A, J67B, J68A	Q84.6	09	J67A, J67B, J68A, J68B		Pre	A07D, A09A, A09E, A11B, A11F, A13F
	Pre	A07D, A09A, A09E, A11B, A11F, A13F		Pre	A09A, A11B	Q87.8	04	E77A, E77B
Q81.9	09	J67A, J67B, J68A	Q84.8	09	J67A, J67B, J68A, J68B		06	G18A, G38Z
	Pre	A07D, A09A, A09E, A11B, A11F, A13F		Pre	A09A, A11B		15	TPN, VTPN
Q82.0	09	J02A, J02B, J02C, J03A, J03B, J04A, J04B, J08A, J08B, J08C, J67A, J67B, J68A, J68B	Q84.9	09	J67A, J67B, J68A, J68B		Pre	A07D, A09A, A09E, A11B, A11F, A13F
	15	P65C, P66C, P67B, P67C		Pre	A09A, A11B	Q87.8	06	G18A, G38Z
	Pre	A07D, A09A, A09E, A11B, A11F, A13F	Q85.0	01	B81A, B81B		15	TPN, VTPN
Q82.1	09	J61A, J61B, J61C, J68A, J68B		15	TPN, VTPN		Pre	A07D, A09A, A09E, A11B, A11F, A13F
	Pre	A07D, A09A, A09E, A11B, A11F, A13F	Q85.1	01	B03A, B03B, B06A, B06B, B17A, B17B, B17C, B17D, B81A, B81B	Q89.0	15	P65C, P66C, P67B, P67C
Q82.2	09	J67A, J67B, J68A, J68B		15	TPN, VTPN		16	Q60A, Q60B, Q60C
	Pre	A07D, A09A, A09E, A11B, A11F, A13F		Pre	A07D, A09A, A09E, A11B, A11F, A13F		Pre	A07D, A09A, A09E, A11B, A11F, A13F
Q82.3	09	J67A, J67B, J68A, J68B	Q85.8	15	TPN, VTPN	Q89.1	10	K64A, K64B, K64C, K64D
	Pre	A07D, A09A, A09E, A11B, A11F, A13F		17	R04A, R04B, R12A, R12B, R12C, R13Z, R14Z, R62A, R62B, R62C		15	TPN, VTPN
Q82.4	09	J67A, J67B, J68A, J68B		Pre	A07D, A09A, A09E, A11B, A11F, A13F		Pre	A07D, A09A, A09E, A11B, A11F, A13F
	15	TPN, VTPN	Q85.9	15	TPN, VTPN	Q89.2	10	K64A, K64B, K64C, K64D
	Pre	A09A, A11B		17	R04A, R04B, R12A, R12B, R12C, R13Z, R14Z, R62A, R62B, R62C		Pre	A07D, A09A, A09E, A11B, A11F, A13F
Q82.5	09	J67A, J67B, J68A, J68B		Pre	A07D, A09A, A09E, A11B, A11F, A13F	Q89.3	06	G18A, G38Z, G46A, G46B, G46C, G50Z, G71Z
	Pre	A09A, A11B	Q86.0	06	G18A, G38Z		15	P65C, P66C, P67B, P67C
				23	Z65Z		Pre	A09A, A11B
				Pre	A07D, A09A, A09E, A11B, A11F, A13F	Q89.4	06	G18A, G38Z
			Q86.1	15	TPN, VTPN		15	TPN, VTPN
				23	Z65Z		23	Z65Z
				Pre	A07D, A09A, A09E, A11B, A11F, A13F	Q89.7	15	TPN, VTPN
			Q86.2	15	TPN, VTPN		23	Z65Z
				23	Z65Z	Q89.8	15	TPN, VTPN
				Pre	A07D, A09A, A09E, A11B, A11F, A13F		23	Z65Z
							Pre	A07D, A09A, A09E, A11B, A11F, A13F

Dg

ICD	MDC	DRG	ICD	MDC	DRG	ICD	MDC	DRG
Q89.9	23	Z65Z	Q92.1	06	G18A, G38Z	Q93.7	01	B81A, B81B
	Pre	A07D, A09A, A09E, A11B, A11F, A13F		15	TPN, VTPN		15	TPN, VTPN
Q90.0	01	B81A, B81B		23	Z64A, Z64B		Pre	A07D, A09A, A09E, A11B, A11F, A13F
	06	G18A, G38Z		Pre	A07D, A09A, A09E, A11B, A11F, A13F	Q93.8	01	B81A, B81B
	15	TPN, VTPN	Q92.2	06	G18A, G38Z		15	TPN, VTPN
	Pre	A07D, A09A, A09E, A11B, A11F, A13F		15	TPN, VTPN		Pre	A07D, A09A, A09E, A11B, A11F, A13F
Q90.1	01	B81A, B81B		23	Z64A, Z64B	Q93.9	01	B81A, B81B
	06	G18A, G38Z		Pre	A07D, A09A, A09E, A11B, A11F, A13F		15	TPN, VTPN
	15	TPN, VTPN	Q92.3	06	G18A, G38Z		Pre	A07D, A09A, A09E, A11B, A11F, A13F
	Pre	A07D, A09A, A09E, A11B, A11F, A13F		15	TPN, VTPN	Q95.0	23	Z64A, Z64B
Q90.2	01	B81A, B81B		23	Z64A, Z64B		Pre	A07D, A09A, A09E, A11B, A11F, A13F
	06	G18A, G38Z	Q92.4	15	TPN, VTPN	Q95.1	23	Z64A, Z64B
	15	TPN, VTPN		23	Z64A, Z64B		Pre	A07D, A09A, A09E, A11B, A11F, A13F
	Pre	A07D, A09A, A09E, A11B, A11F, A13F		Pre	A07D, A09A, A09E, A11B, A11F, A13F	Q95.2	15	TPN, VTPN
Q90.9	01	B81A, B81B	Q92.5	15	TPN, VTPN		23	Z64A, Z64B
	06	G18A, G38Z		23	Z64A, Z64B		Pre	A07D, A09A, A09E, A11B, A11F, A13F
	15	TPN, VTPN		Pre	A07D, A09A, A09E, A11B, A11F, A13F	Q95.3	15	TPN, VTPN
	Pre	A07D, A09A, A09E, A11B, A11F, A13F	Q92.6	15	TPN, VTPN		23	Z64A, Z64B
Q91.0	01	B81A, B81B		23	Z64A, Z64B		Pre	A07D, A09A, A09E, A11B, A11F, A13F
	06	G18A, G38Z		Pre	A07D, A09A, A09E, A11B, A11F, A13F	Q95.4	15	TPN, VTPN
	15	TPN, VTPN	Q92.7	15	TPN, VTPN		23	Z64A, Z64B
	Pre	A07D, A09A, A09E, A11B, A11F, A13F		23	Z64A, Z64B		Pre	A07D, A09A, A09E, A11B, A11F, A13F
Q91.1	01	B81A, B81B		Pre	A07D, A09A, A09E, A11B, A11F, A13F	Q95.5	15	TPN, VTPN
	06	G18A, G38Z	Q92.8	15	TPN, VTPN		23	Z64A, Z64B
	15	TPN, VTPN		23	Z64A, Z64B		Pre	A07D, A09A, A09E, A11B, A11F, A13F
	Pre	A07D, A09A, A09E, A11B, A11F, A13F		Pre	A07D, A09A, A09E, A11B, A11F, A13F	Q95.8	15	TPN, VTPN
Q91.2	01	B81A, B81B	Q92.9	15	TPN, VTPN		23	Z64A, Z64B
	06	G18A, G38Z		23	Z64A, Z64B		Pre	A07D, A09A, A09E, A11B, A11F, A13F
	15	TPN, VTPN		Pre	A07D, A09A, A09E, A11B, A11F, A13F	Q95.9	15	TPN, VTPN
	Pre	A07D, A09A, A09E, A11B, A11F, A13F	Q93.0	01	B81A, B81B		23	Z64A, Z64B
Q91.3	01	B81A, B81B		15	TPN, VTPN		Pre	A07D, A09A, A09E, A11B, A11F, A13F
	06	G18A, G38Z		Pre	A07D, A09A, A09E, A11B, A11F, A13F	Q96.0	12	M64Z
	15	TPN, VTPN	Q93.1	01	B81A, B81B		13	N04Z, N05A, N05B, N14Z, N21Z, N25Z, N62A, N62B
	Pre	A07D, A09A, A09E, A11B, A11F, A13F		15	TPN, VTPN		15	P65C, P66C, P67B, P67C
Q91.4	01	B81A, B81B		Pre	A07D, A09A, A09E, A11B, A11F, A13F		Pre	A07D, A09A, A09E, A11B, A11F, A13F
	06	G18A, G38Z	Q93.2	01	B81A, B81B	Q96.1	12	M64Z
	15	TPN, VTPN		15	TPN, VTPN		13	N04Z, N05A, N05B, N14Z, N21Z, N25Z, N62A, N62B
	Pre	A07D, A09A, A09E, A11B, A11F, A13F		Pre	A07D, A09A, A09E, A11B, A11F, A13F		15	P65C, P66C, P67B, P67C
Q91.5	01	B81A, B81B	Q93.3	01	B81A, B81B		Pre	A07D, A09A, A09E, A11B, A11F, A13F
	06	G18A, G38Z		15	TPN, VTPN	Q96.2	12	M64Z
	15	TPN, VTPN		Pre	A07D, A09A, A09E, A11B, A11F, A13F		13	N04Z, N05A, N05B, N14Z, N21Z, N25Z, N62A, N62B
	Pre	A07D, A09A, A09E, A11B, A11F, A13F	Q93.4	01	B81A, B81B		15	P65C, P66C, P67B, P67C
Q91.6	01	B81A, B81B		15	TPN, VTPN		Pre	A07D, A09A, A09E, A11B, A11F, A13F
	06	G18A, G38Z		Pre	A07D, A09A, A09E, A11B, A11F, A13F	Q96.3	12	M64Z
	15	TPN, VTPN	Q93.5	01	B81A, B81B		13	N04Z, N05A, N05B, N14Z, N21Z, N25Z, N62A, N62B
	Pre	A07D, A09A, A09E, A11B, A11F, A13F		15	TPN, VTPN		15	P65C, P66C, P67B, P67C
Q91.7	01	B81A, B81B		Pre	A07D, A09A, A09E, A11B, A11F, A13F		Pre	A07D, A09A, A09E, A11B, A11F, A13F
	06	G18A, G38Z	Q93.6	01	B81A, B81B		15	P65C, P66C, P67B, P67C
	15	TPN, VTPN		15	TPN, VTPN		Pre	A07D, A09A, A09E, A11B, A11F, A13F
	Pre	A07D, A09A, A09E, A11B, A11F, A13F		Pre	A07D, A09A, A09E, A11B, A11F, A13F			
Q92.0	06	G18A, G38Z						
	15	TPN, VTPN						
	23	Z64A, Z64B						
	Pre	A07D, A09A, A09E, A11B, A11F, A13F						

ICD	MDC	DRG	ICD	MDC	DRG	ICD	MDC	DRG
Q96.4	12	M64Z	Q98.2	12	M64Z	R00.1	05	F71A, F71B
	13	N04Z, N05A, N05B, N14Z, N21Z, N25Z, N62A, N62B		13	N04Z, N05A, N05B, N14Z, N21Z, N25Z, N62A, N62B	R00.2	05	F71A, F71B
	15	P65C, P66C, P67B, P67C		15	P65C, P66C, P67B, P67C	R00.8	05	F75A, F75B, F75C, F75D
	Pre	A07D, A09A, A09E, A11B, A11F, A13F		Pre	A07D, A09A, A09E, A11B, A11F, A13F	R01.0	05	F69A, F69B
Q96.8	12	M64Z	Q98.3	12	M64Z	R01.1	05	F69A, F69B
	13	N04Z, N05A, N05B, N14Z, N21Z, N25Z, N62A, N62B		13	N04Z, N05A, N05B, N14Z, N21Z, N25Z, N62A, N62B	R01.2	05	F75A, F75B, F75C, F75D
	15	P65C, P66C, P67B, P67C		15	P65C, P66C, P67B, P67C	R02	05	F65A, F65B
	Pre	A07D, A09A, A09E, A11B, A11F, A13F		Pre	A07D, A09A, A09E, A11B, A11F, A13F	15	TPN, VTPN	
Q96.9	12	M64Z	Q98.4	12	M64Z	R03.0	05	F75A, F75B, F75C, F75D
	13	N04Z, N05A, N05B, N14Z, N21Z, N25Z, N62A, N62B		13	N04Z, N05A, N05B, N14Z, N21Z, N25Z, N62A, N62B	R03.1	05	F75A, F75B, F75C, F75D
	15	P65C, P66C, P67B, P67C		15	P65C, P66C, P67B, P67C	R04.0	03	D62Z
	Pre	A07D, A09A, A09E, A11B, A11F, A13F		Pre	A07D, A09A, A09E, A11B, A11F, A13F	R04.1	03	D62Z
Q97.0	12	M64Z	Q98.5	12	M64Z	R04.2	04	E75A, E75B, E75C
	13	N04Z, N05A, N05B, N14Z, N21Z, N25Z, N62A, N62B		13	N04Z, N05A, N05B, N14Z, N21Z, N25Z, N62A, N62B	R04.8	04	E75A, E75B, E75C
	15	P65C, P66C, P67B, P67C		15	P65C, P66C, P67B, P67C	R04.9	04	E69A, E69B, E69C, E69D, E69E, E69F
	Pre	A07D, A09A, A09E, A11B, A11F, A13F		Pre	A07D, A09A, A09E, A11B, A11F, A13F	R05	04	E69A, E69B, E69C, E69D, E69E, E69F
Q97.1	12	M64Z	Q98.6	12	M64Z	R06.0	04	E69A, E69B, E69C, E69D, E69E, E69F
	13	N04Z, N05A, N05B, N14Z, N21Z, N25Z, N62A, N62B		13	N04Z, N05A, N05B, N14Z, N21Z, N25Z, N62A, N62B	18A	S65A, S65B	
	15	P65C, P66C, P67B, P67C		15	P65C, P66C, P67B, P67C	R06.1	04	E69A, E69B, E69C, E69D, E69E, E69F
	Pre	A07D, A09A, A09E, A11B, A11F, A13F		Pre	A07D, A09A, A09E, A11B, A11F, A13F	R06.2	04	E69A, E69B, E69C, E69D, E69E, E69F
Q97.2	12	M64Z	Q98.7	12	M64Z	R06.3	04	E69A, E69B, E69C, E69D, E69E, E69F
	13	N04Z, N05A, N05B, N14Z, N21Z, N25Z, N62A, N62B		13	N04Z, N05A, N05B, N14Z, N21Z, N25Z, N62A, N62B	R06.4	04	E69A, E69B, E69C, E69D, E69E, E69F
	15	P65C, P66C, P67B, P67C		15	P65C, P66C, P67B, P67C	18A	S65A, S65B	
	Pre	A07D, A09A, A09E, A11B, A11F, A13F		Pre	A07D, A09A, A09E, A11B, A11F, A13F	R06.5	03	D66Z
Q97.3	12	M64Z	Q98.8	12	M64Z	R06.6	04	E75A, E75B, E75C
	13	N04Z, N05A, N05B, N14Z, N21Z, N25Z, N62A, N62B		13	N04Z, N05A, N05B, N14Z, N21Z, N25Z, N62A, N62B	R06.7	03	D66Z
	15	P65C, P66C, P67B, P67C		15	P65C, P66C, P67B, P67C	R06.80	01	B81A, B81B
	Pre	A07D, A09A, A09E, A11B, A11F, A13F		Pre	A07D, A09A, A09E, A11B, A11F, A13F	15	P65C, P66C, P67B, P67C	
Q97.8	12	M64Z	Q98.9	12	M64Z	R06.88	04	E69A, E69B, E69C, E69D, E69E, E69F
	13	N04Z, N05A, N05B, N14Z, N21Z, N25Z, N62A, N62B		13	N04Z, N05A, N05B, N14Z, N21Z, N25Z, N62A, N62B	18A	S65A, S65B	
	15	P65C, P66C, P67B, P67C		15	P65C, P66C, P67B, P67C	R07.0	03	D66Z
	Pre	A07D, A09A, A09E, A11B, A11F, A13F		Pre	A07D, A09A, A09E, A11B, A11F, A13F	R07.1	04	E69A, E69B, E69C, E69D, E69E, E69F
Q97.9	12	M64Z	Q99.0	10	K64A, K64B, K64C, K64D	R07.2	05	F74Z
	13	N04Z, N05A, N05B, N14Z, N21Z, N25Z, N62A, N62B		15	TPN, VTPN	R07.3	05	F74Z
	15	P65C, P66C, P67B, P67C		Pre	A07D, A09A, A09E, A11B, A11F, A13F	R07.4	05	F74Z
	Pre	A07D, A09A, A09E, A11B, A11F, A13F		Pre	A07D, A09A, A09E, A11B, A11F, A13F	R09.0	04	E75A, E75B, E75C
Q98.0	12	M64Z	Q99.1	10	K64A, K64B, K64C, K64D	Pre	A07D, A09E, A11F, A13F	
	13	N04Z, N05A, N05B, N14Z, N21Z, N25Z, N62A, N62B		15	TPN, VTPN	R09.1	04	E65A, E65B, E69A, E69B, E69C, E69D, E69E, E69F
	15	P65C, P66C, P67B, P67C		Pre	A07D, A09A, A09E, A11B, A11F, A13F	R09.2	04	E75A, E75B, E75C
	Pre	A07D, A09A, A09E, A11B, A11F, A13F		Pre	A07D, A09A, A09E, A11B, A11F, A13F	15	P65C, P66C, P67B, P67C	
Q98.1	12	M64Z	Q99.2	15	TPN, VTPN	R09.3	04	E69A, E69B, E69C, E69D, E69E, E69F
	13	N04Z, N05A, N05B, N14Z, N21Z, N25Z, N62A, N62B		23	Z65Z	R09.8	04	E69A, E69B, E69C, E69D, E69E, E69F
	15	P65C, P66C, P67B, P67C		Pre	A07D, A09A, A09E, A11B, A11F, A13F	R10.0	06	G46A, G46B, G46C, G50Z, G66Z, G72A, G72B
	Pre	A07D, A09A, A09E, A11B, A11F, A13F		Pre	A07D, A09A, A09E, A11B, A11F, A13F	R10.1	06	G46A, G46B, G46C, G50Z, G66Z, G72A, G72B
Q98.2	12	M64Z	Q99.8	12	M64Z	R10.2	12	M64Z
	13	N04Z, N05A, N05B, N14Z, N21Z, N25Z, N62A, N62B		13	N04Z, N05A, N05B, N14Z, N21Z, N25Z, N62A, N62B	13	N04Z, N05A, N05B, N14Z, N21Z, N25Z, N62B	
	15	P65C, P66C, P67B, P67C		15	P65C, P66C, P67B, P67C	R10.3	06	G46A, G46B, G46C, G50Z, G66Z, G72A, G72B
	Pre	A07D, A09A, A09E, A11B, A11F, A13F		Pre	A07D, A09A, A09E, A11B, A11F, A13F	R10.4	06	G46A, G46B, G46C, G50Z, G66Z, G72A, G72B
Q98.3	12	M64Z	Q99.9	23	Z65Z	R11	06	G46A, G46B, G46C, G50Z, G67A, G67B, G67C, G67D
	13	N04Z, N05A, N05B, N14Z, N21Z, N25Z, N62A, N62B		Pre	A07D, A09A, A09E, A11B, A11F, A13F	R12	06	G46A, G46B, G46C, G50Z, G67A, G67B, G67C, G67D
	15	P65C, P66C, P67B, P67C		Pre	A07D, A09A, A09E, A11B, A11F, A13F			
	Pre	A07D, A09A, A09E, A11B, A11F, A13F		Pre	A07D, A09A, A09E, A11B, A11F, A13F			
R00.0	05	F71A, F71B						

Dg

ICD	MDC	DRG	ICD	MDC	DRG	ICD	MDC	DRG	
R13.0	06	G46A, G46B, G46C, G50Z, G67A, G67B, G67C, G67D	R29.1	01	B81A, B81B	R49.8	03	D66Z	
R13.1	06	G46A, G46B, G46C, G50Z, G67A, G67B, G67C, G67D	R29.2	15	TPN, VTPN	R50.2	18A	S65A, S65B	
R13.9	06	G46A, G46B, G46C, G50Z, G67A, G67B, G67C, G67D	R29.3	01	B81A, B81B		18B	T62A, T62B	
R14	06	G46A, G46B, G46C, G50Z, G67A, G67B, G67C, G67D	R29.4	01	B81A, B81B	R50.80	18A	S65A, S65B	
R15	06	G46A, G46B, G46C, G50Z, G67A, G67B, G67C, G67D	R29.5	08	I69A, I69B, I71A, I71B		18B	T62A, T62B	
R16.0	07	H63A, H63B, H63C, H78Z	R29.6	01	B81A, B81B	R50.88	18A	S65A, S65B	
	18A	S65A, S65B	R29.8	01	B81A, B81B		18B	T62A, T62B	
R16.1	16	Q60A, Q60B, Q60C	R30.0	11	L64A, L74Z	R50.9	18A	S65A, S65B	
	18A	S65A, S65B	R30.1	11	L64A, L74Z		18B	T62A, T62B	
R16.2	07	H40Z, H63A, H63B, H63C, H78Z	R30.9	11	L64A, L74Z	R51	01	B20D, B77Z	
	15	TPN, VTPN	R31	11	L64A, L74Z		18A	S65A, S65B	
R17	07	H63A, H63B, H63C, H78Z	R32	11	L64A, L74Z	R52.0	23	Z65Z	
R18	23	Z65Z	R33	11	L64A, L74Z	R52.1	23	Z65Z	
R19.0	06	G46A, G46B, G46C, G50Z, G67A, G67B, G67C, G67D	R34	11	L64A, L74Z	R52.2	23	Z65Z	
R19.1	06	G46A, G46B, G46C, G50Z, G67A, G67B, G67C, G67D	R35	11	L64A, L74Z	R52.9	23	Z65Z	
R19.2	06	G46A, G46B, G46C, G50Z, G67A, G67B, G67C, G67D	R36	11	L64A, L74Z	R53	18A	S65A, S65B	
R19.3	06	G46A, G46B, G46C, G50Z, G71Z	R39.0	11	L64A, L74Z		23	Z65Z	
R19.4	06	G46A, G46B, G46C, G50Z, G67A, G67B, G67C, G67D	R39.1	11	L64A, L74Z	R54	01	B63Z	
R19.5	06	G46A, G46B, G46C, G50Z, G67A, G67B, G67C, G67D	R39.2	11	L64A, L74Z	R55	05	F73Z	
R19.6	03	D66Z	R39.8	11	L64A, L74Z	R56.0	01	B75A, B75B	
R19.8	06	G46A, G46B, G46C, G50Z, G67A, G67B, G67C, G67D	R40.0	01	B66A, B66B, B66C, B66D	R56.8	01	B75A, B75B	
R20.0	01	B20D, B81A, B81B	R40.1	01	B66A, B66B, B66C, B66D		15	TPN, VTPN	
R20.1	01	B20D, B81A, B81B	R40.2	01	B66A, B66B, B66C, B66D	R57.0	05	F62A, F62B, F62C	
R20.2	01	B20D, B81A, B81B	R41.0	01	B64Z		Pre	A07D, A09E, A11F, A13F	
R20.3	01	B20D, B81A, B81B	R41.1	23	Z65Z	R57.1	05	F62A	
R20.8	01	B20D, B81A, B81B	R41.2	23	Z65Z		06	G67A	
R21	09	J67A, J67B, J68A, J68B	R41.3	23	Z65Z		18B	T01B, T60A, T60B, T60C, T60D, T60E, T60F, T61A	
	18A	S65A, S65B	R41.8	23	Z65Z		22	Y02A, Y02B	
R22.0	09	J67A, J67B, J68A, J68B	R42	03	D61A, D61B	R57.2	Pre	A07D, A09E, A11F, A13F	
R22.1	09	J67A, J67B, J68A, J68B	R43.0	01	B81A, B81B		05	F62A	
R22.2	09	J67A, J67B, J68A, J68B	R43.1	01	B81A, B81B		06	G67A	
R22.3	09	J67A, J67B, J68A, J68B	R43.2	01	B81A, B81B		15	P65C, P66C, P67B, P67C	
R22.4	09	J67A, J67B, J68A, J68B	R43.8	01	B81A, B81B		18A	S63A, S63B	
R22.7	09	J67A, J67B, J68A, J68B	R44.0	19	U64Z		18B	T01B, T60A, T60B, T60C, T60D, T60E, T60F, T61A	
R22.9	09	J67A, J67B, J68A, J68B	R44.1	02	C63Z		22	Y02A	
R23.0	23	Z65Z	R44.2	19	U64Z		Pre	A07D, A09E, A11F, A13F	
R23.1	23	Z65Z	R44.3	19	U64Z	R57.8	05	F62A	
R23.2	23	Z65Z	R44.8	19	U64Z		06	G67A	
R23.3	16	Q60A, Q60B, Q60C, Q60D, Q60E	R45.0	19	U66Z		18B	T01B, T60A, T60B, T60C, T60D, T60E, T60F, T61A	
R23.4	09	J67A, J67B, J68A, J68B	R45.1	19	U66Z		22	Y02A, Y02B	
R23.8	09	J67A, J67B, J68A, J68B	R45.2	23	Z64A, Z64B		Pre	A07D, A09E, A11F, A13F	
	15	P65C, P66C, P67B, P67C	R45.3	23	Z64A, Z64B	R57.9	05	F73Z	
R25.0	01	B81A, B81B	R45.4	19	U66Z		R58	05	F75A, F75B, F75C, F75D
R25.1	01	B81A, B81B	R45.5	23	Z64A, Z64B	R59.0	16	Q60A, Q60B, Q60C, Q60D, Q60E	
R25.2	08	I69A, I69B, I71A, I71B	R45.6	23	Z64A, Z64B		18A	S65A, S65B	
R25.3	01	B81A, B81B	R45.7	19	U66Z		16	Q60A, Q60B, Q60C	
R25.8	01	B81A, B81B	R45.8	23	Z64A, Z64B	R59.1	18A	S65A, S65B	
R26.0	01	B81A, B81B	R46.0	23	Z64A, Z64B		18A	S65A, S65B	
R26.1	01	B81A, B81B	R46.1	23	Z64A, Z64B	R59.9	16	Q60A, Q60B, Q60C, Q60D, Q60E	
R26.2	08	I69A, I69B, I71A, I71B	R46.2	23	Z64A, Z64B		18A	S65A, S65B	
R26.3	23	Z64A, Z64B	R46.3	23	Z64A, Z64B	R60.0	23	Z65Z	
R26.8	01	B81A, B81B	R46.4	23	Z64A, Z64B	R60.1	23	Z65Z	
R27.0	01	B81A, B81B	R46.5	23	Z64A, Z64B	R60.9	23	Z65Z	
R27.8	01	B81A, B81B	R46.6	23	Z64A, Z64B	R61.0	09	J67A, J67B, J68A, J68B	
R29.0	10	K62A, K62B	R46.7	23	Z64A, Z64B		18A	S65A, S65B	
			R46.8	23	Z64A, Z64B	R61.1	09	J67A, J67B, J68A, J68B	
			R47.0	01	B81A, B81B		18A	S65A, S65B	
			R47.1	01	B81A, B81B	R61.9	09	J67A, J67B, J68A, J68B	
			R47.8	01	B81A, B81B		18A	S65A, S65B	
			R48.0	19	U66Z		18A	S65A, S65B	
			R48.1	19	U66Z	R62.0	10	K62A, K62B	
			R48.2	19	U66Z		18A	S65A, S65B	
			R48.8	19	U66Z		10	K62A, K62B	
			R49.0	03	D66Z	R62.8	15	P65C, P66C, P67B, P67C	
			R49.1	03	D66Z		18A	S65A, S65B	
			R49.2	03	D66Z				

ICD	MDC	DRG	ICD	MDC	DRG	ICD	MDC	DRG
R91	04	E69A, E69B, E69C, E69D, E69E, E69F	S00.38	09	J65Z	S01.22	03	D65Z
R92	09	J67A, J67B		21A	W61A, W61B		21A	W61A, W61B
R93.0	01	B81A, B81B	S00.40	09	J65Z	S01.23	03	D66Z
R93.1	05	F66A, F66B		21A	W61A, W61B		21A	W61A, W61B
R93.2	07	H64Z	S00.41	09	J65Z	S01.29	03	D66Z
R93.3	06	G46A, G46B, G46C, G50Z, G67A, G67B, G67C, G67D		21A	W61A, W61B		21A	W61A, W61B
R93.4	11	L64A, L74Z	S00.42	09	J67A, J67B, J68A, J68B	S01.30	03	D66Z
R93.5	06	G46A, G46B, G46C, G50Z, G67A, G67B, G67C, G67D		21A	W61A, W61B		21A	W61A, W61B
R93.6	08	I76A, I76B	S00.43	09	J67A, J67B, J68A, J68B	S01.31	03	D66Z
R93.7	08	I76A, I76B		21A	W61A, W61B		21A	W61A, W61B
R93.8	23	Z65Z	S00.44	09	J65Z	S01.33	03	D66Z
R94.0	01	B81A, B81B		21A	W61A, W61B		21A	W61A, W61B
	15	P65C, P66C, P67B, P67C	S00.48	09	J65Z	S01.35	03	D66Z
R94.1	01	B81A, B81B		21A	W61A, W61B		15	TPN, VTPN
R94.2	04	E75A, E75B, E75C	S00.50	09	J65Z		21A	W61A, W61B
R94.3	05	F75A, F75B, F75C, F75D		21A	W61A, W61B	S01.36	03	D66Z
R94.4	11	L64A, L74Z	S00.51	09	J65Z		15	TPN, VTPN
R94.5	07	H63A, H63B, H63C, H78Z		21A	W61A, W61B		21A	W61A, W61B
R94.6	10	K64A, K64B, K64C, K64D	S00.52	09	J67A, J67B, J68A, J68B	S01.37	03	D66Z
R94.7	10	K64A, K64B, K64C, K64D		21A	W61A, W61B		15	TPN, VTPN
R94.8	11	L64A, L74Z	S00.53	09	J67A, J67B, J68A, J68B		21A	W61A, W61B
R95.0	01	B81A, B81B		21A	W61A, W61B	S01.38	03	D66Z
	15	P65C, P66C, P67B, P67C	S00.54	09	J65Z		15	TPN, VTPN
R95.9	01	B81A, B81B		21A	W61A, W61B		21A	W61A, W61B
	15	P65C, P66C, P67B, P67C	S00.55	09	J65Z	S01.39	03	D66Z
S00.00	09	J65Z		21A	W61A, W61B		15	TPN, VTPN
	21A	W61A, W61B	S00.58	09	J65Z		21A	W61A, W61B
S00.01	09	J65Z		21A	W61A, W61B	S01.41	21A	W61A, W61B
	21A	W61A, W61B	S00.7	09	J65Z		21B	X60Z
S00.02	09	J67A, J67B, J68A, J68B		21A	W61A, W61B	S01.42	03	D40Z, D67Z
	21A	W61A, W61B	S00.80	09	J65Z		21A	W61A, W61B
S00.03	09	J67A, J67B, J68A, J68B		21A	W61A, W61B	S01.43	03	D40Z, D67Z
	21A	W61A, W61B	S00.81	09	J65Z		21A	W61A, W61B
S00.04	09	J65Z		15	P65C, P66C, P67B, P67C	S01.49	21A	W61A, W61B
	21A	W61A, W61B	S00.82	09	J67A, J67B, J68A, J68B		21B	X60Z
S00.05	09	J65Z		21A	W61A, W61B	S01.50	03	D40Z, D67Z
	21A	W61A, W61B	S00.83	09	J67A, J67B, J68A, J68B		15	TPN, VTPN
S00.08	09	J65Z		21A	W61A, W61B	S01.51	21A	W61A, W61B
	21A	W61A, W61B	S00.84	09	J65Z		03	D40Z, D67Z
S00.1	02	C62Z		21A	W61A, W61B	S01.52	03	D40Z, D67Z
	21A	W61A, W61B	S00.85	09	J65Z		15	TPN, VTPN
S00.20	02	C62Z		21A	W61A, W61B		21A	W61A, W61B
	21A	W61A, W61B	S00.88	09	J65Z	S01.53	03	D40Z, D67Z
S00.21	02	C62Z		21A	W61A, W61B		15	TPN, VTPN
	21A	W61A, W61B	S00.90	09	J65Z		21A	W61A, W61B
S00.22	02	C62Z		21A	W61A, W61B	S01.54	03	D40Z, D67Z
	21A	W61A, W61B	S00.91	09	J65Z		15	TPN, VTPN
S00.23	02	C62Z		21A	W61A, W61B		21A	W61A, W61B
	21A	W61A, W61B	S00.92	09	J67A, J67B, J68A, J68B	S01.55	03	D40Z, D67Z
S00.24	02	C62Z		21A	W61A, W61B		15	TPN, VTPN
	21A	W61A, W61B	S00.93	09	J67A, J67B, J68A, J68B		21A	W61A, W61B
S00.28	02	C62Z		21A	W61A, W61B	S01.59	03	D40Z, D67Z
	21A	W61A, W61B	S00.94	09	J65Z		15	TPN, VTPN
S00.30	09	J65Z		21A	W61A, W61B		21A	W61A, W61B
	21A	W61A, W61B	S00.95	09	J65Z	S01.7	21A	W61A, W61B
S00.31	09	J65Z		21A	W61A, W61B		21B	X60Z
	21A	W61A, W61B	S00.98	09	J65Z		21A	W61A, W61B
S00.32	09	J67A, J67B, J68A, J68B		21A	W61A, W61B	S01.80	21A	W61A, W61B
	21A	W61A, W61B	S01.0	21A	W61A, W61B		21B	X60Z
S00.33	09	J67A, J67B, J68A, J68B		21B	X60Z	S01.83		PTR
	21A	W61A, W61B	S01.1	02	C62Z		08	I02A, I02B, I02C, I02D, I08A, I08B, I08C, I08D, I08E, I13A, I13B, I13C, I20A, I20B, I20C, I22A
S00.34	09	J65Z		21A	W61A, W61B			
	21A	W61A, W61B	S01.20	03	D65Z		21A	W61A, W61B
S00.35	09	J65Z		21A	W61A, W61B		21B	X01A, X01B
	21A	W61A, W61B	S01.21	03	D65Z	S01.84	21A	W61A, W61B
				21A	W61A, W61B			

ICD	MDC	DRG	ICD	MDC	DRG	ICD	MDC	DRG
S01.85	21A	W61A, W61B	S02.64		PTR	S04.6		PTR
S01.86	08	I02A, I02B, I02C, I02D, I08A, I08B, I08C, I08D, I08E, I13A, I13B, I13C, I20A, I20B, I20C, I22A		03	D40Z, D67Z		03	D66Z
				15	TPN, VTPN		21A	W61A, W61B
	21A	W61A, W61B	S02.65		PTR	S04.7		PTR
S01.87	21B	X01A, X01B		03	D40Z, D67Z		01	B71A, B71B, B71C, B71D
		PTR		15	TPN, VTPN		21A	W61A, W61B
S01.88	21A	W61A, W61B	S02.66		PTR	S04.8		PTR
		PTR		03	D40Z, D67Z		01	B71A, B71B, B71C, B71D
S01.89	08	I02A, I02B, I02C, I02D, I08A, I08B, I08C, I08D, I08E, I13A, I13B, I13C, I20A, I20B, I20C, I22A		15	TPN, VTPN	S04.9		PTR
				21A	W61A, W61B		01	B71A, B71B, B71C, B71D
	21A	W61A, W61B	S02.67		PTR		21A	W61A, W61B
	21B	X01A, X01B		03	D40Z, D67Z	S05.0		PTR
		PTR		15	TPN, VTPN		02	C62Z
	08	I02A, I02B, I02C, I02D, I08A, I08B, I08C, I08D, I08E, I13A, I13B, I13C, I20A, I20B, I20C, I22A	S02.68		PTR	S05.1		PTR
				03	D40Z, D67Z		02	C62Z
	21A	W61A, W61B		15	TPN, VTPN		21A	W61A, W61B
S01.9	21B	X01A, X01B	S02.69		PTR	S05.2		PTR
		PTR		03	D40Z, D67Z		02	C01A, C01B, C16Z, C63Z
S02.0	01	B20D, B79Z		15	TPN, VTPN		15	TPN, VTPN
	15	TPN, VTPN	S02.7		PTR	S05.3		PTR
	21A	W61A, W61B		01	B20D, B79Z		02	C01A, C01B, C16Z, C63Z
S02.1		PTR	S02.8		PTR		15	TPN, VTPN
	01	B20D, B79Z		01	B20D, B79Z	S05.4		PTR
	15	TPN, VTPN		21A	W61A, W61B		02	C63Z
	21A	W61A	S02.9		PTR		15	TPN, VTPN
S02.2	Pre	A07D, A09E, A11F, A13F		01	B20D, B79Z	S05.5		PTR
		PTR	S03.0		PTR		02	C01A, C01B, C16Z, C63Z
	03	D65Z		21A	W61A, W61B		15	TPN, VTPN
	15	TPN, VTPN	S03.1		PTR	S05.6		PTR
S02.3	21A	W61A, W61B		03	D40Z, D67Z		02	C01A, C01B, C16Z, C63Z
		PTR		21A	W61A, W61B		15	TPN, VTPN
	01	B20D, B79Z	S03.2		PTR	S05.7		PTR
	15	TPN, VTPN		08	I76A, I76B		02	C01A, C01B, C16Z, C63Z
	21A	W61A, W61B	S03.3		PTR		15	TPN, VTPN
		PTR		21A	W61A, W61B	S05.8		PTR
S02.4	Pre	A07D, A09E, A11F, A13F	S03.4		PTR		02	C62Z
		PTR		08	I76A, I76B		15	TPN, VTPN
	03	D40Z, D67Z		21A	W61A, W61B	S05.9		PTR
	15	TPN, VTPN	S03.5		PTR		02	C62Z
S02.5	21A	W61A, W61B		08	I76A, I76B	S06.0		PTR
		PTR		21A	W61A, W61B		01	B20D, B80Z
S02.60	03	D40Z, D67Z	S04.0		PTR		15	TPN, VTPN
	15	TPN, VTPN		01	B81A, B81B	S06.1		PTR
	21A	W61A, W61B		21A	W61A, W61B		01	B20D, B78A, B78B
S02.61		PTR	S04.1		PTR		15	TPN, VTPN
	03	D40Z, D67Z		01	B71A, B71B, B71C, B71D		21A	W61A, W61B
	15	TPN, VTPN		21A	W61A, W61B	S06.20		PTR
S02.62	21A	W61A, W61B	S04.2		PTR		01	B20D, B78A, B78B
		PTR		01	B71A, B71B, B71C, B71D		15	TPN, VTPN
	03	D40Z, D67Z		21A	W61A, W61B		21A	W61A, W61B
	15	TPN, VTPN	S04.3		PTR		Pre	A07D, A09E, A11F, A13F
S02.63	21A	W61A, W61B		01	B71A, B71B, B71C, B71D	S06.21		PTR
		PTR		21A	W61A, W61B		01	B78A
	03	D40Z, D67Z	S04.4		PTR		15	TPN, VTPN
	15	TPN, VTPN		01	B71A, B71B, B71C, B71D		21A	W61A, W61B
	21A	W61A, W61B	S04.5		PTR		Pre	A07D, A09E, A11F, A13F
				01	B71A, B71B, B71C, B71D			
				21A	W61A, W61B			

ICD	MDC	DRG	ICD	MDC	DRG	ICD	MDC	DRG
S06.22		PTR	S06.9		PTR	S10.14		PTR
	01	B78A		01	B20D, B78A, B78B		09	J65Z
	15	TPN, VTPN		15	TPN, VTPN		21A	W61A, W61B
	21A	W61A, W61B		21A	W61A, W61B	S10.18		PTR
	Pre	A07D, A09E, A11F, A13F	S07.0		PTR		09	J65Z
S06.23		PTR		15	TPN, VTPN		21A	W61A, W61B
	01	B20D, B78A		21A	W61A, W61B	S10.7		PTR
	15	TPN, VTPN		21B	X60Z		09	J65Z
	21A	W61A, W61B	S07.1		PTR		21A	W61A, W61B
	Pre	A07D, A09E, A11F, A13F		15	TPN, VTPN	S10.80		PTR
S06.28		PTR		21A	W61A, W61B		09	J65Z
	01	B20D, B78A, B78B	S07.8		PTR		21A	W61A, W61B
	15	TPN, VTPN		15	TPN, VTPN	S10.81		PTR
	21A	W61A, W61B		21A	W61A, W61B		09	J65Z
	Pre	A07D, A09E, A11F, A13F		21B	X60Z		21A	W61A, W61B
S06.30		PTR	S07.9		PTR	S10.82		PTR
	01	B20D, B78A, B78B		15	TPN, VTPN		09	J67A, J67B, J68A, J68B
	15	TPN, VTPN		21A	W61A, W61B		21A	W61A, W61B
	21A	W61A, W61B		21B	X60Z	S10.83		PTR
	Pre	A07D, A09E, A11F, A13F		21B	X60Z		09	J67A, J67B, J68A, J68B
S06.31		PTR	S08.0		PTR		21A	W61A, W61B
	01	B20D, B78A		21A	W61A, W61B	S10.84		PTR
	15	TPN, VTPN		21B	X60Z		09	J65Z
	21A	W61A, W61B	S08.1		PTR		21A	W61A, W61B
	Pre	A07D, A09E, A11F, A13F		03	D66Z	S10.85		PTR
S06.32		PTR		21A	W61A, W61B		09	J65Z
	01	B20D, B78A	S08.8		PTR		21A	W61A, W61B
	15	TPN, VTPN		21A	W61A, W61B	S10.88		PTR
	21A	W61A, W61B		21B	X60Z		09	J65Z
	Pre	A07D, A09E, A11F, A13F	S08.9		PTR		21A	W61A, W61B
S06.33		PTR		21A	W61A, W61B	S10.90		PTR
	01	B20D, B78A		21B	X60Z		09	J65Z
	15	TPN, VTPN	S09.0		PTR		21A	W61A, W61B
	21A	W61A, W61B		21A	W61A, W61B	S10.91		PTR
	Pre	A07D, A09E, A11F, A13F		21B	X60Z		09	J65Z
S06.34		PTR	S09.1		PTR		21A	W61A, W61B
	01	B20D, B78A		08	I76A, I76B	S10.92		PTR
	15	TPN, VTPN		21A	W61A, W61B		09	J67A, J67B, J68A, J68B
	21A	W61A, W61B		21A	W61A, W61B		21A	W61A, W61B
	Pre	A07D, A09E, A11F, A13F	S09.2		PTR	S10.93		PTR
S06.38		PTR		03	D66Z		09	J67A, J67B, J68A, J68B
	01	B20D, B78A, B78B		15	TPN, VTPN		21A	W61A, W61B
	15	TPN, VTPN		21A	W61A, W61B	S10.94		PTR
	21A	W61A, W61B	S09.7		PTR		09	J65Z
	Pre	A07D, A09E, A11F, A13F		21A	W61A, W61B		21A	W61A, W61B
S06.4		PTR		21B	X60Z	S10.95		PTR
	01	B20D, B78A, B78B	S09.8		PTR		09	J65Z
	15	TPN, VTPN		21A	W61A, W61B		21A	W61A, W61B
	21A	W61A, W61B		21B	X60Z	S10.98		PTR
	Pre	A07D, A09E, A11F, A13F	S09.9		PTR		09	J65Z
S06.5		PTR		01	B20D, B80Z		21A	W61A, W61B
	01	B20D, B78A, B78B		15	TPN, VTPN	S11.01		PTR
	15	TPN, VTPN		21A	W61A, W61B		03	D66Z
	21A	W61A, W61B	S10.0		PTR		15	TPN, VTPN
	Pre	A07D, A09E, A11F, A13F		09	J65Z		21A	W61A, W61B
S06.6		PTR		21A	W61A, W61B	S11.02		PTR
	01	B20D, B78A	S10.10		PTR		04	E66A, E66B
	15	TPN, VTPN		09	J65Z		15	TPN, VTPN
	21A	W61A		21A	W61A, W61B		21A	W61A, W61B
	Pre	A07D, A09E, A11F, A13F	S10.11		PTR	S11.1		PTR
S06.70		PTR		09	J65Z		10	K64A, K64B, K64C, K64D
S06.71		PTR		21A	W61A, W61B		15	TPN, VTPN
S06.72		PTR	S10.12		PTR		21A	W61A, W61B
	15	TPN, VTPN		09	J67A, J67B, J68A, J68B	S11.21		PTR
	21A	W61A, W61B		21A	W61A, W61B		03	D66Z
S06.79		PTR	S10.13		PTR		15	TPN, VTPN
S06.8		PTR		09	J67A, J67B, J68A, J68B		21A	W61A, W61B
	01	B20D, B78A, B78B		21A	W61A, W61B			
	15	TPN, VTPN						
	21A	W61A, W61B						

ICD	MDC	DRG	ICD	MDC	DRG	ICD	MDC	DRG
S11.22		PTR	S12.23		PTR	S13.15		PTR
	03	D66Z		04	E66A	08	I68A, I68B, I68C, I68D, I68E	
	15	TPN, VTPN		08	I10C, I68A, I68B, I68C, I68D, I68E	15	TPN, VTPN	
	21A	W61A, W61B		15	TPN, VTPN	21A	W61A, W61B	
S11.7		PTR		21A	W61A, W61B	Pre	A07D, A09E, A11F, A13F	
	21A	W61A, W61B		Pre	A07D, A09E, A11F, A13F	S13.16	PTR	
	21B	X60Z		04	E66A	08	I68A, I68B, I68C, I68D, I68E	
S11.80		PTR	S12.24		PTR	15	TPN, VTPN	
	21A	W61A, W61B		04	E66A	21A	W61A, W61B	
	21B	X60Z		08	I10C, I68A, I68B, I68C, I68D, I68E	Pre	A07D, A09E, A11F, A13F	
S11.84		PTR		15	TPN, VTPN	S13.17	PTR	
S11.85		PTR		21A	W61A, W61B	08	I68A, I68B, I68C, I68D, I68E	
S11.86	08	I02A, I02B, I02C, I02D, I08A, I08B, I08C, I08D, I08E, I13A, I13B, I13C, I20A, I20B, I20C, I22A	S12.25		PTR	15	TPN, VTPN	
	21A	W61A, W61B		04	E66A	21A	W61A, W61B	
	21B	X01A, X01B		08	I10C, I68A, I68B, I68C, I68D, I68E	Pre	A07D, A09E, A11F, A13F	
S11.87		PTR		15	TPN, VTPN	S13.18	PTR	
	21A	W61A, W61B		21A	W61A, W61B	08	I68A, I68B, I68C, I68D, I68E	
S11.88		PTR		Pre	A07D, A09E, A11F, A13F	15	TPN, VTPN	
	08	I02A, I02B, I02C, I02D, I08A, I08B, I08C, I08D, I08E, I13A, I13B, I13C, I20A, I20B, I20C, I22A	S12.7		PTR	21A	W61A, W61B	
	21A	W61A, W61B		04	E66A	S13.2	PTR	
	21B	X01A, X01B		08	I10C, I68A, I68B, I68C, I68D, I68E	08	I68A, I68B, I68C, I68D, I68E	
S11.89		PTR		15	TPN, VTPN	15	TPN, VTPN	
	08	I02A, I02B, I02C, I02D, I08A, I08B, I08C, I08D, I08E, I13A, I13B, I13C, I20A, I20B, I20C, I22A	S12.8		PTR	21A	W61A, W61B	
	21A	W61A, W61B		03	D66Z	S13.4	PTR	
	21B	X01A, X01B		15	TPN, VTPN	08	I68A, I68B, I68C, I68D, I68E	
S11.9		PTR		21A	W61A, W61B	21A	W61A, W61B	
	21A	W61A, W61B	S12.9		PTR	S13.5	PTR	
	21B	X01A, X01B		08	I68A, I68B, I68C, I68D, I68E	08	I76A, I76B	
S12.0		PTR		15	TPN, VTPN	21A	W61A, W61B	
	04	E66A		21A	W61A, W61B	S13.6	PTR	
	08	I10C, I68A, I68B, I68C, I68D, I68E		Pre	A07D, A09E, A11F, A13F	08	I68A, I68B, I68C, I68D, I68E	
	15	TPN, VTPN		08	I68A, I68B, I68C, I68D, I68E	21A	W61A, W61B	
	21A	W61A	S13.10		PTR	S14.0	PTR	
	Pre	A07D, A09E, A11F, A13F		08	I68A, I68B, I68C, I68D, I68E	15	TPN, VTPN	
S12.1		PTR		15	TPN, VTPN	21A	W61A, W61B	
	04	E66A		21A	W61A, W61B	Pre	B61A, B61B	
	08	I10C, I68A, I68B, I68C, I68D, I68E	S13.11		PTR	S14.10	PTR	
	15	TPN, VTPN		08	I68A, I68B, I68C, I68D, I68E	15	TPN, VTPN	
	21A	W61A		15	TPN, VTPN	21A	W61A, W61B	
	Pre	A07D, A09E, A11F, A13F		21A	W61A, W61B	Pre	B61A, B61B	
S12.21		PTR		Pre	A07D, A09E, A11F, A13F	S14.11	PTR	
	04	E66A	S13.12		PTR	15	TPN, VTPN	
	08	I10C, I68A, I68B, I68C, I68D, I68E		08	I68A, I68B, I68C, I68D, I68E	21A	W61A, W61B	
	15	TPN, VTPN		15	TPN, VTPN	Pre	B61A, B61B	
	21A	W61A, W61B		21A	W61A, W61B	S14.12	PTR	
	Pre	A07D, A09E, A11F, A13F		Pre	A07D, A09E, A11F, A13F	15	TPN, VTPN	
S12.22		PTR		PTR		21A	W61A, W61B	
	04	E66A	S13.13		PTR	Pre	B61A, B61B	
	08	I10C, I68A, I68B, I68C, I68D, I68E		08	I68A, I68B, I68C, I68D, I68E	S14.13	PTR	
	15	TPN, VTPN		15	TPN, VTPN	15	TPN, VTPN	
	21A	W61A, W61B		21A	W61A, W61B	21A	W61A, W61B	
	Pre	A07D, A09E, A11F, A13F		Pre	A07D, A09E, A11F, A13F	Pre	B61A, B61B	
	04	E66A	S13.14		PTR	S14.2	PTR	
	08	I10C, I68A, I68B, I68C, I68D, I68E		08	I68A, I68B, I68C, I68D, I68E	01	B71A, B71B, B71C, B71D	
	15	TPN, VTPN		15	TPN, VTPN	15	TPN, VTPN	
	21A	W61A, W61B		21A	W61A, W61B	21A	W61A, W61B	
	Pre	A07D, A09E, A11F, A13F		Pre	A07D, A09E, A11F, A13F	S14.3	PTR	
	04	E66A		08	I68A, I68B, I68C, I68D, I68E	01	B07Z, B71A, B71B, B71C, B71D	
	08	I10C, I68A, I68B, I68C, I68D, I68E		15	TPN, VTPN	15	TPN, VTPN	
	15	TPN, VTPN		21A	W61A, W61B	21A	W61A, W61B	
	21A	W61A, W61B		Pre	A07D, A09E, A11F, A13F	S14.4	PTR	
	Pre	A07D, A09E, A11F, A13F		PTR		01	B71A, B71B, B71C, B71D	
				08	I68A, I68B, I68C, I68D, I68E	21A	W61A, W61B	
				15	TPN, VTPN			
				21A	W61A, W61B			
				Pre	A07D, A09E, A11F, A13F			

ICD	MDC	DRG	ICD	MDC	DRG	ICD	MDC	DRG
S14.5		PTR	S16		PTR	S20.40		PTR
	01	B71A, B71B, B71C, B71D		08	I68A, I68B, I68C, I68D, I68E		09	J65Z
	15	TPN, VTPN		21A	W61A, W61B		21A	W61A, W61B
	21A	W61A, W61B	S17.0		PTR	S20.41		PTR
S14.6		PTR		15	TPN, VTPN		09	J65Z
	01	B71A, B71B, B71C, B71D		21A	W61A, W61B		21A	W61A, W61B
	21A	W61A, W61B		21B	X60Z	S20.42		PTR
S14.70		PTR	S17.8		PTR		09	J67A, J67B, J68A, J68B
	15	TPN, VTPN		15	TPN, VTPN		21A	W61A, W61B
	21A	W61A, W61B		21A	W61A, W61B	S20.43		PTR
S14.71		PTR		21B	X60Z		09	J67A, J67B, J68A, J68B
	15	TPN, VTPN	S17.9		PTR		21A	W61A, W61B
	21A	W61A, W61B		15	TPN, VTPN	S20.44		PTR
S14.72		PTR		21A	W61A, W61B		09	J65Z
	15	TPN, VTPN		21B	X60Z		21A	W61A, W61B
	21A	W61A, W61B	S18		PTR	S20.48		PTR
S14.73		PTR		21A	W61A, W61B		09	J65Z
	15	TPN, VTPN		21B	X60Z		21A	W61A, W61B
	21A	W61A, W61B	S19.7		PTR	S20.7		PTR
S14.74		PTR		21A	W61A, W61B		09	J65Z
	15	TPN, VTPN		21B	X60Z		21A	W61A, W61B
	21A	W61A, W61B	S19.8		PTR	S20.80		PTR
S14.75		PTR		21A	W61A, W61B		09	J65Z
	15	TPN, VTPN		21B	X60Z		21A	W61A, W61B
	21A	W61A, W61B	S19.9		PTR	S20.81		PTR
S14.76		PTR		21A	W61A, W61B		09	J65Z
	15	TPN, VTPN		21B	X60Z		21A	W61A, W61B
	21A	W61A, W61B	S20.0		PTR	S20.82		PTR
S14.77		PTR		09	J65Z		09	J67A, J67B, J68A, J68B
	15	TPN, VTPN		21A	W61A, W61B		21A	W61A, W61B
	21A	W61A, W61B	S20.10		PTR	S20.83		PTR
S14.78		PTR		09	J65Z		09	J67A, J67B, J68A, J68B
	15	TPN, VTPN		21A	W61A, W61B		21A	W61A, W61B
	21A	W61A, W61B	S20.11		PTR	S20.84		PTR
S15.00		PTR		09	J65Z		09	J65Z
	15	TPN, VTPN		21A	W61A, W61B		21A	W61A, W61B
	21A	W61A, W61B	S20.12		PTR	S20.85		PTR
	21B	X60Z		09	J67A, J67B, J68A, J68B		09	J65Z
S15.01		PTR		21A	W61A, W61B		21A	W61A, W61B
	15	TPN, VTPN	S20.13		PTR	S20.88		PTR
	21A	W61A, W61B		09	J67A, J67B, J68A, J68B		09	J65Z
	21B	X60Z	S20.14		PTR		21A	W61A, W61B
S15.02		PTR		21A	W61A, W61B	S21.0		PTR
	15	TPN, VTPN		09	J65Z		21A	W61A, W61B
	21A	W61A, W61B		21A	W61A, W61B		21B	X60Z
	21B	X60Z	S20.18		PTR	S21.1		PTR
S15.03		PTR		09	J65Z		15	TPN, VTPN
	15	TPN, VTPN		21A	W61A, W61B		21A	W61A, W61B
	21A	W61A, W61B	S20.2		PTR		21B	X60Z
	21B	X60Z		09	J65Z	S21.2		PTR
S15.1		PTR		21A	W61A, W61B		15	TPN, VTPN
	21A	W61A, W61B	S20.30		PTR		21A	W61A, W61B
	21B	X60Z		09	J65Z		21B	X60Z
S15.2		PTR		21A	W61A, W61B	S21.7		PTR
	21A	W61A, W61B	S20.31		PTR		15	TPN, VTPN
	21B	X60Z		09	J65Z		21A	W61A, W61B
S15.3		PTR		21A	W61A, W61B		21B	X60Z
	15	TPN, VTPN	S20.32		PTR	S21.80		PTR
	21A	W61A, W61B		09	J67A, J67B, J68A, J68B		15	TPN, VTPN
	21B	X60Z		21A	W61A, W61B		21A	W61A, W61B
S15.7		PTR	S20.33		PTR		21B	X60Z
	21A	W61A, W61B		09	J67A, J67B, J68A, J68B	S21.83		PTR
	21B	X60Z		21A	W61A, W61B		08	I02A, I02B, I02C, I02D, I08A, I08B, I08C, I08D, I08E, I13A, I13B, I13C, I20A, I20B, I20C, I22A
S15.8		PTR	S20.34		PTR			
	21A	W61A, W61B		09	J65Z			
	21B	X60Z		21A	W61A, W61B			
S15.9		PTR	S20.38		PTR		15	TPN, VTPN
	21A	W61A, W61B		09	J65Z		21A	W61A, W61B
	21B	X60Z		21A	W61A, W61B		21B	X01A, X01B

ICD	MDC	DRG	ICD	MDC	DRG	ICD	MDC	DRG
S21.84	21A	W61A, W61B	S22.06		PTR	S23.12		PTR
S21.85	21A	W61A, W61B		04	E66A	08	I68A, I68B, I68C, I68D, I68E	
S21.86	04	E66A		08	I10C, I68A, I68B, I68C, I68D, I68E	15	TPN, VTPN	
	08	I02A, I02B, I02C, I02D, I08A, I08B, I08C, I08D, I08E, I13A, I13B, I13C, I20A, I20B, I20C, I22A		15	TPN, VTPN	21A	W61A, W61B	
	21A	W61A, W61B	S22.1		PTR	S23.13		PTR
	21B	X01A, X01B		04	E66A	08	I68A, I68B, I68C, I68D, I68E	
S21.87		PTR		08	I10C, I68A, I68B, I68C, I68D, I68E	15	TPN, VTPN	
	15	TPN, VTPN		15	TPN, VTPN	21A	W61A, W61B	
	21A	W61A, W61B		21A	W61A	S23.14		PTR
S21.88		PTR	S22.2		PTR	08	I68A, I68B, I68C, I68D, I68E	
	08	I02A, I02B, I02C, I02D, I08A, I08B, I08C, I08D, I08E, I13A, I13B, I13C, I20A, I20B, I20C, I22A		04	E66A, E66B	15	TPN, VTPN	
	15	TPN, VTPN		15	TPN, VTPN	21A	W61A, W61B	
	21A	W61A, W61B	S22.31		PTR	S23.15		PTR
	21B	X01A, X01B		04	E66A, E66B	08	I68A, I68B, I68C, I68D, I68E	
S21.89		PTR		15	TPN, VTPN	15	TPN, VTPN	
	08	I02A, I02B, I02C, I02D, I08A, I08B, I08C, I08D, I08E, I13A, I13B, I13C, I20A, I20B, I20C, I22A	S22.32		PTR	21A	W61A, W61B	
	15	TPN, VTPN		04	E66A, E66B	S23.16		PTR
	21A	W61A, W61B		15	TPN, VTPN	08	I68A, I68B, I68C, I68D, I68E	
	21B	X01A, X01B	S22.40		PTR	15	TPN, VTPN	
S21.9		PTR		04	E66A, E66B	21A	W61A, W61B	
	15	TPN, VTPN	S22.41		PTR	S23.17		PTR
	21A	W61A, W61B		04	E66A, E66B	08	I68A, I68B, I68C, I68D, I68E	
	21B	X01A, X01B		15	TPN, VTPN	15	TPN, VTPN	
S22.00		PTR		21A	W61A, W61B	21A	W61A, W61B	
	04	E66A	S22.42		PTR	S23.2		PTR
	08	I10C, I68A, I68B, I68C, I68D, I68E		04	E66A, E66B	04	E66A, E66B	
	15	TPN, VTPN	S22.43		PTR	21A	W61A, W61B	
	21A	W61A, W61B		04	E66A, E66B	S23.3		PTR
S22.01		PTR		10	K62A	08	I68A, I68B, I68C, I68D, I68E	
	04	E66A	S22.44		PTR	21A	W61A, W61B	
	08	I10C, I68A, I68B, I68C, I68D, I68E		04	E66A	S23.4		PTR
	15	TPN, VTPN		10	K62A	04	E75A, E75B, E75C	
	21A	W61A, W61B		15	TPN, VTPN	21A	W61A, W61B	
S22.02		PTR		21A	W61A, W61B	S23.5		PTR
	04	E66A	S22.5		PTR	08	I76A, I76B	
	08	I10C, I68A, I68B, I68C, I68D, I68E		04	E66A	21A	W61A, W61B	
	15	TPN, VTPN		10	K62A	S24.0		PTR
	21A	W61A, W61B		15	TPN, VTPN	15	TPN, VTPN	
S22.03		PTR		21A	W61A, W61B	21A	W61A, W61B	
	04	E66A		Pre	A07D, A09E, A11F, A13F	Pre	B61A, B61B	
	08	I10C, I68A, I68B, I68C, I68D, I68E	S22.8		PTR	S24.10		PTR
	15	TPN, VTPN		04	E66A	15	TPN, VTPN	
	21A	W61A, W61B		15	TPN, VTPN	21A	W61A, W61B	
S22.04		PTR		21A	W61A, W61B	Pre	B61A, B61B	
	04	E66A	S22.9		PTR	S24.11		PTR
	08	I10C, I68A, I68B, I68C, I68D, I68E		08	I76A, I76B	15	TPN, VTPN	
	15	TPN, VTPN		21A	W61A, W61B	21A	W61A, W61B	
	21A	W61A, W61B	S23.0		PTR	Pre	B61A, B61B	
S22.05		PTR		08	I68A, I68B, I68C, I68D, I68E	S24.12		PTR
	04	E66A		15	TPN, VTPN	15	TPN, VTPN	
	08	I10C, I68A, I68B, I68C, I68D, I68E		21A	W61A, W61B	21A	W61A, W61B	
	15	TPN, VTPN	S23.10		PTR	Pre	B61A, B61B	
	21A	W61A, W61B		08	I68A, I68B, I68C, I68D, I68E	S24.2		PTR
S22.05		PTR		15	TPN, VTPN	01	B71A, B71B, B71C, B71D	
	04	E66A		21A	W61A, W61B	15	TPN, VTPN	
	08	I10C, I68A, I68B, I68C, I68D, I68E	S23.11		PTR	21A	W61A, W61B	
	15	TPN, VTPN		08	I68A, I68B, I68C, I68D, I68E	S24.3		PTR
	21A	W61A, W61B		15	TPN, VTPN	01	B71A, B71B, B71C, B71D	
				21A	W61A, W61B	21A	W61A, W61B	
						Pre	B61A, B61B	
						S24.4		PTR
						01	B71A, B71B, B71C, B71D	
						15	TPN, VTPN	
						21A	W61A, W61B	
						Pre	B61A, B61B	
						S24.5		PTR
						01	B71A, B71B, B71C, B71D	
						21A	W61A, W61B	
						Pre	B61A, B61B	
						S24.6		PTR
						01	B71A, B71B, B71C, B71D	
						21A	W61A, W61B	

ICD	MDC	DRG	ICD	MDC	DRG	ICD	MDC	DRG
S24.70		PTR	S26.83		PTR	S27.83		PTR
	15	TPN, VTPN		05	F75A, F75B, F75C, F75D		06	G46A, G46B, G46C, G50Z, G71Z
	21A	W61A, W61B		15	TPN, VTPN		15	TPN, VTPN
S24.71		PTR		21A	W61A, W61B		21A	W61A, W61B
	15	TPN, VTPN	S26.88		PTR	Pre	A07D, A09E, A11F, A13F	
	21A	W61A, W61B		05	F75A, F75B, F75C, F75D	S27.84		PTR
S24.72		PTR		15	TPN, VTPN		04	E75A, E75B, E75C
	15	TPN, VTPN		21A	W61A, W61B		15	TPN, VTPN
	21A	W61A, W61B	S26.9		PTR	21A	W61A, W61B	
S24.73		PTR		05	F75A, F75B, F75C, F75D	S27.88		PTR
	15	TPN, VTPN		15	TPN, VTPN		04	E75A, E75B, E75C
	21A	W61A, W61B	S27.0		PTR		15	TPN, VTPN
S24.74		PTR		04	E66A, E76A, E76B, E76C		21A	W61A, W61B
	15	TPN, VTPN		15	TPN, VTPN	S27.9		PTR
	21A	W61A, W61B		21A	W61A, W61B		15	TPN, VTPN
S24.75		PTR		Pre	A07D, A09E, A11F, A13F		21A	W61A, W61B
	15	TPN, VTPN	S27.1		PTR		21B	X60Z
	21A	W61A, W61B		04	E66A, E76A, E76B, E76C	S28.0		PTR
S24.76		PTR		15	TPN, VTPN		15	TPN, VTPN
	15	TPN, VTPN		21A	W61A, W61B		21A	W61A, W61B
	21A	W61A, W61B	S27.2		PTR		21B	X60Z
S24.77		PTR		04	E66A, E76A, E76B, E76C	S28.1		PTR
	15	TPN, VTPN		15	TPN, VTPN		15	TPN, VTPN
	21A	W61A, W61B		21A	W61A, W61B		21A	W61A, W61B
S25.0		PTR		Pre	A07D, A09E, A11F, A13F		21B	X60Z
	15	TPN, VTPN	S27.31		PTR	S29.0		PTR
	21A	W61A, W61B		04	E66A, E75A, E75B, E75C		08	I68A, I68B, I68C, I68D, I68E
	21B	X60Z		21A	W61A, W61B		21A	W61A, W61B
S25.1		PTR		Pre	A07D, A09E, A11F, A13F	S29.7		PTR
	15	TPN, VTPN	S27.32		PTR		21A	W61A, W61B
	21A	W61A, W61B		04	E66A, E66B		21B	X60Z
	21B	X60Z		15	TPN, VTPN	S29.8		PTR
S25.2		PTR		21A	W61A, W61B		21A	W61A, W61B
	15	TPN, VTPN		Pre	A07D, A09E, A11F, A13F		21B	X60Z
	21A	W61A, W61B	S27.38		PTR	S29.9		PTR
	21B	X60Z		04	E75A, E75B, E75C		21A	W61A, W61B
S25.3		PTR		15	TPN, VTPN		21B	X60Z
	15	TPN, VTPN		21A	W61A, W61B	S30.0		PTR
	21A	W61A, W61B	S27.4		PTR		09	J65Z
	21B	X60Z		04	E66A, E66B	S30.1		PTR
S25.4		PTR		15	TPN, VTPN		09	J65Z
	21A	W61A, W61B		21A	W61A, W61B		21A	W61A, W61B
	21B	X60Z	S27.5		PTR	S30.2		PTR
S25.5		PTR		04	E75A, E75B, E75C		12	M64Z
	21A	W61A, W61B		15	TPN, VTPN		13	N04Z, N05A, N05B, N14Z, N21Z, N25Z, N62A, N62B
	21B	X60Z		21A	W61A, W61B		21A	W61A, W61B
S25.7		PTR		Pre	A07D, A09E, A11F, A13F	S30.7		PTR
	21A	W61A, W61B	S27.6		PTR		09	J65Z
	21B	X60Z		04	E75A, E75B, E75C		21A	W61A, W61B
S25.8		PTR		15	TPN, VTPN	S30.80		PTR
	21A	W61A, W61B		21A	W61A, W61B		09	J65Z
	21B	X60Z	S27.7		PTR		21A	W61A, W61B
S25.9		PTR		15	TPN, VTPN	S30.81		PTR
	21A	W61A, W61B		21A	W61A, W61B		09	J65Z
	21B	X60Z		21B	X60Z		21A	W61A, W61B
S26.0		PTR		Pre	A07D, A09E, A11F, A13F	S30.82		PTR
	05	F75A, F75B, F75C, F75D	S27.81		PTR		09	J67A, J67B, J68A, J68B
	15	TPN, VTPN		04	E66A, E66B		21A	W61A, W61B
	21A	W61A, W61B		15	TPN, VTPN	S30.83		PTR
S26.81		PTR		21A	W61A, W61B		09	J67A, J67B, J68A, J68B
	05	F75A, F75B, F75C, F75D		Pre	A07D, A09E, A11F, A13F		21A	W61A, W61B
	15	TPN, VTPN	S27.82		PTR	S30.84		PTR
	21A	W61A, W61B		04	E75A, E75B, E75C		09	J65Z
S26.82		PTR		15	TPN, VTPN		21A	W61A, W61B
	05	F75A, F75B, F75C, F75D		21A	W61A, W61B			
	15	TPN, VTPN						
	21A	W61A, W61B						

ICD	MDC	DRG	ICD	MDC	DRG	ICD	MDC	DRG
S30.85		PTR	S31.86	08	I02A, I02B, I02C, I02D, I08A, I08B, I08C, I08D, I08E, I13A, I13B, I13C, I20A, I20B, I20C, I22A	S32.3		PTR
	09	J65Z				08	I66A, I66B	
	21A	W61A, W61B				21A	W61A, W61B	
S30.88		PTR		21A	W61A, W61B	S32.4		PTR
	09	J65Z		21B	X01A, X01B	08	I08C, I08D, I66A, I66B	
	21A	W61A, W61B				21A	W61A, W61B	
S30.90		PTR	S31.87		PTR	S32.5		PTR
	09	J65Z		15	TPN, VTPN	08	I66A, I66B	
	21A	W61A, W61B		21A	W61A, W61B	21A	W61A, W61B	
S30.91		PTR	S31.88		PTR	S32.7		PTR
	09	J65Z		08	I02A, I02B, I02C, I02D, I08A, I08B, I08C, I08D, I08E, I13A, I13B, I13C, I20A, I20B, I20C, I22A	08	I76A	
	21A	W61A, W61B				21A	W61A, W61B	
S30.92		PTR		15	TPN, VTPN	S32.81		PTR
	09	J67A, J67B, J68A, J68B		21A	W61A, W61B	08	I66A, I66B	
	21A	W61A, W61B		21B	X01A, X01B	21A	W61A, W61B	
S30.93		PTR	S31.89		PTR	S32.82		PTR
	09	J67A, J67B, J68A, J68B		08	I02A, I02B, I02C, I02D, I08A, I08B, I08C, I08D, I08E, I13A, I13B, I13C, I20A, I20B, I20C, I22A	08	I68A, I68B, I68C, I68D, I68E	
	21A	W61A, W61B				15	TPN, VTPN	
S30.94		PTR				21A	W61A, W61B	
	09	J65Z		15	TPN, VTPN	S32.83		PTR
	21A	W61A, W61B		21A	W61A, W61B	08	I66A, I66B	
S30.95		PTR		21B	X01A, X01B	21A	W61A, W61B	
	09	J65Z				S32.89		PTR
	21A	W61A, W61B		04	E66A	08	I66A, I66B	
S30.98		PTR	S32.00		PTR	15	TPN, VTPN	
	09	J65Z		08	I10C, I68A, I68B, I68C, I68D, I68E	21A	W61A, W61B	
	21A	W61A, W61B				Pre	A07D, A09E, A11F, A13F	
S31.0		PTR		15	TPN, VTPN	S33.0		PTR
	15	TPN, VTPN		21A	W61A, W61B	08	I68A, I68B, I68C, I68D, I68E	
	21A	W61A, W61B		21A	W61A, W61B	15	TPN, VTPN	
	21B	X60Z	S32.01		PTR	21A	W61A, W61B	
S31.1		PTR		04	E66A	S33.10		PTR
	15	TPN, VTPN		08	I10C, I68A, I68B, I68C, I68D, I68E	08	I68A, I68B, I68C, I68D, I68E	
	21A	W61A, W61B				15	TPN, VTPN	
	21B	X60Z		15	TPN, VTPN	21A	W61A, W61B	
S31.2		PTR		21A	W61A, W61B	S33.11		PTR
	12	M64Z				08	I68A, I68B, I68C, I68D, I68E	
	21A	W61A, W61B	S32.02		PTR	15	TPN, VTPN	
S31.3		PTR		04	E66A	21A	W61A, W61B	
	12	M64Z		08	I10C, I68A, I68B, I68C, I68D, I68E	S33.12		PTR
	15	TPN, VTPN				08	I68A, I68B, I68C, I68D, I68E	
	21A	W61A, W61B		15	TPN, VTPN	15	TPN, VTPN	
S31.4		PTR	S32.03		PTR	21A	W61A, W61B	
	13	N04Z, N05A, N05B, N14Z, N21Z, N25Z, N62A, N62B		04	E66A	S33.13		PTR
	21A	W61A, W61B		08	I10C, I68A, I68B, I68C, I68D, I68E	08	I68A, I68B, I68C, I68D, I68E	
S31.5		PTR				15	TPN, VTPN	
	12	M64Z	S32.04		PTR	21A	W61A, W61B	
	13	N04Z, N05A, N05B, N14Z, N21Z, N25Z, N62A, N62B		04	E66A	S33.14		PTR
	21A	W61A, W61B		08	I10C, I68A, I68B, I68C, I68D, I68E	08	I68A, I68B, I68C, I68D, I68E	
S31.7		PTR				15	TPN, VTPN	
	15	TPN, VTPN		15	TPN, VTPN	21A	W61A, W61B	
	21A	W61A, W61B		21A	W61A, W61B	S33.15		PTR
	21B	X60Z	S32.05		PTR	08	I68A, I68B, I68C, I68D, I68E	
S31.80		PTR		04	E66A	15	TPN, VTPN	
	15	TPN, VTPN		08	I10C, I68A, I68B, I68C, I68D, I68E	21A	W61A, W61B	
	21A	W61A, W61B				S33.2		PTR
	21B	X60Z		15	TPN, VTPN	08	I68A, I68B, I68C, I68D, I68E	
S31.83		PTR		21A	W61A, W61B	21A	W61A, W61B	
	08	I02A, I02B, I02C, I02D, I08A, I08B, I08C, I08D, I08E, I13A, I13B, I13C, I20A, I20B, I20C, I22A	S32.1		PTR	S33.3		PTR
				08	I68A, I68B, I68C, I68D, I68E	08	I68A, I68B, I68C, I68D, I68E	
	15	TPN, VTPN				21A	W61A, W61B	
	21A	W61A, W61B	S32.2		PTR	S33.4		PTR
	21B	X01A, X01B		08	I68A, I68B, I68C, I68D, I68E	08	I68A, I68B, I68C, I68D, I68E	
S31.84	21A	W61A, W61B		15	TPN, VTPN	21A	W61A, W61B	
S31.85	21A	W61A, W61B		21A	W61A, W61B	S33.50		PTR
						08	I68A, I68B, I68C, I68D, I68E	
						21A	W61A, W61B	

Dg

ICD	MDC	DRG	ICD	MDC	DRG	ICD	MDC	DRG
S33.51		PTR	S34.71		PTR	S35.8		PTR
	08	I68A, I68B, I68C, I68D, I68E		15	TPN, VTPN		15	TPN, VTPN
	21A	W61A, W61B		21A	W61A, W61B		21A	W61A, W61B
S33.6		PTR		Pre	A07D, A09E, A11F, A13F		21B	X60Z
	08	I68A, I68B, I68C, I68D, I68E	S34.72		PTR	S35.9	Pre	A07D, A09E, A11F, A13F
	21A	W61A, W61B		15	TPN, VTPN			PTR
S33.7		PTR		21A	W61A, W61B		15	TPN, VTPN
	08	I68A, I68B, I68C, I68D, I68E		Pre	A07D, A09E, A11F, A13F		21A	W61A, W61B
	21A	W61A, W61B	S34.73		PTR		21B	X60Z
S34.0		PTR		15	TPN, VTPN		Pre	A07D, A09E, A11F, A13F
	15	TPN, VTPN		21A	W61A, W61B	S36.00		PTR
	21A	W61A, W61B		Pre	A07D, A09E, A11F, A13F		16	Q60A, Q60B, Q60C
	Pre	A07D, A09E, A11F, A13F, B61A, B61B	S34.74		PTR		21A	W61A, W61B
S34.10		PTR		15	TPN, VTPN		Pre	A07D, A09E, A11F, A13F
	15	TPN, VTPN		21A	W61A, W61B	S36.01		PTR
	21A	W61A, W61B		Pre	A07D, A09E, A11F, A13F		15	TPN, VTPN
	Pre	A07D, A09E, A11F, A13F, B61A, B61B	S34.75		PTR		16	Q60A, Q60B, Q60C
S34.11		PTR		15	TPN, VTPN		21A	W61A, W61B
	15	TPN, VTPN		21A	W61A, W61B		Pre	A07D, A09E, A11F, A13F
	21A	W61A, W61B		Pre	A07D, A09E, A11F, A13F	S36.02		PTR
	Pre	A07D, A09E, A11F, A13F, B61A, B61B	S34.76		PTR		15	TPN, VTPN
S34.18		PTR		15	TPN, VTPN		16	Q60A, Q60B, Q60C
	15	TPN, VTPN		21A	W61A, W61B		21A	W61A, W61B
	21A	W61A, W61B		Pre	A07D, A09E, A11F, A13F		Pre	A07D, A09E, A11F, A13F
	Pre	A07D, A09E, A11F, A13F, B61A, B61B	S34.77		PTR	S36.03		PTR
S34.2		PTR		15	TPN, VTPN		15	TPN, VTPN
	01	B71A, B71B, B71C, B71D		21A	W61A, W61B		16	Q60A, Q60B, Q60C
	15	TPN, VTPN		Pre	A07D, A09E, A11F, A13F		21A	W61A
	21A	W61A, W61B	S34.8		PTR		Pre	A07D, A09E, A11F, A13F
	Pre	A07D, A09E, A11F, A13F		01	B71A, B71B, B71C, B71D	S36.04		PTR
S34.30		PTR		21A	W61A, W61B		16	Q60A, Q60B, Q60C, Q60E
	15	TPN, VTPN		Pre	A07D, A09E, A11F, A13F		21A	W61A
	21A	W61A, W61B	S35.0		PTR		Pre	A07D, A09E, A11F, A13F
	Pre	A07D, A09E, A11F, A13F, B61A, B61B		15	TPN, VTPN	S36.08		PTR
S34.31		PTR		21A	W61A, W61B		16	Q60A, Q60B, Q60C
	15	TPN, VTPN		21B	X60Z		21A	W61A, W61B
	21A	W61A, W61B		Pre	A07D, A09E, A11F, A13F		Pre	A07D, A09E, A11F, A13F
	Pre	A07D, A09E, A11F, A13F, B61A, B61B	S35.1		PTR	S36.10		PTR
S34.38		PTR		15	TPN, VTPN		07	H63A, H63B, H63C, H78Z
	15	TPN, VTPN		21A	W61A, W61B		15	TPN, VTPN
	21A	W61A, W61B		21B	X60Z		21A	W61A, W61B
	Pre	A07D, A09E, A11F, A13F, B61A, B61B	S35.2		PTR		Pre	A07D, A09E, A11F, A13F
S34.4		PTR		15	TPN, VTPN	S36.11		PTR
	01	B71A, B71B, B71C, B71D		21A	W61A, W61B		07	H63A, H63B, H63C, H78Z
	15	TPN, VTPN		21B	X60Z		15	TPN, VTPN
	21A	W61A, W61B		Pre	A07D, A09E, A11F, A13F		21A	W61A, W61B
	Pre	A07D, A09E, A11F, A13F	S35.3		PTR		Pre	A07D, A09E, A11F, A13F
S34.5		PTR		15	TPN, VTPN	S36.12		PTR
	01	B71A, B71B, B71C, B71D		21A	W61A, W61B		07	H63A, H63B, H63C, H78Z
	15	TPN, VTPN		21B	X60Z		15	TPN, VTPN
	21A	W61A, W61B		Pre	A07D, A09E, A11F, A13F		21A	W61A, W61B
	Pre	A07D, A09E, A11F, A13F	S35.4		PTR		Pre	A07D, A09E, A11F, A13F
S34.6		PTR		15	TPN, VTPN	S36.13		PTR
	01	B71A, B71B, B71C, B71D		21A	W61A		07	H63A, H63B, H63C, H78Z
	15	TPN, VTPN		21B	X60Z		15	TPN, VTPN
	21A	W61A, W61B		Pre	A07D, A09E, A11F, A13F		21A	W61A, W61B
	Pre	A07D, A09E, A11F, A13F	S35.5		PTR		Pre	A07D, A09E, A11F, A13F
S34.70		PTR		15	TPN, VTPN	S36.14		PTR
	01	B71A, B71B, B71C, B71D		21A	W61A, W61B		07	H63A, H63B, H63C, H78Z
	21A	W61A, W61B		21B	X60Z		15	TPN, VTPN
	Pre	A07D, A09E, A11F, A13F	S35.7		PTR		21A	W61A, W61B
	15	TPN, VTPN		15	TPN, VTPN	S36.15		PTR
	21A	W61A, W61B		21A	W61A, W61B		07	H63A, H63B, H63C, H78Z
	Pre	A07D, A09E, A11F, A13F		21B	X60Z		15	TPN, VTPN
				Pre	A07D, A09E, A11F, A13F		21A	W61A, W61B
							Pre	A07D, A09E, A11F, A13F

ICD	MDC	DRG	ICD	MDC	DRG	ICD	MDC	DRG
S36.16		PTR	S36.52		PTR	S37.02		PTR
	07	H63A, H63B, H63C, H78Z		06	G46A, G46B, G46C, G50Z, G71Z		11	L69A, L69B
	15	TPN, VTPN		15	TPN, VTPN		15	TPN, VTPN
	21A	W61A, W61B		21A	W61A, W61B		21A	W61A
	Pre	A07D, A09E, A11F, A13F		Pre	A07D, A09E, A11F, A13F		Pre	A07D, A09E, A11F, A13F
S36.17		PTR	S36.53		PTR	S37.03		PTR
	07	H64Z		06	G46A, G46B, G46C, G50Z, G71Z		11	L69A, L69B
	15	TPN, VTPN		15	TPN, VTPN		21A	W61A
	21A	W61A, W61B		21A	W61A, W61B		Pre	A07D, A09E, A11F, A13F
	Pre	A07D, A09E, A11F, A13F		Pre	A07D, A09E, A11F, A13F		Pre	A07D, A09E, A11F, A13F
S36.18		PTR	S36.54		PTR	S37.1		PTR
	07	H64Z		06	G46A, G46B, G46C, G50Z, G71Z		11	L68A, L68B, L74Z
	15	TPN, VTPN		15	TPN, VTPN		15	TPN, VTPN
	21A	W61A, W61B		21A	W61A, W61B		21A	W61A, W61B
	Pre	A07D, A09E, A11F, A13F		Pre	A07D, A09E, A11F, A13F		Pre	A07D, A09E, A11F, A13F
S36.20		PTR	S36.55		PTR	S37.20		PTR
	07	H62A, H62B, H62C		06	G46A, G46B, G46C, G50Z, G71Z		11	L68A, L68B, L74Z
	21A	W61A, W61B		15	TPN, VTPN		21A	W61A, W61B
	Pre	A07D, A09E, A11F, A13F		21A	W61A, W61B		Pre	A07D, A09E, A11F, A13F
S36.21		PTR	S36.59		PTR	S37.21		PTR
	07	H62A, H62B, H62C		06	G46A, G46B, G46C, G50Z, G71Z		11	L68A, L68B, L74Z
	21A	W61A, W61B		15	TPN, VTPN		21A	W61A, W61B
	Pre	A07D, A09E, A11F, A13F		21A	W61A, W61B		Pre	A07D, A09E, A11F, A13F
S36.22		PTR	S36.6		PTR	S37.22		PTR
	07	H62A, H62B, H62C		06	G46A, G46B, G46C, G50Z, G71Z		11	L68A, L68B, L74Z
	21A	W61A, W61B		15	TPN, VTPN		21A	W61A, W61B
	Pre	A07D, A09E, A11F, A13F		21A	W61A, W61B		Pre	A07D, A09E, A11F, A13F
S36.23		PTR	S36.7		PTR	S37.28		PTR
	07	H62A, H62B, H62C		06	G46A, G46B, G46C, G50Z, G71Z		11	L68A, L68B, L74Z
	21A	W61A, W61B		15	TPN, VTPN		21A	W61A, W61B
	Pre	A07D, A09E, A11F, A13F		21A	W61A, W61B		Pre	A07D, A09E, A11F, A13F
S36.29		PTR	S36.81		PTR	S37.30		PTR
	07	H62A, H62B, H62C		06	G46A, G46B, G46C, G50Z, G71Z		11	L64A, L64B, L74Z
	21A	W61A, W61B		15	TPN, VTPN		21A	W61A, W61B
	Pre	A07D, A09E, A11F, A13F		21A	W61A, W61B		Pre	A07D, A09E, A11F, A13F
S36.3		PTR	S36.82		PTR	S37.31		PTR
	06	G46A, G46B, G46C, G50Z, G71Z		06	G46A, G46B, G46C, G50Z, G71Z		11	L64A, L64B, L74Z
	21A	W61A, W61B		15	TPN, VTPN		21A	W61A, W61B
	Pre	A07D, A09E, A11F, A13F		21A	W61A, W61B		Pre	A07D, A09E, A11F, A13F
S36.40		PTR	S36.88		PTR	S37.32		PTR
	06	G46A, G46B, G46C, G50Z, G71Z		06	G46A, G46B, G46C, G50Z, G71Z		11	L64A, L64B, L74Z
	15	TPN, VTPN		21A	W61A, W61B		21A	W61A, W61B
	21A	W61A, W61B		Pre	A07D, A09E, A11F, A13F		Pre	A07D, A09E, A11F, A13F
	Pre	A07D, A09E, A11F, A13F		Pre	A07D, A09E, A11F, A13F		Pre	A07D, A09E, A11F, A13F
S36.41		PTR	S36.83		PTR	S37.33		PTR
	06	G46A, G46B, G46C, G50Z, G71Z		11	L68A, L68B, L74Z		11	L68A, L68B, L74Z
	21A	W61A, W61B		15	TPN, VTPN		21A	W61A, W61B
	Pre	A07D, A09E, A11F, A13F		21A	W61A, W61B		Pre	A07D, A09E, A11F, A13F
S36.49		PTR	S36.9		PTR	S37.38		PTR
	06	G46A, G46B, G46C, G50Z, G71Z		06	G46A, G46B, G46C, G50Z, G71Z		11	L68A, L68B, L74Z
	21A	W61A, W61B		21A	W61A, W61B		21A	W61A, W61B
	Pre	A07D, A09E, A11F, A13F		Pre	A07D, A09E, A11F, A13F		Pre	A07D, A09E, A11F, A13F
S36.50		PTR	S37.00		PTR	S37.4		PTR
	06	G46A, G46B, G46C, G50Z, G71Z		11	L64A, L64B, L74Z		13	N04Z, N05A, N05B, N14Z, N21Z, N25Z, N62A, N62B
	15	TPN, VTPN		21A	W61A, W61B		21A	W61A, W61B
	21A	W61A, W61B		Pre	A07D, A09E, A11F, A13F		Pre	A07D, A09E, A11F, A13F
	Pre	A07D, A09E, A11F, A13F		Pre	A07D, A09E, A11F, A13F		Pre	A07D, A09E, A11F, A13F
S36.51		PTR	S37.01		PTR	S37.5		PTR
	06	G46A, G46B, G46C, G50Z, G71Z		11	L64A, L64B, L74Z		13	N04Z, N05A, N05B, N14Z, N21Z, N25Z, N62A, N62B
	21A	W61A, W61B		21A	W61A, W61B		21A	W61A, W61B
	Pre	A07D, A09E, A11F, A13F		Pre	A07D, A09E, A11F, A13F		Pre	A07D, A09E, A11F, A13F
	Pre	A07D, A09E, A11F, A13F		Pre	A07D, A09E, A11F, A13F		Pre	A07D, A09E, A11F, A13F

ICD	MDC	DRG	ICD	MDC	DRG	ICD	MDC	DRG	
S37.7		PTR	S39.7		PTR	S41.89		PTR	
	12	M64Z		21A	W61A, W61B		08	I02A, I02B, I02C, I02D, I08A, I08B, I08C, I08D, I08E, I13A, I13B, I13C, I20A, I20B, I20C, I22A	
	13	N04Z, N05A, N05B, N14Z, N21Z, N25Z, N62A, N62B		21B	X60Z		21A	W61A, W61B	
	21A	W61A, W61B	S39.80		Pre A07D, A09E, A11F, A13F		21B	X01A, X01B	
S37.81	Pre	A07D, A09E, A11F, A13F		21A	W61A, W61B	S42.00		PTR	
		PTR		21B	X60Z		08	I78Z	
	10	K64A, K64B, K64C, K64D		Pre	A07D, A09E, A11F, A13F		21A	W61A, W61B	
	21A	W61A, W61B	S39.88		PTR	S42.01		PTR	
S37.82	Pre	A07D, A09E, A11F, A13F		21A	W61A, W61B		08	I77Z	
		PTR		21B	X60Z		21A	W61A, W61B	
	12	M64Z	S39.9		PTR	S42.02		PTR	
	21A	W61A, W61B		21A	W61A, W61B		08	I77Z	
	Pre	A07D, A09E, A11F, A13F		21B	X60Z		21A	W61A, W61B	
S37.83		PTR	S40.0		PTR	S42.03		PTR	
	12	M64Z		09	J65Z		08	I77Z	
	21A	W61A, W61B		21A	W61A, W61B		21A	W61A, W61B	
	Pre	A07D, A09E, A11F, A13F	S40.7		PTR	S42.09		PTR	
S37.84		PTR		09	J65Z		08	I75A, I75B	
	12	M64Z		21A	W61A, W61B	S42.10		PTR	
	21A	W61A, W61B	S40.81		PTR		08	I75A, I75B	
	Pre	A07D, A09E, A11F, A13F		09	J65Z	S42.11		PTR	
S37.88		PTR	S40.82		PTR		08	I77Z	
	12	M64Z		09	J67A, J67B, J68A, J68B		21A	W61A, W61B	
	13	N04Z, N05A, N05B, N14Z, N21Z, N25Z, N62A, N62B		21A	W61A, W61B	S42.12		PTR	
	21A	W61A, W61B	S40.83		PTR		08	I76A, I76B	
	Pre	A07D, A09E, A11F, A13F		09	J67A, J67B, J68A, J68B	S42.13		PTR	
S37.9		PTR	S40.84		PTR		21A	W61A, W61B	
	12	M64Z		09	J65Z	S42.14		PTR	
	13	N04Z, N05A, N05B, N14Z, N21Z, N25Z, N62A, N62B		21A	W61A, W61B		08	I77Z	
	21A	W61A, W61B	S40.88		PTR	S42.19		PTR	
	Pre	A07D, A09E, A11F, A13F		09	J65Z		08	I76A, I76B	
S38.0		PTR	S40.9		PTR	S42.20		PTR	
	12	M64Z		09	J65Z		21A	W61A, W61B	
	13	N04Z, N05A, N05B, N14Z, N21Z, N25Z, N62A, N62B		21A	W61A, W61B	S42.21		PTR	
	15	TPN, VTPN	S41.0		PTR		08	I75A, I75B	
	21A	W61A, W61B		21A	W61A, W61B		21A	W61A, W61B	
	Pre	A07D, A09E, A11F, A13F	S41.1		PTR	S42.22		PTR	
S38.1		PTR		21B	X60Z		08	I75A, I75B	
	15	TPN, VTPN		21A	W61A, W61B		21A	W61A, W61B	
	21A	W61A, W61B	S41.7		PTR	S42.23		PTR	
	21B	X60Z		21A	W61A, W61B		08	I75A, I75B	
	Pre	A07D, A09E, A11F, A13F		21B	X60Z		21A	W61A, W61B	
S38.2		PTR	S41.80		PTR	S42.24		PTR	
	12	M64Z		21A	W61A, W61B		08	I75A, I75B	
	13	N04Z, N05A, N05B, N14Z, N21Z, N25Z, N62A, N62B		21B	X60Z		21A	W61A, W61B	
	21A	W61A, W61B	S41.84		PTR	S42.29		PTR	
	Pre	A07D, A09E, A11F, A13F	S41.85		PTR		08	I75A, I75B	
S38.3		PTR	S41.86		08	I02A, I02B, I02C, I02D, I08A, I08B, I08C, I08D, I08E, I13A, I13B, I13C, I20A, I20B, I20C, I22A		21A	W61A, W61B
	15	TPN, VTPN		21A	W61A, W61B	S42.29		PTR	
	21A	W61A, W61B		21B	X01A, X01B		08	I75A, I75B	
	21B	X60Z	S41.87		PTR		15	TPN, VTPN	
	Pre	A07D, A09E, A11F, A13F		21A	W61A, W61B	S42.3		PTR	
S39.0		PTR	S41.88		PTR		08	I75A, I75B	
	08	I68A, I68B, I68C, I68D, I68E		08	I02A, I02B, I02C, I02D, I08A, I08B, I08C, I08D, I08E, I13A, I13B, I13C, I20A, I20B, I20C, I22A		21A	W61A, W61B	
	21A	W61A, W61B		21A	W61A, W61B	S42.3		PTR	
	Pre	A07D, A09E, A11F, A13F		08	I02A, I02B, I02C, I02D, I08A, I08B, I08C, I08D, I08E, I13A, I13B, I13C, I20A, I20B, I20C, I22A		15	TPN, VTPN	
S39.6		PTR		21A	W61A, W61B	S42.40		PTR	
	12	M64Z		21B	X01A, X01B		08	I77Z	
	13	N04Z, N05A, N05B, N14Z, N21Z, N25Z, N62A, N62B					21A	W61A, W61B	
	21A	W61A, W61B							
	Pre	A07D, A09E, A11F, A13F							

ICD	MDC	DRG	ICD	MDC	DRG	ICD	MDC	DRG
S42.41		PTR	S44.2		PTR	S46.9		PTR
	08	I77Z		01	B71A, B71B, B71C, B71D		08	I77Z
	21A	W61A, W61B		21A	W61A, W61B		21A	W61A, W61B
S42.42		PTR	S44.3		PTR	S47		PTR
	08	I77Z		01	B71A, B71B, B71C, B71D		15	TPN, VTPN
	21A	W61A, W61B		21A	W61A, W61B		21A	W61A, W61B
S42.43		PTR	S44.4		PTR		21B	X60Z
	08	I77Z		01	B71A, B71B, B71C, B71D	S48.0		PTR
	21A	W61A, W61B		21A	W61A, W61B		21A	W61A, W61B
S42.44		PTR	S44.5		PTR		21B	X60Z
	08	I77Z		01	B71A, B71B, B71C, B71D	S48.1		PTR
	21A	W61A, W61B		21A	W61A, W61B		21A	W61A, W61B
S42.45		PTR	S44.7		PTR		21B	X60Z
	08	I77Z		01	B71A, B71B, B71C, B71D	S48.9		PTR
	21A	W61A, W61B		21A	W61A, W61B		21A	W61A, W61B
S42.49		PTR	S44.8		PTR		21B	X60Z
	08	I77Z		01	B71A, B71B, B71C, B71D	S49.7		PTR
	21A	W61A, W61B		21A	W61A, W61B		21A	W61A, W61B
S42.7		PTR	S44.9		PTR		21B	X60Z
	08	I77Z		01	B71A, B71B, B71C, B71D	S49.8		PTR
	21A	W61A, W61B		21A	W61A, W61B		21A	W61A, W61B
S42.8		PTR	S45.0		PTR		21B	X60Z
	08	I77Z		15	TPN, VTPN	S49.9		PTR
	21A	W61A, W61B		21A	W61A, W61B		21A	W61A, W61B
S42.9		PTR		21B	X60Z		21B	X60Z
	08	I77Z	S45.1		PTR	S50.0		PTR
	21A	W61A, W61B		15	TPN, VTPN		09	J65Z
S43.00		PTR		21A	W61A, W61B		21A	W61A, W61B
	08	I78Z		21B	X60Z	S50.1		PTR
	21A	W61A, W61B	S45.2		PTR		09	J65Z
S43.01		PTR		15	TPN, VTPN		21A	W61A, W61B
	08	I78Z		21A	W61A, W61B	S50.7		PTR
	21A	W61A, W61B		21B	X60Z		09	J65Z
S43.02		PTR	S45.3		PTR		21A	W61A, W61B
	08	I78Z		15	TPN, VTPN	S50.81		PTR
	21A	W61A, W61B		21A	W61A, W61B		09	J65Z
S43.03		PTR		21B	X60Z		21A	W61A, W61B
	08	I78Z	S45.7		PTR	S50.82		PTR
	21A	W61A, W61B		15	TPN, VTPN		09	J67A, J67B, J68A, J68B
S43.08		PTR		21A	W61A, W61B		21A	W61A, W61B
	08	I77Z		21B	X60Z	S50.83		PTR
	21A	W61A, W61B	S45.8		PTR		09	J67A, J67B, J68A, J68B
S43.1		PTR		15	TPN, VTPN		21A	W61A, W61B
	08	I77Z		21A	W61A, W61B	S50.84		PTR
	21A	W61A, W61B		21B	X60Z		09	J65Z
S43.2		PTR	S45.9		PTR		21A	W61A, W61B
	08	I78Z		15	TPN, VTPN	S50.88		PTR
	21A	W61A, W61B		21A	W61A, W61B		09	J65Z
S43.3		PTR		21B	X60Z		21A	W61A, W61B
	08	I77Z	S46.0		PTR	S50.9		PTR
	21A	W61A, W61B		08	I77Z		09	J65Z
S43.4		PTR		21A	W61A, W61B		21A	W61A, W61B
	08	I77Z	S46.1		PTR	S51.0		PTR
	21A	W61A, W61B		08	I77Z		21A	W61A, W61B
S43.5		PTR		21A	W61A, W61B		21B	X60Z
	08	I77Z	S46.2		PTR	S51.7		PTR
	21A	W61A, W61B		08	I77Z		21A	W61A, W61B
S43.6		PTR		21A	W61A, W61B		21B	X60Z
	04	E75A, E75B, E75C	S46.3		PTR	S51.80		PTR
	21A	W61A, W61B		08	I77Z		21A	W61A, W61B
S43.7		PTR		21A	W61A, W61B		21B	X60Z
	08	I77Z	S46.7		PTR	S51.84		PTR
	21A	W61A, W61B		08	I77Z		21A	W61A, W61B
S44.0		PTR		21A	W61A, W61B	S51.85		PTR
	01	B71A, B71B, B71C, B71D	S46.8		PTR	S51.86		PTR
	21A	W61A, W61B		08	I77Z		08	I02A, I02B, I02C, I02D, I08A, I08B, I08C, I08D, I08E, I13A, I13B, I13C, I20A, I20B, I20C, I22A
S44.1		PTR		21A	W61A, W61B		21A	W61A, W61B
	01	B71A, B71B, B71C, B71D					21B	X01A, X01B
	21A	W61A, W61B						

Dg

ICD	MDC	DRG	ICD	MDC	DRG	ICD	MDC	DRG
S51.87		PTR	S52.59		PTR	S54.3		PTR
	21A	W61A, W61B		08	I74A, I74B, I74C		01	B71A, B71B, B71C, B71D
S51.88		PTR		21A	W61A, W61B		21A	W61A, W61B
	08	I02A, I02B, I02C, I02D, I08A, I08B, I08C, I08D, I08E, I13A, I13B, I13C, I20A, I20B, I20C, I22A	S52.6		PTR	S54.7		PTR
	21A	W61A, W61B		08	I74A, I74B, I74C		01	B71A, B71B, B71C, B71D
	21B	X01A, X01B	S52.7		PTR		21A	W61A, W61B
S51.89		PTR		08	I78Z	S54.8		PTR
	08	I02A, I02B, I02C, I02D, I08A, I08B, I08C, I08D, I08E, I13A, I13B, I13C, I20A, I20B, I20C, I22A	S52.8		PTR		01	B71A, B71B, B71C, B71D
	21A	W61A, W61B		21A	W61A, W61B		21A	W61A, W61B
	21B	X01A, X01B	S52.9		PTR	S54.9		PTR
S51.9		PTR		08	I74A, I74B, I74C		01	B71A, B71B, B71C, B71D
	21A	W61A, W61B		21A	W61A, W61B		21A	W61A, W61B
	21B	X60Z	S53.0		PTR	S55.0		PTR
S52.00		PTR		08	I74A, I74B, I74C		15	TPN, VTPN
	08	I74A, I74B, I74C		21A	W61A, W61B		21A	W61A, W61B
	21A	W61A, W61B	S53.10		PTR		21B	X60Z
S52.01		PTR		08	I78Z	S55.1		PTR
	08	I74A, I74B, I74C		21A	W61A, W61B		15	TPN, VTPN
	21A	W61A, W61B	S53.11		PTR		21A	W61A, W61B
S52.02		PTR		08	I78Z		21B	X60Z
	08	I74A, I74B, I74C	S53.12		PTR	S55.2		PTR
	21A	W61A, W61B		08	I78Z		15	TPN, VTPN
S52.09		PTR		21A	W61A, W61B		21A	W61A, W61B
	08	I74A, I74B, I74C	S53.13		PTR		21B	X60Z
	21A	W61A, W61B		08	I78Z	S55.7		PTR
S52.10		PTR		21A	W61A, W61B		15	TPN, VTPN
	08	I74A, I74B, I74C	S53.14		PTR		21A	W61A, W61B
	21A	W61A, W61B		08	I78Z		21B	X60Z
S52.11		PTR		21A	W61A, W61B	S55.8		PTR
	08	I74A, I74B, I74C	S53.18		PTR		15	TPN, VTPN
	21A	W61A, W61B		08	I78Z		21A	W61A, W61B
S52.12		PTR		21A	W61A, W61B		21B	X60Z
	08	I74A, I74B, I74C	S53.2		PTR	S55.9		PTR
	21A	W61A, W61B		08	I74A, I74B, I74C		15	TPN, VTPN
S52.19		PTR		21A	W61A, W61B		21A	W61A, W61B
	08	I74A, I74B, I74C	S53.3		PTR	S56.0		PTR
	21A	W61A, W61B		08	I74A, I74B, I74C		08	I32A, I32B, I32C, I32D, I32E, I32F, I32G, I74A, I74B, I74C
S52.20		PTR		21A	W61A, W61B		21A	W61A, W61B
	08	I74A, I74B, I74C	S53.40		PTR	S56.1		PTR
	21A	W61A, W61B		08	I74A, I74B, I74C		08	I32A, I32B, I32C, I32D, I32E, I32F, I32G, I74A, I74B, I74C
S52.21		PTR		21A	W61A, W61B		21A	W61A, W61B
	08	I74A, I74B, I74C	S53.41		PTR	S56.2		PTR
	21A	W61A, W61B		08	I74A, I74B, I74C		08	I74A, I74B, I74C
S52.30		PTR		21A	W61A, W61B		21A	W61A, W61B
	08	I74A, I74B, I74C	S53.42		PTR	S56.3		PTR
	21A	W61A, W61B		08	I74A, I74B, I74C		08	I32A, I32B, I32C, I32D, I32E, I32F, I32G, I74A, I74B, I74C
S52.31		PTR		21A	W61A, W61B		21A	W61A, W61B
	08	I74A, I74B, I74C	S53.43		PTR	S56.4		PTR
	21A	W61A, W61B		08	I74A, I74B, I74C		08	I32A, I32B, I32C, I32D, I32E, I32F, I32G, I74A, I74B, I74C
S52.4		PTR		21A	W61A, W61B		21A	W61A, W61B
	08	I74A, I74B, I74C	S53.44		PTR	S56.5		PTR
	21A	W61A, W61B		08	I74A, I74B, I74C		08	I74A, I74B, I74C
S52.50		PTR		21A	W61A, W61B		21A	W61A, W61B
	08	I74A, I74B, I74C	S53.48		PTR	S56.7		PTR
	21A	W61A, W61B		08	I74A, I74B, I74C		08	I74A, I74B, I74C
S52.51		PTR		21A	W61A, W61B		21A	W61A, W61B
	08	I74A, I74B, I74C	S54.0		PTR	S56.8		PTR
	21A	W61A, W61B		01	B71A, B71B, B71C, B71D		08	I74A, I74B, I74C
S52.52		PTR		21A	W61A, W61B		21A	W61A, W61B
	08	I74A, I74B, I74C	S54.1		PTR	S57.0		PTR
	21A	W61A, W61B		01	B71A, B71B, B71C, B71D		15	TPN, VTPN
			S54.2		PTR		21A	W61A, W61B
				01	B71A, B71B, B71C, B71D		21B	X60Z
				21A	W61A, W61B			

ICD	MDC	DRG	ICD	MDC	DRG	ICD	MDC	DRG
S57.8		PTR	S61.85	21A	W61A, W61B	S62.23		PTR
	15	TPN, VTPN	S61.86	08	I02A, I02B, I02C, I02D, I08A, I08B, I08C, I08D, I08E, I13A, I13B, I13C, I20A, I20B, I20C, I22A		08	I32A, I32B, I32C, I32D, I32E, I32F, I32G, I74A, I74B, I74C
	21A	W61A, W61B				21A	W61A, W61B	
	21B	X60Z						PTR
S57.9		PTR		21A	W61A, W61B	S62.24		PTR
	15	TPN, VTPN		21B	X01A, X01B		08	I32A, I32B, I32C, I32D, I32E, I32F, I32G, I74A, I74B, I74C
	21A	W61A, W61B	S61.87		PTR	21A	W61A, W61B	
	21B	X60Z						PTR
S58.0		PTR	S61.88		PTR	S62.30		PTR
	21A	W61A, W61B		08	I02A, I02B, I02C, I02D, I08A, I08B, I08C, I08D, I08E, I13A, I13B, I13C, I20A, I20B, I20C, I22A		08	I32A, I32B, I32C, I32D, I32E, I32F, I32G, I74A, I74B, I74C
	21B	X60Z				21A	W61A, W61B	
S58.1		PTR		21A	W61A, W61B	S62.31		PTR
	21A	W61A, W61B		21B	X01A, X01B		08	I32A, I32B, I32C, I32D, I32E, I32F, I32G, I74A, I74B, I74C
	21B	X60Z	S61.89		PTR	21A	W61A, W61B	
S58.9		PTR		08	I02A, I02B, I02C, I02D, I08A, I08B, I08C, I08D, I08E, I13A, I13B, I13C, I20A, I20B, I20C, I22A	S62.32		PTR
	21A	W61A, W61B					08	I32A, I32B, I32C, I32D, I32E, I32F, I32G, I74A, I74B, I74C
	21B	X60Z				21A	W61A, W61B	
S59.7		PTR		21A	W61A, W61B	S62.33		PTR
	21A	W61A, W61B		21B	X01A, X01B		08	I32A, I32B, I32C, I32D, I32E, I32F, I32G, I74A, I74B, I74C
	21B	X05A, X05B, X60Z	S61.9		PTR	21A	W61A, W61B	
S59.8		PTR		21A	W61A, W61B	S62.34		PTR
	21A	W61A, W61B		21B	X05A, X05B, X60Z		08	I32A, I32B, I32C, I32D, I32E, I32F, I32G, I74A, I74B, I74C
	21B	X05A, X05B, X60Z	S62.0		PTR	21A	W61A, W61B	
S59.9		PTR		08	I32C, I32D, I74A, I74B, I74C	S62.4		PTR
	21A	W61A, W61B		21A	W61A, W61B		08	I32A, I32B, I32C, I32D, I32E, I32F, I32G, I74A, I74B, I74C
	21B	X05A, X05B, X60Z	S62.10		PTR	21A	W61A, W61B	
S60.0		PTR		08	I74A, I74B, I74C	S62.50		PTR
	09	J65Z		21A	W61A, W61B		08	I32A, I32B, I32C, I32D, I32E, I32F, I32G, I74A, I74B, I74C
	21A	W61A, W61B	S62.11		PTR	21A	W61A, W61B	
S60.1		PTR		08	I32C, I32D, I74A, I74B, I74C	S62.51		PTR
	09	J65Z		21A	W61A, W61B		08	I32A, I32B, I32C, I32D, I32E, I32F, I32G, I74A, I74B, I74C
	21A	W61A, W61B	S62.12		PTR	21A	W61A, W61B	
S60.2		PTR		08	I32C, I32D, I74A, I74B, I74C	S62.52		PTR
	09	J65Z		21A	W61A, W61B		08	I32A, I32B, I32C, I32D, I32E, I32F, I32G, I74A, I74B, I74C
	21A	W61A, W61B	S62.13		PTR	21A	W61A, W61B	
S60.7		PTR		08	I32C, I32D, I74A, I74B, I74C	S62.60		PTR
	09	J65Z		21A	W61A, W61B		08	I32A, I32B, I32C, I32D, I32E, I32F, I32G, I74A, I74B, I74C
	21A	W61A, W61B	S62.14		PTR	21A	W61A, W61B	
S60.81		PTR		08	I32C, I32D, I74A, I74B, I74C	S62.61		PTR
	09	J65Z		21A	W61A, W61B		08	I32A, I32B, I32C, I32D, I32E, I32F, I32G, I74A, I74B, I74C
	21A	W61A, W61B	S62.15		PTR	21A	W61A, W61B	
S60.82		PTR		08	I32C, I32D, I74A, I74B, I74C	S62.62		PTR
	09	J67A, J67B, J68A, J68B		21A	W61A, W61B		08	I32A, I32B, I32C, I32D, I32E, I32F, I32G, I74A, I74B, I74C
	21A	W61A, W61B	S62.16		PTR	21A	W61A, W61B	
S60.83		PTR		08	I32C, I32D, I74A, I74B, I74C	S62.63		PTR
	09	J67A, J67B, J68A, J68B		21A	W61A, W61B		08	I32A, I32B, I32C, I32D, I32E, I32F, I32G, I74A, I74B, I74C
	21A	W61A, W61B	S62.17		PTR	21A	W61A, W61B	
S60.84		PTR		08	I32C, I32D, I74A, I74B, I74C	S62.62		PTR
	09	J65Z		21A	W61A, W61B		08	I32A, I32B, I32C, I32D, I32E, I32F, I32G, I74A, I74B, I74C
	21A	W61A, W61B	S62.19		PTR	21A	W61A, W61B	
S60.88		PTR		08	I74A, I74B, I74C	S62.63		PTR
	09	J65Z		21A	W61A, W61B		08	I32A, I32B, I32C, I32D, I32E, I32F, I32G, I74A, I74B, I74C
	21A	W61A, W61B	S62.20		PTR	21A	W61A, W61B	
S60.9		PTR		08	I32A, I32B, I32C, I32D, I32E, I32F, I32G, I74A, I74B, I74C	S62.7		PTR
	09	J65Z		21A	W61A, W61B		08	I32A, I32B, I32C, I32D, I32E, I32F, I32G, I74A, I74B, I74C
	21A	W61A, W61B	S62.21		PTR	21A	W61A, W61B	
S61.0		PTR		08	I32A, I32B, I32C, I32D, I32E, I32F, I32G, I74A, I74B, I74C	S62.8		PTR
	21A	W61A, W61B		21A	W61A, W61B		08	I32A, I32B, I32C, I32D, I32E, I32F, I32G, I74A, I74B, I74C
	21B	X05A, X05B, X60Z				21A	W61A, W61B	
S61.1		PTR		08	I32A, I32B, I32C, I32D, I32E, I32F, I32G, I74A, I74B, I74C		15	TPN, VTPN
	21A	W61A, W61B	S62.22		PTR	21A	W61A, W61B	
	21B	X05A, X05B, X60Z		08	I32A, I32B, I32C, I32D, I32E, I32F, I32G, I74A, I74B, I74C			
S61.7		PTR		21A	W61A, W61B			
	21A	W61A, W61B						
	21B	X60Z						
S61.80		PTR		08	I32A, I32B, I32C, I32D, I32E, I32F, I32G, I74A, I74B, I74C			
	21A	W61A, W61B		21A	W61A, W61B			
	21B	X05A, X05B, X60Z						
S61.84		PTR						
	21A	W61A, W61B						

ICD	MDC	DRG	ICD	MDC	DRG	ICD	MDC	DRG
S63.00		PTR	S63.68		PTR	S66.0		PTR
	08	I74A, I74B, I74C		08	I32A, I32B, I32C, I32D, I32E, I32F, I32G, I74A, I74B, I74C		08	I74A, I74B, I74C
	21A	W61A, W61B		21A	W61A, W61B		21A	W61A, W61B
S63.01		PTR	S63.7		PTR	S66.1		PTR
	08	I32C, I32D, I74A, I74B, I74C		08	I32A, I32B, I32C, I32D, I32E, I32F, I32G, I74A, I74B, I74C		08	I74A, I74B, I74C
	21A	W61A, W61B		21A	W61A, W61B		21A	W61A, W61B
S63.02		PTR	S64.0		PTR	S66.2		PTR
	08	I32C, I32D, I74A, I74B, I74C		01	B82Z		08	I74A, I74B, I74C
	21A	W61A, W61B		21A	W61A, W61B		21A	W61A, W61B
S63.03		PTR	S64.1		PTR	S66.3		PTR
	08	I32C, I32D, I74A, I74B, I74C		01	B82Z		08	I74A, I74B, I74C
	21A	W61A, W61B		21A	W61A, W61B		21A	W61A, W61B
S63.04		PTR	S64.2		PTR	S66.4		PTR
	08	I32C, I32D, I74A, I74B, I74C		01	B82Z		08	I74A, I74B, I74C
	21A	W61A, W61B		21A	W61A, W61B		21A	W61A, W61B
S63.08		PTR	S64.3		PTR	S66.5		PTR
	08	I74A, I74B, I74C		01	B82Z		08	I74A, I74B, I74C
	21A	W61A, W61B		21A	W61A, W61B		21A	W61A, W61B
S63.10		PTR	S64.4		PTR	S66.6		PTR
	08	I32A, I32B, I32C, I32D, I32E, I32F, I32G, I74A, I74B, I74C		01	B82Z		08	I74A, I74B, I74C
	21A	W61A, W61B		21A	W61A, W61B		21A	W61A, W61B
S63.11		PTR	S64.7		PTR	S66.7		PTR
	08	I32A, I32B, I32C, I32D, I32E, I32F, I32G, I74A, I74B, I74C		01	B82Z		08	I74A, I74B, I74C
	21A	W61A, W61B		21A	W61A, W61B		21A	W61A, W61B
S63.12		PTR	S64.8		PTR	S66.8		PTR
	08	I32A, I32B, I32C, I32D, I32E, I32F, I32G, I74A, I74B, I74C		01	B82Z		08	I74A, I74B, I74C
	21A	W61A, W61B		21A	W61A, W61B		21A	W61A, W61B
S63.2		PTR	S64.9		PTR	S66.9		PTR
	08	I32A, I32B, I32C, I32D, I32E, I32F, I32G, I74A, I74B, I74C		01	B82Z		08	I74A, I74B, I74C
	21A	W61A, W61B		21A	W61A, W61B		21A	W61A, W61B
S63.3		PTR	S65.0		PTR	S67.0		PTR
	08	I32C, I32D, I74A, I74B, I74C		15	TPN, VTPN		15	TPN, VTPN
	21A	W61A, W61B		21A	W61A, W61B		21A	W61A, W61B
S63.4		PTR	S65.1		PTR		21B	X05A, X05B, X60Z
	08	I32C, I32D, I74A, I74B, I74C		15	TPN, VTPN	S67.8		PTR
	21A	W61A, W61B		21A	W61A, W61B		15	TPN, VTPN
S63.50		PTR	S65.2		PTR		21A	W61A, W61B
	08	I74A, I74B, I74C		15	TPN, VTPN		21B	X05A, X05B, X60Z
	21A	W61A, W61B		21A	W61A, W61B		21A	W61A, W61B
S63.51		PTR	S65.3		PTR		21B	X05A, X05B, X60Z
	08	I74A, I74B, I74C		15	TPN, VTPN	S68.0		PTR
	21A	W61A, W61B		21A	W61A, W61B		21A	W61A, W61B
S63.52		PTR	S65.4		PTR		21B	X05A, X05B, X60Z
	08	I74A, I74B, I74C		15	TPN, VTPN	S68.1		PTR
	21A	W61A, W61B		21A	W61A, W61B		21A	W61A, W61B
S63.53		PTR	S65.5		PTR		21B	X05A, X05B, X60Z
	08	I74A, I74B, I74C		15	TPN, VTPN	S68.2		PTR
	21A	W61A, W61B		21A	W61A, W61B		21A	W61A, W61B
S63.55		PTR	S65.7		PTR		21B	X05A, X05B, X60Z
	08	I74A, I74B, I74C		15	TPN, VTPN	S68.3		PTR
	21A	W61A, W61B		21A	W61A, W61B		21A	W61A, W61B
S63.58		PTR	S65.8		PTR		21B	X05A, X05B, X60Z
	08	I74A, I74B, I74C		15	TPN, VTPN	S68.4		PTR
	21A	W61A, W61B		21A	W61A, W61B		21A	W61A, W61B
S63.60		PTR	S65.9		PTR		21B	X05A, X05B, X60Z
	08	I32A, I32B, I32C, I32D, I32E, I32F, I32G, I74A, I74B, I74C		15	TPN, VTPN	S68.8		PTR
	21A	W61A, W61B		21A	W61A, W61B		21A	W61A, W61B
S63.61		PTR					21B	X05A, X05B, X60Z
	08	I32A, I32B, I32C, I32D, I32E, I32F, I32G, I74A, I74B, I74C		15	TPN, VTPN	S68.9		PTR
	21A	W61A, W61B		21A	W61A, W61B		21A	W61A, W61B
S63.62		PTR					21B	X05A, X05B, X60Z
	08	I32A, I32B, I32C, I32D, I32E, I32F, I32G, I74A, I74B, I74C		15	TPN, VTPN	S69.7		PTR
	21A	W61A, W61B		21A	W61A, W61B		21A	W61A, W61B
	21A	W61A, W61B		21B	X60Z		21B	X05A, X05B, X60Z
							21B	X05A, X05B, X60Z

ICD	MDC	DRG	ICD	MDC	DRG	ICD	MDC	DRG
S70.0		PTR	S71.88		PTR	S72.9		PTR
	09	J02A, J02B, J02C, J03A, J03B, J04A, J04B, J08A, J08B, J08C, J65Z		08	I02A, I02B, I02C, I02D, I08A, I08B, I08C, I08D, I08E, I13A, I13B, I13C, I20A, I20B, I20C, I22A		08	I68A, I68B, I68C, I68D
	21A	W61A, W61B		21A	W61A, W61B	21A	W61A, W61B	
S70.1		PTR		21B	X01A, X01B	S73.00		PTR
	09	J02A, J02B, J02C, J03A, J03B, J04A, J04B, J08A, J08B, J08C, J65Z	S71.89		PTR		08	I71A, I71B
	15	TPN, VTPN		08	I02A, I02B, I02C, I02D, I08A, I08B, I08C, I08D, I08E, I13A, I13B, I13C, I20A, I20B, I20C, I22A	21A	W61A, W61B	
	21A	W61A, W61B		21A	W61A, W61B	S73.01		PTR
S70.7		PTR		21B	X01A, X01B		08	I71A, I71B
	09	J02A, J02B, J02C, J03A, J03B, J04A, J04B, J08A, J08B, J08C, J65Z	S72.00		PTR	S73.02		PTR
	21A	W61A, W61B		08	I66A, I66B		21A	W61A, W61B
S70.81		PTR		21A	W61A, W61B	S73.08		PTR
	09	J02A, J02B, J02C, J03A, J03B, J04A, J04B, J08A, J08B, J08C, J65Z	S72.01		PTR		08	I71A, I71B
	21A	W61A, W61B		08	I66A, I66B	21A	W61A, W61B	
S70.82		PTR	S72.02		PTR	S73.10		PTR
	09	J02A, J02B, J02C, J03A, J03B, J04A, J04B, J08A, J08B, J08C, J67A, J67B, J68A, J68B		21A	W61A, W61B		08	I71A, I71B
	21A	W61A, W61B	S72.03		PTR	S73.11		PTR
S70.83		PTR		08	I66A, I66B		21A	W61A, W61B
	09	J02A, J02B, J02C, J03A, J03B, J04A, J04B, J08A, J08B, J08C, J67A, J67B, J68A, J68B	S72.04		PTR	S73.12		PTR
	21A	W61A, W61B		21A	W61A, W61B		08	I71A, I71B
S70.84		PTR	S72.05		PTR	S73.18		PTR
	09	J02A, J02B, J02C, J03A, J03B, J04A, J04B, J08A, J08B, J08C, J65Z		08	I66A, I66B		21A	W61A, W61B
	21A	W61A, W61B	S72.08		PTR	S74.0		PTR
S70.88		PTR		21A	W61A, W61B		01	B71A, B71B, B71C, B71D
	09	J02A, J02B, J02C, J03A, J03B, J04A, J04B, J08A, J08B, J08C, J65Z	S72.10		PTR	S74.1		PTR
	21A	W61A, W61B		08	I66A, I66B		21A	W61A, W61B
S70.9		PTR	S72.11		PTR	S74.2		PTR
	09	J02A, J02B, J02C, J03A, J03B, J04A, J04B, J08A, J08B, J08C, J65Z		21A	W61A, W61B		01	B71A, B71B, B71C, B71D
	21A	W61A, W61B	S72.2		PTR	S74.7		PTR
S71.0		PTR		08	I66A, I66B		21A	W61A, W61B
	21A	W61A, W61B	S72.3		PTR	S74.8		PTR
	21B	X04Z, X60Z		08	I04Z, I60Z, I72Z		01	B71A, B71B, B71C, B71D
S71.1		PTR	S72.40		PTR	S74.9		PTR
	21A	W61A, W61B		15	P65C, P66C, P67B, P67C		21A	W61A, W61B
	21B	X04Z, X60Z		21A	W61A, W61B	S75.0		PTR
S71.7		PTR					21B	W61A, W61B
	21A	W61A, W61B	S72.41		PTR	S75.1		PTR
	21B	X04Z, X60Z		08	I04Z, I68A, I68B, I68C, I68D		21A	W61A, W61B
S71.80		PTR		21A	W61A, W61B	S75.2		PTR
	21A	W61A, W61B	S72.42		PTR		21A	W61A, W61B
	21B	X04Z, X60Z		08	I04Z, I68A, I68B, I68C, I68D	S75.7		PTR
S71.84		PTR	S72.43		PTR		15	TPN, VTPN
S71.85		PTR		08	I04Z, I68A, I68B, I68C, I68D		21A	W61A, W61B
S71.86		PTR	S72.44		PTR	S75.8		PTR
	08	I02A, I02B, I02C, I02D, I08A, I08B, I08C, I08D, I08E, I13A, I13B, I13C, I20A, I20B, I20C, I22A		21A	W61A, W61B		21B	X04Z, X60Z
	21A	W61A, W61B		08	I04Z, I68A, I68B, I68C, I68D	S75.9		PTR
	21B	X01A, X01B	S72.7		PTR		15	TPN, VTPN
S71.87		PTR		21A	W61A, W61B		21A	W61A, W61B
	21A	W61A, W61B	S72.8		PTR	S76.0		PTR
				08	I68A, I68B, I68C, I68D		08	I71A, I71B
				21A	W61A, W61B		21A	W61A, W61B

ICD	MDC	DRG	ICD	MDC	DRG	ICD	MDC	DRG
S76.1		PTR	S80.82		PTR	S82.18		PTR
	08	I71A, I71B		09	J02A, J02B, J02C, J03A, J03B, J04A, J04B, J08A, J08B, J08C, J67A, J67B, J68A, J68B		08	I75A, I75B
	21A	W61A, W61B					21A	W61A, W61B
S76.2		PTR		21A	W61A, W61B	S82.21		PTR
	08	I71A, I71B	S80.83		PTR		08	I75A, I75B
	21A	W61A, W61B		09	J02A, J02B, J02C, J03A, J03B, J04A, J04B, J08A, J08B, J08C, J67A, J67B, J68A, J68B		21A	W61A, W61B
S76.3		PTR				S82.28		PTR
	08	I71A, I71B		21A	W61A, W61B		08	I75A, I75B
	21A	W61A, W61B	S80.84		PTR		21A	W61A, W61B
S76.4		PTR		09	J02A, J02B, J02C, J03A, J03B, J04A, J04B, J08A, J08B, J08C, J65Z	S82.31		PTR
	08	I71A, I71B					08	I75A, I75B
	21A	W61A, W61B	S80.88		PTR		21A	W61A, W61B
S76.7		PTR		21A	W61A, W61B	S82.38		PTR
	08	I71A, I71B					08	I77Z
	21A	W61A, W61B	S80.88		PTR		21A	W61A, W61B
S77.0		PTR		09	J02A, J02B, J02C, J03A, J03B, J04A, J04B, J08A, J08B, J08C, J65Z	S82.40		PTR
	15	TPN, VTPN					08	I77Z
	21A	W61A, W61B		21A	W61A, W61B		21A	W61A, W61B
	21B	X04Z, X60Z	S80.9		PTR	S82.41		PTR
S77.1		PTR		09	J02A, J02B, J02C, J03A, J03B, J04A, J04B, J08A, J08B, J08C, J65Z		08	I77Z
	15	TPN, VTPN					15	TPN, VTPN
	21A	W61A, W61B					21A	W61A, W61B
	21B	X04Z, X60Z	S81.0		PTR	S82.42		PTR
S77.2		PTR		21A	W61A, W61B		08	I77Z
	15	TPN, VTPN					21A	W61A, W61B
	21A	W61A, W61B		21A	W61A, W61B	S82.49		PTR
	21B	X04Z, X60Z		21B	X04Z, X60Z		08	I77Z
S78.0		PTR	S81.7		PTR		21A	W61A, W61B
	21A	W61A, W61B				S82.5		PTR
	21B	X04Z, X60Z		21A	W61A, W61B		08	I77Z
S78.1		PTR	S81.80		PTR		21A	W61A, W61B
	21A	W61A, W61B				S82.6		PTR
	21B	X04Z, X60Z		21B	X04Z, X60Z		08	I77Z
S78.9		PTR	S81.84		PTR		21A	W61A, W61B
	21A	W61A, W61B	S81.85		PTR	S82.7		PTR
	21B	X04Z, X60Z	S81.86		PTR		08	I77Z
S79.7		PTR		08	I02A, I02B, I02C, I02D, I08A, I08B, I08C, I08D, I08E, I13A, I13B, I13C, I20A, I20B, I20C, I22A		21A	W61A, W61B
	21A	W61A, W61B				S82.81		PTR
	21B	X04Z, X60Z		21A	W61A, W61B		08	I77Z
S79.8		PTR					21A	W61A, W61B
	21A	W61A, W61B		21B	X01A, X01B	S82.82		PTR
	21B	X04Z, X60Z	S81.87		PTR		08	I75A, I75B
S79.9		PTR		21A	W61A, W61B		21A	W61A, W61B
	21A	W61A, W61B	S81.88		PTR	S82.88		PTR
	21B	X04Z, X60Z		08	I02A, I02B, I02C, I02D, I08A, I08B, I08C, I08D, I08E, I13A, I13B, I13C, I20A, I20B, I20C, I22A		08	I77Z
S80.0		PTR					21A	W61A, W61B
	09	J02A, J02B, J02C, J03A, J03B, J04A, J04B, J08A, J08B, J08C, J65Z		21A	W61A, W61B	S82.9		PTR
	21A	W61A, W61B		21B	X01A, X01B		08	I77Z
S80.1		PTR	S81.89		PTR		21A	W61A, W61B
	09	J02A, J02B, J02C, J03A, J03B, J04A, J04B, J08A, J08B, J08C, J65Z		08	I02A, I02B, I02C, I02D, I08A, I08B, I08C, I08D, I08E, I13A, I13B, I13C, I20A, I20B, I20C, I22A	S83.0		PTR
	21A	W61A, W61B					08	I78Z
S80.7		PTR					21A	W61A, W61B
	09	J02A, J02B, J02C, J03A, J03B, J04A, J04B, J08A, J08B, J08C, J65Z	S81.9		PTR	S83.10		PTR
	21A	W61A, W61B		21A	W61A, W61B		08	I75A, I75B
S80.81		PTR					21A	W61A, W61B
	09	J02A, J02B, J02C, J03A, J03B, J04A, J04B, J08A, J08B, J08C, J65Z	S82.0		PTR	S83.11		PTR
	21A	W61A, W61B		08	I77Z		08	I77Z
			S82.11		PTR	S83.12		PTR
				08	I75A, I75B		08	I77Z
				15	TPN, VTPN	S83.13		PTR
				21A	W61A, W61B		21A	W61A, W61B
						S83.14		PTR
							08	I77Z
							21A	W61A, W61B

ICD	MDC	DRG	ICD	MDC	DRG	ICD	MDC	DRG
S83.18		PTR	S85.1		PTR	S89.8		PTR
	08	I75A, I75B		15	TPN, VTPN		21A	W61A, W61B
	21A	W61A, W61B		21A	W61A, W61B		21B	X04Z, X60Z
S83.2		PTR	S85.2		PTR	S89.9		PTR
	08	I77Z		15	TPN, VTPN		21A	W61A, W61B
	21A	W61A, W61B		21A	W61A, W61B		21B	X04Z, X60Z
S83.3		PTR	S85.3		PTR	S90.0		PTR
	08	I77Z		21A	W61A, W61B		09	J02A, J02B, J02C, J03A, J03B, J04A, J04B, J08A, J08B, J08C, J65Z
	21A	W61A, W61B		21B	X04Z, X60Z		21A	W61A, W61B
S83.40		PTR	S85.4		PTR	S90.1		PTR
	08	I77Z		21A	W61A, W61B		09	J02A, J02B, J02C, J03A, J03B, J04A, J04B, J08A, J08B, J08C, J65Z
	21A	W61A, W61B		21B	X04Z, X60Z		21A	W61A, W61B
S83.41		PTR	S85.5		PTR	S90.2		PTR
	08	I77Z		21A	W61A, W61B		09	J02A, J02B, J02C, J03A, J03B, J04A, J04B, J08A, J08B, J08C, J65Z
	21A	W61A, W61B		21B	X04Z, X60Z		21A	W61A, W61B
S83.42		PTR	S85.7		PTR	S90.3		PTR
	08	I77Z		15	TPN, VTPN		09	J02A, J02B, J02C, J03A, J03B, J04A, J04B, J08A, J08B, J08C, J65Z
	21A	W61A, W61B		21A	W61A, W61B		21A	W61A, W61B
S83.43		PTR	S85.8		PTR	S90.7		PTR
	08	I77Z		21A	W61A, W61B		09	J02A, J02B, J02C, J03A, J03B, J04A, J04B, J08A, J08B, J08C, J65Z
	21A	W61A, W61B		21B	X04Z, X60Z		21A	W61A, W61B
S83.44		PTR	S85.9		PTR	S90.81		PTR
	08	I77Z		15	TPN, VTPN		09	J02A, J02B, J02C, J03A, J03B, J04A, J04B, J08A, J08B, J08C, J65Z
	21A	W61A, W61B		21A	W61A, W61B		21A	W61A, W61B
S83.50		PTR	S86.0		PTR	S90.82		PTR
	08	I77Z		08	I77Z		09	J02A, J02B, J02C, J03A, J03B, J04A, J04B, J08A, J08B, J08C, J65Z
	21A	W61A, W61B		21A	W61A, W61B		21A	W61A, W61B
S83.51		PTR	S86.1		PTR	S90.83		PTR
	08	I77Z		08	I77Z		09	J02A, J02B, J02C, J03A, J03B, J04A, J04B, J08A, J08B, J08C, J65Z
	21A	W61A, W61B		21A	W61A, W61B		21A	W61A, W61B
S83.52		PTR	S86.2		PTR	S90.84		PTR
	08	I77Z		08	I77Z		09	J02A, J02B, J02C, J03A, J03B, J04A, J04B, J08A, J08B, J08C, J65Z
	21A	W61A, W61B		21A	W61A, W61B		21A	W61A, W61B
S83.53		PTR	S86.3		PTR	S90.88		PTR
	08	I77Z		08	I77Z		09	J02A, J02B, J02C, J03A, J03B, J04A, J04B, J08A, J08B, J08C, J65Z
	21A	W61A, W61B		21A	W61A, W61B		21A	W61A, W61B
S83.54		PTR	S86.7		PTR	S90.9		PTR
	08	I77Z		08	I77Z		09	J02A, J02B, J02C, J03A, J03B, J04A, J04B, J08A, J08B, J08C, J65Z
	21A	W61A, W61B		21A	W61A, W61B		21A	W61A, W61B
S83.6		PTR	S86.8		PTR	S91.0		PTR
	08	I78Z		08	I77Z		21A	W61A, W61B
	21A	W61A, W61B		21A	W61A, W61B		21B	X04Z, X60Z
S83.7		PTR	S86.9		PTR	S91.1		PTR
	08	I77Z		08	I77Z		21A	W61A, W61B
	21A	W61A, W61B		21A	W61A, W61B		21B	X04Z, X60Z
S84.0		PTR	S87.0		PTR	S91.2		PTR
	01	B71A, B71B, B71C, B71D		15	TPN, VTPN		21A	W61A, W61B
	21A	W61A, W61B		21A	W61A, W61B		21B	X04Z, X60Z
S84.1		PTR	S87.8		PTR			
	01	B71A, B71B, B71C, B71D		15	TPN, VTPN			
	21A	W61A, W61B		21A	W61A, W61B			
S84.2		PTR	S88.0		PTR			
	01	B71A, B71B, B71C, B71D		21A	W61A, W61B			
	21A	W61A, W61B		21B	X04Z, X60Z			
S84.7		PTR	S88.1		PTR			
	01	B71A, B71B, B71C, B71D		21A	W61A, W61B			
	21A	W61A, W61B		21B	X04Z, X60Z			
S84.8		PTR	S88.9		PTR			
	01	B71A, B71B, B71C, B71D		21A	W61A, W61B			
	21A	W61A, W61B		21B	X04Z, X60Z			
S84.9		PTR	S89.7		PTR			
	01	B71A, B71B, B71C, B71D		21A	W61A, W61B			
	21A	W61A, W61B		21B	X04Z, X60Z			
S85.0		PTR						
	21A	W61A, W61B						
	21B	X04Z, X60Z						

ICD	MDC	DRG	ICD	MDC	DRG	ICD	MDC	DRG
S91.3		PTR	S93.0		PTR	S94.8		PTR
	21A	W61A, W61B		08	I77Z		01	B71A, B71B, B71C, B71D
	21B	X04Z, X60Z		21A	W61A, W61B		21A	W61A, W61B
S91.7		PTR	S93.10		PTR	S94.9		PTR
	21A	W61A, W61B		08	I74A, I74B, I74C		01	B71A, B71B, B71C, B71D
	21B	X04Z, X60Z		21A	W61A, W61B		21A	W61A, W61B
S91.80		PTR	S93.11		PTR	S95.0		PTR
	21A	W61A, W61B		08	I74A, I74B, I74C		15	TPN, VTPN
	21B	X04Z, X60Z		21A	W61A, W61B		21A	W61A, W61B
S91.84		21A W61A, W61B	S93.12		PTR		21B	X04Z, X60Z
S91.85		21A W61A, W61B		08	I74A, I74B, I74C	S95.1		PTR
S91.86	08	I02A, I02B, I02C, I02D, I08A, I08B, I08C, I08D, I08E, I13A, I13B, I13C, I20A, I20B, I20C, I22A		21A	W61A, W61B		15	TPN, VTPN
	21A	W61A, W61B	S93.2		PTR		21A	W61A, W61B
	21B	X01A, X01B		08	I77Z		21B	X04Z, X60Z
S91.87		PTR	S93.30		PTR	S95.2		PTR
	21A	W61A, W61B		08	I74A, I74B, I74C		15	TPN, VTPN
S91.88		PTR		21A	W61A, W61B		21A	W61A, W61B
	08	I02A, I02B, I02C, I02D, I08A, I08B, I08C, I08D, I08E, I13A, I13B, I13C, I20A, I20B, I20C, I22A	S93.31		PTR		21B	X04Z, X60Z
	21A	W61A, W61B		08	I74A, I74B, I74C	S95.7		PTR
	21B	X01A, X01B		21A	W61A, W61B		15	TPN, VTPN
S91.89		PTR	S93.32		PTR		21A	W61A, W61B
	08	I02A, I02B, I02C, I02D, I08A, I08B, I08C, I08D, I08E, I13A, I13B, I13C, I20A, I20B, I20C, I22A		08	I74A, I74B, I74C		21B	X04Z, X60Z
	21A	W61A, W61B	S93.33		PTR	S95.8		PTR
	21B	X01A, X01B		21A	W61A, W61B		15	TPN, VTPN
	08	I02A, I02B, I02C, I02D, I08A, I08B, I08C, I08D, I08E, I13A, I13B, I13C, I20A, I20B, I20C, I22A	S93.34		PTR		21A	W61A, W61B
	21A	W61A, W61B		08	I74A, I74B, I74C	S95.9		PTR
	21B	X01A, X01B	S93.38		PTR		15	TPN, VTPN
S92.0		PTR		21A	W61A, W61B		21A	W61A, W61B
	08	I20C, I77Z	S93.40		PTR		21B	X04Z, X60Z
	21A	W61A, W61B		08	I74A, I74B, I74C	S96.0		PTR
S92.1		PTR		21A	W61A, W61B		08	I74A, I74B, I74C
	08	I74A, I74B, I74C	S93.41		PTR	S96.1		PTR
	21A	W61A, W61B		08	I77Z		08	I74A, I74B, I74C
S92.20		PTR		21A	W61A, W61B	S96.2		PTR
	08	I74A, I74B, I74C	S93.42		PTR		08	I74A, I74B, I74C
	21A	W61A, W61B		08	I77Z		21A	W61A, W61B
S92.21		PTR		21A	W61A, W61B	S96.7		PTR
	08	I74A, I74B, I74C	S93.43		PTR		08	I74A, I74B, I74C
	21A	W61A, W61B		08	I77Z	S96.8		PTR
S92.22		PTR		21A	W61A, W61B		08	I74A, I74B, I74C
	08	I74A, I74B, I74C	S93.48		PTR		21A	W61A, W61B
	21A	W61A, W61B		08	I77Z	S96.9		PTR
S92.23		PTR		21A	W61A, W61B		08	I77Z
	08	I74A, I74B, I74C	S93.5		PTR	S97.0		PTR
	21A	W61A, W61B		08	I74A, I74B, I74C		15	TPN, VTPN
S92.28		PTR		21A	W61A, W61B		21A	W61A, W61B
	08	I74A, I74B, I74C	S93.6		PTR		21B	X04Z, X60Z
	21A	W61A, W61B		08	I74A, I74B, I74C	S97.1		PTR
S92.3		PTR		21A	W61A, W61B		15	TPN, VTPN
	08	I74A, I74B, I74C	S94.0		PTR		21A	W61A, W61B
	21A	W61A, W61B		01	B71A, B71B, B71C, B71D		21B	X04Z, X60Z
S92.4		PTR		21A	W61A, W61B	S97.8		PTR
	08	I74A, I74B, I74C	S94.1		PTR		15	TPN, VTPN
	21A	W61A, W61B		01	B71A, B71B, B71C, B71D		21A	W61A, W61B
S92.5		PTR		21A	W61A, W61B		21B	X04Z, X60Z
	08	I74A, I74B, I74C	S94.2		PTR	S98.0		PTR
	21A	W61A, W61B		01	B71A, B71B, B71C, B71D		21A	W61A, W61B
S92.7		PTR		21A	W61A, W61B		21B	X04Z, X60Z
	08	I74A, I74B, I74C	S94.3		PTR	S98.1		PTR
	21A	W61A, W61B		01	B71A, B71B, B71C, B71D		21A	W61A, W61B
S92.9		PTR		21A	W61A, W61B		21B	X04Z, X60Z
	08	I74A, I74B, I74C	S94.7		PTR	S98.2		PTR
	21A	W61A, W61B		01	B71A, B71B, B71C, B71D		21A	W61A, W61B
				21A	W61A, W61B		21B	X04Z, X60Z

ICD	MDC	DRG	ICD	MDC	DRG	ICD	MDC	DRG
S98.3		PTR	T02.11		PTR	T03.3		PTR
	21A	W61A, W61B		08	I76A, I76B		08	I76A, I76B
	21B	X04Z, X60Z		15	TPN, VTPN		21A	W61A, W61B
S98.4		PTR		21A	W61A, W61B	T03.4		PTR
	21A	W61A, W61B	T02.20		PTR		08	I76A, I76B
	21B	X04Z, X60Z		08	I77Z		21A	W61A, W61B
S99.7		PTR		21A	W61A, W61B	T03.8		PTR
	21A	W61A, W61B	T02.21		PTR		08	I76A, I76B
	21B	X04Z, X60Z		08	I77Z		21A	W61A, W61B
S99.8		PTR		21A	W61A, W61B	T03.9		PTR
	21A	W61A, W61B	T02.30		PTR		08	I76A, I76B
	21B	X04Z, X60Z		08	I77Z		21A	W61A, W61B
S99.9		PTR		21A	W61A, W61B	T04.0		PTR
	21A	W61A, W61B	T02.31		PTR		15	TPN, VTPN
	21B	X04Z, X60Z		08	I77Z		21A	W61A, W61B
T00.0		PTR		21A	W61A, W61B		21B	X60Z
	09	J65Z	T02.40		PTR	T04.1		PTR
	21A	W61A, W61B		15	TPN, VTPN		15	TPN, VTPN
T00.1		PTR		21A	W61A, W61B		21A	W61A, W61B
	09	J65Z		21B	X60Z		21B	X60Z
	21A	W61A, W61B	T02.41		PTR	T04.2		PTR
T00.2		PTR		15	TPN, VTPN		15	TPN, VTPN
	09	J65Z		21A	W61A, W61B		21A	W61A, W61B
	21A	W61A, W61B		21B	X60Z		21B	X60Z
T00.3		PTR	T02.50		PTR	T04.3		PTR
	09	J65Z		15	TPN, VTPN		15	TPN, VTPN
	21A	W61A, W61B		21A	W61A, W61B		21A	W61A, W61B
T00.6		PTR		21B	X60Z		21B	X04Z, X60Z
	09	J65Z	T02.51		PTR	T04.4		PTR
	21A	W61A, W61B		15	TPN, VTPN		15	TPN, VTPN
T00.8		PTR		21A	W61A, W61B		21A	W61A, W61B
	09	J65Z		21B	X60Z		21B	X60Z
	21A	W61A, W61B	T02.60		PTR	T04.7		PTR
T00.9		PTR		15	TPN, VTPN		15	TPN, VTPN
	09	J65Z		21A	W61A, W61B		21A	W61A, W61B
	21A	W61A, W61B		21B	X60Z		21B	X60Z
T01.0		PTR	T02.61		PTR	T04.8		PTR
	21A	W61A, W61B		15	TPN, VTPN		15	TPN, VTPN
	21B	X60Z		21A	W61A, W61B		21A	W61A, W61B
T01.1		PTR		21B	X60Z		21B	X60Z
	21A	W61A, W61B	T02.70		PTR	T04.9		PTR
	21B	X60Z		15	TPN, VTPN		15	TPN, VTPN
T01.2		PTR		21A	W61A, W61B		21A	W61A, W61B
	21A	W61A, W61B		21B	X60Z		21B	X60Z
	21B	X60Z	T02.71		PTR	T05.0		PTR
T01.3		PTR		15	TPN, VTPN		21A	W61A, W61B
	21A	W61A, W61B		21A	W61A, W61B		21B	X60Z
	21B	X04Z, X60Z		21B	X60Z	T05.1		PTR
T01.6		PTR	T02.80		PTR		21A	W61A, W61B
	21A	W61A, W61B		08	I76A		21B	X60Z
	21B	X60Z		21A	W61A, W61B	T05.2		PTR
T01.8		PTR	T02.81		PTR		21A	W61A, W61B
	21A	W61A, W61B		08	I76A, I76B		21B	X60Z
	21B	X60Z		21A	W61A, W61B	T05.3		PTR
T01.9		PTR	T02.90		PTR		21A	W61A, W61B
	21A	W61A, W61B		08	I76A, I76B		21B	X60Z
	21B	X60Z		21A	W61A, W61B	T05.4		PTR
T02.00		PTR	T02.91		PTR		21A	W61A, W61B
	01	B79Z		08	I76A, I76B		21B	X60Z
	15	TPN, VTPN		21A	W61A, W61B	T05.5		PTR
	21A	W61A, W61B	T03.0		PTR		21A	W61A, W61B
T02.01		PTR		08	I76A, I76B		21B	X60Z
	01	B79Z		21A	W61A, W61B	T05.6		PTR
	15	TPN, VTPN	T03.1		PTR		21A	W61A, W61B
	21A	W61A, W61B		08	I76A, I76B		21B	X60Z
T02.10		PTR		21A	W61A, W61B	T05.8		PTR
	08	I76A	T03.2		PTR		15	TPN, VTPN
	21A	W61A, W61B		08	I76A, I76B		21A	W61A, W61B
				21A	W61A, W61B		21B	X60Z

Dg

ICD	MDC	DRG	ICD	MDC	DRG	ICD	MDC	DRG
T05.9		PTR	T09.3		PTR	T11.8		PTR
	21A	W61A, W61B		15	TPN, VTPN		21A	W61A, W61B
	21B	X60Z		21A	W61A, W61B		21B	X60Z
T06.0		PTR		Pre	B61A, B61B	T11.9		PTR
	15	TPN, VTPN	T09.4		PTR		21A	W61A, W61B
	21A	W61A, W61B		01	B71A, B71B, B71C, B71D		21B	X60Z
	Pre	B61A, B61B		15	TPN, VTPN	T12.0		PTR
T06.1		PTR		21A	W61A, W61B		08	I77Z
	15	TPN, VTPN	T09.5		PTR		21A	W61A, W61B
	21A	W61A, W61B		08	I76A, I76B	T12.1		PTR
	Pre	B61A, B61B		21A	W61A, W61B		08	I77Z
T06.2		PTR	T09.6		PTR		21A	W61A, W61B
	01	B71A, B71B, B71C, B71D		15	TPN, VTPN	T13.00		PTR
	21A	W61A, W61B		21A	W61A, W61B		09	J65Z
T06.3		PTR		21B	X60Z		21A	W61A, W61B
	15	TPN, VTPN	T09.8		PTR	T13.01		PTR
	21A	W61A, W61B		21A	W61A, W61B		09	J65Z
	21B	X60Z		21B	X60Z		21A	W61A, W61B
T06.4		PTR	T09.9		PTR	T13.02		PTR
	08	I76A, I76B		21A	W61A, W61B		09	J67A, J67B, J68A, J68B
	21A	W61A, W61B		21B	X60Z		21A	W61A, W61B
T06.5		PTR	T10.0		PTR	T13.03		PTR
	21A	W61A, W61B		08	I77Z		09	J67A, J67B, J68A, J68B
	21B	X60Z		21A	W61A, W61B		21A	W61A, W61B
T06.8		PTR	T10.1		PTR	T13.04		PTR
	21A	W61A, W61B		08	I77Z		09	J65Z
	21B	X60Z		21A	W61A, W61B		21A	W61A, W61B
T07		PTR	T11.00		PTR	T13.05		PTR
	21A	W61A, W61B		09	J65Z		09	J02A, J02B, J02C, J03A, J03B, J04A, J04B, J08A, J08B, J08C, J65Z
	21B	X60Z		21A	W61A, W61B		21A	W61A, W61B
T08.0		PTR	T11.01		PTR	T13.08		PTR
	08	I68A, I68B, I68C, I68D, I68E		09	J65Z		09	J65Z
	15	TPN, VTPN		21A	W61A, W61B		21A	W61A, W61B
	21A	W61A, W61B	T11.02		PTR	T13.1		PTR
T08.1		PTR		09	J67A, J67B, J68A, J68B		21A	W61A, W61B
	08	I68A, I68B, I68C, I68D, I68E		21A	W61A, W61B		21B	X04Z, X60Z
	15	TPN, VTPN	T11.03		PTR	T13.2		PTR
	21A	W61A, W61B		09	J67A, J67B, J68A, J68B		08	I76A, I76B
T09.00		PTR		21A	W61A, W61B		21A	W61A, W61B
	09	J65Z	T11.04		PTR	T13.3		PTR
	21A	W61A, W61B		09	J65Z		01	B71A, B71B, B71C, B71D
T09.01		PTR		21A	W61A, W61B		21A	W61A, W61B
	09	J65Z	T11.05		PTR	T13.4		PTR
	21A	W61A, W61B		09	J65Z		15	TPN, VTPN
T09.02		PTR		21A	W61A, W61B		21A	W61A, W61B
	09	J67A, J67B, J68A, J68B	T11.08		PTR		21B	X04Z, X60Z
	21A	W61A, W61B		09	J65Z	T13.5		PTR
T09.03		PTR		21A	W61A, W61B		08	I77Z
	09	J67A, J67B, J68A, J68B	T11.1		PTR		21A	W61A, W61B
	21A	W61A, W61B		21A	W61A, W61B	T13.6		PTR
T09.04		PTR		21B	X60Z		21A	W61A, W61B
	09	J65Z	T11.2		PTR		21B	X04Z, X60Z
	21A	W61A, W61B		08	I76A, I76B	T13.8		PTR
T09.05		PTR		21A	W61A, W61B		21A	W61A, W61B
	09	J65Z	T11.3		PTR		21B	X04Z, X60Z
	21A	W61A, W61B		01	B71A, B71B, B71C, B71D	T13.9		PTR
T09.08		PTR		21A	W61A, W61B		21A	W61A, W61B
	09	J65Z	T11.4		PTR		21B	X04Z, X60Z
	21A	W61A, W61B		15	TPN, VTPN	T14.00		PTR
T09.1		PTR		21A	W61A, W61B		09	J65Z
	15	TPN, VTPN	T11.5		PTR		21A	W61A, W61B
	21A	W61A, W61B		08	I77Z	T14.01		PTR
	21B	X60Z		21A	W61A, W61B		09	J65Z
T09.2		PTR		21A	W61A, W61B		21A	W61A, W61B
	08	I68A, I68B, I68C, I68D, I68E	T11.6		PTR	T14.02		PTR
	21A	W61A, W61B		21A	W61A, W61B		09	J67A, J67B, J68A, J68B
				21B	X60Z		21A	W61A, W61B

ICD	MDC	DRG	ICD	MDC	DRG	ICD	MDC	DRG
T14.03		PTR	T18.8	06	G46A, G46B, G46C, G50Z, G72A, G72B	T21.45	22	Y62A, Y62B
	09	J67A, J67B, J68A, J68B				T21.49	22	Y62A, Y62B
	21A	W61A, W61B	T18.9	06	G46A, G46B, G46C, G50Z, G72A, G72B	T21.50	22	Y62A, Y62B
T14.04		PTR				T21.51	22	Y62A, Y62B
	09	J65Z	T19.0	11	L68A, L68B, L74Z	T21.52	22	Y62A, Y62B
	21A	W61A, W61B	T19.1	11	L68A, L68B, L74Z	T21.53	22	Y62A, Y62B
T14.05		PTR	T19.2	13	N04Z, N05A, N05B, N14Z, N21Z, N25Z, N62A, N62B	T21.54	22	Y62A, Y62B
	09	J65Z				T21.55	22	Y62A, Y62B
	21A	W61A, W61B	T19.3	13	N04Z, N05A, N05B, N14Z, N21Z, N25Z, N62A, N62B	T21.59	22	Y62A, Y62B
T14.08		PTR				T21.60	22	Y01Z, Y62A, Y62B
	09	J65Z	T19.8	12	M64Z	T21.61	22	Y01Z, Y62A, Y62B
	21A	W61A, W61B		13	N04Z, N05A, N05B, N14Z, N21Z, N25Z, N62A, N62B	T21.62	22	Y01Z, Y62A, Y62B
T14.1		PTR				T21.63	22	Y01Z, Y62A, Y62B
	21A	W61A, W61B	T19.9	12	M64Z	T21.64	15	P65C, P66C, P67B, P67C
	21B	X60Z		13	N04Z, N05A, N05B, N14Z, N21Z, N25Z, N62A, N62B		22	Y01Z, Y62A, Y62B
T14.20		PTR	T20.0	22	Y62A, Y62B	T21.65	22	Y01Z, Y62A, Y62B
	08	I76A, I76B	T20.1	22	Y62A, Y62B	T21.69	22	Y01Z, Y62A, Y62B
	21A	W61A, W61B	T20.20	22	Y01Z, Y62A, Y62B	T21.70	15	TPN, VTPN
T14.21		PTR	T20.21	22	Y01Z, Y62A, Y62B		22	Y61Z, Y62A, Y62B
	08	I76A, I76B	T20.3	15	TPN, VTPN	T21.71	15	TPN, VTPN
	21A	W61A, W61B		22	Y61Z, Y62A, Y62B		22	Y61Z, Y62A, Y62B
T14.3		PTR	T20.4	22	Y62A, Y62B	T21.72	15	TPN, VTPN
	08	I76A, I76B	T20.5	22	Y62A, Y62B		22	Y61Z, Y62A, Y62B
	21A	W61A, W61B	T20.60	22	Y01Z, Y62A, Y62B	T21.73	15	TPN, VTPN
T14.4		PTR	T20.61	22	Y01Z, Y62A, Y62B		22	Y61Z, Y62A, Y62B
	01	B71A, B71B, B71C, B71D	T20.7	15	TPN, VTPN	T21.74	15	TPN, VTPN
	21A	W61A, W61B		22	Y61Z, Y62A, Y62B		22	Y61Z, Y62A, Y62B
T14.5		PTR	T21.00	22	Y62A, Y62B	T21.75	15	TPN, VTPN
	15	TPN, VTPN	T21.01	22	Y62A, Y62B		22	Y61Z, Y62A, Y62B
	21A	W61A, W61B	T21.02	22	Y62A, Y62B	T21.79	15	TPN, VTPN
	21B	X60Z	T21.03	22	Y62A, Y62B		22	Y61Z, Y62A, Y62B
T14.6		PTR	T21.04	22	Y62A, Y62B	T21.80	22	Y01Z, Y62A, Y62B
	08	I76A, I76B	T21.05	22	Y62A, Y62B	T21.81	22	Y01Z, Y62A, Y62B
	21A	W61A, W61B	T21.09	22	Y62A, Y62B	T21.82	22	Y01Z, Y62A, Y62B
T14.7		PTR	T21.10	22	Y62A, Y62B	T21.83	22	Y01Z, Y62A, Y62B
	15	TPN, VTPN	T21.11	22	Y62A, Y62B	T21.84	15	P65C, P66C, P67B, P67C
	21A	W61A, W61B	T21.12	22	Y62A, Y62B		22	Y01Z, Y62A, Y62B
	21B	X60Z	T21.13	22	Y62A, Y62B	T21.85	22	Y01Z, Y62A, Y62B
T14.8		PTR	T21.14	22	Y62A, Y62B	T21.89	22	Y01Z, Y62A, Y62B
	21A	W61A, W61B	T21.15	22	Y62A, Y62B	T21.90	22	Y01Z, Y62A, Y62B
	21B	X60Z	T21.19	22	Y62A, Y62B	T21.91	22	Y01Z, Y62A, Y62B
T14.9		PTR	T21.20	22	Y01Z, Y62A, Y62B	T21.92	22	Y01Z, Y62A, Y62B
	21A	W61A, W61B	T21.21	22	Y01Z, Y62A, Y62B	T21.93	22	Y01Z, Y62A, Y62B
	21B	X60Z	T21.22	22	Y01Z, Y62A, Y62B	T21.94	15	P65C, P66C, P67B, P67C
T15.0	02	C62Z	T21.23	22	Y01Z, Y62A, Y62B		22	Y01Z, Y62A, Y62B
T15.1	02	C62Z	T21.24	15	P65C, P66C, P67B, P67C	T21.95	22	Y01Z, Y62A, Y62B
T15.8	02	C62Z		22	Y01Z, Y62A, Y62B	T21.99	22	Y62A, Y62B
T15.9	02	C62Z	T21.25	22	Y01Z, Y62A, Y62B	T22.00	22	Y62A, Y62B
T16	03	D66Z	T21.29	22	Y01Z, Y62A, Y62B	T22.01	22	Y62A, Y62B
T17.0	03	D65Z	T21.30	15	TPN, VTPN	T22.02	22	Y62A, Y62B
T17.1	03	D65Z		22	Y61Z, Y62A, Y62B	T22.03	22	Y62A, Y62B
T17.2	03	D66Z	T21.31	15	TPN, VTPN	T22.10	22	Y62A, Y62B
T17.3	03	D66Z		22	Y61Z, Y62A, Y62B	T22.11	22	Y62A, Y62B
T17.4	04	E75A, E75B, E75C	T21.32	15	TPN, VTPN	T22.12	22	Y62A, Y62B
T17.5	04	E75A, E75B, E75C		22	Y61Z, Y62A, Y62B	T22.13	22	Y62A, Y62B
T17.8	04	E75A, E75B, E75C	T21.33	15	TPN, VTPN	T22.20	22	Y01Z, Y62A, Y62B
T17.9	04	E75A, E75B, E75C		22	Y61Z, Y62A, Y62B	T22.21	22	Y01Z, Y62A, Y62B
T18.0	03	D40Z, D67Z	T21.34	15	TPN, VTPN	T22.22	22	Y01Z, Y62A, Y62B
T18.1	06	G46A, G46B, G46C, G50Z, G72A, G72B		22	Y61Z, Y62A, Y62B	T22.23	22	Y01Z, Y62A, Y62B
T18.2	06	G46A, G46B, G46C, G50Z, G72A, G72B	T21.35	15	TPN, VTPN	T22.30	15	TPN, VTPN
				22	Y61Z, Y62A, Y62B		22	Y61Z, Y62A, Y62B
T18.3	06	G46A, G46B, G46C, G50Z, G72A, G72B	T21.39	15	TPN, VTPN	T22.31	15	TPN, VTPN
				22	Y61Z, Y62A, Y62B		22	Y61Z, Y62A, Y62B
T18.4	06	G46A, G46B, G46C, G50Z, G72A, G72B	T21.40	22	Y62A, Y62B	T22.32	15	TPN, VTPN
			T21.41	22	Y62A, Y62B		22	Y61Z, Y62A, Y62B
T18.5	06	G46A, G46B, G46C, G50Z, G72A, G72B	T21.42	22	Y62A, Y62B	T22.33	15	TPN, VTPN
			T21.43	22	Y62A, Y62B		22	Y61Z, Y62A, Y62B
			T21.44	22	Y62A, Y62B	T22.40	22	Y62A, Y62B
						T22.41	22	Y62A, Y62B

Dg

ICD	MDC	DRG	ICD	MDC	DRG	ICD	MDC	DRG
T22.42	22	Y62A, Y62B	T26.3	02	C62Z	T28.6	06	G46A, G46B, G46C, G50Z, G64A, G64B, G64C, G70A, G70B
T22.43	22	Y62A, Y62B		15	TPN, VTPN		15	TPN, VTPN
T22.50	22	Y62A, Y62B	T26.4	02	C62Z		22	Y02A, Y02B
T22.51	22	Y62A, Y62B		15	TPN, VTPN		Pre	A07D, A09E, A11F, A13F
T22.52	22	Y62A, Y62B	T26.5	02	C62Z	T28.7	06	G46A, G46B, G46C, G50Z, G71Z
T22.53	22	Y62A, Y62B		15	TPN, VTPN		15	TPN, VTPN
T22.60	22	Y01Z, Y62A, Y62B	T26.6	02	C62Z		22	Y02A, Y02B
T22.61	22	Y01Z, Y62A, Y62B		15	TPN, VTPN		Pre	A07D, A09E, A11F, A13F
T22.62	22	Y01Z, Y62A, Y62B	T26.7	02	C62Z	T28.8	15	TPN, VTPN
T22.63	22	Y01Z, Y62A, Y62B		15	TPN, VTPN		22	Y02A, Y02B
T22.70	15	TPN, VTPN	T26.8	02	C62Z		Pre	A07D, A09E, A11F, A13F
	22	Y61Z, Y62A, Y62B		15	TPN, VTPN	T28.9	15	TPN, VTPN
T22.71	15	TPN, VTPN	T26.9	02	C62Z		22	Y62A, Y62B
	22	Y61Z, Y62A, Y62B		15	TPN, VTPN		Pre	A07D, A09E, A11F, A13F
T22.72	15	TPN, VTPN	T27.0	04	E75A, E75B, E75C	T28.9	15	TPN, VTPN
	22	Y61Z, Y62A, Y62B		15	TPN, VTPN		22	Y62A, Y62B
T22.73	15	TPN, VTPN		22	Y02A, Y02B		Pre	A07D, A09E, A11F, A13F
	22	Y61Z, Y62A, Y62B	T27.1	Pre	A07D, A09E, A11F, A13F	T29.0	15	TPN, VTPN
T22.80	22	Y01Z, Y62A, Y62B		04	E75A, E75B, E75C		22	Y62A, Y62B
T22.81	22	Y01Z, Y62A, Y62B		15	TPN, VTPN	T29.1	22	Y62A, Y62B
T22.82	22	Y01Z, Y62A, Y62B		22	Y02A, Y02B	T29.20	22	Y01Z, Y62A, Y62B
T22.83	22	Y01Z, Y62A, Y62B		Pre	A07D, A09E, A11F, A13F	T29.21	22	Y01Z, Y62A, Y62B
T22.90	22	Y01Z, Y62A, Y62B	T27.2	15	TPN, VTPN	T29.3	15	TPN, VTPN
T22.91	22	Y01Z, Y62A, Y62B		22	Y62A, Y62B		22	Y61Z, Y62A, Y62B
T22.92	22	Y01Z, Y62A, Y62B		Pre	A07D, A09E, A11F, A13F	T29.4	15	TPN, VTPN
T22.93	22	Y01Z, Y62A, Y62B	T27.3	15	TPN, VTPN		22	Y62A, Y62B
T23.0	22	Y62A, Y62B		22	Y62A, Y62B	T29.5	22	Y62A, Y62B
T23.1	22	Y62A, Y62B		Pre	A07D, A09E, A11F, A13F	T29.60	22	Y01Z, Y62A, Y62B
T23.20	22	Y01Z, Y62A, Y62B	T27.4	04	E75A, E75B, E75C	T29.61	22	Y01Z, Y62A, Y62B
T23.21	22	Y01Z, Y62A, Y62B		15	TPN, VTPN	T29.7	15	TPN, VTPN
T23.3	15	TPN, VTPN		22	Y02A, Y02B		22	Y61Z, Y62A, Y62B
	22	Y61Z, Y62A, Y62B	T27.5	Pre	A07D, A09E, A11F, A13F	T30.0	22	Y62A, Y62B
T23.4	22	Y62A, Y62B		04	E75A, E75B, E75C	T30.1	22	Y62A, Y62B
T23.5	22	Y62A, Y62B		15	TPN, VTPN	T30.20	22	Y01Z, Y62A, Y62B
T23.60	22	Y01Z, Y62A, Y62B		22	Y02A, Y02B	T30.21	22	Y01Z, Y62A, Y62B
T23.61	22	Y01Z, Y62A, Y62B		Pre	A07D, A09E, A11F, A13F	T30.3	22	Y61Z, Y62A, Y62B
T23.7	15	TPN, VTPN	T27.6	15	TPN, VTPN	T30.4	22	Y62A, Y62B
	22	Y61Z, Y62A, Y62B		22	Y62A, Y62B	T30.5	22	Y62A, Y62B
T24.0	22	Y62A, Y62B		Pre	A07D, A09E, A11F, A13F	T30.60	22	Y01Z, Y62A, Y62B
T24.1	22	Y62A, Y62B	T27.7	15	TPN, VTPN	T30.61	22	Y01Z, Y62A, Y62B
T24.20	22	Y01Z, Y62A, Y62B		22	Y62A, Y62B	T30.7	22	Y61Z, Y62A, Y62B
T24.21	22	Y01Z, Y62A, Y62B		Pre	A07D, A09E, A11F, A13F	T31.11	22	Y61Z
T24.3	15	TPN, VTPN	T28.0	03	D66Z	T31.21	22	Y61Z
	22	Y61Z, Y62A, Y62B		15	TPN, VTPN	T31.22	15	TPN, VTPN
T24.4	22	Y62A, Y62B		22	Y02A, Y02B		22	Y01Z, Y61Z
T24.5	22	Y62A, Y62B		Pre	A07D, A09E, A11F, A13F	T31.30	22	Y01Z, Y61Z
T24.60	22	Y01Z, Y62A, Y62B	T28.1	06	G46A, G46B, G46C, G50Z, G64A, G64B, G64C, G70A, G70B	T31.31	22	Y01Z, Y61Z
T24.61	22	Y01Z, Y62A, Y62B		15	TPN, VTPN	T31.32	15	TPN, VTPN
T24.7	15	TPN, VTPN		22	Y02A, Y02B		22	Y01Z, Y61Z
	22	Y61Z, Y62A, Y62B		Pre	A07D, A09E, A11F, A13F	T31.33	15	TPN, VTPN
T25.0	22	Y62A, Y62B		22	Y02A, Y02B		22	Y01Z, Y61Z
T25.1	22	Y62A, Y62B		Pre	A07D, A09E, A11F, A13F	T31.40	22	Y01Z, Y61Z
T25.20	22	Y01Z, Y62A, Y62B	T28.2	06	G46A, G46B, G46C, G50Z, G71Z	T31.41	22	Y01Z, Y61Z
T25.21	22	Y01Z, Y62A, Y62B		15	TPN, VTPN	T31.42	15	TPN, VTPN
T25.3	15	TPN, VTPN		22	Y02A, Y02B		22	Y01Z, Y61Z
	22	Y61Z, Y62A, Y62B		Pre	A07D, A09E, A11F, A13F	T31.43	15	TPN, VTPN
T25.4	22	Y62A, Y62B		22	Y02A, Y02B		22	Y01Z, Y61Z
T25.5	22	Y62A, Y62B	T28.3	15	TPN, VTPN	T31.44	15	TPN, VTPN
T25.60	22	Y01Z, Y62A, Y62B		22	Y62A, Y62B		22	Y01Z, Y61Z
T25.61	22	Y01Z, Y62A, Y62B		Pre	A07D, A09E, A11F, A13F	T31.50	15	TPN, VTPN
T25.7	15	TPN, VTPN	T28.4	15	TPN, VTPN		22	Y01Z, Y61Z
	22	Y61Z, Y62A, Y62B		22	Y62A, Y62B	T31.51	15	TPN, VTPN
T26.0	02	C62Z		Pre	A07D, A09E, A11F, A13F		22	Y01Z, Y61Z
	15	TPN, VTPN	T28.5	03	D66Z	T31.52	15	TPN, VTPN
T26.1	02	C62Z		15	TPN, VTPN		22	Y01Z, Y61Z
	15	TPN, VTPN		22	Y02A, Y02B	T31.53	15	TPN, VTPN
T26.2	02	C62Z		Pre	A07D, A09E, A11F, A13F		22	Y01Z, Y61Z
	15	TPN, VTPN				T31.54	15	TPN, VTPN
							22	Y01Z, Y61Z

ICD	MDC	DRG	ICD	MDC	DRG	ICD	MDC	DRG
T31.55	15	TPN, VTPN	T31.99	15	TPN, VTPN	T32.83	15	TPN, VTPN
	22	Y01Z, Y61Z		22	Y01Z, Y61Z		22	Y01Z, Y61Z
T31.60	15	TPN, VTPN	T32.11	22	Y61Z	T32.84	15	TPN, VTPN
	22	Y01Z, Y61Z	T32.21	22	Y61Z		22	Y01Z, Y61Z
T31.61	15	TPN, VTPN	T32.22	15	TPN, VTPN	T32.85	15	TPN, VTPN
	22	Y01Z, Y61Z		22	Y01Z, Y61Z		22	Y01Z, Y61Z
T31.62	15	TPN, VTPN	T32.30	22	Y01Z, Y61Z	T32.86	15	TPN, VTPN
	22	Y01Z, Y61Z	T32.31	22	Y01Z, Y61Z		22	Y01Z, Y61Z
T31.63	15	TPN, VTPN	T32.32	15	TPN, VTPN	T32.87	15	TPN, VTPN
	22	Y01Z, Y61Z		22	Y01Z, Y61Z		22	Y01Z, Y61Z
T31.64	15	TPN, VTPN	T32.33	15	TPN, VTPN	T32.88	15	TPN, VTPN
	22	Y01Z, Y61Z		22	Y01Z, Y61Z		22	Y01Z, Y61Z
T31.65	15	TPN, VTPN	T32.40	22	Y01Z, Y61Z	T32.90	15	TPN, VTPN
	22	Y01Z, Y61Z	T32.41	22	Y01Z, Y61Z		22	Y01Z, Y61Z
T31.66	15	TPN, VTPN	T32.42	15	TPN, VTPN	T32.91	15	TPN, VTPN
	22	Y01Z, Y61Z		22	Y01Z, Y61Z		22	Y01Z, Y61Z
T31.70	15	TPN, VTPN	T32.43	15	TPN, VTPN	T32.92	15	TPN, VTPN
	22	Y01Z, Y61Z		22	Y01Z, Y61Z		22	Y01Z, Y61Z
T31.71	15	TPN, VTPN	T32.44	15	TPN, VTPN	T32.93	15	TPN, VTPN
	22	Y01Z, Y61Z		22	Y01Z, Y61Z		22	Y01Z, Y61Z
T31.72	15	TPN, VTPN	T32.50	15	TPN, VTPN	T32.94	15	TPN, VTPN
	22	Y01Z, Y61Z		22	Y01Z, Y61Z		22	Y01Z, Y61Z
T31.73	15	TPN, VTPN	T32.51	15	TPN, VTPN	T32.95	15	TPN, VTPN
	22	Y01Z, Y61Z		22	Y01Z, Y61Z		22	Y01Z, Y61Z
T31.74	15	TPN, VTPN	T32.52	15	TPN, VTPN	T32.96	15	TPN, VTPN
	22	Y01Z, Y61Z		22	Y01Z, Y61Z		22	Y01Z, Y61Z
T31.75	15	TPN, VTPN	T32.53	15	TPN, VTPN	T32.97	15	TPN, VTPN
	22	Y01Z, Y61Z		22	Y01Z, Y61Z		22	Y01Z, Y61Z
T31.76	15	TPN, VTPN	T32.54	15	TPN, VTPN	T32.98	15	TPN, VTPN
	22	Y01Z, Y61Z		22	Y01Z, Y61Z		22	Y01Z, Y61Z
T31.77	15	TPN, VTPN	T32.55	15	TPN, VTPN	T32.99	15	TPN, VTPN
	22	Y01Z, Y61Z		22	Y01Z, Y61Z		22	Y01Z, Y61Z
T31.80	15	TPN, VTPN	T32.60	15	TPN, VTPN	T33.0	15	TPN, VTPN
	22	Y01Z, Y61Z		22	Y01Z, Y61Z		21B	X64Z
T31.81	15	TPN, VTPN	T32.61	15	TPN, VTPN	T33.1	15	TPN, VTPN
	22	Y01Z, Y61Z		22	Y01Z, Y61Z		21B	X64Z
T31.82	15	TPN, VTPN	T32.62	15	TPN, VTPN	T33.2	15	TPN, VTPN
	22	Y01Z, Y61Z		22	Y01Z, Y61Z		21B	X64Z
T31.83	15	TPN, VTPN	T32.63	15	TPN, VTPN	T33.3	15	TPN, VTPN
	22	Y01Z, Y61Z		22	Y01Z, Y61Z		21B	X64Z
T31.84	15	TPN, VTPN	T32.64	15	TPN, VTPN	T33.4	15	TPN, VTPN
	22	Y01Z, Y61Z		22	Y01Z, Y61Z		21B	X64Z
T31.85	15	TPN, VTPN	T32.65	15	TPN, VTPN	T33.5	15	TPN, VTPN
	22	Y01Z, Y61Z		22	Y01Z, Y61Z		21B	X05A, X05B, X64Z
T31.86	15	TPN, VTPN	T32.66	15	TPN, VTPN	T33.6	15	TPN, VTPN
	22	Y01Z, Y61Z		22	Y01Z, Y61Z		21B	X64Z
T31.87	15	TPN, VTPN	T32.70	15	TPN, VTPN	T33.7	15	TPN, VTPN
	22	Y01Z, Y61Z		22	Y01Z, Y61Z		21B	X64Z
T31.88	15	TPN, VTPN	T32.71	15	TPN, VTPN	T33.8	15	TPN, VTPN
	22	Y01Z, Y61Z		22	Y01Z, Y61Z		21B	X04Z, X64Z
T31.90	15	TPN, VTPN	T32.72	15	TPN, VTPN	T33.9	15	TPN, VTPN
	22	Y01Z, Y61Z		22	Y01Z, Y61Z		21B	X64Z
T31.91	15	TPN, VTPN	T32.73	15	TPN, VTPN	T34.0	15	TPN, VTPN
	22	Y01Z, Y61Z		22	Y01Z, Y61Z		21B	X64Z
T31.92	15	TPN, VTPN	T32.74	15	TPN, VTPN	Pre	A07D, A09E, A11F, A13F	
	22	Y01Z, Y61Z		22	Y01Z, Y61Z	T34.1	15	TPN, VTPN
T31.93	15	TPN, VTPN	T32.75	15	TPN, VTPN		21B	X64Z
	22	Y01Z, Y61Z		22	Y01Z, Y61Z	Pre	A07D, A09E, A11F, A13F	
T31.94	15	TPN, VTPN	T32.76	15	TPN, VTPN	T34.2	15	TPN, VTPN
	22	Y01Z, Y61Z		22	Y01Z, Y61Z		21B	X64Z
T31.95	15	TPN, VTPN	T32.77	15	TPN, VTPN	Pre	A07D, A09E, A11F, A13F	
	22	Y01Z, Y61Z		22	Y01Z, Y61Z	T34.3	15	TPN, VTPN
T31.96	15	TPN, VTPN	T32.80	15	TPN, VTPN		21B	X64Z
	22	Y01Z, Y61Z		22	Y01Z, Y61Z	Pre	A07D, A09E, A11F, A13F	
T31.97	15	TPN, VTPN	T32.81	15	TPN, VTPN	T34.4	15	TPN, VTPN
	22	Y01Z, Y61Z		22	Y01Z, Y61Z		21B	X64Z
T31.98	15	TPN, VTPN	T32.82	15	TPN, VTPN	Pre	A07D, A09E, A11F, A13F	
	22	Y01Z, Y61Z		22	Y01Z, Y61Z			

ICD	MDC	DRG	ICD	MDC	DRG	ICD	MDC	DRG
T34.5	15	TPN, VTPN	T37.2	15	TPN, VTPN	T40.0	15	TPN, VTPN
	21B	X05A, X05B, X64Z		21B	X62Z		21B	X62Z
	Pre	A07D, A09E, A11F, A13F		Pre	A07D, A09E, A11F, A13F		Pre	A07D, A09E, A11F, A13F
T34.6	15	TPN, VTPN	T37.3	15	TPN, VTPN	T40.1	15	TPN, VTPN
	21B	X64Z		21B	X62Z		21B	X62Z
	Pre	A07D, A09E, A11F, A13F		Pre	A07D, A09E, A11F, A13F		Pre	A07D, A09E, A11F, A13F
T34.7	15	TPN, VTPN	T37.4	15	TPN, VTPN	T40.2	15	TPN, VTPN
	21B	X64Z		21B	X62Z		21B	X62Z
	Pre	A07D, A09E, A11F, A13F		Pre	A07D, A09E, A11F, A13F		Pre	A07D, A09E, A11F, A13F
T34.8	15	TPN, VTPN	T37.5	15	TPN, VTPN	T40.3	15	TPN, VTPN
	21B	X04Z, X64Z		21B	X62Z		21B	X62Z
	Pre	A07D, A09E, A11F, A13F		Pre	A07D, A09E, A11F, A13F		Pre	A07D, A09E, A11F, A13F
T34.9	15	TPN, VTPN	T37.8	15	TPN, VTPN	T40.4	15	TPN, VTPN
	21B	X64Z		21B	X62Z		21B	X62Z
	Pre	A07D, A09E, A11F, A13F		Pre	A07D, A09E, A11F, A13F		Pre	A07D, A09E, A11F, A13F
T35.0	15	TPN, VTPN	T37.9	15	TPN, VTPN	T40.5	15	TPN, VTPN
	21B	X64Z		21B	X62Z		21B	X62Z
T35.1	15	TPN, VTPN		Pre	A07D, A09E, A11F, A13F		Pre	A07D, A09E, A11F, A13F
	21B	X64Z	T38.0	15	TPN, VTPN	T40.6	15	TPN, VTPN
	Pre	A07D, A09E, A11F, A13F		21B	X62Z		21B	X62Z
T35.2	15	TPN, VTPN		Pre	A07D, A09E, A11F, A13F		Pre	A07D, A09E, A11F, A13F
	21B	X64Z	T38.1	15	TPN, VTPN	T40.7	15	TPN, VTPN
T35.3	15	TPN, VTPN		21B	X62Z		21B	X62Z
	21B	X64Z		Pre	A07D, A09E, A11F, A13F		Pre	A07D, A09E, A11F, A13F
T35.4	15	TPN, VTPN	T38.2	15	TPN, VTPN	T40.8	15	TPN, VTPN
	21B	X05A, X05B, X64Z		21B	X62Z		21B	X62Z
T35.5	15	TPN, VTPN		Pre	A07D, A09E, A11F, A13F		Pre	A07D, A09E, A11F, A13F
	21B	X04Z, X64Z	T38.3	15	TPN, VTPN	T40.9	15	TPN, VTPN
T35.6	15	TPN, VTPN		21B	X62Z		21B	X62Z
	21B	X64Z		Pre	A07D, A09E, A11F, A13F		Pre	A07D, A09E, A11F, A13F
T35.7	15	TPN, VTPN	T38.4	15	TPN, VTPN	T41.0	15	TPN, VTPN
	21B	X64Z		21B	X62Z		21B	X62Z
T36.0	15	TPN, VTPN		Pre	A07D, A09E, A11F, A13F		Pre	A07D, A09E, A11F, A13F
	21B	X62Z	T38.5	15	TPN, VTPN	T41.1	15	TPN, VTPN
	Pre	A07D, A09E, A11F, A13F		21B	X62Z		21B	X62Z
T36.1	15	TPN, VTPN		Pre	A07D, A09E, A11F, A13F		Pre	A07D, A09E, A11F, A13F
	21B	X62Z	T38.6	15	TPN, VTPN	T41.2	15	TPN, VTPN
	Pre	A07D, A09E, A11F, A13F		21B	X62Z		21B	X62Z
T36.2	15	TPN, VTPN		Pre	A07D, A09E, A11F, A13F		Pre	A07D, A09E, A11F, A13F
	21B	X62Z	T38.7	15	TPN, VTPN	T41.3	15	TPN, VTPN
	Pre	A07D, A09E, A11F, A13F		21B	X62Z		21B	X62Z
T36.3	15	TPN, VTPN		Pre	A07D, A09E, A11F, A13F		Pre	A07D, A09E, A11F, A13F
	21B	X62Z	T38.8	15	TPN, VTPN	T41.4	15	TPN, VTPN
	Pre	A07D, A09E, A11F, A13F		21B	X62Z		21B	X62Z
T36.4	15	TPN, VTPN		Pre	A07D, A09E, A11F, A13F		Pre	A07D, A09E, A11F, A13F
	21B	X62Z	T38.9	15	TPN, VTPN	T41.5	15	TPN, VTPN
	Pre	A07D, A09E, A11F, A13F		21B	X62Z		21B	X62Z
T36.5	15	TPN, VTPN		Pre	A07D, A09E, A11F, A13F		Pre	A07D, A09E, A11F, A13F
	21B	X62Z	T39.0	15	TPN, VTPN	T42.0	15	TPN, VTPN
	Pre	A07D, A09E, A11F, A13F		21B	X62Z		21B	X62Z
T36.6	15	TPN, VTPN		Pre	A07D, A09E, A11F, A13F		Pre	A07D, A09E, A11F, A13F
	21B	X62Z	T39.1	15	TPN, VTPN	T42.1	15	TPN, VTPN
	Pre	A07D, A09E, A11F, A13F		21B	X62Z		21B	X62Z
T36.7	15	TPN, VTPN		Pre	A07D, A09E, A11F, A13F		Pre	A07D, A09E, A11F, A13F
	21B	X62Z	T39.2	15	TPN, VTPN	T42.2	15	TPN, VTPN
	Pre	A07D, A09E, A11F, A13F		21B	X62Z		21B	X62Z
T36.8	15	TPN, VTPN		Pre	A07D, A09E, A11F, A13F		Pre	A07D, A09E, A11F, A13F
	21B	X62Z	T39.3	15	TPN, VTPN	T42.3	15	TPN, VTPN
	Pre	A07D, A09E, A11F, A13F		21B	X62Z		21B	X62Z
T36.9	15	TPN, VTPN		Pre	A07D, A09E, A11F, A13F		Pre	A07D, A09E, A11F, A13F
	21B	X62Z	T39.4	15	TPN, VTPN	T42.4	15	TPN, VTPN
	Pre	A07D, A09E, A11F, A13F		21B	X62Z		21B	X62Z
T37.0	15	TPN, VTPN		Pre	A07D, A09E, A11F, A13F		Pre	A07D, A09E, A11F, A13F
	21B	X62Z	T39.8	15	TPN, VTPN	T42.5	15	TPN, VTPN
	Pre	A07D, A09E, A11F, A13F		21B	X62Z		21B	X62Z
T37.1	15	TPN, VTPN		Pre	A07D, A09E, A11F, A13F		Pre	A07D, A09E, A11F, A13F
	21B	X62Z	T39.9	15	TPN, VTPN	T42.6	15	TPN, VTPN
	Pre	A07D, A09E, A11F, A13F		21B	X62Z		21B	X62Z
				Pre	A07D, A09E, A11F, A13F		Pre	A07D, A09E, A11F, A13F

ICD	MDC	DRG	ICD	MDC	DRG	ICD	MDC	DRG	
T60.8	15	TPN, VTPN	T65.4	15	TPN, VTPN	T78.8	21B	X62Z	
	21B	X62Z		21B	X62Z	T78.9	21B	X62Z	
	Pre	A07D, A09E, A11F, A13F		Pre	A07D, A09E, A11F, A13F	T79.0		PTR	
T60.9	15	TPN, VTPN	T65.5	15	TPN, VTPN		04	E64A	
	21B	X62Z		21B	X62Z		15	TPN, VTPN	
	Pre	A07D, A09E, A11F, A13F		Pre	A07D, A09E, A11F, A13F		21A	W61A, W61B	
T61.0	21B	X62Z	T65.6	15	TPN, VTPN		Pre	A07D, A09E, A11F, A13F	
	Pre	A07D, A09E, A11F, A13F		21B	X62Z	T79.1		PTR	
T61.1	21B	X62Z		Pre	A07D, A09E, A11F, A13F		04	E64A	
	Pre	A07D, A09E, A11F, A13F	T65.8	15	TPN, VTPN		15	TPN, VTPN	
T61.2	21B	X62Z		21B	X62Z		21A	W61A, W61B	
	Pre	A07D, A09E, A11F, A13F	T65.9	15	TPN, VTPN		Pre	A07D, A09E, A11F, A13F	
T61.8	21B	X62Z		21B	X62Z	T79.2		PTR	
	Pre	A07D, A09E, A11F, A13F	T66	21B	X64Z		21A	W61A, W61B	
T61.9	21B	X62Z	T67.0	15	TPN, VTPN		21B	X64Z	
	Pre	A07D, A09E, A11F, A13F		21B	X64Z	T79.3		PTR	
T62.0	21B	X62Z	T67.1	15	TPN, VTPN		18B	T61A, T61B	
	Pre	A07D, A09E, A11F, A13F		21B	X64Z		21A	W61A, W61B	
T62.1	21B	X62Z	T67.2	21B	X64Z		22	Y02A, Y02B	
	Pre	A07D, A09E, A11F, A13F	T67.3	21B	X64Z	T79.4		PTR	
T62.2	21B	X62Z	T67.4	21B	X64Z		21A	W61A, W61B	
	Pre	A07D, A09E, A11F, A13F	T67.5	21B	X64Z		21B	X64Z	
T62.8	21B	X62Z	T67.6	21B	X64Z		Pre	A07D, A09E, A11F, A13F	
	Pre	A07D, A09E, A11F, A13F	T67.7	21B	X64Z	T79.5		PTR	
T62.9	21B	X62Z	T67.8	21B	X64Z		11	L60A, L60B, L60C, L60D, L71Z	
	Pre	A07D, A09E, A11F, A13F	T67.9	21B	X64Z		21A	W61A, W61B	
T63.0	15	TPN, VTPN	T68	21B	X64Z		Pre	A07D, A09E, A11F, A13F	
	21B	X62Z		Pre	A07D, A09E, A11F, A13F	T79.6		PTR	
	Pre	A07D, A09E, A11F, A13F	T69.0	21B	X04Z, X64Z		08	I76A, I76B	
T63.1	15	TPN, VTPN	T69.1	21B	X64Z		15	TPN, VTPN	
	21B	X62Z	T69.8	21B	X64Z		21A	W61A, W61B	
	Pre	A07D, A09E, A11F, A13F	T69.9	21B	X64Z		Pre	A07D, A09E, A11F, A13F	
T63.2	15	TPN, VTPN	T70.0	03	D62Z, D63Z	T79.7		PTR	
	21B	X62Z	T70.1	03	D62Z, D63Z		04	E76A, E76B, E76C	
	Pre	A07D, A09E, A11F, A13F	T70.2	21B	X64Z		15	TPN, VTPN	
T63.3	15	TPN, VTPN	T70.3	21B	X64Z		21A	W61A, W61B	
	21B	X62Z	T70.4	21B	X64Z		Pre	A07D, A09E, A11F, A13F	
	Pre	A07D, A09E, A11F, A13F	T70.8	21B	X64Z	T79.8		PTR	
T63.4	15	TPN, VTPN	T70.9	21B	X64Z		21A	W61A, W61B	
	21B	X62Z	T71	15	TPN, VTPN		21B	X64Z	
	Pre	A07D, A09E, A11F, A13F		21B	X64Z	T79.9		PTR	
T63.5	15	TPN, VTPN	T73.0	21B	X64Z		21A	W61A, W61B	
	21B	X62Z	T73.1	15	TPN, VTPN		21B	X64Z	
	Pre	A07D, A09E, A11F, A13F		21B	X64Z	T80.0		04	E64A
T63.6	15	TPN, VTPN	T73.2	21B	X64Z		15	TPN, VTPN	
	21B	X62Z	T73.3	21B	X64Z		Pre	A07D, A09E, A11F, A13F	
	Pre	A07D, A09E, A11F, A13F	T73.8	21B	X64Z	T80.1		05	F75A, F75B, F75C, F75D
T63.8	15	TPN, VTPN	T73.9	21B	X64Z	T80.2		18B	T64A, T64B, T64C
	21B	X62Z	T74.0	21A	W61A, W61B		Pre	A07D, A09E, A11F, A13F	
	Pre	A07D, A09E, A11F, A13F	T74.1	15	TPN, VTPN	T80.3		15	TPN, VTPN
T63.9	15	TPN, VTPN		21A	W61A, W61B		16	Q61B, Q61C, Q61D	
	21B	X62Z	T74.2	21A	W61A, W61B		Pre	A07D, A09E, A11F, A13F	
	Pre	A07D, A09E, A11F, A13F	T74.3	21A	W61A, W61B	T80.4		15	TPN, VTPN
T64	15	TPN, VTPN	T74.8	21A	W61A, W61B		16	Q61A, Q61B, Q61C, Q61D, Q61E	
	21B	X62Z	T74.9	21A	W61A, W61B		Pre	A07D, A09E, A11F, A13F	
	Pre	A07D, A09E, A11F, A13F	T75.0	21B	X64Z	T80.5		21B	X60Z
T65.0	15	TPN, VTPN	T75.1	21B	X64Z		Pre	A07D, A09E, A11F, A13F	
	21B	X62Z		Pre	A07D, A09E, A11F, A13F	T80.6		21B	X60Z
	Pre	A07D, A09E, A11F, A13F	T75.2	21B	X64Z	T80.8		16	Q61A, Q61B, Q61C, Q61D, Q61E
T65.1	15	TPN, VTPN	T75.3	03	D66Z		16	Q61A, Q61B, Q61C, Q61D, Q61E	
	21B	X62Z	T75.4	15	TPN, VTPN	T80.9		16	Q61A, Q61B, Q61C, Q61D, Q61E
	Pre	A07D, A09E, A11F, A13F		21B	X64Z		21B	X62Z	
T65.2	15	TPN, VTPN	T75.8	21B	X64Z	T81.0		21B	X62Z
	21B	X62Z	T78.0	21B	X60Z	T81.1		22	Y02A, Y02B
	Pre	A07D, A09E, A11F, A13F	T78.1	21B	X62Z	T81.2		21B	X62Z
T65.3	15	TPN, VTPN	T78.2	21B	X60Z	T81.3		15	TPN, VTPN
	21B	X62Z	T78.3	21B	X60Z		21B	X62Z	
	Pre	A07D, A09E, A11F, A13F		Pre	A07D, A09E, A11F, A13F				
			T78.4	21B	X64Z				

ICD	MDC	DRG	ICD	MDC	DRG	ICD	MDC	DRG
T81.4	08	I01Z, I03A, I03B	T84.7	08	I08A, I08B, I08C, I08D, I08E, I12A, I12B, I12C, I13A, I13B, I73Z	T86.11	11	L69A, L69B
	18B	T61A, T61B				15	TPN, VTPN	
T81.5	15	TPN, VTPN				Pre	A07D, A09E, A11F, A13F, A60A, A60B, A60C, A60D	
	21B	X62Z	T84.8	08	I08A, I08B, I08C, I08D, I08E, I12A, I12B, I12C, I13A, I13B, I73Z	T86.12	11	L69A, L69B
T81.6	15	TPN, VTPN				15	TPN, VTPN	
	21B	X62Z				Pre	A07D, A09E, A11F, A13F, A60A, A60B, A60C, A60D	
T81.7	05	F65A, F65B	T84.9	08	I08A, I08B, I08C, I08D, I08E, I12A, I12B, I12C, I13A, I13B, I73Z	T86.19	11	L69A, L69B
	22	Y02A, Y02B				15	TPN, VTPN	
T81.8	21B	X62Z				Pre	A07D, A09E, A11F, A13F, A60A, A60B, A60C, A60D	
T81.9	21B	X62Z	T85.0	01	B81A, B81B	T86.2	05	F75A, F75B, F75C, F75D
T82.0	05	F69A, F69B				15	TPN, VTPN	
	15	TPN, VTPN	T85.1	01	B81A, B81B	Pre	A07D, A09E, A11F, A13F, A60A, A60B, A60C, A60D	
T82.1	05	F71A, F71B				T86.2	05	F75A, F75B, F75C, F75D
	15	TPN, VTPN	T85.2	02	C62Z	15	TPN, VTPN	
T82.2	05	F75A, F75B, F75C, F75D				Pre	A07D, A09E, A11F, A13F, A60A, A60B, A60C, A60D	
	15	TPN, VTPN	T85.3	02	C62Z	T86.3	05	F75A, F75B, F75C, F75D
T82.3	05	F75A, F75B, F75C, F75D				15	TPN, VTPN	
	15	TPN, VTPN	T85.4	09	J01Z, J67A, J67B	Pre	A07D, A09E, A11F, A13F, A60A, A60B, A60C, A60D	
T82.4	05	F75A, F75B, F75C, F75D				T86.40	07	H63A, H63B, H63C, H78Z
	15	TPN, VTPN	T85.5	15	TPN, VTPN	15	TPN, VTPN	
T82.5	05	F75A, F75B, F75C, F75D				Pre	A01B, A07D, A09E, A11F, A13F, A60A, A60B, A60C, A60D	
	15	TPN, VTPN	T85.6	15	TPN, VTPN	T86.41	07	H63A, H63B, H63C, H78Z
T82.6	05	F75A, F75B, F75C, F75D				15	TPN, VTPN	
	15	TPN, VTPN	T85.71	11	L68A, L68B, L74Z	Pre	A01B, A07D, A09E, A11F, A13F, A60A, A60B, A60C, A60D	
T82.7	05	F61A, F75A, F75B, F75C, F75D				T86.49	07	H63A, H63B, H63C, H78Z
	15	TPN, VTPN	T85.78	15	TPN, VTPN	15	TPN, VTPN	
T82.8	05	F75A, F75B, F75C, F75D				Pre	A01B, A07D, A09E, A11F, A13F, A60A, A60B, A60C, A60D	
	15	TPN, VTPN	T85.81	01	B81A, B81B	T86.50	15	TPN, VTPN
T82.9	05	F75A, F75B, F75C, F75D				21B	X62Z	
	15	TPN, VTPN	T85.82	09	J01Z, J67A, J67B	Pre	A07D, A09E, A11F, A13F, A60A, A60B, A60C, A60D	
T83.0	11	L64A, L64B, L74Z				T86.51	15	TPN, VTPN
	15	TPN, VTPN	T85.88	15	TPN, VTPN	21B	X62Z	
T83.1	11	L64A, L64B, L74Z				Pre	A07D, A09E, A11F, A13F, A60A, A60B, A60C, A60D	
	15	TPN, VTPN	T85.9	15	TPN, VTPN	T86.52	15	TPN, VTPN
T83.2	11	L64A, L64B, L74Z				21B	X62Z	
	15	TPN, VTPN	T86.00	16	Q60A, Q60B, Q60C, Q60D, Q60E	Pre	A07D, A09E, A11F, A13F, A60A, A60B, A60C, A60D	
T83.3	13	N04Z, N05A, N05B, N14Z, N21Z, N25Z, N62B				T86.55	15	TPN, VTPN
T83.4	11	L64A, L64B, L74Z				21B	X62Z	
	15	TPN, VTPN	T86.01	16	Q60A, Q60B, Q60C, Q60D, Q60E	Pre	A07D, A09E, A11F, A13F, A60A, A60B, A60C, A60D	
T83.5	11	L69A, L69B				T86.59	15	TPN, VTPN
	15	TPN, VTPN				21B	X62Z	
T83.6	11	L64A, L64B, L74Z				Pre	A07D, A09E, A11F, A13F, A60A, A60B, A60C, A60D	
	15	TPN, VTPN	T86.02	16	Q60A, Q60B, Q60C, Q60D, Q60E	T86.81	04	E75A, E75B, E75C
T83.8	11	L64A, L64B, L74Z				15	TPN, VTPN	
	15	TPN, VTPN				Pre	A07D, A09E, A11F, A13F, A60A, A60B, A60C, A60D	
T83.9	11	L64A, L64B, L74Z				T86.82	07	H62A, H62B, H62C
	15	TPN, VTPN	T86.03	16	Q60A, Q60B, Q60C, Q60D, Q60E	15	TPN, VTPN	
T84.0	08	I73Z				Pre	A07D, A09E, A11F, A13F, A60A, A60B, A60C, A60D	
	15	TPN, VTPN	T86.04	16	Q60A, Q60B, Q60C, Q60D, Q60E	T86.83	02	C60Z
T84.1	08	I73Z				Pre	A07D, A09E, A11F, A13F, A60A, A60B, A60C, A60D	
	15	TPN, VTPN				T86.88	15	TPN, VTPN
T84.2	08	I73Z				21B	X62Z	
	15	TPN, VTPN				Pre	A07D, A09E, A11F, A13F, A60A, A60B, A60C, A60D	
T84.3	08	I73Z				T86.9	15	TPN, VTPN
	15	TPN, VTPN				21B	X62Z	
T84.4	08	I73Z				Pre	A07D, A09E, A11F, A13F, A60A, A60B, A60C, A60D	
	15	TPN, VTPN	T86.09	16	Q60A, Q60B, Q60C, Q60D, Q60E			
T84.5	08	I01Z, I03A, I03B, I04Z, I08A, I08B, I08C, I08D, I08E, I12A, I12B, I12C, I13A, I13B, I73Z						
	15	TPN, VTPN						
	Pre	A07D, A09E, A11F, A13F	T86.10	11	L69A, L69B			
T84.6	08	I08A, I08B, I08C, I08D, I08E, I12A, I12B, I12C, I13A, I13B, I73Z						
	15	TPN, VTPN						
	15	TPN, VTPN						

ICD	MDC	DRG	ICD	MDC	DRG	ICD	MDC	DRG
T87.0	08	I32A, I32B, I32C, I32D, I32E, I32F, I32G, I73Z	U51.10	01	B44A, B44B, B44C, B44D	Z02.8	23	Z64A, Z64B
	Pre	A07D, A09E, A11F, A13F	U51.11	01	B44A, B44B, B44C, B44D	Z02.9	23	Z64A, Z64B
T87.1	08	I73Z	U51.12	01	B44A, B44B, B44C, B44D	Z03.0	04	E62A, E62B, E77A, E77B, E77C, E77D, E77E, E77F, E77G
	Pre	A07D, A09E, A11F, A13F	U51.20	01	B44A, B44B, B44C, B44D		15	P65C, P66C, P67B, P67C
T87.2	08	I73Z	U51.21	01	B44A, B44B, B44C, B44D	Z03.1	17	R04A, R04B, R12A, R12B, R12C, R13Z, R14Z, R62A, R62B, R62C
T87.3	08	I76A, I76B	U51.22	01	B44A, B44B, B44C, B44D		19	U66Z
T87.4	08	I76A	U55.10	15	P65C, P66C, P67B, P67C	Z03.2	19	U66Z
T87.5	08	I76A	U55.11		PTX	Z03.3	01	B80Z
T87.6	08	I76A	U55.12		PTX	Z03.4	05	F74Z
T88.0	18B	T64A, T64B, T64C		15	P65C, P66C, P67B, P67C	Z03.5	05	F74Z
T88.1	15	TPN, VTPN	U55.20	04	E65A	Z03.6	23	Z64A, Z64B
	21B	X62Z		15	P65C, P66C, P67B, P67C	Z03.8	23	Z64A, Z64B
T88.2	21B	X64Z	U55.21		PTX	Z03.9	23	Z64A, Z64B
T88.3	15	TPN, VTPN		04	E65A	Z04.0	23	Z65Z
	21B	X62Z	U55.22		PTX	Z04.1	21B	X64Z
	Pre	A07D, A09E, A11F, A13F		04	E65A	Z04.2	21B	X64Z
T88.4	21B	X62Z		15	P65C, P66C, P67B, P67C	Z04.3	21B	X64Z
T88.5	21B	X62Z	U55.30	04	E65A	Z04.4	23	Z65Z
T88.6	21B	X60Z		15	P65C, P66C, P67B, P67C	Z04.5	21B	X64Z
T88.7	21B	X62Z	U55.31		PTX	Z04.6	23	Z65Z
T88.8	21B	X62Z		04	E65A	Z04.8	23	Z64A, Z64B
T88.9	21B	X62Z		15	P65C, P66C, P67B, P67C	Z08.0	23	Z64A, Z64B
T89.00		PTR	U55.32		PTX	Z08.1	23	Z64A, Z64B
	21A	W61A, W61B		04	E65A	Z08.2	23	Z64A, Z64B
	21B	X60Z		15	P65C, P66C, P67B, P67C	Z08.7	23	Z64A, Z64B
T89.01		PTR	U80.0	05	F61A	Z08.8	23	Z64A, Z64B
	21A	W61A, W61B	U80.1	05	F61A	Z08.9	23	Z64A, Z64B
	21B	X60Z	U80.2	05	F61A	Z09.0	23	Z64A, Z64B
T89.02		PTR	U80.3	05	F61A	Z09.1	23	Z64A, Z64B
	21A	W61A, W61B	U80.4	05	F61A	Z09.2	23	Z64A, Z64B
	21B	X60Z	U80.5	05	F61A	Z09.3	23	Z64A, Z64B
T89.03		PTR	U80.6	05	F61A	Z09.4	23	Z64A, Z64B
	21A	W61A, W61B	U80.7	05	F61A	Z09.7	23	Z64A, Z64B
	21B	X60Z	U80.8	05	F61A	Z09.80	23	Z64A, Z64B
T90.4	21A	W61A, W61B	U81	05	F61A	Z09.88	23	Z64A, Z64B
T90.8	21A	W61A, W61B	U82.0	05	F61A	Z09.9	23	Z64A, Z64B
T90.9	21A	W61A, W61B	U82.1	05	F61A	Z10.0	23	Z64A, Z64B
T91.4	21A	W61A, W61B	U82.2	05	F61A	Z10.1	23	Z64A, Z64B
T91.8	21A	W61A, W61B	U83	05	F61A	Z10.2	23	Z64A, Z64B
T91.9	21A	W61A, W61B	U84	05	F61A	Z10.3	23	Z64A, Z64B
T92.9	21A	W61A, W61B	U85	05	F61A	Z10.8	23	Z64A, Z64B
T93.9	21A	W61A, W61B	U99.01	11	L64A, L74Z	Z11.0	23	Z64A, Z64B
T94.1	21A	W61A, W61B	U99.02	06	G46A, G46B, G46C, G50Z, G67A, G67B, G67C, G67D	Z11.1	23	Z64A, Z64B
T96	21A	W61A, W61B		06	G46A, G46B, G46C, G50Z, G67A, G67B, G67C, G67D	Z11.2	23	Z64A, Z64B
T97	21A	W61A, W61B	U99.03	06	G46A, G46B, G46C, G50Z, G67A, G67B, G67C, G67D	Z11.3	23	Z64A, Z64B
T98.0	21A	W61A, W61B		23	Z66Z	Z11.4	23	Z64A, Z64B
T98.1	21A	W61A, W61B	Z00.5	23	Z64A, Z64B	Z11.5	23	Z64A, Z64B
T98.2	21A	W61A, W61B	Z01.0	23	Z64A, Z64B	Z11.6	23	Z64A, Z64B
T98.3	21A	W61A, W61B	Z01.1	23	Z64A, Z64B	Z11.8	23	Z64A, Z64B
U04.9	04	E62A, E62B, E77A, E77B, E77C, E77D, E77E, E77F, E77G	Z01.2	23	Z64A, Z64B	Z11.9	23	Z64A, Z64B
			Z01.3	23	Z64A, Z64B	Z12.0	23	Z64A, Z64B
	18A	S63A, S63B	Z01.4	13	N04Z, N05A, N05B, N14Z, N21Z, N25Z, N62A, N62B	Z12.1	23	Z64A, Z64B
U50.00	01	B44A, B44B, B44C, B44D	Z01.5	23	Z64A, Z64B	Z12.2	23	Z64A, Z64B
U50.01	01	B44A, B44B, B44C, B44D	Z01.80	05	F15Z, F24A, F24B, F36A, F36B, F46A, F46B, F52A, F52B, F62A, F70A, F70B	Z12.3	23	Z64A, Z64B
U50.10	01	B44A, B44B, B44C, B44D			F46A, F46B, F75A, F75B, F75C, F75D	Z12.4	23	Z64A, Z64B
U50.11	01	B44A, B44B, B44C, B44D	Z01.81	05	F46A, F46B, F75A, F75B, F75C, F75D	Z12.5	23	Z64A, Z64B
U50.20	01	B44A, B44B, B44C, B44D		23	Z64A, Z64B	Z12.6	23	Z64A, Z64B
U50.21	01	B44A, B44B, B44C, B44D	Z01.88	23	Z64A, Z64B	Z12.8	23	Z64A, Z64B
U50.30	01	B44A, B44B, B44C, B44D	Z02.0	23	Z64A, Z64B	Z12.9	23	Z64A, Z64B
U50.31	01	B44A, B44B, B44C, B44D	Z02.1	23	Z64A, Z64B	Z13.0	23	Z64A, Z64B
U50.40	01	B44A, B44B	Z02.2	23	Z64A, Z64B	Z13.1	23	Z64A, Z64B
U50.41	01	B44A, B44B	Z02.3	23	Z64A, Z64B	Z13.2	23	Z64A, Z64B
U50.50	01	B44A, B44B	Z02.4	23	Z64A, Z64B	Z13.3	23	Z64A, Z64B
U50.51	01	B44A, B44B	Z02.5	23	Z64A, Z64B	Z13.4	23	Z64A, Z64B
U51.00	01	B44A, B44B, B44C, B44D	Z02.6	23	Z64A, Z64B	Z13.5	23	Z64A, Z64B
U51.01	01	B44A, B44B, B44C, B44D	Z02.7	23	Z64A, Z64B	Z13.6	23	Z64A, Z64B
U51.02	01	B44A, B44B, B44C, B44D						

ICD	MDC	DRG	ICD	MDC	DRG	ICD	MDC	DRG
Z13.7	23	Z64A, Z64B	Z29.28	18A	S65A, S65B	Z38.4	15	P05A, P05B, P05C, P66A, P66B, P66C, P66D, P67B
Z13.8	23	Z64A, Z64B		23	Z64A, Z64B		Pre	963Z
Z13.9	23	Z64A, Z64B	Z29.8	18A	S65A, S65B	Z38.5	15	P05A, P05B, P05C, P66A, P66B, P66C, P66D, P67B
Z20.0	23	Z64A, Z64B		23	Z64A, Z64B		Pre	963Z
Z20.1	15	P65C, P66C, P67B, P67C	Z29.9	23	Z64A, Z64B	Z38.6	15	P05A, P05B, P05C, P66A, P66B, P66C, P66D, P67B
	23	Z64A, Z64B	Z30.0	23	Z64A, Z64B		Pre	963Z
Z20.2	23	Z64A, Z64B	Z30.1	23	Z64A, Z64B	Z38.7	15	P05A, P05B, P05C, P66A, P66B, P66C, P66D, P67B
Z20.3	23	Z64A, Z64B	Z30.2	12	M64Z		Pre	963Z
Z20.4	23	Z64A, Z64B		13	N04Z, N05A, N05B, N14Z, N21Z, N25Z, N62A, N62B	Z38.8	15	P05A, P05B, P05C, P66A, P66B, P66C, P66D, P67B
Z20.5	23	Z64A, Z64B	Z30.3	23	Z64A, Z64B		Pre	963Z
Z20.6	15	TPN, VTPN	Z30.4	23	Z64A, Z64B	Z39.0	14	O04A, O04B, O61Z
	23	Z64A, Z64B	Z30.5	23	Z64A, Z64B	Z39.1	14	O04A, O04B, O61Z
Z20.7	23	Z64A, Z64B	Z30.8	23	Z64A, Z64B	Z39.2	14	O04A, O04B, O61Z
Z20.8	23	Z64A, Z64B	Z30.9	23	Z64A, Z64B	Z40.00	09	J01Z, J67A, J67B
Z20.9	23	Z64A, Z64B	Z31.0	12	M64Z	Z40.01	13	N04Z, N05A, N05B, N14Z, N21Z, N25Z, N62A, N62B
Z21	14	O01A, O01B, O01C, O01D, O01E, O01F, O01G		13	N04Z, N05A, N05B, N14Z, N21Z, N25Z, N62A, N62B	Z40.08	23	Z64A, Z64B
Z22.0	23	Z64A, Z64B	Z31.1	13	N04Z, N05A, N05B, N14Z, N21Z, N25Z, N62A, N62B	Z40.8	23	Z64A, Z64B
Z22.1	23	Z64A, Z64B		12	M64Z	Z40.9	23	Z64A, Z64B
Z22.2	23	Z64A, Z64B	Z31.2	13	N04Z, N05A, N05B, N14Z, N21Z, N25Z, N62A, N62B	Z41.0	23	Z65Z
Z22.3	23	Z64A, Z64B		13	N04Z, N05A, N05B, N14Z, N21Z, N25Z, N62A, N62B	Z41.1	09	J67A, J67B, J68A, J68B
Z22.4	23	Z64A, Z64B	Z31.3	12	M64Z	Z41.2	12	M62Z
Z22.5	07	H63A, H63B, H63C, H78Z		13	N04Z, N05A, N05B, N14Z, N21Z, N25Z, N62A, N62B	Z41.3	23	Z65Z
Z22.6	07	H63A, H63B, H63C, H78Z	Z31.4	12	M64Z	Z41.8	23	Z64A, Z64B
Z22.8	23	Z64A, Z64B		13	N04Z, N05A, N05B, N14Z, N21Z, N25Z, N62A, N62B	Z41.9	23	Z64A, Z64B
Z22.9	23	Z64A, Z64B	Z31.5	23	Z64A, Z64B	Z42.0	09	J67A, J67B, J68A, J68B
Z22.9	23	Z64A, Z64B	Z31.6	23	Z64A, Z64B	Z42.1	09	J01Z, J67A, J67B, J68A, J68B
Z23.0	23	Z64A, Z64B	Z31.8	23	Z64A, Z64B	Z42.2	09	J67A, J67B, J68A, J68B
Z23.1	23	Z64A, Z64B	Z31.9	23	Z64A, Z64B	Z42.3	09	J67A, J67B, J68A, J68B
Z23.2	23	Z64A, Z64B	Z36.0	14	O65A, O65B, O65C	Z42.4	09	J67A, J67B, J68A, J68B
Z23.3	23	Z64A, Z64B	Z36.1	14	O65A, O65B, O65C	Z42.8	09	J67A, J67B, J68A, J68B
Z23.4	23	Z64A, Z64B	Z36.2	14	O65A, O65B, O65C	Z42.9	09	J67A, J67B, J68A, J68B
Z23.5	23	Z64A, Z64B	Z36.3	14	O65A, O65B, O65C	Z43.0	04	E75A, E75B, E75C
Z23.6	23	Z64A, Z64B	Z36.4	14	O65A, O65B, O65C		22	Y02A, Y02B
Z23.7	23	Z64A, Z64B	Z36.5	14	O65A, O65B, O65C	Z43.1	06	G46A, G46B, G46C, G50Z, G71Z
Z23.8	23	Z64A, Z64B	Z36.8	14	O65A, O65B, O65C	Z43.2	06	G46A, G46B, G46C, G50Z, G71Z
Z24.0	23	Z64A, Z64B	Z36.9	14	O65A, O65B, O65C	Z43.3	06	G46A, G46B, G46C, G50Z, G71Z
Z24.1	23	Z64A, Z64B	Z37.0	14	O02A, O02B, O60A, O60B, O60C, O60D	Z43.4	06	G46A, G46B, G46C, G50Z, G71Z
Z24.2	23	Z64A, Z64B		14	O02A, O02B, O60A, O60B, O60C, O60D	Z43.5	11	L68A, L68B, L74Z
Z24.3	23	Z64A, Z64B	Z37.1	14	O02A, O02B, O60A, O60B, O60C, O60D	Z43.6	11	L68A, L68B, L74Z
Z24.4	23	Z64A, Z64B		14	O01A, O01B, O01C, O01D, O01E, O01F, O01G, O02A, O02B, O60A, O60B, O60C	Z43.7	13	N04Z, N05A, N05B, N14Z, N21Z, N25Z, N62A, N62B
Z24.5	23	Z64A, Z64B	Z37.2	14	O01A, O01B, O01C, O01D, O01E, O01F, O01G, O02A, O02B, O60A, O60B, O60C	Z43.80	23	Z64A, Z64B
Z24.6	23	Z64A, Z64B		14	O01A, O01B, O01C, O01D, O01E, O01F, O01G, O02A, O02B, O60A, O60B, O60C	Z43.88	23	Z64A, Z64B
Z25.0	23	Z64A, Z64B	Z37.3	14	O01A, O01B, O01C, O01D, O01E, O01F, O01G, O02A, O02B, O60A, O60B, O60C	Z43.9	23	Z64A, Z64B
Z25.1	23	Z64A, Z64B		14	O01A, O01B, O01C, O01D, O01E, O01F, O01G, O02A, O02B, O60A, O60B, O60C	Z44.0	08	I73Z
Z25.8	23	Z64A, Z64B	Z37.4	14	O01A, O01B, O01C, O01D, O01E, O01F, O01G, O02A, O02B, O60A, O60B, O60C	Z44.1	08	I73Z
Z26.0	23	Z64A, Z64B		14	O01A, O01B, O01C, O01D, O01E, O01F, O01G, O02A, O02B, O60A, O60B, O60C	Z44.2	23	Z64A, Z64B
Z26.8	23	Z64A, Z64B	Z37.5	14	O01A, O01B, O01C, O01D, O01E, O01F, O01G, O02A, O02B, O60A, O60B, O60C	Z44.3	09	J67A, J67B
Z26.8	23	Z64A, Z64B		14	O01A, O01B, O01C, O01D, O01E, O01F, O01G, O02A, O02B, O60A, O60B, O60C	Z45.0	05	F71A, F71B
Z26.9	23	Z64A, Z64B	Z37.6	14	O01A, O01B, O01C, O01D, O01E, O01F, O01G, O02A, O02B, O60A, O60B, O60C	Z45.1	23	Z64A, Z64B
Z27.0	23	Z64A, Z64B		14	O02A, O02B, O60A, O60B, O60C, O60D	Z45.20	23	Z64A, Z64B
Z27.1	23	Z64A, Z64B	Z37.7	14	O01A, O01B, O01C, O01D, O01E, O01F, O01G, O02A, O02B, O60A, O60B, O60C	Z45.29	23	Z64A, Z64B
Z27.2	23	Z64A, Z64B		14	O01A, O01B, O01C, O01D, O01E, O01F, O01G, O02A, O02B, O60A, O60B, O60C	Z45.3	23	Z64A, Z64B
Z27.3	23	Z64A, Z64B	Z37.9	14	O02A, O02B, O60A, O60B, O60C, O60D	Z45.80	23	Z64A, Z64B
Z27.4	23	Z64A, Z64B		Pre	963Z	Z45.81	23	Z64A, Z64B
Z27.8	23	Z64A, Z64B	Z38.0	Pre	963Z	Z45.82	23	Z64A, Z64B
Z27.9	23	Z64A, Z64B	Z38.1	Pre	963Z	Z45.83	23	Z64A, Z64B
Z28.0	23	Z64A, Z64B	Z38.2	Pre	963Z			
Z28.1	23	Z64A, Z64B	Z38.3	15	P05A, P05B, P05C, P66A, P66B, P66C, P66D, P67B			
Z28.2	23	Z64A, Z64B		Pre	963Z			
Z28.8	23	Z64A, Z64B		15	P05A, P05B, P05C, P66A, P66B, P66C, P66D, P67B			
Z28.9	23	Z64A, Z64B		Pre	963Z			
Z29.0	23	Z64A, Z64B		Pre	963Z			
Z29.1	18A	S65A, S65B		Pre	963Z			
	23	Z64A, Z64B						
Z29.20	18A	S65A, S65B						
	23	Z64A, Z64B						
Z29.21	15	TPN, VTPN						
	18A	S65A, S65B						
	23	Z64A, Z64B						

ICD	MDC	DRG	ICD	MDC	DRG	ICD	MDC	DRG
Z45.84	23	Z64A, Z64B	Z72.6	23	Z64A, Z64B	Z82.3	23	Z64A, Z64B
Z45.85	23	Z64A, Z64B	Z72.8	23	Z64A, Z64B	Z82.4	23	Z64A, Z64B
Z45.88	23	Z64A, Z64B	Z72.9	23	Z64A, Z64B	Z82.5	23	Z64A, Z64B
Z45.9	23	Z64A, Z64B	Z73.0	23	Z64A, Z64B	Z82.6	23	Z64A, Z64B
Z46.0	23	Z64A, Z64B	Z73.1	23	Z64A, Z64B	Z82.7	23	Z64A, Z64B
Z46.1	23	Z64A, Z64B	Z73.2	23	Z64A, Z64B	Z82.8	23	Z64A, Z64B
Z46.2	23	Z64A, Z64B	Z73.3	23	Z64A, Z64B	Z83.0	23	Z64A, Z64B
Z46.3	23	Z64A, Z64B	Z73.4	23	Z64A, Z64B	Z83.1	23	Z64A, Z64B
Z46.4	23	Z64A, Z64B	Z73.5	23	Z64A, Z64B	Z83.2	23	Z64A, Z64B
Z46.5	06	G46A, G46B, G46C, G50Z, G71Z	Z73.6	23	Z64A, Z64B	Z83.3	23	Z64A, Z64B
Z46.6	11	L68A, L68B, L74Z	Z73.8	23	Z64A, Z64B	Z83.4	23	Z64A, Z64B
Z46.7	08	I73Z	Z73.9	23	Z64A, Z64B	Z83.5	23	Z64A, Z64B
Z46.8	23	Z64A, Z64B	Z74.0	23	Z64A, Z64B	Z83.6	23	Z64A, Z64B
Z46.9	23	Z64A, Z64B	Z74.1	23	Z64A, Z64B	Z83.7	23	Z64A, Z64B
Z47.8	08	I73Z	Z74.2	23	Z64A, Z64B	Z84.0	23	Z64A, Z64B
Z47.9	08	I73Z	Z74.3	23	Z64A, Z64B	Z84.1	23	Z64A, Z64B
Z48.0	23	Z64A, Z64B	Z74.8	23	Z64A, Z64B	Z84.2	23	Z64A, Z64B
Z48.8	23	Z65Z	Z74.9	23	Z64A, Z64B	Z84.3	23	Z64A, Z64B
Z48.9	23	Z65Z	Z75.60	15	P65C, P66C, P67B, P67C	Z84.8	23	Z64A, Z64B
Z49.0	11	L60A, L60B, L60C, L60D, L71Z	Z75.64	15	P65C, P66C, P67B, P67C	Z90.3	15	TPN, VTPN
Z49.1	11	L61Z	Z75.65	15	P65C, P66C, P67B, P67C	Z91.2	23	Z65Z
Z51.4	23	Z65Z	Z75.66	15	P65C, P66C, P67B, P67C	Z91.3	23	Z65Z
Z51.6	23	Z64A, Z64B	Z75.67	15	P65C, P66C, P67B, P67C	Z91.4	23	Z65Z
Z51.83	23	Z65Z	Z75.68	15	P65C, P66C, P67B, P67C	Z91.5	23	Z65Z
Z51.88	23	Z65Z	Z75.69	15	P65C, P66C, P67B, P67C	Z91.6	23	Z65Z
Z51.9	23	Z65Z	Z75.70		PTX	Z92.0	23	Z65Z
Z52.01	23	Z64A, Z64B	Z75.74		PTX	Z92.5	23	Z65Z
Z52.08	23	Z64A, Z64B	Z75.75		P65C, P66C, P67B, P67C PTX	Z93.0	22	Y02A, Y02B
Z52.1	09	J67A, J67B, J68A, J68B	Z75.76		PTX	Z94.0	04	E62A, E62B, E77A, E77B, E77C
Z52.2	08	I76A, I76B	Z75.77		P65C, P66C, P67B, P67C PTX		05	F61A
Z52.3	23	Z64A, Z64B	Z75.78		PTX		06	G18A, G38Z, G40Z, G48A, G48B, G67A
Z52.4	23	Z64A, Z64B	Z75.79		P65C, P66C, P67B, P67C PTX		10	K62A
Z52.5	23	Z64A, Z64B			P65C, P66C, P67B, P67C		18B	T01A, T60A, T60B, T60C, T61A, T63A, T64A, T64B
Z52.6	23	Z02Z, Z64A, Z64B	Z76.0		PTX	Z94.1	04	E62A, E62B, E77A, E77B, E77C
Z52.7	23	Z64A, Z64B	Z76.1		P65C, P66C, P67B, P67C		05	F61A
Z52.81	23	Z64A, Z64B	Z76.2		P65C, P66C, P67B, P67C		06	G18A, G38Z, G40Z, G48A, G48B, G67A
Z52.82	23	Z64A, Z64B	Z76.4		Z64A, Z64B		10	K62A
Z52.89	23	Z64A, Z64B	Z76.8		P65C, P66C, P67B, P67C	Z94.2	04	E40A, E62A, E62B, E65A, E77A, E77B, E77C
Z52.9	23	Z64A, Z64B	Z76.9		Z64A, Z64B		05	F61A
Z53.0	23	Z65Z	Z77.0		P65C, P66C, P67B, P67C		06	G18A, G38Z, G40Z, G48A, G48B, G67A
Z53.1	23	Z65Z	Z80.0		Z64A, Z64B		10	K62A
Z53.2	23	Z65Z	Z80.1		P65C, P66C, P67B, P67C	Z94.3	04	E40A, E62A, E62B, E65A, E77A, E77B, E77C
Z53.8	23	Z65Z	Z80.2		Z64A, Z64B		05	F61A
Z53.9	23	Z65Z	Z80.3		P65C, P66C, P67B, P67C		06	G18A, G38Z, G40Z, G48A, G48B, G67A
Z64.1	12	M64Z	Z80.4		J01Z, J67A, J67B		10	K62A
	13	N04Z, N05A, N05B, N14Z, N21Z, N25Z, N62B	Z80.5		Z64A, Z64B		18B	T01A, T60A, T60B, T60C, T61A, T63A, T64A, T64B
Z65.0	23	Z64A, Z64B	Z80.6		Z64A, Z64B		Pre	A07D, A09E, A11F, A13F
Z65.1	23	Z64A, Z64B	Z80.7		Z64A, Z64B		04	E40A, E62A, E62B, E65A, E77A, E77B, E77C
Z65.2	23	Z64A, Z64B	Z80.8		Z64A, Z64B		05	F61A
Z65.3	23	Z64A, Z64B	Z80.9		Z64A, Z64B		06	G18A, G38Z, G40Z, G48A, G48B, G67A
Z65.4	23	Z64A, Z64B	Z81.0		Z64A, Z64B		10	K62A
Z65.5	23	Z64A, Z64B	Z81.1		Z64A, Z64B		18B	T01A, T60A, T60B, T60C, T61A, T63A, T64A, T64B
Z65.8	23	Z64A, Z64B	Z81.2		Z64A, Z64B		Pre	A07D, A09E, A11F, A13F
Z65.9	23	Z64A, Z64B	Z81.3		Z64A, Z64B		04	E40A, E62A, E62B, E65A, E77A, E77B, E77C
Z71.0	23	Z64A, Z64B	Z81.4		Z64A, Z64B		05	F61A
Z71.1	23	Z64A, Z64B	Z81.5		Z64A, Z64B		06	G18A, G38Z, G40Z, G48A, G48B, G67A
Z71.2	23	Z64A, Z64B	Z81.6		Z64A, Z64B		10	K62A
Z71.3	23	Z64A, Z64B	Z81.7		Z64A, Z64B		18B	T01A, T60A, T60B, T60C, T61A, T63A, T64A, T64B
Z71.4	23	Z64A, Z64B	Z81.8		Z64A, Z64B		Pre	A07D, A09E, A11F, A13F
Z71.5	23	Z64A, Z64B	Z81.9		Z64A, Z64B		04	E40A, E62A, E62B, E65A, E77A, E77B, E77C
Z71.6	23	Z64A, Z64B	Z82.0		Z64A, Z64B		05	F61A
Z71.7	23	Z64A, Z64B	Z82.1		Z64A, Z64B		06	G18A, G38Z, G40Z, G48A, G48B, G67A
Z71.8	23	Z64A, Z64B	Z82.2		Z64A, Z64B		10	K62A
Z71.9	23	Z64A, Z64B					18B	T01A, T60A, T60B, T60C, T61A, T63A, T64A, T64B
Z72.3	23	Z64A, Z64B					Pre	A07D, A09E, A11F, A13F
Z72.4	23	Z64A, Z64B					04	E40A, E62A, E62B, E65A, E77A, E77B, E77C
Z72.5	23	Z64A, Z64B					05	F61A
							06	G18A, G38Z, G40Z, G48A, G48B, G67A
							10	K62A
							18B	T01A, T60A, T60B, T60C, T61A, T63A, T64A, T64B
							Pre	A07D, A09E, A11F, A13F

ICD	MDC	DRG	ICD	MDC	DRG	ICD	MDC	DRG
Z94.4	04	E62A, E62B, E77A, E77B, E77C	Z94.81	04	E62A, E62B, E77A, E77B, E77C	Z94.88	04	E62A, E62B, E77A, E77B, E77C
	05	F61A		05	F61A		05	F61A
	06	G18A, G38Z, G40Z, G48A, G48B, G67A		06	G18A, G38Z, G40Z, G48A, G48B, G67A		06	G40Z, G48A, G48B, G67A
	10	K62A		10	K62A		10	K62A
	18B	T01A, T60A, T60B, T60C, T61A, T63A, T64A, T64B		18B	T01A, T60A, T60B, T60C, T61A, T63A, T64A, T64B		18B	T01A, T60A, T60B, T60C, T61A, T63A
	Pre	A07D, A09E, A11F, A13F		Pre	A07D, A09E, A11F, A13F	Z94.9	05	F61A
Z94.5	05	F61A	Z94.82	04	E62A, E62B, E77A, E77B, E77C		06	G67A
	06	G67A		05	F61A	Z97.0	23	Z65Z
Z94.6	05	F61A		06	G18A, G38Z, G40Z, G48A, G48B, G67A	Z97.2	23	Z65Z
	06	G67A		10	K62A	Z97.3	23	Z65Z
Z94.7	05	F61A		18B	T01A, T60A, T60B, T60C, T61A, T63A, T64A, T64B	Z97.4	23	Z65Z
	06	G67A		Pre	A07D, A09E, A11F, A13F	Z97.5	23	Z65Z
Z94.80	04	E62A, E62B, E77A, E77B, E77C	Z94.83	04	E62A, E62B, E77A, E77B, E77C			
	05	F61A		05	F61A			
	06	G18A, G38Z, G40Z, G48A, G48B, G67A		06	G18A, G38Z, G40Z, G48A, G48B, G67A			
	10	K62A		10	K62A			
	18B	T01A, T60A, T60B, T60C, T61A, T63A		18B	T01A, T60A, T60B, T60C, T61A, T63A, T64A, T64B			

Dg

Príloha B

Kódy výkonov-/MDC-/DRG-Index

Táto príloha obsahuje zoznam kódov zdravotných výkonov relevantných pre zaraďovanie, ako aj bližšie informácie k MDC a DRG, v ktorých sa tieto kódy vyskytujú. Neoperačné výkony (Non-OP) sú označené prostredníctvom znaku Œ na konci kódu. Obojstranná čiarka za kódom poukazuje na nutnosť špecifikácie doplňujúceho údajá pre určenie strany (lokalizácie), na ktorej bol výkon vykonaný. Lokalizácia sa vykazuje znakom pod a konkrétnych usmernení vydávanými Centrom pre klasifikačný systém.

Priradenie DRG skupiny kódom výkonov na základe overenia na všetky OP-výkony nie je v prílohe uvedené pre každý jednotlivý zdravotný výkon. Miesto toho sú v zozname kódov výkonov relevantných pre zaraďovanie v systéme SK-DRG vymenované všetky DRG-skupiny, ktoré vo svojej definícii obsahujú akékoľvek overovanie na OP-výkon. Prehľad skratiek funkcií, použitých v tejto prílohe, sa nachádza v prehľade funkcií na konci prílohy B. V nasledujúcich príkladoch sa neprístupuje k zaraďovaniu do DRG-skupiny na základe overovania každého OP-výkonu - analogicky k zoznamu výkonov relevantných pre zaraďovanie.

Jeden kód zdravotného výkonu môže byť priradený k viacerým DRG-skupinám v rozličných MDC. Kódy výkonov pre Non-OP-výkony pôsobia na zaraďovanie záznamov inak a sú v prílohe uvedené iným spôsobom.

V tejto prílohe nie sú uvedené všetky kódy zdravotných výkonov podľa Zoznamu zdravotných výkonov pre klasifikačný systém diagnosticko-terapeutických skupín ZZV-DRG-2021. Kódy nepoužívané pre zaraďovanie do DRG-skupín sú vynechané. Pokiaľ teda hospitalizačný prípad obsahuje iba kódy výkonov, ktoré nie sú uvedené v prílohe B, nebude podľa pravidiel definovaných touto prílohou takýto hospitalizačný prípad zaradený do jednej z operačných alebo špeciálnych DRG, ale do DRG-skupiny medicínskeho segmentu..

Pre záznamy (hospitalizačné prípady) s viacerými výkonmi môže byť táto príloha použitá na získanie informácií o možných operačných-DRG a špeciálnych DRG-skupinách pre každý samostatný kód výkonu. Pokiaľ obsahuje záznam OP-výkony, z ktorých však žiadne nie je priradené DRG-skupine v zodpovedajúcej MDC a chybové a špeciálne DRG sú overované pred DRG-skupinami zo segmentu špeciálnych, je zaradený do jednej z chybových-DRG alebo ostatných-DRG 901A-D alebo 902Z. Ak je v operačných-DRG alebo iných-DRG tejto MDC uvedených viacero kódov výkonov, rozhodujúcou pre zaradenie v MDC sa stáva hierarchia v rámci operačných-DRG a iných-DRG.

ZZV	MDC	DRG	ZZV	MDC	DRG	ZZV	MDC	DRG
12a10.0	01	B09A, B09B	12a30.7↔	01	B03A, B03B, B06A, B06B, B09A, B09B, B17A, B17B, B17C	12j20.01‡↔	04	E71A
12a10.1	01	B09A, B09B					05	F03C, F03D, F03E, F05Z, F06C, F06D, F06E, F12F, F15Z, F36A, F36B, F41A, F41B, F46A, F46B, F49A, F49B, F49C, F49D, F49E, F49F, F49G
12a10.2	01	B09A, B09B					06	G67A
12a10.3	01	B09A, B09B		08	I28A, I28B	12j20.02‡↔	04	E71A
12a10.4	01	B09A, B09B		21A	W04A, W04B	12m11.0↔	01	B03A, B03B, B06A, B06B, B09A, B09B, B17A, B17B, B17C
12a10.5	01	B09A, B09B		21B	X04Z, X06A, X06B, X06C		03	D12A, D12B
12a10.x	01	B09A, B09B	12a30.8↔	01	B03A, B03B, B06A, B06B, B09A, B09B, B17A, B17B, B17C		04	E02A, E02B, E02C
12a20.0	01	B03A, B03B, B18Z		08	I28A, I28B		06	G10Z, G12A, G12B, G12C
	08	I10A, I10B, I10C, I10D, I10E		21A	W04A, W04B		07	H06A, H06B, H06C
	17	R01A, R01B, R01C, R01D, R02Z, R12A, R12B, R12C		21B	X04Z, X06A, X06B, X06C		08	I28A, I28B
12a20.1	01	B03A, B03B, B18Z	12a30.9↔	01	B03A, B03B, B06A, B06B, B09A, B09B, B17A, B17B, B17C		09	J03A, J03B, J04A, J04B, J08A, J08B, J08C, J11A, J11B, J16Z
	08	I10A, I10B, I10C, I10D, I10E		08	I28A, I28B		10	K09A, K09B
	17	R01A, R01B, R01C, R01D, R02Z, R12A, R12B, R12C		21A	W04A, W04B		11	L09A, L09B, L09C, L09D, L38Z
12a20.2	01	B03A, B03B, B18Z		21B	X04Z, X06A, X06B, X06C		12	M06Z, M09A, M09B, M38Z
	08	I10A, I10B, I10C, I10D, I10E		01	B03A, B03B, B06A, B06B, B09A, B09B, B17A, B17B, B17C		13	N11A, N11B
	17	R01A, R01B, R01C, R01D, R02Z, R12A, R12B, R12C	12a30.x↔	08	I28A, I28B		16	Q03A, Q03B
12a20.x	01	B03A, B03B, B18Z		21A	W04A, W04B		01	B03A, B03B, B06A, B06B, B17A, B17B, B17C
	08	I10A, I10B, I10C, I10D, I10E		21B	X06A, X06B, X06C		03	D12A, D12B
	17	R01A, R01B, R01C, R01D, R02Z, R12A, R12B, R12C	12b10	01	B02A, B02B, B02C, B02D, B09A, B09B, B20A, B20B, B20C, B20D, B20E, B20F, B39A, B39B	12m11.1↔	04	E02A, E02B, E02C
12a30.0↔	01	B03A, B03B, B06A, B06B, B17A, B17B, B17C		10	K03A, K03B		06	G10Z, G12A, G12B, G12C
	03	D12A, D12B		01	B02A, B02B, B02C, B02D, B09A, B09B, B20A, B20B, B20C, B20D, B20E, B20F, B39A, B39B		07	H06A, H06B, H06C
	08	I28A, I28B	12b11	10	K03A, K03B		08	I28A, I28B
	21A	W04A, W04B		01	B02A, B02B, B02C, B02D, B09A, B09B, B20A, B20B, B20C, B20D, B20E, B20F, B39A, B39B		09	J03A, J03B, J04A, J04B, J08A, J08B, J08C, J11A, J11B, J16Z
	21B	X06A, X06B, X06C		10	K03A, K03B		10	K09A, K09B
12a30.1↔	01	B03A, B03B, B06A, B06B, B09A, B09B, B17A, B17B, B17C	12b13↔	01	B09A, B09B		11	L09A, L09B, L09C, L09D, L38Z
	03	D12A, D12B		08	I28A, I28B		12	M06Z, M09A, M09B, M38Z
	08	I28A, I28B		10	K06A, K06B, K06C, K06D		13	N11A, N11B
	21A	W04A, W04B	12b20	01	B02A, B02B, B02C, B02D, B09A, B09B, B20A, B20B, B20C, B20D, B20E, B20F, B39A, B39B	12m11.2↔	16	Q03A, Q03B
	21B	X06A, X06B, X06C		10	K03A, K03B		01	B03A, B03B, B06A, B06B, B17A, B17B, B17C
12a30.2↔	01	B03A, B03B, B06A, B06B, B09A, B09B, B17A, B17B, B17C	12b21	01	B02A, B02B, B02C, B02D, B09A, B09B, B20A, B20B, B20C, B20D, B20E, B20F, B39A, B39B		03	D12A, D12B
	08	I28A, I28B		10	K03A, K03B		04	E02A, E02B, E02C
	21A	W04A, W04B		01	B02A, B02B, B02C, B02D, B09A, B09B, B20A, B20B, B20C, B20D, B20E, B20F, B39A, B39B		06	G10Z, G12A, G12B, G12C
	21B	X06A, X06B, X06C	12b23↔	01	B09A, B09B		07	H06A, H06B, H06C
12a30.3↔	01	B03A, B03B, B06A, B06B, B09A, B09B, B17A, B17B, B17C		08	I28A, I28B		08	I28A, I28B
	08	I28A, I28B		10	K06A, K06B, K06C, K06D		09	J03A, J03B, J04A, J04B, J08A, J08B, J08C, J11A, J11B, J16Z
	21A	W04A, W04B		10	K03A, K03B		10	K09A, K09B
	21B	X05A, X05B, X06A, X06B, X06C	12c02↔	01	B09A, B09B		11	L09A, L09B, L09C, L09D, L38Z
12a30.4↔	01	B03A, B03B, B06A, B06B, B09A, B09B, B17A, B17B, B17C	12c03↔	01	B09A, B09B		12	M06Z, M09A, M09B, M38Z
	08	I28A, I28B		02	C01A, C01B, C14Z, C16Z		13	N11A, N11B
	21A	W04A, W04B		01	B09A, B09B		16	Q03A, Q03B
	21B	X05A, X05B, X06A, X06B, X06C	12j00.12‡↔	02	C01A, C01B, C14Z, C16Z			
12a30.5	01	B03A, B03B, B06A, B06B, B09A, B09B, B17A, B17B, B17C	12j00.30‡	21A	W04A, W04B			
	08	I28A, I28B		21B	X06A, X06B, X06C			
	21A	W04A, W04B	12j00.31‡↔	04	E71A			
	21B	X06A, X06B, X06C		03	D60A			
12a30.6↔	01	B03A, B03B, B06A, B06B, B09A, B09B, B17A, B17B, B17C	12j00.32‡↔	04	E65A, E71A			
	08	I28A, I28B		03	D60A			
	21A	W04A, W04B	12j20.00‡↔	04	E65A, E71A			
	21B	X04Z, X06A, X06B, X06C		04	E71A			

VYK

ZZV	MDC	DRG	ZZV	MDC	DRG	ZZV	MDC	DRG				
12m11.3	01	B03A, B03B, B06A, B06B, B17A, B17B, B17C	12m11.7↔	01	B03A, B03B, B06A, B06B, B17A, B17B, B17C	12m21.2↔	01	B03A, B03B, B06A, B06B, B17A, B17B, B17C				
	03	D12A, D12B		03	D12A, D12B		03	D12A, D12B				
	04	E02A, E02B, E02C		04	E02A, E02B, E02C		04	E02A, E02B, E02C				
	06	G10Z, G12A, G12B, G12C		06	G10Z, G12A, G12B, G12C		06	G10Z, G12A, G12B, G12C				
	07	H06A, H06B, H06C		07	H06A, H06B, H06C		07	H06A, H06B, H06C				
	08	I28A, I28B		08	I28A, I28B		08	I28A, I28B				
	09	J03A, J03B, J04A, J04B, J08A, J08B, J08C, J11A, J11B, J16Z		09	J03A, J03B, J04A, J04B, J08A, J08B, J08C, J11A, J11B, J16Z		09	J03A, J03B, J04A, J04B, J08A, J08B, J08C, J11A, J11B, J16Z				
	10	K09A, K09B		10	K09A, K09B		10	K09A, K09B				
	11	L09A, L09B, L09C, L09D, L38Z		11	L09A, L09B, L09C, L09D, L38Z		11	L09A, L09B, L09C, L09D, L38Z				
	12	M06Z, M09A, M09B, M38Z		12	M06Z, M09A, M09B, M38Z		12	M06Z, M09A, M09B, M38Z				
	13	N11A, N11B		13	N11A, N11B		13	N11A, N11B				
	16	Q03A, Q03B		16	Q03A, Q03B		16	Q03A, Q03B				
	12m11.4	01		B03A, B03B, B06A, B06B, B17A, B17B, B17C	12m13		04	E06A, E06B, E06C, E08A, E08B, E08C	12m21.3	01	B03A, B03B, B06A, B06B, B17A, B17B, B17C	
		03		D12A, D12B			10	K09A, K09B		03	D12A, D12B	
		04		E02A, E02B, E02C			16	Q03A, Q03B		04	E02A, E02B, E02C	
		06		G10Z, G12A, G12B, G12C			17	R01A, R01B, R01C, R01D, R02Z, R12A, R12B, R12C		06	G10Z, G12A, G12B, G12C	
07		H06A, H06B, H06C	12m1x↔	01		B03A, B03B, B06A, B06B, B17A, B17B, B17C	07	H06A, H06B, H06C				
08		I28A, I28B		03		D12A, D12B	08	I28A, I28B				
09		J03A, J03B, J04A, J04B, J08A, J08B, J08C, J11A, J11B, J16Z		04		E02A, E02B, E02C	09	J03A, J03B, J04A, J04B, J08A, J08B, J08C, J11A, J11B, J16Z				
10		K09A, K09B		06		G10Z, G12A, G12B, G12C	10	K09A, K09B				
11		L09A, L09B, L09C, L09D, L38Z		07		H06A, H06B, H06C	11	L09A, L09B, L09C, L09D, L38Z				
12		M06Z, M09A, M09B, M38Z		08		I28A, I28B	12	M06Z, M09A, M09B, M38Z				
13		N11A, N11B		09		J03A, J03B, J04A, J04B, J08A, J08B, J08C, J11A, J11B, J16Z	13	N11A, N11B				
16		Q03A, Q03B		10		K09A, K09B	16	Q03A, Q03B				
12m11.5↔		01		B03A, B03B, B06A, B06B, B17A, B17B, B17C		12m21.0↔	11	L09A, L09B, L09C, L09D, L38Z		12m21.4	01	B03A, B03B, B06A, B06B, B17A, B17B, B17C
		03		D12A, D12B			12	M06Z, M09A, M09B, M38Z			03	D12A, D12B
		04		E02A, E02B, E02C			13	N11A, N11B			04	E02A, E02B, E02C
		06		G10Z, G12A, G12B, G12C			16	Q03A, Q03B			06	G10Z, G12A, G12B, G12C
	07	H06A, H06B, H06C		01	B03A, B03B, B06A, B06B, B17A, B17B, B17C		07	H06A, H06B, H06C				
	08	I28A, I28B		03	D12A, D12B		08	I28A, I28B				
	09	J03A, J03B, J04A, J04B, J08A, J08B, J08C, J11A, J11B, J16Z		04	E02A, E02B, E02C		09	J03A, J03B, J04A, J04B, J08A, J08B, J08C, J11A, J11B, J16Z				
	10	K09A, K09B		06	G10Z, G12A, G12B, G12C		10	K09A, K09B				
	11	L09A, L09B, L09C, L09D, L38Z	07	H06A, H06B, H06C	11		L09A, L09B, L09C, L09D, L38Z					
	12	M06Z, M09A, M09B, M38Z	08	I28A, I28B	12		M06Z, M09A, M09B, M38Z					
	13	N11A, N11B	09	J03A, J03B, J04A, J04B, J08A, J08B, J08C, J11A, J11B, J16Z	13		N11A, N11B					
	16	Q03A, Q03B	10	K09A, K09B	16		Q03A, Q03B					
	12m11.6↔	01	B03A, B03B, B06A, B06B, B17A, B17B, B17C	12m21.1↔	11		L09A, L09B, L09C, L09D, L38Z	12m21.5↔	01		B03A, B03B, B06A, B06B, B17A, B17B, B17C	
		03	D12A, D12B		12		M06Z, M09A, M09B, M38Z		03		D12A, D12B	
		04	E02A, E02B, E02C		13		N11A, N11B		04		E02A, E02B, E02C	
		06	G10Z, G12A, G12B, G12C		16		Q03A, Q03B		06		G10Z, G12A, G12B, G12C	
07		H06A, H06B, H06C	01		B03A, B03B, B06A, B06B, B17A, B17B, B17C	07	H06A, H06B, H06C					
08		I28A, I28B	03		D12A, D12B	08	I28A, I28B					
09		J03A, J03B, J04A, J04B, J08A, J08B, J08C, J11A, J11B, J16Z	04		E02A, E02B, E02C	09	J03A, J03B, J04A, J04B, J08A, J08B, J08C, J11A, J11B, J16Z					
10		K09A, K09B	06		G10Z, G12A, G12B, G12C	10	K09A, K09B					
11		L09A, L09B, L09C, L09D, L38Z	07		H06A, H06B, H06C	11	L09A, L09B, L09C, L09D, L38Z					
12		M06Z, M09A, M09B, M38Z	08		I28A, I28B	12	M06Z, M09A, M09B, M38Z					
13		N11A, N11B	09		J03A, J03B, J04A, J04B, J08A, J08B, J08C, J11A, J11B, J16Z	13	N11A, N11B					
16		Q03A, Q03B	10		K09A, K09B	16	Q03A, Q03B					
			11		L09A, L09B, L09C, L09D, L38Z							
			12		M06Z, M09A, M09B, M38Z							
			13		N11A, N11B							
			16		Q03A, Q03B							

VYK

ZZV	MDC	DRG	ZZV	MDC	DRG	ZZV	MDC	DRG		
12m21.6↔	01	B03A, B03B, B06A, B06B, B17A, B17B, B17C	12n20.2‡	07	H41A, H41B, H41C	12q23.3↔	13	N01A, N01B, N01C, N01D, N01E, N02A, N02B, N02C, N03A, N03B, N07Z, N25Z, N38Z		
	03	D12A, D12B	12n21‡	06	G40Z, G46A, G46B, G46C, G47Z, G50Z		12t00.0↔	03	D12A, D12B	
	04	E02A, E02B, E02C	12n30.0‡	06	G40Z, G46A, G46B, G46C, G47Z			08	I24Z	
	06	G10Z, G12A, G12B, G12C	12n30.2‡	07	H41A, H41B, H41C		21A	W04A, W04B		
	07	H06A, H06B, H06C	12o01.0‡↔	11	L18A, L18B, L19Z, L20A, L20B, L20C, L38Z		21B	X06A, X06B, X06C		
	08	I28A, I28B	12o01.1‡↔	11	L18A, L18B, L19Z, L20A, L20B, L20C, L38Z		12t00.1↔	08	I24Z	
	09	J03A, J03B, J04A, J04B, J08A, J08B, J08C, J11A, J11B, J16Z	12o01.2	11	L18A, L18B, L19Z, L20A, L20B, L20C, L38Z		21A	W04A, W04B		
	10	K09A, K09B	12	M06Z, M09A, M09B, M38Z	21B		X06A, X06B, X06C			
	11	L09A, L09B, L09C, L09D, L38Z	13	N08Z	12t00.2↔		08	I24Z		
	12	M06Z, M09A, M09B, M38Z	11	L42A	21A		W04A, W04B			
	13	N11A, N11B	12o10‡↔	11	L42A		21B	X06A, X06B, X06C		
	16	Q03A, Q03B	12o20.0‡↔	11	L42A		12t00.3↔	08	I24Z	
	12m21.7↔	01	B03A, B03B, B06A, B06B, B17A, B17B, B17C	12q10.0↔	10		K09A, K09B	21A	W04A, W04B	
		03	D12A, D12B	12q10.1↔	13		N01A, N01B, N01C, N01D, N01E, N02A, N02B, N02C, N03A, N03B, N07Z, N25Z, N38Z	21B	X06A, X06B, X06C	
		04	E02A, E02B, E02C		12q10.2		13	N01A, N01B, N01C, N01D, N01E, N02A, N02B, N02C, N03A, N03B, N07Z, N25Z, N38Z	12t00.4↔	08
		06	G10Z, G12A, G12B, G12C	12q10.3↔			13	N01A, N01B, N01C, N01D, N01E, N02A, N02B, N02C, N03A, N03B, N07Z, N25Z, N38Z	21A	W04A, W04B
07		H06A, H06B, H06C	12q11.0		13	N10Z	21B	X06A, X06B, X06C		
08		I28A, I28B		12q11.1	14	962Z, O02A, O02B, O40Z	12t00.5↔	08	I32A, I32B, I32C, I32D, I32E, I32F, I32G	
09		J03A, J03B, J04A, J04B, J08A, J08B, J08C, J11A, J11B, J16Z	12q11.2		13	N10Z	21A	W04A, W04B		
10		K09A, K09B		12q11.2	14	962Z, O02A, O02B, O40Z	21B	X04Z		
11		L09A, L09B, L09C, L09D, L38Z	12q11.2		11	L09A, L09B, L09C, L09D, L38Z	12t00.6↔	08	I24Z	
12		M06Z, M09A, M09B, M38Z		12q11.x	13	N10Z	21A	W04A, W04B		
13		N11A, N11B	12q11.x		14	962Z, O02A, O02B, O40Z	21B	X04Z		
16		Q03A, Q03B		12q12.0	09	J03A, J03B, J04A, J04B, J08A, J08B, J08C, J11A, J11B, J16Z	12t00.7↔	08	I24Z	
12m23		04	E06A, E06B, E06C, E08A, E08B, E08C		12q12.x	13	N09A, N09B	10	K09A, K09B	
		10	K09A, K09B	12q20.1‡		14	962Z, O02A, O02B	21A	W04A, W04B	
		16	Q03A, Q03B		12q20.2‡	14	962Z	21B	X04Z	
		17	R01A, R01B, R01C, R01D, R02Z, R12A, R12B, R12C	12q20.3‡		14	962Z	12t00.8↔	08	I24Z
	12m2x↔	01	B03A, B03B, B06A, B06B, B17A, B17B, B17C		12q20.x‡↔	14	962Z	21A	W04A, W04B	
		03	D12A, D12B	12q23.0↔		10	K09A, K09B	21B	X04Z, X06A, X06B, X06C	
		04	E02A, E02B, E02C		12q23.1↔	13	N01A, N01B, N01C, N01D, N01E, N02A, N02B, N02C, N03A, N03B, N07Z, N25Z, N38Z	12t00.9↔	08	I24Z
		06	G10Z, G12A, G12B, G12C	12q23.2		13	N01A, N01B, N01C, N01D, N01E, N02A, N02B, N02C, N03A, N03B, N07Z, N25Z, N38Z	21A	W04A, W04B	
		07	H06A, H06B, H06C		12q23.2	13	N01A, N01B, N01C, N01D, N01E, N02A, N02B, N02C, N03A, N03B, N07Z, N25Z, N38Z	21B	X04Z, X06A, X06B, X06C	
		08	I28A, I28B	12n01.0‡		07	H41A, H41B, H41C	12t00.a↔	08	I32A, I32B, I32C, I32D, I32E, I32F, I32G
		09	J03A, J03B, J04A, J04B, J08A, J08B, J08C, J11A, J11B, J16Z		12n01.1‡	07	H41A, H41B, H41C	21A	W04A, W04B	
		10	K09A, K09B	12n01.2‡		07	H41A, H41B, H41C	21B	X05A, X05B	
		11	L09A, L09B, L09C, L09D, L38Z		12n01.3‡	06	G40Z, G46A, G46B, G46C, G47Z	12t00.x↔	08	I24Z
		12	M06Z, M09A, M09B, M38Z	12n01.4‡		06	G40Z, G46A, G46B, G46C, G47Z	21A	W04A, W04B	
		13	N11A, N11B		12n01.x‡	06	G40Z, G46A, G46B, G46C, G47Z	21B	X06A, X06B, X06C	
		16	Q03A, Q03B	12n02.a‡		06	G40Z, G48A, G48B, G48C	12t10.4	03	D12A, D12B
07		H41A, H41B, H41C	12n02.b‡		06	G40Z, G48A, G48B, G48C	08	I28A, I28B, I28C		
07		H41A, H41B, H41C		12n10.0‡	06	G40Z, G46A, G46B, G46C, G47Z, G50Z	09	J03A, J03B, J04A, J04B, J08A, J08B, J08C, J11A, J11B, J16Z		
06		G40Z, G46A, G46B, G46C, G47Z	12n10.2‡		07	H41A, H41B, H41C	10	K09A, K09B		
06		G40Z, G46A, G46B, G46C, G47Z, G50Z		12n20.0‡	06	G40Z, G46A, G46B, G46C, G47Z, G50Z	11	L09A, L09B, L09C, L09D, L38Z		
07	H41A, H41B, H41C	12n20.0‡	06		G40Z, G46A, G46B, G46C, G47Z, G50Z	12	M06Z, M09A, M09B, M38Z			
06	G40Z, G46A, G46B, G46C, G47Z, G50Z									

VYK

ZZV	MDC	DRG	ZZV	MDC	DRG	ZZV	MDC	DRG
12t21.b	01	B03A, B03B, B06A, B06B, B17A, B17B, B17C	13a11.0		BOP, KVT, UOP4	13a30.2↔	01	B03A, B03B, B06A, B06B, B17A, B17B, B17C
	04	E02A, E02B, E02C		17	R01A, R01B, R01C, R01D, R02Z, R12A, R12B, R12C	03	D12A, D12B	
	08	I27A, I27B, I27C, I27D	13a11.1		BOP, KVT, UOP4	08	I28A, I28B	
	09	J03A, J03B, J04A, J04B, J08A, J08B, J08C, J11A, J11B, J16Z		17	R01A, R01B, R01C, R01D, R02Z, R12A, R12B, R12C	21A	W04A, W04B	
	10	K09A, K09B	13a11.2		BOP, KVT, UOP4	21B	X05A, X05B, X06A, X06B, X06C	
12x60±	05	F49A, F49D		17	R01A, R01B, R01C, R01D, R02Z, R12A, R12B, R12C	13a30.3↔	01	B03A, B03B, B06A, B06B, B17A, B17B, B17C
12x61±	05	F49A, F49D, F49F	13a11.3		BOP, KVT, UOP4	08	I28A, I28B	
12x62±	05	F49A, F49D, F49F		17	R01A, R01B, R01C, R01D, R02Z, R12A, R12B, R12C	21A	W04A, W04B	
13a10.0		BOP, KVT, UOP4	13a11.4		BOP, KVT, UOP4	21B	X05A, X05B, X06A, X06B, X06C	
13a10.1		BOP, KVT, UOP4		17	R01A, R01B, R01C, R01D, R02Z, R12A, R12B, R12C	13a30.4↔	01	B03A, B03B, B06A, B06B, B17A, B17B, B17C
13a10.2		BOP, KVT, UOP4	13a11.5		BOP, KVT, UOP4	08	I28A, I28B	
13a10.3		BOP, KVT, UOP4		02	C01A, C01B, C14Z, C16Z	21A	W04A, W04B	
13a10.4		BOP, KVT, UOP4		05	F01A, F01B, F01D, F05Z, F07A, F07B, F14A, F14B, F28A, F42Z, F54Z, F59A, F59B	21B	X05A, X05B, X06A, X06B, X06C	
13a10.5		BOP, KVT, UOP4		08	I28A, I28B	13a30.5	01	B03A, B03B, B06A, B06B, B17A, B17B, B17C
	01	B03A, B03B, B06A, B06B, B17A, B17B, B17C		10	K09A, K09B	03	D12A, D12B	
	02	C01A, C01B, C14Z, C16Z	13a11.6		BOP, KVT, UOP4	08	I28A, I28B	
	05	F01A, F01B, F01D, F05Z, F07A, F07B, F14A, F14B, F28A, F42Z, F54Z, F59A, F59B		17	R01A, R01B, R01C, R01D, R02Z, R12A, R12B, R12C	21A	W04A, W04B	
	08	I28A, I28B		17	R01A, R01B, R01C, R01D, R02Z, R12A, R12B, R12C	21B	X06A, X06B, X06C	
	10	K09A, K09B	13a11.x		BOP, KVT, UOP4	13a30.6↔	01	B03A, B03B, B06A, B06B, B17A, B17B, B17C
13a10.6		BOP, KVT, UOP4		17	R01A, R01B, R01C, R01D, R02Z, R12A, R12B, R12C	08	I28A, I28B	
13a10.7		BOP, KVT, UOP4	13a20.0		BOP, KVT, UOP4	21A	W04A, W04B	
	03	D12A, D12B		01	B03A, B03B, B18Z	21B	X04Z, X06A, X06B, X06C	
	04	E02A, E02B, E02C		08	I10A, I10B, I10C, I10D, I10E	13a30.7↔	01	B03A, B03B, B06A, B06B, B17A, B17B, B17C
	08	I23A		17	R01A, R01B, R01C, R01D, R02Z, R12A, R12B, R12C	08	I28A, I28B	
	09	J03A, J03B, J04A, J04B, J08A, J08B, J08C, J11A, J11B, J16Z	13a20.1		BOP, KVT, UOP4	21A	W04A, W04B	
	10	K09A, K09B		01	B03A, B03B, B18Z	21B	X04Z, X06A, X06B, X06C	
	11	L09A, L09B, L09C, L09D, L38Z		08	I10A, I10B, I10C, I10D, I10E	13a30.8↔	01	B03A, B03B, B06A, B06B, B17A, B17B, B17C
	12	M06Z, M09A, M09B, M38Z		17	R01A, R01B, R01C, R01D, R02Z, R12A, R12B, R12C	08	I28A, I28B	
	21A	W04A, W04B	13a20.2		BOP, KVT, UOP4	21A	W04A, W04B	
	21B	X04Z, X05A, X05B, X06A, X06B, X06C		01	B03A, B03B, B18Z	21B	X04Z, X06A, X06B, X06C	
13a10.8		BOP, KVT, UOP4		08	I10A, I10B, I10C, I10D, I10E	13a30.9↔	01	B03A, B03B, B06A, B06B, B17A, B17B, B17C
	03	D12A, D12B		17	R01A, R01B, R01C, R01D, R02Z, R12A, R12B, R12C	08	I28A, I28B	
	04	E02A, E02B, E02C	13a20.3		BOP, KVT, UOP4	21A	W04A, W04B	
	08	I15A, I15B		01	B03A, B03B, B18Z	21B	X04Z, X06A, X06B, X06C	
	09	J03A, J03B, J04A, J04B, J08A, J08B, J08C, J11A, J11B, J16Z		08	I10A, I10B, I10C, I10D, I10E	13a30.x↔	01	B03A, B03B, B06A, B06B, B17A, B17B, B17C
	10	K09A, K09B		17	R01A, R01B, R01C, R01D, R02Z, R12A, R12B, R12C	08	I28A, I28B	
	11	L09A, L09B, L09C, L09D, L38Z	13a20.x		BOP, KVT, UOP4	21A	W04A, W04B	
	12	M06Z, M09A, M09B, M38Z		01	B03A, B03B, B18Z	21B	X06A, X06B, X06C	
	21A	W04A, W04B		08	I10A, I10B, I10C, I10D, I10E	13b00	BOP, KVT, UOP4	
	21B	X04Z, X05A, X05B, X06A, X06B, X06C		17	R01A, R01B, R01C, R01D, R02Z, R12A, R12B, R12C	10	K06A, K06B, K06C, K06D	
13a10.9		BOP, KVT, UOP4		08	I10A, I10B, I10C, I10D, I10E	13b01↔	BOP, KVT, UOP4	
	03	D12A, D12B	13a30.0↔		B03A, B03B, B06A, B06B, B17A, B17B, B17C	08	I28A, I28B	
	04	E02A, E02B, E02C		01	B03A, B03B, B06A, B06B, B17A, B17B, B17C	10	K06A, K06B, K06C, K06D	
	08	I17Z		03	D12A, D12B	13b02↔	BOP, KVT, UOP4	
	09	J03A, J03B, J04A, J04B, J08A, J08B, J08C, J11A, J11B, J16Z		08	I28A, I28B	10	K03A, K03B, K14Z	
	10	K09A, K09B		21A	W04A, W04B	13b10.0	BOP, KVT, UOP4	
	11	L09A, L09B, L09C, L09D, L38Z	13a30.1↔		X06A, X06B, X06C	01	B02A, B02B, B02C, B20A, B20B, B20C, B20D, B20E, B39A, B39B	
	12	M06Z, M09A, M09B, M38Z		01	B03A, B03B, B06A, B06B, B17A, B17B, B17C	10	K03A, K03B	
	21A	W04A, W04B		03	D12A, D12B	13b10.1	BOP, KVT, UOP4	
	21B	X04Z, X05A, X05B, X06A, X06B, X06C		08	I28A, I28B	01	B02A, B02B, B02C, B20A, B20B, B20C, B20D, B20E, B39A, B39B	
13a10.x		BOP, KVT, UOP4		21A	W04A, W04B	10	K03A, K03B	

ZZV	MDC	DRG	ZZV	MDC	DRG	ZZV	MDC	DRG
13b20.0		BOP, KVT, UOP4	13d41	03	D08A, D08B, D18Z, D22A, D22B, D30A, D30B	13k01		BOP, KVT, UOP4
	01	B02A, B02B, B02C, B20A, B20B, B20C, B20D, B20E, B39A, B39B		09	J03A, J03B, J04A, J04B, J08A, J08B, J08C, J11A, J11B, J16Z		04	E06A, E06B, E06C, E08A, E08B, E08C
	10	K03A, K03B					05	F01A, F01B, F01D, F05Z, F07A, F07B, F09A, F09B, F09C, F42Z
	17	R01A, R01B, R01C, R01D, R02Z, R12A, R12B, R12C	13d42	03	D08A, D08B, D18Z, D22A, D22B, D30A, D30B		17	R01A, R01B, R01C, R01D, R02Z, R12A, R12B, R12C
13b20.1		BOP, KVT, UOP4		09	J03A, J03B, J04A, J04B, J08A, J08B, J08C, J11A, J11B, J16Z	13k02.0↔	01	B03A, B03B, B06A, B06B, B17A, B17B, B17C
	01	B02A, B02B, B02C, B20A, B20B, B20C, B20D, B20E, B39A, B39B					02	C01A, C01B, C14Z, C16Z
	10	K03A, K03B	13h10.0	03	D09Z, D30A, D30B		05	F01A, F01B, F01D, F05Z, F07A, F07B, F42Z, F54Z, F59A, F59B
	17	R01A, R01B, R01C, R01D, R02Z, R12A, R12B, R12C		04	E02A, E02B, E02C		08	I28A, I28B
13c00↔	02	C01A, C01B, C14Z, C16Z		03	D09Z, D30A, D30B		10	K09A, K09B
	21A	W04A, W04B	13h10.1	03	D09Z, D30A, D30B	13k02.1↔	01	B03A, B03B, B06A, B06B, B17A, B17B, B17C
	21B	X06A, X06B, X06C		04	E02A, E02B, E02C		05	F01A, F01B, F01D, F05Z, F07A, F07B, F42Z, F54Z, F59A, F59B
13c01↔	02	C01A, C01B, C13Z, C16Z		03	D09Z, D30A, D30B		08	I28A, I28B
	21A	W04A, W04B	13h10.2	03	D09Z, D30A, D30B		10	K09A, K09B
	21B	X06A, X06B, X06C		04	E02A, E02B, E02C	13k02.1↔	01	B03A, B03B, B06A, B06B, B17A, B17B, B17C
13c10↔	02	C01A, C01B, C13Z, C16Z		03	D08A, D08B, D18Z, D22A, D22B, D30A, D30B		05	F01A, F01B, F01D, F05Z, F07A, F07B, F42Z, F54Z, F59A, F59B
	03	D09Z, D30A, D30B		09	J03A, J03B, J04A, J04B, J08A, J08B, J08C, J11A, J11B, J16Z		08	I28A, I28B
	21A	W04A, W04B					10	K09A, K09B
	21B	X06A, X06B, X06C	13h21	03	D12A, D12B	13k02.2	01	B03A, B03B, B06A, B06B, B17A, B17B, B17C
13c11↔		BOP, KVT, UOP4		09	J03A, J03B, J04A, J04B, J08A, J08B, J08C, J11A, J11B, J16Z		05	F01A, F01B, F01D, F05Z, F07A, F07B, F42Z, F54Z, F59A, F59B
	02	C01A, C01B, C07A, C07B, C16Z					08	I28A, I28B
	21A	W04A, W04B	13h22	03	D12A, D12B, D39Z		10	K09A, K09B
	21B	X06A, X06B, X06C		09	J03A, J03B, J04A, J04B, J08A, J08B, J08C, J11A, J11B, J16Z	13k02.3	01	B03A, B03B, B06A, B06B, B17A, B17B, B17C
13c12↔		BOP, KVT, UOP4					05	F01A, F01B, F01D, F05Z, F07A, F07B, F42Z, F54Z, F59A, F59B
	02	C01A, C01B, C15Z, C16Z	13j00		BOP, KVT, UOP4		08	I28A, I28B
	21A	W04A, W04B		04	E06A, E06B, E06C, E08A, E08B, E08C		10	K09A, K09B
	21B	X06A, X06B, X06C		17	R01A, R01B, R01C, R01D, R02Z, R12A, R12B, R12C	13k02.4	01	B03A, B03B, B06A, B06B, B17A, B17B, B17C
13c13↔		BOP, KVT, UOP4		21A	W04A, W04B		05	F01A, F01B, F01D, F05Z, F07A, F07B, F42Z, F54Z, F59A, F59B
	02	C01A, C01B, C14Z, C16Z		21B	X06A, X06B, X06C		08	I28A, I28B
	21A	W04A, W04B					10	K09A, K09B
	21B	X06A, X06B, X06C	13j01		BOP, KVT, UOP4	13k02.5↔	01	B03A, B03B, B06A, B06B, B17A, B17B, B17C
13c14↔		BOP, KVT, UOP4		04	E02A, E02B, E02C		05	F01A, F01B, F01D, F05Z, F07A, F07B, F42Z, F54Z, F59A, F59B
	02	C01A, C01B, C16Z, C20A, C20B		05	F21A, F21B, F21C		08	I28A, I28B
	21A	W04A, W04B		10	K09A, K09B		10	K09A, K09B
	21B	X06A, X06B, X06C		17	R01A, R01B, R01C, R01D, R02Z, R12A, R12B, R12C	13k02.6↔	01	B03A, B03B, B06A, B06B, B17A, B17B, B17C
13c15↔		BOP, KVT, UOP4		21A	W04A, W04B		05	F01A, F01B, F01D, F05Z, F07A, F07B, F42Z, F54Z, F59A, F59B
	02	C01A, C01B, C15Z, C16Z		21B	X06A, X06B, X06C		08	I28A, I28B
	21A	W04A, W04B	13j02↔		BOP, KVT, UOP4		10	K09A, K09B
	21B	X06A, X06B, X06C		04	E06A, E06B, E06C, E08A, E08B, E08C	13k02.7↔	01	B03A, B03B, B06A, B06B, B17A, B17B, B17C
13c16↔		BOP, KVT, UOP4		21A	W04A, W04B		05	F01A, F01B, F01D, F05Z, F07A, F07B, F42Z, F54Z, F59A, F59B
	02	C01A, C01B, C15Z, C16Z		21B	X06A, X06B, X06C		08	I28A, I28B
	21A	W04A, W04B		22	Y01Z, Y03A, Y03B		10	K09A, K09B
	21B	X06A, X06B, X06C	13j03↔		BOP, KVT, UOP4		01	B03A, B03B, B06A, B06B, B17A, B17B, B17C
13c17↔		BOP, KVT, UOP4		04	E06A, E06B, E06C, E08A, E08B, E08C		05	F01A, F01B, F01D, F05Z, F07A, F07B, F42Z, F54Z, F59A, F59B
	02	C01A, C01B, C10A, C10B, C10C, C16Z		08	I28A, I28B		08	I28A, I28B
	21A	W04A, W04B		11	L09A, L09B, L09C, L09D, L38Z		10	K09A, K09B
	21B	X06A, X06B, X06C		17	R01A, R01B, R01C, R01D, R02Z, R12A, R12B, R12C	13k02.7↔	01	B03A, B03B, B06A, B06B, B17A, B17B, B17C
13c18↔		BOP, KVT, UOP4					05	F01A, F01B, F01D, F05Z, F07A, F07B, F42Z, F54Z, F59A, F59B
	02	C01A, C01B, C02A, C02B, C16Z	13k00		BOP, KVT, UOP4		08	I28A, I28B
	08	I17Z		04	E06A, E06B, E06C, E08A, E08B, E08C		10	K09A, K09B
	21A	W04A, W04B		05	F01A, F01B, F01D, F05Z, F07A, F07B, F09A, F09B, F09C, F42Z		01	B03A, B03B, B06A, B06B, B17A, B17B, B17C
	21B	X06A, X06B, X06C		17	R01A, R01B, R01C, R01D, R02Z, R12A, R12B, R12C		05	F01A, F01B, F01D, F05Z, F07A, F07B, F42Z, F54Z, F59A, F59B
13c1x↔		BOP, KVT, UOP4					08	I28A, I28B
	02	C01A, C01B, C14Z, C16Z					10	K09A, K09B
	21A	W04A, W04B						
	21B	X06A, X06B, X06C						
13d21↔		BOP, KVT, UOP4						
	03	D09Z, D30A, D30B						
13d22↔		BOP, KVT, UOP4						
	03	D09Z, D30A, D30B						
13d2x↔		BOP, KVT, UOP4						
	03	D09Z, D30A, D30B						
13d40↔		BOP, KVT, UOP4						
	03	D06A, D06B, D06C						

ZZV	MDC	DRG	ZZV	MDC	DRG	ZZV	MDC	DRG			
13k02.8	01	B03A, B03B, B06A, B06B, B17A, B17B, B17C	13m10.2↔	01	B03A, B03B, B06A, B06B, B17A, B17B, B17C	13m10.6↔	01	B03A, B03B, B06A, B06B, B17A, B17B, B17C			
	04	E02A, E02B, E02C		03	D12A, D12B		03	D12A, D12B			
	08	I27A, I27B, I27C, I27D		04	E02A, E02B, E02C		04	E02A, E02B, E02C			
	09	J03A, J03B, J04A, J04B, J08A, J08B, J08C, J11A, J11B, J16Z		06	G10Z, G12A, G12B, G12C		06	G10Z, G12A, G12B, G12C			
				07	H06A, H06B, H06C		07	H06A, H06B, H06C			
				08	I28A, I28B		08	I28A, I28B			
				09	J03A, J03B, J04A, J04B, J08A, J08B, J08C, J11A, J11B, J16Z		09	J03A, J03B, J04A, J04B, J08A, J08B, J08C, J11A, J11B, J16Z			
				10	K09A, K09B		10	K09A, K09B			
	13k02.9	06		G10Z, G12A, G12B, G12C	13m10.3		11	L09A, L09B, L09C, L09D, L38Z	13m10.7↔	11	L09A, L09B, L09C, L09D, L38Z
		09		J03A, J03B, J04A, J04B, J08A, J08B, J08C, J11A, J11B, J16Z			12	M06Z, M09A, M09B, M38Z		12	M06Z, M09A, M09B, M38Z
17		R01A, R01B, R01C, R01D, R02Z, R12A, R12B, R12C	13	N11A, N11B		13	N11A, N11B				
21A		W04A, W04B	16	Q03A, Q03B		16	Q03A, Q03B				
13k02.x	21B	X06A, X06B, X06C	13m10.3	01	B03A, B03B, B06A, B06B, B17A, B17B, B17C	13m10.7↔	01	B03A, B03B, B06A, B06B, B17A, B17B, B17C			
	06	G10Z, G12A, G12B, G12C		03	D12A, D12B		03	D12A, D12B			
	09	J03A, J03B, J04A, J04B, J08A, J08B, J08C, J11A, J11B, J16Z		04	E02A, E02B, E02C		04	E02A, E02B, E02C			
	17	R01A, R01B, R01C, R01D, R02Z, R12A, R12B, R12C		06	G10Z, G12A, G12B, G12C		06	G10Z, G12A, G12B, G12C			
13m00	21A	W04A, W04B	13m10.3	07	H06A, H06B, H06C	13m10.7↔	07	H06A, H06B, H06C			
	21B	X06A, X06B, X06C		08	I28A, I28B		08	I28A, I28B			
		BOP, KVT, UOP4		09	J03A, J03B, J04A, J04B, J08A, J08B, J08C, J11A, J11B, J16Z		09	J03A, J03B, J04A, J04B, J08A, J08B, J08C, J11A, J11B, J16Z			
	04	E06A, E06B, E06C, E08A, E08B, E08C		10	K09A, K09B		10	K09A, K09B			
13m01	10	K09A, K09B	13m10.4	11	L09A, L09B, L09C, L09D, L38Z	13m10.x↔	11	L09A, L09B, L09C, L09D, L38Z			
	17	R01A, R01B, R01C, R01D, R02Z, R12A, R12B, R12C		12	M06Z, M09A, M09B, M38Z		13m10.0↔	12	M06Z, M09A, M09B, M38Z		
		BOP, KVT, UOP4		13	N11A, N11B			13	N11A, N11B		
	16	Q01Z		01	B03A, B03B, B06A, B06B, B17A, B17B, B17C			01	B03A, B03B, B06A, B06B, B17A, B17B, B17C		
17	R01A, R01B, R01C, R01D, R02Z, R12A, R12B, R12C	03	D12A, D12B	03	D12A, D12B						
13m10.0↔	01	B03A, B03B, B06A, B06B, B17A, B17B, B17C	13m10.4	04	E02A, E02B, E02C	13m10.x↔	04	E02A, E02B, E02C			
	03	D12A, D12B		06	G10Z, G12A, G12B, G12C		06	G10Z, G12A, G12B, G12C			
	04	E02A, E02B, E02C		07	H06A, H06B, H06C		07	H06A, H06B, H06C			
	06	G10Z, G12A, G12B, G12C		08	I28A, I28B		08	I28A, I28B			
	07	H06A, H06B, H06C		09	J03A, J03B, J04A, J04B, J08A, J08B, J08C, J11A, J11B, J16Z		09	J03A, J03B, J04A, J04B, J08A, J08B, J08C, J11A, J11B, J16Z			
	08	I28A, I28B		10	K09A, K09B		10	K09A, K09B			
	09	J03A, J03B, J04A, J04B, J08A, J08B, J08C, J11A, J11B, J16Z		11	L09A, L09B, L09C, L09D, L38Z		11	L09A, L09B, L09C, L09D, L38Z			
	10	K09A, K09B		12	M06Z, M09A, M09B, M38Z		12	M06Z, M09A, M09B, M38Z			
	11	L09A, L09B, L09C, L09D, L38Z		13	N11A, N11B		13	N11A, N11B			
	13m10.1↔	12		M06Z, M09A, M09B, M38Z	13m10.5↔		01	B03A, B03B, B06A, B06B, B17A, B17B, B17C	13n00.0	16	Q03A, Q03B
13		N11A, N11B	03	D12A, D12B		03	BOP, KVT, UOP4				
16		Q03A, Q03B	04	E02A, E02B, E02C		04	D12A, D12B				
01		B03A, B03B, B06A, B06B, B17A, B17B, B17C	06	G10Z, G12A, G12B, G12C		04	E02A, E02B, E02C				
03		D12A, D12B	07	H06A, H06B, H06C		06	G10Z, G12A, G12B, G12C				
04		E02A, E02B, E02C	08	I28A, I28B		07	H12A, H12B				
06		G10Z, G12A, G12B, G12C	09	J03A, J03B, J04A, J04B, J08A, J08B, J08C, J11A, J11B, J16Z		08	I28A, I28B				
07		H06A, H06B, H06C	10	K09A, K09B		09	J03A, J03B, J04A, J04B, J08A, J08B, J08C, J11A, J11B, J16Z				
08		I28A, I28B	11	L09A, L09B, L09C, L09D, L38Z		10	K09A, K09B				
09		J03A, J03B, J04A, J04B, J08A, J08B, J08C, J11A, J11B, J16Z	12	M06Z, M09A, M09B, M38Z		11	L09A, L09B, L09C, L09D, L38Z				
		13	N11A, N11B	12	M06Z, M09A, M09B, M38Z						
				13	N11A, N11B						
				17	R01A, R01B, R01C, R01D, R02Z, R12A, R12B, R12C						
				21A	W04A, W04B						
				21B	X06A, X06B, X06C						

ZZV	MDC	DRG	ZZV	MDC	DRG	ZZV	MDC	DRG	
13n00.1		BOP, KVT, UOP4	13n09.2		BOP, KVT, UOP4	13n09.5		BOP, KVT, UOP4	
	03	D12A, D12B		05	F21A, F21B, F21C		05	F21A, F21B, F21C	
	04	E02A, E02B, E02C		06	G10Z, G12A, G12B, G12C		06	G10Z, G12A, G12B, G12C	
	06	G10Z, G12A, G12B, G12C		07	H12A, H12B		07	H12A, H12B	
	07	H12A, H12B		09	J03A, J03B, J04A, J04B, J08A, J08B, J08C, J11A, J11B, J16Z		09	J03A, J03B, J04A, J04B, J08A, J08B, J08C, J11A, J11B, J16Z	
	08	I28A, I28B		10	K09A, K09B		10	K09A, K09B	
	09	J03A, J03B, J04A, J04B, J08A, J08B, J08C, J11A, J11B, J16Z		11	L09A, L09B, L09C, L09D, L38Z		11	L09A, L09B, L09C, L09D, L38Z	
	10	K09A, K09B		12	M01A, M01B, M09A, M38Z		12	M01A, M01B, M09A, M38Z	
	11	L09A, L09B, L09C, L09D, L38Z		13	N01A, N01B, N01C, N01D, N01E, N02A, N02B, N02C, N03A, N03B, N07Z, N25Z, N38Z		13	N11A, N11B	
	12	M06Z, M09A, M09B, M38Z		14	962Z, O02A, O02B		14	962Z, O02A, O02B	
	13	N11A, N11B		17	R01A, R01B, R01C, R01D, R02Z, R12A, R12B, R12C		17	R01A, R01B, R01C, R01D, R02Z, R12A, R12B, R12C	
	17	R01A, R01B, R01C, R01D, R02Z, R12A, R12B, R12C		21A	W04A, W04B		21A	W04A, W04B	
	21A	W04A, W04B		21B	X06A, X06B, X06C		21B	X06A, X06B, X06C	
	21B	X06A, X06B, X06C		22	Y01Z, Y03A, Y03B		22	Y01Z, Y03A, Y03B	
13n01.0		BOP, KVT, UOP4	13n09.3		BOP, KVT, UOP4	13n09.x		BOP, KVT, UOP4	
	06	G10Z, G12A, G12B, G12C		05	F21A, F21B, F21C		05	F21A, F21B, F21C	
	07	H12A, H12B		06	G10Z, G12A, G12B, G12C		06	G10Z, G12A, G12B, G12C	
13n01.1		BOP, KVT, UOP4		07	H12A, H12B		07	H12A, H12B	
	06	G10Z, G12A, G12B, G12C		09	J03A, J03B, J04A, J04B, J08A, J08B, J08C, J11A, J11B, J16Z		09	J03A, J03B, J04A, J04B, J08A, J08B, J08C, J11A, J11B, J16Z	
13n01.3		BOP, KVT, UOP4		10	K09A, K09B		10	K09A, K09B	
	06	G10Z, G12A, G12B, G12C		11	L09A, L09B, L09C, L09D, L38Z		11	L09A, L09B, L09C, L09D, L38Z	
	07	H12A, H12B		12	M01A, M01B, M09A, M38Z		12	M01A, M01B, M09A, M38Z	
	10	K09A, K09B		13	N01A, N01B, N01C, N01D, N01E, N02A, N02B, N02C, N03A, N03B, N07Z, N25Z, N38Z		13	N11A, N11B	
	17	R01A, R01B, R01C, R01D, R02Z, R12A, R12B, R12C		14	962Z, O02A, O02B		14	962Z, O02A, O02B	
	21A	W04A, W04B		17	R01A, R01B, R01C, R01D, R02Z, R12A, R12B, R12C		17	R01A, R01B, R01C, R01D, R02Z, R12A, R12B, R12C	
	21B	X06A, X06B, X06C		21A	W04A, W04B		21A	W04A, W04B	
13n05		BOP, KVT, UOP4		21B	X06A, X06B, X06C		21B	X06A, X06B, X06C	
	06	G15Z, G19A, G19B, G19C, G38Z		22	Y01Z, Y03A, Y03B		22	Y01Z, Y03A, Y03B	
13n06.0		BOP, KVT, UOP4		14	962Z, O02A, O02B	13n0x		BOP, KVT, UOP4	
	06	G01Z, G04A, G04B, G07A, G07B, G07C, G38Z		17	R01A, R01B, R01C, R01D, R02Z, R12A, R12B, R12C		16	Q01Z	
13n06.1		BOP, KVT, UOP4		21A	W04A, W04B		17	R01A, R01B, R01C, R01D, R02Z, R12A, R12B, R12C	
	06	G01Z, G04A, G04B, G07A, G07B, G07C, G38Z		21B	X06A, X06B, X06C		22	BOP, KVT, UOP4	
13n06.2		BOP, KVT, UOP4		22	Y01Z, Y03A, Y03B	13o00.0↔		BOP, KVT, UOP4	
	06	G01Z, G04A, G04B, G07A, G07B, G07C, G38Z	13n09.4		BOP, KVT, UOP4		08	I28A, I28B	
13n07.0		BOP, KVT, UOP4		05	F21A, F21B, F21C		10	K03A, K03B	
	06	G13Z, G21A, G21B		06	G10Z, G12A, G12B, G12C		11	L03Z, L04A, L04B, L04C, L10Z, L13A, L13B, L38Z	
13n07.1		BOP, KVT, UOP4		07	H12A, H12B		17	R01A, R01B, R01C, R01D, R02Z, R12A, R12B, R12C	
	06	G13Z, G21A, G21B		09	J03A, J03B, J04A, J04B, J08A, J08B, J08C, J11A, J11B, J16Z	13o00.1↔		BOP, KVT, UOP4	
13n07.2		BOP, KVT, UOP4		10	K09A, K09B		11	L06A, L06B	
	06	G13Z, G21A, G21B		11	L09A, L09B, L09C, L09D, L38Z		12	M06Z, M09A, M09B, M38Z	
13n07.3		BOP, KVT, UOP4		12	M01A, M01B, M09A, M38Z		17	R01A, R01B, R01C, R01D, R02Z, R12A, R12B, R12C	
	06	G13Z, G21A, G21B		13	N01A, N01B, N01C, N01D, N01E, N02A, N02B, N02C, N03A, N03B, N07Z, N25Z, N38Z		21A	W04A, W04B	
13n08.0		BOP, KVT, UOP4		14	962Z, O02A, O02B	13o00.4↔		21B	X06A, X06B, X06C
	06	G01Z, G04A, G04B, G07A, G07B, G07C, G38Z		17	R01A, R01B, R01C, R01D, R02Z, R12A, R12B, R12C		11	L03Z, L04A, L04B, L04C, L10Z, L13A, L13B, L38Z	
13n08.1		BOP, KVT, UOP4		21A	W04A, W04B		17	BOP, KVT, UOP4	
	06	G01Z, G04A, G04B, G07A, G07B, G07C, G38Z		21B	X06A, X06B, X06C	13o00.5↔		BOP, KVT, UOP4	
13n09.0		BOP, KVT, UOP4		22	Y01Z, Y03A, Y03B		11	L06A, L06B	
	03	D12A, D12B					12	M06Z, M09A, M09B, M38Z	
	06	G15Z, G19A, G19B, G38Z					17	R01A, R01B, R01C, R01D, R02Z, R12A, R12B, R12C	
	17	R01A, R01B, R01C, R01D, R02Z, R12A, R12B, R12C					21A	W04A, W04B	
13n09.1		BOP, KVT, UOP4					21B	X06A, X06B, X06C	
	06	G01Z, G04A, G04B, G07A, G07B, G07C, G38Z						BOP, KVT, UOP4	
							11	L06A, L06B	
							12	M06Z, M09A, M09B, M38Z	
							13	N11A, N11B	
							17	R01A, R01B, R01C, R01D, R02Z, R12A, R12B, R12C	

ZZV	MDC	DRG	ZZV	MDC	DRG	ZZV	MDC	DRG
13o00.7		BOP, KVT, UOP4	13q03		BOP, KVT, UOP4	13t10.5↔	01	B03A, B03B, B06A, B06B, B17A, B17B, B17C
	11	L06A, L06B		09	J03A, J03B, J04A, J04B, J08A, J08B, J08C, J11A, J11B, J11C, J16Z		04	E02A, E02B, E02C
	12	M06Z, M09A, M09B, M38Z		13	N09A, N09B		08	I27A, I27B, I27C, I27D
	17	R01A, R01B, R01C, R01D, R02Z, R12A, R12B, R12C		14	962Z, O60A, O60B, O60C, O60D		09	J03A, J03B, J04A, J04B, J08A, J08B, J08C, J11A, J11B, J16Z
	21A	W04A, W04B					10	K09A, K09B
	21B	X06A, X06B, X06C	13q04		BOP, KVT, UOP4	13t10.6↔	01	B03A, B03B, B06A, B06B, B17A, B17B, B17C
13o00.x		BOP, KVT, UOP4		09	J03A, J03B, J04A, J04B, J08A, J08B, J08C, J11A, J11B, J16Z		04	E02A, E02B, E02C
	11	L06A, L06B		13	N09A, N09B		08	I27A, I27B, I27C, I27D
	12	M06Z, M09A, M09B, M38Z		14	962Z, O60A, O60B, O60C, O60D		09	J03A, J03B, J04A, J04B, J08A, J08B, J08C, J11A, J11B, J16Z
	13	N11A, N11B					10	K09A, K09B
	17	R01A, R01B, R01C, R01D, R02Z, R12A, R12B, R12C	13q05		BOP, KVT, UOP4	13t10.7↔	01	B03A, B03B, B06A, B06B, B17A, B17B, B17C
13p00.0		BOP, KVT, UOP4		13	N01A, N01B, N01C, N01D, N01E, N02A, N02B, N02C, N03A, N03B, N07Z, N25Z, N38Z		04	E02A, E02B, E02C
	11	L18A, L18B, L19Z, L20A, L20B, L20C, L38Z					08	I27A, I27B, I27C, I27D
	12	M06Z, M09A, M09B, M38Z	13q0x		BOP, KVT, UOP4		09	J03A, J03B, J04A, J04B, J08A, J08B, J08C, J11A, J11B, J16Z
13p00.1		BOP, KVT, UOP4		13	N01A, N01B, N01C, N01D, N01E, N02A, N02B, N02C, N03A, N03B, N07Z, N25Z, N38Z		10	K09A, K09B
	11	L18A, L18B, L19Z, L20A, L20B, L20C, L38Z					01	B03A, B03B, B06A, B06B, B17A, B17B, B17C
	12	M06Z, M09A, M09B, M38Z	13t10.0		B03A, B03B, B06A, B06B, B17A, B17B, B17C	13t10.x↔	04	E02A, E02B, E02C
13p01.0		BOP, KVT, UOP4		04	E02A, E02B, E02C		08	I27A, I27B, I27C, I27D
	09	J03A, J03B, J04A, J04B, J08A, J08B, J08C, J11A, J11B, J16Z		08	I27A, I27B, I27C, I27D		09	J03A, J03B, J04A, J04B, J08A, J08B, J08C, J11A, J11B, J16Z
	12	M03A, M03B, M03C, M38Z		09	J03A, J03B, J04A, J04B, J08A, J08B, J08C, J11A, J11B, J16Z		10	K09A, K09B
13p01.1		BOP, KVT, UOP4		10	K09A, K09B		01	B03A, B03B, B06A, B06B, B17A, B17B, B17C
	09	J03A, J03B, J04A, J04B, J08A, J08B, J08C, J11A, J11B, J16Z	13t10.1↔		B03A, B03B, B06A, B06B, B17A, B17B, B17C	13t20.0	03	D12A, D12B
	12	M03A, M03B, M03C, M38Z		04	E02A, E02B, E02C		04	E02A, E02B, E02C
13p02.0↔		BOP, KVT, UOP4		08	I27A, I27B, I27C, I27D		08	I27A, I27B, I27C, I27D
	10	K09A, K09B		09	J03A, J03B, J04A, J04B, J08A, J08B, J08C, J11A, J11B, J16Z		09	J03A, J03B, J04A, J04B, J08A, J08B, J08C, J11A, J11B, J16Z
	12	M04A, M04B, M04C, M04D, M37Z, M38Z		10	K09A, K09B		10	K09A, K09B
13p02.3↔		BOP, KVT, UOP4		01	B03A, B03B, B06A, B06B, B17A, B17B, B17C		01	B17A, B17B, B17C
	12	M06Z, M09A, M09B, M38Z		04	E02A, E02B, E02C		03	D12A, D12B
13q00.0↔		BOP, KVT, UOP4		08	I27A, I27B, I27C, I27D		04	E02A, E02B, E02C
	10	K09A, K09B		09	J03A, J03B, J04A, J04B, J08A, J08B, J08C, J11A, J11B, J16Z		08	I12A, I12B, I12C, I28A, I28B, I28C
	13	N01A, N01B, N01C, N01D, N01E, N02A, N02B, N02C, N03A, N03B, N07Z, N25Z, N38Z	13t10.2↔		B03A, B03B, B06A, B06B, B17A, B17B, B17C		09	J03A, J03B, J04A, J04B, J08A, J08B, J08C, J11A, J11B, J16Z
13q00.1↔		BOP, KVT, UOP4		04	E02A, E02B, E02C		10	K09A, K09B
	13	N01A, N01B, N01C, N01D, N01E, N02A, N02B, N02C, N03A, N03B, N07Z, N25Z, N38Z		08	I27A, I27B, I27C, I27D		11	L09A, L09B, L09C, L09D, L38Z
13q01.0↔		BOP, KVT, UOP4		09	J03A, J03B, J04A, J04B, J08A, J08B, J08C, J11A, J11B, J16Z		12	M06Z, M09A, M09B, M38Z
	13	N01A, N01B, N01C, N01D, N01E, N02A, N02B, N02C, N03A, N03B, N07Z, N25Z, N38Z	13t10.3↔		B03A, B03B, B06A, B06B, B17A, B17B, B17C	13t20.1↔	16	Q03A, Q03B
13q01.1		BOP, KVT, UOP4		04	E02A, E02B, E02C		21A	W04A, W04B
	13	N01A, N01B, N01C, N01D, N01E, N02A, N02B, N02C, N03A, N03B, N07Z, N25Z, N38Z		08	I27A, I27B, I27C, I27D		21B	X06A, X06B, X06C
13q01.2		BOP, KVT, UOP4		09	J03A, J03B, J04A, J04B, J08A, J08B, J08C, J11A, J11B, J16Z		01	B17A, B17B, B17C
	09	J03A, J03B, J04A, J04B, J08A, J08B, J08C, J11A, J11B, J16Z		10	K09A, K09B		03	D12A, D12B
	13	N09A, N09B		04	E02A, E02B, E02C		04	E02A, E02B, E02C
	14	962Z, O02A, O02B	13t10.4		B03A, B03B, B06A, B06B, B17A, B17B, B17C		08	I12A, I12B, I12C, I13A, I13B, I13C, I13D, I13E
13q02		BOP, KVT, UOP4		08	I27A, I27B, I27C, I27D		09	J03A, J03B, J04A, J04B, J08A, J08B, J08C, J11A, J11B, J16Z
	09	J03A, J03B, J04A, J04B, J08A, J08B, J08C, J11A, J11B, J16Z		09	J03A, J03B, J04A, J04B, J08A, J08B, J08C, J11A, J11B, J16Z		10	K09A, K09B
	13	N09A, N09B		10	K09A, K09B		11	L09A, L09B, L09C, L09D, L38Z
	14	962Z, O60A, O60B, O60C, O60D		04	E02A, E02B, E02C		12	M06Z, M09A, M09B, M38Z



ZZV	MDC	DRG	ZZV	MDC	DRG	ZZV	MDC	DRG				
13t20.2↔	01	B17A, B17B, B17C	13t20.6↔	01	B17A, B17B, B17C	13t30.4↔	03	D12A, D12B				
	03	D12A, D12B		03	D12A, D12B		04	E02A, E02B, E02C				
	04	E02A, E02B, E02C		04	E02A, E02B, E02C		08	I12A, I12B, I12C, I27A, I27B, I27C, I27D				
	08	I12A, I12B, I12C, I18A, I24Z		08	I08A, I08B, I08C, I08D, I08E, I08F		21A	W04A, W04B				
	09	J03A, J03B, J04A, J04B, J08A, J08B, J08C, J11A, J11B, J16Z		09	J03A, J03B, J04A, J04B, J08A, J08B, J08C, J11A, J11B, J16Z		21B	X06A, X06B, X06C				
	10	K09A, K09B		10	K09A, K09B		13t30.5↔	03	D12A, D12B			
	11	L09A, L09B, L09C, L09D, L38Z		11	L09A, L09B, L09C, L09D, L38Z		04	E02A, E02B, E02C				
	12	M06Z, M09A, M09B, M38Z		12	M06Z, M09A, M09B, M38Z		08	I08A, I08B, I08C, I08D, I08E, I08F, I10A, I10B, I10C, I10D, I10E				
	16	Q03A, Q03B		16	Q03A, Q03B		21A	W04A, W04B				
	21A	W04A, W04B		21A	W04A, W04B		21B	X04Z, X06A, X06B, X06C				
	21B	X05A, X05B, X06A, X06B, X06C		21B	X04Z, X06A, X06B, X06C		13t30.6↔	08	I08A, I08B, I08C, I08D, I08E, I08F			
	13t20.3↔	01		B17A, B17B, B17C	13t20.7↔		01	B17A, B17B, B17C	13t30.7↔	21A	W01A, W01B, W01C, W02A, W02B	
		03		D12A, D12B			03	D12A, D12B		21B	X04Z	
		04		E02A, E02B, E02C			04	E02A, E02B, E02C		03	D12A, D12B	
08		I12A, I12B, I12C, I32A, I32B, I32C, I32D, I32E, I32F	08	I12A, I12B, I12C, I13A, I13B, I13C, I13D, I13E, I18A		04	E02A, E02B, E02C					
09		J03A, J03B, J04A, J04B, J08A, J08B, J08C, J11A, J11B, J16Z	09	J03A, J03B, J04A, J04B, J08A, J08B, J08C, J11A, J11B, J16Z		08	I12A, I12B, I12C, I24Z					
10		K09A, K09B	10	K09A, K09B		21A	W04A, W04B					
11		L09A, L09B, L09C, L09D, L38Z	11	L09A, L09B, L09C, L09D, L38Z		21B	X04Z, X06A, X06B, X06C					
12		M06Z, M09A, M09B, M38Z	12	M06Z, M09A, M09B, M38Z		13t30.8↔	03	D12A, D12B				
16		Q03A, Q03B	16	Q03A, Q03B		04	E02A, E02B, E02C					
21A		W04A, W04B	21A	W04A, W04B		08	I12A, I12B, I12C, I13A, I13B, I13C, I13D					
21B		X04Z, X06A, X06B, X06C	21B	X04Z, X06A, X06B, X06C		21A	W04A, W04B					
13t20.4		01	B17A, B17B, B17C	13t20.8↔		01	B17A, B17B, B17C	13t30.9↔		21B	X04Z, X06A, X06B, X06C	
		03	D12A, D12B			03	D12A, D12B			03	D12A, D12B	
		04	E02A, E02B, E02C			04	E02A, E02B, E02C			04	E02A, E02B, E02C	
	08	I08A, I08B, I08C, I08D, I08E, I08F, I10A, I10B, I10C, I10D, I10E	08		I12A, I12B, I12C	08	I12A, I12B, I12C					
	09	J03A, J03B, J04A, J04B, J08A, J08B, J08C, J11A, J11B, J16Z	09		J03A, J03B, J04A, J04B, J08A, J08B, J08C, J11A, J11B, J16Z	21A	W04A, W04B					
	10	K09A, K09B	10		K09A, K09B	21B	X04Z, X06A, X06B, X06C					
	11	L09A, L09B, L09C, L09D, L38Z	11		L09A, L09B, L09C, L09D, L38Z	13t30.a↔	03		D12A, D12B			
	12	M06Z, M09A, M09B, M38Z	12		M06Z, M09A, M09B, M38Z	04	E02A, E02B, E02C					
	16	Q03A, Q03B	16		Q03A, Q03B	08	I32A, I32B, I32C, I32D, I32E, I32F					
	21A	W04A, W04B	21A		W04A, W04B	21A	W04A, W04B					
	21B	X04Z, X06A, X06B, X06C	21B		X04Z, X06A, X06B, X06C	21B	X05A, X05B, X06A, X06B, X06C					
	13t20.5	01	B17A, B17B, B17C		13t30.0↔	01	B17A, B17B, B17C		13t30.b	01	B03A, B03B, B06A, B06B, B17A, B17B, B17C	
		03	D12A, D12B			03	D12A, D12B			04	E02A, E02B, E02C	
		04	E02A, E02B, E02C			04	E02A, E02B, E02C			08	I27A, I27B, I27C, I27D	
08		I08A, I08B, I08C, I08D, I08E, I08F, I12A, I12B, I12C	08	I17Z		09	J03A, J03B, J04A, J04B, J08A, J08B, J08C, J11A, J11B, J16Z					
09		J03A, J03B, J04A, J04B, J08A, J08B, J08C, J11A, J11B, J16Z	09	J03A, J03B, J04A, J04B, J08A, J08B, J08C, J11A, J11B, J16Z		10	K09A, K09B					
10		K09A, K09B	10	K09A, K09B		13t30.c↔	03	D12A, D12B				
11		L09A, L09B, L09C, L09D, L38Z	11	L09A, L09B, L09C, L09D, L38Z		04	E02A, E02B, E02C					
12		M06Z, M09A, M09B, M38Z	12	M06Z, M09A, M09B, M38Z		08	I32A, I32B, I32C, I32D, I32E, I32F					
16		Q03A, Q03B	16	Q03A, Q03B		21A	W04A, W04B					
21A		W04A, W04B	21A	W04A, W04B		21B	X05A, X05B, X06A, X06B, X06C					
21B		X04Z, X06A, X06B, X06C	21B	X04Z, X06A, X06B, X06C		13t30.x↔	03	D12A, D12B				
13t30.1↔		01	B17A, B17B, B17C	13t30.1↔		01	B17A, B17B, B17C	13t30.c↔		04	E02A, E02B, E02C	
		03	D12A, D12B			03	D12A, D12B			08	I32A, I32B, I32C, I32D, I32E, I32F	
		04	E02A, E02B, E02C			04	E02A, E02B, E02C			21A	W04A, W04B	
	08	I08A, I08B, I08C, I08D, I08E, I08F, I12A, I12B, I12C, I21Z, I31Z	08		I12A, I12B, I12C, I16Z, I27A, I27B, I27C, I27D	21B	X06A, X06B, X06C					
	09	J03A, J03B, J04A, J04B, J08A, J08B, J08C, J11A, J11B, J16Z	09		J03A, J03B, J04A, J04B, J08A, J08B, J08C, J11A, J11B, J16Z	13t30.x↔	03		D12A, D12B			
	10	K09A, K09B	10		K09A, K09B	04	E02A, E02B, E02C					
	11	L09A, L09B, L09C, L09D, L38Z	11		L09A, L09B, L09C, L09D, L38Z	08	I12A, I12B, I12C, I27A, I27B, I27C, I27D					
	12	M06Z, M09A, M09B, M38Z	12		M06Z, M09A, M09B, M38Z	21A	W04A, W04B					
	16	Q03A, Q03B	16		Q03A, Q03B	21B	X06A, X06B, X06C					
	21A	W04A, W04B	21A		W04A, W04B	13t30.3↔	03		D12A, D12B			
	21B	X04Z, X06A, X06B, X06C	21B		X06A, X06B, X06C	04	E02A, E02B, E02C					
	13t30.2↔	01	B17A, B17B, B17C		13t30.2↔	01	B17A, B17B, B17C		13t30.c↔	08	I32A, I32B, I32C, I32D, I32E, I32F	
		03	D12A, D12B			03	D12A, D12B			21A	W04A, W04B	
		04	E02A, E02B, E02C			04	E02A, E02B, E02C			21B	X06A, X06B, X06C	
08		I08A, I08B, I08C, I08D, I08E, I08F, I12A, I12B, I12C, I21Z, I31Z	08	I08A, I08B, I08C, I08D, I08E, I08F, I12A, I12B, I12C, I21Z, I31Z		13t30.x↔	03	D12A, D12B				
09		J03A, J03B, J04A, J04B, J08A, J08B, J08C, J11A, J11B, J16Z	09	J03A, J03B, J04A, J04B, J08A, J08B, J08C, J11A, J11B, J16Z		04	E02A, E02B, E02C					
10		K09A, K09B	10	K09A, K09B		08	I12A, I12B, I12C, I27A, I27B, I27C, I27D					
11		L09A, L09B, L09C, L09D, L38Z	11	L09A, L09B, L09C, L09D, L38Z		21A	W04A, W04B					
12		M06Z, M09A, M09B, M38Z	12	M06Z, M09A, M09B, M38Z		21B	X06A, X06B, X06C					
16		Q03A, Q03B	16	Q03A, Q03B		13t30.x↔	04	E02A, E02B, E02C				
21A		W04A, W04B	21A	W04A, W04B		08	I12A, I12B, I12C, I27A, I27B, I27C, I27D					
21B		X04Z, X06A, X06B, X06C	21B	X06A, X06B, X06C		21A	W04A, W04B					
13t30.3↔		01	B17A, B17B, B17C	13t30.3↔		01	B17A, B17B, B17C	13t30.c↔		21B	X06A, X06B, X06C	
		03	D12A, D12B			03	D12A, D12B			13t30.x↔	04	E02A, E02B, E02C
		04	E02A, E02B, E02C			04	E02A, E02B, E02C			08	I12A, I12B, I12C, I27A, I27B, I27C, I27D	
	08	I08A, I08B, I08C, I08D, I08E, I08F, I12A, I12B, I12C, I21Z, I31Z	08		I12A, I12B, I12C, I21Z, I31Z	21A	W04A, W04B					
	09	J03A, J03B, J04A, J04B, J08A, J08B, J08C, J11A, J11B, J16Z	09		J03A, J03B, J04A, J04B, J08A, J08B, J08C, J11A, J11B, J16Z	21B	X06A, X06B, X06C					
	10	K09A, K09B	10		K09A, K09B	13t30.x↔	04		E02A, E02B, E02C			
	11	L09A, L09B, L09C, L09D, L38Z	11		L09A, L09B, L09C, L09D, L38Z	08	I12A, I12B, I12C, I27A, I27B, I27C, I27D					
	12	M06Z, M09A, M09B, M38Z	12		M06Z, M09A, M09B, M38Z	21A	W04A, W04B					
	16	Q03A, Q03B	16		Q03A, Q03B	21B	X06A, X06B, X06C					
	21A	W04A, W04B	21A		W04A, W04B	13t30.x↔	08		I12A, I12B, I12C, I27A, I27B, I27C, I27D			
	21B	X04Z, X06A, X06B, X06C	21B		X06A, X06B, X06C	21B	X06A, X06B, X06C					



ZZV	MDC	DRG	ZZV	MDC	DRG	ZZV	MDC	DRG
13x01		BOP, KVT, UOP4	14n14.4‡	07	H41A, H41B, H41C	14q04‡	13	N10Z
	01	B03A, B03B, B06A, B06B, B17A, B17B, B17C	14n14.5‡	07	H41A, H41B, H41C	14q05	13	N01A, N01B, N01C, N01D, N01E, N02A, N02B, N02C, N03A, N03B, N07Z, N25Z, N38Z
	04	E02A, E02B, E02C	14n14.6‡	07	H41A, H41B, H41C			
	08	I27A, I27B, I27C, I27D	14n15.0‡	07	H41A, H41B			
	09	J03A, J03B, J04A, J04B, J08A, J08B, J08C, J11A, J11B, J16Z	14n15.1‡	07	H41A, H41B	14q06	13	N11A, N11B
			14n20.00‡	07	H41A, H41B		14	962Z, O02A, O02B
			14n20.01‡	07	H41A, H41B		21B	X06A, X06B, X06C
	10	K09A, K09B	14n21.00‡	06	G40Z, G48A, G48B, G48C	14q07‡	14	962Z
14a30.0		BOP, KVT, UOP4	14n21.01‡	06	G40Z, G48A, G48B, G48C	14q08‡	14	962Z
	01	B02A, B02B, B02C, B20A, B20B, B20C, B20D, B20E, B39A, B39B	14n21.02‡	06	G40Z, G48A, G48B, G48C	14q0a	13	N11A, N11B
			14n21.03‡	06	G40Z, G48A, G48B, G48C		14	962Z, O02A, O02B
			14n21.04‡	06	G40Z, G48A, G48B, G48C		21B	X06A, X06B, X06C
	17	R01A, R01B, R01C, R01D, R02Z, R12A, R12B, R12C	14n21.05‡	06	G40Z, G47Z	14t30.0↔	03	D12A, D12B
			14n21.0x‡	06	G40Z, G48A, G48B, G48C		08	I24Z
	21A	W04A, W04B	14n21.10‡	06	G40Z, G46A, G46B, G46C, G47Z, G50Z		21A	W04A, W04B
	21B	X06A, X06B, X06C					21B	X06A, X06B, X06C
14a30.1		BOP, KVT, UOP4	14n21.11‡	06	G40Z, G48A, G48B, G48C	14t30.1↔	08	I24Z
	01	B03A, B03B, B18Z	14n21.12‡	06	G40Z, G48A, G48B, G48C		21A	W04A, W04B
	08	I10A, I10B, I10C, I10D, I10E	14n21.21‡	06	G40Z, G48A, G48B, G48C		21B	X06A, X06B, X06C
	17	R01A, R01B, R01C, R01D, R02Z, R12A, R12B, R12C	14n30	06	G10Z, G12A, G12B, G12C	14t30.2↔	08	I24Z
14a30.x	01	B03A, B03B, B18Z		09	J03A, J03B, J04A, J04B, J08A, J08B, J08C, J11A, J11B, J16Z		21A	W04A, W04B
	08	I10A, I10B, I10C, I10D, I10E					21B	X06A, X06B, X06C
	17	R01A, R01B, R01C, R01D, R02Z, R12A, R12B, R12C		11	L09A, L09B, L09C, L09D, L38Z	14t30.3↔	08	I32A, I32B, I32C, I32D, I32E, I32F, I32G
14c00↔	02	C01A, C01B, C13Z, C16Z		13	N25Z		21A	W04A, W04B
	03	D09Z, D30A, D30B		14	962Z, O02A, O02B	14t30.4↔	08	I24Z
	21A	W04A, W04B		21A	W04A, W04B		21A	W04A, W04B
	21B	X06A, X06B, X06C		21B	X06A, X06B		21B	X06A, X06B, X06C
14j02‡	03	D60A		22	Y01Z, Y03A, Y03B	14t30.5↔	08	I24Z
	04	E65A, E71A	14n31.0		BOP, KVT, UOP4		21A	W04A, W04B
14j30.0		BOP, KVT, UOP4		06	G15Z, G19A, G19B, G38Z		21B	X06A, X06B, X06C
	04	E02A, E02B, E02C		07	H12A, H12B	14t30.6↔	08	I24Z
	21A	W04A, W04B		17	R01A, R01B, R01C, R01D, R02Z, R12A, R12B, R12C		21A	W04A, W04B
	21B	X06A, X06B, X06C					21B	X04Z
14j30.1		BOP, KVT, UOP4		21A	W04A, W04B	14t30.7↔	08	I24Z
	03	D12A, D12B		21B	X06A, X06B, X06C		10	K09A, K09B
	04	E02A, E02B, E02C		22	Y01Z, Y03A, Y03B		21A	W04A, W04B
	21A	W04A, W04B	14n31.1		BOP, KVT, UOP4		21B	X04Z
	21B	X06A, X06B, X06C		06	G01Z, G04A, G04B, G07A, G07B, G07C, G38Z	14t30.8↔	08	I24Z
14j30.2	04	E02A, E02B, E02C		17	R01A, R01B, R01C, R01D, R02Z, R12A, R12B, R12C		21A	W04A, W04B
	21A	W04A, W04B					21B	X04Z
	21B	X06A, X06B, X06C		21A	W04A, W04B	14t30.9↔	08	I24Z
14j30.3	03	D12A, D12B		21B	X06A, X06B, X06C		21A	W04A, W04B
	04	E02A, E02B, E02C	14n31.2		BOP, KVT, UOP4	14t30.a↔	08	I32A, I32B, I32C, I32D, I32E, I32F, I32G
	06	G40Z, G46A, G46B, G46C, G47Z		06	G01Z, G04A, G04B, G07A, G07B, G07C, G38Z		21A	W04A, W04B
14n11.01‡				21A	W04A, W04B		21B	X05A, X05B, X06A, X06B, X06C
14n11.02‡	06	G40Z, G46A, G46B, G46C, G47Z		21B	X06A, X06B, X06C	14t30.c↔	08	I32A, I32B, I32C, I32D, I32E, I32F, I32G
14n11.0x‡	06	G40Z, G46A, G46B, G46C, G47Z	14n32.31‡	07	H41A, H41B, H41C		21A	W04A, W04B
14n11.1‡	06	G40Z, G46A, G46B, G46C, G47Z	14n32.32		BOP, KVT, UOP4		21B	X05A, X05B, X06A, X06B, X06C
14n11.2‡	06	G40Z, G46A, G46B, G46C, G47Z		06	G01Z, G04A, G04B, G07A, G07B, G07C, G38Z		21A	W04A, W04B
14n11.3‡	06	G40Z, G46A, G46B, G46C, G47Z		21A	W04A, W04B	14t30.x↔	08	I24Z
14n11.40‡	06	G40Z, G46A, G46B, G46C, G47Z, G50Z	14n32.x		BOP, KVT, UOP4		21A	W04A, W04B
14n11.41‡	06	G40Z, G46A, G46B, G46C		06	G01Z, G04A, G04B, G07A, G07B, G07C, G38Z		21B	X06A, X06B, X06C
14n11.4x‡	06	G40Z, G46A, G46B, G46C, G47Z, G50Z		21A	W04A, W04B	15c00↔	02	C01A, C01B, C14Z, C16Z
14n12.1‡	06	G40Z, G46A, G46B, G46C, G47Z, G50Z	14o01‡	11	L42A		21A	W04A, W04B
14n12.5‡	06	G40Z, G46A, G46B, G46C, G47Z, G50Z	14o02‡	11	L42A, L64A, L74Z	15c03↔	02	C01A, C01B, C15Z, C16Z
14n13.1‡	06	G40Z, G46A, G46B, G46C, G47Z	14o03.0‡	11	L42A, L64A, L74Z	15x03↔	13	N01A, N01B, N01C, N01D, N01E, N02A, N02B, N02C, N03A, N03B, N07Z, N25Z, N38Z
14n13.2‡	06	G40Z, G46A, G46B, G46C, G47Z	14o03.1‡	11	L42A			
			14o04‡	11	L40Z	15x04‡	14	962Z
			14o11.2‡↔	11	L40Z	16006‡	04	E63Z
			14o30.2‡	11	L64A, L74Z			



ZZV	MDC	DRG	ZZV	MDC	DRG	ZZV	MDC	DRG
31314.3‡	06	G40Z, G46A, G46B, G46C, G47Z, G50Z	35314.1‡	05	F49A, F49D	5a112.d		BOP, KOP, KOPV, KVT, UOP4
31314.4‡	06	G40Z, G46A, G46B, G46C, G47Z, G50Z	35314.3‡	05	F49A, F49D	01		B02A, B02B, B02C, B13Z, B20A, B20B, B20C, B20D, B20E, B39A, B39B
31314.5‡	06	G40Z, G46A, G46B, G46C, G47Z, G50Z	35314.4‡	05	F49A, F49D	02		C01A
31314.6‡	07	H41A, H41B, H41C	35314.5‡	05	F49A, F49D	06		G33Z
31314.7‡	07	H41A, H41B, H41C	35314.6‡	05	F49A, F49D	07		H33Z, H38Z
31314.8‡	06	G40Z, G48A, G48B, G48C	35314.7‡	05	F49A, F49D	11		L33Z
31314.9	06	G10Z, G12A, G12B, G12C	35314.8‡	05	F49A, F49D	17		R01A, R01B, R01C, R01D, R02Z, R12A, R12B, R12C
	07	H12A, H12B	35315.0‡	05	F49A, F49D	21A		W01A, W01B, W01C, W36Z
	09	J03A, J03B, J04A, J04B, J08A, J08B, J08C, J11A, J11B, J16Z	35315.1‡	05	F49A, F49D	21B		X33Z
	11	L09A, L09B, L09C, L09D, L38Z	35323‡	05	F49A, F49D	23		Z01A
	13	N08Z	35324‡	05	F49A, F49D	Pre		A07A
	14	962Z, O02A, O02B	35325‡	05	F49A, F49D			
	21A	W04A, W04B	35330.1‡	10	K64C			
	21B	X06A, X06B, X06C		23	Z64A	5a112.e		BOP, KOP, KOPV, KVT, UOP4
	22	Y01Z, Y03A, Y03B	35330.2‡	10	K64C	01		B02A, B02B, B02C, B13Z, B20A, B20B, B20C, B20D, B20E, B39A, B39B
31317.2‡	11	L42A, L64A, L74Z	5a110			02		C01A
35128.3‡	10	K64C				06		G33Z
	23	Z64A				07		H33Z, H38Z
35128.4‡	10	K64C				11		L33Z
	23	Z64A				17		R01A, R01B, R01C, R01D, R02Z, R12A, R12B, R12C
35128.5‡	10	K64C				21A		W01A, W01B, W01C, W36Z
	23	Z64A				21B		X33Z
35128.6‡	10	K64C				23		Z01A
	23	Z64A				Pre		A07A
35301.0‡	05	F49A, F49D				5a112.f		BOP, KOP, KOPV, KVT, UOP4
35301.1‡	05	F49A, F49D				01		B02A, B02B, B02C, B13Z, B20A, B20B, B20C, B20D, B20E, B39A, B39B
35301.2‡	05	F49A, F49D	5a111			02		C01A
35302.0‡	05	F49A, F49D				06		G33Z
35302.1‡	05	F49A, F49D				07		H33Z, H38Z
35302.2‡	05	F49A, F49D				11		L33Z
35303.0‡	05	F49A, F49D				17		R01A, R01B, R01C, R01D, R02Z, R12A, R12B, R12C
35303.1‡	05	F49A, F49D				21A		W01A, W01B, W01C, W36Z
35303.2‡	05	F49A, F49D				21B		X33Z
35304.0‡	05	F49A, F49D				23		Z01A
35304.1‡	05	F49A, F49D				Pre		A07A
35304.2‡	05	F49A, F49D				5a112.g		BOP, KOP, KOPV, KVT, UOP4
35305.0‡	05	F49A, F49D				01		B02A, B02B, B02C, B13Z, B20A, B20B, B20C, B20D, B20E, B39A, B39B
35305.1‡	05	F49A, F49D				02		C01A
35305.2‡	05	F49A, F49D				06		G33Z
35306.0‡	05	F49A, F49D				07		H33Z, H38Z
35306.1‡	05	F49A, F49D				11		L33Z
35306.2‡	05	F49A, F49D				17		R01A, R01B, R01C, R01D, R02Z, R12A, R12B, R12C
3530x‡	05	F49A, F49D	5a112.2			21A		W01A, W01B, W01C, W36Z
35311.0‡	05	F49A, F49D				21B		X33Z
35311.1‡	05	F49A, F49D				23		Z01A
35311.2‡	05	F49A, F49D				Pre		A07A
35311.3‡	05	F49A, F49D				BOP, KOP, KOPV, KVT, UOP4		
35311.4‡	05	F49A, F49D				01		B02A, B02B, B02C, B13Z, B20A, B20B, B20C, B20D, B20E, B39A, B39B
35311.5‡	05	F49A, F49D				02		C01A
35312.0‡	05	F49A, F49D				06		G33Z
35312.1‡	05	F49A, F49D				07		H33Z, H38Z
35312.2‡	05	F49A, F49D				11		L33Z
35312.3‡	05	F49A, F49D				17		R01A, R01B, R01C, R01D, R02Z, R12A, R12B, R12C
35312.4‡	05	F49A, F49D				21A		W01A, W01B, W01C, W36Z
35312.5‡	05	F49A, F49D				21B		X33Z
35313.0‡	05	F49A, F49D				23		Z01A
35313.1‡	05	F49A, F49D				Pre		A07A
35313.3‡	05	F49A, F49D						
35313.4‡	05	F49A, F49D						
35313.6‡	05	F49A, F49D						
35313.7‡	05	F49A, F49D						
35313.8‡	05	F49A, F49D						
35314.0‡	05	F49A, F49D						

ZZV	MDC	DRG	ZZV	MDC	DRG	ZZV	MDC	DRG			
5a112.h		BOP, KOP, KOPV, KVT, UOP4	5a113.n		BOP, KOP, KOPV, KVT, UOP4	5a114.m		BOP, KOP, KOPV, KVT, UOP4			
	01	B02A, B02B, B02C, B13Z, B20A, B20B, B20C, B20D, B20E, B39A, B39B		01	B02A, B02B, B02C, B13Z, B20A, B20B, B20C, B20D, B20E, B39A, B39B		01	B02A, B02B, B02C, B13Z, B20A, B20B, B20C, B20D, B20E, B39A, B39B			
	02	C01A		02	C01A		02	C01A			
	06	G33Z		03	D18Z, D25A, D25B, D25C, D25D		03	D18Z, D25A, D25B, D25C, D25D			
	07	H33Z, H38Z		06	G33Z		06	G33Z			
	11	L33Z		07	H33Z, H38Z		07	H33Z, H38Z			
	17	R01A, R01B, R01C, R01D, R02Z, R12A, R12B, R12C		09	J08A, J08B, J08C		09	J08A, J08B, J08C			
	21A	W01A, W01B, W01C, W36Z		11	L33Z		11	L33Z			
	21B	X33Z		17	R01A, R01B, R01C, R01D, R02Z, R12A, R12B, R12C		17	R01A, R01B, R01C, R01D, R02Z, R12A, R12B, R12C			
	23	Z01A		21B	X06A, X06B, X06C, X33Z		21B	X06A, X06B, X06C, X33Z			
	Pre	A07A		23	Z01A		23	Z01A			
	5a113.j			BOP, KOP, KOPV, KVT, UOP4	5a114.j			BOP, KOP, KOPV, KVT, UOP4	5a114.n		BOP, KOP, KOPV, KVT, UOP4
		01		B02A, B02B, B02C, B13Z, B20A, B20B, B20C, B20D, B20E, B39A, B39B			01	B02A, B02B, B02C, B13Z, B20A, B20B, B20C, B20D, B20E, B39A, B39B		01	B02A, B02B, B02C, B13Z, B20A, B20B, B20C, B20D, B20E, B39A, B39B
		02		C01A			02	C01A		02	C01A
03		D18Z, D25A, D25B, D25C, D25D	03	D18Z, D25A, D25B, D25C, D25D		03	D18Z, D25A, D25B, D25C, D25D				
06		G33Z	06	G33Z		06	G33Z				
07		H33Z, H38Z	07	H33Z, H38Z		07	H33Z, H38Z				
09		J08A, J08B, J08C	09	J08A, J08B, J08C		09	J08A, J08B, J08C				
11		L33Z	11	L33Z		11	L33Z				
17		R01A, R01B, R01C, R01D, R02Z, R12A, R12B, R12C	17	R01A, R01B, R01C, R01D, R02Z, R12A, R12B, R12C		17	R01A, R01B, R01C, R01D, R02Z, R12A, R12B, R12C				
21B		X06A, X06B, X06C, X33Z	21B	X06A, X06B, X06C, X33Z		21B	X06A, X06B, X06C, X33Z				
23		Z01A	23	Z01A		23	Z01A				
Pre		A07A, A09B, A11A, A11B, A13B	Pre	A07A, A09B, A11A, A11B, A13B		Pre	A07A, A09B, A11A, A11B, A13B				
5a113.k			BOP, KOP, KOPV, KVT, UOP4	5a114.k			BOP, KOP, KOPV, KVT, UOP4	5a115.j			BOP, KOP, KOPV, KVT, UOP4
		01	B02A, B02B, B02C, B13Z, B20A, B20B, B20C, B20D, B20E, B39A, B39B			01	B02A, B02B, B02C, B13Z, B20A, B20B, B20C, B20D, B20E, B39A, B39B			01	B02A, B02B, B02C, B13Z, B20A, B20B, B20C, B20D, B20E, B39A, B39B
	02	C01A	02		C01A	02	C01A				
	03	D18Z, D25A, D25B, D25C, D25D	03		D18Z, D25A, D25B, D25C, D25D	03	D18Z, D25A, D25B, D25C, D25D				
	06	G33Z	06		G33Z	06	G33Z				
	07	H33Z, H38Z	07		H33Z, H38Z	07	H33Z, H38Z				
	09	J08A, J08B, J08C	09		J08A, J08B, J08C	09	J08A, J08B, J08C				
	11	L33Z	11		L33Z	11	L33Z				
	17	R01A, R01B, R01C, R01D, R02Z, R12A, R12B, R12C	17		R01A, R01B, R01C, R01D, R02Z, R12A, R12B, R12C	17	R01A, R01B, R01C, R01D, R02Z, R12A, R12B, R12C				
	21B	X06A, X06B, X06C, X33Z	21B		X06A, X06B, X06C, X33Z	21B	X06A, X06B, X06C, X33Z				
	23	Z01A	23		Z01A	23	Z01A				
	Pre	A07A, A09B, A11A, A11B, A13B	Pre		A07A, A09B, A11A, A11B, A13B	Pre	A07A, A09B, A11A, A11B, A13B				
	5a113.m		BOP, KOP, KOPV, KVT, UOP4								
		01	B02A, B02B, B02C, B13Z, B20A, B20B, B20C, B20D, B20E, B39A, B39B								
02		C01A									
03		D18Z, D25A, D25B, D25C, D25D									
06		G33Z									
07		H33Z, H38Z									
09		J08A, J08B, J08C									
11		L33Z									
17		R01A, R01B, R01C, R01D, R02Z, R12A, R12B, R12C									
21B		X06A, X06B, X06C, X33Z									
23		Z01A									
Pre		A07A, A09B, A11A, A11B, A13B									

VYK

ZZV	MDC	DRG	ZZV	MDC	DRG	ZZV	MDC	DRG			
5a115.k		BOP, KOP, KOPV, KVT, UOP4	5a116.j		BOP, KOP, KOPV, KVT, UOP4	5a116.n		BOP, KOP, KOPV, KVT, UOP4			
	01	B02A, B02B, B02C, B13Z, B20A, B20B, B20C, B20D, B20E, B39A, B39B		01	B02A, B02B, B02C, B13Z, B20A, B20B, B20C, B20D, B20E, B39A, B39B		01	B02A, B02B, B02C, B13Z, B20A, B20B, B20C, B20D, B20E, B39A, B39B			
	02	C01A		02	C01A		02	C01A			
	03	D18Z, D25A, D25B, D25C, D25D		03	D18Z, D25A, D25B, D25C, D25D		03	D18Z, D25A, D25B, D25C, D25D			
	06	G33Z		06	G33Z		06	G33Z			
	07	H33Z, H38Z		07	H33Z, H38Z		07	H33Z, H38Z			
	09	J08A, J08B, J08C		09	J08A, J08B, J08C		09	J08A, J08B, J08C			
	11	L33Z		11	L33Z		11	L33Z			
	17	R01A, R01B, R01C, R01D, R02Z, R12A, R12B, R12C		17	R01A, R01B, R01C, R01D, R02Z, R12A, R12B, R12C		17	R01A, R01B, R01C, R01D, R02Z, R12A, R12B, R12C			
	21B	X06A, X06B, X06C, X33Z		21B	X06A, X06B, X06C, X33Z		21B	X06A, X06B, X06C, X33Z			
	23	Z01A		23	Z01A		23	Z01A			
	Pre	A07A, A09B, A11A, A11B, A13B		Pre	A07A, A09B, A11A, A11B, A13B		Pre	A07A, A09B, A11A, A11B, A13B			
	5a115.m			BOP, KOP, KOPV, KVT, UOP4	5a116.k			BOP, KOP, KOPV, KVT, UOP4	5a117.j		BOP, KOP, KOPV, KVT, UOP4
		01		B02A, B02B, B02C, B13Z, B20A, B20B, B20C, B20D, B20E, B39A, B39B			01	B02A, B02B, B02C, B13Z, B20A, B20B, B20C, B20D, B20E, B39A, B39B		01	B02A, B02B, B02C, B13Z, B20A, B20B, B20C, B20D, B20E, B39A, B39B
02		C01A	02	C01A		02	C01A				
03		D18Z, D25A, D25B, D25C, D25D	03	D18Z, D25A, D25B, D25C, D25D		03	D18Z, D25A, D25B, D25C, D25D				
06		G33Z	06	G33Z		06	G33Z				
07		H33Z, H38Z	07	H33Z, H38Z		07	H33Z, H38Z				
09		J08A, J08B, J08C	09	J08A, J08B, J08C		09	J08A, J08B, J08C				
11		L33Z	11	L33Z		11	L33Z				
17		R01A, R01B, R01C, R01D, R02Z, R12A, R12B, R12C	17	R01A, R01B, R01C, R01D, R02Z, R12A, R12B, R12C		17	R01A, R01B, R01C, R01D, R02Z, R12A, R12B, R12C				
21B		X06A, X06B, X06C, X33Z	21B	X06A, X06B, X06C, X33Z		21B	X06A, X06B, X06C, X33Z				
23		Z01A	23	Z01A		23	Z01A				
Pre		A07A, A09B, A11A, A11B, A13B	Pre	A07A, A09B, A11A, A11B, A13B		Pre	A07A, A09B, A11A, A11B, A13B				
5a115.n			BOP, KOP, KOPV, KVT, UOP4	5a116.m			BOP, KOP, KOPV, KVT, UOP4	5a117.k			BOP, KOP, KOPV, KVT, UOP4
		01	B02A, B02B, B02C, B13Z, B20A, B20B, B20C, B20D, B20E, B39A, B39B			01	B02A, B02B, B02C, B13Z, B20A, B20B, B20C, B20D, B20E, B39A, B39B			01	B02A, B02B, B02C, B13Z, B20A, B20B, B20C, B20D, B20E, B39A, B39B
	02	C01A	02		C01A	02	C01A				
	03	D18Z, D25A, D25B, D25C, D25D	03		D18Z, D25A, D25B, D25C, D25D	03	D18Z, D25A, D25B, D25C, D25D				
	06	G33Z	06		G33Z	06	G33Z				
	07	H33Z, H38Z	07		H33Z, H38Z	07	H33Z, H38Z				
	09	J08A, J08B, J08C	09		J08A, J08B, J08C	09	J08A, J08B, J08C				
	11	L33Z	11		L33Z	11	L33Z				
	17	R01A, R01B, R01C, R01D, R02Z, R12A, R12B, R12C	17		R01A, R01B, R01C, R01D, R02Z, R12A, R12B, R12C	17	R01A, R01B, R01C, R01D, R02Z, R12A, R12B, R12C				
	21B	X06A, X06B, X06C, X33Z	21B		X06A, X06B, X06C, X33Z	21B	X06A, X06B, X06C, X33Z				
	23	Z01A	23		Z01A	23	Z01A				
	Pre	A07A, A09B, A11A, A11B, A13B	Pre		A07A, A09B, A11A, A11B, A13B	Pre	A07A, A09B, A11A, A11B, A13B				

ZZV	MDC	DRG	ZZV	MDC	DRG	ZZV	MDC	DRG			
5a117.m		BOP, KOP, KOPV, KVT, UOP4	5a118.m		BOP, KOP, KOPV, KVT, UOP4	5a11a.1		BOP, KOP, KOPV, KVT, UOP4			
	01	B02A, B02B, B02C, B13Z, B20A, B20B, B20C, B20D, B20E, B39A, B39B		01	B02A, B02B, B02C, B13Z, B20A, B20B, B20C, B20D, B20E, B39A, B39B		01	B02A, B02B, B02C, B02D, B13Z, B20A, B20B, B20C, B20D, B20E, B20F, B39A, B39B			
	02	C01A		02	C01A		02	C01A			
	03	D18Z, D25A, D25B, D25C, D25D		06	G33Z		03	D18Z, D25A, D25B, D25C, D25D			
	06	G33Z		07	H33Z, H38Z		06	G33Z			
	07	H33Z, H38Z		11	L33Z		07	H33Z, H38Z			
	09	J08A, J08B, J08C		17	R01A, R01B, R01C, R01D, R02Z, R12A, R12B, R12C		09	J08A, J08B, J08C			
	11	L33Z		21B	X33Z		11	L33Z			
	17	R01A, R01B, R01C, R01D, R02Z, R12A, R12B, R12C		23	Z01A		17	R01A, R01B, R01C, R01D, R02Z, R12A, R12B, R12C			
	21B	X06A, X06B, X06C, X33Z		Pre	A07A, A09B, A11A, A11B, A13B		21A	W01A, W01B, W01C, W36Z			
	23	Z01A		5a118.n			BOP, KOP, KOPV, KVT, UOP4	21B	X06A, X06B, X06C, X33Z		
	Pre	A07A, A09B, A11A, A11B, A13B			01		B02A, B02B, B02C, B13Z, B20A, B20B, B20C, B20D, B20E, B39A, B39B	23	Z01A		
	5a117.n				BOP, KOP, KOPV, KVT, UOP4		02	C01A	Pre	A07A	
		01			B02A, B02B, B02C, B13Z, B20A, B20B, B20C, B20D, B20E, B39A, B39B		06	G33Z	5a11b.0		BOP, KOP, KOPV, KVT, UOP4
		02			C01A		07	H33Z, H38Z		01	B02A, B02B, B02C, B02D, B13Z, B20A, B20B, B20C, B20D, B20E, B20F, B39A, B39B
		03			D18Z, D25A, D25B, D25C, D25D		11	L33Z		02	C01A
		06			G33Z		17	R01A, R01B, R01C, R01D, R02Z, R12A, R12B, R12C		03	D18Z, D25A, D25B, D25C, D25D
07		H33Z, H38Z	21B		X33Z	06	G33Z				
09		J08A, J08B, J08C	23		Z01A	07	H33Z, H38Z				
11		L33Z	Pre		A07A, A09B, A11A, A11B, A13B	09	J08A, J08B, J08C				
17		R01A, R01B, R01C, R01D, R02Z, R12A, R12B, R12C	5a119			BOP, KOP, KOPV, KVT, UOP4	11	L33Z			
21B		X06A, X06B, X06C, X33Z			01	B02A, B02B, B02C, B13Z, B20A, B20B, B20C, B20D, B20E, B39A, B39B	17	R01A, R01B, R01C, R01D, R02Z, R12A, R12B, R12C			
23		Z01A			02	C01A	21A	W01A, W01B, W01C, W36Z			
Pre		A07A, A09B, A11A, A11B, A13B			03	D18Z, D25A, D25B, D25C, D25D	21B	X06A, X06B, X06C, X33Z			
5a118.j					BOP, KOP, KOPV, KVT, UOP4	06	G33Z	23		Z01A	
		01			B02A, B02B, B02C, B13Z, B20A, B20B, B20C, B20D, B20E, B39A, B39B	07	H33Z, H38Z	Pre		A07A	
		02			C01A	09	J08A, J08B, J08C	5a11b.1			BOP, KOP, KOPV, KVT, UOP4
		06		G33Z	11	L33Z	01			B02A, B02B, B02C, B02D, B13Z, B20A, B20B, B20C, B20D, B20E, B20F, B39A, B39B	
		07		H33Z, H38Z	17	R01A, R01B, R01C, R01D, R02Z, R12A, R12B, R12C	02			C01A	
	11	L33Z		21B	X06A, X06B, X06C, X33Z	03	D18Z, D25A, D25B, D25C, D25D				
	17	R01A, R01B, R01C, R01D, R02Z, R12A, R12B, R12C		23	Z01A	06	G33Z				
	21B	X33Z		Pre	A07A, A09B, A11A, A11B, A13B	07	H33Z, H38Z				
	23	Z01A		5a11a.0		BOP, KOP, KOPV, KVT, UOP4	09		J08A, J08B, J08C		
	Pre	A07A, A09B, A11A, A11B, A13B			01	B02A, B02B, B02C, B02D, B13Z, B20A, B20B, B20C, B20D, B20E, B20F, B39A, B39B	11		L33Z		
	5a118.k				BOP, KOP, KOPV, KVT, UOP4	02	C01A		17	R01A, R01B, R01C, R01D, R02Z, R12A, R12B, R12C	
		01			B02A, B02B, B02C, B13Z, B20A, B20B, B20C, B20D, B20E, B39A, B39B	03	D18Z, D25A, D25B, D25C, D25D		21A	W01A, W01B, W01C, W36Z	
		02			C01A	06	G33Z		21B	X06A, X06B, X06C, X33Z	
		06	G33Z		07	H33Z, H38Z	23		Z01A		
		07	H33Z, H38Z		09	J08A, J08B, J08C	Pre		A07A		
		11	L33Z		11	L33Z	5a118.m			BOP, KOP, KOPV, KVT, UOP4	
		17	R01A, R01B, R01C, R01D, R02Z, R12A, R12B, R12C		17	R01A, R01B, R01C, R01D, R02Z, R12A, R12B, R12C			01	B02A, B02B, B02C, B02D, B13Z, B20A, B20B, B20C, B20D, B20E, B20F, B39A, B39B	
21B		X33Z	21A		W01A, W01B, W01C, W36Z	02			C01A		
23		Z01A	21B		X06A, X06B, X06C, X33Z	03			D18Z, D25A, D25B, D25C, D25D		
Pre		A07A, A09B, A11A, A11B, A13B	23		Z01A	06		G33Z			
			Pre		A07A	07		H33Z, H38Z			

VYK

ZZV	MDC	DRG	ZZV	MDC	DRG	ZZV	MDC	DRG
5a11c.3		BOP, KOP, KOPV, KVT, UOP4	5a11c.7		BOP, KOP, KOPV, KVT, UOP4	5a11c.b		BOP, KOP, KOPV, KVT, UOP4
	01	B02A, B02B, B02C, B20A, B20B, B20C, B20D, B20E, B39A, B39B		01	B02A, B02B, B02C, B20A, B20B, B20C, B20D, B20E, B39A, B39B		01	B02A, B02B, B02C, B20A, B20B, B20C, B20D, B20E, B39A, B39B
	02	C01A		02	C01A		02	C01A
	03	D18Z, D25A, D25B, D25C, D25D		03	D18Z, D25A, D25B, D25C, D25D		03	D18Z, D25A, D25B, D25C, D25D
	06	G33Z		06	G33Z		06	G33Z
	07	H33Z, H38Z		07	H33Z, H38Z		07	H33Z, H38Z
	09	J08A, J08B, J08C		09	J08A, J08B, J08C		09	J08A, J08B, J08C
	11	L33Z		11	L33Z		11	L33Z
	17	R01A, R01B, R01C, R01D, R02Z, R12A, R12B, R12C		17	R01A, R01B, R01C, R01D, R02Z, R12A, R12B, R12C		17	R01A, R01B, R01C, R01D, R02Z, R12A, R12B, R12C
	21B	X33Z		21B	X33Z		21B	X33Z
	23	Z01A		23	Z01A		23	Z01A
	Pre	A07A		Pre	A07A		Pre	A07A
	5a11c.4			BOP, KOP, KOPV, KVT, UOP4	5a11c.8			BOP, KOP, KOPV, KVT, UOP4
01		B02A, B02B, B02C, B20A, B20B, B20C, B20D, B20E, B39A, B39B	01	B02A, B02B, B02C, B20A, B20B, B20C, B20D, B20E, B39A, B39B		01	B02A, B02B, B02C, B20A, B20B, B20C, B20D, B20E, B39A, B39B	
02		C01A	02	C01A		02	C01A	
03		D18Z, D25A, D25B, D25C, D25D	03	D18Z, D25A, D25B, D25C, D25D		03	D18Z, D25A, D25B, D25C, D25D	
06		G33Z	06	G33Z		06	G33Z	
07		H33Z, H38Z	07	H33Z, H38Z		07	H33Z, H38Z	
09		J08A, J08B, J08C	09	J08A, J08B, J08C		09	J08A, J08B, J08C	
11		L33Z	11	L33Z		11	L33Z	
17		R01A, R01B, R01C, R01D, R02Z, R12A, R12B, R12C	17	R01A, R01B, R01C, R01D, R02Z, R12A, R12B, R12C		17	R01A, R01B, R01C, R01D, R02Z, R12A, R12B, R12C	
21B		X33Z	21B	X33Z		21B	X33Z	
23		Z01A	23	Z01A		23	Z01A	
Pre		A07A	Pre	A07A		Pre	A07A	
5a11c.5			BOP, KOP, KOPV, KVT, UOP4	5a11c.9			BOP, KOP, KOPV, KVT, UOP4	5a11d.3
	01	B02A, B02B, B02C, B20A, B20B, B20C, B20D, B20E, B39A, B39B	01		B02A, B02B, B02C, B20A, B20B, B20C, B20D, B20E, B39A, B39B	01	B02A, B02B, B02C, B20A, B20B, B20C, B20D, B20E, B39A, B39B	
	02	C01A	02		C01A	02	C01A	
	03	D18Z, D25A, D25B, D25C, D25D	03		D18Z, D25A, D25B, D25C, D25D	03	D18Z, D25A, D25B, D25C, D25D	
	06	G33Z	06		G33Z	06	G33Z	
	07	H33Z, H38Z	07		H33Z, H38Z	07	H33Z, H38Z	
	09	J08A, J08B, J08C	09		J08A, J08B, J08C	09	J08A, J08B, J08C	
	11	L33Z	11		L33Z	11	L33Z	
	17	R01A, R01B, R01C, R01D, R02Z, R12A, R12B, R12C	17		R01A, R01B, R01C, R01D, R02Z, R12A, R12B, R12C	17	R01A, R01B, R01C, R01D, R02Z, R12A, R12B, R12C	
	21B	X33Z	21B		X33Z	21B	X33Z	
	23	Z01A	23		Z01A	23	Z01A	
	Pre	A07A	Pre		A07A	Pre	A07A	
	5a11c.6		BOP, KOP, KOPV, KVT, UOP4		5a11c.a		BOP, KOP, KOPV, KVT, UOP4	
01		B02A, B02B, B02C, B20A, B20B, B20C, B20D, B20E, B39A, B39B	01	B02A, B02B, B02C, B20A, B20B, B20C, B20D, B20E, B39A, B39B		01	B02A, B02B, B02C, B20A, B20B, B20C, B20D, B20E, B39A, B39B	
02		C01A	02	C01A		02	C01A	
03		D18Z, D25A, D25B, D25C, D25D	03	D18Z, D25A, D25B, D25C, D25D		03	D18Z, D25A, D25B, D25C, D25D	
06		G33Z	06	G33Z		06	G33Z	
07		H33Z, H38Z	07	H33Z, H38Z		07	H33Z, H38Z	
09		J08A, J08B, J08C	09	J08A, J08B, J08C		09	J08A, J08B, J08C	
11		L33Z	11	L33Z		11	L33Z	
17		R01A, R01B, R01C, R01D, R02Z, R12A, R12B, R12C	17	R01A, R01B, R01C, R01D, R02Z, R12A, R12B, R12C		17	R01A, R01B, R01C, R01D, R02Z, R12A, R12B, R12C	
21B		X33Z	21B	X33Z		21B	X33Z	
23		Z01A	23	Z01A		23	Z01A	
Pre		A07A	Pre	A07A		Pre	A07A	

ZZV	MDC	DRG	ZZV	MDC	DRG	ZZV	MDC	DRG
5a11d.5		BOP, KOP, KOPV, KVT, UOP4	5a11d.9		BOP, KOP, KOPV, KVT, UOP4	5a11e.3		BOP, KOP, KOPV, KVT, UOP4
	01	B02A, B02B, B02C, B20A, B20B, B20C, B20D, B20E, B39A, B39B		01	B02A, B02B, B02C, B20A, B20B, B20C, B20D, B20E, B39A, B39B		01	B02A, B02B, B02C, B20A, B20B, B20C, B20D, B20E, B39A, B39B
	02	C01A		02	C01A		02	C01A
	03	D18Z, D25A, D25B, D25C, D25D		03	D18Z, D25A, D25B, D25C, D25D		03	D18Z, D25A, D25B, D25C, D25D
	06	G33Z		06	G33Z		06	G33Z
	07	H33Z, H38Z		07	H33Z, H38Z		07	H33Z, H38Z
	09	J08A, J08B, J08C		09	J08A, J08B, J08C		09	J08A, J08B, J08C
	11	L33Z		11	L33Z		11	L33Z
	17	R01A, R01B, R01C, R01D, R02Z, R12A, R12B, R12C		17	R01A, R01B, R01C, R01D, R02Z, R12A, R12B, R12C		17	R01A, R01B, R01C, R01D, R02Z, R12A, R12B, R12C
	21B	X33Z		21B	X33Z		21B	X33Z
	23	Z01A		23	Z01A		23	Z01A
	Pre	A07A		Pre	A07A		Pre	A07A
	5a11d.6			BOP, KOP, KOPV, KVT, UOP4	5a11d.a			BOP, KOP, KOPV, KVT, UOP4
01		B02A, B02B, B02C, B20A, B20B, B20C, B20D, B20E, B39A, B39B	01	B02A, B02B, B02C, B20A, B20B, B20C, B20D, B20E, B39A, B39B		01	B02A, B02B, B02C, B20A, B20B, B20C, B20D, B20E, B39A, B39B	
02		C01A	02	C01A		02	C01A	
03		D18Z, D25A, D25B, D25C, D25D	03	D18Z, D25A, D25B, D25C, D25D		03	D18Z, D25A, D25B, D25C, D25D	
06		G33Z	06	G33Z		06	G33Z	
07		H33Z, H38Z	07	H33Z, H38Z		07	H33Z, H38Z	
09		J08A, J08B, J08C	09	J08A, J08B, J08C		09	J08A, J08B, J08C	
11		L33Z	11	L33Z		11	L33Z	
17		R01A, R01B, R01C, R01D, R02Z, R12A, R12B, R12C	17	R01A, R01B, R01C, R01D, R02Z, R12A, R12B, R12C		17	R01A, R01B, R01C, R01D, R02Z, R12A, R12B, R12C	
21B		X33Z	21B	X33Z		21B	X33Z	
23		Z01A	23	Z01A		23	Z01A	
Pre		A07A	Pre	A07A		Pre	A07A	
5a11d.7			BOP, KOP, KOPV, KVT, UOP4	5a11d.b			BOP, KOP, KOPV, KVT, UOP4	5a11e.5
	01	B02A, B02B, B02C, B20A, B20B, B20C, B20D, B20E, B39A, B39B	01		B02A, B02B, B02C, B20A, B20B, B20C, B20D, B20E, B39A, B39B	01	B02A, B02B, B02C, B20A, B20B, B20C, B20D, B20E, B39A, B39B	
	02	C01A	02		C01A	02	C01A	
	03	D18Z, D25A, D25B, D25C, D25D	03		D18Z, D25A, D25B, D25C, D25D	03	D18Z, D25A, D25B, D25C, D25D	
	06	G33Z	06		G33Z	06	G33Z	
	07	H33Z, H38Z	07		H33Z, H38Z	07	H33Z, H38Z	
	09	J08A, J08B, J08C	09		J08A, J08B, J08C	09	J08A, J08B, J08C	
	11	L33Z	11		L33Z	11	L33Z	
	17	R01A, R01B, R01C, R01D, R02Z, R12A, R12B, R12C	17		R01A, R01B, R01C, R01D, R02Z, R12A, R12B, R12C	17	R01A, R01B, R01C, R01D, R02Z, R12A, R12B, R12C	
	21B	X33Z	21B		X33Z	21B	X33Z	
	23	Z01A	23		Z01A	23	Z01A	
	Pre	A07A	Pre		A07A	Pre	A07A	
	5a11d.8		BOP, KOP, KOPV, KVT, UOP4		5a11d.c		BOP, KOP, KOPV, KVT, UOP4	
01		B02A, B02B, B02C, B20A, B20B, B20C, B20D, B20E, B39A, B39B	01	B02A, B02B, B02C, B20A, B20B, B20C, B20D, B20E, B39A, B39B		01	B02A, B02B, B02C, B20A, B20B, B20C, B20D, B20E, B39A, B39B	
02		C01A	02	C01A		02	C01A	
03		D18Z, D25A, D25B, D25C, D25D	03	D18Z, D25A, D25B, D25C, D25D		03	D18Z, D25A, D25B, D25C, D25D	
06		G33Z	06	G33Z		06	G33Z	
07		H33Z, H38Z	07	H33Z, H38Z		07	H33Z, H38Z	
09		J08A, J08B, J08C	09	J08A, J08B, J08C		09	J08A, J08B, J08C	
11		L33Z	11	L33Z		11	L33Z	
17		R01A, R01B, R01C, R01D, R02Z, R12A, R12B, R12C	17	R01A, R01B, R01C, R01D, R02Z, R12A, R12B, R12C		17	R01A, R01B, R01C, R01D, R02Z, R12A, R12B, R12C	
21B		X33Z	21B	X33Z		21B	X33Z	
23		Z01A	23	Z01A		23	Z01A	
Pre		A07A	Pre	A07A		Pre	A07A	

ZZV	MDC	DRG	ZZV	MDC	DRG	ZZV	MDC	DRG
5a11e.7		BOP, KOP, KOPV, KVT, UOP4	5a11e.b		BOP, KOP, KOPV, KVT, UOP4	5a11f.5		BOP, KOP, KOPV, KVT, UOP4
	01	B02A, B02B, B02C, B20A, B20B, B20C, B20D, B20E, B39A, B39B		01	B02A, B02B, B02C, B20A, B20B, B20C, B20D, B20E, B39A, B39B		01	B02A, B02B, B02C, B20A, B20B, B20C, B20D, B20E, B39A, B39B
	02	C01A		02	C01A		02	C01A
	03	D18Z, D25A, D25B, D25C, D25D		03	D18Z, D25A, D25B, D25C, D25D		03	D18Z, D25A, D25B, D25C, D25D
	06	G33Z		06	G33Z		06	G33Z
	07	H33Z, H38Z		07	H33Z, H38Z		07	H33Z, H38Z
	09	J08A, J08B, J08C		09	J08A, J08B, J08C		09	J08A, J08B, J08C
	11	L33Z		11	L33Z		11	L33Z
	17	R01A, R01B, R01C, R01D, R02Z, R12A, R12B, R12C		17	R01A, R01B, R01C, R01D, R02Z, R12A, R12B, R12C		17	R01A, R01B, R01C, R01D, R02Z, R12A, R12B, R12C
	21B	X33Z		21B	X33Z		21B	X33Z
	23	Z01A		23	Z01A		23	Z01A
	Pre	A07A		Pre	A07A		Pre	A07A
	5a11e.8			BOP, KOP, KOPV, KVT, UOP4	5a11e.c			BOP, KOP, KOPV, KVT, UOP4
01		B02A, B02B, B02C, B20A, B20B, B20C, B20D, B20E, B39A, B39B	01	B02A, B02B, B02C, B20A, B20B, B20C, B20D, B20E, B39A, B39B		01	B02A, B02B, B02C, B20A, B20B, B20C, B20D, B20E, B39A, B39B	
02		C01A	02	C01A		02	C01A	
03		D18Z, D25A, D25B, D25C, D25D	03	D18Z, D25A, D25B, D25C, D25D		03	D18Z, D25A, D25B, D25C, D25D	
06		G33Z	06	G33Z		06	G33Z	
07		H33Z, H38Z	07	H33Z, H38Z		07	H33Z, H38Z	
09		J08A, J08B, J08C	09	J08A, J08B, J08C		09	J08A, J08B, J08C	
11		L33Z	11	L33Z		11	L33Z	
17		R01A, R01B, R01C, R01D, R02Z, R12A, R12B, R12C	17	R01A, R01B, R01C, R01D, R02Z, R12A, R12B, R12C		17	R01A, R01B, R01C, R01D, R02Z, R12A, R12B, R12C	
21B		X33Z	21B	X33Z		21B	X33Z	
23		Z01A	23	Z01A		23	Z01A	
Pre		A07A	Pre	A07A		Pre	A07A	
5a11e.9			BOP, KOP, KOPV, KVT, UOP4	5a11f.3			BOP, KOP, KOPV, KVT, UOP4	5a11f.7
	01	B02A, B02B, B02C, B20A, B20B, B20C, B20D, B20E, B39A, B39B	01		B02A, B02B, B02C, B20A, B20B, B20C, B20D, B20E, B39A, B39B	01	B02A, B02B, B02C, B20A, B20B, B20C, B20D, B20E, B39A, B39B	
	02	C01A	02		C01A	02	C01A	
	03	D18Z, D25A, D25B, D25C, D25D	03		D18Z, D25A, D25B, D25C, D25D	03	D18Z, D25A, D25B, D25C, D25D	
	06	G33Z	06		G33Z	06	G33Z	
	07	H33Z, H38Z	07		H33Z, H38Z	07	H33Z, H38Z	
	09	J08A, J08B, J08C	09		J08A, J08B, J08C	09	J08A, J08B, J08C	
	11	L33Z	11		L33Z	11	L33Z	
	17	R01A, R01B, R01C, R01D, R02Z, R12A, R12B, R12C	17		R01A, R01B, R01C, R01D, R02Z, R12A, R12B, R12C	17	R01A, R01B, R01C, R01D, R02Z, R12A, R12B, R12C	
	21B	X33Z	21B		X33Z	21B	X33Z	
	23	Z01A	23		Z01A	23	Z01A	
	Pre	A07A	Pre		A07A	Pre	A07A	
	5a11e.a		BOP, KOP, KOPV, KVT, UOP4		5a11f.4		BOP, KOP, KOPV, KVT, UOP4	
01		B02A, B02B, B02C, B20A, B20B, B20C, B20D, B20E, B39A, B39B	01	B02A, B02B, B02C, B20A, B20B, B20C, B20D, B20E, B39A, B39B		01	B02A, B02B, B02C, B20A, B20B, B20C, B20D, B20E, B39A, B39B	
02		C01A	02	C01A		02	C01A	
03		D18Z, D25A, D25B, D25C, D25D	03	D18Z, D25A, D25B, D25C, D25D		03	D18Z, D25A, D25B, D25C, D25D	
06		G33Z	06	G33Z		06	G33Z	
07		H33Z, H38Z	07	H33Z, H38Z		07	H33Z, H38Z	
09		J08A, J08B, J08C	09	J08A, J08B, J08C		09	J08A, J08B, J08C	
11		L33Z	11	L33Z		11	L33Z	
17		R01A, R01B, R01C, R01D, R02Z, R12A, R12B, R12C	17	R01A, R01B, R01C, R01D, R02Z, R12A, R12B, R12C		17	R01A, R01B, R01C, R01D, R02Z, R12A, R12B, R12C	
21B		X33Z	21B	X33Z		21B	X33Z	
23		Z01A	23	Z01A		23	Z01A	
Pre		A07A	Pre	A07A		Pre	A07A	

ZZV	MDC	DRG	ZZV	MDC	DRG	ZZV	MDC	DRG					
5a11f.9		BOP, KOP, KOPV, KVT, UOP4	5a120.0		BOP, KVT, UOP4	5a122.1		BOP, KVT, UOP4					
	01	B02A, B02B, B02C, B20A, B20B, B20C, B20D, B20E, B39A, B39B		01	B02A, B02B, B02C, B02D, B20A, B20B, B20C, B20D, B20E, B20F, B39A, B39B		01	B02A, B02B, B02C, B02D, B20A, B20B, B20C, B20D, B20E, B20F, B39A, B39B					
	02	C01A		02	C01A		02	C01A					
	03	D18Z, D25A, D25B, D25C, D25D		03	D18Z, D25A, D25B, D25C, D25D		03	D18Z, D25A, D25B, D25C, D25D					
	06	G33Z		09	J08A, J08B, J08C		09	J08A, J08B, J08C					
	07	H33Z, H38Z		17	R01A, R01C, R02Z, R12A, R12B		17	R01A, R01C, R02Z, R12A, R12B					
	09	J08A, J08B, J08C		21A	W01A, W01B, W01C, W36Z		21A	W01A, W01B, W01C, W36Z					
	11	L33Z		21B	X06A, X06B, X06C		21B	X06A, X06B, X06C					
	17	R01A, R01B, R01C, R01D, R02Z, R12A, R12B, R12C		23	Z01A		23	Z01A					
	21B	X33Z		Pre	B61A		Pre	B61A					
	23	Z01A		5a120.1			BOP, KVT, UOP4	5a123.0		BOP, KVT, UOP4			
	Pre	A07A			01		B02A, B02B, B02C, B02D, B20A, B20B, B20C, B20D, B20E, B20F, B39A, B39B		01	B02A, B02B, B02C, B02D, B20A, B20B, B20C, B20D, B20E, B20F, B39A, B39B			
	5a11f.a				BOP, KOP, KOPV, KVT, UOP4		02		C01A	02	C01A		
		01			B02A, B02B, B02C, B20A, B20B, B20C, B20D, B20E, B39A, B39B		03		D18Z, D25A, D25B, D25C, D25D	03	D18Z, D25A, D25B, D25C, D25D		
		02			C01A		09		J08A, J08B, J08C	09	J08A, J08B, J08C		
		03			D18Z, D25A, D25B, D25C, D25D		17		R01A, R01C, R02Z, R12A, R12B	17	R01A, R01C, R02Z, R12A, R12B		
		06			G33Z		21A		W01A, W01B, W01C, W36Z	21A	W01A, W01B, W01C, W36Z		
		07			H33Z, H38Z		21B		X06A, X06B, X06C	21B	X06A, X06B, X06C		
		09			J08A, J08B, J08C		23		Z01A	23	Z01A		
		11			L33Z		Pre		B61A	Pre	B61A		
		17			R01A, R01B, R01C, R01D, R02Z, R12A, R12B, R12C		5a121.0			BOP, KVT, UOP4	5a123.1		BOP, KVT, UOP4
		21B			X33Z				01	B02A, B02B, B02C, B02D, B20A, B20B, B20C, B20D, B20E, B20F, B39A, B39B		01	B02A, B02B, B02C, B02D, B20A, B20B, B20C, B20D, B20E, B20F, B39A, B39B
		23			Z01A				02	C01A		02	C01A
Pre		A07A	03		D18Z, D25A, D25B, D25C, D25D	03			D18Z, D25A, D25B, D25C, D25D				
5a11f.b			BOP, KOP, KOPV, KVT, UOP4		09	J08A, J08B, J08C			09	J08A, J08B, J08C			
		01	B02A, B02B, B02C, B20A, B20B, B20C, B20D, B20E, B39A, B39B		17	R01A, R01C, R02Z, R12A, R12B			17	R01A, R01C, R02Z, R12A, R12B			
		02	C01A		21A	W01A, W01B, W01C, W36Z			21A	W01A, W01B, W01C, W36Z			
		03	D18Z, D25A, D25B, D25C, D25D		21B	X06A, X06B, X06C			21B	X06A, X06B, X06C			
		06	G33Z		23	Z01A			23	Z01A			
		07	H33Z, H38Z		Pre	B61A			Pre	B61A			
		09	J08A, J08B, J08C		5a121.1				BOP, KVT, UOP4	5a124.0			BOP, KVT, UOP4
		11	L33Z			01			B02A, B02B, B02C, B02D, B20A, B20B, B20C, B20D, B20E, B20F, B39A, B39B			01	B02A, B02B, B02C, B02D, B20A, B20B, B20C, B20D, B20E, B20F, B39A, B39B
		17	R01A, R01B, R01C, R01D, R02Z, R12A, R12B, R12C			02			C01A			02	C01A
		21B	X33Z	03		D18Z, D25A, D25B, D25C, D25D		03	D18Z, D25A, D25B, D25C, D25D				
		23	Z01A	09		J08A, J08B, J08C		09	J08A, J08B, J08C				
	Pre	A07A	17	R01A, R01C, R02Z, R12A, R12B		17		R01A, R01C, R02Z, R12A, R12B					
	5a11f.c		BOP, KOP, KOPV, KVT, UOP4	21A		W01A, W01B, W01C, W36Z		21A	W01A, W01B, W01C, W36Z				
		01	B02A, B02B, B02C, B20A, B20B, B20C, B20D, B20E, B39A, B39B	21B		X06A, X06B, X06C		21B	X06A, X06B, X06C				
		02	C01A	23		Z01A		23	Z01A				
		03	D18Z, D25A, D25B, D25C, D25D	Pre		B61A		Pre	B61A				
		06	G33Z	5a122.0				BOP, KVT, UOP4	5a124.1				BOP, KVT, UOP4
		07	H33Z, H38Z			01		B02A, B02B, B02C, B02D, B20A, B20B, B20C, B20D, B20E, B20F, B39A, B39B				01	B02A, B02B, B02C, B02D, B20A, B20B, B20C, B20D, B20E, B20F, B39A, B39B
		09	J08A, J08B, J08C			02		C01A				02	C01A
		11	L33Z			03	D18Z, D25A, D25B, D25C, D25D	03			D18Z, D25A, D25B, D25C, D25D		
		17	R01A, R01B, R01C, R01D, R02Z, R12A, R12B, R12C			09	J08A, J08B, J08C	09			J08A, J08B, J08C		
		21B	X33Z			17	R01A, R01C, R02Z, R12A, R12B	17			R01A, R01C, R02Z, R12A, R12B		
		23	Z01A			21A	W01A, W01B, W01C, W36Z	21A			W01A, W01B, W01C, W36Z		
Pre		A07A	21B			X06A, X06B, X06C	21B	X06A, X06B, X06C					
			23			Z01A	23	Z01A					
			Pre			B61A	Pre	B61A					

VYK

ZZV	MDC	DRG	ZZV	MDC	DRG	ZZV	MDC	DRG
5a125.0		BOP, KVT, UOP4	5a127.3		BOP, KVT, UOP4	5a128.6		BOP, KOP, KOPV, KVT, UOP4
	01	B02A, B02B, B02C, B02D, B20A, B20B, B20C, B20D, B20E, B20F, B39A, B39B		01	B02A, B02B, B02C, B02D, B20A, B20B, B20C, B20D, B20E, B20F, B39A, B39B		01	B02A, B02B, B02C, B02D, B13Z, B20A, B20B, B20C, B20D, B20E, B20F, B39A, B39B
	02	C01A		02	C01A		02	C01A
	03	D18Z, D25A, D25B, D25C, D25D		03	D18Z, D25A, D25B, D25C, D25D		03	D18Z, D25A, D25B, D25C, D25D
	09	J08A, J08B, J08C		09	J08A, J08B, J08C		06	G33Z
	17	R01A, R01C, R02Z, R12A, R12B		17	R01A, R01C, R02Z, R12A, R12B		07	H33Z, H38Z
	21A	W01A, W01B, W01C, W36Z		21A	W01A, W01B, W01C, W36Z		09	J08A, J08B, J08C
	21B	X06A, X06B, X06C		21B	X06A, X06B, X06C		11	L33Z
	23	Z01A		23	Z01A		17	R01A, R01B, R01C, R01D, R02Z, R12A, R12B, R12C
	Pre	B61A		Pre	B61A		21A	W01A, W01B, W01C, W36Z
	5a125.1			BOP, KVT, UOP4	5a128.4			BOP, KOP, KOPV, KVT, UOP4
01		B02A, B02B, B02C, B02D, B20A, B20B, B20C, B20D, B20E, B20F, B39A, B39B	01	B02A, B02B, B02C, B02D, B13Z, B20A, B20B, B20C, B20D, B20E, B20F, B39A, B39B		01	B02A, B02B, B02C, B02D, B13Z, B20A, B20B, B20C, B20D, B20E, B20F, B39A, B39B	
02		C01A	02	C01A		02	C01A	
03		D18Z, D25A, D25B, D25C, D25D	03	D18Z, D25A, D25B, D25C, D25D		03	D18Z, D25A, D25B, D25C, D25D	
09		J08A, J08B, J08C	06	G33Z		02	C01A	
17		R01A, R01C, R02Z, R12A, R12B	07	H33Z, H38Z		03	D18Z, D25A, D25B, D25C, D25D	
21A		W01A, W01B, W01C, W36Z	09	J08A, J08B, J08C		06	G33Z	
21B		X06A, X06B, X06C	11	L33Z		07	H33Z, H38Z	
23		Z01A	17	R01A, R01B, R01C, R01D, R02Z, R12A, R12B, R12C		09	J08A, J08B, J08C	
Pre		B61A	21A	W01A, W01B, W01C, W36Z		11	L33Z	
5a126.2			BOP, KVT, UOP4	5a128.5			BOP, KOP, KOPV, KVT, UOP4	5a129.0
	01	B02A, B02B, B02C, B02D, B20A, B20B, B20C, B20D, B20E, B20F, B39A, B39B	01		B02A, B02B, B02C, B02D, B13Z, B20A, B20B, B20C, B20D, B20E, B20F, B39A, B39B	01	B09A, B09B	
	02	C01A	02		C01A	02	C01A	
	03	D18Z, D25A, D25B, D25C, D25D	03		D18Z, D25A, D25B, D25C, D25D	03	D18Z, D25A, D25B, D25C, D25D	
	09	J08A, J08B, J08C	06		G33Z	09	J08A, J08B, J08C	
	17	R01A, R01C, R02Z, R12A, R12B	07		H33Z, H38Z	17	R01A, R01B, R01C, R01D, R02Z, R12A, R12B, R12C	
	21A	W01A, W01B, W01C, W36Z	09		J08A, J08B, J08C	21A	W01A, W01B, W01C, W36Z	
	21B	X06A, X06B, X06C	11		L33Z	21B	X06A, X06B, X06C	
	23	Z01A	17		R01A, R01B, R01C, R01D, R02Z, R12A, R12B, R12C	23	Z01A	
	Pre	B61A	21A		W01A, W01B, W01C, W36Z	Pre	B61A	
	5a126.3		BOP, KVT, UOP4		5a129.1		BOP, KVT, UOP4	
01		B02A, B02B, B02C, B02D, B20A, B20B, B20C, B20D, B20E, B20F, B39A, B39B	01	B02A, B02B, B02C, B02D, B13Z, B20A, B20B, B20C, B20D, B20E, B20F, B39A, B39B		01	B09A, B09B	
02		C01A	02	C01A		02	C01A	
03		D18Z, D25A, D25B, D25C, D25D	03	D18Z, D25A, D25B, D25C, D25D		03	D18Z, D25A, D25B, D25C, D25D	
09		J08A, J08B, J08C	06	G33Z		09	J08A, J08B, J08C	
17		R01A, R01C, R02Z, R12A, R12B	07	H33Z, H38Z		17	R01A, R01B, R01C, R01D, R02Z, R12A, R12B, R12C	
21A		W01A, W01B, W01C, W36Z	09	J08A, J08B, J08C		21A	W01A, W01B, W01C, W36Z	
21B		X06A, X06B, X06C	11	L33Z		21B	X06A, X06B, X06C	
23		Z01A	17	R01A, R01B, R01C, R01D, R02Z, R12A, R12B, R12C		23	Z01A	
Pre		B61A	21A	W01A, W01B, W01C, W36Z		Pre	B61A	
5a127.2			BOP, KVT, UOP4	5a129.1			BOP, KVT, UOP4	5a129.1
	01	B02A, B02B, B02C, B02D, B20A, B20B, B20C, B20D, B20E, B20F, B39A, B39B	01		B02A, B02B, B02C, B02D, B13Z, B20A, B20B, B20C, B20D, B20E, B20F, B39A, B39B	01	B09A, B09B	
	02	C01A	02		C01A	02	C01A	
	03	D18Z, D25A, D25B, D25C, D25D	03		D18Z, D25A, D25B, D25C, D25D	03	D18Z, D25A, D25B, D25C, D25D	
	09	J08A, J08B, J08C	06		G33Z	09	J08A, J08B, J08C	
	17	R01A, R01C, R02Z, R12A, R12B	07		H33Z, H38Z	17	R01A, R01B, R01C, R01D, R02Z, R12A, R12B, R12C	
	21A	W01A, W01B, W01C, W36Z	09		J08A, J08B, J08C	21A	W01A, W01B, W01C, W36Z	
	21B	X06A, X06B, X06C	11		L33Z	21B	X06A, X06B, X06C	
	23	Z01A	17		R01A, R01B, R01C, R01D, R02Z, R12A, R12B, R12C	23	Z01A	
	Pre	B61A	21A		W01A, W01B, W01C, W36Z	Pre	B61A	

VYK

ZZV	MDC	DRG	ZZV	MDC	DRG	ZZV	MDC	DRG			
5a12a.0		BOP, KVT, UOP4	5a12d.4		BOP, KOP, KOPV, KVT, UOP4	5a12d.7		BOP, KOP, KOPV, KVT, UOP4			
	01	B09A, B09B		01	B02A, B02B, B02C, B02D, B13Z, B20A, B20B, B20C, B20D, B20E, B20F, B39A, B39B		01	B02A, B02B, B02C, B02D, B13Z, B20A, B20B, B20C, B20D, B20E, B20F, B39A, B39B			
	02	C01A		02	C01A		02	C01A			
	03	D18Z, D25A, D25B, D25C, D25D		03	D18Z, D25A, D25B, D25C, D25D		03	D18Z, D25A, D25B, D25C, D25D			
	09	J08A, J08B, J08C		06	G33Z		06	G33Z			
	17	R01A, R01B, R01C, R01D, R02Z, R12A, R12B, R12C		07	H33Z, H38Z		07	H33Z, H38Z			
	21A	W01A, W01B, W01C, W36Z		09	J08A, J08B, J08C		09	J08A, J08B, J08C			
	21B	X06A, X06B, X06C		11	L33Z		11	L33Z			
	23	Z01A		17	R01A, R01B, R01C, R01D, R02Z, R12A, R12B, R12C		17	R01A, R01B, R01C, R01D, R02Z, R12A, R12B, R12C			
	Pre	B61A		21A	W01A, W01B, W01C, W36Z		21A	W01A, W01B, W01C, W36Z			
	5a12a.1			BOP, KVT, UOP4	5a12d.5			BOP, KOP, KOPV, KVT, UOP4	5a130		BOP, KVT, UOP4
		01		B09A, B09B			01	B02A, B02B, B02C, B02D, B13Z, B20A, B20B, B20C, B20D, B20E, B20F, B39A, B39B		01	B03A, B03B, B06A, B06B, B07Z, B17A, B17B, B17C
		02		C01A			02	C01A		02	C01A
03		D18Z, D25A, D25B, D25C, D25D	03	D18Z, D25A, D25B, D25C, D25D		03	D12A, D12B				
09		J08A, J08B, J08C	06	G33Z		21A	W04A, W04B				
17		R01A, R01B, R01C, R01D, R02Z, R12A, R12B, R12C	07	H33Z, H38Z		21B	X06A, X06B, X06C				
21A		W01A, W01B, W01C, W36Z	09	J08A, J08B, J08C		Pre	BOP, KVT, UOP4				
21B		X06A, X06B, X06C	11	L33Z		01	B03A, B03B, B06A, B06B, B07Z, B17A, B17B, B17C				
23		Z01A	17	R01A, R01B, R01C, R01D, R02Z, R12A, R12B, R12C		02	C01A				
Pre		B61A	21A	W01A, W01B, W01C, W36Z		03	D12A, D12B				
5a12b.0			BOP, KVT, UOP4	5a12d.6			BOP, KOP, KOPV, KVT, UOP4	5a131			BOP, KVT, UOP4
		01	B09A, B09B			01	B02A, B02B, B02C, B02D, B13Z, B20A, B20B, B20C, B20D, B20E, B20F, B39A, B39B			01	B03A, B03B, B06A, B06B, B07Z, B17A, B17B, B17C
		02	C01A			02	C01A			02	C01A
	03	D18Z, D25A, D25B, D25C, D25D	03		D18Z, D25A, D25B, D25C, D25D	03	D12A, D12B				
	09	J08A, J08B, J08C	06		G33Z	21A	W04A, W04B				
	17	R01A, R01B, R01C, R01D, R02Z, R12A, R12B, R12C	07		H33Z, H38Z	21B	X06A, X06B, X06C				
	21A	W01A, W01B, W01C, W36Z	09		J08A, J08B, J08C	Pre	BOP, KOP, KOPV, KVT, UOP4				
	21B	X06A, X06B, X06C	11		L33Z	01	B02A, B02B, B02C, B02D, B20A, B20B, B20C, B20D, B20E, B20F, B39A, B39B				
	23	Z01A	17		R01A, R01B, R01C, R01D, R02Z, R12A, R12B, R12C	02	C01A				
	Pre	B61A	21A		W01A, W01B, W01C, W36Z	03	D12A, D12B				
	5a12b.1		BOP, KVT, UOP4		5a12d.8		BOP, KOP, KOPV, KVT, UOP4		5a132.7		BOP, KOP, KOPV, KVT, UOP4
		01	B09A, B09B			01	B02A, B02B, B02C, B02D, B13Z, B20A, B20B, B20C, B20D, B20E, B20F, B39A, B39B			01	B02A, B02B, B02C, B02D, B20A, B20B, B20C, B20D, B20E, B20F, B39A, B39B
		02	C01A			02	C01A			02	C01A
03		D18Z, D25A, D25B, D25C, D25D	03	D18Z, D25A, D25B, D25C, D25D		03	D12A, D12B				
09		J08A, J08B, J08C	06	G33Z		06	G33Z				
17		R01A, R01B, R01C, R01D, R02Z, R12A, R12B, R12C	07	H33Z, H38Z		07	H33Z, H38Z				
21A		W01A, W01B, W01C, W36Z	11	L33Z		11	L33Z				
21B		X06A, X06B, X06C	21A	W01A, W01B, W01C, W36Z		21A	W01A, W01B, W01C, W36Z				
23		Z01A	21B	X06A, X06B, X06C, X33Z		21B	X06A, X06B, X06C, X33Z				
Pre		B61A	23	Z01A		23	Z01A				
5a12c.8			BOP, KVT, UOP4	5a12d.9			BOP, KOP, KOPV, KVT, UOP4	5a132.8			BOP, KOP, KOPV, KVT, UOP4
		01	B09A, B09B			01	B02A, B02B, B02C, B02D, B13Z, B20A, B20B, B20C, B20D, B20E, B20F, B39A, B39B			01	B02A, B02B, B02C, B02D, B20A, B20B, B20C, B20D, B20E, B20F, B39A, B39B
		02	C01A			02	C01A			02	C01A
	03	D18Z, D25A, D25B, D25C, D25D	03		D18Z, D25A, D25B, D25C, D25D	03	D12A, D12B				
	09	J08A, J08B, J08C	06		G33Z	06	G33Z				
	17	R01A, R01B, R01C, R01D, R02Z, R12A, R12B, R12C	07		H33Z, H38Z	07	H33Z, H38Z				
	21A	W01A, W01B, W01C, W36Z	11		L33Z	11	L33Z				
	21B	X06A, X06B, X06C	21A		W01A, W01B, W01C, W36Z	21A	W01A, W01B, W01C, W36Z				
	23	Z01A	21B		X06A, X06B, X06C, X33Z	21B	X06A, X06B, X06C, X33Z				
	Pre	B61A	23		Z01A	23	Z01A				
	5a12c.9		BOP, KVT, UOP4		5a12d.0		BOP, KOP, KOPV, KVT, UOP4		5a132.9		BOP, KOP, KOPV, KVT, UOP4
		01	B09A, B09B			01	B02A, B02B, B02C, B02D, B13Z, B20A, B20B, B20C, B20D, B20E, B20F, B39A, B39B			01	B02A, B02B, B02C, B02D, B20A, B20B, B20C, B20D, B20E, B20F, B39A, B39B
		02	C01A			02	C01A			02	C01A
03		D18Z, D25A, D25B, D25C, D25D	03	D18Z, D25A, D25B, D25C, D25D		03	D12A, D12B				
09		J08A, J08B, J08C	06	G33Z		06	G33Z				
17		R01A, R01B, R01C, R01D, R02Z, R12A, R12B, R12C	07	H33Z, H38Z		07	H33Z, H38Z				
21A		W01A, W01B, W01C, W36Z	11	L33Z		11	L33Z				
21B		X06A, X06B, X06C	21A	W01A, W01B, W01C, W36Z		21A	W01A, W01B, W01C, W36Z				
23		Z01A	21B	X06A, X06B, X06C, X33Z		21B	X06A, X06B, X06C, X33Z				
Pre		B61A	23	Z01A		23	Z01A				

ZZV	MDC	DRG	ZZV	MDC	DRG	ZZV	MDC	DRG			
5a132.9		BOP, KOP, KOPV, KVT, UOP4	5a190.3		BOP, KOP, KOPV, KVT, UOP4	5a193		BOP, KOP, KOPV, KVT, UOP4			
	01	B02A, B02B, B02C, B02D, B20A, B20B, B20C, B20D, B20E, B20F, B39A, B39B		01	B02A, B02B, B02C, B20A, B20B, B20C, B20D, B20E, B39A, B39B		01	B02A, B02B, B02C, B13Z, B20A, B20B, B20C, B20D, B20E, B39A, B39B			
	02	C01A		02	C01A		02	C01A			
	03	D12A, D12B		06	G33Z		06	G33Z			
	06	G33Z		07	H33Z, H38Z		07	H33Z, H38Z			
	07	H33Z, H38Z		08	I23A		11	L33Z			
	11	L33Z		11	L33Z		17	R01A, R01B, R01C, R01D, R02Z, R12A, R12B, R12C			
	21A	W01A, W01B, W01C, W36Z		17	R01A, R01B, R01C, R01D, R02Z, R12A, R12B, R12C		21B	X33Z			
	21B	X06A, X06B, X06C, X33Z		21A	W01A, W01B, W01C, W36Z		23	Z01A			
	23	Z01A		21B	X33Z		Pre	A07A			
	Pre	A07A		23	Z01A		5a194.e	BOP, KOP, KOPV, KVT, UOP4			
	5a190.0			BOP, KOP, KOPV, KVT, UOP4	5a190.4				BOP, KOP, KOPV, KVT, UOP4	01	B02A, B02B, B02C, B13Z, B20A, B20B, B20C, B20D, B20E, B39A, B39B
		01		B02A, B02B, B02C, B20A, B20B, B20C, B20D, B20E, B39A, B39B				01	B02A, B02B, B02C, B20A, B20B, B20C, B20D, B20E, B39A, B39B	02	C01A
		02		C01A				02	C01A	06	G33Z
06		G33Z	06	G33Z		07		H33Z, H38Z			
07		H33Z, H38Z	02	C01A		11		L33Z			
08		I23A	06	G33Z		17		R01A, R01B, R01C, R01D, R02Z, R12A, R12B, R12C			
11		L33Z	07	H33Z, H38Z		21B		X33Z			
17		R01A, R01B, R01C, R01D, R02Z, R12A, R12B, R12C	08	I23A		23		Z01A			
21A		W01A, W01B, W01C, W36Z	11	L33Z		Pre		A07A			
21B		X33Z	17	R01A, R01B, R01C, R01D, R02Z, R12A, R12B, R12C		5a194.f		BOP, KOP, KOPV, KVT, UOP4			
23		Z01A	21A	W01A, W01B, W01C, W36Z				01	B02A, B02B, B02C, B13Z, B20A, B20B, B20C, B20D, B20E, B39A, B39B		
Pre		A07A	21B	X33Z				02	C01A		
5a190.1			BOP, KOP, KOPV, KVT, UOP4	5a191					BOP, KOP, KOPV, KVT, UOP4	06	G33Z
		01	B02A, B02B, B02C, B20A, B20B, B20C, B20D, B20E, B39A, B39B				01	B02A, B02B, B02C, B20A, B20B, B20C, B20D, B20E, B39A, B39B	07	H33Z, H38Z	
	02	C01A	02		C01A		11	L33Z			
	06	G33Z	06		G33Z		17	R01A, R01B, R01C, R01D, R02Z, R12A, R12B, R12C			
	07	H33Z, H38Z	07		H33Z, H38Z		21B	X33Z			
	08	I23A	08		I15A, I15B		23	Z01A			
	11	L33Z	11		L33Z		Pre	A07A			
	17	R01A, R01B, R01C, R01D, R02Z, R12A, R12B, R12C	21A		W01A, W01B, W01C, W36Z		5a195	BOP, KVT, UOP4			
	21A	W01A, W01B, W01C, W36Z	21B		X06A, X06B, X06C, X33Z			01	B02A, B02B, B02C, B02D, B20A, B20B, B20C, B20D, B20E, B20F, B39A, B39B		
	21B	X33Z	23		Z01A			02	C01A		
	23	Z01A	Pre		A07A, A09B, A11A, A11B, A13B			03	D18Z, D25A, D25B, D25C, D25D		
	Pre	A07A	5a192			BOP, KOP, KOPV, KVT, UOP4		09	J08A, J08B, J08C		
	5a190.2				BOP, KOP, KOPV, KVT, UOP4	5a192			BOP, KOP, KOPV, KVT, UOP4	17	R01A, R01C, R02Z, R12A, R12B
		01			B02A, B02B, B02C, B20A, B20B, B20C, B20D, B20E, B39A, B39B			01	B02A, B02B, B02C, B20A, B20B, B20C, B20D, B20E, B39A, B39B	21A	W01A, W01B, W01C, W36Z
02		C01A		02	C01A			21B	X06A, X06B, X06C		
06		G33Z		06	G33Z			23	Z01A		
07		H33Z, H38Z		07	H33Z, H38Z			Pre	B61A		
08		I23A		08	I15A, I15B			5a196	BOP, KVT, UOP4		
11		L33Z		11	L33Z				01	B09A, B09B	
17		R01A, R01B, R01C, R01D, R02Z, R12A, R12B, R12C		21A	W01A, W01B, W01C, W36Z				02	C01A	
21A		W01A, W01B, W01C, W36Z		21B	X06A, X06B, X06C, X33Z				03	D18Z, D25A, D25B, D25C, D25D	
21B		X33Z		23	Z01A		09		J08A, J08B, J08C		
23		Z01A		Pre	A07A, A09B, A11A, A11B, A13B		17		R01A, R01B, R01C, R01D, R02Z, R12A, R12B, R12C		
Pre		A07A					23		Z01A		
							Pre		B61A		

VYK

ZZV	MDC	DRG	ZZV	MDC	DRG	ZZV	MDC	DRG			
5a197		BOP, KOP, KOPV, KVT, UOP4	5a198.9		BOP, KOP, KOPV, KVT, UOP4	5a19a.b		BOP, KVT, UOP4			
	01	B02A, B02B, B02C, B02D, B13Z, B20A, B20B, B20C, B20D, B20E, B20F, B39A, B39B		01	B02A, B02B, B02C, B02D, B13Z, B20A, B20B, B20C, B20D, B20E, B20F, B39A, B39B		01	B03A, B03B, B06A, B06B, B07Z, B17A, B17B, B17C			
	02	C01A		02	C01A		02	C01A			
	03	D18Z, D25A, D25B, D25C, D25D		03	D18Z, D25A, D25B, D25C, D25D		03	D12A, D12B			
	06	G33Z		06	G33Z		21A	W04A, W04B			
	07	H33Z, H38Z		07	H33Z, H38Z		21B	X06A, X06B, X06C			
	09	J08A, J08B, J08C		09	J08A, J08B, J08C		5a19a.c	BOP, KVT, UOP4			
	11	L33Z		11	L33Z			01	B03A, B03B, B06A, B06B, B07Z, B17A, B17B, B17C		
	17	R01A, R01B, R01C, R01D, R02Z, R12A, R12B, R12C		17	R01A, R01B, R01C, R01D, R02Z, R12A, R12B, R12C		02	C01A			
	21B	X33Z		21A	W01A, W01B, W01C, W36Z		03	D12A, D12B			
	23	Z01A		21B	X06A, X06B, X06C, X33Z		21A	W04A, W04B			
	Pre	A07A		23	Z01A		21B	X06A, X06B, X06C			
	5a198			BOP, KOP, KOPV, KVT, UOP4	5a199.1			BOP, KOP, KOPV, KVT, UOP4	5a19b.7		BOP, KVT, UOP4
		01		B02A, B02B, B02C, B02D, B13Z, B20A, B20B, B20C, B20D, B20E, B20F, B39A, B39B			01	B02A, B02B, B02C, B02D, B13Z, B20A, B20B, B20C, B20D, B20E, B20F, B39A, B39B		01	B03A, B03B, B06A, B06B, B07Z, B17A, B17B, B17C
		02		C01A			02	C01A		02	C01A
		03		D18Z, D25A, D25B, D25C, D25D			03	D18Z, D25A, D25B, D25C, D25D		03	D12A, D12B
		06		G33Z			06	G33Z		21A	W04A, W04B
07		H33Z, H38Z	07	H33Z, H38Z		21B	X06A, X06B, X06C				
09		J08A, J08B, J08C	09	J08A, J08B, J08C		5a19b.c	BOP, KVT, UOP4				
11		L33Z	11	L33Z			01	B03A, B03B, B06A, B06B, B07Z, B17A, B17B, B17C			
17		R01A, R01B, R01C, R01D, R02Z, R12A, R12B, R12C	17	R01A, R01B, R01C, R01D, R02Z, R12A, R12B, R12C		02	C01A				
21B		X33Z	21A	W01A, W01B, W01C, W36Z		03	D12A, D12B				
23		Z01A	21B	X06A, X06B, X06C, X33Z		21A	W04A, W04B				
Pre		A07A	23	Z01A		21B	X06A, X06B, X06C				
5a198.1			BOP, KOP, KOPV, KVT, UOP4	5a199.9			BOP, KOP, KOPV, KVT, UOP4	5a19c.81			BOP, KOP, KOPV, KVT, UOP4
		01	B02A, B02B, B02C, B02D, B13Z, B20A, B20B, B20C, B20D, B20E, B20F, B39A, B39B			01	B02A, B02B, B02C, B02D, B13Z, B20A, B20B, B20C, B20D, B20E, B20F, B39A, B39B			01	B02A, B02B, B02C, B20A, B20B, B20C, B20D, B20E, B39A, B39B
		02	C01A			02	C01A			02	C01A
		03	D18Z, D25A, D25B, D25C, D25D			03	D18Z, D25A, D25B, D25C, D25D			03	D18Z, D25A, D25B, D25C, D25D
		06	G33Z			06	G33Z			06	G33Z
	07	H33Z, H38Z	07		H33Z, H38Z	07	H33Z, H38Z				
	09	J08A, J08B, J08C	09		J08A, J08B, J08C	09	J08A, J08B, J08C				
	11	L33Z	11		L33Z	11	L33Z				
	17	R01A, R01B, R01C, R01D, R02Z, R12A, R12B, R12C	17		R01A, R01B, R01C, R01D, R02Z, R12A, R12B, R12C	17	R01A, R01B, R01C, R01D, R02Z, R12A, R12B, R12C				
	21A	W01A, W01B, W01C, W36Z	17		R01A, R01B, R01C, R01D, R02Z, R12A, R12B, R12C	21B	X33Z				
	21B	X06A, X06B, X06C, X33Z	21A		W01A, W01B, W01C, W36Z	23	Z01A				
	23	Z01A	21B		X06A, X06B, X06C, X33Z	Pre	A07A				
	Pre	A07A	Pre		A07A	5a19c.82	BOP, KOP, KOPV, KVT, UOP4				
	5a198.1		BOP, KOP, KOPV, KVT, UOP4		5a199.7				BOP, KVT, UOP4	5a19c.82	
		01	B02A, B02B, B02C, B02D, B13Z, B20A, B20B, B20C, B20D, B20E, B20F, B39A, B39B			01	B03A, B03B, B06A, B06B, B07Z, B17A, B17B, B17C		01		B02A, B02B, B02C, B20A, B20B, B20C, B20D, B20E, B39A, B39B
		02	C01A			02	C01A		02		C01A
		03	D18Z, D25A, D25B, D25C, D25D			03	D12A, D12B		03		D18Z, D25A, D25B, D25C, D25D
06		G33Z	06	G33Z		06	G33Z				
07		H33Z, H38Z	07	H33Z, H38Z		07	H33Z, H38Z				
09		J08A, J08B, J08C	09	J08A, J08B, J08C		09	J08A, J08B, J08C				
11		L33Z	11	L33Z		11	L33Z				
17		R01A, R01B, R01C, R01D, R02Z, R12A, R12B, R12C	17	R01A, R01B, R01C, R01D, R02Z, R12A, R12B, R12C		17	R01A, R01B, R01C, R01D, R02Z, R12A, R12B, R12C				
21A		W01A, W01B, W01C, W36Z	21A	W01A, W01B, W01C, W36Z		21B	X33Z				
21B		X06A, X06B, X06C, X33Z	21B	X06A, X06B, X06C, X33Z		23	Z01A				
23		Z01A	23	Z01A		Pre	A07A				
Pre		A07A	Pre	A07A		5a19c.82	BOP, KOP, KOPV, KVT, UOP4				
							01	B02A, B02B, B02C, B20A, B20B, B20C, B20D, B20E, B39A, B39B			
						02	C01A				
						03	D18Z, D25A, D25B, D25C, D25D				
						06	G33Z				
				07	H33Z, H38Z						
				09	J08A, J08B, J08C						
				11	L33Z						
				17	R01A, R01B, R01C, R01D, R02Z, R12A, R12B, R12C						
				21B	X33Z						
				23	Z01A						
				Pre	A07A						



ZZV	MDC	DRG	ZZV	MDC	DRG	ZZV	MDC	DRG			
5a19e		BOP, KVT, UOP4	5a19k.1		BOP, KVT, UOP4	5a19m.6		BOP, KVT, UOP4			
	01	B03A, B03B, B06A, B06B, B07Z, B17A, B17B, B17C		01	B02A, B02B, B02C, B02D, B20A, B20B, B20C, B20D, B20E, B20F, B39A, B39B		01	B02A, B02B, B02C, B02D, B20A, B20B, B20C, B20D, B20E, B20F, B39A, B39B			
	02	C01A		02	C01A		02	C01A			
	03	D12A, D12B		08	I15A, I15B		06	G01Z, G02Z, G38Z			
	21A	W04A, W04B		09	J08A		08	I15A, I15B			
	21B	X06A, X06B, X06C		17	R01A, R01C, R02Z, R12A, R12B		09	J08A			
	5a19f.8			BOP, KOP, KOPV, KVT, UOP4	5a19k.2			BOP, KVT, UOP4	5a19n.7		BOP, KVT, UOP4
		01		B02A, B02B, B02C, B20A, B20B, B20C, B20D, B20E, B39A, B39B			01	B02A, B02B, B02C, B02D, B20A, B20B, B20C, B20D, B20E, B20F, B39A, B39B		01	B09A, B09B, B20A, B20B, B20C, B20D, B20E, B20F
		02		C01A			02	C01A		02	C01A
		03		D18Z, D25A, D25B, D25C, D25D			08	I15A, I15B		17	R01A, R01B, R01C, R01D, R02Z, R12A, R12B, R12C
06		G33Z	09	J08A		21A	W01A, W01B, W01C, W36Z				
07		H33Z, H38Z	17	R01A, R01C, R02Z, R12A, R12B		21B	X06A, X06B, X06C				
09		J08A, J08B, J08C	21A	W01A, W01B, W01C, W36Z		5a19n.8		BOP, KVT, UOP4			
11		L33Z	21B	X06A, X06B			01	B09A, B09B, B20A, B20B, B20C, B20D, B20E, B20F			
17		R01A, R01B, R01C, R01D, R02Z, R12A, R12B, R12C	23	Z01A			02	C01A			
21B		X33Z	5a19k.3				BOP, KVT, UOP4	17		R01A, R01B, R01C, R01D, R02Z, R12A, R12B, R12C	
23	Z01A	01		B02A, B02B, B02C, B02D, B20A, B20B, B20C, B20D, B20E, B20F, B39A, B39B	21A		W01A, W01B, W01C, W36Z				
Pre	A07A	02		C01A	21B		X06A, X06B, X06C				
5a19g		BOP, KOP, KOPV, KVT, UOP4		5a19m.4			BOP, KVT, UOP4	5a19o.1		BOP, KVT, UOP4	
	01	B02A, B02B, B02C, B20A, B20B, B20C, B20D, B20E, B39A, B39B			01		B02A, B02B, B02C, B02D, B20A, B20B, B20C, B20D, B20E, B20F, B39A, B39B		01	B09A, B09B, B20A, B20B, B20C, B20D, B20E, B20F	
	02	C01A			02		C01A		02	C01A	
	03	D18Z, D25A, D25B, D25C, D25D			08		I15A, I15B		03	D18Z, D25A, D25B, D25C, D25D	
	06	G33Z			09	J08A	09		J08A, J08B, J08C		
	07	H33Z, H38Z			17	R01A, R01C, R02Z, R12A, R12B	17		R01A, R01B, R01C, R01D, R02Z, R12A, R12B, R12C		
	09	J08A, J08B, J08C			21A	W01A, W01B, W01C, W36Z	21A		W01A, W01B, W01C, W36Z		
	11	L33Z	21B		X06A, X06B	21B	X06A, X06B, X06C				
	17	R01A, R01B, R01C, R01D, R02Z, R12A, R12B, R12C	23		Z01A	Pre	B61A				
	21A	W01A, W01B, W01C, W36Z	5a19m.5			BOP, KVT, UOP4	5a19o.3			BOP, KVT, UOP4	
21B	X06A, X06B, X06C, X33Z	01		B02A, B02B, B02C, B02D, B20A, B20B, B20C, B20D, B20E, B20F, B39A, B39B	01	B09A, B09B, B20A, B20B, B20C, B20D, B20E, B20F					
23	Z01A	02		C01A	02	C01A					
Pre	A07A	06		G01Z, G02Z, G38Z	03	D18Z, D25A, D25B, D25C, D25D					
5a19h		BOP, KVT, UOP4		5a19m.4		BOP, KVT, UOP4		5a19p.1		BOP, KVT, UOP4	
	01	B03A, B03B, B06A, B06B, B07Z, B17A, B17B, B17C			01	B02A, B02B, B02C, B02D, B20A, B20B, B20C, B20D, B20E, B20F, B39A, B39B			01	B09A, B09B, B20A, B20B, B20C, B20D, B20E, B20F	
	02	C01A			02	C01A			02	C01A	
	03	D12A, D12B			08	I15A, I15B			03	D18Z, D25A, D25B, D25C, D25D	
	21A	W04A, W04B			09	J08A			09	J08A, J08B, J08C	
	21B	X06A, X06B, X06C			17	R01A, R01C, R02Z, R12A, R12B			17	R01A, R01B, R01C, R01D, R02Z, R12A, R12B, R12C	
	5a19k.0		BOP, KVT, UOP4		5a19m.5		BOP, KVT, UOP4		5a19p.1		BOP, KVT, UOP4
		01	B02A, B02B, B02C, B02D, B20A, B20B, B20C, B20D, B20E, B20F, B39A, B39B			01	B02A, B02B, B02C, B02D, B20A, B20B, B20C, B20D, B20E, B20F, B39A, B39B			21A	W01A, W01B, W01C, W36Z
		02	C01A			02	C01A			21B	X06A, X06B, X06C
		08	I15A, I15B			06	G01Z, G02Z, G38Z			Pre	B61A
09		J08A	08	I15A, I15B		01	B09A, B09B, B20A, B20B, B20C, B20D, B20E, B20F				
17		R01A, R01C, R02Z, R12A, R12B	09	J08A		02	C01A				
21A		W01A, W01B, W01C, W36Z	17	R01A, R01C, R02Z, R12A, R12B		03	D18Z, D25A, D25B, D25C, D25D				
21B		X06A, X06B	21A	W01A, W01B, W01C, W36Z		09	J08A, J08B, J08C				
23		Z01A	21B	X06A, X06B		17	R01A, R01B, R01C, R01D, R02Z, R12A, R12B, R12C				
			23	Z01A		21A	W01A, W01B, W01C, W36Z				
		Pre	A11A, A13A, A13B, A13D	21B	X06A, X06B, X06C						
				Pre	B61A						

ZZV	MDC	DRG	ZZV	MDC	DRG	ZZV	MDC	DRG			
5a19p.3		BOP, KVT, UOP4	5a19t		BOP, KOP, KOPV, KVT, UOP4	5a204.0		BOP, KOP, KOPV, KVT, UOP4			
	01	B09A, B09B, B20A, B20B, B20C, B20D, B20E, B20F		01	B02A, B02B, B02C, B13Z, B20A, B20B, B20C, B20D, B20E, B39A, B39B		01	B02A, B02B, B02C, B02D, B20A, B20B, B20C, B20D, B20E, B20F, B39A, B39B			
	02	C01A		02	C01A		06	G01Z, G02Z, G33Z, G38Z			
	03	D18Z, D25A, D25B, D25C, D25D		03	D18Z, D25A, D25B, D25C, D25D		07	H33Z, H38Z			
	09	J08A, J08B, J08C		04	E02A, E02B, E02C		11	L33Z			
	17	R01A, R01B, R01C, R01D, R02Z, R12A, R12B, R12C		06	G10Z, G12A, G12B, G33Z		17	R01A, R01B, R01C, R01D, R02Z, R12A, R12B, R12C			
	21A	W01A, W01B, W01C, W36Z		07	H33Z, H38Z		21A	W04A, W04B			
	21B	X06A, X06B, X06C		09	J03A, J03B, J04A, J04B, J08A, J08B, J08C, J11A, J11B, J16Z		21B	X06A, X06B, X06C, X33Z			
	Pre	B61A		10	K09A, K09B		23	Z01A			
	5a19r.1			BOP, KVT, UOP4	11		L09A, L09B, L09C, L09D, L33Z, L38Z	Pre	A07A, A11A, A13A, A13B, A13D		
		01		B09A, B09B, B20A, B20B, B20C, B20D, B20E, B20F	12		M06Z, M09A, M09B, M38Z	5a204.1		BOP, KOP, KOPV, KVT, UOP4	
		02		C01A	13		N13A, N13B		01	B02A, B02B, B02C, B02D, B20A, B20B, B20C, B20D, B20E, B20F, B39A, B39B	
		03		D18Z, D25A, D25B, D25C, D25D	17		R01A, R01B, R01C, R01D, R02Z, R12A, R12B, R12C		06	G01Z, G02Z, G33Z, G38Z	
		09		J08A, J08B, J08C	21A		W01A, W01B, W01C, W36Z		07	H33Z, H38Z	
17		R01A, R01B, R01C, R01D, R02Z, R12A, R12B, R12C	21B	X04Z, X05A, X05B, X06A, X06B, X06C, X33Z	11	L33Z					
21A		W01A, W01B, W01C, W36Z	23	Z01A	17	R01A, R01B, R01C, R01D, R02Z, R12A, R12B, R12C					
21B		X06A, X06B, X06C	Pre	A07A	21A	W04A, W04B					
Pre		B61A	5a200		BOP, KOP, KVT, UOP4	21B	X06A, X06B, X06C, X33Z				
5a19r.3				BOP, KVT, UOP4	01	B09A, B09B	23		Z01A		
		01		B09A, B09B, B20A, B20B, B20C, B20D, B20E, B20F	08	I15A, I15B	Pre		A07A, A11A, A13A, A13B, A13D		
		02		C01A	17	R01A, R01B, R01C, R01D, R02Z, R12A, R12B, R12C	5a204.2			BOP, KOP, KOPV, KVT, UOP4	
		03		D18Z, D25A, D25B, D25C, D25D	21A	W01A, W01B, W01C, W36Z			01	B02A, B02B, B02C, B02D, B20A, B20B, B20C, B20D, B20E, B20F, B39A, B39B	
		09		J08A, J08B, J08C	5a202				BOP, KOP, KOPV, KVT, UOP4	06	G01Z, G02Z, G33Z, G38Z
	17	R01A, R01B, R01C, R01D, R02Z, R12A, R12B, R12C		01		B02A, B02B, B02C, B20A, B20B, B20C, B20D, B20E, B39A, B39B			07	H33Z, H38Z	
	21A	W01A, W01B, W01C, W36Z		06		G33Z		11	L33Z		
	21B	X06A, X06B, X06C		07		H33Z, H38Z		17	R01A, R01B, R01C, R01D, R02Z, R12A, R12B, R12C		
	Pre	B61A		11		L33Z		21A	W04A, W04B		
	5a19s			BOP, KOP, KOPV, KVT, UOP4		21A		W01A, W01B, W01C, W36Z	21B	X06A, X06B, X06C, X33Z	
		01		B02A, B02B, B02C, B13Z, B20A, B20B, B20C, B20D, B20E, B39A, B39B		23		Z01A	23	Z01A	
		02		C01A		Pre		A07A	Pre	A07A, A11A, A13A, A13B, A13D	
		06		G33Z		5a203			BOP, KOP, KOPV, KVT, UOP4	5a204.3	
		07	H33Z, H38Z	01				B02A, B02B, B02C, B02D, B20A, B20B, B20C, B20D, B20E, B20F, B39A, B39B	01		B02A, B02B, B02C, B02D, B20A, B20B, B20C, B20D, B20E, B20F, B39A, B39B
11		L33Z	06	G33Z				06	G01Z, G02Z, G33Z, G38Z		
17		R01A, R01B, R01C, R01D, R02Z, R12A, R12B, R12C	07	H33Z, H38Z				07	H33Z, H38Z		
21A		W01A, W01B, W01C, W36Z	11	L33Z			11	L33Z			
21B		X06A, X06B, X06C, X33Z	17	R01A, R01B, R01C, R01D, R02Z, R12A, R12B, R12C			17	R01A, R01B, R01C, R01D, R02Z, R12A, R12B, R12C			
23		Z01A	21A	W04A, W04B	21A		W04A, W04B				
Pre		A07A	21B	X06A, X06B, X06C, X33Z	21B		X06A, X06B, X06C, X33Z				
			23	Z01A	23		Z01A				
			Pre	A07A	Pre		A07A, A11A, A13A, A13B, A13D				

VYK

ZZV	MDC	DRG	ZZV	MDC	DRG	ZZV	MDC	DRG
5a204.4		BOP, KOP, KOPV, KVT, UOP4	5a205.0		BOP, KOP, KOPV, KVT, UOP4	5a209.0		BOP, KOP, KOPV, KVT, UOP4
	01	B02A, B02B, B02C, B02D, B20A, B20B, B20C, B20D, B20E, B20F, B39A, B39B		01	B02A, B02B, B02C, B02D, B20A, B20B, B20C, B20D, B20E, B20F, B39A, B39B		01	B02A, B02B, B02C, B20A, B20B, B20C, B20D, B20E, B20F, B39A, B39B
	06	G33Z		06	G01Z, G02Z, G33Z, G38Z		06	G33Z
	07	H33Z, H38Z		07	H33Z, H38Z		07	H33Z, H38Z
	11	L33Z		11	L33Z		11	L33Z
	17	R01A, R01B, R01C, R01D, R02Z, R12A, R12B, R12C		17	R01A, R01B, R01C, R01D, R02Z, R12A, R12B, R12C		17	R01A, R01B, R01C, R01D, R02Z, R12A, R12B, R12C
	21A	W04A, W04B		21A	W04A, W04B		21A	W04A, W04B
	21B	X06A, X06B, X06C, X33Z		21B	X06A, X06B, X06C, X33Z		21B	X06A, X06B, X06C, X33Z
	23	Z01A		23	Z01A		23	Z01A
	Pre	A07A		Pre	A07A, A11A, A13A, A13B, A13D		Pre	A07A
	5a204.5			BOP, KOP, KOPV, KVT, UOP4	5a205.1			BOP, KOP, KOPV, KVT, UOP4
01		B02A, B02B, B02C, B02D, B20A, B20B, B20C, B20D, B20E, B20F, B39A, B39B	01	B02A, B02B, B02C, B02D, B20A, B20B, B20C, B20D, B20E, B20F, B39A, B39B		01	B02A, B02B, B02C, B13Z, B20A, B20B, B20C, B20D, B20E, B39A, B39B	
06		G33Z	06	G33Z		06	G33Z	
07		H33Z, H38Z	07	H33Z, H38Z		07	H33Z, H38Z	
11		L33Z	11	L33Z		11	L33Z	
17		R01A, R01B, R01C, R01D, R02Z, R12A, R12B, R12C	17	R01A, R01B, R01C, R01D, R02Z, R12A, R12B, R12C		17	R01A, R01B, R01C, R01D, R02Z, R12A, R12B, R12C	
21A		W04A, W04B	21A	W04A, W04B		21A	W04A, W04B	
21B		X06A, X06B, X06C, X33Z	21B	X06A, X06B, X06C, X33Z		21B	X06A, X06B, X06C, X33Z	
23		Z01A	21B	X06A, X06B, X06C, X33Z		23	Z01A	
Pre		A07A	23	Z01A		Pre	A07A	
5a204.6			BOP, KOP, KOPV, KVT, UOP4	5a206			BOP, KOP, KOPV, KVT, UOP4	5a20a
	01	B02A, B02B, B02C, B02D, B20A, B20B, B20C, B20D, B20E, B20F, B39A, B39B	01		B02A, B02B, B02C, B02D, B20A, B20B, B20C, B20D, B20E, B20F, B39A, B39B	01	B02A, B02B, B02C, B02D, B20A, B20B, B20C, B20D, B20E, B20F, B39A, B39B	
	06	G33Z	06		G33Z	06	G33Z	
	07	H33Z, H38Z	07		G33Z	07	H33Z, H38Z	
	11	L33Z	07		H33Z, H38Z	11	L33Z	
	17	R01A, R01B, R01C, R01D, R02Z, R12A, R12B, R12C	11		L33Z	17	R01A, R01B, R01C, R01D, R02Z, R12A, R12B, R12C	
	21A	W04A, W04B	17		R01A, R01B, R01C, R01D, R02Z, R12A, R12B, R12C	21A	W01A, W01B, W01C, W36Z	
	21B	X06A, X06B, X06C, X33Z	21A		W04A, W04B	21B	X06A, X06B, X06C, X33Z	
	23	Z01A	21B		X06A, X06B, X06C, X33Z	23	Z01A	
	Pre	A07A	23		Z01A	Pre	A07A	
	5a204.7		BOP, KOP, KOPV, KVT, UOP4		5a208		BOP, KOP, KOPV, KVT, UOP4	
01		B02A, B02B, B02C, B02D, B20A, B20B, B20C, B20D, B20E, B20F, B39A, B39B	01	B02A, B02B, B02C, B13Z, B20A, B20B, B20C, B20D, B20E, B39A, B39B		01	B02A, B02B, B02C, B02D, B20A, B20B, B20C, B20D, B20E, B20F, B39A, B39B	
06		G33Z	06	G33Z		06	G01Z, G02Z, G33Z, G38Z	
07		H33Z, H38Z	07	H33Z, H38Z		07	H33Z, H38Z	
11		L33Z	11	L33Z		11	L33Z	
17		R01A, R01B, R01C, R01D, R02Z, R12A, R12B, R12C	17	R01A, R01B, R01C, R01D, R02Z, R12A, R12B, R12C		17	R01A, R01B, R01C, R01D, R02Z, R12A, R12B, R12C	
21A		W04A, W04B	17	R01A, R01B, R01C, R01D, R02Z, R12A, R12B, R12C		21A	W01A, W01B, W01C, W36Z	
21B		X06A, X06B, X06C, X33Z	21A	W04A, W04B		21B	X06A, X06B, X06C, X33Z	
23		Z01A	21B	X06A, X06B, X06C, X33Z		23	Z01A	
Pre		A07A	23	Z01A		Pre	A07A, A11A, A13A, A13B, A13D	

VYK

ZZV	MDC	DRG	ZZV	MDC	DRG	ZZV	MDC	DRG			
5a20b.1		BOP, KOP, KOPV, KVT, UOP4	5a20d		BOP, KOP, KOPV, KVT, UOP4	5a20e.3		BOP, KOP, KOPV, KVT, UOP4			
	01	B02A, B02B, B02C, B02D, B20A, B20B, B20C, B20D, B20E, B20F, B39A, B39B		01	B02A, B02B, B02C, B02D, B20A, B20B, B20C, B20D, B20E, B20F, B39A, B39B		01	B02A, B02B, B02C, B20A, B20B, B20C, B20D, B20E, B39A, B39B			
	06	G01Z, G02Z, G33Z, G38Z		06	G33Z		05	F01A, F01B, F01D, F05Z, F07A, F07B, F14A, F14B, F28A, F42Z, F54Z, F59A, F59B			
	07	H33Z, H38Z		07	H33Z, H38Z		06	G33Z			
	11	L33Z		11	L33Z		07	H33Z, H38Z			
	17	R01A, R01B, R01C, R01D, R02Z, R12A, R12B, R12C		17	R01A, R01B, R01C, R01D, R02Z, R12A, R12B, R12C		11	L33Z			
	21A	W01A, W01B, W01C, W36Z		21A	W01A, W01B, W01C, W36Z		21A	W01A, W01B, W01C, W36Z			
	21B	X06A, X06B, X06C, X33Z		21B	X06A, X06B, X06C, X33Z		21B	X06A, X06B, X06C, X33Z			
	23	Z01A		23	Z01A		23	Z01A			
	Pre	A07A, A11A, A13A, A13B, A13D		Pre	A07A		Pre	A07A			
	5a20b.2			BOP, KOP, KOPV, KVT, UOP4	5a20e.0			BOP, KOP, KOPV, KVT, UOP4	5a20e.4		BOP, KOP, KOPV, KVT, UOP4
		01		B02A, B02B, B02C, B02D, B20A, B20B, B20C, B20D, B20E, B20F, B39A, B39B			01	B02A, B02B, B02C, B20A, B20B, B20C, B20D, B20E, B39A, B39B		01	B02A, B02B, B02C, B20A, B20B, B20C, B20D, B20E, B39A, B39B
		06		G01Z, G02Z, G33Z, G38Z			05	F01A, F01B, F01D, F05Z, F07A, F07B, F14A, F14B, F28A, F42Z, F54Z, F59A, F59B		05	F01A, F01B, F01D, F05Z, F07A, F07B, F14A, F14B, F28A, F42Z, F54Z, F59A, F59B
		07		H33Z, H38Z			06	G33Z		06	G33Z
11		L33Z	07	H33Z, H38Z		07	H33Z, H38Z				
17		R01A, R01B, R01C, R01D, R02Z, R12A, R12B, R12C	11	L33Z		11	L33Z				
21A		W01A, W01B, W01C, W36Z	21A	W01A, W01B, W01C, W36Z		21A	W01A, W01B, W01C, W36Z				
21B		X06A, X06B, X06C, X33Z	21B	X06A, X06B, X06C, X33Z		21B	X06A, X06B, X06C, X33Z				
23		Z01A	23	Z01A		23	Z01A				
Pre		A07A, A11A, A13A, A13B, A13D	Pre	A07A		Pre	A07A				
5a20b.3			BOP, KOP, KOPV, KVT, UOP4	5a20e.1			BOP, KOP, KOPV, KVT, UOP4	5a20e.5			BOP, KOP, KOPV, KVT, UOP4
		01	B02A, B02B, B02C, B02D, B20A, B20B, B20C, B20D, B20E, B20F, B39A, B39B			01	B02A, B02B, B02C, B20A, B20B, B20C, B20D, B20E, B39A, B39B			01	B02A, B02B, B02C, B20A, B20B, B20C, B20D, B20E, B39A, B39B
		06	G01Z, G02Z, G33Z, G38Z			05	F01A, F01B, F01D, F05Z, F07A, F07B, F14A, F14B, F28A, F42Z, F54Z, F59A, F59B			05	F01A, F01B, F01D, F05Z, F07A, F07B, F14A, F14B, F28A, F42Z, F54Z, F59A, F59B
		07	H33Z, H38Z			06	G33Z			06	G33Z
	11	L33Z	07		H33Z, H38Z	07	H33Z, H38Z				
	17	R01A, R01B, R01C, R01D, R02Z, R12A, R12B, R12C	11		L33Z	11	L33Z				
	21A	W01A, W01B, W01C, W36Z	21A		W01A, W01B, W01C, W36Z	21A	W01A, W01B, W01C, W36Z				
	21B	X06A, X06B, X06C, X33Z	21B		X06A, X06B, X06C, X33Z	21B	X06A, X06B, X06C, X33Z				
	23	Z01A	23		Z01A	23	Z01A				
	Pre	A07A, A11A, A13A, A13B, A13D	Pre		A07A	Pre	A07A				
	5a20c		BOP, KOP, KOPV, KVT, UOP4		5a20e.2		BOP, KOP, KOPV, KVT, UOP4		5a20e.6		BOP, KOP, KOPV, KVT, UOP4
		01	B02A, B02B, B02C, B02D, B20A, B20B, B20C, B20D, B20E, B20F, B39A, B39B			01	B02A, B02B, B02C, B20A, B20B, B20C, B20D, B20E, B39A, B39B			01	B02A, B02B, B02C, B20A, B20B, B20C, B20D, B20E, B39A, B39B
		06	G33Z			05	F01A, F01B, F01D, F05Z, F07A, F07B, F14A, F14B, F28A, F42Z, F54Z, F59A, F59B			05	F01A, F01B, F01D, F05Z, F07A, F07B, F14A, F14B, F28A, F42Z, F54Z, F59A, F59B
		07	H33Z, H38Z			06	G33Z			06	G33Z
11		L33Z	07	H33Z, H38Z		07	H33Z, H38Z				
17		R01A, R01B, R01C, R01D, R02Z, R12A, R12B, R12C	11	L33Z		11	L33Z				
21A		W04A, W04B	21A	W01A, W01B, W01C, W36Z		21A	W01A, W01B, W01C, W36Z				
21B		X06A, X06B, X06C, X33Z	21B	X06A, X06B, X06C, X33Z		21B	X06A, X06B, X06C, X33Z				
23		Z01A	23	Z01A		23	Z01A				
Pre		A07A	Pre	A07A		Pre	A07A				

ZZV	MDC	DRG	ZZV	MDC	DRG	ZZV	MDC	DRG			
5a20e.7		BOP, KOP, KOPV, KVT, UOP4	5a20e.b		BOP, KOP, KOPV, KVT, UOP4	5a20f.3		BOP, KOP, KOPV, KVT, UOP4			
	01	B02A, B02B, B02C, B20A, B20B, B20C, B20D, B20E, B39A, B39B		01	B02A, B02B, B02C, B20A, B20B, B20C, B20D, B20E, B39A, B39B		01	B02A, B02B, B02C, B20A, B20B, B20C, B20D, B20E, B39A, B39B			
	05	F01A, F01B, F01D, F05Z, F07A, F07B, F14A, F14B, F28A, F42Z, F54Z, F59A, F59B		05	F01A, F01B, F01D, F05Z, F07A, F07B, F14A, F14B, F28A, F42Z, F54Z, F59A, F59B		05	F01A, F01B, F01D, F05Z, F07A, F07B, F14A, F14B, F28A, F42Z, F54Z, F59A, F59B			
	06	G33Z		06	G33Z		06	G33Z			
	07	H33Z, H38Z		07	H33Z, H38Z		07	H33Z, H38Z			
	11	L33Z		11	L33Z		11	L33Z			
	21A	W01A, W01B, W01C, W36Z		21A	W01A, W01B, W01C, W36Z		21A	W01A, W01B, W01C, W36Z			
	21B	X06A, X06B, X06C, X33Z		21B	X06A, X06B, X06C, X33Z		21B	X06A, X06B, X06C, X33Z			
	23	Z01A		23	Z01A		23	Z01A			
	Pre	A07A		Pre	A07A		Pre	A07A			
	5a20e.8			BOP, KOP, KOPV, KVT, UOP4	5a20f.0			BOP, KOP, KOPV, KVT, UOP4	5a20g.4		BOP, KOP, KOPV, KVT, UOP4
		01		B02A, B02B, B02C, B20A, B20B, B20C, B20D, B20E, B39A, B39B			01	B02A, B02B, B02C, B20A, B20B, B20C, B20D, B20E, B39A, B39B		01	B02A, B02B, B02C, B20A, B20B, B20C, B20D, B20E, B39A, B39B
		05		F01A, F01B, F01D, F05Z, F07A, F07B, F14A, F14B, F28A, F42Z, F54Z, F59A, F59B			05	F01A, F01B, F01D, F05Z, F07A, F07B, F14A, F14B, F28A, F42Z, F54Z, F59A, F59B		05	F01A, F01B, F01D, F05Z, F07A, F07B, F14A, F14B, F28A, F42Z, F54Z, F59A, F59B
06		G33Z	06	G33Z		06	G33Z				
07		H33Z, H38Z	07	H33Z, H38Z		07	H33Z, H38Z				
11		L33Z	11	L33Z		11	L33Z				
21A		W01A, W01B, W01C, W36Z	21A	W01A, W01B, W01C, W36Z		21A	W01A, W01B, W01C, W36Z				
21B		X06A, X06B, X06C, X33Z	21B	X06A, X06B, X06C, X33Z		21B	X06A, X06B, X06C, X33Z				
23		Z01A	23	Z01A		23	Z01A				
Pre		A07A	Pre	A07A		Pre	A07A				
5a20e.9			BOP, KOP, KOPV, KVT, UOP4	5a20f.1			BOP, KOP, KOPV, KVT, UOP4	5a20g.5			BOP, KOP, KOPV, KVT, UOP4
		01	B02A, B02B, B02C, B20A, B20B, B20C, B20D, B20E, B39A, B39B			01	B02A, B02B, B02C, B20A, B20B, B20C, B20D, B20E, B39A, B39B			01	B02A, B02B, B02C, B20A, B20B, B20C, B20D, B20E, B39A, B39B
		05	F01A, F01B, F01D, F05Z, F07A, F07B, F14A, F14B, F28A, F42Z, F54Z, F59A, F59B			05	F01A, F01B, F01D, F05Z, F07A, F07B, F14A, F14B, F28A, F42Z, F54Z, F59A, F59B			06	G33Z
	06	G33Z	06		G33Z	07	H33Z, H38Z				
	07	H33Z, H38Z	07		H33Z, H38Z	08	I15A, I15B				
	11	L33Z	11		L33Z	11	L33Z				
	21A	W01A, W01B, W01C, W36Z	21A		W01A, W01B, W01C, W36Z	21A	W01A, W01B, W01C, W36Z				
	21B	X06A, X06B, X06C, X33Z	21B		X06A, X06B, X06C, X33Z	21B	X06A, X06B, X06C, X33Z				
	23	Z01A	23		Z01A	23	Z01A				
	Pre	A07A	Pre		A07A	Pre	A07A				
	5a20e.a		BOP, KOP, KOPV, KVT, UOP4		5a20f.2		BOP, KOP, KOPV, KVT, UOP4		5a20g.6		BOP, KOP, KOPV, KVT, UOP4
		01	B02A, B02B, B02C, B20A, B20B, B20C, B20D, B20E, B39A, B39B			01	B02A, B02B, B02C, B20A, B20B, B20C, B20D, B20E, B39A, B39B			01	B02A, B02B, B02C, B20A, B20B, B20C, B20D, B20E, B39A, B39B
		05	F01A, F01B, F01D, F05Z, F07A, F07B, F14A, F14B, F28A, F42Z, F54Z, F59A, F59B			05	F01A, F01B, F01D, F05Z, F07A, F07B, F14A, F14B, F28A, F42Z, F54Z, F59A, F59B			05	F01A, F01B, F01D, F05Z, F07A, F07B, F14A, F14B, F28A, F42Z, F54Z, F59A, F59B
06		G33Z	06	G33Z		06	G33Z				
07		H33Z, H38Z	07	H33Z, H38Z		07	H33Z, H38Z				
11		L33Z	11	L33Z		11	L33Z				
21A		W01A, W01B, W01C, W36Z	21A	W01A, W01B, W01C, W36Z		21A	W01A, W01B, W01C, W36Z				
21B		X06A, X06B, X06C, X33Z	21B	X06A, X06B, X06C, X33Z		21B	X06A, X06B, X06C, X33Z				
23		Z01A	23	Z01A		23	Z01A				
Pre		A07A	Pre	A07A		Pre	A07A				

VYK

ZZV	MDC	DRG	ZZV	MDC	DRG	ZZV	MDC	DRG					
5a20g.7		BOP, KOP, KOPV, KVT, UOP4	5a20h.3		BOP, KOP, KOPV, KVT, UOP4	5a20k.0		BOP, KOP, KOPV, KVT, UOP4					
	01	B02A, B02B, B02C, B20A, B20B, B20C, B20D, B20E, B39A, B39B		01	B02A, B02B, B02C, B20A, B20B, B20C, B20D, B20E, B39A, B39B		01	B02A, B02B, B02C, B20A, B20B, B20C, B20D, B20E, B39A, B39B					
	06	G33Z		02	C01A		02	C01A					
	07	H33Z, H38Z		06	G01Z, G02Z, G33Z, G38Z		06	G01Z, G02Z, G33Z, G38Z					
	08	I15A, I15B		07	H33Z, H38Z		07	H33Z, H38Z					
	11	L33Z		08	I15A, I15B		11	L33Z					
	21A	W01A, W01B, W01C, W36Z		11	L33Z		21A	W01A, W01B, W01C, W36Z					
	21B	X06A, X06B, X06C, X33Z		21A	W01A, W01B, W01C, W36Z		21B	X06A, X06B, X06C, X33Z					
	23	Z01A		21B	X06A, X06B, X06C, X33Z		23	Z01A					
	Pre	A07A		23	Z01A		Pre	A07A, A11A, A13A, A13B, A13D					
	5a20h.0			BOP, KOP, KOPV, KVT, UOP4	5a20j.0			BOP, KOP, KOPV, KVT, UOP4	5a20k.1		BOP, KOP, KOPV, KVT, UOP4		
		01		B02A, B02B, B02C, B20A, B20B, B20C, B20D, B20E, B39A, B39B			01	B02A, B02B, B02C, B20A, B20B, B20C, B20D, B20E, B39A, B39B		01	B02A, B02B, B02C, B20A, B20B, B20C, B20D, B20E, B39A, B39B		
		02		C01A			02	C01A		02	C01A		
		06		G01Z, G02Z, G33Z, G38Z			06	G01Z, G02Z, G33Z, G38Z		06	G01Z, G02Z, G33Z, G38Z		
07		H33Z, H38Z	07	H33Z, H38Z		07	H33Z, H38Z						
08		I15A, I15B	07	H33Z, H38Z		11	L33Z						
11		L33Z	11	L33Z		21A	W01A, W01B, W01C, W36Z						
21A		W01A, W01B, W01C, W36Z	21A	W01A, W01B, W01C, W36Z		21B	X06A, X06B, X06C, X33Z						
21B		X06A, X06B, X06C, X33Z	21B	X06A, X06B, X06C, X33Z		23	Z01A						
23		Z01A	23	Z01A		Pre	A07A, A11A, A13A, A13B, A13D						
Pre		A07A, A11A, A13A, A13B, A13D	Pre	A07A, A11A, A13A, A13B, A13D		5a20k.2		BOP, KOP, KOPV, KVT, UOP4					
5a20h.1			BOP, KOP, KOPV, KVT, UOP4	5a20j.1				BOP, KOP, KOPV, KVT, UOP4		5a20m.0		BOP, KOP, KOPV, KVT, UOP4	
		01	B02A, B02B, B02C, B20A, B20B, B20C, B20D, B20E, B39A, B39B				01	B02A, B02B, B02C, B20A, B20B, B20C, B20D, B20E, B39A, B39B			01	B02A, B02B, B02C, B20A, B20B, B20C, B20D, B20E, B39A, B39B	
		02	C01A				02	C01A			02	C01A	
	06	G01Z, G02Z, G33Z, G38Z	06		G01Z, G02Z, G33Z, G38Z		06	G01Z, G02Z, G33Z, G38Z					
	07	H33Z, H38Z	07		H33Z, H38Z		07	H33Z, H38Z					
	08	I15A, I15B	07		H33Z, H38Z		11	L33Z					
	11	L33Z	11		L33Z		21A	W01A, W01B, W01C, W36Z					
	21A	W01A, W01B, W01C, W36Z	21A		W01A, W01B, W01C, W36Z		21B	X06A, X06B, X06C, X33Z					
	21B	X06A, X06B, X06C, X33Z	21B		X06A, X06B, X06C, X33Z		23	Z01A					
	23	Z01A	23		Z01A		Pre	A07A, A11A, A13A, A13B, A13D					
	Pre	A07A, A11A, A13A, A13B, A13D	Pre		A07A, A11A, A13A, A13B, A13D		5a20m.1		BOP, KOP, KOPV, KVT, UOP4				
	5a20h.2		BOP, KOP, KOPV, KVT, UOP4		5a20j.2				BOP, KOP, KOPV, KVT, UOP4		5a20m.1		BOP, KOP, KOPV, KVT, UOP4
		01	B02A, B02B, B02C, B20A, B20B, B20C, B20D, B20E, B39A, B39B					01	B02A, B02B, B02C, B20A, B20B, B20C, B20D, B20E, B39A, B39B			01	B02A, B02B, B02C, B20A, B20B, B20C, B20D, B20E, B39A, B39B
		02	C01A			02		C01A	02			C01A	
06		G01Z, G02Z, G33Z, G38Z	06	G01Z, G02Z, G33Z, G38Z		06		G01Z, G02Z, G33Z, G38Z					
07		H33Z, H38Z	07	H33Z, H38Z		07		H33Z, H38Z					
08		I15A, I15B	11	L33Z		11		L33Z					
11		L33Z	21A	W01A, W01B, W01C, W36Z		21A		W01A, W01B, W01C, W36Z					
21A		W01A, W01B, W01C, W36Z	21B	X06A, X06B, X06C, X33Z		21B		X06A, X06B, X06C, X33Z					
21B		X06A, X06B, X06C, X33Z	23	Z01A		23		Z01A					
23		Z01A	Pre	A07A, A11A, A13A, A13B, A13D		Pre		A07A, A11A, A13A, A13B, A13D					
Pre		A07A, A11A, A13A, A13B, A13D	Pre	A07A, A11A, A13A, A13B, A13D									

VYK

ZZV	MDC	DRG	ZZV	MDC	DRG	ZZV	MDC	DRG			
5a20m.2		BOP, KOP, KOPV, KVT, UOP4	5a20p		BOP, KOP, KOPV, KVT, UOP4	5a210.0		BOP, KOP, KOPV, KVT, UOP4			
	01	B02A, B02B, B02C, B20A, B20B, B20C, B20D, B20E, B39A, B39B		01	B02A, B02B, B02C, B20A, B20B, B20C, B20D, B20E, B39A, B39B		01	B02A, B02B, B02C, B02D, B20A, B20B, B20C, B20D, B20E, B20F, B39A, B39B			
	02	C01A		05	F01A, F01B, F01D, F05Z, F07A, F07B, F08A, F08B, F08C, F08D, F08E, F28A, F42Z		02	C01A			
	06	G01Z, G02Z, G33Z, G38Z		06	G33Z		06	G33Z			
	07	H33Z, H38Z		07	H33Z, H38Z		07	H33Z, H38Z			
	11	L33Z		11	L33Z		08	I15A, I15B			
	21A	W01A, W01B, W01C, W36Z		11	L33Z		11	L33Z			
	21B	X06A, X06B, X06C, X33Z		21B	X33Z		21A	W01A, W01B, W01C, W36Z			
	23	Z01A		23	Z01A		21B	X06A, X06B, X33Z			
	Pre	A07A, A11A, A13A, A13B, A13D		Pre	A07A		Pre	A07A			
	5a20n.0			BOP, KOP, KOPV, KVT, UOP4	5a20s			BOP, KOP, KOPV, KVT, UOP4	5a210.1		BOP, KOP, KOPV, KVT, UOP4
		01		B02A, B02B, B02C, B20A, B20B, B20C, B20D, B20E, B39A, B39B			01	B02A, B02B, B02C, B02D, B20A, B20B, B20C, B20D, B20E, B20F, B39A, B39B		01	B02A, B02B, B02C, B02D, B20A, B20B, B20C, B20D, B20E, B20F, B39A, B39B
		02		C01A			05	F13A		02	C01A
		06		G01Z, G02Z, G33Z, G38Z			06	G01Z, G02Z, G33Z, G38Z		06	G33Z
07		H33Z, H38Z	07	H33Z, H38Z		07	H33Z, H38Z				
11		L33Z	11	L33Z		08	I15A, I15B				
21A		W01A, W01B, W01C, W36Z	21A	W04A, W04B		11	L33Z				
21B		X06A, X06B, X06C, X33Z	21B	X06A, X06B, X06C, X33Z		21A	W01A, W01B, W01C, W36Z				
23		Z01A	23	Z01A		21B	X06A, X06B, X33Z				
Pre		A07A, A11A, A13A, A13B, A13D	Pre	A07A, A11A, A13A, A13B, A13D		Pre	A07A				
5a20n.1			BOP, KOP, KOPV, KVT, UOP4	5a20t			BOP, KVT, UOP4	5a211.2			BOP, KOP, KOPV, KVT, UOP4
		01	B02A, B02B, B02C, B20A, B20B, B20C, B20D, B20E, B39A, B39B			01	B18Z			01	B02A, B02B, B02C, B20A, B20B, B20C, B20D, B20E, B39A, B39B
		02	C01A			05	F13A			02	C01A
		06	G01Z, G02Z, G33Z, G38Z			06	G01Z, G02Z, G38Z			06	G33Z
	07	H33Z, H38Z	08		I15A, I15B	07	H33Z, H38Z				
	11	L33Z	17		R01A, R01B, R01C, R01D, R02Z, R12A, R12B, R12C	07	H33Z, H38Z				
	21A	W01A, W01B, W01C, W36Z	21A		W04A, W04B	08	I15A, I15B				
	21B	X06A, X06B, X06C, X33Z	21B		X06A, X06B, X06C	11	L33Z				
	23	Z01A	Pre		A11A, A13A, A13B, A13D	21A	W01A, W01B, W01C, W36Z				
	Pre	A07A, A11A, A13A, A13B, A13D	5a20u		BOP, KVT, UOP4	21B	X06A, X06B, X33Z				
	5a20n.2		BOP, KOP, KOPV, KVT, UOP4		5a20v		BOP, KOP, KOPV, KVT, UOP4		5a211.3		BOP, KOP, KOPV, KVT, UOP4
		01	B02A, B02B, B02C, B20A, B20B, B20C, B20D, B20E, B39A, B39B			01	B02A, B02B, B02C, B02D, B20A, B20B, B20C, B20D, B20E, B20F, B39A, B39B			01	B02A, B02B, B02C, B20A, B20B, B20C, B20D, B20E, B39A, B39B
		02	C01A			05	F13A			02	C01A
		06	G01Z, G02Z, G33Z, G38Z			06	G01Z, G02Z, G33Z, G38Z			06	G33Z
07		H33Z, H38Z	07	H33Z, H38Z		07	H33Z, H38Z				
11		L33Z	11	L33Z		08	I15A, I15B				
21A		W01A, W01B, W01C, W36Z	21A	W04A, W04B		11	L33Z				
21B		X06A, X06B, X06C, X33Z	21B	X06A, X06B, X06C		21A	W01A, W01B, W01C, W36Z				
23		Z01A	Pre	A11A, A13A, A13B, A13D		21B	X06A, X06B, X33Z				
Pre		A07A, A11A, A13A, A13B, A13D	5a20v	BOP, KOP, KOPV, KVT, UOP4		Pre	A07A				
5a20o			BOP, KOP, KOPV, KVT, UOP4	5a20o			BOP, KOP, KOPV, KVT, UOP4	5a211.4			BOP, KOP, KOPV, KVT, UOP4
		01	B02A, B02B, B02C, B20A, B20B, B20C, B20D, B20E, B39A, B39B			01	B02A, B02B, B02C, B02D, B20A, B20B, B20C, B20D, B20E, B20F, B39A, B39B			01	B02A, B02B, B02C, B20A, B20B, B20C, B20D, B20E, B39A, B39B
		02	C01A			05	F13A			02	C01A
		06	G01Z, G02Z, G33Z, G38Z			06	G01Z, G02Z, G33Z, G38Z			06	G33Z
	07	H33Z, H38Z	07		H33Z, H38Z	07	H33Z, H38Z				
	11	L33Z	11		L33Z	08	I15A, I15B				
	21A	W01A, W01B, W01C, W36Z	21A		W04A, W04B	11	L33Z				
	21B	X06A, X06B, X06C, X33Z	21B		X06A, X06B, X06C, X33Z	21A	W01A, W01B, W01C, W36Z				
	23	Z01A	23		Z01A	21B	X06A, X06B, X33Z				
	Pre	A07A, A11A, A13A, A13B, A13D	Pre		A07A, A11A, A13A, A13B, A13D	Pre	A07A				

ZZV	MDC	DRG	ZZV	MDC	DRG	ZZV	MDC	DRG			
5a211.5		BOP, KOP, KOPV, KVT, UOP4	5a212.4		BOP, KOP, KOPV, KVT, UOP4	5a213		BOP, KOP, KOPV, KVT, UOP4			
	01	B02A, B02B, B02C, B20A, B20B, B20C, B20D, B20E, B39A, B39B		01	B02A, B02B, B02C, B20A, B20B, B20C, B20D, B20E, B39A, B39B		01	B02A, B02B, B02C, B20A, B20B, B20C, B20D, B20E, B39A, B39B			
	02	C01A		02	C01A		02	C01A			
	06	G33Z		06	G33Z		03	D18Z, D25A, D25B, D25C, D25D			
	07	H33Z, H38Z		07	H33Z, H38Z		06	G33Z			
	08	I15A, I15B		08	I15A, I15B		07	H33Z, H38Z			
	11	L33Z		11	L33Z		08	I15A, I15B			
	21A	W01A, W01B, W01C, W36Z		21A	W01A, W01B, W01C, W36Z		09	J08A, J08B, J08C			
	21B	X06A, X06B, X33Z		21B	X06A, X06B, X33Z		11	L33Z			
	23	Z01A		23	Z01A		21A	W01A, W01B, W01C, W36Z			
	Pre	A07A		Pre	A07A		21B	X06A, X06B, X33Z			
	5a211.6			BOP, KOP, KOPV, KVT, UOP4	5a212.5			BOP, KOP, KOPV, KVT, UOP4	5a214.10		BOP, KOP, KOPV, KVT, UOP4
		01		B02A, B02B, B02C, B20A, B20B, B20C, B20D, B20E, B39A, B39B			01	B02A, B02B, B02C, B20A, B20B, B20C, B20D, B20E, B39A, B39B		01	B02A, B02B, B02C, B20A, B20B, B20C, B20D, B20E, B39A, B39B
02		C01A	02	C01A		02	C01A				
06		G33Z	06	G33Z		03	D18Z, D25A, D25B, D25C, D25D				
07		H33Z, H38Z	07	H33Z, H38Z		06	G33Z				
08		I15A, I15B	08	I15A, I15B		07	H33Z, H38Z				
11		L33Z	11	L33Z		08	I15A, I15B				
21A		W01A, W01B, W01C, W36Z	21A	W01A, W01B, W01C, W36Z		09	J08A, J08B, J08C				
21B		X06A, X06B, X33Z	21B	X06A, X06B, X33Z		11	L33Z				
23		Z01A	23	Z01A		21A	W01A, W01B, W01C, W36Z				
Pre		A07A	Pre	A07A		21B	X06A, X06B, X33Z				
5a211.7			BOP, KOP, KOPV, KVT, UOP4	5a212.6			BOP, KOP, KOPV, KVT, UOP4	5a214.11			BOP, KOP, KOPV, KVT, UOP4
		01	B02A, B02B, B02C, B20A, B20B, B20C, B20D, B20E, B39A, B39B			01	B02A, B02B, B02C, B20A, B20B, B20C, B20D, B20E, B39A, B39B			01	B02A, B02B, B02C, B20A, B20B, B20C, B20D, B20E, B39A, B39B
	02	C01A	02		C01A	02	C01A				
	06	G33Z	06		G33Z	03	D18Z, D25A, D25B, D25C, D25D				
	07	H33Z, H38Z	07		H33Z, H38Z	06	G33Z				
	08	I15A, I15B	08		I15A, I15B	07	H33Z, H38Z				
	11	L33Z	11		L33Z	08	I15A, I15B				
	21A	W01A, W01B, W01C, W36Z	21A		W01A, W01B, W01C, W36Z	09	J08A, J08B, J08C				
	21B	X06A, X06B, X33Z	21B		X06A, X06B, X33Z	11	L33Z				
	23	Z01A	23		Z01A	21A	W01A, W01B, W01C, W36Z				
	Pre	A07A	Pre		A07A	21B	X06A, X06B, X33Z				
	5a212.2		BOP, KOP, KOPV, KVT, UOP4		5a212.7		BOP, KOP, KOPV, KVT, UOP4		5a214.12		BOP, KOP, KOPV, KVT, UOP4
		01	B02A, B02B, B02C, B20A, B20B, B20C, B20D, B20E, B39A, B39B			01	B02A, B02B, B02C, B20A, B20B, B20C, B20D, B20E, B39A, B39B			01	B02A, B02B, B02C, B20A, B20B, B20C, B20D, B20E, B39A, B39B
02		C01A	02	C01A		02	C01A				
06		G33Z	06	G33Z		03	D18Z, D25A, D25B, D25C, D25D				
07		H33Z, H38Z	07	H33Z, H38Z		06	G33Z				
08		I15A, I15B	08	I15A, I15B		07	H33Z, H38Z				
11		L33Z	11	L33Z		08	I15A, I15B				
21A		W01A, W01B, W01C, W36Z	21A	W01A, W01B, W01C, W36Z		09	J08A, J08B, J08C				
21B		X06A, X06B, X33Z	21B	X06A, X06B, X33Z		11	L33Z				
23		Z01A	23	Z01A		21A	W01A, W01B, W01C, W36Z				
Pre		A07A	Pre	A07A		21B	X06A, X06B, X33Z				
5a212.3			BOP, KOP, KOPV, KVT, UOP4								
		01	B02A, B02B, B02C, B20A, B20B, B20C, B20D, B20E, B39A, B39B								
	02	C01A									
	06	G33Z									
	07	H33Z, H38Z									
	08	I15A, I15B									
	11	L33Z									
	21A	W01A, W01B, W01C, W36Z									
	21B	X06A, X06B, X33Z									
	23	Z01A									
	Pre	A07A									

VYK

ZZV	MDC	DRG	ZZV	MDC	DRG	ZZV	MDC	DRG
5a214.20		BOP, KOP, KOPV, KVT, UOP4	5a214.9		BOP, KOP, KOPV, KVT, UOP4	5a215.3		BOP, KOP, KOPV, KVT, UOP4
	01	B02A, B02B, B02C, B20A, B20B, B20C, B20D, B20E, B39A, B39B		01	B02A, B02B, B02C, B20A, B20B, B20C, B20D, B20E, B39A, B39B		01	B02A, B02B, B02C, B20A, B20B, B20C, B20D, B20E, B39A, B39B
	02	C01A		02	C01A		02	C01A
	06	G33Z		06	G33Z		06	G33Z
	07	H33Z, H38Z		07	H33Z, H38Z		07	H33Z, H38Z
	08	I15A, I15B		08	I15A, I15B		08	I15A, I15B
	11	L33Z		11	L33Z		11	L33Z
	21A	W01A, W01B, W01C, W36Z		21A	W01A, W01B, W01C, W36Z		17	R01A, R01B, R01C, R01D, R02Z, R12A, R12B, R12C
	21B	X06A, X06B, X33Z		21B	X06A, X06B, X33Z		21A	W01A, W01B, W01C, W36Z
	23	Z01A		23	Z01A		21B	X06A, X06B, X33Z
	Pre	A07A		Pre	A07A		23	Z01A
							Pre	A07A
	5a214.21			BOP, KOP, KOPV, KVT, UOP4	5a214.a			BOP, KOP, KOPV, KVT, UOP4
01		B02A, B02B, B02C, B20A, B20B, B20C, B20D, B20E, B39A, B39B	01	B02A, B02B, B02C, B20A, B20B, B20C, B20D, B20E, B39A, B39B		01	B02A, B02B, B02C, B20A, B20B, B20C, B20D, B20E, B39A, B39B	
02		C01A	02	C01A		02	C01A	
06		G33Z	06	G33Z		06	G33Z	
07		H33Z, H38Z	07	H33Z, H38Z		07	H33Z, H38Z	
08		I15A, I15B	08	I15A, I15B		08	I15A, I15B	
11		L33Z	11	L33Z		11	L33Z	
21A		W01A, W01B, W01C, W36Z	21A	W01A, W01B, W01C, W36Z		21A	W01A, W01B, W01C, W36Z	
21B		X06A, X06B, X33Z	21B	X06A, X06B, X33Z		21B	X06A, X06B, X33Z	
23		Z01A	23	Z01A		23	Z01A	
Pre		A07A	Pre	A07A		Pre	A07A	
5a214.22			BOP, KOP, KOPV, KVT, UOP4	5a214.b			BOP, KOP, KOPV, KVT, UOP4	5a215.5
	01	B02A, B02B, B02C, B20A, B20B, B20C, B20D, B20E, B39A, B39B	01		B02A, B02B, B02C, B20A, B20B, B20C, B20D, B20E, B39A, B39B	01	B02A, B02B, B02C, B20A, B20B, B20C, B20D, B20E, B39A, B39B	
	02	C01A	02		C01A	02	C01A	
	06	G33Z	06		G33Z	06	G33Z	
	07	H33Z, H38Z	07		H33Z, H38Z	07	H33Z, H38Z	
	08	I15A, I15B	08		I15A, I15B	08	I15A, I15B	
	11	L33Z	11		L33Z	11	L33Z	
	21A	W01A, W01B, W01C, W36Z	21A		W01A, W01B, W01C, W36Z	21A	W01A, W01B, W01C, W36Z	
	21B	X06A, X06B, X33Z	21B		X06A, X06B, X33Z	21B	X06A, X06B, X33Z	
	23	Z01A	23		Z01A	23	Z01A	
	Pre	A07A	Pre		A07A	Pre	A07A	
	5a214.8		BOP, KOP, KOPV, KVT, UOP4		5a214.c		BOP, KOP, KOPV, KVT, UOP4	
01		B02A, B02B, B02C, B20A, B20B, B20C, B20D, B20E, B39A, B39B	01	B02A, B02B, B02C, B20A, B20B, B20C, B20D, B20E, B39A, B39B		01	B02A, B02B, B02C, B20A, B20B, B20C, B20D, B20E, B39A, B39B	
02		C01A	02	C01A		02	C01A	
06		G33Z	06	G33Z		06	G33Z	
07		H33Z, H38Z	07	H33Z, H38Z		07	H33Z, H38Z	
08		I15A, I15B	08	I15A, I15B		08	I15A, I15B	
11		L33Z	11	L33Z		11	L33Z	
17		R01A, R01B, R01C, R01D, R02Z, R12A, R12B, R12C	21A	W01A, W01B, W01C, W36Z		08	I15A, I15B	
21A		W01A, W01B, W01C, W36Z	21B	X06A, X06B, X33Z		11	L33Z	
21B		X06A, X06B, X33Z	23	Z01A		21A	W01A, W01B, W01C, W36Z	
23		Z01A	Pre	A07A		21B	X06A, X06B, X33Z	
Pre		A07A				23	Z01A	
						Pre	A07A	
		5a215.2						
			01	B02A, B02B, B02C, B20A, B20B, B20C, B20D, B20E, B39A, B39B				
			02	C01A				
			06	G33Z				
			07	H33Z, H38Z				
			08	I15A, I15B				
			11	L33Z				
			21A	W01A, W01B, W01C, W36Z				
			21B	X06A, X06B, X33Z				
			23	Z01A				
			Pre	A07A				



ZZV	MDC	DRG	ZZV	MDC	DRG	ZZV	MDC	DRG
5a307		BOP, KVT, UOP4	5a30e.4		BOP, KVT, UOP4	5a30h		BOP, KVT, UOP4
	01	B03A, B03B, B18Z		01	B03A, B03B, B18Z		01	B03A, B03B, B18Z
	08	I10A, I10B, I10C, I10D, I10E, I23A, I23B		08	I10A, I10B, I10C, I10D, I10E, I23A, I23B		05	F01A, F01B, F01D, F05Z, F07A, F07B, F14A, F14B, F28A, F42Z, F54Z, F59A, F59B
	11	L09A, L38Z		17	R01A, R01B, R01C, R01D, R02Z, R12A, R12B, R12C		08	I10A, I10B, I10C, I10D, I10E
	17	R01A, R01B, R01C, R01D, R02Z, R12A, R12B, R12C		21A	W04A, W04B		17	R01A, R01B, R01C, R01D, R02Z, R12A, R12B, R12C
	21A	W04A, W04B		21B	X06A, X06B, X06C			
	21B	X06A, X06B, X06C					5a30j	
Pre	B61A	5a30e.5	01	B03A, B03B, B18Z	01	B03A, B03B, B18Z		
5a308			BOP, KVT, UOP4	08	I10A, I10B, I10C, I10D, I10E, I23A, I23B	06		G33Z
	01		B03A, B03B, B18Z	17	R01A, R01B, R01C, R01D, R02Z, R12A, R12B, R12C	07		H33Z, H38Z
	08		I10A, I10B, I10C, I10D, I10E, I23A, I23B	21A	W04A, W04B	08		I06A, I06B, I06C, I06D, I06E, I08A, I08B, I08C, I08D, I08E, I08F, I09A, I09B, I09C, I09D, I09E, I10A, I10B, I10C, I10D, I10E
	11		L09A, L38Z	21B	X06A, X06B, X06C	09		J26Z
	17		R01A, R01B, R01C, R01D, R02Z, R12A, R12B, R12C			11		L33Z
	21A		W04A, W04B	5a30e.6	01	B03A, B03B, B18Z	21A	W01A, W01B, W01C, W02A, W02B
	21B	X06A, X06B, X06C	08		I10A, I10B, I10C, I10D, I10E, I23A, I23B	21B	X06A, X06B, X06C	
Pre	B61A	17	R01A, R01B, R01C, R01D, R02Z, R12A, R12B, R12C		23	Z01A		
5a309		BOP, KVT, UOP4	21A		W04A, W04B	Pre	A07A	
	01	B03A, B03B, B18Z	21B		X06A, X06B, X06C	5a30k		BOP, KVT, UOP4
	08	I10A, I10B, I10C, I10D, I10E, I23A, I23B					01	B03A, B03B, B18Z
	11	L09A, L38Z	5a30e.7		01		B03A, B03B, B18Z	06
	17	R01A, R01B, R01C, R01D, R02Z, R12A, R12B, R12C		06	G01Z, G02Z, G38Z		08	I10A, I10B, I10C, I10D, I10E, I23A, I23B
	21A	W04A, W04B		08	I10A, I10B, I10C, I10D, I10E, I23A, I23B		17	R01A, R01B, R01C, R01D, R02Z, R12A, R12B, R12C
	21B	X06A, X06B, X06C		08	I10A, I10B, I10C, I10D, I10E, I23A, I23B		21A	W04A, W04B
Pre	B61A	21A		W04A, W04B	21B		X06A, X06B, X06C	
5a30a		BOP, KVT, UOP4		5a30f	01	B03A, B03B, B06A, B06B, B07Z, B17A, B17B, B17C	Pre	A11A, A13A, A13B, A13D
	01	B03A, B03B, B18Z			04	E02A, E02B, E02C	5a30m	
	08	I10A, I10B, I10C, I10D, I10E, I23A, I23B	06		G10Z, G12A, G12B	01		B03A, B03B, B18Z
	11	L09A, L38Z	07		H06A, H06B, H06C	06		G01Z, G02Z, G38Z
	17	R01A, R01B, R01C, R01D, R02Z, R12A, R12B, R12C	08		I10A, I10B, I10C, I10D, I10E, I28A, I28B	08		I10C, I10D
	21A	W04A, W04B	09		J03A, J03B, J04A, J04B, J08A, J08B, J08C, J11A, J11B, J16Z	Pre		A11A, A13A, A13B, A13D
	21B	X06A, X06B, X06C	10		K09A, K09B	5a30n		
Pre	B61A	11	L09A, L09B, L09C, L09D, L38Z	01	B03A, B03B, B18Z			
5a30b		BOP, KVT, UOP4	12	M06Z, M09A, M09B, M38Z	06		G01Z, G02Z, G38Z	
	01	B03A, B03B, B18Z	13	N11A	08		I10A, I10B, I10C, I10D, I10E, I23A, I23B	
	08	I10A, I10B, I10C, I10D, I10E, I23A, I23B	21A	W04A, W04B	17		R01A, R01B, R01C, R01D, R02Z, R12A, R12B, R12C	
	11	L09A, L38Z	21B	X04Z, X05A, X05B, X06A, X06B	21A		W04A, W04B	
	17	R01A, R01B, R01C, R01D, R02Z, R12A, R12B, R12C			21B		X06A, X06B, X06C	
	21A	W04A, W04B	5a30g	22	Y01Z, Y03A, Y03B	Pre	A11A, A13A, A13B, A13D	
	21B	X06A, X06B, X06C		23	Z01A	5a30o.9		BOP, KVT, UOP4
Pre	B61A	01		B03A, B03B, B18Z	01		B03A, B03B, B18Z	
5a30c		BOP, KVT, UOP4		05	F01A, F01B, F01D, F05Z, F07A, F07B, F14A, F14B, F28A, F42Z, F54Z, F59A, F59B		06	G01Z, G02Z, G38Z
	01	B03A, B03B, B18Z		08	I10A, I10B, I10C, I10D, I10E		08	I10A, I10B, I10C, I10D, I10E, I23A, I23B
	08	I10A, I10B, I10C, I10D, I10E, I23A, I23B		08	I10A, I10B, I10C, I10D, I10E		17	R01A, R01B, R01C, R01D, R02Z, R12A, R12B, R12C
	17	R01A, R01B, R01C, R01D, R02Z, R12A, R12B, R12C		01	B03A, B03B, B18Z		21A	W04A, W04B
	21A	W04A, W04B	05	F01A, F01B, F01D, F05Z, F07A, F07B, F14A, F14B, F28A, F42Z, F54Z, F59A, F59B	21B		X06A, X06B, X06C	
	21B	X06A, X06B, X06C	17	R01A, R01B, R01C, R01D, R02Z, R12A, R12B, R12C	Pre	A11A, A13A, A13B, A13D		
	Pre	B61A	5a30d	08	I10A, I10B, I10C, I10D, I10E, I23A, I23B	5a30o.b		BOP, KVT, UOP4
	BOP, KVT, UOP4	01		B03A, B03B, B18Z	01		B03A, B03B, B18Z	
01	B03A, B03B, B18Z	08		I10A, I10B, I10C, I10D, I10E, I23A, I23B	06		G01Z, G02Z, G38Z	
08	I10A, I10B, I10C, I10D, I10E, I23A, I23B	17		R01A, R01B, R01C, R01D, R02Z, R12A, R12B, R12C	08		I10A, I10B, I10C, I10D, I10E, I23A, I23B	
11	L09A, L38Z	21A		W04A, W04B	17		R01A, R01B, R01C, R01D, R02Z, R12A, R12B, R12C	
17	R01A, R01B, R01C, R01D, R02Z, R12A, R12B, R12C	21B		X06A, X06B, X06C	21A		W04A, W04B	
21A	W04A, W04B				21B		X06A, X06B, X06C	
21B	X06A, X06B, X06C			Pre	A11A, A13A, A13B, A13D			

VYK

ZZV	MDC	DRG	ZZV	MDC	DRG	ZZV	MDC	DRG			
5a30p.8		BOP, KVT, UOP4	5a310.11		BOP, KVT, UOP4	5a310.4		BOP, KVT, UOP4			
	01	B03A, B03B, B18Z		01	B03A, B03B, B06A, B06B, B07Z, B17A, B17B, B17C		01	B03A, B03B, B18Z			
	06	G01Z, G02Z, G38Z		04	E02A, E02B, E02C		08	I10A, I10B, I10C, I10D, I10E, I23A, I23B			
	08	I10A, I10B, I10C, I10D, I10E, I23A, I23B		06	G10Z, G12A, G12B		17	R01A, R01B, R01C, R01D, R02Z, R12A, R12B, R12C			
	17	R01A, R01B, R01C, R01D, R02Z, R12A, R12B, R12C		07	H06A, H06B, H06C		21A	W04A, W04B			
	21A	W04A, W04B		08	I10A, I10B, I10C, I10D, I10E, I28A, I28B		21B	X06A, X06B			
	21B	X06A, X06B, X06C		09	J03A, J03B, J04A, J04B, J08A, J08B, J08C, J11A, J11B, J16Z		23	Z01A			
	Pre	A11A, A13A, A13B, A13D		10	K09A, K09B		5a310.5		BOP, KVT, UOP4		
	5a30p.a			BOP, KVT, UOP4	11			L09A, L09B, L09C, L09D, L38Z	01	B03A, B03B, B18Z	
		01		B03A, B03B, B18Z	12			M06Z, M09A, M09B, M38Z	08	I10A, I10B, I10C, I10D, I10E, I23A, I23B	
		06		G01Z, G02Z, G38Z	13			N11A	17	R01A, R01B, R01C, R01D, R02Z, R12A, R12B, R12C	
		08		I10A, I10B, I10C, I10D, I10E, I23A, I23B	21A			W04A, W04B	21A	W04A, W04B	
		17		R01A, R01B, R01C, R01D, R02Z, R12A, R12B, R12C	21B			X04Z, X05A, X05B, X06A, X06B	21B	X06A, X06B	
		21A		W04A, W04B	22			Y01Z, Y03A, Y03B	5a310.7		BOP, KVT, UOP4
21B		X06A, X06B, X06C	23	Z01A	01	B03A, B03B, B18Z					
Pre		A11A, A13A, A13B, A13D	5a310.1x		BOP, KVT, UOP4	08		I10A, I10B, I10C, I10D, I10E, I23A, I23B			
5a30r				BOP, KVT, UOP4	01	B03A, B03B, B06A, B06B, B07Z, B17A, B17B, B17C		17		R01A, R01B, R01C, R01D, R02Z, R12A, R12B, R12C	
		01		B03A, B03B, B18Z	04	E02A, E02B, E02C		21A		W04A, W04B	
		06		G01Z, G02Z, G38Z	06	G10Z, G12A, G12B		21B		X06A, X06B	
		08		I10A, I10B, I10C, I10D, I10E, I23A, I23B	07	H06A, H06B, H06C		5a310.8			B03A, B03B, B18Z
		17		R01A, R01B, R01C, R01D, R02Z, R12A, R12B, R12C	08	I28A, I28B				08	I10A, I10B, I10C, I10D, I10E, I23A, I23B
		21A		W04A, W04B	09	J03A, J03B, J04A, J04B, J08A, J08B, J08C, J11A, J11B, J16Z	17			R01A, R01B, R01C, R01D, R02Z, R12A, R12B, R12C	
	21B	X06A, X06B, X06C		10	K09A, K09B	21A	W04A, W04B				
	Pre	A11A, A13A, A13B, A13D		11	L09A, L09B, L09C, L09D, L38Z	21B	X06A, X06B				
	5a310.10			BOP, KVT, UOP4	12	M06Z, M09A, M09B, M38Z	5a311.00				BOP, KVT, UOP4
		01		B03A, B03B, B06A, B06B, B07Z, B17A, B17B, B17C	13	N11A				01	B03A, B03B, B18Z
		04		E02A, E02B, E02C	21A	W04A, W04B				08	I10A, I10B, I10C, I10D, I10E
		06		G10Z, G12A, G12B	21B	X04Z, X05A, X05B, X06A, X06B			11	L09A, L09B, L09C, L09D, L38Z	
		07		H06A, H06B, H06C	22	Y01Z, Y03A, Y03B			12	M06Z, M09A, M09B, M38Z	
		08	I10A, I10B, I10C, I10D, I10E, I28A, I28B	23	Z01A	13			N11A		
09		J03A, J03B, J04A, J04B, J08A, J08B, J08C, J11A, J11B, J16Z	5a310.2		BOP, KVT, UOP4	17			R01A, R01B, R01C, R01D, R02Z, R12A, R12B, R12C		
10		K09A, K09B		01	B03A, B03B, B06A, B06B, B07Z, B17A, B17B, B17C	21A			W04A, W04B		
11		L09A, L09B, L09C, L09D, L38Z		04	E02A, E02B, E02C	21B			X06A, X06B, X06C		
12		M06Z, M09A, M09B, M38Z		06	G10Z, G12A, G12B	23		Z01A			
13		N11A		07	H06A, H06B, H06C	5a311.01			BOP, KVT, UOP4		
21A		W04A, W04B		08	I10A, I10B, I10C, I10D, I10E, I28A, I28B			01	B03A, B03B, B18Z		
21B		X04Z, X05A, X05B, X06A, X06B		09	J03A, J03B, J04A, J04B, J08A, J08B, J08C, J11A, J11B, J16Z			08	I10A, I10B, I10C, I10D, I10E		
Pre		A11A, A13A, A13B, A13D		10	K09A, K09B			11	L09A, L09B, L09C, L09D, L38Z		
01	B03A, B03B, B06A, B06B, B07Z, B17A, B17B, B17C	11		L09A, L09B, L09C, L09D, L38Z	12		M06Z, M09A, M09B, M38Z				
04	E02A, E02B, E02C	12		M06Z, M09A, M09B, M38Z	13		N11A				
06	G10Z, G12A, G12B	13		N11A	17		R01A, R01B, R01C, R01D, R02Z, R12A, R12B, R12C				
07	H06A, H06B, H06C	21A		W04A, W04B	21A		W04A, W04B				
08	I10A, I10B, I10C, I10D, I10E, I28A, I28B	21B		X04Z, X05A, X05B, X06A, X06B	21B		X06A, X06B, X06C				
09	J03A, J03B, J04A, J04B, J08A, J08B, J08C, J11A, J11B, J16Z	22		Y01Z, Y03A, Y03B	23		Z01A				
10	K09A, K09B	5a310.3		BOP, KVT, UOP4	5a311.02			BOP, KVT, UOP4			
11	L09A, L09B, L09C, L09D, L38Z		01	B03A, B03B, B18Z			01	B03A, B03B, B18Z			
12	M06Z, M09A, M09B, M38Z		08	I10A, I10B, I10C, I10D, I10E, I23A, I23B			08	I10A, I10B, I10C, I10D, I10E			
13	N11A		17	R01A, R01B, R01C, R01D, R02Z, R12A, R12B, R12C			11	L09A, L09B, L09C, L09D, L38Z			
21A	W04A, W04B		21A	W04A, W04B		12	M06Z, M09A, M09B, M38Z				
21B	X04Z, X05A, X05B, X06A, X06B		21B	X06A, X06B		13	N11A				
Pre	A11A, A13A, A13B, A13D		22	Y01Z, Y03A, Y03B		17	R01A, R01B, R01C, R01D, R02Z, R12A, R12B, R12C				
01	B03A, B03B, B06A, B06B, B07Z, B17A, B17B, B17C		5a310.1x			BOP, KVT, UOP4	21A	W04A, W04B			
04	E02A, E02B, E02C			01		B03A, B03B, B06A, B06B, B07Z, B17A, B17B, B17C	21B	X06A, X06B, X06C			
06	G10Z, G12A, G12B			04		E02A, E02B, E02C	23	Z01A			
07	H06A, H06B, H06C			06		G10Z, G12A, G12B	5a311.01		BOP, KVT, UOP4		
08	I10A, I10B, I10C, I10D, I10E, I28A, I28B			07		H06A, H06B, H06C		01	B03A, B03B, B18Z		
09	J03A, J03B, J04A, J04B, J08A, J08B, J08C, J11A, J11B, J16Z			08		I10A, I10B, I10C, I10D, I10E, I28A, I28B		08	I10A, I10B, I10C, I10D, I10E		
10	K09A, K09B			09		J03A, J03B, J04A, J04B, J08A, J08B, J08C, J11A, J11B, J16Z		11	L09A, L09B, L09C, L09D, L38Z		
11	L09A, L09B, L09C, L09D, L38Z	10		K09A, K09B	12	M06Z, M09A, M09B, M38Z					
12	M06Z, M09A, M09B, M38Z	11		L09A, L09B, L09C, L09D, L38Z	13	N11A					
13	N11A	12		M06Z, M09A, M09B, M38Z	17	R01A, R01B, R01C, R01D, R02Z, R12A, R12B, R12C					
21A	W04A, W04B	13		N11A	21A	W04A, W04B					
21B	X04Z, X05A, X05B, X06A, X06B	21A		W04A, W04B	21B	X06A, X06B, X06C					
Pre	A11A, A13A, A13B, A13D	21B		X04Z, X05A, X05B, X06A, X06B	23	Z01A					
01	B03A, B03B, B06A, B06B, B07Z, B17A, B17B, B17C	22		Y01Z, Y03A, Y03B	5a311.02			BOP, KVT, UOP4			
04	E02A, E02B, E02C	5a310.2		BOP, KVT, UOP4		01		B03A, B03B, B18Z			
06	G10Z, G12A, G12B		01	B03A, B03B, B18Z		08		I10A, I10B, I10C, I10D, I10E			
07	H06A, H06B, H06C		08	I10A, I10B, I10C, I10D, I10E, I23A, I23B		11		L09A, L09B, L09C, L09D, L38Z			
08	I10A, I10B, I10C, I10D, I10E, I28A, I28B		17	R01A, R01B, R01C, R01D, R02Z, R12A, R12B, R12C		12	M06Z, M09A, M09B, M38Z				
09	J03A, J03B, J04A, J04B, J08A, J08B, J08C, J11A, J11B, J16Z		21A	W04A, W04B		13	N11A				
10	K09A, K09B		21B	X06A, X06B		17	R01A, R01B, R01C, R01D, R02Z, R12A, R12B, R12C				
11	L09A, L09B, L09C, L09D, L38Z		22	Y01Z, Y03A, Y03B		21A	W04A, W04B				
12	M06Z, M09A, M09B, M38Z		5a310.3			BOP, KVT, UOP4	21B	X06A, X06B, X06C			
13	N11A			01		B03A, B03B, B18Z	23	Z01A			
21A	W04A, W04B			08		I10A, I10B, I10C, I10D, I10E, I23A, I23B	5a311.01		BOP, KVT, UOP4		
21B	X04Z, X05A, X05B, X06A, X06B			17		R01A, R01B, R01C, R01D, R02Z, R12A, R12B, R12C		01	B03A, B03B, B18Z		
Pre	A11A, A13A, A13B, A13D			21A		W04A, W04B		08	I10A, I10B, I10C, I10D, I10E		
01	B03A, B03B, B06A, B06B, B07Z, B17A, B17B, B17C			21B		X06A, X06B		11	L09A, L09B, L09C, L09D, L38Z		
04	E02A, E02B, E02C			22	Y01Z, Y03A, Y03B	12		M06Z, M09A, M09B, M38Z			
06	G10Z, G12A, G12B	5a310.1x			BOP, KVT, UOP4	13		N11A			
07	H06A, H06B, H06C			01	B03A, B03B, B06A, B06B, B07Z, B17A, B17B, B17C	17		R01A, R01B, R01C, R01D, R02Z, R12A, R12B, R12C			
08	I10A, I10B, I10C, I10D, I10E, I28A, I28B			04	E02A, E02B, E02C	21A		W04A, W04B			
09	J03A, J03B, J04A, J04B, J08A, J08B, J08C, J11A, J11B, J16Z			06	G10Z, G12A, G12B	21B		X06A, X06B, X06C			
10	K09A, K09B			07	H06A, H06B, H06C	23		Z01A			
11	L09A, L09B, L09C, L09D, L38Z			08	I10A, I10B, I10C, I10D, I10E, I28A, I28B	5a311.02			BOP, KVT, UOP4		
12	M06Z, M09A, M09B, M38Z			09	J03A, J03B, J04A, J04B, J08A, J08B, J08C, J11A, J11B, J16Z			01	B03A, B03B, B18Z		
13	N11A		10	K09A, K09B	08			I10A, I10B, I10C, I10D, I10E			
21A	W04A, W04B		11	L09A, L09B, L09C, L09D, L38Z	11			L09A, L09B, L09C, L09D, L38Z			
21B	X04Z, X05A, X05B, X06A, X06B		12	M06Z, M09A, M09B, M38Z	12		M06Z, M09A, M09B, M38Z				
Pre	A11A, A13A, A13B, A13D		13	N11A	13		N11A				
01	B03A, B03B, B06A, B06B, B07Z, B17A, B17B, B17C		21A	W04A, W04B	17		R01A, R01B, R01C, R01D, R02Z, R12A, R12B, R12C				
04	E02A, E02B, E02C		21B	X04Z, X05A, X05B, X06A, X06B	21A		W04A, W04B				
06	G10Z, G12A, G12B		22	Y01Z, Y03A, Y03B	21B		X06A, X06B, X06C				
07	H06A, H06B, H06C	5a310.2		BOP, KVT, UOP4	23		Z01A				
08	I10A, I10B, I10C, I10D, I10E, I28A, I28B		01	B03A, B03B, B18Z	5a311.01			BOP, KVT, UOP4			
09	J03A, J03B, J04A, J04B, J08A, J08B, J08C, J11A, J11B, J16Z		08	I10A, I10B, I10C, I10D, I10E, I23A, I23B			01	B03A, B03B, B18Z			
10	K09A, K09B		17	R01A, R01B, R01C, R01D, R02Z, R12A, R12B, R12C			08	I10A, I10B, I10C, I10D, I10E			
11	L09A, L09B, L09C, L09D, L38Z		21A	W04A, W04B			11	L09A, L09B, L09C, L09D, L38Z			
12	M06Z, M09A, M09B, M38Z		21B	X06A, X06B		12	M06Z, M09A, M09B, M38Z				
13	N11A		22	Y01Z, Y03A, Y03B		13	N11A				
21A	W04A, W04B		5a310.3			BOP, KVT, UOP4	17	R01A, R01B, R01C, R01D, R02Z, R12A, R12B, R12C			
21B	X04Z, X05A, X05B, X06A, X06B			01		B03A, B03B, B18Z	21A	W04A, W04B			
Pre	A11A, A13A, A13B, A13D			08		I10A, I10B, I10C, I10D, I10E, I23A, I23B	21B	X06A, X06B, X06C			
01	B03A, B03B, B06A, B06B, B07Z, B17A, B17B, B17C			17		R01A, R01B, R01C, R01D, R02Z, R12A, R12B, R12C	23	Z01A			
04	E02A, E02B, E02C			21A		W04A, W04B	5a311.02		BOP, KVT, UOP4		
06	G10Z, G12A, G12B			21B		X06A, X06B		01	B03A, B03B, B18Z		
07	H06A, H06B, H06C			22		Y01Z, Y03A, Y03B		08	I10A, I10B, I10C, I10D, I10E		
08	I10A, I10B, I10C, I10D, I10E, I28A, I28B	5a310.1x				BOP, KVT, UOP4		11	L09A, L09B, L09C, L09D, L38Z		
09	J03A, J03B, J04A, J04B, J08A, J08B, J08C, J11A, J11B, J16Z			01	B03A, B03B, B06A, B06B, B07Z, B17A, B17B, B17C	12		M06Z, M09A, M09B, M38Z			
10	K09A, K09B			04	E02A, E02B, E02C	13		N11A			
11	L09A, L09B, L09C, L09D, L38Z			06	G10Z, G12A, G12B	17		R01A, R01B, R01C, R01D, R02Z, R12A, R12B, R12C			
12	M06Z, M09A, M09B, M38Z			07	H06A, H06B, H06C	21A		W04A, W04B			
13	N11A			08	I10A, I10B, I10C, I10D, I10E, I28A, I2						

Príloha B: Index Výkon-MDC-DRG

ZZV	MDC	DRG	ZZV	MDC	DRG	ZZV	MDC	DRG	
5a40f.b		BOP, KVT, UOP4	5a504		BOP, KVT, UOP4	5a50b		BOP, KVT, UOP4	
	01	B03A, B03B, B06A, B06B, B07Z, B17A, B17B, B17C		01	B03A, B03B, B06A, B06B, B07Z, B17A, B17B, B17C		01	B03A, B03B, B06A, B06B, B07Z, B17A, B17B, B17C	
	03	D12A, D12B		03	D12A		03	D12A	
	08	I08A, I08B, I08C, I08D, I08E, I13A, I13B, I28A, I28B		08	I08A, I08B, I08C, I08D, I08E, I13A, I13B		08	I08A, I08B, I08C, I08D, I08E, I13A, I13B	
	21A	W04A, W04B		21A	W04A, W04B		21A	W04A, W04B	
5a40f.c	21B	X06A, X06B, X06C	5a505.1	21B	X06A, X06B, X06C	5a50c.2	21B	X06A, X06B, X06C	
		BOP, KVT, UOP4			BOP, KVT, UOP4			BOP, KVT, UOP4	
	01	B03A, B03B, B06A, B06B, B07Z, B17A, B17B, B17C		01	B03A, B03B, B06A, B06B, B07Z, B17A, B17B, B17C		01	B03A, B03B, B06A, B06B, B07Z, B17A, B17B, B17C	
	03	D12A, D12B		03	D12A		08	I08A, I08B, I08C, I08D, I08E, I13A, I13B, I28A, I28B	
	08	I08A, I08B, I08C, I08D, I08E, I13A, I13B, I28A, I28B		08	I08A, I08B, I08C, I08D, I08E, I13A, I13B		21A	W04A, W04B	
5a40g	21A	W04A, W04B	5a505.2	21A	W04A, W04B	5a50c.3	21B	X06A, X06B, X06C	
	21B	X06A, X06B, X06C		21B	X06A, X06B, X06C			BOP, KVT, UOP4	
		BOP, KVT, UOP4			BOP, KVT, UOP4		01	B03A, B03B, B06A, B06B, B07Z, B17A, B17B, B17C	
	01	B03A, B03B, B06A, B06B, B07Z, B17A, B17B, B17C		01	B03A, B03B, B06A, B06B, B07Z, B17A, B17B, B17C		08	I08A, I08B, I08C, I08D, I08E, I13A, I13B, I28A, I28B	
	03	D12A, D12B		03	D12A		21A	W04A, W04B	
5a500	08	I08A, I08B, I08C, I08D, I08E, I13A, I13B, I28A, I28B	5a506	08	I08A, I08B, I08C, I08D, I08E, I13A, I13B	5a50e.4	21B	X06A, X06B, X06C	
	21A	W04A, W04B		21A	W04A, W04B		01	B03A, B03B, B06A, B06B, B07Z, B17A, B17B, B17C	
	21B	X06A, X06B, X06C		21B	X06A, X06B, X06C		08	I08A, I08B, I08C, I08D, I08E, I13A, I13B, I28A, I28B	
		BOP, KVT, UOP4			BOP, KVT, UOP4		21A	W04A, W04B	
	01	B03A, B03B, B06A, B06B, B07Z, B17A, B17B, B17C		01	B03A, B03B, B06A, B06B, B07Z, B17A, B17B, B17C		21B	X06A, X06B, X06C, X33Z	
5a501	03	D12A	5a507.0	03	D12A	5a50e.5	21B	X06A, X06B, X06C, X33Z	
	06	G11A, G11B		08	I08A, I08B, I08C, I08D, I08E, I13A, I13B		01	B03A, B03B, B06A, B06B, B07Z, B17A, B17B, B17C	
	08	I08A, I08B, I08C, I08D, I08E, I13A, I13B, I28A, I28B		21A	W04A, W04B		08	I08A, I08B, I08C, I08D, I08E, I13A, I13B, I28A, I28B	
	11	L03Z, L04A, L04B, L04C, L10Z, L38Z		21B	X06A, X06B, X06C		21A	W04A, W04B	
	12	M06Z, M09A, M09B, M38Z			BOP, KVT, UOP4		21B	X06A, X06B, X06C, X33Z	
	13	N11A		01	B03A, B03B, B06A, B06B, B07Z, B17A, B17B, B17C		01	B03A, B03B, B06A, B06B, B07Z, B17A, B17B, B17C	
	21A	W04A, W04B		08	I08A, I08B, I08C, I08D, I08E, I13A, I13B, I28A, I28B		08	I08A, I08B, I08C, I08D, I08E, I13A, I13B, I28A, I28B	
	21B	X04Z, X05A, X05B, X06A, X06B, X06C		21A	W04A, W04B		21A	W04A, W04B	
	22	Y01Z, Y03A, Y03B		21B	X06A, X06B, X06C		21B	X06A, X06B, X06C, X33Z	
	23	Z01A			BOP, KVT, UOP4		01	B03A, B03B, B06A, B06B, B07Z, B17A, B17B, B17C	
		BOP, KVT, UOP4		5a507.1	01		B03A, B03B, B06A, B06B, B07Z, B17A, B17B, B17C	08	I08A, I08B, I08C, I08D, I08E, I13A, I13B, I28A, I28B
	01	B03A, B03B, B06A, B06B, B07Z, B17A, B17B, B17C			08		I08A, I08B, I08C, I08D, I08E, I13A, I13B, I28A, I28B	21A	W04A, W04B
	03	D12A			21A		W04A, W04B	21B	X06A, X06B, X06C, X33Z
08	I08A, I08B, I08C, I08D, I08E, I13A, I13B	5a508	21B	X06A, X06B, X06C	5a50g	01	B03A, B03B, B06A, B06B, B07Z, B17A, B17B, B17C, B17D		
21A	W04A, W04B		01	B03A, B03B, B06A, B06B, B07Z, B17A, B17B, B17C		08	I08A, I08B, I08C, I08D, I08E, I13A, I13B, I28A, I28B, I28C		
21B	X06A, X06B, X06C		03	D12A		21A	W04A, W04B		
	BOP, KVT, UOP4		06	G11A, G11B		21B	X06A, X06B		
01	B03A, B03B, B06A, B06B, B07Z, B17A, B17B, B17C		08	I08A, I08B, I08C, I08D, I08E, I13A, I13B, I28A, I28B		5a50h.61		BOP, KVT, UOP4	
03	D12A	11	L03Z, L04A, L04B, L04C, L10Z, L38Z	01	B03A, B03B, B06A, B06B, B07Z, B17A, B17B, B17C, B17D				
08	I08A, I08B, I08C, I08D, I08E, I13A, I13B	12	M06Z, M09A, M09B, M38Z	08	I08A, I08B, I08C, I08D, I08E, I13A, I13B, I28A, I28B, I28C				
21A	W04A, W04B	13	N11A	21A	W04A, W04B				
21B	X06A, X06B, X06C	21A	W04A, W04B	21B	X05A, X05B, X06A, X06B				
5a502		BOP, KVT, UOP4	5a503	21B	X04Z, X05A, X05B, X06A, X06B, X06C	5a50h.63		BOP, KVT, UOP4	
	01	B03A, B03B, B06A, B06B, B07Z, B17A, B17B, B17C		22	Y01Z, Y03A, Y03B		01	B03A, B03B, B06A, B06B, B07Z, B17A, B17B, B17C, B17D	
	03	D12A		23	Z01A		08	I08A, I08B, I08C, I08D, I08E, I13A, I13B, I28A, I28B, I28C	
	08	I08A, I08B, I08C, I08D, I08E, I13A, I13B			BOP, KVT, UOP4		21A	W04A, W04B	
	21A	W04A, W04B		5a50a	01		B03A, B03B, B06A, B06B, B07Z, B17A, B17B, B17C	21B	X05A, X05B, X06A, X06B
21B	X06A, X06B, X06C		03	D12A					
			08	I08A, I08B, I08C, I08D, I08E, I13A, I13B					
			21A	W04A, W04B					
			21B	X06A, X06B, X06C					

VYK

ZZV	MDC	DRG	ZZV	MDC	DRG	ZZV	MDC	DRG
5a50h.64		BOP, KVT, UOP4	5a50l		BOP, KVT, UOP4	5a50t.01		BOP, KVT, UOP4
	01	B03A, B03B, B06A, B06B, B07Z, B17A, B17B, B17C, B17D		01	B03A, B03B, B06A, B06B, B07Z, B17A, B17B, B17C		01	B03A, B03B, B06A, B06B, B07Z, B17A, B17B, B17C
	08	I08A, I08B, I08C, I08D, I08E, I13A, I13B, I28A, I28B, I28C		03	D12A, D12B		03	D12A
	21A	W04A, W04B		08	I08A, I08B, I08C, I08D, I08E, I13A, I13B, I28A, I28B, I28C		06	G11A, G11B
5a50h.6x	21B	X05A, X05B, X06A, X06B	5a50m	21A	W04A, W04B	5a50t.02	08	I08A, I08B, I08C, I08D, I08E, I13A, I13B, I28A, I28B
		BOP, KVT, UOP4		21B	X06A, X06B		11	L03Z, L04A, L04B, L04C, L10Z, L38Z
	01	B03A, B03B, B06A, B06B, B07Z, B17A, B17B, B17C, B17D		01	B03A, B03B, B06A, B06B, B07Z, B17A, B17B, B17C		12	M06Z, M09A, M09B, M38Z
	08	I08A, I08B, I08C, I08D, I08E, I13A, I13B, I28A, I28B, I28C		03	D12A, D12B		13	N11A
5a50h.7	21A	W04A, W04B	5a50n	08	I08A, I08B, I08C, I08D, I08E, I13A, I13B, I28A, I28B, I28C	5a50t.03	21A	W04A, W04B
	21B	X05A, X05B, X06A, X06B		21A	W04A, W04B		21B	X04Z, X05A, X05B, X06A, X06B, X06C
		BOP, KVT, UOP4		21B	X06A, X06B		22	Y01Z, Y03A, Y03B
	01	B03A, B03B, B06A, B06B, B07Z, B17A, B17B, B17C, B17D		01	B03A, B03B, B06A, B06B, B07Z, B17A, B17B, B17C		23	Z01A
5a50h.8	08	I08A, I08B, I08C, I08D, I08E, I13A, I13B, I28A, I28B, I28C	5a50o	03	D12A, D12B	5a50t.04	01	B03A, B03B, B06A, B06B, B07Z, B17A, B17B, B17C
	21A	W04A, W04B		08	I08A, I08B, I08C, I08D, I08E, I13A, I13B, I28A, I28B, I28C		03	D12A
	21B	X05A, X05B, X06A, X06B		21A	W04A, W04B		06	G11A, G11B
		BOP, KVT, UOP4		21B	X06A, X06B		08	I08A, I08B, I08C, I08D, I08E, I13A, I13B, I28A, I28B
5a50h.9	01	B03A, B03B, B06A, B06B, B07Z, B17A, B17B, B17C, B17D	5a50p	08	I08A, I08B, I08C, I08D, I08E, I13A, I13B, I28A, I28B, I28C	5a50t.05	11	L03Z, L04A, L04B, L04C, L10Z, L38Z
	08	I08A, I08B, I08C, I08D, I08E, I13A, I13B, I28A, I28B, I28C		21A	W04A, W04B		12	M06Z, M09A, M09B, M38Z
	21A	W04A, W04B		21B	X06A, X06B		13	N11A
	21B	X05A, X05B, X06A, X06B		01	B03A, B03B, B06A, B06B, B07Z, B17A, B17B, B17C, B17D		21A	W04A, W04B
5a50h.a		BOP, KVT, UOP4	5a50r	08	I08A, I08B, I08C, I08D, I08E, I13A, I13B, I28A, I28B	5a50t.06	21B	X04Z, X05A, X05B, X06A, X06B, X06C
	01	B03A, B03B, B06A, B06B, B07Z, B17A, B17B, B17C		21A	W04A, W04B		22	Y01Z, Y03A, Y03B
	08	I08A, I08B, I08C, I08D, I08E, I13A, I13B, I28A, I28B, I28C		21B	X06A, X06B, X06C		23	Z01A
	21A	W04A, W04B		01	B03A, B03B, B06A, B06B, B07Z, B17A, B17B, B17C		01	B03A, B03B, B06A, B06B, B07Z, B17A, B17B, B17C
5a50h.b	21B	X04Z, X06A, X06B	5a50t.00	03	D12A, D12B	5a50t.07	03	D12A
		BOP, KVT, UOP4		08	I28A, I28B		06	G11A, G11B
	01	B03A, B03B, B06A, B06B, B07Z, B17A, B17B, B17C		21A	W04A, W04B		08	I08A, I08B, I08C, I08D, I08E, I13A, I13B, I28A, I28B
	08	I08A, I08B, I08C, I08D, I08E, I13A, I13B, I28A, I28B, I28C		21B	X06A, X06B, X06C		11	L03Z, L04A, L04B, L04C, L10Z, L38Z
5a50j	21A	W04A, W04B	5a50t.01	01	B03A, B03B, B06A, B06B, B07Z, B17A, B17B, B17C	5a50t.08	12	M06Z, M09A, M09B, M38Z
	21B	X04Z, X06A, X06B		03	D12A		13	N11A
		BOP, KVT, UOP4		06	G11A, G11B		21A	W04A, W04B
	01	B03A, B03B, B06A, B06B, B07Z, B17A, B17B, B17C, B17D		08	I08A, I08B, I08C, I08D, I08E, I13A, I13B, I28A, I28B		21B	X04Z, X05A, X05B, X06A, X06B, X06C
5a50k	08	I08A, I08B, I08C, I08D, I08E, I13A, I13B, I20A, I20B, I20C, I20D, I20E, I20F	5a50t.02	11	L03Z, L04A, L04B, L04C, L10Z, L38Z	5a50t.09	22	Y01Z, Y03A, Y03B
	21A	W04A, W04B		12	M06Z, M09A, M09B, M38Z		23	Z01A
	21B	X04Z		13	N11A		01	B03A, B03B, B06A, B06B, B07Z, B17A, B17B, B17C
		BOP, KVT, UOP4		21A	W04A, W04B		03	D12A
	01	B03A, B03B, B06A, B06B, B07Z, B17A, B17B, B17C		21B	X04Z, X05A, X05B, X06A, X06B, X06C	06	G11A, G11B	
	03	D12A, D12B		22	Y01Z, Y03A, Y03B	08	I08A, I08B, I08C, I08D, I08E, I13A, I13B, I28A, I28B	
	08	I08A, I08B, I08C, I08D, I08E, I13A, I13B, I28A, I28B, I28C		23	Z01A	11	L03Z, L04A, L04B, L04C, L10Z, L38Z	
	21A	W04A, W04B				12	M06Z, M09A, M09B, M38Z	
	21B	X06A, X06B				13	N11A	

VYK

ZZV	MDC	DRG	ZZV	MDC	DRG	ZZV	MDC	DRG	
5a50t.05		BOP, KVT, UOP4	5a50t.12		BOP, KVT, UOP4	5a50t.16		BOP, KVT, UOP4	
	01	B03A, B03B, B06A, B06B, B07Z, B17A, B17B, B17C		01	B03A, B03B, B06A, B06B, B07Z, B17A, B17B, B17C		01	B03A, B03B, B06A, B06B, B07Z, B17A, B17B, B17C	
	03	D12A		03	D12A		03	D12A	
	06	G11A, G11B		06	G11A, G11B		06	G11A, G11B	
	08	I08A, I08B, I08C, I08D, I08E, I13A, I13B, I28A, I28B		08	I08A, I08B, I08C, I08D, I08E, I13A, I13B, I28A, I28B		08	I08A, I08B, I08C, I08D, I08E, I13A, I13B, I28A, I28B	
	11	L03Z, L04A, L04B, L04C, L10Z, L38Z		11	L03Z, L04A, L04B, L04C, L10Z, L38Z		11	L03Z, L04A, L04B, L04C, L10Z, L38Z	
	12	M06Z, M09A, M09B, M38Z		12	M06Z, M09A, M09B, M38Z		12	M06Z, M09A, M09B, M38Z	
	13	N11A		13	N11A		13	N11A	
	21A	W04A, W04B		21A	W04A, W04B		21A	W04A, W04B	
	21B	X04Z, X05A, X05B, X06A, X06B, X06C		21B	X04Z, X05A, X05B, X06A, X06B, X06C		21B	X04Z, X05A, X05B, X06A, X06B, X06C	
	22	Y01Z, Y03A, Y03B		22	Y01Z, Y03A, Y03B		22	Y01Z, Y03A, Y03B	
	23	Z01A		23	Z01A		23	Z01A	
	5a50t.06			BOP, KVT, UOP4	5a50t.13			BOP, KVT, UOP4	5a50t.e
01		B03A, B03B, B06A, B06B, B07Z, B17A, B17B, B17C	01	B03A, B03B, B06A, B06B, B07Z, B17A, B17B, B17C		01	B03A, B03B, B06A, B06B, B07Z, B17A, B17B, B17C		
03		D12A	03	D12A		03	D12A		
06		G11A, G11B	06	G11A, G11B		08	I08A, I08B, I08C, I08D, I08E, I13A, I13B, I28A, I28B		
08		I08A, I08B, I08C, I08D, I08E, I13A, I13B, I28A, I28B	08	I08A, I08B, I08C, I08D, I08E, I13A, I13B, I28A, I28B		12	M06Z, M09A, M09B, M38Z		
11		L03Z, L04A, L04B, L04C, L10Z, L38Z	11	L03Z, L04A, L04B, L04C, L10Z, L38Z		13	N11A		
12		M06Z, M09A, M09B, M38Z	12	M06Z, M09A, M09B, M38Z		21A	W04A, W04B		
13		N11A	13	N11A		21B	X04Z, X05A, X05B, X06A, X06B, X06C		
21A		W04A, W04B	21A	W04A, W04B		22	Y01Z, Y03A, Y03B		
21B		X04Z, X05A, X05B, X06A, X06B, X06C	21B	X04Z, X05A, X05B, X06A, X06B, X06C		23	Z01A		
22		Y01Z, Y03A, Y03B	22	Y01Z, Y03A, Y03B		5a50t.f0		BOP, KVT, UOP4	
23		Z01A	23	Z01A			01	B03A, B03B, B06A, B06B, B07Z, B17A, B17B, B17C	
5a50t.10			BOP, KVT, UOP4	5a50t.14			BOP, KVT, UOP4	5a50t.f1	
	01	B03A, B03B, B06A, B06B, B07Z, B17A, B17B, B17C	01		B03A, B03B, B06A, B06B, B07Z, B17A, B17B, B17C	01	B03A, B03B, B06A, B06B, B07Z, B17A, B17B, B17C		
	03	D12A	03		D12A	03	D12A		
	06	G11A, G11B	06		G11A, G11B	06	G11A, G11B		
	08	I08A, I08B, I08C, I08D, I08E, I13A, I13B, I28A, I28B	08		I08A, I08B, I08C, I08D, I08E, I13A, I13B, I28A, I28B	08	I08A, I08B, I08C, I08D, I08E, I13A, I13B, I28A, I28B		
	11	L03Z, L04A, L04B, L04C, L10Z, L38Z	11		L03Z, L04A, L04B, L04C, L10Z, L38Z	11	L03Z, L04A, L04B, L04C, L10Z, L38Z		
	12	M06Z, M09A, M09B, M38Z	12		M06Z, M09A, M09B, M38Z	12	M06Z, M09A, M09B, M38Z		
	13	N11A	13		N11A	13	N11A		
	21A	W04A, W04B	21A		W04A, W04B	21A	W04A, W04B		
	21B	X04Z, X05A, X05B, X06A, X06B, X06C	21B		X04Z, X05A, X05B, X06A, X06B, X06C	21B	X04Z, X05A, X05B, X06A, X06B, X06C		
	22	Y01Z, Y03A, Y03B	22		Y01Z, Y03A, Y03B	22	Y01Z, Y03A, Y03B		
	23	Z01A	23		Z01A	23	Z01A		
	5a50t.11		BOP, KVT, UOP4		5a50t.15		BOP, KVT, UOP4		5a901.a†
01		B03A, B03B, B06A, B06B, B07Z, B17A, B17B, B17C	01	B03A, B03B, B06A, B06B, B07Z, B17A, B17B, B17C		01	B03A, B03B, B06A, B06B, B07Z, B17A, B17B, B17C		
03		D12A	03	D12A		03	D12A		
06		G11A, G11B	06	G11A, G11B		06	G11A, G11B		
08		I08A, I08B, I08C, I08D, I08E, I13A, I13B, I28A, I28B	08	I08A, I08B, I08C, I08D, I08E, I13A, I13B, I28A, I28B		08	I08A, I08B, I08C, I08D, I08E, I13A, I13B, I28A, I28B		
11		L03Z, L04A, L04B, L04C, L10Z, L38Z	11	L03Z, L04A, L04B, L04C, L10Z, L38Z		11	L03Z, L04A, L04B, L04C, L10Z, L38Z		
12		M06Z, M09A, M09B, M38Z	12	M06Z, M09A, M09B, M38Z		12	M06Z, M09A, M09B, M38Z		
13		N11A	13	N11A		13	N11A		
21A		W04A, W04B	21A	W04A, W04B		21A	W04A, W04B		
21B		X04Z, X05A, X05B, X06A, X06B, X06C	21B	X04Z, X05A, X05B, X06A, X06B, X06C		21B	X04Z, X05A, X05B, X06A, X06B, X06C		
22		Y01Z, Y03A, Y03B	22	Y01Z, Y03A, Y03B		22	Y01Z, Y03A, Y03B		
23		Z01A	23	Z01A		23	Z01A		
						5a901.b†		VIAL	
				5a901.c†		VIAL			
				5a902.01†		VIAL			
				5a902.02†		VIAL			
				5a902.03†		VIAL			

ZZV	MDC	DRG	ZZV	MDC	DRG	ZZV	MDC	DRG
5a904.41		BOP, KVT, UOP4	5b120.05		BOP, KVT, UOP4	5b122.12		BOP, KVT, UOP4
	01	B03A, B03B, B18Z		10	K06A, K06B, K06C, K06D		10	K06A, K06B
	08	I10A, I10B, I10C, I10D, I10E		11	L09A, L09C, L38Z		11	L09A, L09C, L38Z
	17	R01A, R01B, R01C, R01D, R02Z, R12A, R12B, R12C	5b120.06		BOP, KVT, UOP4	5b122.13		BOP, KVT, UOP4
	21A	W04A, W04B		10	K06A, K06B, K06C, K06D		10	K06A, K06B
	21B	X06A, X06B		11	L09A, L09C, L38Z		11	L09A, L09C, L38Z
5a904.42		BOP, KVT, UOP4	5b120.10		BOP, KVT, UOP4	5b122.14		BOP, KVT, UOP4
	01	B03A, B03B, B18Z		10	K06A, K06B, K06C, K06D		10	K06A, K06B
	08	I10A, I10B, I10C, I10D, I10E		11	L09A, L09C, L38Z		11	L09A, L09C, L38Z
	17	R01A, R01B, R01C, R01D, R02Z, R12A, R12B, R12C	5b120.16		BOP, KVT, UOP4	5b122.15		BOP, KVT, UOP4
	21A	W04A, W04B		10	K06A, K06B, K06C, K06D		10	K06A, K06B
	21B	X06A, X06B		11	L09A, L09C, L38Z		11	L09A, L09C, L38Z
5a904.43		BOP, KVT, UOP4	5b120.20		BOP, KVT, UOP4	5b122.16		BOP, KVT, UOP4
	01	B03A, B03B, B18Z		10	K06A, K06B, K06C, K06D		10	K06A, K06B
	08	I10A, I10B, I10C, I10D, I10E		11	L09A, L09C, L38Z		11	L09A, L09C, L38Z
	17	R01A, R01B, R01C, R01D, R02Z, R12A, R12B, R12C	5b120.21		BOP, KVT, UOP4	5b122.1x		BOP, KVT, UOP4
	21A	W04A, W04B		10	K06A, K06B, K06C, K06D		10	K06A, K06B
	21B	X06A, X06B		11	L09A, L09C, L38Z		11	L09A, L09C, L38Z
5b110		BOP, KVT, UOP4	5b120.22		BOP, KVT, UOP4	5b12x.0		BOP, KVT, UOP4
	03	D09Z, D30A		10	K06A, K06B, K06C, K06D		10	K06A, K06B, K06C, K06D
	09	J03A, J03B, J04A, J04B, J08A, J08B, J08C, J11A, J11B, J16Z		11	L09A, L09C, L38Z		11	L09A, L09C, L38Z
	10	K06A, K06B, K06C, K06D	5b120.23		BOP, KVT, UOP4	5b12x.1		BOP, KVT, UOP4
	21A	W04A, W04B		10	K06A, K06B, K06C, K06D		10	K06A, K06B, K06C, K06D
	21B	X06A, X06B, X06C		11	L09A, L09C, L38Z		11	L09A, L09C, L38Z
5b111		BOP, KVT, UOP4	5b120.24		BOP, KVT, UOP4	5b12x.2		BOP, KVT, UOP4
	03	D09Z, D30A		10	K06A, K06B, K06C, K06D		10	K06A, K06B, K06C, K06D
	09	J03A, J03B, J04A, J04B, J08A, J08B, J08C, J11A, J11B, J16Z		11	L09A, L09C, L38Z		11	L09A, L09C, L38Z
	10	K06A, K06B, K06C, K06D	5b120.25		BOP, KVT, UOP4	5b12x.3		BOP, KVT, UOP4
	21A	W04A, W04B		10	K06A, K06B, K06C, K06D		10	K06A, K06B, K06C, K06D
	21B	X06A, X06B, X06C		11	L09A, L09C, L38Z		11	L09A, L09C, L38Z
5b112		BOP, KVT, UOP4	5b120.26		BOP, KVT, UOP4	5b12x.4		BOP, KVT, UOP4
	03	D09Z, D30A		10	K06A, K06B, K06C, K06D		10	K06A, K06B, K06C, K06D
	09	J03A, J03B, J04A, J04B, J08A, J08B, J08C, J11A, J11B, J16Z		11	L09A, L09C, L38Z		11	L09A, L09C, L38Z
	10	K06A, K06B, K06C, K06D	5b120.2x		BOP, KVT, UOP4	5b12x.5		BOP, KVT, UOP4
	21A	W04A, W04B		10	K06A, K06B, K06C, K06D		10	K06A, K06B, K06C, K06D
	21B	X06A, X06B, X06C		11	L09A, L09C, L38Z		11	L09A, L09C, L38Z
5b113		BOP, KVT, UOP4	5b120.x		BOP, KVT, UOP4	5b12x.6		BOP, KVT, UOP4
	03	D09Z, D30A		10	K06A, K06B, K06C, K06D		10	K06A, K06B, K06C, K06D
	09	J03A, J03B, J04A, J04B, J08A, J08B, J08C, J11A, J11B, J16Z		11	L09A, L09C, L38Z		11	L09A, L09C, L38Z
	10	K06A, K06B, K06C, K06D	5b122.00		BOP, KVT, UOP4	5b12x.x		BOP, KVT, UOP4
	21A	W04A, W04B		10	K06A, K06B		10	K06A, K06B, K06C, K06D
	21B	X06A, X06B, X06C		11	L09A, L09C, L38Z		11	L09A, L09C, L38Z
5b113		BOP, KVT, UOP4	5b122.01		BOP, KVT, UOP4	5b130.0		BOP, KVT, UOP4
	10	K06A, K06B, K06C, K06D		10	K06A, K06B		10	K06A, K06B, K06C, K06D
	21A	W04A, W04B		11	L09A, L09C, L38Z		11	L09C, L38Z
	21B	X06A, X06B, X06C		10	K06A, K06B		10	K06A, K06B, K06C, K06D
5b11x		BOP, KVT, UOP4	5b122.02		BOP, KVT, UOP4	5b130.1		BOP, KVT, UOP4
	10	K06A, K06B, K06C, K06D		10	K06A, K06B		10	K06A, K06B, K06C, K06D
	21A	W04A, W04B		11	L09A, L09C, L38Z		11	L09C, L38Z
	21B	X06A, X06B, X06C		10	K06A, K06B		10	K06A, K06B, K06C, K06D
5b120.00		BOP, KVT, UOP4	5b122.03		BOP, KVT, UOP4	5b130.2		BOP, KVT, UOP4
	10	K06A, K06B, K06C, K06D		10	K06A, K06B		10	K06A, K06B, K06C, K06D
	11	L09A, L09C, L38Z		11	L09A, L09C, L38Z		11	L09C, L38Z
5b120.01		BOP, KVT, UOP4	5b122.04		BOP, KVT, UOP4	5b130.3		BOP, KVT, UOP4
	10	K06A, K06B, K06C, K06D		10	K06A, K06B		10	K06A, K06B, K06C, K06D
	11	L09A, L09C, L38Z		11	L09A, L09C, L38Z		11	L09C, L38Z
5b120.02		BOP, KVT, UOP4	5b122.05		BOP, KVT, UOP4	5b130.4		BOP, KVT, UOP4
	10	K06A, K06B, K06C, K06D		10	K06A, K06B		10	K06A, K06B, K06C, K06D
	11	L09A, L09C, L38Z		11	L09A, L09C, L38Z		11	L09C, L38Z
5b120.03		BOP, KVT, UOP4	5b122.06		BOP, KVT, UOP4	5b130.5		BOP, KVT, UOP4
	10	K06A, K06B, K06C, K06D		10	K06A, K06B		10	K06A, K06B, K06C, K06D
	11	L09A, L09C, L38Z		11	L09A, L09C, L38Z		11	L09C, L38Z
5b120.04		BOP, KVT, UOP4	5b122.0x		BOP, KVT, UOP4	5b130.6		BOP, KVT, UOP4
	10	K06A, K06B, K06C, K06D		10	K06A, K06B		10	K06A, K06B, K06C, K06D
	11	L09A, L09C, L38Z		11	L09A, L09C, L38Z		11	L09C, L38Z
	10	K06A, K06B, K06C, K06D	5b122.10		BOP, KVT, UOP4	5b130.x		BOP, KVT, UOP4
	11	L09A, L09C, L38Z		10	K06A, K06B		10	K06A, K06B, K06C, K06D
	10	K06A, K06B, K06C, K06D		11	L09A, L09C, L38Z		11	L09C, L38Z
	11	L09A, L09C, L38Z	5b122.11		BOP, KVT, UOP4	5b131.0		BOP, KVT, UOP4
	10	K06A, K06B, K06C, K06D		10	K06A, K06B		10	K06A, K06B, K06C, K06D
	11	L09A, L09C, L38Z		11	L09A, L09C, L38Z		11	L09C, L38Z

ZZV	MDC	DRG	ZZV	MDC	DRG	ZZV	MDC	DRG
5b23x.5		BOP, KVT, UOP4	5b321.4↔	09	J03A, J03B, J04A, J04B, J08A, J08B, J08C, J11A, J11B, J16Z	5b330.x↔	10	K03A, K03B, K14Z
	10	K06A, K06B, K06C, K06D					21A	W04A, W04B
	11	L09C, L38Z					21B	X06A, X06B, X06C
5b23x.6		BOP, KVT, UOP4		10	K03A, K03B, K14Z	5b331↔		BOP, KVT, UOP4
	10	K06A, K06B, K06C, K06D		13	N01A, N01B, N01C, N01D, N01E, N02A, N02B, N02C, N03A, N03B, N05A, N05B, N38Z		10	K03A, K03B, K14Z
	11	L09C, L38Z					21A	W04A, W04B
5b23x.x		BOP, KVT, UOP4					21B	X06A, X06B, X06C
	10	K06A, K06B, K06C, K06D	5b321.x↔		BOP, KVT, UOP4	5b332↔		BOP, KVT, UOP4
	11	L09C, L38Z		09	J03A, J03B, J04A, J04B, J08A, J08B, J08C, J11A, J11B, J16Z		10	K03A, K03B, K14Z
5b290		BOP, KVT, UOP4					21A	W04A, W04B
	10	K06A, K06B, K06C, K06D		10	K03A, K03B, K14Z		21B	X06A, X06B, X06C
5b291		BOP, KVT, UOP4				5b333.1↔		BOP, KVT, UOP4
	10	K06A, K06B, K06C, K06D		13	N01A, N01B, N01C, N01D, N01E, N02A, N02B, N02C, N03A, N03B, N05A, N05B, N38Z		10	K03A, K03B, K14Z
5b311.1↔		BOP, KVT, UOP4					21A	W04A, W04B
	10	K03A, K03B, K14Z	5b322.1↔		BOP, KVT, UOP4		21B	X06A, X06B, X06C
5b311.2↔		BOP, KVT, UOP4		09	J03A, J03B, J04A, J04B, J08A, J08B, J08C, J11A, J11B, J16Z	5b333.2↔		BOP, KVT, UOP4
	10	K03A, K03B, K14Z					10	K03A, K03B, K14Z
5b311.4↔		BOP, KVT, UOP4					21A	W04A, W04B
	10	K03A, K03B, K14Z		10	K03A, K03B, K14Z		21B	X06A, X06B, X06C
5b311.x↔		BOP, KVT, UOP4	5b322.2↔		BOP, KVT, UOP4	5b333.4↔		BOP, KVT, UOP4
	10	K03A, K03B, K14Z		09	J03A, J03B, J04A, J04B, J08A, J08B, J08C, J11A, J11B, J16Z		10	K03A, K03B, K14Z
5b312.1↔		BOP, KVT, UOP4					21A	W04A, W04B
	06	G18A, G38Z	5b322.4↔		BOP, KVT, UOP4		21B	X06A, X06B, X06C
	10	K03A, K03B, K14Z		09	J03A, J03B, J04A, J04B, J08A, J08B, J08C, J11A, J11B, J16Z	5b333.x↔		BOP, KVT, UOP4
5b312.2↔		BOP, KVT, UOP4					10	K03A, K03B, K14Z
	10	K03A, K03B, K14Z	5b322.x↔		BOP, KVT, UOP4		21A	W04A, W04B
5b312.4↔		BOP, KVT, UOP4		09	J03A, J03B, J04A, J04B, J08A, J08B, J08C, J11A, J11B, J16Z		21B	X06A, X06B, X06C
	10	K03A, K03B, K14Z				5b33x.1↔		BOP, KVT, UOP4
5b312.x↔		BOP, KVT, UOP4					10	K03A, K03B, K14Z
	10	K03A, K03B, K14Z	5b322.4↔		BOP, KVT, UOP4		21A	W04A, W04B
5b320.1↔		BOP, KVT, UOP4		09	J03A, J03B, J04A, J04B, J08A, J08B, J08C, J11A, J11B, J16Z		21B	X06A, X06B, X06C
	06	G18A, G38Z					10	K03A, K03B, K14Z
	09	J03A, J03B, J04A, J04B, J08A, J08B, J08C, J11A, J11B, J16Z	5b322.x↔		BOP, KVT, UOP4	5b33x.2↔		BOP, KVT, UOP4
	10	K03A, K03B, K14Z		09	J03A, J03B, J04A, J04B, J08A, J08B, J08C, J11A, J11B, J16Z		10	K03A, K03B, K14Z
5b320.2↔		BOP, KVT, UOP4					21A	W04A, W04B
	09	J03A, J03B, J04A, J04B, J08A, J08B, J08C, J11A, J11B, J16Z	5b323.1↔		BOP, KVT, UOP4		21B	X06A, X06B, X06C
	10	K03A, K03B, K14Z		06	G18A, G38Z	5b33x.4↔		BOP, KVT, UOP4
5b320.4↔		BOP, KVT, UOP4		09	J03A, J03B, J04A, J04B, J08A, J08B, J08C, J11A, J11B, J16Z		10	K03A, K03B, K14Z
	09	J03A, J03B, J04A, J04B, J08A, J08B, J08C, J11A, J11B, J16Z					21A	W04A, W04B
	10	K03A, K03B, K14Z	5b323.2↔		BOP, KVT, UOP4		21B	X06A, X06B, X06C
5b320.x↔		BOP, KVT, UOP4		09	J03A, J03B, J04A, J04B, J08A, J08B, J08C, J11A, J11B, J16Z	5b33x.x↔		BOP, KVT, UOP4
	09	J03A, J03B, J04A, J04B, J08A, J08B, J08C, J11A, J11B, J16Z					10	K03A, K03B, K14Z
	10	K03A, K03B, K14Z		10	K03A, K03B, K14Z		21A	W04A, W04B
5b321.1↔		BOP, KVT, UOP4					21B	X06A, X06B, X06C
	06	G18A, G38Z	5b323.4↔		BOP, KVT, UOP4	5b411		BOP, KOP, KOPV, KVT, UOP4
	09	J03A, J03B, J04A, J04B, J08A, J08B, J08C, J11A, J11B, J16Z		09	J03A, J03B, J04A, J04B, J08A, J08B, J08C, J11A, J11B, J16Z		01	B02A, B02B, B02C, B20A, B20B, B20C, B20D, B20E, B39A, B39B
	10	K03A, K03B, K14Z					06	G33Z
	13	N01A, N01B, N01C, N01D, N01E, N02A, N02B, N02C, N03A, N03B, N05A, N05B, N38Z	5b323.x↔		BOP, KVT, UOP4		07	H33Z, H38Z
				09	J03A, J03B, J04A, J04B, J08A, J08B, J08C, J11A, J11B, J16Z		10	K03A, K03B
5b321.2↔		BOP, KVT, UOP4					11	L33Z
	09	J03A, J03B, J04A, J04B, J08A, J08B, J08C, J11A, J11B, J16Z		10	K03A, K03B, K14Z		21B	X33Z
	10	K03A, K03B, K14Z	5b330.1↔		BOP, KVT, UOP4		23	Z01A
	13	N01A, N01B, N01C, N01D, N01E, N02A, N02B, N02C, N03A, N03B, N05A, N05B, N38Z		10	K03A, K03B, K14Z		Pre	A07A
						5b412		BOP, KOP, KOPV, KVT, UOP4
			5b330.2↔		BOP, KVT, UOP4		01	B02A, B02B, B02C, B20A, B20B, B20C, B20D, B20E, B39A, B39B
				10	K03A, K03B, K14Z		06	G33Z
				21A	W04A, W04B		07	H33Z, H38Z
				21B	X06A, X06B, X06C		10	K03A, K03B
							11	L33Z
							21B	X33Z
							23	Z01A
							Pre	A07A
			5b330.4↔		BOP, KVT, UOP4			
				10	K03A, K03B, K14Z			
				21A	W04A, W04B			
				21B	X06A, X06B, X06C			

ZZV	MDC	DRG	ZZV	MDC	DRG	ZZV	MDC	DRG			
5b41x		BOP, KOP, KOPV, KVT, UOP4	5b421.13		BOP, KOP, KOPV, KVT, UOP4	5b42x		BOP, KOP, KOPV, KVT, UOP4			
	01	B02A, B02B, B02C, B20A, B20B, B20C, B20D, B20E, B39A, B39B		01	B03A, B03B, B06A, B06B, B07Z, B17A, B17B, B17C		01	B03A, B03B, B06A, B06B, B07Z, B17A, B17B, B17C			
	06	G33Z		04	E05A, E05B, E05C, E08A, E08B, E08C		04	E05A, E05B, E05C, E08A, E08B, E08C			
	07	H33Z, H38Z		06	G33Z		06	G33Z			
	10	K03A, K03B		07	H33Z, H38Z		07	H33Z, H38Z			
	11	L33Z		10	K09A, K09B		10	K09A, K09B			
	23	Z01A		11	L33Z		11	L33Z			
	Pre	A07A		17	R01A, R01B, R01C, R01D, R02Z, R12A, R12B, R12C		17	R01A, R01B, R01C, R01D, R02Z, R12A, R12B, R12C			
	5b421.10			BOP, KOP, KOPV, KVT, UOP4	5b421.21			BOP, KOP, KOPV, KVT, UOP4	5b491		BOP, KVT, UOP4
		01		B03A, B03B, B06A, B06B, B07Z, B17A, B17B, B17C			01	B03A, B03B, B06A, B06B, B07Z, B17A, B17B, B17C		10	K06A, K06B, K06C, K06D
04		E05A, E05B, E05C, E08A, E08B, E08C	04	E05A, E05B, E05C, E08A, E08B, E08C		5b492	BOP, KOP, KOPV, KVT, UOP4				
06		G33Z	06	G33Z		04	E05A, E05B, E05C, E08A, E08B, E08C				
07		H33Z, H38Z	07	H33Z, H38Z		06	G33Z				
10		K09A, K09B	10	K09A, K09B		07	H33Z, H38Z				
11		L33Z	11	L33Z		10	K09A, K09B				
17		R01A, R01B, R01C, R01D, R02Z, R12A, R12B, R12C	17	R01A, R01B, R01C, R01D, R02Z, R12A, R12B, R12C		11	L33Z				
21A		W04A, W04B	21A	W04A, W04B		17	R01A, R01B, R01C, R01D, R02Z, R12A, R12B, R12C				
21B		X06A, X06B, X06C, X33Z	21B	X06A, X06B, X06C, X33Z		21A	W04A, W04B				
23	Z01A	23	Z01A	21B	X06A, X06B, X06C						
Pre	A07A	Pre	A07A	23	Z01A						
5b421.11		BOP, KOP, KOPV, KVT, UOP4	5b421.2x		BOP, KOP, KOPV, KVT, UOP4	5b49x		BOP, KOP, KOPV, KVT, UOP4			
	01	B03A, B03B, B06A, B06B, B07Z, B17A, B17B, B17C		01	B03A, B03B, B06A, B06B, B07Z, B17A, B17B, B17C		04	E05A, E05B, E05C, E08A, E08B, E08C			
	04	E05A, E05B, E05C, E08A, E08B, E08C		04	E05A, E05B, E05C, E08A, E08B, E08C		06	G33Z			
	06	G33Z		06	G33Z		07	H33Z, H38Z			
	07	H33Z, H38Z		07	H33Z, H38Z		10	K09A, K09B			
	10	K09A, K09B		10	K09A, K09B		11	L33Z			
	11	L33Z		11	L33Z		17	R01A, R01B, R01C, R01D, R02Z, R12A, R12B, R12C			
	17	R01A, R01B, R01C, R01D, R02Z, R12A, R12B, R12C		17	R01A, R01B, R01C, R01D, R02Z, R12A, R12B, R12C		21A	W04A, W04B			
	21A	W04A, W04B		21A	W04A, W04B		21B	X06A, X06B, X06C			
	21B	X06A, X06B, X06C, X33Z		21B	X06A, X06B, X06C, X33Z		23	Z01A			
23	Z01A	23	Z01A	Pre	A07A						
Pre	A07A	Pre	A07A	5b510		BOP, KOP, KOPV, KVT, UOP4					
5b421.12		BOP, KOP, KOPV, KVT, UOP4	5b421.4			BOP, KOP, KOPV, KVT, UOP4	5b511		BOP, KOP, KOPV, KVT, UOP4		
	01	B03A, B03B, B06A, B06B, B07Z, B17A, B17B, B17C			01	B03A, B03B, B06A, B06B, B07Z, B17A, B17B, B17C		01	B02A, B02B, B02C, B20A, B20B, B20C, B20D, B20E, B39A, B39B		
	04	E05A, E05B, E05C, E08A, E08B, E08C			04	E05A, E05B, E05C, E08A, E08B, E08C		06	G33Z		
	06	G33Z			06	G33Z		07	H33Z, H38Z		
	07	H33Z, H38Z			07	H33Z, H38Z		10	K03A, K03B		
	10	K09A, K09B			10	K09A, K09B		11	L33Z		
	11	L33Z			11	L33Z		21B	X33Z		
	17	R01A, R01B, R01C, R01D, R02Z, R12A, R12B, R12C			17	R01A, R01B, R01C, R01D, R02Z, R12A, R12B, R12C		23	Z01A		
	21A	W04A, W04B			21A	W04A, W04B		Pre	A07A		
	21B	X06A, X06B, X06C, X33Z		21B	X06A, X06B, X06C, X33Z	01		B02A, B02B, B02C, B20A, B20B, B20C, B20D, B20E, B39A, B39B			
23	Z01A	23	Z01A	06	G33Z						
Pre	A07A	Pre	A07A	07	H33Z, H38Z						

VYK

ZZV	MDC	DRG	ZZV	MDC	DRG	ZZV	MDC	DRG	
5b512.0		BOP, KOP, KOPV, KVT, UOP4	5b513.1		BOP, KOP, KOPV, KVT, UOP4	5b516		BOP, KOP, KOPV, KVT, UOP4	
	01	B02A, B02B, B02C, B20A, B20B, B20C, B20D, B20E, B39A, B39B		01	B02A, B02B, B02C, B20A, B20B, B20C, B20D, B20E, B39A, B39B		01	B02A, B02B, B02C, B20A, B20B, B20C, B20D, B20E, B39A, B39B	
	06	G33Z		06	G33Z		06	G33Z	
	07	H33Z, H38Z		07	H33Z, H38Z		07	H33Z, H38Z	
	10	K03A, K03B		10	K03A, K03B		10	K03A, K03B	
	11	L33Z		11	L33Z		11	L33Z	
	21B	X33Z		21B	X33Z		21B	X33Z	
	23	Z01A		23	Z01A		23	Z01A	
	Pre	A07A		Pre	A07A		Pre	A07A	
	5b512.1			BOP, KOP, KOPV, KVT, UOP4	5b513.2			BOP, KOP, KOPV, KVT, UOP4	5b51x
01		B02A, B02B, B02C, B20A, B20B, B20C, B20D, B20E, B39A, B39B	01	B02A, B02B, B02C, B20A, B20B, B20C, B20D, B20E, B39A, B39B		01	B02A, B02B, B02C, B20A, B20B, B20C, B20D, B20E, B39A, B39B		
06		G33Z	06	G33Z		06	G33Z		
07		H33Z, H38Z	07	H33Z, H38Z		07	H33Z, H38Z		
10		K03A, K03B	10	K03A, K03B		10	K03A, K03B		
11		L33Z	11	L33Z		11	L33Z		
21B		X33Z	21B	X33Z		21B	X33Z		
23		Z01A	23	Z01A		23	Z01A		
Pre		A07A	Pre	A07A		Pre	A07A		
5b512.2			BOP, KOP, KOPV, KVT, UOP4	5b513.3			BOP, KOP, KOPV, KVT, UOP4	5c100↔	
	01	B02A, B02B, B02C, B20A, B20B, B20C, B20D, B20E, B39A, B39B	01		B02A, B02B, B02C, B20A, B20B, B20C, B20D, B20E, B39A, B39B	5c101↔	02		C01A, C01B, C13Z, C16Z
	06	G33Z	06		G33Z	5c102↔	02		C01A, C01B, C13Z, C16Z
	07	H33Z, H38Z	07		H33Z, H38Z	5c10x↔	02		C01A, C01B, C13Z, C16Z
	10	K03A, K03B	10		K03A, K03B	5c110↔	02		C01A, C01B, C13Z, C16Z
	11	L33Z	11		L33Z	21A	W04A, W04B		
	21B	X33Z	21B		X33Z	21B	X06A, X06B, X06C		
	23	Z01A	23		Z01A	5c111↔	02		C01A, C01B, C13Z, C16Z
	Pre	A07A	Pre		A07A	21A	W04A, W04B		
	5b512.3		BOP, KOP, KOPV, KVT, UOP4		5b514		BOP, KOP, KOPV, KVT, UOP4		5c120↔
01		B02A, B02B, B02C, B20A, B20B, B20C, B20D, B20E, B39A, B39B	01	B02A, B02B, B02C, B20A, B20B, B20C, B20D, B20E, B39A, B39B		03	D09Z, D30A		
06		G33Z	06	G33Z		21A	W04A, W04B		
07		H33Z, H38Z	07	H33Z, H38Z		21B	X06A, X06B, X06C		
10		K03A, K03B	10	K03A, K03B		5c12x↔	02	C01A, C01B, C13Z, C16Z	
11		L33Z	11	L33Z		03	D09Z, D30A		
21B		X33Z	21B	X33Z		21A	W04A, W04B		
23		Z01A	23	Z01A		21B	X06A, X06B, X06C		
Pre		A07A	Pre	A07A		5c130.0↔	02	C01A, C01B, C13Z, C16Z	
5b513.0			BOP, KOP, KOPV, KVT, UOP4	5b515			BOP, KOP, KOPV, KVT, UOP4	5c130.1↔	
	01	B02A, B02B, B02C, B20A, B20B, B20C, B20D, B20E, B39A, B39B	01		B02A, B02B, B02C, B20A, B20B, B20C, B20D, B20E, B39A, B39B	5c130.2↔	02		C01A, C01B, C13Z, C16Z
	06	G33Z	06		G33Z	5c130.x↔	02		C01A, C01B, C13Z, C16Z
	07	H33Z, H38Z	07		H33Z, H38Z	5c131.0↔	02		C01A, C01B, C13Z, C16Z
	10	K03A, K03B	10		K03A, K03B	5c131.1↔	02		C01A, C01B, C13Z, C16Z
	11	L33Z	11		L33Z	5c131.2↔	02		C01A, C01B, C13Z, C16Z
	21B	X33Z	21B		X33Z	5c140↔	02		C01A, C01B, C13Z, C16Z
	23	Z01A	23		Z01A	03	D09Z, D30A		
	Pre	A07A	Pre		A07A	21A	W04A, W04B		
						21B	X06A, X06B, X06C		
				5c141↔	02	C01A, C01B, C13Z, C16Z			
				03	D09Z, D30A				
				21A	W04A, W04B				
				21B	X06A, X06B, X06C				
				5c142↔	02	C01A, C01B, C13Z, C16Z			
				03	D09Z, D30A				
				21A	W04A, W04B				
				21B	X06A, X06B, X06C				
				5c143↔	02	C01A, C01B, C13Z, C16Z			
				03	D09Z, D30A				
				21A	W04A, W04B				
				21B	X06A, X06B, X06C				
				5c14x↔	02	C01A, C01B, C13Z, C16Z			
				03	D09Z, D30A				
				21A	W04A, W04B				
				21B	X06A, X06B, X06C				

ZZV	MDC	DRG	ZZV	MDC	DRG	ZZV	MDC	DRG
5c150.0↔		BOP, UOP4	5c170.x↔		BOP, UOP4	5c194↔	02	C01A, C01B, C13Z, C16Z
	02	C01A, C01B, C13Z, C16Z		02	C01A, C01B, C05Z, C16Z		03	D09Z, D30A
	21A	W04A, W04B		21A	W04A, W04B		21A	W04A, W04B
	21B	X06A, X06B, X06C		21B	X06A, X06B, X06C		21B	X06A, X06B, X06C
5c150.1↔		BOP, UOP4	5c171.0↔		BOP, UOP4	5c19x↔	02	C01A, C01B, C13Z, C16Z
	02	C01A, C01B, C13Z, C16Z		02	C01A, C01B, C05Z, C16Z		21A	W04A, W04B
	21A	W04A, W04B		21A	W04A, W04B		21B	X06A, X06B, X06C
	21B	X06A, X06B, X06C		21B	X06A, X06B, X06C	5c201†↔	09	J11A, J11B
5c150.x↔		BOP, UOP4	5c171.1↔		BOP, UOP4	5c210.0↔	02	C01A, C01B, C14Z, C16Z
	02	C01A, C01B, C13Z, C16Z		02	C01A, C01B, C05Z, C16Z		09	J03A, J03B, J04A, J04B, J08A, J08B, J08C, J11A, J11B, J11C, J16Z
	21A	W04A, W04B		21A	W04A, W04B		10	K09A, K09B
	21B	X06A, X06B, X06C		21B	X06A, X06B, X06C		21A	W04A, W04B
5c151↔		BOP, UOP4	5c171.x↔		BOP, UOP4		21B	X06A, X06B, X06C
	02	C01A, C01B, C13Z, C16Z		02	C01A, C01B, C05Z, C16Z	5c210.1↔	02	C01A, C01B, C14Z, C16Z
	21A	W04A, W04B		21A	W04A, W04B		09	J03A, J03B, J04A, J04B, J08A, J08B, J08C, J11A, J11B, J11C, J16Z
	21B	X06A, X06B, X06C		21B	X06A, X06B, X06C		10	K09A, K09B
5c152↔		BOP, UOP4	5c172↔		BOP, UOP4		21A	W04A, W04B
	02	C01A, C01B, C13Z, C16Z		02	C01A, C01B, C13Z, C16Z		21B	X06A, X06B, X06C
	21A	W04A, W04B		03	D09Z, D30A		22	Y01Z, Y03A, Y03B
	21B	X06A, X06B, X06C		21A	W04A, W04B	5c211.0↔	01	B03A, B03B, B06A, B06B, B07Z, B17A, B17B, B17C
5c153.0↔		BOP, UOP4	5c173↔		BOP, UOP4		02	C01A, C01B, C14Z, C16Z
	02	C01A, C01B, C13Z, C16Z		02	C01A, C01B, C05Z, C16Z		03	D12A, D12B
5c153.1↔		BOP, UOP4		21A	W04A, W04B		05	F21A, F21B, F21C
	02	C01A, C01B, C13Z, C16Z		21B	X06A, X06B, X06C		08	I27A, I27B, I27C, I27D
5c153.x↔		BOP, UOP4		21A	W04A, W04B		09	J03A, J03B, J04A, J04B, J08A, J08B, J08C, J16Z, J21Z, J22A, J22B
	02	C01A, C01B, C13Z, C16Z	5c174.0↔		BOP, UOP4	5c211.1↔	10	K09A, K09B
5c160.0↔		BOP, UOP4		02	C01A, C01B, C05Z, C16Z		21A	W04A, W04B
	02	C01A, C01B, C05Z, C16Z		21A	W04A, W04B		21B	X06A, X06B, X06C
	03	D09Z, D30A		21B	X06A, X06B, X06C		22	Y01Z, Y03A, Y03B
	21A	W04A, W04B	5c174.1↔		BOP, UOP4		01	B03A, B03B, B06A, B06B, B07Z, B17A, B17B, B17C
	21B	X06A, X06B, X06C		02	C01A, C01B, C05Z, C16Z		02	C01A, C01B, C14Z, C16Z
5c160.1↔		BOP, UOP4		03	D09Z, D30A		03	D12A, D12B
	02	C01A, C01B, C05Z, C16Z		21A	W04A, W04B		05	F21A, F21B, F21C
	03	D09Z, D30A		21B	X06A, X06B, X06C		08	I27A, I27B, I27C, I27D
	21A	W04A, W04B	5c175↔		BOP, UOP4		09	J03A, J03B, J04A, J04B, J08A, J08B, J08C, J16Z, J21Z, J22A, J22B
	21B	X06A, X06B, X06C		02	C01A, C01B, C05Z, C16Z		10	K09A, K09B
5c160.x↔		BOP, UOP4		03	D09Z, D30A		21A	W04A, W04B
	02	C01A, C01B, C05Z, C16Z		21A	W04A, W04B		21B	X06A, X06B, X06C
	03	D09Z, D30A		21B	X06A, X06B, X06C		22	Y01Z, Y03A, Y03B
	21A	W04A, W04B	5c176↔		BOP, UOP4	5c211.1↔	01	B03A, B03B, B06A, B06B, B07Z, B17A, B17B, B17C
	21B	X06A, X06B, X06C		02	C01A, C01B, C05Z, C16Z		02	C01A, C01B, C14Z, C16Z
5c161↔		BOP, UOP4		03	D09Z, D30A		03	D12A, D12B
	02	C01A, C01B, C05Z, C16Z		21A	W04A, W04B		05	F21A, F21B, F21C
	03	D09Z, D30A		21B	X06A, X06B, X06C		08	I27A, I27B, I27C, I27D
	21A	W04A, W04B	5c17x↔		BOP, UOP4		09	J03A, J03B, J04A, J04B, J08A, J08B, J08C, J16Z, J21Z, J22A, J22B
	21B	X06A, X06B, X06C		02	C01A, C01B, C13Z, C16Z		10	K09A, K09B
5c162↔		BOP, UOP4		03	D09Z, D30A		21A	W04A, W04B
	02	C01A, C01B, C05Z, C16Z		21A	W04A, W04B		21B	X06A, X06B, X06C
	03	D09Z, D30A		21B	X06A, X06B, X06C		22	Y01Z, Y03A, Y03B
	21A	W04A, W04B	5c190.0↔		BOP, UOP4	5c212.0↔	BOP, KVT, UOP4	
	21B	X06A, X06B, X06C		02	C01A, C01B, C13Z, C16Z		02	C01A, C01B, C16Z, C20A, C20B
5c163↔		BOP, UOP4		21A	W04A, W04B		09	J03A, J03B, J04A, J04B, J08A, J08B, J08C, J11A, J11B, J11C, J16Z
	02	C01A, C01B, C05Z, C16Z		21B	X06A, X06B, X06C		10	K09A, K09B
	03	D09Z, D30A	5c190.1↔		BOP, UOP4		21A	W04A, W04B
	21A	W04A, W04B		02	C01A, C01B, C13Z, C16Z		21B	X06A, X06B, X06C
	21B	X06A, X06B, X06C		21A	W04A, W04B		22	Y01Z, Y03A, Y03B
5c16x↔		BOP, UOP4		21B	X06A, X06B, X06C	5c212.1↔	BOP, KVT, UOP4	
	02	C01A, C01B, C05Z, C16Z		02	C01A, C01B, C05Z, C16Z		02	C01A, C01B, C16Z, C20A, C20B
	03	D09Z, D30A		03	D09Z, D30A		09	J03A, J03B, J04A, J04B, J08A, J08B, J08C, J11A, J11B, J11C, J16Z
	21A	W04A, W04B		21A	W04A, W04B		10	K09A, K09B
	21B	X06A, X06B, X06C		21B	X06A, X06B, X06C		21A	W04A, W04B
5c170.0↔		BOP, UOP4		21B	X06A, X06B, X06C		21B	X06A, X06B, X06C
	02	C01A, C01B, C05Z, C16Z	5c192↔		BOP, UOP4		22	Y01Z, Y03A, Y03B
	21A	W04A, W04B		02	C01A, C01B, C13Z, C16Z		02	C01A, C01B, C16Z, C20A, C20B
	21B	X06A, X06B, X06C		03	D09Z, D30A		09	J03A, J03B, J04A, J04B, J08A, J08B, J08C, J11A, J11B, J11C, J16Z
5c170.1↔		BOP, UOP4		21A	W04A, W04B		10	K09A, K09B
	02	C01A, C01B, C05Z, C16Z		21B	X06A, X06B, X06C		21A	W04A, W04B
	21A	W04A, W04B	5c193↔		BOP, UOP4		21B	X06A, X06B, X06C
	21B	X06A, X06B, X06C		02	C01A, C01B, C13Z, C16Z		22	Y01Z, Y03A, Y03B
	21B	X06A, X06B, X06C		03	D09Z, D30A			
	21B	X06A, X06B, X06C		21A	W04A, W04B			
	21B	X06A, X06B, X06C		21B	X06A, X06B, X06C			

ZZV	MDC	DRG	ZZV	MDC	DRG	ZZV	MDC	DRG
5c213.0↔		BOP, KVT, UOP4	5c221↔		BOP, KVT, UOP4	5c225↔		BOP, KVT, UOP4
01		B03A, B03B, B06A, B06B, B07Z, B17A, B17B, B17C	01		B03A, B03B, B06A, B06B, B07Z, B17A, B17B, B17C	01		B03A, B03B, B06A, B06B, B07Z, B17A, B17B, B17C
02		C01A, C01B, C16Z, C20A, C20B	02		C01A, C01B, C16Z, C20A, C20B	02		C01A, C01B, C16Z, C20A, C20B
03		D12A, D12B	09		J03A, J03B, J04A, J04B, J08A, J08B, J08C, J10A, J10B, J16Z	09		J03A, J03B, J04A, J04B, J08A, J08B, J08C, J10A, J10B, J16Z
05		F21A, F21B, F21C	21A		W04A, W04B	21A		W04A, W04B
08		I27A, I27B, I27C, I27D	21B		X06A, X06B, X06C	21B		X06A, X06B, X06C
09		J03A, J03B, J04A, J04B, J08A, J08B, J08C, J16Z, J21Z, J22A, J22B	22		Y01Z, Y03A, Y03B	22		Y01Z, Y03A, Y03B
10		K09A, K09B	5c222↔		BOP, KVT, UOP4	5c22x↔		BOP, KVT, UOP4
21A		W04A, W04B	01		B03A, B03B, B06A, B06B, B07Z, B17A, B17B, B17C	01		B03A, B03B, B06A, B06B, B07Z, B17A, B17B, B17C
21B		X06A, X06B, X06C	02		C01A, C01B, C16Z, C20A, C20B	02		C01A, C01B, C14Z, C16Z
22		Y01Z, Y03A, Y03B	09		J03A, J03B, J04A, J04B, J08A, J08B, J08C, J10A, J10B, J16Z	09		J03A, J03B, J04A, J04B, J08A, J08B, J08C, J10A, J10B, J16Z
5c213.1↔		BOP, KVT, UOP4	21A		W04A, W04B	21A		W04A, W04B
01		B03A, B03B, B06A, B06B, B07Z, B17A, B17B, B17C	21B		X06A, X06B, X06C	21B		X06A, X06B, X06C
02		C01A, C01B, C16Z, C20A, C20B	22		Y01Z, Y03A, Y03B	22		Y01Z, Y03A, Y03B
03		D12A, D12B	5c223↔		BOP, KVT, UOP4	5c230↔		BOP, KVT, UOP4
05		F21A, F21B, F21C	01		B03A, B03B, B06A, B06B, B07Z, B17A, B17B, B17C	02		C01A, C01B, C14Z, C16Z
08		I27A, I27B, I27C, I27D	02		C01A, C01B, C14Z, C16Z	21A		W04A, W04B
09		J03A, J03B, J04A, J04B, J08A, J08B, J08C, J16Z, J21Z, J22A, J22B	09		J03A, J03B, J04A, J04B, J08A, J08B, J08C, J10A, J10B, J16Z	21B		X06A, X06B, X06C
10		K09A, K09B	21A		W04A, W04B	22		Y01Z, Y03A, Y03B
21A		W04A, W04B	21B		X06A, X06B, X06C	5c231↔		BOP, KVT, UOP4
21B		X06A, X06B, X06C	22		Y01Z, Y03A, Y03B	02		C01A, C01B, C14Z, C16Z
22		Y01Z, Y03A, Y03B	5c224.0↔		BOP, KVT, UOP4	21A		W04A, W04B
5c214.0↔		J11A, J11B	01		B03A, B03B, B06A, B06B, B07Z, B17A, B17B, B17C	21B		X06A, X06B, X06C
5c214.1↔		J11A, J11B	02		C01A, C01B, C16Z, C20A, C20B	22		Y01Z, Y03A, Y03B
5c214.2↔		J11A, J11B, J11C	09		J03A, J03B, J04A, J04B, J08A, J08B, J08C, J10A, J10B, J16Z	5c232↔		BOP, KVT, UOP4
5c214.x↔		J11A, J11B	21A		W04A, W04B	02		C01A, C01B, C16Z, C20A, C20B
5c215↔		J11A, J11B	21B		X06A, X06B, X06C	21A		W04A, W04B
5c216.2↔		J11A, J11B	22		Y01Z, Y03A, Y03B	21B		X06A, X06B, X06C
5c216.3↔		J11A, J11B	5c224.1↔		BOP, KVT, UOP4	22		Y01Z, Y03A, Y03B
5c216.4↔		J11A, J11B	01		B03A, B03B, B06A, B06B, B07Z, B17A, B17B, B17C	5c233↔		BOP, KVT, UOP4
5c216.x↔		J11A, J11B	02		C01A, C01B, C16Z, C20A, C20B	02		C01A, C01B, C16Z, C20A, C20B
5c21x↔		J11A, J11B, J11C	09		J03A, J03B, J04A, J04B, J08A, J08B, J08C, J10A, J10B, J16Z	21A		W04A, W04B
5c220.0↔		BOP, KVT, UOP4	21A		W04A, W04B	21B		X06A, X06B, X06C
01		B03A, B03B, B06A, B06B, B07Z, B17A, B17B, B17C	22		Y01Z, Y03A, Y03B	22		Y01Z, Y03A, Y03B
02		C01A, C01B, C16Z, C20A, C20B	5c224.x↔		BOP, KVT, UOP4	5c234↔		BOP, KVT, UOP4
09		J03A, J03B, J04A, J04B, J08A, J08B, J08C, J10A, J10B, J16Z	01		B03A, B03B, B06A, B06B, B07Z, B17A, B17B, B17C	02		C01A, C01B, C16Z, C20A, C20B
21A		W04A, W04B	02		C01A, C01B, C16Z, C20A, C20B	08		I17Z
21B		X06A, X06B, X06C	09		J03A, J03B, J04A, J04B, J08A, J08B, J08C, J10A, J10B, J16Z	09		J03A, J03B, J04A, J04B, J08A, J08B, J08C, J10A, J10B, J16Z
5c220.1↔		BOP, KVT, UOP4	21A		W04A, W04B	10		K09A, K09B
01		B03A, B03B, B06A, B06B, B07Z, B17A, B17B, B17C	21B		X06A, X06B, X06C	21A		W04A, W04B
02		C01A, C01B, C16Z, C20A, C20B	22		Y01Z, Y03A, Y03B	21B		X06A, X06B, X06C
09		J03A, J03B, J04A, J04B, J08A, J08B, J08C, J10A, J10B, J16Z	5c225↔		BOP, KVT, UOP4	22		Y01Z, Y03A, Y03B
21A		W04A, W04B	01		B03A, B03B, B06A, B06B, B07Z, B17A, B17B, B17C	5c235↔		BOP, KVT, UOP4
21B		X06A, X06B, X06C	02		C01A, C01B, C16Z, C20A, C20B	02		C01A, C01B, C16Z, C20A, C20B
			09		J03A, J03B, J04A, J04B, J08A, J08B, J08C, J10A, J10B, J16Z	08		I17Z
			21A		W04A, W04B	09		J03A, J03B, J04A, J04B, J08A, J08B, J08C, J10A, J10B, J16Z
			21B		X06A, X06B, X06C	10		K09A, K09B
			22		Y01Z, Y03A, Y03B	21A		W04A, W04B
						21B		X06A, X06B, X06C
						22		Y01Z, Y03A, Y03B

ZZV	MDC	DRG	ZZV	MDC	DRG	ZZV	MDC	DRG
5c236↔		BOP, KVT, UOP4	5c250.1↔		BOP, KVT, UOP4	5c260.2↔		BOP, KVT, UOP4
	02	C01A, C01B, C16Z, C20A, C20B		02	C01A, C01B, C16Z, C20A, C20B		02	C01A, C01B, C12Z, C16Z
	21A	W04A, W04B		08	I17Z		08	I17Z
	21B	X06A, X06B, X06C		09	J03A, J03B, J04A, J04B, J08A, J08B, J08C, J10A, J10B, J16Z		09	J03A, J03B, J04A, J04B, J08A, J08B, J08C, J10A, J10B, J16Z
	22	Y01Z, Y03A, Y03B		21A	W04A, W04B		10	K09A, K09B
5c23x↔		BOP, KVT, UOP4		21B	X06A, X06B, X06C		21A	W04A, W04B
	02	C01A, C01B, C14Z, C16Z		22	Y01Z, Y03A, Y03B		21B	X06A, X06B, X06C
	21A	W04A, W04B	5c251.0↔		BOP, KVT, UOP4	5c260.x↔		BOP, KVT, UOP4
	21B	X06A, X06B, X06C		02	C01A, C01B, C16Z, C20A, C20B		02	C01A, C01B, C12Z, C16Z
	22	Y01Z, Y03A, Y03B		08	I17Z		08	I17Z
5c240↔		BOP, KVT, UOP4		09	J03A, J03B, J04A, J04B, J08A, J08B, J08C, J10A, J10B, J16Z		09	J03A, J03B, J04A, J04B, J08A, J08B, J08C, J10A, J10B, J16Z
	02	C01A, C01B, C16Z, C20A, C20B		21A	W04A, W04B		10	K09A, K09B
	21A	W04A, W04B		21B	X06A, X06B, X06C		21A	W04A, W04B
	21B	X06A, X06B, X06C		22	Y01Z, Y03A, Y03B		21B	X06A, X06B, X06C
	22	Y01Z, Y03A, Y03B	5c251.1↔		BOP, KVT, UOP4	5c261.0↔		BOP, KVT, UOP4
5c241↔		BOP, KVT, UOP4		02	C01A, C01B, C16Z, C20A, C20B		02	C01A, C01B, C12Z, C16Z
	02	C01A, C01B, C16Z, C20A, C20B		08	I17Z		08	I17Z
	21A	W04A, W04B		09	J03A, J03B, J04A, J04B, J08A, J08B, J08C, J10A, J10B, J16Z		09	J03A, J03B, J04A, J04B, J08A, J08B, J08C, J10A, J10B, J16Z
	21B	X06A, X06B, X06C		21A	W04A, W04B		10	K09A, K09B
	22	Y01Z, Y03A, Y03B		21B	X06A, X06B, X06C		21A	W04A, W04B
5c242↔		BOP, KVT, UOP4		22	Y01Z, Y03A, Y03B		21B	X06A, X06B, X06C
	02	C01A, C01B, C16Z, C20A, C20B		BOP, KVT, UOP4	5c261.1↔		22	Y01Z, Y03A, Y03B
	21A	W04A, W04B		02	C01A, C01B, C16Z, C20A, C20B		BOP, KVT, UOP4	
	21B	X06A, X06B, X06C		08	I17Z		02	C01A, C01B, C12Z, C16Z
	22	Y01Z, Y03A, Y03B		09	J03A, J03B, J04A, J04B, J08A, J08B, J08C, J10A, J10B, J16Z		08	I17Z
5c243↔		BOP, KVT, UOP4		21A	W04A, W04B		09	J03A, J03B, J04A, J04B, J08A, J08B, J08C, J10A, J10B, J16Z
	02	C01A, C01B, C16Z, C20A, C20B		21B	X06A, X06B, X06C		10	K09A, K09B
	21A	W04A, W04B		22	Y01Z, Y03A, Y03B		21A	W04A, W04B
	21B	X06A, X06B, X06C		BOP, KVT, UOP4		21B	X06A, X06B, X06C	
	22	Y01Z, Y03A, Y03B	5c252↔		BOP, KVT, UOP4		22	Y01Z, Y03A, Y03B
5c244↔		BOP, KVT, UOP4		02	C01A, C01B, C16Z, C20A, C20B		BOP, KVT, UOP4	
	02	C01A, C01B, C16Z, C20A, C20B		08	I17Z		02	C01A, C01B, C12Z, C16Z
	21A	W04A, W04B		09	J03A, J03B, J04A, J04B, J08A, J08B, J08C, J10A, J10B, J16Z		08	I17Z
	21B	X06A, X06B, X06C		21A	W04A, W04B		09	J03A, J03B, J04A, J04B, J08A, J08B, J08C, J10A, J10B, J16Z
	22	Y01Z, Y03A, Y03B		21B	X06A, X06B, X06C		10	K09A, K09B
5c245↔		BOP, KVT, UOP4		22	Y01Z, Y03A, Y03B		21A	W04A, W04B
	02	C01A, C01B, C16Z, C20A, C20B		BOP, KVT, UOP4		21B	X06A, X06B, X06C	
	21A	W04A, W04B		02	C01A, C01B, C16Z, C20A, C20B		22	Y01Z, Y03A, Y03B
	21B	X06A, X06B, X06C		08	I17Z		22	Y01Z, Y03A, Y03B
	22	Y01Z, Y03A, Y03B		09	J03A, J03B, J04A, J04B, J08A, J08B, J08C, J10A, J10B, J16Z		BOP, KVT, UOP4	
5c246↔		BOP, KVT, UOP4		21A	W04A, W04B	5c261.x↔		BOP, KVT, UOP4
	02	C01A, C01B, C16Z, C20A, C20B		21B	X06A, X06B, X06C		02	C01A, C01B, C12Z, C16Z
	21A	W04A, W04B		22	Y01Z, Y03A, Y03B		08	I17Z
	21B	X06A, X06B, X06C		BOP, KVT, UOP4		09	J03A, J03B, J04A, J04B, J08A, J08B, J08C, J10A, J10B, J16Z	
	22	Y01Z, Y03A, Y03B		02	C01A, C01B, C16Z, C20A, C20B		10	K09A, K09B
5c24x↔		BOP, KVT, UOP4		08	I17Z		21A	W04A, W04B
	02	C01A, C01B, C16Z, C20A, C20B		09	J03A, J03B, J04A, J04B, J08A, J08B, J08C, J10A, J10B, J16Z		21B	X06A, X06B, X06C
	21A	W04A, W04B		21A	W04A, W04B		22	Y01Z, Y03A, Y03B
	21B	X06A, X06B, X06C		21B	X06A, X06B, X06C		BOP, KVT, UOP4	
	22	Y01Z, Y03A, Y03B		22	Y01Z, Y03A, Y03B	5c262.0↔		BOP, KVT, UOP4
5c250.0↔		BOP, KVT, UOP4		BOP, KVT, UOP4		02	C01A, C01B, C12Z, C16Z	
	02	C01A, C01B, C16Z, C20A, C20B		02	C01A, C01B, C12Z, C16Z		02	C01A, C01B, C12Z, C16Z
	08	I17Z		08	I17Z		09	J03A, J03B, J04A, J04B, J08A, J08B, J08C, J10A, J10B, J16Z
	09	J03A, J03B, J04A, J04B, J08A, J08B, J08C, J10A, J10B, J16Z		09	J03A, J03B, J04A, J04B, J08A, J08B, J08C, J10A, J10B, J16Z		10	K09A, K09B
	21A	W04A, W04B		10	K09A, K09B		21A	W04A, W04B
	21B	X06A, X06B, X06C		21A	W04A, W04B		21B	X06A, X06B, X06C
	22	Y01Z, Y03A, Y03B		21B	X06A, X06B, X06C		BOP, KVT, UOP4	
				22	Y01Z, Y03A, Y03B	5c262.1↔		BOP, KVT, UOP4
				BOP, KVT, UOP4		02	C01A, C01B, C12Z, C16Z	
				02	C01A, C01B, C12Z, C16Z		08	I17Z
				08	I17Z		09	J03A, J03B, J04A, J04B, J08A, J08B, J08C, J10A, J10B, J16Z
				09	J03A, J03B, J04A, J04B, J08A, J08B, J08C, J10A, J10B, J16Z		10	K09A, K09B
				10	K09A, K09B		21A	W04A, W04B
				21A	W04A, W04B		21B	X06A, X06B, X06C
				21B	X06A, X06B, X06C		BOP, KVT, UOP4	
				22	Y01Z, Y03A, Y03B		02	C01A, C01B, C12Z, C16Z
				BOP, KVT, UOP4		08	I17Z	
				02	C01A, C01B, C12Z, C16Z		09	J03A, J03B, J04A, J04B, J08A, J08B, J08C, J10A, J10B, J16Z
				08	I17Z		10	K09A, K09B
				09	J03A, J03B, J04A, J04B, J08A, J08B, J08C, J10A, J10B, J16Z		21A	W04A, W04B
				10	K09A, K09B		21B	X06A, X06B, X06C
				21A	W04A, W04B		22	Y01Z, Y03A, Y03B
				21B	X06A, X06B, X06C			
				22	Y01Z, Y03A, Y03B			

ZZV	MDC	DRG	ZZV	MDC	DRG	ZZV	MDC	DRG					
5c262.2↔		BOP, KVT, UOP4	5c263.x↔		BOP, KVT, UOP4	5c265.1↔		BOP, KVT, UOP4					
	02	C01A, C01B, C12Z, C16Z		02	C01A, C01B, C12Z, C16Z		01	B03A, B03B, B06A, B06B, B07Z, B17A, B17B, B17C					
	08	I17Z		08	I17Z		02	C01A, C01B, C16Z, C20A, C20B					
	09	J03A, J03B, J04A, J04B, J08A, J08B, J08C, J10A, J10B, J16Z		09	J03A, J03B, J04A, J04B, J08A, J08B, J08C, J10A, J10B, J16Z		09	J03A, J03B, J04A, J04B, J08A, J08B, J08C, J10A, J10B, J16Z					
	10	K09A, K09B		10	K09A, K09B		10	K09A, K09B					
	21A	W04A, W04B		21A	W04A, W04B		21A	W04A, W04B					
	21B	X06A, X06B, X06C		21B	X06A, X06B, X06C		21B	X06A, X06B, X06C					
	22	Y01Z, Y03A, Y03B		22	Y01Z, Y03A, Y03B		21A	W04A, W04B					
	5c262.3↔			BOP, KVT, UOP4	5c264.0↔			BOP, KVT, UOP4	5c266↔		BOP, KVT, UOP4		
		02		C01A, C01B, C12Z, C16Z			02	C01A, C01B, C12Z, C16Z		02	C01A, C01B, C14Z, C16Z		
		08		I17Z			08	I17Z		09	J03A, J03B, J04A, J04B, J08A, J08B, J08C, J11A, J11B, J16Z		
		09		J03A, J03B, J04A, J04B, J08A, J08B, J08C, J10A, J10B, J16Z			09	J03A, J03B, J04A, J04B, J08A, J08B, J08C, J10A, J10B, J16Z		21A	W04A, W04B		
10		K09A, K09B	10	K09A, K09B		21B	X06A, X06B, X06C						
21A		W04A, W04B	21A	W04A, W04B		22	Y01Z, Y03A, Y03B						
21B		X06A, X06B, X06C	21B	X06A, X06B, X06C		5c26x↔		BOP, KVT, UOP4					
22		Y01Z, Y03A, Y03B	22	Y01Z, Y03A, Y03B			02	C01A, C01B, C14Z, C16Z					
5c262.4↔			BOP, KVT, UOP4	5c264.1↔				BOP, KVT, UOP4		5c270↔		BOP, KVT, UOP4	
		01	B03A, B03B, B06A, B06B, B07Z, B17A, B17B, B17C				02	C01A, C01B, C12Z, C16Z			02	C01A, C01B, C16Z, C20A, C20B	
		02	C01A, C01B, C12Z, C16Z				08	I17Z			03	D12A, D12B	
		09	J02A, J02B, J02C, J03A, J03B, J04A, J04B, J08A, J08B, J08C, J10A, J10B, J16Z, J21Z, J22A, J22B				09	J03A, J03B, J04A, J04B, J08A, J08B, J08C, J10A, J10B, J16Z			09	J03A, J03B, J04A, J04B, J08A, J08B, J08C, J10A, J10B, J16Z	
	21A	W04A, W04B	10		K09A, K09B		10	K09A, K09B					
	21B	X01A, X01B, X01C, X06A, X06B, X06C	21A		W04A, W04B		21A	W04A, W04B					
	22	Y01Z, Y03A, Y03B	21B		X06A, X06B, X06C		21B	X06A, X06B, X06C					
	5c262.x↔		BOP, KVT, UOP4		5c264.2↔			BOP, KVT, UOP4	5c271↔			BOP, KVT, UOP4	
		02	C01A, C01B, C12Z, C16Z				02	C01A, C01B, C12Z, C16Z			02	C01A, C01B, C16Z, C20A, C20B	
		09	J03A, J03B, J04A, J04B, J08A, J08B, J08C, J10A, J10B, J16Z				08	I17Z			09	J03A, J03B, J04A, J04B, J08A, J08B, J08C, J10A, J10B, J16Z	
		10	K09A, K09B			09	J03A, J03B, J04A, J04B, J08A, J08B, J08C, J10A, J10B, J16Z	10			K09A, K09B		
		21A	W04A, W04B			10	K09A, K09B	21A			W04A, W04B		
21B		X06A, X06B, X06C	21A	W04A, W04B		21B	X06A, X06B, X06C						
5c263.0↔			BOP, KVT, UOP4	5c264.x↔			BOP, KVT, UOP4	5c272↔			BOP, KVT, UOP4		
		02	C01A, C01B, C12Z, C16Z			02	C01A, C01B, C12Z, C16Z			02	C01A, C01B, C16Z, C20A, C20B		
		08	I17Z			08	I17Z			09	J03A, J03B, J04A, J04B, J08A, J08B, J08C, J10A, J10B, J16Z		
		09	J03A, J03B, J04A, J04B, J08A, J08B, J08C, J10A, J10B, J16Z			09	J03A, J03B, J04A, J04B, J08A, J08B, J08C, J10A, J10B, J16Z			10	K09A, K09B		
		10	K09A, K09B			10	K09A, K09B			21A	W04A, W04B		
		21A	W04A, W04B			21A	W04A, W04B			21B	X06A, X06B, X06C		
	21B	X06A, X06B, X06C	21B		X06A, X06B, X06C	5c273↔			BOP, KVT, UOP4				
	22	Y01Z, Y03A, Y03B	22		Y01Z, Y03A, Y03B		02		C01A, C01B, C16Z, C20A, C20B				
	5c263.1↔		BOP, KVT, UOP4		5c265.0↔				BOP, KVT, UOP4	5c274↔		BOP, KVT, UOP4	
		02	C01A, C01B, C12Z, C16Z				01		B03A, B03B, B06A, B06B, B07Z, B17A, B17B, B17C		02	C01A, C01B, C16Z, C20A, C20B	
		08	I17Z				02		C01A, C01B, C16Z, C20A, C20B		09	J03A, J03B, J04A, J04B, J08A, J08B, J08C, J10A, J10B, J16Z	
		09	J03A, J03B, J04A, J04B, J08A, J08B, J08C, J10A, J10B, J16Z				09		J03A, J03B, J04A, J04B, J08A, J08B, J08C, J10A, J10B, J16Z		10	K09A, K09B	
10		K09A, K09B	10	K09A, K09B			21A	W04A, W04B					
21A		W04A, W04B	21A	W04A, W04B			21B	X06A, X06B, X06C					
21B		X06A, X06B, X06C	21B	X06A, X06B, X06C			5c27x†↔		BOP, KVT, UOP4				
22		Y01Z, Y03A, Y03B	22	Y01Z, Y03A, Y03B				02	C01A, C01B, C16Z, C20A, C20B				
5c263.2↔			BOP, KVT, UOP4	5c266.x↔					BOP, KVT, UOP4		5c27x†↔		BOP, KVT, UOP4
		02	C01A, C01B, C12Z, C16Z					02	C01A, C01B, C12Z, C16Z			09	J03A, J03B, J04A, J04B, J08A, J08B, J08C, J10A, J10B, J16Z
		08	I17Z			08		I17Z	10			K09A, K09B	
		09	J03A, J03B, J04A, J04B, J08A, J08B, J08C, J10A, J10B, J16Z			09		J03A, J03B, J04A, J04B, J08A, J08B, J08C, J10A, J10B, J16Z	21A			W04A, W04B	
	10	K09A, K09B	10		K09A, K09B	21B		X06A, X06B, X06C					
	21A	W04A, W04B	21A		W04A, W04B	02		C01A, C01B, C16Z, C20A, C20B					
	21B	X06A, X06B, X06C	21B		X06A, X06B, X06C	09		J03A, J03B, J04A, J04B, J08A, J08B, J08C, J10A, J10B, J16Z					
	22	Y01Z, Y03A, Y03B	22		Y01Z, Y03A, Y03B	10		K09A, K09B					
	5c263.3↔		BOP, KVT, UOP4		5c267.x↔			BOP, KVT, UOP4	5c27x†↔			BOP, KVT, UOP4	
		02	C01A, C01B, C12Z, C16Z			02		C01A, C01B, C12Z, C16Z		21A		W04A, W04B	
		08	I17Z			08	I17Z	21B		X06A, X06B, X06C			
		09	J03A, J03B, J04A, J04B, J08A, J08B, J08C, J10A, J10B, J16Z			09	J03A, J03B, J04A, J04B, J08A, J08B, J08C, J10A, J10B, J16Z	09		J11A, J11B			
10		K09A, K09B	10	K09A, K09B		09	J11A, J11B						
21A		W04A, W04B	21A	W04A, W04B									
21B		X06A, X06B, X06C	21B	X06A, X06B, X06C									
22		Y01Z, Y03A, Y03B	22	Y01Z, Y03A, Y03B									

ZZV	MDC	DRG	ZZV	MDC	DRG	ZZV	MDC	DRG	
5c280.0↔		BOP, KVT, UOP4	5c28x↔		BOP, KVT, UOP4	5c330↔		BOP, KVT, UOP4	
	01	B03A, B03B, B06A, B06B, B07Z, B17A, B17B, B17C		02	C01A, C01B, C16Z, C20A, C20B		02	C01A, C01B, C10A, C10B, C10C, C16Z	
	02	C01A, C01B, C16Z, C20A, C20B		09	J03A, J03B, J04A, J04B, J08A, J08B, J08C, J10A, J10B, J16Z		5c331↔	BOP, KVT, UOP4	
	09	J03A, J03B, J04A, J04B, J08A, J08B, J08C, J10A, J10B, J16Z		10	K09A, K09B		02	C01A, C01B, C10A, C10B, C10C, C16Z	
	10	K09A, K09B		21A	W04A, W04B		5c340↔	BOP, KVT, UOP4	
	21A	W04A, W04B		21B	X06A, X06B, X06C		02	C01A, C01B, C10A, C10B, C10C, C16Z	
	21B	X06A, X06B, X06C		22	Y01Z, Y03A, Y03B		10	K09A, K09B	
	22	Y01Z, Y03A, Y03B		5c290↔	BOP, KVT, UOP4		5c341↔	BOP, KVT, UOP4	
	5c280.1↔			BOP, KVT, UOP4	02		C01A, C01B, C14Z, C16Z	02	C01A, C01B, C10A, C10B, C10C, C16Z
		01		B03A, B03B, B06A, B06B, B07Z, B17A, B17B, B17C	09		J03A, J03B, J04A, J04B, J08A, J08B, J08C, J11A, J11B, J16Z	10	K09A, K09B
		02		C01A, C01B, C16Z, C20A, C20B	21A		W04A, W04B	5c342↔	BOP, KVT, UOP4
09		J03A, J03B, J04A, J04B, J08A, J08B, J08C, J10A, J10B, J16Z	21B	X06A, X06B, X06C	02	C01A, C01B, C10A, C10B, C10C, C16Z			
10		K09A, K09B	22	Y01Z, Y03A, Y03B	10	K09A, K09B			
21A		W04A, W04B	5c300↔	BOP, KVT, UOP4	5c343↔	BOP, KVT, UOP4			
21B		X06A, X06B, X06C	02	C01A, C01B, C10A, C10B, C10C, C16Z	02	C01A, C01B, C10A, C10B, C10C, C16Z			
22		Y01Z, Y03A, Y03B	10	K09A, K09B	10	K09A, K09B			
5c280.2↔			BOP, KVT, UOP4	5c301↔	BOP, KVT, UOP4	5c34x↔	BOP, KVT, UOP4		
		01	B03A, B03B, B06A, B06B, B07Z, B17A, B17B, B17C	02	C01A, C01B, C10A, C10B, C10C, C16Z	02	C01A, C01B, C10A, C10B, C10C, C16Z		
		02	C01A, C01B, C16Z, C20A, C20B	10	K09A, K09B	10	K09A, K09B		
	09	J03A, J03B, J04A, J04B, J08A, J08B, J08C, J10A, J10B, J16Z	5c302↔	BOP, KVT, UOP4	5c350↔	BOP, KVT, UOP4			
	10	K09A, K09B	02	C01A, C01B, C10A, C10B, C10C, C16Z	02	C01A, C01B, C10A, C10B, C10C, C16Z			
	21A	W04A, W04B	10	K09A, K09B	10	K09A, K09B			
	21B	X06A, X06B, X06C	5c303↔	BOP, KVT, UOP4	5c351↔	BOP, KVT, UOP4			
	22	Y01Z, Y03A, Y03B	02	C01A, C01B, C10A, C10B, C10C, C16Z	02	C01A, C01B, C10A, C10B, C10C, C16Z			
	5c280.3↔		BOP, KVT, UOP4	10	K09A, K09B	10	K09A, K09B		
		01	B03A, B03B, B06A, B06B, B07Z, B17A, B17B, B17C	5c30x↔	BOP, KVT, UOP4	5c352↔	BOP, KVT, UOP4		
		02	C01A, C01B, C16Z, C20A, C20B	02	C01A, C01B, C10A, C10B, C10C, C16Z	02	C01A, C01B, C10A, C10B, C10C, C16Z		
09		J03A, J03B, J04A, J04B, J08A, J08B, J08C, J10A, J10B, J16Z	10	K09A, K09B	10	K09A, K09B			
10		K09A, K09B	5c310↔	BOP, KVT, UOP4	5c353↔	BOP, KVT, UOP4			
21A		W04A, W04B	02	C01A, C01B, C10A, C10B, C10C, C16Z	02	C01A, C01B, C10A, C10B, C10C, C16Z			
21B		X06A, X06B, X06C	10	K09A, K09B	10	K09A, K09B			
22		Y01Z, Y03A, Y03B	5c311↔	BOP, KVT, UOP4	5c354↔	BOP, KVT, UOP4			
5c280.x↔			BOP, KVT, UOP4	02	C01A, C01B, C10A, C10B, C10C, C16Z	02	C01A, C01B, C10A, C10B, C10C, C16Z		
		01	B03A, B03B, B06A, B06B, B07Z, B17A, B17B, B17C	10	K09A, K09B	10	K09A, K09B		
		02	C01A, C01B, C16Z, C20A, C20B	5c312↔	BOP, KVT, UOP4	5c35x↔	BOP, KVT, UOP4		
	09	J03A, J03B, J04A, J04B, J08A, J08B, J08C, J10A, J10B, J16Z	02	C01A, C01B, C10A, C10B, C10C, C16Z	02	C01A, C01B, C10A, C10B, C10C, C16Z			
	10	K09A, K09B	10	K09A, K09B	10	K09A, K09B			
	21A	W04A, W04B	5c313↔	BOP, KVT, UOP4	5c360↔	BOP, KVT, UOP4			
	21B	X06A, X06B, X06C	02	C01A, C01B, C10A, C10B, C10C, C16Z	02	C01A, C01B, C10A, C10B, C10C, C16Z			
	22	Y01Z, Y03A, Y03B	10	K09A, K09B	10	K09A, K09B			
	5c281↔		BOP, KVT, UOP4	5c314↔	BOP, KVT, UOP4	5c361↔	BOP, KVT, UOP4		
		02	C01A, C01B, C16Z, C20A, C20B	02	C01A, C01B, C10A, C10B, C10C, C16Z	02	C01A, C01B, C10A, C10B, C10C, C16Z		
		09	J03A, J03B, J04A, J04B, J08A, J08B, J08C, J10A, J10B, J16Z	10	K09A, K09B	10	K09A, K09B		
10		K09A, K09B	5c31x↔	BOP, KVT, UOP4	5c370.1↔	BOP, KVT, UOP4			
21A		W04A, W04B	02	C01A, C01B, C10A, C10B, C10C, C16Z	02	C01A, C01B, C10A, C10B, C10C, C16Z			
21B		X06A, X06B, X06C	10	K09A, K09B	10	K09A, K09B			
22		Y01Z, Y03A, Y03B	5c320↔	BOP, KVT, UOP4	5c370.2↔	BOP, KVT, UOP4			
5c282↔			BOP, KVT, UOP4	02	C01A, C01B, C10A, C10B, C10C, C16Z	02	C01A, C01B, C10A, C10B, C10C, C16Z		
		02	C01A, C01B, C16Z, C20A, C20B	10	K09A, K09B	10	K09A, K09B		
		09	J03A, J03B, J04A, J04B, J08A, J08B, J08C, J10A, J10B, J16Z	5c321↔	BOP, KVT, UOP4	5c371.1↔	BOP, KVT, UOP4		
		10	K09A, K09B	02	C01A, C01B, C10A, C10B, C10C, C16Z	02	C01A, C01B, C10A, C10B, C10C, C16Z		
	21A	W04A, W04B	10	K09A, K09B	10	K09A, K09B			
	21B	X06A, X06B, X06C	02	C01A, C01B, C10A, C10B, C10C, C16Z					
	22	Y01Z, Y03A, Y03B	10	K09A, K09B					

VYK

ZZV	MDC	DRG	ZZV	MDC	DRG	ZZV	MDC	DRG
5c371.2↔		BOP, KVT, UOP4	5c39c↔		BOP, KVT, UOP4	5c420.0↔		BOP, KVT, UOP4
	02	C01A, C01B, C10A, C16Z		02	C01A, C01B, C10A, C10B, C10C, C16Z		02	C01A, C01B, C16Z, C20A, C20B
	10	K09A, K09B		21A	W04A, W04B		21A	W04A, W04B
5c372.1↔		BOP, KVT, UOP4		21B	X06A, X06B, X06C		21B	X06A, X06B, X06C
	02	C01A, C01B, C10A, C16Z	5c39d↔		BOP, KVT, UOP4	5c420.1↔		BOP, KVT, UOP4
	10	K09A, K09B		02	C01A, C01B, C02A, C02B, C10A, C16Z		02	C01A, C01B, C16Z, C20A, C20B
5c372.2↔		BOP, KVT, UOP4		08	I17Z		21A	W04A, W04B
	02	C01A, C01B, C10A, C10B, C10C, C16Z		21A	W04A, W04B		21B	X06A, X06B, X06C
	10	K09A, K09B	5c39x.0↔		BOP, KVT, UOP4	5c420.2↔		BOP, KVT, UOP4
5c372.3↔		BOP, KVT, UOP4		02	C01A, C01B, C10A, C10B, C10C, C16Z		02	C01A, C01B, C14Z, C16Z
	02	C01A, C01B, C10A, C10B, C10C, C16Z		02	C01A, C01B, C10A, C10B, C10C, C16Z		21A	W04A, W04B
	10	K09A, K09B	5c39x.1↔		BOP, KVT, UOP4		21B	X06A, X06B, X06C
5c372.4↔		BOP, KVT, UOP4		02	C01A, C01B, C10A, C10B, C10C, C16Z	5c420.x↔		BOP, KVT, UOP4
	02	C01A, C01B, C10A, C10B, C10C, C16Z	5c39x.x↔		BOP, KVT, UOP4		02	C01A, C01B, C14Z, C16Z
	10	K09A, K09B		02	C01A, C01B, C10A, C10B, C10C, C16Z		21A	W04A, W04B
5c372.5↔		BOP, KVT, UOP4		02	C01A, C01B, C10A, C10B, C10C, C16Z		21B	X06A, X06B, X06C
	02	C01A, C01B, C10A, C16Z	5c400↔		BOP, UOP4	5c421↔		BOP, KVT, UOP4
	10	K09A, K09B		02	C20A, C20B		02	C01A, C01B, C16Z, C20A, C20B
5c378↔		BOP, KVT, UOP4		21A	W04A, W04B		21A	W04A, W04B
	02	C01A, C01B, C10A, C16Z		21B	X06A, X06B, X06C		21B	X06A, X06B, X06C
	10	K09A, K09B	5c401↔		BOP, UOP4	5c422↔		BOP, KVT, UOP4
5c379↔		BOP, KVT, UOP4		02	C20A, C20B		02	C01A, C01B, C16Z, C20A, C20B
	02	C01A, C01B, C10A, C16Z		21A	W04A, W04B		21A	W04A, W04B
	10	K09A, K09B	5c40x↔		BOP, UOP4		21B	X06A, X06B, X06C
5c37x↔		BOP, KVT, UOP4		02	C20A, C20B	5c423↔		BOP, KVT, UOP4
	02	C01A, C01B, C10A, C10B, C10C, C16Z		21A	W04A, W04B		02	C01A, C01B, C16Z, C20A, C20B
	10	K09A, K09B		21B	X06A, X06B, X06C		21A	W04A, W04B
5c390↔		BOP, KVT, UOP4	5c410.0↔		BOP, KVT, UOP4		21B	X06A, X06B, X06C
	02	C01A, C01B, C02A, C02B, C10A, C16Z		02	C01A, C01B, C14Z, C16Z	5c42x↔		BOP, KVT, UOP4
	08	I17Z		21A	W04A, W04B		02	C01A, C01B, C14Z, C16Z
	21A	W04A, W04B		21B	X06A, X06B, X06C		21A	W04A, W04B
	21B	X06A, X06B, X06C	5c410.1↔		BOP, KVT, UOP4		21B	X06A, X06B, X06C
5c391↔		BOP, KVT, UOP4		02	C01A, C01B, C14Z, C16Z	5c430↔		BOP, KVT, UOP4
	02	C01A, C01B, C10A, C10B, C10C, C16Z		21A	W04A, W04B		02	C01A, C01B, C14Z, C16Z
	21A	W04A, W04B	5c410.2↔		BOP, KVT, UOP4	5c431↔		BOP, KVT, UOP4
	21B	X06A, X06B, X06C		02	C01A, C01B, C14Z, C16Z		02	C01A, C01B, C16Z, C20A, C20B
5c392↔		BOP, KVT, UOP4		21A	W04A, W04B		21A	W04A, W04B
	02	C01A, C01B, C10A, C10B, C10C, C16Z		21B	X06A, X06B, X06C		21B	X06A, X06B, X06C
	21A	W04A, W04B	5c410.x↔		BOP, KVT, UOP4	5c43x↔		BOP, KVT, UOP4
	21B	X06A, X06B, X06C		02	C01A, C01B, C14Z, C16Z		02	C01A, C01B, C14Z, C16Z
5c393↔		BOP, KVT, UOP4		21A	W04A, W04B	5c490↔		BOP, KVT, UOP4
	02	C01A, C01B, C02A, C02B, C10A, C16Z		21B	X06A, X06B, X06C		02	C01A, C01B, C14Z, C16Z
	08	I17Z	5c411↔		BOP, KVT, UOP4	5c491↔		BOP, KVT, UOP4
	21A	W04A, W04B		02	C01A, C01B, C14Z, C16Z		02	C01A, C01B, C14Z, C16Z
	21B	X06A, X06B, X06C		21A	W04A, W04B		21A	W04A, W04B
5c394↔		BOP, KVT, UOP4		21B	X06A, X06B, X06C		21B	X06A, X06B, X06C
	02	C01A, C01B, C10A, C10B, C10C, C16Z	5c412↔		BOP, KVT, UOP4	5c500↔		BOP, UOP4
	21A	W04A, W04B		02	C01A, C01B, C16Z, C20A, C20B		02	C14Z
	21B	X06A, X06B, X06C		21A	W04A, W04B		21A	W04A, W04B
5c39a↔		BOP, KVT, UOP4		21B	X06A, X06B, X06C		21B	X06A, X06B, X06C
	02	C01A, C01B, C02A, C02B, C10A, C16Z	5c413↔		BOP, KVT, UOP4	5c501↔		BOP, UOP4
	08	I17Z		02	C01A, C01B, C14Z, C16Z		02	C14Z
	21A	W04A, W04B	5c414↔		BOP, KVT, UOP4		21A	W04A, W04B
	21B	X06A, X06B, X06C		02	C01A, C01B, C14Z, C16Z		21B	X06A, X06B, X06C
5c39b↔		BOP, KVT, UOP4		21A	W04A, W04B	5c502↔		BOP, UOP4
	02	C01A, C01B, C10A, C10B, C10C, C16Z		21B	X06A, X06B, X06C		02	C14Z
	21A	W04A, W04B	5c41x↔		BOP, KVT, UOP4		21A	W04A, W04B
	21B	X06A, X06B, X06C		02	C01A, C01B, C14Z, C16Z		21B	X06A, X06B, X06C
						5c503↔		BOP, UOP4
							02	C14Z
							21A	W04A, W04B
							21B	X06A, X06B, X06C

ZZV	MDC	DRG	ZZV	MDC	DRG	ZZV	MDC	DRG
5c50x↔		BOP, UOP4	5c532.x↔		BOP, KVT, UOP4	5c552↔		BOP, KVT, UOP4
	02	C14Z		02	C01A, C01B, C16Z, C20A, C20B		02	C01A, C01B, C16Z, C20A, C20B
	21A	W04A, W04B		21A	W04A, W04B		21A	W04A, W04B
	21B	X06A, X06B, X06C		21B	X06A, X06B, X06C		21B	X06A, X06B, X06C
5c510↔		BOP, UOP4	5c533↔		BOP, KVT, UOP4	5c553↔		BOP, KVT, UOP4
	02	C14Z		02	C01A, C01B, C16Z, C20A, C20B		02	C01A, C01B, C16Z, C20A, C20B
	21A	W04A, W04B		21A	W04A, W04B		21A	W04A, W04B
	21B	X06A, X06B, X06C		21B	X06A, X06B, X06C		21B	X06A, X06B, X06C
5c511↔		BOP, UOP4	5c535↔		BOP, KVT, UOP4	5c554↔		BOP, KVT, UOP4
	02	C14Z		02	C01A, C01B, C14Z, C16Z		02	C01A, C01B, C16Z, C20A, C20B
	21A	W04A, W04B		21A	W04A, W04B		21A	W04A, W04B
	21B	X06A, X06B, X06C		21B	X06A, X06B, X06C		21B	X06A, X06B, X06C
5c51x↔		BOP, UOP4	5c53x↔		BOP, KVT, UOP4	5c555↔		BOP, KVT, UOP4
	02	C14Z		02	C01A, C01B, C14Z, C16Z		02	C01A, C01B, C16Z, C20A, C20B
	21A	W04A, W04B		21A	W04A, W04B		21A	W04A, W04B
	21B	X06A, X06B, X06C		21B	X06A, X06B, X06C		21B	X06A, X06B, X06C
5c520↔		BOP, KVT, UOP4	5c540↔		BOP, KVT, UOP4	5c556↔		BOP, KVT, UOP4
	02	C01A, C01B, C16Z, C20A, C20B		02	C01A, C01B, C04A, C04B, C16Z		02	C01A, C01B, C16Z, C20A, C20B
5c521↔		BOP, KVT, UOP4		21A	W04A, W04B		21A	W04A, W04B
	02	C01A, C01B, C16Z, C20A, C20B		21B	X06A, X06B, X06C		21B	X06A, X06B, X06C
	21A	W04A, W04B	5c541.0↔		BOP, KVT, UOP4	5c557↔		BOP, KVT, UOP4
	21B	X06A, X06B, X06C		02	C01A, C01B, C04A, C04B, C16Z		02	C01A, C01B, C16Z, C20A, C20B
5c522↔		BOP, KVT, UOP4		21A	W04A, W04B		21A	W04A, W04B
	02	C01A, C01B, C16Z, C20A, C20B		21B	X06A, X06B, X06C		21B	X06A, X06B, X06C
	21A	W04A, W04B	5c541.1↔		BOP, KVT, UOP4	5c55x↔		BOP, KVT, UOP4
	21B	X06A, X06B, X06C		02	C01A, C01B, C04A, C04B, C16Z		02	C01A, C01B, C16Z, C20A, C20B
5c523↔		BOP, KVT, UOP4		21A	W04A, W04B		21A	W04A, W04B
	02	C01A, C01B, C16Z, C20A, C20B		21B	X06A, X06B, X06C		21B	X06A, X06B, X06C
5c524↔		BOP, KVT, UOP4	5c543↔		BOP, KVT, UOP4	5c590↔		BOP, KVT, UOP4
	02	C01A, C01B, C16Z, C20A, C20B		02	C01A, C01B, C04A, C04B, C16Z		02	C01A, C01B, C16Z, C20A, C20B
5c52x↔		BOP, KVT, UOP4		21A	W04A, W04B		21A	W04A, W04B
	02	C01A, C01B, C16Z, C20A, C20B		21B	X06A, X06B, X06C		21B	X06A, X06B, X06C
5c530.0↔		BOP, KVT, UOP4	5c544↔		BOP, KVT, UOP4	5c591↔		BOP, KVT, UOP4
	02	C01A, C01B, C14Z, C16Z		02	C01A, C01B, C16Z, C20A, C20B		02	C01A, C01B, C16Z, C20A, C20B
	21A	W04A, W04B		21A	W04A, W04B		21A	W04A, W04B
	21B	X06A, X06B, X06C		21B	X06A, X06B, X06C		21B	X06A, X06B, X06C
5c530.1↔		BOP, KVT, UOP4	5c54x↔		BOP, KVT, UOP4	5c592↔		BOP, KVT, UOP4
	02	C01A, C01B, C16Z, C20A, C20B		02	C01A, C01B, C16Z, C20A, C20B		02	C01A, C01B, C16Z, C20A, C20B
	21A	W04A, W04B		21A	W04A, W04B		21A	W04A, W04B
	21B	X06A, X06B, X06C		21B	X06A, X06B, X06C		21B	X06A, X06B, X06C
5c530.2↔		BOP, KVT, UOP4	5c550.0↔		BOP, KVT, UOP4	5c593↔		BOP, KVT, UOP4
	02	C01A, C01B, C14Z, C16Z		02	C01A, C01B, C16Z, C20A, C20B		02	C01A, C01B, C04A, C16Z
	21A	W04A, W04B		21A	W04A, W04B		21A	W04A, W04B
	21B	X06A, X06B, X06C		21B	X06A, X06B, X06C		21B	X06A, X06B, X06C
5c530.x↔		BOP, KVT, UOP4	5c550.1↔		BOP, KVT, UOP4	5c594↔		BOP, KVT, UOP4
	02	C01A, C01B, C14Z, C16Z		02	C01A, C01B, C16Z, C20A, C20B		02	C01A, C01B, C16Z, C20A, C20B
	21A	W04A, W04B		21A	W04A, W04B		21A	W04A, W04B
	21B	X06A, X06B, X06C		21B	X06A, X06B, X06C		21B	X06A, X06B, X06C
5c532.0↔		BOP, KVT, UOP4	5c550.x↔		BOP, KVT, UOP4	5c596↔		BOP, KVT, UOP4
	02	C01A, C01B, C16Z, C20A, C20B		02	C01A, C01B, C16Z, C20A, C20B		02	C01A, C01B, C14Z, C16Z
	21A	W04A, W04B		21A	W04A, W04B		21A	W04A, W04B
	21B	X06A, X06B, X06C		21B	X06A, X06B, X06C		21A	W04A, W04B
5c532.1↔		BOP, KVT, UOP4	5c551↔		BOP, KVT, UOP4	5c600↔		BOP, UOP4
	02	C01A, C01B, C16Z, C20A, C20B		02	C01A, C01B, C16Z, C20A, C20B		02	C20A, C20B
	21A	W04A, W04B		21A	W04A, W04B		21A	W04A, W04B
	21B	X06A, X06B, X06C		21B	X06A, X06B, X06C		21B	X06A, X06B, X06C
						5c601↔		BOP, UOP4
							02	C20A, C20B
							21A	W04A, W04B
							21B	X06A, X06B, X06C
							21A	W04A, W04B
							21B	X06A, X06B, X06C

VYK

ZZV	MDC	DRG	ZZV	MDC	DRG	ZZV	MDC	DRG
5c60x↔		BOP, UOP4	5c617.3↔		BOP, KVT, UOP4	5c640↔		BOP, KVT, UOP4
	02	C20A, C20B		02	C01A, C01B, C06Z, C16Z		02	C01A, C01B, C06Z, C16Z
	21A	W04A, W04B		21A	W04A, W04B		10	K09A, K09B
	21B	X06A, X06B, X06C		21B	X06A, X06B, X06C	5c641↔		BOP, KVT, UOP4
5c610.0↔		BOP, KVT, UOP4	5c617.4↔		BOP, KVT, UOP4		02	C01A, C01B, C06Z, C16Z
	02	C01A, C01B, C06Z, C16Z		02	C01A, C01B, C06Z, C16Z		10	K09A, K09B
	10	K09A, K09B		21A	W04A, W04B	5c64x↔		BOP, KVT, UOP4
	21A	W04A, W04B		21B	X06A, X06B, X06C		02	C01A, C01B, C07A, C07B, C16Z
	21B	X06A, X06B, X06C	5c61x↔		BOP, KVT, UOP4		10	K09A, K09B
5c610.1↔		BOP, KVT, UOP4		02	C01A, C01B, C06Z, C16Z	5c650↔		BOP, KVT, UOP4
	02	C01A, C01B, C06Z, C16Z		21A	W04A, W04B		02	C14Z
	10	K09A, K09B		21B	X06A, X06B, X06C		21A	W04A, W04B
	21A	W04A, W04B	5c620↔		BOP, KVT, UOP4		21B	X06A, X06B, X06C
	21B	X06A, X06B, X06C		02	C01A, C01B, C07A, C07B, C16Z	5c651↔		BOP, KVT, UOP4
5c610.x↔		BOP, KVT, UOP4		10	K09A, K09B		02	C01A, C01B, C15Z, C16Z
	02	C01A, C01B, C06Z, C16Z	5c621↔		BOP, KVT, UOP4		21A	W04A, W04B
	10	K09A, K09B		02	C01A, C01B, C07A, C07B, C16Z		21B	X06A, X06B, X06C
	21A	W04A, W04B		10	K09A, K09B	5c652↔		BOP, KVT, UOP4
	21B	X06A, X06B, X06C	5c622↔		BOP, KVT, UOP4		02	C01A, C01B, C16Z, C20A, C20B
5c611↔		BOP, KVT, UOP4		02	C01A, C01B, C07A, C07B, C16Z		21A	W04A, W04B
	02	C01A, C01B, C06Z, C16Z		10	K09A, K09B		21B	X06A, X06B, X06C
	21A	W04A, W04B	5c62x↔		BOP, KVT, UOP4	5c654↔		BOP, KVT, UOP4
	21B	X06A, X06B, X06C		02	C01A, C01B, C07A, C07B, C16Z		02	C01A, C01B, C15Z, C16Z
5c612↔		BOP, KVT, UOP4		10	K09A, K09B		21A	W04A, W04B
	02	C01A, C01B, C06Z, C16Z	5c630↔		BOP, KVT, UOP4		21B	X06A, X06B, X06C
	21A	W04A, W04B		02	C01A, C01B, C07A, C07B, C16Z	5c655↔		BOP, KVT, UOP4
	21B	X06A, X06B, X06C		21A	W04A, W04B		02	C01A, C01B, C16Z, C20A, C20B
5c613↔		BOP, KVT, UOP4		21B	X06A, X06B, X06C		21A	W04A, W04B
	02	C01A, C01B, C07A, C07B, C16Z	5c631↔		BOP, KVT, UOP4		21B	X06A, X06B, X06C
	21A	W04A, W04B		02	C01A, C01B, C06Z, C16Z	5c65x↔		BOP, KVT, UOP4
	21B	X06A, X06B, X06C		10	K09A, K09B		02	C01A, C01B, C16Z, C20A, C20B
5c614.0↔		BOP, KVT, UOP4		21A	W04A, W04B		21A	W04A, W04B
	02	C01A, C01B, C07A, C07B, C16Z	5c632↔		BOP, KVT, UOP4		21B	X06A, X06B, X06C
	21A	W04A, W04B		02	C01A, C01B, C06Z, C16Z	5c660↔		BOP, KVT, UOP4
	21B	X06A, X06B, X06C		21A	W04A, W04B		02	C01A, C01B, C07A, C07B, C16Z
5c614.1↔		BOP, KVT, UOP4		21B	X06A, X06B, X06C		21A	W04A, W04B
	02	C01A, C01B, C07A, C07B, C16Z	5c633↔		BOP, KVT, UOP4		21B	X06A, X06B, X06C
	21A	W04A, W04B		02	C01A, C01B, C07A, C07B, C16Z	5c661↔		BOP, KVT, UOP4
	21B	X06A, X06B, X06C		21A	W04A, W04B		02	C01A, C01B, C07A, C07B, C16Z
5c614.2↔		BOP, KVT, UOP4		21B	X06A, X06B, X06C		21A	W04A, W04B
	02	C01A, C01B, C07A, C07B, C16Z	5c634↔		BOP, KVT, UOP4		21B	X06A, X06B, X06C
	21A	W04A, W04B		02	C01A, C01B, C07A, C07B, C16Z	5c662↔		BOP, KVT, UOP4
	21B	X06A, X06B, X06C		21A	W04A, W04B		02	C01A, C01B, C07A, C07B, C16Z
5c614.x↔		BOP, KVT, UOP4		21B	X06A, X06B, X06C		21A	W04A, W04B
	02	C01A, C01B, C07A, C07B, C16Z	5c635↔		BOP, KVT, UOP4		21B	X06A, X06B, X06C
	21A	W04A, W04B		02	C01A, C01B, C07A, C07B, C16Z	5c663↔		BOP, KVT, UOP4
	21B	X06A, X06B, X06C		10	K09A, K09B		02	C14Z
5c615↔		BOP, KVT, UOP4		21A	W04A, W04B		21A	W04A, W04B
	02	C01A, C01B, C07A, C07B, C16Z	5c636↔		BOP, KVT, UOP4		21B	X06A, X06B, X06C
	21A	W04A, W04B		02	C01A, C01B, C07A, C07B, C16Z	5c664↔		BOP, KVT, UOP4
	21B	X06A, X06B, X06C		21A	W04A, W04B		02	C01A, C01B, C07A, C07B, C16Z
5c616↔		BOP, KVT, UOP4		21B	X06A, X06B, X06C		21A	W04A, W04B
	02	C01A, C01B, C06Z, C16Z	5c638↔		BOP, KVT, UOP4		21B	X06A, X06B, X06C
	21A	W04A, W04B		02	C01A, C01B, C07A, C07B, C16Z	5c66x↔		BOP, KVT, UOP4
	21B	X06A, X06B, X06C		10	K09A, K09B		02	C01A, C01B, C07A, C07B, C16Z
5c617.1↔		BOP, KVT, UOP4		21A	W04A, W04B		21A	W04A, W04B
	02	C01A, C01B, C06Z, C16Z	5c63x↔		BOP, KVT, UOP4		21B	X06A, X06B, X06C
	21A	W04A, W04B		02	C01A, C01B, C07A, C07B, C16Z			
	21B	X06A, X06B, X06C		10	K09A, K09B			
5c617.2↔		BOP, KVT, UOP4		21A	W04A, W04B			
	02	C01A, C01B, C06Z, C16Z		21B	X06A, X06B, X06C			
	21A	W04A, W04B						
	21B	X06A, X06B, X06C						

ZZV	MDC	DRG	ZZV	MDC	DRG	ZZV	MDC	DRG
5c671↔		BOP, KVT, UOP4	5c682.2↔	02	BOP, KVT, UOP4	5c70x↔		BOP, UOP4
	02	C01A, C01B, C07A, C07B, C16Z		02	C01A, C01B, C16Z, C20A, C20B		02	C01A, C01B, C16Z, C20A, C20B
	21A	W04A, W04B		21A	W04A, W04B		21A	W04A, W04B
	21B	X06A, X06B, X06C		21B	X06A, X06B, X06C		21B	X06A, X06B, X06C
5c672↔		BOP, KVT, UOP4	5c68x↔		BOP, KVT, UOP4	5c710↔		BOP, KVT, UOP4
	02	C01A, C01B, C07A, C07B, C16Z		02	C01A, C01B, C16Z, C20A, C20B		02	C01A, C01B, C16Z, C20A, C20B
	21A	W04A, W04B		21A	W04A, W04B		02	BOP, KVT, UOP4
	21B	X06A, X06B, X06C		21B	X06A, X06B, X06C	5c711↔	02	C01A, C01B, C16Z, C20A, C20B
5c673↔		BOP, KVT, UOP4	5c690↔		BOP, KVT, UOP4	5c712↔		BOP, KVT, UOP4
	02	C01A, C01B, C07A, C07B, C16Z		02	C14Z		02	C01A, C01B, C16Z, C20A, C20B
	21A	W04A, W04B		21A	W04A, W04B		02	C01A, C01B, C16Z, C20A, C20B
	21B	X06A, X06B, X06C	5c691.0↔		BOP, KVT, UOP4	5c713↔	02	C01A, C01B, C16Z, C20A, C20B
5c674↔		BOP, KVT, UOP4		02	C14Z		02	C01A, C01B, C16Z, C20A, C20B
	02	C01A, C01B, C16Z, C20A, C20B		21A	W04A, W04B	5c714.10↔		BOP, KVT, UOP4
	21A	W04A, W04B	5c691.1↔		BOP, KVT, UOP4		02	C01A, C01B, C16Z, C20A, C20B
	21B	X06A, X06B, X06C		02	C01A, C01B, C15Z, C16Z	5c714.11↔		BOP, KVT, UOP4
5c675↔		BOP, KVT, UOP4		21A	W04A, W04B		02	C01A, C01B, C16Z, C20A, C20B
	02	C14Z	5c691.2↔		BOP, KVT, UOP4	5c714.20↔		BOP, KVT, UOP4
	21A	W04A, W04B		02	C14Z		02	C01A, C01B, C16Z, C20A, C20B
	21B	X06A, X06B, X06C		21A	W04A, W04B	5c714.21↔		BOP, KVT, UOP4
5c676↔		BOP, KVT, UOP4	5c691.3↔		BOP, KVT, UOP4		02	C01A, C01B, C16Z, C20A, C20B
	02	C14Z		02	C14Z	5c715.0↔		BOP, KVT, UOP4
	21A	W04A, W04B		21A	W04A, W04B		02	C01A, C01B, C16Z, C20A, C20B
	21B	X06A, X06B, X06C	5c691.x↔		BOP, KVT, UOP4	5c715.1↔		BOP, KVT, UOP4
5c677↔		BOP, KVT, UOP4		02	C14Z		02	C01A, C01B, C16Z, C20A, C20B
	02	C14Z		21A	W04A, W04B	5c716.1↔		BOP, KVT, UOP4
	21A	W04A, W04B		21B	X06A, X06B, X06C		02	C01A, C01B, C16Z, C20A, C20B
	21B	X06A, X06B, X06C		02	C14Z	5c716.2↔		BOP, KVT, UOP4
5c67x↔		BOP, KVT, UOP4	5c692↔		BOP, KVT, UOP4		02	C01A, C01B, C16Z, C20A, C20B
	02	C14Z		02	C14Z	5c716.2↔		BOP, KVT, UOP4
	21A	W04A, W04B		21A	W04A, W04B		02	C01A, C01B, C16Z, C20A, C20B
	21B	X06A, X06B, X06C	5c693↔		BOP, KVT, UOP4	5c71x↔		BOP, KVT, UOP4
5c680.0↔		BOP, UOP4		02	C01A, C01B, C16Z, C20A, C20B		02	C01A, C01B, C16Z, C20A, C20B
	02	C20A, C20B		21A	W04A, W04B	5c720.0↔		BOP, KVT, UOP4
	21A	W04A, W04B		21B	X06A, X06B, X06C		02	C01A, C01B, C16Z, C20A, C20B
	21B	X06A, X06B, X06C	5c694↔		BOP, KVT, UOP4		10	K09A, K09B
5c680.1↔		BOP, UOP4		02	C01A, C01B, C15Z, C16Z	5c720.5↔		BOP, KVT, UOP4
	02	C20A, C20B		21A	W04A, W04B		02	C01A, C01B, C16Z, C20A, C20B
	21A	W04A, W04B		21B	X06A, X06B, X06C		10	K09A, K09B
	21B	X06A, X06B, X06C	5c695↔		BOP, KVT, UOP4	5c720.6↔		BOP, KVT, UOP4
5c680.x↔		BOP, UOP4		02	C01A, C01B, C16Z, C20A, C20B		02	C01A, C01B, C16Z, C20A, C20B
	02	C20A, C20B		21A	W04A, W04B	5c720.7↔		BOP, KVT, UOP4
	21A	W04A, W04B		21B	X06A, X06B, X06C		02	C01A, C01B, C16Z, C20A, C20B
	21B	X06A, X06B, X06C	5c69x↔		BOP, KVT, UOP4	5c720.7↔		BOP, KVT, UOP4
5c681.0↔		BOP, KVT, UOP4		02	C01A, C01B, C16Z, C20A, C20B		10	K09A, K09B
	02	C01A, C01B, C16Z, C20A, C20B		21A	W04A, W04B	5c720.8↔		BOP, KVT, UOP4
	21A	W04A, W04B		21B	X06A, X06B, X06C		02	C01A, C01B, C16Z, C20A, C20B
	21B	X06A, X06B, X06C	5c700↔		BOP, UOP4		10	K09A, K09B
5c681.3↔		BOP, KVT, UOP4		02	C01A, C01B, C16Z, C20A, C20B	5c720.8↔		BOP, KVT, UOP4
	02	C01A, C01B, C16Z, C20A, C20B		21A	W04A, W04B		02	C01A, C01B, C16Z, C20A, C20B
	21A	W04A, W04B	5c701↔		BOP, UOP4		10	K09A, K09B
	21B	X06A, X06B, X06C		02	C01A, C01B, C16Z, C20A, C20B	5c720.a↔		BOP, KVT, UOP4
5c681.x↔		BOP, KVT, UOP4		21A	W04A, W04B		02	C01A, C01B, C16Z, C20A, C20B
	02	C01A, C01B, C16Z, C20A, C20B		21B	X06A, X06B, X06C		10	K09A, K09B
	21A	W04A, W04B		02	C01A, C01B, C16Z, C20A, C20B		02	C01A, C01B, C16Z, C20A, C20B
	21B	X06A, X06B, X06C		21A	W04A, W04B		10	K09A, K09B
5c682.1↔		BOP, KVT, UOP4		21B	X06A, X06B, X06C			
	02	C01A, C01B, C16Z, C20A, C20B						
	21A	W04A, W04B						
	21B	X06A, X06B, X06C						

VYK

ZZV	MDC	DRG	ZZV	MDC	DRG	ZZV	MDC	DRG
5c720.b↔		BOP, KVT, UOP4	5c721.h↔		BOP, KVT, UOP4	5c732.0↔		BOP, KVT, UOP4
	02	C01A, C01B, C16Z, C20A, C20B		02	C01A, C01B, C16Z, C20A, C20B		02	C01A, C01B, C03A, C03B, C04A, C07A, C08A, C08B, C16Z
	10	K09A, K09B		10	K09A, K09B		10	K09A, K09B
5c720.c↔		BOP, KVT, UOP4	5c721.x↔		BOP, KVT, UOP4		10	K09A, K09B
	02	C01A, C01B, C16Z, C20A, C20B		02	C01A, C01B, C16Z, C20A, C20B		21A	W04A, W04B
	10	K09A, K09B		10	K09A, K09B		21B	X06A, X06B, X06C
5c720.d↔		BOP, KVT, UOP4	5c72x.0↔		BOP, KVT, UOP4	5c732.5↔		BOP, KVT, UOP4
	02	C01A, C01B, C16Z, C20A, C20B		02	C01A, C01B, C16Z, C20A, C20B		02	C01A, C01B, C03A, C03B, C04A, C07A, C08A, C08B, C16Z
	10	K09A, K09B		10	K09A, K09B		10	K09A, K09B
5c720.e↔		BOP, KVT, UOP4	5c72x.5↔		BOP, KVT, UOP4		21A	W04A, W04B
	02	C01A, C01B, C16Z, C20A, C20B		02	C01A, C01B, C16Z, C20A, C20B		21B	X06A, X06B, X06C
	10	K09A, K09B		10	K09A, K09B	5c732.6↔		BOP, KVT, UOP4
5c720.f↔		BOP, KVT, UOP4	5c72x.6↔		BOP, KVT, UOP4		02	C01A, C01B, C03A, C03B, C04A, C07A, C08A, C08B, C16Z
	02	C01A, C01B, C16Z, C20A, C20B		02	C01A, C01B, C16Z, C20A, C20B		10	K09A, K09B
	10	K09A, K09B		10	K09A, K09B		21A	W04A, W04B
5c720.g↔		BOP, KVT, UOP4	5c72x.7↔		BOP, KVT, UOP4		21B	X06A, X06B, X06C
	02	C01A, C01B, C16Z, C20A, C20B		02	C01A, C01B, C16Z, C20A, C20B	5c732.7↔		BOP, KVT, UOP4
	10	K09A, K09B		10	K09A, K09B		02	C01A, C01B, C03A, C03B, C04A, C07A, C08A, C08B, C16Z
5c720.h↔		BOP, KVT, UOP4	5c72x.8↔		BOP, KVT, UOP4		10	K09A, K09B
	02	C01A, C01B, C16Z, C20A, C20B		02	C01A, C01B, C16Z, C20A, C20B		21A	W04A, W04B
	10	K09A, K09B		10	K09A, K09B		21B	X06A, X06B, X06C
5c720.x↔		BOP, KVT, UOP4	5c72x.9↔		BOP, KVT, UOP4	5c732.8↔		BOP, KVT, UOP4
	02	C01A, C01B, C16Z, C20A, C20B		02	C01A, C01B, C16Z, C20A, C20B		02	C01A, C01B, C03A, C03B, C04A, C07A, C08A, C08B, C16Z
	10	K09A, K09B		10	K09A, K09B		10	K09A, K09B
5c721.0↔		BOP, KVT, UOP4	5c72x.a↔		BOP, KVT, UOP4		21A	W04A, W04B
	02	C01A, C01B, C16Z, C20A, C20B		02	C01A, C01B, C16Z, C20A, C20B		21B	X06A, X06B, X06C
	10	K09A, K09B		10	K09A, K09B	5c732.9↔		BOP, KVT, UOP4
5c721.5↔		BOP, KVT, UOP4	5c72x.b↔		BOP, KVT, UOP4		02	C01A, C01B, C03A, C03B, C04A, C07A, C08A, C08B, C16Z
	02	C01A, C01B, C16Z, C20A, C20B		02	C01A, C01B, C16Z, C20A, C20B		10	K09A, K09B
	10	K09A, K09B		10	K09A, K09B		21A	W04A, W04B
5c721.a↔		BOP, KVT, UOP4	5c72x.c↔		BOP, KVT, UOP4		21B	X06A, X06B, X06C
	02	C01A, C01B, C16Z, C20A, C20B		02	C01A, C01B, C16Z, C20A, C20B	5c732.a↔		BOP, KVT, UOP4
	10	K09A, K09B		10	K09A, K09B		02	C01A, C01B, C03A, C03B, C04A, C07A, C08A, C08B, C16Z
5c721.b↔		BOP, KVT, UOP4	5c72x.d↔		BOP, KVT, UOP4		10	K09A, K09B
	02	C01A, C01B, C16Z, C20A, C20B		02	C01A, C01B, C16Z, C20A, C20B		21A	W04A, W04B
	10	K09A, K09B		10	K09A, K09B		21B	X06A, X06B, X06C
5c721.c↔		BOP, KVT, UOP4	5c72x.e↔		BOP, KVT, UOP4	5c732.b↔		BOP, KVT, UOP4
	02	C01A, C01B, C16Z, C20A, C20B		02	C01A, C01B, C16Z, C20A, C20B		02	C01A, C01B, C03A, C03B, C04A, C07A, C08A, C08B, C16Z
	10	K09A, K09B		10	K09A, K09B		10	K09A, K09B
5c721.d↔		BOP, KVT, UOP4	5c72x.f↔		BOP, KVT, UOP4		21A	W04A, W04B
	02	C01A, C01B, C16Z, C20A, C20B		02	C01A, C01B, C16Z, C20A, C20B		21B	X06A, X06B, X06C
	10	K09A, K09B		10	K09A, K09B	5c732.c↔		BOP, KVT, UOP4
5c721.e↔		BOP, KVT, UOP4	5c72x.g↔		BOP, KVT, UOP4		02	C01A, C01B, C03A, C03B, C04A, C07A, C08A, C08B, C16Z
	02	C01A, C01B, C16Z, C20A, C20B		02	C01A, C01B, C16Z, C20A, C20B		10	K09A, K09B
	10	K09A, K09B		10	K09A, K09B		21A	W04A, W04B
5c721.f↔		BOP, KVT, UOP4	5c72x.h↔		BOP, KVT, UOP4		21B	X06A, X06B, X06C
	02	C01A, C01B, C16Z, C20A, C20B		02	C01A, C01B, C16Z, C20A, C20B	5c732.d↔		BOP, KVT, UOP4
	10	K09A, K09B		10	K09A, K09B		02	C01A, C01B, C03A, C03B, C04A, C07A, C08A, C08B, C16Z
5c721.g↔		BOP, KVT, UOP4	5c72x.x↔		BOP, KVT, UOP4		10	K09A, K09B
	02	C01A, C01B, C16Z, C20A, C20B		02	C01A, C01B, C16Z, C20A, C20B		21A	W04A, W04B
	10	K09A, K09B		10	K09A, K09B		21B	X06A, X06B, X06C

ZZV	MDC	DRG	ZZV	MDC	DRG	ZZV	MDC	DRG
5c734.e↔		BOP, KVT, UOP4	5c735.9↔		BOP, KVT, UOP4	5c73x.0↔		BOP, KVT, UOP4
	02	C01A, C01B, C03A, C03B, C04A, C07A, C08A, C08B, C16Z		02	C01A, C01B, C03A, C03B, C04A, C07A, C08A, C08B, C16Z		02	C01A, C01B, C03A, C03B, C04A, C07A, C08A, C08B, C16Z
	10	K09A, K09B		10	K09A, K09B		10	K09A, K09B
	21A	W04A, W04B		21A	W04A, W04B		21A	W04A, W04B
5c734.f↔	21B	X06A, X06B, X06C	5c735.a↔	21B	X06A, X06B, X06C	5c73x.5↔	21B	X06A, X06B, X06C
		BOP, KVT, UOP4			BOP, KVT, UOP4			BOP, KVT, UOP4
	02	C01A, C01B, C03A, C03B, C04A, C07A, C08A, C08B, C16Z		02	C01A, C01B, C03A, C03B, C04A, C07A, C08A, C08B, C16Z		02	C01A, C01B, C03A, C03B, C04A, C07A, C08A, C08B, C16Z
	10	K09A, K09B		10	K09A, K09B		10	K09A, K09B
5c734.g↔	21A	W04A, W04B	5c735.b↔	21A	W04A, W04B	5c73x.6↔	21A	W04A, W04B
	21B	X06A, X06B, X06C		21B	X06A, X06B, X06C		21B	X06A, X06B, X06C
		BOP, KVT, UOP4			BOP, KVT, UOP4			BOP, KVT, UOP4
	02	C01A, C01B, C03A, C03B, C04A, C07A, C08A, C08B, C16Z		02	C01A, C01B, C03A, C03B, C04A, C07A, C08A, C08B, C16Z		02	C01A, C01B, C03A, C03B, C04A, C07A, C08A, C08B, C16Z
5c734.h↔	10	K09A, K09B	5c735.c↔	10	K09A, K09B	5c73x.7↔	21A	W04A, W04B
	21A	W04A, W04B		21A	W04A, W04B		21B	X06A, X06B, X06C
	21B	X06A, X06B, X06C		21B	X06A, X06B, X06C			BOP, KVT, UOP4
		BOP, KVT, UOP4			BOP, KVT, UOP4		02	C01A, C01B, C03A, C03B, C04A, C07A, C08A, C08B, C16Z
5c734.x↔	02	C01A, C01B, C03A, C03B, C04A, C07A, C08A, C08B, C16Z	5c735.d↔	02	C01A, C01B, C03A, C03B, C04A, C07A, C08A, C08B, C16Z	5c73x.8↔	10	K09A, K09B
	10	K09A, K09B		10	K09A, K09B		21A	W04A, W04B
	21A	W04A, W04B		21A	W04A, W04B		21B	X06A, X06B, X06C
	21B	X06A, X06B, X06C		21B	X06A, X06B, X06C			BOP, KVT, UOP4
5c735.0↔		BOP, KVT, UOP4	5c735.e↔		BOP, KVT, UOP4	5c73x.9↔	02	C01A, C01B, C03A, C03B, C04A, C07A, C08A, C08B, C16Z
	02	C01A, C01B, C03A, C03B, C04A, C07A, C08A, C08B, C16Z		02	C01A, C01B, C03A, C03B, C04A, C07A, C08A, C08B, C16Z		10	K09A, K09B
	10	K09A, K09B		10	K09A, K09B		21A	W04A, W04B
	21A	W04A, W04B		21A	W04A, W04B		21B	X06A, X06B, X06C
5c735.5↔	21B	X06A, X06B, X06C	5c735.f↔	21B	X06A, X06B, X06C	5c73x.a↔		BOP, KVT, UOP4
		BOP, KVT, UOP4			BOP, KVT, UOP4		02	C01A, C01B, C03A, C03B, C04A, C07A, C08A, C08B, C16Z
	02	C01A, C01B, C03A, C03B, C04A, C07A, C08A, C08B, C16Z		02	C01A, C01B, C03A, C03B, C04A, C07A, C08A, C08B, C16Z		10	K09A, K09B
	10	K09A, K09B		10	K09A, K09B		21A	W04A, W04B
5c735.6↔	21A	W04A, W04B	5c735.g↔	21A	W04A, W04B	5c73x.b↔	21B	X06A, X06B, X06C
	21B	X06A, X06B, X06C		21B	X06A, X06B, X06C			BOP, KVT, UOP4
		BOP, KVT, UOP4			BOP, KVT, UOP4		02	C01A, C01B, C03A, C03B, C04A, C07A, C08A, C08B, C16Z
	02	C01A, C01B, C03A, C03B, C04A, C07A, C08A, C08B, C16Z		02	C01A, C01B, C03A, C03B, C04A, C07A, C08A, C08B, C16Z		10	K09A, K09B
5c735.7↔	10	K09A, K09B	5c735.h↔	10	K09A, K09B	5c73x.c↔	21A	W04A, W04B
	21A	W04A, W04B		21A	W04A, W04B		21B	X06A, X06B, X06C
	21B	X06A, X06B, X06C		21B	X06A, X06B, X06C			BOP, KVT, UOP4
		BOP, KVT, UOP4			BOP, KVT, UOP4		02	C01A, C01B, C03A, C03B, C04A, C07A, C08A, C08B, C16Z
5c735.8↔	02	C01A, C01B, C03A, C03B, C04A, C07A, C08A, C08B, C16Z	5c735.x↔	02	C01A, C01B, C03A, C03B, C04A, C07A, C08A, C08B, C16Z	5c73x.d↔	10	K09A, K09B
	10	K09A, K09B		10	K09A, K09B		21A	W04A, W04B
	21A	W04A, W04B		21A	W04A, W04B		21B	X06A, X06B, X06C
	21B	X06A, X06B, X06C		21B	X06A, X06B, X06C			

ZZV	MDC	DRG	ZZV	MDC	DRG	ZZV	MDC	DRG
5c73x.e↔		BOP, KVT, UOP4	5c740.d↔	02	BOP, KVT, UOP4	5c742.e↔	02	BOP, KVT, UOP4
	02	C01A, C01B, C03A, C03B, C04A, C07A, C08A, C08B, C16Z		02	C01A, C01B, C16Z, C20A, C20B		02	C01A, C01B, C16Z, C20A, C20B
	10	K09A, K09B		10	K09A, K09B		10	K09A, K09B
	21A	W04A, W04B		02	C01A, C01B, C16Z, C20A, C20B		02	C01A, C01B, C16Z, C20A, C20B
5c73x.f↔	21B	X06A, X06B, X06C	5c740.e↔	10	K09A, K09B	5c742.f↔	10	K09A, K09B
		BOP, KVT, UOP4		02	BOP, KVT, UOP4		02	BOP, KVT, UOP4
	02	C01A, C01B, C03A, C03B, C04A, C07A, C08A, C08B, C16Z		02	C01A, C01B, C16Z, C20A, C20B		02	C01A, C01B, C16Z, C20A, C20B
	10	K09A, K09B		10	K09A, K09B		10	K09A, K09B
5c73x.g↔	21A	W04A, W04B	5c740.f↔	02	BOP, KVT, UOP4	5c742.g↔	02	BOP, KVT, UOP4
	21B	X06A, X06B, X06C		02	C01A, C01B, C16Z, C20A, C20B		02	C01A, C01B, C16Z, C20A, C20B
		BOP, KVT, UOP4		10	K09A, K09B		10	K09A, K09B
	02	C01A, C01B, C03A, C03B, C04A, C07A, C08A, C08B, C16Z		02	C01A, C01B, C16Z, C20A, C20B		02	C01A, C01B, C16Z, C20A, C20B
5c73x.h↔	10	K09A, K09B	5c740.g↔	10	K09A, K09B	5c742.h↔	10	K09A, K09B
	21A	W04A, W04B		02	BOP, KVT, UOP4		02	BOP, KVT, UOP4
	21B	X06A, X06B, X06C		02	C01A, C01B, C16Z, C20A, C20B		02	C01A, C01B, C16Z, C20A, C20B
		BOP, KVT, UOP4		10	K09A, K09B		10	K09A, K09B
5c73x.i↔	02	C01A, C01B, C03A, C03B, C04A, C07A, C08A, C08B, C16Z	5c740.h↔	02	BOP, KVT, UOP4	5c742.i↔	02	BOP, KVT, UOP4
	10	K09A, K09B		02	C01A, C01B, C16Z, C20A, C20B		02	C01A, C01B, C16Z, C20A, C20B
	21A	W04A, W04B		10	K09A, K09B		10	K09A, K09B
	21B	X06A, X06B, X06C		02	BOP, KVT, UOP4		02	BOP, KVT, UOP4
5c73x.j↔	02	C01A, C01B, C03A, C03B, C04A, C07A, C08A, C08B, C16Z	5c740.i↔	02	C01A, C01B, C16Z, C20A, C20B	5c742.j↔	02	C01A, C01B, C16Z, C20A, C20B
	10	K09A, K09B		10	K09A, K09B		10	K09A, K09B
	21A	W04A, W04B		02	BOP, KVT, UOP4		02	BOP, KVT, UOP4
	21B	X06A, X06B, X06C		02	C01A, C01B, C16Z, C20A, C20B		02	C01A, C01B, C16Z, C20A, C20B
5c73x.k↔		BOP, KVT, UOP4	5c741.x↔	10	K09A, K09B	5c74x.0↔	10	K09A, K09B
	02	C01A, C01B, C03A, C03B, C04A, C07A, C08A, C08B, C16Z		02	BOP, KVT, UOP4		02	BOP, KVT, UOP4
	10	K09A, K09B		02	C01A, C01B, C16Z, C20A, C20B		02	C01A, C01B, C16Z, C20A, C20B
	21A	W04A, W04B		10	K09A, K09B		10	K09A, K09B
5c73x.l↔	21B	X06A, X06B, X06C	5c742.0↔	02	BOP, KVT, UOP4	5c74x.5↔	02	BOP, KVT, UOP4
		BOP, KVT, UOP4		02	C01A, C01B, C16Z, C20A, C20B		02	C01A, C01B, C16Z, C20A, C20B
	02	C01A, C01B, C03A, C03B, C04A, C07A, C08A, C08B, C16Z		10	K09A, K09B		10	K09A, K09B
	10	K09A, K09B		02	BOP, KVT, UOP4		02	BOP, KVT, UOP4
5c740.0↔	21A	W04A, W04B	5c742.5↔	02	C01A, C01B, C16Z, C20A, C20B	5c74x.6↔	02	C01A, C01B, C16Z, C20A, C20B
	21B	X06A, X06B, X06C		10	K09A, K09B		10	K09A, K09B
		BOP, KVT, UOP4		02	BOP, KVT, UOP4		02	BOP, KVT, UOP4
	02	C01A, C01B, C16Z, C20A, C20B		02	C01A, C01B, C16Z, C20A, C20B		02	C01A, C01B, C16Z, C20A, C20B
5c740.5↔	10	K09A, K09B	5c742.6↔	10	K09A, K09B	5c74x.7↔	10	K09A, K09B
	21A	W04A, W04B		02	BOP, KVT, UOP4		02	BOP, KVT, UOP4
	21B	X06A, X06B, X06C		02	C01A, C01B, C16Z, C20A, C20B		02	C01A, C01B, C16Z, C20A, C20B
		BOP, KVT, UOP4		10	K09A, K09B		10	K09A, K09B
5c740.6↔	02	C01A, C01B, C16Z, C20A, C20B	5c742.7↔	02	BOP, KVT, UOP4	5c74x.8↔	02	BOP, KVT, UOP4
	10	K09A, K09B		02	C01A, C01B, C16Z, C20A, C20B		02	C01A, C01B, C16Z, C20A, C20B
	21A	W04A, W04B		10	K09A, K09B		10	K09A, K09B
	21B	X06A, X06B, X06C		02	BOP, KVT, UOP4		02	BOP, KVT, UOP4
5c740.7↔		BOP, KVT, UOP4	5c742.8↔	02	C01A, C01B, C16Z, C20A, C20B	5c74x.9↔	02	C01A, C01B, C16Z, C20A, C20B
	02	C01A, C01B, C16Z, C20A, C20B		10	K09A, K09B		10	K09A, K09B
	10	K09A, K09B		02	BOP, KVT, UOP4		02	BOP, KVT, UOP4
	21A	W04A, W04B		02	C01A, C01B, C16Z, C20A, C20B		02	C01A, C01B, C16Z, C20A, C20B
5c740.8↔	21B	X06A, X06B, X06C	5c742.a↔	10	K09A, K09B	5c74x.a↔	10	K09A, K09B
		BOP, KVT, UOP4		02	BOP, KVT, UOP4		02	BOP, KVT, UOP4
	02	C01A, C01B, C16Z, C20A, C20B		02	C01A, C01B, C16Z, C20A, C20B		02	C01A, C01B, C16Z, C20A, C20B
	10	K09A, K09B		10	K09A, K09B		10	K09A, K09B
5c740.a↔	21A	W04A, W04B	5c742.b↔	02	BOP, KVT, UOP4	5c74x.d↔	02	BOP, KVT, UOP4
	21B	X06A, X06B, X06C		02	C01A, C01B, C16Z, C20A, C20B		02	C01A, C01B, C16Z, C20A, C20B
		BOP, KVT, UOP4		10	K09A, K09B		10	K09A, K09B
	02	C01A, C01B, C16Z, C20A, C20B		02	BOP, KVT, UOP4		02	BOP, KVT, UOP4
5c740.b↔	10	K09A, K09B	5c742.c↔	02	C01A, C01B, C16Z, C20A, C20B	5c74x.e↔	02	C01A, C01B, C16Z, C20A, C20B
	21A	W04A, W04B		10	K09A, K09B		10	K09A, K09B
	21B	X06A, X06B, X06C		02	BOP, KVT, UOP4		02	BOP, KVT, UOP4
		BOP, KVT, UOP4		02	C01A, C01B, C16Z, C20A, C20B		02	C01A, C01B, C16Z, C20A, C20B
5c740.c↔	02	C01A, C01B, C16Z, C20A, C20B	5c742.d↔	10	K09A, K09B	5c74x.f↔	10	K09A, K09B
	10	K09A, K09B		02	BOP, KVT, UOP4		02	BOP, KVT, UOP4
	21A	W04A, W04B		02	C01A, C01B, C16Z, C20A, C20B		02	C01A, C01B, C16Z, C20A, C20B
	21B	X06A, X06B, X06C		10	K09A, K09B		10	K09A, K09B
	BOP, KVT, UOP4	02	BOP, KVT, UOP4	02	BOP, KVT, UOP4			
02	C01A, C01B, C16Z, C20A, C20B	10	K09A, K09B	02	C01A, C01B, C16Z, C20A, C20B	02	C01A, C01B, C16Z, C20A, C20B	
10	K09A, K09B	02	BOP, KVT, UOP4	10	K09A, K09B	10	K09A, K09B	
21A	W04A, W04B	02	C01A, C01B, C16Z, C20A, C20B	02	BOP, KVT, UOP4	02	BOP, KVT, UOP4	
21B	X06A, X06B, X06C	10	K09A, K09B	10	K09A, K09B	10	K09A, K09B	

VYK

ZZV	MDC	DRG	ZZV	MDC	DRG	ZZV	MDC	DRG
5c75x↔		BOP, KVT, UOP4	5c81x↔		BOP, KVT, UOP4	5c849↔		BOP, KVT, UOP4
	02	C01A, C01B, C16Z, C20A, C20B		02	C01A, C01B, C15Z, C16Z		02	C01A, C01B, C02A, C02B, C16Z
	21A	W04A, W04B		10	K09A, K09B		21A	W04A, W04B
	21B	X06A, X06B, X06C		21A	W04A, W04B		21B	X06A, X06B, X06C
5c760↔		BOP, KVT, UOP4	5c820↔		BOP, KVT, UOP4	5c84a↔		BOP, KVT, UOP4
	02	C01A, C01B, C16Z, C20A, C20B		02	C01A, C01B, C15Z, C16Z		02	C01A, C01B, C02A, C02B, C16Z
	21A	W04A, W04B		21A	W04A, W04B		21A	W04A, W04B
	21B	X06A, X06B, X06C		21B	X06A, X06B, X06C		21B	X06A, X06B, X06C
5c761↔		BOP, KVT, UOP4	5c821↔		BOP, KVT, UOP4	5c84b↔		BOP, KVT, UOP4
	02	C01A, C01B, C16Z, C20A, C20B		02	C01A, C01B, C15Z, C16Z		02	C01A, C01B, C02A, C02B, C16Z
	21A	W04A, W04B		21A	W04A, W04B		21A	W04A, W04B
	21B	X06A, X06B, X06C		21B	X06A, X06B, X06C		21B	X06A, X06B, X06C
5c762↔		BOP, KVT, UOP4	5c822↔		BOP, KVT, UOP4	5c84c↔		BOP, KVT, UOP4
	02	C01A, C01B, C16Z, C20A, C20B		02	C01A, C01B, C14Z, C16Z		02	C01A, C01B, C14Z, C16Z
	21A	W04A, W04B		10	K09A, K09B		02	BOP, KVT, UOP4
	21B	X06A, X06B, X06C		21A	W04A, W04B		02	C01A, C01B, C14Z, C16Z
5c763↔		BOP, KVT, UOP4	5c830↔		BOP, KVT, UOP4	5c84d↔		BOP, KVT, UOP4
	02	C01A, C01B, C08A, C08B, C16Z		02	C01A, C01B, C14Z, C16Z		02	C01A, C01B, C14Z, C16Z
	21A	W04A, W04B		21A	W04A, W04B		02	BOP, KVT, UOP4
	21B	X06A, X06B, X06C		21B	X06A, X06B, X06C		02	C01A, C01B, C14Z, C16Z
5c76x↔		BOP, KVT, UOP4	5c832↔		BOP, KVT, UOP4	5c84x↔		BOP, KVT, UOP4
	02	C01A, C01B, C16Z, C20A, C20B		02	C01A, C01B, C14Z, C16Z		02	C01A, C01B, C14Z, C16Z
	21A	W04A, W04B		21A	W04A, W04B		02	BOP, KVT, UOP4
	21B	X06A, X06B, X06C		21B	X06A, X06B, X06C		02	C01A, C01B, C15Z, C16Z
5c790↔		BOP, KVT, UOP4	5c833↔		BOP, KVT, UOP4	5c851↔		BOP, KVT, UOP4
	02	C01A, C01B, C16Z, C20A, C20B		02	C01A, C01B, C15Z, C16Z		02	C01A, C01B, C15Z, C16Z
	21A	W04A, W04B		21A	W04A, W04B		21A	W04A, W04B
	21B	X06A, X06B, X06C		21B	X06A, X06B, X06C		21B	X06A, X06B, X06C
5c79x↔		BOP, KVT, UOP4	5c834↔		BOP, KVT, UOP4	5c852↔		BOP, KVT, UOP4
	02	C01A, C01B, C16Z, C20A, C20B		02	C01A, C01B, C03A, C03C, C15Z, C16Z		02	C01A, C01B, C15Z, C16Z
	21A	W04A, W04B		02	W04A, W04B		21A	W04A, W04B
	21B	X06A, X06B, X06C		21A	W04A, W04B		21B	X06A, X06B, X06C
5c801↔		BOP, KVT, UOP4	5c83x↔		BOP, KVT, UOP4	5c853↔		BOP, KVT, UOP4
	02	C01A, C01B, C15Z, C16Z		02	C01A, C01B, C14Z, C16Z		02	C01A, C01B, C03A, C03B, C03C, C16Z
	21A	W04A, W04B		21A	W04A, W04B		21A	W04A, W04B
	21B	X06A, X06B, X06C		21B	X06A, X06B, X06C		21B	X06A, X06B, X06C
5c802↔		BOP, KVT, UOP4	5c840↔		BOP, KVT, UOP4	5c855↔		BOP, KVT, UOP4
	02	C01A, C01B, C15Z, C16Z		02	C01A, C01B, C14Z, C16Z		02	C01A, C01B, C02A, C02B, C15Z, C16Z
	21A	W04A, W04B		02	BOP, KVT, UOP4		21A	W04A, W04B
	21B	X06A, X06B, X06C		02	C01A, C01B, C14Z, C16Z		21B	X06A, X06B, X06C
5c80x↔		BOP, KVT, UOP4	5c842↔		BOP, KVT, UOP4	5c856↔		BOP, KVT, UOP4
	02	C01A, C01B, C15Z, C16Z		02	C01A, C01B, C14Z, C16Z		02	C01A, C01B, C14Z, C16Z
	21A	W04A, W04B		02	BOP, KVT, UOP4		10	K09A, K09B
	21B	X06A, X06B, X06C		02	C01A, C01B, C14Z, C16Z		21A	W04A, W04B
5c810↔		BOP, KVT, UOP4	5c843↔		BOP, KVT, UOP4	5c857↔		BOP, KVT, UOP4
	02	C01A, C01B, C15Z, C16Z		02	C01A, C01B, C14Z, C16Z		02	C01A, C01B, C02A, C02B, C15Z, C16Z
	10	K09A, K09B		02	BOP, KVT, UOP4		21A	W04A, W04B
	21A	W04A, W04B		02	C01A, C01B, C14Z, C16Z		21B	X06A, X06B, X06C
	21B	X06A, X06B, X06C		02	BOP, KVT, UOP4		02	C02A, C02B, C16Z
5c811↔		BOP, KVT, UOP4	5c844↔		BOP, KVT, UOP4	5c858†↔		BOP, KVT, UOP4
	02	C01A, C01B, C15Z, C16Z		02	C01A, C01B, C14Z, C16Z		5c859↔	BOP, KVT, UOP4
	10	K09A, K09B		02	BOP, KVT, UOP4		02	C01A, C01B, C14Z, C16Z
	21A	W04A, W04B		02	C01A, C01B, C14Z, C16Z		21A	W04A, W04B
	21B	X06A, X06B, X06C		02	C01A, C01B, C02A, C02B, C16Z		21B	X06A, X06B, X06C
5c812↔		BOP, KVT, UOP4	5c845↔		BOP, KVT, UOP4	5c860↔		BOP, KVT, UOP4
	02	C01A, C01B, C03A, C03C, C15Z, C16Z		02	C01A, C01B, C14Z, C16Z		02	C01A, C01B, C15Z, C16Z
	10	K09A, K09B		02	BOP, KVT, UOP4		21A	W04A, W04B
	21A	W04A, W04B		02	C01A, C01B, C02A, C02B, C16Z		21A	W04A, W04B
	21B	X06A, X06B, X06C		21A	W04A, W04B		21B	X06A, X06B, X06C
	21B	X06A, X06B, X06C		21B	X06A, X06B, X06C		02	BOP, KVT, UOP4
	21B	X06A, X06B, X06C		21B	X06A, X06B, X06C		02	C01A, C01B, C15Z, C16Z
	21B	X06A, X06B, X06C		21B	X06A, X06B, X06C		21A	W04A, W04B
	21B	X06A, X06B, X06C		21B	X06A, X06B, X06C		21B	X06A, X06B, X06C

ZZV	MDC	DRG	ZZV	MDC	DRG	ZZV	MDC	DRG
5c874.0↔		BOP, KVT, UOP4	5c87x.3↔		BOP, KVT, UOP4	5c882.6↔		BOP, KVT, UOP4
	02	C01A, C01B, C03A, C03B, C03C, C16Z		02	C01A, C01B, C03A, C03B, C03C, C03D, C16Z		02	C01A, C01B, C15Z, C16Z
	10	K09A, K09B		10	K09A, K09B		21A	W04A, W04B
	21A	W04A, W04B		21A	W04A, W04B	5c882.x↔	21B	X06A, X06B, X06C
	21B	X06A, X06B, X06C		21B	X06A, X06B, X06C			BOP, KVT, UOP4
5c874.1↔		BOP, KVT, UOP4	5c87x.4↔		BOP, KVT, UOP4		02	C01A, C01B, C15Z, C16Z
	02	C01A, C01B, C03A, C03B, C03C, C16Z		10	K09A, K09B		21A	W04A, W04B
	10	K09A, K09B		21A	W04A, W04B	5c883↔	21B	X06A, X06B, X06C
	21A	W04A, W04B		21B	X06A, X06B, X06C			BOP, KVT, UOP4
	21B	X06A, X06B, X06C	5c87x.5↔		BOP, KVT, UOP4		02	C01A, C01B, C15Z, C16Z
5c874.2↔		BOP, KVT, UOP4		02	C01A, C01B, C03A, C03B, C03C, C03D, C16Z		21A	W04A, W04B
	02	C01A, C01B, C03A, C03B, C03C, C16Z		10	K09A, K09B	5c88x↔	21B	X06A, X06B, X06C
	10	K09A, K09B		21A	W04A, W04B			BOP, KVT, UOP4
	21A	W04A, W04B	5c87x.6↔		BOP, KVT, UOP4		02	C01A, C01B, C15Z, C16Z
	21B	X06A, X06B, X06C		02	C01A, C01B, C03A, C03B, C03C, C03D, C16Z		21A	W04A, W04B
5c874.3↔		BOP, KVT, UOP4		10	K09A, K09B	5c900↔	21B	X06A, X06B, X06C
	02	C01A, C01B, C03A, C03B, C03C, C16Z		21A	W04A, W04B			BOP, KOP, KOPV, KVT, UOP4
	10	K09A, K09B	5c87x.x↔		BOP, KVT, UOP4		01	B02A, B02B, B02C, B02D, B20A, B20B, B20C, B20D, B20E, B20F, B39A, B39B
	21A	W04A, W04B		02	C01A, C01B, C03A, C03B, C03C, C03D, C16Z		02	C01A, C01B, C02A, C02B, C16Z
	21B	X06A, X06B, X06C		10	K09A, K09B		06	G33Z
5c874.4↔		BOP, KVT, UOP4		21A	W04A, W04B		07	H33Z, H38Z
	02	C01A, C01B, C03A, C03B, C03C, C16Z		21B	X06A, X06B, X06C		08	I17Z
	10	K09A, K09B	5c880.0↔		BOP, KVT, UOP4		10	K09A, K09B
	21A	W04A, W04B		02	C01A, C01B, C15Z, C16Z		11	L33Z
	21B	X06A, X06B, X06C		21A	W04A, W04B		21A	W04A, W04B
5c874.5↔		BOP, KVT, UOP4		21B	X06A, X06B, X06C		21B	X06A, X06B, X06C
	02	C01A, C01B, C03A, C03B, C03C, C16Z	5c880.5↔		BOP, KVT, UOP4		23	Z01A
	10	K09A, K09B		02	C01A, C01B, C15Z, C16Z	5c901↔	Pre	A07A
	21A	W04A, W04B		21A	W04A, W04B			BOP, KOP, KOPV, KVT, UOP4
	21B	X06A, X06B, X06C	5c880.6↔		BOP, KVT, UOP4		01	B02A, B02B, B02C, B02D, B20A, B20B, B20C, B20D, B20E, B20F, B39A, B39B
5c874.6↔		BOP, KVT, UOP4		02	C01A, C01B, C15Z, C16Z		02	C01A, C01B, C02A, C02B, C16Z
	02	C01A, C01B, C03A, C03B, C03C, C16Z	5c880.x↔		BOP, KVT, UOP4		06	G33Z
	10	K09A, K09B		02	C01A, C01B, C15Z, C16Z		07	H33Z, H38Z
	21A	W04A, W04B	5c881.0↔		BOP, KVT, UOP4		08	I17Z
	21B	X06A, X06B, X06C		02	C01A, C01B, C15Z, C16Z		10	K09A, K09B
5c874.x↔		BOP, KVT, UOP4		21A	W04A, W04B		11	L33Z
	02	C01A, C01B, C03A, C03B, C03C, C16Z	5c881.5↔		BOP, KVT, UOP4		21A	W04A, W04B
	10	K09A, K09B		02	C01A, C01B, C15Z, C16Z		21B	X06A, X06B, X06C
	21A	W04A, W04B	5c881.6↔		BOP, KVT, UOP4		23	Z01A
	21B	X06A, X06B, X06C		02	C01A, C01B, C15Z, C16Z	5c902↔	Pre	A07A
5c87x.0↔		BOP, KVT, UOP4		21A	W04A, W04B			BOP, KOP, KOPV, KVT, UOP4
	02	C01A, C01B, C03A, C03B, C03C, C03D, C16Z		21B	X06A, X06B, X06C		01	B02A, B02B, B02C, B02D, B20A, B20B, B20C, B20D, B20E, B20F, B39A, B39B
	10	K09A, K09B	5c881.x↔		BOP, KVT, UOP4		02	C01A, C01B, C02A, C02B, C16Z
	21A	W04A, W04B		02	C01A, C01B, C15Z, C16Z		06	G33Z
	21B	X06A, X06B, X06C		21A	W04A, W04B		07	H33Z, H38Z
5c87x.1↔		BOP, KVT, UOP4		21B	X06A, X06B, X06C		08	I17Z
	02	C01A, C01B, C03A, C03B, C03C, C03D, C16Z	5c881.5↔		BOP, KVT, UOP4		10	K09A, K09B
	10	K09A, K09B		02	C01A, C01B, C15Z, C16Z		11	L33Z
	21A	W04A, W04B	5c882.0↔		BOP, KVT, UOP4		21A	W04A, W04B
	21B	X06A, X06B, X06C		21A	W04A, W04B		21B	X06A, X06B, X06C
5c87x.2↔		BOP, KVT, UOP4		21B	X06A, X06B, X06C		23	Z01A
	02	C01A, C01B, C03A, C03B, C03C, C03D, C16Z	5c882.5↔		BOP, KVT, UOP4		Pre	A07A
	10	K09A, K09B		02	C01A, C01B, C15Z, C16Z			
	21A	W04A, W04B		21A	W04A, W04B			
	21B	X06A, X06B, X06C		21B	X06A, X06B, X06C			

ZZV	MDC	DRG	ZZV	MDC	DRG	ZZV	MDC	DRG		
5c903↔		BOP, KOP, KOPV, KVT, UOP4	5c920↔		BOP, KVT, UOP4	5c922.3↔		BOP, KVT, UOP4		
	01	B02A, B02B, B02C, B02D, B20A, B20B, B20C, B20D, B20E, B20F, B39A, B39B		02	C01A, C01B, C02A, C02B, C16Z		02	C01A, C01B, C02A, C02B, C16Z		
				21A	W04A, W04B		21A	W04A, W04B		
				21B	X06A, X06B, X06C		21B	X06A, X06B, X06C		
				22	Y01Z, Y03A, Y03B		22	Y01Z, Y03A, Y03B		
			5c921.0↔		BOP, KVT, UOP4	5c922.4↔		BOP, KVT, UOP4		
	02	C01A, C01B, C02A, C02B, C16Z		02	C01A, C01B, C02A, C02B, C03A, C03B, C03C, C16Z		02	C01A, C01B, C02A, C02B, C16Z		
	06	G33Z		21A	W04A, W04B		21A	W04A, W04B		
	07	H33Z, H38Z		21B	X06A, X06B, X06C		21B	X06A, X06B, X06C		
	08	I17Z		22	Y01Z, Y03A, Y03B		22	Y01Z, Y03A, Y03B		
	10	K09A, K09B	5c921.1↔		BOP, KVT, UOP4	5c922.x↔		BOP, KVT, UOP4		
	11	L33Z		02	C01A, C01B, C02A, C02B, C03A, C03B, C03C, C16Z		02	C01A, C01B, C02A, C02B, C16Z		
	21A	W04A, W04B		21A	W04A, W04B		21A	W04A, W04B		
	21B	X06A, X06B, X06C		21B	X06A, X06B, X06C		21B	X06A, X06B, X06C		
23	Z01A		22	Y01Z, Y03A, Y03B		22	Y01Z, Y03A, Y03B			
Pre	A07A	5c904↔		BOP, KVT, UOP4	5c92x↔		BOP, KVT, UOP4			
				02		C01A, C01B, C02A, C02B, C03A, C03B, C03C, C16Z		02	C01A, C01B, C02A, C02B, C16Z	
				21A		W04A, W04B		21A	W04A, W04B	
				21B		X06A, X06B, X06C		21B	X06A, X06B, X06C	
				22		Y01Z, Y03A, Y03B		22	Y01Z, Y03A, Y03B	
			5c921.2↔			BOP, KVT, UOP4	5c930↔		BOP, KVT, UOP4	
01	B02A, B02B, B02C, B02D, B20A, B20B, B20C, B20D, B20E, B20F, B39A, B39B			02		C01A, C01B, C02A, C02B, C03A, C03B, C03C, C16Z		02	C01A, C01B, C02A, C02B, C16Z	
				21A		W04A, W04B		09	J08A	
				21B		X06A, X06B, X06C		21A	W04A, W04B	
				22		Y01Z, Y03A, Y03B		21B	X06A, X06B, X06C	
			5c921.3↔			BOP, KVT, UOP4	5c931↔		BOP, KVT, UOP4	
02	C01A, C01B, C02A, C02B, C16Z			02		C01A, C01B, C02A, C02B, C03A, C03B, C03C, C16Z		02	C01A, C01B, C02A, C02B, C16Z	
06	G33Z			21A		W04A, W04B		09	J08A	
07	H33Z, H38Z			21B		X06A, X06B, X06C		10	K09A, K09B	
08	I17Z		22	Y01Z, Y03A, Y03B		21A	W04A, W04B			
10	K09A, K09B	5c921.4↔		BOP, KVT, UOP4	5c932↔		BOP, KVT, UOP4			
11	L33Z		02	C01A, C01B, C02A, C02B, C03A, C03B, C03C, C16Z		02	C01A, C01B, C02A, C02B, C16Z			
21A	W04A, W04B		21A	W04A, W04B		09	J08A			
21B	X06A, X06B, X06C		21B	X06A, X06B, X06C		21A	W04A, W04B			
23	Z01A		22	Y01Z, Y03A, Y03B		21B	X06A, X06B, X06C			
Pre	A07A	5c90x↔		BOP, KVT, UOP4	5c933.0↔		BOP, KOP, KOPV, KVT, UOP4			
				02		C01A, C01B, C02A, C02B, C03A, C03B, C03C, C16Z		01	B02A, B02B, B02C, B02D, B20A, B20B, B20C, B20D, B20E, B20F, B39A, B39B	
				21A		W04A, W04B		02	C01A, C01B, C02A, C02B, C16Z	
				21B		X06A, X06B, X06C		03	D18Z, D28Z, D29Z	
				22		Y01Z, Y03A, Y03B		06	G33Z	
			5c921.5↔			BOP, KVT, UOP4	5c932↔		07	H33Z, H38Z
01	B02A, B02B, B02C, B02D, B20A, B20B, B20C, B20D, B20E, B20F, B39A, B39B			02		C01A, C01B, C02A, C02B, C16Z		02	C01A, C01B, C02A, C02B, C16Z	
				21A		W04A, W04B		08	I17Z	
				21B		X06A, X06B, X06C		09	J08A, J08B	
				22		Y01Z, Y03A, Y03B		11	L33Z	
			5c921.x↔			BOP, KVT, UOP4	5c933.0↔		21A	W04A, W04B
02	C01A, C01B, C02A, C02B, C16Z			02		C01A, C01B, C02A, C02B, C16Z		21B	X06A, X06B, X06C	
06	G33Z			21A		W04A, W04B		22	Y01Z, Y03A, Y03B	
07	H33Z, H38Z			21B		X06A, X06B, X06C		Pre	A07A	
08	I17Z		22	Y01Z, Y03A, Y03B						
10	K09A, K09B	5c910↔		BOP, KVT, UOP4						
11	L33Z			02	C01A, C01B, C02A, C02B, C16Z					
21A	W04A, W04B			21A	W04A, W04B					
21B	X06A, X06B, X06C			21B	X06A, X06B, X06C					
23	Z01A			22	Y01Z, Y03A, Y03B					
Pre	A07A		5c911↔		BOP, KVT, UOP4					
					02	C01A, C01B, C02A, C02B, C16Z				
				21A	W04A, W04B					
				21B	X06A, X06B, X06C					
				22	Y01Z, Y03A, Y03B					
			5c91x↔		BOP, KVT, UOP4					
02	C01A, C01B, C02A, C02B, C16Z				02	C01A, C01B, C02A, C02B, C16Z				
21A	W04A, W04B			21A	W04A, W04B					
21B	X06A, X06B, X06C			21B	X06A, X06B, X06C					
22	Y01Z, Y03A, Y03B		22	Y01Z, Y03A, Y03B						
		5c922.0↔		BOP, KVT, UOP4						
			02	C01A, C01B, C02A, C02B, C16Z						
			21A	W04A, W04B						
			21B	X06A, X06B, X06C						
			22	Y01Z, Y03A, Y03B						
		5c922.1↔		BOP, KVT, UOP4						
			02	C01A, C01B, C02A, C02B, C16Z						
			21A	W04A, W04B						
			21B	X06A, X06B, X06C						
			22	Y01Z, Y03A, Y03B						
		5c922.2↔		BOP, KVT, UOP4						
			02	C01A, C01B, C02A, C02B, C16Z						
			21A	W04A, W04B						
			21B	X06A, X06B, X06C						
			22	Y01Z, Y03A, Y03B						



ZZV	MDC	DRG	ZZV	MDC	DRG	ZZV	MDC	DRG			
5c933.1↔		BOP, KOP, KOPV, KVT, UOP4	5c933.x↔		BOP, KOP, KOPV, KVT, UOP4	5c934.2↔		BOP, KOP, KOPV, KVT, UOP4			
	01	B02A, B02B, B02C, B02D, B20A, B20B, B20C, B20D, B20E, B20F, B39A, B39B		01	B02A, B02B, B02C, B02D, B20A, B20B, B20C, B20D, B20E, B20F, B39A, B39B		01	B02A, B02B, B02C, B02D, B20A, B20B, B20C, B20D, B20E, B20F, B39A, B39B			
	02	C01A, C01B, C02A, C02B, C16Z		02	C01A, C01B, C02A, C02B, C16Z		02	C01A, C01B, C02A, C02B, C16Z			
	03	D18Z, D28Z, D29Z		03	D18Z, D28Z, D29Z		03	D18Z, D25A, D25B, D25C, D25D			
	06	G33Z		06	G33Z		06	G33Z			
	07	H33Z, H38Z		07	H33Z, H38Z		07	H33Z, H38Z			
	08	I17Z		08	I17Z		08	I17Z			
	09	J08A, J08B		09	J08A, J08B		09	J08A, J08B			
	11	L33Z		11	L33Z		11	L33Z			
	21A	W04A, W04B		21A	W04A, W04B		21A	W04A, W04B			
	21B	X06A, X06B, X06C		21B	X06A, X06B, X06C		21B	X06A, X06B, X06C			
	22	Y01Z, Y03A, Y03B		22	Y01Z, Y03A, Y03B		22	Y01Z, Y03A, Y03B			
	23	Z01A		23	Z01A		23	Z01A			
	Pre	A07A		Pre	A07A		Pre	A07A			
	5c933.2↔			BOP, KOP, KOPV, KVT, UOP4	5c934.0↔			BOP, KOP, KOPV, KVT, UOP4	5c934.3↔		BOP, KOP, KOPV, KVT, UOP4
		01		B02A, B02B, B02C, B02D, B20A, B20B, B20C, B20D, B20E, B20F, B39A, B39B			01	B02A, B02B, B02C, B02D, B20A, B20B, B20C, B20D, B20E, B20F, B39A, B39B		01	B02A, B02B, B02C, B02D, B20A, B20B, B20C, B20D, B20E, B20F, B39A, B39B
02		C01A, C01B, C02A, C02B, C16Z	02	C01A, C01B, C02A, C02B, C16Z		02	C01A, C01B, C02A, C02B, C16Z				
03		D18Z, D28Z, D29Z	03	D18Z, D25A, D25B, D25C, D25D		03	D18Z, D25A, D25B, D25C, D25D				
06		G33Z	06	G33Z		06	G33Z				
07		H33Z, H38Z	07	H33Z, H38Z		07	H33Z, H38Z				
08		I17Z	08	I17Z		08	I17Z				
09		J08A, J08B	09	J08A, J08B		09	J08A, J08B				
11		L33Z	11	L33Z		11	L33Z				
21A		W04A, W04B	21A	W04A, W04B		21A	W04A, W04B				
21B		X06A, X06B, X06C	21B	X06A, X06B, X06C		21B	X06A, X06B, X06C				
22		Y01Z, Y03A, Y03B	22	Y01Z, Y03A, Y03B		22	Y01Z, Y03A, Y03B				
23		Z01A	23	Z01A		23	Z01A				
Pre		A07A	Pre	A07A		Pre	A07A				
5c933.3↔			BOP, KOP, KOPV, KVT, UOP4	5c934.1↔			BOP, KOP, KOPV, KVT, UOP4	5c934.x↔			BOP, KOP, KOPV, KVT, UOP4
		01	B02A, B02B, B02C, B02D, B20A, B20B, B20C, B20D, B20E, B20F, B39A, B39B			01	B02A, B02B, B02C, B02D, B20A, B20B, B20C, B20D, B20E, B20F, B39A, B39B			01	B02A, B02B, B02C, B02D, B20A, B20B, B20C, B20D, B20E, B20F, B39A, B39B
	02	C01A, C01B, C02A, C02B, C16Z	02		C01A, C01B, C02A, C02B, C16Z	02	C01A, C01B, C02A, C02B, C16Z				
	03	D18Z, D28Z, D29Z	03		D18Z, D25A, D25B, D25C, D25D	03	D18Z, D25A, D25B, D25C, D25D				
	06	G33Z	06		G33Z	06	G33Z				
	07	H33Z, H38Z	07		H33Z, H38Z	07	H33Z, H38Z				
	08	I17Z	08		I17Z	08	I17Z				
	09	J08A, J08B	09		J08A, J08B	09	J08A, J08B				
	11	L33Z	11		L33Z	11	L33Z				
	21A	W04A, W04B	21A		W04A, W04B	21A	W04A, W04B				
	21B	X06A, X06B, X06C	21B		X06A, X06B, X06C	21B	X06A, X06B, X06C				
	22	Y01Z, Y03A, Y03B	22		Y01Z, Y03A, Y03B	22	Y01Z, Y03A, Y03B				
	23	Z01A	23		Z01A	23	Z01A				
	Pre	A07A	Pre		A07A	Pre	A07A				
						5c93x↔				BOP, KVT, UOP4	
							02		C01A, C01B, C02A, C02B, C16Z		
					09	J08A					
					10	K09A, K09B					
					21A	W04A, W04B					
					21B	X06A, X06B, X06C					
					22	Y01Z, Y03A, Y03B					



ZZV	MDC	DRG	ZZV	MDC	DRG	ZZV	MDC	DRG
5c941.00↔		BOP, KVT, UOP4	5c953.2↔		BOP, KVT, UOP4	5c970.2↔		BOP, KVT, UOP4
	02	C01A, C01B, C02A, C02B, C16Z		02	C01A, C01B, C02A, C02B, C16Z		02	C01A, C01B, C02A, C02B, C16Z
	21A	W04A, W04B		03	D12A, D12B		03	D12A
	21B	X06A, X06B, X06C		08	I17Z		08	I17Z
	22	Y01Z, Y03A, Y03B		21A	W04A, W04B		21A	W04A, W04B
5c941.01↔		BOP, KVT, UOP4		21B	X06A, X06B, X06C		21B	X06A, X06B, X06C
	02	C01A, C01B, C02A, C02B, C16Z		22	Y01Z, Y03A, Y03B		22	Y01Z, Y03A, Y03B
	21A	W04A, W04B	5c953.3↔		BOP, KVT, UOP4	5c970.3↔		BOP, KVT, UOP4
	21B	X06A, X06B, X06C		02	C01A, C01B, C02A, C02B, C16Z		02	C01A, C01B, C02A, C02B, C16Z
	22	Y01Z, Y03A, Y03B		21A	W04A, W04B		03	D12A
5c941.02↔		BOP, KVT, UOP4		21B	X06A, X06B, X06C		08	I17Z
	02	C01A, C01B, C02A, C02B, C16Z		22	Y01Z, Y03A, Y03B		21A	W04A, W04B
	03	D12A, D12B	5c953.4↔		BOP, KVT, UOP4		21B	X06A, X06B, X06C
	08	I17Z		02	C01A, C01B, C02A, C02B, C16Z		22	Y01Z, Y03A, Y03B
	21A	W04A, W04B		21A	W04A, W04B	5c970.4↔		BOP, KVT, UOP4
	21B	X06A, X06B, X06C		21B	X06A, X06B, X06C		02	C01A, C01B, C02A, C02B, C16Z
	22	Y01Z, Y03A, Y03B		22	Y01Z, Y03A, Y03B		03	D12A
5c941.03↔		BOP, KVT, UOP4	5c953.x↔		BOP, KVT, UOP4		08	I17Z
	02	C01A, C01B, C02A, C02B, C16Z		02	C01A, C01B, C02A, C02B, C16Z		21A	W04A, W04B
	21A	W04A, W04B		21A	W04A, W04B		21B	X06A, X06B, X06C
	21B	X06A, X06B, X06C		21B	X06A, X06B, X06C	5c970.x↔		BOP, KVT, UOP4
	22	Y01Z, Y03A, Y03B		22	Y01Z, Y03A, Y03B		02	C01A, C01B, C02A, C02B, C16Z
5c941.04↔		BOP, KVT, UOP4	5c962↔		BOP, KVT, UOP4		03	D12A
	02	C01A, C01B, C02A, C02B, C16Z		02	C01A, C01B, C02A, C02B, C16Z		08	I17Z
	21A	W04A, W04B		03	D12A, D12B		21A	W04A, W04B
	21B	X06A, X06B, X06C		08	I17Z		21B	X06A, X06B, X06C
	22	Y01Z, Y03A, Y03B		21A	W04A, W04B		22	Y01Z, Y03A, Y03B
5c941.0x↔		BOP, KVT, UOP4		21B	X06A, X06B, X06C	5c971↔		BOP, KVT, UOP4
	02	C01A, C01B, C02A, C02B, C16Z		22	Y01Z, Y03A, Y03B		02	C01A, C01B, C02A, C02B, C16Z
	21A	W04A, W04B	5c964↔		BOP, KVT, UOP4		08	I17Z
	21B	X06A, X06B, X06C		02	C01A, C01B, C02A, C02B, C16Z		21A	W04A, W04B
	22	Y01Z, Y03A, Y03B		21A	W04A, W04B		21B	X06A, X06B, X06C
5c941.10↔		BOP, KVT, UOP4		21B	X06A, X06B, X06C		22	Y01Z, Y03A, Y03B
	02	C01A, C01B, C02A, C02B, C16Z	5c96x↔		BOP, KVT, UOP4	5c972↔		BOP, KVT, UOP4
	21A	W04A, W04B		02	C01A, C01B, C02A, C02B, C16Z		02	C01A, C01B, C02A, C02B, C16Z
	21B	X06A, X06B, X06C		21A	W04A, W04B		08	I17Z
	22	Y01Z, Y03A, Y03B		21B	X06A, X06B, X06C		21A	W04A, W04B
5c941.11↔		BOP, KVT, UOP4		22	Y01Z, Y03A, Y03B		21B	X06A, X06B, X06C
	02	C01A, C01B, C02A, C02B, C16Z	5c970.0↔		BOP, KVT, UOP4		22	Y01Z, Y03A, Y03B
	21A	W04A, W04B		02	C01A, C01B, C02A, C02B, C16Z	5c973↔		BOP, KOP, KOPV, KVT, UOP4
	21B	X06A, X06B, X06C		03	D12A		01	B02A, B02B, B02C, B02D, B20A, B20B, B20C, B20D, B20E, B20F, B39A, B39B
	22	Y01Z, Y03A, Y03B		08	I17Z		02	C01A, C01B, C02A, C02B, C16Z
5c941.1x↔		BOP, KVT, UOP4		21A	W04A, W04B		03	D12A
	02	C01A, C01B, C02A, C02B, C16Z		21B	X06A, X06B, X06C		06	G33Z
	21A	W04A, W04B		22	Y01Z, Y03A, Y03B		07	H33Z, H38Z
	21B	X06A, X06B, X06C	5c970.1↔		BOP, KVT, UOP4		08	I17Z
	22	Y01Z, Y03A, Y03B		02	C01A, C01B, C02A, C02B, C16Z		10	K09A, K09B
5c953.0↔		BOP, KVT, UOP4		03	D12A		11	L33Z
	02	C01A, C01B, C02A, C02B, C16Z		08	I17Z		21A	W04A, W04B
	21A	W04A, W04B		21A	W04A, W04B		21B	X06A, X06B, X06C
	21B	X06A, X06B, X06C		21B	X06A, X06B, X06C		22	Y01Z, Y03A, Y03B
	22	Y01Z, Y03A, Y03B		22	Y01Z, Y03A, Y03B		23	Z01A
5c953.1↔		BOP, KVT, UOP4					Pre	A07A
	02	C01A, C01B, C02A, C02B, C16Z						
	21A	W04A, W04B						
	21B	X06A, X06B, X06C						
	22	Y01Z, Y03A, Y03B						

VYK

ZZV	MDC	DRG	ZZV	MDC	DRG	ZZV	MDC	DRG		
5c97x↔		BOP, KVT, UOP4	5c983↔		BOP, KOP, KOPV, KVT, UOP4	5c990.1↔	01	B03A, B03B, B06A, B06B, B07Z, B17A, B17B, B17C		
	02	C01A, C01B, C02A, C02B, C16Z		01	B02A, B02B, B02C, B02D, B20A, B20B, B20C, B20D, B20E, B20F, B39A, B39B		03	D12A, D12B		
	08	I17Z		02	C01A, C01B, C02A, C02B, C16Z		08	I28A, I28B		
	10	K09A, K09B		03	D12A		21A	W04A, W04B		
	21A	W04A, W04B		06	G33Z		21B	X06A, X06B, X06C		
	21B	X06A, X06B, X06C		07	H33Z, H38Z		5c990.2↔	BOP, KVT, UOP4		
	22	Y01Z, Y03A, Y03B		08	I17Z			01	B03A, B03B, B06A, B06B, B07Z, B17A, B17B, B17C	
	5c980↔			BOP, KOP, KOPV, KVT, UOP4	11			L33Z	03	D12A, D12B
		01		B02A, B02B, B02C, B02D, B20A, B20B, B20C, B20D, B20E, B20F, B39A, B39B	21A			W04A, W04B	08	I28A, I28B
		02		C01A, C01B, C02A, C02B, C16Z	21B			X06A, X06B, X06C	21A	W04A, W04B
03		D12A	22	Y01Z, Y03A, Y03B	21B	X06A, X06B, X06C				
06		G33Z	23	Z01A	5c991.0↔	BOP, KOP, KOPV, KVT, UOP4				
07		H33Z, H38Z	Pre	A07A		01		B02A, B02B, B02C, B02D, B20A, B20B, B20C, B20D, B20E, B20F, B39A, B39B		
08		I17Z	5c984↔			BOP, KOP, KOPV, KVT, UOP4		02	C01A, C01B, C02A, C02B, C16Z	
11		L33Z		01		B02A, B02B, B02C, B02D, B20A, B20B, B20C, B20D, B20E, B20F, B39A, B39B		06	G33Z	
21A		W04A, W04B		02		C01A, C01B, C02A, C02B, C16Z	07	H33Z, H38Z		
21B		X06A, X06B, X06C		03		D12A	10	K09A, K09B		
22	Y01Z, Y03A, Y03B	06		G33Z		11	L33Z			
23	Z01A	07		H33Z, H38Z		21A	W04A, W04B			
Pre	A07A	08		I02A, I02B, I02C, I02D, I22A, I50Z		21B	X06A, X06B, X06C			
5c981↔		BOP, KOP, KOPV, KVT, UOP4		11		L33Z	23	Z01A		
	01	B02A, B02B, B02C, B02D, B20A, B20B, B20C, B20D, B20E, B20F, B39A, B39B		21A	W04A, W04B	Pre	A07A			
	02	C01A, C01B, C02A, C02B, C16Z		21B	X01A, X01B, X01C	5c991.1↔	BOP, KOP, KOPV, KVT, UOP4			
	03	D12A	22	Y01Z, Y03A, Y03B	01		B02A, B02B, B02C, B02D, B20A, B20B, B20C, B20D, B20E, B20F, B39A, B39B			
	06	G33Z	23	Z01A	02		C01A, C01B, C02A, C02B, C16Z			
	07	H33Z, H38Z	Pre	A07A	06		G33Z			
	08	I17Z	5c98x↔		BOP, KOP, KOPV, KVT, UOP4		07	H33Z, H38Z		
	11	L33Z		01	B02A, B02B, B02C, B02D, B20A, B20B, B20C, B20D, B20E, B20F, B39A, B39B		10	K09A, K09B		
	21A	W04A, W04B		02	C01A, C01B, C02A, C02B, C16Z		11	L33Z		
	21B	X06A, X06B, X06C		03	D12A		21A	W04A, W04B		
22	Y01Z, Y03A, Y03B	06		G33Z	21B		X06A, X06B, X06C			
23	Z01A	07		H33Z, H38Z	23		Z01A			
Pre	A07A	08		I17Z	Pre	A07A				
5c982↔		BOP, KOP, KOPV, KVT, UOP4		11	L33Z	5c991.2↔	BOP, KOP, KOPV, KVT, UOP4			
	01	B02A, B02B, B02C, B02D, B20A, B20B, B20C, B20D, B20E, B20F, B39A, B39B		21A	W04A, W04B		01	B02A, B02B, B02C, B02D, B20A, B20B, B20C, B20D, B20E, B20F, B39A, B39B		
	02	C01A, C01B, C02A, C02B, C16Z		21B	X06A, X06B, X06C		02	C01A, C01B, C02A, C02B, C16Z		
	03	D12A	22	Y01Z, Y03A, Y03B	06		G33Z			
	06	G33Z	23	Z01A	07		H33Z, H38Z			
	07	H33Z, H38Z	Pre	A07A	10		K09A, K09B			
	08	I17Z	5c990.0↔		BOP, KOP, KOPV, KVT, UOP4		11	L33Z		
	11	L33Z		01	B02A, B02B, B02C, B02D, B20A, B20B, B20C, B20D, B20E, B20F, B39A, B39B		21A	W04A, W04B		
	21A	W04A, W04B		06	G33Z		21B	X06A, X06B, X06C		
	21B	X06A, X06B, X06C		07	H33Z, H38Z		23	Z01A		
22	Y01Z, Y03A, Y03B	11		L33Z	Pre	A07A				
23	Z01A	17		R01A, R01B, R01C, R01D, R02Z, R12A, R12B, R12C						
Pre	A07A	21A		W01A, W01B, W01C, W36Z						
		21B		X06A, X06B, X06C						
		23		Z01A						
		Pre		A07A						



ZZV	MDC	DRG	ZZV	MDC	DRG	ZZV	MDC	DRG	
5c991.x↔		BOP, KOP, KOPV, KVT, UOP4	5d002.2↔	03	D09Z, D30A	5d004.23↔		BOP, KVT, UOP4	
	01	B02A, B02B, B02C, B02D, B20A, B20B, B20C, B20D, B20E, B20F, B39A, B39B		09	J03A, J03B, J04A, J04B, J08A, J08B, J08C, J11A, J11B, J11C, J16Z		03	D03Z, D09Z, D30A	
				21B	X06A, X06B, X06C		09	J03A, J03B, J04A, J04B, J08A, J08B, J08C, J10A, J10B, J16Z	
				22	Y01Z, Y03A, Y03B		21A	W04A, W04B	
			5d002.3↔	03	D09Z, D30A		21B	X06A, X06B, X06C	
	06	G33Z		09	J03A, J03B, J04A, J04B, J08A, J08B, J08C, J10A, J10B, J16Z		22	Y01Z, Y03A, Y03B	
						5d004.2x↔		BOP, KVT, UOP4	
	07	H33Z, H38Z	5d002.4↔	03	D09Z, D30A		03	D03Z, D09Z, D30A	
	10	K09A, K09B		09	J03A, J03B, J04A, J04B, J08A, J08B, J08C, J11A, J11B, J11C, J16Z	09	J03A, J03B, J04A, J04B, J08A, J08B, J08C, J10A, J10B, J16Z		
							21A	W04A, W04B	
							21B	X06A, X06B, X06C	
							22	Y01Z, Y03A, Y03B	
				21B	X06A, X06B, X06C	5d005.1↔		BOP, KVT, UOP4	
				22	Y01Z, Y03A, Y03B		03	D09Z, D30A	
	5c992↔		BOP, KVT, UOP4	5d003.1↔	01	B03A, B03B, B06A, B06B, B07Z, B17A, B17B, B17C		09	J03A, J03B, J04A, J04B, J08A, J08B, J08C, J10A, J10B, J16Z
		02	C01A, C01B, C16Z, C20A, C20B		03	D12A, D12B		21A	W04A, W04B
		10	K09A, K09B		05	F21A, F21B, F21C		21B	X06A, X06B, X06C
21A		W04A, W04B	08		I27A, I27B, I27C, I27D		22	Y01Z, Y03A, Y03B	
					5d005.x↔		BOP, KVT, UOP4		
21B	X06A, X06B, X06C	09	J03A, J03B, J04A, J04B, J08A, J08B, J08C, J16Z, J21Z, J22A, J22B	03		D09Z, D30A			
						09	J03A, J03B, J04A, J04B, J08A, J08B, J08C, J10A, J10B, J16Z		
5c993↔		BOP, KVT, UOP4					21A	W04A, W04B	
	02	C01A, C01B, C15Z, C16Z					21B	X06A, X06B, X06C	
	21A	W04A, W04B					22	Y01Z, Y03A, Y03B	
	21B	X06A, X06B, X06C						BOP, KVT, UOP4	
5c994↔		BOP, KVT, UOP4	5d003.2↔	01	B03A, B03B, B06A, B06B, B07Z, B17A, B17B, B17C		03	D09Z, D30A	
	02	C01A, C01B, C02A, C02B, C16Z		03	D12A, D12B		09	J03A, J03B, J04A, J04B, J08A, J08B, J08C, J10A, J10B, J16Z	
	03	D12A, D12B		05	F21A, F21B, F21C		21A	W04A, W04B	
	08	I17Z		08	I27A, I27B, I27C, I27D		21B	X06A, X06B, X06C	
						22	Y01Z, Y03A, Y03B		
					5d007.1↔		BOP, KVT, UOP4		
21A	W04A, W04B	09	J03A, J03B, J04A, J04B, J08A, J08B, J08C, J16Z, J21Z, J22A, J22B	03		D09Z, D30A			
						09	J03A, J03B, J04A, J04B, J08A, J08B, J08C, J10A, J10B, J16Z		
						21A	W04A, W04B		
						21B	X06A, X06B, X06C		
						22	Y01Z, Y03A, Y03B		
5c995↔		BOP, KVT, UOP4	5d004.1↔	01	B02A, B02B, B02C, B02D, B20A, B20B, B20C, B20D, B20E, B20F, B39A, B39B	5d007.2		BOP, KVT, UOP4	
	02	C01A, C01B, C15Z, C16Z		03	D09Z, D30A		03	D09Z, D30A	
	21A	W04A, W04B		08	I15A, I15B	09	J03A, J03B, J04A, J04B, J08A, J08B, J08C, J10A, J10B, J16Z		
	21B	X06A, X06B, X06C		17	R01A, R01B, R01C, R01D, R02Z, R12A, R12B, R12C		21A	W04A, W04B	
5c996↔		BOP, KVT, UOP4					21B	X06A, X06B, X06C	
	02	C01A, C01B, C06Z, C16Z					22	Y01Z, Y03A, Y03B	
	10	K09A, K09B						BOP, KVT, UOP4	
							03	D09Z, D30A	
5c99x↔		BOP, KVT, UOP4	5d004.20↔	01	B02A, B02B, B02C, B02D, B20A, B20B, B20C, B20D, B20E, B20F, B39A, B39B		09	J03A, J03B, J04A, J04B, J08A, J08B, J08C, J10A, J10B, J16Z	
	02	C01A, C01B, C02A, C02B, C16Z		03	D09Z, D30A		21A	W04A, W04B	
	10	K09A, K09B		08	I15A, I15B		21B	X06A, X06B, X06C	
				17	R01A, R01B, R01C, R01D, R02Z, R12A, R12B, R12C		22	Y01Z, Y03A, Y03B	
5d001.10↔		BOP, KVT, UOP4						BOP, KVT, UOP4	
	03	D09Z, D30A					03	D09Z, D30A	
	09	J03A, J03B, J04A, J04B, J08A, J08B, J08C, J11A, J11B, J16Z					09	J03A, J03B, J04A, J04B, J08A, J08B, J08C, J10A, J10B, J16Z	
	21A	W04A, W04B					21A	W04A, W04B	
						21B	X06A, X06B, X06C		
						22	Y01Z, Y03A, Y03B		
								BOP, KVT, UOP4	
5d001.11↔		BOP, KVT, UOP4	5d004.21↔	03	D03Z, D09Z, D30A	5d008.1↔		D09Z, D30A	
	02	C01A, C01B, C02A, C02B, C16Z		09	J03A, J03B, J04A, J04B, J08A, J08B, J08C, J10A, J10B, J16Z		03	D09Z, D30A	
	10	K09A, K09B		03	D03Z, D09Z, D30A		09	J03A, J03B, J04A, J04B, J08A, J08B, J08C, J10A, J10B, J16Z	
				09	J03A, J03B, J04A, J04B, J08A, J08B, J08C, J10A, J10B, J16Z		21A	W04A, W04B	
						21B	X06A, X06B, X06C		
						22	Y01Z, Y03A, Y03B		
								BOP, KVT, UOP4	
5d002.1↔		BOP, KVT, UOP4				5d008.2↔		D09Z, D30A	
	03	D09Z, D30A					03	D09Z, D30A	
	09	J03A, J03B, J04A, J04B, J08A, J08B, J08C, J11A, J11B, J11C, J16Z				09	J03A, J03B, J04A, J04B, J08A, J08B, J08C, J10A, J10B, J16Z		
	21A	W04A, W04B					21A	W04A, W04B	
						21B	X06A, X06B, X06C		
						22	Y01Z, Y03A, Y03B		
								BOP, KVT, UOP4	
								D09Z, D30A	
								J03A, J03B, J04A, J04B, J08A, J08B, J08C, J10A, J10B, J16Z	
								W04A, W04B	
								X06A, X06B, X06C	
								Y01Z, Y03A, Y03B	

ZZV	MDC	DRG	ZZV	MDC	DRG	ZZV	MDC	DRG		
5d200.1↔	03	D09Z, D30A	5d300.30	01	B09A, B09B	5d303.2↔		BOP, KVT, UOP4		
	09	J03A, J03B, J04A, J04B, J08A, J08B, J08C, J11A, J11B, J16Z		03	D13Z		01	B02A, B02B, B02C, B02D, B20A, B20B, B20C, B20D, B20E, B20F, B39A, B39B		
	21A	W04A, W04B		21B	X06A, X06B, X06C		03	D06A, D06B, D06C		
	21B	X06A, X06B, X06C			BOP, KVT, UOP4			BOP, KVT, UOP4		
	22	Y01Z, Y03A, Y03B		5d300.4↔	03		D09Z, D30A	01	B02A, B02B, B02C, B02D, B20A, B20B, B20C, B20D, B20E, B20F, B39A, B39B	
5d200.2↔	03	D09Z, D30A	5d300.5↔	03	D09Z, D30A	5d303.3↔		BOP, KVT, UOP4		
	09	J03A, J03B, J04A, J04B, J08A, J08B, J08C, J11A, J11B, J11C, J16Z		03	D12A, D12B		01	B02A, B02B, B02C, B02D, B20A, B20B, B20C, B20D, B20E, B20F, B39A, B39B		
	21A	W04A, W04B		5d300.6↔	03		D09Z, D30A	03	D06A, D06B, D06C	
	21B	X06A, X06B, X06C			09		J03A, J03B, J04A, J04B, J08A, J08B, J08C, J10A, J10B, J16Z	5d303.4↔	01	B02A, B02B, B02C, B02D, B20A, B20B, B20C, B20D, B20E, B20F, B39A, B39B
	22	Y01Z, Y03A, Y03B			21A		W04A, W04B		03	D06A, D06B, D06C
5d200.3↔	03	D09Z, D30A	5d301.10↔	21B	X06A, X06B, X06C	5d305.10↔		BOP, KVT, UOP4		
	09	J03A, J03B, J04A, J04B, J08A, J08B, J08C, J11A, J11B, J11C, J16Z		22	Y01Z, Y03A, Y03B		03	D06A, D06B, D06C		
	21A	W04A, W04B			BOP, KVT, UOP4		21B	X06A, X06B, X06C		
	21B	X06A, X06B, X06C		01	B02A, B02B, B02C, B02D, B20A, B20B, B20C, B20D, B20E, B20F, B39A, B39B		5d305.11↔	03	D06A, D06B, D06C	
	22	Y01Z, Y03A, Y03B		03	D09Z, D30A			21B	X06A, X06B, X06C	
5d200.40↔	03	D09Z, D30A	5d301.20↔	21B	X06A, X06B, X06C	5d305.20↔		BOP, KVT, UOP4		
	09	J03A, J03B, J04A, J04B, J08A, J08B, J08C, J11A, J11B, J11C, J16Z		01	B02A, B02B, B02C, B02D, B20A, B20B, B20C, B20D, B20E, B20F, B39A, B39B		03	D06A, D06B, D06C		
	21A	W04A, W04B			BOP, KVT, UOP4		5d305.21↔	03	D06A, D06B, D06C	
	21B	X06A, X06B, X06C		03	D09Z, D30A			21B	X06A, X06B, X06C	
	22	Y01Z, Y03A, Y03B		21B	X06A, X06B, X06C		5d305.3↔	03	D06A, D06B, D06C	
5d200.41↔	03	D09Z, D30A	5d301.21↔		BOP, KVT, UOP4	5d305.4			BOP, KVT, UOP4	
	09	J03A, J03B, J04A, J04B, J08A, J08B, J08C, J11A, J11B, J11C, J16Z		01	B02A, B02B, B02C, B02D, B20A, B20B, B20C, B20D, B20E, B20F, B39A, B39B		03	D06A, D06B, D06C		
	21A	W04A, W04B		03	D09Z, D30A		21B	X06A, X06B, X06C		
	21B	X06A, X06B, X06C		21B	X06A, X06B, X06C		5d306.10↔	03	D23Z	
	22	Y01Z, Y03A, Y03B			BOP, KVT, UOP4			03	D23Z	
5d201.1↔	BOP, KVT, UOP4	5d201.1↔	01	B02A, B02B, B02C, B02D, B20A, B20B, B20C, B20D, B20E, B20F, B39A, B39B	5d306.11↔	03	D23Z			
	03		D09Z, D30A	03		D09Z, D30A	5d306.20↔	03	D01A, D01B	
	09		J03A, J03B, J04A, J04B, J08A, J08B, J08C, J10A, J10B, J16Z	21B		X06A, X06B, X06C		04	E36Z	
	21A		W04A, W04B	5d301.3↔		01	B02A, B02B, B02C, B02D, B20A, B20B, B20C, B20D, B20E, B20F, B39A, B39B	06	G36Z	
	21B		X06A, X06B, X06C			03	D09Z, D30A	08	I26Z	
5d201.2↔	BOP, KVT, UOP4	5d201.2↔	03	D09Z, D30A	5d306.21↔	11	L33Z			
	03		D09Z, D30A	21B		X06A, X06B, X06C	Pre	A06A, A07A, A09A, A11A, A13A		
	09		J03A, J03B, J04A, J04B, J08A, J08B, J08C, J10A, J10B, J16Z			BOP, KVT, UOP4	03	D01A, D01B		
	21A		W04A, W04B	01		B02A, B02B, B02C, B02D, B20A, B20B, B20C, B20D, B20E, B20F, B39A, B39B	04	E36Z		
	21B		X06A, X06B, X06C	03		D06A, D06B, D06C	06	G36Z		
5d201.3↔	BOP, KVT, UOP4	5d201.3↔	03	D09Z, D30A	5d306.2x↔	08	I26Z			
	03		D09Z, D30A	21B		X06A, X06B, X06C	11	L33Z		
	09		J03A, J03B, J04A, J04B, J08A, J08B, J08C, J10A, J10B, J16Z			BOP, KVT, UOP4	Pre	A06A, A07A, A09A, A11A, A13A		
	21A		W04A, W04B	5d302.1↔		01	B02A, B02B, B02C, B02D, B20A, B20B, B20C, B20D, B20E, B20F, B39A, B39B	03	D01A, D01B	
	21B		X06A, X06B, X06C			03	D09Z, D30A	04	E36Z	
5d201.4↔	BOP, KVT, UOP4	5d201.4↔	03	D09Z, D30A	5d306.2x↔	06	G36Z			
	03		D09Z, D30A	21B		X06A, X06B, X06C	08	I26Z		
	09		J03A, J03B, J04A, J04B, J08A, J08B, J08C, J10A, J10B, J16Z			BOP, KVT, UOP4	11	L33Z		
	21A		W04A, W04B	5d302.20↔		01	B02A, B02B, B02C, B02D, B20A, B20B, B20C, B20D, B20E, B20F, B39A, B39B	Pre	A06A, A07A, A09A, A11A, A13A	
	21B		X06A, X06B, X06C			03	D06A, D06B, D06C	03	D01A, D01B	
5d300.1↔	BOP, KVT, UOP4	5d300.1↔	03	D09Z, D30A	5d306.2x↔	04	E36Z			
	03		D09Z, D30A	21B		X06A, X06B, X06C	06	G36Z		
	09		J03A, J03B, J04A, J04B, J08A, J08B, J08C, J10A, J10B, J16Z			BOP, KVT, UOP4	08	I26Z		
	21A		W04A, W04B	5d303.1↔		01	B02A, B02B, B02C, B02D, B20A, B20B, B20C, B20D, B20E, B20F, B39A, B39B	11	L33Z	
	21B		X06A, X06B, X06C			03	D06A, D06B, D06C	Pre	A06A, A07A, A09A, A11A, A13A	

VYK

ZZV	MDC	DRG	ZZV	MDC	DRG	ZZV	MDC	DRG	
5d306.30		BOP, KVT, UOP4	5d404		BOP, KVT, UOP4	5f104	03	D09Z, D30A, D30B, D35Z, D38Z	
	01	B02A, B02B, B02C, B02D, B20A, B20B, B20C, B20D, B20E, B20F, B39A, B39B		01	B03A, B03B, B06A, B06B, B07Z, B17A, B17B, B17C		09	J03A, J03B, J04A, J04B, J08A, J08B, J08C, J10A, J10B, J16Z	
	03	D09Z, D30A		03	D12A, D12B		21A	W04A, W04B	
	08	I15A, I15B		05	F21A, F21B, F21C		21B	X06A, X06B, X06C	
	17	R01A, R01B, R01C, R01D, R02Z, R12A, R12B, R12C		08	I27A, I27B, I27C, I27D		22	Y01Z, Y03A, Y03B	
	21A	W04A, W04B		09	J03A, J03B, J04A, J04B, J08A, J08B, J08C, J16Z, J21Z, J22A, J22B		03	D09Z, D30A, D30B, D39Z	
	21B	X06A, X06B, X06C		10	K09A, K09B		09	J03A, J03B, J04A, J04B, J08A, J08B, J08C, J10A, J10B, J16Z	
	22	Y01Z, Y03A, Y03B		21A	W04A, W04B		21A	W04A, W04B	
				21B	X06A, X06B, X06C		21B	X06A, X06B, X06C	
				22	Y01Z, Y03A, Y03B		22	Y01Z, Y03A, Y03B	
5d306.31↔		BOP, KVT, UOP4	5d405.1↔		BOP, KVT, UOP4	5f105			
01	B02A, B02B, B02C, B02D, B20A, B20B, B20C, B20D, B20E, B20F, B39A, B39B	01	B03A, B03B, B06A, B06B, B07Z, B17A, B17B, B17C	03	D12A, D12B	03	D09Z, D30A, D30B, D39Z		
03	D09Z, D30A	03	D12A, D12B	05	F21A, F21B, F21C	09	J03A, J03B, J04A, J04B, J08A, J08B, J08C, J10A, J10B, J16Z		
08	I15A, I15B	05	F21A, F21B, F21C	08	I27A, I27B, I27C, I27D	21A	W04A, W04B		
17	R01A, R01B, R01C, R01D, R02Z, R12A, R12B, R12C	08	I27A, I27B, I27C, I27D	09	J03A, J03B, J04A, J04B, J08A, J08B, J08C, J16Z, J21Z, J22A, J22B	21B	X06A, X06B, X06C		
21A	W04A, W04B	09	J03A, J03B, J04A, J04B, J08A, J08B, J08C, J16Z, J21Z, J22A, J22B	10	K09A, K09B	22	Y01Z, Y03A, Y03B		
21B	X06A, X06B, X06C	10	K09A, K09B	21B	X06A, X06B, X06C	03	D09Z, D30A, D30B, D39Z		
22	Y01Z, Y03A, Y03B	21B	X06A, X06B, X06C	22	Y01Z, Y03A, Y03B	09	J03A, J03B, J04A, J04B, J08A, J08B, J08C, J10A, J10B, J16Z		
5d306.4↔		BOP, KOP, KVT, UOP4	5d405.3↔		BOP, KVT, UOP4	5f107			
5d307.1↔		BOP, KVT, UOP4	01	B03A, B03B, B06A, B06B, B07Z, B17A, B17B, B17C	03	D12A, D12B	21A	W04A, W04B	
01	B02A, B02B, B02C, B02D, B20A, B20B, B20C, B20D, B20E, B20F, B39A, B39B	03	D12A, D12B	05	F21A, F21B, F21C	21B	X06A, X06B, X06C		
03	D09Z, D30A	05	F21A, F21B, F21C	08	I27A, I27B, I27C, I27D	22	Y01Z, Y03A, Y03B		
5d307.2↔		BOP, KVT, UOP4	08	I27A, I27B, I27C, I27D	09	J03A, J03B, J04A, J04B, J08A, J08B, J08C, J16Z, J21Z, J22A, J22B	5f108		
01	B02A, B02B, B02C, B02D, B20A, B20B, B20C, B20D, B20E, B20F, B39A, B39B	09	J03A, J03B, J04A, J04B, J08A, J08B, J08C, J16Z, J21Z, J22A, J22B	10	K09A, K09B	03	D09Z, D30A, D30B, D39Z		
03	D09Z, D30A	10	K09A, K09B	21B	X06A, X06B, X06C	09	J03A, J03B, J04A, J04B, J08A, J08B, J08C, J10A, J10B, J16Z		
5d307.3↔		BOP, KVT, UOP4	5f100		BOP, KVT, UOP4	21A	W04A, W04B		
01	B02A, B02B, B02C, B02D, B20A, B20B, B20C, B20D, B20E, B20F, B39A, B39B	03	D09Z, D30A, D30B, D35Z, D39Z	09	J03A, J03B, J04A, J04B, J08A, J08B, J08C, J10A, J10B, J16Z	21B	X06A, X06B, X06C		
03	D06A, D06B	09	J03A, J03B, J04A, J04B, J08A, J08B, J08C, J10A, J10B, J16Z	21A	W04A, W04B	22	Y01Z, Y03A, Y03B		
5d307.4↔		BOP, KVT, UOP4	5f101		BOP, KVT, UOP4	5f109			
01	B02A, B02B, B02C, B02D, B20A, B20B, B20C, B20D, B20E, B20F, B39A, B39B	09	J03A, J03B, J04A, J04B, J08A, J08B, J08C, J10A, J10B, J16Z	03	D09Z, D30A, D30B, D35Z, D39Z	03	D09Z, D30A, D30B, D35Z, D39Z		
03	D06A, D06B	21A	W04A, W04B	09	J03A, J03B, J04A, J04B, J08A, J08B, J08C, J10A, J10B, J16Z	09	J03A, J03B, J04A, J04B, J08A, J08B, J08C, J10A, J10B, J16Z		
5d307.5↔		BOP, KVT, UOP4	21B	X06A, X06B, X06C	21A	W04A, W04B	21A	W04A, W04B	
01	B02A, B02B, B02C, B02D, B20A, B20B, B20C, B20D, B20E, B20F, B39A, B39B	21B	X06A, X06B, X06C	21B	X06A, X06B, X06C	21B	X06A, X06B, X06C		
03	D06A, D06B, D06C	22	Y01Z, Y03A, Y03B	22	Y01Z, Y03A, Y03B	22	Y01Z, Y03A, Y03B		
5d307.6↔		BOP, KVT, UOP4	5f102		BOP, KVT, UOP4	5f10a.0			
01	B02A, B02B, B02C, B02D, B20A, B20B, B20C, B20D, B20E, B20F, B39A, B39B	09	J03A, J03B, J04A, J04B, J08A, J08B, J08C, J10A, J10B, J16Z	09	J03A, J03B, J04A, J04B, J08A, J08B, J08C, J10A, J10B, J16Z	03	D09Z, D30A, D30B, D38Z		
03	D06A, D06B, D06C	21A	W04A, W04B	21A	W04A, W04B	04	E02A, E02B, E02C, E02D, E07Z		
5d400↔		BOP, KVT, UOP4	5f103		BOP, KVT, UOP4	21A	W04A, W04B		
03	D06A, D06B, D06C	21B	X06A, X06B, X06C	21B	X06A, X06B, X06C	21B	X06A, X06B, X06C		
5d401↔		BOP, KVT, UOP4	5f10b.1		BOP, KVT, UOP4	5f10a.1			
03	D06A, D06B, D06C	03	D09Z, D30A, D30B, D35Z, D39Z	03	D09Z, D30A, D30B, D35Z, D39Z	03	D09Z, D30A, D30B, D38Z		
5d402↔		BOP, KVT, UOP4	09	J03A, J03B, J04A, J04B, J08A, J08B, J08C, J10A, J10B, J16Z	21A	W04A, W04B	04	E02A, E02B, E02C, E02D, E07Z	
03	D06A, D06B, D06C	21A	W04A, W04B	21A	W04A, W04B	21A	W04A, W04B		
5d403↔		BOP, KVT, UOP4	21B	X06A, X06B, X06C	21B	X06A, X06B, X06C	21B	X06A, X06B, X06C	
01	B02A, B02B, B02C, B02D, B20A, B20B, B20C, B20D, B20E, B20F, B39A, B39B	22	Y01Z, Y03A, Y03B	22	Y01Z, Y03A, Y03B	21B	X06A, X06B, X06C		
03	D09Z, D30A	03	D09Z, D30A, D30B, D35Z, D39Z	03	D09Z, D30A, D30B, D35Z, D39Z	BOP, KVT, UOP4			
		09	J03A, J03B, J04A, J04B, J08A, J08B, J08C, J10A, J10B, J16Z	09	J03A, J03B, J04A, J04B, J08A, J08B, J08C, J10A, J10B, J16Z	03	D09Z, D30A, D30B, D38Z		
		21A	W04A, W04B	21A	W04A, W04B	21A	W04A, W04B		
		21B	X06A, X06B, X06C	21B	X06A, X06B, X06C	21B	X06A, X06B, X06C		
		22	Y01Z, Y03A, Y03B	22	Y01Z, Y03A, Y03B	21B	X06A, X06B, X06C		

VYK

ZZV	MDC	DRG	ZZV	MDC	DRG	ZZV	MDC	DRG	
5f110		BOP, KVT, UOP4	5f116		BOP, KVT, UOP4	5f11c.0		BOP, KVT, UOP4	
	03	D35Z, D38Z		03	D35Z, D38Z		03	D35Z, D38Z	
	08	I28A, I28B, I28C		08	I28A, I28B, I28C		08	I28A, I28B, I28C	
	09	J03A, J03B, J04A, J04B, J08A, J08B, J08C, J10A, J10B, J16Z		09	J03A, J03B, J04A, J04B, J08A, J08B, J08C, J10A, J10B, J16Z		09	J03A, J03B, J04A, J04B, J08A, J08B, J08C, J10A, J10B, J16Z	
	21A	W04A, W04B		21A	W04A, W04B		21A	W04A, W04B	
	21B	X06A, X06B, X06C		21B	X06A, X06B, X06C		21B	X06A, X06B, X06C	
5f111	22	Y01Z, Y03A, Y03B	5f117	22	Y01Z, Y03A, Y03B	5f11c.1	22	Y01Z, Y03A, Y03B	
		BOP, KVT, UOP4			BOP, KVT, UOP4			BOP, KVT, UOP4	
	03	D35Z, D38Z		03	D35Z, D38Z		03	D35Z, D38Z	
	08	I28A, I28B, I28C		08	I28A, I28B, I28C		08	I28A, I28B, I28C	
	09	J03A, J03B, J04A, J04B, J08A, J08B, J08C, J10A, J10B, J16Z		09	J03A, J03B, J04A, J04B, J08A, J08B, J08C, J10A, J10B, J16Z		09	J03A, J03B, J04A, J04B, J08A, J08B, J08C, J10A, J10B, J16Z	
	21A	W04A, W04B		21A	W04A, W04B		21A	W04A, W04B	
5f112.0	21B	X06A, X06B, X06C	5f118↔	21B	X06A, X06B, X06C	5f11d	21B	X06A, X06B, X06C	
	22	Y01Z, Y03A, Y03B		22	Y01Z, Y03A, Y03B		22	Y01Z, Y03A, Y03B	
		BOP, KVT, UOP4			BOP, KVT, UOP4			BOP, KVT, UOP4	
	03	D35Z, D38Z		03	D35Z, D38Z		03	D09Z, D30A, D30B, D39Z	
	08	I28A, I28B, I28C		08	I28A, I28B, I28C		21A	W04A, W04B	
	09	J03A, J03B, J04A, J04B, J08A, J08B, J08C, J10A, J10B, J16Z		09	J03A, J03B, J04A, J04B, J08A, J08B, J08C, J10A, J10B, J16Z		21B	X06A, X06B, X06C	
5f112.1	21A	W04A, W04B	5f119.1	21A	W04A, W04B	5f11e	03	D39Z	
	21B	X06A, X06B, X06C		21B	X06A, X06B, X06C		21A	W04A, W04B	
	22	Y01Z, Y03A, Y03B		22	Y01Z, Y03A, Y03B		21B	X06A, X06B, X06C	
		BOP, KVT, UOP4			BOP, KVT, UOP4		5f121.0	03	D12A, D12B
	03	D35Z, D38Z		03	D35Z, D38Z		08	I17Z	
	08	I28A, I28B, I28C		08	I28A, I28B, I28C		09	J03A, J03B, J04A, J04B, J08A, J08B, J08C, J11A, J11B, J16Z	
5f113	09	J03A, J03B, J04A, J04B, J08A, J08B, J08C, J10A, J10B, J16Z	5f119.x	09	J03A, J03B, J04A, J04B, J08A, J08B, J08C, J10A, J10B, J16Z	5f190	21A	W04A, W04B	
	21A	W04A, W04B		21A	W04A, W04B		21B	X06A, X06B, X06C	
	21B	X06A, X06B, X06C		21B	X06A, X06B, X06C		BOP, KVT, UOP4		
	22	Y01Z, Y03A, Y03B		22	Y01Z, Y03A, Y03B		03	D09Z, D30A, D30B, D39Z	
		BOP, KVT, UOP4			BOP, KVT, UOP4		21A	W04A, W04B	
	03	D35Z, D38Z		03	D35Z, D38Z		21B	X06A, X06B, X06C	
5f114	08	I28A, I28B, I28C	5f11b.0↔	08	I28A, I28B, I28C	5f193	03	BOP, KVT, UOP4	
	09	J03A, J03B, J04A, J04B, J08A, J08B, J08C, J10A, J10B, J16Z		09	J03A, J03B, J04A, J04B, J08A, J08B, J08C, J10A, J10B, J16Z		03	D03Z, D12A, D38Z	
	21A	W04A, W04B		21A	W04A, W04B		04	E02A, E02B, E02C, E07Z	
	21B	X06A, X06B, X06C		21B	X06A, X06B, X06C		21A	W04A, W04B	
	22	Y01Z, Y03A, Y03B		22	Y01Z, Y03A, Y03B		21B	X06A, X06B, X06C	
		BOP, KVT, UOP4			BOP, KVT, UOP4		5f195	BOP, KVT, UOP4	
5f115↔	03	D35Z, D38Z	5f11b.1↔	03	D35Z, D38Z	5f197.1↔	03	D09Z, D30A, D30B, D39Z	
	08	I28A, I28B, I28C		08	I28A, I28B, I28C		09	J03A, J03B, J04A, J04B, J08A, J08B, J08C, J10A, J10B, J16Z	
	09	J03A, J03B, J04A, J04B, J08A, J08B, J08C, J10A, J10B, J16Z		09	J03A, J03B, J04A, J04B, J08A, J08B, J08C, J10A, J10B, J16Z		21A	W04A, W04B	
	21A	W04A, W04B		21A	W04A, W04B		21B	X06A, X06B, X06C	
	21B	X06A, X06B, X06C		21B	X06A, X06B, X06C		22	Y01Z, Y03A, Y03B	
	22	Y01Z, Y03A, Y03B		22	Y01Z, Y03A, Y03B		03	D38Z	
5f116↔		BOP, KVT, UOP4	5f119		BOP, KVT, UOP4	5f197.x	04	E02A, E02B, E02C, E02D, E07Z	
	03	D35Z, D38Z		03	D35Z, D38Z		21A	W04A, W04B	
	08	I28A, I28B, I28C		08	I28A, I28B, I28C		21B	X06A, X06B, X06C	
	09	J03A, J03B, J04A, J04B, J08A, J08B, J08C, J10A, J10B, J16Z		09	J03A, J03B, J04A, J04B, J08A, J08B, J08C, J10A, J10B, J16Z		BOP, KVT, UOP4		
	21A	W04A, W04B		21A	W04A, W04B		D12A, D12B		
	21B	X06A, X06B, X06C		21B	X06A, X06B, X06C		F21A, F21B, F21C		
5f117↔	22	Y01Z, Y03A, Y03B	5f119	22	Y01Z, Y03A, Y03B	5f198	21A	W04A, W04B	
		BOP, KVT, UOP4			BOP, KVT, UOP4		21B	X06A, X06B, X06C	
	03	D35Z, D38Z		03	D35Z, D38Z		BOP, KVT, UOP4		
	08	I28A, I28B, I28C		08	I28A, I28B, I28C		D12A, D12B		
	09	J03A, J03B, J04A, J04B, J08A, J08B, J08C, J10A, J10B, J16Z		09	J03A, J03B, J04A, J04B, J08A, J08B, J08C, J10A, J10B, J16Z		F21A, F21B, F21C		
	21A	W04A, W04B		21A	W04A, W04B		21A	W04A, W04B	
5f118↔	21B	X06A, X06B, X06C	5f119	21B	X06A, X06B, X06C	5f199	21B	X06A, X06B, X06C	
	22	Y01Z, Y03A, Y03B		22	Y01Z, Y03A, Y03B		BOP, KVT, UOP4		
		BOP, KVT, UOP4			BOP, KVT, UOP4		D12A, D12B		
	03	D35Z, D38Z		03	D35Z, D38Z		F21A, F21B, F21C		
	08	I28A, I28B, I28C		08	I28A, I28B, I28C		21A	W04A, W04B	
	09	J03A, J03B, J04A, J04B, J08A, J08B, J08C, J10A, J10B, J16Z		09	J03A, J03B, J04A, J04B, J08A, J08B, J08C, J10A, J10B, J16Z		21B	X06A, X06B, X06C	

VYK

ZZV	MDC	DRG	ZZV	MDC	DRG	ZZV	MDC	DRG	
5f200		BOP, KVT, UOP4	5f207.1	03	D38Z	5f291		BOP, KVT, UOP4	
	03	D35Z, D37A, D37B		04	E02A, E02B, E02C, E02D, E07Z		03	D09Z, D30A, D30B, D39Z	
	04	E02A, E02B, E02C, E02D, E07Z		08	I28A, I28B		09	J03A, J03B, J04A, J04B, J08A, J08B, J08C, J10A, J10B, J16Z	
	08	I28A, I28B, I28C		09	J03A, J03B, J04A, J04B, J08A, J08B, J08C, J10A, J10B, J16Z		21A	W04A, W04B	
	09	J03A, J03B, J04A, J04B, J08A, J08B, J08C, J10A, J10B, J16Z		21A	W04A, W04B		21B	X06A, X06B, X06C	
	21A	W04A, W04B		21B	X06A, X06B, X06C		22	Y01Z, Y03A, Y03B	
	21B	X06A, X06B, X06C		22	Y01Z, Y03A, Y03B		5f301	BOP, KVT, UOP4	
	22	Y01Z, Y03A, Y03B		5f207.2	03			D38Z	01
	5f201				BOP, KVT, UOP4		04	E02A, E02B, E02C, E02D, E07Z	03
		03		D35Z, D37A, D37B	08		I28A, I28B	5f302	BOP, KVT, UOP4
04		E02A, E02B, E02C, E02D, E07Z	09	J03A, J03B, J04A, J04B, J08A, J08B, J08C, J10A, J10B, J16Z	01	B09A, B09B			
08		I28A, I28B, I28C	21A	W04A, W04B	03	D06A, D06B, D06C			
09		J03A, J03B, J04A, J04B, J08A, J08B, J08C, J10A, J10B, J16Z	21B	X06A, X06B, X06C	5f303	BOP, KVT, UOP4			
21A		W04A, W04B	22	Y01Z, Y03A, Y03B		01	B09A, B09B		
21B		X06A, X06B, X06C	5f207.x	03	D38Z	03	D06A, D06B, D06C		
22		Y01Z, Y03A, Y03B		04	E02A, E02B, E02C, E02D, E07Z	5f304	BOP, KVT, UOP4		
5f202			BOP, KVT, UOP4	08	I28A, I28B		01	B09A, B09B	
		03	D35Z, D37A, D37B	09	J03A, J03B, J04A, J04B, J08A, J08B, J08C, J10A, J10B, J16Z	03	D06A, D06B, D06C		
	04	E02A, E02B, E02C, E02D, E07Z	21A	W04A, W04B	5f305	D09Z, D30A, D30B, D38Z			
	08	I28A, I28B, I28C	21B	X06A, X06B, X06C		04	E02A, E02B, E02C, E02D, E07Z		
	09	J03A, J03B, J04A, J04B, J08A, J08B, J08C, J10A, J10B, J16Z	22	Y01Z, Y03A, Y03B	21A	W04A, W04B			
	21A	W04A, W04B	5f209	03	D09Z, D30A, D30B, D38Z	21B	X06A, X06B, X06C		
	21B	X06A, X06B, X06C		04	E02A, E02B, E02C, E02D, E07Z	5f306	D09Z, D30A, D30B, D38Z		
	22	Y01Z, Y03A, Y03B	5f20a	03	D38Z		04	E02A, E02B, E02C, E02D, E07Z	
	5f203	03		D09Z, D30A, D30B, D38Z	08	I28A, I28B	5f307.1	BOP, KOP, KOPV, KVT, UOP4	
		04	E02A, E02B, E02C, E02D, E07Z	09	J03A, J03B, J04A, J04B, J08A, J08B, J08C, J10A, J10B, J16Z	01		B02A, B02B, B02C, B13Z, B20A, B20B, B20C, B20D, B20E, B39A, B39B	
21A		W04A, W04B	21A	W04A, W04B	02	C01A			
21B		X06A, X06B, X06C	21B	X06A, X06B, X06C	03	D18Z, D25A, D25B, D25C, D25D			
5f204		03	D35Z, D38Z	5f210	03	D12A, D12B	06	G33Z	
		04	E02A, E02B, E02C, E02D, E07Z		08	I17Z	07	H33Z, H38Z	
		08	I28A, I28B	09	J03A, J03B, J04A, J04B, J08A, J08B, J08C, J10A, J10B, J16Z	09	J08A, J08B, J08C		
		09	J03A, J03B, J04A, J04B, J08A, J08B, J08C, J10A, J10B, J16Z	21A	W04A, W04B	11	L33Z		
		21A	W04A, W04B	22	Y01Z, Y03A, Y03B	17	R01A, R01B, R01C, R01D, R02Z, R12A, R12B, R12C		
		21B	X06A, X06B, X06C	5f211	03	D18Z, D28Z, D29Z	21B	X06A, X06B, X06C, X33Z	
	22	Y01Z, Y03A, Y03B	08		I17Z	23	Z01A		
	5f205	03	D35Z, D37A, D37B	5f290	09	J03A, J03B, J04A, J04B, J08A, J08B, J08C, J10A, J10B, J16Z	Pre	A07A, A09B, A11A, A11B, A13B	
		04	E02A, E02B, E02C, E02D, E07Z		21A	W04A, W04B	5f307.2	BOP, KVT, UOP4	
		08	I28A, I28B	21B	X06A, X06B, X06C	01		B09A, B09B	
09		J03A, J03B, J04A, J04B, J08A, J08B, J08C, J10A, J10B, J16Z	5f211	03	D18Z, D28Z, D29Z	03	D06A, D06B, D06C, D35Z, D36Z		
21A		W04A, W04B		08	I17Z	08	I15A, I15B		
21B		X06A, X06B, X06C	5f211	09	J03A, J03B, J04A, J04B, J08A, J08B, J08C, J11A, J11B, J16Z	21A	W01A, W01B, W01C, W36Z		
22		Y01Z, Y03A, Y03B		21A	W04A, W04B	21B	X06A, X06B, X06C		
5f206		03	D35Z, D37A, D37B	5f290	21B	X06A, X06B, X06C	5f307.3	BOP, KVT, UOP4	
		04	E02A, E02B, E02C, E02D, E07Z		03	D09Z, D30A, D30B, D35Z, D38Z		01	B09A, B09B
		08	I28A, I28B	5f211	09	J03A, J03B, J04A, J04B, J08A, J08B, J08C, J10A, J10B, J16Z	03	D06A, D06B, D06C, D35Z, D36Z	
	09	J03A, J03B, J04A, J04B, J08A, J08B, J08C, J10A, J10B, J16Z	21A		W04A, W04B	08	I15A, I15B		
	21A	W04A, W04B	5f211	21B	X06A, X06B, X06C	21A	W01A, W01B, W01C, W36Z		
	21B	X06A, X06B, X06C		22	Y01Z, Y03A, Y03B	21B	X06A, X06B, X06C		



ZZV	MDC	DRG	ZZV	MDC	DRG	ZZV	MDC	DRG
5f307.4		BOP, KVT, UOP4	5f321		BOP, KVT, UOP4	5g204.0	03	D08A, D08B, D18Z, D22A, D22B, D30A, D30B
	01	B09A, B09B		01	B09A, B09B		21A	W04A, W04B
	03	D06A, D06B, D06C, D35Z, D36Z		03	D06A, D06B, D06C		21B	X06A, X06B, X06C
	08	I15A, I15B	5f322		BOP, KVT, UOP4	5g204.1	03	D08A, D08B, D18Z, D22A, D22B, D30A, D30B
	21A	W01A, W01B, W01C, W36Z		01	B09A, B09B		21A	W04A, W04B
	21B	X06A, X06B, X06C		03	D06A, D06B, D06C		21B	X06A, X06B, X06C
5f307.5		BOP, KVT, UOP4	5f324		BOP, KVT, UOP4	5g206	03	D08A, D08B, D18Z, D22A, D22B, D30A, D30B
	03	D06A, D06B, D06C		01	B09A, B09B		21A	W04A, W04B
5f307.6		BOP, KVT, UOP4		03	D06A, D06B, D06C		21B	X06A, X06B, X06C
	03	D06A, D06B, D06C	5f325		BOP, KVT, UOP4	5g207	03	D08A, D08B, D18Z, D22A, D22B, D30A, D30B
5f308.1		BOP, KVT, UOP4		01	B09A, B09B		21A	W04A, W04B
	01	B09A, B09B		03	D06A, D06B, D06C		21B	X06A, X06B, X06C
	03	D06A, D06B, D06C	5f331		BOP, KVT, UOP4	5g208.0	03	D08A, D08B, D18Z, D22A, D22B, D30A, D30B
5f308.x		BOP, KVT, UOP4		01	B09A, B09B		21A	W04A, W04B
	01	B09A, B09B		03	D06A, D06B, D06C, D36Z		21B	X06A, X06B, X06C
	03	D06A, D06B, D06C	5f332		BOP, KVT, UOP4	5g208.1	03	D08A, D08B, D18Z, D22A, D22B, D30A, D30B
5f309		BOP, KVT, UOP4		01	B09A, B09B		21A	W04A, W04B
	01	B09A, B09B		03	D06A, D06B, D06C		21B	X06A, X06B, X06C
	03	D06A, D06B, D06C	5f333		BOP, KVT, UOP4	5g208.2	03	D08A, D08B, D18Z, D22A, D22B, D30A, D30B
5f30a.1		BOP, KOP, KOPV, KVT, UOP4		01	B09A, B09B		21A	W04A, W04B
	01	B02A, B02B, B02C, B20A, B20B, B20C, B20D, B20E, B39A, B39B	5f390		BOP, KVT, UOP4	5g209.1	03	D08A, D08B, D18Z, D22A, D22B, D30A, D30B
	02	C01A		03	D06A, D06B, D06C, D36Z		21A	W04A, W04B
	06	G01Z, G02Z, G33Z, G38Z	5g103‡		X06A, X06B, X06C		21B	X06A, X06B, X06C
	07	H33Z, H38Z	5g104‡		D40Z		21A	W04A, W04B
	11	L33Z	5g105‡		D40Z		21B	X06A, X06B, X06C
	21A	W01A, W01B, W01C, W36Z	5g106		BOP, KVT, UOP4	5g209.2	03	D08A, D08B, D18Z, D22A, D22B, D30A, D30B
	21B	X06A, X06B, X06C		03	D13Z		21A	W04A, W04B
	23	Z01A		21A	W04A, W04B		21B	X06A, X06B, X06C
	Pre	A07A, A11A, A13A, A13B, A13D	5g10b		X06A, X06B, X06C	5g209.2	03	D08A, D08B, D18Z, D22A, D22B, D30A, D30B
		BOP, KOP, KOPV, KVT, UOP4		03	D08A, D08B, D18Z, D22A, D22B, D30A, D30B		21A	W04A, W04B
5f30a.2		BOP, KOP, KOPV, KVT, UOP4		09	J03A, J03B, J04A, J04B, J08A, J08B, J08C, J11A, J11B, J16Z	5g20e	03	D08A, D08B, D18Z, D22A, D22B, D30A, D30B
	01	B02A, B02B, B02C, B20A, B20B, B20C, B20D, B20E, B39A, B39B		21A	W04A, W04B		09	J03A, J03B, J04A, J04B, J08A, J08B, J08C, J11A, J11B, J16Z
	02	C01A		21B	X06A, X06B, X06C		21A	W04A, W04B
	06	G01Z, G02Z, G33Z, G38Z		22	Y01Z, Y03A, Y03B		21B	X06A, X06B, X06C
	07	H33Z, H38Z	5g110.0‡		D40Z		22	Y01Z, Y03A, Y03B
	11	L33Z	5g110.1‡		D40Z	5g20g.1	03	D13Z
	21A	W01A, W01B, W01C, W36Z	5g111‡		D40Z		09	J03A, J03B, J04A, J04B, J08A, J08B, J08C, J11A, J11B, J16Z
	21B	X06A, X06B, X06C	5g200		D13Z		21A	W04A, W04B
	23	Z01A		09	J03A, J03B, J04A, J04B, J08A, J08B, J08C, J11A, J11B, J16Z		21B	X06A, X06B, X06C
	Pre	A07A, A11A, A13A, A13B, A13D		21A	W04A, W04B	5g20g.x	03	D13Z
		BOP, KVT, UOP4		21B	X06A, X06B, X06C		09	J03A, J03B, J04A, J04B, J08A, J08B, J08C, J11A, J11B, J16Z
5f30b.1↔		B02A, B02B, B02C, B02D, B20A, B20B, B20C, B20D, B20E, B20F, B39A, B39B	5g201.1		D13Z		21A	W04A, W04B
	01	B02A, B02B, B02C, B02D, B20A, B20B, B20C, B20D, B20E, B20F, B39A, B39B		03	D13Z		21B	X06A, X06B, X06C
	03	D06A, D06B, D06C, D36Z		09	J03A, J03B, J04A, J04B, J08A, J08B, J08C, J11A, J11B, J16Z	5g20g.x	22	Y01Z, Y03A, Y03B
5f30b.2↔		BOP, KVT, UOP4		09	J03A, J03B, J04A, J04B, J08A, J08B, J08C, J11A, J11B, J16Z		BOP, KVT, UOP4	
	01	B02A, B02B, B02C, B02D, B20A, B20B, B20C, B20D, B20E, B20F, B39A, B39B		21A	W04A, W04B		03	D13Z
	03	D06A, D06B, D06C	5g201.2		X06A, X06B, X06C		09	J03A, J03B, J04A, J04B, J08A, J08B, J08C, J11A, J11B, J16Z
	01	B02A, B02B, B02C, B02D, B20A, B20B, B20C, B20D, B20E, B20F, B39A, B39B		03	D13Z		21A	W04A, W04B
5f30c.1		BOP, KVT, UOP4		09	J03A, J03B, J04A, J04B, J08A, J08B, J08C, J11A, J11B, J16Z		21B	X06A, X06B, X06C
	01	B09A, B09B		21A	W04A, W04B	5g20h.1	22	Y01Z, Y03A, Y03B
	03	D06A, D06B, D06C		21B	X06A, X06B, X06C		BOP, KVT, UOP4	
5f30c.2		BOP, KVT, UOP4		03	D13Z		03	D13Z
	01	B09A, B09B	5g203		D08A, D08B, D18Z, D22A, D22B, D30A, D30B		09	J03A, J03B, J04A, J04B, J08A, J08B, J08C, J11A, J11B, J16Z
	03	D06A, D06B, D06C		21A	W04A, W04B		21A	W04A, W04B
5f30c.3		BOP, KVT, UOP4		21B	X06A, X06B, X06C		21B	X06A, X06B, X06C
	01	B09A, B09B		21B	X06A, X06B, X06C		22	Y01Z, Y03A, Y03B
	03	D06A, D06B, D06C		03	D08A, D08B, D18Z, D22A, D22B, D30A, D30B		BOP, KVT, UOP4	
5f320		BOP, KVT, UOP4		21A	W04A, W04B		03	D13Z
	01	B09A, B09B		21B	X06A, X06B, X06C		09	J03A, J03B, J04A, J04B, J08A, J08B, J08C, J11A, J11B, J16Z
	03	D06A, D06B, D06C		21B	X06A, X06B, X06C		21A	W04A, W04B

VYK

ZZV	MDC	DRG	ZZV	MDC	DRG	ZZV	MDC	DRG
5g20h.x		BOP, KVT, UOP4	5g220.0		BOP, KVT, UOP4	5g225↔		BOP, KVT, UOP4
	03	D13Z		03	D08A, D08B, D18Z, D22A, D22B, D30A, D30B		03	D08A, D08B, D18Z, D22A, D22B, D30A, D30B
	09	J03A, J03B, J04A, J04B, J08A, J08B, J08C, J11A, J11B, J16Z		09	J03A, J03B, J04A, J04B, J08A, J08B, J08C, J11A, J11B, J16Z		09	J03A, J03B, J04A, J04B, J08A, J08B, J08C, J11A, J11B, J16Z
	21A	W04A, W04B		21A	W04A, W04B		21A	W04A, W04B
	21B	X06A, X06B, X06C		21B	X06A, X06B, X06C		21B	X06A, X06B, X06C
5g20k	22	Y01Z, Y03A, Y03B	5g220.1	22	Y01Z, Y03A, Y03B	5g226↔	22	Y01Z, Y03A, Y03B
		BOP, KVT, UOP4			BOP, KVT, UOP4			BOP, KVT, UOP4
	03	D13Z		03	D08A, D08B, D18Z, D22A, D22B, D30A, D30B		03	D08A, D08B, D18Z, D22A, D22B, D30A, D30B
	09	J03A, J03B, J04A, J04B, J08A, J08B, J08C, J11A, J11B, J16Z		09	J03A, J03B, J04A, J04B, J08A, J08B, J08C, J11A, J11B, J16Z		09	J03A, J03B, J04A, J04B, J08A, J08B, J08C, J11A, J11B, J16Z
5g20m.0	21A	W04A, W04B	5g220.2	21A	W04A, W04B	5g227	21A	W04A, W04B
	21B	X06A, X06B, X06C		21B	X06A, X06B, X06C		21B	X06A, X06B, X06C
	22	Y01Z, Y03A, Y03B		22	Y01Z, Y03A, Y03B		22	Y01Z, Y03A, Y03B
		BOP, KVT, UOP4			BOP, KVT, UOP4			BOP, KVT, UOP4
5g20m.1	03	D13Z	5g222.2	03	D08A, D08B, D18Z, D22A, D22B, D30A, D30B	5g228	03	D13Z
	09	J03A, J03B, J04A, J04B, J08A, J08B, J08C, J11A, J11B, J16Z		09	J03A, J03B, J04A, J04B, J08A, J08B, J08C, J11A, J11B, J16Z		09	J03A, J03B, J04A, J04B, J08A, J08B, J08C, J11A, J11B, J16Z
	21A	W04A, W04B		21A	W04A, W04B		21A	W04A, W04B
	21B	X06A, X06B, X06C		21B	X06A, X06B, X06C		21B	X06A, X06B, X06C
	22	Y01Z, Y03A, Y03B		22	Y01Z, Y03A, Y03B		22	Y01Z, Y03A, Y03B
5g20m.2		BOP, KVT, UOP4	5g222.3		BOP, KVT, UOP4	5g229		BOP, KVT, UOP4
	03	D13Z		03	D08A, D08B, D18Z, D22A, D22B, D30A, D30B		03	D13Z
	09	J03A, J03B, J04A, J04B, J08A, J08B, J08C, J11A, J11B, J16Z		09	J03A, J03B, J04A, J04B, J08A, J08B, J08C, J11A, J11B, J16Z		09	J03A, J03B, J04A, J04B, J08A, J08B, J08C, J11A, J11B, J16Z
	21A	W04A, W04B		21A	W04A, W04B		21A	W04A, W04B
	21B	X06A, X06B, X06C		21B	X06A, X06B, X06C		21B	X06A, X06B, X06C
5g20m.3	22	Y01Z, Y03A, Y03B	5g223	22	Y01Z, Y03A, Y03B	5g22a	22	Y01Z, Y03A, Y03B
		BOP, KVT, UOP4			BOP, KVT, UOP4			BOP, KVT, UOP4
	03	D13Z		03	D13Z, D22A		03	D13Z
	09	J03A, J03B, J04A, J04B, J08A, J08B, J08C, J11A, J11B, J16Z		09	J03A, J03B, J04A, J04B, J08A, J08B, J08C, J11A, J11B, J16Z		09	J03A, J03B, J04A, J04B, J08A, J08B, J08C, J11A, J11B, J16Z
5g20n	21A	W04A, W04B	5g224	21A	W04A, W04B	5g22b	21A	W04A, W04B
	21B	X06A, X06B, X06C		21B	X06A, X06B, X06C		21B	X06A, X06B, X06C
	22	Y01Z, Y03A, Y03B		22	Y01Z, Y03A, Y03B		22	Y01Z, Y03A, Y03B
		BOP, KVT, UOP4			BOP, KVT, UOP4			BOP, KVT, UOP4
	03	D13Z			D08A, D08B, D18Z, D22A, D22B, D30A, D30B		03	D13Z
5g210	09	J03A, J03B, J04A, J04B, J08A, J08B, J08C, J11A, J11B, J16Z	5g224	09	J03A, J03B, J04A, J04B, J08A, J08B, J08C, J11A, J11B, J16Z	5g22c	09	J03A, J03B, J04A, J04B, J08A, J08B, J08C, J11A, J11B, J16Z
	21A	W04A, W04B		21A	W04A, W04B		21A	W04A, W04B
	21B	X06A, X06B, X06C		21B	X06A, X06B, X06C		21B	X06A, X06B, X06C
5g211	22	Y01Z, Y03A, Y03B	5g224	22	Y01Z, Y03A, Y03B	5g22c	22	Y01Z, Y03A, Y03B
	03	D08A, D08B, D18Z, D22A, D22B, D30A, D30B		03	D08A, D08B, D18Z, D22A, D22B, D30A, D30B		03	D08A, D08B, D18Z, D22A, D22B, D30A, D30B
5g212.0	03	D08A, D08B, D18Z, D22A, D22B, D30A, D30B				03	D08A, D08B, D18Z, D22A, D22B, D30A, D30B	
5g212.1	03	D08A, D08B, D18Z, D22A, D22B, D30A, D30B				03	D08A, D08B, D18Z, D22A, D22B, D30A, D30B	
5g212.2	03	D08A, D08B, D18Z, D22A, D22B, D30A, D30B				03	D08A, D08B, D18Z, D22A, D22B, D30A, D30B	
5g213		BOP, KVT, UOP4				21A	W04A, W04B	
	03	D18Z, D25A, D25B, D25C, D25D				21B	X06A, X06B, X06C	
	09	J08A, J08B				22	Y01Z, Y03A, Y03B	

ZZV	MDC	DRG	ZZV	MDC	DRG	ZZV	MDC	DRG
5g22d.1		BOP, KVT, UOP4	5g403↔		BOP, KVT, UOP4	5g514		BOP, KVT, UOP4
	03	D13Z		03	D06A, D06B, D06C		03	D03Z, D12A
	09	J03A, J03B, J04A, J04B, J08A, J08B, J08C, J11A, J11B, J16Z		5g404↔	BOP, KVT, UOP4		09	J03A, J03B, J04A, J04B, J08A, J08B, J08C, J11A, J11B, J16Z
	21A	W04A, W04B		16	Q03A, Q03B		21A	W04A, W04B
5g22d.2	21B	X06A, X06B, X06C	5g405↔		BOP, KVT, UOP4	5g515	21B	X06A, X06B, X06C
	22	Y01Z, Y03A, Y03B		03	D06A, D06B, D06C		03	D03Z, D12A
		BOP, KVT, UOP4		03	BOP, KVT, UOP4		09	J03A, J03B, J04A, J04B, J08A, J08B, J08C, J11A, J11B, J16Z
	03	D13Z		5g406↔	D06A, D06B, D06C		21A	W04A, W04B
5g22d.3	09	J03A, J03B, J04A, J04B, J08A, J08B, J08C, J11A, J11B, J16Z	5g407↔		BOP, KVT, UOP4	5g516	21B	X06A, X06B, X06C
	21A	W04A, W04B		03	D06A, D06B, D06C		03	D03Z, D12A
	21B	X06A, X06B, X06C		03	BOP, KVT, UOP4		09	J03A, J03B, J04A, J04B, J08A, J08B, J08C, J11A, J11B, J16Z
	22	Y01Z, Y03A, Y03B		5g408↔	D06A, D06B, D06C		21A	W04A, W04B
5g22e.1		BOP, KVT, UOP4	5g409↔		BOP, KVT, UOP4	5g517.11	21B	X06A, X06B, X06C
	03	D13Z		03	D05A, D05B		03	D03Z, D12A
	09	J03A, J03B, J04A, J04B, J08A, J08B, J08C, J11A, J11B, J16Z		5g40a↔	BOP, KVT, UOP4		09	J03A, J03B, J04A, J04B, J08A, J08B, J08C, J11A, J11B, J16Z
	21A	W04A, W04B		03	D05A, D05B		21A	W04A, W04B
5g22e.2	21B	X06A, X06B, X06C	5g40b↔		BOP, KVT, UOP4	5g517.12	21B	X06A, X06B, X06C
	22	Y01Z, Y03A, Y03B		03	D05A		03	D03Z, D12A
		BOP, KVT, UOP4		5g40c↔	BOP, KVT, UOP4		09	J03A, J03B, J04A, J04B, J08A, J08B, J08C, J11A, J11B, J16Z
	03	D13Z		03	D05A		21A	W04A, W04B
5g22f	09	J03A, J03B, J04A, J04B, J08A, J08B, J08C, J11A, J11B, J16Z	5g40d↔		BOP, KVT, UOP4	5g517.1x	21B	X06A, X06B, X06C
	21A	W04A, W04B		03	D06A, D06B, D06C		03	D03Z, D12A
	21B	X06A, X06B, X06C		5g40e↔	BOP, KVT, UOP4		09	J03A, J03B, J04A, J04B, J08A, J08B, J08C, J11A, J11B, J16Z
	22	Y01Z, Y03A, Y03B		03	D06A, D06B, D06C		21A	W04A, W04B
5g300		BOP, KVT, UOP4	5g40f↔		BOP, KVT, UOP4	5g517.21	21B	X06A, X06B, X06C
	03	D13Z		03	D06A, D06B, D06C		03	D03Z, D12A
	09	J03A, J03B, J04A, J04B, J08A, J08B, J08C, J11A, J11B, J16Z		21A	W04A, W04B		09	J03A, J03B, J04A, J04B, J08A, J08B, J08C, J11A, J11B, J16Z
	21A	W04A, W04B		21B	X06A, X06B, X06C		21A	W04A, W04B
5g301	21B	X06A, X06B, X06C	5g40g↔		BOP, KVT, UOP4	5g517.22	21B	X06A, X06B, X06C
	22	Y01Z, Y03A, Y03B		03	D06A, D06B, D06C		03	D03Z, D12A
		BOP, KVT, UOP4		21A	W04A, W04B		09	J03A, J03B, J04A, J04B, J08A, J08B, J08C, J11A, J11B, J16Z
	03	D13Z		21B	X06A, X06B, X06C		21A	W04A, W04B
5g302	09	J03A, J03B, J04A, J04B, J08A, J08B, J08C, J11A, J11B, J16Z	5g40h		BOP, KVT, UOP4	5g517.2x	21B	X06A, X06B, X06C
	21A	W04A, W04B		03	D06A, D06B, D06C		03	D03Z, D12A
	21B	X06A, X06B, X06C		03	D06A, D06B, D06C		09	J03A, J03B, J04A, J04B, J08A, J08B, J08C, J11A, J11B, J16Z
	22	Y01Z, Y03A, Y03B		5g40i	D06A, D06B, D06C		21A	W04A, W04B
5g303		BOP, KVT, UOP4	5g40j		BOP, KVT, UOP4	5g518.1	21B	X06A, X06B, X06C
	03	D13Z		03	D06A, D06B, D06C		03	D03Z, D12A
	09	J03A, J03B, J04A, J04B, J08A, J08B, J08C, J11A, J11B, J16Z		5g40k	D06A, D06B, D06C		09	J03A, J03B, J04A, J04B, J08A, J08B, J08C, J11A, J11B, J16Z
	21A	W04A, W04B		5g40m	D06A, D06B, D06C		21A	W04A, W04B
5g304	21B	X06A, X06B, X06C	5g40n		BOP, KVT, UOP4	5g518.1	21B	X06A, X06B, X06C
	22	Y01Z, Y03A, Y03B		03	D06A, D06B, D06C		03	D03Z, D12A
		BOP, KVT, UOP4		03	D06A, D06B, D06C		09	J03A, J03B, J04A, J04B, J08A, J08B, J08C, J11A, J11B, J16Z
	03	D13Z		03	D40Z		21A	W04A, W04B
5g305	09	J03A, J03B, J04A, J04B, J08A, J08B, J08C, J11A, J11B, J16Z	5g501‡		D15A, D15B, D18Z	5g518.1	03	D03Z, D12A
	21A	W04A, W04B		04	E02A, E02B, E02C		09	J03A, J03B, J04A, J04B, J08A, J08B, J08C, J11A, J11B, J16Z
	21B	X06A, X06B, X06C		21A	W01A, W01B, W01C, W36Z		21A	W04A, W04B
	22	Y01Z, Y03A, Y03B		BOP, KVT, UOP4	03		D03Z, D12A	21B
5g306		BOP, KVT, UOP4	5g511		BOP, KVT, UOP4	5g518.1	21B	X06A, X06B, X06C
	03	D18Z, D25A, D25B, D25C, D25D		03	D03Z, D12A		03	D03Z, D12A
	09	J08A, J08B, J08C		09	J03A, J03B, J04A, J04B, J08A, J08B, J08C, J11A, J11B, J16Z		09	J03A, J03B, J04A, J04B, J08A, J08B, J08C, J11A, J11B, J16Z
		BOP, KVT, UOP4		21A	W04A, W04B		21A	W04A, W04B
5g306	03	D18Z, D25A, D25B, D25C, D25D	5g512↔		BOP, KVT, UOP4	5g518.1	21B	X06A, X06B, X06C
	09	J08A, J08B, J08C		03	D03Z, D12A		03	D03Z, D12A
		BOP, KVT, UOP4		09	J03A, J03B, J04A, J04B, J08A, J08B, J08C, J11A, J11B, J16Z		09	J03A, J03B, J04A, J04B, J08A, J08B, J08C, J11A, J11B, J16Z
	03	D18Z, D25A, D25B, D25C, D25D		21A	W04A, W04B		21A	W04A, W04B
5g306	09	J08A, J08B, J08C	5g513↔		BOP, KVT, UOP4	5g518.1	21B	X06A, X06B, X06C
		BOP, KVT, UOP4		03	D03Z, D12A		21B	X06A, X06B, X06C
	03	D18Z, D25A, D25B, D25C, D25D		09	J03A, J03B, J04A, J04B, J08A, J08B, J08C, J11A, J11B, J16Z		21A	W04A, W04B
	09	J08A, J08B, J08C		21B	X06A, X06B, X06C		21B	X06A, X06B, X06C

VYK

ZZV	MDC	DRG	ZZV	MDC	DRG	ZZV	MDC	DRG
5g90e.4		BOP, KVT, UOP4	5g913		BOP, KVT, UOP4	5g921.02		BOP, KVT, UOP4
	03	D03Z, D13Z		03	D08A, D08B, D18Z, D22A, D22B, D30A, D30B		03	D18Z, D25A, D25B, D25C, D25D
5g90k		BOP, KVT, UOP4		09	J03A, J03B, J04A, J04B, J08A, J08B, J08C, J11A, J11B, J16Z	5g921.03		09 J08A, J08B
	03	D03Z, D12A, D12B		21A	W04A, W04B		03	BOP, KVT, UOP4
	04	E02A, E02B, E02C, E07Z		21B	X06A, X06B, X06C		09	D18Z, D25A, D25B, D25C, D25D
	21A	W04A, W04B		22	Y01Z, Y03A, Y03B	5g921.04		09 J08A, J08B
5g90m		X06A, X06B, X06C	5g914		BOP, KVT, UOP4		03	BOP, KVT, UOP4
	03	D03Z, D12A, D12B		03	D08A, D08B, D18Z, D22A, D22B, D30A, D30B		09	D18Z, D25A, D25B, D25C, D25D
	04	E02A, E02B, E02C, E07Z		09	J03A, J03B, J04A, J04B, J08A, J08B, J08C, J11A, J11B, J16Z	5g921.05		09 J08A, J08B
	21A	W04A, W04B		21A	W04A, W04B		03	BOP, KVT, UOP4
	21B	X06A, X06B, X06C		21B	X06A, X06B, X06C		09	D18Z, D25A, D25B, D25C, D25D
5g90n		BOP, KVT, UOP4		22	Y01Z, Y03A, Y03B	5g921.10		03 D08A, D08B, D18Z, D22A, D22B, D30A, D30B
	03	D03Z, D12A, D12B		03	BOP, KVT, UOP4		16	Q03A, Q03B
	04	E02A, E02B, E02C, E07Z	5g915↔		D18Z, D25A, D25B, D25C, D25D	5g921.11		03 D08A, D08B, D18Z, D22A, D22B, D30A, D30B
	21A	W04A, W04B		08	I06A, I06B, I06C, I06D, I06E		16	Q03A, Q03B
	21B	X06A, X06B, X06C		09	J08A, J08B, J08C	5g921.12		03 D08A, D08B, D18Z, D22A, D22B, D30A, D30B
5g90o		BOP, KVT, UOP4		03	D18Z, D25A, D25B, D25C, D25D	5g921.13		16 Q03A, Q03B
	03	D03Z, D12A, D12B	5g916.0↔		BOP, KVT, UOP4		03	D08A, D08B, D18Z, D22A, D22B, D30A, D30B
	04	E02A, E02B, E02C, E07Z		03	D18Z, D25A, D25B, D25C, D25D	5g921.13		16 Q03A, Q03B
	21A	W04A, W04B		09	J08A, J08B	5g922.1		03 D08A, D08B, D18Z, D22A, D22B, D30A, D30B
	21B	X06A, X06B, X06C	5g916.1↔		BOP, KVT, UOP4		16	Q03A, Q03B
5g90p		BOP, KVT, UOP4		03	D18Z, D25A, D25B, D25C, D25D	5g922.2		03 D09Z, D30A, D30B
	03	D03Z, D12A, D12B		06	G33Z	5g922.x		21A W04A, W04B
	04	E02A, E02B, E02C, E07Z	5g916.2↔		H33Z, H38Z		21B X06A, X06B, X06C	
	21A	W04A, W04B		09	J08A, J08B	5h101		BOP, KVT, UOP4
	21B	X06A, X06B, X06C		11	L33Z		03	D09Z, D30A, D30B
5g90t		BOP, KVT, UOP4		21B	X33Z		21A	W04A, W04B
	01	B03A, B03B, B06A, B06B, B07Z, B17A, B17B, B17C		23	Z01A		21B	X06A, X06B, X06C
	08	I12A, I12B, I12C, I27A, I27B, I27C, I27D	5g918	Pre	A07A		03	D12A, D12B
	21A	W04A, W04B		03	D02A, D02B		06	G15Z, G19A, G19B, G33Z, G38Z
	21B	X04Z, X05A, X05B, X06A, X06B, X06C		06	G33Z		07	H33Z, H38Z
5g90u		BOP, KVT, UOP4		07	H33Z, H38Z		11	L33Z
	01	B03A, B03B, B06A, B06B, B07Z, B17A, B17B, B17C		09	J08A, J08B		Pre	A07A
	08	I12A, I12B, I12C, I27A, I27B, I27C, I27D	5g919.1	11	L33Z	5h102		03 D12A, D12B
	21A	W04A, W04B		21B	X33Z		06	G15Z, G19A, G19B, G33Z, G38Z
	21B	X04Z, X05A, X05B, X06A, X06B, X06C		23	Z01A		07	H33Z, H38Z
5g90v		BOP, KVT, UOP4		Pre	A07A		11	L33Z
	01	B03A, B03B, B06A, B06B, B07Z, B17A, B17B, B17C	5g919.2		BOP, KVT, UOP4	5h103.01		Pre A07A
	03	D12A		03	D03Z, D12A		03	D12A
	05	F21A, F21B, F21C, F27A, F27B, F27C		09	J03A, J03B, J04A, J04B, J08A, J08B, J08C, J11A, J11B, J16Z		21A	W04A, W04B
	08	I08A, I08B, I08C, I08D, I08E, I12A, I12B, I12C, I13A, I13B, I32A, I32B, I32C, I32D		21B	X06A, X06B, X06C	5h103.02		21B X06A, X06B, X06C
	09	J02A, J02B, J02C, J04A, J04B, J08A, J08B, J08C, J16Z, J21Z, J22A, J22B	5g919.4		BOP, KVT, UOP4		03	D12A
	10	K01Z		03	D03Z, D12A		21A	W04A, W04B
	21A	W04A, W04B		09	J03A, J03B, J04A, J04B, J08A, J08B, J08C, J11A, J11B, J16Z	5h103.11		21B X06A, X06B, X06C
	21B	X04Z, X05A, X05B, X06A, X06B, X06C	5g919.7		BOP, KVT, UOP4		03	D12A
5g910↔		Y01Z, Y03A, Y03B		03	D03Z, D12A	5h103.12		21A W04A, W04B
	03	D03Z, D13Z		09	J03A, J03B, J04A, J04B, J08A, J08B, J08C, J11A, J11B, J16Z		21B	X06A, X06B, X06C
5g911		BOP, KVT, UOP4	5g921.01		BOP, KVT, UOP4	5h103.2		03 D12A
	03	D03Z, D13Z		03	D18Z, D25A, D25B, D25C, D25D		21A	W04A, W04B
5g912↔		BOP, KVT, UOP4		09	J08A, J08B		21B	X06A, X06B, X06C
	03	D03Z, D12A					03	D12A
	09	J03A, J03B, J04A, J04B, J08A, J08B, J08C, J11A, J11B, J16Z					21A	W04A, W04B

VYK

ZZV	MDC	DRG	ZZV	MDC	DRG	ZZV	MDC	DRG
5h104	03	D12A, D12B	5h112.1		BOP, KOP, KOPV, KVT, UOP4	5h121.3		BOP, KOP, KOPV, KVT, UOP4
	09	J03A, J03B, J04A, J04B, J08A, J08B, J08C, J11A, J11B, J16Z		03	D12A, D12B		03	D02A, D03Z
5h105	03	D12A, D12B	5h112.2	06	G15Z, G19A, G19B, G33Z, G38Z	5h121.4	04	E02A, E02B, E02C, E07Z
	09	J03A, J03B, J04A, J04B, J08A, J08B, J08C, J11A, J11B, J16Z		07	H33Z, H38Z		06	G33Z
5h106.10	03	D12A	5h112.3	11	L33Z	5h121.x	07	H33Z, H38Z
	21A	W04A, W04B		Pre	A07A		09	J08A, J08B, J08C
5h106.11	21B	X06A, X06B, X06C	5h112.3	03	D12A, D12B	5h121.x	11	L33Z
	03	D12A		06	G15Z, G19A, G19B, G33Z, G38Z		21A	W04A, W04B
5h106.2	21A	W04A, W04B	5h112.3	07	H33Z, H38Z	5h121.x	21B	X06A, X06B, X06C, X33Z
	21B	X06A, X06B, X06C		11	L33Z		Pre	A07A
5h110	03	D12A, D12B	5h112.3	Pre	A07A	5h121.x	03	D02A, D03Z
		BOP, KOP, KOPV, KVT, UOP4		03	D12A, D12B		04	E02A, E02B, E02C, E07Z
5h111.1	06	G15Z, G19A, G19B, G33Z, G38Z	5h115.1	06	G15Z, G19A, G19B, G33Z, G38Z	5h123	06	G33Z
	07	H33Z, H38Z		07	H33Z, H38Z		07	H33Z, H38Z
5h111.1	11	L33Z	5h115.1	11	L33Z	5h123	09	J08A, J08B, J08C
	Pre	A07A		Pre	A07A		11	L33Z
5h111.2		BOP, KOP, KOPV, KVT, UOP4	5h115.2	Pre	A07A	5h123	Pre	A07A
	03	D02A, D18Z, D25A, D25B, D25C, D25D		03	D12A, D12B		03	D02A, D03Z
5h111.2	06	G15Z, G19A, G19B, G33Z, G38Z	5h115.2	06	G15Z, G19A, G19B, G33Z, G38Z	5h123	04	E02A, E02B, E02C, E07Z
	07	H33Z, H38Z		07	H33Z, H38Z		21A	W04A, W04B
5h111.4	09	J08A, J08B, J08C	5h118	11	L33Z	5h123	21B	X06A, X06B, X06C
	11	L33Z		Pre	A07A		Pre	A07A
5h111.4	Pre	A07A	5h119		BOP, KOP, KOPV, KVT, UOP4	5h190		BOP, KOP, KOPV, KVT, UOP4
		BOP, KOP, KOPV, KVT, UOP4		03	D09Z, D30A, D30B		03	D12A, D12B
5h111.x	03	D02A, D18Z, D25A, D25B, D25C, D25D	5h119	04	E02A, E02B, E02C	5h191	06	G15Z, G19A, G19B, G33Z, G38Z
	06	G15Z, G19A, G19B, G33Z, G38Z		03	D12A, D12B		07	H33Z, H38Z
5h111.x	07	H33Z, H38Z	5h120	06	G15Z, G19A, G19B, G33Z, G38Z	5h191	11	L33Z
	09	J08A, J08B, J08C		07	H33Z, H38Z		Pre	A07A
5h111.x	11	L33Z	5h120	11	L33Z	5h192	03	D12A, D12B
	Pre	A07A		Pre	A07A		21A	W04A, W04B
5h121.1		BOP, KOP, KOPV, KVT, UOP4	5h121.1		BOP, KVT, UOP4	5h192	21B	X06A, X06B, X06C
	03	D02A, D18Z, D25A, D25B, D25C, D25D		03	D03Z, D12A, D12B		03	D12A, D12B
5h121.1	06	G15Z, G19A, G19B, G33Z, G38Z	5h121.1	04	E02A, E02B, E02C, E07Z	5h194	21A	W04A, W04B
	07	H33Z, H38Z		21A	W04A, W04B		21B	X06A, X06B, X06C
5h121.1	09	J08A, J08B, J08C	5h121.1	21B	X06A, X06B, X06C	5h200	03	D12A, D12B
	11	L33Z		03	D03Z, D18Z, D25A, D25B, D25C, D25D		21A	W04A, W04B
5h121.2	Pre	A07A	5h121.2	04	E02A, E02B, E02C, E07Z	5h201	21B	X06A, X06B, X06C
		BOP, KOP, KOPV, KVT, UOP4		09	J08A, J08B, J08C		03	D09Z, D30A, D30B
5h121.2		BOP, KOP, KOPV, KVT, UOP4	5h121.2	21A	W04A, W04B	5h203	04	E02A, E02B, E02C
	03	D02A, D18Z, D25A, D25B, D25C, D25D		21B	X06A, X06B, X06C		03	D18Z, D25A, D25B, D25C, D25D
5h121.2	06	G15Z, G19A, G19B, G33Z, G38Z	5h121.2	03	D03Z, D12A, D12B	5h203	04	E02A, E02B, E02C
	07	H33Z, H38Z		04	E02A, E02B, E02C, E07Z		09	J08A, J08B, J08C
5h121.2	09	J08A, J08B, J08C	5h121.2	21A	W04A, W04B	5h203	21A	W04A, W04B
	11	L33Z		21B	X06A, X06B, X06C		21B	X06A, X06B, X06C
5h121.2	Pre	A07A	5h121.2		BOP, KVT, UOP4	5h203		BOP, KVT, UOP4
		BOP, KOP, KOPV, KVT, UOP4		03	D03Z, D12A, D12B		03	D18Z, D25A, D25B, D25C, D25D

VYK

ZZV	MDC	DRG	ZZV	MDC	DRG	ZZV	MDC	DRG
5h210	03	D09Z, D30A, D30B	5h291		BOP, KVT, UOP4	5h304.0x		BOP, KVT, UOP4
	04	E02A, E02B, E02C, E02D		03	D12A		03	D04Z, D09Z, D25A, D25B, D25C, D25D, D30A
5h211	03	D09Z, D30A, D30B		04	E02A, E02B, E02C		04	E02A, E02B, E02C
	04	E02A, E02B, E02C, E02D		21A	W04A, W04B	5h304.11		BOP, KVT, UOP4
5h212	03	D09Z, D30A, D30B	5h292		BOP, KVT, UOP4		03	D09Z, D30A
	04	E02A, E02B, E02C, E02D		03	D09Z, D30A, D30B		04	E02A, E02B, E02C
5h213	03	D09Z, D30A, D30B		04	E02A, E02B, E02C	5j122.00↔		BOP, KOP, KOPV, KVT, UOP4
	04	E02A, E02B, E02C, E02D		21A	W04A, W04B		04	E06A, E06B, E06C, E08A, E08B, E08C
5h214	03	D09Z, D30A, D30B	5h293		BOP, KVT, UOP4		06	G33Z
	04	E02A, E02B, E02C, E02D		03	D09Z, D30A, D30B		07	H33Z, H38Z
5h220		BOP, KVT, UOP4		04	E02A, E02B, E02C		09	J26Z
	03	D03Z, D12A, D12B, D18Z, D25A, D25B, D25C, D25D		21A	W04A, W04B		11	L33Z
	04	E02A, E02B, E02C, E07Z		21B	X06A, X06B, X06C		17	R01A, R01B, R01C, R01D, R02Z, R12A, R12B, R12C
	09	J08A, J08B, J08C		22	Y01Z, Y03A, Y03B		21B	X33Z
	21A	W04A, W04B	5h302.10‡		BOP, KVT, UOP4		23	Z01A
	21B	X06A, X06B, X06C		03	D03Z, D12A, D12B, D18Z, D25A, D25B, D25C, D25D		Pre	A07A
5h221		BOP, KVT, UOP4		04	E02A, E02B, E02C, E07Z	5h302.11‡		BOP, KOP, KOPV, KVT, UOP4
	03	D03Z, D12A, D12B, D18Z, D25A, D25B, D25C, D25D		09	J08A, J08B, J08C		04	E06A, E06B, E06C, E08A, E08B, E08C
	04	E02A, E02B, E02C, E07Z		21A	W04A, W04B	5h302.1x‡		G33Z
	09	J08A, J08B, J08C		21B	X06A, X06B, X06C, X33Z		06	G33Z
	21A	W04A, W04B	5h222		BOP, KVT, UOP4		07	H33Z, H38Z
	21B	X06A, X06B, X06C, X33Z		03	D03Z, D12A, D12B, D18Z, D25A, D25B, D25C, D25D	5h302.20‡		J26Z
5h222		BOP, KVT, UOP4		04	E02A, E02B, E02C, E07Z		11	L33Z
	03	D03Z, D12A, D12B, D18Z, D25A, D25B, D25C, D25D		09	J08A, J08B, J08C	5h302.21		R01A, R01B, R01C, R01D, R02Z, R12A, R12B, R12C
	04	E02A, E02B, E02C, E07Z		21A	W04A, W04B		21B	X33Z
	09	J08A, J08B, J08C	5h223		BOP, KVT, UOP4		23	Z01A
	21A	W04A, W04B		03	D09Z, D30A	5h230		Pre
	21B	X06A, X06B, X06C, X33Z		04	E02A, E02B, E02C		Pre	A07A
5h223		BOP, KVT, UOP4		04	E02A, E02B, E02C		04	BOP, KOP, KOPV, KVT, UOP4
	03	D09Z, D30A		09	J03A, J03B, J04A, J04B, J08A, J08B, J08C, J11A, J11B, J16Z	5j123.00↔		E06A, E06B, E06C, E08A, E08B, E08C
	04	E02A, E02B, E02C		21A	W04A, W04B		06	G33Z
5h230		BOP, KVT, UOP4		21B	X06A, X06B, X06C		07	H33Z, H38Z
	03	D09Z, D25A, D25B, D25C, D25D, D30A		22	Y01Z, Y03A, Y03B	5j123.01↔		J26Z
	04	E02A, E02B, E02C	5h302.23		BOP, KVT, UOP4		11	L33Z
	21A	W04A, W04B		03	D12A, D12B		17	R01A, R01B, R01C, R01D, R02Z, R12A, R12B, R12C
	21B	X06A, X06B, X06C		04	E02A, E02B, E02C		21B	X33Z
	22	Y01Z, Y03A, Y03B		05	F21A, F21B		23	Z01A
5h231		BOP, KVT, UOP4		09	J03A, J03B, J04A, J04B, J08A, J08B, J08C, J11A, J11B, J16Z		Pre	A07A
	03	D09Z, D25A, D25B, D25C, D25D, D30A		21A	W04A, W04B	5j123.01↔		BOP, KOP, KOPV, KVT, UOP4
	04	E02A, E02B, E02C		21B	X06A, X06B, X06C		04	E06A, E06B, E06C, E08A, E08B, E08C
	21A	W04A, W04B	5h302.24‡		BOP, KVT, UOP4		06	G33Z
	21B	X06A, X06B, X06C		03	D15A, D15B, D18Z		07	H33Z, H38Z
	22	Y01Z, Y03A, Y03B		04	E02A, E02B, E02C	5h302.3		J26Z
5h232		BOP, KVT, UOP4		21A	W01A, W01B, W01C, W36Z		11	L33Z
	03	D18Z, D28Z, D29Z		21B	X06A, X06B, X06C	5h304.01		R01A, R01B, R01C, R01D, R02Z, R12A, R12B, R12C
	04	E02A, E02B, E02C		22	Y01Z, Y03A, Y03B		21B	X33Z
	09	J08A, J08B, J08C		03	D12A, D12B, D25A, D25B, D25C, D25D		23	Z01A
	21A	W04A, W04B		04	E02A, E02B, E02C	5h304.02		Pre
	21B	X06A, X06B, X06C		21A	W04A, W04B		Pre	A07A
5h233		BOP, KVT, UOP4		21B	X06A, X06B, X06C			
	03	D18Z, D28Z, D29Z		22	Y01Z, Y03A, Y03B			
	04	E02A, E02B, E02C		03	D15A, D15B, D18Z			
	09	J08A, J08B, J08C		04	E02A, E02B, E02C			
	21A	W04A, W04B		21A	W01A, W01B, W01C, W36Z			
	21B	X06A, X06B, X06C		21B	X06A, X06B, X06C			
5h234		BOP, KVT, UOP4		22	Y01Z, Y03A, Y03B			
	03	D18Z, D25A, D25B, D25C, D25D		03	D12A, D12B, D25A, D25B, D25C, D25D			
	04	E02A, E02B, E02C		04	E02A, E02B, E02C			
	09	J08A, J08B, J08C		21A	W04A, W04B			
	21A	W04A, W04B		21B	X06A, X06B, X06C			
	21B	X06A, X06B, X06C, X33Z		22	Y01Z, Y03A, Y03B			



ZZV	MDC	DRG	ZZV	MDC	DRG	ZZV	MDC	DRG
5j123.20↔		BOP, KOP, KOPV, KVT, UOP4	5j124.21↔		BOP, KOP, KOPV, KVT, UOP4	5j131.01↔		BOP, KOP, KOPV, KVT, UOP4
	04	E06A, E06B, E06C, E08A, E08B, E08C		04	E06A, E06B, E06C, E08A, E08B, E08C		04	E06A, E06B, E06C, E08A, E08B, E08C
	06	G33Z		06	G33Z		06	G33Z
	07	H33Z, H38Z		07	H33Z, H38Z		07	H33Z, H38Z
	09	J26Z		09	J26Z		09	J26Z
	11	L33Z		11	L33Z		11	L33Z
	17	R01A, R01B, R01C, R01D, R02Z, R12A, R12B, R12C		17	R01A, R01B, R01C, R01D, R02Z, R12A, R12B, R12C		21A	W04A, W04B
	21B	X33Z		21B	X33Z		21B	X06A, X06B, X06C, X33Z
	23	Z01A		23	Z01A		22	Y01Z, Y03A, Y03B
	Pre	A07A		Pre	A07A		Pre	A07A
5j123.21↔		BOP, KOP, KOPV, KVT, UOP4	5j130.0		BOP, KOP, KOPV, KVT, UOP4	5j131.20↔		BOP, KOP, KOPV, KVT, UOP4
	04	E06A, E06B, E06C, E08A, E08B, E08C		04	E06A, E06B, E06C, E08A, E08B, E08C		04	E06A, E06B, E06C, E08A, E08B, E08C
	06	G33Z		06	G33Z		06	G33Z
	07	H33Z, H38Z		07	H33Z, H38Z		07	H33Z, H38Z
	09	J26Z		09	J26Z		09	J26Z
	11	L33Z		11	L33Z		11	L33Z
	17	R01A, R01B, R01C, R01D, R02Z, R12A, R12B, R12C		21A	W04A, W04B		21A	W04A, W04B
	21B	X33Z		21B	X06A, X06B, X06C, X33Z		21B	X06A, X06B, X06C, X33Z
	23	Z01A		22	Y01Z, Y03A, Y03B		22	Y01Z, Y03A, Y03B
	Pre	A07A		Pre	A07A		Pre	A07A
5j124.00↔		BOP, KOP, KOPV, KVT, UOP4	5j130.1		BOP, KOP, KOPV, KVT, UOP4	5j131.21↔		BOP, KOP, KOPV, KVT, UOP4
	04	E06A, E06B, E06C, E08A, E08B, E08C		04	E05A, E05B, E05C, E08A, E08B, E08C		04	E06A, E06B, E06C, E08A, E08B, E08C
	06	G33Z		06	G33Z		06	G33Z
	07	H33Z, H38Z		07	H33Z, H38Z		07	H33Z, H38Z
	09	J26Z		11	L33Z		09	J26Z
	11	L33Z		21A	W04A, W04B		11	L33Z
	17	R01A, R01B, R01C, R01D, R02Z, R12A, R12B, R12C		21B	X06A, X06B, X06C		21A	W04A, W04B
	21B	X33Z		22	Y01Z, Y03A, Y03B		21B	X06A, X06B, X06C, X33Z
	23	Z01A		23	Z01A		22	Y01Z, Y03A, Y03B
	Pre	A07A		Pre	A07A		23	Z01A
5j124.01↔		BOP, KOP, KOPV, KVT, UOP4	5j130.2		BOP, KOP, KOPV, KVT, UOP4	5j132.00↔		BOP, KOP, KOPV, KVT, UOP4
	04	E06A, E06B, E06C, E08A, E08B, E08C		04	E06A, E06B, E06C, E08A, E08B, E08C		04	E06A, E06B, E06C, E08A, E08B, E08C
	06	G33Z		06	G33Z		06	G33Z
	07	H33Z, H38Z		07	H33Z, H38Z		07	H33Z, H38Z
	09	J26Z		09	J26Z		09	J26Z
	11	L33Z		11	L33Z		09	J26Z
	17	R01A, R01B, R01C, R01D, R02Z, R12A, R12B, R12C		21A	W04A, W04B		11	L33Z
	21B	X33Z		21B	X06A, X06B, X06C, X33Z		21A	W04A, W04B
	23	Z01A		22	Y01Z, Y03A, Y03B		21B	X06A, X06B, X06C, X33Z
	Pre	A07A		Pre	A07A		22	Y01Z, Y03A, Y03B
5j124.20↔		BOP, KOP, KOPV, KVT, UOP4	5j131.00↔		BOP, KOP, KOPV, KVT, UOP4	5j132.01↔		BOP, KOP, KOPV, KVT, UOP4
	04	E06A, E06B, E06C, E08A, E08B, E08C		04	E06A, E06B, E06C, E08A, E08B, E08C		04	E06A, E06B, E06C, E08A, E08B, E08C
	06	G33Z		06	G33Z		06	G33Z
	07	H33Z, H38Z		07	H33Z, H38Z		07	H33Z, H38Z
	09	J26Z		09	J26Z		07	H33Z, H38Z
	10	K03A, K03B		11	L33Z		09	J26Z
	11	L33Z		21A	W04A, W04B		11	L33Z
	17	R01A, R01B, R01C, R01D, R02Z, R12A, R12B, R12C		21B	X06A, X06B, X06C, X33Z		21A	W04A, W04B
	21B	X33Z		22	Y01Z, Y03A, Y03B		21B	X06A, X06B, X06C, X33Z
	23	Z01A		23	Z01A		22	Y01Z, Y03A, Y03B
Pre	A07A	Pre	A07A	23	Z01A			

VYK

ZZV	MDC	DRG	ZZV	MDC	DRG	ZZV	MDC	DRG			
5j132.20↔		BOP, KOP, KOPV, KVT, UOP4	5j140.21↔	04	E05A, E05B, E05C, E08A, E08B, E08C	5j142.10↔	04	E01A, E01B, E08A, E08B, E08C			
	04	E06A, E06B, E06C, E08A, E08B, E08C		06	G33Z		06	G01Z, G02Z, G33Z, G38Z			
	06	G33Z		07	H33Z, H38Z		07	H33Z, H38Z			
	07	H33Z, H38Z		09	J26Z		09	J26Z			
	09	J26Z		11	L33Z		11	L33Z			
	11	L33Z		21A	W04A, W04B		21A	W04A, W04B			
	21A	W04A, W04B		21B	X06A, X06B, X06C, X33Z		21B	X06A, X06B, X06C, X33Z			
	21B	X06A, X06B, X06C, X33Z		22	Y01Z, Y03A, Y03B		22	Y01Z, Y03A, Y03B			
	22	Y01Z, Y03A, Y03B		23	Z01A		23	Z01A			
	23	Z01A		Pre	A07A		Pre	A07A, A11A, A13A, A13B, A13D			
	Pre	A07A									
	5j132.21↔			BOP, KOP, KOPV, KVT, UOP4	5j141.00↔		04	E01A, E01B, E05A, E05B, E05C, E08A, E08B, E08C	5j142.11↔		BOP, KOP, KOPV, KVT, UOP4
		04		E06A, E06B, E06C, E08A, E08B, E08C			06	G01Z, G02Z, G33Z, G38Z		04	E01A, E01B, E08A, E08B, E08C
		06		G33Z			07	H33Z, H38Z		06	G33Z
07		H33Z, H38Z	09	J26Z		07	H33Z, H38Z				
09		J26Z	11	L33Z		09	J26Z				
11		L33Z	21A	W04A, W04B		11	L33Z				
21A		W04A, W04B	21B	X06A, X06B, X06C, X33Z		21A	W04A, W04B				
21B		X06A, X06B, X06C, X33Z	22	Y01Z, Y03A, Y03B		21B	X06A, X06B, X06C, X33Z				
22		Y01Z, Y03A, Y03B	23	Z01A		22	Y01Z, Y03A, Y03B				
23		Z01A	Pre	A07A, A11A, A13A, A13B, A13D		23	Z01A				
Pre		A07A				Pre	A07A				
5j140.00↔			BOP, KOP, KOPV, KVT, UOP4	5j141.01↔		04	E01A, E01B, E05A, E05B, E05C, E08A, E08B, E08C	5j142.20↔			BOP, KOP, KOPV, KVT, UOP4
		04	E01A, E01B, E05A, E05B, E05C, E08A, E08B, E08C			06	G01Z, G02Z, G33Z, G38Z			04	E01A, E01B, E08A, E08B, E08C
		06	G01Z, G02Z, G33Z, G38Z			07	H33Z, H38Z			06	G01Z, G02Z, G33Z, G38Z
	07	H33Z, H38Z	09		J26Z	07	H33Z, H38Z				
	09	J26Z	11		L33Z	09	J26Z				
	11	L33Z	21A		W04A, W04B	11	L33Z				
	21A	W04A, W04B	21B		X06A, X06B, X06C, X33Z	21A	W04A, W04B				
	21B	X06A, X06B, X06C, X33Z	22		Y01Z, Y03A, Y03B	21B	X06A, X06B, X06C, X33Z				
	22	Y01Z, Y03A, Y03B	23		Z01A	22	Y01Z, Y03A, Y03B				
	23	Z01A	Pre		A07A	23	Z01A				
	Pre	A07A, A11A, A13A, A13B, A13D				Pre	A07A, A11A, A13A, A13B, A13D				
	5j140.01↔		BOP, KOP, KOPV, KVT, UOP4		5j141.20↔	04	E05A, E05B, E05C, E08A, E08B, E08C		5j142.21↔		BOP, KOP, KOPV, KVT, UOP4
		04	E05A, E05B, E05C, E08A, E08B, E08C			06	G01Z, G02Z, G33Z, G38Z			04	E05A, E05B, E05C, E08A, E08B, E08C
		06	G01Z, G02Z, G33Z, G38Z			07	H33Z, H38Z			06	G33Z
07		H33Z, H38Z	09	J26Z		07	H33Z, H38Z				
09		J26Z	11	L33Z		09	J26Z				
11		L33Z	21A	W04A, W04B		11	L33Z				
21A		W04A, W04B	21B	X06A, X06B, X06C, X33Z		21A	W04A, W04B				
21B		X06A, X06B, X06C, X33Z	22	Y01Z, Y03A, Y03B		21B	X06A, X06B, X06C, X33Z				
22		Y01Z, Y03A, Y03B	23	Z01A		22	Y01Z, Y03A, Y03B				
23		Z01A	Pre	A07A, A11A, A13A, A13B, A13D		23	Z01A				
Pre		A07A, A11A, A13A, A13B, A13D				Pre	A07A, A11A, A13A, A13B, A13D				
5j140.20↔			BOP, KOP, KOPV, KVT, UOP4	5j141.21↔		04	E05A, E05B, E05C, E08A, E08B, E08C	5j144.00↔			BOP, KOP, KOPV, KVT, UOP4
		04	E05A, E05B, E05C, E08A, E08B, E08C			06	G01Z, G02Z, G33Z, G38Z			04	E01A, E01B
		06	G01Z, G02Z, G33Z, G38Z			07	H33Z, H38Z			06	G33Z
	07	H33Z, H38Z	09		J26Z	07	H33Z, H38Z				
	09	J26Z	11		L33Z	09	J26Z				
	11	L33Z	21A		W04A, W04B	11	L33Z				
	21A	W04A, W04B	21B		X06A, X06B, X06C, X33Z	21A	W04A, W04B				
	21B	X06A, X06B, X06C, X33Z	22		Y01Z, Y03A, Y03B	21B	X06A, X06B, X06C, X33Z				
	22	Y01Z, Y03A, Y03B	23		Z01A	22	Y01Z, Y03A, Y03B				
	23	Z01A	Pre		A07A	23	Z01A				
	Pre	A07A, A11A, A13A, A13B, A13D				Pre	A07A				

ZZV	MDC	DRG	ZZV	MDC	DRG	ZZV	MDC	DRG			
5j144.01↔		BOP, KOP, KOPV, KVT, UOP4	5j14b.00↔		BOP, KOP, KOPV, KVT, UOP4	5j14c.20↔		BOP, KOP, KOPV, KVT, UOP4			
	04	E01A		04	E05A, E05B, E05C, E08A, E08B, E08C		04	E01A, E01B, E08A, E08B, E08C			
	06	G33Z		06	G33Z		06	G33Z			
	07	H33Z, H38Z		07	H33Z, H38Z		07	H33Z, H38Z			
	09	J26Z		09	J26Z		09	J26Z			
	11	L33Z		11	L33Z		11	L33Z			
	21A	W04A, W04B		21A	W04A, W04B		21A	W04A, W04B			
	21B	X06A, X06B, X06C, X33Z		21B	X06A, X06B, X06C, X33Z		21B	X06A, X06B, X06C, X33Z			
	22	Y01Z, Y03A, Y03B		22	Y01Z, Y03A, Y03B		22	Y01Z, Y03A, Y03B			
	23	Z01A		23	Z01A		23	Z01A			
	Pre	A07A		Pre	A07A		Pre	A07A			
	5j14a.00↔			BOP, KOP, KOPV, KVT, UOP4	5j14b.01↔			BOP, KOP, KOPV, KVT, UOP4	5j14c.21↔		BOP, KOP, KOPV, KVT, UOP4
		04		E05A, E05B, E05C, E08A, E08B, E08C			04	E05A, E05B, E05C, E08A, E08B, E08C		04	E01A, E01B, E08A, E08B, E08C
		06		G33Z			06	G33Z		06	G33Z
07		H33Z, H38Z	07	H33Z, H38Z		07	H33Z, H38Z				
09		J26Z	09	J26Z		09	J26Z				
11		L33Z	11	L33Z		11	L33Z				
21A		W04A, W04B	21A	W04A, W04B		21A	W04A, W04B				
21B		X06A, X06B, X06C, X33Z	21B	X06A, X06B, X06C, X33Z		21B	X06A, X06B, X06C, X33Z				
22		Y01Z, Y03A, Y03B	22	Y01Z, Y03A, Y03B		22	Y01Z, Y03A, Y03B				
23		Z01A	23	Z01A		23	Z01A				
Pre		A07A	Pre	A07A		Pre	A07A				
5j14a.01↔			BOP, KOP, KOPV, KVT, UOP4	5j14b.20↔			BOP, KOP, KOPV, KVT, UOP4	5j14e.00↔			BOP, KOP, KOPV, KVT, MVV, UOP4
		04	E05A, E05B, E05C, E08A, E08B, E08C			04	E05A, E05B, E05C, E08A, E08B, E08C			04	E01A, E01B
		06	G33Z			06	G33Z			06	G33Z
	07	H33Z, H38Z	07		H33Z, H38Z	07	H33Z, H38Z				
	09	J26Z	09		J26Z	09	J26Z				
	11	L33Z	11		L33Z	11	L33Z				
	21A	W04A, W04B	21A		W04A, W04B	21A	W04A, W04B				
	21B	X06A, X06B, X06C, X33Z	21B		X06A, X06B, X06C, X33Z	21B	X06A, X06B, X06C, X33Z				
	22	Y01Z, Y03A, Y03B	22		Y01Z, Y03A, Y03B	22	Y01Z, Y03A, Y03B				
	23	Z01A	23		Z01A	23	Z01A				
	Pre	A07A	Pre		A07A	Pre	A07A				
	5j14a.20↔		BOP, KOP, KOPV, KVT, UOP4		5j14b.21↔		BOP, KOP, KOPV, KVT, UOP4		5j14e.01↔		BOP, KOP, KOPV, KVT, MVV, UOP4
		04	E05A, E05B, E05C, E08A, E08B, E08C			04	E05A, E05B, E05C, E08A, E08B, E08C			04	E01A, E01B
		06	G33Z			06	G33Z			06	G33Z
07		H33Z, H38Z	07	H33Z, H38Z		07	H33Z, H38Z				
09		J26Z	09	J26Z		09	J26Z				
11		L33Z	11	L33Z		11	L33Z				
21A		W04A, W04B	21A	W04A, W04B		21A	W04A, W04B				
21B		X06A, X06B, X06C, X33Z	21B	X06A, X06B, X06C, X33Z		21B	X06A, X06B, X06C, X33Z				
22		Y01Z, Y03A, Y03B	22	Y01Z, Y03A, Y03B		22	Y01Z, Y03A, Y03B				
23		Z01A	23	Z01A		23	Z01A				
Pre		A07A	Pre	A07A		Pre	A07A				
5j14a.21↔			BOP, KOP, KOPV, KVT, UOP4	5j14c.11↔			BOP, KOP, KOPV, KVT, UOP4	5j14x↔			BOP, KOP, KOPV, KVT, UOP4
		04	E05A, E05B, E05C, E08A, E08B, E08C			04	E01A, E01B, E08A, E08B, E08C			04	E05A, E05B, E05C, E08A, E08B, E08C
		06	G33Z			06	G33Z			06	G33Z
	07	H33Z, H38Z	07		H33Z, H38Z	07	H33Z, H38Z				
	09	J26Z	09		J26Z	09	J26Z				
	11	L33Z	11		L33Z	11	L33Z				
	21A	W04A, W04B	21A		W04A, W04B	21A	W04A, W04B				
	21B	X06A, X06B, X06C, X33Z	21B		X06A, X06B, X06C, X33Z	21B	X06A, X06B, X06C, X33Z				
	22	Y01Z, Y03A, Y03B	22		Y01Z, Y03A, Y03B	22	Y01Z, Y03A, Y03B				
	23	Z01A	23		Z01A	23	Z01A				
	Pre	A07A	Pre		A07A	Pre	A07A				

VYK

ZZV	MDC	DRG	ZZV	MDC	DRG	ZZV	MDC	DRG			
5j150.00↔		BOP, KOP, KOPV, KVT, UOP4	5j153↔		BOP, KOP, KOPV, KVT, MVV, UOP4	5j406.1		BOP, KOP, KOPV, KVT, UOP4			
	04	E05A, E05B, E05C, E08A, E08B, E08C		04	E01A, E01B		04	E05A, E05B, E05C, E08A, E08B, E08C			
	06	G33Z		06	G33Z		06	G33Z			
	07	H33Z, H38Z		07	H33Z, H38Z		07	H33Z, H38Z			
	09	J26Z		09	J26Z		11	L33Z			
	11	L33Z		11	L33Z		21A	W04A, W04B			
	21A	W04A, W04B		21A	W04A, W04B		21B	X06A, X06B, X06C			
	21B	X06A, X06B, X06C, X33Z		21B	X06A, X06B, X06C, X33Z		22	Y01Z, Y03A, Y03B			
	22	Y01Z, Y03A, Y03B		22	Y01Z, Y03A, Y03B		23	Z01A			
	23	Z01A		23	Z01A		Pre	A07A			
	Pre	A07A		Pre	A07A, A09B, A11A, A11B, A13B		Pre	A07A			
	5j150.01↔			BOP, KOP, KOPV, KVT, UOP4	5j154↔			BOP, KOP, KOPV, KVT, MVV, UOP4	5j406.2		BOP, KOP, KOPV, KVT, UOP4
		04		E05A, E05B, E05C, E08A, E08B, E08C			04	E01A, E01B		04	E05A, E05B, E05C, E08A, E08B, E08C
		06		G33Z			06	G33Z		06	G33Z
07		H33Z, H38Z	07	H33Z, H38Z		07	H33Z, H38Z				
09		J26Z	09	J26Z		11	L33Z				
11		L33Z	11	L33Z		21A	W04A, W04B				
21A		W04A, W04B	21A	W04A, W04B		21B	X06A, X06B, X06C				
21B		X06A, X06B, X06C, X33Z	21B	X06A, X06B, X06C, X33Z		22	Y01Z, Y03A, Y03B				
22		Y01Z, Y03A, Y03B	22	Y01Z, Y03A, Y03B		23	Z01A				
23		Z01A	23	Z01A		Pre	A07A				
Pre		A07A	Pre	A07A, A09B, A11A, A11B, A13B		Pre	A07A				
5j151.00↔			BOP, KOP, KOPV, KVT, MVV, UOP4	5j155↔			BOP, KOP, KOPV, KVT, MVV, UOP4	5j406.3			BOP, KOP, KOPV, KVT, UOP4
		04	E01A, E01B			04	E01A, E01B			04	E05A, E05B, E05C, E08A, E08B, E08C
		06	G33Z			06	G33Z			06	G33Z
	07	H33Z, H38Z	07		H33Z, H38Z	07	H33Z, H38Z				
	09	J26Z	09		J26Z	11	L33Z				
	11	L33Z	11		L33Z	21A	W04A, W04B				
	21A	W04A, W04B	21A		W04A, W04B	21B	X06A, X06B, X06C				
	21B	X06A, X06B, X06C, X33Z	21B		X06A, X06B, X06C, X33Z	22	Y01Z, Y03A, Y03B				
	22	Y01Z, Y03A, Y03B	22		Y01Z, Y03A, Y03B	23	Z01A				
	23	Z01A	23		Z01A	Pre	A07A				
	Pre	A07A, A09B, A11A, A11B, A13B	Pre		A07A, A09B, A11A, A11B, A13B	Pre	A07A				
	5j151.01↔		BOP, KOP, KOPV, KVT, UOP4		5j401		BOP, KOP, KOPV, KVT, UOP4		5j410.0		BOP, KOP, KOPV, KVT, UOP4
		04	E05A, E05B, E05C, E08A, E08B, E08C			04	E05A, E05B, E05C, E08A, E08B, E08C			04	E05A, E05B, E05C, E08A, E08B, E08C
		06	G33Z			06	G33Z			06	G33Z
07		H33Z, H38Z	07	H33Z, H38Z		07	H33Z, H38Z				
09		J26Z	11	L33Z		11	L33Z				
11		L33Z	21A	W04A, W04B		21A	W04A, W04B				
21A		W04A, W04B	21B	X06A, X06B, X06C		21B	X06A, X06B, X06C				
21B		X06A, X06B, X06C, X33Z	22	Y01Z, Y03A, Y03B		22	Y01Z, Y03A, Y03B				
22		Y01Z, Y03A, Y03B	23	Z01A		23	Z01A				
23		Z01A	Pre	A07A		Pre	A07A				
Pre		A07A	Pre	A07A, A09B, A11A, A11B, A13B		Pre	A07A				
5j152↔			BOP, KOP, KOPV, KVT, MVV, UOP4	5j403			BOP, KOP, KOPV, KVT, UOP4	5j410.2			BOP, KOP, KOPV, KVT, UOP4
		04	E01A, E01B			04	E05A, E05B, E05C, E08A, E08B, E08C			04	E05A, E05B, E05C, E08A, E08B, E08C
		06	G33Z			06	G33Z			06	G33Z
	07	H33Z, H38Z	07		H33Z, H38Z	07	H33Z, H38Z				
	09	J26Z	11		L33Z	11	L33Z				
	11	L33Z	21A		W04A, W04B	21A	W04A, W04B				
	21A	W04A, W04B	21B		X06A, X06B, X06C	21B	X06A, X06B, X06C				
	21B	X06A, X06B, X06C, X33Z	22		Y01Z, Y03A, Y03B	22	Y01Z, Y03A, Y03B				
	22	Y01Z, Y03A, Y03B	23		Z01A	23	Z01A				
	23	Z01A	Pre		A07A	Pre	A07A				
	Pre	A07A, A09B, A11A, A11B, A13B	Pre		A07A, A09B, A11A, A11B, A13B	Pre	A07A				
	5j152↔		BOP, KOP, KOPV, KVT, MVV, UOP4		5j405		E02A, E02B, E02C				
		04	E01A, E01B			04	E02A, E02B, E02C				
		06	G33Z			06	G33Z				
07		H33Z, H38Z	07	H33Z, H38Z							
09		J26Z	11	L33Z							
11		L33Z	21A	W04A, W04B							
21A		W04A, W04B	21B	X06A, X06B, X06C							
21B		X06A, X06B, X06C, X33Z	22	Y01Z, Y03A, Y03B							
22		Y01Z, Y03A, Y03B	23	Z01A							
23		Z01A	Pre	A07A							
Pre		A07A, A09B, A11A, A11B, A13B	Pre	A07A, A09B, A11A, A11B, A13B							

VYK

ZZV	MDC	DRG	ZZV	MDC	DRG	ZZV	MDC	DRG		
5j411.00		BOP, KOP, KOPV, KVT, UOP4	5j411.21		BOP, KOP, KOPV, KVT, UOP4	5j496.0↔		BOP, KVT, UOP4		
	04	E05A, E05B, E05C, E08A, E08B, E08C		04	E05A, E05B, E05C, E08A, E08B, E08C		04	E02A, E02B, E02C		
	06	G33Z		06	G33Z		05	F13A		
	07	H33Z, H38Z		07	H33Z, H38Z	08	I12A, I12B, I12C, I23A			
	09	J03A, J03B, J04A, J04B, J08A, J08B, J08C, J11A, J11B, J16Z		09	J03A, J03B, J04A, J04B, J08A, J08B, J08C, J11A, J11B, J16Z	5j496.2↔	BOP, KVT, UOP4			
	11	L33Z		11	L33Z	04	E02A, E02B, E02C			
	21A	W04A, W04B		21A	W04A, W04B	05	F13A			
	21B	X06A, X06B, X06C		21B	X06A, X06B, X06C	08	I12A, I12B, I12C, I23A			
	22	Y01Z, Y03A, Y03B		22	Y01Z, Y03A, Y03B	BOP, KOP, KOPV, KVT, UOP4				
	23	Z01A		23	Z01A	04	E02A, E02B, E02C			
	Pre	A07A		Pre	A07A	05	F13A			
	5j411.01			BOP, KOP, KOPV, KVT, UOP4	5j415.1		BOP, KVT, UOP4	5j496.50		BOP, KOP, KOPV, KVT, UOP4
		04		E05A, E05B, E05C, E08A, E08B, E08C		Pre	A03A, A03B, A18Z		04	E05A, E05B, E05C, E08A, E08B, E08C
		06		G33Z		5j491	BOP, KOP, KOPV, KVT, UOP4		06	G33Z
		07		H33Z, H38Z		04	E06A, E06B, E06C, E08A, E08B, E08C	07	H33Z, H38Z	
09		J03A, J03B, J04A, J04B, J08A, J08B, J08C, J11A, J11B, J16Z	06	G33Z		11	L33Z			
11		L33Z	07	H33Z, H38Z		21A	W04A, W04B			
21A		W04A, W04B	09	J26Z		21B	X06A, X06B, X06C			
21B		X06A, X06B, X06C	11	L33Z		22	Y01Z, Y03A, Y03B			
22		Y01Z, Y03A, Y03B	21A	W04A, W04B		23	Z01A			
23		Z01A	21B	X06A, X06B, X06C, X33Z		Pre	A07A			
Pre		A07A	22	Y01Z, Y03A, Y03B		5j496.51	BOP, KOP, KOPV, KVT, UOP4			
5j411.1			BOP, KOP, KOPV, KVT, UOP4	5j494			BOP, KOP, KOPV, KVT, UOP4	5j496.51		BOP, KOP, KOPV, KVT, UOP4
		04	E05A, E05B, E05C, E08A, E08B, E08C			04	E05A, E05B, E05C, E08A, E08B, E08C		04	E05A, E05B, E05C, E08A, E08B, E08C
		06	G33Z			06	G33Z		06	G33Z
		07	H33Z, H38Z			07	H33Z, H38Z	07	H33Z, H38Z	
	09	J03A, J03B, J04A, J04B, J08A, J08B, J08C, J11A, J11B, J16Z	11		L33Z	11	L33Z			
	11	L33Z	21A		W04A, W04B	21A	W04A, W04B			
	21A	W04A, W04B	21B		X06A, X06B, X06C	21B	X06A, X06B, X06C			
	21B	X06A, X06B, X06C	22		Y01Z, Y03A, Y03B	22	Y01Z, Y03A, Y03B			
	22	Y01Z, Y03A, Y03B	23		Z01A	23	Z01A			
	23	Z01A	Pre		A07A	Pre	A07A			
	Pre	A07A	5j495.0		BOP, KOP, KOPV, KVT, UOP4	5j496.52	BOP, KOP, KOPV, KVT, UOP4			
	5j411.20		BOP, KOP, KOPV, KVT, UOP4		5j495.2		BOP, KOP, KOPV, KVT, UOP4	5j496.53		BOP, KOP, KOPV, KVT, UOP4
		04	E05A, E05B, E05C, E08A, E08B, E08C			04	E05A, E05B, E05C, E08A, E08B, E08C		04	E05A, E05B, E05C, E08A, E08B, E08C
		06	G33Z			06	G33Z		06	G33Z
		07	H33Z, H38Z			07	H33Z, H38Z	07	H33Z, H38Z	
09		J03A, J03B, J04A, J04B, J08A, J08B, J08C, J11A, J11B, J16Z	11	L33Z		11	L33Z			
11		L33Z	21A	W04A, W04B		21A	W04A, W04B			
21A		W04A, W04B	21B	X06A, X06B, X06C		21B	X06A, X06B, X06C			
21B		X06A, X06B, X06C	22	Y01Z, Y03A, Y03B		22	Y01Z, Y03A, Y03B			
22		Y01Z, Y03A, Y03B	23	Z01A		23	Z01A			
23		Z01A	Pre	A07A		Pre	A07A			
Pre		A07A	5j495.2	BOP, KOP, KOPV, KVT, UOP4		5j496.54	BOP, KOP, KOPV, KVT, UOP4			
5j411.21			BOP, KOP, KOPV, KVT, UOP4	5j495.2			BOP, KOP, KOPV, KVT, UOP4	5j496.54		BOP, KOP, KOPV, KVT, UOP4
		04	E05A, E05B, E05C, E08A, E08B, E08C			04	E05A, E05B, E05C, E08A, E08B, E08C		04	E05A, E05B, E05C, E08A, E08B, E08C
		06	G33Z			06	G33Z		06	G33Z
		07	H33Z, H38Z			07	H33Z, H38Z	07	H33Z, H38Z	
	09	J03A, J03B, J04A, J04B, J08A, J08B, J08C, J11A, J11B, J16Z	11		L33Z	11	L33Z			
	11	L33Z	21A		W04A, W04B	21A	W04A, W04B			
	21A	W04A, W04B	21B		X06A, X06B, X06C	21B	X06A, X06B, X06C			
	21B	X06A, X06B, X06C	22		Y01Z, Y03A, Y03B	22	Y01Z, Y03A, Y03B			
	22	Y01Z, Y03A, Y03B	23		Z01A	23	Z01A			
	23	Z01A	Pre		A07A	Pre	A07A			
	Pre	A07A	5j495.2		BOP, KOP, KOPV, KVT, UOP4	5j496.54	BOP, KOP, KOPV, KVT, UOP4			

VYK

ZZV	MDC	DRG	ZZV	MDC	DRG	ZZV	MDC	DRG			
5j501		BOP, KOP, KOPV, KVT, UOP4	5j514.0		BOP, KOP, KOPV, KVT, UOP4	5j515.b1		BOP, KOP, KOPV, KVT, UOP4			
	04	E05A, E05B, E05C, E08A, E08B, E08C		04	E05A, E05B, E05C, E08A, E08B, E08C		04	E05A, E05B, E05C, E08A, E08B, E08C			
	05	F13A		06	G10Z, G12A, G12B, G18A, G33Z, G38Z		06	G33Z			
	06	G01Z, G02Z, G33Z, G38Z		07	H33Z, H38Z		07	H33Z, H38Z			
	07	H33Z, H38Z		08	I28A, I28B		10	K09A, K09B			
	11	L33Z		09	J03A, J03B, J04A, J04B, J08A, J08B, J08C, J10A, J10B, J16Z, J21Z		11	L33Z			
	17	R01A, R01B, R01C, R01D, R02Z, R12A, R12B, R12C		10	K09A, K09B		17	R01A, R01B, R01C, R01D, R02Z, R12A, R12B, R12C			
	21A	W04A, W04B		11	L03Z, L04A, L04B, L04C, L10Z, L13A, L13B, L33Z, L38Z		23	Z01A			
	21B	X06A, X06B, X06C		12	M01A, M01B, M09A, M38Z		Pre	A07A			
	23	Z01A		13	N01A, N01B, N01C, N01D, N01E, N11A, N38Z		5j515.c	BOP, KOP, KOPV, KVT, UOP4			
	Pre	A07A, A11A, A13A, A13B, A13D		17	R01A, R01B, R01C, R01D, R02Z, R12A, R12B, R12C		04	E05A, E05B, E05C, E08A, E08B, E08C			
	5j503			BOP, KVT, UOP4	5j514.1			BOP, KOP, KOPV, KVT, UOP4	5j515.d		BOP, KOP, KOPV, KVT, UOP4
		04		E02A, E02B, E02C			04	E05A, E05B, E05C, E08A, E08B, E08C		04	E05A, E05B, E05C, E08A, E08B, E08C
05		F13A	06	G10Z, G12A, G12B, G33Z		06	G33Z				
21A		W04A, W04B	07	H33Z, H38Z		07	H33Z, H38Z				
21B		X06A, X06B, X06C	08	I28A, I28B		10	K09A, K09B				
5j510.a		BOP, KVT, UOP4	5j514.2		BOP, KVT, UOP4	5j515.e		BOP, KOP, KOPV, KVT, UOP4			
	04	E02A, E02B, E02C		03	D02A, D02B, D18Z, D24A, D24B		04	E05A, E05B, E05C, E08A, E08B, E08C			
	05	F13A, F21A, F21B		04	E02A, E02B, E02C		06	G33Z			
	10	K09A, K09B		08	I06A, I06B, I06C, I06D, I06E		07	H33Z, H38Z			
	17	R01A, R01B, R01C, R01D, R02Z, R12A, R12B, R12C		09	J02A, J02B, J02C, J03A, J03B, J04A, J04B, J08A, J08B, J10A, J10B, J16Z, J21Z		10	K09A, K09B			
5j510.b		BOP, KVT, UOP4	5j515.b0		BOP, KOP, KOPV, KVT, UOP4	5j515.f		BOP, KOP, KOPV, KVT, UOP4			
	04	E02A, E02B, E02C		04	E05A, E05B, E05C, E08A, E08B, E08C		04	E05A, E05B, E05C, E08A, E08B, E08C			
	05	F13A, F21A, F21B		06	G33Z		06	G33Z			
	10	K09A, K09B		07	H33Z, H38Z		07	H33Z, H38Z			
	17	R01A, R01B, R01C, R01D, R02Z, R12A, R12B, R12C		10	K14Z		10	K09A, K09B			
5j510.c		BOP, KVT, UOP4	5j515.x		BOP, KOP, KOPV, KVT, UOP4	5j515.x		BOP, KOP, KOPV, KVT, UOP4			
	04	E02A, E02B, E02C		04	E05A, E05B, E05C, E08A, E08B, E08C		04	E05A, E05B, E05C, E08A, E08B, E08C			
	05	F13A, F21A, F21B		06	G33Z		06	G33Z			
	10	K09A, K09B		07	H33Z, H38Z		07	H33Z, H38Z			
	17	R01A, R01B, R01C, R01D, R02Z, R12A, R12B, R12C		10	K09A, K09B		10	K09A, K09B			
5j510.d		BOP, KVT, UOP4	5j513		D12A, D12B			Z01A			
	04	E02A, E02B, E02C		04	E02A, E02B, E02C		Pre	A07A			
	05	F13A, F21A, F21B		07	H33Z, H38Z		04	E05A, E05B, E05C, E08A, E08B, E08C			
	10	K09A, K09B		10	K09A, K09B		06	G33Z			
	17	R01A, R01B, R01C, R01D, R02Z, R12A, R12B, R12C		11	L33Z		07	H33Z, H38Z			
5j510.x		BOP, KVT, UOP4			E02A, E02B, E02C			Z01A			
	04	E02A, E02B, E02C		06	G33Z		11	L33Z			
	05	F13A, F21A, F21B		07	H33Z, H38Z		23	Z01A			
	10	K09A, K09B		10	K09A, K09B		Pre	A07A			
	17	R01A, R01B, R01C, R01D, R02Z, R12A, R12B, R12C		11	L33Z						
5j513		BOP, KVT, UOP4									
	04	E02A, E02B, E02C									

ZZV	MDC	DRG	ZZV	MDC	DRG	ZZV	MDC	DRG			
5j520.01↔		BOP, KOP, KOPV, KVT, UOP4	5j525↔		BOP, KVT, UOP4	5j545		BOP, KOP, KOPV, KVT, UOP4			
	04	E05A, E05B, E05C, E08A, E08B, E08C		01	B03A, B03B, B18Z		04	E06A, E06B, E06C, E08A, E08B, E08C			
	06	G33Z		04	E02A, E02B, E02C		06	G33Z			
	07	H33Z, H38Z		06	G03B, G38Z		07	H33Z, H38Z			
	10	K09A, K09B		08	I06A, I06B, I06C, I06D, I06E, I28A, I28B		08	I06A, I06B, I06C, I06D, I06E, I28A, I28B, I44A, I44B			
	11	L33Z		09	J14A, J26Z		11	L33Z			
	17	R01A, R01B, R01C, R01D, R02Z, R12A, R12B, R12C		21A	W04A, W04B		23	Z01A			
	21A	W04A, W04B		21B	X06A, X06B		Pre	A07A			
	21B	X06A, X06B, X06C		5j526↔			BOP, KVT, UOP4	5j546.1		BOP, KOP, KOPV, KVT, UOP4	
	22	Y01Z, Y03A, Y03B			01		B03A, B03B, B18Z		04	E06A, E06B, E06C, E08A, E08B, E08C	
	23	Z01A			04		E02A, E02B, E02C		06	G33Z	
	Pre	A07A			06		G03B, G38Z		07	H33Z, H38Z	
	5j520.02↔				BOP, KOP, KOPV, KVT, UOP4		08		I06A, I06B, I06C, I06D, I06E, I28A, I28B	08	I06A, I06B, I06C, I06D, I06E, I28A, I28B, I44A, I44B
		04			E05A, E05B, E05C, E08A, E08B, E08C		09		J14A, J26Z	11	L33Z
		06			G33Z		21A		W04A, W04B	21B	X33Z
		07			H33Z, H38Z		21B		X06A, X06B	23	Z01A
		10			K09A, K09B		5j540			BOP, KOP, KOPV, KVT, UOP4	Pre
11		L33Z	04		E06A, E06B, E06C, E08A, E08B, E08C	5j547.1				BOP, KOP, KOPV, KVT, UOP4	
17		R01A, R01B, R01C, R01D, R02Z, R12A, R12B, R12C	06		G33Z				04	E06A, E06B, E06C, E08A, E08B, E08C	
21A		W04A, W04B	07		H33Z, H38Z				06	G33Z	
21B		X06A, X06B, X06C	08		I06A, I06B, I06C, I06D, I06E, I28A, I28B, I44A, I44B				07	H33Z, H38Z	
22		Y01Z, Y03A, Y03B	11		L33Z				08	I28A	
23		Z01A	21B		X33Z				09	J03A, J03B, J04A, J04B, J08A, J08B, J08C, J11A, J11B, J16Z	
Pre		A07A	23		Z01A				11	L33Z	
5j523.1↔			BOP, KVT, UOP4		5j541					BOP, KOP, KOPV, KVT, UOP4	17
		04	E02A, E02B, E02C	04				E06A, E06B, E06C, E08A, E08B, E08C	21A	W04A, W04B	
		06	G03B, G38Z	06				G33Z	21B	X06A, X06B	
		08	I06A, I06B, I06C, I06D, I06E, I28A, I28B	07				H33Z, H38Z	22	Y01Z, Y03A, Y03B	
		09	J03A, J03B, J04A, J04B, J08A, J08B, J08C, J11A, J11B, J14A, J16Z, J26Z	08				I06A, I06B, I06C, I06D, I06E, I28A, I28B, I44A, I44B	23	Z01A	
	10	K09A, K09B	11	L33Z				Pre	A07A		
	17	R01A, R01B, R01C, R01D, R02Z, R12A, R12B, R12C	21B	X33Z				5j547.2		BOP, KOP, KOPV, KVT, UOP4	
	21A	W04A, W04B	23	Z01A					04	E06A, E06B, E06C, E08A, E08B, E08C	
	21B	X06A, X06B	Pre	A07A					06	G33Z	
	5j523.2↔		BOP, KVT, UOP4	5j542					BOP, KOP, KOPV, KVT, UOP4	07	H33Z, H38Z
		04	E02A, E02B, E02C			04	E06A, E06B, E06C, E08A, E08B, E08C		08	I28A	
		06	G03B, G38Z			06	G33Z		09	J03A, J03B, J04A, J04B, J08A, J08B, J08C, J11A, J11B, J16Z	
		08	I06A, I06B, I06C, I06D, I06E, I28A, I28B			07	H33Z, H38Z		11	L33Z	
		09	J03A, J03B, J04A, J04B, J08A, J08B, J08C, J11A, J11B, J14A, J16Z, J26Z			08	I06A, I06B, I06C, I06D, I06E, I28A, I28B, I44A, I44B		17	R01A, R01B, R01C, R01D, R02Z, R12A, R12B	
		10	K09A, K09B			11	L33Z		21A	W04A, W04B	
		17	R01A, R01B, R01C, R01D, R02Z, R12A, R12B, R12C			21B	X33Z		21B	X06A, X06B	
		21A	W04A, W04B			23	Z01A		22	Y01Z, Y03A, Y03B	
21B		X06A, X06B	Pre		A07A	23	Z01A				
5j524↔			BOP, KVT, UOP4		5j543		BOP, KOP, KOPV, KVT, UOP4		Pre	A07A	
		01	B03A, B03B, B18Z			04	E06A, E06B, E06C, E08A, E08B, E08C		5j548		BOP, KVT, UOP4
		04	E02A, E02B, E02C			06	G33Z			01	B03A, B03B, B18Z
		06	G03B, G38Z			07	H33Z, H38Z			04	E02A, E02B, E02C
		08	I06A, I06B, I06C, I06D, I06E, I28A, I28B			08	I06A, I06B, I06C, I06D, I06E, I28A, I28B, I44A, I44B			08	I06A, I06B, I06C, I06D, I06E, I28A, I28B, I44A, I44B
		09	J14A, J26Z			11	L33Z	09		J14A, J26Z	
		21A	W04A, W04B			21B	X33Z	21A		W04A, W04B	
		21B	X06A, X06B			23	Z01A	21B		X06A, X06B	
			Pre	A07A							

VYK

ZZV	MDC	DRG	ZZV	MDC	DRG	ZZV	MDC	DRG			
5j549		BOP, KOP, KOPV, KVT, UOP4	5j552		BOP, KVT, UOP4	5j554.1		BOP, KOP, KOPV, KVT, MVV, UOP4			
	04	E05A, E05B, E05C, E06A, E06B, E06C, E08A, E08B, E08C		04	E02A, E02B, E02C		04	E05A, E05B, E05C, E08A, E08B, E08C			
	06	G01Z, G02Z, G33Z, G38Z		08	I23A, I23B		06	G33Z			
	07	H33Z, H38Z		09	J03A, J03B, J04A, J04B, J08A, J08B, J08C, J11A, J11B, J16Z		07	H33Z, H38Z			
	08	I10A, I10B, I10C, I10D, I10E		10	K09A, K09B		08	I28A, I28B			
	09	J26Z		17	R01A, R01B, R01C, R01D, R02Z, R12A, R12B		10	K03A, K03B			
	11	L33Z		21A	W04A, W04B		11	L33Z			
	17	R01A, R01B, R01C, R01D, R02Z, R12A, R12B		21B	X06A, X06B, X06C		17	R01A, R01B, R01C, R01D, R02Z, R12A, R12B			
	21B	X33Z		5j553.1			BOP, KOP, KOPV, KVT, UOP4	21A	W04A, W04B		
	23	Z01A		04	E05A, E05B, E05C, E08A, E08B, E08C		21B	X06A, X06B, X06C, X33Z			
	Pre	A07A, A11A, A13A, A13B, A13D		06	G33Z		23	Z01A			
				07	H33Z, H38Z		Pre	A07A			
	5j54a			BOP, KOP, KOPV, KVT, UOP4	5j553.2			BOP, KOP, KOPV, KVT, UOP4	5j555.10		BOP, KOP, KOPV, KVT, MVV, UOP4
04		E06A, E06B, E06C, E08A, E08B, E08C	04	E05A, E05B, E05C, E08A, E08B, E08C		04	E05A, E05B, E05C, E08A, E08B, E08C				
06		G33Z	06	G33Z		06	G01Z, G02Z, G15Z, G19A, G19B, G33Z, G38Z				
07		H33Z, H38Z	07	H33Z, H38Z		07	H01A, H33Z, H38Z				
08		I06A, I06B, I06C, I06D, I06E, I28A, I28B, I44A, I44B	11	L33Z		11	L33Z				
11		L33Z	21A	W04A, W04B		17	R01A, R01B, R01C, R01D, R02Z, R12A, R12B				
21B		X33Z	21B	X06A, X06B, X06C, X33Z		21A	W04A, W04B				
23		Z01A	23	Z01A		21B	X06A, X06B, X06C, X33Z				
Pre		A07A	Pre	A07A		23	Z01A				
			5j553.3			BOP, KOP, KOPV, KVT, UOP4	Pre	A07A, A11A, A13A, A13B, A13D			
5j54b			BOP, KOP, KOPV, KVT, UOP4	5j553.4			BOP, KOP, KOPV, KVT, UOP4	5j555.11			BOP, KOP, KOPV, KVT, MVV, UOP4
		04	E06A, E06B, E06C, E08A, E08B, E08C			04	E05A, E05B, E05C, E08A, E08B, E08C			04	E05A, E05B, E05C, E08A, E08B, E08C
		06	G33Z			06	G33Z			06	G01Z, G02Z, G15Z, G19A, G19B, G33Z, G38Z
	07	H33Z, H38Z	07		H33Z, H38Z	07	H01A, H33Z, H38Z				
	08	I06A, I06B, I06C, I06D, I06E, I28A, I28B, I44A, I44B	11		L33Z	11	L33Z				
	11	L33Z	21A		W04A, W04B	17	R01A, R01B, R01C, R01D, R02Z, R12A, R12B				
	21B	X33Z	21B		X06A, X06B, X06C, X33Z	21A	W04A, W04B				
	23	Z01A	23		Z01A	21B	X06A, X06B, X06C, X33Z				
	Pre	A07A	Pre		A07A	23	Z01A				
			5j554.0			BOP, KOP, KOPV, KVT, MVV, UOP4	Pre		A07A, A11A, A13A, A13B, A13D		
	5j550.0		BOP, KOP, KOPV, KVT, UOP4		5j554.0		BOP, KOP, KOPV, KVT, MVV, UOP4		5j555.20		BOP, KOP, KOPV, KVT, MVV, UOP4
		04	E05A, E05B, E05C, E08A, E08B, E08C			04	E05A, E05B, E05C, E08A, E08B, E08C			04	E05A, E05B, E05C, E08A, E08B, E08C
		06	G33Z			06	G33Z			06	G01Z, G02Z, G15Z, G19A, G19B, G33Z, G38Z
07		H33Z, H38Z	07	H33Z, H38Z		07	H01A, H33Z, H38Z				
11		L33Z	11	L33Z		11	L33Z				
21A		W04A, W04B	21A	W04A, W04B		17	R01A, R01B, R01C, R01D, R02Z, R12A, R12B				
21B		X06A, X06B, X06C, X33Z	21B	X06A, X06B, X06C, X33Z		21A	W04A, W04B				
23		Z01A	23	Z01A		21B	X06A, X06B, X06C, X33Z				
Pre		A07A	Pre	A07A		23	Z01A				
			04	E05A, E05B, E05C, E08A, E08B, E08C		Pre	A07A, A11A, A13A, A13B, A13D				
5j550.2			BOP, KOP, KOPV, KVT, UOP4	5j554.0			BOP, KOP, KOPV, KVT, MVV, UOP4	5j555.20			BOP, KOP, KOPV, KVT, MVV, UOP4
		04	E05A, E05B, E05C, E08A, E08B, E08C			04	E05A, E05B, E05C, E08A, E08B, E08C			04	E05A, E05B, E05C, E08A, E08B, E08C
		06	G33Z			06	G33Z			06	G01Z, G02Z, G15Z, G19A, G19B, G33Z, G38Z
	07	H33Z, H38Z	07		H33Z, H38Z	07	H01A, H33Z, H38Z				
	11	L33Z	11		L33Z	11	L33Z				
	21A	W04A, W04B	21A		W04A, W04B	17	R01A, R01B, R01C, R01D, R02Z, R12A, R12B				
	21B	X06A, X06B, X06C, X33Z	21B		X06A, X06B, X06C, X33Z	21A	W04A, W04B				
	23	Z01A	23		Z01A	21B	X06A, X06B, X06C, X33Z				
	Pre	A07A	Pre		A07A	23	Z01A				
			08		I28A, I28B	Pre	A07A, A11A, A13A, A13B, A13D				
			10		K03A, K03B						
			11		L33Z						
			17		R01A, R01B, R01C, R01D, R02Z, R12A, R12B						
		21A	W04A, W04B								
		21B	X06A, X06B, X06C, X33Z								
		23	Z01A								
		Pre	A07A								

ZZV	MDC	DRG	ZZV	MDC	DRG	ZZV	MDC	DRG
5j555.21		BOP, KOP, KOPV, KVT, MVV, UOP4	5j561.x		BOP, KOP, KOPV, KVT, UOP4	5j902		BOP, KOP, KOPV, KVT, UOP4
	04	E05A, E05B, E05C, E08A, E08B, E08C		04	E06A, E06B, E06C, E08A, E08B, E08C		03	D12A
	06	G01Z, G02Z, G15Z, G19A, G19B, G33Z, G38Z		06	G33Z		04	E01A, E01B, E02A, E02B, E02C
	07	H01A, H33Z, H38Z		07	H33Z, H38Z		05	F05Z, F07A, F13A, F21A, F21B, F27A, F27B, F27C, F42Z
	11	L33Z		11	L33Z		06	G01Z, G02Z, G03B, G10Z, G12A, G12B, G33Z, G38Z
	17	R01A, R01B, R01C, R01D, R02Z, R12A, R12B		17	R01A, R01B, R01C, R01D, R02Z, R12A, R12B, R12C		07	H06A, H06B, H06C, H33Z, H38Z
	21A	W04A, W04B		21A	W04A, W04B		08	I23A, I23B, I28A, I28B
	21B	X06A, X06B, X06C, X33Z		21B	X06A, X06B, X06C		09	J03A, J03B, J04A, J04B, J08A, J08B, J08C, J11A, J11B, J16Z
	23	Z01A		22	Y01Z, Y03A, Y03B		10	K01Z, K09A, K09B
	Pre	A07A, A11A, A13A, A13B, A13D		23	Z01A		11	L09A, L09B, L09C, L09D, L33Z, L38Z
5j560.0		BOP, KOP, KOPV, KVT, UOP4	5j562		BOP, KOP, KOPV, KVT, UOP4		12	M06Z, M09A, M09B, M38Z
	04	E06A, E06B, E06C, E08A, E08B, E08C		04	E06A, E06B, E06C, E08A, E08B, E08C		13	N11A
	06	G33Z		06	G33Z		14	962Z, O02A, O02B
	07	H33Z, H38Z		07	H33Z, H38Z		17	R01A, R01B, R01C, R01D, R02Z, R12A, R12B, R12C
	11	L33Z		11	L33Z		21A	W04A, W04B
	21A	W04A, W04B		21A	W04A, W04B		21B	X06A, X06B, X06C
	21B	X06A, X06B, X06C		21B	X06A, X06B, X06C		23	Z01A
	22	Y01Z, Y03A, Y03B		22	Y01Z, Y03A, Y03B		Pre	A07A, A11A, A13A, A13B
	23	Z01A		23	Z01A		Pre	BOP, KOP, KVT, UOP4
	Pre	A07A	5j591		BOP, KVT, UOP4	5k500.01		BOP, KOP, KVT, UOP4
5j560.2		BOP, KOP, KOPV, KVT, UOP4		04	E02A, E02B, E02C		04	E36Z
	04	E06A, E06B, E06C, E08A, E08B, E08C		08	I12A, I12B, I12C, I23A, I23B		05	F98Z
	06	G33Z		21A	W04A, W04B		06	G36Z
	07	H33Z, H38Z	5j592		BOP, KVT, UOP4		08	I26Z
	11	L33Z		04	E02A, E02B, E02C		11	L33Z
	17	R01A, R01B, R01C, R01D, R02Z, R12A, R12B, R12C		08	I23A, I23B		Pre	A06A, A07A, A09A, A11A, A13A
	21A	W04A, W04B		21A	W04A, W04B	5k500.02		BOP, KOP, KVT, UOP4
	21B	X06A, X06B, X06C	5j593		BOP, KVT, UOP4		04	E36Z
	22	Y01Z, Y03A, Y03B		04	E02A, E02B, E02C		05	F98Z
	23	Z01A		08	I23A, I23B		06	G36Z
	Pre	A07A		21A	W04A, W04B		08	I26Z
5j561.0		BOP, KOP, KOPV, KVT, UOP4	5j595.1		BOP, KVT, UOP4		11	L33Z
	04	E06A, E06B, E06C, E08A, E08B, E08C		04	E02A, E02B, E02C		Pre	A06A, A07A, A09A, A11A, A13A
	06	G33Z		08	I28A, I28B	5k500.03		BOP, KOP, KVT, UOP4
	07	H33Z, H38Z		21A	W04A, W04B		04	E36Z
	11	L33Z	5j595.2		BOP, KVT, UOP4		05	F98Z
	17	R01A, R01B, R01C, R01D, R02Z, R12A, R12B, R12C		04	E02A, E02B, E02C		06	G36Z
	21A	W04A, W04B		08	I28A, I28B		08	I26Z
	21B	X06A, X06B, X06C		21A	W04A, W04B		11	L33Z
	22	Y01Z, Y03A, Y03B	5j597		BOP, KVT, UOP4		Pre	A06A, A07A, A09A, A11A, A13A
	23	Z01A		04	E02A, E02B, E02C	5k500.0x		BOP, KOP, KVT, UOP4
	Pre	A07A		08	I12A, I12B, I12C, I23A, I23B		04	E36Z
5j561.2		BOP, KOP, KOPV, KVT, UOP4		21A	W04A, W04B		05	F98Z
	04	E06A, E06B, E06C, E08A, E08B, E08C		21B	X06A, X06B		06	G36Z
	06	G33Z					08	I26Z
	07	H33Z, H38Z					11	L33Z
	11	L33Z				5k500.11		KOP
	17	R01A, R01B, R01C, R01D, R02Z, R12A, R12B, R12C					04	E36Z
	21A	W04A, W04B					05	F98Z
	21B	X06A, X06B, X06C					06	G36Z
	22	Y01Z, Y03A, Y03B					08	I26Z
	23	Z01A					11	L33Z
	Pre	A07A					Pre	A06A, A07A, A09A, A11A, A13A

VYK

ZZV	MDC	DRG	ZZV	MDC	DRG	ZZV	MDC	DRG	
5k500.12		KOP	5k510.3		BOP, KOP, KOPV, KVT, UOP4	5k512.2		BOP, KOP, KOPV, KVT, UOP4	
	04	E36Z		05	F01A, F01B, F01D, F03A, F03B, F03C, F03D, F03E, F03F, F05Z, F30Z, F36A, F36B, F42Z		05	F01A, F01B, F01D, F03A, F03B, F03C, F03D, F03E, F03F, F05Z, F30Z, F36A, F36B, F42Z	
	05	F98Z		06	G33Z		06	G33Z	
	06	G36Z		07	H33Z, H38Z		07	H33Z, H38Z	
	08	I26Z		11	L33Z		11	L33Z	
	11	L33Z		15	P02A, P02B, P02C		15	P02A, P02B, P02C	
5k500.13	Pre	A06A, A07A, A09A, A11A, A13A	21B	X33Z	21B	X33Z			
	04	E36Z	23	Z01A	23	Z01A			
	05	F98Z	Pre	A06A, A07A, A09A, A11A, A13A	Pre	A06A, A07A, A09A, A11A, A13A			
	06	G36Z	5k510.4		BOP, KOP, KOPV, KVT, UOP4	5k512.3		BOP, KOP, KOPV, KVT, UOP4	
	08	I26Z		05	F01A, F01B, F01D, F03A, F03B, F03C, F03D, F03E, F03F, F05Z, F30Z, F36A, F36B, F42Z		05	F01A, F01B, F01D, F03A, F03B, F03C, F03D, F03E, F03F, F05Z, F30Z, F36A, F36B, F42Z	
	11	L33Z		06	G33Z		06	G33Z	
Pre	A06A, A07A, A09A, A11A, A13A	07		H33Z, H38Z	07		H33Z, H38Z		
5k500.1x	KOP	5k510.5			BOP, KOP, KOPV, KVT, UOP4		5k512.4		BOP, KOP, KOPV, KVT, UOP4
	04			E36Z	05			F01A, F01B, F01D, F03A, F03B, F03C, F03D, F03E, F03F, F05Z, F30Z, F36A, F36B, F42Z	05
	05		F98Z	06	G33Z	06		G33Z	
	06		G36Z	07	H33Z, H38Z	07		H33Z, H38Z	
	08		I26Z	11	L33Z	11		L33Z	
	11		L33Z	15	P02A, P02B, P02C	15		P02A, P02B, P02C	
5k501.0	Pre	A06A, A07A, A09A, A11A, A13A	21B	X33Z	21B	X33Z			
		BOP, KOP, KVT, UOP4	23	Z01A	23	Z01A			
	04	E36Z	Pre	A06A, A07A, A09A, A11A, A13A	Pre	A06A, A07A, A09A, A11A, A13A			
	05	F98Z	5k510.x		BOP, KOP, KOPV, KVT, UOP4	5k512.x		BOP, KOP, KOPV, KVT, UOP4	
	06	G36Z		05	F01A, F01B, F01D, F03A, F03B, F03C, F03D, F03E, F03F, F05Z, F30Z, F36A, F36B, F42Z		05	F01A, F01B, F01D, F03A, F03B, F03C, F03D, F03E, F03F, F05Z, F30Z, F36A, F36B, F42Z	
	08	I26Z		06	G33Z		06	G33Z	
11	L33Z	07		H33Z, H38Z	07		H33Z, H38Z		
Pre	A06A, A07A, A09A, A11A, A13A	11		L33Z	11		L33Z		
5k502.0		BOP, KOP, KVT, UOP4		15	P02A, P02B, P02C		15	P02A, P02B, P02C	
	04	E36Z	21B	X33Z	21B	X33Z			
	05	F98Z	23	Z01A	23	Z01A			
	06	G36Z	Pre	A06A, A07A, A09A, A11A, A13A	Pre	A06A, A07A, A09A, A11A, A13A			
	08	I26Z	5k512.1		BOP, KOP, KOPV, KVT, UOP4	5k513.1		BOP, KOP, KOPV, KVT, UOP4	
	11	L33Z		05	F01A, F01B, F01D, F03A, F03B, F03C, F03D, F03E, F03F, F05Z, F30Z, F36A, F36B, F42Z		05	F01A, F01B, F01D, F03A, F03B, F03C, F03D, F03E, F03F, F05Z, F30Z, F36A, F36B, F42Z	
Pre	A06A, A07A, A09A, A11A, A13A	06		G33Z	06		G33Z		
5k503.0	04	E36Z		07	H33Z, H38Z		07	H33Z, H38Z	
	05	F98Z		11	L33Z		11	L33Z	
	06	G36Z		15	P02A, P02B, P02C		15	P02A, P02B, P02C	
	08	I26Z	21B	X33Z	21B	X33Z			
	11	L33Z	23	Z01A	23	Z01A			
	Pre	A06A, A07A, A09A, A11A, A13A	Pre	A06A, A07A, A09A, A11A, A13A	Pre	A06A, A07A, A09A, A11A, A13A			
5k503.1	05	F01A, F01B, F01D, F19A, F19B, F19C	5k512.x		BOP, KOP, KOPV, KVT, UOP4	5k512.x		BOP, KOP, KOPV, KVT, UOP4	
	5k505.0	05		F01A, F01B, F01D, F19A, F19B, F19C	05		F01A, F01B, F01D, F03A, F03B, F03C, F03D, F03E, F03F, F05Z, F30Z, F36A, F36B, F42Z	05	F01A, F01B, F01D, F03A, F03B, F03C, F03D, F03E, F03F, F05Z, F30Z, F36A, F36B, F42Z
5k50x		05	F01A, F01B, F01D, F19A, F19B, F19C	06	G33Z	06	G33Z		
	5k510.2		BOP, KOP, KOPV, KVT, UOP4	07	H33Z, H38Z	07	H33Z, H38Z		
05		F01A, F01B, F01D, F03A, F03B, F03C, F03D, F03E, F03F, F05Z, F30Z, F36A, F36B, F42Z	11	L33Z	11	L33Z			
06		G33Z	15	P02A, P02B, P02C	15	P02A, P02B, P02C			
07		H33Z, H38Z	21B	X33Z	21B	X33Z			
11		L33Z	23	Z01A	23	Z01A			
15		P02A, P02B, P02C	Pre	A06A, A07A, A09A, A11A, A13A	Pre	A06A, A07A, A09A, A11A, A13A			
21B		X33Z	5k512.1		BOP, KOP, KOPV, KVT, UOP4	5k513.1		BOP, KOP, KOPV, KVT, UOP4	
23		Z01A		05	F01A, F01B, F01D, F03A, F03B, F03C, F03D, F03E, F03F, F05Z, F30Z, F36A, F36B, F42Z		05	F01A, F01B, F01D, F03A, F03B, F03C, F03D, F03E, F03F, F05Z, F30Z, F36A, F36B, F42Z	
Pre		A06A, A07A, A09A, A11A, A13A		06	G33Z		06	G33Z	
				07	H33Z, H38Z		07	H33Z, H38Z	

VYK

ZZV	MDC	DRG	ZZV	MDC	DRG	ZZV	MDC	DRG
5k530.1		BOP, KOP, KOPV, KVT, UOP4	5k534		BOP, KOP, KOPV, KVT, UOP4	5k537.1		BOP, KOP, KOPV, KVT, UOP4
	05	F01A, F01B, F01D, F03A, F03B, F03C, F03D, F03E, F03F, F05Z, F30Z, F36A, F36B, F42Z		05	F01A, F01B, F01D, F03A, F03B, F03C, F03D, F03E, F03F, F05Z, F07A, F07B, F30Z, F36A, F36B, F42Z		05	F01A, F01B, F01D, F03A, F03B, F03C, F03D, F03E, F03F, F05Z, F07A, F07B, F30Z, F36A, F36B, F42Z
	06	G33Z		06	G33Z		06	G33Z
	07	H33Z, H38Z		07	H33Z, H38Z		07	H33Z, H38Z
	11	L33Z		11	L33Z		11	L33Z
	15	P02A, P02B, P02C		15	P02A, P02B, P02C		15	P02A, P02B, P02C
	21B	X33Z		21B	X33Z		21B	X33Z
	23	Z01A		23	Z01A		23	Z01A
	Pre	A06A, A07A, A09A, A11A, A13A		Pre	A06A, A07A, A09A, A11A, A13A		Pre	A06A, A07A, A09A, A11A, A13A
5k531		BOP, KOP, KOPV, KVT, UOP4	5k535		BOP, KOP, KOPV, KVT, UOP4	5k53x		BOP, KOP, KOPV, KVT, UOP4
	05	F01A, F01B, F01D, F03A, F03B, F03C, F03D, F03E, F03F, F05Z, F30Z, F36A, F36B, F42Z		05	F01A, F01B, F01D, F03A, F03B, F03C, F03D, F03E, F03F, F05Z, F07A, F07B, F30Z, F36A, F36B, F42Z		05	F01A, F01B, F01D, F03A, F03B, F03C, F03D, F03E, F03F, F05Z, F07A, F07B, F30Z, F36A, F36B, F42Z
	06	G33Z		06	G33Z		06	G33Z
	07	H33Z, H38Z		07	H33Z, H38Z		07	H33Z, H38Z
	11	L33Z		11	L33Z		11	L33Z
	15	P02A, P02B, P02C		15	P02A, P02B, P02C		15	P02A, P02B, P02C
	21B	X33Z		21B	X33Z		21B	X33Z
	23	Z01A		23	Z01A		23	Z01A
	Pre	A06A, A07A, A09A, A11A, A13A		Pre	A06A, A07A, A09A, A11A, A13A		Pre	A06A, A07A, A09A, A11A, A13A
5k532		BOP, KOP, KOPV, KVT, UOP4	5k536.0		BOP, KOP, KOPV, KVT, UOP4	5k540.0		BOP, KOP, KOPV, KVT, UOP4
	05	F01A, F01B, F01D, F03A, F03B, F03C, F03D, F03E, F03F, F05Z, F07A, F07B, F30Z, F36A, F36B, F42Z		05	F01A, F01B, F01D, F03A, F03B, F03C, F03D, F03E, F03F, F05Z, F30Z, F36A, F36B, F42Z		05	F01A, F01B, F01D, F03A, F03B, F03C, F03D, F03E, F03F, F05Z, F30Z, F36A, F36B, F42Z
	06	G33Z		06	G33Z		06	G33Z
	07	H33Z, H38Z		07	H33Z, H38Z		07	H33Z, H38Z
	11	L33Z		11	L33Z		11	L33Z
	15	P02A, P02B, P02C		15	P02A, P02B, P02C		15	P02A, P02B, P02C
	21B	X33Z		21B	X33Z		21B	X33Z
	23	Z01A		23	Z01A		23	Z01A
	Pre	A06A, A07A, A09A, A11A, A13A		Pre	A06A, A07A, A09A, A11A, A13A		Pre	A07A
5k533.0		BOP, KOP, KOPV, KVT, UOP4	5k536.1		BOP, KOP, KOPV, KVT, UOP4	5k540.2		BOP, KOP, KOPV, KVT, UOP4
	05	F01A, F01B, F01D, F03A, F03B, F03C, F03D, F03E, F03F, F05Z, F30Z, F36A, F36B, F42Z		05	F01A, F01B, F01D, F03A, F03B, F03C, F03D, F03E, F03F, F05Z, F07A, F07B, F30Z, F36A, F36B, F42Z		05	F01A, F01B, F01D, F03A, F03B, F03C, F03D, F03E, F03F, F05Z, F30Z, F36A, F36B, F42Z
	06	G33Z		06	G33Z		06	G33Z
	07	H33Z, H38Z		07	H33Z, H38Z		07	H33Z, H38Z
	11	L33Z		11	L33Z		11	L33Z
	15	P02A, P02B, P02C		15	P02A, P02B, P02C		15	P02A, P02B, P02C
	21B	X33Z		21B	X33Z		21B	X33Z
	23	Z01A		23	Z01A		23	Z01A
	Pre	A06A, A07A, A09A, A11A, A13A		Pre	A06A, A07A, A09A, A11A, A13A		Pre	A07A
5k533.1		BOP, KOP, KOPV, KVT, UOP4	5k537.0		BOP, KOP, KOPV, KVT, UOP4	5k540.4		BOP, KOP, KOPV, KVT, UOP4
	05	F01A, F01B, F01D, F03A, F03B, F03C, F03D, F03E, F03F, F05Z, F30Z, F36A, F36B, F42Z		05	F01A, F01B, F01D, F03A, F03B, F03C, F03D, F03E, F03F, F05Z, F07A, F07B, F30Z, F36A, F36B, F42Z		05	F01A, F01B, F01D, F03A, F03B, F03C, F03D, F03E, F03F, F05Z, F30Z, F36A, F36B, F42Z
	06	G33Z		06	G33Z		06	G33Z
	07	H33Z, H38Z		07	H33Z, H38Z		07	H33Z, H38Z
	11	L33Z		11	L33Z		11	L33Z
	15	P02A, P02B, P02C		15	P02A, P02B, P02C		15	P02A, P02B, P02C
	21B	X33Z		21B	X33Z		21B	X33Z
	23	Z01A		23	Z01A		23	Z01A
	Pre	A06A, A07A, A09A, A11A, A13A		Pre	A06A, A07A, A09A, A11A, A13A		Pre	A07A

ZZV	MDC	DRG	ZZV	MDC	DRG	ZZV	MDC	DRG
5k540.6		BOP, KOP, KOPV, KVT, UOP4	5k550.1		BOP, KOP, KOPV, KVT, UOP4	5k552.0		BOP, KOP, KOPV, KVT, UOP4
	05	F01A, F01B, F01D, F03A, F03B, F03C, F03D, F03E, F03F, F05Z, F30Z, F36A, F36B, F42Z		05	F01A, F01B, F01D, F03B, F03C, F03D, F03E, F05Z, F07A, F07B, F30Z, F36A, F36B, F42Z		05	F01A, F01B, F01D, F03B, F03C, F03D, F03E, F05Z, F07A, F07B, F30Z, F36A, F36B, F42Z
	06	G33Z		06	G33Z		06	G33Z
	07	H33Z, H38Z		07	H33Z, H38Z		07	H33Z, H38Z
	11	L33Z		11	L33Z		11	L33Z
	15	P02A, P02B, P02C		15	P02A, P02B, P02C		15	P02A, P02B, P02C
	21B	X33Z		21B	X33Z		21B	X33Z
	23	Z01A		23	Z01A		23	Z01A
	Pre	A07A		Pre	A06A, A07A, A09A, A11A, A13A		Pre	A06A, A07A, A09A, A11A, A13A
	5k542.0			BOP, KOP, KOPV, KVT, UOP4	5k550.x			BOP, KOP, KOPV, KVT, UOP4
05		F01A, F01B, F01D, F05Z, F07A, F07B, F30Z, F36A, F36B, F42Z	05	F01A, F01B, F01D, F03B, F03C, F03D, F03E, F05Z, F07A, F07B, F30Z, F36A, F36B, F42Z		05	F01A, F01B, F01D, F03B, F03C, F03D, F03E, F05Z, F07A, F07B, F30Z, F36A, F36B, F42Z	
06		G33Z	06	G33Z		06	G33Z	
07		H33Z, H38Z	07	H33Z, H38Z		07	H33Z, H38Z	
11		L33Z	11	L33Z		11	L33Z	
15		P02A, P02B, P02C	15	P02A, P02B, P02C		15	P02A, P02B, P02C	
21B		X33Z	21B	X33Z		21B	X33Z	
23		Z01A	23	Z01A		23	Z01A	
Pre		A07A	Pre	A06A, A07A, A09A, A11A, A13A		Pre	A06A, A07A, A09A, A11A, A13A	
5k542.2			BOP, KOP, KOPV, KVT, UOP4	5k551.0			BOP, KOP, KOPV, KVT, UOP4	5k552.x
	05	F01A, F01B, F01D, F05Z, F07A, F07B, F30Z, F36A, F36B, F42Z	05		F01A, F01B, F01D, F03B, F03C, F03D, F03E, F05Z, F07A, F07B, F30Z, F36A, F36B, F42Z	05	F01A, F01B, F01D, F03B, F03C, F03D, F03E, F05Z, F07A, F07B, F30Z, F36A, F36B, F42Z	
	06	G33Z	06		G33Z	06	G33Z	
	07	H33Z, H38Z	07		H33Z, H38Z	07	H33Z, H38Z	
	11	L33Z	11		L33Z	11	L33Z	
	15	P02A, P02B, P02C	15		P02A, P02B, P02C	15	P02A, P02B, P02C	
	21B	X33Z	21B		X33Z	21B	X33Z	
	23	Z01A	23		Z01A	23	Z01A	
	Pre	A07A	Pre		A06A, A07A, A09A, A11A, A13A	Pre	A06A, A07A, A09A, A11A, A13A	
	5k542.x		BOP, KOP, KOPV, KVT, UOP4		5k551.1		BOP, KOP, KOPV, KVT, UOP4	
05		F01A, F01B, F01D, F05Z, F07A, F07B, F30Z, F36A, F36B, F42Z	05	F01A, F01B, F01D, F03B, F03C, F03D, F03E, F05Z, F07A, F07B, F30Z, F36A, F36B, F42Z		05	F01A, F01B, F01D, F03B, F03C, F03D, F03E, F05Z, F07A, F07B, F30Z, F36A, F36B, F42Z	
06		G33Z	06	G33Z		06	G33Z	
07		H33Z, H38Z	07	H33Z, H38Z		07	H33Z, H38Z	
11		L33Z	11	L33Z		11	L33Z	
15		P02A, P02B, P02C	15	P02A, P02B, P02C		15	P02A, P02B, P02C	
21B		X33Z	21B	X33Z		21B	X33Z	
23		Z01A	23	Z01A		23	Z01A	
Pre		A07A	Pre	A06A, A07A, A09A, A11A, A13A		Pre	A06A, A07A, A09A, A11A, A13A	
5k550.0			BOP, KOP, KOPV, KVT, UOP4	5k551.x			BOP, KOP, KOPV, KVT, UOP4	5k560
	05	F01A, F01B, F01D, F03B, F03C, F03D, F03E, F05Z, F07A, F07B, F30Z, F36A, F36B, F42Z	05		F01A, F01B, F01D, F03B, F03C, F03D, F03E, F05Z, F07A, F07B, F30Z, F36A, F36B, F42Z	04	E05A, E05B, E05C, E08A, E08B, E08C	
	06	G33Z	06		G33Z	05	F01A, F01B, F01D, F03B, F03C, F03D, F03E, F05Z, F07A, F07B, F09A, F09B, F09C, F36A, F36B, F42Z	
	07	H33Z, H38Z	07		H33Z, H38Z	06	G33Z	
	11	L33Z	11		L33Z	07	H33Z, H38Z	
	15	P02A, P02B, P02C	15		P02A, P02B, P02C	11	L33Z	
	21B	X33Z	21B		X33Z	21B	X33Z	
	23	Z01A	23		Z01A	23	Z01A	
	Pre	A06A, A07A, A09A, A11A, A13A	Pre		A06A, A07A, A09A, A11A, A13A	Pre	A06A, A07A, A09A, A11A, A13A	

VYK

ZZV	MDC	DRG	ZZV	MDC	DRG	ZZV	MDC	DRG	
5k561.0		BOP, KVT, UOP4	5k568		BOP, KOP, KOPV, KVT, UOP4	5k56x		BOP, KVT, UOP4	
	05	F01A, F01B, F01D, F03B, F03C, F03D, F03E, F05Z, F07A, F07B, F09A, F09B, F09C, F30Z, F42Z		05	F01A, F01B, F01D, F03B, F03C, F03D, F03E, F05Z, F07A, F07B, F09A, F09B, F09C, F30Z, F36A, F36B, F42Z		04	E02A, E02B, E02C	
5k562	Pre	A06A, A07A, A09A, A11A, A13A		06	G33Z	21A		W04A, W04B	
	04	E02A, E02B, E02C		07	H33Z, H38Z	Pre		A06A, A07A, A09A, A11A, A13A	
	05	F01A, F01B, F01D, F03B, F03C, F03D, F03E, F05Z, F07A, F07B, F14A, F14B, F28A, F42Z, F54Z, F59A, F59B		11	L33Z	5k570.0		BOP, KOP, KOPV, KVT, UOP4	
	10	K09A, K09B		15	P02A, P02B, P02C		05		F01A, F01B, F01D, F03A, F03B, F03C, F03D, F03E, F03F, F05Z, F30Z, F36A, F36B, F42Z
	Pre	A06A, A07A, A09A, A11A, A13A	5k56d		21B			X33Z	
				23			Z01A		
5k563		BOP, KVT, UOP4		Pre				A06A, A07A, A09A, A11A, A13A	
	04	E02A, E02B, E02C		04	E02A, E02B, E02C		06	G33Z	
	05	F01A, F01B, F01D, F03B, F03C, F03D, F03E, F05Z, F07A, F07B, F14A, F14B, F28A, F42Z, F54Z, F59A, F59B		05	F01A, F01B, F01D, F03B, F03C, F03D, F03E, F05Z, F07A, F07B, F14A, F14B, F28A, F42Z, F54Z, F59A, F59B		07	H33Z, H38Z	
	10	K09A, K09B		21A	W04A, W04B		11	L33Z	
	Pre	A06A, A07A, A09A, A11A, A13A		Pre	A06A, A07A, A09A, A11A, A13A		15	P02A, P02B, P02C	
5k564		BOP, KVT, UOP4		21B	X33Z		21B	X33Z	
	04	E02A, E02B, E02C		23	Z01A		Pre	A06A, A07A, A09A, A11A, A13A	
	05	F01A, F01B, F01D, F03B, F03C, F03D, F03E, F05Z, F07A, F07B, F09A, F09B, F09C, F42Z		Pre	A06A, A07A, A09A, A11A, A13A		05	F01A, F01B, F01D, F03A, F03B, F03C, F03D, F03E, F03F, F05Z, F30Z, F36A, F36B, F42Z	
	10	K09A, K09B		5k56e			06	G33Z	
	Pre	A06A, A07A, A09A, A11A, A13A			04	E02A, E02B, E02C		07	H33Z, H38Z
5k565		BOP, KVT, UOP4		05	F01A, F01B, F01D, F03B, F03C, F03D, F03E, F05Z, F07A, F07B, F14A, F14B, F28A, F42Z, F54Z, F59A, F59B		11	L33Z	
	04	E02A, E02B, E02C		21A	W04A, W04B		15	P02A, P02B, P02C	
	05	F01A, F01B, F01D, F03B, F03C, F03D, F03E, F05Z, F07A, F07B, F14A, F14B, F28A, F42Z, F54Z, F59A, F59B		Pre	A06A, A07A, A09A, A11A, A13A		21B	X33Z	
	10	K09A, K09B		5k56g.3			23	Z01A	
	Pre	A06A, A07A, A09A, A11A, A13A			04	E02A, E02B, E02C	Pre	A06A, A07A, A09A, A11A, A13A	
5k566		BOP, KVT, UOP4		05	F01A, F01B, F01D, F03B, F03C, F03D, F03E, F05Z, F07A, F07B, F14A, F14B, F28A, F42Z, F54Z, F59A, F59B		5k570.2		BOP, KOP, KOPV, KVT, UOP4
	05	F01A, F01B, F01D, F03B, F03C, F03D, F03E, F05Z, F07A, F07B, F09A, F09B, F09C, F30Z, F42Z		21A	W04A, W04B		05	F01A, F01B, F01D, F03A, F03B, F03C, F03D, F03E, F03F, F05Z, F30Z, F36A, F36B, F42Z	
	15	P02A, P02B, P02C		Pre	A06A, A07A, A09A, A11A, A13A		06	G33Z	
	21B	X06A, X06B, X06C		5k56h.1			07	H33Z, H38Z	
	Pre	A06A, A07A, A09A, A11A, A13A			04	E02A, E02B, E02C		11	L33Z
5k567		BOP, KVT, UOP4		05	F01A, F01B, F01D, F03B, F03C, F03D, F03E, F05Z, F07A, F07B, F14A, F14B, F28A, F42Z, F54Z, F59A, F59B		15	P02A, P02B, P02C	
	05	F01A, F01B, F01D, F03B, F03C, F03D, F03E, F05Z, F07A, F07B, F09A, F09B, F09C, F30Z, F42Z		21A	W04A, W04B		21B	X33Z	
	15	P02A, P02B, P02C		Pre	A06A, A07A, A09A, A11A, A13A		23	Z01A	
	Pre	A06A, A07A, A09A, A11A, A13A		5k56h.2			Pre	A06A, A07A, A09A, A11A, A13A	
					04	E02A, E02B, E02C		05	F01A, F01B, F01D, F03A, F03B, F03C, F03D, F03E, F03F, F05Z, F30Z, F36A, F36B, F42Z
				05	F01A, F01B, F01D, F03B, F03C, F03D, F03E, F05Z, F07A, F07B, F14A, F14B, F28A, F42Z, F54Z, F59A, F59B		06	G33Z	
				21A	W04A, W04B		07	H33Z, H38Z	
				Pre	A06A, A07A, A09A, A11A, A13A		11	L33Z	
							15	P02A, P02B, P02C	
							21B	X33Z	
							23	Z01A	
							Pre	A06A, A07A, A09A, A11A, A13A	

VYK

ZZV	MDC	DRG	ZZV	MDC	DRG	ZZV	MDC	DRG
5k57a.0		BOP, KOP, KOPV, KVT, UOP4	5k57a.x		BOP, KOP, KOPV, KVT, UOP4	5k581.x		BOP, KOP, KOPV, KVT, UOP4
	05	F01A, F01B, F01D, F03A, F03B, F03C, F03D, F03E, F03F, F05Z, F30Z, F36A, F36B, F42Z		05	F01A, F01B, F01D, F03A, F03B, F03C, F03D, F03E, F03F, F05Z, F30Z, F36A, F36B, F42Z		05	F01A, F01B, F01D, F05Z, F07A, F07B, F30Z, F36A, F36B, F42Z
	06	G33Z		06	G33Z		06	G33Z
	07	H33Z, H38Z		07	H33Z, H38Z		07	H33Z, H38Z
	11	L33Z		11	L33Z		11	L33Z
	15	P02A, P02B, P02C		15	P02A, P02B, P02C		15	P02A, P02B, P02C
	21B	X33Z		21B	X33Z		21B	X33Z
	23	Z01A		23	Z01A		23	Z01A
	Pre	A06A, A07A, A09A, A11A, A13A		Pre	A06A, A07A, A09A, A11A, A13A		Pre	A06A, A07A, A09A, A11A, A13A
	5k57a.1			BOP, KOP, KOPV, KVT, UOP4	5k580			BOP, KOP, KOPV, KVT, UOP4
05		F01A, F01B, F01D, F03A, F03B, F03C, F03D, F03E, F03F, F05Z, F30Z, F36A, F36B, F42Z	05	F01A, F01B, F01D, F05Z, F07A, F07B, F30Z, F36A, F36B, F42Z		05	F01A, F01B, F01D, F03B, F03C, F03D, F03E, F05Z, F07A, F07B, F09A, F09B, F09C, F30Z, F36A, F36B, F42Z	
06		G33Z	06	G33Z		06	G33Z	
07		H33Z, H38Z	07	H33Z, H38Z		07	H33Z, H38Z	
11		L33Z	11	L33Z		11	L33Z	
15		P02A, P02B, P02C	15	P02A, P02B, P02C		15	P02A, P02B, P02C	
21B		X33Z	21B	X33Z		21B	X33Z	
23		Z01A	23	Z01A		23	Z01A	
Pre		A06A, A07A, A09A, A11A, A13A	Pre	A06A, A07A, A09A, A11A, A13A		Pre	A06A, A07A, A09A, A11A, A13A	
5k57a.2			BOP, KOP, KOPV, KVT, UOP4	5k581.0			BOP, KOP, KOPV, KVT, UOP4	5k582.1
	05	F01A, F01B, F01D, F03A, F03B, F03C, F03D, F03E, F03F, F05Z, F30Z, F36A, F36B, F42Z	05		F01A, F01B, F01D, F05Z, F07A, F07B, F30Z, F36A, F36B, F42Z	05	F01A, F01B, F01D, F03B, F03C, F03D, F03E, F05Z, F07A, F07B, F09A, F09B, F09C, F30Z, F36A, F36B, F42Z	
	06	G33Z	06		G33Z	06	G33Z	
	07	H33Z, H38Z	07		H33Z, H38Z	07	H33Z, H38Z	
	11	L33Z	11		L33Z	11	L33Z	
	15	P02A, P02B, P02C	15		P02A, P02B, P02C	15	P02A, P02B, P02C	
	21B	X33Z	21B		X33Z	21B	X33Z	
	23	Z01A	23		Z01A	23	Z01A	
	Pre	A06A, A07A, A09A, A11A, A13A	Pre		A06A, A07A, A09A, A11A, A13A	Pre	A06A, A07A, A09A, A11A, A13A	
	5k57a.3		BOP, KOP, KOPV, KVT, UOP4		5k581.2		BOP, KOP, KOPV, KVT, UOP4	
05		F01A, F01B, F01D, F03A, F03B, F03C, F03D, F03E, F03F, F05Z, F30Z, F36A, F36B, F42Z	05	F01A, F01B, F01D, F05Z, F07A, F07B, F30Z, F36A, F36B, F42Z		05	F01A, F01B, F01D, F03B, F03C, F03D, F03E, F05Z, F07A, F07B, F09A, F09B, F09C, F30Z, F36A, F36B, F42Z	
06		G33Z	06	G33Z		06	G33Z	
07		H33Z, H38Z	07	H33Z, H38Z		07	H33Z, H38Z	
11		L33Z	11	L33Z		11	L33Z	
15		P02A, P02B, P02C	15	P02A, P02B, P02C		15	P02A, P02B, P02C	
21B		X33Z	21B	X33Z		21B	X33Z	
23		Z01A	23	Z01A		23	Z01A	
Pre		A06A, A07A, A09A, A11A, A13A	Pre	A06A, A07A, A09A, A11A, A13A		Pre	A06A, A07A, A09A, A11A, A13A	
5k57a.4			BOP, KOP, KOPV, KVT, UOP4	5k581.3			BOP, KOP, KOPV, KVT, UOP4	
	05	F01A, F01B, F01D, F03A, F03B, F03C, F03D, F03E, F03F, F05Z, F30Z, F36A, F36B, F42Z	05		F01A, F01B, F01D, F05Z, F07A, F07B, F30Z, F36A, F36B, F42Z	05	F01A, F01B, F01D, F03B, F03C, F03D, F03E, F05Z, F07A, F07B, F09A, F09B, F09C, F30Z, F36A, F36B, F42Z	
	06	G33Z	06		G33Z	06	G33Z	
	07	H33Z, H38Z	07		H33Z, H38Z	07	H33Z, H38Z	
	11	L33Z	11		L33Z	11	L33Z	
	15	P02A, P02B, P02C	15		P02A, P02B, P02C	15	P02A, P02B, P02C	
	21B	X33Z	21B		X33Z	21B	X33Z	
	23	Z01A	23		Z01A	23	Z01A	
	Pre	A06A, A07A, A09A, A11A, A13A	Pre		A06A, A07A, A09A, A11A, A13A	Pre	A06A, A07A, A09A, A11A, A13A	

VYK

ZZV	MDC	DRG	ZZV	MDC	DRG	ZZV	MDC	DRG			
5k584.0		BOP, KOP, KOPV, KVT, UOP4	5k587.1		BOP, KOP, KOPV, KVT, UOP4	5k587.6		BOP, KOP, KOPV, KVT, UOP4			
	05	F01A, F01B, F01D, F03B, F03C, F03D, F03E, F05Z, F07A, F07B, F30Z, F36A, F36B, F42Z		04	E05A, E05B, E05C, E08A, E08B, E08C		05	F01A, F01B, F01D, F05Z, F07A, F07B, F30Z, F36A, F36B, F42Z			
	06	G33Z		05	F01A, F01B, F01D, F05Z, F07A, F07B, F30Z, F36A, F36B, F42Z		06	G33Z			
	07	H33Z, H38Z		06	G33Z		07	H33Z, H38Z			
	11	L33Z		07	H33Z, H38Z		11	L33Z			
	15	P02A, P02B, P02C		11	L33Z		15	P02A, P02B, P02C			
	21B	X33Z		15	P02A, P02B, P02C		21B	X33Z			
	23	Z01A		21B	X33Z		23	Z01A			
	Pre	A06A, A07A, A09A, A11A, A13A		23	Z01A		Pre	A06A, A07A, A09A, A11A, A13A			
	5k584.1			BOP, KOP, KOPV, KVT, UOP4	5k587.2			BOP, KOP, KOPV, KVT, UOP4	5k587.7		BOP, KOP, KOPV, KVT, UOP4
		05		F01A, F01B, F01D, F05Z, F07A, F07B, F30Z, F36A, F36B, F42Z			04	E05A, E05B, E05C, E08A, E08B, E08C		05	F01A, F01B, F01D, F05Z, F07A, F07B, F30Z, F36A, F36B, F42Z
		06		G33Z			05	F01A, F01B, F01D, F05Z, F07A, F07B, F30Z, F36A, F36B, F42Z		06	G33Z
		07		H33Z, H38Z			06	G33Z		07	H33Z, H38Z
11		L33Z	07	H33Z, H38Z		11	L33Z				
15		P02A, P02B, P02C	06	G33Z		15	P02A, P02B, P02C				
21B		X33Z	07	H33Z, H38Z		21B	X33Z				
23		Z01A	11	L33Z		23	Z01A				
Pre		A06A, A07A, A09A, A11A, A13A	15	P02A, P02B, P02C		Pre	A06A, A07A, A09A, A11A, A13A				
5k585			BOP, KOP, KOPV, KVT, UOP4	5k587.3			BOP, KOP, KOPV, KVT, UOP4	5k587.x			BOP, KOP, KOPV, KVT, UOP4
		05	F01A, F01B, F01D, F05Z, F07A, F07B, F30Z, F36A, F36B, F42Z			05	F01A, F01B, F01D, F05Z, F07A, F07B, F30Z, F36A, F36B, F42Z			05	F01A, F01B, F01D, F05Z, F07A, F07B, F30Z, F36A, F36B, F42Z
		06	G33Z			06	G33Z			06	G33Z
		07	H33Z, H38Z			07	H33Z, H38Z			07	H33Z, H38Z
	11	L33Z	07		H33Z, H38Z	11	L33Z				
	15	P02A, P02B, P02C	11		L33Z	15	P02A, P02B, P02C				
	21B	X33Z	15		P02A, P02B, P02C	21B	X33Z				
	23	Z01A	21B		X33Z	23	Z01A				
	Pre	A06A, A07A, A09A, A11A, A13A	23		Z01A	Pre	A06A, A07A, A09A, A11A, A13A				
	5k586		BOP, KOP, KOPV, KVT, UOP4		5k587.4		BOP, KOP, KOPV, KVT, UOP4		5k588		BOP, KOP, KOPV, KVT, UOP4
		05	F01A, F01B, F01D, F05Z, F07A, F07B, F30Z, F36A, F36B, F42Z			05	F01A, F01B, F01D, F05Z, F07A, F07B, F30Z, F36A, F36B, F42Z			05	F01A, F01B, F01D, F03B, F03C, F03D, F03E, F05Z, F07A, F07B, F09A, F09B, F09C, F30Z, F36A, F36B, F42Z
		06	G33Z			06	G33Z			06	G33Z
		07	H33Z, H38Z			07	H33Z, H38Z			07	H33Z, H38Z
11		L33Z	11	L33Z		11	L33Z				
15		P02A, P02B, P02C	15	P02A, P02B, P02C		15	P02A, P02B, P02C				
21B		X33Z	21B	X33Z		21B	X33Z				
23		Z01A	23	Z01A		23	Z01A				
Pre		A06A, A07A, A09A, A11A, A13A	Pre	A06A, A07A, A09A, A11A, A13A		Pre	A06A, A07A, A09A, A11A, A13A				
5k587.0			BOP, KOP, KOPV, KVT, UOP4	5k587.5			BOP, KOP, KOPV, KVT, UOP4	5k589			BOP, KOP, KOPV, KVT, UOP4
		04	E05A, E05B, E05C, E08A, E08B, E08C			05	F01A, F01B, F01D, F05Z, F07A, F07B, F30Z, F36A, F36B, F42Z			05	F01A, F01B, F01D, F05Z, F07A, F07B, F30Z, F36A, F36B, F42Z
		05	F01A, F01B, F01D, F05Z, F07A, F07B, F30Z, F36A, F36B, F42Z			06	G33Z			06	G33Z
		06	G33Z			07	H33Z, H38Z			07	H33Z, H38Z
	07	H33Z, H38Z	11		L33Z	11	L33Z				
	11	L33Z	15		P02A, P02B, P02C	15	P02A, P02B, P02C				
	15	P02A, P02B, P02C	21B		X33Z	21B	X33Z				
	21B	X33Z	23		Z01A	23	Z01A				
	23	Z01A	Pre		A06A, A07A, A09A, A11A, A13A	Pre	A06A, A07A, A09A, A11A, A13A				
	Pre	A06A, A07A, A09A, A11A, A13A									

VYK

ZZV	MDC	DRG	ZZV	MDC	DRG	ZZV	MDC	DRG
5k58x		BOP, KOP, KOPV, KVT, UOP4	5k590.4		BOP, KOP, KOPV, KVT, UOP4	5k590.9		BOP, KOP, KOPV, KVT, UOP4
	05	F01A, F01B, F01D, F03B, F03C, F03D, F03E, F05Z, F07A, F07B, F09A, F09B, F09C, F30Z, F36A, F36B, F42Z		04	E05A, E05B, E05C, E08A, E08B, E08C		04	E05A, E05B, E05C, E08A, E08B, E08C
	06	G33Z		05	F01A, F01B, F01D, F05Z, F07A, F07B, F14A, F14B, F28A, F36A, F36B, F42Z, F54Z, F59A, F59B		05	F01A, F01B, F01D, F03A, F03B, F03C, F03D, F03E, F03F, F05Z, F07A, F07B, F36A, F36B, F42Z
	07	H33Z, H38Z		06	G33Z		06	G33Z
	11	L33Z		07	H33Z, H38Z		07	H33Z, H38Z
	15	P02A, P02B, P02C		10	K09A, K09B		11	L33Z
	21B	X33Z		11	L33Z		21A	W04A, W04B
	23	Z01A		21A	W04A, W04B		21B	X06A, X06B, X06C, X33Z
	Pre	A06A, A07A, A09A, A11A, A13A		21B	X06A, X06B, X06C, X33Z		23	Z01A
	Pre	A06A, A07A, A09A, A11A, A13A		Pre	A06A, A07A, A09A, A11A, A13A		Pre	A06A, A07A, A09A, A11A, A13A
5k590.1		BOP, KOP, KOPV, KVT, UOP4	5k590.5		BOP, KOP, KOPV, KVT, UOP4	5k590.a		BOP, KOP, KOPV, KVT, UOP4
	05	F01A, F01B, F01D, F05Z, F07A, F07B, F30Z, F36A, F36B, F42Z		05	F01A, F01B, F01D, F03A, F03B, F03C, F03D, F03E, F03F, F05Z, F30Z, F36A, F36B, F42Z		05	F01A, F01B, F01D, F03A, F03B, F03C, F03D, F03E, F03F, F05Z, F07A, F07B, F30Z, F36A, F36B, F42Z
	06	G33Z		06	G33Z		06	G33Z
	07	H33Z, H38Z		07	H33Z, H38Z		07	H33Z, H38Z
	11	L33Z		11	L33Z		11	L33Z
	15	P02A, P02B, P02C		15	P02A, P02B, P02C		15	P02A, P02B, P02C
	21B	X33Z		21B	X33Z		21B	X33Z
	23	Z01A		23	Z01A		23	Z01A
	Pre	A06A, A07A, A09A, A11A, A13A		Pre	A06A, A07A, A09A, A11A, A13A		Pre	A06A, A07A, A09A, A11A, A13A
	Pre	A06A, A07A, A09A, A11A, A13A		Pre	A06A, A07A, A09A, A11A, A13A		Pre	A06A, A07A, A09A, A11A, A13A
5k590.2		BOP, KOP, KOPV, KVT, UOP4	5k590.6		BOP, KOP, KOPV, KVT, UOP4	5k590.b0		BOP, KOP, KOPV, KVT, UOP4
	05	F01A, F01B, F01D, F03A, F03B, F03C, F03D, F03E, F03F, F05Z, F30Z, F36A, F36B, F42Z		05	F01A, F01B, F01D, F03A, F03B, F03C, F03D, F03E, F03F, F05Z, F30Z, F36A, F36B, F42Z		05	F01A, F01B, F01D, F05Z, F07A, F07B, F30Z, F36A, F36B, F42Z
	06	G33Z		06	G33Z		06	G33Z
	07	H33Z, H38Z		07	H33Z, H38Z		07	H33Z, H38Z
	11	L33Z		11	L33Z		11	L33Z
	15	P02A, P02B, P02C		15	P02A, P02B, P02C		15	P02A, P02B, P02C
	21B	X33Z		21B	X33Z		21B	X33Z
	23	Z01A		23	Z01A		23	Z01A
	Pre	A06A, A07A, A09A, A11A, A13A		Pre	A06A, A07A, A09A, A11A, A13A		Pre	A06A, A07A, A09A, A11A, A13A
	Pre	A06A, A07A, A09A, A11A, A13A		Pre	A06A, A07A, A09A, A11A, A13A		Pre	A06A, A07A, A09A, A11A, A13A
5k590.3		BOP, KOP, KOPV, KVT, UOP4	5k590.8		BOP, KOP, KOPV, KVT, UOP4	5k590.b1		BOP, KOP, KOPV, KVT, UOP4
	05	F01A, F01B, F01D, F03A, F03B, F03C, F03D, F03E, F03F, F05Z, F30Z, F36A, F36B, F42Z		04	E05A, E05B, E05C, E08A, E08B, E08C		05	F01A, F01B, F01D, F05Z, F07A, F07B, F30Z, F36A, F36B, F42Z
	06	G33Z		05	F01A, F01B, F01D, F03A, F03B, F03C, F03D, F03E, F03F, F05Z, F07A, F07B, F36A, F36B, F42Z		06	G33Z
	07	H33Z, H38Z		06	G33Z		07	H33Z, H38Z
	11	L33Z		07	H33Z, H38Z		11	L33Z
	15	P02A, P02B, P02C		08	F01A, F01B, F01D, F03A, F03B, F03C, F03D, F03E, F03F, F05Z, F07A, F07B, F36A, F36B, F42Z		15	P02A, P02B, P02C
	21B	X33Z		06	G33Z		21B	X33Z
	23	Z01A		07	H33Z, H38Z		23	Z01A
	Pre	A06A, A07A, A09A, A11A, A13A		07	H33Z, H38Z		Pre	A06A, A07A, A09A, A11A, A13A
	Pre	A06A, A07A, A09A, A11A, A13A		11	L33Z		Pre	A06A, A07A, A09A, A11A, A13A
		21A	W04A, W04B			5k590.c		BOP, KOP, KOPV, KVT, UOP4
		21B	X06A, X06B, X06C, X33Z				05	F01A, F01B, F01D, F03A, F03B, F03C, F03D, F03E, F03F, F05Z, F07A, F07B, F30Z, F36A, F36B, F42Z
		23	Z01A				06	G33Z
		Pre	A06A, A07A, A09A, A11A, A13A				07	H33Z, H38Z
							11	L33Z
							15	P02A, P02B, P02C
							21B	X33Z
							23	Z01A
							Pre	A06A, A07A, A09A, A11A, A13A
							Pre	A06A, A07A, A09A, A11A, A13A

VYK

ZZV	MDC	DRG	ZZV	MDC	DRG	ZZV	MDC	DRG
5k590.x		BOP, KOP, KOPV, KVT, UOP4	5k592.x		BOP, KOP, KOPV, KVT, UOP4	5k594.5		BOP, KOP, KOPV, KVT, UOP4
	05	F01A, F01B, F01D, F05Z, F07A, F07B, F30Z, F36A, F36B, F42Z		05	F01A, F01B, F01D, F05Z, F07A, F07B, F30Z, F36A, F36B, F42Z		05	F01A, F01B, F01D, F03A, F03B, F03C, F03D, F03E, F03F, F05Z, F30Z, F36A, F36B, F42Z
	06	G33Z		06	G33Z		06	G33Z
	07	H33Z, H38Z		07	H33Z, H38Z		07	H33Z, H38Z
	11	L33Z		11	L33Z		11	L33Z
	15	P02A, P02B, P02C		15	P02A, P02B, P02C		15	P02A, P02B, P02C
	21B	X33Z		21B	X33Z		21B	X33Z
	23	Z01A		23	Z01A		23	Z01A
	Pre	A06A, A07A, A09A, A11A, A13A		Pre	A06A, A07A, A09A, A11A, A13A		Pre	A06A, A07A, A09A, A11A, A13A
	5k592.1			BOP, KOP, KOPV, KVT, UOP4	5k594.1			BOP, KOP, KOPV, KVT, UOP4
05		F01A, F01B, F01D, F05Z, F07A, F07B, F30Z, F36A, F36B, F42Z	05	F01A, F01B, F01D, F05Z, F07A, F07B, F30Z, F36A, F36B, F42Z		05	F01A, F01B, F01D, F03A, F03B, F03C, F03D, F03E, F03F, F05Z, F30Z, F36A, F36B, F42Z	
06		G33Z	06	G33Z		06	G33Z	
07		H33Z, H38Z	07	H33Z, H38Z		07	H33Z, H38Z	
11		L33Z	11	L33Z		11	L33Z	
15		P02A, P02B, P02C	15	P02A, P02B, P02C		15	P02A, P02B, P02C	
21B		X33Z	21B	X33Z		21B	X33Z	
23		Z01A	23	Z01A		23	Z01A	
Pre		A06A, A07A, A09A, A11A, A13A	Pre	A06A, A07A, A09A, A11A, A13A		Pre	A06A, A07A, A09A, A11A, A13A	
5k592.2			BOP, KOP, KOPV, KVT, UOP4	5k594.2			BOP, KOP, KOPV, KVT, UOP4	5k594.8
	05	F01A, F01B, F01D, F05Z, F07A, F07B, F30Z, F36A, F36B, F42Z	05		F01A, F01B, F01D, F03A, F03B, F03C, F03D, F03E, F03F, F05Z, F30Z, F36A, F36B, F42Z	04	E05A, E05B, E05C, E08A, E08B, E08C	
	06	G33Z	06		G33Z	05	F01A, F01B, F01D, F03A, F03B, F03C, F03D, F03E, F03F, F05Z, F07A, F07B, F36A, F36B, F42Z	
	07	H33Z, H38Z	07		H33Z, H38Z	06	G33Z	
	11	L33Z	11		L33Z	07	H33Z, H38Z	
	15	P02A, P02B, P02C	15		P02A, P02B, P02C	11	L33Z	
	21B	X06A, X06B, X06C, X33Z	21B		X33Z	21A	W04A, W04B	
	23	Z01A	23		Z01A	21B	X06A, X06B, X06C, X33Z	
	Pre	A06A, A07A, A09A, A11A, A13A	Pre		A06A, A07A, A09A, A11A, A13A	23	Z01A	
	5k592.3		BOP, KOP, KOPV, KVT, UOP4		5k594.4		BOP, KOP, KOPV, KVT, UOP4	
05		F01A, F01B, F01D, F03A, F03B, F03C, F03D, F03E, F03F, F05Z, F30Z, F36A, F36B, F42Z	04	E05A, E05B, E05C, E08A, E08B, E08C		04	E05A, E05B, E05C, E08A, E08B, E08C	
06		G33Z	05	F01A, F01B, F01D, F05Z, F07A, F07B, F14A, F14B, F28A, F36A, F36B, F42Z, F54Z, F59A, F59B		05	F01A, F01B, F01D, F03A, F03B, F03C, F03D, F03E, F03F, F05Z, F07A, F07B, F36A, F36B, F42Z	
07		H33Z, H38Z	06	G33Z		06	G33Z	
11		L33Z	07	H33Z, H38Z		07	H33Z, H38Z	
15		P02A, P02B, P02C	10	K09A, K09B		11	L33Z	
21B		X33Z	11	L33Z		21A	W04A, W04B	
23		Z01A	21A	W04A, W04B		21B	X06A, X06B, X06C, X33Z	
Pre		A06A, A07A, A09A, A11A, A13A	21B	X06A, X06B, X06C, X33Z		23	Z01A	
5k592.4			BOP, KOP, KOPV, KVT, UOP4	5k594.4			BOP, KOP, KOPV, KVT, UOP4	5k594.9
	05	F01A, F01B, F01D, F03A, F03B, F03C, F03D, F03E, F03F, F05Z, F30Z, F36A, F36B, F42Z	04		E05A, E05B, E05C, E08A, E08B, E08C	04	E05A, E05B, E05C, E08A, E08B, E08C	
	06	G33Z	05		F01A, F01B, F01D, F05Z, F07A, F07B, F14A, F14B, F28A, F36A, F36B, F42Z, F54Z, F59A, F59B	05	F01A, F01B, F01D, F03A, F03B, F03C, F03D, F03E, F03F, F05Z, F07A, F07B, F36A, F36B, F42Z	
	07	H33Z, H38Z	06		G33Z	06	G33Z	
	11	L33Z	07		H33Z, H38Z	07	H33Z, H38Z	
	15	P02A, P02B, P02C	10		K09A, K09B	11	L33Z	
	21B	X33Z	11		L33Z	21A	W04A, W04B	
	23	Z01A	21A		W04A, W04B	21B	X06A, X06B, X06C, X33Z	
	Pre	A06A, A07A, A09A, A11A, A13A	21B		X06A, X06B, X06C, X33Z	23	Z01A	
			Pre		A06A, A07A, A09A, A11A, A13A	Pre	A06A, A07A, A09A, A11A, A13A	

VYK

ZZV	MDC	DRG	ZZV	MDC	DRG	ZZV	MDC	DRG			
5k594.x		BOP, KOP, KOPV, KVT, UOP4	5k596.x		BOP, KOP, KOPV, KVT, UOP4	5k604		BOP, KOP, KOPV, KVT, UOP4			
	05	F01A, F01B, F01D, F05Z, F07A, F07B, F30Z, F36A, F36B, F42Z		05	F01A, F01B, F01D, F05Z, F07A, F07B, F30Z, F36A, F36B, F42Z		05	F01A, F01B, F01D, F05Z, F07A, F07B, F09A, F09B, F09C, F30Z, F36A, F36B, F42Z			
	06	G33Z		06	G33Z		06	G33Z			
	07	H33Z, H38Z		07	H33Z, H38Z		07	H33Z, H38Z			
	11	L33Z		11	L33Z		11	L33Z			
	15	P02A, P02B, P02C		15	P02A, P02B, P02C		15	P02A, P02B, P02C			
	21B	X33Z		21B	X33Z		21B	X33Z			
	23	Z01A		23	Z01A		23	Z01A			
	Pre	A06A, A07A, A09A, A11A, A13A		Pre	A06A, A07A, A09A, A11A, A13A		Pre	A07A			
	5k596.1			BOP, KOP, KOPV, KVT, UOP4	5k59x			BOP, KOP, KOPV, KVT, UOP4	5k60x		BOP, KOP, KOPV, KVT, UOP4
		05		F01A, F01B, F01D, F05Z, F07A, F07B, F30Z, F36A, F36B, F42Z			05	F01A, F01B, F01D, F05Z, F07A, F07B, F30Z, F36A, F36B, F42Z		05	F01A, F01B, F01D, F05Z, F07A, F07B, F09A, F09B, F09C, F30Z, F36A, F36B, F42Z
06		G33Z	06	G33Z		06	G33Z				
07		H33Z, H38Z	07	H33Z, H38Z		07	H33Z, H38Z				
11		L33Z	11	L33Z		11	L33Z				
15		P02A, P02B, P02C	15	P02A, P02B, P02C		15	P02A, P02B, P02C				
21B		X33Z	21B	X33Z		21B	X33Z				
23		Z01A	23	Z01A		23	Z01A				
Pre		A06A, A07A, A09A, A11A, A13A	Pre	A06A, A07A, A09A, A11A, A13A		Pre	A07A				
5k596.2			BOP, KOP, KOPV, KVT, UOP4	5k600			BOP, KOP, KOPV, KVT, UOP4	5k610.0			BOP, KOP, KOPV, KVT, UOP4
		05	F01A, F01B, F01D, F05Z, F07A, F07B, F30Z, F36A, F36B, F42Z			05	F01A, F01B, F01D, F05Z, F07A, F07B, F09A, F09B, F09C, F30Z, F36A, F36B, F42Z			05	F01A, F01B, F01D, F03B, F03C, F03D, F03E, F05Z, F06A, F06B, F06C, F06D, F06E, F06F, F07A, F07B, F30Z, F36A, F36B, F42Z
	06	G33Z	06		G33Z	06	G33Z				
	07	H33Z, H38Z	07		H33Z, H38Z	07	H33Z, H38Z				
	11	L33Z	11		L33Z	11	L33Z				
	15	P02A, P02B, P02C	15		P02A, P02B, P02C	15	P02A, P02B, P02C				
	21B	X06A, X06B, X06C, X33Z	21B		X33Z	21B	X33Z				
	23	Z01A	23		Z01A	23	Z01A				
	Pre	A06A, A07A, A09A, A11A, A13A	Pre		A07A	Pre	A07A				
	5k596.3		BOP, KOP, KOPV, KVT, UOP4		5k601		BOP, KOP, KOPV, KVT, UOP4		5k610.1		BOP, KOP, KOPV, KVT, UOP4
		05	F01A, F01B, F01D, F03A, F03B, F03C, F03D, F03E, F03F, F05Z, F30Z, F36A, F36B, F42Z			05	F01A, F01B, F01D, F05Z, F07A, F07B, F09A, F09B, F09C, F30Z, F36A, F36B, F42Z			05	F01A, F01B, F01D, F03B, F03C, F03D, F03E, F05Z, F06A, F06B, F06C, F06D, F06E, F06F, F07A, F07B, F30Z, F36A, F36B, F42Z
06		G33Z	06	G33Z		06	G33Z				
07		H33Z, H38Z	07	H33Z, H38Z		07	H33Z, H38Z				
11		L33Z	11	L33Z		11	L33Z				
15		P02A, P02B, P02C	15	P02A, P02B, P02C		15	P02A, P02B, P02C				
21B		X33Z	21B	X33Z		21B	X33Z				
23		Z01A	23	Z01A		23	Z01A				
Pre		A06A, A07A, A09A, A11A, A13A	Pre	A07A		Pre	A07A				
5k596.4			BOP, KOP, KOPV, KVT, UOP4	5k602			BOP, KOP, KOPV, KVT, UOP4	5k610.2			BOP, KOP, KOPV, KVT, UOP4
		05	F01A, F01B, F01D, F03A, F03B, F03C, F03D, F03E, F03F, F05Z, F30Z, F36A, F36B, F42Z			05	F01A, F01B, F01D, F05Z, F07A, F07B, F09A, F09B, F09C, F30Z, F36A, F36B, F42Z			05	F01A, F01B, F01D, F03B, F03C, F03D, F03E, F05Z, F06A, F06B, F06C, F06D, F06E, F06F, F07A, F07B, F30Z, F36A, F36B, F42Z
	06	G33Z	06		G33Z	06	G33Z				
	07	H33Z, H38Z	07		H33Z, H38Z	07	H33Z, H38Z				
	11	L33Z	11		L33Z	11	L33Z				
	15	P02A, P02B, P02C	15		P02A, P02B, P02C	15	P02A, P02B, P02C				
	21B	X33Z	21B		X33Z	21B	X33Z				
	23	Z01A	23		Z01A	23	Z01A				
	Pre	A06A, A07A, A09A, A11A, A13A	Pre		A07A	Pre	A07A				

VYK

ZZV	MDC	DRG	ZZV	MDC	DRG	ZZV	MDC	DRG
5k620.25		BOP, KOP, KOPV, KVT, UOP4	5k620.35		BOP, KOP, KOPV, KVT, UOP4	5k621.25		BOP, KOP, KOPV, KVT, UOP4
	05	F01A, F01B, F01D, F03B, F03C, F03D, F03E, F05Z, F06A, F06B, F06C, F06D, F06E, F06F, F30Z, F36A, F36B, F42Z		05	F01A, F01B, F01D, F03B, F03C, F03D, F03E, F05Z, F06A, F06B, F06C, F06D, F06E, F06F, F30Z, F36A, F36B, F42Z		05	F01A, F01B, F01D, F03B, F03C, F03D, F03E, F05Z, F06A, F06B, F06C, F06D, F06E, F06F, F30Z, F36A, F36B, F42Z
	06	G33Z		06	G33Z		06	G33Z
	07	H33Z, H38Z		07	H33Z, H38Z		07	H33Z, H38Z
	11	L33Z		11	L33Z		11	L33Z
	15	P02A, P02B, P02C		15	P02A, P02B, P02C		15	P02A, P02B, P02C
	21B	X33Z		21B	X33Z		21B	X33Z
5k620.2x	23	Z01A	5k620.3x	23	Z01A	5k621.2x	23	Z01A
	Pre	A07A		Pre	A07A		Pre	A07A
		BOP, KOP, KOPV, KVT, UOP4			BOP, KOP, KOPV, KVT, UOP4			BOP, KOP, KOPV, KVT, UOP4
	05	F01A, F01B, F01D, F03B, F03C, F03D, F03E, F05Z, F06A, F06B, F06C, F06D, F06E, F06F, F30Z, F36A, F36B, F42Z		05	F01A, F01B, F01D, F03B, F03C, F03D, F03E, F05Z, F06A, F06B, F06C, F06D, F06E, F06F, F30Z, F36A, F36B, F42Z		05	F01A, F01B, F01D, F03B, F03C, F03D, F03E, F05Z, F06A, F06B, F06C, F06D, F06E, F06F, F30Z, F36A, F36B, F42Z
	06	G33Z		06	G33Z		06	G33Z
	07	H33Z, H38Z		07	H33Z, H38Z		07	H33Z, H38Z
	11	L33Z		11	L33Z		11	L33Z
5k620.30	15	P02A, P02B, P02C	5k621.20	15	P02A, P02B, P02C	5k621.30	15	P02A, P02B, P02C
	21B	X33Z		21B	X33Z		21B	X33Z
	23	Z01A		23	Z01A		23	Z01A
	Pre	A07A		Pre	A07A		Pre	A07A
		BOP, KOP, KOPV, KVT, UOP4			BOP, KOP, KOPV, KVT, UOP4			BOP, KOP, KOPV, KVT, UOP4
	05	F01A, F01B, F01D, F03B, F03C, F03D, F03E, F05Z, F06A, F06B, F06C, F06D, F06E, F06F, F30Z, F36A, F36B, F42Z		05	F01A, F01B, F01D, F03B, F03C, F03D, F03E, F05Z, F06A, F06B, F06C, F06D, F06E, F06F, F30Z, F36A, F36B, F42Z		05	F01A, F01B, F01D, F03B, F03C, F03D, F03E, F05Z, F06A, F06B, F06C, F06D, F06E, F06F, F30Z, F36A, F36B, F42Z
	06	G33Z		06	G33Z		06	G33Z
5k620.31	07	H33Z, H38Z	5k621.21	07	H33Z, H38Z	5k621.31	07	H33Z, H38Z
	11	L33Z		11	L33Z		11	L33Z
	15	P02A, P02B, P02C		15	P02A, P02B, P02C		15	P02A, P02B, P02C
	21B	X33Z		21B	X33Z		21B	X33Z
	23	Z01A		23	Z01A		23	Z01A
	Pre	A07A		Pre	A07A		Pre	A07A
		BOP, KOP, KOPV, KVT, UOP4			BOP, KOP, KOPV, KVT, UOP4			BOP, KOP, KOPV, KVT, UOP4
5k620.32	05	F01A, F01B, F01D, F03B, F03C, F03D, F03E, F05Z, F06A, F06B, F06C, F06D, F06E, F06F, F30Z, F36A, F36B, F42Z	5k621.22	05	F01A, F01B, F01D, F03B, F03C, F03D, F03E, F05Z, F06A, F06B, F06C, F06D, F06E, F06F, F30Z, F36A, F36B, F42Z	5k621.32	05	F01A, F01B, F01D, F03B, F03C, F03D, F03E, F05Z, F06A, F06B, F06C, F06D, F06E, F06F, F30Z, F36A, F36B, F42Z
	06	G33Z		06	G33Z		06	G33Z
	07	H33Z, H38Z		07	H33Z, H38Z		07	H33Z, H38Z
	11	L33Z		11	L33Z		11	L33Z
	15	P02A, P02B, P02C		15	P02A, P02B, P02C		15	P02A, P02B, P02C
	21B	X33Z		21B	X33Z		21B	X33Z
	23	Z01A		23	Z01A		23	Z01A
Pre	A07A	Pre	A07A	Pre	A07A			

VYK

ZZV	MDC	DRG	ZZV	MDC	DRG	ZZV	MDC	DRG
5k621.35		BOP, KOP, KOPV, KVT, UOP4	5k622.25		BOP, KOP, KOPV, KVT, UOP4	5k622.35		BOP, KOP, KOPV, KVT, UOP4
	05	F01A, F01B, F01D, F03B, F03C, F03D, F03E, F05Z, F06A, F06B, F06C, F06D, F06E, F06F, F30Z, F36A, F36B, F42Z		05	F01A, F01B, F01D, F03B, F03C, F03D, F03E, F05Z, F06A, F06B, F06C, F06D, F06E, F06F, F30Z, F36A, F36B, F42Z		05	F01A, F01B, F01D, F03B, F03C, F03D, F03E, F05Z, F06A, F06B, F06C, F06D, F06E, F06F, F30Z, F36A, F36B, F42Z
	06	G33Z		06	G33Z		06	G33Z
	07	H33Z, H38Z		07	H33Z, H38Z		07	H33Z, H38Z
	11	L33Z		11	L33Z		11	L33Z
	15	P02A, P02B, P02C		15	P02A, P02B, P02C		15	P02A, P02B, P02C
	21B	X33Z		21B	X33Z		21B	X33Z
	23	Z01A		23	Z01A		23	Z01A
5k621.3x	Pre	A07A	5k622.2x	Pre	A07A	5k622.3x	Pre	A07A
		BOP, KOP, KOPV, KVT, UOP4			BOP, KOP, KOPV, KVT, UOP4			BOP, KOP, KOPV, KVT, UOP4
	05	F01A, F01B, F01D, F03B, F03C, F03D, F03E, F05Z, F06A, F06B, F06C, F06D, F06E, F06F, F30Z, F36A, F36B, F42Z		05	F01A, F01B, F01D, F03B, F03C, F03D, F03E, F05Z, F06A, F06B, F06C, F06D, F06E, F06F, F30Z, F36A, F36B, F42Z		05	F01A, F01B, F01D, F03B, F03C, F03D, F03E, F05Z, F06A, F06B, F06C, F06D, F06E, F06F, F30Z, F36A, F36B, F42Z
	06	G33Z		06	G33Z		06	G33Z
	07	H33Z, H38Z		07	H33Z, H38Z		07	H33Z, H38Z
	11	L33Z		11	L33Z		11	L33Z
	15	P02A, P02B, P02C		15	P02A, P02B, P02C		15	P02A, P02B, P02C
	21B	X33Z		21B	X33Z		21B	X33Z
5k622.20	23	Z01A	5k622.30	23	Z01A	5k623.20	23	Z01A
	Pre	A07A		Pre	A07A		Pre	A07A
		BOP, KOP, KOPV, KVT, UOP4			BOP, KOP, KOPV, KVT, UOP4			BOP, KOP, KOPV, KVT, UOP4
	05	F01A, F01B, F01D, F03B, F03C, F03D, F03E, F05Z, F06A, F06B, F06C, F06D, F06E, F06F, F30Z, F36A, F36B, F42Z		05	F01A, F01B, F01D, F03B, F03C, F03D, F03E, F05Z, F06A, F06B, F06C, F06D, F06E, F06F, F30Z, F36A, F36B, F42Z		05	F01A, F01B, F01D, F03B, F03C, F03D, F03E, F05Z, F06A, F06B, F06C, F06D, F06E, F06F, F30Z, F36A, F36B, F42Z
	06	G33Z		06	G33Z		06	G33Z
	07	H33Z, H38Z		07	H33Z, H38Z		07	H33Z, H38Z
	11	L33Z		11	L33Z		11	L33Z
	15	P02A, P02B, P02C		15	P02A, P02B, P02C		15	P02A, P02B, P02C
5k622.21	21B	X33Z	5k622.31	21B	X33Z	5k623.21	21B	X33Z
	23	Z01A		23	Z01A		23	Z01A
	Pre	A07A		Pre	A07A		Pre	A07A
		BOP, KOP, KOPV, KVT, UOP4			BOP, KOP, KOPV, KVT, UOP4			BOP, KOP, KOPV, KVT, UOP4
	05	F01A, F01B, F01D, F03B, F03C, F03D, F03E, F05Z, F06A, F06B, F06C, F06D, F06E, F06F, F30Z, F36A, F36B, F42Z		05	F01A, F01B, F01D, F03B, F03C, F03D, F03E, F05Z, F06A, F06B, F06C, F06D, F06E, F06F, F30Z, F36A, F36B, F42Z		05	F01A, F01B, F01D, F03B, F03C, F03D, F03E, F05Z, F06A, F06B, F06C, F06D, F06E, F06F, F30Z, F36A, F36B, F42Z
	06	G33Z		06	G33Z		06	G33Z
	07	H33Z, H38Z		07	H33Z, H38Z		07	H33Z, H38Z
	11	L33Z		11	L33Z		11	L33Z
5k622.22	15	P02A, P02B, P02C	5k622.32	15	P02A, P02B, P02C	5k623.22	15	P02A, P02B, P02C
	21B	X33Z		21B	X33Z		21B	X33Z
	23	Z01A		23	Z01A		23	Z01A
	Pre	A07A		Pre	A07A		Pre	A07A
		BOP, KOP, KOPV, KVT, UOP4			BOP, KOP, KOPV, KVT, UOP4			BOP, KOP, KOPV, KVT, UOP4
	05	F01A, F01B, F01D, F03B, F03C, F03D, F03E, F05Z, F06A, F06B, F06C, F06D, F06E, F06F, F30Z, F36A, F36B, F42Z		05	F01A, F01B, F01D, F03B, F03C, F03D, F03E, F05Z, F06A, F06B, F06C, F06D, F06E, F06F, F30Z, F36A, F36B, F42Z		05	F01A, F01B, F01D, F03B, F03C, F03D, F03E, F05Z, F06A, F06B, F06C, F06D, F06E, F06F, F30Z, F36A, F36B, F42Z
	06	G33Z		06	G33Z		06	G33Z
	07	H33Z, H38Z		07	H33Z, H38Z		07	H33Z, H38Z
	11	L33Z		11	L33Z		11	L33Z
	15	P02A, P02B, P02C		15	P02A, P02B, P02C		15	P02A, P02B, P02C
	21B	X33Z		21B	X33Z		21B	X33Z
	23	Z01A		23	Z01A		23	Z01A
	Pre	A07A		Pre	A07A		Pre	A07A

ZZV	MDC	DRG	ZZV	MDC	DRG	ZZV	MDC	DRG
5k624.35		BOP, KOP, KOPV, KVT, UOP4	5k62x.5		BOP, KOP, KOPV, KVT, UOP4	5k633		BOP, KOP, KOPV, KVT, UOP4
	05	F01A, F01B, F01D, F03B, F03C, F03D, F03E, F05Z, F06A, F06B, F06C, F06D, F06E, F06F, F30Z, F36A, F36B, F42Z		05	F01A, F01B, F01D, F03B, F03C, F03D, F03E, F05Z, F06A, F06B, F06C, F06D, F06E, F06F, F30Z, F36A, F36B, F42Z		05	F01A, F01B, F01D, F05Z, F07A, F07B, F09A, F09B, F09C, F30Z, F36A, F36B, F42Z
	06	G33Z		06	G33Z		06	G33Z
	07	H33Z, H38Z		07	H33Z, H38Z		07	H33Z, H38Z
	11	L33Z		11	L33Z		11	L33Z
	15	P02A, P02B, P02C		15	P02A, P02B, P02C		15	P02A, P02B, P02C
	21B	X33Z		21B	X33Z		21B	X06A, X06B, X06C, X33Z
	23	Z01A		23	Z01A		23	Z01A
	Pre	A07A		Pre	A07A		Pre	A07A
	5k624.3x			BOP, KOP, KOPV, KVT, UOP4	5k62x.x			BOP, KOP, KOPV, KVT, UOP4
05		F01A, F01B, F01D, F03B, F03C, F03D, F03E, F05Z, F06A, F06B, F06C, F06D, F06E, F06F, F30Z, F36A, F36B, F42Z	05	F01A, F01B, F01D, F03B, F03C, F03D, F03E, F05Z, F06A, F06B, F06C, F06D, F06E, F06F, F30Z, F36A, F36B, F42Z		05	F01A, F01B, F01D, F03B, F03C, F03D, F03E, F05Z, F06A, F06B, F06C, F06D, F06E, F06F, F30Z, F36A, F36B, F42Z	
06		G33Z	06	G33Z		06	G33Z	
07		H33Z, H38Z	07	H33Z, H38Z		07	H33Z, H38Z	
11		L33Z	11	L33Z		11	L33Z	
15		P02A, P02B, P02C	15	P02A, P02B, P02C		15	P02A, P02B, P02C	
21B		X33Z	21B	X33Z		21B	X33Z	
23		Z01A	23	Z01A		23	Z01A	
Pre		A07A	Pre	A07A		Pre	A07A	
5k62x.0			BOP, KOP, KOPV, KVT, UOP4	5k630			BOP, KOP, KOPV, KVT, UOP4	5k635
	05	F01A, F01B, F01D, F03B, F03C, F03D, F03E, F05Z, F06A, F06B, F06C, F06D, F06E, F06F, F30Z, F36A, F36B, F42Z	05		F01A, F01B, F01D, F05Z, F07A, F07B, F09A, F09B, F09C, F30Z, F36A, F36B, F42Z	05	F01A, F01B, F01D, F05Z, F07A, F07B, F09A, F09B, F09C, F30Z, F36A, F36B, F42Z	
	06	G33Z	06		G33Z	06	G33Z	
	07	H33Z, H38Z	07		H33Z, H38Z	07	H33Z, H38Z	
	11	L33Z	11		L33Z	11	L33Z	
	15	P02A, P02B, P02C	15		P02A, P02B, P02C	15	P02A, P02B, P02C	
	21B	X33Z	21B		X06A, X06B, X06C, X33Z	21B	X06A, X06B, X06C	
	23	Z01A	23		Z01A	23	Z01A	
	Pre	A07A	Pre		A07A	Pre	A07A	
	5k62x.1		BOP, KOP, KOPV, KVT, UOP4		5k631		BOP, KOP, KOPV, KVT, UOP4	
05		F01A, F01B, F01D, F03B, F03C, F03D, F03E, F05Z, F06A, F06B, F06C, F06D, F06E, F06F, F30Z, F36A, F36B, F42Z	05	F01A, F01B, F01D, F05Z, F06C, F06D, F07A, F07B, F09A, F09B, F09C, F30Z, F36A, F36B, F42Z		05	F01A, F01B, F01D, F05Z, F07A, F07B, F09A, F09B, F09C, F30Z, F36A, F36B, F42Z	
06		G33Z	06	G33Z		06	G33Z	
07		H33Z, H38Z	07	H33Z, H38Z		07	H33Z, H38Z	
11		L33Z	11	L33Z		11	L33Z	
15		P02A, P02B, P02C	15	P02A, P02B, P02C		15	P02A, P02B, P02C	
21B		X33Z	21B	X06A, X06B, X06C, X33Z		21B	X33Z	
23		Z01A	23	Z01A		23	Z01A	
Pre		A07A	Pre	A07A		Pre	A07A	
5k62x.2			BOP, KOP, KOPV, KVT, UOP4	5k632			BOP, KOP, KOPV, KVT, UOP4	5k63x
	05	F01A, F01B, F01D, F03B, F03C, F03D, F03E, F05Z, F06A, F06B, F06C, F06D, F06E, F06F, F30Z, F36A, F36B, F42Z	05		F01A, F01B, F01D, F03B, F03C, F03D, F03E, F05Z, F06A, F06B, F06C, F06D, F06E, F06F, F30Z, F36A, F36B, F42Z	05	F01A, F01B, F01D, F05Z, F07A, F07B, F09A, F09B, F09C, F30Z, F42Z	
	06	G33Z	06		G33Z	06	G33Z	
	07	H33Z, H38Z	07		H33Z, H38Z	07	H33Z, H38Z	
	11	L33Z	11		L33Z	11	L33Z	
	15	P02A, P02B, P02C	15		P02A, P02B, P02C	15	P02A, P02B, P02C	
	21B	X33Z	21B		X06A, X06B, X06C, X33Z	21B	X06A, X06B, X06C	
	23	Z01A	23		Z01A	23	Z01A	
	Pre	A07A	Pre		A07A	Pre	A07A	
	5k62x.3		BOP, KOP, KOPV, KVT, UOP4		5k633		BOP, KOP, KOPV, KVT, UOP4	
05		F01A, F01B, F01D, F03B, F03C, F03D, F03E, F05Z, F06A, F06B, F06C, F06D, F06E, F06F, F30Z, F36A, F36B, F42Z	05	F01A, F01B, F01D, F03B, F03C, F03D, F03E, F05Z, F06A, F06B, F06C, F06D, F06E, F06F, F30Z, F36A, F36B, F42Z		05	F01A, F01B, F01D, F05Z, F07A, F07B, F09A, F09B, F09C, F30Z, F42Z	
06		G33Z	06	G33Z		06	G33Z	
07		H33Z, H38Z	07	H33Z, H38Z		07	H33Z, H38Z	
11		L33Z	11	L33Z		11	L33Z	
15		P02A, P02B, P02C	15	P02A, P02B, P02C		15	P02A, P02B, P02C	
21B		X33Z	21B	X06A, X06B, X06C, X33Z		21B	X06A, X06B, X06C	
23		Z01A	23	Z01A		23	Z01A	
Pre		A07A	Pre	A07A		Pre	A07A	

VYK

ZZV	MDC	DRG	ZZV	MDC	DRG	ZZV	MDC	DRG
5k642		BOP, KVT, UOP4	5k703		BOP, KVT, UOP4	5k713.2		BOP, KVT, UOP4
	05	F01A, F01B, F01D, F05Z, F07A, F07B, F09A, F09B, F09C, F30Z, F42Z		05	F01A, F01B, F01D, F05Z, F07A, F07B, F09A, F09B, F09C, F30Z, F42Z		05	F01A, F01B, F01D, F03C, F03D, F05Z, F06C, F06E, F07A, F07B, F09A, F09B, F09C, F30Z, F42Z
	15	P02A, P02B, P02C		15	P02A, P02B, P02C		15	P02A, P02B, P02C
5k643	21B	X06A, X06B, X06C		21A	W04A, W04B	5k713.3		BOP, KVT, UOP4
		BOP, KOP, KOPV, KVT, UOP4	5k704		BOP, KOP, KOPV, KVT, UOP4		05	F01A, F01B, F01D, F03C, F03D, F05Z, F06C, F06E, F07A, F07B, F09A, F09B, F09C, F30Z, F42Z
	05	F01A, F01B, F01D, F05Z, F07A, F07B, F09A, F09B, F09C, F30Z, F36A, F36B, F42Z		05	F01A, F01B, F01D, F05Z, F07A, F07B, F09A, F09B, F09C, F30Z, F36A, F36B, F42Z		15	P02A, P02B, P02C
	06	G33Z		06	G33Z	5k713.4		BOP, KVT, UOP4
	07	H33Z, H38Z		07	H33Z, H38Z		05	F01A, F01B, F01D, F03C, F03D, F05Z, F06C, F06E, F07A, F07B, F09A, F09B, F09C, F30Z, F42Z
	11	L33Z		11	L33Z		15	P02A, P02B, P02C
	15	P02A, P02B, P02C		15	P02A, P02B, P02C		15	P02A, P02B, P02C
	21B	X06A, X06B, X06C, X33Z		21A	W04A, W04B	5k713.5		BOP, KVT, UOP4
	23	Z01A		21B	X06A, X06B, X06C		05	F01A, F01B, F01D, F03C, F03D, F05Z, F06C, F06E, F07A, F07B, F09A, F09B, F09C, F30Z, F42Z
	Pre	A07A		23	Z01A		15	P02A, P02B, P02C
5k644		BOP, KVT, UOP4		Pre	A07A		05	F01A, F01B, F01D, F03C, F03D, F05Z, F06C, F06E, F07A, F07B, F09A, F09B, F09C, F30Z, F42Z
	05	F21A, F21B	5k705		BOP, KOP, KOPV, KVT, UOP4		15	P02A, P02B, P02C
5k64x		BOP, KVT, UOP4		05	F01A, F01B, F01D, F05Z, F07A, F07B, F09A, F09B, F09C, F30Z, F42Z	5k713.6		BOP, KVT, UOP4
	05	F01A, F01B, F01D, F05Z, F07A, F07B, F09A, F09B, F09C, F30Z, F42Z		06	G33Z		05	F01A, F01B, F01D, F03C, F03D, F05Z, F06C, F06E, F07A, F07B, F09A, F09B, F09C, F30Z, F42Z
	15	P02A, P02B, P02C		07	H33Z, H38Z		15	P02A, P02B, P02C
5k700	21B	X06A, X06B, X06C		11	L33Z	5k713.x		BOP, KVT, UOP4
		BOP, KOP, KOPV, KVT, UOP4		15	P02A, P02B, P02C		05	F01A, F01B, F01D, F03C, F03D, F05Z, F06C, F06E, F07A, F07B, F09A, F09B, F09C, F30Z, F42Z
	04	E05A, E05B, E05C, E08A, E08B, E08C		21A	W04A, W04B		15	P02A, P02B, P02C
	05	F01A, F01B, F01D, F05Z, F07A, F07B, F09A, F09B, F09C, F36A, F36B, F42Z		21B	X06A, X06B, X06C	5k714.0		BOP, KVT, UOP4
	06	G33Z		23	Z01A		05	F01A, F01B, F01D, F03C, F03D, F05Z, F06C, F06E, F07A, F07B, F09A, F09B, F09C, F30Z, F42Z
	07	H33Z, H38Z		Pre	A07A		15	P02A, P02B, P02C
	11	L33Z	5k706		BOP, KOP, KOPV, KVT, UOP4		05	F01A, F01B, F01D, F03C, F03D, F05Z, F06C, F06E, F07A, F07B, F09A, F09B, F09C, F30Z, F42Z
	17	R01A, R01B, R01C, R01D, R02Z, R12A, R12B, R12C		05	F01A, F01B, F01D, F05Z, F07A, F07B, F09A, F09B, F09C, F30Z, F36A, F36B, F42Z	5k714.1		BOP, KVT, UOP4
	21A	W04A, W04B		06	G33Z		05	F01A, F01B, F01D, F03C, F03D, F05Z, F06C, F06E, F07A, F07B, F09A, F09B, F09C, F30Z, F42Z
	21B	X06A, X06B, X06C		07	H33Z, H38Z		15	P02A, P02B, P02C
	23	Z01A		11	L33Z		05	F01A, F01B, F01D, F03C, F03D, F05Z, F06C, F06E, F07A, F07B, F09A, F09B, F09C, F30Z, F42Z
	Pre	A07A		15	P02A, P02B, P02C	5k714.2		BOP, KVT, UOP4
5k701		BOP, KOP, KOPV, KVT, UOP4		21A	W04A, W04B		05	F01A, F01B, F01D, F03C, F03D, F05Z, F06C, F06E, F07A, F07B, F09A, F09B, F09C, F30Z, F42Z
	04	E05A, E05B, E05C, E08A, E08B, E08C		21B	X06A, X06B, X06C		15	P02A, P02B, P02C
	05	F01A, F01B, F01D, F05Z, F07A, F07B, F09A, F09B, F09C, F36A, F36B, F42Z		23	Z01A	5k714.3		BOP, KVT, UOP4
	06	G33Z		Pre	A07A		05	F01A, F01B, F01D, F03C, F03D, F05Z, F06C, F06E, F07A, F07B, F09A, F09B, F09C, F30Z, F42Z
	07	H33Z, H38Z	5k70x		BOP, KVT, UOP4		15	P02A, P02B, P02C
	11	L33Z		05	F01A, F01B, F01D, F05Z, F07A, F07B, F09A, F09B, F09C, F30Z, F42Z		05	F01A, F01B, F01D, F03C, F03D, F05Z, F06C, F06E, F07A, F07B, F09A, F09B, F09C, F30Z, F42Z
	17	R01A, R01B, R01C, R01D, R02Z, R12A, R12B, R12C		15	P02A, P02B, P02C		15	P02A, P02B, P02C
	21A	W04A, W04B		21A	W04A, W04B	5k714.4		BOP, KVT, UOP4
	21B	X06A, X06B, X06C		21B	X06A, X06B, X06C		05	F01A, F01B, F01D, F03C, F03D, F05Z, F06C, F06E, F07A, F07B, F09A, F09B, F09C, F30Z, F42Z
	23	Z01A	5k713.0		BOP, KVT, UOP4		15	P02A, P02B, P02C
	Pre	A07A		05	F01A, F01B, F01D, F03C, F03D, F05Z, F06C, F06E, F07A, F07B, F09A, F09B, F09C, F30Z, F42Z	5k714.5		BOP, KVT, UOP4
5k702		BOP, KVT, UOP4		15	P02A, P02B, P02C		05	F01A, F01B, F01D, F03C, F03D, F05Z, F06C, F06E, F07A, F07B, F09A, F09B, F09C, F30Z, F42Z
	04	E02A, E02B, E02C		15	P02A, P02B, P02C		15	P02A, P02B, P02C
	08	I23A	5k713.1		BOP, KVT, UOP4		05	F01A, F01B, F01D, F03C, F03D, F05Z, F06C, F06E, F07A, F07B, F09A, F09B, F09C, F30Z, F42Z
	09	J03A, J03B, J04A, J04B, J08A, J08B, J08C, J11A, J11B, J16Z		05	F01A, F01B, F01D, F03C, F03D, F05Z, F06C, F06E, F07A, F07B, F09A, F09B, F09C, F30Z, F42Z		15	P02A, P02B, P02C
	10	K09A, K09B		15	P02A, P02B, P02C		05	F01A, F01B, F01D, F03C, F03D, F05Z, F06C, F06E, F07A, F07B, F09A, F09B, F09C, F30Z, F42Z
	17	R01A, R01B, R01C, R01D, R02Z, R12A, R12B, R12C		15	P02A, P02B, P02C		15	P02A, P02B, P02C
	21A	W04A, W04B						
	21B	X06A, X06B, X06C						

VYK

ZZV	MDC	DRG	ZZV	MDC	DRG	ZZV	MDC	DRG
5k714.6		BOP, KVT, UOP4	5k720		BOP, KOP, KOPV, KVT, UOP4	5k722.3		BOP, KOP, KOPV, KVT, UOP4
	05	F01A, F01B, F01D, F03C, F03D, F05Z, F06C, F06E, F07A, F07B, F09A, F09B, F09C, F30Z, F42Z		04	E05A, E05B, E05C, E08A, E08B, E08C		04	E05A, E05B, E05C, E08A, E08B, E08C
	15	P02A, P02B, P02C		05	F01A, F01B, F01D, F05Z, F07A, F07B, F09A, F09B, F09C, F36A, F36B, F42Z		05	F01A, F01B, F01D, F05Z, F07A, F07B, F09A, F09B, F09C, F36A, F36B, F42Z
5k714.x		BOP, KVT, UOP4		06	G33Z		06	G33Z
	05	F01A, F01B, F01D, F03C, F03D, F05Z, F06C, F06E, F07A, F07B, F09A, F09B, F09C, F30Z, F42Z		07	H33Z, H38Z		07	H33Z, H38Z
	15	P02A, P02B, P02C		11	L33Z		11	L33Z
5k715.0		BOP, KVT, UOP4		17	R01A, R01B, R01C, R01D, R02Z, R12A, R12B, R12C		17	R01A, R01B, R01C, R01D, R02Z, R12A, R12B, R12C
	05	F01A, F01B, F01D, F03C, F03D, F05Z, F06C, F06E, F07A, F07B, F09A, F09B, F09C, F30Z, F42Z		21A	W04A, W04B		21A	W04A, W04B
	15	P02A, P02B, P02C		21B	X06A, X06B, X06C		21B	X06A, X06B, X06C
5k715.1		BOP, KVT, UOP4		23	Z01A		23	Z01A
	05	F01A, F01B, F01D, F03C, F03D, F05Z, F06C, F06E, F07A, F07B, F09A, F09B, F09C, F30Z, F42Z	5k721	Pre	A07A	5k724	Pre	A07A
	15	P02A, P02B, P02C			BOP, KOP, KOPV, KVT, UOP4			BOP, KOP, KOPV, KVT, UOP4
5k715.2		BOP, KVT, UOP4		04	E05A, E05B, E05C, E08A, E08B, E08C		04	E05A, E05B, E05C, E08A, E08B, E08C
	05	F01A, F01B, F01D, F03C, F03D, F05Z, F06C, F06E, F07A, F07B, F09A, F09B, F09C, F30Z, F42Z		05	F01A, F01B, F01D, F05Z, F07A, F07B, F09A, F09B, F09C, F36A, F36B, F42Z		05	F01A, F01B, F01D, F05Z, F07A, F07B, F09A, F09B, F09C, F36A, F36B, F42Z
	15	P02A, P02B, P02C		06	G33Z		06	G33Z
5k715.3		BOP, KVT, UOP4		07	H33Z, H38Z		07	H33Z, H38Z
	05	F01A, F01B, F01D, F03C, F03D, F05Z, F06C, F06E, F07A, F07B, F09A, F09B, F09C, F30Z, F42Z		11	L33Z		11	L33Z
	15	P02A, P02B, P02C		17	R01A, R01B, R01C, R01D, R02Z, R12A, R12B, R12C		17	R01A, R01B, R01C, R01D, R02Z, R12A, R12B, R12C
5k715.4		BOP, KVT, UOP4		21A	W04A, W04B		21A	W04A, W04B
	05	F01A, F01B, F01D, F03C, F03D, F05Z, F06C, F06E, F07A, F07B, F09A, F09B, F09C, F30Z, F42Z		21B	X06A, X06B, X06C		21B	X06A, X06B, X06C
	15	P02A, P02B, P02C		23	Z01A		23	Z01A
5k715.5		BOP, KVT, UOP4	5k722.0	Pre	A07A	5k725	Pre	A07A
	05	F01A, F01B, F01D, F03C, F03D, F05Z, F06C, F06E, F07A, F07B, F09A, F09B, F09C, F30Z, F42Z			BOP, KOP, KOPV, KVT, UOP4			BOP, KOP, KOPV, KVT, UOP4
	15	P02A, P02B, P02C		04	E05A, E05B, E05C, E08A, E08B, E08C		04	E05A, E05B, E05C, E08A, E08B, E08C
5k715.6		BOP, KVT, UOP4		05	F01A, F01B, F01D, F05Z, F07A, F07B, F09A, F09B, F09C, F36A, F36B, F42Z		05	F01A, F01B, F01D, F05Z, F07A, F07B, F09A, F09B, F09C, F36A, F36B, F42Z
	05	F01A, F01B, F01D, F03C, F03D, F05Z, F06C, F06E, F07A, F07B, F09A, F09B, F09C, F30Z, F42Z		06	G33Z		06	G33Z
	15	P02A, P02B, P02C		07	H33Z, H38Z		07	H33Z, H38Z
5k715.x		BOP, KVT, UOP4		11	L33Z		11	L33Z
	05	F01A, F01B, F01D, F03C, F03D, F05Z, F06C, F06E, F07A, F07B, F09A, F09B, F09C, F30Z, F42Z		17	R01A, R01B, R01C, R01D, R02Z, R12A, R12B, R12C		17	R01A, R01B, R01C, R01D, R02Z, R12A, R12B, R12C
	15	P02A, P02B, P02C		21A	W04A, W04B		21A	W04A, W04B
5k71x		BOP, KVT, UOP4	5k722.2	21B	X06A, X06B, X06C	5k72x	21B	X06A, X06B, X06C
	05	F01A, F01B, F01D, F03C, F03D, F05Z, F06C, F06E, F07A, F07B, F09A, F09B, F09C, F30Z, F42Z		23	Z01A		23	Z01A
	15	P02A, P02B, P02C		Pre	A07A		Pre	A07A

ZZV	MDC	DRG	ZZV	MDC	DRG	ZZV	MDC	DRG
5k746		BOP, KOP, KOPV, KVT, UOP4	5k762.2		BOP, KKP, KOP, KOPV, KVT, UOP4	5k764.1		BOP, KOP, KOPV, KVT, UOP4
	05	F01A, F01B, F01D, F05Z, F07A, F07B, F09A, F09B, F09C, F30Z, F36A, F36B, F42Z		05	F01A, F01B, F01D, F05Z, F07A, F07B, F09A, F09B, F09C, F30Z, F36A, F36B, F42Z		05	F01A, F01B, F01D, F05Z, F07A, F07B, F09A, F09B, F09C, F30Z, F36A, F36B, F42Z
	06	G33Z		06	G33Z		06	G33Z
	07	H33Z, H38Z		07	H33Z, H38Z		07	H33Z, H38Z
	11	L33Z		11	L33Z		11	L33Z
	15	P02A, P02B, P02C		15	P02A, P02B, P02C		15	P02A, P02B, P02C
	21B	X33Z		21B	X33Z		21B	X33Z
	23	Z01A		23	Z01A		23	Z01A
	Pre	A07A		Pre	A07A		Pre	A07A
5k74x		BOP, KVT, UOP4	5k763.0		BOP, KKP, KOP, KOPV, KVT, UOP4	5k765.0		BOP, KKP, KOP, KOPV, KVT, UOP4
	05	F01A, F01B, F01D, F05Z, F07A, F07B, F09A, F09B, F09C, F30Z, F42Z		05	F01A, F01B, F01D, F05Z, F07A, F07B, F09A, F09B, F09C, F30Z, F36A, F36B, F42Z		05	F01A, F01B, F01D, F05Z, F07A, F07B, F09A, F09B, F09C, F30Z, F36A, F36B, F42Z
	15	P02A, P02B, P02C						
5k750.0		BOP, KVT, UOP4		06	G33Z		06	G33Z
	Pre	A05A, A05B, A18Z		07	H33Z, H38Z		07	H33Z, H38Z
5k750.1		BOP, KVT, UOP4		11	L33Z		11	L33Z
	Pre	A05A, A05B, A18Z		15	P02A, P02B, P02C		15	P02A, P02B, P02C
5k751.0		BOP, KVT, UOP4		21B	X33Z		21B	X33Z
	Pre	A05A, A05B, A18Z		23	Z01A		23	Z01A
5k751.1		BOP, KVT, UOP4		Pre	A07A		Pre	A07A
	Pre	A05A, A05B, A18Z						
5k752		BOP, KVT, UOP4	5k763.1		BOP, KOP, KOPV, KVT, UOP4	5k765.1		BOP, KOP, KOPV, KVT, UOP4
	Pre	A05A, A05B, A18Z		05	F01A, F01B, F01D, F05Z, F07A, F07B, F09A, F09B, F09C, F30Z, F36A, F36B, F42Z		05	F01A, F01B, F01D, F05Z, F07A, F07B, F09A, F09B, F09C, F30Z, F36A, F36B, F42Z
5k760.0		BOP, KKP, KVT, UOP4		06	G33Z		06	G33Z
	05	F01A, F01B, F01D, F05Z, F07A, F07B, F09A, F09B, F09C, F42Z		07	H33Z, H38Z		07	H33Z, H38Z
5k760.1		BOP, KVT, UOP4		11	L33Z		11	L33Z
	05	F01A, F01B, F01D, F05Z, F07A, F07B, F09A, F09B, F09C, F42Z		15	P02A, P02B, P02C		15	P02A, P02B, P02C
5k762.0		BOP, KKP, KOP, KOPV, KVT, UOP4		21B	X33Z		21B	X33Z
	05	F01A, F01B, F01D, F05Z, F07A, F07B, F09A, F09B, F09C, F30Z, F36A, F36B, F42Z		23	Z01A		23	Z01A
	06	G33Z		Pre	A07A		Pre	A07A
	07	H33Z, H38Z	5k763.2		BOP, KKP, KOP, KOPV, KVT, UOP4	5k766.0		BOP, KKP, KOP, KOPV, KVT, UOP4
	11	L33Z		05	F01A, F01B, F01D, F05Z, F07A, F07B, F09A, F09B, F09C, F30Z, F36A, F36B, F42Z		05	F01A, F01B, F01D, F05Z, F07A, F07B, F09A, F09B, F09C, F30Z, F36A, F36B, F42Z
	15	P02A, P02B, P02C		06	G33Z		06	G33Z
	21B	X33Z		07	H33Z, H38Z		07	H33Z, H38Z
	23	Z01A		11	L33Z		11	L33Z
	Pre	A07A		15	P02A, P02B, P02C		15	P02A, P02B, P02C
5k762.1		BOP, KOP, KOPV, KVT, UOP4		21B	X33Z		21B	X33Z
	05	F01A, F01B, F01D, F05Z, F07A, F07B, F09A, F09B, F09C, F30Z, F36A, F36B, F42Z		23	Z01A		23	Z01A
	06	G33Z		Pre	A07A		Pre	A07A
	07	H33Z, H38Z	5k764.0		BOP, KKP, KOP, KOPV, KVT, UOP4	5k766.1		BOP, KOP, KOPV, KVT, UOP4
	11	L33Z		05	F01A, F01B, F01D, F05Z, F07A, F07B, F09A, F09B, F09C, F30Z, F36A, F36B, F42Z		05	F01A, F01B, F01D, F05Z, F07A, F07B, F09A, F09B, F09C, F30Z, F36A, F36B, F42Z
	15	P02A, P02B, P02C		06	G33Z		06	G33Z
	21B	X33Z		07	H33Z, H38Z		07	H33Z, H38Z
	23	Z01A		11	L33Z		11	L33Z
	Pre	A07A		15	P02A, P02B, P02C		15	P02A, P02B, P02C
				21B	X33Z		21B	X33Z
				23	Z01A		23	Z01A
				Pre	A07A		Pre	A07A

ZZV	MDC	DRG	ZZV	MDC	DRG	ZZV	MDC	DRG						
5k767.0		BOP, KKP, KOP, KOPV, KVT, UOP4	5k76x		BOP, KOP, KOPV, KVT, UOP4	5k776		BOP, KOP, KOPV, KVT, UOP4						
	05	F01A, F01B, F01D, F05Z, F07A, F07B, F09A, F09B, F09C, F36A, F36B, F42Z		05	F01A, F01B, F01D, F05Z, F07A, F07B, F09A, F09B, F09C, F36A, F36B, F42Z		05	F01A, F01B, F01C, F01D, F01F, F36A, F36B						
	06	G33Z		06	G33Z		06	G33Z						
	07	H33Z, H38Z		07	H33Z, H38Z		07	H33Z, H38Z						
	11	L33Z		11	L33Z		11	L09A, L33Z, L38Z						
	21B	X33Z		21B	X33Z		21B	X33Z						
	23	Z01A		23	Z01A		23	Z01A						
	Pre	A07A		Pre	A07A		Pre	A06A, A07A, A09A, A11A, A13A						
	5k767.1			BOP, KOP, KOPV, KVT, UOP4	5k770			BOP, KVT, UOP4	5k777		BOP, KOP, KOPV, KVT, UOP4			
		05		F01A, F01B, F01D, F05Z, F07A, F07B, F09A, F09B, F09C, F36A, F36B, F42Z			05	F12A, F12B, F12C, F12D, F12E, F12F, F12G, F12H		05	F01A, F01B, F01C, F01D, F01F, F36A, F36B			
06		G33Z	11	L09A, L38Z		06	G33Z							
07		H33Z, H38Z	5k771			BOP, KK11, KKI, KKII, KVT, UOP4	07	H33Z, H38Z						
11		L33Z		01		B12Z	11	L09A, L33Z, L38Z						
21B		X33Z		05		F12A, F12B, F12C, F12D, F12E, F12F, F12G, F12H	21B	X33Z						
23		Z01A		11		L09A, L38Z	23	Z01A						
Pre		A07A		Pre		A07A	Pre	A06A, A07A, A09A, A11A, A13A						
5k767.2				BOP, KKP, KOP, KOPV, KVT, UOP4		5k772		BOP, KK11, KKI, KKII, KVT, UOP4		5k77c.0		BOP, KVT, UOP4		
		05		F01A, F01B, F01D, F05Z, F07A, F07B, F09A, F09B, F09C, F36A, F36B, F42Z			01	B12Z			01	B12Z		
	06	G33Z		05	F12A, F12B, F12C, F12D, F12E, F12F, F12G		05	F01A, F01D, F12A, F12B, F12C, F12D, F12E, F12F, F12G						
	07	H33Z, H38Z		11	L09A, L38Z		11	L09A, L38Z						
	11	L33Z		23	Z01A		5k77c.1		BOP, KVT, UOP4					
	21B	X33Z	Pre	A06A, A07A, A09A, A11A, A13A	01			B12Z						
	23	Z01A	5k773.0		BOP, KK11, KKI, KKII, KVT, UOP4			05	F01A, F01D, F12A, F12B, F12C, F12D, F12E, F12F, F12G					
	Pre	A07A		01	B12Z			11	L09A, L38Z					
	5k768.0			BOP, KKP, KOP, KOPV, KVT, UOP4	5k774				BOP, KK11, KKI, KKII, KVT, UOP4		5k77g.0		BOP, KVT, UOP4	
		05		F01A, F01B, F01D, F05Z, F07A, F07B, F09A, F09B, F09C, F36A, F36B, F42Z				05	F12A, F12B, F12C, F12D, F12E, F12F, F12G			05	F12A, F12B, F12C, F12D, F12E, F12F, F12G, F12H, F18A, F18C	
06		G33Z		11		L09A, L38Z		5k77g.1		BOP, KVT, UOP4				
07		H33Z, H38Z		23		Z01A			05	F12A, F12B, F12C, F12D, F12E, F12F, F12G, F12H, F18A, F18C				
11		L33Z		Pre		A06A, A07A, A09A, A11A, A13A			5k77g.2			BOP, KVT, UOP4		
21B		X33Z		5k775.0						BOP, KOP, KOPV, KVT, UOP4		05	F12A, F12B, F12C, F12D, F12E, F12F, F12G, F12H, F18A, F18C	
23		Z01A				05	F01A, F01B, F01C, F01D, F01E, F01F, F01G, F36A, F36B			5k77h.0			BOP, KK11, KKI, KKII, KVT, UOP4	
Pre		A07A				06	G33Z					01	B12Z	
5k768.1			BOP, KOP, KOPV, KVT, UOP4			5k775.0						BOP, KOP, KOPV, KVT, UOP4	05	F12A, F12B, F12C, F12D, F12E, F12F, F12G
		05	F01A, F01B, F01D, F05Z, F07A, F07B, F09A, F09B, F09C, F36A, F36B, F42Z				05					F01A, F01B, F01C, F01D, F01E, F01F, F01G, F36A, F36B	11	L09A, L38Z
	06	G33Z	06		G33Z		21A				W04A, W04B			
	07	H33Z, H38Z	07		H33Z, H38Z		21B				X06A, X06B, X06C			
	11	L33Z	11		L09A, L33Z, L38Z		23	Z01A						
	21B	X33Z	21B		X33Z		Pre	A06A, A07A, A09A, A11A, A13A						
	23	Z01A	23		Z01A		5k77h.1		BOP, KOP, KOPV, KVT, UOP4					
	Pre	A07A	Pre	A06A, A07A, A09A, A11A, A13A	05			F01A, F01B, F01C, F01D, F01F, F36A, F36B						
	5k768.2		BOP, KKP, KOP, KOPV, KVT, UOP4	5k775.0				BOP, KOP, KOPV, KVT, UOP4	06	G33Z				
		05	F01A, F01B, F01D, F05Z, F07A, F07B, F09A, F09B, F09C, F36A, F36B, F42Z		05			F01A, F01B, F01C, F01D, F01E, F01F, F01G, F36A, F36B	07	H33Z, H38Z				
06		G33Z	06		G33Z	11		L09A, L33Z, L38Z						
07		H33Z, H38Z	07		H33Z, H38Z	21B		X33Z						
11		L33Z	11		L09A, L33Z, L38Z	23		Z01A						
21B		X33Z	21B		X33Z	Pre		A06A, A07A, A09A, A11A, A13A						
23		Z01A	23		Z01A	5k77h.1			BOP, KOP, KOPV, KVT, UOP4					
Pre		A07A	Pre		A06A, A07A, A09A, A11A, A13A			05	F01A, F01B, F01C, F01D, F01F, F36A, F36B					
5k768.2			BOP, KKP, KOP, KOPV, KVT, UOP4		5k775.0			BOP, KOP, KOPV, KVT, UOP4	06	G33Z				
		05	F01A, F01B, F01D, F05Z, F07A, F07B, F09A, F09B, F09C, F36A, F36B, F42Z				05	F01A, F01B, F01C, F01D, F01E, F01F, F01G, F36A, F36B	07	H33Z, H38Z				
	06	G33Z	06	G33Z			11	L09A, L33Z, L38Z						
	07	H33Z, H38Z	07	H33Z, H38Z			21B	X33Z						
	11	L33Z	11	L09A, L33Z, L38Z			23	Z01A						
	21B	X33Z	21B	X33Z			Pre	A06A, A07A, A09A, A11A, A13A						
	23	Z01A	23	Z01A			5k77h.1		BOP, KOP, KOPV, KVT, UOP4					
	Pre	A07A	Pre	A06A, A07A, A09A, A11A, A13A				05	F01A, F01B, F01C, F01D, F01F, F36A, F36B					

VYK

ZZV	MDC	DRG	ZZV	MDC	DRG	ZZV	MDC	DRG
5k77h.2		BOP, KVT, UOP4	5k782.5	05	F18A, F18C	5k784.4		BOP, KVT, UOP4
	01	B12Z		21A	W04A, W04B		05	F18A, F18B, F18C, F18D
	05	F12A, F12B, F12C, F12D, F12E, F12F, F12G, F12H		21B	X06A, X06B, X06C		09	J03A, J03B, J04A, J04B, J08A, J08B, J08C, J11A, J11B, J16Z
5k77x	11	L09A, L38Z	5k782.6	05	F18A, F18C		21A	W04A, W04B
		BOP, KVT, UOP4		21B	X06A, X06B, X06C		21B	X06A, X06B, X06C
	01	B12Z	5k782.7	05	F18A, F18C	5k784.5		BOP, KVT, UOP4
	05	F12A, F12B, F12C, F12D, F12E, F12F, F12G, F12H		21A	W04A, W04B		05	F18A, F18B, F18C, F18D
5k780.0	11	L09A, L38Z		21B	X06A, X06B, X06C		09	J03A, J03B, J04A, J04B, J08A, J08B, J08C, J11A, J11B, J16Z
	05	F18A, F18C	5k782.x	05	F18A, F18C		21A	W04A, W04B
	21A	W04A, W04B		21A	W04A, W04B		21B	X06A, X06B, X06C
5k780.1	21B	X06A, X06B, X06C	5k783.0	05	F18A, F18B, F18C, F18D	5k784.6		BOP, KVT, UOP4
	05	F18A, F18C		21A	W04A, W04B		05	F18A, F18B, F18C, F18D
	21A	W04A, W04B		21B	X06A, X06B, X06C		09	J03A, J03B, J04A, J04B, J08A, J08B, J08C, J11A, J11B, J16Z
5k780.2	21B	X06A, X06B, X06C	5k783.1	05	F18A, F18B, F18C, F18D		21A	W04A, W04B
	05	F18A, F18C		21A	W04A, W04B		21B	X06A, X06B, X06C
	21A	W04A, W04B		21B	X06A, X06B, X06C		05	F18A, F18B, F18C, F18D
5k780.3	21B	X06A, X06B, X06C	5k783.2	05	F18A, F18B, F18C, F18D		09	J03A, J03B, J04A, J04B, J08A, J08B, J08C, J11A, J11B, J16Z
	05	F18A, F18C		21A	W04A, W04B		21A	W04A, W04B
	21A	W04A, W04B		21B	X06A, X06B, X06C		21B	X06A, X06B, X06C
5k780.4	21B	X06A, X06B, X06C	5k783.3	05	F18A, F18B, F18C, F18D	5k784.7		BOP, KVT, UOP4
	05	F18A, F18C		21A	W04A, W04B		05	F18A, F18B, F18C, F18D
	21A	W04A, W04B		21B	X06A, X06B, X06C		09	J03A, J03B, J04A, J04B, J08A, J08B, J08C, J11A, J11B, J16Z
5k780.5	21B	X06A, X06B, X06C	5k783.4	05	F18A, F18B, F18C, F18D		21A	W04A, W04B
	05	F18A, F18C		21A	W04A, W04B		21B	X06A, X06B, X06C
	21A	W04A, W04B		21B	X06A, X06B, X06C		05	F18A, F18B, F18C, F18D
5k780.6	21B	X06A, X06B, X06C	5k783.5	05	F18A, F18B, F18C, F18D	5k784.a		BOP, KVT, UOP4
	05	F18A, F18C		21A	W04A, W04B		05	F18A, F18B, F18C, F18D
	21A	W04A, W04B		21B	X06A, X06B, X06C		09	J03A, J03B, J04A, J04B, J08A, J08B, J08C, J11A, J11B, J16Z
5k780.7	21B	X06A, X06B, X06C	5k783.6	05	F18A, F18B, F18C, F18D		21A	W04A, W04B
	05	F18A, F18C		21A	W04A, W04B		21B	X06A, X06B, X06C
	21A	W04A, W04B		21B	X06A, X06B, X06C		05	F18A, F18B, F18C, F18D
5k780.a	21B	X06A, X06B, X06C	5k783.a	05	F18A, F18B, F18C, F18D		09	J03A, J03B, J04A, J04B, J08A, J08B, J08C, J11A, J11B, J16Z
	05	F18A, F18C		21A	W04A, W04B		21A	W04A, W04B
	21A	W04A, W04B		21B	X06A, X06B, X06C		21B	X06A, X06B, X06C
5k780.b	21B	X06A, X06B, X06C	5k783.x	05	F18A, F18B, F18C, F18D	5k784.x		BOP, KVT, UOP4
	05	F18A, F18C		21A	W04A, W04B		05	F18A, F18B, F18C, F18D
	21A	W04A, W04B		21B	X06A, X06B, X06C		09	J03A, J03B, J04A, J04B, J08A, J08B, J08C, J11A, J11B, J16Z
5k780.x	21B	X06A, X06B, X06C	5k784.0		BOP, KVT, UOP4		21A	W04A, W04B
	05	F18A, F18C		05	F18A, F18B, F18C, F18D		21B	X06A, X06B, X06C
	21A	W04A, W04B		09	J03A, J03B, J04A, J04B, J08A, J08B, J08C, J11A, J11B, J16Z		05	F12A, F12B, F12C, F12D, F12E, F12F, F12G, F12H, F17A, F17B
5k781.8	21B	X06A, X06B, X06C		21A	W04A, W04B		11	L09A, L38Z
	05	F18A, F18C	5k784.1	21B	X06A, X06B, X06C	5k785.1		BOP, KVT, UOP4
	21A	W04A, W04B		05	F18A, F18B, F18C, F18D		05	F12A, F12B, F12C, F12D, F12E, F12F, F12G, F12H, F17A, F17B
5k781.9	21B	X06A, X06B, X06C		09	J03A, J03B, J04A, J04B, J08A, J08B, J08C, J11A, J11B, J16Z		11	L09A, L38Z
	05	F18A, F18C		21A	W04A, W04B			BOP, KVT, UOP4
	21A	W04A, W04B		21B	X06A, X06B, X06C		05	F12A, F12B, F12C, F12D, F12E, F12F, F12G, F12H, F17A
5k781.a	21B	X06A, X06B, X06C	5k784.2		BOP, KVT, UOP4		11	L09A, L38Z
	05	F18A, F18C		05	F18A, F18B, F18C, F18D		23	Z01A
	21A	W04A, W04B		09	J03A, J03B, J04A, J04B, J08A, J08B, J08C, J11A, J11B, J16Z		Pre	A06A, A07A, A09A, A11A, A13A
5k782.0	21B	X06A, X06B, X06C		21A	W04A, W04B			BOP, KVT, UOP4
	05	F18A, F18C		21B	X06A, X06B, X06C		05	F12A, F12B, F12C, F12D, F12E, F12F, F12G, F12H, F17A
	21A	W04A, W04B					11	L09A, L38Z
5k782.1	21B	X06A, X06B, X06C	5k784.3		BOP, KVT, UOP4		23	Z01A
	05	F18A, F18C		05	F18A, F18B, F18C, F18D		Pre	A06A, A07A, A09A, A11A, A13A
	21A	W04A, W04B		09	J03A, J03B, J04A, J04B, J08A, J08B, J08C, J11A, J11B, J16Z			BOP, KVT, UOP4
5k782.2	21B	X06A, X06B, X06C		21A	W04A, W04B		05	F12A, F12B, F12C, F12D, F12E, F12F, F12G, F12H, F17A
	05	F18A, F18C		21B	X06A, X06B, X06C	5k785.3		BOP, KVT, UOP4
	21A	W04A, W04B					11	L09A, L38Z
5k782.3	21B	X06A, X06B, X06C		05	F18A, F18B, F18C, F18D		21A	W04A, W04B
	05	F18A, F18C		09	J03A, J03B, J04A, J04B, J08A, J08B, J08C, J11A, J11B, J16Z		21B	X06A, X06B, X06C
	21A	W04A, W04B		21A	W04A, W04B		23	Z01A
5k782.4	21B	X06A, X06B, X06C		21B	X06A, X06B, X06C		Pre	A06A, A07A, A09A, A11A, A13A
	05	F18A, F18C						
	21A	W04A, W04B						
	21B	X06A, X06B, X06C						

ZZV	MDC	DRG	ZZV	MDC	DRG	ZZV	MDC	DRG			
5k785.4		BOP, KOP, KOPV, KVT, UOP4	5k786.3		BOP, KVT, UOP4	5k787.3		BOP, KVT, UOP4			
	05	F02A, F02B, F36A, F36B		01	B12Z		05	F12A, F12B, F12C, F12D, F12E, F12F, F12G, F12H, F18A, F18C			
	06	G33Z		05	F12A, F12B, F12C, F12D, F12E, F12F, F12G		5k787.4	BOP, KVT, UOP4			
	07	H33Z, H38Z		11	L09A, L38Z		05	F18A, F18C			
	11	L09A, L33Z, L38Z		21A	W04A, W04B		5k787.5	BOP, KVT, UOP4			
	21B	X33Z		21B	X06A, X06B, X06C		05	F18A, F18C			
	23	Z01A		23	Z01A		5k787.6	BOP, KVT, UOP4			
	Pre	A06A, A07A, A09A, A11A, A13A		Pre	A06A, A07A, A09A, A11A, A13A		05	F18A, F18C			
	5k785.5			BOP, KOP, KOPV, KVT, UOP4	5k786.4			BOP, KOP, KOPV, KVT, UOP4	5k787.a		BOP, KVT, UOP4
		05		F02A, F36A, F36B			05	F02A, F36A, F36B		05	F18A, F18C
06		G33Z	06	G33Z		5k787.x	BOP, KVT, UOP4				
07		H33Z, H38Z	07	H33Z, H38Z		05	F12A, F12B, F12C, F12D, F12E, F12F, F12G, F12H, F18A, F18C				
11		L09A, L33Z, L38Z	11	L09A, L33Z, L38Z		5k788.0	BOP, KVT, UOP4				
21B		X33Z	21B	X33Z		05	F18A, F18C				
23		Z01A	23	Z01A		5k788.1	BOP, KVT, UOP4				
Pre		A06A, A07A, A09A, A11A, A13A	Pre	A06A, A07A, A09A, A11A, A13A		05	F18A, F18C				
5k785.6			BOP, KOP, KOPV, KVT, UOP4	5k786.5			BOP, KOP, KOPV, KVT, UOP4	5k788.2			BOP, KVT, UOP4
		05	F02A, F36A, F36B			05	F02A, F36A, F36B			05	F18A, F18C
	06	G33Z	06		G33Z	5k788.3	BOP, KVT, UOP4				
	07	H33Z, H38Z	07		H33Z, H38Z	05	F18A, F18C				
	11	L09A, L33Z, L38Z	11		L09A, L33Z, L38Z	5k788.4	BOP, KVT, UOP4				
	21B	X33Z	21B		X33Z	05	F18A, F18C				
	23	Z01A	23		Z01A	5k788.5	BOP, KVT, UOP4				
	Pre	A06A, A07A, A09A, A11A, A13A	Pre		A06A, A07A, A09A, A11A, A13A	05	F18A, F18C				
	5k785.9		BOP, KVT, UOP4		5k786.6		BOP, KOP, KOPV, KVT, UOP4		5k788.a		BOP, KVT, UOP4
		05	F12A, F12B, F12C, F12D, F12E, F12F, F12G, F12H, F17A			05	F02A, F36A, F36B			05	F18A, F18C
11		L09A, L38Z	06	G33Z		5k788.x	BOP, KVT, UOP4				
21A		W04A, W04B	07	H33Z, H38Z		05	F18A, F18C				
21B		X06A, X06B, X06C	11	L09A, L33Z, L38Z		5k789.0	BOP, KVT, UOP4				
Pre		A06A, A07A, A09A, A11A, A13A	21B	X33Z		01	B12Z				
5k785.a			BOP, KOP, KOPV, KVT, UOP4	5k786.8			BOP, KOP, KOPV, KVT, UOP4	5k789.1			BOP, KVT, UOP4
		05	F02A, F36A, F36B			05	F02A, F36A, F36B			05	F12A, F12B, F12C, F12D, F12E, F12F, F12G
		06	G33Z			06	G33Z			21A	W04A, W04B
		07	H33Z, H38Z			07	H33Z, H38Z			21B	X06A, X06B, X06C
	11	L09A, L33Z, L38Z	11		L09A, L33Z, L38Z	23	Z01A				
	21B	X33Z	21B		X33Z	Pre	A06A, A07A, A09A, A11A, A13A				
	23	Z01A	23		Z01A	05	F18A, F18C				
	Pre	A06A, A07A, A09A, A11A, A13A	Pre		A06A, A07A, A09A, A11A, A13A	5k789.2	BOP, KVT, UOP4				
	5k786.1		BOP, KVT, UOP4		5k786.x		BOP, KVT, UOP4		5k789.3		BOP, KVT, UOP4
		01	B12Z			01	B12Z			01	B12Z
05		F12A, F12B, F12C, F12D, F12E, F12F, F12G, F12H	05	F12A, F12B, F12C, F12D, F12E, F12F, F12G, F12H		05	F12A, F12B, F12C, F12D, F12E, F12F, F12G				
11		L09A, L38Z	11	L09A, L38Z		21A	W04A, W04B				
5k786.2		BOP, KVT, UOP4	5k787.0		BOP, KVT, UOP4	5k787.1		BOP, KVT, UOP4			
	01	B12Z		05	F12A, F12B, F12C, F12D, F12E, F12F, F12G, F12H, F18A, F18C		05	F12A, F12B, F12C, F12D, F12E, F12F, F12G, F12H, F18A, F18C			
	05	F12A, F12B, F12C, F12D, F12E, F12F, F12G		Pre	A06A, A07A, A09A, A11A, A13A		05	F12A, F12B, F12C, F12D, F12E, F12F, F12G, F12H, F18A, F18C			
	11	L09A, L38Z		05	F12A, F12B, F12C, F12D, F12E, F12F, F12G, F12H, F18A, F18C		05	F12A, F12B, F12C, F12D, F12E, F12F, F12G, F12H, F18A, F18C			
	23	Z01A		05	F12A, F12B, F12C, F12D, F12E, F12F, F12G, F12H, F18A, F18C		05	F12A, F12B, F12C, F12D, F12E, F12F, F12G, F12H, F18A, F18C			
	Pre	A06A, A07A, A09A, A11A, A13A		05	F12A, F12B, F12C, F12D, F12E, F12F, F12G, F12H, F18A, F18C		05	F12A, F12B, F12C, F12D, F12E, F12F, F12G, F12H, F18A, F18C			

ZZV	MDC	DRG	ZZV	MDC	DRG	ZZV	MDC	DRG
5k789.5		BOP, KVT, UOP4	5k789.d		BOP, KOP, KOPV, KVT, UOP4	5k791.1		BOP, KOP, KOPV, KVT, UOP4
	01	B12Z		05	F01A, F01B, F01C, F01D, F01F, F36A, F36B		04	E05A, E05B, E05C, E08A, E08B, E08C
	05	F12A, F12B, F12C, F12D, F12E, F12F, F12G		06	G33Z		05	F01A, F01B, F01D, F05Z, F07A, F07B, F09A, F09B, F09C, F30Z, F36A, F36B, F42Z
	23	Z01A		07	H33Z, H38Z		06	G33Z
5k789.6	Pre	A06A, A07A, A09A, A11A, A13A	11	L33Z	07	H33Z, H38Z		
		BOP, KVT, UOP4	21B	X33Z	11	L33Z		
	01	B12Z	23	Z01A	15	P02A, P02B, P02C		
	05	F12A, F12B, F12C, F12D, F12E, F12F, F12G, F12H	Pre	A06A, A07A, A09A, A11A, A13A	21B	X33Z		
5k789.7	21A	W04A, W04B	5k789.e		BOP, KOP, KOPV, KVT, UOP4	5k791.2		BOP, KOP, KOPV, KVT, UOP4
	21B	X06A, X06B, X06C		05	F01A, F01B, F01C, F01D, F01F, F36A, F36B		04	E05A, E05B, E05C, E08A, E08B, E08C
	23	Z01A		06	G33Z		05	F01A, F01B, F01D, F05Z, F07A, F07B, F09A, F09B, F09C, F30Z, F36A, F36B, F42Z
	Pre	A06A, A07A, A09A, A11A, A13A		07	H33Z, H38Z		06	G33Z
5k789.a		BOP, KOP, KOPV, KVT, UOP4	5k789.f		BOP, KOP, KOPV, KVT, UOP4	5k795		BOP, KOP, KOPV, KVT, UOP4
	05	F01A, F01B, F01C, F01D, F01E, F01F, F01G, F36A, F36B		05	F01A, F01B, F01C, F01D, F01F, F36A, F36B		04	E05A, E05B, E05C, E08A, E08B, E08C
	06	G33Z		06	G33Z		05	F01A, F01B, F01D, F03C, F03D, F03E, F05Z, F06C, F06D, F07A, F09A, F09B, F09C, F30Z, F36A, F36B, F42Z
	07	H33Z, H38Z		07	H33Z, H38Z		06	G33Z
5k789.b	11	L33Z	5k789.g		BOP, KOP, KOPV, KVT, UOP4	5k796		BOP, KOP, KOPV, KVT, UOP4
	21B	X33Z		05	F01A, F01B, F01C, F01D, F01F, F36A, F36B		04	E05A, E05B, E05C, E08A, E08B, E08C
	23	Z01A		06	G33Z		05	F01A, F01B, F01D, F05Z, F07A, F07B, F09A, F09B, F09C, F30Z, F36A, F36B, F42Z
	Pre	A06A, A07A, A09A, A11A, A13A		07	H33Z, H38Z		06	G33Z
5k789.c		BOP, KOP, KOPV, KVT, UOP4	5k789.x		BOP, KVT, UOP4	5k790		BOP, KOP, KOPV, KVT, UOP4
	05	F01A, F01B, F01C, F01D, F01F, F36A, F36B		01	B12Z		04	E05A, E05B, E05C, E08A, E08B, E08C
	06	G33Z		05	F12A, F12B, F12C, F12D, F12E, F12F, F12G, F12H		05	F01A, F01B, F01D, F05Z, F07A, F07B, F09A, F09B, F09C, F30Z, F36A, F36B, F42Z
	07	H33Z, H38Z		06	G33Z		06	G33Z
5k789.d	11	L33Z	5k790		BOP, KOP, KOPV, KVT, UOP4	5k790		BOP, KOP, KOPV, KVT, UOP4
	21B	X33Z		04	E05A, E05B, E05C, E08A, E08B, E08C		07	H33Z, H38Z
	23	Z01A		05	F01A, F01B, F01D, F05Z, F07A, F07B, F09A, F09B, F09C, F30Z, F36A, F36B, F42Z		11	L33Z
	Pre	A06A, A07A, A09A, A11A, A13A		06	G33Z		15	P02A, P02B, P02C
5k789.e		BOP, KOP, KOPV, KVT, UOP4	5k790		BOP, KOP, KOPV, KVT, UOP4	5k790		BOP, KOP, KOPV, KVT, UOP4
	05	F01A, F01B, F01C, F01D, F01F, F36A, F36B		04	E05A, E05B, E05C, E08A, E08B, E08C		06	G33Z
	06	G33Z		05	F01A, F01B, F01D, F05Z, F07A, F07B, F09A, F09B, F09C, F30Z, F36A, F36B, F42Z		07	H33Z, H38Z
	07	H33Z, H38Z		06	G33Z		11	L33Z
5k789.f	11	L33Z	5k790		BOP, KOP, KOPV, KVT, UOP4	5k790		BOP, KOP, KOPV, KVT, UOP4
	21B	X33Z		04	E05A, E05B, E05C, E08A, E08B, E08C		15	P02A, P02B, P02C
	23	Z01A		05	F01A, F01B, F01D, F05Z, F07A, F07B, F09A, F09B, F09C, F30Z, F36A, F36B, F42Z		21B	X33Z
	Pre	A06A, A07A, A09A, A11A, A13A		06	G33Z		23	Z01A
5k789.g		BOP, KOP, KOPV, KVT, UOP4	5k790		BOP, KOP, KOPV, KVT, UOP4	5k790		BOP, KOP, KOPV, KVT, UOP4
	05	F01A, F01B, F01C, F01D, F01F, F36A, F36B		04	E05A, E05B, E05C, E08A, E08B, E08C		Pre	A07A
	06	G33Z		05	F01A, F01B, F01D, F05Z, F07A, F07B, F09A, F09B, F09C, F30Z, F36A, F36B, F42Z			
	07	H33Z, H38Z		06	G33Z			
5k789.h	11	L33Z	5k790		BOP, KOP, KOPV, KVT, UOP4	5k790		BOP, KOP, KOPV, KVT, UOP4
	21B	X33Z		04	E05A, E05B, E05C, E08A, E08B, E08C		04	E05A, E05B, E05C, E08A, E08B, E08C
	23	Z01A		05	F01A, F01B, F01D, F05Z, F07A, F07B, F09A, F09B, F09C, F30Z, F36A, F36B, F42Z		05	F01A, F01B, F01D, F05Z, F07A, F07B, F09A, F09B, F09C, F30Z, F36A, F36B, F42Z
	Pre	A06A, A07A, A09A, A11A, A13A		06	G33Z		06	G33Z
5k789.i		BOP, KOP, KOPV, KVT, UOP4	5k790		BOP, KOP, KOPV, KVT, UOP4	5k790		BOP, KOP, KOPV, KVT, UOP4
	05	F01A, F01B, F01C, F01D, F01F, F36A, F36B		04	E05A, E05B, E05C, E08A, E08B, E08C		07	H33Z, H38Z
	06	G33Z		05	F01A, F01B, F01D, F05Z, F07A, F07B, F09A, F09B, F09C, F30Z, F36A, F36B, F42Z		11	L33Z
	07	H33Z, H38Z		06	G33Z		15	P02A, P02B, P02C
5k789.j	11	L33Z	5k790		BOP, KOP, KOPV, KVT, UOP4	5k790		BOP, KOP, KOPV, KVT, UOP4
	21B	X33Z		04	E05A, E05B, E05C, E08A, E08B, E08C		21B	X33Z
	23	Z01A		05	F01A, F01B, F01D, F05Z, F07A, F07B, F09A, F09B, F09C, F30Z, F36A, F36B, F42Z		23	Z01A
	Pre	A06A, A07A, A09A, A11A, A13A		06	G33Z		Pre	A07A

VYK

ZZV	MDC	DRG	ZZV	MDC	DRG	ZZV	MDC	DRG
5k797		BOP, KOP, KOPV, KVT, UOP4	5k79a		BOP, KOP, KOPV, KVT, UOP4	5I010.1↔		BOP, KVT, UOP4
	04	E05A, E05B, E05C, E08A, E08B, E08C		04	E05A, E05B, E05C, E08A, E08B, E08C		01	B03A, B03B, B06A, B06B, B07Z, B17A, B17B, B17C
	05	F01A, F01B, F01D, F05Z, F07A, F07B, F09A, F09B, F09C, F30Z, F36A, F36B, F42Z		05	F01A, F01B, F01D, F05Z, F07A, F07B, F09A, F09B, F09C, F30Z, F36A, F36B, F42Z		03	D12A
	06	G33Z		06	G33Z		05	F01A, F01B, F01D, F05Z, F06A, F06C, F07A, F07B, F14A, F14B, F28A, F42Z, F54Z, F59A, F59B
	07	H33Z, H38Z		07	H33Z, H38Z		08	I08A, I08B, I08C, I08D, I08E, I13A, I13B
	11	L33Z		11	L33Z		10	K09A, K09B
	15	P02A, P02B, P02C		15	P02A, P02B, P02C		11	L09A, L38Z
	23	Z01A		Pre	A07A		21A	W04A, W04B
	Pre	A07A					21B	X06A, X06B, X06C
	5k798.0			BOP, KOP, KOPV, KVT, UOP4	5k79b			BOP, KOP, KOPV, KVT, UOP4
04		E05A, E05B, E05C, E08A, E08B, E08C	04	E05A, E05B, E05C, E08A, E08B, E08C		01	B03A, B03B, B06A, B06B, B07Z, B17A, B17B, B17C	
05		F01A, F01B, F01C, F01D, F01F, F05Z, F07A, F07B, F09A, F09B, F09C, F30Z, F36A, F36B, F42Z	05	F01A, F01B, F01D, F05Z, F07A, F07B, F09A, F09B, F09C, F30Z, F36A, F36B, F42Z		03	D12A	
06		G33Z	06	G33Z		05	F01A, F01B, F01D, F05Z, F06A, F06C, F07A, F07B, F14A, F14B, F28A, F42Z, F54Z, F59A, F59B	
07		H33Z, H38Z	07	H33Z, H38Z		08	I08A, I08B, I08C, I08D, I08E, I13A, I13B	
11		L33Z	11	L33Z		10	K09A, K09B	
15		P02A, P02B, P02C	15	P02A, P02B, P02C		11	L09A, L38Z	
23		Z01A	Pre	A07A		21A	W04A, W04B	
Pre		A07A				21B	X06A, X06B, X06C	
5k798.1			BOP, KOP, KOPV, KVT, UOP4	5k79c			BOP, KOP, KOPV, KVT, UOP4	5I010.3↔
	04	E05A, E05B, E05C, E08A, E08B, E08C	04		E05A, E05B, E05C, E08A, E08B, E08C	01	B03A, B03B, B06A, B06B, B07Z, B17A, B17B, B17C	
	05	F01A, F01B, F01D, F05Z, F07A, F07B, F09A, F09B, F09C, F30Z, F36A, F36B, F42Z	05		F01A, F01B, F01D, F05Z, F07A, F07B, F09A, F09B, F09C, F30Z, F36A, F36B, F42Z	03	D12A	
	06	G33Z	06		G33Z	05	F01A, F01B, F01D, F05Z, F06A, F06C, F07A, F07B, F14A, F14B, F28A, F42Z, F54Z, F59A, F59B	
	07	H33Z, H38Z	07		H33Z, H38Z	08	I08A, I08B, I08C, I08D, I08E, I13A, I13B	
	11	L33Z	11		L33Z	10	K09A, K09B	
	15	P02A, P02B, P02C	15		P02A, P02B, P02C	11	L09A, L38Z	
	23	Z01A	Pre		A07A	21A	W04A, W04B	
	Pre	A07A				21B	X06A, X06B, X06C	
	5k799.0		BOP, KOP, KOPV, KVT, UOP4		5k79x		BOP, KOP, KOPV, KVT, UOP4	
04		E05A, E05B, E05C, E08A, E08B, E08C	04	E05A, E05B, E05C, E08A, E08B, E08C		01	B03A, B03B, B06A, B06B, B07Z, B17A, B17B, B17C	
05		F01A, F01B, F01D, F05Z, F07A, F07B, F09A, F09B, F09C, F30Z, F36A, F36B, F42Z	05	F01A, F01B, F01D, F05Z, F07A, F07B, F09A, F09B, F09C, F30Z, F36A, F36B, F42Z		03	D12A	
06		G33Z	06	G33Z		05	F01A, F01B, F01D, F05Z, F06A, F06C, F07A, F07B, F14A, F14B, F28A, F42Z, F54Z, F59A, F59B	
07		H33Z, H38Z	07	H33Z, H38Z		08	I08A, I08B, I08C, I08D, I08E, I13A, I13B	
11		L33Z	11	L33Z		10	K09A, K09B	
15		P02A, P02B, P02C	15	P02A, P02B, P02C		11	L09A, L38Z	
23		Z01A	Pre	A07A		21A	W04A, W04B	
Pre		A07A				21B	X06A, X06B, X06C	
5k799.1			BOP, KOP, KOPV, KVT, UOP4	5I010.0↔			BOP, KVT, UOP4	5I010.5↔
	04	E05A, E05B, E05C, E08A, E08B, E08C	01		B03A, B03B, B06A, B06B, B07Z, B17A, B17B, B17C	01	B03A, B03B, B06A, B06B, B07Z, B17A, B17B, B17C	
	05	F01A, F01B, F01D, F05Z, F07A, F07B, F09A, F09B, F09C, F30Z, F36A, F36B, F42Z	03		D12A	03	D12A	
	06	G33Z	05		F01A, F01B, F01D, F05Z, F06A, F06C, F07A, F07B, F14A, F14B, F28A, F42Z, F54Z, F59A, F59B	05	F01A, F01B, F01D, F05Z, F06A, F06C, F07A, F07B, F14A, F14B, F28A, F42Z, F54Z, F59A, F59B	
	07	H33Z, H38Z	08		I08A, I08B, I08C, I08D, I08E, I13A, I13B	08	I08A, I08B, I08C, I08D, I08E, I13A, I13B	
	11	L33Z	10		K09A, K09B	10	K09A, K09B	
	15	P02A, P02B, P02C	11		L09A, L38Z	11	L09A, L38Z	
	23	Z01A	21A		W04A, W04B	21A	W04A, W04B	
	Pre	A07A	21B		X06A, X06B, X06C	21B	X06A, X06B, X06C	

VYK

ZZV	MDC	DRG	ZZV	MDC	DRG	ZZV	MDC	DRG				
51010.6↔		BOP, KVT, UOP4	51012.0↔	05	F01A, F01B, F01D, F05Z, F07A, F07B, F28A, F42Z, F54Z, F59A, F59B	51012.6↔	05	F01A, F01B, F01D, F05Z, F07A, F07B, F28A, F42Z, F54Z, F59A, F59B				
	01	B03A, B03B, B06A, B06B, B07Z, B17A, B17B, B17C		08	I08A, I08B, I08C, I08D, I08E, I13A, I13B		08	I08A, I08B, I08C, I08D, I08E, I13A, I13B				
	03	D12A		10	K09A, K09B		10	K09A, K09B				
	05	F01A, F01B, F01D, F05Z, F06A, F06C, F07A, F07B, F14A, F14B, F28A, F42Z, F54Z, F59A, F59B		11	L09A, L38Z		11	L09A, L38Z				
	08	I08A, I08B, I08C, I08D, I08E, I13A, I13B		21A	W04A, W04B		21A	W04A, W04B				
	10	K09A, K09B		21B	X06A, X06B, X06C		21B	X05A, X05B, X06A, X06B, X06C				
	11	L09A, L38Z			BOP, KVT, UOP4		51012.7↔		BOP, KVT, UOP4			
	21A	W04A, W04B		05	F01A, F01B, F01D, F05Z, F07A, F07B, F28A, F42Z, F54Z, F59A, F59B			05	F01A, F01B, F01D, F05Z, F07A, F07B, F28A, F42Z, F54Z, F59A, F59B			
	21B	X06A, X06B, X06C		08	I08A, I08B, I08C, I08D, I08E, I13A, I13B			08	I08A, I08B, I08C, I08D, I08E, I13A, I13B			
	51010.x↔			BOP, KVT, UOP4	51012.1↔			10	K09A, K09B	51012.8↔	10	K09A, K09B
		01		B03A, B03B, B06A, B06B, B07Z, B17A, B17B, B17C				11	L09A, L38Z		11	L09A, L38Z
03		D12A	21A	W04A, W04B		21A		W04A, W04B				
05		F01A, F01B, F01D, F05Z, F06A, F06C, F07A, F07B, F14A, F14B, F28A, F42Z, F54Z, F59A, F59B	21B	X05A, X05B, X06A, X06B, X06C		21B		X05A, X05B, X06A, X06B, X06C				
08		I08A, I08B, I08C, I08D, I08E, I13A, I13B		BOP, KVT, UOP4				BOP, KVT, UOP4				
10		K09A, K09B	05	F01A, F01B, F01D, F05Z, F07A, F07B, F28A, F42Z, F54Z, F59A, F59B		05		F01A, F01B, F01D, F05Z, F07A, F07B, F28A, F42Z, F54Z, F59A, F59B				
11		L09A, L38Z	08	I08A, I08B, I08C, I08D, I08E, I13A, I13B		08		I08A, I08B, I08C, I08D, I08E, I13A, I13B				
21A		W04A, W04B	10	K09A, K09B		10		K09A, K09B				
21B		X06A, X06B, X06C	11	L09A, L38Z		11	L09A, L38Z					
51011.0↔			BOP, KVT, UOP4	51012.2↔		21A	W04A, W04B	51012.x↔	21A		W04A, W04B	
		05	F01A, F01B, F01D, F05Z, F07A, F07B, F14A, F14B, F28A, F42Z, F54Z, F59A, F59B			21B	X05A, X05B, X06A, X06B, X06C		21B		X06A, X06B, X06C	
	08	I08A, I08B, I08C, I08D, I08E, I13A, I13B			BOP, KVT, UOP4	05	F01A, F01B, F01D, F05Z, F07A, F07B, F28A, F42Z, F54Z, F59A, F59B					
	10	K09A, K09B	05		F01A, F01B, F01D, F05Z, F07A, F07B, F28A, F42Z, F54Z, F59A, F59B	08	I08A, I08B, I08C, I08D, I08E, I13A, I13B					
	11	L09A, L38Z	08		I08A, I08B, I08C, I08D, I08E, I13A, I13B	10	K09A, K09B					
	21A	W04A, W04B	10		K09A, K09B	11	L09A, L38Z					
	21B	X06A, X06B, X06C	11		L09A, L38Z	21A	W04A, W04B					
	51011.1↔		BOP, KVT, UOP4		51012.3↔	21B	X05A, X05B, X06A, X06B, X06C		51013.0	21B	X06A, X06B, X06C	
		05	F01A, F01B, F01D, F05Z, F07A, F07B, F28A, F42Z, F54Z, F59A, F59B				BOP, KVT, UOP4			05	F01A, F01B, F01D, F05Z, F07A, F07B, F28A, F42Z, F54Z, F59A, F59B	
		08	I08A, I08B, I08C, I08D, I08E, I13A, I13B			05	F01A, F01B, F01D, F05Z, F07A, F07B, F28A, F42Z, F54Z, F59A, F59B			08	I08A, I08B, I08C, I08D, I08E, I13A, I13B	
		10	K09A, K09B			08	I08A, I08B, I08C, I08D, I08E, I13A, I13B			10	K09A, K09B	
11		L09A, L38Z	10	K09A, K09B		11	L09A, L38Z					
21A		W04A, W04B	11	L09A, L38Z		21A	W04A, W04B					
21B		X06A, X06B, X06C	21A	W04A, W04B		21B	X06A, X06B, X06C					
51011.2↔			BOP, KVT, UOP4	51012.4↔		21B	X05A, X05B, X06A, X06B, X06C	51012.5↔			BOP, KOPV, KVT, UOP4	
		05	F01A, F01B, F01D, F05Z, F07A, F07B, F28A, F42Z, F54Z, F59A, F59B				BOP, KVT, UOP4			04	E05A, E05B, E05C, E08A, E08B, E08C	
		08	I08A, I08B, I08C, I08D, I08E, I13A, I13B			05	F01A, F01B, F01D, F05Z, F07A, F07B, F28A, F42Z, F54Z, F59A, F59B			05	F01A, F01B, F01D, F05Z, F07A, F07B, F09A, F09B, F09C, F30Z, F42Z	
		10	K09A, K09B			08	I08A, I08B, I08C, I08D, I08E, I13A, I13B			06	G15Z, G19A, G19B, G33Z, G38Z	
	11	L09A, L38Z	10		K09A, K09B	07	H33Z, H38Z					
	21A	W04A, W04B	11		L09A, L38Z	08	I08A, I08B, I08C, I08D, I08E, I13A, I13B					
	21B	X06A, X06B, X06C	21A		W04A, W04B	11	L09A, L33Z, L38Z					
	51011.x↔		BOP, KVT, UOP4		51012.5↔	21B	X06A, X06B, X06C		15	P02A, P02B, P02C		
		05	F01A, F01B, F01D, F05Z, F07A, F07B, F28A, F42Z, F54Z, F59A, F59B				BOP, KVT, UOP4		21A	W04A, W04B		
		08	I08A, I08B, I08C, I08D, I08E, I13A, I13B			05	F01A, F01B, F01D, F05Z, F07A, F07B, F28A, F42Z, F54Z, F59A, F59B		21B	X06A, X06B, X06C, X33Z		
		10	K09A, K09B			08	I08A, I08B, I08C, I08D, I08E, I13A, I13B		23	Z01A		
11		L09A, L38Z	10	K09A, K09B		Pre	A07A					
21A		W04A, W04B	11	L09A, L38Z								
21B		X06A, X06B, X06C	21A	W04A, W04B								
		BOP, KVT, UOP4	21B	X05A, X05B, X06A, X06B, X06C								
05		F01A, F01B, F01D, F05Z, F07A, F07B, F28A, F42Z, F54Z, F59A, F59B		BOP, KVT, UOP4								
08		I08A, I08B, I08C, I08D, I08E, I13A, I13B		BOP, KVT, UOP4								
10		K09A, K09B		BOP, KVT, UOP4								
11	L09A, L38Z		BOP, KVT, UOP4									
21A	W04A, W04B		BOP, KVT, UOP4									
21B	X06A, X06B, X06C		BOP, KVT, UOP4									

VYK

ZZV	MDC	DRG	ZZV	MDC	DRG	ZZV	MDC	DRG			
51013.1		BOP, KOP, KOPV, KVT, UOP4	51013.5		BOP, KVT, UOP4	51014.2↔		BOP, KOP, KOPV, KVT, UOP4			
	04	E05A, E05B, E05C, E08A, E08B, E08C		05	F01A, F01B, F01D, F05Z, F07A, F07B, F14A, F14B, F28A, F42Z, F54Z, F59A, F59B		04	E05A, E05B, E05C, E08A, E08B, E08C			
	05	F01A, F01B, F01D, F05Z, F07A, F07B, F09A, F09B, F09C, F30Z, F42Z		06	G10Z, G12A, G12B		05	F01A, F01B, F01D, F05Z, F07A, F07B, F09A, F09B, F09C, F30Z, F42Z			
	06	G15Z, G19A, G19B, G33Z, G38Z		08	I08A, I08B, I08C, I08D, I08E, I13A, I13B		06	G15Z, G19A, G19B, G33Z, G38Z			
	07	H33Z, H38Z		11	L09A, L09B, L09C, L09D, L38Z		07	H33Z, H38Z			
	08	I08A, I08B, I08C, I08D, I08E, I13A, I13B		21A	W04A, W04B		08	I08A, I08B, I08C, I08D, I08E, I13A, I13B			
	11	L09A, L33Z, L38Z		21B	X06A, X06B, X06C		11	L09A, L33Z, L38Z			
	15	P02A, P02B, P02C			BOP, KVT, UOP4		15	P02A, P02B, P02C			
	21A	W04A, W04B		05	F01A, F01B, F01D, F05Z, F07A, F07B, F14A, F14B, F28A, F42Z, F54Z, F59A, F59B		21A	W04A, W04B			
	21B	X06A, X06B, X06C, X33Z		06	G10Z, G12A, G12B		21B	X06A, X06B, X06C, X33Z			
	23	Z01A		08	I08A, I08B, I08C, I08D, I08E, I13A, I13B		23	Z01A			
	Pre	A07A		11	L09A, L09B, L09C, L09D, L38Z		Pre	A07A			
	51013.2			BOP, KOP, KOPV, KVT, UOP4	51014.0↔			BOP, KOP, KOPV, KVT, UOP4	51014.3↔		BOP, KOP, KOPV, KVT, UOP4
		04		E05A, E05B, E05C, E08A, E08B, E08C			04	E05A, E05B, E05C, E08A, E08B, E08C		04	E05A, E05B, E05C, E08A, E08B, E08C
		05		F01A, F01B, F01D, F05Z, F07A, F07B, F09A, F09B, F09C, F30Z, F42Z			05	F01A, F01B, F01D, F05Z, F07A, F07B, F09A, F09B, F09C, F30Z, F42Z		05	F01A, F01B, F01D, F05Z, F07A, F07B, F09A, F09B, F09C, F30Z, F42Z
		06		G15Z, G19A, G19B, G33Z, G38Z			06	G15Z, G19A, G19B, G33Z, G38Z		06	G15Z, G19A, G19B, G33Z, G38Z
		07		H33Z, H38Z			07	H33Z, H38Z		07	H33Z, H38Z
08		I08A, I08B, I08C, I08D, I08E, I13A, I13B	08	I08A, I08B, I08C, I08D, I08E, I13A, I13B		08	I08A, I08B, I08C, I08D, I08E, I13A, I13B				
11		L09A, L33Z, L38Z	11	L09A, L09B, L09C, L09D, L38Z		11	L09A, L33Z, L38Z				
15		P02A, P02B, P02C	15	P02A, P02B, P02C		15	P02A, P02B, P02C				
21A		W04A, W04B	06	G15Z, G19A, G19B, G33Z, G38Z		21A	W04A, W04B				
21B		X06A, X06B, X06C, X33Z	07	H33Z, H38Z		21B	X06A, X06B, X06C, X33Z				
23		Z01A	08	I08A, I08B, I08C, I08D, I08E, I13A, I13B		23	Z01A				
Pre		A07A	11	L09A, L33Z, L38Z		Pre	A07A				
51013.3			BOP, KVT, UOP4	51014.1↔			BOP, KOP, KOPV, KVT, UOP4	51014.x↔			BOP, KOP, KOPV, KVT, UOP4
		05	F01A, F01B, F01D, F05Z, F07A, F07B, F14A, F14B, F28A, F42Z, F54Z, F59A, F59B			04	E05A, E05B, E05C, E08A, E08B, E08C			04	E05A, E05B, E05C, E08A, E08B, E08C
		06	G10Z, G12A, G12B			05	F01A, F01B, F01D, F05Z, F07A, F07B, F09A, F09B, F09C, F30Z, F42Z			05	F01A, F01B, F01D, F05Z, F07A, F07B, F09A, F09B, F09C, F30Z, F42Z
		08	I08A, I08B, I08C, I08D, I08E, I13A, I13B			06	G15Z, G19A, G19B, G33Z, G38Z			06	G15Z, G19A, G19B, G33Z, G38Z
		11	L09A, L09B, L09C, L09D, L38Z			07	H33Z, H38Z			07	H33Z, H38Z
	21A	W04A, W04B	08		I08A, I08B, I08C, I08D, I08E, I13A, I13B	08	I08A, I08B, I08C, I08D, I08E, I13A, I13B				
	21B	X06A, X06B, X06C	11		L09A, L33Z, L38Z	11	L09A, L33Z, L38Z				
	51013.4		BOP, KVT, UOP4		51015.0↔		BOP, KVT, UOP4		51015.0↔		BOP, KVT, UOP4
		05	F01A, F01B, F01D, F05Z, F07A, F07B, F14A, F14B, F28A, F42Z, F54Z, F59A, F59B			01	B03A, B03B, B06A, B06B, B07Z, B17A, B17B, B17C			01	B03A, B03B, B06A, B06B, B07Z, B17A, B17B, B17C
		06	G10Z, G12A, G12B			05	F01A, F01B, F01D, F05Z, F07A, F07B, F14A, F14B, F28A, F42Z, F54Z, F59A, F59B			05	F01A, F01B, F01D, F05Z, F07A, F07B, F14A, F14B, F28A, F42Z, F54Z, F59A, F59B
		08	I08A, I08B, I08C, I08D, I08E, I13A, I13B			06	G10Z, G12A, G12B			06	G10Z, G12A, G12B
		11	L09A, L09B, L09C, L09D, L38Z			08	I08A, I08B, I08C, I08D, I08E, I13A, I13B			08	I08A, I08B, I08C, I08D, I08E, I13A, I13B
		21A	W04A, W04B			10	K09A, K09B			10	K09A, K09B
		21B	X06A, X06B, X06C			11	L09A, L38Z			11	L09A, L38Z
						21A	W04A, W04B			21A	W04A, W04B
						21B	X06A, X06B, X06C, X33Z			21B	X06A, X06B, X06C
						23	Z01A				
			Pre	A07A							

VYK

ZZV	MDC	DRG	ZZV	MDC	DRG	ZZV	MDC	DRG			
51015.1↔		BOP, KVT, UOP4	51015.x↔		BOP, KVT, UOP4	51016.4↔		BOP, KVT, UOP4			
	05	F01A, F01B, F01D, F05Z, F07A, F07B, F14A, F14B, F28A, F42Z, F54Z, F59A, F59B		05	F01A, F01B, F01D, F05Z, F07A, F07B, F14A, F14B, F28A, F42Z, F54Z, F59A, F59B		05	F01A, F01B, F01D, F05Z, F07A, F07B, F14A, F14B, F28A, F42Z, F54Z, F59A, F59B			
	06	G10Z, G12A, G12B		06	G10Z, G12A, G12B		06	G10Z, G12A, G12B			
	08	I08A, I08B, I08C, I08D, I08E, I13A, I13B		08	I08A, I08B, I08C, I08D, I08E, I13A, I13B		08	I08A, I08B, I08C, I08D, I08E, I13A, I13B			
	11	L09A, L09B, L09C, L09D, L38Z		11	L09A, L09B, L09C, L09D, L38Z		11	L09A, L09B, L09C, L09D, L38Z			
	21A	W04A, W04B		21A	W04A, W04B		51016.5		BOP, KVT, UOP4		
	21B	X06A, X06B, X06C		21B	X06A, X06B, X06C			05	F01A, F01B, F01D, F05Z, F07A, F07B, F14A, F14B, F28A, F42Z, F54Z, F59A, F59B		
	51015.2↔			BOP, KVT, UOP4	51016.0				BOP, KVT, UOP4	06	G10Z, G12A, G12B, G18A, G38Z
		05		F01A, F01B, F01D, F05Z, F07A, F07B, F14A, F14B, F28A, F42Z, F54Z, F59A, F59B				05	F01A, F01B, F01D, F05Z, F07A, F07B, F14A, F14B, F28A, F42Z, F54Z, F59A, F59B	08	I08A, I08B, I08C, I08D, I08E, I13A, I13B
		06		G10Z, G12A, G12B				06	G10Z, G12A, G12B, G18A, G38Z	11	L09A, L09B, L09C, L09D, L38Z
08		I08A, I08B, I08C, I08D, I08E, I13A, I13B	08	I08A, I08B, I08C, I08D, I08E, I13A, I13B		51016.6		BOP, KVT, UOP4			
11		L09A, L09B, L09C, L09D, L38Z	11	L09A, L09B, L09C, L09D, L38Z			05	F01A, F01B, F01D, F05Z, F07A, F07B, F14A, F14B, F28A, F42Z, F54Z, F59A, F59B			
21A		W04A, W04B	21A	W04A, W04B			06	G10Z, G12A, G12B, G18A, G38Z			
21B		X06A, X06B, X06C	21B	X06A, X06B, X06C			08	I08A, I08B, I08C, I08D, I08E, I13A, I13B			
51015.3↔			BOP, KVT, UOP4	51016.1				BOP, KVT, UOP4	11	L09A, L09B, L09C, L09D, L38Z	
		05	F01A, F01B, F01D, F05Z, F07A, F07B, F14A, F14B, F28A, F42Z, F54Z, F59A, F59B			05	F01A, F01B, F01D, F05Z, F07A, F07B, F14A, F14B, F28A, F42Z, F54Z, F59A, F59B	51016.7		BOP, KVT, UOP4	
		06	G10Z, G12A, G12B			06	G10Z, G12A, G12B, G18A, G38Z		05	F01A, F01B, F01D, F05Z, F07A, F07B, F14A, F14B, F28A, F42Z, F54Z, F59A, F59B	
	08	I08A, I08B, I08C, I08D, I08E, I13A, I13B	07		H06A, H06B, H06C	06	G10Z, G12A, G12B				
	11	L09A, L09B, L09C, L09D, L38Z	08		I08A, I08B, I08C, I08D, I08E, I13A, I13B	08	I08A, I08B, I08C, I08D, I08E, I13A, I13B				
	21A	W04A, W04B	11		L09A, L09B, L09C, L09D, L38Z	11	L09A, L09B, L09C, L09D, L38Z				
	21B	X06A, X06B, X06C	51016.2			BOP, KVT, UOP4	51016.x↔		BOP, KVT, UOP4		
	51015.4↔				BOP, KVT, UOP4	51016.3			BOP, KVT, UOP4	05	F01A, F01B, F01D, F05Z, F07A, F07B, F14A, F14B, F28A, F42Z, F54Z, F59A, F59B
		05			F01A, F01B, F01D, F05Z, F07A, F07B, F14A, F14B, F28A, F42Z, F54Z, F59A, F59B			05	F01A, F01B, F01D, F05Z, F07A, F07B, F14A, F14B, F28A, F42Z, F54Z, F59A, F59B	06	G10Z, G12A, G12B
		06			G10Z, G12A, G12B			06	G10Z, G12A, G12B, G18A, G38Z	08	I08A, I08B, I08C, I08D, I08E, I13A, I13B
08		I08A, I08B, I08C, I08D, I08E, I13A, I13B		08	I08A, I08B, I08C, I08D, I08E, I13A, I13B			11	L09A, L09B, L09C, L09D, L38Z		
11		L09A, L09B, L09C, L09D, L38Z		11	L09A, L09B, L09C, L09D, L38Z		51017.0↔		BOP, KVT, UOP4		
21A		W04A, W04B		21A	W04A, W04B			05	F01A, F01B, F01D, F05Z, F07A, F07B, F14A, F14B, F28A, F42Z, F54Z, F59A, F59B		
21B		X06A, X06B, X06C		21B	X06A, X06B, X06C			08	I08A, I08B, I08C, I08D, I08E, I13A, I13B		
51015.5↔				BOP, KVT, UOP4	51016.3				BOP, KVT, UOP4	10	K09A, K09B
		05		F01A, F01B, F01D, F05Z, F07A, F07B, F14A, F14B, F28A, F42Z, F54Z, F59A, F59B				05	F01A, F01B, F01D, F05Z, F07A, F07B, F14A, F14B, F28A, F42Z, F54Z, F59A, F59B	11	L09A, L38Z
		06	G10Z, G12A, G12B	06			G10Z, G12A, G12B, G18A, G38Z	17	R01A, R01B, R01C, R01D, R02Z, R12A, R12B, R12C		
	08	I08A, I08B, I08C, I08D, I08E, I13A, I13B	07	H06A, H06B, H06C		21A	W04A, W04B				
	11	L09A, L09B, L09C, L09D, L38Z	08	I08A, I08B, I08C, I08D, I08E, I13A, I13B		21B	X04Z				
	21A	W04A, W04B	11	L09A, L09B, L09C, L09D, L38Z							
	21B	X06A, X06B, X06C									

VYK

ZZV	MDC	DRG	ZZV	MDC	DRG	ZZV	MDC	DRG
5I019.4		BOP, KVT, UOP4	5I019.a↔		BOP, KOP, KOPV, KVT, UOP4	5I019.e		BOP, KOP, KOPV, KVT, UOP4
	05	F39A, F39B		04	E05A, E05B, E05C, E08A, E08B, E08C		04	E05A, E05B, E05C, E08A, E08B, E08C
	06	G18A, G38Z		05	F01A, F01B, F01D, F05Z, F07A, F07B, F09A, F09B, F09C, F30Z, F42Z		05	F01A, F01B, F01D, F05Z, F07A, F07B, F09A, F09B, F09C, F30Z, F42Z
	07	H01A		06	G15Z, G19A, G19B, G33Z, G38Z		06	G15Z, G19A, G19B, G33Z, G38Z
	08	I08A, I08B, I08C, I08D, I08E, I13A, I13B		07	H33Z, H38Z		07	H33Z, H38Z
	11	L09A, L38Z		08	I08A, I08B, I08C, I08D, I08E, I13A, I13B		08	I08A, I08B, I08C, I08D, I08E, I13A, I13B
	21A	W04A, W04B		11	L09A, L33Z, L38Z		11	L09A, L33Z, L38Z
	21B	X04Z		15	P02A, P02B, P02C		15	P02A, P02B, P02C
5I019.5		BOP, KVT, UOP4	5I019.b↔		BOP, KOP, KOPV, KVT, UOP4	5I019.f		BOP, KOP, KOPV, KVT, UOP4
	05	F39A, F39B		04	E05A, E05B, E05C, E08A, E08B, E08C		04	E05A, E05B, E05C, E08A, E08B, E08C
	06	G18A, G38Z		05	F01A, F01B, F01D, F05Z, F07A, F07B, F09A, F09B, F09C, F30Z, F42Z		05	F01A, F01B, F01D, F05Z, F07A, F07B, F09A, F09B, F09C, F30Z, F42Z
	07	H01A		06	G15Z, G19A, G19B, G33Z, G38Z		06	G03A, G15Z, G18A, G19A, G19B, G33Z, G38Z
	08	I08A, I08B, I08C, I08D, I08E, I13A, I13B		07	H33Z, H38Z		07	H01A, H33Z, H38Z
	11	L09A, L38Z		08	I08A, I08B, I08C, I08D, I08E, I13A, I13B		08	I08A, I08B, I08C, I08D, I08E, I13A, I13B
	21A	W04A, W04B		11	L09A, L33Z, L38Z		11	L09A, L33Z, L38Z
	21B	X04Z		15	P02A, P02B, P02C		15	P02A, P02B, P02C
5I019.6		BOP, KVT, UOP4	5I019.c↔		BOP, KVT, UOP4	5I019.g↔		BOP, KVT, UOP4
	05	F39A, F39B		05	F01A, F01B, F01D, F05Z, F07A, F07B, F14A, F14B, F28A, F42Z, F54Z, F59A, F59B		05	F01A, F01B, F01D, F05Z, F07A, F07B, F14A, F14B, F28A, F42Z, F54Z, F59A, F59B
	06	G18A, G38Z		08	I08A, I08B, I08C, I08D, I08E, I13A, I13B		06	G10Z, G12A, G12B
	07	H01A		10	K09A, K09B		08	I08A, I08B, I08C, I08D, I08E, I13A, I13B
	08	I08A, I08B, I08C, I08D, I08E, I13A, I13B		11	L09A, L38Z		11	L09A, L09B, L09C, L09D, L38Z
	11	L09A, L38Z		21A	W04A, W04B		21A	W04A, W04B
	21A	W04A, W04B		21B	X06A, X06B, X06C		21B	X06A, X06B, X06C
	21B	X04Z		Pre	A07A		Pre	A07A
5I019.7		BOP, KVT, UOP4	5I019.d↔		BOP, KOP, KOPV, KVT, UOP4	5I019.h↔		BOP, KVT, UOP4
	05	F39A, F39B		04	E05A, E05B, E05C, E08A, E08B, E08C		05	F01A, F01B, F01D, F05Z, F07A, F07B, F14A, F14B, F28A, F42Z, F54Z, F59A, F59B
	06	G18A, G38Z		05	F01A, F01B, F01D, F05Z, F07A, F07B, F09A, F09B, F09C, F30Z, F42Z		06	G10Z, G12A, G12B
	07	H01A		06	G15Z, G19A, G19B, G33Z, G38Z		08	I08A, I08B, I08C, I08D, I08E, I13A, I13B
	08	I08A, I08B, I08C, I08D, I08E, I13A, I13B		07	H33Z, H38Z		11	L09A, L09B, L09C, L09D, L38Z
	11	L09A, L38Z		08	I08A, I08B, I08C, I08D, I08E, I13A, I13B		21A	W04A, W04B
	21A	W04A, W04B		11	L09A, L33Z, L38Z		21B	X06A, X06B, X06C
	21B	X04Z		15	P02A, P02B, P02C		Pre	A07A
5I019.8↔		BOP, KVT, UOP4	5I019.e↔		BOP, KOP, KOPV, KVT, UOP4	5I019.f↔		BOP, KOP, KOPV, KVT, UOP4
	05	F39A, F39B		04	E05A, E05B, E05C, E08A, E08B, E08C		04	E05A, E05B, E05C, E08A, E08B, E08C
	06	G18A, G38Z		05	F01A, F01B, F01D, F05Z, F07A, F07B, F14A, F14B, F28A, F42Z, F54Z, F59A, F59B		05	F01A, F01B, F01D, F05Z, F07A, F07B, F14A, F14B, F28A, F42Z, F54Z, F59A, F59B
	07	H01A		08	I08A, I08B, I08C, I08D, I08E, I13A, I13B		06	G10Z, G12A, G12B
	08	I08A, I08B, I08C, I08D, I08E, I13A, I13B		10	K09A, K09B		08	I08A, I08B, I08C, I08D, I08E, I13A, I13B
	11	L09A, L38Z		11	L09A, L38Z		11	L09A, L09B, L09C, L09D, L38Z
	21A	W04A, W04B		21A	W04A, W04B		21A	W04A, W04B
	21B	X04Z		21B	X06A, X06B, X06C		21B	X06A, X06B, X06C
5I019.9↔		BOP, KVT, UOP4	5I019.g↔		BOP, KVT, UOP4	5I019.h↔		BOP, KVT, UOP4
	01	B03A, B03B, B06A, B06B, B07Z, B17A, B17B, B17C		05	F01A, F01B, F01D, F05Z, F07A, F07B, F14A, F14B, F28A, F42Z, F54Z, F59A, F59B		05	F01A, F01B, F01D, F05Z, F07A, F07B, F14A, F14B, F28A, F42Z, F54Z, F59A, F59B
	03	D12A		06	G15Z, G19A, G19B, G33Z, G38Z		06	G10Z, G12A, G12B
	05	F01A, F01B, F01D, F05Z, F07A, F07B, F14A, F14B, F28A, F42Z, F54Z, F59A, F59B		07	H33Z, H38Z		08	I08A, I08B, I08C, I08D, I08E, I13A, I13B
	08	I08A, I08B, I08C, I08D, I08E, I13A, I13B		08	I08A, I08B, I08C, I08D, I08E, I13A, I13B		11	L09A, L09B, L09C, L09D, L38Z
	10	K09A, K09B		11	L09A, L33Z, L38Z		21A	W04A, W04B
	11	L09A, L38Z		15	P02A, P02B, P02C		21B	X06A, X06B, X06C
	21A	W04A, W04B		21A	W04A, W04B		Pre	A07A
	21B	X06A, X06B, X06C		21B	X06A, X06B, X06C, X33Z			
				23	Z01A			
		Pre	A07A					

ZZV	MDC	DRG	ZZV	MDC	DRG	ZZV	MDC	DRG
51019.i↔		BOP, KVT, UOP4	51120.0↔	01	B04A, B04B, B04C, B04D, B04E	51120.24↔	01	B04A, B04B, B04C, B04D, B04E
	05	F01A, F01B, F01D, F05Z, F07A, F07B, F14A, F14B, F28A, F42Z, F54Z, F59A, F59B		03	D12A, D12B		03	D12A, D12B
	06	G10Z, G12A, G12B		05	F01A, F01B, F01D, F05Z, F06A, F06C, F07A, F07B, F14A, F14B, F28A, F42Z, F54Z, F59A, F59B		05	F01A, F01B, F01D, F05Z, F06A, F06C, F07A, F07B, F14A, F14B, F28A, F42Z, F54Z, F59A, F59B
	08	I08A, I08B, I08C, I08D, I08E, I13A, I13B		08	I08A, I08B, I08C, I08D, I08E, I13A, I13B		08	I08A, I08B, I08C, I08D, I08E, I13A, I13B
	11	L09A, L09B, L09C, L09D, L38Z		10	K09A, K09B		10	K09A, K09B
	21A	W04A, W04B		11	L09A, L38Z		11	L09A, L38Z
	21B	X06A, X06B, X06C		21A	W04A, W04B		21A	W04A, W04B
51019.x↔		BOP, KVT, UOP4	51120.1↔	21B	X06A, X06B, X06C	51120.25↔	21B	X06A, X06B, X06C
	05	F39A, F39B		01	B04A, B04B, B04C, B04D, B04E		01	B04A, B04B, B04C, B04D, B04E
	08	I08A, I08B, I08C, I08D, I08E, I13A, I13B		03	D12A, D12B		03	D12A, D12B
	11	L09A, L38Z		05	F01A, F01B, F01D, F05Z, F06A, F06C, F07A, F07B, F14A, F14B, F28A, F42Z, F54Z, F59A, F59B		05	F01A, F01B, F01D, F05Z, F06A, F06C, F07A, F07B, F14A, F14B, F28A, F42Z, F54Z, F59A, F59B
	21A	W04A, W04B		08	I08A, I08B, I08C, I08D, I08E, I13A, I13B		08	I08A, I08B, I08C, I08D, I08E, I13A, I13B
21B	X04Z	10	K09A, K09B	10	K09A, K09B			
5101b.01↔		BOP, KVT, UOP4	51120.20↔	11	L09A, L38Z	51120.3↔	11	L09A, L38Z
	05	F01A, F01B, F01D, F05Z, F07A, F07B, F14A, F14B, F28A, F42Z, F54Z, F59A, F59B		21A	W04A, W04B		21A	W04A, W04B
	06	G10Z, G12A, G12B		21B	X06A, X06B, X06C		21B	X06A, X06B, X06C
	08	I08A, I08B, I08C, I08D, I08E, I13A, I13B			BOP, KVT, UOP4			BOP, KVT, UOP4
	11	L09A, L09B, L09C, L09D, L38Z		01	B04A, B04B, B04C, B04D, B04E		01	B04A, B04B, B04C, B04D, B04E
5101b.02↔		BOP, KVT, UOP4	51120.22↔	03	D12A, D12B	51120.40↔	03	D12A, D12B
	05	F01A, F01B, F01D, F05Z, F07A, F07B, F14A, F14B, F28A, F42Z, F54Z, F59A, F59B		05	F01A, F01B, F01D, F05Z, F06A, F06C, F07A, F07B, F14A, F14B, F28A, F42Z, F54Z, F59A, F59B		05	F01A, F01B, F01D, F05Z, F06A, F06C, F07A, F07B, F14A, F14B, F28A, F42Z, F54Z, F59A, F59B
	06	G10Z, G12A, G12B		08	I08A, I08B, I08C, I08D, I08E, I13A, I13B		08	I08A, I08B, I08C, I08D, I08E, I13A, I13B
	08	I08A, I08B, I08C, I08D, I08E, I13A, I13B		10	K09A, K09B		10	K09A, K09B
	11	L09A, L09B, L09C, L09D, L38Z		11	L09A, L38Z		11	L09A, L38Z
5101b.11		BOP, KVT, UOP4	51120.23↔	21A	W04A, W04B	51120.4x	21A	W04A, W04B
	05	F01A, F01B, F01D, F05Z, F07A, F07B, F14A, F14B, F28A, F42Z, F54Z, F59A, F59B		21B	X06A, X06B, X06C		21B	X06A, X06B, X06C
	06	G10Z, G12A, G12B			BOP, KVT, UOP4			BOP, KVT, UOP4
	08	I08A, I08B, I08C, I08D, I08E, I13A, I13B		01	B04A, B04B, B04C, B04D, B04E		01	B04A, B04B, B04C, B04D, B04E
	11	L09A, L09B, L09C, L09D, L38Z		03	D12A, D12B		03	D12A, D12B
5101b.12		BOP, KVT, UOP4	51120.23↔	05	F01A, F01B, F01D, F05Z, F06A, F06C, F07A, F07B, F14A, F14B, F28A, F42Z, F54Z, F59A, F59B	51120.4x	05	F01A, F01B, F01D, F05Z, F07A, F07B, F08A, F08B, F08C, F08D, F08E, F27A, F28A, F42Z
	05	F01A, F01B, F01D, F05Z, F07A, F07B, F14A, F14B, F28A, F42Z, F54Z, F59A, F59B		08	I08A, I08B, I08C, I08D, I08E, I13A, I13B		08	I08A, I08B, I08C, I08D, I08E, I13A, I13B
	06	G10Z, G12A, G12B		10	K09A, K09B		10	K09A, K09B
	08	I08A, I08B, I08C, I08D, I08E, I13A, I13B		11	L09A, L38Z		11	L09A, L38Z
	11	L09A, L09B, L09C, L09D, L38Z		21A	W04A, W04B		21A	W04A, W04B
				21B	X06A, X06B, X06C		21B	X06A, X06B, X06C
					BOP, KVT, UOP4			BOP, KVT, UOP4
		01	B04A, B04B, B04C, B04D, B04E	05	F01A, F01B, F01D, F05Z, F07A, F07B, F08A, F08B, F08C, F08D, F08E, F27A, F28A, F42Z			
		03	D12A, D12B	06	G10Z, G12A, G12B, G18A, G38Z			
		05	F01A, F01B, F01D, F05Z, F06A, F06C, F07A, F07B, F14A, F14B, F28A, F42Z, F54Z, F59A, F59B	07	H01A			
		08	I08A, I08B, I08C, I08D, I08E, I13A, I13B	08	I08A, I08B, I08C, I08D, I08E, I13A, I13B			
		10	K09A, K09B	11	L09A, L09B, L09C, L09D, L38Z			
		11	L09A, L38Z	21A	W04A, W04B			
		21A	W04A, W04B	21B	X06A, X06B, X06C, X33Z			
		21B	X06A, X06B, X06C					

VYK

ZZV	MDC	DRG	ZZV	MDC	DRG	ZZV	MDC	DRG
51128.1↔		BOP, KVT, UOP4	51128.7↔		BOP, KVT, UOP4	51130.2↔		BOP, KVT, UOP4
	05	F01A, F01B, F01D, F05Z, F07A, F07B, F14A, F14B, F28A, F42Z, F54Z, F59A, F59B		05	F01A, F01B, F01D, F05Z, F07A, F07B, F14A, F14B, F28A, F42Z, F54Z, F59A, F59B		01	B04A, B04B, B04C, B04D, B04E
	08	I08A, I08B, I08C, I08D, I08E, I13A, I13B		08	I08A, I08B, I08C, I08D, I08E, I13A, I13B		03	D12A
	10	K09A, K09B		10	K09A, K09B		05	F01A, F01B, F01D, F05Z, F06A, F06C, F07A, F07B, F14A, F14B, F28A, F42Z, F54Z, F59A, F59B
	11	L09A, L38Z		11	L09A, L38Z		08	I08A, I08B, I08C, I08D, I08E, I13A, I13B
	21A	W04A, W04B		21A	W04A, W04B		11	L09A, L38Z
51128.2↔	21B	X04Z, X06A, X06B, X06C	51128.x↔	21B	X04Z, X06A, X06B, X06C	51130.3↔	21A	W04A, W04B
		BOP, KVT, UOP4			BOP, KVT, UOP4		21B	X06A, X06B, X06C
	05	F01A, F01B, F01D, F05Z, F07A, F07B, F14A, F14B, F28A, F42Z, F54Z, F59A, F59B		05	F01A, F01B, F01D, F05Z, F07A, F07B, F14A, F14B, F28A, F42Z, F54Z, F59A, F59B		01	B04A, B04B, B04C, B04D, B04E
	08	I08A, I08B, I08C, I08D, I08E, I13A, I13B		08	I08A, I08B, I08C, I08D, I08E, I13A, I13B		03	D12A
	10	K09A, K09B		10	K09A, K09B		05	F01A, F01B, F01D, F05Z, F06A, F06C, F07A, F07B, F14A, F14B, F28A, F42Z, F54Z, F59A, F59B
	11	L09A, L38Z		11	L09A, L38Z		08	I08A, I08B, I08C, I08D, I08E, I13A, I13B
51128.3↔	21A	W04A, W04B	5112x↔	21A	W04A, W04B	51130.4↔	21A	W04A, W04B
	21B	X04Z, X06A, X06B, X06C		21B	X04Z, X06A, X06B, X06C		21B	X06A, X06B, X06C
		BOP, KVT, UOP4			BOP, KVT, UOP4			BOP, KVT, UOP4
	05	F01A, F01B, F01D, F05Z, F07A, F07B, F14A, F14B, F28A, F42Z, F54Z, F59A, F59B		05	F01A, F01B, F01D, F05Z, F07A, F07B, F14A, F14B, F28A, F42Z, F54Z, F59A, F59B		01	B04A, B04B, B04C, B04D, B04E
	08	I08A, I08B, I08C, I08D, I08E, I13A, I13B		08	I08A, I08B, I08C, I08D, I08E, I13A, I13B		03	D12A
	10	K09A, K09B		10	K09A, K09B		05	F01A, F01B, F01D, F05Z, F06A, F06C, F07A, F07B, F14A, F14B, F28A, F42Z, F54Z, F59A, F59B
51128.4↔	11	L09A, L38Z	51130.0↔	11	L09A, L38Z	51130.x↔	08	I08A, I08B, I08C, I08D, I08E, I13A, I13B
	21A	W04A, W04B		21A	W04A, W04B		11	L09A, L38Z
	21B	X04Z, X06A, X06B, X06C		21B	X06A, X06B, X06C		21A	W04A, W04B
		BOP, KVT, UOP4			BOP, KVT, UOP4		21B	X06A, X06B, X06C
	05	F01A, F01B, F01D, F05Z, F07A, F07B, F14A, F14B, F28A, F42Z, F54Z, F59A, F59B		01	B04A, B04B, B04C, B04D, B04E			BOP, KVT, UOP4
	08	I08A, I08B, I08C, I08D, I08E, I13A, I13B		03	D12A		01	B04A, B04B, B04C, B04D, B04E
51128.5↔	10	K09A, K09B	51130.1↔	05	F01A, F01B, F01D, F05Z, F06A, F06C, F07A, F07B, F14A, F14B, F28A, F42Z, F54Z, F59A, F59B	51131.0↔	03	D12A
	11	L09A, L38Z		08	I08A, I08B, I08C, I08D, I08E, I13A, I13B		05	F01A, F01B, F01D, F05Z, F06A, F06C, F07A, F07B, F14A, F14B, F28A, F42Z, F54Z, F59A, F59B
	21A	W04A, W04B		11	L09A, L38Z		08	I08A, I08B, I08C, I08D, I08E, I13A, I13B
	21B	X04Z, X06A, X06B, X06C		21A	W04A, W04B		11	L09A, L38Z
		BOP, KVT, UOP4		21B	X06A, X06B, X06C		21A	W04A, W04B
	05	F01A, F01B, F01D, F05Z, F07A, F07B, F14A, F14B, F28A, F42Z, F54Z, F59A, F59B		01	B04A, B04B, B04C, B04D, B04E		21B	X06A, X06B, X06C
51128.6↔	08	I08A, I08B, I08C, I08D, I08E, I13A, I13B	51130.1↔	03	D12A	51130.x↔	08	I08A, I08B, I08C, I08D, I08E, I13A, I13B
	10	K09A, K09B		05	F01A, F01B, F01D, F05Z, F06A, F06C, F07A, F07B, F14A, F14B, F28A, F42Z, F54Z, F59A, F59B		11	L09A, L38Z
	11	L09A, L38Z		08	I08A, I08B, I08C, I08D, I08E, I13A, I13B		21A	W04A, W04B
	21A	W04A, W04B		11	L09A, L38Z		21B	X06A, X06B, X06C
	21B	X04Z, X06A, X06B, X06C		21A	W04A, W04B			BOP, KVT, UOP4
		BOP, KVT, UOP4		21B	X06A, X06B, X06C		01	B04A, B04B, B04C, B04D, B04E

VYK

ZZV	MDC	DRG	ZZV	MDC	DRG	ZZV	MDC	DRG
51131.1↔		BOP, KVT, UOP4	51133.0		BOP, KOP, KOPV, KVT, UOP4	51134.0↔		BOP, KVT, UOP4
	01	B04A, B04B, B04C, B04D, B04E		04	E05A, E05B, E05C, E08A, E08B, E08C		01	B04A, B04B, B04C, B04D, B04E
	05	F01A, F01B, F01D, F05Z, F07A, F07B, F14A, F14B, F28A, F42Z, F54Z, F59A, F59B		05	F01A, F01B, F01D, F05Z, F07A, F07B, F08A, F08B, F08C, F08D, F08E, F27A, F28A, F30Z, F42Z		05	F01A, F01B, F01D, F05Z, F07A, F07B, F09A, F09B, F09C, F30Z, F42Z
	08	I08A, I08B, I08C, I08D, I08E, I13A, I13B		06	G10Z, G12A, G12B, G33Z		08	I08A, I08B, I08C, I08D, I08E, I13A, I13B
	11	L09A, L38Z		07	H33Z, H38Z		11	L09A, L38Z
	21A	W04A, W04B		08	I08A, I08B, I08C, I08D, I08E, I13A, I13B		15	P02A, P02B, P02C
	21B	X06A, X06B, X06C		11	L09A, L33Z, L38Z		21A	W04A, W04B
		BOP, KVT, UOP4		15	P02A, P02B, P02C		21B	X06A, X06B, X06C
		B04A, B04B, B04C, B04D, B04E		21A	W04A, W04B			BOP, KOP, KOPV, KVT, UOP4
		F01A, F01B, F01D, F05Z, F07A, F07B, F14A, F14B, F28A, F42Z, F54Z, F59A, F59B		21B	X06A, X06B, X06C, X33Z		05	F01A, F01B, F01D, F05Z, F07A, F07B, F09A, F09B, F09C, F30Z, F42Z
51131.x↔		BOP, KVT, UOP4	51133.1		BOP, KOP, KOPV, KVT, UOP4	51134.1↔		BOP, KOP, KOPV, KVT, UOP4
	01	B04A, B04B, B04C, B04D, B04E		04	E05A, E05B, E05C, E08A, E08B, E08C		05	F01A, F01B, F01D, F05Z, F07A, F07B, F09A, F09B, F09C, F30Z, F42Z
	05	F01A, F01B, F01D, F05Z, F07A, F07B, F14A, F14B, F28A, F42Z, F54Z, F59A, F59B		05	F01A, F01B, F01D, F05Z, F07A, F07B, F08A, F08B, F08C, F08D, F08E, F27A, F28A, F30Z, F42Z		06	G15Z, G19A, G19B, G33Z, G38Z
	08	I08A, I08B, I08C, I08D, I08E, I13A, I13B		06	G10Z, G12A, G12B, G33Z		07	H33Z, H38Z
	11	L09A, L38Z		07	H33Z, H38Z		08	I08A, I08B, I08C, I08D, I08E, I13A, I13B
	21A	W04A, W04B		08	I08A, I08B, I08C, I08D, I08E, I13A, I13B		11	L09A, L33Z, L38Z
	21B	X06A, X06B, X06C		11	L09A, L33Z, L38Z		15	P02A, P02B, P02C
		BOP, KVT, UOP4		15	P02A, P02B, P02C		21A	W04A, W04B
		B04A, B04B, B04C, B04D, B04E		21A	W04A, W04B		21B	X06A, X06B, X06C, X33Z
		F01A, F01B, F01D, F05Z, F07A, F07B, F14A, F14B, F28A, F42Z, F54Z, F59A, F59B		21B	X06A, X06B, X06C, X33Z		23	Z01A
51132.0↔		BOP, KVT, UOP4	51133.2		BOP, KVT, UOP4	51134.2↔		BOP, KOP, KOPV, KVT, UOP4
	01	B04A, B04B, B04C, B04D, B04E		05	F01A, F01B, F01D, F05Z, F07A, F07B, F08A, F08B, F08C, F08D, F08E, F27A, F28A, F30Z, F42Z		04	E05A, E05B, E05C, E08A, E08B, E08C
	05	F01A, F01B, F01D, F05Z, F07A, F07B, F14A, F14B, F28A, F42Z, F54Z, F59A, F59B		06	G10Z, G12A, G12B, G33Z		05	F01A, F01B, F01D, F05Z, F07A, F07B, F09A, F09B, F09C, F42Z
	08	I08A, I08B, I08C, I08D, I08E, I13A, I13B		07	H33Z, H38Z		06	G15Z, G19A, G19B, G33Z, G38Z
	11	L09A, L38Z		08	I08A, I08B, I08C, I08D, I08E, I13A, I13B		07	H33Z, H38Z
	21A	W04A, W04B		11	L09A, L33Z, L38Z		08	I08A, I08B, I08C, I08D, I08E, I13A, I13B
	21B	X06A, X06B, X06C		15	P02A, P02B, P02C		11	L09A, L33Z, L38Z
		BOP, KVT, UOP4		21A	W04A, W04B		21A	W04A, W04B
		B04A, B04B, B04C, B04D, B04E		21B	X06A, X06B, X06C, X33Z		21B	X06A, X06B, X06C, X33Z
		F01A, F01B, F01D, F05Z, F07A, F07B, F14A, F14B, F28A, F42Z, F54Z, F59A, F59B		23	Z01A		23	Z01A
51132.1↔		BOP, KVT, UOP4	51133.x		BOP, KVT, UOP4	51134.x↔		BOP, KOP, KOPV, KVT, UOP4
	05	F01A, F01B, F01D, F05Z, F07A, F07B, F14A, F14B, F28A, F42Z, F54Z, F59A, F59B		05	F01A, F01B, F01D, F05Z, F07A, F07B, F08A, F08B, F08C, F08D, F08E, F27A, F28A, F30Z, F42Z		05	F01A, F01B, F01D, F05Z, F07A, F07B, F09A, F09B, F09C, F30Z, F42Z
	08	I08A, I08B, I08C, I08D, I08E, I13A, I13B		06	G10Z, G12A, G12B		06	G15Z, G19A, G19B, G33Z, G38Z
	11	L09A, L38Z		08	I08A, I08B, I08C, I08D, I08E, I13A, I13B		07	H33Z, H38Z
	21A	W04A, W04B		11	L09A, L38Z		08	I08A, I08B, I08C, I08D, I08E, I13A, I13B
	21B	X06A, X06B, X06C		15	P02A, P02B, P02C		11	L09A, L33Z, L38Z
		BOP, KVT, UOP4		21A	W04A, W04B		15	P02A, P02B, P02C
		B04A, B04B, B04C, B04D, B04E		21B	X06A, X06B, X06C, X33Z		21A	W04A, W04B
		F01A, F01B, F01D, F05Z, F07A, F07B, F14A, F14B, F28A, F42Z, F54Z, F59A, F59B		05	F01A, F01B, F01D, F05Z, F07A, F07B, F08A, F08B, F08C, F08D, F08E, F27A, F28A, F30Z, F42Z		21B	X06A, X06B, X06C, X33Z
		I08A, I08B, I08C, I08D, I08E, I13A, I13B		06	G10Z, G12A, G12B		23	Z01A
51132.x↔		BOP, KVT, UOP4						A07A
	05	F01A, F01B, F01D, F05Z, F07A, F07B, F14A, F14B, F28A, F42Z, F54Z, F59A, F59B						BOP, KOP, KOPV, KVT, UOP4
	08	I08A, I08B, I08C, I08D, I08E, I13A, I13B						F01A, F01B, F01D, F05Z, F07A, F07B, F09A, F09B, F09C, F30Z, F42Z
	11	L09A, L38Z						G15Z, G19A, G19B, G33Z, G38Z
	21A	W04A, W04B						H33Z, H38Z
	21B	X06A, X06B, X06C						I08A, I08B, I08C, I08D, I08E, I13A, I13B
		BOP, KVT, UOP4						L09A, L33Z, L38Z
		B04A, B04B, B04C, B04D, B04E						P02A, P02B, P02C
		F01A, F01B, F01D, F05Z, F07A, F07B, F14A, F14B, F28A, F42Z, F54Z, F59A, F59B						W04A, W04B
		I08A, I08B, I08C, I08D, I08E, I13A, I13B						X06A, X06B, X06C, X33Z

ZZV	MDC	DRG	ZZV	MDC	DRG	ZZV	MDC	DRG
51135.0↔		BOP, KOP, KOPV, KVT, UOP4	51136.0		BOP, KOP, KOPV, KVT, UOP4	51136.4↔		BOP, KOP, KOPV, KVT, UOP4
	05	F01A, F01B, F01D, F05Z, F07A, F07B, F08A, F08B, F08C, F08D, F08E, F08F, F27A, F28A, F42Z		05	F01A, F01B, F01D, F05Z, F07A, F07B, F08A, F08B, F08C, F08D, F08E, F27A, F28A, F42Z		05	F01A, F01B, F01D, F05Z, F07A, F07B, F08A, F08B, F08C, F08D, F08E, F27A, F28A, F42Z
	06	G15Z, G19A, G19B, G33Z, G38Z		06	G15Z, G18A, G19A, G19B, G33Z, G38Z		06	G15Z, G19A, G19B, G33Z, G38Z
	07	H33Z, H38Z		07	H01A, H33Z, H38Z		07	H33Z, H38Z
	08	I08A, I08B, I08C, I08D, I08E, I13A, I13B		08	I08A, I08B, I08C, I08D, I08E, I13A, I13B		08	I08A, I08B, I08C, I08D, I08E, I13A, I13B
	11	L09A, L09B, L09C, L09D, L33Z, L38Z		11	L09A, L09B, L09C, L09D, L33Z, L38Z		11	L09A, L09B, L09C, L09D, L33Z, L38Z
	21A	W04A, W04B		21A	W04A, W04B		21A	W04A, W04B
	21B	X06A, X06B, X06C, X33Z		21B	X06A, X06B, X06C, X33Z		21B	X06A, X06B, X06C, X33Z
	23	Z01A		23	Z01A		23	Z01A
	Pre	A07A		Pre	A07A		Pre	A07A
51135.1↔		BOP, KOP, KOPV, KVT, UOP4	51136.1		BOP, KOP, KOPV, KVT, UOP4	51136.5		BOP, KOP, KOPV, KVT, UOP4
	05	F01A, F01B, F01D, F05Z, F07A, F07B, F08A, F08B, F08C, F08D, F08E, F08F, F27A, F28A, F42Z		05	F01A, F01B, F01D, F05Z, F07A, F07B, F08A, F08B, F08C, F08D, F08E, F27A, F28A, F42Z		05	F01A, F01B, F01D, F05Z, F07A, F07B, F08A, F08B, F08C, F08D, F08E, F27A, F28A, F42Z
	06	G15Z, G19A, G19B, G33Z, G38Z		06	G15Z, G18A, G19A, G19B, G33Z, G38Z		06	G15Z, G18A, G19A, G19B, G33Z, G38Z
	07	H33Z, H38Z		07	H01A, H06A, H06B, H06C, H33Z, H38Z		07	H01A, H33Z, H38Z
	08	I08A, I08B, I08C, I08D, I08E, I13A, I13B		08	I08A, I08B, I08C, I08D, I08E, I13A, I13B		08	I08A, I08B, I08C, I08D, I08E, I13A, I13B
	11	L09A, L09B, L09C, L09D, L33Z, L38Z		11	L09A, L09B, L09C, L09D, L33Z, L38Z		11	L09A, L09B, L09C, L09D, L33Z, L38Z
	21A	W04A, W04B		21A	W04A, W04B		21A	W04A, W04B
	21B	X06A, X06B, X06C, X33Z		21B	X06A, X06B, X06C, X33Z		21B	X06A, X06B, X06C, X33Z
	23	Z01A		23	Z01A		23	Z01A
	Pre	A07A		Pre	A07A		Pre	A07A
51135.2↔		BOP, KOP, KOPV, KVT, UOP4	51136.2		BOP, KOP, KOPV, KVT, UOP4	51136.6		BOP, KOP, KOPV, KVT, UOP4
	05	F01A, F01B, F01D, F05Z, F07A, F07B, F08A, F08B, F08C, F08D, F08E, F08F, F27A, F28A, F42Z		05	F01A, F01B, F01D, F05Z, F07A, F07B, F08A, F08B, F08C, F08D, F08E, F27A, F28A, F42Z		05	F01A, F01B, F01D, F05Z, F07A, F07B, F08A, F08B, F08C, F08D, F08E, F27A, F28A, F42Z
	06	G15Z, G19A, G19B, G33Z, G38Z		06	G15Z, G19A, G19B, G33Z, G38Z		06	G15Z, G18A, G19A, G19B, G33Z, G38Z
	07	H33Z, H38Z		07	H33Z, H38Z		07	H01A, H33Z, H38Z
	08	I08A, I08B, I08C, I08D, I08E, I13A, I13B		08	I08A, I08B, I08C, I08D, I08E, I13A, I13B		08	I08A, I08B, I08C, I08D, I08E, I13A, I13B
	11	L09A, L09B, L09C, L09D, L33Z, L38Z		11	L09A, L09B, L09C, L09D, L33Z, L38Z		11	L09A, L09B, L09C, L09D, L33Z, L38Z
	21A	W04A, W04B		21A	W04A, W04B		21A	W04A, W04B
	21B	X06A, X06B, X06C, X33Z		21B	X06A, X06B, X06C, X33Z		21B	X06A, X06B, X06C, X33Z
	23	Z01A		23	Z01A		23	Z01A
	Pre	A07A		Pre	A07A		Pre	A07A
51135.x↔		BOP, KVT, UOP4	51136.3		BOP, KOP, KOPV, KVT, UOP4	51136.x↔		BOP, KOP, KOPV, KVT, UOP4
	01	B03A, B03B, B06A, B06B, B07Z, B17A, B17B, B17C		05	F01A, F01B, F01D, F05Z, F07A, F07B, F08A, F08B, F08C, F08D, F08E, F27A, F28A, F42Z, F54Z, F59A, F59B		05	F01A, F01B, F01D, F05Z, F07A, F07B, F08A, F08B, F08C, F08D, F08E, F27A, F28A, F42Z
	05	F01A, F01B, F01D, F05Z, F07A, F07B, F14A, F14B, F28A, F42Z, F54Z, F59A, F59B		06	G15Z, G18A, G19A, G19B, G33Z, G38Z		06	G15Z, G19A, G19B, G33Z, G38Z
	08	I08A, I08B, I08C, I08D, I08E, I13A, I13B		07	H06A, H06B, H06C, H33Z, H38Z		07	H33Z, H38Z
	11	L09A, L38Z		08	I08A, I08B, I08C, I08D, I08E, I13A, I13B		08	I08A, I08B, I08C, I08D, I08E, I13A, I13B
	21A	W04A, W04B		11	L09A, L09B, L09C, L09D, L33Z, L38Z		11	L09A, L09B, L09C, L09D, L33Z, L38Z
	21B	X04Z, X06A, X06B, X06C		21A	W04A, W04B		21A	W04A, W04B
				21B	X06A, X06B, X06C, X33Z		21B	X06A, X06B, X06C, X33Z
		23	Z01A	23	Z01A			
		Pre	A07A	Pre	A07A			

ZZV	MDC	DRG	ZZV	MDC	DRG	ZZV	MDC	DRG
51139.9↔		BOP, KVT, UOP4	51139.d↔		BOP, KOP, KOPV, KVT, UOP4	51139.h↔		BOP, KVT, UOP4
	01	B04A, B04B, B04C, B04D, B04E		01	B04A, B04B, B04C, B04D, B04E		05	F01A, F01B, F01D, F05Z, F07A, F07B, F08A, F08B, F08C, F08D, F08E, F08F, F27A, F28A, F42Z
	03	D12A		05	F01A, F01B, F01D, F05Z, F07A, F07B, F09A, F09B, F09C, F30Z, F42Z		06	G10Z, G12A, G12B
	05	F01A, F01B, F01D, F05Z, F07A, F07B, F14A, F14B, F28A, F42Z, F54Z, F59A, F59B		06	G15Z, G19A, G19B, G33Z, G38Z		08	I08A, I08B, I08C, I08D, I08E, I13A, I13B
	08	I08A, I08B, I08C, I08D, I08E, I13A, I13B		07	H33Z, H38Z		11	L09A, L09B, L09C, L09D, L38Z
	11	L09A, L38Z		08	I08A, I08B, I08C, I08D, I08E, I13A, I13B		21A	W04A, W04B
	21A	W04A, W04B		11	L09A, L33Z, L38Z		21B	X06A, X06B, X06C, X33Z
	21B	X06A, X06B, X06C		15	P02A, P02B, P02C			BOP, KVT, UOP4
		BOP, KOP, KOPV, KVT, UOP4		21A	W04A, W04B		05	F01A, F01B, F01D, F05Z, F07A, F07B, F08A, F08B, F08C, F08D, F08E, F08F, F27A, F28A, F42Z
		BOP, KOP, KOPV, KVT, UOP4		21B	X06A, X06B, X06C, X33Z		06	G10Z, G12A, G12B
51139.a↔		BOP, KOP, KOPV, KVT, UOP4	51139.e		BOP, KOP, KOPV, KVT, UOP4	51139.i↔		BOP, KVT, UOP4
	01	B04A, B04B, B04C, B04D, B04E		01	B04A, B04B, B04C, B04D, B04E		05	F01A, F01B, F01D, F05Z, F07A, F07B, F08A, F08B, F08C, F08D, F08E, F08F, F27A, F28A, F42Z
	05	F01A, F01B, F01D, F05Z, F07A, F07B, F09A, F09B, F09C, F30Z, F42Z		05	F01A, F01B, F01D, F05Z, F07A, F07B, F09A, F09B, F09C, F30Z, F42Z		06	G10Z, G12A, G12B
	06	G33Z		06	G15Z, G19A, G19B, G33Z, G38Z		08	I08A, I08B, I08C, I08D, I08E, I13A, I13B
	07	H33Z, H38Z		07	H33Z, H38Z		11	L09A, L09B, L09C, L09D, L38Z
	08	I08A, I08B, I08C, I08D, I08E, I13A, I13B		08	I08A, I08B, I08C, I08D, I08E, I13A, I13B		21A	W04A, W04B
	11	L09A, L33Z, L38Z		11	L09A, L33Z, L38Z		21B	X06A, X06B, X06C, X33Z
	15	P02A, P02B, P02C		15	P02A, P02B, P02C			BOP, KVT, UOP4
	21A	W04A, W04B		21A	W04A, W04B		05	F39A, F39B
	21B	X06A, X06B, X06C, X33Z		21B	X06A, X06B, X06C, X33Z		08	I08A, I08B, I08C, I08D, I08E, I13A, I13B
51139.b↔		BOP, KVT, UOP4	51139.f		BOP, KOP, KOPV, KVT, UOP4	51139.x↔		BOP, KVT, UOP4
	01	B04A, B04B, B04C, B04D, B04E		01	B04A, B04B, B04C, B04D, B04E		05	F39A, F39B
	05	F01A, F01B, F01D, F05Z, F07A, F07B, F09A, F09B, F09C, F30Z, F42Z		05	F01A, F01B, F01D, F05Z, F07A, F07B, F09A, F09B, F09C, F30Z, F42Z		08	I08A, I08B, I08C, I08D, I08E, I13A, I13B
	08	I08A, I08B, I08C, I08D, I08E, I13A, I13B		06	G03A, G15Z, G18A, G19A, G19B, G33Z, G38Z		11	L09A, L38Z
	11	L09A, L38Z		07	H01A, H33Z, H38Z		21A	W04A, W04B
	15	P02A, P02B, P02C		08	I08A, I08B, I08C, I08D, I08E, I13A, I13B		21B	X06A, X06B, X06C
	21A	W04A, W04B		11	L09A, L33Z, L38Z			BOP, KVT, UOP4
	21B	X06A, X06B, X06C		15	P02A, P02B, P02C		01	B04A, B04B, B04C, B04D, B04E
		BOP, KVT, UOP4		21A	W04A, W04B		03	D12A
		BOP, KVT, UOP4		21B	X06A, X06B, X06C, X33Z		05	F01A, F01B, F01D, F05Z, F06A, F06C, F07A, F07B, F14A, F14B, F28A, F42Z, F54Z, F59A, F59B
51139.c↔		BOP, KVT, UOP4	51139.g↔		BOP, KVT, UOP4	51140.0↔		BOP, KVT, UOP4
	01	B04A, B04B, B04C, B04D, B04E		01	B04A, B04B, B04C, B04D, B04E		01	B04A, B04B, B04C, B04D, B04E
	05	F01A, F01B, F01D, F05Z, F07A, F07B, F14A, F14B, F28A, F42Z, F54Z, F59A, F59B		05	F01A, F01B, F01D, F05Z, F07A, F07B, F09A, F09B, F09C, F30Z, F42Z		03	D12A
	08	I08A, I08B, I08C, I08D, I08E, I13A, I13B		06	G03A, G15Z, G18A, G19A, G19B, G33Z, G38Z		05	F01A, F01B, F01D, F05Z, F06A, F06C, F07A, F07B, F14A, F14B, F28A, F42Z, F54Z, F59A, F59B
	11	L09A, L38Z		07	H01A, H33Z, H38Z		08	I08A, I08B, I08C, I08D, I08E, I13A, I13B
	15	P02A, P02B, P02C		08	I08A, I08B, I08C, I08D, I08E, I13A, I13B		11	L09A, L38Z
	21A	W04A, W04B		11	L09A, L33Z, L38Z		21A	W04A, W04B
	21B	X06A, X06B, X06C		15	P02A, P02B, P02C		21B	X06A, X06B, X06C
		BOP, KVT, UOP4		21A	W04A, W04B			BOP, KVT, UOP4
		BOP, KVT, UOP4		21B	X06A, X06B, X06C, X33Z		01	B04A, B04B, B04C, B04D, B04E
51139.c↔		BOP, KVT, UOP4	51139.g↔		BOP, KVT, UOP4	51140.1↔		BOP, KVT, UOP4
	01	B04A, B04B, B04C, B04D, B04E		01	B04A, B04B, B04C, B04D, B04E		01	B04A, B04B, B04C, B04D, B04E
	05	F01A, F01B, F01D, F05Z, F07A, F07B, F14A, F14B, F28A, F42Z, F54Z, F59A, F59B		05	F01A, F01B, F01D, F05Z, F07A, F07B, F08A, F08B, F08C, F08D, F08E, F08F, F27A, F28A, F42Z		03	D12A
	08	I08A, I08B, I08C, I08D, I08E, I13A, I13B		06	G10Z, G12A, G12B		05	F01A, F01B, F01D, F05Z, F06A, F06C, F07A, F07B, F14A, F14B, F28A, F42Z, F54Z, F59A, F59B
	11	L09A, L38Z		07	H01A, H33Z, H38Z		08	I08A, I08B, I08C, I08D, I08E, I13A, I13B
	15	P02A, P02B, P02C		08	I08A, I08B, I08C, I08D, I08E, I13A, I13B		11	L09A, L38Z
	21A	W04A, W04B		11	L09A, L33Z, L38Z		21A	W04A, W04B
	21B	X06A, X06B, X06C		15	P02A, P02B, P02C		21B	X06A, X06B, X06C
		BOP, KVT, UOP4		21A	W04A, W04B			BOP, KVT, UOP4
		BOP, KVT, UOP4		21B	X06A, X06B, X06C, X33Z		01	B04A, B04B, B04C, B04D, B04E



ZZV	MDC	DRG	ZZV	MDC	DRG	ZZV	MDC	DRG			
51140.2↔		BOP, KVT, UOP4	51142.0↔	05	BOP, KVT, UOP4	51143.0x	04	BOP, KOP, KOPV, KVT, UOP4			
	01	B04A, B04B, B04C, B04D, B04E			08		F01A, F01B, F01D, F05Z, F07A, F07B, F14A, F14B, F28A, F42Z, F54Z, F59A, F59B	05	E05A, E05B, E05C, E08A, E08B, E08C		
	03	D12A			11		I08A, I08B, I08C, I08D, I08E, I13A, I13B	06	F01A, F01B, F01D, F05Z, F07A, F09A, F09B, F09C, F42Z		
	05	F01A, F01B, F01D, F05Z, F06A, F06C, F07A, F07B, F14A, F14B, F28A, F42Z, F54Z, F59A, F59B			21A		L09A, L38Z	07	G15Z, G19A, G19B, G33Z, G38Z		
	08	I08A, I08B, I08C, I08D, I08E, I13A, I13B			21B		W04A, W04B	08	H33Z, H38Z		
	11	L09A, L38Z		51142.1↔	05		BOP, KVT, UOP4	11	I08A, I08B, I08C, I08D, I08E, I13A, I13B		
	21A	W04A, W04B					08	F01A, F01B, F01D, F05Z, F07A, F07B, F14A, F14B, F28A, F42Z, F54Z, F59A, F59B	21A	L09A, L33Z, L38Z	
	21B	X06A, X06B, X06C					11	L09A, L38Z	21A	W04A, W04B	
	51140.3↔				BOP, KVT, UOP4			21B	X06A, X06B, X06C	21B	X06A, X06B, X06C, X33Z
		01			B04A, B04B, B04C, B04D, B04E		51142.x↔	05	BOP, KVT, UOP4	23	Z01A
		03			D12A				08	F01A, F01B, F01D, F05Z, F07A, F07B, F14A, F14B, F28A, F42Z, F54Z, F59A, F59B	Pre
05		F01A, F01B, F01D, F05Z, F06A, F06C, F07A, F07B, F14A, F14B, F28A, F42Z, F54Z, F59A, F59B			11	L09A, L38Z		51143.11	BOP, KOP, KOPV, KVT, UOP4		
08		I08A, I08B, I08C, I08D, I08E, I13A, I13B			21A	W04A, W04B			04	E05A, E05B, E05C, E08A, E08B, E08C	
11		L09A, L38Z			21B	X06A, X06B, X06C			05	F01A, F01B, F01D, F05Z, F07A, F09A, F09B, F09C, F42Z	
21A		W04A, W04B	51143.01		08	I08A, I08B, I08C, I08D, I08E, I13A, I13B			06	G15Z, G19A, G19B, G33Z, G38Z	
21B		X06A, X06B, X06C				11			L09A, L38Z	07	H33Z, H38Z
51140.x↔				BOP, KVT, UOP4		21A			W04A, W04B	08	I08A, I08B, I08C, I08D, I08E, I13A, I13B
		01		B03A, B03B, B06A, B06B, B07Z, B17A, B17B, B17C		21B			X06A, X06B, X06C	11	L09A, L33Z, L38Z
		03		D12A	51143.02	04			BOP, KOP, KOPV, KVT, UOP4	21A	W04A, W04B
	05	F01A, F01B, F01D, F05Z, F06A, F06C, F07A, F07B, F14A, F14B, F28A, F42Z, F54Z, F59A, F59B				05			E05A, E05B, E05C, E08A, E08B, E08C	21B	X06A, X06B, X06C, X33Z
	08	I08A, I08B, I08C, I08D, I08E, I13A, I13B				06	F01A, F01B, F01D, F05Z, F07A, F09A, F09B, F09C, F42Z		23	Z01A	
	11	L09A, L38Z				07	G15Z, G19A, G19B, G33Z, G38Z		Pre	A07A	
	21A	W04A, W04B		51143.12		08	I08A, I08B, I08C, I08D, I08E, I13A, I13B	BOP, KOP, KOPV, KVT, UOP4			
	21B	X06A, X06B, X06C					11	L09A, L33Z, L38Z	04	E05A, E05B, E05C, E08A, E08B, E08C	
	51141.0↔					BOP, KVT, UOP4		21A	W04A, W04B	05	F01A, F01B, F01D, F05Z, F07A, F09A, F09B, F09C, F42Z
		05	F01A, F01B, F01D, F05Z, F07A, F07B, F14A, F14B, F28A, F42Z, F54Z, F59A, F59B				21B	X06A, X06B, X06C	06	G15Z, G19A, G19B, G33Z, G38Z	
		08	I08A, I08B, I08C, I08D, I08E, I13A, I13B				23	Z01A	07	H33Z, H38Z	
11		L09A, L38Z				Pre	A07A	08	I08A, I08B, I08C, I08D, I08E, I13A, I13B		
21A		W04A, W04B	51143.1x				BOP, KOP, KOPV, KVT, UOP4	11	L09A, L33Z, L38Z		
21B		X06A, X06B, X06C				04	E05A, E05B, E05C, E08A, E08B, E08C	21A	W04A, W04B		
51141.1↔					BOP, KVT, UOP4		05	F01A, F01B, F01D, F05Z, F07A, F09A, F09B, F09C, F42Z	21B	X06A, X06B, X06C, X33Z	
		05			F01A, F01B, F01D, F05Z, F07A, F07B, F14A, F14B, F28A, F42Z, F54Z, F59A, F59B		06	G15Z, G19A, G19B, G33Z, G38Z	23	Z01A	
		08			I08A, I08B, I08C, I08D, I08E, I13A, I13B		07	H33Z, H38Z	Pre	A07A	
		11		L09A, L38Z		08	I08A, I08B, I08C, I08D, I08E, I13A, I13B	BOP, KOP, KOPV, KVT, UOP4			
		21A		W04A, W04B		11	L09A, L33Z, L38Z	04	E05A, E05B, E05C, E08A, E08B, E08C		
	21B	X06A, X06B, X06C			21A	W04A, W04B	05	F01A, F01B, F01D, F05Z, F07A, F09A, F09B, F09C, F42Z			
	51141.x↔			BOP, KVT, UOP4		21B	X06A, X06B, X06C, X33Z	06	G15Z, G19A, G19B, G33Z, G38Z		
		05		F01A, F01B, F01D, F05Z, F07A, F07B, F14A, F14B, F28A, F42Z, F54Z, F59A, F59B		23	Z01A	07	H33Z, H38Z		
		08		I08A, I08B, I08C, I08D, I08E, I13A, I13B		Pre	A07A	08	I08A, I08B, I08C, I08D, I08E, I13A, I13B		
		11	L09A, L38Z			BOP, KOP, KOPV, KVT, UOP4	11	L09A, L33Z, L38Z			
		21A	W04A, W04B			04	E05A, E05B, E05C, E08A, E08B, E08C	21A	W04A, W04B		
21B		X06A, X06B, X06C			05	F01A, F01B, F01D, F05Z, F07A, F09A, F09B, F09C, F42Z	21B	X06A, X06B, X06C, X33Z			
51141.x↔			BOP, KVT, UOP4			06	G15Z, G19A, G19B, G33Z, G38Z	23	Z01A		
		05	F01A, F01B, F01D, F05Z, F07A, F07B, F14A, F14B, F28A, F42Z, F54Z, F59A, F59B			07	H33Z, H38Z	Pre	A07A		
		08	I08A, I08B, I08C, I08D, I08E, I13A, I13B			08	I08A, I08B, I08C, I08D, I08E, I13A, I13B	BOP, KOP, KOPV, KVT, UOP4			
		11	L09A, L38Z			11	L09A, L33Z, L38Z	04	E05A, E05B, E05C, E08A, E08B, E08C		
		21A	W04A, W04B			21A	W04A, W04B	05	F01A, F01B, F01D, F05Z, F07A, F09A, F09B, F09C, F42Z		
	21B	X06A, X06B, X06C			21B	X06A, X06B, X06C, X33Z	06	G15Z, G19A, G19B, G33Z, G38Z			
	51141.x↔		BOP, KVT, UOP4			23	Z01A	07	H33Z, H38Z		
		05	F01A, F01B, F01D, F05Z, F07A, F07B, F14A, F14B, F28A, F42Z, F54Z, F59A, F59B			Pre	A07A	08	I08A, I08B, I08C, I08D, I08E, I13A, I13B		
		08	I08A, I08B, I08C, I08D, I08E, I13A, I13B				BOP, KOP, KOPV, KVT, UOP4	11	L09A, L33Z, L38Z		
		11	L09A, L38Z				04	E05A, E05B, E05C, E08A, E08B, E08C	21A	W04A, W04B	
		21A	W04A, W04B				05	F01A, F01B, F01D, F05Z, F07A, F09A, F09B, F09C, F42Z	21B	X06A, X06B, X06C, X33Z	
21B		X06A, X06B, X06C				06	G15Z, G19A, G19B, G33Z, G38Z	23	Z01A		
51141.x↔			BOP, KVT, UOP4				07	H33Z, H38Z	Pre	A07A	
		05	F01A, F01B, F01D, F05Z, F07A, F07B, F14A, F14B, F28A, F42Z, F54Z, F59A, F59B				08	I08A, I08B, I08C, I08D, I08E, I13A, I13B	BOP, KOP, KOPV, KVT, UOP4		
		08	I08A, I08B, I08C, I08D, I08E, I13A, I13B				11	L09A, L33Z, L38Z	04	E05A, E05B, E05C, E08A, E08B, E08C	
		11	L09A, L38Z				21A	W04A, W04B	05	F01A, F01B, F01D, F05Z, F07A, F09A, F09B, F09C, F42Z	
		21A	W04A, W04B				21B	X06A, X06B, X06C, X33Z	06	G15Z, G19A, G19B, G33Z, G38Z	
	21B	X06A, X06B, X06C				23	Z01A	07	H33Z, H38Z		
	51141.x↔		BOP, KVT, UOP4				Pre	A07A	08	I08A, I08B, I08C, I08D, I08E, I13A, I13B	
		05	F01A, F01B, F01D, F05Z, F07A, F07B, F14A, F14B, F28A, F42Z, F54Z, F59A, F59B					BOP, KOP, KOPV, KVT, UOP4	11	L09A, L33Z, L38Z	
		08	I08A, I08B, I08C, I08D, I08E, I13A, I13B					04	E05A, E05B, E05C, E08A, E08B, E08C	21A	W04A, W04B
		11	L09A, L38Z					05	F01A, F01B, F01D, F05Z, F07A, F09A, F09B, F09C, F42Z	21B	X06A, X06B, X06C, X33Z
		21A	W04A, W04B					06	G15Z, G19A, G19B, G33Z, G38Z	23	Z01A
21B		X06A, X06B, X06C					07	H33Z, H38Z	Pre	A07A	

VYK

ZZV	MDC	DRG	ZZV	MDC	DRG	ZZV	MDC	DRG			
51143.21		BOP, KOP, KOPV, KVT, UOP4	51143.32		BOP, KOP, KOPV, KVT, UOP4	51143.4x		BOP, KVT, UOP4			
	04	E05A, E05B, E05C, E08A, E08B, E08C		04	E05A, E05B, E05C, E08A, E08B, E08C		05	F01A, F01B, F01D, F05Z, F07A, F07B, F08A, F08B, F08C, F08D, F08E, F27A, F28A, F42Z			
	05	F01A, F01B, F01D, F05Z, F07A, F09A, F09B, F09C, F42Z		05	F01A, F01B, F01D, F05Z, F07A, F08B, F08D, F09A, F09B, F09C, F42Z		08	I08A, I08B, I08C, I08D, I08E, I13A, I13B			
	06	G15Z, G19A, G19B, G33Z, G38Z		06	G15Z, G19A, G19B, G33Z, G38Z		11	L09A, L38Z			
	07	H33Z, H38Z		07	H33Z, H38Z		21A	W04A, W04B			
	08	I08A, I08B, I08C, I08D, I08E, I13A, I13B		08	I08A, I08B, I08C, I08D, I08E, I13A, I13B		21B	X06A, X06B, X06C, X33Z			
	11	L09A, L33Z, L38Z		11	L09A, L33Z, L38Z		23	Z01A			
	21A	W04A, W04B		21B	X33Z		Pre	A07A			
	21B	X06A, X06B, X06C, X33Z		Pre	A07A		51143.52		BOP, KVT, UOP4		
	23	Z01A		51143.3x				BOP, KOP, KOPV, KVT, UOP4	05	F01A, F01B, F01D, F05Z, F07A, F07B, F08A, F08B, F08C, F08D, F08E, F27A, F28A, F42Z	
	Pre	A07A			04			E05A, E05B, E05C, E08A, E08B, E08C	08	I08A, I08B, I08C, I08D, I08E, I13A, I13B	
	51143.22				BOP, KOP, KOPV, KVT, UOP4			04	E05A, E05B, E05C, E08A, E08B, E08C	11	L09A, L38Z
		04			E05A, E05B, E05C, E08A, E08B, E08C			05	F01A, F01B, F01D, F05Z, F07A, F07B, F08B, F08D, F09A, F09B, F09C, F42Z	21A	W04A, W04B
		05			F01A, F01B, F01D, F05Z, F07A, F09A, F09B, F09C, F42Z			06	G15Z, G19A, G19B, G33Z, G38Z	21B	X06A, X06B, X06C, X33Z
06		G15Z, G19A, G19B, G33Z, G38Z	07		H33Z, H38Z	23		Z01A			
07		H33Z, H38Z	08		I08A, I08B, I08C, I08D, I08E, I13A, I13B	51143.53			BOP, KVT, UOP4		
08		I08A, I08B, I08C, I08D, I08E, I13A, I13B	11		L09A, L33Z, L38Z			05	F01A, F01B, F01D, F05Z, F07A, F07B, F08A, F08B, F08C, F08D, F08E, F27A, F28A, F42Z		
11		L09A, L33Z, L38Z	21B		X33Z			08	I08A, I08B, I08C, I08D, I08E, I13A, I13B		
21B		X33Z	23		Z01A			11	L09A, L38Z		
23		Z01A	Pre		A07A			21A	W04A, W04B		
Pre		A07A	51143.42					BOP, KVT, UOP4	21B	X06A, X06B, X06C, X33Z	
51143.2x					BOP, KOP, KOPV, KVT, UOP4			05	F01A, F01B, F01D, F05Z, F07A, F07B, F08A, F08B, F08C, F08D, F08E, F27A, F28A, F42Z	23	Z01A
		04			E05A, E05B, E05C, E08A, E08B, E08C		08	I08A, I08B, I08C, I08D, I08E, I13A, I13B	51143.54		BOP, KVT, UOP4
		05		F01A, F01B, F01D, F05Z, F07A, F09A, F09B, F09C, F42Z	11		L09A, L38Z	05		F01A, F01B, F01D, F05Z, F07A, F07B, F08A, F08B, F08C, F08D, F08E, F27A, F28A, F42Z	
		06		G15Z, G19A, G19B, G33Z, G38Z	21A		W04A, W04B	08		I08A, I08B, I08C, I08D, I08E, I13A, I13B	
	07	H33Z, H38Z		21B	X06A, X06B, X06C, X33Z		11	L09A, L38Z			
	08	I08A, I08B, I08C, I08D, I08E, I13A, I13B		23	Z01A		21A	W04A, W04B			
	11	L09A, L33Z, L38Z		51143.43			BOP, KVT, UOP4	21B		X06A, X06B, X06C, X33Z	
	21B	X33Z			05		F01A, F01B, F01D, F05Z, F07A, F07B, F08A, F08B, F08C, F08D, F08E, F27A, F28A, F42Z	23		Z01A	
	23	Z01A			08	I08A, I08B, I08C, I08D, I08E, I13A, I13B	51143.5x			BOP, KVT, UOP4	
	Pre	A07A			11	L09A, L38Z		05		F01A, F01B, F01D, F05Z, F07A, F07B, F08A, F08B, F08C, F08D, F08E, F27A, F28A, F42Z	
	51143.31				BOP, KOP, KOPV, KVT, UOP4	21A		W04A, W04B		08	I08A, I08B, I08C, I08D, I08E, I13A, I13B
		04			E05A, E05B, E05C, E08A, E08B, E08C	21B		X06A, X06B, X06C, X33Z		11	L09A, L38Z
		05			F01A, F01B, F01D, F05Z, F07A, F08B, F08D, F09A, F09B, F09C, F42Z	23		Z01A		21A	W04A, W04B
		06	G15Z, G19A, G19B, G33Z, G38Z		51143.44			BOP, KVT, UOP4		21B	X06A, X06B, X06C, X33Z
07		H33Z, H38Z	05			F01A, F01B, F01D, F05Z, F07A, F07B, F08A, F08B, F08C, F08D, F08E, F27A, F28A, F42Z		23		Z01A	
08		I08A, I08B, I08C, I08D, I08E, I13A, I13B	08			I08A, I08B, I08C, I08D, I08E, I13A, I13B		51143.62		BOP, KVT, UOP4	
11		L09A, L33Z, L38Z	11			L09A, L38Z			05	F01A, F01B, F01D, F05Z, F07A, F07B, F08A, F08B, F08C, F08D, F08E, F27A, F28A, F42Z	
21A		W04A, W04B	21A			W04A, W04B			08	I08A, I08B, I08C, I08D, I08E, I13A, I13B	
21B		X06A, X06B, X06C, X33Z	21B			X06A, X06B, X06C, X33Z			11	L09A, L38Z	
23		Z01A	23			Z01A			21A	W04A, W04B	
Pre		A07A				21B			X06A, X06B, X06C, X33Z		
						23			Z01A		

VYK

ZZV	MDC	DRG	ZZV	MDC	DRG	ZZV	MDC	DRG			
51144.x↔		BOP, KOP, KOPV, KVT, UOP4	51145.x↔		BOP, KVT, UOP4	51146.4↔		BOP, KVT, UOP4			
	04	E05A, E05B, E05C, E08A, E08B, E08C		01	B03A, B03B, B06A, B06B, B07Z, B17A, B17B, B17C		05	F01A, F01B, F01D, F05Z, F07A, F07B, F14A, F14B, F28A, F42Z, F54Z, F59A, F59B	05	F01A, F01B, F01D, F05Z, F07A, F07B, F08A, F08B, F08C, F08D, F08E, F27A, F28A, F42Z	
	05	F01A, F01B, F01D, F05Z, F07A, F07B, F09A, F09B, F09C, F42Z		05	F01A, F01B, F01D, F05Z, F07A, F07B, F08A, F08B, F08C, F08D, F08E, F27A, F28A, F42Z		06	G10Z, G12A, G12B, G18A, G38Z	06	G10Z, G12A, G12B	
	06	G15Z, G19A, G19B, G33Z, G38Z		08	I08A, I08B, I08C, I08D, I08E, I13A, I13B		08	I08A, I08B, I08C, I08D, I08E, I13A, I13B	08	I08A, I08B, I08C, I08D, I08E, I13A, I13B	
	07	H33Z, H38Z		11	L09A, L38Z		11	L09A, L38Z	11	L09A, L09B, L09C, L09D, L38Z	
	08	I08A, I08B, I08C, I08D, I08E, I13A, I13B		21A	W04A, W04B		21A	W04A, W04B	21A	W04A, W04B	
	11	L09A, L33Z, L38Z		21B	X04Z, X06A, X06B, X06C		21B	X06A, X06B, X06C, X33Z	21B	X06A, X06B, X06C, X33Z	
	21A	W04A, W04B			BOP, KVT, UOP4			BOP, KVT, UOP4		BOP, KVT, UOP4	
	21B	X06A, X06B, X06C, X33Z		05	F01A, F01B, F01D, F05Z, F07A, F07B, F08A, F08B, F08C, F08D, F08E, F27A, F28A, F42Z		05	F01A, F01B, F01D, F05Z, F07A, F07B, F08A, F08B, F08C, F08D, F08E, F27A, F28A, F42Z	05	F01A, F01B, F01D, F05Z, F07A, F07B, F08A, F08B, F08C, F08D, F08E, F27A, F28A, F42Z	
	23	Z01A		06	G10Z, G12A, G12B, G18A, G38Z		06	G10Z, G12A, G12B, G18A, G38Z	06	G10Z, G12A, G12B, G18A, G38Z	
	Pre	A07A		07	H01A		07	H01A	07	H01A	
	51145.0↔			BOP, KVT, UOP4	51146.0			BOP, KVT, UOP4	51146.5		BOP, KVT, UOP4
		05		F01A, F01B, F01D, F05Z, F07A, F07B, F08A, F08B, F08C, F08D, F08E, F27A, F28A, F42Z			05	F01A, F01B, F01D, F05Z, F07A, F07B, F08A, F08B, F08C, F08D, F08E, F27A, F28A, F42Z		05	F01A, F01B, F01D, F05Z, F07A, F07B, F08A, F08B, F08C, F08D, F08E, F27A, F28A, F42Z
		06		G10Z, G12A, G12B			06	G10Z, G12A, G12B, G18A, G38Z		06	G10Z, G12A, G12B, G18A, G38Z
08		I08A, I08B, I08C, I08D, I08E, I13A, I13B	07	H01A		07	H01A				
11		L09A, L09B, L09C, L09D, L38Z	08	I08A, I08B, I08C, I08D, I08E, I13A, I13B		08	I08A, I08B, I08C, I08D, I08E, I13A, I13B				
21A		W04A, W04B	11	L09A, L09B, L09C, L09D, L38Z		11	L09A, L09B, L09C, L09D, L38Z				
21B		X06A, X06B, X06C, X33Z	21A	W04A, W04B		21A	W04A, W04B				
51145.1↔			BOP, KVT, UOP4	51146.1			BOP, KVT, UOP4	51146.6			BOP, KVT, UOP4
		05	F01A, F01B, F01D, F05Z, F07A, F07B, F08A, F08B, F08C, F08D, F08E, F27A, F28A, F42Z			05	F01A, F01B, F01D, F05Z, F07A, F07B, F08A, F08B, F08C, F08D, F08E, F27A, F28A, F42Z			05	F01A, F01B, F01D, F05Z, F07A, F07B, F08A, F08B, F08C, F08D, F08E, F27A, F28A, F42Z
		06	G10Z, G12A, G12B			06	G10Z, G12A, G12B, G18A, G38Z			06	G10Z, G12A, G12B, G18A, G38Z
		08	I08A, I08B, I08C, I08D, I08E, I13A, I13B			07	H01A, H06A, H06B, H06C			07	H01A
		11	L09A, L09B, L09C, L09D, L38Z			08	I08A, I08B, I08C, I08D, I08E, I13A, I13B			08	I08A, I08B, I08C, I08D, I08E, I13A, I13B
		21A	W04A, W04B			11	L09A, L09B, L09C, L09D, L38Z			11	L09A, L09B, L09C, L09D, L38Z
		21B	X06A, X06B, X06C, X33Z			21A	W04A, W04B			21A	W04A, W04B
	51145.2↔		BOP, KVT, UOP4		51146.2		BOP, KVT, UOP4		51146.x↔		BOP, KVT, UOP4
		05	F01A, F01B, F01D, F05Z, F07A, F07B, F08A, F08B, F08C, F08D, F08E, F27A, F28A, F42Z			05	F01A, F01B, F01D, F05Z, F07A, F07B, F08A, F08B, F08C, F08D, F08E, F27A, F28A, F42Z			05	F01A, F01B, F01D, F05Z, F07A, F07B, F08A, F08B, F08C, F08D, F08E, F27A, F28A, F42Z
		06	G10Z, G12A, G12B			06	G10Z, G12A, G12B, G18A, G38Z			06	G10Z, G12A, G12B, G18A, G38Z
		08	I08A, I08B, I08C, I08D, I08E, I13A, I13B			07	H01A, H06A, H06B, H06C			07	H01A
		11	L09A, L09B, L09C, L09D, L38Z			08	I08A, I08B, I08C, I08D, I08E, I13A, I13B			08	I08A, I08B, I08C, I08D, I08E, I13A, I13B
		21A	W04A, W04B			11	L09A, L09B, L09C, L09D, L38Z			11	L09A, L09B, L09C, L09D, L38Z
		21B	X06A, X06B, X06C, X33Z			21A	W04A, W04B			21A	W04A, W04B
51145.3↔			BOP, KVT, UOP4	51146.3			BOP, KVT, UOP4	51147.0↔			BOP, KVT, UOP4
		05	F01A, F01B, F01D, F05Z, F07A, F07B, F08A, F08B, F08C, F08D, F08E, F27A, F28A, F42Z			05	F01A, F01B, F01D, F05Z, F07A, F07B, F08A, F08B, F08C, F08D, F08E, F27A, F28A, F42Z			05	F01A, F01B, F01D, F05Z, F07A, F07B, F08A, F08B, F08C, F08D, F08E, F27A, F28A, F42Z
		06	G10Z, G12A, G12B			06	G10Z, G12A, G12B, G18A, G38Z			06	G10Z, G12A, G12B, G18A, G38Z
		08	I08A, I08B, I08C, I08D, I08E, I13A, I13B			07	H06A, H06B, H06C			07	H06A, H06B, H06C
		11	L09A, L09B, L09C, L09D, L38Z			08	I08A, I08B, I08C, I08D, I08E, I13A, I13B			08	I08A, I08B, I08C, I08D, I08E, I13A, I13B
		21A	W04A, W04B			11	L09A, L09B, L09C, L09D, L38Z			11	L09A, L09B, L09C, L09D, L38Z
		21B	X06A, X06B, X06C, X33Z			21A	W04A, W04B			21A	W04A, W04B
			21B		X06A, X06B, X06C, X33Z	21B	X04Z, X33Z				

VYK

ZZV	MDC	DRG	ZZV	MDC	DRG	ZZV	MDC	DRG
51147.1↔		BOP, KVT, UOP4	51148.x↔		BOP, KVT, UOP4	51149.6		BOP, KVT, UOP4
	05	F01A, F01B, F01D, F05Z, F07A, F07B, F08A, F08B, F08C, F08D, F08E, F27A, F28A, F42Z		05	F01A, F01B, F01D, F05Z, F07A, F07B, F08A, F08B, F08C, F08D, F08E, F27A, F27B, F27C, F28A, F42Z		05	F39A, F39B
	08	I08A, I08B, I08C, I08D, I08E, I13A, I13B		08	I08A, I08B, I08C, I08D, I08E, I13A, I13B		08	I08A, I08B, I08C, I08D, I08E, I13A, I13B
	11	L09A, L38Z		10	K01Z		11	L09A, L38Z
	21A	W04A, W04B		11	L09A, L38Z		21A	W04A, W04B
51147.2↔	21B	X04Z, X33Z	51149.0↔	21A	W04A, W04B	51149.7	21B	X06A, X06B, X06C
		BOP, KVT, UOP4		21B	X04Z, X33Z			BOP, KVT, UOP4
	05	F01A, F01B, F01D, F05Z, F07A, F07B, F08A, F08B, F08C, F08D, F08E, F27A, F27B, F27C, F28A, F42Z		05	F39A, F39B		05	F39A, F39B
	08	I08A, I08B, I08C, I08D, I08E, I13A, I13B		08	I08A, I08B, I08C, I08D, I08E, I13A, I13B		08	I08A, I08B, I08C, I08D, I08E, I13A, I13B
	10	K01Z		11	L09A, L38Z		11	L09A, L38Z
51147.x↔	11	L09A, L38Z	51149.1↔	21A	W04A, W04B	51149.8↔	21A	W04A, W04B
	21A	W04A, W04B		21B	X04Z		21B	X06A, X06B, X06C
	21B	X04Z, X33Z			BOP, KVT, UOP4			BOP, KVT, UOP4
		BOP, KVT, UOP4		05	F39A, F39B		05	F39A, F39B
	05	F01A, F01B, F01D, F05Z, F07A, F07B, F08A, F08B, F08C, F08D, F08E, F27A, F28A, F42Z		08	I08A, I08B, I08C, I08D, I08E, I13A, I13B		08	I08A, I08B, I08C, I08D, I08E, I13A, I13B
51148.0↔	08	I08A, I08B, I08C, I08D, I08E, I13A, I13B	51149.2	11	L09A, L38Z	51149.9↔	11	L09A, L38Z
	11	L09A, L38Z		21A	W04A, W04B		21A	W04A, W04B
	21A	W04A, W04B		21B	X04Z, X33Z		21B	X06A, X06B, X06C
	21B	X04Z, X33Z		05	F39A, F39B		01	B03A, B03B, B06A, B06B, B07Z, B17A, B17B, B17C
		BOP, KVT, UOP4		06	G18A, G38Z		03	D12A
51148.1↔	05	F01A, F01B, F01D, F05Z, F07A, F07B, F08A, F08B, F08C, F08D, F08E, F27A, F27B, F27C, F28A, F42Z	51149.3↔	07	H01A	51149.a↔	05	F01A, F01B, F01D, F05Z, F07A, F07B, F14A, F14B, F28A, F42Z, F54Z, F59A, F59B
	08	I08A, I08B, I08C, I08D, I08E, I13A, I13B		08	I08A, I08B, I08C, I08D, I08E, I13A, I13B		08	I08A, I08B, I08C, I08D, I08E, I13A, I13B
	10	K01Z		11	L09A, L38Z		11	L09A, L38Z
	11	L09A, L38Z		08	I08A, I08B, I08C, I08D, I08E, I13A, I13B		21A	W04A, W04B
	21A	W04A, W04B		11	L09A, L38Z		21B	X06A, X06B, X06C
51148.2↔	21B	X04Z, X33Z	51149.4	21A	W04A, W04B	51149.5	BOP, KOP, KOPV, KVT, UOP4	
		BOP, KVT, UOP4		21B	X06A, X06B, X06C		04	E05A, E05B, E05C, E08A, E08B, E08C
	05	F01A, F01B, F01D, F05Z, F07A, F07B, F08A, F08B, F08C, F08D, F08E, F27A, F27B, F27C, F28A, F42Z		05	F39A, F39B		05	F01A, F01B, F01D, F05Z, F07A, F07B, F09A, F09B, F09C, F42Z
	08	I08A, I08B, I08C, I08D, I08E, I13A, I13B		06	G18A, G38Z		06	G15Z, G19A, G19B, G33Z, G38Z
	10	K01Z		07	H01A		07	H33Z, H38Z
51148.1↔	11	L09A, L38Z	51149.5	08	I08A, I08B, I08C, I08D, I08E, I13A, I13B	51149.5	08	I08A, I08B, I08C, I08D, I08E, I13A, I13B
	21A	W04A, W04B		11	L09A, L38Z		11	L09A, L38Z
	21B	X04Z, X33Z		21A	W04A, W04B		21A	W04A, W04B
		BOP, KVT, UOP4		21B	X06A, X06B, X06C		21B	X06A, X06B, X06C
	05	F01A, F01B, F01D, F05Z, F07A, F07B, F08A, F08B, F08C, F08D, F08E, F27A, F27B, F27C, F28A, F42Z		05	F39A, F39B		05	F39A, F39B
51148.2↔	08	I08A, I08B, I08C, I08D, I08E, I13A, I13B	51149.5	06	G18A, G38Z	51149.5	06	G18A, G38Z
	10	K01Z		07	H01A		07	H01A
	11	L09A, L38Z		08	I08A, I08B, I08C, I08D, I08E, I13A, I13B		08	I08A, I08B, I08C, I08D, I08E, I13A, I13B
	21A	W04A, W04B		11	L09A, L38Z		11	L09A, L38Z
	21B	X04Z, X33Z		21A	W04A, W04B		21A	W04A, W04B
51148.1↔	21B	X04Z, X33Z	51149.5	21B	X06A, X06B, X06C	51149.5	21B	X06A, X06B, X06C
		BOP, KVT, UOP4		05	F39A, F39B		05	F39A, F39B
	05	F01A, F01B, F01D, F05Z, F07A, F07B, F08A, F08B, F08C, F08D, F08E, F27A, F27B, F27C, F28A, F42Z		06	G18A, G38Z		06	G18A, G38Z
	08	I08A, I08B, I08C, I08D, I08E, I13A, I13B		07	H01A		07	H01A
	10	K01Z		08	I08A, I08B, I08C, I08D, I08E, I13A, I13B		08	I08A, I08B, I08C, I08D, I08E, I13A, I13B
51148.2↔	11	L09A, L38Z	51149.5	11	L09A, L38Z	51149.5	11	L09A, L38Z
	21A	W04A, W04B		21A	W04A, W04B		21A	W04A, W04B
	21B	X04Z, X33Z		21B	X06A, X06B, X06C		21B	X06A, X06B, X06C
		BOP, KVT, UOP4		05	F39A, F39B		05	F39A, F39B
	05	F01A, F01B, F01D, F05Z, F07A, F07B, F08A, F08B, F08C, F08D, F08E, F27A, F27B, F27C, F28A, F42Z		06	G18A, G38Z		06	G18A, G38Z
51148.2↔	08	I08A, I08B, I08C, I08D, I08E, I13A, I13B	51149.5	07	H01A	51149.5	07	Z01A
	10	K01Z		08	I08A, I08B, I08C, I08D, I08E, I13A, I13B		Pre	A07A
	11	L09A, L38Z		11	L09A, L38Z			
	21A	W04A, W04B		21A	W04A, W04B			
	21B	X04Z, X33Z		21B	X06A, X06B, X06C			

VYK

ZZV	MDC	DRG	ZZV	MDC	DRG	ZZV	MDC	DRG		
51149.b↔		BOP, KOP, KOPV, KVT, UOP4	51149.f		BOP, KOP, KOPV, KVT, UOP4	51150.0↔	01	B03A, B03B, B06A, B06B, B07Z, B17A, B17B, B17C		
	04	E05A, E05B, E05C, E08A, E08B, E08C		04	E05A, E05B, E05C, E08A, E08B, E08C		05	F01A, F01B, F01D, F05Z, F07A, F07B, F14A, F14B, F28A, F42Z, F54Z, F59A, F59B		
	05	F01A, F01B, F01D, F05Z, F07A, F07B, F09A, F09B, F09C, F42Z		05	F01A, F01B, F01D, F05Z, F07A, F07B, F09A, F09B, F09C, F42Z		08	I08A, I08B, I08C, I08D, I08E, I13A, I13B		
	06	G15Z, G19A, G19B, G33Z, G38Z		06	G03A, G15Z, G18A, G19A, G19B, G33Z, G38Z		21A	W04A, W04B		
	07	H33Z, H38Z		07	H01A, H33Z, H38Z		21B	X06A, X06B, X06C		
	08	I08A, I08B, I08C, I08D, I08E, I13A, I13B		08	I08A, I08B, I08C, I08D, I08E, I13A, I13B		51150.1↔	01	B03A, B03B, B06A, B06B, B07Z, B17A, B17B, B17C	
	11	L09A, L33Z, L38Z		11	L09A, L33Z, L38Z			05	F01A, F01B, F01D, F05Z, F07A, F07B, F14A, F14B, F28A, F42Z, F54Z, F59A, F59B	
	21A	W04A, W04B		21A	W04A, W04B		08	I08A, I08B, I08C, I08D, I08E, I13A, I13B		
	21B	X06A, X06B, X06C, X33Z		21B	X06A, X06B, X06C, X33Z		21A	W04A, W04B		
	23	Z01A		23	Z01A		21B	X06A, X06B, X06C		
	Pre	A07A		Pre	A07A		51150.2↔	01	B03A, B03B, B06A, B06B, B07Z, B17A, B17B, B17C	
	51149.c↔			BOP, KVT, UOP4	51149.g↔				BOP, KVT, UOP4	05
		05		F01A, F01B, F01D, F05Z, F07A, F07B, F14A, F14B, F28A, F42Z, F54Z, F59A, F59B			05	F01A, F01B, F01D, F05Z, F07A, F07B, F08A, F08B, F08C, F08D, F08E, F27A, F28A, F42Z	08	I08A, I08B, I08C, I08D, I08E, I13A, I13B
08		I08A, I08B, I08C, I08D, I08E, I13A, I13B	06	G10Z, G12A, G12B		21A	W04A, W04B			
11		L09A, L38Z	08	I08A, I08B, I08C, I08D, I08E, I13A, I13B		21B	X06A, X06B, X06C			
21A		W04A, W04B	11	L09A, L09B, L09C, L09D, L38Z		51150.3↔	01	B03A, B03B, B06A, B06B, B07Z, B17A, B17B, B17C		
21B		X06A, X06B, X06C	21A	W04A, W04B			05	F01A, F01B, F01D, F05Z, F07A, F07B, F14A, F14B, F28A, F42Z, F54Z, F59A, F59B		
51149.d↔		BOP, KOP, KOPV, KVT, UOP4	51149.h↔		BOP, KVT, UOP4	51150.4↔	01	B03A, B03B, B06A, B06B, B07Z, B17A, B17B, B17C		
	04	E05A, E05B, E05C, E08A, E08B, E08C		05	F01A, F01B, F01D, F05Z, F07A, F07B, F08A, F08B, F08C, F08D, F08E, F27A, F28A, F42Z		05	F01A, F01B, F01D, F05Z, F07A, F07B, F14A, F14B, F28A, F42Z, F54Z, F59A, F59B		
	05	F01A, F01B, F01D, F05Z, F07A, F07B, F09A, F09B, F09C, F42Z		06	G10Z, G12A, G12B		08	I08A, I08B, I08C, I08D, I08E, I13A, I13B		
	06	G15Z, G19A, G19B, G33Z, G38Z		08	I08A, I08B, I08C, I08D, I08E, I13A, I13B		21A	W04A, W04B		
	07	H33Z, H38Z		11	L09A, L09B, L09C, L09D, L38Z		21B	X06A, X06B, X06C		
	08	I08A, I08B, I08C, I08D, I08E, I13A, I13B		21A	W04A, W04B		51150.5↔	01	B03A, B03B, B06A, B06B, B07Z, B17A, B17B, B17C	
	11	L09A, L33Z, L38Z		21B	X06A, X06B, X06C, X33Z			05	F01A, F01B, F01D, F05Z, F07A, F07B, F14A, F14B, F28A, F42Z, F54Z, F59A, F59B	
	21A	W04A, W04B		51149.i↔			BOP, KVT, UOP4	08	I08A, I08B, I08C, I08D, I08E, I13A, I13B	
	21B	X06A, X06B, X06C, X33Z			05		F01A, F01B, F01D, F05Z, F07A, F07B, F08A, F08B, F08C, F08D, F08E, F27A, F28A, F42Z	21A	W04A, W04B	
	23	Z01A		06	G10Z, G12A, G12B		21B	X06A, X06B, X06C		
	Pre	A07A		08	I08A, I08B, I08C, I08D, I08E, I13A, I13B		51150.x↔	01	B03A, B03B, B06A, B06B, B07Z, B17A, B17B, B17C	
	51149.e			BOP, KOP, KOPV, KVT, UOP4	51149.x↔				BOP, KVT, UOP4	05
		04		E05A, E05B, E05C, E08A, E08B, E08C			05	F39A, F39B	08	I08A, I08B, I08C, I08D, I08E, I13A, I13B
05		F01A, F01B, F01D, F05Z, F07A, F07B, F09A, F09B, F09C, F42Z	08	I08A, I08B, I08C, I08D, I08E, I13A, I13B		21A	W04A, W04B			
06		G15Z, G19A, G19B, G33Z, G38Z	11	L09A, L38Z		21B	X06A, X06B, X06C			
07		H33Z, H38Z	21A	W04A, W04B		51150.5↔	01	B03A, B03B, B06A, B06B, B07Z, B17A, B17B, B17C		
08		I08A, I08B, I08C, I08D, I08E, I13A, I13B	21B	X06A, X06B, X06C, X33Z			05	F01A, F01B, F01D, F05Z, F07A, F07B, F14A, F14B, F28A, F42Z, F54Z, F59A, F59B		
11		L09A, L33Z, L38Z	51149.x↔			BOP, KVT, UOP4	08	I08A, I08B, I08C, I08D, I08E, I13A, I13B		
21A		W04A, W04B		05		F39A, F39B	21A	W04A, W04B		
21B		X06A, X06B, X06C, X33Z	08	I08A, I08B, I08C, I08D, I08E, I13A, I13B		21B	X06A, X06B, X06C			
23		Z01A	11	L09A, L38Z		51150.x↔	01	B03A, B03B, B06A, B06B, B07Z, B17A, B17B, B17C		
Pre		A07A	21A	W04A, W04B			05	F01A, F01B, F01D, F05Z, F07A, F07B, F14A, F14B, F28A, F42Z, F54Z, F59A, F59B		
			21B	X06A, X06B, X06C, X33Z		08	I08A, I08B, I08C, I08D, I08E, I13A, I13B, I28A, I28B			
			Pre	A07A		21A	W04A, W04B			
				21B	X06A, X06B, X06C					

VYK

ZZV	MDC	DRG	ZZV	MDC	DRG	ZZV	MDC	DRG	
51151.0↔	05	F01A, F01B, F01D, F05Z, F07A, F07B, F14A, F14B, F28A, F42Z, F54Z, F59A, F59B	51152.4↔	05	F01A, F01B, F01D, F05Z, F07A, F07B, F14A, F14B, F28A, F42Z, F54Z, F59A, F59B	51153.1		BOP, KOP, KOPV, KVT, UOP4	
	08	I08A, I08B, I08C, I08D, I08E, I13A, I13B		08	I08A, I08B, I08C, I08D, I08E, I13A, I13B		04	E05A, E05B, E05C, E08A, E08B, E08C	
	10	K09A, K09B		10	K09A, K09B		05	F01A, F01B, F01D, F05Z, F07A, F07B, F09A, F09B, F09C, F42Z	
	21A	W04A, W04B		21A	W04A, W04B		06	G15Z, G19A, G19B, G33Z, G38Z	
	21B	X06A, X06B, X06C		21B	X06A, X06B		07	H33Z, H38Z	
51151.1↔	05	F01A, F01B, F01D, F05Z, F07A, F07B, F14A, F14B, F28A, F42Z, F54Z, F59A, F59B	51152.5↔	05	F01A, F01B, F01D, F05Z, F07A, F07B, F14A, F14B, F28A, F42Z, F54Z, F59A, F59B		08	I08A, I08B, I08C, I08D, I08E, I13A, I13B	
	08	I08A, I08B, I08C, I08D, I08E, I13A, I13B		08	I08A, I08B, I08C, I08D, I08E, I13A, I13B		11	L33Z	
	10	K09A, K09B		10	K09A, K09B		21A	W04A, W04B	
	21A	W04A, W04B		21A	W04A, W04B		21B	X06A, X06B, X06C, X33Z	
	21B	X06A, X06B, X06C		21B	X05A, X05B, X06A, X06B		23	Z01A	
51151.x↔	05	F01A, F01B, F01D, F05Z, F07A, F07B, F14A, F14B, F28A, F42Z, F54Z, F59A, F59B	51152.6↔	05	F01A, F01B, F01D, F05Z, F07A, F07B, F14A, F14B, F28A, F42Z, F54Z, F59A, F59B	51153.2	Pre	A07A	
	08	I08A, I08B, I08C, I08D, I08E, I13A, I13B		08	I08A, I08B, I08C, I08D, I08E, I13A, I13B		BOP, KOP, KOPV, KVT, UOP4		
	10	K09A, K09B		10	K09A, K09B		04	E05A, E05B, E05C, E08A, E08B, E08C	
	21A	W04A, W04B		21A	W04A, W04B		05	F01A, F01B, F01D, F05Z, F07A, F07B, F09A, F09B, F09C, F42Z	
	21B	X06A, X06B, X06C		21B	X05A, X05B, X06A, X06B		06	G15Z, G19A, G19B, G33Z, G38Z	
51152.0↔	05	F01A, F01B, F01D, F05Z, F07A, F07B, F14A, F14B, F28A, F42Z, F54Z, F59A, F59B	51152.7↔	05	F01A, F01B, F01D, F05Z, F07A, F07B, F14A, F14B, F28A, F42Z, F54Z, F59A, F59B		07	H33Z, H38Z	
	08	I08A, I08B, I08C, I08D, I08E, I13A, I13B		08	I08A, I08B, I08C, I08D, I08E, I13A, I13B		08	I08A, I08B, I08C, I08D, I08E, I13A, I13B	
	10	K09A, K09B		10	K09A, K09B		11	L33Z	
	21A	W04A, W04B		21A	W04A, W04B		21A	W04A, W04B	
	21B	X06A, X06B, X06C		21B	X05A, X05B, X06A, X06B		21B	X06A, X06B, X06C, X33Z	
51152.1↔	05	F01A, F01B, F01D, F05Z, F07A, F07B, F14A, F14B, F28A, F42Z, F54Z, F59A, F59B	51152.x↔	05	F01A, F01B, F01D, F05Z, F07A, F07B, F14A, F14B, F28A, F42Z, F54Z, F59A, F59B	51153.3	23	Z01A	
	08	I08A, I08B, I08C, I08D, I08E, I13A, I13B		08	I08A, I08B, I08C, I08D, I08E, I13A, I13B		Pre	A07A	
	10	K09A, K09B		10	K09A, K09B		BOP, KVT, UOP4		
	21A	W04A, W04B		21A	W04A, W04B		05	F01A, F01B, F01D, F05Z, F07A, F07B, F14A, F14B, F28A, F42Z, F54Z, F59A, F59B	
	21B	X05A, X05B, X06A, X06B		21B	X05A, X05B, X06A, X06B		06	G10Z, G12A, G12B	
51152.2↔	05	F01A, F01B, F01D, F05Z, F07A, F07B, F14A, F14B, F28A, F42Z, F54Z, F59A, F59B	51153.0	05	F01A, F01B, F01D, F05Z, F07A, F07B, F14A, F14B, F28A, F42Z, F54Z, F59A, F59B		51153.4	08	I08A, I08B, I08C, I08D, I08E, I13A, I13B
	08	I08A, I08B, I08C, I08D, I08E, I13A, I13B		08	I08A, I08B, I08C, I08D, I08E, I13A, I13B			11	L09A, L09B, L09C, L09D, L38Z
	10	K09A, K09B		10	K09A, K09B			21A	W04A, W04B
	21A	W04A, W04B		21A	W04A, W04B			21B	X06A, X06B, X06C
	21B	X05A, X05B, X06A, X06B		21B	X06A, X06B			BOP, KVT, UOP4	
51152.3↔	05	F01A, F01B, F01D, F05Z, F07A, F07B, F14A, F14B, F28A, F42Z, F54Z, F59A, F59B	51153.1	04	E05A, E05B, E05C, E08A, E08B, E08C	51153.5		05	F01A, F01B, F01D, F05Z, F07A, F07B, F14A, F14B, F28A, F42Z, F54Z, F59A, F59B
	08	I08A, I08B, I08C, I08D, I08E, I13A, I13B		05	F01A, F01B, F01D, F05Z, F07A, F07B, F09A, F09B, F09C, F42Z			06	G10Z, G12A, G12B
	10	K09A, K09B		06	G15Z, G19A, G19B, G33Z, G38Z			08	I08A, I08B, I08C, I08D, I08E, I13A, I13B
	21A	W04A, W04B		07	H33Z, H38Z			11	L09A, L09B, L09C, L09D, L38Z
	21B	X05A, X05B, X06A, X06B		08	I08A, I08B, I08C, I08D, I08E, I13A, I13B			21A	W04A, W04B
51152.4↔	05	F01A, F01B, F01D, F05Z, F07A, F07B, F14A, F14B, F28A, F42Z, F54Z, F59A, F59B	51153.2	11	L33Z		51153.5	21B	X06A, X06B, X06C
	08	I08A, I08B, I08C, I08D, I08E, I13A, I13B		21A	W04A, W04B			BOP, KVT, UOP4	
	10	K09A, K09B		21B	X06A, X06B, X06C, X33Z			05	F01A, F01B, F01D, F05Z, F07A, F07B, F14A, F14B, F28A, F42Z, F54Z, F59A, F59B
	21A	W04A, W04B		Pre	A07A			06	G10Z, G12A, G12B
	21B	X05A, X05B, X06A, X06B						08	I08A, I08B, I08C, I08D, I08E, I13A, I13B

VYK

ZZV	MDC	DRG	ZZV	MDC	DRG	ZZV	MDC	DRG			
51153.x		BOP, KVT, UOP4	51154.x↔		BOP, KOP, KOPV, KVT, UOP4	51155.4↔		BOP, KVT, UOP4			
	05	F01A, F01B, F01D, F05Z, F07A, F07B, F14A, F14B, F28A, F42Z, F54Z, F59A, F59B		04	E05A, E05B, E05C, E08A, E08B, E08C		05	F01A, F01B, F01D, F05Z, F07A, F07B, F09A, F09B, F09C, F42Z			
	06	G10Z, G12A, G12B		05	F01A, F01B, F01D, F05Z, F07A, F07B, F09A, F09B, F09C, F42Z		08	I08A, I08B, I08C, I08D, I08E, I13A, I13B			
	08	I08A, I08B, I08C, I08D, I08E, I13A, I13B		06	G15Z, G19A, G19B, G33Z, G38Z		10	K09A, K09B			
	11	L09A, L09B, L09C, L09D, L38Z		07	H33Z, H38Z		21A	W04A, W04B			
	21A	W04A, W04B		08	I08A, I08B, I08C, I08D, I08E, I13A, I13B		21B	X06A, X06B, X06C			
	21B	X06A, X06B, X06C		11	L33Z		21B	X06A, X06B, X06C			
	51154.0↔			BOP, KOP, KOPV, KVT, UOP4	51155.0↔			BOP, KVT, UOP4	51155.x↔		BOP, KVT, UOP4
		04		E05A, E05B, E05C, E08A, E08B, E08C			01	B03A, B03B, B06A, B06B, B07Z, B17A, B17B, B17C		05	F01A, F01B, F01D, F05Z, F07A, F07B, F14A, F14B, F28A, F42Z, F54Z, F59A, F59B
		05		F01A, F01B, F01D, F05Z, F07A, F07B, F09A, F09B, F09C, F42Z			05	F01A, F01B, F01D, F05Z, F07A, F07B, F14A, F14B, F28A, F42Z, F54Z, F59A, F59B		08	I08A, I08B, I08C, I08D, I08E, I13A, I13B
06		G15Z, G19A, G19B, G33Z, G38Z	08	I08A, I08B, I08C, I08D, I08E, I13A, I13B		10	K09A, K09B				
07		H33Z, H38Z	11	L33Z		21A	W04A, W04B				
08		I08A, I08B, I08C, I08D, I08E, I13A, I13B	21A	W04A, W04B		21B	X06A, X06B, X06C				
11		L33Z	21B	X06A, X06B, X06C		21B	X06A, X06B, X06C				
21A		W04A, W04B	23	Z01A		Pre	A07A				
21B		X06A, X06B, X06C, X33Z	Pre	A07A		51156.0		BOP, KVT, UOP4			
23		Z01A	51155.1↔				BOP, KVT, UOP4	01		B03A, B03B, B06A, B06B, B07Z, B17A, B17B, B17C	
Pre	A07A	05		F01A, F01B, F01D, F05Z, F07A, F07B, F14A, F14B, F28A, F42Z, F54Z, F59A, F59B	05		F01A, F01B, F01D, F05Z, F07A, F07B, F14A, F14B, F28A, F42Z, F54Z, F59A, F59B				
51154.1↔		BOP, KOP, KOPV, KVT, UOP4		06	G10Z, G12A, G12B		06	G10Z, G12A, G12B			
	04	E05A, E05B, E05C, E08A, E08B, E08C		08	I08A, I08B, I08C, I08D, I08E, I13A, I13B		08	I08A, I08B, I08C, I08D, I08E, I13A, I13B			
	05	F01A, F01B, F01D, F05Z, F07A, F07B, F09A, F09B, F09C, F42Z		11	L09A, L09B, L09C, L09D, L38Z		10	K09A, K09B			
	06	G15Z, G19A, G19B, G33Z, G38Z		21A	W04A, W04B		11	L09A, L09B, L09C, L09D, L38Z			
	07	H33Z, H38Z		21B	X06A, X06B, X06C		21A	W04A, W04B			
	08	I08A, I08B, I08C, I08D, I08E, I13A, I13B		21B	X06A, X06B, X06C		21B	X06A, X06B, X06C			
	11	L33Z		05	F01A, F01B, F01D, F05Z, F07A, F07B, F14A, F14B, F28A, F42Z, F54Z, F59A, F59B		51156.1		BOP, KVT, UOP4		
	21A	W04A, W04B		06	G10Z, G12A, G12B	01		B03A, B03B, B06A, B06B, B07Z, B17A, B17B, B17C			
	21B	X06A, X06B, X06C, X33Z	08	I08A, I08B, I08C, I08D, I08E, I13A, I13B	05	F01A, F01B, F01D, F05Z, F07A, F07B, F14A, F14B, F28A, F42Z, F54Z, F59A, F59B					
	23	Z01A	11	L09A, L09B, L09C, L09D, L38Z	06	G10Z, G12A, G12B					
Pre	A07A	21A	W04A, W04B	07	H06A, H06B, H06C						
51154.2↔		BOP, KOP, KOPV, KVT, UOP4	51155.2↔		BOP, KVT, UOP4	08		I08A, I08B, I08C, I08D, I08E, I13A, I13B			
	04	E05A, E05B, E05C, E08A, E08B, E08C		05	F01A, F01B, F01D, F05Z, F07A, F07B, F14A, F14B, F28A, F42Z, F54Z, F59A, F59B	10		K09A, K09B			
	05	F01A, F01B, F01D, F05Z, F07A, F07B, F09A, F09B, F09C, F42Z		06	G10Z, G12A, G12B	11		L09A, L09B, L09C, L09D, L38Z			
	06	G15Z, G19A, G19B, G33Z, G38Z		08	I08A, I08B, I08C, I08D, I08E, I13A, I13B	21A		W04A, W04B			
	07	H33Z, H38Z		11	L09A, L09B, L09C, L09D, L38Z	21B		X06A, X06B, X06C			
	08	I08A, I08B, I08C, I08D, I08E, I13A, I13B		21A	W04A, W04B	51156.2		BOP, KVT, UOP4			
	11	L33Z		21B	X06A, X06B, X06C		01	B03A, B03B, B06A, B06B, B07Z, B17A, B17B, B17C			
	21A	W04A, W04B		05	F01A, F01B, F01D, F05Z, F07A, F07B, F14A, F14B, F28A, F42Z, F54Z, F59A, F59B		05	F01A, F01B, F01D, F05Z, F07A, F07B, F14A, F14B, F28A, F42Z, F54Z, F59A, F59B			
	21B	X06A, X06B, X06C, X33Z		06	G10Z, G12A, G12B		06	G10Z, G12A, G12B			
	23	Z01A		08	I08A, I08B, I08C, I08D, I08E, I13A, I13B		07	H06A, H06B, H06C			
Pre	A07A	11	L09A, L09B, L09C, L09D, L38Z	08	I08A, I08B, I08C, I08D, I08E, I13A, I13B						
51154.3↔		BOP, KOP, KOPV, KVT, UOP4	51155.3↔		BOP, KVT, UOP4		10	K09A, K09B			
	04	E05A, E05B, E05C, E08A, E08B, E08C		05	F01A, F01B, F01D, F05Z, F07A, F07B, F14A, F14B, F28A, F42Z, F54Z, F59A, F59B		11	L09A, L09B, L09C, L09D, L38Z			
	05	F01A, F01B, F01D, F05Z, F07A, F07B, F09A, F09B, F09C, F42Z		08	I08A, I08B, I08C, I08D, I08E, I13A, I13B		21A	W04A, W04B			
	06	G15Z, G19A, G19B, G33Z, G38Z		10	K09A, K09B		21B	X06A, X06B, X06C			
	07	H33Z, H38Z		21A	W04A, W04B	51156.2		BOP, KVT, UOP4			
	08	I08A, I08B, I08C, I08D, I08E, I13A, I13B		21B	X06A, X06B, X06C		01	B03A, B03B, B06A, B06B, B07Z, B17A, B17B, B17C			
	11	L33Z		05	F01A, F01B, F01D, F05Z, F07A, F07B, F14A, F14B, F28A, F42Z, F54Z, F59A, F59B		05	F01A, F01B, F01D, F05Z, F07A, F07B, F14A, F14B, F28A, F42Z, F54Z, F59A, F59B			
	21A	W04A, W04B		08	I08A, I08B, I08C, I08D, I08E, I13A, I13B		06	G10Z, G12A, G12B			
	21B	X06A, X06B, X06C, X33Z		10	K09A, K09B		08	I08A, I08B, I08C, I08D, I08E, I13A, I13B			
	23	Z01A		21A	W04A, W04B		10	K09A, K09B			
Pre	A07A	21B	X06A, X06B, X06C	11	L09A, L09B, L09C, L09D, L38Z						
				21A	W04A, W04B						
				21B	X06A, X06B, X06C						



ZZV	MDC	DRG	ZZV	MDC	DRG	ZZV	MDC	DRG	
51156.3		BOP, KVT, UOP4	51156.x↔		BOP, KVT, UOP4	51158.1↔	05	F01A, F01B, F01D, F05Z, F07A, F07B, F14A, F14B, F28A, F42Z, F54Z, F59A, F59B	
	01	B03A, B03B, B06A, B06B, B07Z, B17A, B17B, B17C		01	B03A, B03B, B06A, B06B, B07Z, B17A, B17B, B17C		08	I08A, I08B, I08C, I08D, I08E, I13A, I13B	
	05	F01A, F01B, F01D, F05Z, F07A, F07B, F14A, F14B, F28A, F42Z, F54Z, F59A, F59B		05	F01A, F01B, F01D, F05Z, F07A, F07B, F14A, F14B, F28A, F42Z, F54Z, F59A, F59B		10	K09A, K09B	
	06	G10Z, G12A, G12B		06	G10Z, G12A, G12B		21A	W04A, W04B	
	07	H06A, H06B, H06C		08	I08A, I08B, I08C, I08D, I08E, I13A, I13B		21B	X04Z	
	08	I08A, I08B, I08C, I08D, I08E, I13A, I13B		10	K09A, K09B		51158.2↔	05	F01A, F01B, F01D, F05Z, F07A, F07B, F14A, F14B, F28A, F42Z, F54Z, F59A, F59B
	10	K09A, K09B		11	L09A, L09B, L09C, L09D, L38Z			08	I08A, I08B, I08C, I08D, I08E, I13A, I13B
	11	L09A, L09B, L09C, L09D, L38Z		21A	W04A, W04B		10	K09A, K09B	
	21A	W04A, W04B		21B	X06A, X06B, X06C		21A	W04A, W04B	
	21B	X06A, X06B, X06C		51157.0↔			BOP, KVT, UOP4	21B	X04Z
	51156.4↔				BOP, KVT, UOP4		05	F01A, F01B, F01D, F05Z, F07A, F07B, F14A, F14B, F28A, F42Z, F54Z, F59A, F59B	51158.3↔
01		B03A, B03B, B06A, B06B, B07Z, B17A, B17B, B17C	08		I08A, I08B, I08C, I08D, I08E, I13A, I13B	08	I08A, I08B, I08C, I08D, I08E, I13A, I13B		
05		F01A, F01B, F01D, F05Z, F07A, F07B, F14A, F14B, F28A, F42Z, F54Z, F59A, F59B	10		K09A, K09B	10	K09A, K09B		
06		G10Z, G12A, G12B	21A		W04A, W04B	21A	W04A, W04B		
08		I08A, I08B, I08C, I08D, I08E, I13A, I13B	21B		X04Z	21B	X04Z		
10		K09A, K09B	51157.1↔			BOP, KVT, UOP4	51158.4↔	05	F01A, F01B, F01D, F05Z, F07A, F07B, F14A, F14B, F28A, F42Z, F54Z, F59A, F59B
11		L09A, L09B, L09C, L09D, L38Z			05	F01A, F01B, F01D, F05Z, F07A, F07B, F14A, F14B, F28A, F42Z, F54Z, F59A, F59B		08	I08A, I08B, I08C, I08D, I08E, I13A, I13B
21A		W04A, W04B			08	I08A, I08B, I08C, I08D, I08E, I13A, I13B	10	K09A, K09B	
21B		X06A, X06B, X06C			10	K09A, K09B	21A	W04A, W04B	
51156.5					BOP, KVT, UOP4	21A	W04A, W04B	21B	X04Z
		01		B03A, B03B, B06A, B06B, B07Z, B17A, B17B, B17C	21B	X04Z	51158.5↔	05	F01A, F01B, F01D, F05Z, F07A, F07B, F14A, F14B, F28A, F42Z, F54Z, F59A, F59B
	05	F01A, F01B, F01D, F05Z, F07A, F07B, F14A, F14B, F28A, F42Z, F54Z, F59A, F59B		51157.2↔		BOP, KVT, UOP4		08	I08A, I08B, I08C, I08D, I08E, I13A, I13B
	06	G10Z, G12A, G12B			05	F01A, F01B, F01D, F05Z, F07A, F07B, F14A, F14B, F28A, F42Z, F54Z, F59A, F59B	10	K09A, K09B	
	08	I08A, I08B, I08C, I08D, I08E, I13A, I13B			08	I08A, I08B, I08C, I08D, I08E, I13A, I13B	21A	W04A, W04B	
	10	K09A, K09B			10	K09A, K09B	21B	X04Z	
	11	L09A, L09B, L09C, L09D, L38Z			21A	W04A, W04B	51158.6↔	05	F01A, F01B, F01D, F05Z, F07A, F07B, F14A, F14B, F28A, F42Z, F54Z, F59A, F59B
	21A	W04A, W04B	21B		X04Z	08		I08A, I08B, I08C, I08D, I08E, I13A, I13B	
	21B	X06A, X06B, X06C	51157.x↔			BOP, KVT, UOP4	10	K09A, K09B	
	51156.6				BOP, KVT, UOP4	05	F01A, F01B, F01D, F05Z, F07A, F07B, F14A, F14B, F28A, F42Z, F54Z, F59A, F59B	21A	W04A, W04B
		01			B03A, B03B, B06A, B06B, B07Z, B17A, B17B, B17C	08	I08A, I08B, I08C, I08D, I08E, I13A, I13B	21B	X04Z
05		F01A, F01B, F01D, F05Z, F07A, F07B, F14A, F14B, F28A, F42Z, F54Z, F59A, F59B			10	K09A, K09B	51158.x↔	05	F01A, F01B, F01D, F05Z, F07A, F07B, F14A, F14B, F28A, F42Z, F54Z, F59A, F59B
06		G10Z, G12A, G12B			21A	W04A, W04B		08	I08A, I08B, I08C, I08D, I08E, I13A, I13B
08		I08A, I08B, I08C, I08D, I08E, I13A, I13B		21B	X04Z	10	K09A, K09B		
10		K09A, K09B		51158.0↔		F01A, F01B, F01D, F05Z, F07A, F07B, F14A, F14B, F28A, F42Z, F54Z, F59A, F59B	21A	W04A, W04B	
11		L09A, L09B, L09C, L09D, L38Z			05	F01A, F01B, F01D, F05Z, F07A, F07B, F14A, F14B, F28A, F42Z, F54Z, F59A, F59B	21B	X04Z	
21A		W04A, W04B			08	I08A, I08B, I08C, I08D, I08E, I13A, I13B	51159.0↔	05	F28A, F39A, F39B
21B		X06A, X06B, X06C			10	K09A, K09B		08	I08A, I08B, I08C, I08D, I08E, I13A, I13B
					21A	W04A, W04B	21A	W04A, W04B	
			21B		X04Z	21B	X04Z, X05A, X05B, X06A, X06B, X06C		

ZZV	MDC	DRG	ZZV	MDC	DRG	ZZV	MDC	DRG
51159.1↔	05	F39A, F39B	51159.a↔		KOP, KOPV	51159.f	04	E02A, E02B, E02C
	08	I08A, I08B, I08C, I08D, I08E, I13A, I13B		04	E05A, E05B, E05C, E08A, E08B, E08C		05	F01A, F01B, F01D, F05Z, F07A, F07B, F14A, F14B, F28A, F42Z, F54Z, F59A, F59B
	21A	W04A, W04B		05	F01A, F01B, F01D, F05Z, F07A, F07B, F09A, F09B, F09C, F42Z		08	I08A, I08B, I08C, I08D, I08E, I13A, I13B
	21B	X04Z, X05A, X05B, X06A, X06B, X06C		06	G15Z, G19A, G19B, G33Z, G38Z		14	962Z, O02A, O02B
51159.2	05	F39A, F39B		07	H33Z, H38Z	21A	W04A, W04B	
	08	I08A, I08B, I08C, I08D, I08E, I13A, I13B		08	I08A, I08B, I08C, I08D, I08E, I13A, I13B	21B	X06A, X06B, X06C	
	21A	W04A, W04B	51159.b↔		KOP, KOPV	51159.g↔	05	F01A, F01B, F01D, F05Z, F07A, F07B, F14A, F14B, F28A, F42Z, F54Z, F59A, F59B
	21B	X04Z, X05A, X05B, X06A, X06B, X06C		04	E05A, E05B, E05C, E08A, E08B, E08C		06	G10Z, G12A, G12B
		05		F01A, F01B, F01D, F05Z, F07A, F07B, F09A, F09B, F09C, F42Z	08		I08A, I08B, I08C, I08D, I08E, I13A, I13B	
		06		G15Z, G19A, G19B, G33Z, G38Z	11		L09A, L09B, L09C, L09D, L38Z	
51159.3↔	05	F39A, F39B		07	H33Z, H38Z	51159.h↔	21A	W04A, W04B
	08	I08A, I08B, I08C, I08D, I08E, I13A, I13B		08	I08A, I08B, I08C, I08D, I08E, I13A, I13B		21B	X06A, X06B, X06C
	21A	W04A, W04B		11	L33Z		05	F01A, F01B, F01D, F05Z, F07A, F07B, F14A, F14B, F28A, F42Z, F54Z, F59A, F59B
	21B	X04Z, X05A, X05B, X06A, X06B, X06C		21A	W04A, W04B		06	G10Z, G12A, G12B
51159.4	05	F39A, F39B		21B	X06A, X06B, X06C, X33Z	51159.i↔	08	I08A, I08B, I08C, I08D, I08E, I13A, I13B
	08	I08A, I08B, I08C, I08D, I08E, I13A, I13B		Pre	A07A		11	L09A, L09B, L09C, L09D, L38Z
	21A	W04A, W04B	51159.c↔		KOP, KOPV		21A	W04A, W04B
	21B	X04Z, X05A, X05B, X06A, X06B, X06C		04	E05A, E05B, E05C, E08A, E08B, E08C		21B	X06A, X06B, X06C
		05		F39A, F39B	Pre	A07A	05	F01A, F01B, F01D, F05Z, F07A, F07B, F14A, F14B, F28A, F42Z, F54Z, F59A, F59B
		08		I08A, I08B, I08C, I08D, I08E, I13A, I13B	05	F39A, F39B	06	G10Z, G12A, G12B
51159.5	05	F39A, F39B		21A	W04A, W04B	51159.j↔	08	I08A, I08B, I08C, I08D, I08E, I13A, I13B
	08	I08A, I08B, I08C, I08D, I08E, I13A, I13B		21B	X06A, X06B, X06C, X33Z		11	L09A, L09B, L09C, L09D, L38Z
	21A	W04A, W04B		Pre	A07A		21A	W04A, W04B
	21B	X04Z, X05A, X05B, X06A, X06B, X06C		05	F39A, F39B		21B	X06A, X06B, X06C
51159.6	05	F39A, F39B		08	I08A, I08B, I08C, I08D, I08E, I13A, I13B	51159.k↔	05	F01A, F01B, F01D, F05Z, F07A, F07B, F14A, F14B, F28A, F42Z, F54Z, F59A, F59B
	08	I08A, I08B, I08C, I08D, I08E, I13A, I13B		21A	W04A, W04B		06	G10Z, G12A, G12B
	21A	W04A, W04B		21B	X04Z, X05A, X05B, X06A, X06B, X06C		08	I08A, I08B, I08C, I08D, I08E, I13A, I13B
	21B	X04Z, X05A, X05B, X06A, X06B, X06C		Pre	A07A		11	L09A, L09B, L09C, L09D, L38Z
51159.7	05	F39A, F39B		04	E05A, E05B, E05C, E08A, E08B, E08C	51159.l↔	21A	W04A, W04B
	08	I08A, I08B, I08C, I08D, I08E, I13A, I13B		05	F01A, F01B, F01D, F05Z, F07A, F07B, F09A, F09B, F09C, F42Z		21B	X06A, X06B, X06C
	21A	W04A, W04B		06	G15Z, G19A, G19B, G33Z, G38Z		05	F39A, F39B
	21B	X04Z, X05A, X05B, X06A, X06B, X06C		07	H33Z, H38Z		08	I08A, I08B, I08C, I08D, I08E, I13A, I13B
51159.8↔	05	F39A, F39B		08	I08A, I08B, I08C, I08D, I08E, I13A, I13B	51159.m↔	21A	W04A, W04B
	08	I08A, I08B, I08C, I08D, I08E, I13A, I13B		11	L33Z		21B	X04Z, X05A, X05B, X06A, X06B, X06C
	21A	W04A, W04B		21A	W04A, W04B		05	F39A, F39B
	21B	X04Z, X05A, X05B, X06A, X06B, X06C		21B	X06A, X06B, X06C, X33Z		08	I08A, I08B, I08C, I08D, I08E, I13A, I13B
51159.9↔	01	B03A, B03B, B06A, B06B, B07Z, B17A, B17B, B17C		Pre	A07A	5115a.0↔	01	B03A, B03B, B06A, B06B, B07Z, B17A, B17B, B17C
	05	F01A, F01B, F01D, F05Z, F07A, F07B, F14A, F14B, F28A, F42Z, F54Z, F59A, F59B		04	E02A, E02B, E02C		05	F01A, F01B, F01D, F05Z, F07A, F07B, F14A, F14B, F42Z, F54Z, F59A, F59B
	08	I08A, I08B, I08C, I08D, I08E, I13A, I13B		05	F01A, F01B, F01D, F05Z, F07A, F07B, F14A, F14B, F28A, F42Z, F54Z, F59A, F59B		08	I08A, I08B, I08C, I08D, I08E, I13A, I13B
	21A	W04A, W04B		08	I08A, I08B, I08C, I08D, I08E, I13A, I13B		21A	W04A, W04B
				14	962Z, O02A, O02B	21B	X06A, X06B, X06C	
				21A	W04A, W04B	5115a.1↔	05	F39A, F39B
				21B	X06A, X06B, X06C		08	I08A, I08B, I08C, I08D, I08E, I13A, I13B
							21A	W04A, W04B
							21B	X04Z, X05A, X05B, X06A, X06B, X06C
						5115a.2↔	05	F39A, F39B
							08	I08A, I08B, I08C, I08D, I08E, I13A, I13B
							21A	W04A, W04B
							21B	X04Z, X05A, X05B, X06A, X06B, X06C



ZZV	MDC	DRG	ZZV	MDC	DRG	ZZV	MDC	DRG			
51162.x↔	05	F01A, F01B, F01D, F05Z, F07A, F07B, F28A, F42Z, F54Z, F59A, F59B	51163.3		BOP, KVT, UOP4	51164.2↔		BOP, KOP, KOPV, KVT, UOP4			
	08	I08A, I08B, I08C, I08D, I08E, I13A, I13B, I32A, I32B, I32C, I32D		05	F01A, F01B, F01D, F05Z, F07A, F07B, F14A, F14B, F28A, F42Z, F54Z, F59A, F59B		04	E05A, E05B, E05C, E08A, E08B, E08C			
	10	K09A, K09B		08	I08A, I08B, I08C, I08D, I08E, I13A, I13B		05	F01A, F01B, F01D, F05Z, F07A, F07B, F14A, F14B, F28A, F42Z, F54Z, F59A, F59B			
	21A	W04A, W04B		10	K09A, K09B		06	G33Z			
	21B	X06A, X06B		11	L09A, L38Z		07	H33Z, H38Z			
	51163.0			BOP, KOP, KOPV, KVT, UOP4	51163.x		21A	W04A, W04B	51164.x↔	08	I08A, I08B, I08C, I08D, I08E, I13A, I13B
		04		E05A, E05B, E05C, E08A, E08B, E08C			21B	X06A, X06B		10	K09A, K09B
		05		F01A, F01B, F01D, F05Z, F07A, F07B, F14A, F14B, F28A, F42Z, F54Z, F59A, F59B				BOP, KVT, UOP4		11	L33Z
		06		G33Z			05	F01A, F01B, F01D, F05Z, F07A, F07B, F14A, F14B, F28A, F42Z, F54Z, F59A, F59B		21A	W04A, W04B
		07		H33Z, H38Z			08	I08A, I08B, I08C, I08D, I08E, I13A, I13B		21B	X06A, X06B, X33Z
		08		I08A, I08B, I08C, I08D, I08E, I13A, I13B			10	K09A, K09B		23	Z01A
		10		K09A, K09B			21A	W04A, W04B		Pre	A07A
		11		L33Z			21B	X06A, X06B		04	E05A, E05B, E05C, E08A, E08B, E08C
		21A		W04A, W04B				BOP, KOP, KOPV, KVT, UOP4		05	F01A, F01B, F01D, F05Z, F07A, F07B, F14A, F14B, F28A, F42Z, F54Z, F59A, F59B
		21B		X06A, X06B, X33Z			04	E05A, E05B, E05C, E08A, E08B, E08C		06	G33Z
	23	Z01A		05	F01A, F01B, F01D, F05Z, F07A, F07B, F14A, F14B, F28A, F42Z, F54Z, F59A, F59B		07	H33Z, H38Z			
	Pre	A07A		06	G33Z		08	I08A, I08B, I08C, I08D, I08E, I13A, I13B			
	51163.1			BOP, KOP, KOPV, KVT, UOP4	51164.0↔		07	H33Z, H38Z	51165.x↔	10	K09A, K09B
		04		E05A, E05B, E05C, E08A, E08B, E08C			08	I08A, I08B, I08C, I08D, I08E, I13A, I13B		11	L33Z
		05		F01A, F01B, F01D, F05Z, F07A, F07B, F14A, F14B, F28A, F42Z, F54Z, F59A, F59B			10	K09A, K09B		21A	W04A, W04B
		06		G33Z			11	L33Z		21B	X06A, X06B, X33Z
07		H33Z, H38Z	21A	W04A, W04B		23	Z01A				
08		I08A, I08B, I08C, I08D, I08E, I13A, I13B	21B	X06A, X06B, X33Z		Pre	A07A				
10		K09A, K09B	23	Z01A		05	F01A, F01B, F01D, F05Z, F07A, F07B, F14A, F14B, F28A, F42Z, F54Z, F59A, F59B				
11		L33Z	Pre	A07A		06	G15Z, G19A, G19B, G33Z, G38Z				
21A		W04A, W04B		BOP, KOP, KOPV, KVT, UOP4		07	H33Z, H38Z				
21B		X06A, X06B, X33Z	04	E05A, E05B, E05C, E08A, E08B, E08C		08	I08A, I08B, I08C, I08D, I08E, I13A, I13B				
23	Z01A	05	F01A, F01B, F01D, F05Z, F07A, F07B, F14A, F14B, F28A, F42Z, F54Z, F59A, F59B	10	K09A, K09B						
Pre	A07A	06	G15Z, G19A, G19B, G33Z, G38Z	11	L33Z						
51163.2		BOP, KOP, KOPV, KVT, UOP4	51164.1↔	07	H33Z, H38Z	51165.0↔	21A	W04A, W04B			
	04	E05A, E05B, E05C, E08A, E08B, E08C		08	I08A, I08B, I08C, I08D, I08E, I13A, I13B		21B	X06A, X06B, X33Z			
	05	F01A, F01B, F01D, F05Z, F07A, F07B, F14A, F14B, F28A, F42Z, F54Z, F59A, F59B		10	K09A, K09B		23	Z01A			
	06	G33Z		11	L33Z		Pre	A07A			
	07	H33Z, H38Z		21A	W04A, W04B		05	F01A, F01B, F01D, F05Z, F07A, F07B, F14A, F14B, F28A, F42Z, F54Z, F59A, F59B			
	08	I08A, I08B, I08C, I08D, I08E, I13A, I13B		21B	X06A, X06B, X33Z		06	G15Z, G19A, G19B, G33Z, G38Z			
	10	K09A, K09B		Pre	A07A		07	H33Z, H38Z			
	11	L33Z			BOP, KOP, KOPV, KVT, UOP4		08	I08A, I08B, I08C, I08D, I08E, I13A, I13B			
	21A	W04A, W04B		04	E05A, E05B, E05C, E08A, E08B, E08C		10	K09A, K09B			
	21B	X06A, X06B, X33Z		05	F01A, F01B, F01D, F05Z, F07A, F07B, F14A, F14B, F28A, F42Z, F54Z, F59A, F59B		11	L33Z			
23	Z01A	06	G15Z, G19A, G19B, G33Z, G38Z	21A	W04A, W04B						
Pre	A07A	07	H33Z, H38Z	21B	X06A, X06B, X33Z						
51163.3		BOP, KOP, KOPV, KVT, UOP4	51164.2↔	08	I08A, I08B, I08C, I08D, I08E, I13A, I13B	51165.1↔	23	Z01A			
	04	E05A, E05B, E05C, E08A, E08B, E08C		10	K09A, K09B		Pre	A07A			
	05	F01A, F01B, F01D, F05Z, F07A, F07B, F14A, F14B, F28A, F42Z, F54Z, F59A, F59B		11	L33Z		05	F01A, F01B, F01D, F05Z, F07A, F07B, F14A, F14B, F28A, F42Z, F54Z, F59A, F59B			
	06	G33Z		21A	W04A, W04B		06	G15Z, G19A, G19B, G33Z, G38Z			
	07	H33Z, H38Z		21B	X06A, X06B, X33Z		07	H33Z, H38Z			
	08	I08A, I08B, I08C, I08D, I08E, I13A, I13B		Pre	A07A		08	I08A, I08B, I08C, I08D, I08E, I13A, I13B			
	10	K09A, K09B			BOP, KOP, KOPV, KVT, UOP4		10	K09A, K09B			
	11	L33Z		04	E05A, E05B, E05C, E08A, E08B, E08C		11	L33Z			
	21A	W04A, W04B		05	F01A, F01B, F01D, F05Z, F07A, F07B, F14A, F14B, F28A, F42Z, F54Z, F59A, F59B		21A	W04A, W04B			
	21B	X06A, X06B, X33Z		06	G15Z, G19A, G19B, G33Z, G38Z		21B	X06A, X06B, X33Z			
23	Z01A	07	H33Z, H38Z	23	Z01A						
Pre	A07A	08	I08A, I08B, I08C, I08D, I08E, I13A, I13B	Pre	A07A						

VYK

ZZV	MDC	DRG	ZZV	MDC	DRG	ZZV	MDC	DRG			
51165.2↔		BOP, KOP, KOPV, KVT, UOP4	51166.0		BOP, KOP, KOPV, KVT, UOP4	51166.3		BOP, KOP, KOPV, KVT, UOP4			
	05	F01A, F01B, F01D, F05Z, F07A, F07B, F14A, F14B, F28A, F42Z, F54Z, F59A, F59B		05	F01A, F01B, F01D, F05Z, F07A, F07B, F14A, F14B, F28A, F42Z, F54Z, F59A, F59B		05	F01A, F01B, F01D, F05Z, F07A, F07B, F14A, F14B, F28A, F42Z, F54Z, F59A, F59B			
	06	G15Z, G19A, G19B, G33Z, G38Z		06	G15Z, G18A, G19A, G19B, G33Z, G38Z		06	G15Z, G18A, G19A, G19B, G33Z, G38Z			
	07	H33Z, H38Z		07	H01A, H33Z, H38Z		07	H06A, H06B, H06C, H33Z, H38Z			
	08	I08A, I08B, I08C, I08D, I08E, I13A, I13B		08	I08A, I08B, I08C, I08D, I08E, I13A, I13B		08	I08A, I08B, I08C, I08D, I08E, I13A, I13B			
	10	K09A, K09B		10	K09A, K09B		10	K09A, K09B			
	11	L33Z		11	L09A, L09B, L09C, L09D, L33Z, L38Z		11	L09A, L09B, L09C, L09D, L33Z, L38Z			
	21A	W04A, W04B		21A	W04A, W04B		21A	W04A, W04B			
	21B	X06A, X06B, X33Z		21B	X06A, X06B, X33Z		21B	X06A, X06B, X33Z			
	23	Z01A		23	Z01A		23	Z01A			
	Pre	A07A		Pre	A07A		Pre	A07A			
	51165.3↔			BOP, KOP, KOPV, KVT, UOP4	51166.1			BOP, KOP, KOPV, KVT, UOP4	51166.4↔		BOP, KOP, KOPV, KVT, UOP4
		05		F01A, F01B, F01D, F05Z, F07A, F07B, F14A, F14B, F28A, F42Z, F54Z, F59A, F59B			05	F01A, F01B, F01D, F05Z, F07A, F07B, F14A, F14B, F28A, F42Z, F54Z, F59A, F59B		05	F01A, F01B, F01D, F05Z, F07A, F07B, F14A, F14B, F28A, F42Z, F54Z, F59A, F59B
		06		G15Z, G19A, G19B, G33Z, G38Z			06	G15Z, G18A, G19A, G19B, G33Z, G38Z		06	G15Z, G19A, G19B, G33Z, G38Z
07		H33Z, H38Z	07	H01A, H06A, H06B, H06C, H33Z, H38Z		07	H33Z, H38Z				
08		I08A, I08B, I08C, I08D, I08E, I13A, I13B	08	I08A, I08B, I08C, I08D, I08E, I13A, I13B		08	I08A, I08B, I08C, I08D, I08E, I13A, I13B				
10		K09A, K09B	10	K09A, K09B		10	K09A, K09B				
11		L33Z	11	L09A, L09B, L09C, L09D, L33Z, L38Z		11	L09A, L09B, L09C, L09D, L33Z, L38Z				
21A		W04A, W04B	21A	W04A, W04B		21A	W04A, W04B				
21B		X06A, X06B, X33Z	21B	X06A, X06B, X33Z		21B	X06A, X06B, X33Z				
23		Z01A	23	Z01A		23	Z01A				
Pre		A07A	Pre	A07A		Pre	A07A				
51165.4↔			BOP, KOP, KOPV, KVT, UOP4	51166.2			BOP, KOP, KOPV, KVT, UOP4	51166.5			BOP, KOP, KOPV, KVT, UOP4
		05	F01A, F01B, F01D, F05Z, F07A, F07B, F14A, F14B, F28A, F42Z, F54Z, F59A, F59B			05	F01A, F01B, F01D, F05Z, F07A, F07B, F14A, F14B, F28A, F42Z, F54Z, F59A, F59B			05	F01A, F01B, F01D, F05Z, F07A, F07B, F14A, F14B, F28A, F42Z, F54Z, F59A, F59B
		06	G15Z, G19A, G19B, G33Z, G38Z			06	G15Z, G19A, G19B, G33Z, G38Z			06	G15Z, G18A, G19A, G19B, G33Z, G38Z
	07	H33Z, H38Z	07		H33Z, H38Z	07	H01A, H33Z, H38Z				
	08	I08A, I08B, I08C, I08D, I08E, I13A, I13B	08		I08A, I08B, I08C, I08D, I08E, I13A, I13B	08	I08A, I08B, I08C, I08D, I08E, I13A, I13B				
	10	K09A, K09B	10		K09A, K09B	10	K09A, K09B				
	11	L33Z	11		L09A, L09B, L09C, L09D, L33Z, L38Z	11	L09A, L09B, L09C, L09D, L33Z, L38Z				
	21A	W04A, W04B	21A		W04A, W04B	21A	W04A, W04B				
	21B	X06A, X06B, X33Z	21B		X06A, X06B, X33Z	21B	X06A, X06B, X33Z				
	23	Z01A	23		Z01A	23	Z01A				
	Pre	A07A	Pre		A07A	Pre	A07A				
	51165.x↔		BOP, KOP, KOPV, KVT, UOP4								
		05	F01A, F01B, F01D, F05Z, F07A, F07B, F14A, F14B, F28A, F42Z, F54Z, F59A, F59B								
		06	G15Z, G19A, G19B, G33Z, G38Z								
07		H33Z, H38Z									
08		I08A, I08B, I08C, I08D, I08E, I13A, I13B									
10		K09A, K09B									
11		L33Z									
21A		W04A, W04B									
21B		X06A, X06B, X33Z									
23		Z01A									
Pre		A07A									

ZZV	MDC	DRG	ZZV	MDC	DRG	ZZV	MDC	DRG						
51166.6		BOP, KOP, KOPV, KVT, UOP4	51168.0↔	05	F01A, F01B, F01D, F05Z, F07A, F07B, F28A, F42Z, F54Z, F59A, F59B	51169.3↔	01	B04A, B04B, B04C, B04D, B04E						
	05	F01A, F01B, F01D, F05Z, F07A, F07B, F14A, F14B, F28A, F42Z, F54Z, F59A, F59B		08	I08A, I08B, I08C, I08D, I08E, I13A, I13B		05	F39A, F39B						
	06	G15Z, G18A, G19A, G19B, G33Z, G38Z		10	K09A, K09B		06	G18A, G38Z						
	07	H01A, H33Z, H38Z		21A	W04A, W04B		07	H01A						
	08	I08A, I08B, I08C, I08D, I08E, I13A, I13B		21B	X06A, X06B		08	I08A, I08B, I08C, I08D, I08E, I13A, I13B						
	10	K09A, K09B		51168.1↔	05		F01A, F01B, F01D, F05Z, F07A, F07B, F28A, F42Z, F54Z, F59A, F59B	21A	W04A, W04B					
	11	L09A, L09B, L09C, L09D, L33Z, L38Z			08		I08A, I08B, I08C, I08D, I08E, I13A, I13B	21B	X06A, X06B					
	21A	W04A, W04B			10		K09A, K09B	51169.4	01	B04A, B04B, B04C, B04D, B04E				
	21B	X06A, X06B, X33Z			21A		W04A, W04B		05	F39A, F39B				
	23	Z01A			21B		X06A, X06B		06	G18A, G38Z				
	Pre	A07A			51168.2↔		05		F01A, F01B, F01D, F05Z, F07A, F07B, F28A, F42Z, F54Z, F59A, F59B	07	H01A			
	51166.x↔						BOP, KOP, KOPV, KVT, UOP4		08	I08A, I08B, I08C, I08D, I08E, I13A, I13B	08	I08A, I08B, I08C, I08D, I08E, I13A, I13B		
		05					F01A, F01B, F01D, F05Z, F07A, F07B, F14A, F14B, F28A, F42Z, F54Z, F59A, F59B		10	K09A, K09B	21A	W04A, W04B		
		06					G15Z, G19A, G19B, G33Z, G38Z		21A	W04A, W04B	21B	X06A, X06B		
07		H33Z, H38Z	21B			X06A, X06B	51169.5		01	B04A, B04B, B04C, B04D, B04E				
08		I08A, I08B, I08C, I08D, I08E, I13A, I13B	51168.3↔			05			F01A, F01B, F01D, F05Z, F07A, F07B, F28A, F42Z, F54Z, F59A, F59B	05	F39A, F39B			
10		K09A, K09B				08			I08A, I08B, I08C, I08D, I08E, I13A, I13B	06	G18A, G38Z			
11		L09A, L09B, L09C, L09D, L33Z, L38Z				10			K09A, K09B	07	H01A			
21A		W04A, W04B				21A			W04A, W04B	08	I08A, I08B, I08C, I08D, I08E, I13A, I13B			
21B		X06A, X06B, X33Z		21B		X06A, X06B			21A	W04A, W04B				
23		Z01A		51168.x↔		05			F01A, F01B, F01D, F05Z, F07A, F07B, F28A, F42Z, F54Z, F59A, F59B	21B	X06A, X06B			
Pre		A07A				08		I08A, I08B, I08C, I08D, I08E, I13A, I13B	51169.6	01	B04A, B04B, B04C, B04D, B04E			
51167.0↔						F01A, F01B, F01D, F05Z, F07A, F07B, F28A, F42Z, F54Z, F59A, F59B		10		K09A, K09B	05	F39A, F39B		
		05				F01A, F01B, F01D, F05Z, F07A, F07B, F28A, F42Z, F54Z, F59A, F59B		21A		W04A, W04B	06	G18A, G38Z		
		08			I08A, I08B, I08C, I08D, I08E, I13A, I13B	21B		X06A, X06B		07	H01A			
	10	K09A, K09B			51169.0↔	05		F01A, F01B, F01D, F05Z, F07A, F07B, F28A, F42Z, F54Z, F59A, F59B		08	I08A, I08B, I08C, I08D, I08E, I13A, I13B			
	21A	W04A, W04B				08		I08A, I08B, I08C, I08D, I08E, I13A, I13B		21A	W04A, W04B			
	21B	X06A, X06B				10		K09A, K09B		21B	X06A, X06B			
	51167.1↔					F01A, F01B, F01D, F05Z, F07A, F07B, F28A, F42Z, F54Z, F59A, F59B	21A	W04A, W04B		51169.7	01	B04A, B04B, B04C, B04D, B04E		
		05	F01A, F01B, F01D, F05Z, F07A, F07B, F28A, F42Z, F54Z, F59A, F59B			21B	X06A, X06B	05			F39A, F39B			
		08	I08A, I08B, I08C, I08D, I08E, I13A, I13B			51169.1↔	01	B04A, B04B, B04C, B04D, B04E			06	G18A, G38Z		
		10	K09A, K09B				05	F39A, F39B			07	H01A		
		21A	W04A, W04B				08	I08A, I08B, I08C, I08D, I08E, I13A, I13B			08	I08A, I08B, I08C, I08D, I08E, I13A, I13B		
		21B	X06A, X06B				21A	W04A, W04B			21A	W04A, W04B		
		51167.2↔		F01A, F01B, F01D, F05Z, F07A, F07B, F28A, F42Z, F54Z, F59A, F59B			21B	X06A, X06B			51169.8↔	21B	X06A, X06B	
			05	F01A, F01B, F01D, F05Z, F07A, F07B, F28A, F42Z, F54Z, F59A, F59B			51169.2	01	B04A, B04B, B04C, B04D, B04E			51169.9↔	01	B04A, B04B, B04C, B04D, B04E
08			I08A, I08B, I08C, I08D, I08E, I13A, I13B	05				F39A, F39B	05				F39A, F39B	
10			K09A, K09B	06				G18A, G38Z	08				I08A, I08B, I08C, I08D, I08E, I13A, I13B	
21A			W04A, W04B	07				H01A	21A				W04A, W04B	
21B			X06A, X06B	08	I08A, I08B, I08C, I08D, I08E, I13A, I13B			21B	X06A, X06B					
51167.x↔				F01A, F01B, F01D, F05Z, F07A, F07B, F28A, F42Z, F54Z, F59A, F59B	21A			W04A, W04B	51169.a↔				01	B04A, B04B, B04C, B04D, B04E
			05	F01A, F01B, F01D, F05Z, F07A, F07B, F28A, F42Z, F54Z, F59A, F59B	21B			X06A, X06B					05	F39A, F39B
	08		I08A, I08B, I08C, I08D, I08E, I13A, I13B	51169.a↔	01			B04A, B04B, B04C, B04D, B04E		08			I08A, I08B, I08C, I08D, I08E, I13A, I13B	
	10		K09A, K09B		05			F39A, F39B		21A			W04A, W04B	
	21A		W04A, W04B		06	G18A, G38Z		21B		X06A, X06B				
	21B		X06A, X06B		07	H01A								
					08	I08A, I08B, I08C, I08D, I08E, I13A, I13B								
					21A	W04A, W04B								
			21B		X06A, X06B									

VYK

ZZV	MDC	DRG	ZZV	MDC	DRG	ZZV	MDC	DRG
51169.b↔	01	B04A, B04B, B04C, B04D, B04E	5116a.0↔	01	B04A, B04B, B04C, B04D, B04E	51170.2↔	01	B03A, B03B, B06A, B06B, B07Z, B17A, B17B, B17C
	05	F39A, F39B		05	F39A, F39B		05	F01A, F01B, F01D, F05Z, F07A, F07B, F14A, F14B, F28A, F42Z, F54Z, F59A, F59B
	08	I08A, I08B, I08C, I08D, I08E, I13A, I13B		08	I08A, I08B, I08C, I08D, I08E, I13A, I13B		08	I08A, I08B, I08C, I08D, I08E, I13A, I13B
	21A	W04A, W04B		21A	W04A, W04B		21A	W04A, W04B
	21B	X06A, X06B		21B	X06A, X06B		21B	X06A, X06B
51169.c↔	01	B04A, B04B, B04C, B04D, B04E	5116a.1↔	01	B04A, B04B, B04C, B04D, B04E	51170.3↔	01	B03A, B03B, B06A, B06B, B07Z, B17A, B17B, B17C
	05	F39A, F39B		05	F39A, F39B		05	F01A, F01B, F01D, F05Z, F07A, F07B, F14A, F14B, F28A, F42Z, F54Z, F59A, F59B
	08	I08A, I08B, I08C, I08D, I08E, I13A, I13B		08	I08A, I08B, I08C, I08D, I08E, I13A, I13B		08	I08A, I08B, I08C, I08D, I08E, I13A, I13B
	21A	W04A, W04B		21A	W04A, W04B		21A	W04A, W04B
	21B	X06A, X06B		21B	X06A, X06B		21B	X06A, X06B
51169.d↔	BOP, KVT, UOP4		5116a.2↔	01	B04A, B04B, B04C, B04D, B04E	51170.4↔	01	B03A, B03B, B06A, B06B, B07Z, B17A, B17B, B17C
	01	B04A, B04B, B04C, B04D, B04E		05	F39A, F39B		05	F01A, F01B, F01D, F05Z, F07A, F07B, F14A, F14B, F28A, F42Z, F54Z, F59A, F59B
	05	F39A, F39B		08	I08A, I08B, I08C, I08D, I08E, I13A, I13B		08	I08A, I08B, I08C, I08D, I08E, I13A, I13B
	08	I08A, I08B, I08C, I08D, I08E, I13A, I13B		21A	W04A, W04B		21A	W04A, W04B
	21A	W04A, W04B		21B	X06A, X06B		21B	X06A, X06B
51169.e	21B	X06A, X06B	5116a.5↔	01	B04A, B04B, B04C, B04D, B04E	51170.5↔	01	B03A, B03B, B06A, B06B, B07Z, B17A, B17B, B17C
	BOP, KVT, UOP4			05	F39A, F39B		05	F01A, F01B, F01D, F05Z, F07A, F07B, F14A, F14B, F28A, F42Z, F54Z, F59A, F59B
	01	B04A, B04B, B04C, B04D, B04E		08	I08A, I08B, I08C, I08D, I08E, I13A, I13B		08	I08A, I08B, I08C, I08D, I08E, I13A, I13B
	05	F39A, F39B		21A	W04A, W04B		21A	W04A, W04B
	08	I08A, I08B, I08C, I08D, I08E, I13A, I13B		21B	X06A, X06B		21B	X06A, X06B
51169.f	21A	W04A, W04B	5116a.6↔	01	B04A, B04B, B04C, B04D, B04E	51170.6	01	B03A, B03B, B06A, B06B, B07Z, B17A, B17B, B17C
	21B	X06A, X06B		05	F39A, F39B		05	F01A, F01B, F01D, F05Z, F07A, F07B, F14A, F14B, F28A, F42Z, F54Z, F59A, F59B
	BOP, KVT, UOP4			08	I08A, I08B, I08C, I08D, I08E, I13A, I13B		08	I08A, I08B, I08C, I08D, I08E, I13A, I13B
	01	B04A, B04B, B04C, B04D, B04E		21A	W04A, W04B		21A	W04A, W04B
	05	F39A, F39B		21B	X06A, X06B		21B	X06A, X06B
51169.g↔	06	G03A, G18A, G38Z	5116a.x↔	01	B04A, B04B, B04C, B04D, B04E	51170.x↔	01	B03A, B03B, B06A, B06B, B07Z, B17A, B17B, B17C
	07	H01A		05	F39A, F39B		05	F01A, F01B, F01D, F05Z, F07A, F07B, F14A, F14B, F28A, F42Z, F54Z, F59A, F59B
	08	I08A, I08B, I08C, I08D, I08E, I13A, I13B		08	I08A, I08B, I08C, I08D, I08E, I13A, I13B		08	I08A, I08B, I08C, I08D, I08E, I13A, I13B
	21A	W04A, W04B		21A	W04A, W04B		21A	W04A, W04B
	21B	X06A, X06B		21B	X06A, X06B		21B	X06A, X06B
51169.h↔	BOP, KVT, UOP4		5116x↔	01	B04A, B04B, B04C, B04D, B04E	51170.0↔	01	B03A, B03B, B06A, B06B, B07Z, B17A, B17B, B17C
	01	B04A, B04B, B04C, B04D, B04E		05	F39A, F39B		05	F01A, F01B, F01D, F05Z, F07A, F07B, F14A, F14B, F28A, F42Z, F54Z, F59A, F59B
	05	F39A, F39B		08	I08A, I08B, I08C, I08D, I08E, I13A, I13B		08	I08A, I08B, I08C, I08D, I08E, I13A, I13B
	08	I08A, I08B, I08C, I08D, I08E, I13A, I13B		21A	W04A, W04B		21A	W04A, W04B
	21A	W04A, W04B		21B	X06A, X06B		21B	X06A, X06B
51169.i↔	21B	X06A, X06B	51170.0↔	01	B04A, B04B, B04C, B04D, B04E	51170.1↔	01	B03A, B03B, B06A, B06B, B07Z, B17A, B17B, B17C
	BOP, KVT, UOP4			05	F39A, F39B		05	F01A, F01B, F01D, F05Z, F07A, F07B, F14A, F14B, F28A, F42Z, F54Z, F59A, F59B
	01	B04A, B04B, B04C, B04D, B04E		08	I08A, I08B, I08C, I08D, I08E, I13A, I13B		08	I08A, I08B, I08C, I08D, I08E, I13A, I13B
	05	F39A, F39B		21A	W04A, W04B		21A	W04A, W04B
	08	I08A, I08B, I08C, I08D, I08E, I13A, I13B		21B	X06A, X06B		21B	X06A, X06B
51169.x↔	21A	W04A, W04B	51170.1↔	01	B04A, B04B, B04C, B04D, B04E	51170.0↔	05	F01A, F01B, F01D, F05Z, F07A, F07B, F14A, F14B, F28A, F42Z, F54Z, F59A, F59B
	21B	X06A, X06B		05	F39A, F39B		08	I08A, I08B, I08C, I08D, I08E, I13A, I13B
	01	B04A, B04B, B04C, B04D, B04E		08	I08A, I08B, I08C, I08D, I08E, I13A, I13B		10	K09A, K09B
	05	F39A, F39B		21A	W04A, W04B		21A	W04A, W04B
	08	I08A, I08B, I08C, I08D, I08E, I13A, I13B		21B	X06A, X06B		21B	X06A, X06B

VYK

ZZV	MDC	DRG	ZZV	MDC	DRG	ZZV	MDC	DRG
51171.1↔	05	F01A, F01B, F01D, F05Z, F07A, F07B, F14A, F14B, F28A, F42Z, F54Z, F59A, F59B	51172.5↔	05	F01A, F01B, F01D, F05Z, F07A, F07B, F14A, F14B, F28A, F42Z, F54Z, F59A, F59B	51173.1		BOP, KOP, KOPV, KVT, UOP4
	08	I08A, I08B, I08C, I08D, I08E, I13A, I13B		08	I08A, I08B, I08C, I08D, I08E, I13A, I13B		04	E05A, E05B, E05C, E08A, E08B, E08C
	10	K09A, K09B		10	K09A, K09B		05	F01A, F01B, F01D, F05Z, F07A, F07B, F14A, F14B, F28A, F42Z, F54Z, F59A, F59B
	21A	W04A, W04B		21A	W04A, W04B		06	G01Z, G02Z, G33Z, G38Z
	21B	X06A, X06B		21B	X05A, X05B, X06A, X06B		07	H33Z, H38Z
51171.x↔	05	F01A, F01B, F01D, F05Z, F07A, F07B, F14A, F14B, F28A, F42Z, F54Z, F59A, F59B	51172.6↔	05	F01A, F01B, F01D, F05Z, F07A, F07B, F14A, F14B, F28A, F42Z, F54Z, F59A, F59B	51172.2	08	I08A, I08B, I08C, I08D, I08E, I13A, I13B
	08	I08A, I08B, I08C, I08D, I08E, I13A, I13B		08	I08A, I08B, I08C, I08D, I08E, I13A, I13B		10	K09A, K09B
	10	K09A, K09B		10	K09A, K09B		11	L33Z
	21A	W04A, W04B		21A	W04A, W04B		21A	W04A, W04B
	21B	X06A, X06B		21B	X05A, X05B, X06A, X06B		21B	X06A, X06B, X33Z
51172.0↔	05	F01A, F01B, F01D, F05Z, F07A, F07B, F14A, F14B, F28A, F42Z, F54Z, F59A, F59B	51172.7↔	05	F01A, F01B, F01D, F05Z, F07A, F07B, F14A, F14B, F28A, F42Z, F54Z, F59A, F59B	51172.3	23	Z01A
	08	I08A, I08B, I08C, I08D, I08E, I13A, I13B		08	I08A, I08B, I08C, I08D, I08E, I13A, I13B		Pre	A07A, A11A, A13A, A13B, A13D
	10	K09A, K09B		10	K09A, K09B			BOP, KOP, KOPV, KVT, UOP4
	21A	W04A, W04B		21A	W04A, W04B		04	E05A, E05B, E05C, E08A, E08B, E08C
	21B	X06A, X06B		21B	X05A, X05B, X06A, X06B		05	F01A, F01B, F01D, F05Z, F07A, F07B, F14A, F14B, F28A, F42Z, F54Z, F59A, F59B
51172.1↔	05	F01A, F01B, F01D, F05Z, F07A, F07B, F14A, F14B, F28A, F42Z, F54Z, F59A, F59B	51172.x↔	05	F01A, F01B, F01D, F05Z, F07A, F07B, F14A, F14B, F28A, F42Z, F54Z, F59A, F59B	51173.2	06	G01Z, G02Z, G33Z, G38Z
	08	I08A, I08B, I08C, I08D, I08E, I13A, I13B		08	I08A, I08B, I08C, I08D, I08E, I13A, I13B		07	H33Z, H38Z
	10	K09A, K09B		10	K09A, K09B		08	I08A, I08B, I08C, I08D, I08E, I13A, I13B
	21A	W04A, W04B		21A	W04A, W04B		10	K09A, K09B
	21B	X06A, X06B		21B	X05A, X05B, X06A, X06B		11	L33Z
51172.2↔	05	F01A, F01B, F01D, F05Z, F07A, F07B, F14A, F14B, F28A, F42Z, F54Z, F59A, F59B	51173.0		BOP, KOP, KOPV, KVT, UOP4	51173.3	21A	W04A, W04B
	08	I08A, I08B, I08C, I08D, I08E, I13A, I13B		04	E05A, E05B, E05C, E08A, E08B, E08C		21B	X06A, X06B, X33Z
	10	K09A, K09B		05	F01A, F01B, F01D, F05Z, F07A, F07B, F14A, F14B, F28A, F42Z, F54Z, F59A, F59B		23	Z01A
	21A	W04A, W04B		06	G01Z, G02Z, G33Z, G38Z		Pre	A07A, A11A, A13A, A13B, A13D
	21B	X05A, X05B, X06A, X06B		07	H33Z, H38Z			BOP, KVT, UOP4
51172.3↔	05	F01A, F01B, F01D, F05Z, F07A, F07B, F14A, F14B, F28A, F42Z, F54Z, F59A, F59B	51173.1	08	I08A, I08B, I08C, I08D, I08E, I13A, I13B	51173.4	05	F01A, F01B, F01D, F05Z, F07A, F07B, F14A, F14B, F28A, F42Z, F54Z, F59A, F59B
	08	I08A, I08B, I08C, I08D, I08E, I13A, I13B		10	K09A, K09B		06	G01Z, G02Z, G38Z
	10	K09A, K09B		11	L33Z		08	I08A, I08B, I08C, I08D, I08E, I13A, I13B
	21A	W04A, W04B		21A	W04A, W04B		10	K09A, K09B
	21B	X05A, X05B, X06A, X06B		21B	X06A, X06B, X33Z		21A	W04A, W04B
51172.4↔	05	F01A, F01B, F01D, F05Z, F07A, F07B, F14A, F14B, F28A, F42Z, F54Z, F59A, F59B	51173.2	23	Z01A	51173.4	21B	X06A, X06B
	08	I08A, I08B, I08C, I08D, I08E, I13A, I13B		Pre	A07A, A11A, A13A, A13B, A13D		Pre	A11A, A13A, A13B, A13D
	10	K09A, K09B			BOP, KVT, UOP4		05	F01A, F01B, F01D, F05Z, F07A, F07B, F14A, F14B, F28A, F42Z, F54Z, F59A, F59B
	21A	W04A, W04B			BOP, KVT, UOP4		06	G01Z, G02Z, G38Z
	21B	X06A, X06B			BOP, KVT, UOP4		08	I08A, I08B, I08C, I08D, I08E, I13A, I13B

VYK

ZZV	MDC	DRG	ZZV	MDC	DRG	ZZV	MDC	DRG				
51173.x		BOP, KVT, UOP4	51174.x↔		BOP, KOP, KOPV, KVT, UOP4	51175.4↔		BOP, KVT, UOP4				
	05	F01A, F01B, F01D, F05Z, F07A, F07B, F14A, F14B, F28A, F42Z, F54Z, F59A, F59B		04	E05A, E05B, E05C, E08A, E08B, E08C		05	F01A, F01B, F01D, F05Z, F07A, F07B, F09A, F09B, F09C, F42Z				
	06	G01Z, G02Z, G38Z		05	F01A, F01B, F01D, F05Z, F07A, F07B, F09A, F09B, F09C, F42Z		06	G15Z, G19A, G19B, G33Z, G38Z	06	G10Z, G12A, G12B		
	08	I08A, I08B, I08C, I08D, I08E, I13A, I13B		06	G15Z, G19A, G19B, G33Z, G38Z		07	H33Z, H38Z	08	I08A, I08B, I08C, I08D, I08E, I13A, I13B		
	10	K09A, K09B		07	H33Z, H38Z		08	I08A, I08B, I08C, I08D, I08E, I13A, I13B	11	L09A, L09B, L09C, L09D, L38Z		
	21A	W04A, W04B		08	I08A, I08B, I08C, I08D, I08E, I13A, I13B		11	L09A, L09B, L09C, L09D, L38Z	21A	W04A, W04B		
	21B	X06A, X06B		11	L33Z		21A	W04A, W04B	21B	X06A, X06B		
	Pre	A11A, A13A, A13B, A13D		21A	W04A, W04B		21B	X06A, X06B, X33Z	Pre	BOP, KVT, UOP4		
	51174.0↔			BOP, KOP, KOPV, KVT, UOP4	51175.0↔			BOP, KVT, UOP4	51175.x↔		BOP, KVT, UOP4	
		04		E05A, E05B, E05C, E08A, E08B, E08C			05	F01A, F01B, F01D, F05Z, F07A, F07B, F14A, F14B, F28A, F42Z, F54Z, F59A, F59B		05	F01A, F01B, F01D, F05Z, F07A, F07B, F14A, F14B, F28A, F42Z, F54Z, F59A, F59B	
		05		F01A, F01B, F01D, F05Z, F07A, F07B, F09A, F09B, F09C, F42Z			06	G10Z, G12A, G12B		06	G10Z, G12A, G12B	
		06		G01Z, G02Z, G15Z, G19A, G19B, G33Z, G38Z			08	I08A, I08B, I08C, I08D, I08E, I13A, I13B		08	I08A, I08B, I08C, I08D, I08E, I13A, I13B	
		07		H33Z, H38Z			11	L09A, L09B, L09C, L09D, L38Z		11	L09A, L09B, L09C, L09D, L38Z	
		08		I08A, I08B, I08C, I08D, I08E, I13A, I13B			21A	W04A, W04B		21A	W04A, W04B	
		11		L33Z			21B	X06A, X06B		21B	X06A, X06B	
		21A		W04A, W04B			21A	W04A, W04B		51176.0	BOP, KVT, UOP4	
		21B		X06A, X06B, X33Z			21B	X06A, X06B		01	B03A, B03B, B06A, B06B, B07Z, B17A, B17B, B17C	
		23		Z01A			51175.1↔			BOP, KVT, UOP4	05	F01A, F01B, F01D, F05Z, F07A, F07B, F14A, F14B, F28A, F42Z, F54Z, F59A, F59B
		Pre		A07A, A11A, A13A, A13B, A13D			05	F01A, F01B, F01D, F05Z, F07A, F07B, F14A, F14B, F28A, F42Z, F54Z, F59A, F59B		06	G10Z, G12A, G12B, G18A, G38Z	
		51174.1↔					BOP, KOP, KOPV, KVT, UOP4	51175.2↔			BOP, KVT, UOP4	51176.1
04			E05A, E05B, E05C, E08A, E08B, E08C	05		F01A, F01B, F01D, F05Z, F07A, F07B, F14A, F14B, F28A, F42Z, F54Z, F59A, F59B	01			B03A, B03B, B06A, B06B, B07Z, B17A, B17B, B17C		
05	F01A, F01B, F01D, F05Z, F07A, F07B, F09A, F09B, F09C, F42Z		06	G10Z, G12A, G12B	05	F01A, F01B, F01D, F05Z, F07A, F07B, F14A, F14B, F28A, F42Z, F54Z, F59A, F59B						
06	G15Z, G19A, G19B, G33Z, G38Z		08	I08A, I08B, I08C, I08D, I08E, I13A, I13B	06	G10Z, G12A, G12B, G18A, G38Z						
07	H33Z, H38Z		11	L09A, L09B, L09C, L09D, L38Z	07	H01A						
08	I08A, I08B, I08C, I08D, I08E, I13A, I13B		21A	W04A, W04B	08	I08A, I08B, I08C, I08D, I08E, I13A, I13B						
11	L33Z		21B	X06A, X06B	10	K09A, K09B						
21A	W04A, W04B		51175.3↔		BOP, KVT, UOP4	11	L09A, L09B, L09C, L09D, L38Z					
21B	X06A, X06B, X33Z		05	F01A, F01B, F01D, F05Z, F07A, F07B, F14A, F14B, F28A, F42Z, F54Z, F59A, F59B	21A	W04A, W04B						
23	Z01A		06	G10Z, G12A, G12B	21B	X06A, X06B						
Pre	A07A		08	I08A, I08B, I08C, I08D, I08E, I13A, I13B	Pre	BOP, KVT, UOP4						
51174.2↔			BOP, KOP, KOPV, KVT, UOP4	51175.4↔		BOP, KVT, UOP4	51176.1			BOP, KVT, UOP4		
	04		E05A, E05B, E05C, E08A, E08B, E08C		05	F01A, F01B, F01D, F05Z, F07A, F07B, F14A, F14B, F28A, F42Z, F54Z, F59A, F59B			01	B03A, B03B, B06A, B06B, B07Z, B17A, B17B, B17C		
	05	F01A, F01B, F01D, F05Z, F07A, F07B, F09A, F09B, F09C, F42Z	06		G10Z, G12A, G12B	05		F01A, F01B, F01D, F05Z, F07A, F07B, F14A, F14B, F28A, F42Z, F54Z, F59A, F59B				
	06	G15Z, G19A, G19B, G33Z, G38Z	08		I08A, I08B, I08C, I08D, I08E, I13A, I13B	06		G10Z, G12A, G12B, G18A, G38Z				
	07	H33Z, H38Z	11		L09A, L09B, L09C, L09D, L38Z	07		H01A, H06A, H06B, H06C				
	08	I08A, I08B, I08C, I08D, I08E, I13A, I13B	21A		W04A, W04B	08		I08A, I08B, I08C, I08D, I08E, I13A, I13B				
	11	L33Z	21B		X06A, X06B	10		K09A, K09B				
	21A	W04A, W04B	51175.3↔			BOP, KVT, UOP4		11	L09A, L09B, L09C, L09D, L38Z			
	21B	X06A, X06B, X33Z	05		F01A, F01B, F01D, F05Z, F07A, F07B, F14A, F14B, F28A, F42Z, F54Z, F59A, F59B	21A		W04A, W04B				
	23	Z01A	06		G10Z, G12A, G12B	21B		X06A, X06B				
	Pre	A07A	08		I08A, I08B, I08C, I08D, I08E, I13A, I13B	Pre		BOP, KVT, UOP4				



ZZV	MDC	DRG	ZZV	MDC	DRG	ZZV	MDC	DRG			
51176.2		BOP, KVT, UOP4	51176.6		BOP, KVT, UOP4	51178.0↔	05	F01A, F01B, F01D, F05Z, F07A, F07B, F14A, F14B, F28A, F42Z, F54Z, F59A, F59B			
	01	B03A, B03B, B06A, B06B, B07Z, B17A, B17B, B17C		01	B03A, B03B, B06A, B06B, B07Z, B17A, B17B, B17C		08	I08A, I08B, I08C, I08D, I08E, I13A, I13B			
	05	F01A, F01B, F01D, F05Z, F07A, F07B, F14A, F14B, F28A, F42Z, F54Z, F59A, F59B		05	F01A, F01B, F01D, F05Z, F07A, F07B, F14A, F14B, F28A, F42Z, F54Z, F59A, F59B		10	K09A, K09B			
	06	G10Z, G12A, G12B		06	G10Z, G12A, G12B, G18A, G38Z		21A	W04A, W04B			
	08	I08A, I08B, I08C, I08D, I08E, I13A, I13B		07	H01A		21B	X04Z			
	10	K09A, K09B		08	I08A, I08B, I08C, I08D, I08E, I13A, I13B		51178.1↔	05	F01A, F01B, F01D, F05Z, F07A, F07B, F14A, F14B, F28A, F42Z, F54Z, F59A, F59B		
	11	L09A, L09B, L09C, L09D, L38Z		10	K09A, K09B		08	I08A, I08B, I08C, I08D, I08E, I13A, I13B			
	21A	W04A, W04B		11	L09A, L09B, L09C, L09D, L38Z		10	K09A, K09B			
	21B	X06A, X06B		21A	W04A, W04B		21A	W04A, W04B			
	51176.3			BOP, KVT, UOP4	51176.x↔			BOP, KVT, UOP4	51178.2↔	05	F01A, F01B, F01D, F05Z, F07A, F07B, F14A, F14B, F28A, F42Z, F54Z, F59A, F59B
		01		B03A, B03B, B06A, B06B, B07Z, B17A, B17B, B17C			01	B03A, B03B, B06A, B06B, B07Z, B17A, B17B, B17C		08	I08A, I08B, I08C, I08D, I08E, I13A, I13B
05		F01A, F01B, F01D, F05Z, F07A, F07B, F14A, F14B, F28A, F42Z, F54Z, F59A, F59B	05	F01A, F01B, F01D, F05Z, F07A, F07B, F14A, F14B, F28A, F42Z, F54Z, F59A, F59B		10	K09A, K09B				
06		G01Z, G02Z, G10Z, G12A, G12B, G18A, G38Z	06	G10Z, G12A, G12B		21A	W04A, W04B				
07		H06A, H06B, H06C	08	I08A, I08B, I08C, I08D, I08E, I13A, I13B		21B	X04Z				
08		I08A, I08B, I08C, I08D, I08E, I13A, I13B	10	K09A, K09B		51178.3↔	05	F01A, F01B, F01D, F05Z, F07A, F07B, F14A, F14B, F28A, F42Z, F54Z, F59A, F59B			
10		K09A, K09B	11	L09A, L09B, L09C, L09D, L38Z		08	I08A, I08B, I08C, I08D, I08E, I13A, I13B				
11		L09A, L09B, L09C, L09D, L38Z	21A	W04A, W04B		10	K09A, K09B				
21A		W04A, W04B	21B	X06A, X06B		21A	W04A, W04B				
21B		X06A, X06B	51177.0↔			BOP, KVT, UOP4	51178.4↔	05		F01A, F01B, F01D, F05Z, F07A, F07B, F14A, F14B, F28A, F42Z, F54Z, F59A, F59B	
Pre		A11A, A13A, A13B, A13D		05		F01A, F01B, F01D, F05Z, F07A, F07B, F14A, F14B, F28A, F42Z, F54Z, F59A, F59B		08		I08A, I08B, I08C, I08D, I08E, I13A, I13B	
51176.4↔		BOP, KVT, UOP4		51177.1↔		BOP, KVT, UOP4		51178.5↔	05	F01A, F01B, F01D, F05Z, F07A, F07B, F14A, F14B, F28A, F42Z, F54Z, F59A, F59B	
	01	B03A, B03B, B06A, B06B, B07Z, B17A, B17B, B17C			05	F01A, F01B, F01D, F05Z, F07A, F07B, F14A, F14B, F28A, F42Z, F54Z, F59A, F59B			10	K09A, K09B	
	05	F01A, F01B, F01D, F05Z, F07A, F07B, F14A, F14B, F28A, F42Z, F54Z, F59A, F59B			08	I08A, I08B, I08C, I08D, I08E, I13A, I13B			21A	W04A, W04B	
	06	G01Z, G02Z, G10Z, G12A, G12B, G38Z			10	K09A, K09B			21B	X04Z	
	08	I08A, I08B, I08C, I08D, I08E, I13A, I13B			21A	W04A, W04B			51178.6↔	05	F01A, F01B, F01D, F05Z, F07A, F07B, F14A, F14B, F28A, F42Z, F54Z, F59A, F59B
	10	K09A, K09B			21B	X04Z			08	I08A, I08B, I08C, I08D, I08E, I13A, I13B	
	11	L09A, L09B, L09C, L09D, L38Z			08	I08A, I08B, I08C, I08D, I08E, I13A, I13B			10	K09A, K09B	
	21A	W04A, W04B			10	K09A, K09B			21A	W04A, W04B	
	21B	X06A, X06B			21A	W04A, W04B			21B	X04Z	
	Pre	A11A, A13A, A13B, A13D	21B		X04Z	51178.6↔	05		F01A, F01B, F01D, F05Z, F07A, F07B, F14A, F14B, F28A, F42Z, F54Z, F59A, F59B		
	51176.5		BOP, KVT, UOP4		51177.2↔				BOP, KVT, UOP4	51178.6↔	08
01		B03A, B03B, B06A, B06B, B07Z, B17A, B17B, B17C	05	F01A, F01B, F01D, F05Z, F07A, F07B, F14A, F14B, F28A, F42Z, F54Z, F59A, F59B			10	K09A, K09B			
05		F01A, F01B, F01D, F05Z, F07A, F07B, F14A, F14B, F28A, F42Z, F54Z, F59A, F59B	08	I08A, I08B, I08C, I08D, I08E, I13A, I13B			21A	W04A, W04B			
06		G10Z, G12A, G12B, G18A, G38Z	10	K09A, K09B			21B	X04Z			
07		H01A	21A	W04A, W04B			51178.6↔	05	F01A, F01B, F01D, F05Z, F07A, F07B, F14A, F14B, F28A, F42Z, F54Z, F59A, F59B		
08		I08A, I08B, I08C, I08D, I08E, I13A, I13B	21B	X04Z				08	I08A, I08B, I08C, I08D, I08E, I13A, I13B		
10		K09A, K09B	05	F01A, F01B, F01D, F05Z, F07A, F07B, F14A, F14B, F28A, F42Z, F54Z, F59A, F59B				10	K09A, K09B		
11		L09A, L09B, L09C, L09D, L38Z	08	I08A, I08B, I08C, I08D, I08E, I13A, I13B				21A	W04A, W04B		
21A		W04A, W04B	10	K09A, K09B				21B	X04Z		
21B		X06A, X06B	21A	W04A, W04B							
51176.5			BOP, KVT, UOP4	51177.x↔				BOP, KVT, UOP4	51178.6↔		05
	01	B03A, B03B, B06A, B06B, B07Z, B17A, B17B, B17C	05		F01A, F01B, F01D, F05Z, F07A, F07B, F14A, F14B, F28A, F42Z, F54Z, F59A, F59B	08		I08A, I08B, I08C, I08D, I08E, I13A, I13B			
	05	F01A, F01B, F01D, F05Z, F07A, F07B, F14A, F14B, F28A, F42Z, F54Z, F59A, F59B	08		I08A, I08B, I08C, I08D, I08E, I13A, I13B	10		K09A, K09B			
	06	G10Z, G12A, G12B, G18A, G38Z	10		K09A, K09B	21A		W04A, W04B			
	07	H01A	21A		W04A, W04B	21B		X04Z			
	08	I08A, I08B, I08C, I08D, I08E, I13A, I13B	21B		X04Z						
	10	K09A, K09B	05		F01A, F01B, F01D, F05Z, F07A, F07B, F14A, F14B, F28A, F42Z, F54Z, F59A, F59B						
	11	L09A, L09B, L09C, L09D, L38Z	08		I08A, I08B, I08C, I08D, I08E, I13A, I13B						
	21A	W04A, W04B	10		K09A, K09B						
	21B	X06A, X06B	21A		W04A, W04B						
			21B		X04Z						

VYK

ZZV	MDC	DRG	ZZV	MDC	DRG	ZZV	MDC	DRG									
51178.x↔	05	F01A, F01B, F01D, F05Z, F07A, F07B, F14A, F14B, F28A, F42Z, F54Z, F59A, F59B	51179.9↔	01	B03A, B03B, B06A, B06B, B07Z, B17A, B17B, B17C	51179.e	04	BOP, KVT, UOP4									
		08			I08A, I08B, I08C, I08D, I08E, I13A, I13B			05	F01A, F01B, F01D, F05Z, F07A, F07B, F14A, F14B, F28A, F42Z, F54Z, F59A, F59B	05	E02A, E02B, E02C						
					10				K09A, K09B		08	I08A, I08B, I08C, I08D, I08E, I13A, I13B	08	I08A, I08B, I08C, I08D, I08E, I13A, I13B			
									21A			W04A, W04B		21A	X06A, X06B	14	962Z, O02A, O02B
												21B			X04Z		21B
51179.0↔	05	F39A, F39B	51179.a↔	04	E05A, E05B, E05C, E08A, E08B, E08C	51179.f	04	BOP, KVT, UOP4									
		08			I08A, I08B, I08C, I08D, I08E, I13A, I13B			05	F01A, F01B, F01D, F05Z, F07A, F07B, F09A, F09B, F09C, F42Z	05	E02A, E02B, E02C						
					21A				W04A, W04B		06	G15Z, G19A, G19B, G33Z, G38Z	06	F01A, F01B, F01D, F05Z, F07A, F07B, F14A, F14B, F28A, F42Z, F54Z, F59A, F59B			
51179.1↔	05	F39A, F39B	07	H33Z, H38Z		07	G03A, G18A, G38Z										
		08		I08A, I08B, I08C, I08D, I08E, I13A, I13B	08		I08A, I08B, I08C, I08D, I08E, I13A, I13B	07	H01A								
21A	W04A, W04B		11	L33Z		08	I08A, I08B, I08C, I08D, I08E, I13A, I13B										
	21B	X04Z		21A	W04A, W04B		14	962Z, O02A, O02B									
51179.2		05	F39A, F39B		51179.b↔	04		E05A, E05B, E05C, E08A, E08B, E08C	51179.g↔	05	BOP, KVT, UOP4						
	06		G18A, G38Z	05			F01A, F01B, F01D, F05Z, F07A, F07B, F09A, F09B, F09C, F42Z	06			F01A, F01B, F01D, F05Z, F07A, F07B, F14A, F14B, F28A, F42Z, F54Z, F59A, F59B						
			07				H01A				06	G15Z, G19A, G19B, G33Z, G38Z	08	G10Z, G12A, G12B			
							08					I08A, I08B, I08C, I08D, I08E, I13A, I13B		07	H33Z, H38Z	08	I08A, I08B, I08C, I08D, I08E, I13A, I13B
												21A			W04A, W04B		08
21B	X04Z	Pre	A07A	11	L09A, L09B, L09C, L09D, L38Z												
51179.3↔	05		F39A, F39B		51179.c↔	05	F01A, F01B, F01D, F05Z, F07A, F07B, F14A, F14B, F28A, F42Z, F54Z, F59A, F59B	51179.h↔	05	BOP, KVT, UOP4							
		06	G18A, G38Z	08			I08A, I08B, I08C, I08D, I08E, I13A, I13B			06	F01A, F01B, F01D, F05Z, F07A, F07B, F14A, F14B, F28A, F42Z, F54Z, F59A, F59B						
			07				H01A				10	K09A, K09B	08	G10Z, G12A, G12B			
							08					I08A, I08B, I08C, I08D, I08E, I13A, I13B		21A	W04A, W04B	08	I08A, I08B, I08C, I08D, I08E, I13A, I13B
												11			L09A, L09B, L09C, L09D, L38Z		21B
21A	W04A, W04B	Pre	A07A	21A	W04A, W04B												
21B	X04Z		51179.d↔		04	E05A, E05B, E05C, E08A, E08B, E08C	51179.i↔	05	BOP, KVT, UOP4								
51179.4	05	F39A, F39B		05		F01A, F01B, F01D, F05Z, F07A, F07B, F14A, F14B, F28A, F42Z, F54Z, F59A, F59B			06	G10Z, G12A, G12B							
		06				G18A, G38Z				08	I08A, I08B, I08C, I08D, I08E, I13A, I13B	08	I08A, I08B, I08C, I08D, I08E, I13A, I13B				
						07					H01A		10	K09A, K09B	11	L09A, L09B, L09C, L09D, L38Z	
											08			I08A, I08B, I08C, I08D, I08E, I13A, I13B		21A	W04A, W04B
			21A		W04A, W04B		21B	X06A, X06B, X33Z						21B			X06A, X06B
21B	X04Z	Pre		A07A	05	F39A, F39B											
51179.5	05		F39A, F39B	51179.e↔		04	E05A, E05B, E05C, E08A, E08B, E08C	51179.x↔	05	F39A, F39B							
		06	G18A, G38Z		05		F01A, F01B, F01D, F05Z, F07A, F07B, F09A, F09B, F09C, F42Z			08	I08A, I08B, I08C, I08D, I08E, I13A, I13B						
			07				H01A				06	G15Z, G19A, G19B, G33Z, G38Z	08	I08A, I08B, I08C, I08D, I08E, I13A, I13B			
							08					I08A, I08B, I08C, I08D, I08E, I13A, I13B		07	H33Z, H38Z	21A	W04A, W04B
												21A			W04A, W04B		08
21B	X04Z	11	L33Z	21B	X06A, X06B												
51179.6	05		F39A, F39B		51179.f↔	04	E05A, E05B, E05C, E08A, E08B, E08C	51179.y↔	05	F39A, F39B							
		06	G18A, G38Z	05			F01A, F01B, F01D, F05Z, F07A, F07B, F09A, F09B, F09C, F42Z			08	I08A, I08B, I08C, I08D, I08E, I13A, I13B						
			07				H01A				06	G15Z, G19A, G19B, G33Z, G38Z	08	I08A, I08B, I08C, I08D, I08E, I13A, I13B			
							08					I08A, I08B, I08C, I08D, I08E, I13A, I13B		07	H33Z, H38Z	21A	W04A, W04B
												21A			W04A, W04B		08
21B	X04Z	11	L33Z	21B	X06A, X06B												
51179.7	05		F39A, F39B		51179.g↔	04	E05A, E05B, E05C, E08A, E08B, E08C	51179.z↔	05	F39A, F39B							
		06	G18A, G38Z	05			F01A, F01B, F01D, F05Z, F07A, F07B, F09A, F09B, F09C, F42Z			08	I08A, I08B, I08C, I08D, I08E, I13A, I13B						
			07				H01A				06	G15Z, G19A, G19B, G33Z, G38Z	08	I08A, I08B, I08C, I08D, I08E, I13A, I13B			
							08					I08A, I08B, I08C, I08D, I08E, I13A, I13B		07	H33Z, H38Z	21A	W04A, W04B
												21A			W04A, W04B		08
21B	X04Z	11	L33Z	21B	X06A, X06B												
51179.8↔	05		F39A, F39B		51179.h↔	04	E05A, E05B, E05C, E08A, E08B, E08C	51179.aa↔	05	F39A, F39B							
		06	G18A, G38Z	05			F01A, F01B, F01D, F05Z, F07A, F07B, F09A, F09B, F09C, F42Z			08	I08A, I08B, I08C, I08D, I08E, I13A, I13B						
			07				H01A				06	G15Z, G19A, G19B, G33Z, G38Z	08	I08A, I08B, I08C, I08D, I08E, I13A, I13B			
							08					I08A, I08B, I08C, I08D, I08E, I13A, I13B		07	H33Z, H38Z	21A	W04A, W04B
												21A			W04A, W04B		08
21B	X04Z	11	L33Z	21B	X06A, X06B												
51179.9↔	05		F39A, F39B		51179.i↔	04	E05A, E05B, E05C, E08A, E08B, E08C	51179.ab↔	05	F39A, F39B							
		06	G18A, G38Z	05			F01A, F01B, F01D, F05Z, F07A, F07B, F09A, F09B, F09C, F42Z			08	I08A, I08B, I08C, I08D, I08E, I13A, I13B						
			07				H01A				06	G15Z, G19A, G19B, G33Z, G38Z	08	I08A, I08B, I08C, I08D, I08E, I13A, I13B			
							08					I08A, I08B, I08C, I08D, I08E, I13A, I13B		07	H33Z, H38Z	21A	W04A, W04B
												21A			W04A, W04B		08
21B	X04Z	11	L33Z	21B	X06A, X06B												

VYK

ZZV	MDC	DRG	ZZV	MDC	DRG	ZZV	MDC	DRG	
5117a.0↔	01	B03A, B03B, B06A, B06B, B07Z, B17A, B17B, B17C	51180.1		BOP, KVT, UOP4	51193.2↔	05	F20Z, F39A, F39B	
	03	D12A, D12B		04	E02A, E02B, E02C		08	I08A, I08B, I08C, I08D, I08E, I13A, I13B	
	05	F01A, F01B, F01D, F05Z, F07A, F07B, F14A, F14B, F28A, F42Z, F54Z, F59A, F59B		05	F01A, F01B, F01D, F05Z, F07A, F07B, F14A, F14B, F28A, F42Z, F54Z, F59A, F59B	51194.0↔	05	F39A, F39B	
	08	I08A, I08B, I08C, I08D, I08E, I13A, I13B		08	I08A, I08B, I08C, I08D, I08E, I13A, I13B		08	I08A, I08B, I08C, I08D, I08E, I13A, I13B	
	21A	W04A, W04B		14	962Z, O02A, O02B	51194.1↔	05	F39A, F39B	
21B	X06A, X06B	21A	W04A, W04B	08	I08A, I08B, I08C, I08D, I08E, I13A, I13B				
5117a.1↔	01	B04A, B04B, B04C, B04D, B04E	51180.2	21B	X06A, X06B, X06C	51194.2↔	05	F39A, F39B	
	05	F39A, F39B		04	E02A, E02B, E02C		08	I08A, I08B, I08C, I08D, I08E, I13A, I13B	
	08	I08A, I08B, I08C, I08D, I08E, I13A, I13B		05	F01A, F01B, F01D, F05Z, F07A, F07B, F14A, F14B, F28A, F42Z, F54Z, F59A, F59B	51194.3↔	05	F39A, F39B	
	21A	W04A, W04B		08	I08A, I08B, I08C, I08D, I08E, I13A, I13B		08	I08A, I08B, I08C, I08D, I08E, I13A, I13B	
	21B	X06A, X06B		14	962Z, O02A, O02B	51194.x↔	05	F39A, F39B	
5117a.2↔	05	F01A, F01B, F01D, F05Z, F07A, F07B, F14A, F14B, F28A, F42Z, F54Z, F59A, F59B	51180.x	21A	W04A, W04B		51195.0↔	05	F39A, F39B
	08	I08A, I08B, I08C, I08D, I08E, I13A, I13B		21B	X06A, X06B, X06C	08		I08A, I08B, I08C, I08D, I08E, I13A, I13B	
	10	K09A, K09B		BOP, KVT, UOP4	51195.1	05	F39A, F39B		
	21A	W04A, W04B		04		E02A, E02B, E02C	08	I08A, I08B, I08C, I08D, I08E, I13A, I13B	
	21B	X06A, X06B		05	F01A, F01B, F01D, F05Z, F07A, F07B, F14A, F14B, F28A, F42Z, F54Z, F59A, F59B	51195.2	05	F39A, F39B	
5117a.4↔	01	B03A, B03B, B06A, B06B, B07Z, B17A, B17B, B17C	51190.0↔	08	I08A, I08B, I08C, I08D, I08E, I13A, I13B		51195.3	05	F39A, F39B
	05	F01A, F01B, F01D, F05Z, F07A, F07B, F14A, F14B, F28A, F42Z, F54Z, F59A, F59B		05	F39A, F39B	08		I08A, I08B, I08C, I08D, I08E, I13A, I13B	
	06	G10Z, G12A, G12B		08	I08A, I08B, I08C, I08D, I08E, I13A, I13B	51195.4	05	F39A, F39B	
	08	I08A, I08B, I08C, I08D, I08E, I13A, I13B		08	I08A, I08B, I08C, I08D, I08E, I13A, I13B		08	I08A, I08B, I08C, I08D, I08E, I13A, I13B	
	21B	X04Z, X06A, X06B		05	F39A, F39B	51195.5	05	F39A, F39B	
5117a.5↔	05	F39A, F39B	51190.1↔	08	I08A, I08B, I08C, I08D, I08E, I13A, I13B		51195.6↔	05	F39A, F39B
	08	I08A, I08B, I08C, I08D, I08E, I13A, I13B		05	F39A, F39B	08		I08A, I08B, I08C, I08D, I08E, I13A, I13B	
	21A	W04A, W04B		51190.2↔	08	I08A, I08B, I08C, I08D, I08E, I13A, I13B	51195.7↔	05	F39A, F39B
	21B	X04Z			05	F39A, F39B		08	I08A, I08B, I08C, I08D, I08E, I13A, I13B
	5117a.6↔	05		F39A, F39B	51190.3↔	08	I08A, I08B, I08C, I08D, I08E, I13A, I13B	51195.8↔	05
08		I08A, I08B, I08C, I08D, I08E, I13A, I13B	05	F39A, F39B		08	I08A, I08B, I08C, I08D, I08E, I13A, I13B		
21A		W04A, W04B	51191.10↔	08		I08A, I08B, I08C, I08D, I08E, I13A, I13B	5119x↔	05	F39A, F39B
21B		X04Z		05		F39A, F39B		08	I08A, I08B, I08C, I08D, I08E, I13A, I13B
5117a.x↔		05	F39A, F39B	51191.11↔		08	I08A, I08B, I08C, I08D, I08E, I13A, I13B	511a1.70↔	05
	08	I08A, I08B, I08C, I08D, I08E, I13A, I13B	05		F39A, F39B	01	B04A, B04B, B04C, B04D, B04E		
	21A	W04A, W04B	08		I08A, I08B, I08C, I08D, I08E, I13A, I13B	03	D12A, D12B		
	21B	X06A, X06B	51191.2↔		05	F39A, F39B	05		F01A, F01B, F01D, F05Z, F06A, F06C, F07A, F07B, F14A, F14B, F28A, F42Z, F54Z, F59A, F59B
	5117x↔	05			F39A, F39B	51192.0↔	08		I08A, I08B, I08C, I08D, I08E, I13A, I13B
08		I08A, I08B, I08C, I08D, I08E, I13A, I13B	05	F20Z, F39A, F39B	51192.1↔		05	F20Z, F39A, F39B	
21A		W04A, W04B	08	I08A, I08B, I08C, I08D, I08E, I13A, I13B		08	I08A, I08B, I08C, I08D, I08E, I13A, I13B		
21B		X04Z, X06A, X06B	51192.2↔	05	F20Z, F39A, F39B	05	F20Z, F39A, F39B		
51180.0		04		E02A, E02B, E02C	51192.1↔	08	I08A, I08B, I08C, I08D, I08E, I13A, I13B	51193.0↔	05
	05	F01A, F01B, F01D, F05Z, F07A, F07B, F14A, F14B, F28A, F42Z, F54Z, F59A, F59B	05	F20Z, F39A, F39B		08	I08A, I08B, I08C, I08D, I08E, I13A, I13B		
	08	I08A, I08B, I08C, I08D, I08E, I13A, I13B	51192.2↔	08	I08A, I08B, I08C, I08D, I08E, I13A, I13B	51193.1↔	05	F39A, F39B	
	14	962Z, O02A, O02B		05	F20Z, F39A, F39B		08	I08A, I08B, I08C, I08D, I08E, I13A, I13B	
	21A	W04A, W04B	51193.0↔	05	F20Z, F39A, F39B	51193.1↔	05	F39A, F39B	
21B	X06A, X06B, X06C	08		I08A, I08B, I08C, I08D, I08E, I13A, I13B	08		I08A, I08B, I08C, I08D, I08E, I13A, I13B		

ZZV	MDC	DRG	ZZV	MDC	DRG	ZZV	MDC	DRG
51410.22		BOP, KOP, KVT, UOP4	51410.31		BOP, KOP, KVT, UOP4	51410.41		BOP, KOP, KVT, UOP4
	04	E36Z		04	E36Z		04	E36Z
	05	F01A, F01B, F01D, F05Z, F07A, F07B, F08A, F08B, F08C, F08D, F08E, F27A, F28A, F36A, F42Z, F51A, F51B		05	F01A, F01B, F01D, F05Z, F07A, F07B, F08A, F08B, F08C, F08D, F08E, F27A, F28A, F36A, F42Z, F51A, F51B		05	F01A, F01B, F01D, F05Z, F07A, F08A, F08B, F08C, F08D, F08E, F27A, F28A, F36A, F42Z, F51A, F51B
	06	G36Z		06	G36Z		06	G36Z
	08	I08A, I08B, I08C, I08D, I08E, I13A, I13B, I26Z		08	I08A, I08B, I08C, I08D, I08E, I13A, I13B, I26Z		08	I08A, I08B, I08C, I08D, I08E, I13A, I13B, I26Z
	11	L33Z		11	L33Z		11	L33Z
	21A	W36Z		21A	W36Z		21A	W36Z
	21B	X33Z		21B	X33Z		21B	X33Z
	23	Z01A		23	Z01A		23	Z01A
	Pre	A06A, A07A, A09A, A11A, A13A		Pre	A06A, A07A, A09A, A11A, A13A		Pre	A06A, A07A, A09A, A11A, A13A
	51410.23			BOP, KOP, KVT, UOP4	51410.32			BOP, KOP, KVT, UOP4
04		E36Z	04	E36Z		04	E36Z	
05		F01A, F01B, F01D, F05Z, F07A, F07B, F08A, F08B, F08C, F08D, F08E, F27A, F28A, F36A, F42Z, F51A, F51B	05	F01A, F01B, F01D, F05Z, F07A, F07B, F08A, F08B, F08C, F08D, F08E, F27A, F28A, F36A, F42Z, F51A, F51B		05	F01A, F01B, F01D, F05Z, F07A, F08A, F08B, F08C, F08D, F08E, F27A, F28A, F36A, F42Z, F51A, F51B	
06		G36Z	06	G36Z		06	G36Z	
08		I08A, I08B, I08C, I08D, I08E, I13A, I13B, I26Z	08	I08A, I08B, I08C, I08D, I08E, I13A, I13B, I26Z		08	I08A, I08B, I08C, I08D, I08E, I13A, I13B, I26Z	
11		L33Z	11	L33Z		11	L33Z	
21A		W36Z	21A	W36Z		21A	W36Z	
21B		X33Z	21B	X33Z		21B	X33Z	
23		Z01A	23	Z01A		23	Z01A	
Pre		A06A, A07A, A09A, A11A, A13A	Pre	A06A, A07A, A09A, A11A, A13A		Pre	A06A, A07A, A09A, A11A, A13A	
51410.24			BOP, KOP, KVT, UOP4	51410.33			BOP, KOP, KVT, UOP4	51410.43
	04	E36Z	04		E36Z	04	E36Z	
	05	F01A, F01B, F01D, F05Z, F07A, F07B, F08A, F08B, F08C, F08D, F08E, F27A, F28A, F36A, F42Z, F51A, F51B	05		F01A, F01B, F01D, F05Z, F07A, F08A, F08B, F08C, F08D, F08E, F27A, F28A, F36A, F42Z, F51A, F51B	05	F01A, F01B, F01D, F05Z, F07A, F07B, F08A, F08B, F08C, F08D, F08E, F27A, F28A, F36A, F42Z, F51A, F51B	
	06	G36Z	06		G36Z	06	G36Z	
	08	I08A, I08B, I08C, I08D, I08E, I13A, I13B, I26Z	08		I08A, I08B, I08C, I08D, I08E, I13A, I13B, I26Z	08	I08A, I08B, I08C, I08D, I08E, I13A, I13B, I26Z	
	11	L33Z	11		L33Z	11	L33Z	
	21A	W36Z	21A		W36Z	21A	W36Z	
	21B	X33Z	21B		X33Z	21B	X33Z	
	23	Z01A	23		Z01A	23	Z01A	
	Pre	A06A, A07A, A09A, A11A, A13A	Pre		A06A, A07A, A09A, A11A, A13A	Pre	A06A, A07A, A09A, A11A, A13A	
	51410.30		BOP, KOP, KVT, UOP4		51410.34		BOP, KOP, KVT, UOP4	
04		E36Z	04	E36Z		04	E36Z	
05		F01A, F01B, F01D, F05Z, F07A, F07B, F08A, F08B, F08C, F08D, F08E, F27A, F28A, F36A, F42Z, F51A, F51B	05	F01A, F01B, F01D, F05Z, F07A, F08A, F08B, F08C, F08D, F08E, F27A, F28A, F36A, F42Z, F51A, F51B		05	F01A, F01B, F01D, F05Z, F07A, F07B, F08A, F08B, F08C, F08D, F08E, F27A, F28A, F36A, F42Z, F51A, F51B	
06		G36Z	06	G36Z		06	G36Z	
08		I08A, I08B, I08C, I08D, I08E, I13A, I13B, I26Z	08	I08A, I08B, I08C, I08D, I08E, I13A, I13B, I26Z		08	I08A, I08B, I08C, I08D, I08E, I13A, I13B, I26Z	
11		L33Z	11	L33Z		11	L33Z	
21A		W36Z	21A	W36Z		21A	W36Z	
21B		X33Z	21B	X33Z		21B	X33Z	
23		Z01A	23	Z01A		23	Z01A	
Pre		A06A, A07A, A09A, A11A, A13A	Pre	A06A, A07A, A09A, A11A, A13A		Pre	A06A, A07A, A09A, A11A, A13A	

VYK

ZZV	MDC	DRG	ZZV	MDC	DRG	ZZV	MDC	DRG			
51410.51		BOP, KOP, KVT, UOP4	51410.61		BOP, KOP, KVT, UOP4	51412.0		BOP, KOP, KVT, UOP4			
	04	E36Z		04	E36Z		04	E36Z			
	05	F01A, F01B, F01D, F05Z, F07A, F07B, F08A, F08B, F08C, F08D, F08E, F27A, F28A, F36A, F42Z, F51A, F51B		05	F01A, F01B, F01D, F05Z, F07A, F08A, F08B, F08C, F08D, F08E, F27A, F28A, F36A, F42Z, F51A, F51B		05	F01A, F01B, F01D, F05Z, F07A, F07B, F08A, F08B, F08C, F08D, F08E, F27A, F28A, F36A, F42Z, F51A			
	06	G36Z		06	G36Z		06	G36Z			
	08	I08A, I08B, I08C, I08D, I08E, I13A, I13B, I26Z		08	I08A, I08B, I08C, I08D, I08E, I13A, I13B, I26Z		08	I08A, I08B, I08C, I08D, I08E, I13A, I13B, I26Z			
	11	L33Z		11	L33Z		11	L33Z			
	21A	W36Z		21A	W36Z		21A	W36Z			
	21B	X33Z		21B	X33Z		21B	X33Z			
	23	Z01A		23	Z01A		23	Z01A			
	Pre	A06A, A07A, A09A, A11A, A13A		Pre	A06A, A07A, A09A, A11A, A13A		Pre	A06A, A07A, A09A, A11A, A13A			
	51410.53			BOP, KOP, KVT, UOP4	51410.62			BOP, KOP, KVT, UOP4	51412.11		BOP, KOP, KVT, UOP4
		04		E36Z			04	E36Z		04	E36Z
		05		F01A, F01B, F01D, F05Z, F07A, F07B, F08A, F08B, F08C, F08D, F08E, F27A, F28A, F36A, F42Z, F51A, F51B			05	F01A, F01B, F01D, F05Z, F07A, F08A, F08B, F08C, F08D, F08E, F27A, F28A, F36A, F42Z, F51A, F51B		05	F01A, F01B, F01D, F05Z, F07A, F07B, F08A, F08B, F08C, F08D, F08E, F27A, F28A, F36A, F42Z, F51A
06		G36Z	06	G36Z		06	G36Z				
08		I08A, I08B, I08C, I08D, I08E, I13A, I13B, I26Z	08	I08A, I08B, I08C, I08D, I08E, I13A, I13B, I26Z		08	I08A, I08B, I08C, I08D, I08E, I13A, I13B, I26Z				
11		L33Z	11	L33Z		11	L33Z				
21A		W36Z	21A	W36Z		21A	W36Z				
21B		X33Z	21B	X33Z		21B	X33Z				
23		Z01A	23	Z01A		23	Z01A				
Pre		A06A, A07A, A09A, A11A, A13A	Pre	A06A, A07A, A09A, A11A, A13A		Pre	A06A, A07A, A09A, A11A, A13A				
51410.54			BOP, KOP, KVT, UOP4	51410.x			BOP, KOP, KVT, UOP4	51412.12			BOP, KOP, KVT, UOP4
		04	E36Z			04	E36Z			04	E36Z
		05	F01A, F01B, F01D, F05Z, F07A, F07B, F08A, F08B, F08C, F08D, F08E, F27A, F28A, F36A, F42Z, F51A, F51B			05	F01A, F01B, F01D, F05Z, F07A, F07B, F08A, F08B, F08C, F08D, F08E, F27A, F28A, F36A, F42Z, F51A, F51B			05	F01A, F01B, F01D, F05Z, F07A, F07B, F08A, F08B, F08C, F08D, F08E, F27A, F28A, F36A, F42Z, F51A
	06	G36Z	06		G36Z	06	G36Z				
	08	I08A, I08B, I08C, I08D, I08E, I13A, I13B, I26Z	08		I08A, I08B, I08C, I08D, I08E, I13A, I13B, I26Z	08	I08A, I08B, I08C, I08D, I08E, I13A, I13B, I26Z				
	11	L33Z	11		L33Z	11	L33Z				
	21A	W36Z	21A		W36Z	21A	W36Z				
	21B	X33Z	21B		X33Z	21B	X33Z				
	23	Z01A	23		Z01A	23	Z01A				
	Pre	A06A, A07A, A09A, A11A, A13A	Pre		A06A, A07A, A09A, A11A, A13A	Pre	A06A, A07A, A09A, A11A, A13A				
	51410.60		BOP, KOP, KVT, UOP4		51411.0		BOP, KVT, UOP4		51412.13		BOP, KOP, KVT, UOP4
		04	E36Z			05	F01A, F01B, F01D, F05Z, F07A, F07B, F08A, F08B, F08C, F08D, F08E, F27A, F28A, F42Z			04	E36Z
		05	F01A, F01B, F01D, F05Z, F07A, F08A, F08B, F08C, F08D, F08E, F27A, F28A, F36A, F42Z, F51A, F51B			08	I08A, I08B, I08C, I08D, I08E, I13A, I13B			05	F01A, F01B, F01D, F05Z, F07A, F07B, F08A, F08B, F08C, F08D, F08E, F27A, F28A, F36A, F42Z, F51A
06		G36Z	21B	X33Z		06	G36Z				
08		I08A, I08B, I08C, I08D, I08E, I13A, I13B, I26Z	23	Z01A		08	I08A, I08B, I08C, I08D, I08E, I13A, I13B, I26Z				
11		L33Z	51411.1			BOP, KVT, UOP4	11	L33Z			
21A		W36Z		05		F01A, F01B, F01D, F05Z, F07A, F07B, F08A, F08B, F08C, F08D, F08E, F27A, F28A, F42Z	21A	W36Z			
21B		X33Z		08		I08A, I08B, I08C, I08D, I08E, I13A, I13B	21B	X33Z			
23		Z01A		21B		X33Z	23	Z01A			
Pre		A06A, A07A, A09A, A11A, A13A		23		Z01A	Pre	A06A, A07A, A09A, A11A, A13A			

ZZV	MDC	DRG	ZZV	MDC	DRG	ZZV	MDC	DRG
51412.21		BOP, KOP, KVT, UOP4	51412.32		BOP, KOP, KVT, UOP4	51413.12		BOP, KOP, KVT, UOP4
	04	E36Z		04	E36Z		04	E36Z
	05	F01A, F01B, F01D, F05Z, F07A, F07B, F08A, F08B, F08C, F08D, F08E, F27A, F28A, F36A, F42Z, F51A		05	F01A, F01B, F01D, F05Z, F07A, F07B, F08A, F08B, F08C, F08D, F08E, F27A, F28A, F36A, F42Z, F51A		05	F01A, F01B, F01D, F05Z, F07A, F07B, F08A, F08B, F08C, F08D, F08E, F27A, F28A, F36A, F42Z, F51A
	06	G36Z		06	G36Z		06	G36Z
	08	I08A, I08B, I08C, I08D, I08E, I13A, I13B, I26Z		08	I08A, I08B, I08C, I08D, I08E, I13A, I13B, I26Z		08	I08A, I08B, I08C, I08D, I08E, I13A, I13B, I26Z
	11	L33Z		11	L33Z		11	L33Z
	21A	W36Z		21A	W36Z		21A	W36Z
	21B	X33Z		21B	X33Z		21B	X33Z
	23	Z01A		23	Z01A		23	Z01A
	Pre	A06A, A07A, A09A, A11A, A13A		Pre	A06A, A07A, A09A, A11A, A13A		Pre	A06A, A07A, A09A, A11A, A13A
	51412.22			BOP, KOP, KVT, UOP4	51412.33			BOP, KOP, KVT, UOP4
04		E36Z	04	E36Z		04	E36Z	
05		F01A, F01B, F01D, F05Z, F07A, F07B, F08A, F08B, F08C, F08D, F08E, F27A, F28A, F36A, F42Z, F51A	05	F01A, F01B, F01D, F05Z, F07A, F07B, F08A, F08B, F08C, F08D, F08E, F27A, F28A, F36A, F42Z, F51A		05	F01A, F01B, F01D, F05Z, F07A, F07B, F08A, F08B, F08C, F08D, F08E, F27A, F28A, F36A, F42Z, F51A	
06		G36Z	06	G36Z		06	G36Z	
08		I08A, I08B, I08C, I08D, I08E, I13A, I13B, I26Z	08	I08A, I08B, I08C, I08D, I08E, I13A, I13B, I26Z		08	I08A, I08B, I08C, I08D, I08E, I13A, I13B, I26Z	
11		L33Z	11	L33Z		11	L33Z	
21A		W36Z	21A	W36Z		21A	W36Z	
21B		X33Z	21B	X33Z		21B	X33Z	
23		Z01A	23	Z01A		23	Z01A	
Pre		A06A, A07A, A09A, A11A, A13A	Pre	A06A, A07A, A09A, A11A, A13A		Pre	A06A, A07A, A09A, A11A, A13A	
51412.23			BOP, KOP, KVT, UOP4	51413.0			BOP, KOP, KVT, UOP4	51413.14
	04	E36Z	04		E36Z	04	E36Z	
	05	F01A, F01B, F01D, F05Z, F07A, F07B, F08A, F08B, F08C, F08D, F08E, F27A, F28A, F36A, F42Z, F51A	05		F01A, F01B, F01D, F05Z, F07A, F07B, F08A, F08B, F08C, F08D, F08E, F27A, F28A, F36A, F42Z, F51A	05	F01A, F01B, F01D, F05Z, F07A, F07B, F08A, F08B, F08C, F08D, F08E, F27A, F28A, F36A, F42Z, F51A	
	06	G36Z	06		G36Z	06	G36Z	
	08	I08A, I08B, I08C, I08D, I08E, I13A, I13B, I26Z	08		I08A, I08B, I08C, I08D, I08E, I13A, I13B, I26Z	08	I08A, I08B, I08C, I08D, I08E, I13A, I13B, I26Z	
	11	L33Z	11		L33Z	11	L33Z	
	21A	W36Z	21A		W36Z	21A	W36Z	
	21B	X33Z	21B		X33Z	21B	X33Z	
	23	Z01A	23		Z01A	23	Z01A	
	Pre	A06A, A07A, A09A, A11A, A13A	Pre		A06A, A07A, A09A, A11A, A13A	Pre	A06A, A07A, A09A, A11A, A13A	
	51412.31		BOP, KOP, KVT, UOP4		51413.11		BOP, KOP, KVT, UOP4	
04		E36Z	04	E36Z		04	E36Z	
05		F01A, F01B, F01D, F05Z, F07A, F07B, F08A, F08B, F08C, F08D, F08E, F27A, F28A, F36A, F42Z, F51A	05	F01A, F01B, F01D, F05Z, F07A, F07B, F08A, F08B, F08C, F08D, F08E, F27A, F28A, F36A, F42Z, F51A		05	F01A, F01B, F01D, F05Z, F07A, F07B, F08A, F08B, F08C, F08D, F08E, F27A, F28A, F36A, F42Z, F51A	
06		G36Z	06	G36Z		06	G36Z	
08		I08A, I08B, I08C, I08D, I08E, I13A, I13B, I26Z	08	I08A, I08B, I08C, I08D, I08E, I13A, I13B, I26Z		08	I08A, I08B, I08C, I08D, I08E, I13A, I13B, I26Z	
11		L33Z	11	L33Z		11	L33Z	
21A		W36Z	21A	W36Z		21A	W36Z	
21B		X33Z	21B	X33Z		21B	X33Z	
23		Z01A	23	Z01A		23	Z01A	
Pre		A06A, A07A, A09A, A11A, A13A	Pre	A06A, A07A, A09A, A11A, A13A		Pre	A06A, A07A, A09A, A11A, A13A	

VYK

ZZV	MDC	DRG	ZZV	MDC	DRG	ZZV	MDC	DRG
51413.22		BOP, KOP, KVT, UOP4	51413.32		BOP, KOP, KVT, UOP4	51416.12		BOP, KVT, UOP4
	04	E36Z		04	E36Z		05	F01A, F01B, F01D, F05Z, F07A, F07B, F08A, F08B, F08C, F08D, F08E, F27A, F28A, F36A, F42Z, F51A
	05	F01A, F01B, F01D, F05Z, F07A, F07B, F08A, F08B, F08C, F08D, F08E, F27A, F28A, F36A, F42Z, F51A		05	F01A, F01B, F01D, F05Z, F07A, F07B, F08A, F08B, F08C, F08D, F08E, F27A, F28A, F36A, F42Z, F51A		08	I08A, I08B, I08C, I08D, I08E, I13A, I13B, I26Z
	06	G36Z		06	G36Z		21B	X33Z
	08	I08A, I08B, I08C, I08D, I08E, I13A, I13B, I26Z		08	I08A, I08B, I08C, I08D, I08E, I13A, I13B, I26Z		51416.13	BOP, KVT, UOP4
	11	L33Z		11	L33Z			05
	21A	W36Z		21A	W36Z		08	I08A, I08B, I08C, I08D, I08E, I13A, I13B
	21B	X33Z		21B	X33Z		21B	X33Z
	23	Z01A		23	Z01A		5141x	BOP, KVT, UOP4
	Pre	A06A, A07A, A09A, A11A, A13A		Pre	A06A, A07A, A09A, A11A, A13A			05
	51413.23			BOP, KOP, KVT, UOP4	51413.33			BOP, KOP, KVT, UOP4
04		E36Z	04	E36Z		05	F01A, F01B, F01D, F05Z, F07A, F07B, F08A, F08B, F08C, F08D, F08E, F27A, F28A, F36A, F42Z, F51A	
05		F01A, F01B, F01D, F05Z, F07A, F07B, F08A, F08B, F08C, F08D, F08E, F27A, F28A, F36A, F42Z, F51A	05	F01A, F01B, F01D, F05Z, F07A, F07B, F08A, F08B, F08C, F08D, F08E, F27A, F28A, F36A, F42Z, F51A		08	I08A, I08B, I08C, I08D, I08E, I13A, I13B	
06		G36Z	06	G36Z		21B	X33Z	
08		I08A, I08B, I08C, I08D, I08E, I13A, I13B, I26Z	08	I08A, I08B, I08C, I08D, I08E, I13A, I13B, I26Z		51500.1	BOP, KOP, KVT, UOP4	
11		L33Z	11	L33Z			05	F01A, F01B, F01D, F05Z, F07A, F07B, F09A, F09B, F09C, F42Z
21A		W36Z	21A	W36Z		08	I08A, I08B, I08C, I08D, I08E, I13A, I13B	
21B		X33Z	21B	X33Z		15	P02A, P02B, P02C	
23		Z01A	23	Z01A		51500.2	BOP, KOP, KVT, UOP4	
Pre		A06A, A07A, A09A, A11A, A13A	Pre	A06A, A07A, A09A, A11A, A13A			05	F01A, F01B, F01D, F05Z, F07A, F07B, F09A, F09B, F09C, F42Z
51413.24			BOP, KOP, KVT, UOP4	51413.34			BOP, KVT, UOP4	51500.3
	04	E36Z	05		F01A, F01B, F01D, F05Z, F07A, F07B, F08A, F08B, F08C, F08D, F08E, F27A, F28A, F42Z	05	F01A, F01B, F01D, F05Z, F07A, F07B, F09A, F09B, F09C, F42Z	
	05	F01A, F01B, F01D, F05Z, F07A, F07B, F08A, F08B, F08C, F08D, F08E, F27A, F28A, F36A, F42Z, F51A	08		I08A, I08B, I08C, I08D, I08E, I13A, I13B	08	I08A, I08B, I08C, I08D, I08E, I13A, I13B	
	06	G36Z	21B		X33Z	51500.4	BOP, KOP, KVT, UOP4	
	08	I08A, I08B, I08C, I08D, I08E, I13A, I13B, I26Z	21B		X33Z		05	
	11	L33Z	51415.11		BOP, KVT, UOP4	06	G33Z	
	21A	W36Z			05	F01A, F01B, F01D, F05Z, F07A, F07B, F08A, F08B, F08C, F08D, F08E, F27A, F28A, F42Z	07	
	21B	X33Z	08		I08A, I08B, I08C, I08D, I08E, I13A, I13B	08	I08A, I08B, I08C, I08D, I08E, I13A, I13B	
	23	Z01A	51415.12		BOP, KVT, UOP4	11	L33Z	
	Pre	A06A, A07A, A09A, A11A, A13A			05	F01A, F01B, F01D, F05Z, F07A, F07B, F08A, F08B, F08C, F08D, F08E, F27A, F28A, F42Z	21B	
	51413.31		BOP, KOP, KVT, UOP4		51415.13		BOP, KVT, UOP4	
04		E36Z	05	F01A, F01B, F01D, F05Z, F07A, F07B, F08A, F08B, F08C, F08D, F08E, F27A, F28A, F42Z		05	F01A, F01B, F01D, F05Z, F07A, F07B, F09A, F09B, F09C, F42Z	
05		F01A, F01B, F01D, F05Z, F07A, F07B, F08A, F08B, F08C, F08D, F08E, F27A, F28A, F36A, F42Z, F51A	08	I08A, I08B, I08C, I08D, I08E, I13A, I13B		08	I08A, I08B, I08C, I08D, I08E, I13A, I13B	
06		G36Z	21B	X33Z		15	P02A, P02B, P02C	
08		I08A, I08B, I08C, I08D, I08E, I13A, I13B, I26Z	51416.11	BOP, KVT, UOP4		51500.4	BOP, KOP, KVT, UOP4	
11		L33Z		05			F01A, F01B, F01D, F05Z, F07A, F07B, F08A, F08B, F08C, F08D, F08E, F27A, F28A, F42Z	05
21A		W36Z	08	I08A, I08B, I08C, I08D, I08E, I13A, I13B		08	I08A, I08B, I08C, I08D, I08E, I13A, I13B	
21B		X33Z	51416.11	BOP, KVT, UOP4		51500.4	BOP, KOP, KVT, UOP4	
23		Z01A		05			F01A, F01B, F01D, F05Z, F07A, F07B, F08A, F08B, F08C, F08D, F08E, F27A, F28A, F42Z	05
Pre		A06A, A07A, A09A, A11A, A13A	08	I08A, I08B, I08C, I08D, I08E, I13A, I13B		08	I08A, I08B, I08C, I08D, I08E, I13A, I13B	
			21B	X33Z				



ZZV	MDC	DRG	ZZV	MDC	DRG	ZZV	MDC	DRG		
51500.5		BOP, KOP, KVT, UOP4	51501.1		BOP, KOP, KOPV, KVT, UOP4	51501.x		BOP, KOP, KOPV, KVT, UOP4		
	04	E02A, E02B, E02C		05	F01A, F01B, F01D, F05Z, F07A, F07B, F14A, F14B, F28A, F42Z, F54Z, F59A, F59B		05	F01A, F01B, F01D, F05Z, F07A, F07B, F14A, F14B, F28A, F42Z, F54Z, F59A, F59B		
	05	F01A, F01B, F01D, F05Z, F07A, F07B, F14A, F14B, F28A, F42Z, F54Z, F59A, F59B		06	G15Z, G19A, G19B, G33Z, G38Z		06	G15Z, G19A, G19B, G33Z, G38Z		
	08	I08A, I08B, I08C, I08D, I08E, I13A, I13B		07	H01A, H01B, H09A, H09B, H09C, H33Z, H38Z		07	H01A, H01B, H09A, H09B, H09C, H33Z, H38Z		
51500.6		BOP, KOP, KOPV, KVT, UOP4	51501.2		BOP, KOP, KOPV, KVT, UOP4	51502.10		BOP, KOP, KOPV, KVT, UOP4		
	05	F01A, F01B, F01D, F05Z, F07A, F07B, F09A, F09B, F09C, F30Z, F42Z		08	I08A, I08B, I08C, I08D, I08E, I13A, I13B		08	I08A, I08B, I08C, I08D, I08E, I13A, I13B		
	06	G33Z		11	L33Z		11	L33Z		
	07	H33Z, H38Z		21B	X33Z		21B	X33Z		
	08	I08A, I08B, I08C, I08D, I08E, I13A, I13B		23	Z01A		23	Z01A		
	11	L33Z		Pre	A07A		Pre	A07A		
	15	P02A, P02B, P02C		51501.3			BOP, KOP, KOPV, KVT, UOP4	51502.11		BOP, KOP, KOPV, KVT, UOP4
	21B	X33Z			05		F01A, F01B, F01D, F05Z, F07A, F07B, F14A, F14B, F28A, F42Z, F54Z, F59A, F59B		05	F01A, F01B, F01D, F05Z, F07A, F07B, F08B, F08D, F14A, F14B, F28A, F42Z, F54Z, F59A, F59B
	23	Z01A			06		G15Z, G19A, G19B, G33Z, G38Z		07	H06A, H06B, H06C
	Pre	A07A			07		H01A, H01B, H09A, H09B, H09C, H33Z, H38Z		08	I08A, I08B, I08C, I08D, I08E, I13A, I13B
	51500.7			BOP, KOP, KVT, UOP4	51501.3			BOP, KOP, KOPV, KVT, UOP4	51502.11	
05		F01A, F01B, F01D, F05Z, F07A, F07B, F09A, F09B, F09C, F42Z	05	F01A, F01B, F01D, F05Z, F07A, F07B, F14A, F14B, F28A, F42Z, F54Z, F59A, F59B		05	F01A, F01B, F01D, F05Z, F07A, F07B, F08B, F08D, F14A, F14B, F28A, F42Z, F54Z, F59A, F59B			
08		I08A, I08B, I08C, I08D, I08E, I13A, I13B	06	G15Z, G19A, G19B, G33Z, G38Z		07	H06A, H06B, H06C			
51500.8		BOP, KOP, KVT, UOP4	51501.3		BOP, KOP, KOPV, KVT, UOP4	51502.11		BOP, KOP, KOPV, KVT, UOP4		
	05	F01A, F01B, F01D, F05Z, F07A, F07B, F09A, F09B, F09C, F42Z		07	H01A, H01B, H09A, H09B, H09C, H33Z, H38Z		08	I08A, I08B, I08C, I08D, I08E, I13A, I13B		
	08	I08A, I08B, I08C, I08D, I08E, I13A, I13B		08	I08A, I08B, I08C, I08D, I08E, I13A, I13B		09	J03A, J03B, J04A, J04B, J08A, J08B, J08C, J11A, J11B, J16Z		
51500.x		BOP, KOP, KVT, UOP4	51501.3		BOP, KOP, KOPV, KVT, UOP4	51502.11		BOP, KOP, KOPV, KVT, UOP4		
	05	F01A, F01B, F01D, F05Z, F07A, F07B, F09A, F09B, F09C, F42Z		05	F01A, F01B, F01D, F05Z, F07A, F07B, F14A, F14B, F28A, F42Z, F54Z, F59A, F59B		05	F01A, F01B, F01D, F05Z, F07A, F07B, F08B, F08D, F14A, F14B, F28A, F42Z, F54Z, F59A, F59B		
	08	I08A, I08B, I08C, I08D, I08E, I13A, I13B		06	G15Z, G19A, G19B, G33Z, G38Z		07	H06A, H06B, H06C		
51501.0		BOP, KOP, KOPV, KVT, UOP4	51501.4		BOP, KOP, KOPV, KVT, UOP4	51502.2		BOP, KOP, KOPV, KVT, UOP4		
	05	F01A, F01B, F01D, F05Z, F07A, F07B, F14A, F14B, F28A, F42Z, F54Z, F59A, F59B		05	F01A, F01B, F01D, F05Z, F07A, F07B, F14A, F14B, F28A, F42Z, F54Z, F59A, F59B		05	F01A, F01B, F01D, F05Z, F07A, F07B, F08B, F08D, F14A, F14B, F28A, F42Z, F54Z, F59A, F59B		
	06	G15Z, G19A, G19B, G33Z, G38Z		06	G15Z, G19A, G19B, G33Z, G38Z		07	H06A, H06B, H06C		
	07	H01A, H01B, H09A, H09B, H09C, H33Z, H38Z		07	H01A, H01B, H09A, H09B, H09C, H33Z, H38Z		08	I08A, I08B, I08C, I08D, I08E, I13A, I13B		
	08	I08A, I08B, I08C, I08D, I08E, I13A, I13B		08	I08A, I08B, I08C, I08D, I08E, I13A, I13B		09	J03A, J03B, J04A, J04B, J08A, J08B, J08C, J11A, J11B, J16Z		
	11	L33Z		11	L33Z		10	K09A, K09B		
	21B	X33Z		21B	X33Z		11	L09A, L09B, L09C, L09D, L38Z		
	23	Z01A		23	Z01A		21A	W04A, W04B		
	Pre	A07A		Pre	A07A		21B	X04Z, X05A, X05B, X06A, X06B, X06C		
							01	B04A, B04B, B04C, B04D, B04E		
							05	F01A, F01B, F01D, F05Z, F07A, F07B, F08B, F08D, F14A, F14B, F28A, F42Z, F54Z, F59A, F59B		

ZZV	MDC	DRG	ZZV	MDC	DRG	ZZV	MDC	DRG			
51502.30	01	B04A, B04B, B04C, B04D, B04E	51502.40	01	B04A, B04B, B04C, B04D, B04E	51502.51	01	B04A, B04B, B04C, B04D, B04E			
	05	F01A, F01B, F01D, F05Z, F07A, F07B, F08B, F08D, F14A, F14B, F28A, F42Z, F54Z, F59A, F59B		05	F01A, F01B, F01D, F05Z, F07A, F07B, F08B, F08D, F14A, F14B, F28A, F42Z, F54Z, F59A, F59B		05	F01A, F01B, F01D, F05Z, F07A, F07B, F08A, F08B, F08C, F08D, F08E, F08F, F27A, F28A, F42Z			
	07	H06A, H06B, H06C		07	H06A, H06B, H06C		07	H06A, H06B, H06C			
	08	I08A, I08B, I08C, I08D, I08E, I13A, I13B		08	I08A, I08B, I08C, I08D, I08E, I13A, I13B		08	I08A, I08B, I08C, I08D, I08E, I13A, I13B			
	09	J03A, J03B, J04A, J04B, J08A, J08B, J08C, J11A, J11B, J16Z		09	J03A, J03B, J04A, J04B, J08A, J08B, J08C, J11A, J11B, J16Z		09	J03A, J03B, J04A, J04B, J08A, J08B, J08C, J11A, J11B, J16Z			
	10	K09A, K09B		10	K09A, K09B		10	K09A, K09B			
	11	L09A, L09B, L09C, L09D, L38Z		11	L09A, L09B, L09C, L09D, L38Z		11	L09A, L09B, L09C, L09D, L38Z			
	21A	W04A, W04B		21A	W04A, W04B		21A	W04A, W04B			
	21B	X04Z, X05A, X05B, X06A, X06B, X06C		21B	X04Z, X05A, X05B, X06A, X06B, X06C		21B	X04Z, X05A, X05B, X06A, X06B, X06C, X33Z			
	51502.31	01		B04A, B04B, B04C, B04D, B04E	51502.41		01	B04A, B04B, B04C, B04D, B04E	51502.6	01	B04A, B04B, B04C, B04D, B04E
		05		F01A, F01B, F01D, F05Z, F07A, F07B, F08B, F08D, F14A, F14B, F28A, F42Z, F54Z, F59A, F59B			05	F01A, F01B, F01D, F05Z, F07A, F07B, F08B, F08D, F14A, F14B, F28A, F42Z, F54Z, F59A, F59B		05	F01A, F01B, F01D, F05Z, F07A, F07B, F08A, F08B, F08C, F08D, F08E, F08F, F27A, F28A, F42Z
07		H06A, H06B, H06C	07	H06A, H06B, H06C		07	H06A, H06B, H06C				
08		I08A, I08B, I08C, I08D, I08E, I13A, I13B	08	I08A, I08B, I08C, I08D, I08E, I13A, I13B		08	I08A, I08B, I08C, I08D, I08E, I13A, I13B				
09		J03A, J03B, J04A, J04B, J08A, J08B, J08C, J11A, J11B, J16Z	09	J03A, J03B, J04A, J04B, J08A, J08B, J08C, J11A, J11B, J16Z		09	J03A, J03B, J04A, J04B, J08A, J08B, J08C, J11A, J11B, J16Z				
10		K09A, K09B	10	K09A, K09B		10	K09A, K09B				
11		L09A, L09B, L09C, L09D, L38Z	11	L09A, L09B, L09C, L09D, L38Z		11	L09A, L09B, L09C, L09D, L38Z				
21A		W04A, W04B	21A	W04A, W04B		21A	W04A, W04B				
21B		X04Z, X05A, X05B, X06A, X06B, X06C	21B	X04Z, X05A, X05B, X06A, X06B, X06C		21B	X04Z, X05A, X05B, X06A, X06B, X06C, X33Z				
51502.32		01	B04A, B04B, B04C, B04D, B04E	51502.50		01	B04A, B04B, B04C, B04D, B04E	51502.70		01	B04A, B04B, B04C, B04D, B04E
		05	F01A, F01B, F01D, F05Z, F07A, F07B, F08B, F08D, F14A, F14B, F28A, F42Z, F54Z, F59A, F59B			05	F01A, F01B, F01D, F05Z, F07A, F07B, F08A, F08B, F08C, F08D, F08E, F08F, F27A, F28A, F42Z			05	F01A, F01B, F01D, F05Z, F07A, F07B, F08A, F08B, F08C, F08D, F08E, F08F, F27A, F28A, F42Z
	07	H06A, H06B, H06C	07		H06A, H06B, H06C	07	H06A, H06B, H06C				
	08	I08A, I08B, I08C, I08D, I08E, I13A, I13B	08		I08A, I08B, I08C, I08D, I08E, I13A, I13B	08	I08A, I08B, I08C, I08D, I08E, I13A, I13B				
	09	J03A, J03B, J04A, J04B, J08A, J08B, J08C, J11A, J11B, J16Z	09		J03A, J03B, J04A, J04B, J08A, J08B, J08C, J11A, J11B, J16Z	09	J03A, J03B, J04A, J04B, J08A, J08B, J08C, J11A, J11B, J16Z				
	10	K09A, K09B	10		K09A, K09B	10	K09A, K09B				
	11	L09A, L09B, L09C, L09D, L38Z	11		L09A, L09B, L09C, L09D, L38Z	11	L09A, L09B, L09C, L09D, L38Z				
	21A	W04A, W04B	21A		W04A, W04B	21A	W04A, W04B				
	21B	X04Z, X05A, X05B, X06A, X06B, X06C	21B		X04Z, X05A, X05B, X06A, X06B, X06C, X33Z	21B	X04Z, X05A, X05B, X06A, X06B, X06C, X33Z				

VYK

ZZV	MDC	DRG	ZZV	MDC	DRG	ZZV	MDC	DRG		
51502.71	01	B04A, B04B, B04C, B04D, B04E	51502.9	01	B04A, B04B, B04C, B04D, B04E	51502.ax	05	F21A, F21B		
	05	F01A, F01B, F01D, F05Z, F07A, F07B, F08B, F08D, F14A, F14B, F28A, F42Z, F54Z, F59A, F59B		05	F01A, F01B, F01D, F05Z, F07A, F07B, F08A, F08B, F08C, F08D, F08E, F27A, F28A, F42Z		08	I08A, I08B, I08C, I08D, I08E, I13A, I13B		
	07	H06A, H06B, H06C		08	I08A, I08B, I08C, I08D, I08E, I13A, I13B		10	K09A, K09B		
	08	I08A, I08B, I08C, I08D, I08E, I13A, I13B		10	K09A, K09B		11	L09A, L09B, L09C, L09D, L38Z		
	09	J03A, J03B, J04A, J04B, J08A, J08B, J08C, J11A, J11B, J16Z		21A	W04A, W04B		21A	W04A, W04B		
	10	K09A, K09B		21B	X04Z, X05A, X05B, X06A, X06B, X06C, X33Z		21B	X04Z, X05A, X05B, X06A, X06B, X06C		
	11	L09A, L09B, L09C, L09D, L38Z		51502.a0	05		F21A, F21B	51502.x	05	F21A, F21B
	21A	W04A, W04B		08	I08A, I08B, I08C, I08D, I08E, I13A, I13B		08	I08A, I08B, I08C, I08D, I08E, I13A, I13B		
	21B	X04Z, X05A, X05B, X06A, X06B, X06C		10	K09A, K09B		10	K09A, K09B		
				11	L09A, L09B, L09C, L09D, L38Z		11	L09A, L09B, L09C, L09D, L38Z		
				21A	W04A, W04B		21A	W04A, W04B		
51502.72	01	B04A, B04B, B04C, B04D, B04E	51502.a1	21B	X04Z, X05A, X05B, X06A, X06B, X06C	51511.0	21B	X04Z, X05A, X05B, X06A, X06B, X06C		
	05	F01A, F01B, F01D, F05Z, F07A, F07B, F08B, F08D, F14A, F14B, F28A, F42Z, F54Z, F59A, F59B		05	F21A, F21B		01	BOP, KVT, UOP4		
	07	H06A, H06B, H06C		08	I08A, I08B, I08C, I08D, I08E, I13A, I13B		05	F01A, F01B, F01D, F05Z, F06A, F06C, F07A, F07B, F08A, F08B, F08C, F08D, F08E, F27A, F28A, F42Z		
	08	I08A, I08B, I08C, I08D, I08E, I13A, I13B		10	K09A, K09B		08	I08A, I08B, I08C, I08D, I08E, I13A, I13B		
	09	J03A, J03B, J04A, J04B, J08A, J08B, J08C, J11A, J11B, J16Z		11	L09A, L09B, L09C, L09D, L38Z		10	K09A, K09B		
	10	K09A, K09B		21A	W04A, W04B		11	L09A, L38Z		
	11	L09A, L09B, L09C, L09D, L38Z		21B	X04Z, X05A, X05B, X06A, X06B, X06C		21A	W04A, W04B		
	21A	W04A, W04B		51502.a2	05		F21A, F21B	21B	X06A, X06B, X06C, X33Z	
	21B	X04Z, X05A, X05B, X06A, X06B, X06C		08	I08A, I08B, I08C, I08D, I08E, I13A, I13B		51511.1	01	BOP, KVT, UOP4	
				10	K09A, K09B		01	B04A, B04B, B04C, B04D, B04E		
				11	L09A, L09B, L09C, L09D, L38Z		05	F01A, F01B, F01D, F05Z, F06A, F06C, F07A, F07B, F08A, F08B, F08C, F08D, F08E, F27A, F28A, F42Z		
51502.73	01	B04A, B04B, B04C, B04D, B04E	51502.a3	21A	W04A, W04B	51511.2	08	I08A, I08B, I08C, I08D, I08E, I13A, I13B		
	05	F01A, F01B, F01D, F05Z, F07A, F07B, F08B, F08D, F14A, F14B, F28A, F42Z, F54Z, F59A, F59B		21B	X04Z, X05A, X05B, X06A, X06B, X06C		10	K09A, K09B		
	07	H06A, H06B, H06C		05	F21A, F21B		11	L09A, L38Z		
	08	I08A, I08B, I08C, I08D, I08E, I13A, I13B		08	I08A, I08B, I08C, I08D, I08E, I13A, I13B		21A	W04A, W04B		
	09	J03A, J03B, J04A, J04B, J08A, J08B, J08C, J11A, J11B, J16Z		10	K09A, K09B		21B	X06A, X06B, X06C, X33Z		
	10	K09A, K09B		11	L09A, L09B, L09C, L09D, L38Z		BOP, KVT, UOP4	01	B04A, B04B, B04C, B04D, B04E	
	11	L09A, L09B, L09C, L09D, L38Z		21A	W04A, W04B		05	F01A, F01B, F01D, F05Z, F06A, F06C, F07A, F07B, F08A, F08B, F08C, F08D, F08E, F27A, F28A, F42Z		
	21A	W04A, W04B		21B	X04Z, X05A, X05B, X06A, X06B, X06C		08	I08A, I08B, I08C, I08D, I08E, I13A, I13B		
	21B	X04Z, X05A, X05B, X06A, X06B, X06C		51502.a4	05		F21A, F21B	10	K09A, K09B	
				08	I08A, I08B, I08C, I08D, I08E, I13A, I13B		11	L09A, L38Z		
				10	K09A, K09B		21A	W04A, W04B		
51502.8	05	F21A, F21B	51502.a5	21B	X04Z, X05A, X05B, X06A, X06B, X06C	51511.3	21B	X06A, X06B, X06C, X33Z		
	08	I08A, I08B, I08C, I08D, I08E, I13A, I13B		05	F21A, F21B		BOP, KOP, KOPV, KVT, UOP4	01	B02A, B02B, B02C, B02D, B20A, B20B, B20C, B20D, B20E, B20F, B39A, B39B	
	10	K09A, K09B		08	I08A, I08B, I08C, I08D, I08E, I13A, I13B		05	F05Z, F06A, F06C		
	11	L09A, L09B, L09C, L09D, L38Z		10	K09A, K09B		06	G33Z		
	21A	W04A, W04B		11	L09A, L09B, L09C, L09D, L38Z		07	H33Z, H38Z		
	21B	X04Z, X05A, X05B, X06A, X06B, X06C		21A	W04A, W04B		08	I08A, I08B, I08C, I08D, I08E, I13A, I13B		
		21B	X04Z, X05A, X05B, X06A, X06B, X06C	11	L09A, L33Z, L38Z					
				21A	W01A, W01B, W01C, W36Z					
				21B	X06A, X06B, X06C, X33Z					
				23	Z01A					
				Pre	A07A					

VYK

ZZV	MDC	DRG	ZZV	MDC	DRG	ZZV	MDC	DRG
51511.x		BOP, KVT, UOP4	51512.4		BOP, KVT, UOP4	51513		BOP, KVT, UOP4
	01	B04A, B04B, B04C, B04D, B04E		01	B04A, B04B, B04C, B04D, B04E		01	B04A, B04B, B04C, B04D, B04E
	05	F01A, F01B, F01D, F05Z, F06A, F06C, F07A, F07B, F08A, F08B, F08C, F08D, F08E, F27A, F28A, F42Z		05	F01A, F01B, F01D, F05Z, F07A, F07B, F08A, F08B, F08C, F08D, F08E, F27A, F28A, F42Z		05	F01A, F01B, F01D, F05Z, F07A, F07B, F08A, F08B, F08C, F08D, F08E, F27A, F28A, F42Z
	08	I08A, I08B, I08C, I08D, I08E, I13A, I13B		08	I08A, I08B, I08C, I08D, I08E, I13A, I13B		08	I08A, I08B, I08C, I08D, I08E, I13A, I13B
	11	L09A, L38Z		10	K09A, K09B		10	K09A, K09B
	21A	W04A, W04B		11	L09A, L38Z		11	L09A, L38Z
	21B	X06A, X06B, X06C, X33Z		21A	W04A, W04B		21A	W04A, W04B
51512.0		BOP, KVT, UOP4	51512.5		BOP, KVT, UOP4	51514.0		BOP, KVT, UOP4
	01	B04A, B04B, B04C, B04D, B04E		01	B04A, B04B, B04C, B04D, B04E		01	B04A, B04B, B04C, B04D, B04E
	05	F01A, F01B, F01D, F05Z, F07A, F07B, F08A, F08B, F08C, F08D, F08E, F27A, F28A, F42Z		05	F01A, F01B, F01D, F05Z, F07A, F07B, F08A, F08B, F08C, F08D, F08E, F27A, F28A, F42Z		05	F01A, F01B, F01D, F05Z, F07A, F07B, F08A, F08B, F08C, F08D, F08E, F27A, F28A, F42Z
	08	I08A, I08B, I08C, I08D, I08E, I13A, I13B		08	I08A, I08B, I08C, I08D, I08E, I13A, I13B		08	I08A, I08B, I08C, I08D, I08E, I13A, I13B
	11	L09A, L38Z		10	K09A, K09B		11	L09A, L38Z
	21A	W04A, W04B		11	L09A, L38Z		21A	W04A, W04B
	21B	X06A, X06B, X06C, X33Z		21A	W04A, W04B		21B	X06A, X06B, X06C, X33Z
51512.1		BOP, KVT, UOP4	51512.6		BOP, KVT, UOP4	51514.1		BOP, KVT, UOP4
	01	B04A, B04B, B04C, B04D, B04E		01	B04A, B04B, B04C, B04D, B04E		01	B04A, B04B, B04C, B04D, B04E
	05	F01A, F01B, F01D, F05Z, F07A, F07B, F08A, F08B, F08C, F08D, F08E, F27A, F28A, F42Z		05	F01A, F01B, F01D, F05Z, F07A, F07B, F08A, F08B, F08C, F08D, F08E, F27A, F28A, F42Z		05	F01A, F01B, F01D, F05Z, F07A, F07B, F08A, F08B, F08C, F08D, F08E, F27A, F28A, F42Z
	08	I08A, I08B, I08C, I08D, I08E, I13A, I13B		08	I08A, I08B, I08C, I08D, I08E, I13A, I13B		08	I08A, I08B, I08C, I08D, I08E, I13A, I13B
	11	L09A, L38Z		10	K09A, K09B		11	L09A, L38Z
	21A	W04A, W04B		11	L09A, L38Z		21A	W04A, W04B
	21B	X06A, X06B, X06C, X33Z		21B	X06A, X06B, X06C, X33Z		21B	X06A, X06B, X06C, X33Z
51512.2		BOP, KVT, UOP4	51512.7		BOP, KVT, UOP4	51514.2		BOP, KVT, UOP4
	01	B04A, B04B, B04C, B04D, B04E		01	B04A, B04B, B04C, B04D, B04E		01	B04A, B04B, B04C, B04D, B04E
	05	F01A, F01B, F01D, F05Z, F07A, F07B, F08A, F08B, F08C, F08D, F08E, F27A, F28A, F42Z		05	F01A, F01B, F01D, F05Z, F07A, F07B, F08A, F08B, F08C, F08D, F08E, F27A, F28A, F42Z		05	F01A, F01B, F01D, F05Z, F07A, F07B, F08A, F08B, F08C, F08D, F08E, F27A, F28A, F42Z
	08	I08A, I08B, I08C, I08D, I08E, I13A, I13B		08	I08A, I08B, I08C, I08D, I08E, I13A, I13B		07	H06A, H06B, H06C
	10	K09A, K09B		10	K09A, K09B		08	I08A, I08B, I08C, I08D, I08E, I13A, I13B
	11	L09A, L38Z		11	L09A, L38Z		09	J03A, J03B, J04A, J04B, J08A, J08B, J08C, J11A, J11B, J16Z
	21A	W04A, W04B		10	K09A, K09B		10	K09A, K09B
51512.3		BOP, KVT, UOP4	51512.x		BOP, KVT, UOP4	51514.3		BOP, KVT, UOP4
	01	B04A, B04B, B04C, B04D, B04E		01	B04A, B04B, B04C, B04D, B04E		05	F01A, F01B, F01D, F05Z, F07A, F07B, F08A, F08B, F08C, F08D, F08E, F27A, F27B, F27C, F28A, F42Z
	05	F01A, F01B, F01D, F05Z, F07A, F07B, F08A, F08B, F08C, F08D, F08E, F27A, F28A, F42Z		05	F01A, F01B, F01D, F05Z, F07A, F07B, F08A, F08B, F08C, F08D, F08E, F27A, F28A, F42Z		08	I08A, I08B, I08C, I08D, I08E, I13A, I13B
	08	I08A, I08B, I08C, I08D, I08E, I13A, I13B		08	I08A, I08B, I08C, I08D, I08E, I13A, I13B		09	J03A, J03B, J04A, J04B, J08A, J08B, J08C, J11A, J11B, J16Z
	10	K09A, K09B		11	L09A, L38Z		10	K01Z
	11	L09A, L38Z		21A	W04A, W04B		11	L09A, L38Z
	21A	W04A, W04B		21B	X06A, X06B, X06C, X33Z		21A	W04A, W04B
				21B	X06A, X06B, X06C, X33Z			

VYK

ZZV	MDC	DRG	ZZV	MDC	DRG	ZZV	MDC	DRG
51516.1		BOP, KVT, UOP4	51516.6		BOP, KVT, UOP4	51517.3		BOP, KVT, UOP4
	01	B04A, B04B, B04C, B04D, B04E		01	B04A, B04B, B04C, B04D, B04E		01	B04A, B04B, B04C, B04D, B04E
	05	F01A, F01B, F01D, F05Z, F07A, F07B, F08A, F08B, F08C, F08D, F08E, F27A, F28A, F42Z		05	F01A, F01B, F01D, F05Z, F07A, F07B, F08A, F08B, F08C, F08D, F08E, F27A, F28A, F42Z		05	F01A, F01B, F01D, F05Z, F07A, F07B, F08A, F08B, F08C, F08D, F08E, F27A, F28A, F42Z
	08	I08A, I08B, I08C, I08D, I08E, I13A, I13B		08	I08A, I08B, I08C, I08D, I08E, I13A, I13B		08	I08A, I08B, I08C, I08D, I08E, I13A, I13B
	10	K09A, K09B		10	K09A, K09B		10	K09A, K09B
	11	L09A, L38Z		11	L09A, L38Z		11	L09A, L38Z
	21A	W04A, W04B		21A	W04A, W04B		21A	W04A, W04B
	21B	X06A, X06B, X06C, X33Z		21B	X06A, X06B, X06C, X33Z		21B	X04Z, X33Z
51516.2		BOP, KVT, UOP4	51516.x		BOP, KVT, UOP4	51517.x		BOP, KVT, UOP4
	01	B04A, B04B, B04C, B04D, B04E		01	B04A, B04B, B04C, B04D, B04E		01	B04A, B04B, B04C, B04D, B04E
	05	F01A, F01B, F01D, F05Z, F07A, F07B, F08A, F08B, F08C, F08D, F08E, F27A, F28A, F42Z		05	F01A, F01B, F01D, F05Z, F07A, F07B, F08A, F08B, F08C, F08D, F08E, F27A, F28A, F42Z		05	F01A, F01B, F01D, F05Z, F07A, F07B, F08A, F08B, F08C, F08D, F08E, F27A, F28A, F42Z
	08	I08A, I08B, I08C, I08D, I08E, I13A, I13B		08	I08A, I08B, I08C, I08D, I08E, I13A, I13B		08	I08A, I08B, I08C, I08D, I08E, I13A, I13B
	10	K09A, K09B		10	K09A, K09B		10	K09A, K09B
	11	L09A, L38Z		11	L09A, L38Z		11	L09A, L38Z
	21A	W04A, W04B		21A	W04A, W04B		21A	W04A, W04B
	21B	X06A, X06B, X06C, X33Z		21B	X06A, X06B, X06C, X33Z		21B	X04Z, X33Z
51516.3		BOP, KVT, UOP4	51517.0		BOP, KVT, UOP4	51518		BOP, KVT, UOP4
	01	B04A, B04B, B04C, B04D, B04E		01	B04A, B04B, B04C, B04D, B04E		01	B04A, B04B, B04C, B04D, B04E
	05	F01A, F01B, F01D, F05Z, F07A, F07B, F08A, F08B, F08C, F08D, F08E, F27A, F28A, F42Z		05	F01A, F01B, F01D, F05Z, F07A, F07B, F08A, F08B, F08C, F08D, F08E, F27A, F28A, F42Z		05	F01A, F01B, F01D, F05Z, F07A, F07B, F08A, F08B, F08C, F08D, F08E, F27A, F28A, F42Z
	08	I08A, I08B, I08C, I08D, I08E, I13A, I13B		08	I08A, I08B, I08C, I08D, I08E, I13A, I13B		08	I08A, I08B, I08C, I08D, I08E, I13A, I13B
	10	K09A, K09B		10	K09A, K09B		10	K09A, K09B
	11	L09A, L38Z		11	L09A, L38Z		11	L09A, L38Z
	21A	W04A, W04B		21A	W04A, W04B		21A	W04A, W04B
	21B	X06A, X06B, X06C, X33Z		21B	X04Z, X33Z		21B	X04Z, X33Z
51516.4		BOP, KVT, UOP4	51517.1		BOP, KVT, UOP4	51519		BOP, KVT, UOP4
	01	B04A, B04B, B04C, B04D, B04E		01	B04A, B04B, B04C, B04D, B04E		01	B04A, B04B, B04C, B04D, B04E
	05	F01A, F01B, F01D, F05Z, F07A, F07B, F08A, F08B, F08C, F08D, F08E, F27A, F28A, F42Z		05	F01A, F01B, F01D, F05Z, F07A, F07B, F08A, F08B, F08C, F08D, F08E, F27A, F28A, F42Z		05	F01A, F01B, F01D, F05Z, F07A, F07B, F08A, F08B, F08C, F08D, F08E, F27A, F28A, F42Z
	08	I08A, I08B, I08C, I08D, I08E, I13A, I13B		08	I08A, I08B, I08C, I08D, I08E, I13A, I13B		07	H06A, H06B, H06C
	10	K09A, K09B		10	K09A, K09B		08	I08A, I08B, I08C, I08D, I08E, I13A, I13B
	11	L09A, L38Z		11	L09A, L38Z		09	J03A, J03B, J04A, J04B, J08A, J08B, J08C, J11A, J11B, J16Z
	21A	W04A, W04B		21A	W04A, W04B		10	K09A, K09B
	21B	X06A, X06B, X06C, X33Z		21B	X04Z, X33Z		11	L09A, L09B, L09C, L09D, L38Z
51516.5		BOP, KVT, UOP4	51517.2		BOP, KVT, UOP4	51521.0↔		BOP, KVT, UOP4
	01	B04A, B04B, B04C, B04D, B04E		01	B04A, B04B, B04C, B04D, B04E		01	B04A, B04B, B04C, B04D, B04E
	05	F01A, F01B, F01D, F05Z, F07A, F07B, F08A, F08B, F08C, F08D, F08E, F27A, F28A, F42Z		05	F01A, F01B, F01D, F05Z, F07A, F07B, F08A, F08B, F08C, F08D, F08E, F27A, F28A, F42Z		05	F01A, F01B, F01D, F05Z, F06A, F06C, F07A, F07B, F08A, F08B, F08C, F08D, F08E, F27A, F28A, F42Z
	08	I08A, I08B, I08C, I08D, I08E, I13A, I13B		08	I08A, I08B, I08C, I08D, I08E, I13A, I13B		08	I08A, I08B, I08C, I08D, I08E, I13A, I13B
	10	K09A, K09B		10	K09A, K09B		10	K09A, K09B
	11	L09A, L38Z		11	L09A, L38Z		11	L09A, L38Z
	21A	W04A, W04B		21A	W04A, W04B		21A	W04A, W04B
	21B	X06A, X06B, X06C, X33Z		21B	X04Z, X33Z		21B	X06A, X06B, X06C, X33Z

ZZV	MDC	DRG	ZZV	MDC	DRG	ZZV	MDC	DRG
51521.1↔		BOP, KVT, UOP4	51521.x↔		BOP, KVT, UOP4	51522.4↔		BOP, KVT, UOP4
	01	B04A, B04B, B04C, B04D, B04E		01	B04A, B04B, B04C, B04D, B04E		01	B04A, B04B, B04C, B04D, B04E
	05	F01A, F01B, F01D, F05Z, F06A, F06C, F07A, F07B, F08A, F08B, F08C, F08D, F08E, F27A, F28A, F42Z		05	F01A, F01B, F01D, F05Z, F06A, F06C, F07A, F07B, F08A, F08B, F08C, F08D, F08E, F27A, F28A, F42Z		05	F01A, F01B, F01D, F05Z, F07A, F07B, F08A, F08B, F08C, F08D, F08E, F27A, F28A, F42Z
	08	I08A, I08B, I08C, I08D, I08E, I13A, I13B		08	I08A, I08B, I08C, I08D, I08E, I13A, I13B		08	I08A, I08B, I08C, I08D, I08E, I13A, I13B
	10	K09A, K09B		11	L09A, L38Z		10	K09A, K09B
	11	L09A, L38Z		21A	W04A, W04B		11	L09A, L38Z
	21A	W04A, W04B		21B	X06A, X06B, X06C, X33Z		21A	W04A, W04B
	21B	X06A, X06B, X06C, X33Z			BOP, KVT, UOP4		21B	X06A, X06B, X06C, X33Z
51521.2↔		BOP, KVT, UOP4	51522.0↔		BOP, KVT, UOP4	51522.5↔		BOP, KVT, UOP4
	01	B04A, B04B, B04C, B04D, B04E		01	B04A, B04B, B04C, B04D, B04E		01	B04A, B04B, B04C, B04D, B04E
	05	F01A, F01B, F01D, F05Z, F06A, F06C, F07A, F07B, F08A, F08B, F08C, F08D, F08E, F27A, F28A, F42Z		05	F01A, F01B, F01D, F05Z, F07A, F07B, F08A, F08B, F08C, F08D, F08E, F27A, F28A, F42Z		05	F01A, F01B, F01D, F05Z, F07A, F07B, F08A, F08B, F08C, F08D, F08E, F27A, F28A, F42Z
	08	I08A, I08B, I08C, I08D, I08E, I13A, I13B		08	I08A, I08B, I08C, I08D, I08E, I13A, I13B		08	I08A, I08B, I08C, I08D, I08E, I13A, I13B
	11	L09A, L38Z		11	L09A, L38Z		10	K09A, K09B
	21A	W04A, W04B		21A	W04A, W04B		11	L09A, L38Z
	21B	X06A, X06B, X06C, X33Z		21B	X06A, X06B, X06C, X33Z		21A	W04A, W04B
		BOP, KOP, KOPV, KVT, UOP4			BOP, KVT, UOP4		21B	X06A, X06B, X06C, X33Z
51521.3↔	01	B02A, B02B, B02C, B02D, B20A, B20B, B20C, B20D, B20E, B20F, B39A, B39B	51522.1↔	01	B04A, B04B, B04C, B04D, B04E	51522.6↔	01	B04A, B04B, B04C, B04D, B04E
	05	F05Z, F06A, F06C		05	F01A, F01B, F01D, F05Z, F07A, F07B, F08A, F08B, F08C, F08D, F08E, F27A, F28A, F42Z		05	F01A, F01B, F01D, F05Z, F07A, F07B, F08A, F08B, F08C, F08D, F08E, F27A, F28A, F42Z
	06	G33Z		08	I08A, I08B, I08C, I08D, I08E, I13A, I13B		08	I08A, I08B, I08C, I08D, I08E, I13A, I13B
	07	H33Z, H38Z		11	L09A, L38Z		10	K09A, K09B
	08	I08A, I08B, I08C, I08D, I08E, I13A, I13B		21A	W04A, W04B		11	L09A, L38Z
	11	L09A, L33Z, L38Z		21B	X06A, X06B, X06C, X33Z		21A	W04A, W04B
	21A	W01A, W01B, W01C, W36Z			BOP, KVT, UOP4		21B	X06A, X06B, X06C, X33Z
	21B	X06A, X06B, X06C, X33Z		01	B04A, B04B, B04C, B04D, B04E			BOP, KVT, UOP4
	23	Z01A		05	F01A, F01B, F01D, F05Z, F07A, F07B, F08A, F08B, F08C, F08D, F08E, F27A, F28A, F42Z		01	B04A, B04B, B04C, B04D, B04E
	Pre	A07A		08	I08A, I08B, I08C, I08D, I08E, I13A, I13B		05	F01A, F01B, F01D, F05Z, F07A, F07B, F08A, F08B, F08C, F08D, F08E, F27A, F28A, F42Z
51521.4		BOP, KVT, UOP4	51522.2↔		BOP, KVT, UOP4	51522.7↔		BOP, KVT, UOP4
	01	B04A, B04B, B04C, B04D, B04E		01	B04A, B04B, B04C, B04D, B04E		01	B04A, B04B, B04C, B04D, B04E
	05	F01A, F01B, F01D, F05Z, F06A, F06C, F07A, F07B, F08A, F08B, F08C, F08D, F08E, F27A, F28A, F42Z		05	F01A, F01B, F01D, F05Z, F07A, F07B, F08A, F08B, F08C, F08D, F08E, F27A, F28A, F42Z		05	F01A, F01B, F01D, F05Z, F07A, F07B, F08A, F08B, F08C, F08D, F08E, F27A, F28A, F42Z
	08	I08A, I08B, I08C, I08D, I08E, I13A, I13B		08	I08A, I08B, I08C, I08D, I08E, I13A, I13B		08	I08A, I08B, I08C, I08D, I08E, I13A, I13B
	11	L09A, L38Z		10	K09A, K09B		10	K09A, K09B
	21A	W04A, W04B		11	L09A, L38Z		11	L09A, L38Z
	21B	X06A, X06B, X06C, X33Z		21A	W04A, W04B		21A	W04A, W04B
		BOP, KVT, UOP4		21B	X06A, X06B, X06C, X33Z		21B	X06A, X06B, X06C, X33Z
51521.5		BOP, KVT, UOP4	51522.3↔		BOP, KVT, UOP4	51522.x↔		BOP, KVT, UOP4
	01	B04A, B04B, B04C, B04D, B04E		01	B04A, B04B, B04C, B04D, B04E		01	B04A, B04B, B04C, B04D, B04E
	05	F01A, F01B, F01D, F05Z, F06A, F06C, F07A, F07B, F08A, F08B, F08C, F08D, F08E, F27A, F28A, F42Z		05	F01A, F01B, F01D, F05Z, F07A, F07B, F08A, F08B, F08C, F08D, F08E, F27A, F28A, F42Z		05	F01A, F01B, F01D, F05Z, F07A, F07B, F08A, F08B, F08C, F08D, F08E, F27A, F28A, F42Z
	08	I08A, I08B, I08C, I08D, I08E, I13A, I13B		08	I08A, I08B, I08C, I08D, I08E, I13A, I13B		08	I08A, I08B, I08C, I08D, I08E, I13A, I13B
	11	L09A, L38Z		10	K09A, K09B		10	K09A, K09B
	21A	W04A, W04B		11	L09A, L38Z		11	L09A, L38Z
	21B	X06A, X06B, X06C, X33Z		21A	W04A, W04B		21A	W04A, W04B
		X06A, X06B, X06C, X33Z		21B	X06A, X06B, X06C, X33Z		21B	X06A, X06B, X06C, X33Z

VYK

ZZV	MDC	DRG	ZZV	MDC	DRG	ZZV	MDC	DRG			
51523↔		BOP, KVT, UOP4	51524.4		BOP, KVT, UOP4	51524.9↔		BOP, KVT, UOP4			
	01	B04A, B04B, B04C, B04D, B04E		05	F01A, F01B, F01D, F05Z, F07A, F07B, F08A, F08B, F08C, F08D, F08E, F08F, F27A, F28A, F42Z		05	F01A, F01B, F01D, F05Z, F07A, F07B, F08A, F08B, F08C, F08D, F08E, F27A, F27B, F27C, F28A, F42Z			
	05	F01A, F01B, F01D, F05Z, F07A, F07B, F08A, F08B, F08C, F08D, F08E, F08F, F27A, F28A, F42Z		08	I08A, I08B, I08C, I08D, I08E, I13A, I13B		08	I08A, I08B, I08C, I08D, I08E, I13A, I13B			
	08	I08A, I08B, I08C, I08D, I08E, I13A, I13B		09	J03A, J03B, J04A, J04B, J08A, J08B, J08C, J11A, J11B, J16Z		09	J03A, J03B, J04A, J04B, J08A, J08B, J08C, J11A, J11B, J16Z			
	10	K09A, K09B		10	K01Z		10	K01Z			
	11	L09A, L38Z		11	L09A, L38Z		11	L09A, L38Z			
	21A	W04A, W04B		21A	W04A, W04B		21A	W04A, W04B			
	21B	X06A, X06B, X06C, X33Z		21B	X06A, X06B, X06C, X33Z		21B	X06A, X06B, X06C, X33Z			
	51524.0↔			BOP, KVT, UOP4	51524.5↔			BOP, KVT, UOP4	51524.x↔		BOP, KVT, UOP4
		01		B04A, B04B, B04C, B04D, B04E			05	F01A, F01B, F01D, F05Z, F07A, F07B, F08A, F08B, F08C, F08D, F08E, F27A, F28A, F42Z		01	B04A, B04B, B04C, B04D, B04E
05		F01A, F01B, F01D, F05Z, F07A, F07B, F08A, F08B, F08C, F08D, F08E, F27A, F28A, F42Z	08	I08A, I08B, I08C, I08D, I08E, I13A, I13B		05	F01A, F01B, F01D, F05Z, F07A, F07B, F08A, F08B, F08C, F08D, F08E, F27A, F28A, F42Z				
08		I08A, I08B, I08C, I08D, I08E, I13A, I13B	09	J03A, J03B, J04A, J04B, J08A, J08B, J08C, J11A, J11B, J16Z		08	I08A, I08B, I08C, I08D, I08E, I13A, I13B				
11		L09A, L38Z	10	K01Z		11	L09A, L38Z				
21A		W04A, W04B	11	L09A, L38Z		21A	W04A, W04B				
21B		X06A, X06B, X06C, X33Z	21A	W04A, W04B		21B	X06A, X06B, X06C, X33Z				
51524.1↔			BOP, KVT, UOP4	51524.6↔			BOP, KVT, UOP4	51525.0↔			BOP, KVT, UOP4
		01	B04A, B04B, B04C, B04D, B04E			05	F01A, F01B, F01D, F05Z, F07A, F07B, F08A, F08B, F08C, F08D, F08E, F27A, F28A, F42Z			05	F01A, F01B, F01D, F05Z, F07A, F07B, F08A, F08B, F08C, F08D, F08E, F27A, F28A, F42Z
		05	F01A, F01B, F01D, F05Z, F07A, F07B, F08A, F08B, F08C, F08D, F08E, F27A, F28A, F42Z			08	I08A, I08B, I08C, I08D, I08E, I13A, I13B			06	G10Z, G12A, G12B
	08	I08A, I08B, I08C, I08D, I08E, I13A, I13B	09		J03A, J03B, J04A, J04B, J08A, J08B, J08C, J11A, J11B, J16Z	07	H06A, H06B, H06C				
	11	L09A, L38Z	10		K01Z	08	I08A, I08B, I08C, I08D, I08E, I13A, I13B				
	21A	W04A, W04B	11		L09A, L38Z	11	L09A, L38Z				
	21B	X06A, X06B, X06C, X33Z	21A		W04A, W04B	21A	W04A, W04B				
	51524.2		BOP, KVT, UOP4		51524.7		BOP, KVT, UOP4		51525.00		BOP, KVT, UOP4
		01	B04A, B04B, B04C, B04D, B04E			01	B04A, B04B, B04C, B04D, B04E			05	F01A, F01B, F01D, F05Z, F07A, F07B, F08A, F08B, F08C, F08D, F08E, F27A, F28A, F42Z
		05	F01A, F01B, F01D, F05Z, F07A, F07B, F08A, F08B, F08C, F08D, F08E, F27A, F28A, F42Z			05	F01A, F01B, F01D, F05Z, F07A, F07B, F08A, F08B, F08C, F08D, F08E, F27A, F28A, F42Z			06	G10Z, G12A, G12B
07		H06A, H06B, H06C	08	I08A, I08B, I08C, I08D, I08E, I13A, I13B		07	H06A, H06B, H06C				
08		I08A, I08B, I08C, I08D, I08E, I13A, I13B	09	J03A, J03B, J04A, J04B, J08A, J08B, J08C, J11A, J11B, J16Z		08	I08A, I08B, I08C, I08D, I08E, I13A, I13B				
09		J03A, J03B, J04A, J04B, J08A, J08B, J08C, J11A, J11B, J16Z	10	K09A, K09B		11	L09A, L38Z				
10		K09A, K09B	11	L09A, L38Z		21A	W04A, W04B				
11		L09A, L38Z	21A	W04A, W04B		21B	X06A, X06B, X06C, X33Z				
21B		X06A, X06B, X06C, X33Z	21B	X06A, X06B, X06C, X33Z		BOP, KVT, UOP4					
51524.3↔			BOP, KVT, UOP4	51524.8↔			BOP, KVT, UOP4	51525.1↔			BOP, KVT, UOP4
	05	F01A, F01B, F01D, F05Z, F07A, F07B, F08A, F08B, F08C, F08D, F08E, F27A, F27B, F27C, F28A, F42Z	05		F01A, F01B, F01D, F05Z, F07A, F07B, F08A, F08B, F08C, F08D, F08E, F27A, F27B, F27C, F28A, F42Z	05	F01A, F01B, F01D, F05Z, F07A, F07B, F08A, F08B, F08C, F08D, F08E, F27A, F27B, F27C, F28A, F42Z				
	08	I08A, I08B, I08C, I08D, I08E, I13A, I13B	08		I08A, I08B, I08C, I08D, I08E, I13A, I13B	08	I08A, I08B, I08C, I08D, I08E, I13A, I13B				
	09	J03A, J03B, J04A, J04B, J08A, J08B, J08C, J11A, J11B, J16Z	09		J03A, J03B, J04A, J04B, J08A, J08B, J08C, J11A, J11B, J16Z	09	J03A, J03B, J04A, J04B, J08A, J08B, J08C, J11A, J11B, J16Z				
	10	K01Z	10		K01Z	10	K01Z				
	11	L09A, L38Z	11		L09A, L38Z	11	L09A, L38Z				
	21A	W04A, W04B	21A		W04A, W04B	21A	W04A, W04B				
	21B	X06A, X06B, X06C, X33Z	21A		W04A, W04B	21B	X06A, X06B, X06C, X33Z				

VYK

ZZV	MDC	DRG	ZZV	MDC	DRG	ZZV	MDC	DRG				
51525.10		BOP, KVT, UOP4	51525.6↔		BOP, KVT, UOP4	51526.1↔		BOP, KVT, UOP4				
	05	F01A, F01B, F01D, F05Z, F07A, F07B, F08A, F08B, F08C, F08D, F08E, F27A, F28A, F42Z		05	F01A, F01B, F01D, F05Z, F07A, F07B, F08A, F08B, F08C, F08D, F08E, F27A, F28A, F42Z		01	B04A, B04B, B04C, B04D, B04E				
	06	G10Z, G12A, G12B		06	G10Z, G12A, G12B		05	F01A, F01B, F01D, F05Z, F07A, F07B, F08A, F08B, F08C, F08D, F08E, F27A, F28A, F42Z				
	07	H06A, H06B, H06C		07	H06A, H06B, H06C		08	I08A, I08B, I08C, I08D, I08E, I13A, I13B				
	08	I08A, I08B, I08C, I08D, I08E, I13A, I13B		08	I08A, I08B, I08C, I08D, I08E, I13A, I13B		10	K09A, K09B				
	11	L09A, L38Z		11	L09A, L38Z		11	L09A, L38Z				
	21A	W04A, W04B		21A	W04A, W04B		21A	W04A, W04B				
	21B	X06A, X06B, X06C, X33Z		21B	X06A, X06B, X06C, X33Z		21B	X06A, X06B, X06C, X33Z				
	51525.2↔			BOP, KVT, UOP4	51525.7↔			BOP, KVT, UOP4	51526.2↔		BOP, KVT, UOP4	
		05		F01A, F01B, F01D, F05Z, F07A, F07B, F08A, F08B, F08C, F08D, F08E, F27A, F27B, F27C, F28A, F42Z			05	F01A, F01B, F01D, F05Z, F07A, F07B, F08A, F08B, F08C, F08D, F08E, F27A, F28A, F42Z		01	B04A, B04B, B04C, B04D, B04E	
08		I08A, I08B, I08C, I08D, I08E, I13A, I13B	08	I08A, I08B, I08C, I08D, I08E, I13A, I13B		05	F01A, F01B, F01D, F05Z, F07A, F07B, F08A, F08B, F08C, F08D, F08E, F27A, F28A, F42Z					
09		J03A, J03B, J04A, J04B, J08A, J08B, J08C, J11A, J11B, J16Z	11	L03Z, L04A, L04B, L04C, L09A, L10Z, L13A, L13B, L38Z		08	I08A, I08B, I08C, I08D, I08E, I13A, I13B					
10		K01Z	21A	W04A, W04B		10	K09A, K09B					
11		L09A, L38Z	21B	X06A, X06B, X06C, X33Z		11	L09A, L38Z					
21A		W04A, W04B	51525.8↔			BOP, KVT, UOP4	21A	W04A, W04B				
21B		X06A, X06B, X06C, X33Z		05		F01A, F01B, F01D, F05Z, F07A, F07B, F08A, F08B, F08C, F08D, F08E, F27A, F28A, F42Z	21B	X06A, X06B, X06C, X33Z				
51525.3↔				BOP, KVT, UOP4		51526.3↔		BOP, KVT, UOP4		51526.3↔		BOP, KVT, UOP4
		05		F01A, F01B, F01D, F05Z, F07A, F07B, F08A, F08B, F08C, F08D, F08E, F27A, F27B, F27C, F28A, F42Z			06	G10Z, G12A, G12B, G18A, G38Z			01	B04A, B04B, B04C, B04D, B04E
	08	I08A, I08B, I08C, I08D, I08E, I13A, I13B		07	H01A, H06A, H06B, H06C		05	F01A, F01B, F01D, F05Z, F07A, F07B, F08A, F08B, F08C, F08D, F08E, F27A, F28A, F42Z				
	09	J03A, J03B, J04A, J04B, J08A, J08B, J08C, J11A, J11B, J16Z		08	I08A, I08B, I08C, I08D, I08E, I13A, I13B		08	I08A, I08B, I08C, I08D, I08E, I13A, I13B				
	10	K01Z		11	L03Z, L04A, L04B, L04C, L09A, L10Z, L13A, L13B, L38Z		10	K09A, K09B				
	11	L09A, L38Z		21A	W04A, W04B		11	L09A, L38Z				
	21A	W04A, W04B		21B	X06A, X06B, X06C, X33Z		21A	W04A, W04B				
	21B	X06A, X06B, X06C, X33Z		51526.4↔			BOP, KVT, UOP4	21B	X06A, X06B, X06C, X33Z			
	51525.4↔		BOP, KVT, UOP4		51526.0↔			BOP, KVT, UOP4	51526.4↔			BOP, KVT, UOP4
		05	F01A, F01B, F01D, F05Z, F07A, F07B, F08A, F08B, F08C, F08D, F08E, F27A, F27B, F27C, F28A, F42Z				05	F01A, F01B, F01D, F05Z, F07A, F07B, F08A, F08B, F08C, F08D, F08E, F27A, F28A, F42Z			01	B04A, B04B, B04C, B04D, B04E
08		I08A, I08B, I08C, I08D, I08E, I13A, I13B	06			G10Z, G12A, G12B	05	F01A, F01B, F01D, F05Z, F07A, F07B, F08A, F08B, F08C, F08D, F08E, F27A, F28A, F42Z				
09		J03A, J03B, J04A, J04B, J08A, J08B, J08C, J11A, J11B, J16Z	07			H06A, H06B, H06C	08	I08A, I08B, I08C, I08D, I08E, I13A, I13B				
10		K01Z	08			I08A, I08B, I08C, I08D, I08E, I13A, I13B	10	K09A, K09B				
11		L09A, L38Z	11			L09A, L38Z	11	L09A, L38Z				
21A		W04A, W04B	21A			W04A, W04B	21A	W04A, W04B				
21B		X06A, X06B, X06C, X33Z	21B			X06A, X06B, X06C, X33Z	21B	X06A, X06B, X06C, X33Z				
51525.5↔			BOP, KVT, UOP4			51526.5↔		BOP, KVT, UOP4		51526.5↔		BOP, KVT, UOP4
		05	F01A, F01B, F01D, F05Z, F07A, F07B, F08A, F08B, F08C, F08D, F08E, F27A, F27B, F27C, F28A, F42Z	01			B04A, B04B, B04C, B04D, B04E	01			B04A, B04B, B04C, B04D, B04E	
	08	I08A, I08B, I08C, I08D, I08E, I13A, I13B	05	F01A, F01B, F01D, F05Z, F07A, F07B, F08A, F08B, F08C, F08D, F08E, F27A, F28A, F42Z	05		F01A, F01B, F01D, F05Z, F07A, F07B, F08A, F08B, F08C, F08D, F08E, F27A, F28A, F42Z					
	09	J03A, J03B, J04A, J04B, J08A, J08B, J08C, J11A, J11B, J16Z	08	I08A, I08B, I08C, I08D, I08E, I13A, I13B	08		I08A, I08B, I08C, I08D, I08E, I13A, I13B					
	10	K01Z	10	K09A, K09B	10		K09A, K09B					
	11	L09A, L38Z	11	L09A, L38Z	11		L09A, L38Z					
	21A	W04A, W04B	21A	W04A, W04B	21A		W04A, W04B					
	21B	X06A, X06B, X06C, X33Z	21B	X06A, X06B, X06C, X33Z	21B		X06A, X06B, X06C, X33Z					

VYK

ZZV	MDC	DRG	ZZV	MDC	DRG	ZZV	MDC	DRG
51526.6↔		BOP, KVT, UOP4	51527.3↔		BOP, KVT, UOP4	51530.0↔		BOP, KVT, UOP4
	01	B04A, B04B, B04C, B04D, B04E		01	B04A, B04B, B04C, B04D, B04E		01	B04A, B04B, B04C, B04D, B04E
	05	F01A, F01B, F01D, F05Z, F07A, F07B, F08A, F08B, F08C, F08D, F08E, F27A, F28A, F42Z		05	F01A, F01B, F01D, F05Z, F07A, F07B, F08A, F08B, F08C, F08D, F08E, F27A, F28A, F42Z		05	F01A, F01B, F01D, F05Z, F06A, F06C, F07A, F07B, F14A, F14B, F28A, F42Z, F54Z, F59A, F59B
	08	I08A, I08B, I08C, I08D, I08E, I13A, I13B		08	I08A, I08B, I08C, I08D, I08E, I13A, I13B		08	I08A, I08B, I08C, I08D, I08E, I13A, I13B
	10	K09A, K09B		10	K09A, K09B		10	K09A, K09B
	11	L09A, L38Z		11	L09A, L38Z		11	L09A, L09B, L09C, L09D, L38Z
	21A	W04A, W04B		21A	W04A, W04B		21A	W04A, W04B
	21B	X06A, X06B, X06C, X33Z		21B	X04Z, X33Z		21B	X06A, X06B, X06C
51526.x↔		BOP, KVT, UOP4	51527.x↔		BOP, KVT, UOP4	51530.1↔		BOP, KVT, UOP4
	01	B04A, B04B, B04C, B04D, B04E		01	B04A, B04B, B04C, B04D, B04E		01	B04A, B04B, B04C, B04D, B04E
	05	F01A, F01B, F01D, F05Z, F07A, F07B, F08A, F08B, F08C, F08D, F08E, F27A, F28A, F42Z		05	F01A, F01B, F01D, F05Z, F07A, F07B, F08A, F08B, F08C, F08D, F08E, F27A, F28A, F42Z		05	F01A, F01B, F01D, F05Z, F06A, F06C, F07A, F07B, F14A, F14B, F28A, F42Z, F54Z, F59A, F59B
	08	I08A, I08B, I08C, I08D, I08E, I13A, I13B		08	I08A, I08B, I08C, I08D, I08E, I13A, I13B		08	I08A, I08B, I08C, I08D, I08E, I13A, I13B
	10	K09A, K09B		10	K09A, K09B		10	K09A, K09B
	11	L09A, L38Z		11	L09A, L38Z		11	L09A, L09B, L09C, L09D, L38Z
	21A	W04A, W04B		21A	W04A, W04B		21A	W04A, W04B
	21B	X06A, X06B, X06C, X33Z		21B	X04Z, X33Z		21B	X06A, X06B, X06C
51527.0↔		BOP, KVT, UOP4	51528↔		BOP, KVT, UOP4	51530.2↔		BOP, KVT, UOP4
	01	B04A, B04B, B04C, B04D, B04E		01	B04A, B04B, B04C, B04D, B04E		01	B04A, B04B, B04C, B04D, B04E
	05	F01A, F01B, F01D, F05Z, F07A, F07B, F08A, F08B, F08C, F08D, F08E, F27A, F28A, F42Z		05	F01A, F01B, F01D, F05Z, F07A, F07B, F08A, F08B, F08C, F08D, F08E, F27A, F28A, F42Z		05	F01A, F01B, F01D, F05Z, F06A, F06C, F07A, F07B, F14A, F14B, F28A, F42Z, F54Z, F59A, F59B
	08	I08A, I08B, I08C, I08D, I08E, I13A, I13B		08	I08A, I08B, I08C, I08D, I08E, I13A, I13B		08	I08A, I08B, I08C, I08D, I08E, I13A, I13B
	10	K09A, K09B		10	K09A, K09B		10	K09A, K09B
	11	L09A, L38Z		11	L09A, L38Z		11	L09A, L09B, L09C, L09D, L38Z
	21A	W04A, W04B		21A	W04A, W04B		21A	W04A, W04B
	21B	X04Z, X33Z		21B	X04Z, X33Z		21B	X06A, X06B, X06C
51527.1		BOP, KVT, UOP4	51529		BOP, KVT, UOP4	51530.3↔		BOP, KVT, UOP4
	01	B04A, B04B, B04C, B04D, B04E		01	B04A, B04B, B04C, B04D, B04E		01	B04A, B04B, B04C, B04D, B04E
	05	F01A, F01B, F01D, F05Z, F07A, F07B, F08A, F08B, F08C, F08D, F08E, F27A, F28A, F42Z		05	F01A, F01B, F01D, F05Z, F07A, F07B, F08A, F08B, F08C, F08D, F08E, F27A, F28A, F42Z		05	F01A, F01B, F01D, F05Z, F06A, F06C, F07A, F07B, F14A, F14B, F28A, F42Z, F54Z, F59A, F59B
	08	I08A, I08B, I08C, I08D, I08E, I13A, I13B		07	H06A, H06B, H06C		08	I08A, I08B, I08C, I08D, I08E, I13A, I13B
	10	K09A, K09B		08	I08A, I08B, I08C, I08D, I08E, I13A, I13B		08	I08A, I08B, I08C, I08D, I08E, I13A, I13B
	11	L09A, L38Z		09	J03A, J03B, J04A, J04B, J08A, J08B, J08C, J11A, J11B, J16Z		10	K09A, K09B
	21A	W04A, W04B		10	K09A, K09B		11	L09A, L09B, L09C, L09D, L38Z
	21B	X04Z, X33Z		11	L09A, L09B, L09C, L09D, L38Z		21A	W04A, W04B
51527.2		BOP, KVT, UOP4	5152a		BOP, KVT, UOP4	51530.4↔		BOP, KVT, UOP4
	01	B04A, B04B, B04C, B04D, B04E		05	F21A, F21B		01	B04A, B04B, B04C, B04D, B04E
	05	F01A, F01B, F01D, F05Z, F07A, F07B, F08A, F08B, F08C, F08D, F08E, F27A, F28A, F42Z		08	I08A, I08B, I08C, I08D, I08E, I13A, I13B		05	F01A, F01B, F01D, F05Z, F06A, F06C, F07A, F07B, F14A, F14B, F28A, F42Z, F54Z, F59A, F59B
	08	I08A, I08B, I08C, I08D, I08E, I13A, I13B		10	K09A, K09B		08	I08A, I08B, I08C, I08D, I08E, I13A, I13B
	10	K09A, K09B		11	L09A, L09B, L09C, L09D, L38Z		10	K09A, K09B
	11	L09A, L38Z		21A	W04A, W04B		11	L09A, L09B, L09C, L09D, L38Z
	21A	W04A, W04B		21B	X04Z, X05A, X05B, X06A, X06B, X06C		21A	W04A, W04B
	21B	X04Z, X33Z					21B	X06A, X06B, X06C

VYK

ZZV	MDC	DRG	ZZV	MDC	DRG	ZZV	MDC	DRG
51530.x↔		BOP, KVT, UOP4	51532.0↔		BOP, KVT, UOP4	51532.4↔		BOP, KVT, UOP4
	01	B04A, B04B, B04C, B04D, B04E		01	B04A, B04B, B04C, B04D, B04E		01	B04A, B04B, B04C, B04D, B04E
	05	F01A, F01B, F01D, F05Z, F06A, F06C, F07A, F07B, F14A, F14B, F28A, F42Z, F54Z, F59A, F59B		05	F01A, F01B, F01D, F05Z, F07A, F07B, F14A, F14B, F28A, F42Z, F54Z, F59A, F59B		05	F01A, F01B, F01D, F05Z, F07A, F07B, F14A, F14B, F28A, F42Z, F54Z, F59A, F59B
	08	I08A, I08B, I08C, I08D, I08E, I13A, I13B		08	I08A, I08B, I08C, I08D, I08E, I13A, I13B		08	I08A, I08B, I08C, I08D, I08E, I13A, I13B
	10	K09A, K09B		10	K09A, K09B		10	K09A, K09B
	11	L09A, L09B, L09C, L09D, L38Z		11	L09A, L09B, L09C, L09D, L38Z		11	L09A, L09B, L09C, L09D, L38Z
	21A	W04A, W04B		21A	W04A, W04B		21A	W04A, W04B
	21B	X06A, X06B, X06C		21B	X05A, X05B, X06A, X06B, X06C		21B	X05A, X05B, X06A, X06B, X06C
51531.0↔		BOP, KVT, UOP4	51532.1↔		BOP, KVT, UOP4	51532.x↔		BOP, KVT, UOP4
	01	B04A, B04B, B04C, B04D, B04E		01	B04A, B04B, B04C, B04D, B04E		01	B04A, B04B, B04C, B04D, B04E
	05	F01A, F01B, F01D, F05Z, F07A, F07B, F14A, F14B, F28A, F42Z, F54Z, F59A, F59B		05	F01A, F01B, F01D, F05Z, F07A, F07B, F14A, F14B, F28A, F42Z, F54Z, F59A, F59B		05	F01A, F01B, F01D, F05Z, F07A, F07B, F14A, F14B, F28A, F42Z, F54Z, F59A, F59B
	08	I08A, I08B, I08C, I08D, I08E, I13A, I13B		08	I08A, I08B, I08C, I08D, I08E, I13A, I13B		08	I08A, I08B, I08C, I08D, I08E, I13A, I13B
	10	K09A, K09B		10	K09A, K09B		10	K09A, K09B
	11	L09A, L09B, L09C, L09D, L38Z		11	L09A, L09B, L09C, L09D, L38Z		11	L09A, L09B, L09C, L09D, L38Z
	21A	W04A, W04B		21A	W04A, W04B		21A	W04A, W04B
	21B	X05A, X05B, X06A, X06B, X06C		21B	X05A, X05B, X06A, X06B, X06C		21B	X05A, X05B, X06A, X06B, X06C
51531.1↔		BOP, KVT, UOP4	51532.2↔		BOP, KVT, UOP4	51533.0		BOP, KVT, UOP4
	01	B04A, B04B, B04C, B04D, B04E		01	B04A, B04B, B04C, B04D, B04E		01	B04A, B04B, B04C, B04D, B04E
	05	F01A, F01B, F01D, F05Z, F07A, F07B, F14A, F14B, F28A, F42Z, F54Z, F59A, F59B		05	F01A, F01B, F01D, F05Z, F07A, F07B, F14A, F14B, F28A, F42Z, F54Z, F59A, F59B		05	F01A, F01B, F01D, F05Z, F07A, F07B, F14A, F14B, F28A, F42Z, F54Z, F59A, F59B
	08	I08A, I08B, I08C, I08D, I08E, I13A, I13B		08	I08A, I08B, I08C, I08D, I08E, I13A, I13B		08	I08A, I08B, I08C, I08D, I08E, I13A, I13B
	10	K09A, K09B		10	K09A, K09B		10	K09A, K09B
	11	L09A, L09B, L09C, L09D, L38Z		11	L09A, L09B, L09C, L09D, L38Z		11	L09A, L09B, L09C, L09D, L38Z
	21A	W04A, W04B		21A	W04A, W04B		15	P02A, P02B, P02C
	21B	X05A, X05B, X06A, X06B, X06C		21B	X05A, X05B, X06A, X06B, X06C		21A	W04A, W04B
51531.x↔		BOP, KVT, UOP4	51532.3↔		BOP, KVT, UOP4	51533.1		BOP, KVT, UOP4
	01	B04A, B04B, B04C, B04D, B04E		01	B04A, B04B, B04C, B04D, B04E		01	B04A, B04B, B04C, B04D, B04E
	05	F01A, F01B, F01D, F05Z, F07A, F07B, F14A, F14B, F28A, F42Z, F54Z, F59A, F59B		05	F01A, F01B, F01D, F05Z, F07A, F07B, F14A, F14B, F28A, F42Z, F54Z, F59A, F59B		05	F01A, F01B, F01D, F05Z, F07A, F07B, F14A, F14B, F28A, F42Z, F54Z, F59A, F59B
	08	I08A, I08B, I08C, I08D, I08E, I13A, I13B		08	I08A, I08B, I08C, I08D, I08E, I13A, I13B		08	I08A, I08B, I08C, I08D, I08E, I13A, I13B
	10	K09A, K09B		10	K09A, K09B		10	K09A, K09B
	11	L09A, L09B, L09C, L09D, L38Z		11	L09A, L09B, L09C, L09D, L38Z		11	L09A, L09B, L09C, L09D, L38Z
	21A	W04A, W04B		21A	W04A, W04B		15	P02A, P02B, P02C
	21B	X05A, X05B, X06A, X06B, X06C		21B	X05A, X05B, X06A, X06B, X06C		21A	W04A, W04B
				21B	X06A, X06B, X06C			

VYK

ZZV	MDC	DRG	ZZV	MDC	DRG	ZZV	MDC	DRG
51533.x		BOP, KVT, UOP4	51534.x↔		BOP, KVT, UOP4	51535.4↔		BOP, KVT, UOP4
	01	B04A, B04B, B04C, B04D, B04E		01	B04A, B04B, B04C, B04D, B04E		01	B04A, B04B, B04C, B04D, B04E
	05	F01A, F01B, F01D, F05Z, F07A, F07B, F14A, F14B, F28A, F42Z, F54Z, F59A, F59B		05	F01A, F01B, F01D, F05Z, F07A, F07B, F14A, F14B, F28A, F42Z, F54Z, F59A, F59B		05	F01A, F01B, F01D, F05Z, F07A, F07B, F14A, F14B, F28A, F42Z, F54Z, F59A, F59B
	08	I08A, I08B, I08C, I08D, I08E, I13A, I13B		08	I08A, I08B, I08C, I08D, I08E, I13A, I13B		08	I08A, I08B, I08C, I08D, I08E, I13A, I13B
	10	K09A, K09B		10	K09A, K09B		10	K09A, K09B
	11	L09A, L09B, L09C, L09D, L38Z		11	L09A, L09B, L09C, L09D, L38Z		11	L09A, L09B, L09C, L09D, L38Z
	15	P02A, P02B, P02C		15	P02A, P02B, P02C		21A	W04A, W04B
	21A	W04A, W04B		21A	W04A, W04B		21B	X04Z, X06A, X06B, X06C
	21B	X06A, X06B, X06C		21B	X06A, X06B, X06C			BOP, KVT, UOP4
		BOP, KVT, UOP4			BOP, KVT, UOP4			BOP, KVT, UOP4
51534.0↔	01	B04A, B04B, B04C, B04D, B04E	51535.0↔	01	B04A, B04B, B04C, B04D, B04E	51535.x↔	01	B04A, B04B, B04C, B04D, B04E
	05	F01A, F01B, F01D, F05Z, F07A, F07B, F14A, F14B, F28A, F42Z, F54Z, F59A, F59B		05	F01A, F01B, F01D, F05Z, F07A, F07B, F14A, F14B, F28A, F42Z, F54Z, F59A, F59B		05	F01A, F01B, F01D, F05Z, F07A, F07B, F14A, F14B, F28A, F42Z, F54Z, F59A, F59B
	08	I08A, I08B, I08C, I08D, I08E, I13A, I13B		08	I08A, I08B, I08C, I08D, I08E, I13A, I13B		08	I08A, I08B, I08C, I08D, I08E, I13A, I13B
	10	K09A, K09B		10	K09A, K09B		10	K09A, K09B
	11	L09A, L09B, L09C, L09D, L38Z		11	L09A, L09B, L09C, L09D, L38Z		11	L09A, L09B, L09C, L09D, L38Z
	15	P02A, P02B, P02C		21A	W04A, W04B		21A	W04A, W04B
	21A	W04A, W04B		21B	X04Z, X06A, X06B, X06C		21B	X04Z, X06A, X06B, X06C
	21B	X06A, X06B, X06C			BOP, KVT, UOP4			BOP, KOP, KOPV, KVT, UOP4
		BOP, KVT, UOP4			BOP, KVT, UOP4			BOP, KVT, UOP4
	51534.1↔	01		B04A, B04B, B04C, B04D, B04E	51535.1↔		01	B04A, B04B, B04C, B04D, B04E
05		F01A, F01B, F01D, F05Z, F07A, F07B, F14A, F14B, F28A, F42Z, F54Z, F59A, F59B	05	F01A, F01B, F01D, F05Z, F07A, F07B, F14A, F14B, F28A, F42Z, F54Z, F59A, F59B		05	F01A, F01B, F01D, F05Z, F07A, F07B, F14A, F14B, F28A, F42Z, F54Z, F59A, F59B	
08		I08A, I08B, I08C, I08D, I08E, I13A, I13B	08	I08A, I08B, I08C, I08D, I08E, I13A, I13B		06	G15Z, G18A, G19A, G19B, G33Z, G38Z	
10		K09A, K09B	10	K09A, K09B		07	H01A, H33Z, H38Z	
11		L09A, L09B, L09C, L09D, L38Z	11	L09A, L09B, L09C, L09D, L38Z		08	I08A, I08B, I08C, I08D, I08E, I13A, I13B	
15		P02A, P02B, P02C	21A	W04A, W04B		10	K09A, K09B	
21A		W04A, W04B	21B	X04Z, X06A, X06B, X06C		11	L09A, L09B, L09C, L09D, L33Z, L38Z	
21B		X06A, X06B, X06C		BOP, KVT, UOP4		21A	W04A, W04B	
		BOP, KVT, UOP4		BOP, KVT, UOP4		21B	X06A, X06B, X06C, X33Z	
51534.2↔		01	B04A, B04B, B04C, B04D, B04E	51535.2↔		01	B04A, B04B, B04C, B04D, B04E	51536.1
	05	F01A, F01B, F01D, F05Z, F07A, F07B, F14A, F14B, F28A, F42Z, F54Z, F59A, F59B	05		F01A, F01B, F01D, F05Z, F07A, F07B, F14A, F14B, F28A, F42Z, F54Z, F59A, F59B	Pre	A07A	
	08	I08A, I08B, I08C, I08D, I08E, I13A, I13B	08		I08A, I08B, I08C, I08D, I08E, I13A, I13B		BOP, KOP, KOPV, KVT, UOP4	
	10	K09A, K09B	10		K09A, K09B	01	B04A, B04B, B04C, B04D, B04E	
	11	L09A, L09B, L09C, L09D, L38Z	11		L09A, L09B, L09C, L09D, L38Z	05	F01A, F01B, F01D, F05Z, F07A, F07B, F14A, F14B, F28A, F42Z, F54Z, F59A, F59B	
	15	P02A, P02B, P02C	21A		W04A, W04B	06	G15Z, G18A, G19A, G19B, G33Z, G38Z	
	21A	W04A, W04B	21B		X04Z, X06A, X06B, X06C	07	H01A, H06A, H06B, H06C, H33Z, H38Z	
	21B	X06A, X06B, X06C			BOP, KVT, UOP4	08	I08A, I08B, I08C, I08D, I08E, I13A, I13B	
		BOP, KVT, UOP4			BOP, KVT, UOP4	10	K09A, K09B	
		BOP, KVT, UOP4			BOP, KVT, UOP4	11	L09A, L09B, L09C, L09D, L33Z, L38Z	
51534.3↔	01	B04A, B04B, B04C, B04D, B04E	51535.3↔	01	B04A, B04B, B04C, B04D, B04E		21A	W04A, W04B
	05	F01A, F01B, F01D, F05Z, F07A, F07B, F14A, F14B, F28A, F42Z, F54Z, F59A, F59B		05	F01A, F01B, F01D, F05Z, F07A, F07B, F14A, F14B, F28A, F42Z, F54Z, F59A, F59B		21B	X06A, X06B, X06C, X33Z
	08	I08A, I08B, I08C, I08D, I08E, I13A, I13B		08	I08A, I08B, I08C, I08D, I08E, I13A, I13B		23	Z01A
	10	K09A, K09B		10	K09A, K09B		Pre	A07A
	11	L09A, L09B, L09C, L09D, L38Z		11	L09A, L09B, L09C, L09D, L38Z			BOP, KOP, KOPV, KVT, UOP4
	15	P02A, P02B, P02C		21A	W04A, W04B		01	B04A, B04B, B04C, B04D, B04E
	21A	W04A, W04B		21B	X04Z, X06A, X06B, X06C		05	F01A, F01B, F01D, F05Z, F07A, F07B, F14A, F14B, F28A, F42Z, F54Z, F59A, F59B
	21B	X06A, X06B, X06C			BOP, KVT, UOP4		06	G15Z, G18A, G19A, G19B, G33Z, G38Z
		BOP, KVT, UOP4			BOP, KVT, UOP4		07	H01A, H06A, H06B, H06C, H33Z, H38Z
		BOP, KVT, UOP4			BOP, KVT, UOP4		08	I08A, I08B, I08C, I08D, I08E, I13A, I13B

ZZV	MDC	DRG	ZZV	MDC	DRG	ZZV	MDC	DRG			
51538.1↔		BOP, KVT, UOP4	51539.0↔		BOP, KVT, UOP4	51539.4		BOP, KVT, UOP4			
	01	B04A, B04B, B04C, B04D, B04E		01	B04A, B04B, B04C, B04D, B04E		01	B04A, B04B, B04C, B04D, B04E			
	05	F01A, F01B, F01D, F05Z, F07A, F07B, F14A, F14B, F28A, F42Z, F54Z, F59A, F59B		05	F01A, F01B, F01D, F05Z, F07A, F07B, F14A, F14B, F28A, F42Z, F54Z, F59A, F59B		05	F01A, F01B, F01D, F05Z, F07A, F07B, F14A, F14B, F28A, F42Z, F54Z, F59A, F59B			
	08	I08A, I08B, I08C, I08D, I08E, I13A, I13B		08	I08A, I08B, I08C, I08D, I08E, I13A, I13B		06	G18A, G38Z			
	10	K09A, K09B		10	K09A, K09B		07	H01A			
	11	L09A, L09B, L09C, L09D, L38Z		11	L09A, L09B, L09C, L09D, L38Z		08	I08A, I08B, I08C, I08D, I08E, I13A, I13B			
	21A	W04A, W04B		21A	W04A, W04B		10	K09A, K09B			
	21B	X04Z, X06A, X06B, X06C		21B	X04Z, X06A, X06B, X06C		11	L09A, L09B, L09C, L09D, L38Z			
	51538.2↔			BOP, KVT, UOP4	51539.1↔			BOP, KVT, UOP4	51539.5		W04A, W04B
		01		B04A, B04B, B04C, B04D, B04E			01	B04A, B04B, B04C, B04D, B04E		21B	X06A, X06B, X06C
05		F01A, F01B, F01D, F05Z, F07A, F07B, F14A, F14B, F28A, F42Z, F54Z, F59A, F59B	05	F01A, F01B, F01D, F05Z, F07A, F07B, F14A, F14B, F28A, F42Z, F54Z, F59A, F59B		01	BOP, KVT, UOP4				
08		I08A, I08B, I08C, I08D, I08E, I13A, I13B	08	I08A, I08B, I08C, I08D, I08E, I13A, I13B		01	B04A, B04B, B04C, B04D, B04E				
10		K09A, K09B	10	K09A, K09B		05	F01A, F01B, F01D, F05Z, F07A, F07B, F14A, F14B, F28A, F42Z, F54Z, F59A, F59B				
11		L09A, L09B, L09C, L09D, L38Z	11	L09A, L09B, L09C, L09D, L38Z		06	G18A, G38Z				
21A		W04A, W04B	21A	W04A, W04B		07	H01A				
21B		X04Z, X06A, X06B, X06C	21B	X04Z, X06A, X06B, X06C		08	I08A, I08B, I08C, I08D, I08E, I13A, I13B				
51538.3↔			BOP, KVT, UOP4	51539.2			BOP, KVT, UOP4	51539.6			BOP, KVT, UOP4
		01	B04A, B04B, B04C, B04D, B04E			01	B04A, B04B, B04C, B04D, B04E			01	B04A, B04B, B04C, B04D, B04E
	05	F01A, F01B, F01D, F05Z, F07A, F07B, F14A, F14B, F28A, F42Z, F54Z, F59A, F59B	05		F01A, F01B, F01D, F05Z, F07A, F07B, F14A, F14B, F28A, F42Z, F54Z, F59A, F59B	05	F01A, F01B, F01D, F05Z, F07A, F07B, F14A, F14B, F28A, F42Z, F54Z, F59A, F59B				
	08	I08A, I08B, I08C, I08D, I08E, I13A, I13B	06		G18A, G38Z	05	F01A, F01B, F01D, F05Z, F07A, F07B, F14A, F14B, F28A, F42Z, F54Z, F59A, F59B				
	10	K09A, K09B	07		H01A	06	G18A, G38Z				
	11	L09A, L09B, L09C, L09D, L38Z	08		I08A, I08B, I08C, I08D, I08E, I13A, I13B	07	H01A				
	21A	W04A, W04B	10		K09A, K09B	08	I08A, I08B, I08C, I08D, I08E, I13A, I13B				
	21B	X04Z, X06A, X06B, X06C	11		L09A, L09B, L09C, L09D, L38Z	10	K09A, K09B				
	51538.4↔		BOP, KVT, UOP4		51539.3↔		BOP, KVT, UOP4		51539.7		L09A, L09B, L09C, L09D, L38Z
		01	B04A, B04B, B04C, B04D, B04E			01	B04A, B04B, B04C, B04D, B04E			01	B04A, B04B, B04C, B04D, B04E
05		F01A, F01B, F01D, F05Z, F07A, F07B, F14A, F14B, F28A, F42Z, F54Z, F59A, F59B	05	F01A, F01B, F01D, F05Z, F07A, F07B, F14A, F14B, F28A, F42Z, F54Z, F59A, F59B		05	F01A, F01B, F01D, F05Z, F07A, F07B, F14A, F14B, F28A, F42Z, F54Z, F59A, F59B				
08		I08A, I08B, I08C, I08D, I08E, I13A, I13B	06	G18A, G38Z		05	F01A, F01B, F01D, F05Z, F07A, F07B, F14A, F14B, F28A, F42Z, F54Z, F59A, F59B				
10		K09A, K09B	07	H01A		06	G18A, G38Z				
11		L09A, L09B, L09C, L09D, L38Z	08	I08A, I08B, I08C, I08D, I08E, I13A, I13B		07	H01A				
21A		W04A, W04B	10	K09A, K09B		08	I08A, I08B, I08C, I08D, I08E, I13A, I13B				
21B		X04Z, X06A, X06B, X06C	11	L09A, L09B, L09C, L09D, L38Z		10	K09A, K09B				
51538.x↔			BOP, KVT, UOP4	51539.x↔			BOP, KVT, UOP4	51539.x↔			L09A, L09B, L09C, L09D, L38Z
		01	B04A, B04B, B04C, B04D, B04E			01	B04A, B04B, B04C, B04D, B04E			01	B04A, B04B, B04C, B04D, B04E
	05	F01A, F01B, F01D, F05Z, F07A, F07B, F14A, F14B, F28A, F42Z, F54Z, F59A, F59B	05		F01A, F01B, F01D, F05Z, F07A, F07B, F14A, F14B, F28A, F42Z, F54Z, F59A, F59B	05	F01A, F01B, F01D, F05Z, F07A, F07B, F14A, F14B, F28A, F42Z, F54Z, F59A, F59B				
	08	I08A, I08B, I08C, I08D, I08E, I13A, I13B	06		G18A, G38Z	05	F01A, F01B, F01D, F05Z, F07A, F07B, F14A, F14B, F28A, F42Z, F54Z, F59A, F59B				
	10	K09A, K09B	07		H01A	06	G18A, G38Z				
	11	L09A, L09B, L09C, L09D, L38Z	08		I08A, I08B, I08C, I08D, I08E, I13A, I13B	07	H01A				
	21A	W04A, W04B	10		K09A, K09B	08	I08A, I08B, I08C, I08D, I08E, I13A, I13B				
	21B	X04Z, X06A, X06B, X06C	11		L09A, L09B, L09C, L09D, L38Z	10	K09A, K09B				
						11	L09A, L09B, L09C, L09D, L38Z				
						21A	W04A, W04B				
				21B	X06A, X06B, X06C						

VYK

ZZV	MDC	DRG	ZZV	MDC	DRG	ZZV	MDC	DRG		
51539.8↔		BOP, KVT, UOP4	51539.c↔		BOP, KVT, UOP4	51539.g↔		BOP, KVT, UOP4		
	01	B04A, B04B, B04C, B04D, B04E		01	B04A, B04B, B04C, B04D, B04E		01	B04A, B04B, B04C, B04D, B04E		
	05	F01A, F01B, F01D, F05Z, F07A, F07B, F14A, F14B, F28A, F42Z, F54Z, F59A, F59B		05	F01A, F01B, F01D, F05Z, F07A, F07B, F14A, F14B, F28A, F42Z, F54Z, F59A, F59B		05	F01A, F01B, F01D, F05Z, F07A, F07B, F14A, F14B, F28A, F42Z, F54Z, F59A, F59B		
	06	G18A, G38Z		08	I08A, I08B, I08C, I08D, I08E, I13A, I13B		08	I08A, I08B, I08C, I08D, I08E, I13A, I13B		
	07	H01A		10	K09A, K09B		10	K09A, K09B		
	08	I08A, I08B, I08C, I08D, I08E, I13A, I13B		11	L09A, L09B, L09C, L09D, L38Z		11	L09A, L09B, L09C, L09D, L38Z		
	10	K09A, K09B		21A	W04A, W04B		21A	W04A, W04B		
	11	L09A, L09B, L09C, L09D, L38Z		21B	X05A, X05B, X06A, X06B, X06C		21B	X04Z, X06A, X06B, X06C		
	21A	W04A, W04B					51539.h↔			
	21B	X06A, X06B, X06C		51539.d↔			BOP, KVT, UOP4	01	B04A, B04B, B04C, B04D, B04E	
	51539.9↔				BOP, KVT, UOP4		01	B04A, B04B, B04C, B04D, B04E	05	F01A, F01B, F01D, F05Z, F07A, F07B, F14A, F14B, F28A, F42Z, F54Z, F59A, F59B
01		B04A, B04B, B04C, B04D, B04E	05		F01A, F01B, F01D, F05Z, F07A, F07B, F14A, F14B, F28A, F42Z, F54Z, F59A, F59B	08	I08A, I08B, I08C, I08D, I08E, I13A, I13B			
05		F01A, F01B, F01D, F05Z, F07A, F07B, F14A, F14B, F28A, F42Z, F54Z, F59A, F59B	08		I08A, I08B, I08C, I08D, I08E, I13A, I13B	10	K09A, K09B			
08		I08A, I08B, I08C, I08D, I08E, I13A, I13B	10		K09A, K09B	11	L09A, L09B, L09C, L09D, L38Z			
10		K09A, K09B	11		L09A, L09B, L09C, L09D, L38Z	21A	W04A, W04B			
11		L09A, L09B, L09C, L09D, L38Z	21A		W04A, W04B	21B	X04Z, X06A, X06B, X06C			
21A		W04A, W04B	21B		X05A, X05B, X06A, X06B, X06C	51539.i↔		BOP, KVT, UOP4		
21B		X06A, X06B, X06C	51539.e				BOP, KVT, UOP4	01	B04A, B04B, B04C, B04D, B04E	
51539.a↔					BOP, KVT, UOP4		01	B04A, B04B, B04C, B04D, B04E	05	F01A, F01B, F01D, F05Z, F07A, F07B, F14A, F14B, F28A, F42Z, F54Z, F59A, F59B
		01			B04A, B04B, B04C, B04D, B04E		05	F01A, F01B, F01D, F05Z, F07A, F07B, F14A, F14B, F28A, F42Z, F54Z, F59A, F59B	08	I08A, I08B, I08C, I08D, I08E, I13A, I13B
		05		F01A, F01B, F01D, F05Z, F07A, F07B, F14A, F14B, F28A, F42Z, F54Z, F59A, F59B	08		I08A, I08B, I08C, I08D, I08E, I13A, I13B	10	K09A, K09B	
	08	I08A, I08B, I08C, I08D, I08E, I13A, I13B		10	K09A, K09B		11	L09A, L09B, L09C, L09D, L38Z		
	10	K09A, K09B		11	L09A, L09B, L09C, L09D, L38Z		21A	W04A, W04B		
	11	L09A, L09B, L09C, L09D, L38Z		11	L09A, L09B, L09C, L09D, L38Z		21B	X04Z, X06A, X06B, X06C		
	21A	W04A, W04B		21A	W04A, W04B		51539.x↔		BOP, KVT, UOP4	
	21B	X06A, X06B, X06C		21B	X06A, X06B, X06C			01	B04A, B04B, B04C, B04D, B04E	
	51539.b↔			BOP, KVT, UOP4	51539.f				BOP, KVT, UOP4	05
		01		B04A, B04B, B04C, B04D, B04E		01		B04A, B04B, B04C, B04D, B04E	08	I08A, I08B, I08C, I08D, I08E, I13A, I13B
		05	F01A, F01B, F01D, F05Z, F07A, F07B, F14A, F14B, F28A, F42Z, F54Z, F59A, F59B	05		F01A, F01B, F01D, F05Z, F07A, F07B, F14A, F14B, F28A, F42Z, F54Z, F59A, F59B		10	K09A, K09B	
08		I08A, I08B, I08C, I08D, I08E, I13A, I13B	06	G03A, G18A, G38Z		11		L09A, L09B, L09C, L09D, L38Z		
10		K09A, K09B	07	H01A		21A		W04A, W04B		
11		L09A, L09B, L09C, L09D, L38Z	08	I08A, I08B, I08C, I08D, I08E, I13A, I13B		21B		X06A, X06B, X06C		
21A		W04A, W04B	10	K09A, K09B		5153a.1↔			BOP, KVT, UOP4	
21B		X05A, X05B, X06A, X06B, X06C	11	L09A, L09B, L09C, L09D, L38Z				01	B04A, B04B, B04C, B04D, B04E	
			21A	W04A, W04B				05	F01A, F01B, F01D, F05Z, F07A, F07B, F28A, F42Z, F54Z, F59A, F59B	
			21B	X06A, X06B, X06C			08	I08A, I08B, I08C, I08D, I08E, I13A, I13B		
							10	K09A, K09B		
				11	L09A, L09B, L09C, L09D, L38Z					
				21A	W04A, W04B					
				21B	X04Z, X05A, X05B, X06A, X06B, X06C					

VYK

ZZV	MDC	DRG	ZZV	MDC	DRG	ZZV	MDC	DRG			
5153a.2↔		BOP, KVT, UOP4	51540.10↔		BOP, KVT, UOP4	51540.40↔		BOP, KOP, KOPV, KVT, UOP4			
	01	B04A, B04B, B04C, B04D, B04E		01	B04A, B04B, B04C, B04D, B04E		01	B04A, B04B, B04C, B04D, B04E			
	05	F01A, F01B, F01D, F05Z, F07A, F07B, F28A, F42Z, F54Z, F59A, F59B		05	F01A, F01B, F01D, F05Z, F06A, F06C, F07A, F07B, F14A, F14B, F28A, F42Z, F54Z, F59A, F59B		04	E05A, E05B, E05C, E08A, E08B, E08C			
	08	I08A, I08B, I08C, I08D, I08E, I13A, I13B		08	I08A, I08B, I08C, I08D, I08E, I13A, I13B		05	F01A, F01B, F01D, F05Z, F06A, F06C, F07A, F07B, F14A, F14B, F28A, F42Z, F54Z, F59A, F59B			
	10	K09A, K09B		09	J03A, J03B, J04A, J04B, J08A, J08B, J08C, J11A, J11B, J16Z		06	G33Z			
	11	L09A, L09B, L09C, L09D, L38Z		10	K09A, K09B		07	H33Z, H38Z			
	21A	W04A, W04B		21A	W04A, W04B		08	I08A, I08B, I08C, I08D, I08E, I13A, I13B			
	21B	X04Z, X05A, X05B, X06A, X06B, X06C		21B	X06A, X06B, X06C		09	J03A, J03B, J04A, J04B, J08A, J08B, J08C, J11A, J11B, J16Z			
	5153a.3↔			BOP, KVT, UOP4	51540.11↔			BOP, KVT, UOP4	51540.41↔		BOP, KOP, KOPV, KVT, UOP4
		01		B04A, B04B, B04C, B04D, B04E			01	B04A, B04B, B04C, B04D, B04E		01	B04A, B04B, B04C, B04D, B04E
05		F01A, F01B, F01D, F05Z, F07A, F07B, F14A, F14B, F28A, F42Z, F54Z, F59A, F59B	05	F01A, F01B, F01D, F05Z, F06A, F06C, F07A, F07B, F14A, F14B, F28A, F42Z, F54Z, F59A, F59B		04	E05A, E05B, E05C, E08A, E08B, E08C				
08		I08A, I08B, I08C, I08D, I08E, I13A, I13B	08	I08A, I08B, I08C, I08D, I08E, I13A, I13B		05	F01A, F01B, F01D, F05Z, F06A, F06C, F07A, F07B, F14A, F14B, F28A, F42Z, F54Z, F59A, F59B				
10		K09A, K09B	09	J03A, J03B, J04A, J04B, J08A, J08B, J08C, J11A, J11B, J16Z		06	G33Z				
11		L09A, L09B, L09C, L09D, L38Z	10	K09A, K09B		07	H33Z, H38Z				
21A		W04A, W04B	21A	W04A, W04B		08	I08A, I08B, I08C, I08D, I08E, I13A, I13B				
21B		X04Z, X05A, X05B, X06A, X06B, X06C	21B	X06A, X06B, X06C		09	J03A, J03B, J04A, J04B, J08A, J08B, J08C, J11A, J11B, J16Z				
5153a.x↔			BOP, KVT, UOP4	51540.2↔			BOP, KVT, UOP4	51540.42↔			BOP, KOP, KOPV, KVT, UOP4
		01	B04A, B04B, B04C, B04D, B04E			01	B04A, B04B, B04C, B04D, B04E			01	B04A, B04B, B04C, B04D, B04E
	05	F01A, F01B, F01D, F05Z, F07A, F07B, F14A, F14B, F28A, F42Z, F54Z, F59A, F59B	05		F01A, F01B, F01D, F05Z, F06A, F06C, F07A, F07B, F14A, F14B, F28A, F42Z, F54Z, F59A, F59B	04	E05A, E05B, E05C, E08A, E08B, E08C				
	08	I08A, I08B, I08C, I08D, I08E, I13A, I13B	08		I08A, I08B, I08C, I08D, I08E, I13A, I13B	05	F01A, F01B, F01D, F05Z, F06A, F06C, F07A, F07B, F14A, F14B, F28A, F42Z, F54Z, F59A, F59B				
	10	K09A, K09B	09		J03A, J03B, J04A, J04B, J08A, J08B, J08C, J11A, J11B, J16Z	06	G33Z				
	11	L09A, L09B, L09C, L09D, L38Z	10		K09A, K09B	07	H33Z, H38Z				
	21A	W04A, W04B	21A		W04A, W04B	08	I08A, I08B, I08C, I08D, I08E, I13A, I13B				
	21B	X06A, X06B, X06C	21B		X06A, X06B, X06C	09	J03A, J03B, J04A, J04B, J08A, J08B, J08C, J11A, J11B, J16Z				
	51540.0↔		BOP, KVT, UOP4		51540.3↔		BOP, KVT, UOP4		51540.42↔		BOP, KOP, KOPV, KVT, UOP4
		01	B04A, B04B, B04C, B04D, B04E			01	B04A, B04B, B04C, B04D, B04E			01	B04A, B04B, B04C, B04D, B04E
05		F01A, F01B, F01D, F05Z, F06A, F06C, F07A, F07B, F14A, F14B, F28A, F42Z, F54Z, F59A, F59B	05	F01A, F01B, F01D, F05Z, F06A, F06C, F07A, F07B, F14A, F14B, F28A, F42Z, F54Z, F59A, F59B		04	E05A, E05B, E05C, E08A, E08B, E08C				
08		I08A, I08B, I08C, I08D, I08E, I13A, I13B	08	I08A, I08B, I08C, I08D, I08E, I13A, I13B		05	F01A, F01B, F01D, F05Z, F06A, F06C, F07A, F07B, F14A, F14B, F28A, F42Z, F54Z, F59A, F59B				
09		J03A, J03B, J04A, J04B, J08A, J08B, J08C, J11A, J11B, J16Z	09	J03A, J03B, J04A, J04B, J08A, J08B, J08C, J11A, J11B, J16Z		06	G33Z				
10		K09A, K09B	10	K09A, K09B		07	H33Z, H38Z				
21A		W04A, W04B	21A	W04A, W04B		08	I08A, I08B, I08C, I08D, I08E, I13A, I13B				
21B		X06A, X06B, X06C	21B	X06A, X06B, X06C		09	J03A, J03B, J04A, J04B, J08A, J08B, J08C, J11A, J11B, J16Z				
						10	K09A, K09B				
						11	L33Z				
				21A	W04A, W04B						
				21B	X06A, X06B, X06C, X33Z						
				23	Z01A						
				Pre	A07A						

VYK

ZZV	MDC	DRG	ZZV	MDC	DRG	ZZV	MDC	DRG			
51540.x↔		BOP, KVT, UOP4	51542.3↔		BOP, KVT, UOP4	51544.00↔		BOP, KOP, KOPV, KVT, UOP4			
	01	B04A, B04B, B04C, B04D, B04E		01	B04A, B04B, B04C, B04D, B04E		01	B04A, B04B, B04C, B04D, B04E			
	05	F01A, F01B, F01D, F05Z, F06A, F06C, F07A, F07B, F14A, F14B, F28A, F42Z, F54Z, F59A, F59B		05	F01A, F01B, F01D, F05Z, F07A, F07B, F14A, F14B, F28A, F42Z, F54Z, F59A, F59B		04	E05A, E05B, E05C, E08A, E08B, E08C			
	08	I08A, I08B, I08C, I08D, I08E, I13A, I13B		08	I08A, I08B, I08C, I08D, I08E, I13A, I13B		05	F01A, F01B, F01D, F05Z, F07A, F07B, F14A, F14B, F28A, F42Z, F54Z, F59A, F59B			
	09	J03A, J03B, J04A, J04B, J08A, J08B, J08C, J11A, J11B, J16Z		09	J03A, J03B, J04A, J04B, J08A, J08B, J08C, J11A, J11B, J16Z		06	G15Z, G19A, G19B, G33Z, G38Z			
	10	K09A, K09B		10	K09A, K09B		07	H33Z, H38Z			
	21A	W04A, W04B		21A	W04A, W04B		08	I08A, I08B, I08C, I08D, I08E, I13A, I13B			
	21B	X06A, X06B, X06C		21B	X05A, X05B, X06A, X06B, X06C		09	J03A, J03B, J04A, J04B, J08A, J08B, J08C, J11A, J11B, J16Z			
	51542.0↔			BOP, KVT, UOP4	51542.4↔			BOP, KVT, UOP4	51544.01↔		BOP, KVT, UOP4
		01		B04A, B04B, B04C, B04D, B04E			01	B04A, B04B, B04C, B04D, B04E		01	B04A, B04B, B04C, B04D, B04E
05		F01A, F01B, F01D, F05Z, F07A, F07B, F14A, F14B, F28A, F42Z, F54Z, F59A, F59B	05	F01A, F01B, F01D, F05Z, F07A, F07B, F14A, F14B, F28A, F42Z, F54Z, F59A, F59B		05	F01A, F01B, F01D, F05Z, F06A, F06C, F07A, F07B, F14A, F14B, F28A, F42Z, F54Z, F59A, F59B				
08		I08A, I08B, I08C, I08D, I08E, I13A, I13B	08	I08A, I08B, I08C, I08D, I08E, I13A, I13B		08	I08A, I08B, I08C, I08D, I08E, I13A, I13B				
09		J03A, J03B, J04A, J04B, J08A, J08B, J08C, J11A, J11B, J16Z	09	J03A, J03B, J04A, J04B, J08A, J08B, J08C, J11A, J11B, J16Z		09	J03A, J03B, J04A, J04B, J08A, J08B, J08C, J11A, J11B, J16Z				
10		K09A, K09B	10	K09A, K09B		10	K09A, K09B				
21A		W04A, W04B	21A	W04A, W04B		21A	W04A, W04B				
21B		X05A, X05B, X06A, X06B, X06C	21B	X05A, X05B, X06A, X06B, X06C		21B	X06A, X06B, X06C, X33Z				
51542.1↔			BOP, KVT, UOP4	51542.x↔			BOP, KVT, UOP4	51544.1↔			BOP, KOP, KOPV, KVT, UOP4
		01	B04A, B04B, B04C, B04D, B04E			01	B04A, B04B, B04C, B04D, B04E			01	B04A, B04B, B04C, B04D, B04E
	05	F01A, F01B, F01D, F05Z, F07A, F07B, F14A, F14B, F28A, F42Z, F54Z, F59A, F59B	05		F01A, F01B, F01D, F05Z, F07A, F07B, F14A, F14B, F28A, F42Z, F54Z, F59A, F59B	05	F01A, F01B, F01D, F05Z, F07A, F07B, F14A, F14B, F28A, F42Z, F54Z, F59A, F59B				
	08	I08A, I08B, I08C, I08D, I08E, I13A, I13B	08		I08A, I08B, I08C, I08D, I08E, I13A, I13B	08	I08A, I08B, I08C, I08D, I08E, I13A, I13B				
	09	J03A, J03B, J04A, J04B, J08A, J08B, J08C, J11A, J11B, J16Z	09		J03A, J03B, J04A, J04B, J08A, J08B, J08C, J11A, J11B, J16Z	09	J03A, J03B, J04A, J04B, J08A, J08B, J08C, J11A, J11B, J16Z				
	10	K09A, K09B	10		K09A, K09B	10	K09A, K09B				
	21A	W04A, W04B	21A		W04A, W04B	21A	W04A, W04B				
	21B	X05A, X05B, X06A, X06B, X06C	21B		X05A, X05B, X06A, X06B, X06C	21B	X06A, X06B, X06C				
	51542.2↔		BOP, KVT, UOP4				51544.1↔			BOP, KOP, KOPV, KVT, UOP4	
		01	B04A, B04B, B04C, B04D, B04E						01	B04A, B04B, B04C, B04D, B04E	
05		F01A, F01B, F01D, F05Z, F07A, F07B, F14A, F14B, F28A, F42Z, F54Z, F59A, F59B			04	E05A, E05B, E05C, E08A, E08B, E08C					
08		I08A, I08B, I08C, I08D, I08E, I13A, I13B			05	F01A, F01B, F01D, F05Z, F07A, F07B, F14A, F14B, F28A, F42Z, F54Z, F59A, F59B					
09		J03A, J03B, J04A, J04B, J08A, J08B, J08C, J11A, J11B, J16Z			06	G15Z, G19A, G19B, G33Z, G38Z					
10		K09A, K09B			07	H33Z, H38Z					
21A		W04A, W04B			08	I08A, I08B, I08C, I08D, I08E, I13A, I13B					
21B		X05A, X05B, X06A, X06B, X06C			09	J03A, J03B, J04A, J04B, J08A, J08B, J08C, J11A, J11B, J16Z					
					10	K09A, K09B					
					11	L33Z					
				21A	W04A, W04B						
				21B	X06A, X06B, X06C, X33Z						
				23	Z01A						
				Pre	A07A						

ZZV	MDC	DRG	ZZV	MDC	DRG	ZZV	MDC	DRG
51544.2↔		BOP, KOP, KOPV, KVT, UOP4	51545.0↔		BOP, KOP, KOPV, KVT, UOP4	51545.2↔		BOP, KOP, KOPV, KVT, UOP4
	01	B04A, B04B, B04C, B04D, B04E		01	B04A, B04B, B04C, B04D, B04E		01	B04A, B04B, B04C, B04D, B04E
	04	E05A, E05B, E05C, E08A, E08B, E08C		05	F01A, F01B, F01D, F05Z, F07A, F07B, F14A, F14B, F28A, F42Z, F54Z, F59A, F59B		05	F01A, F01B, F01D, F05Z, F07A, F07B, F14A, F14B, F28A, F42Z, F54Z, F59A, F59B
	05	F01A, F01B, F01D, F05Z, F07A, F07B, F14A, F14B, F28A, F42Z, F54Z, F59A, F59B		06	G15Z, G19A, G19B, G33Z, G38Z		06	G15Z, G19A, G19B, G33Z, G38Z
	06	G15Z, G19A, G19B, G33Z, G38Z		07	H33Z, H38Z		07	H33Z, H38Z
	07	H33Z, H38Z		08	I08A, I08B, I08C, I08D, I08E, I13A, I13B		08	I08A, I08B, I08C, I08D, I08E, I13A, I13B
	08	I08A, I08B, I08C, I08D, I08E, I13A, I13B		09	J03A, J03B, J04A, J04B, J08A, J08B, J08C, J11A, J11B, J16Z		09	J03A, J03B, J04A, J04B, J08A, J08B, J08C, J11A, J11B, J16Z
	09	J03A, J03B, J04A, J04B, J08A, J08B, J08C, J11A, J11B, J16Z		10	K09A, K09B		10	K09A, K09B
	10	K09A, K09B		11	L09A, L09B, L09C, L09D, L33Z, L38Z		11	L09A, L09B, L09C, L09D, L33Z, L38Z
	11	L33Z		21A	W04A, W04B		21A	W04A, W04B
	21A	W04A, W04B		21B	X04Z, X06A, X06B, X06C, X33Z		21B	X04Z, X06A, X06B, X06C, X33Z
	21B	X06A, X06B, X06C, X33Z		23	Z01A		23	Z01A
	23	Z01A		Pre	A07A		Pre	A07A
	Pre	A07A	51544.x↔		BOP, KOP, KOPV, KVT, UOP4	51545.1↔		BOP, KOP, KOPV, KVT, UOP4
		BOP, KOP, KOPV, KVT, UOP4		01	B04A, B04B, B04C, B04D, B04E		01	B04A, B04B, B04C, B04D, B04E
	01	B04A, B04B, B04C, B04D, B04E		05	F01A, F01B, F01D, F05Z, F07A, F07B, F14A, F14B, F28A, F42Z, F54Z, F59A, F59B		05	F01A, F01B, F01D, F05Z, F07A, F07B, F14A, F14B, F28A, F42Z, F54Z, F59A, F59B
	04	E05A, E05B, E05C, E08A, E08B, E08C		06	G15Z, G19A, G19B, G33Z, G38Z		06	G15Z, G19A, G19B, G33Z, G38Z
	05	F01A, F01B, F01D, F05Z, F07A, F07B, F14A, F14B, F28A, F42Z, F54Z, F59A, F59B		07	H33Z, H38Z		07	H33Z, H38Z
	06	G15Z, G19A, G19B, G33Z, G38Z		08	I08A, I08B, I08C, I08D, I08E, I13A, I13B		08	I08A, I08B, I08C, I08D, I08E, I13A, I13B
	07	H33Z, H38Z		09	J03A, J03B, J04A, J04B, J08A, J08B, J08C, J11A, J11B, J16Z		09	J03A, J03B, J04A, J04B, J08A, J08B, J08C, J11A, J11B, J16Z
	08	I08A, I08B, I08C, I08D, I08E, I13A, I13B		10	K09A, K09B		10	K09A, K09B
	09	J03A, J03B, J04A, J04B, J08A, J08B, J08C, J11A, J11B, J16Z		11	L09A, L09B, L09C, L09D, L33Z, L38Z		11	L09A, L09B, L09C, L09D, L33Z, L38Z
	10	K09A, K09B		21A	W04A, W04B		21A	W04A, W04B
	11	L33Z		21B	X04Z, X06A, X06B, X06C, X33Z		21B	X04Z, X06A, X06B, X06C, X33Z
	21A	W04A, W04B		23	Z01A		23	Z01A
	21B	X06A, X06B, X06C, X33Z		Pre	A07A		Pre	A07A
	23	Z01A			BOP, KOP, KOPV, KVT, UOP4			BOP, KOP, KOPV, KVT, UOP4
	Pre	A07A			BOP, KOP, KOPV, KVT, UOP4			BOP, KOP, KOPV, KVT, UOP4
		BOP, KOP, KOPV, KVT, UOP4		01	B04A, B04B, B04C, B04D, B04E		01	B04A, B04B, B04C, B04D, B04E

VYK

ZZV	MDC	DRG	ZZV	MDC	DRG	ZZV	MDC	DRG
51546.0		BOP, KOP, KOPV, KVT, UOP4	51546.2		BOP, KOP, KOPV, KVT, UOP4	51546.4		BOP, KOP, KOPV, KVT, UOP4
	01	B04A, B04B, B04C, B04D, B04E		01	B04A, B04B, B04C, B04D, B04E		01	B04A, B04B, B04C, B04D, B04E
	04	E05A, E05B, E05C, E08A, E08B, E08C		04	E05A, E05B, E05C, E08A, E08B, E08C		04	E05A, E05B, E05C, E08A, E08B, E08C
	05	F01A, F01B, F01D, F05Z, F07A, F07B, F14A, F14B, F28A, F42Z, F54Z, F59A, F59B		05	F01A, F01B, F01D, F05Z, F07A, F07B, F14A, F14B, F28A, F42Z, F54Z, F59A, F59B		05	F01A, F01B, F01D, F05Z, F07A, F07B, F14A, F14B, F28A, F42Z, F54Z, F59A, F59B
	06	G15Z, G19A, G19B, G33Z, G38Z		06	G15Z, G19A, G19B, G33Z, G38Z		06	G15Z, G19A, G19B, G33Z, G38Z
	07	H33Z, H38Z		07	H33Z, H38Z		07	H33Z, H38Z
	08	I08A, I08B, I08C, I08D, I08E, I13A, I13B		08	I08A, I08B, I08C, I08D, I08E, I13A, I13B		08	I08A, I08B, I08C, I08D, I08E, I13A, I13B
	09	J03A, J03B, J04A, J04B, J08A, J08B, J08C, J11A, J11B, J16Z		09	J03A, J03B, J04A, J04B, J08A, J08B, J08C, J11A, J11B, J16Z		09	J03A, J03B, J04A, J04B, J08A, J08B, J08C, J11A, J11B, J16Z
	10	K09A, K09B		10	K09A, K09B		10	K09A, K09B
	11	L09A, L09B, L09C, L09D, L33Z, L38Z		11	L09A, L09B, L09C, L09D, L33Z, L38Z		11	L09A, L09B, L09C, L09D, L33Z, L38Z
	21A	W04A, W04B		21A	W04A, W04B		21A	W04A, W04B
	21B	X06A, X06B, X06C, X33Z		21B	X06A, X06B, X06C, X33Z		21B	X06A, X06B, X06C, X33Z
	23	Z01A		23	Z01A		23	Z01A
	Pre	A07A		Pre	A07A		Pre	A07A
51546.1		BOP, KOP, KOPV, KVT, UOP4	51546.3↔		BOP, KOP, KOPV, KVT, UOP4	51546.5		BOP, KOP, KOPV, KVT, UOP4
	01	B04A, B04B, B04C, B04D, B04E		01	B04A, B04B, B04C, B04D, B04E		01	B04A, B04B, B04C, B04D, B04E
	04	E05A, E05B, E05C, E08A, E08B, E08C		04	E05A, E05B, E05C, E08A, E08B, E08C		04	E05A, E05B, E05C, E08A, E08B, E08C
	05	F01A, F01B, F01D, F05Z, F07A, F07B, F14A, F14B, F28A, F42Z, F54Z, F59A, F59B		05	F01A, F01B, F01D, F05Z, F07A, F07B, F14A, F14B, F28A, F42Z, F54Z, F59A, F59B		05	F01A, F01B, F01D, F05Z, F07A, F07B, F14A, F14B, F28A, F42Z, F54Z, F59A, F59B
	06	G15Z, G19A, G19B, G33Z, G38Z		06	G15Z, G19A, G19B, G33Z, G38Z		06	G15Z, G19A, G19B, G33Z, G38Z
	07	H33Z, H38Z		07	H33Z, H38Z		07	H33Z, H38Z
	08	I08A, I08B, I08C, I08D, I08E, I13A, I13B		08	I08A, I08B, I08C, I08D, I08E, I13A, I13B		08	I08A, I08B, I08C, I08D, I08E, I13A, I13B
	09	J03A, J03B, J04A, J04B, J08A, J08B, J08C, J11A, J11B, J16Z		09	J03A, J03B, J04A, J04B, J08A, J08B, J08C, J11A, J11B, J16Z		09	J03A, J03B, J04A, J04B, J08A, J08B, J08C, J11A, J11B, J16Z
	10	K09A, K09B		10	K09A, K09B		10	K09A, K09B
	11	L09A, L09B, L09C, L09D, L33Z, L38Z		11	L09A, L09B, L09C, L09D, L33Z, L38Z		11	L09A, L09B, L09C, L09D, L33Z, L38Z
	21A	W04A, W04B		21A	W04A, W04B		21A	W04A, W04B
	21B	X06A, X06B, X06C, X33Z		21B	X06A, X06B, X06C, X33Z		21B	X06A, X06B, X06C, X33Z
	23	Z01A		23	Z01A		23	Z01A
	Pre	A07A		Pre	A07A		Pre	A07A

ZZV	MDC	DRG	ZZV	MDC	DRG	ZZV	MDC	DRG			
51546.x↔		BOP, KOP, KOPV, KVT, UOP4	51547.x↔		BOP, KVT, UOP4	51548.x↔		BOP, KVT, UOP4			
	01	B04A, B04B, B04C, B04D, B04E		01	B04A, B04B, B04C, B04D, B04E		01	B04A, B04B, B04C, B04D, B04E			
	04	E05A, E05B, E05C, E08A, E08B, E08C		05	F01A, F01B, F01D, F05Z, F07A, F07B, F14A, F14B, F28A, F42Z, F54Z, F59A, F59B		04	E02A, E02B, E02C, E02D			
	05	F01A, F01B, F01D, F05Z, F07A, F07B, F14A, F14B, F28A, F42Z, F54Z, F59A, F59B		08	I08A, I08B, I08C, I08D, I08E, I13A, I13B		05	F01A, F01B, F01D, F05Z, F07A, F07B, F14A, F14B, F28A, F42Z, F54Z, F59A, F59B			
	06	G15Z, G19A, G19B, G33Z, G38Z		09	J03A, J03B, J04A, J04B, J08A, J08B, J08C, J11A, J11B, J16Z		08	I08A, I08B, I08C, I08D, I08E, I13A, I13B			
	07	H33Z, H38Z		10	K09A, K09B		09	J03A, J03B, J04A, J04B, J08A, J08B, J08C, J11A, J11B, J16Z			
	08	I08A, I08B, I08C, I08D, I08E, I13A, I13B		11	L09A, L09B, L09C, L09D, L38Z		10	K09A, K09B			
	09	J03A, J03B, J04A, J04B, J08A, J08B, J08C, J11A, J11B, J16Z		21A	W04A, W04B		11	L09A, L09B, L09C, L09D, L38Z			
	10	K09A, K09B		21B	X04Z, X06A, X06B, X06C		21A	W04A, W04B			
	11	L09A, L09B, L09C, L09D, L33Z, L38Z			BOP, KVT, UOP4		21B	X04Z, X06A, X06B, X06C			
	21A	W04A, W04B		51548.0↔	01		B04A, B04B, B04C, B04D, B04E	51549		BOP, KVT, UOP4	
	21B	X06A, X06B, X06C, X33Z			05		F01A, F01B, F01D, F05Z, F07A, F07B, F14A, F14B, F28A, F42Z, F54Z, F59A, F59B		01	B04A, B04B, B04C, B04D, B04E	
	23	Z01A			08		I08A, I08B, I08C, I08D, I08E, I13A, I13B		05	F01A, F01B, F01D, F05Z, F07A, F07B, F14A, F14B, F28A, F42Z, F54Z, F59A, F59B	
	Pre	A07A			09		J03A, J03B, J04A, J04B, J08A, J08B, J08C, J11A, J11B, J16Z		08	I08A, I08B, I08C, I08D, I08E, I13A, I13B	
	51547.0↔				BOP, KVT, UOP4		10		K09A, K09B	09	J03A, J03B, J04A, J04B, J08A, J08B, J08C, J11A, J11B, J16Z
		01			B04A, B04B, B04C, B04D, B04E		11		L09A, L09B, L09C, L09D, L38Z	10	K09A, K09B
		05			F01A, F01B, F01D, F05Z, F07A, F07B, F14A, F14B, F28A, F42Z, F54Z, F59A, F59B		21A		W04A, W04B	21A	W04A, W04B
08		I08A, I08B, I08C, I08D, I08E, I13A, I13B	21B		X04Z, X06A, X06B, X06C	21B	X06A, X06B, X06C				
09		J03A, J03B, J04A, J04B, J08A, J08B, J08C, J11A, J11B, J16Z	51548.1↔			BOP, KVT, UOP4	5154x↔			BOP, KVT, UOP4	
10		K09A, K09B			01	B04A, B04B, B04C, B04D, B04E			01	B04A, B04B, B04C, B04D, B04E	
11		L09A, L09B, L09C, L09D, L38Z			05	F01A, F01B, F01D, F05Z, F07A, F07B, F14A, F14B, F28A, F42Z, F54Z, F59A, F59B			05	F01A, F01B, F01D, F05Z, F07A, F07B, F14A, F14B, F28A, F42Z, F54Z, F59A, F59B	
21A		W04A, W04B			08	I08A, I08B, I08C, I08D, I08E, I13A, I13B			08	I08A, I08B, I08C, I08D, I08E, I13A, I13B	
21B		X04Z, X06A, X06B, X06C			09	J03A, J03B, J04A, J04B, J08A, J08B, J08C, J11A, J11B, J16Z			09	J03A, J03B, J04A, J04B, J08A, J08B, J08C, J11A, J11B, J16Z	
51547.1↔					BOP, KVT, UOP4	10			K09A, K09B	10	K09A, K09B
		01			B04A, B04B, B04C, B04D, B04E	11			L09A, L09B, L09C, L09D, L38Z	21A	W04A, W04B
		05			F01A, F01B, F01D, F05Z, F07A, F07B, F14A, F14B, F28A, F42Z, F54Z, F59A, F59B	21B			X04Z, X06A, X06B, X06C	21B	X06A, X06B, X06C
		08			I08A, I08B, I08C, I08D, I08E, I13A, I13B	51548.2↔				BOP, KVT, UOP4	51550.0↔
		09		J03A, J03B, J04A, J04B, J08A, J08B, J08C, J11A, J11B, J16Z	01			B04A, B04B, B04C, B04D, B04E	01	B04A, B04B, B04C, B04D, B04E	
		10		K09A, K09B	05			F01A, F01B, F01D, F05Z, F07A, F07B, F14A, F14B, F28A, F42Z, F54Z, F59A, F59B	03	D12A	
		11		L09A, L09B, L09C, L09D, L38Z	08			I08A, I08B, I08C, I08D, I08E, I13A, I13B	04	E02C	
		21A		W04A, W04B	09			J03A, J03B, J04A, J04B, J08A, J08B, J08C, J11A, J11B, J16Z	05	F01A, F01B, F01D, F05Z, F06A, F06C, F07A, F07B, F14A, F14B, F28A, F42Z, F54Z, F59A, F59B	
	21B	X04Z, X06A, X06B, X06C		10	K09A, K09B			06	G01Z, G02Z, G38Z		
	51547.2↔			BOP, KVT, UOP4	11			L09A, L09B, L09C, L09D, L38Z	08	I08A, I08B, I08C, I08D, I08E, I13A, I13B	
		01		B04A, B04B, B04C, B04D, B04E	21A			W04A, W04B	09	J03A, J03B, J04A, J04B, J08A, J08B, J08C, J11A, J11B, J16Z	
		05		F01A, F01B, F01D, F05Z, F07A, F07B, F14A, F14B, F28A, F42Z, F54Z, F59A, F59B	21B			X04Z, X06A, X06B, X06C	10	K09A, K09B	
		08	I08A, I08B, I08C, I08D, I08E, I13A, I13B	51548.3↔			BOP, KVT, UOP4	17	R01A, R01B, R01C, R01D, R02Z, R12A, R12B, R12C		
		09	J03A, J03B, J04A, J04B, J08A, J08B, J08C, J11A, J11B, J16Z		01		B04A, B04B, B04C, B04D, B04E	21A	W04A, W04B		
		10	K09A, K09B		05		F01A, F01B, F01D, F05Z, F07A, F07B, F14A, F14B, F28A, F42Z, F54Z, F59A, F59B	21B	X06A, X06B, X06C		
		11	L09A, L09B, L09C, L09D, L38Z		08		I08A, I08B, I08C, I08D, I08E, I13A, I13B	Pre	A11A, A13A, A13B, A13D		
		21A	W04A, W04B		09		J03A, J03B, J04A, J04B, J08A, J08B, J08C, J11A, J11B, J16Z				
21B		X04Z, X06A, X06B, X06C	10		K09A, K09B						
51547.3↔			BOP, KVT, UOP4		11		L09A, L09B, L09C, L09D, L38Z				
		01	B04A, B04B, B04C, B04D, B04E		21A		W04A, W04B				
		05	F01A, F01B, F01D, F05Z, F07A, F07B, F14A, F14B, F28A, F42Z, F54Z, F59A, F59B		21B	X04Z, X06A, X06B, X06C					
		08	I08A, I08B, I08C, I08D, I08E, I13A, I13B								
		09	J03A, J03B, J04A, J04B, J08A, J08B, J08C, J11A, J11B, J16Z								
		10	K09A, K09B								
		11	L09A, L09B, L09C, L09D, L38Z								
		21A	W04A, W04B								
	21B	X04Z, X06A, X06B, X06C									



ZZV	MDC	DRG	ZZV	MDC	DRG	ZZV	MDC	DRG			
51550.1↔		BOP, KVT, UOP4	51550.4↔		BOP, KVT, UOP4	51551.0↔		BOP, KVT, UOP4			
	01	B04A, B04B, B04C, B04D, B04E		01	B04A, B04B, B04C, B04D, B04E		01	B04A, B04B, B04C, B04D, B04E			
	03	D12A		03	D12A		05	F01A, F01B, F01D, F05Z, F07A, F07B, F14A, F14B, F28A, F42Z, F54Z, F59A, F59B			
	04	E02A, E02B, E02C		04	E02A, E02B, E02C		08	I08A, I08B, I08C, I08D, I08E, I13A, I13B			
	05	F01A, F01B, F01D, F05Z, F06A, F06C, F07A, F07B, F14A, F14B, F28A, F42Z, F54Z, F59A, F59B		05	F01A, F01B, F01D, F05Z, F06A, F06C, F07A, F07B, F14A, F14B, F28A, F42Z, F54Z, F59A, F59B		09	J03A, J03B, J04A, J04B, J08A, J08B, J08C, J11A, J11B, J16Z			
	06	G01Z, G02Z, G38Z		08	I08A, I08B, I08C, I08D, I08E, I13A, I13B		10	K09A, K09B			
	08	I08A, I08B, I08C, I08D, I08E, I13A, I13B		09	J03A, J03B, J04A, J04B, J08A, J08B, J08C, J11A, J11B, J16Z		17	R01A, R01B, R01C, R01D, R02Z, R12A, R12B, R12C			
	09	J03A, J03B, J04A, J04B, J08A, J08B, J08C, J11A, J11B, J16Z		10	K09A, K09B		21A	W04A, W04B			
	10	K09A, K09B		17	R01A, R01B, R01C, R01D, R02Z, R12A, R12B, R12C		21B	X05A, X05B, X06A, X06B, X06C			
	17	R01A, R01B, R01C, R01D, R02Z, R12A, R12B, R12C		21A	W04A, W04B		51551.1↔		BOP, KVT, UOP4		
	21A	W04A, W04B		21B	X06A, X06B, X06C			01	B04A, B04B, B04C, B04D, B04E		
	21B	X06A, X06B, X06C		51550.5↔				BOP, KVT, UOP4	05	F01A, F01B, F01D, F05Z, F07A, F07B, F14A, F14B, F28A, F42Z, F54Z, F59A, F59B	
	Pre	A11A, A13A, A13B, A13D			01			B04A, B04B, B04C, B04D, B04E	08	I08A, I08B, I08C, I08D, I08E, I13A, I13B	
	51550.2↔				BOP, KVT, UOP4			03	D12A	09	J03A, J03B, J04A, J04B, J08A, J08B, J08C, J11A, J11B, J16Z
		01			B04A, B04B, B04C, B04D, B04E			04	E02A, E02B, E02C	10	K09A, K09B
		03			D12A			05	F01A, F01B, F01D, F05Z, F06A, F06C, F07A, F07B, F14A, F14B, F28A, F42Z, F54Z, F59A, F59B	17	R01A, R01B, R01C, R01D, R02Z, R12A, R12B, R12C
		04			E02A, E02B, E02C			08	I08A, I08B, I08C, I08D, I08E, I13A, I13B	21A	W04A, W04B
		05			F01A, F01B, F01D, F05Z, F06A, F06C, F07A, F07B, F14A, F14B, F28A, F42Z, F54Z, F59A, F59B			09	J03A, J03B, J04A, J04B, J08A, J08B, J08C, J11A, J11B, J16Z	21B	X05A, X05B, X06A, X06B, X06C
06		G01Z, G02Z, G38Z	10		K09A, K09B	51551.x↔			BOP, KVT, UOP4		
08		I08A, I08B, I08C, I08D, I08E, I13A, I13B	17		R01A, R01B, R01C, R01D, R02Z, R12A, R12B, R12C			01	B04A, B04B, B04C, B04D, B04E		
09		J03A, J03B, J04A, J04B, J08A, J08B, J08C, J11A, J11B, J16Z	21A		W04A, W04B			05	F01A, F01B, F01D, F05Z, F07A, F07B, F14A, F14B, F28A, F42Z, F54Z, F59A, F59B		
10		K09A, K09B	21B		X06A, X06B, X06C			08	I08A, I08B, I08C, I08D, I08E, I13A, I13B		
17		R01A, R01B, R01C, R01D, R02Z, R12A, R12B, R12C	51550.x↔					BOP, KVT, UOP4	09	J03A, J03B, J04A, J04B, J08A, J08B, J08C, J11A, J11B, J16Z	
21A		W04A, W04B			01			B04A, B04B, B04C, B04D, B04E	10	K09A, K09B	
21B		X06A, X06B, X06C			03			D12A	17	R01A, R01B, R01C, R01D, R02Z, R12A, R12B, R12C	
Pre		A11A, A13A, A13B, A13D			04			E02A, E02B, E02C	21A	W04A, W04B	
51550.3↔					BOP, KVT, UOP4			05	F01A, F01B, F01D, F05Z, F06A, F06C, F07A, F07B, F14A, F14B, F28A, F42Z, F54Z, F59A, F59B	21B	X05A, X05B, X06A, X06B, X06C
		01			B04A, B04B, B04C, B04D, B04E		08	I08A, I08B, I08C, I08D, I08E, I13A, I13B	51552.0↔		BOP, KVT, UOP4
		03			D12A		09	J03A, J03B, J04A, J04B, J08A, J08B, J08C, J11A, J11B, J16Z		01	B04A, B04B, B04C, B04D, B04E
		04		E02A, E02B, E02C	10		K09A, K09B	05		F01A, F01B, F01D, F05Z, F07A, F07B, F14A, F14B, F28A, F42Z, F54Z, F59A, F59B	
		05		F01A, F01B, F01D, F05Z, F06A, F06C, F07A, F07B, F14A, F14B, F28A, F42Z, F54Z, F59A, F59B	17		R01A, R01B, R01C, R01D, R02Z, R12A, R12B, R12C	08		I08A, I08B, I08C, I08D, I08E, I13A, I13B	
	06	G01Z, G02Z, G38Z		21A	W04A, W04B		09	J03A, J03B, J04A, J04B, J08A, J08B, J08C, J11A, J11B, J16Z			
	08	I08A, I08B, I08C, I08D, I08E, I13A, I13B		21B	X06A, X06B, X06C		10	K09A, K09B			
	09	J03A, J03B, J04A, J04B, J08A, J08B, J08C, J11A, J11B, J16Z		51550.0↔			BOP, KVT, UOP4	17		R01A, R01B, R01C, R01D, R02Z, R12A, R12B, R12C	
	10	K09A, K09B			01		B04A, B04B, B04C, B04D, B04E	08		I08A, I08B, I08C, I08D, I08E, I13A, I13B	
	17	R01A, R01B, R01C, R01D, R02Z, R12A, R12B, R12C			05		F01A, F01B, F01D, F05Z, F07A, F07B, F14A, F14B, F28A, F42Z, F54Z, F59A, F59B	09		J03A, J03B, J04A, J04B, J08A, J08B, J08C, J11A, J11B, J16Z	
	21A	W04A, W04B			08	I08A, I08B, I08C, I08D, I08E, I13A, I13B	10	K09A, K09B			
	21B	X06A, X06B, X06C			09	J03A, J03B, J04A, J04B, J08A, J08B, J08C, J11A, J11B, J16Z	17	R01A, R01B, R01C, R01D, R02Z, R12A, R12B, R12C			
	Pre	A11A, A13A, A13B, A13D			10	K09A, K09B	21A	W04A, W04B			
					17	R01A, R01B, R01C, R01D, R02Z, R12A, R12B, R12C	21B	X05A, X05B, X06A, X06B, X06C			
			21A		W04A, W04B						
			21B		X06A, X06B, X06C						



ZZV	MDC	DRG	ZZV	MDC	DRG	ZZV	MDC	DRG
51552.1↔		BOP, KVT, UOP4	51552.5↔		BOP, KVT, UOP4	51553.0		BOP, KOP, KOPV, KVT, UOP4
	01	B04A, B04B, B04C, B04D, B04E		01	B04A, B04B, B04C, B04D, B04E		04	E05A, E05B, E05C, E08A, E08B, E08C
	05	F01A, F01B, F01D, F05Z, F07A, F07B, F14A, F14B, F28A, F42Z, F54Z, F59A, F59B		05	F01A, F01B, F01D, F05Z, F07A, F07B, F14A, F14B, F28A, F42Z, F54Z, F59A, F59B		05	F01A, F01B, F01D, F05Z, F07A, F07B, F14A, F14B, F28A, F42Z, F54Z, F59A, F59B
	08	I08A, I08B, I08C, I08D, I08E, I13A, I13B		08	I08A, I08B, I08C, I08D, I08E, I13A, I13B		06	G01Z, G02Z, G33Z, G38Z
	09	J03A, J03B, J04A, J04B, J08A, J08B, J08C, J11A, J11B, J16Z		09	J03A, J03B, J04A, J04B, J08A, J08B, J08C, J11A, J11B, J16Z		07	H33Z, H38Z
	10	K09A, K09B		10	K09A, K09B		08	I08A, I08B, I08C, I08D, I08E, I13A, I13B
	17	R01A, R01B, R01C, R01D, R02Z, R12A, R12B, R12C		17	R01A, R01B, R01C, R01D, R02Z, R12A, R12B, R12C		10	K09A, K09B
	21A	W04A, W04B		21A	W04A, W04B		11	L33Z
	21B	X05A, X05B, X06A, X06B		21B	X05A, X05B, X06A, X06B		21A	W04A, W04B
		BOP, KVT, UOP4			BOP, KVT, UOP4		21B	X06A, X06B, X06C, X33Z
		B04A, B04B, B04C, B04D, B04E			B04A, B04B, B04C, B04D, B04E		23	Z01A
51552.2↔		BOP, KVT, UOP4	51552.6↔		BOP, KVT, UOP4	51553.1		BOP, KOP, KOPV, KVT, UOP4
	01	B04A, B04B, B04C, B04D, B04E		01	B04A, B04B, B04C, B04D, B04E		04	E05A, E05B, E05C, E08A, E08B, E08C
	05	F01A, F01B, F01D, F05Z, F07A, F07B, F14A, F14B, F28A, F42Z, F54Z, F59A, F59B		05	F01A, F01B, F01D, F05Z, F07A, F07B, F14A, F14B, F28A, F42Z, F54Z, F59A, F59B		05	F01A, F01B, F01D, F05Z, F07A, F07B, F14A, F14B, F28A, F42Z, F54Z, F59A, F59B
	08	I08A, I08B, I08C, I08D, I08E, I13A, I13B		08	I08A, I08B, I08C, I08D, I08E, I13A, I13B		06	G01Z, G02Z, G33Z, G38Z
	09	J03A, J03B, J04A, J04B, J08A, J08B, J08C, J11A, J11B, J16Z		09	J03A, J03B, J04A, J04B, J08A, J08B, J08C, J11A, J11B, J16Z		07	H33Z, H38Z
	10	K09A, K09B		10	K09A, K09B		08	I08A, I08B, I08C, I08D, I08E, I13A, I13B
	17	R01A, R01B, R01C, R01D, R02Z, R12A, R12B, R12C		17	R01A, R01B, R01C, R01D, R02Z, R12A, R12B, R12C		10	K09A, K09B
	21A	W04A, W04B		21A	W04A, W04B		11	L33Z
	21B	X05A, X05B, X06A, X06B		21B	X05A, X05B, X06A, X06B		21A	W04A, W04B
		BOP, KVT, UOP4			BOP, KVT, UOP4		21B	X06A, X06B, X06C, X33Z
		B04A, B04B, B04C, B04D, B04E			B04A, B04B, B04C, B04D, B04E		23	Z01A
51552.3↔		BOP, KVT, UOP4	51552.7↔		BOP, KVT, UOP4	51553.2		BOP, KOP, KOPV, KVT, UOP4
	01	B04A, B04B, B04C, B04D, B04E		01	B04A, B04B, B04C, B04D, B04E		04	E05A, E05B, E05C, E08A, E08B, E08C
	05	F01A, F01B, F01D, F05Z, F07A, F07B, F14A, F14B, F28A, F42Z, F54Z, F59A, F59B		05	F01A, F01B, F01D, F05Z, F07A, F07B, F14A, F14B, F28A, F42Z, F54Z, F59A, F59B		05	F01A, F01B, F01D, F05Z, F07A, F07B, F14A, F14B, F28A, F42Z, F54Z, F59A, F59B
	08	I08A, I08B, I08C, I08D, I08E, I13A, I13B		08	I08A, I08B, I08C, I08D, I08E, I13A, I13B		06	G01Z, G02Z, G33Z, G38Z
	09	J03A, J03B, J04A, J04B, J08A, J08B, J08C, J11A, J11B, J16Z		09	J03A, J03B, J04A, J04B, J08A, J08B, J08C, J11A, J11B, J16Z		07	H33Z, H38Z
	10	K09A, K09B		10	K09A, K09B		08	I08A, I08B, I08C, I08D, I08E, I13A, I13B
	17	R01A, R01B, R01C, R01D, R02Z, R12A, R12B, R12C		17	R01A, R01B, R01C, R01D, R02Z, R12A, R12B, R12C		10	K09A, K09B
	21A	W04A, W04B		21A	W04A, W04B		11	L33Z
	21B	X05A, X05B, X06A, X06B		21B	X05A, X05B, X06A, X06B		21A	W04A, W04B
		BOP, KVT, UOP4			BOP, KVT, UOP4		21B	X06A, X06B, X06C, X33Z
		B04A, B04B, B04C, B04D, B04E			B04A, B04B, B04C, B04D, B04E		23	Z01A
51552.4↔		BOP, KVT, UOP4	51552.x↔		BOP, KVT, UOP4	51553.3		BOP, KVT, UOP4
	01	B04A, B04B, B04C, B04D, B04E		01	B04A, B04B, B04C, B04D, B04E		05	F01A, F01B, F01D, F05Z, F07A, F07B, F14A, F14B, F28A, F42Z, F54Z, F59A, F59B
	05	F01A, F01B, F01D, F05Z, F07A, F07B, F14A, F14B, F28A, F42Z, F54Z, F59A, F59B		05	F01A, F01B, F01D, F05Z, F07A, F07B, F14A, F14B, F28A, F42Z, F54Z, F59A, F59B		06	G01Z, G02Z, G38Z
	08	I08A, I08B, I08C, I08D, I08E, I13A, I13B		08	I08A, I08B, I08C, I08D, I08E, I13A, I13B		08	I08A, I08B, I08C, I08D, I08E, I13A, I13B
	09	J03A, J03B, J04A, J04B, J08A, J08B, J08C, J11A, J11B, J16Z		09	J03A, J03B, J04A, J04B, J08A, J08B, J08C, J11A, J11B, J16Z		10	K09A, K09B
	10	K09A, K09B		10	K09A, K09B		21A	W04A, W04B
	17	R01A, R01B, R01C, R01D, R02Z, R12A, R12B, R12C		17	R01A, R01B, R01C, R01D, R02Z, R12A, R12B, R12C		21B	X06A, X06B, X06C, X33Z
	21A	W04A, W04B		21A	W04A, W04B		23	Z01A
	21B	X05A, X05B, X06A, X06B		21B	X05A, X05B, X06A, X06B		Pre	A07A, A11A, A13A, A13B, A13D
		BOP, KVT, UOP4			BOP, KVT, UOP4			BOP, KVT, UOP4
		B04A, B04B, B04C, B04D, B04E			B04A, B04B, B04C, B04D, B04E			BOP, KOP, KOPV, KVT, UOP4

ZZV	MDC	DRG	ZZV	MDC	DRG	ZZV	MDC	DRG			
51553.4		BOP, KVT, UOP4	51554.2↔		BOP, KOP, KOPV, KVT, UOP4	51555.1↔		BOP, KVT, UOP4			
	05	F01A, F01B, F01D, F05Z, F07A, F07B, F14A, F14B, F28A, F42Z, F54Z, F59A, F59B		01	B04A, B04B, B04C, B04D, B04E		01	B04A, B04B, B04C, B04D, B04E			
	06	G01Z, G02Z, G38Z		03	D12A		05	F01A, F01B, F01D, F05Z, F07A, F07B, F14A, F14B, F28A, F30Z, F42Z, F54Z, F59A, F59B			
	08	I08A, I08B, I08C, I08D, I08E, I13A, I13B		04	E02A, E02B, E02C		06	G10Z, G12A, G12B			
	10	K09A, K09B		05	F01A, F01B, F01D, F05Z, F07A, F07B, F14A, F14B, F28A, F30Z, F42Z, F54Z, F59A, F59B		08	I08A, I08B, I08C, I08D, I08E, I13A, I13B			
	21A	W04A, W04B		06	G10Z, G12A, G12B, G33Z		09	J03A, J03B, J04A, J04B, J08A, J08B, J08C, J11A, J11B, J16Z			
	21B	X06A, X06B, X06C		07	H33Z, H38Z		10	K09A, K09B			
	Pre	A11A, A13A, A13B, A13D		08	I08A, I08B, I08C, I08D, I08E, I13A, I13B		11	L09A, L09B, L09C, L09D, L38Z, L38Z			
	51553.x			BOP, KVT, UOP4	51554.x↔			BOP, KVT, UOP4	51555.2↔		BOP, KVT, UOP4
		05		F01A, F01B, F01D, F05Z, F07A, F07B, F14A, F14B, F28A, F42Z, F54Z, F59A, F59B			01	B04A, B04B, B04C, B04D, B04E		01	B04A, B04B, B04C, B04D, B04E
		06		G01Z, G02Z, G38Z			03	D12A		03	D12A
		08		I08A, I08B, I08C, I08D, I08E, I13A, I13B			04	E02A, E02B, E02C		04	E02A, E02B, E02C
		10		K09A, K09B			05	F01A, F01B, F01D, F05Z, F07A, F07B, F14A, F14B, F28A, F42Z, F54Z, F59A, F59B		05	F01A, F01B, F01D, F05Z, F07A, F07B, F14A, F14B, F28A, F42Z, F54Z, F59A, F59B
		21A		W04A, W04B			06	G10Z, G12A, G12B		06	G10Z, G12A, G12B
		21B		X06A, X06B, X06C			08	I08A, I08B, I08C, I08D, I08E, I13A, I13B		08	I08A, I08B, I08C, I08D, I08E, I13A, I13B
		Pre		A11A, A13A, A13B, A13D			09	J03A, J03B, J04A, J04B, J08A, J08B, J08C, J11A, J11B, J16Z		09	J03A, J03B, J04A, J04B, J08A, J08B, J08C, J11A, J11B, J16Z
		51554.0↔					BOP, KVT, UOP4	51555.0↔			BOP, KVT, UOP4
01			B04A, B04B, B04C, B04D, B04E	01		B04A, B04B, B04C, B04D, B04E	01			B04A, B04B, B04C, B04D, B04E	
03			D12A	03		D12A	03			D12A	
04			E02A, E02B, E02C	04		E02A, E02B, E02C	04			E02A, E02B, E02C	
05			F01A, F01B, F01D, F05Z, F07A, F07B, F14A, F14B, F28A, F42Z, F54Z, F59A, F59B	05		F01A, F01B, F01D, F05Z, F07A, F07B, F14A, F14B, F28A, F42Z, F54Z, F59A, F59B	05			F01A, F01B, F01D, F05Z, F07A, F07B, F14A, F14B, F28A, F42Z, F54Z, F59A, F59B	
06			G10Z, G12A, G12B	06		G10Z, G12A, G12B	06			G10Z, G12A, G12B	
08			I08A, I08B, I08C, I08D, I08E, I13A, I13B	08		I08A, I08B, I08C, I08D, I08E, I13A, I13B	08			I08A, I08B, I08C, I08D, I08E, I13A, I13B	
09			J03A, J03B, J04A, J04B, J08A, J08B, J08C, J11A, J11B, J16Z	09		J03A, J03B, J04A, J04B, J08A, J08B, J08C, J11A, J11B, J16Z	09			J03A, J03B, J04A, J04B, J08A, J08B, J08C, J11A, J11B, J16Z	
10			K09A, K09B	10		K09A, K09B	10			K09A, K09B	
11	L09A, L09B, L09C, L09D, L38Z		11	L09A, L09B, L09C, L09D, L38Z	11	L09A, L09B, L09C, L09D, L38Z					
17	R01A, R01B, R01C, R01D, R02Z, R12A, R12B, R12C		17	R01A, R01B, R01C, R01D, R02Z, R12A, R12B, R12C	17	R01A, R01B, R01C, R01D, R02Z, R12A, R12B, R12C					
21A	W04A, W04B		21A	W04A, W04B	21A	W04A, W04B					
21B	X06A, X06B, X06C		21B	X06A, X06B, X06C	21B	X06A, X06B, X06C					
51554.1↔			BOP, KVT, UOP4	51555.1↔		BOP, KVT, UOP4	51555.4↔			BOP, KVT, UOP4	
	01		B04A, B04B, B04C, B04D, B04E		01	B04A, B04B, B04C, B04D, B04E			01	B04A, B04B, B04C, B04D, B04E	
	03		D12A		03	D12A			03	D12A	
	04		E02A, E02B, E02C		04	E02A, E02B, E02C			04	E02A, E02B, E02C	
	05	F01A, F01B, F01D, F05Z, F07A, F07B, F14A, F14B, F28A, F42Z, F54Z, F59A, F59B	05		F01A, F01B, F01D, F05Z, F07A, F07B, F14A, F14B, F28A, F42Z, F54Z, F59A, F59B	05		F01A, F01B, F01D, F05Z, F07A, F07B, F14A, F14B, F28A, F42Z, F54Z, F59A, F59B			
	06	G10Z, G12A, G12B	06		G10Z, G12A, G12B	06		G10Z, G12A, G12B			
	08	I08A, I08B, I08C, I08D, I08E, I13A, I13B	08		I08A, I08B, I08C, I08D, I08E, I13A, I13B	08		I08A, I08B, I08C, I08D, I08E, I13A, I13B			
	09	J03A, J03B, J04A, J04B, J08A, J08B, J08C, J11A, J11B, J16Z	09		J03A, J03B, J04A, J04B, J08A, J08B, J08C, J11A, J11B, J16Z	09		J03A, J03B, J04A, J04B, J08A, J08B, J08C, J11A, J11B, J16Z			
	10	K09A, K09B	10		K09A, K09B	10		K09A, K09B			
	11	L09A, L09B, L09C, L09D, L38Z	11		L09A, L09B, L09C, L09D, L38Z	11		L09A, L09B, L09C, L09D, L38Z			
	17	R01A, R01B, R01C, R01D, R02Z, R12A, R12B, R12C	17		R01A, R01B, R01C, R01D, R02Z, R12A, R12B, R12C	17		R01A, R01B, R01C, R01D, R02Z, R12A, R12B, R12C			
	21A	W04A, W04B	21A		W04A, W04B	21A		W04A, W04B			
	21B	X06A, X06B, X06C	21B		X06A, X06B, X06C	21B		X06A, X06B, X06C			

VYK

ZZV	MDC	DRG	ZZV	MDC	DRG	ZZV	MDC	DRG
51555.4↔		BOP, KVT, UOP4	51556.1		BOP, KVT, UOP4	51556.4↔		BOP, KVT, UOP4
	01	B04A, B04B, B04C, B04D, B04E		01	B04A, B04B, B04C, B04D, B04E		01	B04A, B04B, B04C, B04D, B04E
	05	F01A, F01B, F01D, F05Z, F07A, F07B, F14A, F14B, F28A, F42Z, F54Z, F59A, F59B		05	F01A, F01B, F01D, F05Z, F07A, F07B, F14A, F14B, F28A, F42Z, F54Z, F59A, F59B		05	F01A, F01B, F01D, F05Z, F07A, F07B, F14A, F14B, F28A, F42Z, F54Z, F59A, F59B
	06	G10Z, G12A, G12B		06	G10Z, G12A, G12B, G18A, G38Z		06	G10Z, G12A, G12B
	08	I08A, I08B, I08C, I08D, I08E, I13A, I13B		07	H01A		08	I08A, I08B, I08C, I08D, I08E, I13A, I13B
	09	J03A, J03B, J04A, J04B, J08A, J08B, J08C, J11A, J11B, J16Z		08	I08A, I08B, I08C, I08D, I08E, I13A, I13B		09	J03A, J03B, J04A, J04B, J08A, J08B, J08C, J11A, J11B, J16Z
	10	K09A, K09B		09	J03A, J03B, J04A, J04B, J08A, J08B, J08C, J11A, J11B, J16Z		10	K09A, K09B
	11	L09A, L09B, L09C, L09D, L38Z		10	K09A, K09B		11	L09A, L09B, L09C, L09D, L38Z
	17	R01A, R01B, R01C, R01D, R02Z, R12A, R12B, R12C		11	L09A, L09B, L09C, L09D, L38Z		17	R01A, R01B, R01C, R01D, R02Z, R12A, R12B, R12C
	21A	W04A, W04B		17	R01A, R01B, R01C, R01D, R02Z, R12A, R12B, R12C		21A	W04A, W04B
	21B	X04Z, X06A, X06B, X06C		21A	W04A, W04B		21B	X06A, X06B, X06C
51555.x↔		BOP, KVT, UOP4	51556.2		BOP, KVT, UOP4	51556.5		BOP, KVT, UOP4
	01	B04A, B04B, B04C, B04D, B04E		01	B04A, B04B, B04C, B04D, B04E		01	B04A, B04B, B04C, B04D, B04E
	05	F01A, F01B, F01D, F05Z, F07A, F07B, F14A, F14B, F28A, F42Z, F54Z, F59A, F59B		05	F01A, F01B, F01D, F05Z, F07A, F07B, F14A, F14B, F28A, F42Z, F54Z, F59A, F59B		05	F01A, F01B, F01D, F05Z, F07A, F07B, F14A, F14B, F28A, F42Z, F54Z, F59A, F59B
	06	G10Z, G12A, G12B		06	G10Z, G12A, G12B		06	G10Z, G12A, G12B, G18A, G38Z
	08	I08A, I08B, I08C, I08D, I08E, I13A, I13B		08	I08A, I08B, I08C, I08D, I08E, I13A, I13B		07	H01A
	09	J03A, J03B, J04A, J04B, J08A, J08B, J08C, J11A, J11B, J16Z		09	J03A, J03B, J04A, J04B, J08A, J08B, J08C, J11A, J11B, J16Z		08	I08A, I08B, I08C, I08D, I08E, I13A, I13B
	10	K09A, K09B		10	K09A, K09B		09	J03A, J03B, J04A, J04B, J08A, J08B, J08C, J11A, J11B, J16Z
	11	L09A, L09B, L09C, L09D, L38Z		11	L09A, L09B, L09C, L09D, L38Z		10	K09A, K09B
	17	R01A, R01B, R01C, R01D, R02Z, R12A, R12B, R12C		17	R01A, R01B, R01C, R01D, R02Z, R12A, R12B, R12C		11	L09A, L09B, L09C, L09D, L38Z
	21A	W04A, W04B		17	R01A, R01B, R01C, R01D, R02Z, R12A, R12B, R12C		17	R01A, R01B, R01C, R01D, R02Z, R12A, R12B, R12C
	21B	X04Z, X06A, X06B, X06C		21A	W04A, W04B		21A	W04A, W04B
51556.0		BOP, KVT, UOP4	51556.3		BOP, KVT, UOP4	51556.6		BOP, KVT, UOP4
	01	B04A, B04B, B04C, B04D, B04E		01	B04A, B04B, B04C, B04D, B04E		01	B04A, B04B, B04C, B04D, B04E
	05	F01A, F01B, F01D, F05Z, F07A, F07B, F14A, F14B, F28A, F42Z, F54Z, F59A, F59B		05	F01A, F01B, F01D, F05Z, F07A, F07B, F14A, F14B, F28A, F42Z, F54Z, F59A, F59B		05	F01A, F01B, F01D, F05Z, F07A, F07B, F14A, F14B, F28A, F42Z, F54Z, F59A, F59B
	06	G10Z, G12A, G12B, G18A, G38Z		06	G10Z, G12A, G12B, G18A, G38Z		06	G10Z, G12A, G12B, G18A, G38Z
	07	H01A		08	I08A, I08B, I08C, I08D, I08E, I13A, I13B		07	H01A
	08	I08A, I08B, I08C, I08D, I08E, I13A, I13B		09	J03A, J03B, J04A, J04B, J08A, J08B, J08C, J11A, J11B, J16Z		08	I08A, I08B, I08C, I08D, I08E, I13A, I13B
	09	J03A, J03B, J04A, J04B, J08A, J08B, J08C, J11A, J11B, J16Z		10	K09A, K09B		09	J03A, J03B, J04A, J04B, J08A, J08B, J08C, J11A, J11B, J16Z
	10	K09A, K09B		11	L09A, L09B, L09C, L09D, L38Z		10	K09A, K09B
	11	L09A, L09B, L09C, L09D, L38Z		17	R01A, R01B, R01C, R01D, R02Z, R12A, R12B, R12C		11	L09A, L09B, L09C, L09D, L38Z
	17	R01A, R01B, R01C, R01D, R02Z, R12A, R12B, R12C		17	R01A, R01B, R01C, R01D, R02Z, R12A, R12B, R12C		17	R01A, R01B, R01C, R01D, R02Z, R12A, R12B, R12C
	21A	W04A, W04B		21A	W04A, W04B		21A	W04A, W04B
21B	X06A, X06B, X06C	21B	X06A, X06B, X06C	21B	X06A, X06B, X06C			

VYK

ZZV	MDC	DRG	ZZV	MDC	DRG	ZZV	MDC	DRG			
51556.x↔		BOP, KVT, UOP4	51557.2↔		BOP, KVT, UOP4	51558.2↔		BOP, KVT, UOP4			
	01	B04A, B04B, B04C, B04D, B04E		01	B04A, B04B, B04C, B04D, B04E		01	B04A, B04B, B04C, B04D, B04E			
	05	F01A, F01B, F01D, F05Z, F07A, F07B, F14A, F14B, F28A, F42Z, F54Z, F59A, F59B		05	F01A, F01B, F01D, F05Z, F07A, F07B, F14A, F14B, F28A, F42Z, F54Z, F59A, F59B		05	F01A, F01B, F01D, F05Z, F07A, F07B, F14A, F14B, F28A, F42Z, F54Z, F59A, F59B			
	06	G10Z, G12A, G12B		08	I08A, I08B, I08C, I08D, I08E, I13A, I13B		08	I08A, I08B, I08C, I08D, I08E, I13A, I13B			
	08	I08A, I08B, I08C, I08D, I08E, I13A, I13B		09	J03A, J03B, J04A, J04B, J08A, J08B, J08C, J11A, J11B, J16Z		09	J03A, J03B, J04A, J04B, J08A, J08B, J08C, J11A, J11B, J16Z			
	09	J03A, J03B, J04A, J04B, J08A, J08B, J08C, J11A, J11B, J16Z		10	K09A, K09B		10	K09A, K09B			
	10	K09A, K09B		17	R01A, R01B, R01C, R01D, R02Z, R12A, R12B, R12C		17	R01A, R01B, R01C, R01D, R02Z, R12A, R12B, R12C			
	11	L09A, L09B, L09C, L09D, L38Z		21A	W04A, W04B		21A	W04A, W04B			
	17	R01A, R01B, R01C, R01D, R02Z, R12A, R12B, R12C		21B	X04Z, X06A, X06B, X06C		21B	X04Z, X06A, X06B, X06C			
	21A	W04A, W04B		51557.x↔			BOP, KVT, UOP4	51558.3↔		BOP, KVT, UOP4	
	21B	X06A, X06B, X06C			01		B04A, B04B, B04C, B04D, B04E		01	B04A, B04B, B04C, B04D, B04E	
	51557.0↔				BOP, KVT, UOP4		05		F01A, F01B, F01D, F05Z, F07A, F07B, F14A, F14B, F28A, F42Z, F54Z, F59A, F59B	05	F01A, F01B, F01D, F05Z, F07A, F07B, F14A, F14B, F28A, F42Z, F54Z, F59A, F59B
		01			B04A, B04B, B04C, B04D, B04E		08		I08A, I08B, I08C, I08D, I08E, I13A, I13B	08	I08A, I08B, I08C, I08D, I08E, I13A, I13B
		05			F01A, F01B, F01D, F05Z, F07A, F07B, F14A, F14B, F28A, F42Z, F54Z, F59A, F59B		09		J03A, J03B, J04A, J04B, J08A, J08B, J08C, J11A, J11B, J16Z	09	J03A, J03B, J04A, J04B, J08A, J08B, J08C, J11A, J11B, J16Z
		08			I08A, I08B, I08C, I08D, I08E, I13A, I13B		10		K09A, K09B	10	K09A, K09B
		09			J03A, J03B, J04A, J04B, J08A, J08B, J08C, J11A, J11B, J16Z		17		R01A, R01B, R01C, R01D, R02Z, R12A, R12B, R12C	17	R01A, R01B, R01C, R01D, R02Z, R12A, R12B, R12C
		10			K09A, K09B		21A		W04A, W04B	21A	W04A, W04B
11		L09A, L09B, L09C, L09D, L38Z	21B		X04Z, X06A, X06B, X06C	21B	X04Z, X06A, X06B, X06C				
17		R01A, R01B, R01C, R01D, R02Z, R12A, R12B, R12C	51558.0↔			BOP, KVT, UOP4	51558.4↔			BOP, KVT, UOP4	
21A		W04A, W04B			01	B04A, B04B, B04C, B04D, B04E			01	B04A, B04B, B04C, B04D, B04E	
21B		X04Z, X06A, X06B, X06C			05	F01A, F01B, F01D, F05Z, F07A, F07B, F14A, F14B, F28A, F42Z, F54Z, F59A, F59B			05	F01A, F01B, F01D, F05Z, F07A, F07B, F14A, F14B, F28A, F42Z, F54Z, F59A, F59B	
51557.1↔					BOP, KVT, UOP4	08			I08A, I08B, I08C, I08D, I08E, I13A, I13B	08	I08A, I08B, I08C, I08D, I08E, I13A, I13B
		01			B04A, B04B, B04C, B04D, B04E	09			J03A, J03B, J04A, J04B, J08A, J08B, J08C, J11A, J11B, J16Z	09	J03A, J03B, J04A, J04B, J08A, J08B, J08C, J11A, J11B, J16Z
		05			F01A, F01B, F01D, F05Z, F07A, F07B, F14A, F14B, F28A, F42Z, F54Z, F59A, F59B	10			K09A, K09B	10	K09A, K09B
		08			I08A, I08B, I08C, I08D, I08E, I13A, I13B	17			R01A, R01B, R01C, R01D, R02Z, R12A, R12B, R12C	17	R01A, R01B, R01C, R01D, R02Z, R12A, R12B, R12C
		09			J03A, J03B, J04A, J04B, J08A, J08B, J08C, J11A, J11B, J16Z	21A			W04A, W04B	21A	W04A, W04B
		10		K09A, K09B	21B	X04Z, X06A, X06B, X06C		21B	X04Z, X06A, X06B, X06C		
		11		L09A, L09B, L09C, L09D, L38Z	51558.1↔			BOP, KVT, UOP4	51558.5↔		BOP, KVT, UOP4
	17	R01A, R01B, R01C, R01D, R02Z, R12A, R12B, R12C		01		B04A, B04B, B04C, B04D, B04E		01		B04A, B04B, B04C, B04D, B04E	
	21A	W04A, W04B		05		F01A, F01B, F01D, F05Z, F07A, F07B, F14A, F14B, F28A, F42Z, F54Z, F59A, F59B		05		F01A, F01B, F01D, F05Z, F07A, F07B, F14A, F14B, F28A, F42Z, F54Z, F59A, F59B	
	21B	X04Z, X06A, X06B, X06C		08		I08A, I08B, I08C, I08D, I08E, I13A, I13B		08		I08A, I08B, I08C, I08D, I08E, I13A, I13B	
				09		J03A, J03B, J04A, J04B, J08A, J08B, J08C, J11A, J11B, J16Z		09		J03A, J03B, J04A, J04B, J08A, J08B, J08C, J11A, J11B, J16Z	
				10		K09A, K09B		10		K09A, K09B	
				17		R01A, R01B, R01C, R01D, R02Z, R12A, R12B, R12C		17		R01A, R01B, R01C, R01D, R02Z, R12A, R12B, R12C	
				21A		W04A, W04B		21A		W04A, W04B	
			21B	X04Z, X06A, X06B, X06C		21B	X04Z, X06A, X06B, X06C				

ZZV	MDC	DRG	ZZV	MDC	DRG	ZZV	MDC	DRG			
51558.6↔		BOP, KVT, UOP4	51559.2		BOP, KVT, UOP4	51559.5		BOP, KVT, UOP4			
	01	B04A, B04B, B04C, B04D, B04E		01	B04A, B04B, B04C, B04D, B04E		01	B04A, B04B, B04C, B04D, B04E			
	05	F01A, F01B, F01D, F05Z, F07A, F07B, F14A, F14B, F28A, F42Z, F54Z, F59A, F59B		05	F01A, F01B, F01D, F05Z, F07A, F07B, F14A, F14B, F28A, F42Z, F54Z, F59A, F59B		05	F01A, F01B, F01D, F05Z, F07A, F07B, F14A, F14B, F28A, F42Z, F54Z, F59A, F59B			
	08	I08A, I08B, I08C, I08D, I08E, I13A, I13B		06	G18A, G38Z		06	G18A, G38Z			
	09	J03A, J03B, J04A, J04B, J08A, J08B, J08C, J11A, J11B, J16Z		07	H01A		07	H01A			
	10	K09A, K09B		08	I08A, I08B, I08C, I08D, I08E, I13A, I13B		08	I08A, I08B, I08C, I08D, I08E, I13A, I13B			
	17	R01A, R01B, R01C, R01D, R02Z, R12A, R12B, R12C		09	J03A, J03B, J04A, J04B, J08A, J08B, J08C, J11A, J11B, J16Z		09	J03A, J03B, J04A, J04B, J08A, J08B, J08C, J11A, J11B, J16Z			
	21A	W04A, W04B		10	K09A, K09B		10	K09A, K09B			
	21B	X04Z, X06A, X06B, X06C		17	R01A, R01B, R01C, R01D, R02Z, R12A, R12B, R12C		17	R01A, R01B, R01C, R01D, R02Z, R12A, R12B, R12C			
	51558.x↔			BOP, KVT, UOP4	51559.3↔			BOP, KVT, UOP4	51559.6		BOP, KVT, UOP4
		01		B04A, B04B, B04C, B04D, B04E			01	B04A, B04B, B04C, B04D, B04E		01	B04A, B04B, B04C, B04D, B04E
		05		F01A, F01B, F01D, F05Z, F07A, F07B, F14A, F14B, F28A, F42Z, F54Z, F59A, F59B			05	F01A, F01B, F01D, F05Z, F07A, F07B, F14A, F14B, F28A, F42Z, F54Z, F59A, F59B		05	F01A, F01B, F01D, F05Z, F07A, F07B, F14A, F14B, F28A, F42Z, F54Z, F59A, F59B
		08		I08A, I08B, I08C, I08D, I08E, I13A, I13B			06	G18A, G38Z		06	G18A, G38Z
		09		J03A, J03B, J04A, J04B, J08A, J08B, J08C, J11A, J11B, J16Z			07	H01A		07	H01A
		10		K09A, K09B			08	I08A, I08B, I08C, I08D, I08E, I13A, I13B		08	I08A, I08B, I08C, I08D, I08E, I13A, I13B
		17		R01A, R01B, R01C, R01D, R02Z, R12A, R12B, R12C			09	J03A, J03B, J04A, J04B, J08A, J08B, J08C, J11A, J11B, J16Z		09	J03A, J03B, J04A, J04B, J08A, J08B, J08C, J11A, J11B, J16Z
		21A		W04A, W04B			10	K09A, K09B		10	K09A, K09B
21B		X04Z, X06A, X06B, X06C	17	R01A, R01B, R01C, R01D, R02Z, R12A, R12B, R12C		17	R01A, R01B, R01C, R01D, R02Z, R12A, R12B, R12C				
51559.0↔			BOP, KVT, UOP4	51559.4			BOP, KVT, UOP4	51559.7			BOP, KVT, UOP4
		01	B04A, B04B, B04C, B04D, B04E			01	B04A, B04B, B04C, B04D, B04E			01	B04A, B04B, B04C, B04D, B04E
		05	F01A, F01B, F01D, F05Z, F07A, F07B, F14A, F14B, F28A, F42Z, F54Z, F59A, F59B			05	F01A, F01B, F01D, F05Z, F07A, F07B, F14A, F14B, F28A, F42Z, F54Z, F59A, F59B			05	F01A, F01B, F01D, F05Z, F07A, F07B, F14A, F14B, F28A, F42Z, F54Z, F59A, F59B
		06	G10Z, G12A, G12B			06	G18A, G38Z			06	G18A, G38Z
		08	I08A, I08B, I08C, I08D, I08E, I13A, I13B			07	H01A			07	H01A
		09	J03A, J03B, J04A, J04B, J08A, J08B, J08C, J11A, J11B, J16Z			08	I08A, I08B, I08C, I08D, I08E, I13A, I13B			08	I08A, I08B, I08C, I08D, I08E, I13A, I13B
		10	K09A, K09B			09	J03A, J03B, J04A, J04B, J08A, J08B, J08C, J11A, J11B, J16Z			09	J03A, J03B, J04A, J04B, J08A, J08B, J08C, J11A, J11B, J16Z
		11	L09A, L09B, L09C, L09D, L38Z			10	K09A, K09B			10	K09A, K09B
	17	R01A, R01B, R01C, R01D, R02Z, R12A, R12B, R12C	17		R01A, R01B, R01C, R01D, R02Z, R12A, R12B, R12C	17	R01A, R01B, R01C, R01D, R02Z, R12A, R12B, R12C				
	21A	W04A, W04B	21A		W04A, W04B	21A	W04A, W04B				
	21B	X04Z, X06A, X06B, X06C	21B		X06A, X06B, X06C	21B	X06A, X06B, X06C				
	51559.1↔		BOP, KVT, UOP4								
		01	B04A, B04B, B04C, B04D, B04E								
		05	F01A, F01B, F01D, F05Z, F07A, F07B, F14A, F14B, F28A, F42Z, F54Z, F59A, F59B								
		08	I08A, I08B, I08C, I08D, I08E, I13A, I13B								
		09	J03A, J03B, J04A, J04B, J08A, J08B, J08C, J11A, J11B, J16Z								
		10	K09A, K09B								
17		R01A, R01B, R01C, R01D, R02Z, R12A, R12B, R12C									
21A		W04A, W04B									
21B		X04Z, X06A, X06B, X06C									

VYK

ZZV	MDC	DRG	ZZV	MDC	DRG	ZZV	MDC	DRG			
51559.8↔		BOP, KVT, UOP4	51559.b↔		BOP, KVT, UOP4	51559.e		BOP, KVT, UOP4			
	01	B04A, B04B, B04C, B04D, B04E		01	B04A, B04B, B04C, B04D, B04E		01	B04A, B04B, B04C, B04D, B04E			
	05	F01A, F01B, F01D, F05Z, F07A, F07B, F14A, F14B, F28A, F42Z, F54Z, F59A, F59B		03	D12A		04	E02A, E02B, E02C			
	06	G18A, G38Z		04	E02A, E02B, E02C		05	F01A, F01B, F01D, F05Z, F07A, F07B, F14A, F14B, F28A, F42Z, F54Z, F59A, F59B			
	07	H01A		05	F01A, F01B, F01D, F05Z, F07A, F07B, F14A, F14B, F28A, F42Z, F54Z, F59A, F59B		06	G10Z, G12A, G12B			
	08	I08A, I08B, I08C, I08D, I08E, I13A, I13B		06	G10Z, G12A, G12B		08	I08A, I08B, I08C, I08D, I08E, I13A, I13B			
	09	J03A, J03B, J04A, J04B, J08A, J08B, J08C, J11A, J11B, J16Z		08	I08A, I08B, I08C, I08D, I08E, I13A, I13B		09	J03A, J03B, J04A, J04B, J08A, J08B, J08C, J11A, J11B, J16Z			
	10	K09A, K09B		09	J03A, J03B, J04A, J04B, J08A, J08B, J08C, J11A, J11B, J16Z		10	K09A, K09B			
	17	R01A, R01B, R01C, R01D, R02Z, R12A, R12B, R12C		10	K09A, K09B		11	L09A, L09B, L09C, L09D, L38Z			
	21A	W04A, W04B		11	L09A, L09B, L09C, L09D, L38Z		17	R01A, R01B, R01C, R01D, R02Z, R12A, R12B, R12C			
	21B	X06A, X06B, X06C		17	R01A, R01B, R01C, R01D, R02Z, R12A, R12B, R12C		21A	W04A, W04B			
	51559.9↔			BOP, KVT, UOP4	51559.c↔			BOP, KVT, UOP4	51559.f		BOP, KVT, UOP4
		01		B04A, B04B, B04C, B04D, B04E			01	B04A, B04B, B04C, B04D, B04E		01	B04A, B04B, B04C, B04D, B04E
		03		D12A			03	D12A		04	E02A, E02B, E02C
		04		E02A, E02B, E02C			04	E02A, E02B, E02C		05	F01A, F01B, F01D, F05Z, F07A, F07B, F14A, F14B, F28A, F42Z, F54Z, F59A, F59B
		05		F01A, F01B, F01D, F05Z, F07A, F07B, F14A, F14B, F28A, F42Z, F54Z, F59A, F59B			05	F01A, F01B, F01D, F05Z, F07A, F07B, F14A, F14B, F28A, F42Z, F54Z, F59A, F59B		06	G03A, G10Z, G12A, G12B, G18A, G38Z
		06		G10Z, G12A, G12B			06	G10Z, G12A, G12B		07	H01A
		08		I08A, I08B, I08C, I08D, I08E, I13A, I13B			08	I08A, I08B, I08C, I08D, I08E, I13A, I13B		08	I08A, I08B, I08C, I08D, I08E, I13A, I13B
		09		J03A, J03B, J04A, J04B, J08A, J08B, J08C, J11A, J11B, J16Z			09	J03A, J03B, J04A, J04B, J08A, J08B, J08C, J11A, J11B, J16Z		09	J03A, J03B, J04A, J04B, J08A, J08B, J08C, J11A, J11B, J16Z
		10		K09A, K09B			10	K09A, K09B		10	K09A, K09B
11		L09A, L09B, L09C, L09D, L38Z	11	L09A, L09B, L09C, L09D, L38Z		11	L09A, L09B, L09C, L09D, L38Z				
17		R01A, R01B, R01C, R01D, R02Z, R12A, R12B, R12C	17	R01A, R01B, R01C, R01D, R02Z, R12A, R12B, R12C		17	R01A, R01B, R01C, R01D, R02Z, R12A, R12B, R12C				
21A		W04A, W04B	21A	W04A, W04B		21A	W04A, W04B				
21B		X06A, X06B, X06C	21B	X05A, X05B, X06A, X06B, X06C		21B	X06A, X06B, X06C				
51559.a↔			BOP, KVT, UOP4	51559.d↔			BOP, KVT, UOP4	51559.g↔			BOP, KVT, UOP4
		01	B04A, B04B, B04C, B04D, B04E			01	B04A, B04B, B04C, B04D, B04E			01	B04A, B04B, B04C, B04D, B04E
		03	D12A			03	D12A			05	F01A, F01B, F01D, F05Z, F07A, F07B, F14A, F14B, F28A, F42Z, F54Z, F59A, F59B
		04	E02A, E02B, E02C			04	E02A, E02B, E02C			06	G10Z, G12A, G12B
		05	F01A, F01B, F01D, F05Z, F07A, F07B, F14A, F14B, F28A, F42Z, F54Z, F59A, F59B			05	F01A, F01B, F01D, F05Z, F07A, F07B, F14A, F14B, F28A, F42Z, F54Z, F59A, F59B			08	G10Z, G12A, G12B
		06	G10Z, G12A, G12B			06	G10Z, G12A, G12B			08	I08A, I08B, I08C, I08D, I08E, I13A, I13B
		08	I08A, I08B, I08C, I08D, I08E, I13A, I13B			08	I08A, I08B, I08C, I08D, I08E, I13A, I13B			09	J03A, J03B, J04A, J04B, J08A, J08B, J08C, J11A, J11B, J16Z
	09	J03A, J03B, J04A, J04B, J08A, J08B, J08C, J11A, J11B, J16Z	09		J03A, J03B, J04A, J04B, J08A, J08B, J08C, J11A, J11B, J16Z	10	K09A, K09B				
	10	K09A, K09B	10		K09A, K09B	11	L09A, L09B, L09C, L09D, L38Z				
	11	L09A, L09B, L09C, L09D, L38Z	11		L09A, L09B, L09C, L09D, L38Z	11	L09A, L09B, L09C, L09D, L38Z				
	17	R01A, R01B, R01C, R01D, R02Z, R12A, R12B, R12C	17		R01A, R01B, R01C, R01D, R02Z, R12A, R12B, R12C	17	R01A, R01B, R01C, R01D, R02Z, R12A, R12B, R12C				
	21A	W04A, W04B	21A		W04A, W04B	21A	W04A, W04B				
	21B	X06A, X06B, X06C	21B		X05A, X05B, X06A, X06B, X06C	21B	X04Z, X06A, X06B, X06C				

VYK

ZZV	MDC	DRG	ZZV	MDC	DRG	ZZV	MDC	DRG		
51559.h↔		BOP, KVT, UOP4	5155x↔		BOP, KVT, UOP4	51570.0		BOP, KVT, UOP4		
	01	B04A, B04B, B04C, B04D, B04E		05	F01A, F01B, F01D, F05Z, F07A, F07B, F14A, F14B, F28A, F42Z, F54Z, F59A, F59B		05	F01A, F01B, F01D, F05Z, F07A, F07B, F13A, F14A, F14B, F27A, F27B, F27C, F28A, F42Z, F54Z, F59A, F59B		
	05	F01A, F01B, F01D, F05Z, F07A, F07B, F14A, F14B, F28A, F42Z, F54Z, F59A, F59B		08	I08A, I08B, I08C, I08D, I08E, I13A, I13B		08	I08A, I08B, I08C, I08D, I08E, I13A, I13B		
	06	G10Z, G12A, G12B		09	J03A, J03B, J04A, J04B, J08A, J08B, J08C, J11A, J11B, J16Z		10	K01Z		
	08	I08A, I08B, I08C, I08D, I08E, I13A, I13B		10	K09A, K09B		21A	W04A, W04B		
	09	J03A, J03B, J04A, J04B, J08A, J08B, J08C, J11A, J11B, J16Z		17	R01A, R01B, R01C, R01D, R02Z, R12A, R12B, R12C		21B	X04Z, X05A, X05B, X06A, X06B, X06C		
	10	K09A, K09B		21A	W04A, W04B		51570.1	01	B04A, B04B, B04C, B04D, B04E	
	11	L09A, L09B, L09C, L09D, L38Z		21B	X06A, X06B, X06C			03	D12A	
	17	R01A, R01B, R01C, R01D, R02Z, R12A, R12B, R12C		51560.0	BOP, KVT, UOP4			04	E02A, E02B, E02C	
	21A	W04A, W04B		01	B03A, B03B, B06A, B06B, B07Z, B17A, B17B, B17C			05	F01A, F01B, F01D, F05Z, F07A, F07B, F13A, F14A, F14B, F28A, F42Z, F54Z, F59A, F59B	
	21B	X04Z, X06A, X06B, X06C		03	D12A, D12B			06	G10Z, G12A, G12B	
	51559.i↔			BOP, KVT, UOP4	05			F01A, F01B, F01D, F05Z, F07A, F07B, F14A, F14B, F28A, F42Z, F54Z, F59A, F59B	08	I08A, I08B, I08C, I08D, I08E, I13A, I13B
		01		B04A, B04B, B04C, B04D, B04E	08			I08A, I08B, I08C, I08D, I08E, I13A, I13B	09	J03A, J03B, J04A, J04B, J08A, J08B, J08C, J11A, J11B, J16Z
		05		F01A, F01B, F01D, F05Z, F07A, F07B, F14A, F14B, F28A, F42Z, F54Z, F59A, F59B	10			K09A, K09B	10	K09A, K09B
		06		G10Z, G12A, G12B	21A			W04A, W04B	11	L09A, L09B, L09C, L09D, L38Z
		08		I08A, I08B, I08C, I08D, I08E, I13A, I13B	21B			X06A, X06B, X06C	17	R01A, R01B, R01C, R01D, R02Z, R12A, R12B, R12C
		09		J03A, J03B, J04A, J04B, J08A, J08B, J08C, J11A, J11B, J16Z	51560.1			BOP, KVT, UOP4	21A	W04A, W04B
10		K09A, K09B	01	B04A, B04B, B04C, B04D, B04E	21B	X04Z, X05A, X05B, X06A, X06B, X06C				
11		L09A, L09B, L09C, L09D, L38Z	03	D12A, D12B	51570.2	BOP, KVT, UOP4				
17		R01A, R01B, R01C, R01D, R02Z, R12A, R12B, R12C	04	E02A, E02B, E02C		05		F01A, F01B, F01D, F05Z, F07A, F07B, F13A, F14A, F14B, F28A, F42Z, F54Z, F59A, F59B		
21A		W04A, W04B	05	F01A, F01B, F01D, F05Z, F07A, F07B, F14A, F14B, F28A, F42Z, F54Z, F59A, F59B		06		G10Z, G12A, G12B		
21B		X04Z, X06A, X06B, X06C	08	I08A, I08B, I08C, I08D, I08E, I13A, I13B		08		I08A, I08B, I08C, I08D, I08E, I13A, I13B		
51559.x↔			BOP, KVT, UOP4	17		R01A, R01B, R01C, R01D, R02Z, R12A, R12B, R12C		10	K09A, K09B	
		01	B04A, B04B, B04C, B04D, B04E	51560.2		BOP, KVT, UOP4	17	R01A, R01B, R01C, R01D, R02Z, R12A, R12B, R12C		
		05	F01A, F01B, F01D, F05Z, F07A, F07B, F14A, F14B, F28A, F42Z, F54Z, F59A, F59B	01		B04A, B04B, B04C, B04D, B04E	21A	W04A, W04B		
		08	I08A, I08B, I08C, I08D, I08E, I13A, I13B	03		D12A, D12B	21B	X04Z, X05A, X05B, X06A, X06B, X06C		
		09	J03A, J03B, J04A, J04B, J08A, J08B, J08C, J11A, J11B, J16Z	04		E02A, E02B, E02C	51570.3	BOP, KOP, KOPV, KVT, UOP4		
		10	K09A, K09B	05		F01A, F01B, F01D, F05Z, F07A, F07B, F14A, F14B, F28A, F42Z, F54Z, F59A, F59B		04	E05A, E05B, E05C, E08A, E08B, E08C	
	17	R01A, R01B, R01C, R01D, R02Z, R12A, R12B, R12C	08	I08A, I08B, I08C, I08D, I08E, I13A, I13B		05		F01A, F01B, F01D, F05Z, F07A, F07B, F13A, F14A, F14B, F28A, F42Z, F54Z, F59A, F59B		
	21A	W04A, W04B	17	R01A, R01B, R01C, R01D, R02Z, R12A, R12B, R12C		06		G15Z, G19A, G19B, G33Z, G38Z		
	21B	X06A, X06B, X06C	51560.x	BOP, KVT, UOP4		07		H33Z, H38Z		
			01	B04A, B04B, B04C, B04D, B04E		08		I08A, I08B, I08C, I08D, I08E, I13A, I13B		
			03	D12A, D12B		11		L33Z		
			04	E02A, E02B, E02C		21A		W04A, W04B		
			05	F01A, F01B, F01D, F05Z, F07A, F07B, F14A, F14B, F28A, F42Z, F54Z, F59A, F59B		21B		X06A, X06B, X06C, X33Z		
			08	I08A, I08B, I08C, I08D, I08E, I13A, I13B	23	Z01A				
			17	R01A, R01B, R01C, R01D, R02Z, R12A, R12B, R12C	Pre	A07A				

VYK

ZZV	MDC	DRG	ZZV	MDC	DRG	ZZV	MDC	DRG			
51570.4		BOP, KOP, KOPV, KVT, UOP4	51571.0		BOP, KVT, UOP4	51571.4		BOP, KOP, KOPV, KVT, UOP4			
	01	B04A, B04B, B04C, B04D, B04E		05	F01A, F01B, F01D, F05Z, F07A, F07B, F13A, F14A, F14B, F27A, F27B, F27C, F28A, F42Z, F54Z, F59A, F59B		01	B04A, B04B, B04C, B04D, B04E			
	03	D12A		08	I08A, I08B, I08C, I08D, I08E, I13A, I13B		03	D12A			
	04	E05A, E05B, E05C, E08A, E08B, E08C		10	K01Z		04	E05A, E05B, E05C, E08A, E08B, E08C			
	05	F01A, F01B, F01D, F05Z, F07A, F07B, F13A, F28A, F42Z, F54Z, F59A, F59B		21A	W04A, W04B		05	F01A, F01B, F01D, F05Z, F07A, F07B, F13A, F28A, F42Z, F54Z, F59A, F59B			
	06	G15Z, G19A, G19B, G33Z, G38Z		21B	X04Z, X05A, X05B, X06A, X06B, X06C		06	G15Z, G19A, G19B, G33Z, G38Z			
	07	H33Z, H38Z			BOP, KVT, UOP4		07	H33Z, H38Z			
	08	I08A, I08B, I08C, I08D, I08E, I13A, I13B		01	B04A, B04B, B04C, B04D, B04E		08	I08A, I08B, I08C, I08D, I08E, I13A, I13B			
	09	J03A, J03B, J04A, J04B, J08A, J08B, J08C, J11A, J11B, J16Z		03	D12A		09	J03A, J03B, J04A, J04B, J08A, J08B, J08C, J11A, J11B, J16Z			
	10	K09A, K09B		04	E02A, E02B, E02C		10	K09A, K09B			
	11	L33Z		05	F01A, F01B, F01D, F05Z, F07A, F07B, F13A, F14A, F14B, F28A, F42Z, F54Z, F59A, F59B		11	L33Z			
	21A	W04A, W04B		06	G10Z, G12A, G12B		21A	W04A, W04B			
	21B	X04Z, X05A, X05B, X06A, X06B, X06C, X33Z		08	I08A, I08B, I08C, I08D, I08E, I13A, I13B		21B	X04Z, X05A, X05B, X06A, X06B, X06C, X33Z			
	23	Z01A		09	J03A, J03B, J04A, J04B, J08A, J08B, J08C, J11A, J11B, J16Z		23	Z01A			
	Pre	A07A			BOP, KVT, UOP4		Pre	A07A			
	51570.5			BOP, KVT, UOP4	51571.1			BOP, KVT, UOP4	51572		B03A, B03B, B06A, B06B, B07Z, B17A, B17B, B17C
		05		F01A, F01B, F01D, F05Z, F07A, F07B, F13A, F28A, F42Z, F54Z, F59A, F59B			01	B04A, B04B, B04C, B04D, B04E		05	F01A, F01B, F01D, F05Z, F07A, F07B, F14A, F14B, F28A, F42Z, F54Z, F59A, F59B
		06		G10Z, G12A, G12B			03	D12A		08	I08A, I08B, I08C, I08D, I08E, I13A, I13B
		08		I08A, I08B, I08C, I08D, I08E, I13A, I13B			04	E02A, E02B, E02C		21A	W04A, W04B
		10		K09A, K09B			05	F01A, F01B, F01D, F05Z, F07A, F07B, F13A, F14A, F14B, F28A, F42Z, F54Z, F59A, F59B		21B	X04Z, X05A, X05B, X06A, X06B, X06C
		11		L09A, L09B, L09C, L09D, L38Z			06	G10Z, G12A, G12B		06	G10Z, G12A, G12B
		21A		W04A, W04B			08	I08A, I08B, I08C, I08D, I08E, I13A, I13B		08	I28A, I28B
		21B		X04Z, X05A, X05B, X06A, X06B, X06C			09	J03A, J03B, J04A, J04B, J08A, J08B, J08C, J11A, J11B, J16Z		10	K09A, K09B
22		Y01Z, Y03A, Y03B	10	K09A, K09B		13	N11A, N11B				
51570.6			BOP, KVT, UOP4	51571.2			BOP, KVT, UOP4	51590.01			G10Z, G12A, G12B
		05	F13A, F21A, F21B			05	F01A, F01B, F01D, F05Z, F07A, F07B, F13A, F14A, F14B, F28A, F42Z, F54Z, F59A, F59B			06	G10Z, G12A, G12B
	08	I08A, I08B, I08C, I08D, I08E, I13A, I13B	06		G10Z, G12A, G12B	08	I28A, I28B				
	11	L09A, L09B, L09C, L09D, L38Z	08		I08A, I08B, I08C, I08D, I08E, I13A, I13B	10	K09A, K09B				
	21A	W04A, W04B	10		K09A, K09B	13	N11A, N11B				
	21B	X06A, X06B, X06C	17		R01A, R01B, R01C, R01D, R02Z, R12A, R12B, R12C	06	G10Z, G12A, G12B				
51570.7		BOP, KOP, KOPV, KVT, UOP4	51571.3		BOP, KOP, KOPV, KVT, UOP4	51590.02		I28A, I28B			
	05	F01A, F01B, F01D, F05Z, F07A, F07B, F09A, F09B, F09C, F13A, F30Z, F42Z		05	F01A, F01B, F01D, F05Z, F07A, F07B, F13A, F14A, F14B, F28A, F42Z, F54Z, F59A, F59B		06	G10Z, G12A, G12B			
	06	G33Z		06	G10Z, G12A, G12B		08	I28A, I28B			
	07	H33Z, H38Z		08	I08A, I08B, I08C, I08D, I08E, I13A, I13B		10	K09A, K09B			
	08	I08A, I08B, I08C, I08D, I08E, I13A, I13B		10	K09A, K09B		13	N11A, N11B			
	11	L33Z		17	R01A, R01B, R01C, R01D, R02Z, R12A, R12B, R12C		06	G10Z, G12A, G12B			
	15	P02A, P02B, P02C		21A	W04A, W04B		08	I28A, I28B			
	21B	X33Z		21A	W04A, W04B		10	K09A, K09B			
	23	Z01A		21B	X04Z, X05A, X05B, X06A, X06B, X06C		13	N11A, N11B			
	Pre	A07A			BOP, KOP, KOPV, KVT, UOP4		06	G10Z, G12A, G12B			
	51570.x			BOP, KVT, UOP4	51571.3			BOP, KOP, KOPV, KVT, UOP4	51590.04		I28A, I28B
05		F13A, F21A, F21B	04	E05A, E05B, E05C, E08A, E08B, E08C		08	I28A, I28B				
08		I08A, I08B, I08C, I08D, I08E, I13A, I13B	05	F01A, F01B, F01D, F05Z, F07A, F07B, F13A, F14A, F14B, F28A, F42Z, F54Z, F59A, F59B		10	K09A, K09B				
11		L09A, L09B, L09C, L09D, L38Z	06	G15Z, G19A, G19B, G33Z, G38Z		13	N11A, N11B				
21A		W04A, W04B	07	H33Z, H38Z		09	J11A, J11B				
21B		X06A, X06B, X06C	08	I08A, I08B, I08C, I08D, I08E, I13A, I13B		17	R60B, R60C, R61A, R61B, R61C, R61E, R62A, R63B, R63C, R63D, R63F				
51570.x		BOP, KVT, UOP4	51571.3		BOP, KOP, KOPV, KVT, UOP4	51591.50†		KK11, KKI, KKII, KKP			
	05	F13A, F21A, F21B		04	E05A, E05B, E05C, E08A, E08B, E08C		09	J11A, J11B			
	08	I08A, I08B, I08C, I08D, I08E, I13A, I13B		05	F01A, F01B, F01D, F05Z, F07A, F07B, F13A, F14A, F14B, F28A, F42Z, F54Z, F59A, F59B		17	R60B, R60C, R61A, R61B, R61C, R61E, R62A, R63B, R63C, R63D, R63F			
	11	L09A, L09B, L09C, L09D, L38Z		06	G15Z, G19A, G19B, G33Z, G38Z		09	J11A, J11B			
	21A	W04A, W04B		07	H33Z, H38Z		17	R60B, R60C, R61A, R61B, R61C, R61E, R62A, R63B, R63C, R63D, R63F			
	21B	X06A, X06B, X06C, X33Z		08	I08A, I08B, I08C, I08D, I08E, I13A, I13B		09	J11A, J11B			
				11	L33Z		17	R60B, R60C, R61A, R61B, R61C, R61E, R62A, R63B, R63C, R63D, R63F			
				21A	W04A, W04B		09	J11A, J11B			
				21B	X06A, X06B, X06C, X33Z		17	R60B, R60C, R61A, R61B, R61C, R61E, R62A, R63B, R63C, R63D, R63F			
				23	Z01A		09	J11A, J11B			
				Pre	A07A		17	R60B, R60C, R61A, R61B, R61C, R61E, R62A, R63B, R63C, R63D, R63F			

VYK

ZZV	MDC	DRG	ZZV	MDC	DRG	ZZV	MDC	DRG
5I591.6		BOP, KVT, UOP4	5m102↔	03	D12A, D12B	5m111		BOP, KOP, KOPV, KVT, UOP4
	04	E02A, E02B, E02C		04	E02A, E02B, E02C		04	E05A, E05B, E05C, E08A, E08B, E08C
	05	F01A, F01B, F01D, F05Z, F07A, F07B, F14A, F14B, F28A, F42Z, F54Z, F59A, F59B		06	G10Z, G12A, G12B		06	G33Z
	08	I08A, I08B, I08C, I08D, I08E, I13A, I13B		08	I28A, I28B		07	H33Z, H38Z
	21A	W04A, W04B		09	J03A, J03B, J04A, J04B, J07A, J07B, J08A, J08B, J08C, J11A, J11B, J16Z, J21Z, J24A, J24B, J24C, J24D, J25Z		11	L33Z
	21B	X04Z, X05A, X05B, X06A, X06B, X06C		10	K09A, K09B		17	R01A, R01B, R01C, R01D, R02Z, R12A, R12B, R12C
5I591.8		BOP, KVT, UOP4	5m103	13	N11A	5m120.0	21A	W04A, W04B
	05	F01A, F01B, F01D, F05Z, F07A, F07B, F14A, F14B, F28A, F42Z, F54Z, F59A, F59B		16	Q03A, Q03B		21B	X06A, X06B, X06C
	06	G10Z, G12A, G12B		08	I27A, I27B, I27C, I27D		23	Z01A
	08	I08A, I08B, I08C, I08D, I08E, I13A, I13B		09	J03A, J03B, J04A, J04B, J08A, J08B, J08C, J11A, J11B, J16Z, J21Z		Pre	A07A
	10	K09A, K09B		09	BOP, KVT, UOP4		04	E05A, E05B, E05C, E08A, E08B, E08C
	11	L09A, L09B, L09C, L09D, L38Z		09	J03A, J03B, J04A, J04B, J08A, J08B, J08C, J11A, J11B, J16Z		06	G10Z, G12A, G12B, G18A, G33Z, G38Z
	17	R01A, R01B, R01C, R01D, R02Z, R12A, R12B, R12C		09	BOP, KVT, UOP4		07	H33Z, H38Z
	21A	W04A, W04B		04	E05A, E05B, E05C, E08A, E08B, E08C		08	I28A, I28B
	21B	X04Z, X06A, X06B, X06C		06	G33Z		09	J03A, J03B, J04A, J04B, J08A, J08B, J08C, J10A, J10B, J16Z, J21Z
5I591.9		BOP, KVT, UOP4	5m110.1	07	H33Z, H38Z		10	K09A, K09B
	01	B04A, B04B, B04C, B04D, B04E		11	L33Z		11	L03Z, L04A, L04B, L04C, L10Z, L13A, L13B, L33Z, L38Z
	03	D12A, D12B		17	R01A, R01B, R01C, R01D, R02Z, R12A, R12B, R12C		12	M01A, M01B, M09A, M38Z
	04	E02A, E02B, E02C		21A	W04A, W04B		13	N01A, N01B, N01C, N01D, N01E, N11A, N38Z
	05	F01A, F01B, F01D, F05Z, F07A, F07B, F14A, F14B, F28A, F42Z, F54Z, F59A, F59B		21B	X06A, X06B, X06C		17	R01A, R01B, R01C, R01D, R02Z, R12A, R12B, R12C
	06	G10Z, G12A, G12B		23	Z01A		23	Z01A
	08	I08A, I08B, I08C, I08D, I08E, I13A, I13B		Pre	A07A		Pre	A07A
	09	J03A, J03B, J04A, J04B, J08A, J08B, J08C, J11A, J11B, J16Z		04	E05A, E05B, E05C, E08A, E08B, E08C		5m120.3	BOP, KOP, KOPV, KVT, UOP4
	10	K09A, K09B		06	G33Z		04	E05A, E05B, E05C, E08A, E08B, E08C
	11	L09A, L09B, L09C, L09D, L38Z		07	H33Z, H38Z		06	G10Z, G12A, G12B, G33Z
	17	R01A, R01B, R01C, R01D, R02Z, R12A, R12B, R12C		11	L33Z		07	H33Z, H38Z
	03	D12A, D12B		17	R01A, R01B, R01C, R01D, R02Z, R12A, R12B, R12C		08	I28A, I28B
	04	E02A, E02B, E02C		21A	W04A, W04B		09	J03A, J03B, J04A, J04B, J08A, J08B, J08C, J10A, J10B, J16Z, J21Z
	06	G10Z, G12A, G12B		21B	X06A, X06B, X06C		10	K09A, K09B
	08	I28A, I28B		23	Z01A		11	L03Z, L04A, L04B, L04C, L10Z, L13A, L13B, L33Z, L38Z
	09	J03A, J03B, J04A, J04B, J08A, J08B, J08C, J11A, J11B, J16Z, J21Z		Pre	A07A		12	M01A, M01B, M09A, M38Z
	10	K03A, K03B, K09A, K09B		04	E05A, E05B, E05C, E08A, E08B, E08C		13	N01A, N01B, N01C, N01D, N01E, N11A, N38Z
	13	N11A		06	G33Z		17	R01A, R01B, R01C, R01D, R02Z, R12A, R12B, R12C
	16	Q03A, Q03B		07	H33Z, H38Z		23	Z01A
	03	D12A, D12B		11	L33Z		Pre	A07A
	04	E02A, E02B, E02C		17	R01A, R01B, R01C, R01D, R02Z, R12A, R12B, R12C			
	06	G10Z, G12A, G12B		21A	W04A, W04B			
	08	I28A, I28B		21B	X06A, X06B, X06C			
	09	J03A, J03B, J04A, J04B, J08A, J08B, J08C, J11A, J11B, J16Z, J21Z		23	Z01A			
	10	K09A, K09B		Pre	A07A			
	13	N11A		04	E05A, E05B, E05C, E08A, E08B, E08C			
	16	Q03A, Q03B		06	G33Z			

ZZV	MDC	DRG	ZZV	MDC	DRG	ZZV	MDC	DRG				
5m121		BOP, KOP, KOPV, KVT, UOP4	5m130		BOP, KVT, UOP4	5m134↔		BOP, KVT, UOP4				
	06	G10Z, G12A, G12B, G33Z		03	D12A		03	D12A				
	07	H33Z, H38Z		04	E02A, E02B, E02C		04	E02A, E02B, E02C				
	08	I28A, I28B		06	G10Z, G12A, G12B		06	G10Z, G12A, G12B				
	09	J03A, J03B, J04A, J04B, J08A, J08B, J08C, J10A, J10B, J16Z, J21Z		08	I28A, I28B		08	I28A, I28B				
	11	L03Z, L04A, L04B, L04C, L10Z, L13A, L13B, L33Z, L38Z		09	J03A, J03B, J04A, J04B, J08A, J08B, J08C, J11A, J11B, J16Z, J21Z		09	J03A, J03B, J04A, J04B, J08A, J08B, J08C, J11A, J11B, J16Z, J21Z, J23Z, J24A, J24B, J24C, J24D, J26Z				
	12	M01A, M01B, M09A, M38Z		10	K09A, K09B		10	K09A, K09B				
	13	N01A, N01B, N01C, N01D, N01E, N11A, N38Z		11	L09A, L09B, L09C, L09D, L38Z		11	L09A, L09B, L09C, L09D, L38Z				
	17	R01A, R01B, R01C, R01D, R02Z, R12A, R12B, R12C		12	M06Z, M09A, M09B, M38Z		13	N11A				
	23	Z01A		14	962Z, O02A, O02B		13	N11A				
	Pre	A07A		16	Q03A, Q03B		14	962Z, O02A, O02B				
	5m122			BOP, KVT, UOP4	5m131			BOP, KVT, UOP4	5m136.0		BOP, KVT, UOP4	
		03		D18Z, D25A, D25B, D25C, D25D			03	D12A		03	D12A	
		04		E02A, E02B, E02C			04	E02A, E02B, E02C		04	E02A, E02B, E02C	
		08		I06A, I06B, I06C, I06D, I06E			06	G10Z, G12A, G12B		06	G10Z, G12A, G12B	
		09		J02A, J02B, J02C, J03A, J03B, J04A, J04B, J08A, J08B, J10A, J10B, J16Z, J21Z			08	I28A, I28B		08	I28A, I28B	
		10	K14Z	09		J03A, J03B, J04A, J04B, J08A, J08B, J08C, J11A, J11B, J16Z, J21Z	09	J03A, J03B, J04A, J04B, J08A, J08B, J08C, J11A, J11B, J16Z, J21Z				
17		R01A, R01B, R01C, R01D, R02Z, R12A, R12B, R12C	10	K09A, K09B		10	K09A, K09B					
5m123			BOP, KVT, UOP4	5m132			BOP, KVT, UOP4	5m136.3			BOP, KVT, UOP4	
		03	D18Z, D25A, D25B, D25C, D25D			03	D12A			03	D12A	
		04	E02A, E02B, E02C			04	E02A, E02B, E02C			04	E02A, E02B, E02C	
		08	I06A, I06B, I06C, I06D, I06E			06	G10Z, G12A, G12B			06	G10Z, G12A, G12B	
		09	J02A, J02B, J02C, J03A, J03B, J04A, J04B, J08A, J08B, J10A, J10B, J16Z, J21Z			08	I28A, I28B			08	I28A, I28B	
		10	K14Z			09	J03A, J03B, J04A, J04B, J08A, J08B, J08C, J11A, J11B, J16Z, J21Z			09	J03A, J03B, J04A, J04B, J08A, J08B, J08C, J11A, J11B, J16Z, J21Z	
		13	N11A			10	K09A, K09B			10	K09A, K09B	
		17	R01A, R01B, R01C, R01D, R02Z, R12A, R12B, R12C			11	L09A, L09B, L09C, L09D, L38Z			11	L09A, L09B, L09C, L09D, L38Z	
		5m124				BOP, KVT, UOP4	5m133↔				BOP, KVT, UOP4	5m137.0
			03		D02A, D02B, D18Z, D24A, D24B	03			D12A	03	D12A	
	04		E02A, E02B, E02C		04	E02A, E02B, E02C			04	E02A, E02B, E02C		
	08		I06A, I06B, I06C, I06D, I06E		06	G10Z, G12A, G12B			06	G10Z, G12A, G12B		
	09		J02A, J02B, J02C, J03A, J03B, J04A, J04B, J08A, J08B, J10A, J10B, J16Z, J21Z		08	I28A, I28B			08	I28A, I28B		
	10		K14Z		09	J03A, J03B, J04A, J04B, J08A, J08B, J08C, J11A, J11B, J16Z, J21Z, J23Z, J24A, J24B, J24C, J24D, J26Z			09	J03A, J03B, J04A, J04B, J08A, J08B, J08C, J11A, J11B, J16Z, J21Z, J23Z, J24A, J24B, J24C, J24D, J26Z		
	11		L09A, L38Z		10	K09A, K09B			10	K09A, K09B		
	13		N11A		11	L09A, L09B, L09C, L09D, L38Z			11	L09A, L09B, L09C, L09D, L38Z		
	17		R01A, R01B, R01C, R01D, R02Z, R12A, R12B	13	N11A	10		K09A, K09B				
			14	962Z, O02A, O02B	11	L09A, L09B, L09C, L09D, L38Z						
			16	Q03A, Q03B	12	M06Z, M09A, M09B, M38Z						
					13	N11A						
					14	962Z, O02A, O02B						
					16	Q03A, Q03B						
					17	R01A, R01B, R01C, R01D, R02Z, R12A, R12B, R12C						

VYK

ZZV	MDC	DRG	ZZV	MDC	DRG	ZZV	MDC	DRG	
5n010.x		BOP, KOP, KOPV, KVT, UOP4	5n012.3		BOP, KOP, KOPV, KVT, UOP4	5n013.0		BOP, KOP, KOPV, KVT, UOP4	
	03	D12A		03	D12A		03	D12A	
	06	G15Z, G19A, G19B, G38Z		06	G01Z, G02Z, G15Z, G19A, G19B, G38Z		06	G15Z, G19A, G19B, G38Z	
	07	H33Z, H38Z		07	H33Z, H38Z		07	H33Z, H38Z	
	11	L33Z		11	L33Z		11	L33Z	
	17	R01A, R01B, R01C, R01D, R02Z, R12A, R12B, R12C		17	R01A, R01B, R01C, R01D, R02Z, R12A, R12B, R12C		17	R01A, R01B, R01C, R01D, R02Z, R12A, R12B, R12C	
	21A	W04A, W04B		21A	W04A, W04B		21A	W04A, W04B	
	21B	X06A, X06B, X06C		21B	X06A, X06B, X06C		21B	X06A, X06B, X06C	
	23	Z01A		23	Z01A		23	Z01A	
	Pre	A07A		Pre	A07A		Pre	A07A	
5n011.6‡	06	G40Z, G46A, G46B, G46C, G47Z, G50Z	5n012.4		BOP, KOP, KOPV, KVT, UOP4	5n013.1		BOP, KOP, KOPV, KVT, UOP4	
5n011.x	07	H40Z		03	D12A		03	D12A	
	03	D12A		06	G01Z, G02Z, G15Z, G19A, G19B, G38Z		06	G15Z, G19A, G19B, G38Z	
	06	G15Z, G19A, G19B, G38Z		07	H33Z, H38Z		07	H33Z, H38Z	
	07	H33Z, H38Z		11	L33Z		11	L33Z	
	11	L33Z		17	R01A, R01B, R01C, R01D, R02Z, R12A, R12B, R12C		17	R01A, R01B, R01C, R01D, R02Z, R12A, R12B, R12C	
	23	Z01A		21A	W04A, W04B		21A	W04A, W04B	
	Pre	A07A		21B	X06A, X06B, X06C		21B	X06A, X06B, X06C	
	5n012.0			BOP, KOP, KOPV, KVT, UOP4	23		Z01A	23	Z01A
		03		D12A	Pre		A07A, A11A, A13A, A13B, A13D	Pre	A07A
		06	G01Z, G02Z, G15Z, G19A, G19B, G38Z	5n012.5		BOP, KOP, KOPV, KVT, UOP4	5n013.2		BOP, KOP, KOPV, KVT, UOP4
07		H33Z, H38Z	03		D12A	03		D12A	
11		L33Z	06		G01Z, G02Z, G15Z, G19A, G19B, G38Z	06		G15Z, G19A, G19B, G38Z	
17		R01A, R01B, R01C, R01D, R02Z, R12A, R12B, R12C	07		H33Z, H38Z	07		H33Z, H38Z	
21A		W04A, W04B	11		L33Z	11		L33Z	
21B		X06A, X06B, X06C	17		R01A, R01B, R01C, R01D, R02Z, R12A, R12B, R12C	17		R01A, R01B, R01C, R01D, R02Z, R12A, R12B, R12C	
23		Z01A	21A		W04A, W04B	21A		W04A, W04B	
Pre		A07A, A11A, A13A, A13B, A13D	21B		X06A, X06B, X06C	21B		X06A, X06B, X06C	
5n012.1		BOP, KOP, KOPV, KVT, UOP4	23		Z01A	23		Z01A	
	03	D12A	Pre		A07A, A11A, A13A, A13B, A13D	Pre		A07A	
	06	G01Z, G02Z, G15Z, G19A, G19B, G38Z	5n012.6‡	06	G40Z, G46A, G46B, G46C, G47Z, G50Z	5n013.3		BOP, KOP, KOPV, KVT, UOP4	
	07	H33Z, H38Z		07	H40Z		03	D12A	
	11	L33Z		5n012.x			BOP, KOP, KOPV, KVT, UOP4	06	G15Z, G19A, G19B, G38Z
	17	R01A, R01B, R01C, R01D, R02Z, R12A, R12B, R12C			03		D12A	07	H33Z, H38Z
	21A	W04A, W04B			06		G01Z, G02Z, G15Z, G19A, G19B, G38Z	11	L33Z
	21B	X06A, X06B, X06C			07		H33Z, H38Z	17	R01A, R01B, R01C, R01D, R02Z, R12A, R12B, R12C
	23	Z01A			11		L33Z	21A	W04A, W04B
	Pre	A07A, A11A, A13A, A13B, A13D			17		R01A, R01B, R01C, R01D, R02Z, R12A, R12B, R12C	21B	X06A, X06B, X06C
5n012.2		BOP, KOP, KOPV, KVT, UOP4			23		Z01A	23	Z01A
	03	D12A			Pre		A07A, A11A, A13A, A13B, A13D	Pre	A07A
	06	G01Z, G02Z, G15Z, G19A, G19B, G38Z	5n013.4			BOP, KOP, KOPV, KVT, UOP4	5n013.4		BOP, KOP, KOPV, KVT, UOP4
	07	H33Z, H38Z			03	D12A		03	D12A
	11	L33Z		06	G15Z, G19A, G19B, G38Z	06		G15Z, G19A, G19B, G38Z	
	17	R01A, R01B, R01C, R01D, R02Z, R12A, R12B, R12C		07	H33Z, H38Z	07		H33Z, H38Z	
	21A	W04A, W04B		11	L33Z	11		L33Z	
	21B	X06A, X06B, X06C		17	R01A, R01B, R01C, R01D, R02Z, R12A, R12B, R12C	17		R01A, R01B, R01C, R01D, R02Z, R12A, R12B, R12C	
	23	Z01A		21A	W04A, W04B	21A		W04A, W04B	
	Pre	A07A, A11A, A13A, A13B, A13D		21B	X06A, X06B, X06C	21B		X06A, X06B, X06C	

VYK

ZZV	MDC	DRG	ZZV	MDC	DRG	ZZV	MDC	DRG			
5n01x.x		BOP, KOP, KOPV, KVT, UOP4	5n01x.5		BOP, KOP, KOPV, UOP4	5n020.4		BOP, KOP, KOPV, KVT, MVV, UOP4			
	03	D12A		03	D12A		03	D12A			
	06	G15Z, G19A, G19B, G38Z		06	G15Z, G19A, G19B, G38Z		05	F36A, F36B			
	07	H33Z, H38Z		07	H33Z, H38Z		06	G03A, G03B, G33Z, G38Z			
	11	L33Z		11	L33Z		07	H33Z, H38Z			
	17	R01A, R01B, R01C, R01D, R02Z, R12A, R12B, R12C		17	R01A, R01B, R01C, R01D, R02Z, R12A, R12B, R12C		11	L33Z			
	21A	W04A, W04B		21A	W04A, W04B		17	R01A, R01B, R01C, R01D, R02Z, R12A, R12B, R12C			
	21B	X06A, X06B, X06C		21B	X06A, X06B, X06C		21A	W04A, W04B			
	23	Z01A		23	Z01A		21B	X06A, X06B, X06C, X33Z			
	Pre	A07A		Pre	A07A		22	Y01Z, Y03A, Y03B			
	5n01x.0			BOP, KOP, KOPV, UOP4	5n01x.6†			G40Z, G46A, G46B, G46C, G47Z, G50Z	5n020.x		BOP, KOP, KOPV, KVT, MVV, UOP4
		03		D12A			06	G40Z, G46A, G46B, G46C, G47Z, G50Z		03	D12A
		06		G15Z, G19A, G19B, G38Z			07	H40Z		05	F36A, F36B
07		H33Z, H38Z	5n01x.x†	06		G40Z, G46A, G46B, G46C, G47Z, G50Z	06	G03A, G03B, G33Z, G38Z			
11		L33Z		07		H40Z	07	H33Z, H38Z			
17		R01A, R01B, R01C, R01D, R02Z, R12A, R12B, R12C	5n020.1			BOP, KOP, KOPV, KVT, MVV, UOP4	11	L33Z			
21A		W04A, W04B		03		D12A	17	R01A, R01B, R01C, R01D, R02Z, R12A, R12B, R12C			
21B		X06A, X06B, X06C	05	F36A, F36B		21A	W04A, W04B				
23		Z01A	06	G03A, G03B, G33Z, G38Z		21B	X06A, X06B, X06C, X33Z				
Pre		A07A	07	H33Z, H38Z		22	Y01Z, Y03A, Y03B				
5n01x.1			BOP, KOP, KOPV, UOP4	5n020.2			BOP, KOP, KOPV, KVT, MVV, UOP4	5n021.1			BOP, KOP, KOPV, KVT, MVV, UOP4
		03	D12A			03	D12A			03	D12A
		06	G15Z, G19A, G19B, G38Z			05	F36A, F36B			05	F36A, F36B
	07	H33Z, H38Z	06		G03A, G03B, G33Z, G38Z	06	G03A, G03B, G33Z, G38Z				
	11	L33Z	07		H33Z, H38Z	07	H33Z, H38Z				
	17	R01A, R01B, R01C, R01D, R02Z, R12A, R12B, R12C	11		L33Z	11	L33Z				
	21A	W04A, W04B	17		R01A, R01B, R01C, R01D, R02Z, R12A, R12B, R12C	17	R01A, R01B, R01C, R01D, R02Z, R12A, R12B, R12C				
	21B	X06A, X06B, X06C	21A		W04A, W04B	21A	W04A, W04B				
	23	Z01A	21B		X06A, X06B, X06C, X33Z	21B	X06A, X06B, X06C, X33Z				
	Pre	A07A	22		Y01Z, Y03A, Y03B	22	Y01Z, Y03A, Y03B				
	5n01x.2		BOP, KOP, KOPV, UOP4		5n020.3		BOP, KOP, KOPV, KVT, MVV, UOP4		5n021.2		BOP, KOP, KOPV, KVT, MVV, UOP4
		03	D12A			03	D12A			03	D12A
		06	G15Z, G19A, G19B, G38Z			05	F36A, F36B			05	F36A, F36B
07		H33Z, H38Z	06	G03A, G03B, G33Z, G38Z		06	G03A, G03B, G33Z, G38Z				
11		L33Z	07	H33Z, H38Z		07	H33Z, H38Z				
17		R01A, R01B, R01C, R01D, R02Z, R12A, R12B, R12C	11	L33Z		11	L33Z				
21A		W04A, W04B	17	R01A, R01B, R01C, R01D, R02Z, R12A, R12B, R12C		17	R01A, R01B, R01C, R01D, R02Z, R12A, R12B, R12C				
21B		X06A, X06B, X06C	21A	W04A, W04B		21A	W04A, W04B				
23		Z01A	21B	X06A, X06B, X06C, X33Z		21B	X06A, X06B, X06C, X33Z				
Pre		A07A	22	Y01Z, Y03A, Y03B		22	Y01Z, Y03A, Y03B				
5n01x.3			BOP, KOP, KOPV, UOP4	5n020.4			BOP, KOP, KOPV, KVT, MVV, UOP4	5n021.1			BOP, KOP, KOPV, KVT, MVV, UOP4
		03	D12A			03	D12A			03	D12A
		06	G15Z, G19A, G19B, G38Z			05	F36A, F36B			05	F36A, F36B
	07	H33Z, H38Z	06		G03A, G03B, G33Z, G38Z	06	G03A, G03B, G33Z, G38Z				
	11	L33Z	07		H33Z, H38Z	07	H33Z, H38Z				
	17	R01A, R01B, R01C, R01D, R02Z, R12A, R12B, R12C	11		L33Z	11	L33Z				
	21A	W04A, W04B	17		R01A, R01B, R01C, R01D, R02Z, R12A, R12B, R12C	17	R01A, R01B, R01C, R01D, R02Z, R12A, R12B, R12C				
	21B	X06A, X06B, X06C	21A		W04A, W04B	21A	W04A, W04B				
	23	Z01A	21B		X06A, X06B, X06C, X33Z	21B	X06A, X06B, X06C, X33Z				
	Pre	A07A	22		Y01Z, Y03A, Y03B	22	Y01Z, Y03A, Y03B				
	5n01x.4		BOP, KOP, KOPV, UOP4		5n020.5		BOP, KOP, KOPV, KVT, MVV, UOP4		5n021.2		BOP, KOP, KOPV, KVT, MVV, UOP4
		03	D12A			03	D12A			03	D12A
		06	G15Z, G19A, G19B, G38Z			05	F36A, F36B			05	F36A, F36B
07		H33Z, H38Z	06	G03A, G03B, G33Z, G38Z		06	G03A, G03B, G33Z, G38Z				
11		L33Z	07	H33Z, H38Z		07	H33Z, H38Z				
17		R01A, R01B, R01C, R01D, R02Z, R12A, R12B, R12C	11	L33Z		11	L33Z				
21A		W04A, W04B	17	R01A, R01B, R01C, R01D, R02Z, R12A, R12B, R12C		17	R01A, R01B, R01C, R01D, R02Z, R12A, R12B, R12C				
21B		X06A, X06B, X06C	21A	W04A, W04B		21A	W04A, W04B				
23		Z01A	21B	X06A, X06B, X06C, X33Z		21B	X06A, X06B, X06C, X33Z				
Pre		A07A	22	Y01Z, Y03A, Y03B		22	Y01Z, Y03A, Y03B				

ZZV	MDC	DRG	ZZV	MDC	DRG	ZZV	MDC	DRG				
5n021.3		BOP, KOP, KOPV, KVT, MVV, UOP4	5n029.1		BOP, KOP, KOPV, KVT, MVV, UOP4	5n029.x		BOP, KOP, KOPV, KVT, MVV, UOP4				
	03	D12A		03	D12A		03	D12A				
	05	F36A, F36B		05	F36A, F36B		05	F36A, F36B				
	06	G03A, G03B, G33Z, G38Z		06	G03A, G03B, G33Z, G38Z		06	G03A, G03B, G33Z, G38Z				
	07	H33Z, H38Z		07	H33Z, H38Z		07	H33Z, H38Z				
	11	L33Z		11	L33Z		11	L33Z				
	17	R01A, R01B, R01C, R01D, R02Z, R12A, R12B, R12C		17	R01A, R01B, R01C, R01D, R02Z, R12A, R12B, R12C		17	R01A, R01B, R01C, R01D, R02Z, R12A, R12B, R12C				
	21A	W04A, W04B		21A	W04A, W04B		21A	W04A, W04B				
	21B	X06A, X06B, X06C, X33Z		21B	X06A, X06B, X06C, X33Z		21B	X06A, X06B, X06C, X33Z				
	22	Y01Z, Y03A, Y03B		22	Y01Z, Y03A, Y03B		22	Y01Z, Y03A, Y03B				
	23	Z01A		23	Z01A		23	Z01A				
	Pre	A07A		Pre	A07A		Pre	A07A				
	5n021.4			BOP, KOP, KOPV, KVT, MVV, UOP4	5n029.2			BOP, KOP, KOPV, KVT, MVV, UOP4	5n02a		BOP, KOP, KOPV, KVT, UOP4	
		03		D12A			03	D12A		03	D12A	
05		F36A, F36B	05	F36A, F36B		05	F36A, F36B					
06		G03A, G03B, G33Z, G38Z	06	G03A, G03B, G33Z, G38Z		06	G01Z, G02Z, G03A, G03B, G03C, G33Z, G38Z					
07		H33Z, H38Z	07	H33Z, H38Z		07	H33Z, H38Z					
11		L33Z	11	L33Z		11	L33Z					
17		R01A, R01B, R01C, R01D, R02Z, R12A, R12B, R12C	17	R01A, R01B, R01C, R01D, R02Z, R12A, R12B, R12C		17	R01A, R01B, R01C, R01D, R02Z, R12A, R12B, R12C					
21A		W04A, W04B	21A	W04A, W04B		21A	W04A, W04B					
21B		X06A, X06B, X06C, X33Z	21B	X06A, X06B, X06C, X33Z		21B	X06A, X06B, X06C, X33Z					
22		Y01Z, Y03A, Y03B	22	Y01Z, Y03A, Y03B		22	Y01Z, Y03A, Y03B					
23		Z01A	23	Z01A		23	Z01A					
Pre		A07A	Pre	A07A		Pre	A07A, A11A, A13A, A13B, A13D					
5n021.x			BOP, KOP, KOPV, KVT, MVV, UOP4	5n029.3			BOP, KOP, KOPV, KVT, MVV, UOP4	5n02b			BOP, KOP, KOPV, KVT, UOP4	
		03	D12A			03	D12A			03	D12A	
	05	F36A, F36B	05		F36A, F36B	05	F36A, F36B					
	06	G03A, G03B, G33Z, G38Z	06		G03A, G03B, G33Z, G38Z	06	G01Z, G02Z, G03A, G03B, G03C, G33Z, G38Z					
	07	H33Z, H38Z	07		H33Z, H38Z	07	H33Z, H38Z					
	11	L33Z	11		L33Z	11	L33Z					
	17	R01A, R01B, R01C, R01D, R02Z, R12A, R12B, R12C	17		R01A, R01B, R01C, R01D, R02Z, R12A, R12B, R12C	17	R01A, R01B, R01C, R01D, R02Z, R12A, R12B, R12C					
	21A	W04A, W04B	21A		W04A, W04B	21A	W04A, W04B					
	21B	X06A, X06B, X06C, X33Z	21B		X06A, X06B, X06C, X33Z	21B	X06A, X06B, X06C, X33Z					
	22	Y01Z, Y03A, Y03B	22		Y01Z, Y03A, Y03B	22	Y01Z, Y03A, Y03B					
	23	Z01A	23		Z01A	23	Z01A					
	Pre	A07A	Pre		A07A	Pre	A07A, A11A, A13A, A13B, A13D					
	5n022.0		BOP, KOP, KOPV, KVT, UOP4		5n029.4		BOP, KOP, KOPV, KVT, MVV, UOP4		5n02c		BOP, KOP, KOPV, KVT, UOP4	
		03	D12A, D12B			03	D12A			03	D12A	
06		G15Z, G19A, G19B, G38Z	05	F36A, F36B		05	F36A, F36B					
07		H33Z, H38Z	06	G03A, G03B, G33Z, G38Z		06	G01Z, G02Z, G03A, G03B, G03C, G33Z, G38Z					
11		L33Z	07	H33Z, H38Z		07	H33Z, H38Z					
17		R01A, R01B, R01C, R01D, R02Z, R12A, R12B, R12C	11	L33Z		11	L33Z					
21A		W04A, W04B	17	R01A, R01B, R01C, R01D, R02Z, R12A, R12B, R12C		17	R01A, R01B, R01C, R01D, R02Z, R12A, R12B, R12C					
21B		X06A, X06B, X06C	21A	W04A, W04B		21A	W04A, W04B					
22		Y01Z, Y03A, Y03B	21B	X06A, X06B, X06C, X33Z		21B	X06A, X06B, X06C, X33Z					
23		Z01A	22	Y01Z, Y03A, Y03B		22	Y01Z, Y03A, Y03B					
Pre		A07A	23	Z01A		23	Z01A					
5n022.x			BOP, KOP, KOPV, KVT, UOP4	Pre			A07A	Pre			A07A, A11A, A13A, A13B, A13D	
		03	D12A, D12B									
		06	G15Z, G19A, G19B, G38Z									
	07	H33Z, H38Z										
	11	L33Z										
	17	R01A, R01B, R01C, R01D, R02Z, R12A, R12B, R12C										
	21A	W04A, W04B										
	21B	X06A, X06B, X06C										
	22	Y01Z, Y03A, Y03B										
	23	Z01A										
	Pre	A07A										

VYK

ZZV	MDC	DRG	ZZV	MDC	DRG	ZZV	MDC	DRG						
5n02d		BOP, KOP, KOPV, KVT, UOP4	5n02h		BOP, KOP, KOPV, KVT, UOP4	5n033.0		BOP, KOP, KOPV, KVT, UOP4						
	03	D12A		03	D12A		03	D12A, D12B						
	05	F36A, F36B		04	E05A, E05B, E05C, E08A, E08B, E08C		06	G15Z, G19A, G19B, G38Z						
	06	G01Z, G02Z, G03A, G03B, G03C, G33Z, G38Z		05	F36A, F36B		07	H33Z, H38Z						
	07	H33Z, H38Z		06	G01Z, G02Z, G03A, G03B, G03C, G33Z, G38Z		11	L33Z						
	11	L33Z		07	H33Z, H38Z		17	R01A, R01B, R01C, R01D, R02Z, R12A, R12B, R12C						
	17	R01A, R01B, R01C, R01D, R02Z, R12A, R12B, R12C		11	L33Z		23	Z01A						
	21A	W04A, W04B		21A	W04A, W04B		Pre	A07A						
	21B	X06A, X06B, X06C, X33Z		21B	X06A, X06B, X06C, X33Z		5n033.1	BOP, KOP, KOPV, KVT, UOP4						
	22	Y01Z, Y03A, Y03B		23	Z01A		03	D12A, D12B						
	23	Z01A		Pre	A07A, A11A, A13A, A13B, A13D		06	G15Z, G19A, G19B, G38Z						
	Pre	A07A, A11A, A13A, A13B, A13D		5n02x			BOP, KOP, KOPV, KVT, UOP4	07	H33Z, H38Z					
	5n02e				BOP, KOP, KOPV, KVT, UOP4		03	D12A	11	L33Z				
		03			D12A		05	F36A, F36B	17	R01A, R01B, R01C, R01D, R02Z, R12A, R12B, R12C				
		05			F36A, F36B		06	G01Z, G02Z, G03A, G03B, G03C, G33Z, G38Z	23	Z01A				
		06			G01Z, G02Z, G03A, G03B, G03C, G33Z, G38Z		07	H33Z, H38Z	Pre	A07A				
		07			H33Z, H38Z		11	L33Z	5n033.2	BOP, KOP, KOPV, KVT, UOP4				
11		L33Z	17		R01A, R01B, R01C, R01D, R02Z, R12A, R12B, R12C	03	D12A, D12B							
17		R01A, R01B, R01C, R01D, R02Z, R12A, R12B, R12C	21A		W04A, W04B	06	G15Z, G19A, G19B, G38Z							
21A		W04A, W04B	21B		X06A, X06B, X06C, X33Z	07	H33Z, H38Z							
21B		X06A, X06B, X06C, X33Z	22		Y01Z, Y03A, Y03B	11	L33Z							
22		Y01Z, Y03A, Y03B	23		Z01A	17	R01A, R01B, R01C, R01D, R02Z, R12A, R12B, R12C							
23		Z01A	Pre		A07A, A11A, A13A, A13B, A13D	23	Z01A							
Pre		A07A, A11A, A13A, A13B, A13D	5n030			BOP, KOP, KOPV, KVT, UOP4	Pre	A07A						
5n02f					BOP, KOP, KOPV, KVT, UOP4	03	D12A, D12B	5n033.3	BOP, KOP, KOPV, KVT, UOP4					
		03			D12A	06	G15Z, G19A, G19B, G38Z	03	D12A, D12B					
		05			F36A, F36B	07	H33Z, H38Z	06	G15Z, G19A, G19B, G38Z					
		06			G01Z, G02Z, G03A, G03B, G03C, G33Z, G38Z	11	L33Z	07	H33Z, H38Z					
		07		H33Z, H38Z	17	R01A, R01B, R01C, R01D, R02Z, R12A, R12B, R12C	11	L33Z						
	11	L33Z		23	Z01A	17	R01A, R01B, R01C, R01D, R02Z, R12A, R12B, R12C							
	17	R01A, R01B, R01C, R01D, R02Z, R12A, R12B, R12C		Pre	A07A	23	Z01A							
	21A	W04A, W04B		5n031		BOP, KOP, KOPV, KVT, UOP4	Pre	A07A						
	21B	X06A, X06B, X06C, X33Z			03	D12A, D12B	5n033.4	BOP, KOP, KOPV, KVT, UOP4						
	22	Y01Z, Y03A, Y03B			06	G15Z, G19A, G19B, G38Z	03	D12A, D12B						
	23	Z01A			07	H33Z, H38Z	06	G15Z, G19A, G19B, G38Z						
	Pre	A07A, A11A, A13A, A13B, A13D			11	L33Z	07	H33Z, H38Z						
	5n02g				BOP, KOP, KOPV, KVT, UOP4	17	R01A, R01B, R01C, R01D, R02Z, R12A, R12B, R12C	11	L33Z					
		03			D12A	23	Z01A	17	R01A, R01B, R01C, R01D, R02Z, R12A, R12B, R12C					
		05			F36A, F36B	Pre	A07A	23	Z01A					
		06			G01Z, G02Z, G03A, G03B, G03C, G33Z, G38Z	5n032.0†		G40Z, G46A, G46B, G46C, G47Z, G50Z	Pre	A07A				
		07	H33Z, H38Z		5n032.1†			G40Z, G46A, G46B, G46C, G47Z, G50Z	5n033.x	BOP, KOP, KOPV, KVT, UOP4				
11		L33Z	5n032.2†					G40Z, G46A, G46B, G46C, G47Z, G50Z	03	D12A, D12B				
17		R01A, R01B, R01C, R01D, R02Z, R12A, R12B, R12C					5n032.3†		G40Z, G46A, G46B, G46C, G47Z, G50Z	06	G15Z, G19A, G19B, G38Z			
21A		W04A, W04B						5n032.4†		G40Z, G46A, G46B, G46C, G47Z, G50Z	07	H33Z, H38Z		
21B		X06A, X06B, X06C, X33Z							5n032.x†		G40Z, G46A, G46B, G46C, G47Z, G50Z	11	L33Z	
22		Y01Z, Y03A, Y03B								5n034.0		BOP, KOP, KOPV, KVT, UOP4	17	R01A, R01B, R01C, R01D, R02Z, R12A, R12B, R12C
23		Z01A									03	D12A, D12B	23	Z01A
Pre		A07A, A11A, A13A, A13B, A13D									06	G15Z, G19A, G19B, G38Z	Pre	A07A
				07							H33Z, H38Z	5n033.0	BOP, KOP, KOPV, KVT, UOP4	
				11							L33Z	03	D12A, D12B	
				17							R01A, R01B, R01C, R01D, R02Z, R12A, R12B, R12C	06	G15Z, G19A, G19B, G38Z	
				23							Z01A	07	H33Z, H38Z	
				Pre							A07A	11	L33Z	
											17	R01A, R01B, R01C, R01D, R02Z, R12A, R12B, R12C		
											23	Z01A		
											Pre	A07A		

VYK

ZZV	MDC	DRG	ZZV	MDC	DRG	ZZV	MDC	DRG			
5n034.1		BOP, KOP, KOPV, KVT, UOP4	5n040		BOP, KOP, KOPV, KVT, UOP4	5n049		BOP, KOP, KOPV, KVT, UOP4			
	03	D12A, D12B		03	D12A		03	D12A			
	06	G15Z, G19A, G19B, G38Z		05	F36A, F36B		05	F36A, F36B			
	07	H33Z, H38Z		06	G15Z, G19A, G19B, G33Z, G38Z		06	G15Z, G19A, G19B, G33Z, G38Z			
	11	L33Z		07	H33Z, H38Z		07	H33Z, H38Z			
	17	R01A, R01B, R01C, R01D, R02Z, R12A, R12B, R12C		11	L33Z		11	L33Z			
	23	Z01A		17	R01A, R01B, R01C, R01D, R02Z, R12A, R12B, R12C		17	R01A, R01B, R01C, R01D, R02Z, R12A, R12B, R12C			
	Pre	A07A		21A	W04A, W04B		21A	W04A, W04B			
5n034.2		BOP, KOP, KOPV, KVT, UOP4	5n041		BOP, KOP, KOPV, KVT, UOP4	5n04a		BOP, KOP, KOPV, KVT, UOP4			
	03	D12A, D12B		03	D12A		03	D12A			
	06	G15Z, G19A, G19B, G38Z		05	F36A, F36B		05	F36A, F36B			
	07	H33Z, H38Z		06	G15Z, G19A, G19B, G33Z, G38Z		06	G01Z, G02Z, G03A, G03B, G33Z, G38Z			
	11	L33Z		07	H33Z, H38Z		07	H33Z, H38Z			
	17	R01A, R01B, R01C, R01D, R02Z, R12A, R12B, R12C		11	L33Z		11	L33Z			
	23	Z01A		17	R01A, R01B, R01C, R01D, R02Z, R12A, R12B, R12C		17	R01A, R01B, R01C, R01D, R02Z, R12A, R12B, R12C			
	Pre	A07A		21A	W04A, W04B		21A	W04A, W04B			
5n034.3		BOP, KOP, KOPV, KVT, UOP4	5n042		BOP, KOP, KOPV, KVT, UOP4	5n04b		BOP, KOP, KOPV, KVT, UOP4			
	03	D12A, D12B		03	D12A		03	D12A			
	06	G15Z, G19A, G19B, G38Z		05	F36A, F36B		05	F36A, F36B			
	07	H33Z, H38Z		06	G15Z, G19A, G19B, G33Z, G38Z		06	G01Z, G02Z, G03A, G03B, G33Z, G38Z			
	11	L33Z		07	H33Z, H38Z		07	H33Z, H38Z			
	17	R01A, R01B, R01C, R01D, R02Z, R12A, R12B, R12C		11	L33Z		11	L33Z			
	23	Z01A		17	R01A, R01B, R01C, R01D, R02Z, R12A, R12B, R12C		17	R01A, R01B, R01C, R01D, R02Z, R12A, R12B, R12C			
	Pre	A07A		21A	W04A, W04B		21A	W04A, W04B			
5n034.4		BOP, KOP, KOPV, KVT, UOP4	5n043		BOP, KOP, KOPV, KVT, UOP4	5n04c		BOP, KOP, KOPV, KVT, UOP4			
	03	D12A, D12B		03	D12A		03	D12A			
	06	G15Z, G19A, G19B, G38Z		05	F36A, F36B		05	F36A, F36B			
	07	H33Z, H38Z		06	G15Z, G19A, G19B, G33Z, G38Z		06	G01Z, G02Z, G03A, G03B, G33Z, G38Z			
	11	L33Z		07	H33Z, H38Z		07	H33Z, H38Z			
	17	R01A, R01B, R01C, R01D, R02Z, R12A, R12B, R12C		11	L33Z		11	L33Z			
	23	Z01A		17	R01A, R01B, R01C, R01D, R02Z, R12A, R12B, R12C		17	R01A, R01B, R01C, R01D, R02Z, R12A, R12B, R12C			
	Pre	A07A		21A	W04A, W04B		21A	W04A, W04B			
5n034.x		BOP, KOP, KOPV, KVT, UOP4			BOP, KOP, KOPV, KVT, UOP4			BOP, KOP, KOPV, KVT, UOP4			
	03	D12A, D12B		03	D12A		03	D12A			
	06	G15Z, G19A, G19B, G38Z		05	F36A, F36B		05	F36A, F36B			
	07	H33Z, H38Z		06	G15Z, G19A, G19B, G33Z, G38Z		06	G01Z, G02Z, G03A, G03B, G33Z, G38Z			
	11	L33Z		07	H33Z, H38Z		07	H33Z, H38Z			
	17	R01A, R01B, R01C, R01D, R02Z, R12A, R12B, R12C		11	L33Z		11	L33Z			
	23	Z01A		17	R01A, R01B, R01C, R01D, R02Z, R12A, R12B, R12C		17	R01A, R01B, R01C, R01D, R02Z, R12A, R12B, R12C			
	Pre	A07A		21A	W04A, W04B		21A	W04A, W04B			
5n035.0‡		G40Z, G46A, G46B, G46C, G47Z, G50Z			G40Z, G46A, G46B, G46C, G47Z, G50Z			G40Z, G46A, G46B, G46C, G47Z, G50Z			
	5n035.1‡	06		G40Z, G46A, G46B, G46C, G47Z, G50Z			06	G40Z, G46A, G46B, G46C, G47Z, G50Z		06	G01Z, G02Z, G03A, G03B, G33Z, G38Z
		07		H40Z				07		H40Z	
	5n035.2‡	06		G40Z, G46A, G46B, G46C, G47Z, G50Z				06	G40Z, G46A, G46B, G46C, G47Z, G50Z		
		5n035.4‡		06			G40Z, G46A, G46B, G46C, G47Z, G50Z		06		G40Z, G46A, G46B, G46C, G47Z, G50Z
	5n035.5‡			06	G40Z, G46A, G46B, G46C, G47Z, G50Z				06	G40Z, G46A, G46B, G46C, G47Z, G50Z	
		5n035.x‡		06	G40Z, G46A, G46B, G46C, G47Z, G50Z				06	G40Z, G46A, G46B, G46C, G47Z, G50Z	
				07	H40Z				07	H40Z	
	06	G40Z, G46A, G46B, G46C, G47Z, G50Z		06	G40Z, G46A, G46B, G46C, G47Z, G50Z		23	Z01A			
	06	G40Z, G46A, G46B, G46C, G47Z, G50Z		06	G40Z, G46A, G46B, G46C, G47Z, G50Z		Pre	A07A, A11A, A13A, A13B, A13D			

ZZV	MDC	DRG	ZZV	MDC	DRG	ZZV	MDC	DRG
5n04x		BOP, KOP, KOPV, KVT, UOP4	5n054.x		BOP, KOP, KOPV, KVT, MVV, UOP4	5n05a.20		BOP, KOP, KOPV, KVT, MVV, UOP4
	03	D12A		03	D12A		03	D18Z, D25A, D25B, D25C, D25D
	05	F36A, F36B		05	F36A, F36B		05	F36A, F36B
	06	G01Z, G02Z, G03A, G03B, G33Z, G38Z		06	G15Z, G19A, G19B, G33Z, G38Z		06	G03A, G03B, G33Z, G38Z
	07	H33Z, H38Z		07	H33Z, H38Z		07	H33Z, H38Z
	11	L33Z		11	L33Z		09	J08A, J08B, J08C
	17	R01A, R01B, R01C, R01D, R02Z, R12A, R12B, R12C		17	R01A, R01B, R01C, R01D, R02Z, R12A, R12B, R12C		11	L33Z
	21A	W04A, W04B		21A	W04A, W04B		17	R01A, R01B, R01C, R01D, R02Z, R12A, R12B, R12C
	21B	X06A, X06B, X06C, X33Z		21B	X06A, X06B, X06C, X33Z		21A	W04A, W04B
	22	Y01Z, Y03A, Y03B		22	Y01Z, Y03A, Y03B		21B	X06A, X06B, X06C, X33Z
	23	Z01A		23	Z01A		22	Y01Z, Y03A, Y03B
	Pre	A07A, A11A, A13A, A13B, A13D		Pre	A07A		23	Z01A
				Pre	A07A		Pre	A07A, A09B, A11A, A11B, A13B
	5n054.1			BOP, KOP, KOPV, KVT, MVV, UOP4	5n05a.10			BOP, KOP, KOPV, KVT, MVV, UOP4
03		D12A	03	D18Z, D25A, D25B, D25C, D25D		03	D18Z, D25A, D25B, D25C, D25D	
05		F36A, F36B	05	F36A, F36B		05	F36A, F36B	
06		G15Z, G19A, G19B, G33Z, G38Z	06	G03A, G03B, G33Z, G38Z		06	G03A, G03B, G33Z, G38Z	
07		H33Z, H38Z	07	H33Z, H38Z		07	H33Z, H38Z	
11		L33Z	09	J08A, J08B, J08C		09	J08A, J08B, J08C	
17		R01A, R01B, R01C, R01D, R02Z, R12A, R12B, R12C	11	L33Z		11	L33Z	
21A		W04A, W04B	17	R01A, R01B, R01C, R01D, R02Z, R12A, R12B, R12C		17	R01A, R01B, R01C, R01D, R02Z, R12A, R12B, R12C	
21B		X06A, X06B, X06C, X33Z	21A	W04A, W04B		21A	W04A, W04B	
22		Y01Z, Y03A, Y03B	21B	X06A, X06B, X06C, X33Z		21B	X06A, X06B, X06C, X33Z	
23		Z01A	22	Y01Z, Y03A, Y03B		22	Y01Z, Y03A, Y03B	
Pre		A07A	23	Z01A		23	Z01A	
			Pre	A07A, A09B, A11A, A11B, A13B		Pre	A07A, A09B, A11A, A11B, A13B	
5n054.2			BOP, KOP, KOPV, KVT, MVV, UOP4	5n05a.11			BOP, KOP, KOPV, KVT, MVV, UOP4	5n05a.22
	03	D12A	03		D18Z, D25A, D25B, D25C, D25D	03	D12A	
	05	F36A, F36B	05		F36A, F36B	05	F36A, F36B	
	06	G15Z, G19A, G19B, G33Z, G38Z	06		G03A, G03B, G33Z, G38Z	06	G15Z, G19A, G19B, G33Z, G38Z	
	07	H33Z, H38Z	07		H33Z, H38Z	07	H33Z, H38Z	
	11	L33Z	09		J08A, J08B, J08C	11	L33Z	
	17	R01A, R01B, R01C, R01D, R02Z, R12A, R12B, R12C	11		L33Z	17	R01A, R01B, R01C, R01D, R02Z, R12A, R12B, R12C	
	21A	W04A, W04B	17		R01A, R01B, R01C, R01D, R02Z, R12A, R12B, R12C	21A	W04A, W04B	
	21B	X06A, X06B, X06C, X33Z	21A		W04A, W04B	21B	X06A, X06B, X06C, X33Z	
	22	Y01Z, Y03A, Y03B	21B		X06A, X06B, X06C, X33Z	22	Y01Z, Y03A, Y03B	
	23	Z01A	22		Y01Z, Y03A, Y03B	23	Z01A	
	Pre	A07A	23		Z01A	Pre	A07A	
			Pre		A07A, A09B, A11A, A11B, A13B			
	5n054.3		BOP, KOP, KOPV, KVT, MVV, UOP4		5n05a.12		BOP, KOP, KOPV, KVT, MVV, UOP4	
03		D12A	03	D12A		03	D18Z, D25A, D25B, D25C, D25D	
05		F36A, F36B	05	F36A, F36B		05	F36A, F36B	
06		G15Z, G19A, G19B, G33Z, G38Z	06	G15Z, G19A, G19B, G33Z, G38Z		06	G03A, G03B, G33Z, G38Z	
07		H33Z, H38Z	07	H33Z, H38Z		07	H33Z, H38Z	
11		L33Z	11	L33Z		09	J08A, J08B, J08C	
17		R01A, R01B, R01C, R01D, R02Z, R12A, R12B, R12C	17	R01A, R01B, R01C, R01D, R02Z, R12A, R12B, R12C		11	L33Z	
21A		W04A, W04B	21A	W04A, W04B		17	R01A, R01B, R01C, R01D, R02Z, R12A, R12B, R12C	
21B		X06A, X06B, X06C, X33Z	21B	X06A, X06B, X06C, X33Z		21A	W04A, W04B	
22		Y01Z, Y03A, Y03B	22	Y01Z, Y03A, Y03B		21B	X06A, X06B, X06C, X33Z	
23		Z01A	23	Z01A		22	Y01Z, Y03A, Y03B	
Pre		A07A	Pre	A07A		23	Z01A	
			Pre	A07A		Pre	A07A, A09B, A11A, A11B, A13B	

VYK

ZZV	MDC	DRG	ZZV	MDC	DRG	ZZV	MDC	DRG			
5n05a.4		BOP, KOP, KOPV, KVT, MVV, UOP4	5n05b.12		BOP, KOP, KOPV, KVT, MVV, UOP4	5n05b.3		BOP, KOP, KOPV, KVT, MVV, UOP4			
	03	D18Z, D25A, D25B, D25C, D25D		03	D12A		03	D12A			
	05	F36A, F36B		05	F36A, F36B		05	F36A, F36B			
	06	G03A, G03B, G33Z, G38Z		06	G15Z, G19A, G19B, G33Z, G38Z		06	G03A, G03B, G33Z, G38Z			
	07	H33Z, H38Z		07	H33Z, H38Z		07	H33Z, H38Z			
	09	J08A, J08B, J08C		11	L33Z		11	L33Z			
	11	L33Z		17	R01A, R01B, R01C, R01D, R02Z, R12A, R12B, R12C		17	R01A, R01B, R01C, R01D, R02Z, R12A, R12B, R12C			
	17	R01A, R01B, R01C, R01D, R02Z, R12A, R12B, R12C		21A	W04A, W04B		21A	W04A, W04B			
	21A	W04A, W04B		21B	X06A, X06B, X06C, X33Z		21B	X06A, X06B, X06C, X33Z			
	21B	X06A, X06B, X06C, X33Z		22	Y01Z, Y03A, Y03B		22	Y01Z, Y03A, Y03B			
	22	Y01Z, Y03A, Y03B		23	Z01A		23	Z01A			
	23	Z01A		Pre	A07A		Pre	A07A			
	Pre	A07A, A09B, A11A, A11B, A13B		5n05b.20			BOP, KOP, KOPV, KVT, MVV, UOP4	5n05b.4		BOP, KOP, KOPV, KVT, MVV, UOP4	
	5n05a.x				BOP, KOP, KOPV, KVT, MVV, UOP4		03		D12A	03	D12A
		03			D12A		05		F36A, F36B	05	F36A, F36B
		05			F36A, F36B		06		G03A, G03B, G33Z, G38Z	06	G03A, G03B, G33Z, G38Z
		06			G03A, G03B, G33Z, G38Z		07		H33Z, H38Z	07	H33Z, H38Z
07		H33Z, H38Z	11		L33Z	11	L33Z				
11		L33Z	17		R01A, R01B, R01C, R01D, R02Z, R12A, R12B, R12C	17	R01A, R01B, R01C, R01D, R02Z, R12A, R12B, R12C				
17		R01A, R01B, R01C, R01D, R02Z, R12A, R12B, R12C	21A		W04A, W04B	21A	W04A, W04B				
21A		W04A, W04B	21B		X06A, X06B, X06C, X33Z	21B	X06A, X06B, X06C, X33Z				
21B		X06A, X06B, X06C, X33Z	22		Y01Z, Y03A, Y03B	22	Y01Z, Y03A, Y03B				
22		Y01Z, Y03A, Y03B	23		Z01A	23	Z01A				
23		Z01A	Pre		A07A, A09B, A11A, A11B, A13B	Pre	A07A, A09B, A11A, A11B, A13B				
Pre		A07A, A09B, A11A, A11B, A13B	5n05b.21			BOP, KOP, KOPV, KVT, MVV, UOP4	5n05b.x			BOP, KOP, KOPV, KVT, MVV, UOP4	
5n05b.10					BOP, KOP, KOPV, KVT, MVV, UOP4	03			D12A	03	D12A
		03			D12A	05			F36A, F36B	05	F36A, F36B
		05			F36A, F36B	06			G03A, G03B, G33Z, G38Z	06	G03A, G03B, G33Z, G38Z
		06			G03A, G03B, G33Z, G38Z	07			H33Z, H38Z	07	H33Z, H38Z
		07		H33Z, H38Z	11	L33Z		11	L33Z		
	11	L33Z		17	R01A, R01B, R01C, R01D, R02Z, R12A, R12B, R12C	17		R01A, R01B, R01C, R01D, R02Z, R12A, R12B, R12C			
	17	R01A, R01B, R01C, R01D, R02Z, R12A, R12B, R12C		21A	W04A, W04B	21A		W04A, W04B			
	21A	W04A, W04B		21B	X06A, X06B, X06C, X33Z	21B		X06A, X06B, X06C, X33Z			
	21B	X06A, X06B, X06C, X33Z		22	Y01Z, Y03A, Y03B	22		Y01Z, Y03A, Y03B			
	22	Y01Z, Y03A, Y03B		23	Z01A	23		Z01A			
	23	Z01A		Pre	A07A, A09B, A11A, A11B, A13B	Pre		A07A, A09B, A11A, A11B, A13B			
	Pre	A07A, A09B, A11A, A11B, A13B		5n05b.22		BOP, KOP, KOPV, KVT, MVV, UOP4		5n05c.10		BOP, KOP, KOPV, KVT, MVV, UOP4	
	5n05b.11				BOP, KOP, KOPV, KVT, MVV, UOP4	03			D12A	03	D12A
		03			D12A	05			F36A, F36B	05	F36A, F36B
		05			F36A, F36B	06			G15Z, G19A, G19B, G33Z, G38Z	06	G03A, G03B, G33Z, G38Z
		06			G03A, G03B, G33Z, G38Z	07			H33Z, H38Z	07	H33Z, H38Z
		07	H33Z, H38Z		11	L33Z	11		L33Z		
11		L33Z	17		R01A, R01B, R01C, R01D, R02Z, R12A, R12B, R12C	17	R01A, R01B, R01C, R01D, R02Z, R12A, R12B, R12C				
17		R01A, R01B, R01C, R01D, R02Z, R12A, R12B, R12C	21A		W04A, W04B	21A	W04A, W04B				
21A		W04A, W04B	21B		X06A, X06B, X06C, X33Z	21B	X06A, X06B, X06C, X33Z				
21B		X06A, X06B, X06C, X33Z	22		Y01Z, Y03A, Y03B	22	Y01Z, Y03A, Y03B				
22		Y01Z, Y03A, Y03B	23		Z01A	23	Z01A				
23		Z01A	Pre		A07A	Pre	A07A, A09B, A11A, A11B, A13B				
Pre		A07A, A09B, A11A, A11B, A13B									

ZZV	MDC	DRG	ZZV	MDC	DRG	ZZV	MDC	DRG			
5n05c.11		BOP, KOP, KOPV, KVT, MVV, UOP4	5n05c.22		BOP, KOP, KOPV, KVT, MVV, UOP4	5n05x.3		BOP, KOP, KOPV, KVT, MVV, UOP4			
	03	D12A		03	D12A		03	D12A			
	05	F36A, F36B		05	F36A, F36B		05	F36A, F36B			
	06	G03A, G03B, G33Z, G38Z		06	G15Z, G19A, G19B, G33Z, G38Z		06	G03A, G03B, G33Z, G38Z			
	07	H33Z, H38Z		07	H33Z, H38Z		07	H33Z, H38Z			
	11	L33Z		11	L33Z		11	L33Z			
	17	R01A, R01B, R01C, R01D, R02Z, R12A, R12B, R12C		17	R01A, R01B, R01C, R01D, R02Z, R12A, R12B, R12C		17	R01A, R01B, R01C, R01D, R02Z, R12A, R12B, R12C			
	21A	W04A, W04B		21A	W04A, W04B		21A	W04A, W04B			
	21B	X06A, X06B, X06C, X33Z		21B	X06A, X06B, X06C, X33Z		21B	X06A, X06B, X06C, X33Z			
	22	Y01Z, Y03A, Y03B		22	Y01Z, Y03A, Y03B		22	Y01Z, Y03A, Y03B			
	23	Z01A		23	Z01A		23	Z01A			
	Pre	A07A, A09B, A11A, A11B, A13B		Pre	A07A		Pre	A07A			
	5n05c.12			BOP, KOP, KOPV, KVT, MVV, UOP4	5n05c.3			BOP, KOP, KOPV, KVT, MVV, UOP4	5n05x.4		BOP, KOP, KOPV, KVT, MVV, UOP4
		03		D12A			03	D12A		03	D12A
05		F36A, F36B	05	F36A, F36B		05	F36A, F36B				
06		G15Z, G19A, G19B, G33Z, G38Z	06	G03A, G03B, G33Z, G38Z		06	G03A, G03B, G33Z, G38Z				
07		H33Z, H38Z	07	H33Z, H38Z		07	H33Z, H38Z				
11		L33Z	11	L33Z		11	L33Z				
17		R01A, R01B, R01C, R01D, R02Z, R12A, R12B, R12C	17	R01A, R01B, R01C, R01D, R02Z, R12A, R12B, R12C		17	R01A, R01B, R01C, R01D, R02Z, R12A, R12B, R12C				
21A		W04A, W04B	21A	W04A, W04B		21A	W04A, W04B				
21B		X06A, X06B, X06C, X33Z	21B	X06A, X06B, X06C, X33Z		21B	X06A, X06B, X06C, X33Z				
22		Y01Z, Y03A, Y03B	22	Y01Z, Y03A, Y03B		22	Y01Z, Y03A, Y03B				
23		Z01A	23	Z01A		23	Z01A				
Pre		A07A	Pre	A07A, A09B, A11A, A11B, A13B		Pre	A07A				
5n05c.20			BOP, KOP, KOPV, KVT, MVV, UOP4	5n05c.4			BOP, KOP, KOPV, KVT, MVV, UOP4	5n05x.5			BOP, KOP, KOPV, KVT, MVV, UOP4
		03	D12A			03	D12A			03	D12A
	05	F36A, F36B	05		F36A, F36B	05	F36A, F36B				
	06	G03A, G03B, G33Z, G38Z	06		G03A, G03B, G33Z, G38Z	06	G03A, G03B, G33Z, G38Z				
	07	H33Z, H38Z	07		H33Z, H38Z	07	H33Z, H38Z				
	11	L33Z	11		L33Z	11	L33Z				
	17	R01A, R01B, R01C, R01D, R02Z, R12A, R12B, R12C	17		R01A, R01B, R01C, R01D, R02Z, R12A, R12B, R12C	17	R01A, R01B, R01C, R01D, R02Z, R12A, R12B, R12C				
	21A	W04A, W04B	21A		W04A, W04B	21A	W04A, W04B				
	21B	X06A, X06B, X06C, X33Z	21B		X06A, X06B, X06C, X33Z	21B	X06A, X06B, X06C, X33Z				
	22	Y01Z, Y03A, Y03B	22		Y01Z, Y03A, Y03B	22	Y01Z, Y03A, Y03B				
	23	Z01A	23		Z01A	23	Z01A				
	Pre	A07A, A09B, A11A, A11B, A13B	Pre		A07A, A09B, A11A, A11B, A13B	Pre	A07A				
	5n05c.21		BOP, KOP, KOPV, KVT, MVV, UOP4		5n05c.x		BOP, KOP, KOPV, KVT, MVV, UOP4		5n05x.x		BOP, KOP, KOPV, KVT, MVV, UOP4
		03	D12A			03	D12A			03	D12A
05		F36A, F36B	05	F36A, F36B		05	F36A, F36B				
06		G03A, G03B, G33Z, G38Z	06	G03A, G03B, G33Z, G38Z		06	G03A, G03B, G33Z, G38Z				
07		H33Z, H38Z	07	H33Z, H38Z		07	H33Z, H38Z				
11		L33Z	11	L33Z		11	L33Z				
17		R01A, R01B, R01C, R01D, R02Z, R12A, R12B, R12C	17	R01A, R01B, R01C, R01D, R02Z, R12A, R12B, R12C		17	R01A, R01B, R01C, R01D, R02Z, R12A, R12B, R12C				
21A		W04A, W04B	21A	W04A, W04B		21A	W04A, W04B				
21B		X06A, X06B, X06C, X33Z	21B	X06A, X06B, X06C, X33Z		21B	X06A, X06B, X06C, X33Z				
22		Y01Z, Y03A, Y03B	22	Y01Z, Y03A, Y03B		22	Y01Z, Y03A, Y03B				
23		Z01A	23	Z01A		23	Z01A				
Pre		A07A, A09B, A11A, A11B, A13B	Pre	A07A, A09B, A11A, A11B, A13B		Pre	A07A				

ZZV	MDC	DRG	ZZV	MDC	DRG	ZZV	MDC	DRG																									
5n060.1		BOP, KOP, KOPV, KVT, MVV, UOP4	5n094.0		BOP, KOP, KOPV, KVT, UOP4	5n09j.01		BOP, KOP, KOPV, KVT, UOP4																									
	03	D12A		03	D12A, D12B		03	D12A, D12B																									
	05	F36A, F36B		04	E05A, E05B, E05C, E08A, E08B, E08C		06	G15Z, G19A, G19B, G38Z																									
	06	G03A, G03B, G33Z, G38Z		06	G15Z, G19A, G19B, G38Z		07	H06A, H06B, H06C, H33Z, H38Z																									
	07	H33Z, H38Z		07	H33Z, H38Z		10	K04A																									
	11	L33Z		11	L33Z		11	L33Z																									
	17	R01A, R01B, R01C, R01D, R02Z, R12A, R12B, R12C		17	R01A, R01B, R01C, R01D, R02Z, R12A, R12B, R12C		17	R01A, R01B, R01C, R01D, R02Z, R12A, R12B, R12C																									
	21A	W04A, W04B		21A	W04A, W04B		21A	W04A, W04B																									
	21B	X06A, X06B, X06C, X33Z		21B	X06A, X06B, X06C		21B	X06A, X06B, X06C																									
	22	Y01Z, Y03A, Y03B		22	Y01Z, Y03A, Y03B		22	Y01Z, Y03A, Y03B																									
	23	Z01A		23	Z01A		23	Z01A																									
	Pre	A07A		Pre	A07A		Pre	A07A																									
	5n060.2			BOP, KOP, KOPV, KVT, MVV, UOP4	5n094.6			BOP, KOP, KOPV, KVT, UOP4	5n09j.03		BOP, KOP, KOPV, KVT, UOP4																						
		03		D12A			03	D12A, D12B		03	D12A, D12B																						
05		F36A, F36B	04	E05A, E05B, E05C, E08A, E08B, E08C		06	G15Z, G19A, G19B, G38Z																										
06		G03A, G03B, G33Z, G38Z	06	G15Z, G19A, G19B, G38Z		07	H06A, H06B, H06C, H33Z, H38Z																										
07		H33Z, H38Z	07	H33Z, H38Z		10	K04A																										
11		L33Z	11	L33Z		11	L33Z																										
17		R01A, R01B, R01C, R01D, R02Z, R12A, R12B, R12C	17	R01A, R01B, R01C, R01D, R02Z, R12A, R12B, R12C		17	R01A, R01B, R01C, R01D, R02Z, R12A, R12B, R12C																										
21A		W04A, W04B	21A	W04A, W04B		21A	W04A, W04B																										
21B		X06A, X06B, X06C, X33Z	21B	X06A, X06B, X06C		21B	X06A, X06B, X06C																										
22		Y01Z, Y03A, Y03B	22	Y01Z, Y03A, Y03B		22	Y01Z, Y03A, Y03B																										
23		Z01A	23	Z01A		23	Z01A																										
Pre		A07A	Pre	A07A		Pre	A07A																										
5n060.3			BOP, KOP, KOPV, KVT, MVV, UOP4	5n095†		06	G40Z, G46A, G46B, G46C, G47Z, G50Z	5n09j.60†		06	G40Z, G46A, G46B, G46C, G47Z, G50Z																						
		03	D12A			5n097†	06			G40Z, G46A, G46B, G46C, G47Z, G50Z	5n09j.61†	06	G40Z, G46A, G46B, G46C, G47Z, G50Z																				
	05	F36A, F36B	5n098†		06		G40Z, G46A, G46B, G46C, G47Z, G50Z		5n09j.63†	06		G40Z, G46A, G46B, G46C, G47Z, G50Z																					
	06	G03A, G03B, G33Z, G38Z			5n09a†		06			G40Z, G46A, G46B, G46C, G47Z, G50Z		5n09k.02		BOP, KOP, KOPV, KVT, UOP4																			
	07	H33Z, H38Z					07			H40Z			03	D12A, D12B																			
	11	L33Z								Pre				A13F	06	G15Z, G19A, G19B, G38Z																	
	17	R01A, R01B, R01C, R01D, R02Z, R12A, R12B, R12C												5n09c†		06	G40Z, G46A, G46B, G46C, G47Z, G50Z	07	H06A, H06B, H06C, H33Z, H38Z														
	21A	W04A, W04B														5n09d†	06		G40Z, G46A, G46B, G46C, G47Z, G50Z	10	K04A												
	21B	X06A, X06B, X06C, X33Z															Pre		A13F		11	L33Z											
	22	Y01Z, Y03A, Y03B																	5n09e†			06	G40Z, G46A, G46B, G46C, G47Z, G50Z	17	R01A, R01B, R01C, R01D, R02Z, R12A, R12B, R12C								
	23	Z01A																				07	H40Z		21A	W04A, W04B							
	Pre	A07A																					Pre			A13F	21B	X06A, X06B, X06C					
	5n060.x																									BOP, KOP, KOPV, KVT, MVV, UOP4		5n09h		BOP, KVT, UOP4	5n09k.04		BOP, KOP, KOPV, KVT, UOP4
		03																								D12A			03	D12A, D12B		03	D12A, D12B
05		F36A, F36B		06				G10Z, G12A, G12B																		06				G15Z, G19A, G19B, G38Z			
06		G03A, G03B, G33Z, G38Z				10		K09A, K09B			07																			H06A, H06B, H06C, H33Z, H38Z			
07		H33Z, H38Z	BOP, KOP, KOPV, KVT, UOP4					03	D12A, D12B																					10			K04A
11		L33Z			06				G10Z, G12A, G12B			11																					L33Z
17		R01A, R01B, R01C, R01D, R02Z, R12A, R12B, R12C					5n09j.00		06				G15Z, G19A, G19B, G38Z																				17
21A		W04A, W04B								07			H06A, H06B, H06C, H33Z, H38Z		21A																		
21B		X06A, X06B, X06C, X33Z											10	K04A				21B															
22		Y01Z, Y03A, Y03B												11		L33Z				22													
23		Z01A														17	R01A, R01B, R01C, R01D, R02Z, R12A, R12B, R12C				23												
Pre		A07A															21A		W04A, W04B					Pre									
5n091†		06																	G40Z, G46A, G46B, G46C, G47Z, G50Z			03			D12A, D12B								
		5n092																	07				H40Z		06		G15Z, G19A, G19B, G38Z						
																			BOP, KOP, KOPV, KVT, UOP4				07				H06A, H06B, H06C, H33Z, H38Z	10			K04A		
	06																		G15Z, G19A, G19B, G38Z								10		K04A		11	L33Z	
	07			H06A, H06B, H06C, H33Z, H38Z															11							L33Z			17			R01A, R01B, R01C, R01D, R02Z, R12A, R12B, R12C	
	11			L33Z		21A					W04A, W04B															21A						W04A, W04B	
23	Z01A		21B	X06A, X06B, X06C				22			Y01Z, Y03A, Y03B																						
Pre	A07A	22		Y01Z, Y03A, Y03B	23						Z01A																						
				23			Z01A		Pre		A07A																						
							Pre			A07A																							

ZZV	MDC	DRG	ZZV	MDC	DRG	ZZV	MDC	DRG
5n09k.05		BOP, KOP, KOPV, KVT, UOP4	5n103		BOP, KOP, KOPV, KVT, UOP4	5n10x		BOP, KOP, KOPV, KVT, UOP4
	03	D12A, D12B		06	G15Z, G19A, G19B, G38Z		06	G15Z, G19A, G19B, G38Z
	06	G15Z, G19A, G19B, G38Z		07	H06A, H06B, H06C, H33Z, H38Z		07	H33Z, H38Z
	07	H06A, H06B, H06C, H33Z, H38Z		10	K04A		23	Z01A
	10	K04A		11	L33Z		Pre	A07A
	11	L33Z		17	R01A, R01B, R01C, R01D, R02Z, R12A, R12B, R12C	5n110		BOP, KOP, KOPV, KVT, UOP4
	17	R01A, R01B, R01C, R01D, R02Z, R12A, R12B, R12C		21A	W04A, W04B		06	G15Z, G19A, G19B, G38Z
	21A	W04A, W04B		21B	X06A, X06B, X06C		07	H06A, H06B, H06C, H33Z, H38Z
	21B	X06A, X06B, X06C		22	Y01Z, Y03A, Y03B		10	K04A
	22	Y01Z, Y03A, Y03B		Pre	A07A		11	L33Z
	23	Z01A	5n106†	06	G40Z, G46A, G46B, G46C, G47Z, G50Z		16	Q03A, Q03B
	Pre	A07A					23	Z01A
5n09k.62†	06	G40Z, G46A, G46B, G46C, G47Z, G50Z	5n10a		BOP, KOP, KOPV, KVT, UOP4		Pre	A07A
5n09k.64†	06	G40Z, G46A, G46B, G46C, G47Z, G50Z		01	B03A, B03B, B06A, B06B, B07Z, B17A, B17B, B17C	5n111		BOP, KOP, KOPV, KVT, UOP4
5n09k.65†	06	G40Z, G46A, G46B, G46C, G47Z, G50Z		06	G15Z, G19A, G19B, G38Z		06	G15Z, G19A, G19B, G38Z
5n09l.0		BOP, KOP, KOPV, KVT, UOP4		07	H33Z, H38Z		07	H06A, H06B, H06C, H33Z, H38Z
	03	D12A, D12B		23	Z01A		10	K04A
	06	G15Z, G19A, G19B, G38Z	5n10b.0	Pre	A07A		11	L33Z
	07	H06A, H06B, H06C, H33Z, H38Z		01	B03A, B03B, B06A, B06B, B07Z, B17A, B17B, B17C		16	Q03A, Q03B
	10	K04A		06	G15Z, G19A, G19B, G38Z		23	Z01A
	11	L33Z		07	H33Z, H38Z	5n112.0†	06	G40Z, G46A, G46B, G46C, G47Z, G50Z
	17	R01A, R01B, R01C, R01D, R02Z, R12A, R12B, R12C		23	Z01A		06	G40Z, G46A, G46B, G46C, G47Z, G50Z
	21A	W04A, W04B		Pre	A07A	5n112.1†	06	G40Z, G46A, G46B, G46C, G47Z, G50Z
	21B	X06A, X06B, X06C	5n10b.1		BOP, KOP, KOPV, KVT, UOP4		06	G40Z, G46A, G46B, G46C, G47Z, G50Z
	22	Y01Z, Y03A, Y03B		01	B03A, B03B, B06A, B06B, B07Z, B17A, B17B, B17C	5n112.2†	06	G40Z, G46A, G46B, G46C, G47Z, G50Z
	23	Z01A		06	G15Z, G19A, G19B, G38Z		06	G40Z, G46A, G46B, G46C, G47Z, G50Z
	Pre	A07A		07	H33Z, H38Z	5n112.3†	06	G40Z, G46A, G46B, G46C, G47Z, G50Z
5n09l.6†	06	G40Z, G46A, G46B, G46C, G47Z, G50Z		23	Z01A		06	G40Z, G46A, G46B, G46C, G47Z, G50Z
5n09n.0†	06	G40Z, G46A, G46B, G46C		Pre	A07A	5n112.4†	06	G40Z, G46A, G46B, G46C, G47Z, G50Z
5n09n.1†	06	G40Z, G46A, G46B, G46C	5n10c.0		BOP, KOP, KOPV, KVT, UOP4		06	G40Z, G46A, G46B, G46C, G47Z, G50Z
5n09n.2†	06	G40Z, G46A, G46B, G46C		06	G15Z, G19A, G19B, G38Z	5n112.5†	06	G40Z, G46A, G46B, G46C, G47Z, G50Z
5n09n.3†	06	G40Z, G46A, G46B, G46C		07	H33Z, H38Z		06	G40Z, G46A, G46B, G46C, G47Z, G50Z
5n09n.x†	06	G40Z, G46A, G46B, G46C		23	Z01A	5n112.x†	06	G40Z, G46A, G46B, G46C, G47Z, G50Z
5n100		BOP, KOP, KOPV, KVT, UOP4		Pre	A07A	5n113.0		BOP, KOP, KOPV, KVT, UOP4
	06	G15Z, G19A, G19B, G38Z					06	G15Z, G19A, G19B, G38Z
	07	H06A, H06B, H06C, H33Z, H38Z	5n10c.1		BOP, KOP, KOPV, KVT, UOP4		07	H06A, H06B, H06C, H33Z, H38Z
	10	K04A		06	G15Z, G19A, G19B, G38Z		10	K04A
	11	L33Z		07	H33Z, H38Z		11	L33Z
	17	R01A, R01B, R01C, R01D, R02Z, R12A, R12B, R12C		23	Z01A		16	Q03A, Q03B
	21A	W04A, W04B		Pre	A07A		23	Z01A
	21B	X06A, X06B, X06C	5n10d		BOP, KOP, KOPV, KVT, UOP4		Pre	A07A
	22	Y01Z, Y03A, Y03B		01	B03A, B03B, B06A, B06B, B07Z, B17A, B17B, B17C	5n113.1		BOP, KOP, KOPV, KVT, UOP4
	Pre	A07A		06	G15Z, G19A, G19B, G38Z		06	G15Z, G19A, G19B, G38Z
5n101		BOP, KOP, KOPV, KVT, UOP4		07	H33Z, H38Z		07	H06A, H06B, H06C, H33Z, H38Z
	06	G15Z, G19A, G19B, G38Z		23	Z01A		10	K04A
	07	H06A, H06B, H06C, H33Z, H38Z		Pre	A07A		11	L33Z
	10	K04A					16	Q03A, Q03B
	11	L33Z	5n10e		BOP, KOP, KOPV, KVT, UOP4		23	Z01A
	17	R01A, R01B, R01C, R01D, R02Z, R12A, R12B, R12C		01	B03A, B03B, B06A, B06B, B07Z, B17A, B17B, B17C		Pre	A07A
	21A	W04A, W04B		06	G15Z, G19A, G19B, G38Z	5n113.2		BOP, KOP, KOPV, KVT, UOP4
	21B	X06A, X06B, X06C		07	H33Z, H38Z		06	G15Z, G19A, G19B, G38Z
	22	Y01Z, Y03A, Y03B		23	Z01A		07	H06A, H06B, H06C, H33Z, H38Z
	Pre	A07A		Pre	A07A		10	K04A
							11	L33Z
							16	Q03A, Q03B
							23	Z01A
							Pre	A07A
								BOP, KOP, KOPV, KVT, UOP4
							06	G15Z, G19A, G19B, G38Z
							07	H06A, H06B, H06C, H33Z, H38Z
							10	K04A
							11	L33Z
							16	Q03A, Q03B
							23	Z01A
							Pre	A07A

VYK

ZZV	MDC	DRG	ZZV	MDC	DRG	ZZV	MDC	DRG	
5n113.3		BOP, KOP, KOPV, KVT, UOP4	5n114.4		BOP, KOP, KOPV, KVT, UOP4	5n122		BOP, KOP, KOPV, KVT, UOP4	
	06	G15Z, G19A, G19B, G38Z		06	G15Z, G19A, G19B, G38Z		05	F36A, F36B	
	07	H06A, H06B, H06C, H33Z, H38Z		07	H06A, H06B, H06C, H33Z, H38Z		06	G15Z, G19A, G19B, G33Z, G38Z	
	10	K04A		10	K04A		07	H33Z, H38Z	
	11	L33Z		11	L33Z		09	J26Z	
	16	Q03A, Q03B		16	Q03A, Q03B		11	L33Z	
	23	Z01A		23	Z01A		17	R01A, R01B, R01C, R01D, R02Z, R12A, R12B, R12C	
	Pre	A07A		Pre	A07A		21A	W04A, W04B	
5n113.4		BOP, KOP, KOPV, KVT, UOP4	5n114.x		BOP, KOP, KOPV, KVT, UOP4	5n123.0		BOP, KOP, KOPV, KVT, UOP4	
	06	G15Z, G19A, G19B, G38Z		06	G15Z, G19A, G19B, G38Z		05	F36A, F36B	
	07	H06A, H06B, H06C, H33Z, H38Z		07	H06A, H06B, H06C, H33Z, H38Z		06	G15Z, G19A, G19B, G33Z, G38Z	
	10	K04A		10	K04A		07	H33Z, H38Z	
	11	L33Z		11	L33Z		09	J26Z	
	16	Q03A, Q03B		16	Q03A, Q03B		11	L33Z	
	23	Z01A		23	Z01A		17	R01A, R01B, R01C, R01D, R02Z, R12A, R12B, R12C	
	Pre	A07A		Pre	A07A		21A	W04A, W04B	
5n113.x		BOP, KOP, KOPV, KVT, UOP4	5n115.0		G13Z, G21A, G21B	5n123.2		BOP, KOP, KOPV, KVT, UOP4	
	06	G15Z, G19A, G19B, G38Z		16	Q03A, Q03B		05	F36A, F36B	
	07	H06A, H06B, H06C, H33Z, H38Z		17	R01A, R01B, R01C, R01D, R02Z, R12A, R12B, R12C		06	G15Z, G19A, G19B, G33Z, G38Z	
	10	K04A		5n115.1†	06		G40Z, G46A, G46B, G46C, G47Z, G50Z	07	H33Z, H38Z
	11	L33Z			06		G13Z, G21A, G21B	09	J26Z
	16	Q03A, Q03B		5n115.2	16		Q03A, Q03B	10	K04A
	23	Z01A			17		R01A, R01B, R01C, R01D, R02Z, R12A, R12B, R12C	11	L33Z
	Pre	A07A		5n115.3	06		G13Z, G21A, G21B	17	R01A, R01B, R01C, R01D, R02Z, R12A, R12B, R12C
5n114.0		BOP, KOP, KOPV, KVT, UOP4	5n115.4†			Q03A, Q03B	5n123.4		BOP, KOP, KOPV, KVT, UOP4
	06	G15Z, G19A, G19B, G38Z		17	R01A, R01B, R01C, R01D, R02Z, R12A, R12B, R12C	05		F36A, F36B	
	07	H06A, H06B, H06C, H33Z, H38Z		5n115.x†	06	G40Z, G46A, G46B, G46C, G47Z, G50Z		06	G15Z, G19A, G19B, G33Z, G38Z
	10	K04A			06	G40Z, G46A, G46B, G46C, G47Z, G50Z		07	H33Z, H38Z
	11	L33Z		5n120	06	BOP, KOP, KOPV, KVT, UOP4		09	J26Z
	16	Q03A, Q03B						11	L33Z
	23	Z01A		5n121	05	F36A, F36B		10	K04A
	Pre	A07A						06	G15Z, G19A, G19B, G33Z, G38Z
5n114.1		BOP, KOP, KOPV, KVT, UOP4	5n121		BOP, KOP, KOPV, KVT, UOP4	17	R01A, R01B, R01C, R01D, R02Z, R12A, R12B, R12C		
	06	G15Z, G19A, G19B, G38Z		05	F36A, F36B	21A	W04A, W04B		
	07	H06A, H06B, H06C, H33Z, H38Z		06	G15Z, G19A, G19B, G33Z, G38Z	21B	X06A, X06B, X06C, X33Z		
	10	K04A		07	H33Z, H38Z	22	Y01Z, Y03A, Y03B		
	11	L33Z		09	J26Z	23	Z01A		
	16	Q03A, Q03B		11	L33Z	Pre	A07A		
	23	Z01A		17	R01A, R01B, R01C, R01D, R02Z, R12A, R12B, R12C	5n123.4		BOP, KOP, KOPV, KVT, UOP4	
	Pre	A07A		21A	W04A, W04B		05	F36A, F36B	
5n114.2		BOP, KOP, KOPV, KVT, UOP4	21B	X06A, X06B, X06C, X33Z	06		G15Z, G19A, G19B, G33Z, G38Z		
	06	G15Z, G19A, G19B, G38Z	22	Y01Z, Y03A, Y03B	07		H33Z, H38Z		
	07	H06A, H06B, H06C, H33Z, H38Z	23	Z01A	09		J26Z		
	10	K04A	Pre	A07A	10		K04A		
	11	L33Z	5n121	BOP, KOP, KOPV, KVT, UOP4	11		L33Z		
	16	Q03A, Q03B			05		F36A, F36B		
	23	Z01A	06	G15Z, G19A, G19B, G33Z, G38Z	17	R01A, R01B, R01C, R01D, R02Z, R12A, R12B, R12C			
	Pre	A07A			07	H33Z, H38Z			
5n114.3		BOP, KOP, KOPV, KVT, UOP4	5n121		BOP, KOP, KOPV, KVT, UOP4	21A	W04A, W04B		
	06	G15Z, G19A, G19B, G38Z		05	F36A, F36B	21B	X06A, X06B, X06C, X33Z		
	07	H06A, H06B, H06C, H33Z, H38Z		06	G15Z, G19A, G19B, G33Z, G38Z	22	Y01Z, Y03A, Y03B		
	10	K04A		07	H33Z, H38Z	23	Z01A		
	11	L33Z		09	J26Z	Pre	A07A		
	16	Q03A, Q03B		11	L33Z	5n123.4		BOP, KOP, KOPV, KVT, UOP4	
	23	Z01A		17	R01A, R01B, R01C, R01D, R02Z, R12A, R12B, R12C		05	F36A, F36B	
	Pre	A07A		21A	W04A, W04B		06	G15Z, G19A, G19B, G33Z, G38Z	
5n114.3		BOP, KOP, KOPV, KVT, UOP4	21B	X06A, X06B, X06C, X33Z	07		H33Z, H38Z		
	06	G15Z, G19A, G19B, G38Z	22	Y01Z, Y03A, Y03B	09		J26Z		
	07	H06A, H06B, H06C, H33Z, H38Z	23	Z01A	10		K04A		
	10	K04A	Pre	A07A	11		L33Z		
	11	L33Z	5n121	BOP, KOP, KOPV, KVT, UOP4	17		R01A, R01B, R01C, R01D, R02Z, R12A, R12B, R12C		
	16	Q03A, Q03B			21A	W04A, W04B			
	23	Z01A	06	G15Z, G19A, G19B, G33Z, G38Z	21B	X06A, X06B, X06C, X33Z			
	Pre	A07A			22	Y01Z, Y03A, Y03B			

ZZV	MDC	DRG	ZZV	MDC	DRG	ZZV	MDC	DRG			
5n124.0		BOP, KOP, KOPV, KVT, UOP4	5n125.2		BOP, KOP, KOPV, KVT, UOP4	5n126.4		BOP, KOP, KOPV, KVT, UOP4			
	05	F36A, F36B		05	F36A, F36B		05	F36A, F36B			
	06	G15Z, G19A, G19B, G33Z, G38Z		06	G15Z, G19A, G19B, G33Z, G38Z		06	G15Z, G19A, G19B, G33Z, G38Z			
	07	H33Z, H38Z		07	H33Z, H38Z		07	H33Z, H38Z			
	09	J26Z		09	J26Z		09	J26Z			
	10	K04A		10	K04A		10	K04A			
	11	L33Z		11	L33Z		11	L33Z			
	17	R01A, R01B, R01C, R01D, R02Z, R12A, R12B, R12C		17	R01A, R01B, R01C, R01D, R02Z, R12A, R12B, R12C		17	R01A, R01B, R01C, R01D, R02Z, R12A, R12B, R12C			
	21A	W04A, W04B		21A	W04A, W04B		21A	W04A, W04B			
	21B	X06A, X06B, X06C, X33Z		21B	X06A, X06B, X06C, X33Z		21B	X06A, X06B, X06C, X33Z			
	22	Y01Z, Y03A, Y03B		22	Y01Z, Y03A, Y03B		22	Y01Z, Y03A, Y03B			
	23	Z01A		23	Z01A		23	Z01A			
	Pre	A07A		Pre	A07A		Pre	A07A			
	5n124.2			BOP, KOP, KOPV, KVT, UOP4	5n125.4			BOP, KOP, KOPV, KVT, UOP4	5n129		BOP, KOP, KOPV, KVT, UOP4
		05		F36A, F36B			05	F36A, F36B		05	F36A, F36B
06		G15Z, G19A, G19B, G33Z, G38Z	06	G15Z, G19A, G19B, G33Z, G38Z		06	G15Z, G19A, G19B, G33Z, G38Z				
07		H33Z, H38Z	07	H33Z, H38Z		07	H33Z, H38Z				
09		J26Z	09	J26Z		09	J26Z				
10		K04A	10	K04A		11	L33Z				
11		L33Z	11	L33Z		17	R01A, R01B, R01C, R01D, R02Z, R12A, R12B, R12C				
17		R01A, R01B, R01C, R01D, R02Z, R12A, R12B, R12C	17	R01A, R01B, R01C, R01D, R02Z, R12A, R12B, R12C		21A	W04A, W04B				
21A		W04A, W04B	21A	W04A, W04B		21B	X06A, X06B, X06C, X33Z				
21B		X06A, X06B, X06C, X33Z	21B	X06A, X06B, X06C, X33Z		22	Y01Z, Y03A, Y03B				
22		Y01Z, Y03A, Y03B	22	Y01Z, Y03A, Y03B		23	Z01A				
23		Z01A	23	Z01A		Pre	A07A				
Pre		A07A	Pre	A07A		5n12a		BOP, KOP, KOPV, KVT, UOP4			
5n124.4			BOP, KOP, KOPV, KVT, UOP4	5n126.0				BOP, KOP, KOPV, KVT, UOP4		06	G15Z, G19A, G19B, G38Z
		05	F36A, F36B				05	F36A, F36B		07	H33Z, H38Z
	06	G15Z, G19A, G19B, G33Z, G38Z	06		G15Z, G19A, G19B, G33Z, G38Z	11	L33Z				
	07	H33Z, H38Z	07		H33Z, H38Z	17	R01A, R01B, R01C, R01D, R02Z, R12A, R12B, R12C				
	09	J26Z	09		J26Z	21A	W04A, W04B				
	10	K04A	10		K04A	21B	X06A, X06B, X06C, X33Z				
	11	L33Z	11		L33Z	22	Y01Z, Y03A, Y03B				
	17	R01A, R01B, R01C, R01D, R02Z, R12A, R12B, R12C	17		R01A, R01B, R01C, R01D, R02Z, R12A, R12B, R12C	23	Z01A				
	21A	W04A, W04B	21A		W04A, W04B	Pre	A07A				
	21B	X06A, X06B, X06C, X33Z	21B		X06A, X06B, X06C, X33Z	5n12b		BOP, KOP, KOPV, KVT, UOP4			
	22	Y01Z, Y03A, Y03B	22		Y01Z, Y03A, Y03B		06	G15Z, G19A, G19B, G38Z			
	23	Z01A	23		Z01A		07	H33Z, H38Z			
	Pre	A07A	Pre		A07A	11	L33Z				
	5n125.0		BOP, KOP, KOPV, KVT, UOP4		5n126.2		BOP, KOP, KOPV, KVT, UOP4	5n12c		BOP, KOP, KOPV, KVT, UOP4	
		05	F36A, F36B			05	F36A, F36B		06	G15Z, G19A, G19B, G38Z	
06		G15Z, G19A, G19B, G33Z, G38Z	06	G15Z, G19A, G19B, G33Z, G38Z		07	H33Z, H38Z				
07		H33Z, H38Z	07	H33Z, H38Z		11	L33Z				
09		J26Z	09	J26Z		17	R01A, R01B, R01C, R01D, R02Z, R12A, R12B, R12C				
10		K04A	10	K04A		21A	W04A, W04B				
11		L33Z	11	L33Z		21B	X06A, X06B, X06C, X33Z				
17		R01A, R01B, R01C, R01D, R02Z, R12A, R12B, R12C	17	R01A, R01B, R01C, R01D, R02Z, R12A, R12B, R12C		22	Y01Z, Y03A, Y03B				
21A		W04A, W04B	21A	W04A, W04B		23	Z01A				
21B		X06A, X06B, X06C, X33Z	21B	X06A, X06B, X06C, X33Z		Pre	A07A				
22		Y01Z, Y03A, Y03B	22	Y01Z, Y03A, Y03B		5n12c			BOP, KOP, KOPV, KVT, UOP4		
23		Z01A	23	Z01A			06		G15Z, G19A, G19B, G38Z		
Pre		A07A	Pre	A07A			07		H33Z, H38Z		
						11	L33Z				
						17	R01A, R01B, R01C, R01D, R02Z, R12A, R12B, R12C				
				21A	W04A, W04B						
				21B	X06A, X06B, X06C, X33Z						
				22	Y01Z, Y03A, Y03B						
				23	Z01A						
				Pre	A07A						

ZZV	MDC	DRG	ZZV	MDC	DRG	ZZV	MDC	DRG	
5n12d		BOP, KOP, KOPV, KVT, UOP4	5n12x		BOP, KOP, KOPV, KVT, UOP4	5n139		BOP, KOP, KOPV, KVT, UOP4	
	06	G15Z, G19A, G19B, G38Z		06	G15Z, G19A, G19B, G38Z		05	F36A, F36B	
	07	H33Z, H38Z		07	H06A, H06B, H06C, H33Z, H38Z		06	G15Z, G19A, G19B, G33Z, G38Z	
	11	L33Z		10	K04A		07	H33Z, H38Z	
	17	R01A, R01B, R01C, R01D, R02Z, R12A, R12B, R12C		11	L33Z		09	J26Z	
	21A	W04A, W04B		17	R01A, R01B, R01C, R01D, R02Z, R12A, R12B, R12C		11	L33Z	
	21B	X06A, X06B, X06C, X33Z		21B	X33Z		17	R01A, R01B, R01C, R01D, R02Z, R12A, R12B, R12C	
	22	Y01Z, Y03A, Y03B		23	Z01A		21A	W04A, W04B	
	23	Z01A		Pre	A07A		21B	X06A, X06B, X06C, X33Z	
	Pre	A07A		5n130			22	Y01Z, Y03A, Y03B	
	5n12e			BOP, KOP, KOPV, KVT, UOP4				23	Z01A
		06		G15Z, G19A, G19B, G38Z				Pre	A07A
		07		H33Z, H38Z				5n13a.0	
		11		L33Z					BOP, KOP, KOPV, KVT, MVV, UOP4
17		R01A, R01B, R01C, R01D, R02Z, R12A, R12B, R12C			05	F36A, F36B			
21A		W04A, W04B			06	G03A, G03B, G03C, G33Z, G38Z			
21B		X06A, X06B, X06C, X33Z			07	H33Z, H38Z			
22		Y01Z, Y03A, Y03B			09	J26Z			
23		Z01A			11	L33Z			
Pre		A07A			17	R01A, R01B, R01C, R01D, R02Z, R12A, R12B, R12C			
5n12f			BOP, KOP, KOPV, KVT, UOP4			21A	W04A, W04B		
		06	G15Z, G19A, G19B, G38Z			21B	X06A, X06B, X06C, X33Z		
		07	H33Z, H38Z	5n131		22	Y01Z, Y03A, Y03B		
		11	L33Z			23	Z01A		
	17	R01A, R01B, R01C, R01D, R02Z, R12A, R12B, R12C			Pre	A07A			
	21A	W04A, W04B			5n13a.1				
	21B	X06A, X06B, X06C, X33Z				BOP, KOP, KOPV, KVT, MVV, UOP4			
	22	Y01Z, Y03A, Y03B			05	F36A, F36B			
	23	Z01A			06	G03A, G03B, G03C, G33Z, G38Z			
	Pre	A07A			07	H33Z, H38Z			
	5n12g		BOP, KOP, KOPV, KVT, UOP4			09	J26Z		
		06	G01Z, G02Z, G15Z, G18A, G18B, G38Z			11	L33Z		
		07	H06A, H06B, H06C, H33Z, H38Z			17	R01A, R01B, R01C, R01D, R02Z, R12A, R12B, R12C		
		10	K04A			21A	W04A, W04B		
11		L33Z			21B	X06A, X06B, X06C, X33Z			
17		R01A, R01B, R01C, R01D, R02Z, R12A, R12B, R12C	5n132		22	Y01Z, Y03A, Y03B			
21B		X33Z			23	Z01A			
23		Z01A			Pre	A07A			
Pre		A07A			5n13a.2				
5n12h			BOP, KOP, KOPV, KVT, UOP4				BOP, KOP, KOPV, KVT, MVV, UOP4		
		06	G01Z, G02Z, G15Z, G18A, G18B, G38Z			05	F36A, F36B		
		07	H06A, H06B, H06C, H33Z, H38Z			06	G03A, G03B, G03C, G33Z, G38Z		
		10	K04A			07	H33Z, H38Z		
		11	L33Z			09	J26Z		
	17	R01A, R01B, R01C, R01D, R02Z, R12A, R12B, R12C			11	L33Z			
	21B	X33Z			17	R01A, R01B, R01C, R01D, R02Z, R12A, R12B, R12C			
	23	Z01A			21A	W04A, W04B			
	Pre	A07A			21B	X06A, X06B, X06C, X33Z			
	5n12i		BOP, KOP, KOPV, KVT, UOP4			22	Y01Z, Y03A, Y03B		
		06	G01Z, G02Z, G15Z, G18A, G18B, G38Z			23	Z01A		
		07	H06A, H06B, H06C, H33Z, H38Z			Pre	A07A		
		10	K04A						
		11	L33Z						
17		R01A, R01B, R01C, R01D, R02Z, R12A, R12B, R12C							
21B		X33Z							
23		Z01A							
Pre		A07A							



ZZV	MDC	DRG	ZZV	MDC	DRG	ZZV	MDC	DRG			
5n13b.0		BOP, KOP, KOPV, KVT, MVV, UOP4	5n13c.1		BOP, KOP, KOPV, KVT, MVV, UOP4	5n13x.2		BOP, KOP, KOPV, KVT, MVV, UOP4			
	05	F36A, F36B		05	F36A, F36B		05	F36A, F36B			
	06	G03A, G03B, G03C, G33Z, G38Z		06	G03A, G03B, G03C, G33Z, G38Z		06	G03A, G03B, G03C, G33Z, G38Z			
	07	H33Z, H38Z		07	H33Z, H38Z		07	H33Z, H38Z			
	09	J26Z		09	J26Z		09	J26Z			
	11	L33Z		11	L33Z		11	L33Z			
	17	R01A, R01B, R01C, R01D, R02Z, R12A, R12B, R12C		17	R01A, R01B, R01C, R01D, R02Z, R12A, R12B, R12C		17	R01A, R01B, R01C, R01D, R02Z, R12A, R12B, R12C			
	21A	W04A, W04B		21A	W04A, W04B		21A	W04A, W04B			
	21B	X06A, X06B, X06C, X33Z		21B	X06A, X06B, X06C, X33Z		21B	X06A, X06B, X06C, X33Z			
	22	Y01Z, Y03A, Y03B		22	Y01Z, Y03A, Y03B		22	Y01Z, Y03A, Y03B			
	23	Z01A		23	Z01A		23	Z01A			
	Pre	A07A		Pre	A07A		Pre	A07A			
	5n13b.1			BOP, KOP, KOPV, KVT, MVV, UOP4	5n13c.2			BOP, KOP, KOPV, KVT, MVV, UOP4	5n140.0		BOP, KOP, KOPV, KVT, MVV, UOP4
		05		F36A, F36B			05	F36A, F36B		05	F36A, F36B
06		G03A, G03B, G03C, G33Z, G38Z	06	G03A, G03B, G03C, G33Z, G38Z		06	G03A, G03B, G03C, G33Z, G38Z				
07		H33Z, H38Z	07	H33Z, H38Z		07	H33Z, H38Z				
09		J26Z	09	J26Z		09	J26Z				
11		L33Z	11	L33Z		11	L33Z				
17		R01A, R01B, R01C, R01D, R02Z, R12A, R12B, R12C	17	R01A, R01B, R01C, R01D, R02Z, R12A, R12B, R12C		17	R01A, R01B, R01C, R01D, R02Z, R12A, R12B, R12C				
21A		W04A, W04B	21A	W04A, W04B		21A	W04A, W04B				
21B		X06A, X06B, X06C, X33Z	21B	X06A, X06B, X06C, X33Z		21B	X06A, X06B, X06C, X33Z				
22		Y01Z, Y03A, Y03B	22	Y01Z, Y03A, Y03B		22	Y01Z, Y03A, Y03B				
23		Z01A	23	Z01A		23	Z01A				
Pre		A07A	Pre	A07A		Pre	A07A				
5n13b.2			BOP, KOP, KOPV, KVT, MVV, UOP4	5n13x.0			BOP, KOP, KOPV, KVT, MVV, UOP4	5n140.1			BOP, KOP, KOPV, KVT, MVV, UOP4
		05	F36A, F36B			05	F36A, F36B			05	F36A, F36B
	06	G03A, G03B, G03C, G33Z, G38Z	06		G03A, G03B, G03C, G33Z, G38Z	06	G03A, G03B, G03C, G33Z, G38Z				
	07	H33Z, H38Z	07		H33Z, H38Z	07	H33Z, H38Z				
	09	J26Z	09		J26Z	09	J26Z				
	11	L33Z	11		L33Z	11	L33Z				
	17	R01A, R01B, R01C, R01D, R02Z, R12A, R12B, R12C	17		R01A, R01B, R01C, R01D, R02Z, R12A, R12B, R12C	17	R01A, R01B, R01C, R01D, R02Z, R12A, R12B, R12C				
	21A	W04A, W04B	21A		W04A, W04B	21A	W04A, W04B				
	21B	X06A, X06B, X06C, X33Z	21B		X06A, X06B, X06C, X33Z	21B	X06A, X06B, X06C, X33Z				
	22	Y01Z, Y03A, Y03B	22		Y01Z, Y03A, Y03B	22	Y01Z, Y03A, Y03B				
	23	Z01A	23		Z01A	23	Z01A				
	Pre	A07A	Pre		A07A	Pre	A07A				
	5n13c.0		BOP, KOP, KOPV, KVT, MVV, UOP4		5n13x.1		BOP, KOP, KOPV, KVT, MVV, UOP4		5n140.2		BOP, KOP, KOPV, KVT, MVV, UOP4
		05	F36A, F36B			05	F36A, F36B			05	F36A, F36B
06		G03A, G03B, G03C, G33Z, G38Z	06	G03A, G03B, G03C, G33Z, G38Z		06	G03A, G03B, G03C, G33Z, G38Z				
07		H33Z, H38Z	07	H33Z, H38Z		07	H33Z, H38Z				
09		J26Z	09	J26Z		09	J26Z				
11		L33Z	11	L33Z		11	L33Z				
17		R01A, R01B, R01C, R01D, R02Z, R12A, R12B, R12C	17	R01A, R01B, R01C, R01D, R02Z, R12A, R12B, R12C		17	R01A, R01B, R01C, R01D, R02Z, R12A, R12B, R12C				
21A		W04A, W04B	21A	W04A, W04B		21A	W04A, W04B				
21B		X06A, X06B, X06C, X33Z	21B	X06A, X06B, X06C, X33Z		21B	X06A, X06B, X06C, X33Z				
22		Y01Z, Y03A, Y03B	22	Y01Z, Y03A, Y03B		22	Y01Z, Y03A, Y03B				
23		Z01A	23	Z01A		23	Z01A				
Pre		A07A	Pre	A07A		Pre	A07A				

ZZV	MDC	DRG	ZZV	MDC	DRG	ZZV	MDC	DRG			
5n141.0		BOP, KOP, KOPV, KVT, MVV, UOP4	5n142.1		BOP, KOP, KOPV, KVT, MVV, UOP4	5n143.2		BOP, KOP, KOPV, KVT, MVV, UOP4			
	05	F36A, F36B		05	F36A, F36B		05	F36A, F36B			
	06	G03A, G03B, G03C, G33Z, G38Z		06	G03A, G03B, G03C, G33Z, G38Z		06	G03A, G03B, G03C, G33Z, G38Z			
	07	H33Z, H38Z		07	H33Z, H38Z		07	H33Z, H38Z			
	09	J26Z		09	J26Z		09	J26Z			
	11	L33Z		11	L33Z		11	L33Z			
	17	R01A, R01B, R01C, R01D, R02Z, R12A, R12B, R12C		17	R01A, R01B, R01C, R01D, R02Z, R12A, R12B, R12C		17	R01A, R01B, R01C, R01D, R02Z, R12A, R12B, R12C			
	21A	W04A, W04B		21A	W04A, W04B		21A	W04A, W04B			
	21B	X06A, X06B, X06C, X33Z		21B	X06A, X06B, X06C, X33Z		21B	X06A, X06B, X06C, X33Z			
	22	Y01Z, Y03A, Y03B		22	Y01Z, Y03A, Y03B		22	Y01Z, Y03A, Y03B			
	23	Z01A		23	Z01A		23	Z01A			
	Pre	A07A		Pre	A07A		Pre	A07A			
	5n141.1			BOP, KOP, KOPV, KVT, MVV, UOP4	5n142.2			BOP, KOP, KOPV, KVT, MVV, UOP4	5n144.0		BOP, KOP, KOPV, KVT, MVV, UOP4
		05		F36A, F36B			05	F36A, F36B		05	F36A, F36B
06		G03A, G03B, G03C, G33Z, G38Z	06	G03A, G03B, G03C, G33Z, G38Z		06	G03A, G03B, G03C, G33Z, G38Z				
07		H33Z, H38Z	07	H33Z, H38Z		07	H33Z, H38Z				
09		J26Z	09	J26Z		09	J26Z				
11		L33Z	11	L33Z		11	L33Z				
17		R01A, R01B, R01C, R01D, R02Z, R12A, R12B, R12C	17	R01A, R01B, R01C, R01D, R02Z, R12A, R12B, R12C		17	R01A, R01B, R01C, R01D, R02Z, R12A, R12B, R12C				
21A		W04A, W04B	21A	W04A, W04B		21A	W04A, W04B				
21B		X06A, X06B, X06C, X33Z	21B	X06A, X06B, X06C, X33Z		21B	X06A, X06B, X06C, X33Z				
22		Y01Z, Y03A, Y03B	22	Y01Z, Y03A, Y03B		22	Y01Z, Y03A, Y03B				
23		Z01A	23	Z01A		23	Z01A				
Pre		A07A	Pre	A07A		Pre	A07A				
5n141.2			BOP, KOP, KOPV, KVT, MVV, UOP4	5n143.0			BOP, KOP, KOPV, KVT, MVV, UOP4	5n144.1			BOP, KOP, KOPV, KVT, MVV, UOP4
		05	F36A, F36B			05	F36A, F36B			05	F36A, F36B
	06	G03A, G03B, G03C, G33Z, G38Z	06		G03A, G03B, G03C, G33Z, G38Z	06	G03A, G03B, G03C, G33Z, G38Z				
	07	H33Z, H38Z	07		H33Z, H38Z	07	H33Z, H38Z				
	09	J26Z	09		J26Z	09	J26Z				
	11	L33Z	11		L33Z	11	L33Z				
	17	R01A, R01B, R01C, R01D, R02Z, R12A, R12B, R12C	17		R01A, R01B, R01C, R01D, R02Z, R12A, R12B, R12C	17	R01A, R01B, R01C, R01D, R02Z, R12A, R12B, R12C				
	21A	W04A, W04B	21A		W04A, W04B	21A	W04A, W04B				
	21B	X06A, X06B, X06C, X33Z	21B		X06A, X06B, X06C, X33Z	21B	X06A, X06B, X06C, X33Z				
	22	Y01Z, Y03A, Y03B	22		Y01Z, Y03A, Y03B	22	Y01Z, Y03A, Y03B				
	23	Z01A	23		Z01A	23	Z01A				
	Pre	A07A	Pre		A07A	Pre	A07A				
	5n142.0		BOP, KOP, KOPV, KVT, MVV, UOP4		5n143.1		BOP, KOP, KOPV, KVT, MVV, UOP4		5n144.2		BOP, KOP, KOPV, KVT, MVV, UOP4
		05	F36A, F36B			05	F36A, F36B			05	F36A, F36B
06		G03A, G03B, G03C, G33Z, G38Z	06	G03A, G03B, G03C, G33Z, G38Z		06	G03A, G03B, G03C, G33Z, G38Z				
07		H33Z, H38Z	07	H33Z, H38Z		07	H33Z, H38Z				
09		J26Z	09	J26Z		09	J26Z				
11		L33Z	11	L33Z		11	L33Z				
17		R01A, R01B, R01C, R01D, R02Z, R12A, R12B, R12C	17	R01A, R01B, R01C, R01D, R02Z, R12A, R12B, R12C		17	R01A, R01B, R01C, R01D, R02Z, R12A, R12B, R12C				
21A		W04A, W04B	21A	W04A, W04B		21A	W04A, W04B				
21B		X06A, X06B, X06C, X33Z	21B	X06A, X06B, X06C, X33Z		21B	X06A, X06B, X06C, X33Z				
22		Y01Z, Y03A, Y03B	22	Y01Z, Y03A, Y03B		22	Y01Z, Y03A, Y03B				
23		Z01A	23	Z01A		23	Z01A				
Pre		A07A	Pre	A07A		Pre	A07A				

ZZV	MDC	DRG	ZZV	MDC	DRG	ZZV	MDC	DRG			
5n145.0		BOP, KOP, KOPV, KVT, MVV, UOP4	5n146.1		BOP, KOP, KOPV, KVT, MVV, UOP4	5n14a.2		BOP, KOP, KOPV, KVT, MVV, UOP4			
	05	F36A, F36B		05	F36A, F36B		05	F36A, F36B			
	06	G03A, G03B, G03C, G33Z, G38Z		06	G03A, G03B, G03C, G33Z, G38Z		06	G03A, G03B, G33Z, G38Z			
	07	H33Z, H38Z		07	H33Z, H38Z		07	H33Z, H38Z			
	09	J26Z		09	J26Z		09	J26Z			
	11	L33Z		11	L33Z		11	L33Z			
	17	R01A, R01B, R01C, R01D, R02Z, R12A, R12B, R12C		17	R01A, R01B, R01C, R01D, R02Z, R12A, R12B, R12C		17	R01A, R01B, R01C, R01D, R02Z, R12A, R12B, R12C			
	21A	W04A, W04B		21A	W04A, W04B		21A	W04A, W04B			
	21B	X06A, X06B, X06C, X33Z		21B	X06A, X06B, X06C, X33Z		21B	X06A, X06B, X06C, X33Z			
	22	Y01Z, Y03A, Y03B		22	Y01Z, Y03A, Y03B		22	Y01Z, Y03A, Y03B			
	23	Z01A		23	Z01A		23	Z01A			
	Pre	A07A		Pre	A07A		Pre	A07A			
	5n145.1			BOP, KOP, KOPV, KVT, MVV, UOP4	5n146.2			BOP, KOP, KOPV, KVT, MVV, UOP4	5n14b.0		BOP, KOP, KOPV, KVT, MVV, UOP4
		05		F36A, F36B			05	F36A, F36B		05	F36A, F36B
		06		G03A, G03B, G33Z, G38Z			06	G03A, G03B, G03C, G33Z, G38Z		06	G03A, G03B, G03C, G33Z, G38Z
		07		H33Z, H38Z			07	H33Z, H38Z		07	H33Z, H38Z
09		J26Z	09	J26Z		09	J26Z				
11		L33Z	11	L33Z		11	L33Z				
17		R01A, R01B, R01C, R01D, R02Z, R12A, R12B, R12C	17	R01A, R01B, R01C, R01D, R02Z, R12A, R12B, R12C		17	R01A, R01B, R01C, R01D, R02Z, R12A, R12B, R12C				
21A		W04A, W04B	21A	W04A, W04B		21A	W04A, W04B				
21B		X06A, X06B, X06C, X33Z	21B	X06A, X06B, X06C, X33Z		21B	X06A, X06B, X06C, X33Z				
22		Y01Z, Y03A, Y03B	22	Y01Z, Y03A, Y03B		22	Y01Z, Y03A, Y03B				
23		Z01A	23	Z01A		23	Z01A				
Pre		A07A	Pre	A07A		Pre	A07A				
5n145.2			BOP, KOP, KOPV, KVT, MVV, UOP4	5n14a.0			BOP, KOP, KOPV, KVT, MVV, UOP4	5n14b.1			BOP, KOP, KOPV, KVT, MVV, UOP4
		05	F36A, F36B			05	F36A, F36B			05	F36A, F36B
		06	G03A, G03B, G03C, G33Z, G38Z			06	G03A, G03B, G03C, G33Z, G38Z			06	G03A, G03B, G03C, G33Z, G38Z
		07	H33Z, H38Z			07	H33Z, H38Z			07	H33Z, H38Z
	09	J26Z	09		J26Z	09	J26Z				
	11	L33Z	11		L33Z	11	L33Z				
	17	R01A, R01B, R01C, R01D, R02Z, R12A, R12B, R12C	17		R01A, R01B, R01C, R01D, R02Z, R12A, R12B, R12C	17	R01A, R01B, R01C, R01D, R02Z, R12A, R12B, R12C				
	21A	W04A, W04B	21A		W04A, W04B	21A	W04A, W04B				
	21B	X06A, X06B, X06C, X33Z	21B		X06A, X06B, X06C, X33Z	21B	X06A, X06B, X06C, X33Z				
	22	Y01Z, Y03A, Y03B	22		Y01Z, Y03A, Y03B	22	Y01Z, Y03A, Y03B				
	23	Z01A	23		Z01A	23	Z01A				
	Pre	A07A	Pre		A07A	Pre	A07A				
	5n146.0		BOP, KOP, KOPV, KVT, MVV, UOP4		5n14a.1		BOP, KOP, KOPV, KVT, MVV, UOP4		5n14b.2		BOP, KOP, KOPV, KVT, MVV, UOP4
		05	F36A, F36B			05	F36A, F36B			05	F36A, F36B
		06	G03A, G03B, G03C, G33Z, G38Z			06	G03A, G03B, G33Z, G38Z			06	G03A, G03B, G03C, G33Z, G38Z
		07	H33Z, H38Z			07	H33Z, H38Z			07	H33Z, H38Z
09		J26Z	09	J26Z		09	J26Z				
11		L33Z	11	L33Z		11	L33Z				
17		R01A, R01B, R01C, R01D, R02Z, R12A, R12B, R12C	17	R01A, R01B, R01C, R01D, R02Z, R12A, R12B, R12C		17	R01A, R01B, R01C, R01D, R02Z, R12A, R12B, R12C				
21A		W04A, W04B	21A	W04A, W04B		21A	W04A, W04B				
21B		X06A, X06B, X06C, X33Z	21B	X06A, X06B, X06C, X33Z		21B	X06A, X06B, X06C, X33Z				
22		Y01Z, Y03A, Y03B	22	Y01Z, Y03A, Y03B		22	Y01Z, Y03A, Y03B				
23		Z01A	23	Z01A		23	Z01A				
Pre		A07A	Pre	A07A		Pre	A07A				

ZZV	MDC	DRG	ZZV	MDC	DRG	ZZV	MDC	DRG			
5n14x.00		BOP, KOP, KOPV, KVT, MVV, UOP4	5n14x.11		BOP, KOP, KOPV, KVT, MVV, UOP4	5n152.0		BOP, KOP, KOPV, KVT, MVV, UOP4			
	05	F36A, F36B		05	F36A, F36B		05	F36A, F36B			
	06	G03A, G03B, G03C, G33Z, G38Z		06	G03A, G03B, G03C, G33Z, G38Z		06	G03A, G03B, G03C, G33Z, G38Z			
	07	H33Z, H38Z		07	H33Z, H38Z		07	H33Z, H38Z			
	09	J26Z		09	J26Z		09	J26Z			
	11	L33Z		11	L33Z		11	L33Z			
	17	R01A, R01B, R01C, R01D, R02Z, R12A, R12B, R12C		17	R01A, R01B, R01C, R01D, R02Z, R12A, R12B, R12C		17	R01A, R01B, R01C, R01D, R02Z, R12A, R12B, R12C			
	21A	W04A, W04B		21A	W04A, W04B		21A	W04A, W04B			
	21B	X06A, X06B, X06C, X33Z		21B	X06A, X06B, X06C, X33Z		21B	X06A, X06B, X06C, X33Z			
	22	Y01Z, Y03A, Y03B		22	Y01Z, Y03A, Y03B		22	Y01Z, Y03A, Y03B			
	23	Z01A		23	Z01A		23	Z01A			
	Pre	A07A		Pre	A07A		Pre	A07A			
	5n14x.01			BOP, KOP, KOPV, KVT, MVV, UOP4	5n14x.12			BOP, KOP, KOPV, KVT, MVV, UOP4	5n159		BOP, KOP, KOPV, KVT, MVV, UOP4
		05		F36A, F36B			05	F36A, F36B		05	F36A, F36B
06		G03A, G03B, G03C, G33Z, G38Z	06	G03A, G03B, G03C, G33Z, G38Z		06	G03A, G03B, G03C, G33Z, G38Z				
07		H33Z, H38Z	07	H33Z, H38Z		07	H33Z, H38Z				
09		J26Z	09	J26Z		09	J26Z				
11		L33Z	11	L33Z		11	L33Z				
17		R01A, R01B, R01C, R01D, R02Z, R12A, R12B, R12C	17	R01A, R01B, R01C, R01D, R02Z, R12A, R12B, R12C		17	R01A, R01B, R01C, R01D, R02Z, R12A, R12B, R12C				
21A		W04A, W04B	21A	W04A, W04B		21A	W04A, W04B				
21B		X06A, X06B, X06C, X33Z	21B	X06A, X06B, X06C, X33Z		21B	X06A, X06B, X06C, X33Z				
22		Y01Z, Y03A, Y03B	22	Y01Z, Y03A, Y03B		22	Y01Z, Y03A, Y03B				
23		Z01A	23	Z01A		23	Z01A				
Pre		A07A	Pre	A07A		Pre	A07A				
5n14x.02			BOP, KOP, KOPV, KVT, MVV, UOP4	5n150.0			BOP, KOP, KOPV, KVT, MVV, UOP4	5n15a.2			BOP, KOP, KOPV, KVT, MVV, UOP4
		05	F36A, F36B			05	F36A, F36B			05	F36A, F36B
	06	G03A, G03B, G03C, G33Z, G38Z	06		G03A, G03B, G03C, G33Z, G38Z	06	G03A, G03B, G03C, G33Z, G38Z				
	07	H33Z, H38Z	07		H33Z, H38Z	07	H33Z, H38Z				
	09	J26Z	09		J26Z	09	J26Z				
	11	L33Z	11		L33Z	11	L33Z				
	17	R01A, R01B, R01C, R01D, R02Z, R12A, R12B, R12C	17		R01A, R01B, R01C, R01D, R02Z, R12A, R12B, R12C	17	R01A, R01B, R01C, R01D, R02Z, R12A, R12B, R12C				
	21A	W04A, W04B	21A		W04A, W04B	21A	W04A, W04B				
	21B	X06A, X06B, X06C, X33Z	21B		X06A, X06B, X06C, X33Z	21B	X06A, X06B, X06C, X33Z				
	22	Y01Z, Y03A, Y03B	22		Y01Z, Y03A, Y03B	22	Y01Z, Y03A, Y03B				
	23	Z01A	23		Z01A	23	Z01A				
	Pre	A07A	Pre		A07A	Pre	A07A				
	5n14x.10		BOP, KOP, KOPV, KVT, MVV, UOP4		5n151.0		BOP, KOP, KOPV, KVT, MVV, UOP4		5n15b.2		BOP, KOP, KOPV, KVT, MVV, UOP4
		05	F36A, F36B			05	F36A, F36B			05	F36A, F36B
06		G03A, G03B, G03C, G33Z, G38Z	06	G03A, G03B, G03C, G33Z, G38Z		06	G03A, G03B, G03C, G33Z, G38Z				
07		H33Z, H38Z	07	H33Z, H38Z		07	H33Z, H38Z				
09		J26Z	09	J26Z		09	J26Z				
11		L33Z	11	L33Z		11	L33Z				
17		R01A, R01B, R01C, R01D, R02Z, R12A, R12B, R12C	17	R01A, R01B, R01C, R01D, R02Z, R12A, R12B, R12C		17	R01A, R01B, R01C, R01D, R02Z, R12A, R12B, R12C				
21A		W04A, W04B	21A	W04A, W04B		21A	W04A, W04B				
21B		X06A, X06B, X06C, X33Z	21B	X06A, X06B, X06C, X33Z		21B	X06A, X06B, X06C, X33Z				
22		Y01Z, Y03A, Y03B	22	Y01Z, Y03A, Y03B		22	Y01Z, Y03A, Y03B				
23		Z01A	23	Z01A		23	Z01A				
Pre		A07A	Pre	A07A		Pre	A07A				

ZZV	MDC	DRG	ZZV	MDC	DRG	ZZV	MDC	DRG			
5n15c.2		BOP, KOP, KOPV, KVT, MVV, UOP4	5n161.0		BOP, KOP, KOPV, KVT, MVV, UOP4	5n163.0		BOP, KOP, KOPV, KVT, MVV, UOP4			
	05	F36A, F36B		05	F36A, F36B		05	F36A, F36B			
	06	G03A, G03B, G03C, G33Z, G38Z		06	G03A, G03B, G03C, G33Z, G38Z		06	G03A, G03B, G03C, G33Z, G38Z			
	07	H33Z, H38Z		07	H33Z, H38Z		07	H33Z, H38Z			
	09	J26Z		09	J26Z		09	J26Z			
	11	L33Z		11	L33Z		11	L33Z			
	17	R01A, R01B, R01C, R01D, R02Z, R12A, R12B, R12C		17	R01A, R01B, R01C, R01D, R02Z, R12A, R12B, R12C		17	R01A, R01B, R01C, R01D, R02Z, R12A, R12B, R12C			
	21A	W04A, W04B		21A	W04A, W04B		21A	W04A, W04B			
	21B	X06A, X06B, X06C, X33Z		21B	X06A, X06B, X06C, X33Z		21B	X06A, X06B, X06C, X33Z			
	22	Y01Z, Y03A, Y03B		22	Y01Z, Y03A, Y03B		22	Y01Z, Y03A, Y03B			
	23	Z01A		23	Z01A		23	Z01A			
	Pre	A07A		Pre	A07A		Pre	A07A			
	5n15x			BOP, KOP, KOPV, KVT, MVV, UOP4	5n161.2			BOP, KOP, KOPV, KVT, MVV, UOP4	5n163.2		BOP, KOP, KOPV, KVT, MVV, UOP4
		05		F36A, F36B			05	F36A, F36B		05	F36A, F36B
06		G03A, G03B, G03C, G33Z, G38Z	06	G03A, G03B, G03C, G33Z, G38Z		06	G03A, G03B, G33Z, G38Z				
07		H33Z, H38Z	07	H33Z, H38Z		07	H33Z, H38Z				
09		J26Z	09	J26Z		09	J26Z				
11		L33Z	11	L33Z		11	L33Z				
17		R01A, R01B, R01C, R01D, R02Z, R12A, R12B, R12C	17	R01A, R01B, R01C, R01D, R02Z, R12A, R12B, R12C		17	R01A, R01B, R01C, R01D, R02Z, R12A, R12B, R12C				
21A		W04A, W04B	21A	W04A, W04B		21A	W04A, W04B				
21B		X06A, X06B, X06C, X33Z	21B	X06A, X06B, X06C, X33Z		21B	X06A, X06B, X06C, X33Z				
22		Y01Z, Y03A, Y03B	22	Y01Z, Y03A, Y03B		22	Y01Z, Y03A, Y03B				
23		Z01A	23	Z01A		23	Z01A				
Pre		A07A	Pre	A07A		Pre	A07A				
5n160.0			BOP, KOP, KOPV, KVT, MVV, UOP4	5n162.0			BOP, KOP, KOPV, KVT, MVV, UOP4	5n164.0			BOP, KOP, KOPV, KVT, MVV, UOP4
		05	F36A, F36B			05	F36A, F36B			05	F36A, F36B
	06	G03A, G03B, G03C, G33Z, G38Z	06		G03A, G03B, G03C, G33Z, G38Z	06	G03A, G03B, G03C, G33Z, G38Z				
	07	H33Z, H38Z	07		H33Z, H38Z	07	H33Z, H38Z				
	09	J26Z	09		J26Z	09	J26Z				
	11	L33Z	11		L33Z	11	L33Z				
	17	R01A, R01B, R01C, R01D, R02Z, R12A, R12B, R12C	17		R01A, R01B, R01C, R01D, R02Z, R12A, R12B, R12C	17	R01A, R01B, R01C, R01D, R02Z, R12A, R12B, R12C				
	21A	W04A, W04B	21A		W04A, W04B	21A	W04A, W04B				
	21B	X06A, X06B, X06C, X33Z	21B		X06A, X06B, X06C, X33Z	21B	X06A, X06B, X06C, X33Z				
	22	Y01Z, Y03A, Y03B	22		Y01Z, Y03A, Y03B	22	Y01Z, Y03A, Y03B				
	23	Z01A	23		Z01A	23	Z01A				
	Pre	A07A	Pre		A07A	Pre	A07A				
	5n160.2		BOP, KOP, KOPV, KVT, MVV, UOP4		5n162.2		BOP, KOP, KOPV, KVT, MVV, UOP4		5n164.2		BOP, KOP, KOPV, KVT, MVV, UOP4
		05	F36A, F36B			05	F36A, F36B			05	F36A, F36B
06		G03A, G03B, G03C, G33Z, G38Z	06	G03A, G03B, G03C, G33Z, G38Z		06	G03A, G03B, G03C, G33Z, G38Z				
07		H33Z, H38Z	07	H33Z, H38Z		07	H33Z, H38Z				
09		J26Z	09	J26Z		09	J26Z				
11		L33Z	11	L33Z		11	L33Z				
17		R01A, R01B, R01C, R01D, R02Z, R12A, R12B, R12C	17	R01A, R01B, R01C, R01D, R02Z, R12A, R12B, R12C		17	R01A, R01B, R01C, R01D, R02Z, R12A, R12B, R12C				
21A		W04A, W04B	21A	W04A, W04B		21A	W04A, W04B				
21B		X06A, X06B, X06C, X33Z	21B	X06A, X06B, X06C, X33Z		21B	X06A, X06B, X06C, X33Z				
22		Y01Z, Y03A, Y03B	22	Y01Z, Y03A, Y03B		22	Y01Z, Y03A, Y03B				
23		Z01A	23	Z01A		23	Z01A				
Pre		A07A	Pre	A07A		Pre	A07A				

ZZV	MDC	DRG	ZZV	MDC	DRG	ZZV	MDC	DRG			
5n165.0		BOP, KOP, KOPV, KVT, MVV, UOP4	5n16x.0		BOP, KOP, KOPV, KVT, MVV, UOP4	5n171.2		BOP, KOP, KOPV, KVT, UOP4			
	05	F36A, F36B		05	F36A, F36B		05	F36A, F36B			
	06	G03A, G03B, G03C, G33Z, G38Z		06	G03A, G03B, G03C, G33Z, G38Z		06	G15Z, G19A, G19B, G33Z, G38Z			
	07	H33Z, H38Z		07	H33Z, H38Z		07	H12A, H33Z, H38Z			
	09	J26Z		09	J26Z		10	K04A			
	11	L33Z		11	L33Z		11	L33Z			
	17	R01A, R01B, R01C, R01D, R02Z, R12A, R12B, R12C		17	R01A, R01B, R01C, R01D, R02Z, R12A, R12B, R12C		17	R01A, R01B, R01C, R01D, R02Z, R12A, R12B, R12C			
	21A	W04A, W04B		21A	W04A, W04B		21B	X33Z			
	21B	X06A, X06B, X06C, X33Z		21B	X06A, X06B, X06C, X33Z		23	Z01A			
	22	Y01Z, Y03A, Y03B		22	Y01Z, Y03A, Y03B		Pre	A07A			
	23	Z01A		23	Z01A		5n171.4	BOP, KOP, KOPV, KVT, UOP4			
	Pre	A07A		Pre	A07A			05	F36A, F36B		
	5n165.2			BOP, KOP, KOPV, KVT, MVV, UOP4	5n170.0			BOP, KOP, KOPV, KVT, UOP4	5n172.0		BOP, KOP, KOPV, KVT, UOP4
		05		F36A, F36B			05	F36A, F36B		05	F36A, F36B
		06		G03A, G03B, G03C, G33Z, G38Z			06	G15Z, G19A, G19B, G33Z, G38Z		06	G15Z, G19A, G19B, G33Z, G38Z
07		H33Z, H38Z	07	H12A, H33Z, H38Z		07	H12A, H33Z, H38Z				
09		J26Z	10	K04A		10	K04A				
11		L33Z	11	L33Z		11	L33Z				
17		R01A, R01B, R01C, R01D, R02Z, R12A, R12B, R12C	17	R01A, R01B, R01C, R01D, R02Z, R12A, R12B, R12C		17	R01A, R01B, R01C, R01D, R02Z, R12A, R12B, R12C				
21A		W04A, W04B	21B	X33Z		21B	X33Z				
21B		X06A, X06B, X06C, X33Z	23	Z01A		23	Z01A				
22		Y01Z, Y03A, Y03B	Pre	A07A		Pre	A07A				
23		Z01A	5n170.2	BOP, KOP, KOPV, KVT, UOP4		5n172.2	BOP, KOP, KOPV, KVT, UOP4				
Pre		A07A		05			F36A, F36B	05		F36A, F36B	
5n166.2			BOP, KOP, KOPV, KVT, MVV, UOP4	5n170.4			BOP, KOP, KOPV, KVT, UOP4	5n172.4			BOP, KOP, KOPV, KVT, UOP4
		05	F36A, F36B			05	F36A, F36B			05	F36A, F36B
		06	G03A, G03B, G03C, G33Z, G38Z			06	G15Z, G19A, G19B, G33Z, G38Z			06	G15Z, G19A, G19B, G33Z, G38Z
	07	H33Z, H38Z	07		H12A, H33Z, H38Z	07	H12A, H33Z, H38Z				
	09	J26Z	10		K04A	10	K04A				
	11	L33Z	11		L33Z	11	L33Z				
	17	R01A, R01B, R01C, R01D, R02Z, R12A, R12B, R12C	17		R01A, R01B, R01C, R01D, R02Z, R12A, R12B, R12C	17	R01A, R01B, R01C, R01D, R02Z, R12A, R12B, R12C				
	21A	W04A, W04B	21B		X33Z	21B	X33Z				
	21B	X06A, X06B, X06C, X33Z	23		Z01A	23	Z01A				
	22	Y01Z, Y03A, Y03B	Pre		A07A	Pre	A07A				
	23	Z01A	5n171.0		BOP, KOP, KOPV, KVT, UOP4	5n172.4	BOP, KOP, KOPV, KVT, UOP4				
	Pre	A07A			05		F36A, F36B		05	F36A, F36B	
	5n16x		BOP, KOP, KOPV, KVT, MVV, UOP4		5n171.0		BOP, KOP, KOPV, KVT, UOP4		5n172.4		BOP, KOP, KOPV, KVT, UOP4
		05	F36A, F36B			05	F36A, F36B			05	F36A, F36B
		06	G03A, G03B, G03C, G33Z, G38Z			06	G15Z, G19A, G19B, G33Z, G38Z			06	G15Z, G19A, G19B, G33Z, G38Z
07		H33Z, H38Z	07	H12A, H33Z, H38Z		07	H12A, H33Z, H38Z				
09		J26Z	10	K04A		10	K04A				
11		L33Z	11	L33Z		11	L33Z				
17		R01A, R01B, R01C, R01D, R02Z, R12A, R12B, R12C	17	R01A, R01B, R01C, R01D, R02Z, R12A, R12B, R12C		17	R01A, R01B, R01C, R01D, R02Z, R12A, R12B, R12C				
21A		W04A, W04B	21B	X33Z		21B	X33Z				
21B		X06A, X06B, X06C, X33Z	23	Z01A		23	Z01A				
22		Y01Z, Y03A, Y03B	Pre	A07A		Pre	A07A				
23		Z01A	5n171.0	BOP, KOP, KOPV, KVT, UOP4		5n172.4	BOP, KOP, KOPV, KVT, UOP4				
Pre		A07A		05			F36A, F36B	05		F36A, F36B	

VYK

ZZV	MDC	DRG	ZZV	MDC	DRG	ZZV	MDC	DRG
5n173.0		BOP, KOP, KOPV, KVT, UOP4	5n174.4		BOP, KOP, KOPV, KVT, UOP4	5n17x.2		BOP, KOP, KOPV, KVT, UOP4
	05	F36A, F36B		05	F36A, F36B		05	F36A, F36B
	06	G15Z, G19A, G19B, G33Z, G38Z		06	G15Z, G19A, G19B, G33Z, G38Z		06	G15Z, G19A, G19B, G33Z, G38Z
	07	H12A, H33Z, H38Z		07	H12A, H33Z, H38Z		07	H12A, H33Z, H38Z
	10	K04A		10	K04A		10	K04A
	11	L33Z		11	L33Z		11	L33Z
	17	R01A, R01B, R01C, R01D, R02Z, R12A, R12B, R12C		17	R01A, R01B, R01C, R01D, R02Z, R12A, R12B, R12C		17	R01A, R01B, R01C, R01D, R02Z, R12A, R12B, R12C
	21B	X33Z		21B	X33Z		21B	X33Z
	23	Z01A		23	Z01A		23	Z01A
	Pre	A07A		Pre	A07A		Pre	A07A
	5n173.2			BOP, KOP, KOPV, KVT, UOP4	5n175.0			BOP, KOP, KOPV, KVT, UOP4
05		F36A, F36B	05	F36A, F36B		05	F36A, F36B	
06		G15Z, G19A, G19B, G33Z, G38Z	06	G15Z, G19A, G19B, G33Z, G38Z		06	G15Z, G19A, G19B, G33Z, G38Z	
07		H12A, H33Z, H38Z	07	H12A, H33Z, H38Z		07	H12A, H33Z, H38Z	
10		K04A	10	K04A		10	K04A	
11		L33Z	11	L33Z		11	L33Z	
17		R01A, R01B, R01C, R01D, R02Z, R12A, R12B, R12C	17	R01A, R01B, R01C, R01D, R02Z, R12A, R12B, R12C		17	R01A, R01B, R01C, R01D, R02Z, R12A, R12B, R12C	
21B		X33Z	21B	X33Z		21B	X33Z	
23		Z01A	23	Z01A		23	Z01A	
Pre		A07A	Pre	A07A		Pre	A07A	
5n173.4			BOP, KOP, KOPV, KVT, UOP4	5n175.2			BOP, KOP, KOPV, KVT, UOP4	5n180.0
	05	F36A, F36B	05		F36A, F36B	06	G15Z, G19A, G19B, G38Z	
	06	G15Z, G19A, G19B, G33Z, G38Z	06		G15Z, G19A, G19B, G33Z, G38Z	07	H33Z, H38Z	
	07	H12A, H33Z, H38Z	07		H12A, H33Z, H38Z	11	L33Z	
	10	K04A	10		K04A	21A	W04A, W04B	
	11	L33Z	11		L33Z	21B	X06A, X06B	
	17	R01A, R01B, R01C, R01D, R02Z, R12A, R12B, R12C	17		R01A, R01B, R01C, R01D, R02Z, R12A, R12B, R12C	23	Z01A	
	21B	X33Z	21B		X33Z	Pre	A07A	
	23	Z01A	23		Z01A	5n180.1	BOP, KOP, KOPV, KVT, UOP4	
	Pre	A07A	Pre		A07A	06	G15Z, G19A, G19B, G38Z	
	5n174.0		BOP, KOP, KOPV, KVT, UOP4		5n175.4		BOP, KOP, KOPV, KVT, UOP4	
05		F36A, F36B	05	F36A, F36B		07	H33Z, H38Z	
06		G15Z, G19A, G19B, G33Z, G38Z	06	G15Z, G19A, G19B, G33Z, G38Z		11	L33Z	
07		H12A, H33Z, H38Z	07	H12A, H33Z, H38Z		21A	W04A, W04B	
10		K04A	10	K04A		21B	X06A, X06B	
11		L33Z	11	L33Z		23	Z01A	
17		R01A, R01B, R01C, R01D, R02Z, R12A, R12B, R12C	17	R01A, R01B, R01C, R01D, R02Z, R12A, R12B, R12C		Pre	A07A	
21B		X33Z	21B	X33Z		5n180.2	BOP, KOP, KOPV, KVT, UOP4	
23		Z01A	23	Z01A		06	G15Z, G19A, G19B, G38Z	
Pre		A07A	Pre	A07A		07	H33Z, H38Z	
5n174.2			BOP, KOP, KOPV, KVT, UOP4	5n17x.0			BOP, KOP, KOPV, KVT, UOP4	5n180.2
	05	F36A, F36B	05		F36A, F36B	06	G15Z, G19A, G19B, G38Z	
	06	G15Z, G19A, G19B, G33Z, G38Z	06		G15Z, G19A, G19B, G33Z, G38Z	07	H33Z, H38Z	
	07	H12A, H33Z, H38Z	07		H12A, H33Z, H38Z	11	L33Z	
	10	K04A	10		K04A	21A	W04A, W04B	
	11	L33Z	11		L33Z	21B	X06A, X06B	
	17	R01A, R01B, R01C, R01D, R02Z, R12A, R12B, R12C	17		R01A, R01B, R01C, R01D, R02Z, R12A, R12B, R12C	23	Z01A	
	21B	X33Z	21B		X33Z	Pre	A07A	
	23	Z01A	23		Z01A	5n180.4	BOP, KOP, KOPV, KVT, UOP4	
	Pre	A07A	Pre		A07A	06	G15Z, G19A, G19B, G38Z	

VYK

ZZV	MDC	DRG	ZZV	MDC	DRG	ZZV	MDC	DRG
5n180.x		BOP, KOP, KOPV, KVT, UOP4	5n183.0		BOP, KOP, KOPV, KVT, UOP4	5n184.2		BOP, KOP, KOPV, KVT, UOP4
	06	G15Z, G19A, G19B, G38Z		06	G15Z, G19A, G19B, G38Z		06	G01Z, G02Z, G15Z, G19A, G19B, G19C, G38Z
	07	H33Z, H38Z		07	H33Z, H38Z		07	H33Z, H38Z
	11	L33Z		11	L33Z		11	L33Z
	21A	W04A, W04B		21A	W04A, W04B		21A	W04A, W04B
	21B	X06A, X06B		21B	X06A, X06B		21B	X06A, X06B
	23	Z01A		23	Z01A		23	Z01A
	Pre	A07A		Pre	A07A		Pre	A07A, A11A, A13A, A13B, A13D
5n182.0		BOP, KOP, KOPV, KVT, UOP4	5n183.1		BOP, KOP, KOPV, KVT, UOP4	5n184.4		BOP, KOP, KOPV, KVT, UOP4
	06	G01Z, G02Z, G15Z, G19A, G19B, G38Z		06	G15Z, G19A, G19B, G38Z		06	G01Z, G02Z, G15Z, G19A, G19B, G38Z
	07	H33Z, H38Z		07	H33Z, H38Z		07	H33Z, H38Z
	11	L33Z		11	L33Z		11	L33Z
	21A	W04A, W04B		21A	W04A, W04B		21A	W04A, W04B
	21B	X06A, X06B		21B	X06A, X06B		21B	X06A, X06B
	23	Z01A		23	Z01A		23	Z01A
	Pre	A07A, A11A, A13A, A13B, A13D		Pre	A07A		Pre	A07A, A11A, A13A, A13B, A13D
5n182.1		BOP, KOP, KOPV, KVT, UOP4	5n183.2		BOP, KOP, KOPV, KVT, UOP4	5n184.50		BOP, KOP, KOPV, KVT, UOP4
	06	G01Z, G02Z, G15Z, G19A, G19B, G38Z		06	G15Z, G19A, G19B, G38Z		06	G01Z, G02Z, G15Z, G19A, G19B, G38Z
	07	H33Z, H38Z		07	H33Z, H38Z		07	H33Z, H38Z
	11	L33Z		11	L33Z		11	L33Z
	21A	W04A, W04B		21A	W04A, W04B		21A	W04A, W04B
	21B	X06A, X06B		21B	X06A, X06B		21B	X06A, X06B
	23	Z01A		23	Z01A		23	Z01A
	Pre	A07A, A11A, A13A, A13B, A13D		Pre	A07A		Pre	A07A, A11A, A13A, A13B, A13D
5n182.2		BOP, KOP, KOPV, KVT, UOP4	5n183.4		BOP, KOP, KOPV, KVT, UOP4	5n184.51		BOP, KOP, KOPV, KVT, UOP4
	06	G01Z, G02Z, G15Z, G19A, G19B, G19C, G38Z		06	G15Z, G19A, G19B, G38Z		06	G01Z, G02Z, G15Z, G19A, G19B, G38Z
	07	H33Z, H38Z		07	H33Z, H38Z		07	H33Z, H38Z
	11	L33Z		11	L33Z		11	L33Z
	21A	W04A, W04B		21A	W04A, W04B		21A	W04A, W04B
	21B	X06A, X06B		21B	X06A, X06B		21B	X06A, X06B
	23	Z01A		23	Z01A		23	Z01A
	Pre	A07A, A11A, A13A, A13B, A13D		Pre	A07A		Pre	A07A, A11A, A13A, A13B, A13D
5n182.4		BOP, KOP, KOPV, KVT, UOP4	5n183.x		BOP, KOP, KOPV, KVT, UOP4	5n184.52		BOP, KOP, KOPV, KVT, UOP4
	06	G01Z, G02Z, G15Z, G19A, G19B, G38Z		06	G15Z, G19A, G19B, G38Z		06	G01Z, G02Z, G15Z, G19A, G19B, G19C, G38Z
	07	H33Z, H38Z		07	H33Z, H38Z		07	H33Z, H38Z
	11	L33Z		11	L33Z		11	L33Z
	21A	W04A, W04B		21A	W04A, W04B		21A	W04A, W04B
	21B	X06A, X06B		21B	X06A, X06B		21B	X06A, X06B
	23	Z01A		23	Z01A		23	Z01A
	Pre	A07A, A11A, A13A, A13B, A13D		Pre	A07A		Pre	A07A, A11A, A13A, A13B, A13D
5n182.x		BOP, KOP, KOPV, KVT, UOP4	5n184.0		BOP, KOP, KOPV, KVT, UOP4	5n184.5x		BOP, KOP, KOPV, KVT, UOP4
	06	G01Z, G02Z, G15Z, G19A, G19B, G19C, G38Z		06	G01Z, G02Z, G15Z, G19A, G19B, G38Z		06	G01Z, G02Z, G15Z, G19A, G19B, G19C, G38Z
	07	H33Z, H38Z		07	H33Z, H38Z		07	H33Z, H38Z
	11	L33Z		11	L33Z		11	L33Z
	21A	W04A, W04B		21A	W04A, W04B		21A	W04A, W04B
	21B	X06A, X06B		21B	X06A, X06B		21B	X06A, X06B
	23	Z01A		23	Z01A		23	Z01A
	Pre	A07A, A11A, A13A, A13B, A13D		Pre	A07A, A11A, A13A, A13B, A13D		Pre	A07A, A11A, A13A, A13B, A13D

VYK

ZZV	MDC	DRG	ZZV	MDC	DRG	ZZV	MDC	DRG
5n184.x		BOP, KOP, KOPV, KVT, UOP4	5n186.0		BOP, KOP, KOPV, KVT, UOP4	5n18a.1		BOP, KOP, KOPV, KVT, UOP4
	06	G01Z, G02Z, G15Z, G19A, G19B, G19C, G38Z		06	G01Z, G02Z, G15Z, G19A, G19B, G38Z		06	G15Z, G19A, G19B, G38Z
	07	H33Z, H38Z		07	H33Z, H38Z		07	H33Z, H38Z
	11	L33Z		11	L33Z		10	K04A
	21A	W04A, W04B		21A	W04A, W04B		11	L33Z
	21B	X06A, X06B		21B	X06A, X06B		21A	W04A, W04B
	23	Z01A		23	Z01A		21B	X06A, X06B
	Pre	A07A, A11A, A13A, A13B, A13D		Pre	A07A, A11A, A13A, A13B, A13D		23	Z01A
							Pre	A07A
5n185.0		BOP, KOP, KOPV, KVT, UOP4	5n186.1		BOP, KOP, KOPV, KVT, UOP4	5n18a.2		BOP, KOP, KOPV, KVT, UOP4
	06	G01Z, G02Z, G15Z, G19A, G19B, G38Z		06	G01Z, G02Z, G15Z, G19A, G19B, G38Z		06	G15Z, G19A, G19B, G38Z
	07	H33Z, H38Z		07	H33Z, H38Z		07	H33Z, H38Z
	11	L33Z		11	L33Z		10	K04A
	21A	W04A, W04B		21A	W04A, W04B		11	L33Z
	21B	X06A, X06B		21B	X06A, X06B		21A	W04A, W04B
	23	Z01A		23	Z01A		21B	X06A, X06B
	Pre	A07A, A11A, A13A, A13B, A13D		Pre	A07A, A11A, A13A, A13B, A13D		23	Z01A
							Pre	A07A
5n185.1		BOP, KOP, KOPV, KVT, UOP4	5n186.2		BOP, KOP, KOPV, KVT, UOP4	5n18a.4		BOP, KOP, KOPV, KVT, UOP4
	06	G01Z, G02Z, G15Z, G19A, G19B, G38Z		06	G01Z, G02Z, G15Z, G19A, G19B, G19C, G38Z		06	G15Z, G19A, G19B, G38Z
	07	H33Z, H38Z		07	H33Z, H38Z		07	H33Z, H38Z
	11	L33Z		11	L33Z		10	K04A
	21A	W04A, W04B		21A	W04A, W04B		11	L33Z
	21B	X06A, X06B		21B	X06A, X06B		21A	W04A, W04B
	23	Z01A		23	Z01A		21B	X06A, X06B
	Pre	A07A, A11A, A13A, A13B, A13D		Pre	A07A, A11A, A13A, A13B, A13D		23	Z01A
							Pre	A07A
5n185.2		BOP, KOP, KOPV, KVT, UOP4	5n186.4		BOP, KOP, KOPV, KVT, UOP4	5n18a.x		BOP, KOP, KOPV, KVT, UOP4
	06	G01Z, G02Z, G15Z, G19A, G19B, G19C, G38Z		06	G01Z, G02Z, G15Z, G19A, G19B, G38Z		06	G15Z, G19A, G19B, G38Z
	07	H33Z, H38Z		07	H33Z, H38Z		07	H33Z, H38Z
	11	L33Z		11	L33Z		10	K04A
	21A	W04A, W04B		21A	W04A, W04B		11	L33Z
	21B	X06A, X06B		21B	X06A, X06B		21A	W04A, W04B
	23	Z01A		23	Z01A		21B	X06A, X06B
	Pre	A07A, A11A, A13A, A13B, A13D		Pre	A07A, A11A, A13A, A13B, A13D		23	Z01A
							Pre	A07A
5n185.4		BOP, KOP, KOPV, KVT, UOP4	5n186.x		BOP, KOP, KOPV, KVT, UOP4	5n18b.0		BOP, KOP, KOPV, KVT, UOP4
	06	G01Z, G02Z, G15Z, G19A, G19B, G38Z		06	G01Z, G02Z, G15Z, G19A, G19B, G19C, G38Z		06	G15Z, G19A, G19B, G38Z
	07	H33Z, H38Z		07	H33Z, H38Z		07	H33Z, H38Z
	11	L33Z		11	L33Z		10	K04A, K04B
	21A	W04A, W04B		21A	W04A, W04B		11	L33Z
	21B	X06A, X06B		21B	X06A, X06B		21A	W04A, W04B
	23	Z01A		23	Z01A		21B	X06A, X06B
	Pre	A07A, A11A, A13A, A13B, A13D		Pre	A07A, A11A, A13A, A13B, A13D		23	Z01A
							Pre	A07A
5n185.x		BOP, KOP, KOPV, KVT, UOP4	5n18a.0		BOP, KOP, KOPV, KVT, UOP4	5n18b.1		BOP, KOP, KOPV, KVT, UOP4
	06	G01Z, G02Z, G15Z, G19A, G19B, G19C, G38Z		06	G15Z, G19A, G19B, G38Z		06	G15Z, G19A, G19B, G38Z
	07	H33Z, H38Z		07	H33Z, H38Z		07	H33Z, H38Z
	11	L33Z		10	K04A		10	K04A, K04B
	21A	W04A, W04B		11	L33Z		11	L33Z
	21B	X06A, X06B		21A	W04A, W04B		21A	W04A, W04B
	23	Z01A		21B	X06A, X06B		21B	X06A, X06B
	Pre	A07A, A11A, A13A, A13B, A13D		23	Z01A		23	Z01A
				Pre	A07A		Pre	A07A



ZZV	MDC	DRG	ZZV	MDC	DRG	ZZV	MDC	DRG
5n18b.2		BOP, KOP, KOPV, KVT, UOP4	5n18c.4		BOP, KOP, KOPV, KVT, UOP4	5n18d.x		BOP, KOP, KOPV, KVT, UOP4
	06	G15Z, G19A, G19B, G19C, G38Z		06	G15Z, G19A, G19B, G38Z		06	G15Z, G19A, G19B, G19C, G38Z
	07	H33Z, H38Z		07	H33Z, H38Z		07	H33Z, H38Z
	10	K04A, K04B		10	K04A, K04B		10	K04A, K04B
	11	L33Z		11	L33Z		11	L33Z
	21A	W04A, W04B		21A	W04A, W04B		21A	W04A, W04B
	21B	X06A, X06B		21B	X06A, X06B		21B	X06A, X06B
	23	Z01A		23	Z01A		23	Z01A
	Pre	A07A		Pre	A07A		Pre	A07A
	5n18b.4			BOP, KOP, KOPV, KVT, UOP4	5n18c.x			BOP, KOP, KOPV, KVT, UOP4
06		G15Z, G19A, G19B, G38Z	06	G15Z, G19A, G19B, G19C, G38Z		06	G15Z, G19A, G19B, G38Z	
07		H33Z, H38Z	07	H33Z, H38Z		07	H33Z, H38Z	
10		K04A, K04B	10	K04A, K04B		10	K07Z	
11		L33Z	11	L33Z		11	L33Z	
21A		W04A, W04B	21A	W04A, W04B		21A	W04A, W04B	
21B		X06A, X06B	21B	X06A, X06B		21B	X06A, X06B	
23		Z01A	23	Z01A		23	Z01A	
Pre		A07A	Pre	A07A		Pre	A07A	
5n18b.x			BOP, KOP, KOPV, KVT, UOP4	5n18d.0			BOP, KOP, KOPV, KVT, UOP4	5n18e.1
	06	G15Z, G19A, G19B, G19C, G38Z	06		G15Z, G19A, G19B, G38Z	06	G15Z, G19A, G19B, G38Z	
	07	H33Z, H38Z	07		H33Z, H38Z	07	H33Z, H38Z	
	10	K04A, K04B	10		K04A, K04B	10	K07Z	
	11	L33Z	11		L33Z	11	L33Z	
	21A	W04A, W04B	21A		W04A, W04B	21A	W04A, W04B	
	21B	X06A, X06B	21B		X06A, X06B	21B	X06A, X06B	
	23	Z01A	23		Z01A	23	Z01A	
	Pre	A07A	Pre		A07A	Pre	A07A	
	5n18c.0		BOP, KOP, KOPV, KVT, UOP4		5n18d.1		BOP, KOP, KOPV, KVT, UOP4	
06		G15Z, G19A, G19B, G38Z	06	G15Z, G19A, G19B, G38Z		06	G15Z, G19A, G19B, G19C, G38Z	
07		H33Z, H38Z	07	H33Z, H38Z		07	H33Z, H38Z	
10		K04A, K04B	10	K04A, K04B		10	K07Z	
11		L33Z	11	L33Z		11	L33Z	
21A		W04A, W04B	21A	W04A, W04B		21A	W04A, W04B	
21B		X06A, X06B	21B	X06A, X06B		21B	X06A, X06B	
23		Z01A	23	Z01A		23	Z01A	
Pre		A07A	Pre	A07A		Pre	A07A	
5n18c.1			BOP, KOP, KOPV, KVT, UOP4	5n18d.2			BOP, KOP, KOPV, KVT, UOP4	5n18e.4
	06	G15Z, G19A, G19B, G38Z	06		G15Z, G19A, G19B, G19C, G38Z	06	G15Z, G19A, G19B, G38Z	
	07	H33Z, H38Z	07		H33Z, H38Z	07	H33Z, H38Z	
	10	K04A, K04B	10		K04A, K04B	10	K07Z	
	11	L33Z	11		L33Z	11	L33Z	
	21A	W04A, W04B	21A		W04A, W04B	21A	W04A, W04B	
	21B	X06A, X06B	21B		X06A, X06B	21B	X06A, X06B	
	23	Z01A	23		Z01A	23	Z01A	
	Pre	A07A	Pre		A07A	Pre	A07A	
	5n18c.2		BOP, KOP, KOPV, KVT, UOP4		5n18d.4		BOP, KOP, KOPV, KVT, UOP4	
06		G15Z, G19A, G19B, G19C, G38Z	06	G15Z, G19A, G19B, G38Z		06	G15Z, G19A, G19B, G19C, G38Z	
07		H33Z, H38Z	07	H33Z, H38Z		07	H33Z, H38Z	
10		K04A, K04B	10	K04A, K04B		10	K07Z	
11		L33Z	11	L33Z		11	L33Z	
21A		W04A, W04B	21A	W04A, W04B		21A	W04A, W04B	
21B		X06A, X06B	21B	X06A, X06B		21B	X06A, X06B	
23		Z01A	23	Z01A		23	Z01A	
Pre		A07A	Pre	A07A		Pre	A07A	

VYK

ZZV	MDC	DRG	ZZV	MDC	DRG	ZZV	MDC	DRG	
5n18x.0		BOP, KOP, KOPV, KVT, UOP4	5n191.4		BOP, KOP, KOPV, KVT, UOP4	5n194.2		BOP, KOP, KOPV, KVT, UOP4	
	06	G15Z, G19A, G19B, G38Z		06	G15Z, G19A, G19B, G38Z		06	G01Z, G02Z, G15Z, G18A, G18B, G38Z	
	07	H33Z, H38Z		07	H06A, H06B, H06C, H33Z, H38Z		07	H33Z, H38Z	
	11	L33Z					21A	W04A, W04B	
	21A	W04A, W04B					21B	X06A, X06B, X06C, X33Z	
	21B	X06A, X06B					23	Z01A	
	23	Z01A		5n191.x			BOP, KOP, KOPV, KVT, UOP4	Pre	A07A
	Pre	A07A					06	G15Z, G19A, G19B, G38Z	
5n18x.1		BOP, KOP, KOPV, KVT, UOP4	5n193.0		BOP, KOP, KOPV, KVT, UOP4	5n194.4		BOP, KOP, KOPV, KVT, UOP4	
	06	G15Z, G19A, G19B, G38Z		06	G15Z, G19A, G19B, G38Z		06	G01Z, G02Z, G15Z, G18A, G18B, G38Z	
	07	H33Z, H38Z		07	H06A, H06B, H06C, H33Z, H38Z		07	H33Z, H38Z	
	11	L33Z					21A	W04A, W04B	
	21A	W04A, W04B					21B	X06A, X06B, X06C, X33Z	
	21B	X06A, X06B					23	Z01A	
	23	Z01A					Pre	A07A	
	Pre	A07A					06	G40Z, G46A, G46B, G46C, G47Z, G50Z	
5n18x.2		BOP, KOP, KOPV, KVT, UOP4	5n193.2		BOP, KOP, KOPV, KVT, UOP4	5n194.6†		G40Z, G46A, G46B, G46C, G47Z, G50Z	
	06	G15Z, G19A, G19B, G19C, G38Z		06	G15Z, G19A, G19B, G38Z		5n194.x†	06	G40Z, G46A, G46B, G46C, G47Z, G50Z
	07	H33Z, H38Z		07	H06A, H06B, H06C, H33Z, H38Z		5n195.0		BOP, KOP, KOPV, KVT, UOP4
	11	L33Z					06	G15Z, G19A, G19B, G38Z	
	21A	W04A, W04B					07	H33Z, H38Z	
	21B	X06A, X06B					23	Z01A	
	23	Z01A					Pre	A07A	
	Pre	A07A					5n195.2		BOP, KOP, KOPV, KVT, UOP4
5n18x.4		BOP, KOP, KOPV, KVT, UOP4	5n193.4		BOP, KOP, KOPV, KVT, UOP4	5n195.4		BOP, KOP, KOPV, KVT, UOP4	
	06	G15Z, G19A, G19B, G38Z		06	G15Z, G19A, G19B, G38Z		06	G15Z, G19A, G19B, G38Z	
	07	H33Z, H38Z		07	H06A, H06B, H06C, H33Z, H38Z		07	H33Z, H38Z	
	11	L33Z					23	Z01A	
	21A	W04A, W04B					Pre	A07A	
	21B	X06A, X06B					5n195.x		BOP, KOP, KOPV, KVT, UOP4
	23	Z01A					06	G15Z, G19A, G19B, G38Z	
	Pre	A07A					07	H33Z, H38Z	
5n18x.x		BOP, KOP, KOPV, KVT, UOP4	5n193.x		BOP, KOP, KOPV, KVT, UOP4	5n195.6†		G40Z, G46A, G46B, G46C, G47Z, G50Z	
	06	G15Z, G19A, G19B, G19C, G38Z		06	G15Z, G19A, G19B, G38Z		5n196.x†	06	G40Z, G46A, G46B, G46C, G47Z, G50Z
	07	H33Z, H38Z		07	H06A, H06B, H06C, H33Z, H38Z		5n197.6†	06	G40Z, G46A, G46B, G46C, G47Z, G50Z
	11	L33Z					5n197.7†	06	G40Z, G46A, G46B, G46C, G47Z, G50Z
	21A	W04A, W04B					5n197.x†	06	G40Z, G46A, G46B, G46C, G47Z, G50Z
	21B	X06A, X06B					5n198		BOP, KVT, UOP4
	23	Z01A					06	G11A, G11B	
	Pre	A07A					15	P60A, P60B, P60C, P67B, P67C	
5n190.6†		BOP, KOP, KOPV, KVT, UOP4	5n194.0		BOP, KOP, KOPV, KVT, UOP4	5n199		BOP, KOP, KOPV, KVT, UOP4	
	06	G15Z, G19A, G19B, G19C, G38Z		06	G01Z, G02Z, G15Z, G18A, G18B, G38Z		06	G15Z, G19A, G19B, G38Z	
	07	H06A, H06B, H06C, H33Z, H38Z		07	H33Z, H38Z		07	H33Z, H38Z	
	23	Z01A					11	L33Z	
	Pre	A07A					23	Z01A	
	06	G15Z, G19A, G19B, G38Z					Pre	A07A	
	07	H06A, H06B, H06C, H33Z, H38Z							
	23	Z01A							
5n191.0		BOP, KOP, KOPV, KVT, UOP4							
	06	G15Z, G19A, G19B, G38Z							
	07	H06A, H06B, H06C, H33Z, H38Z							
	23	Z01A							
	Pre	A07A							
	06	G15Z, G19A, G19B, G38Z							
	07	H06A, H06B, H06C, H33Z, H38Z							
	23	Z01A							
5n191.2		BOP, KOP, KOPV, KVT, UOP4							
	06	G15Z, G19A, G19B, G38Z							
	07	H06A, H06B, H06C, H33Z, H38Z							
	23	Z01A							
	Pre	A07A							
	06	G15Z, G19A, G19B, G38Z							
	07	H06A, H06B, H06C, H33Z, H38Z							
	23	Z01A							

VYK

ZZV	MDC	DRG	ZZV	MDC	DRG	ZZV	MDC	DRG
5n19a		BOP, KOP, KOPV, KVT, UOP4	5n19k.0		BOP, KOP, KOPV, KVT, UOP4	5n19p.2		BOP, KOP, KOPV, KVT, UOP4
	06	G15Z, G19A, G19B, G38Z		06	G15Z, G19A, G19B, G38Z		06	G15Z, G19A, G19B, G38Z
	07	H33Z, H38Z		07	H33Z, H38Z		07	H33Z, H38Z
	11	L33Z		23	Z01A		23	Z01A
	17	R01A, R01B, R01C, R01D, R02Z, R12A, R12B, R12C		Pre	A07A		Pre	A07A
	21A	W04A, W04B	5n19k.2		BOP, KOP, KOPV, KVT, UOP4	5n19p.4		BOP, KOP, KOPV, KVT, UOP4
	21B	X06A, X06B, X06C		06	G15Z, G19A, G19B, G38Z		06	G15Z, G19A, G19B, G38Z
	22	Y01Z, Y03A, Y03B		07	H33Z, H38Z		07	H33Z, H38Z
	23	Z01A		23	Z01A		23	Z01A
	Pre	A07A		Pre	A07A		Pre	A07A
5n19c.6‡	06	G40Z, G46A, G46B, G46C, G47Z, G50Z	5n19k.4		BOP, KOP, KOPV, KVT, UOP4	5n19q‡	06	G40Z, G46A, G46B, G46C, G47Z, G50Z
5n19c.x‡	06	G40Z, G46A, G46B, G46C, G47Z, G50Z		06	G15Z, G19A, G19B, G38Z	5n19r‡	06	G40Z, G46A, G46B, G46C, G47Z, G50Z
5n19d.6‡	06	G40Z, G46A, G46B, G46C, G47Z, G50Z		07	H33Z, H38Z			
5n19d.x‡	06	G40Z, G46A, G46B, G46C, G47Z, G50Z		23	Z01A	5n19s		BOP, KVT, UOP4
5n19e.6‡	06	G40Z, G46A, G46B, G46C, G47Z, G50Z	5n19k.6‡	06	G40Z, G46A, G46B, G46C, G47Z, G50Z		06	G11A, G11B
5n19e.x‡	06	G40Z, G46A, G46B, G46C, G47Z, G50Z		06	G40Z, G46A, G46B, G46C, G47Z, G50Z		15	P60A, P60B, P60C, P66C, P67B, P67C
5n19h.0		BOP, KOP, KOPV, KVT, UOP4	5n19k.x‡	06	G40Z, G46A, G46B, G46C, G47Z, G50Z	5n19x.0		BOP, KOP, KOPV, UOP4
	06	G15Z, G19A, G19B, G38Z					06	G15Z, G19A, G19B, G38Z
	07	H33Z, H38Z					07	H33Z, H38Z
	23	Z01A					23	Z01A
	Pre	A07A					Pre	A07A
5n19h.2		BOP, KOP, KOPV, KVT, UOP4	5n19m.2		BOP, KOP, KOPV, KVT, UOP4	5n19x.2		BOP, KOP, KOPV, UOP4
	06	G15Z, G19A, G19B, G38Z		06	G15Z, G19A, G19B, G38Z		06	G15Z, G19A, G19B, G38Z
	07	H33Z, H38Z		07	H33Z, H38Z		07	H33Z, H38Z
	23	Z01A		23	Z01A		07	H33Z, H38Z
	Pre	A07A		Pre	A07A		23	Z01A
5n19h.4		BOP, KOP, KOPV, KVT, UOP4	5n19m.4		BOP, KOP, KOPV, KVT, UOP4	5n19x.4		BOP, KOP, KOPV, UOP4
	06	G15Z, G19A, G19B, G38Z		06	G15Z, G19A, G19B, G38Z		06	G15Z, G19A, G19B, G38Z
	07	H33Z, H38Z		07	H33Z, H38Z		07	H33Z, H38Z
	23	Z01A		23	Z01A		07	H33Z, H38Z
	Pre	A07A		Pre	A07A		23	Z01A
5n19h.6‡	06	G40Z, G46A, G46B, G46C, G47Z, G50Z	5n19m.6‡	06	G40Z, G46A, G46B, G46C, G47Z, G50Z	5n19x.6‡	06	G40Z, G46A, G46B, G46C, G47Z, G50Z
5n19h.x‡	06	G40Z, G46A, G46B, G46C, G47Z, G50Z		06	G40Z, G46A, G46B, G46C, G47Z, G50Z	5n19x.x‡	06	G40Z, G46A, G46B, G46C, G47Z, G50Z
5n19j.0		BOP, KOP, KOPV, KVT, UOP4	5n19n.0		BOP, KOP, KOPV, KVT, UOP4	5n200		BOP, KVT, UOP4
	06	G15Z, G19A, G19B, G38Z		06	G15Z, G19A, G19B, G38Z		06	G01Z, G04A, G04B, G07A, G07B, G07C, G38Z
	07	H33Z, H38Z		07	H33Z, H38Z		17	R01A, R01B, R01C, R01D, R02Z, R12A, R12B, R12C
	23	Z01A		23	Z01A		21A	W04A, W04B
	Pre	A07A		Pre	A07A		21B	X06A, X06B, X06C
5n19j.2		BOP, KOP, KOPV, KVT, UOP4	5n19n.1		BOP, KOP, KOPV, KVT, UOP4	5n201		BOP, KVT, UOP4
	06	G15Z, G19A, G19B, G38Z		06	G15Z, G19A, G19B, G38Z		06	G01Z, G04A, G04B, G07A, G07B, G07C, G38Z
	07	H33Z, H38Z		07	H33Z, H38Z		17	R01A, R01B, R01C, R01D, R02Z, R12A, R12B, R12C
	23	Z01A		23	Z01A		21A	W04A, W04B
	Pre	A07A		Pre	A07A		21B	X06A, X06B, X06C
5n19j.4		BOP, KOP, KOPV, KVT, UOP4	5n19n.2		BOP, KOP, KOPV, KVT, UOP4	5n202		BOP, KVT, UOP4
	06	G15Z, G19A, G19B, G38Z		06	G15Z, G19A, G19B, G38Z		06	G01Z, G04A, G04B, G07A, G07B, G07C, G38Z
	07	H33Z, H38Z		07	H33Z, H38Z		17	R01A, R01B, R01C, R01D, R02Z, R12A, R12B, R12C
	23	Z01A		23	Z01A		21A	W04A, W04B
	Pre	A07A		Pre	A07A		21B	X06A, X06B, X06C
5n19j.6‡	06	G40Z, G46A, G46B, G46C, G47Z, G50Z	5n19p.0		BOP, KOP, KOPV, KVT, UOP4	5n203‡	06	G40Z, G46A, G46B, G46C, G47Z, G50Z
5n19j.x‡	06	G40Z, G46A, G46B, G46C, G47Z, G50Z		06	G15Z, G19A, G19B, G38Z			
				07	H33Z, H38Z			
				23	Z01A			
				Pre	A07A			

ZZV	MDC	DRG	ZZV	MDC	DRG	ZZV	MDC	DRG		
5n20a		BOP, KOP, KOPV, KVT, UOP4	5n20e		BOP, KOP, KOPV, KVT, UOP4	5n215.0		BOP, KVT, UOP4		
	05	F36A, F36B		05	F36A, F36B		06	G13Z, G21A, G21B		
	06	G01Z, G02Z, G15Z, G18A, G18B, G33Z, G38Z		06	G01Z, G02Z, G15Z, G18A, G18B, G33Z, G38Z		07	H06A, H06B, H06C		
	07	H33Z, H38Z		07	H33Z, H38Z	17	R01A, R01B, R01C, R01D, R02Z, R12A, R12B, R12C			
	10	K04A		10	K04A	5n215.1		BOP, KVT, UOP4		
	11	L33Z		11	L33Z	06	G13Z, G21A, G21B			
	17	R01A, R01B, R01C, R01D, R02Z, R12A, R12B, R12C		17	R01A, R01B, R01C, R01D, R02Z, R12A, R12B, R12C	07	H06A, H06B, H06C			
	21A	W04A, W04B		21A	W04A, W04B	17	R01A, R01B, R01C, R01D, R02Z, R12A, R12B, R12C			
	21B	X06A, X06B, X06C, X33Z		21B	X06A, X06B, X06C, X33Z	5n215.2		BOP, KVT, UOP4		
	23	Z01A		23	Z01A	06	G13Z, G21A, G21B			
	Pre	A07A, A11A, A13A, A13B, A13D		Pre	A07A, A11A, A13A, A13B, A13D	07	H06A, H06B, H06C			
	5n20b			BOP, KOP, KOPV, KVT, UOP4	5n20x		BOP, KOP, KOPV, KVT, UOP4	5n215.4		BOP, KVT, UOP4
		05		F36A, F36B		05	F36A, F36B		06	G13Z, G21A, G21B
		06		G01Z, G02Z, G15Z, G18A, G18B, G33Z, G38Z		06	G01Z, G02Z, G15Z, G18A, G18B, G33Z, G38Z		17	R01A, R01B, R01C, R01D, R02Z, R12A, R12B, R12C
		07		H33Z, H38Z		07	H33Z, H38Z	5n215.x		BOP, KVT, UOP4
10		K04A	10	K04A		06	G13Z, G21A, G21B			
11		L33Z	11	L33Z		07	H06A, H06B, H06C			
17		R01A, R01B, R01C, R01D, R02Z, R12A, R12B, R12C	17	R01A, R01B, R01C, R01D, R02Z, R12A, R12B, R12C		17	R01A, R01B, R01C, R01D, R02Z, R12A, R12B, R12C			
21A		W04A, W04B	21A	W04A, W04B		5n217.10‡	06	G40Z, G46A, G46B, G46C, G47Z, G50Z		
21B		X06A, X06B, X06C, X33Z	21B	X06A, X06B, X06C, X33Z		5n217.11‡	06	G40Z, G46A, G46B, G46C, G47Z, G50Z		
23		Z01A	23	Z01A		5n217.12‡	06	G40Z, G46A, G46B, G46C, G47Z, G50Z		
Pre		A07A, A11A, A13A, A13B, A13D	Pre	A07A, A11A, A13A, A13B, A13D		5n217.13‡	06	G40Z, G46A, G46B, G46C, G47Z, G50Z		
5n20c			BOP, KOP, KOPV, KVT, UOP4	5n210			BOP, KVT, UOP4	5n217.1x‡		BOP, KVT, UOP4
		05	F36A, F36B			06	G13Z, G21A, G21B		06	G40Z, G46A, G46B, G46C, G47Z, G50Z
		06	G01Z, G02Z, G15Z, G18A, G18B, G33Z, G38Z			17	R01A, R01B, R01C, R01D, R02Z, R12A, R12B, R12C		06	G40Z, G46A, G46B, G46C, G47Z, G50Z
		07	H33Z, H38Z	5n211.0			BOP, KVT, UOP4	5n217.4‡		BOP, KVT, UOP4
	10	K09A, K09B	06		G13Z, G21A, G21B	06	G40Z, G46A, G46B, G46C, G47Z, G50Z			
	11	L33Z	07		H06A, H06B, H06C	5n217.5‡			BOP, KVT, UOP4	
	17	R01A, R01B, R01C, R01D, R02Z, R12A, R12B, R12C	17	R01A, R01B, R01C, R01D, R02Z, R12A, R12B, R12C	06		G40Z, G46A, G46B, G46C, G47Z, G50Z			
	21A	W04A, W04B	5n211.2		BOP, KVT, UOP4		5n219.0		BOP, KVT, UOP4	
	21B	X06A, X06B, X06C, X33Z		06	G13Z, G21A, G21B	06		G13Z, G21A, G21B		
	23	Z01A		07	H06A, H06B, H06C	16		Q03A, Q03B		
	Pre	A07A, A11A, A13A, A13B, A13D	17	R01A, R01B, R01C, R01D, R02Z, R12A, R12B, R12C	17	R01A, R01B, R01C, R01D, R02Z, R12A, R12B, R12C				
	5n20d		BOP, KOP, KOPV, KVT, UOP4	5n214.0		BOP, KVT, UOP4	5n219.1‡		BOP, KVT, UOP4	
		05	F36A, F36B		06	G13Z, G21A, G21B		06	G40Z, G46A, G46B, G46C, G47Z, G50Z	
		06	G01Z, G02Z, G15Z, G18A, G18B, G33Z, G38Z		07	H06A, H06B, H06C		06	G40Z, G46A, G46B, G46C, G47Z, G50Z	
		07	H33Z, H38Z	5n214.1		BOP, KVT, UOP4	5n219.2		BOP, KVT, UOP4	
11		L33Z	06		G13Z, G21A, G21B	06		G13Z, G21A, G21B		
17		R01A, R01B, R01C, R01D, R02Z, R12A, R12B, R12C	07		H06A, H06B, H06C	16		Q03A, Q03B		
21A		W04A, W04B	17	R01A, R01B, R01C, R01D, R02Z, R12A, R12B, R12C	17	R01A, R01B, R01C, R01D, R02Z, R12A, R12B, R12C				
21B		X06A, X06B, X06C, X33Z	5n214.2		BOP, KVT, UOP4	5n219.4‡		BOP, KVT, UOP4		
23		Z01A		06	G13Z, G21A, G21B		06	G40Z, G46A, G46B, G46C, G47Z, G50Z		
Pre		A07A, A11A, A13A, A13B, A13D		07	H06A, H06B, H06C		06	G40Z, G46A, G46B, G46C, G47Z, G50Z		
5n20d			BOP, KOP, KOPV, KVT, UOP4	5n214.2		BOP, KVT, UOP4	5n219.x‡		BOP, KVT, UOP4	
		05	F36A, F36B		06	G13Z, G21A, G21B		06	G40Z, G46A, G46B, G46C, G47Z, G50Z	
		06	G01Z, G02Z, G15Z, G18A, G18B, G33Z, G38Z		07	H06A, H06B, H06C		5n21a.0		BOP, KVT, UOP4
		07	H33Z, H38Z	17	R01A, R01B, R01C, R01D, R02Z, R12A, R12B, R12C	06	G13Z, G21A, G21B			
		11	L33Z	5n214.4		BOP, KVT, UOP4	5n21a.1‡			BOP, KVT, UOP4
	17	R01A, R01B, R01C, R01D, R02Z, R12A, R12B, R12C	06		G13Z, G21A, G21B	06		G13Z, G21A, G21B		
	21A	W04A, W04B	07		H06A, H06B, H06C	17		R01A, R01B, R01C, R01D, R02Z, R12A, R12B, R12C		
	21B	X06A, X06B, X06C, X33Z	5n214.x		BOP, KVT, UOP4	5n21a.2		BOP, KVT, UOP4		
	23	Z01A		06	G13Z, G21A, G21B		06	G13Z, G21A, G21B		
	Pre	A07A, A11A, A13A, A13B, A13D		07	H06A, H06B, H06C		17	R01A, R01B, R01C, R01D, R02Z, R12A, R12B, R12C		
	5n20d		BOP, KOP, KOPV, KVT, UOP4	5n214.4		BOP, KVT, UOP4	5n21a.4‡		BOP, KVT, UOP4	
		05	F36A, F36B		06	G13Z, G21A, G21B		06	G40Z, G46A, G46B, G46C, G47Z, G50Z	
		06	G01Z, G02Z, G15Z, G18A, G18B, G33Z, G38Z		07	H06A, H06B, H06C		5n21a.x‡		BOP, KVT, UOP4
		07	H33Z, H38Z	17	R01A, R01B, R01C, R01D, R02Z, R12A, R12B, R12C	06	G40Z, G46A, G46B, G46C, G47Z, G50Z			
		11	L33Z	5n214.x		BOP, KVT, UOP4	5n21a.x‡			BOP, KVT, UOP4
17		R01A, R01B, R01C, R01D, R02Z, R12A, R12B, R12C	06		G13Z, G21A, G21B	06		G40Z, G46A, G46B, G46C, G47Z, G50Z		
21A		W04A, W04B	07		H06A, H06B, H06C	5n21a.x‡			BOP, KVT, UOP4	
21B		X06A, X06B, X06C, X33Z	17	R01A, R01B, R01C, R01D, R02Z, R12A, R12B, R12C	06		G40Z, G46A, G46B, G46C, G47Z, G50Z			
23		Z01A	5n214.x		BOP, KVT, UOP4		5n21a.x‡		BOP, KVT, UOP4	
Pre		A07A, A11A, A13A, A13B, A13D		06	G13Z, G21A, G21B	06		G40Z, G46A, G46B, G46C, G47Z, G50Z		
				07	H06A, H06B, H06C	06		G40Z, G46A, G46B, G46C, G47Z, G50Z		



ZZV	MDC	DRG	ZZV	MDC	DRG	ZZV	MDC	DRG
5n21x.0		BOP, KVT, UOP4	5n224.2		BOP, KVT, UOP4	5n230.4		BOP, KOP, KOPV, KVT, UOP4
	06	G13Z, G21A, G21B		06	G13Z, G21A, G21B		05	F36A, F36B
	17	R01A, R01B, R01C, R01D, R02Z, R12A, R12B, R12C		10	K09A, K09B		06	G01Z, G02Z, G15Z, G18A, G18B, G33Z, G38Z
5n21x.1†	06	G40Z, G46A, G46B, G46C, G47Z, G50Z	5n224.4		BOP, KVT, UOP4		07	H33Z, H38Z
5n21x.2		BOP, KVT, UOP4		06	G13Z, G21A, G21B		10	K09A, K09B
	06	G13Z, G21A, G21B		10	K09A, K09B		11	L10Z, L33Z, L38Z
	17	R01A, R01B, R01C, R01D, R02Z, R12A, R12B, R12C		17	R01A, R01B, R01C, R01D, R02Z, R12A, R12B, R12C		12	M37Z, M38Z
5n21x.4†	06	G40Z, G46A, G46B, G46C, G47Z, G50Z	5n224.x		BOP, KVT, UOP4		13	N01A, N01B, N01C, N01D, N01E, N34Z, N38Z
5n21x.x†	06	G40Z, G46A, G46B, G46C, G47Z, G50Z		06	G13Z, G21A, G21B		14	O04A
5n220		BOP, KVT, UOP4		10	K09A, K09B		17	R01A, R01B, R01C, R01D, R02Z, R12A, R12B, R12C
	06	G01Z, G04A, G04B, G07A, G07B, G07C, G38Z	5n225.0†	06	G40Z, G48A, G48B, G48C		21A	W04A, W04B
	10	K09A, K09B	5n225.1†	06	G40Z, G48A, G48B, G48C		21B	X06A, X06B, X33Z
	17	R01A, R01B, R01C, R01D, R02Z, R12A, R12B, R12C	5n225.2†	06	G40Z, G48A, G48B, G48C		23	Z01A
5n221		BOP, KVT, UOP4	5n225.4†	06	G40Z, G48A, G48B, G48C	5n231.0		A07A, A11A, A13A, A13B, A13D
	06	G01Z, G04A, G04B, G07A, G07B, G07C, G38Z	5n225.x†	06	G40Z, G48A, G48B, G48C			BOP, KOP, KOPV, KVT, UOP4
	10	K09A, K09B	5n22x.0†	06	G40Z, G48A, G48B, G48C		05	F36A, F36B
	17	R01A, R01B, R01C, R01D, R02Z, R12A, R12B, R12C	5n22x.1†	06	G40Z, G48A, G48B, G48C		06	G01Z, G02Z, G15Z, G18A, G18B, G33Z, G38Z
5n222.0†	06	G40Z, G48A, G48B, G48C	5n22x.2†	06	G40Z, G48A, G48B, G48C		07	H33Z, H38Z
5n222.1†	06	G40Z, G48A, G48B, G48C	5n22x.4†	06	G40Z, G48A, G48B, G48C		10	K09A, K09B
5n222.2†	06	G40Z, G48A, G48B, G48C	5n22x.x†	06	G40Z, G48A, G48B, G48C		11	L10Z, L33Z, L38Z
5n222.3†	06	G40Z, G48A, G48B, G48C	5n230.0		BOP, KOP, KOPV, KVT, UOP4		12	M37Z, M38Z
5n222.4†	06	G40Z, G48A, G48B		05	F36A, F36B		13	N01A, N01B, N01C, N01D, N01E, N34Z, N38Z
5n222.5†	06	G40Z, G48A, G48B		06	G01Z, G02Z, G15Z, G18A, G18B, G33Z, G38Z		14	O04A
5n222.x†	06	G40Z, G48A, G48B, G48C		07	H33Z, H38Z		17	R01A, R01B, R01C, R01D, R02Z, R12A, R12B, R12C
5n223.0		BOP, KVT, UOP4		10	K09A, K09B		21A	W01A, W01B, W01C, W02A, W02B, W04A, W04B
	06	G13Z, G21A, G21B		11	L10Z, L33Z, L38Z		21B	X06A, X06B, X33Z
	10	K09A, K09B		12	M37Z, M38Z		23	Z01A
	17	R01A, R01B, R01C, R01D, R02Z, R12A, R12B, R12C		13	N01A, N01B, N01C, N01D, N01E, N34Z, N38Z		Pre	A07A, A11A, A13A, A13B, A13D
5n223.1		BOP, KVT, UOP4		14	O04A	5n231.2		BOP, KOP, KOPV, KVT, UOP4
	06	G13Z, G21A, G21B		17	R01A, R01B, R01C, R01D, R02Z, R12A, R12B, R12C		05	F36A, F36B
	10	K09A, K09B		21A	W04A, W04B		06	G01Z, G02Z, G15Z, G18A, G18B, G33Z, G38Z
	17	R01A, R01B, R01C, R01D, R02Z, R12A, R12B, R12C		21B	X06A, X06B, X33Z		07	H33Z, H38Z
5n223.2		BOP, KVT, UOP4		23	Z01A		10	K09A, K09B
	06	G13Z, G21A, G21B	5n230.2		BOP, KOP, KOPV, KVT, UOP4		11	L10Z, L33Z, L38Z
	10	K09A, K09B		05	F36A, F36B		12	M37Z, M38Z
	17	R01A, R01B, R01C, R01D, R02Z, R12A, R12B, R12C		06	G01Z, G02Z, G15Z, G18A, G18B, G33Z, G38Z		13	N01A, N01B, N01C, N01D, N01E, N34Z, N38Z
5n223.4		BOP, KVT, UOP4		07	H33Z, H38Z		14	O04A
	06	G13Z, G21A, G21B		10	K09A, K09B		17	R01A, R01B, R01C, R01D, R02Z, R12A, R12B, R12C
	10	K09A, K09B		11	L10Z, L33Z, L38Z		21A	W04A, W04B
	17	R01A, R01B, R01C, R01D, R02Z, R12A, R12B, R12C		12	M37Z, M38Z		21B	X06A, X06B, X33Z
5n223.x		BOP, KVT, UOP4		13	N01A, N01B, N01C, N01D, N01E, N34Z, N38Z		23	Z01A
	06	G13Z, G21A, G21B		14	O04A		Pre	A07A, A11A, A13A, A13B, A13D
	10	K09A, K09B		17	R01A, R01B, R01C, R01D, R02Z, R12A, R12B, R12C			
	17	R01A, R01B, R01C, R01D, R02Z, R12A, R12B, R12C		21A	W04A, W04B			
5n224.0		BOP, KVT, UOP4		21B	X06A, X06B, X33Z			
	06	G13Z, G21A, G21B		23	Z01A			
	10	K09A, K09B		Pre	A07A, A11A, A13A, A13B, A13D			
	17	R01A, R01B, R01C, R01D, R02Z, R12A, R12B, R12C						
5n224.1		BOP, KVT, UOP4						
	06	G13Z, G21A, G21B						
	10	K09A, K09B						
	17	R01A, R01B, R01C, R01D, R02Z, R12A, R12B, R12C						

VYK

ZZV	MDC	DRG	ZZV	MDC	DRG	ZZV	MDC	DRG			
5n231.4		BOP, KOP, KOPV, KVT, UOP4	5n232.4		BOP, KOP, KOPV, KVT, UOP4	5n233.4		BOP, KOP, KOPV, KVT, UOP4			
	05	F36A, F36B		05	F36A, F36B		05	F36A, F36B			
	06	G01Z, G02Z, G15Z, G18A, G18B, G33Z, G38Z		06	G01Z, G02Z, G15Z, G18A, G18B, G33Z, G38Z		06	G01Z, G02Z, G15Z, G33Z, G38Z			
	07	H33Z, H38Z		07	H33Z, H38Z		07	H33Z, H38Z			
	10	K09A, K09B		10	K09A, K09B		10	K09A, K09B			
	11	L10Z, L33Z, L38Z		11	L10Z, L33Z, L38Z		11	L10Z, L33Z, L38Z			
	12	M37Z, M38Z		12	M37Z, M38Z		12	M37Z, M38Z			
	13	N01A, N01B, N01C, N01D, N01E, N34Z, N38Z		13	N01A, N01B, N01C, N01D, N01E, N34Z, N38Z		13	N01A, N01B, N01C, N01D, N01E, N34Z, N38Z			
	14	O04A		14	O04A		14	O04A			
	17	R01A, R01B, R01C, R01D, R02Z, R12A, R12B, R12C		17	R01A, R01B, R01C, R01D, R02Z, R12A, R12B, R12C		17	R01A, R01B, R01C, R01D, R02Z, R12A, R12B, R12C			
	21A	W04A, W04B		21A	W04A, W04B		21A	W04A, W04B			
	21B	X06A, X06B, X33Z		21B	X06A, X06B, X33Z		21B	X06A, X06B, X33Z			
	23	Z01A		23	Z01A		23	Z01A			
	Pre	A07A, A11A, A13A, A13B, A13D		Pre	A07A, A11A, A13A, A13B, A13D		Pre	A07A, A11A, A13A, A13B, A13D			
	5n232.0			BOP, KOP, KOPV, KVT, UOP4	5n233.0			BOP, KOP, KOPV, KVT, UOP4	5n234.0		BOP, KOP, KOPV, KVT, UOP4
		05		F36A, F36B			05	F36A, F36B		05	F36A, F36B
06		G01Z, G02Z, G15Z, G18A, G18B, G33Z, G38Z	06	G01Z, G02Z, G03A, G15Z, G33Z, G38Z		06	G01Z, G02Z, G15Z, G18A, G18B, G33Z, G38Z				
07		H33Z, H38Z	07	H33Z, H38Z		07	H33Z, H38Z				
10		K09A, K09B	10	K09A, K09B		10	K09A, K09B				
11		L10Z, L33Z, L38Z	11	L10Z, L33Z, L38Z		11	L10Z, L33Z, L38Z				
12		M37Z, M38Z	12	M37Z, M38Z		12	M37Z, M38Z				
13		N01A, N01B, N01C, N01D, N01E, N34Z, N38Z	13	N01A, N01B, N01C, N01D, N01E, N34Z, N38Z		13	N01A, N01B, N01C, N01D, N01E, N34Z, N38Z				
14		O04A	14	O04A		14	O04A				
17		R01A, R01B, R01C, R01D, R02Z, R12A, R12B, R12C	17	R01A, R01B, R01C, R01D, R02Z, R12A, R12B, R12C		17	R01A, R01B, R01C, R01D, R02Z, R12A, R12B, R12C				
21A		W01A, W01B, W01C, W02A, W02B, W04A, W04B	21A	W01A, W01B, W01C, W02A, W02B, W04A, W04B		21A	W04A, W04B				
21B		X06A, X06B, X33Z	21B	X06A, X06B, X33Z		21B	X06A, X06B, X33Z				
23		Z01A	23	Z01A		23	Z01A				
Pre		A07A, A11A, A13A, A13B, A13D	Pre	A07A, A11A, A13A, A13B, A13D		Pre	A07A, A11A, A13A, A13B, A13D				
5n232.2			BOP, KOP, KOPV, KVT, UOP4	5n233.2			BOP, KOP, KOPV, KVT, UOP4	5n234.2			BOP, KOP, KOPV, KVT, UOP4
		05	F36A, F36B			05	F36A, F36B			05	F36A, F36B
	06	G01Z, G02Z, G15Z, G18A, G18B, G33Z, G38Z	06		G01Z, G02Z, G15Z, G33Z, G38Z	06	G01Z, G02Z, G15Z, G18A, G18B, G33Z, G38Z				
	07	H33Z, H38Z	07		H33Z, H38Z	07	H33Z, H38Z				
	10	K09A, K09B	10		K09A, K09B	10	K09A, K09B				
	11	L10Z, L33Z, L38Z	11		L10Z, L33Z, L38Z	11	L10Z, L33Z, L38Z				
	12	M37Z, M38Z	12		M37Z, M38Z	12	M37Z, M38Z				
	13	N01A, N01B, N01C, N01D, N01E, N34Z, N38Z	13		N01A, N01B, N01C, N01D, N01E, N34Z, N38Z	13	N01A, N01B, N01C, N01D, N01E, N34Z, N38Z				
	14	O04A	14		O04A	14	O04A				
	17	R01A, R01B, R01C, R01D, R02Z, R12A, R12B, R12C	17		R01A, R01B, R01C, R01D, R02Z, R12A, R12B, R12C	17	R01A, R01B, R01C, R01D, R02Z, R12A, R12B, R12C				
	21A	W04A, W04B	21A		W04A, W04B	21A	W04A, W04B				
	21B	X06A, X06B, X33Z	21B		X06A, X06B, X33Z	21B	X06A, X06B, X33Z				
	23	Z01A	23		Z01A	23	Z01A				
	Pre	A07A, A11A, A13A, A13B, A13D	Pre		A07A, A11A, A13A, A13B, A13D	Pre	A07A, A11A, A13A, A13B, A13D				

ZZV	MDC	DRG	ZZV	MDC	DRG	ZZV	MDC	DRG			
5n234.4		BOP, KOP, KOPV, KVT, UOP4	5n235.4		BOP, KOP, KOPV, KVT, UOP4	5n236.4		BOP, KOP, KOPV, KVT, UOP4			
	05	F36A, F36B		05	F36A, F36B		05	F36A, F36B			
	06	G01Z, G02Z, G15Z, G18A, G18B, G33Z, G38Z		06	G01Z, G02Z, G15Z, G18A, G18B, G33Z, G38Z		06	G01Z, G02Z, G15Z, G18A, G18B, G33Z, G38Z			
	07	H33Z, H38Z		07	H33Z, H38Z		07	H33Z, H38Z			
	10	K09A, K09B		10	K09A, K09B		10	K09A, K09B			
	11	L10Z, L33Z, L38Z		11	L10Z, L33Z, L38Z		11	L10Z, L33Z, L38Z			
	12	M37Z, M38Z		12	M37Z, M38Z		12	M37Z, M38Z			
	13	N01A, N01B, N01C, N01D, N01E, N34Z, N38Z		13	N01A, N01B, N01C, N01D, N01E, N34Z, N38Z		13	N01A, N01B, N01C, N01D, N01E, N34Z, N38Z			
	14	O04A		14	O04A		17	R01A, R01B, R01C, R01D, R02Z, R12A, R12B, R12C			
	17	R01A, R01B, R01C, R01D, R02Z, R12A, R12B, R12C		17	R01A, R01B, R01C, R01D, R02Z, R12A, R12B, R12C		21A	W04A, W04B			
	21A	W04A, W04B		21A	W04A, W04B		21B	X06A, X06B, X33Z			
	21B	X06A, X06B, X33Z		21B	X06A, X06B, X33Z		23	Z01A			
	23	Z01A		23	Z01A		Pre	A07A, A11A, A13A, A13B, A13D			
	Pre	A07A, A11A, A13A, A13B, A13D		Pre	A07A, A11A, A13A, A13B, A13D		5n238	BOP, KOP, KOPV, KVT, UOP4			
	5n235.0			BOP, KOP, KOPV, KVT, UOP4	5n236.0			BOP, KOP, KOPV, KVT, UOP4	5n238	05	F36A, F36B
		05		F36A, F36B			05	F36A, F36B		06	G01Z, G02Z, G15Z, G18A, G18B, G33Z, G38Z
		06		G01Z, G02Z, G15Z, G18A, G18B, G33Z, G38Z			06	G01Z, G02Z, G15Z, G18A, G18B, G33Z, G38Z		07	H33Z, H38Z
07		H33Z, H38Z	07	H33Z, H38Z		10	K09A, K09B				
10		K09A, K09B	10	K09A, K09B		11	L10Z, L33Z, L38Z				
11		L10Z, L33Z, L38Z	11	L10Z, L33Z, L38Z		12	M37Z, M38Z				
12		M37Z, M38Z	12	M37Z, M38Z		13	N01A, N01B, N01C, N01D, N01E, N34Z, N38Z				
13		N01A, N01B, N01C, N01D, N01E, N34Z, N38Z	13	N01A, N01B, N01C, N01D, N01E, N34Z, N38Z		17	R01A, R01B, R01C, R01D, R02Z, R12A, R12B, R12C				
14		O04A	14	O04A		21A	W04A, W04B				
17		R01A, R01B, R01C, R01D, R02Z, R12A, R12B, R12C	17	R01A, R01B, R01C, R01D, R02Z, R12A, R12B, R12C		21B	X06A, X06B, X33Z				
21A		W04A, W04B	21A	W04A, W04B		23	Z01A				
21B		X06A, X06B, X33Z	21B	X06A, X06B, X33Z		Pre	A07A				
23		Z01A	23	Z01A		5n23x	BOP, KOP, KOPV, KVT, UOP4				
Pre		A07A, A11A, A13A, A13B, A13D	Pre	A07A, A11A, A13A, A13B, A13D		05	F36A, F36B				
5n235.2			BOP, KOP, KOPV, KVT, UOP4	5n236.2			BOP, KOP, KOPV, KVT, UOP4	5n240.01		06	G01Z, G02Z, G15Z, G18A, G18B, G33Z, G38Z
		05	F36A, F36B			05	F36A, F36B			07	H33Z, H38Z
		06	G01Z, G02Z, G15Z, G18A, G18B, G33Z, G38Z			06	G01Z, G02Z, G15Z, G18A, G18B, G33Z, G38Z			10	K09A, K09B
	07	H33Z, H38Z	07		H33Z, H38Z	11	L33Z				
	10	K09A, K09B	10		K09A, K09B	17	R01A, R01B, R01C, R01D, R02Z, R12A, R12B, R12C				
	11	L10Z, L33Z, L38Z	11		L10Z, L33Z, L38Z	21A	W04A, W04B				
	12	M37Z, M38Z	12		M37Z, M38Z	21B	X06A, X06B				
	13	N01A, N01B, N01C, N01D, N01E, N34Z, N38Z	13		N01A, N01B, N01C, N01D, N01E, N34Z, N38Z	23	Z01A				
	14	O04A	14		O04A	Pre	A07A, A11A, A13A, A13B, A13D				
	17	R01A, R01B, R01C, R01D, R02Z, R12A, R12B, R12C	17		R01A, R01B, R01C, R01D, R02Z, R12A, R12B, R12C	BOP, KOP, KOPV, KVT, UOP4					
	21A	W04A, W04B	21A		W04A, W04B	05	F36A, F36B				
	21B	X06A, X06B, X33Z	21B		X06A, X06B, X33Z	06	G01Z, G02Z, G15Z, G18A, G18B, G33Z, G38Z				
	23	Z01A	23		Z01A	07	H33Z, H38Z				
	Pre	A07A, A11A, A13A, A13B, A13D	Pre		A07A, A11A, A13A, A13B, A13D	10	K09A, K09B				

ZZV	MDC	DRG	ZZV	MDC	DRG	ZZV	MDC	DRG			
5n240.02		BOP, KOP, KOPV, KVT, UOP4	5n240.21		BOP, KOP, KOPV, KVT, UOP4	5n240.x		BOP, KOP, KOPV, KVT, UOP4			
	05	F36A, F36B		05	F36A, F36B		05	F36A, F36B			
	06	G01Z, G02Z, G15Z, G18A, G18B, G33Z, G38Z		06	G01Z, G02Z, G15Z, G18A, G18B, G33Z, G38Z		06	G01Z, G02Z, G15Z, G18A, G18B, G33Z, G38Z			
	07	H33Z, H38Z		07	H33Z, H38Z		07	H33Z, H38Z			
	10	K09A, K09B		10	K09A, K09B		10	K09A, K09B			
	11	L10Z, L33Z, L38Z		11	L10Z, L33Z, L38Z		11	L10Z, L33Z, L38Z			
	12	M37Z, M38Z		12	M37Z, M38Z		12	M37Z, M38Z			
	13	N01A, N01B, N01C, N01D, N01E, N34Z, N38Z		13	N01A, N01B, N01C, N01D, N01E, N34Z, N38Z		13	N01A, N01B, N01C, N01D, N01E, N34Z, N38Z			
	17	R01A, R01B, R01C, R01D, R02Z, R12A, R12B, R12C		17	R01A, R01B, R01C, R01D, R02Z, R12A, R12B, R12C		17	R01A, R01B, R01C, R01D, R02Z, R12A, R12B, R12C			
	21A	W04A, W04B		21A	W04A, W04B		21A	W04A, W04B			
	21B	X06A, X06B, X33Z		21B	X06A, X06B, X33Z		21B	X06A, X06B, X33Z			
	23	Z01A		23	Z01A		23	Z01A			
	Pre	A07A, A11A, A13A, A13B, A13D		Pre	A07A, A11A, A13A, A13B, A13D		Pre	A07A, A11A, A13A, A13B, A13D			
	5n240.03			BOP, KOP, KOPV, KVT, UOP4	5n240.25			BOP, KOP, KOPV, KVT, UOP4	5n241.01		BOP, KOP, KOPV, KVT, UOP4
		05		F36A, F36B			05	F36A, F36B		05	F36A, F36B
06		G01Z, G02Z, G15Z, G18A, G18B, G33Z, G38Z	06	G01Z, G02Z, G15Z, G18A, G18B, G33Z, G38Z		06	G01Z, G02Z, G03A, G15Z, G33Z, G38Z				
07		H33Z, H38Z	07	H33Z, H38Z		07	H33Z, H38Z				
10		K09A, K09B	10	K09A, K09B		10	K09A, K09B				
11		L10Z, L33Z, L38Z	11	L10Z, L33Z, L38Z		11	L10Z, L33Z, L38Z				
12		M37Z, M38Z	12	M37Z, M38Z		12	M37Z, M38Z				
13		N01A, N01B, N01C, N01D, N01E, N34Z, N38Z	13	N01A, N01B, N01C, N01D, N01E, N34Z, N38Z		13	N01A, N01B, N01C, N01D, N01E, N34Z, N38Z				
17		R01A, R01B, R01C, R01D, R02Z, R12A, R12B, R12C	17	R01A, R01B, R01C, R01D, R02Z, R12A, R12B, R12C		17	R01A, R01B, R01C, R01D, R02Z, R12A, R12B, R12C				
21A		W04A, W04B	21A	W04A, W04B		21A	W04A, W04B				
21B		X06A, X06B, X33Z	21B	X06A, X06B, X33Z		21B	X06A, X06B, X33Z				
23		Z01A	23	Z01A		23	Z01A				
Pre		A07A, A11A, A13A, A13B, A13D	Pre	A07A, A11A, A13A, A13B, A13D		Pre	A07A				
5n240.04			BOP, KOP, KOPV, KVT, UOP4	5n240.4			BOP, KOP, KOPV, KVT, UOP4	5n241.02			BOP, KOP, KOPV, KVT, UOP4
		05	F36A, F36B			05	F36A, F36B			05	F36A, F36B
	06	G01Z, G02Z, G15Z, G18A, G18B, G33Z, G38Z	06		G01Z, G02Z, G15Z, G18A, G18B, G33Z, G38Z	06	G01Z, G02Z, G15Z, G33Z, G38Z				
	07	H33Z, H38Z	07		H33Z, H38Z	07	H33Z, H38Z				
	10	K09A, K09B	10		K09A, K09B	10	K09A, K09B				
	11	L10Z, L33Z, L38Z	11		L10Z, L33Z, L38Z	11	L10Z, L33Z, L38Z				
	12	M37Z, M38Z	12		M37Z, M38Z	12	M37Z, M38Z				
	13	N01A, N01B, N01C, N01D, N01E, N34Z, N38Z	13		N01A, N01B, N01C, N01D, N01E, N34Z, N38Z	13	N01A, N01B, N01C, N01D, N01E, N34Z, N38Z				
	17	R01A, R01B, R01C, R01D, R02Z, R12A, R12B, R12C	17		R01A, R01B, R01C, R01D, R02Z, R12A, R12B, R12C	17	R01A, R01B, R01C, R01D, R02Z, R12A, R12B, R12C				
	21A	W04A, W04B	21A		W04A, W04B	21A	W04A, W04B				
	21B	X06A, X06B, X33Z	21B		X06A, X06B, X33Z	21B	X06A, X06B, X33Z				
	23	Z01A	23		Z01A	23	Z01A				
	Pre	A07A, A11A, A13A, A13B, A13D	Pre		A07A, A11A, A13A, A13B, A13D	Pre	A07A				
	5n241.03		BOP, KOP, KOPV, KVT, UOP4		5n241.03		BOP, KOP, KOPV, KVT, UOP4		5n241.03		BOP, KOP, KOPV, KVT, UOP4
		05	F36A, F36B			05	F36A, F36B			05	F36A, F36B
06		G01Z, G02Z, G15Z, G33Z, G38Z	06	G01Z, G02Z, G15Z, G33Z, G38Z		06	G01Z, G02Z, G15Z, G33Z, G38Z				
07		H33Z, H38Z	07	H33Z, H38Z		07	H33Z, H38Z				
10		K09A, K09B	10	K09A, K09B		10	K09A, K09B				
11		L10Z, L33Z, L38Z	11	L10Z, L33Z, L38Z		11	L10Z, L33Z, L38Z				
12		M37Z, M38Z	12	M37Z, M38Z		12	M37Z, M38Z				
13		N01A, N01B, N01C, N01D, N01E, N34Z, N38Z	13	N01A, N01B, N01C, N01D, N01E, N34Z, N38Z		13	N01A, N01B, N01C, N01D, N01E, N34Z, N38Z				
17		R01A, R01B, R01C, R01D, R02Z, R12A, R12B, R12C	17	R01A, R01B, R01C, R01D, R02Z, R12A, R12B, R12C		17	R01A, R01B, R01C, R01D, R02Z, R12A, R12B, R12C				
21A		W04A, W04B	21A	W04A, W04B		21A	W04A, W04B				
21B		X06A, X06B, X33Z	21B	X06A, X06B, X33Z		21B	X06A, X06B, X33Z				
23		Z01A	23	Z01A		23	Z01A				
Pre		A07A	Pre	A07A		Pre	A07A				

ZZV	MDC	DRG	ZZV	MDC	DRG	ZZV	MDC	DRG			
5n241.04		BOP, KOP, KOPV, KVT, UOP4	5n241.x		BOP, KOP, KOPV, KVT, UOP4	5n242.21		BOP, KVT, UOP4			
	05	F36A, F36B		05	F36A, F36B		06	G01Z, G02Z, G15Z, G18A, G18B, G38Z			
	06	G01Z, G02Z, G15Z, G33Z, G38Z		06	G01Z, G02Z, G15Z, G33Z, G38Z		10	K09A, K09B			
	07	H33Z, H38Z		07	H33Z, H38Z		11	L10Z, L38Z			
	10	K09A, K09B		10	K09A, K09B		12	M37Z, M38Z			
	11	L10Z, L33Z, L38Z		11	L10Z, L33Z, L38Z		13	N01A, N01B, N01C, N01D, N01E, N34Z, N38Z			
	12	M37Z, M38Z		12	M37Z, M38Z		17	R01A, R01B, R01C, R01D, R02Z, R12A, R12B, R12C			
	13	N01A, N01B, N01C, N01D, N01E, N34Z, N38Z		13	N01A, N01B, N01C, N01D, N01E, N34Z, N38Z		21A	W04A, W04B			
	17	R01A, R01B, R01C, R01D, R02Z, R12A, R12B, R12C		17	R01A, R01B, R01C, R01D, R02Z, R12A, R12B, R12C		21B	X06A, X06B			
	21A	W04A, W04B		21A	W04A, W04B		Pre	A11A, A13A, A13B, A13D			
	21B	X06A, X06B, X33Z		21B	X06A, X06B, X33Z		5n242.25	BOP, KVT, UOP4			
	23	Z01A		23	Z01A			06	G01Z, G02Z, G15Z, G18A, G18B, G38Z		
	Pre	A07A		Pre	A07A			10	K09A, K09B		
	5n241.21			BOP, KOP, KOPV, KVT, UOP4	5n242.01			BOP, KVT, UOP4	5n242.25		L10Z, L38Z
		05		F36A, F36B			06	G01Z, G02Z, G15Z, G18A, G18B, G38Z		12	M37Z, M38Z
		06		G01Z, G02Z, G15Z, G33Z, G38Z			10	K09A, K09B		13	N01A, N01B, N01C, N01D, N01E, N34Z, N38Z
		07		H33Z, H38Z			11	L10Z, L38Z		17	R01A, R01B, R01C, R01D, R02Z, R12A, R12B, R12C
10		K09A, K09B	12	M37Z, M38Z		21A	W04A, W04B				
11		L10Z, L33Z, L38Z	13	N01A, N01B, N01C, N01D, N01E, N34Z, N38Z		21B	X06A, X06B				
12		M37Z, M38Z	17	R01A, R01B, R01C, R01D, R02Z, R12A, R12B, R12C		Pre	A11A, A13A, A13B, A13D				
13		N01A, N01B, N01C, N01D, N01E, N34Z, N38Z	21A	W04A, W04B		5n242.4	BOP, KVT, UOP4				
17		R01A, R01B, R01C, R01D, R02Z, R12A, R12B, R12C	21B	X06A, X06B			06	G01Z, G02Z, G15Z, G18A, G18B, G38Z			
21A		W04A, W04B	Pre	A11A, A13A, A13B, A13D			10	K09A, K09B			
21B		X06A, X06B, X33Z	5n242.02	BOP, KVT, UOP4		11	L10Z, L38Z				
23		Z01A		06		G01Z, G02Z, G15Z, G18A, G18B, G38Z	12	M37Z, M38Z			
Pre		A07A		10		K09A, K09B	13	N01A, N01B, N01C, N01D, N01E, N34Z, N38Z			
5n241.25			BOP, KOP, KOPV, KVT, UOP4	5n242.03			BOP, KVT, UOP4	5n242.x			L10Z, L38Z
		05	F36A, F36B			06	G01Z, G02Z, G15Z, G18A, G18B, G38Z			13	N01A, N01B, N01C, N01D, N01E, N34Z, N38Z
		06	G01Z, G02Z, G15Z, G33Z, G38Z			10	K09A, K09B			17	R01A, R01B, R01C, R01D, R02Z, R12A, R12B, R12C
		07	H33Z, H38Z			11	L10Z, L38Z			21A	W04A, W04B
	10	K09A, K09B	12		M37Z, M38Z	21B	X06A, X06B				
	11	L10Z, L33Z, L38Z	13		N01A, N01B, N01C, N01D, N01E, N34Z, N38Z	Pre	A11A, A13A, A13B, A13D				
	12	M37Z, M38Z	17		R01A, R01B, R01C, R01D, R02Z, R12A, R12B, R12C	5n242.0	BOP, KVT, UOP4				
	13	N01A, N01B, N01C, N01D, N01E, N34Z, N38Z	21A		W04A, W04B		06		G01Z, G02Z, G15Z, G18A, G18B, G18C, G38Z		
	17	R01A, R01B, R01C, R01D, R02Z, R12A, R12B, R12C	21B		X06A, X06B		10		K09A, K09B		
	21A	W04A, W04B	5n242.04		BOP, KVT, UOP4	11	L10Z, L38Z				
	21B	X06A, X06B, X33Z			06	G01Z, G02Z, G15Z, G18A, G18B, G38Z	12		M37Z, M38Z		
	23	Z01A			10	K09A, K09B	13		N01A, N01B, N01C, N01D, N01E, N34Z, N38Z		
	Pre	A07A	11		L10Z, L38Z	17	R01A, R01B, R01C, R01D, R02Z, R12A, R12B, R12C				
	5n241.4		BOP, KOP, KOPV, KVT, UOP4		5n242.04		BOP, KVT, UOP4		5n243.0		L10Z, L38Z
		05	F36A, F36B			06	G01Z, G02Z, G15Z, G18A, G18B, G38Z			10	K09A, K09B
		06	G01Z, G02Z, G15Z, G33Z, G38Z			10	K09A, K09B			11	L10Z, L38Z
		07	H33Z, H38Z			11	L10Z, L38Z			12	M37Z, M38Z
10		K09A, K09B	12	M37Z, M38Z		13	N01A, N01B, N01C, N01D, N01E, N34Z, N38Z				
11		L10Z, L33Z, L38Z	13	N01A, N01B, N01C, N01D, N01E, N34Z, N38Z		17	R01A, R01B, R01C, R01D, R02Z, R12A, R12B, R12C				
12		M37Z, M38Z	17	R01A, R01B, R01C, R01D, R02Z, R12A, R12B, R12C		21A	W04A, W04B				
13		N01A, N01B, N01C, N01D, N01E, N34Z, N38Z	21A	W04A, W04B		21B	X06A, X06B				
17		R01A, R01B, R01C, R01D, R02Z, R12A, R12B, R12C	21B	X06A, X06B		Pre	A11A, A13A, A13B, A13D				
21A		W04A, W04B	21A	W04A, W04B		5n243.0	BOP, KVT, UOP4				
21B		X06A, X06B, X33Z	21B	X06A, X06B			06	G01Z, G02Z, G15Z, G18A, G18B, G18C, G38Z			
23		Z01A	Pre	A11A, A13A, A13B, A13D			10	K09A, K09B			
Pre		A07A	06	G01Z, G02Z, G15Z, G18A, G18B, G38Z		11	L10Z, L38Z				
			10	K09A, K09B		12	M37Z, M38Z				
			11	L10Z, L38Z		13	N01A, N01B, N01C, N01D, N01E, N34Z, N38Z				
			12	M37Z, M38Z		17	R01A, R01B, R01C, R01D, R02Z, R12A, R12B, R12C				
			13	N01A, N01B, N01C, N01D, N01E, N34Z, N38Z		21A	W04A, W04B				
		17	R01A, R01B, R01C, R01D, R02Z, R12A, R12B, R12C	21B	X06A, X06B						
		21A	W04A, W04B	Pre	A11A, A13A, A13B, A13D						
		21B	X06A, X06B								
		Pre	A11A, A13A, A13B, A13D								



ZZV	MDC	DRG	ZZV	MDC	DRG	ZZV	MDC	DRG			
5n243.2		BOP, KVT, UOP4	5n244.03		BOP, KOP, KOPV, KVT, UOP4	5n244.4		BOP, KOP, KOPV, KVT, UOP4			
	06	G01Z, G02Z, G15Z, G18A, G18B, G18C, G38Z		05	F36A, F36B		05	F36A, F36B			
	10	K09A, K09B		06	G01Z, G02Z, G15Z, G18A, G18B, G33Z, G38Z		06	G01Z, G02Z, G15Z, G18A, G18B, G33Z, G38Z			
	11	L10Z, L38Z		07	H33Z, H38Z		07	H33Z, H38Z			
	12	M37Z, M38Z		11	L10Z, L33Z, L38Z		11	L10Z, L33Z, L38Z			
	13	N01A, N01B, N01C, N01D, N01E, N34Z, N38Z		12	M37Z, M38Z		12	M37Z, M38Z			
	17	R01A, R01B, R01C, R01D, R02Z, R12A, R12B, R12C		13	N01A, N01B, N01C, N01D, N01E, N34Z, N38Z		13	N01A, N01B, N01C, N01D, N01E, N34Z, N38Z			
	21A	W04A, W04B		17	R01A, R01B, R01C, R01D, R02Z, R12A, R12B, R12C		17	R01A, R01B, R01C, R01D, R02Z, R12A, R12B, R12C			
	21B	X06A, X06B		21A	W04A, W04B		21A	W04A, W04B			
	Pre	A11A, A13A, A13B, A13D		21B	X06A, X06B, X33Z		21B	X06A, X06B, X33Z			
	5n243.4			BOP, KVT, UOP4	5n244.04			BOP, KOP, KOPV, KVT, UOP4	5n244.x		BOP, KOP, KOPV, KVT, UOP4
		06		G01Z, G02Z, G15Z, G18A, G18B, G18C, G38Z			05	F36A, F36B		05	F36A, F36B
		10		K09A, K09B			06	G01Z, G02Z, G15Z, G18A, G18B, G33Z, G38Z		06	G01Z, G02Z, G15Z, G18A, G18B, G33Z, G38Z
11		L10Z, L38Z	07	H33Z, H38Z		07	H33Z, H38Z				
12		M37Z, M38Z	11	L10Z, L33Z, L38Z		11	L10Z, L33Z, L38Z				
13		N01A, N01B, N01C, N01D, N01E, N34Z, N38Z	12	M37Z, M38Z		12	M37Z, M38Z				
17		R01A, R01B, R01C, R01D, R02Z, R12A, R12B, R12C	13	N01A, N01B, N01C, N01D, N01E, N34Z, N38Z		13	N01A, N01B, N01C, N01D, N01E, N34Z, N38Z				
21A		W04A, W04B	17	R01A, R01B, R01C, R01D, R02Z, R12A, R12B, R12C		17	R01A, R01B, R01C, R01D, R02Z, R12A, R12B, R12C				
21B		X06A, X06B	21A	W04A, W04B		21A	W04A, W04B				
Pre		A11A, A13A, A13B, A13D	21B	X06A, X06B, X33Z		21B	X06A, X06B, X33Z				
5n244.01			BOP, KOP, KOPV, KVT, UOP4	5n244.21			BOP, KOP, KOPV, KVT, UOP4	5n245.01			BOP, KOP, KOPV, KVT, UOP4
		05	F36A, F36B			05	F36A, F36B			05	F36A, F36B
		06	G01Z, G02Z, G03A, G15Z, G18A, G18B, G33Z, G38Z			06	G01Z, G02Z, G15Z, G18A, G18B, G33Z, G38Z			06	G01Z, G02Z, G15Z, G33Z, G38Z
	07	H33Z, H38Z	07		H33Z, H38Z	07	H33Z, H38Z				
	11	L10Z, L33Z, L38Z	11		L10Z, L33Z, L38Z	10	K09A, K09B				
	12	M37Z, M38Z	12		M37Z, M38Z	11	L10Z, L33Z, L38Z				
	13	N01A, N01B, N01C, N01D, N01E, N34Z, N38Z	13		N01A, N01B, N01C, N01D, N01E, N34Z, N38Z	12	M37Z, M38Z				
	17	R01A, R01B, R01C, R01D, R02Z, R12A, R12B, R12C	17		R01A, R01B, R01C, R01D, R02Z, R12A, R12B, R12C	13	N01A, N01B, N01C, N01D, N01E, N34Z, N38Z				
	21A	W04A, W04B	21A		W04A, W04B	17	R01A, R01B, R01C, R01D, R02Z, R12A, R12B, R12C				
	21B	X06A, X06B, X33Z	21B		X06A, X06B, X33Z	21A	W04A, W04B				
	23	Z01A	23		Z01A	21B	X06A, X06B, X33Z				
	Pre	A07A, A11A, A13A, A13B, A13D	Pre		A07A, A11A, A13A, A13B, A13D	23	Z01A				
	5n244.02		BOP, KOP, KOPV, KVT, UOP4		5n244.25		BOP, KOP, KOPV, KVT, UOP4		5n245.02		BOP, KOP, KOPV, KVT, UOP4
05		F36A, F36B	05	F36A, F36B		05	F36A, F36B				
06		G01Z, G02Z, G15Z, G18A, G18B, G33Z, G38Z	06	G01Z, G02Z, G15Z, G18A, G18B, G33Z, G38Z		06	G01Z, G02Z, G15Z, G18A, G18B, G33Z, G38Z				
07		H33Z, H38Z	07	H33Z, H38Z		07	H33Z, H38Z				
11		L10Z, L33Z, L38Z	11	L10Z, L33Z, L38Z		10	K09A, K09B				
12		M37Z, M38Z	12	M37Z, M38Z		11	L10Z, L33Z, L38Z				
13		N01A, N01B, N01C, N01D, N01E, N34Z, N38Z	13	N01A, N01B, N01C, N01D, N01E, N34Z, N38Z		12	M37Z, M38Z				
17		R01A, R01B, R01C, R01D, R02Z, R12A, R12B, R12C	17	R01A, R01B, R01C, R01D, R02Z, R12A, R12B, R12C		13	N01A, N01B, N01C, N01D, N01E, N34Z, N38Z				
21A		W04A, W04B	21A	W04A, W04B		17	R01A, R01B, R01C, R01D, R02Z, R12A, R12B, R12C				
21B		X06A, X06B, X33Z	21B	X06A, X06B, X33Z		21A	W04A, W04B				
23		Z01A	23	Z01A		21B	X06A, X06B, X33Z				
Pre		A07A, A11A, A13A, A13B, A13D	Pre	A07A, A11A, A13A, A13B, A13D		23	Z01A				

ZZV	MDC	DRG	ZZV	MDC	DRG	ZZV	MDC	DRG			
5n245.03		BOP, KOP, KOPV, KVT, UOP4	5n245.25		BOP, KOP, KOPV, KVT, UOP4	5n246.01		BOP, KOP, KOPV, KVT, UOP4			
	05	F36A, F36B		05	F36A, F36B		05	F36A, F36B			
	06	G01Z, G02Z, G15Z, G33Z, G38Z		06	G01Z, G02Z, G15Z, G33Z, G38Z		06	G01Z, G02Z, G15Z, G18A, G18B, G33Z, G38Z			
	07	H33Z, H38Z		07	H33Z, H38Z		07	H33Z, H38Z			
	10	K09A, K09B		10	K09A, K09B		10	K09A, K09B			
	11	L10Z, L33Z, L38Z		11	L10Z, L33Z, L38Z		11	L10Z, L33Z, L38Z			
	12	M37Z, M38Z		12	M37Z, M38Z		12	M37Z, M38Z			
	13	N01A, N01B, N01C, N01D, N01E, N34Z, N38Z		13	N01A, N01B, N01C, N01D, N01E, N34Z, N38Z		13	N01A, N01B, N01C, N01D, N01E, N34Z, N38Z			
	17	R01A, R01B, R01C, R01D, R02Z, R12A, R12B, R12C		17	R01A, R01B, R01C, R01D, R02Z, R12A, R12B, R12C		17	R01A, R01B, R01C, R01D, R02Z, R12A, R12B, R12C			
	21A	W04A, W04B		21A	W04A, W04B		21A	W04A, W04B			
	21B	X06A, X06B, X33Z		21B	X06A, X06B, X33Z		21B	X06A, X06B, X33Z			
	23	Z01A		23	Z01A		23	Z01A			
	Pre	A07A, A11A, A13A, A13B, A13D		Pre	A07A, A11A, A13A, A13B, A13D		Pre	A07A, A11A, A13A, A13B, A13D			
	5n245.04			BOP, KOP, KOPV, KVT, UOP4	5n245.4			BOP, KOP, KOPV, KVT, UOP4	5n246.02		BOP, KOP, KOPV, KVT, UOP4
		05		F36A, F36B			05	F36A, F36B		05	F36A, F36B
06		G01Z, G02Z, G15Z, G33Z, G38Z	06	G01Z, G02Z, G15Z, G33Z, G38Z		06	G01Z, G02Z, G15Z, G33Z, G38Z				
07		H33Z, H38Z	07	H33Z, H38Z		07	H33Z, H38Z				
10		K09A, K09B	10	K09A, K09B		10	K09A, K09B				
11		L10Z, L33Z, L38Z	11	L10Z, L33Z, L38Z		11	L10Z, L33Z, L38Z				
12		M37Z, M38Z	12	M37Z, M38Z		12	M37Z, M38Z				
13		N01A, N01B, N01C, N01D, N01E, N34Z, N38Z	13	N01A, N01B, N01C, N01D, N01E, N34Z, N38Z		13	N01A, N01B, N01C, N01D, N01E, N34Z, N38Z				
17		R01A, R01B, R01C, R01D, R02Z, R12A, R12B, R12C	17	R01A, R01B, R01C, R01D, R02Z, R12A, R12B, R12C		17	R01A, R01B, R01C, R01D, R02Z, R12A, R12B, R12C				
21A		W04A, W04B	21A	W04A, W04B		21A	W04A, W04B				
21B		X06A, X06B, X33Z	21B	X06A, X06B, X33Z		21B	X06A, X06B, X33Z				
23		Z01A	23	Z01A		23	Z01A				
Pre		A07A, A11A, A13A, A13B, A13D	Pre	A07A, A11A, A13A, A13B, A13D		Pre	A07A, A11A, A13A, A13B, A13D				
5n245.21			BOP, KOP, KOPV, KVT, UOP4	5n245.x			BOP, KOP, KOPV, KVT, UOP4	5n246.03			BOP, KOP, KOPV, KVT, UOP4
		05	F36A, F36B			05	F36A, F36B			05	F36A, F36B
	06	G01Z, G02Z, G15Z, G33Z, G38Z	06		G01Z, G02Z, G15Z, G33Z, G38Z	06	G01Z, G02Z, G15Z, G18A, G18B, G33Z, G38Z				
	07	H33Z, H38Z	07		H33Z, H38Z	07	H33Z, H38Z				
	10	K09A, K09B	10		K09A, K09B	10	K09A, K09B				
	11	L10Z, L33Z, L38Z	11		L10Z, L33Z, L38Z	11	L10Z, L33Z, L38Z				
	12	M37Z, M38Z	12		M37Z, M38Z	12	M37Z, M38Z				
	13	N01A, N01B, N01C, N01D, N01E, N34Z, N38Z	13		N01A, N01B, N01C, N01D, N01E, N34Z, N38Z	13	N01A, N01B, N01C, N01D, N01E, N34Z, N38Z				
	17	R01A, R01B, R01C, R01D, R02Z, R12A, R12B, R12C	17		R01A, R01B, R01C, R01D, R02Z, R12A, R12B, R12C	17	R01A, R01B, R01C, R01D, R02Z, R12A, R12B, R12C				
	21A	W04A, W04B	21A		W04A, W04B	21A	W04A, W04B				
	21B	X06A, X06B, X33Z	21B		X06A, X06B, X33Z	21B	X06A, X06B, X33Z				
	23	Z01A	23		Z01A	23	Z01A				
	Pre	A07A, A11A, A13A, A13B, A13D	Pre		A07A, A11A, A13A, A13B, A13D	Pre	A07A, A11A, A13A, A13B, A13D				

ZZV	MDC	DRG	ZZV	MDC	DRG	ZZV	MDC	DRG
5n246.04		BOP, KOP, KOPV, KVT, UOP4	5n246.4		BOP, KOP, KOPV, KVT, UOP4	5n247.02		BOP, KOP, KOPV, KVT, UOP4
	05	F36A, F36B		05	F36A, F36B		05	F36A, F36B
	06	G01Z, G02Z, G15Z, G18A, G18B, G33Z, G38Z		06	G01Z, G02Z, G15Z, G18A, G18B, G33Z, G38Z		06	G01Z, G02Z, G15Z, G18A, G18B, G33Z, G38Z
	07	H33Z, H38Z		07	H33Z, H38Z		07	H33Z, H38Z
	10	K09A, K09B		10	K09A, K09B		10	K09A, K09B
	11	L10Z, L33Z, L38Z		11	L10Z, L33Z, L38Z		11	L10Z, L33Z, L38Z
	12	M37Z, M38Z		12	M37Z, M38Z		12	M37Z, M38Z
	13	N01A, N01B, N01C, N01D, N01E, N34Z, N38Z		13	N01A, N01B, N01C, N01D, N01E, N34Z, N38Z		13	N01A, N01B, N01C, N01D, N01E, N34Z, N38Z
	17	R01A, R01B, R01C, R01D, R02Z, R12A, R12B, R12C		17	R01A, R01B, R01C, R01D, R02Z, R12A, R12B, R12C		17	R01A, R01B, R01C, R01D, R02Z, R12A, R12B, R12C
	21A	W04A, W04B		21A	W04A, W04B		21A	W04A, W04B
	21B	X06A, X06B, X33Z		21B	X06A, X06B, X33Z		21B	X06A, X06B, X33Z
	23	Z01A		23	Z01A		23	Z01A
	Pre	A07A, A11A, A13A, A13B, A13D		Pre	A07A, A11A, A13A, A13B, A13D		Pre	A07A, A11A, A13A, A13B, A13D
	5n246.21			BOP, KOP, KOPV, KVT, UOP4	5n246.x			BOP, KOP, KOPV, KVT, UOP4
05		F36A, F36B	05	F36A, F36B		05	F36A, F36B	
06		G01Z, G02Z, G15Z, G18A, G18B, G33Z, G38Z	06	G01Z, G02Z, G15Z, G18A, G18B, G33Z, G38Z		06	G01Z, G02Z, G15Z, G18A, G18B, G33Z, G38Z	
07		H33Z, H38Z	07	H33Z, H38Z		07	H33Z, H38Z	
10		K09A, K09B	10	K09A, K09B		10	K09A, K09B	
11		L10Z, L33Z, L38Z	11	L10Z, L33Z, L38Z		11	L10Z, L33Z, L38Z	
12		M37Z, M38Z	12	M37Z, M38Z		12	M37Z, M38Z	
13		N01A, N01B, N01C, N01D, N01E, N34Z, N38Z	13	N01A, N01B, N01C, N01D, N01E, N34Z, N38Z		13	N01A, N01B, N01C, N01D, N01E, N34Z, N38Z	
17		R01A, R01B, R01C, R01D, R02Z, R12A, R12B, R12C	17	R01A, R01B, R01C, R01D, R02Z, R12A, R12B, R12C		17	R01A, R01B, R01C, R01D, R02Z, R12A, R12B, R12C	
21A		W04A, W04B	21A	W04A, W04B		21A	W04A, W04B	
21B		X06A, X06B, X33Z	21B	X06A, X06B, X33Z		21B	X06A, X06B, X33Z	
23		Z01A	23	Z01A		23	Z01A	
Pre		A07A, A11A, A13A, A13B, A13D	Pre	A07A, A11A, A13A, A13B, A13D		Pre	A07A, A11A, A13A, A13B, A13D	
5n246.25			BOP, KOP, KOPV, KVT, UOP4	5n247.01			BOP, KOP, KOPV, KVT, UOP4	5n247.04
	05	F36A, F36B	05		F36A, F36B	05	F36A, F36B	
	06	G01Z, G02Z, G15Z, G18A, G18B, G33Z, G38Z	06		G01Z, G02Z, G15Z, G18A, G18B, G33Z, G38Z	06	G01Z, G02Z, G15Z, G18A, G18B, G33Z, G38Z	
	07	H33Z, H38Z	07		H33Z, H38Z	07	H33Z, H38Z	
	10	K09A, K09B	10		K09A, K09B	10	K09A, K09B	
	11	L10Z, L33Z, L38Z	11		L10Z, L33Z, L38Z	11	L10Z, L33Z, L38Z	
	12	M37Z, M38Z	12		M37Z, M38Z	12	M37Z, M38Z	
	13	N01A, N01B, N01C, N01D, N01E, N34Z, N38Z	13		N01A, N01B, N01C, N01D, N01E, N34Z, N38Z	13	N01A, N01B, N01C, N01D, N01E, N34Z, N38Z	
	17	R01A, R01B, R01C, R01D, R02Z, R12A, R12B, R12C	17		R01A, R01B, R01C, R01D, R02Z, R12A, R12B, R12C	17	R01A, R01B, R01C, R01D, R02Z, R12A, R12B, R12C	
	21A	W04A, W04B	21A		W04A, W04B	21A	W04A, W04B	
	21B	X06A, X06B, X33Z	21B		X06A, X06B, X33Z	21B	X06A, X06B, X33Z	
	23	Z01A	23		Z01A	23	Z01A	
	Pre	A07A, A11A, A13A, A13B, A13D	Pre		A07A, A11A, A13A, A13B, A13D	Pre	A07A, A11A, A13A, A13B, A13D	

ZZV	MDC	DRG	ZZV	MDC	DRG	ZZV	MDC	DRG
5n247.21		BOP, KOP, KOPV, KVT, UOP4	5n247.x		BOP, KOP, KOPV, KVT, UOP4	5n248.03		BOP, KOP, KOPV, KVT, UOP4
	05	F36A, F36B		05	F36A, F36B		05	F36A, F36B
	06	G01Z, G02Z, G15Z, G18A, G18B, G33Z, G38Z		06	G01Z, G02Z, G15Z, G18A, G18B, G33Z, G38Z		06	G01Z, G02Z, G15Z, G33Z, G38Z
	07	H33Z, H38Z		07	H33Z, H38Z		07	H33Z, H38Z
	10	K09A, K09B		10	K09A, K09B		10	K09A, K09B
	11	L10Z, L33Z, L38Z		11	L10Z, L33Z, L38Z		11	L10Z, L33Z, L38Z
	12	M37Z, M38Z		12	M37Z, M38Z		12	M37Z, M38Z
	13	N01A, N01B, N01C, N01D, N01E, N34Z, N38Z		13	N01A, N01B, N01C, N01D, N01E, N34Z, N38Z		13	N01A, N01B, N01C, N01D, N01E, N34Z, N38Z
	17	R01A, R01B, R01C, R01D, R02Z, R12A, R12B, R12C		17	R01A, R01B, R01C, R01D, R02Z, R12A, R12B, R12C		17	R01A, R01B, R01C, R01D, R02Z, R12A, R12B, R12C
	21A	W04A, W04B		21A	W04A, W04B		21A	W04A, W04B
	21B	X06A, X06B, X33Z		21B	X06A, X06B, X33Z		21B	X06A, X06B, X33Z
	23	Z01A		23	Z01A		23	Z01A
	Pre	A07A, A11A, A13A, A13B, A13D		Pre	A07A, A11A, A13A, A13B, A13D		Pre	A07A, A11A, A13A, A13B, A13D
	5n247.25			BOP, KOP, KOPV, KVT, UOP4	5n248.01			BOP, KOP, KOPV, KVT, UOP4
05		F36A, F36B	05	F36A, F36B		05	F36A, F36B	
06		G01Z, G02Z, G15Z, G18A, G18B, G33Z, G38Z	06	G01Z, G02Z, G03A, G15Z, G33Z, G38Z		06	G01Z, G02Z, G15Z, G33Z, G38Z	
07		H33Z, H38Z	07	H33Z, H38Z		07	H33Z, H38Z	
10		K09A, K09B	10	K09A, K09B		10	K09A, K09B	
11		L10Z, L33Z, L38Z	11	L10Z, L33Z, L38Z		11	L10Z, L33Z, L38Z	
12		M37Z, M38Z	12	M37Z, M38Z		12	M37Z, M38Z	
13		N01A, N01B, N01C, N01D, N01E, N34Z, N38Z	13	N01A, N01B, N01C, N01D, N01E, N34Z, N38Z		13	N01A, N01B, N01C, N01D, N01E, N34Z, N38Z	
17		R01A, R01B, R01C, R01D, R02Z, R12A, R12B, R12C	17	R01A, R01B, R01C, R01D, R02Z, R12A, R12B, R12C		17	R01A, R01B, R01C, R01D, R02Z, R12A, R12B, R12C	
21A		W04A, W04B	21A	W04A, W04B		21A	W04A, W04B	
21B		X06A, X06B, X33Z	21B	X06A, X06B, X33Z		21B	X06A, X06B, X33Z	
23		Z01A	23	Z01A		23	Z01A	
Pre		A07A, A11A, A13A, A13B, A13D	Pre	A07A, A11A, A13A, A13B, A13D		Pre	A07A, A11A, A13A, A13B, A13D	
5n247.4			BOP, KOP, KOPV, KVT, UOP4	5n248.02			BOP, KOP, KOPV, KVT, UOP4	5n248.21
	05	F36A, F36B	05		F36A, F36B	05	F36A, F36B	
	06	G01Z, G02Z, G15Z, G18A, G18B, G33Z, G38Z	06		G01Z, G02Z, G15Z, G33Z, G38Z	06	G01Z, G02Z, G15Z, G33Z, G38Z	
	07	H33Z, H38Z	07		H33Z, H38Z	07	H33Z, H38Z	
	10	K09A, K09B	10		K09A, K09B	10	K09A, K09B	
	11	L10Z, L33Z, L38Z	11		L10Z, L33Z, L38Z	11	L10Z, L33Z, L38Z	
	12	M37Z, M38Z	12		M37Z, M38Z	12	M37Z, M38Z	
	13	N01A, N01B, N01C, N01D, N01E, N34Z, N38Z	13		N01A, N01B, N01C, N01D, N01E, N34Z, N38Z	13	N01A, N01B, N01C, N01D, N01E, N34Z, N38Z	
	17	R01A, R01B, R01C, R01D, R02Z, R12A, R12B, R12C	17		R01A, R01B, R01C, R01D, R02Z, R12A, R12B, R12C	17	R01A, R01B, R01C, R01D, R02Z, R12A, R12B, R12C	
	21A	W04A, W04B	21A		W04A, W04B	21A	W04A, W04B	
	21B	X06A, X06B, X33Z	21B		X06A, X06B, X33Z	21B	X06A, X06B, X33Z	
	23	Z01A	23		Z01A	23	Z01A	
	Pre	A07A, A11A, A13A, A13B, A13D	Pre		A07A, A11A, A13A, A13B, A13D	Pre	A07A, A11A, A13A, A13B, A13D	

ZZV	MDC	DRG	ZZV	MDC	DRG	ZZV	MDC	DRG	
5n248.25		BOP, KOP, KOPV, KVT, UOP4	5n24x.02		BOP, KVT, UOP4	5n24x.4		BOP, KVT, UOP4	
	05	F36A, F36B		06	G01Z, G02Z, G15Z, G18A, G18B, G38Z		06	G01Z, G02Z, G15Z, G18A, G18B, G38Z	
	06	G01Z, G02Z, G15Z, G33Z, G38Z		10	K09A, K09B		10	K09A, K09B	
	07	H33Z, H38Z		11	L10Z, L38Z		11	L10Z, L38Z	
	10	K09A, K09B		12	M37Z, M38Z		12	M37Z, M38Z	
	11	L10Z, L33Z, L38Z		13	N01A, N01B, N01C, N01D, N01E, N34Z, N38Z		13	N01A, N01B, N01C, N01D, N01E, N34Z, N38Z	
	12	M37Z, M38Z		17	R01A, R01B, R01C, R01D, R02Z, R12A, R12B, R12C		17	R01A, R01B, R01C, R01D, R02Z, R12A, R12B, R12C	
	13	N01A, N01B, N01C, N01D, N01E, N34Z, N38Z		21A	W04A, W04B		21A	W04A, W04B	
	17	R01A, R01B, R01C, R01D, R02Z, R12A, R12B, R12C	21B	X06A, X06B	21B	X06A, X06B			
	21A	W04A, W04B	Pre	A11A, A13A, A13B, A13D	Pre	A11A, A13A, A13B, A13D			
	21B	X06A, X06B, X33Z	5n24x.03		BOP, KVT, UOP4	5n24x.x		BOP, KVT, UOP4	
	23	Z01A		06	G01Z, G02Z, G15Z, G18A, G18B, G38Z		06	G01Z, G02Z, G15Z, G18A, G18B, G38Z	
	Pre	A07A, A11A, A13A, A13B, A13D		10	K09A, K09B		10	K09A, K09B	
	5n248.4			BOP, KOP, KOPV, KVT, UOP4	11		L10Z, L38Z	11	L10Z, L38Z
		05		F36A, F36B	12		M37Z, M38Z	12	M37Z, M38Z
		06		G01Z, G02Z, G15Z, G33Z, G38Z	13		N01A, N01B, N01C, N01D, N01E, N34Z, N38Z	13	N01A, N01B, N01C, N01D, N01E, N34Z, N38Z
		07		H33Z, H38Z	17		R01A, R01B, R01C, R01D, R02Z, R12A, R12B, R12C	17	R01A, R01B, R01C, R01D, R02Z, R12A, R12B, R12C
		10		K09A, K09B	21A		W04A, W04B	21A	W04A, W04B
		11	L10Z, L33Z, L38Z	21B	X06A, X06B	21B	X06A, X06B		
		12	M37Z, M38Z	Pre	A11A, A13A, A13B, A13D	Pre	A11A, A13A, A13B, A13D		
13		N01A, N01B, N01C, N01D, N01E, N34Z, N38Z	5n24x.04		BOP, KVT, UOP4	5n250.02		BOP, KOP, KOPV, KVT, MVV, UOP4	
17		R01A, R01B, R01C, R01D, R02Z, R12A, R12B, R12C		06	G01Z, G02Z, G15Z, G18A, G18B, G38Z		05	F36A, F36B	
21A		W04A, W04B		10	K09A, K09B		06	G15Z, G16A, G16B, G33Z, G38Z	
21B	X06A, X06B, X33Z	11		L10Z, L38Z	07		H33Z, H38Z		
23	Z01A	12		M37Z, M38Z	10		K09A, K09B		
Pre	A07A, A11A, A13A, A13B, A13D	13		N01A, N01B, N01C, N01D, N01E, N34Z, N38Z	11		L10Z, L33Z, L38Z		
5n248.x		BOP, KOP, KOPV, KVT, UOP4		17	R01A, R01B, R01C, R01D, R02Z, R12A, R12B, R12C		12	M37Z, M38Z	
	05	F36A, F36B		21A	W04A, W04B		13	N01A, N01B, N01C, N01D, N01E, N34Z, N38Z	
	06	G01Z, G02Z, G15Z, G33Z, G38Z	21B	X06A, X06B	17	R01A, R01B, R01C, R01D, R02Z, R12A, R12B, R12C			
	07	H33Z, H38Z	Pre	A11A, A13A, A13B, A13D	21A	W04A, W04B			
	10	K09A, K09B	5n24x.21		BOP, KVT, UOP4	21B	X06A, X06B, X06C, X33Z		
	11	L10Z, L33Z, L38Z		06	G01Z, G02Z, G15Z, G18A, G18B, G38Z	23	Z01A		
	12	M37Z, M38Z		10	K09A, K09B	Pre	A07A		
	13	N01A, N01B, N01C, N01D, N01E, N34Z, N38Z		11	L10Z, L38Z	5n250.03		BOP, KOP, KOPV, KVT, MVV, UOP4	
	17	R01A, R01B, R01C, R01D, R02Z, R12A, R12B, R12C		12	M37Z, M38Z		05	F36A, F36B	
	21A	W04A, W04B		13	N01A, N01B, N01C, N01D, N01E, N34Z, N38Z		06	G15Z, G16A, G16B, G33Z, G38Z	
21B	X06A, X06B, X33Z	17		R01A, R01B, R01C, R01D, R02Z, R12A, R12B, R12C	07		H33Z, H38Z		
23	Z01A	21A		W04A, W04B	11		L10Z, L33Z, L38Z		
Pre	A07A, A11A, A13A, A13B, A13D	21B	X06A, X06B	12	M37Z, M38Z				
5n24x.01		BOP, KVT, UOP4	Pre	A11A, A13A, A13B, A13D	13		N01A, N01B, N01C, N01D, N01E, N34Z, N38Z		
	06	G01Z, G02Z, G15Z, G18A, G18B, G38Z	5n24x.25		BOP, KVT, UOP4		17	R01A, R01B, R01C, R01D, R02Z, R12A, R12B, R12C	
	10	K09A, K09B		06	G01Z, G02Z, G15Z, G18A, G18B, G38Z	21A	W04A, W04B		
	11	L10Z, L38Z		10	K09A, K09B	21B	X06A, X06B, X06C, X33Z		
	12	M37Z, M38Z		11	L10Z, L38Z	23	Z01A		
	13	N01A, N01B, N01C, N01D, N01E, N34Z, N38Z		12	M37Z, M38Z	Pre	A07A		
	17	R01A, R01B, R01C, R01D, R02Z, R12A, R12B, R12C		13	N01A, N01B, N01C, N01D, N01E, N34Z, N38Z				
	21A	W04A, W04B		17	R01A, R01B, R01C, R01D, R02Z, R12A, R12B, R12C				
	21B	X06A, X06B		21A	W04A, W04B				
	Pre	A11A, A13A, A13B, A13D	21B	X06A, X06B					
		Pre	A11A, A13A, A13B, A13D						

VYK

ZZV	MDC	DRG	ZZV	MDC	DRG	ZZV	MDC	DRG			
5n250.04		BOP, KOP, KOPV, KVT, MVV, UOP4	5n250.27		BOP, KOP, KOPV, KVT, MVV, UOP4	5n251.02		BOP, KOP, KOPV, KVT, MVV, UOP4			
	05	F36A, F36B		05	F36A, F36B		05	F36A, F36B			
	06	G15Z, G16A, G16B, G33Z, G38Z		06	G15Z, G16A, G16B, G33Z, G38Z		06	G15Z, G16A, G16B, G33Z, G38Z			
	07	H33Z, H38Z		07	H33Z, H38Z		07	H33Z, H38Z			
	10	K09A, K09B		11	L10Z, L33Z, L38Z		11	L10Z, L33Z, L38Z			
	11	L10Z, L33Z, L38Z		12	M37Z, M38Z		12	M37Z, M38Z			
	12	M37Z, M38Z		13	N01A, N01B, N01C, N01D, N01E, N34Z, N38Z		13	N01A, N01B, N01C, N01D, N01E, N34Z, N38Z			
	13	N01A, N01B, N01C, N01D, N01E, N34Z, N38Z		17	R01A, R01B, R01C, R01D, R02Z, R12A, R12B, R12C		17	R01A, R01B, R01C, R01D, R02Z, R12A, R12B, R12C			
	17	R01A, R01B, R01C, R01D, R02Z, R12A, R12B, R12C		21A	W04A, W04B		21A	W04A, W04B			
	21A	W04A, W04B		21B	X06A, X06B, X06C, X33Z		21B	X06A, X06B, X06C, X33Z			
	21B	X06A, X06B, X06C, X33Z		23	Z01A		23	Z01A			
	23	Z01A		Pre	A07A		Pre	A07A			
	Pre	A07A									
	5n250.05			BOP, KOP, KOPV, KVT, MVV, UOP4	5n250.28			BOP, KOP, KOPV, KVT, MVV, UOP4	5n251.03		BOP, KOP, KOPV, KVT, MVV, UOP4
		05		F36A, F36B			05	F36A, F36B		05	F36A, F36B
		06		G15Z, G16A, G16B, G33Z, G38Z			06	G15Z, G16A, G16B, G33Z, G38Z		06	G15Z, G16A, G16B, G33Z, G38Z
		07		H33Z, H38Z			07	H33Z, H38Z		07	H33Z, H38Z
11		L10Z, L33Z, L38Z	11	L10Z, L33Z, L38Z		11	L10Z, L33Z, L38Z				
12		M37Z, M38Z	12	M37Z, M38Z		12	M37Z, M38Z				
13		N01A, N01B, N01C, N01D, N01E, N34Z, N38Z	13	N01A, N01B, N01C, N01D, N01E, N34Z, N38Z		13	N01A, N01B, N01C, N01D, N01E, N34Z, N38Z				
17		R01A, R01B, R01C, R01D, R02Z, R12A, R12B, R12C	17	R01A, R01B, R01C, R01D, R02Z, R12A, R12B, R12C		17	R01A, R01B, R01C, R01D, R02Z, R12A, R12B, R12C				
21A		W04A, W04B	21A	W04A, W04B		21A	W04A, W04B				
21B		X06A, X06B, X06C, X33Z	21B	X06A, X06B, X06C, X33Z		21B	X06A, X06B, X06C, X33Z				
23		Z01A	23	Z01A		23	Z01A				
Pre		A07A	Pre	A07A		Pre	A07A				
5n250.08			BOP, KOP, KOPV, KVT, MVV, UOP4	5n250.4			BOP, KOP, KOPV, KVT, MVV, UOP4	5n251.04			BOP, KOP, KOPV, KVT, MVV, UOP4
		05	F36A, F36B			05	F36A, F36B			05	F36A, F36B
		06	G15Z, G16A, G16B, G33Z, G38Z			06	G15Z, G16A, G16B, G33Z, G38Z			06	G15Z, G16A, G16B, G33Z, G38Z
		07	H33Z, H38Z			07	H33Z, H38Z			07	H33Z, H38Z
		11	L10Z, L33Z, L38Z			11	L10Z, L33Z, L38Z			11	L10Z, L33Z, L38Z
	12	M37Z, M38Z	12		M37Z, M38Z	12	M37Z, M38Z				
	13	N01A, N01B, N01C, N01D, N01E, N34Z, N38Z	13		N01A, N01B, N01C, N01D, N01E, N34Z, N38Z	13	N01A, N01B, N01C, N01D, N01E, N34Z, N38Z				
	17	R01A, R01B, R01C, R01D, R02Z, R12A, R12B, R12C	17		R01A, R01B, R01C, R01D, R02Z, R12A, R12B, R12C	17	R01A, R01B, R01C, R01D, R02Z, R12A, R12B, R12C				
	21A	W04A, W04B	21A		W04A, W04B	21A	W04A, W04B				
	21B	X06A, X06B, X06C, X33Z	21B		X06A, X06B, X06C, X33Z	21B	X06A, X06B, X06C, X33Z				
	23	Z01A	23		Z01A	23	Z01A				
	Pre	A07A	Pre		A07A	Pre	A07A				
	5n250.26		BOP, KOP, KOPV, KVT, MVV, UOP4		5n250.x		BOP, KOP, KOPV, KVT, MVV, UOP4		5n251.05		BOP, KOP, KOPV, KVT, MVV, UOP4
		05	F36A, F36B			05	F36A, F36B			05	F36A, F36B
		06	G15Z, G16A, G16B, G33Z, G38Z			06	G15Z, G16A, G16B, G33Z, G38Z			06	G15Z, G16A, G16B, G33Z, G38Z
		07	H33Z, H38Z			07	H33Z, H38Z			07	H33Z, H38Z
		10	K09A, K09B			11	L10Z, L33Z, L38Z			11	L10Z, L33Z, L38Z
11		L10Z, L33Z, L38Z	12	M37Z, M38Z		12	M37Z, M38Z				
12		M37Z, M38Z	13	N01A, N01B, N01C, N01D, N01E, N34Z, N38Z		13	N01A, N01B, N01C, N01D, N01E, N34Z, N38Z				
13		N01A, N01B, N01C, N01D, N01E, N34Z, N38Z	17	R01A, R01B, R01C, R01D, R02Z, R12A, R12B, R12C		17	R01A, R01B, R01C, R01D, R02Z, R12A, R12B, R12C				
17		R01A, R01B, R01C, R01D, R02Z, R12A, R12B, R12C	21A	W04A, W04B		21A	W04A, W04B				
21A		W04A, W04B	21B	X06A, X06B, X06C, X33Z		21B	X06A, X06B, X06C, X33Z				
21B		X06A, X06B, X06C, X33Z	23	Z01A		23	Z01A				
23		Z01A	Pre	A07A		Pre	A07A				
Pre		A07A									



ZZV	MDC	DRG	ZZV	MDC	DRG	ZZV	MDC	DRG
5n252.27		BOP, KOP, KOPV, KVT, MVV, UOP4	5n25x.02		BOP, KOP, KOPV, KVT, MVV, UOP4	5n25x.08		BOP, KOP, KOPV, KVT, MVV, UOP4
	05	F36A, F36B		05	F36A, F36B		05	F36A, F36B
	06	G15Z, G16A, G16B, G33Z, G38Z		06	G01Z, G02Z, G15Z, G33Z, G38Z		06	G01Z, G02Z, G15Z, G33Z, G38Z
	07	H33Z, H38Z		07	H33Z, H38Z		07	H33Z, H38Z
	11	L10Z, L33Z, L38Z		11	L10Z, L33Z, L38Z		11	L10Z, L33Z, L38Z
	12	M37Z, M38Z		12	M37Z, M38Z		12	M37Z, M38Z
	13	N01A, N01B, N01C, N01D, N01E, N34Z, N38Z		13	N01A, N01B, N01C, N01D, N01E, N34Z, N38Z		13	N01A, N01B, N01C, N01D, N01E, N34Z, N38Z
	17	R01A, R01B, R01C, R01D, R02Z, R12A, R12B, R12C		17	R01A, R01B, R01C, R01D, R02Z, R12A, R12B, R12C		17	R01A, R01B, R01C, R01D, R02Z, R12A, R12B, R12C
	21A	W04A, W04B		21A	W04A, W04B		21A	W04A, W04B
	21B	X06A, X06B, X06C, X33Z		21B	X06A, X06B, X06C, X33Z		21B	X06A, X06B, X06C, X33Z
	23	Z01A		23	Z01A		23	Z01A
	Pre	A07A		Pre	A07A		Pre	A07A
	5n252.28			BOP, KOP, KOPV, KVT, MVV, UOP4	5n25x.03			BOP, KOP, KOPV, KVT, MVV, UOP4
05		F36A, F36B	05	F36A, F36B		05	F36A, F36B	
06		G15Z, G16A, G16B, G33Z, G38Z	06	G01Z, G02Z, G15Z, G33Z, G38Z		06	G01Z, G02Z, G15Z, G33Z, G38Z	
07		H33Z, H38Z	07	H33Z, H38Z		07	H33Z, H38Z	
11		L10Z, L33Z, L38Z	11	L10Z, L33Z, L38Z		10	K09A, K09B	
12		M37Z, M38Z	12	M37Z, M38Z		11	L10Z, L33Z, L38Z	
13		N01A, N01B, N01C, N01D, N01E, N34Z, N38Z	13	N01A, N01B, N01C, N01D, N01E, N34Z, N38Z		12	M37Z, M38Z	
17		R01A, R01B, R01C, R01D, R02Z, R12A, R12B, R12C	17	R01A, R01B, R01C, R01D, R02Z, R12A, R12B, R12C		13	N01A, N01B, N01C, N01D, N01E, N34Z, N38Z	
21A		W04A, W04B	21A	W04A, W04B		17	R01A, R01B, R01C, R01D, R02Z, R12A, R12B, R12C	
21B		X06A, X06B, X06C, X33Z	21A	W04A, W04B		21A	W04A, W04B	
23		Z01A	21B	X06A, X06B, X06C, X33Z		21B	X06A, X06B, X06C, X33Z	
Pre		A07A	23	Z01A		21B	X06A, X06B, X06C, X33Z	
5n252.4			BOP, KOP, KOPV, KVT, MVV, UOP4	5n25x.04			BOP, KOP, KOPV, KVT, MVV, UOP4	5n25x.27
	05	F36A, F36B	05		F36A, F36B	05	F36A, F36B	
	06	G15Z, G16A, G16B, G33Z, G38Z	06		G15Z, G16A, G16B, G33Z, G38Z	06	G01Z, G02Z, G15Z, G33Z, G38Z	
	07	H33Z, H38Z	07		H33Z, H38Z	07	H33Z, H38Z	
	11	L10Z, L33Z, L38Z	10		K09A, K09B	11	L10Z, L33Z, L38Z	
	12	M37Z, M38Z	11		L10Z, L33Z, L38Z	12	M37Z, M38Z	
	13	N01A, N01B, N01C, N01D, N01E, N34Z, N38Z	12		M37Z, M38Z	13	N01A, N01B, N01C, N01D, N01E, N34Z, N38Z	
	17	R01A, R01B, R01C, R01D, R02Z, R12A, R12B, R12C	13		N01A, N01B, N01C, N01D, N01E, N34Z, N38Z	17	R01A, R01B, R01C, R01D, R02Z, R12A, R12B, R12C	
	21A	W04A, W04B	17		R01A, R01B, R01C, R01D, R02Z, R12A, R12B, R12C	21A	W04A, W04B	
	21B	X06A, X06B, X06C, X33Z	21A		W04A, W04B	21A	W04A, W04B	
	23	Z01A	21B		X06A, X06B, X06C, X33Z	21B	X06A, X06B, X06C, X33Z	
	Pre	A07A	23		Z01A	23	Z01A	
	5n252.x		BOP, KOP, KOPV, KVT, MVV, UOP4		5n25x.05		BOP, KOP, KOPV, KVT, MVV, UOP4	
05		F36A, F36B	05	F36A, F36B		05	F36A, F36B	
06		G15Z, G16A, G16B, G33Z, G38Z	06	G15Z, G16A, G16B, G33Z, G38Z		06	G01Z, G02Z, G15Z, G33Z, G38Z	
07		H33Z, H38Z	07	H33Z, H38Z		07	H33Z, H38Z	
11		L10Z, L33Z, L38Z	11	L10Z, L33Z, L38Z		11	L10Z, L33Z, L38Z	
12		M37Z, M38Z	12	M37Z, M38Z		12	M37Z, M38Z	
13		N01A, N01B, N01C, N01D, N01E, N34Z, N38Z	13	N01A, N01B, N01C, N01D, N01E, N34Z, N38Z		13	N01A, N01B, N01C, N01D, N01E, N34Z, N38Z	
17		R01A, R01B, R01C, R01D, R02Z, R12A, R12B, R12C	17	R01A, R01B, R01C, R01D, R02Z, R12A, R12B, R12C		17	R01A, R01B, R01C, R01D, R02Z, R12A, R12B, R12C	
21A		W04A, W04B	17	R01A, R01B, R01C, R01D, R02Z, R12A, R12B, R12C		21A	W04A, W04B	
21B		X06A, X06B, X06C, X33Z	21A	W04A, W04B		21A	W04A, W04B	
23		Z01A	21B	X06A, X06B, X06C, X33Z		21B	X06A, X06B, X06C, X33Z	
Pre		A07A	23	Z01A		23	Z01A	
			Pre	A07A		Pre	A07A	



ZZV	MDC	DRG	ZZV	MDC	DRG	ZZV	MDC	DRG
5n25x.4		BOP, KOP, KOPV, KVT, MVV, UOP4	5n260.03		BOP, KOP, KOPV, KVT, MVV, UOP4	5n260.4		BOP, KOP, KOPV, KVT, MVV, UOP4
	05	F36A, F36B		05	F36A, F36B		05	F36A, F36B
	06	G01Z, G02Z, G15Z, G33Z, G38Z		06	G01Z, G02Z, G15Z, G33Z, G38Z		06	G01Z, G02Z, G15Z, G33Z, G38Z
	07	H33Z, H38Z		07	H33Z, H38Z		07	H33Z, H38Z
	11	L10Z, L33Z, L38Z		10	K09A, K09B		10	K09A, K09B
	12	M37Z, M38Z		11	L10Z, L33Z, L38Z		11	L10Z, L33Z, L38Z
	13	N01A, N01B, N01C, N01D, N01E, N34Z, N38Z		12	M37Z, M38Z		12	M37Z, M38Z
	17	R01A, R01B, R01C, R01D, R02Z, R12A, R12B, R12C		13	N01A, N01B, N01C, N01D, N01E, N34Z, N38Z		13	N01A, N01B, N01C, N01D, N01E, N34Z, N38Z
	21A	W04A, W04B		17	R01A, R01B, R01C, R01D, R02Z, R12A, R12B, R12C		17	R01A, R01B, R01C, R01D, R02Z, R12A, R12B, R12C
	21B	X06A, X06B, X06C, X33Z		21A	W04A, W04B		21A	W04A, W04B
	23	Z01A		21B	X06A, X06B, X06C, X33Z		21B	X06A, X06B, X06C, X33Z
	Pre	A07A		23	Z01A		23	Z01A
				Pre	A07A		Pre	A07A
	5n25x.x			BOP, KOP, KOPV, KVT, MVV, UOP4	5n260.04			BOP, KOP, KOPV, KVT, MVV, UOP4
05		F36A, F36B	05	F36A, F36B		05	F36A, F36B	
06		G01Z, G02Z, G15Z, G33Z, G38Z	06	G01Z, G02Z, G15Z, G33Z, G38Z		06	G01Z, G02Z, G15Z, G33Z, G38Z	
07		H33Z, H38Z	07	H33Z, H38Z		07	H33Z, H38Z	
11		L10Z, L33Z, L38Z	10	K09A, K09B		10	K09A, K09B	
12		M37Z, M38Z	11	L10Z, L33Z, L38Z		11	L10Z, L33Z, L38Z	
13		N01A, N01B, N01C, N01D, N01E, N34Z, N38Z	12	M37Z, M38Z		12	M37Z, M38Z	
17		R01A, R01B, R01C, R01D, R02Z, R12A, R12B, R12C	13	N01A, N01B, N01C, N01D, N01E, N34Z, N38Z		13	N01A, N01B, N01C, N01D, N01E, N34Z, N38Z	
21A		W04A, W04B	17	R01A, R01B, R01C, R01D, R02Z, R12A, R12B, R12C		17	R01A, R01B, R01C, R01D, R02Z, R12A, R12B, R12C	
21B		X06A, X06B, X06C, X33Z	21A	W04A, W04B		21A	W04A, W04B	
23		Z01A	21B	X06A, X06B, X06C, X33Z		21B	X06A, X06B, X06C, X33Z	
Pre		A07A	23	Z01A		23	Z01A	
			Pre	A07A		Pre	A07A	
5n260.01			BOP, KOP, KOPV, KVT, MVV, UOP4	5n260.20			BOP, KOP, KOPV, KVT, MVV, UOP4	5n261.01
	05	F36A, F36B	05		F36A, F36B	05	F36A, F36B	
	06	G01Z, G02Z, G15Z, G33Z, G38Z	06		G01Z, G02Z, G15Z, G33Z, G38Z	06	G01Z, G02Z, G15Z, G33Z, G38Z	
	07	H33Z, H38Z	07		H33Z, H38Z	07	H33Z, H38Z	
	10	K09A, K09B	10		K09A, K09B	10	K09A, K09B	
	11	L10Z, L33Z, L38Z	11		L10Z, L33Z, L38Z	11	L10Z, L33Z, L38Z	
	12	M37Z, M38Z	12		M37Z, M38Z	12	M37Z, M38Z	
	13	N01A, N01B, N01C, N01D, N01E, N34Z, N38Z	13		N01A, N01B, N01C, N01D, N01E, N34Z, N38Z	13	N01A, N01B, N01C, N01D, N01E, N34Z, N38Z	
	17	R01A, R01B, R01C, R01D, R02Z, R12A, R12B, R12C	17		R01A, R01B, R01C, R01D, R02Z, R12A, R12B, R12C	17	R01A, R01B, R01C, R01D, R02Z, R12A, R12B, R12C	
	21A	W04A, W04B	21A		W04A, W04B	21A	W04A, W04B	
	21B	X06A, X06B, X06C, X33Z	21B		X06A, X06B, X06C, X33Z	21B	X06A, X06B, X06C, X33Z	
	23	Z01A	23		Z01A	23	Z01A	
	Pre	A07A	Pre		A07A	Pre	A07A	
	5n260.02		BOP, KOP, KOPV, KVT, MVV, UOP4		5n260.21		BOP, KOP, KOPV, KVT, MVV, UOP4	
05		F36A, F36B	05	F36A, F36B		05	F36A, F36B	
06		G01Z, G02Z, G15Z, G33Z, G38Z	06	G01Z, G02Z, G15Z, G33Z, G38Z		06	G01Z, G02Z, G15Z, G33Z, G38Z	
07		H33Z, H38Z	07	H33Z, H38Z		07	H33Z, H38Z	
10		K09A, K09B	10	K09A, K09B		10	K09A, K09B	
11		L10Z, L33Z, L38Z	11	L10Z, L33Z, L38Z		11	L10Z, L33Z, L38Z	
12		M37Z, M38Z	12	M37Z, M38Z		12	M37Z, M38Z	
13		N01A, N01B, N01C, N01D, N01E, N34Z, N38Z	13	N01A, N01B, N01C, N01D, N01E, N34Z, N38Z		13	N01A, N01B, N01C, N01D, N01E, N34Z, N38Z	
17		R01A, R01B, R01C, R01D, R02Z, R12A, R12B, R12C	17	R01A, R01B, R01C, R01D, R02Z, R12A, R12B, R12C		17	R01A, R01B, R01C, R01D, R02Z, R12A, R12B, R12C	
21A		W04A, W04B	21A	W04A, W04B		21A	W04A, W04B	
21B		X06A, X06B, X06C, X33Z	21B	X06A, X06B, X06C, X33Z		21B	X06A, X06B, X06C, X33Z	
23		Z01A	23	Z01A		23	Z01A	
Pre		A07A	Pre	A07A		Pre	A07A	

VYK

ZZV	MDC	DRG	ZZV	MDC	DRG	ZZV	MDC	DRG
5n264.03		BOP, KOP, KOPV, KVT, MVV, UOP4	5n264.4		BOP, KOP, KOPV, KVT, MVV, UOP4	5n265.03		BOP, KOP, KOPV, KVT, MVV, UOP4
	05	F36A, F36B		05	F36A, F36B		05	F36A, F36B
	06	G15Z, G16A, G16B, G33Z, G38Z		06	G15Z, G16A, G16B, G33Z, G38Z		06	G01Z, G02Z, G15Z, G18A, G18B, G33Z, G38Z
	07	H33Z, H38Z		07	H33Z, H38Z		07	H33Z, H38Z
	10	K09A, K09B		10	K09A, K09B		10	K09A, K09B
	11	L10Z, L33Z, L38Z		11	L10Z, L33Z, L38Z		11	L10Z, L33Z, L38Z
	12	M37Z, M38Z		12	M37Z, M38Z		12	M37Z, M38Z
	13	N01A, N01B, N01C, N01D, N01E, N34Z, N38Z		13	N01A, N01B, N01C, N01D, N01E, N34Z, N38Z		13	N01A, N01B, N01C, N01D, N01E, N34Z, N38Z
	17	R01A, R01B, R01C, R01D, R02Z, R12A, R12B, R12C		17	R01A, R01B, R01C, R01D, R02Z, R12A, R12B, R12C		17	R01A, R01B, R01C, R01D, R02Z, R12A, R12B, R12C
	21A	W04A, W04B		21A	W04A, W04B		21A	W04A, W04B
	21B	X06A, X06B, X06C, X33Z		21B	X06A, X06B, X06C, X33Z		21B	X06A, X06B, X06C, X33Z
	23	Z01A		23	Z01A		23	Z01A
	Pre	A07A		Pre	A07A		Pre	A07A
	5n264.04			BOP, KOP, KOPV, KVT, MVV, UOP4	5n264.x			BOP, KOP, KOPV, KVT, MVV, UOP4
05		F36A, F36B	05	F36A, F36B		05	F36A, F36B	
06		G15Z, G16A, G16B, G33Z, G38Z	06	G15Z, G16A, G16B, G33Z, G38Z		06	G01Z, G02Z, G15Z, G18A, G18B, G33Z, G38Z	
07		H33Z, H38Z	07	H33Z, H38Z		07	H33Z, H38Z	
10		K09A, K09B	10	K09A, K09B		10	K09A, K09B	
11		L10Z, L33Z, L38Z	11	L10Z, L33Z, L38Z		11	L10Z, L33Z, L38Z	
12		M37Z, M38Z	12	M37Z, M38Z		12	M37Z, M38Z	
13		N01A, N01B, N01C, N01D, N01E, N34Z, N38Z	13	N01A, N01B, N01C, N01D, N01E, N34Z, N38Z		13	N01A, N01B, N01C, N01D, N01E, N34Z, N38Z	
17		R01A, R01B, R01C, R01D, R02Z, R12A, R12B, R12C	17	R01A, R01B, R01C, R01D, R02Z, R12A, R12B, R12C		17	R01A, R01B, R01C, R01D, R02Z, R12A, R12B, R12C	
21A		W04A, W04B	21A	W04A, W04B		21A	W04A, W04B	
21B		X06A, X06B, X06C, X33Z	21B	X06A, X06B, X06C, X33Z		21B	X06A, X06B, X06C, X33Z	
23		Z01A	23	Z01A		23	Z01A	
Pre		A07A	Pre	A07A		Pre	A07A	
5n264.20			BOP, KOP, KOPV, KVT, MVV, UOP4	5n265.01			BOP, KOP, KOPV, KVT, MVV, UOP4	5n265.20
	05	F36A, F36B	05		F36A, F36B	05	F36A, F36B	
	06	G15Z, G16A, G16B, G33Z, G38Z	06		G01Z, G02Z, G15Z, G18A, G18B, G33Z, G38Z	06	G01Z, G02Z, G15Z, G18A, G18B, G33Z, G38Z	
	07	H33Z, H38Z	07		H33Z, H38Z	07	H33Z, H38Z	
	10	K09A, K09B	10		K09A, K09B	10	K09A, K09B	
	11	L10Z, L33Z, L38Z	11		L10Z, L33Z, L38Z	11	L10Z, L33Z, L38Z	
	12	M37Z, M38Z	12		M37Z, M38Z	12	M37Z, M38Z	
	13	N01A, N01B, N01C, N01D, N01E, N34Z, N38Z	13		N01A, N01B, N01C, N01D, N01E, N34Z, N38Z	13	N01A, N01B, N01C, N01D, N01E, N34Z, N38Z	
	17	R01A, R01B, R01C, R01D, R02Z, R12A, R12B, R12C	17		R01A, R01B, R01C, R01D, R02Z, R12A, R12B, R12C	17	R01A, R01B, R01C, R01D, R02Z, R12A, R12B, R12C	
	21A	W04A, W04B	21A		W04A, W04B	21A	W04A, W04B	
	21B	X06A, X06B, X06C, X33Z	21B		X06A, X06B, X06C, X33Z	21B	X06A, X06B, X06C, X33Z	
	23	Z01A	23		Z01A	23	Z01A	
	Pre	A07A	Pre		A07A	Pre	A07A	
	5n264.21		BOP, KOP, KOPV, KVT, MVV, UOP4		5n265.02		BOP, KOP, KOPV, KVT, MVV, UOP4	
05		F36A, F36B	05	F36A, F36B		05	F36A, F36B	
06		G15Z, G16A, G16B, G33Z, G38Z	06	G01Z, G02Z, G15Z, G18A, G18B, G33Z, G38Z		06	G01Z, G02Z, G15Z, G18A, G18B, G33Z, G38Z	
07		H33Z, H38Z	07	H33Z, H38Z		07	H33Z, H38Z	
10		K09A, K09B	10	K09A, K09B		10	K09A, K09B	
11		L10Z, L33Z, L38Z	11	L10Z, L33Z, L38Z		11	L10Z, L33Z, L38Z	
12		M37Z, M38Z	12	M37Z, M38Z		12	M37Z, M38Z	
13		N01A, N01B, N01C, N01D, N01E, N34Z, N38Z	13	N01A, N01B, N01C, N01D, N01E, N34Z, N38Z		13	N01A, N01B, N01C, N01D, N01E, N34Z, N38Z	
17		R01A, R01B, R01C, R01D, R02Z, R12A, R12B, R12C	17	R01A, R01B, R01C, R01D, R02Z, R12A, R12B, R12C		17	R01A, R01B, R01C, R01D, R02Z, R12A, R12B, R12C	
21A		W04A, W04B	21A	W04A, W04B		21A	W04A, W04B	
21B		X06A, X06B, X06C, X33Z	21B	X06A, X06B, X06C, X33Z		21B	X06A, X06B, X06C, X33Z	
23		Z01A	23	Z01A		23	Z01A	
Pre		A07A	Pre	A07A		Pre	A07A	

ZZV	MDC	DRG	ZZV	MDC	DRG	ZZV	MDC	DRG					
5n265.4		BOP, KOP, KOPV, KVT, MVV, UOP4	5n291		BOP, KOP, KOPV, KVT, UOP4	5n301.0		BOP, KVT, UOP4					
	05	F36A, F36B		05	F36A, F36B		06	G01Z, G02Z, G15Z, G18A, G18B, G33Z, G38Z					
	06	G01Z, G02Z, G15Z, G18A, G18B, G33Z, G38Z		06	G01Z, G02Z, G15Z, G18A, G18B, G33Z, G38Z		11	L09A, L10Z, L38Z					
	07	H33Z, H38Z		07	H33Z, H38Z		12	M37Z, M38Z					
	10	K09A, K09B		11	L33Z		13	N11A					
	11	L10Z, L33Z, L38Z		21B	X33Z		17	R01A, R01B, R01C, R01D, R02Z, R12A, R12B, R12C					
	12	M37Z, M38Z		23	Z01A		21A	W04A, W04B					
	13	N01A, N01B, N01C, N01D, N01E, N34Z, N38Z		Pre	A07A		21B	X06A, X06B, X06C					
	17	R01A, R01B, R01C, R01D, R02Z, R12A, R12B, R12C		5n292			BOP, KOP, KOPV, KVT, UOP4	5n301.2		A11A, A13A, A13B, A13D			
	21A	W04A, W04B			05		F36A, F36B		06	G01Z, G02Z, G15Z, G18A, G18B, G33Z, G38Z			
	21B	X06A, X06B, X06C, X33Z			06		G01Z, G02Z, G15Z, G18A, G18B, G33Z, G38Z		11	L09A, L10Z, L38Z			
	23	Z01A			07		H33Z, H38Z		12	M37Z, M38Z			
	Pre	A07A			11		L33Z		13	N11A			
	5n265.x				BOP, KOP, KOPV, KVT, MVV, UOP4		5n29x			BOP, KOP, KOPV, KVT, UOP4	5n301.4		BOP, KVT, UOP4
		05			F36A, F36B				05	F36A, F36B		06	G01Z, G02Z, G15Z, G18A, G18B, G33Z, G38Z
		06			G01Z, G02Z, G15Z, G18A, G18B, G33Z, G38Z				06	G01Z, G02Z, G15Z, G18A, G18B, G33Z, G38Z		11	L09A, L10Z, L38Z
07		H33Z, H38Z	07		H33Z, H38Z	12			M37Z, M38Z				
10		K09A, K09B	11		L33Z	13			N11A				
11		L10Z, L33Z, L38Z	21B		X33Z	17			R01A, R01B, R01C, R01D, R02Z, R12A, R12B, R12C				
12		M37Z, M38Z	23		Z01A	21A			W04A, W04B				
13		N01A, N01B, N01C, N01D, N01E, N34Z, N38Z	Pre		A07A	21B			X06A, X06B, X06C				
17		R01A, R01B, R01C, R01D, R02Z, R12A, R12B, R12C	5n300.0			BOP, KVT, UOP4			5n302.0			BOP, KVT, UOP4	
21A		W04A, W04B			06	G01Z, G02Z, G15Z, G18A, G18B, G38Z				06		G01Z, G02Z, G15Z, G18A, G18B, G38Z	
21B		X06A, X06B, X06C, X33Z			11	L09A, L10Z, L38Z				11		L09A, L10Z, L38Z	
23		Z01A		12	M37Z, M38Z	12		M37Z, M38Z					
Pre		A07A		13	N11A	13		N11A					
5n26x.x				BOP, KOP, KOPV, KVT, MVV, UOP4	5n300.2			BOP, KVT, UOP4		5n302.2			BOP, KVT, UOP4
		05		F36A, F36B		06		G01Z, G02Z, G15Z, G18A, G18B, G38Z				06	G01Z, G02Z, G15Z, G18A, G18B, G38Z
		06		G01Z, G02Z, G15Z, G18A, G18B, G33Z, G38Z		11		L09A, L10Z, L38Z				06	G01Z, G02Z, G15Z, G18A, G18B, G38Z
	07	H33Z, H38Z		12		M37Z, M38Z	11	L09A, L10Z, L38Z					
	10	K09A, K09B		13		N11A	12	M37Z, M38Z					
	11	L10Z, L33Z, L38Z		17		R01A, R01B, R01C, R01D, R02Z, R12A, R12B, R12C	13	N11A					
	12	M37Z, M38Z		21A		W04A, W04B	17	R01A, R01B, R01C, R01D, R02Z, R12A, R12B, R12C					
	13	N01A, N01B, N01C, N01D, N01E, N34Z, N38Z		21B		X06A, X06B, X06C	21A	W04A, W04B					
	17	R01A, R01B, R01C, R01D, R02Z, R12A, R12B, R12C		Pre		A11A, A13A, A13B, A13D	21B	X06A, X06B, X06C					
	21A	W04A, W04B		5n300.4			BOP, KVT, UOP4	5n302.4				BOP, KVT, UOP4	
	21B	X06A, X06B, X06C, X33Z				06	G01Z, G02Z, G15Z, G18A, G18B, G38Z				06	G01Z, G02Z, G15Z, G18A, G18B, G38Z	
	23	Z01A	11			L09A, L10Z, L38Z	06		G01Z, G02Z, G15Z, G18A, G18B, G38Z				
	Pre	A07A	12			M37Z, M38Z	11		L09A, L10Z, L38Z				
	5n290		BOP, KOP, KOPV, KVT, UOP4			5n300.4			BOP, KVT, UOP4		5n302.4		BOP, KVT, UOP4
		05	F36A, F36B				06		G01Z, G02Z, G15Z, G18A, G18B, G38Z			11	L09A, L10Z, L38Z
		06	G01Z, G02Z, G15Z, G18A, G18B, G33Z, G38Z				12		M37Z, M38Z			12	M37Z, M38Z
07		H33Z, H38Z	13		N11A		13		N11A				
11		L33Z	17		R01A, R01B, R01C, R01D, R02Z, R12A, R12B, R12C		17		R01A, R01B, R01C, R01D, R02Z, R12A, R12B, R12C				
21B		X33Z	21A		W04A, W04B		21A		W04A, W04B				
23		Z01A	21B		X06A, X06B, X06C		21B		X06A, X06B, X06C				
Pre		A07A	Pre		A11A, A13A, A13B, A13D		Pre		A11A, A13A, A13B, A13D				



ZZV	MDC	DRG	ZZV	MDC	DRG	ZZV	MDC	DRG
5n303.0		BOP, KVT, UOP4	5n305.0		BOP, KVT, UOP4	5n310.0		BOP, KOP, KOPV, KVT, UOP4
	06	G01Z, G02Z, G15Z, G18A, G18B, G38Z		06	G01Z, G02Z, G15Z, G18A, G18B, G38Z		06	G01Z, G02Z, G15Z, G38Z
	11	L09A, L10Z, L38Z		11	L09A, L10Z, L38Z		07	H33Z, H38Z
	12	M37Z, M38Z		12	M37Z, M38Z		11	L10Z, L33Z, L38Z
	13	N11A		13	N11A		12	M37Z, M38Z
	17	R01A, R01B, R01C, R01D, R02Z, R12A, R12B, R12C		17	R01A, R01B, R01C, R01D, R02Z, R12A, R12B, R12C		13	N11A
	21A	W04A, W04B		21A	W04A, W04B		17	R01A, R01B, R01C, R01D, R02Z, R12A, R12B, R12C
	21B	X06A, X06B, X06C		21B	X06A, X06B, X06C		21A	W04A, W04B
	Pre	A11A, A13A, A13B, A13D		Pre	A11A, A13A, A13B, A13D		21B	X06A, X06B, X06C, X33Z
	5n303.2			BOP, KVT, UOP4	5n305.2			BOP, KVT, UOP4
06		G01Z, G02Z, G15Z, G18A, G18B, G38Z	06	G01Z, G02Z, G15Z, G18A, G18B, G38Z		06	G01Z, G02Z, G15Z, G38Z	
11		L09A, L10Z, L38Z	11	L09A, L10Z, L38Z		07	H33Z, H38Z	
12		M37Z, M38Z	12	M37Z, M38Z		11	L10Z, L33Z, L38Z	
13		N11A	13	N11A		12	M37Z, M38Z	
17		R01A, R01B, R01C, R01D, R02Z, R12A, R12B, R12C	17	R01A, R01B, R01C, R01D, R02Z, R12A, R12B, R12C		13	N11A	
21A		W04A, W04B	21A	W04A, W04B		17	R01A, R01B, R01C, R01D, R02Z, R12A, R12B, R12C	
21B		X06A, X06B, X06C	21B	X06A, X06B, X06C		21A	W04A, W04B	
Pre		A11A, A13A, A13B, A13D	Pre	A11A, A13A, A13B, A13D		21B	X06A, X06B, X06C, X33Z	
5n303.4			BOP, KVT, UOP4	5n305.4			BOP, KVT, UOP4	5n310.4
	06	G01Z, G02Z, G15Z, G18A, G18B, G38Z	06		G01Z, G02Z, G15Z, G18A, G18B, G38Z	06	G01Z, G02Z, G15Z, G38Z	
	11	L09A, L10Z, L38Z	11		L09A, L10Z, L38Z	07	H33Z, H38Z	
	12	M37Z, M38Z	12		M37Z, M38Z	11	L10Z, L33Z, L38Z	
	13	N11A	13		N11A	12	M37Z, M38Z	
	17	R01A, R01B, R01C, R01D, R02Z, R12A, R12B, R12C	17		R01A, R01B, R01C, R01D, R02Z, R12A, R12B, R12C	13	N11A	
	21A	W04A, W04B	21A		W04A, W04B	17	R01A, R01B, R01C, R01D, R02Z, R12A, R12B, R12C	
	21B	X06A, X06B, X06C	21B		X06A, X06B, X06C	21A	W04A, W04B	
	Pre	A11A, A13A, A13B, A13D	Pre		A11A, A13A, A13B, A13D	21B	X06A, X06B, X06C, X33Z	
	5n304.0		BOP, KVT, UOP4		5n30x.0		BOP, KVT, UOP4	
06		G01Z, G02Z, G15Z, G18A, G18B, G38Z	06	G01Z, G02Z, G15Z, G18A, G18B, G38Z		06	G01Z, G02Z, G15Z, G38Z	
11		L09A, L10Z, L38Z	11	L09A, L10Z, L38Z		07	H33Z, H38Z	
12		M37Z, M38Z	12	M37Z, M38Z		11	L10Z, L33Z, L38Z	
13		N11A	13	N11A		12	M37Z, M38Z	
17		R01A, R01B, R01C, R01D, R02Z, R12A, R12B, R12C	17	R01A, R01B, R01C, R01D, R02Z, R12A, R12B, R12C		13	N11A	
21A		W04A, W04B	21A	W04A, W04B		17	R01A, R01B, R01C, R01D, R02Z, R12A, R12B, R12C	
21B		X06A, X06B, X06C	21B	X06A, X06B, X06C		21A	W04A, W04B	
Pre		A11A, A13A, A13B, A13D	Pre	A11A, A13A, A13B, A13D		21B	X06A, X06B, X06C, X33Z	
5n304.2			BOP, KVT, UOP4	5n30x.2			BOP, KVT, UOP4	5n311.2
	06	G01Z, G02Z, G15Z, G18A, G18B, G38Z	06		G01Z, G02Z, G15Z, G18A, G18B, G38Z	06	G01Z, G02Z, G15Z, G38Z	
	11	L09A, L10Z, L38Z	11		L09A, L10Z, L38Z	07	H33Z, H38Z	
	12	M37Z, M38Z	12		M37Z, M38Z	11	L10Z, L33Z, L38Z	
	13	N11A	13		N11A	12	M37Z, M38Z	
	17	R01A, R01B, R01C, R01D, R02Z, R12A, R12B, R12C	17		R01A, R01B, R01C, R01D, R02Z, R12A, R12B, R12C	13	N11A	
	21A	W04A, W04B	21A		W04A, W04B	17	R01A, R01B, R01C, R01D, R02Z, R12A, R12B, R12C	
	21B	X06A, X06B, X06C	21B		X06A, X06B, X06C	21A	W04A, W04B	
	Pre	A11A, A13A, A13B, A13D	Pre		A11A, A13A, A13B, A13D	21B	X06A, X06B, X06C, X33Z	
	5n304.4		BOP, KVT, UOP4		5n30x.4		BOP, KVT, UOP4	
06		G01Z, G02Z, G15Z, G18A, G18B, G38Z	06	G01Z, G02Z, G15Z, G18A, G18B, G38Z			BOP, KOP, KOPV, KVT, UOP4	
11		L09A, L10Z, L38Z	11	L09A, L10Z, L38Z		06	G01Z, G02Z, G15Z, G38Z	
12		M37Z, M38Z	12	M37Z, M38Z		07	H33Z, H38Z	
13		N11A	13	N11A		11	L10Z, L33Z, L38Z	
17		R01A, R01B, R01C, R01D, R02Z, R12A, R12B, R12C	17	R01A, R01B, R01C, R01D, R02Z, R12A, R12B, R12C		12	M37Z, M38Z	
21A		W04A, W04B	21A	W04A, W04B		13	N11A	
21B		X06A, X06B, X06C	21B	X06A, X06B, X06C		17	R01A, R01B, R01C, R01D, R02Z, R12A, R12B, R12C	
Pre		A11A, A13A, A13B, A13D	Pre	A11A, A13A, A13B, A13D		21A	W04A, W04B	
						21B	X06A, X06B, X06C, X33Z	
				Pre	A07A, A11A, A13A, A13B, A13D			

ZZV	MDC	DRG	ZZV	MDC	DRG	ZZV	MDC	DRG			
5n31x.4		BOP, KOP, KOPV, KVT, UOP4	5n322.2		BOP, KVT, UOP4	5n330.1		BOP, KVT, UOP4			
	06	G01Z, G02Z, G15Z, G38Z		06	G01Z, G02Z, G15Z, G18A, G18B, G38Z		06	G13Z, G21A, G21B			
	07	H33Z, H38Z		13	N11A		17	R01A, R01B, R01C, R01D, R02Z, R12A, R12B, R12C			
	11	L10Z, L33Z, L38Z		17	R01A, R01B, R01C, R01D, R02Z, R12A, R12B, R12C		21A	W04A, W04B			
	12	M37Z, M38Z		21A	W04A, W04B		21B	X06A, X06B, X06C			
	13	N11A		21B	X06A, X06B, X06C		5n330.2		BOP, KVT, UOP4		
	17	R01A, R01B, R01C, R01D, R02Z, R12A, R12B, R12C		Pre	A11A, A13A, A13B, A13D			06	G13Z, G21A, G21B		
	21A	W04A, W04B		5n322.3			BOP, KVT, UOP4	17	R01A, R01B, R01C, R01D, R02Z, R12A, R12B, R12C		
	21B	X06A, X06B, X06C, X33Z			06		G01Z, G02Z, G15Z, G18A, G18B, G38Z	21A	W04A, W04B		
	Pre	A07A, A11A, A13A, A13B, A13D		13	N11A		21B	X06A, X06B, X06C			
	5n320.0			BOP, KVT, UOP4	5n322.4			BOP, KVT, UOP4	5n330.3		BOP, KVT, UOP4
		06		G15Z, G18A, G18B, G38Z			06	G01Z, G02Z, G15Z, G18A, G18B, G38Z		06	G13Z, G21A, G21B
		13		N11A			13	N11A		21A	W04A, W04B
		17		R01A, R01B, R01C, R01D, R02Z, R12A, R12B, R12C			17	R01A, R01B, R01C, R01D, R02Z, R12A, R12B, R12C		21A	W04A, W04B
21A		W04A, W04B	21A	W04A, W04B		21B	X06A, X06B, X06C				
5n320.2		BOP, KVT, UOP4	5n322.5		BOP, KVT, UOP4	5n330.x		BOP, KVT, UOP4			
	06	G15Z, G18A, G18B, G38Z		06	G01Z, G02Z, G15Z, G18A, G18B, G38Z		06	G13Z, G21A, G21B			
	13	N11A		13	N11A		21A	W04A, W04B			
	17	R01A, R01B, R01C, R01D, R02Z, R12A, R12B, R12C		17	R01A, R01B, R01C, R01D, R02Z, R12A, R12B, R12C		21B	X06A, X06B, X06C			
	21A	W04A, W04B		Pre	A11A, A13A, A13B, A13D		5n331.0		BOP, KVT, UOP4		
21B	X06A, X06B, X06C	06	G01Z, G02Z, G15Z, G18A, G18B, G38Z	06	G13Z, G21A, G21B						
5n320.4		BOP, KVT, UOP4	5n322.6		BOP, KVT, UOP4	5n331.1		BOP, KVT, UOP4			
	06	G15Z, G18A, G18B, G38Z		06	G01Z, G02Z, G15Z, G18A, G18B, G38Z		06	G13Z, G21A, G21B			
	13	N11A		13	N11A		17	R01A, R01B, R01C, R01D, R02Z, R12A, R12B, R12C			
	17	R01A, R01B, R01C, R01D, R02Z, R12A, R12B, R12C		17	R01A, R01B, R01C, R01D, R02Z, R12A, R12B, R12C		21A	W04A, W04B			
	21A	W04A, W04B		21A	W04A, W04B		21B	X06A, X06B, X06C			
5n320.4		BOP, KVT, UOP4	5n322.7		BOP, KVT, UOP4	5n331.2		BOP, KVT, UOP4			
	06	G15Z, G18A, G18B, G38Z		06	G01Z, G02Z, G15Z, G18A, G18B, G38Z		06	G13Z, G21A, G21B			
	13	N11A		13	N11A		17	R01A, R01B, R01C, R01D, R02Z, R12A, R12B, R12C			
	17	R01A, R01B, R01C, R01D, R02Z, R12A, R12B, R12C		17	R01A, R01B, R01C, R01D, R02Z, R12A, R12B, R12C		21A	W04A, W04B			
	21A	W04A, W04B		21A	W04A, W04B		21B	X06A, X06B, X06C			
5n321.0		BOP, KVT, UOP4	5n322.x		BOP, KVT, UOP4	5n331.3		BOP, KVT, UOP4			
	06	G15Z, G18A, G18B, G38Z		06	G01Z, G02Z, G15Z, G18A, G18B, G38Z		06	G13Z, G21A, G21B			
	13	N11A		13	N11A		21A	W04A, W04B			
	17	R01A, R01B, R01C, R01D, R02Z, R12A, R12B, R12C		17	R01A, R01B, R01C, R01D, R02Z, R12A, R12B, R12C		21B	X06A, X06B, X06C			
	21A	W04A, W04B		21A	W04A, W04B		5n331.x		BOP, KVT, UOP4		
21B	X06A, X06B, X06C	21B	X06A, X06B, X06C	06	G13Z, G21A, G21B						
5n321.2		BOP, KVT, UOP4	5n322.1		BOP, KVT, UOP4	5n332.0		BOP, KVT, UOP4			
	06	G15Z, G18A, G18B, G38Z		06	G01Z, G02Z, G15Z, G18A, G18B, G38Z		05	F13A			
	13	N11A		13	N11A		06	G01Z, G02Z, G13Z, G21A, G21B, G38Z			
	17	R01A, R01B, R01C, R01D, R02Z, R12A, R12B, R12C		17	R01A, R01B, R01C, R01D, R02Z, R12A, R12B, R12C		11	L09A, L38Z			
	21A	W04A, W04B		21A	W04A, W04B		13	N11A			
5n321.4		BOP, KVT, UOP4	5n330.0		BOP, KVT, UOP4	5n332.1		BOP, KVT, UOP4			
	06	G15Z, G18A, G18B, G38Z		06	G13Z, G21A, G21B		06	G01Z, G02Z, G13Z, G21A, G21B, G38Z			
	13	N11A		13	N11A		11	L09A, L38Z			
	17	R01A, R01B, R01C, R01D, R02Z, R12A, R12B, R12C		17	R01A, R01B, R01C, R01D, R02Z, R12A, R12B, R12C		13	N11A			
	21A	W04A, W04B		21A	W04A, W04B		17	R01A, R01B, R01C, R01D, R02Z, R12A, R12B, R12C			
5n322.1		BOP, KVT, UOP4	5n330.0		BOP, KVT, UOP4	5n332.1		BOP, KVT, UOP4			
	06	G01Z, G02Z, G15Z, G18A, G18B, G38Z		06	G13Z, G21A, G21B		21A	W04A, W04B			
	13	N11A		13	N11A		21B	X06A, X06B, X06C			
	17	R01A, R01B, R01C, R01D, R02Z, R12A, R12B, R12C		17	R01A, R01B, R01C, R01D, R02Z, R12A, R12B, R12C		Pre	A11A, A13A, A13B, A13D			
	21A	W04A, W04B		21A	W04A, W04B		5n332.1		F13A		
21B	X06A, X06B, X06C	21B	X06A, X06B, X06C	06	G01Z, G02Z, G13Z, G21A, G21B, G38Z						
Pre	A11A, A13A, A13B, A13D	Pre	A11A, A13A, A13B, A13D	11	L09A, L38Z						
				13	N11A						
				17	R01A, R01B, R01C, R01D, R02Z, R12A, R12B, R12C						
				21A	W04A, W04B						
				21B	X06A, X06B, X06C						
				Pre	A11A, A13A, A13B, A13D						

VYK

ZZV	MDC	DRG	ZZV	MDC	DRG	ZZV	MDC	DRG					
5n332.2		BOP, KVT, UOP4	5n334.2		BOP, KVT, UOP4	5n339.2		BOP, KVT, UOP4					
	05	F13A		06	G15Z, G18A, G18B, G38Z		06	G01Z, G02Z, G13Z, G21A, G21B, G38Z					
	06	G01Z, G02Z, G13Z, G21A, G21B, G38Z		17	R01A, R01B, R01C, R01D, R02Z, R12A, R12B, R12C		17	R01A, R01B, R01C, R01D, R02Z, R12A, R12B, R12C					
	11	L09A, L38Z		21A	W04A, W04B		21A	W04A, W04B					
	13	N11A		21B	X06A, X06B, X06C		21B	X06A, X06B, X06C					
	17	R01A, R01B, R01C, R01D, R02Z, R12A, R12B, R12C			BOP, KVT, UOP4		Pre	A11A, A13A, A13B, A13D					
	21A	W04A, W04B		5n334.3	06		G15Z, G18A, G18B, G38Z	5n339.3		BOP, KVT, UOP4			
	21B	X06A, X06B, X06C			10		K09A, K09B		06	G01Z, G02Z, G13Z, G21A, G21B, G38Z			
	Pre	A11A, A13A, A13B, A13D			17		R01A, R01B, R01C, R01D, R02Z, R12A, R12B, R12C		21A	W04A, W04B			
	5n332.3				BOP, KVT, UOP4		5n334.x			BOP, KVT, UOP4	5n339.x		BOP, KVT, UOP4
05		F13A	06		G15Z, G18A, G18B, G38Z	06			G01Z, G02Z, G13Z, G21A, G21B, G38Z				
06		G01Z, G02Z, G13Z, G21A, G21B, G38Z	17		R01A, R01B, R01C, R01D, R02Z, R12A, R12B, R12C	21A			W04A, W04B				
11		L09A, L38Z	21A		W04A, W04B	21A			W04A, W04B				
13		N11A	21B		X06A, X06B, X06C	21B			X06A, X06B, X06C				
21A		W04A, W04B			BOP, KVT, UOP4	Pre			A11A, A13A, A13B, A13D				
21B		X06A, X06B, X06C	5n335.0		06	G13Z, G21A, G21B			5n33a.0			BOP, KVT, UOP4	
Pre		A11A, A13A, A13B, A13D		11	L09A, L38Z	05		F13A					
5n332.x				BOP, KVT, UOP4	5n335.1			BOP, KVT, UOP4		5n33a.1			F13A
		05		F13A		06		G13Z, G21A, G21B				06	G01Z, G02Z, G04A, G04B, G07A, G07B, G07C, G38Z
	06	G01Z, G02Z, G13Z, G21A, G21B, G38Z		11		L09A, L38Z	11	L09A, L38Z					
	13	N11A		17		R01A, R01B, R01C, R01D, R02Z, R12A, R12B, R12C	13	N11A					
	21A	W04A, W04B		21A		W04A, W04B	21A	W04A, W04B					
	21B	X06A, X06B, X06C		21B		X06A, X06B, X06C	21B	X06A, X06B					
	Pre	A11A, A13A, A13B, A13D				BOP, KVT, UOP4	Pre	A11A, A13A, A13B, A13D					
	5n333.0			BOP, KVT, UOP4		5n335.2		BOP, KVT, UOP4			5n33a.2		BOP, KVT, UOP4
		06	G01Z, G02Z, G13Z, G21A, G21B, G38Z	06			G13Z, G21A, G21B	05	F13A				
		17	R01A, R01B, R01C, R01D, R02Z, R12A, R12B, R12C	11			L09A, L38Z	06	G01Z, G02Z, G04A, G04B, G07A, G07B, G07C, G38Z				
21A		W04A, W04B	17	R01A, R01B, R01C, R01D, R02Z, R12A, R12B, R12C	11		L09A, L38Z						
21B		X06A, X06B, X06C	21A	W04A, W04B	13		N11A						
Pre		A11A, A13A, A13B, A13D	21B	X06A, X06B, X06C	21A		W04A, W04B						
5n333.1			BOP, KVT, UOP4	5n335.3			BOP, KVT, UOP4	5n33a.x		BOP, KVT, UOP4			
		06	G01Z, G02Z, G13Z, G21A, G21B, G38Z		06		G13Z, G21A, G21B		05	F13A			
		17	R01A, R01B, R01C, R01D, R02Z, R12A, R12B, R12C		11		L09A, L38Z		06	G01Z, G02Z, G04A, G04B, G07A, G07B, G07C, G38Z			
		21A	W04A, W04B		17		R01A, R01B, R01C, R01D, R02Z, R12A, R12B, R12C		11	L09A, L38Z			
	21B	X06A, X06B, X06C	21A		W04A, W04B	13	N11A						
	Pre	A11A, A13A, A13B, A13D	21B		X06A, X06B, X06C	21A	W04A, W04B						
	5n333.2		BOP, KVT, UOP4		5n335.x		BOP, KVT, UOP4		5n33b.0		BOP, KVT, UOP4		
		06	G01Z, G02Z, G13Z, G21A, G21B, G38Z			06	G13Z, G21A, G21B			05	F13A		
		17	R01A, R01B, R01C, R01D, R02Z, R12A, R12B, R12C			11	L09A, L38Z			06	G01Z, G02Z, G04A, G04B, G07A, G07B, G07C, G15Z, G18A, G18B, G38Z		
		21A	W04A, W04B			17	R01A, R01B, R01C, R01D, R02Z, R12A, R12B, R12C			13	N11A		
21B		X06A, X06B, X06C	21A	W04A, W04B		21A	W04A, W04B						
Pre		A11A, A13A, A13B, A13D	21B	X06A, X06B, X06C		21B	X06A, X06B						
5n333.3			BOP, KVT, UOP4	5n339.0			BOP, KVT, UOP4	5n339.1			BOP, KVT, UOP4		
		06	G01Z, G02Z, G13Z, G21A, G21B, G38Z			06	G13Z, G21A, G21B			06	G13Z, G21A, G21B		
		21A	W04A, W04B			17	R01A, R01B, R01C, R01D, R02Z, R12A, R12B, R12C			17	R01A, R01B, R01C, R01D, R02Z, R12A, R12B, R12C		
		21B	X06A, X06B, X06C			21A	W04A, W04B			21A	W04A, W04B		
	Pre	A11A, A13A, A13B, A13D	21B		X06A, X06B, X06C	21B	X06A, X06B, X06C						
	5n333.x		BOP, KVT, UOP4		5n339.3		BOP, KVT, UOP4		5n339.3		BOP, KVT, UOP4		
		06	G01Z, G02Z, G13Z, G21A, G21B, G38Z			06	G13Z, G21A, G21B			06	G13Z, G21A, G21B		
		21A	W04A, W04B			17	R01A, R01B, R01C, R01D, R02Z, R12A, R12B, R12C			17	R01A, R01B, R01C, R01D, R02Z, R12A, R12B, R12C		
		21B	X06A, X06B, X06C			21A	W04A, W04B			21A	W04A, W04B		
		Pre	A11A, A13A, A13B, A13D			21B	X06A, X06B, X06C			21B	X06A, X06B, X06C		
5n334.1			BOP, KVT, UOP4	5n339.0			BOP, KVT, UOP4	5n339.1			BOP, KVT, UOP4		
		06	G15Z, G18A, G18B, G38Z			06	G13Z, G21A, G21B			06	G13Z, G21A, G21B		
		17	R01A, R01B, R01C, R01D, R02Z, R12A, R12B, R12C			17	R01A, R01B, R01C, R01D, R02Z, R12A, R12B, R12C			17	R01A, R01B, R01C, R01D, R02Z, R12A, R12B, R12C		
		21A	W04A, W04B			21A	W04A, W04B			21A	W04A, W04B		
		21B	X06A, X06B, X06C			21B	X06A, X06B, X06C			21B	X06A, X06B, X06C		
	Pre	A11A, A13A, A13B, A13D			BOP, KVT, UOP4		BOP, KVT, UOP4						

VYK

ZZV	MDC	DRG	ZZV	MDC	DRG	ZZV	MDC	DRG			
5n33b.1		BOP, KVT, UOP4	5n341.3	06	G15Z, G18A, G18B, G38Z	5n345.3	05	F13A			
	05	F13A		21A	W04A, W04B		06	G15Z, G18A, G18B, G38Z			
	06	G01Z, G02Z, G04A, G04B, G07A, G07B, G07C, G15Z, G18A, G18B, G38Z		21B	X06A, X06B		21A	W04A, W04B			
	11	L09A, L38Z		5n341.x			BOP, KVT, UOP4	21B	X06A, X06B		
	13	N11A			06		G15Z, G18A, G18B, G38Z	5n345.x		BOP, KVT, UOP4	
	21A	W04A, W04B		21A	W04A, W04B		05		F13A		
	21B	X06A, X06B		21B	X06A, X06B		06	G15Z, G18A, G18B, G38Z			
	Pre	A11A, A13A, A13B, A13D		5n342.0†	06		G40Z, G46A, G46B, G46C, G47Z, G50Z	21A	W04A, W04B		
	5n33b.2				BOP, KVT, UOP4		5n342.2‡	06	G40Z, G48A, G48B, G48C	5n346.0	21B
		05		F13A	06			G40Z, G48A, G48B, G48C			BOP, KVT, MVV, UOP4
06		G01Z, G02Z, G04A, G04B, G07A, G07B, G07C, G15Z, G18A, G18B, G38Z	5n342.3‡	06	G40Z, G48A, G48B, G48C	06		G15Z, G18A, G18B, G38Z			
11		L09A, L38Z		5n342.x‡	06	G40Z, G48A, G48B, G48C		07	H06A, H06B, H06C		
13		N11A	5n343.0			BOP, KVT, UOP4		10	K09A, K09B		
21A		W04A, W04B		06	G15Z, G18A, G18B, G38Z	17		R01A, R01B, R01C, R01D, R02Z, R12A, R12B, R12C			
21B		X06A, X06B	21A	W04A, W04B	5n343.1	21A		W04A, W04B			
Pre		A11A, A13A, A13B, A13D	21B	X06A, X06B		21B		X06A, X06B			
5n33b.x			BOP, KVT, UOP4	5n343.1		BOP, KVT, UOP4		5n346.1	Pre		A06A, A07A, A09A, A16A
		05	F13A		06	G15Z, G18A, G18B, G38Z			06		G15Z, G18A, G18B, G38Z
	06	G01Z, G02Z, G04A, G04B, G07A, G07B, G07C, G15Z, G18A, G18B, G38Z	21A		W04A, W04B	07	H06A, H06B, H06C				
	13	N11A	21B		X06A, X06B	10	K09A, K09B				
	21A	W04A, W04B	5n343.2			BOP, KVT, UOP4	17		R01A, R01B, R01C, R01D, R02Z, R12A, R12B, R12C		
	21B	X06A, X06B			06	G15Z, G18A, G18B, G38Z	21A		W04A, W04B		
	Pre	A11A, A13A, A13B, A13D	21A		W04A, W04B	5n346.2	21B		X06A, X06B		
	5n340.0		BOP, KVT, UOP4		5n343.x				BOP, KVT, UOP4	5n346.x	Pre
		06	G15Z, G18A, G18B, G38Z			06	G15Z, G18A, G18B, G38Z		06		G15Z, G18A, G18B, G38Z
		21A	W01A, W01B, W01C, W02A, W02B, W04A, W04B			21A	W04A, W04B		07		H06A, H06B, H06C
21B		X06A, X06B	21B	X06A, X06B		10	K09A, K09B				
23		Z01A	5n344.0			BOP, KVT, UOP4	17	R01A, R01B, R01C, R01D, R02Z, R12A, R12B, R12C			
5n340.1				BOP, KVT, UOP4		06	G15Z, G18A, G18B, G38Z	21A	W04A, W04B		
		06	G15Z, G18A, G18B, G38Z	21A		W04A, W04B	21B	X06A, X06B			
		21A	W01A, W01B, W01C, W02A, W02B, W04A, W04B	21B		X06A, X06B	5n346.2	Pre	A06A, A07A, A09A, A16A		
		21B	X06A, X06B	5n344.1				BOP, KVT, UOP4	06		G15Z, G18A, G18B, G38Z
		23	Z01A			06	G15Z, G18A, G18B, G38Z	07	H06A, H06B, H06C		
	5n340.2		BOP, KVT, UOP4	21A	W04A, W04B	10	K09A, K09B				
		06	G15Z, G18A, G18B, G38Z	21B	X06A, X06B	17	R01A, R01B, R01C, R01D, R02Z, R12A, R12B, R12C				
		21A	W01A, W01B, W01C, W02A, W02B, W04A, W04B	5n344.2		BOP, KVT, UOP4	21A	W04A, W04B			
		21B	X06A, X06B		06	G15Z, G18A, G18B, G38Z	21B	X06A, X06B			
		23	Z01A	21A	W04A, W04B	5n344.3	Pre	A06A, A07A, A09A, A16A			
5n340.3			BOP, KVT, UOP4	21B	X06A, X06B		06	G15Z, G18A, G18B, G38Z			
		06	G15Z, G18A, G18B, G38Z	5n344.x		BOP, KVT, UOP4	05	F36A, F36B			
		21A	W01A, W01B, W01C, W02A, W02B, W04A, W04B		06	G15Z, G18A, G18B, G38Z	06	G01Z, G02Z, G15Z, G33Z, G38Z			
		21B	X06A, X06B	21A	W04A, W04B	07	H33Z, H38Z				
		23	Z01A	21B	X06A, X06B	10	K09A, K09B				
	5n340.x		BOP, KVT, UOP4	5n345.0		BOP, KVT, UOP4	11	L10Z, L33Z, L38Z			
		06	G15Z, G18A, G18B, G38Z		05	F13A	12	M37Z, M38Z			
		21A	W04A, W04B		06	G15Z, G18A, G18B, G38Z	13	N01A, N01B, N01C, N01D, N01E, N34Z, N38Z			
		21B	X06A, X06B		21A	W04A, W04B	17	R01A, R01B, R01C, R01D, R02Z, R12A, R12B, R12C			
		5n341.0			BOP, KVT, UOP4	21B		X06A, X06B	21A	W04A, W04B	
06			G15Z, G18A, G18B, G38Z		5n345.1		BOP, KVT, UOP4	21B	X06A, X06B, X33Z		
21A			W04A, W04B			05	F13A	23	Z01A		
21B			X06A, X06B		06	G15Z, G18A, G18B, G38Z	Pre	A07A, A11A, A13A, A13B, A13D			
5n341.1					BOP, KVT, UOP4	21A	W04A, W04B	5n34a.1‡	06	G40Z, G46A, G46B, G46C, G47Z, G50Z	
			06		G15Z, G18A, G18B, G38Z	21B	X06A, X06B		5n34a.x‡	06	G40Z, G48A, G48B, G48C
	21A		W04A, W04B	5n345.2		BOP, KVT, UOP4	5n34x.0‡			06	G40Z, G46A, G46B, G46C, G47Z, G50Z
	21B		X06A, X06B		05	F13A					
	5n341.2			BOP, KVT, UOP4	06	G15Z, G18A, G18B, G38Z					
			06	G15Z, G18A, G18B, G38Z	21A	W04A, W04B					
		21A	W04A, W04B	21B	X06A, X06B						
		21B	X06A, X06B								
		5n341.3		BOP, KVT, UOP4							
			06	G15Z, G18A, G18B, G38Z							
21A			W04A, W04B								
21B			X06A, X06B								
5n341.4				BOP, KVT, UOP4							
			06	G15Z, G18A, G18B, G38Z							
	21A		W04A, W04B								
	21B		X06A, X06B								
	5n341.5			BOP, KVT, UOP4							
			06	G15Z, G18A, G18B, G38Z							
		21A	W04A, W04B								
		21B	X06A, X06B								
		5n341.6		BOP, KVT, UOP4							
			06	G15Z, G18A, G18B, G38Z							
21A			W04A, W04B								
21B			X06A, X06B								
5n341.7				BOP, KVT, UOP4							
			06	G15Z, G18A, G18B, G38Z							
	21A		W04A, W04B								
	21B		X06A, X06B								
	5n341.8			BOP, KVT, UOP4							
			06	G15Z, G18A, G18B, G38Z							
		21A	W04A, W04B								
		21B	X06A, X06B								
		5n341.9		BOP, KVT, UOP4							
			06	G15Z, G18A, G18B, G38Z							
21A			W04A, W04B								
21B			X06A, X06B								

ZZV	MDC	DRG	ZZV	MDC	DRG	ZZV	MDC	DRG
5n34x.1‡	06	G40Z, G46A, G46B, G46C, G47Z, G50Z	5n35x.x		BOP, KVT, UOP4	5n390.2		BOP, KVT, UOP4
5n34x.2‡	06	G40Z, G48A, G48B, G48C	06		G15Z, G18A, G18B, G38Z	06		G01Z, G02Z, G13Z, G18B, G21A, G21B, G38Z
5n34x.3‡	06	G40Z, G48A, G48B, G48C	07		H06A, H06B, H06C	07		H06A, H06B, H06C
5n34x.x‡	06	G40Z, G48A, G48B, G48C	17		R01A, R01B, R01C, R01D, R02Z, R12A, R12B, R12C	17		R01A, R01B, R01C, R01D, R02Z, R12A, R12B, R12C
5n350.1		BOP, KVT, UOP4	21A		W04A, W04B	21A		W04A, W04B
	06	G15Z, G18A, G18B, G38Z	21B		X06A, X06B, X06C	21A		W04A, W04B
	07	H06A, H06B, H06C	5n360		BOP, KVT, UOP4	21B		X06A, X06B
	17	R01A, R01B, R01C, R01D, R02Z, R12A, R12B, R12C	06		G07A, G07B, G07C, G22A, G22B, G22C, G23A, G23B, G23C	Pre		A11A, A13A, A13B, A13D
	21A	W04A, W04B				5n390.4		BOP, KVT, UOP4
	21B	X06A, X06B, X06C				06		G01Z, G02Z, G13Z, G18B, G21A, G21B, G38Z
5n350.2		BOP, KVT, UOP4	5n361.0		N11A, N11B	07		H06A, H06B, H06C
	06	G15Z, G18A, G18B, G38Z			BOP, KVT, UOP4	17		R01A, R01B, R01C, R01D, R02Z, R12A, R12B, R12C
	07	H06A, H06B, H06C	06		G07A, G07B, G07C, G22A, G22B, G22C, G23A, G23B, G23C	21A		W04A, W04B
	17	R01A, R01B, R01C, R01D, R02Z, R12A, R12B, R12C				21B		X06A, X06B
	21A	W04A, W04B	5n361.1		N08Z	Pre		A11A, A13A, A13B, A13D
	21B	X06A, X06B, X06C	06		BOP, KVT, UOP4	5n390.6‡		G40Z, G48A, G48B, G48C
5n350.3		BOP, KVT, UOP4			G07A, G07B, G07C, G22A, G22B, G22C, G23A, G23B, G23C	5n390.x‡		G40Z, G48A, G48B, G48C
	06	G15Z, G18A, G18B, G38Z				5n391.0		BOP, KVT, UOP4
	07	H06A, H06B, H06C	5n361.x		N08Z	06		G01Z, G04A, G04B, G07A, G07B, G07C, G38Z
	17	R01A, R01B, R01C, R01D, R02Z, R12A, R12B, R12C			BOP, KVT, UOP4	17		R01A, R01B, R01C, R01D, R02Z, R12A, R12B, R12C
	21A	W04A, W04B	06		G07A, G07B, G07C, G22A, G22B, G22C, G23A, G23B, G23C	21A		W04A, W04B
	21B	X06A, X06B, X06C				21B		X06A, X06B
5n350.x		BOP, KVT, UOP4	5n362		N08Z	5n391.2		BOP, KVT, UOP4
	06	G15Z, G18A, G18B, G38Z			BOP, KVT, UOP4	06		G01Z, G04A, G04B, G07A, G07B, G07C, G38Z
	07	H06A, H06B, H06C	06		G07A, G07B, G07C, G22A, G22B, G22C, G23A, G23B, G23C	17		R01A, R01B, R01C, R01D, R02Z, R12A, R12B, R12C
	17	R01A, R01B, R01C, R01D, R02Z, R12A, R12B, R12C				21A		W04A, W04B
	21A	W04A, W04B	5n36a		N11A, N11B	21B		X06A, X06B
	21B	X06A, X06B, X06C	06		BOP, KVT, UOP4			BOP, KVT, UOP4
5n351.1		BOP, KVT, UOP4			G07A, G07B, G07C, G22A, G22B, G22C, G23A, G23B, G23C	5n391.4		G01Z, G04A, G04B, G07A, G07B, G07C, G38Z
	06	G15Z, G18A, G18B, G18C, G38Z				06		G01Z, G04A, G04B, G07A, G07B, G07C, G38Z
	07	H06A, H06B, H06C	5n36b.0		N11A, N11B	17		R01A, R01B, R01C, R01D, R02Z, R12A, R12B, R12C
	17	R01A, R01B, R01C, R01D, R02Z, R12A, R12B, R12C			BOP, KVT, UOP4	21A		W04A, W04B
	21A	W04A, W04B	06		G07A, G07B, G07C, G22A, G22B, G22C, G23A, G23B, G23C	21B		X06A, X06B
	21B	X06A, X06B, X06C						BOP, KVT, UOP4
5n351.2		BOP, KVT, UOP4	5n36b.1		N08Z	5n391.6‡		G40Z, G48A, G48B, G48C
	06	G15Z, G18A, G18B, G18C, G38Z			BOP, KVT, UOP4	5n391.x‡		G40Z, G48A, G48B, G48C
	07	H06A, H06B, H06C	06		G07A, G07B, G07C, G22A, G22B, G22C, G23A, G23B, G23C	5n392.0		BOP, KVT, UOP4
	17	R01A, R01B, R01C, R01D, R02Z, R12A, R12B, R12C				06		G01Z, G04A, G04B, G21A, G21B, G38Z
	21A	W04A, W04B	5n36b.x		N08Z	07		H06A, H06B, H06C
	21B	X06A, X06B, X06C			BOP, KVT, UOP4	13		N11A, N11B
5n351.3		BOP, KVT, UOP4	06		G07A, G07B, G07C, G22A, G22B, G22C, G23A, G23B, G23C	21A		W04A, W04B
	06	G15Z, G18A, G18B, G18C, G38Z				21B		X06A, X06B
	07	H06A, H06B, H06C	5n36x		N08Z	5n392.2		BOP, KVT, UOP4
	17	R01A, R01B, R01C, R01D, R02Z, R12A, R12B, R12C			BOP, KVT, UOP4	06		G01Z, G04A, G04B, G21A, G21B, G38Z
	21A	W04A, W04B	06		G07A, G07B, G07C, G22A, G22B, G22C, G23A, G23B, G23C	07		H06A, H06B, H06C
	21B	X06A, X06B, X06C				13		N08Z
5n351.x		BOP, KVT, UOP4	5n390.0		N11A, N11B	21A		W04A, W04B
	06	G15Z, G18A, G18B, G18C, G38Z			BOP, KVT, UOP4	21B		X06A, X06B
	07	H06A, H06B, H06C	06		G01Z, G02Z, G13Z, G18B, G21A, G21B, G38Z	5n392.4		BOP, KVT, UOP4
	17	R01A, R01B, R01C, R01D, R02Z, R12A, R12B, R12C				06		G01Z, G04A, G04B, G21A, G21B, G38Z
	21A	W04A, W04B	07		H06A, H06B, H06C	07		H06A, H06B, H06C
	21B	X06A, X06B, X06C	17		R01A, R01B, R01C, R01D, R02Z, R12A, R12B, R12C	13		N08Z
			21A		W04A, W04B	21A		W04A, W04B
			21B		X06A, X06B	21B		X06A, X06B
			Pre		A11A, A13A, A13B, A13D			

VYK

ZZV	MDC	DRG	ZZV	MDC	DRG	ZZV	MDC	DRG	
5n392.x		BOP, KVT, UOP4	5n394.x		BOP, KVT, UOP4	5n397.x		BOP, KOP, KOPV, KVT, UOP4	
	06	G01Z, G04A, G04B, G21A, G21B, G38Z		06	G01Z, G04A, G04B, G07A, G07B, G07C, G38Z		06	G15Z, G19A, G19B, G38Z	
	07	H06A, H06B, H06C		17	R01A, R01B, R01C, R01D, R02Z, R12A, R12B, R12C		07	H33Z, H38Z	
	13	N11A, N11B		21A	W04A, W04B		21B	X33Z	
	21A	W04A, W04B		21B	X06A, X06B		23	Z01A	
5n393.0		BOP, KVT, UOP4	5n395.0		BOP, KVT, UOP4	5n398.0	Pre	A07A	
	06	G01Z, G02Z, G15Z, G18A, G18B, G38Z		06	G15Z, G18A, G18B, G38Z			BOP, KOP, KOPV, KVT, UOP4	
	07	H06A, H06B, H06C		07	H06A, H06B, H06C		06	G15Z, G19A, G19B, G38Z	
	17	R01A, R01B, R01C, R01D, R02Z, R12A, R12B, R12C		21A	W04A, W04B		07	H33Z, H38Z	
	21A	W04A, W04B		21B	X06A, X06B		21B	X33Z	
5n393.2		BOP, KVT, UOP4	5n395.2		BOP, KVT, UOP4	5n398.2	23	Z01A	
	06	G01Z, G02Z, G15Z, G18A, G18B, G38Z		06	G15Z, G18A, G18B, G38Z		Pre	A07A	
	07	H06A, H06B, H06C		07	H06A, H06B, H06C			BOP, KOP, KOPV, KVT, UOP4	
	17	R01A, R01B, R01C, R01D, R02Z, R12A, R12B, R12C		21A	W04A, W04B		06	G15Z, G19A, G19B, G38Z	
	21A	W04A, W04B		21B	X06A, X06B		07	H33Z, H38Z	
5n393.4		BOP, KVT, UOP4	5n395.4		BOP, KVT, UOP4	5n398.4	21B	X33Z	
	06	G01Z, G02Z, G15Z, G18A, G18B, G38Z		06	G15Z, G18A, G18B, G38Z		23	Z01A	
	07	H06A, H06B, H06C		07	H06A, H06B, H06C		Pre	A07A	
	17	R01A, R01B, R01C, R01D, R02Z, R12A, R12B, R12C		21A	W04A, W04B			BOP, KOP, KOPV, KVT, UOP4	
	21A	W04A, W04B		21B	X06A, X06B		06	G15Z, G19A, G19B, G38Z	
5n393.x		BOP, KVT, UOP4	5n395.x		BOP, KVT, UOP4	5n398.x	07	H33Z, H38Z	
	06	G01Z, G02Z, G15Z, G18A, G18B, G38Z		06	G15Z, G18A, G18B, G38Z		21B	X33Z	
	07	H06A, H06B, H06C		07	H06A, H06B, H06C		23	Z01A	
	17	R01A, R01B, R01C, R01D, R02Z, R12A, R12B, R12C		21A	W04A, W04B		Pre	A07A	
	21A	W04A, W04B		21B	X06A, X06B			BOP, KOP, KOPV, KVT, UOP4	
5n394.0		BOP, KVT, UOP4	5n396.0		BOP, KVT, UOP4	5n399.0†	06	G40Z, G46A, G46B, G46C, G47Z, G50Z	
	06	G01Z, G04A, G04B, G07A, G07B, G07C, G38Z		06	G15Z, G18A, G18B, G38Z		5n399.1†	06	G40Z, G48A, G48B, G48C
	07	H06A, H06B, H06C		07	H06A, H06B, H06C		5n399.2†	06	G40Z, G47Z
	17	R01A, R01B, R01C, R01D, R02Z, R12A, R12B, R12C		21A	W04A, W04B		5n399.6†	06	G40Z, G46A, G46B, G46C, G47Z, G50Z
	21A	W04A, W04B		21B	X06A, X06B		5n399.x†	06	G40Z, G46A, G46B, G46C, G47Z, G50Z
5n394.2		BOP, KVT, UOP4	5n396.2		BOP, KVT, UOP4	5n399.6†	06	G40Z, G48A, G48B, G48C	
	06	G01Z, G04A, G04B, G07A, G07B, G07C, G38Z		06	G15Z, G18A, G18B, G38Z		5n39c.6†	06	G40Z, G48A, G48B, G48C
	07	H06A, H06B, H06C		07	H06A, H06B, H06C		5n39d.6†	06	G40Z, G48A, G48B, G48C
	17	R01A, R01B, R01C, R01D, R02Z, R12A, R12B, R12C		21A	W04A, W04B		5n39d.x†	06	G40Z, G48A, G48B, G48C
	21A	W04A, W04B		21B	X06A, X06B		5n39g.6†	06	G40Z, G46A, G46B, G46C, G47Z, G50Z
5n394.4		BOP, KVT, UOP4	5n396.x		BOP, KVT, UOP4	5n399.x†	07	H41A, H41B, H41C	
	06	G01Z, G04A, G04B, G07A, G07B, G07C, G38Z		06	G15Z, G18A, G18B, G38Z		06	G40Z, G46A, G46B, G46C, G47Z, G50Z	
	07	H06A, H06B, H06C		07	H06A, H06B, H06C		07	H41A, H41B, H41C	
	17	R01A, R01B, R01C, R01D, R02Z, R12A, R12B, R12C		21A	W04A, W04B		5n39h.0		BOP, KVT, UOP4
	21A	W04A, W04B		21B	X06A, X06B		06	G01Z, G04A, G04B, G07A, G07B, G07C, G38Z	
5n394.x		BOP, KVT, UOP4	5n397.0		BOP, KOP, KOPV, KVT, UOP4	5n399.2	17	R01A, R01B, R01C, R01D, R02Z, R12A, R12B, R12C	
	06	G01Z, G04A, G04B, G07A, G07B, G07C, G38Z		06	G15Z, G19A, G19B, G38Z		21A	W04A, W04B	
	07	H06A, H06B, H06C		07	H33Z, H38Z		21B	X06A, X06B	
	17	R01A, R01B, R01C, R01D, R02Z, R12A, R12B, R12C		23	Z01A		Pre	A07A	
	21A	W04A, W04B		Pre	A07A			BOP, KVT, UOP4	
5n394.2		BOP, KVT, UOP4	5n397.2		BOP, KOP, KOPV, KVT, UOP4	5n399.4	06	G01Z, G04A, G04B, G07A, G07B, G07C, G38Z	
	06	G01Z, G04A, G04B, G07A, G07B, G07C, G38Z		06	G15Z, G19A, G19B, G38Z		17	R01A, R01B, R01C, R01D, R02Z, R12A, R12B, R12C	
	07	H06A, H06B, H06C		07	H33Z, H38Z		21A	W04A, W04B	
	17	R01A, R01B, R01C, R01D, R02Z, R12A, R12B, R12C		21B	X33Z		21B	X06A, X06B	
	21A	W04A, W04B		Pre	A07A			BOP, KVT, UOP4	
5n394.4		BOP, KVT, UOP4	5n397.4		BOP, KOP, KOPV, KVT, UOP4	5n399.2	06	G01Z, G04A, G04B, G07A, G07B, G07C, G38Z	
	06	G01Z, G04A, G04B, G07A, G07B, G07C, G38Z		06	G15Z, G19A, G19B, G38Z		17	R01A, R01B, R01C, R01D, R02Z, R12A, R12B, R12C	
	07	H06A, H06B, H06C		07	H33Z, H38Z		21A	W04A, W04B	
	17	R01A, R01B, R01C, R01D, R02Z, R12A, R12B, R12C		21B	X33Z		21B	X06A, X06B	
	21A	W04A, W04B		Pre	A07A			BOP, KVT, UOP4	
5n394.2		BOP, KVT, UOP4	5n397.0		BOP, KOP, KOPV, KVT, UOP4	5n399.4	06	G01Z, G04A, G04B, G07A, G07B, G07C, G38Z	
	06	G01Z, G04A, G04B, G07A, G07B, G07C, G38Z		06	G15Z, G19A, G19B, G38Z		17	R01A, R01B, R01C, R01D, R02Z, R12A, R12B, R12C	
	07	H06A, H06B, H06C		07	H33Z, H38Z		21A	W04A, W04B	
	17	R01A, R01B, R01C, R01D, R02Z, R12A, R12B, R12C		21B	X33Z		21B	X06A, X06B	
	21A	W04A, W04B		Pre	A07A			BOP, KVT, UOP4	

ZZV	MDC	DRG	ZZV	MDC	DRG	ZZV	MDC	DRG
5n39h.4		BOP, KVT, UOP4	5n410.0	06	G13Z, G21A, G21B	5n418.7	06	G13Z, G21A, G21B
	06	G01Z, G04A, G04B, G07A, G07B, G07C, G38Z		09	J03A, J03B, J04A, J04B, J08A, J08B, J08C, J11A, J11B, J16Z		09	J03A, J03B, J04A, J04B, J08A, J08B, J08C, J11A, J11B, J16Z
	17	R01A, R01B, R01C, R01D, R02Z, R12A, R12B, R12C		21A	W04A, W04B		21A	W04A, W04B
	21A	W04A, W04B		21B	X06A, X06B, X06C		21B	X06A, X06B, X06C
	21B	X06A, X06B	5n410.6†	06	G40Z, G48A, G48B, G48C	5n418.8	06	G13Z, G21A, G21B
5n39h.6†	06	G40Z, G46A, G46B, G46C, G47Z, G50Z	5n410.7	06	G13Z, G21A, G21B		09	J03A, J03B, J04A, J04B, J08A, J08B, J08C, J11A, J11B, J16Z
5n39h.x†	06	G40Z, G46A, G46B, G46C, G47Z, G50Z		09	J03A, J03B, J04A, J04B, J08A, J08B, J08C, J11A, J11B, J16Z		21A	W04A, W04B
5n39j.0		BOP, KVT, UOP4		21A	W04A, W04B		21B	X06A, X06B, X06C
	06	G01Z, G04A, G04B, G07A, G07B, G07C, G38Z	5n410.x	06	G13Z, G21A, G21B	5n418.x	06	G13Z, G21A, G21B
	17	R01A, R01B, R01C, R01D, R02Z, R12A, R12B, R12C		09	J03A, J03B, J04A, J04B, J08A, J08B, J08C, J11A, J11B, J16Z		09	J03A, J03B, J04A, J04B, J08A, J08B, J08C, J11A, J11B, J16Z
	21A	W04A, W04B		21A	W04A, W04B		21A	W04A, W04B
	21B	X06A, X06B		21B	X06A, X06B, X06C		21B	X06A, X06B, X06C
5n39j.2		BOP, KVT, UOP4	5n411.0	06	G13Z, G21A, G21B	5n419.0	06	G13Z, G21A, G21B
	06	G01Z, G04A, G04B, G07A, G07B, G07C, G38Z		09	J03A, J03B, J04A, J04B, J08A, J08B, J08C, J11A, J11B, J16Z		09	J03A, J03B, J04A, J04B, J08A, J08B, J08C, J11A, J11B, J16Z
	17	R01A, R01B, R01C, R01D, R02Z, R12A, R12B, R12C		21A	W04A, W04B		13	N06Z
	21A	W04A, W04B		21B	X06A, X06B, X06C		21A	W04A, W04B
	21B	X06A, X06B	5n411.6†	06	G40Z, G48A, G48B, G48C	5n419.6†	06	G40Z, G48A, G48B, G48C
5n39j.4		BOP, KVT, UOP4	5n411.7	06	G13Z, G21A, G21B	5n419.7	06	G13Z, G21A, G21B
	06	G01Z, G04A, G04B, G07A, G07B, G07C, G38Z		09	J03A, J03B, J04A, J04B, J08A, J08B, J08C, J11A, J11B, J16Z		09	J03A, J03B, J04A, J04B, J08A, J08B, J08C, J11A, J11B, J16Z
	17	R01A, R01B, R01C, R01D, R02Z, R12A, R12B, R12C		21A	W04A, W04B		13	N06Z
	21A	W04A, W04B		21B	X06A, X06B, X06C		21A	W04A, W04B
	21B	X06A, X06B	5n411.x	06	G13Z, G21A, G21B	5n419.x	06	G13Z, G21A, G21B
5n39j.6†	06	G40Z, G48A, G48B, G48C		09	J03A, J03B, J04A, J04B, J08A, J08B, J08C, J11A, J11B, J16Z		09	J03A, J03B, J04A, J04B, J08A, J08B, J08C, J11A, J11B, J16Z
5n39j.x†	06	G40Z, G48A, G48B, G48C		21A	W04A, W04B		13	N06Z
5n39k	06	BOP, KVT, UOP4		21B	X06A, X06B, X06C		21A	W04A, W04B
	06	G07A, G07B, G07C, G22A, G22B, G22C, G23A, G23B, G23C	5n412.0†	06	G40Z, G48A, G48B, G48C		21B	X06A, X06B, X06C
	13	N11A, N11B	5n412.1†	06	G40Z, G48A, G48B, G48C	5n41a.7	06	G13Z, G21A, G21B
5n39l	06	BOP, KVT, UOP4	5n412.2†	06	G40Z, G48A, G48B, G48C		09	J03A, J03B, J04A, J04B, J08A, J08B, J08C, J11A, J11B, J16Z
	06	G07A, G07B, G07C, G22A, G22B, G22C, G23A, G23B, G23C	5n412.3†	06	G40Z, G48A, G48B, G48C		13	N06Z
	13	N11A, N11B	5n412.4†	06	G40Z, G48A, G48B, G48C		21A	W04A, W04B
5n39x.0		BOP, KVT, UOP4	5n412.x†	06	G40Z, G48A, G48B, G48C		21B	X06A, X06B, X06C
	06	G01Z, G04A, G04B, G07A, G07B, G07C, G38Z	5n413.0†	06	G40Z, G48A, G48B, G48C	5n41b.0	06	G13Z, G21A, G21B
	17	R01A, R01B, R01C, R01D, R02Z, R12A, R12B, R12C	5n413.6†	06	G40Z, G48A, G48B, G48C		09	J03A, J03B, J04A, J04B, J08A, J08B, J08C, J11A, J11B, J16Z
	21A	W04A, W04B	5n413.7†	06	G40Z, G48A, G48B, G48C		13	N06Z
	21B	X06A, X06B	5n413.x†	06	G40Z, G48A, G48B, G48C		21A	W04A, W04B
5n39x.2		BOP, KVT, UOP4	5n414.0†	06	G40Z, G48A, G48B, G48C		21B	X06A, X06B, X06C
	06	G01Z, G04A, G04B, G07A, G07B, G07C, G38Z	5n414.6†	06	G40Z, G48A, G48B, G48C	5n41b.1	06	G13Z, G21A, G21B
	17	R01A, R01B, R01C, R01D, R02Z, R12A, R12B, R12C	5n414.7†	06	G40Z, G48A, G48B, G48C		09	J03A, J03B, J04A, J04B, J08A, J08B, J08C, J11A, J11B, J16Z
	21A	W04A, W04B	5n414.x†	06	G40Z, G48A, G48B, G48C		13	N06Z
	21B	X06A, X06B	5n415.0†	06	G40Z, G48A, G48B, G48C		21A	W04A, W04B
5n39x.4		BOP, KVT, UOP4	5n415.6†	06	G40Z, G48A, G48B, G48C		21B	X06A, X06B, X06C
	06	G01Z, G04A, G04B, G07A, G07B, G07C, G38Z	5n415.7†	06	G40Z, G48A, G48B, G48C	5n41x.2†	06	G40Z, G48A, G48B, G48C
	17	R01A, R01B, R01C, R01D, R02Z, R12A, R12B, R12C	5n415.x†	06	G40Z, G48A, G48B, G48C	5n41x.6†	06	G40Z, G48A, G48B, G48C
	21A	W04A, W04B	5n416.0†	06	G40Z, G48A, G48B, G48C	5n41x.7†	06	G40Z, G48A, G48B, G48C
	21B	X06A, X06B	5n416.6†	06	G40Z, G48A, G48B, G48C	5n41x.x†	06	G40Z, G48A, G48B, G48C
	06	G01Z, G04A, G04B, G07A, G07B, G07C, G38Z	5n416.7†	06	G40Z, G48A, G48B, G48C			
	17	R01A, R01B, R01C, R01D, R02Z, R12A, R12B, R12C	5n416.x†	06	G40Z, G48A, G48B, G48C			
	21A	W04A, W04B	5n418.0	06	G13Z, G21A, G21B			
	21B	X06A, X06B		09	J03A, J03B, J04A, J04B, J08A, J08B, J08C, J11A, J11B, J16Z			
5n39x.6†	06	G40Z, G48A, G48B, G48C		21A	W04A, W04B			
5n39x.x†	06	G40Z, G48A, G48B, G48C	5n418.6†	06	G40Z, G48A, G48B, G48C			
				21B	X06A, X06B, X06C			

VYK

ZZV	MDC	DRG	ZZV	MDC	DRG	ZZV	MDC	DRG
5n420.01		BOP, KOP, KOPV, KVT, UOP4	5n420.x		BOP, KOP, KOPV, KVT, UOP4	5n422.01		BOP, KOP, KOPV, KVT, UOP4
	05	F36A, F36B		05	F36A, F36B		05	F36A, F36B
	06	G15Z, G16A, G16B, G17A, G17B, G33Z, G38Z		06	G15Z, G16A, G16B, G17A, G17B, G33Z, G38Z		06	G15Z, G16A, G16B, G17A, G17B, G33Z, G38Z
	07	H33Z, H38Z		07	H33Z, H38Z		07	H33Z, H38Z
	11	L10Z, L33Z, L38Z		11	L10Z, L33Z, L38Z		11	L10Z, L33Z, L38Z
	12	M37Z, M38Z		12	M37Z, M38Z		12	M37Z, M38Z
	13	N01A, N01B, N01C, N01D, N01E, N34Z, N38Z		13	N01A, N01B, N01C, N01D, N01E, N34Z, N38Z		13	N01A, N01B, N01C, N01D, N01E, N34Z, N38Z
	17	R01A, R01B, R01C, R01D, R02Z, R12A, R12B, R12C		17	R01A, R01B, R01C, R01D, R02Z, R12A, R12B, R12C		17	R01A, R01B, R01C, R01D, R02Z, R12A, R12B, R12C
	21A	W04A, W04B		21A	W04A, W04B		21A	W04A, W04B
	21B	X06A, X06B, X06C, X33Z		21B	X06A, X06B, X06C, X33Z		21B	X06A, X06B, X06C, X33Z
	23	Z01A		23	Z01A		23	Z01A
	Pre	A07A		Pre	A07A		Pre	A07A
	5n420.02			BOP, KOP, KOPV, KVT, UOP4	5n421.01			BOP, KOP, KOPV, KVT, UOP4
05		F36A, F36B	05	F36A, F36B		05	F36A, F36B	
06		G15Z, G16A, G16B, G17A, G17B, G33Z, G38Z	06	G15Z, G16A, G16B, G17A, G17B, G33Z, G38Z		06	G15Z, G16A, G16B, G17A, G17B, G33Z, G38Z	
07		H33Z, H38Z	07	H33Z, H38Z		07	H33Z, H38Z	
11		L10Z, L33Z, L38Z	11	L10Z, L33Z, L38Z		11	L10Z, L33Z, L38Z	
12		M01A, M01B, M37Z, M38Z	12	M37Z, M38Z		12	M01A, M01B, M37Z, M38Z	
13		N01A, N01B, N01C, N01D, N01E, N34Z, N38Z	13	N01A, N01B, N01C, N01D, N01E, N34Z, N38Z		13	N01A, N01B, N01C, N01D, N01E, N34Z, N38Z	
17		R01A, R01B, R01C, R01D, R02Z, R12A, R12B, R12C	17	R01A, R01B, R01C, R01D, R02Z, R12A, R12B, R12C		17	R01A, R01B, R01C, R01D, R02Z, R12A, R12B, R12C	
21A		W04A, W04B	21A	W04A, W04B		21A	W04A, W04B	
21B		X06A, X06B, X06C, X33Z	21B	X06A, X06B, X06C, X33Z		21B	X06A, X06B, X06C, X33Z	
23		Z01A	23	Z01A		23	Z01A	
Pre		A07A	Pre	A07A		Pre	A07A	
5n420.21			BOP, KOP, KOPV, KVT, UOP4	5n421.02			BOP, KOP, KOPV, KVT, UOP4	5n422.21
	05	F36A, F36B	05		F36A, F36B	05	F36A, F36B	
	06	G15Z, G16A, G16B, G17A, G17B, G33Z, G38Z	06		G15Z, G16A, G16B, G17A, G17B, G33Z, G38Z	06	G15Z, G16A, G16B, G17A, G17B, G33Z, G38Z	
	07	H33Z, H38Z	07		H33Z, H38Z	07	H33Z, H38Z	
	11	L10Z, L33Z, L38Z	11		L10Z, L33Z, L38Z	11	L10Z, L33Z, L38Z	
	12	M37Z, M38Z	12		M01A, M01B, M37Z, M38Z	12	M37Z, M38Z	
	13	N01A, N01B, N01C, N01D, N01E, N34Z, N38Z	13		N01A, N01B, N01C, N01D, N01E, N34Z, N38Z	13	N01A, N01B, N01C, N01D, N01E, N34Z, N38Z	
	17	R01A, R01B, R01C, R01D, R02Z, R12A, R12B, R12C	17		R01A, R01B, R01C, R01D, R02Z, R12A, R12B, R12C	17	R01A, R01B, R01C, R01D, R02Z, R12A, R12B, R12C	
	21A	W04A, W04B	21A		W04A, W04B	21A	W04A, W04B	
	21B	X06A, X06B, X06C, X33Z	21B		X06A, X06B, X06C, X33Z	21B	X06A, X06B, X06C, X33Z	
	23	Z01A	23		Z01A	23	Z01A	
	Pre	A07A	Pre		A07A	Pre	A07A	
	5n420.22		BOP, KOP, KOPV, KVT, UOP4		5n421.x		BOP, KOP, KOPV, KVT, UOP4	
05		F36A, F36B	05	F36A, F36B		05	F36A, F36B	
06		G15Z, G16A, G16B, G17A, G17B, G33Z, G38Z	06	G15Z, G16A, G16B, G17A, G17B, G33Z, G38Z		06	G15Z, G16A, G16B, G17A, G17B, G33Z, G38Z	
07		H33Z, H38Z	07	H33Z, H38Z		07	H33Z, H38Z	
11		L10Z, L33Z, L38Z	11	L10Z, L33Z, L38Z		11	L10Z, L33Z, L38Z	
12		M01A, M01B, M37Z, M38Z	12	M37Z, M38Z		12	M01A, M01B, M37Z, M38Z	
13		N01A, N01B, N01C, N01D, N01E, N34Z, N38Z	13	N01A, N01B, N01C, N01D, N01E, N34Z, N38Z		13	N01A, N01B, N01C, N01D, N01E, N34Z, N38Z	
17		R01A, R01B, R01C, R01D, R02Z, R12A, R12B, R12C	17	R01A, R01B, R01C, R01D, R02Z, R12A, R12B, R12C		17	R01A, R01B, R01C, R01D, R02Z, R12A, R12B, R12C	
21A		W04A, W04B	21A	W04A, W04B		21A	W04A, W04B	
21B		X06A, X06B, X06C, X33Z	21B	X06A, X06B, X06C, X33Z		21B	X06A, X06B, X06C, X33Z	
23		Z01A	23	Z01A		23	Z01A	
Pre		A07A	Pre	A07A		Pre	A07A	

ZZV	MDC	DRG	ZZV	MDC	DRG	ZZV	MDC	DRG
5n422.7		BOP, KOP, KOPV, KVT, UOP4	5n423.21		BOP, KOP, KOPV, KVT, UOP4	5n424.02		BOP, KOP, KOPV, KVT, UOP4
	05	F36A, F36B		05	F36A, F36B		05	F36A, F36B
	06	G15Z, G16A, G16B, G17A, G17B, G33Z, G38Z		06	G15Z, G16A, G16B, G17A, G17B, G33Z, G38Z		06	G15Z, G16A, G16B, G17A, G17B, G33Z, G38Z
	07	H33Z, H38Z		07	H33Z, H38Z		07	H33Z, H38Z
	11	L10Z, L33Z, L38Z		11	L10Z, L33Z, L38Z		11	L10Z, L33Z, L38Z
	12	M37Z, M38Z		12	M37Z, M38Z		12	M01A, M01B, M37Z, M38Z
	13	N01A, N01B, N01C, N01D, N01E, N34Z, N38Z		13	N01A, N01B, N01C, N01D, N01E, N34Z, N38Z		13	N01A, N01B, N01C, N01D, N01E, N34Z, N38Z
	17	R01A, R01B, R01C, R01D, R02Z, R12A, R12B, R12C		17	R01A, R01B, R01C, R01D, R02Z, R12A, R12B, R12C		17	R01A, R01B, R01C, R01D, R02Z, R12A, R12B, R12C
	21A	W04A, W04B		21A	W04A, W04B		21A	W04A, W04B
	21B	X06A, X06B, X06C, X33Z		21B	X06A, X06B, X06C, X33Z		21B	X06A, X06B, X06C, X33Z
	23	Z01A		23	Z01A		23	Z01A
	Pre	A07A		Pre	A07A		Pre	A07A
	5n422.x			BOP, KOP, KOPV, KVT, UOP4	5n423.22			BOP, KOP, KOPV, KVT, UOP4
05		F36A, F36B	05	F36A, F36B		05	F36A, F36B	
06		G15Z, G16A, G16B, G17A, G17B, G33Z, G38Z	06	G15Z, G16A, G16B, G17A, G17B, G33Z, G38Z		06	G15Z, G16A, G16B, G17A, G17B, G33Z, G38Z	
07		H33Z, H38Z	07	H33Z, H38Z		07	H33Z, H38Z	
11		L10Z, L33Z, L38Z	11	L10Z, L33Z, L38Z		11	L10Z, L33Z, L38Z	
12		M37Z, M38Z	12	M01A, M01B, M37Z, M38Z		12	M37Z, M38Z	
13		N01A, N01B, N01C, N01D, N01E, N34Z, N38Z	13	N01A, N01B, N01C, N01D, N01E, N34Z, N38Z		13	N01A, N01B, N01C, N01D, N01E, N34Z, N38Z	
17		R01A, R01B, R01C, R01D, R02Z, R12A, R12B, R12C	17	R01A, R01B, R01C, R01D, R02Z, R12A, R12B, R12C		17	R01A, R01B, R01C, R01D, R02Z, R12A, R12B, R12C	
21A		W04A, W04B	21A	W04A, W04B		21A	W04A, W04B	
21B		X06A, X06B, X06C, X33Z	21B	X06A, X06B, X06C, X33Z		21B	X06A, X06B, X06C, X33Z	
23		Z01A	23	Z01A		23	Z01A	
Pre		A07A	Pre	A07A		Pre	A07A	
5n423.01			BOP, KOP, KOPV, KVT, UOP4	5n423.x			BOP, KOP, KOPV, KVT, UOP4	5n424.22
	05	F36A, F36B	05		F36A, F36B	05	F36A, F36B	
	06	G15Z, G16A, G16B, G17A, G17B, G33Z, G38Z	06		G15Z, G16A, G16B, G17A, G17B, G33Z, G38Z	06	G15Z, G16A, G16B, G17A, G17B, G33Z, G38Z	
	07	H33Z, H38Z	07		H33Z, H38Z	07	H33Z, H38Z	
	11	L10Z, L33Z, L38Z	11		L10Z, L33Z, L38Z	11	L10Z, L33Z, L38Z	
	12	M37Z, M38Z	12		M37Z, M38Z	12	M01A, M01B, M37Z, M38Z	
	13	N01A, N01B, N01C, N01D, N01E, N34Z, N38Z	13		N01A, N01B, N01C, N01D, N01E, N34Z, N38Z	13	N01A, N01B, N01C, N01D, N01E, N34Z, N38Z	
	17	R01A, R01B, R01C, R01D, R02Z, R12A, R12B, R12C	17		R01A, R01B, R01C, R01D, R02Z, R12A, R12B, R12C	17	R01A, R01B, R01C, R01D, R02Z, R12A, R12B, R12C	
	21A	W04A, W04B	21A		W04A, W04B	21A	W04A, W04B	
	21B	X06A, X06B, X06C, X33Z	21B		X06A, X06B, X06C, X33Z	21B	X06A, X06B, X06C, X33Z	
	23	Z01A	23		Z01A	23	Z01A	
	Pre	A07A	Pre		A07A	Pre	A07A	
	5n423.02		BOP, KOP, KOPV, KVT, UOP4		5n424.01		BOP, KOP, KOPV, KVT, UOP4	
05		F36A, F36B	05	F36A, F36B		05	F36A, F36B	
06		G15Z, G16A, G16B, G17A, G17B, G33Z, G38Z	06	G15Z, G16A, G16B, G17A, G17B, G33Z, G38Z		06	G15Z, G16A, G16B, G17A, G17B, G33Z, G38Z	
07		H33Z, H38Z	07	H33Z, H38Z		07	H33Z, H38Z	
11		L10Z, L33Z, L38Z	11	L10Z, L33Z, L38Z		11	L10Z, L33Z, L38Z	
12		M01A, M01B, M37Z, M38Z	12	M37Z, M38Z		12	M37Z, M38Z	
13		N01A, N01B, N01C, N01D, N01E, N34Z, N38Z	13	N01A, N01B, N01C, N01D, N01E, N34Z, N38Z		13	N01A, N01B, N01C, N01D, N01E, N34Z, N38Z	
17		R01A, R01B, R01C, R01D, R02Z, R12A, R12B, R12C	17	R01A, R01B, R01C, R01D, R02Z, R12A, R12B, R12C		17	R01A, R01B, R01C, R01D, R02Z, R12A, R12B, R12C	
21A		W04A, W04B	21A	W04A, W04B		21A	W04A, W04B	
21B		X06A, X06B, X06C, X33Z	21B	X06A, X06B, X06C, X33Z		21B	X06A, X06B, X06C, X33Z	
23		Z01A	23	Z01A		23	Z01A	
Pre		A07A	Pre	A07A		Pre	A07A	

ZZV	MDC	DRG	ZZV	MDC	DRG	ZZV	MDC	DRG
5n427.22		BOP, KOP, KOPV, KVT, MVV, UOP4	5n429.21		BOP, KOP, KOPV, KVT, UOP4	5n42a.2		BOP, KOP, KOPV, KVT, UOP4
	05	F36A, F36B		05	F36A, F36B		05	F36A, F36B
	06	G15Z, G16A, G16B, G33Z, G38Z		06	G15Z, G16A, G16B, G17A, G17B, G33Z, G38Z		06	G15Z, G16A, G16B, G33Z, G38Z
	07	H33Z, H38Z		07	H33Z, H38Z		07	H33Z, H38Z
	11	L10Z, L33Z, L38Z		11	L10Z, L33Z, L38Z		11	L10Z, L33Z, L38Z
	12	M01A, M01B, M37Z, M38Z		12	M37Z, M38Z		12	M01A, M01B, M37Z, M38Z
	13	N01A, N01B, N01C, N01D, N01E, N34Z, N38Z		13	N01A, N01B, N01C, N01D, N01E, N34Z, N38Z		13	N01A, N01B, N01C, N01D, N01E, N34Z, N38Z
	17	R01A, R01B, R01C, R01D, R02Z, R12A, R12B, R12C		17	R01A, R01B, R01C, R01D, R02Z, R12A, R12B, R12C		17	R01A, R01B, R01C, R01D, R02Z, R12A, R12B, R12C
	21A	W04A, W04B		21A	W04A, W04B		21A	W04A, W04B
	21B	X06A, X06B, X06C, X33Z		21B	X06A, X06B, X06C, X33Z		21B	X06A, X06B, X06C, X33Z
	23	Z01A		23	Z01A		23	Z01A
	Pre	A07A		Pre	A07A		Pre	A07A
	5n427.x			BOP, KOP, KOPV, KVT, MVV, UOP4	5n429.22			BOP, KOP, KOPV, KVT, UOP4
05		F36A, F36B	05	F36A, F36B		05	F36A, F36B	
06		G15Z, G16A, G16B, G33Z, G38Z	06	G15Z, G16A, G16B, G17A, G17B, G33Z, G38Z		06	G15Z, G16A, G16B, G33Z, G38Z	
07		H33Z, H38Z	07	H33Z, H38Z		07	H33Z, H38Z	
11		L10Z, L33Z, L38Z	11	L10Z, L33Z, L38Z		11	L10Z, L33Z, L38Z	
12		M01A, M01B, M37Z, M38Z	12	M01A, M01B, M37Z, M38Z		12	M01A, M01B, M37Z, M38Z	
13		N01A, N01B, N01C, N01D, N01E, N34Z, N38Z	13	N01A, N01B, N01C, N01D, N01E, N34Z, N38Z		13	N01A, N01B, N01C, N01D, N01E, N34Z, N38Z	
17		R01A, R01B, R01C, R01D, R02Z, R12A, R12B, R12C	17	R01A, R01B, R01C, R01D, R02Z, R12A, R12B, R12C		17	R01A, R01B, R01C, R01D, R02Z, R12A, R12B, R12C	
21A		W04A, W04B	21A	W04A, W04B		21A	W04A, W04B	
21B		X06A, X06B, X06C, X33Z	21B	X06A, X06B, X06C, X33Z		21B	X06A, X06B, X06C, X33Z	
23		Z01A	23	Z01A		23	Z01A	
Pre		A07A	Pre	A07A		Pre	A07A	
5n429.01			BOP, KOP, KOPV, KVT, UOP4	5n429.x			BOP, KOP, KOPV, KVT, UOP4	5n42b
	05	F36A, F36B	05		F36A, F36B	05	F36A, F36B	
	06	G15Z, G16A, G16B, G17A, G17B, G33Z, G38Z	06		G15Z, G16A, G16B, G17A, G17B, G33Z, G38Z	06	G15Z, G16A, G16B, G33Z, G38Z	
	07	H33Z, H38Z	07		H33Z, H38Z	07	H33Z, H38Z	
	11	L10Z, L33Z, L38Z	11		L10Z, L33Z, L38Z	11	L10Z, L33Z, L38Z	
	12	M37Z, M38Z	12		M37Z, M38Z	12	M01A, M01B, M37Z, M38Z	
	13	N01A, N01B, N01C, N01D, N01E, N34Z, N38Z	13		N01A, N01B, N01C, N01D, N01E, N34Z, N38Z	13	N01A, N01B, N01C, N01D, N01E, N34Z, N38Z	
	17	R01A, R01B, R01C, R01D, R02Z, R12A, R12B, R12C	17		R01A, R01B, R01C, R01D, R02Z, R12A, R12B, R12C	17	R01A, R01B, R01C, R01D, R02Z, R12A, R12B, R12C	
	21A	W04A, W04B	21A		W04A, W04B	21A	W04A, W04B	
	21B	X06A, X06B, X06C, X33Z	21B		X06A, X06B, X06C, X33Z	21B	X06A, X06B, X06C, X33Z	
	23	Z01A	23		Z01A	23	Z01A	
	Pre	A07A	Pre		A07A	Pre	A07A	
	5n429.02		BOP, KOP, KOPV, KVT, UOP4		5n42a.0		BOP, KOP, KOPV, KVT, UOP4	
05		F36A, F36B	05	F36A, F36B		05	F36A, F36B	
06		G15Z, G16A, G16B, G17A, G17B, G33Z, G38Z	06	G15Z, G16A, G16B, G33Z, G38Z		06	G15Z, G16A, G16B, G33Z, G38Z	
07		H33Z, H38Z	07	H33Z, H38Z		07	H33Z, H38Z	
11		L10Z, L33Z, L38Z	11	L10Z, L33Z, L38Z		11	L10Z, L33Z, L38Z	
12		M01A, M01B, M37Z, M38Z	12	M01A, M01B, M37Z, M38Z		12	M01A, M01B, M37Z, M38Z	
13		N01A, N01B, N01C, N01D, N01E, N34Z, N38Z	13	N01A, N01B, N01C, N01D, N01E, N34Z, N38Z		13	N01A, N01B, N01C, N01D, N01E, N34Z, N38Z	
17		R01A, R01B, R01C, R01D, R02Z, R12A, R12B, R12C	17	R01A, R01B, R01C, R01D, R02Z, R12A, R12B, R12C		17	R01A, R01B, R01C, R01D, R02Z, R12A, R12B, R12C	
21A		W04A, W04B	21A	W04A, W04B		21A	W04A, W04B	
21B		X06A, X06B, X06C, X33Z	21B	X06A, X06B, X06C, X33Z		21B	X06A, X06B, X06C, X33Z	
23		Z01A	23	Z01A		23	Z01A	
Pre		A07A	Pre	A07A		Pre	A07A	

ZZV	MDC	DRG	ZZV	MDC	DRG	ZZV	MDC	DRG	
5n42c.2		BOP, KOP, KOPV, KVT, UOP4	5n42f		BOP, KOP, KOPV, KVT, UOP4	5n436		BOP, KVT, UOP4	
	05	F36A, F36B		05	F36A, F36B		06	G15Z, G18A, G18B, G18C, G38Z	
	06	G15Z, G16A, G16B, G33Z, G38Z		06	G15Z, G16A, G16B, G33Z, G38Z		21A	W04A, W04B	
	07	H33Z, H38Z		07	H33Z, H38Z		21B	X06A, X06B	
	11	L10Z, L33Z, L38Z		11	L10Z, L33Z, L38Z		5n439	BOP, KVT, UOP4	
	12	M01A, M01B, M37Z, M38Z		12	M01A, M01B, M37Z, M38Z			06	G13Z, G21A, G21B
	13	N01A, N01B, N01C, N01D, N01E, N34Z, N38Z		13	N01A, N01B, N01C, N01D, N01E, N34Z, N38Z			09	J03A, J03B, J04A, J04B, J08A, J08B, J08C, J11A, J11B, J16Z
	17	R01A, R01B, R01C, R01D, R02Z, R12A, R12B, R12C		17	R01A, R01B, R01C, R01D, R02Z, R12A, R12B, R12C		13	N06Z	
	21A	W04A, W04B		21A	W04A, W04B		14	962Z, O02A, O02B	
	21B	X06A, X06B, X06C, X33Z		21B	X06A, X06B, X06C, X33Z		21A	W04A, W04B	
	23	Z01A		23	Z01A		21B	X06A, X06B	
	Pre	A07A		Pre	A07A		5n43a	BOP, KVT, UOP4	
	5n42c.x			BOP, KOP, KOPV, KVT, UOP4	5n42x				BOP, KOP, KOPV, KVT, UOP4
05		F36A, F36B	05	F36A, F36B		09	J03A, J03B, J04A, J04B, J08A, J08B, J08C, J11A, J11B, J16Z		
06		G15Z, G16A, G16B, G33Z, G38Z	06	G15Z, G16A, G16B, G33Z, G38Z		21A	W04A, W04B		
07		H33Z, H38Z	07	H33Z, H38Z		21B	X06A, X06B, X06C		
11		L10Z, L33Z, L38Z	11	L10Z, L33Z, L38Z		5n43b	BOP, KVT, UOP4		
12		M01A, M01B, M37Z, M38Z	12	M01A, M01B, M37Z, M38Z			06	G11A, G11B	
13		N01A, N01B, N01C, N01D, N01E, N34Z, N38Z	13	N01A, N01B, N01C, N01D, N01E, N34Z, N38Z			09	J03A, J03B, J04A, J04B, J08A, J08B, J08C, J11A, J11B, J16Z	
17		R01A, R01B, R01C, R01D, R02Z, R12A, R12B, R12C	17	R01A, R01B, R01C, R01D, R02Z, R12A, R12B, R12C		5n43c	BOP, KVT, UOP4		
21A		W04A, W04B	21A	W04A, W04B			06	G11A, G11B	
21B		X06A, X06B, X06C, X33Z	21B	X06A, X06B, X06C, X33Z		5n43d	BOP, KVT, UOP4		
23		Z01A	23	Z01A			06	G11A, G11B	
Pre		A07A	Pre	A07A		09	J03A, J03B, J04A, J04B, J08A, J08B, J08C, J09A, J09B, J16Z		
5n42d			BOP, KOP, KOPV, KVT, UOP4	5n430			BOP, KVT, UOP4	14	962Z, O02A, O02B, O04A
	05	F36A, F36B	06		G15Z, G18A, G18B, G38Z	21A	W04A, W04B		
	06	G15Z, G16A, G16B, G33Z, G38Z	14		O04A	21B	X06A, X06B, X06C		
	07	H33Z, H38Z	21A		W04A, W04B	5n43e	BOP, KVT, UOP4		
	11	L10Z, L33Z, L38Z	21B		X06A, X06B		06	G11A, G11B	
	12	M01A, M01B, M37Z, M38Z	5n431		BOP, KVT, UOP4		09	J03A, J03B, J04A, J04B, J08A, J08B, J08C, J09A, J09B, J16Z	
	13	N01A, N01B, N01C, N01D, N01E, N34Z, N38Z			06	G13Z, G21A, G21B	14	962Z, O02A, O02B	
	17	R01A, R01B, R01C, R01D, R02Z, R12A, R12B, R12C	09		J03A, J03B, J04A, J04B, J08A, J08B, J08C, J11A, J11B, J16Z	21A	W04A, W04B		
	21A	W04A, W04B	13		N06Z	21B	X06A, X06B, X06C		
	21B	X06A, X06B, X06C, X33Z	14		962Z, O02A, O02B, O04A	5n43f	BOP, KOP, KOPV, KVT, UOP4		
	23	Z01A	21A		W04A, W04B		05	F36A, F36B	
	Pre	A07A	21B		X06A, X06B	06	G01Z, G02Z, G15Z, G33Z, G38Z		
	5n42e		BOP, KOP, KOPV, KVT, UOP4		5n432		BOP, KVT, UOP4	07	H33Z, H38Z
05		F36A, F36B	06	G15Z, G18A, G18B, G38Z		11	L33Z		
06		G15Z, G16A, G16B, G33Z, G38Z	21A	W04A, W04B		21B	X33Z		
07		H33Z, H38Z	21B	X06A, X06B		23	Z01A		
11		L10Z, L33Z, L38Z	5n433	BOP, KVT, UOP4		Pre	A07A		
12		M01A, M01B, M37Z, M38Z		06		G15Z, G18A, G18B, G38Z	5n43g.0	BOP, KVT, UOP4	
13		N01A, N01B, N01C, N01D, N01E, N34Z, N38Z	13	N04Z, N06Z		06		G11A, G11B	
17		R01A, R01B, R01C, R01D, R02Z, R12A, R12B, R12C	21A	W04A, W04B		09	J03A, J03B, J04A, J04B, J08A, J08B, J08C, J11A, J11B, J16Z		
21A		W04A, W04B	21B	X06A, X06B		13	N06Z		
21B		X06A, X06B, X06C, X33Z	5n434	BOP, KVT, UOP4		14	962Z, O02A, O02B		
23		Z01A		06		G15Z, G18A, G18B, G38Z	21A	W04A, W04B	
Pre		A07A	13	N04Z, N06Z		21B	X06A, X06B, X06C		
5n42e			BOP, KOP, KOPV, KVT, UOP4	5n435			BOP, KVT, UOP4		
	05	F36A, F36B	06		G15Z, G18A, G18B, G38Z				
	06	G15Z, G16A, G16B, G33Z, G38Z	13		N04Z, N06Z				
	07	H33Z, H38Z	21A		W04A, W04B				
	11	L10Z, L33Z, L38Z	21B		X06A, X06B				
	12	M01A, M01B, M37Z, M38Z	5n434		BOP, KVT, UOP4				
	13	N01A, N01B, N01C, N01D, N01E, N34Z, N38Z			06	G15Z, G18A, G18B, G38Z			
	17	R01A, R01B, R01C, R01D, R02Z, R12A, R12B, R12C	13		N04Z, N06Z				
	21A	W04A, W04B	21A		W04A, W04B				
	21B	X06A, X06B, X06C, X33Z	21B		X06A, X06B				
	23	Z01A	5n435		BOP, KVT, UOP4				
	Pre	A07A			06	G15Z, G18A, G18B, G38Z			
			13		N04Z, N06Z				
		21A	W04A, W04B						
		21B	X06A, X06B						

ZZV	MDC	DRG	ZZV	MDC	DRG	ZZV	MDC	DRG	
5n470.0		BOP, KVT, UOP4	5n472.1		BOP, KVT, UOP4	5n476		BOP, KVT, UOP4	
	06	G01Z, G02Z, G11A, G11B, G38Z		06	G01Z, G02Z, G15Z, G16A, G16B, G38Z		06	G01Z, G02Z, G11A, G11B, G38Z	
	09	J03A, J03B, J04A, J04B, J08A, J08B, J08C, J09A, J09B, J16Z		09	J03A, J03B, J04A, J04B, J08A, J08B, J08C, J09A, J09B, J16Z		09	J03A, J03B, J04A, J04B, J08A, J08B, J08C, J09A, J09B, J16Z	
	21A	W04A, W04B		21A	W04A, W04B		21A	W04A, W04B	
	21B	X06A, X06B, X06C		21B	X06A, X06B, X06C		21B	X06A, X06B, X06C	
	Pre	A11A, A13A, A13B, A13D		Pre	A11A, A13A, A13B, A13D		Pre	A11A, A13A, A13B, A13D	
5n470.1		BOP, KVT, UOP4	5n472.x		BOP, KVT, UOP4	5n47x.0		BOP, KVT, UOP4	
	06	G01Z, G02Z, G11A, G11B, G38Z		06	G01Z, G02Z, G15Z, G16A, G16B, G38Z		06	G01Z, G02Z, G11A, G11B, G38Z	
	09	J03A, J03B, J04A, J04B, J08A, J08B, J08C, J09A, J09B, J16Z		09	J03A, J03B, J04A, J04B, J08A, J08B, J08C, J11A, J11B, J16Z		09	J03A, J03B, J04A, J04B, J08A, J08B, J08C, J09A, J09B, J16Z	
	21A	W04A, W04B		13	N13A, N13B		21A	W04A, W04B	
	21B	X06A, X06B, X06C		14	962Z, O02A, O02B		21B	X06A, X06B, X06C	
	Pre	A11A, A13A, A13B, A13D		21A	W04A, W04B		Pre	A11A, A13A, A13B, A13D	
5n470.x		BOP, KVT, UOP4	5n473.0		BOP, KVT, UOP4	5n47x.1		BOP, KVT, UOP4	
	06	G01Z, G02Z, G11A, G11B, G38Z		06	G01Z, G02Z, G15Z, G16A, G16B, G38Z		06	G01Z, G02Z, G11A, G11B, G38Z	
	09	J03A, J03B, J04A, J04B, J08A, J08B, J08C, J09A, J09B, J16Z		09	J03A, J03B, J04A, J04B, J08A, J08B, J08C, J09A, J09B, J16Z		09	J03A, J03B, J04A, J04B, J08A, J08B, J08C, J09A, J09B, J16Z	
	21A	W04A, W04B			21A		W04A, W04B		21A
	21B	X06A, X06B, X06C		21B	X06A, X06B, X06C		21B	X06A, X06B, X06C	
	Pre	A11A, A13A, A13B, A13D		21A	W04A, W04B		Pre	A11A, A13A, A13B, A13D	
5n471.0		BOP, KVT, UOP4	5n473.1		BOP, KVT, UOP4	5n47x.x		BOP, KVT, UOP4	
	06	G01Z, G02Z, G11A, G11B, G38Z		06	G01Z, G02Z, G15Z, G16A, G16B, G38Z		06	G01Z, G02Z, G11A, G11B, G38Z	
	09	J03A, J03B, J04A, J04B, J08A, J08B, J08C, J09A, J09B, J16Z		09	J03A, J03B, J04A, J04B, J08A, J08B, J08C, J09A, J09B, J16Z		09	J03A, J03B, J04A, J04B, J08A, J08B, J08C, J09A, J09B, J16Z	
	21A	W04A, W04B			21A		W04A, W04B		21A
	21B	X06A, X06B, X06C		21B	X06A, X06B, X06C		21B	X06A, X06B, X06C	
	Pre	A11A, A13A, A13B, A13D		21A	W04A, W04B		Pre	A11A, A13A, A13B, A13D	
5n471.1		BOP, KVT, UOP4	5n473.x		BOP, KVT, UOP4	5n49a		BOP, KVT, UOP4	
	06	G01Z, G02Z, G11A, G11B, G38Z		06	G01Z, G02Z, G15Z, G16A, G16B, G38Z		06	G15Z, G18A, G18B, G18C, G38Z	
	09	J03A, J03B, J04A, J04B, J08A, J08B, J08C, J09A, J09B, J16Z		09	J03A, J03B, J04A, J04B, J08A, J08B, J08C, J09A, J09B, J16Z		21A	W04A, W04B	
	21A	W04A, W04B			21A		W04A, W04B	21B	X06A, X06B, X06C
	21B	X06A, X06B, X06C		21B	X06A, X06B, X06C		21B	X06A, X06B, X06C	
	Pre	A11A, A13A, A13B, A13D		21A	W04A, W04B		Pre	A11A, A13A, A13B, A13D	
5n471.x		BOP, KVT, UOP4	5n474		BOP, KVT, UOP4	5n49e†		BOP, KVT, UOP4	
	06	G01Z, G02Z, G11A, G11B, G38Z		06	G01Z, G02Z, G15Z, G16A, G16B, G38Z		5n49f†	06	G40Z, G48A, G48B, G48C
	09	J03A, J03B, J04A, J04B, J08A, J08B, J08C, J09A, J09B, J16Z		09	J03A, J03B, J04A, J04B, J08A, J08B, J08C, J09A, J09B, J16Z		5n49g†	06	G40Z, G48A, G48B, G48C
	21A	W04A, W04B			21A		W04A, W04B	5n510.0	06
	21B	X06A, X06B, X06C		21B	X06A, X06B, X06C		06	G10Z, G18A, G33Z, G38Z	
	Pre	A11A, A13A, A13B, A13D		Pre	A11A, A13A, A13B, A13D		07	H01A, H01B, H09A, H09B, H09C, H33Z, H38Z	
5n472.0		BOP, KVT, UOP4	5n475		BOP, KVT, UOP4	5n510.2		BOP, KOP, KOPV, KVT, UOP4	
	06	G01Z, G02Z, G15Z, G16A, G16B, G38Z		06	G01Z, G02Z, G15Z, G16A, G16B, G38Z		06	G10Z, G18A, G33Z, G38Z	
	09	J03A, J03B, J04A, J04B, J08A, J08B, J08C, J09A, J09B, J16Z		09	J03A, J03B, J04A, J04B, J08A, J08B, J08C, J09A, J09B, J16Z		07	H12A, H12B, H33Z, H38Z	
	21A	W04A, W04B			21A		W04A, W04B	09	J26Z
	21B	X06A, X06B, X06C		21B	X06A, X06B, X06C		10	K03A, K03B	
	Pre	A11A, A13A, A13B, A13D		21A	W04A, W04B		11	L33Z	
				21B	X06A, X06B, X06C		21B	X33Z	
				Pre	A11A, A13A, A13B, A13D		23	Z01A	
				Pre	A11A, A13A, A13B, A13D		Pre	A07A	

ZZV	MDC	DRG	ZZV	MDC	DRG	ZZV	MDC	DRG
5n510.4		BOP, KOP, KOPV, KVT, UOP4	5n512.0		BOP, KOP, KOPV, KVT, UOP4	5n514.4		BOP, KOP, KOPV, KVT, UOP4
	06	G10Z, G18A, G33Z, G38Z		06	G03B, G10Z, G18A, G33Z, G38Z		06	G18A, G33Z, G38Z
	07	H01A, H01B, H09A, H09B, H09C, H33Z, H38Z		07	H01A, H01B, H09A, H09B, H09C, H33Z, H38Z		07	H01A, H01B, H09A, H09B, H09C, H33Z, H38Z
	09	J26Z		09	J26Z		09	J26Z
	11	L33Z		11	L33Z		11	L33Z
	21B	X33Z		21B	X33Z		21B	X33Z
	23	Z01A		23	Z01A		23	Z01A
	Pre	A07A		Pre	A07A		Pre	A07A
5n510.x		BOP, KOP, KOPV, KVT, UOP4	5n512.2		BOP, KOP, KOPV, KVT, UOP4	5n514.x		BOP, KOP, KOPV, KVT, UOP4
	06	G10Z, G18A, G33Z, G38Z		06	G03B, G10Z, G18A, G33Z, G38Z		06	G18A, G33Z, G38Z
	07	H01A, H01B, H09A, H09B, H09C, H33Z, H38Z		07	H01A, H01B, H09A, H09B, H09C, H33Z, H38Z		07	H01A, H01B, H09A, H09B, H09C, H33Z, H38Z
	09	J26Z		09	J26Z		09	J26Z
	11	L33Z		11	L33Z		11	L33Z
	23	Z01A		23	Z01A		21B	X33Z
	Pre	A07A		23	Z01A		23	Z01A
	Pre	A07A		Pre	A07A		Pre	A07A
5n511.0		BOP, KOP, KOPV, KVT, UOP4	5n512.4		BOP, KOP, KOPV, KVT, UOP4	5n515.0		BOP, KOP, KOPV, KVT, UOP4
	06	G10Z, G33Z, G38Z		06	G03B, G10Z, G18A, G33Z, G38Z		06	G18A, G33Z, G38Z
	07	H01A, H01B, H09A, H09B, H09C, H33Z, H38Z		07	H01A, H01B, H09A, H09B, H09C, H33Z, H38Z		07	H01A, H01B, H09A, H09B, H09C, H33Z, H38Z
	09	J26Z		09	J26Z		09	J26Z
	11	L33Z		11	L33Z		11	L33Z
	21B	X33Z		21B	X33Z		21B	X33Z
	23	Z01A		23	Z01A		23	Z01A
	Pre	A07A		Pre	A07A		Pre	A07A
5n511.2		BOP, KOP, KOPV, KVT, UOP4	5n512.x		BOP, KOP, KOPV, KVT, UOP4	5n515.2		BOP, KOP, KOPV, KVT, UOP4
	06	G10Z, G33Z, G38Z		06	G03B, G10Z, G18A, G33Z, G38Z		06	G18A, G33Z, G38Z
	07	H01A, H01B, H09A, H09B, H09C, H33Z, H38Z		07	H01A, H01B, H09A, H09B, H09C, H33Z, H38Z		07	H01A, H01B, H09A, H09B, H09C, H33Z, H38Z
	09	J26Z		09	J26Z		09	J26Z
	11	L33Z		11	L33Z		11	L33Z
	21B	X33Z		21B	X33Z		21B	X33Z
	23	Z01A		23	Z01A		23	Z01A
	Pre	A07A		Pre	A07A		Pre	A07A
5n511.3‡ 5n511.4	07	H41A, H41B, H41C	5n514.0		BOP, KOP, KOPV, KVT, UOP4	5n515.3‡ 5n515.4	07	H41A, H41B, H41C
		BOP, KOP, KOPV, KVT, UOP4			BOP, KOP, KOPV, KVT, UOP4			BOP, KOP, KOPV, KVT, UOP4
	06	G10Z, G33Z, G38Z		06	G18A, G33Z, G38Z		06	G18A, G33Z, G38Z
	07	H01A, H01B, H09A, H09B, H09C, H33Z, H38Z		07	H01A, H01B, H09A, H09B, H09C, H33Z, H38Z		07	H01A, H01B, H09A, H09B, H09C, H33Z, H38Z
	09	J26Z		09	J26Z		09	J26Z
	11	L33Z		11	L33Z		11	L33Z
	21B	X33Z		21B	X33Z		21B	X33Z
	23	Z01A		23	Z01A		23	Z01A
Pre	A07A	Pre	A07A	Pre	A07A			
5n511.x		BOP, KOP, KOPV, KVT, UOP4	5n514.2		BOP, KOP, KOPV, KVT, UOP4	5n515.x		BOP, KOP, KOPV, KVT, UOP4
	06	G10Z, G33Z, G38Z		06	G18A, G33Z, G38Z		06	G18A, G33Z, G38Z
	07	H01A, H01B, H09A, H09B, H09C, H33Z, H38Z		07	H01A, H01B, H09A, H09B, H09C, H33Z, H38Z		07	H01A, H01B, H09A, H09B, H09C, H33Z, H38Z
	09	J26Z		09	J26Z		09	J26Z
	11	L33Z		11	L33Z		11	L33Z
	21B	X33Z		21B	X33Z		21B	X33Z
	23	Z01A		23	Z01A		23	Z01A
	Pre	A07A		Pre	A07A		Pre	A07A
		5n514.3‡	07	H41A, H41B, H41C				

VYK

ZZV	MDC	DRG	ZZV	MDC	DRG	ZZV	MDC	DRG			
5n51x.0		BOP, KOP, KOPV, KVT, UOP4	5n520.2		BOP, KOP, KOPV, KVT, MVV, UOP4	5n521.22		BOP, KOP, KOPV, KVT, MVV, UOP4			
	06	G18A, G33Z, G38Z		06	G03B, G10Z, G16A, G18A, G33Z, G38Z		06	G03B, G10Z, G16A, G18A, G33Z, G38Z			
	07	H01A, H01B, H09A, H09B, H09C, H33Z, H38Z		07	H01A, H01B, H09A, H09B, H09C, H33Z, H38Z		07	H01A, H01B, H09A, H09B, H09C, H33Z, H38Z			
	09	J26Z		09	J14A, J26Z		09	J14A, J26Z			
	11	L33Z		11	L33Z		11	L33Z			
	21B	X33Z		13	N11A		13	N11A			
	23	Z01A		21A	W01A, W01B, W01C, W02A, W02B, W04A, W04B		21A	W01A, W01B, W01C, W02A, W02B, W04A, W04B			
	Pre	A07A		21B	X06A, X06B, X06C, X33Z		21B	X06A, X06B, X06C, X33Z			
	5n51x.2			BOP, KOP, KOPV, KVT, UOP4	5n521.10			BOP, KOP, KOPV, KVT, MVV, UOP4	5n521.3		BOP, KOP, KOPV, KVT, MVV, UOP4
		06		G18A, G33Z, G38Z			06	G03B, G10Z, G16A, G18A, G33Z, G38Z		06	G03B, G10Z, G16A, G18A, G33Z, G38Z
07		H01A, H01B, H09A, H09B, H09C, H33Z, H38Z	07	H01A, H01B, H09A, H09B, H09C, H33Z, H38Z		07	H01A, H01B, H09A, H09B, H09C, H33Z, H38Z				
09		J26Z	09	J14A, J26Z		09	J14A, J26Z				
11		L33Z	11	L33Z		11	L33Z				
21B		X33Z	13	N11A		13	N11A				
23		Z01A	21A	W01A, W01B, W01C, W02A, W02B, W04A, W04B		21A	W01A, W01B, W01C, W02A, W02B, W04A, W04B				
Pre		A07A	21B	X06A, X06B, X06C, X33Z		21B	X06A, X06B, X06C, X33Z				
5n51x.3‡ 5n51x.4		07	H41A, H41B, H41C	5n521.12			BOP, KOP, KOPV, KVT, MVV, UOP4	5n522.10			BOP, KOP, KOPV, KVT, MVV, UOP4
			BOP, KOP, KOPV, KVT, UOP4			06	G03B, G10Z, G16A, G18A, G33Z, G38Z			06	G03B, G10Z, G16A, G18A, G33Z, G38Z
	06	G18A, G33Z, G38Z	07		H01A, H01B, H09A, H09B, H09C, H33Z, H38Z	07	H01A, H01B, H09A, H09B, H09C, H33Z, H38Z				
	07	H01A, H01B, H09A, H09B, H09C, H33Z, H38Z	09		J14A, J26Z	09	J14A, J26Z				
	09	J26Z	11		L33Z	11	L33Z				
	11	L33Z	13		N11A	13	N11A				
	21B	X33Z	21A		W01A, W01B, W01C, W02A, W02B, W04A, W04B	21A	W01A, W01B, W01C, W02A, W02B, W04A, W04B				
	23	Z01A	21B		X06A, X06B, X06C, X33Z	21B	X06A, X06B, X06C, X33Z				
	Pre	A07A	23		Z01A, Z02Z	23	Z01A, Z02Z				
	5n51x.x		BOP, KOP, KOPV, KVT, UOP4		5n521.20		BOP, KOP, KOPV, KVT, MVV, UOP4		5n522.12		BOP, KOP, KOPV, KVT, MVV, UOP4
06		G18A, G33Z, G38Z	06	G03B, G10Z, G16A, G18A, G33Z, G38Z		06	G03B, G10Z, G16A, G18A, G33Z, G38Z				
07		H01A, H01B, H09A, H09B, H09C, H33Z, H38Z	07	H01A, H01B, H09A, H09B, H09C, H33Z, H38Z		07	H01A, H01B, H09A, H09B, H09C, H33Z, H38Z				
09		J26Z	09	J14A, J26Z		09	J14A, J26Z				
11		L33Z	11	L33Z		11	L33Z				
21B		X33Z	13	N11A		13	N11A				
23		Z01A	21A	W01A, W01B, W01C, W02A, W02B, W04A, W04B		21A	W01A, W01B, W01C, W02A, W02B, W04A, W04B				
Pre		A07A	21B	X06A, X06B, X06C, X33Z		21B	X06A, X06B, X06C, X33Z				
5n520.0			BOP, KOP, KOPV, KVT, MVV, UOP4	5n521.20			BOP, KOP, KOPV, KVT, MVV, UOP4	5n522.12			BOP, KOP, KOPV, KVT, MVV, UOP4
		06	G03B, G10Z, G16A, G18A, G33Z, G38Z			06	G03B, G10Z, G16A, G18A, G33Z, G38Z			06	G03B, G10Z, G16A, G18A, G33Z, G38Z
	07	H01A, H01B, H09A, H09B, H09C, H33Z, H38Z	07		H01A, H01B, H09A, H09B, H09C, H33Z, H38Z	07	H01A, H01B, H09A, H09B, H09C, H33Z, H38Z				
	09	J14A, J26Z	09		J14A, J26Z	09	J14A, J26Z				
	11	L33Z	11		L33Z	11	L33Z				
	13	N11A	13		N11A	13	N11A				
	21A	W01A, W01B, W01C, W02A, W02B, W04A, W04B	21A		W01A, W01B, W01C, W02A, W02B, W04A, W04B	21A	W01A, W01B, W01C, W02A, W02B, W04A, W04B				
	21B	X06A, X06B, X06C, X33Z	21B		X06A, X06B, X06C, X33Z	21B	X06A, X06B, X06C, X33Z				
	23	Z01A, Z02Z	23		Z01A, Z02Z	23	Z01A, Z02Z				
	Pre	A07A, A09B, A11A, A11B, A13B	Pre		A07A, A09B, A11A, A11B, A13B	Pre	A07A, A09B, A11A, A11B, A13B				



ZZV	MDC	DRG	ZZV	MDC	DRG	ZZV	MDC	DRG
5n533		BOP, KOP, KOPV, KVT, UOP4	5n550.10		BOP, KOP, KOPV, KVT, UOP4	5n590.0		BOP, KVT, UOP4
	06	G03B, G10Z, G33Z, G38Z		06	G03B, G33Z, G38Z	05		F13A, F21A, F21B
	07	H01A, H01B, H09A, H09B, H09C, H33Z, H38Z		07	H01A, H01B, H09A, H09B, H09C, H33Z, H38Z	06		G10Z, G12A, G12B
	09	J26Z		11	L33Z	07		H05Z
	11	L33Z		21A	W01A, W01B, W01C, W02A, W02B, W04A, W04B	09		J03A, J03B, J04A, J04B, J08A, J08B, J08C, J11A, J11B, J16Z
	21A	W04A, W04B		21B	X06A, X06B, X06C, X33Z	10		K09A, K09B
	21B	X06A, X06B, X06C, X33Z		23	Z01A, Z02Z	11		L09A, L09B, L09C, L09D, L38Z
	23	Z01A, Z02Z		Pre	A07A	12		M01A, M01B, M38Z
	Pre	A07A				13		N11A, N11B
5n534		BOP, KOP, KOPV, KVT, UOP4	5n550.11		BOP, KOP, KOPV, KVT, UOP4	14		962Z, O02A, O02B, O04A
	06	G03B, G10Z, G33Z, G38Z		06	G03B, G33Z, G38Z	17		R01A, R01B, R01C, R01D, R02Z, R12A, R12B, R12C
	07	H01A, H01B, H09A, H09B, H09C, H33Z, H38Z		07	H01A, H01B, H09A, H09B, H09C, H33Z, H38Z	21A		W04A, W04B
	09	J26Z		11	L33Z	21B		X06A, X06B
	11	L33Z		21A	W01A, W01B, W01C, W02A, W02B, W04A, W04B	22		Y01Z, Y03A, Y03B
	21A	W04A, W04B		21B	X06A, X06B, X06C, X33Z	04	5n590.2	E02A, E02B, E02C
	21B	X06A, X06B, X06C, X33Z		23	Z01A	05		F21A, F21B
	23	Z01A, Z02Z		Pre	A07A	06		G10Z, G12A, G12B
	Pre	A07A				07		H12A, H12B
5n535		BOP, KOP, KOPV, KVT, UOP4	5n550.20		BOP, KOP, KOPV, KVT, UOP4	08		I28A, I28B
	06	G03B, G10Z, G33Z, G38Z		06	G03B, G33Z, G38Z	09		J03A, J03B, J04A, J04B, J08A, J08B, J08C, J11A, J11B, J16Z, J21Z
	07	H01A, H01B, H09A, H09B, H09C, H33Z, H38Z		07	H01A, H01B, H09A, H09B, H09C, H33Z, H38Z	10		K09A, K09B
	09	J26Z		11	L33Z	11		L09A, L09B, L09C, L09D, L38Z
	11	L33Z		21A	W01A, W01B, W01C, W02A, W02B, W04A, W04B	13		N11A
	21A	W04A, W04B		21B	X06A, X06B, X06C, X33Z	14		962Z, O02A, O02B
	21B	X06A, X06B, X06C, X33Z		23	Z01A	17		R01A, R01B, R01C, R01D, R02Z, R12A, R12B, R12C
	23	Z01A, Z02Z		Pre	A07A	21A		W04A, W04B
	Pre	A07A				21B		X06A, X06B, X06C
5n536		BOP, KOP, KOPV, KVT, UOP4	5n550.22		BOP, KOP, KOPV, KVT, UOP4	22		Y01Z, Y03A, Y03B
	06	G03B, G10Z, G33Z, G38Z		06	G03B, G33Z, G38Z	5n591.0		BOP, KOP, KOPV, KVT, UOP4
	07	H01A, H01B, H09A, H09B, H09C, H33Z, H38Z		07	H01A, H01B, H09A, H09B, H09C, H33Z, H38Z	06		G33Z
	09	J26Z		11	L33Z	07		H01A, H01B, H09A, H09B, H09C, H33Z, H38Z
	11	L33Z		21A	W01A, W01B, W01C, W02A, W02B, W04A, W04B	11		L33Z
	21A	W04A, W04B		21B	X06A, X06B, X06C, X33Z	21A		W04A, W04B
	21B	X06A, X06B, X06C, X33Z		23	Z01A	21B		X06A, X06B, X06C
	23	Z01A, Z02Z		Pre	A07A	23		Z01A
	Pre	A07A				Pre		A07A
5n53x		BOP, KOP, KOPV, KVT, UOP4	5n551		BOP, KVT, UOP4	5n591.1		BOP, KOP, KOPV, KVT, UOP4
	06	G03B, G10Z, G33Z, G38Z		07	H12A, H12B	06		G33Z
	07	H01A, H01B, H09A, H09B, H09C, H33Z, H38Z		21A	W04A, W04B	07		H01A, H01B, H09A, H09B, H09C, H33Z, H38Z
	09	J26Z		21B	X06A, X06B, X06C	11		L33Z
	11	L33Z		Pre	A07A	21A		W04A, W04B
	21A	W04A, W04B				21B		X06A, X06B, X06C, X33Z
	21B	X06A, X06B, X06C, X33Z		5n552	BOP, KOP, KOPV, KVT, UOP4	23		Z01A
	23	Z01A, Z02Z				Pre		A07A
	Pre	A07A		06	G03B, G33Z, G38Z	5n591.20		BOP, KOP, KOPV, KVT, UOP4
5n540		BOP, KVT, UOP4		07	H01A, H01B, H09A, H09B, H09C, H33Z, H38Z	06		G33Z
	Pre	A01A, A01B, A01C, A18Z		11	L33Z	07		H01A, H01B, H09A, H09B, H09C, H33Z, H38Z
5n541		BOP, KVT, UOP4		21A	W01A, W01B, W01C, W02A, W02B, W04A, W04B	11		L33Z
	Pre	A01A, A01B, A01C, A18Z		21B	X06A, X06B, X06C, X33Z	21A		W04A, W04B
5n542		BOP, KVT, UOP4		Pre	A07A	21B		X06A, X06B, X06C, X33Z
	Pre	A01A, A01B, A01C, A18Z				23		Z01A
5n54x		BOP, KVT, UOP4		21A	W01A, W01B, W01C, W02A, W02B, W04A, W04B	Pre		A07A
	Pre	A01A, A01B, A01C, A18Z		23	Z01A	06		G33Z
				Pre	A07A	07		H01A, H01B, H09A, H09B, H09C, H33Z, H38Z
						11		L33Z
						21A		W04A, W04B
						21B		X06A, X06B, X06C, X33Z
						23		Z01A
						Pre		A07A

ZZV	MDC	DRG	ZZV	MDC	DRG	ZZV	MDC	DRG
5n591.22		BOP, KOP, KOPV, KVT, UOP4	5n613.3		BOP, KOP, KOPV, KVT, MNV, UOP4	5n621.4		BOP, KVT, UOP4
	06	G33Z		06	G03A, G10Z, G33Z, G38Z	07		H05Z
	07	H01A, H01B, H09A, H09B, H09C, H33Z, H38Z		07	H01A, H02A, H02B, H33Z, H38Z	17		R01A, R01B, R01C, R01D, R02Z, R12A, R12B, R12C
	11	L33Z		11	L33Z	21A		W04A, W04B
	21A	W04A, W04B		17	R01A, R01B, R01C, R01D, R02Z, R12A, R12B, R12C	21B		X06A, X06B
	21B	X06A, X06B, X06C, X33Z		21A	W04A, W04B	5n623		BOP, KOP, KOPV, KVT, UOP4
	23	Z01A		21B	X06A, X06B, X06C, X33Z	06		G10Z, G33Z, G38Z
	Pre	A07A		23	Z01A	07		H01A, H01B, H09A, H09B, H09C, H33Z, H38Z
5n591.x		BOP, KOP, KOPV, KVT, UOP4		Pre	A07A	11		L33Z
	06	G33Z	5n613.4		BOP, KOP, KOPV, KVT, MNV, UOP4	17		R01A, R01B, R01C, R01D, R02Z, R12A, R12B, R12C
	07	H01A, H01B, H09A, H09B, H09C, H33Z, H38Z		06	G03A, G10Z, G33Z, G38Z	21A		W04A, W04B
	11	L33Z		07	H01A, H02A, H02B, H33Z, H38Z	21B		X06A, X06B
	21A	W04A, W04B		11	L33Z	23		Z01A
	21B	X06A, X06B, X06C		17	R01A, R01B, R01C, R01D, R02Z, R12A, R12B, R12C	Pre		A07A
	23	Z01A		21A	W04A, W04B	5n624.1		BOP, KVT, UOP4
	Pre	A07A		21B	X06A, X06B, X06C, X33Z	07		H07A, H07B
5n592‡	09	J11A, J11B		Pre	A07A	17		R01A, R01B, R01C, R01D, R02Z, R12A, R12B, R12C
5n593‡	09	J11A, J11B		5n613.5		21A		W04A, W04B
5n610		BOP, KVT, UOP4		06	G03A, G10Z, G33Z, G38Z	21B		X06A, X06B
	06	G10Z, G12A, G12B		07	H02A, H02B, H33Z, H38Z	5n624.2		BOP, KVT, UOP4
	07	H05Z		11	L33Z	07		H05Z
	17	R01A, R01B, R01C, R01D, R02Z, R12A, R12B, R12C		17	R01A, R01B, R01C, R01D, R02Z, R12A, R12B, R12C	17		R01A, R01B, R01C, R01D, R02Z, R12A, R12B, R12C
	21A	W04A, W04B		21A	W04A, W04B	21A		W04A, W04B
	21B	X06A, X06B, X06C		21B	X06A, X06B, X06C, X33Z	21B		X06A, X06B
5n611.0		BOP, KVT, UOP4		Pre	A07A	5n625.1		BOP, KVT, UOP4
	07	H05Z		5n61x		07		H08A, H08B
5n611.2		BOP, KVT, UOP4		06	G10Z, G12A, G12B	17		R01A, R01B, R01C, R01D, R02Z, R12A, R12B, R12C
	07	H05Z		07	H05Z	21A		W04A, W04B
5n611.3		BOP, KVT, UOP4		07	H05Z	21B		X06A, X06B
	07	H05Z		5n620.0		5n625.2		BOP, KVT, UOP4
5n612		BOP, KVT, UOP4		07	H07A, H07B	07		H08A, H08B
	06	G10Z, G12A, G12B		17	R01A, R01B, R01C, R01D, R02Z, R12A, R12B, R12C	17		R01A, R01B, R01C, R01D, R02Z, R12A, R12B, R12C
	07	H05Z		21A	W04A, W04B	21A		W04A, W04B
5n613.1		BOP, KOP, KOPV, KVT, MNV, UOP4		21B	X06A, X06B	21B		X06A, X06B
	06	G03A, G10Z, G33Z, G38Z		5n620.2		5n62x		BOP, KVT, UOP4
	07	H02A, H02B, H33Z, H38Z		07	H08A, H08B	07		H08A, H08B
	11	L33Z		17	R01A, R01B, R01C, R01D, R02Z, R12A, R12B, R12C	17		R01A, R01B, R01C, R01D, R02Z, R12A, R12B, R12C
	17	R01A, R01B, R01C, R01D, R02Z, R12A, R12B, R12C		21A	W04A, W04B	21A		W04A, W04B
	21A	W04A, W04B		21B	X06A, X06B	21B		X06A, X06B
	21B	X06A, X06B, X06C, X33Z		5n620.4		5n631‡		H41A, H41B, H41C
	23	Z01A		07	H07A, H07B	5n632.0‡		H41A, H41B, H41C
	Pre	A07A		17	R01A, R01B, R01C, R01D, R02Z, R12A, R12B, R12C	5n632.1‡		H41A, H41B, H41C
5n613.2		BOP, KOP, KOPV, KVT, MNV, UOP4		21A	W04A, W04B	5n632.2‡		H41A, H41B, H41C
	06	G03A, G10Z, G33Z, G38Z		21B	X06A, X06B	5n632.3‡		H41A, H41B, H41C
	07	H01A, H02A, H02B, H33Z, H38Z		5n621.0		5n632.x‡		H41A, H41B, H41C
	11	L33Z		07	H05Z	5n633‡		H41A, H41B, H41C
	17	R01A, R01B, R01C, R01D, R02Z, R12A, R12B, R12C		17	R01A, R01B, R01C, R01D, R02Z, R12A, R12B, R12C	5n634.0‡		H41A, H41B, H41C
	21A	W04A, W04B		21A	W04A, W04B	5n634.1‡		G40Z, G46A, G46B, G46C, G47Z, G50Z
	21B	X06A, X06B, X06C, X33Z		21B	X06A, X06B			H41A, H41B
	23	Z01A		5n621.2		5n634.x‡		H41A, H41B, H41C
	Pre	A07A		07	H08A, H08B	5n635‡		H41A, H41B, H41C
				17	R01A, R01B, R01C, R01D, R02Z, R12A, R12B, R12C	5n63a‡		H41A, H41B, H41C
				21A	W04A, W04B	5n63b‡		H41A, H41B, H41C
				21B	X06A, X06B	5n63c‡		H41A, H41B, H41C
						5n63d‡		H41A, H41B, H41C
						5n63f.1‡		H41A, H41B, H41C
						5n63f.2‡		H41A, H41B, H41C
						5n63h.1‡		H41A, H41B, H41C
						5n63h.2‡		H41A, H41B, H41C

ZZV	MDC	DRG	ZZV	MDC	DRG	ZZV	MDC	DRG
5n63m.01‡	07	H41A, H41B, H41C	5n640.12		BOP, KOP, KOPV, KVT, UOP4	5n640.32		BOP, KOP, KOPV, KVT, UOP4
5n63m.02‡	07	H41A, H41B, H41C		06	G10Z, G12A, G12B, G33Z, G38Z	06	G10Z, G12A, G12B, G33Z, G38Z	
5n63m.03‡	07	H41A, H41B, H41C		07	H01A, H01B, H09A, H09B, H09C, H38Z	07	H01A, H01B, H09A, H09B, H09C, H38Z	
5n63m.11‡	07	H41A, H41B, H41C		17	R01A, R01B, R01C, R01D, R02Z, R12A, R12B, R12C	17	R01A, R01B, R01C, R01D, R02Z, R12A, R12B, R12C	
5n63m.12‡	07	H41A, H41B, H41C		21A	W04A, W04B	21A	W04A, W04B	
5n63m.13‡	07	H41A, H41B, H41C	5n640.13‡			5n640.33‡		H41A, H41B, H41C
5n63x‡	07	H41A, H41B, H41C	5n640.1x‡			5n640.3x‡		H41A, H41B, H41C
5n640.00		BOP, KOP, KOPV, KVT, UOP4	5n640.20		BOP, KOP, KOPV, KVT, UOP4	5n641.00		BOP, KOP, KOPV, KVT, UOP4
	06	G10Z, G12A, G12B, G33Z, G38Z		06	G10Z, G12A, G12B, G33Z, G38Z		06	G10Z, G12A, G12B, G33Z, G38Z
	07	H01A, H01B, H09A, H09B, H09C, H38Z		07	H01A, H01B, H09A, H09B, H09C, H38Z		07	H01A, H01B, H09A, H09B, H09C, H38Z
	17	R01A, R01B, R01C, R01D, R02Z, R12A, R12B, R12C		17	R01A, R01B, R01C, R01D, R02Z, R12A, R12B, R12C		17	R01A, R01B, R01C, R01D, R02Z, R12A, R12B, R12C
5n640.01		W04A, W04B		21A	W04A, W04B		21A	W04A, W04B
	21B	X06A, X06B, X06C		21B	X06A, X06B, X06C		21B	X06A, X06B, X06C
	Pre	A07A		Pre	A07A		Pre	A07A
		BOP, KOP, KOPV, KVT, UOP4			BOP, KOP, KOPV, KVT, UOP4			BOP, KOP, KOPV, KVT, UOP4
	06	G10Z, G12A, G12B, G33Z, G38Z		06	G10Z, G12A, G12B, G33Z, G38Z		06	G10Z, G12A, G12B, G33Z, G38Z
	07	H01A, H01B, H09A, H09B, H09C, H38Z		07	H01A, H01B, H09A, H09B, H09C, H38Z		07	H01A, H01B, H09A, H09B, H09C, H38Z
	17	R01A, R01B, R01C, R01D, R02Z, R12A, R12B, R12C		17	R01A, R01B, R01C, R01D, R02Z, R12A, R12B, R12C		17	R01A, R01B, R01C, R01D, R02Z, R12A, R12B, R12C
	21A	W04A, W04B	5n640.21		BOP, KOP, KOPV, KVT, UOP4	5n641.01		BOP, KOP, KOPV, KVT, UOP4
	21B	X06A, X06B, X06C		06	G10Z, G12A, G12B, G33Z, G38Z		06	G10Z, G12A, G12B, G33Z, G38Z
	Pre	A07A		07	H01A, H01B, H09A, H09B, H09C, H38Z		07	H01A, H01B, H09A, H09B, H09C, H38Z
5n640.02		BOP, KOP, KOPV, KVT, UOP4		17	R01A, R01B, R01C, R01D, R02Z, R12A, R12B, R12C		17	R01A, R01B, R01C, R01D, R02Z, R12A, R12B, R12C
	06	G10Z, G12A, G12B, G33Z, G38Z		21A	W04A, W04B		21A	W04A, W04B
	07	H01A, H01B, H09A, H09B, H09C, H38Z		21B	X06A, X06B, X06C		21B	X06A, X06B, X06C
	17	R01A, R01B, R01C, R01D, R02Z, R12A, R12B, R12C		Pre	A07A		Pre	A07A
	21A	W04A, W04B			BOP, KOP, KOPV, KVT, UOP4	5n641.02		BOP, KOP, KOPV, KVT, UOP4
	21B	X06A, X06B, X06C		06	G10Z, G12A, G12B, G33Z, G38Z		06	G10Z, G12A, G12B, G33Z, G38Z
	Pre	A07A		07	H01A, H01B, H09A, H09B, H09C, H38Z		07	H01A, H01B, H09A, H09B, H09C, H38Z
5n640.03‡	07	H41A, H41B, H41C		17	R01A, R01B, R01C, R01D, R02Z, R12A, R12B, R12C		17	R01A, R01B, R01C, R01D, R02Z, R12A, R12B, R12C
5n640.0x‡	07	H41A, H41B, H41C		21A	W04A, W04B		21A	W04A, W04B
5n640.10		BOP, KOP, KOPV, KVT, UOP4		21B	X06A, X06B, X06C		21B	X06A, X06B, X06C
	06	G10Z, G12A, G12B, G33Z, G38Z		Pre	A07A		Pre	A07A
	07	H01A, H01B, H09A, H09B, H09C, H38Z	5n640.23‡			5n641.03‡		H41A, H41B, H41C
	17	R01A, R01B, R01C, R01D, R02Z, R12A, R12B, R12C	5n640.2x‡			5n641.0x‡		H41A, H41B, H41C
	21A	W04A, W04B	5n640.30		BOP, KOP, KOPV, KVT, UOP4	5n641.10		BOP, KOP, KOPV, KVT, UOP4
	21B	X06A, X06B, X06C		06	G10Z, G12A, G12B, G33Z, G38Z		06	G10Z, G12A, G12B, G33Z, G38Z
	Pre	A07A		07	H01A, H01B, H09A, H09B, H09C, H38Z		07	H01A, H01B, H09A, H09B, H09C, H38Z
5n640.11		BOP, KOP, KOPV, KVT, UOP4		17	R01A, R01B, R01C, R01D, R02Z, R12A, R12B, R12C		17	R01A, R01B, R01C, R01D, R02Z, R12A, R12B, R12C
	06	G10Z, G12A, G12B, G33Z, G38Z		21A	W04A, W04B		21A	W04A, W04B
	07	H01A, H01B, H09A, H09B, H09C, H38Z		21B	X06A, X06B, X06C		21B	X06A, X06B, X06C
	17	R01A, R01B, R01C, R01D, R02Z, R12A, R12B, R12C		Pre	A07A		Pre	A07A
	21A	W04A, W04B	5n640.31		BOP, KOP, KOPV, KVT, UOP4	5n641.11		BOP, KOP, KOPV, KVT, UOP4
	21B	X06A, X06B, X06C		06	G10Z, G12A, G12B, G33Z, G38Z		06	G10Z, G12A, G12B, G33Z, G38Z
	Pre	A07A		07	H01A, H01B, H09A, H09B, H09C, H38Z		07	H01A, H01B, H09A, H09B, H09C, H38Z
				17	R01A, R01B, R01C, R01D, R02Z, R12A, R12B, R12C		17	R01A, R01B, R01C, R01D, R02Z, R12A, R12B, R12C
				21A	W04A, W04B		21A	W04A, W04B
				21B	X06A, X06B, X06C		21B	X06A, X06B, X06C
				Pre	A07A		Pre	A07A

VYK

ZZV	MDC	DRG	ZZV	MDC	DRG	ZZV	MDC	DRG
5n641.12		BOP, KOP, KOPV, KVT, UOP4	5n641.32		BOP, KOP, KOPV, KVT, UOP4	5n651.0		BOP, KOP, KOPV, KVT, UOP4
	06	G10Z, G12A, G12B, G33Z, G38Z		06	G10Z, G12A, G12B, G33Z, G38Z		06	G10Z, G15Z, G19A, G19B, G33Z, G38Z
	07	H01A, H01B, H09A, H09B, H09C, H38Z		07	H01A, H01B, H09A, H09B, H09C, H38Z		07	H01A, H01B, H09A, H09B, H09C, H33Z, H38Z
	17	R01A, R01B, R01C, R01D, R02Z, R12A, R12B, R12C		17	R01A, R01B, R01C, R01D, R02Z, R12A, R12B, R12C		11	L33Z
	21A	W04A, W04B		21A	W04A, W04B		21B	X06A, X06B, X06C
	21B	X06A, X06B, X06C		21B	X06A, X06B, X06C		23	Z01A
	Pre	A07A		Pre	A07A	5n651.2		A07A
5n641.13‡	07	H41A, H41B, H41C	5n641.33‡	07	H41A, H41B, H41C			BOP, KOP, KOPV, KVT, UOP4
5n641.1x‡	07	H41A, H41B, H41C	5n641.3x‡	07	H41A, H41B, H41C		06	G10Z, G15Z, G19A, G19B, G33Z, G38Z
5n641.20		BOP, KOP, KOPV, KVT, UOP4	5n642.03‡	07	H41A, H41B, H41C		07	H01A, H01B, H09A, H09B, H09C, H33Z, H38Z
	06	G10Z, G12A, G12B, G33Z, G38Z	5n642.13‡	07	H41A, H41B, H41C		11	L33Z
	07	H01A, H01B, H09A, H09B, H09C, H38Z	5n642.23‡	07	H41A, H41B, H41C		21B	X06A, X06B, X06C
	17	R01A, R01B, R01C, R01D, R02Z, R12A, R12B, R12C	5n642.33‡	07	H41A, H41B, H41C		23	Z01A
	21A	W04A, W04B	5n64x.0		BOP, KOP, KOPV, KVT, UOP4		Pre	A07A
	21B	X06A, X06B, X06C		06	G10Z, G12A, G12B, G33Z, G38Z	5n651.4		BOP, KOP, KOPV, KVT, UOP4
	Pre	A07A		07	H02A, H02B, H38Z		06	G10Z, G15Z, G19A, G19B, G33Z, G38Z
5n641.21		BOP, KOP, KOPV, KVT, UOP4		17	R01A, R01B, R01C, R01D, R02Z, R12A, R12B, R12C		07	H01A, H01B, H09A, H09B, H09C, H33Z, H38Z
	06	G10Z, G12A, G12B, G33Z, G38Z		21A	W04A, W04B		11	L33Z
	07	H01A, H01B, H09A, H09B, H09C, H38Z		21B	X06A, X06B, X06C		21B	X06A, X06B, X06C
	17	R01A, R01B, R01C, R01D, R02Z, R12A, R12B, R12C	5n64x.1		BOP, KOP, KOPV, KVT, UOP4		23	Z01A
	21A	W04A, W04B		06	G10Z, G12A, G12B, G33Z, G38Z	5n651.x		Pre
	21B	X06A, X06B, X06C		07	H05Z			A07A
	Pre	A07A		17	R01A, R01B, R01C, R01D, R02Z, R12A, R12B, R12C		06	G10Z, G15Z, G19A, G19B, G33Z, G38Z
5n641.22		BOP, KOP, KOPV, KVT, UOP4		21A	W04A, W04B		07	H01A, H01B, H09A, H09B, H09C, H33Z, H38Z
	06	G10Z, G12A, G12B, G33Z, G38Z		21B	X06A, X06B, X06C		11	L33Z
	07	H01A, H01B, H09A, H09B, H09C, H38Z	5n64x.2		BOP, KOP, KOPV, KVT, UOP4		21B	X06A, X06B, X06C
	17	R01A, R01B, R01C, R01D, R02Z, R12A, R12B, R12C		06	G10Z, G12A, G12B, G33Z, G38Z	5n652.0		Pre
	21A	W04A, W04B		07	H02A, H02B, H38Z			A07A
	Pre	A07A		17	R01A, R01B, R01C, R01D, R02Z, R12A, R12B, R12C		06	G10Z, G15Z, G19A, G19B, G33Z, G38Z
5n641.23‡	07	H41A, H41B, H41C		21A	W04A, W04B		07	H01A, H01B, H09A, H09B, H09C, H33Z, H38Z
5n641.2x‡	07	H41A, H41B, H41C		21B	X06A, X06B, X06C		11	L33Z
5n641.30		BOP, KOP, KOPV, KVT, UOP4	5n64x.3‡	07	H41A, H41B, H41C		21B	X06A, X06B, X06C
	06	G10Z, G12A, G12B, G33Z, G38Z	5n64x.x‡	07	H41A, H41B, H41C		23	Z01A
	07	H01A, H01B, H09A, H09B, H09C, H38Z	5n650.0		BOP, KVT, UOP4	5n652.2		Pre
	17	R01A, R01B, R01C, R01D, R02Z, R12A, R12B, R12C		06	G10Z, G12A, G12B			A07A
	21A	W04A, W04B		07	H05Z			BOP, KOP, KOPV, KVT, UOP4
	21B	X06A, X06B, X06C		17	R01A, R01B, R01C, R01D, R02Z, R12A, R12B, R12C		06	G10Z, G15Z, G19A, G19B, G33Z, G38Z
	Pre	A07A		21A	W04A, W04B		07	H01A, H01B, H09A, H09B, H09C, H33Z, H38Z
5n641.31		BOP, KOP, KOPV, KVT, UOP4	5n650.4		BOP, KVT, UOP4		11	L33Z
	06	G10Z, G12A, G12B, G33Z, G38Z		06	G10Z, G12A, G12B		21B	X06A, X06B, X06C
	07	H01A, H01B, H09A, H09B, H09C, H38Z		07	H05Z	5n652.4		23
	17	R01A, R01B, R01C, R01D, R02Z, R12A, R12B, R12C		17	R01A, R01B, R01C, R01D, R02Z, R12A, R12B, R12C			Z01A
	21A	W04A, W04B		21A	W04A, W04B		Pre	A07A
	21B	X06A, X06B, X06C		21B	X06A, X06B, X06C			BOP, KOP, KOPV, KVT, UOP4
	Pre	A07A			BOP, KVT, UOP4		06	G10Z, G15Z, G19A, G19B, G33Z, G38Z
5n641.32		BOP, KOP, KOPV, KVT, UOP4	5n650.x		G10Z, G12A, G12B		07	H01A, H01B, H09A, H09B, H09C, H33Z, H38Z
	06	G10Z, G12A, G12B, G33Z, G38Z		06	G10Z, G12A, G12B		11	L33Z
	07	H01A, H01B, H09A, H09B, H09C, H38Z		07	H05Z		21B	X06A, X06B, X06C
	17	R01A, R01B, R01C, R01D, R02Z, R12A, R12B, R12C		17	R01A, R01B, R01C, R01D, R02Z, R12A, R12B, R12C		23	Z01A
	21A	W04A, W04B		21A	W04A, W04B		Pre	A07A
	21B	X06A, X06B, X06C		21B	X06A, X06B, X06C			A07A
	Pre	A07A			BOP, KVT, UOP4			

VYK

ZZV	MDC	DRG	ZZV	MDC	DRG	ZZV	MDC	DRG
5n652.x		BOP, KOP, KOPV, KVT, UOP4	5n692.0		BOP, KVT, UOP4	5n695.3†		KKI, KKP
	06	G10Z, G15Z, G19A, G19B, G33Z, G38Z		07	H05Z		07	H41A, H41B, H41C
	07	H01A, H01B, H09A, H09B, H09C, H33Z, H38Z	5n692.2		R01A, R01B, R01C, R01D, R02Z, R12A, R12B, R12C	5n695.4		BOP, KOP, KOPV, KVT, UOP4
	11	L33Z		07	BOP, KVT, UOP4		06	G10Z, G12A, G12B, G33Z, G38Z
	21B	X06A, X06B, X06C		17	H05Z		07	H02A, H02B, H38Z
	23	Z01A	5n692.4		R01A, R01B, R01C, R01D, R02Z, R12A, R12B, R12C		17	R01A, R01B, R01C, R01D, R02Z, R12A, R12B, R12C
	Pre	A07A		07	BOP, KVT, UOP4		21A	W04A, W04B
5n653.0		BOP, KVT, UOP4		17	H05Z		21B	X06A, X06B, X06C
	06	G10Z, G12A, G12B	5n692.x†		R01A, R01B, R01C, R01D, R02Z, R12A, R12B, R12C		23	Z01A
	07	H05Z	5n693.0		H41A, H41B, H41C	5n695.x†		Pre A07A
5n653.2		BOP, KVT, UOP4	5n693.0		BOP, KVT, UOP4	5n69a.0		07 H41A, H41B, H41C
	06	G10Z, G12A, G12B		06	G10Z, G12A, G12B			BOP, KOP, KOPV, KVT, UOP4
	07	H05Z		07	H05Z		06	G33Z
5n653.4		BOP, KVT, UOP4	5n693.2		BOP, KVT, UOP4		07	H02A, H02B, H38Z
	06	G10Z, G12A, G12B		06	G10Z, G12A, G12B		17	R01A, R01B, R01C, R01D, R02Z, R12A, R12B, R12C
	07	H05Z		07	H05Z		21A	W04A, W04B
5n653.x		BOP, KVT, UOP4	5n693.3†		H41A, H41B, H41C		21B	X06A, X06B, X06C
	06	G10Z, G12A, G12B	5n693.4		BOP, KVT, UOP4		23	Z01A
	07	H05Z		06	G10Z, G12A, G12B		Pre	A07A
5n655.0		BOP, KVT, UOP4		07	H05Z	5n69a.2		BOP, KOP, KOPV, KVT, UOP4
	06	G10Z, G12A, G12B	5n693.x†		H41A, H41B, H41C		06	G33Z
	07	H05Z	5n694.0		BOP, KOP, KOPV, KVT, UOP4		07	H05Z
5n655.2		BOP, KVT, UOP4		06	G10Z, G12A, G12B, G33Z, G38Z		17	R01A, R01B, R01C, R01D, R02Z, R12A, R12B, R12C
	06	G10Z, G12A, G12B		07	H02A, H02B, H38Z		21A	W04A, W04B
	07	H05Z		23	Z01A		21B	X06A, X06B, X06C
5n655.4		BOP, KVT, UOP4		Pre	A07A		23	Z01A
	06	G10Z, G12A, G12B	5n694.2		BOP, KOP, KOPV, KVT, UOP4		Pre	A07A
	07	H05Z		06	G10Z, G12A, G12B, G33Z, G38Z	5n69a.3†		07 H41A, H41B, H41C
5n655.x		BOP, KVT, UOP4		07	H02A, H02B, H38Z	5n69a.4		BOP, KOP, KOPV, KVT, UOP4
	06	G10Z, G12A, G12B		23	Z01A		06	G33Z
	07	H05Z		Pre	A07A		07	H02A, H02B, H38Z
5n65x.0		BOP, KVT, UOP4		07	H41A, H41B, H41C		17	R01A, R01B, R01C, R01D, R02Z, R12A, R12B, R12C
	06	G10Z, G12A, G12B		06	G10Z, G12A, G12B, G33Z, G38Z		21A	W04A, W04B
	07	H05Z		07	H05Z		21B	X06A, X06B, X06C
5n65x.2		BOP, KVT, UOP4	5n694.3†		H41A, H41B, H41C		23	Z01A
	06	G10Z, G12A, G12B	5n694.4		BOP, KOP, KOPV, KVT, UOP4		Pre	A07A
	07	H05Z		06	G10Z, G12A, G12B, G33Z, G38Z	5n69a.x†		07 H41A, H41B, H41C
5n65x.4		BOP, KVT, UOP4		07	H02A, H02B, H38Z	5n69b.0		BOP, KOP, KOPV, KVT, UOP4
	06	G10Z, G12A, G12B		23	Z01A		06	G10Z, G12A, G12B, G33Z, G38Z
	07	H05Z		Pre	A07A		07	H02A, H02B, H38Z
5n65x.x		BOP, KVT, UOP4		07	H41A, H41B, H41C		17	R01A, R01B, R01C, R01D, R02Z, R12A, R12B, R12C
	06	G10Z, G12A, G12B		06	G10Z, G12A, G12B, G33Z, G38Z		21A	W04A, W04B
	07	H05Z		07	H05Z		21B	X06A, X06B, X06C
5n690.0		BOP, KVT, UOP4	5n694.x†		H41A, H41B, H41C		23	Z01A
	06	G10Z, G12A, G12B	5n695.0		BOP, KOP, KOPV, KVT, UOP4		Pre	A07A
	07	H05Z		06	G10Z, G12A, G12B, G33Z, G38Z	5n69b.2		BOP, KOP, KOPV, KVT, UOP4
	17	R01A, R01B, R01C, R01D, R02Z, R12A, R12B, R12C		07	H02A, H02B, H38Z		06	G10Z, G12A, G12B, G33Z, G38Z
	21A	W04A, W04B		17	R01A, R01B, R01C, R01D, R02Z, R12A, R12B, R12C		07	H05Z
	21B	X06A, X06B, X06C		21A	W04A, W04B		17	R01A, R01B, R01C, R01D, R02Z, R12A, R12B, R12C
5n690.2		BOP, KVT, UOP4		21B	X06A, X06B, X06C		21A	W04A, W04B
	06	G10Z, G12A, G12B		23	Z01A		21B	X06A, X06B, X06C
	07	H05Z		Pre	A07A		23	Z01A
	17	R01A, R01B, R01C, R01D, R02Z, R12A, R12B, R12C	5n695.2		BOP, KOP, KOPV, KVT, UOP4		Pre	A07A
	21A	W04A, W04B		06	G10Z, G12A, G12B, G33Z, G38Z	5n69b.3†		BOP, KOP, KOPV, KVT, UOP4
	21B	X06A, X06B, X06C		07	H05Z		06	G10Z, G12A, G12B, G33Z, G38Z
5n690.3†		H41A, H41B, H41C		17	R01A, R01B, R01C, R01D, R02Z, R12A, R12B, R12C		07	H05Z
5n690.4		BOP, KVT, UOP4		21A	W04A, W04B		17	R01A, R01B, R01C, R01D, R02Z, R12A, R12B, R12C
	06	G10Z, G12A, G12B		21B	X06A, X06B, X06C		21A	W04A, W04B
	07	H05Z		23	Z01A		21B	X06A, X06B, X06C
	17	R01A, R01B, R01C, R01D, R02Z, R12A, R12B, R12C		Pre	A07A		23	Z01A
	21A	W04A, W04B					Pre	A07A
	21B	X06A, X06B, X06C					07	H41A, H41B, H41C
5n690.x†		H41A, H41B, H41C						

ZZV	MDC	DRG	ZZV	MDC	DRG	ZZV	MDC	DRG			
5n69b.4		BOP, KOP, KOPV, KVT, UOP4	5n69d.4		BOP, KOP, KOPV, KVT, UOP4	5n69f.4		BOP, KOP, KOPV, KVT, UOP4			
	06	G10Z, G12A, G12B, G33Z, G38Z		06	G10Z, G12A, G12B, G33Z, G38Z		06	G10Z, G12A, G12B, G33Z, G38Z			
	07	H02A, H02B, H38Z		07	H01A, H01B, H09A, H09B, H09C, H38Z		07	H01A, H01B, H09A, H09B, H09C, H38Z			
	17	R01A, R01B, R01C, R01D, R02Z, R12A, R12B, R12C		17	R01A, R01B, R01C, R01D, R02Z, R12A, R12B, R12C		17	R01A, R01B, R01C, R01D, R02Z, R12A, R12B, R12C			
	21A	W04A, W04B		21A	W04A, W04B		21A	W04A, W04B			
	21B	X06A, X06B, X06C		21B	X06A, X06B, X06C		21B	X06A, X06B, X06C			
	23	Z01A		23	Z01A		23	Z01A			
	Pre	A07A		Pre	A07A		Pre	A07A			
	5n69b.x† 5n69c.0	07		H41A, H41B, H41C	5n69d.x† 5n69e.0		07	H41A, H41B, H41C	5n69f.x† 5n69g	07	H41A, H41B, H41C
				BOP, KOP, KOPV, KVT, UOP4				BOP, KOP, KOPV, KVT, UOP4			BOP, KOP, KOPV, KVT, UOP4
06		G10Z, G12A, G12B, G33Z, G38Z	06	G10Z, G12A, G12B, G33Z, G38Z		06	G10Z, G12A, G12B, G33Z, G38Z				
07		H02A, H02B, H38Z	07	H01A, H01B, H09A, H09B, H09C, H38Z		07	H02A, H02B, H38Z				
17		R01A, R01B, R01C, R01D, R02Z, R12A, R12B, R12C	17	R01A, R01B, R01C, R01D, R02Z, R12A, R12B, R12C		17	R01A, R01B, R01C, R01D, R02Z, R12A, R12B, R12C				
21A		W04A, W04B	21A	W04A, W04B		21A	W04A, W04B				
21B		X06A, X06B, X06C	21B	X06A, X06B, X06C		21B	X06A, X06B, X06C				
23		Z01A	23	Z01A		23	Z01A				
Pre		A07A	Pre	A07A		Pre	A07A				
5n69c.2			BOP, KOP, KOPV, KVT, UOP4	5n69e.2			BOP, KOP, KOPV, KVT, UOP4	5n69j			BOP, KVT, UOP4
	06	G10Z, G12A, G12B, G33Z, G38Z	06		G10Z, G12A, G12B, G33Z, G38Z	06	G10Z, G12A, G12B				
	07	H05Z	07		H01A, H01B, H09A, H09B, H09C, H38Z	07	H05Z				
	17	R01A, R01B, R01C, R01D, R02Z, R12A, R12B, R12C	17		R01A, R01B, R01C, R01D, R02Z, R12A, R12B, R12C	17	R01A, R01B, R01C, R01D, R02Z, R12A, R12B, R12C				
	21A	W04A, W04B	21A		W04A, W04B	21A	W04A, W04B				
	21B	X06A, X06B, X06C	21B		X06A, X06B, X06C	21B	X06A, X06B, X06C				
	23	Z01A	23		Z01A	23	Z01A				
	Pre	A07A	Pre		A07A	Pre	A07A				
	5n69c.3† 5n69c.4	07	H41A, H41B, H41C		5n69e.3† 5n69e.4	07	H41A, H41B, H41C		5n69k	06	G10Z, G12A, G12B
			BOP, KOP, KOPV, KVT, UOP4				BOP, KOP, KOPV, KVT, UOP4				H05Z
06		G10Z, G12A, G12B, G33Z, G38Z	06	G10Z, G12A, G12B, G33Z, G38Z		06	R01A, R01B, R01C, R01D, R02Z, R12A, R12B, R12C				
07		H02A, H02B, H38Z	07	H01A, H01B, H09A, H09B, H09C, H38Z		07	H05Z				
17		R01A, R01B, R01C, R01D, R02Z, R12A, R12B, R12C	17	R01A, R01B, R01C, R01D, R02Z, R12A, R12B, R12C		17	R01A, R01B, R01C, R01D, R02Z, R12A, R12B, R12C				
21A		W04A, W04B	21A	W04A, W04B		21A	W04A, W04B				
21B		X06A, X06B, X06C	21B	X06A, X06B, X06C		21B	X06A, X06B, X06C				
23		Z01A	23	Z01A		23	Z01A				
Pre		A07A	Pre	A07A		Pre	A07A				
5n69c.x† 5n69d.0		07	H41A, H41B, H41C	5n69e.x† 5n69f.0		07	H41A, H41B, H41C	5n69l		06	BOP, KVT, UOP4
		BOP, KOP, KOPV, KVT, UOP4			BOP, KOP, KOPV, KVT, UOP4		G10Z, G12A, G12B				
	06	G10Z, G12A, G12B, G33Z, G38Z	06		G10Z, G12A, G12B, G33Z, G38Z	06	H05Z				
	07	H01A, H01B, H09A, H09B, H09C, H38Z	07		H01A, H01B, H09A, H09B, H09C, H38Z	07	R01A, R01B, R01C, R01D, R02Z, R12A, R12B, R12C				
	17	R01A, R01B, R01C, R01D, R02Z, R12A, R12B, R12C	17		R01A, R01B, R01C, R01D, R02Z, R12A, R12B, R12C	17	R01A, R01B, R01C, R01D, R02Z, R12A, R12B, R12C				
	21A	W04A, W04B	21A		W04A, W04B	21A	W04A, W04B				
	21B	X06A, X06B, X06C	21B		X06A, X06B, X06C	21B	X06A, X06B, X06C				
	23	Z01A	23		Z01A	23	Z01A				
	Pre	A07A	Pre		A07A	Pre	A07A				
	5n69d.2		BOP, KOP, KOPV, KVT, UOP4		5n69f.2		BOP, KOP, KOPV, KVT, UOP4		5n69m		BOP, KVT, UOP4
06		G10Z, G12A, G12B, G33Z, G38Z	06	G10Z, G12A, G12B, G33Z, G38Z		06	G10Z, G12A, G12B				
07		H01A, H01B, H09A, H09B, H09C, H38Z	07	H01A, H01B, H09A, H09B, H09C, H38Z		07	H05Z				
17		R01A, R01B, R01C, R01D, R02Z, R12A, R12B, R12C	17	R01A, R01B, R01C, R01D, R02Z, R12A, R12B, R12C		17	R01A, R01B, R01C, R01D, R02Z, R12A, R12B, R12C				
21A		W04A, W04B	21A	W04A, W04B		21A	W04A, W04B				
21B		X06A, X06B, X06C	21B	X06A, X06B, X06C		21B	X06A, X06B, X06C				
23		Z01A	23	Z01A		23	Z01A				
Pre		A07A	Pre	A07A		Pre	A07A				
5n69d.3†		07	H41A, H41B, H41C	5n69f.3†		07	H41A, H41B, H41C	5n69n† 5n69x.0		06	G10Z, G12A, G12B, G33Z, G38Z
			BOP, KOP, KOPV, KVT, UOP4				BOP, KOP, KOPV, KVT, UOP4				H02A, H02B, H38Z
	06	G10Z, G12A, G12B, G33Z, G38Z	06		G10Z, G12A, G12B, G33Z, G38Z	06	R01A, R01B, R01C, R01D, R02Z, R12A, R12B, R12C				
	07	H01A, H01B, H09A, H09B, H09C, H38Z	07		H01A, H01B, H09A, H09B, H09C, H38Z	07	H02A, H02B, H38Z				
	17	R01A, R01B, R01C, R01D, R02Z, R12A, R12B, R12C	17		R01A, R01B, R01C, R01D, R02Z, R12A, R12B, R12C	17	R01A, R01B, R01C, R01D, R02Z, R12A, R12B, R12C				
	21A	W04A, W04B	21A		W04A, W04B	21A	W04A, W04B				
	21B	X06A, X06B, X06C	21B		X06A, X06B, X06C	21B	X06A, X06B, X06C				
	23	Z01A	23		Z01A	23	Z01A				
	Pre	A07A	Pre		A07A	Pre	A07A				

VYK

ZZV	MDC	DRG	ZZV	MDC	DRG	ZZV	MDC	DRG
5n69x.2		BOP, KOP, KOPV, KVT, UOP4	5n712.1		BOP, KOP, KOPV, KVT, UOP4	5n716.x		BOP, KOP, KOPV, KVT, UOP4
	06	G10Z, G12A, G12B, G33Z, G38Z		06	G33Z		06	G03A, G10Z, G33Z, G38Z
	07	H05Z		07	H01A, H01B, H09A, H09B, H09C, H33Z, H38Z		07	H01A, H01B, H09A, H09B, H09C, H33Z, H38Z
	17	R01A, R01B, R01C, R01D, R02Z, R12A, R12B, R12C		10	K09A, K09B		11	L33Z
	21A	W04A, W04B		23	Z01A		21A	W04A, W04B
	21B	X06A, X06B, X06C		Pre	A07A		21B	X06A, X06B, X06C
	Pre	A07A		5n715			23	Z01A
	5n69x.3‡			06	G33Z		Pre	A07A
	5n69x.4			07	H01A, H01B, H09A, H09B, H09C, H33Z, H38Z		5n720.0	
				10	K09A, K09B		06	G03A, G10Z, G12A, G12B, G33Z, G38Z
		23	Z01A	07	H01A, H01B, H09A, H09B, H33Z, H38Z			
		Pre	A07A	10	K09A, K09B			
		5n716.1		11	L33Z			
				21A	W04A, W04B			
				21B	X06A, X06B, X06C, X33Z			
				23	Z01A			
				Pre	A07A			
5n69x.x‡				5n720.2				
5n710.0								
				06	G03A, G10Z, G12A, G12B, G33Z, G38Z			
				07	H01A, H01B, H09A, H09B, H33Z, H38Z			
				10	K09A, K09B			
				11	L33Z			
				21A	W04A, W04B			
				21B	X06A, X06B, X06C, X33Z			
				23	Z01A			
				Pre	A07A			
				5n721.0				
				06	G03A, G10Z, G12A, G12B, G33Z, G38Z			
				07	H01A, H01B, H09A, H09B, H33Z, H38Z			
				10	K09A, K09B			
				11	L33Z			
				21A	W04A, W04B			
				21B	X06A, X06B, X06C, X33Z			
				23	Z01A			
				Pre	A07A			
				5n721.2				
				06	G03A, G10Z, G12A, G12B, G33Z, G38Z			
				07	H01A, H01B, H09A, H09B, H33Z, H38Z			
				10	K09A, K09B			
				11	L33Z			
				21A	W04A, W04B			
				21B	X06A, X06B, X06C, X33Z			
				23	Z01A			
				Pre	A07A			
				5n721.4				
				06	G03A, G10Z, G12A, G12B, G33Z, G38Z			
				07	H01A, H01B, H09A, H09B, H33Z, H38Z			
				10	K09A, K09B			
				11	L33Z			
				21A	W04A, W04B			
				21B	X06A, X06B, X06C, X33Z			
				23	Z01A			
				Pre	A07A			
				5n716.2				
				06	G03A, G10Z, G33Z, G38Z			
				07	H01A, H01B, H09A, H09B, H33Z, H38Z			
				11	L33Z			
				21A	W04A, W04B			
				21B	X06A, X06B, X06C			
				23	Z01A			
				Pre	A07A			
				5n716.3				
				06	G03A, G10Z, G33Z, G38Z			
				07	H01A, H01B, H09A, H09B, H33Z, H38Z			
				11	L33Z			
				21A	W04A, W04B			
				21B	X06A, X06B, X06C			
				23	Z01A			
				Pre	A07A			
				5n716.40				
				06	G03A, G10Z, G33Z, G38Z			
				07	H01A, H01B, H09A, H09B, H33Z, H38Z			
				11	L33Z			
				21A	W04A, W04B			
				21B	X06A, X06B, X06C			
				23	Z01A			
				Pre	A07A			
				5n716.41				
				06	G03A, G10Z, G33Z, G38Z			
				07	H01A, H01B, H09A, H09B, H33Z, H38Z			
				11	L33Z			
				21A	W04A, W04B			
				21B	X06A, X06B, X06C			
				23	Z01A			
				Pre	A07A			
				5n712.0				
				06	G03A, G10Z, G33Z, G38Z			
				07	H01A, H01B, H09A, H09B, H09C, H33Z, H38Z			
				10	K09A, K09B			
				23	Z01A			
				Pre	A07A			

VYK

ZZV	MDC	DRG	ZZV	MDC	DRG	ZZV	MDC	DRG	
5n722		BOP, KOP, KOPV, KVT, UOP4	5n72c		BOP, KOP, KOPV, KVT, MVV, UOP4	5n740		BOP, KOP, KOPV, KVT, UOP4	
	06	G03A, G03B, G33Z, G38Z		06	G03A, G10Z, G12A, G12B, G33Z, G38Z		06	G10Z, G33Z, G38Z	
	07	H01A, H01B, H09A, H09B, H09C, H33Z, H38Z		07	H01A, H01B, H09A, H09B, H09C, H33Z, H38Z		07	H01A, H01B, H09A, H09B, H09C, H33Z, H38Z	
	11	L33Z		11	L33Z		11	L33Z	
	21A	W04A, W04B		21A	W04A, W04B		21A	W04A, W04B	
	21B	X06A, X06B, X06C, X33Z		21B	X06A, X06B, X06C, X33Z		21B	X06A, X06B, X06C, X33Z	
	23	Z01A		23	Z01A		23	Z01A	
	Pre	A07A		Pre	A07A		Pre	A07A	
5n723		BOP, KOP, KOPV, KVT, UOP4	5n72d		BOP, KOP, KOPV, KVT, MVV, UOP4	5n741		BOP, KOP, KOPV, KVT, UOP4	
	06	G03A, G10Z, G12A, G12B, G33Z, G38Z		06	G03A, G10Z, G12A, G12B, G33Z, G38Z		06	G10Z, G33Z, G38Z	
	07	H01A, H01B, H09A, H09B, H09C, H33Z, H38Z		07	H01A, H01B, H09A, H09B, H09C, H33Z, H38Z		07	H01A, H01B, H09A, H09B, H09C, H33Z, H38Z	
	11	L33Z		11	L33Z		11	L33Z	
	21A	W04A, W04B		21A	W04A, W04B		21A	W04A, W04B	
	21B	X06A, X06B, X06C, X33Z		21B	X06A, X06B, X06C, X33Z		21B	X06A, X06B, X06C, X33Z	
	23	Z01A		23	Z01A		23	Z01A	
	Pre	A07A		Pre	A07A		Pre	A07A	
5n724		BOP, KOP, KOPV, KVT, UOP4	5n72x.0		BOP, KOP, KOPV, KVT, UOP4	5n742		BOP, KOP, KOPV, KVT, UOP4	
	06	G03A, G10Z, G12A, G12B, G33Z, G38Z		06	G03A, G10Z, G12A, G12B, G33Z, G38Z		06	G10Z, G33Z, G38Z	
	07	H01A, H01B, H09A, H09B, H33Z, H38Z		07	H01A, H01B, H09A, H09B, H33Z, H38Z		07	H01A, H01B, H09A, H09B, H09C, H33Z, H38Z	
	11	L33Z		11	L33Z		11	L33Z	
	21A	W04A, W04B		21A	W04A, W04B		21A	W04A, W04B	
	21B	X06A, X06B, X06C, X33Z		21B	X06A, X06B, X06C, X33Z		21B	X06A, X06B, X06C, X33Z	
	23	Z01A		23	Z01A		23	Z01A	
	Pre	A07A		Pre	A07A		Pre	A07A	
5n725		BOP, KOP, KOPV, KVT, UOP4	5n72x.1		BOP, KOP, KOPV, KVT, MVV, UOP4	5n743		BOP, KOP, KOPV, KVT, UOP4	
	06	G03A, G03B, G33Z, G38Z		06	G03A, G10Z, G12A, G12B, G33Z, G38Z		06	G10Z, G33Z, G38Z	
	07	H01A, H01B, H09A, H09B, H09C, H33Z, H38Z		07	H01A, H01B, H09A, H09B, H09C, H33Z, H38Z		07	H01A, H01B, H09A, H09B, H09C, H33Z, H38Z	
	11	L33Z		11	L33Z		11	L33Z	
	21A	W04A, W04B		21A	W04A, W04B		21A	W04A, W04B	
	21B	X06A, X06B, X06C, X33Z		21B	X06A, X06B, X06C, X33Z		21B	X06A, X06B, X06C, X33Z	
	23	Z01A		23	Z01A		23	Z01A	
	Pre	A07A		Pre	A07A		Pre	A07A	
5n72a		BOP, KOP, KOPV, KVT, MVV, UOP4	5n731†		H41A, H41B, H41C	5n74a		BOP, KVT, UOP4	
	06	G03A, G03B, G33Z, G38Z		06	G03A, G10Z, G12A, G12B, G33Z, G38Z		06	A06A, A07A, A09A, A16A, A16B	
	07	H01A, H01B, H09A, H09B, H09C, H33Z, H38Z		07	H01A, H01B, H09A, H09B, H09C, H33Z, H38Z		07	H01A, H01B, H09A, H09B, H09C, H33Z, H38Z	
	11	L33Z		11	L33Z		11	L33Z	
	21A	W04A, W04B		21A	W04A, W04B		21A	W04A, W04B	
	21B	X06A, X06B, X06C, X33Z		21B	X06A, X06B, X06C, X33Z		21B	X06A, X06B, X06C, X33Z	
	23	Z01A		23	Z01A		23	Z01A	
	Pre	A07A		Pre	A07A		Pre	A07A	
5n72b		BOP, KOP, KOPV, KVT, MVV, UOP4	5n732.0†		H41A, H41B, H41C	5n74b		BOP, KVT, UOP4	
	06	G03A, G10Z, G12A, G12B, G33Z, G38Z		06	G03A, G10Z, G12A, G12B, G33Z, G38Z		06	A02Z, A06A, A07A, A09A, A16A	
	07	H01A, H01B, H09A, H09B, H09C, H33Z, H38Z		07	H01A, H01B, H09A, H09B, H09C, H33Z, H38Z		07	H01A, H01B, H09A, H09B, H09C, H38Z	
	11	L33Z		11	L33Z		Pre	A02Z, A06A, A07A, A09A, A16A	
	21A	W04A, W04B		21A	W04A, W04B		5n74c	BOP, KVT, UOP4	
	21B	X06A, X06B, X06C, X33Z		21B	X06A, H41B, H41C		Pre	A02Z, A06A, A07A, A09A, A16A, A16B	
	23	Z01A		23	H41A, H41B, H41C		5n74x		BOP, KOP, KOPV, KVT, UOP4
	Pre	A07A		23	H41A, H41B, H41C			06	G10Z, G33Z, G38Z
	06	G03A, G10Z, G12A, G12B, G33Z, G38Z		23	H41A, H41B, H41C			07	H01A, H01B, H09A, H09B, H09C, H33Z, H38Z
	07	H01A, H01B, H09A, H09B, H09C, H33Z, H38Z		23	H41A, H41B, H41C			11	L33Z
	11	L33Z		23	H41A, H41B, H41C			21A	W04A, W04B
	21A	W04A, W04B		23	H41A, H41B, H41C			21B	X06A, X06B, X06C, X33Z
	21B	X06A, X06B, X06C, X33Z		23	H41A, H41B, H41C			23	Z01A
	23	Z01A		Pre	H41A, H41B, H41C			Pre	A07A
	Pre	A07A		5n732.1†	07		H41A, H41B, H41C		
				5n732.2†	07		H41A, H41B, H41C		
		5n732.3†	07	H41A, H41B, H41C					
		5n732.4†	07	H41A, H41B, H41C					
		5n732.5†	07	H41A, H41B, H41C					
		5n732.x†	07	H41A, H41B, H41C					
		5n733†	07	H41A, H41B, H41C					
		5n734†	07	H41A, H41B, H41C					
		5n735†	07	H41A, H41B, H41C					
		5n736†	07	H41A, H41B, H41C					
		5n737†	07	H41A, H41B, H41C					
		5n738†	07	H41A, H41B, H41C					
		5n739†	07	H41A, H41B, H41C					
		5n73a.0†	07	H41A, H41B, H41C					
		5n73a.1†	07	H41A, H41B, H41C					
		5n73b.0†	07	H41A, H41B, H41C					
		5n73b.1†	07	H41A, H41B, H41C					
		5n73x†	07	H41A, H41B, H41C					

VYK

ZZV	MDC	DRG	ZZV	MDC	DRG	ZZV	MDC	DRG
5n790.0		BOP, KOP, KOPV, KVT, UOP4	5n792.x		BOP, KOP, KOPV, KVT, UOP4	5n79a.0		BOP, KOP, KOPV, KVT, UOP4
	06	G10Z, G15Z, G19A, G19B, G33Z, G38Z		06	G10Z, G33Z, G38Z		06	G10Z, G33Z, G38Z
	07	H01A, H01B, H09A, H09B, H09C, H33Z, H38Z		07	H01A, H01B, H09A, H09B, H09C, H33Z, H38Z		07	H01A, H01B, H09A, H09B, H09C, H33Z, H38Z
	11	L33Z		11	L33Z		11	L33Z
	21B	X06A, X06B, X06C		23	Z01A		21A	W04A, W04B
	23	Z01A		Pre	A07A		21B	X06A, X06B, X06C
5n790.2		BOP, KOP, KOPV, KVT, UOP4	5n793.0		BOP, KOP, KOPV, KVT, UOP4	5n79a.x		BOP, KOP, KOPV, KVT, UOP4
	06	G10Z, G15Z, G19A, G19B, G33Z, G38Z		06	G10Z, G33Z, G38Z		06	G10Z, G33Z, G38Z
	07	H01A, H01B, H09A, H09B, H09C, H33Z, H38Z		07	H01A, H01B, H09A, H09B, H09C, H33Z, H38Z		07	H01A, H01B, H09A, H09B, H09C, H33Z, H38Z
	11	L33Z		10	K09A, K09B		11	L33Z
	21B	X06A, X06B, X06C		11	L33Z		21A	W04A, W04B
	23	Z01A		23	Z01A		21B	X06A, X06B, X06C
5n790.4		BOP, KOP, KOPV, KVT, UOP4	5n793.x		BOP, KOP, KOPV, KVT, UOP4	5n79b.0		BOP, KVT, UOP4
	06	G10Z, G15Z, G19A, G19B, G33Z, G38Z		06	G10Z, G33Z, G38Z		07	H05Z
	07	H01A, H01B, H09A, H09B, H09C, H33Z, H38Z		07	H01A, H01B, H09A, H09B, H09C, H33Z, H38Z		17	R01A, R01B, R01C, R01D, R02Z, R12A, R12B, R12C
	11	L33Z		10	K09A, K09B		21A	W04A, W04B
	21B	X06A, X06B, X06C		11	L33Z		21B	X06A, X06B, X06C
	23	Z01A		23	Z01A		Pre	A07A
5n790.x		BOP, KOP, KOPV, KVT, UOP4	5n794.0		BOP, KOP, KOPV, KVT, UOP4	5n79b.x		BOP, KVT, UOP4
	06	G10Z, G15Z, G19A, G19B, G33Z, G38Z		06	G10Z, G33Z, G38Z		07	H05Z
	07	H01A, H01B, H09A, H09B, H09C, H33Z, H38Z		07	H01A, H01B, H09A, H09B, H09C, H33Z, H38Z		17	R01A, R01B, R01C, R01D, R02Z, R12A, R12B, R12C
	11	L33Z		10	K09A, K09B		21A	W04A, W04B
	21B	X06A, X06B, X06C		11	L33Z		21B	X06A, X06B, X06C
	23	Z01A		23	Z01A		Pre	A07A
5n790.x		BOP, KOP, KOPV, KVT, UOP4	5n794.x		BOP, KOP, KOPV, KVT, UOP4	5n79c.0		BOP, KOP, KOPV, KVT, UOP4
	06	G10Z, G15Z, G19A, G19B, G33Z, G38Z		06	G10Z, G33Z, G38Z		06	G10Z, G12A, G12B, G33Z, G38Z
	07	H01A, H01B, H09A, H09B, H09C, H33Z, H38Z		07	H01A, H01B, H09A, H09B, H09C, H33Z, H38Z		07	H01A, H01B, H09A, H09B, H09C, H33Z, H38Z
	11	L33Z		10	K09A, K09B		10	K09A, K09B
	21B	X06A, X06B, X06C		11	L33Z		11	L33Z
	23	Z01A		23	Z01A		17	R01A, R01B, R01C, R01D, R02Z, R12A, R12B, R12C
5n791.0		BOP, KOP, KOPV, KVT, UOP4	5n795.0		BOP, KOP, KOPV, KVT, UOP4	5n79c.x		BOP, KOP, KOPV, KVT, UOP4
	06	G10Z, G15Z, G19A, G19B, G33Z, G38Z		06	G10Z, G12A, G12B, G33Z, G38Z		06	G10Z, G12A, G12B, G33Z, G38Z
	07	H01A, H01B, H09A, H09B, H09C, H33Z, H38Z		07	H01A, H01B, H09A, H09B, H09C, H33Z, H38Z		07	H01A, H01B, H09A, H09B, H09C, H33Z, H38Z
	11	L33Z		11	L33Z		10	K09A, K09B
	21B	X06A, X06B, X06C		17	R01A, R01B, R01C, R01D, R02Z, R12A, R12B, R12C		11	L33Z
	23	Z01A		21A	W04A, W04B		17	R01A, R01B, R01C, R01D, R02Z, R12A, R12B, R12C
5n791.x		BOP, KOP, KOPV, KVT, UOP4	5n795.x		BOP, KOP, KOPV, KVT, UOP4	5n79c.x		BOP, KOP, KOPV, KVT, UOP4
	06	G10Z, G15Z, G19A, G19B, G33Z, G38Z		06	G10Z, G12A, G12B, G33Z, G38Z		06	G10Z, G12A, G12B, G33Z, G38Z
	07	H01A, H01B, H09A, H09B, H09C, H33Z, H38Z		07	H01A, H01B, H09A, H09B, H09C, H33Z, H38Z		07	H01A, H01B, H09A, H09B, H09C, H33Z, H38Z
	11	L33Z		11	L33Z		10	K09A, K09B
	21B	X06A, X06B, X06C		17	R01A, R01B, R01C, R01D, R02Z, R12A, R12B, R12C		11	L33Z
	23	Z01A		21A	W04A, W04B		17	R01A, R01B, R01C, R01D, R02Z, R12A, R12B, R12C
5n792.0		BOP, KOP, KOPV, KVT, UOP4	5n795.x		BOP, KOP, KOPV, KVT, UOP4	5n79c.x		BOP, KOP, KOPV, KVT, UOP4
	06	G10Z, G33Z, G38Z		06	G10Z, G12A, G12B, G33Z, G38Z		06	G10Z, G12A, G12B, G33Z, G38Z
	07	H01A, H01B, H09A, H09B, H09C, H33Z, H38Z		07	H01A, H01B, H09A, H09B, H09C, H33Z, H38Z		07	H01A, H01B, H09A, H09B, H09C, H33Z, H38Z
	11	L33Z		11	L33Z		10	K09A, K09B
	23	Z01A		17	R01A, R01B, R01C, R01D, R02Z, R12A, R12B, R12C		11	L33Z
	Pre	A07A		21A	W04A, W04B		17	R01A, R01B, R01C, R01D, R02Z, R12A, R12B, R12C

ZZV	MDC	DRG	ZZV	MDC	DRG	ZZV	MDC	DRG				
5n79d.0		BOP, KOP, KOPV, KVT, UOP4	5n79h.x		BOP, KOP, KOPV, KVT, UOP4	5n79m.0		BOP, KOP, KOPV, KVT, UOP4				
	06	G10Z, G12A, G12B, G33Z, G38Z		06	G10Z, G12A, G12B, G33Z, G38Z		06	G10Z, G12A, G12B, G33Z, G38Z				
	07	H01A, H01B, H09A, H09B, H09C, H33Z, H38Z		07	H01A, H01B, H09A, H09B, H09C, H33Z, H38Z		07	H01A, H01B, H09A, H09B, H09C, H33Z, H38Z				
	10	K09A, K09B		11	L33Z		10	K09A, K09B				
	11	L33Z		17	R01A, R01B, R01C, R01D, R02Z, R12A, R12B, R12C		11	L33Z				
	17	R01A, R01B, R01C, R01D, R02Z, R12A, R12B, R12C		21A	W04A, W04B		17	R01A, R01B, R01C, R01D, R02Z, R12A, R12B, R12C				
	21A	W04A, W04B		21B	X06A, X06B, X06C		21A	W04A, W04B				
	21B	X06A, X06B, X06C		23	Z01A		21B	X06A, X06B, X06C				
	23	Z01A		Pre	A07A		23	Z01A				
	Pre	A07A		5n79j.0			BOP, KOP, KOPV, KVT, UOP4	5n79m.2		BOP, KOP, KOPV, KVT, UOP4		
	5n79d.x				BOP, KOP, KOPV, KVT, UOP4		06		G10Z, G12A, G12B, G33Z, G38Z	06	G10Z, G12A, G12B, G33Z, G38Z	
		06			G10Z, G12A, G12B, G33Z, G38Z		07		H01A, H01B, H09A, H09B, H09C, H33Z, H38Z	07	H01A, H01B, H09A, H09B, H09C, H33Z, H38Z	
		07			H01A, H01B, H09A, H09B, H09C, H33Z, H38Z		11		L33Z	07	H01A, H01B, H09A, H09B, H09C, H33Z, H38Z	
10		K09A, K09B	17		R01A, R01B, R01C, R01D, R02Z, R12A, R12B, R12C	10	K09A, K09B					
11		L33Z	21A		W04A, W04B	11	L33Z					
17		R01A, R01B, R01C, R01D, R02Z, R12A, R12B, R12C	21B		X06A, X06B, X06C	17	R01A, R01B, R01C, R01D, R02Z, R12A, R12B, R12C					
21A		W04A, W04B	23		Z01A	21A	W04A, W04B					
21B		X06A, X06B, X06C	Pre		A07A	21B	X06A, X06B, X06C					
23		Z01A	5n79j.x			BOP, KOP, KOPV, KVT, UOP4	23		Z01A			
Pre		A07A			06	G10Z, G12A, G12B, G33Z, G38Z	Pre		A07A			
5n79g.0					BOP, KOP, KOPV, KVT, UOP4	06	G10Z, G12A, G12B, G33Z, G38Z		5n79m.4		BOP, KOP, KOPV, KVT, UOP4	
		06			G10Z, G12A, G12B, G33Z, G38Z	07	H01A, H01B, H09A, H09B, H09C, H33Z, H38Z			06	G10Z, G12A, G12B, G33Z, G38Z	
		07		H01A, H01B, H09A, H09B, H09C, H33Z, H38Z	11	L33Z	07	H01A, H01B, H09A, H09B, H09C, H33Z, H38Z				
	11	L33Z		17	R01A, R01B, R01C, R01D, R02Z, R12A, R12B, R12C	10	K09A, K09B					
	17	R01A, R01B, R01C, R01D, R02Z, R12A, R12B, R12C		21A	W04A, W04B	11	L33Z					
	21A	W04A, W04B		21B	X06A, X06B, X06C	17	R01A, R01B, R01C, R01D, R02Z, R12A, R12B, R12C					
	21B	X06A, X06B, X06C		23	Z01A	21A	W04A, W04B					
	23	Z01A		Pre	A07A	21B	X06A, X06B, X06C					
	Pre	A07A		5n79k.0		BOP, KOP, KOPV, KVT, UOP4	23	Z01A				
	5n79g.x				BOP, KOP, KOPV, KVT, UOP4	06	G10Z, G12A, G12B, G33Z, G38Z	Pre		A07A		
		06			G10Z, G12A, G12B, G33Z, G38Z	07	H01A, H01B, H09A, H09B, H09C, H33Z, H38Z	5n79m.x			BOP, KOP, KOPV, KVT, UOP4	
		07	H01A, H01B, H09A, H09B, H09C, H33Z, H38Z		11	L33Z	06			G10Z, G12A, G12B, G33Z, G38Z		
		11	L33Z		17	R01A, R01B, R01C, R01D, R02Z, R12A, R12B, R12C	07			H01A, H01B, H09A, H09B, H09C, H33Z, H38Z		
17		R01A, R01B, R01C, R01D, R02Z, R12A, R12B, R12C	21A		W04A, W04B	10	K09A, K09B					
21A		W04A, W04B	21B		X06A, X06B, X06C	11	L33Z					
21B		X06A, X06B, X06C	23		Z01A	17	R01A, R01B, R01C, R01D, R02Z, R12A, R12B, R12C					
23		Z01A	Pre		A07A	21A	W04A, W04B					
Pre		A07A	5n79k.x			BOP, KOP, KOPV, KVT, UOP4	21B		X06A, X06B, X06C			
5n79g.0					BOP, KOP, KOPV, KVT, UOP4	06	G10Z, G12A, G12B, G33Z, G38Z		23	Z01A		
		06			G10Z, G12A, G12B, G33Z, G38Z	07	H01A, H01B, H09A, H09B, H09C, H33Z, H38Z		Pre	A07A		
		07			H01A, H01B, H09A, H09B, H09C, H33Z, H38Z	11	L33Z		5n79n.0		H12A	
		11		L33Z	17	R01A, R01B, R01C, R01D, R02Z, R12A, R12B, R12C	5n79n.6†			06	G40Z, G46A, G46B, G46C, G47Z, G50Z	
	17	R01A, R01B, R01C, R01D, R02Z, R12A, R12B, R12C		21A	W04A, W04B	07				H41A, H41B		
	21A	W04A, W04B		21B	X06A, X06B, X06C	5n79n.x†		06		G40Z, G46A, G46B, G46C, G47Z, G50Z		
	21B	X06A, X06B, X06C		23	Z01A			07		H41A, H41B, H41C		
	23	Z01A		Pre	A07A			5n79p†		06	G40Z, G46A, G46B, G46C, G47Z, G50Z	
	Pre	A07A		5n79h.0						BOP, KOP, KOPV, KVT, UOP4	07	H41A, H41B, H41C
	06	G10Z, G12A, G12B, G33Z, G38Z			06					G10Z, G12A, G12B, G33Z, G38Z		
	07	H01A, H01B, H09A, H09B, H09C, H33Z, H38Z			07					H01A, H01B, H09A, H09B, H09C, H33Z, H38Z		
	11	L33Z			11					L33Z		
	17	R01A, R01B, R01C, R01D, R02Z, R12A, R12B, R12C	17		R01A, R01B, R01C, R01D, R02Z, R12A, R12B, R12C							
21A	W04A, W04B	21A	W04A, W04B									
21B	X06A, X06B, X06C	21B	X06A, X06B, X06C									
23	Z01A	23	Z01A									
Pre	A07A	Pre	A07A									

VYK

ZZV	MDC	DRG	ZZV	MDC	DRG	ZZV	MDC	DRG							
5n79x.0		BOP, KOP, KOPV, KVT, UOP4	5n810.1↔		BOP, KVT, UOP4	5n813.2↔		BOP, KVT, UOP4							
	06	G10Z, G12A, G12B, G33Z, G38Z		05	F21A, F21B		05	F21A, F21B							
	07	H01A, H01B, H09A, H09B, H09C, H33Z, H38Z		06	G09Z, G24Z, G25Z		06	G09Z, G24Z, G25Z							
	10	K09A, K09B		07	H06A, H06B, H06C		07	H06A, H06B, H06C							
	11	L33Z		12	M04A, M04B, M04C, M04D, M37Z, M38Z		12	M04A, M04B, M04C, M04D, M37Z, M38Z							
	17	R01A, R01B, R01C, R01D, R02Z, R12A, R12B, R12C		15	P60A, P60B, P60C, P66C, P67B, P67C		15	P60A, P60B, P60C, P66C, P67B, P67C							
	21A	W04A, W04B		5n810.2↔			BOP, KVT, UOP4	5n813.x↔		BOP, KVT, UOP4					
	21B	X06A, X06B, X06C			05		F21A, F21B		05	F21A, F21B					
	23	Z01A			06		G09Z, G24Z, G25Z		06	G09Z, G24Z, G25Z					
	Pre	A07A			07		H06A, H06B, H06C		07	H06A, H06B, H06C					
	5n79x.2				BOP, KOP, KOPV, KVT, UOP4		5n810.3↔			BOP, KVT, UOP4	5n814↔		BOP, KVT, UOP4		
		06			G10Z, G12A, G12B, G33Z, G38Z				05	F21A, F21B		05	F21A, F21B		
		07			H01A, H01B, H09A, H09B, H09C, H33Z, H38Z				06	G09Z, G24Z, G25Z		06	G09Z, G24Z, G25Z		
		10			K09A, K09B				07	H06A, H06B, H06C		07	H06A, H06B, H06C		
		11			L33Z				12	M04A, M04B, M04C, M04D, M37Z, M38Z		5n815.0↔		BOP, KVT, UOP4	
		17			R01A, R01B, R01C, R01D, R02Z, R12A, R12B, R12C				15	P60A, P60B, P60C, P66C, P67B, P67C			05	F21A, F21B	
		21A			W04A, W04B				5n810.x↔				BOP, KVT, UOP4	06	G09Z, G24Z, G25Z
21B		X06A, X06B, X06C	05		F21A, F21B	07				H06A, H06B, H06C					
23		Z01A	06		G09Z, G24Z, G25Z	12				M04A, M04B, M04C, M04D, M37Z, M38Z					
Pre		A07A	07		H06A, H06B, H06C	15				P60A, P60B, P60C, P66C, P67B, P67C					
5n79x.4			BOP, KOP, KOPV, KVT, UOP4		5n811↔					BOP, KVT, UOP4			5n815.1↔		BOP, KVT, UOP4
		06	G10Z, G12A, G12B, G33Z, G38Z			05				F21A, F21B				05	F21A, F21B
		07	H01A, H01B, H09A, H09B, H09C, H33Z, H38Z			06				G09Z, G24Z, G25Z				06	G09Z, G24Z, G25Z
		10	K09A, K09B	07		H06A, H06B, H06C		07		H06A, H06B, H06C					
		11	L33Z	12		M04A, M04B, M04C, M04D, M37Z, M38Z		12		M04A, M04B, M04C, M04D, M37Z, M38Z					
		17	R01A, R01B, R01C, R01D, R02Z, R12A, R12B, R12C	15		P60A, P60B, P60C, P66C, P67B, P67C		15		P60A, P60B, P60C, P66C, P67B, P67C					
		21A	W04A, W04B	5n812↔				BOP, KVT, UOP4		5n816↔					BOP, KVT, UOP4
	21B	X06A, X06B, X06C	05			F21A, F21B	05	F21A, F21B							
	23	Z01A	06			G09Z, G24Z, G25Z	06	G09Z, G24Z, G25Z							
	Pre	A07A	07			H06A, H06B, H06C	07	H06A, H06B, H06C							
	5n79x.x		BOP, KOP, KOPV, KVT, UOP4			5n813.0↔		BOP, KVT, UOP4			5n817.0↔				BOP, KVT, UOP4
		06	G10Z, G12A, G12B, G33Z, G38Z				05	F21A, F21B				05		F21A, F21B	
		07	H01A, H01B, H09A, H09B, H09C, H33Z, H38Z				06	G09Z, G24Z, G25Z				06		G09Z, G24Z, G25Z	
		10	K09A, K09B				07	H06A, H06B, H06C	07			H06A, H06B, H06C			
		11	L33Z				12	M04A, M04B, M04C, M04D, M37Z, M38Z	12			M04A, M04B, M04C, M04D, M37Z, M38Z			
		17	R01A, R01B, R01C, R01D, R02Z, R12A, R12B, R12C				15	P60A, P60B, P60C, P66C, P67B, P67C	15			P60A, P60B, P60C, P66C, P67B, P67C			
		21A	W04A, W04B				5n813.1↔		BOP, KVT, UOP4			5n817.1↔			BOP, KVT, UOP4
21B		X06A, X06B, X06C	05		F21A, F21B			05	F21A, F21B						
23		Z01A	06		G09Z, G24Z, G25Z			06	G09Z, G24Z, G25Z						
Pre		A07A	07		H06A, H06B, H06C			07	H06A, H06B, H06C						
5n810.0↔			BOP, KVT, UOP4		5n813.2↔				BOP, KVT, UOP4				5n817.2↔		BOP, KVT, UOP4
		05	F21A, F21B					05	F21A, F21B					05	F21A, F21B
		06	G09Z, G24Z, G25Z					06	G09Z, G24Z, G25Z					06	G09Z, G24Z, G25Z
		07	H06A, H06B, H06C	07				H06A, H06B, H06C	07	H06A, H06B, H06C					
		12	M04A, M04B, M04C, M04D, M37Z, M38Z	12				M04A, M04B, M04C, M04D, M37Z, M38Z	12	M04A, M04B, M04C, M04D, M37Z, M38Z					
		15	P60A, P60B, P60C, P66C, P67B, P67C	15				P60A, P60B, P60C, P66C, P67B, P67C	15	P60A, P60B, P60C, P66C, P67B, P67C					

ZZV	MDC	DRG	ZZV	MDC	DRG	ZZV	MDC	DRG
5n817.x↔		BOP, KVT, UOP4	5n827.2↔		BOP, KVT, UOP4	5n843.1		BOP, KVT, UOP4
	05	F21A, F21B		05	F21A, F21B		06	G24Z, G25Z
	06	G09Z, G24Z, G25Z		06	G09Z, G24Z, G25Z	5n843.2		BOP, KVT, UOP4
	07	H06A, H06B, H06C		07	H06A, H06B, H06C		06	G24Z, G25Z
	12	M04A, M04B, M04C, M04D, M37Z, M38Z	5n827.x↔		BOP, KVT, UOP4	5n843.x		BOP, KVT, UOP4
	15	P60A, P60B, P60C, P66C, P67B, P67C		05	F21A, F21B		06	G24Z, G25Z
5n818↔		BOP, KVT, UOP4	5n828↔		BOP, KVT, UOP4	5n84x		BOP, KVT, UOP4
	05	F21A, F21B		05	F21A, F21B		06	G24Z, G25Z
	06	G09Z, G24Z, G25Z		06	G09Z, G24Z, G25Z	5n850		BOP, KVT, UOP4
	07	H06A, H06B, H06C		06	G09Z, G24Z, G25Z		06	G24Z, G25Z
5n81x↔		BOP, KVT, UOP4	5n82x↔		BOP, KVT, UOP4	5n851		BOP, KVT, UOP4
	05	F21A, F21B		05	F21A, F21B		06	G24Z, G25Z
	06	G09Z, G24Z, G25Z		06	G09Z, G24Z, G25Z	5n852		BOP, KVT, UOP4
	07	H06A, H06B, H06C		06	G09Z, G24Z, G25Z		06	G24Z, G25Z
	12	M04A, M04B, M04C, M04D, M37Z, M38Z	5n830.1		BOP, KVT, UOP4	5n853		BOP, KVT, UOP4
	15	P60A, P60B, P60C, P66C, P67B, P67C		06	G24Z, G25Z		06	G08A, G08B, G25Z
5n820↔		BOP, KVT, UOP4	5n830.2		BOP, KVT, UOP4	5n854.1		BOP, KVT, UOP4
	05	F21A, F21B		06	G24Z, G25Z		06	G08A, G08B, G25Z
	06	G09Z, G24Z, G25Z		21A	W04A, W04B		21A	W04A, W04B
	07	H06A, H06B, H06C		21B	X06A, X06B		21B	X06A, X06B, X06C
5n821↔		BOP, KVT, UOP4	5n830.3		BOP, KVT, UOP4		22	Y01Z, Y03A, Y03B
	05	F21A, F21B		06	G24Z, G25Z	5n854.3		BOP, KVT, UOP4
	06	G09Z, G24Z, G25Z		21A	W04A, W04B		06	G08A, G08B, G25Z
	07	H06A, H06B, H06C	5n830.x		BOP, KVT, UOP4		21A	W04A, W04B
5n822↔		BOP, KVT, UOP4		06	G24Z, G25Z	5n854.4		BOP, KVT, UOP4
	05	F21A, F21B		21A	W04A, W04B		06	G08A, G08B, G25Z
	06	G09Z, G24Z, G25Z		21B	X06A, X06B		21A	W04A, W04B
	07	H06A, H06B, H06C	5n831		BOP, KVT, UOP4		21B	X06A, X06B, X06C
5n823.0↔		BOP, KVT, UOP4		06	G24Z, G25Z	5n854.x		BOP, KVT, UOP4
	05	F21A, F21B	5n832		BOP, KVT, UOP4		06	G08A, G08B, G25Z
	06	G09Z, G24Z, G25Z		06	G24Z, G25Z		21A	W04A, W04B
	07	H06A, H06B, H06C		21A	W04A, W04B		21B	X06A, X06B, X06C
5n823.1↔		BOP, KVT, UOP4	5n833.0		BOP, KVT, UOP4	5n85x		BOP, KVT, UOP4
	05	F21A, F21B		06	G24Z, G25Z		06	G24Z, G25Z
	06	G09Z, G24Z, G25Z		21A	W04A, W04B	5n860		BOP, KVT, UOP4
	07	H06A, H06B, H06C	5n833.1		BOP, KVT, UOP4		06	G01Z, G02Z, G24Z, G25Z, G38Z
5n823.2↔		BOP, KVT, UOP4		06	G24Z, G25Z		21A	W04A, W04B
	05	F21A, F21B		21A	W04A, W04B	5n861		BOP, KVT, UOP4
	06	G09Z, G24Z, G25Z	5n833.2		BOP, KVT, UOP4		06	G01Z, G02Z, G24Z, G25Z, G38Z
	07	H06A, H06B, H06C		06	G24Z, G25Z		21A	W04A, W04B
5n823.x↔		BOP, KVT, UOP4	5n833.x		BOP, KVT, UOP4		21B	X06A, X06B, X06C
	05	F21A, F21B		06	G24Z, G25Z	5n862		BOP, KVT, UOP4
	06	G09Z, G24Z, G25Z		21A	W04A, W04B		06	G01Z, G02Z, G08A, G08B, G25Z, G38Z
	07	H06A, H06B, H06C		21B	X06A, X06B		21A	W04A, W04B
5n824↔		BOP, KVT, UOP4	5n83x		BOP, KVT, UOP4		21B	X06A, X06B, X06C
	05	F21A, F21B		06	G24Z, G25Z	5n863		BOP, KVT, UOP4
	06	G09Z, G24Z, G25Z		21A	W04A, W04B		06	G01Z, G02Z, G08A, G08B, G25Z, G38Z
	07	H06A, H06B, H06C		21B	X06A, X06B		21A	W04A, W04B
5n825↔		BOP, KVT, UOP4	5n840		BOP, KVT, UOP4		21B	X06A, X06B, X06C
	05	F21A, F21B		06	G24Z, G25Z	5n862		BOP, KVT, UOP4
	06	G09Z, G24Z, G25Z		21A	W04A, W04B		06	G01Z, G02Z, G08A, G08B, G25Z, G38Z
	07	H06A, H06B, H06C	5n841		BOP, KVT, UOP4		21A	W04A, W04B
5n826↔		BOP, KVT, UOP4		06	G24Z, G25Z		21B	X06A, X06B, X06C
	05	F21A, F21B	5n842		BOP, KVT, UOP4		Pre	A11A, A13A, A13B, A13D
	06	G09Z, G24Z, G25Z		06	G24Z, G25Z		Pre	A11A, A13A, A13B, A13D
	07	H06A, H06B, H06C	5n843.0		BOP, KVT, UOP4		Pre	A11A, A13A, A13B, A13D
5n827.0↔		BOP, KVT, UOP4		06	G24Z, G25Z		Pre	A11A, A13A, A13B, A13D
	05	F21A, F21B		06	G24Z, G25Z		Pre	A11A, A13A, A13B, A13D
	06	G09Z, G24Z, G25Z		06	G24Z, G25Z		Pre	A11A, A13A, A13B, A13D
	07	H06A, H06B, H06C		06	G24Z, G25Z		Pre	A11A, A13A, A13B, A13D
5n827.1↔		BOP, KVT, UOP4		06	G24Z, G25Z		Pre	A11A, A13A, A13B, A13D
	05	F21A, F21B		06	G24Z, G25Z		Pre	A11A, A13A, A13B, A13D
	06	G09Z, G24Z, G25Z		06	G24Z, G25Z		Pre	A11A, A13A, A13B, A13D
	07	H06A, H06B, H06C		06	G24Z, G25Z		Pre	A11A, A13A, A13B, A13D

ZZV	MDC	DRG	ZZV	MDC	DRG	ZZV	MDC	DRG
5n864		BOP, KVT, UOP4	5n874.0		BOP, KOP, KOPV, KVT, UOP4	5n874.5		BOP, KOP, KOPV, KVT, UOP4
	06	G01Z, G02Z, G08A, G08B, G25Z, G38Z		04	E05A, E05B, E05C, E08A, E08B, E08C		04	E05A, E05B, E05C, E08A, E08B, E08C
	21A	W04A, W04B		06	G01Z, G02Z, G15Z, G19A, G19B, G33Z, G38Z		06	G01Z, G02Z, G15Z, G19A, G19B, G33Z, G38Z
	21B	X06A, X06B, X06C		07	H33Z, H38Z		07	H33Z, H38Z
5n86x	Pre	A11A, A13A, A13B, A13D						
		BOP, KVT, UOP4						
	06	G01Z, G02Z, G24Z, G25Z, G38Z	11	L33Z	11	L33Z		
	21A	W04A, W04B	21A	W04A, W04B	21A	W04A, W04B		
5n870	21B	X06A, X06B, X06C	21B	X06A, X06B, X06C	21B	X06A, X06B, X06C		
	Pre	A11A, A13A, A13B, A13D	23	Z01A	23	Z01A		
		BOP, KOP, KOPV, KVT, UOP4	Pre	A07A, A11A, A13A, A13B, A13D	Pre	A07A, A11A, A13A, A13B, A13D		
	04	E05A, E05B, E05C, E08A, E08B, E08C	5n874.1		BOP, KOP, KOPV, KVT, UOP4	5n874.x		BOP, KOP, KOPV, KVT, UOP4
06	G01Z, G02Z, G15Z, G19A, G19B, G19C, G33Z, G38Z	04		E05A, E05B, E05C, E08A, E08B, E08C	04		E05A, E05B, E05C, E08A, E08B, E08C	
07	H33Z, H38Z	06		G01Z, G02Z, G15Z, G19A, G19B, G19C, G33Z, G38Z	06		G01Z, G02Z, G15Z, G19A, G19B, G19C, G33Z, G38Z	
11	L33Z	07		H33Z, H38Z	07		H33Z, H38Z	
5n871	21A	W04A, W04B	11	L33Z	11	L33Z		
	21B	X06A, X06B, X06C	21A	W04A, W04B	21A	W04A, W04B		
	23	Z01A	21B	X06A, X06B, X06C	21B	X06A, X06B, X06C		
	Pre	A07A, A11A, A13A, A13B, A13D	23	Z01A	23	Z01A		
5n872		BOP, KOP, KOPV, KVT, UOP4	Pre	A07A, A11A, A13A, A13B, A13D	Pre	A07A, A11A, A13A, A13B, A13D		
	04	E05A, E05B, E05C, E08A, E08B, E08C	5n874.2		BOP, KOP, KOPV, KVT, UOP4	5n875		BOP, KOP, KOPV, KVT, UOP4
	06	G01Z, G02Z, G15Z, G19A, G19B, G19C, G33Z, G38Z		04	E05A, E05B, E05C, E08A, E08B, E08C		04	E05A, E05B, E05C, E08A, E08B, E08C
	07	H33Z, H38Z		06	G01Z, G02Z, G15Z, G19A, G19B, G33Z, G38Z		06	G01Z, G02Z, G15Z, G19A, G19B, G33Z, G38Z
11	L33Z	07		H33Z, H38Z	07		H33Z, H38Z	
5n873	21A	W04A, W04B	11	L33Z	11	L33Z		
	21B	X06A, X06B, X06C	21A	W04A, W04B	21A	W04A, W04B		
	23	Z01A	21B	X06A, X06B, X06C	21B	X06A, X06B, X06C		
	Pre	A07A, A11A, A13A, A13B, A13D	23	Z01A	23	Z01A		
5n874		BOP, KOP, KOPV, KVT, UOP4	Pre	A07A, A11A, A13A, A13B, A13D	Pre	A07A, A11A, A13A, A13B, A13D		
	04	E05A, E05B, E05C, E08A, E08B, E08C	5n874.3		BOP, KOP, KOPV, KVT, UOP4	5n876		BOP, KOP, KOPV, KVT, UOP4
	06	G01Z, G02Z, G15Z, G19A, G19B, G19C, G33Z, G38Z		04	E05A, E05B, E05C, E08A, E08B, E08C		04	E05A, E05B, E05C, E08A, E08B, E08C
	07	H33Z, H38Z		06	G01Z, G02Z, G15Z, G19A, G19B, G33Z, G38Z		06	G01Z, G02Z, G15Z, G19A, G19B, G33Z, G38Z
11	L33Z	07		H33Z, H38Z	07		H33Z, H38Z	
5n875	21A	W04A, W04B	11	L33Z	11	L33Z		
	21B	X06A, X06B, X06C	21A	W04A, W04B	21A	W04A, W04B		
	23	Z01A	21B	X06A, X06B, X06C	21B	X06A, X06B, X06C		
	Pre	A07A, A11A, A13A, A13B, A13D	23	Z01A	23	Z01A		
5n876		BOP, KOP, KOPV, KVT, UOP4	Pre	A07A, A11A, A13A, A13B, A13D	Pre	A07A, A11A, A13A, A13B, A13D		
	04	E05A, E05B, E05C, E08A, E08B, E08C	5n874.4		BOP, KOP, KOPV, KVT, UOP4	5n877		BOP, KOP, KOPV, KVT, UOP4
	06	G01Z, G02Z, G15Z, G19A, G19B, G19C, G33Z, G38Z		04	E05A, E05B, E05C, E08A, E08B, E08C		04	E05A, E05B, E05C, E08A, E08B, E08C
	07	H33Z, H38Z		06	G01Z, G02Z, G15Z, G19A, G19B, G33Z, G38Z		06	G01Z, G02Z, G15Z, G19A, G19B, G33Z, G38Z
11	L33Z	07		H33Z, H38Z	07		H33Z, H38Z	
5n877	21A	W04A, W04B	11	L33Z	11	L33Z		
	21B	X06A, X06B, X06C	21A	W04A, W04B	21A	W04A, W04B		
	23	Z01A	21B	X06A, X06B, X06C	21B	X06A, X06B, X06C		
	Pre	A07A, A11A, A13A, A13B, A13D	23	Z01A	23	Z01A		
5n878		BOP, KOP, KOPV, KVT, UOP4	Pre	A07A, A11A, A13A, A13B, A13D	Pre	A07A, A11A, A13A, A13B, A13D		

VYK

ZZV	MDC	DRG	ZZV	MDC	DRG	ZZV	MDC	DRG			
5n878		BOP, KOP, KOPV, KVT, UOP4	5n879.4		BOP, KOP, KOPV, KVT, UOP4	5n910		BOP, KVT, UOP4			
	04	E05A, E05B, E05C, E08A, E08B, E08C		04	E05A, E05B, E05C, E08A, E08B, E08C		05	F13A, F21A, F21B			
	06	G01Z, G02Z, G15Z, G19A, G19B, G33Z, G38Z		06	G01Z, G02Z, G15Z, G19A, G19B, G33Z, G38Z		06	G10Z, G12A, G12B			
	07	H33Z, H38Z		07	H33Z, H38Z		07	H05Z			
	11	L33Z		11	L33Z		09	J03A, J03B, J04A, J04B, J08A, J08B, J08C, J11A, J11B, J16Z			
	21A	W04A, W04B		21A	W04A, W04B		10	K09A, K09B			
	21B	X06A, X06B, X06C		21B	X06A, X06B, X06C		11	L09A, L09B, L09C, L09D, L38Z			
	23	Z01A		23	Z01A		12	M01A, M01B, M38Z			
	Pre	A07A, A11A, A13A, A13B, A13D		Pre	A07A, A11A, A13A, A13B, A13D		13	N11A, N11B			
	5n879.0			BOP, KOP, KOPV, KVT, UOP4	5n879.5			BOP, KOP, KOPV, KVT, UOP4	5n911		BOP, KVT, UOP4
		04		E05A, E05B, E05C, E08A, E08B, E08C			04	E05A, E05B, E05C, E08A, E08B, E08C		05	F13A, F21A, F21B
		06		G01Z, G02Z, G15Z, G19A, G19B, G33Z, G38Z			06	G01Z, G02Z, G15Z, G19A, G19B, G33Z, G38Z		06	G10Z, G12A, G12B
		07		H33Z, H38Z			07	H33Z, H38Z		07	H05Z
11		L33Z	11	L33Z		09	J03A, J03B, J04A, J04B, J08A, J08B, J08C, J11A, J11B, J16Z				
21A		W04A, W04B	21A	W04A, W04B		10	K09A, K09B				
21B		X06A, X06B, X06C	21B	X06A, X06B, X06C		11	L09A, L09B, L09C, L09D, L38Z				
23		Z01A	23	Z01A		12	M01A, M01B, M38Z				
Pre		A07A, A11A, A13A, A13B, A13D	Pre	A07A, A11A, A13A, A13B, A13D		13	N11A, N11B				
5n879.1			BOP, KOP, KOPV, KVT, UOP4	5n879.x			BOP, KOP, KOPV, KVT, UOP4	5n912			BOP, KVT, UOP4
		04	E05A, E05B, E05C, E08A, E08B, E08C			04	E05A, E05B, E05C, E08A, E08B, E08C			05	F13A, F21A, F21B
		06	G01Z, G02Z, G15Z, G19A, G19B, G33Z, G38Z			06	G01Z, G02Z, G15Z, G19A, G19B, G33Z, G38Z			06	G01Z, G02Z, G10Z, G12A, G12B, G38Z
		07	H33Z, H38Z			07	H33Z, H38Z			07	H05Z
	11	L33Z	11		L33Z	11	L09A, L09B, L09C, L09D, L38Z				
	21A	W04A, W04B	21A		W04A, W04B	13	N11A, N11B				
	21B	X06A, X06B, X06C	21B		X06A, X06B, X06C	14	O04A				
	23	Z01A	23		Z01A	17	R01A, R01B, R01C, R01D, R02Z, R12A, R12B, R12C				
	Pre	A07A, A11A, A13A, A13B, A13D	Pre		A07A, A11A, A13A, A13B, A13D	21A	W04A, W04B				
	5n879.2		BOP, KOP, KOPV, KVT, UOP4		5n87x		BOP, KOP, KOPV, KVT, UOP4		5n913		BOP, KVT, UOP4
		04	E05A, E05B, E05C, E08A, E08B, E08C			04	E05A, E05B, E05C, E08A, E08B, E08C			05	F13A, F21A, F21B
		06	G01Z, G02Z, G15Z, G19A, G19B, G33Z, G38Z			06	G01Z, G02Z, G15Z, G19A, G19B, G19C, G33Z, G38Z			06	G10Z, G12A, G12B
		07	H33Z, H38Z			07	H33Z, H38Z			07	H06A, H06B, H06C
11		L33Z	11	L33Z		09	J03A, J03B, J04A, J04B, J08A, J08B, J08C, J11A, J11B, J16Z				
21A		W04A, W04B	21A	W04A, W04B		10	K09A, K09B				
21B		X06A, X06B, X06C	21B	X06A, X06B, X06C		11	L09A, L09B, L09C, L09D, L38Z				
23		Z01A	23	Z01A		12	M01A, M01B, M38Z				
Pre		A07A, A11A, A13A, A13B, A13D	Pre	A07A, A11A, A13A, A13B, A13D		13	N11A, N11B				
5n879.3			BOP, KOP, KOPV, KVT, UOP4	5n890			BOP, KVT, UOP4	5n913			BOP, KVT, UOP4
		04	E05A, E05B, E05C, E08A, E08B, E08C			06	G24Z, G25Z			05	F13A, F21A, F21B
		06	G01Z, G02Z, G15Z, G19A, G19B, G33Z, G38Z			5n891	BOP, KVT, UOP4			06	G10Z, G12A, G12B
		07	H33Z, H38Z			5n892	BOP, KVT, UOP4			07	H06A, H06B, H06C
	11	L33Z	5n893.0		BOP, KVT, UOP4	09	J03A, J03B, J04A, J04B, J08A, J08B, J08C, J11A, J11B, J16Z				
	21A	W04A, W04B	5n893.1		BOP, KVT, UOP4	10	K09A, K09B				
	21B	X06A, X06B, X06C	5n893.2		BOP, KVT, UOP4	11	L09A, L09B, L09C, L09D, L38Z				
	23	Z01A	5n893.x		BOP, KVT, UOP4	12	M01A, M01B, M38Z				
	Pre	A07A, A11A, A13A, A13B, A13D	5n893.x		BOP, KVT, UOP4	13	N11A, N11B				
	5n879.3		BOP, KOP, KOPV, KVT, UOP4		5n89x		BOP, KVT, UOP4		5n913		BOP, KVT, UOP4
		04	E05A, E05B, E05C, E08A, E08B, E08C			06	G24Z, G25Z			14	962Z, O02A, O02B, O04A
		06	G01Z, G02Z, G15Z, G19A, G19B, G33Z, G38Z			5n891	BOP, KVT, UOP4			17	R01A, R01B, R01C, R01D, R02Z, R12A, R12B, R12C
		07	H33Z, H38Z			5n892	BOP, KVT, UOP4			21A	W04A, W04B
11		L33Z	5n893.0	BOP, KVT, UOP4		21B	X06A, X06B				
21A		W04A, W04B	5n893.1	BOP, KVT, UOP4		22	Y01Z, Y03A, Y03B				
21B		X06A, X06B, X06C	5n893.2	BOP, KVT, UOP4		Pre	A11A, A13A, A13B, A13D				
23		Z01A	5n893.x	BOP, KVT, UOP4		05	F13A, F21A, F21B				
Pre		A07A, A11A, A13A, A13B, A13D	5n89x	BOP, KVT, UOP4		06	G10Z, G12A, G12B				
5n879.3			BOP, KOP, KOPV, KVT, UOP4	5n89x			BOP, KVT, UOP4	5n913			BOP, KVT, UOP4
		04	E05A, E05B, E05C, E08A, E08B, E08C			06	G24Z, G25Z			07	H06A, H06B, H06C
		06	G01Z, G02Z, G15Z, G19A, G19B, G33Z, G38Z			5n891	BOP, KVT, UOP4			09	J03A, J03B, J04A, J04B, J08A, J08B, J08C, J11A, J11B, J16Z
		07	H33Z, H38Z			5n892	BOP, KVT, UOP4			10	K09A, K09B
	11	L33Z	5n893.0		BOP, KVT, UOP4	11	L09A, L09B, L09C, L09D, L38Z				
	21A	W04A, W04B	5n893.1		BOP, KVT, UOP4	12	M01A, M01B, M38Z				
	21B	X06A, X06B, X06C	5n893.2		BOP, KVT, UOP4	13	N11A, N11B				
	23	Z01A	5n893.x		BOP, KVT, UOP4	14	962Z, O02A, O02B, O04A				
	Pre	A07A, A11A, A13A, A13B, A13D	5n893.x		BOP, KVT, UOP4	17	R01A, R01B, R01C, R01D, R02Z, R12A, R12B, R12C				
	5n879.3		BOP, KOP, KOPV, KVT, UOP4		5n89x		BOP, KVT, UOP4		5n913		BOP, KVT, UOP4
		04	E05A, E05B, E05C, E08A, E08B, E08C			06	G24Z, G25Z			21A	W04A, W04B
		06	G01Z, G02Z, G15Z, G19A, G19B, G33Z, G38Z			5n891	BOP, KVT, UOP4			21B	X06A, X06B
		07	H33Z, H38Z			5n892	BOP, KVT, UOP4			22	Y01Z, Y03A, Y03B
11		L33Z	5n893.0	BOP, KVT, UOP4		23	Z01A				
21A		W04A, W04B	5n893.1	BOP, KVT, UOP4							
21B		X06A, X06B, X06C	5n893.2	BOP, KVT, UOP4							
23		Z01A	5n893.x	BOP, KVT, UOP4							
Pre		A07A, A11A, A13A, A13B, A13D	5n893.x	BOP, KVT, UOP4							

VYK

ZZV	MDC	DRG	ZZV	MDC	DRG	ZZV	MDC	DRG							
5n914		BOP, KVT, UOP4	5n920.1		BOP, UOP4	5n92b		BOP, KVT, UOP4							
	05	F13A, F21A, F21B		06	G10Z, G12A, G12B, G12C		06	G10Z, G12A, G12B							
	06	G10Z, G12A, G12B		07	H06A, H06B, H06C		07	H06A, H06B, H06C							
	07	H05Z		09	J03A, J03B, J04A, J04B, J08A, J08B, J08C, J11A, J11B, J16Z		10	K09A, K09B							
	09	J03A, J03B, J04A, J04B, J08A, J08B, J08C, J11A, J11B, J16Z		10	K09A, K09B		11	L09A, L38Z							
	10	K09A, K09B		21A	W04A, W04B		17	R01A, R01B, R01C, R01D, R02Z, R12A, R12B, R12C							
	11	L09A, L09B, L09C, L09D, L38Z		21B	X06A, X06B		23	Z01A							
	12	M01A, M01B, M38Z		5n920.2			BOP, KVT, UOP4	5n92c		BOP, KVT, UOP4					
	13	N11A, N11B			06		G10Z, G12A, G12B		06	G10Z, G12A, G12B, G38Z					
	14	962Z, O02A, O02B, O04A			07		H06A, H06B, H06C		07	H06A, H06B, H06C					
	17	R01A, R01B, R01C, R01D, R02Z, R12A, R12B, R12C			10		K09A, K09B		10	K09A, K09B					
	21A	W04A, W04B			5n920.3				BOP, UOP4	11	L09A, L38Z				
	21B	X06A, X06B					06		G10Z, G12A, G12B	13	N01A, N01B, N01C, N01D, N01E, N11A, N38Z				
	22	Y01Z, Y03A, Y03B					07		H06A, H06B, H06C	17	R01A, R01B, R01C, R01D, R02Z, R12A, R12B, R12C				
	5n915						BOP, KVT, UOP4		5n920.x		BOP, UOP4	5n92d.0		BOP, KOP, KVT, UOP4	
		05					F13A			06	G10Z, G12A, G12B, G12C		06	G03B, G10Z, G12A, G12B, G18A, G38Z	
		06					G10Z, G12A, G12B			07	H06A, H06B, H06C		07	H06A, H06B, H06C	
07		H06A, H06B, H06C	09			J03A, J03B, J04A, J04B, J08A, J08B, J08C, J11A, J11B, J16Z	10			K09A, K09B					
09		J03A, J03B, J04A, J04B, J08A, J08B, J08C, J11A, J11B, J16Z	10			K09A, K09B	11			L09A, L38Z					
10		K09A, K09B	21A			W04A, W04B	13			N11A					
11		L03Z, L04A, L04B, L04C, L10Z, L13A, L13B, L38Z	21B			X06A, X06B	17			R01A, R01B, R01C, R01D, R02Z, R12A, R12B, R12C					
12		M06Z, M09A, M09B, M38Z	5n921				BOP, UOP4			5n92d.1			BOP, KOP, KVT, MVV, UOP4		
13		N11A, N11B				06	G10Z, G12A, G12B, G12C				06		G03B, G10Z, G12A, G12B, G18A, G38Z		
17		R01A, R01B, R01C, R01D, R02Z, R12A, R12B, R12C				07	H06A, H06B, H06C				07		H06A, H06B, H06C		
21A		W04A, W04B		08		I27A, I27B, I27C, I27D	10	K09A, K09B							
21B		X06A, X06B		09		J03A, J03B, J04A, J04B, J08A, J08B, J08C, J11A, J11B, J16Z	13	N11A							
5n916				BOP, KVT, UOP4		5n922		BOP, UOP4			5n92d.2			BOP, KOP, KVT, UOP4	
		05		F13A			06	G10Z, G12A, G12B, G12C					06	G03B, G10Z, G12A, G12B, G18A, G38Z	
		06		G10Z, G12A, G12B	08		I27A, I27B, I27C, I27D	07					H06A, H06B, H06C		
		07		H06A, H06B, H06C	09		J03A, J03B, J04A, J04B, J08A, J08B, J08C, J11A, J11B, J16Z	10					K09A, K09B		
		09		J03A, J03B, J04A, J04B, J08A, J08B, J08C, J11A, J11B, J16Z	21A		W04A, W04B	11					L09A, L38Z		
	10	K09A, K09B		21B	X06A, X06B, X06C		13	N11A							
	21A	W04A, W04B		5n923			BOP, UOP4	5n92e				BOP, KOP, KVT, UOP4			
	21B	X06A, X06B			06		G10Z, G12A, G12B, G12C		06			G10Z, G12A, G12B			
	5n91x				BOP, KVT, UOP4		5n929					BOP, UOP4	5n92x		BOP, KVT, UOP4
		05			F13A, F21A, F21B				06			G10Z, G12A, G12B, G12C		06	G10Z, G12A, G12B
		06			G10Z, G12A, G12B				07			H06A, H06B, H06C		07	H06A, H06B, H06C
		07			H05Z				09			J03A, J03B, J04A, J04B, J08A, J08B, J08C, J11A, J11B, J16Z		10	K09A, K09B
		09	J03A, J03B, J04A, J04B, J08A, J08B, J08C, J11A, J11B, J16Z		10				K09A, K09B	13		N11A, N11B			
		10	K09A, K09B		5n92a					BOP, KVT, UOP4		5n92e			BOP, KVT, UOP4
		11	L09A, L09B, L09C, L09D, L38Z						06	G10Z, G12A, G12B, G12C				06	G10Z, G12A, G12B
		12	M01A, M01B, M38Z						07	H06A, H06B, H06C				07	H06A, H06B, H06C
		13	N11A, N11B						09	J03A, J03B, J04A, J04B, J08A, J08B, J08C, J11A, J11B, J16Z				10	K09A, K09B
14		962Z, O02A, O02B	10			K09A, K09B			13	N11A, N11B					
17		R01A, R01B, R01C, R01D, R02Z, R12A, R12B, R12C	21A			W04A, W04B			17	R01A, R01B, R01C, R01D, R02Z, R12A, R12B, R12C					
21A		W04A, W04B	21B			X06A, X06B, X06C			5n92e		BOP, KVT, UOP4				
21B		X06A, X06B	5n923							BOP, UOP4	5n92e				BOP, KVT, UOP4
22		Y01Z, Y03A, Y03B				06				G10Z, G12A, G12B, G12C				06	G10Z, G12A, G12B
						07				H06A, H06B, H06C				07	H06A, H06B, H06C
				09		J03A, J03B, J04A, J04B, J08A, J08B, J08C, J11A, J11B, J16Z		10		K03A, K03B, K09A, K09B					
				10		K09A, K09B		11		L09A, L38Z					
		10		K09A, K09B		13	N01A, N01B, N01C, N01D, N01E, N02A, N02B, N02C, N03A, N03B, N04Z, N14Z, N21Z, N38Z								
		21A		W04A, W04B		17	R01A, R01B, R01C, R01D, R02Z, R12A, R12B, R12C								
		21B		X06A, X06B, X06C		5n92x		BOP, KVT, UOP4							
		5n92a					BOP, KVT, UOP4	5n92x					BOP, KVT, UOP4		
				06			G10Z, G12A, G12B			06			G10Z, G12A, G12B		
				07	H06A, H06B, H06C		07			H06A, H06B, H06C					
				10	K09A, K09B		10			K09A, K09B					
				17	R01A, R01B, R01C, R01D, R02Z, R12A, R12B, R12C		13			N11A, N11B					

ZZV	MDC	DRG	ZZV	MDC	DRG	ZZV	MDC	DRG				
5n930		BOP, UOP4	5n933		BOP, KVT, UOP4	5n991.2		BOP, KVT, UOP4				
	06	G10Z, G12A, G12B		05	F13A		05	F13A				
	07	H06A, H06B, H06C		06	G10Z, G12A, G12B, G18A, G38Z		06	G01Z, G02Z, G10Z, G12A, G12B, G38Z				
	09	J03A, J03B, J04A, J04B, J08A, J08B, J08C, J11A, J11B, J16Z		07	H06A, H06B, H06C		07	H06A, H06B, H06C				
	13	N11A, N11B		10	K09A, K09B		09	J03A, J03B, J04A, J04B, J08A, J08B, J08C, J11A, J11B, J16Z				
	17	R01A, R01B, R01C, R01D, R02Z, R12A, R12B, R12C		11	L09A, L38Z		13	N11A, N11B				
	21A	W04A, W04B		17	R01A, R01B, R01C, R01D, R02Z, R12A, R12B, R12C		14	O04A				
	21B	X06A, X06B		21A	W04A, W04B		17	R01A, R01B, R01C, R01D, R02Z, R12A, R12B, R12C				
	22	Y01Z, Y03A, Y03B		21B	X06A, X06B		21A	W04A, W04B				
	5n931			BOP, KVT, UOP4	5n934.1			BOP, KVT, UOP4	5n991.x		BOP, KVT, UOP4	
		06		G01Z, G02Z, G10Z, G12A, G12B, G38Z			06	G01Z, G02Z, G24Z, G25Z, G38Z		21A	W04A, W04B	
		07		H06A, H06B, H06C			07	H06A, H06B, H06C		21B	X06A, X06B, X06C	
		17		R01A, R01B, R01C, R01D, R02Z, R12A, R12B, R12C			08	I27A, I27B, I27C, I27D		22	Y01Z, Y03A, Y03B	
21A		W04A, W04B	09	J03A, J03B, J04A, J04B, J08A, J08B, J08C, J11A, J11B, J16Z		Pre	A11A, A13A, A13B, A13D					
21B		X06A, X06B	17	R01A, R01B, R01C, R01D, R02Z, R12A, R12B, R12C		05	F13A					
Pre		A11A, A13A, A13B, A13D	21A	W04A, W04B		06	G10Z, G12A, G12B					
5n932.1			BOP, KVT, UOP4	5n934.2			BOP, KVT, UOP4	5n993			BOP, KVT, UOP4	
		06	G01Z, G02Z, G24Z, G25Z, G38Z			06	G01Z, G02Z, G24Z, G25Z, G38Z			05	F21A, F21B	
		07	H06A, H06B, H06C			07	H06A, H06B, H06C			06	G10Z, G12A, G12B	
		08	I27A, I27B, I27C, I27D			08	I27A, I27B, I27C, I27D			07	H12A, H12B	
		09	J03A, J03B, J04A, J04B, J08A, J08B, J08C, J11A, J11B, J16Z			09	J03A, J03B, J04A, J04B, J08A, J08B, J08C, J11A, J11B, J16Z			11	L09A, L09B, L09C, L09D, L38Z	
		17	R01A, R01B, R01C, R01D, R02Z, R12A, R12B, R12C			17	R01A, R01B, R01C, R01D, R02Z, R12A, R12B, R12C			13	N11A, N11B	
	21A	W04A, W04B	21A		W04A, W04B	17	R01A, R01B, R01C, R01D, R02Z, R12A, R12B, R12C					
	21B	X06A, X06B	21B		X06A, X06B	21A	W04A, W04B					
	Pre	A11A, A13A, A13B, A13D	Pre		A11A, A13A, A13B, A13D	21B	X06A, X06B, X06C					
	5n932.2		BOP, KVT, UOP4		5n93x		BOP, KVT, UOP4		5n994		BOP, KOP, KOPV, KVT, UOP4	
		06	G01Z, G02Z, G24Z, G25Z, G38Z			06	G24Z, G25Z			06	G10Z, G12A, G12B, G33Z	
		07	H06A, H06B, H06C			07	H06A, H06B, H06C			07	H01A, H01B, H09A, H09B, H09C, H33Z, H38Z	
		08	I27A, I27B, I27C, I27D			09	J03A, J03B, J04A, J04B, J08A, J08B, J08C, J11A, J11B, J16Z			11	L33Z	
09		J03A, J03B, J04A, J04B, J08A, J08B, J08C, J11A, J11B, J16Z	17	R01A, R01B, R01C, R01D, R02Z, R12A, R12B, R12C		17	R01A, R01B, R01C, R01D, R02Z, R12A, R12B, R12C					
17		R01A, R01B, R01C, R01D, R02Z, R12A, R12B, R12C	21A	W04A, W04B		23	Z01A					
21A		W04A, W04B	21B	X06A, X06B		Pre	A07A					
21B		X06A, X06B	Pre	A11A, A13A, A13B, A13D		5n995		BOP, KVT, UOP4				
Pre		A11A, A13A, A13B, A13D	5n991.1				BOP, KVT, UOP4	05		F21A, F21B		
5n932.x				BOP, KVT, UOP4			5n991.1			BOP, KVT, UOP4	06	G10Z, G12A, G12B
		06		G01Z, G02Z, G24Z, G25Z, G38Z				05		F13A	07	H06A, H06B, H06C
		07		H06A, H06B, H06C				06		G01Z, G02Z, G10Z, G12A, G12B, G38Z	10	K09A, K09B
		08		I27A, I27B, I27C, I27D				07		H06A, H06B, H06C	11	L02A, L02B, L02C, L38Z
	09	J03A, J03B, J04A, J04B, J08A, J08B, J08C, J11A, J11B, J16Z		09	J03A, J03B, J04A, J04B, J08A, J08B, J08C, J11A, J11B, J16Z			17	R01A, R01B, R01C, R01D, R02Z, R12A, R12B, R12C			
	17	R01A, R01B, R01C, R01D, R02Z, R12A, R12B, R12C		13	N11A, N11B			21A	W04A, W04B			
	21A	W04A, W04B		14	O04A			21B	X06A, X06B, X06C			
	21B	X06A, X06B		17	R01A, R01B, R01C, R01D, R02Z, R12A, R12B, R12C			BOP, KVT, UOP4	04	E02A, E02B, E02C		
	Pre	A11A, A13A, A13B, A13D		21A	W04A, W04B			05	F21A, F21B			
	5n932.x			BOP, KVT, UOP4	5n991.1				BOP, KVT, UOP4	5n996		BOP, KVT, UOP4
		06		G01Z, G02Z, G24Z, G25Z, G38Z				21B	X06A, X06B, X06C		06	G10Z, G12A, G12B
		07		H06A, H06B, H06C		22		Y01Z, Y03A, Y03B	07		H06A, H06B, H06C	
		08	I27A, I27B, I27C, I27D	Pre		A11A, A13A, A13B, A13D		11	L02A, L02B, L02C, L38Z			
09		J03A, J03B, J04A, J04B, J08A, J08B, J08C, J11A, J11B, J16Z	5n991.1			BOP, KVT, UOP4	17	R01A, R01B, R01C, R01D, R02Z, R12A, R12B, R12C				
17		R01A, R01B, R01C, R01D, R02Z, R12A, R12B, R12C		13		N11A, N11B	21A	W04A, W04B				
21A		W04A, W04B		14		O04A	21B	X06A, X06B, X06C				
21B		X06A, X06B		17		R01A, R01B, R01C, R01D, R02Z, R12A, R12B, R12C	04	E02A, E02B, E02C				
Pre		A11A, A13A, A13B, A13D		21A		W04A, W04B	05	F21A, F21B				
5n932.x				BOP, KVT, UOP4		5n991.1		BOP, KVT, UOP4	5n996			BOP, KVT, UOP4
		06		G01Z, G02Z, G24Z, G25Z, G38Z			21B	X06A, X06B, X06C			06	G10Z, G12A, G12B
		07		H06A, H06B, H06C			22	Y01Z, Y03A, Y03B			07	H06A, H06B, H06C
		08		I27A, I27B, I27C, I27D			Pre	A11A, A13A, A13B, A13D			11	L02A, L02B, L02C, L38Z
	09	J03A, J03B, J04A, J04B, J08A, J08B, J08C, J11A, J11B, J16Z		5n991.1			BOP, KVT, UOP4	17		R01A, R01B, R01C, R01D, R02Z, R12A, R12B, R12C		
	17	R01A, R01B, R01C, R01D, R02Z, R12A, R12B, R12C			13		N11A, N11B	21A		W04A, W04B		
	21A	W04A, W04B			14		O04A	21B		X06A, X06B, X06C		
	21B	X06A, X06B			17		R01A, R01B, R01C, R01D, R02Z, R12A, R12B, R12C	04		E02A, E02B, E02C		
	Pre	A11A, A13A, A13B, A13D	21A		W04A, W04B		05	F21A, F21B				
	5n932.x		BOP, KVT, UOP4		5n991.1			BOP, KVT, UOP4		5n996		BOP, KVT, UOP4
		06	G01Z, G02Z, G24Z, G25Z, G38Z				21B	X06A, X06B, X06C			06	G10Z, G12A, G12B
		07	H06A, H06B, H06C				22	Y01Z, Y03A, Y03B			07	H06A, H06B, H06C
		08	I27A, I27B, I27C, I27D				Pre	A11A, A13A, A13B, A13D			11	L02A, L02B, L02C, L38Z
09		J03A, J03B, J04A, J04B, J08A, J08B, J08C, J11A, J11B, J16Z	5n991.1				BOP, KVT, UOP4	17	R01A, R01B, R01C, R01D, R02Z, R12A, R12B, R12C			
17		R01A, R01B, R01C, R01D, R02Z, R12A, R12B, R12C				13	N11A, N11B	21A	W04A, W04B			
21A		W04A, W04B				14	O04A	21B	X06A, X06B, X06C			
21B		X06A, X06B				17	R01A, R01B, R01C, R01D, R02Z, R12A, R12B, R12C	04	E02A, E02B, E02C			
Pre		A11A, A13A, A13B, A13D		21A		W04A, W04B	05	F21A, F21B				

VYK

ZZV	MDC	DRG	ZZV	MDC	DRG	ZZV	MDC	DRG					
5n997		BOP, KVT, UOP4	5o100.4↔	08	I28A, I28B	5o103.4↔	11	L03Z, L04A, L04B, L04C, L10Z, L13A, L13B, L38Z					
	05	F21A, F21B, F21C		11	L03Z, L04A, L04B, L04C, L10Z, L13A, L13B, L38Z		21A	W04A, W04B					
	06	G10Z, G12A, G12B		17	R01A, R01B, R01C, R01D, R02Z, R12A, R12B, R12C		21B	X06A, X06B, X06C					
	07	H06A, H06B, H06C		21A	W04A, W04B		5o103.x↔	11	L03Z, L04A, L04B, L04C, L10Z, L13A, L13B, L38Z				
	11	L09A, L09B, L09C, L09D, L38Z		21B	X06A, X06B, X06C		21A	W04A, W04B					
	13	N11A, N11B		5o100.x↔	08		I28A, I28B	21B	X06A, X06B, X06C				
	17	R01A, R01B, R01C, R01D, R02Z, R12A, R12B, R12C		11	L03Z, L04A, L04B, L04C, L10Z, L13A, L13B, L38Z		5o104.1↔	11	L03Z, L04A, L04B, L04C, L10Z, L13A, L13B, L38Z				
	21A	W04A, W04B		17	R01A, R01B, R01C, R01D, R02Z, R12A, R12B, R12C		21A	W04A, W04B					
	21B	X06A, X06B, X06C		21A	W04A, W04B		21B	X06A, X06B, X06C					
	22	Y01Z, Y03A, Y03B		21B	X06A, X06B, X06C		5o104.2↔	11	L03Z, L04A, L04B, L04C, L10Z, L13A, L13B, L38Z				
	5n998.0			BOP, KVT, UOP4	5o101.1↔		11	L03Z, L04A, L04B, L04C, L10Z, L13A, L13B, L38Z	5o104.4↔	11	L03Z, L04A, L04B, L04C, L10Z, L13A, L13B, L38Z		
		05		F21A, F21B			11	L03Z, L04A, L04B, L04C, L10Z, L13A, L13B, L38Z		21A	W04A, W04B		
		06		G10Z, G12A, G12B			21A	W01A, W01B, W01C, W02A, W02B, W04A, W04B		21B	X06A, X06B, X06C		
		07		H12A, H12B			21B	X06A, X06B, X06C		5o104.5↔	11	L03Z, L04A, L04B, L04C, L10Z, L13A, L13B, L38Z	
		11		L09A, L09B, L09C, L09D, L38Z			5o101.2↔	11		L03Z, L04A, L04B, L04C, L10Z, L13A, L13B, L38Z	21A	W04A, W04B	
		13		N11A, N11B			21A	W01A, W01B, W01C, W02A, W02B, W04A, W04B		21B	X06A, X06B, X06C		
		14		O04A			21B	X06A, X06B, X06C		5o104.x↔	11	L03Z, L04A, L04B, L04C, L10Z, L13A, L13B, L38Z	
17		R01A, R01B, R01C, R01D, R02Z, R12A, R12B, R12C	5o101.4↔	11		L03Z, L04A, L04B, L04C, L10Z, L13A, L13B, L38Z	21A	W04A, W04B					
21A		W04A, W04B	11	L03Z, L04A, L04B, L04C, L10Z, L13A, L13B, L38Z		21B	X06A, X06B, X06C						
21B		X06A, X06B, X06C	21A	W04A, W04B		5o105.1↔	11	L03Z, L04A, L04B, L04C, L10Z, L13A, L13B, L38Z					
22		Y01Z, Y03A, Y03B	21B	X06A, X06B, X06C		21A	W04A, W04B						
5n998.1			BOP, KVT, UOP4	5o101.x↔		11	L03Z, L04A, L04B, L04C, L10Z, L13A, L13B, L38Z	5o105.2↔		11	L03Z, L04A, L04B, L04C, L10Z, L13A, L13B, L38Z		
		05	F21A, F21B			11	L03Z, L04A, L04B, L04C, L10Z, L13A, L13B, L38Z			21A	W04A, W04B		
		06	G10Z, G12A, G12B			21A	W04A, W04B			21B	X06A, X06B, X06C		
		07	H12A, H12B			21B	X06A, X06B, X06C			5o105.4↔	11	L03Z, L04A, L04B, L04C, L10Z, L13A, L13B, L38Z	
		11	L09A, L09B, L09C, L09D, L38Z			5o102.1↔	11			L03Z, L04A, L04B, L04C, L10Z, L13A, L13B, L38Z	21A	W04A, W04B	
		13	N11A, N11B			11	L03Z, L04A, L04B, L04C, L10Z, L13A, L13B, L38Z			21B	X06A, X06B, X06C		
	14	O04A	21A		W04A, W04B	5o105.5↔	11		L03Z, L04A, L04B, L04C, L10Z, L13A, L13B, L38Z				
	17	R01A, R01B, R01C, R01D, R02Z, R12A, R12B, R12C	21B		X06A, X06B, X06C	5o106.1↔	11		L03Z, L04A, L04B, L04C, L10Z, L13A, L13B, L38Z				
	21A	W04A, W04B	5o102.2↔		11	L03Z, L04A, L04B, L04C, L10Z, L13A, L13B, L38Z	21A		W04A, W04B				
	21B	X06A, X06B, X06C	11		L03Z, L04A, L04B, L04C, L10Z, L13A, L13B, L38Z	21B	X06A, X06B, X06C						
	22	Y01Z, Y03A, Y03B	21A		W04A, W04B	5o106.2↔	11		L03Z, L04A, L04B, L04C, L10Z, L13A, L13B, L38Z				
	5n998.2		BOP, KVT, UOP4		5o102.4↔	11	L03Z, L04A, L04B, L04C, L10Z, L13A, L13B, L38Z		5o106.x↔	11	L03Z, L04A, L04B, L04C, L10Z, L13A, L13B, L38Z		
		05	F21A, F21B			11	L03Z, L04A, L04B, L04C, L10Z, L13A, L13B, L38Z			21A	W04A, W04B		
		06	G10Z, G12A, G12B			21A	W04A, W04B			21B	X06A, X06B, X06C		
		07	H12A, H12B			5o102.x↔	11			L03Z, L04A, L04B, L04C, L10Z, L13A, L13B, L38Z	5o106.2↔	11	L03Z, L04A, L04B, L04C, L10Z, L13A, L13B, L38Z
		11	L09A, L09B, L09C, L09D, L38Z			11	L03Z, L04A, L04B, L04C, L10Z, L13A, L13B, L38Z			21A	W04A, W04B		
		13	N11A, N11B			21A	W04A, W04B			21B	X06A, X06B, X06C		
14		O04A	21B	X06A, X06B, X06C		5o106.1↔	11	L03Z, L04A, L04B, L04C, L10Z, L13A, L13B, L38Z					
17		R01A, R01B, R01C, R01D, R02Z, R12A, R12B, R12C	5o103.1↔	11		L03Z, L04A, L04B, L04C, L10Z, L13A, L13B, L38Z	21A	W04A, W04B					
21A		W04A, W04B	11	L03Z, L04A, L04B, L04C, L10Z, L13A, L13B, L38Z		21B	X06A, X06B, X06C						
21B		X06A, X06B, X06C	21A	W04A, W04B		5o106.2↔	11	L03Z, L04A, L04B, L04C, L10Z, L13A, L13B, L38Z					
22		Y01Z, Y03A, Y03B	21B	X06A, X06B, X06C		21A	W04A, W04B						
5o100.1↔			BOP, KVT, UOP4	5o102.2↔		11	L03Z, L04A, L04B, L04C, L10Z, L13A, L13B, L38Z	5o106.2↔		11	L03Z, L04A, L04B, L04C, L10Z, L13A, L13B, L38Z		
		08	I28A, I28B			11	L03Z, L04A, L04B, L04C, L10Z, L13A, L13B, L38Z			21A	W04A, W04B		
		11	L03Z, L04A, L04B, L04C, L10Z, L13A, L13B, L38Z			21A	W04A, W04B			21B	X06A, X06B, X06C		
		17	R01A, R01B, R01C, R01D, R02Z, R12A, R12B, R12C			5o103.2↔	11			L03Z, L04A, L04B, L04C, L10Z, L13A, L13B, L38Z	5o106.2↔	11	L03Z, L04A, L04B, L04C, L10Z, L13A, L13B, L38Z
		21A	W01A, W01B, W01C, W02A, W02B, W04A, W04B			11	L03Z, L04A, L04B, L04C, L10Z, L13A, L13B, L38Z			21A	W04A, W04B		
		21B	X06A, X06B, X06C			21A	W04A, W04B			21B	X06A, X06B, X06C		
	5o100.2↔		BOP, KVT, UOP4		5o103.1↔	11	L03Z, L04A, L04B, L04C, L10Z, L13A, L13B, L38Z		5o106.2↔	11	L03Z, L04A, L04B, L04C, L10Z, L13A, L13B, L38Z		
		08	I28A, I28B			11	L03Z, L04A, L04B, L04C, L10Z, L13A, L13B, L38Z			21A	W04A, W04B		
		11	L03Z, L04A, L04B, L04C, L10Z, L13A, L13B, L38Z			21A	W04A, W04B			21B	X06A, X06B, X06C		
		17	R01A, R01B, R01C, R01D, R02Z, R12A, R12B, R12C			21B	X06A, X06B, X06C			5o106.2↔	11	L03Z, L04A, L04B, L04C, L10Z, L13A, L13B, L38Z	
		21A	W01A, W01B, W01C, W02A, W02B, W04A, W04B			21A	W04A, W04B			21A	W04A, W04B		
		21B	X06A, X06B, X06C			21B	X06A, X06B, X06C			21B	X06A, X06B, X06C		



ZZV	MDC	DRG	ZZV	MDC	DRG	ZZV	MDC	DRG
5o106.4↔		BOP, KVT, UOP4	5o109.x↔		BOP, KVT, UOP4	5o110.3↔		BOP, KOP, KVT, MVV, UOP4
	11	L03Z, L04A, L04B, L04C, L10Z, L13A, L13B, L38Z		11	L03Z, L04A, L04B, L04C, L10Z, L13A, L13B, L38Z		06	G10Z, G18A, G38Z
	21A	W04A, W04B		21A	W04A, W04B		07	H01A
	21B	X06A, X06B, X06C		21B	X06A, X06B, X06C		11	L03Z, L04A, L04B, L04C, L10Z, L13A, L13B, L38Z
5o106.5↔		BOP, KVT, UOP4	5o10a.1↔		BOP, KVT, UOP4		17	R01A, R01B, R01C, R01D, R02Z, R12A, R12B, R12C
	11	L03Z, L04A, L04B, L04C, L10Z, L13A, L13B, L38Z		11	L03Z, L04A, L04B, L04C, L10Z, L13A, L13B, L38Z		21A	W04A, W04B
	21A	W04A, W04B		21A	W04A, W04B		21B	X06A, X06B, X06C
	21B	X06A, X06B, X06C		21B	X06A, X06B, X06C	5o110.4↔		BOP, KVT, MVV, UOP4
5o106.x↔		BOP, KVT, UOP4	5o10a.2↔		BOP, KVT, UOP4		06	G10Z, G18A, G38Z
	11	L03Z, L04A, L04B, L04C, L10Z, L13A, L13B, L38Z		11	L03Z, L04A, L04B, L04C, L10Z, L13A, L13B, L38Z		07	H01A
	21A	W04A, W04B		21A	W04A, W04B		11	L03Z, L04A, L04B, L04C, L10Z, L13A, L13B, L38Z
	21B	X06A, X06B, X06C		21B	X06A, X06B, X06C		17	R01A, R01B, R01C, R01D, R02Z, R12A, R12B, R12C
5o107.1↔		BOP, KVT, UOP4	5o10a.4↔		BOP, KVT, UOP4		21A	W04A, W04B
	11	L03Z, L04A, L04B, L04C, L10Z, L13A, L13B, L38Z		11	L03Z, L04A, L04B, L04C, L10Z, L13A, L13B, L38Z		21B	X06A, X06B, X06C
	21A	W04A, W04B		21A	W04A, W04B	5o110.5↔		BOP, KVT, MVV, UOP4
	21B	X06A, X06B, X06C		21B	X06A, X06B, X06C		06	G10Z, G18A, G38Z
5o107.2↔		BOP, KVT, UOP4	5o10a.x↔		BOP, KVT, UOP4		07	H01A
	11	L03Z, L04A, L04B, L04C, L10Z, L13A, L13B, L38Z		11	L03Z, L09A, L09B, L09C, L09D, L10Z, L13A, L13B, L38Z		11	L03Z, L04A, L04B, L04C, L10Z, L13A, L13B, L38Z
	21A	W04A, W04B		21A	W04A, W04B		17	R01A, R01B, R01C, R01D, R02Z, R12A, R12B, R12C
	21B	X06A, X06B, X06C		21B	X06A, X06B, X06C		21A	W04A, W04B
5o107.4↔		BOP, KVT, UOP4	5o10x.1↔		BOP, KVT, UOP4		21B	X06A, X06B, X06C
	11	L03Z, L04A, L04B, L04C, L10Z, L13A, L13B, L38Z		11	L03Z, L04A, L04B, L04C, L10Z, L13A, L13B, L38Z	5o110.6↔		BOP, KVT, MVV, UOP4
	21A	W04A, W04B		21A	W04A, W04B		06	G10Z, G18A, G38Z
	21B	X06A, X06B, X06C		21B	X06A, X06B, X06C		07	H01A
5o107.x↔		BOP, KVT, UOP4	5o10x.2↔		BOP, KVT, UOP4		11	L03Z, L04A, L04B, L04C, L10Z, L13A, L13B, L38Z
	11	L03Z, L04A, L04B, L04C, L10Z, L13A, L13B, L38Z		11	L03Z, L04A, L04B, L04C, L10Z, L13A, L13B, L38Z		17	R01A, R01B, R01C, R01D, R02Z, R12A, R12B, R12C
	21A	W04A, W04B		21A	W04A, W04B		21A	W04A, W04B
	21B	X06A, X06B, X06C		21B	X06A, X06B, X06C		21B	X06A, X06B, X06C
5o108.1↔		BOP, KVT, UOP4	5o10x.4↔		BOP, KVT, UOP4	5o110.x↔		BOP, KVT, MVV, UOP4
	11	L03Z, L04A, L04B, L04C, L10Z, L13A, L13B, L38Z		11	L03Z, L04A, L04B, L04C, L10Z, L13A, L13B, L38Z		06	G10Z, G18A, G38Z
	21A	W04A, W04B		21A	W04A, W04B		07	H01A
	21B	X06A, X06B, X06C		21B	X06A, X06B, X06C		11	L03Z, L04A, L04B, L04C, L10Z, L13A, L13B, L38Z
5o108.2↔		BOP, KVT, UOP4	5o10x.x↔		BOP, KVT, UOP4		17	R01A, R01B, R01C, R01D, R02Z, R12A, R12B, R12C
	11	L03Z, L04A, L04B, L04C, L10Z, L13A, L13B, L38Z		11	L03Z, L04A, L04B, L04C, L10Z, L13A, L13B, L38Z		21A	W04A, W04B
	21A	W04A, W04B		21A	W04A, W04B		21B	X06A, X06B, X06C
	21B	X06A, X06B, X06C		21B	X06A, X06B, X06C	5o111.1↔		BOP, KOP, KVT, MVV, UOP4
5o108.4↔		BOP, KVT, UOP4	5o110.1↔		BOP, KOP, KVT, MVV, UOP4		06	G10Z, G18A, G38Z
	11	L03Z, L04A, L04B, L04C, L10Z, L13A, L13B, L38Z		06	G10Z, G18A, G38Z		07	H01A
	21A	W04A, W04B		07	H01A		10	K03A, K03B
	21B	X06A, X06B, X06C		11	L03Z, L04A, L04B, L04C, L10Z, L13A, L13B, L38Z		11	L03Z, L04A, L04B, L04C, L10Z, L13A, L13B, L38Z
5o108.x↔		BOP, KVT, UOP4		17	R01A, R01B, R01C, R01D, R02Z, R12A, R12B, R12C		17	R01A, R01B, R01C, R01D, R02Z, R12A, R12B, R12C
	11	L03Z, L04A, L04B, L04C, L10Z, L13A, L13B, L38Z		21A	W04A, W04B		21A	W04A, W04B
	21A	W04A, W04B		21B	X06A, X06B, X06C		21B	X06A, X06B, X06C
	21B	X06A, X06B, X06C	5o110.2↔		BOP, KVT, MVV, UOP4	5o111.2↔		BOP, KVT, MVV, UOP4
5o109.1↔		BOP, KVT, UOP4		06	G10Z, G18A, G38Z		06	G10Z, G18A, G38Z
	11	L03Z, L04A, L04B, L04C, L10Z, L13A, L13B, L38Z		07	H01A		07	H01A
	21A	W04A, W04B		11	L03Z, L04A, L04B, L04C, L10Z, L13A, L13B, L38Z		11	L03Z, L04A, L04B, L04C, L10Z, L13A, L13B, L38Z
	21B	X06A, X06B, X06C		17	R01A, R01B, R01C, R01D, R02Z, R12A, R12B, R12C		17	R01A, R01B, R01C, R01D, R02Z, R12A, R12B, R12C
5o109.2↔		BOP, KVT, UOP4		21A	W04A, W04B		21A	W04A, W04B
	11	L03Z, L04A, L04B, L04C, L10Z, L13A, L13B, L38Z		21B	X06A, X06B, X06C		21B	X06A, X06B, X06C
	21A	W04A, W04B						
	21B	X06A, X06B, X06C						
5o109.4↔		BOP, KVT, UOP4						
	11	L03Z, L04A, L04B, L04C, L10Z, L13A, L13B, L38Z						
	21A	W04A, W04B						
	21B	X06A, X06B, X06C						

VYK

ZZV	MDC	DRG	ZZV	MDC	DRG	ZZV	MDC	DRG
5o132.0↔		BOP, KVT, UOP4	5o153.1↔		BOP, KVT, UOP4	5o162.4↔		BOP, KVT, UOP4
	06	G18A, G38Z		08	I28A, I28B		11	L03Z, L04A, L04B, L04C, L10Z, L13A, L13B, L38Z
	11	L03Z, L04A, L04B, L04C, L10Z, L13A, L13B, L38Z		11	L03Z, L04A, L04B, L04C, L10Z, L13A, L13B, L38Z		21A	W04A, W04B
	21A	W04A, W04B		17	R01A, R01B, R01C, R01D, R02Z, R12A, R12B, R12C		21B	X06A, X06B, X06C
	21B	X06A, X06B, X06C		21A	W04A, W04B	5o162.6↔	11	L20B, L40Z
5o132.1↔	11	L11Z, L18A, L18B, L38Z		21B	X06A, X06B, X06C	5o163.1↔		BOP, KVT, UOP4
5o132.6↔	11	L19Z, L20A, L20B, L20C	5o153.2↔		BOP, KVT, UOP4		11	L03Z, L04A, L04B, L04C, L10Z, L13A, L13B, L38Z
5o132.x↔	11	L11Z, L18A, L18B, L38Z		08	I28A, I28B		21A	W04A, W04B
5o133.1↔	11	L11Z, L18A, L18B, L38Z		11	L03Z, L04A, L04B, L04C, L10Z, L13A, L13B, L38Z		21B	X06A, X06B, X06C
5o133.6↔	11	L19Z, L20A, L20B, L20C		17	R01A, R01B, R01C, R01D, R02Z, R12A, R12B, R12C	5o163.4↔		BOP, KVT, UOP4
5o133.x↔	11	L11Z, L18A, L18B, L38Z		21A	W04A, W04B		11	L03Z, L04A, L04B, L04C, L10Z, L13A, L13B, L38Z
5o134↔	11	L11Z, L18A, L18B, L38Z		21B	X06A, X06B, X06C		21A	W04A, W04B
5o135↔	11	L11Z, L18A, L18B, L38Z		21B	X06A, X06B, X06C		21B	X06A, X06B, X06C
5o136↔	11	L40Z	5o154↔		BOP, KVT, UOP4	5o163.6↔	11	L18A, L18B, L19Z, L20A, L20B, L20C, L38Z
5o137↔	11	L11Z, L18A, L18B, L38Z		08	I28A, I28B		11	L18A, L18B, L19Z, L20A, L20B, L20C, L38Z
5o138↔	11	L11Z, L18A, L18B, L38Z		11	L03Z, L04A, L04B, L04C, L10Z, L13A, L13B, L38Z	5o163.7↔	11	L18A, L18B, L19Z, L20A, L20B, L20C, L38Z
5o139↔	11	L19Z, L20A, L20B, L20C		17	R01A, R01B, R01C, R01D, R02Z, R12A, R12B, R12C	5o165.0↔		BOP, KVT, UOP4
5o13x↔	11	L11Z, L18A, L18B, L38Z		21A	W04A, W04B		11	L03Z, L04A, L04B, L04C, L10Z, L13A, L13B, L38Z
5o140↔		BOP, KVT, UOP4		21B	X06A, X06B, X06C		21A	W04A, W04B
	Pre	A01B, A02Z, A06A, A07A, A09A, A11A, A13A, A17A, A17B		21B	X06A, X06B, X06C		21B	X06A, X06B, X06C
5o141↔		BOP, KVT, UOP4	5o155↔		BOP, KVT, UOP4	5o165.4↔		BOP, KVT, UOP4
	Pre	A01B, A02Z, A06A, A07A, A09A, A11A, A13A, A17A, A17B		08	I28A, I28B		11	L03Z, L04A, L04B, L04C, L10Z, L13A, L13B, L38Z
5o142↔		BOP, KVT, UOP4		11	L03Z, L04A, L04B, L04C, L10Z, L13A, L13B, L38Z		21A	W04A, W04B
	Pre	A01B, A02Z, A06A, A07A, A09A, A11A, A13A, A17A, A17B		17	R01A, R01B, R01C, R01D, R02Z, R12A, R12B, R12C		21B	X06A, X06B, X06C
5o143↔		BOP, KVT, UOP4		21A	W04A, W04B	5o166↔	11	L18A, L18B, L19Z, L20A, L20B, L20C, L38Z
	11	L03Z, L04A, L04B, L04C, L10Z, L13A, L13B, L38Z	5o156↔		BOP, KVT, UOP4	5o16x↔	11	L18A, L18B, L19Z, L20A, L20B, L20C, L38Z
	21A	W04A, W04B		08	I28A, I28B	5o190↔		BOP, KVT, UOP4
	21B	X06A, X06B, X06C		11	L03Z, L04A, L04B, L04C, L10Z, L13A, L13B, L38Z		11	L03Z, L04A, L04B, L04C, L10Z, L13A, L13B, L38Z
5o144↔		BOP, KVT, UOP4		17	R01A, R01B, R01C, R01D, R02Z, R12A, R12B, R12C		21A	W04A, W04B
	11	L03Z, L04A, L04B, L04C, L10Z, L13A, L13B, L38Z		21A	W04A, W04B		21B	X06A, X06B, X06C
	21A	W04A, W04B	5o157↔		BOP, KVT, UOP4	5o191.1↔		BOP, KVT, UOP4
	21B	X06A, X06B, X06C		08	I28A, I28B		08	I28A, I28B
5o145↔		BOP, KVT, UOP4		11	L03Z, L04A, L04B, L04C, L10Z, L13A, L13B, L38Z		11	L03Z, L04A, L04B, L04C, L10Z, L13A, L13B, L38Z
	Pre	A01B, A02Z, A06A, A07A, A09A, A11A, A13A, A17A, A17B		17	R01A, R01B, R01C, R01D, R02Z, R12A, R12B, R12C		17	R01A, R01B, R01C, R01D, R02Z, R12A, R12B, R12C
5o14x↔		BOP, KVT, UOP4		21A	W04A, W04B	5o191.2↔		BOP, KVT, UOP4
	11	L03Z, L04A, L04B, L04C, L10Z, L13A, L13B, L38Z		21B	X06A, X06B, X06C		08	I28A, I28B
	21A	W04A, W04B	5o158↔		BOP, KVT, UOP4		11	L03Z, L04A, L04B, L04C, L10Z, L13A, L13B, L38Z
	21B	X06A, X06B, X06C		08	I28A, I28B		17	R01A, R01B, R01C, R01D, R02Z, R12A, R12B, R12C
5o150↔		BOP, KVT, UOP4		11	L03Z, L04A, L04B, L04C, L10Z, L13A, L13B, L38Z	5o191.3↔		BOP, KVT, UOP4
	08	I28A, I28B		17	R01A, R01B, R01C, R01D, R02Z, R12A, R12B, R12C		08	I28A, I28B
	11	L03Z, L04A, L04B, L04C, L10Z, L13A, L13B, L38Z	5o15a↔	11	L40Z		11	L03Z, L04A, L04B, L04C, L10Z, L13A, L13B, L38Z
	17	R01A, R01B, R01C, R01D, R02Z, R12A, R12B, R12C	5o15b↔	11	L40Z		17	R01A, R01B, R01C, R01D, R02Z, R12A, R12B, R12C
5o151↔		BOP, KVT, UOP4	5o15x↔		BOP, KVT, UOP4	5o191.4↔		BOP, KVT, UOP4
	11	L03Z, L04A, L04B, L04C, L10Z, L13A, L13B, L38Z		11	L03Z, L04A, L04B, L04C, L10Z, L13A, L13B, L38Z		08	I28A, I28B
	21A	W04A, W04B		21A	W04A, W04B		11	L03Z, L04A, L04B, L04C, L10Z, L13A, L13B, L38Z
	21B	X06A, X06B, X06C	5o161↔		BOP, KVT, UOP4		17	R01A, R01B, R01C, R01D, R02Z, R12A, R12B, R12C
5o152↔		BOP, KVT, UOP4		10	K03A, K03B, K14Z	5o191.x↔		BOP, KVT, UOP4
	08	I28A, I28B		21A	W04A, W04B		08	I28A, I28B
	11	L03Z, L04A, L04B, L04C, L10Z, L13A, L13B, L38Z		21B	X06A, X06B, X06C		11	L03Z, L04A, L04B, L04C, L10Z, L13A, L13B, L38Z
	17	R01A, R01B, R01C, R01D, R02Z, R12A, R12B, R12C	5o162.1↔		BOP, KVT, UOP4		17	R01A, R01B, R01C, R01D, R02Z, R12A, R12B, R12C
	21A	W04A, W04B		11	L03Z, L04A, L04B, L04C, L10Z, L13A, L13B, L38Z			
	21B	X06A, X06B, X06C		21A	W04A, W04B			
				21B	X06A, X06B, X06C			

ZZV	MDC	DRG	ZZV	MDC	DRG	ZZV	MDC	DRG
5o192.1↔		BOP, KVT, UOP4	5o196↔		BOP, KVT, UOP4	5o202.4↔		BOP, KVT, UOP4
	11	L03Z, L04A, L04B, L04C, L10Z, L13A, L13B, L38Z		09	J03A, J03B, J04A, J04B, J08A, J08B, J08C, J11A, J11B, J16Z		11	L03Z, L04A, L04B, L04C, L10Z, L13A, L13B, L38Z
	21A	W04A, W04B					12	M06Z, M09A, M09B, M38Z
5o192.2↔	21B	X06A, X06B, X06C	5o19x.1↔		BOP, KVT, UOP4		13	N08Z
				11	L03Z, L04A, L04B, L04C, L10Z, L13A, L13B, L38Z		17	R01A, R01B, R01C, R01D, R02Z, R12A, R12B, R12C
	11	L03Z, L04A, L04B, L04C, L10Z, L13A, L13B, L38Z		21A	W04A, W04B		21A	W04A, W04B
	21A	W04A, W04B		21B	X06A, X06B, X06C		21B	X06A, X06B, X06C
	21B	X06A, X06B, X06C	5o19x.2↔		BOP, KVT, UOP4	5o202.x↔		BOP, KVT, UOP4
5o192.4↔		BOP, KVT, UOP4		11	L03Z, L04A, L04B, L04C, L10Z, L13A, L13B, L38Z		11	L03Z, L04A, L04B, L04C, L10Z, L13A, L13B, L38Z
	11	L03Z, L04A, L04B, L04C, L10Z, L13A, L13B, L38Z		21A	W04A, W04B		12	M06Z, M09A, M09B, M38Z
	21A	W04A, W04B		21B	X06A, X06B, X06C		13	N11A
	21B	X06A, X06B, X06C	5o19x.3↔		BOP, KVT, UOP4		17	R01A, R01B, R01C, R01D, R02Z, R12A, R12B, R12C
5o192.x↔		BOP, KVT, UOP4		11	L03Z, L04A, L04B, L04C, L10Z, L13A, L13B, L38Z		21A	W04A, W04B
	11	L03Z, L04A, L04B, L04C, L10Z, L13A, L13B, L38Z		21A	W04A, W04B		21B	X06A, X06B, X06C
	21A	W04A, W04B		21B	X06A, X06B, X06C	5o203.0↔		BOP, KVT, UOP4
	21B	X06A, X06B, X06C	5o19x.4↔		BOP, KVT, UOP4		11	L03Z, L04A, L04B, L04C, L10Z, L13A, L13B, L38Z
5o193.1↔		BOP, KVT, UOP4		11	L03Z, L04A, L04B, L04C, L10Z, L13A, L13B, L38Z		21A	W04A, W04B
	11	L03Z, L04A, L04B, L04C, L10Z, L13A, L13B, L38Z		21A	W04A, W04B		21B	X06A, X06B, X06C
	21A	W04A, W04B		21B	X06A, X06B, X06C	5o203.4↔		BOP, KVT, UOP4
	21B	X06A, X06B, X06C	5o19x.x↔		BOP, KVT, UOP4		11	L03Z, L04A, L04B, L04C, L10Z, L13A, L13B, L38Z
5o193.2↔		BOP, KVT, UOP4		11	L03Z, L04A, L04B, L04C, L10Z, L13A, L13B, L38Z		21A	W04A, W04B
	11	L03Z, L04A, L04B, L04C, L10Z, L13A, L13B, L38Z		21A	W04A, W04B		21B	X06A, X06B, X06C
	21A	W04A, W04B		21B	X06A, X06B, X06C	5o203.x↔		BOP, KVT, UOP4
	21B	X06A, X06B, X06C	5o200.0↔		BOP, KVT, UOP4		11	L03Z, L04A, L04B, L04C, L10Z, L13A, L13B, L38Z
5o193.4↔		BOP, KVT, UOP4		11	L03Z, L04A, L04B, L04C, L10Z, L13A, L13B, L38Z		21A	W04A, W04B
	11	L03Z, L04A, L04B, L04C, L10Z, L13A, L13B, L38Z		21A	W04A, W04B		21B	X06A, X06B, X06C
	21A	W04A, W04B		21B	X06A, X06B, X06C	5o204.0↔		BOP, KVT, UOP4
	21B	X06A, X06B, X06C	5o200.4↔		BOP, KVT, UOP4		11	L03Z, L04A, L04B, L04C, L10Z, L13A, L13B, L38Z
5o193.x↔		BOP, KVT, UOP4		11	L03Z, L04A, L04B, L04C, L10Z, L13A, L13B, L38Z		21A	W04A, W04B
	11	L03Z, L04A, L04B, L04C, L10Z, L13A, L13B, L38Z		21A	W04A, W04B		21B	X06A, X06B, X06C
	21A	W04A, W04B		21B	X06A, X06B, X06C	5o204.4↔		BOP, KVT, UOP4
	21B	X06A, X06B, X06C	5o200.x↔		BOP, KVT, UOP4		11	L03Z, L04A, L04B, L04C, L10Z, L13A, L13B, L38Z
5o194.1↔		BOP, KVT, UOP4		11	L03Z, L04A, L04B, L04C, L10Z, L13A, L13B, L38Z		21A	W04A, W04B
	11	L03Z, L04A, L04B, L04C, L10Z, L13A, L13B, L38Z		21A	W04A, W04B		21B	X06A, X06B, X06C
	21A	W04A, W04B		21B	X06A, X06B, X06C	5o204.x↔		BOP, KVT, UOP4
	21B	X06A, X06B, X06C	5o201.0↔		BOP, KVT, UOP4		11	L03Z, L04A, L04B, L04C, L10Z, L13A, L13B, L38Z
5o194.2↔		BOP, KVT, UOP4		11	L03Z, L04A, L04B, L04C, L10Z, L13A, L13B, L38Z		21A	W04A, W04B
	11	L03Z, L04A, L04B, L04C, L10Z, L13A, L13B, L38Z		21A	W04A, W04B		21B	X06A, X06B, X06C
	21A	W04A, W04B		21B	X06A, X06B, X06C	5o205.0↔		BOP, KVT, UOP4
	21B	X06A, X06B, X06C	5o201.4↔		BOP, KVT, UOP4		11	L03Z, L04A, L04B, L04C, L10Z, L13A, L13B, L38Z
5o194.3↔		BOP, KVT, UOP4		11	L03Z, L04A, L04B, L04C, L10Z, L13A, L13B, L38Z		21A	W04A, W04B
	11	L03Z, L04A, L04B, L04C, L10Z, L13A, L13B, L38Z		21A	W04A, W04B		21B	X06A, X06B, X06C
	21A	W04A, W04B		21B	X06A, X06B, X06C	5o205.4↔		BOP, KVT, UOP4
	21B	X06A, X06B, X06C	5o201.x↔		BOP, KVT, UOP4		11	L03Z, L04A, L04B, L04C, L10Z, L13A, L13B, L38Z
5o194.4↔		BOP, KVT, UOP4		11	L03Z, L04A, L04B, L04C, L10Z, L13A, L13B, L38Z		13	N08Z
	11	L03Z, L04A, L04B, L04C, L10Z, L13A, L13B, L38Z		21A	W04A, W04B		21A	W04A, W04B
	21A	W04A, W04B		21B	X06A, X06B, X06C		21B	X06A, X06B, X06C
	21B	X06A, X06B, X06C	5o202.0↔		BOP, KVT, UOP4	5o205.x↔		BOP, KVT, UOP4
5o194.x↔		BOP, KVT, UOP4		11	L03Z, L04A, L04B, L04C, L10Z, L13A, L13B, L38Z		11	L03Z, L04A, L04B, L04C, L10Z, L13A, L13B, L38Z
	11	L03Z, L04A, L04B, L04C, L10Z, L13A, L13B, L38Z		12	M06Z, M09A, M09B, M38Z		21A	W04A, W04B
	21A	W04A, W04B		13	N11A		21B	X06A, X06B, X06C
	21B	X06A, X06B, X06C		17	R01A, R01B, R01C, R01D, R02Z, R12A, R12B, R12C			
5o195↔		BOP, KVT, UOP4		21A	W04A, W04B			
	11	L03Z, L04A, L04B, L04C, L10Z, L13A, L13B, L38Z		21B	X06A, X06B, X06C			
	21A	W04A, W04B						
	21B	X06A, X06B, X06C						

VYK

ZZV	MDC	DRG	ZZV	MDC	DRG	ZZV	MDC	DRG	
5o206.0↔		BOP, KVT, UOP4	5o209.x↔	06	BOP, KVT, UOP4	5o20d.x↔	06	BOP, KVT, UOP4	
	11	L03Z, L04A, L04B, L04C, L10Z, L13A, L13B, L38Z		11	G18A, G38Z		11	G18A, G38Z	
	12	M06Z, M09A, M09B, M38Z		13	L03Z, L04A, L04B, L04C, L10Z, L13A, L13B, L38Z		13	L03Z, L04A, L04B, L04C, L10Z, L13A, L13B, L38Z	
	13	N11A		21A	W04A, W04B		21A	W04A, W04B	
	17	R01A, R01B, R01C, R01D, R02Z, R12A, R12B, R12C		21B	X06A, X06B, X06C		21B	X06A, X06B, X06C	
	21A	W04A, W04B		5o20a.0↔	BOP, KVT, UOP4		5o20x.0↔	BOP, KVT, UOP4	
	21B	X06A, X06B, X06C			06			G18A, G38Z	11
5o206.4↔		BOP, KVT, UOP4	5o20a.4↔	11	L03Z, L04A, L04B, L04C, L10Z, L13A, L13B, L38Z	5o20x.4↔	21A	W04A, W04B	
	11	L03Z, L04A, L04B, L04C, L10Z, L13A, L13B, L38Z		21B	X06A, X06B, X06C		21B	X06A, X06B, X06C	
	12	M06Z, M09A, M09B, M38Z		BOP, KVT, UOP4	5o20x.x↔		BOP, KVT, UOP4		
	13	N11A		06			G18A, G38Z	11	L03Z, L04A, L04B, L04C, L10Z, L13A, L13B, L38Z
	17	R01A, R01B, R01C, R01D, R02Z, R12A, R12B, R12C		11	L03Z, L04A, L04B, L04C, L10Z, L13A, L13B, L38Z		5o210.0	21A	W04A, W04B
	21A	W04A, W04B		21B	X06A, X06B, X06C			06	G18A, G38Z
	21B	X06A, X06B, X06C		5o20a.x↔	BOP, KVT, UOP4		5o210.4	11	L02A, L02B, L02C, L03Z, L04A, L04B, L04C, L10Z, L33Z, L38Z
	BOP, KVT, UOP4	06	G18A, G38Z		12	M37Z, M38Z			
5o206.x↔		BOP, KVT, UOP4	5o20b.0↔	11	L03Z, L04A, L04B, L04C, L10Z, L13A, L13B, L38Z	5o210.x	13	N01A, N01B, N01C, N01D, N01E, N34Z, N38Z	
	11	L03Z, L04A, L04B, L04C, L10Z, L13A, L13B, L38Z		06	G18A, G38Z		21A	W04A, W04B	
	12	M06Z, M09A, M09B, M38Z		11	L03Z, L04A, L04B, L04C, L10Z, L13A, L13B, L38Z		21B	X06A, X06B, X06C	
	13	N11A		21A	W04A, W04B		5o210.4	06	G18A, G38Z
	17	R01A, R01B, R01C, R01D, R02Z, R12A, R12B, R12C		21B	X06A, X06B, X06C			11	L02A, L02B, L02C, L03Z, L04A, L04B, L04C, L10Z, L33Z, L38Z
	21A	W04A, W04B		5o20b.4↔	BOP, KVT, UOP4		5o210.x	12	M37Z, M38Z
	21B	X06A, X06B, X06C			06			G18A, G38Z	13
5o207.0↔		BOP, KVT, UOP4	5o20b.x↔	11	L03Z, L04A, L04B, L04C, L10Z, L13A, L13B, L38Z	5o210.x	21A	W04A, W04B	
	11	L03Z, L04A, L04B, L04C, L10Z, L13A, L13B, L38Z		06	G18A, G38Z		21B	X06A, X06B, X06C	
	13	N11A		11	L03Z, L04A, L04B, L04C, L10Z, L13A, L13B, L38Z		5o210.4	06	G18A, G38Z
	21A	W04A, W04B		21A	W04A, W04B			11	L02A, L02B, L02C, L03Z, L04A, L04B, L04C, L10Z, L33Z, L38Z
	21B	X06A, X06B, X06C		5o20c.0↔	BOP, KVT, UOP4		5o210.x	12	M37Z, M38Z
		BOP, KVT, UOP4			06			G18A, G38Z	13
	5o207.4↔			BOP, KVT, UOP4	5o20c.4↔		11	L03Z, L04A, L04B, L04C, L10Z, L13A, L13B, L38Z	5o210.x
11		L03Z, L04A, L04B, L04C, L10Z, L13A, L13B, L38Z	06	G18A, G38Z		21B	X06A, X06B, X06C		
13		N11A	11	L03Z, L04A, L04B, L04C, L10Z, L13A, L13B, L38Z		5o210.4	06	G18A, G38Z	
21A		W04A, W04B	21A	W04A, W04B			11	L02A, L02B, L02C, L03Z, L04A, L04B, L04C, L10Z, L33Z, L38Z	
21B		X06A, X06B, X06C	5o20d.0↔	BOP, KVT, UOP4		5o210.x	12	M37Z, M38Z	
		BOP, KVT, UOP4		06			G18A, G38Z	13	
5o207.x↔			BOP, KVT, UOP4	5o20d.4↔		11	L03Z, L04A, L04B, L04C, L10Z, L13A, L13B, L38Z	5o210.x	
	11	L03Z, L04A, L04B, L04C, L10Z, L13A, L13B, L38Z	06		G18A, G38Z	21B	X06A, X06B, X06C		
	13	N11A	11		L03Z, L04A, L04B, L04C, L10Z, L13A, L13B, L38Z	5o210.4	06		G18A, G38Z
	21A	W04A, W04B	21A		W04A, W04B		11		L02A, L02B, L02C, L03Z, L04A, L04B, L04C, L10Z, L33Z, L38Z
	21B	X06A, X06B, X06C	5o20e.0↔		BOP, KVT, UOP4	5o210.x	12		M37Z, M38Z
		BOP, KVT, UOP4			06		G18A, G38Z		13
	5o208↔		BOP, KVT, UOP4		5o20e.4↔	11	L03Z, L04A, L04B, L04C, L10Z, L13A, L13B, L38Z		5o210.x
11		L03Z, L04A, L04B, L04C, L10Z, L13A, L13B, L38Z	06	G18A, G38Z		21B	X06A, X06B, X06C		
13		N11A	11	L03Z, L04A, L04B, L04C, L10Z, L13A, L13B, L38Z		5o210.4	06	G18A, G38Z	
21A		W04A, W04B	21A	W04A, W04B			11	L02A, L02B, L02C, L03Z, L04A, L04B, L04C, L10Z, L33Z, L38Z	
21B		X06A, X06B, X06C	5o20f.0↔	BOP, KVT, UOP4		5o210.x	12	M37Z, M38Z	
		BOP, KVT, UOP4		06			G18A, G38Z	13	
5o209.0↔			BOP, KVT, UOP4	5o20f.4↔		11	L03Z, L04A, L04B, L04C, L10Z, L13A, L13B, L38Z	5o210.x	
	06	G18A, G38Z	06		G18A, G38Z	21B	X06A, X06B, X06C		
	11	L03Z, L04A, L04B, L04C, L10Z, L13A, L13B, L38Z	11		L03Z, L04A, L04B, L04C, L10Z, L13A, L13B, L38Z	5o210.4	06		G18A, G38Z
	13	N11A	13		N11A		11		L02A, L02B, L02C, L03Z, L04A, L04B, L04C, L10Z, L33Z, L38Z
	21A	W04A, W04B	5o20g.0↔		BOP, KVT, UOP4	5o210.x	12		M37Z, M38Z
	21B	X06A, X06B, X06C			06		G18A, G38Z		13
	5o209.4↔		BOP, KVT, UOP4		5o20g.4↔	11	L03Z, L04A, L04B, L04C, L10Z, L13A, L13B, L38Z		5o210.x
06		G18A, G38Z	06	G18A, G38Z		21B	X06A, X06B, X06C		
11		L03Z, L04A, L04B, L04C, L10Z, L13A, L13B, L38Z	11	L03Z, L04A, L04B, L04C, L10Z, L13A, L13B, L38Z		5o210.4	06	G18A, G38Z	
13		N11A	13	N11A			11	L02A, L02B, L02C, L03Z, L04A, L04B, L04C, L10Z, L33Z, L38Z	
21A		W04A, W04B	5o20h.0↔	BOP, KVT, UOP4		5o210.x	12	M37Z, M38Z	
21B		X06A, X06B, X06C		06			G18A, G38Z	13	
		BOP, KVT, UOP4	5o20h.4↔	11		L03Z, L04A, L04B, L04C, L10Z, L13A, L13B, L38Z	5o210.4	21A	
06	G18A, G38Z	06		G18A, G38Z	21B	X06A, X06B, X06C			
	BOP, KVT, UOP4	5o20i.0↔	11	L03Z, L04A, L04B, L04C, L10Z, L13A, L13B, L38Z	5o210.4	06	G18A, G38Z		
11	L03Z, L04A, L04B, L04C, L10Z, L13A, L13B, L38Z		11	L03Z, L04A, L04B, L04C, L10Z, L13A, L13B, L38Z		11	L02A, L02B, L02C, L03Z, L04A, L04B, L04C, L10Z, L33Z, L38Z		
	BOP, KVT, UOP4	5o20i.4↔	13	N11A	5o210.4	12	M37Z, M38Z		
06	G18A, G38Z		21A	W04A, W04B		13	N01A, N01B, N01C, N01D, N01E, N34Z, N38Z		
	BOP, KVT, UOP4	5o20j.0↔	21B	X06A, X06B, X06C	5o210.4	21A	W04A, W04B		
11	L03Z, L04A, L04B, L04C, L10Z, L13A, L13B, L38Z		06	G18A, G38Z		21B	X06A, X06B, X06C		
	BOP, KVT, UOP4	5o20j.4↔	11	L03Z, L04A, L04B, L04C, L10Z, L13A, L13B, L38Z	5o210.4	06	G18A, G38Z		
13	N11A		11	L03Z, L04A, L04B, L04C, L10Z, L13A, L13B, L38Z		11	L02A, L02B, L02C, L03Z, L04A, L04B, L04C, L10Z, L33Z, L38Z		
21A	W04A, W04B	5o20k.0↔	21A	W04A, W04B	5o210.4	12	M37Z, M38Z		
21B	X06A, X06B, X06C		21B	X06A, X06B, X06C		13	N01A, N01B, N01C, N01D, N01E, N34Z, N38Z		

VYK

ZZV	MDC	DRG	ZZV	MDC	DRG	ZZV	MDC	DRG
5o211.4		BOP, KVT, MVV, UOP4	5o213.x		BOP, KVT, MVV, UOP4	5o215.4		BOP, KVT, MVV, UOP4
	06	G18A, G38Z		06	G18A, G38Z		06	G18A, G38Z
	11	L02A, L02B, L02C, L03Z, L04A, L04B, L04C, L10Z, L33Z, L38Z		11	L02A, L02B, L02C, L03Z, L04A, L04B, L04C, L10Z, L33Z, L38Z		11	L02A, L02B, L02C, L03Z, L04A, L04B, L04C, L10Z, L33Z, L38Z
	12	M37Z, M38Z		12	M37Z, M38Z		12	M06Z, M09A, M09B, M37Z, M38Z
	13	N01A, N01B, N01C, N01D, N01E, N34Z, N38Z		13	N01A, N01B, N01C, N01D, N01E, N34Z, N38Z		13	N01A, N01B, N01C, N01D, N01E, N11A, N11B, N34Z, N38Z
5o211.x	21A	W04A, W04B	5o214.0	21A	W04A, W04B	5o215.x	21A	W04A, W04B
	21B	X06A, X06B, X06C		21B	X06A, X06B, X06C		21B	X06A, X06B, X06C
		BOP, KVT, MVV, UOP4			BOP, KVT, MVV, UOP4			BOP, KVT, MVV, UOP4
	06	G18A, G38Z		06	G18A, G38Z		06	G18A, G38Z
	11	L02A, L02B, L02C, L03Z, L04A, L04B, L04C, L10Z, L33Z, L38Z		11	L02A, L02B, L02C, L03Z, L04A, L04B, L04C, L10Z, L33Z, L38Z		11	L02A, L02B, L02C, L03Z, L04A, L04B, L04C, L10Z, L33Z, L38Z
5o212.0	12	M37Z, M38Z	5o214.4	12	M06Z, M09A, M09B, M37Z, M38Z	5o216.0	12	M06Z, M09A, M09B, M37Z, M38Z
	13	N01A, N01B, N01C, N01D, N01E, N34Z, N38Z		13	N01A, N01B, N01C, N01D, N01E, N11A, N11B, N34Z, N38Z		13	N01A, N01B, N01C, N01D, N01E, N11A, N11B, N34Z, N38Z
	21A	W04A, W04B		17	R01A, R01B, R01C, R01D, R02Z, R12A, R12B, R12C		17	R01A, R01B, R01C, R01D, R02Z, R12A, R12B, R12C
	21B	X06A, X06B, X06C		21A	W04A, W04B		21A	W04A, W04B
		BOP, KVT, MVV, UOP4		21B	X06A, X06B, X06C		21B	X06A, X06B, X06C
5o212.4	06	G18A, G38Z	5o214.x	06	G18A, G38Z	5o216.4	06	G18A, G38Z
	11	L02A, L02B, L02C, L03Z, L04A, L04B, L04C, L10Z, L33Z, L38Z		11	L02A, L02B, L02C, L03Z, L04A, L04B, L04C, L10Z, L33Z, L38Z		11	L02A, L02B, L02C, L03Z, L04A, L04B, L04C, L10Z, L33Z, L38Z
	12	M37Z, M38Z		12	M06Z, M09A, M09B, M37Z, M38Z		12	M06Z, M09A, M09B, M37Z, M38Z
	13	N01A, N01B, N01C, N01D, N01E, N34Z, N38Z		13	N01A, N01B, N01C, N01D, N01E, N11A, N11B, N34Z, N38Z		13	N01A, N01B, N01C, N01D, N01E, N11A, N11B, N34Z, N38Z
	21A	W04A, W04B		17	R01A, R01B, R01C, R01D, R02Z, R12A, R12B, R12C		17	R01A, R01B, R01C, R01D, R02Z, R12A, R12B, R12C
5o212.x	21B	X06A, X06B, X06C	5o215.0	21A	W04A, W04B	5o216.x	21A	W04A, W04B
		BOP, KVT, MVV, UOP4		21B	X06A, X06B, X06C		21B	X06A, X06B, X06C
	06	G18A, G38Z		06	G18A, G38Z		06	G18A, G38Z
	11	L02A, L02B, L02C, L03Z, L04A, L04B, L04C, L10Z, L33Z, L38Z		11	L02A, L02B, L02C, L03Z, L04A, L04B, L04C, L10Z, L33Z, L38Z		11	L02A, L02B, L02C, L03Z, L04A, L04B, L04C, L10Z, L33Z, L38Z
	12	M37Z, M38Z		12	M06Z, M09A, M09B, M37Z, M38Z		12	M06Z, M09A, M09B, M37Z, M38Z
5o213.0	13	N01A, N01B, N01C, N01D, N01E, N34Z, N38Z	5o215.4	13	N01A, N01B, N01C, N01D, N01E, N11A, N11B, N34Z, N38Z	5o216.4	13	N01A, N01B, N01C, N01D, N01E, N11A, N11B, N34Z, N38Z
	21A	W04A, W04B		17	R01A, R01B, R01C, R01D, R02Z, R12A, R12B, R12C		17	R01A, R01B, R01C, R01D, R02Z, R12A, R12B, R12C
	21B	X06A, X06B, X06C		21A	W04A, W04B		21A	W04A, W04B
		BOP, KVT, MVV, UOP4		21B	X06A, X06B, X06C		21B	X06A, X06B, X06C
	06	G18A, G38Z		06	G18A, G38Z		06	G18A, G38Z
5o213.4	11	L02A, L02B, L02C, L03Z, L04A, L04B, L04C, L10Z, L33Z, L38Z	5o215.0	11	L02A, L02B, L02C, L03Z, L04A, L04B, L04C, L10Z, L33Z, L38Z	5o216.x	11	L02A, L02B, L02C, L03Z, L04A, L04B, L04C, L10Z, L33Z, L38Z
	12	M37Z, M38Z		12	M06Z, M09A, M09B, M37Z, M38Z		12	M06Z, M09A, M09B, M37Z, M38Z
	13	N01A, N01B, N01C, N01D, N01E, N34Z, N38Z		13	N01A, N01B, N01C, N01D, N01E, N11A, N11B, N34Z, N38Z		13	N01A, N01B, N01C, N01D, N01E, N11A, N11B, N34Z, N38Z
	21A	W04A, W04B		17	R01A, R01B, R01C, R01D, R02Z, R12A, R12B, R12C		17	R01A, R01B, R01C, R01D, R02Z, R12A, R12B, R12C
	21B	X06A, X06B, X06C		21A	W04A, W04B		21A	W04A, W04B
	BOP, KVT, MVV, UOP4	21B	X06A, X06B, X06C	21B	X06A, X06B, X06C			
5o213.x	06	G18A, G38Z	5o215.0	06	G18A, G38Z	5o216.x	06	G18A, G38Z
	11	L02A, L02B, L02C, L03Z, L04A, L04B, L04C, L10Z, L33Z, L38Z		11	L02A, L02B, L02C, L03Z, L04A, L04B, L04C, L10Z, L33Z, L38Z		11	L02A, L02B, L02C, L03Z, L04A, L04B, L04C, L10Z, L33Z, L38Z
	12	M37Z, M38Z		12	M06Z, M09A, M09B, M37Z, M38Z		12	M06Z, M09A, M09B, M37Z, M38Z
	13	N01A, N01B, N01C, N01D, N01E, N34Z, N38Z		13	N01A, N01B, N01C, N01D, N01E, N11A, N11B, N34Z, N38Z		13	N01A, N01B, N01C, N01D, N01E, N11A, N11B, N34Z, N38Z
	21A	W04A, W04B		17	R01A, R01B, R01C, R01D, R02Z, R12A, R12B, R12C		17	R01A, R01B, R01C, R01D, R02Z, R12A, R12B, R12C
21B	X06A, X06B, X06C	21A	W04A, W04B	21A	W04A, W04B			
	BOP, KVT, MVV, UOP4	21B	X06A, X06B, X06C	21B	X06A, X06B, X06C			



ZZV	MDC	DRG	ZZV	MDC	DRG	ZZV	MDC	DRG
5o217.0		BOP, KVT, MVV, UOP4	5o21a.x		BOP, KVT, MVV, UOP4	5o21c.x		BOP, KVT, MVV, UOP4
	06	G18A, G38Z		06	G18A, G38Z		06	G18A, G38Z
	11	L02A, L02B, L02C, L03Z, L04A, L04B, L04C, L10Z, L33Z, L38Z		11	L02A, L02B, L02C, L03Z, L04A, L04B, L04C, L10Z, L33Z, L38Z		11	L02A, L02B, L02C, L03Z, L04A, L04B, L04C, L10Z, L33Z, L38Z
	12	M37Z, M38Z		12	M06Z, M09A, M09B, M37Z, M38Z		12	M37Z, M38Z
	13	N01A, N01B, N01C, N01D, N01E, N34Z, N38Z		13	N01A, N01B, N01C, N01D, N01E, N11A, N11B, N34Z, N38Z		13	N01A, N01B, N01C, N01D, N01E, N34Z, N38Z
5o217.4	21A	W04A, W04B	5o21b.0	17	R01A, R01B, R01C, R01D, R02Z, R12A, R12B, R12C	5o21x.0	21A	W04A, W04B
	21B	X06A, X06B, X06C		21A	W04A, W04B		21A	W04A, W04B
		BOP, KVT, MVV, UOP4		21B	X06A, X06B, X06C		21B	X06A, X06B, X06C
	06	G18A, G38Z			BOP, KVT, MVV, UOP4		06	G18A, G38Z
	11	L02A, L02B, L02C, L03Z, L04A, L04B, L04C, L10Z, L33Z, L38Z		06	G18A, G38Z		11	L02A, L02B, L02C, L03Z, L04A, L04B, L04C, L10Z, L33Z, L38Z
5o217.x	12	M37Z, M38Z	5o21b.4	11	L02A, L02B, L02C, L03Z, L04A, L04B, L04C, L10Z, L33Z, L38Z	5o21x.4	12	M37Z, M38Z
	13	N01A, N01B, N01C, N01D, N01E, N34Z, N38Z		12	M37Z, M38Z		13	N01A, N01B, N01C, N01D, N01E, N34Z, N38Z
	21A	W04A, W04B		13	N01A, N01B, N01C, N01D, N01E, N34Z, N38Z		21A	W04A, W04B
	21B	X06A, X06B, X06C		11	L02A, L02B, L02C, L03Z, L04A, L04B, L04C, L10Z, L33Z, L38Z		21A	W04A, W04B
		BOP, KVT, MVV, UOP4		12	M37Z, M38Z		21B	X06A, X06B, X06C
5o21a.0	06	G18A, G38Z	5o21b.x	13	N01A, N01B, N01C, N01D, N01E, N34Z, N38Z	5o21x.x	06	G18A, G38Z
	11	L02A, L02B, L02C, L03Z, L04A, L04B, L04C, L10Z, L33Z, L38Z		21A	W04A, W04B		11	L02A, L02B, L02C, L03Z, L04A, L04B, L04C, L10Z, L33Z, L38Z
	12	M06Z, M09A, M09B, M37Z, M38Z		21B	X06A, X06B, X06C		12	M37Z, M38Z
	13	N01A, N01B, N01C, N01D, N01E, N11A, N11B, N34Z, N38Z		06	G18A, G38Z		13	N01A, N01B, N01C, N01D, N01E, N34Z, N38Z
	17	R01A, R01B, R01C, R01D, R02Z, R12A, R12B, R12C		11	L02A, L02B, L02C, L03Z, L04A, L04B, L04C, L10Z, L33Z, L38Z		21A	W04A, W04B
5o21a.4	21A	W04A, W04B	5o21c.0	12	M37Z, M38Z	5o220.0	21B	X06A, X06B, X06C
	21B	X06A, X06B, X06C		13	N01A, N01B, N01C, N01D, N01E, N34Z, N38Z		06	G18A, G38Z
		BOP, KVT, MVV, UOP4		21A	W04A, W04B		11	L03Z, L04A, L04B, L04C, L10Z, L13A, L13B, L33Z, L38Z
	06	G18A, G38Z		21B	X06A, X06B, X06C		12	M06Z, M09A, M09B, M37Z, M38Z
	11	L02A, L02B, L02C, L03Z, L04A, L04B, L04C, L10Z, L33Z, L38Z			BOP, KVT, MVV, UOP4		13	N01A, N01B, N01C, N01D, N01E, N11A, N11B, N34Z, N38Z
5o21a.4	12	M06Z, M09A, M09B, M37Z, M38Z	5o21c.4	12	M37Z, M38Z	5o220.4	17	R01A, R01B, R01C, R01D, R02Z, R12A, R12B, R12C
	13	N01A, N01B, N01C, N01D, N01E, N11A, N11B, N34Z, N38Z		13	N01A, N01B, N01C, N01D, N01E, N34Z, N38Z		21A	W04A, W04B
	17	R01A, R01B, R01C, R01D, R02Z, R12A, R12B, R12C		21A	W04A, W04B		21B	X06A, X06B, X06C
	21A	W04A, W04B		06	G18A, G38Z		06	G18A, G38Z
	21B	X06A, X06B, X06C		11	L02A, L02B, L02C, L03Z, L04A, L04B, L04C, L10Z, L33Z, L38Z		11	L03Z, L04A, L04B, L04C, L10Z, L13A, L13B, L33Z, L38Z
		12	M37Z, M38Z	12	M06Z, M09A, M09B, M37Z, M38Z			
		13	N01A, N01B, N01C, N01D, N01E, N34Z, N38Z	13	N01A, N01B, N01C, N01D, N01E, N08Z, N34Z, N38Z			
		21A	W04A, W04B	17	R01A, R01B, R01C, R01D, R02Z, R12A, R12B, R12C			
		21B	X06A, X06B, X06C	21A	W04A, W04B			
				21B	X06A, X06B, X06C			

ZZV	MDC	DRG	ZZV	MDC	DRG	ZZV	MDC	DRG
5o220.x		BOP, KVT, MVV, UOP4	5o222.4		BOP, KVT, MVV, UOP4	5o224.0		BOP, KVT, MVV, UOP4
	06	G18A, G38Z		06	G18A, G38Z		06	G18A, G38Z
	11	L03Z, L04A, L04B, L04C, L10Z, L13A, L13B, L33Z, L38Z		11	L03Z, L04A, L04B, L04C, L10Z, L13A, L13B, L33Z, L38Z		11	L03Z, L04A, L04B, L04C, L10Z, L13A, L13B, L33Z, L38Z
	12	M06Z, M09A, M09B, M37Z, M38Z		12	M06Z, M09A, M09B, M37Z, M38Z		12	M06Z, M09A, M09B, M37Z, M38Z
	13	N01A, N01B, N01C, N01D, N01E, N11A, N11B, N34Z, N38Z		13	N01A, N01B, N01C, N01D, N01E, N11A, N11B, N34Z, N38Z		13	N01A, N01B, N01C, N01D, N01E, N11A, N11B, N34Z, N38Z
	17	R01A, R01B, R01C, R01D, R02Z, R12A, R12B, R12C		17	R01A, R01B, R01C, R01D, R02Z, R12A, R12B, R12C		17	R01A, R01B, R01C, R01D, R02Z, R12A, R12B, R12C
	21A	W04A, W04B		21A	W04A, W04B		21A	W04A, W04B
5o221.0	21B	X06A, X06B, X06C	5o222.x	21B	X06A, X06B, X06C	5o224.4	21B	X06A, X06B, X06C
		BOP, KVT, MVV, UOP4			BOP, KVT, MVV, UOP4			BOP, KVT, MVV, UOP4
	06	G18A, G38Z		06	G18A, G38Z		06	G18A, G38Z
	11	L03Z, L04A, L04B, L04C, L10Z, L13A, L13B, L33Z, L38Z		11	L03Z, L04A, L04B, L04C, L10Z, L13A, L13B, L33Z, L38Z		11	L03Z, L04A, L04B, L04C, L10Z, L13A, L13B, L33Z, L38Z
	12	M06Z, M09A, M09B, M37Z, M38Z		12	M06Z, M09A, M09B, M37Z, M38Z		12	M06Z, M09A, M09B, M37Z, M38Z
	13	N01A, N01B, N01C, N01D, N01E, N11A, N11B, N34Z, N38Z		13	N01A, N01B, N01C, N01D, N01E, N11A, N11B, N34Z, N38Z		13	N01A, N01B, N01C, N01D, N01E, N11A, N11B, N34Z, N38Z
	17	R01A, R01B, R01C, R01D, R02Z, R12A, R12B, R12C		17	R01A, R01B, R01C, R01D, R02Z, R12A, R12B, R12C		17	R01A, R01B, R01C, R01D, R02Z, R12A, R12B, R12C
5o221.4	21A	W04A, W04B	5o223.0	21A	W04A, W04B	5o224.x	21A	W04A, W04B
	21B	X06A, X06B, X06C		21B	X06A, X06B, X06C		21B	X06A, X06B, X06C
		BOP, KVT, MVV, UOP4			BOP, KVT, MVV, UOP4			BOP, KVT, MVV, UOP4
	06	G18A, G38Z		06	G18A, G38Z		06	G18A, G38Z
	11	L03Z, L04A, L04B, L04C, L10Z, L13A, L13B, L33Z, L38Z		11	L03Z, L04A, L04B, L04C, L10Z, L13A, L13B, L33Z, L38Z		11	L03Z, L04A, L04B, L04C, L10Z, L13A, L13B, L33Z, L38Z
	12	M06Z, M09A, M09B, M37Z, M38Z		12	M06Z, M09A, M09B, M37Z, M38Z		12	M06Z, M09A, M09B, M37Z, M38Z
	13	N01A, N01B, N01C, N01D, N01E, N08Z, N34Z, N38Z		13	N01A, N01B, N01C, N01D, N01E, N11A, N11B, N34Z, N38Z		13	N01A, N01B, N01C, N01D, N01E, N11A, N11B, N34Z, N38Z
5o221.x	17	R01A, R01B, R01C, R01D, R02Z, R12A, R12B, R12C	5o223.4	17	R01A, R01B, R01C, R01D, R02Z, R12A, R12B, R12C	5o225.0	17	R01A, R01B, R01C, R01D, R02Z, R12A, R12B, R12C
	21A	W04A, W04B		21A	W04A, W04B		21A	W04A, W04B
	21B	X06A, X06B, X06C		21B	X06A, X06B, X06C		21B	X06A, X06B, X06C
		BOP, KVT, MVV, UOP4			BOP, KVT, MVV, UOP4			BOP, KVT, MVV, UOP4
	06	G18A, G38Z		06	G18A, G38Z		06	G18A, G38Z
	11	L03Z, L04A, L04B, L04C, L10Z, L13A, L13B, L33Z, L38Z		11	L03Z, L04A, L04B, L04C, L10Z, L13A, L13B, L33Z, L38Z		11	L03Z, L04A, L04B, L04C, L10Z, L13A, L13B, L33Z, L38Z
	12	M06Z, M09A, M09B, M37Z, M38Z		12	M06Z, M09A, M09B, M37Z, M38Z		12	M37Z, M38Z
5o222.0	13	N01A, N01B, N01C, N01D, N01E, N11A, N11B, N34Z, N38Z	5o223.x	13	N01A, N01B, N01C, N01D, N01E, N11A, N11B, N34Z, N38Z	5o225.4	13	N01A, N01B, N01C, N01D, N01E, N34Z, N38Z
	17	R01A, R01B, R01C, R01D, R02Z, R12A, R12B, R12C		17	R01A, R01B, R01C, R01D, R02Z, R12A, R12B, R12C		21A	W04A, W04B
	21A	W04A, W04B		21A	W04A, W04B		21B	X06A, X06B, X06C
	21B	X06A, X06B, X06C		21B	X06A, X06B, X06C			BOP, KVT, MVV, UOP4
		BOP, KVT, MVV, UOP4			BOP, KVT, MVV, UOP4		06	G18A, G38Z
	06	G18A, G38Z		06	G18A, G38Z		11	L03Z, L04A, L04B, L04C, L10Z, L13A, L13B, L33Z, L38Z
	11	L03Z, L04A, L04B, L04C, L10Z, L13A, L13B, L33Z, L38Z		11	L03Z, L04A, L04B, L04C, L10Z, L13A, L13B, L33Z, L38Z		12	M37Z, M38Z
5o222.4	12	M06Z, M09A, M09B, M37Z, M38Z	5o224.x	12	M06Z, M09A, M09B, M37Z, M38Z	5o225.4	13	N01A, N01B, N01C, N01D, N01E, N34Z, N38Z
	13	N01A, N01B, N01C, N01D, N01E, N11A, N11B, N34Z, N38Z		13	N01A, N01B, N01C, N01D, N01E, N11A, N11B, N34Z, N38Z		21A	W04A, W04B
	17	R01A, R01B, R01C, R01D, R02Z, R12A, R12B, R12C		17	R01A, R01B, R01C, R01D, R02Z, R12A, R12B, R12C		21B	X06A, X06B, X06C
	21A	W04A, W04B		21A	W04A, W04B			
	21B	X06A, X06B, X06C		21B	X06A, X06B, X06C			
		BOP, KVT, MVV, UOP4			BOP, KVT, MVV, UOP4			
	06	G18A, G38Z		06	G18A, G38Z			

VYK

ZZV	MDC	DRG	ZZV	MDC	DRG	ZZV	MDC	DRG
5o225.x		BOP, KVT, MVV, UOP4	5o230.4		BOP, KVT, UOP4	5o232.1		BOP, KVT, UOP4
	06	G18A, G38Z		06	G18A, G38Z		06	G18A, G38Z
	11	L03Z, L04A, L04B, L04C, L10Z, L13A, L13B, L33Z, L38Z		11	L03Z, L04A, L04B, L04C, L10Z, L13A, L13B, L33Z, L38Z		11	L03Z, L04A, L04B, L04C, L10Z, L13A, L13B, L33Z, L38Z
	12	M37Z, M38Z		12	M06Z, M09A, M09B, M38Z		12	M06Z, M09A, M09B, M38Z
	13	N01A, N01B, N01C, N01D, N01E, N34Z, N38Z		13	N11A		13	N11A, N11B
5o22x.0	21A	W04A, W04B	5o230.x	17	R01A, R01B, R01C, R01D, R02Z, R12A, R12B, R12C	5o232.2	17	R01A, R01B, R01C, R01D, R02Z, R12A, R12B, R12C
	21B	X06A, X06B, X06C		21A	W04A, W04B		21A	W04A, W04B
		BOP, KVT, MVV, UOP4		21B	X06A, X06B, X06C		21B	X06A, X06B, X06C
	06	G18A, G38Z			BOP, KVT, UOP4			BOP, KVT, UOP4
	11	L03Z, L04A, L04B, L04C, L10Z, L13A, L13B, L33Z, L38Z		06	G18A, G38Z		06	G18A, G38Z
5o22x.4	12	M37Z, M38Z	5o231.1	11	L03Z, L04A, L04B, L04C, L10Z, L13A, L13B, L33Z, L38Z	5o232.4	11	L03Z, L04A, L04B, L04C, L10Z, L13A, L13B, L33Z, L38Z
	13	N01A, N01B, N01C, N01D, N01E, N34Z, N38Z		12	M06Z, M09A, M09B, M38Z		12	M06Z, M09A, M09B, M38Z
	21A	W04A, W04B		13	N11A		13	N11A, N11B
	21B	X06A, X06B, X06C		17	R01A, R01B, R01C, R01D, R02Z, R12A, R12B, R12C		17	R01A, R01B, R01C, R01D, R02Z, R12A, R12B, R12C
	06	G18A, G38Z		21A	W04A, W04B		21A	W04A, W04B
5o22x.x	11	L03Z, L04A, L04B, L04C, L10Z, L13A, L13B, L33Z, L38Z	5o231.2	21B	X06A, X06B, X06C	5o232.x	21B	X06A, X06B, X06C
	12	M37Z, M38Z			BOP, KVT, UOP4			BOP, KVT, UOP4
	13	N01A, N01B, N01C, N01D, N01E, N34Z, N38Z		06	G18A, G38Z		06	G18A, G38Z
	21A	W04A, W04B		11	L03Z, L04A, L04B, L04C, L10Z, L13A, L13B, L33Z, L38Z		11	L03Z, L04A, L04B, L04C, L10Z, L13A, L13B, L33Z, L38Z
	21B	X06A, X06B, X06C		12	M06Z, M09A, M09B, M38Z		12	M06Z, M09A, M09B, M38Z
5o230.1		BOP, KVT, UOP4	5o231.4	13	N11A	5o233.1	13	N11A, N11B
	06	G18A, G38Z		17	R01A, R01B, R01C, R01D, R02Z, R12A, R12B, R12C		17	R01A, R01B, R01C, R01D, R02Z, R12A, R12B, R12C
	11	L03Z, L04A, L04B, L04C, L10Z, L13A, L13B, L33Z, L38Z		21A	W04A, W04B		21A	W04A, W04B
	12	M06Z, M09A, M09B, M38Z		21B	X06A, X06B, X06C		21B	X06A, X06B, X06C
	13	N11A			BOP, KVT, UOP4			BOP, KVT, UOP4
5o230.2	17	R01A, R01B, R01C, R01D, R02Z, R12A, R12B, R12C	5o231.x	06	G18A, G38Z	5o233.2	06	G18A, G38Z
	21A	W04A, W04B		11	L03Z, L04A, L04B, L04C, L10Z, L13A, L13B, L33Z, L38Z		11	L03Z, L04A, L04B, L04C, L10Z, L13A, L13B, L33Z, L38Z
	21B	X06A, X06B, X06C		12	M06Z, M09A, M09B, M38Z		12	M06Z, M09A, M09B, M38Z
	06	G18A, G38Z		13	N08Z		13	N11A, N11B
	11	L03Z, L04A, L04B, L04C, L10Z, L13A, L13B, L33Z, L38Z		17	R01A, R01B, R01C, R01D, R02Z, R12A, R12B, R12C		17	R01A, R01B, R01C, R01D, R02Z, R12A, R12B, R12C
	BOP, KVT, UOP4		BOP, KVT, UOP4		BOP, KVT, UOP4		BOP, KVT, UOP4	
	G18A, G38Z		G18A, G38Z		G18A, G38Z		G18A, G38Z	
	L03Z, L04A, L04B, L04C, L10Z, L13A, L13B, L33Z, L38Z		L03Z, L04A, L04B, L04C, L10Z, L13A, L13B, L33Z, L38Z		L03Z, L04A, L04B, L04C, L10Z, L13A, L13B, L33Z, L38Z		L03Z, L04A, L04B, L04C, L10Z, L13A, L13B, L33Z, L38Z	
	M06Z, M09A, M09B, M38Z		M06Z, M09A, M09B, M38Z		M06Z, M09A, M09B, M38Z		M06Z, M09A, M09B, M38Z	
	N11A		N11A		N11A, N11B		N11A, N11B	
	R01A, R01B, R01C, R01D, R02Z, R12A, R12B, R12C		R01A, R01B, R01C, R01D, R02Z, R12A, R12B, R12C		R01A, R01B, R01C, R01D, R02Z, R12A, R12B, R12C		R01A, R01B, R01C, R01D, R02Z, R12A, R12B, R12C	
	W04A, W04B		W04A, W04B		W04A, W04B		W04A, W04B	
	X06A, X06B, X06C		X06A, X06B, X06C		X06A, X06B, X06C		X06A, X06B, X06C	



ZZV	MDC	DRG	ZZV	MDC	DRG	ZZV	MDC	DRG
5o260.1↔		BOP, KVT, UOP4	5o263↔		BOP, KVT, UOP4	5o280.0		BOP, KVT, UOP4
	11	L03Z, L04A, L04B, L04C, L10Z, L13A, L13B, L38Z		11	L03Z, L04A, L04B, L04C, L10Z, L13A, L13B, L38Z		06	G18A, G38Z
	12	M06Z, M09A, M09B, M38Z		21A	W04A, W04B		11	L03Z, L04A, L04B, L04C, L10Z, L13A, L13B, L33Z, L38Z
	13	N11A		21B	X06A, X06B, X06C		12	M06Z, M09A, M09B, M37Z, M38Z
	21A	W04A, W04B		5o264↔			BOP, KVT, UOP4	13
5o260.2↔	21B	X06A, X06B, X06C	11	L03Z, L04A, L04B, L04C, L10Z, L13A, L13B, L38Z	17	R01A, R01B, R01C, R01D, R02Z, R12A, R12B, R12C		
		BOP, KVT, UOP4	21A	W04A, W04B	21A	W04A, W04B		
	11	L03Z, L04A, L04B, L04C, L10Z, L13A, L13B, L38Z	21B	X06A, X06B, X06C	21B	X06A, X06B, X06C		
	12	M06Z, M09A, M09B, M38Z	5o265↔		BOP, KVT, UOP4	BOP, KVT, UOP4		
	13	N11A	11	L03Z, L04A, L04B, L04C, L10Z, L13A, L13B, L38Z	06	G18A, G38Z		
5o260.4↔	21A	W04A, W04B	21A	W04A, W04B	11	L03Z, L04A, L04B, L04C, L10Z, L13A, L13B, L33Z, L38Z		
	21B	X06A, X06B, X06C	21B	X06A, X06B, X06C	12	M06Z, M09A, M09B, M37Z, M38Z		
		BOP, KVT, UOP4	5o26x.1↔		BOP, KVT, UOP4	13	N01A, N01B, N01C, N01D, N01E, N11A, N11B, N34Z, N38Z	
	11	L03Z, L04A, L04B, L04C, L10Z, L13A, L13B, L38Z	11	L03Z, L04A, L04B, L04C, L10Z, L13A, L13B, L38Z	17	R01A, R01B, R01C, R01D, R02Z, R12A, R12B, R12C		
	12	M06Z, M09A, M09B, M38Z	21A	W04A, W04B	21A	W04A, W04B		
5o260.x↔	21B	X06A, X06B, X06C	21B	X06A, X06B, X06C	21B	X06A, X06B, X06C		
		BOP, KVT, UOP4	5o26x.2↔		BOP, KVT, UOP4	BOP, KVT, UOP4		
	11	L03Z, L04A, L04B, L04C, L10Z, L13A, L13B, L38Z	11	L03Z, L04A, L04B, L04C, L10Z, L13A, L13B, L38Z	06	G18A, G38Z		
	12	M06Z, M09A, M09B, M38Z	21A	W04A, W04B	11	L03Z, L04A, L04B, L04C, L10Z, L13A, L13B, L33Z, L38Z		
	13	N11A	21B	X06A, X06B, X06C	12	M06Z, M09A, M09B, M37Z, M38Z		
5o261.1↔	21A	W04A, W04B	5o26x.4↔		BOP, KVT, UOP4	13	N01A, N01B, N01C, N01D, N01E, N11A, N11B, N34Z, N38Z	
	21B	X06A, X06B, X06C	11	L03Z, L04A, L04B, L04C, L10Z, L13A, L13B, L38Z	17	R01A, R01B, R01C, R01D, R02Z, R12A, R12B, R12C		
		BOP, KVT, UOP4	21A	W04A, W04B	21A	W04A, W04B		
	11	L03Z, L04A, L04B, L04C, L10Z, L13A, L13B, L38Z	21B	X06A, X06B, X06C	21B	X06A, X06B, X06C		
	21A	W04A, W04B	5o26x.x↔		BOP, KVT, UOP4	BOP, KVT, UOP4		
5o261.2↔	21B	X06A, X06B, X06C	11	L03Z, L04A, L04B, L04C, L10Z, L13A, L13B, L38Z	06	G18A, G38Z		
		BOP, KVT, UOP4	21A	W04A, W04B	11	L03Z, L04A, L04B, L04C, L10Z, L13A, L13B, L33Z, L38Z		
	11	L03Z, L04A, L04B, L04C, L10Z, L13A, L13B, L38Z	21B	X06A, X06B, X06C	12	M06Z, M09A, M09B, M37Z, M38Z		
	21A	W04A, W04B	5o270.0↔		BOP, KVT, UOP4	13	N01A, N01B, N01C, N01D, N01E, N11A, N11B, N34Z, N38Z	
	21B	X06A, X06B, X06C	11	L03Z, L04A, L04B, L04C, L10Z, L13A, L13B, L38Z	17	R01A, R01B, R01C, R01D, R02Z, R12A, R12B, R12C		
5o261.4↔		BOP, KVT, UOP4	21A	W04A, W04B	21A	W04A, W04B		
	11	L03Z, L04A, L04B, L04C, L10Z, L13A, L13B, L38Z	21B	X06A, X06B, X06C	21B	X06A, X06B, X06C		
	21A	W04A, W04B	5o270.2‡↔		L18A, L18B, L19Z, L20A, L20B, L20C, L38Z	BOP, KVT, UOP4		
	21B	X06A, X06B, X06C	11	L18A, L18B, L19Z, L20A, L20B, L20C, L38Z	06	G18A, G38Z		
		BOP, KVT, UOP4	5o270.t‡↔		L18A, L18B, L19Z, L20A, L20B, L20C, L38Z	11	L03Z, L04A, L04B, L04C, L10Z, L13A, L13B, L33Z, L38Z	
5o261.x↔	11	L03Z, L04A, L04B, L04C, L10Z, L13A, L13B, L38Z	5o271.0↔		BOP, KVT, UOP4	12	M06Z, M09A, M09B, M37Z, M38Z	
	21A	W04A, W04B	11	L03Z, L04A, L04B, L04C, L10Z, L13A, L13B, L38Z	13	N01A, N01B, N01C, N01D, N01E, N08Z, N34Z, N38Z		
	21B	X06A, X06B, X06C	12	M06Z, M09A, M09B, M38Z	17	R01A, R01B, R01C, R01D, R02Z, R12A, R12B, R12C		
		BOP, KVT, UOP4	13	N11A	21A	W04A, W04B		
	11	L03Z, L04A, L04B, L04C, L10Z, L13A, L13B, L38Z	21A	W04A, W04B	21B	X06A, X06B, X06C		
5o262.1↔	21B	X06A, X06B, X06C	21B	X06A, X06B, X06C	06	G18A, G38Z		
		BOP, KVT, UOP4	5o271.2↔		L18A, L18B, L19Z, L20A, L20B, L20C, L38Z	11	L03Z, L04A, L04B, L04C, L10Z, L13A, L13B, L33Z, L38Z	
	11	L03Z, L04A, L04B, L04C, L10Z, L13A, L13B, L38Z	11	L18A, L18B, L19Z, L20A, L20B, L20C, L38Z	12	M06Z, M09A, M09B, M37Z, M38Z		
	21A	W04A, W04B	12	M06Z, M09A, M09B, M38Z	13	N01A, N01B, N01C, N01D, N01E, N08Z, N34Z, N38Z		
	21B	X06A, X06B, X06C	13	N11A	17	R01A, R01B, R01C, R01D, R02Z, R12A, R12B, R12C		
5o262.2↔		BOP, KVT, UOP4	21A	W04A, W04B	21A	W04A, W04B		
	11	L03Z, L04A, L04B, L04C, L10Z, L13A, L13B, L38Z	21B	X06A, X06B, X06C	21B	X06A, X06B, X06C		
	21A	W04A, W04B	5o271.t↔		BOP, KVT, UOP4	BOP, KVT, UOP4		
	21B	X06A, X06B, X06C	11	L18A, L18B, L19Z, L20A, L20B, L20C, L38Z	06	G18A, G38Z		
		BOP, KVT, UOP4	12	M06Z, M09A, M09B, M38Z	11	L03Z, L04A, L04B, L04C, L10Z, L13A, L13B, L33Z, L38Z		
5o262.4↔	11	L03Z, L04A, L04B, L04C, L10Z, L13A, L13B, L38Z	5o272.t‡↔		L64A, L74Z	12	M06Z, M09A, M09B, M37Z, M38Z	
	21A	W04A, W04B	5o273.t‡↔		L64A, L74Z	13	N01A, N01B, N01C, N01D, N01E, N11A, N11B, N34Z, N38Z	
	21B	X06A, X06B, X06C	5o274.4↔		BOP, KVT, UOP4	17	R01A, R01B, R01C, R01D, R02Z, R12A, R12B, R12C	
		BOP, KVT, UOP4	11	L18A, L18B, L19Z, L20A, L20B, L20C, L38Z	21A	W04A, W04B		
	11	L03Z, L04A, L04B, L04C, L10Z, L13A, L13B, L38Z	12	M06Z, M09A, M09B, M38Z	21B	X06A, X06B, X06C		
5o262.x↔	21A	W04A, W04B	5o27x‡↔		L64A, L74Z			
	21B	X06A, X06B, X06C	11	L64A, L74Z				
		BOP, KVT, UOP4	12	M06Z, M09A, M09B, M38Z				
	11	L03Z, L04A, L04B, L04C, L10Z, L13A, L13B, L38Z	11	L64A, L74Z				
	21A	W04A, W04B						
21B	X06A, X06B, X06C							

ZZV	MDC	DRG	ZZV	MDC	DRG	ZZV	MDC	DRG
5o282.4		BOP, KVT, UOP4	5o291.x↔		BOP, KVT, UOP4	5o294.4↔		BOP, KVT, UOP4
	06	G18A, G38Z		11	L03Z, L04A, L04B, L04C, L10Z, L13A, L13B, L38Z		11	L03Z, L04A, L04B, L04C, L10Z, L13A, L13B, L38Z
	11	L03Z, L04A, L04B, L04C, L10Z, L13A, L13B, L33Z, L38Z		21A	W04A, W04B		12	M06Z, M09A, M09B, M38Z
	12	M06Z, M09A, M09B, M37Z, M38Z	5o292.0↔		X06A, X06B, X06C		13	N08Z
	13	N01A, N01B, N01C, N01D, N01E, N08Z, N34Z, N38Z		11	BOP, KVT, UOP4		17	R01A, R01B, R01C, R01D, R02Z, R12A, R12B, R12C
	17	R01A, R01B, R01C, R01D, R02Z, R12A, R12B, R12C		11	L03Z, L04A, L04B, L04C, L10Z, L13A, L13B, L38Z		21A	W04A, W04B
	21A	W04A, W04B	5o292.4↔		L03Z, L04A, L04B, L04C, L10Z, L13A, L13B, L38Z	5o294.x↔	21B	X06A, X06B, X06C
	21B	X06A, X06B, X06C		21A	W04A, W04B		BOP, KVT, UOP4	
5o283		BOP, KVT, UOP4	5o292.t↔		X06A, X06B, X06C		11	L03Z, L04A, L04B, L04C, L10Z, L13A, L13B, L38Z
	06	G18A, G38Z		11	BOP, KVT, UOP4		12	M06Z, M09A, M09B, M38Z
	11	L03Z, L04A, L04B, L04C, L10Z, L13A, L13B, L33Z, L38Z		11	L03Z, L04A, L04B, L04C, L10Z, L13A, L13B, L38Z		13	N11A, N11B
	12	M37Z, M38Z		21A	W04A, W04B		17	R01A, R01B, R01C, R01D, R02Z, R12A, R12B, R12C
	13	N01A, N01B, N01C, N01D, N01E, N34Z, N38Z	5o292.x↔		L03Z, L04A, L04B, L04C, L10Z, L13A, L13B, L38Z	5o295.0↔	21A	W04A, W04B
	21A	W04A, W04B		21A	W04A, W04B		21B	X06A, X06B, X06C
	21B	X06A, X06B, X06C		21B	X06A, X06B, X06C		11	L03Z, L04A, L04B, L04C, L10Z, L13A, L13B, L38Z
5o284		BOP, KVT, UOP4	5o292.x↔		BOP, KVT, UOP4		12	M06Z, M09A, M09B, M38Z
	06	G18A, G38Z		11	L03Z, L04A, L04B, L04C, L10Z, L13A, L13B, L38Z		13	N01A, N01B, N01C, N01D, N01E, N02A, N02B, N02C, N03A, N03B, N04Z, N14Z, N21Z, N38Z
	11	L03Z, L04A, L04B, L04C, L10Z, L13A, L13B, L33Z, L38Z	5o293.0↔		L03Z, L04A, L04B, L04C, L10Z, L13A, L13B, L38Z		17	R01A, R01B, R01C, R01D, R02Z, R12A, R12B, R12C
	12	M06Z, M09A, M09B, M37Z, M38Z		11	BOP, KVT, UOP4		21A	W04A, W04B
	13	N01A, N01B, N01C, N01D, N01E, N11A, N11B, N34Z, N38Z		12	M06Z, M09A, M09B, M38Z		21B	X06A, X06B, X06C
	17	R01A, R01B, R01C, R01D, R02Z, R12A, R12B, R12C		13	N01A, N01B, N01C, N01D, N01E, N02A, N02B, N02C, N03A, N03B, N04Z, N14Z, N21Z, N38Z	5o295.4↔	BOP, KVT, UOP4	
	21A	W04A, W04B		17	R01A, R01B, R01C, R01D, R02Z, R12A, R12B, R12C		11	L03Z, L04A, L04B, L04C, L10Z, L13A, L13B, L38Z
	21B	X06A, X06B, X06C	5o293.4↔		L03Z, L04A, L04B, L04C, L10Z, L13A, L13B, L38Z		12	M06Z, M09A, M09B, M38Z
5o28x		BOP, KVT, UOP4		11	L03Z, L04A, L04B, L04C, L10Z, L13A, L13B, L38Z		13	N01A, N01B, N01C, N01D, N01E, N02A, N02B, N02C, N03A, N03B, N04Z, N14Z, N21Z, N38Z
	06	G18A, G38Z		12	M06Z, M09A, M09B, M38Z		17	R01A, R01B, R01C, R01D, R02Z, R12A, R12B, R12C
	11	L03Z, L04A, L04B, L04C, L10Z, L13A, L13B, L38Z		13	N01A, N01B, N01C, N01D, N01E, N02A, N02B, N02C, N03A, N03B, N04Z, N14Z, N21Z, N38Z	5o295.x↔	21A	W04A, W04B
	21A	W04A, W04B		17	R01A, R01B, R01C, R01D, R02Z, R12A, R12B, R12C		21B	X06A, X06B, X06C
	21B	X06A, X06B, X06C		21A	W04A, W04B		BOP, KVT, UOP4	
5o290.0↔		BOP, KVT, UOP4	5o293.x↔		BOP, KVT, UOP4		11	L03Z, L04A, L04B, L04C, L10Z, L13A, L13B, L38Z
	11	L03Z, L04A, L04B, L04C, L10Z, L13A, L13B, L38Z		11	L03Z, L04A, L04B, L04C, L10Z, L13A, L13B, L38Z		12	M06Z, M09A, M09B, M38Z
	21A	W04A, W04B		12	M06Z, M09A, M09B, M38Z		13	N11A, N11B
	21B	X06A, X06B, X06C		13	N01A, N01B, N01C, N01D, N01E, N02A, N02B, N02C, N03A, N03B, N04Z, N14Z, N21Z, N38Z		17	R01A, R01B, R01C, R01D, R02Z, R12A, R12B, R12C
5o290.4↔		BOP, KVT, UOP4		17	R01A, R01B, R01C, R01D, R02Z, R12A, R12B, R12C	5o296.0↔	21A	W04A, W04B
	11	L03Z, L04A, L04B, L04C, L10Z, L13A, L13B, L38Z	5o293.x↔		L03Z, L04A, L04B, L04C, L10Z, L13A, L13B, L38Z		21B	X06A, X06B, X06C
	21A	W04A, W04B		11	L03Z, L04A, L04B, L04C, L10Z, L13A, L13B, L38Z		BOP, KVT, UOP4	
	21B	X06A, X06B, X06C		12	M06Z, M09A, M09B, M38Z		11	L03Z, L04A, L04B, L04C, L10Z, L13A, L13B, L38Z
5o290.x↔		BOP, KVT, UOP4		13	N11A, N11B		21A	W04A, W04B
	11	L03Z, L04A, L04B, L04C, L10Z, L13A, L13B, L38Z		17	R01A, R01B, R01C, R01D, R02Z, R12A, R12B, R12C	5o296.t↔	21B	X06A, X06B, X06C
	21A	W04A, W04B		21A	W04A, W04B		BOP, KVT, UOP4	
	21B	X06A, X06B, X06C	5o294.0↔		X06A, X06B, X06C		11	L06A, L06B
5o291.0↔		BOP, KVT, UOP4		11	BOP, KVT, UOP4		21A	W04A, W04B
	11	L03Z, L04A, L04B, L04C, L10Z, L13A, L13B, L38Z		11	L03Z, L04A, L04B, L04C, L10Z, L13A, L13B, L38Z		21B	X06A, X06B, X06C
	21A	W04A, W04B		12	M06Z, M09A, M09B, M38Z		BOP, KVT, UOP4	
	21B	X06A, X06B, X06C		13	N01A, N01B, N01C, N01D, N01E, N02A, N02B, N02C, N03A, N03B, N04Z, N14Z, N21Z, N38Z	5o296.x↔	11	L06A, L06B
5o291.4↔		BOP, KVT, UOP4		17	R01A, R01B, R01C, R01D, R02Z, R12A, R12B, R12C		21A	W04A, W04B
	11	L03Z, L04A, L04B, L04C, L10Z, L13A, L13B, L38Z		21A	W04A, W04B		21B	X06A, X06B, X06C
	21A	W04A, W04B		21B	X06A, X06B, X06C		BOP, KVT, UOP4	
	21B	X06A, X06B, X06C		21A	W04A, W04B	5o297.0↔	11	L03Z, L04A, L04B, L04C, L10Z, L13A, L13B, L38Z
	11	L03Z, L04A, L04B, L04C, L10Z, L13A, L13B, L38Z		21B	X06A, X06B, X06C		21A	W04A, W04B
	21A	W04A, W04B		21A	W04A, W04B		21B	X06A, X06B, X06C
	21B	X06A, X06B, X06C		21B	X06A, X06B, X06C			

VYK

ZZV	MDC	DRG	ZZV	MDC	DRG	ZZV	MDC	DRG
5o297.4↔		BOP, KVT, UOP4	5o300.0		BOP, KVT, UOP4	5o302.x		BOP, KVT, UOP4
	11	L03Z, L04A, L04B, L04C, L10Z, L13A, L13B, L38Z		11	L06A, L06B		11	L06A, L06B
	12	M06Z, M09A, M09B, M38Z		12	M06Z, M09A, M09B, M38Z		12	M06Z, M09A, M09B, M38Z
	13	N11A		13	N11A, N11B		13	N11A
	17	R01A, R01B, R01C, R01D, R02Z, R12A, R12B, R12C		14	962Z, O02A, O02B		17	R01A, R01B, R01C, R01D, R02Z, R12A, R12B, R12C
	21A	W04A, W04B		21A	W01A, W01B, W01C, W02A, W02B, W04A, W04B		21A	W04A, W04B
	21B	X06A, X06B, X06C		21B	X06A, X06B, X06C		21B	X06A, X06B, X06C
5o297.t↔		BOP, KVT, UOP4	5o300.4		BOP, KVT, UOP4	5o303.0		BOP, KVT, UOP4
	11	L03Z, L04A, L04B, L04C, L10Z, L13A, L13B, L38Z		11	L06A, L06B		06	G01Z, G04A, G04B, G07A, G07B, G07C, G16A, G16B, G18A, G38Z
	12	M06Z, M09A, M09B, M38Z		12	M06Z, M09A, M09B, M38Z		11	L03Z, L04A, L04B, L04C, L10Z, L13A, L13B, L38Z
	13	N11A		13	N11A, N11B		12	M06Z, M09A, M09B, M38Z
	17	R01A, R01B, R01C, R01D, R02Z, R12A, R12B, R12C		14	962Z, O02A, O02B		13	N11A
	21A	W04A, W04B		21A	W04A, W04B		17	R01A, R01B, R01C, R01D, R02Z, R12A, R12B, R12C
	21B	X06A, X06B, X06C		21B	X06A, X06B, X06C		21A	W04A, W04B
5o297.x↔		BOP, KVT, UOP4	5o300.x		BOP, KVT, UOP4		21B	X06A, X06B, X06C
	11	L03Z, L04A, L04B, L04C, L10Z, L13A, L13B, L38Z		11	L06A, L06B			BOP, KVT, UOP4
	12	M06Z, M09A, M09B, M38Z		12	M06Z, M09A, M09B, M38Z		5o303.4	G01Z, G04A, G04B, G07A, G07B, G07C, G18A, G38Z
	13	N11A		13	N11A, N11B			L03Z, L04A, L04B, L04C, L10Z, L13A, L13B, L38Z
	17	R01A, R01B, R01C, R01D, R02Z, R12A, R12B, R12C		14	962Z, O02A, O02B			M06Z, M09A, M09B, M38Z
	21A	W04A, W04B		21A	W04A, W04B			N11A
	21B	X06A, X06B, X06C		21B	X06A, X06B, X06C			R01A, R01B, R01C, R01D, R02Z, R12A, R12B, R12C
5o298.†↔		L18A, L18B, L19Z, L20A, L20B, L20C, L38Z		11	L06A, L06B			W04A, W04B
5o299.†↔		L18A, L18B, L19Z, L20A, L20B, L20C, L38Z		12	M06Z, M09A, M09B, M38Z			X06A, X06B, X06C
5o29a↔		BOP, KVT, UOP4		13	N11A, N11B			BOP, KVT, UOP4
	11	L18A, L18B, L19Z, L20A, L20B, L20C, L38Z		14	962Z, O02A, O02B			G01Z, G04A, G04B, G07A, G07B, G07C, G18A, G38Z
	12	M06Z, M09A, M09B, M38Z		21A	W04A, W04B			L03Z, L04A, L04B, L04C, L10Z, L13A, L13B, L38Z
5o29b↔		BOP, KVT, UOP4		21B	X06A, X06B, X06C			M06Z, M09A, M09B, M38Z
	11	L18A, L18B, L19Z, L20A, L20B, L20C, L38Z		17	R01A, R01B, R01C, R01D, R02Z, R12A, R12B, R12C			N11A
	12	M06Z, M09A, M09B, M38Z		21A	W04A, W04B			R01A, R01B, R01C, R01D, R02Z, R12A, R12B, R12C
5o29c↔		BOP, KVT, UOP4		21B	X06A, X06B, X06C			W04A, W04B
	11	L17A, L17B, L20A, L20B, L20C			BOP, KVT, UOP4			X06A, X06B, X06C
	13	N11A, N11B			L06A, L06B			BOP, KVT, UOP4
	21A	W04A, W04B			M06Z, M09A, M09B, M38Z			G01Z, G04A, G04B, G07A, G07B, G07C, G38Z
	21B	X06A, X06B, X06C			N11A, N11B			L03Z, L04A, L04B, L04C, L10Z, L13A, L13B, L38Z
5o29x.0↔		BOP, KVT, UOP4			17	R01A, R01B, R01C, R01D, R02Z, R12A, R12B, R12C		M06Z, M09A, M09B, M38Z
	11	L03Z, L04A, L04B, L04C, L10Z, L13A, L13B, L38Z			21A	W04A, W04B		N11A
	21A	W04A, W04B			21B	X06A, X06B, X06C		R01A, R01B, R01C, R01D, R02Z, R12A, R12B, R12C
	21B	X06A, X06B, X06C				BOP, KVT, UOP4		W04A, W04B
5o29x.4↔		BOP, KVT, UOP4				L06A, L06B		X06A, X06B, X06C
	11	L03Z, L04A, L04B, L04C, L10Z, L13A, L13B, L38Z				M06Z, M09A, M09B, M38Z		BOP, KVT, UOP4
	21A	W04A, W04B				N11A, N11B		G01Z, G04A, G04B, G07A, G07B, G07C, G38Z
	21B	X06A, X06B, X06C				17		L03Z, L04A, L04B, L04C, L10Z, L13A, L13B, L38Z
5o29x.t↔		BOP, KVT, UOP4				21A		M06Z, M09A, M09B, M38Z
	11	L03Z, L04A, L04B, L04C, L10Z, L13A, L13B, L38Z				21B		N11A
	21A	W04A, W04B						R01A, R01B, R01C, R01D, R02Z, R12A, R12B, R12C
	21B	X06A, X06B, X06C						W04A, W04B
5o29x.x↔		BOP, KVT, UOP4						X06A, X06B, X06C
	11	L03Z, L04A, L04B, L04C, L10Z, L13A, L13B, L38Z						BOP, KVT, UOP4
	21A	W04A, W04B						L08A, L08B
	21B	X06A, X06B, X06C						M03A, M03B, M03C, M38Z
								N04Z, N06Z
								W04A, W04B
								X06A, X06B, X06C
								BOP, KVT, UOP4
								L08A, L08B
								M03A, M03B, M03C, M38Z
								N04Z, N06Z
								W04A, W04B
								X06A, X06B, X06C
								BOP, KVT, UOP4
								L08A, L08B
								M03A, M03B, M03C, M38Z
								N04Z, N06Z
								W04A, W04B
								X06A, X06B, X06C
								BOP, KVT, UOP4
								L06A, L06B
								M01A, M01B, M09A, M38Z
								N11A
								R01A, R01B, R01C, R01D, R02Z, R12A, R12B, R12C
								W04A, W04B
								X06A, X06B, X06C

ZZV	MDC	DRG	ZZV	MDC	DRG	ZZV	MDC	DRG
5o305.4		BOP, KVT, UOP4	5o30b.0		BOP, KVT, UOP4	5o311.0		BOP, KVT, UOP4
	11	L06A, L06B		11	L06A, L06B		06	G18A, G38Z
	12	M01A, M01B, M09A, M38Z		12	M06Z, M09A, M09B, M38Z		11	L03Z, L04A, L04B, L04C, L10Z, L13A, L13B, L38Z
	13	N11A		13	N11A		12	M01A, M01B, M37Z, M38Z
	17	R01A, R01B, R01C, R01D, R02Z, R12A, R12B, R12C		17	R01A, R01B, R01C, R01D, R02Z, R12A, R12B, R12C		17	R01A, R01B, R01C, R01D, R02Z, R12A, R12B, R12C
	21A	W04A, W04B		21A	W04A, W04B		21A	W04A, W04B
5o305.x	21B	X06A, X06B, X06C	5o30b.4	21B	X06A, X06B, X06C	5o311.4	21A	W04A, W04B
		BOP, KVT, UOP4			BOP, KVT, UOP4		21B	X06A, X06B, X06C
	11	L06A, L06B		11	L06A, L06B			BOP, KVT, UOP4
	12	M01A, M01B, M09A, M38Z		12	M06Z, M09A, M09B, M38Z		06	G18A, G38Z
	13	N11A		13	N11A		11	L03Z, L04A, L04B, L04C, L10Z, L13A, L13B, L38Z
	17	R01A, R01B, R01C, R01D, R02Z, R12A, R12B, R12C		17	R01A, R01B, R01C, R01D, R02Z, R12A, R12B, R12C		12	M01A, M01B, M37Z, M38Z
5o307.4	21A	W04A, W04B	5o30b.x	21A	W04A, W04B	5o311.x	17	R01A, R01B, R01C, R01D, R02Z, R12A, R12B, R12C
	21B	X06A, X06B, X06C		21B	X06A, X06B, X06C		21A	W04A, W04B
		BOP, KVT, UOP4			BOP, KVT, UOP4		21B	X06A, X06B, X06C
	11	L03Z, L04A, L04B, L04C, L10Z, L13A, L13B, L38Z		11	L06A, L06B			BOP, KVT, UOP4
	21A	W04A, W04B		12	M06Z, M09A, M09B, M38Z		06	G18A, G38Z
	21B	X06A, X06B, X06C		13	N11A		11	L03Z, L04A, L04B, L04C, L10Z, L13A, L13B, L38Z
5o307.x		BOP, KVT, UOP4	5o30c	17	R01A, R01B, R01C, R01D, R02Z, R12A, R12B, R12C	5o312.0	12	M01A, M01B, M37Z, M38Z
	11	L03Z, L04A, L04B, L04C, L10Z, L13A, L13B, L38Z		21A	W04A, W04B		17	R01A, R01B, R01C, R01D, R02Z, R12A, R12B, R12C
	21A	W04A, W04B		21B	X06A, X06B, X06C		21A	W04A, W04B
	21B	X06A, X06B, X06C			BOP, KVT, UOP4		21B	X06A, X06B, X06C
		BOP, KVT, UOP4		11	L06A, L06B			BOP, KVT, MVV, UOP4
	11	L03Z, L04A, L04B, L04C, L10Z, L13A, L13B, L38Z		12	M06Z, M09A, M09B, M38Z		06	G18A, G38Z
5o308.1	21A	W04A, W04B	5o30x.0	13	N11A	5o312.4	11	L03Z, L04A, L04B, L04C, L10Z, L13A, L13B, L33Z, L38Z
	21B	X06A, X06B, X06C		17	R01A, R01B, R01C, R01D, R02Z, R12A, R12B, R12C		12	M01A, M01B, M37Z, M38Z
		BOP, KVT, UOP4		21A	W04A, W04B		17	R01A, R01B, R01C, R01D, R02Z, R12A, R12B, R12C
	11	L03Z, L04A, L04B, L04C, L10Z, L13A, L13B, L38Z		21B	X06A, X06B, X06C		21A	W04A, W04B
	21A	W04A, W04B			BOP, KVT, UOP4		21B	X06A, X06B, X06C
	21B	X06A, X06B, X06C		11	L06A, L06B			BOP, KVT, MVV, UOP4
5o308.4		BOP, KVT, UOP4	5o30x.4	12	M06Z, M09A, M09B, M38Z	5o312.x	06	G18A, G38Z
	11	L03Z, L04A, L04B, L04C, L10Z, L13A, L13B, L38Z		13	N11A		11	L03Z, L04A, L04B, L04C, L10Z, L13A, L13B, L33Z, L38Z
	21A	W04A, W04B		14	962Z, O02A, O02B		12	M01A, M01B, M37Z, M38Z
	21B	X06A, X06B, X06C		21A	W04A, W04B		17	R01A, R01B, R01C, R01D, R02Z, R12A, R12B, R12C
		BOP, KVT, UOP4		21B	X06A, X06B, X06C		21A	W04A, W04B
	11	L03Z, L04A, L04B, L04C, L10Z, L13A, L13B, L38Z			BOP, KVT, UOP4		21B	X06A, X06B, X06C
5o308.x	21A	W04A, W04B	5o310	11	L06A, L06B	5o313.0		BOP, KVT, MVV, UOP4
	21B	X06A, X06B, X06C		12	M06Z, M09A, M09B, M38Z		06	G18A, G38Z
		BOP, KVT, UOP4		13	N11A		11	L03Z, L04A, L04B, L04C, L10Z, L13A, L13B, L33Z, L38Z
	11	L03Z, L04A, L04B, L04C, L10Z, L13A, L13B, L38Z		14	962Z, O02A, O02B		12	M01A, M01B, M37Z, M38Z
	21A	W04A, W04B		21A	W04A, W04B		17	R01A, R01B, R01C, R01D, R02Z, R12A, R12B, R12C
	21B	X06A, X06B, X06C		21B	X06A, X06B, X06C		21A	W04A, W04B
5o309		BOP, KVT, UOP4	5o30x.x		BOP, KVT, UOP4	5o313.x	21B	X06A, X06B, X06C
	11	L08A, L08B		11	L06A, L06B			BOP, KVT, MVV, UOP4
	12	M03A, M03B, M03C, M38Z		12	M06Z, M09A, M09B, M38Z		06	G18A, G38Z
	19	U01Z		13	N11A		11	L03Z, L04A, L04B, L04C, L10Z, L13A, L13B, L33Z, L38Z
	21A	W04A, W04B		14	962Z, O02A, O02B		12	M01A, M01B, M37Z, M38Z
	21B	X06A, X06B, X06C		21A	W04A, W04B		17	R01A, R01B, R01C, R01D, R02Z, R12A, R12B, R12C
5o30a.0		BOP, KVT, UOP4	5o310	21B	X06A, X06B, X06C	5o313.0	21A	W04A, W04B
	06	G01Z, G02Z, G38Z		11	L06A, L06B		21B	X06A, X06B, X06C
	11	L03Z, L04A, L04B, L04C, L10Z, L13A, L13B, L38Z		12	M06Z, M09A, M09B, M38Z			BOP, KVT, MVV, UOP4
	Pre	A11A, A13A, A13B, A13D		13	N13A, N13B		06	G18A, G38Z
		BOP, KVT, UOP4		17	R01A, R01B, R01C, R01D, R02Z, R12A, R12B, R12C		11	L03Z, L04A, L04B, L04C, L10Z, L13A, L13B, L33Z, L38Z
	06	G01Z, G02Z, G38Z		21A	W04A, W04B		12	M01A, M01B, M37Z, M38Z
5o30a.4	11	L03Z, L04A, L04B, L04C, L10Z, L13A, L13B, L38Z	5o310	21B	X06A, X06B, X06C	5o313.x	13	N01A, N38Z
	Pre	A11A, A13A, A13B, A13D		11	L06A, L06B		17	R01A, R01B, R01C, R01D, R02Z, R12A, R12B, R12C
		BOP, KVT, UOP4		12	M06Z, M09A, M09B, M38Z		21A	W04A, W04B
	06	G01Z, G02Z, G38Z		13	N13A, N13B		21B	X06A, X06B, X06C
	11	L03Z, L04A, L04B, L04C, L10Z, L13A, L13B, L38Z		17	R01A, R01B, R01C, R01D, R02Z, R12A, R12B, R12C			BOP, KVT, MVV, UOP4
	Pre	A11A, A13A, A13B, A13D		21A	W04A, W04B		06	G18A, G38Z
5o30a.x		BOP, KVT, UOP4	5o310	21B	X06A, X06B, X06C	5o313.x	11	L03Z, L04A, L04B, L04C, L10Z, L13A, L13B, L33Z, L38Z
	06	G01Z, G02Z, G38Z		11	L06A, L06B		12	M01A, M01B, M37Z, M38Z
	11	L03Z, L04A, L04B, L04C, L10Z, L13A, L13B, L38Z		12	M06Z, M09A, M09B, M38Z		13	N01A, N38Z
	Pre	A11A, A13A, A13B, A13D		13	N13A, N13B		17	R01A, R01B, R01C, R01D, R02Z, R12A, R12B, R12C
		BOP, KVT, UOP4		17	R01A, R01B, R01C, R01D, R02Z, R12A, R12B, R12C		21A	W04A, W04B
	06	G01Z, G02Z, G38Z		21A	W04A, W04B		21B	X06A, X06B, X06C
11	L03Z, L04A, L04B, L04C, L10Z, L13A, L13B, L38Z	21B	X06A, X06B, X06C		BOP, KVT, MVV, UOP4			
Pre	A11A, A13A, A13B, A13D			06	G18A, G38Z			

ZZV	MDC	DRG	ZZV	MDC	DRG	ZZV	MDC	DRG
5o313.4		BOP, KVT, MVV, UOP4	5o315.4		BOP, KOP, KOPV, KVT, MVV, UOP4	5o31b.0		BOP, KVT, MVV, UOP4
	06	G18A, G38Z		06	G01Z, G18A, G33Z, G38Z		06	G18A, G38Z
	11	L03Z, L04A, L04B, L04C, L10Z, L13A, L13B, L33Z, L38Z		07	H33Z, H38Z		11	L03Z, L04A, L04B, L04C, L10Z, L13A, L13B, L33Z, L38Z
	12	M01A, M01B, M37Z, M38Z		11	L03Z, L04A, L04B, L04C, L10Z, L13A, L13B, L33Z, L38Z		13	N01A, N01B, N01C, N01D, N01E, N11A, N11B, N34Z, N38Z
	13	N01A, N38Z		12	M01A, M01B, M37Z, M38Z		17	R01A, R01B, R01C, R01D, R02Z, R12A, R12B, R12C
	17	R01A, R01B, R01C, R01D, R02Z, R12A, R12B, R12C		13	N01A, N01B, N01C, N01D, N01E, N34Z, N38Z		21A	W04A, W04B
	21A	W04A, W04B		17	R01A, R01B, R01C, R01D, R02Z, R12A, R12B, R12C		21B	X06A, X06B, X06C
	21B	X06A, X06B, X06C		21A	W04A, W04B		21A	W04A, W04B
		BOP, KVT, MVV, UOP4		21B	X06A, X06B, X06C, X33Z		21B	X06A, X06B, X06C
		G18A, G38Z		Pre	A07A			BOP, KVT, MVV, UOP4
5o313.x	06	G18A, G38Z	5o315.x		BOP, KOP, KOPV, KVT, MVV, UOP4	5o31b.4		BOP, KVT, MVV, UOP4
	11	L03Z, L04A, L04B, L04C, L10Z, L13A, L13B, L33Z, L38Z		06	G01Z, G18A, G33Z, G38Z		06	G18A, G38Z
	12	M01A, M01B, M37Z, M38Z		07	H33Z, H38Z		11	L03Z, L04A, L04B, L04C, L10Z, L13A, L13B, L33Z, L38Z
	13	N01A, N38Z		11	L03Z, L04A, L04B, L04C, L10Z, L13A, L13B, L33Z, L38Z		13	N01A, N01B, N01C, N01D, N01E, N11A, N11B, N34Z, N38Z
	17	R01A, R01B, R01C, R01D, R02Z, R12A, R12B, R12C		12	M01A, M01B, M37Z, M38Z		17	R01A, R01B, R01C, R01D, R02Z, R12A, R12B, R12C
	21A	W04A, W04B		13	N01A, N01B, N01C, N01D, N01E, N34Z, N38Z		21A	W04A, W04B
	21B	X06A, X06B, X06C		17	R01A, R01B, R01C, R01D, R02Z, R12A, R12B, R12C		21B	X06A, X06B, X06C
		BOP, KVT, MVV, UOP4		21A	W04A, W04B			BOP, KVT, MVV, UOP4
		G18A, G38Z		21B	X06A, X06B, X06C, X33Z		06	G18A, G38Z
		L03Z, L04A, L04B, L04C, L10Z, L13A, L13B, L33Z, L38Z		Pre	A07A		11	L03Z, L04A, L04B, L04C, L10Z, L13A, L13B, L33Z, L38Z
5o314.0	12	M01A, M01B, M37Z, M38Z	5o31a.0		BOP, KVT, UOP4	5o31c.0		BOP, KVT, MVV, UOP4
	13	N01A, N38Z		06	G18A, G38Z		06	G18A, G38Z
	17	R01A, R01B, R01C, R01D, R02Z, R12A, R12B, R12C		11	L03Z, L04A, L04B, L04C, L10Z, L13A, L13B, L38Z		11	L03Z, L04A, L04B, L04C, L10Z, L13A, L13B, L33Z, L38Z
	21A	W04A, W04B		13	N01A, N01B, N01C, N01D, N01E, N11A, N11B, N34Z, N38Z		12	M01A, M01B, M37Z, M38Z
	21B	X06A, X06B, X06C		17	R01A, R01B, R01C, R01D, R02Z, R12A, R12B, R12C		17	R01A, R01B, R01C, R01D, R02Z, R12A, R12B, R12C
	06	G18A, G38Z		21A	W04A, W04B		21A	W04A, W04B
	11	L03Z, L04A, L04B, L04C, L10Z, L13A, L13B, L33Z, L38Z		21B	X06A, X06B, X06C, X33Z		21B	X06A, X06B, X06C
	12	M01A, M01B, M37Z, M38Z		Pre	A07A			BOP, KVT, MVV, UOP4
	17	R01A, R01B, R01C, R01D, R02Z, R12A, R12B, R12C			BOP, KVT, UOP4		06	G18A, G38Z
	21A	W04A, W04B		06	G18A, G38Z		11	L03Z, L04A, L04B, L04C, L10Z, L13A, L13B, L33Z, L38Z
21B	X06A, X06B, X06C	11	L03Z, L04A, L04B, L04C, L10Z, L13A, L13B, L38Z	12	M01A, M01B, M37Z, M38Z			
5o314.4	12	M01A, M01B, M37Z, M38Z	5o31a.4		BOP, KVT, UOP4	5o31c.4		BOP, KVT, MVV, UOP4
	17	R01A, R01B, R01C, R01D, R02Z, R12A, R12B, R12C		06	G18A, G38Z		06	G18A, G38Z
	21A	W04A, W04B		11	L03Z, L04A, L04B, L04C, L10Z, L13A, L13B, L38Z		11	L03Z, L04A, L04B, L04C, L10Z, L13A, L13B, L33Z, L38Z
	21B	X06A, X06B, X06C		13	N01A, N01B, N01C, N01D, N01E, N11A, N11B, N34Z, N38Z		12	M01A, M01B, M37Z, M38Z
	06	G18A, G38Z		17	R01A, R01B, R01C, R01D, R02Z, R12A, R12B, R12C		17	R01A, R01B, R01C, R01D, R02Z, R12A, R12B, R12C
	11	L03Z, L04A, L04B, L04C, L10Z, L13A, L13B, L33Z, L38Z		21A	W04A, W04B		21A	W04A, W04B
	12	M01A, M01B, M37Z, M38Z		21B	X06A, X06B, X06C		21B	X06A, X06B, X06C
	17	R01A, R01B, R01C, R01D, R02Z, R12A, R12B, R12C			BOP, KVT, UOP4			BOP, KVT, MVV, UOP4
	21A	W04A, W04B		06	G18A, G38Z		06	G18A, G38Z
	21B	X06A, X06B, X06C		11	L03Z, L04A, L04B, L04C, L10Z, L13A, L13B, L38Z		11	L03Z, L04A, L04B, L04C, L10Z, L13A, L13B, L33Z, L38Z
5o314.x	12	M01A, M01B, M37Z, M38Z	5o31a.x		BOP, KVT, UOP4	5o31c.x		BOP, KVT, MVV, UOP4
	17	R01A, R01B, R01C, R01D, R02Z, R12A, R12B, R12C		06	G18A, G38Z		06	G18A, G38Z
	21A	W04A, W04B		11	L03Z, L04A, L04B, L04C, L10Z, L13A, L13B, L38Z		11	L03Z, L04A, L04B, L04C, L10Z, L13A, L13B, L33Z, L38Z
	21B	X06A, X06B, X06C		13	N01A, N01B, N01C, N01D, N01E, N11A, N11B, N34Z, N38Z		12	M01A, M01B, M37Z, M38Z
	06	G18A, G38Z		17	R01A, R01B, R01C, R01D, R02Z, R12A, R12B, R12C		17	R01A, R01B, R01C, R01D, R02Z, R12A, R12B, R12C
	11	L03Z, L04A, L04B, L04C, L10Z, L13A, L13B, L33Z, L38Z		21A	W04A, W04B		21A	W04A, W04B
	12	M01A, M01B, M37Z, M38Z		21B	X06A, X06B, X06C		21B	X06A, X06B, X06C
	17	R01A, R01B, R01C, R01D, R02Z, R12A, R12B, R12C			BOP, KVT, UOP4			BOP, KVT, MVV, UOP4
	21A	W04A, W04B		06	G18A, G38Z		06	G18A, G38Z
	21B	X06A, X06B, X06C		11	L03Z, L04A, L04B, L04C, L10Z, L13A, L13B, L38Z		11	L03Z, L04A, L04B, L04C, L10Z, L13A, L13B, L33Z, L38Z
5o315.0	BOP, KOP, KOPV, KVT, MVV, UOP4	5o31a.0		BOP, KVT, UOP4	5o31c.0		BOP, KVT, MVV, UOP4	
	06		G01Z, G18A, G33Z, G38Z	06		G18A, G38Z	06	G18A, G38Z
	07		H33Z, H38Z	11		L03Z, L04A, L04B, L04C, L10Z, L13A, L13B, L38Z	11	L03Z, L04A, L04B, L04C, L10Z, L13A, L13B, L33Z, L38Z
	11		L03Z, L04A, L04B, L04C, L10Z, L13A, L13B, L33Z, L38Z	13		N01A, N01B, N01C, N01D, N01E, N11A, N11B, N34Z, N38Z	12	M01A, M01B, M37Z, M38Z
	12		M01A, M01B, M37Z, M38Z	17		R01A, R01B, R01C, R01D, R02Z, R12A, R12B, R12C	17	R01A, R01B, R01C, R01D, R02Z, R12A, R12B, R12C
	13		N01A, N01B, N01C, N01D, N01E, N34Z, N38Z	21A		W04A, W04B	21A	W04A, W04B
	17		R01A, R01B, R01C, R01D, R02Z, R12A, R12B, R12C	21B		X06A, X06B, X06C	21B	X06A, X06B, X06C
	21A		W04A, W04B			BOP, KVT, UOP4		BOP, KVT, MVV, UOP4
	21B		X06A, X06B, X06C, X33Z	06		G18A, G38Z	06	G18A, G38Z
	23		Z01A	11		L03Z, L04A, L04B, L04C, L10Z, L13A, L13B, L38Z	11	L03Z, L04A, L04B, L04C, L10Z, L13A, L13B, L33Z, L38Z
Pre	A07A	13	N01A, N01B, N01C, N01D, N01E, N11A, N11B, N34Z, N38Z	12	M01A, M01B, M37Z, M38Z			

ZZV	MDC	DRG	ZZV	MDC	DRG	ZZV	MDC	DRG
5o31d.0		BOP, KVT, MVV, UOP4	5o31x.x		BOP, KVT, UOP4	5o321.x		BOP, KVT, UOP4
	06	G18A, G38Z		06	G18A, G38Z		06	G18A, G38Z
	11	L03Z, L04A, L04B, L04C, L10Z, L13A, L13B, L33Z, L38Z		11	L03Z, L04A, L04B, L04C, L10Z, L13A, L13B, L38Z		11	L03Z, L04A, L04B, L04C, L10Z, L13A, L13B, L38Z
	13	N01A, N01B, N01C, N01D, N01E, N11A, N11B, N34Z, N38Z		12	M01A, M01B, M37Z, M38Z		12	M01A, M01B, M37Z, M38Z
	17	R01A, R01B, R01C, R01D, R02Z, R12A, R12B, R12C		13	N01A, N01B, N01C, N01D, N01E, N11A, N11B, N34Z, N38Z		13	N01A, N01B, N01C, N01D, N01E, N11A, N11B, N34Z, N38Z
	21A	W04A, W04B		17	R01A, R01B, R01C, R01D, R02Z, R12A, R12B, R12C		17	R01A, R01B, R01C, R01D, R02Z, R12A, R12B, R12C
5o31d.4	21B	X06A, X06B, X06C	5o320.0	21A	W04A, W04B	5o322.0	21A	W04A, W04B
		BOP, KVT, MVV, UOP4		21B	X06A, X06B, X06C		21B	X06A, X06B, X06C
	06	G18A, G38Z			BOP, KVT, UOP4			BOP, KVT, UOP4
5o31d.x	11	L03Z, L04A, L04B, L04C, L10Z, L13A, L13B, L33Z, L38Z	5o320.4	06	G18A, G38Z	5o322.4	06	G18A, G38Z
	13	N01A, N01B, N01C, N01D, N01E, N11A, N11B, N34Z, N38Z		10	K03A, K03B		11	L03Z, L04A, L04B, L04C, L10Z, L13A, L13B, L38Z
	17	R01A, R01B, R01C, R01D, R02Z, R12A, R12B, R12C		11	L06A, L06B		12	M01A, M01B, M37Z, M38Z
	21A	W04A, W04B		12	M01A, M01B, M38Z		12	M01A, M01B, M37Z, M38Z
	21B	X06A, X06B, X06C		13	N01A, N01B, N01C, N01D, N01E, N11A, N11B, N34Z, N38Z		13	N01A, N01B, N01C, N01D, N01E, N11A, N11B, N34Z, N38Z
	5o31x.0	06		G18A, G38Z	5o320.x		17	R01A, R01B, R01C, R01D, R02Z, R12A, R12B, R12C
11		L03Z, L04A, L04B, L04C, L10Z, L13A, L13B, L38Z	21A	W04A, W04B		21A	W04A, W04B	
12		M01A, M01B, M37Z, M38Z	21B	X06A, X06B, X06C		21B	X06A, X06B, X06C	
13		N01A, N01B, N01C, N01D, N01E, N11A, N11B, N34Z, N38Z		BOP, KVT, UOP4			BOP, KVT, UOP4	
17		R01A, R01B, R01C, R01D, R02Z, R12A, R12B, R12C	06	G18A, G38Z		06	G18A, G38Z	
21A		W04A, W04B	11	L06A, L06B		11	L03Z, L04A, L04B, L04C, L10Z, L13A, L13B, L38Z	
5o31x.4	21B	X06A, X06B, X06C	5o321.0	12	M01A, M01B, M38Z	5o323.0	12	M01A, M01B, M37Z, M38Z
		BOP, KVT, UOP4		13	N01A, N01B, N01C, N01D, N01E, N11A, N11B, N34Z, N38Z		13	N01A, N01B, N01C, N01D, N01E, N11A, N11B, N34Z, N38Z
	06	G18A, G38Z		17	R01A, R01B, R01C, R01D, R02Z, R12A, R12B, R12C		17	R01A, R01B, R01C, R01D, R02Z, R12A, R12B, R12C
	11	L03Z, L04A, L04B, L04C, L10Z, L13A, L13B, L38Z		21A	W04A, W04B		21A	W04A, W04B
	12	M01A, M01B, M37Z, M38Z		21B	X06A, X06B, X06C		21B	X06A, X06B, X06C
	13	N01A, N01B, N01C, N01D, N01E, N11A, N11B, N34Z, N38Z			BOP, KVT, UOP4			BOP, KVT, UOP4
5o31x.4	17	R01A, R01B, R01C, R01D, R02Z, R12A, R12B, R12C	5o321.4	06	G18A, G38Z	5o323.4	06	G18A, G38Z
	21A	W04A, W04B		11	L03Z, L04A, L04B, L04C, L10Z, L13A, L13B, L38Z		11	L06A, L06B
	21B	X06A, X06B, X06C		12	M01A, M01B, M37Z, M38Z		12	M01A, M01B, M37Z, M38Z
		BOP, KVT, UOP4		13	N01A, N01B, N01C, N01D, N01E, N08Z, N34Z, N38Z		13	N01A, N01B, N01C, N01D, N01E, N11A, N11B, N34Z, N38Z
	06	G18A, G38Z		17	R01A, R01B, R01C, R01D, R02Z, R12A, R12B, R12C		17	R01A, R01B, R01C, R01D, R02Z, R12A, R12B, R12C
	11	L03Z, L04A, L04B, L04C, L10Z, L13A, L13B, L38Z		21A	W04A, W04B		21A	W04A, W04B
	BOP, KVT, UOP4	21B	X06A, X06B, X06C	21B	X06A, X06B, X06C			
	G18A, G38Z		BOP, KVT, UOP4		BOP, KVT, UOP4			
	L03Z, L04A, L04B, L04C, L10Z, L13A, L13B, L38Z		G18A, G38Z		G18A, G38Z			
	M01A, M01B, M37Z, M38Z		11	L06A, L06B		11	L06A, L06B	
	N01A, N01B, N01C, N01D, N01E, N11A, N11B, N34Z, N38Z		12	M01A, M01B, M37Z, M38Z		12	M01A, M01B, M37Z, M38Z	
	R01A, R01B, R01C, R01D, R02Z, R12A, R12B, R12C		13	N01A, N01B, N01C, N01D, N01E, N08Z, N34Z, N38Z		13	N01A, N01B, N01C, N01D, N01E, N11A, N11B, N34Z, N38Z	
	W04A, W04B		17	R01A, R01B, R01C, R01D, R02Z, R12A, R12B, R12C		17	R01A, R01B, R01C, R01D, R02Z, R12A, R12B, R12C	
	X06A, X06B, X06C		21A	W04A, W04B		21A	W04A, W04B	
			21B	X06A, X06B, X06C		21B	X06A, X06B, X06C	
				BOP, KVT, UOP4			BOP, KVT, UOP4	
				G18A, G38Z			G18A, G38Z	
				L03Z, L04A, L04B, L04C, L10Z, L13A, L13B, L38Z			L03Z, L04A, L04B, L04C, L10Z, L13A, L13B, L38Z	
				M01A, M01B, M37Z, M38Z			M01A, M01B, M37Z, M38Z	
				N01A, N01B, N01C, N01D, N01E, N08Z, N34Z, N38Z			N01A, N01B, N01C, N01D, N01E, N11A, N11B, N34Z, N38Z	
				R01A, R01B, R01C, R01D, R02Z, R12A, R12B, R12C			R01A, R01B, R01C, R01D, R02Z, R12A, R12B, R12C	
				W04A, W04B			W04A, W04B	
				X06A, X06B, X06C			X06A, X06B, X06C	

VYK

ZZV	MDC	DRG	ZZV	MDC	DRG	ZZV	MDC	DRG
5o323.x		BOP, KVT, UOP4	5o325.4		BOP, KVT, UOP4	5o327.0		BOP, KVT, UOP4
	06	G18A, G38Z		06	G18A, G38Z		06	G18A, G38Z
	11	L06A, L06B		11	L03Z, L04A, L04B, L04C, L10Z, L13A, L13B, L38Z		11	L03Z, L04A, L04B, L04C, L10Z, L13A, L13B, L38Z
	12	M01A, M01B, M37Z, M38Z		12	M01A, M01B, M37Z, M38Z		12	M01A, M01B, M37Z, M38Z
	13	N01A, N01B, N01C, N01D, N01E, N11A, N11B, N34Z, N38Z		13	N01A, N01B, N01C, N01D, N01E, N11A, N11B, N34Z, N38Z		13	N01A, N01B, N01C, N01D, N01E, N11A, N11B, N34Z, N38Z
	17	R01A, R01B, R01C, R01D, R02Z, R12A, R12B, R12C		17	R01A, R01B, R01C, R01D, R02Z, R12A, R12B, R12C		17	R01A, R01B, R01C, R01D, R02Z, R12A, R12B, R12C
	21A	W04A, W04B		21A	W04A, W04B		21A	W04A, W04B
5o324.0	21B	X06A, X06B, X06C	5o325.x	21A	W04A, W04B	5o327.4	21A	W04A, W04B
		BOP, KVT, UOP4		21B	X06A, X06B, X06C		21B	X06A, X06B, X06C
	06	G18A, G38Z			BOP, KVT, UOP4			BOP, KVT, UOP4
	11	L03Z, L04A, L04B, L04C, L10Z, L13A, L13B, L38Z		06	G18A, G38Z		06	G18A, G38Z
	12	M01A, M01B, M37Z, M38Z		11	L03Z, L04A, L04B, L04C, L10Z, L13A, L13B, L38Z		11	L03Z, L04A, L04B, L04C, L10Z, L13A, L13B, L38Z
	13	N01A, N01B, N01C, N01D, N01E, N11A, N11B, N34Z, N38Z		12	M01A, M01B, M37Z, M38Z		12	M01A, M01B, M37Z, M38Z
	17	R01A, R01B, R01C, R01D, R02Z, R12A, R12B, R12C		13	N01A, N01B, N01C, N01D, N01E, N11A, N11B, N34Z, N38Z		13	N01A, N01B, N01C, N01D, N01E, N11A, N11B, N34Z, N38Z
5o324.4	17	R01A, R01B, R01C, R01D, R02Z, R12A, R12B, R12C	5o326.0	17	R01A, R01B, R01C, R01D, R02Z, R12A, R12B, R12C	5o327.x	17	R01A, R01B, R01C, R01D, R02Z, R12A, R12B, R12C
	21A	W04A, W04B		21A	W04A, W04B		21A	W04A, W04B
	21B	X06A, X06B, X06C		21B	X06A, X06B, X06C		21B	X06A, X06B, X06C
		BOP, KVT, UOP4			BOP, KVT, UOP4			BOP, KVT, UOP4
	06	G18A, G38Z		06	G18A, G38Z		06	G18A, G38Z
	11	L03Z, L04A, L04B, L04C, L10Z, L13A, L13B, L38Z		11	L03Z, L04A, L04B, L04C, L10Z, L13A, L13B, L38Z		11	L03Z, L04A, L04B, L04C, L10Z, L13A, L13B, L38Z
	12	M01A, M01B, M37Z, M38Z		12	M01A, M01B, M37Z, M38Z		12	M01A, M01B, M37Z, M38Z
5o324.x	13	N01A, N01B, N01C, N01D, N01E, N11A, N11B, N34Z, N38Z	5o326.4	13	N01A, N01B, N01C, N01D, N01E, N11A, N11B, N34Z, N38Z	5o32x.0	13	N01A, N01B, N01C, N01D, N01E, N11A, N11B, N34Z, N38Z
	17	R01A, R01B, R01C, R01D, R02Z, R12A, R12B, R12C		17	R01A, R01B, R01C, R01D, R02Z, R12A, R12B, R12C		17	R01A, R01B, R01C, R01D, R02Z, R12A, R12B, R12C
	21A	W04A, W04B		21A	W04A, W04B		21A	W04A, W04B
	21B	X06A, X06B, X06C		21B	X06A, X06B, X06C		21B	X06A, X06B, X06C
		BOP, KVT, UOP4			BOP, KVT, UOP4			BOP, KVT, UOP4
	06	G18A, G38Z		06	G18A, G38Z		06	G18A, G38Z
	11	L03Z, L04A, L04B, L04C, L10Z, L13A, L13B, L38Z		11	L03Z, L04A, L04B, L04C, L10Z, L13A, L13B, L38Z		11	L06A, L06B
5o325.0	12	M01A, M01B, M37Z, M38Z	5o326.x	12	M01A, M01B, M37Z, M38Z	5o32x.4	12	M01A, M01B, M38Z
	13	N01A, N01B, N01C, N01D, N01E, N11A, N11B, N34Z, N38Z		13	N01A, N01B, N01C, N01D, N01E, N11A, N11B, N34Z, N38Z		13	N01A, N01B, N01C, N01D, N01E, N11A, N11B, N34Z, N38Z
	17	R01A, R01B, R01C, R01D, R02Z, R12A, R12B, R12C		17	R01A, R01B, R01C, R01D, R02Z, R12A, R12B, R12C		17	R01A, R01B, R01C, R01D, R02Z, R12A, R12B, R12C
	21A	W04A, W04B		21A	W04A, W04B		21A	W04A, W04B
	21B	X06A, X06B, X06C		21B	X06A, X06B, X06C		21B	X06A, X06B, X06C
		BOP, KVT, UOP4			BOP, KVT, UOP4			BOP, KVT, UOP4
	06	G18A, G38Z		06	G18A, G38Z		06	G18A, G38Z
5o325.x	11	L03Z, L04A, L04B, L04C, L10Z, L13A, L13B, L38Z	5o326.x	11	L03Z, L04A, L04B, L04C, L10Z, L13A, L13B, L38Z	5o32x.x	11	L06A, L06B
	12	M01A, M01B, M37Z, M38Z		12	M01A, M01B, M37Z, M38Z		12	M01A, M01B, M38Z
	13	N01A, N01B, N01C, N01D, N01E, N11A, N11B, N34Z, N38Z		13	N01A, N01B, N01C, N01D, N01E, N11A, N11B, N34Z, N38Z		13	N01A, N01B, N01C, N01D, N01E, N11A, N11B, N34Z, N38Z
	17	R01A, R01B, R01C, R01D, R02Z, R12A, R12B, R12C		17	R01A, R01B, R01C, R01D, R02Z, R12A, R12B, R12C		17	R01A, R01B, R01C, R01D, R02Z, R12A, R12B, R12C
	21A	W04A, W04B		21A	W04A, W04B		21A	W04A, W04B
	21B	X06A, X06B, X06C		21B	X06A, X06B, X06C		21B	X06A, X06B, X06C
		BOP, KVT, UOP4		21A	W04A, W04B		21B	X06A, X06B, X06C
	BOP, KVT, UOP4	21B	X06A, X06B, X06C		BOP, KVT, UOP4			

VYK

ZZV	MDC	DRG	ZZV	MDC	DRG	ZZV	MDC	DRG	
5o333.x		BOP, KOP, KOPV, KVT, MVV, UOP4	5o345.0		BOP, KVT, UOP4	5o360		BOP, KVT, UOP4	
	06	G18A, G33Z, G38Z		11	L18A, L18B, L19Z, L20A, L20B, L20C, L38Z		06	G18A, G38Z	
	07	H33Z, H38Z		12	M06Z, M09A, M09B, M38Z		11	L03Z, L04A, L04B, L04C, L10Z, L13A, L13B, L38Z	
	11	L02A, L02B, L02C, L03Z, L10Z, L33Z, L38Z	13	N11A, N11B	21A	W04A, W04B			
	12	M37Z, M38Z	5o345.1		BOP, KVT, UOP4	21B	X06A, X06B, X06C		
	13	N01A, N01B, N01C, N01D, N01E, N34Z, N38Z		11	L18A, L18B, L19Z, L20A, L20B, L38Z	5o361.0		BOP, KVT, UOP4	
	21A	W04A, W04B		12	M06Z, M09A, M09B, M38Z		11	L06A, L06B	
	21B	X06A, X06B, X06C, X33Z	13	N11A, N11B	12		M06Z, M09A, M09B, M38Z		
	23	Z01A	5o345.2		BOP, KVT, UOP4	13	N13A, N13B		
	Pre	A07A		11	L18A, L18B, L19Z, L20A, L20B, L20C, L38Z	17	R01A, R01B, R01C, R01D, R02Z, R12A, R12B, R12C		
		12		M06Z, M09A, M09B, M38Z	21A	W04A, W04B			
5o333x.0		BOP, KOP, KOPV, KVT, MVV, UOP4	5o346		BOP, KVT, UOP4	5o362.0		BOP, KVT, UOP4	
	06	G18A, G33Z, G38Z		11	L18A, L18B, L19Z, L20A, L20B, L20C, L38Z		11	L06A, L06B	
	07	H33Z, H38Z		12	M06Z, M09A, M09B, M38Z		12	M06Z, M09A, M09B, M38Z	
	11	L02A, L02B, L02C, L03Z, L10Z, L33Z, L38Z	13	N11A, N11B	13	N13A, N13B			
	12	M37Z, M38Z	5o34x		BOP, KVT, UOP4	17	R01A, R01B, R01C, R01D, R02Z, R12A, R12B, R12C		
	13	N01A, N01B, N01C, N01D, N01E, N34Z, N38Z		11	L18A, L18B, L19Z, L20A, L20B, L20C, L38Z	21A	W04A, W04B		
	21A	W04A, W04B		5o350.2†		BOP, KVT, UOP4	21B	X06A, X06B, X06C	
	21B	X06A, X06B, X06C, X33Z	11		L18A, L18B, L19Z, L20A, L20B, L20C, L38Z	5o362.1		BOP, KVT, UOP4	
	23	Z01A	11		L18A, L18B, L19Z, L20A, L20B, L20C, L38Z		11	L06A, L06B	
	Pre	A07A	5o350.t†		BOP, KVT, UOP4		12	M06Z, M09A, M09B, M38Z	
		11		L18A, L18B, L19Z, L20A, L20B, L20C, L38Z	13	N13A, N13B			
		5o351.2†			BOP, KVT, UOP4	17	R01A, R01B, R01C, R01D, R02Z, R12A, R12B, R12C		
5o333x.4			BOP, KOP, KOPV, KVT, MVV, UOP4	5o352.†		BOP, KVT, UOP4	5o363		BOP, KVT, UOP4
	06		G18A, G33Z, G38Z		11	L18A, L18B, L19Z, L20A, L20B, L20C, L38Z		11	L06A, L06B
	07	H33Z, H38Z	16		Q03A, Q03B	12		M06Z, M09A, M09B, M38Z	
	11	L02A, L02B, L02C, L03Z, L10Z, L33Z, L38Z	5o353		BOP, KVT, UOP4	13	N13A, N13B		
	12	M37Z, M38Z		21A	W04A, W04B	17	R01A, R01B, R01C, R01D, R02Z, R12A, R12B, R12C		
	13	N01A, N01B, N01C, N01D, N01E, N34Z, N38Z		21B	X06A, X06B, X06C	21A	W04A, W04B		
	21A	W04A, W04B	5o354		BOP, KVT, UOP4	21B	X06A, X06B, X06C		
	21B	X06A, X06B, X06C, X33Z		11	L06A, L06B	5o364		BOP, KVT, UOP4	
	23	Z01A		12	M06Z, M09A, M09B, M38Z		11	L06A, L06B	
	Pre	A07A	13	N13A, N13B	12		M06Z, M09A, M09B, M38Z		
5o333x.x		BOP, KOP, KOPV, KVT, MVV, UOP4	5o355		BOP, KVT, UOP4	5o370.0		BOP, KVT, UOP4	
	06	G18A, G33Z, G38Z		11	L06A, L06B		11	L06A, L06B	
	07	H33Z, H38Z		12	M06Z, M09A, M09B, M38Z		12	M06Z, M09A, M09B, M38Z	
	11	L02A, L02B, L02C, L03Z, L10Z, L33Z, L38Z	5o356		BOP, KVT, UOP4	13	N13A, N13B		
	12	M37Z, M38Z		17	R01A, R01B, R01C, R01D, R02Z, R12A, R12B, R12C	17	R01A, R01B, R01C, R01D, R02Z, R12A, R12B, R12C		
	13	N01A, N01B, N01C, N01D, N01E, N34Z, N38Z		21A	W04A, W04B	21A	W04A, W04B		
	21A	W04A, W04B	5o357		BOP, KVT, UOP4	21B	X06A, X06B, X06C		
	21B	X06A, X06B, X06C, X33Z		11	L06A, L06B	5o370.4		BOP, KVT, UOP4	
	23	Z01A		12	M06Z, M09A, M09B, M38Z		11	L06A, L06B	
	Pre	A07A	13	N13A, N13B	12		M06Z, M09A, M09B, M38Z		
5o340		BOP, KVT, UOP4	5o341		BOP, KVT, UOP4	5o371.0		BOP, KVT, UOP4	
	11	L18A, L18B, L19Z, L20A, L20B, L20C, L38Z		11	L06A, L06B		11	L06A, L06B	
5o341		BOP, KVT, UOP4		12	M06Z, M09A, M09B, M38Z		12	M06Z, M09A, M09B, M38Z	
	11	L06A, L06B	13	N13A, N13B	13	N08Z			
	12	M06Z, M09A, M09B, M38Z	17	R01A, R01B, R01C, R01D, R02Z, R12A, R12B, R12C	17	R01A, R01B, R01C, R01D, R02Z, R12A, R12B, R12C			
5o342		BOP, KVT, UOP4	5o342		BOP, KVT, UOP4	5o371.0		BOP, KVT, UOP4	
	11	L18A, L18B, L19Z, L20A, L20B, L20C, L38Z		21A	W04A, W04B		11	L06A, L06B	
	12	M06Z, M09A, M09B, M38Z		21B	X06A, X06B, X06C		12	M06Z, M09A, M09B, M38Z	
5o343		BOP, KVT, UOP4	5o343		BOP, KVT, UOP4	5o371.0		BOP, KVT, UOP4	
	11	L18A, L18B, L19Z, L20A, L20B, L20C, L38Z		11	L06A, L06B		11	L06A, L06B	
	12	M06Z, M09A, M09B, M38Z		12	M06Z, M09A, M09B, M38Z		13	N11A, N11B	
5o344		BOP, KVT, UOP4	5o344		BOP, KVT, UOP4	5o371.0		BOP, KVT, UOP4	
	11	L18A, L18B, L19Z, L20A, L20B, L20C, L38Z		13	N13A, N13B		17	R01A, R01B, R01C, R01D, R02Z, R12A, R12B, R12C	
	12	M06Z, M09A, M09B, M38Z		17	R01A, R01B, R01C, R01D, R02Z, R12A, R12B, R12C				
	11	L18A, L18B, L19Z, L20A, L20B, L20C, L38Z	21A	W04A, W04B					
	12	M06Z, M09A, M09B, M38Z	21B	X06A, X06B, X06C					

ZZV	MDC	DRG	ZZV	MDC	DRG	ZZV	MDC	DRG
5o371.4		BOP, KVT, UOP4	5o394.1		BOP, KVT, UOP4	5o398.4		BOP, KVT, UOP4
	11	L06A, L06B		11	L06A, L06B		11	L06A, L06B
	12	M06Z, M09A, M09B, M38Z		21A	W04A, W04B		21A	W04A, W04B
	13	N08Z		21B	X06A, X06B, X06C		21B	X06A, X06B, X06C
	17	R01A, R01B, R01C, R01D, R02Z, R12A, R12B, R12C	5o394.3		BOP, KVT, UOP4	5o39x.0		BOP, KVT, UOP4
5o372		BOP, KVT, UOP4		11	L11Z, L18A, L18B, L38Z		11	L06A, L06B
	11	L06A, L06B		12	M06Z, M09A, M09B, M38Z		21A	W04A, W04B
	12	M06Z, M09A, M09B, M38Z	5o394.4		BOP, KVT, UOP4		21B	X06A, X06B, X06C
	13	N11A, N11B		11	L06A, L06B	5o39x.4		BOP, KVT, UOP4
	17	R01A, R01B, R01C, R01D, R02Z, R12A, R12B, R12C		21A	W04A, W04B		11	L06A, L06B
5o37x		BOP, KVT, UOP4	5o394.t		BOP, KVT, UOP4		21A	W04A, W04B
	11	L06A, L06B		11	L11Z, L18A, L18B, L38Z	5o400		X06A, X06B, X06C
	12	M06Z, M09A, M09B, M38Z		12	M06Z, M09A, M09B, M38Z		21B	BOP, KVT, UOP4
	13	N11A, N11B	5o394.x		BOP, KVT, UOP4		11	L08A, L08B
	17	R01A, R01B, R01C, R01D, R02Z, R12A, R12B, R12C		11	L11Z, L18A, L18B, L38Z		12	M03A, M03B, M03C, M38Z
5o390		BOP, KVT, UOP4	5o395.0		BOP, KVT, UOP4		19	U01Z
	11	L03Z, L04A, L04B, L04C, L10Z, L13A, L13B, L38Z		11	L06A, L06B	5o401		21A
	21A	W04A, W04B		21A	W04A, W04B		21B	W04A, W04B
	21B	X06A, X06B, X06C	5o395.1		BOP, KVT, UOP4		11	L08A, L08B
5o391.0		BOP, KVT, UOP4		11	L06A, L06B		12	M03A, M03B, M03C, M38Z
	11	L06A, L06B		21A	W04A, W04B		13	N11A, N11B
	21A	W04A, W04B		21B	X06A, X06B, X06C		14	962Z, O02A, O02B
	21B	X06A, X06B, X06C	5o395.3		BOP, KVT, UOP4		19	U01Z
5o391.1†		L18A, L18B, L19Z, L20A, L20B, L20C, L38Z		11	L06A, L06B	5o402		21A
5o391.3‡		L18A, L18B, L19Z, L20A, L20B, L20C, L38Z		21A	W04A, W04B		21B	W04A, W04B
5o391.4		BOP, KVT, UOP4	5o395.4		BOP, KVT, UOP4		11	L08A, L08B
	11	L06A, L06B		11	L06A, L06B		12	M03A, M03B, M03C, M38Z
	21A	W04A, W04B		21A	W04A, W04B		13	N11A, N11B
	21B	X06A, X06B, X06C		21B	X06A, X06B, X06C		14	962Z, O02A, O02B
5o391.t†		L18A, L18B, L19Z, L20A, L20B, L20C, L38Z	5o395.t		BOP, KVT, UOP4		19	U01Z
	11	L18A, L18B, L19Z, L20A, L20B, L20C, L38Z		11	L06A, L06B	5o404		21A
5o391.x‡		L18A, L18B, L19Z, L20A, L20B, L20C, L38Z		21A	W04A, W04B		21B	W04A, W04B
5o392.0		BOP, KVT, UOP4	5o395.x		BOP, KVT, UOP4		11	L08A, L08B
	11	L06A, L06B		11	L06A, L06B		12	M03A, M03B, M03C, M38Z
	12	M06Z, M09A, M09B, M38Z		21A	W04A, W04B		13	N11A
	13	N13A, N13B	5o396.0		BOP, KVT, UOP4		17	R01A, R01B, R01C, R01D, R02Z, R12A, R12B, R12C
	17	R01A, R01B, R01C, R01D, R02Z, R12A, R12B, R12C		11	L06A, L06B	5o405		19
	21A	W04A, W04B		21A	W04A, W04B		21A	U01Z
	21B	X06A, X06B, X06C	5o396.4		BOP, KVT, UOP4		21B	W04A, W04B
5o392.4		BOP, KVT, UOP4		11	L06A, L06B		11	L08A, L08B
	11	L06A, L06B		21A	W04A, W04B		12	M03A, M03B, M03C, M38Z
	12	M06Z, M09A, M09B, M38Z		21B	X06A, X06B, X06C		13	N11A, N11B
	13	N13A, N13B	5o397.0		BOP, KVT, UOP4		14	962Z, O02A, O02B
	17	R01A, R01B, R01C, R01D, R02Z, R12A, R12B, R12C		11	L06A, L06B		19	U01Z
	21A	W04A, W04B		21A	W04A, W04B	5o406		21A
	21B	X06A, X06B, X06C	5o397.3		BOP, KVT, UOP4		21B	W04A, W04B
5o393.0		BOP, KVT, UOP4		11	L06A, L06B		11	L08A, L08B
	11	L06A, L06B		21A	W04A, W04B		12	M03A, M03B, M03C, M38Z
	21A	W04A, W04B		21B	X06A, X06B, X06C		13	N11A, N11B
	21B	X06A, X06B, X06C	5o397.4		BOP, KVT, UOP4		14	962Z, O02A, O02B
5o393.4		BOP, KVT, UOP4		11	L06A, L06B		19	U01Z
	11	L06A, L06B		21A	W04A, W04B	5o407		21A
	21A	W04A, W04B		21B	X06A, X06B, X06C		21B	W04A, W04B
	21B	X06A, X06B, X06C	5o397.t		BOP, KVT, UOP4		11	L08A, L08B
5o394.0		BOP, KVT, UOP4		11	L06A, L06B		12	M03A, M03B, M03C, M38Z
	11	L06A, L06B		21A	W04A, W04B		13	N11A, N11B
	21A	W04A, W04B	5o398.0		BOP, KVT, UOP4		14	962Z, O02A, O02B
	21B	X06A, X06B, X06C		11	L06A, L06B		19	U01Z
				21A	W04A, W04B		21A	W04A, W04B
				21B	X06A, X06B, X06C		21B	X06A, X06B, X06C

ZZV	MDC	DRG	ZZV	MDC	DRG	ZZV	MDC	DRG	
5o408.1		BOP, KVT, UOP4	5o40a.5		BOP, KVT, UOP4	5o40c		BOP, KVT, UOP4	
	11	L08A, L08B		11	L08A, L08B		11	L08A, L08B	
	12	M03A, M03B, M03C, M38Z		12	M03A, M03B, M03C, M38Z		13	N11A	
	19	U01Z		13	N11A		14	962Z, O02A, O02B	
	21A	W04A, W04B		14	962Z, O02A, O02B		19	U01Z	
5o408.2	21B	X06A, X06B, X06C	19	U01Z	21A	W04A, W04B			
		BOP, KVT, UOP4	21A	W04A, W04B	21B	X06A, X06B, X06C			
	11	L08A, L08B	21B	X06A, X06B, X06C	5o40d		BOP, KVT, UOP4		
	12	M03A, M03B, M03C, M38Z	5o40a.x			11	L08A, L08B		
	13	N11A		11		L08A, L08B	13	N11A	
14	962Z, O02A, O02B	12		M03A, M03B, M03C, M38Z		14	962Z, O02A, O02B		
19	U01Z	13		N11A		19	U01Z		
21A	W04A, W04B	14		962Z, O02A, O02B	21A	W04A, W04B			
5o408.x	21B	X06A, X06B, X06C	19	U01Z	21B	X06A, X06B, X06C			
		BOP, KVT, UOP4	21A	W04A, W04B	5o40x		BOP, KVT, UOP4		
	11	L08A, L08B	21B	X06A, X06B, X06C		11	L08A, L08B		
	12	M03A, M03B, M03C, M38Z	5o40b.1			12	M03A, M03B, M03C, M38Z		
	19	U01Z		11		L08A, L08B	19	U01Z	
21A	W04A, W04B	12		M03A, M03B, M03C, M38Z		21A	W04A, W04B		
21B	X06A, X06B, X06C	19		U01Z	21B	X06A, X06B, X06C			
5o409.1		BOP, KVT, UOP4		21A	W04A, W04B	5o410†	11	L40Z	
	11	L08A, L08B	21B	X06A, X06B, X06C	5o411.0			BOP, KVT, UOP4	
	12	M03A, M03B, M03C, M38Z	5o40b.2				11	L08A, L08B	
	19	U01Z		11			L08A, L08B	13	N11A, N11B
	21A	W04A, W04B		12			M03A, M03B, M03C, M38Z	21A	W04A, W04B
21B	X06A, X06B, X06C	19		U01Z		21B	X06A, X06B, X06C		
5o409.x		BOP, KVT, UOP4		21A	W04A, W04B	5o411.1		BOP, KVT, UOP4	
	11	L08A, L08B	21B	X06A, X06B, X06C	11		L08A, L08B		
	12	M03A, M03B, M03C, M38Z	5o40b.3		13		N11A, N11B		
	19	U01Z		11	L08A, L08B		21A	W04A, W04B	
	21A	W04A, W04B		12	M03A, M03B, M03C, M38Z		21B	X06A, X06B, X06C	
21B	X06A, X06B, X06C	13		N11A		BOP, KVT, UOP4			
5o40a.1		BOP, KVT, UOP4		14	962Z, O02A, O02B	5o411.2	11	L08A, L08B	
	11	L08A, L08B	19	U01Z	13		N11A, N11B		
	12	M03A, M03B, M03C, M38Z	21A	W04A, W04B	21A		W04A, W04B		
	14	962Z, O02A, O02B	21B	X06A, X06B, X06C	21B		X06A, X06B, X06C		
	19	U01Z	5o40b.4		11		L08A, L08B		
21A	W04A, W04B	11		L08A, L08B	5o412.0		BOP, KVT, UOP4		
21B	X06A, X06B, X06C	12		M03A, M03B, M03C, M38Z		11	L08A, L08B		
5o40a.2		BOP, KVT, UOP4		13		N11A	13	N11A, N11B	
	11	L08A, L08B		14		962Z, O02A, O02B	21A	W04A, W04B	
	12	M03A, M03B, M03C, M38Z	19	U01Z		21B	X06A, X06B, X06C		
	14	962Z, O02A, O02B	21A	W04A, W04B		BOP, KVT, UOP4			
	19	U01Z	21B	X06A, X06B, X06C	5o412.1	11	L08A, L08B		
21A	W04A, W04B	5o40b.5		13		N11A, N11B			
21B	X06A, X06B, X06C		11	L08A, L08B		21A	W04A, W04B		
5o40a.3			BOP, KVT, UOP4	12		M03A, M03B, M03C, M38Z	21B	X06A, X06B, X06C	
	11		L08A, L08B	13		N11A		BOP, KVT, UOP4	
	12		M03A, M03B, M03C, M38Z	14	962Z, O02A, O02B	5o413	10	K03A, K03B	
	13	N11A	19	U01Z	11		L03Z, L04A, L04B, L04C, L10Z, L13A, L13B, L38Z		
	14	962Z, O02A, O02B	21A	W04A, W04B	21A		W04A, W04B		
19	U01Z	21B	X06A, X06B, X06C	21B	X06A, X06B, X06C				
21A	W04A, W04B	5o40b.6			BOP, KVT, UOP4				
21B	X06A, X06B, X06C		11	L08A, L08B	5o414	11	L03Z, L04A, L04B, L04C, L10Z, L13A, L13B, L33Z, L38Z		
5o40a.4			BOP, KVT, UOP4	12		M03A, M03B, M03C, M38Z	21A	W04A, W04B	
	11		L08A, L08B	13		N11A	21B	X06A, X06B, X06C	
	12		M03A, M03B, M03C, M38Z	14		962Z, O02A, O02B		BOP, KVT, UOP4	
	13	N11A	19	U01Z		5o41c	10	K03A, K03B	
	14	962Z, O02A, O02B	21A	W04A, W04B	11		L03Z, L04A, L04B, L04C, L10Z, L13A, L13B, L38Z		
19	U01Z	21B	X06A, X06B, X06C	13	N04Z, N06Z				
21A	W04A, W04B	5o40b.x		21A	W04A, W04B				
21B	X06A, X06B, X06C		11	L08A, L08B	21B		X06A, X06B, X06C		
			12	M03A, M03B, M03C, M38Z					
			13	N11A					
			14	962Z, O02A, O02B					
		19	U01Z						
		21A	W04A, W04B						
		21B	X06A, X06B, X06C						

ZZV	MDC	DRG	ZZV	MDC	DRG	ZZV	MDC	DRG
5o41d		BOP, KVT, UOP4	5o43x		BOP, KVT, UOP4	5o491		BOP, KVT, UOP4
	11	L03Z, L04A, L04B, L04C, L10Z, L13A, L13B, L33Z, L38Z		11	L17A, L17B, L20A, L20B, L20C		11	L06A, L06B
	13	N04Z, N06Z		12	M06Z, M09A, M09B, M38Z		12	M06Z, M09A, M09B, M38Z
	21A	W04A, W04B		13	N11A, N11B		13	N11A
5o41x	21B	X06A, X06B, X06C	5o440	21A	W04A, W04B	5o492	14	962Z, O02A, O02B
		BOP, KVT, UOP4		21B	X06A, X06B, X06C		21A	W04A, W04B
	11	L03Z, L04A, L04B, L04C, L10Z, L13A, L13B, L38Z			BOP, KVT, UOP4		21B	X06A, X06B, X06C
	13	N04Z, N06Z		11	L17A, L17B, L20A, L20B, L20C		11	L18A, L18B, L19Z, L20A, L20B, L20C, L38Z
5o421	21A	W04A, W04B	5o441	12	M06Z, M09A, M09B, M38Z	5o493	12	M06Z, M09A, M09B, M38Z
	21B	X06A, X06B, X06C		21A	W04A, W04B		11	L18A, L18B, L19Z, L20A, L20B, L20C, L38Z
		BOP, KVT, UOP4		21B	X06A, X06B, X06C		11	L18A, L18B, L19Z, L20A, L20B, L20C, L38Z
	11	L17A, L17B, L20A, L20B, L20C		11	L17A, L17B, L20A, L20B, L20C		12	M06Z, M09A, M09B, M38Z
5o422.2	12	M03A, M03B, M03C, M38Z	5o442	12	M03A, M03B, M03C, M38Z	5o494†	11	L18A, L18B, L19Z, L20A, L20B, L20C, L38Z
	13	N11A, N11B		13	N11A, N11B		12	M06Z, M09A, M09B, M38Z
	21A	W04A, W04B		14	962Z, O02A, O02B		11	L18A, L18B, L19Z, L20A, L20B, L20C, L38Z
	21B	X06A, X06B, X06C		21A	W04A, W04B		12	M06Z, M09A, M09B, M38Z
5o422.t		BOP, KVT, UOP4	5o443	21B	X06A, X06B, X06C	5o495†	11	L18A, L18B, L19Z, L20A, L20B, L20C, L38Z
	11	L17A, L17B, L20A, L20B, L20C		11	L17A, L17B, L20A, L20B, L20C		12	M06Z, M09A, M09B, M38Z
	12	M03A, M03B, M03C, M38Z		12	M03A, M03B, M03C, M38Z		11	L18A, L18B, L19Z, L20A, L20B, L20C, L38Z
	13	N11A, N11B		21A	W04A, W04B		12	M06Z, M09A, M09B, M38Z
5o430.0	21A	W04A, W04B	5o44x	21B	X06A, X06B, X06C	5o496	11	L17A, L17B, L20A, L20B, L20C
	21B	X06A, X06B, X06C		11	L17A, L17B, L20A, L20B, L20C		13	N11A, N11B
		BOP, KVT, UOP4		12	M06Z, M09A, M09B, M38Z		21A	W04A, W04B
	11	L17A, L17B, L20A, L20B, L20C		21A	W04A, W04B		21B	X06A, X06B, X06C
5o430.1	12	M06Z, M09A, M09B, M38Z	5o450†		BOP, KVT, UOP4	5o497	11	L17A, L17B, L20A, L20B, L20C
	13	N11A, N11B		11	L17A, L17B, L20A, L20B, L20C		13	N11A, N11B
	21A	W04A, W04B		12	M06Z, M09A, M09B, M38Z		21A	W04A, W04B
	21B	X06A, X06B, X06C		21B	X06A, X06B, X06C		21B	X06A, X06B, X06C
5o430.2		BOP, KVT, UOP4	5o451		BOP, KVT, UOP4	5o498	11	L17A, L17B, L20A, L20B, L20C
	11	L17A, L17B, L20A, L20B, L20C		11	L17A, L17B, L20A, L20B, L20C		13	N11A, N11B
	12	M06Z, M09A, M09B, M38Z		13	N11A, N11B		21A	W04A, W04B
	13	N11A, N11B		21A	W04A, W04B		21B	X06A, X06B, X06C
5o431	21A	W04A, W04B	5o452	11	L17A, L17B, L20A, L20B, L20C	5o499†	11	L18A, L18B, L19Z, L20A, L20B, L20C, L38Z
	21B	X06A, X06B, X06C		13	N11A, N11B		12	M06Z, M09A, M09B, M38Z
		BOP, KVT, UOP4		21A	W04A, W04B		11	L18A, L18B, L19Z, L20A, L20B, L20C, L38Z
	11	L17A, L17B, L20A, L20B, L20C		21B	X06A, X06B, X06C		12	M06Z, M09A, M09B, M38Z
5o432	12	M06Z, M09A, M09B, M38Z	5o45x		BOP, KVT, UOP4	5o49a.1†	11	L18A, L18B, L19Z, L20A, L20B, L20C, L38Z
	13	N08Z		11	L17A, L17B, L20A, L20B, L20C		12	M06Z, M09A, M09B, M38Z
	21A	W04A, W04B		13	N11A, N11B		11	L18A, L18B, L19Z, L20A, L20B, L20C, L38Z
	21B	X06A, X06B, X06C		21A	W04A, W04B		12	M06Z, M09A, M09B, M38Z
5o432		BOP, KVT, UOP4	5o490	21B	X06A, X06B, X06C	5o49a.2†	11	L18A, L18B, L19Z, L20A, L20B, L20C, L38Z
	11	L17A, L17B, L20A, L20B, L20C		11	L03Z, L04A, L04B, L04C, L10Z, L13A, L13B, L38Z		12	M06Z, M09A, M09B, M38Z
	12	M06Z, M09A, M09B, M38Z		21A	W04A, W04B		11	L18A, L18B, L19Z, L20A, L20B, L20C, L38Z
	13	N11A, N11B		21B	X06A, X06B, X06C		12	M06Z, M09A, M09B, M38Z
5o432	21A	W04A, W04B	5o490		BOP, KVT, UOP4	5o49b	06	G01Z, G02Z, G38Z
	21B	X06A, X06B, X06C		11	L17A, L17B, L20A, L20B, L20C		11	L08A, L08B
		BOP, KVT, UOP4		13	N11A, N11B		12	M03A, M03B, M03C, M38Z
	11	L17A, L17B, L20A, L20B, L20C		21A	W04A, W04B		Pre	A11A, A13A, A13B, A13D
5o432	12	M06Z, M09A, M09B, M38Z	5o490	21B	X06A, X06B, X06C	5o49c	06	G01Z, G02Z, G38Z
	13	N11A, N11B		11	L17A, L17B, L20A, L20B, L20C		11	L08A, L08B
	21A	W04A, W04B		13	N11A, N11B		12	M03A, M03B, M03C, M38Z
	21B	X06A, X06B, X06C		21A	W04A, W04B		Pre	A11A, A13A, A13B, A13D
5o432		BOP, KVT, UOP4	5o490		BOP, KVT, UOP4	5o49x†	11	L18A, L18B, L19Z, L20A, L20B, L20C, L38Z
	11	L17A, L17B, L20A, L20B, L20C		11	L03Z, L04A, L04B, L04C, L10Z, L13A, L13B, L38Z		12	M06Z, M09A, M09B, M38Z
	12	M06Z, M09A, M09B, M38Z		21A	W04A, W04B		13	N11A, N11B
	13	N11A, N11B		21B	X06A, X06B, X06C		17	R01A, R01B, R01C, R01D, R02Z, R12A, R12B, R12C
5o432	21A	W04A, W04B	5o490		BOP, KVT, UOP4	5o900.1	21A	W04A, W04B
	21B	X06A, X06B, X06C		11	L03Z, L04A, L04B, L04C, L10Z, L13A, L13B, L38Z		21B	X06A, X06B, X06C
		BOP, KVT, UOP4		21A	W04A, W04B			BOP, KVT, UOP4
	11	L17A, L17B, L20A, L20B, L20C		21B	X06A, X06B, X06C			BOP, KVT, UOP4
5o432	12	M06Z, M09A, M09B, M38Z	5o490		BOP, KVT, UOP4	5o900.1	11	L03Z, L04A, L04B, L04C, L10Z, L13A, L13B, L38Z
	13	N11A, N11B		11	L03Z, L04A, L04B, L04C, L10Z, L13A, L13B, L38Z		12	M06Z, M09A, M09B, M38Z
	21A	W04A, W04B		21A	W04A, W04B		13	N11A, N11B
	21B	X06A, X06B, X06C		21B	X06A, X06B, X06C		17	R01A, R01B, R01C, R01D, R02Z, R12A, R12B, R12C

VYK

ZZV	MDC	DRG	ZZV	MDC	DRG	ZZV	MDC	DRG	
5o900.2		BOP, KVT, UOP4	5o902.2		BOP, KVT, UOP4	5o905.1		BOP, KVT, UOP4	
	11	L03Z, L04A, L04B, L04C, L10Z, L13A, L13B, L38Z		06	G10Z, G12A, G12B		06	G15Z	
	12	M06Z, M09A, M09B, M38Z		07	H06A, H06B, H06C		10	K03A, K03B	
	13	N11A, N11B		10	K09A, K09B		11	L03Z, L04A, L04B, L04C, L10Z, L13A, L13B, L38Z	
	17	R01A, R01B, R01C, R01D, R02Z, R12A, R12B, R12C		11	L03Z, L04A, L04B, L04C, L10Z, L13A, L13B, L38Z		12	M06Z, M09A, M09B, M38Z	
	21A	W04A, W04B		12	M06Z, M09A, M09B, M38Z		13	N11A, N11B	
	21B	X06A, X06B, X06C		13	N11A, N11B		17	R01A, R01B, R01C, R01D, R02Z, R12A, R12B, R12C	
5o900.3‡		L11Z, L18A, L18B, L38Z		17	R01A, R01B, R01C, R01D, R02Z, R12A, R12B, R12C		21A	W04A, W04B	
5o900.4		BOP, KVT, UOP4	5o902.3‡		W04A, W04B		21B	X06A, X06B, X06C	
	11	L03Z, L04A, L04B, L04C, L10Z, L13A, L13B, L38Z	5o902.4		X06A, X06B, X06C	5o905.2		BOP, KVT, UOP4	
	12	M06Z, M09A, M09B, M38Z		11	L11Z, L18A, L18B, L38Z		06	G15Z	
	13	N11A, N11B		06	G10Z, G12A, G12B		11	L03Z, L04A, L04B, L04C, L10Z, L13A, L13B, L38Z	
	17	R01A, R01B, R01C, R01D, R02Z, R12A, R12B, R12C		07	H06A, H06B, H06C		12	M06Z, M09A, M09B, M38Z	
	21A	W04A, W04B		10	K09A, K09B		13	N11A, N11B	
	21B	X06A, X06B, X06C		11	L03Z, L04A, L04B, L04C, L10Z, L13A, L13B, L38Z		17	R01A, R01B, R01C, R01D, R02Z, R12A, R12B, R12C	
5o900.x‡		L11Z, L18A, L18B, L38Z		12	M06Z, M09A, M09B, M38Z		21A	W04A, W04B	
5o901.1		BOP, KVT, UOP4		13	N11A, N11B		21B	X06A, X06B, X06C	
	11	L03Z, L04A, L04B, L04C, L10Z, L13A, L13B, L38Z		17	R01A, R01B, R01C, R01D, R02Z, R12A, R12B, R12C	5o905.3‡		L11Z, L18A, L18B, L38Z	
	12	M06Z, M09A, M09B, M38Z		21A	W04A, W04B	5o905.4		BOP, KVT, UOP4	
	13	N11A, N11B		21B	X06A, X06B, X06C		06	G15Z	
	17	R01A, R01B, R01C, R01D, R02Z, R12A, R12B, R12C	5o902.x‡		L11Z, L18A, L18B, L38Z		11	L03Z, L04A, L04B, L04C, L10Z, L13A, L13B, L38Z	
	21A	W04A, W04B	5o903.1		BOP, KVT, UOP4		12	M06Z, M09A, M09B, M38Z	
	21B	X06A, X06B, X06C		06	G10Z, G12A, G12B		13	N11A, N11B	
5o901.2		BOP, KVT, UOP4		07	H06A, H06B, H06C		17	R01A, R01B, R01C, R01D, R02Z, R12A, R12B, R12C	
	11	L03Z, L04A, L04B, L04C, L10Z, L13A, L13B, L38Z		10	K09A, K09B		21A	W04A, W04B	
	12	M06Z, M09A, M09B, M38Z		11	L03Z, L04A, L04B, L04C, L10Z, L13A, L13B, L38Z		21B	X06A, X06B, X06C	
	13	N11A, N11B		12	M06Z, M09A, M09B, M38Z	5o905.x‡		L11Z, L18A, L18B, L38Z	
	17	R01A, R01B, R01C, R01D, R02Z, R12A, R12B, R12C		13	N11A, N11B	5o906.1		BOP, KVT, UOP4	
	21A	W04A, W04B		17	R01A, R01B, R01C, R01D, R02Z, R12A, R12B, R12C		06	G10Z, G12A, G12B, G15Z	
	21B	X06A, X06B, X06C		21A	W04A, W04B		07	H06A, H06B, H06C	
5o901.3‡		L11Z, L18A, L18B, L38Z		21B	X06A, X06B, X06C		10	K03A, K03B, K09A, K09B	
5o901.4		BOP, KVT, UOP4	5o903.2		X06A, X06B, X06C		11	L03Z, L04A, L04B, L04C, L10Z, L13A, L13B, L38Z	
	11	L03Z, L04A, L04B, L04C, L10Z, L13A, L13B, L38Z		06	BOP, KVT, UOP4		12	M06Z, M09A, M09B, M38Z	
	12	M06Z, M09A, M09B, M38Z		07	G10Z, G12A, G12B		13	N11A, N11B	
	13	N11A, N11B		10	H06A, H06B, H06C		17	R01A, R01B, R01C, R01D, R02Z, R12A, R12B, R12C	
	17	R01A, R01B, R01C, R01D, R02Z, R12A, R12B, R12C		11	K09A, K09B		21A	W04A, W04B	
	21A	W04A, W04B		11	L03Z, L04A, L04B, L04C, L10Z, L13A, L13B, L38Z		21B	X06A, X06B, X06C	
	21B	X06A, X06B, X06C		12	M06Z, M09A, M09B, M38Z	5o906.2		BOP, KVT, UOP4	
5o901.x‡		L11Z, L18A, L18B, L38Z		13	N11A, N11B		06	G10Z, G12A, G12B, G15Z	
5o902.1		BOP, KVT, UOP4		17	R01A, R01B, R01C, R01D, R02Z, R12A, R12B, R12C		07	H06A, H06B, H06C	
	06	G10Z, G12A, G12B	5o903.3‡		21A	W04A, W04B		10	K09A, K09B
	07	H06A, H06B, H06C	5o903.4		21B	X06A, X06B, X06C		11	L03Z, L04A, L04B, L04C, L10Z, L13A, L13B, L38Z
	10	K09A, K09B		11	L11Z, L18A, L18B, L38Z		12	M06Z, M09A, M09B, M38Z	
	11	L03Z, L04A, L04B, L04C, L10Z, L13A, L13B, L38Z		06	BOP, KVT, UOP4		13	N11A, N11B	
	12	M06Z, M09A, M09B, M38Z		06	G10Z, G12A, G12B		17	R01A, R01B, R01C, R01D, R02Z, R12A, R12B, R12C	
	13	N11A, N11B		07	H06A, H06B, H06C		21A	W04A, W04B	
	17	R01A, R01B, R01C, R01D, R02Z, R12A, R12B, R12C		10	K09A, K09B		21B	X06A, X06B, X06C	
	21A	W04A, W04B		11	L03Z, L04A, L04B, L04C, L10Z, L13A, L13B, L38Z	5o906.3‡		L11Z, L18A, L18B, L38Z	
	21B	X06A, X06B, X06C		12	M06Z, M09A, M09B, M38Z		11	L11Z, L18A, L18B, L38Z	
				13	N11A, N11B				
				17	R01A, R01B, R01C, R01D, R02Z, R12A, R12B, R12C				
				21A	W04A, W04B				
				21B	X06A, X06B, X06C				
			5o903.x‡		L11Z, L18A, L18B, L38Z				
			5o904‡		L11Z, L18A, L18B, L38Z				

VYK

ZZV	MDC	DRG	ZZV	MDC	DRG	ZZV	MDC	DRG			
5o906.4		BOP, KVT, UOP4	5o907.2		BOP, KOP, KOPV, KVT, UOP4	5o908.1		BOP, KOP, KOPV, KVT, UOP4			
	06	G10Z, G12A, G12B, G15Z		04	E05A, E05B, E05C, E08A, E08B, E08C		04	E05A, E05B, E05C, E08A, E08B, E08C			
	07	H06A, H06B, H06C		06	G10Z, G12A, G12B, G15Z, G18A, G33Z, G38Z		06	G10Z, G12A, G12B, G15Z, G18A, G33Z, G38Z			
	10	K03A, K03B, K09A, K09B		07	H33Z, H38Z		07	H33Z, H38Z			
	11	L03Z, L04A, L04B, L04C, L10Z, L13A, L13B, L38Z		08	I28A, I28B		08	I28A, I28B			
	12	M06Z, M09A, M09B, M38Z		09	J03A, J03B, J04A, J04B, J08A, J08B, J08C, J10A, J10B, J16Z		09	J03A, J03B, J04A, J04B, J08A, J08B, J08C, J10A, J10B, J16Z			
	13	N11A, N11B		10	K09A, K09B		10	K09A, K09B			
	17	R01A, R01B, R01C, R01D, R02Z, R12A, R12B, R12C		11	L03Z, L04A, L04B, L04C, L10Z, L13A, L13B, L33Z, L38Z		11	L03Z, L04A, L04B, L04C, L10Z, L13A, L13B, L33Z, L38Z			
	21A	W04A, W04B		12	M01A, M01B, M38Z		12	M01A, M01B, M38Z			
	21B	X06A, X06B, X06C		13	N01A, N01B, N01C, N01D, N01E, N38Z		13	N01A, N01B, N01C, N01D, N01E, N38Z			
5o906.50		BOP, KOP, KVT, MVV, UOP4	5o907.4		BOP, KOP, KOPV, KVT, UOP4	5o908.2		BOP, KOP, KOPV, KVT, UOP4			
	06	G03B, G10Z, G12A, G12B, G18A, G38Z		04	E05A, E05B, E05C, E08A, E08B, E08C		04	E05A, E05B, E05C, E08A, E08B, E08C			
	07	H06A, H06B, H06C		06	G10Z, G12A, G12B, G15Z, G18A, G33Z, G38Z		06	G10Z, G12A, G12B, G15Z, G18A, G33Z, G38Z			
	10	K09A, K09B		07	H33Z, H38Z		07	H33Z, H38Z			
	13	N11A		08	I28A, I28B		08	I28A, I28B			
5o906.51		BOP, KOP, KVT, MVV, UOP4	5o907.x		BOP, KOP, KOPV, KVT, UOP4	5o908.4		BOP, KOP, KOPV, KVT, UOP4			
	06	G03B, G10Z, G12A, G12B, G18A, G38Z		04	E05A, E05B, E05C, E08A, E08B, E08C		04	E05A, E05B, E05C, E08A, E08B, E08C			
	07	H06A, H06B, H06C		06	G10Z, G12A, G12B, G15Z, G18A, G33Z, G38Z		06	G10Z, G12A, G12B, G15Z, G18A, G33Z, G38Z			
	10	K09A, K09B		07	H33Z, H38Z		07	H33Z, H38Z			
	13	N11A		08	I28A, I28B		08	I28A, I28B			
	17	R01A, R01B, R01C, R01D, R02Z, R12A, R12B, R12C		09	J03A, J03B, J04A, J04B, J08A, J08B, J08C, J10A, J10B, J16Z		09	J03A, J03B, J04A, J04B, J08A, J08B, J08C, J10A, J10B, J16Z			
	23	Z01A		10	K09A, K09B		10	K09A, K09B			
	5o906.x† 5o907.1			BOP, KOP, KOPV, KVT, UOP4	5o907.x			BOP, KOP, KOPV, KVT, UOP4	5o908.4		BOP, KOP, KOPV, KVT, UOP4
		04		E05A, E05B, E05C, E08A, E08B, E08C			04	E05A, E05B, E05C, E08A, E08B, E08C		04	E05A, E05B, E05C, E08A, E08B, E08C
		06		G10Z, G12A, G12B, G15Z, G18A, G33Z, G38Z			06	G10Z, G12A, G12B, G15Z, G18A, G33Z, G38Z		06	G10Z, G12A, G12B, G15Z, G18A, G33Z, G38Z
07		H33Z, H38Z	07	H33Z, H38Z		07	H33Z, H38Z				
08		I28A, I28B	08	I28A, I28B		08	I28A, I28B				
09		J03A, J03B, J04A, J04B, J08A, J08B, J08C, J10A, J10B, J16Z	09	J03A, J03B, J04A, J04B, J08A, J08B, J08C, J10A, J10B, J16Z		09	J03A, J03B, J04A, J04B, J08A, J08B, J08C, J10A, J10B, J16Z				
10		K09A, K09B	10	K09A, K09B		10	K09A, K09B				
11		L03Z, L04A, L04B, L04C, L10Z, L13A, L13B, L33Z, L38Z	11	L03Z, L04A, L04B, L04C, L10Z, L13A, L13B, L33Z, L38Z		11	L03Z, L04A, L04B, L04C, L10Z, L13A, L13B, L33Z, L38Z				
12		M01A, M01B, M38Z	12	M01A, M01B, M38Z		12	M01A, M01B, M38Z				
13		N01A, N01B, N01C, N01D, N01E, N38Z	13	N01A, N01B, N01C, N01D, N01E, N38Z		13	N01A, N01B, N01C, N01D, N01E, N38Z				
5o906.51		BOP, KOP, KOPV, KVT, UOP4	5o907.4		BOP, KOP, KOPV, KVT, UOP4	5o908.2		BOP, KOP, KOPV, KVT, UOP4			
	04	E05A, E05B, E05C, E08A, E08B, E08C		04	E05A, E05B, E05C, E08A, E08B, E08C		04	E05A, E05B, E05C, E08A, E08B, E08C			
	06	G10Z, G12A, G12B, G15Z, G18A, G33Z, G38Z		06	G10Z, G12A, G12B, G15Z, G18A, G33Z, G38Z		06	G10Z, G12A, G12B, G15Z, G18A, G33Z, G38Z			
	07	H33Z, H38Z		07	H33Z, H38Z		07	H33Z, H38Z			
	08	I28A, I28B		08	I28A, I28B		08	I28A, I28B			
5o906.x† 5o907.1		BOP, KOP, KOPV, KVT, UOP4	5o907.x		BOP, KOP, KOPV, KVT, UOP4	5o908.4		BOP, KOP, KOPV, KVT, UOP4			
	04	E05A, E05B, E05C, E08A, E08B, E08C		04	E05A, E05B, E05C, E08A, E08B, E08C		04	E05A, E05B, E05C, E08A, E08B, E08C			
	06	G10Z, G12A, G12B, G15Z, G18A, G33Z, G38Z		06	G10Z, G12A, G12B, G15Z, G18A, G33Z, G38Z		06	G10Z, G12A, G12B, G15Z, G18A, G33Z, G38Z			
	07	H33Z, H38Z		07	H33Z, H38Z		07	H33Z, H38Z			
	08	I28A, I28B		08	I28A, I28B		08	I28A, I28B			
	09	J03A, J03B, J04A, J04B, J08A, J08B, J08C, J10A, J10B, J16Z		09	J03A, J03B, J04A, J04B, J08A, J08B, J08C, J10A, J10B, J16Z		09	J03A, J03B, J04A, J04B, J08A, J08B, J08C, J10A, J10B, J16Z			
	10	K09A, K09B		10	K09A, K09B		10	K09A, K09B			
	11	L03Z, L04A, L04B, L04C, L10Z, L13A, L13B, L33Z, L38Z		11	L03Z, L04A, L04B, L04C, L10Z, L13A, L13B, L33Z, L38Z		11	L03Z, L04A, L04B, L04C, L10Z, L13A, L13B, L33Z, L38Z			
	12	M01A, M01B, M38Z		12	M01A, M01B, M38Z		12	M01A, M01B, M38Z			
	13	N01A, N01B, N01C, N01D, N01E, N38Z		13	N01A, N01B, N01C, N01D, N01E, N38Z		13	N01A, N01B, N01C, N01D, N01E, N38Z			
5o906.51		BOP, KOP, KOPV, KVT, UOP4	5o907.4		BOP, KOP, KOPV, KVT, UOP4	5o908.2		BOP, KOP, KOPV, KVT, UOP4			
	04	E05A, E05B, E05C, E08A, E08B, E08C		04	E05A, E05B, E05C, E08A, E08B, E08C		04	E05A, E05B, E05C, E08A, E08B, E08C			
	06	G10Z, G12A, G12B, G15Z, G18A, G33Z, G38Z		06	G10Z, G12A, G12B, G15Z, G18A, G33Z, G38Z		06	G10Z, G12A, G12B, G15Z, G18A, G33Z, G38Z			
	07	H33Z, H38Z		07	H33Z, H38Z		07	H33Z, H38Z			
	08	I28A, I28B		08	I28A, I28B		08	I28A, I28B			

VYK

ZZV	MDC	DRG	ZZV	MDC	DRG	ZZV	MDC	DRG	
5o908.x		BOP, KOP, KOPV, KVT, UOP4	5o909.x		BOP, KVT, UOP4	5o91x		BOP, KVT, UOP4	
	04	E05A, E05B, E05C, E08A, E08B, E08C		06	G10Z, G12A, G12B, G15Z		11	L06A, L06B	
	06	G10Z, G12A, G12B, G15Z, G33Z		07	H06A, H06B, H06C		12	M06Z, M09A, M09B, M38Z	
	07	H33Z, H38Z		10	K09A, K09B		13	N11A, N11B	
	08	I28A, I28B		13	N11A, N11B		17	R01A, R01B, R01C, R01D, R02Z, R12A, R12B, R12C	
	09	J03A, J03B, J04A, J04B, J08A, J08B, J08C, J10A, J10B, J16Z		17	R01A, R01B, R01C, R01D, R02Z, R12A, R12B, R12C		21A	W04A, W04B	
	10	K09A, K09B		5o90x.1			21B	X06A, X06B, X06C	
	11	L03Z, L04A, L04B, L04C, L10Z, L13A, L13B, L33Z, L38Z		11	L03Z, L04A, L04B, L04C, L10Z, L13A, L13B, L38Z		5o920.1		
	12	M01A, M01B, M38Z		12	M06Z, M09A, M09B, M38Z		11	L03Z, L04A, L04B, L04C, L10Z, L13A, L13B, L38Z	
	13	N01A, N01B, N01C, N01D, N01E, N38Z		13	N11A, N11B		12	M01A, M01B, M38Z	
	17	R01A, R01B, R01C, R01D, R02Z, R12A, R12B, R12C		17	R01A, R01B, R01C, R01D, R02Z, R12A, R12B, R12C		13	N04Z, N06Z	
	21B	X33Z		21A	W04A, W04B		21A	W04A, W04B	
	23	Z01A		21B	X06A, X06B, X06C		21B	X06A, X06B, X06C	
	Pre	A07A		5o90x.2			5o920.2		
	5o909.1			BOP, KVT, UOP4	11		L03Z, L04A, L04B, L04C, L10Z, L13A, L13B, L38Z	11	L03Z, L04A, L04B, L04C, L10Z, L13A, L13B, L38Z
		06		G10Z, G12A, G12B, G15Z	12		M06Z, M09A, M09B, M38Z	12	M01A, M01B, M38Z
		07		H06A, H06B, H06C	13		N11A, N11B	13	N04Z, N06Z
		10		K03A, K03B, K09A, K09B	17		R01A, R01B, R01C, R01D, R02Z, R12A, R12B, R12C	21A	W04A, W04B
		11		L03Z, L04A, L04B, L04C, L10Z, L13A, L13B, L38Z	21B		X06A, X06B, X06C	21B	X06A, X06B, X06C
		12		M06Z, M09A, M09B, M38Z	5o90x.3			5o920.3	
		13		N01A, N01B, N01C, N01D, N01E, N02A, N02B, N02C, N03A, N03B, N07Z, N11A, N11B, N25Z, N38Z	11		L03Z, L04A, L04B, L04C, L10Z, L13A, L13B, L38Z	11	L03Z, L04A, L04B, L04C, L10Z, L13A, L13B, L38Z
17		R01A, R01B, R01C, R01D, R02Z, R12A, R12B, R12C	12	M06Z, M09A, M09B, M38Z	12	M01A, M01B, M38Z			
21A		W04A, W04B	13	N11A, N11B	13	N04Z, N06Z			
21B		X06A, X06B, X06C	17	R01A, R01B, R01C, R01D, R02Z, R12A, R12B, R12C	21A	W04A, W04B			
5o909.2			BOP, KVT, UOP4	21B	X06A, X06B, X06C	21B	X06A, X06B, X06C		
		06	G10Z, G12A, G12B, G15Z	5o90x.4		5o920.x			
		07	H06A, H06B, H06C	11	L03Z, L04A, L04B, L04C, L10Z, L13A, L13B, L38Z	11	L03Z, L04A, L04B, L04C, L10Z, L13A, L13B, L38Z		
	10	K09A, K09B	12	M06Z, M09A, M09B, M38Z	12	M01A, M01B, M38Z			
	11	L03Z, L04A, L04B, L04C, L10Z, L13A, L13B, L38Z	13	N11A, N11B	13	N04Z, N06Z			
	12	M06Z, M09A, M09B, M38Z	17	R01A, R01B, R01C, R01D, R02Z, R12A, R12B, R12C	21A	W04A, W04B			
	13	N01A, N01B, N01C, N01D, N01E, N02A, N02B, N02C, N03A, N03B, N07Z, N11A, N11B, N25Z, N38Z	21B	X06A, X06B, X06C	21B	X06A, X06B, X06C			
	17	R01A, R01B, R01C, R01D, R02Z, R12A, R12B, R12C	5o90x.5†		5o921				
	21A	W04A, W04B	11	L11Z, L18A, L18B, L38Z	11	L03Z, L04A, L04B, L04C, L10Z, L13A, L13B, L38Z			
	21B	X06A, X06B, X06C	5o90x.x†		12	M06Z, M09A, M09B, M38Z			
	5o909.4		BOP, KVT, UOP4	5o910†		13	N11A		
		06	G10Z, G12A, G12B, G15Z	11	L11Z, L18A, L18B, L38Z	5o922.1			
		07	H06A, H06B, H06C	5o911		BOP, KVT, UOP4			
10		K09A, K09B	11	L06A, L06B	11	L03Z, L04A, L04B, L04C, L10Z, L13A, L13B, L38Z			
11		L03Z, L04A, L04B, L04C, L10Z, L13A, L13B, L38Z	11	L06A, L06B	12	M06Z, M09A, M09B, M38Z			
12		M06Z, M09A, M09B, M38Z	12	M06Z, M09A, M09B, M38Z	13	N11A, N11B			
13		N01A, N01B, N01C, N01D, N01E, N02A, N02B, N02C, N03A, N03B, N07Z, N11A, N11B, N25Z, N38Z	17	R01A, R01B, R01C, R01D, R02Z, R12A, R12B, R12C	17	R01A, R01B, R01C, R01D, R02Z, R12A, R12B, R12C			
17		R01A, R01B, R01C, R01D, R02Z, R12A, R12B, R12C	21A	W04A, W04B	21A	W04A, W04B			
21A		W04A, W04B	21B	X06A, X06B, X06C	21B	X06A, X06B, X06C			
21B		X06A, X06B, X06C	5o912		5o922.2				
5o909.4			BOP, KVT, UOP4	11	L06A, L06B	11	L03Z, L04A, L04B, L04C, L10Z, L13A, L13B, L38Z		
		06	G10Z, G12A, G12B, G15Z	12	M06Z, M09A, M09B, M38Z	12	M01A, M01B, M38Z		
		07	H06A, H06B, H06C	13	N11A, N11B	13	N04Z, N06Z		
	10	K09A, K09B	17	R01A, R01B, R01C, R01D, R02Z, R12A, R12B, R12C	21A	W04A, W04B			
	11	L03Z, L04A, L04B, L04C, L10Z, L13A, L13B, L38Z	21B	X06A, X06B, X06C	21B	X06A, X06B, X06C			
	12	M06Z, M09A, M09B, M38Z	BOP, KVT, UOP4	5o922.3					
	13	N01A, N01B, N01C, N01D, N01E, N02A, N02B, N02C, N03A, N03B, N07Z, N11A, N11B, N25Z, N38Z	L06A, L06B	11	L03Z, L04A, L04B, L04C, L10Z, L13A, L13B, L38Z				
	17	R01A, R01B, R01C, R01D, R02Z, R12A, R12B, R12C	12	M06Z, M09A, M09B, M38Z	12	M01A, M01B, M38Z			
	21A	W04A, W04B	13	N11A, N11B	13	N04Z, N06Z			
	21B	X06A, X06B, X06C	17	R01A, R01B, R01C, R01D, R02Z, R12A, R12B, R12C	21A	W04A, W04B			
	5o909.4		BOP, KVT, UOP4	21A	W04A, W04B	21B	X06A, X06B, X06C		
		06	G10Z, G12A, G12B, G15Z	21B	X06A, X06B, X06C	5o922.x			
		07	H06A, H06B, H06C	BOP, KVT, UOP4	11	L03Z, L04A, L04B, L04C, L10Z, L13A, L13B, L38Z			
10		K09A, K09B	L06A, L06B	12	M01A, M01B, M38Z				
11		L03Z, L04A, L04B, L04C, L10Z, L13A, L13B, L38Z	12	M06Z, M09A, M09B, M38Z	13	N04Z, N06Z			
12		M06Z, M09A, M09B, M38Z	13	N11A, N11B	21A	W04A, W04B			
13		N01A, N01B, N01C, N01D, N01E, N02A, N02B, N02C, N03A, N03B, N07Z, N11A, N11B, N25Z, N38Z	17	R01A, R01B, R01C, R01D, R02Z, R12A, R12B, R12C	21B	X06A, X06B, X06C			
17		R01A, R01B, R01C, R01D, R02Z, R12A, R12B, R12C	21A	W04A, W04B	5o922.x				
21A		W04A, W04B	21B	X06A, X06B, X06C	11	L03Z, L04A, L04B, L04C, L10Z, L13A, L13B, L38Z			
21B		X06A, X06B, X06C			12	M01A, M01B, M38Z			
					13	N04Z, N06Z			
					21A	W04A, W04B			
					21B	X06A, X06B, X06C			

ZZV	MDC	DRG	ZZV	MDC	DRG	ZZV	MDC	DRG
5o923		BOP, KVT, UOP4	5o950.2		BOP, KVT, UOP4	5o96x		BOP, KVT, UOP4
	11	L03Z, L04A, L04B, L04C, L10Z, L13A, L13B, L38Z		11	L17A, L17B, L20A, L20B, L20C		11	L06A, L06B
	12	M01A, M01B, M38Z		12	M06Z, M09A, M09B, M38Z		13	N04Z, N06Z
	13	N04Z, N06Z		13	N13A, N13B	5o990		BOP, KVT, UOP4
	21A	W04A, W04B	5o951		BOP, KVT, UOP4		11	L06A, L06B
	21B	X06A, X06B, X06C		11	L08A, L08B		13	N13A, N13B
5o92x		BOP, KVT, UOP4		12	M03A, M03B, M03C, M38Z	5o992.10		BOP, KVT, UOP4
	11	L03Z, L04A, L04B, L04C, L10Z, L13A, L13B, L38Z		13	N11A		11	L06A, L06B
	12	M06Z, M09A, M09B, M38Z		14	962Z, O02A, O02B		12	M06Z, M09A, M09B, M38Z
	13	N11A		21A	W04A, W04B		17	R01A, R01B, R01C, R01D, R02Z, R12A, R12B, R12C
5o930.1		BOP, KVT, UOP4	5o952.1		X06A, X06B, X06C		21A	W04A, W04B
	11	L06A, L06B		11	BOP, KVT, UOP4		21B	X06A, X06B, X06C
	13	N04Z, N06Z		12	L08A, L08B	5o992.11		BOP, KVT, UOP4
5o930.2		BOP, KVT, UOP4		13	M03A, M03B, M03C, M38Z		11	L06A, L06B
	11	L06A, L06B		14	962Z, O02A, O02B		12	M06Z, M09A, M09B, M38Z
	13	N04Z, N06Z		21A	W04A, W04B		17	R01A, R01B, R01C, R01D, R02Z, R12A, R12B, R12C
5o930.3		BOP, KVT, UOP4		21B	X06A, X06B, X06C		21A	W04A, W04B
	11	L06A, L06B	5o952.2		BOP, KVT, UOP4		21B	X06A, X06B, X06C
	13	N04Z, N06Z		11	L08A, L08B	5o992.40		BOP, KVT, UOP4
5o930.x		BOP, KVT, UOP4		12	M03A, M03B, M03C, M38Z		11	L06A, L06B
	11	L06A, L06B		13	N11A		12	M06Z, M09A, M09B, M38Z
	13	N04Z, N06Z		14	962Z, O02A, O02B		17	R01A, R01B, R01C, R01D, R02Z, R12A, R12B, R12C
5o931.1		BOP, KVT, UOP4		21A	W04A, W04B		21A	W04A, W04B
	11	L06A, L06B		21B	X06A, X06B, X06C		21B	X06A, X06B, X06C
	13	N04Z, N23Z	5o953		BOP, KVT, UOP4	5o992.41		BOP, KVT, UOP4
5o931.2		BOP, KVT, UOP4		11	L06A, L06B		11	L06A, L06B
	11	L06A, L06B		13	N13A, N13B		12	M06Z, M09A, M09B, M38Z
	13	N04Z, N23Z	5o954		BOP, KVT, UOP4		17	R01A, R01B, R01C, R01D, R02Z, R12A, R12B, R12C
5o931.x		BOP, KVT, UOP4		11	L06A, L06B		21A	W04A, W04B
	11	L06A, L06B		13	N04Z, N06Z		21B	X06A, X06B, X06C
	13	N04Z, N23Z	5o955		BOP, KVT, UOP4		21A	W04A, W04B
5o932.1		BOP, KVT, UOP4		11	L06A, L06B	5o992.70		X06A, X06B, X06C
	11	L06A, L06B		13	N04Z, N06Z			BOP, KVT, UOP4
	13	N04Z, N23Z	5o956.1		BOP, KVT, UOP4		11	L06A, L06B
5o932.x		BOP, KVT, UOP4		11	L06A		12	M06Z, M09A, M09B, M38Z
	11	L06A, L06B		13	N13A, N13B		17	R01A, R01B, R01C, R01D, R02Z, R12A, R12B, R12C
	13	N04Z, N23Z	5o956.x		BOP, KVT, UOP4		21A	W04A, W04B
5o93x		BOP, KVT, UOP4		11	L06A, L06B		21B	X06A, X06B, X06C
	11	L06A, L06B	5o95a		N13A, N13B	5o992.71		BOP, KVT, UOP4
	13	N04Z, N23Z		11	L06A		11	L06A, L06B
5o941.1		BOP, KVT, UOP4		13	N13A, N13B		12	M06Z, M09A, M09B, M38Z
	11	L06A, L06B	5o95b		BOP, KVT, UOP4		17	R01A, R01B, R01C, R01D, R02Z, R12A, R12B, R12C
	13	N04Z, N06Z		11	L06A, L06B		21A	W04A, W04B
5o941.2		BOP, KVT, UOP4		13	N13A, N13B		21B	X06A, X06B, X06C
	11	L06A, L06B	5o95c		BOP, KVT, UOP4	5o993.10		BOP, KVT, UOP4
	13	N04Z, N06Z		11	L06A, L06B		11	L06A, L06B
5o941.3		BOP, KVT, UOP4		13	N13A, N13B		12	M06Z, M09A, M09B, M38Z
	11	L06A, L06B	5o95d		BOP, KVT, UOP4		17	R01A, R01B, R01C, R01D, R02Z, R12A, R12B, R12C
	13	N04Z, N06Z		11	L06A		21A	W04A, W04B
5o942.0		BOP, KVT, UOP4		13	N13A, N13B		21B	X06A, X06B, X06C
	11	L06A	5o95x		BOP, KVT, UOP4	5o993.11		BOP, KVT, UOP4
	13	N04Z, N23Z		11	L06A, L06B		11	L06A, L06B
5o942.1		BOP, KVT, UOP4		13	N13A, N13B		12	M06Z, M09A, M09B, M38Z
	11	L06A	5o960		BOP, KVT, UOP4		17	R01A, R01B, R01C, R01D, R02Z, R12A, R12B, R12C
	13	N04Z, N23Z		11	L06A, L06B		21A	W04A, W04B
5o94x		BOP, KVT, UOP4		13	N04Z, N06Z		21B	X06A, X06B, X06C
	11	L06A, L06B	5o961		BOP, KVT, UOP4			BOP, KVT, UOP4
	13	N04Z, N23Z		11	L06A, L06B	5o993.40		BOP, KVT, UOP4
5o950.1		BOP, KVT, UOP4		13	N04Z, N06Z		11	L06A, L06B
	11	L17A, L17B, L20A, L20B, L20C	5o962		BOP, KVT, UOP4		12	M06Z, M09A, M09B, M38Z
	12	M06Z, M09A, M09B, M38Z		11	L06A, L06B		17	R01A, R01B, R01C, R01D, R02Z, R12A, R12B, R12C
	13	N13A, N13B	5o963		BOP, KVT, UOP4		21A	W04A, W04B
				11	L06A, L06B		21B	X06A, X06B, X06C
				13	N04Z, N06Z			

ZZV	MDC	DRG	ZZV	MDC	DRG	ZZV	MDC	DRG	
5o993.41		BOP, KVT, UOP4	5o995.1		BOP, KVT, UOP4	5p121.2		BOP, KVT, UOP4	
	11	L06A, L06B		11	L06A, L06B		11	L03Z, L04A, L04B, L04C, L10Z, L13A, L13B, L38Z	
	12	M06Z, M09A, M09B, M38Z		12	M06Z, M09A, M09B, M38Z		12	M01A, M01B, M09A, M38Z	
	17	R01A, R01B, R01C, R01D, R02Z, R12A, R12B, R12C		17	R01A, R01B, R01C, R01D, R02Z, R12A, R12B, R12C		5p121.3	BOP, KVT, UOP4	
	21A	W04A, W04B		21A	W04A, W04B		12	M06Z, M09A, M09B, M38Z	
5o993.70	21B	X06A, X06B, X06C	5o995.2	21B	X06A, X06B, X06C	5p121.4		BOP, KVT, UOP4	
		BOP, KVT, UOP4			BOP, KVT, UOP4		11	L05A, L05B	
	11	L06A, L06B		11	L06A, L06B		12	M02A, M02B, M38Z	
	12	M06Z, M09A, M09B, M38Z		12	M06Z, M09A, M09B, M38Z		5p121.x	BOP, KVT, UOP4	
	17	R01A, R01B, R01C, R01D, R02Z, R12A, R12B, R12C		17	R01A, R01B, R01C, R01D, R02Z, R12A, R12B, R12C		11	L05A, L05B	
5o993.71	21A	W04A, W04B	5o995.3	21A	W04A, W04B	5p122.2	12	M02A, M02B, M38Z	
	21B	X06A, X06B, X06C		21B	X06A, X06B, X06C		11	BOP, KVT, MVV, UOP4	
		BOP, KVT, UOP4			BOP, KVT, UOP4		11	L03Z, L04A, L04B, L04C, L10Z, L13A, L13B, L38Z	
	11	L06A, L06B		11	L06A, L06B		12	M01A, M01B, M38Z	
	12	M06Z, M09A, M09B, M38Z		12	M06Z, M09A, M09B, M38Z		23	Z01A	
5o994.10	17	R01A, R01B, R01C, R01D, R02Z, R12A, R12B, R12C	5o995.4	17	R01A, R01B, R01C, R01D, R02Z, R12A, R12B, R12C	5p122.3	11	BOP, KVT, MVV, UOP4	
	21A	W04A, W04B		21A	W04A, W04B		11	L03Z, L04A, L04B, L04C, L10Z, L13A, L13B, L38Z	
	21B	X06A, X06B, X06C		21B	X06A, X06B, X06C		12	M01A, M01B, M38Z	
		BOP, KVT, UOP4			BOP, KVT, UOP4		23	Z01A	
	11	L06A, L06B		11	L06A, L06B		5p122.4		BOP, KVT, MVV, UOP4
5o994.11	12	M06Z, M09A, M09B, M38Z	5o995.7	12	M06Z, M09A, M09B, M38Z	11		L03Z, L04A, L04B, L04C, L10Z, L13A, L13B, L38Z	
	17	R01A, R01B, R01C, R01D, R02Z, R12A, R12B, R12C		17	R01A, R01B, R01C, R01D, R02Z, R12A, R12B, R12C	12		M01A, M01B, M38Z	
	21A	W04A, W04B		21A	W04A, W04B	23		Z01A	
	21B	X06A, X06B, X06C		21B	X06A, X06B, X06C	5p122.8			BOP, KVT, MVV, UOP4
		BOP, KVT, UOP4			BOP, KVT, UOP4		11	L03Z, L04A, L04B, L04C, L10Z, L13A, L13B, L38Z	
5o994.40	11	L06A, L06B	5o995.x	11	L06A, L06B		5p123.2	12	M01A, M01B, M38Z
	12	M06Z, M09A, M09B, M38Z		12	M06Z, M09A, M09B, M38Z			23	Z01A
	17	R01A, R01B, R01C, R01D, R02Z, R12A, R12B, R12C		17	R01A, R01B, R01C, R01D, R02Z, R12A, R12B, R12C			5p123.3	
	21A	W04A, W04B		21A	W04A, W04B	11			L03Z, L04A, L04B, L04C, L10Z, L13A, L13B, L38Z
	21B	X06A, X06B, X06C		21B	X06A, X06B, X06C	12			M01A, M01B, M38Z
	BOP, KVT, UOP4		BOP, KVT, UOP4	23	Z01A				
5o994.41	11	L06A, L06B	5o99x	11	L06A, L06B	5p123.4			BOP, KVT, MVV, UOP4
	12	M06Z, M09A, M09B, M38Z		12	M06Z, M09A, M09B, M38Z		11	L03Z, L04A, L04B, L04C, L10Z, L13A, L13B, L38Z	
	17	R01A, R01B, R01C, R01D, R02Z, R12A, R12B, R12C		17	R01A, R01B, R01C, R01D, R02Z, R12A, R12B, R12C		12	M01A, M01B, M38Z	
	21A	W04A, W04B		21A	W04A, W04B		23	Z01A	
	21B	X06A, X06B, X06C		21B	X06A, X06B, X06C		5p123.8		BOP, KVT, MVV, UOP4
5o994.70		BOP, KVT, UOP4	5p111.t		BOP, KVT, UOP4	11		L03Z, L04A, L04B, L04C, L10Z, L13A, L13B, L38Z	
	11	L06A, L06B		12	M06Z, M09A, M09B, M38Z	12		M01A, M01B, M38Z	
	12	M06Z, M09A, M09B, M38Z			BOP, KVT, UOP4	23		Z01A	
	17	R01A, R01B, R01C, R01D, R02Z, R12A, R12B, R12C		5p111.x	12	M06Z, M09A, M09B, M38Z		5p124.2	
	21A	W04A, W04B		5p112	12	M06Z, M09A, M09B, M38Z	11		L03Z, L04A, L04B, L04C, L10Z, L13A, L13B, L38Z
21B	X06A, X06B, X06C	5p113	12	M06Z, M09A, M09B, M38Z	12	M01A, M01B, M38Z			
	BOP, KVT, UOP4	5p114	12	M06Z, M09A, M09B, M38Z	23	Z01A			
5o994.71	11	L06A, L06B	5p115	12	M06Z, M09A, M09B, M38Z	5p124.3			BOP, KVT, MVV, UOP4
	12	M06Z, M09A, M09B, M38Z	5p116	12	M06Z, M09A, M09B, M38Z		11	L03Z, L04A, L04B, L04C, L10Z, L13A, L13B, L38Z	
	17	R01A, R01B, R01C, R01D, R02Z, R12A, R12B, R12C	5p11x	12	M06Z, M09A, M09B, M38Z		12	M01A, M01B, M38Z	
	21A	W04A, W04B	5p121.1	11	L03Z, L04A, L04B, L04C, L10Z, L13A, L13B, L38Z		23	Z01A	
	21B	X06A, X06B, X06C		12	M01A, M01B, M09A, M38Z			BOP, KVT, MVV, UOP4	

ZZV	MDC	DRG	ZZV	MDC	DRG	ZZV	MDC	DRG	
5p301.0↔		BOP, KVT, UOP4	5p306↔	10	BOP, KVT, UOP4	5p391.1↔	10	BOP, KVT, UOP4	
	08	I28A, I28B		12	K09A, K09B		12	K09A, K09B	
	10	K09A, K09B		21A	M04A, M04B, M04C, M04D, M37Z, M38Z		12	M01A, M01B, M04A, M04B, M04C, M04D, M09A, M09B, M37Z, M38Z	
	12	M04A, M04B, M04C, M37Z, M38Z		21B	W04A, W04B		10	BOP, KVT, UOP4	
	21A	W04A, W04B		22	X06A, X06B, X06C		12	K09A, K09B	
	21B	X06A, X06B, X06C		5p30x↔	10		Y01Z, Y03A, Y03B	12	M04A, M04B, M04C, M04D, M37Z, M38Z
	22	Y01Z, Y03A, Y03B			10		BOP, KVT, UOP4	10	BOP, KVT, UOP4
5p301.2↔		BOP, KVT, UOP4	5p311↔	10	K09A, K09B	5p391.4	10	K09A, K09B	
	08	I28A, I28B		12	M04A, M04B, M04C, M04D, M37Z, M38Z		12	M04A, M04B, M04C, M04D, M37Z, M38Z	
	10	K09A, K09B		21A	W04A, W04B		10	BOP, KVT, UOP4	
	12	M04A, M04B, M04C, M04D, M37Z, M38Z		21B	X06A, X06B, X06C		12	M04A, M04B, M04C, M04D, M37Z, M38Z	
	21A	W04A, W04B		22	Y01Z, Y03A, Y03B		10	K09A, K09B	
	21B	X06A, X06B, X06C		5p312↔	10		BOP, KVT, UOP4	12	M04A, M04B, M04C, M04D, M37Z, M38Z
	22	Y01Z, Y03A, Y03B			10		K09A, K09B	12	M04A, M04B, M04C, M04D, M37Z, M38Z
5p302.0↔		BOP, KVT, UOP4	5p31x↔	10	K09A, K09B	5p392↔	10	K09A, K09B	
	10	K09A, K09B		12	M04A, M04B, M04C, M04D, M37Z, M38Z		12	BOP, KVT, UOP4	
	12	M04A, M04B, M04C, M37Z, M38Z		10	BOP, KVT, UOP4		12	M04A, M04B, M04C, M04D, M37Z, M38Z	
	21A	W04A, W04B		12	M04A, M04B, M04C, M04D, M37Z, M38Z		10	BOP, KVT, UOP4	
	21B	X06A, X06B, X06C		5p320.1↔	10		K09A, K09B	12	M04A, M04B, M04C, M04D, M37Z, M38Z
	22	Y01Z, Y03A, Y03B			12		M04A, M04B, M04C, M37Z, M38Z	10	BOP, KVT, UOP4
	5p302.2↔			BOP, KVT, UOP4	5p320.4↔		10	K09A, K09B	5p393↔
08		I28A, I28B	12	M04A, M04B, M04C, M37Z, M38Z		12	BOP, KVT, UOP4		
10		K09A, K09B	10	BOP, KVT, UOP4		12	M04A, M04B, M04C, M04D, M37Z, M38Z		
12		M04A, M04B, M04C, M04D, M37Z, M38Z	12	M04A, M04B, M04C, M04D, M37Z, M38Z		12	M04A, M04B, M04C, M04D, M37Z, M38Z		
21A		W04A, W04B	5p321.1↔	10		K09A, K09B	21A	W04A, W04B	
21B		X06A, X06B, X06C		12		M04A, M04B, M04C, M37Z, M38Z	21B	X06A, X06B, X06C	
5p303.1↔			BOP, KVT, UOP4	5p321.4↔		10	K09A, K09B	5p394↔	
	08	I28A, I28B	12		M04A, M04B, M04C, M37Z, M38Z	12	M04A, M04B, M04C, M04D, M37Z, M38Z		
	10	K09A, K09B	10		BOP, KVT, UOP4	10	BOP, KVT, UOP4		
	12	M04A, M04B, M04C, M37Z, M38Z	12		M04A, M04B, M04C, M37Z, M38Z	12	M04A, M04B, M04C, M04D, M37Z, M38Z		
	21A	W04A, W04B	5p32x↔		10	K09A, K09B	12		M04A, M04B, M04C, M04D, M37Z, M38Z
	21B	X06A, X06B, X06C			12	M04A, M04B, M04C, M04D, M37Z, M38Z	10		BOP, KVT, UOP4
	5p303.4↔		BOP, KVT, UOP4		5p341±↔	12	M04A, M04B, M04C, M04D, M37Z, M38Z		5p402.1↔
08		I28A, I28B	12	M04A, M04B, M04C, M04D, M37Z, M38Z		12	BOP, KVT, UOP4		
10		K09A, K09B	12	M04A, M04B, M04C, M04D, M37Z, M38Z		12	M04A, M04B, M04C, M04D, M37Z, M38Z		
12		M04A, M04B, M04C, M37Z, M38Z	12	M04A, M04B, M04C, M04D, M37Z, M38Z		12	M04A, M04B, M04C, M04D, M37Z, M38Z		
21A		W04A, W04B	5p342±↔	10		K09A, K09B	12	M04A, M04B, M04C, M04D, M37Z, M38Z	
21B		X06A, X06B, X06C		12		M04A, M04B, M04C, M04D, M37Z, M38Z	12	M04A, M04B, M04C, M04D, M37Z, M38Z	
5p304↔			BOP, KVT, UOP4	5p343±↔		12	M04A, M04B, M04C, M04D, M37Z, M38Z	5p402.3↔	
	08	I28A, I28B	12		M04A, M04B, M04C, M04D, M37Z, M38Z	12	BOP, KVT, UOP4		
	10	K09A, K09B	12		M04A, M04B, M04C, M04D, M37Z, M38Z	12	M04A, M04B, M04C, M04D, M37Z, M38Z		
	12	M01A, M04A, M04B, M04C, M37Z, M38Z	12		M04A, M04B, M04C, M04D, M37Z, M38Z	12	M04A, M04B, M04C, M04D, M37Z, M38Z		
	21A	W04A, W04B	5p34x±↔		10	K09A, K09B	12		M04A, M04B, M04C, M04D, M37Z, M38Z
	21B	X06A, X06B, X06C			12	M04A, M04B, M04C, M04D, M37Z, M38Z	10		BOP, KVT, UOP4
	5p305.0↔		BOP, KVT, UOP4		5p351↔	12	M04A, M04B, M04C, M04D, M37Z, M38Z		5p402.4↔
10		K09A, K09B	10	BOP, KVT, UOP4		12	BOP, KVT, UOP4		
12		M04A, M04B, M04C, M37Z, M38Z	12	M04A, M04B, M04C, M04D, M37Z, M38Z		12	M04A, M04B, M04C, M04D, M37Z, M38Z		
21A		W04A, W04B	5p35x↔	12		M04A, M04B, M04C, M04D, M37Z, M38Z	12	M04A, M04B, M04C, M04D, M37Z, M38Z	
21B		X06A, X06B, X06C		12		M04A, M04B, M04C, M04D, M37Z, M38Z	12	M04A, M04B, M04C, M04D, M37Z, M38Z	
22		Y01Z, Y03A, Y03B	21A	W04A, W04B		12	M04A, M04B, M04C, M04D, M37Z, M38Z		
5p305.2↔			BOP, KVT, UOP4	5p391.0		21B	X06A, X06B, X06C	5p403↔	
	10	K09A, K09B	22		Y01Z, Y03A, Y03B	12	BOP, KVT, UOP4		
	12	M04A, M04B, M04C, M04D, M37Z, M38Z	12		M04A, M04B, M04C, M04D, M37Z, M38Z	12	M04A, M04B, M04C, M04D, M37Z, M38Z		
	21A	W04A, W04B	5p391.1↔		12	M06Z, M09A, M09B, M38Z	12		M04A, M04B, M04C, M04D, M37Z, M38Z
	21B	X06A, X06B, X06C			12	M04A, M04B, M04C, M04D, M37Z, M38Z	12		M04A, M04B, M04C, M04D, M37Z, M38Z
	22	Y01Z, Y03A, Y03B				12	M04A, M04B, M04C, M04D, M37Z, M38Z		

VYK

ZZV	MDC	DRG	ZZV	MDC	DRG	ZZV	MDC	DRG
5p431↔		BOP, KVT, UOP4	5p504		BOP, KVT, UOP4	5p531		BOP, KVT, UOP4
	12	M04A, M04B, M04C, M04D, M37Z, M38Z		11	L09A, L09B, L09C, L09D, L38Z		12	M03A, M03B, M03C, M38Z
	21A	W04A, W04B		12	M05Z, M38Z		19	U01Z
5p432↔	21B	X06A, X06B, X06C		15	P60A, P60B, P60C, P67B, P67C		21A	W04A, W04B
		BOP, KVT, UOP4		22	Y01Z, Y03A, Y03B		21B	X06A, X06B, X06C
	12	M04A, M04B, M04C, M04D, M37Z, M38Z	5p505.1		BOP, KVT, UOP4	5p532		BOP, KVT, UOP4
	21A	W04A, W04B		11	L09A, L09B, L09C, L09D, L38Z		09	J03A, J03B, J04A, J04B, J08A, J08B, J08C, J11A, J11B, J16Z
	21B	X06A, X06B, X06C		12	M05Z, M38Z		12	M03A, M03B, M03C, M38Z
5p433±↔	12	M04A, M04B, M04C, M04D, M37Z, M38Z		22	Y01Z, Y03A, Y03B		19	U01Z
5p434±↔	12	M04A, M04B, M04C, M04D, M37Z, M38Z	5p505.2		BOP, KVT, UOP4		21A	W04A, W04B
5p43x±↔	12	M04A, M04B, M04C, M04D, M37Z, M38Z		11	L09A, L09B, L09C, L09D, L38Z		21B	X06A, X06B, X06C
5p461↔		BOP, KVT, UOP4		12	M05Z, M38Z	5p533		BOP, KVT, UOP4
	12	M04A, M04B, M04C, M04D, M37Z, M38Z	5p506		BOP, KVT, UOP4		09	J03A, J03B, J04A, J04B, J08A, J08B, J08C, J11A, J11B, J16Z
	21A	W04A, W04B		11	L09A, L09B, L09C, L09D, L38Z		12	M03A, M03B, M03C, M38Z
	21B	X06A, X06B, X06C		12	M05Z, M38Z		19	U01Z
5p462↔		BOP, KVT, UOP4		15	P60A, P60B, P60C, P67B, P67C		21A	W04A, W04B
	12	M04A, M04B, M04C, M04D, M37Z, M38Z		22	Y01Z, Y03A, Y03B		21B	X06A, X06B, X06C
	21A	W04A, W04B	5p511		BOP, KVT, UOP4	5p534		BOP, KVT, UOP4
	21B	X06A, X06B, X06C		09	J03A, J03B, J04A, J04B, J08A, J08B, J08C, J11A, J11B, J11C, J16Z		09	J03A, J03B, J04A, J04B, J08A, J08B, J08C, J11A, J11B, J16Z
5p463↔		BOP, KVT, UOP4		12	M05Z, M38Z		12	M03A, M03B, M03C, M38Z
	12	M04A, M04B, M04C, M04D, M37Z, M38Z	5p512		BOP, KVT, UOP4		19	U01Z
5p464↔		BOP, KVT, UOP4		09	J03A, J03B, J04A, J04B, J08A, J08B, J08C, J11A, J11B, J11C, J16Z		21A	W04A, W04B
	12	M04A, M04B, M04C, M04D, M37Z, M38Z		12	M05Z, M38Z		21B	X06A, X06B, X06C
5p465↔		BOP, KVT, UOP4		12	M05Z, M38Z	5p535		Y01Z, Y03A, Y03B
	12	M04A, M04B, M04C, M04D, M37Z, M38Z	5p51x		BOP, KVT, UOP4		09	BOP, KVT, UOP4
	21A	W04A, W04B		09	J03A, J03B, J04A, J04B, J08A, J08B, J08C, J11A, J11B, J11C, J16Z		09	J03A, J03B, J04A, J04B, J08A, J08B, J08C, J11A, J11B, J11C, J16Z
	21B	X06A, X06B, X06C		12	M05Z, M38Z		12	M03A, M03B, M03C, M38Z
5p46x↔		BOP, KVT, UOP4	5p521		BOP, KVT, UOP4		19	U01Z
	12	M04A, M04B, M04C, M04D, M37Z, M38Z		10	K09A, K09B		21A	W04A, W04B
5p491↔		BOP, KVT, UOP4		12	M03A, M03B, M03C, M38Z		21B	X06A, X06B, X06C
	12	M04A, M04B, M04C, M04D, M37Z, M38Z		22	Y01Z, Y02A, Y02B, Y03A, Y03B	5p536		Y01Z, Y03A, Y03B
5p492↔		BOP, KVT, UOP4	5p522		BOP, KVT, UOP4		12	BOP, KVT, UOP4
	12	M04A, M04B, M04C, M04D, M37Z, M38Z		10	K09A, K09B		19	M03A, M03B, M03C, M38Z
5p493↔		BOP, KVT, UOP4		12	M03A, M03B, M03C, M38Z		21A	W04A, W04B
	12	M04A, M04B, M04C, M04D, M37Z, M38Z		22	Y01Z, Y02A, Y02B, Y03A, Y03B		21B	X06A, X06B, X06C
	21A	W04A, W04B	5p523		BOP, KVT, UOP4	5p537		Y01Z, Y03A, Y03B
	21B	X06A, X06B, X06C		10	K09A, K09B		12	BOP, KVT, UOP4
5p494↔		BOP, KVT, UOP4		12	M03A, M03B, M03C, M38Z		19	M03A, M03B, M03C, M38Z
	12	M04A, M04B, M04C, M04D, M37Z, M38Z		21A	W04A, W04B		21A	W04A, W04B
5p49x↔		BOP, KVT, UOP4		21B	X06A, X06B, X06C		21B	X06A, X06B, X06C
	12	M04A, M04B, M04C, M04D, M37Z, M38Z	5p530		Y01Z, Y02A, Y02B, Y03A, Y03B	5p53x		Y01Z, Y03A, Y03B
5p503		BOP, KVT, UOP4			BOP, KVT, UOP4		12	BOP, KVT, UOP4
	11	L09A, L09B, L09C, L09D, L38Z		09	J03A, J03B, J04A, J04B, J08A, J08B, J08C, J11A, J11B, J11C, J16Z		12	M03A, M03B, M03C, M38Z
	12	M05Z, M38Z		12	M03A, M03B, M03C, M38Z		19	U01Z
	15	P60A, P60B, P60C, P67B, P67C		19	U01Z	5p541		U01Z
	22	Y01Z, Y03A, Y03B		21A	W04A, W04B		10	K09A, K09B
				21B	X06A, X06B, X06C		11	L08A, L08B
				22	Y01Z, Y03A, Y03B		12	M03A, M03B, M03C, M38Z
						5p542		BOP, KVT, UOP4
							06	G01Z, G02Z, G38Z
							11	L08A, L08B
							12	M03A, M03B, M03C, M38Z
							Pre	A11A, A13A, A13B, A13D

VYK

ZZV	MDC	DRG	ZZV	MDC	DRG	ZZV	MDC	DRG	
5p543.0		BOP, KVT, UOP4	5p554		BOP, KVT, UOP4	5p598		BOP, KVT, UOP4	
	06	G01Z, G02Z, G38Z		06	G01Z, G02Z, G38Z		11	L09A, L09B, L09C, L09D, L38Z	
	11	L08A, L08B		11	L08A, L08B		12	M03A, M03B, M03C, M38Z	
	12	M03A, M03B, M03C, M38Z		12	M03A, M03B, M03C, M38Z		12	M03A, M03B, M03C, M38Z	
5p543.1	Pre	A11A, A13A, A13B, A13D	5p555	Pre	A11A, A13A, A13B, A13D	5p599		BOP, KVT, UOP4	
		BOP, KVT, UOP4			BOP, KVT, UOP4		09	J03A, J03B, J04A, J04B, J08A, J08B, J08C, J11A, J11B, J16Z	
	06	G01Z, G02Z, G38Z		06	G01Z, G02Z, G38Z		12	M03A, M03B, M03C, M38Z	
	11	L08A, L08B		11	L08A, L08B		21A	W04A, W04B	
5p543.2	12	M03A, M03B, M03C, M38Z	5p556	12	M03A, M03B, M03C, M38Z	21B	X06A, X06B, X06C		
	Pre	A11A, A13A, A13B, A13D		Pre	A11A, A13A, A13B, A13D		22	Y01Z, Y03A, Y03B	
		BOP, KVT, UOP4			BOP, KVT, UOP4		5p59x	BOP, KVT, UOP4	
	06	G01Z, G02Z, G38Z		06	G01Z, G02Z, G38Z			12	M03A, M03B, M03C, M38Z
5p543.3	11	L08A, L08B	5p55x	11	L08A, L08B	5p5a0	BOP, KVT, UOP4		
	12	M03A, M03B, M03C, M38Z		12	M03A, M03B, M03C, M38Z		10	K09A, K09B	
	Pre	A11A, A13A, A13B, A13D		Pre	A11A, A13A, A13B, A13D		13	N11A	
		BOP, KVT, UOP4			BOP, KVT, UOP4		19	U01Z	
5p543.x	06	G01Z, G02Z, G38Z	5p590	06	G01Z, G02Z, G38Z	5p5a1	BOP, KVT, UOP4		
	11	L08A, L08B		11	L08A, L08B		10	K09A, K09B	
	12	M03A, M03B, M03C, M38Z		12	M03A, M03B, M03C, M38Z		12	M03A, M03B, M03C, M38Z	
	Pre	A11A, A13A, A13B, A13D		Pre	A11A, A13A, A13B, A13D		19	U01Z	
5p54x		BOP, KVT, UOP4	5p591		BOP, KVT, UOP4	5q001.0↔	BOP, KVT, UOP4		
	06	G01Z, G02Z, G38Z		12	M03A, M03B, M03C, M38Z		13	N01A, N01B, N01C, N01D, N01E, N02A, N02B, N02C, N03A, N03B, N07Z, N25Z, N38Z	
	11	L08A, L08B		12	M03A, M03B, M03C, M38Z		5q001.1↔	BOP, KVT, UOP4	
	12	M03A, M03B, M03C, M38Z		12	M03A, M03B, M03C, M38Z			13	N01A, N01B, N01C, N01D, N01E, N02A, N02B, N02C, N03A, N03B, N07Z, N25Z, N38Z
5p551	Pre	A11A, A13A, A13B, A13D	5p592	05	F01A, F01B, F01D, F05Z, F07A, F07B, F14A, F14B, F28A, F42Z, F54Z, F59A, F59B	5q001.2	BOP, KVT, UOP4		
		BOP, KVT, UOP4		12	M03A, M03B, M03C, M38Z		13	N01A, N01B, N01C, N01D, N01E, N02A, N02B, N02C, N03A, N03B, N07Z, N25Z, N38Z	
	06	G01Z, G02Z, G38Z		12	M03A, M03B, M03C, M38Z		5q001.4↔	BOP, KVT, UOP4	
	11	L08A, L08B		12	M03A, M03B, M03C, M38Z			13	N01A, N01B, N01C, N01D, N01E, N02A, N02B, N02C, N03A, N03B, N07Z, N25Z, N38Z
5p552	12	M03A, M03B, M03C, M38Z	5p593	05	F01A, F01B, F01D, F05Z, F07A, F07B, F14A, F14B, F28A, F42Z, F54Z, F59A, F59B	5q001.8↔	BOP, KVT, UOP4		
	Pre	A11A, A13A, A13B, A13D		12	M03A, M03B, M03C, M38Z		13	N01A, N01B, N01C, N01D, N01E, N02A, N02B, N02C, N03A, N03B, N07Z, N25Z, N38Z	
		BOP, KVT, UOP4		5p594	12		M03A, M03B, M03C, M38Z	5q002.0	BOP, KVT, UOP4
	06	G01Z, G02Z, G38Z			12		M03A, M03B, M03C, M38Z		13
5p553.0	10	K09A, K09B	5p595.1	12	M03A, M03B, M03C, M38Z	5q002.1	BOP, KVT, UOP4		
	11	L08A, L08B		12	M03A, M03B, M03C, M38Z		13	N01A, N01B, N01C, N01D, N01E, N02A, N02B, N02C, N03A, N03B, N07Z, N25Z, N38Z	
	12	M03A, M03B, M03C, M38Z		11	L09A, L09B, L09C, L09D, L38Z		5q002.4	BOP, KVT, UOP4	
	Pre	A11A, A13A, A13B, A13D		12	M03A, M03B, M03C, M38Z			13	N01A, N01B, N01C, N01D, N01E, N02A, N02B, N02C, N03A, N03B, N07Z, N25Z, N38Z
5p553.1		BOP, KVT, UOP4	5p595.2		BOP, KVT, UOP4	5q002.8	BOP, KVT, UOP4		
	06	G01Z, G02Z, G38Z		11	L09A, L09B, L09C, L09D, L38Z		13	N01A, N01B, N01C, N01D, N01E, N02A, N02B, N02C, N03A, N03B, N07Z, N25Z, N38Z	
	11	L08A, L08B		11	L09A, L09B, L09C, L09D, L38Z		5q002.8	BOP, KVT, UOP4	
	12	M03A, M03B, M03C, M38Z		12	M03A, M03B, M03C, M38Z			13	N01A, N01B, N01C, N01D, N01E, N02A, N02B, N02C, N03A, N03B, N07Z, N25Z, N38Z
5p553.2	Pre	A11A, A13A, A13B, A13D	5p595.x	11	L09A, L09B, L09C, L09D, L38Z	5q002.8	BOP, KVT, UOP4		
		BOP, KVT, UOP4		12	M03A, M03B, M03C, M38Z		13	N01A, N01B, N01C, N01D, N01E, N02A, N02B, N02C, N03A, N03B, N07Z, N25Z, N38Z	
	06	G01Z, G02Z, G38Z		11	L09A, L09B, L09C, L09D, L38Z		5q002.8	BOP, KVT, UOP4	
	11	L08A, L08B		12	M03A, M03B, M03C, M38Z			13	N01A, N01B, N01C, N01D, N01E, N02A, N02B, N02C, N03A, N03B, N07Z, N25Z, N38Z
5p553.3	12	M03A, M03B, M03C, M38Z	5p596	12	M03A, M03B, M03C, M38Z	5q002.8	BOP, KVT, UOP4		
	Pre	A11A, A13A, A13B, A13D		11	L09A, L09B, L09C, L09D, L38Z		13	N01A, N01B, N01C, N01D, N01E, N02A, N02B, N02C, N03A, N03B, N07Z, N25Z, N38Z	
		BOP, KVT, UOP4		11	L09A, L09B, L09C, L09D, L38Z		5q002.8	BOP, KVT, UOP4	
	06	G01Z, G02Z, G38Z		12	M03A, M03B, M03C, M38Z			13	N01A, N01B, N01C, N01D, N01E, N02A, N02B, N02C, N03A, N03B, N07Z, N25Z, N38Z
5p553.x	11	L08A, L08B	5p597.1	12	M03A, M03B, M03C, M38Z	5q002.8	BOP, KVT, UOP4		
	12	M03A, M03B, M03C, M38Z		11	L09A, L09B, L09C, L09D, L38Z		13	N01A, N01B, N01C, N01D, N01E, N02A, N02B, N02C, N03A, N03B, N07Z, N25Z, N38Z	
	Pre	A11A, A13A, A13B, A13D		11	L09A, L09B, L09C, L09D, L38Z		5q002.8	BOP, KVT, UOP4	
		BOP, KVT, UOP4		12	M03A, M03B, M03C, M38Z			13	N01A, N01B, N01C, N01D, N01E, N02A, N02B, N02C, N03A, N03B, N07Z, N25Z, N38Z
5p553.3	06	G01Z, G02Z, G38Z	5p597.2	12	M03A, M03B, M03C, M38Z	5q002.8	BOP, KVT, UOP4		
	11	L08A, L08B		11	L09A, L09B, L09C, L09D, L38Z		13	N01A, N01B, N01C, N01D, N01E, N02A, N02B, N02C, N03A, N03B, N07Z, N25Z, N38Z	
	12	M03A, M03B, M03C, M38Z		11	L09A, L09B, L09C, L09D, L38Z		5q002.8	BOP, KVT, UOP4	
	Pre	A11A, A13A, A13B, A13D		12	M03A, M03B, M03C, M38Z			13	N01A, N01B, N01C, N01D, N01E, N02A, N02B, N02C, N03A, N03B, N07Z, N25Z, N38Z
5p553.x		BOP, KVT, UOP4	5p597.x		BOP, KVT, UOP4	5q002.8	BOP, KVT, UOP4		
	06	G01Z, G02Z, G38Z		12	M03A, M03B, M03C, M38Z		13	N01A, N01B, N01C, N01D, N01E, N02A, N02B, N02C, N03A, N03B, N07Z, N25Z, N38Z	
	11	L08A, L08B		11	L09A, L09B, L09C, L09D, L38Z		5q002.8	BOP, KVT, UOP4	
	12	M03A, M03B, M03C, M38Z		12	M03A, M03B, M03C, M38Z			13	N01A, N01B, N01C, N01D, N01E, N02A, N02B, N02C, N03A, N03B, N07Z, N25Z, N38Z
5p553.x	Pre	A11A, A13A, A13B, A13D	5p597.x	12	M03A, M03B, M03C, M38Z	5q002.8	BOP, KVT, UOP4		
		BOP, KVT, UOP4		11	L09A, L09B, L09C, L09D, L38Z		13	N01A, N01B, N01C, N01D, N01E, N02A, N02B, N02C, N03A, N03B, N07Z, N25Z, N38Z	
	06	G01Z, G02Z, G38Z		12	M03A, M03B, M03C, M38Z		5q002.8	BOP, KVT, UOP4	
	11	L08A, L08B		11	L09A, L09B, L09C, L09D, L38Z			13	N01A, N01B, N01C, N01D, N01E, N02A, N02B, N02C, N03A, N03B, N07Z, N25Z, N38Z
5p553.x	12	M03A, M03B, M03C, M38Z	5p597.x	12	M03A, M03B, M03C, M38Z	5q002.8	BOP, KVT, UOP4		
	Pre	A11A, A13A, A13B, A13D		11	L09A, L09B, L09C, L09D, L38Z		13	N01A, N01B, N01C, N01D, N01E, N02A, N02B, N02C, N03A, N03B, N07Z, N25Z, N38Z	
		BOP, KVT, UOP4		12	M03A, M03B, M03C, M38Z		5q002.8	BOP, KVT, UOP4	
	06	G01Z, G02Z, G38Z		11	L09A, L09B, L09C, L09D, L38Z			13	N01A, N01B, N01C, N01D, N01E, N02A, N02B, N02C, N03A, N03B, N07Z, N25Z, N38Z
5p553.x	11	L08A, L08B	5p597.x	12	M03A, M03B, M03C, M38Z	5q002.8	BOP, KVT, UOP4		
	12	M03A, M03B, M03C, M38Z		11	L09A, L09B, L09C, L09D, L38Z		13	N01A, N01B, N01C, N01D, N01E, N02A, N02B, N02C, N03A, N03B, N07Z, N25Z, N38Z	
	Pre	A11A, A13A, A13B, A13D		12	M03A, M03B, M03C, M38Z		5q002.8	BOP, KVT, UOP4	
		BOP, KVT, UOP4		11	L09A, L09B, L09C, L09D, L38Z			13	N01A, N01B, N01C, N01D, N01E, N02A, N02B, N02C, N03A, N03B, N07Z, N25Z, N38Z

VYK

ZZV	MDC	DRG	ZZV	MDC	DRG	ZZV	MDC	DRG
5q003		BOP, KVT, UOP4	5q012.7↔		BOP, KVT, UOP4	5q030.4↔		BOP, KVT, UOP4
	13	N01A, N01B, N01C, N01D, N01E, N02A, N02B, N02C, N03A, N03B, N07Z, N25Z, N38Z		09	J03A, J03B, J04A, J04B, J08A, J08B, J08C, J11A, J11B, J16Z		09	J03A, J03B, J04A, J04B, J08A, J08B, J08C, J11A, J11B, J16Z
5q010.0↔		BOP, KVT, UOP4		10	K09A, K09B		13	N01A, N01B, N01C, N01D, N01E, N02A, N02B, N02C, N03A, N03B, N05A, N05B, N38Z
	13	N01A, N01B, N01C, N01D, N01E, N02A, N02B, N02C, N03A, N03B, N07Z, N25Z, N38Z		13	N01A, N01B, N01C, N01D, N01E, N02A, N02B, N02C, N03A, N03B, N05A, N05B, N38Z		14	962Z, O03Z
5q010.4↔		BOP, KVT, UOP4	5q013.0↔		BOP, KVT, UOP4	5q030.8↔		BOP, KVT, UOP4
	13	N01A, N01B, N01C, N01D, N01E, N02A, N02B, N02C, N03A, N03B, N07Z, N25Z, N38Z		09	J03A, J03B, J04A, J04B, J08A, J08B, J08C, J11A, J11B, J16Z		09	J03A, J03B, J04A, J04B, J08A, J08B, J08C, J11A, J11B, J16Z
5q010.8↔		BOP, KVT, UOP4		10	K09A, K09B		13	N01A, N01B, N01C, N01D, N01E, N02A, N02B, N02C, N03A, N03B, N05A, N05B, N38Z
	13	N01A, N01B, N01C, N01D, N01E, N02A, N02B, N02C, N03A, N03B, N07Z, N25Z, N38Z		13	N01A, N01B, N01C, N01D, N01E, N02A, N02B, N02C, N03A, N03B, N05A, N05B, N38Z		14	962Z, O03Z
5q011.0↔		BOP, KVT, UOP4	5q013.4↔		BOP, KVT, UOP4	5q031.0↔		BOP, KVT, UOP4
	10	K09A, K09B		09	J03A, J03B, J04A, J04B, J08A, J08B, J08C, J11A, J11B, J16Z		09	J03A, J03B, J04A, J04B, J08A, J08B, J08C, J11A, J11B, J16Z
	13	N01A, N01B, N01C, N01D, N01E, N02A, N02B, N02C, N03A, N03B, N05A, N05B, N38Z		10	K09A, K09B		13	N01A, N01B, N01C, N01D, N01E, N02A, N02B, N02C, N03A, N03B, N05A, N05B, N38Z
5q011.4↔		BOP, KVT, UOP4		13	N01A, N01B, N01C, N01D, N01E, N02A, N02B, N02C, N03A, N03B, N05A, N05B, N38Z		14	962Z, O03Z
	10	K09A, K09B	5q013.8↔		BOP, KVT, UOP4	5q031.4↔		BOP, KVT, UOP4
	13	N01A, N01B, N01C, N01D, N01E, N02A, N02B, N02C, N03A, N03B, N05A, N05B, N38Z		09	J03A, J03B, J04A, J04B, J08A, J08B, J08C, J11A, J11B, J16Z		09	J03A, J03B, J04A, J04B, J08A, J08B, J08C, J11A, J11B, J16Z
5q011.8↔		BOP, KVT, UOP4		10	K09A, K09B		13	N01A, N01B, N01C, N01D, N01E, N02A, N02B, N02C, N03A, N03B, N05A, N05B, N38Z
	10	K09A, K09B		13	N01A, N01B, N01C, N01D, N01E, N02A, N02B, N02C, N03A, N03B, N05A, N05B, N38Z		14	962Z, O03Z
	13	N01A, N01B, N01C, N01D, N01E, N02A, N02B, N02C, N03A, N03B, N05A, N05B, N38Z	5q014.0↔		BOP, KVT, UOP4	5q031.5↔		BOP, KVT, UOP4
5q012.0		BOP, KVT, UOP4		09	J03A, J03B, J04A, J04B, J08A, J08B, J08C, J11A, J11B, J16Z		09	J03A, J03B, J04A, J04B, J08A, J08B, J08C, J11A, J11B, J16Z
	09	J03A, J03B, J04A, J04B, J08A, J08B, J08C, J11A, J11B, J16Z		13	N01A, N01B, N01C, N01D, N01E, N02A, N02B, N02C, N03A, N03B, N04Z, N14Z, N21Z, N38Z		13	N01A, N01B, N01C, N01D, N01E, N02A, N02B, N02C, N03A, N03B, N05A, N05B, N38Z
	10	K09A, K09B		14	962Z, O02A, O02B, O04A		14	962Z, O03Z
	13	N01A, N01B, N01C, N01D, N01E, N02A, N02B, N02C, N03A, N03B, N05A, N05B, N38Z	5q014.4↔		BOP, KVT, UOP4	5q031.7↔		BOP, KVT, UOP4
	14	O04A		13	N01A, N01B, N01C, N01D, N01E, N02A, N02B, N02C, N03A, N03B, N04Z, N14Z, N21Z, N38Z		09	J03A, J03B, J04A, J04B, J08A, J08B, J08C, J11A, J11B, J16Z
5q012.1↔		BOP, KVT, UOP4		14	962Z, O02A, O02B, O04A		13	N01A, N01B, N01C, N01D, N01E, N02A, N02B, N02C, N03A, N03B, N05A, N05B, N38Z
	09	J03A, J03B, J04A, J04B, J08A, J08B, J08C, J11A, J11B, J16Z	5q014.8↔		BOP, KVT, UOP4	5q031.8↔		BOP, KVT, UOP4
	10	K09A, K09B		13	N01A, N01B, N01C, N01D, N01E, N02A, N02B, N02C, N03A, N03B, N04Z, N14Z, N21Z, N38Z		09	J03A, J03B, J04A, J04B, J08A, J08B, J08C, J11A, J11B, J16Z
	13	N01A, N01B, N01C, N01D, N01E, N02A, N02B, N02C, N03A, N03B, N05A, N05B, N38Z		14	962Z, O02A, O02B, O04A		13	N01A, N01B, N01C, N01D, N01E, N02A, N02B, N02C, N03A, N03B, N05A, N05B, N38Z
	14	O04A	5q030.0↔		BOP, KVT, UOP4	5q042.0↔		BOP, KVT, UOP4
5q012.4↔		BOP, KVT, UOP4		09	J03A, J03B, J04A, J04B, J08A, J08B, J08C, J11A, J11B, J16Z		13	N01A, N01B, N01C, N01D, N01E, N02A, N02B, N02C, N03A, N03B, N07Z, N25Z, N38Z
	09	J03A, J03B, J04A, J04B, J08A, J08B, J08C, J11A, J11B, J16Z		13	N01A, N01B, N01C, N01D, N01E, N02A, N02B, N02C, N03A, N03B, N05A, N05B, N38Z		21A	W04A, W04B
	10	K09A, K09B		14	962Z, O03Z		21B	X06A, X06B, X06C
	13	N01A, N01B, N01C, N01D, N01E, N02A, N02B, N02C, N03A, N03B, N05A, N05B, N38Z		14	962Z, O03Z			
	14	O04A						



ZZV	MDC	DRG	ZZV	MDC	DRG	ZZV	MDC	DRG
5q042.4↔		BOP, KVT, UOP4	5q110.3		BOP, KVT, UOP4	5q132.4		BOP, KVT, UOP4
	13	N01A, N01B, N01C, N01D, N01E, N02A, N02B, N02C, N03A, N03B, N07Z, N25Z, N38Z		13	N10Z, N11A, N11B		13	N01A, N01B, N01C, N01D, N01E, N02A, N02B, N02C, N03A, N03B, N05A, N05B, N38Z
	21A	W04A, W04B	5q110.4		BOP, KVT, UOP4	5q132.8		BOP, KVT, UOP4
	21B	X06A, X06B, X06C		13	N10Z, N11A, N11B		13	N01A, N01B, N01C, N01D, N01E, N02A, N02B, N02C, N03A, N03B, N05A, N05B, N38Z
5q043.0↔		BOP, KVT, UOP4	5q110.7		BOP, KVT, UOP4			
	13	N01A, N01B, N01C, N01D, N01E, N02A, N02B, N02C, N03A, N03B, N07Z, N25Z, N38Z		13	N10Z, N11A, N11B			
	21A	W04A, W04B	5q120.0↔		BOP, KVT, UOP4	5q133↔		BOP, KVT, UOP4
	21B	X06A, X06B, X06C		13	N01A, N01B, N01C, N01D, N01E, N02A, N02B, N02C, N03A, N03B, N07Z, N25Z, N38Z		13	N01A, N01B, N01C, N01D, N01E, N02A, N02B, N02C, N03A, N03B, N07Z, N25Z, N38Z
5q043.4↔		BOP, KVT, UOP4	5q120.4↔		BOP, KVT, UOP4		21A	W04A, W04B
	13	N01A, N01B, N01C, N01D, N01E, N02A, N02B, N02C, N03A, N03B, N07Z, N25Z, N38Z		13	N01A, N01B, N01C, N01D, N01E, N02A, N02B, N02C, N03A, N03B, N07Z, N25Z, N38Z		21B	X06A, X06B, X06C
	21A	W04A, W04B		14	O02A, O02B	5q140↔		BOP, KVT, UOP4
	21B	X06A, X06B, X06C		13	N01A, N01B, N01C, N01D, N01E, N02A, N02B, N02C, N03A, N03B, N07Z, N25Z, N38Z		13	N10Z
5q043.8↔		BOP, KVT, UOP4	5q120.8↔		BOP, KVT, UOP4	5q141↔		BOP, KVT, UOP4
	13	N01A, N01B, N01C, N01D, N01E, N02A, N02B, N02C, N03A, N03B, N07Z, N25Z, N38Z		13	N01A, N01B, N01C, N01D, N01E, N02A, N02B, N02C, N03A, N03B, N07Z, N25Z, N38Z		13	N10Z
	21A	W04A, W04B		14	O02A, O02B	5q142↔		BOP, KVT, UOP4
	21B	X06A, X06B, X06C		13	N01A, N01B, N01C, N01D, N01E, N02A, N02B, N02C, N03A, N03B, N07Z, N25Z, N38Z	5q210		BOP, KVT, UOP4
5q090.0↔		BOP, KVT, UOP4	5q130.0↔		BOP, KVT, UOP4	5q211		BOP, KVT, UOP4
	13	N01A, N01B, N01C, N01D, N01E, N02A, N02B, N02C, N03A, N03B, N07Z, N25Z, N38Z		13	N01A, N01B, N01C, N01D, N01E, N02A, N02B, N02C, N03A, N03B, N07Z, N25Z, N38Z	5q212		BOP, KVT, UOP4
	21A	W04A, W04B		14	O02A, O02B	5q213		BOP, KVT, UOP4
	21B	X06A, X06B, X06C		13	N01A, N01B, N01C, N01D, N01E, N02A, N02B, N02C, N03A, N03B, N07Z, N25Z, N38Z	5q220		BOP, KVT, UOP4
5q090.1↔		BOP, KVT, UOP4	5q130.4↔		BOP, KVT, UOP4		09	J03A, J03B, J04A, J04B, J08A, J08B, J08C, J11A, J11B, J16Z
	13	N01A, N01B, N01C, N01D, N01E, N02A, N02B, N02C, N03A, N03B, N07Z, N25Z, N38Z		13	N01A, N01B, N01C, N01D, N01E, N02A, N02B, N02C, N03A, N03B, N07Z, N25Z, N38Z		13	N09A, N09B
	21A	W04A, W04B		14	962Z, O03Z		14	962Z, O02A, O02B
	21B	X06A, X06B, X06C		13	N01A, N01B, N01C, N01D, N01E, N02A, N02B, N02C, N03A, N03B, N07Z, N25Z, N38Z	5q221.0	21B	X06A, X06B, X06C
5q090.4↔		BOP, KVT, UOP4	5q130.8↔		BOP, KVT, UOP4		09	J03A, J03B, J04A, J04B, J08A, J08B, J08C, J11A, J11B, J16Z
	13	N01A, N01B, N01C, N01D, N01E, N02A, N02B, N02C, N03A, N03B, N07Z, N25Z, N38Z		13	N01A, N01B, N01C, N01D, N01E, N02A, N02B, N02C, N03A, N03B, N07Z, N25Z, N38Z		13	N01A, N01B, N01C, N01D, N01E, N02A, N02B, N02C, N03A, N03B, N09A, N09B, N38Z
	21A	W04A, W04B		14	962Z, O03Z		14	962Z, O02A, O02B
	21B	X06A, X06B, X06C		13	N01A, N01B, N01C, N01D, N01E, N02A, N02B, N02C, N03A, N03B, N07Z, N25Z, N38Z	5q221.1	21B	X06A, X06B, X06C
5q090.8↔		BOP, KVT, UOP4	5q131.0↔		BOP, KVT, UOP4		09	J03A, J03B, J04A, J04B, J08A, J08B, J08C, J11A, J11B, J16Z
	13	N01A, N01B, N01C, N01D, N01E, N02A, N02B, N02C, N03A, N03B, N07Z, N25Z, N38Z		13	N01A, N01B, N01C, N01D, N01E, N02A, N02B, N02C, N03A, N03B, N07Z, N25Z, N38Z		13	N01A, N01B, N01C, N01D, N01E, N02A, N02B, N02C, N03A, N03B, N09A, N09B, N38Z
	21A	W04A, W04B		21A	W04A, W04B		13	N01A, N01B, N01C, N01D, N01E, N02A, N02B, N02C, N03A, N03B, N09A, N09B, N38Z
	21B	X06A, X06B, X06C		21B	X06A, X06B, X06C		14	962Z, O02A, O02B
5q101.0↔		BOP, KVT, UOP4	5q131.4↔		BOP, KVT, UOP4		21B	X06A, X06B, X06C
	13	N01A, N01B, N01C, N01D, N01E, N02A, N02B, N02C, N03A, N03B, N07Z, N25Z, N38Z		13	N01A, N01B, N01C, N01D, N01E, N02A, N02B, N02C, N03A, N03B, N05A, N05B, N38Z	5q221.4		BOP, KVT, UOP4
	14	O02A, O02B, O03Z, O04A		21A	W04A, W04B		09	J03A, J03B, J04A, J04B, J08A, J08B, J08C, J11A, J11B, J16Z
	13	N01A, N01B, N01C, N01D, N01E, N02A, N02B, N02C, N03A, N03B, N07Z, N25Z, N38Z		21B	X06A, X06B, X06C		13	N01A, N01B, N01C, N01D, N01E, N02A, N02B, N02C, N03A, N03B, N09A, N09B, N38Z
	14	O02A, O02B, O03Z, O04A		13	N01A, N01B, N01C, N01D, N01E, N02A, N02B, N02C, N03A, N03B, N05A, N05B, N38Z		14	962Z, O02A, O02B
5q101.8↔		BOP, KVT, UOP4	5q131.8↔		BOP, KVT, UOP4		21B	X06A, X06B, X06C
	13	N01A, N01B, N01C, N01D, N01E, N02A, N02B, N02C, N03A, N03B, N07Z, N25Z, N38Z		13	N01A, N01B, N01C, N01D, N01E, N02A, N02B, N02C, N03A, N03B, N05A, N05B, N38Z		09	J03A, J03B, J04A, J04B, J08A, J08B, J08C, J11A, J11B, J16Z
	14	O02A, O02B, O03Z, O04A		21A	W04A, W04B		13	N01A, N01B, N01C, N01D, N01E, N02A, N02B, N02C, N03A, N03B, N09A, N09B, N38Z
	13	N10Z		21B	X06A, X06B, X06C		14	962Z, O02A, O02B
5q110.0		BOP, KVT, UOP4	5q132.0		BOP, KVT, UOP4		21B	X06A, X06B, X06C
	13	N10Z		13	N01A, N01B, N01C, N01D, N01E, N02A, N02B, N02C, N03A, N03B, N05A, N05B, N38Z			
	14	O02A, O02B, O40Z						

ZZV	MDC	DRG	ZZV	MDC	DRG	ZZV	MDC	DRG
5q427.17		BOP, KVT, UOP4	5q428.30		BOP, KVT, MVV, UOP4	5q596		BOP, KVT, UOP4
	13	N01A, N01B, N01C, N01D, N01E, N02A, N02B, N02C, N03A, N03B, N04Z, N14Z, N21Z, N38Z		13	N01A, N01B, N01C, N01D, N01E, N38Z		05	F21A, F21B
	14	962Z, O02A, O02B, O04A	5q428.34		962Z, O02A, O02B		06	G10Z, G12A, G12B
5q427.18		BOP, KVT, UOP4		14	BOP, KVT, MVV, UOP4		07	H12A, H12B
	13	N01A, N01B, N01C, N01D, N01E, N02A, N02B, N02C, N03A, N03B, N04Z, N14Z, N21Z, N38Z		13	N01A, N01B, N01C, N01D, N01E, N38Z		11	L09A, L09B, L09C, L09D, L38Z
	14	962Z, O02A, O02B, O04A	5q428.37		962Z, O02A, O02B		13	N11A, N11B
5q427.21		BOP, KVT, UOP4		14	BOP, KVT, MVV, UOP4		14	O04A
	11	L06A, L06B	5q428.38		N01A, N01B, N01C, N01D, N01E, N38Z		17	R01A, R01B, R01C, R01D, R02Z, R12A, R12B, R12C
	13	N06Z, N14Z		13	962Z, O02A, O02B		21A	W04A, W04B
	14	O04A	5q501		962Z, O02A, O02B	5q597.0	21B	X06A, X06B, X06C
5q427.22		BOP, KVT, UOP4		13	N10Z		22	Y01Z, Y03A, Y03B
	11	L06A, L06B	5q502		962Z, O02A, O02B, O40Z			BOP, KVT, UOP4
	13	N06Z, N14Z		13	N10Z		11	L06A, L06B
	14	O04A	5q520		962Z, O02A, O02B, O40Z	5q597.4	13	N06Z, N14Z
5q428.00		BOP, KVT, UOP4		06	BOP, KVT, UOP4			BOP, KVT, UOP4
	13	N01A, N01B, N01C, N01D, N01E, N02A, N02B, N02C, N03A, N03B, N04Z, N14Z, N21Z, N38Z	5q520		G10Z, G12A, G12B	5q597.7	11	L06A, L06B
	14	962Z, O02A, O02B, O04A		10	K09A, K09B		13	N06Z, N14Z
	19	U01Z	5q530.0		N11A, N11B	5q597.8	11	L06A, L06B
5q428.04		BOP, KVT, UOP4		17	R01A, R01B, R01C, R01D, R02Z, R12A, R12B, R12C		13	N06Z, N14Z
	13	N01A, N01B, N01C, N01D, N01E, N02A, N02B, N02C, N03A, N03B, N04Z, N14Z, N21Z, N38Z		13	BOP, KVT, UOP4	5q598†	13	N10Z
	14	962Z, O02A, O02B, O04A	5q530.3		N04Z, N06Z	5q610		BOP, UOP4
	19	U01Z		14	962Z, O02A, O02B		13	N09A, N09B
5q428.07		BOP, KVT, UOP4		21A	W04A, W04B	5q620.1	14	962Z, O02A, O02B
	13	N01A, N01B, N01C, N01D, N01E, N02A, N02B, N02C, N03A, N03B, N04Z, N14Z, N21Z, N38Z		21B	X06A, X06B, X06C		09	J03A, J03B, J04A, J04B, J08A, J08B, J08C, J11A, J11B, J11C, J16Z
	14	962Z, O02A, O02B, O04A	5q530.4		BOP, KVT, UOP4		13	N09A, N09B
	19	U01Z		13	N04Z, N06Z	5q620.2	14	962Z, O60A, O60B, O60C, O60D
5q428.08		BOP, KVT, UOP4		14	962Z, O02A, O02B			BOP, UOP4
	13	N01A, N01B, N01C, N01D, N01E, N02A, N02B, N02C, N03A, N03B, N04Z, N14Z, N21Z, N38Z	5q530.8		W04A, W04B		09	J03A, J03B, J04A, J04B, J08A, J08B, J08C, J11A, J11B, J11C, J16Z
	14	962Z, O02A, O02B, O04A		21A	X06A, X06B, X06C		11	L09A, L09B, L09C, L09D, L38Z
	19	U01Z		21B	BOP, KVT, UOP4		13	N13A, N13B
5q428.10		BOP, KVT, UOP4	5q530.8		N04Z, N06Z	5q621	14	962Z, O02A, O02B
	13	N01A, N01B, N01C, N01D, N01E, N02A, N02B, N02C, N03A, N03B, N04Z, N14Z, N21Z, N38Z		13	962Z, O02A, O02B		21A	W04A, W04B
	14	962Z, O02A, O02B, O04A	5q593		W04A, W04B		21B	X06A, X06B, X06C
	19	U01Z		14	X06A, X06B, X06C			BOP, UOP4
5q428.20		BOP, KVT, MVV, UOP4	5q594		N10Z		09	J03A, J03B, J04A, J04B, J08A, J08B, J08C, J11A, J11B, J11C, J16Z
	13	N01A, N01B, N01C, N01D, N01E, N38Z		13	962Z, O02A, O02B, O40Z		13	N13A, N13B
	14	962Z, O02A, O02B	5q595		N10Z	5q630	14	962Z, O02A, O02B
5q428.24		BOP, KVT, MVV, UOP4		14	962Z, O02A, O02B, O40Z		21B	X06A, X06B, X06C
	13	N01A, N01B, N01C, N01D, N01E, N38Z		13	BOP, KVT, UOP4			BOP, KVT, UOP4
	14	962Z, O02A, O02B	5q595		N01A, N01B, N01C, N01D, N01E, N02A, N02B, N02C, N03A, N03B, N07Z, N25Z, N38Z		13	N04Z, N06Z
5q428.27		BOP, KVT, MVV, UOP4		14	962Z, O02A, O02B		21A	W04A, W04B
	13	N01A, N01B, N01C, N01D, N01E, N38Z	5q595			5q632	21B	X06A, X06B, X06C
	14	962Z, O02A, O02B						BOP, UOP4
5q428.28		BOP, KVT, MVV, UOP4					06	G18A, G38Z
	13	N01A, N01B, N01C, N01D, N01E, N38Z					13	N04Z, N06Z
	14	962Z, O02A, O02B					19	U01Z
								BOP, KVT, UOP4
							06	G18A, G38Z
							13	N04Z, N06Z
							19	U01Z

ZZV	MDC	DRG	ZZV	MDC	DRG	ZZV	MDC	DRG
5q634.0		BOP, KVT, UOP4	5q692		BOP, KVT, UOP4	5q731		BOP, UOP4
	06	G18A, G38Z		09	J03A, J03B, J04A, J04B, J08A, J08B, J08C, J11A, J11B, J16Z		10	K09A, K09B
	13	N04Z, N06Z		10	K09A, K09B		13	N13A, N13B
	19	U01Z		13	N13A, N13B	5q732		BOP, UOP4
5q634.7		BOP, KVT, UOP4		14	962Z, O60A, O60B, O60C, O60D		10	K09A, K09B
	06	G18A, G38Z		21A	W04A, W04B		13	N13A, N13B
	13	N04Z, N06Z		21B	X06A, X06B, X06C		19	U01Z
	19	U01Z				5q740		BOP, KVT, UOP4
5q640		BOP, KVT, UOP4	5q693		BOP, KVT, UOP4		13	N13A, N13B
	11	L06A, L06B		09	J03A, J03B, J04A, J04B, J08A, J08B, J08C, J11A, J11B, J16Z	5q741		BOP, KOP, KOPV, KVT, UOP4
	13	N06Z, N14Z		10	K09A, K09B		06	G33Z
	14	O04A		13	N13A, N13B		07	H33Z, H38Z
5q641		BOP, KVT, UOP4		14	962Z, O60A, O60B, O60C, O60D		11	L33Z
	11	L06A, L06B		21A	W04A, W04B		13	N01A, N01B, N01C, N01D, N01E, N38Z
	13	N06Z, N14Z		21B	X06A, X06B, X06C		21B	X33Z
	14	O04A					23	Z01A
5q642		BOP, KVT, UOP4		09	J03A, J03B, J04A, J04B, J08A, J08B, J08C, J11A, J11B, J16Z		Pre	A07A
	11	L06A, L06B	5q710		BOP, UOP4	5q742		BOP, UOP4
	13	N04Z, N06Z, N14Z		13	N09A, N09B		09	J03A, J03B, J04A, J04B, J08A, J08B, J08C, J11A, J11B, J16Z
	19	U01Z		14	962Z, O02A, O02B		10	K09A, K09B
5q650.4		BOP, KVT, UOP4		09	J03A, J03B, J04A, J04B, J08A, J08B, J08C, J11A, J11B, J16Z		13	N09A, N09B
	13	N03A, N04Z, N06Z, N38Z		13	N09A, N09B		14	962Z, O60A, O60B, O60C, O60D
	19	U01Z	5q711		BOP, UOP4		21A	W04A, W04B
	21A	W04A, W04B		09	J03A, J03B, J04A, J04B, J08A, J08B, J08C, J11A, J11B, J16Z	5q743		BOP, KVT, UOP4
	21B	X06A, X06B, X06C		13	N09A, N09B		13	N13A, N13B
5q650.7		BOP, KVT, UOP4		14	962Z, O02A, O02B	5q750		BOP, KVT, UOP4
	13	N03A, N04Z, N06Z, N38Z		09	J03A, J03B, J04A, J04B, J08A, J08B, J08C, J11A, J11B, J16Z		13	N09A, N09B
	19	U01Z		13	N09A, N09B		21A	W04A, W04B
	21A	W04A, W04B		14	962Z, O02A, O02B		21B	X06A, X06B, X06C
	21B	X06A, X06B, X06C		09	J03A, J03B, J04A, J04B, J08A, J08B, J08C, J11A, J11B, J16Z	5q751		BOP, KVT, UOP4
5q651		BOP, KVT, UOP4		13	N09A, N09B		13	N09A, N09B
	13	N09A, N09B		14	962Z, O02A, O02B		21A	W04A, W04B
5q652		BOP, KVT, UOP4	5q712		BOP, UOP4		21B	X06A, X06B, X06C
	13	N04Z, N06Z		09	J03A, J03B, J04A, J04B, J08A, J08B, J08C, J11A, J11B, J16Z	5q752		BOP, KVT, UOP4
	19	U01Z		13	N09A, N09B		13	N09A, N09B
	21A	W04A, W04B		14	962Z, O60A, O60B, O60C, O60D		21A	W04A, W04B
	21B	X06A, X06B, X06C		09	J03A, J03B, J04A, J04B, J08A, J08B, J08C, J11A, J11B, J11C, J16Z	5q752		BOP, KVT, UOP4
5q653		BOP, KVT, UOP4		13	N09A, N09B		21A	W04A, W04B
	13	N04Z, N06Z	5q720.1		BOP, UOP4		21B	X06A, X06B, X06C
	19	U01Z		09	J03A, J03B, J04A, J04B, J08A, J08B, J08C, J11A, J11B, J11C, J16Z	5q752		BOP, KVT, UOP4
	21A	W04A, W04B		13	N09A, N09B		13	N09A, N09B
	21B	X06A, X06B, X06C		14	962Z, O60A, O60B, O60C, O60D		21A	W04A, W04B
5q654		BOP, KVT, UOP4		09	J03A, J03B, J04A, J04B, J08A, J08B, J08C, J11A, J11B, J11C, J16Z	5q752		BOP, KVT, UOP4
	13	N04Z, N06Z		13	N09A, N09B		21A	W04A, W04B
	19	U01Z		14	962Z, O60A, O60B, O60C, O60D		21B	X06A, X06B, X06C
	21A	W04A, W04B		09	J03A, J03B, J04A, J04B, J08A, J08B, J08C, J11A, J11B, J11C, J16Z	5q790		BOP, UOP4
	21B	X06A, X06B, X06C	5q720.2		BOP, UOP4		09	J03A, J03B, J04A, J04B, J08A, J08B, J08C, J11A, J11B, J16Z
5q690		BOP, KVT, UOP4		09	J03A, J03B, J04A, J04B, J08A, J08B, J08C, J11A, J11B, J11C, J16Z		10	K09A, K09B
	11	L06A, L06B		11	L09A, L09B, L09C, L09D, L38Z		13	N09A, N09B
	12	M06Z, M09A, M09B, M38Z		13	N13A, N13B		14	962Z, O60A, O60B, O60C, O60D
	13	N04Z, N06Z		14	962Z, O02A, O02B		21A	W04A, W04B
	17	R01A, R01B, R01C, R01D, R02Z, R12A, R12B, R12C		21A	W04A, W04B		21B	X06A, X06B, X06C
	21A	W04A, W04B		21B	X06A, X06B, X06C	5r111†	14	962Z
	21B	X06A, X06B, X06C		09	J03A, J03B, J04A, J04B, J08A, J08B, J08C, J11A, J11B, J11C, J16Z	5r112†	14	962Z
5q691		BOP, KVT, UOP4	5q721		BOP, UOP4	5r113†	14	962Z
	09	J03A, J03B, J04A, J04B, J08A, J08B, J08C, J11A, J11B, J16Z		09	J03A, J03B, J04A, J04B, J08A, J08B, J08C, J11A, J11B, J11C, J16Z	5r114†	14	962Z
	10	K09A, K09B		13	N09A, N09B	5r11x†	14	962Z
	13	N13A, N13B		14	962Z, O60A, O60B, O60C, O60D	5r121†	14	962Z
	14	962Z, O60A, O60B, O60C, O60D		21A	W04A, W04B	5r122†	14	962Z
	21A	W04A, W04B	5q722		BOP, KVT, UOP4	5r12x†	14	962Z
	21B	X06A, X06B, X06C		13	N09A, N09B	5r131†	14	962Z
				21A	W04A, W04B	5r132†	14	962Z
				21B	X06A, X06B, X06C	5r133†	14	962Z
			5q730		BOP, UOP4	5r13x†	14	962Z
				10	K09A, K09B	5r141†	14	962Z
				13	N13A, N13B	5r142†	14	962Z
						5r14x†	14	962Z
						5r211†	14	962Z

VYK

ZZV	MDC	DRG	ZZV	MDC	DRG	ZZV	MDC	DRG
5r334.7↔		BOP, KVT, UOP4	5r411‡	14	962Z, O01A, O02A, O06Z, O60A	5s102.21		BOP, KVT, UOP4
	13	N01A, N01B, N01C, N01D, N01E, N02A, N02B, N02C, N03A, N03B, N07Z, N25Z, N38Z	5r412‡	14	962Z, O01A, O02A, O06Z, O60A		03	D04Z, D18Z, D28Z, D29Z
	14	962Z, O03Z	5r413		BOP, KVT, UOP4		08	I17Z
5r334.x↔		BOP, KVT, UOP4		14	962Z, O01A, O02A, O06Z, O60A		09	J08A, J08B, J08C
	13	N01A, N01B, N01C, N01D, N01E, N02A, N02B, N02C, N03A, N03B, N07Z, N25Z, N38Z	5r414‡	14	962Z, O01A, O02A, O06Z, O60A		21A	W04A, W04B
	14	962Z, O03Z	5r415‡	14	962Z, O01A, O02A, O06Z, O60A	5s102.22	21B	X06A, X06B, X06C
5r335.0↔		BOP, KVT, UOP4	5r416‡	14	962Z, O01A, O02A, O06Z, O60A			BOP, KVT, UOP4
	13	N01A, N01B, N01C, N01D, N01E, N02A, N02B, N02C, N03A, N03B, N07Z, N25Z, N38Z	5r417‡	14	962Z, O01A, O02A, O06Z, O60A		03	D04Z, D18Z, D28Z, D29Z
	14	962Z, O03Z	5r418‡	14	962Z, O01A, O02A, O06Z, O60A		08	I17Z
5r335.1↔		BOP, KVT, UOP4	5r421‡	14	962Z		09	J08A, J08B, J08C
	13	N01A, N01B, N01C, N01D, N01E, N02A, N02B, N02C, N03A, N03B, N07Z, N25Z, N38Z	5r422‡	14	962Z		21A	W04A, W04B
	14	962Z, O03Z	5r423‡	14	962Z		21B	X06A, X06B, X06C
5r335.4↔		BOP, KVT, UOP4	5r491		BOP, KVT, UOP4	5s103.12		BOP, KVT, UOP4
	13	N01A, N01B, N01C, N01D, N01E, N02A, N02B, N02C, N03A, N03B, N07Z, N25Z, N38Z	5r492	14	962Z, O01A, O02A, O06Z, O60A		03	D18Z, D28Z, D29Z
	14	962Z, O03Z	5r493‡	14	962Z		08	I17Z
5r335.6↔		BOP, KVT, UOP4	5r912		BOP, KVT, UOP4		09	J08A, J08B, J08C
	13	N01A, N01B, N01C, N01D, N01E, N02A, N02B, N02C, N03A, N03B, N07Z, N25Z, N38Z	5r913‡	14	962Z, O02A, O02B		21A	W04A, W04B
	14	962Z, O03Z	5r914.1‡	14	962Z		21B	X06A, X06B, X06C
5r335.7↔		BOP, KVT, UOP4	5r914.2‡	14	962Z	5s103.32	03	D04Z
	13	N01A, N01B, N01C, N01D, N01E, N02A, N02B, N02C, N03A, N03B, N07Z, N25Z, N38Z	5r914.3‡	14	962Z	5s105.2		BOP, KVT, UOP4
	14	962Z, O03Z	5r914.4‡	14	962Z		03	D04Z, D18Z, D28Z, D29Z
5r335.x↔		BOP, KVT, UOP4	5r921‡	14	962Z		08	I17Z
	13	N01A, N01B, N01C, N01D, N01E, N02A, N02B, N02C, N03A, N03B, N07Z, N25Z, N38Z	5r922‡	14	962Z		09	J08A, J08B
	14	962Z, O03Z	5r923‡	14	962Z		21A	W04A, W04B
5r336.0		BOP, KVT, UOP4	5r924		BOP, KVT, UOP4	5s105.3	21B	X06A, X06B, X06C
5r336.1		BOP, KVT, UOP4	5r925‡	14	962Z			BOP, KVT, UOP4
5r336.4		BOP, KVT, UOP4	5r931		BOP, KVT, UOP4		03	D04Z, D18Z, D28Z, D29Z
5r336.6		BOP, KVT, UOP4	5r932‡	14	962Z, O02A, O02B		08	I17Z
5r336.7		BOP, KVT, UOP4	5r991		962Z		09	J08A, J08B, J08C
5r336.x		BOP, KVT, UOP4	5s101.10		BOP, KVT, UOP4		21A	W04A, W04B
5r339		BOP, KVT, UOP4		03	D04Z, D18Z, D28Z, D29Z		21B	X06A, X06B, X06C
5r341		BOP, KVT, UOP4		08	I17Z	5s105.4		BOP, KVT, UOP4
5r342		BOP, KVT, UOP4		09	J08A, J08B, J08C		01	B09A, B09B
5r343		BOP, KVT, UOP4		21A	W04A, W04B		08	I15A, I15B
5r34x		BOP, KVT, UOP4		21B	X06A, X06B, X06C		21A	W01A, W01B, W01C, W36Z
	14	962Z, O03Z			BOP, KVT, UOP4	5s105.5	21B	X06A, X06B, X06C
					BOP, KVT, UOP4			BOP, KVT, UOP4
					BOP, KVT, UOP4		03	D18Z, D24A, D24B
					BOP, KVT, UOP4		08	I17Z
					BOP, KVT, UOP4		09	J08A, J08B, J08C
					BOP, KVT, UOP4		21A	W04A, W04B
					BOP, KVT, UOP4		21B	X06A, X06B, X06C
					BOP, KVT, UOP4			BOP, KVT, UOP4
					BOP, KVT, UOP4		03	D04Z, D18Z, D28Z, D29Z
					BOP, KVT, UOP4		08	I17Z
					BOP, KVT, UOP4		09	J08A, J08B
					BOP, KVT, UOP4		21A	W04A, W04B
					BOP, KVT, UOP4		21B	X06A, X06B, X06C
					BOP, KVT, UOP4			BOP, KVT, UOP4
					BOP, KVT, UOP4		01	B09A, B09B
					BOP, KVT, UOP4		03	D16Z
					BOP, KVT, UOP4		08	I23A
					BOP, KVT, UOP4		21A	W04A, W04B
					BOP, KVT, UOP4		21B	X06A, X06B, X06C

VYK

ZZV	MDC	DRG	ZZV	MDC	DRG	ZZV	MDC	DRG
5s302.j		BOP, KVT, UOP4	5s30f.70		BOP, KVT, UOP4	5s313.x		BOP, KVT, UOP4
	03	D18Z, D25A, D25B, D25C, D25D		03	D18Z, D25A, D25B, D25C, D25D		03	D18Z, D25A, D25B, D25C, D25D
	08	I17Z		08	I17Z		08	I06A, I06B, I06C, I06D, I06E
	09	J08A, J08B, J08C		09	J08A, J08B, J08C		09	J08A, J08B, J08C
	21A	W04A, W04B		21A	W04A, W04B		5s314	BOP, KVT, UOP4
21B	X06A, X06B, X06C	21B	X06A, X06B, X06C	03	D18Z, D25A, D25B, D25C, D25D			
5s30f.0		BOP, KVT, UOP4	5s30f.71		BOP, KVT, UOP4	5s315		I17Z
	03	D18Z, D25A, D25B, D25C, D25D		03	D18Z, D25A, D25B, D25C, D25D		09	J08A, J08B
	08	I17Z		08	I17Z		21A	W04A, W04B
	09	J08A, J08B, J08C		09	J08A, J08B, J08C		21B	X06A, X06B, X06C
	21A	W04A, W04B		21A	W04A, W04B		BOP, KVT, UOP4	
21B	X06A, X06B, X06C	21B	X06A, X06B, X06C	03	D18Z, D25A, D25B, D25C, D25D			
5s30f.1		BOP, KVT, UOP4	5s30f.72		BOP, KVT, UOP4	5s316		I17Z
	03	D18Z, D25A, D25B, D25C, D25D		03	D18Z, D25A, D25B, D25C, D25D		09	J08A, J08B
	08	I17Z		08	I17Z		21A	W04A, W04B
	09	J08A, J08B, J08C		09	J08A, J08B, J08C		21B	X06A, X06B, X06C
	21A	W04A, W04B		21A	W04A, W04B		BOP, KVT, UOP4	
21B	X06A, X06B, X06C	21B	X06A, X06B, X06C	03	D18Z, D25A, D25B, D25C, D25D			
5s30f.2		BOP, KVT, UOP4	5s30f.73		BOP, KVT, UOP4	5s317		I17Z
	03	D18Z, D25A, D25B, D25C, D25D		03	D18Z, D25A, D25B, D25C, D25D		09	J08A, J08B
	08	I17Z		08	I17Z		21A	W04A, W04B
	09	J08A, J08B, J08C		09	J08A, J08B, J08C		21B	X06A, X06B, X06C
	21A	W04A, W04B		21A	W04A, W04B		BOP, KVT, UOP4	
21B	X06A, X06B, X06C	21B	X06A, X06B, X06C	03	D18Z, D25A, D25B, D25C, D25D			
5s30f.3		BOP, KVT, UOP4	5s311.0		BOP, KVT, UOP4	5s318		I17Z
	03	D18Z, D25A, D25B, D25C, D25D		03	D18Z, D25A, D25B, D25C, D25D		09	J08A, J08B
	08	I17Z		08	I17Z		21A	W04A, W04B
	09	J08A, J08B, J08C		09	J08A, J08B		21B	X06A, X06B, X06C
	21A	W04A, W04B		21A	W04A, W04B		BOP, KVT, UOP4	
21B	X06A, X06B, X06C	21B	X06A, X06B, X06C	03	D18Z, D25A, D25B, D25C, D25D			
5s30f.4		BOP, KVT, UOP4	5s311.1		BOP, KVT, UOP4	5s319		I17Z
	03	D18Z, D25A, D25B, D25C, D25D		03	D18Z, D25A, D25B, D25C, D25D		09	J08A, J08B
	08	I17Z		08	I17Z		21A	W04A, W04B
	09	J08A, J08B, J08C		09	J08A, J08B		21B	X06A, X06B, X06C
	21A	W04A, W04B		21A	W04A, W04B		BOP, KVT, UOP4	
21B	X06A, X06B, X06C	21B	X06A, X06B, X06C	03	D18Z, D25A, D25B, D25C, D25D			
5s30f.50		BOP, KVT, UOP4	5s311.2		BOP, KVT, UOP4	5s31a.1		I17Z
	03	D18Z, D25A, D25B, D25C, D25D		03	D18Z, D25A, D25B, D25C, D25D		09	J08A, J08B
	08	I17Z		08	I17Z		21A	W04A, W04B
	09	J08A, J08B, J08C		09	J08A, J08B		21B	X06A, X06B, X06C
	21A	W04A, W04B		21A	W04A, W04B		BOP, KVT, UOP4	
21B	X06A, X06B, X06C	21B	X06A, X06B, X06C	03	D18Z, D25A, D25B, D25C, D25D			
5s30f.51		BOP, KVT, UOP4	5s311.3		BOP, KVT, UOP4	5s31a.2		I17Z
	03	D18Z, D25A, D25B, D25C, D25D		03	D18Z, D25A, D25B, D25C, D25D		09	J08A, J08B
	08	I17Z		08	I17Z		21A	W04A, W04B
	09	J08A, J08B, J08C		09	J08A, J08B		21B	X06A, X06B, X06C
	21A	W04A, W04B		21A	W04A, W04B		BOP, KVT, UOP4	
21B	X06A, X06B, X06C	21B	X06A, X06B, X06C	03	D18Z, D25A, D25B, D25C, D25D			
5s30f.6		BOP, KVT, UOP4	5s312		BOP, KVT, UOP4	5s31b.1		I17Z
	03	D18Z, D25A, D25B, D25C, D25D		03	D18Z, D25A, D25B, D25C, D25D		09	J08A, J08B
	08	I17Z		08	I17Z		21A	W04A, W04B
	09	J08A, J08B, J08C		09	J08A, J08B		21B	X06A, X06B, X06C
	21A	W04A, W04B		21A	W04A, W04B		BOP, KVT, UOP4	
21B	X06A, X06B, X06C	21B	X06A, X06B, X06C	03	D18Z, D25A, D25B, D25C, D25D			
5s313.1		BOP, KVT, UOP4	5s313.1		BOP, KVT, UOP4			I06A, I06B, I06C, I06D, I06E
	03	D18Z, D25A, D25B, D25C, D25D		03	D18Z, D25A, D25B, D25C, D25D		09	J08A, J08B
	08	I17Z		08	I17Z		21A	W04A, W04B
	09	J08A, J08B, J08C		09	J08A, J08B		21B	X06A, X06B, X06C
	21A	W04A, W04B		21A	W04A, W04B		BOP, KVT, UOP4	
	21B	X06A, X06B, X06C		21B	X06A, X06B, X06C		03	D18Z, D25A, D25B, D25C, D25D
				03	D18Z, D28Z, D29Z		08	I06A, I06B, I06C, I06D, I06E
				08	I17Z		09	J08A, J08B
				09	J08A, J08B, J08C		21A	W04A, W04B
				21A	W04A, W04B		21B	X06A, X06B, X06C
				21B	X06A, X06B, X06C			

ZZV	MDC	DRG	ZZV	MDC	DRG	ZZV	MDC	DRG
5s31b.2		BOP, KVT, UOP4	5s901.20		BOP, KVT, UOP4	5s99b.21		BOP, KVT, UOP4
	03	D18Z, D25A, D25B, D25C, D25D		03	D18Z, D28Z, D29Z		03	D04Z, D18Z, D28Z, D29Z
	08	I06A, I06B, I06C, I06D, I06E		08	I17Z		08	I17Z
	09	J08A, J08B		09	J08A, J08B, J08C		09	J08A, J08B, J08C
	21A	W04A, W04B		21A	W04A, W04B		21A	W04A, W04B
5s390	21B	X06A, X06B, X06C	5s901.21		BOP, KVT, UOP4	5t001.0↔		BOP, KVT, UOP4
		BOP, KVT, UOP4		03	D18Z, D28Z, D29Z		04	E02A, E02B, E02C
	03	D18Z, D25A, D25B, D25C, D25D		08	I17Z		05	F13A
	08	I17Z		09	J08A, J08B, J08C		08	I12A, I12B, I12C, I28A, I28B
	09	J08A, J08B		21A	W04A, W04B		21A	W04A, W04B
5s391	21A	W04A, W04B	5s901.x	21B	X06A, X06B, X06C	5t001.1↔	21B	X06A, X06B, X06C
	21B	X06A, X06B, X06C			BOP, KVT, UOP4			BOP, KVT, UOP4
		BOP, KVT, UOP4		03	D18Z, D28Z, D29Z		05	F13A
	03	D18Z, D25A, D25B, D25C, D25D		08	I17Z		08	I12A, I12B, I12C, I13A, I13B, I13C, I13D, I13E
	08	I17Z		09	J08A, J08B, J08C		21A	W04A, W04B
5s392	09	J08A, J08B	5s902	21A	W04A, W04B	5t001.2↔	21B	X06A, X06B, X06C
	21A	W04A, W04B		21B	X06A, X06B, X06C			BOP, KVT, UOP4
	21B	X06A, X06B, X06C			BOP, KVT, UOP4		05	F13A
		BOP, KVT, UOP4		03	D04Z, D15A, D18Z		08	I12A, I12B, I12C, I13A, I13B, I13C, I13D, I13E
	03	D18Z, D25A, D25B, D25C, D25D		08	I17Z		21A	W04A, W04B
5s393	08	I17Z	5s903	09	J08A, J08B, J08C	5t001.3↔	21B	X06A, X06B, X06C
	09	J08A, J08B		21B	X06A, X06B, X06C			BOP, KVT, UOP4
	21A	W04A, W04B		03	D18Z, D25A, D25B, D25C, D25D		05	F13A
	21B	X06A, X06B, X06C		08	I17Z		08	I12A, I12B, I12C, I13A, I13B, I13C, I13D, I13E
		BOP, KVT, UOP4		09	J08A, J08B, J08C		21A	W04A, W04B
5s394	03	D18Z, D25A, D25B, D25C, D25D	5s904.10	21A	W04A, W04B	5t001.4↔	21B	X06A, X06B, X06C
	08	I17Z		21B	X06A, X06B, X06C			BOP, KVT, UOP4
	09	J08A, J08B			BOP, KVT, UOP4		05	F13A
	21A	W04A, W04B		03	D04Z, D18Z, D28Z, D29Z		08	I12A, I12B, I12C, I21Z, I31Z
	21B	X06A, X06B, X06C		08	I17Z		21A	W04A, W04B
5s395		BOP, KVT, UOP4	5s904.11	09	J08A, J08B, J08C	5t001.5↔	21B	X06A, X06B, X06C
	03	D18Z, D25A, D25B, D25C, D25D		21A	W04A, W04B			BOP, KVT, UOP4
	08	I17Z		21B	X06A, X06B, X06C		05	F13A
	09	J08A, J08B			BOP, KVT, UOP4		08	I12A, I12B, I12C, I21Z, I31Z
	21A	W04A, W04B		03	D04Z, D18Z, D28Z, D29Z		21A	W04A, W04B
5s900	21B	X06A, X06B, X06C	5s991†	08	I17Z	5t001.6↔	21B	X06A, X06B, X06C
		BOP, KVT, UOP4		09	J08A, J08B, J08C			BOP, KVT, UOP4
	03	D18Z, D25A, D25B, D25C, D25D		21A	W04A, W04B		05	F13A
	08	I23A		21B	X06A, X06B, X06C		08	I12A, I12B, I12C, I21Z, I31Z
	09	J08A, J08B		03	D28Z		21A	W04A, W04B
5s901.10		BOP, KVT, UOP4	5s992		BOP, KVT, UOP4	5t001.7↔	21B	X06A, X06B, X06C
	03	D18Z, D28Z, D29Z		03	D18Z, D28Z, D29Z			BOP, KVT, UOP4
	08	I17Z		08	I17Z		05	F13A
	09	J08A, J08B, J08C		09	J08A, J08B		08	I12A, I12B, I12C, I21Z, I31Z
	21A	W04A, W04B		21A	W04A, W04B		21A	W04A, W04B
5s901.11	21B	X06A, X06B, X06C	5s99b.10	21B	X06A, X06B, X06C	5t001.8↔	21B	X06A, X06B, X06C
		BOP, KVT, UOP4			BOP, KVT, UOP4			BOP, KVT, UOP4
	03	D18Z, D28Z, D29Z		03	D04Z, D18Z, D28Z, D29Z		05	F13A
	08	I17Z		08	I17Z		08	I12A, I12B, I12C, I21Z, I31Z
	09	J08A, J08B, J08C		09	J08A, J08B, J08C		21A	W04A, W04B
5s99b.11	21A	W04A, W04B	5s99b.11	21A	W04A, W04B	5t001.9↔	21B	X06A, X06B, X06C
	21B	X06A, X06B, X06C		21B	X06A, X06B, X06C			BOP, KVT, UOP4
		BOP, KVT, UOP4			BOP, KVT, UOP4		05	F13A
	03	D18Z, D28Z, D29Z		03	D04Z, D18Z, D28Z, D29Z		08	I12A, I12B, I12C, I21Z, I31Z
	08	I17Z		08	I17Z		21A	W04A, W04B
5s99b.20	09	J08A, J08B, J08C	5s99b.20	09	J08A, J08B, J08C	5t001.a↔	21B	X06A, X06B, X06C
	21A	W04A, W04B		21A	W04A, W04B			BOP, KVT, UOP4
	21B	X06A, X06B, X06C		21B	X06A, X06B, X06C		05	F13A
		BOP, KVT, UOP4			BOP, KVT, UOP4		08	I12A, I12B, I12C, I32A, I32B, I32C, I32D, I32E, I32F
	03	D04Z, D18Z, D28Z, D29Z		03	D04Z, D18Z, D28Z, D29Z		21A	W04A, W04B
	BOP, KVT, UOP4	08	I17Z	21B	X05A, X05B			
	BOP, KVT, UOP4	09	J08A, J08B, J08C					
	BOP, KVT, UOP4	21A	W04A, W04B					
	BOP, KVT, UOP4	21B	X06A, X06B, X06C					



ZZV	MDC	DRG	ZZV	MDC	DRG	ZZV	MDC	DRG
5t001.b↔		BOP, KVT, UOP4	5t001.m↔		BOP, KVT, UOP4	5t001.x		BOP, KVT, UOP4
	05	F13A		05	F13A		01	B03A, B03B, B06A, B06B, B17A, B17B, B17C
	08	I12A, I12B, I12C, I32A, I32B, I32C, I32D, I32E, I32F		08	I12A, I12B, I12C, I13A, I13B, I13C, I13D, I13E		05	F13A
	21A	W04A, W04B		21A	W04A, W04B		08	I12A, I12B, I12C, I28A, I28B
	21B	X05A, X05B		21B	X04Z		21A	W04A, W04B
5t001.c↔		BOP, KVT, UOP4	5t001.n↔		BOP, KVT, UOP4	5t001.z↔		BOP, KVT, UOP4
	05	F13A		05	F13A		04	E02A, E02B, E02C
	08	I12A, I12B, I12C, I32A, I32B, I32C, I32D, I32E, I32F		08	I12A, I12B, I12C, I13A, I13B, I13C, I13D, I13E		05	F13A
	21A	W04A, W04B		21A	W04A, W04B		08	I12A, I12B, I12C, I28A, I28B
	21B	X05A, X05B		21B	X04Z		21A	W04A, W04B
5t001.d		BOP, KVT, UOP4	5t001.p↔		BOP, KVT, UOP4	5t002.0↔		BOP, KVT, UOP4
	05	F13A		05	F13A		04	E02A, E02B, E02C
	08	I08A, I08B, I08C, I08D, I08E, I08F, I12A, I12B, I12C		08	I12A, I12B, I12C, I13A, I13B, I13C, I13D, I13E		05	F13A
	21A	W04A, W04B		21A	W04A, W04B		08	I12A, I12B, I12C, I28A, I28B
	21B	X06A, X06B, X06C		21B	X04Z		21A	W04A, W04B
5t001.e↔		BOP, KVT, UOP4	5t001.q↔		BOP, KVT, UOP4	5t002.1↔		BOP, KVT, UOP4
	01	B03A, B03B, B06A, B06B, B17A, B17B, B17C		05	F13A		05	F13A
	05	F13A		08	I12A, I12B, I12C, I13A, I13B, I13C, I13D, I13E		08	I12A, I12B, I12C, I13A, I13B, I13C, I13D, I13E
	08	I08A, I08B, I08C, I08D, I08E, I08F		21A	W04A, W04B		21A	W04A, W04B
	21A	W01A, W01B, W01C, W02A, W02B		21B	X04Z		21B	X06A, X06B, X06C
	21B	X04Z	5t001.r↔		BOP, KVT, UOP4	5t002.2↔		BOP, KVT, UOP4
5t001.f↔		BOP, KVT, UOP4		05	F13A		05	F13A
	01	B03A, B03B, B06A, B06B, B17A, B17B, B17C		08	I12A, I12B, I12C, I13A, I13B, I13C, I13D, I13E		08	I12A, I12B, I12C, I13A, I13B, I13C, I13D, I13E
	05	F13A		21A	W04A, W04B		21A	W04A, W04B
	08	I08A, I08B, I08C, I08D, I08E, I08F		21B	X04Z		21B	X06A, X06B, X06C
	21A	W01A, W01B, W01C, W02A, W02B	5t001.s↔		BOP, KVT, UOP4	5t002.3↔		BOP, KVT, UOP4
	21B	X04Z		05	F13A, F27A, F27B, F27C		05	F13A
5t001.g↔		BOP, KVT, UOP4		08	I12A, I12B, I12C, I20A, I20B, I20C, I20D, I20E, I20F		08	I12A, I12B, I12C, I13A, I13B, I13C, I13D, I13E
	01	B03A, B03B, B06A, B06B, B17A, B17B, B17C		10	K01Z		21A	W04A, W04B
	05	F13A		21A	W04A, W04B		21B	X06A, X06B, X06C
	08	I08A, I08B, I08C, I08D, I08E, I08F		21B	X04Z	5t002.4↔		BOP, KVT, UOP4
	21A	W01A, W01B, W01C, W02A, W02B	5t001.t↔		BOP, KVT, UOP4		05	F13A
	21B	X04Z		05	F13A, F27A, F27B, F27C		08	I12A, I12B, I12C, I21Z, I31Z
5t001.h↔		BOP, KVT, UOP4		08	I12A, I12B, I12C, I20A, I20B, I20C, I20D, I20E, I20F		21A	W04A, W04B
	01	B03A, B03B, B06A, B06B, B17A, B17B, B17C		10	K01Z		21B	X06A, X06B, X06C
	05	F13A		21A	W04A, W04B	5t002.5↔		BOP, KVT, UOP4
	08	I08A, I08B, I08C, I08D, I08E, I08F		21B	X04Z		05	F13A
	21A	W01A, W01B, W01C, W02A, W02B	5t001.u↔		BOP, KVT, UOP4		08	I12A, I12B, I12C, I21Z, I31Z
	21B	X04Z		05	F13A, F27A, F27B, F27C		21A	W04A, W04B
5t001.i↔		BOP, KVT, UOP4		08	I12A, I12B, I12C, I20A, I20B, I20C, I20D, I20E, I20F		21B	X06A, X06B, X06C
	01	B03A, B03B, B06A, B06B, B17A, B17B, B17C		10	K01Z	5t002.6↔		BOP, KVT, UOP4
	05	F13A		21A	W04A, W04B		05	F13A
	08	I08A, I08B, I08C, I08D, I08E, I08F		21B	X04Z		08	I12A, I12B, I12C, I21Z, I31Z
	21A	W01A, W01B, W01C, W02A, W02B	5t001.v↔		BOP, KVT, UOP4		21A	W04A, W04B
	21B	X04Z		05	F13A, F27A, F27B, F27C		21B	X06A, X06B, X06C
5t001.j↔		BOP, KVT, UOP4		08	I12A, I12B, I12C, I20A, I20B, I20C, I20D, I20E, I20F	5t002.7↔		BOP, KVT, UOP4
	01	B03A, B03B, B06A, B06B, B17A, B17B, B17C		10	K01Z		05	F13A
	05	F13A		21A	W04A, W04B		08	I12A, I12B, I12C, I21Z, I31Z
	08	I12A, I12B, I12C, I18A, I18B, I30Z		21B	X04Z		21A	W04A, W04B
	21A	W04A, W04B	5t001.w↔		BOP, KVT, UOP4		21B	X06A, X06B, X06C
	21B	X04Z		05	F13A	5t002.8↔		BOP, KVT, UOP4
5t001.k↔		BOP, KVT, UOP4		08	I12A, I12B, I12C, I20A, I20B, I20C, I20D, I20E, I20F		05	F13A
	05	F13A		21A	W04A, W04B		08	I12A, I12B, I12C, I21Z, I31Z
	08	I12A, I12B, I12C, I13A, I13B, I13C, I13D, I13E		21B	X04Z		21A	W04A, W04B
	21A	W04A, W04B					21B	X06A, X06B, X06C
	21B	X04Z				5t002.9↔		BOP, KVT, UOP4

VYK

ZZV	MDC	DRG	ZZV	MDC	DRG	ZZV	MDC	DRG
5t002.a↔		BOP, KVT, UOP4	5t002.m↔		BOP, KVT, UOP4	5t002.z↔		BOP, KVT, UOP4
	05	F13A		05	F13A		04	E02A, E02B, E02C
	08	I12A, I12B, I12C, I32A, I32B, I32C, I32D, I32E, I32F		08	I12A, I12B, I12C, I13A, I13B, I13C, I13D, I13E		05	F13A
	21A	W04A, W04B		21A	W04A, W04B		08	I12A, I12B, I12C, I28A, I28B
	21B	X05A, X05B		21B	X04Z		21A	W04A, W04B
5t002.b↔		BOP, KVT, UOP4	5t002.n↔		BOP, KVT, UOP4	5t003.0↔		X06A, X06B, X06C
	05	F13A		05	F13A		04	BOP, KVT, UOP4, VIAL
	08	I12A, I12B, I12C, I32A, I32B, I32C, I32D, I32E, I32F		08	I12A, I12B, I12C, I13A, I13B, I13C, I13D, I13E		04	E02A, E02B, E02C
	21A	W04A, W04B		21A	W04A, W04B		05	F13A
	21B	X05A, X05B		21B	X04Z		08	I23A, I23B
5t002.c↔		BOP, KVT, UOP4	5t002.p↔		BOP, KVT, UOP4	5t003.1↔		BOP, KVT, UOP4, VIAL
	05	F13A		05	F13A		05	F13A
	08	I12A, I12B, I12C, I32A, I32B, I32C, I32D, I32E, I32F		08	I12A, I12B, I12C, I13A, I13B, I13C, I13D, I13E		08	I08A, I08B, I08C, I08D, I08E, I08F, I12A, I12B, I12C, I23A, I23B
	21A	W04A, W04B		21A	W04A, W04B		21A	W04A, W04B
	21B	X05A, X05B		21B	X04Z		21B	X06A, X06B, X06C
5t002.d		BOP, KVT, UOP4	5t002.q↔		BOP, KVT, UOP4	5t003.2↔		BOP, KVT, UOP4, VIAL
	05	F13A		05	F13A		05	F13A
	08	I08A, I08B, I08C, I08D, I08E, I08F, I12A, I12B, I12C		08	I12A, I12B, I12C, I13A, I13B, I13C, I13D, I13E		08	I08A, I08B, I08C, I08D, I08E, I08F, I12A, I12B, I12C, I23A, I23B
	21A	W04A, W04B		21A	W04A, W04B		21A	W04A, W04B
	21B	X06A, X06B, X06C		21B	X04Z		21B	X06A, X06B, X06C
5t002.e↔		BOP, KVT, UOP4	5t002.r↔		BOP, KVT, UOP4	5t003.3↔		BOP, KVT, UOP4, VIAL
	05	F13A		05	F13A		05	F13A
	08	I12A, I12B, I12C, I21Z		08	I12A, I12B, I12C, I13A, I13B, I13C, I13D, I13E		08	I08A, I08B, I08C, I08D, I08E, I08F, I12A, I12B, I12C, I23A, I23B
	21A	W04A, W04B		21A	W04A, W04B		21A	W04A, W04B
	21B	X04Z		21B	X04Z		21B	X06A, X06B, X06C
5t002.f↔		BOP, KVT, UOP4	5t002.s↔		BOP, KVT, UOP4	5t003.4↔		BOP, KVT, UOP4, VIAL
	01	B03A, B03B, B06A, B06B, B17A, B17B, B17C		05	F13A, F27A, F27B, F27C		05	F13A
	05	F13A		08	I12A, I12B, I12C, I20A, I20B, I20C, I20D, I20E, I20F		08	I08A, I08B, I08C, I08D, I08E, I08F, I23A, I23B
	08	I08A, I08B, I08C, I08D, I08E, I08F		10	K01Z		5t003.5↔	BOP, KVT, UOP4, VIAL
	21A	W01A, W01B, W01C, W02A, W02B		21A	W04A, W04B		05	F13A
	21B	X04Z		21B	X04Z		08	I08A, I08B, I08C, I08D, I08E, I08F, I23A, I23B
5t002.g↔		BOP, KVT, UOP4	5t002.t↔		BOP, KVT, UOP4	5t003.6↔		BOP, KVT, UOP4, VIAL
	01	B03A, B03B, B06A, B06B, B17A, B17B, B17C		05	F13A, F27A, F27B, F27C		05	F13A
	05	F13A		08	I12A, I12B, I12C, I20A, I20B, I20C, I20D, I20E, I20F		08	I08A, I08B, I08C, I08D, I08E, I08F, I23A, I23B
	08	I08A, I08B, I08C, I08D, I08E, I08F		10	K01Z		5t003.7↔	BOP, KVT, UOP4, VIAL
	21A	W01A, W01B, W01C, W02A, W02B		21A	W04A, W04B		05	F13A
	21B	X04Z		21B	X04Z		08	I08A, I08B, I08C, I08D, I08E, I08F, I23A, I23B
5t002.h↔		BOP, KVT, UOP4	5t002.u↔		BOP, KVT, UOP4	5t003.8↔		BOP, KVT, UOP4, VIAL
	01	B03A, B03B, B06A, B06B, B17A, B17B, B17C		05	F13A, F27A, F27B, F27C		05	F13A
	05	F13A		08	I12A, I12B, I12C, I20A, I20B, I20C, I20D, I20E, I20F		08	I08A, I08B, I08C, I08D, I08E, I08F, I23A, I23B
	08	I08A, I08B, I08C, I08D, I08E, I08F		10	K01Z		5t003.9↔	BOP, KVT, UOP4, VIAL
	21A	W01A, W01B, W01C, W02A, W02B		21A	W04A, W04B		05	F13A
	21B	X04Z		21B	X04Z		08	I08A, I08B, I08C, I08D, I08E, I08F, I23A, I23B
5t002.i↔		BOP, KVT, UOP4	5t002.v↔		BOP, KVT, UOP4	5t003.a↔		BOP, KVT, UOP4, VIAL
	01	B03A, B03B, B06A, B06B, B17A, B17B, B17C		05	F13A, F27A, F27B, F27C		05	F13A
	05	F13A		08	I12A, I12B, I12C, I20A, I20B, I20C, I20D, I20E, I20F		08	I08A, I08B, I08C, I08D, I08E, I08F, I23A, I23B
	08	I08A, I08B, I08C, I08D, I08E, I08F		10	K01Z		5t003.b↔	BOP, KVT, UOP4, VIAL
	21A	W01A, W01B, W01C, W02A, W02B		21A	W04A, W04B		05	F13A
	21B	X04Z		21B	X04Z		08	I12A, I12B, I12C, I32A, I32B, I32C, I32D, I32E, I32F
5t002.j↔		BOP, KVT, UOP4	5t002.w↔		BOP, KVT, UOP4		21A	W04A, W04B
	01	B03A, B03B, B06A, B06B, B17A, B17B, B17C		05	F13A		21B	X05A, X05B
	05	F13A		08	I12A, I12B, I12C, I20A, I20B, I20C, I20D, I20E, I20F		5t003.b↔	BOP, KVT, UOP4, VIAL
	08	I12A, I12B, I12C, I18A, I18B, I30Z		10	K01Z		05	F13A
	21A	W04A, W04B		21A	W04A, W04B		08	I12A, I12B, I12C, I32A, I32B, I32C, I32D, I32E, I32F
	21B	X04Z		21B	X04Z		21A	W04A, W04B
5t002.k↔		BOP, KVT, UOP4	5t002.x		BOP, KVT, UOP4		21B	X05A, X05B
	05	F13A		05	F13A			
	08	I12A, I12B, I12C, I13A, I13B, I13C, I13D, I13E		08	I12A, I12B, I12C, I28A, I28B			
	21A	W04A, W04B		21A	W04A, W04B			
	21B	X04Z		21B	X06A, X06B, X06C			

VYK

ZZV	MDC	DRG	ZZV	MDC	DRG	ZZV	MDC	DRG
5t003.c↔		BOP, KVT, UOP4, VIAL	5t003.s↔		BOP, KVT, UOP4, VIAL	5t004.6↔		BOP, KVT, UOP4, VIAL
	05	F13A		05	F13A		05	F13A
	08	I12A, I12B, I12C, I23A, I23B		08	I12A, I12B, I12C, I20A, I20B, I20C, I20D, I20E, I20F		08	I08A, I08B, I08C, I08D, I08E, I08F, I23A
	21A	W04A, W04B		21A	W04A, W04B	5t004.7↔		BOP, KVT, UOP4, VIAL
	21B	X05A, X05B		21B	X04Z		05	F13A
5t003.d		BOP, KVT, UOP4, VIAL	5t003.t↔		BOP, KVT, UOP4, VIAL		08	I08A, I08B, I08C, I08D, I08E, I08F, I23A
	05	F13A		05	F13A	5t004.8↔		BOP, KVT, UOP4, VIAL
	08	I12A, I12B, I12C, I23A, I23B		08	I12A, I12B, I12C, I20A, I20B, I20C, I20D, I20E, I20F		05	F13A
	21A	W04A, W04B		21A	W04A, W04B		08	I08A, I08B, I08C, I08D, I08E, I08F, I23A
	21B	X04Z, X05A, X05B, X06A, X06B, X06C		21B	X04Z	5t004.9↔		BOP, KVT, UOP4, VIAL
5t003.e↔		BOP, KVT, UOP4, VIAL	5t003.u↔		BOP, KVT, UOP4, VIAL		05	F13A
	05	F13A		05	F13A		08	I08A, I08B, I08C, I08D, I08E, I08F, I23A
	08	I12A, I12B, I12C, I21Z		08	I12A, I12B, I12C, I20A, I20B, I20C, I20D, I20E, I20F	5t004.a↔		BOP, KVT, UOP4, VIAL
	21A	W04A, W04B		21A	W04A, W04B		05	F13A
	21B	X04Z		21B	X04Z		08	I08A, I08B, I08C, I08D, I08E, I08F, I23A
5t003.f↔		BOP, KVT, UOP4, VIAL	5t003.v↔		BOP, KVT, UOP4, VIAL		21A	W04A, W04B
	05	F13A		05	F13A		21B	X05A, X05B
	08	I12A, I12B, I12C, I21Z		08	I12A, I12B, I12C, I20A, I20B, I20C, I20D, I20E, I20F	5t004.b↔		BOP, KVT, UOP4, VIAL
	21A	W04A, W04B		21A	W04A, W04B		05	F13A
	21B	X04Z		21B	X04Z		08	I12A, I12B, I12C, I32A, I32B, I32C, I32D, I32E, I32F
5t003.g↔		BOP, KVT, UOP4, VIAL	5t003.w↔		BOP, KVT, UOP4, VIAL		21A	W04A, W04B
	05	F13A		05	F13A		21B	X05A, X05B
	08	I12A, I12B, I12C, I21Z		08	I12A, I12B, I12C, I23A, I23B	5t004.c↔		BOP, KVT, UOP4, VIAL
	21A	W04A, W04B		21A	W04A, W04B		05	F13A
	21B	X04Z		21B	X04Z		08	I12A, I12B, I12C, I23A
5t003.h↔		BOP, KVT, UOP4, VIAL	5t003.x		BOP, KVT, UOP4		21A	W04A, W04B
	05	F13A		05	F13A		21B	X05A, X05B
	08	I12A, I12B, I12C, I21Z		08	I12A, I12B, I12C, I23A, I23B	5t004.d		BOP, KVT, UOP4, VIAL
	21A	W04A, W04B		08	I12A, I12B, I12C, I23A, I23B		05	F13A
	21B	X04Z		21A	W04A, W04B		08	I12A, I12B, I12C, I23A
5t003.i↔		BOP, KVT, UOP4, VIAL		21B	X06A, X06B, X06C		21A	W04A, W04B
	05	F13A	5t003.z↔		BOP, KVT, UOP4, VIAL		21B	X05A, X05B
	08	I12A, I12B, I12C, I23A, I23B		04	E02A, E02B, E02C		21B	X04Z, X05A, X05B, X06A, X06B, X06C
	21A	W04A, W04B		05	F13A	5t004.e↔		BOP, KVT, UOP4, VIAL
	21B	X04Z, X06A, X06B, X06C		08	I23A, I23B		05	F13A
5t003.k↔		BOP, KVT, UOP4, VIAL		5t004.0↔	BOP, KVT, UOP4, VIAL		08	I12A, I12B, I12C, I21Z
	05	F13A			E02A, E02B, E02C		21A	W04A, W04B
	08	I12A, I12B, I12C, I23A, I23B		05	F13A		21B	X04Z
	21A	W04A, W04B		08	I23A, I23B	5t004.f↔		BOP, KVT, UOP4, VIAL
	21B	X04Z		5t004.1↔	BOP, KVT, UOP4, VIAL		05	F13A
5t003.l↔		BOP, KVT, UOP4, VIAL			F13A		08	I08A, I08B, I08C, I08D, I08E, I08F, I12A, I12B, I12C, I23A
	05	F13A		05	F13A		21A	W04A, W04B
	08	I12A, I12B, I12C, I23A, I23B		08	I08A, I08B, I08C, I08D, I08E, I08F, I12A, I12B, I12C, I23A		21B	X06A, X06B, X06C
	21A	W04A, W04B		5t004.2↔	BOP, KVT, UOP4, VIAL		05	F13A
	21B	X04Z			F13A		08	I08A, I08B, I08C, I08D, I08E, I08F, I12A, I12B, I12C, I23A
5t003.m↔		BOP, KVT, UOP4, VIAL		21A	W04A, W04B	5t004.g↔		BOP, KVT, UOP4, VIAL
	05	F13A		21B	X06A, X06B, X06C		05	F13A
	08	I12A, I12B, I12C, I23A, I23B		5t004.3↔	BOP, KVT, UOP4, VIAL		08	I12A, I12B, I12C, I21Z
	21A	W04A, W04B			F13A		21A	W04A, W04B
	21B	X04Z		05	F13A		21B	X04Z
5t003.n↔		BOP, KVT, UOP4, VIAL		08	I08A, I08B, I08C, I08D, I08E, I08F, I12A, I12B, I12C, I23A	5t004.h↔		BOP, KVT, UOP4, VIAL
	05	F13A		5t004.4↔	BOP, KVT, UOP4, VIAL		05	F13A
	08	I12A, I12B, I12C, I23A, I23B			F13A		08	I12A, I12B, I12C, I21Z
	21A	W04A, W04B		05	F13A		21A	W04A, W04B
	21B	X04Z		08	I08A, I08B, I08C, I08D, I08E, I08F, I12A, I12B, I12C, I23A		21B	X04Z
5t003.o↔		BOP, KVT, UOP4, VIAL		5t004.5↔	BOP, KVT, UOP4, VIAL		21B	X06A, X06B, X06C
	05	F13A			F13A	5t004.i↔		BOP, KVT, UOP4, VIAL
	08	I12A, I12B, I12C, I23A, I23B		05	F13A		05	F13A
	21A	W04A, W04B		08	I08A, I08B, I08C, I08D, I08E, I08F, I23A		08	I12A, I12B, I12C, I23A
	21B	X04Z		5t004.6↔	BOP, KVT, UOP4, VIAL		21A	W04A, W04B
5t003.p↔		BOP, KVT, UOP4, VIAL			F13A		21B	X04Z
	05	F13A		05	F13A	5t004.j↔		BOP, KVT, UOP4, VIAL
	08	I12A, I12B, I12C, I23A, I23B		08	I08A, I08B, I08C, I08D, I08E, I08F, I12A, I12B, I12C, I23A		05	F13A
	21A	W04A, W04B		5t004.7↔	BOP, KVT, UOP4, VIAL		08	I12A, I12B, I12C, I23A
	21B	X04Z			F13A		21A	W04A, W04B
5t003.q↔		BOP, KVT, UOP4, VIAL		5t004.8↔	BOP, KVT, UOP4, VIAL		21B	X04Z
	05	F13A			F13A		21B	X04Z
	08	I12A, I12B, I12C, I23A, I23B		05	F13A	5t004.k↔		BOP, KVT, UOP4, VIAL
	21A	W04A, W04B		08	I08A, I08B, I08C, I08D, I08E, I08F, I23A		05	F13A
	21B	X04Z		5t004.9↔	BOP, KVT, UOP4, VIAL		08	I12A, I12B, I12C, I23A
5t003.r↔		BOP, KVT, UOP4, VIAL			F13A		21A	W04A, W04B
	05	F13A		05	F13A		21B	X04Z
	08	I12A, I12B, I12C, I23A, I23B		08	I08A, I08B, I08C, I08D, I08E, I08F, I23A			
	21A	W04A, W04B			F13A			
	21B	X04Z			I08A, I08B, I08C, I08D, I08E, I08F, I23A			



ZZV	MDC	DRG	ZZV	MDC	DRG	ZZV	MDC	DRG
5t004.m↔		BOP, KVT, UOP4, VIAL	5t005.1↔		BOP, KVT, UOP4, VIAL	5t005.b↔		BOP, KVT, UOP4, VIAL
	05	F13A		05	F13A		05	F13A
	08	I12A, I12B, I12C, I23A		08	I08A, I08B, I08C, I08D, I08E, I08F, I12A, I12B, I12C, I13A, I13B, I13C, I13D, I13E		08	I12A, I12B, I12C, I32A, I32B, I32C, I32D, I32E, I32F
	21A	W04A, W04B		21A	W04A, W04B		21A	W04A, W04B
	21B	X04Z		21B	X06A, X06B, X06C		21B	X05A, X05B
5t004.n↔		BOP, KVT, UOP4, VIAL	5t005.2↔		BOP, KVT, UOP4, VIAL	5t005.c↔		BOP, KVT, UOP4, VIAL
	05	F13A		05	F13A		05	F13A
	08	I12A, I12B, I12C, I23A		08	I08A, I08B, I08C, I08D, I08E, I08F, I12A, I12B, I12C, I13A, I13B, I13C, I13D, I13E		08	I12A, I12B, I12C, I32A, I32B, I32C, I32D, I32E, I32F
	21A	W04A, W04B		21A	W04A, W04B		21A	W04A, W04B
	21B	X04Z		21B	X06A, X06B, X06C		21B	X05A, X05B
5t004.p↔		BOP, KVT, UOP4, VIAL	5t005.3↔		BOP, KVT, UOP4, VIAL	5t005.d		BOP, KVT, UOP4, VIAL
	05	F13A		05	F13A		05	F13A
	08	I12A, I12B, I12C, I23A		08	I08A, I08B, I08C, I08D, I08E, I08F, I12A, I12B, I12C, I13A, I13B, I13C, I13D, I13E		08	I08A, I08B, I08C, I08D, I08E, I08F, I12A, I12B, I12C
	21A	W04A, W04B		21A	W04A, W04B		21A	W04A, W04B
	21B	X04Z		21B	X06A, X06B, X06C		21B	X06A, X06B, X06C
5t004.q↔		BOP, KVT, UOP4, VIAL	5t005.4↔		BOP, KVT, UOP4, VIAL	5t005.e↔		BOP, KVT, UOP4, VIAL
	05	F13A		05	F13A		01	B03A, B03B, B06A, B06B, B17A, B17B, B17C
	08	I12A, I12B, I12C, I23A		08	I08A, I08B, I08C, I08D, I08E, I08F, I12A, I12B, I12C, I21Z, I31Z		05	F13A
	21A	W04A, W04B		21A	W04A, W04B		08	I08A, I08B, I08C, I08D, I08E, I08F
	21B	X04Z		21B	X06A, X06B, X06C		21A	W01A, W01B, W01C, W02A, W02B
5t004.r↔		BOP, KVT, UOP4, VIAL	5t005.5↔		BOP, KVT, UOP4, VIAL	5t005.f↔		BOP, KVT, UOP4, VIAL
	05	F13A		05	F13A		01	B03A, B03B, B06A, B06B, B17A, B17B, B17C
	08	I12A, I12B, I12C, I23A		08	I08A, I08B, I08C, I08D, I08E, I08F, I12A, I12B, I12C, I21Z, I31Z		05	F13A
	21A	W04A, W04B		21A	W04A, W04B		08	I08A, I08B, I08C, I08D, I08E, I08F
	21B	X04Z		21B	X06A, X06B, X06C		21A	W01A, W01B, W01C, W02A, W02B
5t004.s↔		BOP, KVT, UOP4, VIAL	5t005.6↔		BOP, KVT, UOP4, VIAL	5t005.g↔		BOP, KVT, UOP4, VIAL
	05	F13A		05	F13A		01	B03A, B03B, B06A, B06B, B17A, B17B, B17C
	08	I12A, I12B, I12C, I20A, I20B, I20C, I20D, I20E, I20F		08	I08A, I08B, I08C, I08D, I08E, I08F, I12A, I12B, I12C, I21Z, I31Z		05	F13A
	21A	W04A, W04B		21A	W04A, W04B		08	I08A, I08B, I08C, I08D, I08E, I08F
	21B	X04Z		21B	X06A, X06B, X06C		21A	W01A, W01B, W01C, W02A, W02B
5t004.t↔		BOP, KVT, UOP4, VIAL	5t005.7↔		BOP, KVT, UOP4, VIAL	5t005.h↔		BOP, KVT, UOP4, VIAL
	05	F13A		05	F13A		01	B03A, B03B, B06A, B06B, B17A, B17B, B17C
	08	I12A, I12B, I12C, I20A, I20B, I20C, I20D, I20E, I20F		08	I08A, I08B, I08C, I08D, I08E, I08F, I12A, I12B, I12C, I21Z, I31Z		05	F13A
	21A	W04A, W04B		21A	W04A, W04B		08	I08A, I08B, I08C, I08D, I08E, I08F
	21B	X04Z		21B	X06A, X06B, X06C		21A	W01A, W01B, W01C, W02A, W02B
5t004.u↔		BOP, KVT, UOP4, VIAL	5t005.8↔		BOP, KVT, UOP4, VIAL	5t005.i↔		BOP, KVT, UOP4, VIAL
	05	F13A		05	F13A		01	B03A, B03B, B06A, B06B, B17A, B17B, B17C
	08	I12A, I12B, I12C, I20A, I20B, I20C, I20D, I20E, I20F		08	I08A, I08B, I08C, I08D, I08E, I08F, I12A, I12B, I12C, I21Z, I31Z		05	F13A
	21A	W04A, W04B		21A	W04A, W04B		08	I08A, I08B, I08C, I08D, I08E, I08F
	21B	X04Z		21B	X06A, X06B, X06C		21A	W01A, W01B, W01C, W02A, W02B
5t004.v↔		BOP, KVT, UOP4, VIAL	5t005.9↔		BOP, KVT, UOP4, VIAL	5t005.j↔		BOP, KVT, UOP4, VIAL
	05	F13A		05	F13A		01	B03A, B03B, B06A, B06B, B17A, B17B, B17C
	08	I12A, I12B, I12C, I20A, I20B, I20C, I20D, I20E, I20F		08	I08A, I08B, I08C, I08D, I08E, I08F, I12A, I12B, I12C, I21Z, I31Z		05	F13A
	21A	W04A, W04B		21A	W04A, W04B		08	I12A, I12B, I12C, I18A, I18B, I30Z
	21B	X04Z		21B	X06A, X06B, X06C		21A	W04A, W04B
5t004.w↔		BOP, KVT, UOP4, VIAL	5t005.a↔		BOP, KVT, UOP4, VIAL	5t005.k↔		BOP, KVT, UOP4, VIAL
	05	F13A		05	F13A		05	F13A
	08	I12A, I12B, I12C, I23A, I23B		08	I12A, I12B, I12C, I32A, I32B, I32C, I32D, I32E, I32F		08	I12A, I12B, I12C, I13A, I13B, I13C, I13D, I13E
	21A	W04A, W04B		21A	W04A, W04B		21A	W04A, W04B
	21B	X04Z		21B	X05A, X05B		21B	X04Z
5t004.x		BOP, KVT, UOP4						
	05	F13A						
	08	I12A, I12B, I12C, I23A, I23B						
	21A	W04A, W04B						
	21B	X06A, X06B, X06C						
5t004.z↔		BOP, KVT, UOP4, VIAL						
	04	E02A, E02B, E02C						
	05	F13A						
	08	I23A, I23B						
5t005.0↔		BOP, KVT, UOP4, VIAL						
	04	E02A, E02B, E02C						
	05	F13A						
	08	I12A, I12B, I12C, I28A, I28B						
	21A	W04A, W04B						
	21B	X06A, X06B, X06C						

ZZV	MDC	DRG	ZZV	MDC	DRG	ZZV	MDC	DRG
5t005.m↔		BOP, KVT, UOP4, VIAL	5t005.z↔	04	E02A, E02B, E02C	5t006.9↔		BOP, KVT, UOP4, VIAL
	05	F13A		05	F13A		05	F13A
	08	I12A, I12B, I12C, I13A, I13B, I13C, I13D, I13E		08	I12A, I12B, I12C, I28A, I28B		08	I08A, I08B, I08C, I08D, I08E, I08F, I12A, I12B, I12C, I21Z, I31Z
	21A	W04A, W04B		21A	W04A, W04B		21A	W04A, W04B
5t005.n↔	21B	X04Z	5t006.0↔	21B	X06A, X06B, X06C	5t006.a↔	21B	X06A, X06B, X06C
		BOP, KVT, UOP4, VIAL			BOP, KVT, UOP4, VIAL			BOP, KVT, UOP4, VIAL
	05	F13A		01	B03A, B03B, B18Z		05	F13A
	08	I12A, I12B, I12C, I13A, I13B, I13C, I13D, I13E		04	E02A, E02B, E02C		08	I12A, I12B, I12C, I32A, I32B, I32C, I32D, I32E, I32F
5t005.p↔	21A	W04A, W04B	5t006.1↔	05	F13A	5t006.b↔	21A	W04A, W04B
	21B	X04Z		08	I12A, I12B, I12C, I28A, I28B		21B	X05A, X05B
		BOP, KVT, UOP4, VIAL		21A	W04A, W04B			BOP, KVT, UOP4, VIAL
	05	F13A		21B	X06A, X06B, X06C		05	F13A
5t005.q↔	08	I12A, I12B, I12C, I13A, I13B, I13C, I13D, I13E	5t006.2↔	05	F13A	5t006.c↔	08	I12A, I12B, I12C, I32A, I32B, I32C, I32D, I32E, I32F
	21A	W04A, W04B		08	I08A, I08B, I08C, I08D, I08E, I08F, I12A, I12B, I12C, I13A, I13B, I13C, I13D, I13E		21A	W04A, W04B
	21B	X04Z		21A	W04A, W04B		21B	X05A, X05B
		BOP, KVT, UOP4, VIAL		21B	X06A, X06B, X06C			BOP, KVT, UOP4, VIAL
5t005.r↔	05	F13A	5t006.3↔	05	F13A	5t006.d	05	F13A, F27A, F27B, F27C
	08	I12A, I12B, I12C, I13A, I13B, I13C, I13D, I13E		08	I08A, I08B, I08C, I08D, I08E, I08F, I12A, I12B, I12C, I13A, I13B, I13C, I13D, I13E		08	I12A, I12B, I12C, I32A, I32B, I32C, I32D, I32E, I32F
	21A	W04A, W04B		21A	W04A, W04B		10	K09A, K09B
	21B	X04Z		21B	X06A, X06B, X06C		21A	W04A, W04B
5t005.s↔		BOP, KVT, UOP4, VIAL	5t006.4↔		BOP, KVT, UOP4, VIAL	5t006.e↔	21B	X05A, X05B, X06A, X06B, X06C
	05	F13A		05	F13A			BOP, KVT, UOP4, VIAL
	08	I12A, I12B, I12C, I20A, I20B, I20C, I20D, I20E, I20F		08	I08A, I08B, I08C, I08D, I08E, I08F, I12A, I12B, I12C, I13A, I13B, I13C, I13D, I13E		05	F13A, F27A, F27B, F27C
	10	K01Z		21A	W04A, W04B		08	I08A, I08B, I08C, I08D, I08E, I08F, I12A, I12B, I12C
5t005.t↔	21A	W04A, W04B	5t006.5↔	21A	W04A, W04B	5t006.f↔	10	K09A, K09B
	21B	X04Z		21B	X06A, X06B, X06C		21A	W04A, W04B
		BOP, KVT, UOP4, VIAL			BOP, KVT, UOP4, VIAL		21B	X06A, X06B, X06C
	05	F13A, F27A, F27B, F27C			BOP, KVT, UOP4, VIAL			BOP, KVT, UOP4, VIAL
5t005.u↔	08	I12A, I12B, I12C, I20A, I20B, I20C, I20D, I20E, I20F	5t006.6↔	05	F13A	5t006.g↔	05	F13A
	10	K01Z		08	I08A, I08B, I08C, I08D, I08E, I08F, I12A, I12B, I12C, I21Z, I31Z		08	I08A, I08B, I08C, I08D, I08E, I08F, I12A, I12B, I12C
	21A	W04A, W04B		21A	W04A, W04B		21A	W01A, W01B, W01C, W02A, W02B
	21B	X04Z		21B	X06A, X06B, X06C		21B	X04Z
5t005.v↔		BOP, KVT, UOP4, VIAL	5t006.7↔		BOP, KVT, UOP4, VIAL	5t006.h↔		BOP, KVT, UOP4, VIAL
	05	F13A, F27A, F27B, F27C		05	F13A		05	F13A
	08	I12A, I12B, I12C, I20A, I20B, I20C, I20D, I20E, I20F		08	I08A, I08B, I08C, I08D, I08E, I08F, I12A, I12B, I12C, I21Z, I31Z		08	I08A, I08B, I08C, I08D, I08E, I08F, I12A, I12B, I12C
	10	K01Z		21A	W04A, W04B		21A	W01A, W01B, W01C, W02A, W02B
5t005.w↔	21A	W04A, W04B	5t006.8↔	21B	X06A, X06B, X06C	5t006.i↔	21B	X04Z
	21B	X04Z			BOP, KVT, UOP4, VIAL			BOP, KVT, UOP4, VIAL
		BOP, KVT, UOP4, VIAL		05	F13A		05	F13A
	05	F13A		08	I08A, I08B, I08C, I08D, I08E, I08F, I12A, I12B, I12C, I21Z, I31Z		08	I08A, I08B, I08C, I08D, I08E, I08F, I12A, I12B, I12C
5t005.x	08	I12A, I12B, I12C, I20A, I20B, I20C, I20D, I20E, I20F	5t006.9↔	21A	W04A, W04B	5t006.j↔	21A	W01A, W01B, W01C, W02A, W02B
	21A	W04A, W04B		21B	X06A, X06B, X06C		21B	X04Z
	21B	X04Z			BOP, KVT, UOP4, VIAL			BOP, KVT, UOP4, VIAL
		BOP, KVT, UOP4		05	F13A		05	F13A
	05	F13A		08	I08A, I08B, I08C, I08D, I08E, I08F, I12A, I12B, I12C, I21Z, I31Z	08	I12A, I12B, I12C, I18A, I18B, I30Z	
	08	I12A, I12B, I12C, I28A, I28B		21A	W04A, W04B	21A	W04A, W04B	
	21A	W04A, W04B		21B	X06A, X06B, X06C	21B	X04Z	
	21B	X06A, X06B, X06C						

ZZV	MDC	DRG	ZZV	MDC	DRG	ZZV	MDC	DRG
5t006.k↔		BOP, KVT, UOP4, VIAL	5t006.w↔		BOP, KVT, UOP4, VIAL	5t007.a↔		BOP, KVT, UOP4, VIAL
	05	F13A		05	F13A, F27A, F27B, F27C		05	F13A
	08	I12A, I12B, I12C, I13A, I13B, I13C, I13D, I13E		08	I12A, I12B, I12C, I20A, I20B, I20C, I20D, I20E, I20F		08	I12A, I12B, I12C, I32A, I32B, I32C, I32D, I32E, I32F
5t006.m↔	21A	W04A, W04B	5t006.x	10	K09A, K09B	5t007.b↔	21A	W04A, W04B
	21B	X04Z		21A	W04A, W04B		21B	X05A, X05B
		BOP, KVT, UOP4, VIAL		21B	X04Z			BOP, KVT, UOP4, VIAL
5t006.n↔	05	F13A	5t006.z↔		BOP, KVT, UOP4	5t007.c↔	05	F13A
	08	I12A, I12B, I12C, I13A, I13B, I13C, I13D, I13E		05	F13A		08	I12A, I12B, I12C, I32A, I32B, I32C, I32D, I32E, I32F
	21A	W04A, W04B		08	I12A, I12B, I12C, I28A, I28B		21A	W04A, W04B
5t006.p↔	21B	X04Z	5t006.z↔	21A	W04A, W04B	5t007.c↔	21B	X05A, X05B
		BOP, KVT, UOP4, VIAL		21B	X06A, X06B, X06C			BOP, KVT, UOP4, VIAL
	05	F13A		01	B03A, B03B, B18Z		05	F13A
5t006.q↔	08	I12A, I12B, I12C, I13A, I13B, I13C, I13D, I13E	5t007.0↔	04	E02A, E02B, E02C	5t007.d	08	I12A, I12B, I12C, I23A, I23B
	21A	W04A, W04B		05	F13A		21A	W04A, W04B
	21B	X04Z		08	I12A, I12B, I12C, I28A, I28B		21B	X05A, X05B
5t006.r↔		BOP, KVT, UOP4, VIAL	5t007.1↔	21A	W04A, W04B	5t007.e↔		BOP, KVT, UOP4, VIAL
	05	F13A		21B	X06A, X06B, X06C		05	F13A
	08	I12A, I12B, I12C, I13A, I13B, I13C, I13D, I13E			BOP, KVT, UOP4, VIAL		08	I08A, I08B, I08C, I08D, I08E, I08F, I12A, I12B, I12C, I23A
5t006.s↔	21A	W04A, W04B	5t007.2↔	04	E02A, E02B, E02C	5t007.f↔	21A	W04A, W04B
	21B	X04Z		05	F13A		21B	X04Z, X05A, X05B, X06A, X06B, X06C
		BOP, KVT, UOP4, VIAL		08	I23A, I23B			BOP, KVT, UOP4, VIAL
5t006.t↔	05	F13A	5t007.3↔		BOP, KVT, UOP4, VIAL	5t007.g↔	05	F13A
	08	I12A, I12B, I12C, I13A, I13B, I13C, I13D, I13E		05	F13A		08	I08A, I08B, I08C, I08D, I08E, I08F, I12A, I12B, I12C, I21Z
	21A	W04A, W04B		08	I08A, I08B, I08C, I08D, I08E, I08F, I12A, I12B, I12C, I23A		21A	W04A, W04B
5t006.u↔	21B	X04Z	5t007.4↔	21A	W04A, W04B	5t007.h↔	21B	X04Z
		BOP, KVT, UOP4, VIAL		21B	X06A, X06B, X06C			BOP, KVT, UOP4, VIAL
	05	F13A, F27A, F27B, F27C		05	F13A		05	F13A
5t006.v↔	08	I12A, I12B, I12C, I20A, I20B, I20C, I20D, I20E, I20F	5t007.5↔	08	I08A, I08B, I08C, I08D, I08E, I08F, I23A	5t007.i↔	08	I08A, I08B, I08C, I08D, I08E, I08F, I12A, I12B, I12C, I21Z
	10	K01Z		21A	W04A, W04B		21A	W04A, W04B
	21A	W04A, W04B		21B	X06A, X06B, X06C		21B	X04Z
5t006.w↔	21B	X04Z	5t007.6↔		BOP, KVT, UOP4, VIAL	5t007.j↔		BOP, KVT, UOP4, VIAL
		BOP, KVT, UOP4, VIAL		05	F13A		05	F13A
	05	F13A, F27A, F27B, F27C		08	I08A, I08B, I08C, I08D, I08E, I08F, I23A		08	I08A, I08B, I08C, I08D, I08E, I08F, I12A, I12B, I12C, I21Z
5t006.x↔	08	I12A, I12B, I12C, I20A, I20B, I20C, I20D, I20E, I20F	5t007.7↔	21A	W04A, W04B	5t007.k↔	21A	W04A, W04B
	10	K01Z		21B	X06A, X06B, X06C		21B	X04Z, X06A, X06B, X06C
	21A	W04A, W04B			BOP, KVT, UOP4, VIAL			BOP, KVT, UOP4, VIAL
5t006.y↔	21B	X04Z	5t007.8↔	05	F13A	5t007.l↔	05	F13A
		BOP, KVT, UOP4, VIAL		08	I08A, I08B, I08C, I08D, I08E, I08F, I23A		08	I12A, I12B, I12C, I23A
	05	F13A, F27A, F27B, F27C			BOP, KVT, UOP4, VIAL		21A	W04A, W04B
5t006.z↔	08	I12A, I12B, I12C, I20A, I20B, I20C, I20D, I20E, I20F	5t007.9↔	08	I08A, I08B, I08C, I08D, I08E, I08F, I23A	5t007.m↔	21B	X04Z
	10	K01Z		05	F13A			BOP, KVT, UOP4, VIAL
	21A	W04A, W04B		08	I08A, I08B, I08C, I08D, I08E, I08F, I23A		05	F13A
5t006.aa↔	21B	X04Z	5t007.9↔		BOP, KVT, UOP4, VIAL	5t007.n↔	08	I12A, I12B, I12C, I23A
		BOP, KVT, UOP4, VIAL		05	F13A		21A	W04A, W04B
	05	F13A, F27A, F27B, F27C		08	I08A, I08B, I08C, I08D, I08E, I08F, I23A		21B	X04Z

ZZV	MDC	DRG	ZZV	MDC	DRG	ZZV	MDC	DRG
5t007.p↔		BOP, KVT, UOP4, VIAL	5t008.2↔		BOP, KVT, UOP4, VIAL	5t008.f↔		BOP, KVT, UOP4, VIAL
	05	F13A		05	F13A		05	F13A
	08	I12A, I12B, I12C, I23A		08	I08A, I08B, I08C, I08D, I08E, I08F, I12A, I12B, I12C, I23A		08	I08A, I08B, I08C, I08D, I08E, I08F, I12A, I12B, I12C, I21Z
	21A	W04A, W04B		21A	W04A, W04B		21A	W04A, W04B
	21B	X04Z		21B	X06A, X06B, X06C		21B	X04Z
5t007.q↔		BOP, KVT, UOP4, VIAL	5t008.3↔		BOP, KVT, UOP4, VIAL	5t008.g↔		BOP, KVT, UOP4, VIAL
	05	F13A		05	F13A		05	F13A
	08	I12A, I12B, I12C, I23A		08	I08A, I08B, I08C, I08D, I08E, I08F, I12A, I12B, I12C, I23A		08	I08A, I08B, I08C, I08D, I08E, I08F, I12A, I12B, I12C, I21Z
	21A	W04A, W04B		21A	W04A, W04B		21A	W04A, W04B
	21B	X04Z		21B	X06A, X06B, X06C		21B	X04Z
5t007.r↔		BOP, KVT, UOP4, VIAL	5t008.4↔		BOP, KVT, UOP4, VIAL	5t008.h↔		BOP, KVT, UOP4, VIAL
	05	F13A		05	F13A		05	F13A
	08	I12A, I12B, I12C, I23A		08	I08A, I08B, I08C, I08D, I08E, I08F, I23A		08	I08A, I08B, I08C, I08D, I08E, I08F, I12A, I12B, I12C, I21Z
	21A	W04A, W04B		21A	W04A, W04B		21A	W04A, W04B
	21B	X04Z		21B	X06A, X06B, X06C		21B	X04Z
5t007.s↔		BOP, KVT, UOP4, VIAL	5t008.5↔		BOP, KVT, UOP4, VIAL	5t008.i↔		BOP, KVT, UOP4, VIAL
	05	F13A, F27A, F27B, F27C		05	F13A		21A	W04A, W04B
	08	I12A, I12B, I12C, I20A, I20B, I20C, I20D, I20E, I20F		08	I08A, I08B, I08C, I08D, I08E, I08F, I23A		21B	X04Z
	10	K09A, K09B, K09C		5t008.6↔	BOP, KVT, UOP4, VIAL	5t008.j↔		BOP, KVT, UOP4, VIAL
	21A	W04A, W04B			F13A		05	F13A
	21B	X04Z		05	F13A		08	I12A, I12B, I12C, I23A
5t007.t↔		BOP, KVT, UOP4, VIAL		08	I08A, I08B, I08C, I08D, I08E, I08F, I23A		21A	W04A, W04B
	05	F13A, F27A, F27B, F27C		5t008.7↔	BOP, KVT, UOP4, VIAL	5t008.k↔		BOP, KVT, UOP4, VIAL
	08	I12A, I12B, I12C, I20A, I20B, I20C, I20D, I20E, I20F			F13A		05	F13A
	10	K09A, K09B, K09C		05	F13A		08	I12A, I12B, I12C, I23A
	21A	W04A, W04B		08	I08A, I08B, I08C, I08D, I08E, I08F, I23A		21A	W04A, W04B
	21B	X04Z		5t008.8↔	BOP, KVT, UOP4, VIAL		21B	X04Z
5t007.u↔		BOP, KVT, UOP4, VIAL			F13A	5t008.m↔		BOP, KVT, UOP4, VIAL
	05	F13A, F27A, F27B, F27C		05	F13A		05	F13A
	08	I12A, I12B, I12C, I20A, I20B, I20C, I20D, I20E, I20F		08	I08A, I08B, I08C, I08D, I08E, I08F, I23A		08	I12A, I12B, I12C, I23A
	10	K09A, K09B, K09C		5t008.9↔	BOP, KVT, UOP4, VIAL		21A	W04A, W04B
	21A	W04A, W04B			F13A		21B	X04Z
	21B	X04Z		05	F13A	5t008.n↔		BOP, KVT, UOP4, VIAL
5t007.v↔		BOP, KVT, UOP4, VIAL		08	I08A, I08B, I08C, I08D, I08E, I08F, I23A		05	F13A
	05	F13A, F27A, F27B, F27C		5t008.a↔	BOP, KVT, UOP4, VIAL		08	I12A, I12B, I12C, I23A
	08	I12A, I12B, I12C, I20A, I20B, I20C, I20D, I20E, I20F			F13A		21A	W04A, W04B
	10	K09A, K09B, K09C		05	F13A		21B	X04Z
	21A	W04A, W04B		08	I12A, I12B, I12C, I32A, I32B, I32C, I32D, I32E, I32F	5t008.p↔		BOP, KVT, UOP4, VIAL
	21B	X04Z		21A	W04A, W04B		05	F13A
5t007.w↔		BOP, KVT, UOP4, VIAL		21B	X05A, X05B		08	I12A, I12B, I12C, I23A
	05	F13A, F27A, F27B, F27C		5t008.b↔	BOP, KVT, UOP4, VIAL		21A	W04A, W04B
	08	I12A, I12B, I12C, I23A			F13A		21B	X04Z
	10	K09A, K09B, K09C		05	F13A	5t008.q↔		BOP, KVT, UOP4, VIAL
	21A	W04A, W04B		08	I12A, I12B, I12C, I32A, I32B, I32C, I32D, I32E, I32F		05	F13A
	21B	X04Z		21A	W04A, W04B		08	I12A, I12B, I12C, I23A
5t007.x		BOP, KVT, UOP4		21B	X05A, X05B		21A	W04A, W04B
	05	F13A		5t008.c↔	BOP, KVT, UOP4, VIAL		21B	X04Z
	08	I12A, I12B, I12C, I23A, I23B			F13A	5t008.r↔		BOP, KVT, UOP4, VIAL
	21A	W04A, W04B		05	F13A		05	F13A
	21B	X06A, X06B, X06C		08	I12A, I12B, I12C, I23A		08	I12A, I12B, I12C, I23A
5t007.z↔		BOP, KVT, UOP4, VIAL		21A	W04A, W04B		21A	W04A, W04B
	04	E02A, E02B, E02C		21B	X05A, X05B		21B	X04Z
	05	F13A		5t008.d	BOP, KVT, UOP4, VIAL		5t008.s↔	BOP, KVT, UOP4, VIAL
	08	I23A, I23B			F13A		05	F13A
5t008.0↔		BOP, KVT, UOP4, VIAL		05	F13A		08	I12A, I12B, I12C, I20A, I20B, I20C, I20D, I20E, I20F
	04	E02A, E02B, E02C		08	I08A, I08B, I08C, I08D, I08E, I08F, I12A, I12B, I12C, I23A		21A	W04A, W04B
	05	F13A		21A	W04A, W04B		21B	X04Z
	08	I23A, I23B		21B	X04Z, X05A, X05B, X06A, X06B, X06C		5t008.t↔	BOP, KVT, UOP4, VIAL
5t008.1↔		BOP, KVT, UOP4, VIAL		5t008.e↔	BOP, KVT, UOP4, VIAL		05	F13A
	05	F13A			F13A		08	I12A, I12B, I12C, I20A, I20B, I20C, I20D, I20E, I20F
	08	I08A, I08B, I08C, I08D, I08E, I08F, I12A, I12B, I12C, I23A		05	F13A		21A	W04A, W04B
	21A	W04A, W04B		08	I08A, I08B, I08C, I08D, I08E, I08F, I12A, I12B, I12C, I21Z		21B	X04Z
	21B	X06A, X06B, X06C		21A	W04A, W04B			
				21B	X04Z			

ZZV	MDC	DRG	ZZV	MDC	DRG	ZZV	MDC	DRG
5t008.u↔		BOP, KVT, UOP4, VIAL	5t00a.8↔		BOP, KVT, UOP4, VIAL	5t00a.n↔		BOP, KVT, UOP4, VIAL
	05	F13A		05	F13A		05	F13A
	08	I12A, I12B, I12C, I20A, I20B, I20C, I20D, I20E, I20F		08	I08A, I08B, I08C, I08D, I08E, I08F, I23A, I23B		08	I12A, I12B, I12C, I23A, I23B
	21A	W04A, W04B	5t00a.9↔		BOP, KVT, UOP4, VIAL	21A		W04A, W04B
	21B	X04Z		05	F13A	21B		X04Z
5t008.v↔		BOP, KVT, UOP4, VIAL		08	I08A, I08B, I08C, I08D, I08E, I08F, I23A, I23B	5t00a.p↔		BOP, KVT, UOP4, VIAL
	05	F13A		08	I08A, I08B, I08C, I08D, I08E, I08F, I23A, I23B		05	F13A
	08	I12A, I12B, I12C, I20A, I20B, I20C, I20D, I20E, I20F	5t00a.a↔		BOP, KVT, UOP4, VIAL		08	I12A, I12B, I12C, I23A, I23B
	21A	W04A, W04B		05	F13A	21A		W04A, W04B
	21B	X04Z		08	I12A, I12B, I12C, I32A, I32B, I32C, I32D, I32E, I32F	21B		X04Z
5t008.w↔		BOP, KVT, UOP4, VIAL		21A	W04A, W04B	5t00a.q↔		BOP, KVT, UOP4, VIAL
	05	F13A		21B	X05A, X05B		05	F13A
	08	I12A, I12B, I12C, I23A	5t00a.b↔		BOP, KVT, UOP4, VIAL		08	I12A, I12B, I12C, I23A, I23B
	21A	W04A, W04B		05	F13A	21A		W04A, W04B
	21B	X04Z		08	I12A, I12B, I12C, I32A, I32B, I32C, I32D, I32E, I32F	21B		X04Z
5t008.x		BOP, KVT, UOP4		21A	W04A, W04B	5t00a.r↔		BOP, KVT, UOP4, VIAL
	05	F13A		21B	X05A, X05B		05	F13A
	08	I12A, I12B, I12C, I23A	5t00a.c↔		BOP, KVT, UOP4, VIAL		08	I12A, I12B, I12C, I23A, I23B
	21A	W04A, W04B		05	F13A	21A		W04A, W04B
	21B	X06A, X06B, X06C		08	I12A, I12B, I12C, I23A, I23B, I32A, I32B, I32C, I32D	21B		X04Z
5t008.z↔		BOP, KVT, UOP4, VIAL		21A	W04A, W04B	5t00a.s↔		BOP, KVT, UOP4, VIAL
	04	E02A, E02B, E02C		21B	X05A, X05B		05	F13A
	05	F13A	5t00a.d		BOP, KVT, UOP4, VIAL		08	I12A, I12B, I12C, I20A, I20B, I20C, I20D, I20E, I20F
	08	I23A, I23B		05	F13A	21A		W04A, W04B
5t00a.0↔		BOP, KVT, UOP4, VIAL		08	I12A, I12B, I12C, I23A, I23B, I32A, I32B, I32C, I32D	21B		X04Z
	04	E02A, E02B, E02C		21A	W04A, W04B	5t00a.t↔		BOP, KVT, UOP4, VIAL
	05	F13A		21B	X04Z, X05A, X05B, X06A, X06B, X06C		05	F13A
	08	I23A, I23B	5t00a.e↔		BOP, KVT, UOP4, VIAL		08	I12A, I12B, I12C, I20A, I20B, I20C, I20D, I20E, I20F
5t00a.1↔		BOP, KVT, UOP4, VIAL		05	F13A	21A		W04A, W04B
	05	F13A		08	I12A, I12B, I12C, I21Z	21B		X04Z
	08	I08A, I08B, I08C, I08D, I08E, I08F, I12A, I12B, I12C, I23A, I23B		21A	W04A, W04B	5t00a.u↔		BOP, KVT, UOP4, VIAL
	21A	W04A, W04B		21B	X04Z		05	F13A
	21B	X06A, X06B, X06C	5t00a.f↔		BOP, KVT, UOP4, VIAL		08	I12A, I12B, I12C, I20A, I20B, I20C, I20D, I20E, I20F
5t00a.2↔		BOP, KVT, UOP4, VIAL		05	F13A	21A		W04A, W04B
	05	F13A		08	I12A, I12B, I12C, I21Z	21B		X04Z
	08	I08A, I08B, I08C, I08D, I08E, I08F, I12A, I12B, I12C, I23A, I23B		21A	W04A, W04B	5t00a.v↔		BOP, KVT, UOP4, VIAL
	21A	W04A, W04B		21B	X04Z		05	F13A
	21B	X06A, X06B, X06C	5t00a.g↔		BOP, KVT, UOP4, VIAL		08	I12A, I12B, I12C, I20A, I20B, I20C, I20D, I20E, I20F
5t00a.3↔		BOP, KVT, UOP4, VIAL		05	F13A	21A		W04A, W04B
	05	F13A		08	I12A, I12B, I12C, I21Z	21B		X04Z
	08	I08A, I08B, I08C, I08D, I08E, I08F, I12A, I12B, I12C, I23A, I23B		21A	W04A, W04B	5t00a.w↔		BOP, KVT, UOP4, VIAL
	21A	W04A, W04B		21B	X04Z		05	F13A
	21B	X06A, X06B, X06C	5t00a.h↔		BOP, KVT, UOP4, VIAL		08	I12A, I12B, I12C, I23A, I23B
5t00a.4↔		BOP, KVT, UOP4, VIAL		05	F13A	5t00a.x		BOP, KVT, UOP4
	05	F13A		08	I12A, I12B, I12C, I21Z		05	F13A
	08	I08A, I08B, I08C, I08D, I08E, I08F, I23A, I23B		21A	W04A, W04B		08	I12A, I12B, I12C, I23A, I23B
	21A	W04A, W04B	5t00a.i↔		BOP, KVT, UOP4, VIAL	21A		W04A, W04B
	21B	X06A, X06B, X06C		05	F13A	21B		X06A, X06B, X06C
5t00a.5↔		BOP, KVT, UOP4, VIAL		08	I12A, I12B, I12C, I23A, I23B	5t00a.z↔		BOP, KVT, UOP4, VIAL
	05	F13A		21A	W04A, W04B		04	E02A, E02B, E02C
	08	I08A, I08B, I08C, I08D, I08E, I08F, I23A, I23B	5t00a.j↔		BOP, KVT, UOP4, VIAL		05	F13A
	21A	W04A, W04B		05	F13A		08	I23A, I23B
	21B	X06A, X06B, X06C		08	I12A, I12B, I12C, I23A, I23B	5t00b.0↔		BOP, KVT, UOP4, VIAL
5t00a.6↔		BOP, KVT, UOP4, VIAL		21A	W04A, W04B		04	E02A, E02B, E02C
	05	F13A		21B	X04Z		05	F13A
	08	I08A, I08B, I08C, I08D, I08E, I08F, I23A, I23B	5t00a.k↔		BOP, KVT, UOP4, VIAL		08	I23A, I23B
	21A	W04A, W04B		05	F13A	5t00b.1↔		BOP, KVT, UOP4, VIAL
	21B	X04Z		08	I12A, I12B, I12C, I23A, I23B		05	F13A
5t00a.7↔		BOP, KVT, UOP4, VIAL		21A	W04A, W04B		08	I08A, I08B, I08C, I08D, I08E, I08F, I12A, I12B, I12C, I23A, I23B
	05	F13A		21B	X04Z		21A	W04A, W04B
	08	I08A, I08B, I08C, I08D, I08E, I08F, I23A, I23B	5t00a.l↔		BOP, KVT, UOP4, VIAL		21B	X06A, X06B, X06C
				05	F13A			
				08	I12A, I12B, I12C, I23A, I23B			
				21A	W04A, W04B			
				21B	X04Z			

ZZV	MDC	DRG	ZZV	MDC	DRG	ZZV	MDC	DRG
5t00b.2↔		BOP, KVT, UOP4, VIAL	5t00b.f↔		BOP, KVT, UOP4, VIAL	5t00b.v↔		BOP, KVT, UOP4, VIAL
	05	F13A		05	F13A		05	F13A
	08	I08A, I08B, I08C, I08D, I08E, I08F, I12A, I12B, I12C, I23A, I23B		08	I12A, I12B, I12C, I21Z		08	I12A, I12B, I12C, I20A, I20B, I20C, I20D, I20E, I20F
	21A	W04A, W04B		21A	W04A, W04B		21A	W04A, W04B
	21B	X06A, X06B, X06C		21B	X04Z		21B	X04Z
5t00b.3↔		BOP, KVT, UOP4, VIAL	5t00b.g↔		BOP, KVT, UOP4, VIAL	5t00b.w↔		BOP, KVT, UOP4, VIAL
	05	F13A		05	F13A		05	F13A
	08	I08A, I08B, I08C, I08D, I08E, I08F, I12A, I12B, I12C, I23A, I23B		08	I12A, I12B, I12C, I21Z		08	I12A, I12B, I12C, I23A, I23B
	21A	W04A, W04B		21A	W04A, W04B		21A	W04A, W04B
	21B	X06A, X06B, X06C		21B	X04Z		21B	X04Z
5t00b.4↔		BOP, KVT, UOP4, VIAL	5t00b.h↔		BOP, KVT, UOP4, VIAL	5t00b.x		BOP, KVT, UOP4
	05	F13A		05	F13A		05	F13A
	08	I08A, I08B, I08C, I08D, I08E, I08F, I23A, I23B		08	I12A, I12B, I12C, I21Z		08	I12A, I12B, I12C, I23A, I23B
	21A	W04A, W04B		21A	W04A, W04B		21A	W04A, W04B
	21B	X06A, X06B, X06C		21B	X04Z		21B	X06A, X06B, X06C
5t00b.5↔		BOP, KVT, UOP4, VIAL	5t00b.i↔		BOP, KVT, UOP4, VIAL	5t00b.z↔		BOP, KVT, UOP4, VIAL
	05	F13A		05	F13A		04	E02A, E02B, E02C
	08	I08A, I08B, I08C, I08D, I08E, I08F, I23A, I23B		08	I12A, I12B, I12C, I23A, I23B		05	F13A
	21A	W04A, W04B		21A	W04A, W04B		08	I23A, I23B
	21B	X06A, X06B, X06C		21B	X04Z, X06A, X06B, X06C			BOP, KVT, UOP4, VIAL
5t00b.6↔		BOP, KVT, UOP4, VIAL	5t00b.k↔		BOP, KVT, UOP4, VIAL	5t00x.0↔		BOP, KVT, UOP4, VIAL
	05	F13A		05	F13A		04	E02A, E02B, E02C
	08	I08A, I08B, I08C, I08D, I08E, I08F, I23A, I23B		08	I12A, I12B, I12C, I23A, I23B		05	F13A
	21A	W04A, W04B		21A	W04A, W04B		08	I23A, I23B
	21B	X06A, X06B, X06C		21B	X04Z			BOP, KVT, UOP4, VIAL
5t00b.7↔		BOP, KVT, UOP4, VIAL	5t00b.l↔		BOP, KVT, UOP4, VIAL	5t00x.1↔		BOP, KVT, UOP4, VIAL
	05	F13A		05	F13A		05	F13A
	08	I08A, I08B, I08C, I08D, I08E, I08F, I23A, I23B		08	I12A, I12B, I12C, I23A, I23B		08	I08A, I08B, I08C, I08D, I08E, I08F, I23A, I23B
	21A	W04A, W04B		21A	W04A, W04B		21A	W04A, W04B
	21B	X06A, X06B, X06C		21B	X04Z		21B	X06A, X06B, X06C
5t00b.8↔		BOP, KVT, UOP4, VIAL	5t00b.m↔		BOP, KVT, UOP4, VIAL	5t00x.2↔		BOP, KVT, UOP4, VIAL
	05	F13A		05	F13A		05	F13A
	08	I08A, I08B, I08C, I08D, I08E, I08F, I23A, I23B		08	I12A, I12B, I12C, I23A, I23B		08	I08A, I08B, I08C, I08D, I08E, I08F, I23A, I23B
	21A	W04A, W04B		21A	W04A, W04B		21A	W04A, W04B
	21B	X06A, X06B, X06C		21B	X04Z		21B	X06A, X06B, X06C
5t00b.9↔		BOP, KVT, UOP4, VIAL	5t00b.n↔		BOP, KVT, UOP4, VIAL	5t00x.3↔		BOP, KVT, UOP4, VIAL
	05	F13A		05	F13A		05	F13A
	08	I08A, I08B, I08C, I08D, I08E, I08F, I23A, I23B		08	I12A, I12B, I12C, I23A, I23B		08	I08A, I08B, I08C, I08D, I08E, I08F, I23A, I23B
	21A	W04A, W04B		21A	W04A, W04B		21A	W04A, W04B
	21B	X06A, X06B, X06C		21B	X04Z		21B	X06A, X06B, X06C
5t00b.a↔		BOP, KVT, UOP4, VIAL	5t00b.o↔		BOP, KVT, UOP4, VIAL	5t00x.4↔		BOP, KVT, UOP4, VIAL
	05	F13A		05	F13A		05	F13A
	08	I12A, I12B, I12C, I32A, I32B, I32C, I32D, I32E, I32F		08	I12A, I12B, I12C, I23A, I23B		08	I08A, I08B, I08C, I08D, I08E, I08F, I23A, I23B
	21A	W04A, W04B		21A	W04A, W04B		21A	W04A, W04B
	21B	X05A, X05B		21B	X04Z		21B	X06A, X06B, X06C
5t00b.b↔		BOP, KVT, UOP4, VIAL	5t00b.p↔		BOP, KVT, UOP4, VIAL	5t00x.5↔		BOP, KVT, UOP4, VIAL
	05	F13A		05	F13A		05	F13A
	08	I12A, I12B, I12C, I32A, I32B, I32C, I32D, I32E, I32F		08	I12A, I12B, I12C, I23A, I23B		08	I08A, I08B, I08C, I08D, I08E, I08F, I23A, I23B
	21A	W04A, W04B		21A	W04A, W04B		21A	W04A, W04B
	21B	X05A, X05B		21B	X04Z		21B	X06A, X06B, X06C
5t00b.c↔		BOP, KVT, UOP4, VIAL	5t00b.q↔		BOP, KVT, UOP4, VIAL	5t00x.6↔		BOP, KVT, UOP4, VIAL
	05	F13A		05	F13A		05	F13A
	08	I12A, I12B, I12C, I23A, I23B, I32A, I32B, I32C, I32D		08	I12A, I12B, I12C, I20A, I20B, I20C, I20D, I20E, I20F		08	I08A, I08B, I08C, I08D, I08E, I08F, I23A, I23B
	21A	W04A, W04B		21A	W04A, W04B		21A	W04A, W04B
	21B	X05A, X05B		21B	X04Z		21B	X04Z
5t00b.d		BOP, KVT, UOP4, VIAL	5t00b.r↔		BOP, KVT, UOP4, VIAL	5t00x.7↔		BOP, KVT, UOP4, VIAL
	05	F13A		05	F13A		05	F13A
	08	I12A, I12B, I12C, I23A, I23B		08	I12A, I12B, I12C, I20A, I20B, I20C, I20D, I20E, I20F		08	I08A, I08B, I08C, I08D, I08E, I08F, I23A, I23B
	21A	W04A, W04B		21A	W04A, W04B		21A	W04A, W04B
	21B	X04Z, X06A, X06B, X06C		21B	X04Z		21B	X04Z
5t00b.e↔		BOP, KVT, UOP4, VIAL	5t00b.t↔		BOP, KVT, UOP4, VIAL	5t00x.8↔		BOP, KVT, UOP4, VIAL
	05	F13A		05	F13A		05	F13A
	08	I12A, I12B, I12C, I21Z		08	I12A, I12B, I12C, I20A, I20B, I20C, I20D, I20E, I20F		08	I08A, I08B, I08C, I08D, I08E, I08F, I23A, I23B
	21A	W04A, W04B		21A	W04A, W04B		21A	W04A, W04B
	21B	X04Z		21B	X04Z		21B	X04Z

ZZV	MDC	DRG	ZZV	MDC	DRG	ZZV	MDC	DRG	
5t00x.a↔		BOP, KVT, UOP4, VIAL	5t00x.q↔		BOP, KVT, UOP4, VIAL	5t010.4↔		BOP, KVT, UOP4, VIAL	
	05	F13A		05	F13A		08	I08A, I08B, I08C, I08D, I08E, I08F, I21Z, I31Z, I33Z	
	08	I32A, I32B, I32C, I32D, I32E, I32F		08	I23A, I23B		21A	W04A, W04B	
	21A	W04A, W04B		21A	W04A, W04B		21B	X06A, X06B, X06C	
	21B	X05A, X05B	5t00x.r↔		BOP, KVT, UOP4, VIAL	5t010.5↔		BOP, KVT, UOP4, VIAL	
5t00x.b↔		BOP, KVT, UOP4, VIAL		05	F13A		08	I08A, I08B, I08C, I08D, I08E, I08F, I21Z, I31Z, I33Z	
	05	F13A		08	I23A, I23B		21A	W04A, W04B	
	08	I32A, I32B, I32C, I32D, I32E, I32F		21A	W04A, W04B		21B	X06A, X06B, X06C	
	21A	W04A, W04B	5t00x.s↔		BOP, KVT, UOP4, VIAL	5t010.6↔		BOP, KVT, UOP4, VIAL	
	21B	X05A, X05B		05	F13A		08	I08A, I08B, I08C, I08D, I08E, I08F, I21Z, I31Z, I33Z	
5t00x.c↔		BOP, KVT, UOP4, VIAL		08	I20A, I20B, I20C, I20D, I20E, I20F		21A	W04A, W04B	
	05	F13A		21A	W04A, W04B		21B	X06A, X06B, X06C	
	08	I23A, I23B	5t00x.t↔		BOP, KVT, UOP4, VIAL	5t010.7↔		BOP, KVT, UOP4, VIAL	
	21A	W04A, W04B		05	F13A		08	I08A, I08B, I08C, I08D, I08E, I08F, I21Z, I31Z, I33Z	
	21B	X04Z		08	I20A, I20B, I20C, I20D, I20E, I20F		21A	W04A, W04B	
5t00x.d		BOP, KVT, UOP4, VIAL		21A	W04A, W04B		21B	X06A, X06B, X06C	
	05	F13A	5t00x.u↔		BOP, KVT, UOP4, VIAL	5t010.8↔		BOP, KVT, UOP4, VIAL	
	08	I23A, I23B		05	F13A		08	I08A, I08B, I08C, I08D, I08E, I08F, I21Z, I31Z, I33Z	
	21A	W04A, W04B		08	I20A, I20B, I20C, I20D, I20E, I20F		21A	W04A, W04B	
	21B	X04Z, X06A, X06B, X06C		21A	W04A, W04B		21B	X06A, X06B, X06C	
5t00x.e↔		BOP, KVT, UOP4, VIAL	5t00x.v↔		BOP, KVT, UOP4, VIAL	5t010.9↔		BOP, KVT, UOP4, VIAL	
	05	F13A		05	F13A		08	I08A, I08B, I08C, I08D, I08E, I08F, I21Z, I31Z, I33Z	
	08	I21Z		08	I20A, I20B, I20C, I20D, I20E, I20F		21A	W04A, W04B	
	21A	W04A, W04B		21A	W04A, W04B		21B	X06A, X06B, X06C	
	21B	X04Z	5t00x.w↔		BOP, KVT, UOP4, VIAL	5t010.b↔		BOP, KVT, UOP4, VIAL	
5t00x.f↔		BOP, KVT, UOP4, VIAL		05	F13A		08	I32A, I32B, I32C, I32D, I32E, I32F, I33Z	
	05	F13A		08	I20A, I20B, I20C, I20D, I20E, I20F		21A	W04A, W04B	
	08	I21Z		21A	W04A, W04B		21B	X05A, X05B	
	21A	W04A, W04B	5t00x.x		BOP, KVT, UOP4	5t010.c↔		BOP, KVT, UOP4, VIAL	
	21B	X04Z		05	F13A		08	I32A, I32B, I32C, I32D, I32E, I32F, I33Z	
5t00x.g↔		BOP, KVT, UOP4, VIAL		08	I23A, I23B		21A	W04A, W04B	
	05	F13A		21A	W04A, W04B		21B	X05A, X05B	
	08	I21Z	5t00x.y↔		BOP, KVT, UOP4, VIAL	5t010.d		BOP, KVT, UOP4, VIAL	
	21A	W04A, W04B		05	F13A		08	I08A, I08B, I08C, I08D, I08E, I08F, I33Z, I47A	
	21B	X04Z		08	I23A, I23B		5t010.e↔		BOP, KVT, UOP4, VIAL
5t00x.h↔		BOP, KVT, UOP4, VIAL		21A	W04A, W04B		08	I08A, I08B, I08C, I08D, I08E, I08F, I33Z	
	05	F13A		21B	X04Z		5t010.f↔		BOP, KVT, UOP4, VIAL
	08	I21Z	5t00x.z↔		BOP, KVT, UOP4, VIAL		01	B03A, B03B, B06A, B06B, B17A, B17B, B17C	
	21A	W04A, W04B		04	E02A, E02B, E02C		08	I08A, I08B, I08C, I08D, I08E, I08F, I33Z	
	21B	X04Z		05	F13A		21A	W01A, W01B, W01C, W02A, W02B	
5t00x.i↔		BOP, KVT, UOP4, VIAL		08	I23A, I23B		21B	X04Z	
	05	F13A	5t010.1↔		BOP, KVT, UOP4, VIAL	5t010.g↔		BOP, KVT, UOP4, VIAL	
	08	I23A, I23B		08	I08A, I08B, I08C, I08D, I08E, I08F, I13A, I13B, I13C, I13D, I33Z		01	B03A, B03B, B06A, B06B, B17A, B17B, B17C	
	21A	W04A, W04B		08	I23A, I23B		08	I08A, I08B, I08C, I08D, I08E, I08F, I33Z	
	21B	X04Z		21A	W04A, W04B		21A	W01A, W01B, W01C, W02A, W02B	
5t00x.j↔		BOP, KVT, UOP4, VIAL		21B	X06A, X06B, X06C		21B	X04Z	
	05	F13A	5t010.2↔		BOP, KVT, UOP4, VIAL		01	B03A, B03B, B06A, B06B, B17A, B17B, B17C	
	08	I23A, I23B		08	I08A, I08B, I08C, I08D, I08E, I08F, I13A, I13B, I13C, I13D, I33Z		08	I08A, I08B, I08C, I08D, I08E, I08F, I33Z	
	21A	W04A, W04B		21A	W04A, W04B		21A	W01A, W01B, W01C, W02A, W02B	
	21B	X04Z, X06A, X06B, X06C		21B	X06A, X06B, X06C		21B	X04Z	
5t00x.k↔		BOP, KVT, UOP4, VIAL		5t010.3↔		5t010.h↔		BOP, KVT, UOP4, VIAL	
	05	F13A		08	I08A, I08B, I08C, I08D, I08E, I08F, I13A, I13B, I13C, I13D, I33Z		01	B03A, B03B, B06A, B06B, B17A, B17B, B17C	
	08	I23A, I23B		21A	W04A, W04B		08	I08A, I08B, I08C, I08D, I08E, I08F, I33Z	
	21A	W04A, W04B		21B	X06A, X06B, X06C		21A	W01A, W01B, W01C, W02A, W02B	
	21B	X04Z		5t010.4↔		21B	X04Z		
5t00x.l↔		BOP, KVT, UOP4, VIAL		08	I08A, I08B, I08C, I08D, I08E, I08F, I13A, I13B, I13C, I13D, I33Z		01	B03A, B03B, B06A, B06B, B17A, B17B, B17C	
	05	F13A		21A	W04A, W04B		08	I08A, I08B, I08C, I08D, I08E, I08F, I33Z	
	08	I23A, I23B		21B	X06A, X06B, X06C		21A	W01A, W01B, W01C, W02A, W02B	
	21A	W04A, W04B		5t010.5↔		21B	X04Z		
	21B	X04Z		08	I08A, I08B, I08C, I08D, I08E, I08F, I13A, I13B, I13C, I13D, I33Z		01	B03A, B03B, B06A, B06B, B17A, B17B, B17C	
5t00x.m↔		BOP, KVT, UOP4, VIAL		21A	W04A, W04B		08	I08A, I08B, I08C, I08D, I08E, I08F, I33Z	
	05	F13A		21B	X06A, X06B, X06C		21A	W01A, W01B, W01C, W02A, W02B	
	08	I23A, I23B		5t010.6↔		21B	X04Z		
	21A	W04A, W04B		08	I08A, I08B, I08C, I08D, I08E, I08F, I13A, I13B, I13C, I13D, I33Z		01	B03A, B03B, B06A, B06B, B17A, B17B, B17C	
	21B	X04Z		21A	W04A, W04B		08	I08A, I08B, I08C, I08D, I08E, I08F, I33Z	
5t00x.n↔		BOP, KVT, UOP4, VIAL		21B	X06A, X06B, X06C		21A	W01A, W01B, W01C, W02A, W02B	
	05	F13A		5t010.7↔		21B	X04Z		
	08	I23A, I23B		08	I08A, I08B, I08C, I08D, I08E, I08F, I13A, I13B, I13C, I13D, I33Z		01	B03A, B03B, B06A, B06B, B17A, B17B, B17C	
	21A	W04A, W04B		21A	W04A, W04B		08	I08A, I08B, I08C, I08D, I08E, I08F, I33Z	
	21B	X04Z		21B	X06A, X06B, X06C		21A	W01A, W01B, W01C, W02A, W02B	
5t00x.o↔		BOP, KVT, UOP4, VIAL		5t010.8↔		21B	X04Z		
	05	F13A		08	I08A, I08B, I08C, I08D, I08E, I08F, I13A, I13B, I13C, I13D, I33Z		01	B03A, B03B, B06A, B06B, B17A, B17B, B17C	
	08	I23A, I23B		21A	W04A, W04B		08	I08A, I08B, I08C, I08D, I08E, I08F, I33Z	
	21A	W04A, W04B		21B	X06A, X06B, X06C		21A	W01A, W01B, W01C, W02A, W02B	
	21B	X04Z		5t010.9↔		21B	X04Z		

ZZV	MDC	DRG	ZZV	MDC	DRG	ZZV	MDC	DRG	
5t010.k↔		BOP, KVT, UOP4, VIAL	5t011.1↔	08	BOP, KVT, UOP4, VIAL	5t011.f↔	01	BOP, KVT, UOP4, VIAL	
	01	B03A, B03B, B06A, B06B, B17A, B17B, B17C		08	I08A, I08B, I08C, I08D, I08E, I08F, I13A, I13B, I13C, I13D, I33Z		01	B03A, B03B, B06A, B06B, B17A, B17B, B17C	
	08	I13A, I13B, I13C, I13D, I33Z		21A	W04A, W04B		08	I08A, I08B, I08C, I08D, I08E, I08F, I33Z	
	10	K09A, K09B		21B	X06A, X06B, X06C		21A	W01A, W01B, W01C, W02A, W02B	
	21A	W04A, W04B			BOP, KVT, UOP4, VIAL		21B	X04Z	
5t010.m↔		BOP, KVT, UOP4, VIAL	5t011.2↔	08	I08A, I08B, I08C, I08D, I08E, I08F, I13A, I13B, I13C, I13D, I33Z	5t011.g↔	01	BOP, KVT, UOP4, VIAL	
	01	B03A, B03B, B06A, B06B, B17A, B17B, B17C		21A	W04A, W04B		01	B03A, B03B, B06A, B06B, B17A, B17B, B17C	
	08	I13A, I13B, I13C, I13D, I33Z		21B	X06A, X06B, X06C		08	I08A, I08B, I08C, I08D, I08E, I08F, I33Z	
	10	K09A, K09B		5t011.3↔	08		I08A, I08B, I08C, I08D, I08E, I08F, I13A, I13B, I13C, I13D, I33Z	21A	W01A, W01B, W01C, W02A, W02B
	21A	W04A, W04B			21B		X04Z	21B	X04Z
5t010.n↔		BOP, KVT, UOP4, VIAL	5t011.4↔	08	I08A, I08B, I08C, I08D, I08E, I08F, I21Z, I31Z, I33Z	5t011.h↔	01	BOP, KVT, UOP4, VIAL	
	01	B03A, B03B, B06A, B06B, B17A, B17B, B17C		21A	W04A, W04B		01	B03A, B03B, B06A, B06B, B17A, B17B, B17C	
	08	I13A, I13B, I13C, I13D, I33Z		21B	X06A, X06B, X06C		08	I08A, I08B, I08C, I08D, I08E, I08F, I33Z	
	10	K09A, K09B		5t011.5↔	08		I08A, I08B, I08C, I08D, I08E, I08F, I21Z, I31Z, I33Z	21A	W01A, W01B, W01C, W02A, W02B
	21A	W04A, W04B			21B		X04Z	21B	X04Z
5t010.p↔		BOP, KVT, UOP4, VIAL	5t011.6↔	21A	W04A, W04B	5t011.k↔	01	BOP, KVT, UOP4, VIAL	
	08	I13A, I13B, I13C, I13D, I33Z		21B	X06A, X06B, X06C		01	B03A, B03B, B06A, B06B, B17A, B17B, B17C	
	21A	W04A, W04B		5t011.7↔	08		I08A, I08B, I08C, I08D, I08E, I08F, I21Z, I31Z, I33Z	08	I13A, I13B, I13C, I13D, I33Z
	21B	X04Z			21A		W04A, W04B	10	K09A, K09B
5t010.q↔		BOP, KVT, UOP4, VIAL	5t011.8↔	21B	X06A, X06B, X06C	5t011.m↔	21A	W04A, W04B	
	08	I13A, I13B, I13C, I13D, I33Z		08	I08A, I08B, I08C, I08D, I08E, I08F, I21Z, I31Z, I33Z		21B	X04Z	
	21A	W04A, W04B		5t011.9↔	21A		W04A, W04B	01	BOP, KVT, UOP4, VIAL
21B	X04Z	21B	X06A, X06B, X06C		01	B03A, B03B, B06A, B06B, B17A, B17B, B17C			
5t010.r↔		BOP, KVT, UOP4, VIAL	5t011.9↔	08	I08A, I08B, I08C, I08D, I08E, I08F, I21Z, I31Z, I33Z	5t011.n↔	08	I13A, I13B, I13C, I13D, I33Z	
	08	I13A, I13B, I13C, I13D, I33Z		5t011.a↔	21A		W04A, W04B	10	K09A, K09B
	21A	W04A, W04B			08		I08A, I08B, I08C, I08D, I08E, I08F, I21Z, I31Z, I33Z	21A	W04A, W04B
	21B	X04Z		21B	X06A, X06B, X06C		21B	X04Z	
5t010.s↔		BOP, KVT, UOP4, VIAL	5t011.b↔	08	I32A, I32B, I32C, I32D, I32E, I32F, I33Z	5t011.p↔	08	BOP, KVT, UOP4, VIAL	
	08	I20A, I20B, I20C, I20D, I33Z		5t011.c↔	21A		W04A, W04B	08	I13A, I13B, I13C, I13D, I33Z
	05	F27A, F27B, F27C			08		I32A, I32B, I32C, I32D, I32E, I32F, I33Z	21A	W04A, W04B
	08	I20A, I20B, I20C, I20D, I33Z		21B	X05A, X05B		21B	X04Z	
5t010.t↔		BOP, KVT, UOP4, VIAL	5t011.c↔	21A	W04A, W04B	5t011.q↔	08	BOP, KVT, UOP4, VIAL	
	05	F27A, F27B, F27C		5t011.d	08		I08A, I08B, I08C, I08D, I08E, I08F, I33Z, I47A	08	I13A, I13B, I13C, I13D, I33Z
	08	I20A, I20B, I20C, I20D, I33Z			21A		W04A, W04B	21A	W04A, W04B
	10	K01Z		21B	X05A, X05B		21B	X04Z	
5t010.u↔		BOP, KVT, UOP4, VIAL	5t011.d	08	I08A, I08B, I08C, I08D, I08E, I08F, I33Z	5t011.r↔	08	BOP, KVT, UOP4, VIAL	
	05	F27A, F27B, F27C		5t011.e↔	21A		W04A, W04B	08	I13A, I13B, I13C, I13D, I33Z
	08	I20A, I20B, I20C, I20D, I33Z			08		I08A, I08B, I08C, I08D, I08E, I08F, I33Z	21A	W04A, W04B
	10	K01Z			BOP, KVT, UOP4, VIAL		21B	X04Z	
5t010.v↔		BOP, KVT, UOP4, VIAL	5t011.e↔	08	I08A, I08B, I08C, I08D, I08E, I08F, I33Z	5t011.s↔	08	BOP, KVT, UOP4, VIAL	
	05	F27A, F27B, F27C		5t011.t↔	21A		W04A, W04B	08	I20A, I20B, I20C, I20D, I33Z
	08	I20A, I20B, I20C, I20D, I33Z			05		F27A, F27B, F27C	08	BOP, KVT, UOP4, VIAL
	10	K01Z		08	I20A, I20B, I20C, I20D, I33Z		10	K01Z	
5t010.w↔		BOP, KVT, UOP4, VIAL	5t011.t↔	21A	W04A, W04B	5t011.u↔	21A	W04A, W04B	
	05	F27A, F27B, F27C		08	I08A, I08B, I08C, I08D, I08E, I08F, I33Z		21B	X04Z	
	08	I20A, I20B, I20C, I20D, I33Z			BOP, KVT, UOP4, VIAL		08	I20A, I20B, I20C, I20D, I33Z	
	10	K01Z			BOP, KVT, UOP4, VIAL				
5t010.x		BOP, KVT, UOP4, VIAL		BOP, KVT, UOP4, VIAL					
	01	B03A, B03B, B06A, B06B, B17A, B17B, B17C		I08A, I08B, I08C, I08D, I08E, I08F, I33Z					
	08	I28A, I28B, I33Z							
	21A	W04A, W04B							
21B	X06A, X06B, X06C								

ZZV	MDC	DRG	ZZV	MDC	DRG	ZZV	MDC	DRG
5t011.x		BOP, KVT, UOP4	5t012.f↔		BOP, KVT, UOP4, VIAL	5t013.1↔		BOP, KVT, UOP4, VIAL
	01	B03A, B03B, B06A, B06B, B17A, B17B, B17C		01	B03A, B03B, B06A, B06B, B17A, B17B, B17C		08	I08A, I08B, I08C, I08D, I08E, I08F, I13A, I13B, I13C, I13D, I33Z
	08	I28A, I28B, I33Z		08	I08A, I08B, I08C, I08D, I08E, I27B, I33Z, I37Z		21A	W04A, W04B
	21A	W04A, W04B		21A	W01A, W01B, W01C, W02A, W02B		21B	X06A, X06B, X06C
5t012.0↔		X06A, X06B, X06C				5t013.2↔		BOP, KVT, UOP4, VIAL
		BOP, KVT, UOP4, VIAL	5t012.g↔		BOP, KVT, UOP4, VIAL		08	I08A, I08B, I08C, I08D, I08E, I08F, I13A, I13B, I13C, I13D, I33Z
	04	E02A, E02B, E02C		01	B03A, B03B, B06A, B06B, B17A, B17B, B17C		21A	W04A, W04B
	08	I28A, I28B, I33Z		08	I08A, I08B, I08C, I08D, I08E, I27B, I33Z, I37Z		21B	X06A, X06B, X06C
	21A	W04A, W04B		21A	W01A, W01B, W01C, W02A, W02B			BOP, KVT, UOP4, VIAL
5t012.1↔		X06A, X06B, X06C				5t013.3↔		I08A, I08B, I08C, I08D, I08E, I08F, I13A, I13B, I13C, I13D, I33Z
		BOP, KVT, UOP4, VIAL	5t012.h↔		BOP, KVT, UOP4, VIAL		21A	W04A, W04B
	08	I08A, I08B, I08C, I08D, I08E, I08F, I13A, I13B, I13C, I13D, I33Z		01	B03A, B03B, B06A, B06B, B17A, B17B, B17C		21B	X06A, X06B, X06C
	21A	W04A, W04B		08	I08A, I08B, I08C, I08D, I08E, I27B, I33Z, I37Z			BOP, KVT, UOP4, VIAL
5t012.2↔		X06A, X06B, X06C		21A	W01A, W01B, W01C, W02A, W02B		08	I08A, I08B, I08C, I08D, I08E, I08F, I13A, I13B, I13C, I13D, I33Z
		BOP, KVT, UOP4, VIAL				5t013.4↔		I08A, I08B, I08C, I08D, I08E, I08F, I21Z, I31Z, I33Z
	08	I08A, I08B, I08C, I08D, I08E, I08F, I13A, I13B, I13C, I13D, I33Z	5t012.i↔		BOP, KVT, UOP4, VIAL		21A	W04A, W04B
	21A	W04A, W04B		01	B03A, B03B, B06A, B06B, B17A, B17B, B17C		21B	X06A, X06B, X06C
5t012.3↔		X06A, X06B, X06C		08	I08A, I08B, I08C, I08D, I08E, I27B, I33Z, I37Z			BOP, KVT, UOP4, VIAL
		BOP, KVT, UOP4, VIAL	5t012.j↔		BOP, KVT, UOP4, VIAL		08	I08A, I08B, I08C, I08D, I08E, I08F, I21Z, I31Z, I33Z
	08	I08A, I08B, I08C, I08D, I08E, I08F, I13A, I13B, I13C, I13D, I33Z		08	I08A, I08D, I08E, I13A, I13B, I13C, I13D, I27B, I33Z, I37Z		21A	W04A, W04B
	21A	W04A, W04B		21A	W04A, W04B		21B	X06A, X06B, X06C
5t012.5↔		X06A, X06B, X06C				5t013.5↔		BOP, KVT, UOP4, VIAL
		BOP, KVT, UOP4, VIAL	5t012.k↔		BOP, KVT, UOP4, VIAL		08	I08A, I08B, I08C, I08D, I08E, I08F, I21Z, I31Z, I33Z
	08	I08A, I08B, I08C, I08D, I08E, I08F, I21Z, I31Z, I33Z		08	I08A, I08D, I08E, I13A, I13B, I13C, I13D, I27B, I33Z, I37Z		21A	W04A, W04B
	21A	W04A, W04B		21A	W04A, W04B		21B	X06A, X06B, X06C
5t012.6↔		X06A, X06B, X06C				5t013.6↔		BOP, KVT, UOP4, VIAL
		BOP, KVT, UOP4, VIAL	5t012.l↔		BOP, KVT, UOP4, VIAL		08	I08A, I08B, I08C, I08D, I08E, I08F, I21Z, I31Z, I33Z
	08	I08A, I08B, I08C, I08D, I08E, I08F, I21Z, I31Z, I33Z		08	I08A, I08D, I08E, I13A, I13B, I13C, I13D, I27B, I33Z, I37Z		21A	W04A, W04B
	21A	W04A, W04B		21A	W04A, W04B		21B	X06A, X06B, X06C
5t012.8↔		X06A, X06B, X06C				5t013.7↔		BOP, KVT, UOP4, VIAL
		BOP, KVT, UOP4, VIAL	5t012.m↔		BOP, KVT, UOP4, VIAL		08	I08A, I08B, I08C, I08D, I08E, I08F, I21Z, I31Z, I33Z
	08	I08A, I08B, I08C, I08D, I08E, I08F, I21Z, I31Z, I33Z		08	I08A, I08D, I08E, I13A, I13B, I13C, I13D, I27B, I33Z, I37Z		21A	W04A, W04B
	21A	W04A, W04B		21A	W04A, W04B		21B	X06A, X06B, X06C
5t012.9↔		X06A, X06B, X06C				5t013.8↔		BOP, KVT, UOP4, VIAL
		BOP, KVT, UOP4, VIAL	5t012.n↔		BOP, KVT, UOP4, VIAL		08	I08A, I08B, I08C, I08D, I08E, I08F, I21Z, I31Z, I33Z
	08	I08A, I08B, I08C, I08D, I08E, I08F, I21Z, I31Z, I33Z		08	I08A, I08D, I08E, I13A, I13B, I13C, I13D, I27B, I33Z, I37Z		21A	W04A, W04B
	21A	W04A, W04B		21A	W04A, W04B		21B	X06A, X06B, X06C
5t012.8↔		X06A, X06B, X06C				5t013.9↔		BOP, KVT, UOP4, VIAL
		BOP, KVT, UOP4, VIAL	5t012.o↔		BOP, KVT, UOP4, VIAL		08	I08A, I08B, I08C, I08D, I08E, I08F, I21Z, I31Z, I33Z
	08	I08A, I08B, I08C, I08D, I08E, I08F, I21Z, I31Z, I33Z		08	I13A, I13B, I13C, I13D, I33Z, I37Z		21A	W04A, W04B
	21A	W04A, W04B		21A	W04A, W04B		21B	X06A, X06B, X06C
5t012.9↔		X06A, X06B, X06C				5t013.b↔		BOP, KVT, UOP4, VIAL
		BOP, KVT, UOP4, VIAL	5t012.p↔		BOP, KVT, UOP4, VIAL		08	I08A, I08B, I08C, I08D, I08E, I08F, I21Z, I31Z, I33Z
	08	I08A, I08B, I08C, I08D, I08E, I08F, I21Z, I31Z, I33Z		08	I20A, I20B, I20C, I20D, I33Z, I37Z		21A	W04A, W04B
	21A	W04A, W04B		21A	I20A, I20B, I20C, I20D, I33Z, I37Z		21B	X06A, X06B, X06C
5t012.a↔		X06A, X06B, X06C				5t013.c↔		BOP, KVT, UOP4, VIAL
		BOP, KVT, UOP4, VIAL	5t012.q↔		BOP, KVT, UOP4, VIAL		08	I32A, I32B, I32C, I32D, I32E, I32F, I33Z
	08	I32A, I32B, I32C, I32D, I32E, I32F, I33Z		08	I20A, I20B, I20C, I20D, I33Z, I37Z		21A	W04A, W04B
	21A	W04A, W04B		21A	I20A, I20B, I20C, I20D, I33Z, I37Z		21B	X05A, X05B
5t012.b↔		X05A, X05B				5t013.d		BOP, KVT, UOP4, VIAL
		BOP, KVT, UOP4, VIAL	5t012.r↔		BOP, KVT, UOP4, VIAL		08	I08A, I08B, I08C, I08D, I08E, I08F, I33Z, I47A
	08	I32A, I32B, I32C, I32D, I32E, I32F, I33Z		08	I13A, I13B, I13C, I13D, I33Z, I37Z		08	I08A, I08B, I08C, I08D, I08E, I08F, I33Z, I47A
	21A	W04A, W04B		21A	W04A, W04B			BOP, KVT, UOP4, VIAL
5t012.c↔		X05A, X05B				5t013.e↔		I08A, I08B, I08C, I08D, I08E, I08F, I33Z
		BOP, KVT, UOP4, VIAL	5t012.s↔		BOP, KVT, UOP4, VIAL		08	I08A, I08B, I08C, I08D, I08E, I08F, I33Z
	08	I32A, I32B, I32C, I32D, I32E, I32F, I33Z		08	I20A, I20B, I20C, I20D, I33Z, I37Z			BOP, KVT, UOP4, VIAL
	21A	W04A, W04B		21A	I20A, I20B, I20C, I20D, I33Z, I37Z			I08A, I08B, I08C, I08D, I08E, I08F, I33Z
5t012.d		X05A, X05B				5t013.0↔		BOP, KVT, UOP4, VIAL
		BOP, KVT, UOP4, VIAL	5t012.t↔		BOP, KVT, UOP4, VIAL		04	E02A, E02B, E02C
	08	I08A, I08B, I08C, I08D, I08E, I27B, I33Z, I37Z, I47A		08	I20A, I20B, I20C, I20D, I33Z, I37Z		08	I28A, I28B, I33Z
5t012.e↔		X05A, X05B					21A	W04A, W04B
		BOP, KVT, UOP4, VIAL	5t012.u↔		BOP, KVT, UOP4, VIAL		21B	X06A, X06B, X06C
	08	I08A, I08B, I08C, I08D, I08E, I27B, I33Z, I37Z		08	I20A, I20B, I20C, I20D, I33Z, I37Z			BOP, KVT, UOP4, VIAL
		BOP, KVT, UOP4, VIAL	5t012.v↔		BOP, KVT, UOP4, VIAL			I08A, I08B, I08C, I08D, I08E, I27B, I33Z, I37Z
		BOP, KVT, UOP4, VIAL						BOP, KVT, UOP4, VIAL
		BOP, KVT, UOP4, VIAL						I08A, I08B, I08C, I08D, I08E, I27B, I33Z, I37Z

ZZV	MDC	DRG	ZZV	MDC	DRG	ZZV	MDC	DRG
5t013.f↔		BOP, KVT, UOP4, VIAL	5t014.0↔		BOP, KVT, UOP4, VIAL	5t014.f↔		BOP, KVT, UOP4, VIAL
	01	B03A, B03B, B06A, B06B, B17A, B17B, B17C		04	E02A, E02B, E02C		01	B03A, B03B, B06A, B06B, B17A, B17B, B17C
	08	I08A, I08B, I08C, I08D, I08E, I08F, I33Z		08	I28A, I28B, I33Z		08	I11Z, I33Z
	21A	W01A, W01B, W01C, W02A, W02B	5t014.1↔		21A W04A, W04B		21A	W01A, W01B, W01C, W02A, W02B
	21B	X04Z		08	I08A, I08B, I08C, I08D, I08E, I08F, I11Z, I33Z	5t014.g↔		21B X04Z
5t013.g↔		BOP, KVT, UOP4, VIAL		21A	W04A, W04B		01	B03A, B03B, B06A, B06B, B17A, B17B, B17C
	01	B03A, B03B, B06A, B06B, B17A, B17B, B17C	5t014.2↔		21B X06A, X06B, X06C		08	I11Z, I33Z
	08	I08A, I08B, I08C, I08D, I08E, I08F, I33Z		08	I08A, I08B, I08C, I08D, I08E, I08F, I11Z, I33Z		21A	W01A, W01B, W01C, W02A, W02B
	21A	W01A, W01B, W01C, W02A, W02B		21A	W04A, W04B	5t014.h↔		21B X04Z
	21B	X04Z	5t014.3↔		21B X06A, X06B, X06C		01	B03A, B03B, B06A, B06B, B17A, B17B, B17C
5t013.h↔		BOP, KVT, UOP4, VIAL		08	I08A, I08B, I08C, I08D, I08E, I08F, I11Z, I33Z		08	I11Z, I33Z
	01	B03A, B03B, B06A, B06B, B17A, B17B, B17C		21A	W04A, W04B		21A	W01A, W01B, W01C, W02A, W02B
	08	I08A, I08B, I08C, I08D, I08E, I08F, I33Z		21B	X06A, X06B, X06C		21B	X04Z
	21A	W01A, W01B, W01C, W02A, W02B	5t014.4↔		BOP, KVT, UOP4, VIAL	5t014.i↔		BOP, KVT, UOP4, VIAL
	21B	X04Z		08	I08A, I08B, I08C, I08D, I08E, I08F, I11Z, I33Z		01	B03A, B03B, B06A, B06B, B17A, B17B, B17C
5t013.k↔		BOP, KVT, UOP4, VIAL		21A	W04A, W04B		08	I11Z, I33Z
	08	I13A, I13B, I13C, I13D, I33Z		21B	X06A, X06B, X06C		21A	W01A, W01B, W01C, W02A, W02B
	21A	W04A, W04B	5t014.5↔		BOP, KVT, UOP4, VIAL	5t014.k↔		21B X04Z
	21B	X04Z		08	I08A, I08B, I08C, I08D, I08E, I08F, I11Z, I33Z		08	I11Z, I33Z
5t013.l↔		BOP, KVT, UOP4, VIAL		21A	W04A, W04B		21A	W04A, W04B
	08	I13A, I13B, I13C, I13D, I33Z		21B	X06A, X06B, X06C		21B	X04Z
	21A	W04A, W04B	5t014.6↔		BOP, KVT, UOP4, VIAL	5t014.l↔		BOP, KVT, UOP4, VIAL
	21B	X04Z		08	I08A, I08B, I08C, I08D, I08E, I08F, I11Z, I33Z		08	I11Z, I33Z
5t013.m↔		BOP, KVT, UOP4, VIAL		21A	W04A, W04B		21A	W04A, W04B
	08	I13A, I13B, I13C, I13D, I33Z		21B	X06A, X06B, X06C		21B	X04Z
	21A	W04A, W04B	5t014.7↔		BOP, KVT, UOP4, VIAL	5t014.m↔		BOP, KVT, UOP4, VIAL
	21B	X04Z		08	I08A, I08B, I08C, I08D, I08E, I08F, I11Z, I33Z		08	I11Z, I33Z
5t013.n↔		BOP, KVT, UOP4, VIAL		21A	W04A, W04B		21A	W04A, W04B
	08	I13A, I13B, I13C, I13D, I33Z		21B	X06A, X06B, X06C		21B	X04Z
	21A	W04A, W04B	5t014.8↔		BOP, KVT, UOP4, VIAL	5t014.n↔		BOP, KVT, UOP4, VIAL
	21B	X04Z		08	I08A, I08B, I08C, I08D, I08E, I08F, I11Z, I33Z		08	I11Z, I33Z
5t013.o↔		BOP, KVT, UOP4, VIAL		21A	W04A, W04B		21A	W04A, W04B
	08	I13A, I13B, I13C, I13D, I33Z		21B	X06A, X06B, X06C		21B	X04Z
	21A	W04A, W04B	5t014.9↔		BOP, KVT, UOP4, VIAL	5t014.o↔		BOP, KVT, UOP4, VIAL
	21B	X04Z		08	I08A, I08B, I08C, I08D, I08E, I08F, I11Z, I33Z		08	I11Z, I33Z
5t013.p↔		BOP, KVT, UOP4, VIAL		21A	W04A, W04B		21A	W04A, W04B
	08	I13A, I13B, I13C, I13D, I33Z		21B	X06A, X06B, X06C		21B	X04Z
	21A	W04A, W04B	5t014.a↔		BOP, KVT, UOP4, VIAL	5t014.p↔		BOP, KVT, UOP4, VIAL
	21B	X04Z		08	I08A, I08B, I08C, I08D, I08E, I08F, I11Z, I33Z		08	I11Z, I33Z
5t013.q↔		BOP, KVT, UOP4, VIAL		21A	W04A, W04B		21A	W04A, W04B
	08	I13A, I13B, I13C, I13D, I33Z		21B	X06A, X06B, X06C		21B	X04Z
	21A	W04A, W04B	5t014.b↔		BOP, KVT, UOP4, VIAL	5t014.q↔		BOP, KVT, UOP4, VIAL
	21B	X04Z		08	I08A, I08B, I08C, I08D, I08E, I08F, I11Z, I33Z		08	I11Z, I33Z
5t013.r↔		BOP, KVT, UOP4, VIAL		21A	W04A, W04B		21A	W04A, W04B
	08	I13A, I13B, I13C, I13D, I33Z		21B	X06A, X06B, X06C		21B	X04Z
	21A	W04A, W04B	5t014.c↔		BOP, KVT, UOP4, VIAL	5t014.r↔		BOP, KVT, UOP4, VIAL
	21B	X04Z		08	I08A, I08B, I08C, I08D, I08E, I08F, I11Z, I33Z		08	I11Z, I33Z
5t013.s↔		BOP, KVT, UOP4, VIAL		21A	W04A, W04B		21A	W04A, W04B
	08	I20A, I20B, I20C, I20D, I33Z		21B	X06A, X06B, X06C		21B	X04Z
5t013.t↔		BOP, KVT, UOP4, VIAL	5t014.d		BOP, KVT, UOP4, VIAL	5t014.s↔		BOP, KVT, UOP4, VIAL
	05	F27A, F27B, F27C		08	I08A, I08B, I08C, I08D, I08E, I08F, I11Z, I33Z		08	I20A, I20B, I20C, I20D, I33Z
	08	I20A, I20B, I20C, I20D, I33Z		21A	W04A, W04B		05	F27A, F27B, F27C
	10	K01Z		21B	X05A, X05B		08	I20A, I20B, I20C, I20D, I33Z
	21A	W04A, W04B		21B	X05A, X05B		10	K01Z
	21B	X04Z	5t014.e↔		BOP, KVT, UOP4, VIAL	5t014.t↔		21A W04A, W04B
5t013.u↔		BOP, KVT, UOP4, VIAL		08	I32A, I32B, I32C, I32D, I32E, I32F, I33Z		21B	X04Z
	08	I20A, I20B, I20C, I20D, I33Z		21A	W04A, W04B	5t014.u↔		BOP, KVT, UOP4, VIAL
5t013.x		BOP, KVT, UOP4		21B	X05A, X05B		08	I20A, I20B, I20C, I20D, I33Z
	01	B03A, B03B, B06A, B06B, B17A, B17B, B17C		21B	X05A, X05B	5t014.x		BOP, KVT, UOP4
	08	I28A, I28B, I33Z		08	I08A, I08B, I08C, I08D, I08E, I08F, I33Z, I47A		01	B03A, B03B, B06A, B06B, B17A, B17B, B17C
	21A	W04A, W04B		08	I08A, I08B, I08C, I08D, I08E, I08F, I33Z		08	I28A, I28B, I33Z
	21B	X06A, X06B, X06C		08	I08A, I08B, I08C, I08D, I08E, I08F, I33Z		21A	W04A, W04B
5t013.z↔		BOP, KVT, UOP4, VIAL		08	I08A, I08B, I08C, I08D, I08E, I08F, I33Z		21B	X06A, X06B, X06C
	04	E02A, E02B, E02C		08	I08A, I08B, I08C, I08D, I08E, I08F, I33Z	5t014.z↔		BOP, KVT, UOP4, VIAL
	08	I28A, I28B, I33Z		08	I08A, I08B, I08C, I08D, I08E, I08F, I33Z		04	E02A, E02B, E02C
	21A	W04A, W04B		08	I08A, I08B, I08C, I08D, I08E, I08F, I33Z		08	I28A, I28B, I33Z
	21B	X06A, X06B, X06C		08	I08A, I08B, I08C, I08D, I08E, I08F, I33Z		21A	W04A, W04B
	21B	X06A, X06B, X06C		08	I08A, I08B, I08C, I08D, I08E, I08F, I33Z		21B	X06A, X06B, X06C

ZZV	MDC	DRG	ZZV	MDC	DRG	ZZV	MDC	DRG
5t017.u↔		BOP, KVT, UOP4, VIAL	5t018.a↔		BOP, KVT, UOP4, VIAL	5t018.r↔		BOP, KVT, UOP4, VIAL
	05	F27A, F27B, F27C		08	I32A, I32B, I32C, I32D, I32E, I32F, I33Z		08	I13A, I13B, I13C, I13D, I33Z, I37Z
	08	I20A, I20B, I20C, I20D, I33Z		21A	W04A, W04B		21A	W04A, W04B
	10	K01Z		21B	X05A, X05B		21B	X04Z
	21A	W04A, W04B	5t018.b↔		BOP, KVT, UOP4, VIAL	5t018.s↔		BOP, KVT, UOP4, VIAL
	21B	X04Z		08	I32A, I32B, I32C, I32D, I32E, I32F, I33Z		08	I20A, I20B, I20C, I20D, I33Z, I37Z
5t017.x		BOP, KVT, UOP4		21A	W04A, W04B	5t018.t↔		BOP, KVT, UOP4, VIAL
	01	B03A, B03B, B06A, B06B, B17A, B17B, B17C		21B	X05A, X05B		05	F27A, F27B, F27C
	08	I28A, I28B, I33Z	5t018.c↔		BOP, KVT, UOP4, VIAL		08	I20A, I20B, I20C, I20D, I33Z, I37Z
	21A	W04A, W04B		08	I32A, I32B, I32C, I32D, I32E, I32F, I33Z		10	K01Z
	21B	X06A, X06B, X06C		21A	W04A, W04B		21A	W04A, W04B
5t017.z↔		BOP, KVT, UOP4, VIAL		21B	X05A, X05B		21B	X04Z
	04	E02A, E02B, E02C	5t018.d		BOP, KVT, UOP4, VIAL	5t018.u↔		BOP, KVT, UOP4, VIAL
	08	I28A, I28B, I33Z		08	I08A, I08B, I08C, I08D, I08E, I27B, I33Z, I37Z, I47A		05	F27A, F27B, F27C
	21A	W04A, W04B		21A	W04A, W04B		08	I20A, I20B, I20C, I20D, I33Z, I37Z
	21B	X06A, X06B, X06C		21B	X06A, X06B, X06C		10	K01Z
5t018.0↔		BOP, KVT, UOP4, VIAL	5t018.e↔		BOP, KVT, UOP4, VIAL		21A	W04A, W04B
	04	E02A, E02B, E02C		08	I08A, I08B, I08C, I08D, I08E, I27B, I33Z, I37Z		21B	X04Z
	08	I28A, I28B, I33Z		01	B03A, B03B, B06A, B06B, B17A, B17B, B17C	5t018.x		BOP, KVT, UOP4
	21A	W04A, W04B	5t018.f↔		BOP, KVT, UOP4, VIAL		01	B03A, B03B, B06A, B06B, B17A, B17B, B17C
	21B	X06A, X06B, X06C		08	I08A, I08B, I08C, I08D, I08E, I27B, I33Z, I37Z		08	I28A, I28B, I33Z
5t018.1↔		BOP, KVT, UOP4, VIAL		21A	W01A, W01B, W01C, W02A, W02B		21A	W04A, W04B
	08	I08A, I08B, I08C, I08D, I08E, I08F, I13A, I13B, I13C, I13D, I33Z		21B	X04Z		21B	X06A, X06B, X06C
	21A	W04A, W04B	5t018.g↔		BOP, KVT, UOP4, VIAL	5t018.z↔		BOP, KVT, UOP4, VIAL
	21B	X06A, X06B, X06C		01	B03A, B03B, B06A, B06B, B17A, B17B, B17C		04	E02A, E02B, E02C
5t018.2↔		BOP, KVT, UOP4, VIAL		08	I08A, I08B, I08C, I08D, I08E, I27B, I33Z, I37Z		08	I28A, I28B, I33Z
	08	I08A, I08B, I08C, I08D, I08E, I08F, I13A, I13B, I13C, I13D, I33Z		21A	W01A, W01B, W01C, W02A, W02B		21A	W04A, W04B
	21A	W04A, W04B	5t018.h↔		BOP, KVT, UOP4, VIAL		21B	X06A, X06B, X06C
	21B	X06A, X06B, X06C		01	B03A, B03B, B06A, B06B, B17A, B17B, B17C	5t019.0↔		BOP, KVT, UOP4, VIAL
5t018.3↔		BOP, KVT, UOP4, VIAL		08	I08A, I08B, I08C, I08D, I08E, I27B, I33Z, I37Z		04	E02A, E02B, E02C
	08	I08A, I08B, I08C, I08D, I08E, I08F, I13A, I13B, I13C, I13D, I33Z		21A	W01A, W01B, W01C, W02A, W02B		08	I28A, I28B, I33Z
	21A	W04A, W04B		21B	X04Z		21A	W04A, W04B
	21B	X06A, X06B, X06C	5t018.i↔		BOP, KVT, UOP4, VIAL		21B	X06A, X06B, X06C
5t018.4↔		BOP, KVT, UOP4, VIAL		01	B03A, B03B, B06A, B06B, B17A, B17B, B17C	5t019.1↔		BOP, KVT, UOP4, VIAL
	08	I08A, I08B, I08C, I08D, I08E, I08F, I21Z, I31Z, I33Z		08	I08A, I08B, I08C, I08D, I08E, I27B, I33Z, I37Z		08	I08A, I08B, I08C, I08D, I08E, I08F, I13A, I13B, I13C, I13D, I33Z
	21A	W04A, W04B		21A	W01A, W01B, W01C, W02A, W02B		21A	W04A, W04B
	21B	X06A, X06B, X06C	5t018.j↔		BOP, KVT, UOP4, VIAL		21B	X06A, X06B, X06C
5t018.5↔		BOP, KVT, UOP4, VIAL		01	B03A, B03B, B06A, B06B, B17A, B17B, B17C	5t019.2↔		BOP, KVT, UOP4, VIAL
	08	I08A, I08B, I08C, I08D, I08E, I08F, I21Z, I31Z, I33Z		08	I08A, I08B, I08C, I08D, I08E, I13A, I13B, I13C, I13D, I27B, I33Z, I37Z		08	I08A, I08B, I08C, I08D, I08E, I08F, I13A, I13B, I13C, I13D, I33Z
	21A	W04A, W04B	5t018.k↔		BOP, KVT, UOP4, VIAL		21A	W04A, W04B
	21B	X06A, X06B, X06C		08	I08A, I08D, I08E, I13A, I13B, I13C, I13D, I27B, I33Z, I37Z		21B	X06A, X06B, X06C
5t018.6↔		BOP, KVT, UOP4, VIAL		21A	W04A, W04B	5t019.3↔		BOP, KVT, UOP4, VIAL
	08	I08A, I08B, I08C, I08D, I08E, I08F, I21Z, I31Z, I33Z		21B	X04Z		08	I08A, I08B, I08C, I08D, I08E, I08F, I13A, I13B, I13C, I13D, I33Z
	21A	W04A, W04B	5t018.l↔		BOP, KVT, UOP4, VIAL		21A	W04A, W04B
	21B	X06A, X06B, X06C		08	I08A, I08D, I08E, I13A, I13B, I13C, I13D, I27B, I33Z, I37Z		21B	X06A, X06B, X06C
5t018.7↔		BOP, KVT, UOP4, VIAL	5t018.m↔		BOP, KVT, UOP4, VIAL	5t019.4↔		BOP, KVT, UOP4, VIAL
	08	I08A, I08B, I08C, I08D, I08E, I08F, I21Z, I31Z, I33Z		08	I08A, I08D, I08E, I13A, I13B, I13C, I13D, I27B, I33Z, I37Z		08	I08A, I08B, I08C, I08D, I08E, I08F, I21Z, I31Z, I33Z
	21A	W04A, W04B		21A	W04A, W04B		21A	W04A, W04B
	21B	X06A, X06B, X06C	5t018.n↔		BOP, KVT, UOP4, VIAL		21B	X06A, X06B, X06C
5t018.8↔		BOP, KVT, UOP4, VIAL		08	I08A, I08D, I08E, I13A, I13B, I13C, I13D, I27B, I33Z, I37Z	5t019.5↔		BOP, KVT, UOP4, VIAL
	08	I08A, I08B, I08C, I08D, I08E, I08F, I21Z, I31Z, I33Z		21A	W04A, W04B		08	I08A, I08B, I08C, I08D, I08E, I08F, I21Z, I31Z, I33Z
	21A	W04A, W04B	5t018.o↔		BOP, KVT, UOP4, VIAL		21A	W04A, W04B
	21B	X06A, X06B, X06C		08	I13A, I13B, I13C, I13D, I33Z		21B	X06A, X06B, X06C
5t018.9↔		BOP, KVT, UOP4, VIAL	5t018.p↔		BOP, KVT, UOP4, VIAL		21A	W04A, W04B
	08	I08A, I08B, I08C, I08D, I08E, I08F, I21Z, I31Z, I33Z		08	I13A, I13B, I13C, I13D, I33Z		21B	X06A, X06B, X06C
	21A	W04A, W04B	5t018.q↔		BOP, KVT, UOP4, VIAL			
	21B	X06A, X06B, X06C		08	I13A, I13B, I13C, I13D, I33Z			
				21A	W04A, W04B			
				21B	X04Z			

VYK

ZZV	MDC	DRG	ZZV	MDC	DRG	ZZV	MDC	DRG
5t019.6↔		BOP, KVT, UOP4, VIAL	5t019.m↔		BOP, KVT, UOP4, VIAL	5t01a.6↔		BOP, KVT, UOP4, VIAL
	08	I08A, I08B, I08C, I08D, I08E, I08F, I21Z, I31Z, I33Z		08	I08A, I08D, I08E, I13A, I13B, I13C, I13D, I27B, I33Z, I37Z		08	I08A, I08B, I08C, I08D, I08E, I08F, I11Z, I33Z
	21A	W04A, W04B		21A	W04A, W04B		21A	W04A, W04B
	21B	X06A, X06B, X06C		21B	X04Z		21B	X06A, X06B, X06C
5t019.7↔		BOP, KVT, UOP4, VIAL	5t019.n↔		BOP, KVT, UOP4, VIAL	5t01a.8↔		BOP, KVT, UOP4, VIAL
	08	I08A, I08B, I08C, I08D, I08E, I08F, I21Z, I31Z, I33Z		08	I08A, I08D, I08E, I13A, I13B, I13C, I13D, I27B, I33Z, I37Z		08	I08A, I08B, I08C, I08D, I08E, I08F, I11Z, I33Z
	21A	W04A, W04B		21A	W04A, W04B		21A	W04A, W04B
	21B	X06A, X06B, X06C		21B	X04Z		21B	X06A, X06B, X06C
5t019.8↔		BOP, KVT, UOP4, VIAL	5t019.p↔		BOP, KVT, UOP4, VIAL	5t01a.d		BOP, KVT, UOP4, VIAL
	08	I08A, I08B, I08C, I08D, I08E, I08F, I21Z, I31Z, I33Z		08	I13A, I13B, I13C, I13D, I33Z		08	I08A, I08B, I08C, I08D, I08E, I08F, I33Z, I47A
	21A	W04A, W04B		21A	W04A, W04B		5t01a.e↔	BOP, KVT, UOP4, VIAL
	21B	X06A, X06B, X06C		21B	X04Z		08	I08A, I08B, I08C, I08D, I08E, I08F, I33Z
5t019.9↔		BOP, KVT, UOP4, VIAL	5t019.q↔		BOP, KVT, UOP4, VIAL	5t01a.f↔		BOP, KVT, UOP4, VIAL
	08	I08A, I08B, I08C, I08D, I08E, I08F, I21Z, I31Z, I33Z		08	I13A, I13B, I13C, I13D, I33Z		01	B03A, B03B, B06A, B06B, B17A, B17B, B17C
	21A	W04A, W04B		21A	W04A, W04B		08	I11Z, I33Z
	21B	X06A, X06B, X06C		21B	X04Z		21A	W01A, W01B, W01C, W02A, W02B
5t019.a↔		I32A, I32B, I32C, I32D	5t019.r↔		BOP, KVT, UOP4, VIAL		21B	X04Z
5t019.b↔		BOP, KVT, UOP4, VIAL		08	I13A, I13B, I13C, I13D, I33Z, I37Z		5t01a.g↔	BOP, KVT, UOP4, VIAL
	08	I32A, I32B, I32C, I32D, I32E, I32F, I33Z		21A	W04A, W04B		01	B03A, B03B, B06A, B06B, B17A, B17B, B17C
	21A	W04A, W04B		21B	X04Z		08	I11Z, I33Z
	21B	X05A, X05B		5t019.t↔	BOP, KVT, UOP4, VIAL		21A	W01A, W01B, W01C, W02A, W02B
5t019.c↔		BOP, KVT, UOP4, VIAL		05	F27A, F27B, F27C		21B	X04Z
	08	I32A, I32B, I32C, I32D, I32E, I32F, I33Z		08	I20A, I20B, I20C, I20D, I33Z, I37Z		5t01a.h↔	BOP, KVT, UOP4, VIAL
	21A	W04A, W04B		10	K01Z		01	B03A, B03B, B06A, B06B, B17A, B17B, B17C
	21B	X05A, X05B		21A	W04A, W04B		08	I11Z, I33Z
5t019.d		BOP, KVT, UOP4, VIAL		21B	X04Z		21A	W01A, W01B, W01C, W02A, W02B
	08	I08A, I08B, I08C, I08D, I08E, I27B, I33Z, I37Z, I47A	5t019.u↔		BOP, KVT, UOP4, VIAL		21B	X04Z
	21A	W04A, W04B		05	F27A, F27B, F27C		5t01a.i↔	BOP, KVT, UOP4, VIAL
	21B	X06A, X06B, X06C		08	I20A, I20B, I20C, I20D, I33Z, I37Z		01	B03A, B03B, B06A, B06B, B17A, B17B, B17C
5t019.e↔		BOP, KVT, UOP4, VIAL		10	K01Z		08	I11Z, I33Z
	08	I08A, I08B, I08C, I08D, I08E, I27B, I33Z, I37Z		21A	W04A, W04B		21A	W01A, W01B, W01C, W02A, W02B
5t019.f↔		BOP, KVT, UOP4, VIAL		21B	X04Z		21B	X04Z
	01	B03A, B03B, B06A, B06B, B17A, B17B, B17C	5t019.x		BOP, KVT, UOP4		5t01a.k↔	BOP, KVT, UOP4, VIAL
	08	I08A, I08B, I08C, I08D, I08E, I27B, I33Z, I37Z		01	B03A, B03B, B06A, B06B, B17A, B17B, B17C		08	I11Z, I33Z
	21A	W01A, W01B, W01C, W02A, W02B		08	I28A, I28B, I33Z		21A	W04A, W04B
	21B	X04Z		21A	W04A, W04B		21B	X04Z
5t019.g↔		BOP, KVT, UOP4, VIAL		21B	X06A, X06B, X06C		5t01a.m↔	BOP, KVT, UOP4, VIAL
	01	B03A, B03B, B06A, B06B, B17A, B17B, B17C	5t019.z↔		BOP, KVT, UOP4, VIAL		08	I11Z, I33Z
	08	I08A, I08B, I08C, I08D, I08E, I27B, I33Z, I37Z		04	E02A, E02B, E02C		21A	W04A, W04B
	21A	W01A, W01B, W01C, W02A, W02B		08	I28A, I28B, I33Z		21B	X04Z
	21B	X04Z		21A	W04A, W04B		5t01a.n↔	BOP, KVT, UOP4, VIAL
5t019.h↔		BOP, KVT, UOP4, VIAL		21B	X06A, X06B, X06C		08	I11Z, I33Z
	01	B03A, B03B, B06A, B06B, B17A, B17B, B17C	5t01a.1↔		BOP, KVT, UOP4, VIAL		21A	W04A, W04B
	08	I08A, I08B, I08C, I08D, I08E, I27B, I33Z, I37Z		08	I08A, I08B, I08C, I08D, I08E, I08F, I11Z, I33Z		21B	X04Z
	21A	W01A, W01B, W01C, W02A, W02B		21A	W04A, W04B		5t01a.p↔	BOP, KVT, UOP4, VIAL
	21B	X04Z		21B	X06A, X06B, X06C		08	I11Z, I33Z
5t019.i↔		BOP, KVT, UOP4, VIAL		5t01a.2↔	BOP, KVT, UOP4, VIAL		21A	W04A, W04B
	01	B03A, B03B, B06A, B06B, B17A, B17B, B17C		08	I08A, I08B, I08C, I08D, I08E, I08F, I11Z, I33Z		21B	X04Z
	08	I08A, I08B, I08C, I08D, I08E, I27B, I33Z, I37Z		21A	W04A, W04B		5t01a.q↔	BOP, KVT, UOP4, VIAL
	21A	W01A, W01B, W01C, W02A, W02B		21B	X06A, X06B, X06C		08	I11Z, I33Z
	21B	X04Z		5t01a.3↔	BOP, KVT, UOP4, VIAL		21A	W04A, W04B
5t019.j↔		BOP, KVT, UOP4, VIAL		08	I08A, I08B, I08C, I08D, I08E, I08F, I11Z, I33Z		21B	X04Z
	01	B03A, B03B, B06A, B06B, B17A, B17B, B17C		21A	W04A, W04B		5t01a.r↔	BOP, KVT, UOP4, VIAL
	08	I08A, I08B, I08C, I08D, I08E, I27B, I33Z, I37Z		21B	X06A, X06B, X06C		08	I11Z, I33Z
	21A	W01A, W01B, W01C, W02A, W02B		5t01a.4↔	BOP, KVT, UOP4, VIAL		21A	W04A, W04B
	21B	X04Z		08	I08A, I08B, I08C, I08D, I08E, I08F, I11Z, I33Z		21B	X04Z
5t019.k↔		BOP, KVT, UOP4, VIAL		21A	W04A, W04B		5t01a.s↔	BOP, KVT, UOP4, VIAL
	08	I08A, I08D, I08E, I13A, I13B, I13C, I13D, I27B, I33Z, I37Z		21B	X06A, X06B, X06C		08	I20A, I20B, I20C, I20D, I33Z
	21A	W04A, W04B		5t01a.5↔	BOP, KVT, UOP4, VIAL		5t01a.t↔	BOP, KVT, UOP4, VIAL
	21B	X04Z		08	I08A, I08B, I08C, I08D, I08E, I08F, I11Z, I33Z		08	I20A, I20B, I20C, I20D, I33Z
				21A	W04A, W04B		5t01a.u↔	BOP, KVT, UOP4, VIAL
				21B	X06A, X06B, X06C		08	I20A, I20B, I20C, I20D, I33Z

ZZV	MDC	DRG	ZZV	MDC	DRG	ZZV	MDC	DRG
5t01a.x		BOP, KVT, UOP4	5t01x.c↔	08	BOP, KVT, UOP4, VIAL I32A, I32B, I32C, I32D, I32E, I32F, I33Z	5t01x.s↔	05	BOP, KVT, UOP4, VIAL F27A, F27B, F27C
	01	B03A, B03B, B06A, B06B, B17A, B17B, B17C		21A	W04A, W04B		08	I20A, I20B, I20C, I20D, I33Z
	08	I28A, I28B, I33Z		21B	X05A, X05B		10	K01Z
	21A	W04A, W04B	5t01x.d	08	BOP, KVT, UOP4, VIAL I08A, I08B, I08C, I08D, I08E, I08F, I33Z, I47A	5t01x.t↔	21A	W04A, W04B
5t01x.0↔	21B	X06A, X06B, X06C		21B	X06A, X06B, X06C		21B	X04Z
		BOP, KVT, UOP4, VIAL	5t01x.e↔	01	BOP, KVT, UOP4, VIAL B03A, B03B, B06A, B06B, B17A, B17B, B17C		05	BOP, KVT, UOP4, VIAL F27A, F27B, F27C
	04	E02A, E02B, E02C		08	I08A, I08B, I08C, I08D, I08E, I08F, I33Z		08	I20A, I20B, I20C, I20D, I20E, I20F, I33Z
	08	I28A, I28B, I33Z		21A	W01A, W01B, W01C, W02A, W02B		10	K01Z
	21A	W04A, W04B		21B	X04Z	5t01x.u↔	21A	W04A, W04B
5t01x.1↔	21B	X06A, X06B, X06C	5t01x.f↔	01	BOP, KVT, UOP4, VIAL B03A, B03B, B06A, B06B, B17A, B17B, B17C		21B	X04Z
		BOP, KVT, UOP4, VIAL		08	I08A, I08B, I08C, I08D, I08E, I08F, I33Z		05	BOP, KVT, UOP4, VIAL F27A, F27B, F27C
	08	I08A, I08B, I08C, I08D, I08E, I08F, I13A, I13B, I13C, I13D, I33Z		21A	W01A, W01B, W01C, W02A, W02B		08	I20A, I20B, I20C, I20D, I20E, I20F, I33Z
	21A	W04A, W04B	5t01x.g↔	21B	X04Z		10	K01Z
5t01x.2↔	21B	X06A, X06B, X06C		01	BOP, KVT, UOP4, VIAL B03A, B03B, B06A, B06B, B17A, B17B, B17C	5t01x.x	21A	W04A, W04B
		BOP, KVT, UOP4, VIAL		08	I08A, I08B, I08C, I08D, I08E, I08F, I33Z		21B	X04Z
	08	I08A, I08B, I08C, I08D, I08E, I08F, I13A, I13B, I13C, I13D, I33Z		21A	W01A, W01B, W01C, W02A, W02B		01	BOP, KVT, UOP4 B03A, B03B, B06A, B06B, B17A, B17B, B17C
	21A	W04A, W04B	5t01x.h↔	21B	X04Z		08	I28A, I28B, I33Z
5t01x.3↔	21B	X06A, X06B, X06C		01	BOP, KVT, UOP4, VIAL B03A, B03B, B06A, B06B, B17A, B17B, B17C	5t01x.z↔	21A	W04A, W04B
		BOP, KVT, UOP4, VIAL		08	I08A, I08B, I08C, I08D, I08E, I08F, I33Z		21B	X06A, X06B, X06C BOP, KVT, UOP4, VIAL
	08	I08A, I08B, I08C, I08D, I08E, I08F, I13A, I13B, I13C, I13D, I33Z		21A	W01A, W01B, W01C, W02A, W02B		04	E02A, E02B, E02C
	21A	W04A, W04B	5t01x.i↔	21B	X04Z	5t020.0↔	08	I28A, I28B, I33Z
5t01x.4↔	21B	X06A, X06B, X06C		01	BOP, KVT, UOP4, VIAL B03A, B03B, B06A, B06B, B17A, B17B, B17C		21A	W04A, W04B
		BOP, KVT, UOP4, VIAL		08	I08A, I08B, I08C, I08D, I08E, I08F, I33Z		21B	X06A, X06B, X06C BOP, KVT, UOP4
	08	I08A, I08B, I08C, I08D, I08E, I08F, I21Z, I31Z, I33Z		21A	W01A, W01B, W01C, W02A, W02B		01	B03A, B03B, B18Z
	21A	W04A, W04B	5t01x.j↔	21B	X04Z		04	E02A, E02B, E02C
5t01x.5↔	21B	X06A, X06B, X06C		01	BOP, KVT, UOP4, VIAL B03A, B03B, B06A, B06B, B17A, B17B, B17C		08	I12A, I12B, I12C, I28A, I28B, I28C
		BOP, KVT, UOP4, VIAL		08	I08A, I08B, I08C, I08D, I08E, I08F, I33Z	5t020.1↔	21A	W04A, W04B
	08	I08A, I08B, I08C, I08D, I08E, I08F, I21Z, I31Z, I33Z		21A	W01A, W01B, W01C, W02A, W02B		21B	X06A, X06B, X06C
	21A	W04A, W04B	5t01x.k↔	21B	X04Z		01	BOP, KVT, UOP4
5t01x.6↔	21B	X06A, X06B, X06C		08	I13A, I13B, I13C, I13D, I33Z		04	E02A, E02B, E02C
		BOP, KVT, UOP4, VIAL		21A	W04A, W04B		08	I12A, I12B, I12C, I13A, I13B, I13C, I13D, I13E
	08	I08A, I08B, I08C, I08D, I08E, I08F, I21Z, I31Z, I33Z		21B	X04Z	5t020.2↔	08	I12A, I12B, I12C, I13A, I13B, I13C, I13D, I13E
	21A	W04A, W04B	5t01x.l↔		BOP, KVT, UOP4, VIAL I13A, I13B, I13C, I13D, I33Z		21A	W04A, W04B
5t01x.7↔	21B	X06A, X06B, X06C		08	I13A, I13B, I13C, I13D, I33Z		21B	X06A, X06B, X06C
		BOP, KVT, UOP4, VIAL		21A	W04A, W04B		01	BOP, KVT, UOP4
	08	I08A, I08B, I08C, I08D, I08E, I08F, I21Z, I31Z, I33Z		21B	X04Z		08	I12A, I12B, I12C, I13A, I13B, I13C, I13D, I13E
	21A	W04A, W04B	5t01x.m↔		BOP, KVT, UOP4, VIAL I13A, I13B, I13C, I13D, I33Z		21A	W04A, W04B
5t01x.8↔	21B	X06A, X06B, X06C		08	I13A, I13B, I13C, I13D, I33Z	5t020.3↔	21B	X06A, X06B, X06C
		BOP, KVT, UOP4, VIAL		21A	W04A, W04B		01	BOP, KVT, UOP4
	08	I08A, I08B, I08C, I08D, I08E, I08F, I18A, I18B, I30Z, I33Z	5t01x.n↔		BOP, KVT, UOP4, VIAL I13A, I13B, I13C, I13D, I33Z		08	I12A, I12B, I12C, I13A, I13B, I13C, I13D, I13E
	21A	W04A, W04B		08	I13A, I13B, I13C, I13D, I33Z		21A	W04A, W04B
5t01x.9↔	21B	X06A, X06B, X06C	5t01x.o↔		BOP, KVT, UOP4, VIAL I13A, I13B, I13C, I13D, I33Z		21B	X06A, X06B, X06C
		BOP, KVT, UOP4, VIAL		08	I13A, I13B, I13C, I13D, I33Z	5t020.4↔	01	BOP, KVT, UOP4
	08	I08A, I08B, I08C, I08D, I08E, I08F, I18A, I18B, I30Z, I33Z		21A	W04A, W04B		08	I12A, I12B, I12C, I18A, I30Z
	21A	W04A, W04B	5t01x.p↔		BOP, KVT, UOP4, VIAL I13A, I13B, I13C, I13D, I33Z		21A	W04A, W04B
5t01x.a↔	21B	X06A, X06B, X06C		08	I13A, I13B, I13C, I13D, I33Z		21B	X06A, X06B, X06C
		BOP, KVT, UOP4, VIAL		21A	W04A, W04B	5t020.5↔	01	BOP, KVT, UOP4
	08	I32A, I32B, I32C, I32D, I32E, I32F, I33Z	5t01x.q↔		BOP, KVT, UOP4, VIAL I13A, I13B, I13C, I13D, I33Z		08	I12A, I12B, I12C, I18A, I30Z
	21A	W04A, W04B		08	I13A, I13B, I13C, I13D, I33Z		21A	W04A, W04B
5t01x.b↔	21B	X05A, X05B	5t01x.r↔		BOP, KVT, UOP4, VIAL I13A, I13B, I13C, I13D, I33Z	5t020.6↔	21B	X06A, X06B, X06C
		BOP, KVT, UOP4, VIAL		08	I13A, I13B, I13C, I13D, I33Z		01	BOP, KVT, UOP4
	08	I32A, I32B, I32C, I32D, I32E, I32F, I33Z		21A	W04A, W04B		08	I12A, I12B, I12C, I18A, I30Z
	21A	W04A, W04B		21B	X04Z		21A	W04A, W04B
	21B	X05A, X05B				5t020.7↔	21B	X06A, X06B, X06C
		BOP, KVT, UOP4, VIAL					01	BOP, KVT, UOP4
	08	I32A, I32B, I32C, I32D, I32E, I32F, I33Z					08	I12A, I12B, I12C, I18A, I30Z
	21A	W04A, W04B					21A	W04A, W04B
	21B	X05A, X05B					21B	X06A, X06B, X06C
		BOP, KVT, UOP4, VIAL					01	BOP, KVT, UOP4
	08	I32A, I32B, I32C, I32D, I32E, I32F, I33Z					08	I12A, I12B, I12C, I18A, I30Z
	21A	W04A, W04B					21A	W04A, W04B
	21B	X05A, X05B					21B	X06A, X06B, X06C

ZZV	MDC	DRG	ZZV	MDC	DRG	ZZV	MDC	DRG
5t020.8↔		BOP, KVT, UOP4	5t020.p↔		BOP, KVT, UOP4	5t021.3↔		BOP, KVT, UOP4
08		I12A, I12B, I12C, I18A, I30Z	08		I12A, I12B, I12C, I13A, I13B, I13C, I13D, I13E	08		I12A, I12B, I12C, I13A, I13B, I13C, I13D, I13E
21A		W04A, W04B	21A		W04A, W04B	21A		W04A, W04B
21B		X06A, X06B, X06C	21B		X04Z	21B		X06A, X06B, X06C
5t020.9↔		BOP, KVT, UOP4	5t020.q↔		BOP, KVT, UOP4	5t021.4↔		BOP, KVT, UOP4
08		I12A, I12B, I12C, I18A, I30Z	08		I12A, I12B, I12C, I13A, I13B, I13C, I13D, I13E	08		I12A, I12B, I12C, I18A, I30Z
21A		W04A, W04B	21A		W04A, W04B	21A		W04A, W04B
21B		X06A, X06B, X06C	21B		X04Z	21B		X06A, X06B, X06C
5t020.a↔		BOP, KVT, UOP4	5t020.r↔		BOP, KVT, UOP4	5t021.5↔		BOP, KVT, UOP4
08		I12A, I12B, I12C, I32A, I32B, I32C, I32D, I32E, I32F	08		I12A, I12B, I12C, I13A, I13B, I13C, I13D, I13E	08		I12A, I12B, I12C, I21Z, I31Z
21A		W04A, W04B	21A		W04A, W04B	21A		W04A, W04B
21B		X05A, X05B	21B		X04Z	21B		X06A, X06B, X06C
5t020.b↔		BOP, KVT, UOP4	5t020.s↔		BOP, KVT, UOP4	5t021.6↔		BOP, KVT, UOP4
08		I12A, I12B, I12C, I32A, I32B, I32C, I32D, I32E, I32F	05		F27A, F27B, F27C	08		I12A, I12B, I12C, I21Z, I31Z
21A		W04A, W04B	08		I12A, I12B, I12C, I20A, I20B, I20C, I20D, I20E, I20F	21A		W04A, W04B
21B		X05A, X05B	10		K01Z	21B		X06A, X06B, X06C
5t020.c↔		BOP, KVT, UOP4	21A		W04A, W04B	5t021.7↔		BOP, KVT, UOP4
08		I12A, I12B, I12C, I32A, I32B, I32C, I32D, I32E, I32F	21B		X04Z	08		I12A, I12B, I12C, I21Z, I31Z
10		K09A, K09B	5t020.t↔		BOP, KVT, UOP4	21A		W04A, W04B
21A		W04A, W04B	05		F27A, F27B, F27C	21B		X06A, X06B, X06C
21B		X06A, X06B, X06C	08		I12A, I12B, I12C, I20A, I20B, I20C, I20D, I20E, I20F	5t021.8↔		BOP, KVT, UOP4
5t020.d		BOP, KVT, UOP4	10		K01Z	08		I12A, I12B, I12C, I21Z, I31Z
08		I08A, I08B, I08C, I08D, I08E, I08F, I12A, I12B, I12C	21A		W04A, W04B	21A		W04A, W04B
10		K09A, K09B	21B		X04Z	21B		X06A, X06B, X06C
21A		W04A, W04B	5t020.u↔		BOP, KVT, UOP4	5t021.9↔		BOP, KVT, UOP4
21B		X06A, X06B, X06C	05		F27A, F27B, F27C	08		I12A, I12B, I12C, I21Z, I31Z
5t020.e↔		BOP, KVT, UOP4	08		I12A, I12B, I12C, I20A, I20B, I20C, I20D, I20E, I20F	21A		W04A, W04B
08		I08A, I08B, I08C, I08D, I08E, I08F	10		K01Z	21B		X06A, X06B, X06C
21A		W01A, W01B, W01C, W02A, W02B	21A		W04A, W04B	5t021.a↔		BOP, KVT, UOP4
21B		X04Z	21B		X04Z	08		I12A, I12B, I12C, I32A, I32B, I32C, I32D, I32E, I32F
5t020.f↔		BOP, KVT, UOP4	5t020.x		BOP, KVT, UOP4	21A		W04A, W04B
08		I08A, I08B, I08C, I08D, I08E, I08F	08		I12A, I12B, I12C, I28A, I28B, I28C	21B		X05A, X05B
21A		W01A, W01B, W01C, W02A, W02B	21A		W04A, W04B	5t021.b↔		BOP, KVT, UOP4
21B		X04Z	21B		X06A, X06B, X06C	08		I12A, I12B, I12C, I32A, I32B, I32C, I32D, I32E, I32F
5t020.g↔		BOP, KVT, UOP4	5t020.z↔		BOP, KVT, UOP4	21A		W04A, W04B
08		I08A, I08B, I08C, I08D, I08E, I08F	01		B03A, B03B, B18Z	21B		X06A, X06B, X06C
21A		W01A, W01B, W01C, W02A, W02B	04		E02A, E02B, E02C	5t021.c↔		BOP, KVT, UOP4
21B		X04Z	08		I12A, I12B, I12C, I28A, I28B, I28C	08		I12A, I12B, I12C, I32A, I32B, I32C, I32D, I32E, I32F
5t020.h↔		BOP, KVT, UOP4	21A		W04A, W04B	10		K09A, K09B
08		I08A, I08B, I08C, I08D, I08E, I08F	21B		X06A, X06B, X06C	21A		W04A, W04B
21A		W01A, W01B, W01C, W02A, W02B	5t021.0↔		BOP, KVT, UOP4	21B		X06A, X06B, X06C
21B		X04Z	01		B03A, B03B, B18Z	5t021.d		BOP, KVT, UOP4
5t020.i↔		BOP, KVT, UOP4	04		E02A, E02B, E02C	08		I08A, I08B, I08C, I08D, I08E, I08F, I12A, I12B, I12C
08		I08A, I08B, I08C, I08D, I08E, I08F	08		I12A, I12B, I12C, I28A, I28B, I28C	10		K09A, K09B
21A		W01A, W01B, W01C, W02A, W02B	21A		W04A, W04B	21A		W04A, W04B
21B		X04Z	21B		X06A, X06B, X06C	21B		X06A, X06B, X06C
5t020.j↔		BOP, KVT, UOP4	5t021.1↔		BOP, KVT, UOP4	5t021.e↔		BOP, KVT, UOP4
08		I12A, I12B, I12C, I18A, I30Z	08		I12A, I12B, I12C, I13A, I13B, I13C, I13D, I13E	08		I08A, I08B, I08C, I08D, I08E, I08F
21A		W04A, W04B	21A		W04A, W04B	21A		W01A, W01B, W01C, W02A, W02B
21B		X04Z	21B		X06A, X06B, X06C	21B		X04Z
5t020.k↔		BOP, KVT, UOP4	5t021.2↔		BOP, KVT, UOP4	5t021.f↔		BOP, KVT, UOP4
08		I12A, I12B, I12C, I13A, I13B, I13C, I13D, I13E	08		I12A, I12B, I12C, I13A, I13B, I13C, I13D, I13E	08		I08A, I08B, I08C, I08D, I08E, I08F
21A		W04A, W04B	21A		W04A, W04B	21A		W01A, W01B, W01C, W02A, W02B
21B		X04Z	21B		X06A, X06B, X06C	21B		X04Z
5t020.l↔		BOP, KVT, UOP4	21A		W04A, W04B	5t021.g↔		BOP, KVT, UOP4
08		I12A, I12B, I12C, I13A, I13B, I13C, I13D, I13E	21B		X06A, X06B, X06C	08		I08A, I08B, I08C, I08D, I08E, I08F
21A		W04A, W04B	5t021.3↔		BOP, KVT, UOP4	21A		W01A, W01B, W01C, W02A, W02B
21B		X04Z	08		I12A, I12B, I12C, I13A, I13B, I13C, I13D, I13E	21B		X04Z
5t020.m↔		BOP, KVT, UOP4	21A		W04A, W04B	5t021.4↔		BOP, KVT, UOP4
08		I12A, I12B, I12C, I13A, I13B, I13C, I13D, I13E	21B		X06A, X06B, X06C	08		I08A, I08B, I08C, I08D, I08E, I08F
21A		W04A, W04B	5t021.4↔		BOP, KVT, UOP4	21A		W01A, W01B, W01C, W02A, W02B
21B		X04Z	08		I12A, I12B, I12C, I13A, I13B, I13C, I13D, I13E	21B		X04Z
5t020.n↔		BOP, KVT, UOP4	21A		W04A, W04B	5t021.5↔		BOP, KVT, UOP4
08		I12A, I12B, I12C, I13A, I13B, I13C, I13D, I13E	21B		X06A, X06B, X06C	08		I08A, I08B, I08C, I08D, I08E, I08F
21A		W04A, W04B	5t021.5↔		BOP, KVT, UOP4	21A		W01A, W01B, W01C, W02A, W02B
21B		X04Z	08		I12A, I12B, I12C, I13A, I13B, I13C, I13D, I13E	21B		X04Z

ZZV	MDC	DRG	ZZV	MDC	DRG	ZZV	MDC	DRG
5t021.h↔		BOP, KVT, UOP4	5t022.0↔	01	BOP, KVT, UOP4	5t022.e↔		BOP, KVT, UOP4
	08	I08A, I08B, I08C, I08D, I08E, I08F		04	B03A, B03B, B18Z		08	I08A, I08B, I08C, I08D, I08E, I08F
	21A	W01A, W01B, W01C, W02A, W02B		08	E02A, E02B, E02C		21A	W01A, W01B, W01C, W02A, W02B
5t021.k↔	21B	X04Z	5t022.1↔	21A	W04A, W04B	5t022.f↔	21B	X04Z
		BOP, KVT, UOP4		21B	X06A, X06B, X06C			BOP, KVT, UOP4
	08	I12A, I12B, I12C, I13A, I13B, I13C, I13D, I13E		08	BOP, KVT, UOP4		08	I08A, I08B, I08C, I08D, I08E, I08F
5t021.m↔	21A	W04A, W04B	5t022.2↔	08	I12A, I12B, I12C, I13A, I13B, I13C, I13D, I13E	5t022.g↔	21A	W01A, W01B, W01C, W02A, W02B
	21B	X04Z		21A	W04A, W04B		21B	X04Z
		BOP, KVT, UOP4		21B	X06A, X06B, X06C			BOP, KVT, UOP4
5t021.n↔	08	I12A, I12B, I12C, I13A, I13B, I13C, I13D, I13E	5t022.3↔	08	I12A, I12B, I12C, I13A, I13B, I13C, I13D, I13E	5t022.h↔	08	I08A, I08B, I08C, I08D, I08E, I08F
	21A	W04A, W04B		21A	W04A, W04B		21A	W01A, W01B, W01C, W02A, W02B
	21B	X04Z		21B	X06A, X06B, X06C		21B	X04Z
5t021.p↔		BOP, KVT, UOP4	5t022.4↔	08	I12A, I12B, I12C, I13A, I13B, I13C, I13D, I13E	5t022.i↔	08	I08A, I08B, I08C, I08D, I08E, I08F
	08	I12A, I12B, I12C, I13A, I13B, I13C, I13D, I13E		08	BOP, KVT, UOP4		21A	W01A, W01B, W01C, W02A, W02B
	21A	W04A, W04B		08	I12A, I12B, I12C, I21Z, I31Z		21B	X04Z
5t021.q↔	21B	X04Z	5t022.5↔	21A	W04A, W04B	5t022.j↔		BOP, KVT, UOP4
		BOP, KVT, UOP4		21B	X06A, X06B, X06C		08	I08A, I08B, I08C, I08D, I08E, I08F
	08	I12A, I12B, I12C, I13A, I13B, I13C, I13D, I13E		08	BOP, KVT, UOP4		21A	W01A, W01B, W01C, W02A, W02B
5t021.r↔	21A	W04A, W04B	5t022.6↔	21A	W04A, W04B	5t022.k↔	21B	X04Z
	21B	X04Z		21B	X06A, X06B, X06C		08	I12A, I12B, I12C, I13A, I13B, I13C, I13D, I13E
		BOP, KVT, UOP4		08	I12A, I12B, I12C, I21Z, I31Z		21A	W04A, W04B
5t021.s↔	08	I12A, I12B, I12C, I13A, I13B, I13C, I13D, I13E	5t022.7↔	21A	W04A, W04B	5t022.l↔	21B	X04Z
	21A	W04A, W04B		21B	X06A, X06B, X06C		08	I08A, I08B, I08C, I08D, I08E, I08F
	21B	X04Z		08	BOP, KVT, UOP4		21A	W01A, W01B, W01C, W02A, W02B
5t021.t↔		BOP, KVT, UOP4	5t022.8↔	08	I12A, I12B, I12C, I21Z, I31Z	5t022.m↔	21B	X04Z
	05	F27A, F27B, F27C		21A	W04A, W04B		08	I12A, I12B, I12C, I13A, I13B, I13C, I13D, I13E
	08	I12A, I12B, I12C, I20A, I20B, I20C, I20D, I20E, I20F		21B	X06A, X06B, X06C		21A	W04A, W04B
5t021.u↔	10	K01Z	5t022.9↔	08	BOP, KVT, UOP4	5t022.n↔	21B	X04Z
	21A	W04A, W04B		08	I12A, I12B, I12C, I21Z, I31Z		08	I12A, I12B, I12C, I13A, I13B, I13C, I13D, I13E
	21B	X04Z		21A	W04A, W04B		21A	W04A, W04B
5t021.v↔		BOP, KVT, UOP4	5t022.a↔	21B	X06A, X06B, X06C	5t022.o↔	21B	X04Z
	05	F27A, F27B, F27C		08	BOP, KVT, UOP4		08	BOP, KVT, UOP4
	08	I12A, I12B, I12C, I20A, I20B, I20C, I20D, I20E, I20F		08	I12A, I12B, I12C, I21Z, I31Z		08	I12A, I12B, I12C, I13A, I13B, I13C, I13D, I13E
5t021.w↔	10	K01Z	5t022.b↔	21A	W04A, W04B	5t022.p↔	21A	W04A, W04B
	21A	W04A, W04B		21B	X06A, X06B, X06C		08	I12A, I12B, I12C, I13A, I13B, I13C, I13D, I13E
	21B	X04Z		08	BOP, KVT, UOP4		21A	W04A, W04B
5t021.x↔		BOP, KVT, UOP4	5t022.c↔	08	I12A, I12B, I12C, I32A, I32B, I32C, I32D, I32E, I32F	5t022.q↔	21B	X04Z
	08	I12A, I12B, I12C, I28A, I28B, I28C		08	I12A, I12B, I12C, I32A, I32B, I32C, I32D, I32E, I32F		08	I12A, I12B, I12C, I13A, I13B, I13C, I13D, I13E
	21A	W04A, W04B		21A	W04A, W04B		21A	W04A, W04B
5t021.y↔	21B	X06A, X06B, X06C	5t022.d↔	21B	X05A, X05B	5t022.r↔	21B	X04Z
		BOP, KVT, UOP4		08	BOP, KVT, UOP4		08	I12A, I12B, I12C, I13A, I13B, I13C, I13D, I13E
	01	B03A, B03B, B18Z		08	I12A, I12B, I12C, I32A, I32B, I32C, I32D, I32E, I32F		21A	W04A, W04B
5t021.z↔	04	E02A, E02B, E02C			5t022.s↔	05	F27A, F27B, F27C	
	08	I12A, I12B, I12C, I28A, I28B, I28C				08	I12A, I12B, I12C, I20A, I20B, I20C, I20D, I20E, I20F	
	21A	W04A, W04B				10	K01Z	
						21A	W04A, W04B	
						21B	X04Z	
							BOP, KVT, UOP4	
						05	F27A, F27B, F27C	
						08	I12A, I12B, I12C, I20A, I20B, I20C, I20D, I20E, I20F	
						10	K01Z	
						21A	W04A, W04B	
						21B	X04Z	
							BOP, KVT, UOP4	
						08	I12A, I12B, I12C, I20A, I20B, I20C, I20D, I20E, I20F	
						10	K01Z	
						21A	W04A, W04B	
						21B	X04Z	

VYK

ZZV	MDC	DRG	ZZV	MDC	DRG	ZZV	MDC	DRG				
5t022.u↔		BOP, KVT, UOP4	5t023.a↔	08	I12A, I12B, I12C, I32A, I32B, I32C, I32D, I32E, I32F	5t023.q↔	08	I12A, I12B, I12C, I13A, I13B, I13C, I13D, I13E				
	05	F27A, F27B, F27C		21A	W04A, W04B		21A	W04A, W04B				
	08	I12A, I12B, I12C, I20A, I20B, I20C, I20D, I20E, I20F		21B	X05A, X05B		21B	X04Z				
	10	K01Z		5t023.b↔			BOP, KVT, UOP4	5t023.r↔		BOP, KVT, UOP4		
	21A	W04A, W04B			08		I12A, I12B, I12C, I32A, I32B, I32C, I32D, I32E, I32F		08	I12A, I12B, I12C, I13A, I13B, I13C, I13D, I13E		
5t022.x	21B	X04Z	5t023.c↔	21A	W04A, W04B	5t023.s↔	21A	W04A, W04B				
		BOP, KVT, UOP4		21B	X05A, X05B		21B	X04Z				
	08	I12A, I12B, I12C, I28A, I28B, I28C	5t023.d		BOP, KVT, UOP4	5t023.t↔		BOP, KVT, UOP4				
	21A	W04A, W04B		08	I12A, I12B, I12C, I32A, I32B, I32C, I32D, I32E, I32F		05	F27A, F27B, F27C				
	21B	X06A, X06B, X06C		10	K09A, K09B		08	I12A, I12B, I12C, I20A, I20B, I20C, I20D, I20E, I20F				
5t022.z↔	01	B03A, B03B, B18Z	5t023.e↔	21A	W04A, W04B	5t023.u↔	10	K01Z				
	04	E02A, E02B, E02C		21B	X06A, X06B, X06C		21A	W04A, W04B				
	08	I12A, I12B, I12C, I28A, I28B, I28C			BOP, KVT, UOP4		21B	X04Z				
	21A	W04A, W04B		5t023.f↔	08		I08A, I08B, I08C, I08D, I08E, I08F, I12A, I12B, I12C, I37Z	5t023.x		BOP, KVT, UOP4		
	21B	X06A, X06B, X06C			10		K09A, K09B		05	F27A, F27B, F27C		
5t023.0↔		BOP, KVT, UOP4	5t023.g↔	21A	W04A, W04B	5t023.z↔	08	I12A, I12B, I12C, I20A, I20B, I20C, I20D, I20E, I20F				
	01	B03A, B03B, B18Z		5t023.h↔	21B		X06A, X06B, X06C	5t024.0↔	10	K01Z		
	04	E02A, E02B, E02C					BOP, KVT, UOP4		5t024.1↔	21A	W04A, W04B	
	08	I12A, I12B, I12C, I28A, I28B, I28C		08	I08A, I08B, I08C, I08D, I08E, I08F		21B	X04Z				
	21A	W04A, W04B		5t023.i↔	21A		W01A, W01B, W01C, W02A, W02B	5t024.2↔		BOP, KVT, UOP4		
21B	X06A, X06B, X06C	21B	X04Z		08	I12A, I12B, I12C, I28A, I28B, I28C						
5t023.1↔		BOP, KVT, UOP4	5t023.j↔		BOP, KVT, UOP4	5t024.3↔	21A	W04A, W04B				
	08	I12A, I12B, I12C, I13A, I13B, I13C, I13D, I13E		5t023.k↔	08		I08A, I08B, I08C, I08D, I08E, I08F	5t024.4↔	21B	X06A, X06B, X06C		
	21A	W04A, W04B			5t023.l↔		21A		W01A, W01B, W01C, W02A, W02B	5t024.5↔		BOP, KVT, UOP4
	21B	X06A, X06B, X06C					BOP, KVT, UOP4	01	B03A, B03B, B18Z			
	5t023.2↔			BOP, KVT, UOP4	5t023.m↔		21B	X04Z	04	E02A, E02B, E02C		
08		I12A, I12B, I12C, I13A, I13B, I13C, I13D, I13E	5t023.n↔	08		I12A, I12B, I12C, I13A, I13B, I13C, I13D, I13E	5t024.6↔	08	I12A, I12B, I12C, I28A, I28B, I28C			
21A		W04A, W04B		5t023.o↔		21A		W04A, W04B	5t024.7↔	21A	W04A, W04B	
21B		X06A, X06B, X06C				BOP, KVT, UOP4	21B	X06A, X06B, X06C				
5t023.3↔			BOP, KVT, UOP4	5t023.p↔		08	I12A, I12B, I12C, I21Z, I31Z	5t024.8↔		BOP, KVT, UOP4		
	08	I12A, I12B, I12C, I13A, I13B, I13C, I13D, I13E	5t023.q↔		5t023.r↔	08	I12A, I12B, I12C, I21Z, I31Z		5t024.9↔	08	I12A, I12B, I12C, I13A, I13B, I13C, I13D, I13E	
	21A	W04A, W04B				5t023.s↔	5t023.t↔			21A	W04A, W04B	5t025.0↔
	21B	X06A, X06B, X06C			BOP, KVT, UOP4				21B	X06A, X06B, X06C		
	5t023.4↔		BOP, KVT, UOP4		5t023.t↔	5t023.u↔	21B		X04Z	5t025.1↔		BOP, KVT, UOP4
08		I12A, I12B, I12C, I21Z, I31Z	5t023.v↔	5t023.w↔			08	I12A, I12B, I12C, I28A, I28B, I28C	5t025.2↔		01	B03A, B03B, B18Z
21A		W04A, W04B					5t023.x↔	5t023.y↔			21A	W04A, W04B
21B		X06A, X06B, X06C		BOP, KVT, UOP4					08		I12A, I12B, I12C, I28A, I28B, I28C	
5t023.5↔			BOP, KVT, UOP4	5t023.u↔			5t023.z↔	21A	W01A, W01B, W01C, W02A, W02B		5t025.4↔	08
	08	I12A, I12B, I12C, I21Z, I31Z	5t023.y↔		5t024.0↔	21B		X04Z	5t025.5↔	21A		W04A, W04B
	21A	W04A, W04B				5t023.z↔		5t024.1↔		08		I08A, I08B, I08C, I08D, I08E, I08F
	21B	X06A, X06B, X06C			BOP, KVT, UOP4				21A	W01A, W01B, W01C, W02A, W02B		5t025.7↔
	5t023.6↔		BOP, KVT, UOP4		5t023.v↔	5t024.0↔		21B	X04Z	5t025.8↔		
08		I12A, I12B, I12C, I21Z, I31Z	5t023.w↔	5t024.1↔			08	I12A, I12B, I12C, I13A, I13B, I13C, I13D, I13E	5t025.9↔		08	I12A, I12B, I12C, I28A, I28B, I28C
21A		W04A, W04B					5t023.x↔	5t024.2↔			21A	W04A, W04B
21B		X06A, X06B, X06C		BOP, KVT, UOP4					21B		X06A, X06B, X06C	
5t023.7↔			BOP, KVT, UOP4	5t023.w↔			5t024.1↔	08	I12A, I12B, I12C, I13A, I13B, I13C, I13D, I13E		5t026.1↔	
	08	I12A, I12B, I12C, I21Z, I31Z	5t023.y↔		5t024.2↔	21A		W04A, W04B	5t026.2↔	08		I12A, I12B, I12C, I13A, I13B, I13C, I13D, I13E
	21A	W04A, W04B				5t023.z↔		5t024.3↔		21B		X04Z
	21B	X06A, X06B, X06C			BOP, KVT, UOP4				21B	X06A, X06B, X06C		
	5t023.8↔		BOP, KVT, UOP4		5t023.x↔	5t024.2↔		08	I12A, I12B, I12C, I13A, I13B, I13C, I13D, I13E	5t026.4↔		
08		I12A, I12B, I12C, I21Z, I31Z	5t023.z↔	5t024.3↔			21A	W04A, W04B	5t026.5↔		08	I12A, I12B, I12C, I13A, I13B, I13C, I13D, I13E
21A		W04A, W04B					5t023.0↔	5t024.4↔			21B	X04Z
21B		X06A, X06B, X06C		BOP, KVT, UOP4					21B		X06A, X06B, X06C	
5t023.9↔			BOP, KVT, UOP4	5t023.y↔			5t024.3↔	08	I12A, I12B, I12C, I13A, I13B, I13C, I13D, I13E		5t026.7↔	
	08	I12A, I12B, I12C, I21Z, I31Z	5t023.1↔		5t024.5↔	21A		W04A, W04B	5t026.8↔	08		I12A, I12B, I12C, I21Z, I31Z
	21A	W04A, W04B				5t023.2↔		5t024.6↔		21B		X04Z
	21B	X06A, X06B, X06C			BOP, KVT, UOP4				21B	X06A, X06B, X06C		

ZZV	MDC	DRG	ZZV	MDC	DRG	ZZV	MDC	DRG
5t024.5↔		BOP, KVT, UOP4	5t024.k↔		BOP, KVT, UOP4	5t025.0↔		BOP, KVT, UOP4
	08	I12A, I12B, I12C, I21Z, I31Z		08	I12A, I12B, I12C, I13A, I13B, I13C, I13D, I13E		01	B03A, B03B, B18Z
	21A	W04A, W04B		21A	W04A, W04B		04	E02A, E02B, E02C
	21B	X06A, X06B, X06C		21B	X04Z		08	I12A, I12B, I12C, I28A, I28B, I28C
5t024.6↔		BOP, KVT, UOP4	5t024.m↔		BOP, KVT, UOP4		21A	W04A, W04B
	08	I12A, I12B, I12C, I21Z, I31Z		08	I12A, I12B, I12C, I13A, I13B, I13C, I13D, I13E		21B	X06A, X06B, X06C
	21A	W04A, W04B		21A	W04A, W04B	5t025.1↔		BOP, KVT, UOP4
	21B	X06A, X06B, X06C		21B	X04Z		08	I12A, I12B, I12C, I13A, I13B, I13C, I13D, I13E
5t024.7↔		BOP, KVT, UOP4	5t024.n↔		BOP, KVT, UOP4		21A	W04A, W04B
	08	I12A, I12B, I12C, I21Z, I31Z		08	I12A, I12B, I12C, I13A, I13B, I13C, I13D, I13E	5t025.2↔		BOP, KVT, UOP4
	21A	W04A, W04B		21A	W04A, W04B		08	I12A, I12B, I12C, I13A, I13B, I13C, I13D, I13E
	21B	X06A, X06B, X06C		21B	X04Z		21A	W04A, W04B
5t024.8↔		BOP, KVT, UOP4	5t024.p↔		BOP, KVT, UOP4		21B	X06A, X06B, X06C
	08	I12A, I12B, I12C, I21Z, I31Z		08	I12A, I12B, I12C, I13A, I13B, I13C, I13D, I13E	5t025.3↔		BOP, KVT, UOP4
	21A	W04A, W04B		21A	W04A, W04B		08	I12A, I12B, I12C, I13A, I13B, I13C, I13D, I13E
	21B	X06A, X06B, X06C		21B	X04Z		21A	W04A, W04B
5t024.9↔		BOP, KVT, UOP4	5t024.q↔		BOP, KVT, UOP4		21B	X06A, X06B, X06C
	08	I12A, I12B, I12C, I21Z, I31Z		08	I12A, I12B, I12C, I13A, I13B, I13C, I13D, I13E	5t025.4↔		BOP, KVT, UOP4
	21A	W04A, W04B		21A	W04A, W04B		08	I12A, I12B, I12C, I21Z, I31Z
	21B	X06A, X06B, X06C		21B	X04Z		21A	W04A, W04B
5t024.a↔		BOP, KVT, UOP4	5t024.r↔		BOP, KVT, UOP4		21B	X06A, X06B, X06C
	08	I12A, I12B, I12C, I32A, I32B, I32C, I32D, I32E, I32F		08	I12A, I12B, I12C, I13A, I13B, I13C, I13D, I13E	5t025.5↔		BOP, KVT, UOP4
	21A	W04A, W04B		21A	W04A, W04B		08	I12A, I12B, I12C, I21Z, I31Z
	21B	X05A, X05B		21B	X04Z		21A	W04A, W04B
5t024.b↔		BOP, KVT, UOP4	5t024.s↔		BOP, KVT, UOP4		21B	X06A, X06B, X06C
	08	I12A, I12B, I12C, I32A, I32B, I32C, I32D, I32E, I32F		05	F27A, F27B, F27C	5t025.6↔		BOP, KVT, UOP4
	21A	W04A, W04B		08	I12A, I12B, I12C, I20A, I20B, I20C, I20D, I20E, I20F		08	I12A, I12B, I12C, I21Z, I31Z
	21B	X05A, X05B		10	K01Z		21A	W04A, W04B
5t024.c↔		BOP, KVT, UOP4		21A	W04A, W04B	5t025.7↔		BOP, KVT, UOP4
	08	I12A, I12B, I12C, I32A, I32B, I32C, I32D, I32E, I32F		21B	X04Z		08	I12A, I12B, I12C, I21Z, I31Z
	10	K09A, K09B		5t024.t↔	BOP, KVT, UOP4		21A	W04A, W04B
	21A	W04A, W04B		05	F27A, F27B, F27C		21B	X06A, X06B, X06C
	21B	X06A, X06B, X06C		08	I12A, I12B, I12C, I20A, I20B, I20C, I20D, I20E, I20F	5t025.8↔		BOP, KVT, UOP4
5t024.d		BOP, KVT, UOP4		10	K01Z		08	I12A, I12B, I12C, I21Z, I31Z
	08	I08A, I08B, I08C, I08D, I08E, I08F, I12A, I12B, I12C, I37Z		21A	W04A, W04B		21A	W04A, W04B
	10	K09A, K09B		21B	X04Z		21B	X06A, X06B, X06C
	21A	W04A, W04B		5t024.u↔	BOP, KVT, UOP4	5t025.9↔		BOP, KVT, UOP4
	21B	X06A, X06B, X06C		05	F27A, F27B, F27C		08	I12A, I12B, I12C, I21Z, I31Z
5t024.e↔		BOP, KVT, UOP4		08	I12A, I12B, I12C, I20A, I20B, I20C, I20D, I20E, I20F		21A	W04A, W04B
	08	I08A, I08B, I08C, I08D, I08E, I08F		10	K01Z		21B	X06A, X06B, X06C
	21A	W01A, W01B, W01C, W02A, W02B		21A	W04A, W04B	5t025.a↔		BOP, KVT, UOP4
	21B	X04Z		21B	X04Z		08	I12A, I12B, I12C, I32A, I32B, I32C, I32D, I32E, I32F
5t024.f↔		BOP, KVT, UOP4		5t024.x	BOP, KVT, UOP4		21A	W04A, W04B
	08	I08A, I08B, I08C, I08D, I08E, I08F		08	I12A, I12B, I12C, I28A, I28B, I28C		21B	X05A, X05B
	21A	W01A, W01B, W01C, W02A, W02B		21A	W04A, W04B	5t025.b↔		BOP, KVT, UOP4
	21B	X04Z		21B	X06A, X06B, X06C		08	I12A, I12B, I12C, I32A, I32B, I32C, I32D, I32E, I32F
5t024.g↔		BOP, KVT, UOP4		5t024.z↔	BOP, KVT, UOP4		21A	W04A, W04B
	08	I08A, I08B, I08C, I08D, I08E, I08F		01	B03A, B03B, B18Z		21B	X05A, X05B
	21A	W01A, W01B, W01C, W02A, W02B		04	E02A, E02B, E02C	5t025.c↔		BOP, KVT, UOP4
	21B	X04Z		08	I12A, I12B, I12C, I28A, I28B, I28C		08	I12A, I12B, I12C, I32A, I32B, I32C, I32D, I32E, I32F
5t024.h↔		BOP, KVT, UOP4		21A	W04A, W04B		10	K09A, K09B
	08	I08A, I08B, I08C, I08D, I08E, I08F		21B	X06A, X06B, X06C		21A	W04A, W04B
	21A	W01A, W01B, W01C, W02A, W02B					21B	X06A, X06B, X06C
	21B	X04Z				5t025.d		BOP, KVT, UOP4
							08	I08A, I08B, I08C, I08D, I08E, I08F, I12A, I12B, I12C, I37Z
							10	K09A, K09B
							21A	W04A, W04B
							21B	X06A, X06B, X06C

ZZV	MDC	DRG	ZZV	MDC	DRG	ZZV	MDC	DRG
5t025.e↔		BOP, KVT, UOP4	5t025.u↔	05	BOP, KVT, UOP4	5t026.m↔		BOP, KVT, UOP4
	08	I08A, I08B, I08C, I08D, I08E, I08F		08	F27A, F27B, F27C		08	I12A, I12B, I12C, I13A, I13B, I13C, I13D, I13E
	21A	W01A, W01B, W01C, W02A, W02B		10	I12A, I12B, I12C, I20A, I20B, I20C, I20D, I20E, I20F		21A	W04A, W04B
5t025.f↔	21B	X04Z	5t025.x	21A	W04A, W04B	5t026.q↔	21B	X04Z
		BOP, KVT, UOP4		21B	X04Z			BOP, KVT, UOP4
	08	I08A, I08B, I08C, I08D, I08E, I08F		08	BOP, KVT, UOP4		08	I12A, I12B, I12C, I13A, I13B, I13C, I13D, I13E
5t025.g↔	21A	W01A, W01B, W01C, W02A, W02B	5t025.z↔	21A	I12A, I12B, I12C, I28A, I28B, I28C	5t026.s↔	21A	W04A, W04B
	21B	X04Z		21A	W04A, W04B		21B	X04Z
		BOP, KVT, UOP4		21B	X06A, X06B, X06C		05	F27A, F27B, F27C
5t025.h↔	08	I08A, I08B, I08C, I08D, I08E, I08F	5t026.0↔		BOP, KVT, UOP4	5t026.t↔	08	I12A, I12B, I12C, I20A, I20B, I20C, I20D
	21A	W01A, W01B, W01C, W02A, W02B		01	B03A, B03B, B18Z		10	K01Z
	21B	X04Z		04	E02A, E02B, E02C		21A	W04A, W04B
5t025.k↔		BOP, KVT, UOP4	5t026.2↔	08	I12A, I12B, I12C, I28A, I28B, I28C	5t026.u↔	21B	X04Z
	08	I12A, I12B, I12C, I13A, I13B, I13C, I13D, I13E		21A	W04A, W04B			BOP, KVT, UOP4
	21A	W04A, W04B		21B	X06A, X06B, X06C		05	F27A, F27B, F27C
5t025.m↔	21B	X04Z	5t026.5↔		BOP, KVT, UOP4	5t026.x	08	I12A, I12B, I12C, I20A, I20B, I20C, I20D
		BOP, KVT, UOP4		08	I12A, I12B, I12C, I13A, I13B, I13C, I13D, I13E		10	K01Z
	08	I12A, I12B, I12C, I13A, I13B, I13C, I13D, I13E		21A	W04A, W04B		21A	W04A, W04B
5t025.n↔	21A	W04A, W04B	5t026.8↔	21B	X06A, X06B, X06C	5t026.z↔	21B	X04Z
	21B	X04Z		08	BOP, KVT, UOP4			BOP, KVT, UOP4
		BOP, KVT, UOP4		21A	W04A, W04B		08	I12A, I12B, I12C, I28A, I28B, I28C
5t025.p↔	08	I12A, I12B, I12C, I13A, I13B, I13C, I13D, I13E	5t026.a↔	21B	X06A, X06B, X06C	5t027.0↔	21A	W04A, W04B
	21A	W04A, W04B		08	BOP, KVT, UOP4		21B	X06A, X06B, X06C
	21B	X04Z		08	I12A, I12B, I12C, I21Z, I31Z			BOP, KVT, UOP4
5t025.q↔		BOP, KVT, UOP4	5t026.b↔	21A	W04A, W04B	5t027.2↔	01	B03A, B03B, B18Z
	08	I12A, I12B, I12C, I13A, I13B, I13C, I13D, I13E		21B	X06A, X06B, X06C		04	E02A, E02B, E02C
	21A	W04A, W04B		08	I12A, I12B, I12C, I32A, I32B, I32C, I32D, I32E, I32F		08	I12A, I12B, I12C, I28A, I28B, I28C
5t025.r↔	21B	X04Z	5t026.c↔	21A	W04A, W04B	5t027.5↔	21A	W04A, W04B
		BOP, KVT, UOP4		21B	X05A, X05B		21B	X06A, X06B, X06C
	08	I12A, I12B, I12C, I13A, I13B, I13C, I13D, I13E		08	BOP, KVT, UOP4			BOP, KVT, UOP4
5t025.s↔	21A	W04A, W04B	5t026.d	08	I12A, I12B, I12C, I32A, I32B, I32C, I32D, I32E, I32F	5t027.8↔	08	I12A, I12B, I12C, I21Z, I31Z
	21B	X04Z		10	K09A, K09B		21A	W04A, W04B
	05	F27A, F27B, F27C		21A	W04A, W04B		21B	X06A, X06B, X06C
5t025.t↔	08	I12A, I12B, I12C, I20A, I20B, I20C, I20D, I20E, I20F	5t026.g↔	21B	X06A, X06B, X06C	5t027.a↔	21B	X06A, X06B, X06C
	10	K01Z		08	BOP, KVT, UOP4			BOP, KVT, UOP4
	21A	W04A, W04B		10	I08A, I08B, I08C, I08D, I08E, I08F, I12A, I12B, I12C, I37Z		08	I12A, I12B, I12C, I21Z, I31Z
	BOP, KVT, UOP4		BOP, KVT, UOP4	21A	W04A, W04B	5t027.8↔	21B	X06A, X06B, X06C
05	F27A, F27B, F27C	21A	W04A, W04B	21B	X06A, X06B, X06C		08	I12A, I12B, I12C, I21Z, I31Z
08	I12A, I12B, I12C, I20A, I20B, I20C, I20D, I20E, I20F	21B	X06A, X06B, X06C	08	I08A, I08B, I08C, I08D, I08E, I08F		21A	W04A, W04B
	BOP, KVT, UOP4		BOP, KVT, UOP4	21A	W01A, W01B, W01C, W02A, W02B	5t027.a↔	21B	X06A, X06B, X06C
10	K01Z		BOP, KVT, UOP4	21B	X04Z		08	I12A, I12B, I12C, I32A, I32B, I32C, I32D, I32E, I32F
21A	W04A, W04B		BOP, KVT, UOP4				21A	W04A, W04B
21B	X04Z		BOP, KVT, UOP4			21B	X05A, X05B	

VYK

ZZV	MDC	DRG	ZZV	MDC	DRG	ZZV	MDC	DRG			
5t027.b↔		BOP, KVT, UOP4	5t028.2↔		BOP, KVT, UOP4	5t029.a↔		BOP, KVT, UOP4			
	08	I12A, I12B, I12C, I32A, I32B, I32C, I32D, I32E, I32F		08	I12A, I12B, I12C, I13A, I13B, I13C, I13D, I13E		08	I12A, I12B, I12C, I32A, I32B, I32C, I32D, I32E, I32F			
	21A	W04A, W04B		21A	W04A, W04B		21A	W04A, W04B			
	21B	X05A, X05B		21B	X06A, X06B, X06C		21B	X05A, X05B			
5t027.c↔		BOP, KVT, UOP4	5t028.5↔		BOP, KVT, UOP4	5t029.c↔		BOP, KVT, UOP4			
	08	I12A, I12B, I12C, I32A, I32B, I32C, I32D, I32E, I32F		08	I12A, I12B, I12C, I21Z, I31Z		08	I12A, I12B, I12C, I32A, I32B, I32C, I32D, I32E, I32F			
	10	K09A, K09B		21A	W04A, W04B		10	K09A, K09B			
	21A	W04A, W04B		21B	X06A, X06B, X06C		21A	W04A, W04B			
	21B	X06A, X06B, X06C	5t028.8↔		BOP, KVT, UOP4		21B	X05A, X05B			
5t027.d		BOP, KVT, UOP4		08	I12A, I12B, I12C, I21Z, I31Z	5t029.d		BOP, KVT, UOP4			
	08	I08A, I08B, I08C, I08D, I08E, I08F, I12A, I12B, I12C, I37Z		21A	W04A, W04B		08	I08A, I08B, I08C, I08D, I08E, I08F, I37Z			
	10	K09A, K09B		21B	X06A, X06B, X06C		08	I08A, I08B, I08C, I08D, I08E, I08F			
	21A	W04A, W04B	5t028.a↔		BOP, KVT, UOP4	5t029.g↔		BOP, KVT, UOP4			
	21B	X06A, X06B, X06C		08	I12A, I12B, I12C, I32A, I32B, I32C, I32D, I32E, I32F		08	I08A, I08B, I08C, I08D, I08E, I08F			
5t027.g↔		BOP, KVT, UOP4		21A	W04A, W04B		21A	W01A, W01B, W01C, W02A, W02B			
	08	I08A, I08B, I08C, I08D, I08E, I08F		21B	X05A, X05B		21B	X04Z			
	21A	W01A, W01B, W01C, W02A, W02B	5t028.b↔		BOP, KVT, UOP4	5t029.m↔		BOP, KVT, UOP4			
	21B	X04Z		08	I20A, I20B, I20C, I20D, I20E, I20F		08	I12A, I12B, I12C, I13A, I13B, I13C, I13D, I13E			
5t027.m↔		BOP, KVT, UOP4		5t028.c↔		BOP, KVT, UOP4		21A	W04A, W04B		
	08	I12A, I12B, I12C, I13A, I13B, I13C, I13D, I13E			08	I12A, I12B, I12C, I32A, I32B, I32C, I32D, I32E, I32F		21B	X04Z		
	21A	W04A, W04B			10	K09A, K09B	5t029.q↔		BOP, KVT, UOP4		
	21B	X04Z			21A	W04A, W04B		08	I13A, I13B, I13C, I13D, I13E		
5t027.q↔		BOP, KVT, UOP4		5t028.d		BOP, KVT, UOP4	5t029.s↔		BOP, KVT, UOP4		
	08	I12A, I12B, I12C, I13A, I13B, I13C, I13D, I13E			08	I08A, I08B, I08C, I08D, I08E, I08F, I37Z		08	I20A, I20B, I20C, I20D		
	21A	W04A, W04B			5t028.g↔		5t029.t↔		BOP, KVT, UOP4		
	21B	X04Z				08	I08A, I08B, I08C, I08D, I08E, I08F		08	I20A, I20B, I20C, I20D	
5t027.s↔		BOP, KVT, UOP4				21A	W01A, W01B, W01C, W02A, W02B	5t029.u↔		BOP, KVT, UOP4	
	05	F27A, F27B, F27C				21B	X04Z		08	I20A, I20B, I20C, I20D	
	08	I12A, I12B, I12C, I20A, I20B, I20C, I20D						5t029.x		08	I12A, I12B, I12C, I28A, I28B, I28C
	10	K01Z							21A	W04A, W04B	
	21A	W04A, W04B	5t028.m↔						21B	X06A, X06B, X06C	
	21B	X04Z						5t02x.0↔			BOP, KVT, UOP4
5t027.t↔		BOP, KVT, UOP4							01	B03A, B03B, B18Z	
	05	F27A, F27B, F27C							04	E02A, E02B, E02C	
	08	I12A, I12B, I12C, I20A, I20B, I20C, I20D							08	I12A, I12B, I12C, I28A, I28B, I28C	
	10	K01Z							21A	W04A, W04B	
	21A	W04A, W04B							21B	X06A, X06B, X06C	
	21B	X04Z						5t02x.1↔			BOP, KVT, UOP4
5t027.u↔		BOP, KVT, UOP4							08	I12A, I12B, I12C, I13A, I13B, I13C, I13D, I13E	
	05	F27A, F27B, F27C							21A	W04A, W04B	
	08	I12A, I12B, I12C, I20A, I20B, I20C, I20D							21B	X06A, X06B, X06C	
	10	K01Z						5t02x.2↔			BOP, KVT, UOP4
	21A	W04A, W04B							08	I12A, I12B, I12C, I13A, I13B, I13C, I13D, I13E	
	21B	X04Z							21A	W04A, W04B	
5t027.x		BOP, KVT, UOP4							21B	X06A, X06B, X06C	
	08	I12A, I12B, I12C, I28A, I28B, I28C						5t02x.3↔			BOP, KVT, UOP4
	21A	W04A, W04B							08	I12A, I12B, I12C, I13A, I13B, I13C, I13D, I13E	
	21B	X06A, X06B, X06C							21A	W04A, W04B	
5t027.z↔		BOP, KVT, UOP4							21B	X06A, X06B, X06C	
	01	B03A, B03B, B18Z						5t02x.4↔			BOP, KVT, UOP4
	04	E02A, E02B, E02C							08	I12A, I12B, I12C, I18A, I30Z	
	08	I12A, I12B, I12C, I28A, I28B, I28C							21A	W04A, W04B	
	21A	W04A, W04B							21B	X06A, X06B, X06C	
	21B	X06A, X06B, X06C						5t02x.5↔			BOP, KVT, UOP4
									08	I12A, I12B, I12C, I18A, I30Z	
									21A	W04A, W04B	
									21B	X06A, X06B, X06C	

VYK

ZZV	MDC	DRG	ZZV	MDC	DRG	ZZV	MDC	DRG
5t02x.6↔		BOP, KVT, UOP4	5t02x.m↔		BOP, KVT, UOP4	5t040.2↔		BOP, KVT, UOP4, VIAL
	08	I12A, I12B, I12C, I18A, I30Z		08	I12A, I12B, I12C, I13A, I13B, I13C, I13D, I13E		08	I08A, I08B, I08C, I08D, I08E, I08F, I12A, I12B, I12C, I13A, I13B, I13C, I13D
	21A	W04A, W04B		21A	W04A, W04B		21A	W04A, W04B
	21B	X06A, X06B, X06C		21B	X04Z		21B	X06A, X06B, X06C
5t02x.7↔		BOP, KVT, UOP4	5t02x.n↔		BOP, KVT, UOP4	5t040.3↔		BOP, KVT, UOP4, VIAL
	08	I12A, I12B, I12C, I18A, I30Z		08	I12A, I12B, I12C, I13A, I13B, I13C, I13D, I13E		08	I08A, I08B, I08C, I08D, I08E, I08F, I12A, I12B, I12C, I13A, I13B, I13C, I13D
	21A	W04A, W04B		21A	W04A, W04B		21A	W04A, W04B
	21B	X06A, X06B, X06C		21B	X04Z		21B	X06A, X06B, X06C
5t02x.8↔		BOP, KVT, UOP4	5t02x.p↔		BOP, KVT, UOP4	5t040.4↔		BOP, KVT, UOP4, VIAL
	08	I12A, I12B, I12C, I18A, I30Z		08	I12A, I12B, I12C, I13A, I13B, I13C, I13D, I13E		08	I08A, I08B, I08C, I08D, I08E, I08F, I12A, I12B, I12C, I18A, I13B, I13C, I13D
	21A	W04A, W04B		21A	W04A, W04B		21A	W04A, W04B
	21B	X06A, X06B, X06C		21B	X04Z		21B	X06A, X06B, X06C
5t02x.9↔		BOP, KVT, UOP4	5t02x.q↔		BOP, KVT, UOP4	5t040.5↔		BOP, KVT, UOP4, VIAL
	08	I12A, I12B, I12C, I18A, I30Z		08	I12A, I12B, I12C, I13A, I13B, I13C, I13D, I13E		08	I08A, I08B, I08C, I08D, I08E, I08F, I12A, I12B, I12C, I18A, I30Z
	21A	W04A, W04B		21A	W04A, W04B		21A	W04A, W04B
	21B	X06A, X06B, X06C		21B	X04Z		21B	X06A, X06B, X06C
5t02x.a↔		BOP, KVT, UOP4	5t02x.r↔		BOP, KVT, UOP4	5t040.6↔		BOP, KVT, UOP4, VIAL
	08	I12A, I12B, I12C, I32A, I32B, I32C, I32D, I32E, I32F		08	I12A, I12B, I12C, I13A, I13B, I13C, I13D, I13E		08	I08A, I08B, I08C, I08D, I08E, I08F, I12A, I12B, I12C, I18A, I30Z
	21A	W04A, W04B		21A	W04A, W04B		21A	W04A, W04B
	21B	X05A, X05B		21B	X04Z		21B	X06A, X06B, X06C
5t02x.b↔		BOP, KVT, UOP4	5t02x.s↔		BOP, KVT, UOP4	5t040.7↔		BOP, KVT, UOP4, VIAL
	08	I12A, I12B, I12C, I32A, I32B, I32C, I32D, I32E, I32F		05	F27A, F27B, F27C		08	I08A, I08B, I08C, I08D, I08E, I08F, I12A, I12B, I12C, I18A, I30Z
	21A	W04A, W04B		08	I12A, I12B, I12C, I20A, I20B, I20C, I20D, I20E, I20F		21A	W04A, W04B
	21B	X05A, X05B		10	K01Z		21B	X06A, X06B, X06C
5t02x.c↔		BOP, KVT, UOP4	5t02x.t↔		BOP, KVT, UOP4	5t040.8↔		BOP, KVT, UOP4, VIAL
	08	I12A, I12B, I12C, I32A, I32B, I32C, I32D, I32E, I32F		05	F27A, F27B, F27C		08	I08A, I08B, I08C, I08D, I08E, I08F, I12A, I12B, I12C, I21Z, I31Z
	10	K09A, K09B		08	I12A, I12B, I12C, I20A, I20B, I20C, I20D, I20E, I20F		21A	W04A, W04B
	21A	W04A, W04B		10	K01Z		21B	X06A, X06B, X06C
	21B	X06A, X06B, X06C		21A	W04A, W04B		21A	W04A, W04B
5t02x.d		BOP, KVT, UOP4	5t02x.u↔		BOP, KVT, UOP4	5t040.9↔		BOP, KVT, UOP4, VIAL
	08	I08A, I08B, I08C, I08D, I08E, I08F, I12A, I12B, I12C		05	F27A, F27B, F27C		08	I08A, I08B, I08C, I08D, I08E, I08F, I12A, I12B, I12C, I21Z, I31Z
	10	K09A, K09B		08	I12A, I12B, I12C, I20A, I20B, I20C, I20D, I20E, I20F		21A	W04A, W04B
	21A	W04A, W04B		10	K01Z		21B	X06A, X06B, X06C
	21B	X06A, X06B, X06C		21A	W04A, W04B		21A	W04A, W04B
5t02x.e↔		BOP, KVT, UOP4	5t02x.v↔		BOP, KVT, UOP4	5t040.a↔		BOP, KVT, UOP4, VIAL
	08	I08A, I08B, I08C, I08D, I08E, I08F		05	F27A, F27B, F27C		08	I12A, I12B, I12C, I32A, I32B, I32C, I32D, I32E, I32F
	21A	W01A, W01B, W01C, W02A, W02B		08	I12A, I12B, I12C, I20A, I20B, I20C, I20D, I20E, I20F		21A	W04A, W04B
	21B	X04Z		10	K01Z		21B	X05A, X05B
5t02x.f↔		BOP, KVT, UOP4	5t02x.w↔		BOP, KVT, UOP4	5t040.b↔		BOP, KVT, UOP4, VIAL
	08	I08A, I08B, I08C, I08D, I08E, I08F		05	F27A, F27B, F27C		08	I12A, I12B, I12C, I32A, I32B, I32C, I32D, I32E, I32F
	21A	W01A, W01B, W01C, W02A, W02B		08	I12A, I12B, I12C, I20A, I20B, I20C, I20D, I20E, I20F		21A	W04A, W04B
	21B	X04Z		10	K01Z		21B	X05A, X05B
5t02x.g↔		BOP, KVT, UOP4	5t02x.x		BOP, KVT, UOP4	5t040.c↔		BOP, KVT, UOP4, VIAL
	08	I08A, I08B, I08C, I08D, I08E, I08F		08	I12A, I12B, I12C, I28A, I28B, I28C		08	I12A, I12B, I12C, I32A, I32B, I32C, I32D, I32E, I32F
	21A	W01A, W01B, W01C, W02A, W02B		21A	W04A, W04B		21A	W04A, W04B
	21B	X04Z		21B	X06A, X06B, X06C		21B	X05A, X05B
5t02x.h↔		BOP, KVT, UOP4	5t02x.y↔		BOP, KVT, UOP4	5t040.d		BOP, KVT, UOP4, VIAL
	08	I08A, I08B, I08C, I08D, I08E, I08F		01	B03A, B03B, B18Z		08	I08A, I08B, I08C, I08D, I08E, I08F, I12A, I12B, I12C
	21A	W01A, W01B, W01C, W02A, W02B		04	E02A, E02B, E02C		21A	W04A, W04B
	21B	X04Z		08	I12A, I12B, I12C, I28A, I28B, I28C		21B	X06A, X06B, X06C
5t02x.i↔		BOP, KVT, UOP4	5t040.0↔		BOP, KVT, UOP4, VIAL			
	08	I08A, I08B, I08C, I08D, I08E, I08F		04	E02A, E02B, E02C			
	21A	W01A, W01B, W01C, W02A, W02B		08	I12A, I12B, I12C, I28A, I28B			
	21B	X04Z		21A	W04A, W04B			
5t02x.j↔		BOP, KVT, UOP4	5t040.1↔		BOP, KVT, UOP4, VIAL			
	08	I12A, I12B, I12C, I13A, I13B, I13C, I13D, I13E		08	I08A, I08B, I08C, I08D, I08E, I08F, I12A, I12B, I12C, I13A, I13B, I13C, I13D			
	21A	W04A, W04B		21A	W04A, W04B			
	21B	X04Z		21B	X06A, X06B, X06C			



ZZV	MDC	DRG	ZZV	MDC	DRG	ZZV	MDC	DRG
5t040.e↔		BOP, KVT, UOP4, VIAL	5t040.t↔	08	I12A, I12B, I12C, I20C, I28A, I28B	5t041.7↔	08	I08A, I08B, I08C, I08D, I08E, I08F, I12A, I12B, I12C, I21Z, I31Z
	01	B03A, B03B, B06A, B06B, B17A, B17B, B17C		21A	W04A, W04B		21A	W04A, W04B
	08	I08A, I08B, I08C, I08D, I08E, I08F		21B	X04Z, X06A, X06B, X06C		21B	X06A, X06B, X06C
5t040.f↔	21A	W01A, W01B, W01C, W02A, W02B	5t040.u↔	08	I12A, I12B, I12C, I20C, I28A, I28B	5t041.8↔	08	I08A, I08B, I08C, I08D, I08E, I08F, I12A, I12B, I12C, I21Z, I31Z
	21B	X04Z		21A	W04A, W04B		21A	W04A, W04B
		BOP, KVT, UOP4, VIAL		21B	X04Z, X06A, X06B, X06C		21B	X06A, X06B, X06C
5t040.g↔	01	B03A, B03B, B06A, B06B, B17A, B17B, B17C	5t040.v↔	08	I12A, I12B, I12C, I20C, I28A, I28B	5t041.9↔	08	I08A, I08B, I08C, I08D, I08E, I08F, I12A, I12B, I12C, I21Z, I31Z
	08	I08A, I08B, I08C, I08D, I08E, I08F		21A	W04A, W04B		21A	W04A, W04B
	21A	W01A, W01B, W01C, W02A, W02B		21B	X04Z, X06A, X06B, X06C		21B	X06A, X06B, X06C
5t040.h↔	21B	X04Z	5t040.w↔	08	I12A, I12B, I12C, I20C, I28A, I28B	5t041.a↔	08	I08A, I08B, I08C, I08D, I08E, I08F, I12A, I12B, I12C, I21Z, I31Z
		BOP, KVT, UOP4, VIAL		21A	W04A, W04B		21A	W04A, W04B
	01	B03A, B03B, B06A, B06B, B17A, B17B, B17C		21B	X04Z, X06A, X06B, X06C		21B	X06A, X06B, X06C
5t040.i↔	08	I08A, I08B, I08C, I08D, I08E, I08F	5t040.x	08	I12A, I12B, I12C, I28A, I28B	5t041.b↔	08	I12A, I12B, I12C, I32A, I32B, I32C, I32D, I32E, I32F
	21A	W01A, W01B, W01C, W02A, W02B		21A	W04A, W04B		21A	W04A, W04B
	21B	X04Z		21B	X06A, X06B, X06C		21B	X05A, X05B
5t040.j↔		BOP, KVT, UOP4, VIAL	5t040.y↔	08	I12A, I12B, I12C, I28A, I28B	5t041.c↔	08	I12A, I12B, I12C, I32A, I32B, I32C, I32D, I32E, I32F
	01	B03A, B03B, B06A, B06B, B17A, B17B, B17C		21A	W04A, W04B		21A	W04A, W04B
	08	I08A, I08B, I08C, I08D, I08E, I08F		21B	X06A, X06B, X06C		21B	X05A, X05B
5t040.k↔	21A	W01A, W01B, W01C, W02A, W02B	5t041.0↔	04	E02A, E02B, E02C	5t041.d	08	I08A, I08B, I08C, I08D, I08E, I08F, I12A, I12B, I12C
	21B	X04Z		08	I12A, I12B, I12C, I28A, I28B		21A	W04A, W04B
		BOP, KVT, UOP4, VIAL		21A	W04A, W04B		21B	X05A, X05B
5t040.l↔	01	B03A, B03B, B06A, B06B, B17A, B17B, B17C	5t041.1↔	08	I08A, I08B, I08C, I08D, I08E, I08F, I12A, I12B, I12C, I13A, I13B, I13C, I13D	5t041.e↔	01	B03A, B03B, B06A, B06B, B17A, B17B, B17C
	08	I08A, I08B, I08C, I08D, I08E, I08F		21A	W04A, W04B		08	I08A, I08B, I08C, I08D, I08E, I08F
	21A	W01A, W01B, W01C, W02A, W02B		21B	X06A, X06B, X06C		21A	W01A, W01B, W01C, W02A, W02B
5t040.m↔	21B	X04Z	5t041.2↔	08	I08A, I08B, I08C, I08D, I08E, I08F, I12A, I12B, I12C, I13A, I13B, I13C, I13D	5t041.f↔	21A	W01A, W01B, W01C, W02A, W02B
		BOP, KVT, UOP4, VIAL		21A	W04A, W04B		21B	X04Z
	08	I12A, I12B, I12C, I13A, I13B, I13C, I13D		21B	X06A, X06B, X06C		01	B03A, B03B, B06A, B06B, B17A, B17B, B17C
5t040.n↔	21A	W04A, W04B	5t041.3↔	08	I08A, I08B, I08C, I08D, I08E, I08F, I12A, I12B, I12C, I13A, I13B, I13C, I13D	5t041.g↔	08	I08A, I08B, I08C, I08D, I08E, I08F
	21B	X04Z		21A	W04A, W04B		21A	W01A, W01B, W01C, W02A, W02B
		BOP, KVT, UOP4, VIAL		21B	X06A, X06B, X06C		21B	X04Z
5t040.o↔	08	I12A, I12B, I12C, I13A, I13B, I13C, I13D	5t041.4↔	08	I08A, I08B, I08C, I08D, I08E, I08F, I12A, I12B, I12C, I21Z, I31Z	5t041.h↔	01	B03A, B03B, B06A, B06B, B17A, B17B, B17C
	21A	W04A, W04B		21A	W04A, W04B		08	I08A, I08B, I08C, I08D, I08E, I08F
	21B	X04Z		21B	X06A, X06B, X06C		21A	W01A, W01B, W01C, W02A, W02B
5t040.p↔		BOP, KVT, UOP4, VIAL	5t041.5↔	08	I08A, I08B, I08C, I08D, I08E, I08F, I12A, I12B, I12C, I21Z, I31Z	5t041.i↔	21A	W01A, W01B, W01C, W02A, W02B
	08	I12A, I12B, I12C, I13A, I13B, I13C, I13D, I13E		21A	W04A, W04B		21B	X04Z
	21A	W04A, W04B		21B	X06A, X06B, X06C		01	B03A, B03B, B06A, B06B, B17A, B17B, B17C
5t040.q↔	21B	X04Z	5t041.6↔	08	I08A, I08B, I08C, I08D, I08E, I08F, I12A, I12B, I12C, I21Z, I31Z	5t041.j↔	08	I08A, I08B, I08C, I08D, I08E, I08F
		BOP, KVT, UOP4, VIAL		21A	W04A, W04B		21A	W01A, W01B, W01C, W02A, W02B
	08	I12A, I12B, I12C, I13A, I13B, I13C, I13D, I13E		21B	X06A, X06B, X06C		21B	X04Z
5t040.r↔	21A	W04A, W04B	5t041.7↔	08	I08A, I08B, I08C, I08D, I08E, I08F, I12A, I12B, I12C, I21Z, I31Z	5t041.k↔	01	B03A, B03B, B06A, B06B, B17A, B17B, B17C
	21B	X04Z		21A	W04A, W04B		08	I08A, I08B, I08C, I08D, I08E, I08F
		BOP, KVT, UOP4, VIAL		21B	X06A, X06B, X06C		21A	W01A, W01B, W01C, W02A, W02B
5t040.s↔	08	I12A, I12B, I12C, I20C, I28A, I28B	5t041.8↔	08	I08A, I08B, I08C, I08D, I08E, I08F, I12A, I12B, I12C, I21Z, I31Z	5t041.l↔	21A	W01A, W01B, W01C, W02A, W02B
	21A	W04A, W04B		21A	W04A, W04B		21B	X04Z
	21B	X04Z		21B	X06A, X06B, X06C			

VYK

ZZV	MDC	DRG	ZZV	MDC	DRG	ZZV	MDC	DRG
5t041.j↔		BOP, KVT, UOP4, VIAL	5t042.0↔		BOP, KVT, UOP4, VIAL	5t042.c↔		BOP, KVT, UOP4, VIAL
	08	I12A, I12B, I12C, I28A, I28B		04	E02A, E02B, E02C		08	I12A, I12B, I12C, I32A, I32B, I32C, I32D, I32E, I32F
	21A	W04A, W04B		08	I12A, I12B, I12C, I28A, I28B		21A	W04A, W04B
	21B	X04Z, X06A, X06B, X06C		21A	W04A, W04B		21B	X05A, X05B
5t041.k↔		BOP, KVT, UOP4, VIAL	5t042.1↔		BOP, KVT, UOP4, VIAL	5t042.d		BOP, KVT, UOP4, VIAL
	08	I12A, I12B, I12C, I13A, I13B, I13C, I13D		08	I08A, I08B, I08C, I08D, I08E, I08F, I12A, I12B, I12C, I13A, I13B, I13C, I13D		08	I08A, I08B, I08C, I08D, I08E, I08F, I12A, I12B, I12C
	21A	W04A, W04B		21A	W04A, W04B		21A	W04A, W04B
	21B	X04Z		21B	X06A, X06B, X06C		21B	X06A, X06B, X06C
5t041.m↔		BOP, KVT, UOP4, VIAL	5t042.2↔		BOP, KVT, UOP4, VIAL	5t042.e↔		BOP, KVT, UOP4, VIAL
	08	I12A, I12B, I12C, I13A, I13B, I13C, I13D		08	I08A, I08B, I08C, I08D, I08E, I08F, I12A, I12B, I12C, I13A, I13B, I13C, I13D, I13E		01	B03A, B03B, B06A, B06B, B17A, B17B, B17C
	21A	W04A, W04B		21A	W04A, W04B		08	I08A, I08B, I08C, I08D, I08E, I08F
	21B	X04Z		21B	X06A, X06B, X06C		21A	W01A, W01B, W01C, W02A, W02B
5t041.n↔		BOP, KVT, UOP4, VIAL	5t042.3↔		BOP, KVT, UOP4, VIAL	5t042.f↔		BOP, KVT, UOP4, VIAL
	08	I12A, I12B, I12C, I13A, I13B, I13C, I13D		08	I08A, I08B, I08C, I08D, I08E, I08F, I12A, I12B, I12C, I13A, I13B, I13C, I13D		01	B03A, B03B, B06A, B06B, B17A, B17B, B17C
	21A	W04A, W04B		21A	W04A, W04B		08	I08A, I08B, I08C, I08D, I08E, I08F
	21B	X04Z		21B	X06A, X06B, X06C		21A	W01A, W01B, W01C, W02A, W02B
5t041.p↔		BOP, KVT, UOP4, VIAL	5t042.4↔		BOP, KVT, UOP4, VIAL	5t042.g↔		BOP, KVT, UOP4, VIAL
	08	I12A, I12B, I12C, I13A, I13B, I13C, I13D, I13E		08	I08A, I08B, I08C, I08D, I08E, I08F, I12A, I12B, I12C, I21Z, I31Z		01	B03A, B03B, B06A, B06B, B17A, B17B, B17C
	21A	W04A, W04B		21A	W04A, W04B		08	I08A, I08B, I08C, I08D, I08E, I08F
	21B	X04Z		21B	X06A, X06B, X06C		21A	W01A, W01B, W01C, W02A, W02B
5t041.q↔		BOP, KVT, UOP4, VIAL	5t042.5↔		BOP, KVT, UOP4, VIAL	5t042.h↔		BOP, KVT, UOP4, VIAL
	08	I12A, I12B, I12C, I13A, I13B, I13C, I13D, I13E		08	I08A, I08B, I08C, I08D, I08E, I08F, I12A, I12B, I12C, I21Z, I31Z		01	B03A, B03B, B06A, B06B, B17A, B17B, B17C
	21A	W04A, W04B		21A	W04A, W04B		08	I08A, I08B, I08C, I08D, I08E, I08F
	21B	X04Z		21B	X06A, X06B, X06C		21A	W01A, W01B, W01C, W02A, W02B
5t041.r↔		BOP, KVT, UOP4, VIAL	5t042.6↔		BOP, KVT, UOP4, VIAL	5t042.i↔		BOP, KVT, UOP4, VIAL
	08	I12A, I12B, I12C, I13A, I13B, I13C, I13D, I13E		08	I08A, I08B, I08C, I08D, I08E, I08F, I12A, I12B, I12C, I21Z, I31Z		08	I12A, I12B, I12C, I28A, I28B
	21A	W04A, W04B		21A	W04A, W04B		21A	W04A, W04B
	21B	X04Z		21B	X06A, X06B, X06C		21B	X04Z, X06A, X06B, X06C
5t041.s↔		BOP, KVT, UOP4, VIAL	5t042.7↔		BOP, KVT, UOP4, VIAL	5t042.j↔		BOP, KVT, UOP4, VIAL
	08	I12A, I12B, I12C, I20C, I28A, I28B		08	I08A, I08B, I08C, I08D, I08E, I08F, I12A, I12B, I12C, I21Z, I31Z		08	I12A, I12B, I12C, I28A, I28B
	21A	W04A, W04B		21A	W04A, W04B		21A	W04A, W04B
	21B	X04Z, X06A, X06B, X06C		21B	X06A, X06B, X06C		21B	X04Z, X06A, X06B, X06C
5t041.t↔		BOP, KVT, UOP4, VIAL	5t042.8↔		BOP, KVT, UOP4, VIAL	5t042.k↔		BOP, KVT, UOP4, VIAL
	08	I12A, I12B, I12C, I20C, I28A, I28B		08	I08A, I08B, I08C, I08D, I08E, I08F, I12A, I12B, I12C, I21Z, I31Z		08	I12A, I12B, I12C, I13A, I13B, I13C, I13D
	21A	W04A, W04B		21A	W04A, W04B		21A	W04A, W04B
	21B	X04Z, X06A, X06B, X06C		21B	X06A, X06B, X06C		21B	X04Z
5t041.u↔		BOP, KVT, UOP4, VIAL	5t042.9↔		BOP, KVT, UOP4, VIAL	5t042.l↔		BOP, KVT, UOP4, VIAL
	08	I12A, I12B, I12C, I20C, I28A, I28B		08	I08A, I08B, I08C, I08D, I08E, I08F, I12A, I12B, I12C, I21Z, I31Z		08	I12A, I12B, I12C, I13A, I13B, I13C, I13D
	21A	W04A, W04B		21A	W04A, W04B		21A	W04A, W04B
	21B	X04Z, X06A, X06B, X06C		21B	X06A, X06B, X06C		21B	X04Z
5t041.v↔		BOP, KVT, UOP4, VIAL	5t042.a↔		BOP, KVT, UOP4, VIAL	5t042.m↔		BOP, KVT, UOP4, VIAL
	08	I12A, I12B, I12C, I20C, I28A, I28B		08	I12A, I12B, I12C, I32A, I32B, I32C, I32D, I32E, I32F		08	I12A, I12B, I12C, I13A, I13B, I13C, I13D
	21A	W04A, W04B		21A	W04A, W04B		21A	W04A, W04B
	21B	X04Z, X06A, X06B, X06C		21B	X05A, X05B		21B	X04Z
5t041.w↔		BOP, KVT, UOP4, VIAL	5t042.b↔		BOP, KVT, UOP4, VIAL	5t042.n↔		BOP, KVT, UOP4, VIAL
	08	I12A, I12B, I12C, I20C, I28A, I28B		08	I12A, I12B, I12C, I32A, I32B, I32C, I32D, I32E, I32F		08	I12A, I12B, I12C, I13A, I13B, I13C, I13D
	21A	W04A, W04B		21A	W04A, W04B		21A	W04A, W04B
	21B	X04Z, X06A, X06B, X06C		21B	X05A, X05B		21B	X04Z
5t041.x		BOP, KVT, UOP4		21A	W04A, W04B	5t042.o↔		BOP, KVT, UOP4, VIAL
	08	I12A, I12B, I12C, I28A, I28B		21B	X05A, X05B		08	I12A, I12B, I12C, I13A, I13B, I13C, I13D, I13E
	21A	W04A, W04B					21A	W04A, W04B
	21B	X06A, X06B, X06C					21B	X04Z
5t041.z↔		BOP, KVT, UOP4, VIAL						
	04	E02A, E02B, E02C						
	08	I12A, I12B, I12C, I28A, I28B						
	21A	W04A, W04B						
	21B	X06A, X06B, X06C						

ZZV	MDC	DRG	ZZV	MDC	DRG	ZZV	MDC	DRG
5t042.q↔		BOP, KVT, UOP4, VIAL	5t043.4↔		BOP, KVT, UOP4, VIAL	5t043.f↔		BOP, KVT, UOP4, VIAL
	08	I12A, I12B, I12C, I13A, I13B, I13C, I13D, I13E		08	I08A, I08B, I08C, I08D, I08E, I08F, I12A, I12B, I12C, I21Z, I31Z		01	B03A, B03B, B06A, B06B, B17A, B17B, B17C
	21A	W04A, W04B		21A	W04A, W04B		08	I08A, I08B, I08C, I08D, I08E, I08F
	21B	X04Z		21B	X06A, X06B, X06C		21A	W01A, W01B, W01C, W02A, W02B
5t042.r↔		BOP, KVT, UOP4, VIAL	5t043.5↔		BOP, KVT, UOP4, VIAL		21B	X04Z
	08	I12A, I12B, I12C, I13A, I13B, I13C, I13D, I13E		08	I08A, I08B, I08C, I08D, I08E, I08F, I12A, I12B, I12C, I21Z, I31Z	5t043.g↔		BOP, KVT, UOP4, VIAL
	21A	W04A, W04B		21A	W04A, W04B		01	B03A, B03B, B06A, B06B, B17A, B17B, B17C
	21B	X04Z		21B	X06A, X06B, X06C		08	I08A, I08B, I08C, I08D, I08E, I08F
5t042.s↔		BOP, KVT, UOP4, VIAL	5t043.6↔		BOP, KVT, UOP4, VIAL		21A	W01A, W01B, W01C, W02A, W02B
	08	I12A, I12B, I12C, I20C, I28A, I28B		08	I08A, I08B, I08C, I08D, I08E, I08F, I12A, I12B, I12C, I21Z, I31Z		21B	X04Z
	21A	W04A, W04B		21A	W04A, W04B	5t043.h↔		BOP, KVT, UOP4, VIAL
	21B	X04Z, X06A, X06B, X06C		21B	X06A, X06B, X06C		01	B03A, B03B, B06A, B06B, B17A, B17B, B17C
5t042.t↔		BOP, KVT, UOP4, VIAL	5t043.7↔		BOP, KVT, UOP4, VIAL		08	I08A, I08B, I08C, I08D, I08E, I08F
	08	I12A, I12B, I12C, I20C, I28A, I28B		08	I08A, I08B, I08C, I08D, I08E, I08F, I12A, I12B, I12C, I21Z, I31Z		21A	W01A, W01B, W01C, W02A, W02B
	21A	W04A, W04B		21A	W04A, W04B		21B	X04Z
	21B	X04Z, X06A, X06B, X06C		21B	X06A, X06B, X06C	5t043.j↔		BOP, KVT, UOP4, VIAL
5t042.u↔		BOP, KVT, UOP4, VIAL	5t043.8↔		BOP, KVT, UOP4, VIAL		08	I12A, I12B, I12C, I28A, I28B
	08	I12A, I12B, I12C, I20C, I28A, I28B		08	I08A, I08B, I08C, I08D, I08E, I08F, I12A, I12B, I12C, I21Z, I31Z		21A	W04A, W04B
	21A	W04A, W04B		21A	W04A, W04B		21B	X04Z, X06A, X06B, X06C
	21B	X04Z, X06A, X06B, X06C		21B	X06A, X06B, X06C	5t043.k↔		BOP, KVT, UOP4, VIAL
5t042.v↔		BOP, KVT, UOP4, VIAL	5t043.9↔		BOP, KVT, UOP4, VIAL		08	I12A, I12B, I12C, I13A, I13B, I13C, I13D
	08	I12A, I12B, I12C, I20C, I28A, I28B		08	I08A, I08B, I08C, I08D, I08E, I08F, I12A, I12B, I12C, I21Z, I31Z		21A	W04A, W04B
	21A	W04A, W04B		21A	W04A, W04B		21B	X04Z
	21B	X04Z, X06A, X06B, X06C		21B	X06A, X06B, X06C	5t043.m↔		BOP, KVT, UOP4, VIAL
5t042.w↔		BOP, KVT, UOP4, VIAL	5t043.a↔		BOP, KVT, UOP4, VIAL		08	I12A, I12B, I12C, I13A, I13B, I13C, I13D
	08	I12A, I12B, I12C, I20C, I28A, I28B		08	I12A, I12B, I12C, I32A, I32B, I32C, I32D, I32E, I32F		21A	W04A, W04B
	21A	W04A, W04B		21A	W04A, W04B		21B	X04Z
	21B	X04Z, X06A, X06B, X06C		21B	X05A, X05B	5t043.n↔		BOP, KVT, UOP4, VIAL
5t042.x		BOP, KVT, UOP4	5t043.b↔		BOP, KVT, UOP4, VIAL		08	I12A, I12B, I12C, I13A, I13B, I13C, I13D
	08	I12A, I12B, I12C, I28A, I28B		08	I12A, I12B, I12C, I32A, I32B, I32C, I32D, I32E, I32F		21A	W04A, W04B
	21A	W04A, W04B		21A	W04A, W04B		21B	X04Z
	21B	X06A, X06B, X06C		21B	X05A, X05B	5t043.p↔		BOP, KVT, UOP4, VIAL
5t042.z↔		BOP, KVT, UOP4, VIAL	5t043.c↔		BOP, KVT, UOP4, VIAL		08	I12A, I12B, I12C, I13A, I13B, I13C, I13D, I13E
	04	E02A, E02B, E02C		08	I12A, I12B, I12C, I32A, I32B, I32C, I32D, I32E, I32F		21A	W04A, W04B
	08	I12A, I12B, I12C, I28A, I28B		21A	W04A, W04B		21B	X04Z
	21A	W04A, W04B		21B	X05A, X05B	5t043.q↔		BOP, KVT, UOP4, VIAL
	21B	X06A, X06B, X06C		21A	W04A, W04B		08	I12A, I12B, I12C, I13A, I13B, I13C, I13D, I13E
5t043.0↔		BOP, KVT, UOP4, VIAL	5t043.d		BOP, KVT, UOP4, VIAL		21A	W04A, W04B
	04	E02A, E02B, E02C		08	I08A, I08B, I08C, I08D, I08E, I08F, I12A, I12B, I12C, I47A		21B	X04Z
	08	I12A, I12B, I12C, I28A, I28B		21A	W04A, W04B	5t043.r↔		BOP, KVT, UOP4, VIAL
	21A	W04A, W04B		21B	X06A, X06B, X06C		08	I12A, I12B, I12C, I13A, I13B, I13C, I13D, I13E
	21B	X06A, X06B, X06C		21A	W04A, W04B		21A	W04A, W04B
5t043.1↔		BOP, KVT, UOP4, VIAL	5t043.e↔		BOP, KVT, UOP4, VIAL		21B	X04Z
	08	I08A, I08B, I08C, I08D, I08E, I08F, I12A, I12B, I12C, I13A, I13B, I13C, I13D		01	B03A, B03B, B06A, B06B, B17A, B17B, B17C	5t043.s↔		BOP, KVT, UOP4, VIAL
	21A	W04A, W04B		08	I08A, I08B, I08C, I08D, I08E, I08F		08	I12A, I12B, I12C, I20C, I28A, I28B
	21B	X06A, X06B, X06C		21A	W04A, W04B		21A	W04A, W04B
5t043.2↔		BOP, KVT, UOP4, VIAL		21B	X06A, X06B, X06C		21B	X04Z
	08	I08A, I08B, I08C, I08D, I08E, I08F, I12A, I12B, I12C, I13A, I13B, I13C, I13D, I13E		01	B03A, B03B, B06A, B06B, B17A, B17B, B17C		08	I12A, I12B, I12C, I20C, I28A, I28B
	21A	W04A, W04B		08	I08A, I08B, I08C, I08D, I08E, I08F		21A	W04A, W04B
	21B	X06A, X06B, X06C		21A	W01A, W01B, W01C, W02A, W02B		21B	X04Z, X06A, X06B, X06C
5t043.3↔		BOP, KVT, UOP4, VIAL		21B	X04Z	5t043.t↔		BOP, KVT, UOP4, VIAL
	08	I08A, I08B, I08C, I08D, I08E, I08F, I12A, I12B, I12C, I13A, I13B, I13C, I13D, I13E					08	I12A, I12B, I12C, I20C, I28A, I28B
	21A	W04A, W04B					21A	W04A, W04B
	21B	X06A, X06B, X06C					21B	X04Z, X06A, X06B, X06C

ZZV	MDC	DRG	ZZV	MDC	DRG	ZZV	MDC	DRG
5t044.x↔		BOP, KVT, UOP4	5t045.x		BOP, KVT, UOP4	5t047.3↔		BOP, KVT, UOP4, VIAL
	08	I02A, I02B, I02C, I02D, I12A, I12B, I12C, I22A, I28A, I28B, I32A, I32B, I32C, I32D, I32E, I32F, I50Z		08	I12A, I12B, I12C, I28A, I28B		08	I08A, I08B, I08C, I08D, I08E, I08F, I12A, I12B, I12C, I13A, I13B, I13C, I13D, I46A, I47A
	21A	W04A, W04B		21A	W04A, W04B		21A	W04A, W04B
	21B	X01A, X01B, X01C		21B	X06A, X06B, X06C		21B	X06A, X06B, X06C
5t044.z↔	08	I32A, I32B, I32C, I32D	5t046.1↔		BOP, KVT, UOP4, VIAL	5t047.4↔		BOP, KVT, UOP4, VIAL
5t045.1↔		BOP, KVT, UOP4, VIAL		08	I08A, I08B, I08C, I08D, I08E, I08F, I13A, I13B, I13C, I13D		08	I08A, I08B, I08C, I08D, I08E, I08F, I12A, I12B, I12C, I21Z, I31Z, I46A, I47A
	08	I08A, I08B, I08C, I08D, I08E, I08F, I13A, I13B, I13C, I13D	5t046.3↔		BOP, KVT, UOP4, VIAL		21A	W04A, W04B
5t045.3↔		BOP, KVT, UOP4, VIAL		08	I08A, I08B, I08C, I08D, I08E, I08F, I13A, I13B, I13C, I13D, I46A, I47A		21B	X06A, X06B, X06C
	08	I08A, I08B, I08C, I08D, I08E, I08F, I12A, I12B, I12C, I13A, I13B, I13C, I13D	5t046.d		BOP, KVT, UOP4, VIAL	5t047.5↔		BOP, KVT, UOP4, VIAL
	21A	W04A, W04B		08	I08A, I08B, I08C, I08D, I08E, I08F, I46A, I47A		08	I08A, I08B, I08C, I08D, I08E, I08F, I12A, I12B, I12C, I21Z, I31Z, I46A, I47A
	21B	X06A, X06B, X06C	5t046.e↔		BOP, KVT, UOP4, VIAL		21A	W04A, W04B
5t045.4↔		BOP, KVT, UOP4, VIAL		08	I08A, I08B, I08C, I08D, I08E, I08F, I46A, I47A		21B	X06A, X06B, X06C
	08	I08A, I08B, I08C, I08D, I08E, I08F, I12A, I12B, I12C, I21Z, I31Z	5t046.h↔		BOP, KVT, UOP4, VIAL	5t047.6↔		BOP, KVT, UOP4, VIAL
	21A	W04A, W04B		08	I08A, I08B, I08C, I08D, I08E, I08F, I30Z, I46A, I47A		08	I08A, I08B, I08C, I08D, I08E, I08F, I12A, I12B, I12C, I21Z, I31Z, I46A, I47A
	21B	X06A, X06B, X06C	5t046.k↔		BOP, KVT, UOP4, VIAL		21A	W04A, W04B
5t045.d		BOP, KVT, UOP4, VIAL		08	I13A, I13B, I13C, I13D, I46A, I47A		21B	X06A, X06B, X06C
	08	I08A, I08B, I08C, I08D, I08E, I08F, I47A	5t046.n↔		BOP, KVT, UOP4, VIAL	5t047.7↔		BOP, KVT, UOP4, VIAL
5t045.e↔		BOP, KVT, UOP4, VIAL		08	I13A, I13B, I13C, I13D, I46A, I47A		08	I08A, I08B, I08C, I08D, I08E, I08F, I12A, I12B, I12C, I21Z, I31Z, I46A, I47A
	01	B03A, B03B, B06A, B06B, B17A, B17B, B17C	5t046.p↔		BOP, KVT, UOP4, VIAL		21A	W04A, W04B
	08	I08A, I08B, I08C, I08D, I08E, I08F		08	I13A, I13B, I13C, I13D, I13E, I46A, I47A		21B	X06A, X06B, X06C
	21A	W01A, W01B, W01C, W02A, W02B	5t046.r↔		BOP, KVT, UOP4, VIAL	5t047.8↔		BOP, KVT, UOP4, VIAL
	21B	X04Z		08	I13A, I13B, I13C, I13D, I13E, I46A, I47A		08	I08A, I08B, I08C, I08D, I08E, I08F, I12A, I12B, I12C, I21Z, I31Z, I46A, I47A
5t045.h↔		BOP, KVT, UOP4, VIAL	5t046.s↔		BOP, KVT, UOP4, VIAL		21A	W04A, W04B
	01	B03A, B03B, B06A, B06B, B17A, B17B, B17C		08	I20A, I20B, I20C, I20D, I46A, I47A		21B	X06A, X06B, X06C
	08	I08A, I08B, I08C, I08D, I08E, I08F, I30Z	5t046.t↔		BOP, KVT, UOP4, VIAL	5t047.9↔		BOP, KVT, UOP4, VIAL
	21A	W01A, W01B, W01C, W02A, W02B		08	I20A, I20B, I20C, I20D, I46A, I47A		08	I08A, I08B, I08C, I08D, I08E, I08F, I12A, I12B, I12C, I21Z, I31Z, I46A, I47A
	21B	X04Z	5t046.u↔		BOP, KVT, UOP4, VIAL		21A	W04A, W04B
5t045.j↔		BOP, KVT, UOP4, VIAL		08	I20A, I20B, I20C, I20D, I46A, I47A		21B	X06A, X06B, X06C
	08	I12A, I12B, I12C, I28A, I28B	5t046.v↔		BOP, KVT, UOP4, VIAL	5t047.a↔		BOP, KVT, UOP4, VIAL
	21A	W04A, W04B		08	I20A, I20B, I20C, I20D, I46A, I47A		08	I12A, I12B, I12C, I32A, I32B, I32C, I32D, I32E, I32F, I46A, I47A
	21B	X04Z, X06A, X06B, X06C	5t046.w↔		BOP, KVT, UOP4, VIAL		21A	W04A, W04B
5t045.k↔		BOP, KVT, UOP4, VIAL		08	I20A, I20B, I20C, I20D, I46A, I47A		21B	X05A, X05B
	08	I12A, I12B, I12C, I13A, I13B, I13C, I13D	5t047.0↔		BOP, KVT, UOP4, VIAL	5t047.b↔		BOP, KVT, UOP4, VIAL
	21A	W04A, W04B		04	E02A, E02B, E02C		08	I12A, I12B, I12C, I32A, I32B, I32C, I32D, I32E, I32F, I46A, I47A
	21B	X04Z		08	I12A, I12B, I12C, I28A, I28B, I46A, I47A		21A	W04A, W04B
5t045.n↔		BOP, KVT, UOP4, VIAL		21A	W04A, W04B		21B	X05A, X05B
	08	I13A, I13B, I13C, I13D	5t047.1↔		BOP, KVT, UOP4, VIAL	5t047.c↔		BOP, KVT, UOP4, VIAL
5t045.p↔		BOP, KVT, UOP4, VIAL		21B	X06A, X06B, X06C		08	I12A, I12B, I12C, I32A, I32B, I32C, I32D, I32E, I32F, I46A, I47A
	08	I13A, I13B, I13C, I13D, I13E		08	I08A, I08B, I08C, I08D, I08E, I08F, I12A, I12B, I12C, I13A, I13B, I13C, I13D, I46A, I47A		21A	W04A, W04B
5t045.r↔		BOP, KVT, UOP4, VIAL		21A	W04A, W04B		21B	X05A, X05B
	08	I13A, I13B, I13C, I13D, I13E	5t047.2↔		BOP, KVT, UOP4, VIAL	5t047.d		BOP, KVT, UOP4, VIAL
5t045.s↔		BOP, KVT, UOP4, VIAL		08	I08A, I08B, I08C, I08D, I08E, I08F, I12A, I12B, I12C, I13A, I13B, I13C, I13D, I46A, I47A		08	I08A, I08B, I08C, I08D, I08E, I08F, I12A, I12B, I12C, I46A, I47A
	08	I12A, I12B, I12C, I20C, I28A, I28B		21A	W04A, W04B		21A	W04A, W04B
	21A	W04A, W04B		21B	X06A, X06B, X06C		21B	X05A, X05B
	21B	X04Z, X06A, X06B, X06C		08	I08A, I08B, I08C, I08D, I08E, I08F, I12A, I12B, I12C, I13A, I13B, I13C, I13D, I46A, I47A		08	I08A, I08B, I08C, I08D, I08E, I08F, I12A, I12B, I12C, I46A, I47A
5t045.t↔		BOP, KVT, UOP4, VIAL		21A	W04A, W04B		21A	W04A, W04B
	08	I20A, I20B, I20C, I20D		21B	X06A, X06B, X06C		21B	X06A, X06B, X06C
5t045.u↔		BOP, KVT, UOP4, VIAL		08	I08A, I08B, I08C, I08D, I08E, I08F, I12A, I12B, I12C, I13A, I13B, I13C, I13D, I46A, I47A			
	08	I20A, I20B, I20C, I20D		21A	W04A, W04B			
5t045.v↔		BOP, KVT, UOP4, VIAL		21B	X06A, X06B, X06C			
	08	I20A, I20B, I20C, I20D						
5t045.w↔		BOP, KVT, UOP4, VIAL						
	08	I20A, I20B, I20C, I20D						

ZZV	MDC	DRG	ZZV	MDC	DRG	ZZV	MDC	DRG
5t04a.e↔		BOP, KVT, UOP4, VIAL	5t04b.0↔		BOP, KVT, UOP4, VIAL	5t04b.c↔		BOP, KVT, UOP4, VIAL
	01	B03A, B03B, B06A, B06B, B17A, B17B, B17C		04	E02A, E02B, E02C		08	I12A, I12B, I12C, I32A, I32B, I32C, I32D, I32E, I32F
	08	I08A, I08B, I08C, I08D, I08E, I08F		08	I12A, I12B, I12C, I28A, I28B		21A	W04A, W04B
	21A	W01A, W01B, W01C, W02A, W02B	5t04b.1↔		BOP, KVT, UOP4, VIAL	5t04b.d		BOP, KVT, UOP4, VIAL
	21B	X04Z		08	I08A, I08B, I08C, I08D, I08E, I08F, I12A, I12B, I12C, I13A, I13B, I13C, I13D, I13E		08	I08A, I08B, I08C, I08D, I08E, I08F, I12A, I12B, I12C
5t04a.f↔		BOP, KVT, UOP4, VIAL		21A	W04A, W04B		21A	W04A, W04B
	01	B03A, B03B, B06A, B06B, B17A, B17B, B17C	5t04b.2↔		X06A, X06B, X06C	5t04b.e↔		BOP, KVT, UOP4, VIAL
	08	I08A, I08B, I08C, I08D, I08E, I08F		08	I08A, I08B, I08C, I08D, I08E, I08F, I12A, I12B, I12C, I13A, I13B, I13C, I13D, I13E		01	B03A, B03B, B06A, B06B, B17A, B17B, B17C
	21A	W01A, W01B, W01C, W02A, W02B		21A	W04A, W04B		08	I08A, I08B, I08C, I08D, I08E, I08F
	21B	X04Z	5t04b.3↔		X06A, X06B, X06C		21A	W01A, W01B, W01C, W02A, W02B
5t04a.g↔		BOP, KVT, UOP4, VIAL		08	I08A, I08B, I08C, I08D, I08E, I08F, I12A, I12B, I12C, I13A, I13B, I13C, I13D, I13E		21B	X04Z
	01	B03A, B03B, B06A, B06B, B17A, B17B, B17C	5t04b.4↔		BOP, KVT, UOP4, VIAL	5t04b.f↔		BOP, KVT, UOP4, VIAL
	08	I08A, I08B, I08C, I08D, I08E, I08F		08	I08A, I08B, I08C, I08D, I08E, I08F, I12A, I12B, I12C, I13A, I13B, I13C, I13D, I13E		01	B03A, B03B, B06A, B06B, B17A, B17B, B17C
	21A	W01A, W01B, W01C, W02A, W02B		21A	W04A, W04B		08	I08A, I08B, I08C, I08D, I08E, I08F
	21B	X04Z	5t04b.5↔		X06A, X06B, X06C		21A	W01A, W01B, W01C, W02A, W02B
5t04a.h↔		BOP, KVT, UOP4, VIAL		08	I08A, I08B, I08C, I08D, I08E, I08F, I12A, I12B, I12C, I21Z, I31Z	5t04b.g↔		BOP, KVT, UOP4, VIAL
	01	B03A, B03B, B06A, B06B, B17A, B17B, B17C	5t04b.6↔		BOP, KVT, UOP4, VIAL		01	B03A, B03B, B06A, B06B, B17A, B17B, B17C
	08	I08A, I08B, I08C, I08D, I08E, I08F		08	I08A, I08B, I08C, I08D, I08E, I08F, I12A, I12B, I12C, I21Z, I31Z		08	I08A, I08B, I08C, I08D, I08E, I08F
	21A	W01A, W01B, W01C, W02A, W02B		21A	W04A, W04B		21A	W01A, W01B, W01C, W02A, W02B
	21B	X04Z	5t04b.7↔		X06A, X06B, X06C		21B	X04Z
5t04a.i↔		BOP, KVT, UOP4, VIAL		08	I08A, I08B, I08C, I08D, I08E, I08F, I12A, I12B, I12C, I21Z, I31Z	5t04b.h↔		BOP, KVT, UOP4, VIAL
	08	I12A, I12B, I12C, I13A, I13B, I13C, I13D, I13E	5t04b.8↔		BOP, KVT, UOP4, VIAL		01	B03A, B03B, B06A, B06B, B17A, B17B, B17C
	21A	W04A, W04B		08	I08A, I08B, I08C, I08D, I08E, I08F, I12A, I12B, I12C, I21Z, I31Z		08	I08A, I08B, I08C, I08D, I08E, I08F
	21B	X04Z		21A	W04A, W04B		21A	W01A, W01B, W01C, W02A, W02B
5t04a.j↔		BOP, KVT, UOP4, VIAL	5t04b.9↔		X06A, X06B, X06C	5t04b.i↔		BOP, KVT, UOP4, VIAL
	08	I12A, I12B, I12C, I13A, I13B, I13C, I13D, I13E		08	I08A, I08B, I08C, I08D, I08E, I08F, I12A, I12B, I12C, I21Z, I31Z		08	I12A, I12B, I12C, I13A, I13B, I13C, I13D, I13E
	21A	W04A, W04B		21A	W04A, W04B		21A	W04A, W04B
	21B	X04Z	5t04b.a↔		X06A, X06B, X06C	5t04b.j↔		BOP, KVT, UOP4, VIAL
5t04a.k↔		BOP, KVT, UOP4, VIAL		08	I08A, I08B, I08C, I08D, I08E, I08F, I12A, I12B, I12C, I21Z, I31Z		08	I12A, I12B, I12C, I28A, I28B
	08	I12A, I12B, I12C, I13A, I13B, I13C, I13D, I13E	5t04b.b↔		BOP, KVT, UOP4, VIAL		21A	W04A, W04B
	21A	W04A, W04B		08	I12A, I12B, I12C, I32A, I32B, I32C, I32D, I32E, I32F		21B	X04Z, X06A, X06B, X06C
	21B	X04Z		21A	W04A, W04B	5t04b.k↔		BOP, KVT, UOP4, VIAL
5t04a.l↔		BOP, KVT, UOP4, VIAL		21B	X05A, X05B		08	I12A, I12B, I12C, I13A, I13B, I13C, I13D, I13E
	08	I13A, I13B, I13C, I13D, I13E		5t04b.c↔	BOP, KVT, UOP4, VIAL		21A	W04A, W04B
	21A	W04A, W04B		08	I08A, I08B, I08C, I08D, I08E, I08F, I12A, I12B, I12C, I21Z, I31Z	5t04b.l↔		BOP, KVT, UOP4, VIAL
	21B	X04Z		21A	W04A, W04B		08	I12A, I12B, I12C, I13A, I13B, I13C, I13D, I13E
5t04a.m↔		BOP, KVT, UOP4, VIAL		21B	X06A, X06B, X06C	5t04b.m↔		BOP, KVT, UOP4, VIAL
	08	I12A, I12B, I12C, I13A, I13B, I13C, I13D, I13E	5t04b.d↔		BOP, KVT, UOP4, VIAL		08	I12A, I12B, I12C, I13A, I13B, I13C, I13D, I13E
	21A	W04A, W04B		08	I08A, I08B, I08C, I08D, I08E, I08F, I12A, I12B, I12C, I21Z, I31Z		21A	W04A, W04B
	21B	X04Z		21A	W04A, W04B	5t04b.n↔		BOP, KVT, UOP4, VIAL
5t04a.n↔		BOP, KVT, UOP4, VIAL		21B	X06A, X06B, X06C		08	I12A, I12B, I12C, I13A, I13B, I13C, I13D, I13E
	08	I12A, I12B, I12C, I13A, I13B, I13C, I13D, I13E	5t04b.e↔		BOP, KVT, UOP4, VIAL		21A	W04A, W04B
	21A	W04A, W04B		08	I08A, I08B, I08C, I08D, I08E, I08F, I12A, I12B, I12C, I21Z, I31Z	5t04b.o↔		BOP, KVT, UOP4, VIAL
	21B	X04Z		21A	W04A, W04B		08	I12A, I12B, I12C, I13A, I13B, I13C, I13D, I13E
5t04a.o↔		BOP, KVT, UOP4, VIAL		21B	X06A, X06B, X06C	5t04b.p↔		BOP, KVT, UOP4, VIAL
	08	I13A, I13B, I13C, I13D, I13E	5t04b.f↔		BOP, KVT, UOP4, VIAL		08	I12A, I12B, I12C, I13A, I13B, I13C, I13D, I13E
	21A	W04A, W04B		08	I08A, I08B, I08C, I08D, I08E, I08F, I12A, I12B, I12C, I21Z, I31Z		21A	W04A, W04B
	21B	X04Z		21A	W04A, W04B	5t04b.q↔		BOP, KVT, UOP4, VIAL
5t04a.p↔		BOP, KVT, UOP4, VIAL		21B	X06A, X06B, X06C		08	I12A, I12B, I12C, I13A, I13B, I13C, I13D, I13E
	08	I13A, I13B, I13C, I13D, I13E	5t04b.g↔		BOP, KVT, UOP4, VIAL		21B	X04Z
	21A	W04A, W04B		08	I08A, I08B, I08C, I08D, I08E, I08F, I12A, I12B, I12C, I21Z, I31Z	5t04b.r↔		BOP, KVT, UOP4, VIAL
	21B	X04Z		21A	W04A, W04B		08	I12A, I12B, I12C, I13A, I13B, I13C, I13D, I13E
5t04a.q↔		BOP, KVT, UOP4, VIAL		21B	X06A, X06B, X06C	5t04b.s↔		BOP, KVT, UOP4, VIAL
	08	I13A, I13B, I13C, I13D, I13E	5t04b.h↔		BOP, KVT, UOP4, VIAL		08	I20A, I20B, I20C, I20D
	21A	W04A, W04B		08	I08A, I08B, I08C, I08D, I08E, I08F, I12A, I12B, I12C, I21Z, I31Z	5t04a.t↔		BOP, KVT, UOP4, VIAL
	21B	X04Z		21A	W04A, W04B		08	I20A, I20B, I20C, I20D
5t04a.r↔		BOP, KVT, UOP4, VIAL		21B	X06A, X06B, X06C	5t04a.u↔		BOP, KVT, UOP4, VIAL
	08	I12A, I12B, I12C, I13A, I13B, I13C, I13D, I13E	5t04b.i↔		BOP, KVT, UOP4, VIAL		08	I20A, I20B, I20C, I20D
	21A	W04A, W04B		08	I12A, I12B, I12C, I32A, I32B, I32C, I32D, I32E, I32F	5t04a.v↔		BOP, KVT, UOP4, VIAL
	21B	X04Z		21A	W04A, W04B		08	I20A, I20B, I20C, I20D
5t04a.s↔		BOP, KVT, UOP4, VIAL		21B	X05A, X05B	5t04a.w↔		BOP, KVT, UOP4, VIAL
	08	I20A, I20B, I20C, I20D	5t04b.j↔		BOP, KVT, UOP4, VIAL		08	I20A, I20B, I20C, I20D
	21A	W04A, W04B		08	I12A, I12B, I12C, I32A, I32B, I32C, I32D, I32E, I32F	5t04a.x		BOP, KVT, UOP4
	21B	X04Z		21A	W04A, W04B		08	I12A, I12B, I12C, I28A, I28B
5t04a.t↔		BOP, KVT, UOP4, VIAL		21B	X06A, X06B, X06C		21A	W04A, W04B
	08	I20A, I20B, I20C, I20D	5t04b.k↔		BOP, KVT, UOP4, VIAL		21B	X06A, X06B, X06C
	21A	W04A, W04B		08	I08A, I08B, I08C, I08D, I08E, I08F, I12A, I12B, I12C, I21Z, I31Z			
	21B	X04Z		21A	W04A, W04B			

VYK

ZZV	MDC	DRG	ZZV	MDC	DRG	ZZV	MDC	DRG
5t04b.q↔		BOP, KVT, UOP4, VIAL	5t04x.4↔	08	BOP, KVT, UOP4, VIAL	5t04x.f↔	01	BOP, KVT, UOP4, VIAL
	08	I12A, I12B, I12C, I13A, I13B, I13C, I13D, I13E		08	I08A, I08B, I08C, I08D, I08E, I08F, I12A, I12B, I12C, I21Z, I31Z		08	B03A, B03B, B06A, B06B, B17A, B17B, B17C
	21A	W04A, W04B		21A	W04A, W04B		21A	W01A, W01B, W01C, W02A, W02B
5t04b.r↔	21B	X04Z	5t04x.5↔	21B	X06A, X06B, X06C	5t04x.g↔	21B	X04Z
	08	BOP, KVT, UOP4, VIAL		08	BOP, KVT, UOP4, VIAL		01	BOP, KVT, UOP4, VIAL
	08	I12A, I12B, I12C, I13A, I13B, I13C, I13D, I13E		08	I08A, I08B, I08C, I08D, I08E, I08F, I12A, I12B, I12C, I21Z, I31Z		08	B03A, B03B, B06A, B06B, B17A, B17B, B17C
5t04b.s↔	21A	W04A, W04B	5t04x.6↔	21A	W04A, W04B	5t04x.h↔	08	I08A, I08B, I08C, I08D, I08E, I08F
	21B	X04Z		21B	X06A, X06B, X06C		21A	W01A, W01B, W01C, W02A, W02B
	08	BOP, KVT, UOP4, VIAL		08	BOP, KVT, UOP4, VIAL		21B	X04Z
5t04b.t↔	08	I12A, I12B, I12C, I20C, I28A, I28B	5t04x.7↔	21A	W04A, W04B	5t04x.i↔	01	BOP, KVT, UOP4, VIAL
	21A	W04A, W04B		08	I08A, I08B, I08C, I08D, I08E, I08F, I12A, I12B, I12C, I21Z, I31Z		08	B03A, B03B, B06A, B06B, B17A, B17B, B17C
	21B	X04Z, X06A, X06B, X06C		08	I08A, I08B, I08C, I08D, I08E, I08F, I12A, I12B, I12C, I21Z, I31Z		08	I08A, I08B, I08C, I08D, I08E, I08F
5t04b.u↔	21B	X04Z, X06A, X06B, X06C	5t04x.8↔	21A	W04A, W04B	5t04x.k↔	21A	W01A, W01B, W01C, W02A, W02B
	08	BOP, KVT, UOP4, VIAL		21B	X06A, X06B, X06C		21B	X04Z
	08	I12A, I12B, I12C, I20C, I28A, I28B		08	BOP, KVT, UOP4, VIAL		08	BOP, KVT, UOP4, VIAL
5t04b.v↔	21A	W04A, W04B	5t04x.9↔	08	I08A, I08B, I08C, I08D, I08E, I08F, I12A, I12B, I12C, I21Z, I31Z	5t04x.l↔	21A	W04A, W04B
	21B	X04Z, X06A, X06B, X06C		08	I08A, I08B, I08C, I08D, I08E, I08F, I12A, I12B, I12C, I21Z, I31Z		08	I12A, I12B, I12C, I13A, I13B, I13C, I13D, I13E
	08	BOP, KVT, UOP4, VIAL		21A	W04A, W04B		21B	X04Z
5t04b.w↔	21B	X04Z, X06A, X06B, X06C	5t04x.a↔	21B	X06A, X06B, X06C	5t04x.m↔	08	I12A, I12B, I12C, I13A, I13B, I13C, I13D, I13E
	08	BOP, KVT, UOP4, VIAL		08	BOP, KVT, UOP4, VIAL		21A	W04A, W04B
	08	I12A, I12B, I12C, I20C, I28A, I28B		08	I08A, I08B, I08C, I08D, I08E, I08F, I12A, I12B, I12C, I21Z, I31Z		21B	X04Z
5t04b.x	21A	W04A, W04B	5t04x.b↔	21A	W04A, W04B	5t04x.n↔	08	BOP, KVT, UOP4, VIAL
	21B	X04Z, X06A, X06B, X06C		21B	X06A, X06B, X06C		08	I12A, I12B, I12C, I13A, I13B, I13C, I13D, I13E
	08	BOP, KVT, UOP4, VIAL		08	I12A, I12B, I12C, I28A, I28B		21A	W04A, W04B
5t04b.z↔	21A	W04A, W04B	5t04x.c↔	21B	X05A, X05B	5t04x.o↔	21B	X04Z
	21B	X04Z, X06A, X06B, X06C		08	BOP, KVT, UOP4, VIAL		08	BOP, KVT, UOP4, VIAL
	08	BOP, KVT, UOP4, VIAL		08	I12A, I12B, I12C, I32A, I32B, I32C, I32D, I32E, I32F		08	I12A, I12B, I12C, I13A, I13B, I13C, I13D, I13E
5t04b.0↔	04	E02A, E02B, E02C	5t04x.d	21A	W04A, W04B	5t04x.p↔	08	I12A, I12B, I12C, I13A, I13B, I13C, I13D, I13E
	08	I12A, I12B, I12C, I28A, I28B		21B	X05A, X05B		21A	W04A, W04B
	21A	W04A, W04B		08	BOP, KVT, UOP4, VIAL		21B	X04Z
5t04x.0↔	21B	X06A, X06B, X06C	5t04x.e↔	08	I12A, I12B, I12C, I32A, I32B, I32C, I32D, I32E, I32F	5t04x.q↔	08	I12A, I12B, I12C, I13A, I13B, I13C, I13D, I13E
	04	E02A, E02B, E02C		21A	W04A, W04B		08	I12A, I12B, I12C, I13A, I13B, I13C, I13D, I13E
	08	I12A, I12B, I12C, I28A, I28B		21B	X05A, X05B		21A	W04A, W04B
5t04x.1↔	21A	W04A, W04B	5t04x.f↔	08	BOP, KVT, UOP4, VIAL	5t04x.r↔	21B	X04Z
	21B	X06A, X06B, X06C		08	I08A, I08B, I08C, I08D, I08E, I08F, I12A, I12B, I12C, I13A, I13B, I13C, I13D, I13E		08	I12A, I12B, I12C, I13A, I13B, I13C, I13D, I13E
	08	BOP, KVT, UOP4, VIAL		21A	W04A, W04B		08	I12A, I12B, I12C, I13A, I13B, I13C, I13D, I13E
5t04x.2↔	08	I08A, I08B, I08C, I08D, I08E, I08F, I12A, I12B, I12C, I13A, I13B, I13C, I13D, I13E	5t04x.g↔	21B	X06A, X06B, X06C	5t04x.s↔	21A	W04A, W04B
	21A	W04A, W04B		01	B03A, B03B, B06A, B06B, B17A, B17B, B17C		08	I12A, I12B, I12C, I20C, I28A, I28B
	21B	X06A, X06B, X06C		08	I08A, I08B, I08C, I08D, I08E, I08F		21A	W04A, W04B
5t04x.3↔	21B	X06A, X06B, X06C	5t04x.h↔	21A	W01A, W01B, W01C, W02A, W02B	5t04x.t↔	21B	X04Z, X06A, X06B, X06C
	08	BOP, KVT, UOP4, VIAL		21B	X04Z		08	BOP, KVT, UOP4, VIAL
	08	I08A, I08B, I08C, I08D, I08E, I08F, I12A, I12B, I12C, I13A, I13B, I13C, I13D, I13E		08	I08A, I08B, I08C, I08D, I08E, I08F		08	I12A, I12B, I12C, I20C, I28A, I28B
	21A	W04A, W04B				21A	W04A, W04B	
	21B	X06A, X06B, X06C				21B	X04Z, X06A, X06B, X06C	

VYK

ZZV	MDC	DRG	ZZV	MDC	DRG	ZZV	MDC	DRG
5t04x.u↔		BOP, KVT, UOP4, VIAL	5t050.7↔		BOP, KVT, UOP4, VIAL	5t050.m↔		BOP, KVT, UOP4, VIAL
	08	I12A, I12B, I12C, I20C, I28A, I28B		08	I08A, I08B, I08C, I08D, I08E, I08F, I12A, I12B, I12C, I21Z, I31Z		08	I12A, I12B, I12C, I13A, I13B, I13C, I13D
	21A	W04A, W04B		21A	W04A, W04B		21A	W04A, W04B
	21B	X04Z, X06A, X06B, X06C		21B	X06A, X06B, X06C		21B	X04Z
5t04x.v↔		BOP, KVT, UOP4, VIAL	5t050.8↔		BOP, KVT, UOP4, VIAL	5t050.n↔		BOP, KVT, UOP4, VIAL
	08	I12A, I12B, I12C, I20C, I28A, I28B		08	I08A, I08B, I08C, I08D, I08E, I08F, I12A, I12B, I12C, I21Z, I31Z		08	I12A, I12B, I12C, I13A, I13B, I13C, I13D
	21A	W04A, W04B		21A	W04A, W04B		21A	W04A, W04B
	21B	X04Z, X06A, X06B, X06C		21B	X06A, X06B, X06C		21B	X04Z
5t04x.w↔		BOP, KVT, UOP4, VIAL	5t050.9↔		BOP, KVT, UOP4, VIAL	5t050.p↔		BOP, KVT, UOP4, VIAL
	08	I12A, I12B, I12C, I20C, I28A, I28B		08	I08A, I08B, I08C, I08D, I08E, I08F, I12A, I12B, I12C, I21Z, I31Z		08	I13A, I13B, I13C, I13D
	21A	W04A, W04B		21A	W04A, W04B		5t050.q↔	BOP, KVT, UOP4, VIAL
	21B	X04Z, X06A, X06B, X06C		21B	X06A, X06B, X06C		08	I13A, I13B, I13C, I13D
5t04x.x		BOP, KVT, UOP4	5t050.a↔		BOP, KVT, UOP4, VIAL	5t050.r↔		BOP, KVT, UOP4, VIAL
	08	I12A, I12B, I12C, I28A, I28B		08	I12A, I12B, I12C, I32A, I32B, I32C, I32D, I32E, I32F		08	I13A, I13B, I13C, I13D
	21A	W04A, W04B		21A	W04A, W04B		5t050.s↔	BOP, KVT, UOP4, VIAL
	21B	X06A, X06B, X06C		21B	X05A, X05B		08	I20A, I20B, I20C, I20D, I20E, I20F
5t04x.z↔		BOP, KVT, UOP4, VIAL	5t050.d		BOP, KVT, UOP4, VIAL	5t050.t↔		BOP, KVT, UOP4, VIAL
	04	E02A, E02B, E02C		08	I08A, I08B, I08C, I08D, I08E, I08F, I12A, I12B, I12C		08	I20A, I20B, I20C, I20D, I20E, I20F
	08	I12A, I12B, I12C, I28A, I28B		21A	W04A, W04B		5t050.u↔	BOP, KVT, UOP4, VIAL
	21A	W04A, W04B		21B	X06A, X06B, X06C		08	I20A, I20B, I20C, I20D, I20E, I20F
	21B	X06A, X06B, X06C		21A	W04A, W04B		5t050.v↔	BOP, KVT, UOP4, VIAL
5t050.0↔		BOP, KVT, UOP4, VIAL	5t050.e↔		BOP, KVT, UOP4, VIAL		08	I20A, I20B, I20C, I20D, I20E, I20F
	04	E02A, E02B, E02C		08	I08A, I08B, I08C, I08D, I08E, I08F, I12A, I12B, I12C		5t050.w↔	BOP, KVT, UOP4, VIAL
	08	I12A, I12B, I12C, I28A, I28B		21A	W04A, W04B		08	I20A, I20B, I20C, I20D, I20E, I20F
	21A	W04A, W04B		21B	X06A, X06B, X06C		5t050.x	BOP, KVT, UOP4
	21B	X06A, X06B, X06C		01	B03A, B03B, B06A, B06B, B17A, B17B, B17C		03	D12A, D12B
5t050.1↔		BOP, KVT, UOP4, VIAL		08	I08A, I08B, I08C, I08D, I08E, I08F		08	I12A, I12B, I12C, I28A, I28B
	08	I08A, I08B, I08C, I08D, I08E, I08F, I12A, I12B, I12C, I13A, I13B, I13C, I13D		21A	W01A, W01B, W01C, W02A, W02B		21A	W04A, W04B
	21A	W04A, W04B		21B	X04Z		21B	X06A, X06B, X06C
	21B	X06A, X06B, X06C	5t050.f↔		BOP, KVT, UOP4, VIAL		21B	X06A, X06B, X06C
5t050.2↔		BOP, KVT, UOP4, VIAL		01	B03A, B03B, B06A, B06B, B17A, B17B, B17C	5t050.z↔		BOP, KVT, UOP4, VIAL
	08	I08A, I08B, I08C, I08D, I08E, I08F, I12A, I12B, I12C, I13A, I13B, I13C, I13D		08	I08A, I08B, I08C, I08D, I08E, I08F		04	E02A, E02B, E02C
	21A	W04A, W04B		21A	W01A, W01B, W01C, W02A, W02B		08	I12A, I12B, I12C, I28A, I28B
	21B	X06A, X06B, X06C		21B	X04Z		21A	W04A, W04B
5t050.3↔		BOP, KVT, UOP4, VIAL	5t050.g↔		BOP, KVT, UOP4, VIAL		21B	X06A, X06B, X06C
	08	I08A, I08B, I08C, I08D, I08E, I08F, I12A, I12B, I12C, I13A, I13B, I13C, I13D		01	B03A, B03B, B06A, B06B, B17A, B17B, B17C	5t051.0↔		BOP, KVT, UOP4, VIAL
	21A	W04A, W04B		08	I08A, I08B, I08C, I08D, I08E, I08F		04	E02A, E02B, E02C
	21B	X06A, X06B, X06C		21A	W01A, W01B, W01C, W02A, W02B		08	I12A, I12B, I12C, I28A, I28B
5t050.4↔		BOP, KVT, UOP4, VIAL		21B	X04Z		21A	W04A, W04B
	08	I08A, I08B, I08C, I08D, I08E, I08F, I12A, I12B, I12C, I21Z, I31Z		08	I08A, I08B, I08C, I08D, I08E, I08F		21B	X06A, X06B, X06C
	21A	W04A, W04B	5t050.h↔		BOP, KVT, UOP4, VIAL		21B	X06A, X06B, X06C
	21B	X06A, X06B, X06C		01	B03A, B03B, B06A, B06B, B17A, B17B, B17C	5t051.1↔		BOP, KVT, UOP4, VIAL
5t050.5↔		BOP, KVT, UOP4, VIAL		08	I08A, I08B, I08C, I08D, I08E, I08F		08	I08A, I08B, I08C, I08D, I08E, I08F, I12A, I12B, I12C, I13A, I13B, I13C, I13D
	08	I08A, I08B, I08C, I08D, I08E, I08F, I12A, I12B, I12C, I21Z, I31Z		21A	W01A, W01B, W01C, W02A, W02B		21A	W04A, W04B
	21A	W04A, W04B		21B	X04Z		21B	X06A, X06B, X06C
	21B	X06A, X06B, X06C	5t050.i↔		BOP, KVT, UOP4, VIAL		5t051.2↔	BOP, KVT, UOP4, VIAL
5t050.6↔		BOP, KVT, UOP4, VIAL		01	B03A, B03B, B06A, B06B, B17A, B17B, B17C		08	I08A, I08B, I08C, I08D, I08E, I08F, I12A, I12B, I12C, I13A, I13B, I13C, I13D
	08	I08A, I08B, I08C, I08D, I08E, I08F, I12A, I12B, I12C, I21Z, I31Z		08	I08A, I08B, I08C, I08D, I08E, I08F		21A	W04A, W04B
	21A	W04A, W04B	5t050.j↔		BOP, KVT, UOP4, VIAL		21B	X06A, X06B, X06C
	21B	X06A, X06B, X06C		08	I12A, I12B, I12C, I28A, I28B		5t051.3↔	BOP, KVT, UOP4, VIAL
	21A	W04A, W04B		21A	W04A, W04B		08	I08A, I08B, I08C, I08D, I08E, I08F, I12A, I12B, I12C, I13A, I13B, I13C, I13D
	21B	X06A, X06B, X06C		21B	X04Z, X06A, X06B, X06C		21A	W04A, W04B
	21B	X06A, X06B, X06C	5t050.k↔		BOP, KVT, UOP4, VIAL		21B	X06A, X06B, X06C
	08	I12A, I12B, I12C, I13A, I13B, I13C, I13D		08	I12A, I12B, I12C, I13A, I13B, I13C, I13D	5t051.4↔		BOP, KVT, UOP4, VIAL
	21A	W04A, W04B		21A	W04A, W04B		08	I08A, I08B, I08C, I08D, I08E, I08F, I12A, I12B, I12C, I21Z, I31Z
	21B	X04Z		21B	X04Z		21A	W04A, W04B
							21B	X06A, X06B, X06C

ZZV	MDC	DRG	ZZV	MDC	DRG	ZZV	MDC	DRG
5t051.5↔		BOP, KVT, UOP4, VIAL	5t051.g↔		BOP, KVT, UOP4, VIAL	5t051.w↔		BOP, KVT, UOP4, VIAL
	08	I08A, I08B, I08C, I08D, I08E, I08F, I12A, I12B, I12C, I21Z, I31Z		01	B03A, B03B, B06A, B06B, B17A, B17B, B17C		08	I12A, I12B, I12C, I28A, I28B
	21A	W04A, W04B		08	I08A, I08B, I08C, I08D, I08E, I08F	5t051.x	21A	W04A, W04B
	21B	X06A, X06B, X06C		21A	W01A, W01B, W01C, W02A, W02B		21B	X04Z, X06A, X06B, X06C
5t051.6↔		BOP, KVT, UOP4, VIAL	5t051.h↔		BOP, KVT, UOP4, VIAL		03	D12A, D12B
	08	I08A, I08B, I08C, I08D, I08E, I08F, I12A, I12B, I12C, I21Z, I31Z		01	B03A, B03B, B06A, B06B, B17A, B17B, B17C		08	I12A, I12B, I12C, I28A, I28B
	21A	W04A, W04B		08	I08A, I08B, I08C, I08D, I08E, I08F	5t051.z↔	21A	W04A, W04B
	21B	X06A, X06B, X06C		21A	W01A, W01B, W01C, W02A, W02B		21B	X06A, X06B, X06C
5t051.7↔		BOP, KVT, UOP4, VIAL	5t051.i↔		BOP, KVT, UOP4, VIAL		04	E02A, E02B, E02C
	08	I08A, I08B, I08C, I08D, I08E, I08F, I12A, I12B, I12C, I21Z, I31Z		08	I12A, I12B, I12C, I28A, I28B		08	I12A, I12B, I12C, I28A, I28B
	21A	W04A, W04B		21A	W04A, W04B	5t052.0↔	21A	W04A, W04B
	21B	X06A, X06B, X06C		21B	X04Z		21B	X06A, X06B, X06C
5t051.8↔		BOP, KVT, UOP4, VIAL	5t051.j↔		BOP, KVT, UOP4, VIAL		04	E02A, E02B, E02C
	08	I08A, I08B, I08C, I08D, I08E, I08F, I12A, I12B, I12C, I21Z, I31Z		08	I12A, I12B, I12C, I28A, I28B		08	I12A, I12B, I12C, I28A, I28B
	21A	W04A, W04B		21A	W04A, W04B	5t052.1↔	21A	W04A, W04B
	21B	X06A, X06B, X06C		21B	X04Z, X06A, X06B, X06C		21B	X06A, X06B, X06C
5t051.9↔		BOP, KVT, UOP4, VIAL	5t051.k↔		BOP, KVT, UOP4, VIAL		08	I08A, I08B, I08C, I08D, I08E, I08F, I12A, I12B, I12C, I13A, I13B, I13C, I13D
	08	I08A, I08B, I08C, I08D, I08E, I08F, I12A, I12B, I12C, I21Z, I31Z		08	I12A, I12B, I12C, I13A, I13B, I13C, I13D		21A	W04A, W04B
	21A	W04A, W04B		21A	W04A, W04B	5t052.2↔	21B	X06A, X06B, X06C
	21B	X06A, X06B, X06C		21B	X04Z		08	I08A, I08B, I08C, I08D, I08E, I08F, I12A, I12B, I12C, I13A, I13B, I13C, I13D
5t051.a↔		BOP, KVT, UOP4, VIAL	5t051.l↔		BOP, KVT, UOP4, VIAL		21A	W04A, W04B
	08	I12A, I12B, I12C, I32A, I32B, I32C, I32D, I32E, I32F		08	I12A, I12B, I12C, I13A, I13B, I13C, I13D	5t052.3↔	21B	X06A, X06B, X06C
	21A	W04A, W04B		21A	W04A, W04B		08	I08A, I08B, I08C, I08D, I08E, I08F, I12A, I12B, I12C, I13A, I13B, I13C, I13D
	21B	X05A, X05B		21B	X04Z		21A	W04A, W04B
5t051.b↔		BOP, KVT, UOP4, VIAL	5t051.m↔		BOP, KVT, UOP4, VIAL	5t052.4↔	21B	X06A, X06B, X06C
	08	I12A, I12B, I12C, I32A, I32B, I32C, I32D, I32E, I32F		08	I12A, I12B, I12C, I13A, I13B, I13C, I13D		08	I08A, I08B, I08C, I08D, I08E, I08F, I12A, I12B, I12C, I21Z, I31Z
	21A	W04A, W04B		21A	W04A, W04B		21A	W04A, W04B
	21B	X05A, X05B		21B	X04Z		21B	X06A, X06B, X06C
5t051.c↔		BOP, KVT, UOP4, VIAL	5t051.n↔		BOP, KVT, UOP4, VIAL		08	I08A, I08B, I08C, I08D, I08E, I08F, I12A, I12B, I12C, I21Z, I31Z
	08	I12A, I12B, I12C, I32A, I32B, I32C, I32D, I32E, I32F		08	I12A, I12B, I12C, I13A, I13B, I13C, I13D	5t052.5↔	21A	W04A, W04B
	21A	W04A, W04B		21A	W04A, W04B		21B	X06A, X06B, X06C
	21B	X05A, X05B		21B	X04Z		08	I08A, I08B, I08C, I08D, I08E, I08F, I12A, I12B, I12C, I21Z, I31Z
5t051.d		BOP, KVT, UOP4, VIAL	5t051.o↔		BOP, KVT, UOP4, VIAL		21A	W04A, W04B
	08	I08A, I08B, I08C, I08D, I08E, I08F, I12A, I12B, I12C		08	I12A, I12B, I12C, I13A, I13B, I13C, I13D	5t052.6↔	21B	X06A, X06B, X06C
	21A	W04A, W04B		21A	W04A, W04B		08	I08A, I08B, I08C, I08D, I08E, I08F, I12A, I12B, I12C, I21Z, I31Z
	21B	X06A, X06B, X06C		21B	X04Z		21A	W04A, W04B
5t051.e↔		BOP, KVT, UOP4, VIAL	5t051.p↔		BOP, KVT, UOP4, VIAL	5t052.7↔	21B	X06A, X06B, X06C
	01	B03A, B03B, B06A, B06B, B17A, B17B, B17C		08	I12A, I12B, I12C, I13A, I13B, I13C, I13D		08	I08A, I08B, I08C, I08D, I08E, I08F, I12A, I12B, I12C, I21Z, I31Z
	08	I08A, I08B, I08C, I08D, I08E, I08F		21A	W04A, W04B		21A	W04A, W04B
	21A	W01A, W01B, W01C, W02A, W02B		21B	X04Z, X06A, X06B, X06C		21B	X06A, X06B, X06C
	21B	X04Z		5t051.t↔	BOP, KVT, UOP4, VIAL		08	I08A, I08B, I08C, I08D, I08E, I08F, I12A, I12B, I12C, I21Z, I31Z
5t051.f↔		BOP, KVT, UOP4, VIAL		08	I12A, I12B, I12C, I28A, I28B		21A	W04A, W04B
	01	B03A, B03B, B06A, B06B, B17A, B17B, B17C		21A	W04A, W04B	5t052.8↔	21B	X06A, X06B, X06C
	08	I08A, I08B, I08C, I08D, I08E, I08F		21B	X04Z, X06A, X06B, X06C		08	I08A, I08B, I08C, I08D, I08E, I08F, I12A, I12B, I12C, I21Z, I31Z
	21A	W01A, W01B, W01C, W02A, W02B		5t051.v↔	BOP, KVT, UOP4, VIAL		21A	W04A, W04B
	21B	X04Z		08	I12A, I12B, I12C, I28A, I28B		21B	X06A, X06B, X06C
				21A	W04A, W04B			
				21B	X04Z, X06A, X06B, X06C			

VYK

ZZV	MDC	DRG	ZZV	MDC	DRG	ZZV	MDC	DRG
5t052.9↔		BOP, KVT, UOP4, VIAL	5t052.m↔	08	BOP, KVT, UOP4, VIAL 112A, 112B, 112C, 113A, 113B, 113C, 113D	5t053.2↔	08	BOP, KVT, UOP4, VIAL 108A, 108B, 108C, 108D, 108E, 108F, 112A, 112B, 112C, 113A, 113B, 113C, 113D
	08	108A, 108B, 108C, 108D, 108E, 108F, 112A, 112B, 112C, 121Z, 131Z		21A	W04A, W04B		21A	W04A, W04B
	21A	W04A, W04B		21B	X04Z		21B	X06A, X06B, X06C
5t052.a↔	21B	X06A, X06B, X06C	5t052.n↔	08	BOP, KVT, UOP4, VIAL 112A, 112B, 112C, 113A, 113B, 113C, 113D	5t053.3↔	08	BOP, KVT, UOP4, VIAL 108A, 108B, 108C, 108D, 108E, 108F, 112A, 112B, 112C, 113A, 113B, 113C, 113D
	08	BOP, KVT, UOP4, VIAL 112A, 112B, 112C, 132A, 132B, 132C, 132D, 132E, 132F		21A	W04A, W04B		21A	W04A, W04B
	21A	W04A, W04B		21B	X04Z		21B	X06A, X06B, X06C
5t052.b↔	21B	X05A, X05B	5t052.p↔	08	BOP, KVT, UOP4, VIAL 112A, 112B, 112C, 113A, 113B, 113C, 113D	5t053.4↔	08	BOP, KVT, UOP4, VIAL 108A, 108B, 108C, 108D, 108E, 108F, 112A, 112B, 112C, 121Z, 131Z
	08	BOP, KVT, UOP4, VIAL 112A, 112B, 112C, 132A, 132B, 132C, 132D, 132E, 132F		21A	W04A, W04B		21A	W04A, W04B
	21A	W04A, W04B		21B	X04Z		21B	X06A, X06B, X06C
5t052.c↔	21B	X05A, X05B	5t052.q↔	08	BOP, KVT, UOP4, VIAL 112A, 112B, 112C, 113A, 113B, 113C, 113D	5t053.5↔	08	BOP, KVT, UOP4, VIAL 108A, 108B, 108C, 108D, 108E, 108F, 112A, 112B, 112C, 121Z, 131Z
	08	BOP, KVT, UOP4, VIAL 112A, 112B, 112C, 132A, 132B, 132C, 132D, 132E, 132F		21A	W04A, W04B		21A	W04A, W04B
	21A	W04A, W04B		21B	X04Z		21B	X06A, X06B, X06C
5t052.d	21B	X05A, X05B	5t052.r↔	08	BOP, KVT, UOP4, VIAL 112A, 112B, 112C, 113A, 113B, 113C, 113D	5t053.6↔	08	BOP, KVT, UOP4, VIAL 108A, 108B, 108C, 108D, 108E, 108F, 112A, 112B, 112C, 121Z, 131Z
	08	BOP, KVT, UOP4, VIAL 108A, 108B, 108C, 108D, 108E, 108F, 112A, 112B, 112C		21A	W04A, W04B		21A	W04A, W04B
	21A	W04A, W04B		21B	X04Z		21B	X06A, X06B, X06C
5t052.e↔	21B	X06A, X06B, X06C	5t052.s↔	08	BOP, KVT, UOP4, VIAL 112A, 112B, 112C, 128A, 128B	5t053.7↔	08	BOP, KVT, UOP4, VIAL 108A, 108B, 108C, 108D, 108E, 108F, 112A, 112B, 112C, 121Z, 131Z
	01	B03A, B03B, B06A, B06B, B17A, B17B, B17C		21A	W04A, W04B		21A	W04A, W04B
	08	108A, 108B, 108C, 108D, 108E, 108F		21B	X04Z, X06A, X06B, X06C		21B	X06A, X06B, X06C
5t052.f↔	21A	W01A, W01B, W01C, W02A, W02B	5t052.t↔	08	BOP, KVT, UOP4, VIAL 112A, 112B, 112C, 128A, 128B	5t053.8↔	08	BOP, KVT, UOP4, VIAL 108A, 108B, 108C, 108D, 108E, 108F, 112A, 112B, 112C, 121Z, 131Z
	21B	X04Z		21A	W04A, W04B		21A	W04A, W04B
	01	B03A, B03B, B06A, B06B, B17A, B17B, B17C		21B	X04Z, X06A, X06B, X06C		21B	X06A, X06B, X06C
5t052.g↔	08	108A, 108B, 108C, 108D, 108E, 108F	5t052.u↔	08	BOP, KVT, UOP4, VIAL 112A, 112B, 112C, 128A, 128B	5t053.9↔	08	BOP, KVT, UOP4, VIAL 108A, 108B, 108C, 108D, 108E, 108F, 112A, 112B, 112C, 121Z, 131Z
	21A	W01A, W01B, W01C, W02A, W02B		21A	W04A, W04B		21A	W04A, W04B
	21B	X04Z		21B	X04Z, X06A, X06B, X06C		21B	X06A, X06B, X06C
5t052.h↔	01	B03A, B03B, B06A, B06B, B17A, B17B, B17C	5t052.v↔	08	BOP, KVT, UOP4, VIAL 112A, 112B, 112C, 128A, 128B	5t053.a↔	08	BOP, KVT, UOP4, VIAL 112A, 112B, 112C, 132A, 132B, 132C, 132D, 132E, 132F
	08	108A, 108B, 108C, 108D, 108E, 108F		21A	W04A, W04B		21A	W04A, W04B
	21A	W01A, W01B, W01C, W02A, W02B		21B	X04Z, X06A, X06B, X06C		21B	X06A, X06B, X06C
5t052.i↔	21B	X04Z	5t052.w↔	08	BOP, KVT, UOP4, VIAL 112A, 112B, 112C, 128A, 128B	5t053.b↔	08	BOP, KVT, UOP4, VIAL 112A, 112B, 112C, 132A, 132B, 132C, 132D, 132E, 132F
	01	B03A, B03B, B06A, B06B, B17A, B17B, B17C		21A	W04A, W04B		21A	W04A, W04B
	08	108A, 108B, 108C, 108D, 108E, 108F		21B	X04Z, X06A, X06B, X06C		21B	X06A, X06B, X06C
5t052.j↔	21A	W01A, W01B, W01C, W02A, W02B	5t052.x	03	D12A, D12B	5t053.c↔	08	BOP, KVT, UOP4, VIAL 112A, 112B, 112C, 132A, 132B, 132C, 132D, 132E, 132F
	21B	X04Z		08	112A, 112B, 112C, 128A, 128B		21A	W04A, W04B
	01	B03A, B03B, B06A, B06B, B17A, B17B, B17C		21A	W04A, W04B		21B	X06A, X06B, X06C
5t052.k↔	08	108A, 108B, 108C, 108D, 108E, 108F	5t052.y↔	04	E02A, E02B, E02C	5t053.d	08	BOP, KVT, UOP4, VIAL 108A, 108B, 108C, 108D, 108E, 108F, 112A, 112B, 112C, 121Z, 131Z
	21A	W01A, W01B, W01C, W02A, W02B		08	112A, 112B, 112C, 128A, 128B		21A	W04A, W04B
	21B	X04Z		21A	W04A, W04B		21B	X06A, X06B, X06C
	01	B03A, B03B, B06A, B06B, B17A, B17B, B17C	5t053.0↔	08	BOP, KVT, UOP4, VIAL 112A, 112B, 112C, 128A, 128B	5t053.e↔	08	BOP, KVT, UOP4, VIAL 108A, 108B, 108C, 108D, 108E, 108F, 112A, 112B, 112C, 121Z, 131Z
	08	108A, 108B, 108C, 108D, 108E, 108F		04	E02A, E02B, E02C		21A	W04A, W04B
	21A	W01A, W01B, W01C, W02A, W02B		08	112A, 112B, 112C, 128A, 128B		21B	X06A, X06B, X06C
	21B	X04Z	5t053.1↔	08	BOP, KVT, UOP4, VIAL 108A, 108B, 108C, 108D, 108E, 108F, 112A, 112B, 112C, 113A, 113B, 113C, 113D			
	01	B03A, B03B, B06A, B06B, B17A, B17B, B17C		08	108A, 108B, 108C, 108D, 108E, 108F, 112A, 112B, 112C, 113A, 113B, 113C, 113D			
	08	108A, 108B, 108C, 108D, 108E, 108F		21A	W04A, W04B			
	21A	W01A, W01B, W01C, W02A, W02B						
	21B	X04Z						

ZZV	MDC	DRG	ZZV	MDC	DRG	ZZV	MDC	DRG
5t053.e↔		BOP, KVT, UOP4, VIAL	5t053.t↔		BOP, KVT, UOP4, VIAL	5t054.7↔		BOP, KVT, UOP4, VIAL
	01	B03A, B03B, B06A, B06B, B17A, B17B, B17C		08	I12A, I12B, I12C, I28A, I28B		08	I08A, I08B, I08C, I08D, I08E, I08F, I12A, I12B, I12C, I21Z, I31Z
	08	I08A, I08B, I08C, I08D, I08E, I08F		21A	W04A, W04B		21A	W04A, W04B
	21A	W01A, W01B, W01C, W02A, W02B	5t053.u↔		BOP, KVT, UOP4, VIAL		21B	X06A, X06B, X06C
	21B	X04Z		08	I12A, I12B, I12C, I28A, I28B	5t054.8↔		BOP, KVT, UOP4, VIAL
5t053.f↔		BOP, KVT, UOP4, VIAL		21A	W04A, W04B		08	I08A, I08B, I08C, I08D, I08E, I08F, I12A, I12B, I12C, I21Z, I31Z
	01	B03A, B03B, B06A, B06B, B17A, B17B, B17C	5t053.v↔		BOP, KVT, UOP4, VIAL		21A	W04A, W04B
	08	I08A, I08B, I08C, I08D, I08E, I08F		08	I12A, I12B, I12C, I28A, I28B		21B	X06A, X06B, X06C
	21A	W01A, W01B, W01C, W02A, W02B		21A	W04A, W04B	5t054.9↔		BOP, KVT, UOP4, VIAL
	21B	X04Z	5t053.w↔		BOP, KVT, UOP4, VIAL		08	I08A, I08B, I08C, I08D, I08E, I08F, I12A, I12B, I12C, I21Z, I31Z
5t053.g↔		BOP, KVT, UOP4, VIAL		08	I12A, I12B, I12C, I28A, I28B		21A	W04A, W04B
	01	B03A, B03B, B06A, B06B, B17A, B17B, B17C	5t053.x		BOP, KVT, UOP4		21B	X06A, X06B, X06C
	08	I08A, I08B, I08C, I08D, I08E, I08F		03	D12A, D12B	5t054.a↔		BOP, KVT, UOP4, VIAL
	21A	W01A, W01B, W01C, W02A, W02B		08	I12A, I12B, I12C, I28A, I28B		08	I12A, I12B, I12C, I32A, I32B, I32C, I32D, I32E, I32F
	21B	X04Z		21A	W04A, W04B		21A	W04A, W04B
5t053.h↔		BOP, KVT, UOP4, VIAL	5t053.z↔		BOP, KVT, UOP4, VIAL		21B	X05A, X05B
	01	B03A, B03B, B06A, B06B, B17A, B17B, B17C		04	E02A, E02B, E02C	5t054.b↔		BOP, KVT, UOP4, VIAL
	08	I08A, I08B, I08C, I08D, I08E, I08F		08	I12A, I12B, I12C, I28A, I28B		08	I12A, I12B, I12C, I32A, I32B, I32C, I32D, I32E, I32F
	21A	W01A, W01B, W01C, W02A, W02B		21A	W04A, W04B		21A	W04A, W04B
	21B	X04Z	5t054.0↔		BOP, KVT, UOP4, VIAL		21B	X05A, X05B
5t053.i↔		BOP, KVT, UOP4, VIAL		04	E02A, E02B, E02C	5t054.c↔		BOP, KVT, UOP4, VIAL
	01	B03A, B03B, B06A, B06B, B17A, B17B, B17C		08	I12A, I12B, I12C, I28A, I28B		08	I12A, I12B, I12C, I32A, I32B, I32C, I32D, I32E, I32F
	08	I08A, I08B, I08C, I08D, I08E, I08F		21A	W04A, W04B		21A	W04A, W04B
	21A	W01A, W01B, W01C, W02A, W02B	5t054.1↔		BOP, KVT, UOP4, VIAL		21B	X05A, X05B
	21B	X04Z		08	I08A, I08B, I08C, I08D, I08E, I08F, I12A, I12B, I12C, I13A, I13B, I13C, I13D	5t054.d		BOP, KVT, UOP4, VIAL
5t053.j↔		BOP, KVT, UOP4, VIAL		21A	W04A, W04B		08	I08A, I08B, I08C, I08D, I08E, I08F, I12A, I12B, I12C
	08	I12A, I12B, I12C, I28A, I28B		21B	X06A, X06B, X06C		21A	W04A, W04B
	21A	W04A, W04B	5t054.2↔		BOP, KVT, UOP4, VIAL		21B	X06A, X06B, X06C
	21B	X04Z, X06A, X06B, X06C		08	I08A, I08B, I08C, I08D, I08E, I08F, I12A, I12B, I12C, I13A, I13B, I13C, I13D	5t054.e↔		BOP, KVT, UOP4, VIAL
5t053.k↔		BOP, KVT, UOP4, VIAL		21A	W04A, W04B		01	B03A, B03B, B06A, B06B, B17A, B17B, B17C
	08	I12A, I12B, I12C, I13A, I13B, I13C, I13D		21B	X06A, X06B, X06C		08	I08A, I08B, I08C, I08D, I08E, I08F
	21A	W04A, W04B	5t054.3↔		BOP, KVT, UOP4, VIAL		21A	W01A, W01B, W01C, W02A, W02B
	21B	X04Z		08	I08A, I08B, I08C, I08D, I08E, I08F, I12A, I12B, I12C, I13A, I13B, I13C, I13D	5t054.f↔		BOP, KVT, UOP4, VIAL
5t053.l↔		BOP, KVT, UOP4, VIAL		21A	W04A, W04B		01	B03A, B03B, B06A, B06B, B17A, B17B, B17C
	08	I12A, I12B, I12C, I13A, I13B, I13C, I13D		21B	X06A, X06B, X06C		08	I08A, I08B, I08C, I08D, I08E, I08F
	21A	W04A, W04B	5t054.4↔		BOP, KVT, UOP4, VIAL		21A	W01A, W01B, W01C, W02A, W02B
	21B	X04Z		08	I08A, I08B, I08C, I08D, I08E, I08F, I12A, I12B, I12C, I21Z, I31Z	5t054.g↔		BOP, KVT, UOP4, VIAL
5t053.m↔		BOP, KVT, UOP4, VIAL		21A	W04A, W04B		01	B03A, B03B, B06A, B06B, B17A, B17B, B17C
	08	I12A, I12B, I12C, I13A, I13B, I13C, I13D		21B	X06A, X06B, X06C		08	I08A, I08B, I08C, I08D, I08E, I08F
	21A	W04A, W04B	5t054.5↔		BOP, KVT, UOP4, VIAL		21A	W01A, W01B, W01C, W02A, W02B
	21B	X04Z		08	I08A, I08B, I08C, I08D, I08E, I08F, I12A, I12B, I12C, I21Z, I31Z	5t054.h↔		BOP, KVT, UOP4, VIAL
5t053.n↔		BOP, KVT, UOP4, VIAL		21A	W04A, W04B		01	B03A, B03B, B06A, B06B, B17A, B17B, B17C
	08	I12A, I12B, I12C, I13A, I13B, I13C, I13D		21B	X06A, X06B, X06C		08	I08A, I08B, I08C, I08D, I08E, I08F
	21A	W04A, W04B	5t054.6↔		BOP, KVT, UOP4, VIAL		21A	W01A, W01B, W01C, W02A, W02B
	21B	X04Z		08	I08A, I08B, I08C, I08D, I08E, I08F, I12A, I12B, I12C, I21Z, I31Z		21B	X04Z
5t053.o↔		BOP, KVT, UOP4, VIAL		21A	W04A, W04B		21A	W01A, W01B, W01C, W02A, W02B
	08	I12A, I12B, I12C, I13A, I13B, I13C, I13D		21B	X06A, X06B, X06C		21B	X04Z
	21A	W04A, W04B		21A	W04A, W04B		01	B03A, B03B, B06A, B06B, B17A, B17B, B17C
	21B	X04Z		21B	X06A, X06B, X06C		08	I08A, I08B, I08C, I08D, I08E, I08F
5t053.p↔		BOP, KVT, UOP4, VIAL		21A	W04A, W04B		21A	W01A, W01B, W01C, W02A, W02B
	08	I12A, I12B, I12C, I13A, I13B, I13C, I13D		21B	X06A, X06B, X06C		21B	X04Z
	21A	W04A, W04B		21A	W04A, W04B		01	B03A, B03B, B06A, B06B, B17A, B17B, B17C
	21B	X04Z		21B	X06A, X06B, X06C		08	I08A, I08B, I08C, I08D, I08E, I08F
5t053.q↔		BOP, KVT, UOP4, VIAL		21A	W04A, W04B		21A	W01A, W01B, W01C, W02A, W02B
	08	I12A, I12B, I12C, I13A, I13B, I13C, I13D		21B	X06A, X06B, X06C		21B	X04Z
	21A	W04A, W04B		21A	W04A, W04B		01	B03A, B03B, B06A, B06B, B17A, B17B, B17C
	21B	X04Z		21B	X06A, X06B, X06C		08	I08A, I08B, I08C, I08D, I08E, I08F
5t053.r↔		BOP, KVT, UOP4, VIAL		21A	W04A, W04B		21A	W01A, W01B, W01C, W02A, W02B
	08	I12A, I12B, I12C, I13A, I13B, I13C, I13D		21B	X06A, X06B, X06C		21B	X04Z
	21A	W04A, W04B		21A	W04A, W04B		01	B03A, B03B, B06A, B06B, B17A, B17B, B17C
	21B	X04Z		21B	X06A, X06B, X06C		08	I08A, I08B, I08C, I08D, I08E, I08F
5t053.s↔		BOP, KVT, UOP4, VIAL		21A	W04A, W04B		21A	W01A, W01B, W01C, W02A, W02B
	08	I12A, I12B, I12C, I28A, I28B		21B	X06A, X06B, X06C		21B	X04Z
	21A	W04A, W04B						
	21B	X04Z, X06A, X06B, X06C						

ZZV	MDC	DRG	ZZV	MDC	DRG	ZZV	MDC	DRG
5t05x.r↔		BOP, KVT, UOP4, VIAL	5t066		BOP, KVT, UOP4	5t06f.0		BOP, KVT, UOP4
	08	I12A, I12B, I12C, I13A, I13B, I13C, I13D		03	D18Z, D28Z, D29Z		03	D18Z, D28Z, D29Z
	21A	W04A, W04B		04	E02A, E02B, E02C		04	E02A, E02B, E02C
	21B	X04Z		08	I12A, I12B, I12C, I28A, I28B		08	I12A, I12B, I12C, I28A, I28B
5t05x.s↔		BOP, KVT, UOP4, VIAL	5t067		BOP, KVT, UOP4	5t06f.1		BOP, KVT, UOP4
	08	I12A, I12B, I12C, I28A, I28B		03	D18Z, D28Z, D29Z		03	D18Z, D28Z, D29Z
	21A	W04A, W04B		04	E02A, E02B, E02C		04	E02A, E02B, E02C
	21B	X04Z, X06A, X06B, X06C		08	I12A, I12B, I12C, I28A, I28B		08	I12A, I12B, I12C, I28A, I28B
5t05x.t↔		BOP, KVT, UOP4, VIAL	5t068		BOP, KVT, UOP4	5t06v		BOP, KVT, UOP4
	08	I12A, I12B, I12C, I28A, I28B		03	D18Z, D28Z, D29Z		03	D18Z, D28Z, D29Z
	21A	W04A, W04B		04	E02A, E02B, E02C		04	E02A, E02B, E02C
	21B	X04Z, X06A, X06B, X06C		08	I12A, I12B, I12C, I28A, I28B		08	I12A, I12B, I12C, I28A, I28B, I33Z
5t05x.u↔		BOP, KVT, UOP4, VIAL	5t069		BOP, KVT, UOP4	5t06x		BOP, KVT, UOP4
	08	I12A, I12B, I12C, I28A, I28B		03	D18Z, D28Z, D29Z		03	D18Z, D28Z, D29Z
	21A	W04A, W04B		04	E02A, E02B, E02C		04	E02A, E02B, E02C
	21B	X04Z, X06A, X06B, X06C		08	I12A, I12B, I12C, I28A, I28B		08	I12A, I12B, I12C, I28A, I28B
5t05x.v↔		BOP, KVT, UOP4, VIAL	5t06a		BOP, KVT, UOP4	5t06z		BOP, KVT, UOP4
	08	I12A, I12B, I12C, I28A, I28B		03	D18Z, D28Z, D29Z		03	D18Z, D28Z, D29Z
	21A	W04A, W04B		04	E02A, E02B, E02C		04	E02A, E02B, E02C
	21B	X04Z, X06A, X06B, X06C		08	I12A, I12B, I12C, I28A, I28B		08	I12A, I12B, I12C, I28A, I28B
5t05x.w↔		BOP, KVT, UOP4, VIAL	5t06b		BOP, KVT, UOP4	5t070.0↔		BOP, KVT, UOP4, VIAL
	08	I12A, I12B, I12C, I28A, I28B		03	D18Z, D28Z, D29Z		08	I12A, I12B, I12C, I28A, I28B
	21A	W04A, W04B		04	E02A, E02B, E02C		21A	W04A, W04B
	21B	X04Z, X06A, X06B, X06C		08	I12A, I12B, I12C, I28A, I28B		21B	X06A, X06B, X06C
5t05x.x		BOP, KVT, UOP4	5t06c		BOP, KVT, UOP4	5t070.1↔		BOP, KVT, UOP4, VIAL
	03	D12A, D12B		03	D18Z, D28Z, D29Z		08	I08A, I08B, I08C, I08D, I08E, I08F, I12A, I12B, I12C, I13A, I13B, I13C, I13D, I13E
	08	I12A, I12B, I12C, I28A, I28B		04	E02A, E02B, E02C		21A	W04A, W04B
	21A	W04A, W04B		08	I12A, I12B, I12C, I28A, I28B		21B	X06A, X06B, X06C
5t05x.z↔		BOP, KVT, UOP4, VIAL	5t06d		BOP, KVT, UOP4	5t070.2↔		BOP, KVT, UOP4, VIAL
	04	E02A, E02B, E02C		03	D18Z, D28Z, D29Z		08	I08A, I08B, I08C, I08D, I08E, I08F, I12A, I12B, I12C, I13A, I13B, I13C, I13D, I13E
	08	I12A, I12B, I12C, I28A, I28B		04	E02A, E02B, E02C		21A	W04A, W04B
	21A	W04A, W04B		08	I12A, I12B, I12C, I28A, I28B		21B	X06A, X06B, X06C
5t061		BOP, KVT, UOP4	5t06e		BOP, KVT, UOP4	5t070.3↔		BOP, KVT, UOP4, VIAL
	03	D18Z, D28Z, D29Z		03	D18Z, D28Z, D29Z		08	I08A, I08B, I08C, I08D, I08E, I08F, I12A, I12B, I12C, I13A, I13B, I13C, I13D, I13E
	04	E02A, E02B, E02C		04	E02A, E02B, E02C		21A	W04A, W04B
	08	I12A, I12B, I12C, I28A, I28B		08	I12A, I12B, I12C, I28A, I28B		21B	X06A, X06B, X06C
5t063		BOP, KVT, UOP4	5t06f		BOP, KVT, UOP4	5t070.4↔		BOP, KVT, UOP4, VIAL
	03	D18Z, D28Z, D29Z		03	D18Z, D28Z, D29Z		08	I08A, I08B, I08C, I08D, I08E, I08F, I12A, I12B, I12C, I121Z, I31Z
	04	E02A, E02B, E02C		04	E02A, E02B, E02C		21A	W04A, W04B
	08	I12A, I12B, I12C, I28A, I28B		08	I12A, I12B, I12C, I28A, I28B		21B	X06A, X06B, X06C
5t064		BOP, KVT, UOP4	5t06g		BOP, KVT, UOP4	5t070.5↔		BOP, KVT, UOP4, VIAL
	03	D18Z, D28Z, D29Z		03	D18Z, D28Z, D29Z		08	I08A, I08B, I08C, I08D, I08E, I08F, I12A, I12B, I12C, I121Z, I31Z
	04	E02A, E02B, E02C		04	E02A, E02B, E02C		21A	W04A, W04B
	08	I12A, I12B, I12C, I28A, I28B		08	I12A, I12B, I12C, I28A, I28B		21B	X06A, X06B, X06C
5t065		BOP, KVT, UOP4	5t06h		BOP, KVT, UOP4	5t070.6↔		BOP, KVT, UOP4, VIAL
	03	D18Z, D28Z, D29Z		03	D18Z, D28Z, D29Z		08	I08A, I08B, I08C, I08D, I08E, I08F, I12A, I12B, I12C, I121Z, I31Z
	04	E02A, E02B, E02C		04	E02A, E02B, E02C		21A	W04A, W04B
	08	I12A, I12B, I12C, I28A, I28B		08	I12A, I12B, I12C, I28A, I28B		21B	X06A, X06B, X06C

VYK

ZZV	MDC	DRG	ZZV	MDC	DRG	ZZV	MDC	DRG
5t070.5↔		BOP, KVT, UOP4, VIAL	5t070.h↔	08	BOP, KVT, UOP4, VIAL	5t070.z↔	08	BOP, KVT, UOP4, VIAL
	08	I08A, I08B, I08C, I08D, I08E, I08F, I12A, I12B, I12C, I21Z, I31Z		08	I08A, I08B, I08C, I08D, I08E, I08F		08	I12A, I12B, I12C, I28A, I28B
	21A	W04A, W04B		21A	W01A, W01B, W01C, W02A, W02B		21A	W04A, W04B
5t070.6↔	21B	X06A, X06B, X06C	5t070.j↔	21B	X04Z	5t071.0↔	21B	X06A, X06B, X06C
		BOP, KVT, UOP4, VIAL		08	BOP, KVT, UOP4, VIAL		01	BOP, KVT, UOP4
	08	I08A, I08B, I08C, I08D, I08E, I08F, I12A, I12B, I12C, I21Z, I31Z		08	I12A, I12B, I12C, I18A, I18B, I30Z		01	B03A, B03B, B06A, B06B, B17A, B17B, B17C
5t070.7↔	21A	W04A, W04B	5t070.k↔	21A	W04A, W04B	5t071.1↔	04	E02A, E02B, E02C
	21B	X06A, X06B, X06C		21B	X04Z		08	I12A, I12B, I12C, I23A, I23B
		BOP, KVT, UOP4, VIAL		08	I12A, I12B, I12C, I13A, I13B, I13C, I13D, I13E		21A	W04A, W04B
5t070.8↔	08	I08A, I08B, I08C, I08D, I08E, I08F, I12A, I12B, I12C, I21Z, I31Z	5t070.m↔	21B	X04Z	5t071.2↔	21B	X06A, X06B, X06C
	21A	W04A, W04B		08	BOP, KVT, UOP4, VIAL		01	BOP, KVT, UOP4
	21B	X06A, X06B, X06C		08	I12A, I12B, I12C, I13A, I13B, I13C, I13D, I13E		01	B03A, B03B, B06A, B06B, B17A, B17B, B17C
5t070.9↔		BOP, KVT, UOP4, VIAL	5t070.n↔	21A	W04A, W04B	5t071.3↔	08	I12A, I12B, I12C, I23A, I23B
	08	I08A, I08B, I08C, I08D, I08E, I08F, I12A, I12B, I12C, I21Z, I31Z		08	I12A, I12B, I12C, I13A, I13B, I13C, I13D, I13E		21A	W04A, W04B
	21A	W04A, W04B		21B	X04Z		21B	X06A, X06B, X06C
5t070.a↔	21B	X06A, X06B, X06C	5t070.p↔	21A	W04A, W04B	5t071.4↔	01	BOP, KVT, UOP4
		BOP, KVT, UOP4, VIAL		08	BOP, KVT, UOP4, VIAL		01	B03A, B03B, B06A, B06B, B17A, B17B, B17C
	08	I12A, I12B, I12C, I32A, I32B, I32C, I32D, I32E, I32F		08	I12A, I12B, I12C, I13A, I13B, I13C, I13D, I13E		08	I12A, I12B, I12C, I23A, I23B
5t070.b↔	21A	W04A, W04B	5t070.q↔	21B	X04Z	5t071.5↔	21A	W04A, W04B
	21B	X05A, X05B		21A	W04A, W04B		21B	X06A, X06B, X06C
		BOP, KVT, UOP4, VIAL		21B	X04Z		01	BOP, KVT, UOP4
5t070.c↔	08	I12A, I12B, I12C, I32A, I32B, I32C, I32D, I32E, I32F	5t070.r↔	08	BOP, KVT, UOP4, VIAL	5t071.6↔	01	B03A, B03B, B06A, B06B, B17A, B17B, B17C
	21A	W04A, W04B		08	I12A, I12B, I12C, I13A, I13B, I13C, I13D, I13E		08	I12A, I12B, I12C, I23A, I23B
	21B	X05A, X05B		21A	W04A, W04B		21A	W04A, W04B
5t070.d	21B	X05A, X05B	5t070.s↔	21B	X04Z	5t071.7↔	21B	X06A, X06B, X06C
		BOP, KVT, UOP4, VIAL		08	BOP, KVT, UOP4, VIAL		01	BOP, KVT, UOP4
	08	I12A, I12B, I12C, I32A, I32B, I32C, I32D, I32E, I32F		08	I12A, I12B, I12C, I20A, I20B, I20C, I20D, I20E, I20F		08	B03A, B03B, B06A, B06B, B17A, B17B, B17C
5t070.e↔	21A	W04A, W04B	5t070.t↔	21A	W04A, W04B	5t071.8↔	08	I12A, I12B, I12C, I23A, I23B
	21B	X05A, X05B		21B	X04Z		21A	W04A, W04B
		BOP, KVT, UOP4, VIAL		08	BOP, KVT, UOP4, VIAL		21B	X06A, X06B, X06C
5t070.f↔	08	I08A, I08B, I08C, I08D, I08E, I08F	5t070.u↔	08	I12A, I12B, I12C, I20A, I20B, I20C, I20D, I20E, I20F	5t071.9↔	01	BOP, KVT, UOP4
	21A	W01A, W01B, W01C, W02A, W02B		08	I12A, I12B, I12C, I20A, I20B, I20C, I20D, I20E, I20F		01	B03A, B03B, B06A, B06B, B17A, B17B, B17C
	21B	X04Z		21A	W04A, W04B		08	I12A, I12B, I12C, I23A, I23B
5t070.g↔		BOP, KVT, UOP4, VIAL	5t070.v↔	21B	X04Z	5t071.8↔	21A	W04A, W04B
	08	I08A, I08B, I08C, I08D, I08E, I08F		08	BOP, KVT, UOP4, VIAL		01	BOP, KVT, UOP4
	21A	W01A, W01B, W01C, W02A, W02B		08	I12A, I12B, I12C, I20A, I20B, I20C, I20D, I20E, I20F		01	B03A, B03B, B06A, B06B, B17A, B17B, B17C
5t070.h↔	21B	X04Z	5t070.w↔	21A	W04A, W04B	5t071.9↔	08	I12A, I12B, I12C, I23A, I23B
		BOP, KVT, UOP4, VIAL		08	I12A, I12B, I12C, I20A, I20B, I20C, I20D, I20E, I20F		21A	W04A, W04B
	08	I08A, I08B, I08C, I08D, I08E, I08F		21B	X04Z		21B	X06A, X06B, X06C
5t070.i↔	21A	W01A, W01B, W01C, W02A, W02B	5t070.x		BOP, KVT, UOP4			
	21B	X04Z		08	I12A, I12B, I12C, I28A, I28B			
		BOP, KVT, UOP4, VIAL		21A	W04A, W04B			
				21B	X06A, X06B, X06C			

VYK

ZZV	MDC	DRG	ZZV	MDC	DRG	ZZV	MDC	DRG
5t074.e↔		BOP, KVT, UOP4	5t074.s↔		BOP, KVT, UOP4	5t075.g↔		BOP, KVT, UOP4
	01	B03A, B03B, B06A, B06B, B17A, B17B, B17C		01	B03A, B03B, B06A, B06B, B17A, B17B, B17C		01	B03A, B03B, B06A, B06B, B17A, B17B, B17C
	08	I12A, I12B, I12C, I21Z		08	I12A, I12B, I12C, I23A, I23B		08	I12A, I12B, I12C, I21Z
	21A	W04A, W04B		21A	W04A, W04B		21A	W04A, W04B
	21B	X04Z, X06A, X06B, X06C		21B	X04Z, X06A, X06B, X06C		21B	X04Z, X06A, X06B, X06C
5t074.f↔		BOP, KVT, UOP4	5t074.t↔		BOP, KVT, UOP4	5t075.h↔		BOP, KVT, UOP4
	01	B03A, B03B, B06A, B06B, B17A, B17B, B17C		01	B03A, B03B, B06A, B06B, B17A, B17B, B17C		01	B03A, B03B, B06A, B06B, B17A, B17B, B17C
	08	I12A, I12B, I12C, I21Z		08	I12A, I12B, I12C, I23A, I23B		08	I12A, I12B, I12C, I21Z
	21A	W04A, W04B		21A	W04A, W04B		21A	W04A, W04B
	21B	X04Z, X06A, X06B, X06C		21B	X04Z, X06A, X06B, X06C		21B	X04Z, X06A, X06B, X06C
5t074.g↔		BOP, KVT, UOP4	5t074.u↔		BOP, KVT, UOP4	5t075.k↔		BOP, KVT, UOP4
	01	B03A, B03B, B06A, B06B, B17A, B17B, B17C		01	B03A, B03B, B06A, B06B, B17A, B17B, B17C		08	I13A, I13B, I59Z
	08	I12A, I12B, I12C, I21Z		08	I12A, I12B, I12C, I23A, I23B	5t075.n↔		BOP, KVT, UOP4
	21A	W04A, W04B		21A	W04A, W04B			I13A, I13B, I59Z
	21B	X04Z, X06A, X06B, X06C		21B	X04Z, X06A, X06B, X06C	5t075.p↔		BOP, KVT, UOP4
5t074.h↔		BOP, KVT, UOP4	5t074.v↔		BOP, KVT, UOP4		08	I59Z
	01	B03A, B03B, B06A, B06B, B17A, B17B, B17C		01	B03A, B03B, B06A, B06B, B17A, B17B, B17C	5t075.q↔		BOP, KVT, UOP4
	08	I12A, I12B, I12C, I21Z		08	I12A, I12B, I12C, I23A, I23B		08	I59Z
	21A	W04A, W04B		21A	W04A, W04B	5t075.r↔		BOP, KVT, UOP4
	21B	X04Z, X06A, X06B, X06C		21B	X04Z, X06A, X06B, X06C		08	I59Z
5t074.j↔		BOP, KVT, UOP4	5t074.w↔		BOP, KVT, UOP4	5t075.s↔		BOP, KVT, UOP4
	01	B03A, B03B, B06A, B06B, B17A, B17B, B17C		01	B03A, B03B, B06A, B06B, B17A, B17B, B17C		08	I20A, I20B, I20C, I20D, I20E, I20F
	08	I12A, I12B, I12C, I23A, I23B		08	I12A, I12B, I12C, I23A, I23B	5t075.t↔		BOP, KVT, UOP4
	21A	W04A, W04B		21A	W04A, W04B		08	I20A, I20B, I20C, I20D, I20E, I20F
	21B	X04Z, X06A, X06B, X06C		21B	X04Z, X06A, X06B, X06C	5t075.u↔		BOP, KVT, UOP4
5t074.k↔		BOP, KVT, UOP4	5t074.x		BOP, KVT, UOP4		08	I20A, I20B, I20C, I20D, I20E, I20F
	01	B03A, B03B, B06A, B06B, B17A, B17B, B17C		01	B03A, B03B, B06A, B06B, B17A, B17B, B17C	5t075.v↔		BOP, KVT, UOP4
	08	I12A, I12B, I12C, I23A, I23B		04	E02A, E02B, E02C		08	I20A, I20B, I20C, I20D, I20E, I20F
	21A	W04A, W04B		08	I12A, I12B, I12C, I23A, I23B	5t075.w↔		BOP, KVT, UOP4
	21B	X04Z, X06A, X06B, X06C		21A	W04A, W04B		08	I20A, I20B, I20C, I20D, I20E, I20F
5t074.m↔		BOP, KVT, UOP4	5t074.z↔		BOP, KVT, UOP4	5t075.x		BOP, KVT, UOP4
	01	B03A, B03B, B06A, B06B, B17A, B17B, B17C		01	B03A, B03B, B06A, B06B, B17A, B17B, B17C		01	B03A, B03B, B06A, B06B, B17A, B17B, B17C
	08	I12A, I12B, I12C, I23A, I23B		04	E02A, E02B, E02C		08	I12A, I12B, I12C, I23A, I23B
	21A	W04A, W04B		08	I12A, I12B, I12C, I23A, I23B		21A	W04A, W04B
	21B	X04Z, X06A, X06B, X06C		21A	W04A, W04B		21B	X06A, X06B, X06C
5t074.n↔		BOP, KVT, UOP4	5t075.1↔		BOP, KVT, UOP4	5t076.1↔		BOP, KVT, UOP4
	01	B03A, B03B, B06A, B06B, B17A, B17B, B17C		08	I13A, I13B, I59Z		01	B03A, B03B, B06A, B06B, B17A, B17B, B17C
	08	I12A, I12B, I12C, I23A, I23B	5t075.2↔		BOP, KVT, UOP4		08	I12A, I12B, I12C, I23A, I23B
	21A	W04A, W04B		08	I13A, I13B, I59Z		21A	W04A, W04B
	21B	X04Z, X06A, X06B, X06C	5t075.3↔		BOP, KVT, UOP4		21B	X06A, X06B, X06C
5t074.p↔		BOP, KVT, UOP4	5t075.d		BOP, KVT, UOP4	5t076.2↔		BOP, KVT, UOP4
	01	B03A, B03B, B06A, B06B, B17A, B17B, B17C		08	I08A, I08B, I08C, I08D, I08E, I08F		01	B03A, B03B, B06A, B06B, B17A, B17B, B17C
	08	I12A, I12B, I12C, I23A, I23B	5t075.e↔		BOP, KVT, UOP4		08	I12A, I12B, I12C, I23A, I23B
	21A	W04A, W04B		01	B03A, B03B, B06A, B06B, B17A, B17B, B17C		21A	W04A, W04B
	21B	X04Z, X06A, X06B, X06C		08	I12A, I12B, I12C, I21Z		21B	X06A, X06B, X06C
5t074.q↔		BOP, KVT, UOP4	5t075.f↔		BOP, KVT, UOP4	5t076.3↔		BOP, KVT, UOP4
	01	B03A, B03B, B06A, B06B, B17A, B17B, B17C		01	B03A, B03B, B06A, B06B, B17A, B17B, B17C		01	B03A, B03B, B06A, B06B, B17A, B17B, B17C
	08	I12A, I12B, I12C, I23A, I23B		08	I12A, I12B, I12C, I23A, I23B		08	I12A, I12B, I12C, I23A, I23B
	21A	W04A, W04B		21A	W04A, W04B		21A	W04A, W04B
	21B	X04Z, X06A, X06B, X06C		21B	X04Z, X06A, X06B, X06C		21B	X06A, X06B, X06C
5t074.r↔		BOP, KVT, UOP4		01	B03A, B03B, B06A, B06B, B17A, B17B, B17C	5t076.4↔		BOP, KVT, UOP4
	01	B03A, B03B, B06A, B06B, B17A, B17B, B17C		08	I12A, I12B, I12C, I21Z		01	B03A, B03B, B06A, B06B, B17A, B17B, B17C
	08	I12A, I12B, I12C, I23A, I23B		21A	W04A, W04B		08	I12A, I12B, I12C, I23A, I23B
	21A	W04A, W04B		21B	X04Z, X06A, X06B, X06C		21A	W04A, W04B
	21B	X04Z, X06A, X06B, X06C					21B	X06A, X06B, X06C

ZZV	MDC	DRG	ZZV	MDC	DRG	ZZV	MDC	DRG
5t077.x		BOP, KVT, UOP4	5t079.5↔		BOP, KVT, UOP4	5t079.n↔		BOP, KVT, UOP4
	01	B03A, B03B, B06A, B06B, B17A, B17B, B17C		01	B03A, B03B, B06A, B06B, B17A, B17B, B17C		01	B03A, B03B, B06A, B06B, B17A, B17B, B17C
	08	I12A, I12B, I12C, I23A, I23B		08	I12A, I12B, I12C, I23A, I23B		08	I12A, I12B, I12C, I23A, I23B
	21A	W04A, W04B		21A	W04A, W04B		21A	W04A, W04B
	21B	X06A, X06B, X06C		21B	X06A, X06B, X06C		21B	X04Z, X06A, X06B, X06C
5t078.1↔		BOP, KVT, UOP4	5t079.6↔		BOP, KVT, UOP4	5t079.p↔		BOP, KVT, UOP4
	08	I13A, I13B, I59Z		01	B03A, B03B, B06A, B06B, B17A, B17B, B17C		08	I59Z
5t078.2↔		BOP, KVT, UOP4		08	I12A, I12B, I12C, I23A, I23B	5t079.q↔		BOP, KVT, UOP4
	08	I13A, I13B, I59Z		21A	W04A, W04B		08	I59Z
5t078.e↔		BOP, KVT, UOP4	5t079.7↔		BOP, KVT, UOP4	5t079.r↔		BOP, KVT, UOP4
	01	B03A, B03B, B06A, B06B, B17A, B17B, B17C		01	B03A, B03B, B06A, B06B, B17A, B17B, B17C		08	I59Z
	08	I12A, I12B, I12C, I21Z		08	I12A, I12B, I12C, I23A, I23B	5t079.s↔		BOP, KVT, UOP4
	21A	W04A, W04B		21A	W04A, W04B		08	I20A, I20B, I20C, I20D, I20E, I20F
	21B	X04Z, X06A, X06B, X06C		21B	X06A, X06B, X06C	5t079.t↔		BOP, KVT, UOP4
5t078.f↔		BOP, KVT, UOP4		21A	W04A, W04B		08	I20A, I20B, I20C, I20D, I20E, I20F
	01	B03A, B03B, B06A, B06B, B17A, B17B, B17C	5t079.8↔		BOP, KVT, UOP4	5t079.x		BOP, KVT, UOP4
	08	I12A, I12B, I12C, I21Z		01	B03A, B03B, B06A, B06B, B17A, B17B, B17C		01	B03A, B03B, B06A, B06B, B17A, B17B, B17C
	21A	W04A, W04B		08	I12A, I12B, I12C, I23A, I23B		08	I12A, I12B, I12C, I23A, I23B
	21B	X04Z, X06A, X06B, X06C		21A	W04A, W04B		21A	W04A, W04B
5t078.g↔		BOP, KVT, UOP4		21B	X06A, X06B, X06C	5t07a.0↔		X06A, X06B, X06C
	01	B03A, B03B, B06A, B06B, B17A, B17B, B17C	5t079.9↔		BOP, KVT, UOP4		01	BOP, KVT, UOP4
	08	I12A, I12B, I12C, I21Z		01	B03A, B03B, B06A, B06B, B17A, B17B, B17C		01	B03A, B03B, B06A, B06B, B17A, B17B, B17C
	21A	W04A, W04B		08	I12A, I12B, I12C, I23A, I23B		04	E02A, E02B, E02C
	21B	X04Z, X06A, X06B, X06C		21A	W04A, W04B		08	I12A, I12B, I12C, I23A, I23B
5t078.h↔		BOP, KVT, UOP4		21B	X06A, X06B, X06C		21A	W04A, W04B
	01	B03A, B03B, B06A, B06B, B17A, B17B, B17C	5t079.d		BOP, KVT, UOP4	5t07a.1↔		X06A, X06B, X06C
	08	I12A, I12B, I12C, I21Z		08	I08A, I08B, I08C, I08D, I08E, I08F		01	BOP, KVT, UOP4
	21A	W04A, W04B		08	I08A, I08B, I08C, I08D, I08E, I08F		08	I12A, I12B, I12C, I23A, I23B
	21B	X04Z, X06A, X06B, X06C	5t079.e↔		BOP, KVT, UOP4		21A	W04A, W04B
5t078.x		BOP, KVT, UOP4		08	I08A, I08B, I08C, I08D, I08E, I08F		21B	X06A, X06B, X06C
	01	B03A, B03B, B06A, B06B, B17A, B17B, B17C	5t079.f↔		BOP, KVT, UOP4	5t07a.2↔		BOP, KVT, UOP4
	08	I12A, I12B, I12C, I23A, I23B		01	B03A, B03B, B06A, B06B, B17A, B17B, B17C		01	B03A, B03B, B06A, B06B, B17A, B17B, B17C
	21A	W04A, W04B		08	I12A, I12B, I12C, I21Z		08	I12A, I12B, I12C, I23A, I23B
	21B	X06A, X06B, X06C		21A	W04A, W04B		21A	W04A, W04B
5t079.1↔		BOP, KVT, UOP4		21B	X04Z, X06A, X06B, X06C		21B	X06A, X06B, X06C
	01	B03A, B03B, B06A, B06B, B17A, B17B, B17C	5t079.g↔		BOP, KVT, UOP4	5t07a.3↔		BOP, KVT, UOP4
	08	I12A, I12B, I12C, I23A, I23B		01	B03A, B03B, B06A, B06B, B17A, B17B, B17C		01	B03A, B03B, B06A, B06B, B17A, B17B, B17C
	21A	W04A, W04B		08	I12A, I12B, I12C, I21Z		08	I12A, I12B, I12C, I23A, I23B
	21B	X06A, X06B, X06C		21A	W04A, W04B		21A	W04A, W04B
5t079.2↔		BOP, KVT, UOP4		21B	X04Z, X06A, X06B, X06C		21B	X06A, X06B, X06C
	01	B03A, B03B, B06A, B06B, B17A, B17B, B17C	5t079.h↔		BOP, KVT, UOP4	5t07a.4↔		BOP, KVT, UOP4
	08	I12A, I12B, I12C, I23A, I23B		01	B03A, B03B, B06A, B06B, B17A, B17B, B17C		01	B03A, B03B, B06A, B06B, B17A, B17B, B17C
	21A	W04A, W04B		08	I12A, I12B, I12C, I21Z		08	I12A, I12B, I12C, I23A, I23B
	21B	X06A, X06B, X06C		21A	W04A, W04B		21A	W04A, W04B
5t079.3↔		BOP, KVT, UOP4		21B	X04Z, X06A, X06B, X06C		21B	X06A, X06B, X06C
	01	B03A, B03B, B06A, B06B, B17A, B17B, B17C	5t079.i↔		BOP, KVT, UOP4	5t07a.5↔		BOP, KVT, UOP4
	08	I12A, I12B, I12C, I23A, I23B		01	B03A, B03B, B06A, B06B, B17A, B17B, B17C		01	B03A, B03B, B06A, B06B, B17A, B17B, B17C
	21A	W04A, W04B		08	I12A, I12B, I12C, I23A, I23B		08	I12A, I12B, I12C, I23A, I23B
	21B	X06A, X06B, X06C		21A	W04A, W04B		21A	W04A, W04B
5t079.4↔		BOP, KVT, UOP4		21B	X04Z, X06A, X06B, X06C	5t07a.6↔		BOP, KVT, UOP4
	01	B03A, B03B, B06A, B06B, B17A, B17B, B17C	5t079.m↔		BOP, KVT, UOP4		01	B03A, B03B, B06A, B06B, B17A, B17B, B17C
	08	I12A, I12B, I12C, I23A, I23B		01	B03A, B03B, B06A, B06B, B17A, B17B, B17C		08	I12A, I12B, I12C, I23A, I23B
	21A	W04A, W04B		08	I12A, I12B, I12C, I23A, I23B		21A	W04A, W04B
	21B	X06A, X06B, X06C		21A	W04A, W04B		21B	X06A, X06B, X06C
				21B	X04Z, X06A, X06B, X06C			

VYK

ZZV	MDC	DRG	ZZV	MDC	DRG	ZZV	MDC	DRG
5t07x.b↔		BOP, KVT, UOP4	5t07x.p↔	01	B03A, B03B, B06A, B06B, B17A, B17B, B17C	5t080.1↔	05	F27A, F27B, F27C
	01	B03A, B03B, B06A, B06B, B17A, B17B, B17C		08	I23A, I23B		08	I20A, I20B, I20C, I20D, I20E, I20F
	08	I23A, I23B		21A	W04A, W04B		10	K01Z
	21A	W04A, W04B		21B	X04Z, X06A, X06B, X06C		21A	W04A, W04B
	21B	X05A, X05B, X06A, X06B, X06C					21B	X04Z
5t07x.c↔		BOP, KVT, UOP4	5t07x.q↔	01	B03A, B03B, B06A, B06B, B17A, B17B, B17C	5t080.2↔		BOP, KVT, UOP4, VIAL
	01	B03A, B03B, B06A, B06B, B17A, B17B, B17C		08	I23A, I23B		05	F27A, F27B, F27C
	08	I23A, I23B		21A	W04A, W04B		08	I20A, I20B, I20C, I20D, I20E, I20F
	21A	W04A, W04B		21B	X04Z, X06A, X06B, X06C		10	K01Z
	21B	X05A, X05B, X06A, X06B, X06C					21A	W04A, W04B
5t07x.d		BOP, KVT, UOP4	5t07x.r↔	01	B03A, B03B, B06A, B06B, B17A, B17B, B17C	5t080.3↔	21B	X04Z
	01	B03A, B03B, B06A, B06B, B17A, B17B, B17C		08	I23A, I23B			BOP, KVT, UOP4, VIAL
	08	I23A, I23B		21A	W04A, W04B		05	F27A, F27B, F27C
	21A	W04A, W04B		21B	X04Z, X06A, X06B, X06C		08	I20A, I20B, I20C, I20D
	21B	X04Z, X06A, X06B, X06C					10	K01Z
5t07x.e↔		BOP, KVT, UOP4	5t07x.s↔	01	B03A, B03B, B06A, B06B, B17A, B17B, B17C	5t080.4↔	21A	W04A, W04B
	01	B03A, B03B, B06A, B06B, B17A, B17B, B17C		08	I23A, I23B		21B	X04Z
	08	I21Z		21A	W04A, W04B			BOP, KVT, UOP4, VIAL
	21A	W04A, W04B		21B	X04Z, X06A, X06B, X06C		05	F27A, F27B, F27C
	21B	X04Z, X06A, X06B, X06C					08	I20A, I20B, I20C, I20D
5t07x.f↔		BOP, KVT, UOP4	5t07x.t↔	01	B03A, B03B, B06A, B06B, B17A, B17B, B17C	5t080.a↔	10	K01Z
	01	B03A, B03B, B06A, B06B, B17A, B17B, B17C		08	I23A, I23B		21A	W04A, W04B
	08	I21Z		21A	W04A, W04B		21B	X04Z
	21A	W04A, W04B		21B	X04Z, X06A, X06B, X06C			BOP, KVT, UOP4, VIAL
	21B	X04Z, X06A, X06B, X06C					05	F27A, F27B, F27C
5t07x.g↔		BOP, KVT, UOP4	5t07x.u↔	01	B03A, B03B, B06A, B06B, B17A, B17B, B17C	5t080.b↔	08	I20A, I20B, I20C, I20D, I20E, I20F
	01	B03A, B03B, B06A, B06B, B17A, B17B, B17C		08	I23A, I23B		10	K09A, K09B
	08	I21Z		21A	W04A, W04B		21A	W04A, W04B
	21A	W04A, W04B		21B	X04Z, X06A, X06B, X06C		21B	X04Z
	21B	X04Z, X06A, X06B, X06C						BOP, KVT, UOP4, VIAL
5t07x.h↔		BOP, KVT, UOP4	5t07x.v↔	01	B03A, B03B, B06A, B06B, B17A, B17B, B17C	5t080.c↔	05	F27A, F27B, F27C
	01	B03A, B03B, B06A, B06B, B17A, B17B, B17C		08	I23A, I23B		08	I20A, I20B, I20C, I20D, I20E, I20F
	08	I21Z		21A	W04A, W04B		10	K09A, K09B
	21A	W04A, W04B		21B	X04Z, X06A, X06B, X06C		21A	W04A, W04B
	21B	X04Z, X06A, X06B, X06C					21B	X04Z
5t07x.i↔		BOP, KVT, UOP4	5t07x.w↔	01	B03A, B03B, B06A, B06B, B17A, B17B, B17C	5t080.d↔		BOP, KVT, UOP4, VIAL
	01	B03A, B03B, B06A, B06B, B17A, B17B, B17C		08	I23A, I23B		05	F27A, F27B, F27C
	08	I21Z		21A	W04A, W04B		08	I20A, I20B, I20C, I20D, I20E, I20F
	21A	W04A, W04B		21B	X04Z, X06A, X06B, X06C		10	K09A, K09B
	21B	X04Z, X06A, X06B, X06C					21A	W04A, W04B
5t07x.j↔		BOP, KVT, UOP4	5t07x.x	01	B03A, B03B, B06A, B06B, B17A, B17B, B17C	5t080.e↔	21B	X04Z
	01	B03A, B03B, B06A, B06B, B17A, B17B, B17C		08	I23A, I23B			BOP, KVT, UOP4, VIAL
	08	I23A, I23B		21A	W04A, W04B		05	F27A, F27B, F27C
	21A	W04A, W04B		21B	X04Z, X06A, X06B, X06C		08	I20A, I20B, I20C, I20D, I20E, I20F
	21B	X04Z, X06A, X06B, X06C					10	K09A, K09B
5t07x.k↔		BOP, KVT, UOP4	5t07x.z↔	01	B03A, B03B, B06A, B06B, B17A, B17B, B17C	5t080.f↔	21A	W04A, W04B
	01	B03A, B03B, B06A, B06B, B17A, B17B, B17C		08	I23A, I23B		21B	X04Z
	08	I23A, I23B		21A	W04A, W04B			BOP, KVT, UOP4, VIAL
	21A	W04A, W04B		21B	X06A, X06B, X06C		05	F27A, F27B, F27C
	21B	X04Z, X06A, X06B, X06C					08	I20A, I20B, I20C, I20D, I20E, I20F
5t07x.l↔		BOP, KVT, UOP4	5t080.0↔	01	B03A, B03B, B06A, B06B, B17A, B17B, B17C	5t080.g↔	10	K09A, K09B
	01	B03A, B03B, B06A, B06B, B17A, B17B, B17C		05	F27A, F27B, F27C		21A	W04A, W04B
	08	I23A, I23B		08	I20A, I20B, I20C, I20D, I20E, I20F		21B	X04Z
	21A	W04A, W04B		10	K01Z			BOP, KVT, UOP4, VIAL
	21B	X04Z, X06A, X06B, X06C		21A	W04A, W04B		05	F27A, F27B, F27C
5t07x.m↔		BOP, KVT, UOP4	5t080.1↔	01	B03A, B03B, B06A, B06B, B17A, B17B, B17C	5t080.h↔	08	I20A, I20B, I20C, I20D, I20E, I20F
	01	B03A, B03B, B06A, B06B, B17A, B17B, B17C		04	E02A, E02B, E02C		10	K09A, K09B
	08	I23A, I23B		08	I23A, I23B		21A	W04A, W04B
	21A	W04A, W04B		21A	W04A, W04B		21B	X04Z
	21B	X04Z, X06A, X06B, X06C		21B	X06A, X06B, X06C			BOP, KVT, UOP4, VIAL
5t07x.n↔		BOP, KVT, UOP4	5t080.2↔	01	B03A, B03B, B06A, B06B, B17A, B17B, B17C	5t080.i↔	05	F27A, F27B, F27C
	01	B03A, B03B, B06A, B06B, B17A, B17B, B17C		05	F27A, F27B, F27C		08	I20A, I20B, I20C, I20D, I20E, I20F
	08	I23A, I23B		08	I20A, I20B, I20C, I20D, I20E, I20F		10	K09A, K09B
	21A	W04A, W04B		10	K01Z		21A	W04A, W04B
	21B	X04Z, X06A, X06B, X06C		21A	W04A, W04B		21B	X04Z

VYK

ZZV	MDC	DRG	ZZV	MDC	DRG	ZZV	MDC	DRG
5t080.x↔		BOP, KVT, UOP4, VIAL	5t082.b↔		BOP, KVT, UOP4, VIAL	5t083.a↔		BOP, KVT, UOP4, VIAL
	05	F27A, F27B, F27C		08	I20A, I20B, I20C, I20D, I20E, I20F		05	F27A, F27B, F27C
	08	I20A, I20B, I20C, I20D, I20E, I20F		21A	W04A, W04B		08	I20A, I20B, I20C, I20D, I20E, I20F
	10	K09A, K09B		21B	X04Z		10	K09A, K09B
	21A	W04A, W04B	5t082.c↔		BOP, KVT, UOP4, VIAL		21A	W04A, W04B
	21B	X04Z		08	I20A, I20B, I20C, I20D, I20E, I20F	5t083.b↔		BOP, KVT, UOP4, VIAL
5t081.0↔		BOP, KVT, UOP4, VIAL		21A	W04A, W04B		05	F27A, F27B, F27C
	08	I20A, I20B, I20C, I20D, I20E, I20F		21B	X04Z		08	I20A, I20B, I20C, I20D, I20E, I20F
5t081.1↔		BOP, KVT, UOP4, VIAL	5t082.d↔		BOP, KVT, UOP4, VIAL		10	K09A, K09B
	08	I20A, I20B, I20C, I20D, I20E, I20F		08	I20A, I20B, I20C, I20D, I20E, I20F		21A	W04A, W04B
5t081.2↔		BOP, KVT, UOP4, VIAL		21A	W04A, W04B		21B	X04Z
	08	I20A, I20B, I20C, I20D, I20E, I20F	5t082.e↔		BOP, KVT, UOP4, VIAL	5t083.c↔		BOP, KVT, UOP4, VIAL
5t081.3↔		BOP, KVT, UOP4, VIAL		08	I20A, I20B, I20C, I20D, I20E, I20F		05	F27A, F27B, F27C
	08	I20A, I20B, I20C, I20D, I20E, I20F		21A	W04A, W04B		08	I20A, I20B, I20C, I20D, I20E, I20F
5t081.4↔		BOP, KVT, UOP4, VIAL		21B	X04Z		10	K09A, K09B
	08	I20A, I20B, I20C, I20D, I20E, I20F	5t082.f↔		BOP, KVT, UOP4, VIAL		21A	W04A, W04B
5t082.01		BOP, KVT, UOP4, VIAL		08	I20A, I20B, I20C, I20D, I20E, I20F	5t083.d↔		BOP, KVT, UOP4, VIAL
	05	F27A, F27B, F27C		21A	W04A, W04B		05	F27A, F27B, F27C
	08	I20A, I20B, I20C, I20D, I20E, I20F		21B	X04Z		08	I20A, I20B, I20C, I20D, I20E, I20F
	10	K01Z	5t082.x↔		BOP, KVT, UOP4, VIAL		10	K09A, K09B
	21A	W04A, W04B		08	I20A, I20B, I20C, I20D, I20E, I20F		21A	W04A, W04B
	21B	X04Z		21A	W04A, W04B	5t083.e↔		BOP, KVT, UOP4, VIAL
5t082.02↔		BOP, KVT, UOP4, VIAL		21B	X04Z		05	F27A, F27B, F27C
	05	F27A, F27B, F27C	5t083.0↔		BOP, KVT, UOP4, VIAL		08	I20A, I20B, I20C, I20D, I20E, I20F
	08	I20A, I20B, I20C, I20D, I20E, I20F		05	F27A, F27B, F27C		10	K09A, K09B
	10	K01Z		08	I20A, I20B, I20C, I20D, I20E, I20F		21A	W04A, W04B
	21A	W04A, W04B		10	K01Z		21B	X04Z
	21B	X04Z		21A	W04A, W04B	5t08x↔		BOP, KVT, UOP4, VIAL
5t082.1↔		BOP, KVT, UOP4, VIAL		21B	X04Z		08	I20A, I20B, I20C, I20D, I20E, I20F
	05	F27A, F27B, F27C	5t083.1↔		BOP, KVT, UOP4, VIAL			BOP, KVT, UOP4
	08	I20A, I20B, I20C, I20D, I20E, I20F		05	F27A, F27B, F27C	5t090.0↔		E02A, E02B, E02C
	10	K01Z		08	I20A, I20B, I20C, I20D, I20E, I20F		08	I28A, I28B
	21A	W04A, W04B		10	K01Z		21A	W04A, W04B
	21B	X04Z		21A	W04A, W04B		21B	X06A, X06B, X06C
5t082.2↔		BOP, KVT, UOP4, VIAL		21B	X04Z	5t090.1↔		BOP, KVT, UOP4
	05	F27A, F27B, F27C	5t083.2↔		BOP, KVT, UOP4, VIAL		08	I13A, I13B, I13C, I13D, I13E
	08	I20A, I20B, I20C, I20D, I20E, I20F		05	F27A, F27B, F27C		21A	W04A, W04B
	10	K01Z		08	I20A, I20B, I20C, I20D, I20E, I20F		21B	X06A, X06B, X06C
	21A	W04A, W04B		10	K01Z	5t090.2↔		BOP, KVT, UOP4
	21B	X04Z		21A	W04A, W04B		08	I13A, I13B, I13C, I13D, I13E
5t082.3↔		BOP, KVT, UOP4, VIAL		21B	X04Z		21A	W04A, W04B
	05	F27A, F27B, F27C	5t083.3↔		BOP, KVT, UOP4, VIAL		21B	X06A, X06B, X06C
	08	I20A, I20B, I20C, I20D		05	F27A, F27B, F27C	5t090.3↔		BOP, KVT, UOP4
	10	K01Z		08	I20A, I20B, I20C, I20D		08	I13A, I13B, I13C, I13D, I13E
	21A	W04A, W04B		10	K01Z		21A	W04A, W04B
	21B	X04Z		21A	W04A, W04B		21B	X06A, X06B, X06C
5t082.4↔		BOP, KVT, UOP4, VIAL		21B	X04Z	5t090.4↔		BOP, KVT, UOP4
	05	F27A, F27B, F27C	5t083.4↔		BOP, KVT, UOP4, VIAL		08	I21Z, I31Z
	08	I20A, I20B, I20C, I20D		05	F27A, F27B, F27C		21A	W04A, W04B
	10	K01Z		08	I20A, I20B, I20C, I20D		21B	X06A, X06B, X06C
	21A	W04A, W04B		10	K01Z	5t090.5↔		BOP, KVT, UOP4
	21B	X04Z		21A	W04A, W04B		08	I21Z, I31Z
5t082.a↔		BOP, KVT, UOP4, VIAL		21B	X04Z		21A	W04A, W04B
	08	I20A, I20B, I20C, I20D, I20E, I20F					21B	X06A, X06B, X06C
	21A	W04A, W04B				5t090.6↔		BOP, KVT, UOP4
	21B	X04Z					08	I21Z, I31Z
							21A	W04A, W04B
							21B	X06A, X06B, X06C

VYK

ZZV	MDC	DRG	ZZV	MDC	DRG	ZZV	MDC	DRG
5t090.7↔		BOP, KVT, UOP4	5t090.k↔		BOP, KVT, UOP4	5t091.0↔		BOP, KVT, UOP4
	08	I21Z, I31Z		08	I13A, I13B, I13C, I13D, I13E		08	I12A, I12B, I12C, I28A, I28B
	21A	W04A, W04B		21A	W04A, W04B		21A	W04A, W04B
	21B	X06A, X06B, X06C		21B	X04Z		21B	X06A, X06B, X06C
5t090.8↔		BOP, KVT, UOP4	5t090.m↔		BOP, KVT, UOP4	5t091.1↔		BOP, KVT, UOP4, VIAL
	08	I21Z, I31Z		08	I13A, I13B, I13C, I13D, I13E		08	I08A, I08B, I08C, I08D, I08E, I08F, I12A, I12B, I12C, I13A, I13B, I13C, I13D, I13E
	21A	W04A, W04B		21A	W04A, W04B		21A	W04A, W04B
	21B	X06A, X06B, X06C		21B	X04Z		21B	X06A, X06B, X06C
5t090.9↔		BOP, KVT, UOP4	5t090.n↔		BOP, KVT, UOP4	5t091.3↔		BOP, KVT, UOP4, VIAL
	08	I21Z, I31Z		08	I13A, I13B, I13C, I13D, I13E		08	I08A, I08B, I08C, I08D, I08E, I08F, I12A, I12B, I12C, I13A, I13B, I13C, I13D, I13E
	21A	W04A, W04B		21A	W04A, W04B		21A	W04A, W04B
	21B	X06A, X06B, X06C		21B	X04Z		21B	X06A, X06B, X06C
5t090.a↔		BOP, KVT, UOP4	5t090.p↔		BOP, KVT, UOP4	5t091.4↔		BOP, KVT, UOP4, VIAL
	08	I32A, I32B, I32C, I32D, I32E, I32F		08	I13A, I13B, I13C, I13D, I13E		08	I08A, I08B, I08C, I08D, I08E, I08F, I12A, I12B, I12C, I13A, I13B, I13C, I13D, I13E
	21A	W04A, W04B		21A	W04A, W04B		21A	W04A, W04B
	21B	X05A, X05B		21B	X04Z		21B	X06A, X06B, X06C
5t090.b↔		BOP, KVT, UOP4	5t090.q↔		BOP, KVT, UOP4	5t091.6↔		BOP, KVT, UOP4, VIAL
	08	I32A, I32B, I32C, I32D, I32E, I32F		08	I13A, I13B, I13C, I13D, I13E		08	I08A, I08B, I08C, I08D, I08E, I08F, I12A, I12B, I12C, I21Z, I31Z
	21A	W04A, W04B		21A	W04A, W04B		21A	W04A, W04B
	21B	X05A, X05B		21B	X04Z		21B	X06A, X06B, X06C
5t090.c↔		BOP, KVT, UOP4	5t090.r↔		BOP, KVT, UOP4	5t091.7↔		BOP, KVT, UOP4, VIAL
	08	I32A, I32B, I32C, I32D, I32E, I32F		08	I13A, I13B, I13C, I13D, I13E		08	I08A, I08B, I08C, I08D, I08E, I08F, I12A, I12B, I12C, I21Z, I31Z
	21A	W04A, W04B		21A	W04A, W04B		21A	W04A, W04B
	21B	X05A, X05B		21B	X04Z		21B	X06A, X06B, X06C
5t090.d		BOP, KVT, UOP4	5t090.s↔		BOP, KVT, UOP4	5t091.9↔		BOP, KVT, UOP4, VIAL
	08	I08A, I08B, I08C, I08D, I08E, I08F		05	F27A, F27B, F27C		08	I08A, I08B, I08C, I08D, I08E, I08F, I12A, I12B, I12C, I21Z, I31Z
	21A	W04A, W04B		08	I20A, I20B, I20C, I20D, I20E, I20F		21A	W04A, W04B
	21B	X06A, X06B, X06C		10	K01Z		21B	X06A, X06B, X06C
5t090.e↔		BOP, KVT, UOP4	5t090.t↔		BOP, KVT, UOP4	5t091.b↔		BOP, KVT, UOP4, VIAL
	01	B03A, B03B, B06A, B06B, B17A, B17B, B17C		05	F27A, F27B, F27C		08	I12A, I12B, I12C, I32A, I32B, I32C, I32D, I32E, I32F
	08	I08A, I08B, I08C, I08D, I08E, I08F		08	I20A, I20B, I20C, I20D, I20E, I20F		21A	W04A, W04B
	21A	W01A, W01B, W01C, W02A, W02B		10	K01Z		21B	X05A, X05B
	21B	X04Z		21A	W04A, W04B		5t091.c↔	BOP, KVT, UOP4, VIAL
5t090.f↔		BOP, KVT, UOP4	5t090.u↔		BOP, KVT, UOP4		08	I12A, I12B, I12C, I32A, I32B, I32C, I32D, I32E, I32F
	01	B03A, B03B, B06A, B06B, B17A, B17B, B17C		05	F27A, F27B, F27C		21A	W04A, W04B
	08	I08A, I08B, I08C, I08D, I08E, I08F		08	I20A, I20B, I20C, I20D, I20E, I20F		21B	X06A, X06B, X06C
	21A	W01A, W01B, W01C, W02A, W02B		10	K01Z		5t091.d	BOP, KVT, UOP4, VIAL
	21B	X04Z		21A	W04A, W04B		08	I08A, I08B, I08C, I08D, I08E, I08F, I12A, I12B, I12C
5t090.g↔		BOP, KVT, UOP4	5t090.v↔		BOP, KVT, UOP4	5t091.e↔		BOP, KVT, UOP4, VIAL
	01	B03A, B03B, B06A, B06B, B17A, B17B, B17C		05	F27A, F27B, F27C		01	B03A, B03B, B06A, B06B, B17A, B17B, B17C
	08	I08A, I08B, I08C, I08D, I08E, I08F		08	I20A, I20B, I20C, I20D, I20E, I20F		08	I08A, I08B, I08C, I08D, I08E, I08F, I12A, I12B, I12C
	21A	W01A, W01B, W01C, W02A, W02B		10	K01Z		21A	W04A, W04B
	21B	X04Z		21A	W04A, W04B		21B	X04Z
5t090.h↔		BOP, KVT, UOP4	5t090.w↔		BOP, KVT, UOP4	5t091.f↔		BOP, KVT, UOP4, VIAL
	01	B03A, B03B, B06A, B06B, B17A, B17B, B17C		08	I20A, I20B, I20C, I20D, I20E, I20F		01	B03A, B03B, B06A, B06B, B17A, B17B, B17C
	08	I08A, I08B, I08C, I08D, I08E, I08F		21A	W04A, W04B		08	I08A, I08B, I08C, I08D, I08E, I08F, I12A, I12B, I12C
	21A	W01A, W01B, W01C, W02A, W02B		21B	X04Z		21A	W04A, W04B
	21B	X04Z		5t090.x		21B	X06A, X06B, X06C	
5t090.i↔		BOP, KVT, UOP4		01	B03A, B03B, B06A, B06B, B17A, B17B, B17C		5t090.z↔	BOP, KVT, UOP4
	01	B03A, B03B, B06A, B06B, B17A, B17B, B17C		08	I28A, I28B		04	E02A, E02B, E02C
	08	I08A, I08B, I08C, I08D, I08E, I08F		21A	W04A, W04B		08	I28A, I28B
	21A	W01A, W01B, W01C, W02A, W02B		21A	W04A, W04B		21A	W04A, W04B
	21B	X04Z		21B	X06A, X06B, X06C		21B	X06A, X06B, X06C
5t090.j↔		BOP, KVT, UOP4		5t090.y				
	01	B03A, B03B, B06A, B06B, B17A, B17B, B17C		01	B03A, B03B, B06A, B06B, B17A, B17B, B17C			
	08	I18A, I18B, I30Z		08	I28A, I28B			
	21A	W04A, W04B		21A	W04A, W04B			
	21B	X04Z		21B	X06A, X06B, X06C			

ZZV	MDC	DRG	ZZV	MDC	DRG	ZZV	MDC	DRG
5t091.h↔		BOP, KVT, UOP4, VIAL	5t092.3↔		BOP, KVT, UOP4, VIAL	5t092.p↔		BOP, KVT, UOP4, VIAL
	01	B03A, B03B, B06A, B06B, B17A, B17B, B17C		08	I08A, I08B, I08C, I08D, I08E, I08F, I13A, I13B, I13C, I13D, I13E		08	I13A, I13B, I13C, I13D, I13E
	08	I08A, I08B, I08C, I08D, I08E, I08F, I12A, I12B, I12C		21A	W04A, W04B		21A	W04A, W04B
	21A	W04A, W04B		21B	X06A, X06B, X06C		21B	X04Z
	21B	X04Z	5t092.4↔		BOP, KVT, UOP4, VIAL	5t092.r↔		BOP, KVT, UOP4, VIAL
5t091.k↔		BOP, KVT, UOP4, VIAL		08	I08A, I08B, I08C, I08D, I08E, I08F, I21Z, I31Z		08	I13A, I13B, I13C, I13D, I13E
	08	I12A, I12B, I12C, I13A, I13B, I13C, I13D, I13E		21A	W04A, W04B		21A	W04A, W04B
	21A	W04A, W04B		21B	X06A, X06B, X06C		21B	X04Z
	21B	X04Z	5t092.6↔		BOP, KVT, UOP4, VIAL	5t092.s↔		BOP, KVT, UOP4, VIAL
5t091.n↔		BOP, KVT, UOP4, VIAL		08	I08A, I08B, I08C, I08D, I08E, I08F, I21Z, I31Z		08	I20A, I20B, I20C, I20D, I20E, I20F
	08	I12A, I12B, I12C, I13A, I13B, I13C, I13D, I13E		21A	W04A, W04B		21A	W04A, W04B
	21A	W04A, W04B		21B	X06A, X06B, X06C		21B	X04Z
	21B	X04Z	5t092.7↔		BOP, KVT, UOP4, VIAL	5t092.t↔		BOP, KVT, UOP4, VIAL
5t091.p↔		BOP, KVT, UOP4, VIAL		08	I08A, I08B, I08C, I08D, I08E, I08F, I21Z, I31Z		08	I20A, I20B, I20C, I20D, I20E, I20F
	08	I12A, I12B, I12C, I13A, I13B, I13C, I13D, I13E		21A	W04A, W04B		21A	W04A, W04B
	21A	W04A, W04B		21B	X06A, X06B, X06C		21B	X04Z
	21B	X04Z	5t092.9↔		BOP, KVT, UOP4, VIAL	5t092.u↔		BOP, KVT, UOP4, VIAL
5t091.r↔		BOP, KVT, UOP4, VIAL		08	I08A, I08B, I08C, I08D, I08E, I08F, I21Z, I31Z		08	I20A, I20B, I20C, I20D, I20E, I20F
	08	I12A, I12B, I12C, I13A, I13B, I13C, I13D, I13E		21A	W04A, W04B		21A	W04A, W04B
	21A	W04A, W04B		21B	X06A, X06B, X06C		21B	X04Z
	21B	X04Z	5t092.b↔		BOP, KVT, UOP4, VIAL	5t092.v↔		BOP, KVT, UOP4, VIAL
5t091.s↔		BOP, KVT, UOP4, VIAL		08	I32A, I32B, I32C, I32D, I32E, I32F		08	I20A, I20B, I20C, I20D, I20E, I20F
	08	I12A, I12B, I12C, I20A, I20B, I20C, I20D, I20E, I20F		21A	W04A, W04B		21A	W04A, W04B
	21A	W04A, W04B		21B	X05A, X05B		21B	X04Z
	21B	X04Z	5t092.c↔		BOP, KVT, UOP4, VIAL	5t092.w↔		BOP, KVT, UOP4, VIAL
5t091.t↔		BOP, KVT, UOP4, VIAL		08	I32A, I32B, I32C, I32D, I32E, I32F		08	I20A, I20B, I20C, I20D, I20E, I20F
	08	I12A, I12B, I12C, I20A, I20B, I20C, I20D, I20E, I20F		21A	W04A, W04B		21A	W04A, W04B
	21A	W04A, W04B		21B	X05A, X05B		21B	X04Z
	21B	X04Z	5t092.d		BOP, KVT, UOP4, VIAL	5t092.x		BOP, KVT, UOP4
5t091.v↔		BOP, KVT, UOP4, VIAL		08	I08A, I08B, I08C, I08D, I08E, I08F		08	I28A, I28B
	08	I12A, I12B, I12C, I20A, I20B, I20C, I20D, I20E, I20F		21A	W04A, W04B		21A	W04A, W04B
	21A	W04A, W04B		21B	X06A, X06B, X06C		21A	X06A, X06B, X06C
	21B	X04Z	5t092.e↔		BOP, KVT, UOP4, VIAL		21B	X06A, X06B, X06C
5t091.w↔		BOP, KVT, UOP4, VIAL		01	B03A, B03B, B06A, B06B, B17A, B17B, B17C	5t092.z↔		BOP, KVT, UOP4, VIAL
	08	I12A, I12B, I12C, I20A, I20B, I20C, I20D, I20E, I20F		08	I08A, I08B, I08C, I08D, I08E, I08F		08	I28A, I28B
	21A	W04A, W04B		21A	W04A, W04B		21A	W04A, W04B
	21B	X04Z		21B	X06A, X06B, X06C		21A	X06A, X06B, X06C
5t091.x		BOP, KVT, UOP4		21A	W04A, W04B	5t093.0↔		BOP, KVT, UOP4, VIAL
	08	I12A, I12B, I12C, I28A, I28B	5t092.f↔		BOP, KVT, UOP4, VIAL		04	E02A, E02B, E02C
	21A	W04A, W04B		01	B03A, B03B, B06A, B06B, B17A, B17B, B17C		08	I28A, I28B
	21B	X06A, X06B, X06C		08	I08A, I08B, I08C, I08D, I08E, I08F		21A	W04A, W04B
5t091.z↔		BOP, KVT, UOP4		21A	W04A, W04B		21B	X06A, X06B, X06C
	08	I12A, I12B, I12C, I28A, I28B		21B	X04Z	5t093.1↔		BOP, KVT, UOP4, VIAL
	21A	W04A, W04B		5t092.h↔			08	I08A, I08B, I08C, I08D, I08E, I08F, I13A, I13B, I13C, I13D, I13E
	21B	X06A, X06B, X06C		01	B03A, B03B, B06A, B06B, B17A, B17B, B17C		21A	W04A, W04B
5t092.0↔		BOP, KVT, UOP4, VIAL		08	I08A, I08B, I08C, I08D, I08E, I08F		21B	X06A, X06B, X06C
	08	I28A, I28B		21A	W04A, W04B	5t093.3↔		BOP, KVT, UOP4, VIAL
	21A	W04A, W04B		21B	X04Z		08	I08A, I08B, I08C, I08D, I08E, I08F, I13A, I13B, I13C, I13D, I13E
	21B	X06A, X06B, X06C		5t092.i↔			21A	W04A, W04B
5t092.1↔		BOP, KVT, UOP4, VIAL		08	I08A, I08B, I08C, I08D, I08E, I08F		21B	X06A, X06B, X06C
	08	I08A, I08B, I08C, I08D, I08E, I08F, I13A, I13B, I13C, I13D, I13E		21A	W04A, W04B	5t093.4↔		BOP, KVT, UOP4, VIAL
	21A	W04A, W04B		21B	X04Z		08	I08A, I08B, I08C, I08D, I08E, I08F, I21Z, I31Z
	21B	X06A, X06B, X06C		5t092.k↔			21A	W04A, W04B
				08	I13A, I13B, I13C, I13D, I13E		21B	X06A, X06B, X06C
				21A	W04A, W04B	5t093.6↔		BOP, KVT, UOP4, VIAL
				21B	X04Z		08	I08A, I08B, I08C, I08D, I08E, I08F, I21Z, I31Z
				5t092.n↔			21A	W04A, W04B
				08	I13A, I13B, I13C, I13D, I13E		21B	X06A, X06B, X06C
				21A	W04A, W04B			
				21B	X04Z			

ZZV	MDC	DRG	ZZV	MDC	DRG	ZZV	MDC	DRG
5t093.7↔		BOP, KVT, UOP4, VIAL	5t093.s↔		BOP, KVT, UOP4, VIAL	5t09x.5↔		BOP, UOP4
	08	I08A, I08B, I08C, I08D, I08E, I08F, I21Z, I31Z		05	F27A, F27B, F27C		08	I21Z, I31Z
	21A	W04A, W04B		08	I20A, I20B, I20C, I20D, I20E, I20F		21A	W04A, W04B
	21B	X06A, X06B, X06C		10	K01Z	5t09x.6↔		X06A, X06B, X06C
5t093.9↔		BOP, KVT, UOP4, VIAL		21A	W04A, W04B		08	BOP, UOP4
	08	I08A, I08B, I08C, I08D, I08E, I08F, I21Z, I31Z		21B	X04Z		21A	I18A, I18B, I30Z
	21A	W04A, W04B	5t093.t↔		BOP, KVT, UOP4, VIAL		21A	W04A, W04B
	21B	X06A, X06B, X06C		05	F27A, F27B, F27C	5t09x.7↔		X06A, X06B, X06C
5t093.b↔		BOP, KVT, UOP4, VIAL		08	I20A, I20B, I20C, I20D, I20E, I20F		08	BOP, UOP4
	08	I32A, I32B, I32C, I32D, I32E, I32F		10	K01Z		21A	I18A, I18B, I30Z
	21A	W04A, W04B		21A	W04A, W04B		21B	W04A, W04B
	21B	X05A, X05B	5t093.u↔		BOP, KVT, UOP4, VIAL	5t09x.8↔		X06A, X06B, X06C
5t093.c↔		BOP, KVT, UOP4, VIAL		05	F27A, F27B, F27C		08	BOP, UOP4
	08	I32A, I32B, I32C, I32D, I32E, I32F		08	I20A, I20B, I20C, I20D, I20E, I20F		21A	I18A, I18B, I30Z
	21A	W04A, W04B		10	K01Z		21B	W04A, W04B
	21B	X05A, X05B		21A	W04A, W04B	5t09x.9↔		X06A, X06B, X06C
5t093.d		BOP, KVT, UOP4, VIAL		21B	X04Z		08	BOP, UOP4
	08	I08A, I08B, I08C, I08D, I08E, I08F	5t093.v↔		BOP, KVT, UOP4, VIAL		21A	I18A, I18B, I30Z
	21A	W04A, W04B		05	F27A, F27B, F27C		21A	W04A, W04B
	21B	X06A, X06B, X06C		08	I20A, I20B, I20C, I20D, I20E, I20F	5t09x.a↔		X06A, X06B, X06C
5t093.e↔		BOP, KVT, UOP4, VIAL		10	K01Z		08	BOP, UOP4
	01	B03A, B03B, B06A, B06B, B17A, B17B, B17C		21A	W04A, W04B		21A	I32A, I32B, I32C, I32D, I32E, I32F
	08	I08A, I08B, I08C, I08D, I08E, I08F		21B	X04Z		21B	W04A, W04B
	21A	W01A, W01B, W01C, W02A, W02B	5t093.w↔		BOP, KVT, UOP4, VIAL		08	X05A, X05B
	21B	X04Z		08	I20A, I20B, I20C, I20D, I20E, I20F	5t09x.b↔		BOP, UOP4
5t093.f↔		BOP, KVT, UOP4, VIAL		21A	W04A, W04B		21A	I32A, I32B, I32C, I32D, I32E, I32F
	01	B03A, B03B, B06A, B06B, B17A, B17B, B17C		21B	X04Z		21B	W04A, W04B
	08	I08A, I08B, I08C, I08D, I08E, I08F	5t093.x		BOP, KVT, UOP4		08	X05A, X05B
	21A	W01A, W01B, W01C, W02A, W02B		08	I28A, I28B	5t09x.c↔		BOP, UOP4
	21B	X04Z		21A	W04A, W04B		08	I32A, I32B, I32C, I32D, I32E, I32F
5t093.h↔		BOP, KVT, UOP4, VIAL		21B	X06A, X06B, X06C		21A	W04A, W04B
	01	B03A, B03B, B06A, B06B, B17A, B17B, B17C	5t093.z↔		BOP, KVT, UOP4, VIAL		21B	X05A, X05B
	08	I08A, I08B, I08C, I08D, I08E, I08F		04	E02A, E02B, E02C		08	BOP, UOP4
	21A	W01A, W01B, W01C, W02A, W02B		08	I28A, I28B	5t09x.d		I32A, I32B, I32C, I32D, I32E, I32F
	21B	X04Z		21A	W04A, W04B		01	W04A, W04B
5t093.i↔		BOP, KVT, UOP4, VIAL		21B	X06A, X06B, X06C		08	X05A, X05B
	01	B03A, B03B, B06A, B06B, B17A, B17B, B17C	5t094.†↔		I28A, I28B, I28C		21A	BOP, UOP4
	08	I08A, I08B, I08C, I08D, I08E, I08F	5t095.‡↔		I28A, I28B, I28C		01	B03A, B03B, B06A, B06B, B17A, B17B, B17C
	21A	W01A, W01B, W01C, W02A, W02B	5t096↔		BOP, UOP4		08	I08A, I08B, I08C, I08D, I08E, I08F
	21B	X04Z		08	I28A, I28B		21A	W01A, W01B, W01C, W02A, W02B
5t093.j↔		BOP, KVT, UOP4, VIAL		21A	W04A, W04B	5t09x.e↔		W02B
	08	I13A, I13B, I13C, I13D, I13E	5t09x.0↔		X06A, X06B, X06C		21B	X04Z
	21A	W04A, W04B		08	I16Z		01	BOP, UOP4
	21B	X04Z		21A	W04A, W04B	5t09x.f↔		B03A, B03B, B06A, B06B, B17A, B17B, B17C
5t093.k↔		BOP, KVT, UOP4, VIAL		21B	X06A, X06B, X06C		08	I08A, I08B, I08C, I08D, I08E, I08F
	08	I13A, I13B, I13C, I13D, I13E	5t09x.1↔		BOP, UOP4		21A	W01A, W01B, W01C, W02A, W02B
	21A	W04A, W04B		08	I13A, I13B, I13C, I13D, I13E		21B	X04Z
	21B	X04Z		21A	W04A, W04B		01	BOP, UOP4
5t093.l↔		BOP, KVT, UOP4, VIAL		21B	X06A, X06B, X06C		08	B03A, B03B, B06A, B06B, B17A, B17B, B17C
	08	I13A, I13B, I13C, I13D, I13E	5t09x.2↔		BOP, UOP4		21A	I08A, I08B, I08C, I08D, I08E, I08F
	21A	W04A, W04B		08	I13A, I13B, I13C, I13D, I13E		21B	W01A, W01B, W01C, W02A, W02B
	21B	X04Z		21A	W04A, W04B	5t09x.g↔		X04Z
5t093.m↔		BOP, KVT, UOP4, VIAL		21B	X06A, X06B, X06C		01	BOP, UOP4
	08	I13A, I13B, I13C, I13D, I13E	5t09x.3↔		BOP, UOP4		01	B03A, B03B, B06A, B06B, B17A, B17B, B17C
	21A	W04A, W04B		08	I13A, I13B, I13C, I13D, I13E		08	I08A, I08B, I08C, I08D, I08E, I08F
	21B	X04Z		21A	W04A, W04B		21A	W01A, W01B, W01C, W02A, W02B
5t093.n↔		BOP, KVT, UOP4, VIAL		21B	X06A, X06B, X06C		21B	X04Z
	08	I13A, I13B, I13C, I13D, I13E	5t09x.4↔		BOP, UOP4		01	BOP, UOP4
	21A	W04A, W04B		08	I21Z, I31Z		08	B03A, B03B, B06A, B06B, B17A, B17B, B17C
	21B	X04Z		21A	W04A, W04B		21A	I08A, I08B, I08C, I08D, I08E, I08F
5t093.o↔		BOP, KVT, UOP4, VIAL		21B	X06A, X06B, X06C		21B	W01A, W01B, W01C, W02A, W02B
	08	I13A, I13B, I13C, I13D, I13E		08	I21Z, I31Z		21B	X04Z
	21A	W04A, W04B		21A	W04A, W04B			
	21B	X04Z		21B	X06A, X06B, X06C			

ZZV	MDC	DRG	ZZV	MDC	DRG	ZZV	MDC	DRG
5t09x.h↔		BOP, UOP4	5t09x.w↔		BOP, UOP4	5t101.m↔		BOP, KVT, UOP4, VIAL
	01	B03A, B03B, B06A, B06B, B17A, B17B, B17C		08	I20A, I20B, I20C, I20D, I20E, I20F		08	I13A, I13B, I13C, I13D
	08	I08A, I08B, I08C, I08D, I08E, I08F		21A	W04A, W04B		21A	W01A, W01B, W01C, W02A, W02B
	21A	W01A, W01B, W01C, W02A, W02B	5t09x.x		BOP, UOP4	5t101.q↔		BOP, KVT, UOP4, VIAL
	21B	X04Z		08	I28A, I28B		08	I13A, I13B, I13C, I13D
5t09x.j↔		BOP, UOP4		21A	W04A, W04B		21A	W01A, W01B, W01C, W02A, W02B
	01	B03A, B03B, B06A, B06B, B17A, B17B, B17C	5t09x.z↔		BOP, UOP4		21B	X04Z
	08	I18A, I18B, I30Z		08	I16Z	5t101.x		BOP, KVT, UOP4
	21A	W04A, W04B		21A	W04A, W04B		08	I28A, I28B
	21B	X04Z		21B	X06A, X06B, X06C		21A	W04A, W04B
5t09x.k↔		BOP, UOP4	5t100.2↔		BOP, KVT, UOP4, VIAL		21B	X06A, X06B, X06C
	08	I13A, I13B, I13C, I13D, I13E		08	I08A, I08B, I08C, I08D, I08E, I08F, I13A, I13B, I13C, I13D	5t103.2↔		BOP, KVT, UOP4, VIAL
	21A	W04A, W04B		21A	W04A, W04B		08	I08A, I08B, I08C, I08D, I08E, I08F, I13A, I13B, I13C, I13D
	21B	X04Z		21B	X06A, X06B, X06C		21A	W04A, W04B
5t09x.m↔		BOP, UOP4	5t100.5↔		BOP, KVT, UOP4, VIAL		21B	X06A, X06B, X06C
	08	I13A, I13B, I13C, I13D, I13E		08	I08A, I08B, I08C, I08D, I08E, I08F, I21Z, I31Z	5t103.5↔		BOP, KVT, UOP4, VIAL
	21A	W04A, W04B		21A	W04A, W04B		08	I08A, I08B, I08C, I08D, I08E, I08F, I21Z, I31Z
	21B	X04Z		21B	X06A, X06B, X06C		21A	W04A, W04B
5t09x.n↔		BOP, UOP4	5t100.8↔		BOP, KVT, UOP4, VIAL		21B	X06A, X06B, X06C
	08	I13A, I13B, I13C, I13D, I13E		08	I08A, I08B, I08C, I08D, I08E, I08F, I21Z, I31Z	5t103.8↔		BOP, KVT, UOP4, VIAL
	21A	W04A, W04B		21A	W04A, W04B		08	I08A, I08B, I08C, I08D, I08E, I08F, I21Z, I31Z
	21B	X04Z		21B	X06A, X06B, X06C		21A	W04A, W04B
5t09x.p↔		BOP, UOP4	5t100.g↔		BOP, KVT, UOP4, VIAL		21B	X06A, X06B, X06C
	08	I13A, I13B, I13C, I13D, I13E		08	I08A, I08B, I08C, I08D, I08E, I08F, I21Z, I31Z	5t103.g↔		BOP, KVT, UOP4, VIAL
	21A	W04A, W04B		21A	W04A, W04B		08	I08A, I08B, I08C, I08D, I08E, I08F
	21B	X04Z		21B	X06A, X06B, X06C		10	K09A, K09B
5t09x.q↔		BOP, UOP4	5t100.m↔		BOP, KVT, UOP4, VIAL		21A	W01A, W01B, W01C, W02A, W02B
	08	I13A, I13B, I13C, I13D, I13E		08	I13A, I13B, I13C, I13D		21B	X04Z
	21A	W04A, W04B		21A	W04A, W04B	5t103.m↔		BOP, KVT, UOP4, VIAL
	21B	X04Z		21B	X04Z		08	I13A, I13B, I13C, I13D
5t09x.r↔		BOP, UOP4	5t100.q↔		BOP, KVT, UOP4, VIAL		21A	W01A, W01B, W01C, W02A, W02B
	08	I13A, I13B, I13C, I13D, I13E		08	I13A, I13B, I13C, I13D		21B	X04Z
	21A	W04A, W04B		21A	W04A, W04B	5t103.q↔		BOP, KVT, UOP4, VIAL
	21B	X04Z		21B	X04Z		08	I13A, I13B, I13C, I13D
5t09x.s↔		BOP, UOP4	5t100.x		BOP, KVT, UOP4		21A	W01A, W01B, W01C, W02A, W02B
	05	F27A, F27B, F27C		08	I28A, I28B		21B	X04Z
	08	I20A, I20B, I20C, I20D, I20E, I20F		21A	W04A, W04B	5t103.x		BOP, KVT, UOP4
	10	K01Z		21A	W04A, W04B		08	I28A, I28B
	21A	W04A, W04B		21B	X06A, X06B, X06C		21A	W04A, W04B
	21B	X04Z		21B	X04Z		21B	X06A, X06B, X06C
5t09x.t↔		BOP, UOP4	5t101.2↔		BOP, KVT, UOP4, VIAL		21B	X04Z
	05	F27A, F27B, F27C		08	I08A, I08B, I08C, I08D, I08E, I08F, I13A, I13B, I13C, I13D	5t103.2↔		BOP, KVT, UOP4, VIAL
	08	I20A, I20B, I20C, I20D, I20E, I20F		21A	W04A, W04B		08	I08A, I08B, I08C, I08D, I08E, I08F, I13A, I13B, I13C, I13D
	10	K01Z		21A	W04A, W04B		21A	W04A, W04B
	21A	W04A, W04B		21B	X06A, X06B, X06C	5t104.2↔		BOP, KVT, UOP4, VIAL
	21B	X04Z		21B	X04Z		08	I08A, I08B, I08C, I08D, I08E, I08F, I13A, I13B, I13C, I13D
5t09x.u↔		BOP, UOP4	5t101.5↔		BOP, KVT, UOP4, VIAL		21A	W04A, W04B
	05	F27A, F27B, F27C		08	I08A, I08B, I08C, I08D, I08E, I08F, I21Z, I31Z		21B	X06A, X06B, X06C
	08	I20A, I20B, I20C, I20D, I20E, I20F		21A	W04A, W04B	5t104.5↔		BOP, KVT, UOP4, VIAL
	10	K01Z		21B	X06A, X06B, X06C		08	I08A, I08B, I08C, I08D, I08E, I08F, I21Z, I31Z
	21A	W04A, W04B		21B	X06A, X06B, X06C		21A	W04A, W04B
	21B	X04Z		21B	X04Z	5t104.8↔		BOP, KVT, UOP4, VIAL
5t09x.v↔		BOP, UOP4	5t101.8↔		BOP, KVT, UOP4, VIAL		08	I08A, I08B, I08C, I08D, I08E, I08F, I21Z, I31Z
	05	F27A, F27B, F27C		08	I08A, I08B, I08C, I08D, I08E, I08F, I21Z, I31Z		21A	W04A, W04B
	08	I20A, I20B, I20C, I20D, I20E, I20F		21A	W04A, W04B		21B	X06A, X06B, X06C
	10	K01Z		21B	X06A, X06B, X06C		21B	X06A, X06B, X06C
	21A	W04A, W04B		21B	X06A, X06B, X06C		21B	X06A, X06B, X06C
	21B	X04Z		21B	X04Z		21B	X06A, X06B, X06C

VYK

ZZV	MDC	DRG	ZZV	MDC	DRG	ZZV	MDC	DRG
5t104.g↔		BOP, KVT, UOP4, VIAL	5t107.2↔		BOP, KVT, UOP4, VIAL	5t10a.2↔		BOP, KVT, UOP4, VIAL
	08	I08A, I08B, I08C, I08D, I08E, I08F		08	I08A, I08B, I08C, I08D, I08E, I08F, I13A, I13B, I13C, I13D		08	I08A, I08B, I08C, I08D, I08E, I08F, I13A, I13B, I13C, I13D
	10	K09A, K09B		21A	W04A, W04B		21A	W04A, W04B
5t104.m↔	21A	W01A, W01B, W01C, W02A, W02B	5t107.5↔	21B	X06A, X06B, X06C	5t10a.5↔	21B	X06A, X06B, X06C
	21B	X04Z		08	BOP, KVT, UOP4, VIAL		08	BOP, KVT, UOP4, VIAL
		BOP, KVT, UOP4, VIAL		08	I08A, I08B, I08C, I08D, I08E, I08F, I21Z, I31Z		08	I08A, I08B, I08C, I08D, I08E, I08F, I21Z, I31Z
5t104.q↔	08	I13A, I13B, I13C, I13D	5t107.8↔	21A	W04A, W04B	5t10a.8↔	21A	W04A, W04B
	21A	W01A, W01B, W01C, W02A, W02B		21B	X06A, X06B, X06C		21B	X06A, X06B, X06C
	21B	X04Z		08	BOP, KVT, UOP4, VIAL		08	BOP, KVT, UOP4, VIAL
5t104.x		BOP, KVT, UOP4	5t107.g↔	08	I08A, I08B, I08C, I08D, I08E, I08F	5t10a.g↔	08	I08A, I08B, I08C, I08D, I08E, I08F
	08	I28A, I28B		10	K09A, K09B		10	K09A, K09B
	21A	W04A, W04B		21A	W01A, W01B, W01C, W02A, W02B		21A	W01A, W01B, W01C, W02A, W02B
5t105.2↔	21B	X06A, X06B, X06C	5t107.m↔	21B	X04Z	5t10a.m↔	21B	X04Z
		BOP, KVT, UOP4, VIAL		08	BOP, KVT, UOP4, VIAL		08	BOP, KVT, UOP4, VIAL
	08	I08A, I08B, I08C, I08D, I08E, I08F, I13A, I13B, I13C, I13D		08	I13A, I13B, I13C, I13D		08	I13A, I13B, I13C, I13D
5t105.g↔		BOP, KVT, UOP4, VIAL	5t107.q↔	21A	W01A, W01B, W01C, W02A, W02B	5t10a.q↔	21A	W01A, W01B, W01C, W02A, W02B
	08	I08A, I08B, I08C, I08D, I08E, I08F		21B	X04Z		21B	X04Z
	10	K09A, K09B		08	BOP, KVT, UOP4, VIAL		08	BOP, KVT, UOP4, VIAL
5t105.x	21A	W01A, W01B, W01C, W02A, W02B	5t107.x	08	I13A, I13B, I13C, I13D	5t10a.x	08	I13A, I13B, I13C, I13D
	21B	X04Z		08	I28A, I28B		21A	W01A, W01B, W01C, W02A, W02B
		BOP, KVT, UOP4		21A	W04A, W04B		21B	X04Z
5t106.2↔	08	I28A, I28B	5t108.2↔	21B	X06A, X06B, X06C	5t10b.2↔	08	I28A, I28B
	21A	W04A, W04B		08	BOP, KVT, UOP4, VIAL		21A	W04A, W04B
	21B	X06A, X06B, X06C		08	I08A, I08B, I08C, I08D, I08E, I08F, I13A, I13B, I13C, I13D		21B	X06A, X06B, X06C
5t106.5↔		BOP, KVT, UOP4, VIAL	5t108.g↔	21A	W04A, W04B	5t10b.5↔	08	BOP, KVT, UOP4, VIAL
	08	I08A, I08B, I08C, I08D, I08E, I08F, I21Z, I31Z		08	BOP, KVT, UOP4, VIAL		08	I08A, I08B, I08C, I08D, I08E, I08F, I13A, I13B, I13C, I13D
	21A	W04A, W04B		08	I08A, I08B, I08C, I08D, I08E, I08F		21A	W04A, W04B
5t106.8↔	21B	X06A, X06B, X06C	5t108.m↔	10	K09A, K09B	5t10b.8↔	21B	X06A, X06B, X06C
		BOP, KVT, UOP4, VIAL		21A	W01A, W01B, W01C, W02A, W02B		08	BOP, KVT, UOP4, VIAL
	08	I08A, I08B, I08C, I08D, I08E, I08F, I21Z, I31Z		21B	X04Z		08	I08A, I08B, I08C, I08D, I08E, I08F, I21Z, I31Z
5t106.g↔	21A	W04A, W04B	5t108.x	08	BOP, KVT, UOP4, VIAL	5t10b.g↔	21A	W04A, W04B
	21B	X06A, X06B, X06C		08	I28A, I28B		21B	X06A, X06B, X06C
		BOP, KVT, UOP4, VIAL		21A	W04A, W04B		08	I08A, I08B, I08C, I08D, I08E, I08F
5t106.m↔	08	I08A, I08B, I08C, I08D, I08E, I08F	5t109.g↔	21B	X06A, X06B, X06C	5t10b.m↔	10	K09A, K09B
	10	K09A, K09B		08	BOP, KVT, UOP4, VIAL		21A	W01A, W01B, W01C, W02A, W02B
	21A	W01A, W01B, W01C, W02A, W02B		08	I08A, I08B, I08C, I08D, I08E, I08F		21B	X04Z
5t106.q↔	21B	X04Z	5t109.m↔	10	K09A, K09B	5t10b.q↔	08	BOP, KVT, UOP4, VIAL
		BOP, KVT, UOP4, VIAL		21A	W01A, W01B, W01C, W02A, W02B		08	I13A, I13B, I13C, I13D
	08	I13A, I13B, I13C, I13D		21B	X04Z		21A	W01A, W01B, W01C, W02A, W02B
5t106.x	08	I28A, I28B	5t109.x	08	BOP, KVT, UOP4, VIAL		08	I13A, I13B, I13C, I13D
	21A	W04A, W04B		08	I28A, I28B		21A	W01A, W01B, W01C, W02A, W02B
	21B	X06A, X06B, X06C		21A	W04A, W04B		21B	X06A, X06B, X06C

ZZV	MDC	DRG	ZZV	MDC	DRG	ZZV	MDC	DRG
5t10b.x		BOP, KVT, UOP4	5t10v.8↔		BOP, KVT, UOP4, VIAL	5t10z.5↔		BOP, KVT, UOP4, VIAL
	08	I28A, I28B		08	I08A, I08B, I08C, I08D, I08E, I08F, I13A, I21Z, I31Z		08	I08A, I08B, I08C, I08D, I08E, I08F, I21Z, I31Z
	21A	W04A, W04B		21A	W04A, W04B		21A	W04A, W04B
	21B	X06A, X06B, X06C		21B	X06A, X06B, X06C		21B	X06A, X06B, X06C
5t10c.2↔		BOP, KVT, UOP4, VIAL	5t10v.g↔		BOP, KVT, UOP4, VIAL	5t10z.8↔		BOP, KVT, UOP4, VIAL
	08	I08A, I08B, I08C, I08D, I08E, I08F, I13A, I13B, I13C, I13D		08	I08A, I08B, I08C, I08D, I08E, I08F, I13A		08	I08A, I08B, I08C, I08D, I08E, I08F, I21Z, I31Z
	21A	W04A, W04B		10	K09A, K09B		21A	W04A, W04B
	21B	X06A, X06B, X06C		21A	W01A, W01B, W01C, W02A, W02B		21B	X06A, X06B, X06C
5t10c.g↔		BOP, KVT, UOP4, VIAL		21B	X04Z	5t10z.g↔		BOP, KVT, UOP4, VIAL
	08	I08A, I08B, I08C, I08D, I08E, I08F	5t10v.m↔		BOP, KVT, UOP4, VIAL		08	I08A, I08B, I08C, I08D, I08E, I08F
	10	K09A, K09B		08	I13A, I13B, I13C, I13D		10	K09A, K09B
	21A	W01A, W01B, W01C, W02A, W02B		21A	W01A, W01B, W01C, W02A, W02B		21A	W01A, W01B, W01C, W02A, W02B
	21B	X04Z		21B	X04Z		21B	X04Z
5t10c.x		BOP, KVT, UOP4	5t10v.q↔		BOP, KVT, UOP4, VIAL	5t10z.m↔		BOP, KVT, UOP4, VIAL
	08	I28A, I28B		08	I13A, I13B, I13C, I13D		08	I13A, I13B, I13C, I13D
	21A	W04A, W04B		21A	W01A, W01B, W01C, W02A, W02B		21A	W01A, W01B, W01C, W02A, W02B
	21B	X06A, X06B, X06C		21B	X04Z		21B	X04Z
5t10t.2↔		BOP, KVT, UOP4, VIAL	5t10v.x		BOP, KVT, UOP4	5t10z.q↔		BOP, KVT, UOP4, VIAL
	08	I08A, I08B, I08C, I08D, I08E, I08F, I13A, I13B, I13C, I13D		08	I13A, I28A, I28B		08	I13A, I13B, I13C, I13D
	21A	W04A, W04B		21A	W04A, W04B		21A	W01A, W01B, W01C, W02A, W02B
	21B	X06A, X06B, X06C		21B	X06A, X06B, X06C		21B	X04Z
5t10t.5↔		BOP, KVT, UOP4, VIAL	5t10x.2↔		BOP, KVT, UOP4, VIAL	5t10z.x		BOP, KVT, UOP4
	08	I08A, I08B, I08C, I08D, I08E, I08F, I21Z, I31Z		08	I08A, I08B, I08C, I08D, I08E, I08F, I13A, I13B, I13C, I13D		08	I28A, I28B
	21A	W04A, W04B		21A	W04A, W04B		21A	W04A, W04B
	21B	X06A, X06B, X06C		21B	X06A, X06B, X06C		21B	X06A, X06B, X06C
5t10t.8↔		BOP, KVT, UOP4, VIAL	5t10x.5↔		BOP, KVT, UOP4, VIAL	5t110.2↔		BOP, KVT, UOP4, VIAL
	08	I08A, I08B, I08C, I08D, I08E, I08F, I21Z, I31Z		08	I08A, I08B, I08C, I08D, I08E, I08F, I21Z, I31Z		08	I08A, I08B, I08C, I08D, I08E, I08F, I13A, I13B, I13C, I13D
	21A	W04A, W04B		21A	W04A, W04B		21A	W04A, W04B
	21B	X06A, X06B, X06C		21B	X06A, X06B, X06C		21B	X06A, X06B, X06C
5t10t.g↔		BOP, KVT, UOP4, VIAL	5t10x.8↔		BOP, KVT, UOP4, VIAL	5t110.5↔		BOP, KVT, UOP4, VIAL
	08	I08A, I08B, I08C, I08D, I08E, I08F		08	I08A, I08B, I08C, I08D, I08E, I08F, I21Z, I31Z		08	I08A, I08B, I08C, I08D, I08E, I08F, I21Z, I31Z
	10	K09A, K09B		21A	W04A, W04B		21A	W04A, W04B
	21A	W01A, W01B, W01C, W02A, W02B		21B	X06A, X06B, X06C		21B	X06A, X06B, X06C
	21B	X04Z	5t10x.g↔		BOP, KVT, UOP4, VIAL	5t110.8↔		BOP, KVT, UOP4, VIAL
5t10t.m↔		BOP, KVT, UOP4, VIAL		08	I08A, I08B, I08C, I08D, I08E, I08F		08	I08A, I08B, I08C, I08D, I08E, I08F, I21Z, I31Z
	08	I13A, I13B, I13C, I13D		10	K09A, K09B		21A	W04A, W04B
	21A	W01A, W01B, W01C, W02A, W02B		21A	W01A, W01B, W01C, W02A, W02B		21B	X06A, X06B, X06C
	21B	X04Z		21B	X04Z	5t110.g↔		BOP, KVT, UOP4, VIAL
5t10t.q↔		BOP, KVT, UOP4, VIAL	5t10x.m↔		BOP, KVT, UOP4, VIAL		08	I08A, I08B, I08C, I08D, I08E, I08F
	08	I13A, I13B, I13C, I13D		08	I13A, I13B, I13C, I13D		21A	W01A, W01B, W01C, W02A, W02B
	21A	W01A, W01B, W01C, W02A, W02B		21A	W01A, W01B, W01C, W02A, W02B		21B	X04Z
	21B	X04Z		21B	X04Z	5t110.m↔		BOP, KVT, UOP4, VIAL
5t10t.x		BOP, KVT, UOP4	5t10x.q↔		BOP, KVT, UOP4, VIAL		08	I13A, I13B, I13C, I13D
	08	I28A, I28B		08	I13A, I13B, I13C, I13D		21A	W04A, W04B
	21A	W04A, W04B		21A	W01A, W01B, W01C, W02A, W02B		21B	X04Z
	21B	X06A, X06B, X06C		21B	X04Z	5t110.q↔		BOP, KVT, UOP4, VIAL
5t10v.2↔		BOP, KVT, UOP4, VIAL	5t10x.x		BOP, KVT, UOP4		08	I13A, I13B, I13C, I13D
	08	I08A, I08B, I08C, I08D, I08E, I08F, I13A, I13B, I13C, I13D		08	I28A, I28B		21A	W04A, W04B
	21A	W04A, W04B		21A	W04A, W04B	5t110.x		BOP, KVT, UOP4
	21B	X06A, X06B, X06C		21B	X06A, X06B, X06C		08	I28A, I28B
5t10v.5↔		BOP, KVT, UOP4, VIAL	5t10z.2↔		BOP, KVT, UOP4, VIAL		21A	W04A, W04B
	08	I08A, I08B, I08C, I08D, I08E, I08F, I13A, I21Z, I31Z		08	I08A, I08B, I08C, I08D, I08E, I08F, I13A, I13B, I13C, I13D		21B	X06A, X06B, X06C
	21A	W04A, W04B		21A	W04A, W04B	5t113.2↔		BOP, KVT, UOP4, VIAL
	21B	X06A, X06B, X06C		21B	X06A, X06B, X06C		08	I08A, I08B, I08C, I08D, I08E, I08F, I13A, I13B, I13C, I13D
							21A	W04A, W04B
							21B	X06A, X06B, X06C

ZZV	MDC	DRG	ZZV	MDC	DRG	ZZV	MDC	DRG
5t113.5↔		BOP, KVT, UOP4, VIAL	5t115.g↔		BOP, KVT, UOP4, VIAL	5t117.m↔		BOP, KVT, UOP4, VIAL
	08	I08A, I08B, I08C, I08D, I08E, I08F, I21Z, I31Z		08	I08A, I08B, I08C, I08D, I08E, I08F		08	I13A, I13B, I13C, I13D
	21A	W04A, W04B		10	K09A, K09B		21A	W01A, W01B, W01C, W02A, W02B
	21B	X06A, X06B, X06C		21A	W01A, W01B, W01C, W02A, W02B		21B	X04Z
5t113.8↔		BOP, KVT, UOP4, VIAL		21B	X04Z	5t117.q↔		BOP, KVT, UOP4, VIAL
	08	I08A, I08B, I08C, I08D, I08E, I08F, I21Z, I31Z	5t115.x		BOP, KVT, UOP4		08	I13A, I13B, I13C, I13D
	21A	W04A, W04B		08	I28A, I28B	5t117.x		BOP, KVT, UOP4
	21B	X06A, X06B, X06C		21A	W04A, W04B		08	I28A, I28B
5t113.g↔		BOP, KVT, UOP4, VIAL		21B	X06A, X06B, X06C		21A	W04A, W04B
	08	I08A, I08B, I08C, I08D, I08E, I08F	5t116.2↔		BOP, KVT, UOP4, VIAL		21B	X06A, X06B, X06C
	10	K09A, K09B		08	I08A, I08B, I08C, I08D, I08E, I08F, I13A, I13B, I13C, I13D	5t118.2↔		BOP, KVT, UOP4, VIAL
	21A	W01A, W01B, W01C, W02A, W02B		21A	W04A, W04B		08	I08A, I08B, I08C, I08D, I08E, I08F, I13A, I13B, I13C, I13D
	21B	X04Z		21B	X06A, X06B, X06C		21A	W04A, W04B
5t113.m↔		BOP, KVT, UOP4, VIAL	5t116.5↔		BOP, KVT, UOP4, VIAL	5t118.g↔		BOP, KVT, UOP4, VIAL
	08	I13A, I13B, I13C, I13D		08	I08A, I08B, I08C, I08D, I08E, I08F, I21Z, I31Z		08	I08A, I08B, I08C, I08D, I08E, I08F
	21A	W01A, W01B, W01C, W02A, W02B		21A	W04A, W04B		10	K09A, K09B
	21B	X04Z		21B	X06A, X06B, X06C		21A	W01A, W01B, W01C, W02A, W02B
5t113.q↔		BOP, KVT, UOP4, VIAL	5t116.8↔		BOP, KVT, UOP4, VIAL		21B	X04Z
	08	I13A, I13B, I13C, I13D		08	I08A, I08B, I08C, I08D, I08E, I08F, I21Z, I31Z	5t118.m↔		BOP, KVT, UOP4, VIAL
	21A	W04A, W04B		21A	W04A, W04B		08	I13A, I13B, I13C, I13D
	21B	X06A, X06B, X06C		21B	X06A, X06B, X06C		21A	W01A, W01B, W01C, W02A, W02B
5t113.x		BOP, KVT, UOP4	5t116.g↔		BOP, KVT, UOP4, VIAL		21B	X04Z
	08	I28A, I28B		08	I08A, I08B, I08C, I08D, I08E, I08F	5t118.x		BOP, KVT, UOP4
	21A	W04A, W04B		10	K09A, K09B		08	I28A, I28B
	21B	X06A, X06B, X06C		21A	W01A, W01B, W01C, W02A, W02B		21A	W04A, W04B
5t114.2↔		BOP, KVT, UOP4, VIAL		21B	X04Z		21B	X06A, X06B, X06C
	08	I08A, I08B, I08C, I08D, I08E, I08F, I13A, I13B, I13C, I13D	5t116.m↔		BOP, KVT, UOP4, VIAL	5t11a.2↔		BOP, KVT, UOP4, VIAL
	21A	W04A, W04B		08	I13A, I13B, I13C, I13D		08	I08A, I08B, I08C, I08D, I08E, I08F, I13A, I13B, I13C, I13D
	21B	X06A, X06B, X06C		21A	W01A, W01B, W01C, W02A, W02B		21A	W04A, W04B
5t114.5↔		BOP, KVT, UOP4, VIAL		21B	X04Z		21B	X06A, X06B, X06C
	08	I08A, I08B, I08C, I08D, I08E, I08F, I21Z, I31Z	5t116.q↔		BOP, KVT, UOP4, VIAL	5t11a.5↔		BOP, KVT, UOP4, VIAL
	21A	W04A, W04B		08	I13A, I13B, I13C, I13D		08	I08A, I08B, I08C, I08D, I08E, I08F, I21Z, I31Z
	21B	X06A, X06B, X06C	5t116.x		BOP, KVT, UOP4		21A	W04A, W04B
5t114.8↔		BOP, KVT, UOP4, VIAL		08	I28A, I28B	5t11a.8↔		BOP, KVT, UOP4, VIAL
	08	I08A, I08B, I08C, I08D, I08E, I08F, I21Z, I31Z		21A	W04A, W04B		08	I08A, I08B, I08C, I08D, I08E, I08F, I21Z, I31Z
	21A	W04A, W04B		21B	X06A, X06B, X06C		21A	W04A, W04B
	21B	X06A, X06B, X06C	5t117.2↔		BOP, KVT, UOP4, VIAL		21B	X06A, X06B, X06C
5t114.g↔		BOP, KVT, UOP4, VIAL		08	I08A, I08B, I08C, I08D, I08E, I08F, I13A, I13B, I13C, I13D	5t11a.g↔		BOP, KVT, UOP4, VIAL
	08	I08A, I08B, I08C, I08D, I08E, I08F		21A	W04A, W04B		08	I08A, I08B, I08C, I08D, I08E, I08F
	10	K09A, K09B	5t117.5↔		BOP, KVT, UOP4, VIAL		10	K09A, K09B
	21A	W01A, W01B, W01C, W02A, W02B		08	I08A, I08B, I08C, I08D, I08E, I08F, I21Z, I31Z		21A	W01A, W01B, W01C, W02A, W02B
	21B	X04Z		21A	W04A, W04B		21B	X04Z
5t114.m↔		BOP, KVT, UOP4, VIAL	5t117.8↔		BOP, KVT, UOP4, VIAL	5t11a.m↔		BOP, KVT, UOP4, VIAL
	08	I13A, I13B, I13C, I13D		08	I08A, I08B, I08C, I08D, I08E, I08F, I21Z, I31Z		08	I13A, I13B, I13C, I13D
	21A	W01A, W01B, W01C, W02A, W02B		21A	W04A, W04B		21A	W01A, W01B, W01C, W02A, W02B
	21B	X04Z		21B	X06A, X06B, X06C		21B	X04Z
5t114.q↔		BOP, KVT, UOP4, VIAL	5t117.g↔		BOP, KVT, UOP4, VIAL	5t11a.q↔		BOP, KVT, UOP4, VIAL
	08	I13A, I13B, I13C, I13D, I13E		08	I08A, I08B, I08C, I08D, I08E, I08F		08	I13A, I13B, I13C, I13D
	21A	W04A, W04B		10	K09A, K09B	5t11b.2↔		BOP, KVT, UOP4, VIAL
	21B	X06A, X06B, X06C		21A	W01A, W01B, W01C, W02A, W02B		08	I08A, I08B, I08C, I08D, I08E, I08F, I13A, I13B, I13C, I13D
5t114.x		BOP, KVT, UOP4		21B	X04Z		21A	W04A, W04B
	08	I28A, I28B					21B	X06A, X06B, X06C
	21A	W04A, W04B						
	21B	X06A, X06B, X06C						
5t115.2↔		BOP, KVT, UOP4, VIAL						
	08	I08A, I08B, I08C, I08D, I08E, I08F, I13A, I13B, I13C, I13D						

ZZV	MDC	DRG	ZZV	MDC	DRG	ZZV	MDC	DRG
5t11b.5↔		BOP, KVT, UOP4, VIAL	5t11t.m↔		BOP, KVT, UOP4, VIAL	5t11x.g↔		BOP, KVT, UOP4, VIAL
	08	I08A, I08B, I08C, I08D, I08E, I08F, I21Z, I31Z		08	I13A, I13B, I13C, I13D		08	I08A, I08B, I08C, I08D, I08E, I08F
	21A	W04A, W04B		21A	W01A, W01B, W01C, W02A, W02B		10	K09A, K09B
	21B	X06A, X06B, X06C		21B	X04Z		21A	W01A, W01B, W01C, W02A, W02B
5t11b.8↔		BOP, KVT, UOP4, VIAL	5t11t.q↔		BOP, KVT, UOP4, VIAL		21B	X04Z
	08	I08A, I08B, I08C, I08D, I08E, I08F, I21Z, I31Z		08	I13A, I13B, I13C, I13D, I13E	5t11x.m↔		BOP, KVT, UOP4, VIAL
	21A	W04A, W04B		21A	W04A, W04B		08	I13A, I13B, I13C, I13D
	21B	X06A, X06B, X06C		21B	X06A, X06B, X06C		21A	W01A, W01B, W01C, W02A, W02B
5t11b.g↔		BOP, KVT, UOP4, VIAL	5t11t.x		BOP, KVT, UOP4		21B	X04Z
	08	I08A, I08B, I08C, I08D, I08E, I08F		08	I28A, I28B	5t11x.q↔		BOP, KVT, UOP4, VIAL
	10	K09A, K09B		21A	W04A, W04B		08	I13A, I13B, I13C, I13D, I13E
	21A	W01A, W01B, W01C, W02A, W02B	5t11v.2↔		BOP, KVT, UOP4, VIAL		21A	W04A, W04B
	21B	X04Z		08	I08A, I08B, I08C, I08D, I08E, I08F, I13A, I13B, I13C, I13D		21B	X06A, X06B, X06C
5t11b.m↔		BOP, KVT, UOP4, VIAL		21A	W04A, W04B	5t11x.x		BOP, KVT, UOP4
	08	I13A, I13B, I13C, I13D		21B	X06A, X06B, X06C		08	I28A, I28B
	21A	W01A, W01B, W01C, W02A, W02B	5t11v.5↔		BOP, KVT, UOP4, VIAL		21A	W04A, W04B
	21B	X04Z		08	I08A, I08B, I08C, I08D, I08E, I08F, I13A, I21Z, I31Z		21B	X06A, X06B, X06C
5t11b.q↔		BOP, KVT, UOP4, VIAL		21A	W04A, W04B	5t11y.2↔		BOP, KVT, UOP4, VIAL
	08	I13A, I13B, I13C, I13D		21B	X06A, X06B, X06C		08	I08A, I08B, I08C, I08D, I08E, I08F, I13A, I13B, I13C, I13D
	21A	W04A, W04B	5t11v.8↔		BOP, KVT, UOP4, VIAL		21A	W04A, W04B
	21B	X06A, X06B, X06C		08	I08A, I08B, I08C, I08D, I08E, I08F, I13A, I21Z, I31Z		21B	X06A, X06B, X06C
5t11b.x		BOP, KVT, UOP4		21A	W04A, W04B	5t11y.5↔		BOP, KVT, UOP4, VIAL
	08	I28A, I28B		21B	X06A, X06B, X06C		08	I08A, I08B, I08C, I08D, I08E, I08F, I21Z, I31Z
	21A	W04A, W04B	5t11v.g↔		BOP, KVT, UOP4, VIAL		21A	W04A, W04B
	21B	X06A, X06B, X06C		08	I08A, I08B, I08C, I08D, I08E, I08F, I13A		21B	X06A, X06B, X06C
5t11c.2↔		BOP, KVT, UOP4, VIAL		10	K09A, K09B	5t11y.8↔		BOP, KVT, UOP4, VIAL
	08	I08A, I08B, I08C, I08D, I08E, I08F, I13A, I13B, I13C, I13D		21A	W01A, W01B, W01C, W02A, W02B		08	I08A, I08B, I08C, I08D, I08E, I08F, I21Z, I31Z
	21A	W04A, W04B		21B	X04Z		21A	W04A, W04B
	21B	X06A, X06B, X06C	5t11v.m↔		BOP, KVT, UOP4, VIAL		21B	X06A, X06B, X06C
5t11c.g↔		BOP, KVT, UOP4, VIAL		08	I13A, I13B, I13C, I13D	5t11y.g↔		BOP, KVT, UOP4, VIAL
	08	I08A, I08B, I08C, I08D, I08E, I08F		21A	W01A, W01B, W01C, W02A, W02B		08	I08A, I08B, I08C, I08D, I08E, I08F
	10	K09A, K09B		21B	X04Z		10	K09A, K09B
	21A	W01A, W01B, W01C, W02A, W02B	5t11v.q↔		BOP, KVT, UOP4, VIAL		21A	W01A, W01B, W01C, W02A, W02B
	21B	X04Z		08	I13A, I13B, I13C, I13D, I13E		21B	X04Z
5t11c.x		BOP, KVT, UOP4		21A	W04A, W04B	5t11y.m↔		BOP, KVT, UOP4, VIAL
	08	I28A, I28B		21B	X06A, X06B, X06C		08	I13A, I13B, I13C, I13D
	21A	W04A, W04B	5t11v.x		BOP, KVT, UOP4		21A	W01A, W01B, W01C, W02A, W02B
	21B	X06A, X06B, X06C		08	I13A, I28A, I28B		21B	X04Z
5t11t.2↔		BOP, KVT, UOP4, VIAL		21A	W04A, W04B	5t11y.q↔		BOP, KVT, UOP4, VIAL
	08	I08A, I08B, I08C, I08D, I08E, I08F, I13A, I13B, I13C, I13D		21B	X06A, X06B, X06C		08	I13A, I13B, I13C, I13D, I13E
	21A	W04A, W04B	5t11x.2↔		BOP, KVT, UOP4, VIAL		21A	W04A, W04B
	21B	X06A, X06B, X06C		08	I08A, I08B, I08C, I08D, I08E, I08F, I13A, I13B, I13C, I13D		21B	X06A, X06B, X06C
5t11t.5↔		BOP, KVT, UOP4, VIAL		21A	W04A, W04B	5t11y.x		BOP, KVT, UOP4
	08	I08A, I08B, I08C, I08D, I08E, I08F, I21Z, I31Z		21B	X06A, X06B, X06C		08	I28A, I28B
	21A	W04A, W04B	5t11x.5↔		BOP, KVT, UOP4, VIAL		21A	W04A, W04B
	21B	X06A, X06B, X06C		08	I08A, I08B, I08C, I08D, I08E, I08F, I21Z, I31Z		21B	X06A, X06B, X06C
5t11t.8↔		BOP, KVT, UOP4, VIAL		21A	W04A, W04B	5t120.1↔		BOP, KVT, UOP4, VIAL
	08	I08A, I08B, I08C, I08D, I08E, I08F, I21Z, I31Z		21B	X06A, X06B, X06C		08	I08A, I08B, I08C, I08D, I08E, I08F, I13A, I13B, I13C, I13D, I13E
	21A	W04A, W04B	5t11x.8↔		BOP, KVT, UOP4, VIAL		21A	W04A, W04B
	21B	X06A, X06B, X06C		08	I08A, I08B, I08C, I08D, I08E, I08F, I21Z, I31Z		21B	X06A, X06B, X06C
5t11t.g↔		BOP, KVT, UOP4, VIAL		21A	W04A, W04B	5t120.3↔		BOP, KVT, UOP4, VIAL
	08	I08A, I08B, I08C, I08D, I08E, I08F		21B	X06A, X06B, X06C		08	I08A, I08B, I08C, I08D, I08E, I08F, I13A, I13B, I13C, I13D, I13E
	10	K09A, K09B					21A	W04A, W04B
	21A	W01A, W01B, W01C, W02A, W02B					21B	X06A, X06B, X06C
	21B	X04Z						

ZZV	MDC	DRG	ZZV	MDC	DRG	ZZV	MDC	DRG
5t120.4↔		BOP, KVT, UOP4, VIAL	5t121.3↔		BOP, KVT, UOP4, VIAL	5t121.p↔		BOP, KVT, UOP4, VIAL
	08	I08A, I08B, I08C, I08D, I08E, I08F, I21Z, I31Z		08	I08A, I08B, I08C, I08D, I08E, I08F, I13A, I13B, I13C, I13D, I13E		08	I13A, I13B, I13C, I13D, I13E
	21A	W04A, W04B		21A	W04A, W04B		21A	W01A, W01B, W01C, W02A, W02B
	21B	X06A, X06B, X06C		21B	X06A, X06B, X06C		21B	X04Z
5t120.6↔		BOP, KVT, UOP4, VIAL	5t121.4↔		BOP, KVT, UOP4, VIAL	5t121.r↔		BOP, KVT, UOP4, VIAL
	08	I08A, I08B, I08C, I08D, I08E, I08F, I13A, I13B, I21Z, I31Z		08	I08A, I08B, I08C, I08D, I08E, I08F, I21Z, I31Z		08	I13A, I13B, I13C, I13D, I13E
	21A	W04A, W04B		21A	W04A, W04B		21A	W01A, W01B, W01C, W02A, W02B
	21B	X06A, X06B, X06C		21B	X06A, X06B, X06C		21B	X04Z
5t120.7↔		BOP, KVT, UOP4, VIAL	5t121.6↔		BOP, KVT, UOP4, VIAL	5t121.x		BOP, KVT, UOP4
	08	I08A, I08B, I08C, I08D, I08E, I08F, I21Z, I31Z		08	I08A, I08B, I08C, I08D, I08E, I08F, I13A, I13B, I21Z, I31Z		08	I28A, I28B
	21A	W04A, W04B		21A	W04A, W04B		21A	W04A, W04B
	21B	X06A, X06B, X06C		21B	X06A, X06B, X06C		21B	X06A, X06B, X06C
5t120.9↔		BOP, KVT, UOP4, VIAL	5t121.7↔		BOP, KVT, UOP4, VIAL	5t123.1↔		BOP, KVT, UOP4, VIAL
	08	I08A, I08B, I08C, I08D, I08E, I08F, I21Z, I31Z		08	I08A, I08B, I08C, I08D, I08E, I08F, I21Z, I31Z		08	I08A, I08B, I08C, I08D, I08E, I08F, I13A, I13B, I13C, I13D
	21A	W04A, W04B		21A	W04A, W04B		21A	W04A, W04B
	21B	X06A, X06B, X06C		21B	X06A, X06B, X06C		21B	X06A, X06B, X06C
5t120.e↔		BOP, KVT, UOP4, VIAL	5t121.9↔		BOP, KVT, UOP4, VIAL	5t123.3↔		BOP, KVT, UOP4, VIAL
	08	I08A, I08B, I08C, I08D, I08E, I08F		08	I08A, I08B, I08C, I08D, I08E, I08F, I21Z, I31Z		08	I08A, I08B, I08C, I08D, I08E, I08F, I13A, I13B, I13C, I13D
	21A	W01A, W01B, W01C, W02A, W02B		21A	W04A, W04B		21A	W04A, W04B
	21B	X04Z		21B	X06A, X06B, X06C		21B	X06A, X06B, X06C
5t120.f↔		BOP, KVT, UOP4, VIAL	5t121.e↔		BOP, KVT, UOP4, VIAL	5t123.4↔		BOP, KVT, UOP4, VIAL
	08	I08A, I08B, I08C, I08D, I08E, I08F		01	B03A, B03B, B06A, B06B, B17A, B17B, B17C		08	I08A, I08B, I08C, I08D, I08E, I08F, I21Z, I31Z
	21A	W01A, W01B, W01C, W02A, W02B		08	I08A, I08B, I08C, I08D, I08E, I08F		21A	W04A, W04B
	21B	X04Z		10	K09A, K09B		21B	X06A, X06B, X06C
5t120.h↔		BOP, KVT, UOP4, VIAL	5t121.f↔		BOP, KVT, UOP4, VIAL	5t123.6↔		BOP, KVT, UOP4, VIAL
	08	I08A, I08B, I08C, I08D, I08E, I08F		01	B03A, B03B, B06A, B06B, B17A, B17B, B17C		08	I08A, I08B, I08C, I08D, I08E, I08F, I13A, I13B, I21Z, I31Z
	21A	W01A, W01B, W01C, W02A, W02B		08	I08A, I08B, I08C, I08D, I08E, I08F		21A	W04A, W04B
	21B	X04Z		21A	W01A, W01B, W01C, W02A, W02B		21B	X06A, X06B, X06C
5t120.j↔		BOP, KVT, UOP4, VIAL	5t121.h↔		BOP, KVT, UOP4, VIAL	5t123.7↔		BOP, KVT, UOP4, VIAL
	08	I18A, I18B, I30Z		01	B03A, B03B, B06A, B06B, B17A, B17B, B17C		08	I08A, I08B, I08C, I08D, I08E, I08F, I21Z, I31Z
	21A	W04A, W04B		08	I08A, I08B, I08C, I08D, I08E, I08F		21A	W04A, W04B
	21B	X04Z		21A	W01A, W01B, W01C, W02A, W02B		21B	X06A, X06B, X06C
5t120.k↔		BOP, KVT, UOP4, VIAL	5t121.j↔		BOP, KVT, UOP4, VIAL	5t123.9↔		BOP, KVT, UOP4, VIAL
	08	I13A, I13B, I13C, I13D, I13E		08	I18A, I18B, I30Z		08	I08A, I08B, I08C, I08D, I08E, I08F, I21Z, I31Z
	21A	W04A, W04B		21A	W04A, W04B		21A	W04A, W04B
	21B	X04Z		21B	X04Z		21B	X06A, X06B, X06C
5t120.n↔		BOP, KVT, UOP4, VIAL	5t121.k↔		BOP, KVT, UOP4, VIAL	5t123.e↔		BOP, KVT, UOP4, VIAL
	08	I13A, I13B, I13C, I13D, I13E		08	I13A, I13B, I13C, I13D		01	B03A, B03B, B06A, B06B, B17A, B17B, B17C
	21A	W04A, W04B		21A	W01A, W01B, W01C, W02A, W02B		08	I08A, I08B, I08C, I08D, I08E, I08F
	21B	X04Z		21B	X04Z		10	K09A, K09B
5t120.p↔		BOP, KVT, UOP4, VIAL	5t121.l↔		BOP, KVT, UOP4, VIAL	5t123.f↔		BOP, KVT, UOP4, VIAL
	08	I13A, I13B, I13C, I13D, I13E		08	I18A, I18B, I30Z		21A	W01A, W01B, W01C, W02A, W02B
	21A	W04A, W04B		21A	W04A, W04B		21B	X04Z
	21B	X04Z		21B	X04Z		01	B03A, B03B, B06A, B06B, B17A, B17B, B17C
5t120.r↔		BOP, KVT, UOP4, VIAL	5t121.m↔		BOP, KVT, UOP4, VIAL	5t123.g↔		BOP, KVT, UOP4, VIAL
	08	I13A, I13B, I13C, I13D, I13E		08	I13A, I13B, I13C, I13D		08	I08A, I08B, I08C, I08D, I08E, I08F
	21A	W04A, W04B		21A	W01A, W01B, W01C, W02A, W02B		10	K09A, K09B
	21B	X04Z		21B	X04Z		21A	W01A, W01B, W01C, W02A, W02B
5t120.x		BOP, KVT, UOP4	5t121.n↔		BOP, KVT, UOP4, VIAL	5t123.h↔		BOP, KVT, UOP4, VIAL
	08	I28A, I28B		08	I13A, I13B, I13C, I13D, I13E		01	B03A, B03B, B06A, B06B, B17A, B17B, B17C
	21A	W04A, W04B		21A	W01A, W01B, W01C, W02A, W02B		08	I08A, I08B, I08C, I08D, I08E, I08F
	21B	X06A, X06B, X06C		21B	X04Z		21A	W01A, W01B, W01C, W02A, W02B
5t121.1↔		BOP, KVT, UOP4, VIAL					21B	X04Z
	08	I08A, I08B, I08C, I08D, I08E, I08F, I13A, I13B, I13C, I13D, I13E						
	21A	W04A, W04B						
	21B	X06A, X06B, X06C						

VYK

ZZV	MDC	DRG	ZZV	MDC	DRG	ZZV	MDC	DRG
5t123.k↔		BOP, KVT, UOP4, VIAL	5t124.f↔		BOP, KVT, UOP4, VIAL	5t125.h↔		BOP, KVT, UOP4, VIAL
	08	I13A, I13B, I13C, I13D		01	B03A, B03B, B06A, B06B, B17A, B17B, B17C		01	B03A, B03B, B06A, B06B, B17A, B17B, B17C
	21A	W01A, W01B, W01C, W02A, W02B		08	I08A, I08B, I08C, I08D, I08E, I08F		08	I08A, I08B, I08C, I08D, I08E, I08F
	21B	X04Z		10	K09A, K09B		21A	W01A, W01B, W01C, W02A, W02B
5t123.n↔		BOP, KVT, UOP4, VIAL		21A	W01A, W01B, W01C, W02A, W02B		21B	X04Z
	08	I13A, I13B, I13C, I13D		21B	X04Z	5t125.k↔		BOP, KVT, UOP4, VIAL
	21A	W01A, W01B, W01C, W02A, W02B	5t124.h↔		BOP, KVT, UOP4, VIAL		08	I13A, I13B, I13C, I13D
	21B	X04Z		01	B03A, B03B, B06A, B06B, B17A, B17B, B17C	5t125.x		BOP, KVT, UOP4
5t123.p↔		BOP, KVT, UOP4, VIAL		08	I08A, I08B, I08C, I08D, I08E, I08F		08	I28A, I28B
	08	I13A, I13B, I13C, I13D, I13E		21A	W01A, W01B, W01C, W02A, W02B		21A	W04A, W04B
	21A	W01A, W01B, W01C, W02A, W02B		21B	X04Z		21B	X06A, X06B, X06C
	21B	X04Z	5t124.j↔		BOP, KVT, UOP4, VIAL	5t128.1↔		BOP, KVT, UOP4, VIAL
5t123.r↔		BOP, KVT, UOP4, VIAL		08	I18A, I18B, I30Z		08	I08A, I08B, I08C, I08D, I08E, I08F, I13A, I13B, I13C, I13D
	08	I13A, I13B, I13C, I13D, I13E		21A	W04A, W04B	5t128.e↔		BOP, KVT, UOP4, VIAL
	21A	W01A, W01B, W01C, W02A, W02B		21B	X04Z		01	B03A, B03B, B06A, B06B, B17A, B17B, B17C
	21B	X04Z	5t124.k↔		BOP, KVT, UOP4, VIAL		08	I08A, I08B, I08C, I08D, I08E, I08F
5t123.x		BOP, KVT, UOP4		08	I13A, I13B, I13C, I13D		10	K09A, K09B
	08	I28A, I28B		21A	W01A, W01B, W01C, W02A, W02B		21A	W01A, W01B, W01C, W02A, W02B
	21A	W04A, W04B		21B	X04Z		21B	X04Z
	21B	X06A, X06B, X06C	5t124.l↔		BOP, KVT, UOP4, VIAL	5t128.f↔		BOP, KVT, UOP4, VIAL
5t124.1↔		BOP, KVT, UOP4, VIAL		08	I13A, I13B, I13C, I13D, I13E		01	B03A, B03B, B06A, B06B, B17A, B17B, B17C
	08	I08A, I08B, I08C, I08D, I08E, I08F, I13A, I13B, I13C, I13D, I13E	5t124.n↔		W01A, W01B, W01C, W02A, W02B		08	I08A, I08B, I08C, I08D, I08E, I08F
	21A	W04A, W04B		21A	W01A, W01B, W01C, W02A, W02B		10	K09A, K09B
	21B	X06A, X06B, X06C		21B	X04Z		21A	W01A, W01B, W01C, W02A, W02B
5t124.3↔		BOP, KVT, UOP4, VIAL	5t124.p↔		BOP, KVT, UOP4, VIAL		21B	X04Z
	08	I08A, I08B, I08C, I08D, I08E, I08F, I13A, I13B, I13C, I13D, I13E		08	I13A, I13B, I13C, I13D, I13E	5t128.x		BOP, KVT, UOP4
	21A	W04A, W04B		21A	W01A, W01B, W01C, W02A, W02B		08	I28A, I28B
	21B	X06A, X06B, X06C		21B	X04Z		21A	W04A, W04B
5t124.4↔		BOP, KVT, UOP4, VIAL	5t124.r↔		BOP, KVT, UOP4, VIAL		21B	X06A, X06B, X06C
	08	I08A, I08B, I08C, I08D, I08E, I08F, I21Z, I31Z		08	I13A, I13B, I13C, I13D, I13E	5t129.e↔		BOP, KVT, UOP4, VIAL
	21A	W04A, W04B		21A	W01A, W01B, W01C, W02A, W02B		01	B03A, B03B, B06A, B06B, B17A, B17B, B17C
	21B	X06A, X06B, X06C		21B	X04Z		08	I08A, I08B, I08C, I08D, I08E, I08F
5t124.6↔		BOP, KVT, UOP4, VIAL	5t124.x		BOP, KVT, UOP4		10	K09A, K09B
	08	I08A, I08B, I08C, I08D, I08E, I08F, I13A, I13B, I21Z, I31Z		08	I28A, I28B		21A	W01A, W01B, W01C, W02A, W02B
	21A	W04A, W04B		21A	W04A, W04B		21B	X04Z
	21B	X06A, X06B, X06C		21B	X06A, X06B, X06C	5t129.f↔		BOP, KVT, UOP4, VIAL
5t124.7↔		BOP, KVT, UOP4, VIAL	5t125.1↔		BOP, KVT, UOP4, VIAL		01	B03A, B03B, B06A, B06B, B17A, B17B, B17C
	08	I08A, I08B, I08C, I08D, I08E, I08F, I21Z, I31Z		08	I08A, I08B, I08C, I08D, I08E, I08F, I13A, I13B, I13C, I13D		08	I08A, I08B, I08C, I08D, I08E, I08F
	21A	W04A, W04B		21A	W01A, W01B, W01C, W02A, W02B		10	K09A, K09B
	21B	X06A, X06B, X06C	5t125.e↔		BOP, KVT, UOP4, VIAL		21A	W01A, W01B, W01C, W02A, W02B
5t124.9↔		BOP, KVT, UOP4, VIAL		01	B03A, B03B, B06A, B06B, B17A, B17B, B17C		21B	X04Z
	08	I08A, I08B, I08C, I08D, I08E, I08F, I21Z, I31Z		08	I08A, I08B, I08C, I08D, I08E, I08F	5t129.h↔		BOP, KVT, UOP4, VIAL
	21A	W04A, W04B		10	K09A, K09B		01	B03A, B03B, B06A, B06B, B17A, B17B, B17C
	21B	X06A, X06B, X06C		21A	W01A, W01B, W01C, W02A, W02B		08	I08A, I08B, I08C, I08D, I08E, I08F
5t124.e↔		BOP, KVT, UOP4, VIAL	5t125.f↔		BOP, KVT, UOP4, VIAL		10	K09A, K09B
	01	B03A, B03B, B06A, B06B, B17A, B17B, B17C		01	B03A, B03B, B06A, B06B, B17A, B17B, B17C		21A	W01A, W01B, W01C, W02A, W02B
	08	I08A, I08B, I08C, I08D, I08E, I08F		08	I08A, I08B, I08C, I08D, I08E, I08F		21B	X04Z
	10	K09A, K09B		10	K09A, K09B	5t129.k↔		BOP, KVT, UOP4, VIAL
	21A	W01A, W01B, W01C, W02A, W02B		21A	W01A, W01B, W01C, W02A, W02B		08	I13A, I13B, I13C, I13D
	21B	X04Z		21B	X04Z		21A	W01A, W01B, W01C, W02A, W02B

ZZV	MDC	DRG	ZZV	MDC	DRG	ZZV	MDC	DRG
5t129.n↔		BOP, KVT, UOP4, VIAL	5t12a.k↔		BOP, KVT, UOP4, VIAL	5t12b.f↔		BOP, KVT, UOP4, VIAL
	08	I13A, I13B, I13C, I13D		08	I13A, I13B, I13C, I13D		01	B03A, B03B, B06A, B06B, B17A, B17B, B17C
	21A	W01A, W01B, W01C, W02A, W02B		21A	W01A, W01B, W01C, W02A, W02B		08	I08A, I08B, I08C, I08D, I08E, I08F
	21B	X04Z		21B	X04Z		10	K09A, K09B
5t129.x		BOP, KVT, UOP4	5t12a.n↔		BOP, KVT, UOP4, VIAL		21A	W01A, W01B, W01C, W02A, W02B
	08	I28A, I28B		08	I13A, I13B, I13C, I13D		21B	X04Z
	21A	W04A, W04B		21A	W01A, W01B, W01C, W02A, W02B	5t12b.h↔		BOP, KVT, UOP4, VIAL
	21B	X06A, X06B, X06C		21B	X04Z		01	B03A, B03B, B06A, B06B, B17A, B17B, B17C
5t12a.1↔		BOP, KVT, UOP4, VIAL	5t12a.p↔		BOP, KVT, UOP4, VIAL		08	I08A, I08B, I08C, I08D, I08E, I08F
	08	I08A, I08B, I08C, I08D, I08E, I08F, I13A, I13B, I13C, I13D		08	I13A, I13B, I13C, I13D, I13E		21A	W01A, W01B, W01C, W02A, W02B
	21A	W04A, W04B		21A	W01A, W01B, W01C, W02A, W02B		21B	X04Z
	21B	X06A, X06B, X06C		21B	X04Z	5t12b.k↔		BOP, KVT, UOP4, VIAL
5t12a.3↔		BOP, KVT, UOP4, VIAL	5t12a.r↔		BOP, KVT, UOP4, VIAL		08	I13A, I13B, I13C, I13D
	08	I08A, I08B, I08C, I08D, I08E, I08F, I13A, I13B, I13C, I13D		08	I13A, I13B, I13C, I13D, I13E		21A	W01A, W01B, W01C, W02A, W02B
	21A	W04A, W04B		21A	W01A, W01B, W01C, W02A, W02B		21B	X04Z
	21B	X06A, X06B, X06C		21B	X04Z	5t12b.l↔		BOP, KVT, UOP4, VIAL
5t12a.4↔		BOP, KVT, UOP4, VIAL	5t12a.x		BOP, KVT, UOP4		08	I28A, I28B
	08	I08A, I08B, I08C, I08D, I08E, I08F, I21Z, I31Z		08	I28A, I28B		21A	W04A, W04B
	21A	W04A, W04B		21A	W04A, W04B		21B	X06A, X06B, X06C
	21B	X06A, X06B, X06C	5t12b.1↔		BOP, KVT, UOP4, VIAL		08	I08A, I08B, I08C, I08D, I08E, I08F, I13A, I13B, I13C, I13D
5t12a.6↔		BOP, KVT, UOP4, VIAL		08	I08A, I08B, I08C, I08D, I08E, I08F, I13A, I13B, I13C, I13D		21A	W01A, W01B, W01C, W02A, W02B
	08	I08A, I08B, I08C, I08D, I08E, I08F, I13A, I13B, I21Z, I31Z		21A	W04A, W04B		21B	X04Z
	21A	W04A, W04B	5t12b.3↔		BOP, KVT, UOP4, VIAL	5t12b.p↔		BOP, KVT, UOP4, VIAL
	21B	X06A, X06B, X06C		08	I08A, I08B, I08C, I08D, I08E, I08F, I13A, I13B, I13C, I13D		08	I13A, I13B, I13C, I13D
5t12a.7↔		BOP, KVT, UOP4, VIAL		21A	W04A, W04B		21A	W01A, W01B, W01C, W02A, W02B
	08	I08A, I08B, I08C, I08D, I08E, I08F, I21Z, I31Z		21B	X06A, X06B, X06C		21B	X04Z
	21A	W04A, W04B	5t12b.4↔		BOP, KVT, UOP4, VIAL		08	I08A, I08B, I08C, I08D, I08E, I08F, I21Z, I31Z
	21B	X06A, X06B, X06C		08	I08A, I08B, I08C, I08D, I08E, I08F, I21Z, I31Z		21A	W01A, W01B, W01C, W02A, W02B
5t12a.9↔		BOP, KVT, UOP4, VIAL		21A	W04A, W04B		21B	X04Z
	08	I08A, I08B, I08C, I08D, I08E, I08F, I21Z, I31Z		21B	X06A, X06B, X06C	5t12b.x		BOP, KVT, UOP4
	21A	W04A, W04B		21B	X06A, X06B, X06C		08	I28A, I28B
	21B	X06A, X06B, X06C	5t12b.6↔		BOP, KVT, UOP4, VIAL		21A	W04A, W04B
5t12a.e↔		BOP, KVT, UOP4, VIAL		08	I08A, I08B, I08C, I08D, I08E, I08F, I13A, I13B, I21Z, I31Z		21B	X06A, X06B, X06C
	01	B03A, B03B, B06A, B06B, B17A, B17B, B17C		21A	W04A, W04B	5t12c.1↔		BOP, KVT, UOP4, VIAL
	08	I08A, I08B, I08C, I08D, I08E, I08F		21B	X06A, X06B, X06C		08	I08A, I08B, I08C, I08D, I08E, I08F, I13A, I13B, I13C, I13D
	10	K09A, K09B	5t12b.7↔		BOP, KVT, UOP4, VIAL		21A	W04A, W04B
	21A	W01A, W01B, W01C, W02A, W02B		08	I08A, I08B, I08C, I08D, I08E, I08F, I21Z, I31Z		21B	X06A, X06B, X06C
	21B	X04Z		21A	W04A, W04B	5t12c.3↔		BOP, KVT, UOP4, VIAL
5t12a.f↔		BOP, KVT, UOP4, VIAL		21B	X06A, X06B, X06C		08	I08A, I08B, I08C, I08D, I08E, I08F, I13A, I13B, I13C, I13D
	01	B03A, B03B, B06A, B06B, B17A, B17B, B17C	5t12b.9↔		BOP, KVT, UOP4, VIAL		21A	W04A, W04B
	08	I08A, I08B, I08C, I08D, I08E, I08F		08	I08A, I08B, I08C, I08D, I08E, I08F, I21Z, I31Z		21B	X06A, X06B, X06C
	10	K09A, K09B		21A	W04A, W04B	5t12c.e↔		BOP, KVT, UOP4, VIAL
	21A	W01A, W01B, W01C, W02A, W02B		21B	X06A, X06B, X06C		01	B03A, B03B, B06A, B06B, B17A, B17B, B17C
	21B	X04Z	5t12b.e↔		BOP, KVT, UOP4, VIAL		08	I08A, I08B, I08C, I08D, I08E, I08F
5t12a.h↔		BOP, KVT, UOP4, VIAL		01	B03A, B03B, B06A, B06B, B17A, B17B, B17C		10	K09A, K09B
	01	B03A, B03B, B06A, B06B, B17A, B17B, B17C		08	I08A, I08B, I08C, I08D, I08E, I08F		21A	W01A, W01B, W01C, W02A, W02B
	08	I08A, I08B, I08C, I08D, I08E, I08F		10	K09A, K09B		21B	X04Z
	21A	W01A, W01B, W01C, W02A, W02B		21A	W01A, W01B, W01C, W02A, W02B	5t12c.f↔		BOP, KVT, UOP4, VIAL
	21B	X04Z		21B	X04Z		01	B03A, B03B, B06A, B06B, B17A, B17B, B17C
5t12a.j↔		BOP, KVT, UOP4, VIAL					08	I08A, I08B, I08C, I08D, I08E, I08F
	08	I18A, I18B, I30Z					10	K09A, K09B
	21A	W04A, W04B					21A	W01A, W01B, W01C, W02A, W02B
	21B	X04Z					21B	X04Z

VYK

ZZV	MDC	DRG	ZZV	MDC	DRG	ZZV	MDC	DRG
5t12c.h↔		BOP, KVT, UOP4, VIAL	5t12t.6↔		BOP, KVT, UOP4, VIAL	5t12v.1↔		BOP, KVT, UOP4, VIAL
	01	B03A, B03B, B06A, B06B, B17A, B17B, B17C		08	I08A, I08B, I08C, I08D, I08E, I08F, I13A, I13B, I21Z, I31Z		08	I08A, I08B, I08C, I08D, I08E, I08F, I13A, I13B, I13C, I13D
	08	I08A, I08B, I08C, I08D, I08E, I08F		21A	W04A, W04B		21A	W04A, W04B
	21A	W01A, W01B, W01C, W02A, W02B	5t12t.7↔		X06A, X06B, X06C	5t12v.3↔		X06A, X06B, X06C
	21B	X04Z		08	BOP, KVT, UOP4, VIAL		08	BOP, KVT, UOP4, VIAL
5t12c.k↔		BOP, KVT, UOP4, VIAL		08	I08A, I08B, I08C, I08D, I08E, I08F, I21Z, I31Z		08	I08A, I08B, I08C, I08D, I08E, I08F, I13A, I13B, I13C, I13D
	08	I13A, I13B, I13C, I13D		21A	W04A, W04B		21A	W04A, W04B
	21A	W01A, W01B, W01C, W02A, W02B		21B	X06A, X06B, X06C		21B	X06A, X06B, X06C
	21B	X04Z	5t12t.9↔		BOP, KVT, UOP4, VIAL	5t12v.4↔		BOP, KVT, UOP4, VIAL
5t12c.x		BOP, KVT, UOP4		08	I08A, I08B, I08C, I08D, I08E, I08F, I21Z, I31Z		08	I08A, I08B, I08C, I08D, I08E, I08F, I13A, I21Z, I31Z
	08	I28A, I28B		21A	W04A, W04B		21A	W04A, W04B
	21A	W04A, W04B		21B	X06A, X06B, X06C		21B	X06A, X06B, X06C
	21B	X06A, X06B, X06C	5t12t.e↔		BOP, KVT, UOP4, VIAL	5t12v.6↔		BOP, KVT, UOP4, VIAL
5t12d.h↔		BOP, KVT, UOP4, VIAL		01	B03A, B03B, B06A, B06B, B17A, B17B, B17C		08	I08A, I08B, I08C, I08D, I08E, I08F, I13A, I21Z, I31Z
	01	B03A, B03B, B06A, B06B, B17A, B17B, B17C		08	I08A, I08B, I08C, I08D, I08E, I08F		21A	W04A, W04B
	08	I08A, I08B, I08C, I08D, I08E, I08F		10	K09A, K09B		21B	X06A, X06B, X06C
	21A	W01A, W01B, W01C, W02A, W02B		21A	W01A, W01B, W01C, W02A, W02B	5t12v.7↔		BOP, KVT, UOP4, VIAL
	21B	X04Z		21B	X04Z		08	I08A, I08B, I08C, I08D, I08E, I08F, I13A, I21Z, I31Z
5t12d.j↔		BOP, KVT, UOP4, VIAL	5t12t.f↔		BOP, KVT, UOP4, VIAL		21A	W04A, W04B
	08	I18A, I18B, I30Z		01	B03A, B03B, B06A, B06B, B17A, B17B, B17C		21B	X06A, X06B, X06C
	21A	W04A, W04B		08	I08A, I08B, I08C, I08D, I08E, I08F	5t12v.9↔		BOP, KVT, UOP4, VIAL
	21B	X04Z		10	K09A, K09B		08	I08A, I08B, I08C, I08D, I08E, I08F, I13A, I21Z, I31Z
5t12d.k↔		BOP, KVT, UOP4, VIAL		21A	W01A, W01B, W01C, W02A, W02B		21A	W04A, W04B
	08	I13A, I13B, I13C, I13D		21B	X04Z		21B	X06A, X06B, X06C
	21A	W01A, W01B, W01C, W02A, W02B	5t12t.h↔		BOP, KVT, UOP4, VIAL	5t12v.e↔		BOP, KVT, UOP4, VIAL
	21B	X04Z		01	B03A, B03B, B06A, B06B, B17A, B17B, B17C		01	B03A, B03B, B06A, B06B, B17A, B17B, B17C
5t12d.n↔		BOP, KVT, UOP4, VIAL		08	I08A, I08B, I08C, I08D, I08E, I08F		08	I08A, I08B, I08C, I08D, I08E, I08F, I13A
	08	I13A, I13B, I13C, I13D		21A	W01A, W01B, W01C, W02A, W02B		10	K09A, K09B
	21A	W01A, W01B, W01C, W02A, W02B		21B	X04Z		21A	W01A, W01B, W01C, W02A, W02B
	21B	X04Z	5t12t.i↔		BOP, KVT, UOP4, VIAL		21B	X04Z
5t12d.p↔		BOP, KVT, UOP4, VIAL		01	B03A, B03B, B06A, B06B, B17A, B17B, B17C	5t12v.f↔		BOP, KVT, UOP4, VIAL
	08	I13A, I13B, I13C, I13D, I13E		08	I18A, I18B, I30Z		01	B03A, B03B, B06A, B06B, B17A, B17B, B17C
	21A	W01A, W01B, W01C, W02A, W02B		21A	W04A, W04B		08	I08A, I08B, I08C, I08D, I08E, I08F, I13A
	21B	X04Z		21B	X04Z		10	K09A, K09B
5t12d.r↔		BOP, KVT, UOP4, VIAL	5t12t.k↔		BOP, KVT, UOP4, VIAL		21A	W01A, W01B, W01C, W02A, W02B
	08	I13A, I13B, I13C, I13D, I13E		08	I13A, I13B, I13C, I13D		21B	X04Z
	21A	W01A, W01B, W01C, W02A, W02B		21A	W01A, W01B, W01C, W02A, W02B	5t12v.h↔		BOP, KVT, UOP4, VIAL
	21B	X04Z		21B	X04Z		01	B03A, B03B, B06A, B06B, B17A, B17B, B17C
5t12d.x		BOP, KVT, UOP4	5t12t.n↔		BOP, KVT, UOP4, VIAL		08	I08A, I08B, I08C, I08D, I08E, I08F, I13A
	08	I28A, I28B		08	I13A, I13B, I13C, I13D		21A	W01A, W01B, W01C, W02A, W02B
	21A	W04A, W04B		21A	W01A, W01B, W01C, W02A, W02B		21B	X04Z
	21B	X06A, X06B, X06C		21B	X04Z		21A	W01A, W01B, W01C, W02A, W02B
5t12t.1↔		BOP, KVT, UOP4, VIAL		21B	X04Z		21B	X04Z
	08	I08A, I08B, I08C, I08D, I08E, I08F, I13A, I13B, I13C, I13D	5t12t.p↔		BOP, KVT, UOP4, VIAL	5t12v.j↔		BOP, KVT, UOP4, VIAL
	21A	W04A, W04B		08	I13A, I13B, I13C, I13D, I13E		08	I13A, I18A, I18B, I30Z
	21B	X06A, X06B, X06C		21A	W01A, W01B, W01C, W02A, W02B		21A	W04A, W04B
5t12t.3↔		BOP, KVT, UOP4, VIAL		21B	X04Z		21B	X04Z
	08	I08A, I08B, I08C, I08D, I08E, I08F, I13A, I13B, I13C, I13D	5t12t.r↔		BOP, KVT, UOP4, VIAL	5t12v.k↔		BOP, KVT, UOP4, VIAL
	21A	W04A, W04B		08	I13A, I13B, I13C, I13D, I13E		08	I13A, I13B, I13C, I13D
	21B	X06A, X06B, X06C		21A	W01A, W01B, W01C, W02A, W02B		21A	W01A, W01B, W01C, W02A, W02B
5t12t.4↔		BOP, KVT, UOP4, VIAL		21B	X04Z		21B	X04Z
	08	I08A, I08B, I08C, I08D, I08E, I08F, I21Z, I31Z	5t12t.x		BOP, KVT, UOP4	5t12v.n↔		BOP, KVT, UOP4, VIAL
	21A	W04A, W04B		08	I28A, I28B		08	I13A, I13B, I13C, I13D
	21B	X06A, X06B, X06C		21A	W04A, W04B		21A	W01A, W01B, W01C, W02A, W02B
				21B	X06A, X06B, X06C		21B	X04Z

ZZV	MDC	DRG	ZZV	MDC	DRG	ZZV	MDC	DRG
5t12v.p↔		BOP, KVT, UOP4, VIAL	5t12x.j↔		BOP, KVT, UOP4, VIAL	5t12z.f↔		BOP, KVT, UOP4, VIAL
08		I13A, I13B, I13C, I13D, I13E	08		I18A, I18B, I30Z	01		B03A, B03B, B06A, B06B, B17A, B17B, B17C
21A		W01A, W01B, W01C, W02A, W02B	21A		W04A, W04B	08		I08A, I08B, I08C, I08D, I08E, I08F
21B		X04Z	21B		X04Z	10		K09A, K09B
5t12v.r↔		BOP, KVT, UOP4, VIAL	5t12x.k↔		BOP, KVT, UOP4, VIAL	21A		W01A, W01B, W01C, W02A, W02B
08		I13A, I13B, I13C, I13D, I13E	08		I13A, I13B, I13C, I13D	21B		X04Z
21A		W01A, W01B, W01C, W02A, W02B	21A		W04A, W04B	5t12z.h↔		BOP, KVT, UOP4, VIAL
21B		X04Z	21B		X04Z	01		B03A, B03B, B06A, B06B, B17A, B17B, B17C
5t12v.x		BOP, KVT, UOP4	5t12x.n↔		BOP, KVT, UOP4, VIAL	08		I08A, I08B, I08C, I08D, I08E, I08F
08		I13A, I28A, I28B	08		I13A, I13B, I13C, I13D	21A		W01A, W01B, W01C, W02A, W02B
21A		W04A, W04B	21A		W04A, W04B	21B		X04Z
21B		X06A, X06B, X06C	21B		X04Z	5t12z.j↔		BOP, KVT, UOP4, VIAL
5t12x.1↔		BOP, KVT, UOP4, VIAL	5t12x.p↔		BOP, KVT, UOP4, VIAL	08		I18A, I18B, I30Z
08		I08A, I08B, I08C, I08D, I08E, I08F, I13A, I13B, I13C, I13D	08		I13A, I13B, I13C, I13D, I13E	21A		W04A, W04B
21A		W04A, W04B	21A		W04A, W04B	21B		X04Z
21B		X06A, X06B, X06C	21B		X04Z	5t12z.k↔		BOP, KVT, UOP4, VIAL
5t12x.3↔		BOP, KVT, UOP4, VIAL	5t12x.r↔		BOP, KVT, UOP4, VIAL	08		I13A, I13B, I13C, I13D, I13E
08		I08A, I08B, I08C, I08D, I08E, I08F, I13A, I13B, I13C, I13D	08		I13A, I13B, I13C, I13D, I13E	21A		W04A, W04B
21A		W04A, W04B	21A		W04A, W04B	21B		X04Z
21B		X06A, X06B, X06C	21B		X04Z	5t12z.l↔		BOP, KVT, UOP4, VIAL
5t12x.4↔		BOP, KVT, UOP4, VIAL	5t12x.x		BOP, KVT, UOP4	08		I28A, I28B
08		I08A, I08B, I08C, I08D, I08E, I08F, I21Z, I31Z	08		I28A, I28B	21A		W04A, W04B
21A		W04A, W04B	21A		W04A, W04B	21B		X06A, X06B, X06C
21B		X06A, X06B, X06C	21B		X06A, X06B, X06C	5t12z.m↔		BOP, KVT, UOP4, VIAL
5t12x.6↔		BOP, KVT, UOP4, VIAL	5t12z.1↔		BOP, KVT, UOP4, VIAL	08		I08A, I08B, I08C, I08D, I08E, I08F, I13A, I13B, I13C, I13D
08		I08A, I08B, I08C, I08D, I08E, I08F, I13A, I13B, I21Z, I31Z	08		I08A, I08B, I08C, I08D, I08E, I08F, I13A, I13B, I13C, I13D	21A		W04A, W04B
21A		W04A, W04B	21A		W04A, W04B	21B		X06A, X06B, X06C
21B		X06A, X06B, X06C	21B		X06A, X06B, X06C	5t12z.n↔		BOP, KVT, UOP4, VIAL
5t12x.7↔		BOP, KVT, UOP4, VIAL	5t12z.3↔		BOP, KVT, UOP4, VIAL	08		I13A, I13B, I13C, I13D, I13E
08		I08A, I08B, I08C, I08D, I08E, I08F, I21Z, I31Z	08		I08A, I08B, I08C, I08D, I08E, I08F, I13A, I13B, I13C, I13D	21A		W01A, W01B, W01C, W02A, W02B
21A		W04A, W04B	21A		W04A, W04B	21B		X04Z
21B		X06A, X06B, X06C	21B		X06A, X06B, X06C	5t12z.o↔		BOP, KVT, UOP4, VIAL
5t12x.9↔		BOP, KVT, UOP4, VIAL	5t12z.4↔		BOP, KVT, UOP4, VIAL	08		I13A, I13B, I13C, I13D, I13E
08		I08A, I08B, I08C, I08D, I08E, I08F, I21Z, I31Z	08		I08A, I08B, I08C, I08D, I08E, I08F, I21Z, I31Z	21A		W01A, W01B, W01C, W02A, W02B
21A		W04A, W04B	21A		W04A, W04B	21B		X04Z
21B		X06A, X06B, X06C	21B		X06A, X06B, X06C	5t12z.p↔		BOP, KVT, UOP4, VIAL
5t12x.e↔		BOP, KVT, UOP4, VIAL	5t12z.6↔		BOP, KVT, UOP4, VIAL	08		I13A, I13B, I13C, I13D, I13E
01		B03A, B03B, B06A, B06B, B17A, B17B, B17C	08		I08A, I08B, I08C, I08D, I08E, I08F, I13A, I13B, I21Z, I31Z	21A		W01A, W01B, W01C, W02A, W02B
08		I08A, I08B, I08C, I08D, I08E, I08F	21A		W04A, W04B	21B		X04Z
10		K09A, K09B	21B		X06A, X06B, X06C	5t12z.r↔		BOP, KVT, UOP4, VIAL
21A		W01A, W01B, W01C, W02A, W02B	5t12z.7↔		BOP, KVT, UOP4, VIAL	08		I13A, I13B, I13C, I13D, I13E
21B		X04Z	08		I08A, I08B, I08C, I08D, I08E, I08F, I21Z, I31Z	21A		W01A, W01B, W01C, W02A, W02B
5t12x.f↔		BOP, KVT, UOP4, VIAL	21A		W04A, W04B	21B		X04Z
01		B03A, B03B, B06A, B06B, B17A, B17B, B17C	21B		X06A, X06B, X06C	5t12z.s↔		BOP, KVT, UOP4, VIAL
08		I08A, I08B, I08C, I08D, I08E, I08F	5t12z.e↔		BOP, KVT, UOP4, VIAL	08		I08A, I08B, I08C, I08D, I08E, I08F, I13A, I13B, I13C, I13D
10		K09A, K09B	01		B03A, B03B, B06A, B06B, B17A, B17B, B17C	21A		W04A, W04B
21A		W01A, W01B, W01C, W02A, W02B	08		I08A, I08B, I08C, I08D, I08E, I08F	21B		X06A, X06B, X06C
21B		X04Z	10		K09A, K09B	5t131.1↔		BOP, KVT, UOP4, VIAL
5t12x.h↔		BOP, KVT, UOP4, VIAL	21A		W01A, W01B, W01C, W02A, W02B	08		I08A, I08B, I08C, I08D, I08E, I08F, I13A, I13B, I13C, I13D
01		B03A, B03B, B06A, B06B, B17A, B17B, B17C	21B		X04Z	21A		W04A, W04B
08		I08A, I08B, I08C, I08D, I08E, I08F				21B		X06A, X06B, X06C
10		K09A, K09B				5t131.3↔		BOP, KVT, UOP4, VIAL
21A		W01A, W01B, W01C, W02A, W02B				08		I08A, I08B, I08C, I08D, I08E, I08F, I13A, I13B, I13C, I13D
21B		X04Z				21A		W04A, W04B
						21B		X06A, X06B, X06C
						5t131.4↔		BOP, KVT, UOP4, VIAL
						08		I08A, I08B, I08C, I08D, I08E, I08F, I21Z, I31Z
						21A		W04A, W04B
						21B		X06A, X06B, X06C
						5t131.6↔		BOP, KVT, UOP4, VIAL
						08		I08A, I08B, I08C, I08D, I08E, I08F, I13A, I13B, I21Z, I31Z
						21A		W04A, W04B
						21B		X06A, X06B, X06C
						5t131.7↔		BOP, KVT, UOP4, VIAL
						08		I08A, I08B, I08C, I08D, I08E, I08F, I21Z, I31Z
						21A		W04A, W04B
						21B		X06A, X06B, X06C

ZZV	MDC	DRG	ZZV	MDC	DRG	ZZV	MDC	DRG
5t131.9↔		BOP, KVT, UOP4, VIAL	5t133.4↔		BOP, KVT, UOP4, VIAL	5t134.1↔		BOP, KVT, UOP4, VIAL
	08	I08A, I08B, I08C, I08D, I08E, I08F, I21Z, I31Z		08	I08A, I08B, I08C, I08D, I08E, I08F, I21Z, I31Z		08	I08A, I08B, I08C, I08D, I08E, I08F, I13A, I13B, I13C, I13D
	21A	W04A, W04B		21A	W04A, W04B		21A	W04A, W04B
5t131.e↔	21B	X06A, X06B, X06C	5t133.6↔	21B	X06A, X06B, X06C	5t134.3↔	21B	X06A, X06B, X06C
	01	BOP, KVT, UOP4, VIAL		08	BOP, KVT, UOP4, VIAL		08	BOP, KVT, UOP4, VIAL
		B03A, B03B, B06A, B06B, B17A, B17B, B17C			I08A, I08B, I08C, I08D, I08E, I08F, I13A, I13B, I21Z, I31Z		08	I08A, I08B, I08C, I08D, I08E, I08F, I13A, I13B, I13C, I13D
	08	I08A, I08B, I08C, I08D, I08E, I08F		21A	W04A, W04B		21A	W04A, W04B
	10	K09A, K09B	5t133.7↔	21B	X06A, X06B, X06C	5t134.4↔	21B	X06A, X06B, X06C
	21A	W01A, W01B, W01C, W02A, W02B			BOP, KVT, UOP4, VIAL		08	BOP, KVT, UOP4, VIAL
	21B	X04Z		08	I08A, I08B, I08C, I08D, I08E, I08F, I21Z, I31Z		08	I08A, I08B, I08C, I08D, I08E, I08F, I21Z, I31Z
5t131.f↔		BOP, KVT, UOP4, VIAL		21A	W04A, W04B		21A	W04A, W04B
	01	B03A, B03B, B06A, B06B, B17A, B17B, B17C	5t133.9↔	21B	X06A, X06B, X06C	5t134.6↔	21B	X06A, X06B, X06C
		B03A, B03B, B06A, B06B, B17A, B17B, B17C			BOP, KVT, UOP4, VIAL		08	BOP, KVT, UOP4, VIAL
	08	I08A, I08B, I08C, I08D, I08E, I08F		08	I08A, I08B, I08C, I08D, I08E, I08F, I21Z, I31Z		08	I08A, I08B, I08C, I08D, I08E, I08F, I13A, I13B, I21Z, I31Z
	10	K09A, K09B		21A	W04A, W04B		21A	W04A, W04B
	21A	W01A, W01B, W01C, W02A, W02B	5t133.e↔	21B	X06A, X06B, X06C	5t134.7↔	21B	X06A, X06B, X06C
	21B	X04Z			BOP, KVT, UOP4, VIAL		08	BOP, KVT, UOP4, VIAL
5t131.h↔		BOP, KVT, UOP4, VIAL		01	B03A, B03B, B06A, B06B, B17A, B17B, B17C		08	I08A, I08B, I08C, I08D, I08E, I08F, I21Z, I31Z
	01	B03A, B03B, B06A, B06B, B17A, B17B, B17C			I08A, I08B, I08C, I08D, I08E, I08F		21A	W04A, W04B
	08	I08A, I08B, I08C, I08D, I08E, I08F		08	I08A, I08B, I08C, I08D, I08E, I08F	5t134.9↔	21B	X06A, X06B, X06C
	21A	W01A, W01B, W01C, W02A, W02B		10	K09A, K09B		08	BOP, KVT, UOP4, VIAL
	21B	X04Z	5t133.f↔	21A	W01A, W01B, W01C, W02A, W02B		08	I08A, I08B, I08C, I08D, I08E, I08F, I21Z, I31Z
5t131.j↔		BOP, KVT, UOP4, VIAL		21B	X04Z		21A	W04A, W04B
	08	I24Z, I30Z			BOP, KVT, UOP4, VIAL	5t134.e↔	21B	X06A, X06B, X06C
	21A	W04A, W04B		01	B03A, B03B, B06A, B06B, B17A, B17B, B17C		01	BOP, KVT, UOP4, VIAL
	21B	X04Z			I08A, I08B, I08C, I08D, I08E, I08F		08	B03A, B03B, B06A, B06B, B17A, B17B, B17C
5t131.k↔		BOP, KVT, UOP4, VIAL		08	I08A, I08B, I08C, I08D, I08E, I08F		08	I08A, I08B, I08C, I08D, I08E, I08F
	08	I13A, I13B, I13C, I13D		10	K09A, K09B		10	K09A, K09B
	21A	W01A, W01B, W01C, W02A, W02B		21A	W01A, W01B, W01C, W02A, W02B		21A	W01A, W01B, W01C, W02A, W02B
	21B	X04Z	5t133.h↔	21B	X04Z		21B	X04Z
5t131.n↔		BOP, KVT, UOP4, VIAL			BOP, KVT, UOP4, VIAL	5t134.f↔	21B	X04Z
	08	I13A, I13B, I13C, I13D		01	B03A, B03B, B06A, B06B, B17A, B17B, B17C		01	BOP, KVT, UOP4, VIAL
	21A	W01A, W01B, W01C, W02A, W02B			I08A, I08B, I08C, I08D, I08E, I08F		08	B03A, B03B, B06A, B06B, B17A, B17B, B17C
	21B	X04Z		08	I08A, I08B, I08C, I08D, I08E, I08F		08	I08A, I08B, I08C, I08D, I08E, I08F
5t131.p↔		BOP, KVT, UOP4, VIAL		21A	W01A, W01B, W01C, W02A, W02B		10	K09A, K09B
	08	I13A, I13B, I13C, I13D	5t133.k↔	21B	X04Z		21A	W01A, W01B, W01C, W02A, W02B
	21A	W01A, W01B, W01C, W02A, W02B			BOP, KVT, UOP4, VIAL	5t134.h↔	21B	X04Z
	21B	X04Z		08	I13A, I13B, I13C, I13D		01	BOP, KVT, UOP4, VIAL
5t131.r↔		BOP, KVT, UOP4, VIAL		21A	W01A, W01B, W01C, W02A, W02B		08	B03A, B03B, B06A, B06B, B17A, B17B, B17C
	08	I13A, I13B, I13C, I13D		21B	X04Z		08	I08A, I08B, I08C, I08D, I08E, I08F
	21A	W01A, W01B, W01C, W02A, W02B	5t133.n↔		BOP, KVT, UOP4, VIAL		21A	W01A, W01B, W01C, W02A, W02B
	21B	X04Z		08	I13A, I13B, I13C, I13D		21B	X04Z
5t131.x		BOP, KVT, UOP4		21A	W01A, W01B, W01C, W02A, W02B		21B	X04Z
	08	I28A, I28B	5t133.p↔	21B	X04Z	5t134.j↔	21B	X04Z
	21A	W04A, W04B			BOP, KVT, UOP4, VIAL		08	BOP, KVT, UOP4, VIAL
	21B	X06A, X06B, X06C		08	I13A, I13B, I13C, I13D		21A	I24Z, I30Z
5t133.1↔		BOP, KVT, UOP4, VIAL		21A	W01A, W01B, W01C, W02A, W02B		21A	W04A, W04B
	08	I08A, I08B, I08C, I08D, I08E, I08F, I13A, I13B, I13C, I13D			W02B		21B	X04Z
	21A	W04A, W04B	5t133.r↔	21B	X04Z		5t134.k↔	BOP, KVT, UOP4, VIAL
	21B	X06A, X06B, X06C			BOP, KVT, UOP4, VIAL		08	I13A, I13B, I13C, I13D
5t133.3↔		BOP, KVT, UOP4, VIAL		08	I13A, I13B, I13C, I13D		21A	W01A, W01B, W01C, W02A, W02B
	08	I08A, I08B, I08C, I08D, I08E, I08F, I13A, I13B, I13C, I13D		21A	W01A, W01B, W01C, W02A, W02B		21B	X04Z
	21A	W04A, W04B	5t133.x	21B	X04Z	5t134.n↔	21B	X04Z
	21B	X06A, X06B, X06C			BOP, KVT, UOP4		08	BOP, KVT, UOP4, VIAL
				08	I28A, I28B		21A	I13A, I13B, I13C, I13D
	21A	W04A, W04B		21A	W04A, W04B		21A	W01A, W01B, W01C, W02A, W02B
	21B	X06A, X06B, X06C		21B	X06A, X06B, X06C		21B	X04Z

VYK

ZZV	MDC	DRG	ZZV	MDC	DRG	ZZV	MDC	DRG
5t134.p↔		BOP, KVT, UOP4, VIAL	5t137.6↔		BOP, KVT, UOP4, VIAL	5t138.1↔		BOP, KVT, UOP4, VIAL
	08	I13A, I13B, I13C, I13D		08	I08A, I08B, I08C, I08D, I08E, I08F, I21Z, I31Z		08	I08A, I08B, I08C, I08D, I08E, I08F, I13A, I13B, I13C, I13D
	21A	W01A, W01B, W01C, W02A, W02B		21A	W04A, W04B		21A	W04A, W04B
	21B	X04Z		21B	X06A, X06B, X06C		21B	X06A, X06B, X06C
5t134.r↔		BOP, KVT, UOP4, VIAL	5t137.7↔		BOP, KVT, UOP4, VIAL	5t138.3↔		BOP, KVT, UOP4, VIAL
	08	I13A, I13B, I13C, I13D		08	I08A, I08B, I08C, I08D, I08E, I08F, I21Z, I31Z		08	I08A, I08B, I08C, I08D, I08E, I08F, I13A, I13B, I13C, I13D
	21A	W01A, W01B, W01C, W02A, W02B		21A	W04A, W04B		21A	W04A, W04B
	21B	X04Z		21B	X06A, X06B, X06C		21B	X06A, X06B, X06C
5t134.x		BOP, KVT, UOP4	5t137.9↔		BOP, KVT, UOP4, VIAL	5t138.4↔		BOP, KVT, UOP4, VIAL
	08	I28A, I28B		08	I08A, I08B, I08C, I08D, I08E, I08F, I21Z, I31Z		08	I08A, I08B, I08C, I08D, I08E, I08F, I21Z, I31Z
	21A	W04A, W04B		21A	W04A, W04B		21A	W04A, W04B
	21B	X06A, X06B, X06C		21B	X06A, X06B, X06C		21B	X06A, X06B, X06C
5t135.1↔		BOP, KVT, UOP4, VIAL	5t137.e↔		BOP, KVT, UOP4, VIAL	5t138.6↔		BOP, KVT, UOP4, VIAL
	08	I08A, I08B, I08C, I08D, I08E, I08F, I13A, I13B, I13C, I13D		01	B03A, B03B, B06A, B06B, B17A, B17B, B17C		08	I08A, I08B, I08C, I08D, I08E, I08F, I13A, I13B, I21Z, I31Z
5t135.3↔		BOP, KVT, UOP4, VIAL		08	I08A, I08B, I08C, I08D, I08E, I08F		21A	W04A, W04B
	08	I08A, I08B, I08C, I08D, I08E, I08F, I13A, I13B, I13C, I13D		10	K09A, K09B		21B	X06A, X06B, X06C
5t135.e↔		BOP, KVT, UOP4, VIAL	5t137.f↔		BOP, KVT, UOP4, VIAL	5t138.7↔		BOP, KVT, UOP4, VIAL
	01	B03A, B03B, B06A, B06B, B17A, B17B, B17C		01	B03A, B03B, B06A, B06B, B17A, B17B, B17C		08	I08A, I08B, I08C, I08D, I08E, I08F, I21Z, I31Z
	08	I08A, I08B, I08C, I08D, I08E, I08F		08	I08A, I08B, I08C, I08D, I08E, I08F		21A	W04A, W04B
	10	K09A, K09B		10	K09A, K09B		21B	X06A, X06B, X06C
	21A	W01A, W01B, W01C, W02A, W02B		21A	W01A, W01B, W01C, W02A, W02B		08	I08A, I08B, I08C, I08D, I08E, I08F, I21Z, I31Z
	21B	X04Z		21B	X04Z		21A	W04A, W04B
5t135.f↔		BOP, KVT, UOP4, VIAL	5t137.g↔		BOP, KVT, UOP4, VIAL	5t138.9↔		BOP, KVT, UOP4, VIAL
	01	B03A, B03B, B06A, B06B, B17A, B17B, B17C		01	B03A, B03B, B06A, B06B, B17A, B17B, B17C		08	I08A, I08B, I08C, I08D, I08E, I08F, I21Z, I31Z
	08	I08A, I08B, I08C, I08D, I08E, I08F		08	I08A, I08B, I08C, I08D, I08E, I08F		21A	W04A, W04B
	10	K09A, K09B		10	K09A, K09B		21B	X06A, X06B, X06C
	21A	W01A, W01B, W01C, W02A, W02B		21A	W01A, W01B, W01C, W02A, W02B		08	I08A, I08B, I08C, I08D, I08E, I08F
	21B	X04Z		21B	X04Z		10	K09A, K09B
5t135.h↔		BOP, KVT, UOP4, VIAL	5t137.h↔		BOP, KVT, UOP4, VIAL	5t138.e↔		BOP, KVT, UOP4, VIAL
	01	B03A, B03B, B06A, B06B, B17A, B17B, B17C		01	B03A, B03B, B06A, B06B, B17A, B17B, B17C		01	B03A, B03B, B06A, B06B, B17A, B17B, B17C
	08	I08A, I08B, I08C, I08D, I08E, I08F		08	I08A, I08B, I08C, I08D, I08E, I08F		08	I08A, I08B, I08C, I08D, I08E, I08F
	10	K09A, K09B		10	K09A, K09B		10	K09A, K09B
	21A	W01A, W01B, W01C, W02A, W02B		21A	W01A, W01B, W01C, W02A, W02B		21A	W01A, W01B, W01C, W02A, W02B
	21B	X04Z		21B	X04Z		21B	X04Z
5t135.i↔		BOP, KVT, UOP4, VIAL	5t137.j↔		BOP, KVT, UOP4, VIAL	5t138.f↔		BOP, KVT, UOP4, VIAL
	01	B03A, B03B, B06A, B06B, B17A, B17B, B17C		01	B03A, B03B, B06A, B06B, B17A, B17B, B17C		01	B03A, B03B, B06A, B06B, B17A, B17B, B17C
	08	I08A, I08B, I08C, I08D, I08E, I08F		08	I08A, I08B, I08C, I08D, I08E, I08F		08	I08A, I08B, I08C, I08D, I08E, I08F
	21A	W01A, W01B, W01C, W02A, W02B		21A	W01A, W01B, W01C, W02A, W02B		10	K09A, K09B
	21B	X04Z		21B	X04Z		21A	W01A, W01B, W01C, W02A, W02B
5t135.k↔		BOP, KVT, UOP4, VIAL	5t137.k↔		BOP, KVT, UOP4, VIAL	5t138.g↔		BOP, KVT, UOP4, VIAL
	08	I13A, I13B, I13C, I13D		08	I13A, I13B, I13C, I13D		08	I08A, I08B, I08C, I08D, I08E, I08F
5t135.x		BOP, KVT, UOP4	5t137.l↔		BOP, KVT, UOP4, VIAL	5t138.h↔		BOP, KVT, UOP4, VIAL
	08	I28A, I28B		08	I13A, I13B, I13C, I13D		01	B03A, B03B, B06A, B06B, B17A, B17B, B17C
	21A	W04A, W04B		21A	W01A, W01B, W01C, W02A, W02B		08	I08A, I08B, I08C, I08D, I08E, I08F
	21B	X06A, X06B, X06C		21B	X04Z		21A	W01A, W01B, W01C, W02A, W02B
5t137.1↔		BOP, KVT, UOP4, VIAL	5t137.m↔		BOP, KVT, UOP4, VIAL	5t138.i↔		BOP, KVT, UOP4, VIAL
	08	I08A, I08B, I08C, I08D, I08E, I08F, I13A, I13B, I13C, I13D		08	I13A, I13B, I13C, I13D		08	I08A, I08B, I08C, I08D, I08E, I08F
	21A	W04A, W04B		21A	W01A, W01B, W01C, W02A, W02B		21A	W01A, W01B, W01C, W02A, W02B
	21B	X06A, X06B, X06C		21B	X04Z		21B	X04Z
5t137.3↔		BOP, KVT, UOP4, VIAL	5t137.n↔		BOP, KVT, UOP4, VIAL	5t138.j↔		BOP, KVT, UOP4, VIAL
	08	I08A, I08B, I08C, I08D, I08E, I08F, I13A, I13B, I13C, I13D		08	I13A, I13B, I13C, I13D		08	I24Z, I30Z
	21A	W04A, W04B		21A	W01A, W01B, W01C, W02A, W02B		21A	W04A, W04B
	21B	X06A, X06B, X06C		21B	X04Z		21B	X04Z
5t137.4↔		BOP, KVT, UOP4, VIAL	5t137.o↔		BOP, KVT, UOP4, VIAL	5t138.k↔		BOP, KVT, UOP4, VIAL
	08	I08A, I08B, I08C, I08D, I08E, I08F, I21Z, I31Z		08	I13A, I13B, I13C, I13D		08	I13A, I13B, I13C, I13D
	21A	W04A, W04B		21A	W01A, W01B, W01C, W02A, W02B		21A	W01A, W01B, W01C, W02A, W02B
	21B	X06A, X06B, X06C		21B	X04Z		21B	X04Z
			5t137.p↔		BOP, KVT, UOP4, VIAL	5t138.l↔		BOP, KVT, UOP4, VIAL
				08	I13A, I13B, I13C, I13D		08	I13A, I13B, I13C, I13D
				21A	W01A, W01B, W01C, W02A, W02B		21A	W01A, W01B, W01C, W02A, W02B
				21B	X04Z		21B	X04Z
			5t137.q↔		BOP, KVT, UOP4, VIAL	5t138.m↔		BOP, KVT, UOP4, VIAL
				08	I28A, I28B		08	I13A, I13B, I13C, I13D
				21A	W04A, W04B		21A	W01A, W01B, W01C, W02A, W02B
				21B	X06A, X06B, X06C		21B	X04Z

ZZV	MDC	DRG	ZZV	MDC	DRG	ZZV	MDC	DRG
5t138.p↔		BOP, KVT, UOP4, VIAL 08 I13A, I13B, I13C, I13D 21A W01A, W01B, W01C, W02A, W02B 21B X04Z	5t13a.7↔		BOP, KVT, UOP4, VIAL 08 I08A, I08B, I08C, I08D, I08E, I08F, I21Z, I31Z 21A W04A, W04B 21B X06A, X06B, X06C	5t13b.3↔		BOP, KVT, UOP4, VIAL 08 I08A, I08B, I08C, I08D, I08E, I08F, I13A, I13B, I13C, I13D 21A W04A, W04B 21B X06A, X06B, X06C
5t138.r↔		BOP, KVT, UOP4, VIAL 08 I13A, I13B, I13C, I13D 21A W01A, W01B, W01C, W02A, W02B 21B X04Z	5t13a.9↔		BOP, KVT, UOP4, VIAL 08 I08A, I08B, I08C, I08D, I08E, I08F, I21Z, I31Z 21A W04A, W04B 21B X06A, X06B, X06C	5t13b.4↔		BOP, KVT, UOP4, VIAL 08 I08A, I08B, I08C, I08D, I08E, I08F, I21Z, I31Z 21A W04A, W04B 21B X06A, X06B, X06C
5t138.x		BOP, KVT, UOP4 08 I28A, I28B 21A W04A, W04B 21B X06A, X06B, X06C	5t13a.e↔		BOP, KVT, UOP4, VIAL 01 B03A, B03B, B06A, B06B, B17A, B17B, B17C 08 I08A, I08B, I08C, I08D, I08E, I08F 10 K09A, K09B 21A W01A, W01B, W01C, W02A, W02B 21B X04Z	5t13b.6↔		BOP, KVT, UOP4, VIAL 08 I08A, I08B, I08C, I08D, I08E, I08F, I13A, I13B, I21Z, I31Z 21A W04A, W04B 21B X06A, X06B, X06C
5t139.e↔		BOP, KVT, UOP4, VIAL 01 B03A, B03B, B06A, B06B, B17A, B17B, B17C 08 I08A, I08B, I08C, I08D, I08E, I08F 10 K09A, K09B 21A W01A, W01B, W01C, W02A, W02B 21B X04Z	5t13a.f↔		BOP, KVT, UOP4, VIAL 01 B03A, B03B, B06A, B06B, B17A, B17B, B17C 08 I08A, I08B, I08C, I08D, I08E, I08F 10 K09A, K09B 21A W01A, W01B, W01C, W02A, W02B 21B X04Z	5t13b.7↔		BOP, KVT, UOP4, VIAL 08 I08A, I08B, I08C, I08D, I08E, I08F, I21Z, I31Z 21A W04A, W04B 21B X06A, X06B, X06C
5t139.f↔		BOP, KVT, UOP4, VIAL 01 B03A, B03B, B06A, B06B, B17A, B17B, B17C 08 I08A, I08B, I08C, I08D, I08E, I08F 10 K09A, K09B 21A W01A, W01B, W01C, W02A, W02B 21B X04Z	5t13a.h↔		BOP, KVT, UOP4, VIAL 01 B03A, B03B, B06A, B06B, B17A, B17B, B17C 08 I08A, I08B, I08C, I08D, I08E, I08F 21A W01A, W01B, W01C, W02A, W02B 21B X04Z	5t13b.9↔		BOP, KVT, UOP4, VIAL 08 I08A, I08B, I08C, I08D, I08E, I08F, I21Z, I31Z 21A W04A, W04B 21B X06A, X06B, X06C
5t139.h↔		BOP, KVT, UOP4, VIAL 01 B03A, B03B, B06A, B06B, B17A, B17B, B17C 08 I08A, I08B, I08C, I08D, I08E, I08F 21A W01A, W01B, W01C, W02A, W02B 21B X04Z	5t13a.j↔		BOP, KVT, UOP4, VIAL 08 I24Z, I30Z 21A W04A, W04B 21B X04Z	5t13b.e↔		BOP, KVT, UOP4, VIAL 01 B03A, B03B, B06A, B06B, B17A, B17B, B17C 08 I08A, I08B, I08C, I08D, I08E, I08F 10 K09A, K09B 21A W01A, W01B, W01C, W02A, W02B 21B X04Z
5t139.k↔		BOP, KVT, UOP4, VIAL 08 I13A, I13B, I13C, I13D 21A W01A, W01B, W01C, W02A, W02B 21B X04Z	5t13a.k↔		BOP, KVT, UOP4, VIAL 08 I13A, I13B, I13C, I13D 21A W01A, W01B, W01C, W02A, W02B 21B X04Z	5t13b.f↔		BOP, KVT, UOP4, VIAL 01 B03A, B03B, B06A, B06B, B17A, B17B, B17C 08 I08A, I08B, I08C, I08D, I08E, I08F 10 K09A, K09B 21A W01A, W01B, W01C, W02A, W02B 21B X04Z
5t139.n↔		BOP, KVT, UOP4, VIAL 08 I13A, I13B, I13C, I13D 21A W01A, W01B, W01C, W02A, W02B 21B X04Z	5t13a.n↔		BOP, KVT, UOP4, VIAL 08 I13A, I13B, I13C, I13D 21A W01A, W01B, W01C, W02A, W02B 21B X04Z	5t13b.h↔		BOP, KVT, UOP4, VIAL 01 B03A, B03B, B06A, B06B, B17A, B17B, B17C 08 I08A, I08B, I08C, I08D, I08E, I08F 21A W01A, W01B, W01C, W02A, W02B 21B X04Z
5t13a.1↔		BOP, KVT, UOP4 08 I28A, I28B 21A W04A, W04B 21B X06A, X06B, X06C	5t13a.p↔		BOP, KVT, UOP4, VIAL 08 I13A, I13B, I13C, I13D 21A W01A, W01B, W01C, W02A, W02B 21B X04Z	5t13b.j↔		KVT
5t13a.3↔		BOP, KVT, UOP4, VIAL 08 I08A, I08B, I08C, I08D, I08E, I08F, I13A, I13B, I13C, I13D 21A W04A, W04B 21B X06A, X06B, X06C	5t13a.r↔		BOP, KVT, UOP4, VIAL 08 I13A, I13B, I13C, I13D 21A W01A, W01B, W01C, W02A, W02B 21B X04Z	5t13b.k↔		BOP, KVT, UOP4, VIAL 08 I13A, I13B, I13C, I13D 21A W01A, W01B, W01C, W02A, W02B 21B X04Z
5t13a.4↔		BOP, KVT, UOP4, VIAL 08 I08A, I08B, I08C, I08D, I08E, I08F, I21Z, I31Z 21A W04A, W04B 21B X06A, X06B, X06C	5t13a.x		BOP, KVT, UOP4 08 I28A, I28B 21A W04A, W04B 21B X06A, X06B, X06C	5t13b.n↔		BOP, KVT, UOP4, VIAL 08 I13A, I13B, I13C, I13D 21A W01A, W01B, W01C, W02A, W02B 21B X04Z
5t13a.6↔		BOP, KVT, UOP4, VIAL 08 I08A, I08B, I08C, I08D, I08E, I08F, I13A, I13B, I21Z, I31Z 21A W04A, W04B 21B X06A, X06B, X06C	5t13b.1↔		BOP, KVT, UOP4, VIAL 08 I08A, I08B, I08C, I08D, I08E, I08F, I13A, I13B, I13C, I13D 21A W04A, W04B 21B X06A, X06B, X06C	5t13b.p↔		BOP, KVT, UOP4, VIAL 08 I13A, I13B, I13C, I13D 21A W01A, W01B, W01C, W02A, W02B 21B X04Z

VYK

ZZV	MDC	DRG	ZZV	MDC	DRG	ZZV	MDC	DRG	
5t13x.9↔		BOP, KVT, UOP4, VIAL	5t13z.4↔		BOP, KVT, UOP4, VIAL	5t13z.x		BOP, KVT, UOP4	
	08	I08A, I08B, I08C, I08D, I08E, I08F, I21Z, I31Z		08	I08A, I08B, I08C, I08D, I08E, I08F, I21Z, I31Z		08	I28A, I28B	
	21A	W04A, W04B		21A	W04A, W04B		21A	W04A, W04B	
	21B	X06A, X06B, X06C		21B	X06A, X06B, X06C	5t140.0↔		X06A, X06B, X06C	
5t13x.e↔		BOP, KVT, UOP4, VIAL	5t13z.6↔		BOP, KVT, UOP4, VIAL		08	I29Z	
	01	B03A, B03B, B06A, B06B, B17A, B17B, B17C		08	I08A, I08B, I08C, I08D, I08E, I08F, I13A, I13B, I21Z, I31Z		21A	W04A, W04B	
	08	I08A, I08B, I08C, I08D, I08E, I08F		21A	W04A, W04B	5t140.a↔		X06A, X06B, X06C	
	10	K09A, K09B	5t13z.7↔		BOP, KVT, UOP4, VIAL		08	BOP, KVT, UOP4, VIAL	
	21A	W01A, W01B, W01C, W02A, W02B		08	I08A, I08B, I08C, I08D, I08E, I08F, I21Z, I31Z		08	I32A, I32B, I32C, I32D, I32E, I32F	
	21B	X04Z		21A	W04A, W04B	5t140.b↔		21A	W04A, W04B
5t13x.f↔		BOP, KVT, UOP4, VIAL	5t13z.9↔		BOP, KVT, UOP4, VIAL		21B	X05A	
	01	B03A, B03B, B06A, B06B, B17A, B17B, B17C		08	I08A, I08B, I08C, I08D, I08E, I08F, I21Z, I31Z		08	BOP, KVT, UOP4, VIAL	
	08	I08A, I08B, I08C, I08D, I08E, I08F		21A	W04A, W04B	5t140.c↔		08	I32A, I32B, I32C, I32D, I32E, I32F
	10	K09A, K09B		21B	X06A, X06B, X06C		21A	W04A, W04B	
	21A	W01A, W01B, W01C, W02A, W02B	5t13z.e↔		BOP, KVT, UOP4, VIAL		21B	X05A	
	21B	X04Z		01	B03A, B03B, B06A, B06B, B17A, B17B, B17C		01	B03A, B03B, B06A, B06B, B07Z, B17A, B17B, B17C	
5t13x.h↔		BOP, KVT, UOP4, VIAL		08	I08A, I08B, I08C, I08D, I08E, I08F		08	I32A, I32B, I32C, I32D, I32E, I32F	
	01	B03A, B03B, B06A, B06B, B17A, B17B, B17C		10	K09A, K09B	5t140.u↔		21A	W04A, W04B
	08	I08A, I08B, I08C, I08D, I08E, I08F		21A	W01A, W01B, W01C, W02A, W02B		21B	X05A	
	21A	W01A, W01B, W01C, W02A, W02B	5t13z.f↔		BOP, KVT, UOP4, VIAL		08	BOP, KVT, UOP4, VIAL	
	21B	X04Z		01	B03A, B03B, B06A, B06B, B17A, B17B, B17C	5t140.v↔		08	I20A, I20B, I20C, I20D, I20E, I20F
5t13x.j↔		BOP, KVT, UOP4, VIAL		08	I08A, I08B, I08C, I08D, I08E, I08F		21A	W04A, W04B	
	08	I24Z, I30Z		10	K09A, K09B		21B	X04Z	
	21A	W04A, W04B		21A	W01A, W01B, W01C, W02A, W02B	5t140.w↔		BOP, KVT, UOP4, VIAL	
	21B	X04Z		21B	X04Z		08	I20A, I20B, I20C, I20D, I20E, I20F	
5t13x.k↔		BOP, KVT, UOP4, VIAL	5t13z.h↔		BOP, KVT, UOP4, VIAL		21A	W04A, W04B	
	08	I13A, I13B, I13C, I13D		01	B03A, B03B, B06A, B06B, B17A, B17B, B17C	5t140.x		X04Z	
	21A	W01A, W01B, W01C, W02A, W02B		08	I08A, I08B, I08C, I08D, I08E, I08F		08	BOP, KVT, UOP4	
	21B	X04Z		21A	W01A, W01B, W01C, W02A, W02B		21A	I28A, I28B	
5t13x.n↔		BOP, KVT, UOP4, VIAL		21B	X04Z	5t140.z↔		21A	W04A, W04B
	08	I13A, I13B, I13C, I13D		01	B03A, B03B, B06A, B06B, B17A, B17B, B17C		21B	X06A, X06B, X06C	
	21A	W01A, W01B, W01C, W02A, W02B		08	I08A, I08B, I08C, I08D, I08E, I08F		08	BOP, KVT, UOP4, VIAL	
	21B	X04Z	5t13z.j↔		BOP, KVT, UOP4, VIAL		21A	I28A, I28B, I28C	
5t13x.p↔		BOP, KVT, UOP4, VIAL		08	I24Z, I30Z	5t141.0↔		21B	X06A, X06B, X06C
	08	I13A, I13B, I13C, I13D		21A	W04A, W04B		08	I21Z	
	21A	W01A, W01B, W01C, W02A, W02B		21B	X04Z		21A	W04A, W04B	
	21B	X04Z	5t13z.k↔		BOP, KVT, UOP4, VIAL	5t141.a↔		21B	X06A, X06B, X06C
5t13x.r↔		BOP, KVT, UOP4, VIAL		08	I13A, I13B, I13C, I13D		08	I32A, I32B, I32C, I32D, I32E, I32F	
	08	I13A, I13B, I13C, I13D		21A	W01A, W01B, W01C, W02A, W02B		21A	W04A, W04B	
	21A	W01A, W01B, W01C, W02A, W02B		21B	X04Z	5t141.b↔		21B	X05A
	21B	X04Z	5t13z.n↔		BOP, KVT, UOP4, VIAL		08	BOP, KVT, UOP4, VIAL	
5t13x.x		BOP, KVT, UOP4		08	I13A, I13B, I13C, I13D		21A	W04A, W04B	
	08	I28A, I28B		21A	W01A, W01B, W01C, W02A, W02B	5t141.c↔		21B	X05A
	21A	W04A, W04B		21B	X04Z		08	I32A, I32B, I32C, I32D, I32E, I32F	
	21B	X06A, X06B, X06C	5t13z.p↔		BOP, KVT, UOP4, VIAL		21A	W04A, W04B	
5t13z.1↔		BOP, KVT, UOP4, VIAL		08	I13A, I13B, I13C, I13D		21B	X05A	
	08	I08A, I08B, I08C, I08D, I08E, I08F, I13A, I13B, I13C, I13D		21A	W01A, W01B, W01C, W02A, W02B		08	BOP, KVT, UOP4, VIAL	
	21A	W04A, W04B		21B	X04Z		21A	W04A, W04B	
	21B	X06A, X06B, X06C	5t13z.r↔		BOP, KVT, UOP4, VIAL		21B	X05A	
5t13z.3↔		BOP, KVT, UOP4, VIAL		08	I13A, I13B, I13C, I13D		08	I32A, I32B, I32C, I32D, I32E, I32F	
	08	I08A, I08B, I08C, I08D, I08E, I08F, I13A, I13B, I13C, I13D		21A	W01A, W01B, W01C, W02A, W02B		21A	W04A, W04B	
	21A	W04A, W04B		21B	X04Z		21B	X05A	
	21B	X06A, X06B, X06C		21B	X04Z				

ZZV	MDC	DRG	ZZV	MDC	DRG	ZZV	MDC	DRG
5t141.u↔		BOP, KVT, UOP4, VIAL	5t144.a↔		BOP, KVT, UOP4, VIAL	5t14b.u↔		BOP, KVT, UOP4, VIAL
	08	I20A, I20B, I20C, I20D, I20E, I20F		08	I32A, I32B, I32C, I32D, I32E, I32F		08	I20A, I20B, I20C, I20D, I20E, I20F
	21A	W04A, W04B		21A	W04A, W04B		21A	W04A, W04B
	21B	X04Z		21B	X05A		21B	X04Z
5t141.v↔		BOP, KVT, UOP4, VIAL	5t144.b↔		BOP, KVT, UOP4, VIAL	5t14b.v↔		BOP, KVT, UOP4, VIAL
	08	I20A, I20B, I20C, I20D, I20E, I20F		08	I32A, I32B, I32C, I32D, I32E, I32F		08	I20A, I20B, I20C, I20D, I20E, I20F
	21A	W04A, W04B		21A	W04A, W04B		21A	W04A, W04B
	21B	X04Z		21B	X05A		21B	X04Z
5t141.w↔		BOP, KVT, UOP4, VIAL	5t144.c↔		BOP, KVT, UOP4, VIAL	5t14b.w↔		BOP, KVT, UOP4, VIAL
	08	I20A, I20B, I20C, I20D, I20E, I20F		08	I32A, I32B, I32C, I32D, I32E, I32F		08	I20A, I20B, I20C, I20D, I20E, I20F
	21A	W04A, W04B		21A	W04A, W04B		21A	W04A, W04B
	21B	X04Z		21B	X05A		21B	X04Z
5t141.x		BOP, KVT, UOP4	5t144.u↔		BOP, KVT, UOP4, VIAL	5t14b.x		BOP, KVT, UOP4
	08	I28A, I28B		08	I20A, I20B, I20C, I20D, I20E, I20F		08	I28A, I28B
	21A	W04A, W04B		21A	W04A, W04B		21A	W04A, W04B
	21B	X06A, X06B, X06C		21B	X04Z		21B	X06A, X06B, X06C
5t141.z↔		BOP, KVT, UOP4, VIAL	5t144.v↔		BOP, KVT, UOP4, VIAL	5t14b.z↔		BOP, KVT, UOP4, VIAL
	08	I28A, I28B, I28C		08	I20A, I20B, I20C, I20D, I20E, I20F		08	I28A, I28B, I28C
	21A	W04A, W04B		21A	W04A, W04B		21A	W04A, W04B
	21B	X06A, X06B, X06C		21B	X04Z		21B	X06A, X06B, X06C
5t143.0↔		BOP, KVT, UOP4, VIAL	5t144.w↔		BOP, KVT, UOP4, VIAL	5t14d.0↔		BOP, KVT, UOP4, VIAL
	08	I21Z		08	I20A, I20B, I20C, I20D, I20E, I20F		08	I29Z
	21A	W04A, W04B		21A	W04A, W04B		21A	W04A, W04B
	21B	X06A, X06B, X06C		21B	X04Z		21B	X06A, X06B, X06C
5t143.a↔		BOP, KVT, UOP4, VIAL	5t144.x		BOP, KVT, UOP4	5t14d.u↔		BOP, KVT, UOP4, VIAL
	08	I32A, I32B, I32C, I32D, I32E, I32F		08	I28A, I28B		08	I20A, I20B, I20C, I20D, I20E, I20F
	21A	W04A, W04B		21A	W04A, W04B		21A	W04A, W04B
	21B	X05A		21B	X06A, X06B, X06C		21B	X04Z
5t143.b↔		BOP, KVT, UOP4, VIAL	5t144.z↔		BOP, KVT, UOP4, VIAL	5t14d.v↔		BOP, KVT, UOP4, VIAL
	08	I32A, I32B, I32C, I32D, I32E, I32F		08	I28A, I28B, I28C		08	I20A, I20B, I20C, I20D, I20E, I20F
	21A	W04A, W04B		21A	W04A, W04B		21A	W04A, W04B
	21B	X05A		21B	X06A, X06B, X06C		21B	X04Z
5t143.c↔		BOP, KVT, UOP4, VIAL	5t14a.0↔		BOP, KVT, UOP4, VIAL	5t14d.x		BOP, KVT, UOP4
	08	I32A, I32B, I32C, I32D, I32E, I32F		08	I21Z		08	I28A, I28B
	21A	W04A, W04B		21A	W04A, W04B		21A	W04A, W04B
	21B	X05A		21B	X06A, X06B, X06C		21B	X06A, X06B, X06C
5t143.u↔		BOP, KVT, UOP4, VIAL	5t14a.x		BOP, KVT, UOP4	5t14d.z↔		BOP, KVT, UOP4, VIAL
	08	I20A, I20B, I20C, I20D, I20E, I20F		08	I28A, I28B		08	I28A, I28B, I28C
	21A	W04A, W04B		21A	W04A, W04B		21A	W04A, W04B
	21B	X04Z		21B	X06A, X06B, X06C		21B	X06A, X06B, X06C
5t143.v↔		BOP, KVT, UOP4, VIAL	5t14b.0↔		BOP, KVT, UOP4, VIAL	5t14t.0↔		BOP, KVT, UOP4, VIAL
	08	I20A, I20B, I20C, I20D, I20E, I20F		08	I29Z		08	I29Z
	21A	W04A, W04B		21A	W04A, W04B		21A	W04A, W04B
	21B	X04Z		21B	X06A, X06B, X06C		21B	X06A, X06B, X06C
5t143.w↔		BOP, KVT, UOP4, VIAL	5t14b.a↔		BOP, KVT, UOP4, VIAL	5t14t.a↔		BOP, KVT, UOP4, VIAL
	08	I20A, I20B, I20C, I20D, I20E, I20F		08	I32A, I32B, I32C, I32D, I32E, I32F		08	I32A, I32B, I32C, I32D, I32E, I32F
	21A	W04A, W04B		21A	W04A, W04B		21A	W04A, W04B
	21B	X04Z		21B	X05A		21B	X05A
5t143.x		BOP, KVT, UOP4	5t14b.b↔		BOP, KVT, UOP4, VIAL	5t14t.b↔		BOP, KVT, UOP4, VIAL
	08	I28A, I28B		08	I32A, I32B, I32C, I32D, I32E, I32F		08	I32A, I32B, I32C, I32D, I32E, I32F
	21A	W04A, W04B		21A	W04A, W04B		21A	W04A, W04B
	21B	X06A, X06B, X06C		21B	X05A		21B	X05A
5t143.z↔		BOP, KVT, UOP4, VIAL	5t14b.c↔		BOP, KVT, UOP4, VIAL	5t14t.c↔		BOP, KVT, UOP4, VIAL
	08	I28A, I28B, I28C		08	I32A, I32B, I32C, I32D, I32E, I32F		08	I32A, I32B, I32C, I32D, I32E, I32F
	21A	W04A, W04B		21A	W04A, W04B		21A	W04A, W04B
	21B	X06A, X06B, X06C		21B	X05A		21B	X05A
5t144.0↔		BOP, KVT, UOP4, VIAL				5t14t.u↔		BOP, KVT, UOP4, VIAL
	08	I21Z					08	I20A, I20B, I20C, I20D, I20E, I20F
	21A	W04A, W04B					21A	W04A, W04B
	21B	X06A, X06B, X06C					21B	X04Z

ZZV	MDC	DRG	ZZV	MDC	DRG	ZZV	MDC	DRG
5t14t.v↔		BOP, KVT, UOP4, VIAL	5t14x.v↔		BOP, KVT, UOP4, VIAL	5t150.a↔		BOP, KVT, UOP4, VIAL
	08	I20A, I20B, I20C, I20D, I20E, I20F		08	I20A, I20B, I20C, I20D, I20E, I20F		08	I32A, I32B, I32C, I32D, I32E, I32F
	21A	W04A, W04B		21A	W04A, W04B		21A	W04A, W04B
	21B	X04Z		21B	X04Z		21B	X05A
5t14t.w↔		BOP, KVT, UOP4, VIAL	5t14x.w↔		BOP, KVT, UOP4, VIAL	5t150.b↔		BOP, KVT, UOP4, VIAL
	08	I20A, I20B, I20C, I20D, I20E, I20F		08	I20A, I20B, I20C, I20D, I20E, I20F		08	I32A, I32B, I32C, I32D, I32E, I32F
	21A	W04A, W04B		21A	W04A, W04B		21A	W04A, W04B
	21B	X04Z		21B	X04Z		21B	X05A
5t14t.x		BOP, KVT, UOP4	5t14x.x		BOP, KVT, UOP4	5t150.c↔		BOP, KVT, UOP4, VIAL
	08	I28A, I28B		08	I28A, I28B		01	B03A, B03B, B06A, B06B, B07Z, B17A, B17B, B17C
	21A	W04A, W04B		21A	W04A, W04B		08	I32A, I32B, I32C, I32D, I32E, I32F
	21B	X06A, X06B, X06C		21B	X06A, X06B, X06C		21A	W04A, W04B
5t14t.z↔		BOP, KVT, UOP4, VIAL	5t14x.z↔		BOP, KVT, UOP4, VIAL		21B	X05A
	08	I28A, I28B, I28C		08	I28A, I28B, I28C	5t150.u↔		BOP, KVT, UOP4, VIAL
	21A	W04A, W04B		21A	W04A, W04B		08	I20A, I20B, I20C, I20D
	21B	X06A, X06B, X06C		21B	X06A, X06B, X06C		21A	W04A, W04B
5t14v.a↔		BOP, KVT, UOP4, VIAL	5t14z.0↔		BOP, KVT, UOP4, VIAL		21B	X04Z, X05A
	08	I13A, I32A, I32B, I32C, I32D, I32E, I32F		08	I29Z	5t150.v↔		BOP, KVT, UOP4, VIAL
	21A	W04A, W04B		21A	W04A, W04B		08	I20A, I20B, I20C, I20D
	21B	X05A		21B	X06A, X06B, X06C		21A	W04A, W04B
5t14v.b↔		BOP, KVT, UOP4, VIAL	5t14z.a↔		BOP, KVT, UOP4, VIAL		08	I32A, I32B, I32C, I32D, I32E, I32F
	08	I13A, I32A, I32B, I32C, I32D, I32E, I32F		08	I32A, I32B, I32C, I32D, I32E, I32F		21A	W04A, W04B
	21A	W04A, W04B		21A	W04A, W04B	5t150.w↔		BOP, KVT, UOP4, VIAL
	21B	X05A		21B	X05A		08	I20A, I20B, I20C, I20D, I20E, I20F
5t14v.u↔		BOP, KVT, UOP4, VIAL	5t14z.b↔		BOP, KVT, UOP4, VIAL		21A	W04A, W04B
	08	I13A, I20A, I20B, I20C, I20D, I20E, I20F		08	I32A, I32B, I32C, I32D, I32E, I32F		21B	X04Z, X05A
	21A	W04A, W04B		21A	W04A, W04B		21A	W04A, W04B
	21B	X04Z		21B	X05A		21B	X05A, X06A, X06B, X06C
5t14v.v↔		BOP, KVT, UOP4, VIAL	5t14z.c↔		BOP, KVT, UOP4, VIAL	5t150.x		BOP, KVT, UOP4
	08	I13A, I20A, I20B, I20C, I20D, I20E, I20F		08	I32A, I32B, I32C, I32D, I32E, I32F		08	I28A, I28B
	21A	W04A, W04B		21A	W04A, W04B		21A	W04A, W04B
	21B	X04Z		21B	X05A		21B	X05A, X06A, X06B, X06C
5t14v.x		BOP, KVT, UOP4	5t14z.j↔		BOP, KVT, UOP4, VIAL	5t150.z↔		BOP, KVT, UOP4, VIAL
	08	I13A, I28A, I28B		08	I20A, I20B, I20C, I20D, I20E, I20F		08	I28A, I28B
	21A	W04A, W04B		21A	W04A, W04B		21A	W04A, W04B
	21B	X06A, X06B, X06C		21B	X04Z		21B	X05A, X06A, X06B, X06C
5t14x.0↔		BOP, KVT, UOP4, VIAL	5t14z.u↔		BOP, KVT, UOP4, VIAL	5t151.0↔		BOP, KVT, UOP4, VIAL
	08	I29Z		08	I20A, I20B, I20C, I20D, I20E, I20F		08	I21Z
	21A	W04A, W04B		21A	W04A, W04B		21A	W04A, W04B
	21B	X06A, X06B, X06C		21B	X04Z		21B	X05A, X06A, X06B, X06C
5t14x.a↔		BOP, KVT, UOP4, VIAL	5t14z.v↔		BOP, KVT, UOP4, VIAL	5t151.a↔		BOP, KVT, UOP4, VIAL
	08	I32A, I32B, I32C, I32D, I32E, I32F		08	I20A, I20B, I20C, I20D, I20E, I20F		08	I32A, I32B, I32C, I32D, I32E, I32F
	21A	W04A, W04B		21A	W04A, W04B		21A	W04A, W04B
	21B	X05A, X05B		21B	X04Z		21B	X05A
5t14x.b↔		BOP, KVT, UOP4, VIAL	5t14z.w↔		BOP, KVT, UOP4, VIAL	5t151.b↔		BOP, KVT, UOP4, VIAL
	08	I32A, I32B, I32C, I32D, I32E, I32F		08	I20A, I20B, I20C, I20D, I20E, I20F		08	I32A, I32B, I32C, I32D, I32E, I32F
	21A	W04A, W04B		21A	W04A, W04B		21A	W04A, W04B
	21B	X05A, X05B		21B	X04Z		21B	X05A
5t14x.c↔		BOP, KVT, UOP4, VIAL	5t14z.x		BOP, KVT, UOP4	5t151.c↔		BOP, KVT, UOP4, VIAL
	08	I32A, I32B, I32C, I32D, I32E, I32F		08	I28A, I28B		08	I32A, I32B, I32C, I32D, I32E, I32F
	21A	W04A, W04B		21A	W04A, W04B		21A	W04A, W04B
	21B	X05A, X05B		21B	X06A, X06B, X06C		21B	X04Z, X05A
5t14x.u↔		BOP, KVT, UOP4, VIAL	5t14z.z↔		BOP, KVT, UOP4, VIAL	5t151.u↔		BOP, KVT, UOP4, VIAL
	08	I20A, I20B, I20C, I20D, I20E, I20F		08	I28A, I28B, I28C		08	I20A, I20B, I20C, I20D
	21A	W04A, W04B		21A	W04A, W04B		21A	W04A, W04B
	21B	X04Z		21B	X06A, X06B, X06C		21B	X04Z, X05A
			5t150.0↔		BOP, KVT, UOP4, VIAL	5t151.v↔		BOP, KVT, UOP4, VIAL
				08	I28B, I29Z		08	I20A, I20B, I20C, I20D
				21A	W04A, W04B		21A	W04A, W04B
				21B	X05A, X06A, X06B, X06C		21B	X04Z, X05A

VYK

ZZV	MDC	DRG	ZZV	MDC	DRG	ZZV	MDC	DRG
5t151.w↔	08	BOP, KVT, UOP4, VIAL I20A, I20B, I20C, I20D, I20E, I20F	5t154.c↔	08	BOP, KVT, UOP4, VIAL I32A, I32B, I32C, I32D, I32E, I32F	5t15d.0↔	08	BOP, KVT, UOP4, VIAL I28B, I29Z
	21A	W04A, W04B		21A	W04A, W04B		21A	W04A, W04B
	21B	X04Z, X05A		21B	X05A	5t15d.u↔	08	BOP, KVT, UOP4, VIAL I20A, I20B, I20C, I20D
5t151.x	08	BOP, KVT, UOP4 I28A, I28B	5t154.u↔	08	BOP, KVT, UOP4, VIAL I20A, I20B, I20C, I20D		21A	W04A, W04B
	21A	W04A, W04B		21A	W04A, W04B		21B	X04Z, X05A
	21B	X06A, X06B, X06C		21B	X04Z, X05A	5t15d.v↔	08	BOP, KVT, UOP4, VIAL I20A, I20B, I20C, I20D
5t151.z↔	08	BOP, KVT, UOP4, VIAL I28A, I28B, I28C	5t154.v↔	08	BOP, KVT, UOP4, VIAL I20A, I20B, I20C, I20D		21A	W04A, W04B
	21A	W04A, W04B		21A	W04A, W04B		21B	X04Z, X05A
	21B	X05A, X06A, X06B, X06C		21B	X04Z, X05A	5t15d.x	08	BOP, KVT, UOP4 I28A, I28B
5t153.0↔	08	BOP, KVT, UOP4, VIAL I21Z, I28B	5t154.w↔	08	BOP, KVT, UOP4, VIAL I20A, I20B, I20C, I20D, I20E, I20F		21A	W04A, W04B
	21A	W04A, W04B		21A	W04A, W04B	5t15d.z↔	08	BOP, KVT, UOP4, VIAL I28A, I28B
	21B	X05A, X06A, X06B, X06C		21B	X04Z, X05A		21A	W04A, W04B
5t153.a↔	08	BOP, KVT, UOP4, VIAL I32A, I32B, I32C, I32D, I32E, I32F	5t154.x	08	BOP, KVT, UOP4 I28A, I28B		21B	X05A, X06A, X06B, X06C
	21A	W04A, W04B		21A	W04A, W04B	5t15v.a↔	08	BOP, KVT, UOP4, VIAL I13A, I32A, I32B, I32C, I32D, I32E, I32F
	21B	X05A		21B	X06A, X06B, X06C		21A	W04A, W04B
5t153.b↔	08	BOP, KVT, UOP4, VIAL I32A, I32B, I32C, I32D, I32E, I32F	5t154.z↔	08	BOP, KVT, UOP4, VIAL I28A, I28B		21B	X05A
	21A	W04A, W04B		21A	W04A, W04B	5t15v.b↔	08	BOP, KVT, UOP4, VIAL I13A, I32A, I32B, I32C, I32D, I32E, I32F
	21B	X05A		21B	X05A, X06A, X06B, X06C		21A	W04A, W04B
5t153.c↔	08	BOP, KVT, UOP4, VIAL I32A, I32B, I32C, I32D, I32E, I32F	5t15b.0↔	08	BOP, KVT, UOP4, VIAL I28B, I29Z		21B	X05A
	21A	W04A, W04B		21A	W04A, W04B	5t15v.u↔	08	BOP, KVT, UOP4, VIAL I13A, I20A, I20B, I20C, I20D
	21B	X05A		21B	X05A, X06A, X06B, X06C		21A	W04A, W04B
5t153.u↔	08	BOP, KVT, UOP4, VIAL I20A, I20B, I20C, I20D	5t15b.a↔	08	BOP, KVT, UOP4, VIAL I32A, I32B, I32C, I32D, I32E, I32F		21B	X04Z, X05A
	21A	W04A, W04B		21A	W04A, W04B	5t15v.v↔	08	BOP, KVT, UOP4, VIAL I13A, I20A, I20B, I20C, I20D
	21B	X04Z, X05A		21B	X05A		21A	W04A, W04B
5t153.v↔	08	BOP, KVT, UOP4, VIAL I20A, I20B, I20C, I20D, I20E, I20F	5t15b.b↔	08	BOP, KVT, UOP4, VIAL I32A, I32B, I32C, I32D, I32E, I32F		21B	X04Z, X05A
	21A	W04A, W04B		21A	W04A, W04B	5t15v.x	08	BOP, KVT, UOP4 I13A, I28A, I28B
	21B	X04Z, X05A		21B	X05A		21A	W04A, W04B
5t153.w↔	08	BOP, KVT, UOP4, VIAL I20A, I20B, I20C, I20D, I20E, I20F	5t15b.c↔	08	BOP, KVT, UOP4, VIAL I32A, I32B, I32C, I32D, I32E, I32F		21B	X06A, X06B, X06C
	21A	W04A, W04B		21A	W04A, W04B	5t15x.0↔	08	BOP, KVT, UOP4, VIAL I28B, I29Z
	21B	X04Z, X05A		21B	X05A		21A	W04A, W04B
5t153.x	08	BOP, KVT, UOP4 I28A, I28B	5t15b.u↔	08	BOP, KVT, UOP4, VIAL I20A, I20B, I20C, I20D		21B	X06A, X06B, X06C
	21A	W04A, W04B		21A	W04A, W04B	5t15x.a↔	08	BOP, KVT, UOP4, VIAL I32A, I32B, I32C, I32D, I32E, I32F
	21B	X06A, X06B, X06C		21B	X04Z, X05A		21A	W04A, W04B
5t153.z↔	08	BOP, KVT, UOP4, VIAL I28A, I28B	5t15b.v↔	08	BOP, KVT, UOP4, VIAL I20A, I20B, I20C, I20D, I20E, I20F		21B	X05A, X05B
	21A	W04A, W04B		21A	W04A, W04B	5t15x.b↔	08	BOP, KVT, UOP4, VIAL I32A, I32B, I32C, I32D, I32E, I32F
	21B	X05A, X06A, X06B, X06C		21B	X04Z, X05A		21A	W04A, W04B
5t154.0↔	08	BOP, KVT, UOP4, VIAL I21Z, I28B	5t15b.w↔	08	BOP, KVT, UOP4, VIAL I20A, I20B, I20C, I20D, I20E, I20F		21B	X05A, X05B
	21A	W04A, W04B		21A	W04A, W04B	5t15x.c↔	08	BOP, KVT, UOP4, VIAL I32A, I32B, I32C, I32D, I32E, I32F
	21B	X05A, X06A, X06B, X06C		21B	X04Z, X05A		21A	W04A, W04B
5t154.a↔	08	BOP, KVT, UOP4, VIAL I32A, I32B, I32C, I32D, I32E, I32F	5t15b.x	08	BOP, KVT, UOP4 I28A, I28B		21B	X05A, X05B
	21A	W04A, W04B		21A	W04A, W04B	5t15x.u↔	08	BOP, KVT, UOP4, VIAL I20A, I20B, I20C, I20D, I20E, I20F
	21B	X05A		21B	X06A, X06B, X06C		21A	W04A, W04B
5t154.b↔	08	BOP, KVT, UOP4, VIAL I32A, I32B, I32C, I32D, I32E, I32F	5t15b.z↔	08	BOP, KVT, UOP4, VIAL I28A, I28B		21B	X04Z
	21A	W04A, W04B		21A	W04A, W04B			
	21B	X05A		21B	X05A, X06A, X06B, X06C			

VYK

ZZV	MDC	DRG	ZZV	MDC	DRG	ZZV	MDC	DRG
5t15x.v↔		BOP, KVT, UOP4, VIAL	5t16s.3↔		BOP, KVT, UOP4, VIAL	5t16t.z↔		BOP, KVT, UOP4, VIAL
	08	I20A, I20B, I20C, I20D, I20E, I20F		08	I20A, I20B, I20C, I20D		08	I20A, I20B, I20C, I20D
	21A	W04A, W04B		21A	W04A, W04B		21A	W04A, W04B
5t15x.w↔	21B	X04Z	5t16s.4↔	21B	X04Z	5t172	21B	X04Z
		BOP, KVT, UOP4, VIAL			BOP, KVT, UOP4, VIAL			BOP, KVT, UOP4, VIAL
	08	I20A, I20B, I20C, I20D, I20E, I20F		08	I20A, I20B, I20C, I20D		08	I08A, I08B, I08C, I08D, I08E, I08F
5t15x.x	21A	W04A, W04B	5t16s.b↔	21A	W04A, W04B	5t174	21A	W04A, W04B
	21B	X04Z		21B	X04Z		21B	X06A, X06B, X06C
		BOP, KVT, UOP4			BOP, KVT, UOP4, VIAL			BOP, KVT, UOP4, VIAL
5t15x.z↔	08	I28A, I28B	5t16s.d↔	08	I20A, I20B, I20C, I20D	5t17g	08	I08A, I08B, I08C, I08D, I08E, I08F
	21A	W04A, W04B		21A	W04A, W04B		21A	W04A, W04B
	21B	X06A, X06B, X06C		21B	X04Z		21B	X06A, X06B, X06C
5t15z.0↔		BOP, KVT, UOP4, VIAL	5t16s.v↔		BOP, KVT, UOP4, VIAL	5t17h		BOP, KVT, UOP4, VIAL
	08	I28A, I28B		08	I13A, I20A, I20B, I20C, I20D		08	I08A, I08B, I08C, I08D, I08E, I08F
	21A	W04A, W04B		21A	W04A, W04B		21A	W04A, W04B
5t15z.a↔	21B	X06A, X06B, X06C	5t16s.x↔	21B	X04Z	5t17k	21B	X06A, X06B, X06C
		BOP, KVT, UOP4, VIAL			BOP, KVT, UOP4, VIAL			BOP, KVT, UOP4, VIAL
	08	I32A, I32B, I32C, I32D, I32E, I32F		08	I20A, I20B, I20C, I20D, I20E, I20F		21A	W04A, W04B
5t15z.b↔	21A	W04A, W04B	5t16s.z↔	21B	X04Z	5t17n	21B	X06A, X06B, X06C
	21B	X05A		08	I20A, I20B, I20C, I20D		08	I08A, I08B, I08C, I08D, I08E, I08F
		BOP, KVT, UOP4, VIAL		21A	W04A, W04B		21A	W04A, W04B
5t15z.c↔	08	I32A, I32B, I32C, I32D, I32E, I32F	5t16t.0↔	21B	X04Z	5t17o	21B	X06A, X06B, X06C
	21A	W04A, W04B			BOP, KVT, UOP4, VIAL			BOP, KVT, UOP4, VIAL
	21B	X05A		08	I20A, I20B, I20C, I20D		08	I08A, I08B, I08C, I08D, I08E, I08F
5t15z.d↔		BOP, KVT, UOP4, VIAL	5t16t.1↔	21A	W04A, W04B	5t17r	21A	W04A, W04B
	08	I32A, I32B, I32C, I32D, I32E, I32F			BOP, KVT, UOP4, VIAL			BOP, KVT, UOP4, VIAL
	21A	W04A, W04B		08	I20A, I20B, I20C, I20D		08	I08A, I08B, I08C, I08D, I08E, I08F
5t15z.e↔	21B	X05A	5t16t.3↔	21B	X04Z	5t17s	21B	X06A, X06B, X06C
		BOP, KVT, UOP4, VIAL			BOP, KVT, UOP4, VIAL			BOP, KVT, UOP4, VIAL
	08	I20A, I20B, I20C, I20D		08	I20A, I20B, I20C, I20D		08	I08A, I08B, I08C, I08D, I08E, I08F
5t15z.f↔	21A	W04A, W04B	5t16t.4↔	21A	W04A, W04B	5t17t	21A	W04A, W04B
	21B	X04Z, X05A		21B	X04Z		21B	X06A, X06B, X06C
		BOP, KVT, UOP4, VIAL			BOP, KVT, UOP4, VIAL		Pre	B61A
5t15z.g↔	08	I20A, I20B, I20C, I20D, I20E, I20F	5t16t.7↔		BOP, KVT, UOP4, VIAL	5t17u		BOP, KVT, UOP4, VIAL
	21A	W04A, W04B		08	I20A, I20B, I20C, I20D		08	I08A, I08B, I08C, I08D, I08E, I08F
	21B	X04Z, X05A		21A	W04A, W04B		21A	W04A, W04B
5t15z.h↔		BOP, KVT, UOP4, VIAL	5t16t.b↔	21B	X04Z	5t17v	21B	X06A, X06B, X06C
	08	I28A, I28B			BOP, KVT, UOP4, VIAL			BOP, KVT, UOP4, VIAL
	21A	W04A, W04B		08	I20A, I20B, I20C, I20D		08	I08A, I08B, I08C, I08D, I08E, I08F
5t15z.i↔	21B	X06A, X06B, X06C	5t16t.d↔	21A	W04A, W04B	5t17w	21A	W04A, W04B
		BOP, KVT, UOP4, VIAL			BOP, KVT, UOP4, VIAL			BOP, KVT, UOP4, VIAL
	08	I28A, I28B		08	I20A, I20B, I20C, I20D		21B	X06A, X06B, X06C
5t15z.j↔	21A	W04A, W04B	5t16t.v↔	21B	X04Z	5t17x	21B	X06A, X06B, X06C
	21B	X06A, X06B, X06C			BOP, KVT, UOP4, VIAL			BOP, KVT, UOP4, VIAL
		BOP, KVT, UOP4, VIAL		08	I20A, I20B, I20C, I20D		08	I08A, I08B, I08C, I08D, I08E, I08F
5t16s.0↔	08	I28A, I28B	5t16t.x↔	21A	W04A, W04B	5t17z	21A	W04A, W04B
	21A	W04A, W04B			BOP, KVT, UOP4, VIAL			BOP, KVT, UOP4, VIAL
	21B	X04Z		08	I20A, I20B, I20C, I20D, I20E, I20F		08	I08A, I08B, I08C, I08D, I08E, I08F
5t16s.1↔		BOP, KVT, UOP4, VIAL		BOP, KVT, UOP4, VIAL		BOP, KVT, UOP4, VIAL		
	08	I20A, I20B, I20C, I20D	08	I20A, I20B, I20C, I20D	21A	W04A, W04B		
	21A	W04A, W04B	21A	W04A, W04B	21B	X04Z		

VYK

ZZV	MDC	DRG	ZZV	MDC	DRG	ZZV	MDC	DRG
5t193.p↔		BOP, KVT, UOP4, VIAL 08 I20A, I20B, I20C, I20D 21A W04A, W04B 21B X04Z	5t194.b↔		BOP, KVT, UOP4, VIAL 08 I32A, I32B, I32C, I32D, I32E, I32F 21A W04A, W04B 21B X05A, X05B	5t194.x		BOP, KVT, UOP4 01 B03A, B03B, B06A, B06B, B17A, B17B, B17C 08 I28A, I28B 21A W04A, W04B 21B X06A, X06B, X06C
5t193.q↔		BOP, KVT, UOP4, VIAL 08 I20A, I20B, I20C, I20D, I20E, I20F 21A W04A, W04B 21B X04Z	5t194.c↔		BOP, KVT, UOP4, VIAL 08 I32A, I32B, I32C, I32D, I32E, I32F 21A W04A, W04B 21B X05A, X05B	5t199.h↔		BOP, KVT, UOP4, VIAL 08 I18A, I18B, I30Z 21A W04A, W04B 21B X04Z
5t193.r↔		BOP, KVT, UOP4, VIAL 08 I20A, I20B, I20C, I20D, I20E, I20F 21A W04A, W04B 21B X04Z	5t194.d↔		BOP, KVT, UOP4, VIAL 08 I32A, I32B, I32C, I32D, I32E, I32F 21A W04A, W04B 21B X05A, X05B	5t199.j↔		BOP, KVT, UOP4, VIAL 08 I18A, I18B, I30Z 21A W04A, W04B 21B X04Z
5t193.x		BOP, KVT, UOP4 01 B03A, B03B, B06A, B06B, B17A, B17B, B17C 08 I28A, I28B 21A W04A, W04B 21B X06A, X06B, X06C	5t194.e↔		BOP, KVT, UOP4, VIAL 08 I08A, I08B, I08C, I08D, I08E, I08F 21A W04A, W04B 21B X06A, X06B, X06C	5t199.k↔		BOP, KVT, UOP4, VIAL 08 I13A, I13B, I13C, I13D, I13E 21A W04A, W04B 21B X04Z
5t194.0↔		BOP, KVT, UOP4, VIAL 08 I16Z 21A W04A, W04B 21B X06A, X06B, X06C	5t194.f		BOP, KVT, UOP4, VIAL 01 B03A, B03B, B06A, B06B, B17A, B17B, B17C 08 I28A, I28B 21A W04A, W04B 21B X06A, X06B, X06C	5t199.m↔		BOP, KVT, UOP4, VIAL 08 I20A, I20B, I20C, I20D 21A W04A, W04B 21B X04Z
5t194.1↔		BOP, KVT, UOP4, VIAL 08 I16Z 21A W04A, W04B 21B X06A, X06B, X06C	5t194.g↔		BOP, KVT, UOP4, VIAL 08 I08A, I08B, I08C, I08D, I08E, I08F 21A W01A, W01B, W01C, W02A, W02B 21B X04Z	5t199.x		BOP, KVT, UOP4 01 B03A, B03B, B06A, B06B, B17A, B17B, B17C 08 I28A, I28B 21A W04A, W04B 21B X06A, X06B, X06C
5t194.2↔		BOP, KVT, UOP4, VIAL 08 I28A, I28B 21A W04A, W04B 21B X06A, X06B, X06C	5t194.h↔		BOP, KVT, UOP4, VIAL 08 I18A, I18B, I30Z 21A W04A, W04B 21B X04Z	5t19a.0↔		BOP, KVT, UOP4, VIAL 08 I16Z 21A W04A, W04B 21B X06A, X06B, X06C
5t194.3↔		BOP, KVT, UOP4, VIAL 08 I28A, I28B 21A W04A, W04B 21B X06A, X06B, X06C	5t194.i↔		BOP, KVT, UOP4, VIAL 08 I18A, I18B, I30Z 21A W04A, W04B 21B X04Z	5t19a.1↔		BOP, KVT, UOP4, VIAL 08 I28A, I28B 21A W04A, W04B 21B X06A, X06B, X06C
5t194.4↔		BOP, KVT, UOP4, VIAL 08 I08A, I08B, I08C, I08D, I08E, I08F, I21Z, I31Z 21A W04A, W04B 21B X06A, X06B, X06C	5t194.j↔		BOP, KVT, UOP4, VIAL 08 I18A, I18B, I30Z 21A W04A, W04B 21B X04Z	5t19a.3↔		BOP, KVT, UOP4, VIAL 08 I28A, I28B 21A W04A, W04B 21B X06A, X06B, X06C
5t194.5↔		BOP, KVT, UOP4, VIAL 08 I08A, I08B, I08C, I08D, I08E, I08F, I21Z, I31Z 21A W04A, W04B 21B X06A, X06B, X06C	5t194.k↔		BOP, KVT, UOP4, VIAL 08 I13A, I13B, I13C, I13D, I13E 21A W04A, W04B 21B X04Z	5t19a.4↔		BOP, KVT, UOP4, VIAL 08 I08A, I08B, I08C, I08D, I08E, I08F, I21Z, I31Z 21A W04A, W04B 21B X06A, X06B, X06C
5t194.6↔		BOP, KVT, UOP4, VIAL 08 I08A, I08B, I08C, I08D, I08E, I08F, I32A, I32B, I32C, I32D, I32E, I32F 21A W04A, W04B 21B X05A, X05B	5t194.l↔		BOP, KVT, UOP4, VIAL 08 I20A, I20B, I20C, I20D 21A W04A, W04B 21B X04Z	5t19a.5↔		BOP, KVT, UOP4, VIAL 08 I08A, I08B, I08C, I08D, I08E, I08F, I21Z, I31Z 21A W04A, W04B 21B X06A, X06B, X06C
5t194.8↔		BOP, KVT, UOP4, VIAL 08 I32A, I32B, I32C, I32D, I32E, I32F 21A W04A, W04B 21B X05A, X05B	5t194.m↔		BOP, KVT, UOP4, VIAL 08 I20A, I20B, I20C, I20D 21A W04A, W04B 21B X04Z	5t19a.6↔		BOP, KVT, UOP4, VIAL 08 I08A, I08B, I08C, I08D, I08E, I08F, I32A, I32B, I32C, I32D, I32E, I32F 21A W04A, W04B 21B X05A, X05B
5t194.9↔		BOP, KVT, UOP4, VIAL 08 I32A, I32B, I32C, I32D, I32E, I32F 21A W04A, W04B 21B X05A, X05B	5t194.n↔		BOP, KVT, UOP4, VIAL 08 I20A, I20B, I20C, I20D 21A W04A, W04B 21B X04Z	5t19a.8↔		BOP, KVT, UOP4, VIAL 08 I32A, I32B, I32C, I32D, I32E, I32F 21A W04A, W04B 21B X05A, X05B
5t194.a↔		BOP, KVT, UOP4, VIAL 08 I32A, I32B, I32C, I32D, I32E, I32F 21A W04A, W04B 21B X05A, X05B	5t194.o↔		BOP, KVT, UOP4, VIAL 08 I20A, I20B, I20C, I20D, I20E, I20F 21A W04A, W04B 21B X04Z	5t19a.9↔		BOP, KVT, UOP4, VIAL 08 I32A, I32B, I32C, I32D, I32E, I32F 21A W04A, W04B 21B X05A, X05B

ZZV	MDC	DRG	ZZV	MDC	DRG	ZZV	MDC	DRG
5t19a.a↔		BOP, KVT, UOP4, VIAL	5t19b.1↔		BOP, KVT, UOP4, VIAL	5t19b.g↔		BOP, KVT, UOP4, VIAL
	08	I32A, I32B, I32C, I32D, I32E, I32F		08	I16Z		08	I08A, I08B, I08C, I08D, I08E, I08F
	21A	W04A, W04B		21A	W04A, W04B		21A	W01A, W01B, W01C, W02A, W02B
	21B	X05A, X05B	5t19b.2↔		BOP, KVT, UOP4, VIAL		21B	X04Z
5t19a.b↔		BOP, KVT, UOP4, VIAL		08	I28A, I28B	5t19b.h↔		BOP, KVT, UOP4, VIAL
	08	I32A, I32B, I32C, I32D, I32E, I32F		21A	W04A, W04B		08	I18A, I18B, I30Z
	21A	W04A, W04B		21B	X06A, X06B, X06C		21A	W04A, W04B
	21B	X05A, X05B	5t19b.3↔		BOP, KVT, UOP4, VIAL		21B	X04Z
5t19a.c↔		BOP, KVT, UOP4, VIAL		08	I28A, I28B	5t19b.j↔		BOP, KVT, UOP4, VIAL
	08	I32A, I32B, I32C, I32D, I32E, I32F		21A	W04A, W04B		08	I18A, I18B, I30Z
	21A	W04A, W04B		21B	X06A, X06B, X06C		21A	W04A, W04B
	21B	X05A, X05B	5t19b.4↔		BOP, KVT, UOP4, VIAL		21B	X04Z
5t19a.d↔		BOP, KVT, UOP4, VIAL		08	I08A, I08B, I08C, I08D, I08E, I08F, I21Z, I31Z	5t19b.k↔		BOP, KVT, UOP4, VIAL
	08	I32A, I32B, I32C, I32D, I32E, I32F		21A	W04A, W04B		08	I13A, I13B, I13C, I13D, I13E
	21A	W04A, W04B		21B	X06A, X06B, X06C		21A	W04A, W04B
	21B	X05A, X05B	5t19b.5↔		BOP, KVT, UOP4, VIAL		21B	X04Z
5t19a.g↔		BOP, KVT, UOP4, VIAL		08	I08A, I08B, I08C, I08D, I08E, I08F, I21Z, I31Z	5t19b.m↔		BOP, KVT, UOP4, VIAL
	08	I08A, I08B, I08C, I08D, I08E, I08F		21A	W04A, W04B		08	I20A, I20B, I20C, I20D
	21A	W01A, W01B, W01C, W02A, W02B		21B	X06A, X06B, X06C		21A	W04A, W04B
	21B	X04Z	5t19b.6↔		BOP, KVT, UOP4, VIAL		21B	X04Z
5t19a.h↔		BOP, KVT, UOP4, VIAL		08	I08A, I08B, I08C, I08D, I08E, I08F, I32A, I32B, I32C, I32D, I32E, I32F	5t19b.n↔		BOP, KVT, UOP4, VIAL
	08	I18A, I18B, I30Z		21A	W04A, W04B		08	I20A, I20B, I20C, I20D
	21A	W04A, W04B		21B	X05A, X05B		21A	W04A, W04B
	21B	X04Z	5t19b.8↔		BOP, KVT, UOP4, VIAL		21B	X04Z
5t19a.j↔		BOP, KVT, UOP4, VIAL		08	I32A, I32B, I32C, I32D, I32E, I32F	5t19b.p↔		BOP, KVT, UOP4, VIAL
	08	I18A, I18B, I30Z		21A	W04A, W04B		08	I20A, I20B, I20C, I20D
	21A	W04A, W04B		21B	X05A, X05B		21A	W04A, W04B
	21B	X04Z	5t19b.9↔		BOP, KVT, UOP4, VIAL		21B	X04Z
5t19a.k↔		BOP, KVT, UOP4, VIAL		08	I32A, I32B, I32C, I32D, I32E, I32F	5t19b.q↔		BOP, KVT, UOP4, VIAL
	08	I13A, I13B, I13C, I13D, I13E		21A	W04A, W04B		08	I20A, I20B, I20C, I20D, I20E, I20F
	21A	W04A, W04B		21B	X05A, X05B		21A	W04A, W04B
	21B	X04Z	5t19b.a↔		BOP, KVT, UOP4, VIAL		21B	X04Z
5t19a.m↔		BOP, KVT, UOP4, VIAL		08	I32A, I32B, I32C, I32D, I32E, I32F	5t19b.r↔		BOP, KVT, UOP4, VIAL
	08	I20A, I20B, I20C, I20D		21A	W04A, W04B		08	I20A, I20B, I20C, I20D, I20E, I20F
	21A	W04A, W04B		21B	X05A, X05B		21A	W04A, W04B
	21B	X04Z	5t19b.b↔		BOP, KVT, UOP4, VIAL		21B	X04Z
5t19a.p↔		BOP, KVT, UOP4, VIAL		08	I32A, I32B, I32C, I32D, I32E, I32F	5t19b.x		BOP, KVT, UOP4
	08	I20A, I20B, I20C, I20D		21A	W04A, W04B		01	B03A, B03B, B06A, B06B, B17A, B17B, B17C
	21A	W04A, W04B		21B	X05A, X05B		08	I28A, I28B
	21B	X04Z	5t19b.c↔		BOP, KVT, UOP4, VIAL		21A	W04A, W04B
5t19a.q↔		BOP, KVT, UOP4, VIAL		08	I32A, I32B, I32C, I32D, I32E, I32F		21B	X06A, X06B, X06C
	08	I20A, I20B, I20C, I20D, I20E, I20F		21A	W04A, W04B	5t19d.0↔		BOP, KVT, UOP4, VIAL
	21A	W04A, W04B		21B	X05A, X05B		08	I16Z
	21B	X04Z	5t19b.d↔		BOP, KVT, UOP4, VIAL		21A	W04A, W04B
5t19a.r↔		BOP, KVT, UOP4, VIAL		08	I32A, I32B, I32C, I32D, I32E, I32F		21B	X06A, X06B, X06C
	08	I20A, I20B, I20C, I20D, I20E, I20F		21A	W04A, W04B	5t19d.1↔		BOP, KVT, UOP4, VIAL
	21A	W04A, W04B		21B	X05A, X05B		08	I28A, I28B
	21B	X04Z	5t19b.e↔		BOP, KVT, UOP4, VIAL		21A	W04A, W04B
5t19a.x		BOP, KVT, UOP4		08	I32A, I32B, I32C, I32D, I32E, I32F		21B	X06A, X06B, X06C
	01	B03A, B03B, B06A, B06B, B17A, B17B, B17C		21A	W04A, W04B	5t19d.2↔		BOP, KVT, UOP4, VIAL
	08	I28A, I28B		21B	X05A, X05B		08	I28A, I28B
	21A	W04A, W04B		08	I08A, I08B, I08C, I08D, I08E, I08F		21A	W04A, W04B
	21B	X06A, X06B, X06C		21A	W04A, W04B		21B	X06A, X06B, X06C
5t19b.0↔		BOP, KVT, UOP4, VIAL		21B	X06A, X06B, X06C	5t19d.3↔		BOP, KVT, UOP4, VIAL
	08	I16Z	5t19b.f		BOP, KVT, UOP4, VIAL		08	I28A, I28B
	21A	W04A, W04B		01	B03A, B03B, B06A, B06B, B17A, B17B, B17C		21A	W04A, W04B
	21B	X06A, X06B, X06C		08	I28A, I28B		21B	X06A, X06B, X06C
				21A	W04A, W04B	5t19d.4↔		BOP, KVT, UOP4, VIAL
				21B	X06A, X06B, X06C		08	I08A, I08B, I08C, I08D, I08E, I08F, I21Z, I31Z
							21A	W04A, W04B
							21B	X06A, X06B, X06C

ZZV	MDC	DRG	ZZV	MDC	DRG	ZZV	MDC	DRG
5t19d.5↔		BOP, KVT, UOP4, VIAL	5t19d.m↔		BOP, KVT, UOP4, VIAL	5t19t.b↔		BOP, KVT, UOP4, VIAL
	08	I08A, I08B, I08C, I08D, I08E, I08F, I21Z, I31Z		08	I20A, I20B, I20C, I20D		08	I32A, I32B, I32C, I32D, I32E, I32F
	21A	W04A, W04B		21A	W04A, W04B		21A	W04A, W04B
	21B	X06A, X06B, X06C		21B	X04Z		21B	X05A, X05B
5t19d.6↔		BOP, KVT, UOP4, VIAL	5t19d.n↔		BOP, KVT, UOP4, VIAL	5t19t.c↔		BOP, KVT, UOP4, VIAL
	08	I08A, I08B, I08C, I08D, I08E, I08F, I32A, I32B, I32C, I32D, I32E, I32F		08	I20A, I20B, I20C, I20D		08	I32A, I32B, I32C, I32D, I32E, I32F
	21A	W04A, W04B		21A	W04A, W04B		21A	W04A, W04B
	21B	X05A, X05B		21B	X04Z		21B	X05A, X05B
5t19d.8↔		BOP, KVT, UOP4, VIAL	5t19d.p↔		BOP, KVT, UOP4, VIAL	5t19t.d↔		BOP, KVT, UOP4, VIAL
	08	I32A, I32B, I32C, I32D, I32E, I32F		08	I20A, I20B, I20C, I20D		08	I32A, I32B, I32C, I32D, I32E, I32F
	21A	W04A, W04B		21A	W04A, W04B		21A	W04A, W04B
	21B	X05A, X05B		21B	X04Z		21B	X05A, X05B
5t19d.9↔		BOP, KVT, UOP4, VIAL	5t19d.q↔		BOP, KVT, UOP4, VIAL	5t19t.e↔		BOP, KVT, UOP4, VIAL
	08	I32A, I32B, I32C, I32D, I32E, I32F		08	I20A, I20B, I20C, I20D, I20E, I20F		08	I08A, I08B, I08C, I08D, I08E, I08F
	21A	W04A, W04B		21A	W04A, W04B		21A	W04A, W04B
	21B	X05A, X05B		21B	X04Z		21B	X06A, X06B, X06C
5t19d.a↔		BOP, KVT, UOP4, VIAL	5t19d.r↔		BOP, KVT, UOP4, VIAL	5t19t.f		BOP, KVT, UOP4, VIAL
	08	I32A, I32B, I32C, I32D, I32E, I32F		08	I20A, I20B, I20C, I20D, I20E, I20F		01	B03A, B03B, B06A, B06B, B17A, B17B, B17C
	21A	W04A, W04B		21A	W04A, W04B		08	I28A, I28B
	21B	X05A, X05B		21B	X04Z		21A	W04A, W04B
5t19d.b↔		BOP, KVT, UOP4, VIAL	5t19d.x		BOP, KVT, UOP4		21B	X06A, X06B, X06C
	08	I32A, I32B, I32C, I32D, I32E, I32F		01	B03A, B03B, B06A, B06B, B17A, B17B, B17C	5t19t.g↔		BOP, KVT, UOP4, VIAL
	21A	W04A, W04B		08	I28A, I28B		08	I08A, I08B, I08C, I08D, I08E, I08F
	21B	X05A, X05B		21A	W04A, W04B		21A	W01A, W01B, W01C, W02A, W02B
5t19d.c↔		BOP, KVT, UOP4, VIAL	5t19t.0↔		BOP, KVT, UOP4, VIAL		21B	X04Z
	08	I32A, I32B, I32C, I32D, I32E, I32F		08	I16Z	5t19t.h↔		BOP, KVT, UOP4, VIAL
	21A	W04A, W04B		21A	W04A, W04B		08	I18A, I18B, I30Z
	21B	X05A, X05B		21B	X06A, X06B, X06C		21A	W04A, W04B
5t19d.d↔		BOP, KVT, UOP4, VIAL	5t19t.1↔		BOP, KVT, UOP4, VIAL		21B	X04Z
	08	I32A, I32B, I32C, I32D, I32E, I32F		08	I28A, I28B	5t19t.j↔		BOP, KVT, UOP4, VIAL
	21A	W04A, W04B		21A	W04A, W04B		08	I18A, I18B, I30Z
	21B	X05A, X05B		21B	X06A, X06B, X06C		21A	W04A, W04B
5t19d.e↔		BOP, KVT, UOP4, VIAL	5t19t.4↔		BOP, KVT, UOP4, VIAL		21B	X04Z
	08	I08A, I08B, I08C, I08D, I08E, I08F		08	I08A, I08B, I08C, I08D, I08E, I08F, I21Z, I31Z	5t19t.k↔		BOP, KVT, UOP4, VIAL
	21A	W04A, W04B		21A	W04A, W04B		08	I13A, I13B, I13C, I13D, I13E
	21B	X06A, X06B, X06C		21B	X06A, X06B, X06C		21A	W04A, W04B
5t19d.f		BOP, KVT, UOP4, VIAL	5t19t.5↔		BOP, KVT, UOP4, VIAL		21B	X04Z
	01	B03A, B03B, B06A, B06B, B17A, B17B, B17C		08	I08A, I08B, I08C, I08D, I08E, I08F, I21Z, I31Z	5t19t.m↔		BOP, KVT, UOP4, VIAL
	08	I28A, I28B		21A	W04A, W04B		08	I20A, I20B, I20C, I20D
	21A	W04A, W04B		21B	X05A, X05B		21A	W04A, W04B
	21B	X06A, X06B, X06C	5t19t.6↔		BOP, KVT, UOP4, VIAL		21B	X04Z
5t19d.g↔		BOP, KVT, UOP4, VIAL		08	I08A, I08B, I08C, I08D, I08E, I08F, I32A, I32B, I32C, I32D, I32E, I32F	5t19t.n↔		BOP, KVT, UOP4, VIAL
	08	I08A, I08B, I08C, I08D, I08E, I08F		21A	W04A, W04B		08	I20A, I20B, I20C, I20D
	21A	W01A, W01B, W01C, W02A, W02B		21B	X05A, X05B		21A	W04A, W04B
	21B	X04Z	5t19t.8↔		BOP, KVT, UOP4, VIAL		21B	X04Z
5t19d.h↔		BOP, KVT, UOP4, VIAL		08	I32A, I32B, I32C, I32D, I32E, I32F	5t19t.p↔		BOP, KVT, UOP4, VIAL
	08	I18A, I18B, I30Z		21A	W04A, W04B		08	I20A, I20B, I20C, I20D
	21A	W04A, W04B		21B	X05A, X05B		21A	W04A, W04B
	21B	X04Z	5t19t.9↔		BOP, KVT, UOP4, VIAL		21B	X04Z
5t19d.j↔		BOP, KVT, UOP4, VIAL		08	I32A, I32B, I32C, I32D, I32E, I32F	5t19t.q↔		BOP, KVT, UOP4, VIAL
	08	I18A, I18B, I30Z		21A	W04A, W04B		08	I20A, I20B, I20C, I20D, I20E, I20F
	21A	W04A, W04B		21B	X05A, X05B		21A	W04A, W04B
	21B	X04Z	5t19t.a↔		BOP, KVT, UOP4, VIAL		21B	X04Z
5t19d.k↔		BOP, KVT, UOP4, VIAL		08	I32A, I32B, I32C, I32D, I32E, I32F	5t19t.r↔		BOP, KVT, UOP4, VIAL
	08	I13A, I13B, I13C, I13D, I13E		21A	W04A, W04B		08	I20A, I20B, I20C, I20D, I20E, I20F
	21A	W04A, W04B		21B	X05A, X05B		21A	W04A, W04B
	21B	X04Z					21B	X04Z

ZZV	MDC	DRG	ZZV	MDC	DRG	ZZV	MDC	DRG
5t19t.x		BOP, KVT, UOP4	5t19x.e↔		BOP, KVT, UOP4, VIAL	5t19z.3↔		BOP, KVT, UOP4, VIAL
	01	B03A, B03B, B06A, B06B, B17A, B17B, B17C		08	I08A, I08B, I08C, I08D, I08E, I08F		08	I28A, I28B
	08	I28A, I28B		21A	W04A, W04B		21A	W04A, W04B
	21A	W04A, W04B		21B	X06A, X06B, X06C	5t19z.4↔		X06A, X06B, X06C
5t19x.0↔	21B	X06A, X06B, X06C	5t19x.f		BOP, KVT, UOP4, VIAL			BOP, KVT, UOP4, VIAL
		BOP, KVT, UOP4, VIAL		08	I28A, I28B		08	I08A, I08B, I08C, I08D, I08E, I08F, I21Z, I31Z
	08	I16Z		21A	W04A, W04B		21A	W04A, W04B
	21A	W04A, W04B		21B	X06A, X06B, X06C	5t19z.5↔		X06A, X06B, X06C
5t19x.1↔	21B	X06A, X06B, X06C	5t19x.g↔		BOP, KVT, UOP4, VIAL			BOP, KVT, UOP4, VIAL
		BOP, KVT, UOP4, VIAL		08	I08A, I08B, I08C, I08D, I08E, I08F		08	I08A, I08B, I08C, I08D, I08E, I08F, I21Z, I31Z
	08	I28A, I28B		21A	W01A, W01B, W01C, W02A, W02B		21A	W04A, W04B
5t19x.2↔	21B	X06A, X06B, X06C		21B	X04Z	5t19z.6↔		X06A, X06B, X06C
		BOP, KVT, UOP4, VIAL	5t19x.h↔		BOP, KVT, UOP4, VIAL			BOP, KVT, UOP4, VIAL
	08	I28A, I28B		08	I18A, I18B, I30Z		08	I08A, I08B, I08C, I08D, I08E, I08F, I21Z, I31Z
	21A	W04A, W04B		21A	W04A, W04B		21A	W04A, W04B
5t19x.3↔	21B	X06A, X06B, X06C		21B	X04Z		21B	X06A, X06B, X06C
		BOP, KVT, UOP4, VIAL	5t19x.j↔		BOP, KVT, UOP4, VIAL	5t19z.8↔		BOP, KVT, UOP4, VIAL
	08	I28A, I28B		08	I18A, I18B, I30Z		08	I32A, I32B, I32C, I32D, I32E, I32F
	21A	W04A, W04B		21A	W04A, W04B		21A	W04A, W04B
5t19x.4↔	21B	X06A, X06B, X06C		21B	X04Z		21B	X05A, X05B
		BOP, KVT, UOP4, VIAL	5t19x.k↔		BOP, KVT, UOP4, VIAL	5t19z.9↔		BOP, KVT, UOP4, VIAL
	08	I08A, I08B, I08C, I08D, I08E, I08F, I21Z, I31Z		08	I13A, I13B, I13C, I13D, I13E		08	I32A, I32B, I32C, I32D, I32E, I32F
	21A	W04A, W04B		21A	W04A, W04B		21A	W04A, W04B
5t19x.5↔	21B	X06A, X06B, X06C		21B	X04Z		21B	X05A, X05B
		BOP, KVT, UOP4, VIAL	5t19x.m↔		BOP, KVT, UOP4, VIAL	5t19z.a↔		BOP, KVT, UOP4, VIAL
	08	I08A, I08B, I08C, I08D, I08E, I08F, I21Z, I31Z		08	I20A, I20B, I20C, I20D, I20E, I20F		08	I32A, I32B, I32C, I32D, I32E, I32F
	21A	W04A, W04B		21A	W04A, W04B		21A	W04A, W04B
5t19x.6↔	21B	X06A, X06B, X06C		21B	X04Z		21B	X05A, X05B
		BOP, KVT, UOP4, VIAL	5t19x.n↔		BOP, KVT, UOP4, VIAL	5t19z.b↔		BOP, KVT, UOP4, VIAL
	08	I08A, I08B, I08C, I08D, I08E, I08F, I32A, I32B, I32C, I32D, I32E, I32F		08	I20A, I20B, I20C, I20D		08	I32A, I32B, I32C, I32D, I32E, I32F
	21A	W04A, W04B		21A	W04A, W04B		21A	W04A, W04B
5t19x.8↔	21B	X05A, X05B		21B	X04Z		21B	X05A, X05B
		BOP, KVT, UOP4, VIAL	5t19x.p↔		BOP, KVT, UOP4, VIAL	5t19z.c↔		BOP, KVT, UOP4, VIAL
	08	I32A, I32B, I32C, I32D, I32E, I32F		08	I20A, I20B, I20C, I20D		08	I32A, I32B, I32C, I32D, I32E, I32F
	21A	W04A, W04B		21A	W04A, W04B		21A	W04A, W04B
5t19x.9↔	21B	X05A, X05B		21B	X04Z		21B	X05A, X05B
		BOP, KVT, UOP4, VIAL	5t19x.q↔		BOP, KVT, UOP4, VIAL	5t19z.d↔		BOP, KVT, UOP4, VIAL
	08	I32A, I32B, I32C, I32D, I32E, I32F		08	I20A, I20B, I20C, I20D, I20E, I20F		08	I32A, I32B, I32C, I32D, I32E, I32F
	21A	W04A, W04B		21A	W04A, W04B		21A	W04A, W04B
5t19x.a↔	21B	X05A, X05B		21B	X04Z		21B	X05A, X05B
		BOP, KVT, UOP4, VIAL	5t19x.r↔		BOP, KVT, UOP4, VIAL	5t19z.e↔		BOP, KVT, UOP4, VIAL
	08	I32A, I32B, I32C, I32D, I32E, I32F		08	I20A, I20B, I20C, I20D, I20E, I20F		08	I08A, I08B, I08C, I08D, I08E, I08F
	21A	W04A, W04B		21A	W04A, W04B		21A	W04A, W04B
5t19x.b↔	21B	X05A, X05B		21B	X04Z		21B	X06A, X06B, X06C
		BOP, KVT, UOP4, VIAL	5t19x.x		BOP, KVT, UOP4	5t19z.f		BOP, KVT, UOP4, VIAL
	08	I32A, I32B, I32C, I32D, I32E, I32F		01	B03A, B03B, B06A, B06B, B17A, B17B, B17C		01	B03A, B03B, B06A, B06B, B17A, B17B, B17C
	21A	W04A, W04B		08	I28A, I28B		08	I28A, I28B
5t19x.c↔	21B	X05A, X05B		21A	W04A, W04B		21A	W04A, W04B
		BOP, KVT, UOP4, VIAL	5t19z.0↔		X06A, X06B, X06C		21B	X06A, X06B, X06C
	08	I32A, I32B, I32C, I32D, I32E, I32F		08	I16Z		08	I28A, I28B
	21A	W04A, W04B		21A	W04A, W04B	5t19z.1↔		W04A, W04B
5t19x.d↔	21B	X05A, X05B		21B	X06A, X06B, X06C		21B	X06A, X06B, X06C
		BOP, KVT, UOP4, VIAL		08	I16Z		08	I08A, I08B, I08C, I08D, I08E, I08F
	08	I32A, I32B, I32C, I32D, I32E, I32F		21A	W04A, W04B		21A	W01A, W01B, W01C, W02A, W02B
	21A	W04A, W04B		21B	X06A, X06B, X06C		21B	X04Z
	21B	X05A, X05B	5t19z.2↔		BOP, KVT, UOP4, VIAL			
		BOP, KVT, UOP4, VIAL		08	I28A, I28B			
	08	I32A, I32B, I32C, I32D, I32E, I32F		21A	W04A, W04B			
	21A	W04A, W04B		21B	X06A, X06B, X06C			
	21B	X05A, X05B		21A	W04A, W04B			
		BOP, KVT, UOP4, VIAL		21B	X06A, X06B, X06C			
	08	I32A, I32B, I32C, I32D, I32E, I32F		21A	W04A, W04B			
	21A	W04A, W04B		21B	X06A, X06B, X06C			
	21B	X05A, X05B						

ZZV	MDC	DRG	ZZV	MDC	DRG	ZZV	MDC	DRG
5t19z.h↔		BOP, KVT, UOP4, VIAL	5t211.5↔		BOP, KVT, UOP4, VIAL	5t211.h↔		BOP, KVT, UOP4, VIAL
	08	I18A, I18B, I30Z		08	I08A, I08B, I08C, I08D, I08E, I08F, I18A, I18B, I30Z		01	B03A, B03B, B06A, B06B, B17A, B17B, B17C
	21A	W04A, W04B		21A	W04A, W04B		08	I08A, I08B, I08C, I08D, I08E, I08F
	21B	X04Z		21B	X06A, X06B, X06C		21A	W01A, W01B, W01C, W02A, W02B
5t19z.j↔		BOP, KVT, UOP4, VIAL	5t211.6↔		BOP, KVT, UOP4, VIAL		21B	X04Z
	08	I18A, I18B, I30Z		08	I08A, I08B, I08C, I08D, I08E, I08F, I13A, I13B, I18A, I18B, I30Z	5t211.j↔		BOP, KVT, UOP4, VIAL
	21A	W04A, W04B		21A	W04A, W04B		08	I18A, I18B, I30Z
	21B	X04Z		21B	X06A, X06B, X06C		21A	W04A, W04B
5t19z.k↔		BOP, KVT, UOP4, VIAL	5t211.7↔		BOP, KVT, UOP4, VIAL		21B	X04Z
	08	I13A, I13B, I13C, I13D, I13E		08	I08A, I08B, I08C, I08D, I08E, I08F, I18A, I18B, I30Z	5t211.k↔		BOP, KVT, UOP4, VIAL
	21A	W04A, W04B		21A	W04A, W04B		08	I13A, I13B, I13C, I13D, I13E
	21B	X04Z		21B	X06A, X06B, X06C		21A	W04A, W04B
5t19z.m↔		BOP, KVT, UOP4, VIAL	5t211.8↔		BOP, KVT, UOP4, VIAL		21B	X04Z
	08	I20A, I20B, I20C, I20D		08	I08A, I08B, I08C, I08D, I08E, I08F, I18A, I18B, I30Z	5t211.m↔		BOP, KVT, UOP4, VIAL
	21A	W04A, W04B		21A	W04A, W04B		08	I13A, I13B, I13C, I13D, I13E
	21B	X04Z		21B	X06A, X06B, X06C		21A	W04A, W04B
5t19z.n↔		BOP, KVT, UOP4, VIAL	5t211.9↔		BOP, KVT, UOP4, VIAL		21B	X04Z
	08	I20A, I20B, I20C, I20D		08	I08A, I08B, I08C, I08D, I08E, I08F, I18A, I18B, I30Z	5t211.n↔		BOP, KVT, UOP4, VIAL
	21A	W04A, W04B		21A	W04A, W04B		08	I13A, I13B, I13C, I13D, I13E
	21B	X04Z		21B	X06A, X06B, X06C		21A	W04A, W04B
5t19z.p↔		BOP, KVT, UOP4, VIAL	5t211.a↔		BOP, KVT, UOP4, VIAL		21B	X04Z
	08	I20A, I20B, I20C, I20D		08	I32A, I32B, I32C, I32D, I32E, I32F, I32G	5t211.p↔		BOP, KVT, UOP4, VIAL
	21A	W04A, W04B		21A	W04A, W04B		08	I13A, I13B, I13C, I13D, I13E
	21B	X04Z		21B	X06A, X06B, X06C		21A	W04A, W04B
5t19z.q↔		BOP, KVT, UOP4, VIAL	5t211.b↔		BOP, KVT, UOP4, VIAL		21B	X04Z
	08	I20A, I20B, I20C, I20D, I20E, I20F		08	I32A, I32B, I32C, I32D, I32E, I32F, I32G	5t211.q↔		BOP, KVT, UOP4, VIAL
	21A	W04A, W04B		21A	W04A, W04B		08	I13A, I13B, I13C, I13D, I13E
	21B	X04Z		21B	X05A, X05B		21A	W04A, W04B
5t19z.r↔		BOP, KVT, UOP4, VIAL	5t211.c↔		BOP, KVT, UOP4, VIAL		21B	X04Z
	08	I20A, I20B, I20C, I20D, I20E, I20F		08	I32A, I32B, I32C, I32D, I32E, I32F, I32G	5t211.r↔		BOP, KVT, UOP4, VIAL
	21A	W04A, W04B		21A	W04A, W04B		08	I13A, I13B, I13C, I13D, I13E
	21B	X04Z		21B	X05A, X05B		21A	W04A, W04B
5t19z.x		BOP, KVT, UOP4	5t211.d		BOP, KVT, UOP4, VIAL		21B	X04Z
	01	B03A, B03B, B06A, B06B, B17A, B17B, B17C		08	I08A, I08B, I08C, I08D, I08E, I08F	5t211.s↔		BOP, KVT, UOP4, VIAL
	08	I28A, I28B		21A	W04A, W04B		08	I20A, I20B, I20C, I20D, I20E, I20F
	21A	W04A, W04B		21B	X06A, X06B, X06C		21A	W04A, W04B
	21B	X06A, X06B, X06C		21B	X05A, X05B		21B	X04Z
5t211.0↔		BOP, KVT, UOP4, VIAL	5t211.e↔		BOP, KVT, UOP4, VIAL		21A	W04A, W04B
	08	I16Z		08	I08A, I08B, I08C, I08D, I08E, I08F		21B	X04Z
	21A	W04A, W04B		21A	W01A, W01B, W01C, W02A, W02B	5t211.t↔		BOP, KVT, UOP4, VIAL
	21B	X06A, X06B, X06C		21B	X04Z		08	I20A, I20B, I20C, I20D, I20E, I20F
5t211.1↔		BOP, KVT, UOP4, VIAL	5t211.f↔		BOP, KVT, UOP4, VIAL		21A	W04A, W04B
	08	I08A, I08B, I08C, I08D, I08E, I08F, I13A, I13B, I13C, I13D, I13E		08	I08A, I08B, I08C, I08D, I08E, I08F		21B	X04Z
	21A	W04A, W04B		21A	W01A, W01B, W01C, W02A, W02B	5t211.u↔		BOP, KVT, UOP4, VIAL
	21B	X06A, X06B, X06C		21B	X04Z		08	I20A, I20B, I20C, I20D, I20E, I20F
5t211.2↔		BOP, KVT, UOP4, VIAL	5t211.g↔		BOP, KVT, UOP4, VIAL		21A	W04A, W04B
	08	I08A, I08B, I08C, I08D, I08E, I08F, I13A, I13B, I13C, I13D, I13E		08	I08A, I08B, I08C, I08D, I08E, I08F		21B	X04Z
	21A	W04A, W04B		21A	W01A, W01B, W01C, W02A, W02B	5t211.v↔		BOP, KVT, UOP4, VIAL
	21B	X06A, X06B, X06C		21B	X04Z		08	I20A, I20B, I20C, I20D, I20E, I20F
5t211.3↔		BOP, KVT, UOP4, VIAL		21A	W01A, W01B, W01C, W02A, W02B		21A	W04A, W04B
	08	I08A, I08B, I08C, I08D, I08E, I08F, I13A, I13B, I13C, I13D, I13E		21B	X04Z		21B	X04Z
	21A	W04A, W04B		5t211.h↔	BOP, KVT, UOP4, VIAL	5t211.w↔		BOP, KVT, UOP4, VIAL
	21B	X06A, X06B, X06C		08	I08A, I08B, I08C, I08D, I08E, I08F		08	I20A, I20B, I20C, I20D, I20E, I20F
5t211.4↔		BOP, KVT, UOP4, VIAL		21A	W01A, W01B, W01C, W02A, W02B		21A	W04A, W04B
	08	I08A, I08B, I08C, I08D, I08E, I08F, I18A, I18B, I30Z		21B	X04Z		21B	X04Z
	21A	W04A, W04B				5t211.x		BOP, KVT, UOP4
	21B	X06A, X06B, X06C					08	I28A, I28B
							21A	W04A, W04B
							21B	X06A, X06B, X06C
								BOP, KVT, UOP4, VIAL
							08	I28A, I28B, I28C
							21A	W04A, W04B
							21B	X06A, X06B, X06C
								BOP, KVT, UOP4, VIAL
							08	I28A, I28B, I28C
							21A	W04A, W04B
							21B	X06A, X06B, X06C

ZZV	MDC	DRG	ZZV	MDC	DRG	ZZV	MDC	DRG
5t213.0↔		BOP, KVT, UOP4, VIAL	5t213.d		BOP, KVT, UOP4, VIAL	5t213.u↔		BOP, KVT, UOP4, VIAL
	08	I16Z		08	I08A, I08B, I08C, I08D, I08E, I08F		08	I20A, I20B, I20C, I20D, I20E, I20F
	21A	W04A, W04B		21A	W04A, W04B		21A	W04A, W04B
	21B	X06A, X06B, X06C		21B	X06A, X06B, X06C		21B	X04Z
5t213.1↔		BOP, KVT, UOP4, VIAL	5t213.e↔		BOP, KVT, UOP4, VIAL	5t213.v↔		BOP, KVT, UOP4, VIAL
	08	I08A, I08B, I08C, I08D, I08E, I08F, I13A, I13B, I13C, I13D, I13E		08	I08A, I08B, I08C, I08D, I08E, I08F		08	I20A, I20B, I20C, I20D, I20E, I20F
	21A	W04A, W04B		21A	W01A, W01B, W01C, W02A, W02B		21A	W04A, W04B
	21B	X06A, X06B, X06C		21B	X04Z		21B	X04Z
5t213.2↔		BOP, KVT, UOP4, VIAL	5t213.f↔		BOP, KVT, UOP4, VIAL	5t213.w↔		BOP, KVT, UOP4, VIAL
	08	I08A, I08B, I08C, I08D, I08E, I08F, I13A, I13B, I13C, I13D, I13E		08	I08A, I08B, I08C, I08D, I08E, I08F		08	I20A, I20B, I20C, I20D, I20E, I20F
	21A	W04A, W04B		21A	W01A, W01B, W01C, W02A, W02B		21A	W04A, W04B
	21B	X06A, X06B, X06C		21B	X04Z		21B	X04Z
5t213.3↔		BOP, KVT, UOP4, VIAL	5t213.g↔		BOP, KVT, UOP4, VIAL	5t213.x		BOP, KVT, UOP4
	08	I08A, I08B, I08C, I08D, I08E, I08F, I13A, I13B, I13C, I13D, I13E		08	I08A, I08B, I08C, I08D, I08E, I08F		08	I28A, I28B
	21A	W04A, W04B		21A	W01A, W01B, W01C, W02A, W02B		21A	W04A, W04B
	21B	X06A, X06B, X06C		21B	X04Z		21B	X06A, X06B, X06C
5t213.4↔		BOP, KVT, UOP4, VIAL	5t213.h↔		BOP, KVT, UOP4, VIAL	5t213.z↔		BOP, KVT, UOP4, VIAL
	08	I08A, I08B, I08C, I08D, I08E, I08F, I18A, I18B, I30Z		01	B03A, B03B, B06A, B06B, B17A, B17B, B17C		08	I28A, I28B, I28C
	21A	W04A, W04B		08	I08A, I08B, I08C, I08D, I08E, I08F		21A	W04A, W04B
	21B	X06A, X06B, X06C		21A	W01A, W01B, W01C, W02A, W02B		21A	W04A, W04B
5t213.5↔		BOP, KVT, UOP4, VIAL	5t213.i↔		BOP, KVT, UOP4, VIAL	5t214.0↔		BOP, KVT, UOP4, VIAL
	08	I08A, I08B, I08C, I08D, I08E, I08F, I18A, I18B, I30Z		08	I08A, I08B, I08C, I08D, I08E, I08F		08	I16Z
	21A	W04A, W04B		21A	W01A, W01B, W01C, W02A, W02B		21A	W04A, W04B
	21B	X06A, X06B, X06C		21B	X04Z		21B	X06A, X06B, X06C
5t213.6↔		BOP, KVT, UOP4, VIAL	5t213.j↔		BOP, KVT, UOP4, VIAL	5t214.1↔		BOP, KVT, UOP4, VIAL
	08	I08A, I08B, I08C, I08D, I08E, I08F, I13A, I13B, I18A, I18B, I30Z		08	I18A, I18B, I30Z		08	I08A, I08B, I08C, I08D, I08E, I08F, I13A, I13B, I13C, I13D, I13E
	21A	W04A, W04B		21A	W04A, W04B		21A	W04A, W04B
	21B	X06A, X06B, X06C		21B	X04Z		21B	X06A, X06B, X06C
5t213.7↔		BOP, KVT, UOP4, VIAL	5t213.k↔		BOP, KVT, UOP4, VIAL	5t214.2↔		BOP, KVT, UOP4, VIAL
	08	I08A, I08B, I08C, I08D, I08E, I08F, I18A, I18B, I30Z		08	I13A, I13B, I13C, I13D, I13E		08	I08A, I08B, I08C, I08D, I08E, I08F, I13A, I13B, I13C, I13D, I13E
	21A	W04A, W04B		21A	W04A, W04B		21A	W04A, W04B
	21B	X06A, X06B, X06C		21B	X04Z		21B	X06A, X06B, X06C
5t213.8↔		BOP, KVT, UOP4, VIAL	5t213.l↔		BOP, KVT, UOP4, VIAL	5t214.3↔		BOP, KVT, UOP4, VIAL
	08	I08A, I08B, I08C, I08D, I08E, I08F, I18A, I18B, I30Z		08	I13A, I13B, I13C, I13D, I13E		08	I08A, I08B, I08C, I08D, I08E, I08F, I13A, I13B, I13C, I13D, I13E
	21A	W04A, W04B		21A	W04A, W04B		21A	W04A, W04B
	21B	X06A, X06B, X06C		21B	X04Z		21B	X06A, X06B, X06C
5t213.9↔		BOP, KVT, UOP4, VIAL	5t213.m↔		BOP, KVT, UOP4, VIAL	5t214.4↔		BOP, KVT, UOP4, VIAL
	08	I08A, I08B, I08C, I08D, I08E, I08F, I18A, I18B, I30Z		08	I13A, I13B, I13C, I13D, I13E		08	I08A, I08B, I08C, I08D, I08E, I08F, I18A, I18B, I24Z
	21A	W04A, W04B		21A	W04A, W04B		21A	W04A, W04B
	21B	X06A, X06B, X06C		21B	X04Z		21B	X06A, X06B, X06C
5t213.a↔		BOP, KVT, UOP4, VIAL	5t213.n↔		BOP, KVT, UOP4, VIAL	5t214.5↔		BOP, KVT, UOP4, VIAL
	08	I32A, I32B, I32C, I32D, I32E, I32F, I32G		08	I13A, I13B, I13C, I13D, I13E		08	I08A, I08B, I08C, I08D, I08E, I08F, I18A, I18B, I24Z
	21A	W04A, W04B		21A	W04A, W04B		21A	W04A, W04B
	21B	X05A, X05B		21B	X04Z		21B	X06A, X06B, X06C
5t213.b↔		BOP, KVT, UOP4, VIAL	5t213.o↔		BOP, KVT, UOP4, VIAL	5t214.6↔		BOP, KVT, UOP4, VIAL
	08	I32A, I32B, I32C, I32D, I32E, I32F, I32G		08	I13A, I13B, I13C, I13D, I13E		08	I08A, I08B, I08C, I08D, I08E, I08F, I13A, I13B, I18A, I18B, I24Z
	21A	W04A, W04B		21A	W04A, W04B		21A	W04A, W04B
	21B	X05A, X05B		21B	X04Z		21B	X06A, X06B, X06C
5t213.c↔		BOP, KVT, UOP4, VIAL	5t213.p↔		BOP, KVT, UOP4, VIAL	5t214.7↔		BOP, KVT, UOP4, VIAL
	08	I32A, I32B, I32C, I32D, I32E, I32F, I32G		08	I13A, I13B, I13C, I13D, I13E		08	I08A, I08B, I08C, I08D, I08E, I08F, I18A, I18B, I24Z
	21A	W04A, W04B		21A	W04A, W04B		21A	W04A, W04B
	21B	X05A, X05B		21B	X04Z		21B	X06A, X06B, X06C
	08	I20A, I20B, I20C, I20D, I20E, I20F	5t213.q↔		BOP, KVT, UOP4, VIAL		21A	W04A, W04B
	21A	W04A, W04B		08	I13A, I13B, I13C, I13D, I13E		21B	X06A, X06B, X06C
	21B	X04Z		21A	W04A, W04B			
	08	I20A, I20B, I20C, I20D, I20E, I20F	5t213.r↔		BOP, KVT, UOP4, VIAL			
	21A	W04A, W04B		08	I13A, I13B, I13C, I13D, I13E			
	21B	X04Z		21A	W04A, W04B			
	08	I20A, I20B, I20C, I20D, I20E, I20F	5t213.s↔		BOP, KVT, UOP4, VIAL			
	21A	W04A, W04B		08	I20A, I20B, I20C, I20D, I20E, I20F			
	21B	X04Z		21A	W04A, W04B			
	08	I20A, I20B, I20C, I20D, I20E, I20F	5t213.t↔		BOP, KVT, UOP4, VIAL			
	21A	W04A, W04B		08	I20A, I20B, I20C, I20D, I20E, I20F			
	21B	X05A, X05B		21A	W04A, W04B			
				21B	X04Z			

ZZV	MDC	DRG	ZZV	MDC	DRG	ZZV	MDC	DRG
5t214.8↔		BOP, KVT, UOP4, VIAL	5t214.n↔		BOP, KVT, UOP4, VIAL	5t215.g↔		BOP, KVT, UOP4, VIAL
	08	I08A, I08B, I08C, I08D, I08E, I08F, I18A, I18B, I24Z		08	I13A, I13B, I13C, I13D, I13E		08	I08A, I08B, I08C, I08D, I08E, I08F
	21A	W04A, W04B		21A	W04A, W04B		21A	W01A, W01B, W01C, W02A, W02B
	21B	X06A, X06B, X06C	5t214.p↔		BOP, KVT, UOP4, VIAL		21B	X04Z
5t214.9↔		BOP, KVT, UOP4, VIAL		08	I13A, I13B, I13C, I13D, I13E	5t215.h↔		BOP, KVT, UOP4, VIAL
	08	I08A, I08B, I08C, I08D, I08E, I08F, I18A, I18B, I24Z		21A	W04A, W04B		01	B03A, B03B, B06A, B06B, B17A, B17B, B17C
	21A	W04A, W04B		21B	X04Z		08	I08A, I08B, I08C, I08D, I08E, I08F
	21B	X06A, X06B, X06C	5t214.q↔		BOP, KVT, UOP4, VIAL		21A	W01A, W01B, W01C, W02A, W02B
5t214.a↔		BOP, KVT, UOP4, VIAL		08	I13A, I13B, I13C, I13D, I13E		21B	X04Z
	08	I32A, I32B, I32C, I32D, I32E, I32F, I32G		21A	W04A, W04B	5t215.k↔		BOP, KVT, UOP4, VIAL
	21A	W04A, W04B		21B	X04Z		08	I13A, I13B, I13C, I13D
	21B	X05A, X05B	5t214.r↔		BOP, KVT, UOP4, VIAL	5t215.x		BOP, KVT, UOP4
5t214.b↔		BOP, KVT, UOP4, VIAL		08	I13A, I13B, I13C, I13D, I13E		08	I28A, I28B
	08	I32A, I32B, I32C, I32D, I32E, I32F, I32G		21A	W04A, W04B		21A	W04A, W04B
	21A	W04A, W04B		21B	X04Z		21B	X06A, X06B, X06C
	21B	X05A, X05B	5t214.s↔		BOP, KVT, UOP4, VIAL	5t216.1↔		BOP, KVT, UOP4, VIAL
5t214.c↔		BOP, KVT, UOP4, VIAL		08	I20A, I20B, I20C, I20D, I20E, I20F		08	I08A, I08B, I08C, I08D, I08E, I08F, I13A, I13B, I13C, I13D
	08	I32A, I32B, I32C, I32D, I32E, I32F, I32G		21A	W04A, W04B		21A	W04A, W04B
	21A	W04A, W04B		21B	X04Z		21B	X06A, X06B, X06C
	21B	X05A, X05B	5t214.t↔		BOP, KVT, UOP4, VIAL	5t216.2↔		BOP, KVT, UOP4, VIAL
5t214.d		BOP, KVT, UOP4, VIAL		08	I20A, I20B, I20C, I20D, I20E, I20F		08	I08A, I08B, I08C, I08D, I08E, I08F, I13A, I13B, I13C, I13D
	08	I08A, I08B, I08C, I08D, I08E, I08F		21A	W04A, W04B		21A	W04A, W04B
	21A	W04A, W04B		21B	X04Z		21B	X06A, X06B, X06C
	21B	X06A, X06B, X06C	5t214.u↔		BOP, KVT, UOP4, VIAL	5t216.3↔		BOP, KVT, UOP4, VIAL
5t214.e↔		BOP, KVT, UOP4, VIAL		08	I20A, I20B, I20C, I20D, I20E, I20F		08	I08A, I08B, I08C, I08D, I08E, I08F, I13A, I13B, I13C, I13D
	08	I08A, I08B, I08C, I08D, I08E, I08F		21A	W04A, W04B		21A	W04A, W04B
	21A	W01A, W01B, W01C, W02A, W02B		21B	X04Z		21B	X06A, X06B, X06C
	21B	X04Z	5t214.v↔		BOP, KVT, UOP4, VIAL	5t216.4↔		BOP, KVT, UOP4, VIAL
5t214.f↔		BOP, KVT, UOP4, VIAL		08	I20A, I20B, I20C, I20D, I20E, I20F		08	I08A, I08B, I08C, I08D, I08E, I08F, I18A, I18B, I21Z, I31Z
	08	I08A, I08B, I08C, I08D, I08E, I08F		21A	W04A, W04B		21A	W04A, W04B
	21A	W01A, W01B, W01C, W02A, W02B		21B	X04Z		21B	X06A, X06B, X06C
	21B	X04Z	5t214.w↔		BOP, KVT, UOP4, VIAL	5t216.5↔		BOP, KVT, UOP4, VIAL
5t214.g↔		BOP, KVT, UOP4, VIAL		08	I20A, I20B, I20C, I20D, I20E, I20F		08	I08A, I08B, I08C, I08D, I08E, I08F, I18A, I18B, I21Z, I31Z
	08	I08A, I08B, I08C, I08D, I08E, I08F		21A	W04A, W04B		21A	W04A, W04B
	21A	W01A, W01B, W01C, W02A, W02B		21B	X04Z		21B	X06A, X06B, X06C
	21B	X04Z	5t214.x		BOP, KVT, UOP4	5t216.6↔		BOP, KVT, UOP4, VIAL
5t214.h↔		BOP, KVT, UOP4, VIAL		08	I28A, I28B		08	I08A, I08B, I08C, I08D, I08E, I08F, I13A, I13B, I18A, I18B, I21Z, I31Z
	01	B03A, B03B, B06A, B06B, B17A, B17B, B17C		21A	W04A, W04B		21A	W04A, W04B
	08	I08A, I08B, I08C, I08D, I08E, I08F		21B	X06A, X06B, X06C		21B	X06A, X06B, X06C
	21A	W01A, W01B, W01C, W02A, W02B		08	I28A, I28B, I28C		08	I08A, I08B, I08C, I08D, I08E, I08F, I13A, I13B, I18A, I18B, I21Z, I31Z
	21B	X04Z		21A	W04A, W04B	5t216.7↔		BOP, KVT, UOP4, VIAL
5t214.i↔		BOP, KVT, UOP4, VIAL		21B	X06A, X06B, X06C		08	I08A, I08B, I08C, I08D, I08E, I08F, I18A, I18B, I21Z, I31Z
	08	I24Z, I30Z		08	I08A, I08B, I08C, I08D, I08E, I08F, I13A, I13B, I13C, I13D		21A	W04A, W04B
	21A	W04A, W04B		08	I08A, I08B, I08C, I08D, I08E, I08F, I13A, I13B, I13C, I13D		21B	X06A, X06B, X06C
	21B	X04Z		08	I08A, I08B, I08C, I08D, I08E, I08F	5t216.8↔		BOP, KVT, UOP4, VIAL
5t214.k↔		BOP, KVT, UOP4, VIAL		21A	W01A, W01B, W01C, W02A, W02B		08	I08A, I08B, I08C, I08D, I08E, I08F, I18A, I18B, I21Z, I31Z
	08	I13A, I13B, I13C, I13D, I13E		21B	X04Z		21A	W04A, W04B
	21A	W04A, W04B		08	I08A, I08B, I08C, I08D, I08E, I08F		21B	X06A, X06B, X06C
	21B	X04Z	5t215.f↔		BOP, KVT, UOP4, VIAL	5t216.9↔		BOP, KVT, UOP4, VIAL
5t214.m↔		BOP, KVT, UOP4, VIAL		08	I08A, I08B, I08C, I08D, I08E, I08F		08	I08A, I08B, I08C, I08D, I08E, I08F, I18A, I18B, I21Z, I31Z
	08	I13A, I13B, I13C, I13D, I13E		21A	W01A, W01B, W01C, W02A, W02B		21A	W04A, W04B
	21A	W04A, W04B		21B	X04Z		21B	X06A, X06B, X06C
	21B	X04Z		08	I08A, I08B, I08C, I08D, I08E, I08F			

ZZV	MDC	DRG	ZZV	MDC	DRG	ZZV	MDC	DRG		
5t216.e↔		BOP, KVT, UOP4, VIAL	5t217.4↔		BOP, KVT, UOP4, VIAL	5t217.p↔		BOP, KVT, UOP4, VIAL		
	08	I08A, I08B, I08C, I08D, I08E, I08F		08	I08A, I08B, I08C, I08D, I08E, I08F, I18A, I18B, I21Z, I31Z		08	I13A, I13B, I13C, I13D		
	21A	W01A, W01B, W01C, W02A, W02B		21A	W04A, W04B		08	I13A, I13B, I13C, I13D		
5t216.f↔	21B	X04Z	5t217.5↔	21B	X06A, X06B, X06C	5t217.r↔	08	BOP, KVT, UOP4, VIAL		
		BOP, KVT, UOP4, VIAL			BOP, KVT, UOP4, VIAL		08	BOP, KVT, UOP4, VIAL		
	08	I08A, I08B, I08C, I08D, I08E, I08F		08	I08A, I08B, I08C, I08D, I08E, I08F, I18A, I18B, I21Z, I31Z		08	I13A, I13B, I13C, I13D		
5t216.g↔	21A	W01A, W01B, W01C, W02A, W02B	5t217.6↔	21A	W04A, W04B	5t217.t↔	08	I20A, I20B, I20C, I20D, I20E, I20F		
	21B	X04Z		21B	X06A, X06B, X06C		21A	W04A, W04B		
		BOP, KVT, UOP4, VIAL			BOP, KVT, UOP4, VIAL		21B	X04Z		
5t216.h↔	08	I08A, I08B, I08C, I08D, I08E, I08F	5t217.7↔	08	I08A, I08B, I08C, I08D, I08E, I08F, I13A, I13B, I18A, I18B, I21Z, I31Z	5t217.x	08	I28A, I28B		
	21A	W01A, W01B, W01C, W02A, W02B		21A	W04A, W04B		21A	W04A, W04B		
	21B	X04Z		21B	X06A, X06B, X06C		21B	X06A, X06B, X06C		
5t216.i↔	01	B03A, B03B, B06A, B06B, B17A, B17B, B17C	5t217.8↔		BOP, KVT, UOP4, VIAL	5t218.1↔		BOP, KVT, UOP4, VIAL		
	08	I08A, I08B, I08C, I08D, I08E, I08F		08	I08A, I08B, I08C, I08D, I08E, I08F, I18A, I18B, I21Z, I31Z		08	I08A, I08B, I08C, I08D, I08E, I08F, I13A, I13B, I13C, I13D		
	21A	W01A, W01B, W01C, W02A, W02B		21A	W04A, W04B		21A	W04A, W04B		
5t216.j↔	21B	X04Z	5t217.9↔	21B	X06A, X06B, X06C	5t218.2↔	21B	X06A, X06B, X06C		
		BOP, KVT, UOP4, VIAL			BOP, KVT, UOP4, VIAL		08	BOP, KVT, UOP4, VIAL		
	08	I13A, I13B, I13C, I13D		08	I08A, I08B, I08C, I08D, I08E, I08F, I18A, I18B, I21Z, I31Z		08	I08A, I08B, I08C, I08D, I08E, I08F, I13A, I13B, I13C, I13D		
5t216.k↔	21A	W04A, W04B	5t217.e↔	21A	W04A, W04B	5t218.3↔	21A	W04A, W04B		
	21B	X04Z		21B	X06A, X06B, X06C		21B	X06A, X06B, X06C		
		BOP, KVT, UOP4, VIAL			BOP, KVT, UOP4, VIAL		08	BOP, KVT, UOP4, VIAL		
5t216.l↔	08	I13A, I13B, I13C, I13D	5t217.f↔	08	I08A, I08B, I08C, I08D, I08E, I08F, I18A, I18B, I21Z, I31Z	5t218.4↔	08	I08A, I08B, I08C, I08D, I08E, I08F, I13A, I13B, I13C, I13D		
	21A	W04A, W04B		5t217.g↔	21A		W04A, W04B	5t218.5↔	21A	W04A, W04B
	21B	X04Z			21B		X06A, X06B, X06C		21B	X06A, X06B, X06C
	BOP, KVT, UOP4, VIAL		BOP, KVT, UOP4, VIAL		08	I08A, I08B, I08C, I08D, I08E, I08F, I18A, I18B, I30Z				
5t216.m↔	08	I13A, I13B, I13C, I13D	5t217.h↔	21A	W01A, W01B, W01C, W02A, W02B	5t218.6↔	21A	W04A, W04B		
	21A	W04A, W04B		5t217.i↔	21B		X04Z	5t218.7↔	21B	X06A, X06B, X06C
	21B	X04Z			08		I08A, I08B, I08C, I08D, I08E, I08F		08	I08A, I08B, I08C, I08D, I08E, I08F, I18A, I18B, I30Z
	BOP, KVT, UOP4, VIAL		BOP, KVT, UOP4, VIAL		21A	W04A, W04B				
5t216.n↔	08	I13A, I13B, I13C, I13D	5t217.j↔	08	I08A, I08B, I08C, I08D, I08E, I08F	5t218.8↔	21B	X06A, X06B, X06C		
	21A	W04A, W04B		5t217.k↔	21A		W01A, W01B, W01C, W02A, W02B	5t218.9↔	08	I08A, I08B, I08C, I08D, I08E, I08F, I18A, I18B, I30Z
	21B	X04Z			21B		X04Z		21A	W04A, W04B
	BOP, KVT, UOP4, VIAL		BOP, KVT, UOP4, VIAL		21B	X06A, X06B, X06C				
5t216.o↔	08	I13A, I13B, I13C, I13D	5t217.l↔	08	I13A, I13B, I13C, I13D	5t218.e↔	08	BOP, KVT, UOP4, VIAL		
	21A	W04A, W04B		5t217.m↔	21A		W04A, W04B	5t218.f↔	08	I08A, I08B, I08C, I08D, I08E, I08F
	21B	X04Z			08		I13A, I13B, I13C, I13D		21A	W01A, W01B, W01C, W02A, W02B
	BOP, KVT, UOP4, VIAL		BOP, KVT, UOP4, VIAL		21B	X04Z				
5t216.p↔	08	I13A, I13B, I13C, I13D	5t217.n↔	08	I13A, I13B, I13C, I13D	5t218.g↔	21A	W04A, W04B		
	21A	W04A, W04B		5t217.o↔	21A		W04A, W04B	5t218.h↔	21B	X06A, X06B, X06C
	21B	X04Z			08		I08A, I08B, I08C, I08D, I08E, I08F		08	I08A, I08B, I08C, I08D, I08E, I08F, I18A, I18B, I30Z
	BOP, KVT, UOP4, VIAL		BOP, KVT, UOP4, VIAL		21A	W04A, W04B				
5t216.q↔	08	I13A, I13B, I13C, I13D	5t217.p↔	08	I13A, I13B, I13C, I13D	5t218.i↔	21B	X06A, X06B, X06C		
	21A	W04A, W04B		5t217.q↔	21A		W04A, W04B	5t218.j↔	08	I08A, I08B, I08C, I08D, I08E, I08F, I18A, I18B, I30Z
	21B	X04Z			08		I08A, I08B, I08C, I08D, I08E, I08F		21A	W04A, W04B
	BOP, KVT, UOP4, VIAL		BOP, KVT, UOP4, VIAL		21B	X06A, X06B, X06C				
5t216.r↔	08	I13A, I13B, I13C, I13D	5t217.r↔	08	I08A, I08B, I08C, I08D, I08E, I08F	5t218.k↔	08	I08A, I08B, I08C, I08D, I08E, I08F, I18A, I18B, I30Z		
	21A	W04A, W04B		5t217.s↔	21A		W01A, W01B, W01C, W02A, W02B	5t218.l↔	21A	W04A, W04B
	21B	X04Z			21B		X04Z		21B	X06A, X06B, X06C
	BOP, KVT, UOP4, VIAL		BOP, KVT, UOP4, VIAL		08	I08A, I08B, I08C, I08D, I08E, I08F, I13A, I13B, I18A, I18B, I30Z				
5t216.s↔	08	I13A, I13B, I13C, I13D	5t217.t↔	08	I08A, I08B, I08C, I08D, I08E, I08F	5t218.m↔	21A	W04A, W04B		
	21A	W04A, W04B		5t217.u↔	21A		W01A, W01B, W01C, W02A, W02B	5t218.n↔	21B	X06A, X06B, X06C
	21B	X04Z			21B		X04Z		08	I08A, I08B, I08C, I08D, I08E, I08F
	BOP, KVT, UOP4, VIAL		BOP, KVT, UOP4, VIAL		21A	W01A, W01B, W01C, W02A, W02B				
5t216.t↔	08	I20A, I20B, I20C, I20D, I20E, I20F	5t217.v↔	08	I13A, I13B, I13C, I13D	5t218.o↔	21B	X04Z		
	21A	W04A, W04B		5t217.w↔	08		I13A, I13B, I13C, I13D	5t218.p↔		
	21B	X04Z			08		I13A, I13B, I13C, I13D		5t218.q↔	
	BOP, KVT, UOP4, VIAL		BOP, KVT, UOP4, VIAL							
5t216.u↔	08	I28A, I28B	5t217.x↔	08	I13A, I13B, I13C, I13D	5t218.r↔				
	21A	W04A, W04B		5t217.y↔	21A		W04A, W04B	5t218.s↔		
	21B	X06A, X06B, X06C			21B		X06A, X06B, X06C		5t218.t↔	
	BOP, KVT, UOP4, VIAL		BOP, KVT, UOP4, VIAL							
5t216.v↔	08	I08A, I08B, I08C, I08D, I08E, I08F, I13A, I13B, I13C, I13D	5t217.z↔	08	I08A, I08B, I08C, I08D, I08E, I08F	5t218.u↔				
	21A	W04A, W04B		5t217.aa↔	21A		W04A, W04B	5t218.v↔		
	21B	X06A, X06B, X06C			21B		X06A, X06B, X06C		5t218.w↔	
	BOP, KVT, UOP4, VIAL		BOP, KVT, UOP4, VIAL							
5t216.w↔	08	I08A, I08B, I08C, I08D, I08E, I08F, I13A, I13B, I13C, I13D	5t217.aa↔	08	I08A, I08B, I08C, I08D, I08E, I08F	5t218.x↔				
	21A	W04A, W04B		5t217.ab↔	21A		W04A, W04B	5t218.y↔		
	21B	X06A, X06B, X06C			21B		X06A, X06B, X06C		5t218.z↔	
	BOP, KVT, UOP4, VIAL		BOP, KVT, UOP4, VIAL							
5t216.x↔	08	I28A, I28B	5t217.ab↔	08	I13A, I13B, I13C, I13D	5t218.aa↔				
	21A	W04A, W04B		5t217.ac↔	21A		W04A, W04B	5t218.ab↔		
	21B	X06A, X06B, X06C			21B		X06A, X06B, X06C		5t218.ac↔	
	BOP, KVT, UOP4, VIAL		BOP, KVT, UOP4, VIAL							
5t216.y↔	08	I08A, I08B, I08C, I08D, I08E, I08F, I13A, I13B, I13C, I13D	5t217.ad↔	08	I13A, I13B, I13C, I13D	5t218.ad↔				
	21A	W04A, W04B		5t217.ad↔	21A		W04A, W04B	5t218.ad↔		
	21B	X06A, X06B, X06C			21B		X06A, X06B, X06C		5t218.ad↔	
	BOP, KVT, UOP4, VIAL		BOP, KVT, UOP4, VIAL							
5t216.z↔	08	I08A, I08B, I08C, I08D, I08E, I08F, I13A, I13B, I13C, I13D	5t217.ae↔	08	I13A, I13B, I13C, I13D	5t218.ad↔				
	21A	W04A, W04B		5t217.ae↔	21A		W04A, W04B	5t218.ad↔		
	21B	X06A, X06B, X06C			21B		X06A, X06B, X06C		5t218.ad↔	
	BOP, KVT, UOP4, VIAL		BOP, KVT, UOP4, VIAL							
5t217.1↔	08	I08A, I08B, I08C, I08D, I08E, I08F, I13A, I13B, I13C, I13D	5t217.ae↔	08	I13A, I13B, I13C, I13D	5t218.ad↔				
	21A	W04A, W04B		5t217.ae↔	21A		W04A, W04B	5t218.ad↔		
	21B	X06A, X06B, X06C			21B		X06A, X06B, X06C		5t218.ad↔	
	BOP, KVT, UOP4, VIAL		BOP, KVT, UOP4, VIAL							
5t217.2↔	08	I08A, I08B, I08C, I08D, I08E, I08F, I13A, I13B, I13C, I13D	5t217.ae↔	08	I13A, I13B, I13C, I13D	5t218.ad↔				
	21A	W04A, W04B		5t217.ae↔	21A		W04A, W04B	5t218.ad↔		
	21B	X06A, X06B, X06C			21B		X06A, X06B, X06C		5t218.ad↔	
	BOP, KVT, UOP4, VIAL		BOP, KVT, UOP4, VIAL							
5t217.3↔	08	I08A, I08B, I08C, I08D, I08E, I08F, I13A, I13B, I13C, I13D	5t217.ae↔	08	I13A, I13B, I13C, I13D	5t218.ad↔				
	21A	W04A, W04B		5t217.ae↔	21A		W04A, W04B	5t218.ad↔		
	21B	X06A, X06B, X06C			21B		X06A, X06B, X06C		5t218.ad↔	
	BOP, KVT, UOP4, VIAL		BOP, KVT, UOP4, VIAL							
5t217.4↔	08	I08A, I08B, I08C, I08D, I08E, I08F, I13A, I13B, I13C, I13D	5t217.ae↔	08	I13A, I13B, I13C, I13D	5t218.ad↔				
	21A	W04A, W04B		5t217.ae↔	21A		W04A, W04B	5t218.ad↔		
	21B	X06A, X06B, X06C			21B		X06A, X06B, X06C		5t218.ad↔	
	BOP, KVT, UOP4, VIAL		BOP, KVT, UOP4, VIAL							

ZZV	MDC	DRG	ZZV	MDC	DRG	ZZV	MDC	DRG
5t218.f↔		BOP, KVT, UOP4, VIAL	5t219.k↔		BOP, KVT, UOP4, VIAL	5t21a.9↔		BOP, KVT, UOP4, VIAL
	08	I08A, I08B, I08C, I08D, I08E, I08F		08	I13A, I13B, I13C, I13D		08	I08A, I08B, I08C, I08D, I08E, I08F, I18A, I18B, I21Z, I31Z
	21A	W01A, W01B, W01C, W02A, W02B		21A	W04A, W04B		21A	W04A, W04B
5t218.g↔	21B	X04Z	5t219.m↔		BOP, KVT, UOP4, VIAL	5t21a.b↔	21B	X06A, X06B, X06C
	08	BOP, KVT, UOP4, VIAL		08	I13A, I13B, I13C, I13D		08	BOP, KVT, UOP4, VIAL
	08	I08A, I08B, I08C, I08D, I08E, I08F		21A	W04A, W04B		08	I32A, I32B, I32C, I32D, I32E, I32F, I32G
5t218.h↔	21A	W01A, W01B, W01C, W02A, W02B	5t219.n↔		BOP, KVT, UOP4, VIAL	5t21a.c↔	21A	W04A, W04B
	21B	X04Z		08	I13A, I13B, I13C, I13D		21B	X05A, X05B
	01	B03A, B03B, B06A, B06B, B17A, B17B, B17C		21A	W04A, W04B		08	BOP, KVT, UOP4, VIAL
5t218.i↔	08	I08A, I08B, I08C, I08D, I08E, I08F	5t219.s↔		BOP, KVT, UOP4, VIAL	5t21a.e↔	08	I32A, I32B, I32C, I32D, I32E, I32F, I32G
	21A	W01A, W01B, W01C, W02A, W02B		08	I20A, I20B, I20C, I20D, I20E, I20F		21A	W04A, W04B
	21B	X04Z		08	I20A, I20B, I20C, I20D, I20E, I20F		21B	X05A, X05B
5t218.j↔	08	BOP, KVT, UOP4, VIAL	5t219.t↔		BOP, KVT, UOP4, VIAL	5t21a.f↔	08	BOP, KVT, UOP4, VIAL
	08	I13A, I13B, I13C, I13D		08	I20A, I20B, I20C, I20D, I20E, I20F		08	I08A, I08B, I08C, I08D, I08E, I08F
	21A	W04A, W04B		5t219.x			BOP, KVT, UOP4	5t21a.g↔
21B	X04Z	08	I28A, I28B		21B	X04Z		
08	I13A, I13B, I13C, I13D	21A	W04A, W04B		08	BOP, KVT, UOP4, VIAL		
5t218.k↔	21A	W04A, W04B	5t21a.0↔		BOP, KVT, UOP4, VIAL	5t21a.h↔	08	I08A, I08B, I08C, I08D, I08E, I08F
	21B	X04Z		08	I16Z		21A	W01A, W01B, W01C, W02A, W02B
	08	BOP, KVT, UOP4, VIAL		21A	W04A, W04B		21B	X04Z
5t218.l↔	08	I13A, I13B, I13C, I13D	5t21a.1↔		BOP, KVT, UOP4, VIAL	5t21a.i↔	08	I08A, I08B, I08C, I08D, I08E, I08F
	21A	W04A, W04B		08	I08A, I08B, I08C, I08D, I08E, I08F, I13A, I13B, I13C, I13D, I13E		21A	W01A, W01B, W01C, W02A, W02B
	21B	X04Z		21A	W04A, W04B		21B	X04Z
5t218.m↔	08	BOP, KVT, UOP4, VIAL	5t21a.2↔		BOP, KVT, UOP4, VIAL	5t21a.j↔	01	B03A, B03B, B06A, B06B, B17A, B17B, B17C
	08	I13A, I13B, I13C, I13D		08	I08A, I08B, I08C, I08D, I08E, I08F, I13A, I13B, I13C, I13D, I13E		08	I08A, I08B, I08C, I08D, I08E, I08F
	21A	W04A, W04B		21A	W04A, W04B		21A	W01A, W01B, W01C, W02A, W02B
5t218.n↔	21B	X04Z	5t21a.3↔		BOP, KVT, UOP4, VIAL	5t21a.k↔	21B	X04Z
	08	BOP, KVT, UOP4, VIAL		08	I08A, I08B, I08C, I08D, I08E, I08F, I13A, I13B, I13C, I13D, I13E		08	BOP, KVT, UOP4, VIAL
	08	I13A, I13B, I13C, I13D		21A	W04A, W04B		21A	I13A, I13B, I13C, I13D, I13E
5t218.o↔	21A	W04A, W04B	5t21a.4↔		BOP, KVT, UOP4, VIAL	5t21a.l↔	21A	W04A, W04B
	21B	X04Z		08	I08A, I08B, I08C, I08D, I08E, I08F, I18A, I18B, I30Z, I59Z		21B	X04Z
	08	BOP, KVT, UOP4, VIAL		21A	W04A, W04B		08	BOP, KVT, UOP4, VIAL
5t218.p↔	08	I13A, I13B, I13C, I13D	5t21a.5↔		BOP, KVT, UOP4, VIAL	5t21a.m↔	08	I13A, I13B, I13C, I13D, I13E
	08	BOP, KVT, UOP4, VIAL		08	I08A, I08B, I08C, I08D, I08E, I08F, I18A, I18B, I30Z, I59Z		21A	W04A, W04B
	08	I13A, I13B, I13C, I13D		21A	W04A, W04B		21B	X04Z
5t218.q↔	08	BOP, KVT, UOP4, VIAL	5t21a.6↔		BOP, KVT, UOP4, VIAL	5t21a.n↔	08	BOP, KVT, UOP4, VIAL
	08	I13A, I13B, I13C, I13D		08	I08A, I08B, I08C, I08D, I08E, I08F, I13A, I13B, I18A, I18B, I30Z, I59Z		08	I13A, I13B, I13C, I13D, I13E
	08	BOP, KVT, UOP4, VIAL		21A	W04A, W04B		21A	W04A, W04B
5t218.r↔	08	I13A, I13B, I13C, I13D	5t21a.7↔		BOP, KVT, UOP4, VIAL	5t21a.o↔	21B	X04Z
	08	BOP, KVT, UOP4, VIAL		08	I08A, I08B, I08C, I08D, I08E, I08F, I18A, I18B, I30Z, I59Z		08	BOP, KVT, UOP4, VIAL
	08	I13A, I13B, I13C, I13D		21A	W04A, W04B		21A	I13A, I13B, I13C, I13D, I13E
5t218.s↔	08	BOP, KVT, UOP4	5t21a.8↔		BOP, KVT, UOP4, VIAL	5t21a.p↔	21B	X04Z
	08	I28A, I28B		08	I08A, I08B, I08C, I08D, I08E, I08F, I18A, I18B, I30Z, I59Z		08	I13A, I13B, I13C, I13D, I13E
	21A	W04A, W04B		21A	W04A, W04B		21A	W04A, W04B
5t218.t↔	21B	X06A, X06B, X06C	5t21a.9↔		BOP, KVT, UOP4, VIAL	5t21a.q↔	21B	X04Z
	08	BOP, KVT, UOP4, VIAL		08	I08A, I08B, I08C, I08D, I08E, I08F, I13A, I13B, I18A, I18B, I30Z, I59Z		08	BOP, KVT, UOP4, VIAL
	08	I08A, I08B, I08C, I08D, I08E, I08F		21A	W04A, W04B		08	I13A, I13B, I13C, I13D, I13E
5t218.u↔	21A	W01A, W01B, W01C, W02A, W02B	5t21a.0↔		BOP, KVT, UOP4, VIAL	5t21a.r↔	21A	W04A, W04B
	21B	X04Z		08	I08A, I08B, I08C, I08D, I08E, I08F, I18A, I18B, I30Z, I59Z		21B	X04Z
	08	BOP, KVT, UOP4, VIAL		21A	W04A, W04B		08	BOP, KVT, UOP4, VIAL
5t218.v↔	08	I08A, I08B, I08C, I08D, I08E, I08F	5t21a.1↔		BOP, KVT, UOP4, VIAL	5t21a.s↔	08	I13A, I13B, I13C, I13D, I13E
	21A	W01A, W01B, W01C, W02A, W02B		08	I08A, I08B, I08C, I08D, I08E, I08F, I18A, I18B, I30Z, I59Z		21A	W04A, W04B
	21B	X04Z		21A	W04A, W04B		21B	X04Z
5t218.w↔	08	BOP, KVT, UOP4, VIAL	5t21a.2↔		BOP, KVT, UOP4, VIAL	5t21a.t↔	21B	X04Z
	08	I08A, I08B, I08C, I08D, I08E, I08F		08	I08A, I08B, I08C, I08D, I08E, I08F, I18A, I18B, I30Z, I59Z		08	I13A, I13B, I13C, I13D, I13E
	21A	W01A, W01B, W01C, W02A, W02B		21A	W04A, W04B		21A	W04A, W04B
5t218.x↔	21B	X04Z	5t21a.3↔		BOP, KVT, UOP4, VIAL	5t21a.u↔	21B	X04Z
	08	BOP, KVT, UOP4, VIAL		08	I08A, I08B, I08C, I08D, I08E, I08F, I18A, I18B, I30Z, I59Z		08	BOP, KVT, UOP4, VIAL
	08	I13A, I13B, I13C, I13D		21A	W04A, W04B		08	I20A, I20B, I20C, I20D, I20E, I20F
5t218.y↔	08	I08A, I08B, I08C, I08D, I08E, I08F	5t21a.4↔		BOP, KVT, UOP4, VIAL	5t21a.v↔	21A	W04A, W04B
	21A	W01A, W01B, W01C, W02A, W02B		08	I08A, I08B, I08C, I08D, I08E, I08F, I18A, I18B, I30Z, I59Z		21B	X04Z
	21B	X04Z		21A	W04A, W04B			
5t218.z↔	08	BOP, KVT, UOP4, VIAL	5t21a.5↔		BOP, KVT, UOP4, VIAL			
	08	I08A, I08B, I08C, I08D, I08E, I08F		08	I08A, I08B, I08C, I08D, I08E, I08F, I18A, I18B, I30Z, I59Z			
	21A	W01A, W01B, W01C, W02A, W02B		21A	W04A, W04B			
5t219.a↔	21B	X04Z	5t21a.6↔		BOP, KVT, UOP4, VIAL			
	08	BOP, KVT, UOP4, VIAL		08	I08A, I08B, I08C, I08D, I08E, I08F, I18A, I18B, I30Z, I59Z			
	08	I13A, I13B, I13C, I13D		21A	W04A, W04B			
5t219.b↔	21A	W04A, W04B	5t21a.7↔		BOP, KVT, UOP4, VIAL			
	21B	X04Z		08	I08A, I08B, I08C, I08D, I08E, I08F, I18A, I18B, I30Z, I59Z			
	08	BOP, KVT, UOP4, VIAL		21A	W04A, W04B			
5t219.c↔	08	I13A, I13B, I13C, I13D	5t21a.8↔		BOP, KVT, UOP4, VIAL			
	21A	W04A, W04B		08	I08A, I08B, I08C, I08D, I08E, I08F, I18A, I18B, I30Z, I59Z			
	21B	X04Z		21A	W04A, W04B			
5t219.d↔	08	BOP, KVT, UOP4, VIAL	5t21a.9↔		BOP, KVT, UOP4, VIAL			
	08	I08A, I08B, I08C, I08D, I08E, I08F		08	I08A, I08B, I08C, I08D, I08E, I08F, I18A, I18B, I30Z, I59Z			
	21A	W01A, W01B, W01C, W02A, W02B		21A	W04A, W04B			
5t219.e↔	21B	X04Z						
	08	BOP, KVT, UOP4, VIAL						
	08	I08A, I08B, I08C, I08D, I08E, I08F						
5t219.f↔	21A	W01A, W01B, W01C, W02A, W02B						
	21B	X04Z						
	08	BOP, KVT, UOP4, VIAL						
5t219.g↔	08	I08A, I08B, I08C, I08D, I08E, I08F						
	21A	W01A, W01B, W01C, W02A, W02B						
	21B	X04Z						
5t219.h↔	08	BOP, KVT, UOP4, VIAL						
	01	B03A, B03B, B06A, B06B, B17A, B17B, B17C						
	08	I08A, I08B, I08C, I08D, I08E, I08F						
5t219.i↔	21A	W01A, W01B, W01C, W02A, W02B						
	21B	X04Z						
	08	BOP, KVT, UOP4, VIAL						

ZZV	MDC	DRG	ZZV	MDC	DRG	ZZV	MDC	DRG
5t21a.w↔		BOP, KVT, UOP4, VIAL	5t21b.a↔		BOP, KVT, UOP4, VIAL	5t21b.r↔		BOP, KVT, UOP4, VIAL
	08	I20A, I20B, I20C, I20D, I20E, I20F		08	I32A, I32B, I32C, I32D, I32E, I32F		08	I13A, I13B, I13C, I13D, I13E
	21A	W04A, W04B		21A	W04A, W04B		21A	W04A, W04B
	21B	X04Z		21B	X05A, X05B		21B	X04Z
5t21a.x		BOP, KVT, UOP4	5t21b.b↔		BOP, KVT, UOP4, VIAL	5t21b.s↔		BOP, KVT, UOP4, VIAL
	08	I28A, I28B		08	I32A, I32B, I32C, I32D, I32E, I32F		08	I20A, I20B, I20C, I20D, I20E, I20F
	21A	W04A, W04B		21A	W04A, W04B		21A	W04A, W04B
	21B	X06A, X06B, X06C		21B	X05A, X05B		21B	X04Z
5t21a.z↔		BOP, KVT, UOP4, VIAL	5t21b.c↔		BOP, KVT, UOP4, VIAL	5t21b.t↔		BOP, KVT, UOP4, VIAL
	08	I28A, I28B, I28C		08	I32A, I32B, I32C, I32D, I32E, I32F		08	I20A, I20B, I20C, I20D
	21A	W04A, W04B		21A	W04A, W04B		21A	W04A, W04B
	21B	X06A, X06B, X06C		21B	X05A, X05B		21B	X04Z
5t21b.0↔		BOP, KVT, UOP4, VIAL	5t21b.d		BOP, KVT, UOP4, VIAL	5t21b.u↔		BOP, KVT, UOP4, VIAL
	08	I16Z		08	I08A, I08B, I08C, I08D, I08E, I08F		08	I20A, I20B, I20C, I20D, I20E, I20F
	21A	W04A, W04B		21A	W04A, W04B		21A	W04A, W04B
	21B	X06A, X06B, X06C		21B	X06A, X06B, X06C		21B	X04Z
5t21b.1↔		BOP, KVT, UOP4, VIAL	5t21b.e↔		BOP, KVT, UOP4, VIAL	5t21b.v↔		BOP, KVT, UOP4, VIAL
	08	I08A, I08B, I08C, I08D, I08E, I08F, I13A, I13B, I13C, I13D, I13E		08	I08A, I08B, I08C, I08D, I08E, I08F		08	I20A, I20B, I20C, I20D, I20E, I20F
	21A	W04A, W04B		08	I08A, I08B, I08C, I08D, I08E, I08F		21A	W04A, W04B
	21B	X06A, X06B, X06C		21A	W01A, W01B, W01C, W02A, W02B		21B	X04Z
5t21b.2↔		BOP, KVT, UOP4, VIAL	5t21b.f↔		BOP, KVT, UOP4, VIAL	5t21b.w↔		BOP, KVT, UOP4, VIAL
	08	I08A, I08B, I08C, I08D, I08E, I08F, I13A, I13B, I13C, I13D, I13E		08	I08A, I08B, I08C, I08D, I08E, I08F		08	I20A, I20B, I20C, I20D, I20E, I20F
	21A	W04A, W04B		21A	W01A, W01B, W01C, W02A, W02B		21A	W04A, W04B
	21B	X06A, X06B, X06C		21B	X04Z		21B	X04Z
5t21b.3↔		BOP, KVT, UOP4, VIAL	5t21b.g↔		BOP, KVT, UOP4, VIAL	5t21b.x		BOP, KVT, UOP4
	08	I08A, I08B, I08C, I08D, I08E, I08F, I13A, I13B, I13C, I13D, I13E		08	I08A, I08B, I08C, I08D, I08E, I08F		08	I28A, I28B
	21A	W04A, W04B		21A	W01A, W01B, W01C, W02A, W02B		21A	W04A, W04B
	21B	X06A, X06B, X06C		21B	X04Z		21B	X06A, X06B, X06C
5t21b.4↔		BOP, KVT, UOP4, VIAL	5t21b.h↔		BOP, KVT, UOP4, VIAL	5t21b.z↔		BOP, KVT, UOP4, VIAL
	08	I08A, I08B, I08C, I08D, I08E, I08F, I18A, I18B, I30Z		01	B03A, B03B, B06A, B06B, B17A, B17B, B17C		08	I28A, I28B, I28C
	21A	W04A, W04B		08	I08A, I08B, I08C, I08D, I08E, I08F		21A	W04A, W04B
	21B	X06A, X06B, X06C		21A	W01A, W01B, W01C, W02A, W02B		21A	W04A, W04B
5t21b.5↔		BOP, KVT, UOP4, VIAL	5t21b.i↔		BOP, KVT, UOP4, VIAL	5t21c.1↔		BOP, KVT, UOP4, VIAL
	08	I08A, I08B, I08C, I08D, I08E, I08F, I18A, I18B, I30Z		08	I18A, I18B, I30Z		08	I08A, I08B, I08C, I08D, I08E, I08F, I13A, I13B, I13C, I13D
	21A	W04A, W04B		21A	W04A, W04B		21A	W04A, W04B
	21B	X06A, X06B, X06C		21B	X04Z		21B	X06A, X06B, X06C
5t21b.6↔		BOP, KVT, UOP4, VIAL	5t21b.j↔		BOP, KVT, UOP4, VIAL	5t21c.3↔		BOP, KVT, UOP4, VIAL
	08	I08A, I08B, I08C, I08D, I08E, I08F, I13A, I13B, I18A, I18B, I30Z		08	I18A, I18B, I30Z		08	I08A, I08B, I08C, I08D, I08E, I08F, I13A, I13B, I13C, I13D
	21A	W04A, W04B		21A	W04A, W04B		21A	W04A, W04B
	21B	X06A, X06B, X06C		21B	X04Z		21B	X06A, X06B, X06C
5t21b.7↔		BOP, KVT, UOP4, VIAL	5t21b.k↔		BOP, KVT, UOP4, VIAL	5t21c.e↔		BOP, KVT, UOP4, VIAL
	08	I08A, I08B, I08C, I08D, I08E, I08F, I18A, I18B, I30Z		08	I13A, I13B, I13C, I13D, I13E		08	I08A, I08B, I08C, I08D, I08E, I08F
	21A	W04A, W04B		21A	W04A, W04B		21A	W01A, W01B, W01C, W02A, W02B
	21B	X06A, X06B, X06C		21B	X04Z		21B	X04Z
5t21b.8↔		BOP, KVT, UOP4, VIAL	5t21b.l↔		BOP, KVT, UOP4, VIAL	5t21c.f↔		BOP, KVT, UOP4, VIAL
	08	I08A, I08B, I08C, I08D, I08E, I08F, I18A, I18B, I30Z		08	I13A, I13B, I13C, I13D, I13E		08	I08A, I08B, I08C, I08D, I08E, I08F
	21A	W04A, W04B		21A	W04A, W04B		21A	W01A, W01B, W01C, W02A, W02B
	21B	X06A, X06B, X06C		21B	X04Z		21B	X04Z
5t21b.9↔		BOP, KVT, UOP4, VIAL	5t21b.m↔		BOP, KVT, UOP4, VIAL	5t21c.g↔		BOP, KVT, UOP4, VIAL
	08	I08A, I08B, I08C, I08D, I08E, I08F, I18A, I18B, I30Z		08	I13A, I13B, I13C, I13D, I13E		08	I08A, I08B, I08C, I08D, I08E, I08F
	21A	W04A, W04B		21A	W04A, W04B		21A	W01A, W01B, W01C, W02A, W02B
	21B	X06A, X06B, X06C		21B	X04Z		21B	X04Z
			5t21b.n↔		BOP, KVT, UOP4, VIAL	5t21c.h↔		BOP, KVT, UOP4, VIAL
				08	I13A, I13B, I13C, I13D, I13E		01	B03A, B03B, B06A, B06B, B17A, B17B, B17C
				21A	W04A, W04B		08	I08A, I08B, I08C, I08D, I08E, I08F
				21B	X04Z		21A	W01A, W01B, W01C, W02A, W02B
			5t21b.o↔		BOP, KVT, UOP4, VIAL		21B	X04Z
				08	I13A, I13B, I13C, I13D, I13E			
				21A	W04A, W04B			
				21B	X04Z			

VYK

ZZV	MDC	DRG	ZZV	MDC	DRG	ZZV	MDC	DRG
5t21c.k↔		BOP, KVT, UOP4, VIAL 08 I13A, I13B, I13C, I13D 21A W04A, W04B 21B X04Z	5t21t.b↔		BOP, KVT, UOP4, VIAL 08 I32A, I32B, I32C, I32D, I32E, I32F 21A W04A, W04B 21B X05A, X05B	5t21t.s↔		BOP, KVT, UOP4, VIAL 08 I20A, I20B, I20C, I20D, I20E, I20F 21A W04A, W04B 21B X04Z
5t21c.n↔		BOP, KVT, UOP4, VIAL 08 I13A, I13B, I13C, I13D 21A W04A, W04B 21B X04Z	5t21t.c↔		BOP, KVT, UOP4, VIAL 08 I32A, I32B, I32C, I32D, I32E, I32F 21A W04A, W04B 21B X05A, X05B	5t21t.t↔		BOP, KVT, UOP4, VIAL 08 I20A, I20B, I20C, I20D 21A W04A, W04B 21B X04Z
5t21c.x		BOP, KVT, UOP4 08 I28A, I28B 21A W04A, W04B 21B X06A, X06B, X06C	5t21t.d		BOP, KVT, UOP4, VIAL 08 I08A, I08B, I08C, I08D, I08E, I08F 21A W04A, W04B 21B X06A, X06B, X06C	5t21t.u↔		BOP, KVT, UOP4, VIAL 08 I20A, I20B, I20C, I20D, I20E, I20F 21A W04A, W04B 21B X04Z
5t21t.0↔		BOP, KVT, UOP4, VIAL 08 I16Z 21A W04A, W04B 21B X06A, X06B, X06C	5t21t.e↔		BOP, KVT, UOP4, VIAL 08 I08A, I08B, I08C, I08D, I08E, I08F 21A W01A, W01B, W01C, W02A, W02B 21B X04Z	5t21t.v↔		BOP, KVT, UOP4, VIAL 08 I20A, I20B, I20C, I20D, I20E, I20F 21A W04A, W04B 21B X04Z
5t21t.1↔		BOP, KVT, UOP4, VIAL 08 I08A, I08B, I08C, I08D, I08E, I08F, I13A, I13B, I13C, I13D 21A W04A, W04B 21B X06A, X06B, X06C	5t21t.f↔		BOP, KVT, UOP4, VIAL 08 I08A, I08B, I08C, I08D, I08E, I08F 21A W01A, W01B, W01C, W02A, W02B 21B X04Z	5t21t.w↔		BOP, KVT, UOP4, VIAL 08 I20A, I20B, I20C, I20D, I20E, I20F 21A W04A, W04B 21B X04Z
5t21t.2↔		BOP, KVT, UOP4, VIAL 08 I08A, I08B, I08C, I08D, I08E, I08F, I13A, I13B, I13C, I13D 21A W04A, W04B 21B X06A, X06B, X06C	5t21t.g↔		BOP, KVT, UOP4, VIAL 08 I08A, I08B, I08C, I08D, I08E, I08F 21A W01A, W01B, W01C, W02A, W02B 21B X04Z	5t21t.x		BOP, KVT, UOP4 08 I28A, I28B 21A W04A, W04B 21B X06A, X06B, X06C
5t21t.3↔		BOP, KVT, UOP4, VIAL 08 I08A, I08B, I08C, I08D, I08E, I08F, I13A, I13B, I13C, I13D 21A W04A, W04B 21B X06A, X06B, X06C	5t21t.h↔		BOP, KVT, UOP4, VIAL 01 B03A, B03B, B06A, B06B, B17A, B17B, B17C 08 I08A, I08B, I08C, I08D, I08E, I08F 21A W01A, W01B, W01C, W02A, W02B 21B X04Z	5t21t.z↔		BOP, KVT, UOP4, VIAL 08 I28A, I28B, I28C 21A W04A, W04B 21B X06A, X06B, X06C
5t21t.4↔		BOP, KVT, UOP4, VIAL 08 I08A, I08B, I08C, I08D, I08E, I08F, I18A, I18B, I30Z, I59Z 21A W04A, W04B 21B X06A, X06B, X06C	5t21t.i↔		BOP, KVT, UOP4, VIAL 08 I13A, I13B, I13C, I13D 21A W04A, W04B 21B X04Z	5t21v.1↔		BOP, KVT, UOP4, VIAL 08 I08A, I08B, I08C, I08D, I08E, I08F, I13A, I13B, I13C, I13D 21A W04A, W04B 21B X06A, X06B, X06C
5t21t.5↔		BOP, KVT, UOP4, VIAL 08 I08A, I08B, I08C, I08D, I08E, I08F, I18A, I18B, I30Z, I59Z 21A W04A, W04B 21B X06A, X06B, X06C	5t21t.j↔		BOP, KVT, UOP4, VIAL 08 I13A, I13B, I13C, I13D 21A W04A, W04B 21B X04Z	5t21v.2↔		BOP, KVT, UOP4, VIAL 08 I08A, I08B, I08C, I08D, I08E, I08F, I13A, I13B, I13C, I13D 21A W04A, W04B 21B X06A, X06B, X06C
5t21t.6↔		BOP, KVT, UOP4, VIAL 08 I08A, I08B, I08C, I08D, I08E, I08F, I13A, I13B, I18A, I18B, I30Z, I59Z 21A W04A, W04B 21B X06A, X06B, X06C	5t21t.k↔		BOP, KVT, UOP4, VIAL 08 I13A, I13B, I13C, I13D 21A W04A, W04B 21B X04Z	5t21v.3↔		BOP, KVT, UOP4, VIAL 08 I08A, I08B, I08C, I08D, I08E, I08F, I13A, I13B, I13C, I13D 21A W04A, W04B 21B X06A, X06B, X06C
5t21t.7↔		BOP, KVT, UOP4, VIAL 08 I08A, I08B, I08C, I08D, I08E, I08F, I18A, I18B, I30Z, I59Z 21A W04A, W04B 21B X06A, X06B, X06C	5t21t.l↔		BOP, KVT, UOP4, VIAL 08 I13A, I13B, I13C, I13D 21A W04A, W04B 21B X04Z	5t21v.4↔		BOP, KVT, UOP4, VIAL 08 I08A, I08B, I08C, I08D, I08E, I08F, I13A, I18A, I18B, I30Z, I59Z 21A W04A, W04B 21B X06A, X06B, X06C
5t21t.8↔		BOP, KVT, UOP4, VIAL 08 I08A, I08B, I08C, I08D, I08E, I08F, I18A, I18B, I30Z, I59Z 21A W04A, W04B 21B X06A, X06B, X06C	5t21t.m↔		BOP, KVT, UOP4, VIAL 08 I13A, I13B, I13C, I13D 21A W04A, W04B 21B X04Z	5t21v.5↔		BOP, KVT, UOP4, VIAL 08 I08A, I08B, I08C, I08D, I08E, I08F, I13A, I18A, I18B, I30Z, I59Z 21A W04A, W04B 21B X06A, X06B, X06C
5t21t.9↔		BOP, KVT, UOP4, VIAL 08 I08A, I08B, I08C, I08D, I08E, I08F, I18A, I18B, I30Z, I59Z 21A W04A, W04B 21B X06A, X06B, X06C	5t21t.n↔		BOP, KVT, UOP4, VIAL 08 I13A, I13B, I13C, I13D 21A W04A, W04B 21B X04Z	5t21v.6↔		BOP, KVT, UOP4, VIAL 08 I08A, I08B, I08C, I08D, I08E, I08F, I13A, I18A, I18B, I30Z, I59Z 21A W04A, W04B 21B X06A, X06B, X06C
5t21t.a↔		BOP, KVT, UOP4, VIAL 08 I32A, I32B, I32C, I32D, I32E, I32F 21A W04A, W04B 21B X05A, X05B	5t21t.o↔		BOP, KVT, UOP4, VIAL 08 I13A, I13B, I13C, I13D 21A W04A, W04B 21B X04Z			

ZZV	MDC	DRG	ZZV	MDC	DRG	ZZV	MDC	DRG
5t21v.7↔		BOP, KVT, UOP4, VIAL	5t21v.q↔		BOP, KVT, UOP4, VIAL	5t21x.7↔		BOP, KVT, UOP4, VIAL
	08	I08A, I08B, I08C, I08D, I08E, I08F, I13A, I18A, I18B, I30Z, I59Z		08	I13A, I13B, I13C, I13D		08	I08A, I08B, I08C, I08D, I08E, I08F, I18A, I18B, I30Z
	21A	W04A, W04B		21A	W04A, W04B		21A	W04A, W04B
5t21v.8↔	21B	X06A, X06B, X06C	5t21v.r↔		BOP, KVT, UOP4, VIAL	5t21x.8↔	21B	X06A, X06B, X06C
	08	BOP, KVT, UOP4, VIAL		08	I13A, I13B, I13C, I13D		08	BOP, KVT, UOP4, VIAL
	08	I08A, I08B, I08C, I08D, I08E, I08F, I13A, I18A, I18B, I30Z, I59Z		21A	W04A, W04B		08	I08A, I08B, I08C, I08D, I08E, I08F, I18A, I18B, I30Z
5t21v.9↔	21A	W04A, W04B	5t21v.s↔		BOP, KVT, UOP4, VIAL	5t21x.9↔	21A	W04A, W04B
	21B	X06A, X06B, X06C		08	I13A, I20A, I20B, I20C, I20D, I20E, I20F		21B	X06A, X06B, X06C
	08	BOP, KVT, UOP4, VIAL		21A	W04A, W04B		08	BOP, KVT, UOP4, VIAL
5t21v.a↔	21B	X06A, X06B, X06C	5t21v.t↔		BOP, KVT, UOP4, VIAL	5t21x.a↔	21A	W04A, W04B
	08	I08A, I08B, I08C, I08D, I08E, I08F, I13A, I18A, I18B, I30Z, I59Z		08	I13A, I20A, I20B, I20C, I20D		08	I08A, I08B, I08C, I08D, I08E, I08F, I18A, I18B, I30Z
	21A	W04A, W04B		21A	W04A, W04B		21A	W04A, W04B
5t21v.b↔	21B	X06A, X06B, X06C	5t21v.u↔		BOP, KVT, UOP4, VIAL	5t21x.b↔	21B	X06A, X06B, X06C
	08	BOP, KVT, UOP4, VIAL		08	I13A, I20A, I20B, I20C, I20D, I20E, I20F		08	BOP, KVT, UOP4, VIAL
	08	I13A, I32A, I32B, I32C, I32D, I32E, I32F		21A	W04A, W04B		08	I32A, I32B, I32C, I32D, I32E, I32F, I32G
5t21v.c↔	21A	W04A, W04B	5t21v.v↔		BOP, KVT, UOP4, VIAL	5t21x.c↔	21A	W04A, W04B
	21B	X05A, X05B		08	I13A, I20A, I20B, I20C, I20D, I20E, I20F		21B	X05A, X05B
	08	BOP, KVT, UOP4, VIAL		21A	W04A, W04B		08	BOP, KVT, UOP4, VIAL
5t21v.d	21B	X05A, X05B	5t21v.x		BOP, KVT, UOP4, VIAL	5t21x.d	08	I32A, I32B, I32C, I32D, I32E, I32F, I32G
	08	BOP, KVT, UOP4, VIAL		08	I13A, I28A, I28B		21A	W04A, W04B
	08	I08A, I08B, I08C, I08D, I08E, I08F, I13A		21A	W04A, W04B		21B	X05A, X05B
5t21v.e↔	21A	W04A, W04B	5t21x.0↔		BOP, KVT, UOP4, VIAL	5t21x.e↔	08	BOP, KVT, UOP4, VIAL
	21B	X06A, X06B, X06C		08	I16Z		08	I08A, I08B, I08C, I08D, I08E, I08F
	08	BOP, KVT, UOP4, VIAL		21A	W04A, W04B		21A	W04A, W04B
5t21v.f↔	08	I08A, I08B, I08C, I08D, I08E, I08F, I13A	5t21x.1↔		BOP, KVT, UOP4, VIAL	5t21x.f↔	21B	X06A, X06B, X06C
	21A	W01A, W01B, W01C, W02A, W02B		08	I08A, I08B, I08C, I08D, I08E, I08F, I13A, I13B, I13C, I13D, I13E		08	BOP, KVT, UOP4, VIAL
	21B	X04Z		21A	W04A, W04B		08	I08A, I08B, I08C, I08D, I08E, I08F, I13A, I13B, I13C, I13D, I13E
5t21v.g↔	08	BOP, KVT, UOP4, VIAL	5t21x.2↔		BOP, KVT, UOP4, VIAL	5t21x.g↔	21A	W01A, W01B, W01C, W02A, W02B
	08	I08A, I08B, I08C, I08D, I08E, I08F, I13A		08	I08A, I08B, I08C, I08D, I08E, I08F, I13A, I13B, I13C, I13D, I13E		21B	X04Z
	21A	W01A, W01B, W01C, W02A, W02B		21A	W04A, W04B		08	BOP, KVT, UOP4, VIAL
5t21v.h↔	21B	X04Z	5t21x.3↔		BOP, KVT, UOP4, VIAL	5t21x.h↔	08	I08A, I08B, I08C, I08D, I08E, I08F
	01	B03A, B03B, B06A, B06B, B17A, B17B, B17C		08	I08A, I08B, I08C, I08D, I08E, I08F, I13A, I13B, I13C, I13D, I13E		21A	W01A, W01B, W01C, W02A, W02B
	08	I08A, I08B, I08C, I08D, I08E, I08F, I13A		21A	W04A, W04B		21B	X04Z
5t21v.i↔	21A	W01A, W01B, W01C, W02A, W02B	5t21x.4↔		BOP, KVT, UOP4, VIAL	5t21x.i↔	08	I08A, I08B, I08C, I08D, I08E, I08F
	21B	X04Z		08	I08A, I08B, I08C, I08D, I08E, I08F, I18A, I18B, I30Z		21A	W01A, W01B, W01C, W02A, W02B
	08	BOP, KVT, UOP4, VIAL		21A	W04A, W04B		21B	X04Z
5t21v.j↔	08	I13A, I13B, I13C, I13D	5t21x.5↔		BOP, KVT, UOP4, VIAL	5t21x.j↔	01	B03A, B03B, B06A, B06B, B17A, B17B, B17C
	21A	W04A, W04B		08	I08A, I08B, I08C, I08D, I08E, I08F, I18A, I18B, I30Z		08	I08A, I08B, I08C, I08D, I08E, I08F
	21B	X04Z		21A	W04A, W04B		21A	W01A, W01B, W01C, W02A, W02B
5t21v.k↔	08	BOP, KVT, UOP4, VIAL	5t21x.6↔		BOP, KVT, UOP4, VIAL	5t21x.k↔	21B	X04Z
	08	I13A, I13B, I13C, I13D		08	I08A, I08B, I08C, I08D, I08E, I08F, I18A, I18B, I30Z		08	BOP, KVT, UOP4, VIAL
	21A	W04A, W04B		21A	W04A, W04B		08	I18A, I18B, I30Z
5t21v.l↔	21B	X04Z	5t21x.7↔		BOP, KVT, UOP4, VIAL	5t21x.l↔	21A	W04A, W04B
	08	BOP, KVT, UOP4, VIAL		08	I08A, I08B, I08C, I08D, I08E, I08F, I13A, I13B, I18A, I18B, I30Z		21B	X04Z
	08	I13A, I13B, I13C, I13D		21A	W04A, W04B		08	BOP, KVT, UOP4, VIAL
5t21v.m↔	21A	W04A, W04B	5t21x.8↔		BOP, KVT, UOP4, VIAL	5t21x.m↔	21A	W04A, W04B
	21B	X04Z		08	I08A, I08B, I08C, I08D, I08E, I08F, I13A, I13B, I18A, I18B, I30Z		21B	X04Z
	08	BOP, KVT, UOP4, VIAL		21A	W04A, W04B		21A	W04A, W04B
5t21v.n↔	08	I13A, I13B, I13C, I13D	5t21x.9↔		BOP, KVT, UOP4, VIAL	5t21x.n↔	21B	X04Z
	21A	W04A, W04B		08	I08A, I08B, I08C, I08D, I08E, I08F, I13A, I13B, I18A, I18B, I30Z		08	I13A, I13B, I13C, I13D, I13E
	21B	X04Z		21A	W04A, W04B		21A	W04A, W04B
5t21v.o↔	08	BOP, KVT, UOP4, VIAL	5t21x.a↔		BOP, KVT, UOP4, VIAL	5t21x.o↔	21B	X04Z
	08	I13A, I13B, I13C, I13D		08	I08A, I08B, I08C, I08D, I08E, I08F, I13A, I13B, I18A, I18B, I30Z		08	I13A, I13B, I13C, I13D, I13E
	21A	W04A, W04B		21A	W04A, W04B		21A	W04A, W04B
5t21v.p↔	21B	X04Z	5t21x.b↔		BOP, KVT, UOP4, VIAL	5t21x.p↔	21B	X04Z
	08	BOP, KVT, UOP4, VIAL		08	I13A, I20A, I20B, I20C, I20D, I20E, I20F		21A	W04A, W04B
	08	I13A, I32A, I32B, I32C, I32D, I32E, I32F		21A	W04A, W04B		21B	X06A, X06B, X06C

VYK

ZZV	MDC	DRG	ZZV	MDC	DRG	ZZV	MDC	DRG
5t21x.m↔		BOP, KVT, UOP4, VIAL	5t21z.3↔		BOP, KVT, UOP4, VIAL	5t21z.g↔		BOP, KVT, UOP4, VIAL
	08	I13A, I13B, I13C, I13D, I13E		08	I08A, I08B, I08C, I08D, I08E, I08F, I13A, I13B, I13C, I13D, I13E		08	I08A, I08B, I08C, I08D, I08E, I08F
	21A	W04A, W04B		21A	W04A, W04B		21A	W01A, W01B, W01C, W02A, W02B
	21B	X04Z		21B	X06A, X06B, X06C		21B	X04Z
5t21x.n↔		BOP, KVT, UOP4, VIAL	5t21z.4↔		BOP, KVT, UOP4, VIAL	5t21z.h↔		BOP, KVT, UOP4, VIAL
	08	I13A, I13B, I13C, I13D, I13E		08	I08A, I08B, I08C, I08D, I08E, I08F, I18A, I18B, I30Z		01	B03A, B03B, B06A, B06B, B17A, B17B, B17C
	21A	W04A, W04B		21A	W04A, W04B		08	I08A, I08B, I08C, I08D, I08E, I08F
	21B	X04Z		21B	X06A, X06B, X06C		21A	W01A, W01B, W01C, W02A, W02B
5t21x.p↔		BOP, KVT, UOP4, VIAL	5t21z.5↔		BOP, KVT, UOP4, VIAL		21B	X04Z
	08	I13A, I13B, I13C, I13D, I13E		08	I08A, I08B, I08C, I08D, I08E, I08F, I18A, I18B, I30Z	5t21z.j↔		BOP, KVT, UOP4, VIAL
	21A	W04A, W04B		21A	W04A, W04B		08	I18A, I18B, I30Z
	21B	X04Z		21B	X06A, X06B, X06C		21A	W04A, W04B
5t21x.q↔		BOP, KVT, UOP4, VIAL	5t21z.6↔		BOP, KVT, UOP4, VIAL		21B	X04Z
	08	I13A, I13B, I13C, I13D, I13E		08	I08A, I08B, I08C, I08D, I08E, I08F, I13A, I13B, I18A, I18B, I30Z	5t21z.k↔		BOP, KVT, UOP4, VIAL
	21A	W04A, W04B		21A	W04A, W04B		08	I13A, I13B, I13C, I13D, I13E
	21B	X04Z		21B	X06A, X06B, X06C		21A	W04A, W04B
5t21x.r↔		BOP, KVT, UOP4, VIAL	5t21z.7↔		BOP, KVT, UOP4, VIAL		21B	X04Z
	08	I13A, I13B, I13C, I13D, I13E		08	I08A, I08B, I08C, I08D, I08E, I08F, I18A, I18B, I30Z	5t21z.m↔		BOP, KVT, UOP4, VIAL
	21A	W04A, W04B		21A	W04A, W04B		08	I13A, I13B, I13C, I13D, I13E
	21B	X04Z		21B	X06A, X06B, X06C		21A	W04A, W04B
5t21x.s↔		BOP, KVT, UOP4, VIAL	5t21z.8↔		BOP, KVT, UOP4, VIAL		21B	X04Z
	08	I20A, I20B, I20C, I20D, I20E, I20F		08	I08A, I08B, I08C, I08D, I08E, I08F, I18A, I18B, I30Z	5t21z.n↔		BOP, KVT, UOP4, VIAL
	21A	W04A, W04B		21A	W04A, W04B		08	I13A, I13B, I13C, I13D, I13E
	21B	X04Z		21B	X06A, X06B, X06C		21A	W04A, W04B
5t21x.t↔		BOP, KVT, UOP4, VIAL	5t21z.9↔		BOP, KVT, UOP4, VIAL		21B	X04Z
	08	I20A, I20B, I20C, I20D, I20E, I20F		08	I08A, I08B, I08C, I08D, I08E, I08F, I18A, I18B, I30Z	5t21z.p↔		BOP, KVT, UOP4, VIAL
	21A	W04A, W04B		21A	W04A, W04B		08	I13A, I13B, I13C, I13D, I13E
	21B	X04Z		21B	X06A, X06B, X06C		21A	W04A, W04B
5t21x.u↔		BOP, KVT, UOP4, VIAL	5t21z.a↔		BOP, KVT, UOP4, VIAL		21B	X04Z
	08	I20A, I20B, I20C, I20D, I20E, I20F		08	I32A, I32B, I32C, I32D, I32E, I32F, I32G	5t21z.q↔		BOP, KVT, UOP4, VIAL
	21A	W04A, W04B		21A	W04A, W04B		08	I13A, I13B, I13C, I13D, I13E
	21B	X04Z		21B	X05A, X05B		21A	W04A, W04B
5t21x.v↔		BOP, KVT, UOP4, VIAL	5t21z.b↔		BOP, KVT, UOP4, VIAL		21B	X04Z
	08	I20A, I20B, I20C, I20D, I20E, I20F		08	I32A, I32B, I32C, I32D, I32E, I32F, I32G	5t21z.r↔		BOP, KVT, UOP4, VIAL
	21A	W04A, W04B		21A	W04A, W04B		08	I13A, I13B, I13C, I13D, I13E
	21B	X04Z		21B	X05A, X05B		21A	W04A, W04B
5t21x.w↔		BOP, KVT, UOP4, VIAL	5t21z.c↔		BOP, KVT, UOP4, VIAL		21B	X04Z
	08	I20A, I20B, I20C, I20D, I20E, I20F		08	I32A, I32B, I32C, I32D, I32E, I32F, I32G	5t21z.s↔		BOP, KVT, UOP4, VIAL
	21A	W04A, W04B		21A	W04A, W04B		08	I20A, I20B, I20C, I20D, I20E, I20F
	21B	X04Z		21B	X05A, X05B		21A	W04A, W04B
5t21x.x		BOP, KVT, UOP4	5t21z.d		BOP, KVT, UOP4, VIAL		21B	X04Z
	08	I28A, I28B		08	I08A, I08B, I08C, I08D, I08E, I08F	5t21z.t↔		BOP, KVT, UOP4, VIAL
	21A	W04A, W04B		21A	W04A, W04B		08	I20A, I20B, I20C, I20D, I20E, I20F
	21B	X06A, X06B, X06C		21B	X05A, X05B		21A	W04A, W04B
5t21x.z↔		BOP, KVT, UOP4, VIAL	5t21z.e↔		BOP, KVT, UOP4, VIAL		21B	X04Z
	08	I28A, I28B, I28C		08	I08A, I08B, I08C, I08D, I08E, I08F	5t21z.u↔		BOP, KVT, UOP4, VIAL
	21A	W04A, W04B		21A	W04A, W04B		08	I20A, I20B, I20C, I20D, I20E, I20F
	21B	X06A, X06B, X06C		21B	X06A, X06B, X06C		21A	W04A, W04B
5t21z.0↔		BOP, KVT, UOP4, VIAL	5t21z.f↔		BOP, KVT, UOP4, VIAL		21B	X04Z
	08	I16Z		08	I08A, I08B, I08C, I08D, I08E, I08F	5t21z.v↔		BOP, KVT, UOP4, VIAL
	21A	W04A, W04B		21A	W01A, W01B, W01C, W02A, W02B		08	I20A, I20B, I20C, I20D, I20E, I20F
	21B	X06A, X06B, X06C		21B	X04Z		21A	W04A, W04B
5t21z.1↔		BOP, KVT, UOP4, VIAL		08	I08A, I08B, I08C, I08D, I08E, I08F		21B	X04Z
	08	I08A, I08B, I08C, I08D, I08E, I08F, I13A, I13B, I13C, I13D, I13E		21A	W01A, W01B, W01C, W02A, W02B	5t21z.w↔		BOP, KVT, UOP4, VIAL
	21A	W04A, W04B		21B	X04Z		08	I20A, I20B, I20C, I20D, I20E, I20F
	21B	X06A, X06B, X06C		21A	W01A, W01B, W01C, W02A, W02B		21A	W04A, W04B
5t21z.2↔		BOP, KVT, UOP4, VIAL		21B	X04Z		21B	X04Z
	08	I08A, I08B, I08C, I08D, I08E, I08F, I13A, I13B, I13C, I13D, I13E		08	I08A, I08B, I08C, I08D, I08E, I08F		08	I20A, I20B, I20C, I20D, I20E, I20F
	21A	W04A, W04B		21A	W01A, W01B, W01C, W02A, W02B		21A	W04A, W04B
	21B	X06A, X06B, X06C		21B	X04Z		21B	X04Z

ZZV	MDC	DRG	ZZV	MDC	DRG	ZZV	MDC	DRG
5t21z.x		BOP, KVT, UOP4	5t22a.r↔	08	BOP, KVT, UOP4, VIAL I20A, I20B, I20C, I20D, I20E, I20F	5t22z.h↔	08	BOP, KVT, UOP4, VIAL I18A, I18B, I30Z
	08	I28A, I28B				5t22z.j↔	08	BOP, KVT, UOP4, VIAL I59Z
	21A	W04A, W04B	5t22d.h↔	08	BOP, KVT, UOP4, VIAL I18A, I18B, I30Z	5t22z.k↔	08	BOP, KVT, UOP4, VIAL I59Z
	21B	X06A, X06B, X06C	5t22d.j↔	08	BOP, KVT, UOP4, VIAL I59Z	5t22z.m↔	08	BOP, KVT, UOP4, VIAL I59Z
5t21z.z↔		BOP, KVT, UOP4, VIAL	5t22d.k↔	08	BOP, KVT, UOP4, VIAL I59Z	5t22z.n↔	08	BOP, KVT, UOP4, VIAL I20A, I20B, I20C, I20D, I20E, I20F
	08	I28A, I28B, I28C	5t22d.n↔	08	BOP, KVT, UOP4, VIAL I20A, I20B, I20C, I20D, I20E, I20F	5t22z.p↔	08	BOP, KVT, UOP4, VIAL I20A, I20B, I20C, I20D, I20E, I20F
	21A	W04A, W04B	5t22d.p↔	08	BOP, KVT, UOP4, VIAL I20A, I20B, I20C, I20D, I20E, I20F	5t22z.q↔	08	BOP, KVT, UOP4, VIAL I20A, I20B, I20C, I20D, I20E, I20F
	21B	X06A, X06B, X06C	5t22d.q↔	08	BOP, KVT, UOP4, VIAL I20A, I20B, I20C, I20D, I20E, I20F	5t22z.r↔	08	BOP, KVT, UOP4, VIAL I20A, I20B, I20C, I20D, I20E, I20F
5t221.e↔		BOP, KVT, UOP4, VIAL	5t22t.e↔	08	BOP, KVT, UOP4, VIAL I08A, I08B, I08C, I08D, I08E, I08F	5t300.0↔		BOP, KVT, UOP4, VIAL F13A
	08	I08A, I08B, I08C, I08D, I08E, I08F					05	F13A
	21A	W04A, W04B	5t22t.h↔	21A	W04A, W04B		08	I12A, I12B, I12C, I16Z
	21B	X06A, X06B, X06C	5t22t.j↔	21B	X06A, X06B, X06C	5t300.1↔	21A	W04A, W04B
5t221.k↔		BOP, KVT, UOP4, VIAL	5t22t.k↔	08	BOP, KVT, UOP4, VIAL I18A, I18B, I30Z		21B	X06A, X06B, X06C
	08	I59Z	5t22t.l↔	08	BOP, KVT, UOP4, VIAL I59Z			BOP, KVT, UOP4, VIAL F13A
5t221.n↔		BOP, KVT, UOP4, VIAL	5t22t.m↔	08	BOP, KVT, UOP4, VIAL I59Z		08	I12A, I12B, I12C, I16Z
	08	I20A, I20B, I20C, I20D, I20E, I20F	5t22t.n↔	08	BOP, KVT, UOP4, VIAL I59Z		21A	W04A, W04B
5t221.p↔		BOP, KVT, UOP4, VIAL	5t22t.o↔	08	BOP, KVT, UOP4, VIAL I20A, I20B, I20C, I20D, I20E, I20F	5t300.2↔	21B	X06A, X06B, X06C
	08	I20A, I20B, I20C, I20D, I20E, I20F	5t22t.p↔	08	BOP, KVT, UOP4, VIAL I20A, I20B, I20C, I20D, I20E, I20F			BOP, KVT, UOP4, VIAL F13A
5t221.q↔		BOP, KVT, UOP4, VIAL	5t22t.q↔	08	BOP, KVT, UOP4, VIAL I20A, I20B, I20C, I20D, I20E, I20F	5t300.3↔	05	F13A
	08	I20A, I20B, I20C, I20D, I20E, I20F	5t22t.r↔	08	BOP, KVT, UOP4, VIAL I20A, I20B, I20C, I20D, I20E, I20F		08	I12A, I12B, I12C, I28A, I28B
5t221.r↔		BOP, KVT, UOP4, VIAL	5t22x.e↔	08	BOP, KVT, UOP4, VIAL I08A, I08B, I08C, I08D, I08E, I08F		10	K09A, K09B
	08	I20A, I20B, I20C, I20D, I20E, I20F				5t300.4↔	21A	W04A, W04B
5t224.e↔		BOP, KVT, UOP4, VIAL	5t22x.h↔	08	BOP, KVT, UOP4, VIAL I18A, I18B, I30Z		21B	X06A, X06B, X06C
	08	I08A, I08B, I08C, I08D, I08E, I08F	5t22x.i↔	08	BOP, KVT, UOP4, VIAL I59Z			BOP, KVT, UOP4, VIAL F13A
	21A	W04A, W04B	5t22x.j↔	08	BOP, KVT, UOP4, VIAL I59Z		08	I12A, I12B, I12C, I28A, I28B
	21B	X06A, X06B, X06C	5t22x.k↔	08	BOP, KVT, UOP4, VIAL I59Z		10	K09A, K09B
5t224.h↔		BOP, KVT, UOP4, VIAL	5t22x.l↔	08	BOP, KVT, UOP4, VIAL I59Z		21A	W04A, W04B
	08	I18A, I18B, I30Z	5t22x.m↔	08	BOP, KVT, UOP4, VIAL I20A, I20B, I20C, I20D, I20E, I20F	5t300.5↔	21B	X06A, X06B, X06C
5t224.j↔		BOP, KVT, UOP4, VIAL	5t22x.n↔	08	BOP, KVT, UOP4, VIAL I20A, I20B, I20C, I20D, I20E, I20F			BOP, KVT, UOP4, VIAL F13A
	08	I59Z	5t22x.o↔	08	BOP, KVT, UOP4, VIAL I20A, I20B, I20C, I20D, I20E, I20F		05	F13A
5t224.k↔		BOP, KVT, UOP4, VIAL	5t22x.p↔	08	BOP, KVT, UOP4, VIAL I20A, I20B, I20C, I20D, I20E, I20F		08	I08A, I08B, I08C, I08D, I08E, I08F, I12A, I12B, I12C, I21Z, I31Z
	08	I59Z	5t22x.q↔	08	BOP, KVT, UOP4, VIAL I20A, I20B, I20C, I20D, I20E, I20F		10	K09A, K09B
5t224.n↔		BOP, KVT, UOP4, VIAL	5t22x.r↔	08	BOP, KVT, UOP4, VIAL I20A, I20B, I20C, I20D, I20E, I20F		21A	W04A, W04B
	08	I20A, I20B, I20C, I20D, I20E, I20F	5t22x.s↔	08	BOP, KVT, UOP4, VIAL I20A, I20B, I20C, I20D, I20E, I20F		21B	X06A, X06B, X06C
5t224.p↔		BOP, KVT, UOP4, VIAL	5t22z.e↔	08	BOP, KVT, UOP4, VIAL I08A, I08B, I08C, I08D, I08E, I08F			BOP, KVT, UOP4, VIAL F13A
	08	I20A, I20B, I20C, I20D, I20E, I20F				5t300.6↔	05	F13A
5t224.q↔		BOP, KVT, UOP4, VIAL					08	I08A, I08B, I08C, I08D, I08E, I08F, I12A, I12B, I12C, I32A, I32B, I32C, I32D, I32E, I32F
	08	I20A, I20B, I20C, I20D, I20E, I20F	5t22z.h↔	21A	W04A, W04B		21A	W04A, W04B
5t224.r↔		BOP, KVT, UOP4, VIAL	5t22z.i↔	21B	X06A, X06B, X06C		21B	X05A, X05B
	08	I20A, I20B, I20C, I20D, I20E, I20F						
5t229.h↔		BOP, KVT, UOP4, VIAL						
	08	I18A, I18B, I30Z						
5t229.k↔		BOP, KVT, UOP4, VIAL						
	08	I59Z						
5t22a.h↔		BOP, KVT, UOP4, VIAL						
	08	I18A, I18B, I30Z						
5t22a.j↔		BOP, KVT, UOP4, VIAL						
	08	I59Z						
5t22a.k↔		BOP, KVT, UOP4, VIAL						
	08	I59Z						
5t22a.n↔		BOP, KVT, UOP4, VIAL						
	08	I20A, I20B, I20C, I20D, I20E, I20F						
5t22a.p↔		BOP, KVT, UOP4, VIAL						
	08	I20A, I20B, I20C, I20D, I20E, I20F						
5t22a.q↔		BOP, KVT, UOP4, VIAL						
	08	I20A, I20B, I20C, I20D, I20E, I20F						

VYK

ZZV	MDC	DRG	ZZV	MDC	DRG	ZZV	MDC	DRG
5t300.8↔		BOP, KVT, UOP4, VIAL	5t300.p↔		BOP, KVT, UOP4, VIAL	5t301.6↔		BOP, KVT, UOP4, VIAL
	05	F13A		05	F13A		05	F13A
	08	I12A, I12B, I12C, I32A, I32B, I32C, I32D, I32E, I32F		08	I12A, I12B, I12C, I20A, I20B, I20C, I20D		08	I08A, I08B, I08C, I08D, I08E, I08F, I32A, I32B, I32C, I32D, I32E, I32F
	21A	W04A, W04B		10	K09A, K09B		21A	W04A, W04B
5t300.9↔	21B	X05A, X05B		21A	W04A, W04B		21B	X05A, X05B
		BOP, KVT, UOP4, VIAL	5t300.q↔		BOP, KVT, UOP4, VIAL	5t301.8↔		BOP, KVT, UOP4, VIAL
	05	F13A		05	F13A		05	F13A
	08	I12A, I12B, I12C, I32A, I32B, I32C, I32D, I32E, I32F		08	I12A, I12B, I12C, I20A, I20B, I20C, I20D, I20E, I20F		08	I32A, I32B, I32C, I32D, I32E, I32F
	21A	W04A, W04B		10	K09A, K09B		21A	W04A, W04B
5t300.e↔	21B	X05A, X05B		21A	W04A, W04B		21B	X05A, X05B
		BOP, KVT, UOP4, VIAL	5t300.r↔		BOP, KVT, UOP4, VIAL	5t301.9↔		BOP, KVT, UOP4, VIAL
	05	F13A		05	F13A		05	F13A
	08	I08A, I08B, I08C, I08D, I08E, I08F, I12A, I12B, I12C, I28A, I28B		08	I12A, I12B, I12C, I20A, I20B, I20C, I20D, I20E, I20F		08	I32A, I32B, I32C, I32D, I32E, I32F
	10	K09A, K09B		10	K09A, K09B		21A	W04A, W04B
	21A	W04A, W04B		21A	W04A, W04B		21B	X05A, X05B
	21B	X04Z, X06A, X06B, X06C		21A	W04A, W04B	5t301.e↔		BOP, KVT, UOP4, VIAL
5t300.f		BOP, KVT, UOP4, VIAL	5t300.x		BOP, KVT, UOP4		05	F13A
	05	F13A		05	F13A		08	I08A, I08B, I08C, I08D, I08E, I08F, I28A, I28B
	08	I12A, I12B, I12C, I28A, I28B		08	I12A, I12B, I12C, I28A, I28B		10	K09A, K09B
	10	K09A, K09B		10	K09A, K09B		21A	W04A, W04B
	21A	W04A, W04B		21A	W04A, W04B		21B	X04Z, X06A, X06B, X06C
	21B	X04Z, X06A, X06B, X06C		21A	W04A, W04B	5t301.f		BOP, KVT, UOP4, VIAL
5t300.g↔		BOP, KVT, UOP4, VIAL		21B	X06A, X06B, X06C		05	F13A
	05	F13A	5t301.0↔		BOP, KVT, UOP4, VIAL		08	I28A, I28B
	08	I08A, I08B, I08C, I08D, I08E, I08F		05	F13A		10	K09A, K09B
	21A	W01A, W01B, W01C, W02A, W02B		08	I16Z		21A	W04A, W04B
	21B	X04Z		21A	W04A, W04B		21B	X04Z, X06A, X06B, X06C
5t300.h↔		BOP, KVT, UOP4, VIAL	5t301.1↔		BOP, KVT, UOP4, VIAL	5t301.g↔		BOP, KVT, UOP4, VIAL
	05	F13A		05	F13A		05	F13A
	08	I12A, I12B, I18A, I18B, I30Z		08	I16Z		08	I08A, I08B, I08C, I08D, I08E, I08F
	10	K09A, K09B		21A	W04A, W04B		21A	W01A, W01B, W01C, W02A, W02B
	21A	W04A, W04B		21B	X06A, X06B, X06C		21B	X04Z
	21B	X04Z	5t301.2↔		BOP, KVT, UOP4, VIAL	5t301.h↔		BOP, KVT, UOP4, VIAL
5t300.j↔		BOP, KVT, UOP4, VIAL		05	F13A		05	F13A
	05	F13A		08	I28A, I28B		08	I18A, I18B, I30Z
	08	I12A, I12B, I12C, I18A, I18B, I30Z		10	K09A, K09B		21A	W04A, W04B
	10	K09A, K09B		21A	W04A, W04B		21B	X04Z
	21A	W04A, W04B	5t301.3↔		BOP, KVT, UOP4, VIAL	5t301.j↔		BOP, KVT, UOP4, VIAL
	21B	X04Z		05	F13A		05	F13A
5t300.k↔		BOP, KVT, UOP4, VIAL		08	I28A, I28B		08	I18A, I18B, I30Z
	05	F13A		10	K09A, K09B		21A	W04A, W04B
	08	I12A, I12B, I12C, I13A, I13B, I13C, I13D		21A	W04A, W04B		21B	X04Z
	10	K09A, K09B		21B	X06A, X06B, X06C	5t301.k↔		BOP, KVT, UOP4, VIAL
	21A	W04A, W04B			BOP, KVT, UOP4, VIAL		05	F13A
	21B	X04Z		05	F13A		21A	W04A, W04B
5t300.m↔		BOP, KVT, UOP4, VIAL		08	I08A, I08B, I08C, I08D, I08E, I08F, I21Z, I31Z		21B	X04Z
	05	F13A		10	K09A, K09B	5t301.m↔		BOP, KVT, UOP4, VIAL
	08	I12A, I12B, I12C, I20A, I20B, I20C, I20D		21A	W04A, W04B		05	F13A
	10	K09A, K09B		21B	X06A, X06B, X06C		08	I20A, I20B, I20C, I20D, I20E, I20F
	21A	W04A, W04B	5t301.5↔		BOP, KVT, UOP4, VIAL		10	K09A, K09B
	21B	X04Z		05	F13A		21A	W04A, W04B
5t300.n↔		BOP, KVT, UOP4, VIAL		08	I08A, I08B, I08C, I08D, I08E, I08F, I21Z, I31Z		21B	X04Z
	05	F13A		10	K09A, K09B	5t301.n↔		BOP, KVT, UOP4, VIAL
	08	I12A, I12B, I12C, I20A, I20B, I20C, I20D		21A	W04A, W04B		05	F13A
	10	K09A, K09B		21B	X06A, X06B, X06C		08	I20A, I20B, I20C, I20D, I20E, I20F
	21A	W04A, W04B			BOP, KVT, UOP4, VIAL		10	K09A, K09B
	21B	X04Z		05	F13A		21A	W04A, W04B
				08	I08A, I08B, I08C, I08D, I08E, I08F, I21Z, I31Z		21B	X04Z

VYK

ZZV	MDC	DRG	ZZV	MDC	DRG	ZZV	MDC	DRG
5t301.p↔		BOP, KVT, UOP4, VIAL	5t302.6↔		BOP, KVT, UOP4, VIAL	5t302.n↔		BOP, KVT, UOP4, VIAL
	05	F13A		05	F13A		05	F13A
	08	I20A, I20B, I20C, I20D, I20E, I20F		08	I08A, I08B, I08C, I08D, I08E, I08F, I12A, I12B, I12C, I32A, I32B, I32C, I32D, I32E, I32F		08	I12A, I12B, I12C, I20A, I20B, I20C, I20D, I20E, I20F
	10	K09A, K09B		21A	W04A, W04B		10	K09A, K09B
	21A	W04A, W04B		21B	X05A, X05B		21A	W04A, W04B
	21B	X04Z					21B	X04Z
5t301.q↔		BOP, KVT, UOP4, VIAL	5t302.8↔		BOP, KVT, UOP4, VIAL	5t302.p↔		BOP, KVT, UOP4, VIAL
	05	F13A		05	F13A		05	F13A
	08	I20A, I20B, I20C, I20D, I20E, I20F		08	I12A, I12B, I12C, I32A, I32B, I32C, I32D, I32E, I32F		08	I12A, I12B, I12C, I20A, I20B, I20C, I20D, I20E, I20F
	10	K09A, K09B		21A	W04A, W04B		10	K09A, K09B
	21A	W04A, W04B		21B	X05A, X05B		21A	W04A, W04B
	21B	X04Z	5t302.9↔		BOP, KVT, UOP4, VIAL		21B	X04Z
5t301.r↔		BOP, KVT, UOP4, VIAL		05	F13A	5t302.q↔		BOP, KVT, UOP4, VIAL
	05	F13A		08	I12A, I12B, I12C, I32A, I32B, I32C, I32D, I32E, I32F		05	F13A
	08	I20A, I20B, I20C, I20D, I20E, I20F		21A	W04A, W04B		08	I12A, I12B, I12C, I20A, I20B, I20C, I20D, I20E, I20F
	10	K09A, K09B		21B	X05A, X05B		10	K09A, K09B
	21A	W04A, W04B	5t302.e↔		BOP, KVT, UOP4, VIAL		21A	W04A, W04B
	21B	X04Z		05	F13A		21B	X04Z
5t301.x		BOP, KVT, UOP4		08	I08A, I08B, I08C, I08D, I08E, I08F, I12A, I12B, I12C, I28A, I28B	5t302.r↔		BOP, KVT, UOP4, VIAL
	05	F13A		10	K09A, K09B		05	F13A
	08	I28A, I28B		21A	W04A, W04B		08	I12A, I12B, I12C, I20A, I20B, I20C, I20D, I20E, I20F
	10	K09A, K09B		21B	X04Z, X06A, X06B, X06C		10	K09A, K09B
	21A	W04A, W04B	5t302.f		BOP, KVT, UOP4, VIAL		21A	W04A, W04B
	21B	X06A, X06B, X06C		05	F13A		21B	X04Z
5t302.0↔		BOP, KVT, UOP4, VIAL		08	I12A, I12B, I12C, I28A, I28B	5t302.x		BOP, KVT, UOP4
	05	F13A		10	K09A, K09B		05	F13A
	08	I12A, I12B, I12C, I16Z		21A	W04A, W04B		08	I12A, I12B, I12C, I28A, I28B
	21A	W04A, W04B		21B	X04Z, X06A, X06B, X06C		10	K09A, K09B
	21B	X06A, X06B, X06C	5t302.g↔		BOP, KVT, UOP4, VIAL		21A	W04A, W04B
5t302.1↔		BOP, KVT, UOP4, VIAL		05	F13A		21B	X06A, X06B, X06C
	05	F13A		08	I12A, I12B, I12C, I18A, I18B, I30Z	5t303.0↔		BOP, KVT, UOP4, VIAL
	08	I12A, I12B, I12C, I16Z		21A	W04A, W04B		05	F13A
	21A	W04A, W04B	5t302.h↔		BOP, KVT, UOP4, VIAL		08	I12A, I12B, I12C, I16Z
	21B	X06A, X06B, X06C		05	F13A		21A	W04A, W04B
5t302.2↔		BOP, KVT, UOP4, VIAL		08	I12A, I12B, I12C, I18A, I18B, I30Z	5t303.1↔		BOP, KVT, UOP4, VIAL
	05	F13A		21A	W04A, W04B		05	F13A
	08	I12A, I12B, I12C, I28A, I28B		21B	X06A, X06B, X06C		08	I12A, I12B, I12C, I16Z
	10	K09A, K09B					21A	W04A, W04B
	21A	W04A, W04B	5t302.i↔		BOP, KVT, UOP4, VIAL		21B	X06A, X06B, X06C
	21B	X06A, X06B, X06C		05	F13A	5t303.2↔		BOP, KVT, UOP4, VIAL
5t302.3↔		BOP, KVT, UOP4, VIAL		08	I12A, I12B, I12C, I18A, I18B, I30Z		05	F13A
	05	F13A		21A	W04A, W04B		08	I12A, I12B, I12C, I28A, I28B
	08	I12A, I12B, I12C, I28A, I28B		21B	X04Z		21A	W04A, W04B
	10	K09A, K09B	5t302.j↔		BOP, KVT, UOP4, VIAL		21B	X06A, X06B, X06C
	21A	W04A, W04B		05	F13A	5t303.3↔		BOP, KVT, UOP4, VIAL
	21B	X06A, X06B, X06C		08	I12A, I12B, I12C, I18A, I18B, I30Z		05	F13A
5t302.4↔		BOP, KVT, UOP4, VIAL		21A	W04A, W04B		08	I12A, I12B, I12C, I28A, I28B
	05	F13A		21B	X04Z		21A	W04A, W04B
	08	I08A, I08B, I08C, I08D, I08E, I08F, I12A, I12B, I12C, I21Z, I31Z	5t302.k↔		BOP, KVT, UOP4, VIAL		21B	X06A, X06B, X06C
	10	K09A, K09B		05	F13A	5t303.4↔		BOP, KVT, UOP4, VIAL
	21A	W04A, W04B		08	I12A, I12B, I12C		05	F13A
	21B	X06A, X06B, X06C		21A	W04A, W04B		08	I08A, I08B, I08C, I08D, I08E, I08F, I12A, I12B, I12C, I21Z, I31Z
5t302.5↔		BOP, KVT, UOP4, VIAL		21B	X04Z		21A	W04A, W04B
	05	F13A	5t302.m↔		BOP, KVT, UOP4, VIAL		21B	X06A, X06B, X06C
	08	I08A, I08B, I08C, I08D, I08E, I08F, I12A, I12B, I12C, I21Z, I31Z		05	F13A	5t303.5↔		BOP, KVT, UOP4, VIAL
	10	K09A, K09B		08	I12A, I12B, I12C, I20A, I20B, I20C, I20D, I20E, I20F		05	F13A
	21A	W04A, W04B		10	K09A, K09B		08	I08A, I08B, I08C, I08D, I08E, I08F, I12A, I12B, I12C, I21Z, I31Z
	21B	X06A, X06B, X06C		21A	W04A, W04B		21A	W04A, W04B
				21B	X04Z		21B	X06A, X06B, X06C

ZZV	MDC	DRG	ZZV	MDC	DRG	ZZV	MDC	DRG
5t303.6↔		BOP, KVT, UOP4, VIAL	5t303.m↔		BOP, KVT, UOP4, VIAL	5t304.5↔		BOP, KVT, UOP4, VIAL
	05	F13A		05	F13A		05	F13A
	08	I08A, I08B, I08C, I08D, I08E, I08F, I12A, I12B, I12C, I32A, I32B, I32C, I32D, I32E, I32F		08	I12A, I12B, I12C, I20A, I20B, I20C, I20D		08	I08A, I08B, I08C, I08D, I08E, I08F, I12A, I12B, I12C, I21Z, I31Z
	09	J03A, J03B, J04A, J04B, J08A, J08B, J08C, J11A, J11B, J16Z		21A	W04A, W04B		21A	W04A, W04B
	21A	W04A, W04B		21B	X04Z		21B	X06A, X06B, X06C
5t303.8↔		BOP, KVT, UOP4, VIAL	5t303.n↔		BOP, KVT, UOP4, VIAL	5t304.6↔		BOP, KVT, UOP4, VIAL
	05	F13A		05	F13A		05	F13A
	08	I12A, I12B, I12C, I32A, I32B, I32C, I32D, I32E, I32F		08	I12A, I12B, I12C, I20A, I20B, I20C, I20D		08	I08A, I08B, I08C, I08D, I08E, I08F, I12A, I12B, I12C, I32A, I32B, I32C, I32D, I32E, I32F
	09	J03A, J03B, J04A, J04B, J08A, J08B, J08C, J11A, J11B, J16Z		21A	W04A, W04B		09	J03A, J03B, J04A, J04B, J08A, J08B, J08C, J11A, J11B, J16Z
	21A	W04A, W04B		21B	X04Z		21A	W04A, W04B
5t303.9↔		BOP, KVT, UOP4, VIAL	5t303.p↔		BOP, KVT, UOP4, VIAL	5t304.8↔		BOP, KVT, UOP4, VIAL
	05	F13A		05	F13A		05	F13A
	08	I12A, I12B, I12C, I32A, I32B, I32C, I32D, I32E, I32F		08	I12A, I12B, I12C, I20A, I20B, I20C, I20D, I20E, I20F		08	I12A, I12B, I12C, I32A, I32B, I32C, I32D, I32E, I32F
	09	J03A, J03B, J04A, J04B, J08A, J08B, J08C, J11A, J11B, J16Z		21A	W04A, W04B		09	J03A, J03B, J04A, J04B, J08A, J08B, J08C, J11A, J11B, J16Z
	21A	W04A, W04B		21B	X04Z		21A	W04A, W04B
5t303.e↔		BOP, KVT, UOP4, VIAL	5t303.q↔		BOP, KVT, UOP4, VIAL	5t304.9↔		BOP, KVT, UOP4, VIAL
	05	F13A		05	F13A		05	F13A
	08	I08A, I08B, I08C, I08D, I08E, I08F, I12A, I12B, I12C, I28A, I28B		08	I12A, I12B, I12C, I20A, I20B, I20C, I20D, I20E, I20F		08	I12A, I12B, I12C, I32A, I32B, I32C, I32D, I32E, I32F
	21A	W04A, W04B		21A	W04A, W04B		09	J03A, J03B, J04A, J04B, J08A, J08B, J08C, J11A, J11B, J16Z
	21B	X05A, X05B		21B	X04Z		21A	W04A, W04B
5t303.f		BOP, KVT, UOP4, VIAL	5t303.r↔		BOP, KVT, UOP4, VIAL	5t304.e↔		BOP, KVT, UOP4, VIAL
	05	F13A		05	F13A		05	F13A
	08	I08A, I08B, I08C, I08D, I08E, I08F, I12A, I12B, I12C, I28A, I28B		08	I12A, I12B, I12C, I20A, I20B, I20C, I20D, I20E, I20F		08	I12A, I12B, I12C, I32A, I32B, I32C, I32D, I32E, I32F
	21A	W04A, W04B		21A	W04A, W04B		09	J03A, J03B, J04A, J04B, J08A, J08B, J08C, J11A, J11B, J16Z
	21B	X04Z, X06A, X06B, X06C		21B	X04Z		21A	W04A, W04B
5t303.g↔		BOP, KVT, UOP4, VIAL	5t303.x		BOP, KVT, UOP4	5t304.f		BOP, KVT, UOP4, VIAL
	05	F13A		05	F13A		05	F13A
	08	I08A, I08B, I08C, I08D, I08E, I08F		08	I12A, I12B, I12C, I28A, I28B		08	I08A, I08B, I08C, I08D, I08E, I08F, I12A, I12B, I12C, I27A, I27B, I27C, I27D
	21A	W01A, W01B, W01C, W02A, W02B		21A	W04A, W04B		21A	W04A, W04B
	21B	X04Z		21B	X06A, X06B, X06C		21B	X05A, X05B
5t303.h↔		BOP, KVT, UOP4, VIAL	5t304.0↔		BOP, KVT, UOP4, VIAL	5t304.g↔		BOP, KVT, UOP4, VIAL
	05	F13A		05	F13A		05	F13A
	08	I12A, I12B, I12C, I18A, I18B, I30Z		08	I12A, I12B, I12C, I16Z		08	I08A, I08B, I08C, I08D, I08E, I08F, I12A, I12B, I12C, I27A, I27B, I27C, I27D
	21A	W04A, W04B		21A	W04A, W04B		21A	W04A, W04B
	21B	X04Z		21B	X06A, X06B, X06C		21B	X04Z, X06A, X06B, X06C
5t303.j↔		BOP, KVT, UOP4, VIAL	5t304.1↔		BOP, KVT, UOP4, VIAL	5t304.h↔		BOP, KVT, UOP4, VIAL
	05	F13A		05	F13A		05	F13A
	08	I12A, I12B, I12C, I18A, I18B, I30Z		08	I12A, I12B, I12C, I16Z		08	I12A, I12B, I12C, I27A, I27B, I27C, I27D
	21A	W04A, W04B		21A	W04A, W04B		21A	W04A, W04B
	21B	X04Z		21B	X06A, X06B, X06C		21B	X04Z, X06A, X06B, X06C
5t303.k↔		BOP, KVT, UOP4, VIAL	5t304.2↔		BOP, KVT, UOP4, VIAL	5t304.i↔		BOP, KVT, UOP4, VIAL
	05	F13A		05	F13A		05	F13A
	08	I12A, I12B, I12C, I13A, I13B, I13C, I13D		08	I12A, I12B, I12C, I27A, I27B, I27C, I27D		08	I12A, I12B, I12C, I27A, I27B, I27C, I27D
	21A	W04A, W04B		21A	W04A, W04B		21A	W04A, W04B
	21B	X04Z		21B	X06A, X06B, X06C		21B	X04Z, X06A, X06B, X06C
		BOP, KVT, UOP4, VIAL	5t304.3↔		BOP, KVT, UOP4, VIAL	5t304.j↔		BOP, KVT, UOP4, VIAL
	05	F13A		05	F13A		05	F13A
	08	I12A, I12B, I12C, I13A, I13B, I13C, I13D		08	I12A, I12B, I12C, I27A, I27B, I27C, I27D		08	I12A, I12B, I12C, I18A, I18B, I30Z
	21A	W04A, W04B		21A	W04A, W04B		21A	W04A, W04B
	21B	X04Z		21B	X06A, X06B, X06C		21B	X04Z
		BOP, KVT, UOP4, VIAL	5t304.4↔		BOP, KVT, UOP4, VIAL			BOP, KVT, UOP4, VIAL
	05	F13A		05	F13A		05	F13A
	08	I12A, I12B, I12C, I13A, I13B, I13C, I13D		08	I08A, I08B, I08C, I08D, I08E, I08F, I12A, I12B, I12C, I21Z, I31Z		08	I12A, I12B, I12C, I18A, I18B, I30Z
	21A	W04A, W04B		21A	W04A, W04B		21A	W04A, W04B
	21B	X04Z		21B	X06A, X06B, X06C		21B	X04Z



ZZV	MDC	DRG	ZZV	MDC	DRG	ZZV	MDC	DRG
5t304.k↔		BOP, KVT, UOP4, VIAL	5t305.4↔		BOP, KVT, UOP4, VIAL	5t305.j↔		BOP, KVT, UOP4, VIAL
	05	F13A		05	F13A		05	F13A
	08	I12A, I12B, I12C, I13A, I13B, I13C, I13D		08	I08A, I08B, I08C, I08D, I08E, I08F, I12A, I12B, I12C, I21Z, I31Z		08	I12A, I12B, I12C, I18A, I18B, I30Z
	21A	W04A, W04B		21A	W04A, W04B		21A	W04A, W04B
5t304.m↔	21B	X04Z	21B	X06A, X06B, X06C	21B	X04Z		
		BOP, KVT, UOP4, VIAL	5t305.5↔		BOP, KVT, UOP4, VIAL	5t305.k↔		BOP, KVT, UOP4, VIAL
	05	F13A		05	F13A		05	F13A
	08	I12A, I12B, I12C, I20A, I20B, I20C, I20D, I20E, I20F		08	I08A, I08B, I08C, I08D, I08E, I08F, I12A, I12B, I12C, I21Z, I31Z		08	I12A, I12B, I12C, I13A, I13B, I13C, I13D
21A	W04A, W04B	21A		W04A, W04B	21A		W04A, W04B	
5t304.n↔	21B	X04Z	21B	X06A, X06B, X06C	21B	X04Z		
		BOP, KVT, UOP4, VIAL	5t305.6↔		BOP, KVT, UOP4, VIAL	5t305.m↔		BOP, KVT, UOP4, VIAL
	05	F13A		05	F13A		05	F13A
	08	I12A, I12B, I12C, I20A, I20B, I20C, I20D, I20E, I20F		08	I08A, I08B, I08C, I08D, I08E, I08F, I12A, I12B, I12C, I32A, I32B, I32C, I32D, I32E, I32F		08	I12A, I12B, I12C, I20A, I20B, I20C, I20D
21A	W04A, W04B	21A		W04A, W04B	21A		W04A, W04B	
5t304.p↔	21B	X04Z	21B	X05A, X05B	21B	X04Z		
		BOP, KVT, UOP4, VIAL	5t305.8↔		BOP, KVT, UOP4, VIAL	5t305.n↔		BOP, KVT, UOP4, VIAL
	05	F13A		05	F13A		05	F13A
	08	I12A, I12B, I12C, I20A, I20B, I20C, I20D, I20E, I20F		08	I12A, I12B, I12C, I32A, I32B, I32C, I32D, I32E, I32F		08	I12A, I12B, I12C, I20A, I20B, I20C, I20D
21A	W04A, W04B	09		J03A, J03B, J04A, J04B, J08A, J08B, J08C, J11A, J11B, J16Z	21A		W04A, W04B	
5t304.q↔	21B	X04Z	21B	X05A, X05B	21B	X04Z		
		BOP, KVT, UOP4, VIAL	5t305.9↔		BOP, KVT, UOP4, VIAL	5t305.p↔		BOP, KVT, UOP4, VIAL
	05	F13A		05	F13A		05	F13A
	08	I12A, I12B, I12C, I20A, I20B, I20C, I20D, I20E, I20F		08	I12A, I12B, I12C, I32A, I32B, I32C, I32D, I32E, I32F		08	I12A, I12B, I12C, I20A, I20B, I20C, I20D
21A	W04A, W04B	09		J03A, J03B, J04A, J04B, J08A, J08B, J08C, J11A, J11B, J16Z	21A		W04A, W04B	
5t304.r↔	21B	X04Z	21B	X05A, X05B	21B	X04Z		
		BOP, KVT, UOP4, VIAL	5t305.e↔		BOP, KVT, UOP4, VIAL	5t305.q↔		BOP, KVT, UOP4, VIAL
	05	F13A		05	F13A		05	F13A
	08	I12A, I12B, I12C, I20A, I20B, I20C, I20D, I20E, I20F		08	I12A, I12B, I12C, I32A, I32B, I32C, I32D, I32E, I32F		08	I12A, I12B, I12C, I20A, I20B, I20C, I20D, I20E, I20F
21A	W04A, W04B	21A		W04A, W04B	21A		W04A, W04B	
5t304.x	21B	X04Z	21B	X05A, X05B	21B	X04Z		
		BOP, KVT, UOP4	5t305.f		BOP, KVT, UOP4, VIAL	5t305.r↔		BOP, KVT, UOP4, VIAL
	05	F13A		05	F13A		05	F13A
	08	I12A, I12B, I12C, I27A, I27B, I27C, I27D		08	I12A, I12B, I12C, I32A, I32B, I32C, I32D, I32E, I32F		08	I12A, I12B, I12C, I20A, I20B, I20C, I20D, I20E, I20F
21A	W04A, W04B	09		J03A, J03B, J04A, J04B, J08A, J08B, J08C, J11A, J11B, J16Z	21A		W04A, W04B	
5t305.0↔	21B	X06A, X06B, X06C	21B	X05A, X05B	21B	X04Z		
		BOP, KVT, UOP4, VIAL	5t305.g↔		BOP, KVT, UOP4, VIAL	5t305.x		BOP, KVT, UOP4
	05	F13A		05	F13A		05	F13A
	08	I12A, I12B, I12C, I16Z		08	I08A, I08B, I08C, I08D, I08E, I08F, I12A, I12B, I12C, I27A, I27B, I27C, I27D		08	I12A, I12B, I12C, I27A, I27B, I27C, I27D
21A	W04A, W04B	21A		W04A, W04B	21A		W04A, W04B	
5t305.1↔	21B	X06A, X06B, X06C	21B	X04Z, X06A, X06B, X06C	21B	X06A, X06B, X06C		
		BOP, KVT, UOP4, VIAL	5t305.h↔		BOP, KVT, UOP4, VIAL	5t306.0↔		BOP, KVT, UOP4, VIAL
	05	F13A		05	F13A		08	I12A, I12B, I12C, I16Z
	08	I12A, I12B, I12C, I16Z		08	I12A, I12B, I12C, I27A, I27B, I27C, I27D		21A	W04A, W04B
21A	W04A, W04B	21A		W04A, W04B	21B		X06A, X06B, X06C	
5t305.2↔	21B	X06A, X06B, X06C	21B	X04Z, X06A, X06B, X06C	21B	X06A, X06B, X06C		
		BOP, KVT, UOP4, VIAL	5t305.i↔		BOP, KVT, UOP4, VIAL	5t306.1↔		BOP, KVT, UOP4, VIAL
	05	F13A		05	F13A		08	I12A, I12B, I12C, I16Z
	08	I12A, I12B, I12C, I27A, I27B, I27C, I27D		08	I12A, I12B, I12C, I27A, I27B, I27C, I27D		21A	W04A, W04B
21A	W04A, W04B	21A		W04A, W04B	21B		X06A, X06B, X06C	
5t305.3↔	21B	X06A, X06B, X06C	21B	X04Z, X06A, X06B, X06C	21B	X06A, X06B, X06C		
		BOP, KVT, UOP4, VIAL	5t305.j↔		BOP, KVT, UOP4, VIAL	5t306.2↔		BOP, KVT, UOP4, VIAL
	05	F13A		05	F13A		08	I12A, I12B, I12C, I28A, I28B
	08	I12A, I12B, I12C, I27A, I27B, I27C, I27D		08	I12A, I12B, I12C, I27A, I27B, I27C, I27D		21A	W04A, W04B
21A	W04A, W04B	21A		W04A, W04B	21B		X06A, X06B, X06C	
5t305.4↔	21B	X06A, X06B, X06C	21B	X04Z, X06A, X06B, X06C	21B	X06A, X06B, X06C		
		BOP, KVT, UOP4, VIAL	5t305.k↔		BOP, KVT, UOP4, VIAL	5t306.3↔		BOP, KVT, UOP4, VIAL
	05	F13A		05	F13A		08	I12A, I12B, I12C, I28A, I28B
	08	I12A, I12B, I12C, I27A, I27B, I27C, I27D		08	I12A, I12B, I12C, I27A, I27B, I27C, I27D		21A	W04A, W04B
21A	W04A, W04B	21A		W04A, W04B	21B		X06A, X06B, X06C	

ZZV	MDC	DRG	ZZV	MDC	DRG	ZZV	MDC	DRG
5t306.4↔		BOP, KVT, UOP4, VIAL	5t306.q↔		BOP, KVT, UOP4, VIAL	5t307.e↔		BOP, KVT, UOP4, VIAL
	08	I08A, I08B, I08C, I08D, I08E, I08F, I12A, I12B, I12C, I21Z, I31Z		08	I12A, I12B, I12C, I20A, I20B, I20C, I20D, I20E, I20F		08	I08A, I08B, I08C, I08D, I08E, I08F, I12A, I12B, I12C, I23A
	21A	W04A, W04B		21A	W04A, W04B		21A	W04A, W04B
	21B	X06A, X06B, X06C		21B	X04Z		21B	X04Z, X06A, X06B, X06C
5t306.5↔		BOP, KVT, UOP4, VIAL	5t306.r↔		BOP, KVT, UOP4, VIAL	5t307.f		BOP, KVT, UOP4, VIAL
	08	I08A, I08B, I08C, I08D, I08E, I08F, I12A, I12B, I12C, I21Z, I31Z		08	I12A, I12B, I12C, I20A, I20B, I20C, I20D, I20E, I20F		08	I12A, I12B, I12C, I23A, I23B
	21A	W04A, W04B		21A	W04A, W04B		21A	W04A, W04B
	21B	X06A, X06B, X06C		21B	X04Z		21B	X04Z, X06A, X06B, X06C
5t306.6↔		BOP, KVT, UOP4, VIAL	5t306.x		BOP, KVT, UOP4	5t307.g↔		BOP, KVT, UOP4, VIAL
	08	I08A, I08B, I08C, I08D, I08E, I08F, I12A, I12B, I12C, I32A, I32B, I32C, I32D, I32E, I32F		08	I12A, I12B, I12C, I28A, I28B		08	I08A, I08B, I08C, I08D, I08E, I08F
	21A	W04A, W04B		21A	W04A, W04B		21A	W01A, W01B, W01C, W02A, W02B
	21B	X05A, X05B		21B	X06A, X06B, X06C		21B	X04Z
5t306.8↔		BOP, KVT, UOP4, VIAL	5t307.0↔		BOP, KVT, UOP4, VIAL	5t307.h↔		BOP, KVT, UOP4, VIAL
	08	I12A, I12B, I12C, I32A, I32B, I32C, I32D, I32E, I32F		08	I12A, I12B, I12C, I16Z		08	I12A, I12B, I12C, I18A, I18B, I30Z
	21A	W04A, W04B		21A	W04A, W04B		21A	W04A, W04B
	21B	X05A, X05B		21B	X06A, X06B, X06C		21B	X04Z
5t306.9↔		BOP, KVT, UOP4, VIAL	5t307.1↔		BOP, KVT, UOP4, VIAL	5t307.j↔		BOP, KVT, UOP4, VIAL
	08	I12A, I12B, I12C, I32A, I32B, I32C, I32D, I32E, I32F		08	I12A, I12B, I12C, I16Z		08	I12A, I12B, I12C, I18A, I18B, I30Z
	21A	W04A, W04B		21A	W04A, W04B		21A	W04A, W04B
	21B	X05A, X05B		21B	X06A, X06B, X06C		21B	X04Z
5t306.e↔		BOP, KVT, UOP4, VIAL	5t307.2↔		BOP, KVT, UOP4, VIAL	5t307.k↔		BOP, KVT, UOP4, VIAL
	08	I08A, I08B, I08C, I08D, I08E, I08F		08	I12A, I12B, I12C, I23A, I23B		08	I12A, I12B, I12C, I13A, I13B, I13C, I13D
	21A	W04A, W04B		21A	W04A, W04B		21A	W04A, W04B
	21B	X05A, X05B		21B	X06A, X06B, X06C		21B	X04Z
5t306.g↔		BOP, KVT, UOP4, VIAL	5t307.3↔		BOP, KVT, UOP4, VIAL	5t307.l↔		BOP, KVT, UOP4, VIAL
	08	I08A, I08B, I08C, I08D, I08E, I08F		08	I12A, I12B, I12C, I23A, I23B		08	I12A, I12B, I12C, I20A, I20B, I20C, I20D, I20E, I20F
	21A	W01A, W01B, W01C, W02A, W02B		21A	W04A, W04B		21A	W04A, W04B
	21B	X04Z		21B	X06A, X06B, X06C		21B	X04Z
5t306.h↔		BOP, KVT, UOP4, VIAL	5t307.4↔		BOP, KVT, UOP4, VIAL	5t307.m↔		BOP, KVT, UOP4, VIAL
	01	B03A, B03B, B06A, B06B, B17A, B17B, B17C		08	I08A, I08B, I08C, I08D, I08E, I08F, I12A, I12B, I12C, I21Z, I31Z		08	I12A, I12B, I12C, I20A, I20B, I20C, I20D, I20E, I20F
	08	I12A, I12B, I12C, I18A, I18B, I30Z		21A	W04A, W04B		21A	W04A, W04B
	21A	W04A, W04B		21B	X06A, X06B, X06C		21B	X04Z
	21B	X04Z		5t307.5↔	BOP, KVT, UOP4, VIAL	5t307.n↔		BOP, KVT, UOP4, VIAL
5t306.j↔		BOP, KVT, UOP4, VIAL		08	I08A, I08B, I08C, I08D, I08E, I08F, I12A, I12B, I12C, I32A, I32B, I32C, I32D, I32E, I32F		08	I12A, I12B, I12C, I20A, I20B, I20C, I20D, I20E, I20F
	08	I13A, I13B, I13C, I13D		21A	W04A, W04B		21A	W04A, W04B
5t306.k↔		BOP, KVT, UOP4, VIAL		21B	X06A, X06B, X06C		21B	X04Z
	01	B03A, B03B, B06A, B06B, B17A, B17B, B17C		08	I08A, I08B, I08C, I08D, I08E, I08F, I12A, I12B, I12C, I21Z, I31Z	5t307.p↔		BOP, KVT, UOP4, VIAL
	08	I12A, I12B, I12C, I13A, I13B, I13C, I13D		21A	W04A, W04B		08	I12A, I12B, I12C, I20A, I20B, I20C, I20D, I20E, I20F
	21A	W04A, W04B		21B	X05A, X05B		21A	W04A, W04B
	21B	X04Z		5t307.6↔	BOP, KVT, UOP4, VIAL		21B	X04Z
5t306.m↔		BOP, KVT, UOP4, VIAL		08	I08A, I08B, I08C, I08D, I08E, I08F, I12A, I12B, I12C, I32A, I32B, I32C, I32D, I32E, I32F	5t307.q↔		BOP, KVT, UOP4, VIAL
	08	I12A, I12B, I12C, I20A, I20B, I20C, I20D, I20E, I20F		09	J03A, J03B, J04A, J04B, J08A, J08B, J08C, J11A, J11B, J16Z		08	I12A, I12B, I12C, I20A, I20B, I20C, I20D, I20E, I20F
	21A	W04A, W04B		21A	W04A, W04B		21A	W04A, W04B
	21B	X04Z		21B	X05A, X05B		21B	X04Z
5t306.n↔		BOP, KVT, UOP4, VIAL		5t307.8↔	BOP, KVT, UOP4, VIAL	5t307.r↔		BOP, KVT, UOP4, VIAL
	08	I12A, I12B, I12C, I20A, I20B, I20C, I20D, I20E, I20F		08	I12A, I12B, I12C, I32A, I32B, I32C, I32D, I32E, I32F		08	I12A, I12B, I12C, I20A, I20B, I20C, I20D, I20E, I20F
	21A	W04A, W04B		09	J03A, J03B, J04A, J04B, J08A, J08B, J08C, J11A, J11B, J16Z		21A	W04A, W04B
	21B	X04Z		21A	W04A, W04B		21B	X04Z
5t306.p↔		BOP, KVT, UOP4, VIAL		21B	X05A, X05B	5t307.x		BOP, KVT, UOP4
	08	I12A, I12B, I12C, I20A, I20B, I20C, I20D, I20E, I20F		5t307.9↔	BOP, KVT, UOP4, VIAL		08	I12A, I12B, I12C, I23A, I23B
	21A	W04A, W04B		08	I12A, I12B, I12C, I32A, I32B, I32C, I32D, I32E, I32F		21A	W04A, W04B
	21B	X04Z		09	J03A, J03B, J04A, J04B, J08A, J08B, J08C, J11A, J11B, J16Z		21B	X06A, X06B, X06C
	21A	W04A, W04B		21A	W04A, W04B	5t308.0↔		BOP, KVT, UOP4, VIAL
	21B	X04Z		21B	X05A, X05B		08	I12A, I12B, I12C, I16Z
	21A	W04A, W04B		5t308.1↔	BOP, KVT, UOP4, VIAL		21A	W04A, W04B
	21B	X04Z		08	I12A, I12B, I12C, I20A, I20B, I20C, I20D, I20E, I20F		21B	X06A, X06B, X06C
	21A	W04A, W04B		21A	W04A, W04B			
	21B	X04Z		21B	X05A, X05B			

ZZV	MDC	DRG	ZZV	MDC	DRG	ZZV	MDC	DRG
5t308.2↔		BOP, KVT, UOP4, VIAL	5t308.k↔		BOP, KVT, UOP4, VIAL	5t309.3↔		BOP, KVT, UOP4, VIAL
	08	I28A, I28B		08	I13A, I13B, I13C, I13D		01	B03A, B03B, B06A, B06B, B07Z, B17A, B17B, B17C
	10	K09A, K09B		10	K09A, K09B		08	I27A, I27B, I27C, I27D
	21A	W04A, W04B		21A	W04A, W04B		09	J03A, J03B, J04A, J04B, J08A, J08B, J08C, J11A, J11B, J16Z
	21B	X06A, X06B, X06C		21B	X04Z		10	K09A, K09B
5t308.3↔		BOP, KVT, UOP4, VIAL	5t308.m↔		BOP, KVT, UOP4, VIAL		21A	W04A, W04B
	08	I28A, I28B		08	I20A, I20B, I20C, I20D, I20E, I20F		21B	X06A, X06B, X06C
	10	K09A, K09B		10	K09A, K09B	5t309.4↔		BOP, KVT, UOP4, VIAL
	21A	W04A, W04B		21A	W04A, W04B		01	B03A, B03B, B06A, B06B, B07Z, B17A, B17B, B17C
	21B	X06A, X06B, X06C		21B	X04Z		08	I08A, I08B, I08C, I08D, I08E, I08F, I27A, I27B, I27C, I27D
5t308.4↔		BOP, KVT, UOP4, VIAL	5t308.n↔		BOP, KVT, UOP4, VIAL		09	J03A, J03B, J04A, J04B, J08A, J08B, J08C, J11A, J11B, J16Z
	08	I08A, I08B, I08C, I08D, I08E, I08F, I21Z, I31Z		08	I20A, I20B, I20C, I20D, I20E, I20F		10	K09A, K09B
	10	K09A, K09B		10	K09A, K09B		21A	W04A, W04B
	21A	W04A, W04B		21A	W04A, W04B		21B	X06A, X06B, X06C
	21B	X06A, X06B, X06C		21B	X04Z	5t309.5↔		BOP, KVT, UOP4, VIAL
5t308.5↔		BOP, KVT, UOP4, VIAL	5t308.p↔		BOP, KVT, UOP4, VIAL		01	B03A, B03B, B06A, B06B, B07Z, B17A, B17B, B17C
	08	I08A, I08B, I08C, I08D, I08E, I08F, I21Z, I31Z		08	I20A, I20B, I20C, I20D, I20E, I20F		08	I08A, I08B, I08C, I08D, I08E, I08F, I27A, I27B, I27C, I27D
	10	K09A, K09B		10	K09A, K09B		09	J03A, J03B, J04A, J04B, J08A, J08B, J08C, J11A, J11B, J16Z
	21A	W04A, W04B		21A	W04A, W04B		10	K09A, K09B
	21B	X06A, X06B, X06C		21B	X04Z		21A	W04A, W04B
5t308.6↔		BOP, KVT, UOP4, VIAL	5t308.q↔		BOP, KVT, UOP4, VIAL		21B	X06A, X06B, X06C
	08	I08A, I08B, I08C, I08D, I08E, I08F, I32A, I32B, I32C, I32D, I32E, I32F		08	I20A, I20B, I20C, I20D, I20E, I20F		01	B03A, B03B, B06A, B06B, B07Z, B17A, B17B, B17C
	21A	W04A, W04B		10	K09A, K09B		08	I08A, I08B, I08C, I08D, I08E, I08F, I27A, I27B, I27C, I27D
	21B	X05A, X05B		21A	W04A, W04B		09	J03A, J03B, J04A, J04B, J08A, J08B, J08C, J11A, J11B, J16Z
5t308.8↔		BOP, KVT, UOP4, VIAL	5t308.r↔		BOP, KVT, UOP4, VIAL		10	K09A, K09B
	08	I32A, I32B, I32C, I32D, I32E, I32F		08	I20A, I20B, I20C, I20D, I20E, I20F		21A	W04A, W04B
	21A	W04A, W04B		10	K09A, K09B	5t309.6↔		BOP, KVT, UOP4, VIAL
	21B	X05A, X05B		21A	W04A, W04B		01	B03A, B03B, B06A, B06B, B07Z, B17A, B17B, B17C
5t308.9↔		BOP, KVT, UOP4, VIAL	5t308.x		BOP, KVT, UOP4		08	I08A, I08B, I08C, I08D, I08E, I08F, I27A, I27B, I27C, I27D
	08	I32A, I32B, I32C, I32D, I32E, I32F		08	I28A, I28B		09	J03A, J03B, J04A, J04B, J08A, J08B, J08C, J11A, J11B, J16Z
	21A	W04A, W04B		10	K09A, K09B		10	K09A, K09B
	21B	X05A, X05B		21A	W04A, W04B		21A	W04A, W04B
5t308.e↔		BOP, KVT, UOP4, VIAL	5t309.0↔		BOP, KVT, UOP4, VIAL		21B	X05A, X05B, X06A, X06B, X06C
	08	I08A, I08B, I08C, I08D, I08E, I08F, I28A, I28B		01	B03A, B03B, B06A, B06B, B07Z, B17A, B17B, B17C	5t309.8↔		BOP, KVT, UOP4, VIAL
	10	K09A, K09B		08	I27A, I27B, I27C, I27D		01	B03A, B03B, B06A, B06B, B07Z, B17A, B17B, B17C
	21A	W04A, W04B		09	J03A, J03B, J04A, J04B, J08A, J08B, J08C, J11A, J11B, J16Z		08	I27A, I27B, I27C, I27D
	21B	X04Z, X06A, X06B, X06C		10	K09A, K09B		09	J03A, J03B, J04A, J04B, J08A, J08B, J08C, J11A, J11B, J16Z
5t308.f		BOP, KVT, UOP4, VIAL		21A	W04A, W04B		10	K09A, K09B
	08	I28A, I28B		21B	X06A, X06B, X06C		21A	W04A, W04B
	10	K09A, K09B	5t309.1↔		BOP, KVT, UOP4, VIAL		21B	X05A, X05B, X06A, X06B, X06C
	21A	W04A, W04B		01	B03A, B03B, B06A, B06B, B07Z, B17A, B17B, B17C	5t309.9↔		BOP, KVT, UOP4, VIAL
	21B	X04Z, X06A, X06B, X06C		08	I27A, I27B, I27C, I27D		01	B03A, B03B, B06A, B06B, B07Z, B17A, B17B, B17C
5t308.g↔		BOP, KVT, UOP4, VIAL		09	J03A, J03B, J04A, J04B, J08A, J08B, J08C, J11A, J11B, J16Z		08	I27A, I27B, I27C, I27D
	08	I08A, I08B, I08C, I08D, I08E, I08F		10	K09A, K09B		09	J03A, J03B, J04A, J04B, J08A, J08B, J08C, J11A, J11B, J16Z
	21A	W01A, W01B, W01C, W02A, W02B		21A	W04A, W04B		10	K09A, K09B
	21B	X04Z		21B	X06A, X06B, X06C		21A	W04A, W04B
5t308.h↔		BOP, KVT, UOP4, VIAL	5t309.2↔		BOP, KVT, UOP4, VIAL		21B	X05A, X05B, X06A, X06B, X06C
	08	I18A, I18B, I30Z		01	B03A, B03B, B06A, B06B, B07Z, B17A, B17B, B17C		01	B03A, B03B, B06A, B06B, B07Z, B17A, B17B, B17C
	10	K09A, K09B		08	I27A, I27B, I27C, I27D		08	I27A, I27B, I27C, I27D
	21A	W04A, W04B		09	J03A, J03B, J04A, J04B, J08A, J08B, J08C, J11A, J11B, J16Z		09	J03A, J03B, J04A, J04B, J08A, J08B, J08C, J11A, J11B, J16Z
	21B	X04Z		10	K09A, K09B		10	K09A, K09B
5t308.j↔		BOP, KVT, UOP4, VIAL		21A	W04A, W04B		21A	W04A, W04B
	08	I18A, I18B, I30Z		21B	X06A, X06B, X06C		21B	X05A, X05B, X06A, X06B, X06C
	10	K09A, K09B		01	B03A, B03B, B06A, B06B, B07Z, B17A, B17B, B17C			
	21A	W04A, W04B		08	I27A, I27B, I27C, I27D			
	21B	X04Z		09	J03A, J03B, J04A, J04B, J08A, J08B, J08C, J11A, J11B, J16Z			
				10	K09A, K09B			
				21A	W04A, W04B			
				21B	X06A, X06B, X06C			

VYK

ZZV	MDC	DRG	ZZV	MDC	DRG	ZZV	MDC	DRG			
5t309.e↔		BOP, KVT, UOP4, VIAL	5t309.n↔		BOP, KVT, UOP4, VIAL	5t30a.3↔		BOP, KVT, UOP4, VIAL			
	01	B03A, B03B, B06A, B06B, B07Z, B17A, B17B, B17C		01	B03A, B03B, B06A, B06B, B07Z, B17A, B17B, B17C		05	F13A, F27A, F27B, F27C			
	08	I08A, I08B, I08C, I08D, I08E, I08F, I27A, I27B, I27C, I27D		08	I27A, I27B, I27C, I27D		08	I12A, I12B, I12C, I28A, I28B			
	09	J03A, J03B, J04A, J04B, J08A, J08B, J08C, J11A, J11B, J16Z		09	J03A, J03B, J04A, J04B, J08A, J08B, J08C, J11A, J11B, J16Z		10	K09A, K09B			
	10	K09A, K09B		10	K09A, K09B		21A	W04A, W04B			
	21A	W04A, W04B		21A	W04A, W04B		21B	X06A, X06B, X06C			
	21B	X04Z, X06A, X06B, X06C		21B	X04Z, X06A, X06B, X06C						
	5t309.f			BOP, KVT, UOP4, VIAL	5t309.p↔			BOP, KVT, UOP4, VIAL	5t30a.4↔		BOP, KVT, UOP4, VIAL
		01		B03A, B03B, B06A, B06B, B07Z, B17A, B17B, B17C			01	B03A, B03B, B06A, B06B, B07Z, B17A, B17B, B17C		05	F13A, F27A, F27B, F27C
		08		I27A, I27B, I27C, I27D			08	I27A, I27B, I27C, I27D		08	I08A, I08B, I08C, I08D, I08E, I08F, I12A, I12B, I12C, I21Z, I31Z
09		J03A, J03B, J04A, J04B, J08A, J08B, J08C, J11A, J11B, J16Z	09	J03A, J03B, J04A, J04B, J08A, J08B, J08C, J11A, J11B, J16Z		10	K09A, K09B				
10		K09A, K09B	10	K09A, K09B		21A	W04A, W04B				
21A		W04A, W04B	21A	W04A, W04B		21B	X06A, X06B, X06C				
21B		X04Z, X06A, X06B, X06C	21B	X04Z, X06A, X06B, X06C							
5t309.g↔			BOP, KVT, UOP4, VIAL	5t309.q↔			BOP, KVT, UOP4, VIAL	5t30a.5↔			BOP, KVT, UOP4, VIAL
		01	B03A, B03B, B06A, B06B, B07Z, B17A, B17B, B17C			01	B03A, B03B, B06A, B06B, B07Z, B17A, B17B, B17C			05	F13A, F27A, F27B, F27C
		08	I27A, I27B, I27C, I27D			08	I27A, I27B, I27C, I27D			08	I08A, I08B, I08C, I08D, I08E, I08F, I12A, I12B, I12C, I21Z, I31Z
	09	J03A, J03B, J04A, J04B, J08A, J08B, J08C, J11A, J11B, J16Z	09		J03A, J03B, J04A, J04B, J08A, J08B, J08C, J11A, J11B, J16Z	10	K09A, K09B				
	10	K09A, K09B	10		K09A, K09B	21A	W04A, W04B				
	21A	W04A, W04B	21A		W04A, W04B	21B	X06A, X06B, X06C				
	21B	X04Z, X06A, X06B, X06C	21B		X04Z, X06A, X06B, X06C						
	5t309.h↔		BOP, KVT, UOP4, VIAL		5t309.r↔		BOP, KVT, UOP4, VIAL		5t30a.6↔		BOP, KVT, UOP4, VIAL
		01	B03A, B03B, B06A, B06B, B07Z, B17A, B17B, B17C			01	B03A, B03B, B06A, B06B, B07Z, B17A, B17B, B17C			05	F13A
		08	I27A, I27B, I27C, I27D			08	I27A, I27B, I27C, I27D			08	I08A, I08B, I08C, I08D, I08E, I08F, I12A, I12B, I12C, I32A, I32B, I32C, I32D, I32E, I32F
09		J03A, J03B, J04A, J04B, J08A, J08B, J08C, J11A, J11B, J16Z	09	J03A, J03B, J04A, J04B, J08A, J08B, J08C, J11A, J11B, J16Z		21A	W04A, W04B				
10		K09A, K09B	10	K09A, K09B		21B	X05A, X05B				
21A		W04A, W04B	21A	W04A, W04B							
21B		X04Z, X06A, X06B, X06C	21B	X04Z, X06A, X06B, X06C		5t30a.8↔		BOP, KVT, UOP4, VIAL			
5t309.j↔			BOP, KVT, UOP4, VIAL	5t309.x				BOP, KVT, UOP4, VIAL		05	F13A
		01	B03A, B03B, B06A, B06B, B07Z, B17A, B17B, B17C				01	B03A, B03B, B06A, B06B, B07Z, B17A, B17B, B17C		08	I12A, I12B, I12C, I32A, I32B, I32C, I32D, I32E, I32F
		08	I27A, I27B, I27C, I27D				08	I27A, I27B, I27C, I27D		21A	W04A, W04B
	09	J03A, J03B, J04A, J04B, J08A, J08B, J08C, J11A, J11B, J16Z	09		J03A, J03B, J04A, J04B, J08A, J08B, J08C, J11A, J11B, J16Z		21B	X05A, X05B			
	10	K09A, K09B	10		K09A, K09B						
	21A	W04A, W04B	21A		W04A, W04B		5t30a.9↔		BOP, KVT, UOP4, VIAL		
	21B	X04Z, X06A, X06B, X06C	21B		X04Z, X06A, X06B, X06C			05	F13A		
	5t309.k↔		BOP, KVT, UOP4, VIAL		5t30a.0↔				BOP, KVT, UOP4, VIAL	08	I12A, I12B, I12C, I32A, I32B, I32C, I32D, I32E, I32F
		01	B03A, B03B, B06A, B06B, B07Z, B17A, B17B, B17C					01	B03A, B03B, B06A, B06B, B07Z, B17A, B17B, B17C	21A	W04A, W04B
		08	I27A, I27B, I27C, I27D			08		I27A, I27B, I27C, I27D	21B	X05A, X05B	
09		J03A, J03B, J04A, J04B, J08A, J08B, J08C, J11A, J11B, J16Z	09	J03A, J03B, J04A, J04B, J08A, J08B, J08C, J11A, J11B, J16Z							
10		K09A, K09B	10	K09A, K09B		5t30a.e↔			BOP, KVT, UOP4, VIAL		
21A		W04A, W04B	21A	W04A, W04B				05	F13A, F27A, F27B, F27C		
21B		X04Z, X06A, X06B, X06C	21B	X06A, X06B, X06C				08	I08A, I08B, I08C, I08D, I08E, I08F, I12A, I12B, I12C, I28A, I28B		
5t309.m↔			BOP, KVT, UOP4, VIAL	5t30a.1↔					BOP, KVT, UOP4, VIAL	10	K09A, K09B
		01	B03A, B03B, B06A, B06B, B07Z, B17A, B17B, B17C				01	B03A, B03B, B06A, B06B, B07Z, B17A, B17B, B17C	21A	W04A, W04B	
		08	I27A, I27B, I27C, I27D				08	I27A, I27B, I27C, I27D	21B	X04Z, X06A, X06B, X06C	
	09	J03A, J03B, J04A, J04B, J08A, J08B, J08C, J11A, J11B, J16Z	09		J03A, J03B, J04A, J04B, J08A, J08B, J08C, J11A, J11B, J16Z						
	10	K09A, K09B	10		K09A, K09B		5t30a.g↔		BOP, KVT, UOP4, VIAL		
	21A	W04A, W04B	21A		W04A, W04B			05	F13A		
	21B	X04Z, X06A, X06B, X06C	21B		X06A, X06B, X06C			08	I08A, I08B, I08C, I08D, I08E, I08F		
	5t309.n↔		BOP, KVT, UOP4, VIAL		5t30a.2↔			BOP, KVT, UOP4, VIAL	21A	W01A, W01B, W01C, W02A, W02B	
		01	B03A, B03B, B06A, B06B, B07Z, B17A, B17B, B17C			01		B03A, B03B, B06A, B06B, B07Z, B17A, B17B, B17C	21B	X04Z	
		08	I27A, I27B, I27C, I27D			05		F13A, F27A, F27B, F27C	5t30a.h↔		BOP, KVT, UOP4, VIAL
09		J03A, J03B, J04A, J04B, J08A, J08B, J08C, J11A, J11B, J16Z	08	I12A, I12B, I12C, I28A, I28B		05		F13A, F27A, F27B, F27C			
10		K09A, K09B	10	K09A, K09B		08		I12A, I12B, I18A, I18B, I30Z			
21A		W04A, W04B	21A	W04A, W04B		10		K09A, K09B			
21B		X04Z, X06A, X06B, X06C	21B	X06A, X06B, X06C		21A		W04A, W04B			

ZZV	MDC	DRG	ZZV	MDC	DRG	ZZV	MDC	DRG
5t30a.j↔		BOP, KVT, UOP4, VIAL	5t30b.2↔		BOP, KVT, UOP4, VIAL	5t30b.h↔		BOP, KVT, UOP4, VIAL
	05	F13A, F27A, F27B, F27C		05	F13A		05	F13A
	08	I12A, I12B, I12C, I18A, I18B, I30Z		08	I12A, I12B, I12C, I28A, I28B		08	I12A, I12B, I12C, I18A, I18B, I30Z
	10	K09A, K09B		10	K09A, K09B		10	K09A, K09B
	21A	W04A, W04B		21A	W04A, W04B		21A	W04A, W04B
5t30a.k↔	21B	X04Z	5t30b.3↔		BOP, KVT, UOP4, VIAL	5t30b.j↔		BOP, KVT, UOP4, VIAL
	05	F13A, F27A, F27B, F27C		05	F13A		05	F13A
	08	I12A, I12B, I12C, I13A, I13B, I13C, I13D		08	I12A, I12B, I12C, I28A, I28B		08	I12A, I12B, I12C, I18A, I18B, I30Z
	10	K09A, K09B		10	K09A, K09B		10	K09A, K09B
	21A	W04A, W04B		21A	W04A, W04B		21A	W04A, W04B
5t30a.m↔	21B	X04Z	5t30b.4↔		BOP, KVT, UOP4, VIAL	5t30b.k↔		BOP, KVT, UOP4, VIAL
	05	F13A, F27A, F27B, F27C		05	F13A		05	F13A
	08	I12A, I12B, I12C, I20A, I20B, I20C, I20D, I20E, I20F		08	I08A, I08B, I08C, I08D, I08E, I08F, I12A, I12B, I12C, I21Z, I31Z		08	I12A, I12B, I12C, I13A, I13B, I13C, I13D
	10	K09A, K09B		10	K09A, K09B		10	K09A, K09B
	21A	W04A, W04B		21A	W04A, W04B		21A	W04A, W04B
5t30a.n↔	21B	X04Z	5t30b.5↔		BOP, KVT, UOP4, VIAL	5t30b.m↔		BOP, KVT, UOP4, VIAL
	05	F13A, F27A, F27B, F27C		05	F13A		05	F13A
	08	I12A, I12B, I12C, I20A, I20B, I20C, I20D, I20E, I20F		08	I08A, I08B, I08C, I08D, I08E, I08F, I12A, I12B, I12C, I21Z, I31Z		08	I12A, I12B, I12C, I20A, I20B, I20C, I20D, I20E, I20F
	10	K09A, K09B		10	K09A, K09B		10	K09A, K09B
	21A	W04A, W04B		21A	W04A, W04B		21A	W04A, W04B
5t30a.p↔	21B	X04Z	5t30b.6↔		BOP, KVT, UOP4, VIAL	5t30b.n↔		BOP, KVT, UOP4, VIAL
	05	F13A, F27A, F27B, F27C		05	F13A		05	F13A
	08	I12A, I12B, I12C, I20A, I20B, I20C, I20D, I20E, I20F		08	I08A, I08B, I08C, I08D, I08E, I08F, I12A, I12B, I12C, I32A, I32B, I32C, I32D, I32E, I32F		08	I12A, I12B, I12C, I20A, I20B, I20C, I20D, I20E, I20F
	10	K09A, K09B		21A	W04A, W04B		10	K09A, K09B
	21A	W04A, W04B		21B	X06A, X06B, X06C		21A	W04A, W04B
5t30a.q↔	21B	X04Z	5t30b.7↔		BOP, KVT, UOP4, VIAL	5t30b.o↔		BOP, KVT, UOP4, VIAL
	05	F13A, F27A, F27B, F27C		05	F13A		05	F13A
	08	I12A, I12B, I12C, I20A, I20B, I20C, I20D, I20E, I20F		08	I12A, I12B, I12C, I32A, I32B, I32C, I32D, I32E, I32F		08	I12A, I12B, I12C, I20A, I20B, I20C, I20D, I20E, I20F
	10	K09A, K09B		21A	W04A, W04B		10	K09A, K09B
	21A	W04A, W04B		21B	X05A, X05B		21A	W04A, W04B
5t30a.r↔	21B	X04Z	5t30b.8↔		BOP, KVT, UOP4, VIAL	5t30b.p↔		BOP, KVT, UOP4, VIAL
	05	F13A, F27A, F27B, F27C		05	F13A		05	F13A
	08	I12A, I12B, I12C, I20A, I20B, I20C, I20D, I20E, I20F		08	I12A, I12B, I12C, I32A, I32B, I32C, I32D, I32E, I32F		08	I12A, I12B, I12C, I20A, I20B, I20C, I20D, I20E, I20F
	10	K09A, K09B		21A	W04A, W04B		10	K09A, K09B
	21A	W04A, W04B		21B	X05A, X05B		21A	W04A, W04B
5t30a.s↔	21B	X04Z	5t30b.9↔		BOP, KVT, UOP4, VIAL	5t30b.q↔		BOP, KVT, UOP4, VIAL
	05	F13A, F27A, F27B, F27C		05	F13A		05	F13A
	08	I12A, I12B, I12C, I20A, I20B, I20C, I20D, I20E, I20F		08	I12A, I12B, I12C, I32A, I32B, I32C, I32D, I32E, I32F		08	I12A, I12B, I12C, I20A, I20B, I20C, I20D, I20E, I20F
	10	K09A, K09B		21A	W04A, W04B		10	K09A, K09B
	21A	W04A, W04B		21B	X05A, X05B		21A	W04A, W04B
5t30a.t↔	21B	X04Z	5t30b.e↔		BOP, KVT, UOP4, VIAL	5t30b.r↔		BOP, KVT, UOP4, VIAL
	05	F13A, F27A, F27B, F27C		05	F13A		05	F13A
	08	I12A, I12B, I12C, I28A, I28B		08	I08A, I08B, I08C, I08D, I08E, I08F, I12A, I12B, I12C, I28A, I28B		08	I12A, I12B, I12C, I20A, I20B, I20C, I20D, I20E, I20F
	10	K09A, K09B		10	K09A, K09B		10	K09A, K09B
	21A	W04A, W04B		21A	W04A, W04B		21A	W04A, W04B
5t30b.0↔	21B	X06A, X06B, X06C	5t30b.f		BOP, KVT, UOP4, VIAL	5t30b.s↔		BOP, KVT, UOP4, VIAL
	05	F13A		05	F13A		05	F13A
	08	I12A, I12B, I12C, I16Z		08	I12A, I12B, I12C, I28A, I28B		08	I12A, I12B, I12C, I28A, I28B
	21A	W04A, W04B		10	K09A, K09B		10	K09A, K09B
	21B	X06A, X06B, X06C		21A	W04A, W04B		21A	W04A, W04B
5t30b.1↔		BOP, KVT, UOP4, VIAL	5t30b.g↔		BOP, KVT, UOP4, VIAL	5t30c.0↔		BOP, KVT, UOP4, VIAL
	05	F13A		05	F13A		05	F13A
	08	I12A, I12B, I12C, I16Z		08	I08A, I08B, I08C, I08D, I08E, I08F		08	I12A, I12B, I12C, I16Z
	21A	W04A, W04B		21A	W01A, W01B, W01C, W02A, W02B		21A	W04A, W04B
	21B	X06A, X06B, X06C		21B	X04Z		21B	X06A, X06B, X06C

VYK

ZZV	MDC	DRG	ZZV	MDC	DRG	ZZV	MDC	DRG
5t30c.1↔		BOP, KVT, UOP4, VIAL	5t30c.h↔		BOP, KVT, UOP4, VIAL	5t30x.2↔		BOP, KVT, UOP4, VIAL
	08	I12A, I12B, I12C, I16Z		08	I12A, I12B, I12C, I18A, I18B, I30Z		01	B03A, B03B, B06A, B06B, B07Z, B17A, B17B, B17C
	21A	W04A, W04B		21A	W04A, W04B		08	I27A, I27B, I27C, I27D
5t30c.2↔	21B	X06A, X06B, X06C	5t30c.j↔	21B	X04Z	09	J03A, J03B, J04A, J04B, J08A, J08B, J08C, J11A, J11B, J16Z	
		BOP, KVT, UOP4, VIAL		08	I12A, I12B, I12C, I18A, I18B, I30Z	10	K09A, K09B	
	08	I12A, I12B, I12C, I27A, I27B, I27C, I27D		21A	W04A, W04B	21A	W04A, W04B	
5t30c.3↔	21B	X06A, X06B, X06C	5t30c.k↔	21B	X04Z	5t30x.3↔	21B	X06A, X06B, X06C
		BOP, KVT, UOP4, VIAL		08	I12A, I12B, I12C, I13A, I13B, I13C, I13D		01	B03A, B03B, B06A, B06B, B07Z, B17A, B17B, B17C
	08	I12A, I12B, I12C, I27A, I27B, I27C, I27D		21A	W04A, W04B		08	I27A, I27B, I27C, I27D
5t30c.4↔	21B	X06A, X06B, X06C	5t30c.m↔	21B	X04Z	5t30x.4↔	09	J03A, J03B, J04A, J04B, J08A, J08B, J08C, J11A, J11B, J16Z
		BOP, KVT, UOP4, VIAL		08	I12A, I12B, I12C, I20A, I20B, I20C, I20D		10	K09A, K09B
	08	I08A, I08B, I08C, I08D, I08E, I08F, I12A, I12B, I12C, I21Z, I31Z		21A	W04A, W04B		21A	W04A, W04B
5t30c.5↔	21B	X06A, X06B, X06C	5t30c.n↔	21B	X04Z	5t30x.5↔	21B	X06A, X06B, X06C
		BOP, KVT, UOP4, VIAL		08	I12A, I12B, I12C, I20A, I20B, I20C, I20D		01	B03A, B03B, B06A, B06B, B07Z, B17A, B17B, B17C
	08	I08A, I08B, I08C, I08D, I08E, I08F, I12A, I12B, I12C, I21Z, I31Z		21A	W04A, W04B		08	I08A, I08B, I08C, I08D, I08E, I08F, I27A, I27B, I27C, I27D
5t30c.6↔	21B	X06A, X06B, X06C	5t30c.p↔	21B	X04Z	5t30x.6↔	09	J03A, J03B, J04A, J04B, J08A, J08B, J08C, J11A, J11B, J16Z
		BOP, KVT, UOP4, VIAL		08	I12A, I12B, I12C, I20A, I20B, I20C, I20D		10	K09A, K09B
	08	I08A, I08B, I08C, I08D, I08E, I08F, I12A, I12B, I12C, I32A, I32B, I32C, I32D, I32E, I32F		21A	W04A, W04B		21A	W04A, W04B
5t30c.7↔	09	J03A, J03B, J04A, J04B, J08A, J08B, J08C, J11A, J11B, J16Z	5t30c.q↔	21B	X04Z	5t30x.7↔	21B	X06A, X06B, X06C
		BOP, KVT, UOP4, VIAL		08	I12A, I12B, I12C, I20A, I20B, I20C, I20D, I20E, I20F		01	B03A, B03B, B06A, B06B, B07Z, B17A, B17B, B17C
	08	I12A, I12B, I12C, I32A, I32B, I32C, I32D, I32E, I32F		21A	W04A, W04B		08	I08A, I08B, I08C, I08D, I08E, I08F, I27A, I27B, I27C, I27D
5t30c.8↔	09	J03A, J03B, J04A, J04B, J08A, J08B, J08C, J11A, J11B, J16Z	5t30c.r↔	21B	X04Z	5t30x.8↔	09	J03A, J03B, J04A, J04B, J08A, J08B, J08C, J11A, J11B, J16Z
		BOP, KVT, UOP4, VIAL		08	I12A, I12B, I12C, I27A, I27B, I27C, I27D		10	K09A, K09B
	08	I12A, I12B, I12C, I32A, I32B, I32C, I32D, I32E, I32F		21A	W04A, W04B		21A	W04A, W04B
5t30c.9↔	21B	X05A, X05B	5t30c.x	21B	X04Z	5t30x.9↔	21B	X06A, X06B, X06C
		BOP, KVT, UOP4, VIAL		08	I12A, I12B, I12C, I27A, I27B, I27C, I27D		01	B03A, B03B, B06A, B06B, B07Z, B17A, B17B, B17C
	08	I12A, I12B, I12C, I32A, I32B, I32C, I32D, I32E, I32F		5t30x.0↔			08	I27A, I27B, I27C, I27D
5t30c.a↔	09	J03A, J03B, J04A, J04B, J08A, J08B, J08C, J11A, J11B, J16Z	5t30x.1↔	01	B03A, B03B, B06A, B06B, B07Z, B17A, B17B, B17C	5t30x.10↔	09	J03A, J03B, J04A, J04B, J08A, J08B, J08C, J11A, J11B, J16Z
		BOP, KVT, UOP4, VIAL		08	I27A, I27B, I27C, I27D		10	K09A, K09B
	08	I08A, I08B, I08C, I08D, I08E, I08F, I12A, I12B, I12C, I27A, I27B, I27C, I27D		09	J03A, J03B, J04A, J04B, J08A, J08B, J08C, J11A, J11B, J16Z		21A	W04A, W04B
5t30c.b↔	21A	W04A, W04B	5t30x.2↔	10	K09A, K09B	5t30x.11↔	21A	W04A, W04B
	21B	X04Z, X06A, X06B, X06C		21A	W04A, W04B		21B	X05A, X05B, X06A, X06B, X06C
		BOP, KVT, UOP4, VIAL		21B	X06A, X06B, X06C		01	B03A, B03B, B06A, B06B, B07Z, B17A, B17B, B17C
5t30c.c↔	08	I12A, I12B, I12C, I27A, I27B, I27C, I27D	5t30x.3↔	01	B03A, B03B, B06A, B06B, B07Z, B17A, B17B, B17C	5t30x.12↔	08	I27A, I27B, I27C, I27D
	21A	W04A, W04B		08	I27A, I27B, I27C, I27D		09	J03A, J03B, J04A, J04B, J08A, J08B, J08C, J11A, J11B, J16Z
	21B	X04Z, X06A, X06B, X06C		09	J03A, J03B, J04A, J04B, J08A, J08B, J08C, J11A, J11B, J16Z		10	K09A, K09B
5t30c.d↔		BOP, KVT, UOP4, VIAL	5t30x.4↔	10	K09A, K09B	5t30x.13↔	21A	W04A, W04B
	08	I08A, I08B, I08C, I08D, I08E, I08F, I12A, I12B, I12C, I27A, I27B, I27C, I27D		21A	W04A, W04B		21B	X05A, X05B, X06A, X06B, X06C
	21A	W04A, W04B		21B	X06A, X06B, X06C		01	B03A, B03B, B06A, B06B, B07Z, B17A, B17B, B17C
5t30c.e↔	21B	X04Z, X06A, X06B, X06C	5t30x.5↔	01	B03A, B03B, B06A, B06B, B07Z, B17A, B17B, B17C	5t30x.14↔	08	I27A, I27B, I27C, I27D
		BOP, KVT, UOP4, VIAL		08	I27A, I27B, I27C, I27D		09	J03A, J03B, J04A, J04B, J08A, J08B, J08C, J11A, J11B, J16Z
	08	I08A, I08B, I08C, I08D, I08E, I08F		09	J03A, J03B, J04A, J04B, J08A, J08B, J08C, J11A, J11B, J16Z		10	K09A, K09B
5t30c.f↔	21A	W01A, W01B, W01C, W02A, W02B	5t30x.6↔	10	K09A, K09B	5t30x.15↔	21A	W04A, W04B
	21B	X04Z		21A	W04A, W04B		21B	X05A, X05B, X06A, X06B, X06C
		BOP, KVT, UOP4, VIAL		21B	X06A, X06B, X06C		01	B03A, B03B, B06A, B06B, B07Z, B17A, B17B, B17C

VYK

ZZV	MDC	DRG	ZZV	MDC	DRG	ZZV	MDC	DRG	
5t30x.9↔		BOP, KVT, UOP4, VIAL	5t30x.m↔		BOP, KVT, UOP4, VIAL	5t310.3↔		BOP, KVT, UOP4, VIAL	
	01	B03A, B03B, B06A, B06B, B07Z, B17A, B17B, B17C		01	B03A, B03B, B06A, B06B, B07Z, B17A, B17B, B17C		08	I12A, I12B, I12C, I23A, I23B	
	08	I27A, I27B, I27C, I27D		08	I27A, I27B, I27C, I27D		21A	W04A, W04B	
	09	J03A, J03B, J04A, J04B, J08A, J08B, J08C, J11A, J11B, J16Z		09	J03A, J03B, J04A, J04B, J08A, J08B, J08C, J11A, J11B, J16Z		21B	X06A, X06B, X06C	
	10	K09A, K09B		10	K09A, K09B		5t310.4↔	08	BOP, KVT, UOP4, VIAL
	21A	W04A, W04B		21A	W04A, W04B			08	I08A, I08B, I08C, I08D, I08E, I08F, I12A, I12B, I12C, I21Z, I31Z
5t30x.e↔		BOP, KVT, UOP4, VIAL	5t30x.n↔		BOP, KVT, UOP4, VIAL	5t310.5↔		BOP, KVT, UOP4, VIAL	
	01	B03A, B03B, B06A, B06B, B07Z, B17A, B17B, B17C		01	B03A, B03B, B06A, B06B, B07Z, B17A, B17B, B17C		08	I08A, I08B, I08C, I08D, I08E, I08F, I12A, I12B, I12C, I21Z, I31Z	
	08	I08A, I08B, I08C, I08D, I08E, I08F, I27A, I27B, I27C, I27D		08	I27A, I27B, I27C, I27D		21A	W04A, W04B	
	09	J03A, J03B, J04A, J04B, J08A, J08B, J08C, J11A, J11B, J16Z		09	J03A, J03B, J04A, J04B, J08A, J08B, J08C, J11A, J11B, J16Z		21B	X06A, X06B, X06C	
	10	K09A, K09B		10	K09A, K09B		5t310.6↔	08	I08A, I08B, I08C, I08D, I08E, I08F, I12A, I12B, I12C, I32A, I32B, I32C, I32D, I32E, I32F
	21A	W04A, W04B		21A	W04A, W04B			09	J03A, J03B, J04A, J04B, J08A, J08B, J08C, J11A, J11B, J16Z
5t30x.f		BOP, KVT, UOP4, VIAL	5t30x.p↔		BOP, KVT, UOP4, VIAL	5t310.7↔		BOP, KVT, UOP4, VIAL	
	01	B03A, B03B, B06A, B06B, B07Z, B17A, B17B, B17C		01	B03A, B03B, B06A, B06B, B07Z, B17A, B17B, B17C		08	I12A, I12B, I12C, I32A, I32B, I32C, I32D, I32E, I32F	
	08	I27A, I27B, I27C, I27D		08	I27A, I27B, I27C, I27D		5t310.8↔	08	I12A, I12B, I12C, I32A, I32B, I32C, I32D, I32E, I32F
	09	J03A, J03B, J04A, J04B, J08A, J08B, J08C, J11A, J11B, J16Z		09	J03A, J03B, J04A, J04B, J08A, J08B, J08C, J11A, J11B, J16Z			09	J03A, J03B, J04A, J04B, J08A, J08B, J08C, J11A, J11B, J16Z
	10	K09A, K09B		10	K09A, K09B		21A	W04A, W04B	
	21A	W04A, W04B		21A	W04A, W04B		21B	X05A, X05B	
5t30x.g↔		BOP, KVT, UOP4, VIAL	5t30x.q↔		BOP, KVT, UOP4, VIAL	5t310.9↔		BOP, KVT, UOP4, VIAL	
	01	B03A, B03B, B06A, B06B, B07Z, B17A, B17B, B17C		01	B03A, B03B, B06A, B06B, B07Z, B17A, B17B, B17C		08	I12A, I12B, I12C, I32A, I32B, I32C, I32D, I32E, I32F	
	08	I27A, I27B, I27C, I27D		08	I27A, I27B, I27C, I27D		5t310.e↔	08	I08A, I08B, I08C, I08D, I08E, I08F, I12A, I12B, I12C, I23A, I23B
	09	J03A, J03B, J04A, J04B, J08A, J08B, J08C, J11A, J11B, J16Z		09	J03A, J03B, J04A, J04B, J08A, J08B, J08C, J11A, J11B, J16Z			21A	W04A, W04B
	10	K09A, K09B		10	K09A, K09B		21B	X05A, X05B	
	21A	W04A, W04B		21A	W04A, W04B		5t310.f	08	BOP, KVT, UOP4, VIAL
21B	X04Z, X06A, X06B, X06C	21B	X04Z, X06A, X06B, X06C	08	I12A, I12B, I12C, I23A, I23B				
5t30x.h↔		BOP, KVT, UOP4, VIAL	5t30x.r↔		BOP, KVT, UOP4, VIAL	5t310.g↔		BOP, KVT, UOP4, VIAL	
	01	B03A, B03B, B06A, B06B, B07Z, B17A, B17B, B17C		01	B03A, B03B, B06A, B06B, B07Z, B17A, B17B, B17C		01	B03A, B03B, B06A, B06B, B17A, B17B, B17C	
	08	I27A, I27B, I27C, I27D		08	I27A, I27B, I27C, I27D		08	I08A, I08B, I08C, I08D, I08E, I08F	
	09	J03A, J03B, J04A, J04B, J08A, J08B, J08C, J11A, J11B, J16Z		09	J03A, J03B, J04A, J04B, J08A, J08B, J08C, J11A, J11B, J16Z		21A	W01A, W01B, W01C, W02A, W02B	
	10	K09A, K09B		10	K09A, K09B		21B	X04Z	
	21A	W04A, W04B		21A	W04A, W04B				
5t30x.j↔		BOP, KVT, UOP4, VIAL	5t30x.x		BOP, KVT, UOP4				
	01	B03A, B03B, B06A, B06B, B07Z, B17A, B17B, B17C		01	B03A, B03B, B06A, B06B, B07Z, B17A, B17B, B17C				
	08	I27A, I27B, I27C, I27D		08	I27A, I27B, I27C, I27D				
	09	J03A, J03B, J04A, J04B, J08A, J08B, J08C, J11A, J11B, J16Z		09	J03A, J03B, J04A, J04B, J08A, J08B, J08C, J11A, J11B, J16Z				
	10	K09A, K09B		10	K09A, K09B				
	21A	W04A, W04B		21A	W04A, W04B				
5t30x.k↔		BOP, KVT, UOP4, VIAL	5t310.0↔		BOP, KVT, UOP4, VIAL				
	01	B03A, B03B, B06A, B06B, B07Z, B17A, B17B, B17C		08	I12A, I12B, I12C, I16Z				
	08	I27A, I27B, I27C, I27D		21A	W04A, W04B				
	09	J03A, J03B, J04A, J04B, J08A, J08B, J08C, J11A, J11B, J16Z		21B	X06A, X06B, X06C				
	10	K09A, K09B							
	21A	W04A, W04B							
			5t310.1↔						
				08	I12A, I12B, I12C, I16Z				
				21A	W04A, W04B				
				21B	X06A, X06B, X06C				

VYK

ZZV	MDC	DRG	ZZV	MDC	DRG	ZZV	MDC	DRG	
5t310.h↔		BOP, KVT, UOP4, VIAL	5t311.7↔		BOP, KVT, UOP4, VIAL	5t311.q↔		BOP, KVT, UOP4, VIAL	
	08	I12A, I12B, I12C, I18A, I18B, I30Z		01	B03A, B03B, B06A, B06B, B07Z, B17A, B17B, B17C		08	I20A, I20B, I20C, I20D, I20E, I20F	
	21A	W04A, W04B		08	I32A, I32B, I32C, I32D, I32E, I32F		21A	W04A, W04B	
	21B	X04Z		21A	W04A, W04B		21B	X04Z	
5t310.j↔		BOP, KVT, UOP4, VIAL		21B	X05A, X05B	5t311.r↔		BOP, KVT, UOP4, VIAL	
	08	I12A, I12B, I12C, I18A, I18B, I30Z	5t311.8↔		BOP, KVT, UOP4, VIAL		08	I20A, I20B, I20C, I20D, I20E, I20F	
	21A	W04A, W04B		01	B03A, B03B, B06A, B06B, B07Z, B17A, B17B, B17C		21A	W04A, W04B	
	21B	X04Z		08	I32A, I32B, I32C, I32D, I32E, I32F		21B	X04Z	
5t310.k↔		BOP, KVT, UOP4, VIAL		21A	W04A, W04B	5t311.x		BOP, KVT, UOP4	
	08	I12A, I12B, I12C, I13A, I13B, I13C, I13D, I13E		21B	X05A, X05B		08	I28A, I28B	
	21A	W04A, W04B	5t311.9↔		BOP, KVT, UOP4, VIAL		21A	W04A, W04B	
	21B	X04Z		01	B03A, B03B, B06A, B06B, B07Z, B17A, B17B, B17C		21B	X06A, X06B, X06C	
5t310.m↔		BOP, KVT, UOP4, VIAL		08	I32A, I32B, I32C, I32D, I32E, I32F	5t312.0↔		BOP, KVT, UOP4, VIAL	
	08	I12A, I12B, I12C, I20A, I20B, I20C, I20D, I20E, I20F		21A	W04A, W04B		08	I12A, I12B, I12C, I16Z	
	21A	W04A, W04B		21B	X05A, X05B		21A	W04A, W04B	
	21B	X04Z	5t311.e↔		BOP, KVT, UOP4, VIAL		21B	X06A, X06B, X06C	
5t310.n↔		BOP, KVT, UOP4, VIAL		08	I08A, I08B, I08C, I08D, I08E, I08F, I28A, I28B	5t312.4↔		BOP, KVT, UOP4, VIAL	
	08	I12A, I12B, I12C, I20A, I20B, I20C, I20D, I20E, I20F		21A	W04A, W04B		08	I08A, I08B, I08C, I08D, I08E, I08F, I12A, I12B, I12C, I21Z, I31Z	
	21A	W04A, W04B		21B	X04Z, X06A, X06B, X06C	5t312.5↔		BOP, KVT, UOP4, VIAL	
	21B	X04Z	5t311.f		BOP, KVT, UOP4, VIAL		08	I08A, I08B, I08C, I08D, I08E, I08F, I12A, I12B, I12C, I21Z, I31Z	
5t310.p↔		BOP, KVT, UOP4, VIAL		08	I28A, I28B		21A	W04A, W04B	
	08	I12A, I12B, I12C, I20A, I20B, I20C, I20D, I20E, I20F		21A	W04A, W04B		21B	X06A, X06B, X06C	
	21A	W04A, W04B	5t311.g↔		BOP, KVT, UOP4, VIAL				
	21B	X04Z		01	B03A, B03B, B06A, B06B, B17A, B17B, B17C	5t312.6↔		BOP, KVT, UOP4, VIAL	
5t310.q↔		BOP, KVT, UOP4, VIAL		08	I08A, I08B, I08C, I08D, I08E, I08F		01	B03A, B03B, B06A, B06B, B07Z, B17A, B17B, B17C	
	08	I12A, I12B, I12C, I20A, I20B, I20C, I20D, I20E, I20F		21A	W01A, W01B, W01C, W02A, W02B		08	I08A, I08B, I08C, I08D, I08E, I08F, I12A, I12B, I12C, I32A, I32B, I32C, I32D, I32E, I32F	
	21A	W04A, W04B		21B	X04Z		21A	W04A, W04B	
	21B	X04Z	5t311.h↔		BOP, KVT, UOP4, VIAL		21B	X05A, X05B	
5t310.r↔		BOP, KVT, UOP4, VIAL		01	B03A, B03B, B06A, B06B, B17A, B17B, B17C	5t312.7↔		BOP, KVT, UOP4, VIAL	
	08	I12A, I12B, I12C, I20A, I20B, I20C, I20D, I20E, I20F		08	I18A, I30Z		01	B03A, B03B, B06A, B06B, B07Z, B17A, B17B, B17C	
	21A	W04A, W04B		21A	W04A, W04B		08	I12A, I12B, I12C, I32A, I32B, I32C, I32D, I32E, I32F	
	21B	X04Z		21B	X04Z		21A	W04A, W04B	
5t310.x		BOP, KVT, UOP4		08	I18A, I30Z		21B	X05A, X05B	
	08	I12A, I12B, I12C, I23A, I23B		21A	W04A, W04B	5t312.8↔		BOP, KVT, UOP4, VIAL	
	21A	W04A, W04B		21B	X04Z		01	B03A, B03B, B06A, B06B, B07Z, B17A, B17B, B17C	
	21B	X06A, X06B, X06C		5t311.j↔		BOP, KVT, UOP4, VIAL		08	I12A, I12B, I12C, I32A, I32B, I32C, I32D, I32E, I32F
5t311.0↔		BOP, KVT, UOP4, VIAL		01	B03A, B03B, B06A, B06B, B17A, B17B, B17C		21A	W04A, W04B	
	08	I16Z		08	I18A, I30Z		21B	X05A, X05B	
	21A	W04A, W04B		21A	W04A, W04B	5t312.9↔		BOP, KVT, UOP4, VIAL	
	21B	X06A, X06B, X06C		21B	X04Z		01	B03A, B03B, B06A, B06B, B07Z, B17A, B17B, B17C	
5t311.4↔		BOP, KVT, UOP4, VIAL		08	I13A, I13B, I13C, I13D, I13E		08	I12A, I12B, I12C, I32A, I32B, I32C, I32D, I32E, I32F	
	08	I08A, I08B, I08C, I08D, I08E, I08F, I21Z, I31Z		10	K01Z		21A	W04A, W04B	
	21A	W04A, W04B	5t311.k↔		BOP, KVT, UOP4, VIAL		21B	X05A, X05B	
	21B	X06A, X06B, X06C		01	B03A, B03B, B06A, B06B, B17A, B17B, B17C				
5t311.5↔		BOP, KVT, UOP4, VIAL		05	F27A, F27B, F27C	5t312.e↔		BOP, KVT, UOP4, VIAL	
	08	I08A, I08B, I08C, I08D, I08E, I08F, I21Z, I31Z		08	I13A, I13B, I13C, I13D, I13E		01	B03A, B03B, B06A, B06B, B07Z, B17A, B17B, B17C	
	21A	W04A, W04B		10	K01Z		08	I12A, I12B, I12C, I32A, I32B, I32C, I32D, I32E, I32F	
	21B	X06A, X06B, X06C		21A	W04A, W04B		21A	W04A, W04B	
5t311.6↔		BOP, KVT, UOP4, VIAL		21B	X04Z		21B	X05A, X05B	
	01	B03A, B03B, B06A, B06B, B07Z, B17A, B17B, B17C	5t311.m↔		BOP, KVT, UOP4, VIAL				
	08	I08A, I08B, I08C, I08D, I08E, I08F, I32A, I32B, I32C, I32D, I32E, I32F		08	I20A, I20B, I20C, I20D	5t312.f		BOP, KVT, UOP4, VIAL	
	21A	W04A, W04B		21A	W04A, W04B		08	I08A, I08B, I08C, I08D, I08E, I08F	
	21B	X05A, X05B		21B	X04Z				
			5t311.n↔		BOP, KVT, UOP4, VIAL				
				08	I20A, I20B, I20C, I20D				
				21A	W04A, W04B				
				21B	X04Z				
			5t311.p↔		BOP, KVT, UOP4, VIAL				
				08	I20A, I20B, I20C, I20D				
				21A	W04A, W04B				
				21B	X04Z				

ZZV	MDC	DRG	ZZV	MDC	DRG	ZZV	MDC	DRG
5t312.g↔		BOP, KVT, UOP4, VIAL	5t313.2↔		BOP, KVT, UOP4, VIAL	5t317.h↔		BOP, KVT, UOP4, VIAL
	01	B03A, B03B, B06A, B06B, B17A, B17B, B17C		01	B03A, B03B, B06A, B06B, B17A, B17B, B17C		01	B03A, B03B, B06A, B06B, B17A, B17B, B17C
	08	I08A, I08B, I08C, I08D, I08E, I08F		08	I12A, I12B, I12C, I18A, I18B, I30Z		08	I18A, I18B, I30Z
	21A	W01A, W01B, W01C, W02A, W02B		21A	W04A, W04B		21A	W04A, W04B
	21B	X04Z		21B	X04Z	5t317.j↔		BOP, KVT, UOP4, VIAL
5t312.h↔		BOP, KVT, UOP4, VIAL	5t313.3↔		BOP, KVT, UOP4, VIAL	5t317.k↔		BOP, KVT, UOP4, VIAL
	08	I12A, I12B, I12C, I18A, I30Z		08	I12A, I12B, I12C, I18A, I18B, I30Z		08	I13A, I13B, I13C, I13D, I13E
	21A	W04A, W04B		10	K09A, K09B		01	B03A, B03B, B06A, B06B, B17A, B17B, B17C
	21B	X04Z		21A	W04A, W04B		05	F27A, F27B, F27C
5t312.j↔		BOP, KVT, UOP4, VIAL		21B	X04Z		08	I13A, I13B, I13C, I13D, I13E
5t312.k↔		BOP, KVT, UOP4, VIAL	5t313.4↔		BOP, KVT, UOP4, VIAL		10	K01Z
	08	I13A, I13B, I13C, I13D, I13E		01	B03A, B03B, B06A, B06B, B17A, B17B, B17C		21A	W04A, W04B
	01	B03A, B03B, B06A, B06B, B17A, B17B, B17C		08	I12A, I12B, I12C, I18A, I18B, I30Z	5t317.n↔		BOP, KVT, UOP4, VIAL
	05	F27A, F27B, F27C		21A	W04A, W04B		08	I20A, I20B, I20C, I20D
	08	I12A, I12B, I12C, I13A, I13B, I13C, I13D, I13E		21B	X04Z	5t317.p↔		BOP, KVT, UOP4, VIAL
	10	K01Z	5t313.5↔		BOP, KVT, UOP4, VIAL	5t317.q↔		BOP, KVT, UOP4, VIAL
	21A	W04A, W04B		08	I18A, I18B, I24Z, I30Z		08	I20A, I20B, I20C, I20D, I20E, I20F
	21B	X04Z		21A	W04A, W04B	5t317.r↔		BOP, KVT, UOP4, VIAL
5t312.m↔		BOP, KVT, UOP4, VIAL		21B	X04Z		08	I20A, I20B, I20C, I20D, I20E, I20F
	08	I12A, I12B, I12C, I20A, I20B, I20C, I20D	5t313.6↔		BOP, KVT, UOP4, VIAL	5t317.x		BOP, KVT, UOP4
	21A	W04A, W04B		08	I18A, I18B, I30Z		08	I28A, I28B
	21B	X04Z		21A	W04A, W04B		21A	W04A, W04B
5t312.n↔		BOP, KVT, UOP4, VIAL		21B	X04Z	5t318.0↔		BOP, KVT, UOP4, VIAL
	08	I12A, I12B, I12C, I20A, I20B, I20C, I20D	5t317.0↔		BOP, KVT, UOP4, VIAL		08	I16Z
	21A	W04A, W04B		08	I16Z		21A	W04A, W04B
	21B	X04Z		21A	W04A, W04B	5t318.4↔		BOP, KVT, UOP4, VIAL
5t312.p↔		BOP, KVT, UOP4, VIAL	5t317.4↔		BOP, KVT, UOP4, VIAL		08	I08A, I08B, I08C, I08D, I08E, I08F, I21Z, I31Z
	08	I12A, I12B, I12C, I20A, I20B, I20C, I20D		08	I08A, I08B, I08C, I08D, I08E, I08F, I21Z, I31Z		21A	W04A, W04B
	21A	W04A, W04B		21A	W04A, W04B		21B	X06A, X06B, X06C
	21B	X04Z	5t317.5↔		BOP, KVT, UOP4, VIAL	5t318.7↔		BOP, KVT, UOP4, VIAL
5t312.q↔		BOP, KVT, UOP4, VIAL		08	I08A, I08B, I08C, I08D, I08E, I08F, I21Z, I31Z		08	I32A, I32B, I32C, I32D, I32E, I32F
	08	I12A, I12B, I12C, I20A, I20B, I20C, I20D, I20E, I20F		21A	W04A, W04B		09	J03A, J03B, J04A, J04B, J08A, J08B, J08C, J11A, J11B, J16Z
	21A	W04A, W04B	5t317.7↔		BOP, KVT, UOP4, VIAL		21A	W04A, W04B
	21B	X04Z		01	B03A, B03B, B06A, B06B, B07Z, B17A, B17B, B17C	5t318.g↔		BOP, KVT, UOP4, VIAL
5t312.r↔		BOP, KVT, UOP4, VIAL		08	I32A, I32B, I32C, I32D, I32E, I32F		08	I08A, I08B, I08C, I08D, I08E, I08F
	08	I12A, I12B, I12C, I20A, I20B, I20C, I20D, I20E, I20F	5t317.8↔		BOP, KVT, UOP4, VIAL		21A	W01A, W01B, W01C, W02A, W02B
	21A	W04A, W04B		01	B03A, B03B, B06A, B06B, B07Z, B17A, B17B, B17C		21B	X04Z
	21B	X04Z		08	I32A, I32B, I32C, I32D, I32E, I32F	5t318.h↔		BOP, KVT, UOP4, VIAL
5t312.x		BOP, KVT, UOP4		21A	W04A, W04B		08	I18A, I18B, I30Z
	08	I12A, I12B, I12C, I28A, I28B		21B	X05A, X05B		10	K09A, K09B
	21A	W04A, W04B	5t317.e↔		BOP, KVT, UOP4, VIAL		21A	W04A, W04B
	21B	X06A, X06B, X06C		08	I08A, I08B, I08C, I08D, I08E, I08F		21B	X04Z
5t313.0↔		BOP, KVT, UOP4, VIAL	5t317.g↔		BOP, KVT, UOP4, VIAL	5t318.k↔		BOP, KVT, UOP4, VIAL
	08	I12A, I12B, I12C, I18A, I18B, I30Z		01	B03A, B03B, B06A, B06B, B17A, B17B, B17C		08	I13A, I13B, I13C, I13D, I13E
	10	K09A, K09B		08	I08A, I08B, I08C, I08D, I08E, I08F		21A	W04A, W04B
	21A	W04A, W04B		21A	W01A, W01B, W01C, W02A, W02B	5t318.x		BOP, KVT, UOP4
	21B	X04Z		21B	X04Z		08	I28A, I28B
5t313.1↔		BOP, KVT, UOP4, VIAL		08	I08A, I08B, I08C, I08D, I08E, I08F		21A	W04A, W04B
	08	I12A, I12B, I12C, I18A, I18B, I30Z		21A	W01A, W01B, W01C, W02A, W02B		21B	X06A, X06B, X06C
	10	K09A, K09B		21B	X04Z			
	21A	W04A, W04B						
	21B	X04Z						

VYK

ZZV	MDC	DRG	ZZV	MDC	DRG	ZZV	MDC	DRG
5t319↔		BOP, KVT, UOP4, VIAL	5t31a.q↔		BOP, KVT, UOP4, VIAL	5t31c.9↔		BOP, KVT, UOP4, VIAL
	08	I32A, I32B, I32C, I32D, I32E, I32F, I32G		08	I20A, I20B, I20C, I20D, I20E, I20F		08	I32A, I32B, I32C, I32D, I32E, I32F
	09	J03A, J03B, J04A, J04B, J08A, J08B, J08C, J11A, J11B, J16Z	5t31a.r↔		BOP, KVT, UOP4, VIAL		09	J03A, J03B, J04A, J04B, J08A, J08B, J08C, J11A, J11B, J16Z
	21A	W04A, W04B		08	I20A, I20B, I20C, I20D, I20E, I20F		21A	W04A, W04B
	21B	X05A, X05B	5t31a.x		BOP, KVT, UOP4		21B	X05A, X05B
5t31a.0↔		BOP, KVT, UOP4, VIAL		08	I28A, I28B	5t31c.e↔		BOP, KVT, UOP4, VIAL
	08	I16Z		21A	W04A, W04B		08	I08A, I08B, I08C, I08D, I08E, I08F, I23A, I23B
	21A	W04A, W04B	5t31b.h		BOP, KVT, UOP4, VIAL		21A	W04A, W04B
	21B	X06A, X06B, X06C		08	I12A, I12B, I12C, I18A, I30Z		21B	X04Z, X06A, X06B, X06C
5t31a.4↔		BOP, KVT, UOP4, VIAL		21A	W04A, W04B	5t31c.g↔		BOP, KVT, UOP4, VIAL
	08	I08A, I08B, I08C, I08D, I08E, I08F, I21Z, I31Z		21B	X04Z		01	B03A, B03B, B06A, B06B, B17A, B17B, B17C
	21A	W04A, W04B	5t31b.m		BOP, KVT, UOP4, VIAL		08	I08A, I08B, I08C, I08D, I08E, I08F
	21B	X06A, X06B, X06C		01	B03A, B03B, B06A, B06B, B17A, B17B, B17C		21A	W01A, W01B, W01C, W02A, W02B
5t31a.5↔		BOP, KVT, UOP4, VIAL		05	F27A, F27B, F27C		21B	X04Z
	08	I08A, I08B, I08C, I08D, I08E, I08F, I21Z, I31Z		08	I13A, I13B, I13C, I13D, I13E	5t31c.h↔		BOP, KVT, UOP4, VIAL
	21A	W04A, W04B		10	K01Z		01	B03A, B03B, B06A, B06B, B17A, B17B, B17C
	21B	X06A, X06B, X06C		21A	W04A, W04B		08	I18A, I18B, I30Z
5t31a.7↔		BOP, KVT, UOP4, VIAL		21B	X04Z		21A	W04A, W04B
	01	B03A, B03B, B06A, B06B, B07Z, B17A, B17B, B17C	5t31c.0↔		BOP, KVT, UOP4, VIAL		21B	X04Z
	08	I32A, I32B, I32C, I32D, I32E, I32F		08	I16Z	5t31c.i↔		BOP, KVT, UOP4, VIAL
	21A	W04A, W04B		21A	W04A, W04B		01	B03A, B03B, B06A, B06B, B17A, B17B, B17C
	21B	X05A, X05B		21B	X06A, X06B, X06C		08	I18A, I18B, I30Z
5t31a.8↔		BOP, KVT, UOP4, VIAL		21B	X06A, X06B, X06C		21A	W04A, W04B
	01	B03A, B03B, B06A, B06B, B07Z, B17A, B17B, B17C	5t31c.1↔		BOP, KVT, UOP4, VIAL		21B	X04Z
	08	I32A, I32B, I32C, I32D, I32E, I32F		08	I16Z	5t31c.j↔		BOP, KVT, UOP4, VIAL
	21A	W04A, W04B		21A	W04A, W04B		01	B03A, B03B, B06A, B06B, B17A, B17B, B17C
	21B	X05A, X05B		21B	X06A, X06B, X06C		08	I18A, I18B, I30Z
5t31a.e↔		BOP, KVT, UOP4, VIAL		21B	X06A, X06B, X06C		21A	W04A, W04B
	01	B03A, B03B, B06A, B06B, B07Z, B17A, B17B, B17C	5t31c.3↔		BOP, KVT, UOP4, VIAL		21B	X04Z
	08	I32A, I32B, I32C, I32D, I32E, I32F		08	I23A, I23B	5t31c.k↔		BOP, KVT, UOP4, VIAL
	21A	W04A, W04B		21A	W04A, W04B		08	I13A, I13B, I13C, I13D, I13E
	21B	X05A, X05B		21B	X06A, X06B, X06C		21A	W04A, W04B
5t31a.g↔		BOP, KVT, UOP4, VIAL		21B	X06A, X06B, X06C		21B	X04Z
	08	I08A, I08B, I08C, I08D, I08E, I08F	5t31c.4↔		BOP, KVT, UOP4, VIAL	5t31c.m↔		BOP, KVT, UOP4, VIAL
	01	B03A, B03B, B06A, B06B, B17A, B17B, B17C		08	I08A, I08B, I08C, I08D, I08E, I08F, I21Z, I31Z		08	I20A, I20B, I20C, I20D, I20E, I20F
	08	I08A, I08B, I08C, I08D, I08E, I08F		21A	W04A, W04B		21A	W04A, W04B
	21A	W01A, W01B, W01C, W02A, W02B		21B	X06A, X06B, X06C		21B	X04Z
	21B	X04Z	5t31c.5↔		BOP, KVT, UOP4, VIAL	5t31c.n↔		BOP, KVT, UOP4, VIAL
5t31a.h↔		BOP, KVT, UOP4, VIAL		08	I08A, I08B, I08C, I08D, I08E, I08F, I32A, I32B, I32C, I32D, I32E, I32F		08	I20A, I20B, I20C, I20D, I20E, I20F
	01	B03A, B03B, B06A, B06B, B17A, B17B, B17C		21A	W04A, W04B		21A	W04A, W04B
	08	I08A, I08B, I08C, I08D, I08E, I08F		21B	X06A, X06B, X06C	5t31c.p↔		BOP, KVT, UOP4, VIAL
	21A	W04A, W04B		21B	X06A, X06B, X06C		08	I20A, I20B, I20C, I20D, I20E, I20F
	21B	X04Z	5t31c.6↔		BOP, KVT, UOP4, VIAL		21A	W04A, W04B
5t31a.i↔		BOP, KVT, UOP4, VIAL		08	I08A, I08B, I08C, I08D, I08E, I08F, I32A, I32B, I32C, I32D, I32E, I32F		21B	X04Z
	08	I13A, I13B, I13C, I13D, I13E		09	J03A, J03B, J04A, J04B, J08A, J08B, J08C, J11A, J11B, J16Z		08	I20A, I20B, I20C, I20D, I20E, I20F
5t31a.k↔		BOP, KVT, UOP4, VIAL		21A	W04A, W04B		21A	W04A, W04B
	01	B03A, B03B, B06A, B06B, B17A, B17B, B17C		21B	X05A, X05B	5t31c.q↔		BOP, KVT, UOP4, VIAL
	05	F27A, F27B, F27C		21B	X05A, X05B		08	I20A, I20B, I20C, I20D, I20E, I20F
	08	I13A, I13B, I13C, I13D, I13E		21B	X05A, X05B		21A	W04A, W04B
	10	K01Z		21B	X05A, X05B		21B	X04Z
	21A	W04A, W04B	5t31c.7↔		BOP, KVT, UOP4, VIAL		21A	W04A, W04B
	21B	X04Z		08	I32A, I32B, I32C, I32D, I32E, I32F		21B	X04Z
5t31a.n↔		BOP, KVT, UOP4, VIAL		09	J03A, J03B, J04A, J04B, J08A, J08B, J08C, J11A, J11B, J16Z	5t31c.r↔		BOP, KVT, UOP4, VIAL
	08	I20A, I20B, I20C, I20D		21A	W04A, W04B		08	I20A, I20B, I20C, I20D, I20E, I20F
5t31a.p↔		BOP, KVT, UOP4, VIAL		21B	X05A, X05B		21A	W04A, W04B
	08	I20A, I20B, I20C, I20D	5t31c.8↔		BOP, KVT, UOP4, VIAL		21B	X04Z
				08	I32A, I32B, I32C, I32D, I32E, I32F	5t31c.x		BOP, KVT, UOP4
				09	J03A, J03B, J04A, J04B, J08A, J08B, J08C, J11A, J11B, J16Z		08	I23A, I23B
				21A	W04A, W04B		21A	W04A, W04B
				21B	X05A, X05B	5t31d.0↔		BOP, KVT, UOP4, VIAL
				21B	X05A, X05B		08	I16Z
				21B	X05A, X05B		21A	W04A, W04B
				21B	X05A, X05B		21B	X06A, X06B, X06C

ZZV	MDC	DRG	ZZV	MDC	DRG	ZZV	MDC	DRG
5t31d.1↔		BOP, KVT, UOP4, VIAL	5t31d.k↔		BOP, KVT, UOP4, VIAL	5t31h.g↔		BOP, KVT, UOP4, VIAL
	08	I16Z		01	B03A, B03B, B06A, B06B, B17A, B17B, B17C		01	B03A, B03B, B06A, B06B, B17A, B17B, B17C
	21A	W04A, W04B		05	F27A, F27B, F27C		08	I08A, I08B, I08C, I08D, I08E, I08F
	21B	X06A, X06B, X06C		08	I13A, I13B, I13C, I13D, I13E		21A	W01A, W01B, W01C, W02A, W02B
5t31d.3↔		BOP, KVT, UOP4, VIAL		10	K01Z		21B	X04Z
	08	I28A, I28B	5t31d.m↔		BOP, KVT, UOP4, VIAL	5t31h.h↔		BOP, KVT, UOP4, VIAL
	21A	W04A, W04B		08	I20A, I20B, I20C, I20D		01	B03A, B03B, B06A, B06B, B17A, B17B, B17C
	21B	X06A, X06B, X06C		21A	W04A, W04B		08	I08A, I08B, I08C, I08D, I08E, I08F
5t31d.4↔		BOP, KVT, UOP4, VIAL		21B	X04Z		21A	W04A, W04B
	08	I08A, I08B, I08C, I08D, I08E, I08F, I21Z, I31Z	5t31d.n↔		BOP, KVT, UOP4, VIAL		21B	X04Z
	21A	W04A, W04B		08	I20A, I20B, I20C, I20D	5t31h.j↔		BOP, KVT, UOP4, VIAL
	21B	X06A, X06B, X06C		21A	W04A, W04B		08	I13A, I13B, I13C, I13D, I13E
5t31d.5↔		BOP, KVT, UOP4, VIAL		21B	X04Z	5t31h.k↔		BOP, KVT, UOP4, VIAL
	08	I08A, I08B, I08C, I08D, I08E, I08F, I21Z, I31Z	5t31d.p↔		BOP, KVT, UOP4, VIAL		01	B03A, B03B, B06A, B06B, B17A, B17B, B17C
	21A	W04A, W04B		08	I20A, I20B, I20C, I20D		05	F27A, F27B, F27C
	21B	X06A, X06B, X06C		21A	W04A, W04B		08	I13A, I13B, I13C, I13D, I13E
5t31d.6↔		BOP, KVT, UOP4, VIAL		21B	X04Z		10	K01Z
	01	B03A, B03B, B06A, B06B, B07Z, B17A, B17B, B17C	5t31d.q↔		BOP, KVT, UOP4, VIAL		21A	W04A, W04B
	08	I08A, I08B, I08C, I08D, I08E, I08F, I32A, I32B, I32C, I32D, I32E, I32F		08	I20A, I20B, I20C, I20D, I20E, I20F		21B	X04Z
	21A	W04A, W04B		21A	W04A, W04B	5t31h.n↔		BOP, KVT, UOP4, VIAL
	21B	X05A, X05B		21B	X04Z		08	I20A, I20B, I20C, I20D
5t31d.7↔		BOP, KVT, UOP4, VIAL	5t31d.r↔		BOP, KVT, UOP4, VIAL	5t31h.p↔		BOP, KVT, UOP4, VIAL
	01	B03A, B03B, B06A, B06B, B07Z, B17A, B17B, B17C		08	I20A, I20B, I20C, I20D, I20E, I20F		08	I20A, I20B, I20C, I20D
	08	I32A, I32B, I32C, I32D, I32E, I32F		21A	W04A, W04B	5t31h.q↔		BOP, KVT, UOP4, VIAL
	21A	W04A, W04B		21B	X04Z		08	I20A, I20B, I20C, I20D, I20E, I20F
	21B	X05A, X05B	5t31d.x		BOP, KVT, UOP4	5t31h.r↔		BOP, KVT, UOP4, VIAL
5t31d.8↔		BOP, KVT, UOP4, VIAL		08	I28A, I28B		08	I20A, I20B, I20C, I20D, I20E, I20F
	01	B03A, B03B, B06A, B06B, B07Z, B17A, B17B, B17C		21A	W04A, W04B	5t31h.x		BOP, KVT, UOP4
	08	I32A, I32B, I32C, I32D, I32E, I32F		21B	X06A, X06B, X06C		08	I28A, I28B
	21A	W04A, W04B	5t31g↔		BOP, KVT, UOP4, VIAL		21A	W04A, W04B
	21B	X05A, X05B		08	I18A, I18B, I30Z		21B	X06A, X06B, X06C
5t31d.9↔		BOP, KVT, UOP4, VIAL		21A	W04A, W04B	5t31h.0↔		BOP, KVT, UOP4, VIAL
	01	B03A, B03B, B06A, B06B, B07Z, B17A, B17B, B17C		21B	X06A, X06B, X06C		08	I16Z
	08	I32A, I32B, I32C, I32D, I32E, I32F		21A	W04A, W04B	5t31h.4↔		BOP, KVT, UOP4, VIAL
	21A	W04A, W04B		21B	X06A, X06B, X06C		08	I08A, I08B, I08C, I08D, I08E, I08F, I21Z, I31Z
	21B	X05A, X05B		21A	W04A, W04B		21A	W04A, W04B
5t31d.e↔		BOP, KVT, UOP4, VIAL		21B	X06A, X06B, X06C	5t31j.1↔		BOP, KVT, UOP4, VIAL
	08	I08A, I08B, I08C, I08D, I08E, I08F	5t31h.5↔		BOP, KVT, UOP4, VIAL		08	I16Z
				08	I08A, I08B, I08C, I08D, I08E, I08F, I21Z, I31Z		21A	W04A, W04B
5t31d.g↔		BOP, KVT, UOP4, VIAL		21A	W04A, W04B		21B	X06A, X06B, X06C
	01	B03A, B03B, B06A, B06B, B17A, B17B, B17C		21B	X06A, X06B, X06C	5t31j.2↔		BOP, KVT, UOP4, VIAL
	08	I08A, I08B, I08C, I08D, I08E, I08F					08	I23A, I23B
			5t31h.7↔		BOP, KVT, UOP4, VIAL		21A	W04A, W04B
	21A	W01A, W01B, W01C, W02A, W02B		01	B03A, B03B, B06A, B06B, B07Z, B17A, B17B, B17C	5t31j.3↔		BOP, KVT, UOP4, VIAL
	21B	X04Z		08	I32A, I32B, I32C, I32D, I32E, I32F		08	I23A, I23B
5t31d.h↔		BOP, KVT, UOP4, VIAL		21A	W04A, W04B		21A	W04A, W04B
	01	B03A, B03B, B06A, B06B, B17A, B17B, B17C		21B	X05A, X05B	5t31j.4↔		BOP, KVT, UOP4, VIAL
	08	I18A, I18B, I30Z	5t31h.8↔		BOP, KVT, UOP4, VIAL		08	I08A, I08B, I08C, I08D, I08E, I08F, I21Z, I31Z
	21A	W04A, W04B		01	B03A, B03B, B06A, B06B, B07Z, B17A, B17B, B17C		21A	W04A, W04B
	21B	X04Z		08	I32A, I32B, I32C, I32D, I32E, I32F		21B	X06A, X06B, X06C
5t31d.j↔		BOP, KVT, UOP4, VIAL		21A	W04A, W04B	5t31j.5↔		BOP, KVT, UOP4, VIAL
	01	B03A, B03B, B06A, B06B, B17A, B17B, B17C		21B	X05A, X05B		08	I08A, I08B, I08C, I08D, I08E, I08F, I21Z, I31Z
	08	I18A, I18B, I30Z	5t31h.e↔		BOP, KVT, UOP4, VIAL		21A	W04A, W04B
	21A	W04A, W04B		08	I08A, I08B, I08C, I08D, I08E, I08F		21B	X06A, X06B, X06C
	21B	X04Z						

VYK

ZZV	MDC	DRG	ZZV	MDC	DRG	ZZV	MDC	DRG
5t31j.6↔		BOP, KVT, UOP4, VIAL	5t31j.n↔		BOP, KVT, UOP4, VIAL	5t31k.9↔		BOP, KVT, UOP4, VIAL
	08	I08A, I08B, I08C, I08D, I08E, I08F, I32A, I32B, I32C, I32D, I32E, I32F		08	I20A, I20B, I20C, I20D, I20E, I20F		01	B03A, B03B, B06A, B06B, B07Z, B17A, B17B, B17C
	09	J03A, J03B, J04A, J04B, J08A, J08B, J08C, J11A, J11B, J16Z		21A	W04A, W04B		08	I32A, I32B, I32C, I32D, I32E, I32F
	21A	W04A, W04B		21B	X04Z		21A	W04A, W04B
	21B	X05A, X05B	5t31j.p↔		BOP, KVT, UOP4, VIAL		21B	X05A, X05B
5t31j.7↔		BOP, KVT, UOP4, VIAL		08	I20A, I20B, I20C, I20D, I20E, I20F	5t31k.e↔		BOP, KVT, UOP4, VIAL
	08	I32A, I32B, I32C, I32D, I32E, I32F		21A	W04A, W04B		08	I08A, I08B, I08C, I08D, I08E, I08F
	09	J03A, J03B, J04A, J04B, J08A, J08B, J08C, J11A, J11B, J16Z	5t31j.q↔		BOP, KVT, UOP4, VIAL		5t31k.g↔	BOP, KVT, UOP4, VIAL
	21A	W04A, W04B		08	I20A, I20B, I20C, I20D, I20E, I20F		01	B03A, B03B, B06A, B06B, B17A, B17B, B17C
	21B	X05A, X05B		21A	W04A, W04B		08	I08A, I08B, I08C, I08D, I08E, I08F
5t31j.8↔		BOP, KVT, UOP4, VIAL		21B	X04Z		21A	W01A, W01B, W01C, W02A, W02B
	08	I32A, I32B, I32C, I32D, I32E, I32F	5t31j.r↔		BOP, KVT, UOP4, VIAL		21B	X04Z
	09	J03A, J03B, J04A, J04B, J08A, J08B, J08C, J11A, J11B, J16Z		08	I20A, I20B, I20C, I20D, I20E, I20F	5t31k.h↔		BOP, KVT, UOP4, VIAL
	21A	W04A, W04B		21A	W04A, W04B		01	B03A, B03B, B06A, B06B, B17A, B17B, B17C
	21B	X05A, X05B	5t31j.x		BOP, KVT, UOP4		08	I18A, I18B, I30Z
5t31j.9↔		BOP, KVT, UOP4, VIAL		08	I23A, I23B		21A	W04A, W04B
	08	I32A, I32B, I32C, I32D, I32E, I32F		21A	W04A, W04B		21B	X04Z
	09	J03A, J03B, J04A, J04B, J08A, J08B, J08C, J11A, J11B, J16Z	5t31k.0↔		BOP, KVT, UOP4, VIAL	5t31k.j↔		BOP, KVT, UOP4, VIAL
	21A	W04A, W04B		08	I16Z		01	B03A, B03B, B06A, B06B, B17A, B17B, B17C
	21B	X05A, X05B		21A	W04A, W04B		08	I18A, I18B, I30Z
5t31j.e↔		BOP, KVT, UOP4, VIAL	5t31k.1↔		BOP, KVT, UOP4, VIAL		21A	W04A, W04B
	08	I08A, I08B, I08C, I08D, I08E, I08F, I23A, I23B		08	I16Z		21B	X04Z
	21A	W04A, W04B		21A	W04A, W04B	5t31k.k↔		BOP, KVT, UOP4, VIAL
	21B	X04Z, X06A, X06B, X06C		21B	X06A, X06B, X06C		01	B03A, B03B, B06A, B06B, B17A, B17B, B17C
5t31j.f		BOP, KVT, UOP4, VIAL	5t31k.3↔		BOP, KVT, UOP4, VIAL		05	F27A, F27B, F27C
	08	I23A, I23B		08	I28A, I28B		08	I13A, I13B, I13C, I13D, I13E
	21A	W04A, W04B		21A	W04A, W04B		10	K01Z
	21B	X04Z, X06A, X06B, X06C	5t31k.4↔		BOP, KVT, UOP4, VIAL		21A	W04A, W04B
5t31j.g↔		BOP, KVT, UOP4, VIAL		08	I08A, I08B, I08C, I08D, I08E, I08F, I21Z, I31Z	5t31k.m↔		BOP, KVT, UOP4, VIAL
	01	B03A, B03B, B06A, B06B, B17A, B17B, B17C		21A	W04A, W04B		08	I20A, I20B, I20C, I20D
	08	I08A, I08B, I08C, I08D, I08E, I08F	5t31k.5↔		BOP, KVT, UOP4, VIAL		21A	W04A, W04B
	21A	W01A, W01B, W01C, W02A, W02B		08	I08A, I08B, I08C, I08D, I08E, I08F, I21Z, I31Z		21B	X04Z
	21B	X04Z		21A	W04A, W04B	5t31k.n↔		BOP, KVT, UOP4, VIAL
5t31j.h↔		BOP, KVT, UOP4, VIAL	5t31k.6↔		BOP, KVT, UOP4, VIAL		08	I20A, I20B, I20C, I20D
	08	I18A, I18B, I30Z		01	B03A, B03B, B06A, B06B, B07Z, B17A, B17B, B17C		21A	W04A, W04B
	21A	W04A, W04B		08	I08A, I08B, I08C, I08D, I08E, I08F, I32A, I32B, I32C, I32D, I32E, I32F		21B	X04Z
	21B	X04Z		21A	W04A, W04B	5t31k.p↔		BOP, KVT, UOP4, VIAL
5t31j.j↔		BOP, KVT, UOP4, VIAL		21B	X05A, X05B		08	I20A, I20B, I20C, I20D
	08	I18A, I18B, I30Z	5t31k.7↔		BOP, KVT, UOP4, VIAL		21A	W04A, W04B
	21A	W04A, W04B		01	B03A, B03B, B06A, B06B, B07Z, B17A, B17B, B17C		21B	X04Z
	21B	X04Z		08	I32A, I32B, I32C, I32D, I32E, I32F	5t31k.q↔		BOP, KVT, UOP4, VIAL
5t31j.k↔		BOP, KVT, UOP4, VIAL		21A	W04A, W04B		08	I20A, I20B, I20C, I20D, I20E, I20F
	08	I13A, I13B, I13C, I13D, I13E		21A	W04A, W04B		21A	W04A, W04B
	21A	W04A, W04B		21B	X05A, X05B	5t31k.x		BOP, KVT, UOP4
	21B	X04Z	5t31k.8↔		BOP, KVT, UOP4, VIAL		08	I28A, I28B
5t31j.m↔		BOP, KVT, UOP4, VIAL		01	B03A, B03B, B06A, B06B, B07Z, B17A, B17B, B17C		21A	W04A, W04B
	08	I20A, I20B, I20C, I20D, I20E, I20F		08	I32A, I32B, I32C, I32D, I32E, I32F		21B	X06A, X06B, X06C
	21A	W04A, W04B		21A	W04A, W04B	5t31x.0↔		BOP, KVT, UOP4, VIAL
	21B	X04Z		21B	X05A, X05B		08	I16Z
							21A	W04A, W04B
							21B	X06A, X06B, X06C

ZZV	MDC	DRG	ZZV	MDC	DRG	ZZV	MDC	DRG
5t31x.1↔		BOP, KVT, UOP4, VIAL	5t31x.g↔		BOP, KVT, UOP4, VIAL	5t323↔		BOP, KVT, UOP4, VIAL
	08	I16Z		01	B03A, B03B, B06A, B06B, B17A, B17B, B17C		01	B03A, B03B, B06A, B06B, B17A, B17B, B17C
	21A	W04A, W04B		08	I08A, I08B, I08C, I08D, I08E, I08F		08	I18A, I18B, I30Z
5t31x.2↔		BOP, KVT, UOP4, VIAL		21A	W01A, W01B, W01C, W02A, W02B		21A	W04A, W04B
	08	I23A, I23B		21B	X04Z	5t324↔		BOP, KVT, UOP4, VIAL
	21A	W04A, W04B	5t31x.h↔		BOP, KVT, UOP4, VIAL		01	B03A, B03B, B06A, B06B, B17A, B17B, B17C
	21B	X06A, X06B, X06C		08	I18A, I18B, I30Z		08	I18A, I18B, I30Z
5t31x.3↔		BOP, KVT, UOP4, VIAL		21A	W04A, W04B		21A	W04A, W04B
	08	I23A, I23B		21B	X04Z		21B	X04Z
	21A	W04A, W04B	5t31x.i↔		BOP, KVT, UOP4, VIAL	5t325↔		BOP, KVT, UOP4, VIAL
	21B	X06A, X06B, X06C		08	I18A, I18B, I30Z		01	B03A, B03B, B06A, B06B, B17A, B17B, B17C
5t31x.4↔		BOP, KVT, UOP4, VIAL		21A	W04A, W04B		08	I18A, I18B, I30Z
	08	I08A, I08B, I08C, I08D, I08E, I08F, I21Z, I31Z	5t31x.j↔		BOP, KVT, UOP4, VIAL		21A	W04A, W04B
	21A	W04A, W04B		08	I18A, I18B, I30Z		21B	X04Z
	21B	X06A, X06B, X06C		21A	W04A, W04B	5t326↔		BOP, KVT, UOP4, VIAL
5t31x.5↔		BOP, KVT, UOP4, VIAL	5t31x.k↔		BOP, KVT, UOP4, VIAL		01	B03A, B03B, B06A, B06B, B17A, B17B, B17C
	08	I08A, I08B, I08C, I08D, I08E, I08F, I21Z, I31Z		08	I13A, I13B, I13C, I13D, I13E		08	I18A, I18B, I30Z
	21A	W04A, W04B		21A	W04A, W04B		21A	W04A, W04B
	21B	X06A, X06B, X06C		21B	X04Z		21B	X04Z
5t31x.6↔		BOP, KVT, UOP4, VIAL	5t31x.l↔		BOP, KVT, UOP4, VIAL	5t327↔		BOP, KVT, UOP4, VIAL
	08	I08A, I08B, I08C, I08D, I08E, I08F, I32A, I32B, I32C, I32D, I32E, I32F		08	I20A, I20B, I20C, I20D, I20E, I20F		01	B03A, B03B, B06A, B06B, B17A, B17B, B17C
	09	J03A, J03B, J04A, J04B, J08A, J08B, J08C, J11A, J11B, J16Z		21A	W04A, W04B		08	I18A, I18B, I30Z
	21A	W04A, W04B		21B	X04Z		21A	W04A, W04B
	21B	X05A, X05B	5t31x.m↔		BOP, KVT, UOP4, VIAL		21B	X04Z
5t31x.7↔		BOP, KVT, UOP4, VIAL		08	I20A, I20B, I20C, I20D, I20E, I20F	5t328↔		BOP, KVT, UOP4, VIAL
	08	I32A, I32B, I32C, I32D, I32E, I32F		21A	W04A, W04B		01	B03A, B03B, B06A, B06B, B17A, B17B, B17C
	09	J03A, J03B, J04A, J04B, J08A, J08B, J08C, J11A, J11B, J16Z		21B	X04Z		08	I18A, I18B, I30Z
	21A	W04A, W04B	5t31x.n↔		BOP, KVT, UOP4, VIAL		21A	W04A, W04B
	21B	X05A, X05B		08	I20A, I20B, I20C, I20D, I20E, I20F		21B	X04Z
5t31x.8↔		BOP, KVT, UOP4, VIAL		21A	W04A, W04B	5t329↔		BOP, KVT, UOP4, VIAL
	08	I32A, I32B, I32C, I32D, I32E, I32F		21B	X04Z		01	B03A, B03B, B06A, B06B, B17A, B17B, B17C
	09	J03A, J03B, J04A, J04B, J08A, J08B, J08C, J11A, J11B, J16Z	5t31x.o↔		BOP, KVT, UOP4, VIAL		08	I18A, I18B, I30Z
	21A	W04A, W04B		08	I20A, I20B, I20C, I20D, I20E, I20F		21A	W04A, W04B
	21B	X05A, X05B		21A	W04A, W04B		21B	X04Z
5t31x.9↔		BOP, KVT, UOP4, VIAL		21B	X04Z	5t330↔		BOP, KVT, UOP4, VIAL
	08	I32A, I32B, I32C, I32D, I32E, I32F	5t31x.p↔		BOP, KVT, UOP4, VIAL		01	B03A, B03B, B06A, B06B, B07Z, B17A, B17B, B17C
	09	J03A, J03B, J04A, J04B, J08A, J08B, J08C, J11A, J11B, J16Z		08	I20A, I20B, I20C, I20D, I20E, I20F		08	I18A, I18B, I30Z
	21A	W04A, W04B		21A	W04A, W04B		10	K09A, K09B
	21B	X05A, X05B		21B	X04Z		21A	W04A, W04B
5t31x.e↔		BOP, KVT, UOP4, VIAL		21B	X04Z		21B	X04Z
	08	I08A, I08B, I08C, I08D, I08E, I08F, I23A, I23B	5t31x.q↔		BOP, KVT, UOP4, VIAL	5t331↔		BOP, KVT, UOP4, VIAL
	21A	W04A, W04B		08	I20A, I20B, I20C, I20D, I20E, I20F		01	B03A, B03B, B06A, B06B, B07Z, B17A, B17B, B17C
	21B	X04Z, X06A, X06B, X06C		21A	W04A, W04B		08	I18A, I18B, I30Z
5t31x.f		BOP, KVT, UOP4, VIAL		21B	X04Z		21A	W04A, W04B
	08	I23A, I23B	5t31x.r↔		BOP, KVT, UOP4, VIAL		21B	X04Z
	21A	W04A, W04B		08	I20A, I20B, I20C, I20D, I20E, I20F	5t332↔		BOP, KVT, UOP4, VIAL
	21B	X04Z, X06A, X06B, X06C		21A	W04A, W04B		01	B03A, B03B, B06A, B06B, B07Z, B17A, B17B, B17C
				21B	X04Z		08	I18A, I18B, I30Z
							21A	W04A, W04B
							21B	X04Z

VYK

ZZV	MDC	DRG	ZZV	MDC	DRG	ZZV	MDC	DRG
5t333↔		BOP, KVT, UOP4, VIAL	5t342↔		BOP, KVT, UOP4, VIAL	5t360↔		BOP, KVT, UOP4, VIAL
	01	B03A, B03B, B06A, B06B, B07Z, B17A, B17B, B17C		01	B03A, B03B, B06A, B06B, B07Z, B17A, B17B, B17C		01	B03A, B03B, B06A, B06B, B17A, B17B, B17C
	08	I18A, I18B, I30Z		08	I12A, I12B, I12C, I18A, I18B, I30Z		05	F27A, F27B, F27C
	10	K09A, K09B		10	K09A, K09B		08	I12A, I12B, I12C, I59Z
	21A	W04A, W04B		21A	W04A, W04B		10	K01Z
	21B	X04Z		21B	X04Z		21A	W04A, W04B
5t334↔		BOP, KVT, UOP4, VIAL	5t343↔		BOP, KVT, UOP4, VIAL	5t361↔		BOP, KVT, UOP4, VIAL
	01	B03A, B03B, B06A, B06B, B07Z, B17A, B17B, B17C		01	B03A, B03B, B06A, B06B, B07Z, B17A, B17B, B17C		01	B03A, B03B, B06A, B06B, B17A, B17B, B17C
	08	I18A, I18B, I30Z		08	I18A, I18B, I30Z		05	F27A, F27B, F27C
	21A	W04A, W04B		10	K09A, K09B		08	I12A, I12B, I12C, I59Z
	21B	X04Z		21A	W04A, W04B		10	K01Z
5t335↔		BOP, KVT, UOP4, VIAL	5t34x↔		BOP, KVT, UOP4, VIAL	5t362↔		BOP, KVT, UOP4, VIAL
	01	B03A, B03B, B06A, B06B, B07Z, B17A, B17B, B17C		08	I12A, I12B, I12C, I18A, I18B, I30Z		01	B03A, B03B, B06A, B06B, B17A, B17B, B17C
	08	I18A, I18B, I30Z		21A	W04A, W04B		05	F27A, F27B, F27C
	21A	W04A, W04B		21B	X04Z		08	I12A, I12B, I12C, I59Z
	21B	X04Z		5t350↔	BOP, KVT, UOP4, VIAL		10	K01Z
5t336↔		BOP, KVT, UOP4, VIAL		08	I29Z		21A	W04A, W04B
	01	B03A, B03B, B06A, B06B, B17A, B17B, B17C		21A	W04A, W04B		21B	X04Z
	08	I18A, I30Z		21B	X06A, X06B, X06C		5t363↔	BOP, KVT, UOP4, VIAL
	21A	W04A, W04B		5t351↔	BOP, KVT, UOP4, VIAL		01	B03A, B03B, B06A, B06B, B17A, B17B, B17C
	21B	X04Z		08	I29Z		05	F27A, F27B, F27C
5t337↔		BOP, KVT, UOP4, VIAL		21A	W04A, W04B		08	I12A, I12B, I12C, I59Z
	01	B03A, B03B, B06A, B06B, B17A, B17B, B17C		21B	X06A, X06B, X06C		10	K01Z
	08	I18A, I30Z		5t352↔	BOP, KVT, UOP4, VIAL		21A	W04A, W04B
	21A	W04A, W04B		08	I29Z		21B	X04Z
	21B	X04Z		21A	W04A, W04B		5t364↔	BOP, KVT, UOP4, VIAL
5t338↔		BOP, KVT, UOP4, VIAL		21B	X06A, X06B, X06C		01	B03A, B03B, B06A, B06B, B17A, B17B, B17C
	01	B03A, B03B, B06A, B06B, B17A, B17B, B17C		5t353↔	BOP, KVT, UOP4, VIAL		05	F27A, F27B, F27C
	08	I18A, I30Z		08	I29Z		08	I12A, I12B, I12C, I59Z
	21A	W04A, W04B		21A	W04A, W04B		10	K01Z
	21B	X04Z		21B	X06A, X06B, X06C		21A	W04A, W04B
5t339↔		BOP, KVT, UOP4, VIAL		5t354↔	BOP, KVT, UOP4, VIAL		21B	X04Z
	01	B03A, B03B, B06A, B06B, B17A, B17B, B17C		08	I12A, I12B, I12C, I29Z		5t365↔	BOP, KVT, UOP4, VIAL
	08	I18A, I30Z		21A	W04A, W04B		01	B03A, B03B, B06A, B06B, B17A, B17B, B17C
	21A	W04A, W04B		21B	X06A, X06B, X06C		05	F27A, F27B, F27C
	21B	X04Z		5t355↔	BOP, KVT, UOP4, VIAL		08	I12A, I12B, I12C, I59Z
5t33a↔		BOP, KVT, UOP4, VIAL		08	I12A, I12B, I12C, I29Z		10	K01Z
	01	B03A, B03B, B06A, B06B, B17A, B17B, B17C		21A	W04A, W04B		21A	W04A, W04B
	08	I18A, I30Z		21B	X06A, X06B, X06C		21B	X04Z
	21A	W04A, W04B		5t356↔	BOP, KVT, UOP4, VIAL		5t366↔	BOP, KVT, UOP4, VIAL
	21B	X04Z		08	I12A, I12B, I12C, I29Z		01	B03A, B03B, B06A, B06B, B17A, B17B, B17C
5t33x↔		BOP, KVT, UOP4, VIAL		21A	W04A, W04B		05	F27A, F27B, F27C
	01	B03A, B03B, B06A, B06B, B17A, B17B, B17C		21B	X06A, X06B, X06C		08	I12A, I12B, I12C, I59Z
	08	I18A, I18B, I30Z		5t358↔	BOP, KVT, UOP4, VIAL		10	K01Z
	21A	W04A, W04B		08	I12A, I12B, I12C, I29Z		21A	W04A, W04B
	21B	X04Z		21A	W04A, W04B		21B	X04Z
5t340↔		BOP, KVT, UOP4, VIAL		21B	X06A, X06B, X06C		5t367↔	BOP, KVT, UOP4, VIAL
	01	B03A, B03B, B06A, B06B, B17A, B17B, B17C		5t359↔	BOP, KVT, UOP4, VIAL		01	B03A, B03B, B06A, B06B, B17A, B17B, B17C
	08	I12A, I12B, I12C, I18A, I18B, I30Z		08	I12A, I12B, I12C, I29Z		05	F27A, F27B, F27C
	21A	W04A, W04B		21A	W04A, W04B		08	I12A, I12B, I12C, I59Z
	21B	X04Z		21B	X06A, X06B, X06C		10	K01Z
5t341↔		BOP, KVT, UOP4, VIAL		5t35a↔	BOP, KVT, UOP4, VIAL		21A	W04A, W04B
	01	B03A, B03B, B06A, B06B, B17A, B17B, B17C		08	I12A, I12B, I12C, I29Z		21B	X04Z
	08	I12A, I12B, I12C, I18A, I18B, I30Z		21A	W04A, W04B			
	21A	W04A, W04B		21B	X06A, X06B, X06C			
	21B	X04Z		5t35x↔	BOP, KVT, UOP4, VIAL			
				08	I12A, I12B, I12C, I29Z			
				21A	W04A, W04B			
				21B	X06A, X06B, X06C			

ZZV	MDC	DRG	ZZV	MDC	DRG	ZZV	MDC	DRG
5t36x↔		BOP, KVT, UOP4, VIAL	5t381		BOP, KVT, UOP4, VIAL	5t387.1↔		BOP, KOP, KOPV, KVT, UOP4, VIAL
	01	B03A, B03B, B06A, B06B, B17A, B17B, B17C		01	B03A, B03B, B06A, B06B, B17A, B17B, B17C		01	B03A, B03B, B06A, B06B, B17A, B17B, B17C
	05	F27A, F27B, F27C		08	I12A, I12B, I12C, I28A, I28B		05	F27A, F27B, F27C
	08	I12A, I12B, I12C, I59Z		21A	W04A, W04B		06	G33Z
	10	K01Z		21B	X04Z, X06A, X06B, X06C		07	H33Z, H38Z
	21A	W04A, W04B		5t382↔			BOP, KVT, UOP4, VIAL	08
21B	X04Z	01	B03A, B03B, B06A, B06B, B17A, B17B, B17C		10	K01Z		
5t370↔		BOP, KVT, UOP4	5t383↔		BOP, KOP, KOPV, KVT, UOP4, VIAL	5t387.2↔		BOP, KOP, KOPV, KVT, UOP4, VIAL
	01	B03A, B03B, B06A, B06B, B17A, B17B, B17C		01	B03A, B03B, B06A, B06B, B17A, B17B, B17C		01	B03A, B03B, B06A, B06B, B17A, B17B, B17C
	08	I12A, I12B, I12C, I27A, I27B, I27C, I27D		06	G33Z		05	F27A, F27B
	21A	W04A, W04B		07	H33Z, H38Z		06	G33Z
5t371↔		BOP, KVT, UOP4	5t384↔		BOP, KVT, UOP4, VIAL	5t388.1↔		BOP, KOP, KOPV, KVT, UOP4, VIAL
	01	B03A, B03B, B06A, B06B, B17A, B17B, B17C		01	B03A, B03B, B06A, B06B, B17A, B17B, B17C		01	B03A, B03B, B06A, B06B, B17A, B17B, B17C
	08	I12A, I12B, I12C, I27A, I27B, I27C, I27D		08	I12A, I12B, I12C, I16Z		05	F27A, F27B, F27C
	21A	W04A, W04B		10	K09A, K09B		06	G33Z
5t372↔		BOP, KVT, UOP4, VIAL	5t385↔		BOP, KVT, UOP4, VIAL	5t388.2↔		BOP, KOP, KOPV, KVT, UOP4, VIAL
	08	I08A, I08B, I08C, I08D, I08E, I08F, I21Z, I31Z		01	B03A, B03B, B06A, B06B, B17A, B17B, B17C		07	H33Z, H38Z
	21A	W04A, W04B		08	I08A, I08B, I08C, I08D, I08E, I08F, I12A, I12B, I12C, I21Z, I31Z		08	I01Z, I03A, I03B, I12A, I12B, I12C, I13A, I13B, I13C, I13D, I20A, I20B, I20C, I20D
	21B	X06A, X06B, X06C		21A	W04A, W04B		10	K01Z
5t373.0↔		BOP, KVT, UOP4, VIAL	5t386↔		BOP, KVT, UOP4, VIAL	5t388.2↔		BOP, KOP, KOPV, KVT, UOP4, VIAL
	01	B03A, B03B, B06A, B06B, B07Z, B17A, B17B, B17C		01	B03A, B03B, B06A, B06B, B17A, B17B, B17C		01	B03A, B03B, B06A, B06B, B17A, B17B, B17C
	08	I08A, I08B, I08C, I08D, I08E, I08F, I32A, I32B, I32C, I32D, I32E, I32F		08	I12A, I12B, I12C, I32A, I32B, I32C, I32D, I32E, I32F		05	F27A, F27B, F27C
	21A	W04A, W04B		21A	W04A, W04B		06	G33Z
5t374↔		BOP, KVT, UOP4, VIAL	5t387.0↔		BOP, KOP, KOPV, KVT, UOP4, VIAL	5t388.2↔		BOP, KOP, KOPV, KVT, UOP4, VIAL
	08	I12A, I12B, I12C, I16Z		01	B03A, B03B, B06A, B06B, B17A, B17B, B17C		01	B03A, B03B, B06A, B06B, B17A, B17B, B17C
	21A	W04A, W04B		05	F27A, F27B, F27C		05	F27A, F27B, F27C
5t375↔		BOP, KVT, UOP4, VIAL	5t387.0↔		BOP, KOP, KOPV, KVT, UOP4, VIAL	5t388.2↔		BOP, KOP, KOPV, KVT, UOP4, VIAL
	08	I12A, I12B, I12C, I16Z		06	G33Z		06	G33Z
	21A	W04A, W04B		07	H33Z, H38Z		07	H33Z, H38Z
5t376↔		BOP, KVT, UOP4, VIAL	5t387.0↔		BOP, KOP, KOPV, KVT, UOP4, VIAL	5t388.2↔		BOP, KOP, KOPV, KVT, UOP4, VIAL
	08	I12A, I12B, I12C, I16Z		08	I01Z, I03A, I03B, I12A, I12B, I12C, I13A, I13B, I13C, I13D		08	I01Z, I03A, I03B, I12A, I12B, I12C, I13A, I13B, I13C, I13D, I20A, I20B, I20C, I20D
	21A	W04A, W04B		10	K01Z		10	K01Z
5t377↔		BOP, KVT, UOP4, VIAL	5t387.0↔		BOP, KOP, KOPV, KVT, UOP4, VIAL	5t388.2↔		BOP, KOP, KOPV, KVT, UOP4, VIAL
	08	I12A, I12B, I12C, I16Z		11	L33Z		11	L33Z
	21A	W04A, W04B		21A	W04A, W04B		21A	W04A, W04B
5t378↔		BOP, KVT, UOP4, VIAL	5t387.0↔		BOP, KOP, KOPV, KVT, UOP4, VIAL	5t388.2↔		BOP, KOP, KOPV, KVT, UOP4, VIAL
	08	I12A, I12B, I12C, I16Z		21B	X04Z, X33Z		21B	X04Z, X33Z
	21A	W04A, W04B		23	Z01A		23	Z01A
5t379↔		BOP, KVT, UOP4, VIAL	5t387.0↔		BOP, KOP, KOPV, KVT, UOP4, VIAL	5t388.2↔		BOP, KOP, KOPV, KVT, UOP4, VIAL
	08	I12A, I12B, I12C, I16Z		Pre	A07A		Pre	A07A
	21A	W04A, W04B						
5t380		BOP, KOP, KOPV, KVT, UOP4, VIAL	5t387.0↔		BOP, KOP, KOPV, KVT, UOP4, VIAL	5t388.2↔		BOP, KOP, KOPV, KVT, UOP4, VIAL
	01	B03A, B03B, B06A, B06B, B17A, B17B, B17C		01	B03A, B03B, B06A, B06B, B17A, B17B, B17C		01	B03A, B03B, B06A, B06B, B17A, B17B, B17C
	06	G33Z		05	F27A, F27B, F27C		05	F27A, F27B, F27C
	07	H33Z, H38Z		06	G33Z		06	G33Z
	08	I06A, I06B, I06C, I06D, I06E, I08A, I08B, I08C, I08D, I08E, I08F, I09A, I09B, I09C, I09D, I09E, I12A, I12B, I12C		07	H33Z, H38Z		07	H33Z, H38Z
	11	L33Z		08	I01Z, I03A, I03B, I12A, I12B, I12C, I13A, I13B, I13C, I13D		08	I01Z, I03A, I03B, I12A, I12B, I12C, I13A, I13B, I13C, I13D, I20A, I20B, I20C, I20D
	21A	W04A, W04B		10	K01Z		10	K01Z
	21B	X06A, X06B, X06C, X33Z		11	L33Z		11	L33Z
	23	Z01A		21A	W04A, W04B		21A	W04A, W04B
	Pre	A07A		21B	X04Z, X33Z		21B	X04Z, X33Z
				23	Z01A		23	Z01A

VYK

ZZV	MDC	DRG	ZZV	MDC	DRG	ZZV	MDC	DRG		
5t388.3↔		BOP, KOP, KOPV, KVT, UOP4, VIAL	5t390.0↔		BOP, KVT, UOP4, VIAL	5t390.j↔		BOP, KVT, UOP4, VIAL		
	01	B03A, B03B, B06A, B06B, B17A, B17B, B17C		08	I12A, I12B, I12C, I16Z		01	B03A, B03B, B06A, B06B, B17A, B17B, B17C		
	05	F27A, F27B, F27C		21A	W04A, W04B		08	I12A, I12B, I12C, I18A, I18B, I30Z		
	06	G33Z		21B	X06A, X06B, X06C		21A	W04A, W04B		
	07	H33Z, H38Z		5t390.1↔			BOP, KVT, UOP4, VIAL	21B	X04Z	
	08	I01Z, I03A, I03B, I12A, I12B, I12C, I13A, I13B, I13C, I13D, I20A, I20B, I20C, I20D			08		I12A, I12B, I12C, I16Z	5t390.k↔		BOP, KVT, UOP4, VIAL
	10	K01Z			21A		W04A, W04B		01	B03A, B03B, B06A, B06B, B17A, B17B, B17C
	11	L33Z		21B	X06A, X06B, X06C		08		I12A, I12B, I12C, I13A, I13B, I13C, I13D, I13E	
	21A	W04A, W04B		5t390.3↔			BOP, KVT, UOP4, VIAL	21A	W04A, W04B	
	21B	X04Z, X33Z			08		I12A, I12B, I12C, I28A, I28B	21B	X04Z	
	23	Z01A			21A		W04A, W04B	5t390.m↔		BOP, KVT, UOP4, VIAL
	Pre	A07A		21B	X06A, X06B, X06C		08		I12A, I12B, I12C, I20A, I20B, I20C, I20D, I20E, I20F	
	5t389.1↔			BOP, KVT, UOP4, VIAL	5t390.4↔				BOP, KVT, UOP4, VIAL	21A
		01		B03A, B03B, B06A, B06B, B17A, B17B, B17C			08	I08A, I08B, I08C, I08D, I08E, I08F, I12A, I12B, I12C, I21Z, I31Z	21B	X04Z
		05		F27A, F27B			21A	W04A, W04B	5t390.n↔	
08		I12A, I12B, I12C, I20A, I20B, I20C, I20D	21B	X06A, X06B, X06C		08	I12A, I12B, I12C, I20A, I20B, I20C, I20D, I20E, I20F			
10		K01Z	5t390.5↔			BOP, KVT, UOP4, VIAL	21A	W04A, W04B		
21A		W04A, W04B		08		I08A, I08B, I08C, I08D, I08E, I08F, I12A, I12B, I12C, I21Z, I31Z	21B	X04Z		
21B	X04Z	5t390.6↔			BOP, KVT, UOP4, VIAL	5t390.p↔		BOP, KVT, UOP4, VIAL		
5t389.3↔			BOP, KVT, UOP4, VIAL	08	I08A, I08B, I08C, I08D, I08E, I08F, I12A, I12B, I12C, I32A, I32B, I32C, I32D, I32E, I32F		08	I12A, I12B, I12C, I20A, I20B, I20C, I20D, I20E, I20F		
	01		B03A, B03B, B06A, B06B, B17A, B17B, B17C	21A	W04A, W04B		21A	W04A, W04B		
	05	F27A, F27B	21B	X06A, X06B, X06C	21B	X04Z				
	08	I12A, I12B, I12C, I20A, I20B, I20C, I20D	5t390.7↔		BOP, KVT, UOP4, VIAL	5t390.q↔		BOP, KVT, UOP4, VIAL		
	10	K01Z		08	I12A, I12B, I12C, I32A, I32B, I32C, I32D, I32E, I32F		08	I12A, I12B, I12C, I20A, I20B, I20C, I20D, I20E, I20F		
	21A	W04A, W04B		21A	W04A, W04B		21A	W04A, W04B		
21B	X04Z	21B	X05A, X05B	21B	X04Z					
5t38a.1↔		BOP, KVT, UOP4, VIAL	5t390.8↔		BOP, KVT, UOP4, VIAL	5t390.r↔		BOP, KVT, UOP4, VIAL		
	08	I20A, I20B, I20C, I20D, I20E, I20F		08	I12A, I12B, I12C, I32A, I32B, I32C, I32D, I32E, I32F		08	I12A, I12B, I12C, I20A, I20B, I20C, I20D, I20E, I20F		
5t38a.2↔		BOP, KVT, UOP4, VIAL	5t390.9↔		BOP, KVT, UOP4, VIAL	5t390.x		BOP, KVT, UOP4		
	08	I20A, I20B, I20C, I20D, I20E, I20F		08	I12A, I12B, I12C, I32A, I32B, I32C, I32D, I32E, I32F		08	I12A, I12B, I12C, I28A, I28B		
5t38a.3↔		BOP, KVT, UOP4, VIAL	5t390.e↔		BOP, KVT, UOP4, VIAL	5t391.0↔		BOP, KVT, UOP4, VIAL		
	08	I20A, I20B, I20C, I20D, I20E, I20F		08	I08A, I08B, I08C, I08D, I08E, I08F, I12A, I12B, I12C, I28A, I28B		08	I12A, I12B, I12C, I16Z		
5t38a.4↔		BOP, KVT, UOP4, VIAL	5t390.f		BOP, KVT, UOP4, VIAL	5t391.1↔		BOP, KVT, UOP4, VIAL		
	08	I20A, I20B, I20C, I20D, I20E, I20F		08	I12A, I12B, I12C, I28A, I28B		08	I12A, I12B, I12C, I16Z		
5t38a.5↔		BOP, KVT, UOP4, VIAL	5t390.g↔		BOP, KVT, UOP4, VIAL	5t391.2↔		BOP, KVT, UOP4, VIAL		
	08	I20A, I20B, I20C, I20D, I20E, I20F		08	I08A, I08B, I08C, I08D, I08E, I08F		01	B03A, B03B, B06A, B06B, B17A, B17B, B17C		
5t38a.a↔		BOP, KVT, UOP4, VIAL	5t390.h↔		BOP, KVT, UOP4, VIAL	5t391.3↔		BOP, KVT, UOP4, VIAL		
	08	I20A, I20B, I20C, I20D, I20E, I20F		01	B03A, B03B, B06A, B06B, B17A, B17B, B17C		08	I12A, I12B, I12C, I28A, I28B		
5t38a.b↔		BOP, KVT, UOP4, VIAL	5t390.i↔		BOP, KVT, UOP4, VIAL	5t391.4↔		BOP, KVT, UOP4, VIAL		
	08	I20A, I20B, I20C, I20D, I20E, I20F		08	I12A, I12B, I12C, I18A, I18B, I30Z		08	I08A, I08B, I08C, I08D, I08E, I08F, I12A, I12B, I12C, I21Z, I31Z		
5t38x		BOP, KVT, UOP4	21A	W01A, W01B, W01C, W02A, W02B	21A	W04A, W04B	5t391.4↔		BOP, KVT, UOP4, VIAL	
	01	B03A, B03B, B06A, B06B, B17A, B17B, B17C	21B	X04Z	21B	X06A, X06B, X06C		21A	W04A, W04B	
	08	I12A, I12B, I12C, I28A, I28B	01	B03A, B03B, B06A, B06B, B17A, B17B, B17C	21B	X04Z		21B	X06A, X06B, X06C	
	21A	W04A, W04B	08	I12A, I12B, I12C, I18A, I18B, I30Z	21A	W04A, W04B		21B	X06A, X06B, X06C	
21B	X06A, X06B, X06C	21B	X04Z	21B	X04Z					



ZZV	MDC	DRG	ZZV	MDC	DRG	ZZV	MDC	DRG
5t391.5↔		BOP, KVT, UOP4, VIAL	5t391.j↔	01	BOP, KVT, UOP4, VIAL	5t392.5↔	08	BOP, KVT, UOP4, VIAL
	08	I08A, I08B, I08C, I08D, I08E, I08F, I12A, I12B, I12C, I21Z, I31Z		08	B03A, B03B, B06A, B06B, B17A, B17B, B17C		08	I08A, I08B, I08C, I08D, I08E, I08F, I12A, I12B, I12C, I21Z, I31Z
	21A	W04A, W04B		21A	W04A, W04B		21A	W04A, W04B
5t391.6↔	21B	X06A, X06B, X06C	5t391.k↔	21B	X04Z	5t392.6↔	21B	X06A, X06B, X06C
	01	BOP, KVT, UOP4, VIAL			BOP, KVT, UOP4, VIAL		01	BOP, KVT, UOP4, VIAL
	08	B03A, B03B, B06A, B06B, B07Z, B17A, B17B, B17C		01	B03A, B03B, B06A, B06B, B17A, B17B, B17C		08	I08A, I08B, I08C, I08D, I08E, I08F, I12A, I12B, I12C, I32A, I32B, I32C, I32D, I32E, I32F
5t391.7↔	21A	W04A, W04B	5t391.l↔	05	F27A, F27B, F27C	5t392.7↔	21A	W04A, W04B
	21B	X05A, X05B		08	I12A, I12B, I12C, I13A, I13B, I13C, I13D, I13E		21B	X05A, X05B
	01	BOP, KVT, UOP4, VIAL		10	K01Z		01	BOP, KVT, UOP4, VIAL
5t391.8↔	08	B03A, B03B, B06A, B06B, B07Z, B17A, B17B, B17C	5t391.m↔	21A	W04A, W04B	5t392.8↔	01	B03A, B03B, B06A, B06B, B07Z, B17A, B17B, B17C
	08	I12A, I12B, I12C, I32A, I32B, I32C, I32D, I32E, I32F		21B	X04Z		08	I12A, I12B, I12C, I32A, I32B, I32C, I32D, I32E, I32F
	21A	W04A, W04B		5t391.n↔	21A		W04A, W04B	5t392.9↔
21B	X05A, X05B	21B	X04Z		21B	X05A, X05B		
01	BOP, KVT, UOP4, VIAL	5t391.o↔	08		BOP, KVT, UOP4, VIAL	5t392.e↔	01	
08	B03A, B03B, B06A, B06B, B07Z, B17A, B17B, B17C		08	I12A, I12B, I12C, I20A, I20B, I20C, I20D, I20E, I20F	01		B03A, B03B, B06A, B06B, B07Z, B17A, B17B, B17C	
08	I12A, I12B, I12C, I32A, I32B, I32C, I32D, I32E, I32F		21A	W04A, W04B	08		I12A, I12B, I12C, I32A, I32B, I32C, I32D, I32E, I32F	
5t391.9↔	21A	W04A, W04B	5t391.p↔	21B	X04Z	5t392.f	21A	W04A, W04B
	21B	X05A, X05B		08	BOP, KVT, UOP4, VIAL		21B	X05A, X05B
	01	BOP, KVT, UOP4, VIAL		5t391.q↔	08		I12A, I12B, I12C, I20A, I20B, I20C, I20D, I20E, I20F	5t392.g↔
08	B03A, B03B, B06A, B06B, B07Z, B17A, B17B, B17C	21A	W04A, W04B		08	I08A, I08B, I08C, I08D, I08E, I08F, I12A, I12B, I12C, I28A, I28B		
08	I12A, I12B, I12C, I32A, I32B, I32C, I32D, I32E, I32F	21B	X04Z		21A	W04A, W04B		
5t391.e↔	21A	W04A, W04B	5t391.r↔	21A	W04A, W04B	5t392.h↔	21B	X05A, X05B
	21B	X05A, X05B		21B	X04Z		01	BOP, KVT, UOP4, VIAL
	01	BOP, KVT, UOP4, VIAL		5t391.x	08		BOP, KVT, UOP4, VIAL	08
08	B03A, B03B, B06A, B06B, B17A, B17B, B17C	08	I12A, I12B, I12C, I20A, I20B, I20C, I20D, I20E, I20F		21A	W04A, W04B		
08	I08A, I08B, I08C, I08D, I08E, I08F, I12A, I12B, I12C, I28A, I28B	21B	X04Z		21B	X04Z		
5t391.f	21A	W04A, W04B	5t391.0↔	01	BOP, KVT, UOP4, VIAL	5t392.i	21A	W04A, W04B
	21B	X04Z, X06A, X06B, X06C		08	B03A, B03B, B06A, B06B, B17A, B17B, B17C		21B	X04Z, X06A, X06B, X06C
	01	BOP, KVT, UOP4, VIAL		08	I12A, I12B, I12C, I28A, I28B		01	BOP, KVT, UOP4, VIAL
5t391.g↔	08	B03A, B03B, B06A, B06B, B17A, B17B, B17C	5t392.2↔	21A	W04A, W04B	5t392.j	08	I08A, I08B, I08C, I08D, I08E, I08F
	08	I12A, I12B, I12C, I28A, I28B		21B	X06A, X06B, X06C		21A	W01A, W01B, W01C, W02A, W02B
	21A	W04A, W04B		01	BOP, KVT, UOP4, VIAL		21B	X04Z
5t391.h↔	21B	X04Z	5t392.3↔	08	B03A, B03B, B06A, B06B, B17A, B17B, B17C	5t392.k↔	01	BOP, KVT, UOP4, VIAL
	01	BOP, KVT, UOP4, VIAL		08	I12A, I12B, I12C, I28A, I28B		01	B03A, B03B, B06A, B06B, B17A, B17B, B17C
	08	B03A, B03B, B06A, B06B, B17A, B17B, B17C		21A	W04A, W04B		08	I12A, I12B, I12C, I18A, I18B, I30Z
5t391.g↔	08	I08A, I08B, I08C, I08D, I08E, I08F	5t392.4↔	21A	W04A, W04B	5t392.l	21A	W04A, W04B
	21A	W01A, W01B, W01C, W02A, W02B		21B	X06A, X06B, X06C		21B	X04Z
	21B	X04Z		08	BOP, KVT, UOP4, VIAL			
5t391.h↔	01	BOP, KVT, UOP4, VIAL	5t392.4↔	08	I08A, I08B, I08C, I08D, I08E, I08F, I12A, I12B, I12C, I21Z, I31Z	5t392.m	21A	W04A, W04B
	08	B03A, B03B, B06A, B06B, B17A, B17B, B17C		21A	W04A, W04B		21B	X06A, X06B, X06C
	08	I12A, I12B, I12C, I18A, I18B, I30Z		21B	X06A, X06B, X06C			

VYK

ZZV	MDC	DRG	ZZV	MDC	DRG	ZZV	MDC	DRG
5t392.j↔		BOP, KVT, UOP4, VIAL	5t39x.5↔		BOP, KVT, UOP4, VIAL	5t39x.p↔		BOP, KVT, UOP4, VIAL
	01	B03A, B03B, B06A, B06B, B17A, B17B, B17C		08	I08A, I08B, I08C, I08D, I08E, I08F, I21Z, I31Z		08	I20A, I20B, I20C, I20D, I20E, I20F
	08	I12A, I12B, I12C, I18A, I18B, I30Z		21A	W04A, W04B		21A	W04A, W04B
	21A	W04A, W04B		21B	X06A, X06B, X06C		21B	X04Z
	21B	X04Z	5t39x.6↔		BOP, KVT, UOP4, VIAL	5t39x.q↔		BOP, KVT, UOP4, VIAL
5t392.k↔		BOP, KVT, UOP4, VIAL		08	I08A, I08B, I08C, I08D, I08E, I08F, I32A, I32B, I32C, I32D, I32E, I32F		08	I20A, I20B, I20C, I20D, I20E, I20F
	01	B03A, B03B, B06A, B06B, B17A, B17B, B17C		21A	W04A, W04B		21A	W04A, W04B
	05	F27A, F27B, F27C		21B	X05A, X05B		21B	X04Z
	08	I12A, I12B, I12C, I13A, I13B, I13C, I13D, I13E	5t39x.7↔		BOP, KVT, UOP4, VIAL	5t39x.r↔		BOP, KVT, UOP4, VIAL
	10	K01Z		08	I32A, I32B, I32C, I32D, I32E, I32F		08	I20A, I20B, I20C, I20D, I20E, I20F
	21A	W04A, W04B		21A	W04A, W04B		21A	W04A, W04B
	21B	X04Z		21B	X05A, X05B		21B	X04Z
5t392.m↔		BOP, KVT, UOP4, VIAL	5t39x.8↔		BOP, KVT, UOP4, VIAL	5t39x.x		BOP, KVT, UOP4
	08	I12A, I12B, I12C, I20A, I20B, I20C, I20D, I20E, I20F		08	I32A, I32B, I32C, I32D, I32E, I32F		08	I28A, I28B
	21A	W04A, W04B		21A	W04A, W04B		21A	W04A, W04B
	21B	X04Z		21B	X05A, X05B		21B	X06A, X06B, X06C
5t392.n↔		BOP, KVT, UOP4, VIAL	5t39x.9↔		BOP, KVT, UOP4, VIAL	5t400.0↔		BOP, KVT, UOP4, VIAL
	08	I12A, I12B, I12C, I20A, I20B, I20C, I20D		08	I32A, I32B, I32C, I32D, I32E, I32F		05	F13A
	21A	W04A, W04B		21A	W04A, W04B		08	I12A, I12B, I12C, I24Z
	21B	X04Z		21B	X05A, X05B		21A	W04A, W04B
5t392.p↔		BOP, KVT, UOP4, VIAL	5t39x.e↔		BOP, KVT, UOP4, VIAL	5t400.1↔		BOP, KVT, UOP4, VIAL
	08	I12A, I12B, I12C, I20A, I20B, I20C, I20D, I20E, I20F		08	I08A, I08B, I08C, I08D, I08E, I08F, I28A, I28B		05	F13A
	21A	W04A, W04B		21A	W04A, W04B		08	I12A, I12B, I12C, I24Z
	21B	X04Z		21B	X04Z, X06A, X06B, X06C		21A	W04A, W04B
5t392.q↔		BOP, KVT, UOP4, VIAL	5t39x.f		BOP, KVT, UOP4, VIAL	5t400.2↔		BOP, KVT, UOP4, VIAL
	08	I12A, I12B, I12C, I20A, I20B, I20C, I20D, I20E, I20F		08	I28A, I28B		05	F13A
	21A	W04A, W04B		21A	W04A, W04B		08	I12A, I12B, I12C, I24Z
	21B	X04Z		21B	X04Z, X06A, X06B, X06C		21A	W04A, W04B
5t392.r↔		BOP, KVT, UOP4, VIAL	5t39x.g↔		BOP, KVT, UOP4, VIAL	5t400.3↔		BOP, KVT, UOP4, VIAL
	08	I12A, I12B, I12C, I20A, I20B, I20C, I20D, I20E, I20F		08	I08A, I08B, I08C, I08D, I08E, I08F		05	F13A
	21A	W04A, W04B		21A	W01A, W01B, W01C, W02A, W02B		08	I12A, I12B, I12C, I24Z
	21B	X04Z		21B	X04Z		21A	W04A, W04B
5t392.x		BOP, KVT, UOP4	5t39x.h↔		BOP, KVT, UOP4, VIAL	5t400.4↔		BOP, KVT, UOP4, VIAL
	01	B03A, B03B, B06A, B06B, B17A, B17B, B17C		08	I18A, I18B, I30Z		05	F13A
	08	I12A, I12B, I12C, I28A, I28B		10	K09A, K09B		08	I08A, I08B, I08C, I08D, I08E, I08F, I12A, I12B, I12C, I24Z
	21A	W04A, W04B		21A	W04A, W04B		21A	W04A, W04B
	21B	X06A, X06B, X06C		21B	X04Z		21B	X06A, X06B, X06C
5t39x.0↔		BOP, KVT, UOP4, VIAL	5t39x.j↔		BOP, KVT, UOP4, VIAL	5t400.5↔		BOP, KVT, UOP4, VIAL
	08	I16Z		08	I18A, I18B, I30Z		05	F13A
	21A	W04A, W04B		10	K09A, K09B		08	I08A, I08B, I08C, I08D, I08E, I08F, I12A, I12B, I12C, I24Z
	21B	X06A, X06B, X06C		21A	W04A, W04B		21A	W04A, W04B
5t39x.1↔		BOP, KVT, UOP4, VIAL		21B	X04Z		21B	X06A, X06B, X06C
	08	I16Z	5t39x.k↔		BOP, KVT, UOP4, VIAL	5t400.6↔		BOP, KVT, UOP4, VIAL
	21A	W04A, W04B		08	I13A, I13B, I13C, I13D, I13E		05	F13A
	21B	X06A, X06B, X06C		10	K09A, K09B		08	I08A, I08B, I08C, I08D, I08E, I08F, I12A, I12B, I12C, I24Z
5t39x.2↔		BOP, KVT, UOP4, VIAL		21A	W04A, W04B		21A	W04A, W04B
	08	I28A, I28B	5t39x.m↔		BOP, KVT, UOP4, VIAL		21B	X05A, X05B
	21B	X05A, X05B, X06A, X06B, X06C		08	I20A, I20B, I20C, I20D, I20E, I20F	5t400.8↔		BOP, KVT, UOP4, VIAL
5t39x.3↔		BOP, KVT, UOP4, VIAL		21A	W04A, W04B		05	F13A
	08	I28A, I28B		21B	X04Z		08	I12A, I12B, I12C, I32A, I32B, I32C, I32D, I32E, I32F, I32G
	21B	X05A, X05B, X06A, X06B, X06C	5t39x.n↔		BOP, KVT, UOP4, VIAL		21A	W04A, W04B
5t39x.4↔		BOP, KVT, UOP4, VIAL		08	I20A, I20B, I20C, I20D, I20E, I20F	5t400.9↔		BOP, KVT, UOP4, VIAL
	08	I08A, I08B, I08C, I08D, I08E, I08F, I21Z, I31Z		21A	W04A, W04B		05	F13A
	21A	W04A, W04B		21B	X04Z		08	I12A, I12B, I12C, I32A, I32B, I32C, I32D, I32E, I32F, I32G
	21B	X06A, X06B, X06C					21A	W04A, W04B
							21B	X05A, X05B

ZZV	MDC	DRG	ZZV	MDC	DRG	ZZV	MDC	DRG	
5t400.e↔		BOP, KVT, UOP4, VIAL	5t401.2↔		BOP, KVT, UOP4, VIAL	5t401.k↔		BOP, KVT, UOP4, VIAL	
	05	F13A		05	F13A		05	F13A	
	08	I08A, I08B, I08C, I08D, I08E, I08F, I12A, I12B, I12C, I24Z		08	I12A, I12B, I12C, I24Z		08	I12A, I12B, I12C, I24Z	
	21A	W04A, W04B		21A	W04A, W04B		21A	W04A, W04B	
5t400.f	21B	X04Z, X06A, X06B, X06C	5t401.3↔	21B	X06A, X06B, X06C	5t401.m↔	21B	X04Z	
		BOP, KVT, UOP4, VIAL			BOP, KVT, UOP4, VIAL			BOP, KVT, UOP4, VIAL	
	05	F13A		05	F13A		05	F13A	
	08	I12A, I12B, I12C, I24Z		08	I12A, I12B, I12C, I24Z		08	I12A, I12B, I12C, I24Z	
5t400.g↔	21A	W04A, W04B	5t401.4↔	21A	W04A, W04B	5t401.n↔	21A	W04A, W04B	
	21B	X04Z, X06A, X06B, X06C		21B	X06A, X06B, X06C		21B	X04Z, X06A, X06B, X06C	
		BOP, KVT, UOP4, VIAL			BOP, KVT, UOP4, VIAL			BOP, KVT, UOP4, VIAL	
	05	F13A		05	F13A		05	F13A	
5t400.h↔	08	I12A, I12B, I12C, I24Z	5t401.5↔	08	I08A, I08B, I08C, I08D, I08E, I08F, I12A, I12B, I12C, I24Z	5t401.p↔	08	I12A, I12B, I12C, I24Z	
	10	K09A, K09B						21A	W04A, W04B
	21A	W04A, W04B		21A	W04A, W04B			21B	X04Z, X06A, X06B, X06C
	21B	X04Z		21B	X06A, X06B, X06C				BOP, KVT, UOP4, VIAL
5t400.j↔		BOP, KVT, UOP4, VIAL	5t401.6↔		BOP, KVT, UOP4, VIAL	5t401.q↔	05	F13A	
	05	F13A		05	F13A			08	I20A, I20B, I20C, I20D, I20E, I20F
	08	I59Z		08	I08A, I08B, I08C, I08D, I08E, I08F, I12A, I12B, I12C, I24Z				BOP, KVT, UOP4, VIAL
		BOP, KVT, UOP4, VIAL		21A	W04A, W04B			05	F13A
5t400.k↔	05	F13A	5t401.8↔	21B	X06A, X06B, X06C	5t401.r↔	08	I12A, I12B, I12C, I24Z	
	08	I12A, I12B, I12C, I24Z			BOP, KVT, UOP4, VIAL			21A	W04A, W04B
	21A	W04A, W04B		05	F13A			21A	W04A, W04B
	21B	X04Z		08	I12A, I12B, I12C, I24Z			21B	X04Z, X06A, X06B, X06C
5t400.m↔		BOP, KVT, UOP4, VIAL	5t401.9↔	05	F13A	5t401.x		BOP, KVT, UOP4, VIAL	
	05	F13A		05	F13A		05	F13A	
	08	I12A, I12B, I12C, I24Z		08	I12A, I12B, I12C, I32A, I32B, I32C, I32D, I32E, I32F, I32G		08	I12A, I12B, I12C, I24Z	
	21A	W04A, W04B		21A	W04A, W04B		21A	W04A, W04B	
5t400.n↔	21B	X04Z, X06A, X06B, X06C	5t401.e↔	21B	X05A, X05B	5t402.0↔	21B	X05A, X05B	
		BOP, KVT, UOP4, VIAL			BOP, KVT, UOP4, VIAL			BOP, KVT, UOP4, VIAL	
	05	F13A		05	F13A		08	I12A, I12B, I12C, I16Z	
	08	I12A, I12B, I12C, I24Z		08	I12A, I12B, I12C, I32A, I32B, I32C, I32D, I32E, I32F, I32G		21A	W04A, W04B	
5t400.p↔	21A	W04A, W04B	5t401.g↔	21A	W04A, W04B	5t402.1↔	21B	X06A, X06B, X06C	
	21B	X04Z, X06A, X06B, X06C		21B	X05A, X05B			BOP, KVT, UOP4, VIAL	
		BOP, KVT, UOP4, VIAL			BOP, KVT, UOP4, VIAL		08	I12A, I12B, I12C, I16Z	
	05	F13A		05	F13A		21A	W04A, W04B	
5t400.q↔	08	I20A, I20B, I20C, I20D, I20E, I20F	5t401.f	08	I08A, I08B, I08C, I08D, I08E, I08F, I12A, I12B, I12C, I24Z	5t402.2↔	21B	X06A, X06B, X06C	
		BOP, KVT, UOP4, VIAL		21A	W04A, W04B		08	I12A, I12B, I12C, I28A, I28B	
	05	F13A		21B	X04Z, X06A, X06B, X06C		21A	W04A, W04B	
	08	I12A, I12B, I12C, I24Z			BOP, KVT, UOP4, VIAL		21B	X06A, X06B, X06C	
5t400.r↔	21A	W04A, W04B	5t401.h↔	05	F13A	5t402.4↔	08	I08A, I08B, I08C, I08D, I08E, I08F, I12A, I12B, I12C, I21Z, I31Z	
	21B	X04Z, X06A, X06B, X06C		08	I12A, I12B, I12C, I24Z			21A	W04A, W04B
		BOP, KVT, UOP4, VIAL		21A	W04A, W04B			21B	X06A, X06B, X06C
	05	F13A			BOP, KVT, UOP4, VIAL			BOP, KVT, UOP4, VIAL	
5t400.s	08	I12A, I12B, I12C, I24Z	5t401.i↔	05	F13A	5t402.5↔	08	I08A, I08B, I08C, I08D, I08E, I08F, I12A, I12B, I12C, I21Z, I31Z	
	21A	W04A, W04B		08	I12A, I12B, I12C, I24Z			21A	W04A, W04B
	21B	X05A, X05B		21A	W04A, W04B			21B	X06A, X06B, X06C
		BOP, KVT, UOP4, VIAL			BOP, KVT, UOP4, VIAL			BOP, KVT, UOP4, VIAL	
5t401.0↔	05	F13A	5t401.j↔	05	F13A	5t402.6↔	08	I08A, I08B, I08C, I08D, I08E, I08F, I12A, I12B, I12C, I32A, I32B, I32C, I32D, I32E, I32F	
	08	I12A, I12B, I12C, I24Z		08	I12A, I12B, I12C, I24Z			21A	W04A, W04B
	21A	W04A, W04B		10	K09A, K09B			21B	X05A, X05B
	21B	X06A, X06B, X06C		21A	W04A, W04B				BOP, KVT, UOP4, VIAL
5t401.1↔		BOP, KVT, UOP4, VIAL		X04Z	5t402.8↔	08	I12A, I12B, I12C, I32A, I32B, I32C, I32D, I32E, I32F		
	05	F13A		BOP, KVT, UOP4, VIAL			21A	W04A, W04B	
	08	I12A, I12B, I12C, I24Z	05	F13A			21B	X05A, X05B	
	21A	W04A, W04B	08	I59Z				BOP, KVT, UOP4, VIAL	

VYK

ZZV	MDC	DRG	ZZV	MDC	DRG	ZZV	MDC	DRG		
5t402.9↔		BOP, KVT, UOP4, VIAL 08 I12A, I12B, I12C, I32A, I32B, I32C, I32D, I32E, I32F 21A W04A, W04B 21B X05A, X05B	5t403.4↔		BOP, KVT, UOP4, VIAL 01 B03A, B03B, B06A, B06B, B17A, B17B, B17C 08 I08A, I08B, I08C, I08D, I08E, I08F, I12A, I12B, I12C, I23A, I23B 21A W04A, W04B 21B X06A, X06B, X06C	5t403.x		BOP, KVT, UOP4 01 B03A, B03B, B06A, B06B, B17A, B17B, B17C 08 I12A, I12B, I12C, I23A, I23B 21A W04A, W04B 21B X06A, X06B, X06C		
5t402.e↔		BOP, KVT, UOP4, VIAL 08 I08A, I08B, I08C, I08D, I08E, I08F, I12A, I12B, I12C, I28A, I28B 21A W04A, W04B 21B X04Z, X06A, X06B, X06C	5t403.5↔		BOP, KVT, UOP4, VIAL 01 B03A, B03B, B06A, B06B, B17A, B17B, B17C 08 I08A, I08B, I08C, I08D, I08E, I08F, I12A, I12B, I12C, I23A, I23B 21A W04A, W04B 21B X06A, X06B, X06C	5t404.0↔		BOP, KVT, UOP4, VIAL 08 I12A, I12B, I12C, I16Z 21A W04A, W04B 21B X06A, X06B, X06C		
5t402.g↔		BOP, KVT, UOP4, VIAL 08 I08A, I08B, I08C, I08D, I08E, I30Z 21A W01A, W01B, W01C, W02A, W02B 21B X04Z	5t403.8↔		BOP, KVT, UOP4, VIAL 01 B03A, B03B, B06A, B06B, B17A, B17B, B17C 08 I12A, I12B, I12C, I23A, I23B 21A W04A, W04B 21B X05A, X05B, X06A, X06B, X06C	5t404.1↔		BOP, KVT, UOP4, VIAL 08 I12A, I12B, I12C, I16Z 21A W04A, W04B 21B X06A, X06B, X06C		
5t402.h↔		BOP, KVT, UOP4, VIAL 08 I12A, I12B, I12C, I18A, I18B, I30Z 21A W04A, W04B 21B X04Z	5t403.9↔		BOP, KVT, UOP4, VIAL 01 B03A, B03B, B06A, B06B, B17A, B17B, B17C 08 I12A, I12B, I12C, I23A, I23B 21A W04A, W04B 21B X05A, X05B, X06A, X06B, X06C	5t404.3↔		BOP, KVT, UOP4, VIAL 08 I12A, I12B, I12C, I28A, I28B 21A W04A, W04B 21B X06A, X06B, X06C		
5t402.j↔		BOP, KVT, UOP4, VIAL 08 I12A, I12B, I12C, I18A, I18B, I30Z 21A W04A, W04B 21B X04Z	5t403.g↔		BOP, KVT, UOP4, VIAL 08 I12A, I12B, I12C, I21Z 21A W04A, W04B 21B X04Z	5t404.4↔		BOP, KVT, UOP4, VIAL 08 I08A, I08B, I08C, I08D, I08E, I08F, I12A, I12B, I12C, I21Z, I31Z 10 K09A, K09B 21A W04A, W04B 21B X06A, X06B, X06C		
5t402.k↔		BOP, KVT, UOP4, VIAL 08 I12A, I12B, I12C, I59Z 21A W04A, W04B 21B X04Z	5t403.h↔		BOP, KVT, UOP4, VIAL 01 B03A, B03B, B06A, B06B, B17A, B17B, B17C 08 I12A, I12B, I12C, I23A, I23B 21A W04A, W04B 21B X04Z, X06A, X06B, X06C	5t404.5↔		BOP, KVT, UOP4, VIAL 08 I08A, I08B, I08C, I08D, I08E, I08F, I12A, I12B, I12C, I21Z, I31Z 10 K09A, K09B 21A W04A, W04B 21B X06A, X06B, X06C		
5t402.m↔		BOP, KVT, UOP4, VIAL 08 I12A, I12B, I12C, I20A, I20B, I20C, I20D, I20E, I20F 21A W04A, W04B 21B X04Z	5t403.j↔		BOP, KVT, UOP4, VIAL 08 I59Z 5t403.k↔		BOP, KVT, UOP4, VIAL 01 B03A, B03B, B06A, B06B, B17A, B17B, B17C 08 I12A, I12B, I12C, I23A, I23B 21A W04A, W04B 21B X04Z, X06A, X06B, X06C	5t404.6↔		BOP, KVT, UOP4, VIAL 08 I08A, I08B, I08C, I08D, I08E, I08F, I12A, I12B, I12C, I32A, I32B, I32C, I32D, I32E, I32F 21A W04A, W04B 21B X05A, X05B
5t402.n↔		BOP, KVT, UOP4, VIAL 08 I12A, I12B, I12C, I20A, I20B, I20C, I20D, I20E, I20F 21A W04A, W04B 21B X04Z	5t403.m↔		BOP, KVT, UOP4, VIAL 01 B03A, B03B, B06A, B06B, B17A, B17B, B17C 08 I12A, I12B, I12C, I23A, I23B 21A W04A, W04B 21B X04Z, X06A, X06B, X06C	5t404.8↔		BOP, KVT, UOP4, VIAL 08 I12A, I12B, I12C, I32A, I32B, I32C, I32D, I32E, I32F 21A W04A, W04B 21B X05A, X05B		
5t402.p↔		BOP, KVT, UOP4, VIAL 08 I20A, I20B, I20C, I20D, I20E, I20F	5t403.n↔		BOP, KVT, UOP4, VIAL 08 I20A, I20B, I20C, I20D, I20E, I20F	5t404.9↔		BOP, KVT, UOP4, VIAL 08 I12A, I12B, I12C, I32A, I32B, I32C, I32D, I32E, I32F 21A W04A, W04B 21B X05A, X05B		
5t402.q↔		BOP, KVT, UOP4, VIAL 08 I12A, I12B, I12C, I20A, I20B, I20C, I20D, I20E, I20F 21A W04A, W04B 21B X04Z	5t403.p↔		BOP, KVT, UOP4, VIAL 08 I20A, I20B, I20C, I20D, I20E, I20F	5t404.g↔		BOP, KVT, UOP4, VIAL 08 I08A, I08B, I08C, I08D, I08E, I30Z 21A W01A, W01B, W01C, W02A, W02B 21B X04Z		
5t402.r↔		BOP, KVT, UOP4, VIAL 08 I12A, I12B, I12C, I20A, I20B, I20C, I20D, I20E, I20F 21A W04A, W04B 21B X04Z	5t403.q↔		BOP, KVT, UOP4, VIAL 01 B03A, B03B, B06A, B06B, B17A, B17B, B17C 08 I12A, I12B, I12C, I23A, I23B 21A W04A, W04B 21B X04Z, X06A, X06B, X06C	5t404.h↔		BOP, KVT, UOP4, VIAL 08 I12A, I12B, I12C, I18A, I18B, I30Z 10 K09A, K09B 21A W04A, W04B 21B X04Z		
5t402.x		BOP, KVT, UOP4 08 I12A, I12B, I12C, I28A, I28B 21A W04A, W04B 21B X06A, X06B, X06C	5t403.r↔		BOP, KVT, UOP4, VIAL 08 I20A, I20B, I20C, I20D, I20E, I20F	5t404.j↔		BOP, KVT, UOP4, VIAL 08 I12A, I12B, I12C, I18A, I18B, I30Z 10 K09A, K09B 21A W04A, W04B 21B X04Z		
5t403.0↔		BOP, KVT, UOP4, VIAL 01 B03A, B03B, B06A, B06B, B17A, B17B, B17C 08 I12A, I12B, I12C, I23A, I23B 21A W04A, W04B 21B X06A, X06B, X06C								

ZZV	MDC	DRG	ZZV	MDC	DRG	ZZV	MDC	DRG
5t404.k↔		BOP, KVT, UOP4, VIAL	5t405.9↔		BOP, KVT, UOP4, VIAL	5t406.5↔		BOP, KVT, UOP4, VIAL
	08	I12A, I12B, I12C, I59Z		08	I12A, I12B, I12C, I32A, I32B, I32C, I32D, I32E, I32F		08	I08A, I08B, I08C, I08D, I08E, I08F, I12A, I12B, I12C, I24Z
	10	K09A, K09B		09	J03A, J03B, J04A, J04B, J08A, J08B, J08C, J11A, J11B, J16Z		21A	W04A, W04B
	21A	W04A, W04B		21A	W04A, W04B		21B	X06A, X06B, X06C
	21B	X04Z		21B	X05A, X05B	5t406.6↔		BOP, KVT, UOP4, VIAL
5t404.m↔		BOP, KVT, UOP4, VIAL	5t405.e↔		BOP, KVT, UOP4, VIAL		08	I08A, I08B, I08C, I08D, I08E, I08F, I12A, I12B, I12C, I28A, I28B
	08	I12A, I12B, I12C, I20A, I20B, I20C, I20D, I20E, I20F		08	I08A, I08B, I08C, I08D, I08E, I08F, I12A, I12B, I12C, I28A, I28B		21A	W04A, W04B
	21A	W04A, W04B		21A	W04A, W04B		21B	X04Z, X06A, X06B, X06C
	21B	X04Z		21B	X04Z, X06A, X06B, X06C	5t406.8↔		BOP, KVT, UOP4, VIAL
5t404.n↔		BOP, KVT, UOP4, VIAL	5t405.f		BOP, KVT, UOP4, VIAL		08	I12A, I12B, I12C, I32A, I32B, I32C, I32D, I32E, I32F, I32G
	08	I12A, I12B, I12C, I20A, I20B, I20C, I20D, I20E, I20F		08	I12A, I12B, I12C, I28A, I28B		21A	W04A, W04B
	21A	W04A, W04B		21A	W04A, W04B		21B	X05A, X05B
	21B	X04Z		21B	X04Z, X06A, X06B, X06C	5t406.9↔		BOP, KVT, UOP4, VIAL
5t404.p↔		BOP, KVT, UOP4, VIAL	5t405.g↔		BOP, KVT, UOP4, VIAL		08	I12A, I12B, I12C, I32A, I32B, I32C, I32D, I32E, I32F, I32G
	08	I12A, I12B, I12C, I20A, I20B, I20C, I20D, I20E, I20F		08	I08A, I08B, I08C, I08D, I08E, I30Z		21A	W04A, W04B
	21A	W04A, W04B		21A	W01A, W01B, W01C, W02A, W02B		21B	X05A, X05B
	21B	X04Z		21B	X04Z	5t406.g↔		BOP, KVT, UOP4, VIAL
5t404.q↔		BOP, KVT, UOP4, VIAL	5t405.h↔		BOP, KVT, UOP4, VIAL		08	I12A, I12B, I12C, I24Z
	08	I12A, I12B, I12C, I20A, I20B, I20C, I20D, I20E, I20F		08	I12A, I12B, I12C, I18A, I18B, I30Z		21A	W04A, W04B
	21A	W04A, W04B		21A	W04A, W04B		21B	X04Z
	21B	X04Z		21B	X04Z	5t406.h↔		BOP, KVT, UOP4, VIAL
5t404.r↔		BOP, KVT, UOP4, VIAL	5t405.i↔		BOP, KVT, UOP4, VIAL		08	I12A, I12B, I12C, I24Z
	08	I12A, I12B, I12C, I20A, I20B, I20C, I20D, I20E, I20F		08	I59Z		10	K09A, K09B
	21A	W04A, W04B		21A	W04A, W04B		21A	W04A, W04B
	21B	X04Z		21B	X04Z		21B	X04Z
5t404.s↔		BOP, KVT, UOP4, VIAL	5t405.j↔		BOP, KVT, UOP4, VIAL	5t406.k↔		BOP, KVT, UOP4, VIAL
	08	I12A, I12B, I12C, I28A, I28B		08	I59Z		08	I12A, I12B, I12C, I24Z
	21A	W04A, W04B		21A	W04A, W04B		21A	W04A, W04B
	21B	X06A, X06B, X06C		21B	X04Z		21B	X04Z
5t405.0↔		BOP, KVT, UOP4, VIAL	5t405.k↔		BOP, KVT, UOP4, VIAL	5t406.n↔		BOP, KVT, UOP4, VIAL
	08	I12A, I12B, I12C, I16Z		08	I12A, I12B, I12C, I59Z		08	I20A, I20B, I20C, I20D, I20E, I20F
	21A	W04A, W04B		21A	W04A, W04B		5t406.p↔	BOP, KVT, UOP4, VIAL
	21B	X06A, X06B, X06C		21B	X04Z		08	I20A, I20B, I20C, I20D, I20E, I20F
5t405.4↔		BOP, KVT, UOP4, VIAL	5t405.m↔		BOP, KVT, UOP4, VIAL	5t406.q↔		BOP, KVT, UOP4, VIAL
	08	I08A, I08B, I08C, I08D, I08E, I08F, I12A, I12B, I12C, I21Z, I31Z		08	I12A, I12B, I12C, I20A, I20B, I20C, I20D, I20E, I20F		08	I20A, I20B, I20C, I20D, I20E, I20F
	21A	W04A, W04B		21A	W04A, W04B		5t406.r↔	BOP, KVT, UOP4, VIAL
	21B	X06A, X06B, X06C		21B	X04Z		08	I20A, I20B, I20C, I20D, I20E, I20F
5t405.5↔		BOP, KVT, UOP4, VIAL	5t405.n↔		BOP, KVT, UOP4, VIAL	5t406.x		BOP, KVT, UOP4, VIAL
	08	I08A, I08B, I08C, I08D, I08E, I08F, I12A, I12B, I12C, I21Z, I31Z		08	I12A, I12B, I12C, I20A, I20B, I20C, I20D, I20E, I20F		08	I12A, I12B, I12C, I24Z
	21A	W04A, W04B		21A	W04A, W04B		21A	W04A, W04B
	21B	X06A, X06B, X06C		21B	X04Z		21B	X06A, X06B, X06C
5t405.6↔		BOP, KVT, UOP4, VIAL	5t405.p↔		BOP, KVT, UOP4, VIAL	5t407.0↔		BOP, KVT, UOP4, VIAL
	08	I08A, I08B, I08C, I08D, I08E, I08F, I12A, I12B, I12C, I32A, I32B, I32C, I32D, I32E, I32F		08	I12A, I12B, I12C, I20A, I20B, I20C, I20D, I20E, I20F		05	F13A
	09	J03A, J03B, J04A, J04B, J08A, J08B, J08C, J11A, J11B, J16Z		21A	W04A, W04B		08	I12A, I12B, I12C, I16Z
	21A	W04A, W04B		21B	X04Z		21A	W04A, W04B
	21B	X05A, X05B		21B	X04Z		21B	X06A, X06B, X06C
5t405.8↔		BOP, KVT, UOP4, VIAL	5t405.q↔		BOP, KVT, UOP4, VIAL	5t407.1↔		BOP, KVT, UOP4, VIAL
	08	I12A, I12B, I12C, I32A, I32B, I32C, I32D, I32E, I32F		08	I20A, I20B, I20C, I20D, I20E, I20F		05	F13A
	09	J03A, J03B, J04A, J04B, J08A, J08B, J08C, J11A, J11B, J16Z		5t405.r↔	BOP, KVT, UOP4, VIAL		08	I12A, I12B, I12C, I16Z
	21A	W04A, W04B		08	I20A, I20B, I20C, I20D, I20E, I20F		21A	W04A, W04B
	21B	X05A, X05B		5t405.x	BOP, KVT, UOP4, VIAL		21B	X06A, X06B, X06C
	21B	X05A, X05B		08	I12A, I12B, I12C, I28A, I28B		5t407.2↔	BOP, KVT, UOP4, VIAL
5t405.8↔		BOP, KVT, UOP4, VIAL		21A	W04A, W04B		05	F13A
	08	I12A, I12B, I12C, I32A, I32B, I32C, I32D, I32E, I32F		21B	X06A, X06B, X06C		08	I12A, I12B, I12C, I28A, I28B
	09	J03A, J03B, J04A, J04B, J08A, J08B, J08C, J11A, J11B, J16Z		5t406.0↔	BOP, KVT, UOP4, VIAL		21A	W04A, W04B
	21A	W04A, W04B		08	I12A, I12B, I12C, I24Z		21B	X06A, X06B, X06C
	21B	X05A, X05B		21A	W04A, W04B		5t407.3↔	BOP, KVT, UOP4, VIAL
	21B	X05A, X05B		21B	X06A, X06B, X06C		05	F13A
	21B	X05A, X05B		5t406.4↔	BOP, KVT, UOP4, VIAL		08	I12A, I12B, I12C, I28A, I28B
	21B	X05A, X05B		08	I08A, I08B, I08C, I08D, I08E, I08F, I12A, I12B, I12C, I24Z		21A	W04A, W04B
	21B	X05A, X05B		21A	W04A, W04B		21B	X06A, X06B, X06C
	21B	X05A, X05B		21B	X06A, X06B, X06C			

VYK

Príloha B: Index Výkon-MDC-DRG

ZZV	MDC	DRG	ZZV	MDC	DRG	ZZV	MDC	DRG
5t407.4↔		BOP, KVT, UOP4, VIAL	5t407.j↔		BOP, KVT, UOP4, VIAL	5t408.4↔		BOP, KVT, UOP4, VIAL
	05	F13A		05	F13A		05	F13A
	08	I08A, I08B, I08C, I08D, I08E, I08F, I12A, I12B, I12C, I21Z, I31Z		08	I12A, I12B, I12C, I18A, I18B, I30Z		08	I08A, I08B, I08C, I08D, I08E, I08F, I12A, I12B, I12C, I18A, I18B, I30Z
	21A	W04A, W04B		21A	W04A, W04B		21A	W04A, W04B
	21B	X06A, X06B, X06C		21B	X04Z		21B	X06A, X06B, X06C
5t407.5↔		BOP, KVT, UOP4, VIAL	5t407.k↔		BOP, KVT, UOP4, VIAL	5t408.5↔		BOP, KVT, UOP4, VIAL
	05	F13A		05	F13A		05	F13A
	08	I08A, I08B, I08C, I08D, I08E, I08F, I12A, I12B, I12C, I18A, I18B, I30Z		08	I12A, I12B, I12C, I59Z		08	I08A, I08B, I08C, I08D, I08E, I08F, I12A, I12B, I12C, I18A, I18B, I30Z
	21A	W04A, W04B		21A	W04A, W04B		21A	W04A, W04B
	21B	X06A, X06B, X06C		21B	X04Z		21B	X06A, X06B, X06C
5t407.6↔		BOP, KVT, UOP4, VIAL	5t407.m↔		BOP, KVT, UOP4, VIAL	5t408.6↔		BOP, KVT, UOP4, VIAL
	05	F13A		05	F13A		05	F13A
	08	I08A, I08B, I08C, I08D, I08E, I08F, I12A, I12B, I12C, I32A, I32B, I32C, I32D, I32E, I32F		08	I12A, I12B, I12C, I20A, I20B, I20C, I20D, I20E, I20F		08	I08A, I08B, I08C, I08D, I08E, I08F, I12A, I12B, I12C, I32A, I32B, I32C, I32D, I32E, I32F
	09	J03A, J03B, J04A, J04B, J08A, J08B, J08C, J11A, J11B, J16Z		21A	W04A, W04B		09	J03A, J03B, J04A, J04B, J08A, J08B, J08C, J11A, J11B, J16Z
	21A	W04A, W04B		21B	X04Z		21A	W04A, W04B
	21B	X05A, X05B		5t407.n↔	BOP, KVT, UOP4, VIAL		21B	X05A, X05B
5t407.8↔		BOP, KVT, UOP4, VIAL	5t407.p↔		BOP, KVT, UOP4, VIAL	5t408.8↔		BOP, KVT, UOP4, VIAL
	05	F13A		05	F13A		05	F13A
	08	I12A, I12B, I12C, I32A, I32B, I32C, I32D, I32E, I32F		08	I12A, I12B, I12C, I20A, I20B, I20C, I20D, I20E, I20F		08	I12A, I12B, I12C, I32A, I32B, I32C, I32D, I32E, I32F
	09	J03A, J03B, J04A, J04B, J08A, J08B, J08C, J11A, J11B, J16Z		21A	W04A, W04B		09	J03A, J03B, J04A, J04B, J08A, J08B, J08C, J11A, J11B, J16Z
	21A	W04A, W04B		21B	X04Z		21A	W04A, W04B
	21B	X05A, X05B		5t407.q↔	BOP, KVT, UOP4, VIAL		21B	X05A, X05B
5t407.9↔		BOP, KVT, UOP4, VIAL	5t407.r↔		BOP, KVT, UOP4, VIAL	5t408.9↔		BOP, KVT, UOP4, VIAL
	05	F13A		05	F13A		05	F13A
	08	I12A, I12B, I12C, I32A, I32B, I32C, I32D, I32E, I32F		08	I12A, I12B, I12C, I20A, I20B, I20C, I20D, I20E, I20F		08	I12A, I12B, I12C, I32A, I32B, I32C, I32D, I32E, I32F
	09	J03A, J03B, J04A, J04B, J08A, J08B, J08C, J11A, J11B, J16Z		21A	W04A, W04B		09	J03A, J03B, J04A, J04B, J08A, J08B, J08C, J11A, J11B, J16Z
	21A	W04A, W04B		21B	X04Z		21A	W04A, W04B
	21B	X05A, X05B		5t407.s↔	BOP, KVT, UOP4, VIAL		21B	X05A, X05B
5t407.e↔		BOP, KVT, UOP4, VIAL	5t407.x		BOP, KVT, UOP4	5t408.e↔		BOP, KVT, UOP4, VIAL
	05	F13A		05	F13A		05	F13A
	08	I08A, I08B, I08C, I08D, I08E, I08F, I12A, I12B, I12C, I28A, I28B		08	I12A, I12B, I12C, I28A, I28B		08	I08A, I08B, I08C, I08D, I08E, I08F, I12A, I12B, I12C, I28A, I28B
	21A	W04A, W04B		21A	W04A, W04B		21A	W04A, W04B
	21B	X04Z, X06A, X06B, X06C		21B	X06A, X06B, X06C		21B	X04Z, X06A, X06B, X06C
5t407.f		BOP, KVT, UOP4, VIAL	5t408.0↔		BOP, KVT, UOP4, VIAL	5t408.f		BOP, KVT, UOP4, VIAL
	05	F13A		05	F13A		05	F13A
	08	I12A, I12B, I12C, I28A, I28B		08	I12A, I12B, I12C, I16Z		08	I12A, I12B, I12C, I28A, I28B
	21A	W04A, W04B		21A	W04A, W04B		21A	W04A, W04B
	21B	X04Z, X06A, X06B, X06C		21B	X06A, X06B, X06C		21B	X04Z, X06A, X06B, X06C
5t407.g↔		BOP, KVT, UOP4, VIAL	5t408.1↔		BOP, KVT, UOP4, VIAL	5t408.g↔		BOP, KVT, UOP4, VIAL
	05	F13A		05	F13A		05	F13A
	08	I08A, I08B, I08C, I08D, I08E, I30Z		08	I12A, I12B, I12C, I16Z		08	I08A, I08B, I08C, I08D, I08E, I30Z
	21A	W01A, W01B, W01C, W02A, W02B		21A	W04A, W04B		21A	W01A, W01B, W01C, W02A, W02B
	21B	X04Z		21B	X06A, X06B, X06C		21B	X04Z
5t407.h↔		BOP, KVT, UOP4, VIAL	5t408.2↔		BOP, KVT, UOP4, VIAL	5t408.h↔		BOP, KVT, UOP4, VIAL
	05	F13A		05	F13A		05	F13A
	08	I12A, I12B, I12C, I18A, I30Z		08	I12A, I12B, I12C, I28A, I28B		08	I12A, I12B, I12C, I18A, I18B, I30Z
	21A	W04A, W04B		21A	W04A, W04B		21A	W04A, W04B
	21B	X04Z		21B	X06A, X06B, X06C		21B	X04Z
			5t408.3↔		BOP, KVT, UOP4, VIAL			
				05	F13A			
				08	I12A, I12B, I12C, I28A, I28B			
				21A	W04A, W04B			
				21B	X06A, X06B, X06C			

VYK

ZZV	MDC	DRG	ZZV	MDC	DRG	ZZV	MDC	DRG	
5t408.j↔		BOP, KVT, UOP4, VIAL	5t409.5↔	08	BOP, KVT, UOP4, VIAL	5t409.n↔	08	BOP, KVT, UOP4, VIAL	
	05	F13A		08	I08A, I08B, I08C, I08D, I08E, I08F, I12A, I12B, I12C, I18A, I18B, I30Z		08	I12A, I12B, I12C, I20A, I20B, I20C, I20D, I20E, I20F	
	08	I12A, I12B, I12C, I18A, I18B, I30Z		21A	W04A, W04B		21A	W04A, W04B	
	21A	W04A, W04B		21B	X04Z		21B	X04Z	
5t408.k↔	21B	X04Z	5t409.6↔	21A	W04A, W04B	5t409.p↔	21A	W04A, W04B	
		BOP, KVT, UOP4, VIAL		21B	X06A, X06B, X06C		08	BOP, KVT, UOP4, VIAL	
	05	F13A			BOP, KVT, UOP4, VIAL		08	I12A, I12B, I12C, I20A, I20B, I20C, I20D, I20E, I20F	
	08	I12A, I12B, I12C, I59Z		08	I08A, I08B, I08C, I08D, I08E, I08F, I12A, I12B, I12C, I32A, I32B, I32C, I32D, I32E, I32F		21A	W04A, W04B	
5t408.m↔	21A	W04A, W04B	5t409.7↔	09	J03A, J03B, J04A, J04B, J08A, J08B, J08C, J11A, J11B, J16Z	5t409.q↔	21A	W04A, W04B	
	21B	X04Z		21A	W04A, W04B		08	BOP, KVT, UOP4, VIAL	
		BOP, KVT, UOP4, VIAL		21B	X05A, X05B		08	I12A, I12B, I12C, I20A, I20B, I20C, I20D, I20E, I20F	
	05	F13A		5t409.8↔			BOP, KVT, UOP4, VIAL	21A	W04A, W04B
08	I12A, I12B, I12C, I20A, I20B, I20C, I20D, I20E, I20F	08	I12A, I12B, I12C, I32A, I32B, I32C, I32D, I32E, I32F, I32G		21B	X04Z			
21A	W04A, W04B	5t409.9↔	09		J03A, J03B, J04A, J04B, J08A, J08B, J08C, J11A, J11B, J16Z	5t409.r↔	08	BOP, KVT, UOP4, VIAL	
21B	X04Z		21A		W04A, W04B		08	I12A, I12B, I12C, I20A, I20B, I20C, I20D, I20E, I20F	
	BOP, KVT, UOP4, VIAL		21B	X05A, X05B	21A		W04A, W04B		
05	F13A		5t409.e↔		BOP, KVT, UOP4, VIAL		21B	X04Z	
08	I12A, I12B, I12C, I20A, I20B, I20C, I20D, I20E, I20F	08		I12A, I12B, I12C, I32A, I32B, I32C, I32D, I32E, I32F, I32G	5t409.x	08	BOP, KVT, UOP4, VIAL		
21A	W04A, W04B	5t409.f		09		J03A, J03B, J04A, J04B, J08A, J08B, J08C, J11A, J11B, J16Z	08	I12A, I12B, I12C, I28A, I28B	
21B	X04Z			21A		W04A, W04B	21A	W04A, W04B	
	BOP, KVT, UOP4, VIAL		21B	X05A, X05B		21B	X06A, X06B, X06C		
05	F13A		5t409.g↔		BOP, KVT, UOP4, VIAL	5t40x.0↔	21B	X06A, X06B, X06C	
08	I12A, I12B, I12C, I20A, I20B, I20C, I20D, I20E, I20F	08		I08A, I08B, I08C, I08D, I08E, I08F, I12A, I12B, I12C, I28A, I28B	08		BOP, KVT, UOP4, VIAL		
21A	W04A, W04B	5t409.h↔		21A	W04A, W04B		08	I24Z	
21B	X04Z			08	I12A, I12B, I12C, I28A, I28B		21A	W04A, W04B	
	BOP, KVT, UOP4, VIAL		21A	W04A, W04B	21B	X06A, X06B, X06C			
05	F13A		5t409.i	21B	X04Z, X06A, X06B, X06C	5t40x.1↔	21A	W04A, W04B	
08	I12A, I12B, I12C, I20A, I20B, I20C, I20D, I20E, I20F	08		BOP, KVT, UOP4, VIAL	21B		X06A, X06B, X06C		
21A	W04A, W04B	08		I12A, I12B, I12C, I28A, I28B	5t40x.2↔		21B	X06A, X06B, X06C	
21B	X04Z	21A		W04A, W04B			08	BOP, KVT, UOP4, VIAL	
	BOP, KVT, UOP4, VIAL	21B	X04Z, X06A, X06B, X06C	08		I24Z			
05	F13A	5t409.j↔		BOP, KVT, UOP4, VIAL		21A	W04A, W04B		
08	I12A, I12B, I12C, I20A, I20B, I20C, I20D, I20E, I20F		08	I12A, I12B, I12C, I18A, I18B, I30Z	21B	X06A, X06B, X06C			
21A	W04A, W04B		5t409.k↔	21A	W04A, W04B	5t40x.3↔	21A	W04A, W04B	
21B	X04Z			08	I12A, I12B, I12C, I28A, I28B		21B	X06A, X06B, X06C	
	BOP, KVT, UOP4, VIAL	21A		W04A, W04B	5t40x.4↔		21B	X06A, X06B, X06C	
05	F13A	21B		X04Z, X06A, X06B, X06C			08	BOP, KVT, UOP4, VIAL	
08	I12A, I12B, I12C, I28A, I28B	5t409.l		BOP, KVT, UOP4, VIAL		08	I08A, I08B, I08C, I08D, I08E, I08F, I24Z		
21A	W04A, W04B		08	I12A, I12B, I12C, I16Z		21A	W04A, W04B		
21B	X06A, X06B, X06C		21A	W04A, W04B	21B	X06A, X06B, X06C			
	BOP, KVT, UOP4, VIAL		5t409.m↔	21B	X04Z	5t40x.5↔	21A	W04A, W04B	
08	I12A, I12B, I12C, I28A, I28B	08		I12A, I12B, I12C, I18A, I18B, I30Z	21B		X06A, X06B, X06C		
21A	W04A, W04B	5t409.o↔		21A	W04A, W04B		5t40x.6↔	21A	W04A, W04B
21B	X06A, X06B, X06C			08	I12A, I12B, I12C, I16Z			08	BOP, KVT, UOP4, VIAL
	BOP, KVT, UOP4, VIAL		21A	W04A, W04B	08	I08A, I08B, I08C, I08D, I08E, I08F, I24Z			
08	I12A, I12B, I12C, I16Z		5t409.p↔	21B	X04Z	21A		W04A, W04B	
21A	W04A, W04B	08		I12A, I12B, I12C, I18A, I18B, I30Z	21B	X05A, X05B			
21B	X06A, X06B, X06C	5t409.q↔		21A	W04A, W04B	5t40x.7↔	21A	W04A, W04B	
	BOP, KVT, UOP4, VIAL			08	I12A, I12B, I12C, I59Z		21B	X05A, X05B	
08	I12A, I12B, I12C, I28A, I28B		5t409.r↔	21B	X04Z		5t40x.8↔	08	BOP, KVT, UOP4, VIAL
21A	W04A, W04B			08	I12A, I12B, I12C, I32A, I32B, I32C, I32D, I32E, I32F, I32G			08	I32A, I32B, I32C, I32D, I32E, I32F, I32G
21B	X06A, X06B, X06C	5t409.s			BOP, KVT, UOP4, VIAL	21A		W04A, W04B	
	BOP, KVT, UOP4, VIAL			08	I08A, I08B, I08C, I08D, I08E, I08F, I12A, I12B, I12C, I18A, I18B, I30Z	21B		X05A, X05B	
08	I12A, I12B, I12C, I28A, I28B		5t409.t	21A	W04A, W04B	5t40x.9↔	08	BOP, KVT, UOP4, VIAL	
21A	W04A, W04B			08	I12A, I12B, I12C, I20A, I20B, I20C, I20D, I20E, I20F		08	I32A, I32B, I32C, I32D, I32E, I32F, I32G	
21B	X06A, X06B, X06C	21A		W04A, W04B	21A		W04A, W04B		
	BOP, KVT, UOP4, VIAL	21B		X04Z	21B		X05A, X05B		

ZZV	MDC	DRG	ZZV	MDC	DRG	ZZV	MDC	DRG
5t40x.e↔		BOP, KVT, UOP4, VIAL	5t411.x		BOP, KVT, UOP4	5t412.h↔		BOP, KVT, UOP4, VIAL
	08	I08A, I08B, I08C, I08D, I08E, I08F, I24Z		08	I24Z		05	F13A
	21A	W04A, W04B		21A	W04A, W04B		08	I12A, I12B, I12C, I18A, I18B, I30Z
	21B	X04Z, X06A, X06B, X06C	5t412.0↔		BOP, KVT, UOP4, VIAL		21A	W04A, W04B
5t40x.f		BOP, KVT, UOP4, VIAL		05	F13A	5t412.j↔		BOP, KVT, UOP4, VIAL
	08	I24Z		08	I12A, I12B, I12C, I16Z		05	F13A
	21A	W04A, W04B		21A	W04A, W04B		08	I12A, I12B, I12C, I18A, I18B, I30Z
	21B	X04Z, X06A, X06B, X06C	5t412.1↔		BOP, KVT, UOP4, VIAL		21A	W04A, W04B
5t40x.g↔		BOP, KVT, UOP4, VIAL		05	F13A	5t412.k↔		BOP, KVT, UOP4, VIAL
	08	I24Z		08	I12A, I12B, I12C, I16Z		05	F13A
	21A	W04A, W04B		21A	W04A, W04B		08	I12A, I12B, I12C, I59Z
	21B	X04Z	5t412.3↔		BOP, KVT, UOP4, VIAL		21A	W04A, W04B
5t40x.h↔		BOP, KVT, UOP4, VIAL		05	F13A	5t412.m↔		BOP, KVT, UOP4, VIAL
	08	I24Z		08	I12A, I12B, I12C, I28A, I28B		05	F13A
	10	K09A, K09B		21A	W04A, W04B		08	I12A, I12B, I12C, I20A, I20B, I20C, I20D, I20E, I20F
	21A	W04A, W04B	5t412.4↔		BOP, KVT, UOP4, VIAL		21A	W04A, W04B
	21B	X04Z		05	F13A	5t412.n↔		BOP, KVT, UOP4, VIAL
5t40x.j↔		BOP, KVT, UOP4, VIAL		08	I08A, I08B, I08C, I08D, I08E, I08F, I12A, I12B, I12C, I18A, I18B, I30Z		05	F13A
	08	I24Z		21A	W04A, W04B		08	I12A, I12B, I12C, I20A, I20B, I20C, I20D, I20E, I20F
	21A	W04A, W04B	5t412.5↔		BOP, KVT, UOP4, VIAL		21A	W04A, W04B
	21B	X04Z, X06A, X06B, X06C		05	F13A	5t412.p↔		BOP, KVT, UOP4, VIAL
5t40x.k↔		BOP, KVT, UOP4, VIAL		08	I08A, I08B, I08C, I08D, I08E, I08F, I12A, I12B, I12C, I18A, I18B, I30Z		05	F13A
	08	I24Z		21A	W04A, W04B		08	I12A, I12B, I12C, I20A, I20B, I20C, I20D, I20E, I20F
	21A	W04A, W04B	5t412.6↔		BOP, KVT, UOP4, VIAL		21A	W04A, W04B
	21B	X04Z		05	F13A	5t412.q↔		BOP, KVT, UOP4, VIAL
5t40x.m↔		BOP, KVT, UOP4, VIAL		08	I08A, I08B, I08C, I08D, I08E, I08F, I12A, I12B, I12C, I18A, I18B, I30Z		05	F13A
	08	I24Z		21A	W04A, W04B		08	I12A, I12B, I12C, I20A, I20B, I20C, I20D, I20E, I20F
	21A	W04A, W04B	5t412.7↔		BOP, KVT, UOP4, VIAL		21A	W04A, W04B
	21B	X04Z, X06A, X06B, X06C		05	F13A	5t412.r↔		BOP, KVT, UOP4, VIAL
5t40x.n↔		BOP, KVT, UOP4, VIAL		08	I08A, I08B, I08C, I08D, I08E, I08F, I12A, I12B, I12C, I18A, I18B, I30Z		05	F13A
	08	I24Z		21A	W04A, W04B		08	I12A, I12B, I12C, I20A, I20B, I20C, I20D, I20E, I20F
	21A	W04A, W04B	5t412.8↔		BOP, KVT, UOP4, VIAL		21A	W04A, W04B
	21B	X04Z		05	F13A	5t412.x		BOP, KVT, UOP4
5t40x.p↔		BOP, KVT, UOP4, VIAL		08	I08A, I08B, I08C, I08D, I08E, I08F, I12A, I12B, I12C, I32A, I32B, I32C, I32D, I32E, I32F		05	F13A
	08	I24Z		09	J03A, J03B, J04A, J04B, J08A, J08B, J08C, J11A, J11B, J16Z		08	I12A, I12B, I12C, I28A, I28B
	21A	W04A, W04B	5t412.9↔		BOP, KVT, UOP4, VIAL		21A	W04A, W04B
	21B	X04Z, X06A, X06B, X06C		05	F13A	5t413.0↔		BOP, KVT, UOP4, VIAL
5t40x.q↔		BOP, KVT, UOP4, VIAL		08	I12A, I12B, I12C, I32A, I32B, I32C, I32D, I32E, I32F, I32G		05	F13A
	08	I24Z		09	J03A, J03B, J04A, J04B, J08A, J08B, J08C, J11A, J11B, J16Z		08	I12A, I12B, I12C, I16Z
	21A	W04A, W04B	5t412.g↔		BOP, KVT, UOP4, VIAL		21A	W04A, W04B
	21B	X04Z, X06A, X06B, X06C		05	F13A	5t413.1↔		BOP, KVT, UOP4, VIAL
5t40x.r↔		BOP, KVT, UOP4, VIAL		08	I08A, I08B, I08C, I08D, I08E, I08F, I12A, I12B, I12C, I30Z		05	F13A
	08	I24Z		21A	W01A, W01B, W01C, W02A, W02B	5t413.3↔		BOP, KVT, UOP4, VIAL
	21A	W04A, W04B		08	I08A, I08B, I08C, I08D, I08E, I08F, I12A, I12B, I12C, I28A, I28B, W02B		05	F13A
	21B	X04Z, X06A, X06B, X06C	5t411.g↔		BOP, KVT, UOP4, VIAL		08	I12A, I12B, I12C, I28A, I28B
	08	I24Z, I30Z		05	F13A		21A	W04A, W04B
	21A	W04A, W04B		08	I08A, I08B, I08C, I08D, I08E, I08F, I12A, I12B, I12C, I16Z		21B	X06A, X06B, X06C
	21B	X04Z	5t411.h↔		BOP, KVT, UOP4, VIAL		5t413.1↔	
	08	I24Z, I30Z		05	F13A		05	F13A
	21A	W04A, W04B		08	I08A, I08B, I08C, I08D, I08E, I08F, I12A, I12B, I12C, I16Z		08	I12A, I12B, I12C, I16Z
	21B	X04Z		21A	W01A, W01B, W01C, W02A, W02B		21A	W04A, W04B
	08	I24Z, I30Z		08	I08A, I08B, I08C, I08D, I08E, I08F, I12A, I12B, I12C, I28A, I28B, W02B		21B	X06A, X06B, X06C
	21A	W04A, W04B		21B	X04Z		5t413.1↔	
	21B	X04Z					05	F13A

ZZV	MDC	DRG	ZZV	MDC	DRG	ZZV	MDC	DRG
5t413.4↔		BOP, KVT, UOP4, VIAL	5t413.m↔		BOP, KVT, UOP4, VIAL	5t414.6↔		BOP, KVT, UOP4, VIAL
	05	F13A		05	F13A		08	108A, 108B, 108C, 108D, 108E, 108F, 132A, 132B, 132C, 132D, 132E, 132F
	08	I08A, I08B, I08C, I08D, I08E, I08F, I12A, I12B, I12C, I21Z, I31Z		08	I12A, I12B, I12C, I20A, I20B, I20C, I20D, I20E, I20F		09	J03A, J03B, J04A, J04B, J08A, J08B, J08C, J11A, J11B, J16Z
	21A	W04A, W04B		21A	W04A, W04B		21A	W04A, W04B
5t413.5↔	21B	X06A, X06B, X06C	5t413.n↔	21B	X04Z	5t414.8↔	21B	X05A, X05B
		BOP, KVT, UOP4, VIAL			BOP, KVT, UOP4, VIAL			BOP, KVT, UOP4, VIAL
	05	F13A		05	F13A		08	I32A, I32B, I32C, I32D, I32E, I32F, I32G
	08	I08A, I08B, I08C, I08D, I08E, I08F, I12A, I12B, I12C, I21Z, I31Z		08	I12A, I12B, I12C, I20A, I20B, I20C, I20D, I20E, I20F		09	J03A, J03B, J04A, J04B, J08A, J08B, J08C, J11A, J11B, J16Z
5t413.6↔	21A	W04A, W04B	5t413.p↔	21A	W04A, W04B	5t414.9↔	21A	W04A, W04B
	21B	X06A, X06B, X06C		21B	X04Z		21B	X05A, X05B
		BOP, KVT, UOP4, VIAL			BOP, KVT, UOP4, VIAL			BOP, KVT, UOP4, VIAL
	05	F13A		05	F13A		08	I32A, I32B, I32C, I32D, I32E, I32F, I32G
5t413.8↔	08	I08A, I08B, I08C, I08D, I08E, I08F, I12A, I12B, I12C, I32A, I32B, I32C, I32D, I32E, I32F	5t413.q↔	08	I12A, I12B, I12C, I20A, I20B, I20C, I20D, I20E, I20F	5t414.e↔	08	I08A, I08B, I08C, I08D, I08E, I08F, I28A, I28B
	09	J03A, J03B, J04A, J04B, J08A, J08B, J08C, J11A, J11B, J16Z		21A	W04A, W04B		21A	W04A, W04B
	21A	W04A, W04B		21A	W04A, W04B		21B	X04Z, X06A, X06B, X06C
	21B	X05A, X05B		21B	X04Z		21B	BOP, KVT, UOP4, VIAL
5t413.9↔		BOP, KVT, UOP4, VIAL	5t413.r↔		BOP, KVT, UOP4, VIAL	5t414.f	08	I28A, I28B
	05	F13A		05	F13A		21A	W04A, W04B
	08	I12A, I12B, I12C, I32A, I32B, I32C, I32D, I32E, I32F, I32G		08	I12A, I12B, I12C, I20A, I20B, I20C, I20D, I20E, I20F		21B	X04Z, X06A, X06B, X06C
	09	J03A, J03B, J04A, J04B, J08A, J08B, J08C, J11A, J11B, J16Z		21A	W04A, W04B		21B	BOP, KVT, UOP4, VIAL
5t413.g↔	21A	W04A, W04B	5t413.x	21B	X04Z	5t414.g↔	21A	W04A, W04B
	21B	X05A, X05B		05	F13A		21B	X04Z, X06A, X06B, X06C
		BOP, KVT, UOP4, VIAL		08	I12A, I12B, I12C, I28A, I28B		08	I08A, I08B, I08C, I08D, I08E, I30Z
	05	F13A		21A	W04A, W04B		21A	W01A, W01B, W01C, W02A, W02B
5t413.h↔	08	I12A, I12B, I12C, I32A, I32B, I32C, I32D, I32E, I32F, I32G	5t414.0↔	21B	X06A, X06B, X06C	5t414.h↔	21B	X04Z
	09	J03A, J03B, J04A, J04B, J08A, J08B, J08C, J11A, J11B, J16Z			BOP, KVT, UOP4, VIAL		08	I24Z, I30Z
	21A	W04A, W04B		08	I16Z		21A	W04A, W04B
	21B	X05A, X05B		21A	W04A, W04B		21B	X04Z
5t413.j↔		BOP, KVT, UOP4, VIAL	5t414.1↔		BOP, KVT, UOP4, VIAL	5t414.i↔		BOP, KVT, UOP4, VIAL
	05	F13A		08	I16Z		08	I18A, I18B, I30Z
	08	I08A, I08B, I08C, I08D, I08E, I30Z		21A	W04A, W04B		21A	W04A, W04B
	21A	W01A, W01B, W01C, W02A, W02B		21B	X06A, X06B, X06C		21B	X04Z
5t413.k↔	21B	X04Z	5t414.2↔		BOP, KVT, UOP4, VIAL	5t414.k↔		BOP, KVT, UOP4, VIAL
		BOP, KVT, UOP4, VIAL		08	I28A, I28B		08	I59Z
	05	F13A		21A	W04A, W04B		21A	W04A, W04B
	08	I12A, I12B, I12C, I18A, I18B, I30Z		21B	X06A, X06B, X06C		21B	X04Z
5t413.l↔	21A	W04A, W04B	5t414.3↔		BOP, KVT, UOP4, VIAL	5t414.l↔		BOP, KVT, UOP4, VIAL
	21B	X04Z		08	I28A, I28B		08	I20A, I20B, I20C, I20D, I20E, I20F
		BOP, KVT, UOP4, VIAL		21A	W04A, W04B		21A	W04A, W04B
	05	F13A		21B	X06A, X06B, X06C		21B	X04Z
5t413.m↔	08	I12A, I12B, I12C, I18A, I18B, I30Z	5t414.4↔		BOP, KVT, UOP4, VIAL	5t414.m↔		BOP, KVT, UOP4, VIAL
	21A	W04A, W04B		08	I08A, I08B, I08C, I08D, I08E, I08F, I18A, I18B, I30Z		08	I20A, I20B, I20C, I20D, I20E, I20F
	21B	X04Z		21A	W04A, W04B		21A	W04A, W04B
		BOP, KVT, UOP4, VIAL		21B	X06A, X06B, X06C		21B	X04Z
5t413.n↔	05	F13A	5t414.5↔		BOP, KVT, UOP4, VIAL	5t414.n↔		BOP, KVT, UOP4, VIAL
	08	I12A, I12B, I12C, I18A, I18B, I30Z		08	I08A, I08B, I08C, I08D, I08E, I08F, I18A, I18B, I30Z		08	I20A, I20B, I20C, I20D, I20E, I20F
	21A	W04A, W04B		21A	W04A, W04B		21A	W04A, W04B
	21B	X04Z		21B	X06A, X06B, X06C		21B	X04Z

VYK

ZZV	MDC	DRG	ZZV	MDC	DRG	ZZV	MDC	DRG
5t414.q↔		BOP, KVT, UOP4, VIAL	5t41x.f		BOP, KVT, UOP4, VIAL	5t420.5↔		BOP, KVT, UOP4, VIAL
	08	I20A, I20B, I20C, I20D, I20E, I20F		08	I28A, I28B		08	I08A, I08B, I08C, I08D, I08E, I08F, I12A, I12B, I12C, I18A, I18B, I30Z
	21A	W04A, W04B		21A	W04A, W04B		21A	W04A, W04B
	21B	X04Z	5t41x.g↔		BOP, KVT, UOP4, VIAL		21B	X06A, X06B, X06C
5t414.r↔		BOP, KVT, UOP4, VIAL		08	I08A, I08B, I08C, I08D, I08E, I30Z	5t420.6↔		BOP, KVT, UOP4, VIAL
	08	I20A, I20B, I20C, I20D, I20E, I20F		21A	W01A, W01B, W01C, W02A, W02B		08	I08A, I08B, I08C, I08D, I08E, I08F, I12A, I12B, I12C, I32A, I32B, I32C, I32D, I32E, I32F
	21A	W04A, W04B		21B	X04Z		09	J03A, J03B, J04A, J04B, J08A, J08B, J08C, J11A, J11B, J16Z
	21B	X04Z	5t41x.h↔		BOP, KVT, UOP4, VIAL		21A	W04A, W04B
5t414.x		BOP, KVT, UOP4		08	I24Z, I30Z		21B	X05A, X05B
	08	I28A, I28B		21A	W04A, W04B	5t420.8↔		BOP, KVT, UOP4, VIAL
	21A	W04A, W04B		21B	X04Z		08	I12A, I12B, I12C, I32A, I32B, I32C, I32D, I32E, I32F, I32G
	21B	X06A, X06B, X06C	5t41x.i↔		BOP, KVT, UOP4, VIAL		09	J03A, J03B, J04A, J04B, J08A, J08B, J08C, J11A, J11B, J16Z
5t41x.0↔		BOP, KVT, UOP4, VIAL		08	I18A, I18B, I30Z		21A	W04A, W04B
	08	I16Z		21A	W04A, W04B		21B	X05A, X05B
	21A	W04A, W04B	5t41x.j↔		BOP, KVT, UOP4, VIAL		08	I12A, I12B, I12C, I32A, I32B, I32C, I32D, I32E, I32F, I32G
	21B	X06A, X06B, X06C		21A	W04A, W04B		09	J03A, J03B, J04A, J04B, J08A, J08B, J08C, J11A, J11B, J16Z
5t41x.1↔		BOP, KVT, UOP4, VIAL		21B	X04Z		21A	W04A, W04B
	08	I16Z	5t41x.k↔		BOP, KVT, UOP4, VIAL		21B	X05A, X05B
	21A	W04A, W04B		08	I59Z		08	I12A, I12B, I12C, I32A, I32B, I32C, I32D, I32E, I32F, I32G
	21B	X06A, X06B, X06C		21A	W04A, W04B	5t420.9↔		BOP, KVT, UOP4, VIAL
5t41x.2↔		BOP, KVT, UOP4, VIAL		21B	X04Z		08	I12A, I12B, I12C, I32A, I32B, I32C, I32D, I32E, I32F, I32G
	08	I28A, I28B	5t41x.l↔		BOP, KVT, UOP4, VIAL		09	J03A, J03B, J04A, J04B, J08A, J08B, J08C, J11A, J11B, J16Z
	21A	W04A, W04B		08	I20A, I20B, I20C, I20D, I20E, I20F		21A	W04A, W04B
	21B	X06A, X06B, X06C		21A	W04A, W04B		21B	X05A, X05B
5t41x.3↔		BOP, KVT, UOP4, VIAL		21B	X04Z	5t420.e↔		BOP, KVT, UOP4, VIAL
	08	I28A, I28B	5t41x.m↔		BOP, KVT, UOP4, VIAL		08	I08A, I08B, I08C, I08D, I08E, I08F, I12A, I12B, I12C, I28A, I28B
	21A	W04A, W04B		08	I20A, I20B, I20C, I20D, I20E, I20F		21A	W04A, W04B
	21B	X06A, X06B, X06C		21A	W04A, W04B		21B	X04Z, X06A, X06B, X06C
5t41x.4↔		BOP, KVT, UOP4, VIAL		21B	X04Z	5t420.f		BOP, KVT, UOP4, VIAL
	08	I08A, I08B, I08C, I08D, I08E, I08F, I18A, I18B, I30Z		5t41x.n↔			08	I12A, I12B, I12C, I28A, I28B
	21A	W04A, W04B		08	I20A, I20B, I20C, I20D, I20E, I20F		21A	W04A, W04B
	21B	X06A, X06B, X06C		21A	W04A, W04B		21B	X04Z, X06A, X06B, X06C
5t41x.5↔		BOP, KVT, UOP4, VIAL		21B	X04Z	5t420.g↔		BOP, KVT, UOP4, VIAL
	08	I08A, I08B, I08C, I08D, I08E, I08F, I18A, I18B, I30Z		5t41x.o↔			08	I08A, I08B, I08C, I08D, I08E, I30Z
	21A	W04A, W04B		08	I20A, I20B, I20C, I20D, I20E, I20F		21A	W01A, W01B, W01C, W02A, W02B
	21B	X06A, X06B, X06C		21A	W04A, W04B		21B	X04Z
5t41x.6↔		BOP, KVT, UOP4, VIAL		21B	X04Z	5t420.h↔		BOP, KVT, UOP4, VIAL
	08	I08A, I08B, I08C, I08D, I08E, I08F, I32A, I32B, I32C, I32D, I32E, I32F		5t41x.p↔			01	B03A, B03B, B06A, B06B, B17A, B17B, B17C
	09	J03A, J03B, J04A, J04B, J08A, J08B, J08C, J11A, J11B, J16Z		08	I20A, I20B, I20C, I20D, I20E, I20F		08	I12A, I12B, I12C, I24Z, I30Z
	21A	W04A, W04B		21A	W04A, W04B		21A	W04A, W04B
	21B	X05A, X05B		21B	X04Z		21B	X04Z
5t41x.8↔		BOP, KVT, UOP4, VIAL		5t41x.q↔		5t420.i↔		BOP, KVT, UOP4, VIAL
	08	I32A, I32B, I32C, I32D, I32E, I32F, I32G		08	I20A, I20B, I20C, I20D, I20E, I20F		01	B03A, B03B, B06A, B06B, B17A, B17B, B17C
	09	J03A, J03B, J04A, J04B, J08A, J08B, J08C, J11A, J11B, J16Z		21A	W04A, W04B		08	I12A, I12B, I12C, I18A, I18B, I30Z
	21A	W04A, W04B		21B	X06A, X06B, X06C		21A	W04A, W04B
	21B	X05A, X05B		5t420.0↔			21B	X04Z
5t41x.9↔		BOP, KVT, UOP4, VIAL		08	I12A, I12B, I12C, I16Z	5t420.j↔		BOP, KVT, UOP4, VIAL
	08	I32A, I32B, I32C, I32D, I32E, I32F, I32G		21A	W04A, W04B		01	B03A, B03B, B06A, B06B, B17A, B17B, B17C
	09	J03A, J03B, J04A, J04B, J08A, J08B, J08C, J11A, J11B, J16Z		21B	X06A, X06B, X06C		08	I12A, I12B, I12C, I18A, I18B, I30Z
	21A	W04A, W04B		5t420.1↔			21A	W04A, W04B
	21B	X05A, X05B		08	I12A, I12B, I12C, I16Z	5t420.k↔		BOP, KVT, UOP4, VIAL
5t41x.e↔		BOP, KVT, UOP4, VIAL		21A	W04A, W04B		08	I12A, I12B, I12C, I59Z
	08	I32A, I32B, I32C, I32D, I32E, I32F, I32G		21B	X06A, X06B, X06C		21A	W04A, W04B
	09	J03A, J03B, J04A, J04B, J08A, J08B, J08C, J11A, J11B, J16Z		5t420.3↔			21B	X04Z
	21A	W04A, W04B		08	I12A, I12B, I12C, I28A, I28B		08	I12A, I12B, I12C, I20A, I20B, I20C, I20D, I20E, I20F
	21B	X05A, X05B		21A	W04A, W04B	5t420.l↔		BOP, KVT, UOP4, VIAL
	08	I08A, I08B, I08C, I08D, I08E, I08F, I28A, I28B		21B	X06A, X06B, X06C		08	I12A, I12B, I12C, I20A, I20B, I20C, I20D, I20E, I20F
	21A	W04A, W04B		5t420.4↔			21A	W04A, W04B
	21B	X04Z, X06A, X06B, X06C		08	I08A, I08B, I08C, I08D, I08E, I08F, I12A, I12B, I12C, I18A, I18B, I30Z		21B	X04Z
				21A	W04A, W04B			
				21B	X06A, X06B, X06C			

ZZV	MDC	DRG	ZZV	MDC	DRG	ZZV	MDC	DRG
5t420.n↔		BOP, KVT, UOP4, VIAL	5t421.h↔		BOP, KVT, UOP4, VIAL	5t422.8↔		BOP, KVT, UOP4, VIAL
08		I12A, I12B, I12C, I20A, I20B, I20C, I20D, I20E, I20F	08		I18A, I18B, I30Z	08		I12A, I12B, I12C, I32A, I32B, I32C, I32D, I32E, I32F
21A		W04A, W04B	21A		W04A, W04B	21A		W04A, W04B
21B		X04Z	21B		X04Z	21B		X05A, X05B
5t420.p↔		BOP, KVT, UOP4, VIAL	5t421.j↔		BOP, KVT, UOP4, VIAL	5t422.9↔		BOP, KVT, UOP4, VIAL
08		I12A, I12B, I12C, I20A, I20B, I20C, I20D, I20E, I20F	08		I59Z	08		I12A, I12B, I12C, I32A, I32B, I32C, I32D, I32E, I32F
21A		W04A, W04B	5t421.k↔		BOP, KVT, UOP4, VIAL	21A		W04A, W04B
21B		X04Z	01		B03A, B03B, B06A, B06B, B17A, B17B, B17C	21B		X05A, X05B
5t420.q↔		BOP, KVT, UOP4, VIAL	05		F27A, F27B, F27C	5t422.g↔		BOP, KVT, UOP4, VIAL
08		I12A, I12B, I12C, I20A, I20B, I20C, I20D, I20E, I20F	08		I59Z	08		I08A, I08B, I08C, I08D, I08E, I30Z
21A		W04A, W04B	10		K01Z	21A		W01A, W01B, W01C, W02A, W02B
21B		X04Z	21A		W04A, W04B	21B		X04Z
5t420.r↔		BOP, KVT, UOP4, VIAL	5t421.m↔		BOP, KVT, UOP4, VIAL	5t422.h↔		BOP, KVT, UOP4, VIAL
08		I12A, I12B, I12C, I20A, I20B, I20C, I20D, I20E, I20F	08		I20A, I20B, I20C, I20D, I20E, I20F	08		I12A, I12B, I12C, I18A, I18B, I30Z
21A		W04A, W04B	21A		W04A, W04B	21A		W04A, W04B
21B		X04Z	21B		X04Z	21B		X04Z
5t420.x		BOP, KVT, UOP4	5t421.n↔		BOP, KVT, UOP4, VIAL	5t422.j↔		BOP, KVT, UOP4, VIAL
08		I12A, I12B, I12C, I28A, I28B	08		I20A, I20B, I20C, I20D, I20E, I20F	08		I59Z
21A		W04A, W04B	21A		W04A, W04B	5t422.k↔		BOP, KVT, UOP4, VIAL
21B		X06A, X06B, X06C	21B		X04Z	08		I12A, I12B, I12C, I59Z
5t421.0↔		BOP, KVT, UOP4, VIAL	5t421.p↔		BOP, KVT, UOP4, VIAL	21A		W04A, W04B
08		I16Z	08		I20A, I20B, I20C, I20D, I20E, I20F	21B		X04Z
21A		W04A, W04B	21A		W04A, W04B	5t422.m↔		BOP, KVT, UOP4, VIAL
21B		X06A, X06B, X06C	21B		X04Z	08		I12A, I12B, I12C, I20A, I20B, I20C, I20D, I20E, I20F
5t421.1↔		BOP, KVT, UOP4, VIAL	5t421.q↔		BOP, KVT, UOP4, VIAL	21A		W04A, W04B
08		I16Z	08		I20A, I20B, I20C, I20D, I20E, I20F	21B		X04Z
21A		W04A, W04B	21A		W04A, W04B	5t422.n↔		BOP, KVT, UOP4, VIAL
21B		X06A, X06B, X06C	21B		X04Z	08		I12A, I12B, I12C, I20A, I20B, I20C, I20D, I20E, I20F
5t421.4↔		BOP, KVT, UOP4, VIAL	5t421.r↔		BOP, KVT, UOP4, VIAL	21A		W04A, W04B
08		I08A, I08B, I08C, I08D, I08E, I08F, I21Z, I31Z	08		I20A, I20B, I20C, I20D, I20E, I20F	21B		X04Z
21A		W04A, W04B	21A		W04A, W04B	5t422.p↔		BOP, KVT, UOP4, VIAL
21B		X06A, X06B, X06C	21B		X04Z	08		I12A, I12B, I12C, I20A, I20B, I20C, I20D, I20E, I20F
5t421.5↔		BOP, KVT, UOP4, VIAL	5t421.x		BOP, KVT, UOP4	21A		W04A, W04B
08		I08A, I08B, I08C, I08D, I08E, I08F, I21Z, I31Z	08		I28A, I28B	21B		X04Z
21A		W04A, W04B	21A		W04A, W04B	5t422.q↔		BOP, KVT, UOP4, VIAL
21B		X06A, X06B, X06C	21B		X06A, X06B, X06C	08		I12A, I12B, I12C, I20A, I20B, I20C, I20D, I20E, I20F
5t421.6↔		BOP, KVT, UOP4, VIAL	5t422.0↔		BOP, KVT, UOP4, VIAL	21A		W04A, W04B
08		I08A, I08B, I08C, I08D, I08E, I08F, I32A, I32B, I32C, I32D, I32E, I32F	08		I12A, I12B, I12C, I16Z	21B		X04Z
21A		W04A, W04B	21A		W04A, W04B	5t422.r↔		BOP, KVT, UOP4, VIAL
21B		X05A, X05B	21B		X06A, X06B, X06C	08		I12A, I12B, I12C, I20A, I20B, I20C, I20D, I20E, I20F
5t421.8↔		BOP, KVT, UOP4, VIAL	5t422.1↔		BOP, KVT, UOP4, VIAL	21A		W04A, W04B
08		I32A, I32B, I32C, I32D, I32E, I32F	08		I12A, I12B, I12C, I16Z	21B		X06A, X06B, X06C
21A		W04A, W04B	21A		W04A, W04B	5t422.4↔		BOP, KVT, UOP4, VIAL
21B		X05A, X05B	21B		X06A, X06B, X06C	08		I08A, I08B, I08C, I08D, I08E, I08F, I12A, I12B, I12C, I21Z, I31Z
5t421.9↔		BOP, KVT, UOP4, VIAL	5t422.5↔		BOP, KVT, UOP4, VIAL	21A		W04A, W04B
08		I32A, I32B, I32C, I32D, I32E, I32F	08		I08A, I08B, I08C, I08D, I08E, I08F, I12A, I12B, I12C, I21Z, I31Z	21B		X06A, X06B, X06C
21A		W04A, W04B	21A		W04A, W04B	5t422.10↔		BOP, KVT, UOP4, VIAL
21B		X05A, X05B	21B		X06A, X06B, X06C	08		I12A, I12B, I12C, I24Z, I30Z
5t421.e↔		BOP, KVT, UOP4, VIAL	5t422.6↔		BOP, KVT, UOP4, VIAL	10		K09A, K09B
08		I08A, I08B, I08C, I08D, I08E, I08F, I28A, I28B	08		I08A, I08B, I08C, I08D, I08E, I08F, I12A, I12B, I12C, I32A, I32B, I32C, I32D, I32E, I32F	21A		W04A, W04B
21A		W04A, W04B	21A		W04A, W04B	21B		X04Z
21B		X04Z, X06A, X06B, X06C	21B		X06A, X06B, X06C	5t423.11↔		BOP, KVT, UOP4, VIAL
5t421.g↔		BOP, KVT, UOP4, VIAL	21A		W04A, W04B	08		I12A, I12B, I12C, I18A, I18B, I30Z
08		I08A, I08B, I08C, I08D, I08E, I30Z	21B		X05A, X05B	10		K09A, K09B
21A		W01A, W01B, W01C, W02A, W02B				21A		W04A, W04B
21B		X04Z				21B		X04Z

ZZV	MDC	DRG	ZZV	MDC	DRG	ZZV	MDC	DRG
5t423.20↔		BOP, KVT, UOP4, VIAL	5t427.4↔		BOP, KVT, UOP4, VIAL	5t428.0↔		BOP, KVT, UOP4, VIAL
	01	B03A, B03B, B06A, B06B, B17A, B17B, B17C		08	I08A, I08B, I08C, I08D, I08E, I08F, I21Z, I31Z, I32A, I32B, I32C, I32D		08	I16Z, I32A, I32B, I32C, I32D
	08	I18A, I30Z		21A	W04A, W04B		21A	W04A, W04B
	21A	W04A, W04B		21B	X06A, X06B, X06C	5t428.1↔	08	I32A, I32B, I32C, I32D
	21B	X04Z	5t427.5↔		BOP, KVT, UOP4, VIAL	5t428.3↔	08	I32A, I32B, I32C, I32D
5t423.21↔		BOP, KVT, UOP4, VIAL		08	I08A, I08B, I08C, I08D, I08E, I08F, I21Z, I31Z, I32A, I32B, I32C, I32D	5t428.4↔		BOP, KVT, UOP4, VIAL
	01	B03A, B03B, B06A, B06B, B17A, B17B, B17C		21A	W04A, W04B		08	I08A, I08B, I08C, I08D, I08E, I08F, I21Z, I31Z, I32A, I32B, I32C, I32D
	08	I18A, I30Z		21B	X06A, X06B, X06C		21A	W04A, W04B
	21A	W04A, W04B	5t427.6↔		BOP, KVT, UOP4, VIAL		21B	X06A, X06B, X06C
	21B	X04Z		08	I08A, I08B, I08C, I08D, I08E, I08F, I32A, I32B, I32C, I32D, I32E, I32F	5t428.5↔		BOP, KVT, UOP4, VIAL
5t423.22↔		BOP, KVT, UOP4, VIAL		21A	W04A, W04B		08	I08A, I08B, I08C, I08D, I08E, I08F, I21Z, I31Z, I32A, I32B, I32C, I32D
	01	B03A, B03B, B06A, B06B, B17A, B17B, B17C		21B	X05A, X05B		21A	W04A, W04B
	08	I18A, I30Z	5t427.8↔		BOP, KVT, UOP4, VIAL		21B	X06A, X06B, X06C
	21A	W04A, W04B		08	I32A, I32B, I32C, I32D, I32E, I32F	5t428.6↔		BOP, KVT, UOP4, VIAL
	21B	X04Z		21A	W04A, W04B		08	I08A, I08B, I08C, I08D, I08E, I08F, I32A, I32B, I32C, I32D, I32E, I32F
5t423.3↔		BOP, KVT, UOP4, VIAL		21B	X05A, X05B		21A	W04A, W04B
	01	B03A, B03B, B06A, B06B, B17A, B17B, B17C	5t427.9↔		BOP, KVT, UOP4, VIAL		21B	X05A, X05B
	08	I18A, I18B, I24Z, I30Z		08	I32A, I32B, I32C, I32D, I32E, I32F	5t428.8↔		BOP, KVT, UOP4, VIAL
	21A	W04A, W04B		21A	W04A, W04B		08	I32A, I32B, I32C, I32D, I32E, I32F
	21B	X04Z		21B	X05A, X05B		21A	W04A, W04B
5t423.4↔		BOP, KVT, UOP4, VIAL	5t427.e↔		BOP, KVT, UOP4, VIAL		21B	X05A, X05B
	01	B03A, B03B, B06A, B06B, B17A, B17B, B17C	5t427.f↔		BOP, KVT, UOP4, VIAL		08	I32A, I32B, I32C, I32D, I32E, I32F
	08	I24Z, I30Z		08	I32A, I32B, I32C, I32D	5t428.9↔		BOP, KVT, UOP4, VIAL
	21A	W04A, W04B	5t427.g↔		BOP, KVT, UOP4, VIAL		08	I32A, I32B, I32C, I32D, I32E, I32F
	21B	X04Z		08	I08A, I08B, I08C, I08D, I08E, I30Z, I32A, I32B, I32C, I32D		21A	W04A, W04B
5t423.x↔		BOP, KVT, UOP4, VIAL		21A	W01A, W01B, W01C, W02A, W02B		21B	X05A, X05B
	01	B03A, B03B, B06A, B06B, B17A, B17B, B17C	5t427.h↔		BOP, KVT, UOP4, VIAL	5t428.e↔	08	I32A, I32B, I32C, I32D
	08	I18A, I30Z		01	B03A, B03B, B06A, B06B, B17A, B17B, B17C	5t428.f↔	08	I32A, I32B, I32C, I32D
	21A	W04A, W04B		08	I18A, I30Z, I32A, I32B, I32C, I32D	5t428.g↔		BOP, KVT, UOP4, VIAL
	21B	X04Z		21A	W04A, W04B		08	I08A, I08B, I08C, I08D, I08E, I30Z, I32A, I32B, I32C, I32D
5t426.0↔		BOP, KVT, UOP4, VIAL		21B	X04Z		21A	W01A, W01B, W01C, W02A, W02B
	08	I16Z	5t427.i↔		BOP, KVT, UOP4, VIAL		21B	X04Z
	21A	W04A, W04B		08	I32A, I32B, I32C, I32D, I59Z	5t428.h↔		BOP, KVT, UOP4, VIAL
	21B	X06A, X06B, X06C		5t427.k↔	BOP, KVT, UOP4, VIAL		01	B03A, B03B, B06A, B06B, B17A, B17B, B17C
5t426.4↔		BOP, KVT, UOP4, VIAL		08	I32A, I32B, I32C, I32D, I59Z		08	I18A, I30Z, I32A, I32B, I32C, I32D
	08	I08A, I08B, I08C, I08D, I08E, I08F, I18A, I18B, I30Z		08	I32A, I32B, I32C, I32D, I59Z		21A	W04A, W04B
	21A	W04A, W04B		21A	W04A, W04B		21B	X04Z
	21B	X06A, X06B, X06C	5t427.l↔		BOP, KVT, UOP4, VIAL		08	I32A, I32B, I32C, I32D, I59Z
5t426.g↔		BOP, KVT, UOP4, VIAL		08	I20A, I20B, I20C, I20D, I20E, I20F, I32A, I32B, I32C, I32D	5t428.k↔		BOP, KVT, UOP4, VIAL
	08	I08A, I08B, I08C, I08D, I08E, I30Z		08	BOP, KVT, UOP4, VIAL		08	I32A, I32B, I32C, I32D, I59Z
	21A	W01A, W01B, W01C, W02A, W02B	5t427.m↔		BOP, KVT, UOP4, VIAL		21A	W04A, W04B
	21B	X04Z		08	I32A, I32B, I32C, I32D	5t428.j↔		BOP, KVT, UOP4, VIAL
5t426.h↔		BOP, KVT, UOP4, VIAL	5t427.n↔		BOP, KVT, UOP4, VIAL		08	I32A, I32B, I32C, I32D, I59Z
	08	I18A, I30Z		08	I20A, I20B, I20C, I20D, I20E, I20F, I32A, I32B, I32C, I32D	5t428.l↔		BOP, KVT, UOP4, VIAL
	21A	W04A, W04B		5t427.p↔	BOP, KVT, UOP4, VIAL		08	I32A, I32B, I32C, I32D, I59Z
	21B	X04Z		08	I20A, I20B, I20C, I20D, I20E, I20F, I32A, I32B, I32C, I32D		21A	W04A, W04B
5t426.k↔		BOP, KVT, UOP4, VIAL		5t427.q↔	BOP, KVT, UOP4, VIAL		21B	X04Z
	08	I59Z		08	I20A, I20B, I20C, I20D, I20E, I20F, I32A, I32B, I32C, I32D	5t428.m↔	08	I32A, I32B, I32C, I32D
	21A	W04A, W04B		08	BOP, KVT, UOP4, VIAL	5t428.n↔		BOP, KVT, UOP4, VIAL
	21B	X04Z		5t427.r↔	BOP, KVT, UOP4, VIAL		08	I20A, I20B, I20C, I20D, I20E, I20F, I32A, I32B, I32C, I32D
5t426.x		BOP, KVT, UOP4		08	I20A, I20B, I20C, I20D, I20E, I20F, I32A, I32B, I32C, I32D	5t428.p↔		BOP, KVT, UOP4, VIAL
	08	I28A, I28B		5t427.x	BOP, KVT, UOP4		08	I20A, I20B, I20C, I20D, I20E, I20F, I32A, I32B, I32C, I32D
	21A	W04A, W04B		08	I28A, I28B, I32A, I32B, I32C, I32D	5t428.q↔		BOP, KVT, UOP4, VIAL
	21B	X06A, X06B, X06C		21A	W04A, W04B		08	I20A, I20B, I20C, I20D, I20E, I20F, I32A, I32B, I32C, I32D
5t427.0↔		BOP, KVT, UOP4, VIAL		21B	X06A, X06B, X06C	5t428.r↔		BOP, KVT, UOP4, VIAL
	08	I16Z, I32A, I32B, I32C, I32D					08	I20A, I20B, I20C, I20D, I20E, I20F, I32A, I32B, I32C, I32D
	21A	W04A, W04B						
	21B	X06A, X06B, X06C						
5t427.1↔	08	I32A, I32B, I32C, I32D						
5t427.3↔	08	I32A, I32B, I32C, I32D						

VYK

ZZV	MDC	DRG	ZZV	MDC	DRG	ZZV	MDC	DRG
5t428.x		BOP, KVT, UOP4	5t42c.g↔		BOP, KVT, UOP4, VIAL	5t42d.6↔		BOP, KVT, UOP4, VIAL
	08	I28A, I28B, I32A, I32B, I32C, I32D		08	I08A, I08B, I08C, I08D, I08E, I30Z		08	I08A, I08B, I08C, I08D, I08E, I08F, I32A, I32B, I32C, I32D, I32E, I32F
	21A	W04A, W04B		21A	W01A, W01B, W01C, W02A, W02B		09	J03A, J03B, J04A, J04B, J08A, J08B, J08C, J11A, J11B, J16Z
5t429↔	21B	X06A, X06B, X06C		21B	X04Z		21A	W04A, W04B
	08	BOP, KVT, UOP4, VIAL	5t42c.h↔		BOP, KVT, UOP4, VIAL	5t42d.8↔		BOP, KVT, UOP4, VIAL
	08	I32A, I32B, I32C, I32D, I32E, I32F, I32G		01	B03A, B03B, B06A, B06B, B17A, B17B, B17C		08	I32A, I32B, I32C, I32D, I32E, I32F, I32G
	09	J03A, J03B, J04A, J04B, J08A, J08B, J08C, J11A, J11B, J16Z		08	I24Z, I30Z		09	J03A, J03B, J04A, J04B, J08A, J08B, J08C, J11A, J11B, J16Z
	21A	W04A, W04B		21A	W04A, W04B		21A	W04A, W04B
	21B	X05A, X05B	5t42c.j↔		BOP, KVT, UOP4, VIAL		21B	X05A, X05B
5t42c.0↔		BOP, KVT, UOP4, VIAL		08	I59Z		08	I32A, I32B, I32C, I32D, I32E, I32F, I32G
	08	I16Z	5t42c.k↔		BOP, KVT, UOP4, VIAL		09	J03A, J03B, J04A, J04B, J08A, J08B, J08C, J11A, J11B, J16Z
	21A	W04A, W04B		08	I59Z		21A	W04A, W04B
	21B	X06A, X06B, X06C		21A	W04A, W04B		21B	X05A, X05B
5t42c.1↔		BOP, KVT, UOP4, VIAL		21B	X04Z	5t42d.9↔		BOP, KVT, UOP4, VIAL
	08	I16Z	5t42c.m↔		BOP, KVT, UOP4, VIAL		08	I32A, I32B, I32C, I32D, I32E, I32F, I32G
	21A	W04A, W04B		08	I20A, I20B, I20C, I20D, I20E, I20F		09	J03A, J03B, J04A, J04B, J08A, J08B, J08C, J11A, J11B, J16Z
	21B	X06A, X06B, X06C		21A	W04A, W04B		21A	W04A, W04B
5t42c.3↔		BOP, KVT, UOP4, VIAL		21B	X04Z		21B	X05A, X05B
	08	I28A, I28B	5t42c.n↔		BOP, KVT, UOP4, VIAL	5t42d.e↔		BOP, KVT, UOP4, VIAL
	21A	W04A, W04B		08	I20A, I20B, I20C, I20D, I20E, I20F		08	I08A, I08B, I08C, I08D, I08E, I08F, I28A, I28B
	21B	X06A, X06B, X06C		21A	W04A, W04B		21A	W04A, W04B
5t42c.4↔		BOP, KVT, UOP4, VIAL		21B	X04Z		21B	X04Z, X06A, X06B, X06C
	08	I08A, I08B, I08C, I08D, I08E, I08F, I18A, I18B, I30Z	5t42c.p↔		BOP, KVT, UOP4, VIAL	5t42d.g↔		BOP, KVT, UOP4, VIAL
	21A	W04A, W04B		08	I20A, I20B, I20C, I20D, I20E, I20F		08	I08A, I08B, I08C, I08D, I08E, I30Z
	21B	X06A, X06B, X06C		21A	W04A, W04B		21A	W01A, W01B, W01C, W02A, W02B
5t42c.5↔		BOP, KVT, UOP4, VIAL		21B	X04Z		21B	X04Z
	08	I08A, I08B, I08C, I08D, I08E, I08F, I18A, I18B, I30Z	5t42c.q↔		BOP, KVT, UOP4, VIAL	5t42d.h↔		BOP, KVT, UOP4, VIAL
	21A	W04A, W04B		08	I20A, I20B, I20C, I20D, I20E, I20F		01	B03A, B03B, B06A, B06B, B17A, B17B, B17C
	21B	X06A, X06B, X06C		21A	W04A, W04B		08	I18A, I18B, I30Z
5t42c.6↔		BOP, KVT, UOP4, VIAL		21B	X04Z		21A	W04A, W04B
	08	I08A, I08B, I08C, I08D, I08E, I08F, I32A, I32B, I32C, I32D, I32E, I32F	5t42c.r↔		BOP, KVT, UOP4, VIAL		21B	X04Z
	09	J03A, J03B, J04A, J04B, J08A, J08B, J08C, J11A, J11B, J16Z		08	I20A, I20B, I20C, I20D, I20E, I20F	5t42d.j↔		BOP, KVT, UOP4, VIAL
	21A	W04A, W04B		21A	W04A, W04B		08	I59Z
	21B	X05A, X05B	5t42c.x		BOP, KVT, UOP4		08	I59Z
5t42c.8↔		BOP, KVT, UOP4, VIAL		08	I28A, I28B	5t42d.k↔		BOP, KVT, UOP4, VIAL
	08	I32A, I32B, I32C, I32D, I32E, I32F, I32G		21A	W04A, W04B		08	I59Z
	09	J03A, J03B, J04A, J04B, J08A, J08B, J08C, J11A, J11B, J16Z		21B	X06A, X06B, X06C		21A	W04A, W04B
	21A	W04A, W04B	5t42d.0↔		BOP, KVT, UOP4, VIAL		21B	X04Z
	21B	X05A, X05B		08	I16Z	5t42d.m↔		BOP, KVT, UOP4, VIAL
5t42c.9↔		BOP, KVT, UOP4, VIAL		21A	W04A, W04B		08	I20A, I20B, I20C, I20D, I20E, I20F
	08	I32A, I32B, I32C, I32D, I32E, I32F, I32G	5t42d.1↔		BOP, KVT, UOP4, VIAL		21A	W04A, W04B
	09	J03A, J03B, J04A, J04B, J08A, J08B, J08C, J11A, J11B, J16Z		08	I16Z	5t42d.n↔		BOP, KVT, UOP4, VIAL
	21A	W04A, W04B		21A	W04A, W04B		08	I20A, I20B, I20C, I20D, I20E, I20F
	21B	X05A, X05B	5t42d.3↔		BOP, KVT, UOP4, VIAL		21A	W04A, W04B
5t42c.e↔		BOP, KVT, UOP4, VIAL		08	I28A, I28B		21B	X04Z
	08	I08A, I08B, I08C, I08D, I08E, I08F, I28A, I28B		21A	W04A, W04B	5t42d.p↔		BOP, KVT, UOP4, VIAL
	21A	W04A, W04B		21B	X06A, X06B, X06C		08	I20A, I20B, I20C, I20D, I20E, I20F
	21B	X04Z, X06A, X06B, X06C	5t42d.4↔		BOP, KVT, UOP4, VIAL		21A	W04A, W04B
				08	I08A, I08B, I08C, I08D, I08E, I08F, I18A, I18B, I30Z		21B	X04Z
				21A	W04A, W04B	5t42d.q↔		BOP, KVT, UOP4, VIAL
				21B	X06A, X06B, X06C		08	I20A, I20B, I20C, I20D, I20E, I20F
			5t42d.5↔		BOP, KVT, UOP4, VIAL		21A	W04A, W04B
				08	I08A, I08B, I08C, I08D, I08E, I08F, I18A, I18B, I30Z		21B	X04Z
				21A	W04A, W04B			
				21B	X06A, X06B, X06C			

VYK

ZZV	MDC	DRG	ZZV	MDC	DRG	ZZV	MDC	DRG
5t42d.r↔		BOP, KVT, UOP4, VIAL	5t42e.k↔		BOP, KVT, UOP4, VIAL	5t42f.g↔		BOP, KVT, UOP4, VIAL
	08	I20A, I20B, I20C, I20D, I20E, I20F		08	I59Z		08	I08A, I08B, I08C, I08D, I08E, I30Z, I32A, I32B, I32C, I32D
	21A	W04A, W04B		21A	W04A, W04B		21A	W01A, W01B, W01C, W02A, W02B
	21B	X04Z		21B	X04Z		21B	X04Z
5t42d.x		BOP, KVT, UOP4	5t42e.m↔		BOP, KVT, UOP4, VIAL	5t42f.h↔		BOP, KVT, UOP4, VIAL
	08	I28A, I28B		08	I20A, I20B, I20C, I20D, I20E, I20F		01	B03A, B03B, B06A, B06B, B17A, B17B, B17C
	21A	W04A, W04B		21A	W04A, W04B		08	I18A, I30Z, I32A, I32B, I32C, I32D
	21B	X06A, X06B, X06C		21B	X04Z		21A	W04A, W04B
5t42e.0↔		BOP, KVT, UOP4, VIAL	5t42e.n↔		BOP, KVT, UOP4, VIAL		21B	X04Z
	08	I16Z		08	I20A, I20B, I20C, I20D, I20E, I20F	5t42f.j↔		BOP, KVT, UOP4, VIAL
	21A	W04A, W04B		21A	W04A, W04B		08	I32A, I32B, I32C, I32D, I59Z
	21B	X06A, X06B, X06C		21B	X04Z	5t42f.k↔		BOP, KVT, UOP4, VIAL
5t42e.1↔		BOP, KVT, UOP4, VIAL	5t42e.p↔		BOP, KVT, UOP4, VIAL		08	I32A, I32B, I32C, I32D, I59Z
	08	I16Z		08	I20A, I20B, I20C, I20D, I20E, I20F		21A	W04A, W04B
	21A	W04A, W04B		21A	W04A, W04B		21B	X04Z
	21B	X06A, X06B, X06C		21B	X04Z	5t42f.l↔		BOP, KVT, UOP4, VIAL
5t42e.3↔		BOP, KVT, UOP4, VIAL	5t42e.q↔		BOP, KVT, UOP4, VIAL		08	I32A, I32B, I32C, I32D
	08	I28A, I28B		08	I20A, I20B, I20C, I20D, I20E, I20F	5t42f.m↔		BOP, KVT, UOP4, VIAL
	21A	W04A, W04B		21A	W04A, W04B		08	I20A, I20B, I20C, I20D, I20E, I20F, I32A, I32B, I32C, I32D
	21B	X06A, X06B, X06C		21B	X04Z	5t42f.n↔		BOP, KVT, UOP4, VIAL
5t42e.4↔		BOP, KVT, UOP4, VIAL	5t42e.r↔		BOP, KVT, UOP4, VIAL		08	I20A, I20B, I20C, I20D, I20E, I20F, I32A, I32B, I32C, I32D
	08	I08A, I08B, I08C, I08D, I08E, I08F, I21Z, I31Z		08	I20A, I20B, I20C, I20D, I20E, I20F	5t42f.o↔		BOP, KVT, UOP4, VIAL
	21A	W04A, W04B		21A	W04A, W04B		08	I20A, I20B, I20C, I20D, I20E, I20F, I32A, I32B, I32C, I32D
	21B	X06A, X06B, X06C		21B	X04Z		21A	W04A, W04B
5t42e.5↔		BOP, KVT, UOP4, VIAL	5t42e.x		BOP, KVT, UOP4		21B	X06A, X06B, X06C
	08	I08A, I08B, I08C, I08D, I08E, I08F, I21Z, I31Z		08	I28A, I28B	5t42f.p↔		BOP, KVT, UOP4, VIAL
	21A	W04A, W04B		21A	W04A, W04B		08	I20A, I20B, I20C, I20D, I20E, I20F, I32A, I32B, I32C, I32D
	21B	X06A, X06B, X06C		21B	X04Z	5t42f.q↔		BOP, KVT, UOP4, VIAL
5t42e.6↔		BOP, KVT, UOP4, VIAL	5t42f.0↔		BOP, KVT, UOP4, VIAL		08	I20A, I20B, I20C, I20D, I20E, I20F, I32A, I32B, I32C, I32D
	08	I08A, I08B, I08C, I08D, I08E, I08F, I32A, I32B, I32C, I32D, I32E, I32F		08	I16Z, I32A, I32B, I32C, I32D		08	I20A, I20B, I20C, I20D, I20E, I20F, I32A, I32B, I32C, I32D
	21A	W04A, W04B		21A	W04A, W04B	5t42f.r↔		BOP, KVT, UOP4, VIAL
	21B	X05A, X05B		21B	X06A, X06B, X06C		08	I20A, I20B, I20C, I20D, I20E, I20F, I32A, I32B, I32C, I32D
5t42e.8↔		BOP, KVT, UOP4, VIAL	5t42f.1↔		I32A, I32B, I32C, I32D		08	I20A, I20B, I20C, I20D, I20E, I20F, I32A, I32B, I32C, I32D
	08	I32A, I32B, I32C, I32D, I32E, I32F	5t42f.3↔		I32A, I32B, I32C, I32D	5t42f.x		BOP, KVT, UOP4
	21A	W04A, W04B	5t42f.4↔		BOP, KVT, UOP4, VIAL		08	I28A, I28B, I32A, I32B, I32C, I32D
	21B	X05A, X05B		08	I08A, I08B, I08C, I08D, I08E, I08F, I21Z, I31Z, I32A, I32B, I32C, I32D		21A	W04A, W04B
5t42e.9↔		BOP, KVT, UOP4, VIAL		21A	W04A, W04B		21B	X06A, X06B, X06C
	08	I32A, I32B, I32C, I32D, I32E, I32F	5t42f.5↔		BOP, KVT, UOP4, VIAL	5t42g↔		BOP, KVT, UOP4, VIAL
	21A	W04A, W04B		08	I08A, I08B, I08C, I08D, I08E, I08F, I21Z, I31Z, I32A, I32B, I32C, I32D		08	I32A, I32B, I32C, I32D, I32E, I32F
	21B	X05A, X05B		21A	W04A, W04B		21A	W04A, W04B
5t42e.e↔		BOP, KVT, UOP4, VIAL		21B	X06A, X06B, X06C		21B	X05A, X05B
	08	I08A, I08B, I08C, I08D, I08E, I08F, I28A, I28B	5t42f.6↔		BOP, KVT, UOP4, VIAL	5t42h.0↔		BOP, KVT, UOP4, VIAL
	21A	W04A, W04B		08	I08A, I08B, I08C, I08D, I08E, I08F, I32A, I32B, I32C, I32D, I32E, I32F		08	I16Z
	21B	X04Z, X06A, X06B, X06C		21A	W04A, W04B		21A	W04A, W04B
5t42e.g↔		BOP, KVT, UOP4, VIAL		21B	X05A, X05B	5t42h.1↔		BOP, KVT, UOP4, VIAL
	08	I18A, I18B, I30Z	5t42f.8↔		BOP, KVT, UOP4, VIAL		08	I16Z
	10	K09A, K09B		08	I32A, I32B, I32C, I32D, I32E, I32F		21A	W04A, W04B
	21A	W04A, W04B		21A	W04A, W04B	5t42h.2↔		BOP, KVT, UOP4, VIAL
	21B	X04Z		21B	X05A, X05B		08	I28A, I28B
5t42e.h↔		BOP, KVT, UOP4, VIAL	5t42f.9↔		BOP, KVT, UOP4, VIAL		21A	W04A, W04B
	01	B03A, B03B, B06A, B06B, B17A, B17B, B17C		08	I32A, I32B, I32C, I32D, I32E, I32F	5t42h.3↔		BOP, KVT, UOP4, VIAL
	08	I18A, I18B, I24Z, I30Z		21A	W04A, W04B		21A	W04A, W04B
	21A	W04A, W04B		21B	X05A, X05B		21B	X06A, X06B, X06C
	21B	X04Z	5t42f.e↔		BOP, KVT, UOP4, VIAL	5t42h.4↔		BOP, KVT, UOP4, VIAL
5t42e.j↔		BOP, KVT, UOP4, VIAL	5t42f.f		I32A, I32B, I32C, I32D		08	I08A, I08B, I08C, I08D, I08E, I08F, I21Z, I31Z
	08	I28A, I28B		08	I32A, I32B, I32C, I32D		21A	W04A, W04B
	21A	W04A, W04B		08	I32A, I32B, I32C, I32D	5t42h.5↔		BOP, KVT, UOP4, VIAL
	21B	X04Z, X06A, X06B, X06C		08	I32A, I32B, I32C, I32D		08	I08A, I08B, I08C, I08D, I08E, I08F, I21Z, I31Z
							21A	W04A, W04B
							21B	X06A, X06B, X06C

ZZV	MDC	DRG	ZZV	MDC	DRG	ZZV	MDC	DRG
5t42h.6↔		BOP, KVT, UOP4, VIAL	5t42h.x		BOP, KVT, UOP4	5t42i.j↔		BOP, KVT, UOP4, VIAL
	08	I08A, I08B, I08C, I08D, I08E, I08F, I32A, I32B, I32C, I32D, I32E, I32F		08	I28A, I28B		08	I28A, I28B
	21A	W04A, W04B		21A	W04A, W04B		21A	W04A, W04B
	21B	X05A, X05B		21B	X06A, X06B, X06C		21B	X04Z, X06A, X06B, X06C
5t42h.8↔		BOP, KVT, UOP4, VIAL	5t42i.0↔		BOP, KVT, UOP4, VIAL	5t42i.k↔		BOP, KVT, UOP4, VIAL
	08	I32A, I32B, I32C, I32D, I32E, I32F		08	I16Z		08	I59Z
	21A	W04A, W04B		21A	W04A, W04B		21A	W04A, W04B
	21B	X05A, X05B		21B	X06A, X06B, X06C		21B	X04Z
5t42h.9↔		BOP, KVT, UOP4, VIAL	5t42i.1↔		BOP, KVT, UOP4, VIAL	5t42i.m↔		BOP, KVT, UOP4, VIAL
	08	I32A, I32B, I32C, I32D, I32E, I32F		08	I16Z		08	I20A, I20B, I20C, I20D, I20E, I20F
	21A	W04A, W04B		21A	W04A, W04B		21A	W04A, W04B
	21B	X05A, X05B		21B	X06A, X06B, X06C		21B	X04Z
5t42h.e↔		BOP, KVT, UOP4, VIAL	5t42i.2↔		BOP, KVT, UOP4, VIAL	5t42i.n↔		BOP, KVT, UOP4, VIAL
	08	I08A, I08B, I08C, I08D, I08E, I08F, I28A, I28B		08	I28A, I28B		08	I20A, I20B, I20C, I20D, I20E, I20F
	21A	W04A, W04B		21A	W04A, W04B		21A	W04A, W04B
	21B	X04Z, X06A, X06B, X06C		21B	X06A, X06B, X06C		21B	X04Z
5t42h.f		BOP, KVT, UOP4, VIAL	5t42i.3↔		BOP, KVT, UOP4, VIAL	5t42i.p↔		BOP, KVT, UOP4, VIAL
	08	I28A, I28B		08	I28A, I28B		08	I20A, I20B, I20C, I20D, I20E, I20F
	21A	W04A, W04B		21A	W04A, W04B		21A	W04A, W04B
	21B	X04Z, X06A, X06B, X06C		21B	X06A, X06B, X06C		21B	X04Z
5t42h.g↔		BOP, KVT, UOP4, VIAL	5t42i.4↔		BOP, KVT, UOP4, VIAL	5t42i.q↔		BOP, KVT, UOP4, VIAL
	08	I18A, I18B, I30Z		08	I08A, I08B, I08C, I08D, I08E, I08F, I21Z, I31Z		08	I20A, I20B, I20C, I20D, I20E, I20F
	10	K09A, K09B		21A	W04A, W04B		21A	W04A, W04B
	21A	W04A, W04B		21B	X06A, X06B, X06C		21B	X04Z
	21B	X04Z		21B	X06A, X06B, X06C		21B	X04Z
5t42h.h↔		BOP, KVT, UOP4, VIAL	5t42i.5↔		BOP, KVT, UOP4, VIAL	5t42i.r↔		BOP, KVT, UOP4, VIAL
	01	B03A, B03B, B06A, B06B, B17A, B17B, B17C		08	I08A, I08B, I08C, I08D, I08E, I08F, I21Z, I31Z		08	I20A, I20B, I20C, I20D, I20E, I20F
	08	I24Z, I30Z		21A	W04A, W04B		21A	W04A, W04B
	21A	W04A, W04B		21B	X06A, X06B, X06C		21B	X04Z
	21B	X04Z		21B	X06A, X06B, X06C		21B	X04Z
5t42h.j↔		BOP, KVT, UOP4, VIAL	5t42i.6↔		BOP, KVT, UOP4, VIAL	5t42i.x		BOP, KVT, UOP4, VIAL
	08	I28A, I28B		08	I08A, I08B, I08C, I08D, I08E, I08F, I32A, I32B, I32C, I32D, I32E, I32F		08	I28A, I28B
	21A	W04A, W04B		21A	W04A, W04B		21A	W04A, W04B
	21B	X04Z, X06A, X06B, X06C		21B	X05A, X05B		21B	X06A, X06B, X06C
5t42h.k↔		BOP, KVT, UOP4, VIAL	5t42i.8↔		BOP, KVT, UOP4, VIAL	5t430↔		BOP, KVT, UOP4, VIAL
	08	I59Z		08	I32A, I32B, I32C, I32D, I32E, I32F		01	B03A, B03B, B06A, B06B, B17A, B17B, B17C
	21A	W04A, W04B		21A	W04A, W04B		08	I18A, I18B, I30Z
	21B	X04Z		21B	X05A, X05B		21A	W04A, W04B
5t42h.m↔		BOP, KVT, UOP4, VIAL	5t42i.9↔		BOP, KVT, UOP4, VIAL	5t431↔		BOP, KVT, UOP4, VIAL
	08	I20A, I20B, I20C, I20D, I20E, I20F		08	I32A, I32B, I32C, I32D, I32E, I32F		01	B03A, B03B, B06A, B06B, B17A, B17B, B17C
	21A	W04A, W04B		21A	W04A, W04B		08	I18A, I18B, I30Z
	21B	X04Z		21B	X05A, X05B		21A	W04A, W04B
5t42h.n↔		BOP, KVT, UOP4, VIAL	5t42i.e↔		BOP, KVT, UOP4, VIAL	5t432↔		BOP, KVT, UOP4, VIAL
	08	I20A, I20B, I20C, I20D, I20E, I20F		08	I08A, I08B, I08C, I08D, I08E, I08F, I28A, I28B		01	B03A, B03B, B06A, B06B, B17A, B17B, B17C
	21A	W04A, W04B		21A	W04A, W04B		08	I12A, I12B, I12C, I18A, I18B, I30Z
	21B	X04Z		21B	X04Z, X06A, X06B, X06C		21A	W04A, W04B
5t42h.p↔		BOP, KVT, UOP4, VIAL	5t42i.f		BOP, KVT, UOP4, VIAL	5t433↔		BOP, KVT, UOP4, VIAL
	08	I20A, I20B, I20C, I20D, I20E, I20F		08	I28A, I28B		01	B03A, B03B, B06A, B06B, B17A, B17B, B17C
	21A	W04A, W04B		21A	W04A, W04B		08	I12A, I12B, I12C, I18A, I18B, I30Z
	21B	X04Z		21B	X04Z, X06A, X06B, X06C		21A	W04A, W04B
5t42h.q↔		BOP, KVT, UOP4, VIAL	5t42i.g↔		BOP, KVT, UOP4, VIAL	5t434↔		BOP, KVT, UOP4, VIAL
	08	I20A, I20B, I20C, I20D, I20E, I20F		08	I18A, I18B, I30Z		01	B03A, B03B, B06A, B06B, B17A, B17B, B17C
	21A	W04A, W04B		10	K09A, K09B		08	I12A, I12B, I12C, I18A, I18B, I30Z
	21B	X04Z		21A	W04A, W04B		21A	W04A, W04B
5t42h.r↔		BOP, KVT, UOP4, VIAL	5t42i.h↔		BOP, KVT, UOP4, VIAL		21B	X04Z
	08	I20A, I20B, I20C, I20D, I20E, I20F		01	B03A, B03B, B06A, B06B, B17A, B17B, B17C		01	B03A, B03B, B06A, B06B, B17A, B17B, B17C
	21A	W04A, W04B		08	I24Z, I30Z		08	I12A, I12B, I12C, I18A, I18B, I30Z
	21B	X04Z		21A	W04A, W04B		21A	W04A, W04B
				21B	X04Z		21B	X04Z

Príloha B: Index Výkon-MDC-DRG

ZZV	MDC	DRG	ZZV	MDC	DRG	ZZV	MDC	DRG
5t435↔		BOP, KVT, UOP4, VIAL	5t43f↔		BOP, KVT, UOP4, VIAL	5t445↔		BOP, KVT, UOP4, VIAL
	01	B03A, B03B, B06A, B06B, B17A, B17B, B17C		01	B03A, B03B, B06A, B06B, B17A, B17B, B17C		01	B03A, B03B, B06A, B06B, B17A, B17B, B17C
	08	I12A, I12B, I12C, I18A, I18B, I30Z		08	I12A, I12B, I12C, I18A, I18B, I30Z		08	I29Z
	21A	W04A, W04B		21A	W04A, W04B		10	K09A, K09B
	21B	X04Z		21B	X04Z		21A	W04A, W04B
5t436↔		BOP, KVT, UOP4, VIAL	5t43g↔		BOP, KVT, UOP4, VIAL	5t446↔		BOP, KVT, UOP4, VIAL
	01	B03A, B03B, B06A, B06B, B17A, B17B, B17C		01	B03A, B03B, B06A, B06B, B17A, B17B, B17C		08	I29Z
	08	I12A, I12B, I12C, I18A, I18B, I30Z		08	I12A, I12B, I12C, I18A, I18B, I30Z		21A	W04A, W04B
	21A	W04A, W04B		21A	W04A, W04B		21B	X06A, X06B, X06C
	21B	X04Z		21B	X04Z	5t447↔		BOP, KVT, UOP4, VIAL
5t437↔		BOP, KVT, UOP4, VIAL	5t43h↔		BOP, KVT, UOP4, VIAL		08	I16Z
	01	B03A, B03B, B06A, B06B, B17A, B17B, B17C		01	B03A, B03B, B06A, B06B, B17A, B17B, B17C	5t448↔		BOP, KVT, UOP4, VIAL
	08	I12A, I12B, I12C, I18A, I18B, I30Z		08	I12A, I12B, I12C, I18A, I18B, I30Z		08	I16Z
	21A	W04A, W04B		21A	W04A, W04B		21A	W04A, W04B
	21B	X04Z		21B	X04Z		21B	X06A, X06B, X06C
5t438↔		BOP, KVT, UOP4, VIAL	5t43x↔		BOP, KVT, UOP4, VIAL	5t449↔		BOP, KVT, UOP4, VIAL
	01	B03A, B03B, B06A, B06B, B17A, B17B, B17C		01	B03A, B03B, B06A, B06B, B17A, B17B, B17C		08	I16Z
	08	I18A, I18B, I30Z		08	I12A, I12B, I12C, I18A, I18B, I30Z		21A	W04A, W04B
	21A	W04A, W04B		21A	W04A, W04B		21B	X06A, X06B, X06C
	21B	X04Z		21B	X04Z	5t44a↔		BOP, KVT, UOP4, VIAL
5t439↔		BOP, KVT, UOP4, VIAL	5t440↔		BOP, KVT, UOP4, VIAL		08	I16Z
	01	B03A, B03B, B06A, B06B, B17A, B17B, B17C		01	B03A, B03B, B06A, B06B, B17A, B17B, B17C	5t44b↔		BOP, KVT, UOP4, VIAL
	08	I12A, I12B, I12C, I18A, I18B, I30Z		08	I29Z		08	I16Z
	21A	W04A, W04B		10	K09A, K09B		21A	W04A, W04B
	21B	X04Z		21A	W04A, W04B		21B	X06A, X06B, X06C
5t43a↔		BOP, KVT, UOP4, VIAL	5t441↔		BOP, KVT, UOP4, VIAL	5t44x↔		BOP, KVT, UOP4, VIAL
	01	B03A, B03B, B06A, B06B, B17A, B17B, B17C		01	B03A, B03B, B06A, B06B, B17A, B17B, B17C		08	I16Z
	08	I12A, I12B, I12C, I18A, I18B, I30Z		08	I29Z		21A	W04A, W04B
	21A	W04A, W04B		10	K09A, K09B		21B	X06A, X06B, X06C
	21B	X04Z		21A	W04A, W04B	5t450↔		BOP, KVT, UOP4, VIAL
5t43b↔		BOP, KVT, UOP4, VIAL	5t442↔		BOP, KVT, UOP4, VIAL		01	B03A, B03B, B06A, B06B, B17A, B17B, B17C
	01	B03A, B03B, B06A, B06B, B17A, B17B, B17C		01	B03A, B03B, B06A, B06B, B17A, B17B, B17C		08	I18A, I18B, I30Z
	08	I12A, I12B, I12C, I18A, I18B, I30Z		08	I29Z		21A	W04A, W04B
	21A	W04A, W04B		10	K09A, K09B	5t451↔		BOP, KVT, UOP4, VIAL
	21B	X04Z		21A	W04A, W04B		01	B03A, B03B, B06A, B06B, B17A, B17B, B17C
5t43c↔		BOP, KVT, UOP4, VIAL	5t443↔		BOP, KVT, UOP4, VIAL		08	I18A, I18B, I30Z
	01	B03A, B03B, B06A, B06B, B17A, B17B, B17C		08	I12A, I12B, I12C, I16Z	5t452.0↔		BOP, KVT, UOP4, VIAL
	08	I12A, I12B, I12C, I18A, I18B, I30Z		21A	W04A, W04B		01	B03A, B03B, B06A, B06B, B17A, B17B, B17C
	21A	W04A, W04B		21B	X06A, X06B, X06C		08	I12A, I12B, I12C, I18A, I18B, I30Z
	21B	X04Z	5t444.0↔		BOP, KVT, UOP4, VIAL		21A	W04A, W04B
5t43d↔		BOP, KVT, UOP4, VIAL		08	I12A, I12B, I12C, I29Z	5t452.1↔		BOP, KVT, UOP4, VIAL
	01	B03A, B03B, B06A, B06B, B17A, B17B, B17C	5t444.1↔		BOP, KVT, UOP4, VIAL		01	B03A, B03B, B06A, B06B, B17A, B17B, B17C
	08	I12A, I12B, I12C, I18A, I18B, I30Z		08	I12A, I12B, I12C, I29Z		08	I12A, I12B, I12C, I18A, I18B, I30Z
	21A	W04A, W04B		21A	W04A, W04B		21A	W04A, W04B
	21B	X04Z	5t444.2↔		BOP, KVT, UOP4, VIAL		21B	X04Z
5t43e↔		BOP, KVT, UOP4, VIAL		08	I12A, I12B, I12C, I29Z	5t452.2↔		BOP, KVT, UOP4, VIAL
	01	B03A, B03B, B06A, B06B, B17A, B17B, B17C	5t444.x↔		BOP, KVT, UOP4, VIAL		01	B03A, B03B, B06A, B06B, B17A, B17B, B17C
	08	I12A, I12B, I12C, I18A, I18B, I30Z		08	I12A, I12B, I12C, I29Z		08	I12A, I12B, I12C, I18A, I18B, I30Z
	21A	W04A, W04B		21A	W04A, W04B		21A	W04A, W04B
	21B	X04Z		21B	X06A, X06B, X06C		21B	X04Z
				08	I12A, I12B, I12C, I29Z			
				21A	W04A, W04B			
				21B	X06A, X06B, X06C			
				08	I12A, I12B, I12C, I29Z			
				21A	W04A, W04B			
				21B	X06A, X06B, X06C			

VYK

ZZV	MDC	DRG	ZZV	MDC	DRG	ZZV	MDC	DRG
5t452.3↔		BOP, KVT, UOP4, VIAL	5t490.4↔		BOP, KVT, UOP4, VIAL	5t491.0↔		BOP, KVT, UOP4, VIAL
	01	B03A, B03B, B06A, B06B, B17A, B17B, B17C		08	I08A, I08B, I08C, I08D, I08E, I08F, I12A, I12B, I12C, I18A, I18B, I30Z		08	I16Z
	08	I12A, I12B, I12C, I18A, I18B, I30Z		21A	W04A, W04B		21A	W04A, W04B
	21A	W04A, W04B		21B	X06A, X06B, X06C	5t491.4↔		BOP, KVT, UOP4, VIAL
	21B	X04Z	5t490.5↔		BOP, KVT, UOP4, VIAL		08	I08A, I08B, I08C, I08D, I08E, I08F, I18A, I18B, I30Z
5t452.x↔		BOP, KVT, UOP4, VIAL		08	I08A, I08B, I08C, I08D, I08E, I08F, I12A, I12B, I12C, I18A, I18B, I30Z		21A	W04A, W04B
	01	B03A, B03B, B06A, B06B, B17A, B17B, B17C		21A	W04A, W04B		21B	X06A, X06B, X06C
	08	I12A, I12B, I12C, I18A, I18B, I30Z		21B	X06A, X06B, X06C	5t491.5↔		BOP, KVT, UOP4, VIAL
	21A	W04A, W04B	5t490.6↔		BOP, KVT, UOP4, VIAL		08	I08A, I08B, I08C, I08D, I08E, I08F, I18A, I18B, I30Z
	21B	X04Z		08	I08A, I08B, I08C, I08D, I08E, I08F, I12A, I12B, I12C, I32A, I32B, I32C, I32D, I32E, I32F		21A	W04A, W04B
5t453.0↔		BOP, KVT, UOP4, VIAL		21A	W04A, W04B		21B	X06A, X06B, X06C
	01	B03A, B03B, B06A, B06B, B17A, B17B, B17C		21B	X05A, X05B	5t491.h↔		BOP, KVT, UOP4, VIAL
	08	I12A, I12B, I12C, I18A, I18B, I30Z	5t490.8↔		BOP, KVT, UOP4, VIAL		01	B03A, B03B, B06A, B06B, B17A, B17B, B17C
	21A	W04A, W04B		08	I12A, I12B, I12C, I32A, I32B, I32C, I32D, I32E, I32F		08	I18A, I18B, I30Z
	21B	X04Z		21A	W04A, W04B		21A	W04A, W04B
5t453.1↔		BOP, KVT, UOP4, VIAL		21B	X05A, X05B		21B	X04Z
	01	B03A, B03B, B06A, B06B, B17A, B17B, B17C	5t490.9↔		BOP, KVT, UOP4, VIAL	5t491.k↔		BOP, KVT, UOP4, VIAL
	08	I12A, I12B, I12C, I18A, I18B, I30Z		08	I12A, I12B, I12C, I32A, I32B, I32C, I32D, I32E, I32F		08	I59Z
	21A	W04A, W04B		21A	W04A, W04B		21A	W04A, W04B
	21B	X04Z		21B	X05A, X05B	5t491.x↔		BOP, KVT, UOP4
5t453.2↔		BOP, KVT, UOP4, VIAL	5t490.g↔		BOP, KVT, UOP4, VIAL		08	I28A, I28B
	01	B03A, B03B, B06A, B06B, B17A, B17B, B17C		08	I08A, I08B, I08C, I08D, I08E, I30Z		21A	W04A, W04B
	08	I18A, I18B, I30Z		21A	W01A, W01B, W01C, W02A, W02B	5t492.0↔		BOP, KVT, UOP4, VIAL
	21A	W04A, W04B		21B	X04Z		08	I16Z
	21B	X04Z	5t490.h↔		BOP, KVT, UOP4, VIAL		21A	W04A, W04B
5t453.3↔		BOP, KVT, UOP4, VIAL		01	B03A, B03B, B06A, B06B, B17A, B17B, B17C	5t492.h↔		BOP, KVT, UOP4, VIAL
	01	B03A, B03B, B06A, B06B, B17A, B17B, B17C		08	I12A, I12B, I12C, I18A, I18B, I30Z		01	B03A, B03B, B06A, B06B, B17A, B17B, B17C
	08	I12A, I12B, I12C, I18A, I18B, I30Z		21A	W04A, W04B		08	I18A, I18B, I30Z
	21A	W04A, W04B		21B	X04Z	5t492.x↔		BOP, KVT, UOP4
	21B	X04Z	5t490.i↔		BOP, KVT, UOP4, VIAL		08	I28A, I28B
5t453.x↔		BOP, KVT, UOP4, VIAL		08	I59Z		21A	W04A, W04B
	01	B03A, B03B, B06A, B06B, B17A, B17B, B17C	5t490.j↔		BOP, KVT, UOP4, VIAL	5t49x.0↔		BOP, KVT, UOP4, VIAL
	08	I12A, I12B, I12C, I18A, I18B, I30Z		08	I12A, I12B, I12C, I59Z		08	I16Z
	21A	W04A, W04B		21A	W04A, W04B		21A	W04A, W04B
	21B	X04Z		21B	X04Z		21B	X06A, X06B, X06C
5t45x↔		BOP, KVT, UOP4, VIAL	5t490.k↔		BOP, KVT, UOP4, VIAL		21B	X06A, X06B, X06C
	01	B03A, B03B, B06A, B06B, B17A, B17B, B17C		08	I20A, I20B, I20C, I20D, I20E, I20F	5t49x.1↔		BOP, KVT, UOP4, VIAL
	08	I18A, I18B, I30Z		21A	W04A, W04B		08	I16Z
	21A	W04A, W04B		21B	X04Z		21A	W04A, W04B
	21B	X04Z	5t490.l↔		BOP, KVT, UOP4, VIAL		21B	X06A, X06B, X06C
5t490.0↔		BOP, KVT, UOP4, VIAL		08	I20A, I20B, I20C, I20D, I20E, I20F	5t49x.2↔		BOP, KVT, UOP4, VIAL
	08	I12A, I12B, I12C, I16Z	5t490.m↔		BOP, KVT, UOP4, VIAL		08	I28A, I28B
	21A	W04A, W04B		08	I12A, I12B, I12C, I20A, I20B, I20C, I20D, I20E, I20F		21A	W04A, W04B
	21B	X06A, X06B, X06C		21A	W04A, W04B		21B	X06A, X06B, X06C
5t490.1↔		BOP, KVT, UOP4, VIAL		21B	X04Z	5t49x.3↔		BOP, KVT, UOP4, VIAL
	08	I12A, I12B, I12C, I16Z	5t490.n↔		BOP, KVT, UOP4, VIAL		08	I28A, I28B
	21A	W04A, W04B		08	I20A, I20B, I20C, I20D, I20E, I20F		21A	W04A, W04B
	21B	X06A, X06B, X06C		21A	W04A, W04B		21B	X06A, X06B, X06C
5t490.3↔		BOP, KVT, UOP4, VIAL	5t490.o↔		BOP, KVT, UOP4, VIAL	5t49x.4↔		BOP, KVT, UOP4, VIAL
	08	I12A, I12B, I12C, I28A, I28B		08	I20A, I20B, I20C, I20D, I20E, I20F		08	I08A, I08B, I08C, I08D, I08E, I08F, I18A, I18B, I30Z
	21A	W04A, W04B		21A	W04A, W04B		21A	W04A, W04B
	21B	X06A, X06B, X06C	5t490.p↔		BOP, KVT, UOP4, VIAL		21B	X06A, X06B, X06C
				08	I20A, I20B, I20C, I20D, I20E, I20F	5t49x.5↔		BOP, KVT, UOP4, VIAL
			5t490.q↔		BOP, KVT, UOP4, VIAL		08	I08A, I08B, I08C, I08D, I08E, I08F, I18A, I18B, I30Z
				08	I20A, I20B, I20C, I20D, I20E, I20F		21A	W04A, W04B
			5t490.r↔		BOP, KVT, UOP4, VIAL		21B	X06A, X06B, X06C
				08	I20A, I20B, I20C, I20D, I20E, I20F			
			5t490.x		BOP, KVT, UOP4			
				08	I12A, I12B, I12C, I28A, I28B			
				21A	W04A, W04B			
				21B	X06A, X06B, X06C			

VYK

ZZV	MDC	DRG	ZZV	MDC	DRG	ZZV	MDC	DRG
5t49x.6↔		BOP, KVT, UOP4, VIAL	5t49x.r↔		BOP, KVT, UOP4, VIAL	5t502.1↔		BOP, KOP, KOPV, KVT, UOP4, VIAL
	08	I08A, I08B, I08C, I08D, I08E, I08F, I32A, I32B, I32C, I32D, I32E, I32F		08	I20A, I20B, I20C, I20D, I20E, I20F		06	G33Z
	21A	W04A, W04B		10	K09A, K09B		07	H33Z, H38Z
	21B	X05A, X05B		21A	W04A, W04B		08	I01Z, I03A, I03B, I05Z, I08A, I08B, I08C, I08D, I08E, I08F, I12A, I12B, I12C, I36Z, I47A, I47B
5t49x.8↔		BOP, KVT, UOP4, VIAL	5t49x.x		BOP, KVT, UOP4		11	L33Z
	08	I32A, I32B, I32C, I32D, I32E, I32F		08	I28A, I28B		21A	W01A, W01B, W01C, W02A, W02B
	21A	W04A, W04B		21A	W04A, W04B		21B	X04Z, X33Z
	21B	X05A, X05B	5t500.0↔		BOP, KOP, KOPV, KVT, UOP4, VIAL		23	Z01A
5t49x.9↔		BOP, KVT, UOP4, VIAL		06	G33Z		Pre	A07A
	08	I32A, I32B, I32C, I32D, I32E, I32F		07	H33Z, H38Z	5t502.2↔		BOP, KOP, KOPV, KVT, UOP4, VIAL
	21A	W04A, W04B		08	I01Z, I03A, I03B, I05Z, I08A, I08B, I08C, I08D, I08E, I08F, I12A, I12B, I12C, I36Z, I47A, I47B		06	G33Z
	21B	X05A, X05B		11	L33Z		07	H33Z, H38Z
5t49x.e↔		BOP, KVT, UOP4, VIAL		21A	W01A, W01B, W01C, W02A, W02B		08	I01Z, I03A, I03B, I05Z, I08A, I08B, I08C, I08D, I08E, I08F, I12A, I12B, I12C, I36Z, I47A, I47B
	08	I08A, I08B, I08C, I08D, I08E, I08F, I28A, I28B		21B	X04Z, X33Z		11	L33Z
	21A	W04A, W04B		23	Z01A		21A	W01A, W01B, W01C, W02A, W02B
	21B	X04Z, X06A, X06B, X06C		Pre	A07A		21B	X04Z, X33Z
5t49x.f		BOP, KVT, UOP4, VIAL	5t500.1↔		BOP, KOP, KOPV, KVT, UOP4, VIAL		23	Z01A
	08	I28A, I28B		06	G33Z		Pre	A07A
	21A	W04A, W04B		07	H33Z, H38Z	5t503.0↔		BOP, KOP, KOPV, KVT, UOP4, VIAL
	21B	X04Z, X06A, X06B, X06C		08	I01Z, I03A, I03B, I05Z, I08A, I08B, I08C, I08D, I08E, I08F, I12A, I12B, I12C, I36Z, I47A, I47B		06	G33Z
5t49x.g↔		BOP, KVT, UOP4, VIAL		11	L33Z		07	H33Z, H38Z
	08	I30Z		21A	W01A, W01B, W01C, W02A, W02B		08	I01Z, I03A, I03B, I05Z, I08A, I08B, I08C, I08D, I08E, I08F, I12A, I12B, I12C, I36Z, I47A, I47B
	21A	W01A, W01B, W01C, W02A, W02B		21B	X04Z, X33Z		10	K09A, K09B
	21B	X04Z		23	Z01A		11	L33Z
5t49x.h↔		BOP, KVT, UOP4, VIAL	5t500.2↔		BOP, KOP, KOPV, KVT, UOP4, VIAL		21A	W01A, W01B, W01C, W02A, W02B
	01	B03A, B03B, B06A, B06B, B17A, B17B, B17C		06	G33Z		21B	X04Z, X33Z
	08	I18A, I18B, I30Z		07	H33Z, H38Z		23	Z01A
	21A	W04A, W04B		08	I01Z, I03A, I03B, I05Z, I08A, I08B, I08C, I08D, I08E, I08F, I12A, I12B, I12C, I36Z, I47A, I47B		Pre	A07A
	21B	X04Z		11	L33Z	5t503.1↔		BOP, KOP, KOPV, KVT, UOP4, VIAL
5t49x.j↔		BOP, KVT, UOP4, VIAL		21A	W01A, W01B, W01C, W02A, W02B		06	G33Z
	01	B03A, B03B, B06A, B06B, B17A, B17B, B17C		21B	X04Z, X33Z		07	H33Z, H38Z
	08	I18A, I18B, I30Z		23	Z01A		08	I01Z, I03A, I03B, I05Z, I08A, I08B, I08C, I08D, I08E, I08F, I12A, I12B, I12C, I36Z, I47A, I47B
	21A	W04A, W04B		Pre	A07A		10	K09A, K09B
	21B	X04Z		06	G33Z		11	L33Z
5t49x.k↔		BOP, KVT, UOP4, VIAL		07	H33Z, H38Z		21A	W01A, W01B, W01C, W02A, W02B
	08	I59Z		08	I01Z, I03A, I03B, I05Z, I08A, I08B, I08C, I08D, I08E, I08F, I12A, I12B, I12C, I36Z, I47A, I47B		21B	X04Z, X33Z
	21A	W04A, W04B		11	L33Z		23	Z01A
	21B	X04Z		21A	W01A, W01B, W01C, W02A, W02B		Pre	A07A
5t49x.m↔		BOP, KVT, UOP4, VIAL		21B	X04Z, X33Z		10	K09A, K09B
	08	I20A, I20B, I20C, I20D, I20E, I20F		23	Z01A		11	L33Z
	21A	W04A, W04B		Pre	A07A		21A	W01A, W01B, W01C, W02A, W02B
	21B	X04Z	5t502.0↔		BOP, KOP, KOPV, KVT, UOP4, VIAL		21B	X04Z, X33Z
5t49x.n↔		BOP, KVT, UOP4, VIAL		06	G33Z		23	Z01A
	08	I20A, I20B, I20C, I20D, I20E, I20F		07	H33Z, H38Z		Pre	A07A
	21A	W04A, W04B		08	I01Z, I03A, I03B, I05Z, I08A, I08B, I08C, I08D, I08E, I08F, I12A, I12B, I12C, I36Z, I47A, I47B			
	21B	X04Z		11	L33Z			
5t49x.p↔		BOP, KVT, UOP4, VIAL		21A	W01A, W01B, W01C, W02A, W02B			
	08	I20A, I20B, I20C, I20D, I20E, I20F		21B	X04Z, X33Z			
	21A	W04A, W04B		23	Z01A			
	21B	X04Z		Pre	A07A			
5t49x.q↔		BOP, KVT, UOP4, VIAL		06	G33Z			
	08	I20A, I20B, I20C, I20D, I20E, I20F		07	H33Z, H38Z			
	10	K09A, K09B		08	I01Z, I03A, I03B, I05Z, I08A, I08B, I08C, I08D, I08E, I08F, I12A, I12B, I12C, I36Z, I47A, I47B			
	21A	W04A, W04B		11	L33Z			
	21B	X04Z		21A	W01A, W01B, W01C, W02A, W02B			
				21B	X04Z, X33Z			
				23	Z01A			
				Pre	A07A			

VYK

ZZV	MDC	DRG	ZZV	MDC	DRG	ZZV	MDC	DRG
5t50x.1↔		BOP, KOP, KOPV, KVT, UOP4, VIAL	5t511.2↔		BOP, KOP, KOPV, KVT, UOP4, VIAL	5t511.82↔		BOP, KOP, KOPV, KVT, UOP4, VIAL
	06	G33Z		05	F13A		05	F13A
	07	H33Z, H38Z		06	G33Z		06	G33Z
	08	I01Z, I03A, I03B, I05Z, I08A, I08B, I08C, I08D, I08E, I08F, I12A, I12B, I12C, I36Z, I47A, I47B		07	H33Z, H38Z		07	H33Z, H38Z
	11	L33Z		08	I01Z, I03A, I03B, I08A, I08B, I08C, I08D, I08E, I08F, I12A, I12B, I12C, I46A, I46B		08	I01Z, I03A, I03B, I08A, I08B, I08C, I08D, I08E, I08F, I12A, I12B, I12C, I46A, I46B
	21A	W01A, W01B, W01C, W02A, W02B		10	K09A, K09B		10	K09A, K09B
	21B	X04Z, X33Z		11	L33Z		11	L33Z
	23	Z01A		21A	W04A, W04B		21A	W04A, W04B
	Pre	A07A		21B	X04Z, X33Z		21B	X04Z, X33Z
				23	Z01A		23	Z01A
		Pre	A07A	Pre	A07A			
5t50x.2↔		BOP, KOP, KOPV, KVT, UOP4, VIAL	5t511.3↔		BOP, KOP, KOPV, KVT, UOP4, VIAL	5t511.x↔		BOP, KOP, KOPV, KVT, UOP4, VIAL
	06	G33Z		05	F13A		05	F13A
	07	H33Z, H38Z		06	G33Z		06	G33Z
	08	I01Z, I03A, I03B, I05Z, I08A, I08B, I08C, I08D, I08E, I08F, I12A, I12B, I12C, I36Z, I47A, I47B		07	H33Z, H38Z		07	H33Z, H38Z
	11	L33Z		08	I01Z, I03A, I03B, I08A, I08B, I08C, I08D, I08E, I08F, I12A, I12B, I12C, I46A, I46B		08	I01Z, I03A, I03B, I08A, I08B, I08C, I08D, I08E, I08F, I12A, I12B, I12C, I46A, I46B
	21A	W01A, W01B, W01C, W02A, W02B		10	K09A, K09B		10	K09A, K09B
	21B	X04Z, X33Z		11	L33Z		11	L33Z
	23	Z01A		21A	W04A, W04B		21A	W04A, W04B
	Pre	A07A		21B	X04Z, X33Z		21B	X04Z, X33Z
				23	Z01A		23	Z01A
		Pre	A07A	Pre	A07A			
5t510↔		BOP, KOP, KOPV, KVT, UOP4, VIAL	5t511.4↔		BOP, KOP, KOPV, KVT, UOP4, VIAL	5t512.10↔		BOP, KOP, KOPV, KVT, UOP4, VIAL
	05	F13A		05	F13A		05	F13A
	06	G33Z		06	G33Z		06	G33Z
	07	H33Z, H38Z		07	H33Z, H38Z		07	H33Z, H38Z
	08	I01Z, I03A, I03B, I05Z, I12A, I12B, I12C, I47A, I47B		08	I01Z, I03A, I03B, I08A, I08B, I08C, I08D, I08E, I08F, I12A, I12B, I12C, I46A, I46B		08	I01Z, I03A, I03B, I08A, I08B, I08C, I08D, I08E, I08F, I12A, I12B, I12C, I46A, I46B
	10	K09A, K09B		10	K09A, K09B		10	K09A, K09B
	11	L33Z		11	L33Z		11	L33Z
	21A	W04A, W04B		21A	W04A, W04B		21A	W04A, W04B
	21B	X04Z, X33Z		21B	X04Z, X33Z		21B	X04Z, X33Z
	23	Z01A		23	Z01A		23	Z01A
		Pre	A07A	Pre	A07A			
5t511.00↔		BOP, KOP, KOPV, KVT, UOP4, VIAL	5t511.80↔		BOP, KOP, KOPV, KVT, UOP4, VIAL	5t512.11↔		BOP, KOP, KOPV, KVT, UOP4, VIAL
	05	F13A		05	F13A		05	F13A
	06	G33Z		06	G33Z		06	G33Z
	07	H33Z, H38Z		07	H33Z, H38Z		07	H33Z, H38Z
	08	I12A, I12B, I12C, I46A, I46B		08	I01Z, I03A, I03B, I08A, I08B, I08C, I08D, I08E, I08F, I12A, I12B, I12C, I46A, I46B		08	I01Z, I03A, I03B, I08A, I08B, I08C, I08D, I08E, I08F, I12A, I12B, I12C, I46A, I46B
	10	K09A, K09B		10	K09A, K09B		10	K09A, K09B
	11	L33Z		11	L33Z		11	L33Z
	21A	W04A, W04B		21A	W04A, W04B		21A	W04A, W04B
	21B	X04Z, X33Z		21B	X04Z, X33Z		21B	X04Z, X33Z
	23	Z01A		23	Z01A		23	Z01A
		Pre	A07A	Pre	A07A			
5t511.01↔		BOP, KOP, KOPV, KVT, UOP4, VIAL	5t511.81↔		BOP, KOP, KOPV, KVT, UOP4, VIAL	5t512.20↔		BOP, KOP, KOPV, KVT, UOP4, VIAL
	05	F13A		05	F13A		05	F13A
	06	G33Z		06	G33Z		06	G33Z
	07	H33Z, H38Z		07	H33Z, H38Z		07	H33Z, H38Z
	08	I12A, I12B, I12C, I46A, I46B		08	I01Z, I03A, I03B, I08A, I08B, I08C, I08D, I08E, I08F, I12A, I12B, I12C, I46A, I46B		08	I01Z, I03A, I03B, I08A, I08B, I08C, I08D, I08E, I08F, I12A, I12B, I12C, I46A, I46B
	10	K09A, K09B		10	K09A, K09B		10	K09A, K09B
	11	L33Z		11	L33Z		11	L33Z
	21A	W04A, W04B		21A	W04A, W04B		21A	W04A, W04B
	21B	X04Z, X33Z		21B	X04Z, X33Z		21B	X04Z, X33Z
	23	Z01A		23	Z01A		23	Z01A
		Pre	A07A	Pre	A07A			

VYK

ZZV	MDC	DRG	ZZV	MDC	DRG	ZZV	MDC	DRG			
5t512.21↔		BOP, KOP, KOPV, KVT, UOP4, VIAL	5t512.81↔		BOP, KOP, KOPV, KVT, UOP4, VIAL	5t513.81↔		BOP, KOP, KOPV, KVT, UOP4, VIAL			
	05	F13A		05	F13A		05	F13A			
	06	G33Z		06	G33Z		06	G33Z			
	07	H33Z, H38Z		07	H33Z, H38Z		07	H33Z, H38Z			
	08	I01Z, I03A, I03B, I08A, I08B, I08C, I08D, I08E, I08F, I12A, I12B, I12C, I46A, I46B		08	I01Z, I03A, I03B, I08A, I08B, I08C, I08D, I08E, I08F, I12A, I12B, I12C, I46A, I46B		08	I01Z, I03A, I03B, I08A, I08B, I08C, I08D, I08E, I08F, I12A, I12B, I12C, I46A, I46B			
	10	K09A, K09B		10	K09A, K09B		10	K09A, K09B			
	11	L33Z		11	L33Z		11	L33Z			
	21A	W04A, W04B		21A	W04A, W04B		21A	W04A, W04B			
	21B	X04Z, X33Z		21B	X04Z, X33Z		21B	X04Z, X33Z			
	23	Z01A		23	Z01A		23	Z01A			
	Pre	A07A		Pre	A07A		Pre	A07A			
	5t512.3↔			BOP, KOP, KOPV, KVT, UOP4, VIAL	5t512.82↔			BOP, KOP, KOPV, KVT, UOP4, VIAL	5t513.82↔		BOP, KOP, KOPV, KVT, UOP4, VIAL
		05		F13A			05	F13A		05	F13A
06		G33Z	06	G33Z		06	G33Z				
07		H33Z, H38Z	07	H33Z, H38Z		07	H33Z, H38Z				
08		I01Z, I03A, I03B, I08A, I08B, I08C, I08D, I08E, I08F, I12A, I12B, I12C, I46A, I46B	08	I01Z, I03A, I03B, I08A, I08B, I08C, I08D, I08E, I08F, I12A, I12B, I12C, I46A, I46B		08	I01Z, I03A, I03B, I08A, I08B, I08C, I08D, I08E, I08F, I12A, I12B, I12C, I46A, I46B				
10		K09A, K09B	10	K09A, K09B		10	K09A, K09B				
11		L33Z	11	L33Z		11	L33Z				
21A		W04A, W04B	21A	W04A, W04B		21A	W04A, W04B				
21B		X04Z, X33Z	21B	X04Z, X33Z		21B	X04Z, X33Z				
23		Z01A	23	Z01A		23	Z01A				
Pre		A07A	Pre	A07A		Pre	A07A				
5t512.60↔			BOP, KOP, KOPV, KVT, UOP4, VIAL	5t512.x↔			BOP, KOP, KOPV, KVT, UOP4, VIAL	5t513.x↔			BOP, KOP, KOPV, KVT, UOP4, VIAL
		05	F13A			05	F13A			05	F13A
	06	G33Z	06		G33Z	06	G33Z				
	07	H33Z, H38Z	07		H33Z, H38Z	07	H33Z, H38Z				
	08	I12A, I12B, I12C, I46A, I46B	08		I01Z, I03A, I03B, I08A, I08B, I08C, I08D, I08E, I08F, I12A, I12B, I12C, I46A, I46B	08	I01Z, I03A, I03B, I08A, I08B, I08C, I08D, I08E, I08F, I12A, I12B, I12C, I46A, I46B				
	10	K09A, K09B	10		K09A, K09B	10	K09A, K09B				
	11	L33Z	11		L33Z	11	L33Z				
	21A	W04A, W04B	21A		W04A, W04B	21A	W04A, W04B				
	21B	X04Z, X33Z	21B		X04Z, X33Z	21B	X04Z, X33Z				
	23	Z01A	23		Z01A	23	Z01A				
	Pre	A07A	Pre		A07A	Pre	A07A				
	5t512.61↔		BOP, KOP, KOPV, KVT, UOP4, VIAL		5t513.2↔		BOP, KOP, KOPV, KVT, UOP4, VIAL		5t514.2↔		BOP, KOP, KOPV, KVT, UOP4, VIAL
		05	F13A			05	F13A			05	F13A
06		G33Z	06	G33Z		06	G33Z				
07		H33Z, H38Z	07	H33Z, H38Z		07	H33Z, H38Z				
08		I12A, I12B, I12C, I46A, I46B	08	I01Z, I03A, I03B, I08A, I08B, I08C, I08D, I08E, I08F, I12A, I12B, I12C, I46A, I46B		08	I01Z, I03A, I03B, I08A, I08B, I08C, I08D, I08E, I08F, I12A, I12B, I12C, I46A, I46B				
10		K09A, K09B	10	K09A, K09B		10	K09A, K09B				
11		L33Z	11	L33Z		11	L33Z				
21A		W04A, W04B	21A	W04A, W04B		21A	W04A, W04B				
21B		X04Z, X33Z	21B	X04Z, X33Z		21B	X04Z, X33Z				
23		Z01A	23	Z01A		23	Z01A				
Pre		A07A	Pre	A07A		Pre	A07A				
5t512.80↔			BOP, KOP, KOPV, KVT, UOP4, VIAL	5t513.80↔			BOP, KOP, KOPV, KVT, UOP4, VIAL	5t514.80↔			BOP, KOP, KOPV, KVT, UOP4, VIAL
		05	F13A			05	F13A			05	F13A
	06	G33Z	06		G33Z	06	G33Z				
	07	H33Z, H38Z	07		H33Z, H38Z	07	H33Z, H38Z				
	08	I01Z, I03A, I03B, I08A, I08B, I08C, I08D, I08E, I08F, I12A, I12B, I12C, I46A, I46B	08		I01Z, I03A, I03B, I08A, I08B, I08C, I08D, I08E, I08F, I12A, I12B, I12C, I46A, I46B	08	I01Z, I03A, I03B, I08A, I08B, I08C, I08D, I08E, I08F, I12A, I12B, I12C, I46A, I46B				
	10	K09A, K09B	10		K09A, K09B	10	K09A, K09B				
	11	L33Z	11		L33Z	11	L33Z				
	21A	W04A, W04B	21A		W04A, W04B	21A	W04A, W04B				
	21B	X04Z, X33Z	21B		X04Z, X33Z	21B	X04Z, X33Z				
	23	Z01A	23		Z01A	23	Z01A				
	Pre	A07A	Pre		A07A	Pre	A07A				

VYK

ZZV	MDC	DRG	ZZV	MDC	DRG	ZZV	MDC	DRG
5t514.81↔		BOP, KOP, KOPV, KVT, UOP4, VIAL	5t515.81↔		BOP, KOP, KOPV, KVT, UOP4, VIAL	5t516.81↔		BOP, KOP, KOPV, KVT, UOP4, VIAL
	05	F13A		05	F13A		05	F13A
	06	G33Z		06	G33Z		06	G33Z
	07	H33Z, H38Z		07	H33Z, H38Z		07	H33Z, H38Z
	08	I01Z, I03A, I03B, I08A, I08B, I08C, I08D, I08E, I08F, I12A, I12B, I12C, I46A, I46B		08	I01Z, I03A, I03B, I08A, I08B, I08C, I08D, I08E, I08F, I12A, I12B, I12C, I46A, I46B		08	I01Z, I03A, I03B, I08A, I08B, I08C, I08D, I08E, I08F, I12A, I12B, I12C, I46A, I46B
	10	K09A, K09B		10	K09A, K09B		10	K09A, K09B
	11	L33Z		11	L33Z		11	L33Z
	21A	W04A, W04B		21A	W04A, W04B		21A	W04A, W04B
	21B	X04Z, X33Z		21B	X04Z, X33Z		21B	X04Z, X33Z
	23	Z01A		23	Z01A		23	Z01A
	Pre	A07A		Pre	A07A		Pre	A07A
5t514.82↔		BOP, KOP, KOPV, KVT, UOP4, VIAL	5t515.82↔		BOP, KOP, KOPV, KVT, UOP4, VIAL	5t516.82↔		BOP, KOP, KOPV, KVT, UOP4, VIAL
	05	F13A		05	F13A		05	F13A
	06	G33Z		06	G33Z		06	G33Z
	07	H33Z, H38Z		07	H33Z, H38Z		07	H33Z, H38Z
	08	I01Z, I03A, I03B, I08A, I08B, I08C, I08D, I08E, I08F, I12A, I12B, I12C, I46A, I46B		08	I01Z, I03A, I03B, I08A, I08B, I08C, I08D, I08E, I08F, I12A, I12B, I12C, I46A, I46B		08	I01Z, I03A, I03B, I08A, I08B, I08C, I08D, I08E, I08F, I12A, I12B, I12C, I46A, I46B
	10	K09A, K09B		10	K09A, K09B		10	K09A, K09B
	11	L33Z		11	L33Z		11	L33Z
	21A	W04A, W04B		21A	W04A, W04B		21A	W04A, W04B
	21B	X04Z, X33Z		21B	X04Z, X33Z		21B	X04Z, X33Z
	23	Z01A		23	Z01A		23	Z01A
	Pre	A07A		Pre	A07A		Pre	A07A
5t514.x↔		BOP, KOP, KOPV, KVT, UOP4, VIAL	5t515.x↔		BOP, KOP, KOPV, KVT, UOP4, VIAL	5t516.x↔		BOP, KOP, KOPV, KVT, UOP4, VIAL
	05	F13A		05	F13A		05	F13A
	06	G33Z		06	G33Z		06	G33Z
	07	H33Z, H38Z		07	H33Z, H38Z		07	H33Z, H38Z
	08	I01Z, I03A, I03B, I08A, I08B, I08C, I08D, I08E, I08F, I12A, I12B, I12C, I46A, I46B		08	I01Z, I03A, I03B, I08A, I08B, I08C, I08D, I08E, I08F, I12A, I12B, I12C, I46A, I46B		08	I01Z, I03A, I03B, I08A, I08B, I08C, I08D, I08E, I08F, I12A, I12B, I12C, I46A, I46B
	10	K09A, K09B		10	K09A, K09B		10	K09A, K09B
	11	L33Z		11	L33Z		11	L33Z
	21A	W04A, W04B		21A	W04A, W04B		21A	W04A, W04B
	21B	X04Z, X33Z		21B	X04Z, X33Z		21B	X04Z, X33Z
	23	Z01A		23	Z01A		23	Z01A
	Pre	A07A		Pre	A07A		Pre	A07A
5t515.2↔		BOP, KOP, KOPV, KVT, UOP4, VIAL	5t516.2↔		BOP, KOP, KOPV, KVT, UOP4, VIAL	5t517↔		BOP, KVT, UOP4, VIAL
	05	F13A		05	F13A	01	B03A, B03B, B06A, B06B, B17A, B17B, B17C	
	06	G33Z		06	G33Z	05	F13A	
	07	H33Z, H38Z		07	H33Z, H38Z	08	I03A, I03B, I05Z, I47A, I47B	
	08	I01Z, I03A, I03B, I08A, I08B, I08C, I08D, I08E, I08F, I12A, I12B, I12C, I46A, I46B		08	I01Z, I03A, I03B, I08A, I08B, I08C, I08D, I08E, I08F, I12A, I12B, I12C, I46A, I46B	21A	W01A, W01B, W01C, W02A, W02B	
	10	K09A, K09B		10	K09A, K09B	21B	X04Z	
	11	L33Z		11	L33Z	5t518↔	BOP, KVT, UOP4, VIAL	
	21A	W04A, W04B		21A	W04A, W04B	01	B03A, B03B, B06A, B06B, B17A, B17B, B17C	
	21B	X04Z, X33Z		21B	X04Z, X33Z	05	F13A	
	23	Z01A		23	Z01A	08	I03A, I03B, I05Z, I47A, I47B	
	Pre	A07A		Pre	A07A	21A	W01A, W01B, W01C, W02A, W02B	
5t515.80↔		BOP, KOP, KOPV, KVT, UOP4, VIAL	5t516.80↔		BOP, KOP, KOPV, KVT, UOP4, VIAL	21B	X04Z	
	05	F13A		05	F13A	5t519↔	BOP, KVT, UOP4, VIAL	
	06	G33Z		06	G33Z	01	B03A, B03B, B06A, B06B, B17A, B17B, B17C	
	07	H33Z, H38Z		07	H33Z, H38Z	05	F13A	
	08	I01Z, I03A, I03B, I08A, I08B, I08C, I08D, I08E, I08F, I12A, I12B, I12C, I46A, I46B		08	I01Z, I03A, I03B, I08A, I08B, I08C, I08D, I08E, I08F, I12A, I12B, I12C, I46A, I46B	08	I03A, I03B, I05Z, I47A, I47B	
	10	K09A, K09B		10	K09A, K09B	21A	W01A, W01B, W01C, W02A, W02B	
	11	L33Z		11	L33Z	21B	X04Z	
	21A	W04A, W04B		21A	W04A, W04B			
	21B	X04Z, X33Z		21B	X04Z, X33Z			
	23	Z01A		23	Z01A			
	Pre	A07A		Pre	A07A			

VYK

ZZV	MDC	DRG	ZZV	MDC	DRG	ZZV	MDC	DRG				
5t51a↔		BOP, KVT, UOP4, VIAL	5t51f.80↔		BOP, KVT, UOP4, VIAL	5t51g.80↔		BOP, KVT, UOP4, VIAL				
	01	B03A, B03B, B06A, B06B, B17A, B17B, B17C		01	B03A, B03B, B06A, B06B, B17A, B17B, B17C		01	B03A, B03B, B06A, B06B, B17A, B17B, B17C				
	05	F13A		05	F13A		05	F13A				
	08	I08A, I08B, I08C, I08D, I08E, I08F		08	I01Z, I03A, I03B, I08A, I08B, I08C, I08D, I08E, I08F, I12A, I12B, I12C, I46A, I46B		08	I01Z, I03A, I03B, I08A, I08B, I08C, I08D, I08E, I08F, I12A, I12B, I12C, I46A, I46B				
	21A	W01A, W01B, W01C, W02A, W02B		21A	W01A, W01B, W01C, W02A, W02B		21A	W01A, W01B, W01C, W02A, W02B				
5t51b↔	21B	X04Z	5t51f.81↔	21B	X04Z	5t51g.81↔	21B	X04Z				
		BOP, KVT, UOP4, VIAL			BOP, KVT, UOP4, VIAL			BOP, KVT, UOP4, VIAL				
	01	B03A, B03B, B06A, B06B, B17A, B17B, B17C		01	B03A, B03B, B06A, B06B, B17A, B17B, B17C		01	B03A, B03B, B06A, B06B, B17A, B17B, B17C				
	05	F13A		05	F13A		05	F13A				
	08	I08A, I08B, I08C, I08D, I08E, I08F		08	I01Z, I03A, I03B, I08A, I08B, I08C, I08D, I08E, I08F, I12A, I12B, I12C, I46A, I46B		08	I01Z, I03A, I03B, I08A, I08B, I08C, I08D, I08E, I08F, I12A, I12B, I12C, I46A, I46B				
5t51c↔	21A	W01A, W01B, W01C, W02A, W02B	5t51f.82↔	21A	W01A, W01B, W01C, W02A, W02B	5t51g.82↔	21A	W01A, W01B, W01C, W02A, W02B				
	21B	X04Z		21B	X04Z		21B	X04Z				
		BOP, KVT, UOP4, VIAL			BOP, KVT, UOP4, VIAL			BOP, KVT, UOP4, VIAL				
	01	B03A, B03B, B06A, B06B, B17A, B17B, B17C		01	B03A, B03B, B06A, B06B, B17A, B17B, B17C		01	B03A, B03B, B06A, B06B, B17A, B17B, B17C				
	05	F13A		05	F13A		05	F13A				
5t51d↔	08	I08A, I08B, I08C, I08D, I08E, I08F	5t51f.x↔	08	I01Z, I03A, I03B, I08A, I08B, I08C, I08D, I08E, I08F, I12A, I12B, I12C, I46A, I46B	5t51g.x↔	08	I01Z, I03A, I03B, I08A, I08B, I08C, I08D, I08E, I08F, I12A, I12B, I12C, I46A, I46B				
	21A	W01A, W01B, W01C, W02A, W02B		5t51g.2↔	21A		W01A, W01B, W01C, W02A, W02B	5t51h↔	21A	W01A, W01B, W01C, W02A, W02B		
	21B	X04Z			21B		X04Z		21B	X04Z		
		BOP, KVT, UOP4, VIAL					BOP, KVT, UOP4, VIAL			BOP, KVT, UOP4, VIAL		
	01	B03A, B03B, B06A, B06B, B17A, B17B, B17C			01		B03A, B03B, B06A, B06B, B17A, B17B, B17C		01	B03A, B03B, B06A, B06B, B17A, B17B, B17C		
05	F13A	05	F13A		05	F13A						
5t51e↔	08	I08A, I08B, I08C, I08D, I08E, I08F	5t51g.50↔	08	I01Z, I03A, I03B, I08A, I08B, I08C, I08D, I08E, I08F, I12A, I12B, I12C, I46A, I46B	5t51j.2↔	08	I08A, I08B, I08C, I08D, I08E, I08F				
	21A	W01A, W01B, W01C, W02A, W02B		5t51g.51↔	21A		W01A, W01B, W01C, W02A, W02B	Pre	21A	W01A, W01B, W01C, W02A, W02B		
	21B	X04Z			21B		X04Z		05	F13A		
		BOP, KVT, UOP4, VIAL			01		B03A, B03B, B06A, B06B, B17A, B17B, B17C		06	G33Z		
	01	B03A, B03B, B06A, B06B, B17A, B17B, B17C			05		F13A		07	H33Z, H38Z		
05	F13A	08	I01Z, I03A, I03B, I08A, I08B, I08C, I08D, I08E, I08F, I12A, I12B, I12C, I46A, I46B		08	I01Z, I03A, I03B, I08A, I08B, I08C, I08D, I08E, I08F, I12A, I12B, I12C, I46A, I46B						
5t51f.2↔	08	I01Z, I03A, I03B, I08A, I08B, I08C, I08D, I08E, I08F, I12A, I12B, I12C, I46A, I46B	5t51f.31↔	21A	W01A, W01B, W01C, W02A, W02B	10	K09A, K09B					
	21A	W01A, W01B, W01C, W02A, W02B		01	B03A, B03B, B06A, B06B, B17A, B17B, B17C	11	L33Z					
	21B	X04Z		05	F13A	21A	W04A, W04B					
		BOP, KVT, UOP4, VIAL		08	I01Z, I03A, I03B, I08A, I08B, I08C, I08D, I08E, I08F, I12A, I12B, I12C, I46A, I46B	21B	X04Z, X33Z					
	01	B03A, B03B, B06A, B06B, B17A, B17B, B17C		21A	W01A, W01B, W01C, W02A, W02B	23	Z01A					
5t51f.31↔	05	F13A										
	08	I01Z, I03A, I03B, I08A, I08B, I08C, I08D, I08E, I08F, I12A, I12B, I12C, I46A, I46B							21B	X04Z	Pre	A07A
	21A	W01A, W01B, W01C, W02A, W02B							01	B03A, B03B, B06A, B06B, B17A, B17B, B17C		
	21B	X04Z							05	F13A		
		BOP, KVT, UOP4, VIAL							08	I01Z, I03A, I03B, I08A, I08B, I08C, I08D, I08E, I08F, I12A, I12B, I12C, I46A, I46B		

VYK

ZZV	MDC	DRG	ZZV	MDC	DRG	ZZV	MDC	DRG					
5t51j.80↔		BOP, KOP, KOPV, KVT, UOP4, VIAL	5t51x↔		BOP, KVT, UOP4, VIAL	5t521.2↔		BOP, KOP, KOPV, KVT, UOP4, VIAL					
	05	F13A		01	B03A, B03B, B06A, B06B, B17A, B17B, B17C		06	G33Z					
	06	G33Z		05	F13A		07	H33Z, H38Z					
	07	H33Z, H38Z		08	I08A, I08B, I08C, I08D, I08E, I08F		08	I01Z, I03A, I03B, I04Z, I12A, I12B, I12C, I36Z, I44A, I44B					
	08	I01Z, I03A, I03B, I08A, I08B, I08C, I08D, I08E, I08F, I12A, I12B, I12C, I46A, I46B		21A	W01A, W01B, W01C, W02A, W02B		11	L33Z					
	10	K09A, K09B		21B	X04Z		21A	W04A, W04B					
	11	L33Z		5t520.0↔			BOP, KOP, KOPV, KVT, UOP4, VIAL	21B	X04Z, X33Z				
	21A	W04A, W04B			06		G33Z	23	Z01A				
	21B	X04Z, X33Z			07		H33Z, H38Z	Pre	A07A				
	23	Z01A			08		I01Z, I03A, I03B, I04Z, I12A, I12B, I12C, I36Z, I44A, I44B, I44C	5t522.0↔		BOP, KOP, KOPV, KVT, UOP4, VIAL			
	Pre	A07A			11		L33Z		06	G33Z			
	5t51j.81↔				BOP, KOP, KOPV, KVT, UOP4, VIAL		5t520.1↔			BOP, KOP, KOPV, KVT, UOP4, VIAL	07	H33Z, H38Z	
		05			F13A				06	G33Z	08	I01Z, I03A, I03B, I04Z, I12A, I12B, I12C, I36Z, I44A, I44B, I44C	
		06			G33Z				07	H33Z, H38Z	11	L33Z	
07		H33Z, H38Z	08		I01Z, I03A, I03B, I04Z, I12A, I12B, I12C, I36Z, I44A, I44B, I44C	21A			W04A, W04B				
08		I01Z, I03A, I03B, I08A, I08B, I08C, I08D, I08E, I08F, I12A, I12B, I12C, I46A, I46B	21B		X04Z, X33Z	21B			X04Z, X33Z				
10		K09A, K09B	23		Z01A	23			Z01A				
11		L33Z	Pre		A07A	Pre			A07A				
21A		W04A, W04B	5t520.2↔			BOP, KOP, KOPV, KVT, UOP4, VIAL			5t522.1↔		BOP, KOP, KOPV, KVT, UOP4, VIAL		
21B		X04Z, X33Z			06	G33Z				06	G33Z		
23		Z01A		07	H33Z, H38Z	07				H33Z, H38Z			
Pre		A07A		08	I01Z, I03A, I03B, I04Z, I12A, I12B, I12C, I36Z, I44A, I44B, I44C	08				I01Z, I03A, I03B, I04Z, I12A, I12B, I12C, I36Z, I44A, I44B, I44C			
5t51j.82↔				BOP, KOP, KOPV, KVT, UOP4, VIAL	5t521.0↔					BOP, KOP, KOPV, KVT, UOP4, VIAL	5t522.2↔		BOP, KOP, KOPV, KVT, UOP4, VIAL
		05		F13A		06		G33Z		06		G33Z	
		06		G33Z		07		H33Z, H38Z		07		H33Z, H38Z	
	07	H33Z, H38Z		08		I01Z, I03A, I03B, I04Z, I12A, I12B, I12C, I36Z, I44A, I44B, I44C	08	I01Z, I03A, I03B, I04Z, I12A, I12B, I12C, I36Z, I44A, I44B, I44C					
	08	I01Z, I03A, I03B, I08A, I08B, I08C, I08D, I08E, I08F, I12A, I12B, I12C, I46A, I46B		11		L33Z	11	L33Z					
	10	K09A, K09B		21A		W04A, W04B	21A	W04A, W04B					
	11	L33Z		21B		X04Z, X33Z	21B	X04Z, X33Z					
	21A	W04A, W04B		23		Z01A	23	Z01A					
	21B	X04Z, X33Z		Pre		A07A	Pre	A07A					
	23	Z01A		5t521.1↔			BOP, KOP, KOPV, KVT, UOP4, VIAL	5t523.0↔				BOP, KOP, KOPV, KVT, UOP4, VIAL	
	Pre	A07A	06			G33Z	06		G33Z				
	5t51j.x↔		BOP, KOP, KOPV, KVT, UOP4, VIAL			5t521.2↔			BOP, KOP, KOPV, KVT, UOP4, VIAL	5t523.1↔			BOP, KOP, KOPV, KVT, UOP4, VIAL
		05	F13A				06		G33Z			06	G33Z
		06	G33Z				07		H33Z, H38Z			07	H33Z, H38Z
07		H33Z, H38Z	08		I01Z, I03A, I03B, I04Z, I12A, I12B, I12C, I36Z, I44A, I44B, I44C		08		I01Z, I03A, I03B, I04Z, I12A, I12B, I12C, I36Z, I44A, I44B, I44C				
08		I01Z, I03A, I03B, I08A, I08B, I08C, I08D, I08E, I08F, I12A, I12B, I12C, I46A, I46B	11		L33Z		11		L33Z				
10		K09A, K09B	21A		W04A, W04B		21A		W04A, W04B				
11		L33Z	21B		X04Z, X33Z		21B		X04Z, X33Z				
21A		W04A, W04B	23		Z01A		23		Z01A				
21B		X04Z, X33Z	Pre		A07A		Pre		A07A				
23		Z01A	5t521.1↔				BOP, KOP, KOPV, KVT, UOP4, VIAL		5t523.1↔			BOP, KOP, KOPV, KVT, UOP4, VIAL	
Pre		A07A			06		G33Z				06	G33Z	
5t51k↔					BOP, KVT, UOP4, VIAL		5t521.1↔					BOP, KOP, KOPV, KVT, UOP4, VIAL	5t523.1↔
		01		B03A, B03B, B06A, B06B, B17A, B17B, B17C	06			G33Z			06	G33Z	
		05		F13A	07			H33Z, H38Z			07	H33Z, H38Z	
	08	I03A, I03B, I05Z, I47A, I47B		08	I01Z, I03A, I03B, I04Z, I12A, I12B, I12C, I36Z, I44A, I44B	08		I01Z, I03A, I03B, I04Z, I12A, I12B, I12C, I36Z, I44A, I44B					
	21A	W01A, W01B, W01C, W02A, W02B		11	L33Z	11		L33Z					
	21B	X04Z		21A	W04A, W04B	21A		W04A, W04B					
				21B	X04Z, X33Z	21B		X04Z, X33Z					
				23	Z01A	23		Z01A					
				Pre	A07A	Pre		A07A					

VYK

ZZV	MDC	DRG	ZZV	MDC	DRG	ZZV	MDC	DRG
5t523.2↔		BOP, KOP, KOPV, KVT, UOP4, VIAL	5t525.2↔		BOP, KOP, KOPV, KVT, UOP4, VIAL	5t527.20↔		BOP, KOP, KOPV, KVT, UOP4, VIAL
	06	G33Z		06	G33Z		06	G33Z
	07	H33Z, H38Z		07	H33Z, H38Z		07	H33Z, H38Z
	08	I01Z, I03A, I03B, I04Z, I12A, I12B, I12C, I36Z, I44A, I44B		08	I01Z, I03A, I03B, I04Z, I12A, I12B, I12C, I36Z, I43A, I43B		08	I01Z, I03A, I03B, I04Z, I12A, I12B, I12C, I36Z, I44A, I44B, I44C
	11	L33Z		11	L33Z		11	L33Z
	21A	W04A, W04B		21A	W04A, W04B		21A	W04A, W04B
	21B	X04Z, X33Z		21B	X04Z, X33Z		21B	X04Z, X33Z
	23	Z01A		23	Z01A		23	Z01A
	Pre	A07A		Pre	A07A		Pre	A07A
5t524.0↔		BOP, KOP, KOPV, KVT, UOP4, VIAL	5t526.0↔		BOP, KOP, KOPV, KVT, UOP4, VIAL	5t527.21↔		BOP, KOP, KOPV, KVT, UOP4, VIAL
	06	G33Z		06	G33Z		06	G33Z
	07	H33Z, H38Z		07	H33Z, H38Z		07	H33Z, H38Z
	08	I01Z, I03A, I03B, I04Z, I12A, I12B, I12C, I36Z, I44A, I44B		08	I01Z, I03A, I03B, I04Z, I12A, I12B, I12C, I36Z, I43A, I43B		08	I01Z, I03A, I03B, I04Z, I12A, I12B, I12C, I36Z, I44A, I44B, I44C
	11	L33Z		11	L33Z		11	L33Z
	21A	W04A, W04B		21A	W04A, W04B		21A	W04A, W04B
	21B	X04Z, X33Z		21B	X04Z, X33Z		21B	X04Z, X33Z
	23	Z01A		23	Z01A		23	Z01A
	Pre	A07A		Pre	A07A		Pre	A07A
5t524.1↔		BOP, KOP, KOPV, KVT, UOP4, VIAL	5t526.1↔		BOP, KOP, KOPV, KVT, UOP4, VIAL	5t527.22↔		BOP, KOP, KOPV, KVT, UOP4, VIAL
	06	G33Z		06	G33Z		06	G33Z
	07	H33Z, H38Z		07	H33Z, H38Z		07	H33Z, H38Z
	08	I01Z, I03A, I03B, I04Z, I12A, I12B, I12C, I36Z, I44A, I44B		08	I01Z, I03A, I03B, I04Z, I12A, I12B, I12C, I36Z, I43A, I43B		08	I01Z, I03A, I03B, I04Z, I12A, I12B, I12C, I36Z, I44A, I44B, I44C
	11	L33Z		11	L33Z		11	L33Z
	21A	W04A, W04B		21A	W04A, W04B		21A	W04A, W04B
	21B	X04Z, X33Z		21B	X04Z, X33Z		21B	X04Z, X33Z
	23	Z01A		23	Z01A		23	Z01A
	Pre	A07A		Pre	A07A		Pre	A07A
5t524.2↔		BOP, KOP, KOPV, KVT, UOP4, VIAL	5t526.2↔		BOP, KOP, KOPV, KVT, UOP4, VIAL	5t527.30↔		BOP, KOP, KOPV, KVT, UOP4, VIAL
	06	G33Z		06	G33Z		06	G33Z
	07	H33Z, H38Z		07	H33Z, H38Z		07	H33Z, H38Z
	08	I01Z, I03A, I03B, I04Z, I12A, I12B, I12C, I36Z, I44A, I44B		08	I01Z, I03A, I03B, I04Z, I12A, I12B, I12C, I36Z, I43A, I43B		08	I01Z, I03A, I03B, I04Z, I12A, I12B, I12C, I36Z, I44A, I44B, I44C
	11	L33Z		11	L33Z		11	L33Z
	21A	W04A, W04B		21A	W04A, W04B		21A	W04A, W04B
	21B	X04Z, X33Z		21B	X04Z, X33Z		21B	X04Z, X33Z
	23	Z01A		23	Z01A		23	Z01A
	Pre	A07A		Pre	A07A		Pre	A07A
5t525.0↔		BOP, KOP, KOPV, KVT, UOP4, VIAL	5t527.10↔		BOP, KOP, KOPV, KVT, UOP4, VIAL	5t527.31↔		BOP, KOP, KOPV, KVT, UOP4, VIAL
	06	G33Z		06	G33Z		06	G33Z
	07	H33Z, H38Z		07	H33Z, H38Z		07	H33Z, H38Z
	08	I01Z, I03A, I03B, I04Z, I12A, I12B, I12C, I36Z, I43A, I43B		08	I01Z, I03A, I03B, I04Z, I12A, I12B, I12C, I36Z, I44A, I44B, I44C		08	I01Z, I03A, I03B, I04Z, I12A, I12B, I12C, I36Z, I44A, I44B, I44C
	11	L33Z		11	L33Z		11	L33Z
	21A	W04A, W04B		21A	W04A, W04B		21A	W04A, W04B
	21B	X04Z, X33Z		21B	X04Z, X33Z		21B	X04Z, X33Z
	23	Z01A		23	Z01A		23	Z01A
	Pre	A07A		Pre	A07A		Pre	A07A
5t525.1↔		BOP, KOP, KOPV, KVT, UOP4, VIAL	5t527.11↔		BOP, KOP, KOPV, KVT, UOP4, VIAL			
	06	G33Z		06	G33Z			
	07	H33Z, H38Z		07	H33Z, H38Z			
	08	I01Z, I03A, I03B, I04Z, I12A, I12B, I12C, I36Z, I43A, I43B		08	I01Z, I03A, I03B, I04Z, I12A, I12B, I12C, I36Z, I44A, I44B, I44C			
	11	L33Z		11	L33Z			
	21A	W04A, W04B		21A	W04A, W04B			
	21B	X04Z, X33Z		21B	X04Z, X33Z			
	23	Z01A		23	Z01A			
	Pre	A07A		Pre	A07A			



ZZV	MDC	DRG	ZZV	MDC	DRG	ZZV	MDC	DRG
5t528.0↔		BOP, KOP, KOPV, KVT, UOP4, VIAL	5t52a.2↔		BOP, KOP, KOPV, KVT, UOP4, VIAL	5t52d.1↔		BOP, KOP, KOPV, KVT, UOP4, VIAL
	06	G33Z		06	G33Z		06	G33Z
	07	H33Z, H38Z		07	H33Z, H38Z		07	H33Z, H38Z
	08	I01Z, I03A, I03B, I04Z, I12A, I12B, I12C, I36Z, I43A, I43B		08	I01Z, I03A, I03B, I04Z, I12A, I12B, I12C, I36Z, I44A, I44B		08	I01Z, I03A, I03B, I04Z, I12A, I12B, I12C, I36Z, I44A, I44B
	11	L33Z		11	L33Z		11	L33Z
	21A	W04A, W04B		21A	W04A, W04B		21A	W04A, W04B
	21B	X04Z, X33Z		21B	X04Z, X33Z		21B	X04Z, X33Z
	23	Z01A		23	Z01A		23	Z01A
	Pre	A07A		Pre	A07A		Pre	A07A
5t528.1↔		BOP, KOP, KOPV, KVT, UOP4, VIAL	5t52b↔		BOP, KOP, KOPV, KVT, UOP4, VIAL	5t52d.2↔		BOP, KOP, KOPV, KVT, UOP4, VIAL
	06	G33Z		06	G33Z		06	G33Z
	07	H33Z, H38Z		07	H33Z, H38Z		07	H33Z, H38Z
	08	I01Z, I03A, I03B, I04Z, I12A, I12B, I12C, I36Z, I43A, I43B		08	I01Z, I03A, I03B, I04Z, I12A, I12B, I12C, I36Z, I44A, I44B		08	I01Z, I03A, I03B, I04Z, I12A, I12B, I12C, I36Z, I44A, I44B
	11	L33Z		11	L33Z		11	L33Z
	21A	W04A, W04B		21A	W04A, W04B		21A	W04A, W04B
	21B	X04Z, X33Z		21B	X04Z, X33Z		21B	X04Z, X33Z
	23	Z01A		23	Z01A		23	Z01A
	Pre	A07A		Pre	A07A		Pre	A07A
5t528.2↔		BOP, KOP, KOPV, KVT, UOP4, VIAL	5t52c.0↔		BOP, KOP, KOPV, KVT, UOP4, VIAL	5t52e.0↔		BOP, KOP, KOPV, KVT, UOP4, VIAL
	06	G33Z		06	G33Z		06	G33Z
	07	H33Z, H38Z		07	H33Z, H38Z		07	H33Z, H38Z
	08	I01Z, I03A, I03B, I04Z, I12A, I12B, I12C, I36Z, I43A, I43B		08	I01Z, I03A, I03B, I04Z, I12A, I12B, I12C, I36Z, I44A, I44B		08	I01Z, I03A, I03B, I04Z, I12A, I12B, I12C, I36Z, I44A, I44B
	11	L33Z		11	L33Z		11	L33Z
	21A	W04A, W04B		21A	W04A, W04B		21A	W04A, W04B
	21B	X04Z, X33Z		21B	X04Z, X33Z		21B	X04Z, X33Z
	23	Z01A		23	Z01A		23	Z01A
	Pre	A07A		Pre	A07A		Pre	A07A
5t529.1↔		BOP, KOP, KOPV, KVT, UOP4, VIAL	5t52c.1↔		BOP, KOP, KOPV, KVT, UOP4, VIAL	5t52e.1↔		BOP, KOP, KOPV, KVT, UOP4, VIAL
	06	G33Z		06	G33Z		06	G33Z
	07	H33Z, H38Z		07	H33Z, H38Z		07	H33Z, H38Z
	08	I01Z, I03A, I03B, I04Z, I12A, I12B, I12C, I36Z, I44A, I44B		08	I01Z, I03A, I03B, I04Z, I12A, I12B, I12C, I36Z, I44A, I44B		08	I01Z, I03A, I03B, I04Z, I12A, I12B, I12C, I36Z, I44A, I44B
	11	L33Z		11	L33Z		11	L33Z
	21A	W04A, W04B		21A	W04A, W04B		21A	W04A, W04B
	21B	X04Z, X33Z		21B	X04Z, X33Z		21B	X04Z, X33Z
	23	Z01A		23	Z01A		23	Z01A
	Pre	A07A		Pre	A07A		Pre	A07A
5t529.2↔		BOP, KOP, KOPV, KVT, UOP4, VIAL	5t52c.2↔		BOP, KOP, KOPV, KVT, UOP4, VIAL	5t52e.2↔		BOP, KOP, KOPV, KVT, UOP4, VIAL
	06	G33Z		06	G33Z		06	G33Z
	07	H33Z, H38Z		07	H33Z, H38Z		07	H33Z, H38Z
	08	I01Z, I03A, I03B, I04Z, I12A, I12B, I12C, I36Z, I44A, I44B		08	I01Z, I03A, I03B, I04Z, I12A, I12B, I12C, I36Z, I44A, I44B		08	I01Z, I03A, I03B, I04Z, I12A, I12B, I12C, I36Z, I44A, I44B
	11	L33Z		11	L33Z		11	L33Z
	21A	W04A, W04B		21A	W04A, W04B		21A	W04A, W04B
	21B	X04Z, X33Z		21B	X04Z, X33Z		21B	X04Z, X33Z
	23	Z01A		23	Z01A		23	Z01A
	Pre	A07A		Pre	A07A		Pre	A07A
5t52a.1↔		BOP, KOP, KOPV, KVT, UOP4, VIAL	5t52d.0↔		BOP, KOP, KOPV, KVT, UOP4, VIAL	5t52x.0↔		BOP, KOP, KOPV, KVT, UOP4, VIAL
	06	G33Z		06	G33Z		06	G33Z
	07	H33Z, H38Z		07	H33Z, H38Z		07	H33Z, H38Z
	08	I01Z, I03A, I03B, I04Z, I12A, I12B, I12C, I36Z, I44A, I44B		08	I01Z, I03A, I03B, I04Z, I12A, I12B, I12C, I36Z, I44A, I44B		08	I01Z, I03A, I03B, I04Z, I12A, I12B, I12C, I36Z, I44A, I44B
	11	L33Z		11	L33Z		11	L33Z
	21A	W04A, W04B		21A	W04A, W04B		21A	W04A, W04B
	21B	X04Z, X33Z		21B	X04Z, X33Z		21B	X04Z, X33Z
	23	Z01A		23	Z01A		23	Z01A
	Pre	A07A		Pre	A07A		Pre	A07A

ZZV	MDC	DRG	ZZV	MDC	DRG	ZZV	MDC	DRG
5t52x.1↔		BOP, KOP, KOPV, KVT, UOP4, VIAL	5t531.20↔		BOP, KOP, KOPV, KVT, UOP4, VIAL	5t531.51↔		BOP, KOP, KOPV, KVT, UOP4, VIAL
	06	G33Z		05	F13A		05	F13A
	07	H33Z, H38Z		06	G33Z		06	G33Z
	08	I01Z, I03A, I03B, I04Z, I12A, I12B, I12C, I36Z, I44A, I44B		07	H33Z, H38Z		07	H33Z, H38Z
	11	L33Z		08	I01Z, I03A, I03B, I04Z, I12A, I12B, I12C, I43A, I43B		08	I01Z, I03A, I03B, I04Z, I12A, I12B, I12C, I43A, I43B
	21A	W04A, W04B		11	L33Z		11	L33Z
	21B	X04Z, X33Z		21A	W04A, W04B		21A	W04A, W04B
	23	Z01A		21B	X04Z, X33Z		21B	X04Z, X33Z
	Pre	A07A		23	Z01A		23	Z01A
	Pre	A07A		Pre	A07A		Pre	A07A
5t52x.2↔		BOP, KOP, KOPV, KVT, UOP4, VIAL	5t531.21↔		BOP, KOP, KOPV, KVT, UOP4, VIAL	5t531.52↔		BOP, KOP, KOPV, KVT, UOP4, VIAL
	06	G33Z		05	F13A		05	F13A
	07	H33Z, H38Z		06	G33Z		06	G33Z
	08	I01Z, I03A, I03B, I04Z, I12A, I12B, I12C, I36Z, I44A, I44B		07	H33Z, H38Z		07	H33Z, H38Z
	11	L33Z		08	I01Z, I03A, I03B, I04Z, I12A, I12B, I12C, I43A, I43B		08	I01Z, I03A, I03B, I04Z, I12A, I12B, I12C, I43A, I43B
	21A	W04A, W04B		11	L33Z		11	L33Z
	21B	X04Z, X33Z		21A	W04A, W04B		21A	W04A, W04B
	23	Z01A		21B	X04Z, X33Z		21B	X04Z, X33Z
	Pre	A07A		23	Z01A		23	Z01A
	Pre	A07A		Pre	A07A		Pre	A07A
5t530↔		BOP, KOP, KOPV, KVT, UOP4, VIAL	5t531.30↔		BOP, KOP, KOPV, KVT, UOP4, VIAL	5t531.6↔		BOP, KOP, KOPV, KVT, UOP4, VIAL
	05	F13A		05	F13A		05	F13A
	06	G33Z		06	G33Z		06	G33Z
	07	H33Z, H38Z		07	H33Z, H38Z		07	H33Z, H38Z
	08	I01Z, I03A, I03B, I12A, I12B, I12C, I44A, I44B, I44C		08	I01Z, I03A, I03B, I04Z, I12A, I12B, I12C, I43A, I43B		08	I01Z, I03A, I03B, I04Z, I12A, I12B, I12C, I43A, I43B
	11	L33Z		11	L33Z		11	L33Z
	21A	W04A, W04B		21A	W04A, W04B		21A	W04A, W04B
	21B	X04Z, X33Z		21B	X04Z, X33Z		21B	X04Z, X33Z
	23	Z01A		23	Z01A		23	Z01A
	Pre	A07A		Pre	A07A		Pre	A07A
5t531.10↔		BOP, KOP, KOPV, KVT, UOP4, VIAL	5t531.31↔		BOP, KOP, KOPV, KVT, UOP4, VIAL	5t531.x↔		BOP, KOP, KOPV, KVT, UOP4, VIAL
	05	F13A		05	F13A		05	F13A
	06	G33Z		06	G33Z		06	G33Z
	07	H33Z, H38Z		07	H33Z, H38Z		07	H33Z, H38Z
	08	I01Z, I03A, I03B, I04Z, I12A, I12B, I12C, I43A, I43B		08	I01Z, I03A, I03B, I04Z, I12A, I12B, I12C, I43A, I43B		08	I01Z, I03A, I03B, I04Z, I12A, I12B, I12C, I43A, I43B
	11	L33Z		11	L33Z		11	L33Z
	21A	W04A, W04B		21A	W04A, W04B		21A	W04A, W04B
	21B	X04Z, X33Z		21B	X04Z, X33Z		21B	X04Z, X33Z
	23	Z01A		23	Z01A		23	Z01A
	Pre	A07A		Pre	A07A		Pre	A07A
5t531.11↔		BOP, KOP, KOPV, KVT, UOP4, VIAL	5t531.50↔		BOP, KOP, KOPV, KVT, UOP4, VIAL	5t532.0↔		BOP, KOP, KOPV, KVT, UOP4, VIAL
	05	F13A		05	F13A		05	F13A
	06	G33Z		06	G33Z		06	G33Z
	07	H33Z, H38Z		07	H33Z, H38Z		07	H33Z, H38Z
	08	I01Z, I03A, I03B, I04Z, I12A, I12B, I12C, I43A, I43B		08	I01Z, I03A, I03B, I04Z, I12A, I12B, I12C, I43A, I43B		08	I01Z, I03A, I03B, I04Z, I12A, I12B, I12C, I43A, I43B
	11	L33Z		11	L33Z		11	L33Z
	21A	W04A, W04B		21A	W04A, W04B		21A	W04A, W04B
	21B	X04Z, X33Z		21B	X04Z, X33Z		21B	X04Z, X33Z
	23	Z01A		23	Z01A		23	Z01A
	Pre	A07A		Pre	A07A		Pre	A07A

ZZV	MDC	DRG	ZZV	MDC	DRG	ZZV	MDC	DRG
5t532.40↔		BOP, KOP, KOPV, KVT, UOP4, VIAL	5t532.7↔		BOP, KOP, KOPV, KVT, UOP4, VIAL	5t533.0↔		BOP, KOP, KOPV, KVT, UOP4, VIAL
	05	F13A		05	F13A		05	F13A
	06	G33Z		06	G33Z		06	G33Z
	07	H33Z, H38Z		07	H33Z, H38Z		07	H33Z, H38Z
	08	I01Z, I03A, I03B, I04Z, I12A, I12B, I12C, I43A, I43B		08	I01Z, I03A, I03B, I04Z, I12A, I12B, I12C, I43A, I43B		08	I01Z, I03A, I03B, I04Z, I12A, I12B, I12C, I43A, I43B
	11	L33Z		11	L33Z		11	L33Z
	21A	W04A, W04B		21A	W04A, W04B		21A	W04A, W04B
	21B	X04Z, X33Z		21B	X04Z, X33Z		21B	X04Z, X33Z
	23	Z01A		23	Z01A		23	Z01A
	Pre	A07A		Pre	A07A		Pre	A07A
	5t532.42↔			BOP, KOP, KOPV, KVT, UOP4, VIAL	5t532.8↔			BOP, KOP, KOPV, KVT, UOP4, VIAL
05		F13A	05	F13A		05	F13A	
06		G33Z	06	G33Z		06	G33Z	
07		H33Z, H38Z	07	H33Z, H38Z		07	H33Z, H38Z	
08		I01Z, I03A, I03B, I04Z, I12A, I12B, I12C, I43A, I43B	08	I01Z, I03A, I03B, I04Z, I12A, I12B, I12C, I43A, I43B		08	I01Z, I03A, I03B, I04Z, I12A, I12B, I12C, I43A, I43B	
11		L33Z	11	L33Z		11	L33Z	
21A		W04A, W04B	21A	W04A, W04B		21A	W04A, W04B	
21B		X04Z, X33Z	21B	X04Z, X33Z		21B	X04Z, X33Z	
23		Z01A	23	Z01A		23	Z01A	
Pre		A07A	Pre	A07A		Pre	A07A	
5t532.50↔			BOP, KOP, KOPV, KVT, UOP4, VIAL	5t532.a0↔			BOP, KOP, KOPV, KVT, UOP4, VIAL	5t533.52↔
	05	F13A	05		F13A	05	F13A	
	06	G33Z	06		G33Z	06	G33Z	
	07	H33Z, H38Z	07		H33Z, H38Z	07	H33Z, H38Z	
	08	I01Z, I03A, I03B, I04Z, I12A, I12B, I12C, I43A, I43B	08		I01Z, I03A, I03B, I04Z, I12A, I12B, I12C, I43A, I43B	08	I01Z, I03A, I03B, I04Z, I12A, I12B, I12C, I43A, I43B	
	11	L33Z	11		L33Z	11	L33Z	
	21A	W04A, W04B	21A		W04A, W04B	21A	W04A, W04B	
	21B	X04Z, X33Z	21B		X04Z, X33Z	21B	X04Z, X33Z	
	23	Z01A	23		Z01A	23	Z01A	
	Pre	A07A	Pre		A07A	Pre	A07A	
	5t532.52↔		BOP, KOP, KOPV, KVT, UOP4, VIAL		5t532.a1↔		BOP, KOP, KOPV, KVT, UOP4, VIAL	
05		F13A	05	F13A		05	F13A	
06		G33Z	06	G33Z		06	G33Z	
07		H33Z, H38Z	07	H33Z, H38Z		07	H33Z, H38Z	
08		I01Z, I03A, I03B, I04Z, I12A, I12B, I12C, I43A, I43B	08	I01Z, I03A, I03B, I04Z, I12A, I12B, I12C, I43A, I43B		08	I01Z, I03A, I03B, I04Z, I12A, I12B, I12C, I43A, I43B	
11		L33Z	11	L33Z		11	L33Z	
21A		W04A, W04B	21A	W04A, W04B		21A	W04A, W04B	
21B		X04Z, X33Z	21B	X04Z, X33Z		21B	X04Z, X33Z	
23		Z01A	23	Z01A		23	Z01A	
Pre		A07A	Pre	A07A		Pre	A07A	
5t532.6↔			BOP, KOP, KOPV, KVT, UOP4, VIAL	5t532.x↔			BOP, KOP, KOPV, KVT, UOP4, VIAL	5t533.8↔
	05	F13A	05		F13A	05	F13A	
	06	G33Z	06		G33Z	06	G33Z	
	07	H33Z, H38Z	07		H33Z, H38Z	07	H33Z, H38Z	
	08	I01Z, I03A, I03B, I04Z, I12A, I12B, I12C, I44A, I44B	08		I01Z, I03A, I03B, I04Z, I12A, I12B, I12C, I43A, I43B	08	I01Z, I03A, I03B, I04Z, I12A, I12B, I12C, I43A, I43B	
	11	L33Z	11		L33Z	11	L33Z	
	21A	W04A, W04B	21A		W04A, W04B	21A	W04A, W04B	
	21B	X04Z, X33Z	21B		X04Z, X33Z	21B	X04Z, X33Z	
	23	Z01A	23		Z01A	23	Z01A	
	Pre	A07A	Pre		A07A	Pre	A07A	

VYK

ZZV	MDC	DRG	ZZV	MDC	DRG	ZZV	MDC	DRG
5t533.9↔		BOP, KOP, KOPV, KVT, UOP4, VIAL	5t534.7↔		BOP, KOP, KOPV, KVT, UOP4, VIAL	5t535.11↔		BOP, KOP, KOPV, KVT, UOP4, VIAL
	05	F13A		05	F13A		05	F13A
	06	G33Z		06	G33Z		06	G33Z
	07	H33Z, H38Z		07	H33Z, H38Z		07	H33Z, H38Z
	08	I01Z, I03A, I03B, I04Z, I12A, I12B, I12C, I43A, I43B		08	I01Z, I03A, I03B, I04Z, I12A, I12B, I12C, I43A, I43B		08	I01Z, I03A, I03B, I04Z, I12A, I12B, I12C, I44A, I44B, I44C
	11	L33Z		11	L33Z		11	L33Z
	21A	W04A, W04B		21A	W04A, W04B		21A	W04A, W04B
	21B	X04Z, X33Z		21B	X04Z, X33Z		21B	X04Z, X33Z
	23	Z01A		23	Z01A		23	Z01A
	Pre	A07A		Pre	A07A		Pre	A07A
	5t533.a0↔			BOP, KOP, KOPV, KVT, UOP4, VIAL	5t534.8↔			BOP, KOP, KOPV, KVT, UOP4, VIAL
05		F13A	05	F13A		05	F13A	
06		G33Z	06	G33Z		06	G33Z	
07		H33Z, H38Z	07	H33Z, H38Z		07	H33Z, H38Z	
08		I01Z, I03A, I03B, I04Z, I12A, I12B, I12C, I43A, I43B	08	I01Z, I03A, I03B, I04Z, I12A, I12B, I12C, I43A, I43B		08	I01Z, I03A, I03B, I04Z, I12A, I12B, I12C, I44A, I44B, I44C	
11		L33Z	11	L33Z		11	L33Z	
21A		W04A, W04B	21A	W04A, W04B		21A	W04A, W04B	
21B		X04Z, X33Z	21B	X04Z, X33Z		21B	X04Z, X33Z	
23		Z01A	23	Z01A		23	Z01A	
Pre		A07A	Pre	A07A		Pre	A07A	
5t533.a1↔			BOP, KOP, KOPV, KVT, UOP4, VIAL	5t534.9↔			BOP, KOP, KOPV, KVT, UOP4, VIAL	5t535.21↔
	05	F13A	05		F13A	05	F13A	
	06	G33Z	06		G33Z	06	G33Z	
	07	H33Z, H38Z	07		H33Z, H38Z	07	H33Z, H38Z	
	08	I01Z, I03A, I03B, I04Z, I12A, I12B, I12C, I43A, I43B	08		I01Z, I03A, I03B, I04Z, I12A, I12B, I12C, I43A, I43B	08	I01Z, I03A, I03B, I04Z, I12A, I12B, I12C, I44A, I44B, I44C	
	11	L33Z	11		L33Z	11	L33Z	
	21A	W04A, W04B	21A		W04A, W04B	21A	W04A, W04B	
	21B	X04Z, X33Z	21B		X04Z, X33Z	21B	X04Z, X33Z	
	23	Z01A	23		Z01A	23	Z01A	
	Pre	A07A	Pre		A07A	Pre	A07A	
	5t533.x↔		BOP, KOP, KOPV, KVT, UOP4, VIAL		5t534.x↔		BOP, KOP, KOPV, KVT, UOP4, VIAL	
05		F13A	05	F13A		05	F13A	
06		G33Z	06	G33Z		06	G33Z	
07		H33Z, H38Z	07	H33Z, H38Z		07	H33Z, H38Z	
08		I01Z, I03A, I03B, I04Z, I12A, I12B, I12C, I43A, I43B	08	I01Z, I03A, I03B, I04Z, I12A, I12B, I12C, I43A, I43B		08	I01Z, I03A, I03B, I04Z, I12A, I12B, I12C, I44A, I44B, I44C	
11		L33Z	11	L33Z		11	L33Z	
21A		W04A, W04B	21A	W04A, W04B		21A	W04A, W04B	
21B		X04Z, X33Z	21B	X04Z, X33Z		21B	X04Z, X33Z	
23		Z01A	23	Z01A		23	Z01A	
Pre		A07A	Pre	A07A		Pre	A07A	
5t534.0↔			BOP, KOP, KOPV, KVT, UOP4, VIAL	5t535.10↔			BOP, KOP, KOPV, KVT, UOP4, VIAL	5t535.30↔
	05	F13A	05		F13A	05	F13A	
	06	G33Z	06		G33Z	06	G33Z	
	07	H33Z, H38Z	07		H33Z, H38Z	07	H33Z, H38Z	
	08	I01Z, I03A, I03B, I04Z, I12A, I12B, I12C, I43A, I43B	08		I01Z, I03A, I03B, I04Z, I12A, I12B, I12C, I44A, I44B, I44C	08	I01Z, I03A, I03B, I04Z, I12A, I12B, I12C, I44A, I44B, I44C	
	11	L33Z	11		L33Z	11	L33Z	
	21A	W04A, W04B	21A		W04A, W04B	21A	W04A, W04B	
	21B	X04Z, X33Z	21B		X04Z, X33Z	21B	X04Z, X33Z	
	23	Z01A	23		Z01A	23	Z01A	
	Pre	A07A	Pre		A07A	Pre	A07A	

ZZV	MDC	DRG	ZZV	MDC	DRG	ZZV	MDC	DRG			
5t535.31↔		BOP, KOP, KOPV, KVT, UOP4, VIAL	5t536.70↔		BOP, KOP, KOPV, KVT, UOP4, VIAL	5t538.20↔		BOP, KVT, UOP4, VIAL			
	05	F13A		05	F13A		05	F13A			
	06	G33Z		06	G33Z		08	I12A, I12B, I12C, I44A, I44B			
	07	H33Z, H38Z		07	H33Z, H38Z		21A	W04A, W04B			
	08	I01Z, I03A, I03B, I04Z, I12A, I12B, I12C, I44A, I44B, I44C		08	I01Z, I03A, I03B, I04Z, I12A, I12B, I12C, I43A, I43B		21B	X04Z			
	11	L33Z		11	L33Z		5t538.22↔		BOP, KVT, UOP4, VIAL		
	21A	W04A, W04B		21A	W04A, W04B		05	F13A			
	21B	X04Z, X33Z		21B	X04Z, X33Z		08	I12A, I12B, I12C, I44A, I44B			
	23	Z01A		23	Z01A		21A	W04A, W04B			
	Pre	A07A		Pre	A07A		21B	X04Z			
	5t536.42↔			BOP, KOP, KOPV, KVT, UOP4, VIAL	5t536.71↔			BOP, KOP, KOPV, KVT, UOP4, VIAL	5t538.30↔		BOP, KVT, UOP4, VIAL
		05		F13A			05	F13A		05	F13A
		06		G33Z			06	G33Z		08	I12A, I12B, I12C, I44A, I44B
07		H33Z, H38Z	07	H33Z, H38Z		21A	W04A, W04B				
08		I01Z, I03A, I03B, I04Z, I12A, I12B, I12C, I43A, I43B	08	I01Z, I03A, I03B, I04Z, I12A, I12B, I12C, I43A, I43B		21B	X04Z				
11		L33Z	11	L33Z		5t538.32↔		BOP, KVT, UOP4, VIAL			
21A		W04A, W04B	21A	W04A, W04B		05	F13A				
21B		X04Z, X33Z	21B	X04Z, X33Z		08	I12A, I12B, I12C, I44A, I44B				
23		Z01A	23	Z01A		21A	W04A, W04B				
Pre		A07A	Pre	A07A		21B	X04Z				
5t536.52↔			BOP, KOP, KOPV, KVT, UOP4, VIAL	5t536.90↔			BOP, KOP, KOPV, KVT, UOP4, VIAL	5t538.60↔			BOP, KVT, UOP4, VIAL
		05	F13A			05	F13A			05	F13A
		06	G33Z			06	G33Z			08	I12A, I12B, I12C, I44A, I44B
	07	H33Z, H38Z	07		H33Z, H38Z	21A	W04A, W04B				
	08	I01Z, I03A, I03B, I04Z, I12A, I12B, I12C, I43A, I43B	08		I01Z, I03A, I03B, I04Z, I12A, I12B, I12C, I43A, I43B	21B	X04Z				
	11	L33Z	11		L33Z	5t538.62↔			BOP, KVT, UOP4, VIAL		
	21A	W04A, W04B	21A		W04A, W04B	05	F13A				
	21B	X04Z, X33Z	21B		X04Z, X33Z	08	I12A, I12B, I12C, I44A, I44B				
	23	Z01A	23		Z01A	21A	W04A, W04B				
	Pre	A07A	Pre		A07A	21B	X04Z				
	5t536.60↔		BOP, KOP, KOPV, KVT, UOP4, VIAL		5t536.92↔		BOP, KOP, KOPV, KVT, UOP4, VIAL		5t538.72↔		BOP, KVT, UOP4, VIAL
		05	F13A			05	F13A			05	F13A
		06	G33Z			06	G33Z			08	I12A, I12B, I12C, I44A, I44B
07		H33Z, H38Z	07	H33Z, H38Z		21A	W04A, W04B				
08		I01Z, I03A, I03B, I04Z, I12A, I12B, I12C, I43A, I43B	08	I01Z, I03A, I03B, I04Z, I12A, I12B, I12C, I43A, I43B		21B	X04Z				
11		L33Z	11	L33Z		5t538.70↔		BOP, KVT, UOP4, VIAL			
21A		W04A, W04B	21A	W04A, W04B		05	F13A				
21B		X04Z, X33Z	21B	X04Z, X33Z		08	I12A, I12B, I12C, I44A, I44B				
23		Z01A	23	Z01A		21A	W04A, W04B				
Pre		A07A	Pre	A07A		21B	X04Z				
5t536.61↔			BOP, KOP, KOPV, KVT, UOP4, VIAL	5t536.x↔			BOP, KOP, KOPV, KVT, UOP4, VIAL	5t538.8↔			BOP, KVT, UOP4, VIAL
		05	F13A			05	F13A			05	F13A
		06	G33Z			06	G33Z			08	I12A, I12B, I12C, I44A, I44B
	07	H33Z, H38Z	07		H33Z, H38Z	21A	W04A, W04B				
	08	I01Z, I03A, I03B, I04Z, I12A, I12B, I12C, I43A, I43B	08		I01Z, I03A, I03B, I04Z, I12A, I12B, I12C, I43A, I43B	21B	X04Z				
	11	L33Z	11		L33Z	5t538.9↔			BOP, KVT, UOP4, VIAL		
	21A	W04A, W04B	21A		W04A, W04B	05	F13A				
	21B	X04Z, X33Z	21B		X04Z, X33Z	08	I12A, I12B, I12C, I44A, I44B				
	23	Z01A	23		Z01A	21A	W04A, W04B				
	Pre	A07A	Pre		A07A	21B	X04Z				
	5t536.61↔		BOP, KOP, KOPV, KVT, UOP4, VIAL		5t537↔		BOP, KVT, UOP4, VIAL		5t538.a↔		BOP, KVT, UOP4, VIAL
		05	F13A			05	F13A			05	F13A
		06	G33Z			06	G33Z			08	I12A, I12B, I12C, I44A, I44B
07		H33Z, H38Z	07	H33Z, H38Z		21A	W04A, W04B				
08		I01Z, I03A, I03B, I04Z, I12A, I12B, I12C, I43A, I43B	08	I01Z, I03A, I03B, I04Z, I12A, I12B, I12C, I43A, I43B		21B	X04Z				
11		L33Z	11	L33Z		5t538.b↔		BOP, KVT, UOP4, VIAL			
21A		W04A, W04B	21A	W04A, W04B		05	F13A				
21B		X04Z, X33Z	21B	X04Z, X33Z		08	I12A, I12B, I12C, I44A, I44B				
23		Z01A	23	Z01A		21A	W04A, W04B				
Pre		A07A	Pre	A07A		21B	X04Z				
5t536.61↔			BOP, KOP, KOPV, KVT, UOP4, VIAL	5t537↔			BOP, KVT, UOP4, VIAL	5t538.c↔			BOP, KVT, UOP4, VIAL
		05	F13A			05	F13A			05	F13A
		06	G33Z			06	G33Z			08	I12A, I12B, I12C, I44A, I44B
	07	H33Z, H38Z	07		H33Z, H38Z	21A	W04A, W04B				
	08	I01Z, I03A, I03B, I04Z, I12A, I12B, I12C, I43A, I43B	08		I04Z, I12A, I12B, I12C, I44A, I44B	21A	W04A, W04B				
	11	L33Z	11		L33Z	21B	X04Z				
	21A	W04A, W04B	21A		W04A, W04B						
	21B	X04Z, X33Z	21B		X04Z						
	23	Z01A									
	Pre	A07A									

ZZV	MDC	DRG	ZZV	MDC	DRG	ZZV	MDC	DRG
5t550.v↔		BOP, KVT, UOP4	5t55a↔		BOP, KVT, UOP4, VIAL	5t55x↔		BOP, KVT, UOP4
	05	F13A		05	F13A		05	F13A
	08	I05Z, I12A, I12B, I12C		08	I08A, I08B, I08C, I08D, I08E, I08F, I12A, I12B, I12C, I23A, I23B		08	I12A, I12B, I12C, I28A, I28B
	21A	W04A, W04B		21A	W04A, W04B		21A	W04A, W04B
	21B	X06A, X06B, X06C		21B	X06A, X06B, X06C		21B	X05A, X05B, X06A, X06B, X06C
5t551↔		BOP, KVT, UOP4, VIAL	5t55b↔		BOP, KVT, UOP4, VIAL	5t560.0↔		BOP, KOP, KOPV, KVT, UOP4, VIAL
	05	F13A		05	F13A		06	G33Z
	08	I05Z, I08A, I08B, I08C, I08D, I08E, I08F, I12A, I12B, I12C		08	I12A, I12B, I12C, I23A		07	H33Z, H38Z
	21A	W04A, W04B		21A	W04A, W04B		08	I01Z, I03A, I03B, I05Z, I12A, I12B, I12C
	21B	X06A, X06B, X06C		21B	X05A, X05B, X06A, X06B, X06C		11	L33Z
5t552.0↔		BOP, KVT, UOP4, VIAL	5t55c↔		BOP, KVT, UOP4, VIAL		21A	W04A, W04B
	05	F13A		05	F13A		21B	X04Z, X33Z
	08	I05Z, I12A, I12B, I12C, I43A, I43B		08	I12A, I12B, I12C, I23A, I23B		23	Z01A
	21A	W04A, W04B		21A	W04A, W04B		Pre	A07A
	21B	X06A, X06B, X06C		21B	X05A, X05B, X06A, X06B, X06C	5t560.1↔		BOP, KOP, KOPV, KVT, UOP4, VIAL
5t552.1↔		BOP, KVT, UOP4, VIAL	5t55d↔		BOP, KVT, UOP4		06	G33Z
	05	F13A		05	F13A		07	H33Z, H38Z
	08	I05Z, I12A, I12B, I12C, I43A, I43B		08	I12A, I12B, I12C, I28A, I28B, I32A, I32B, I32C, I32D, I32E, I32F		08	I01Z, I03A, I03B, I05Z, I12A, I12B, I12C
	21A	W04A, W04B		21A	W04A, W04B		11	L33Z
	21B	X06A, X06B, X06C		21B	X05A, X05B, X06A, X06B, X06C		21A	W04A, W04B
5t553↔		BOP, KVT, UOP4, VIAL	5t55e↔		BOP, KVT, UOP4		21B	X04Z, X33Z
	05	F13A		05	F13A		23	Z01A
	08	I05Z, I08A, I08B, I08C, I08D, I08E, I08F, I12A, I12B, I12C		08	I12A, I12B, I12C, I28A, I28B		Pre	A07A
	21A	W04A, W04B		21A	W04A, W04B	5t560.2↔		BOP, KOP, KOPV, KVT, UOP4, VIAL
	21B	X06A, X06B, X06C		21B	X05A, X05B, X06A, X06B, X06C		06	G33Z
5t554↔		BOP, KVT, UOP4, VIAL	5t55f↔		BOP, KVT, UOP4, VIAL		07	H33Z, H38Z
	05	F13A		05	F13A		08	I01Z, I03A, I03B, I05Z, I12A, I12B, I12C
	08	I05Z, I08A, I08B, I08C, I08D, I08E, I08F, I12A, I12B, I12C		08	I05Z, I08A, I08B, I08C, I08D, I08E, I08F, I12A, I12B, I12C		11	L33Z
	21A	W04A, W04B		21A	W04A, W04B		21A	W04A, W04B
	21B	X06A, X06B, X06C		21B	X06A, X06B, X06C		21B	X04Z, X33Z
5t555↔		BOP, KVT, UOP4, VIAL	5t55g↔		BOP, KVT, UOP4, VIAL		23	Z01A
	05	F13A		05	F13A		Pre	A07A
	08	I05Z, I12A, I12B, I12C		08	I08A, I08B, I08C, I08D, I08E, I08F, I12A, I12B, I12C, I23A, I23B	5t561↔		BOP, KVT, UOP4, VIAL
	21A	W04A, W04B		21A	W04A, W04B		08	I12A, I12B, I12C, I20A, I20B, I20C, I20D
	21B	X05A, X05B		21B	X06A, X06B, X06C		21A	W04A, W04B
5t556↔		BOP, KVT, UOP4, VIAL	5t55h↔		BOP, KVT, UOP4, VIAL		21B	X04Z
	01	B03A, B03B, B06A, B06B, B07Z, B17A, B17B, B17C		08	I05Z, I12A, I12B, I12C	5t562↔		BOP, KVT, UOP4, VIAL
	05	F13A		21A	W04A, W04B		08	I12A, I12B, I12C, I20A, I20B, I20C, I20D
	08	I12A, I12B, I12C, I32A, I32B, I32C, I32D, I32E, I32F		21B	X06A, X06B, X06C		21A	W04A, W04B
	21A	W04A, W04B		5t55j↔	BOP, KVT, UOP4		21B	X04Z
	21B	X05A, X05B		05	F13A	5t56x↔		BOP, KVT, UOP4
5t557↔		BOP, KVT, UOP4, VIAL		08	I12A, I12B, I12C, I28A, I28B		08	I12A, I12B, I12C, I28A, I28B
	05	F13A		21A	W04A, W04B		21A	W04A, W04B
	08	I08A, I08B, I08C, I08D, I08E, I08F, I12A, I12B, I12C, I23A, I23B		21B	X05A, X05B, X06A, X06B, X06C		21B	X04Z, X06A, X06B, X06C
	21A	W04A, W04B		5t55k.1↔	BOP, KVT, UOP4, VIAL		21B	X04Z, X06A, X06B, X06C
	21B	X06A, X06B, X06C		08	I05Z, I12A, I12B, I12C	5t570↔		BOP, KVT, UOP4
5t558↔		BOP, KVT, UOP4, VIAL		21A	W04A, W04B		05	F13A
	05	F13A		21B	X06A, X06B, X06C		08	I12A, I12B, I12C, I28A, I28B
	08	I12A, I12B, I12C, I23A		5t55k.2↔	BOP, KVT, UOP4, VIAL		21A	W04A, W04B
	21A	W04A, W04B		08	I05Z, I12A, I12B, I12C		21B	X04Z, X06A, X06B, X06C
	21B	X06A, X06B, X06C		21A	W04A, W04B			
5t559↔		BOP, KVT, UOP4, VIAL		21B	X06A, X06B, X06C			
	05	F13A		5t55k.3↔	BOP, KVT, UOP4, VIAL			
	08	I08A, I08B, I08C, I08D, I08E, I08F, I12A, I12B, I12C, I23A, I23B		08	I05Z, I12A, I12B, I12C			
	21A	W04A, W04B		21A	W04A, W04B			
	21B	X06A, X06B, X06C		21B	X06A, X06B, X06C			

ZZV	MDC	DRG	ZZV	MDC	DRG	ZZV	MDC	DRG									
5t571.00↔		BOP, KOP, KOPV, KVT, UOP4, VIAL	5t57x↔		BOP, KVT, UOP4	5t585		BOP, KVT, UOP4									
	05	F13A		05	F13A		08	I12A, I12B, I12C, I28A, I28B									
	06	G33Z		08	I12A, I12B, I12C, I23A		21A	W04A, W04B									
	07	H33Z, H38Z		21A	W04A, W04B		21B	X04Z, X05A, X05B, X06A, X06B, X06C									
	08	I01Z, I03A, I03B, I12A, I12B, I12C, I43A, I43B		21B	X04Z, X06A, X06B, X06C		5t586.2		BOP, KVT, UOP4								
	11	L33Z		5t580				04	E02A, E02B, E02C								
	21A	W04A, W04B		04	E02A, E02B, E02C			08	I12A, I12B, I12C, I28A, I28B								
	21B	X04Z, X33Z		08	I12A, I12B, I12C, I28A, I28B			21A	W04A, W04B								
	23	Z01A		21A	W04A, W04B			21B	X04Z, X05A, X05B, X06A, X06B, X06C								
	Pre	A07A		21B	X04Z, X05A, X05B, X06A, X06B, X06C			5t586.g		BOP, KVT, UOP4							
	5t571.01↔			BOP, KOP, KOPV, KVT, UOP4, VIAL	5t581.2					BOP, KVT, UOP4	5t586.x		BOP, KVT, UOP4				
		05		F13A					04	E02A, E02B, E02C		08	I12A, I12B, I12C, I28A, I28B				
		06		G33Z					08	I12A, I12B, I12C, I28A, I28B		21A	W04A, W04B				
		07		H33Z, H38Z					21A	W04A, W04B		21B	X04Z, X05A, X05B, X06A, X06B, X06C				
08		I01Z, I03A, I03B, I12A, I12B, I12C, I43A, I43B	21B	X04Z, X05A, X05B, X06A, X06B, X06C		5t587				BOP, KVT, UOP4							
11		L33Z	5t581.g						04	E02A, E02B, E02C, E36Z							
21A		W04A, W04B	04	E02A, E02B, E02C, E36Z					06	G36Z							
21B		X04Z, X33Z	06	G36Z					08	I12A, I12B, I12C, I26Z, I28A, I28B, I95Z							
23		Z01A	08	I12A, I12B, I12C, I26Z, I28A, I28B, I95Z			11		L33Z								
Pre		A07A	11	L33Z			21A		W04A, W04B								
5t571.1↔			BOP, KVT, UOP4	5t581.x					BOP, KVT, UOP4	5t58x			BOP, KVT, UOP4				
		05	F13A				04		E02A, E02B, E02C			08	I28A, I28B				
		08	I12A, I12B, I12C, I23A				08		I12A, I12B, I12C, I28A, I28B			21A	W04A, W04B				
		21A	W04A, W04B				21A	W04A, W04B	21B			X04Z, X05A, X05B, X06A, X06B, X06C					
	21B	X04Z, X06A, X06B, X06C	21B		X04Z, X05A, X05B, X06A, X06B, X06C		5t590.0↔		BOP, KVT, UOP4, VIAL								
	5t571.2↔		BOP, KVT, UOP4		5t582				BOP, KVT, UOP4		5t590.1↔		BOP, KVT, UOP4, VIAL				
		05	F13A					04	E02A, E02B, E02C			08	I08A, I08B, I08C, I08D, I08E, I12A, I12B, I12C, I27B, I37Z				
		08	I12A, I12B, I12C, I23A					08	I12A, I12B, I12C, I28A, I28B			21A	W04A, W04B				
		21A	W04A, W04B			21A		W04A, W04B	21B			X06A, X06B, X06C					
		21B	X04Z, X06A, X06B, X06C			21B		X04Z, X05A, X05B, X06A, X06B, X06C	5t590.x↔				BOP, KVT, UOP4, VIAL				
		5t571.3↔				BOP, KVT, UOP4		5t583					BOP, KVT, UOP4	5t591↔		BOP, KVT, UOP4, VIAL	
			05			F13A						04	E02A, E02B, E02C		08	I08A, I08B, I08C, I08D, I08E, I12A, I12B, I12C, I27B, I37Z, I47A	
			08			I12A, I12B, I12C, I23A						08	I12A, I12B, I12C, I28A, I28B		21A	W04A, W04B	
			21A			W04A, W04B						21A	W04A, W04B		21B	X06A, X06B, X06C	
21B			X04Z, X06A, X06B, X06C	21B		X04Z, X05A, X05B, X06A, X06B, X06C				5t592↔			BOP, KVT, UOP4, VIAL				
5t572↔				BOP, KVT, UOP4, VIAL		5t584.2							BOP, KVT, UOP4		5t593↔		BOP, KVT, UOP4, VIAL
			05	F13A								04	E02A, E02B, E02C			01	B03A, B03B, B06A, B06B, B17A, B17B, B17C
			08	I12A, I12B, I12C, I20A, I20B, I20C, I20D								08	I12A, I12B, I12C, I28A, I28B			08	I08A, I08B, I08C, I08D, I08E, I08F
			21A	W04A, W04B			21A					W04A, W04B	21A			W01A, W01B, W01C, W02A, W02B	
	21B		X04Z	21B	X04Z, X05A, X05B, X06A, X06B, X06C		21B				X04Z						
	5t573↔			BOP, KVT, UOP4, VIAL	5t584.g						BOP, KVT, UOP4	5t594↔				BOP, KVT, UOP4, VIAL	
			05	F13A			04				E02A, E02B, E02C		08			I12A, I12B, I12C, I16Z	
			08	I12A, I12B, I12C, I20A, I20B, I20C, I20D			06				G36Z		21A			W04A, W04B	
			21A	W04A, W04B			08		I12A, I12B, I12C, I26Z, I28A, I28B, I95Z		21B		X06A, X06B, X06C				
		21B	X04Z	11			L33Z	5t593↔			BOP, KVT, UOP4, VIAL						
		5t575↔		BOP, KVT, UOP4, VIAL			5t584.x				BOP, KVT, UOP4		5t594↔			BOP, KVT, UOP4, VIAL	
			05	F13A					04		E02A, E02B, E02C			08		I08A, I08B, I08C, I08D, I08E, I08F, I12A, I12B, I12C, I21Z, I31Z	
			08	I12A, I12B, I12C, I23A					06		G36Z			21A		W04A, W04B	
			21A	W04A, W04B					08	I12A, I12B, I12C, I26Z, I28A, I28B, I95Z	21B			X06A, X06B, X06C			
21B			X04Z, X06A, X06B, X06C	11		L33Z			5t593↔		BOP, KVT, UOP4, VIAL						
5t576↔				BOP, KVT, UOP4, VIAL		5t584.g					BOP, KVT, UOP4			5t594↔		BOP, KVT, UOP4, VIAL	
			05	F13A						04	E02A, E02B, E02C, E36Z				08	I12A, I12B, I12C, I16Z	
			08	I12A, I12B, I12C, I23A, I23B						06	G36Z				21A	W04A, W04B	
			21A	W04A, W04B						08	I12A, I12B, I12C, I26Z, I28A, I28B, I95Z				21B	X06A, X06B, X06C	
	21B		X04Z, X06A, X06B, X06C	11	L33Z					5t593↔		BOP, KVT, UOP4, VIAL					
	5t577↔			BOP, KVT, UOP4, VIAL	5t584.x							BOP, KVT, UOP4			5t594↔		BOP, KVT, UOP4, VIAL
			05	F13A							04	E02A, E02B, E02C				08	I08A, I08B, I08C, I08D, I08E, I08F, I12A, I12B, I12C, I21Z, I31Z
			08	I12A, I12B, I12C, I23A, I23B							06	G36Z				21A	W04A, W04B
			21A	W04A, W04B				08			I12A, I12B, I12C, I26Z, I28A, I28B, I95Z	21B				X06A, X06B, X06C	
		21B	X04Z, X06A, X06B, X06C	11			L33Z	5t593↔				BOP, KVT, UOP4, VIAL					

ZZV	MDC	DRG	ZZV	MDC	DRG	ZZV	MDC	DRG
5t595↔		BOP, KVT, UOP4, VIAL	5t603	01	BOP, KVT, UOP4, VIAL	5t61a.3		BOP, KVT, UOP4, VIAL
	08	I12A, I12B, I12C, I32A, I32B, I32C, I32D, I32E, I32F		08	B03A, B03B, B18Z		01	B03A, B03B, B18Z
	21A	W04A, W04B		11	I08A, I08B, I08C, I08D, I08E, I08F, I10A, I10B, I10C, I10D, I10E, I23A, I23B		08	I08A, I08B, I08C, I08D, I08E, I08F, I10A, I10B, I10C, I10D, I10E
	21B	X05A, X05B		17	L09A, L38Z		11	L09A, L38Z
5t596↔		BOP, KVT, UOP4, VIAL	5t604	17	R01A, R01B, R01C, R01D, R02Z, R12A, R12B, R12C	5t61a.4		BOP, KVT, UOP4, VIAL
	01	B03A, B03B, B06A, B06B, B17A, B17B, B17C		21A	W04A, W04B		01	B03A, B03B, B18Z
	08	I12A, I12B, I12C, I18A, I30Z		21B	X06A, X06B, X06C		08	I08A, I08B, I08C, I08D, I08E, I08F, I10A, I10B, I10C, I10D, I10E
	21A	W04A, W04B		Pre	B61A		11	L09A, L38Z
5t597↔		BOP, KVT, UOP4, VIAL	5t605	01	BOP, KVT, UOP4, VIAL	5t61b.1		BOP, KVT, UOP4, VIAL
	01	B03A, B03B, B06A, B06B, B17A, B17B, B17C		01	B03A, B03B, B18Z		01	B03A, B03B, B18Z
	05	F27A, F27B, F27C		05	F13A		08	I08A, I08B, I08C, I08D, I08E, I08F, I10A, I10B, I10C, I10D, I10E, I12A, I12B, I12C, I23A, I23B
	08	I12A, I12B, I12C, I59Z		08	I08A, I08B, I08C, I08D, I08E, I08F, I10A, I10B, I10C, I10D, I10E, I12A, I12B, I12C, I23A, I23B		11	L09A, L38Z
5t598↔		BOP, KVT, UOP4, VIAL	5t606	11	L09A, L38Z	5t61b.2		BOP, KVT, UOP4, VIAL
	08	I12A, I12B, I12C, I20A, I20B, I20C, I20D		21A	W04A, W04B		01	B03A, B03B, B18Z
	21A	W04A, W04B		21B	X04Z, X05A, X05B, X06A, X06B, X06C		08	I08A, I08B, I08C, I08D, I08E, I08F, I10A, I10B, I10C, I10D, I10E, I10F
	21B	X04Z		01	B03A, B03B, B18Z		11	L09A, L38Z
5t599		BOP, KVT, UOP4	5t60x	05	F13A	5t61c.1		BOP, KVT, UOP4, VIAL
	08	I12A, I12B, I12C, I28A, I28B		08	I08A, I08B, I08C, I08D, I08E, I08F, I10A, I10B, I10C, I10D, I10E, I12A, I12B, I12C, I23A, I23B		01	B03A, B03B, B18Z
	21A	W04A, W04B		11	L09A, L38Z		08	I08A, I08B, I08C, I08D, I08E, I08F, I10A, I10B, I10C, I10D, I10E
	21B	X04Z, X05A, X05B, X06A, X06B, X06C		21A	W04A, W04B		11	L09A, L38Z
5t59g		BOP, KVT, UOP4	5t601	21B	X04Z, X05A, X05B, X06A, X06B, X06C	5t61c.2		BOP, KVT, UOP4, VIAL
	08	I12A, I12B, I12C, I28A, I28B		01	B03A, B03B, B18Z		01	B03A, B03B, B18Z
	21A	W04A, W04B		05	F13A		08	I08A, I08B, I08C, I08D, I08E, I08F, I10A, I10B, I10C, I10D, I10E, I12A, I12B, I12C
	21B	X06A, X06B, X06C		11	L09A, L38Z		11	L09A, L38Z
5t59x		BOP, KVT, UOP4	5t61a.1	17	R01A, R01B, R01C, R01D, R02Z, R12A, R12B, R12C	5t61c.3		BOP, KVT, UOP4, VIAL
	08	I12A, I12B, I12C, I28A, I28B		08	I08A, I08B, I08C, I08D, I08E, I08F, I10A, I10B, I10C, I10D, I10E, I12A, I12B, I12C		01	B03A, B03B, B18Z
	21A	W04A, W04B		11	L09A, L38Z		08	I08A, I08B, I08C, I08D, I08E, I08F, I10A, I10B, I10C, I10D, I10E
	21B	X06A, X06B, X06C		21A	W04A, W04B		11	L09A, L38Z
5t600		BOP, KVT, UOP4, VIAL	5t61a.2	17	R01A, R01B, R01C, R01D, R02Z, R12A, R12B, R12C	5t61d		BOP, KVT, UOP4, VIAL
	01	B03A, B03B, B18Z		01	B03A, B03B, B18Z		01	B03A, B03B, B18Z
	05	F13A		08	I08A, I08B, I08C, I08D, I08E, I08F, I10A, I10B, I10C, I10D, I10E, I12A, I12B, I12C		08	I08A, I08B, I08C, I08D, I08E, I08F, I10A, I10B, I10C, I10D, I10E, I10F
	08	I08A, I08B, I08C, I08D, I08E, I08F, I10A, I10B, I10C, I10D, I10E, I12A, I12B, I12C		11	L09A, L38Z		11	L09A, L38Z
5t601		BOP, KVT, UOP4, VIAL	5t602	11	L09A, L38Z			BOP, KVT, UOP4, VIAL
	01	B03A, B03B, B18Z		21A	W04A, W04B		01	B03A, B03B, B18Z
	05	F13A		21B	X06A, X06B, X06C		08	I08A, I08B, I08C, I08D, I08E, I08F, I10A, I10B, I10C, I10D, I10E, I10F
	08	I08A, I08B, I08C, I08D, I08E, I08F, I10A, I10B, I10C, I10D, I10E, I12A, I12B, I12C		01	B03A, B03B, B18Z		11	L09A, L38Z
5t602		BOP, KVT, UOP4, VIAL						BOP, KVT, UOP4, VIAL
	01	B03A, B03B, B18Z						B03A, B03B, B18Z
	08	I08A, I08B, I08C, I08D, I08E, I08F, I10A, I10B, I10C, I10D, I10E, I10F						I08A, I08B, I08C, I08D, I08E, I08F, I10A, I10B, I10C, I10D, I10E, I10F
	11	L09A, L38Z						L09A, L38Z

VYK

ZZV	MDC	DRG	ZZV	MDC	DRG	ZZV	MDC	DRG			
5t641.4		BOP, KOP, KOPV, KVT, UOP4, VIAL	5t642.2		BOP, KOP, KOPV, KVT, UOP4, VIAL	5t642.6		BOP, KOP, KOPV, KVT, UOP4, VIAL			
	01	B02A, B02B, B02C, B02D, B20A, B20B, B20C, B20D, B20E, B39A, B39B		01	B03A, B03B, B18Z		01	B03A, B03B, B18Z			
	06	G33Z		06	G33Z		06	G33Z			
	07	H33Z, H38Z		07	H33Z, H38Z		07	H33Z, H38Z			
	08	I06A, I06B, I06C, I06D, I06E, I08A, I08B, I08C, I08D, I08E, I08F, I09A, I09B, I09C, I09D		08	I06A, I06B, I06C, I06D, I06E, I08A, I08B, I08C, I08D, I08E, I08F, I09A, I09B, I09C, I09D, I09E		08	I06A, I06B, I06C, I06D, I06E, I08A, I08B, I08C, I08D, I08E, I08F, I09A, I09B, I09C, I09D, I09E			
	09	J26Z		09	J26Z		09	J26Z			
	11	L33Z		11	L33Z		11	L33Z			
	17	R01A, R01B, R01C, R01D, R02Z, R12A, R12B, R12C		17	R01A, R01B, R01C, R01D, R02Z, R12A, R12B, R12C		17	R01A, R01B, R01C, R01D, R02Z, R12A, R12B, R12C			
	21A	W04A, W04B		21A	W04A, W04B		21A	W04A, W04B			
	21B	X06A, X06B, X06C, X33Z		21B	X06A, X06B, X06C, X33Z		21B	X06A, X06B, X06C, X33Z			
	23	Z01A		23	Z01A		23	Z01A			
	Pre	A07A		Pre	A07A		Pre	A07A			
	5t641.5			BOP, KOP, KOPV, KVT, UOP4, VIAL	5t642.3			BOP, KOP, KOPV, KVT, UOP4, VIAL	5t643.1		BOP, KOP, KOPV, KVT, UOP4, VIAL
		01		B02A, B02B, B02C, B02D, B20A, B20B, B20C, B20D, B20E, B39A, B39B			01	B03A, B03B, B18Z		01	B03A, B03B, B18Z
06		G33Z	06	G33Z		06	G33Z				
07		H33Z, H38Z	07	H33Z, H38Z		07	H33Z, H38Z				
08		I06A, I06B, I06C, I06D, I06E, I08A, I08B, I08C, I08D, I08E, I08F, I09A, I09B, I09C, I09D	08	I06A, I06B, I06C, I06D, I06E, I08A, I08B, I08C, I08D, I08E, I08F, I09A, I09B, I09C, I09D, I09E		08	I06A, I06B, I06C, I06D, I06E, I08A, I08B, I08C, I08D, I08E, I08F, I09A, I09B, I09C, I09D, I09E				
09		J26Z	09	J26Z		09	J26Z				
11		L33Z	11	L33Z		11	L33Z				
17		R01A, R01B, R01C, R01D, R02Z, R12A, R12B, R12C	17	R01A, R01B, R01C, R01D, R02Z, R12A, R12B, R12C		17	R01A, R01B, R01C, R01D, R02Z, R12A, R12B, R12C				
21A		W04A, W04B	21A	W04A, W04B		21A	W04A, W04B				
21B		X06A, X06B, X06C, X33Z	21B	X06A, X06B, X06C, X33Z		21B	X06A, X06B, X06C, X33Z				
23		Z01A	23	Z01A		23	Z01A				
Pre		A07A	Pre	A07A		Pre	A07A				
5t641.6			BOP, KOP, KOPV, KVT, UOP4, VIAL	5t642.4			BOP, KOP, KOPV, KVT, UOP4, VIAL	5t643.2			BOP, KOP, KOPV, KVT, UOP4, VIAL
		01	B02A, B02B, B02C, B02D, B20A, B20B, B20C, B20D, B20E, B39A, B39B			01	B03A, B03B, B18Z			01	B03A, B03B, B18Z
	06	G33Z	06		G33Z	06	G33Z				
	07	H33Z, H38Z	07		H33Z, H38Z	07	H33Z, H38Z				
	08	I06A, I06B, I06C, I08A, I08B, I08C, I08D, I08E, I08F	08		I06A, I06B, I06C, I06D, I06E, I08A, I08B, I08C, I08D, I08E, I08F, I09A, I09B, I09C, I09D, I09E	08	I06A, I06B, I06C, I06D, I06E, I08A, I08B, I08C, I08D, I08E, I08F, I09A, I09B, I09C, I09D, I09E				
	09	J26Z	09		J26Z	09	J26Z				
	11	L33Z	11		L33Z	11	L33Z				
	17	R01A, R01B, R01C, R01D, R02Z, R12A, R12B, R12C	17		R01A, R01B, R01C, R01D, R02Z, R12A, R12B, R12C	17	R01A, R01B, R01C, R01D, R02Z, R12A, R12B, R12C				
	21A	W04A, W04B	21A		W04A, W04B	21A	W04A, W04B				
	21B	X06A, X06B, X06C, X33Z	21B		X06A, X06B, X06C, X33Z	21B	X06A, X06B, X06C, X33Z				
	23	Z01A	23		Z01A	23	Z01A				
	Pre	A07A	Pre		A07A	Pre	A07A				
	5t642.1		BOP, KOP, KOPV, KVT, UOP4, VIAL		5t642.5		BOP, KOP, KOPV, KVT, UOP4, VIAL		5t643.3		BOP, KOP, KOPV, KVT, UOP4, VIAL
		01	B03A, B03B, B18Z			01	B03A, B03B, B18Z			01	B02A, B02B, B02C, B02D, B20A, B20B, B20C, B20D, B20E, B39A, B39B
06		G33Z	06	G33Z		06	G33Z				
07		H33Z, H38Z	07	H33Z, H38Z		07	H33Z, H38Z				
08		I06A, I06B, I06C, I06D, I06E, I08A, I08B, I08C, I08D, I08E, I08F, I09A, I09B, I09C, I09D, I09E	08	I06A, I06B, I06C, I06D, I06E, I08A, I08B, I08C, I08D, I08E, I08F, I09A, I09B, I09C, I09D, I09E		08	I06A, I06B, I06C, I06D, I06E, I08A, I08B, I08C, I08D, I08E, I08F, I09A, I09B, I09C, I09D, I09E				
09		J26Z	09	J26Z		09	J26Z				
11		L33Z	11	L33Z		11	L33Z				
17		R01A, R01B, R01C, R01D, R02Z, R12A, R12B, R12C	17	R01A, R01B, R01C, R01D, R02Z, R12A, R12B, R12C		17	R01A, R01B, R01C, R01D, R02Z, R12A, R12B, R12C				
21A		W04A, W04B	21A	W04A, W04B		21A	W04A, W04B				
21B		X06A, X06B, X06C, X33Z	21B	X06A, X06B, X06C, X33Z		21B	X06A, X06B, X06C, X33Z				
23		Z01A	23	Z01A		23	Z01A				
Pre		A07A	Pre	A07A		Pre	A07A				

VYK

ZZV	MDC	DRG	ZZV	MDC	DRG	ZZV	MDC	DRG			
5t651.4		BOP, KOP, KOPV, KVT, UOP4, VIAL	5t655		BOP, KOP, KOPV, KVT, UOP4, VIAL	5t659		BOP, KOP, KOPV, KVT, UOP4, VIAL			
	01	B03A, B03B, B18Z		01	B02A, B02B, B02C, B02D, B20A, B20B, B20C, B20D, B20E, B39A, B39B		01	B03A, B03B, B18Z			
	06	G33Z		06	G33Z		06	G33Z			
	07	H33Z, H38Z		07	H33Z, H38Z		07	H33Z, H38Z			
	08	I06A, I06B, I06C, I06D, I06E, I08A, I08B, I08C, I08D, I08E, I08F, I09A, I09B, I09C, I09D		08	I06A, I06B, I06C, I06D, I06E, I08A, I08B, I08C, I08D, I08E, I08F, I09A, I09B, I09C, I09D, I09E		08	I06A, I06B, I06C, I06D, I06E, I08A, I08B, I08C, I08D, I08E, I08F, I09A, I09B, I09C, I09D			
	09	J26Z		09	J26Z		09	J26Z			
	11	L33Z		11	L33Z		11	L33Z			
	21A	W04A, W04B		21A	W04A, W04B		21A	W04A, W04B			
	21B	X06A, X06B, X06C, X33Z		21B	X06A, X06B, X06C, X33Z		21B	X06A, X06B, X06C, X33Z			
	23	Z01A		23	Z01A		23	Z01A			
	Pre	A07A		Pre	A07A		Pre	A07A			
	5t651.5			BOP, KOP, KOPV, KVT, UOP4, VIAL	5t656			BOP, KOP, KOPV, KVT, UOP4, VIAL	5t65a		BOP, KOP, KOPV, KVT, UOP4, VIAL
		01		B03A, B03B, B18Z			01	B02A, B02B, B02C, B02D, B20A, B20B, B20C, B20D, B20E, B39A, B39B		01	B03A, B03B, B18Z
06		G33Z	06	G33Z		06	G33Z				
07		H33Z, H38Z	07	H33Z, H38Z		07	H33Z, H38Z				
08		I06A, I06B, I06C, I06D, I06E, I08A, I08B, I08C, I08D, I08E, I08F, I09A, I09B, I09C, I09D	08	I06A, I06B, I06C, I06D, I06E, I08A, I08B, I08C, I08D, I08E, I08F		08	I06A, I06B, I06C, I06D, I06E, I08A, I08B, I08C, I08D, I08E, I08F, I09A, I09B, I09C, I09D				
09		J26Z	09	J26Z		09	J26Z				
11		L33Z	11	L33Z		11	L33Z				
21A		W04A, W04B	21A	W04A, W04B		21A	W04A, W04B				
21B		X06A, X06B, X06C, X33Z	21B	X06A, X06B, X06C, X33Z		21B	X06A, X06B, X06C, X33Z				
23		Z01A	23	Z01A		23	Z01A				
Pre		A07A	Pre	A07A		Pre	A07A				
5t652			BOP, KOP, KOPV, KVT, UOP4, VIAL	5t657			BOP, KOP, KOPV, KVT, UOP4, VIAL	5t65b			BOP, KVT, UOP4, VIAL
		01	B03A, B03B, B18Z			01	B02A, B02B, B02C, B02D, B20A, B20B, B20C, B20D, B20E, B39A, B39B			08	I08A, I08B, I08C, I08D, I08E, I08F, I28A, I28B
	06	G33Z	06		G33Z	09	J26Z				
	07	H33Z, H38Z	07		H33Z, H38Z	21A	W04A, W04B				
	08	I06A, I06B, I06C, I06D, I06E, I08A, I08B, I08C, I08D, I08E, I08F, I09A, I09B, I09C, I09D	08		I06A, I06B, I06C, I06D, I06E, I08A, I08B, I08C, I08D, I08E, I08F	21B	X06A, X06B, X06C				
	09	J26Z	09		J26Z	5t65c	BOP, KOP, KOPV, KVT, UOP4, VIAL				
	11	L33Z	11		L33Z	01	B03A, B03B, B18Z				
	21A	W04A, W04B	21A		W04A, W04B	06	G33Z				
	21B	X06A, X06B, X06C, X33Z	21B		X06A, X06B, X06C, X33Z	07	H33Z, H38Z				
	23	Z01A	23		Z01A	08	I06A, I06B, I06C, I06D, I06E, I08A, I08B, I08C, I08D, I08E, I08F, I09A, I09B, I09C, I09D, I09E				
	Pre	A07A	Pre		A07A	09	J26Z				
	5t653		BOP, KOP, KOPV, KVT, UOP4, VIAL		5t658		BOP, KOP, KOPV, KVT, UOP4, VIAL		5t65d		BOP, KOP, KOPV, KVT, UOP4, VIAL
		01	B03A, B03B, B18Z			01	B03A, B03B, B18Z			01	B03A, B03B, B18Z
06		G33Z	06	G33Z		06	G33Z				
07		H33Z, H38Z	07	H33Z, H38Z		07	H33Z, H38Z				
08		I06A, I06B, I06C, I06D, I06E, I08A, I08B, I08C, I08D, I08E, I08F, I09A, I09B, I09C, I09D	08	I06A, I06B, I06C, I06D, I06E, I08A, I08B, I08C, I08D, I08E, I08F, I09A, I09B, I09C, I09D		08	I06A, I06B, I06C, I06D, I06E, I08A, I08B, I08C, I08D, I08E, I08F, I09A, I09B, I09C, I09D, I09E				
09		J26Z	09	J26Z		09	J26Z				
11		L33Z	11	L33Z		11	L33Z				
21A		W04A, W04B	21A	W04A, W04B		21A	W04A, W04B				
21B		X06A, X06B, X06C, X33Z	21B	X06A, X06B, X06C, X33Z		21B	X06A, X06B, X06C, X33Z				
23		Z01A	23	Z01A		23	Z01A				
Pre		A07A	Pre	A07A		Pre	A07A				
5t654			BOP, KOP, KOPV, KVT, UOP4, VIAL								
		01	B03A, B03B, B18Z								
	06	G33Z									
	07	H33Z, H38Z									
	08	I06A, I06B, I06C, I06D, I06E, I08A, I08B, I08C, I08D, I08E, I08F									
	09	J26Z									
	11	L33Z									
	21A	W04A, W04B									
	21B	X06A, X06B, X06C, X33Z									
	23	Z01A									
	Pre	A07A									

VYK

ZZV	MDC	DRG	ZZV	MDC	DRG	ZZV	MDC	DRG
5t65e.1		BOP, KOP, KOPV, KVT, UOP4, VIAL	5t65e.6		BOP, KOP, KOPV, KVT, UOP4, VIAL	5t65e.b		BOP, KOP, KOPV, KVT, UOP4, VIAL
	01	B03A, B03B, B18Z		01	B03A, B03B, B18Z		01	B03A, B03B, B18Z
	06	G33Z		06	G33Z		06	G33Z
	07	H33Z, H38Z		07	H33Z, H38Z		07	H33Z, H38Z
	08	I06A, I06B, I06C, I06D, I06E, I08A, I08B, I08C, I08D, I08E, I08F, I09A, I09B, I09C, I09D, I09E		08	I06A, I06B, I06C, I06D, I06E, I08A, I08B, I08C, I08D, I08E, I08F, I09A, I09B, I09C, I09D, I09E		08	I06A, I06B, I06C, I06D, I06E, I08A, I08B, I08C, I08D, I08E, I08F, I09A, I09B, I09C, I09D, I09E
	09	J26Z		09	J26Z		09	J26Z
	11	L33Z		11	L33Z		11	L33Z
	21A	W04A, W04B		21A	W04A, W04B		21A	W04A, W04B
	21B	X06A, X06B, X06C		21B	X06A, X06B, X06C		21B	X06A, X06B, X06C
	Pre	A07A		Pre	A07A		Pre	A07A
	5t65e.2			BOP, KOP, KOPV, KVT, UOP4, VIAL	5t65e.7			BOP, KOP, KOPV, KVT, UOP4, VIAL
01		B03A, B03B, B18Z	01	B03A, B03B, B18Z		01	B03A, B03B, B18Z	
06		G33Z	06	G33Z		06	G33Z	
07		H33Z, H38Z	07	H33Z, H38Z		07	H33Z, H38Z	
08		I06A, I06B, I06C, I06D, I06E, I08A, I08B, I08C, I08D, I08E, I08F, I09A, I09B, I09C, I09D, I09E	08	I06A, I06B, I06C, I06D, I06E, I08A, I08B, I08C, I08D, I08E, I08F, I09A, I09B, I09C, I09D, I09E		08	I06A, I06B, I06C, I06D, I06E, I08A, I08B, I08C, I08D, I08E, I08F, I09A, I09B, I09C, I09D, I09E	
09		J26Z	09	J26Z		09	J26Z	
11		L33Z	11	L33Z		11	L33Z	
21A		W04A, W04B	21A	W04A, W04B		21A	W04A, W04B	
21B		X06A, X06B, X06C	21B	X06A, X06B, X06C		21B	X06A, X06B, X06C	
Pre		A07A	Pre	A07A		Pre	A07A	
5t65e.3			BOP, KOP, KOPV, KVT, UOP4, VIAL	5t65e.8			BOP, KOP, KOPV, KVT, UOP4, VIAL	5t65e.d
	01	B03A, B03B, B18Z	01		B03A, B03B, B18Z	01	B03A, B03B, B18Z	
	06	G33Z	06		G33Z	06	G33Z	
	07	H33Z, H38Z	07		H33Z, H38Z	07	H33Z, H38Z	
	08	I06A, I06B, I06C, I06D, I06E, I08A, I08B, I08C, I08D, I08E, I08F, I09A, I09B, I09C, I09D, I09E	08		I06A, I06B, I06C, I06D, I06E, I08A, I08B, I08C, I08D, I08E, I08F, I09A, I09B, I09C, I09D, I09E	08	I06A, I06B, I06C, I06D, I06E, I08A, I08B, I08C, I08D, I08E, I08F, I09A, I09B, I09C, I09D, I09E	
	09	J26Z	09		J26Z	09	J26Z	
	11	L33Z	11		L33Z	11	L33Z	
	21A	W04A, W04B	21A		W04A, W04B	21A	W04A, W04B	
	21B	X06A, X06B, X06C	21B		X06A, X06B, X06C	21B	X06A, X06B, X06C	
	Pre	A07A	Pre		A07A	Pre	A07A	
	5t65e.4		BOP, KOP, KOPV, KVT, UOP4, VIAL		5t65e.9		BOP, KOP, KOPV, KVT, UOP4, VIAL	
01		B03A, B03B, B18Z	01	B03A, B03B, B18Z		01	B03A, B03B, B18Z	
06		G33Z	06	G33Z		06	G33Z	
07		H33Z, H38Z	07	H33Z, H38Z		07	H33Z, H38Z	
08		I06A, I06B, I06C, I06D, I06E, I08A, I08B, I08C, I08D, I08E, I08F, I09A, I09B, I09C, I09D, I09E	08	I06A, I06B, I06C, I06D, I06E, I08A, I08B, I08C, I08D, I08E, I08F, I09A, I09B, I09C, I09D, I09E		08	I06A, I06B, I06C, I06D, I06E, I08A, I08B, I08C, I08D, I08E, I08F, I09A, I09B, I09C, I09D, I09E	
09		J26Z	09	J26Z		09	J26Z	
11		L33Z	11	L33Z		11	L33Z	
21A		W04A, W04B	21A	W04A, W04B		21A	W04A, W04B	
21B		X06A, X06B, X06C	21B	X06A, X06B, X06C		21B	X06A, X06B, X06C, X33Z	
Pre		A07A	Pre	A07A		23	Z01A	
5t65e.5			BOP, KOP, KOPV, KVT, UOP4, VIAL	5t65e.a			BOP, KOP, KOPV, KVT, UOP4, VIAL	Pre
	01	B03A, B03B, B18Z	01		B03A, B03B, B18Z			
	06	G33Z	06		G33Z			
	07	H33Z, H38Z	07		H33Z, H38Z			
	08	I06A, I06B, I06C, I06D, I06E, I08A, I08B, I08C, I08D, I08E, I08F, I09A, I09B, I09C, I09D, I09E	08		I06A, I06B, I06C, I06D, I06E, I08A, I08B, I08C, I08D, I08E, I08F, I09A, I09B, I09C, I09D, I09E			
	09	J26Z	09		J26Z			
	11	L33Z	11		L33Z			
	21A	W04A, W04B	21A		W04A, W04B			
	21B	X06A, X06B, X06C	21B		X06A, X06B, X06C			
	Pre	A07A	Pre		A07A			

VYK

ZZV	MDC	DRG	ZZV	MDC	DRG	ZZV	MDC	DRG			
5t65j.a1		BOP, KOP, KOPV, KVT, UOP4, VIAL	5t65k.1		BOP, KOP, KOPV, KVT, UOP4, VIAL	5t660.2	01	B03A, B03B, B18Z			
	01	B03A, B03B, B18Z		01	B03A, B03B, B18Z		08	I08A, I08B, I08C, I08D, I08E, I08F, I10A, I10B, I10C, I10D, I10E			
	06	G33Z		06	G33Z		09	J26Z			
	07	H33Z, H38Z		07	H33Z, H38Z		17	R01A, R01B, R01C, R01D, R02Z, R12A, R12B, R12C			
	08	I06A, I06B, I06C, I06D, I06E, I08A, I08B, I08C, I08D, I08E, I08F, I09A, I09B, I09C, I09D		08	I06A, I06B, I06C		21A	W01A, W01B, W01C, W02A, W02B			
	09	J26Z		09	J26Z		21B	X06A, X06B, X06C			
	11	L33Z		11	L33Z		5t660.3	01	B03A, B03B, B18Z		
	21A	W04A, W04B		21A	W04A, W04B			08	I08A, I08B, I08C, I08D, I08E, I08F, I10A, I10B, I10C, I10D, I10E		
	21B	X06A, X06B, X06C, X33Z		21B	X06A, X06B, X06C		09	J26Z			
	23	Z01A		Pre	A07A		17	R01A, R01B, R01C, R01D, R02Z, R12A, R12B, R12C			
	Pre	A07A		5t65k.2			BOP, KOP, KOPV, KVT, UOP4, VIAL	21A	W01A, W01B, W01C, W02A, W02B		
	5t65j.b0				BOP, KOP, KOPV, KVT, UOP4, VIAL		01	B03A, B03B, B18Z	21B	X06A, X06B, X06C	
		01			B03A, B03B, B18Z		06	G33Z	5t660.4	01	B03A, B03B, B18Z
		06			G33Z		07	H33Z, H38Z		08	I08A, I08B, I08C, I08D, I08E, I08F, I10A, I10B, I10C, I10D, I10E
07		H33Z, H38Z	08		I06A, I06B, I06C	09	J26Z				
08		I06A, I06B, I06C, I06D, I06E, I08A, I08B, I08C, I08D, I08E, I08F, I09A, I09B, I09C, I09D	09		J26Z	17	R01A, R01B, R01C, R01D, R02Z, R12A, R12B, R12C				
09		J26Z	11		L33Z	21A	W01A, W01B, W01C, W02A, W02B				
11		L33Z	21A		W04A, W04B	21B	X06A, X06B, X06C				
21A		W04A, W04B	21B		X06A, X06B, X06C	5t661.1	01	B03A, B03B, B18Z			
21B		X06A, X06B, X06C, X33Z	Pre		A07A		08	I08A, I08B, I08C, I08D, I08E, I08F, I10A, I10B, I10C, I10D, I10E			
23		Z01A	5t65k.3			BOP, KOP, KOPV, KVT, UOP4, VIAL	09	J26Z			
Pre		A07A			01	B03A, B03B, B18Z	17	R01A, R01B, R01C, R01D, R02Z, R12A, R12B, R12C			
5t65j.b1					BOP, KOP, KOPV, KVT, UOP4, VIAL	06	G33Z	21A	W01A, W01B, W01C, W02A, W02B		
		01			B03A, B03B, B18Z	07	H33Z, H38Z	21B	X06A, X06B, X06C		
		06		G33Z	08	I06A, I06B, I06C	5t661.2	01	B03A, B03B, B18Z		
	07	H33Z, H38Z		09	J26Z	08		I08A, I08B, I08C, I08D, I08E, I08F, I10A, I10B, I10C, I10D, I10E			
	08	I06A, I06B, I06C, I06D, I06E, I08A, I08B, I08C, I08D, I08E, I08F, I09A, I09B, I09C, I09D		11	L33Z	09	J26Z				
	09	J26Z		21A	W04A, W04B	17	R01A, R01B, R01C, R01D, R02Z, R12A, R12B, R12C				
	11	L33Z		21B	X06A, X06B, X06C	21A	W01A, W01B, W01C, W02A, W02B				
	21A	W04A, W04B		Pre	A07A	21B	X06A, X06B, X06C				
	21B	X06A, X06B, X06C, X33Z		5t65k.4		BOP, KOP, KOPV, KVT, UOP4, VIAL	Pre	B61A			
	23	Z01A			01	B03A, B03B, B18Z	5t661.3	01	B03A, B03B, B18Z		
	Pre	A07A			06	G33Z		08	I08A, I08B, I08C, I08D, I08E, I08F, I10A, I10B, I10C, I10D, I10E		
	5t65j.c0				BOP, KOP, KOPV, KVT, UOP4, VIAL	07	H33Z, H38Z	09	J26Z		
		01	B03A, B03B, B18Z		08	I06A, I06B, I06C, I06D, I06E, I08A, I08B, I08C, I08D, I08E, I08F, I09A, I09B, I09C, I09D	17	R01A, R01B, R01C, R01D, R02Z, R12A, R12B, R12C			
		06	G33Z		09	J26Z	21A	W01A, W01B, W01C, W02A, W02B			
07		H33Z, H38Z	11		L33Z	21B	X06A, X06B, X06C				
08		I06A, I06B, I06C, I06D, I06E, I08A, I08B, I08C, I08D, I08E, I08F, I09A, I09B, I09C, I09D	21A		W04A, W04B	Pre	B61A				
09		J26Z	21B		X06A, X06B, X06C	5t661.3	01	B03A, B03B, B18Z			
11		L33Z	Pre		A07A		08	I08A, I08B, I08C, I08D, I08E, I08F, I10A, I10B, I10C, I10D, I10E			
21A		W04A, W04B	5t65x			BOP, KOP, KOPV, KVT, UOP4, VIAL	09	J26Z			
21B		X06A, X06B, X06C, X33Z			01	B03A, B03B, B18Z	17	R01A, R01B, R01C, R01D, R02Z, R12A, R12B, R12C			
23		Z01A			06	G33Z	21A	W01A, W01B, W01C, W02A, W02B			
Pre		A07A			07	H33Z, H38Z	21B	X06A, X06B, X06C			
5t65j.c1				BOP, KOP, KOPV, KVT, UOP4, VIAL	08	I06A, I06B, I06C, I06D, I06E, I08A, I08B, I08C, I08D, I08E, I08F, I09A, I09B, I09C, I09D	Pre	B61A			
		01		B03A, B03B, B18Z	09	J26Z	5t661.3	01	B03A, B03B, B18Z		
		06		G33Z	11	L33Z		08	I08A, I08B, I08C, I08D, I08E, I08F, I10A, I10B, I10C, I10D, I10E		
	07	H33Z, H38Z		21A	W04A, W04B	09	J26Z				
	08	I06A, I06B, I06C, I06D, I06E, I08A, I08B, I08C, I08D, I08E, I08F, I09A, I09B, I09C, I09D		21B	X06A, X06B, X06C	17	R01A, R01B, R01C, R01D, R02Z, R12A, R12B, R12C				
	09	J26Z		23	Z01A	21A	W01A, W01B, W01C, W02A, W02B				
	11	L33Z		Pre	A07A	21B	X06A, X06B, X06C				
	21A	W04A, W04B		5t660.1		BOP, KOP, KOPV, KVT, UOP4, VIAL	Pre	B61A			
	21B	X06A, X06B, X06C, X33Z			01	B03A, B03B, B18Z	5t65j.c1		BOP, KOP, KOPV, KVT, UOP4, VIAL		
	23	Z01A			08	I08A, I08B, I08C, I08D, I08E, I08F, I10A, I10B, I10C, I10D, I10E		01	B03A, B03B, B18Z		
	Pre	A07A	09		J26Z	06		G33Z			
	5t65j.c1		BOP, KOP, KOPV, KVT, UOP4, VIAL		17	R01A, R01B, R01C, R01D, R02Z, R12A, R12B, R12C		07	H33Z, H38Z		
		01	B03A, B03B, B18Z		21A	W01A, W01B, W01C, W02A, W02B		08	I06A, I06B, I06C, I06D, I06E, I08A, I08B, I08C, I08D, I08E, I08F, I09A, I09B, I09C, I09D		
		06	G33Z		21B	X06A, X06B, X06C		09	J26Z		
07		H33Z, H38Z	5t65k.2			BOP, KOP, KOPV, KVT, UOP4, VIAL		11	L33Z		
08		I06A, I06B, I06C, I06D, I06E, I08A, I08B, I08C, I08D, I08E, I08F, I09A, I09B, I09C, I09D			01	B03A, B03B, B18Z		21A	W04A, W04B		
09		J26Z	08		I08A, I08B, I08C, I08D, I08E, I08F, I10A, I10B, I10C, I10D, I10E	21B		X06A, X06B, X06C, X33Z			
11		L33Z	09		J26Z	23		Z01A			
21A		W04A, W04B	11		L33Z	Pre		A07A			
21B		X06A, X06B, X06C, X33Z	21A		W04A, W04B	5t65j.c1			BOP, KOP, KOPV, KVT, UOP4, VIAL		
23		Z01A	21B		X06A, X06B, X06C			01	B03A, B03B, B18Z		
Pre		A07A	Pre	A07A	06			G33Z			
5t65j.c1			BOP, KOP, KOPV, KVT, UOP4, VIAL	5t660.1			BOP, KOP, KOPV, KVT, UOP4, VIAL	07	H33Z, H38Z		
		01	B03A, B03B, B18Z		01		B03A, B03B, B18Z	08	I06A, I06B, I06C, I06D, I06E, I08A, I08B, I08C, I08D, I08E, I08F, I09A, I09B, I09C, I09D		
		06	G33Z		08		I08A, I08B, I08C, I08D, I08E, I08F, I10A, I10B, I10C, I10D, I10E	09	J26Z		
	07	H33Z, H38Z	09		J26Z		11	L33Z			
	08	I06A, I06B, I06C, I06D, I06E, I08A, I08B, I08C, I08D, I08E, I08F, I09A, I09B, I09C, I09D	17		R01A, R01B, R01C, R01D, R02Z, R12A, R12B, R12C		21A	W04A, W04B			
	09	J26Z	21A		W01A, W01B, W01C, W02A, W02B		21B	X06A, X06B, X06C, X33Z			
	11	L33Z	21B		X06A, X06B, X06C		23	Z01A			
	21A	W04A, W04B	Pre		A07A		Pre	A07A			
	21B	X06A, X06B, X06C, X33Z									
	23	Z01A									
	Pre	A07A									

ZZV	MDC	DRG	ZZV	MDC	DRG	ZZV	MDC	DRG
5t666.2	01	B03A, B03B, B18Z	5t667.4	01	B03A, B03B, B18Z	5t66x.2	01	B03A, B03B, B18Z
	08	I06A, I08A, I08B, I08C, I08D, I08E, I08F, I09A, I10A, I10B, I10C, I10D, I10E		08	I06A, I06B, I06C, I06D, I06E, I08A, I08B, I08C, I08D, I08E, I08F, I09A, I09B, I09C, I09D, I09E, I10A, I10B, I10C, I10D, I10E		08	I08A, I08B, I08C, I08D, I08E, I08F, I10A, I10B, I10C, I10D, I10E
	09	J26Z		09	J26Z		09	J26Z
	17	R01A, R01B, R01C, R01D, R02Z, R12A, R12B, R12C		09	J26Z		17	R01A, R01B, R01C, R01D, R02Z, R12A, R12B, R12C
	21A	W01A, W01B, W01C, W02A, W02B		21A	W01A, W01B, W01C, W02A, W02B		21A	W01A, W01B, W01C, W02A, W02B
5t666.3	21B	X06A, X06B, X06C	5t668.1	21B	X06A, X06B, X06C, X33Z	5t66x.3	21B	X06A, X06B, X06C
	Pre	B61A		01	B03A, B03B, B18Z		01	B03A, B03B, B18Z
	01	B03A, B03B, B18Z		08	I06A, I06B, I06C, I06D, I06E, I08A, I08B, I08C, I08D, I08E, I08F, I09A, I09B, I09C, I09D, I10A, I10B, I10C, I10D, I10E		08	I08A, I08B, I08C, I08D, I08E, I08F, I10A, I10B, I10C, I10D, I10E
	08	I06A, I08A, I08B, I08C, I08D, I08E, I08F, I09A, I10A, I10B, I10C, I10D, I10E		09	J26Z		09	J26Z
	09	J26Z		09	J26Z		17	R01A, R01B, R01C, R01D, R02Z, R12A, R12B, R12C
5t666.4	17	R01A, R01B, R01C, R01D, R02Z, R12A, R12B, R12C	5t668.2	17	R01A, R01B, R01C, R01D, R02Z, R12A, R12B, R12C	5t66x.4	17	R01A, R01B, R01C, R01D, R02Z, R12A, R12B, R12C
	21A	W01A, W01B, W01C, W02A, W02B		21A	W01A, W01B, W01C, W02A, W02B		21A	W01A, W01B, W01C, W02A, W02B
	21B	X06A, X06B, X06C		21B	X06A, X06B, X06C		21B	X06A, X06B, X06C
	Pre	B61A		Pre	B61A		Pre	B61A
	01	B03A, B03B, B18Z		01	B03A, B03B, B18Z		01	B03A, B03B, B18Z
5t667.1	08	I06A, I08A, I08B, I08C, I08D, I08E, I08F, I09A, I10A, I10B, I10C, I10D, I10E	5t668.3	08	I06A, I06B, I06C, I06D, I06E, I08A, I08B, I08C, I08D, I08E, I08F, I09A, I09B, I09C, I09D, I09E, I10A, I10B, I10C, I10D, I10E	5t690	08	I08A, I08B, I08C, I08D, I08E, I08F, I10A, I10B, I10C, I10D, I10E
	09	J26Z		09	J26Z		09	J26Z
	17	R01A, R01B, R01C, R01D, R02Z, R12A, R12B, R12C		09	J26Z		17	R01A, R01B, R01C, R01D, R02Z, R12A, R12B, R12C
	21A	W01A, W01B, W01C, W02A, W02B		17	R01A, R01B, R01C, R01D, R02Z, R12A, R12B, R12C		21A	W01A, W01B, W01C, W02A, W02B
	21B	X06A, X06B, X06C		21A	W01A, W01B, W01C, W02A, W02B		21B	X06A, X06B, X06C
5t667.2	Pre	B61A	5t668.4	21B	X06A, X06B, X06C	5t691	01	B03A, B03B, B18Z
	01	B03A, B03B, B18Z		Pre	B61A		08	I08A, I08B, I08C, I08D, I08E, I08F, I10C, I10D, I12A, I12B, I12C, I23A
	08	I06A, I06B, I06C, I06D, I06E, I08A, I08B, I08C, I08D, I08E, I08F, I09A, I09B, I09C, I09D, I09E, I10A, I10B, I10C, I10D, I10E		01	B03A, B03B, B18Z		09	J26Z
	09	J26Z		08	I06A, I06B, I06C, I06D, I06E, I08A, I08B, I08C, I08D, I08E, I08F, I09A, I09B, I09C, I09D, I10A, I10B, I10C, I10D, I10E		11	L09A, L38Z
	21A	W01A, W01B, W01C, W02A, W02B		09	J26Z		21A	W04A, W04B
5t667.3	21B	X06A, X06B, X06C, X33Z	5t66x.1	17	R01A, R01B, R01C, R01D, R02Z, R12A, R12B, R12C	5t691.1	21B	X06A, X06B, X06C
	01	B03A, B03B, B18Z		21A	W01A, W01B, W01C, W02A, W02B		01	B03A, B03B, B18Z
	08	I06A, I06B, I06C, I06D, I06E, I08A, I08B, I08C, I08D, I08E, I08F, I09A, I09B, I09C, I09D, I09E, I10A, I10B, I10C, I10D, I10E		21B	X06A, X06B, X06C		08	I08A, I08B, I08C, I08D, I08E, I08F, I10C, I10D, I45A, I45B
	09	J26Z		Pre	B61A		09	J26Z
	21A	W01A, W01B, W01C, W02A, W02B		01	B03A, B03B, B18Z		11	L09A, L38Z
5t667.4	21B	X06A, X06B, X06C, X33Z	5t66x.3	08	I06A, I06B, I06C, I06D, I06E, I08A, I08B, I08C, I08D, I08E, I08F, I09A, I09B, I09C, I09D, I10A, I10B, I10C, I10D, I10E	5t691.2	21A	W04A, W04B
	01	B03A, B03B, B18Z		09	J26Z		21B	X06A, X06B, X06C
	08	I06A, I06B, I06C, I06D, I06E, I08A, I08B, I08C, I08D, I08E, I08F, I09A, I09B, I09C, I09D, I09E, I10A, I10B, I10C, I10D, I10E		17	R01A, R01B, R01C, R01D, R02Z, R12A, R12B, R12C		01	B03A, B03B, B18Z
	09	J26Z		21A	W01A, W01B, W01C, W02A, W02B		08	I08A, I08B, I08C, I08D, I08E, I08F, I10C, I10D, I45A
	21A	W01A, W01B, W01C, W02A, W02B		21B	X06A, X06B, X06C		09	J26Z
5t667.5	21B	X06A, X06B, X06C, X33Z	5t66x.4	Pre	B61A	5t691.3	11	L09A, L38Z
	01	B03A, B03B, B18Z		01	B03A, B03B, B18Z		21A	W04A, W04B
	08	I06A, I06B, I06C, I06D, I06E, I08A, I08B, I08C, I08D, I08E, I08F, I09A, I09B, I09C, I09D, I09E, I10A, I10B, I10C, I10D, I10E		08	I08A, I08B, I08C, I08D, I08E, I08F, I10A, I10B, I10C, I10D, I10E		21B	X06A, X06B, X06C
	09	J26Z		09	J26Z		Pre	B61A
	21A	W01A, W01B, W01C, W02A, W02B		17	R01A, R01B, R01C, R01D, R02Z, R12A, R12B, R12C		01	B03A, B03B, B18Z
5t667.6	21B	X06A, X06B, X06C, X33Z	5t66x.1	21A	W01A, W01B, W01C, W02A, W02B	5t691.3	08	I08A, I08B, I08C, I08D, I08E, I08F, I10C, I10D, I45A
	01	B03A, B03B, B18Z		21B	X06A, X06B, X06C		09	J26Z
	08	I06A, I06B, I06C, I06D, I06E, I08A, I08B, I08C, I08D, I08E, I08F, I09A, I09B, I09C, I09D, I09E, I10A, I10B, I10C, I10D, I10E		Pre	B61A		11	L09A, L38Z
	09	J26Z		01	B03A, B03B, B18Z		21A	W04A, W04B
	21A	W01A, W01B, W01C, W02A, W02B		08	I08A, I08B, I08C, I08D, I08E, I08F, I10A, I10B, I10C, I10D, I10E		21B	X06A, X06B, X06C
5t667.7	21B	X06A, X06B, X06C, X33Z	5t66x.1	09	J26Z	5t691.3	Pre	B61A
	01	B03A, B03B, B18Z		17	R01A, R01B, R01C, R01D, R02Z, R12A, R12B, R12C		01	B03A, B03B, B18Z
	08	I06A, I06B, I06C, I06D, I06E, I08A, I08B, I08C, I08D, I08E, I08F, I09A, I09B, I09C, I09D, I09E, I10A, I10B, I10C, I10D, I10E		21A	W01A, W01B, W01C, W02A, W02B		08	I08A, I08B, I08C, I08D, I08E, I08F, I10C, I10D, I45A
	09	J26Z		21B	X06A, X06B, X06C		09	J26Z
	21A	W01A, W01B, W01C, W02A, W02B		Pre	B61A		11	L09A, L38Z
5t667.8	21B	X06A, X06B, X06C, X33Z	5t66x.1	17	R01A, R01B, R01C, R01D, R02Z, R12A, R12B, R12C	5t691.3	21A	W04A, W04B
	01	B03A, B03B, B18Z		21A	W01A, W01B, W01C, W02A, W02B		21B	X06A, X06B, X06C
	08	I06A, I06B, I06C, I06D, I06E, I08A, I08B, I08C, I08D, I08E, I08F, I09A, I09B, I09C, I09D, I09E, I10A, I10B, I10C, I10D, I10E		21B	X06A, X06B, X06C		Pre	B61A
	09	J26Z		Pre	B61A		01	B03A, B03B, B18Z
	21A	W01A, W01B, W01C, W02A, W02B		01	B03A, B03B, B18Z		08	I08A, I08B, I08C, I08D, I08E, I08F, I10C, I10D, I45A
5t667.9	21B	X06A, X06B, X06C, X33Z	5t66x.1	08	I08A, I08B, I08C, I08D, I08E, I08F, I10A, I10B, I10C, I10D, I10E	5t691.3	09	J26Z
	01	B03A, B03B, B18Z		09	J26Z		11	L09A, L38Z
	08	I06A, I06B, I06C, I06D, I06E, I08A, I08B, I08C, I08D, I08E, I08F, I09A, I09B, I09C, I09D, I09E, I10A, I10B, I10C, I10D, I10E		17	R01A, R01B, R01C, R01D, R02Z, R12A, R12B, R12C		21A	W04A, W04B
	09	J26Z		21A	W01A, W01B, W01C, W02A, W02B		21B	X06A, X06B, X06C
	21A	W01A, W01B, W01C, W02A, W02B		21B	X06A, X06B, X06C		Pre	B61A

VYK

ZZV	MDC	DRG	ZZV	MDC	DRG	ZZV	MDC	DRG	
5t691.4		BOP, KVT, UOP4, VIAL	5t696.2		BOP, KVT, UOP4, VIAL	5t699.3		BOP, KVT, UOP4, VIAL	
	01	B03A, B03B, B18Z		01	B03A, B03B, B18Z		01	B03A, B03B, B18Z	
	08	I08A, I08B, I08C, I08D, I08E, I08F, I10A, I10B, I10C, I10D, I45A		08	I08A, I08B, I08C, I08D, I08E, I08F, I10A, I10B, I10C, I10D, I10E		08	I08A, I08B, I08C, I08D, I08E, I08F, I10A, I10B, I10C, I10D, I10E	
	09	J26Z		09	J26Z		11	L09A, L38Z	
	11	L09A, L38Z		11	L09A, L38Z		21A	W04A, W04B	
	21A	W04A, W04B		21A	W04A, W04B		21B	X06A, X06B, X06C	
	21B	X06A, X06B, X06C		21B	X06A, X06B, X06C		5t699.4	BOP, KVT, UOP4, VIAL	
	Pre	B61A		Pre	B61A			01	B03A, B03B, B18Z
5t692		BOP, KVT, UOP4, VIAL	5t696.3		BOP, KVT, UOP4, VIAL	5t699.4	08	I08A, I08B, I08C, I08D, I08E, I08F, I10A, I10B, I10C, I10D, I10E	
	01	B03A, B03B, B18Z		01	B03A, B03B, B18Z		11	L09A, L38Z	
	05	F13A		08	I08A, I08B, I08C, I08D, I08E, I08F, I10A, I10B, I10C, I10D, I10E		21A	W04A, W04B	
	08	I08A, I08B, I08C, I08D, I08E, I08F, I10A, I10B, I10C, I10D, I10E		09	J26Z		21B	X06A, X06B, X06C	
	09	J26Z		11	L09A, L38Z		Pre	B61A	
	11	L09A, L38Z		21A	W04A, W04B		5t69a.1	BOP, KVT, UOP4, VIAL	
	17	R01A, R01B, R01C, R01D, R02Z, R12A, R12B, R12C		21B	X06A, X06B, X06C			01	B03A, B03B, B18Z
	21A	W04A, W04B		Pre	B61A		08	I08A, I08B, I08C, I08D, I08E, I08F, I09A, I09B, I09C, I09D, I09E	
21B	X06A, X06B, X06C	5t696.4		BOP, KVT, UOP4, VIAL	5t69a.2	09	J26Z		
5t693			BOP, KVT, UOP4, VIAL	01		B03A, B03B, B18Z	11	L09A, L38Z	
	01		B03A, B03B, B18Z	08		I08A, I08B, I08C, I08D, I08E, I08F, I10A, I10B, I10C, I10D, I10E	21A	W04A, W04B	
	08		I08A, I08B, I08C, I08D, I08E, I08F, I10C, I10D, I45A, I45B	09		J26Z	21B	X06A, X06B, X06C	
	09		J26Z	11		L09A, L38Z	5t69a.3	BOP, KVT, UOP4, VIAL	
	11		L09A, L38Z	21A		W04A, W04B		01	B03A, B03B, B18Z
	21A		W04A, W04B	21B		X06A, X06B, X06C	08	I08A, I08B, I08C, I08D, I08E, I08F, I09A, I09B, I09C, I09D	
	21B		X06A, X06B, X06C	Pre		B61A	09	J26Z	
	5t694		BOP, KVT, UOP4, VIAL	5t697		BOP, KVT, UOP4, VIAL	5t69a.4	11	L09A, L38Z
01		B03A, B03B, B18Z	01		B03A, B03B, B18Z	21A		W04A, W04B	
05		F13A	08		I06A, I06B, I06C, I08A, I08B, I08C, I08D, I08E, I08F, I10A, I10B, I10C, I10D, I10E	21B		X06A, X06B, X06C	
08		I08A, I08B, I08C, I08D, I08E, I08F, I10A, I10B, I10C, I10D, I10E	09		J26Z	5t69a.3		BOP, KVT, UOP4, VIAL	
09		J26Z	11		L09A, L38Z			01	B03A, B03B, B18Z
11		L09A, L38Z	21A		W04A, W04B	08		I06A, I06B, I06C, I06D, I06E, I08A, I08B, I08C, I08D, I08E, I08F, I09A, I09B, I09C, I09D	
21A		W04A, W04B	21B		X06A, X06B, X06C	09		J26Z	
21B		X06A, X06B, X06C	Pre		B61A	11		L09A, L38Z	
5t695		BOP, KVT, UOP4, VIAL	5t698		BOP, KVT, UOP4, VIAL	5t69a.4	21A	W04A, W04B	
	01	B03A, B03B, B18Z		01	B03A, B03B, B18Z		21B	X06A, X06B, X06C	
	05	F13A		08	I08A, I08B, I08C, I08D, I08E, I08F, I10A, I10B, I10C, I10D, I10E		Pre	B61A	
	08	I08A, I08B, I08C, I08D, I08E, I08F, I09A, I09B, I09C, I09D, I09E, I10A, I10B, I10C, I10D, I10E		09	J26Z		5t69b.1	BOP, KVT, UOP4, VIAL	
	09	J26Z		11	L09A, L38Z			08	I10A, I10B, I10C, I10D, I10E, I10F
	11	L09A, L38Z		21A	W04A, W04B		11	L09A, L38Z	
	17	R01A, R01B, R01C, R01D, R02Z, R12A, R12B, R12C		21B	X06A, X06B, X06C		5t69b.2	BOP, KVT, UOP4	
	21A	W04A, W04B		Pre	B61A			08	I10A, I10B, I10C, I10D, I10E, I10F
21B	X06A, X06B, X06C	5t699.1		BOP, KVT, UOP4, VIAL	5t69b.3	11	L09A, L38Z		
Pre	B61A		01	B03A, B03B, B18Z		5t69b.3	BOP, KVT, UOP4		
5t696.1			BOP, KVT, UOP4, VIAL	08			I08A, I08B, I08C, I08D, I08E, I08F, I10A, I10B, I10C, I10D, I10E	08	I10A, I10B, I10C, I10D, I10E, I10F
	01		B03A, B03B, B18Z	11		L09A, L38Z	11	L09A, L38Z	
	08		I08A, I08B, I08C, I08D, I08E, I08F, I10A, I10B, I10C, I10D, I10E	21A		W04A, W04B	5t69c.1	BOP, KVT, UOP4	
	09		J26Z	21B		X06A, X06B, X06C		08	I10A, I10B, I10C, I10D, I10E, I10F
	11		L09A, L38Z	5t699.2			BOP, KVT, UOP4, VIAL	11	L09A, L38Z
	21A		W04A, W04B			01	B03A, B03B, B18Z	5t69c.1	BOP, KVT, UOP4
	21B	X06A, X06B, X06C	08		I08A, I08B, I08C, I08D, I08E, I08F, I10A, I10B, I10C, I10D, I10E	08	I10A, I10B, I10C, I10D, I10E, I10F		
	Pre	B61A	11		L09A, L38Z	11	L09A, L38Z		
		21A	W04A, W04B						
		21B	X06A, X06B, X06C						



ZZV	MDC	DRG	ZZV	MDC	DRG	ZZV	MDC	DRG
5t69c.2		BOP, KVT, UOP4	5t69x.1		BOP, KVT, UOP4, VIAL	5t701.7↔		BOP, KVT, UOP4, VIAL
	08	I10A, I10B, I10C, I10D, I10E, I10F		01	B03A, B03B, B18Z		08	I32A, I32B, I32C, I32D, I32E, I32F
5t69c.3	11	L09A, L38Z	5t69x.x	08	I08A, I08B, I08C, I08D, I08E, I08F, I10A, I10B, I10C, I10D, I10E	21A	W04A, W04B	
	08	BOP, KVT, UOP4		21B	X06A, X06B, X06C	21B	X05A	
5t69d.1	11	L09A, L38Z	5t701.0↔		BOP, KVT, UOP4, VIAL	5t701.8↔		
	01	BOP, KVT, UOP4, VIAL		01	B03A, B03B, B18Z	08	I32A, I32B, I32C, I32D, I32E, I32F	
5t69d.2	08	B03A, B03B, B18Z	5t701.1↔	08	I08A, I08B, I08C, I08D, I08E, I08F, I10A, I10B, I10C, I10D, I10E	21A	W04A, W04B	
	21A	W04A, W04B		21B	X06A, X06B, X06C	21B	X05A	
5t69d.3	21B	X06A, X06B, X06C	5t701.2↔	08	I32A, I32B, I32C, I32D, I32E, I32F	5t701.9↔		
	01	BOP, KVT, UOP4, VIAL		09	J03A, J03B, J04A, J04B, J08A, J08B, J08C, J11A, J11B, J16Z	08	I32A, I32B, I32C, I32D, I32E, I32F, I32G	
5t69e	08	B03A, B03B, B18Z	5t701.3↔	21A	W04A, W04B	21A	W04A, W04B	
	11	L09A, L38Z		21B	X05A	21B	X05A	
5t69f.1	21A	W04A, W04B	5t701.4↔	08	I32A, I32B, I32C, I32D, I32E, I32F	5t702.0↔		
	21B	X06A, X06B, X06C		09	J03A, J03B, J04A, J04B, J08A, J08B, J08C, J11A, J11B, J16Z	08	I32A, I32B, I32C, I32D, I32E, I32F, I32G	
5t69f.2	01	BOP, KVT, UOP4, VIAL	5t701.5↔	21A	W04A, W04B	5t702.1↔		
	08	B03A, B03B, B18Z		21B	X05A	08	I32A, I32B, I32C, I32D, I32E, I32F, I32G	
5t69f.3	11	L09A, L38Z	5t701.6↔	08	I32A, I32B, I32C, I32D, I32E, I32F	5t702.2↔		
	21A	W04A, W04B		09	J03A, J03B, J04A, J04B, J08A, J08B, J08C, J11A, J11B, J16Z	08	I32A, I32B, I32C, I32D, I32E, I32F, I32G	
	21B	X06A, X06B, X06C			21A	W04A, W04B		
	01	BOP, KVT, UOP4, VIAL			21B	X05A		
	08	B03A, B03B, B18Z			5t702.3↔			
	11	L09A, L38Z			08	I32A, I32B, I32C, I32D, I32E, I32F, I32G		
	21A	W04A, W04B			21A	W04A, W04B		
	21B	X06A, X06B, X06C			21B	X05A		
	01	BOP, KVT, UOP4, VIAL			5t702.4↔			
	08	B03A, B03B, B18Z			08	I32A, I32B, I32C, I32D, I32E, I32F, I32G		
	11	L09A, L38Z			21A	W04A, W04B		
	21A	W04A, W04B			21B	X05A		
	21B	X06A, X06B, X06C			5t702.5↔			
	01	BOP, KVT, UOP4, VIAL			08	I32A, I32B, I32C, I32D, I32E, I32F, I32G		
	08	B03A, B03B, B18Z			21A	W04A, W04B		
	11	L09A, L38Z			21B	X05A		
	21A	W04A, W04B			5t702.6↔			
	21B	X06A, X06B, X06C			08	I32A, I32B, I32C, I32D, I32E, I32F, I32G		
	01	BOP, KVT, UOP4, VIAL			21A	W04A, W04B		
	08	B03A, B03B, B18Z			21B	X05A		
	11	L09A, L38Z			5t702.7↔			
	21A	W04A, W04B			08	I32A, I32B, I32C, I32D, I32E, I32F, I32G		
	21B	X06A, X06B, X06C			21A	W04A, W04B		
	01	BOP, KVT, UOP4, VIAL			21B	X05A		
	08	B03A, B03B, B18Z			5t702.8↔			
	11	L09A, L38Z			08	I32A, I32B, I32C, I32D, I32E, I32F, I32G		
	21A	W04A, W04B			21A	W04A, W04B		
	21B	X06A, X06B, X06C			21B	X05A		
	01	BOP, KVT, UOP4, VIAL			5t702.9↔			
	08	B03A, B03B, B18Z			08	I32A, I32B, I32C, I32D, I32E, I32F		
	11	L09A, L38Z			21A	W04A, W04B		
	21A	W04A, W04B			21B	X05A		
	21B	X06A, X06B, X06C						



ZZV	MDC	DRG	ZZV	MDC	DRG	ZZV	MDC	DRG
5t711.0↔		BOP, KVT, UOP4, VIAL	5t711.7↔		BOP, KVT, UOP4, VIAL	5t713.1↔		BOP, KVT, UOP4, VIAL
	08	I32A, I32B, I32C, I32D, I32E, I32F		08	I32A, I32B, I32C, I32D, I32E, I32F, I32G		08	I32A, I32B, I32C, I32D, I32E, I32F
	09	J03A, J03B, J04A, J04B, J08A, J08B, J08C, J11A, J11B, J16Z		09	J03A, J03B, J04A, J04B, J08A, J08B, J08C, J11A, J11B, J16Z		09	J03A, J03B, J04A, J04B, J08A, J08B, J08C, J11A, J11B, J16Z
	21A	W04A, W04B		21A	W04A, W04B		21A	W04A, W04B
	21B	X05A		21B	X05A		21B	X05A
5t711.10↔		BOP, KVT, UOP4, VIAL	5t712.0↔		BOP, KVT, UOP4, VIAL	5t713.2↔		BOP, KVT, UOP4, VIAL
	01	B05Z		08	I32A, I32B, I32C, I32D, I32E, I32F		08	I32A, I32B, I32C, I32D, I32E, I32F
	08	I32A, I32B, I32C, I32D, I32E, I32F		09	J03A, J03B, J04A, J04B, J08A, J08B, J08C, J11A, J11B, J16Z		09	J03A, J03B, J04A, J04B, J08A, J08B, J08C, J11A, J11B, J16Z
	09	J03A, J03B, J04A, J04B, J08A, J08B, J08C, J11A, J11B, J16Z		21A	W04A, W04B		21A	W04A, W04B
	21A	W04A, W04B		21B	X05A		21B	X05A
	21B	X05A	5t712.1↔		BOP, KVT, UOP4, VIAL	5t713.3↔		BOP, KVT, UOP4, VIAL
5t711.11↔		BOP, KVT, UOP4, VIAL		08	I32A, I32B, I32C, I32D, I32E, I32F		08	I32A, I32B, I32C, I32D, I32E, I32F
	01	B05Z		09	J03A, J03B, J04A, J04B, J08A, J08B, J08C, J11A, J11B, J16Z		09	J03A, J03B, J04A, J04B, J08A, J08B, J08C, J11A, J11B, J16Z
	08	I32A, I32B, I32C, I32D, I32E, I32F		21A	W04A, W04B		21A	W04A, W04B
	09	J03A, J03B, J04A, J04B, J08A, J08B, J08C, J11A, J11B, J16Z		21B	X05A		21B	X05A
	21A	W04A, W04B	5t712.2↔		BOP, KVT, UOP4, VIAL	5t713.4↔		BOP, KVT, UOP4, VIAL
	21B	X05A		08	I32A, I32B, I32C, I32D, I32E, I32F		08	I32A, I32B, I32C, I32D, I32E, I32F
5t711.2↔		BOP, KVT, UOP4, VIAL		09	J03A, J03B, J04A, J04B, J08A, J08B, J08C, J11A, J11B, J16Z		21A	W04A, W04B
	08	I32A, I32B, I32C, I32D, I32E, I32F		21B	X05A		21B	X05A
	09	J03A, J03B, J04A, J04B, J08A, J08B, J08C, J11A, J11B, J16Z		5t712.3↔			BOP, KVT, UOP4, VIAL	5t713.5↔
	21A	W04A, W04B	08		I32A, I32B, I32C, I32D, I32E, I32F	08	I32A, I32B, I32C, I32D, I32E, I32F	
		21B	X05A		09	J03A, J03B, J04A, J04B, J08A, J08B, J08C, J11A, J11B, J16Z	21A	
5t711.3↔		BOP, KVT, UOP4, VIAL	21B		X05A	21B	X05A	
	08	I32A, I32B, I32C, I32D, I32E, I32F	5t712.4↔			BOP, KVT, UOP4, VIAL	5t713.6↔	
	09	J03A, J03B, J04A, J04B, J08A, J08B, J08C, J11A, J11B, J16Z		08	I32A, I32B, I32C, I32D, I32E, I32F	08		I32A, I32B, I32C, I32D, I32E, I32F
	21A	W04A, W04B		09	J03A, J03B, J04A, J04B, J08A, J08B, J08C, J11A, J11B, J16Z	21A		W04A, W04B
		21B		X05A	21B	X05A		
5t711.4↔		BOP, KVT, UOP4, VIAL		5t712.5↔		BOP, KVT, UOP4, VIAL		5t713.7↔
	08	I32A, I32B, I32C, I32D, I32E, I32F, I32G	08		I32A, I32B, I32C, I32D, I32E, I32F	08	I32A, I32B, I32C, I32D, I32E, I32F	
	09	J03A, J03B, J04A, J04B, J08A, J08B, J08C, J11A, J11B, J16Z	21A		W04A, W04B	21A	W04A, W04B	
	21A	W04A, W04B	21B		X05A	21B	X05A	
		21B	X05A		5t712.6↔		BOP, KVT, UOP4, VIAL	
5t711.5↔		BOP, KVT, UOP4, VIAL	08	I32A, I32B, I32C, I32D, I32E, I32F, I32G		08	I32A, I32B, I32C, I32D, I32E, I32F	
	08	I32A, I32B, I32C, I32D, I32E, I32F, I32G	21A	W04A, W04B		09	J03A, J03B, J04A, J04B, J08A, J08B, J08C, J11A, J11B, J16Z	
	09	J03A, J03B, J04A, J04B, J08A, J08B, J08C, J11A, J11B, J16Z	21B	X05A		21A	W04A, W04B	
	21A	W04A, W04B	5t712.7↔			BOP, KVT, UOP4, VIAL	5t714.1↔	
		21B		X05A	08	I32A, I32B, I32C, I32D, I32E, I32F		01
5t711.6↔		BOP, KVT, UOP4, VIAL		21A	W04A, W04B	08		I32A, I32B, I32C, I32D, I32E, I32F
	08	I32A, I32B, I32C, I32D, I32E, I32F, I32G		21B	X05A	09		J03A, J03B, J04A, J04B, J08A, J08B, J08C, J11A, J11B, J16Z
	09	J03A, J03B, J04A, J04B, J08A, J08B, J08C, J11A, J11B, J16Z		5t713.0↔		BOP, KVT, UOP4, VIAL		5t714.1↔
	21A	W04A, W04B	08		I32A, I32B, I32C, I32D, I32E, I32F	08	I32A, I32B, I32C, I32D, I32E, I32F	
		21B	X05A		09	J03A, J03B, J04A, J04B, J08A, J08B, J08C, J11A, J11B, J16Z	21A	
5t711.7↔		BOP, KVT, UOP4, VIAL	21B		X05A	21B	X05A	
	08	I32A, I32B, I32C, I32D, I32E, I32F	5t713.1↔			BOP, KVT, UOP4, VIAL	5t714.1↔	
	09	J03A, J03B, J04A, J04B, J08A, J08B, J08C, J11A, J11B, J16Z		08	I32A, I32B, I32C, I32D, I32E, I32F	08		I32A, I32B, I32C, I32D, I32E, I32F
	21A	W04A, W04B		09	J03A, J03B, J04A, J04B, J08A, J08B, J08C, J11A, J11B, J16Z	21A		W04A, W04B
		21B		X05A	21A	W04A, W04B		21B
	21B	X05A						

ZZV	MDC	DRG	ZZV	MDC	DRG	ZZV	MDC	DRG
5t775.3↔		BOP, KVT, UOP4, VIAL	5t776.4↔		BOP, KVT, UOP4, VIAL	5t77x.5↔		BOP, KVT, UOP4, VIAL
01		B03A, B03B, B06A, B06B, B07Z, B17A, B17B, B17C	01		B03A, B03B, B06A, B06B, B07Z, B17A, B17B, B17C	01		B03A, B03B, B06A, B06B, B07Z, B17A, B17B, B17C
08		I32A, I32B, I32C, I32D, I32E, I32F	08		I32A, I32B, I32C, I32D, I32E, I32F	08		I32A, I32B, I32C, I32D, I32E, I32F
21A		W04A, W04B	21A		W04A, W04B	21A		W04A, W04B
21B		X05A, X05B	21B		X05A, X05B	21B		X05A, X05B
5t775.4↔		BOP, KVT, UOP4, VIAL	5t776.5↔		BOP, KVT, UOP4, VIAL	5t77x.6↔		BOP, KVT, UOP4, VIAL
01		B03A, B03B, B06A, B06B, B07Z, B17A, B17B, B17C	01		B03A, B03B, B06A, B06B, B07Z, B17A, B17B, B17C	01		B03A, B03B, B06A, B06B, B07Z, B17A, B17B, B17C
08		I32A, I32B, I32C, I32D, I32E, I32F	08		I32A, I32B, I32C, I32D, I32E, I32F	08		I32A, I32B, I32C, I32D, I32E, I32F
21A		W04A, W04B	21A		W04A, W04B	21A		W04A, W04B
21B		X05A, X05B	21B		X05A, X05B	21B		X05A, X05B
5t775.5↔		BOP, KVT, UOP4, VIAL	5t776.6↔		BOP, KVT, UOP4, VIAL	5t77x.7↔		BOP, KVT, UOP4, VIAL
01		B03A, B03B, B06A, B06B, B07Z, B17A, B17B, B17C	01		B03A, B03B, B06A, B06B, B07Z, B17A, B17B, B17C	01		B03A, B03B, B06A, B06B, B07Z, B17A, B17B, B17C
08		I32A, I32B, I32C, I32D, I32E, I32F	08		I32A, I32B, I32C, I32D, I32E, I32F	08		I32A, I32B, I32C, I32D, I32E, I32F
21A		W04A, W04B	21A		W04A, W04B	21A		W04A, W04B
21B		X05A, X05B	21B		X05A, X05B	21B		X05A, X05B
5t775.6↔		BOP, KVT, UOP4, VIAL	5t776.7↔		BOP, KVT, UOP4, VIAL	5t77x.x↔		BOP, KVT, UOP4, VIAL
01		B03A, B03B, B06A, B06B, B07Z, B17A, B17B, B17C	01		B03A, B03B, B06A, B06B, B07Z, B17A, B17B, B17C	01		B03A, B03B, B06A, B06B, B07Z, B17A, B17B, B17C
08		I32A, I32B, I32C, I32D, I32E, I32F	08		I32A, I32B, I32C, I32D, I32E, I32F	08		I32A, I32B, I32C, I32D, I32E, I32F
21A		W04A, W04B	21A		W04A, W04B	21A		W04A, W04B
21B		X05A, X05B	21B		X05A, X05B	21B		X05A, X05B
5t775.7↔		BOP, KVT, UOP4, VIAL	5t776.x↔		BOP, KVT, UOP4, VIAL	5t780.0↔		BOP, KVT, UOP4, VIAL
01		B03A, B03B, B06A, B06B, B07Z, B17A, B17B, B17C	01		B03A, B03B, B06A, B06B, B07Z, B17A, B17B, B17C	01		B03A, B03B, B06A, B06B, B07Z, B17A, B17B, B17C
08		I32A, I32B, I32C, I32D, I32E, I32F	08		I32A, I32B, I32C, I32D, I32E, I32F	08		I31Z, I32A, I32B, I32C, I32D, I32E, I32F
21A		W04A, W04B	21A		W04A, W04B	09		J03A, J03B, J04A, J04B, J08A, J08B, J08C, J10A, J10B, J16Z
21B		X05A, X05B	21B		X05A, X05B	21A		W04A, W04B
5t775.x↔		BOP, KVT, UOP4, VIAL	5t77x.0↔		BOP, KVT, UOP4, VIAL	21B		X05A, X05B
01		B03A, B03B, B06A, B06B, B07Z, B17A, B17B, B17C	01		B03A, B03B, B06A, B06B, B07Z, B17A, B17B, B17C	5t780.1↔		BOP, KVT, UOP4, VIAL
08		I32A, I32B, I32C, I32D, I32E, I32F	08		I32A, I32B, I32C, I32D, I32E, I32F	01		B03A, B03B, B06A, B06B, B07Z, B17A, B17B, B17C
21A		W04A, W04B	21A		W04A, W04B	08		I31Z, I32A, I32B, I32C, I32D, I32E, I32F
21B		X05A, X05B	21B		X05A, X05B	09		J03A, J03B, J04A, J04B, J08A, J08B, J08C, J10A, J10B, J16Z
5t776.0↔		BOP, KVT, UOP4, VIAL	5t77x.1↔		BOP, KVT, UOP4, VIAL	21A		W04A, W04B
01		B03A, B03B, B06A, B06B, B07Z, B17A, B17B, B17C	01		B03A, B03B, B06A, B06B, B07Z, B17A, B17B, B17C	21B		X05A, X05B
08		I32A, I32B, I32C, I32D, I32E, I32F	08		I32A, I32B, I32C, I32D, I32E, I32F	5t781.0↔		BOP, KVT, UOP4, VIAL
21A		W04A, W04B	21A		W04A, W04B	08		I21Z, I31Z, I32A
21B		X05A, X05B	21B		X05A, X05B	21A		W04A, W04B
5t776.1↔		BOP, KVT, UOP4, VIAL	5t77x.2↔		BOP, KVT, UOP4, VIAL	21B		X06A, X06B, X06C
01		B03A, B03B, B06A, B06B, B07Z, B17A, B17B, B17C	01		B03A, B03B, B06A, B06B, B07Z, B17A, B17B, B17C	BOP, KVT, UOP4, VIAL		
08		I32A, I32B, I32C, I32D, I32E, I32F	08		I32A, I32B, I32C, I32D, I32E, I32F	08		I21Z, I31Z, I32A
21A		W04A, W04B	21A		W04A, W04B	21A		W04A, W04B
21B		X05A, X05B	21B		X05A, X05B	21B		X06A, X06B, X06C
5t776.2↔		BOP, KVT, UOP4, VIAL	5t77x.3↔		BOP, KVT, UOP4, VIAL	5t782.0↔		BOP, KVT, UOP4, VIAL
01		B03A, B03B, B06A, B06B, B07Z, B17A, B17B, B17C	01		B03A, B03B, B06A, B06B, B07Z, B17A, B17B, B17C	01		B03A, B03B, B06A, B06B, B07Z, B17A, B17B, B17C
08		I32A, I32B, I32C, I32D, I32E, I32F	08		I32A, I32B, I32C, I32D, I32E, I32F	05		F21A, F21B
21A		W04A, W04B	21A		W04A, W04B	08		I32A, I32B, I32C, I32D, I32E, I32F
21B		X05A, X05B	21B		X05A, X05B	09		J02A, J02B, J02C, J04A, J04B, J08A, J08B, J08C, J16Z, J21Z, J22A, J22B
5t776.3↔		BOP, KVT, UOP4, VIAL	5t77x.4↔		BOP, KVT, UOP4, VIAL	21A		W04A, W04B
01		B03A, B03B, B06A, B06B, B07Z, B17A, B17B, B17C	01		B03A, B03B, B06A, B06B, B07Z, B17A, B17B, B17C	21B		X01A, X01B, X01C
08		I32A, I32B, I32C, I32D, I32E, I32F	08		I32A, I32B, I32C, I32D, I32E, I32F			
21A		W04A, W04B	21A		W04A, W04B			
21B		X05A, X05B	21B		X05A, X05B			

ZZV	MDC	DRG	ZZV	MDC	DRG	ZZV	MDC	DRG
5t789.16↔		BOP, KVT, UOP4, VIAL	5t78c.0↔		BOP, KVT, UOP4, VIAL	5t793↔		BOP, KVT, UOP4, VIAL
	01	B03A, B03B, B06A, B06B, B07Z, B17A, B17B, B17C		01	B03A, B03B, B06A, B06B, B07Z, B17A, B17B, B17C		01	B03A, B03B, B06A, B06B, B07Z, B17A, B17B, B17C
	08	I32A, I32B, I32C, I32D, I32E, I32F		08	I32A, I32B, I32C, I32D, I32E, I32F		05	F01A, F01B, F01D, F05Z, F07A, F07B, F14A, F14B, F28A, F42Z, F54Z, F59A, F59B
	09	J03A, J03B, J04A, J04B, J08A, J08B, J08C, J10A, J10B, J16Z		09	J03A, J03B, J04A, J04B, J08A, J08B, J08C, J10A, J10B, J16Z		08	I28A, I28B, I28C
	21A	W04A, W04B		21A	W04A, W04B		09	J03A, J03B, J04A, J04B, J08A, J08B, J08C, J11A, J11B, J16Z
5t78a.0↔		BOP, KVT, UOP4, VIAL	5t78c.1↔		BOP, KVT, UOP4, VIAL	5t794↔		K09A, K09B
	01	B03A, B03B, B06A, B06B, B07Z, B17A, B17B, B17C		01	B03A, B03B, B06A, B06B, B07Z, B17A, B17B, B17C		21A	W04A, W04B
	08	I32A, I32B, I32C, I32D, I32E, I32F		08	I32A, I32B, I32C, I32D, I32E, I32F		21B	X05A, X05B
	09	J03A, J03B, J04A, J04B, J08A, J08B, J08C, J10A, J10B, J16Z		09	J03A, J03B, J04A, J04B, J08A, J08B, J08C, J10A, J10B, J16Z		01	BOP, KVT, UOP4, VIAL
	21A	W04A, W04B		21A	W04A, W04B		05	F01A, F01B, F01D, F05Z, F07A, F07B, F14A, F14B, F28A, F42Z, F54Z, F59A, F59B
5t78a.1↔		BOP, KVT, UOP4, VIAL	5t78x.0↔		BOP, KVT, UOP4, VIAL	5t795↔		BOP, KVT, UOP4, VIAL
	01	B03A, B03B, B06A, B06B, B07Z, B17A, B17B, B17C		01	B03A, B03B, B06A, B06B, B07Z, B17A, B17B, B17C		08	I28A, I28B, I28C
	08	I32A, I32B, I32C, I32D, I32E, I32F		08	I32A, I32B, I32C, I32D, I32E, I32F		09	J03A, J03B, J04A, J04B, J08A, J08B, J08C, J11A, J11B, J16Z
	09	J03A, J03B, J04A, J04B, J08A, J08B, J08C, J10A, J10B, J16Z		09	J03A, J03B, J04A, J04B, J08A, J08B, J08C, J10A, J10B, J16Z		10	K09A, K09B
	21A	W04A, W04B		21A	W04A, W04B		21A	W04A, W04B
5t78b.00↔		BOP, KVT, UOP4, VIAL	5t78x.1↔		BOP, KVT, UOP4, VIAL	5t796↔		BOP, KVT, UOP4, VIAL
	01	B03A, B03B, B06A, B06B, B07Z, B17A, B17B, B17C		01	B03A, B03B, B06A, B06B, B07Z, B17A, B17B, B17C		01	B03A, B03B, B06A, B06B, B07Z, B17A, B17B, B17C
	08	I32A, I32B, I32C, I32D, I32E, I32F		08	I32A, I32B, I32C, I32D, I32E, I32F		08	I32A, I32B, I32C, I32D, I32E, I32F
	09	J03A, J03B, J04A, J04B, J08A, J08B, J08C, J10A, J10B, J16Z		09	J03A, J03B, J04A, J04B, J08A, J08B, J08C, J10A, J10B, J16Z		21A	W04A, W04B
	21A	W04A, W04B		21A	W04A, W04B		21B	X07A, X07B
5t78b.01↔		BOP, KVT, UOP4, VIAL	5t790↔		BOP, KVT, UOP4, VIAL	5t797.0↔		BOP, KVT, UOP4, VIAL
	01	B03A, B03B, B06A, B06B, B07Z, B17A, B17B, B17C		08	I32A, I32B, I32C, I32D, I32E, I32F, I32G		01	B03A, B03B, B06A, B06B, B07Z, B17A, B17B, B17C
	08	I32A, I32B, I32C, I32D, I32E, I32F		09	J03A, J03B, J04A, J04B, J08A, J08B, J08C, J11A, J11B, J16Z		08	I32A, I32B, I32C, I32D, I32E, I32F
	09	J03A, J03B, J04A, J04B, J08A, J08B, J08C, J10A, J10B, J16Z		10	K09A, K09B		21A	W04A, W04B
	21A	W04A, W04B		21A	W04A, W04B		21B	X07A, X07B
5t78b.10↔		BOP, KVT, UOP4, VIAL	5t791↔		BOP, KVT, UOP4, VIAL	5t797.1↔		BOP, KVT, UOP4, VIAL
	01	B03A, B03B, B06A, B06B, B07Z, B17A, B17B, B17C		08	I32A, I32B, I32C, I32D, I32E, I32F		01	B03A, B03B, B06A, B06B, B07Z, B17A, B17B, B17C
	08	I32A, I32B, I32C, I32D, I32E, I32F		21A	W04A, W04B		08	I32A, I32B, I32C, I32D, I32E, I32F
	09	J03A, J03B, J04A, J04B, J08A, J08B, J08C, J10A, J10B, J16Z		21B	X05A, X05B		21A	W04A, W04B
	21A	W04A, W04B		21B	X05A, X05B		21B	X07A, X07B
5t78b.11↔		BOP, KVT, UOP4, VIAL	5t792↔		BOP, KVT, UOP4, VIAL	5t798↔		BOP, KVT, UOP4, VIAL
	01	B03A, B03B, B06A, B06B, B07Z, B17A, B17B, B17C		08	I32A, I32B, I32C, I32D, I32E, I32F		01	B03A, B03B, B06A, B06B, B07Z, B17A, B17B, B17C
	08	I32A, I32B, I32C, I32D, I32E, I32F		09	J03A, J03B, J04A, J04B, J08A, J08B, J08C, J11A, J11B, J16Z		08	I32A, I32B, I32C, I32D, I32E, I32F
	09	J03A, J03B, J04A, J04B, J08A, J08B, J08C, J10A, J10B, J16Z		21A	W04A, W04B		21A	W04A, W04B
	21A	W04A, W04B		21B	X05A, X05B		21B	X07A, X07B

VYK

ZZV	MDC	DRG	ZZV	MDC	DRG	ZZV	MDC	DRG
5t79x↔		BOP, KVT, UOP4, VIAL	5t800.7↔		BOP, KVT, UOP4	5t801.2↔		BOP, KVT, UOP4
	08	I32A, I32B, I32C, I32D, I32E, I32F		01	B03A, B03B, B06A, B06B, B17A, B17B, B17C		01	B03A, B03B, B06A, B06B, B17A, B17B, B17C
	21A	W04A, W04B		08	I27A, I27B, I27C, I27D		08	I27A, I27B, I27C, I27D
5t800.0↔	21B	X05A, X05B	5t800.8↔	09	J03A, J03B, J04A, J04B, J08A, J08B, J08C, J11A, J11B, J16Z	5t801.3↔	09	J03A, J03B, J04A, J04B, J08A, J08B, J08C, J11A, J11B, J16Z
	01	B03A, B03B, B06A, B06B, B07Z, B17A, B17B, B17C		21A	W04A, W04B		21A	W04A, W04B
	03	D18Z, D28Z, D29Z		21B	X04Z, X06A, X06B, X06C		21B	X06A, X06B, X06C
	08	I27A, I27B, I27C, I27D			BOP, KVT, UOP4			BOP, KVT, UOP4
	09	J03A, J03B, J04A, J04B, J08A, J08B, J08C, J11A, J11B, J16Z		01	B03A, B03B, B06A, B06B, B17A, B17B, B17C		01	B03A, B03B, B06A, B06B, B17A, B17B, B17C
5t800.1↔	21A	W04A, W04B	5t800.a↔	08	I27A, I27B, I27C, I27D	5t801.4↔	08	I27A, I27B, I27C, I27D
	21B	X06A, X06B, X06C		09	J03A, J03B, J04A, J04B, J08A, J08B, J08C, J11A, J11B, J16Z		09	J03A, J03B, J04A, J04B, J08A, J08B, J08C, J11A, J11B, J16Z
		BOP, KVT, UOP4		21A	W04A, W04B		21A	W04A, W04B
	01	B03A, B03B, B06A, B06B, B17A, B17B, B17C		21B	X04Z, X06A, X06B, X06C		21B	X05A, X05B, X06A, X06B, X06C
	08	I27A, I27B, I27C, I27D			BOP, KVT, UOP4			BOP, KVT, UOP4
5t800.2↔	09	J03A, J03B, J04A, J04B, J08A, J08B, J08C, J11A, J11B, J16Z	5t800.b	01	B03A, B03B, B06A, B06B, B17A, B17B, B17C	5t801.5↔	01	B03A, B03B, B06A, B06B, B17A, B17B, B17C
	21A	W04A, W04B		08	I27A, I27B, I27C, I27D		08	I27A, I27B, I27C, I27D
	21B	X06A, X06B, X06C		09	J03A, J03B, J04A, J04B, J08A, J08B, J08C, J11A, J11B, J16Z		09	J03A, J03B, J04A, J04B, J08A, J08B, J08C, J11A, J11B, J16Z
		BOP, KVT, UOP4		21A	W04A, W04B		21A	W04A, W04B
	01	B03A, B03B, B06A, B06B, B17A, B17B, B17C		21B	X04Z, X06A, X06B, X06C		21B	X06A, X06B, X06C
5t800.3↔	08	I27A, I27B, I27C, I27D	5t800.x↔		BOP, KVT, UOP4	5t801.6↔		BOP, KVT, UOP4
	09	J03A, J03B, J04A, J04B, J08A, J08B, J08C, J11A, J11B, J16Z		01	B03A, B03B, B06A, B06B, B17A, B17B, B17C		01	B03A, B03B, B06A, B06B, B17A, B17B, B17C
	21A	W04A, W04B		08	I27A, I27B, I27C, I27D		08	I27A, I27B, I27C, I27D
	21B	X06A, X06B, X06C		09	J03A, J03B, J04A, J04B, J08A, J08B, J08C, J11A, J11B, J16Z		09	J03A, J03B, J04A, J04B, J08A, J08B, J08C, J11A, J11B, J16Z
		BOP, KVT, UOP4		21A	W04A, W04B		21A	W04A, W04B
5t800.4↔	01	B03A, B03B, B06A, B06B, B17A, B17B, B17C	5t801.0↔	21B	X04Z, X06A, X06B, X06C	5t801.7↔	21B	X06A, X06B, X06C
	08	I27A, I27B, I27C, I27D			BOP, KVT, UOP4			BOP, KVT, UOP4
	09	J03A, J03B, J04A, J04B, J08A, J08B, J08C, J11A, J11B, J16Z		01	B03A, B03B, B06A, B06B, B07Z, B17A, B17B, B17C		01	B03A, B03B, B06A, B06B, B17A, B17B, B17C
	21A	W04A, W04B		03	D18Z, D28Z, D29Z		08	I27A, I27B, I27C, I27D
	21B	X06A, X06B, X06C		08	I27A, I27B, I27C, I27D		09	J03A, J03B, J04A, J04B, J08A, J08B, J08C, J11A, J11B, J16Z
5t800.5↔		BOP, KVT, UOP4	5t801.1↔	09	J03A, J03B, J04A, J04B, J08A, J08B, J08C, J11A, J11B, J16Z	5t801.8↔	09	J03A, J03B, J04A, J04B, J08A, J08B, J08C, J11A, J11B, J16Z
	01	B03A, B03B, B06A, B06B, B17A, B17B, B17C		21A	W04A, W04B		21A	W04A, W04B
	08	I27A, I27B, I27C, I27D		21B	X06A, X06B, X06C		21B	X04Z, X06A, X06B, X06C
	09	J03A, J03B, J04A, J04B, J08A, J08B, J08C, J11A, J11B, J16Z			BOP, KVT, UOP4			BOP, KVT, UOP4
	21A	W04A, W04B		01	B03A, B03B, B06A, B06B, B17A, B17B, B17C		01	B03A, B03B, B06A, B06B, B17A, B17B, B17C
5t800.6↔	21B	X06A, X06B, X06C	5t801.1↔	08	I27A, I27B, I27C, I27D	5t801.8↔	08	I27A, I27B, I27C, I27D
		BOP, KVT, UOP4		09	J03A, J03B, J04A, J04B, J08A, J08B, J08C, J11A, J11B, J16Z		09	J03A, J03B, J04A, J04B, J08A, J08B, J08C, J11A, J11B, J16Z
	01	B03A, B03B, B06A, B06B, B17A, B17B, B17C		21A	W04A, W04B		21A	W04A, W04B
	08	I27A, I27B, I27C, I27D		21B	X06A, X06B, X06C		21B	X04Z, X06A, X06B, X06C
	09	J03A, J03B, J04A, J04B, J08A, J08B, J08C, J11A, J11B, J16Z			BOP, KVT, UOP4			BOP, KVT, UOP4

VYK

ZZV	MDC	DRG	ZZV	MDC	DRG	ZZV	MDC	DRG
5t804.1↔		BOP, KVT, UOP4	5t805.7↔		BOP, KVT, UOP4	5t806.5↔		BOP, KVT, UOP4
	08	I27A, I27B, I27C, I27D		08	I27A, I27B, I27C, I27D		01	B03A, B03B, B06A, B06B, B07Z, B17A, B17B, B17C
	21A	W04A, W04B		21A	W04A, W04B		08	I27A, I27B, I27C, I27D
	21B	X06A, X06B, X06C		21B	X04Z, X06A, X06B, X06C		09	J03A, J03B, J04A, J04B, J08A, J08B, J08C, J11A, J11B, J16Z
5t804.2↔		BOP, KVT, UOP4	5t805.8↔		BOP, KVT, UOP4		21A	W04A, W04B
	08	I27A, I27B, I27C, I27D		08	I27A, I27B, I27C, I27D		21B	X06A, X06B, X06C
	21A	W04A, W04B		21A	W04A, W04B	5t806.6↔		BOP, KVT, UOP4
	21B	X06A, X06B, X06C		21B	X04Z, X06A, X06B, X06C		01	B03A, B03B, B06A, B06B, B07Z, B17A, B17B, B17C
5t804.3↔		BOP, KVT, UOP4	5t805.a↔		BOP, KVT, UOP4		08	I27A, I27B, I27C, I27D
	08	I27A, I27B, I27C, I27D		08	I27A, I27B, I27C, I27D		09	J03A, J03B, J04A, J04B, J08A, J08B, J08C, J11A, J11B, J16Z
	21A	W04A, W04B		21A	W04A, W04B		21A	W04A, W04B
	21B	X05A, X05B, X06A, X06B, X06C		21B	X04Z, X06A, X06B, X06C		21B	X04Z, X06A, X06B, X06C
5t804.4↔		BOP, KVT, UOP4	5t805.b↔		BOP, KVT, UOP4	5t806.7↔		BOP, KVT, UOP4
	08	I27A, I27B, I27C, I27D		08	I27A, I27B, I27C, I27D		01	B03A, B03B, B06A, B06B, B07Z, B17A, B17B, B17C
	21A	W04A, W04B		21A	W04A, W04B		08	I27A, I27B, I27C, I27D
	21B	X06A, X06B, X06C		21B	X04Z, X06A, X06B, X06C		09	J03A, J03B, J04A, J04B, J08A, J08B, J08C, J11A, J11B, J16Z
5t804.6↔		BOP, KVT, UOP4	5t805.x		BOP, KVT, UOP4		21A	W04A, W04B
	08	I27A, I27B, I27C, I27D		08	I27A, I27B, I27C, I27D		21B	X06A, X06B, X06C
	21A	W04A, W04B		21A	W04A, W04B		01	B03A, B03B, B06A, B06B, B07Z, B17A, B17B, B17C
	21B	X04Z, X06A, X06B, X06C		21B	X06A, X06B, X06C		08	I27A, I27B, I27C, I27D
5t804.7↔		BOP, KVT, UOP4	5t806.0↔		BOP, KVT, UOP4		09	J03A, J03B, J04A, J04B, J08A, J08B, J08C, J11A, J11B, J16Z
	08	I27A, I27B, I27C, I27D		01	B03A, B03B, B06A, B06B, B07Z, B17A, B17B, B17C		21A	W04A, W04B
	21A	W04A, W04B		08	I27A, I27B, I27C, I27D		21B	X06A, X06B, X06C
	21B	X04Z, X06A, X06B, X06C		09	J03A, J03B, J04A, J04B, J08A, J08B, J08C, J11A, J11B, J16Z		01	B03A, B03B, B06A, B06B, B07Z, B17A, B17B, B17C
5t804.8↔		BOP, KVT, UOP4	5t806.1↔		BOP, KVT, UOP4		08	I27A, I27B, I27C, I27D
	08	I27A, I27B, I27C, I27D		01	B03A, B03B, B06A, B06B, B07Z, B17A, B17B, B17C		09	J03A, J03B, J04A, J04B, J08A, J08B, J08C, J11A, J11B, J16Z
	21A	W04A, W04B		08	I27A, I27B, I27C, I27D		21A	W04A, W04B
	21B	X04Z, X06A, X06B, X06C		09	J03A, J03B, J04A, J04B, J08A, J08B, J08C, J11A, J11B, J16Z		21B	X04Z
5t804.a↔		BOP, KVT, UOP4	5t806.2↔		BOP, KVT, UOP4	5t806.a↔		BOP, KVT, UOP4
	08	I27A, I27B, I27C, I27D		01	B03A, B03B, B06A, B06B, B07Z, B17A, B17B, B17C		01	B03A, B03B, B06A, B06B, B07Z, B17A, B17B, B17C
	21A	W04A, W04B		08	I27A, I27B, I27C, I27D		08	I27A, I27B, I27C, I27D
	21B	X04Z, X06A, X06B, X06C		09	J03A, J03B, J04A, J04B, J08A, J08B, J08C, J11A, J11B, J16Z		09	J03A, J03B, J04A, J04B, J08A, J08B, J08C, J11A, J11B, J16Z
5t804.b↔		BOP, KVT, UOP4	5t806.3↔		BOP, KVT, UOP4		21A	W04A, W04B
	08	I27A, I27B, I27C, I27D		01	B03A, B03B, B06A, B06B, B07Z, B17A, B17B, B17C		21B	X06A, X06B, X06C
	21A	W04A, W04B		08	I27A, I27B, I27C, I27D		01	B03A, B03B, B06A, B06B, B07Z, B17A, B17B, B17C
	21B	X04Z, X06A, X06B, X06C		09	J03A, J03B, J04A, J04B, J08A, J08B, J08C, J11A, J11B, J16Z		08	I27A, I27B, I27C, I27D
5t804.x		BOP, KVT, UOP4	5t806.4↔		BOP, KVT, UOP4		09	J03A, J03B, J04A, J04B, J08A, J08B, J08C, J11A, J11B, J16Z
	08	I27A, I27B, I27C, I27D		01	B03A, B03B, B06A, B06B, B07Z, B17A, B17B, B17C		21A	W04A, W04B
	21A	W04A, W04B		08	I27A, I27B, I27C, I27D		21B	X06A, X06B, X06C
	21B	X06A, X06B, X06C		09	J03A, J03B, J04A, J04B, J08A, J08B, J08C, J11A, J11B, J16Z		01	B03A, B03B, B06A, B06B, B07Z, B17A, B17B, B17C
5t805.0↔		BOP, KVT, UOP4		08	I27A, I27B, I27C, I27D	5t806.b↔		BOP, KVT, UOP4
	08	I27A, I27B, I27C, I27D		09	J03A, J03B, J04A, J04B, J08A, J08B, J08C, J11A, J11B, J16Z		01	B03A, B03B, B06A, B06B, B07Z, B17A, B17B, B17C
	21A	W04A, W04B		21A	W04A, W04B		08	I27A, I27B, I27C, I27D
	21B	X06A, X06B, X06C		21B	X06A, X06B, X06C		09	J03A, J03B, J04A, J04B, J08A, J08B, J08C, J11A, J11B, J16Z
5t805.1↔		BOP, KVT, UOP4		21A	W04A, W04B		21A	W04A, W04B
	08	I27A, I27B, I27C, I27D		21B	X06A, X06B, X06C		21B	X04Z
	21A	W04A, W04B					01	B03A, B03B, B06A, B06B, B07Z, B17A, B17B, B17C
	21B	X06A, X06B, X06C					08	I27A, I27B, I27C, I27D
5t805.2↔		BOP, KVT, UOP4					09	J03A, J03B, J04A, J04B, J08A, J08B, J08C, J11A, J11B, J16Z
	08	I27A, I27B, I27C, I27D					21A	W04A, W04B
	21A	W04A, W04B					21B	X04Z
	21B	X06A, X06B, X06C						
5t805.3↔		BOP, KVT, UOP4				5t806.x		BOP, KVT, UOP4
	08	I27A, I27B, I27C, I27D					01	B03A, B03B, B06A, B06B, B07Z, B17A, B17B, B17C
	21A	W04A, W04B					08	I27A, I27B, I27C, I27D
	21B	X05A, X05B, X06A, X06B, X06C					09	J03A, J03B, J04A, J04B, J08A, J08B, J08C, J11A, J11B, J16Z
5t805.4↔		BOP, KVT, UOP4					21A	W04A, W04B
	08	I27A, I27B, I27C, I27D					21B	X06A, X06B, X06C
	21A	W04A, W04B						
	21B	X06A, X06B, X06C						
5t805.6↔		BOP, KVT, UOP4						
	08	I27A, I27B, I27C, I27D						
	21A	W04A, W04B						
	21B	X04Z, X06A, X06B, X06C						

VYK

ZZV	MDC	DRG	ZZV	MDC	DRG	ZZV	MDC	DRG
5t808.x		BOP, KVT, UOP4	5t809.6↔		BOP, KVT, UOP4	5t80a.2↔		BOP, KVT, UOP4
	01	B03A, B03B, B06A, B06B, B07Z, B17A, B17B, B17C		01	B03A, B03B, B06A, B06B, B07Z, B17A, B17B, B17C		01	B03A, B03B, B06A, B06B, B07Z, B17A, B17B, B17C
	08	I12A, I12B, I12C, I27A, I27B, I27C, I27D		08	I12A, I12B, I12C, I27A, I27B, I27C, I27D		08	I12A, I12B, I12C, I27A, I27B, I27C, I27D
	09	J03A, J03B, J04A, J04B, J08A, J08B, J08C, J11A, J11B, J16Z		09	J03A, J03B, J04A, J04B, J08A, J08B, J08C, J11A, J11B, J16Z		09	J03A, J03B, J04A, J04B, J08A, J08B, J08C, J11A, J11B, J16Z
	21A	W04A, W04B		21A	W04A, W04B		21A	W04A, W04B
5t809.0↔	21B	X06A, X06B, X06C	5t809.7↔	21B	X04Z, X06A, X06B, X06C	5t80a.3↔	21B	X06A, X06B, X06C
		BOP, KVT, UOP4			BOP, KVT, UOP4			BOP, KVT, UOP4
	01	B03A, B03B, B06A, B06B, B07Z, B17A, B17B, B17C		01	B03A, B03B, B06A, B06B, B07Z, B17A, B17B, B17C		01	B03A, B03B, B06A, B06B, B07Z, B17A, B17B, B17C
	08	I12A, I12B, I12C, I27A, I27B, I27C, I27D		08	I12A, I12B, I12C, I27A, I27B, I27C, I27D		08	I12A, I12B, I12C, I27A, I27B, I27C, I27D
	09	J03A, J03B, J04A, J04B, J08A, J08B, J08C, J11A, J11B, J16Z		09	J03A, J03B, J04A, J04B, J08A, J08B, J08C, J11A, J11B, J16Z		09	J03A, J03B, J04A, J04B, J08A, J08B, J08C, J11A, J11B, J16Z
5t809.1↔	21A	W04A, W04B	5t809.8↔	21A	W04A, W04B	5t80a.4↔	21A	W04A, W04B
	21B	X06A, X06B, X06C		21B	X04Z, X06A, X06B, X06C		21B	X05A, X05B, X06A, X06B, X06C
		BOP, KVT, UOP4			BOP, KVT, UOP4			BOP, KVT, UOP4
	01	B03A, B03B, B06A, B06B, B07Z, B17A, B17B, B17C		01	B03A, B03B, B06A, B06B, B07Z, B17A, B17B, B17C		01	B03A, B03B, B06A, B06B, B07Z, B17A, B17B, B17C
	08	I12A, I12B, I12C, I27A, I27B, I27C, I27D		08	I12A, I12B, I12C, I27A, I27B, I27C, I27D		08	I12A, I12B, I12C, I27A, I27B, I27C, I27D
5t809.2↔	09	J03A, J03B, J04A, J04B, J08A, J08B, J08C, J11A, J11B, J16Z	5t809.9↔	09	J03A, J03B, J04A, J04B, J08A, J08B, J08C, J11A, J11B, J16Z	5t80a.5↔	09	J03A, J03B, J04A, J04B, J08A, J08B, J08C, J11A, J11B, J16Z
	21A	W04A, W04B		21A	W04A, W04B		21A	W04A, W04B
	21B	X06A, X06B, X06C		21B	X04Z, X06A, X06B, X06C		21B	X06A, X06B, X06C
		BOP, KVT, UOP4			BOP, KVT, UOP4			BOP, KVT, UOP4
	01	B03A, B03B, B06A, B06B, B07Z, B17A, B17B, B17C		01	B03A, B03B, B06A, B06B, B07Z, B17A, B17B, B17C		01	B03A, B03B, B06A, B06B, B07Z, B17A, B17B, B17C
5t809.3↔	08	I12A, I12B, I12C, I27A, I27B, I27C, I27D	5t809.x	08	I12A, I12B, I12C, I20D, I27A, I27B, I27C, I27D	5t80a.6↔	08	I12A, I12B, I12C, I27A, I27B, I27C, I27D
	09	J03A, J03B, J04A, J04B, J08A, J08B, J08C, J11A, J11B, J16Z		09	J03A, J03B, J04A, J04B, J08A, J08B, J08C, J11A, J11B, J16Z		09	J03A, J03B, J04A, J04B, J08A, J08B, J08C, J11A, J11B, J16Z
	21A	W04A, W04B		21A	W04A, W04B		21A	W04A, W04B
	21B	X06A, X06B, X06C		21B	X04Z, X06A, X06B, X06C		21B	X06A, X06B, X06C
		BOP, KVT, UOP4			BOP, KVT, UOP4			BOP, KVT, UOP4
5t809.4↔	01	B03A, B03B, B06A, B06B, B07Z, B17A, B17B, B17C	5t80a.0↔	01	B03A, B03B, B06A, B06B, B07Z, B17A, B17B, B17C	5t80a.7↔	01	B03A, B03B, B06A, B06B, B07Z, B17A, B17B, B17C
	08	I12A, I12B, I12C, I27A, I27B, I27C, I27D		08	I12A, I12B, I12C, I27A, I27B, I27C, I27D		08	I12A, I12B, I12C, I27A, I27B, I27C, I27D
	09	J03A, J03B, J04A, J04B, J08A, J08B, J08C, J11A, J11B, J16Z		09	J03A, J03B, J04A, J04B, J08A, J08B, J08C, J11A, J11B, J16Z		09	J03A, J03B, J04A, J04B, J08A, J08B, J08C, J11A, J11B, J16Z
	21A	W04A, W04B		21A	W04A, W04B		21A	W04A, W04B
	21B	X06A, X06B, X06C		21B	X06A, X06B, X06C		21B	X04Z, X06A, X06B, X06C
5t809.5↔		BOP, KVT, UOP4	5t80a.1↔		BOP, KVT, UOP4	5t80a.8↔		BOP, KVT, UOP4
	01	B03A, B03B, B06A, B06B, B07Z, B17A, B17B, B17C		01	B03A, B03B, B06A, B06B, B07Z, B17A, B17B, B17C		01	B03A, B03B, B06A, B06B, B07Z, B17A, B17B, B17C
	08	I12A, I12B, I12C, I27A, I27B, I27C, I27D		08	I12A, I12B, I12C, I27A, I27B, I27C, I27D		08	I12A, I12B, I12C, I27A, I27B, I27C, I27D
	09	J03A, J03B, J04A, J04B, J08A, J08B, J08C, J11A, J11B, J16Z		09	J03A, J03B, J04A, J04B, J08A, J08B, J08C, J11A, J11B, J16Z		09	J03A, J03B, J04A, J04B, J08A, J08B, J08C, J11A, J11B, J16Z
	21A	W04A, W04B		21A	W04A, W04B		21A	W04A, W04B
	X06A, X06B, X06C	21B	X06A, X06B, X06C	21B	X04Z, X06A, X06B, X06C			

ZZV	MDC	DRG	ZZV	MDC	DRG	ZZV	MDC	DRG	
5t80a.9↔		BOP, KVT, UOP4	5t80b.2↔		BOP, KVT, UOP4	5t80b.5↔		BOP, KVT, UOP4	
	01	B03A, B03B, B06A, B06B, B07Z, B17A, B17B, B17C		01	B03A, B03B, B06A, B06B, B07Z, B17A, B17B, B17C		01	B03A, B03B, B06A, B06B, B07Z, B17A, B17B, B17C	
	08	I12A, I12B, I12C, I27A, I27B, I27C, I27D		03	D12A, D12B		03	D12A, D12B	
	09	J03A, J03B, J04A, J04B, J08A, J08B, J08C, J11A, J11B, J16Z		04	E02A, E02B, E02C		04	E02A, E02B, E02C	
	21A	W04A, W04B		05	F21A, F21B, F21C		05	F21A, F21B, F21C	
	21B	X04Z, X06A, X06B, X06C		06	G10Z, G12A, G12B, G12C		06	G10Z, G12A, G12B, G12C	
	5t80a.x			BOP, KVT, UOP4	07		H06A, H06B, H06C	07	H06A, H06B, H06C
		01		B03A, B03B, B06A, B06B, B07Z, B17A, B17B, B17C	08		I12A, I12B, I12C, I28A, I28B	08	I12A, I12B, I12C, I28A, I28B
		08		I12A, I12B, I12C, I27A, I27B, I27C, I27D	09		J03A, J03B, J04A, J04B, J08A, J08B, J08C, J16Z, J21Z, J22A, J22B	09	J03A, J03B, J04A, J04B, J08A, J08B, J08C, J16Z, J21Z, J22A, J22B
		09		J03A, J03B, J04A, J04B, J08A, J08B, J08C, J11A, J11B, J16Z	10		K09A, K09B	10	K09A, K09B
21A		W04A, W04B	11	L09A, L09B, L09C, L09D, L38Z	11	L09A, L09B, L09C, L09D, L38Z			
21B		X06A, X06B, X06C	13	N11A, N11B	13	N11A, N11B			
5t80b.0↔			BOP, KVT, UOP4	21A	W04A, W04B	21A	W04A, W04B		
		01	B03A, B03B, B06A, B06B, B07Z, B17A, B17B, B17C	21B	X06A, X06B, X06C	21B	X06A, X06B, X06C		
		03	D12A, D12B	5t80b.3↔		BOP, KVT, UOP4	5t80b.6↔		BOP, KVT, UOP4
		04	E02A, E02B, E02C		01	B03A, B03B, B06A, B06B, B07Z, B17A, B17B, B17C		01	B03A, B03B, B06A, B06B, B07Z, B17A, B17B, B17C
	05	F21A, F21B, F21C	03		D12A, D12B	03		D12A, D12B	
	06	G10Z, G12A, G12B, G12C	04		E02A, E02B, E02C	04		E02A, E02B, E02C	
	07	H06A, H06B, H06C	05		F21A, F21B, F21C	05		F21A, F21B, F21C, F27A, F27B, F27C	
	08	I12A, I12B, I12C, I28A, I28B	06		G10Z, G12A, G12B, G12C	06		G10Z, G12A, G12B, G12C	
	09	J03A, J03B, J04A, J04B, J08A, J08B, J08C, J16Z, J21Z, J22A, J22B	07		H06A, H06B, H06C	07		H06A, H06B, H06C	
	10	K09A, K09B	08		I12A, I12B, I12C, I28A, I28B	08		I12A, I12B, I12C, I28A, I28B	
11	L09A, L09B, L09C, L09D, L38Z	09	J03A, J03B, J04A, J04B, J08A, J08B, J08C, J16Z, J21Z, J22A, J22B		09	J03A, J03B, J04A, J04B, J08A, J08B, J08C, J16Z, J21Z, J22A, J22B			
13	N11A, N11B	10	K09A, K09B		10	K01Z			
21A	W04A, W04B	11	L09A, L09B, L09C, L09D, L38Z	11	L09A, L09B, L09C, L09D, L38Z				
21B	X06A, X06B, X06C	13	N11A, N11B	13	N11A, N11B				
5t80b.1↔		BOP, KVT, UOP4	21A	W04A, W04B	21A	W04A, W04B			
	01	B03A, B03B, B06A, B06B, B07Z, B17A, B17B, B17C	21B	X06A, X06B, X06C	21B	X06A, X06B, X06C			
	03	D12A, D12B	5t80b.4↔		BOP, KVT, UOP4	5t80b.7↔		BOP, KVT, UOP4	
	04	E02A, E02B, E02C		01	B03A, B03B, B06A, B06B, B07Z, B17A, B17B, B17C		01	B03A, B03B, B06A, B06B, B07Z, B17A, B17B, B17C	
	05	F21A, F21B, F21C		03	D12A, D12B		03	D12A, D12B	
	06	G10Z, G12A, G12B, G12C		04	E02A, E02B, E02C		04	E02A, E02B, E02C	
	07	H06A, H06B, H06C		05	F21A, F21B, F21C		05	F21A, F21B, F21C, F27A, F27B, F27C	
	08	I12A, I12B, I12C, I28A, I28B		06	G10Z, G12A, G12B, G12C		06	G10Z, G12A, G12B, G12C	
	09	J03A, J03B, J04A, J04B, J08A, J08B, J08C, J16Z, J21Z, J22A, J22B		07	H06A, H06B, H06C		07	H06A, H06B, H06C	
	10	K09A, K09B		08	I12A, I12B, I12C, I28A, I28B		08	I12A, I12B, I12C, I28A, I28B	
11	L09A, L09B, L09C, L09D, L38Z	09		J03A, J03B, J04A, J04B, J08A, J08B, J08C, J16Z, J21Z, J22A, J22B	09		J03A, J03B, J04A, J04B, J08A, J08B, J08C, J16Z, J21Z, J22A, J22B		
13	N11A, N11B	10		K09A, K09B	10		K01Z		
21A	W04A, W04B	11	L09A, L09B, L09C, L09D, L38Z	11	L09A, L09B, L09C, L09D, L38Z				
21B	X06A, X06B, X06C	13	N11A, N11B	13	N11A, N11B				
		21A	W04A, W04B	21A	W04A, W04B				
		21B	X06A, X06B, X06C	21B	X06A, X06B, X06C				

VYK

ZZV	MDC	DRG	ZZV	MDC	DRG	ZZV	MDC	DRG
5t80b.8↔		BOP, KVT, UOP4	5t80c.0↔		BOP, KVT, UOP4	5t80c.3↔		BOP, KVT, UOP4
	01	B03A, B03B, B06A, B06B, B07Z, B17A, B17B, B17C		01	B03A, B03B, B06A, B06B, B07Z, B17A, B17B, B17C		01	B03A, B03B, B06A, B06B, B07Z, B17A, B17B, B17C
	03	D12A, D12B		03	D12A, D12B		03	D12A, D12B
	04	E02A, E02B, E02C		04	E02A, E02B, E02C		04	E02A, E02B, E02C
	05	F21A, F21B, F21C, F27A, F27B, F27C		05	F21A, F21B, F21C		05	F21A, F21B, F21C
	06	G10Z, G12A, G12B, G12C		06	G10Z, G12A, G12B, G12C		06	G10Z, G12A, G12B, G12C
	07	H06A, H06B, H06C		07	H06A, H06B, H06C		07	H06A, H06B, H06C
	08	I12A, I12B, I12C, I28A, I28B		08	I12A, I12B, I12C, I28A, I28B		08	I12A, I12B, I12C, I28A, I28B
	09	J03A, J03B, J04A, J04B, J08A, J08B, J08C, J16Z, J21Z, J22A, J22B		09	J03A, J03B, J04A, J04B, J08A, J08B, J08C, J16Z, J21Z, J22A, J22B		09	J03A, J03B, J04A, J04B, J08A, J08B, J08C, J16Z, J21Z, J22A, J22B
	10	K01Z		10	K09A, K09B		10	K09A, K09B
	11	L09A, L09B, L09C, L09D, L38Z		11	L09A, L09B, L09C, L09D, L38Z		11	L09A, L09B, L09C, L09D, L38Z
	13	N11A, N11B		13	N11A, N11B		13	N11A, N11B
	21A	W04A, W04B		21A	W04A, W04B		21A	W04A, W04B
21B	X06A, X06B, X06C	21B	X06A, X06B, X06C	21B	X06A, X06B, X06C			
5t80b.9↔		BOP, KVT, UOP4	5t80c.1↔		BOP, KVT, UOP4	5t80c.4↔		BOP, KVT, UOP4
	01	B03A, B03B, B06A, B06B, B07Z, B17A, B17B, B17C		01	B03A, B03B, B06A, B06B, B07Z, B17A, B17B, B17C		01	B03A, B03B, B06A, B06B, B07Z, B17A, B17B, B17C
	03	D12A, D12B		03	D12A, D12B		03	D12A, D12B
	04	E02A, E02B, E02C		04	E02A, E02B, E02C		04	E02A, E02B, E02C
	05	F21A, F21B, F21C, F27A, F27B, F27C		05	F21A, F21B, F21C		05	F21A, F21B, F21C
	06	G10Z, G12A, G12B, G12C		06	G10Z, G12A, G12B, G12C		06	G10Z, G12A, G12B, G12C
	07	H06A, H06B, H06C		07	H06A, H06B, H06C		07	H06A, H06B, H06C
	08	I12A, I12B, I12C, I28A, I28B		08	I12A, I12B, I12C, I28A, I28B		08	I12A, I12B, I12C, I28A, I28B
	09	J03A, J03B, J04A, J04B, J08A, J08B, J08C, J16Z, J21Z, J22A, J22B		09	J03A, J03B, J04A, J04B, J08A, J08B, J08C, J16Z, J21Z, J22A, J22B		09	J03A, J03B, J04A, J04B, J08A, J08B, J08C, J16Z, J21Z, J22A, J22B
	10	K01Z		10	K09A, K09B		10	K09A, K09B
	11	L09A, L09B, L09C, L09D, L38Z		11	L09A, L09B, L09C, L09D, L38Z		11	L09A, L09B, L09C, L09D, L38Z
	13	N11A, N11B		13	N11A, N11B		13	N11A, N11B
	21A	W04A, W04B		21A	W04A, W04B		21A	W04A, W04B
21B	X06A, X06B, X06C	21B	X06A, X06B, X06C	21B	X06A, X06B, X06C			
5t80b.x		BOP, KVT, UOP4	5t80c.2↔		BOP, KVT, UOP4	5t80c.5↔		BOP, KVT, UOP4
	01	B03A, B03B, B06A, B06B, B07Z, B17A, B17B, B17C		01	B03A, B03B, B06A, B06B, B07Z, B17A, B17B, B17C		01	B03A, B03B, B06A, B06B, B07Z, B17A, B17B, B17C
	03	D12A, D12B		03	D12A, D12B		03	D12A, D12B
	04	E02A, E02B, E02C		04	E02A, E02B, E02C		04	E02A, E02B, E02C
	05	F21A, F21B, F21C		05	F21A, F21B, F21C		05	F21A, F21B, F21C
	06	G10Z, G12A, G12B, G12C		06	G10Z, G12A, G12B, G12C		06	G10Z, G12A, G12B, G12C
	07	H06A, H06B, H06C		07	H06A, H06B, H06C		07	H06A, H06B, H06C
	08	I12A, I12B, I12C, I28A, I28B		08	I12A, I12B, I12C, I28A, I28B		08	I12A, I12B, I12C, I28A, I28B
	09	J03A, J03B, J04A, J04B, J08A, J08B, J08C, J16Z, J21Z, J22A, J22B		09	J03A, J03B, J04A, J04B, J08A, J08B, J08C, J16Z, J21Z, J22A, J22B		09	J03A, J03B, J04A, J04B, J08A, J08B, J08C, J16Z, J21Z, J22A, J22B
	10	K09A, K09B		10	K09A, K09B		10	K09A, K09B
	11	L09A, L09B, L09C, L09D, L38Z		11	L09A, L09B, L09C, L09D, L38Z		11	L09A, L09B, L09C, L09D, L38Z
	13	N11A, N11B		13	N11A, N11B		13	N11A, N11B
	21A	W04A, W04B		21A	W04A, W04B		21A	W04A, W04B
21B	X06A, X06B, X06C	21B	X06A, X06B, X06C	21B	X06A, X06B, X06C			

VYK

ZZV	MDC	DRG	ZZV	MDC	DRG	ZZV	MDC	DRG
5t80c.6↔		BOP, KVT, UOP4	5t80c.9↔		BOP, KVT, UOP4	5t80d.1↔		BOP, KVT, UOP4
	01	B03A, B03B, B06A, B06B, B07Z, B17A, B17B, B17C		01	B03A, B03B, B06A, B06B, B07Z, B17A, B17B, B17C		01	B03A, B03B, B06A, B06B, B07Z, B17A, B17B, B17C
	03	D12A, D12B		03	D12A, D12B		03	D12A, D12B
	04	E02A, E02B, E02C		04	E02A, E02B, E02C		04	E02A, E02B, E02C
	05	F21A, F21B, F21C, F27A, F27B, F27C		05	F21A, F21B, F21C, F27A, F27B, F27C		05	F21A, F21B, F21C
	06	G10Z, G12A, G12B, G12C		06	G10Z, G12A, G12B, G12C		06	G10Z, G12A, G12B, G12C
	07	H06A, H06B, H06C		07	H06A, H06B, H06C		07	H06A, H06B, H06C
	08	I12A, I12B, I12C, I28A, I28B		08	I12A, I12B, I12C, I20D, I28A, I28B		08	I12A, I12B, I12C, I28A, I28B
	09	J03A, J03B, J04A, J04B, J08A, J08B, J08C, J16Z, J21Z, J22A, J22B		09	J03A, J03B, J04A, J04B, J08A, J08B, J08C, J16Z, J21Z, J22A, J22B		09	J03A, J03B, J04A, J04B, J08A, J08B, J08C, J16Z, J21Z, J22A, J22B
	10	K01Z		10	K01Z		10	K09A, K09B
	11	L09A, L09B, L09C, L09D, L38Z		11	L09A, L09B, L09C, L09D, L38Z		11	L09A, L09B, L09C, L09D, L38Z
	13	N11A, N11B		13	N11A, N11B		13	N11A, N11B
	21A	W04A, W04B		21A	W04A, W04B		21A	W04A, W04B
	21B	X06A, X06B, X06C		21B	X06A, X06B, X06C		21B	X06A, X06B, X06C
5t80c.7↔		BOP, KVT, UOP4	5t80c.x		BOP, KVT, UOP4	5t80d.2↔		BOP, KVT, UOP4
	01	B03A, B03B, B06A, B06B, B07Z, B17A, B17B, B17C		01	B03A, B03B, B06A, B06B, B07Z, B17A, B17B, B17C		01	B03A, B03B, B06A, B06B, B07Z, B17A, B17B, B17C
	03	D12A, D12B		03	D12A, D12B		03	D12A, D12B
	04	E02A, E02B, E02C		04	E02A, E02B, E02C		04	E02A, E02B, E02C
	05	F21A, F21B, F21C, F27A, F27B, F27C		05	F21A, F21B, F21C		05	F21A, F21B, F21C
	06	G10Z, G12A, G12B, G12C		06	G10Z, G12A, G12B, G12C		06	G10Z, G12A, G12B, G12C
	07	H06A, H06B, H06C		07	H06A, H06B, H06C		07	H06A, H06B, H06C
	08	I12A, I12B, I12C, I28A, I28B		08	I12A, I12B, I12C, I28A, I28B		08	I12A, I12B, I12C, I28A, I28B
	09	J03A, J03B, J04A, J04B, J08A, J08B, J08C, J16Z, J21Z, J22A, J22B		09	J03A, J03B, J04A, J04B, J08A, J08B, J08C, J16Z, J21Z, J22A, J22B		09	J03A, J03B, J04A, J04B, J08A, J08B, J08C, J16Z, J21Z, J22A, J22B
	10	K01Z		11	L09A, L09B, L09C, L09D, L38Z		10	K09A, K09B
	11	L09A, L09B, L09C, L09D, L38Z		13	N11A, N11B		11	L09A, L09B, L09C, L09D, L38Z
	13	N11A, N11B		21A	W04A, W04B		13	N11A, N11B
	21A	W04A, W04B		21B	X06A, X06B, X06C		21A	W04A, W04B
	21B	X06A, X06B, X06C					21B	X06A, X06B, X06C
5t80c.8↔		BOP, KVT, UOP4	5t80d.0↔		BOP, KVT, UOP4	5t80d.3↔		BOP, KVT, UOP4
	01	B03A, B03B, B06A, B06B, B07Z, B17A, B17B, B17C		01	B03A, B03B, B06A, B06B, B07Z, B17A, B17B, B17C		01	B03A, B03B, B06A, B06B, B07Z, B17A, B17B, B17C
	03	D12A, D12B		03	D12A, D12B		03	D12A, D12B
	04	E02A, E02B, E02C		04	E02A, E02B, E02C		04	E02A, E02B, E02C
	05	F21A, F21B, F21C, F27A, F27B, F27C		05	F21A, F21B, F21C		05	F21A, F21B, F21C
	06	G10Z, G12A, G12B, G12C		06	G10Z, G12A, G12B, G12C		06	G10Z, G12A, G12B, G12C
	07	H06A, H06B, H06C		07	H06A, H06B, H06C		07	H06A, H06B, H06C
	08	I12A, I12B, I12C, I28A, I28B		08	I12A, I12B, I12C, I28A, I28B		08	I12A, I12B, I12C, I28A, I28B
	09	J03A, J03B, J04A, J04B, J08A, J08B, J08C, J16Z, J21Z, J22A, J22B		09	J03A, J03B, J04A, J04B, J08A, J08B, J08C, J16Z, J21Z, J22A, J22B		09	J03A, J03B, J04A, J04B, J08A, J08B, J08C, J16Z, J21Z, J22A, J22B
	10	K01Z		10	K09A, K09B		10	K09A, K09B
	11	L09A, L09B, L09C, L09D, L38Z		11	L09A, L09B, L09C, L09D, L38Z		11	L09A, L09B, L09C, L09D, L38Z
	13	N11A, N11B		13	N11A, N11B		13	N11A, N11B
	21A	W04A, W04B		21A	W04A, W04B		21A	W04A, W04B
	21B	X06A, X06B, X06C		21B	X06A, X06B, X06C		21B	X06A, X06B, X06C

ZZV	MDC	DRG	ZZV	MDC	DRG	ZZV	MDC	DRG
5t80x.5		BOP, KVT, UOP4	5t810.1↔		BOP, KVT, UOP4	5t810.8↔		BOP, KVT, UOP4
	01	B03A, B03B, B06A, B06B, B07Z, B17A, B17B, B17C		01	B03A, B03B, B06A, B06B, B17A, B17B, B17C		01	B03A, B03B, B06A, B06B, B17A, B17B, B17C
	08	I27A, I27B, I27C, I27D		08	I27A, I27B, I27C, I27D		08	I27A, I27B, I27C, I27D
	09	J03A, J03B, J04A, J04B, J08A, J08B, J08C, J11A, J11B, J16Z		09	J03A, J03B, J04A, J04B, J08A, J08B, J11A, J11B, J16Z		09	J03A, J03B, J04A, J04B, J08A, J08B, J11A, J11B, J16Z
	21A	W04A, W04B		21A	W04A, W04B		21A	W04A, W04B
5t80x.6↔	21B	X06A, X06B, X06C	5t810.2↔	21B	X06A, X06B, X06C	5t810.9↔	21B	X04Z, X06A, X06B, X06C
		BOP, KVT, UOP4			BOP, KVT, UOP4			BOP, KVT, UOP4
	01	B03A, B03B, B06A, B06B, B07Z, B17A, B17B, B17C		01	B03A, B03B, B06A, B06B, B17A, B17B, B17C		01	B03A, B03B, B06A, B06B, B17A, B17B, B17C
	08	I27A, I27B, I27C, I27D		08	I27A, I27B, I27C, I27D		08	I27A, I27B, I27C, I27D
	09	J03A, J03B, J04A, J04B, J08A, J08B, J08C, J11A, J11B, J16Z		09	J03A, J03B, J04A, J04B, J08A, J08B, J11A, J11B, J16Z		09	J03A, J03B, J04A, J04B, J08A, J08B, J11A, J11B, J16Z
5t80x.7↔	21A	W04A, W04B	5t810.3↔	21A	W04A, W04B	5t810.x	21A	W04A, W04B
	21B	X04Z, X06A, X06B, X06C		21B	X06A, X06B, X06C		21B	X04Z, X06A, X06B, X06C
		BOP, KVT, UOP4			BOP, KVT, UOP4			BOP, KVT, UOP4
	01	B03A, B03B, B06A, B06B, B07Z, B17A, B17B, B17C		01	B03A, B03B, B06A, B06B, B17A, B17B, B17C		01	B03A, B03B, B06A, B06B, B17A, B17B, B17C
	08	I27A, I27B, I27C, I27D		08	I27A, I27B, I27C, I27D		08	I27A, I27B, I27C, I27D
5t80x.8↔	09	J03A, J03B, J04A, J04B, J08A, J08B, J08C, J11A, J11B, J16Z	5t810.4↔	09	J03A, J03B, J04A, J04B, J08A, J08B, J11A, J11B, J16Z	5t811.0↔	09	J03A, J03B, J04A, J04B, J08A, J08B, J11A, J11B, J16Z
	21A	W04A, W04B		21A	W04A, W04B		21A	W04A, W04B
	21B	X04Z, X06A, X06B, X06C		21B	X05A, X05B, X06A, X06B, X06C		21B	X06A, X06B, X06C
		BOP, KVT, UOP4			BOP, KVT, UOP4			BOP, KVT, UOP4
	01	B03A, B03B, B06A, B06B, B07Z, B17A, B17B, B17C		01	B03A, B03B, B06A, B06B, B17A, B17B, B17C		01	B03A, B03B, B06A, B06B, B07Z, B17A, B17B, B17C
5t80x.9↔	08	I27A, I27B, I27C, I27D	5t810.5↔	08	I27A, I27B, I27C, I27D	5t811.1↔	05	F27A, F27B, F27C
	09	J03A, J03B, J04A, J04B, J08A, J08B, J08C, J11A, J11B, J16Z		09	J03A, J03B, J04A, J04B, J08A, J08B, J11A, J11B, J16Z		08	I12A, I12B, I12C, I27A, I27B, I27C, I27D
	21A	W04A, W04B		21A	W04A, W04B		09	J08A
	21B	X04Z, X06A, X06B, X06C		21B	X06A, X06B, X06C		10	K09A, K09B
		BOP, KVT, UOP4			BOP, KVT, UOP4		21A	W04A, W04B
5t80x.x	01	B03A, B03B, B06A, B06B, B07Z, B17A, B17B, B17C	5t810.6↔	01	B03A, B03B, B06A, B06B, B17A, B17B, B17C	5t811.2↔	21B	X06A, X06B, X06C
	08	I27A, I27B, I27C, I27D		08	I27A, I27B, I27C, I27D			BOP, KVT, UOP4
	09	J03A, J03B, J04A, J04B, J08A, J08B, J08C, J11A, J11B, J16Z		09	J03A, J03B, J04A, J04B, J08A, J08B, J11A, J11B, J16Z		01	B03A, B03B, B06A, B06B, B07Z, B17A, B17B, B17C
	21A	W04A, W04B		21A	W04A, W04B		05	F27A, F27B, F27C
	21B	X04Z, X06A, X06B, X06C		21B	X04Z, X06A, X06B, X06C		08	I12A, I12B, I12C, I27A, I27B, I27C, I27D
5t810.0↔		BOP, KVT, UOP4	5t810.7↔		BOP, KVT, UOP4	5t811.3↔	09	J08A
	01	B03A, B03B, B06A, B06B, B17A, B17B, B17C		01	B03A, B03B, B06A, B06B, B17A, B17B, B17C		10	K09A, K09B
	03	D18Z, D28Z, D29Z		08	I27A, I27B, I27C, I27D		21A	W04A, W04B
	08	I27A, I27B, I27C, I27D		09	J03A, J03B, J04A, J04B, J08A, J08B, J11A, J11B, J16Z		21B	X06A, X06B, X06C
	09	J03A, J03B, J04A, J04B, J08A, J08B, J11A, J11B, J16Z		21A	W04A, W04B		01	B03A, B03B, B06A, B06B, B07Z, B17A, B17B, B17C
	X06A, X06B, X06C	21B	X04Z, X06A, X06B, X06C	05	F27A, F27B, F27C			

ZZV	MDC	DRG	ZZV	MDC	DRG	ZZV	MDC	DRG
5t818.0↔		BOP, KVT, UOP4	5t818.7↔		BOP, KVT, UOP4	5t819.3↔		BOP, KVT, UOP4
	01	B03A, B03B, B06A, B06B, B07Z, B17A, B17B, B17C		01	B03A, B03B, B06A, B06B, B07Z, B17A, B17B, B17C		01	B03A, B03B, B06A, B06B, B07Z, B17A, B17B, B17C
	08	I12A, I12B, I12C, I27A, I27B, I27C, I27D		08	I12A, I12B, I12C, I27A, I27B, I27C, I27D		08	I12A, I12B, I12C, I27A, I27B, I27C, I27D
	09	J03A, J03B, J04A, J04B, J08A, J08B, J11A, J11B, J16Z		09	J03A, J03B, J04A, J04B, J08A, J08B, J11A, J11B, J16Z		09	J03A, J03B, J04A, J04B, J08A, J08B, J11A, J11B, J16Z
	21A	W04A, W04B		21A	W04A, W04B		21A	W04A, W04B
5t818.1↔	21B	X06A, X06B, X06C	5t818.8↔	21B	X04Z, X06A, X06B, X06C	5t819.4↔	21B	X05A, X05B, X06A, X06B, X06C
		BOP, KVT, UOP4			BOP, KVT, UOP4			BOP, KVT, UOP4
	01	B03A, B03B, B06A, B06B, B07Z, B17A, B17B, B17C		01	B03A, B03B, B06A, B06B, B07Z, B17A, B17B, B17C		01	B03A, B03B, B06A, B06B, B07Z, B17A, B17B, B17C
	08	I12A, I12B, I12C, I27A, I27B, I27C, I27D		08	I12A, I12B, I12C, I27A, I27B, I27C, I27D		08	I12A, I12B, I12C, I27A, I27B, I27C, I27D
	09	J03A, J03B, J04A, J04B, J08A, J08B, J11A, J11B, J16Z		09	J03A, J03B, J04A, J04B, J08A, J08B, J11A, J11B, J16Z		09	J03A, J03B, J04A, J04B, J08A, J08B, J11A, J11B, J16Z
5t818.2↔	21A	W04A, W04B	5t818.9↔	21A	W04A, W04B	5t819.5↔	21A	W04A, W04B
	21B	X06A, X06B, X06C		21B	X04Z, X06A, X06B, X06C		21B	X06A, X06B, X06C
		BOP, KVT, UOP4			BOP, KVT, UOP4			BOP, KVT, UOP4
	01	B03A, B03B, B06A, B06B, B07Z, B17A, B17B, B17C		01	B03A, B03B, B06A, B06B, B07Z, B17A, B17B, B17C		01	B03A, B03B, B06A, B06B, B07Z, B17A, B17B, B17C
	08	I12A, I12B, I12C, I27A, I27B, I27C, I27D		08	I12A, I12B, I12C, I27A, I27B, I27C, I27D		08	I12A, I12B, I12C, I27A, I27B, I27C, I27D
5t818.3↔	09	J03A, J03B, J04A, J04B, J08A, J08B, J11A, J11B, J16Z	5t818.x	09	J03A, J03B, J04A, J04B, J08A, J08B, J11A, J11B, J16Z	5t819.6↔	09	J03A, J03B, J04A, J04B, J08A, J08B, J11A, J11B, J16Z
	21A	W04A, W04B		21A	W04A, W04B		21A	W04A, W04B
	21B	X06A, X06B, X06C		21B	X04Z		21B	X06A, X06B, X06C
		BOP, KVT, UOP4			BOP, KVT, UOP4			BOP, KVT, UOP4
	01	B03A, B03B, B06A, B06B, B07Z, B17A, B17B, B17C		01	B03A, B03B, B06A, B06B, B07Z, B17A, B17B, B17C		01	B03A, B03B, B06A, B06B, B07Z, B17A, B17B, B17C
5t818.4↔	08	I12A, I12B, I12C, I27A, I27B, I27C, I27D	5t819.0↔	08	I12A, I12B, I12C, I27A, I27B, I27C, I27D	5t819.7↔	08	I12A, I12B, I12C, I27A, I27B, I27C, I27D
	09	J03A, J03B, J04A, J04B, J08A, J08B, J11A, J11B, J16Z		09	J03A, J03B, J04A, J04B, J08A, J08B, J11A, J11B, J16Z		09	J03A, J03B, J04A, J04B, J08A, J08B, J11A, J11B, J16Z
	21A	W04A, W04B		21A	W04A, W04B		21A	W04A, W04B
	21B	X05A, X05B, X06A, X06B, X06C		21B	X06A, X06B, X06C		21B	X04Z, X06A, X06B, X06C
		BOP, KVT, UOP4			BOP, KVT, UOP4			BOP, KVT, UOP4
5t818.5↔	01	B03A, B03B, B06A, B06B, B07Z, B17A, B17B, B17C	5t819.1↔	01	B03A, B03B, B06A, B06B, B07Z, B17A, B17B, B17C	5t819.8↔	01	B03A, B03B, B06A, B06B, B07Z, B17A, B17B, B17C
	08	I12A, I12B, I12C, I27A, I27B, I27C, I27D		08	I12A, I12B, I12C, I27A, I27B, I27C, I27D		08	I12A, I12B, I12C, I27A, I27B, I27C, I27D
	09	J03A, J03B, J04A, J04B, J08A, J08B, J11A, J11B, J16Z		09	J03A, J03B, J04A, J04B, J08A, J08B, J11A, J11B, J16Z		09	J03A, J03B, J04A, J04B, J08A, J08B, J11A, J11B, J16Z
	21A	W04A, W04B		21A	W04A, W04B		21A	W04A, W04B
	21B	X06A, X06B, X06C		21B	X06A, X06B, X06C		21B	X04Z, X06A, X06B, X06C
5t818.6↔		BOP, KVT, UOP4	5t819.2↔		BOP, KVT, UOP4	5t819.9↔		BOP, KVT, UOP4
	01	B03A, B03B, B06A, B06B, B07Z, B17A, B17B, B17C		01	B03A, B03B, B06A, B06B, B07Z, B17A, B17B, B17C		01	B03A, B03B, B06A, B06B, B07Z, B17A, B17B, B17C
	08	I12A, I12B, I12C, I27A, I27B, I27C, I27D		08	I12A, I12B, I12C, I27A, I27B, I27C, I27D		08	I12A, I12B, I12C, I27A, I27B, I27C, I27D
	09	J03A, J03B, J04A, J04B, J08A, J08B, J11A, J11B, J16Z		09	J03A, J03B, J04A, J04B, J08A, J08B, J11A, J11B, J16Z		09	J03A, J03B, J04A, J04B, J08A, J08B, J11A, J11B, J16Z
	21A	W04A, W04B		21A	W04A, W04B		21A	W04A, W04B
	X04Z, X06A, X06B, X06C	21B	X06A, X06B, X06C	21B	X04Z			

ZZV	MDC	DRG	ZZV	MDC	DRG	ZZV	MDC	DRG
5t819.x		BOP, KVT, UOP4	5t81a.6↔		BOP, KVT, UOP4	5t81b.2↔		BOP, KVT, UOP4
	01	B03A, B03B, B06A, B06B, B07Z, B17A, B17B, B17C		01	B03A, B03B, B06A, B06B, B07Z, B17A, B17B, B17C		01	B03A, B03B, B06A, B06B, B07Z, B17A, B17B, B17C
	08	I12A, I12B, I12C, I27A, I27B, I27C, I27D		08	I12A, I12B, I12C, I27A, I27B, I27C, I27D		08	I12A, I12B, I12C, I27A, I27B, I27C, I27D
	09	J03A, J03B, J04A, J04B, J08A, J08B, J11A, J11B, J16Z		09	J03A, J03B, J04A, J04B, J08A, J08B, J11A, J11B, J16Z		09	J03A, J03B, J04A, J04B, J08A, J08B, J11A, J11B, J16Z
	21A	W04A, W04B		21A	W04A, W04B		21A	W04A, W04B
5t81a.0↔	21B	X06A, X06B, X06C	5t81a.7↔	21B	X04Z, X06A, X06B, X06C	5t81b.3↔	21B	X06A, X06B, X06C
		BOP, KVT, UOP4			BOP, KVT, UOP4			BOP, KVT, UOP4
	01	B03A, B03B, B06A, B06B, B07Z, B17A, B17B, B17C		01	B03A, B03B, B06A, B06B, B07Z, B17A, B17B, B17C		01	B03A, B03B, B06A, B06B, B07Z, B17A, B17B, B17C
5t81a.1↔	08	I12A, I12B, I12C, I27A, I27B, I27C, I27D	5t81a.8↔	08	I12A, I12B, I12C, I27A, I27B, I27C, I27D	5t81b.4↔	08	I12A, I12B, I12C, I27A, I27B, I27C, I27D
	09	J03A, J03B, J04A, J04B, J08A, J08B, J11A, J11B, J16Z		09	J03A, J03B, J04A, J04B, J08A, J08B, J11A, J11B, J16Z		09	J03A, J03B, J04A, J04B, J08A, J08B, J11A, J11B, J16Z
	21A	W04A, W04B		21A	W04A, W04B		21A	W04A, W04B
	21B	X06A, X06B, X06C		21B	X04Z, X06A, X06B, X06C		21B	X05A, X05B, X06A, X06B, X06C
		BOP, KVT, UOP4			BOP, KVT, UOP4			BOP, KVT, UOP4
5t81a.2↔	01	B03A, B03B, B06A, B06B, B07Z, B17A, B17B, B17C	5t81a.9↔	01	B03A, B03B, B06A, B06B, B07Z, B17A, B17B, B17C	5t81b.5↔	01	B03A, B03B, B06A, B06B, B07Z, B17A, B17B, B17C
	08	I12A, I12B, I12C, I27A, I27B, I27C, I27D		08	I12A, I12B, I12C, I27A, I27B, I27C, I27D		08	I12A, I12B, I12C, I27A, I27B, I27C, I27D
	09	J03A, J03B, J04A, J04B, J08A, J08B, J11A, J11B, J16Z		09	J03A, J03B, J04A, J04B, J08A, J08B, J11A, J11B, J16Z		09	J03A, J03B, J04A, J04B, J08A, J08B, J11A, J11B, J16Z
	21A	W04A, W04B		21A	W04A, W04B		21A	W04A, W04B
	21B	X06A, X06B, X06C		21B	X04Z, X06A, X06B, X06C		21B	X06A, X06B, X06C
5t81a.3↔		BOP, KVT, UOP4	5t81a.x		BOP, KVT, UOP4	5t81b.6↔		BOP, KVT, UOP4
	01	B03A, B03B, B06A, B06B, B07Z, B17A, B17B, B17C		01	B03A, B03B, B06A, B06B, B07Z, B17A, B17B, B17C		01	B03A, B03B, B06A, B06B, B07Z, B17A, B17B, B17C
	08	I12A, I12B, I12C, I27A, I27B, I27C, I27D		08	I12A, I12B, I12C, I27A, I27B, I27C, I27D		08	I12A, I12B, I12C, I27A, I27B, I27C, I27D
	09	J03A, J03B, J04A, J04B, J08A, J08B, J11A, J11B, J16Z		09	J03A, J03B, J04A, J04B, J08A, J08B, J11A, J11B, J16Z		09	J03A, J03B, J04A, J04B, J08A, J08B, J11A, J11B, J16Z
	21A	W04A, W04B		21A	W04A, W04B		21A	W04A, W04B
5t81a.4↔	21B	X05A, X05B, X06A, X06B, X06C	5t81b.0↔	21B	X06A, X06B, X06C	5t81b.7↔	21B	X04Z, X06A, X06B, X06C
		BOP, KVT, UOP4			BOP, KVT, UOP4			BOP, KVT, UOP4
	01	B03A, B03B, B06A, B06B, B07Z, B17A, B17B, B17C		01	B03A, B03B, B06A, B06B, B07Z, B17A, B17B, B17C		01	B03A, B03B, B06A, B06B, B07Z, B17A, B17B, B17C
	08	I12A, I12B, I12C, I27A, I27B, I27C, I27D		08	I12A, I12B, I12C, I27A, I27B, I27C, I27D		08	I12A, I12B, I12C, I27A, I27B, I27C, I27D
	09	J03A, J03B, J04A, J04B, J08A, J08B, J11A, J11B, J16Z		09	J03A, J03B, J04A, J04B, J08A, J08B, J11A, J11B, J16Z		09	J03A, J03B, J04A, J04B, J08A, J08B, J11A, J11B, J16Z
5t81a.5↔	21A	W04A, W04B	5t81b.1↔	21A	W04A, W04B	5t81b.8↔	21A	W04A, W04B
	21B	X06A, X06B, X06C		21B	X06A, X06B, X06C		21B	X04Z, X06A, X06B, X06C
		BOP, KVT, UOP4			BOP, KVT, UOP4			BOP, KVT, UOP4
	01	B03A, B03B, B06A, B06B, B07Z, B17A, B17B, B17C		01	B03A, B03B, B06A, B06B, B07Z, B17A, B17B, B17C		01	B03A, B03B, B06A, B06B, B07Z, B17A, B17B, B17C
	08	I12A, I12B, I12C, I27A, I27B, I27C, I27D		08	I12A, I12B, I12C, I27A, I27B, I27C, I27D		08	I12A, I12B, I12C, I27A, I27B, I27C, I27D
	09	J03A, J03B, J04A, J04B, J08A, J08B, J11A, J11B, J16Z		09	J03A, J03B, J04A, J04B, J08A, J08B, J11A, J11B, J16Z		09	J03A, J03B, J04A, J04B, J08A, J08B, J11A, J11B, J16Z
	21A	W04A, W04B		21A	W04A, W04B		21A	W04A, W04B
	21B	X06A, X06B, X06C		21B	X06A, X06B, X06C		21B	X04Z, X06A, X06B, X06C

ZZV	MDC	DRG	ZZV	MDC	DRG	ZZV	MDC	DRG
5t81b.9↔		BOP, KVT, UOP4	5t81c.5↔		BOP, KVT, UOP4	5t81d.1↔		BOP, KVT, UOP4
	01	B03A, B03B, B06A, B06B, B07Z, B17A, B17B, B17C		01	B03A, B03B, B06A, B06B, B07Z, B17A, B17B, B17C		01	B03A, B03B, B06A, B06B, B07Z, B17A, B17B, B17C
	08	I12A, I12B, I12C, I27A, I27B, I27C, I27D		08	I12A, I12B, I12C, I27A, I27B, I27C, I27D		08	I27A, I27B, I27C, I27D
	09	J03A, J03B, J04A, J04B, J08A, J08B, J11A, J11B, J16Z		09	J03A, J03B, J04A, J04B, J08A, J08B, J11A, J11B, J16Z		09	J03A, J03B, J04A, J04B, J08A, J08B, J11A, J11B, J16Z
	21A	W04A, W04B		21A	W04A, W04B		21A	W04A, W04B
5t81b.x	21B	X04Z	5t81c.6↔	21B	X06A, X06B, X06C	5t81d.2↔	21B	X05A, X05B, X06A, X06B, X06C
		BOP, KVT, UOP4			BOP, KVT, UOP4			BOP, KVT, UOP4
	01	B03A, B03B, B06A, B06B, B07Z, B17A, B17B, B17C		01	B03A, B03B, B06A, B06B, B07Z, B17A, B17B, B17C		01	B03A, B03B, B06A, B06B, B07Z, B17A, B17B, B17C
	08	I12A, I12B, I12C, I27A, I27B, I27C, I27D		08	I12A, I12B, I12C, I27A, I27B, I27C, I27D		08	I27A, I27B, I27C, I27D
	09	J03A, J03B, J04A, J04B, J08A, J08B, J11A, J11B, J16Z		09	J03A, J03B, J04A, J04B, J08A, J08B, J11A, J11B, J16Z		09	J03A, J03B, J04A, J04B, J08A, J08B, J11A, J11B, J16Z
5t81c.0↔	21A	W04A, W04B	5t81c.7↔	21A	W04A, W04B	5t81d.3↔	21A	W04A, W04B
	21B	X06A, X06B, X06C		21B	X05A, X05B, X06A, X06B, X06C		21B	X05A, X05B, X06A, X06B, X06C
		BOP, KVT, UOP4			BOP, KVT, UOP4			BOP, KVT, UOP4
	01	B03A, B03B, B06A, B06B, B07Z, B17A, B17B, B17C		01	B03A, B03B, B06A, B06B, B07Z, B17A, B17B, B17C		01	B03A, B03B, B06A, B06B, B07Z, B17A, B17B, B17C
	08	I12A, I12B, I12C, I27A, I27B, I27C, I27D		08	I12A, I12B, I12C, I27A, I27B, I27C, I27D		08	I27A, I27B, I27C, I27D
5t81c.1↔	09	J03A, J03B, J04A, J04B, J08A, J08B, J11A, J11B, J16Z	5t81c.8↔	09	J03A, J03B, J04A, J04B, J08A, J08B, J11A, J11B, J16Z	5t81d.4↔	09	J03A, J03B, J04A, J04B, J08A, J08B, J11A, J11B, J16Z
	21A	W04A, W04B		21A	W04A, W04B		21A	W04A, W04B
	21B	X06A, X06B, X06C		21B	X04Z, X06A, X06B, X06C		21B	X06A, X06B, X06C
		BOP, KVT, UOP4			BOP, KVT, UOP4			BOP, KVT, UOP4
	01	B03A, B03B, B06A, B06B, B07Z, B17A, B17B, B17C		01	B03A, B03B, B06A, B06B, B07Z, B17A, B17B, B17C		01	B03A, B03B, B06A, B06B, B07Z, B17A, B17B, B17C
5t81c.2↔	08	I12A, I12B, I12C, I27A, I27B, I27C, I27D	5t81c.9↔	08	I12A, I12B, I12C, I27A, I27B, I27C, I27D	5t81d.5↔	08	I27A, I27B, I27C, I27D
	09	J03A, J03B, J04A, J04B, J08A, J08B, J11A, J11B, J16Z		09	J03A, J03B, J04A, J04B, J08A, J08B, J11A, J11B, J16Z		09	J03A, J03B, J04A, J04B, J08A, J08B, J11A, J11B, J16Z
	21A	W04A, W04B		21A	W04A, W04B		21A	W04A, W04B
	21B	X06A, X06B, X06C		21B	X04Z, X06A, X06B, X06C		21B	X06A, X06B, X06C
		BOP, KVT, UOP4			BOP, KVT, UOP4			BOP, KVT, UOP4
5t81c.3↔	01	B03A, B03B, B06A, B06B, B07Z, B17A, B17B, B17C	5t81c.x	01	B03A, B03B, B06A, B06B, B07Z, B17A, B17B, B17C	5t81d.6↔	01	B03A, B03B, B06A, B06B, B07Z, B17A, B17B, B17C
	08	I12A, I12B, I12C, I27A, I27B, I27C, I27D		08	I12A, I12B, I12C, I27A, I27B, I27C, I27D		08	I27A, I27B, I27C, I27D
	09	J03A, J03B, J04A, J04B, J08A, J08B, J11A, J11B, J16Z		09	J03A, J03B, J04A, J04B, J08A, J08B, J11A, J11B, J16Z		09	J03A, J03B, J04A, J04B, J08A, J08B, J11A, J11B, J16Z
	21A	W04A, W04B		21A	W04A, W04B		21A	W04A, W04B
	21B	X06A, X06B, X06C		21B	X04Z		21B	X04Z, X06A, X06B, X06C
5t81c.4↔		BOP, KVT, UOP4	5t81d.0↔		BOP, KVT, UOP4	5t81d.7↔		BOP, KVT, UOP4
	01	B03A, B03B, B06A, B06B, B07Z, B17A, B17B, B17C		01	B03A, B03B, B06A, B06B, B07Z, B17A, B17B, B17C		01	B03A, B03B, B06A, B06B, B07Z, B17A, B17B, B17C
	08	I12A, I12B, I12C, I27A, I27B, I27C, I27D		08	I27A, I27B, I27C, I27D		08	I27A, I27B, I27C, I27D
	09	J03A, J03B, J04A, J04B, J08A, J08B, J11A, J11B, J16Z		09	J03A, J03B, J04A, J04B, J08A, J08B, J11A, J11B, J16Z		09	J03A, J03B, J04A, J04B, J08A, J08B, J11A, J11B, J16Z
	21A	W04A, W04B		21A	W04A, W04B		21A	W04A, W04B
	X05A, X05B, X06A, X06B, X06C	21B	X06A, X06B, X06C	21B	X04Z, X06A, X06B, X06C			

VYK

ZZV	MDC	DRG	ZZV	MDC	DRG	ZZV	MDC	DRG					
5t81d.8↔		BOP, KVT, UOP4	5t81x.8↔	08	I27A, I27B, I27C, I27D	5t820.7↔	01	B03A, B03B, B06A, B06B, B17A, B17B, B17C					
	01	B03A, B03B, B06A, B06B, B07Z, B17A, B17B, B17C		09	J08A		08	I12A, I12B, I12C, I27A, I27B, I27C, I27D					
	08	I27A, I27B, I27C, I27D		21A	W04A, W04B		21A	W04A, W04B					
	09	J03A, J03B, J04A, J04B, J08A, J08B, J11A, J11B, J16Z		21B	X04Z, X06A, X06B, X06C		21B	X04Z, X06A, X06B, X06C					
	21A	W04A, W04B			BOP, KVT, UOP4			BOP, KVT, UOP4					
5t81d.9↔	21B	X04Z, X06A, X06B, X06C	5t81x.9↔	08	I27A, I27B, I27C, I27D	5t820.8↔	01	B03A, B03B, B06A, B06B, B17A, B17B, B17C					
		BOP, KVT, UOP4		09	J08A		08	I12A, I12B, I12C, I27A, I27B, I27C, I27D					
	5t81d.x	01		B03A, B03B, B06A, B06B, B07Z, B17A, B17B, B17C	5t81x.x		21A	W04A, W04B	5t820.9↔	21A	W04A, W04B		
		08		I27A, I27B, I27C, I27D			21B	X04Z, X06A, X06B, X06C		21B	X04Z, X06A, X06B, X06C		
		09		J03A, J03B, J04A, J04B, J08A, J08B, J11A, J11B, J16Z				BOP, KVT, UOP4			BOP, KVT, UOP4		
21A		W04A, W04B	5t820.0↔	08		I27A, I27B, I27C, I27D	5t820.x	01		B03A, B03B, B06A, B06B, B17A, B17B, B17C			
21B		X04Z, X06A, X06B, X06C		09		J08A		5t820.x		08	I12A, I12B, I12C, I27A, I27B, I27C, I27D		
5t81d.x		BOP, KVT, UOP4		5t820.1↔	21A	W04A, W04B			5t821.0↔	21A	W04A, W04B		
	01	B03A, B03B, B06A, B06B, B07Z, B17A, B17B, B17C			21B	X06A, X06B, X06C				5t821.0↔	21B	X04Z, X06A, X06B, X06C	
	08	I27A, I27B, I27C, I27D				BOP, KVT, UOP4						BOP, KVT, UOP4	
	09	J03A, J03B, J04A, J04B, J08A, J08B, J11A, J11B, J16Z	5t820.2↔		01	B03A, B03B, B06A, B06B, B17A, B17B, B17C	5t821.0↔				01	B03A, B03B, B06A, B06B, B17A, B17B, B17C	
	21A	W04A, W04B			08	I12A, I12B, I12C, I27A, I27B, I27C, I27D		5t821.0↔			08	I12A, I12B, I12C, I27A, I27B, I27C, I27D	
21B	X06A, X06B, X06C	5t820.3↔		21A	W04A, W04B	5t821.1↔			21A		W04A, W04B		
5t81x.0↔				BOP, KVT, UOP4	5t820.4↔				21B	X06A, X06B, X06C	5t821.1↔	21B	X06A, X06B, X06C
	08			I27A, I27B, I27C, I27D					01	B03A, B03B, B06A, B06B, B17A, B17B, B17C		5t821.1↔	01
	09		J08A	08			I12A, I12B, I12C, I27A, I27B, I27C, I27D		5t821.1↔	08			I12A, I12B, I12C, I27A, I27B, I27C, I27D
	21A		W04A, W04B	5t820.5↔			21A	W04A, W04B		5t821.2↔			21A
	21B	X06A, X06B, X06C	21B			X06A, X06B, X06C	5t821.2↔	21B					X06A, X06B, X06C
5t81x.1↔		BOP, KVT, UOP4	5t820.6↔			BOP, KVT, UOP4		5t821.2↔					BOP, KVT, UOP4
	08	I27A, I27B, I27C, I27D			01	B03A, B03B, B06A, B06B, B17A, B17B, B17C					5t821.2↔	01	B03A, B03B, B06A, B06B, B17A, B17B, B17C
	09	J08A			08	I12A, I12B, I12C, I27A, I27B, I27C, I27D			5t821.2↔			08	I12A, I12B, I12C, I27A, I27B, I27C, I27D
	21A	W04A, W04B		5t820.7↔	21A	W04A, W04B				5t821.3↔		21A	W04A, W04B
	21B	X06A, X06B, X06C			21B	X05A, X05B, X06A, X06B, X06C	5t821.3↔					21B	X06A, X06B, X06C
5t81x.2↔		BOP, KVT, UOP4	5t820.8↔			BOP, KVT, UOP4		5t821.3↔					BOP, KVT, UOP4
	08	I27A, I27B, I27C, I27D			01	B03A, B03B, B06A, B06B, B17A, B17B, B17C					5t821.3↔	01	B03A, B03B, B06A, B06B, B17A, B17B, B17C
	09	J08A			08	I12A, I12B, I12C, I27A, I27B, I27C, I27D			5t821.3↔			08	I12A, I12B, I12C, I27A, I27B, I27C, I27D
	21A	W04A, W04B		5t820.9↔	21A	W04A, W04B				5t821.4↔		21A	W04A, W04B
	21B	X06A, X06B, X06C			21B	X06A, X06B, X06C	5t821.4↔					21B	X05A, X05B, X06A, X06B, X06C
5t81x.3↔		BOP, KVT, UOP4	5t820.9↔			BOP, KVT, UOP4		5t821.4↔					BOP, KVT, UOP4
	08	I27A, I27B, I27C, I27D			01	B03A, B03B, B06A, B06B, B17A, B17B, B17C					5t821.4↔	01	B03A, B03B, B06A, B06B, B17A, B17B, B17C
	09	J08A			08	I12A, I12B, I12C, I27A, I27B, I27C, I27D			5t821.4↔			08	I12A, I12B, I12C, I27A, I27B, I27C, I27D
	21A	W04A, W04B		5t821.0↔	21A	W04A, W04B				5t821.4↔		21A	W04A, W04B
	21B	X05A, X05B, X06A, X06B, X06C			21B	X06A, X06B, X06C	5t821.4↔					21B	X06A, X06B, X06C
5t81x.4		BOP, KVT, UOP4	5t821.0↔			BOP, KVT, UOP4		5t821.4↔					BOP, KVT, UOP4
	08	I27A, I27B, I27C, I27D			01	B03A, B03B, B06A, B06B, B17A, B17B, B17C					5t821.4↔	01	B03A, B03B, B06A, B06B, B17A, B17B, B17C
	09	J08A			08	I12A, I12B, I12C, I27A, I27B, I27C, I27D			5t821.4↔			08	I12A, I12B, I12C, I27A, I27B, I27C, I27D
	21A	W04A, W04B		5t821.1↔	21A	W04A, W04B				5t821.4↔		21A	W04A, W04B
	21B	X06A, X06B, X06C			21B	X06A, X06B, X06C	5t821.4↔					21B	X06A, X06B, X06C
5t81x.5		BOP, KVT, UOP4	5t821.1↔			BOP, KVT, UOP4		5t821.4↔					BOP, KVT, UOP4
	08	I27A, I27B, I27C, I27D			01	B03A, B03B, B06A, B06B, B17A, B17B, B17C					5t821.4↔	01	B03A, B03B, B06A, B06B, B17A, B17B, B17C
	09	J08A			08	I12A, I12B, I12C, I27A, I27B, I27C, I27D			5t821.4↔			08	I12A, I12B, I12C, I27A, I27B, I27C, I27D
	21A	W04A, W04B		5t821.1↔	21A	W04A, W04B				5t821.4↔		21A	W04A, W04B
	21B	X06A, X06B, X06C			21B	X06A, X06B, X06C	5t821.4↔					21B	X06A, X06B, X06C
5t81x.6↔		BOP, KVT, UOP4	5t821.1↔			BOP, KVT, UOP4		5t821.4↔					BOP, KVT, UOP4
	08	I27A, I27B, I27C, I27D			01	B03A, B03B, B06A, B06B, B17A, B17B, B17C					5t821.4↔	01	B03A, B03B, B06A, B06B, B17A, B17B, B17C
	09	J08A			08	I12A, I12B, I12C, I27A, I27B, I27C, I27D			5t821.4↔			08	I12A, I12B, I12C, I27A, I27B, I27C, I27D
	21A	W04A, W04B		5t821.1↔	21A	W04A, W04B				5t821.4↔		21A	W04A, W04B
	21B	X04Z, X06A, X06B, X06C			21B	X06A, X06B, X06C	5t821.4↔					21B	X06A, X06B, X06C
5t81x.7↔		BOP, KVT, UOP4	5t821.1↔			BOP, KVT, UOP4		5t821.4↔					BOP, KVT, UOP4
	08	I27A, I27B, I27C, I27D			01	B03A, B03B, B06A, B06B, B17A, B17B, B17C					5t821.4↔	01	B03A, B03B, B06A, B06B, B17A, B17B, B17C
	09	J08A			08	I12A, I12B, I12C, I27A, I27B, I27C, I27D			5t821.4↔			08	I12A, I12B, I12C, I27A, I27B, I27C, I27D
	21A	W04A, W04B		5t821.1↔	21A	W04A, W04B				5t821.4↔		21A	W04A, W04B
	21B	X04Z, X06A, X06B, X06C			21B	X04Z, X06A, X06B, X06C	5t821.4↔					21B	X06A, X06B, X06C

ZZV	MDC	DRG	ZZV	MDC	DRG	ZZV	MDC	DRG
5t826.2↔		BOP, KVT, UOP4	5t826.9↔		BOP, KVT, UOP4	5t827.5↔		BOP, KVT, UOP4
	01	B03A, B03B, B06A, B06B, B07Z, B17A, B17B, B17C		01	B03A, B03B, B06A, B06B, B07Z, B17A, B17B, B17C		01	B03A, B03B, B06A, B06B, B07Z, B17A, B17B, B17C
	08	I12A, I12B, I12C, I27A, I27B, I27C, I27D		08	I12A, I12B, I12C, I27A, I27B, I27C, I27D		08	I12A, I12B, I12C, I27A, I27B, I27C, I27D
	09	J03A, J03B, J04A, J04B, J08A, J08B, J08C, J11A, J11B, J16Z		09	J03A, J03B, J04A, J04B, J08A, J08B, J08C, J11A, J11B, J16Z		09	J03A, J03B, J04A, J04B, J08A, J08B, J08C, J11A, J11B, J16Z
	21A	W04A, W04B		21A	W04A, W04B		21A	W04A, W04B
5t826.3↔	21B	X06A, X06B, X06C	5t826.x	21B	X04Z, X06A, X06B, X06C	5t827.6↔	21B	X06A, X06B, X06C
		BOP, KVT, UOP4			BOP, KVT, UOP4			BOP, KVT, UOP4
	01	B03A, B03B, B06A, B06B, B07Z, B17A, B17B, B17C		01	B03A, B03B, B06A, B06B, B07Z, B17A, B17B, B17C		01	B03A, B03B, B06A, B06B, B07Z, B17A, B17B, B17C
	08	I12A, I12B, I12C, I27A, I27B, I27C, I27D		08	I12A, I12B, I12C, I27A, I27B, I27C, I27D		08	I12A, I12B, I12C, I27A, I27B, I27C, I27D
	09	J03A, J03B, J04A, J04B, J08A, J08B, J08C, J11A, J11B, J16Z		09	J03A, J03B, J04A, J04B, J08A, J08B, J08C, J11A, J11B, J16Z		09	J03A, J03B, J04A, J04B, J08A, J08B, J08C, J11A, J11B, J16Z
5t826.4↔	21A	W04A, W04B	5t827.0↔	21A	W04A, W04B	5t827.7↔	21A	W04A, W04B
	21B	X05A, X05B, X06A, X06B, X06C		21B	X06A, X06B, X06C		21B	X04Z, X06A, X06B, X06C
		BOP, KVT, UOP4			BOP, KVT, UOP4			BOP, KVT, UOP4
	01	B03A, B03B, B06A, B06B, B07Z, B17A, B17B, B17C		01	B03A, B03B, B06A, B06B, B07Z, B17A, B17B, B17C		01	B03A, B03B, B06A, B06B, B07Z, B17A, B17B, B17C
	08	I12A, I12B, I12C, I27A, I27B, I27C, I27D		08	I12A, I12B, I12C, I27A, I27B, I27C, I27D		08	I12A, I12B, I12C, I27A, I27B, I27C, I27D
5t826.5↔	09	J03A, J03B, J04A, J04B, J08A, J08B, J08C, J11A, J11B, J16Z	5t827.1↔	09	J03A, J03B, J04A, J04B, J08A, J08B, J08C, J11A, J11B, J16Z	5t827.8↔	09	J03A, J03B, J04A, J04B, J08A, J08B, J08C, J11A, J11B, J16Z
	21A	W04A, W04B		21A	W04A, W04B		21A	W04A, W04B
	21B	X06A, X06B, X06C		21B	X06A, X06B, X06C		21B	X04Z, X06A, X06B, X06C
		BOP, KVT, UOP4			BOP, KVT, UOP4			BOP, KVT, UOP4
	01	B03A, B03B, B06A, B06B, B07Z, B17A, B17B, B17C		01	B03A, B03B, B06A, B06B, B07Z, B17A, B17B, B17C		01	B03A, B03B, B06A, B06B, B07Z, B17A, B17B, B17C
5t826.6↔	08	I12A, I12B, I12C, I27A, I27B, I27C, I27D	5t827.2↔	08	I12A, I12B, I12C, I27A, I27B, I27C, I27D	5t827.9↔	08	I12A, I12B, I12C, I27A, I27B, I27C, I27D
	09	J03A, J03B, J04A, J04B, J08A, J08B, J08C, J11A, J11B, J16Z		09	J03A, J03B, J04A, J04B, J08A, J08B, J08C, J11A, J11B, J16Z		09	J03A, J03B, J04A, J04B, J08A, J08B, J08C, J11A, J11B, J16Z
	21A	W04A, W04B		21A	W04A, W04B		21A	W04A, W04B
	21B	X04Z, X06A, X06B, X06C		21B	X06A, X06B, X06C		21B	X04Z, X06A, X06B, X06C
		BOP, KVT, UOP4			BOP, KVT, UOP4			BOP, KVT, UOP4
5t826.7↔	01	B03A, B03B, B06A, B06B, B07Z, B17A, B17B, B17C	5t827.3↔	01	B03A, B03B, B06A, B06B, B07Z, B17A, B17B, B17C	5t827.x	01	B03A, B03B, B06A, B06B, B07Z, B17A, B17B, B17C
	08	I12A, I12B, I12C, I27A, I27B, I27C, I27D		08	I12A, I12B, I12C, I27A, I27B, I27C, I27D		08	I12A, I12B, I12C, I27A, I27B, I27C, I27D
	09	J03A, J03B, J04A, J04B, J08A, J08B, J08C, J11A, J11B, J16Z		09	J03A, J03B, J04A, J04B, J08A, J08B, J08C, J11A, J11B, J16Z		09	J03A, J03B, J04A, J04B, J08A, J08B, J08C, J11A, J11B, J16Z
	21A	W04A, W04B		21A	W04A, W04B		21A	W04A, W04B
	21B	X04Z, X06A, X06B, X06C		21B	X06A, X06B, X06C		21B	X04Z, X06A, X06B, X06C
5t826.8↔		BOP, KVT, UOP4	5t827.4↔		BOP, KVT, UOP4	5t828.0↔		BOP, KVT, UOP4
	01	B03A, B03B, B06A, B06B, B07Z, B17A, B17B, B17C		01	B03A, B03B, B06A, B06B, B07Z, B17A, B17B, B17C		01	B03A, B03B, B06A, B06B, B07Z, B17A, B17B, B17C
	08	I12A, I12B, I12C, I27A, I27B, I27C, I27D		08	I12A, I12B, I12C, I27A, I27B, I27C, I27D		08	I12A, I12B, I12C, I27A, I27B, I27C, I27D
	09	J03A, J03B, J04A, J04B, J08A, J08B, J08C, J11A, J11B, J16Z		09	J03A, J03B, J04A, J04B, J08A, J08B, J08C, J11A, J11B, J16Z		09	J03A, J03B, J04A, J04B, J08A, J08B, J08C, J11A, J11B, J16Z
	21A	W04A, W04B		21A	W04A, W04B		21A	W04A, W04B
21B	X04Z, X06A, X06B, X06C	21B	X06A, X06B, X06C	21B	X06A, X06B, X06C			

VYK

ZZV	MDC	DRG	ZZV	MDC	DRG	ZZV	MDC	DRG
5t82x.5		BOP, KVT, UOP4	5t830.6↔	01	BOP, KVT, UOP4	5t831.3↔	08	BOP, KVT, UOP4
	08	I27A, I27B, I27C, I27D		01	B03A, B03B, B06A, B06B, B07Z, B17A, B17B, B17C		08	I12A, I12B, I12C, I27A, I27B, I27C, I27D
	21A	W04A, W04B		08	I12A, I12B, I12C, I27A, I27B, I27C, I27D		09	J03A, J03B, J04A, J04B, J08A, J08B, J08C, J11A, J11B, J16Z
5t82x.6	21B	X06A, X06B, X06C	5t830.7↔	21A	W04A, W04B	5t831.4↔	10	K09A, K09B
		BOP, KVT, UOP4		21B	X04Z, X06A, X06B, X06C		21A	W04A, W04B
	08	I27A, I27B, I27C, I27D			BOP, KVT, UOP4		21B	X05A, X05B, X06A, X06B, X06C
5t82x.7↔	21A	W04A, W04B	5t830.8↔	01	B03A, B03B, B06A, B06B, B07Z, B17A, B17B, B17C	5t831.5↔	08	BOP, KVT, UOP4
	21B	X04Z, X06A, X06B, X06C		08	I12A, I12B, I12C, I27A, I27B, I27C, I27D		08	I12A, I12B, I12C, I27A, I27B, I27C, I27D
		BOP, KVT, UOP4		21A	W04A, W04B		09	J03A, J03B, J04A, J04B, J08A, J08B, J08C, J11A, J11B, J16Z
5t82x.8↔	08	I27A, I27B, I27C, I27D	5t830.9↔	21B	X04Z, X06A, X06B, X06C	5t831.6↔	10	K09A, K09B
	21A	W04A, W04B		01	B03A, B03B, B06A, B06B, B07Z, B17A, B17B, B17C		08	I12A, I12B, I12C, I27A, I27B, I27C, I27D
	21B	X04Z, X06A, X06B, X06C		08	I12A, I12B, I12C, I27A, I27B, I27C, I27D		09	J03A, J03B, J04A, J04B, J08A, J08B, J08C, J11A, J11B, J16Z
5t82x.9↔		BOP, KVT, UOP4	5t830.x	21A	W04A, W04B	5t831.7↔	10	K09A, K09B
	08	I27A, I27B, I27C, I27D		21B	X04Z, X06A, X06B, X06C		08	I12A, I12B, I12C, I27A, I27B, I27C, I27D
	21A	W04A, W04B		01	B03A, B03B, B06A, B06B, B07Z, B17A, B17B, B17C		09	J03A, J03B, J04A, J04B, J08A, J08B, J08C, J11A, J11B, J16Z
5t82x.x	21B	X04Z, X06A, X06B, X06C	5t831.0↔	08	I12A, I12B, I12C, I27A, I27B, I27C, I27D	5t831.8↔	10	K09A, K09B
		BOP, KVT, UOP4		08	I12A, I12B, I12C, I27A, I27B, I27C, I27D		08	I12A, I12B, I12C, I27A, I27B, I27C, I27D
	08	I27A, I27B, I27C, I27D		09	J03A, J03B, J04A, J04B, J08A, J08B, J08C, J11A, J11B, J16Z		09	J03A, J03B, J04A, J04B, J08A, J08B, J08C, J11A, J11B, J16Z
5t830.0↔	21A	W04A, W04B	5t831.1↔	21A	W04A, W04B	5t831.9↔	10	K09A, K09B
	21B	X06A, X06B, X06C		08	I12A, I12B, I12C, I27A, I27B, I27C, I27D		21A	W04A, W04B
		BOP, KVT, UOP4		08	I12A, I12B, I12C, I27A, I27B, I27C, I27D		21B	X04Z, X06A, X06B, X06C
5t830.1↔	01	B03A, B03B, B06A, B06B, B07Z, B17A, B17B, B17C	5t831.2↔	08	I12A, I12B, I12C, I27A, I27B, I27C, I27D		08	I12A, I12B, I12C, I27A, I27B, I27C, I27D
	08	I12A, I12B, I12C, I27A, I27B, I27C, I27D		09	J03A, J03B, J04A, J04B, J08A, J08B, J08C, J11A, J11B, J16Z		09	J03A, J03B, J04A, J04B, J08A, J08B, J08C, J11A, J11B, J16Z
	21A	W04A, W04B		10	K09A, K09B		10	K09A, K09B
5t830.2↔	21B	X06A, X06B, X06C		21A	W04A, W04B		21A	W04A, W04B
		BOP, KVT, UOP4		21B	X06A, X06B, X06C		21B	X04Z, X06A, X06B, X06C
	01	B03A, B03B, B06A, B06B, B07Z, B17A, B17B, B17C		08	I12A, I12B, I12C, I27A, I27B, I27C, I27D		21B	X06A, X06B, X06C
5t830.3↔	08	I12A, I12B, I12C, I27A, I27B, I27C, I27D		08	I12A, I12B, I12C, I27A, I27B, I27C, I27D		08	I12A, I12B, I12C, I27A, I27B, I27C, I27D
	21A	W04A, W04B		09	J03A, J03B, J04A, J04B, J08A, J08B, J08C, J11A, J11B, J16Z		09	J03A, J03B, J04A, J04B, J08A, J08B, J08C, J11A, J11B, J16Z
	21B	X06A, X06B, X06C		10	K09A, K09B		10	K09A, K09B
5t830.4↔		BOP, KVT, UOP4		21A	W04A, W04B		21A	W04A, W04B
	01	B03A, B03B, B06A, B06B, B07Z, B17A, B17B, B17C		21B	X06A, X06B, X06C		21B	X04Z, X06A, X06B, X06C
	08	I12A, I12B, I12C, I27A, I27B, I27C, I27D		08	I12A, I12B, I12C, I27A, I27B, I27C, I27D		21B	X06A, X06B, X06C
5t830.5↔	21A	W04A, W04B		09	J03A, J03B, J04A, J04B, J08A, J08B, J08C, J11A, J11B, J16Z		08	I12A, I12B, I12C, I27A, I27B, I27C, I27D
	21B	X06A, X06B, X06C		10	K09A, K09B		09	J03A, J03B, J04A, J04B, J08A, J08B, J08C, J11A, J11B, J16Z
		BOP, KVT, UOP4		21A	W04A, W04B		10	K09A, K09B
5t830.5↔	01	B03A, B03B, B06A, B06B, B07Z, B17A, B17B, B17C		21B	X06A, X06B, X06C		21A	W04A, W04B
	08	I12A, I12B, I12C, I27A, I27B, I27C, I27D		08	I12A, I12B, I12C, I27A, I27B, I27C, I27D		21B	X04Z, X06A, X06B, X06C
	21A	W04A, W04B		09	J03A, J03B, J04A, J04B, J08A, J08B, J08C, J11A, J11B, J16Z		21B	X06A, X06B, X06C
	BOP, KVT, UOP4							



ZZV	MDC	DRG	ZZV	MDC	DRG	ZZV	MDC	DRG
5t833.9↔		BOP, KVT, UOP4	5t834.4↔		BOP, KVT, UOP4	5t834.x		BOP, KVT, UOP4
	01	B03A, B03B, B06A, B06B, B07Z, B17A, B17B, B17C		01	B03A, B03B, B06A, B06B, B07Z, B17A, B17B, B17C		01	B03A, B03B, B06A, B06B, B07Z, B17A, B17B, B17C
	08	I08A, I08B, I08C, I08D, I12A, I12B, I12C, I13A, I13B, I27A, I27B, I27C, I27D		08	I08A, I08B, I08C, I08D, I08E, I12A, I12B, I12C, I13A, I13B, I27A, I27B, I27C, I27D		08	I08A, I08B, I08C, I08D, I08E, I12A, I12B, I12C, I13A, I13B, I27A, I27B, I27C, I27D
	09	J03A, J03B, J04A, J04B, J08A, J08B, J08C, J11A, J11B, J16Z		09	J03A, J03B, J04A, J04B, J08A, J08B, J08C, J11A, J11B, J16Z		09	J03A, J03B, J04A, J04B, J08A, J08B, J08C, J11A, J11B, J16Z
	21A	W04A, W04B		21A	W04A, W04B		21A	W04A, W04B
5t833.x	21B	X04Z, X06A, X06B, X06C	5t834.5↔	21B	X06A, X06B, X06C	5t835.0↔	21B	X06A, X06B, X06C
		BOP, KVT, UOP4			BOP, KVT, UOP4			BOP, KVT, UOP4
	01	B03A, B03B, B06A, B06B, B07Z, B17A, B17B, B17C		01	B03A, B03B, B06A, B06B, B07Z, B17A, B17B, B17C		01	B03A, B03B, B06A, B06B, B07Z, B17A, B17B, B17C
	08	I08A, I08B, I08C, I08D, I12A, I12B, I12C, I13A, I13B, I27A, I27B, I27C, I27D		08	I08A, I08B, I08C, I08D, I08E, I12A, I12B, I12C, I13A, I13B, I27A, I27B, I27C, I27D		08	I08A, I08B, I08C, I08D, I12A, I12B, I12C, I13A, I13B, I27A, I27B, I27C, I27D
	09	J03A, J03B, J04A, J04B, J08A, J08B, J08C, J11A, J11B, J16Z		09	J03A, J03B, J04A, J04B, J08A, J08B, J08C, J11A, J11B, J16Z		10	K09A, K09B
5t834.0↔	21A	W04A, W04B	5t834.6↔	21A	W04A, W04B	5t835.1↔	21A	W04A, W04B
	21B	X06A, X06B, X06C		21B	X06A, X06B, X06C		21B	X06A, X06B, X06C
		BOP, KVT, UOP4			BOP, KVT, UOP4			BOP, KVT, UOP4
	01	B03A, B03B, B06A, B06B, B07Z, B17A, B17B, B17C		01	B03A, B03B, B06A, B06B, B07Z, B17A, B17B, B17C		01	B03A, B03B, B06A, B06B, B07Z, B17A, B17B, B17C
	08	I08A, I08B, I08C, I08D, I08E, I12A, I12B, I12C, I13A, I13B, I27A, I27B, I27C, I27D		08	I08A, I08B, I08C, I08D, I08E, I12A, I12B, I12C, I13A, I13B, I27A, I27B, I27C, I27D		08	I08A, I08B, I08C, I08D, I12A, I12B, I12C, I13A, I13B, I27A, I27B, I27C, I27D
5t834.1↔	09	J03A, J03B, J04A, J04B, J08A, J08B, J08C, J11A, J11B, J16Z	5t834.7↔	09	J03A, J03B, J04A, J04B, J08A, J08B, J08C, J11A, J11B, J16Z	5t835.2↔	01	B03A, B03B, B06A, B06B, B07Z, B17A, B17B, B17C
	21A	W04A, W04B		21A	W04A, W04B		08	I08A, I08B, I08C, I08D, I12A, I12B, I12C, I13A, I13B, I27A, I27B, I27C, I27D
	21B	X06A, X06B, X06C		21B	X04Z, X06A, X06B, X06C		10	K09A, K09B
		BOP, KVT, UOP4			BOP, KVT, UOP4		21A	W04A, W04B
	01	B03A, B03B, B06A, B06B, B07Z, B17A, B17B, B17C		01	B03A, B03B, B06A, B06B, B07Z, B17A, B17B, B17C		21B	X06A, X06B, X06C
5t834.2↔	08	I08A, I08B, I08C, I08D, I08E, I12A, I12B, I12C, I13A, I13B, I27A, I27B, I27C, I27D	5t834.8↔	08	I08A, I08B, I08C, I08D, I08E, I12A, I12B, I12C, I13A, I13B, I27A, I27B, I27C, I27D	5t835.3↔	01	B03A, B03B, B06A, B06B, B07Z, B17A, B17B, B17C
	09	J03A, J03B, J04A, J04B, J08A, J08B, J08C, J11A, J11B, J16Z		09	J03A, J03B, J04A, J04B, J08A, J08B, J08C, J11A, J11B, J16Z		08	I08A, I08B, I08C, I08D, I12A, I12B, I12C, I13A, I13B, I27A, I27B, I27C, I27D
	21A	W04A, W04B		21A	W04A, W04B		10	K09A, K09B
	21B	X06A, X06B, X06C		21B	X04Z, X06A, X06B, X06C		21A	W04A, W04B
		BOP, KVT, UOP4			BOP, KVT, UOP4		21B	X05A, X05B, X06A, X06B, X06C
5t834.3↔	01	B03A, B03B, B06A, B06B, B07Z, B17A, B17B, B17C	5t834.9↔	01	B03A, B03B, B06A, B06B, B07Z, B17A, B17B, B17C	5t835.4↔	01	B03A, B03B, B06A, B06B, B07Z, B17A, B17B, B17C
	08	I08A, I08B, I08C, I08D, I08E, I12A, I12B, I12C, I13A, I13B, I27A, I27B, I27C, I27D		08	I08A, I08B, I08C, I08D, I08E, I12A, I12B, I12C, I13A, I13B, I27A, I27B, I27C, I27D		08	I08A, I08B, I08C, I08D, I12A, I12B, I12C, I13A, I13B, I27A, I27B, I27C, I27D
	09	J03A, J03B, J04A, J04B, J08A, J08B, J08C, J11A, J11B, J16Z		09	J03A, J03B, J04A, J04B, J08A, J08B, J08C, J11A, J11B, J16Z		10	K09A, K09B
	21A	W04A, W04B		21A	W04A, W04B		21A	W04A, W04B
	21B	X06A, X06B, X06C		21B	X04Z, X06A, X06B, X06C		21B	X06A, X06B, X06C
5t834.4↔		BOP, KVT, UOP4	5t834.9↔		BOP, KVT, UOP4	5t835.5↔		BOP, KVT, UOP4
	01	B03A, B03B, B06A, B06B, B07Z, B17A, B17B, B17C		01	B03A, B03B, B06A, B06B, B07Z, B17A, B17B, B17C		01	B03A, B03B, B06A, B06B, B07Z, B17A, B17B, B17C
	08	I08A, I08B, I08C, I08D, I08E, I12A, I12B, I12C, I13A, I13B, I27A, I27B, I27C, I27D		08	I08A, I08B, I08C, I08D, I08E, I12A, I12B, I12C, I13A, I13B, I27A, I27B, I27C, I27D		08	I08A, I08B, I08C, I08D, I12A, I12B, I12C, I13A, I13B, I27A, I27B, I27C, I27D
	09	J03A, J03B, J04A, J04B, J08A, J08B, J08C, J11A, J11B, J16Z		09	J03A, J03B, J04A, J04B, J08A, J08B, J08C, J11A, J11B, J16Z		10	K09A, K09B
	21A	W04A, W04B		21A	W04A, W04B		21A	W04A, W04B
21B	X05A, X05B, X06A, X06B, X06C	21B	X04Z, X06A, X06B, X06C	21B	X06A, X06B, X06C			

VYK

ZZV	MDC	DRG	ZZV	MDC	DRG	ZZV	MDC	DRG		
5t837.5↔		BOP, KVT, UOP4	5t838.1↔		BOP, KVT, UOP4	5t838.8↔		BOP, KVT, UOP4		
	01	B03A, B03B, B06A, B06B, B07Z, B17A, B17B, B17C		01	B03A, B03B, B06A, B06B, B07Z, B17A, B17B, B17C		01	B03A, B03B, B06A, B06B, B07Z, B17A, B17B, B17C		
	08	I08A, I08B, I08C, I08D, I08E, I12A, I12B, I12C, I13A, I13B, I27A, I27B, I27C, I27D		08	I08A, I08B, I08C, I08D, I08E, I12A, I12B, I12C, I13A, I13B, I27A, I27B, I27C, I27D		08	I08A, I08B, I08C, I08D, I08E, I12A, I12B, I12C, I13A, I13B, I27A, I27B, I27C, I27D		
	10	K09A, K09B		10	K09A, K09B		10	K09A, K09B		
	21A	W04A, W04B		21A	W04A, W04B		21A	W04A, W04B		
5t837.6↔	21B	X06A, X06B, X06C	5t838.2↔	21B	X06A, X06B, X06C	5t838.9↔	21B	X04Z, X06A, X06B, X06C		
		BOP, KVT, UOP4			BOP, KVT, UOP4			BOP, KVT, UOP4		
	01	B03A, B03B, B06A, B06B, B07Z, B17A, B17B, B17C		01	B03A, B03B, B06A, B06B, B07Z, B17A, B17B, B17C		01	B03A, B03B, B06A, B06B, B07Z, B17A, B17B, B17C		
	08	I08A, I08B, I08C, I08D, I08E, I12A, I12B, I12C, I13A, I13B, I27A, I27B, I27C, I27D		08	I08A, I08B, I08C, I08D, I08E, I12A, I12B, I12C, I13A, I13B, I27A, I27B, I27C, I27D		08	I08A, I08B, I08C, I08D, I08E, I12A, I12B, I12C, I13A, I13B, I27A, I27B, I27C, I27D		
	10	K09A, K09B		10	K09A, K09B		10	K09A, K09B		
5t837.7↔	21A	W04A, W04B	5t838.3↔	21A	W04A, W04B	5t838.x	21A	W04A, W04B		
	21B	X04Z, X06A, X06B, X06C		21B	X06A, X06B, X06C		21B	X04Z, X06A, X06B, X06C		
		BOP, KVT, UOP4			BOP, KVT, UOP4			BOP, KVT, UOP4		
	01	B03A, B03B, B06A, B06B, B07Z, B17A, B17B, B17C		01	B03A, B03B, B06A, B06B, B07Z, B17A, B17B, B17C		01	B03A, B03B, B06A, B06B, B07Z, B17A, B17B, B17C		
	08	I08A, I08B, I08C, I08D, I08E, I12A, I12B, I12C, I13A, I13B, I27A, I27B, I27C, I27D		08	I08A, I08B, I08C, I08D, I08E, I12A, I12B, I12C, I13A, I13B, I27A, I27B, I27C, I27D		08	I08A, I08B, I08C, I08D, I08E, I12A, I12B, I12C, I13A, I13B, I27A, I27B, I27C, I27D		
5t837.8↔	10	K09A, K09B	5t838.4↔	10	K09A, K09B	5t839.0↔	10	K09A, K09B		
	21A	W04A, W04B		21A	W04A, W04B		21A	W04A, W04B		
	21B	X04Z, X06A, X06B, X06C		21B	X05A, X05B, X06A, X06B, X06C		21B	X06A, X06B, X06C		
		BOP, KVT, UOP4			BOP, KVT, UOP4			BOP, KVT, UOP4		
	01	B03A, B03B, B06A, B06B, B07Z, B17A, B17B, B17C		01	B03A, B03B, B06A, B06B, B07Z, B17A, B17B, B17C		01	B03A, B03B, B06A, B06B, B07Z, B17A, B17B, B17C		
5t837.9↔	08	I08A, I08B, I08C, I08D, I08E, I12A, I12B, I12C, I13A, I13B, I27A, I27B, I27C, I27D	5t838.5↔	08	I08A, I08B, I08C, I08D, I08E, I12A, I12B, I12C, I13A, I13B, I27A, I27B, I27C, I27D	5t839.1↔	08	I12A, I12B, I12C, I27A, I27B, I27C, I27D		
	10	K09A, K09B		5t838.6↔	10		K09A, K09B	5t839.2↔	09	J03A, J03B, J04A, J04B, J08A, J08B, J08C, J11A, J11B, J16Z
	21A	W04A, W04B			21A		W04A, W04B		21A	W04A, W04B
	21B	X04Z, X06A, X06B, X06C			21B		X06A, X06B, X06C		21B	X06A, X06B, X06C
		BOP, KVT, UOP4					BOP, KVT, UOP4			BOP, KVT, UOP4
01	B03A, B03B, B06A, B06B, B07Z, B17A, B17B, B17C	01	B03A, B03B, B06A, B06B, B07Z, B17A, B17B, B17C		01	B03A, B03B, B06A, B06B, B07Z, B17A, B17B, B17C				
5t837.x	08	I08A, I08B, I08C, I08D, I08E, I12A, I12B, I12C, I13A, I13B, I27A, I27B, I27C, I27D	5t838.7↔	08	I08A, I08B, I08C, I08D, I08E, I12A, I12B, I12C, I13A, I13B, I27A, I27B, I27C, I27D	5t839.3↔	08	I12A, I12B, I12C, I27A, I27B, I27C, I27D		
	10	K09A, K09B		5t838.8↔	10		K09A, K09B	5t839.4↔	09	J03A, J03B, J04A, J04B, J08A, J08B, J08C, J11A, J11B, J16Z
	21A	W04A, W04B			21A		W04A, W04B		21A	W04A, W04B
	21B	X06A, X06B, X06C			21B		X04Z, X06A, X06B, X06C		21B	X06A, X06B, X06C
		BOP, KVT, UOP4					BOP, KVT, UOP4			BOP, KVT, UOP4
01	B03A, B03B, B06A, B06B, B07Z, B17A, B17B, B17C	01	B03A, B03B, B06A, B06B, B07Z, B17A, B17B, B17C		01	B03A, B03B, B06A, B06B, B07Z, B17A, B17B, B17C				
5t838.0↔	08	I08A, I08B, I08C, I08D, I08E, I12A, I12B, I12C, I13A, I13B, I27A, I27B, I27C, I27D	5t838.9↔	08	I08A, I08B, I08C, I08D, I08E, I12A, I12B, I12C, I13A, I13B, I27A, I27B, I27C, I27D	5t839.5↔	08	I12A, I12B, I12C, I27A, I27B, I27C, I27D		
	10	K09A, K09B		5t839.6↔	10		K09A, K09B	5t839.6↔	09	J03A, J03B, J04A, J04B, J08A, J08B, J08C, J11A, J11B, J16Z
	21A	W04A, W04B			21A		W04A, W04B		21A	W04A, W04B
	21B	X06A, X06B, X06C			21B		X04Z, X06A, X06B, X06C		21B	X06A, X06B, X06C
		BOP, KVT, UOP4					BOP, KVT, UOP4			BOP, KVT, UOP4
01	B03A, B03B, B06A, B06B, B07Z, B17A, B17B, B17C	01	B03A, B03B, B06A, B06B, B07Z, B17A, B17B, B17C		01	B03A, B03B, B06A, B06B, B07Z, B17A, B17B, B17C				



ZZV	MDC	DRG	ZZV	MDC	DRG	ZZV	MDC	DRG
5t844.0↔		BOP, KVT, UOP4	5t844.6↔		BOP, KVT, UOP4	5t845.0↔		BOP, KVT, UOP4
	01	B03A, B03B, B06A, B06B, B07Z, B17A, B17B, B17C		01	B03A, B03B, B06A, B06B, B07Z, B17A, B17B, B17C		01	B03A, B03B, B06A, B06B, B07Z, B17A, B17B, B17C
	08	I08A, I08B, I08C, I08D, I12A, I12B, I12C, I13A, I13B, I27A, I27B, I27C, I27D		08	I08A, I08B, I08C, I08D, I12A, I12B, I12C, I13A, I13B, I27A, I27B, I27C, I27D		08	I08A, I08B, I08C, I08D, I12A, I12B, I12C, I13A, I13B, I27A, I27B, I27C, I27D
	09	J03A, J03B, J04A, J04B, J08A, J08B, J08C, J11A, J11B, J16Z		09	J03A, J03B, J04A, J04B, J08A, J08B, J08C, J11A, J11B, J16Z		09	J03A, J03B, J04A, J04B, J08A, J08B, J08C, J11A, J11B, J16Z
	21A	W04A, W04B		21A	W04A, W04B		21A	W04A, W04B
5t844.1↔	21B	X06A, X06B, X06C	5t844.7↔	21B	X04Z, X06A, X06B, X06C	5t845.1↔	21B	X06A, X06B, X06C
		BOP, KVT, UOP4			BOP, KVT, UOP4			BOP, KVT, UOP4
	01	B03A, B03B, B06A, B06B, B07Z, B17A, B17B, B17C		01	B03A, B03B, B06A, B06B, B07Z, B17A, B17B, B17C		01	B03A, B03B, B06A, B06B, B07Z, B17A, B17B, B17C
	08	I08A, I08B, I08C, I08D, I12A, I12B, I12C, I13A, I13B, I27A, I27B, I27C, I27D		08	I08A, I08B, I08C, I08D, I12A, I12B, I12C, I13A, I13B, I27A, I27B, I27C, I27D		08	I08A, I08B, I08C, I08D, I12A, I12B, I12C, I13A, I13B, I27A, I27B, I27C, I27D
	09	J03A, J03B, J04A, J04B, J08A, J08B, J08C, J11A, J11B, J16Z		09	J03A, J03B, J04A, J04B, J08A, J08B, J08C, J11A, J11B, J16Z		09	J03A, J03B, J04A, J04B, J08A, J08B, J08C, J11A, J11B, J16Z
5t844.2↔	21A	W04A, W04B	5t844.8↔	21A	W04A, W04B	5t845.2↔	21A	W04A, W04B
	21B	X06A, X06B, X06C		21B	X04Z, X06A, X06B, X06C		21B	X06A, X06B, X06C
		BOP, KVT, UOP4			BOP, KVT, UOP4			BOP, KVT, UOP4
	01	B03A, B03B, B06A, B06B, B07Z, B17A, B17B, B17C		01	B03A, B03B, B06A, B06B, B07Z, B17A, B17B, B17C		01	B03A, B03B, B06A, B06B, B07Z, B17A, B17B, B17C
	08	I08A, I08B, I08C, I08D, I12A, I12B, I12C, I13A, I13B, I27A, I27B, I27C, I27D		08	I08A, I08B, I08C, I08D, I12A, I12B, I12C, I13A, I13B, I27A, I27B, I27C, I27D		08	I08A, I08B, I08C, I08D, I12A, I12B, I12C, I13A, I13B, I27A, I27B, I27C, I27D
5t844.3↔	09	J03A, J03B, J04A, J04B, J08A, J08B, J08C, J11A, J11B, J16Z	5t844.a↔	09	J03A, J03B, J04A, J04B, J08A, J08B, J08C, J11A, J11B, J16Z	5t845.3↔	09	J03A, J03B, J04A, J04B, J08A, J08B, J08C, J11A, J11B, J16Z
	21A	W04A, W04B		21A	W04A, W04B		21A	W04A, W04B
	21B	X06A, X06B, X06C		21B	X04Z, X06A, X06B, X06C		21B	X06A, X06B, X06C
		BOP, KVT, UOP4			BOP, KVT, UOP4			BOP, KVT, UOP4
	01	B03A, B03B, B06A, B06B, B07Z, B17A, B17B, B17C		01	B03A, B03B, B06A, B06B, B07Z, B17A, B17B, B17C		01	B03A, B03B, B06A, B06B, B07Z, B17A, B17B, B17C
5t844.4↔	08	I08A, I08B, I08C, I08D, I12A, I12B, I12C, I13A, I13B, I27A, I27B, I27C, I27D	5t844.b↔	08	I08A, I08B, I08C, I08D, I12A, I12B, I12C, I13A, I13B, I20D, I27A, I27B, I27C, I27D	5t845.4↔	08	I08A, I08B, I08C, I08D, I12A, I12B, I12C, I13A, I13B, I27A, I27B, I27C, I27D
	09	J03A, J03B, J04A, J04B, J08A, J08B, J08C, J11A, J11B, J16Z		09	J03A, J03B, J04A, J04B, J08A, J08B, J08C, J11A, J11B, J16Z		09	J03A, J03B, J04A, J04B, J08A, J08B, J08C, J11A, J11B, J16Z
	21A	W04A, W04B		21A	W04A, W04B		21A	W04A, W04B
	21B	X05A, X05B, X06A, X06B, X06C		21B	X04Z, X06A, X06B, X06C		21B	X05A, X05B, X06A, X06B, X06C
		BOP, KVT, UOP4			BOP, KVT, UOP4			BOP, KVT, UOP4
5t844.5↔	01	B03A, B03B, B06A, B06B, B07Z, B17A, B17B, B17C	5t844.x	01	B03A, B03B, B06A, B06B, B07Z, B17A, B17B, B17C	5t845.5↔	01	B03A, B03B, B06A, B06B, B07Z, B17A, B17B, B17C
	08	I08A, I08B, I08C, I08D, I12A, I12B, I12C, I13A, I13B, I27A, I27B, I27C, I27D		08	I08A, I08B, I08C, I08D, I12A, I12B, I12C, I13A, I13B, I27A, I27B, I27C, I27D		08	I08A, I08B, I08C, I08D, I12A, I12B, I12C, I13A, I13B, I27A, I27B, I27C, I27D
	09	J03A, J03B, J04A, J04B, J08A, J08B, J08C, J11A, J11B, J16Z		09	J03A, J03B, J04A, J04B, J08A, J08B, J08C, J11A, J11B, J16Z		09	J03A, J03B, J04A, J04B, J08A, J08B, J08C, J11A, J11B, J16Z
	21A	W04A, W04B		21A	W04A, W04B		21A	W04A, W04B
	21B	X06A, X06B, X06C		21B	X06A, X06B, X06C		21B	X06A, X06B, X06C

VYK

ZZV	MDC	DRG	ZZV	MDC	DRG	ZZV	MDC	DRG
5t847.2↔		BOP, KVT, UOP4	5t847.a↔		BOP, KVT, UOP4	5t848.4↔		BOP, KVT, UOP4
	01	B03A, B03B, B06A, B06B, B07Z, B17A, B17B, B17C		01	B03A, B03B, B06A, B06B, B07Z, B17A, B17B, B17C		01	B03A, B03B, B06A, B06B, B07Z, B17A, B17B, B17C
	08	I08A, I08B, I08C, I08D, I08E, I12A, I12B, I12C, I13A, I13B, I27A, I27B, I27C, I27D		08	I08A, I08B, I08C, I08D, I08E, I12A, I12B, I12C, I13A, I13B, I20D, I27A, I27B, I27C, I27D		08	I08A, I08B, I08C, I08D, I08E, I12A, I12B, I12C, I13A, I13B, I27A, I27B, I27C, I27D
	10	K09A, K09B		10	K09A, K09B		10	K09A, K09B
	21A	W04A, W04B		21A	W04A, W04B		21A	W04A, W04B
5t847.3↔	21B	X06A, X06B, X06C	5t847.b↔	21B	X04Z, X06A, X06B, X06C	5t848.5↔	21B	X06A, X06B, X06C
		BOP, KVT, UOP4			BOP, KVT, UOP4			BOP, KVT, UOP4
	01	B03A, B03B, B06A, B06B, B07Z, B17A, B17B, B17C		01	B03A, B03B, B06A, B06B, B07Z, B17A, B17B, B17C		01	B03A, B03B, B06A, B06B, B07Z, B17A, B17B, B17C
	08	I08A, I08B, I08C, I08D, I08E, I12A, I12B, I12C, I13A, I13B, I27A, I27B, I27C, I27D		08	I08A, I08B, I08C, I08D, I08E, I12A, I12B, I12C, I13A, I13B, I20D, I27A, I27B, I27C, I27D		08	I08A, I08B, I08C, I08D, I08E, I12A, I12B, I12C, I13A, I13B, I27A, I27B, I27C, I27D
	10	K09A, K09B		10	K09A, K09B		10	K09A, K09B
5t847.4↔	21A	W04A, W04B	5t847.x	21A	W04A, W04B	5t848.6↔	21A	W04A, W04B
	21B	X05A, X05B, X06A, X06B, X06C		21B	X04Z, X06A, X06B, X06C		21B	X06A, X06B, X06C
		BOP, KVT, UOP4			BOP, KVT, UOP4			BOP, KVT, UOP4
	01	B03A, B03B, B06A, B06B, B07Z, B17A, B17B, B17C		01	B03A, B03B, B06A, B06B, B07Z, B17A, B17B, B17C		01	B03A, B03B, B06A, B06B, B07Z, B17A, B17B, B17C
	08	I08A, I08B, I08C, I08D, I08E, I12A, I12B, I12C, I13A, I13B, I27A, I27B, I27C, I27D		08	I08A, I08B, I08C, I08D, I08E, I12A, I12B, I12C, I13A, I13B, I27A, I27B, I27C, I27D		08	I08A, I08B, I08C, I08D, I08E, I12A, I12B, I12C, I13A, I13B, I27A, I27B, I27C, I27D
5t847.5↔	10	K09A, K09B	5t848.0↔	10	K09A, K09B	5t848.7↔	10	K09A, K09B
	21A	W04A, W04B		21A	W04A, W04B		21A	W04A, W04B
	21B	X06A, X06B, X06C		21B	X06A, X06B, X06C		21B	X04Z, X06A, X06B, X06C
		BOP, KVT, UOP4			BOP, KVT, UOP4			BOP, KVT, UOP4
	01	B03A, B03B, B06A, B06B, B07Z, B17A, B17B, B17C		01	B03A, B03B, B06A, B06B, B07Z, B17A, B17B, B17C		01	B03A, B03B, B06A, B06B, B07Z, B17A, B17B, B17C
5t847.6↔	08	I08A, I08B, I08C, I08D, I08E, I12A, I12B, I12C, I13A, I13B, I27A, I27B, I27C, I27D	5t848.1↔	08	I08A, I08B, I08C, I08D, I08E, I12A, I12B, I12C, I13A, I13B, I27A, I27B, I27C, I27D	5t848.8↔	08	I08A, I08B, I08C, I08D, I08E, I12A, I12B, I12C, I13A, I13B, I27A, I27B, I27C, I27D
	10	K09A, K09B		10	K09A, K09B		10	K09A, K09B
	21A	W04A, W04B		21A	W04A, W04B		21A	W04A, W04B
	21B	X04Z, X06A, X06B, X06C		21B	X06A, X06B, X06C		21B	X04Z, X06A, X06B, X06C
		BOP, KVT, UOP4			BOP, KVT, UOP4			BOP, KVT, UOP4
5t847.7↔	01	B03A, B03B, B06A, B06B, B07Z, B17A, B17B, B17C	5t848.2↔	01	B03A, B03B, B06A, B06B, B07Z, B17A, B17B, B17C	5t848.a↔	01	B03A, B03B, B06A, B06B, B07Z, B17A, B17B, B17C
	08	I08A, I08B, I08C, I08D, I08E, I12A, I12B, I12C, I13A, I13B, I27A, I27B, I27C, I27D		08	I08A, I08B, I08C, I08D, I08E, I12A, I12B, I12C, I13A, I13B, I27A, I27B, I27C, I27D		08	I08A, I08B, I08C, I08D, I08E, I12A, I12B, I12C, I13A, I13B, I20D, I27A, I27B, I27C, I27D
	10	K09A, K09B		10	K09A, K09B		10	K09A, K09B
	21A	W04A, W04B		21A	W04A, W04B		21A	W04A, W04B
	21B	X04Z, X06A, X06B, X06C		21B	X06A, X06B, X06C		21B	X04Z, X06A, X06B, X06C
5t847.8↔		BOP, KVT, UOP4	5t848.3↔		BOP, KVT, UOP4	5t848.b↔		BOP, KVT, UOP4
	01	B03A, B03B, B06A, B06B, B07Z, B17A, B17B, B17C		01	B03A, B03B, B06A, B06B, B07Z, B17A, B17B, B17C		01	B03A, B03B, B06A, B06B, B07Z, B17A, B17B, B17C
	08	I08A, I08B, I08C, I08D, I08E, I12A, I12B, I12C, I13A, I13B, I27A, I27B, I27C, I27D		08	I08A, I08B, I08C, I08D, I08E, I12A, I12B, I12C, I13A, I13B, I27A, I27B, I27C, I27D		08	I08A, I08B, I08C, I08D, I08E, I12A, I12B, I12C, I13A, I13B, I20D, I27A, I27B, I27C, I27D
	10	K09A, K09B		10	K09A, K09B		10	K09A, K09B
	21A	W04A, W04B		21A	W04A, W04B		21A	W04A, W04B
	X04Z, X06A, X06B, X06C		X05A, X05B, X06A, X06B, X06C		X04Z, X06A, X06B, X06C			

ZZV	MDC	DRG	ZZV	MDC	DRG	ZZV	MDC	DRG
5t853.6↔		BOP, KVT, UOP4	5t854.8↔	08	I12A, I12B, I12C, I27A, I27B, I27C, I27D	5t856.1↔	08	I27A, I27B, I27C, I27D
	08	I12A, I12B, I12C, I27A, I27B, I27C, I27D		21A	W04A, W04B		21A	W04A, W04B
	21A	W04A, W04B		21B	X06A, X06B, X06C		21B	X06A, X06B, X06C
5t853.7↔	21B	X04Z, X06A, X06B, X06C	5t854.9↔	21B	X04Z, X06A, X06B, X06C	5t856.2↔	08	BOP, KVT, UOP4
	08	BOP, KVT, UOP4		08	I12A, I12B, I12C, I27A, I27B, I27C, I27D		08	I27A, I27B, I27C, I27D
	08	I12A, I12B, I12C, I27A, I27B, I27C, I27D		21A	W04A, W04B		21A	W04A, W04B
5t853.8↔	21A	W04A, W04B	5t854.x	21B	X04Z, X06A, X06B, X06C	5t856.3↔	21B	X06A, X06B, X06C
	21B	X04Z, X06A, X06B, X06C		08	BOP, KVT, UOP4		08	I32A, I32B, I32C, I32D, I32E, I32F
	08	BOP, KVT, UOP4		08	I12A, I12B, I12C, I27A, I27B, I27C, I27D		09	J03A, J03B, J04A, J04B, J08A, J08B, J08C, J11A, J11B, J16Z
5t853.9↔	21A	W04A, W04B	5t855.0↔	21A	W04A, W04B	5t856.4↔	21A	W04A, W04B
	08	BOP, KVT, UOP4		21B	X06A, X06B, X06C		21B	X06A, X06B, X06C
	08	I12A, I12B, I12C, I27A, I27B, I27C, I27D		08	I27A, I27B, I27C, I27D		08	I27A, I27B, I27C, I27D
5t853.x	21A	W04A, W04B	5t855.1↔	21B	X06A, X06B, X06C	5t856.5↔	21A	W04A, W04B
	21B	X04Z, X06A, X06B, X06C		08	BOP, KVT, UOP4		08	BOP, KVT, UOP4
	08	BOP, KVT, UOP4		08	I27A, I27B, I27C, I27D		21A	I27A, I27B, I27C, I27D
5t854.0↔	08	I12A, I12B, I12C, I27A, I27B, I27C, I27D	5t855.2↔	08	I27A, I27B, I27C, I27D	5t856.6↔	21A	W04A, W04B
	21A	W04A, W04B		21A	W04A, W04B		08	I27A, I27B, I27C, I27D
	21B	X06A, X06B, X06C		21B	X06A, X06B, X06C		21A	W04A, W04B
5t854.1↔	08	I12A, I12B, I12C, I27A, I27B, I27C, I27D	5t855.3↔	08	BOP, KVT, UOP4	5t856.7↔	21B	X06A, X06B, X06C
	21A	W04A, W04B		08	I27A, I27B, I27C, I27D		08	I27A, I27B, I27C, I27D
	21B	X06A, X06B, X06C		09	J03A, J03B, J04A, J04B, J08A, J08B, J08C, J11A, J11B, J16Z		21A	W04A, W04B
5t854.2↔	21B	X06A, X06B, X06C	5t855.4↔	21A	W04A, W04B	5t856.8↔	21B	X04Z, X06A, X06B, X06C
	08	BOP, KVT, UOP4		21B	X06A, X06B, X06C		08	I27A, I27B, I27C, I27D
	08	I12A, I12B, I12C, I27A, I27B, I27C, I27D		08	I27A, I27B, I27C, I27D		21A	W04A, W04B
5t854.3↔	21A	W04A, W04B	5t855.5↔	08	BOP, KVT, UOP4	5t856.9↔	21B	X06A, X06B, X06C
	21B	X06A, X06B, X06C		08	I27A, I27B, I27C, I27D		08	I20D, I27A, I27B, I27C, I27D
	08	BOP, KVT, UOP4		08	I27A, I27B, I27C, I27D		21A	W04A, W04B
5t854.4↔	08	I12A, I12B, I12C, I27A, I27B, I27C, I27D	5t855.6↔	21A	W04A, W04B	5t856.x	21B	X04Z
	21A	W04A, W04B		08	BOP, KVT, UOP4		08	BOP, KVT, UOP4
	21B	X06A, X06B, X06C		21A	W04A, W04B		08	I27A, I27B, I27C, I27D
5t854.5↔	21B	X06A, X06B, X06C	5t855.7↔	21B	X04Z, X06A, X06B, X06C	5t857.0↔	21A	W04A, W04B
	08	BOP, KVT, UOP4		08	BOP, KVT, UOP4		01	B03A, B03B, B06A, B06B, B07Z, B17A, B17B, B17C
	08	I12A, I12B, I12C, I27A, I27B, I27C, I27D		08	I27A, I27B, I27C, I27D		08	I12A, I12B, I12C, I27A, I27B, I27C, I27D
5t854.6↔	21A	W04A, W04B	5t855.8↔	21A	W04A, W04B	5t857.1↔	09	J03A, J03B, J04A, J04B, J08A, J08B, J08C, J11A, J11B, J16Z
	21B	X06A, X06B, X06C		08	I27A, I27B, I27C, I27D		21A	W04A, W04B
	08	BOP, KVT, UOP4		21A	W04A, W04B		21B	X06A, X06B, X06C
5t854.7↔	21B	X06A, X06B, X06C	5t855.9↔	21B	X04Z	5t857.1↔	01	B03A, B03B, B06A, B06B, B07Z, B17A, B17B, B17C
	08	BOP, KVT, UOP4		08	BOP, KVT, UOP4		08	I12A, I12B, I12C, I27A, I27B, I27C, I27D
	08	I12A, I12B, I12C, I27A, I27B, I27C, I27D		08	I20D, I27A, I27B, I27C, I27D		09	J03A, J03B, J04A, J04B, J08A, J08B, J08C, J11A, J11B, J16Z
5t854.8↔	21A	W04A, W04B	5t855.x	21A	W04A, W04B	5t857.1↔	21A	W04A, W04B
	21B	X04Z, X06A, X06B, X06C		21B	X06A, X06B, X06C		21B	X06A, X06B, X06C
	08	BOP, KVT, UOP4		08	I27A, I27B, I27C, I27D			
5t854.9↔	21A	W04A, W04B	5t856.0↔	08	BOP, KVT, UOP4			
	21B	X04Z, X06A, X06B, X06C		08	I27A, I27B, I27C, I27D			
	08	BOP, KVT, UOP4		21A	W04A, W04B			

VYK

ZZV	MDC	DRG	ZZV	MDC	DRG	ZZV	MDC	DRG
5t857.2↔		BOP, KVT, UOP4	5t857.9↔		BOP, KVT, UOP4	5t858.5↔		BOP, KVT, UOP4
	01	B03A, B03B, B06A, B06B, B07Z, B17A, B17B, B17C		01	B03A, B03B, B06A, B06B, B07Z, B17A, B17B, B17C		01	B03A, B03B, B06A, B06B, B07Z, B17A, B17B, B17C
	08	I12A, I12B, I12C, I27A, I27B, I27C, I27D		08	I12A, I12B, I12C, I20D, I27A, I27B, I27C, I27D		08	I12A, I12B, I12C, I20D, I27A, I27B, I27C, I27D
	09	J03A, J03B, J04A, J04B, J08A, J08B, J08C, J11A, J11B, J16Z		09	J03A, J03B, J04A, J04B, J08A, J08B, J08C, J11A, J11B, J16Z		09	J03A, J03B, J04A, J04B, J08A, J08B, J08C, J11A, J11B, J16Z
	21A	W04A, W04B		21A	W04A, W04B		21A	W04A, W04B
5t857.3↔	21B	X06A, X06B, X06C	5t857.x	21B	X04Z, X06A, X06B, X06C	5t858.6↔	21B	X04Z, X06A, X06B, X06C
		BOP, KVT, UOP4			BOP, KVT, UOP4			BOP, KVT, UOP4
	01	B03A, B03B, B06A, B06B, B07Z, B17A, B17B, B17C		01	B03A, B03B, B06A, B06B, B07Z, B17A, B17B, B17C		01	B03A, B03B, B06A, B06B, B07Z, B17A, B17B, B17C
	08	I12A, I12B, I12C, I27A, I27B, I27C, I27D		08	I12A, I12B, I12C, I27A, I27B, I27C, I27D		08	I12A, I12B, I12C, I27A, I27B, I27C, I27D
	09	J03A, J03B, J04A, J04B, J08A, J08B, J08C, J11A, J11B, J16Z		09	J03A, J03B, J04A, J04B, J08A, J08B, J08C, J11A, J11B, J16Z		09	J03A, J03B, J04A, J04B, J08A, J08B, J08C, J11A, J11B, J16Z
5t857.4↔	21A	W04A, W04B	5t858.0↔	21A	W04A, W04B	5t858.7↔	21A	W04A, W04B
	21B	X05A, X05B, X06A, X06B, X06C		21B	X06A, X06B, X06C		21B	X04Z, X06A, X06B, X06C
		BOP, KVT, UOP4			BOP, KVT, UOP4			BOP, KVT, UOP4
	01	B03A, B03B, B06A, B06B, B07Z, B17A, B17B, B17C		01	B03A, B03B, B06A, B06B, B07Z, B17A, B17B, B17C		01	B03A, B03B, B06A, B06B, B07Z, B17A, B17B, B17C
	08	I12A, I12B, I12C, I27A, I27B, I27C, I27D		08	I12A, I12B, I12C, I27A, I27B, I27C, I27D		08	I12A, I12B, I12C, I27A, I27B, I27C, I27D
5t857.5↔	09	J03A, J03B, J04A, J04B, J08A, J08B, J08C, J11A, J11B, J16Z	5t858.1↔	09	J03A, J03B, J04A, J04B, J08A, J08B, J08C, J11A, J11B, J16Z	5t858.8↔	09	J03A, J03B, J04A, J04B, J08A, J08B, J08C, J11A, J11B, J16Z
	21A	W04A, W04B		21A	W04A, W04B		21A	W04A, W04B
	21B	X06A, X06B, X06C		21B	X06A, X06B, X06C		21B	X04Z, X06A, X06B, X06C
		BOP, KVT, UOP4			BOP, KVT, UOP4			BOP, KVT, UOP4
	01	B03A, B03B, B06A, B06B, B07Z, B17A, B17B, B17C		01	B03A, B03B, B06A, B06B, B07Z, B17A, B17B, B17C		01	B03A, B03B, B06A, B06B, B07Z, B17A, B17B, B17C
5t857.6↔	08	I12A, I12B, I12C, I20D, I27A, I27B, I27C, I27D	5t858.2↔	08	I12A, I12B, I12C, I27A, I27B, I27C, I27D	5t858.9↔	08	I12A, I12B, I12C, I20D, I27A, I27B, I27C, I27D
	09	J03A, J03B, J04A, J04B, J08A, J08B, J08C, J11A, J11B, J16Z		09	J03A, J03B, J04A, J04B, J08A, J08B, J08C, J11A, J11B, J16Z		09	J03A, J03B, J04A, J04B, J08A, J08B, J08C, J11A, J11B, J16Z
	21A	W04A, W04B		21A	W04A, W04B		21A	W04A, W04B
	21B	X04Z, X06A, X06B, X06C		21B	X06A, X06B, X06C		21B	X04Z, X06A, X06B, X06C
		BOP, KVT, UOP4			BOP, KVT, UOP4			BOP, KVT, UOP4
5t857.7↔	01	B03A, B03B, B06A, B06B, B07Z, B17A, B17B, B17C	5t858.3↔	01	B03A, B03B, B06A, B06B, B07Z, B17A, B17B, B17C	5t858.x	01	B03A, B03B, B06A, B06B, B07Z, B17A, B17B, B17C
	08	I12A, I12B, I12C, I27A, I27B, I27C, I27D		08	I12A, I12B, I12C, I27A, I27B, I27C, I27D		08	I12A, I12B, I12C, I27A, I27B, I27C, I27D
	09	J03A, J03B, J04A, J04B, J08A, J08B, J08C, J11A, J11B, J16Z		09	J03A, J03B, J04A, J04B, J08A, J08B, J08C, J11A, J11B, J16Z		09	J03A, J03B, J04A, J04B, J08A, J08B, J08C, J11A, J11B, J16Z
	21A	W04A, W04B		21A	W04A, W04B		21A	W04A, W04B
	21B	X04Z, X06A, X06B, X06C		21B	X06A, X06B, X06C		21B	X04Z, X06A, X06B, X06C
5t857.8↔		BOP, KVT, UOP4	5t858.4↔		BOP, KVT, UOP4	5t859.0↔		BOP, KVT, UOP4
	01	B03A, B03B, B06A, B06B, B07Z, B17A, B17B, B17C		01	B03A, B03B, B06A, B06B, B07Z, B17A, B17B, B17C		01	B03A, B03B, B06A, B06B, B07Z, B17A, B17B, B17C
	08	I12A, I12B, I12C, I27A, I27B, I27C, I27D		08	I12A, I12B, I12C, I27A, I27B, I27C, I27D		08	I12A, I12B, I12C, I27A, I27B, I27C, I27D
	09	J03A, J03B, J04A, J04B, J08A, J08B, J08C, J11A, J11B, J16Z		09	J03A, J03B, J04A, J04B, J08A, J08B, J08C, J11A, J11B, J16Z		09	J03A, J03B, J04A, J04B, J08A, J08B, J08C, J11A, J11B, J16Z
	21A	W04A, W04B		21A	W04A, W04B		21A	W04A, W04B
21B	X04Z, X06A, X06B, X06C	21B	X06A, X06B, X06C	21B	X06A, X06B, X06C			

VYK

ZZV	MDC	DRG	ZZV	MDC	DRG	ZZV	MDC	DRG
5t85b.2↔		BOP, KVT, UOP4	5t85x.4		BOP, KVT, UOP4	5t860.3↔		BOP, KVT, UOP4
	08	I12A, I12B, I12C, I27A, I27B, I27C, I27D		08	I12A, I12B, I12C, I27A, I27B, I27C, I27D		08	I12A, I12B, I12C, I27A, I27B, I27C, I27D
	21A	W04A, W04B		21A	W04A, W04B		09	J03A, J03B, J04A, J04B, J08A, J08B, J08C, J11A, J11B, J16Z
5t85b.3↔	21B	X06A, X06B, X06C	5t85x.5	21B	X06A, X06B, X06C	5t860.4↔	09	J03A, J03B, J04A, J04B, J08A, J08B, J08C, J11A, J11B, J16Z
		BOP, KVT, UOP4			BOP, KVT, UOP4		10	K09A, K09B
	08	I12A, I12B, I12C, I27A, I27B, I27C, I27D		08	I12A, I12B, I12C, I27A, I27B, I27C, I27D		21A	W04A, W04B
5t85b.4↔	21A	W04A, W04B	5t85x.6	21A	W04A, W04B	5t860.5↔	21B	X05A, X05B, X06A, X06B, X06C
	21B	X05A, X05B, X06A, X06B, X06C		21B	X06A, X06B, X06C			BOP, KVT, UOP4
		BOP, KVT, UOP4		08	I12A, I12B, I12C, I27A, I27B, I27C, I27D		08	I12A, I12B, I12C, I27A, I27B, I27C, I27D
5t85b.5↔	08	I12A, I12B, I12C, I27A, I27B, I27C, I27D	5t85x.7↔	21A	W04A, W04B	5t860.6↔	09	J03A, J03B, J04A, J04B, J08A, J08B, J08C, J11A, J11B, J16Z
	21A	W04A, W04B		21B	X04Z, X06A, X06B, X06C		10	K09A, K09B
	21B	X06A, X06B, X06C		08	I12A, I12B, I12C, I27A, I27B, I27C, I27D		21A	W04A, W04B
5t85b.6↔	21B	X06A, X06B, X06C	5t85x.8↔	21B	X04Z, X06A, X06B, X06C	5t860.7↔	21B	X06A, X06B, X06C
		BOP, KVT, UOP4		08	I12A, I12B, I12C, I27A, I27B, I27C, I27D		08	I12A, I12B, I12C, I27A, I27B, I27C, I27D
	08	I12A, I12B, I12C, I27A, I27B, I27C, I27D		21A	W04A, W04B		09	J03A, J03B, J04A, J04B, J08A, J08B, J08C, J11A, J11B, J16Z
5t85b.7↔	21A	W04A, W04B	5t85x.9↔	21B	X04Z, X06A, X06B, X06C	5t860.8↔	10	K09A, K09B
	21B	X04Z, X06A, X06B, X06C		08	I12A, I12B, I12C, I27A, I27B, I27C, I27D		21A	W04A, W04B
		BOP, KVT, UOP4		21B	X04Z, X06A, X06B, X06C		21B	X06A, X06B, X06C
5t85b.8↔	08	I12A, I12B, I12C, I27A, I27B, I27C, I27D	5t85x.x	08	I12A, I12B, I12C, I27A, I27B, I27C, I27D	5t860.9↔	08	I12A, I12B, I12C, I27A, I27B, I27C, I27D
	21A	W04A, W04B		21A	W04A, W04B		09	J03A, J03B, J04A, J04B, J08A, J08B, J08C, J11A, J11B, J16Z
	21B	X04Z, X06A, X06B, X06C		21B	X06A, X06B, X06C		10	K09A, K09B
5t85b.9↔	21B	X04Z, X06A, X06B, X06C	5t860.0↔	08	I12A, I12B, I12C, I27A, I27B, I27C, I27D	5t860.8↔	21A	W04A, W04B
		BOP, KVT, UOP4		09	J03A, J03B, J04A, J04B, J08A, J08B, J08C, J11A, J11B, J16Z		21B	X04Z, X06A, X06B, X06C
	08	I12A, I12B, I12C, I27A, I27B, I27C, I27D		10	K09A, K09B		08	I12A, I12B, I12C, I27A, I27B, I27C, I27D
5t85b.x	21A	W04A, W04B	5t860.1↔	09	J03A, J03B, J04A, J04B, J08A, J08B, J08C, J11A, J11B, J16Z	5t860.9↔	09	J03A, J03B, J04A, J04B, J08A, J08B, J08C, J11A, J11B, J16Z
	21B	X04Z, X06A, X06B, X06C		10	K09A, K09B		10	K09A, K09B
		BOP, KVT, UOP4		21A	W04A, W04B		21A	W04A, W04B
5t85x.0↔	21B	X06A, X06B, X06C	5t860.2↔	21B	X06A, X06B, X06C	5t860.9↔	21B	X04Z, X06A, X06B, X06C
		BOP, KVT, UOP4		08	I12A, I12B, I12C, I27A, I27B, I27C, I27D		08	I12A, I12B, I12C, I27A, I27B, I27C, I27D
	08	I12A, I12B, I12C, I27A, I27B, I27C, I27D		09	J03A, J03B, J04A, J04B, J08A, J08B, J08C, J11A, J11B, J16Z		09	J03A, J03B, J04A, J04B, J08A, J08B, J08C, J11A, J11B, J16Z
5t85x.1↔	21A	W04A, W04B	5t860.2↔	10	K09A, K09B	5t860.9↔	10	K09A, K09B
	21B	X06A, X06B, X06C		21A	W04A, W04B		21A	W04A, W04B
		BOP, KVT, UOP4		21B	X06A, X06B, X06C		21B	X04Z, X06A, X06B, X06C
5t85x.2↔	08	I12A, I12B, I12C, I27A, I27B, I27C, I27D	5t860.2↔	08	I12A, I12B, I12C, I27A, I27B, I27C, I27D	5t860.9↔	08	I12A, I12B, I12C, I27A, I27B, I27C, I27D
	21A	W04A, W04B		09	J03A, J03B, J04A, J04B, J08A, J08B, J08C, J11A, J11B, J16Z		09	J03A, J03B, J04A, J04B, J08A, J08B, J08C, J11A, J11B, J16Z
	21B	X06A, X06B, X06C		10	K09A, K09B		10	K09A, K09B
5t85x.3↔	21B	X06A, X06B, X06C	5t860.2↔	21A	W04A, W04B	5t860.9↔	21A	W04A, W04B
		BOP, KVT, UOP4		21B	X06A, X06B, X06C		21B	X04Z, X06A, X06B, X06C
	08	I12A, I12B, I12C, I27A, I27B, I27C, I27D			BOP, KVT, UOP4			BOP, KVT, UOP4
5t85x.3↔	08	I12A, I12B, I12C, I27A, I27B, I27C, I27D	5t860.2↔	08	I12A, I12B, I12C, I27A, I27B, I27C, I27D	5t860.9↔	08	I12A, I12B, I12C, I27A, I27B, I27C, I27D
	21A	W04A, W04B		09	J03A, J03B, J04A, J04B, J08A, J08B, J08C, J11A, J11B, J16Z		09	J03A, J03B, J04A, J04B, J08A, J08B, J08C, J11A, J11B, J16Z
	21B	X05A, X05B, X06A, X06B, X06C		10	K09A, K09B		10	K09A, K09B

VYK

ZZV	MDC	DRG	ZZV	MDC	DRG	ZZV	MDC	DRG
5t874.6↔		BOP, KVT, UOP4	5t875.1↔		BOP, KVT, UOP4	5t875.7↔		BOP, KVT, UOP4
	01	B03A, B03B, B06A, B06B, B07Z, B17A, B17B, B17C		01	B03A, B03B, B06A, B06B, B07Z, B17A, B17B, B17C		01	B03A, B03B, B06A, B06B, B07Z, B17A, B17B, B17C
	08	I08A, I08B, I08C, I08D, I08E, I12A, I12B, I12C, I13A, I13B, I27A, I27B, I27C, I27D		08	I08A, I08B, I08C, I08D, I08E, I12A, I12B, I12C, I13A, I13B, I27A, I27B, I27C		08	I08A, I08B, I08C, I08D, I08E, I12A, I12B, I12C, I13A, I13B, I27A, I27B, I27C
	09	J02A, J02B, J04A, J04B, J08A, J08B, J08C, J16Z, J21Z, J22A, J22B		09	J02A, J02B, J04A, J04B, J08A, J08B, J08C, J16Z, J21Z, J22A, J22B		09	J02A, J02B, J04A, J04B, J08A, J08B, J08C, J16Z, J21Z, J22A, J22B
	21A	W04A, W04B		21A	W04A, W04B		21A	W04A, W04B
5t874.7↔	21B	X04Z, X06A, X06B, X06C	5t875.2↔	21B	X06A, X06B, X06C	5t875.8↔	21B	X04Z, X06A, X06B, X06C
		BOP, KVT, UOP4			BOP, KVT, UOP4			BOP, KVT, UOP4
	01	B03A, B03B, B06A, B06B, B07Z, B17A, B17B, B17C		01	B03A, B03B, B06A, B06B, B07Z, B17A, B17B, B17C		01	B03A, B03B, B06A, B06B, B07Z, B17A, B17B, B17C
	08	I08A, I08B, I08C, I08D, I08E, I12A, I12B, I12C, I13A, I13B, I27A, I27B, I27C, I27D		08	I08A, I08B, I08C, I08D, I08E, I12A, I12B, I12C, I13A, I13B, I27A, I27B, I27C		08	I08A, I08B, I08C, I08D, I08E, I12A, I12B, I12C, I13A, I13B, I27A, I27B, I27C
	09	J02A, J02B, J04A, J04B, J08A, J08B, J08C, J16Z, J21Z, J22A, J22B		09	J02A, J02B, J04A, J04B, J08A, J08B, J08C, J16Z, J21Z, J22A, J22B		09	J02A, J02B, J04A, J04B, J08A, J08B, J08C, J16Z, J21Z, J22A, J22B
5t874.8↔	21A	W04A, W04B	5t875.3↔	21A	W04A, W04B	5t875.9↔	21A	W04A, W04B
	21B	X04Z, X06A, X06B, X06C		21B	X06A, X06B, X06C		21B	X04Z, X06A, X06B, X06C
		BOP, KVT, UOP4			BOP, KVT, UOP4			BOP, KVT, UOP4
	01	B03A, B03B, B06A, B06B, B07Z, B17A, B17B, B17C		01	B03A, B03B, B06A, B06B, B07Z, B17A, B17B, B17C		01	B03A, B03B, B06A, B06B, B07Z, B17A, B17B, B17C
	08	I08A, I08B, I08C, I08D, I08E, I12A, I12B, I12C, I13A, I13B, I27A, I27B, I27C, I27D		08	I08A, I08B, I08C, I08D, I08E, I12A, I12B, I12C, I13A, I13B, I27A, I27B, I27C		08	I08A, I08B, I08C, I08D, I08E, I12A, I12B, I12C, I13A, I13B, I27A, I27B, I27C
5t874.9↔	09	J02A, J02B, J04A, J04B, J08A, J08B, J08C, J16Z, J21Z, J22A, J22B	5t875.4↔	09	J02A, J02B, J04A, J04B, J08A, J08B, J08C, J16Z, J21Z, J22A, J22B	5t875.x	09	J02A, J02B, J04A, J04B, J08A, J08B, J08C, J16Z, J21Z, J22A, J22B
	21A	W04A, W04B		21A	W04A, W04B		21A	W04A, W04B
	21B	X04Z, X06A, X06B, X06C		21B	X05A, X05B, X06A, X06B, X06C		21B	X04Z, X06A, X06B, X06C
		BOP, KVT, UOP4			BOP, KVT, UOP4			BOP, KVT, UOP4
	01	B03A, B03B, B06A, B06B, B07Z, B17A, B17B, B17C		01	B03A, B03B, B06A, B06B, B07Z, B17A, B17B, B17C		01	B03A, B03B, B06A, B06B, B07Z, B17A, B17B, B17C
5t874.x	08	I08A, I08B, I08C, I08D, I08E, I12A, I12B, I12C, I13A, I13B, I27A, I27B, I27C, I27D	5t875.5↔	08	I08A, I08B, I08C, I08D, I08E, I12A, I12B, I12C, I13A, I13B, I27A, I27B, I27C	5t876.0↔	08	I08A, I08B, I08C, I08D, I08E, I12A, I12B, I12C, I13A, I13B, I27A, I27B, I27C
	09	J02A, J02B, J04A, J04B, J08A, J08B, J08C, J16Z, J21Z, J22A, J22B		09	J02A, J02B, J04A, J04B, J08A, J08B, J08C, J16Z, J21Z, J22A, J22B		09	J02A, J02B, J04A, J04B, J08A, J08B, J08C, J16Z, J21Z, J22A, J22B
	21A	W04A, W04B		21A	W04A, W04B		21A	W04A, W04B
	21B	X06A, X06B, X06C		21B	X06A, X06B, X06C		21B	X06A, X06B, X06C
		BOP, KVT, UOP4			BOP, KVT, UOP4			BOP, KVT, UOP4
5t875.0↔	01	B03A, B03B, B06A, B06B, B07Z, B17A, B17B, B17C	5t875.6↔	01	B03A, B03B, B06A, B06B, B07Z, B17A, B17B, B17C	5t876.1↔	01	B03A, B03B, B06A, B06B, B07Z, B17A, B17B, B17C
	08	I08A, I08B, I08C, I08D, I08E, I12A, I12B, I12C, I13A, I13B, I27A, I27B, I27C		08	I08A, I08B, I08C, I08D, I08E, I12A, I12B, I12C, I13A, I13B, I27A, I27B, I27C		08	I08A, I08B, I08C, I08D, I08E, I12A, I12B, I12C, I13A, I13B, I27A, I27B, I27C
	09	J02A, J02B, J04A, J04B, J08A, J08B, J08C, J16Z, J21Z, J22A, J22B		09	J02A, J02B, J04A, J04B, J08A, J08B, J08C, J16Z, J21Z, J22A, J22B		09	J02A, J02B, J04A, J04B, J08A, J08B, J08C, J16Z, J21Z, J22A, J22B
	21A	W04A, W04B		21A	W04A, W04B		21A	W04A, W04B
	21B	X06A, X06B, X06C		21B	X04Z, X06A, X06B, X06C		21B	X06A, X06B, X06C

ZZV	MDC	DRG	ZZV	MDC	DRG	ZZV	MDC	DRG
5t877.9↔		BOP, KVT, UOP4	5t878.4↔		BOP, KVT, UOP4	5t878.x		BOP, KVT, UOP4
	01	B03A, B03B, B06A, B06B, B07Z, B17A, B17B, B17C		01	B03A, B03B, B06A, B06B, B07Z, B17A, B17B, B17C		01	B03A, B03B, B06A, B06B, B07Z, B17A, B17B, B17C
	08	I08A, I08B, I08C, I08D, I08E, I12A, I12B, I12C, I13A, I13B, I27A, I27B, I27C		08	I08A, I08B, I08C, I08D, I08E, I12A, I12B, I12C, I13A, I13B, I27A, I27B, I27C		08	I08A, I08B, I08C, I08D, I08E, I12A, I12B, I12C, I13A, I13B, I27A, I27B, I27C
	09	J02A, J02B, J04A, J04B, J08A, J08B, J08C, J16Z, J21Z, J22A, J22B		09	J02A, J02B, J04A, J04B, J08A, J08B, J08C, J16Z, J21Z, J22A, J22B		09	J02A, J02B, J04A, J04B, J08A, J08B, J08C, J16Z, J21Z, J22A, J22B
	21A	W04A, W04B		21A	W04A, W04B		21A	W04A, W04B
5t877.x	21B	X04Z, X06A, X06B, X06C	5t878.5↔	21B	X06A, X06B, X06C	5t879.0↔	21B	X04Z
		BOP, KVT, UOP4			BOP, KVT, UOP4			BOP, KVT, UOP4
	01	B03A, B03B, B06A, B06B, B07Z, B17A, B17B, B17C		01	B03A, B03B, B06A, B06B, B07Z, B17A, B17B, B17C		01	B03A, B03B, B06A, B06B, B07Z, B17A, B17B, B17C
	08	I08A, I08B, I08C, I08D, I08E, I12A, I12B, I12C, I13A, I13B, I27A, I27B, I27C		08	I08A, I08B, I08C, I08D, I08E, I12A, I12B, I12C, I13A, I13B, I27A, I27B, I27C		08	I08A, I08B, I08C, I08D, I08E, I12A, I12B, I12C, I13A, I13B, I27A, I27B, I27C
	09	J02A, J02B, J04A, J04B, J08A, J08B, J08C, J16Z, J21Z, J22A, J22B		09	J02A, J02B, J04A, J04B, J08A, J08B, J08C, J16Z, J21Z, J22A, J22B		09	J02A, J02B, J04A, J04B, J08A, J08B, J08C, J16Z, J21Z, J22A, J22B
5t878.0↔	21A	W04A, W04B	5t878.6↔	21A	W04A, W04B	5t879.1↔	21A	W04A, W04B
	21B	X06A, X06B, X06C		21B	X06A, X06B, X06C		21B	X06A, X06B, X06C
		BOP, KVT, UOP4			BOP, KVT, UOP4			BOP, KVT, UOP4
	01	B03A, B03B, B06A, B06B, B07Z, B17A, B17B, B17C		01	B03A, B03B, B06A, B06B, B07Z, B17A, B17B, B17C		01	B03A, B03B, B06A, B06B, B07Z, B17A, B17B, B17C
	08	I08A, I08B, I08C, I08D, I08E, I12A, I12B, I12C, I13A, I13B, I27A, I27B, I27C		08	I08A, I08B, I08C, I08D, I08E, I12A, I12B, I12C, I13A, I13B, I27A, I27B, I27C		08	I08A, I08B, I08C, I08D, I08E, I12A, I12B, I12C, I13A, I13B, I27A, I27B, I27C
5t878.1↔	09	J02A, J02B, J04A, J04B, J08A, J08B, J08C, J16Z, J21Z, J22A, J22B	5t878.7↔	09	J02A, J02B, J04A, J04B, J08A, J08B, J08C, J16Z, J21Z, J22A, J22B	5t879.2↔	09	J02A, J02B, J04A, J04B, J08A, J08B, J08C, J16Z, J21Z, J22A, J22B
	21A	W04A, W04B		21A	W04A, W04B		21A	W04A, W04B
	21B	X06A, X06B, X06C		21B	X04Z, X06A, X06B, X06C		21B	X06A, X06B, X06C
		BOP, KVT, UOP4			BOP, KVT, UOP4			BOP, KVT, UOP4
	01	B03A, B03B, B06A, B06B, B07Z, B17A, B17B, B17C		01	B03A, B03B, B06A, B06B, B07Z, B17A, B17B, B17C		01	B03A, B03B, B06A, B06B, B07Z, B17A, B17B, B17C
5t878.2↔	08	I08A, I08B, I08C, I08D, I08E, I12A, I12B, I12C, I13A, I13B, I27A, I27B, I27C	5t878.8↔	08	I08A, I08B, I08C, I08D, I08E, I12A, I12B, I12C, I13A, I13B, I27A, I27B, I27C	5t879.3↔	08	I08A, I08B, I08C, I08D, I08E, I12A, I12B, I12C, I13A, I13B, I27A, I27B, I27C
	09	J02A, J02B, J04A, J04B, J08A, J08B, J08C, J16Z, J21Z, J22A, J22B		09	J02A, J02B, J04A, J04B, J08A, J08B, J08C, J16Z, J21Z, J22A, J22B		09	J02A, J02B, J04A, J04B, J08A, J08B, J08C, J16Z, J21Z, J22A, J22B
	21A	W04A, W04B		21A	W04A, W04B		21A	W04A, W04B
	21B	X06A, X06B, X06C		21B	X04Z, X06A, X06B, X06C		21B	X06A, X06B, X06C
		BOP, KVT, UOP4			BOP, KVT, UOP4			BOP, KVT, UOP4
5t878.3↔	01	B03A, B03B, B06A, B06B, B07Z, B17A, B17B, B17C	5t878.9↔	01	B03A, B03B, B06A, B06B, B07Z, B17A, B17B, B17C	5t879.4↔	01	B03A, B03B, B06A, B06B, B07Z, B17A, B17B, B17C
	08	I08A, I08B, I08C, I08D, I08E, I12A, I12B, I12C, I13A, I13B, I27A, I27B, I27C		08	I08A, I08B, I08C, I08D, I08E, I12A, I12B, I12C, I13A, I13B, I27A, I27B, I27C		08	I08A, I08B, I08C, I08D, I08E, I12A, I12B, I12C, I13A, I13B, I27A, I27B, I27C
	09	J02A, J02B, J04A, J04B, J08A, J08B, J08C, J16Z, J21Z, J22A, J22B		09	J02A, J02B, J04A, J04B, J08A, J08B, J08C, J16Z, J21Z, J22A, J22B		09	J02A, J02B, J04A, J04B, J08A, J08B, J08C, J16Z, J21Z, J22A, J22B
	21A	W04A, W04B		21A	W04A, W04B		21A	W04A, W04B
	21B	X05A, X05B, X06A, X06B, X06C		21B	X04Z, X06A, X06B, X06C		21B	X05A, X05B, X06A, X06B, X06C

VYK

ZZV	MDC	DRG	ZZV	MDC	DRG	ZZV	MDC	DRG
5t879.5↔		BOP, KVT, UOP4	5t87a.0↔		BOP, KVT, UOP4	5t87a.4↔		BOP, KVT, UOP4
	01	B03A, B03B, B06A, B06B, B07Z, B17A, B17B, B17C		01	B03A, B03B, B06A, B06B, B07Z, B17A, B17B, B17C		01	B03A, B03B, B06A, B06B, B07Z, B17A, B17B, B17C
	08	I08A, I08B, I08C, I08D, I08E, I12A, I12B, I12C, I13A, I13B, I27A, I27B, I27C		03	D12A		05	F21A, F21B, F21C
	09	J02A, J02B, J04A, J04B, J08A, J08B, J08C, J16Z, J21Z, J22A, J22B		05	F21A, F21B, F21C		06	G10Z, G12A, G12B
	21A	W04A, W04B		08	I02A, I02B, I02C, I02D, I08A, I08B, I08C, I08D, I08E, I12A, I12B, I12C, I13A, I13B, I22A, I32A, I32B, I32C, I32D, I32E, I32F, I50Z		08	I02A, I02B, I02C, I02D, I08A, I08B, I08C, I08D, I08E, I12A, I12B, I12C, I13A, I13B, I22A, I32A, I32B, I32C, I32D, I32E, I32F, I50Z
5t879.6↔	21B	X06A, X06B, X06C	09	J02A, J02B, J04A, J04B, J08A, J08B, J08C, J16Z, J21Z, J22A, J22B	09	J02A, J02B, J04A, J04B, J08A, J08B, J08C, J16Z, J21Z, J22A, J22B		
		BOP, KVT, UOP4	21A	W04A, W04B	21A	W04A, W04B		
	01	B03A, B03B, B06A, B06B, B07Z, B17A, B17B, B17C	21B	X01A, X01B, X01C	21B	X01A, X01B, X01C		
	08	I08A, I08B, I08C, I08D, I08E, I12A, I12B, I12C, I13A, I13B, I27A, I27B, I27C	5t87a.1↔	BOP, KVT, UOP4	5t87a.5↔	BOP, KVT, UOP4		
	09	J02A, J02B, J04A, J04B, J08A, J08B, J08C, J16Z, J21Z, J22A, J22B	01	B03A, B03B, B06A, B06B, B07Z, B17A, B17B, B17C	01	B03A, B03B, B06A, B06B, B07Z, B17A, B17B, B17C		
5t879.7↔	21A	W04A, W04B	05	F21A, F21B, F21C	05	F21A, F21B, F21C		
	21B	X05A, X05B, X06A, X06B, X06C	08	I02A, I02B, I02C, I02D, I08A, I08B, I08C, I08D, I08E, I12A, I12B, I12C, I13A, I13B, I22A, I32A, I32B, I32C, I32D, I32E, I32F, I50Z	06	G10Z, G12A, G12B		
		BOP, KVT, UOP4	09	J02A, J02B, J04A, J04B, J08A, J08B, J08C, J16Z, J21Z, J22A, J22B	08	I02A, I02B, I02C, I02D, I08A, I08B, I08C, I08D, I08E, I12A, I12B, I12C, I13A, I13B, I22A, I32A, I32B, I32C, I32D, I32E, I32F, I50Z		
	01	B03A, B03B, B06A, B06B, B07Z, B17A, B17B, B17C	21A	W04A, W04B	09	J02A, J02B, J04A, J04B, J08A, J08B, J08C, J16Z, J21Z, J22A, J22B		
	08	I08A, I08B, I08C, I08D, I08E, I12A, I12B, I12C, I13A, I13B, I27A, I27B, I27C	21B	X01A, X01B, X01C	21A	W04A, W04B		
5t879.8↔	09	J02A, J02B, J04A, J04B, J08A, J08B, J08C, J16Z, J21Z, J22A, J22B	5t87a.2↔	BOP, KVT, UOP4	21B	X01A, X01B, X01C		
	21A	W04A, W04B	01	B03A, B03B, B06A, B06B, B07Z, B17A, B17B, B17C	5t87a.6↔	BOP, KVT, UOP4		
	21B	X05A, X05B, X06A, X06B, X06C	05	F21A, F21B, F21C	01	B03A, B03B, B06A, B06B, B07Z, B17A, B17B, B17C		
		BOP, KVT, UOP4	08	I02A, I02B, I02C, I02D, I08A, I08B, I08C, I08D, I08E, I12A, I12B, I12C, I13A, I13B, I22A, I32A, I32B, I32C, I32D, I32E, I32F, I50Z	05	F21A, F21B, F21C		
	01	B03A, B03B, B06A, B06B, B07Z, B17A, B17B, B17C	09	J02A, J02B, J04A, J04B, J08A, J08B, J08C, J16Z, J21Z, J22A, J22B	06	G10Z, G12A, G12B		
5t879.9↔	08	I08A, I08B, I08C, I08D, I08E, I12A, I12B, I12C, I13A, I13B, I27A, I27B, I27C	21A	W04A, W04B	08	I02A, I02B, I02C, I02D, I08A, I08B, I08C, I08D, I08E, I12A, I12B, I12C, I13A, I13B, I22A, I32A, I32B, I32C, I32D, I32E, I32F, I50Z		
	09	J02A, J02B, J04A, J04B, J08A, J08B, J08C, J16Z, J21Z, J22A, J22B	21B	X01A, X01B, X01C	09	J02A, J02B, J04A, J04B, J08A, J08B, J08C, J16Z, J21Z, J22A, J22B		
	21A	W04A, W04B	5t87a.3↔	BOP, KVT, UOP4	21A	W04A, W04B		
	21B	X05A, X05B, X06A, X06B, X06C	01	B03A, B03B, B06A, B06B, B07Z, B17A, B17B, B17C	21B	X01A, X01B, X01C		
		BOP, KVT, UOP4	05	F21A, F21B, F21C	5t87a.7↔	BOP, KVT, UOP4		
5t879.x	01	B03A, B03B, B06A, B06B, B07Z, B17A, B17B, B17C	08	I02A, I02B, I02C, I02D, I08A, I08B, I08C, I08D, I08E, I12A, I12B, I12C, I13A, I13B, I22A, I32A, I32B, I32C, I32D, I32E, I32F, I50Z	01	B03A, B03B, B06A, B06B, B07Z, B17A, B17B, B17C		
	08	I08A, I08B, I08C, I08D, I08E, I12A, I12B, I12C, I13A, I13B, I27A, I27B, I27C	09	J02A, J02B, J04A, J04B, J08A, J08B, J08C, J16Z, J21Z, J22A, J22B	05	F21A, F21B, F21C, F27A, F27B, F27C		
	09	J02A, J02B, J04A, J04B, J08A, J08B, J08C, J16Z, J21Z, J22A, J22B	21A	W04A, W04B	08	I02A, I02B, I02C, I02D, I08A, I08B, I08C, I08D, I08E, I12A, I12B, I12C, I13A, I13B, I22A, I32A, I32B, I32C, I32D, I32E, I32F, I50Z		
	21A	W04A, W04B	21B	X01A, X01B, X01C	09	J02A, J02B, J04A, J04B, J08A, J08B, J08C, J16Z, J21Z, J22A, J22B		
	21B	X06A, X06B, X06C			10	K01Z		



ZZV	MDC	DRG	ZZV	MDC	DRG	ZZV	MDC	DRG			
5t884.6↔		BOP, KVT, UOP4	5t884.x		BOP, KVT, UOP4	5t885.5↔		KOP, KOPV			
	01	B03A, B03B, B06A, B06B, B07Z, B17A, B17B, B17C		01	B03A, B03B, B06A, B06B, B07Z, B17A, B17B, B17C		06	G33Z			
	03	D12A		03	D12A		07	H33Z, H38Z			
	05	F21A, F21B, F21C, F27A, F27B, F27C		05	F21A, F21B, F21C, F27A, F27B, F27C		08	I02A, I02B, I02C, I02D, I22A, I32A, I32B, I32C, I32D, I34Z, I50Z			
	08	I08A, I08B, I08C, I08D, I08E, I12A, I12B, I12C, I13A, I13B, I32A, I32B, I32C, I32D		08	I08A, I08B, I08C, I08D, I08E, I12A, I12B, I12C, I13A, I13B, I32A, I32B, I32C, I32D		09	J01Z, J02A, J02B			
	09	J02A, J02B, J02C, J04A, J04B, J08A, J08B, J08C, J16Z, J21Z, J22A, J22B		09	J02A, J02B, J02C, J04A, J04B, J08A, J08B, J08C, J16Z, J21Z, J22A, J22B		11	L33Z			
	10	K01Z		10	K01Z		21B	X01A, X01B, X01C, X33Z			
	21A	W04A, W04B		21A	W04A, W04B		Pre	A07A			
	21B	X04Z, X05A, X05B, X06A, X06B, X06C		21B	X04Z, X05A, X05B, X06A, X06B, X06C		5t885.6↔	KOP, KOPV			
	22	Y01Z, Y03A, Y03B		22	Y01Z, Y03A, Y03B		06	G33Z			
	5t884.7↔			BOP, KVT, UOP4	5t885.0↔			KOP, KOPV	5t885.7↔		KOP, KOPV
		01		B03A, B03B, B06A, B06B, B07Z, B17A, B17B, B17C			03	D02A, D02B		06	G33Z
		03		D12A			06	G33Z		07	H33Z, H38Z
05		F21A, F21B, F21C, F27A, F27B, F27C	07	H33Z, H38Z		08	I02A, I02B, I02C, I02D, I22A, I32A, I32B, I32C, I32D, I34Z, I50Z				
08		I08A, I08B, I08C, I08D, I08E, I12A, I12B, I12C, I13A, I13B, I32A, I32B, I32C, I32D	08	I02A, I02B, I02C, I02D, I22A, I32A, I32B, I32C, I32D, I34Z, I50Z		09	J01Z, J02A, J02B				
09		J02A, J02B, J02C, J04A, J04B, J08A, J08B, J08C, J16Z, J21Z, J22A, J22B	09	J01Z, J02A, J02B		11	L33Z				
10		K01Z	11	L33Z		21B	X01A, X01B, X01C, X33Z				
21A		W04A, W04B	21B	X01A, X01B, X01C, X33Z		Pre	A07A				
21B		X04Z, X05A, X05B, X06A, X06B, X06C	Pre	A07A		5t885.8↔	KOP, KOPV				
22		Y01Z, Y03A, Y03B	5t885.1↔	KOP, KOPV		06	G33Z				
5t884.8↔			BOP, KVT, UOP4	5t885.2↔			KOP, KOPV	5t885.9↔			KOP, KOPV
		01	B03A, B03B, B06A, B06B, B07Z, B17A, B17B, B17C			06	G33Z			06	G33Z
		03	D12A			07	H33Z, H38Z			07	H33Z, H38Z
	05	F21A, F21B, F21C, F27A, F27B, F27C	08		I02A, I02B, I02C, I02D, I22A, I32A, I32B, I32C, I32D, I34Z, I50Z	08	I02A, I02B, I02C, I02D, I22A, I32A, I32B, I32C, I32D, I34Z, I50Z				
	08	I08A, I08B, I08C, I08D, I08E, I12A, I12B, I12C, I13A, I13B, I32A, I32B, I32C, I32D	09		J01Z, J02A, J02B	09	J01Z, J02A, J02B				
	09	J02A, J02B, J02C, J04A, J04B, J08A, J08B, J08C, J16Z, J21Z, J22A, J22B	11		L33Z	11	L33Z				
	10	K01Z	21B		X01A, X01B, X01C, X33Z	21B	X01A, X01B, X01C, X33Z				
	21A	W04A, W04B	Pre		A07A	Pre	A07A				
	21B	X04Z, X05A, X05B, X06A, X06B, X06C	5t885.3↔		KOP, KOPV	5t885.9↔	KOP, KOPV				
	22	Y01Z, Y03A, Y03B	06		G33Z	06	G33Z				
	5t884.9↔		BOP, KVT, UOP4		5t885.3↔		KOP, KOPV		5t885.x↔		KOP, KOPV
		01	B03A, B03B, B06A, B06B, B07Z, B17A, B17B, B17C			06	G33Z			06	G33Z
		03	D12A			07	H33Z, H38Z			07	H33Z, H38Z
05		F21A, F21B, F21C, F27A, F27B, F27C	08	I02A, I02B, I02C, I02D, I22A, I32A, I32B, I32C, I32D, I32E, I32F, I34Z, I50Z		08	I02A, I02B, I02C, I02D, I22A, I32A, I32B, I32C, I32D, I32E, I32F, I34Z, I50Z				
08		I08A, I08B, I08C, I08D, I08E, I12A, I12B, I12C, I13A, I13B, I32A, I32B, I32C, I32D	09	J01Z, J02A, J02B		09	J01Z, J02A, J02B				
09		J02A, J02B, J02C, J04A, J04B, J08A, J08B, J08C, J16Z, J21Z, J22A, J22B	11	L33Z		11	L33Z				
10		K01Z	21B	X01A, X01B, X01C, X33Z		21B	X01A, X01B, X01C, X33Z				
21A		W04A, W04B	Pre	A07A		Pre	A07A				
21B		X04Z, X05A, X05B, X06A, X06B, X06C	5t885.4↔	KOP, KOPV		5t885.x↔	KOP, KOPV				
22		Y01Z, Y03A, Y03B	06	G33Z		06	G33Z				
			07	H33Z, H38Z		07	H33Z, H38Z				
			08	I02A, I02B, I02C, I02D, I22A, I32A, I32B, I32C, I32D, I34Z, I50Z		08	I02A, I02B, I02C, I02D, I22A, I32A, I32B, I32C, I32D, I32E, I32F, I34Z, I50Z				
			09	J01Z, J02A, J02B		09	J01Z, J02A, J02B				
		11	L33Z	11	L33Z						
		21B	X01A, X01B, X01C, X33Z	21B	X01A, X01B, X01C, X33Z						
		Pre	A07A	Pre	A07A						

VYK

ZZV	MDC	DRG	ZZV	MDC	DRG	ZZV	MDC	DRG
5t887.8↔		KOP, KOPV	5t888.2↔		BOP, KOP, KOPV, KVT, UOP4	5t888.6↔		BOP, KOP, KOPV, KVT, UOP4
	06	G33Z		06	G33Z		04	E02A, E02B, E02C
	07	H33Z, H38Z		07	H33Z, H38Z		06	G33Z
	08	I02A, I02B, I02C, I02D, I22A, I32A, I32B, I32C, I32D, I34Z, I50Z		08	I02A, I02B, I02C, I02D, I08A, I08B, I08C, I08D, I08E, I12A, I12B, I12C, I13A, I13B, I22A, I28A, I28B, I32A, I32B, I32C, I32D, I50Z		07	H33Z, H38Z
	09	J01Z, J02A, J02B		09	J01Z, J02A, J02B, J16Z		08	I02A, I02B, I02C, I02D, I08A, I08B, I08C, I08D, I08E, I12A, I12B, I12C, I13A, I13B, I22A, I28A, I28B, I32A, I32B, I32C, I32D, I50Z
	11	L33Z		11	L33Z		09	J01Z, J02A, J02B, J16Z
	21B	X01A, X01B, X01C, X33Z		21A	W04A, W04B		11	L33Z
	Pre	A07A		21B	X01A, X01B, X01C, X33Z		21A	W04A, W04B
				Pre	A07A		21B	X01A, X01B, X01C, X33Z
							Pre	A07A
5t887.9↔		KOP, KOPV	5t888.3↔		BOP, KOP, KOPV, KVT, UOP4	5t888.7↔		BOP, KOP, KOPV, KVT, UOP4
	06	G33Z		06	G33Z		06	G33Z
	07	H33Z, H38Z		07	H33Z, H38Z		07	H33Z, H38Z
	08	I02A, I02B, I02C, I02D, I22A, I32A, I32B, I32C, I32D, I34Z, I50Z		08	I02A, I02B, I02C, I02D, I08A, I08B, I08C, I08D, I08E, I12A, I12B, I12C, I13A, I13B, I22A, I28A, I28B, I32A, I32B, I32C, I32D, I32E, I32F, I50Z		08	I02A, I02B, I02C, I02D, I08A, I08B, I08C, I08D, I08E, I12A, I12B, I12C, I13A, I13B, I22A, I28A, I28B, I32A, I32B, I32C, I32D, I50Z
	09	J01Z, J02A, J02B		09	J01Z, J02A, J02B, J16Z		09	J01Z, J02A, J02B, J16Z
	11	L33Z		11	L33Z		11	L33Z
	21B	X01A, X01B, X01C, X33Z		21A	W04A, W04B		21A	W04A, W04B
	Pre	A07A		21B	X01A, X01B, X01C, X33Z		21B	X01A, X01B, X01C, X33Z
				Pre	A07A		Pre	A07A
5t887.x↔		KOP, KOPV	5t888.4↔		BOP, KOP, KOPV, KVT, UOP4	5t888.8↔		BOP, KOP, KOPV, KVT, UOP4
	06	G33Z		04	E02A, E02B, E02C		06	G33Z
	07	H33Z, H38Z		06	G33Z		07	H33Z, H38Z
	08	I02A, I02B, I02C, I02D, I22A, I32A, I32B, I32C, I32D, I32E, I32F, I34Z, I50Z		07	H33Z, H38Z		08	I02A, I02B, I02C, I02D, I08A, I08B, I08C, I08D, I08E, I12A, I12B, I12C, I13A, I13B, I22A, I28A, I28B, I32A, I32B, I32C, I32D, I50Z
	09	J01Z, J02A, J02B		08	I02A, I02B, I02C, I02D, I08A, I08B, I08C, I08D, I08E, I12A, I12B, I12C, I13A, I13B, I22A, I28A, I28B, I32A, I32B, I32C, I32D, I50Z		09	J01Z, J02A, J02B, J16Z
	11	L33Z		11	L33Z		11	L33Z
	21B	X01A, X01B, X01C, X33Z		21A	W04A, W04B		21A	W04A, W04B
	Pre	A07A		21B	X01A, X01B, X01C, X33Z		21B	X01A, X01B, X01C, X33Z
				Pre	A07A		Pre	A07A
5t888.0↔		BOP, KOP, KOPV, KVT, UOP4	5t888.5↔		BOP, KOP, KOPV, KVT, UOP4	5t888.9↔		BOP, KOP, KOPV, KVT, UOP4
	03	D02A		04	E02A, E02B, E02C		06	G33Z
	06	G33Z		06	G33Z		07	H33Z, H38Z
	07	H33Z, H38Z		07	H33Z, H38Z		08	I02A, I02B, I02C, I02D, I08A, I08B, I08C, I08D, I08E, I12A, I12B, I12C, I13A, I13B, I22A, I28A, I28B, I32A, I32B, I32C, I32D, I50Z
	08	I02A, I02B, I02C, I02D, I08A, I08B, I08C, I08D, I08E, I12A, I12B, I12C, I13A, I13B, I22A, I28A, I28B, I32A, I32B, I32C, I32D, I50Z		08	I02A, I02B, I02C, I02D, I08A, I08B, I08C, I08D, I08E, I12A, I12B, I12C, I13A, I13B, I22A, I28A, I28B, I32A, I32B, I32C, I32D, I50Z		09	J01Z, J02A, J02B, J16Z
	09	J01Z, J02A, J02B, J16Z		11	L33Z		11	L33Z
	11	L33Z		21A	W04A, W04B		21A	W04A, W04B
	21A	W04A, W04B		21B	X01A, X01B, X01C, X33Z		21B	X01A, X01B, X01C, X33Z
	21B	X01A, X01B, X01C, X33Z		Pre	A07A		Pre	A07A
	Pre	A07A						
5t888.1↔		BOP, KOP, KOPV, KVT, UOP4			5t888.x↔		BOP, KOP, KOPV, KVT, UOP4	
	06	G33Z	04	E02A, E02B, E02C		06	G33Z	
	07	H33Z, H38Z	06	G33Z		07	H33Z, H38Z	
	08	I02A, I02B, I02C, I02D, I08A, I08B, I08C, I08D, I08E, I12A, I12B, I12C, I13A, I13B, I22A, I28A, I28B, I32A, I32B, I32C, I32D, I50Z	07	H33Z, H38Z		08	I02A, I02B, I02C, I02D, I08A, I08B, I08C, I08D, I08E, I12A, I12B, I12C, I13A, I13B, I22A, I28A, I28B, I32A, I32B, I32C, I32D, I50Z	
	09	J01Z, J02A, J02B, J16Z	08	I02A, I02B, I02C, I02D, I08A, I08B, I08C, I08D, I08E, I12A, I12B, I12C, I13A, I13B, I22A, I28A, I28B, I32A, I32B, I32C, I32D, I50Z		09	J01Z, J02A, J02B, J16Z	
	11	L33Z	11	L33Z		11	L33Z	
	21A	W04A, W04B	21A	W04A, W04B		21A	W04A, W04B	
	21B	X01A, X01B, X01C, X33Z	21B	X01A, X01B, X01C, X33Z		21B	X01A, X01B, X01C, X33Z	
	Pre	A07A	Pre	A07A		Pre	A07A	

VYK

ZZV	MDC	DRG	ZZV	MDC	DRG	ZZV	MDC	DRG			
5t889.0↔		KOP, KOPV	5t889.6↔	06	G33Z	5t88x.2↔	06	G33Z			
	03	D02A, D02B		07	H33Z, H38Z		07	H33Z, H38Z			
	06	G33Z		08	I02A, I02B, I02C, I02D, I22A, I32A, I32B, I32C, I32D, I34Z, I50Z		08	I02A, I02B, I02C, I02D, I22A, I32A, I32B, I32C, I32D, I34Z, I50Z			
	07	H33Z, H38Z		09	J01Z, J02A, J02B		09	J01Z, J02A, J02B			
	08	I02A, I02B, I02C, I02D, I22A, I32A, I32B, I32C, I32D, I34Z, I50Z		11	L33Z		11	L33Z			
	09	J01Z, J02A, J02B		21B	X01A, X01B, X01C, X33Z		21B	X01A, X01B, X01C, X33Z			
	11	L33Z		Pre	A07A		Pre	A07A			
	21B	X01A, X01B, X01C, X33Z		5t889.7↔	06		G33Z	5t88x.3↔	06	G33Z	
	Pre	A07A			07		H33Z, H38Z		07	H33Z, H38Z	
	5t889.1↔				KOP, KOPV		08		I02A, I02B, I02C, I02D, I22A, I32A, I32B, I32C, I32D, I34Z, I50Z	08	I02A, I02B, I02C, I02D, I22A, I32A, I32B, I32C, I32D, I32E, I32F, I34Z, I50Z
		06			G33Z		09		J01Z, J02A, J02B	09	J01Z, J02A, J02B
07		H33Z, H38Z	11		L33Z	11	L33Z				
08		I02A, I02B, I02C, I02D, I22A, I32A, I32B, I32C, I32D, I34Z, I50Z	21B		X01A, X01B, X01C, X33Z	21B	X01A, X01B, X01C, X33Z				
09		J01Z, J02A, J02B	Pre		A07A	Pre	A07A				
11		L33Z	5t889.8↔		06	G33Z	5t88x.4		06	G33Z	
21B		X01A, X01B, X01C, X33Z			07	H33Z, H38Z			07	H33Z, H38Z	
Pre		A07A			08	I02A, I02B, I02C, I02D, I22A, I32A, I32B, I32C, I32D, I34Z, I50Z			08	I02A, I02B, I02C, I02D, I22A, I32A, I32B, I32C, I32D, I34Z, I50Z	
5t889.2↔					KOP, KOPV	09			J01Z, J02A, J02B	09	J01Z, J02A, J02B
		06		G33Z	11	L33Z		11	L33Z		
		07		H33Z, H38Z	21B	X01A, X01B, X01C, X33Z		21B	X01A, X01B, X01C, X33Z		
	08	I02A, I02B, I02C, I02D, I22A, I32A, I32B, I32C, I32D, I34Z, I50Z		Pre	A07A	Pre		A07A			
	09	J01Z, J02A, J02B		5t889.9↔	06	G33Z		5t88x.5	06	G33Z	
	11	L33Z			07	H33Z, H38Z			07	H33Z, H38Z	
	21B	X01A, X01B, X01C, X33Z			08	I02A, I02B, I02C, I02D, I22A, I32A, I32B, I32C, I32D, I34Z, I50Z			08	I02A, I02B, I02C, I02D, I22A, I32A, I32B, I32C, I32D, I34Z, I50Z	
	Pre	A07A			09	J01Z, J02A, J02B			09	J01Z, J02A, J02B	
	5t889.3↔		KOP, KOPV		11	L33Z	11		L33Z		
		06	G33Z		21B	X01A, X01B, X01C, X33Z	21B		X01A, X01B, X01C, X33Z		
		07	H33Z, H38Z		Pre	A07A	Pre		A07A		
08		I02A, I02B, I02C, I02D, I22A, I32A, I32B, I32C, I32D, I34Z, I50Z	5t889.x↔		06	G33Z	5t88x.6		06	G33Z	
09		J01Z, J02A, J02B			07	H33Z, H38Z			07	H33Z, H38Z	
11		L33Z			08	I02A, I02B, I02C, I02D, I22A, I32A, I32B, I32C, I32D, I32E, I32F, I34Z, I50Z			08	I02A, I02B, I02C, I02D, I22A, I32A, I32B, I32C, I32D, I34Z, I50Z	
21B		X01A, X01B, X01C, X33Z			09	J01Z, J02A, J02B			09	J01Z, J02A, J02B	
Pre		A07A		11	L33Z	11		L33Z			
5t889.4↔				KOP, KOPV	21B	X01A, X01B, X01C, X33Z		21B	X01A, X01B, X01C, X33Z		
		06		G33Z	Pre	A07A		Pre	A07A		
		07		H33Z, H38Z	5t88x.0↔	06		G33Z	5t88x.7↔	06	G33Z
	08	I02A, I02B, I02C, I02D, I22A, I32A, I32B, I32C, I32D, I34Z, I50Z		07		H33Z, H38Z		07		H33Z, H38Z	
	09	J01Z, J02A, J02B		08		I02A, I02B, I02C, I02D, I22A, I32A, I32B, I32C, I32D, I32E, I32F, I34Z, I50Z		08		I02A, I02B, I02C, I02D, I22A, I32A, I32B, I32C, I32D, I34Z, I50Z	
	11	L33Z		09		J01Z, J02A, J02B		09		J01Z, J02A, J02B	
	21B	X01A, X01B, X01C, X33Z	11	L33Z		11	L33Z				
	Pre	A07A	21B	X01A, X01B, X01C, X33Z		21B	X01A, X01B, X01C, X33Z				
	5t889.5↔		KOP, KOPV	Pre		A07A	Pre	A07A			
		06	G33Z	5t88x.1↔		06	G33Z	5t88x.8↔		06	G33Z
		07	H33Z, H38Z			07	H33Z, H38Z			07	H33Z, H38Z
08		I02A, I02B, I02C, I02D, I22A, I32A, I32B, I32C, I32D, I34Z, I50Z	08			I02A, I02B, I02C, I02D, I22A, I32A, I32B, I32C, I32D, I34Z, I50Z	08			I02A, I02B, I02C, I02D, I22A, I32A, I32B, I32C, I32D, I34Z, I50Z	
09		J01Z, J02A, J02B	09			J01Z, J02A, J02B	09			J01Z, J02A, J02B	
11		L33Z	11		L33Z	11	L33Z				
21B		X01A, X01B, X01C, X33Z	21B		X01A, X01B, X01C, X33Z	21B	X01A, X01B, X01C, X33Z				
Pre		A07A	Pre		A07A	Pre	A07A				

ZZV	MDC	DRG	ZZV	MDC	DRG	ZZV	MDC	DRG
5t893.8↔		BOP, KVT, UOP4	5t89x.x		BOP, KVT, UOP4	5t90x↔		BOP, KVT, UOP4
	08	I12A, I12B, I12C, I27A, I27B, I27C, I27D		08	I12A, I12B, I12C, I27A, I27B, I27C, I27D		05	F13A
	21A	W04A, W04B		21A	W04A, W04B		08	I28A, I28B, I32A, I32B, I32C, I32D, I32E, I32F
5t893.9↔	21B	X04Z, X06A, X06B, X06C	5t900↔	21B	X06A, X06B, X06C		11	L09A, L38Z
		BOP, KVT, UOP4			BOP, KVT, UOP4, VIAL		21A	W04A, W04B
	08	I12A, I12B, I12C, I27A, I27B, I27C, I27D		05	F13A	5t910↔	21B	X05A, X05B, X07A, X07B
	21A	W04A, W04B		08	I02A, I02B, I02C, I02D, I08A, I08B, I08C, I08D, I08E, I08F, I22A, I50Z			BOP, KVT, UOP4, VIAL
5t893.x	21B	X04Z, X06A, X06B, X06C		11	L09A, L38Z		05	F13A
		BOP, KVT, UOP4		21A	W04A, W04B		08	I02A, I02B, I02C, I02D, I08A, I08B, I08C, I08D, I08E, I08F, I22A, I50Z
	08	I12A, I12B, I12C, I27A, I27B, I27C, I27D	5t901↔	21B	X01A, X01B, X01C, X07A		11	L09A, L38Z
	21A	W04A, W04B			BOP, KVT, UOP4, VIAL		21A	W01A, W01B, W01C, W02A, W02B
	21B	X06A, X06B, X06C		05	F13A		21B	X01A, X01B, X01C, X04Z, X07A
5t89x.0↔		BOP, KVT, UOP4		08	I02A, I02B, I02C, I02D, I08A, I08B, I08C, I08D, I08E, I08F, I22A, I50Z	5t911↔		BOP, KVT, UOP4, VIAL
	08	I12A, I12B, I12C, I27A, I27B, I27C, I27D		11	L09A, L38Z		05	F13A
	21A	W04A, W04B		21A	W04A, W04B		08	I02A, I02B, I02C, I02D, I18A, I18B, I22A, I30Z, I50Z
	21B	X06A, X06B, X06C	5t902↔	21B	X01A, X01B, X01C, X07A		11	L09A, L38Z
5t89x.1↔		BOP, KVT, UOP4			BOP, KVT, UOP4, VIAL		21A	W04A, W04B
	08	I12A, I12B, I12C, I27A, I27B, I27C, I27D		05	F13A		21B	X01A, X01B, X01C, X04Z, X07A
	21A	W04A, W04B		08	I02A, I02B, I02C, I02D, I08A, I08B, I08C, I08D, I08E, I08F, I22A, I50Z	5t912↔		BOP, KVT, UOP4, VIAL
	21B	X06A, X06B, X06C		11	L09A, L38Z		05	F13A
5t89x.2↔		BOP, KVT, UOP4	5t903↔	21A	W04A, W04B		08	I02A, I02B, I02C, I02D, I22A, I50Z
	08	I12A, I12B, I12C, I27A, I27B, I27C, I27D		21B	X01A, X01B, X01C, X07A		11	L09A, L38Z
	21A	W04A, W04B			BOP, KVT, UOP4, VIAL		21A	W01A, W01B, W01C, W02A, W02B
	21B	X06A, X06B, X06C		05	F13A		21B	X01A, X01B, X01C, X04Z, X07A
5t89x.3↔		BOP, KVT, UOP4		08	I02A, I02B, I02C, I02D, I22A, I32A, I32B, I32C, I32D, I32E, I32F, I50Z	5t913↔		BOP, KVT, UOP4, VIAL
	08	I12A, I12B, I12C, I27A, I27B, I27C, I27D		11	L09A, L38Z		05	F13A
	21A	W04A, W04B		21A	W04A, W04B		08	I02A, I02B, I02C, I02D, I20A, I20B, I20C, I20D, I22A, I50Z
	21B	X06A, X06B, X06C		21B	X01A, X01B, X01C, X05A, X05B, X07A		11	L09A, L38Z
5t89x.4		BOP, KVT, UOP4	5t904↔		BOP, KVT, UOP4, VIAL		21A	W04A, W04B
	08	I12A, I12B, I12C, I27A, I27B, I27C, I27D		05	F13A		21B	X01A, X01B, X01C, X04Z, X07A
	21A	W04A, W04B		08	I02A, I02B, I02C, I02D, I22A, I32A, I32B, I32C, I32D, I32E, I32F, I50Z	5t914↔		BOP, KVT, UOP4, VIAL
	21B	X06A, X06B, X06C		11	L09A, L38Z		05	F13A
5t89x.5		BOP, KVT, UOP4		21A	W04A, W04B		08	I02A, I02B, I02C, I02D, I20A, I20B, I20C, I20D, I22A, I50Z
	08	I12A, I12B, I12C, I27A, I27B, I27C, I27D		21B	X01A, X01B, X01C, X05A, X05B, X07A		11	L09A, L38Z
	21A	W04A, W04B			BOP, KVT, UOP4, VIAL		21A	W04A, W04B
	21B	X06A, X06B, X06C	5t905↔		BOP, KVT, UOP4, VIAL		21B	X01A, X01B, X01C, X04Z, X07A
5t89x.6		BOP, KVT, UOP4		05	F13A	5t915↔		BOP, KVT, UOP4, VIAL
	08	I12A, I12B, I12C, I27A, I27B, I27C, I27D		08	I02A, I02B, I02C, I02D, I22A, I22B, I32A, I32B, I32C, I32D, I32E, I32F, I50Z		05	F13A
	21A	W04A, W04B		11	L09A, L38Z		08	I02A, I02B, I02C, I02D, I20A, I20B, I20C, I20D, I22A, I22B, I50Z
	21B	X04Z, X06A, X06B, X06C		21A	W04A, W04B		11	L09A, L38Z
5t89x.7↔		BOP, KVT, UOP4		21B	X01A, X01B, X01C, X05A, X05B, X07A, X07B		21A	W04A, W04B
	08	I12A, I12B, I12C, I27A, I27B, I27C, I27D			BOP, KVT, UOP4, VIAL		21B	X01A, X01B, X01C, X04Z, X07A, X07B
	21A	W04A, W04B	5t906↔		BOP, KVT, UOP4, VIAL			BOP, KVT, UOP4
	21B	X04Z, X06A, X06B, X06C		05	F13A	5t91x↔	05	F13A
5t89x.8↔		BOP, KVT, UOP4		08	I02A, I02B, I02C, I02D, I22A, I22B, I32A, I32B, I32C, I32D, I32E, I32F, I50Z		08	I02A, I02B, I02C, I02D, I22A, I22B, I28A, I28B, I50Z
	08	I12A, I12B, I12C, I27A, I27B, I27C, I27D		11	L09A, L38Z		11	L09A, L38Z
	21A	W04A, W04B		21A	W04A, W04B		21A	W04A, W04B
	21B	X04Z, X06A, X06B, X06C		21B	X01A, X01B, X01C, X05A, X05B, X07A, X07B		21B	X01A, X01B, X01C, X04Z, X07A, X07B
5t89x.9↔		BOP, KVT, UOP4			BOP, KVT, UOP4, VIAL			BOP, KVT, UOP4
	08	I12A, I12B, I12C, I27A, I27B, I27C, I27D		05	F13A		05	F13A
	21A	W04A, W04B		08	I02A, I02B, I02C, I02D, I22A, I22B, I32A, I32B, I32C, I32D, I32E, I32F, I50Z		08	I02A, I02B, I02C, I02D, I22A, I22B, I28A, I28B, I50Z
	21B	X04Z, X06A, X06B, X06C		11	L09A, L38Z		11	L09A, L38Z
		BOP, KVT, UOP4		21A	W04A, W04B		21A	W04A, W04B
	08	I12A, I12B, I12C, I27A, I27B, I27C, I27D		21B	X01A, X01B, X01C, X05A, X05B, X07A, X07B		21B	X01A, X01B, X01C, X04Z, X07A, X07B
	21A	W04A, W04B			BOP, KVT, UOP4, VIAL			BOP, KVT, UOP4
	21B	X04Z, X06A, X06B, X06C		05	F13A			F13A

ZZV	MDC	DRG	ZZV	MDC	DRG	ZZV	MDC	DRG
5t920↔		BOP, KVT, UOP4	5t930↔		BOP, KVT, UOP4	5t936↔		BOP, KVT, UOP4
	05	F13A, F13C		05	F13A, F13C		05	F13A, F13C
	08	I07Z		08	I07Z		08	I32A, I32B, I32C, I32D, I32E, I32F
	09	J03A, J03B, J04A, J04B, J08A, J08B, J08C, J11A, J11B, J16Z		09	J03A, J03B, J04A, J04B, J08A, J08B, J08C, J11A, J11B, J16Z		09	J03A, J03B, J04A, J04B, J08A, J08B, J08C, J11A, J11B, J16Z
	11	L09A, L38Z		11	L09A, L38Z		21A	W04A, W04B
	21A	W04A, W04B		21A	W04A, W04B		21B	X05A, X05B
	21B	X06A, X06B, X06C		21B	X05A, X05B		22	Y01Z, Y02A, Y02B, Y03A, Y03B
	22	Y01Z, Y02A, Y02B, Y03A, Y03B		22	Y01Z, Y02A, Y02B, Y03A, Y03B			
5t921↔		BOP, KVT, UOP4	5t931↔		BOP, KVT, UOP4	5t937↔		BOP, KVT, UOP4
	05	F13A, F13C		05	F13A, F13C		05	F13A, F13C
	08	I07Z		08	I07Z		08	I32A, I32B, I32C, I32D, I32E, I32F
	09	J03A, J03B, J04A, J04B, J08A, J08B, J08C, J11A, J11B, J16Z		09	J03A, J03B, J04A, J04B, J08A, J08B, J08C, J11A, J11B, J16Z		09	J03A, J03B, J04A, J04B, J08A, J08B, J08C, J11A, J11B, J16Z
	11	L09A, L38Z		21A	W04A, W04B		21A	W04A, W04B
	21A	W04A, W04B		21B	X05A, X05B		21B	X05A, X05B
	21B	X06A, X06B, X06C		22	Y01Z, Y02A, Y02B, Y03A, Y03B		22	Y01Z, Y02A, Y02B, Y03A, Y03B
	22	Y01Z, Y02A, Y02B, Y03A, Y03B						
5t922↔		BOP, KVT, UOP4	5t932↔		BOP, KVT, UOP4	5t938↔		BOP, KVT, UOP4
	05	F13A, F13C		05	F13A, F13C		05	F13A, F13C
	08	I07Z		08	I07Z		08	I32A, I32B, I32C, I32D, I32E, I32F
	09	J03A, J03B, J04A, J04B, J08A, J08B, J08C, J11A, J11B, J16Z		09	J03A, J03B, J04A, J04B, J08A, J08B, J08C, J11A, J11B, J16Z		09	J03A, J03B, J04A, J04B, J08A, J08B, J08C, J11A, J11B, J16Z
	11	L09A, L38Z		21A	W04A, W04B		21A	W04A, W04B
	21A	W04A, W04B		21B	X05A, X05B		21B	X05A, X05B
	21B	X06A, X06B, X06C		22	Y01Z, Y02A, Y02B, Y03A, Y03B		22	Y01Z, Y02A, Y02B, Y03A, Y03B
	22	Y01Z, Y02A, Y02B, Y03A, Y03B						
5t923↔		BOP, KVT, UOP4	5t933↔		BOP, KVT, UOP4	5t939↔		BOP, KVT, UOP4
	05	F13A, F13C		05	F13A, F13C		05	F13A, F13C
	08	I07Z		08	I32A, I32B, I32C, I32D, I32E, I32F		08	I32A, I32B, I32C, I32D, I32E, I32F
	09	J03A, J03B, J04A, J04B, J08A, J08B, J08C, J11A, J11B, J16Z		09	J03A, J03B, J04A, J04B, J08A, J08B, J08C, J11A, J11B, J16Z		09	J03A, J03B, J04A, J04B, J08A, J08B, J08C, J11A, J11B, J16Z
	11	L09A, L38Z		21A	W04A, W04B		21A	W04A, W04B
	21A	W04A, W04B		21B	X05A, X05B		21B	X05A, X05B
	21B	X06A, X06B, X06C		22	Y01Z, Y02A, Y02B, Y03A, Y03B		22	Y01Z, Y02A, Y02B, Y03A, Y03B
	22	Y01Z, Y02A, Y02B, Y03A, Y03B						
5t924↔		BOP, KVT, UOP4	5t934↔		BOP, KVT, UOP4	5t93a↔		BOP, KVT, UOP4
	05	F13A, F13C		05	F13A, F13C		05	F13A, F13C
	08	I07Z		08	I32A, I32B, I32C, I32D, I32E, I32F		08	I07Z
	09	J03A, J03B, J04A, J04B, J08A, J08B, J08C, J11A, J11B, J16Z		09	J03A, J03B, J04A, J04B, J08A, J08B, J08C, J11A, J11B, J16Z		09	J03A, J03B, J04A, J04B, J08A, J08B, J08C, J11A, J11B, J16Z
	11	L09A, L38Z		21A	W04A, W04B		21A	W04A, W04B
	21A	W04A, W04B		21B	X05A, X05B		21B	X05A, X05B
	21B	X06A, X06B, X06C		22	Y01Z, Y02A, Y02B, Y03A, Y03B		22	Y01Z, Y02A, Y02B, Y03A, Y03B
	22	Y01Z, Y02A, Y02B, Y03A, Y03B						
5t92x↔		BOP, KVT, UOP4	5t935↔		BOP, KVT, UOP4	5t93x↔		BOP, KVT, UOP4
	05	F13A, F13C		05	F13A, F13C		05	F13A, F13C
	08	I07Z		08	I32A, I32B, I32C, I32D, I32E, I32F		08	I32A, I32B, I32C, I32D, I32E, I32F
	09	J03A, J03B, J04A, J04B, J08A, J08B, J08C, J11A, J11B, J16Z		09	J03A, J03B, J04A, J04B, J08A, J08B, J08C, J11A, J11B, J16Z		09	J03A, J03B, J04A, J04B, J08A, J08B, J08C, J11A, J11B, J16Z
	21A	W04A, W04B		21A	W04A, W04B		21A	W04A, W04B
	21B	X06A, X06B, X06C		21B	X05A, X05B		21B	X05A, X05B
	22	Y01Z, Y02A, Y02B, Y03A, Y03B		22	Y01Z, Y02A, Y02B, Y03A, Y03B		22	Y01Z, Y02A, Y02B, Y03A, Y03B

VYK

ZZV	MDC	DRG	ZZV	MDC	DRG	ZZV	MDC	DRG			
5t940↔		BOP, KVT, UOP4	5t945↔		BOP, KVT, UOP4	5t94a↔		BOP, KVT, UOP4			
	05	F13A, F28A, F28B, F28C		05	F13A, F27A, F27B, F27C, F28A, F28B, F28C		05	F13A, F27A, F27B, F27C, F28A, F28B, F28C			
	08	I07Z, I37Z		08	I07Z		08	I07Z			
	09	J03A, J03B, J04A, J04B, J08A, J08B, J08C, J11A, J11B, J16Z		09	J03A, J03B, J04A, J04B, J08A, J08B, J08C, J11A, J11B, J16Z		09	J03A, J03B, J04A, J04B, J08A, J08B, J08C, J11A, J11B, J16Z			
	11	L09A, L38Z		10	K01Z		10	K01Z			
	21A	W01A, W01B, W01C, W02A, W02B		11	L09A, L38Z		11	L09A, L38Z			
	21B	X04Z		21A	W01A, W01B, W01C, W02A, W02B		21A	W04A, W04B			
	22	Y01Z, Y02A, Y02B, Y03A, Y03B		21B	X04Z		21B	X04Z			
	5t941↔			BOP, KVT, UOP4	5t946↔			BOP, KVT, UOP4	5t94x↔		BOP, KVT, UOP4
		05		F13A, F28A, F28B, F28C			05	F13A, F27A, F27B, F27C, F28A, F28B, F28C		05	F13A, F27A, F27B, F27C, F28A, F28B, F28C
08		I07Z, I37Z	08	I07Z		08	I07Z				
09		J03A, J03B, J04A, J04B, J08A, J08B, J08C, J11A, J11B, J16Z	09	J03A, J03B, J04A, J04B, J08A, J08B, J08C, J11A, J11B, J16Z		09	J03A, J03B, J04A, J04B, J08A, J08B, J08C, J11A, J11B, J16Z				
11		L09A, L38Z	10	K01Z		10	K01Z				
21A		W01A, W01B, W01C, W02A, W02B	11	L09A, L38Z		21A	W04A, W04B				
21B		X04Z	21A	W01A, W01B, W01C, W02A, W02B		21B	X04Z				
22		Y01Z, Y02A, Y02B, Y03A, Y03B	21B	X04Z		22	Y01Z, Y02A, Y02B, Y03A, Y03B				
5t942↔			BOP, KVT, UOP4	5t947↔			BOP, KVT, UOP4	5t950↔			BOP, KVT, UOP4
		05	F13A, F28A, F28B, F28C			05	F13A, F27A, F27B, F27C, F28A, F28B, F28C			05	F13A, F27A, F27B, F27C, F28A, F28B, F28C
	08	I07Z	08		I07Z	08	I07Z				
	09	J03A, J03B, J04A, J04B, J08A, J08B, J08C, J11A, J11B, J16Z	09		J03A, J03B, J04A, J04B, J08A, J08B, J08C, J11A, J11B, J16Z	09	J03A, J03B, J04A, J04B, J08A, J08B, J08C, J11A, J11B, J16Z				
	11	L09A, L38Z	10		K01Z	10	K01Z				
	21A	W01A, W01B, W01C, W02A, W02B	11		L09A, L38Z	21A	W04A, W04B				
	21B	X04Z	10		K01Z	21B	X04Z				
	22	Y01Z, Y02A, Y02B, Y03A, Y03B	11		L09A, L38Z	22	Y01Z, Y02A, Y02B, Y03A, Y03B				
	5t943↔		BOP, KVT, UOP4		5t948↔		BOP, KVT, UOP4		5t951↔		BOP, KVT, UOP4
		05	F13A, F27A, F27B, F27C, F28A, F28B, F28C			05	F13A, F27A, F27B, F27C, F28A, F28B, F28C			05	F13A, F27A, F27B, F27C, F28A, F28B, F28C
08		I07Z	08	I07Z		08	I07Z				
09		J03A, J03B, J04A, J04B, J08A, J08B, J08C, J11A, J11B, J16Z	09	J03A, J03B, J04A, J04B, J08A, J08B, J08C, J11A, J11B, J16Z		09	J03A, J03B, J04A, J04B, J08A, J08B, J08C, J11A, J11B, J16Z				
10		K01Z	10	K01Z		10	K01Z				
11		L09A, L38Z	11	L09A, L38Z		11	L09A, L38Z				
21A		W01A, W01B, W01C, W02A, W02B	21A	W04A, W04B		21A	W04A, W04B				
21B		X04Z	21B	X04Z		21B	X04Z				
22		Y01Z, Y02A, Y02B, Y03A, Y03B	22	Y01Z, Y02A, Y02B, Y03A, Y03B		22	Y01Z, Y02A, Y02B, Y03A, Y03B				
5t944↔			BOP, KVT, UOP4	5t949↔			BOP, KVT, UOP4	5t952↔			BOP, KVT, UOP4
	05	F13A, F27A, F27B, F27C, F28A, F28B, F28C	05		F13A, F27A, F27B, F27C, F28A, F28B, F28C	05	F13A, F27A, F27B, F27C, F28A, F28B, F28C				
	08	I07Z	08		I07Z	08	I07Z				
	09	J03A, J03B, J04A, J04B, J08A, J08B, J08C, J11A, J11B, J16Z	09		J03A, J03B, J04A, J04B, J08A, J08B, J08C, J11A, J11B, J16Z	09	J03A, J03B, J04A, J04B, J08A, J08B, J08C, J11A, J11B, J16Z				
	10	K01Z	10		K01Z	10	K01Z				
	11	L09A, L38Z	11		L09A, L38Z	11	L09A, L38Z				
	21A	W01A, W01B, W01C, W02A, W02B	21A		W04A, W04B	21A	W04A, W04B				
	21B	X04Z	21B		X04Z	21B	X04Z				
	22	Y01Z, Y02A, Y02B, Y03A, Y03B	22		Y01Z, Y02A, Y02B, Y03A, Y03B	22	Y01Z, Y02A, Y02B, Y03A, Y03B				

VYK

ZZV	MDC	DRG	ZZV	MDC	DRG	ZZV	MDC	DRG			
5t953↔		BOP, KVT, UOP4	5t958↔		BOP, KVT, UOP4	5t963↔		BOP, KVT, UOP4			
	05	F13A, F27A, F27B, F27C, F28A, F28B, F28C		05	F13A, F13C, F27A, F27B, F27C		05	F13A, F13C, F27A, F27B, F27C			
	08	I07Z		08	I20A, I20B, I20C, I20D, I20E, I20F		08	I14Z			
	09	J03A, J03B, J04A, J04B, J08A, J08B, J08C, J11A, J11B, J16Z		09	J03A, J03B, J04A, J04B, J08A, J08B, J08C, J11A, J11B, J16Z		09	J03A, J03B, J04A, J04B, J08A, J08B, J08C, J11A, J11B, J16Z			
	10	K01Z		10	K01Z		10	K01Z			
	21A	W04A, W04B		21A	W04A, W04B		21A	W04A, W04B			
	21B	X04Z		21B	X04Z		21B	X04Z, X06A, X06B, X06C			
	22	Y01Z, Y02A, Y02B, Y03A, Y03B		22	Y01Z, Y02A, Y02B, Y03A, Y03B		22	Y01Z, Y03A, Y03B			
	5t954↔			BOP, KVT, UOP4	5t95x↔			BOP, KVT, UOP4	5t964↔		BOP, KVT, UOP4
		05		F13A, F27A, F27B, F27C, F28A, F28B, F28C			05	F13A, F13C, F27A, F27B, F27C		05	F13A, F13C, F27A, F27B, F27C
08		I07Z	08	I20A, I20B, I20C, I20D, I20E, I20F		08	I14Z				
09		J03A, J03B, J04A, J04B, J08A, J08B, J08C, J11A, J11B, J16Z	09	J03A, J03B, J04A, J04B, J08A, J08B, J08C, J11A, J11B, J16Z		09	J03A, J03B, J04A, J04B, J08A, J08B, J08C, J11A, J11B, J16Z				
10		K01Z	10	K01Z		10	K01Z				
21A		W04A, W04B	21A	W04A, W04B		21A	W04A, W04B				
21B		X04Z	21B	X04Z		21B	X04Z, X06A, X06B, X06C				
22		Y01Z, Y02A, Y02B, Y03A, Y03B	22	Y01Z, Y02A, Y02B, Y03A, Y03B		22	Y01Z, Y03A, Y03B				
5t955↔			BOP, KVT, UOP4	5t960↔			BOP, KVT, UOP4	5t965↔			BOP, KVT, UOP4
		05	F13A, F27A, F27B, F27C, F28A, F28B, F28C			05	F13A, F13C, F27A, F27B, F27C			05	F13A, F13C, F27A, F27B, F27C
	08	I07Z	08		I14Z	08	I14Z				
	09	J03A, J03B, J04A, J04B, J08A, J08B, J08C, J11A, J11B, J16Z	09		J03A, J03B, J04A, J04B, J08A, J08B, J08C, J11A, J11B, J16Z	09	J03A, J03B, J04A, J04B, J08A, J08B, J08C, J11A, J11B, J16Z				
	10	K01Z	10		K01Z	10	K01Z				
	21A	W04A, W04B	21A		W04A, W04B	21A	W04A, W04B				
	21B	X04Z	21B		X04Z	21B	X04Z, X06A, X06B, X06C				
	22	Y01Z, Y02A, Y02B, Y03A, Y03B	22		Y01Z, Y02A, Y02B, Y03A, Y03B	22	Y01Z, Y03A, Y03B				
	5t956↔		BOP, KVT, UOP4		5t961↔		BOP, KVT, UOP4		5t96x		BOP, KVT, UOP4
		05	F13A, F27A, F27B, F27C, F28A, F28B, F28C			05	F13A, F13C, F27A, F27B, F27C			05	F13A, F13C, F27A, F27B, F27C
08		I07Z	08	I14Z		08	I14Z				
09		J03A, J03B, J04A, J04B, J08A, J08B, J08C, J11A, J11B, J16Z	09	J03A, J03B, J04A, J04B, J08A, J08B, J08C, J11A, J11B, J16Z		09	J03A, J03B, J04A, J04B, J08A, J08B, J08C, J11A, J11B, J16Z				
10		K01Z	10	K01Z		10	K01Z				
21A		W04A, W04B	21A	W04A, W04B		21A	W04A, W04B				
21B		X04Z	21B	X04Z		21B	X04Z, X06A, X06B, X06C				
22		Y01Z, Y02A, Y02B, Y03A, Y03B	22	Y01Z, Y03A, Y03B		22	Y01Z, Y03A, Y03B				
5t957↔			BOP, KVT, UOP4	5t962↔			BOP, KVT, UOP4	5t970↔			BOP, KVT, UOP4
		05	F13A, F13C, F27A, F27B, F27C			05	F13A, F13C, F27A, F27B, F27C			05	F13A, F13C, F27A, F27B, F27C
	08	I20A, I20B, I20C, I20D, I20E, I20F	08		I14Z	08	I20A, I20B, I20C, I20D				
	09	J03A, J03B, J04A, J04B, J08A, J08B, J08C, J11A, J11B, J16Z	09		J03A, J03B, J04A, J04B, J08A, J08B, J08C, J11A, J11B, J16Z	09	J03A, J03B, J04A, J04B, J08A, J08B, J08C, J11A, J11B, J16Z				
	10	K01Z	10		K01Z	10	K01Z				
	21A	W04A, W04B	21A		W04A, W04B	21A	W04A, W04B				
	21B	X04Z	21B		X04Z	21B	X04Z, X06A, X06B, X06C				
	22	Y01Z, Y02A, Y02B, Y03A, Y03B	22		Y01Z, Y03A, Y03B	22	X04Z, X06A, X06B, X06C				
	5t959↔		BOP, KVT, UOP4		5t963↔		BOP, KVT, UOP4		5t971		BOP, KVT, UOP4
		05	F13A, F13C, F27A, F27B, F27C			05	F13A, F13C, F27A, F27B, F27C			05	F13A, F13C, F27A, F27B, F27C
08		I20A, I20B, I20C, I20D, I20E, I20F	08	I14Z		08	I28A, I28B				
09		J03A, J03B, J04A, J04B, J08A, J08B, J08C, J11A, J11B, J16Z	09	J03A, J03B, J04A, J04B, J08A, J08B, J08C, J11A, J11B, J16Z		Pre	A22Z				
10		K01Z	10	K01Z		08	BOP, KVT, UOP4				
21A		W04A, W04B	21A	W04A, W04B		08	I28A, I28B				
21B		X04Z	21B	X04Z		08	I28A, I28B				
22		Y01Z, Y02A, Y02B, Y03A, Y03B	22	Y01Z, Y03A, Y03B		08	BOP, KVT, UOP4				
5t960↔			BOP, KVT, UOP4	5t964↔			BOP, KVT, UOP4	5t97x			BOP, KVT, UOP4
		05	F13A, F27A, F27B, F27C, F28A, F28B, F28C			05	F13A, F13C, F27A, F27B, F27C			05	F13A, F13C, F27A, F27B, F27C
	08	I07Z	08		I20A, I20B, I20C, I20D, I20E, I20F	08	I28A, I28B				
	09	J03A, J03B, J04A, J04B, J08A, J08B, J08C, J11A, J11B, J16Z	09		J03A, J03B, J04A, J04B, J08A, J08B, J08C, J11A, J11B, J16Z	08	I28A, I28B				
	10	K01Z	10		K01Z	08	BOP, KVT, UOP4				
	21A	W04A, W04B	21A		W04A, W04B	08	I28A, I28B				
	21B	X04Z	21B		X04Z	08	BOP, KVT, UOP4				
	22	Y01Z, Y02A, Y02B, Y03A, Y03B	22		Y01Z, Y03A, Y03B	08	I08A, I08B, I08C, I08D, I08E, I08F				
	5t961↔		BOP, KVT, UOP4		5t965↔		BOP, KVT, UOP4		5t990		BOP, KVT, UOP4
		05	F13A, F27A, F27B, F27C, F28A, F28B, F28C			05	F13A, F13C, F27A, F27B, F27C			05	F13A, F13C, F27A, F27B, F27C
08		I07Z	08	I20A, I20B, I20C, I20D, I20E, I20F		08	I08A, I08B, I08C, I08D, I08E, I08F				
09		J03A, J03B, J04A, J04B, J08A, J08B, J08C, J11A, J11B, J16Z	09	J03A, J03B, J04A, J04B, J08A, J08B, J08C, J11A, J11B, J16Z		11	L09A, L38Z				
10		K01Z	10	K01Z		21A	W01A, W01B, W01C, W02A, W02B				
21A		W04A, W04B	21A	W04A, W04B		21A	W01A, W01B, W01C, W02A, W02B				
21B		X04Z	21B	X04Z		21B	X04Z				
22		Y01Z, Y02A, Y02B, Y03A, Y03B	22	Y01Z, Y03A, Y03B							

VYK

ZZV	MDC	DRG	ZZV	MDC	DRG	ZZV	MDC	DRG
5t991		BOP, KVT, UOP4	5t994.6↔		BOP, KVT, UOP4, VIAL	5u113↔		BOP, KVT, UOP4
	01	B03A, B03B, B06A, B06B, B07Z, B17A, B17B, B17C		01	B03A, B03B, B06A, B06B, B07Z, B17A, B17B, B17C		09	J03A, J03B, J04A, J04B, J06Z, J07A, J07B, J08A, J08B, J08C, J16Z, J24A, J24B, J24C, J24D, J25Z
	03	D12A		08	I32A, I32B, I32C, I32D, I32E, I32F		21A	W04A, W04B
	04	E02A, E02B, E02C		09	J03A, J03B, J04A, J04B, J08A, J08B, J08C, J10A, J10B, J16Z		21B	X06A, X06B, X06C
	05	F21A, F21B, F21C, F27A, F27B, F27C		21A	W04A, W04B		5u114↔	BOP, KVT, UOP4
	06	G10Z, G12A, G12B		21B	X05A, X05B		09	J03A, J03B, J04A, J04B, J06Z, J07A, J07B, J08A, J08B, J08C, J16Z, J24A, J24B, J24C, J24D, J25Z
	07	H06A, H06B, H06C		5t995.2↔	BOP, KVT, UOP4		10	K09A, K09B
	08	I28A, I28B		08	I20A, I20B, I20C		21A	W04A, W04B
	09	J03A, J03B, J04A, J04B, J08A, J08B, J08C, J16Z, J21Z, J22A, J22B		21B	X04Z, X06A, X06B, X06C		21B	X06A, X06B, X06C
	10	K01Z		5t995.3↔	BOP, KVT, UOP4		5u115.0↔	BOP, KVT, UOP4
	11	L09A, L09B, L09C, L09D, L38Z		08	I20A, I20B, I20C		09	J03A, J03B, J04A, J04B, J08A, J08B, J08C, J16Z, J23Z, J24A, J24B, J24C, J24D, J26Z
13	N11A, N11B	21A	W04A, W04B	10	K07Z			
21A	W04A, W04B	21B	X04Z, X06A, X06B, X06C	21A	W04A, W04B			
21B	X06A, X06B, X06C	5t995.4↔	BOP, KVT, UOP4	21B	X06A, X06B, X06C			
5t992		BOP, KVT, UOP4	08	I20A, I20B, I20C	5u115.1↔	BOP, KVT, UOP4		
	08	I28A, I28B	21A	W04A, W04B	09	J03A, J03B, J04A, J04B, J08A, J08B, J08C, J16Z, J23Z, J24A, J24B, J24C, J24D, J26Z		
	21A	W04A, W04B	21B	X04Z, X06A, X06B, X06C	10	K07Z		
	21B	X04Z, X05A, X05B, X06A, X06B, X06C	5t995.5↔	BOP, KVT, UOP4	21A	W04A, W04B		
5t993		BOP, KVT, UOP4	08	I20A, I20B, I20C	21B	X06A, X06B, X06C		
	08	I28A, I28B	21A	W04A, W04B	5u121↔	BOP, KVT, UOP4		
	11	L09A, L38Z	21B	X04Z, X06A, X06B, X06C	09	J03A, J03B, J04A, J04B, J06Z, J08A, J08B, J08C, J16Z, J23Z, J24A, J24B, J24C, J24D, J26Z		
	21A	W04A, W04B	5t995.6↔	BOP, KVT, UOP4	10	K07Z		
21B	X04Z, X05A, X05B, X06A, X06B, X06C	08	I20A, I20B, I20C	21A	W04A, W04B			
5t994.2↔		BOP, KVT, UOP4, VIAL	21B	X04Z, X06A, X06B, X06C	21B	X06A, X06B, X06C		
	01	B03A, B03B, B06A, B06B, B07Z, B17A, B17B, B17C	5u110.0↔	BOP, KVT, UOP4	09	J03A, J03B, J04A, J04B, J06Z, J07A, J07B, J08A, J08B, J08C, J16Z, J24A, J24B, J24C, J24D, J25Z		
	08	I32A, I32B, I32C, I32D, I32E, I32F	09	J03A, J03B, J04A, J04B, J06Z, J07A, J07B, J08A, J08B, J08C, J16Z, J24A, J24B, J24C, J24D, J25Z	11	L09A, L38Z		
	09	J03A, J03B, J04A, J04B, J08A, J08B, J08C, J10A, J10B, J16Z	10	K09A, K09B	19	U01Z		
	21A	W04A, W04B	16	Q03A, Q03B	21A	W04A, W04B		
	21B	X05A, X05B	21A	W04A, W04B	21B	X06A, X06B, X06C		
	5t994.3↔		BOP, KVT, UOP4, VIAL	21B	X06A, X06B, X06C	5u122	BOP, KVT, UOP4	
		01	B03A, B03B, B06A, B06B, B07Z, B17A, B17B, B17C	5u110.1↔	BOP, KVT, UOP4	03	D12A	
		08	I32A, I32B, I32C, I32D, I32E, I32F	09	J03A, J03B, J04A, J04B, J06Z, J07A, J07B, J08A, J08B, J08C, J16Z, J24A, J24B, J24C, J24D, J25Z	04	E02A, E02B, E02C	
		09	J03A, J03B, J04A, J04B, J08A, J08B, J08C, J10A, J10B, J16Z	10	K09A, K09B	06	G10Z, G12A, G12B	
		21A	W04A, W04B	16	Q03A, Q03B	08	I28A, I28B	
21B		X05A, X05B	21A	W04A, W04B	09	J03A, J03B, J04A, J04B, J08A, J08B, J08C, J11A, J11B, J16Z, J21Z, J23Z, J24A, J24B, J24C, J24D, J26Z		
5t994.4↔			BOP, KVT, UOP4, VIAL	21B	X06A, X06B, X06C	10	K09A, K09B	
		01	B03A, B03B, B06A, B06B, B07Z, B17A, B17B, B17C	5u111↔	BOP, KVT, UOP4	11	L09A, L09B, L09C, L09D, L38Z	
		08	I32A, I32B, I32C, I32D, I32E, I32F	09	J03A, J03B, J04A, J04B, J06Z, J07A, J07B, J08A, J08B, J08C, J16Z, J24A, J24B, J24C, J24D, J25Z	13	N11A	
		09	J03A, J03B, J04A, J04B, J08A, J08B, J08C, J10A, J10B, J16Z	10	K09A, K09B	14	962Z, O02A, O02B	
		21A	W04A, W04B	16	Q03A, Q03B	16	Q03A, Q03B	
	21B	X05A, X05B	21A	W04A, W04B	5u123.01	BOP, KVT, UOP4		
	5t994.5↔		BOP, KVT, UOP4, VIAL	21B	X06A, X06B, X06C	09	J03A, J03B, J04A, J04B, J06Z, J08A, J08B, J08C, J14A, J16Z, J23Z, J24A, J24B, J24C, J26Z	
		01	B03A, B03B, B06A, B06B, B07Z, B17A, B17B, B17C	5u112↔	BOP, KVT, UOP4	11	L09A, L38Z	
		08	I32A, I32B, I32C, I32D, I32E, I32F	09	J03A, J03B, J04A, J04B, J06Z, J07A, J07B, J08A, J08B, J08C, J16Z, J24A, J24B, J24C, J24D, J25Z	21A	W04A, W04B	
		09	J03A, J03B, J04A, J04B, J08A, J08B, J08C, J10A, J10B, J16Z	10	K09A, K09B	21B	X06A, X06B, X06C	
		21A	W04A, W04B	21A	W04A, W04B			
21B		X05A, X05B	21B	X06A, X06B, X06C				

ZZV	MDC	DRG	ZZV	MDC	DRG	ZZV	MDC	DRG
5u123.02		BOP, KVT, UOP4	5u210.1↔		BOP, KVT, UOP4	5u211.4↔		BOP, KVT, UOP4
	09	J03A, J03B, J04A, J04B, J06Z, J08A, J08B, J08C, J14A, J16Z, J23Z, J24A, J24B, J24C, J26Z		09	J03A, J03B, J04A, J04B, J06Z, J08A, J08B, J08C, J16Z, J23Z, J24A, J24B, J24C, J26Z		09	J03A, J03B, J04A, J04B, J08A, J08B, J08C, J14A, J14B, J16Z, J23Z, J24A, J24B, J24C, J26Z
	11	L09A, L38Z		11	L09A, L38Z		11	L09A, L38Z
	21A	W04A, W04B		19	U01Z		19	U01Z
	21B	X06A, X06B, X06C		21A	W04A, W04B		21A	W04A, W04B
5u123.1		BOP, KVT, UOP4	5u210.2↔		BOP, KVT, UOP4	5u211.5↔		BOP, KVT, UOP4
	03	D12A		09	J03A, J03B, J04A, J04B, J06Z, J08A, J08B, J08C, J16Z, J23Z, J24A, J24B, J24C, J26Z		09	J03A, J03B, J04A, J04B, J08A, J08B, J08C, J14A, J14B, J16Z, J23Z, J24A, J24B, J24C, J26Z
	04	E02A, E02B, E02C		11	L09A, L38Z		11	L09A, L38Z
	06	G10Z, G12A, G12B		19	U01Z		19	U01Z
	08	I28A, I28B		21A	W04A, W04B		21A	W04A, W04B
	09	J03A, J03B, J04A, J04B, J08A, J08B, J08C, J11A, J11B, J16Z, J21Z, J23Z, J24A, J24B, J24C, J24D, J26Z	21B	X06A, X06B	21B	X06A, X06B		
	10	K09A, K09B	5u210.3↔		BOP, KVT, UOP4	5u211.7↔		BOP, KVT, UOP4
	11	L09A, L09B, L09C, L09D, L38Z		09	J03A, J03B, J04A, J04B, J06Z, J08A, J08B, J08C, J16Z, J23Z, J24A, J24B, J24C, J26Z		09	J01Z, J02A, J02B, J14A
	13	N11A		10	K07Z		11	L09A, L38Z
	14	962Z, O02A, O02B			19	U01Z		
	16	Q03A, Q03B			21A	W04A, W04B		
5u123.2		BOP, KVT, UOP4	5u210.4↔		BOP, KVT, UOP4	5u211.x↔		BOP, KVT, UOP4
	09	J03A, J03B, J04A, J04B, J06Z, J08A, J08B, J08C, J16Z, J23Z, J24A, J24B, J24C, J26Z		09	J03A, J03B, J04A, J04B, J06Z, J08A, J08B, J08C, J16Z, J23Z, J24A, J24B, J24C, J26Z		09	J03A, J03B, J04A, J04B, J08A, J08B, J08C, J14A, J14B, J16Z, J23Z, J24A, J24B, J24C, J26Z
	11	L09A, L38Z		10	K07Z		11	L09A, L38Z
	21A	W04A, W04B		21A	W04A, W04B		19	U01Z
	21B	X06A, X06B, X06C		21B	X06A, X06B		21A	W04A, W04B
5u123.x		BOP, KVT, UOP4	5u210.7↔		BOP, KVT, UOP4	5u212.1↔		BOP, KVT, UOP4
	09	J03A, J03B, J04A, J04B, J06Z, J08A, J08B, J08C, J16Z, J23Z, J24A, J24B, J24C, J26Z		09	J01Z, J02A, J02B, J14A		09	J01Z, J02A, J02B, J14A
	11	L09A, L38Z		11	L09A, L38Z		11	L09A, L38Z
	21A	W04A, W04B		19	U01Z		19	U01Z
	21B	X06A, X06B, X06C		21A	W04A, W04B		21A	W04A, W04B
5u124.0		BOP, KVT, UOP4	5u211.1↔		BOP, KVT, UOP4	5u212.2↔		BOP, KVT, UOP4
	09	J03A, J03B, J04A, J04B, J06Z, J08A, J08B, J08C, J16Z, J23Z, J24A, J24B, J24C, J24D, J26Z		09	J03A, J03B, J04A, J04B, J07A, J07B, J08A, J08B, J08C, J16Z, J24A, J24B, J24C, J25Z		09	J03A, J03B, J04A, J04B, J08A, J08B, J08C, J14A, J14B, J16Z, J23Z, J24A, J24B, J24C, J26Z
	11	L09A, L38Z		21A	W04A, W04B		19	U01Z
	21A	W04A, W04B		21B	X06A, X06B		21A	W04A, W04B
	21B	X06A, X06B, X06C					21B	X06A, X06B
5u124.1		BOP, KVT, UOP4	5u211.2↔		BOP, KVT, UOP4	5u213.1↔		BOP, KVT, UOP4
	09	J03A, J03B, J04A, J04B, J06Z, J08A, J08B, J08C, J16Z, J23Z, J24A, J24B, J24C, J24D, J26Z		09	J03A, J03B, J04A, J04B, J08A, J08B, J08C, J16Z, J23Z, J24A, J24B, J24C, J26Z		09	J03A, J03B, J04A, J04B, J08A, J08B, J08C, J14A, J14B, J16Z, J23Z, J24A, J24B, J24C, J26Z
	11	L09A, L38Z		21A	W04A, W04B		11	L09A, L38Z
	21A	W04A, W04B		21B	X06A, X06B		19	U01Z
	21B	X06A, X06B, X06C					21A	W04A, W04B
5u191↔		BOP, KVT, UOP4	5u211.3↔		BOP, KVT, UOP4	5u213.2↔		BOP, KVT, UOP4
	09	J03A, J03B, J04A, J04B, J07A, J07B, J08A, J08B, J08C, J16Z, J24A, J24B, J24C, J24D, J25Z		09	J03A, J03B, J04A, J04B, J08A, J08B, J08C, J14A, J14B, J16Z, J23Z, J24A, J24B, J24C, J26Z		09	J03A, J03B, J04A, J04B, J08A, J08B, J08C, J14A, J14B, J16Z, J23Z, J24A, J24B, J24C, J26Z
	21A	W04A, W04B		11	L09A, L38Z		11	L09A, L38Z
	21B	X06A, X06B, X06C		19	U01Z		19	U01Z
				21A	W04A, W04B		21A	W04A, W04B
		21B	X06A, X06B	21B	X06A, X06B			

VYK

ZZV	MDC	DRG	ZZV	MDC	DRG	ZZV	MDC	DRG		
5u213.3↔		BOP, KVT, UOP4	5u217.1↔		BOP, KVT, UOP4	5u222.3↔		BOP, KVT, UOP4		
	09	J14A, J26Z		09	J03A, J03B, J04A, J04B, J06Z, J07A, J07B, J08A, J08B, J08C, J16Z, J24A, J24B, J24C, J25Z		09	J03A, J03B, J04A, J04B, J08A, J08B, J08C, J16Z, J23Z, J24A, J24B, J24C, J26Z		
	11	L09A, L38Z					21A	W04A, W04B	21A	W04A, W04B
	19	U01Z					21B	X06A, X06B	21B	X06A, X06B
	21A	W04A, W04B								
5u213.4↔		BOP, KVT, UOP4	5u220.1↔		BOP, KVT, UOP4	5u222.4↔		BOP, KVT, UOP4		
	09	J03A, J03B, J04A, J04B, J08A, J08B, J08C, J14A, J14B, J16Z, J23Z, J24A, J24B, J24C, J26Z		09	J03A, J03B, J04A, J04B, J08A, J08B, J08C, J16Z, J23Z, J24A, J24B, J24C, J26Z		09	J03A, J03B, J04A, J04B, J08A, J08B, J08C, J16Z, J23Z, J24A, J24B, J24C, J26Z		
	11	L09A, L38Z					21A	W04A, W04B	21A	W04A, W04B
	19	U01Z					21B	X06A, X06B	21B	X06A, X06B
	21A	W04A, W04B								
5u213.5↔		BOP, KVT, UOP4	5u220.2↔		BOP, KVT, UOP4	5u222.5↔		BOP, KVT, UOP4		
	09	J03A, J03B, J04A, J04B, J08A, J08B, J08C, J14A, J14B, J16Z, J23Z, J24A, J24B, J24C, J26Z		09	J03A, J03B, J04A, J04B, J08A, J08B, J08C, J16Z, J23Z, J24A, J24B, J24C, J26Z		09	J03A, J03B, J04A, J04B, J08A, J08B, J08C, J16Z, J23Z, J24A, J24B, J24C, J26Z		
	11	L09A, L38Z					21A	W04A, W04B	21A	W04A, W04B
	19	U01Z					21B	X06A, X06B	21B	X06A, X06B
	21A	W04A, W04B								
5u214.1↔		BOP, KVT, UOP4	5u220.3↔		BOP, KVT, UOP4	5u222.6↔		BOP, KVT, UOP4		
	09	J03A, J03B, J04A, J04B, J06Z, J08A, J08B, J08C, J16Z, J23Z, J24A, J24B, J24C, J26Z		09	J03A, J03B, J04A, J04B, J08A, J08B, J08C, J16Z, J23Z, J24A, J24B, J24C, J26Z		09	J03A, J03B, J04A, J04B, J08A, J08B, J08C, J16Z, J23Z, J24A, J24B, J24C, J26Z		
	10	K07Z					21A	W04A, W04B	21A	W04A, W04B
	21A	W04A, W04B					21B	X06A, X06B	21B	X06A, X06B
	21B	X06A, X06B								
5u214.2↔		BOP, KVT, UOP4	5u221.0↔		BOP, KVT, UOP4	5u223.1↔		BOP, KVT, UOP4		
	09	J03A, J03B, J04A, J04B, J06Z, J08A, J08B, J08C, J16Z, J23Z, J24A, J24B, J24C, J26Z		09	J03A, J03B, J04A, J04B, J08A, J08B, J08C, J16Z, J23Z, J24A, J24B, J24C, J26Z		09	J03A, J03B, J04A, J04B, J08A, J08B, J08C, J16Z, J23Z, J24A, J24B, J24C, J26Z		
	10	K07Z					21A	W04A, W04B	21A	W04A, W04B
	11	L09A, L38Z					21B	X06A, X06B	21B	X06A, X06B
	21A	W04A, W04B								
5u215↔		BOP, KVT, UOP4	5u221.1↔		BOP, KVT, UOP4	5u223.2↔		BOP, KVT, UOP4		
	09	J03A, J03B, J04A, J04B, J08A, J08B, J08C, J16Z, J23Z, J24A, J24B, J24C, J26Z		09	J03A, J03B, J04A, J04B, J08A, J08B, J08C, J16Z, J23Z, J24A, J24B, J24C, J26Z		09	J03A, J03B, J04A, J04B, J08A, J08B, J08C, J16Z, J23Z, J24A, J24B, J24C, J26Z		
	10	K07Z					21A	W04A, W04B	21A	W04A, W04B
	11	L09A, L38Z					21B	X06A, X06B	21B	X06A, X06B
	21A	W04A, W04B								
5u216↔		BOP, KVT, UOP4	5u222.0↔		BOP, KVT, UOP4	5u224↔		BOP, KVT, UOP4		
	09	J03A, J03B, J04A, J04B, J08A, J08B, J08C, J16Z, J23Z, J24A, J24B, J24C, J26Z		09	J03A, J03B, J04A, J04B, J07A, J07B, J08A, J08B, J08C, J16Z, J24A, J24B, J24C, J26Z		09	J03A, J03B, J04A, J04B, J08A, J08B, J08C, J16Z, J23Z, J24A, J24B, J24C, J26Z		
	21A	W04A, W04B					10	K09A, K09B	21A	W04A, W04B
	21B	X06A, X06B					21A	W04A, W04B	21B	X06A, X06B
							21B	X06A, X06B		
5u216.1↔		BOP, KVT, UOP4	5u222.1↔		BOP, KVT, UOP4	5u230.1↔		BOP, KVT, UOP4		
	09	J03A, J03B, J04A, J04B, J06Z, J08A, J08B, J08C, J16Z, J23Z, J24A, J24B, J24C, J26Z		09	J03A, J03B, J04A, J04B, J07A, J07B, J08A, J08B, J08C, J16Z, J24A, J24B, J24C, J24D, J25Z		09	J03A, J03B, J04A, J04B, J07A, J07B, J08A, J08B, J08C, J16Z, J24A, J24B, J24C, J24D, J25Z		
	11	L09A, L38Z					19	U01Z	19	U01Z
	19	U01Z					21A	W04A, W04B	21A	W04A, W04B
	21A	W04A, W04B					21B	X06A, X06B	21B	X06A, X06B
5u216.7		BOP, KVT, UOP4	5u222.2↔		BOP, KVT, UOP4	5u230.2↔		BOP, KVT, UOP4		
	09	J01Z, J02A, J02B, J14A		09	J03A, J03B, J04A, J04B, J08A, J08B, J08C, J16Z, J23Z, J24A, J24B, J24C, J26Z		09	J03A, J03B, J04A, J04B, J07A, J07B, J08A, J08B, J08C, J16Z, J24A, J24B, J24C, J24D, J25Z		
	11	L09A, L38Z					19	U01Z	19	U01Z
	19	U01Z					21A	W04A, W04B	21A	W04A, W04B
	21A	W04A, W04B					21B	X06A, X06B	21B	X06A, X06B
5u217.0↔		BOP, KVT, UOP4								
	09	J03A, J03B, J04A, J04B, J06Z, J07A, J07B, J08A, J08B, J08C, J16Z, J24A, J24B, J24C, J25Z								
	21A	W04A, W04B								
	21B	X06A, X06B								

VYK

ZZV	MDC	DRG	ZZV	MDC	DRG	ZZV	MDC	DRG
5u921↔		BOP, KVT, UOP4	5v131.0	03	D08A, D08B, D18Z, D22A, D22B, D30A, D30B	5v141.4		BOP, KVT, UOP4
	09	J03A, J03B, J04A, J04B, J07A, J07B, J08A, J08B, J08C, J16Z, J24A, J24B, J24C, J24D, J25Z		05	F13A		01	B03A, B03B, B06A, B06B, B07Z, B17A, B17B, B17C
	19	U01Z		09	J03A, J03B, J04A, J04B, J08A, J08B, J08C, J11A, J11B, J11C, J16Z		02	C20A, C20B
	21A	W04A, W04B	5v131.4‡	02	C14Z		03	D12A
	21B	X06A, X06B		09	J11A, J11B, J11C		05	F13A, F21A, F21B, F21C
5u922↔		BOP, KVT, UOP4	5v131.5‡	09	J11A, J11B, J11C		08	I27A, I27B, I27C, I27D
	09	J03A, J03B, J04A, J04B, J07A, J07B, J08A, J08B, J08C, J16Z, J24A, J24B, J24C, J24D, J25Z	5v131.6‡↔	09	J11A, J11B, J11C		09	J03A, J03B, J04A, J04B, J08A, J08B, J08C, J11A, J11B, J11C, J16Z, J21Z
	19	U01Z	5v131.7‡↔	09	J11A, J11B, J11C		10	K09A, K09B
	21A	W04A, W04B	5v131.8‡↔	09	J11A, J11B, J11C		21A	W04A, W04B
	21B	X06A, X06B	5v131.9‡↔	09	J11A, J11B, J11C		21B	X06A, X06B, X06C
5u923↔		BOP, KVT, UOP4	5v131.a‡	09	J11A, J11B, J11C	5v141.5		BOP, KVT, UOP4
	09	J03A, J03B, J04A, J04B, J07A, J07B, J08A, J08B, J08C, J16Z, J24A, J24B, J24C, J24D, J25Z	5v131.b‡	09	J11A, J11B, J11C		01	B03A, B03B, B06A, B06B, B07Z, B17A, B17B, B17C
	19	U01Z	5v131.c‡	09	J11A, J11B, J11C		03	D12A
	21A	W04A, W04B	5v131.d‡	09	J11A, J11B, J11C		05	F13A, F21A, F21B, F21C
	21B	X06A, X06B	5v131.e‡↔	09	J11A, J11B, J11C		08	I27A, I27B, I27C, I27D
	03	D40Z	5v131.f‡↔	09	J11A, J11B, J11C		09	J03A, J03B, J04A, J04B, J08A, J08B, J08C, J11A, J11B, J11C, J16Z, J21Z
5v110‡	02	C14Z	5v131.g‡↔	09	J11A, J11B, J11C		10	K09A, K09B
5v111.4‡	02	C14Z	5v131.x‡	02	C14Z		21A	W04A, W04B
5v112.4‡	02	C14Z	5v132.6‡↔	09	J11A, J11B, J11C		21B	X06A, X06B, X06C
5v113.0‡	09	J11A, J11B	5v132.c‡	09	J11A, J11B, J11C		22	Y01Z, Y03A, Y03B
5v113.4‡	02	C14Z	5v132.x‡	09	J11A, J11B	5v141.6↔		BOP, KVT, UOP4
	09	J11A, J11B	5v133.x‡	09	J11A, J11B		01	B03A, B03B, B06A, B06B, B07Z, B17A, B17B, B17C
5v113.5‡	09	J11A, J11B	5v140.0		BOP, KVT, UOP4		05	F13A, F21A, F21B, F21C
5v113.6‡↔	09	J11A, J11B, J11C		03	D08A, D08B, D18Z, D22A, D22B, D30A, D30B		08	I27A, I27B, I27C, I27D
5v113.7‡↔	09	J11A, J11B		05	F13A		09	J03A, J03B, J04A, J04B, J08A, J08B, J08C, J11A, J11B, J11C, J16Z, J21Z
5v113.8‡↔	09	J11A, J11B	5v140.4‡	02	C20A, C20B		10	K09A, K09B
5v113.9‡↔	09	J11A, J11B		09	J11A, J11B, J11C		21A	W04A, W04B
5v113.a‡	09	J11A, J11B, J11C	5v140.5‡	09	J11A, J11B, J11C		21B	X06A, X06B, X06C
5v113.b‡	09	J11A, J11B	5v140.6‡↔	09	J11A, J11B, J11C		22	Y01Z, Y03A, Y03B
5v113.c‡	09	J11A, J11B	5v140.7‡↔	09	J11A, J11B, J11C	5v141.7↔		BOP, KVT, UOP4
5v113.d‡	09	J11A, J11B, J11C	5v140.8‡↔	09	J11A, J11B, J11C		01	B03A, B03B, B06A, B06B, B07Z, B17A, B17B, B17C
5v113.e‡↔	09	J11A, J11B	5v140.9‡↔	09	J11A, J11B, J11C		05	F13A, F21A, F21B, F21C
5v113.f‡↔	09	J11A, J11B	5v140.a‡	09	J11A, J11B, J11C		08	I27A, I27B, I27C, I27D
5v113.g‡↔	09	J11A, J11B	5v140.b‡	09	J11A, J11B, J11C		09	J03A, J03B, J04A, J04B, J08A, J08B, J08C, J11A, J11B, J11C, J16Z, J21Z
5v113.x‡	09	J11A, J11B	5v140.c‡	09	J11A, J11B, J11C		10	K09A, K09B
5v114.4‡	02	C14Z	5v140.d‡	09	J11A, J11B, J11C		21A	W04A, W04B
5v130.0	03	D08A, D08B, D18Z, D22A, D22B, D30A, D30B	5v140.e‡↔	09	J11A, J11B, J11C		21B	X06A, X06B, X06C
	05	F13A	5v140.f‡↔	09	J11A, J11B, J11C		22	Y01Z, Y03A, Y03B
	09	J03A, J03B, J04A, J04B, J08A, J08B, J08C, J11A, J11B, J11C, J16Z	5v140.g‡↔	09	J11A, J11B, J11C	5v141.8↔		BOP, KVT, UOP4
5v130.4‡	02	C14Z	5v140.x‡	09	J11A, J11B, J11C		01	B03A, B03B, B06A, B06B, B07Z, B17A, B17B, B17C
	09	J11A, J11B, J11C	5v141.0		BOP, KVT, UOP4		03	D12A
5v130.5‡	09	J11A, J11B, J11C		01	B03A, B03B, B06A, B06B, B07Z, B17A, B17B, B17C		05	F13A, F21A, F21B, F21C
5v130.6‡↔	09	J11A, J11B, J11C		03	D12A		08	I27A, I27B, I27C, I27D
5v130.7‡↔	09	J11A, J11B, J11C		05	F13A, F21A, F21B, F21C		09	J03A, J03B, J04A, J04B, J08A, J08B, J08C, J11A, J11B, J11C, J16Z, J21Z
5v130.8‡↔	09	J11A, J11B, J11C		09	J03A, J03B, J04A, J04B, J08A, J08B, J08C, J11A, J11B, J11C, J16Z, J21Z		10	K09A, K09B
5v130.9‡↔	09	J11A, J11B, J11C		10	K09A, K09B		21A	W04A, W04B
5v130.a‡	09	J11A, J11B, J11C		21A	W04A, W04B		21B	X06A, X06B, X06C
5v130.b‡	09	J11A, J11B, J11C		21B	X06A, X06B, X06C		22	Y01Z, Y03A, Y03B
5v130.c‡	09	J11A, J11B, J11C		22	Y01Z, Y03A, Y03B			
5v130.d‡	09	J11A, J11B, J11C						
5v130.e‡↔	09	J11A, J11B, J11C						
5v130.f‡↔	09	J11A, J11B, J11C						
5v130.g‡↔	09	J11A, J11B, J11C						
5v130.x‡	09	J11A, J11B, J11C						

VYK

ZZV	MDC	DRG	ZZV	MDC	DRG	ZZV	MDC	DRG			
5v141.9↔		BOP, KVT, UOP4	5v141.e↔		BOP, KVT, UOP4	5v142.x† 5v143.0	09	J11A, J11B, J11C			
	01	B03A, B03B, B06A, B06B, B07Z, B17A, B17B, B17C		01	B03A, B03B, B06A, B06B, B07Z, B17A, B17B, B17C			BOP, KVT, UOP4			
	05	F13A, F21A, F21B, F21C		05	F13A, F21A, F21B, F21C		01	B03A, B03B, B06A, B06B, B07Z, B17A, B17B, B17C			
	08	I27A, I27B, I27C, I27D		08	I27A, I27B, I27C, I27D		03	D12A			
	09	J03A, J03B, J04A, J04B, J08A, J08B, J08C, J11A, J11B, J11C, J16Z, J21Z		09	J03A, J03B, J04A, J04B, J08A, J08B, J08C, J11A, J11B, J11C, J16Z, J21Z		05	F13A, F21A, F21B, F21C			
	10	K09A, K09B		10	K09A, K09B		09	J03A, J03B, J04A, J04B, J08A, J08B, J08C, J11A, J11B, J11C, J16Z, J21Z			
	21A	W04A, W04B		21A	W04A, W04B		10	K09A, K09B			
	21B	X05A, X05B, X06A, X06B, X06C		21B	X04Z, X06A, X06B, X06C		21A	W04A, W04B			
				22	Y01Z, Y03A, Y03B		21B	X06A, X06B, X06C			
							22	Y01Z, Y03A, Y03B			
	5v141.a			BOP, KVT, UOP4	5v141.f↔			BOP, KVT, UOP4	5v143.4		BOP, KVT, UOP4
		01		B03A, B03B, B06A, B06B, B07Z, B17A, B17B, B17C			01	B03A, B03B, B06A, B06B, B07Z, B17A, B17B, B17C		01	B03A, B03B, B06A, B06B, B07Z, B17A, B17B, B17C
05		F13A, F21A, F21B, F21C	05	F13A, F21A, F21B, F21C		02	C20A, C20B				
08		I27A, I27B, I27C, I27D	08	I27A, I27B, I27C, I27D		03	D12A				
09		J03A, J03B, J04A, J04B, J08A, J08B, J08C, J11A, J11B, J11C, J16Z, J21Z	09	J03A, J03B, J04A, J04B, J08A, J08B, J08C, J11A, J11B, J11C, J16Z, J21Z		05	F13A, F21A, F21B, F21C				
10		K09A, K09B	10	K09A, K09B		08	I27A, I27B, I27C, I27D				
21A		W04A, W04B	21A	W04A, W04B		09	J03A, J03B, J04A, J04B, J08A, J08B, J08C, J11A, J11B, J11C, J16Z, J21Z				
21B		X06A, X06B, X06C	21B	X04Z, X06A, X06B, X06C		10	K09A, K09B				
22		Y01Z, Y03A, Y03B	22	Y01Z, Y03A, Y03B		21A	W04A, W04B				
5v141.b			BOP, KVT, UOP4	5v141.g↔			BOP, KVT, UOP4	5v143.5		21B	X06A, X06B, X06C
		01	B03A, B03B, B06A, B06B, B07Z, B17A, B17B, B17C			01	B03A, B03B, B06A, B06B, B07Z, B17A, B17B, B17C			22	Y01Z, Y03A, Y03B
		05	F13A, F21A, F21B, F21C			05	F13A, F21A, F21B, F21C				BOP, KVT, UOP4
	08	I27A, I27B, I27C, I27D	08		I27A, I27B, I27C, I27D	01	B03A, B03B, B06A, B06B, B07Z, B17A, B17B, B17C				
	09	J03A, J03B, J04A, J04B, J08A, J08B, J08C, J11A, J11B, J11C, J16Z, J21Z	09		J03A, J03B, J04A, J04B, J08A, J08B, J08C, J11A, J11B, J11C, J16Z, J21Z	03	D12A				
	10	K09A, K09B	10		K09A, K09B	05	F13A, F21A, F21B, F21C				
	21A	W04A, W04B	21A		W04A, W04B	08	I27A, I27B, I27C, I27D				
	21B	X06A, X06B, X06C	21B		X04Z, X06A, X06B, X06C	09	J03A, J03B, J04A, J04B, J08A, J08B, J08C, J11A, J11B, J11C, J16Z, J21Z				
	22	Y01Z, Y03A, Y03B	22		Y01Z, Y03A, Y03B	10	K09A, K09B				
	5v141.c		BOP, KVT, UOP4		5v141.x		BOP, KVT, UOP4		5v143.6↔	21A	W04A, W04B
		01	B03A, B03B, B06A, B06B, B07Z, B17A, B17B, B17C			01	B03A, B03B, B06A, B06B, B07Z, B17A, B17B, B17C			21B	X06A, X06B, X06C
		05	F13A, F21A, F21B, F21C			05	F13A, F21A, F21B, F21C			22	Y01Z, Y03A, Y03B
08		I27A, I27B, I27C, I27D	08	I27A, I27B, I27C, I27D			BOP, KVT, UOP4				
09		J03A, J03B, J04A, J04B, J08A, J08B, J08C, J11A, J11B, J11C, J16Z, J21Z	09	J03A, J03B, J04A, J04B, J08A, J08B, J08C, J11A, J11B, J11C, J16Z, J21Z		01	B03A, B03B, B06A, B06B, B07Z, B17A, B17B, B17C				
10		K09A, K09B	10	K09A, K09B		05	F13A, F21A, F21B, F21C				
21A		W04A, W04B	21A	W04A, W04B		08	I27A, I27B, I27C, I27D				
21B		X04Z, X06A, X06B, X06C	21B	X06A, X06B, X06C		09	J03A, J03B, J04A, J04B, J08A, J08B, J08C, J11A, J11B, J11C, J16Z, J21Z				
22		Y01Z, Y03A, Y03B	22	Y01Z, Y03A, Y03B		10	K09A, K09B				
5v141.d			BOP, KVT, UOP4	5v142.0			BOP, KVT, UOP4	5v143.7↔		21A	W04A, W04B
		01	B03A, B03B, B06A, B06B, B07Z, B17A, B17B, B17C			03	D08A, D08B, D18Z, D22A, D22B, D30A, D30B			21B	X06A, X06B, X06C
		05	F13A, F21A, F21B, F21C			05	F13A			22	Y01Z, Y03A, Y03B
	08	I27A, I27B, I27C, I27D	09		J03A, J03B, J04A, J04B, J08A, J08B, J08C, J11A, J11B, J11C, J16Z		BOP, KVT, UOP4				
	09	J03A, J03B, J04A, J04B, J08A, J08B, J08C, J11A, J11B, J11C, J16Z, J21Z	02		C20A, C20B	01	B03A, B03B, B06A, B06B, B07Z, B17A, B17B, B17C				
	10	K09A, K09B	09		J11A, J11B, J11C	05	F13A, F21A, F21B, F21C				
	21A	W04A, W04B	5v142.5†		09	J11A, J11B, J11C	08		I27A, I27B, I27C, I27D		
	21B	X04Z, X06A, X06B, X06C	5v142.6†↔		09	J11A, J11B, J11C	09		J03A, J03B, J04A, J04B, J08A, J08B, J08C, J11A, J11B, J11C, J16Z, J21Z		
	22	Y01Z, Y03A, Y03B	5v142.7†↔		09	J11A, J11B, J11C	10		K09A, K09B		
			5v142.8†↔		09	J11A, J11B, J11C	21A		W04A, W04B		
			5v142.9†↔		09	J11A, J11B, J11C	21B		X06A, X06B, X06C		
			5v142.a†		08	I10A, I10B, I10C, I10D, I10E	22		Y01Z, Y03A, Y03B		
			09	J11A, J11B, J11C							
		5v142.b†	09	J11A, J11B, J11C							
		5v142.c†	09	J11A, J11B, J11C							
		5v142.d†↔	09	J11A, J11B, J11C							
		5v142.e†↔	09	J11A, J11B, J11C							
		5v142.f†↔	09	J11A, J11B, J11C							
		5v142.g†↔	09	J11A, J11B, J11C							

VYK

ZZV	MDC	DRG	ZZV	MDC	DRG	ZZV	MDC	DRG			
5v143.8↔		BOP, KVT, UOP4	5v143.d		BOP, KVT, UOP4	5v144.4		BOP, KVT, UOP4			
	01	B03A, B03B, B06A, B06B, B07Z, B17A, B17B, B17C		01	B03A, B03B, B06A, B06B, B07Z, B17A, B17B, B17C		01	B03A, B03B, B06A, B06B, B07Z, B17A, B17B, B17C			
	05	F13A, F21A, F21B, F21C		05	F13A, F21A, F21B, F21C		02	C20A, C20B			
	08	I27A, I27B, I27C, I27D		08	I27A, I27B, I27C, I27D		03	D12A			
	09	J03A, J03B, J04A, J04B, J08A, J08B, J08C, J11A, J11B, J11C, J16Z, J21Z		09	J03A, J03B, J04A, J04B, J08A, J08B, J08C, J11A, J11B, J11C, J16Z, J21Z		05	F13A, F21A, F21B			
	10	K09A, K09B		10	K09A, K09B		08	I02A, I02B, I02C, I02D, I22A, I22B, I50Z			
	21A	W04A, W04B		21A	W04A, W04B		09	J02A, J02B, J02C, J04A, J04B, J08A, J08B, J08C, J16Z, J21Z, J22A, J22B			
	21B	X05A, X05B, X06A, X06B, X06C		21B	X04Z, X06A, X06B, X06C		21A	W04A, W04B			
	22	Y01Z, Y03A, Y03B		22	Y01Z, Y03A, Y03B		21B	X01A, X01B, X01C			
	5v143.9↔			BOP, KVT, UOP4	5v143.e↔			BOP, KVT, UOP4	5v144.5		BOP, KVT, UOP4
		01		B03A, B03B, B06A, B06B, B07Z, B17A, B17B, B17C			01	B03A, B03B, B06A, B06B, B07Z, B17A, B17B, B17C		01	B03A, B03B, B06A, B06B, B07Z, B17A, B17B, B17C
05		F13A, F21A, F21B, F21C	05	F13A, F21A, F21B, F21C		03	D12A				
08		I27A, I27B, I27C, I27D	08	I27A, I27B, I27C, I27D		05	F13A, F21A, F21B				
09		J03A, J03B, J04A, J04B, J08A, J08B, J08C, J11A, J11B, J11C, J16Z, J21Z	09	J03A, J03B, J04A, J04B, J08A, J08B, J08C, J11A, J11B, J11C, J16Z, J21Z		06	G10Z, G12A, G12B				
10		K09A, K09B	10	K09A, K09B		08	I28A, I28B				
21A		W04A, W04B	21A	W04A, W04B		09	J02A, J02B, J02C, J04A, J04B, J08A, J08B, J08C, J16Z, J21Z, J22A, J22B				
21B		X05A, X05B, X06A, X06B, X06C	21B	X04Z, X06A, X06B, X06C		21A	W04A, W04B				
22		Y01Z, Y03A, Y03B	22	Y01Z, Y03A, Y03B		21B	X01A, X01B, X01C				
5v143.a			BOP, KVT, UOP4	5v143.f↔			BOP, KVT, UOP4	5v144.6↔			BOP, KVT, UOP4
		01	B03A, B03B, B06A, B06B, B07Z, B17A, B17B, B17C			01	B03A, B03B, B06A, B06B, B07Z, B17A, B17B, B17C			01	B03A, B03B, B06A, B06B, B07Z, B17A, B17B, B17C
	05	F13A, F21A, F21B, F21C	05		F13A, F21A, F21B, F21C	05	F13A, F21A, F21B, F27A, F27B, F27C				
	08	I27A, I27B, I27C, I27D	08		I27A, I27B, I27C, I27D	08	I02A, I02B, I02C, I02D, I22A, I22B, I50Z				
	09	J03A, J03B, J04A, J04B, J08A, J08B, J08C, J11A, J11B, J11C, J16Z, J21Z	09		J03A, J03B, J04A, J04B, J08A, J08B, J08C, J11A, J11B, J11C, J16Z, J21Z	09	J02A, J02B, J02C, J04A, J04B, J08A, J08B, J08C, J16Z, J21Z, J22A, J22B				
	10	K09A, K09B	10		K09A, K09B	10	K01Z				
	21A	W04A, W04B	21A		W04A, W04B	21A	W04A, W04B				
	21B	X06A, X06B, X06C	21B		X04Z, X06A, X06B, X06C	21B	X01A, X01B, X01C				
	22	Y01Z, Y03A, Y03B	22		Y01Z, Y03A, Y03B	21B	X01A, X01B, X01C				
	5v143.b		BOP, KVT, UOP4		5v143.g↔		BOP, KVT, UOP4		5v144.7↔		BOP, KVT, UOP4
		01	B03A, B03B, B06A, B06B, B07Z, B17A, B17B, B17C			01	B03A, B03B, B06A, B06B, B07Z, B17A, B17B, B17C			01	B03A, B03B, B06A, B06B, B07Z, B17A, B17B, B17C
05		F13A, F21A, F21B, F21C	05	F13A, F21A, F21B, F21C		05	F13A, F21A, F21B				
08		I27A, I27B, I27C, I27D	08	I27A, I27B, I27C, I27D		08	I02A, I02B, I02C, I02D, I22A, I22B, I50Z				
09		J03A, J03B, J04A, J04B, J08A, J08B, J08C, J11A, J11B, J11C, J16Z, J21Z	09	J03A, J03B, J04A, J04B, J08A, J08B, J08C, J11A, J11B, J11C, J16Z, J21Z		09	J02A, J02B, J02C, J04A, J04B, J08A, J08B, J08C, J16Z, J21Z, J22A, J22B				
10		K09A, K09B	10	K09A, K09B		10	K01Z				
21A		W04A, W04B	21A	W04A, W04B		21A	W04A, W04B				
21B		X06A, X06B, X06C	21B	X04Z, X06A, X06B, X06C		21B	X01A, X01B, X01C				
22		Y01Z, Y03A, Y03B	22	Y01Z, Y03A, Y03B		21B	X01A, X01B, X01C				
5v143.c			BOP, KVT, UOP4	5v143.x† 5v144.0			BOP, KVT, UOP4	5v144.8↔			BOP, KVT, UOP4
		01	B03A, B03B, B06A, B06B, B07Z, B17A, B17B, B17C			03	D08A, D08B, D18Z, D22A, D22B, D30A, D30B			01	B03A, B03B, B06A, B06B, B07Z, B17A, B17B, B17C
	05	F13A, F21A, F21B, F21C	05		F13A	05	F13A, F21A, F21B				
	08	I27A, I27B, I27C, I27D	09		J03A, J03B, J04A, J04B, J08A, J08B, J08C, J10A, J10B, J16Z	08	I02A, I02B, I02C, I02D, I22A, I22B, I32A, I32B, I32C, I32D, I32E, I32F, I50Z				
	09	J03A, J03B, J04A, J04B, J08A, J08B, J08C, J11A, J11B, J11C, J16Z, J21Z	21A		W04A, W04B	09	J02A, J02B, J02C, J04A, J04B, J08A, J08B, J08C, J16Z, J21Z, J22A, J22B				
	10	K09A, K09B	21B		X06A, X06B, X06C	21A	W04A, W04B				
	21A	W04A, W04B				21B	X01A, X01B, X01C				
	21B	X04Z, X06A, X06B, X06C									
	22	Y01Z, Y03A, Y03B									

VYK

ZZV	MDC	DRG	ZZV	MDC	DRG	ZZV	MDC	DRG			
5v144.9↔		BOP, KVT, UOP4	5v144.e↔		BOP, KVT, UOP4	5v145.4		BOP, KVT, UOP4			
	01	B03A, B03B, B06A, B06B, B07Z, B17A, B17B, B17C		01	B03A, B03B, B06A, B06B, B07Z, B17A, B17B, B17C		01	B03A, B03B, B06A, B06B, B07Z, B17A, B17B, B17C			
	05	F13A, F21A, F21B		05	F13A, F21A, F21B, F27A, F27B, F27C		02	C20A, C20B			
	08	I32A, I32B, I32C, I32D, I32E, I32F		08	I02A, I02B, I02C, I02D, I22A, I22B, I50Z		03	D12A			
	09	J03A, J03B, J04A, J04B, J08A, J08B, J08C, J16Z, J21Z, J22A, J22B		09	J02A, J02B, J02C, J04A, J04B, J08A, J08B, J08C, J16Z, J21Z, J22A, J22B		05	F13A, F21A, F21B			
	21A	W04A, W04B		10	K01Z		08	I02A, I02B, I02C, I02D, I22A, I22B, I50Z			
	21B	X01A, X01B, X01C		21A	W04A, W04B		09	J02A, J02B, J02C, J04A, J04B, J08A, J08B, J08C, J16Z, J21Z, J22A, J22B			
	5v144.a			BOP, KVT, UOP4	5v144.f↔			BOP, KVT, UOP4	5v145.5		BOP, KVT, UOP4
		01		B03A, B03B, B06A, B06B, B07Z, B17A, B17B, B17C			01	B03A, B03B, B06A, B06B, B07Z, B17A, B17B, B17C		01	B03A, B03B, B06A, B06B, B07Z, B17A, B17B, B17C
		05		F13A, F21A, F21B			05	F13A, F21A, F21B, F27A, F27B, F27C		03	D12A
06		G10Z, G12A, G12B	08	I02A, I02B, I02C, I02D, I22A, I22B, I50Z		05	F13A, F21A, F21B				
08		I02A, I02B, I02C, I02D, I22A, I22B, I50Z	09	J02A, J02B, J02C, J04A, J04B, J08A, J08B, J08C, J16Z, J21Z, J22A, J22B		06	G10Z, G12A, G12B				
09		J02A, J02B, J02C, J04A, J04B, J08A, J08B, J08C, J14A, J16Z, J21Z, J22A, J22B	10	K01Z		08	I28A, I28B				
21A		W04A, W04B	21A	W04A, W04B		09	J02A, J02B, J02C, J04A, J04B, J08A, J08B, J08C, J16Z, J21Z, J22A, J22B				
21B		X01A, X01B, X01C	21B	X01A, X01B, X01C		21A	W04A, W04B				
5v144.b			BOP, KVT, UOP4	5v144.g↔			BOP, KVT, UOP4	5v145.6↔			BOP, KVT, UOP4
		01	B03A, B03B, B06A, B06B, B07Z, B17A, B17B, B17C			01	B03A, B03B, B06A, B06B, B07Z, B17A, B17B, B17C			01	B03A, B03B, B06A, B06B, B07Z, B17A, B17B, B17C
	05	F13A, F21A, F21B	05		F13A, F21A, F21B, F27A, F27B, F27C	05	F13A, F21A, F21B, F27A, F27B, F27C				
	06	G10Z, G12A, G12B	08		I02A, I02B, I02C, I02D, I22A, I22B, I50Z	08	I02A, I02B, I02C, I02D, I22A, I22B, I50Z				
	08	I02A, I02B, I02C, I02D, I22A, I22B, I50Z	09		J02A, J02B, J02C, J04A, J04B, J08A, J08B, J08C, J16Z, J21Z, J22A, J22B	09	J02A, J02B, J02C, J04A, J04B, J08A, J08B, J08C, J16Z, J21Z, J22A, J22B				
	09	J02A, J02B, J02C, J04A, J04B, J08A, J08B, J08C, J16Z, J21Z, J22A, J22B	10		K01Z	10	K01Z				
	21A	W04A, W04B	21A		W04A, W04B	21A	W04A, W04B				
	21B	X01A, X01B, X01C	21B		X01A, X01B, X01C	21B	X01A, X01B, X01C				
	5v144.c		BOP, KVT, UOP4		5v144.x↔		BOP, KVT, UOP4		5v145.7↔		BOP, KVT, UOP4
		01	B03A, B03B, B06A, B06B, B07Z, B17A, B17B, B17C			01	B03A, B03B, B06A, B06B, B07Z, B17A, B17B, B17C			01	B03A, B03B, B06A, B06B, B07Z, B17A, B17B, B17C
05		F13A, F21A, F21B	05	F13A, F21A, F21B		05	F13A, F21A, F21B				
06		G10Z, G12A, G12B	08	I02A, I02B, I02C, I02D, I22A, I22B, I50Z		08	I02A, I02B, I02C, I02D, I22A, I22B, I50Z				
08		I02A, I02B, I02C, I02D, I22A, I22B, I50Z	09	J02A, J02B, J02C, J04A, J04B, J08A, J08B, J08C, J16Z, J21Z, J22A, J22B		09	J02A, J02B, J02C, J04A, J04B, J08A, J08B, J08C, J16Z, J21Z, J22A, J22B				
09		J02A, J02B, J02C, J04A, J04B, J08A, J08B, J08C, J16Z, J21Z, J22A, J22B	09	J02A, J02B, J02C, J04A, J04B, J08A, J08B, J08C, J16Z, J21Z, J22A, J22B		21A	W04A, W04B				
10		K09A, K09B	21A	W04A, W04B		21B	X01A, X01B, X01C				
12		M04A, M04B, M04C, M04D, M37Z, M38Z	21B	X01A, X01B, X01C		01	B03A, B03B, B06A, B06B, B07Z, B17A, B17B, B17C				
21A		W04A, W04B	5v145.0			BOP, KVT, UOP4	05	F13A, F21A, F21B			
21B		X01A, X01B, X01C		03		D08A, D08B, D18Z, D22A, D22B, D30A, D30B	08	I02A, I02B, I02C, I02D, I22A, I22B, I32A, I32B, I32C, I32D, I32E, I32F, I50Z			
5v144.d		BOP, KVT, UOP4		05	F13A	09	J02A, J02B, J02C, J04A, J04B, J08A, J08B, J08C, J16Z, J21Z, J22A, J22B				
	01	B03A, B03B, B06A, B06B, B07Z, B17A, B17B, B17C		09	J03A, J03B, J04A, J04B, J08A, J08B, J08C, J10A, J10B, J16Z	21A	W04A, W04B				
	05	F13A, F21A, F21B		21A	W04A, W04B	21B	X01A, X01B, X01C				
	06	G10Z, G12A, G12B		21B	X06A, X06B, X06C						
	08	I02A, I02B, I02C, I02D, I22A, I22B, I50Z									
	09	J02A, J02B, J02C, J04A, J04B, J08A, J08B, J08C, J16Z, J21Z, J22A, J22B									
	21A	W04A, W04B									
	21B	X01A, X01B, X01C									
	5v144.d		BOP, KVT, UOP4	5v145.8↔		BOP, KVT, UOP4	5v145.8↔		BOP, KVT, UOP4		
		01	B03A, B03B, B06A, B06B, B07Z, B17A, B17B, B17C		01	B03A, B03B, B06A, B06B, B07Z, B17A, B17B, B17C		01	B03A, B03B, B06A, B06B, B07Z, B17A, B17B, B17C		
05		F13A, F21A, F21B	05		F13A, F21A, F21B	05		F13A, F21A, F21B			
06		G10Z, G12A, G12B	08		I02A, I02B, I02C, I02D, I22A, I22B, I32A, I32B, I32C, I32D, I32E, I32F, I50Z	08		I02A, I02B, I02C, I02D, I22A, I22B, I32A, I32B, I32C, I32D, I32E, I32F, I50Z			
08		I02A, I02B, I02C, I02D, I22A, I22B, I50Z	09		J02A, J02B, J02C, J04A, J04B, J08A, J08B, J08C, J16Z, J21Z, J22A, J22B	09		J02A, J02B, J02C, J04A, J04B, J08A, J08B, J08C, J16Z, J21Z, J22A, J22B			
09		J02A, J02B, J02C, J04A, J04B, J08A, J08B, J08C, J16Z, J21Z, J22A, J22B	21A		W04A, W04B	21A		W04A, W04B			
21A		W04A, W04B	21B		X01A, X01B, X01C	21B		X01A, X01B, X01C			
21B		X01A, X01B, X01C									

VYK

ZZV	MDC	DRG	ZZV	MDC	DRG	ZZV	MDC	DRG			
5v145.9↔		BOP, KVT, UOP4	5v145.e↔		BOP, KVT, UOP4	5v146.ft↔	09	J11A, J11B, J11C			
	01	B03A, B03B, B06A, B06B, B07Z, B17A, B17B, B17C		01	B03A, B03B, B06A, B06B, B07Z, B17A, B17B, B17C		5v146.g†↔	09	J11A, J11B, J11C		
	05	F13A, F21A, F21B		05	F13A, F21A, F21B, F27A, F27B, F27C		5v146.x†	09	J11A, J11B, J11C		
	08	I32A, I32B, I32C, I32D, I32E, I32F		08	I02A, I02B, I02C, I02D, I22A, I22B, I50Z		5v14x.x†	09	J11A, J11B, J11C		
	09	J03A, J03B, J04A, J04B, J08A, J08B, J08C, J16Z, J21Z, J22A, J22B		09	J02A, J02B, J02C, J04A, J04B, J08A, J08B, J08C, J16Z, J21Z, J22A, J22B		5v150.0	01	B03A, B03B, B06A, B06B, B07Z, B17A, B17B, B17C, B17D		
	21A	W04A, W04B		10	K01Z			03	D13Z		
	21B	X01A, X01B, X01C		21A	W04A, W04B			04	E02A, E02B, E02C		
	5v145.a			BOP, KVT, UOP4	5v145.f↔			BOP, KVT, UOP4		05	F21A, F21B, F21C
		01		B03A, B03B, B06A, B06B, B07Z, B17A, B17B, B17C			01	B03A, B03B, B06A, B06B, B07Z, B17A, B17B, B17C		06	G10Z, G12A, G12B
		05		F13A, F21A, F21B			05	F13A, F21A, F21B, F27A, F27B, F27C		07	H06A, H06B, H06C
06		G10Z, G12A, G12B	08	I02A, I02B, I02C, I02D, I22A, I22B, I50Z			08	I28A, I28B, I28C			
08		I02A, I02B, I02C, I02D, I22A, I22B, I50Z	08	I02A, I02B, I02C, I02D, I22A, I22B, I50Z			09	J11A, J11B, J11C			
09		J02A, J02B, J02C, J04A, J04B, J08A, J08B, J08C, J14A, J16Z, J21Z, J22A, J22B	09	J02A, J02B, J02C, J04A, J04B, J08A, J08B, J08C, J16Z, J21Z, J22A, J22B			10	K09A, K09B			
21A		W04A, W04B	09	J02A, J02B, J02C, J04A, J04B, J08A, J08B, J08C, J16Z, J21Z, J22A, J22B		5v150.4	11	L09A, L09B, L09C, L09D, L38Z			
21B		X01A, X01B, X01C	10	K01Z			13	N11A, N11B			
5v145.b			BOP, KVT, UOP4	5v145.g↔			BOP, KVT, UOP4		21A	W04A, W04B	
		01	B03A, B03B, B06A, B06B, B07Z, B17A, B17B, B17C			01	B03A, B03B, B06A, B06B, B07Z, B17A, B17B, B17C		21B	X06A, X06B, X06C	
	05	F13A, F21A, F21B	05		F13A, F21A, F21B, F27A, F27B, F27C		01	B03A, B03B, B06A, B06B, B07Z, B17A, B17B, B17C, B17D			
	06	G10Z, G12A, G12B	08		I02A, I02B, I02C, I02D, I22A, I22B, I50Z		02	C14Z			
	08	I02A, I02B, I02C, I02D, I22A, I22B, I50Z	08		I02A, I02B, I02C, I02D, I22A, I22B, I50Z		03	D13Z			
	09	J02A, J02B, J02C, J04A, J04B, J08A, J08B, J08C, J16Z, J21Z, J22A, J22B	09		J02A, J02B, J02C, J04A, J04B, J08A, J08B, J08C, J16Z, J21Z, J22A, J22B		04	E02A, E02B, E02C			
	21A	W04A, W04B	09		J02A, J02B, J02C, J04A, J04B, J08A, J08B, J08C, J16Z, J21Z, J22A, J22B		05	F21A, F21B, F21C			
	21B	X01A, X01B, X01C	10		K01Z		06	G10Z, G12A, G12B			
	5v145.c		BOP, KVT, UOP4		5v145.x↔		BOP, KVT, UOP4		07	H06A, H06B, H06C	
		01	B03A, B03B, B06A, B06B, B07Z, B17A, B17B, B17C			01	B03A, B03B, B06A, B06B, B07Z, B17A, B17B, B17C		08	I28A, I28B, I28C	
05		F13A, F21A, F21B	05	F13A, F21A, F21B			09	J11A, J11B, J11C			
06		G10Z, G12A, G12B	08	I02A, I02B, I02C, I02D, I22A, I22B, I32A, I32B, I32C, I32D, I32E, I32F, I50Z			10	K09A, K09B			
08		I02A, I02B, I02C, I02D, I22A, I22B, I50Z	09	J02A, J02B, J02C, J04A, J04B, J08A, J08B, J08C, J16Z, J21Z, J22A, J22B			11	L09A, L09B, L09C, L09D, L38Z			
09		J02A, J02B, J02C, J04A, J04B, J08A, J08B, J08C, J16Z, J21Z, J22A, J22B	09	J02A, J02B, J02C, J04A, J04B, J08A, J08B, J08C, J16Z, J21Z, J22A, J22B			13	N11A, N11B			
10		K09A, K09B	21A	W04A, W04B			21A	W04A, W04B			
12		M04A, M04B, M04C, M04D, M37Z, M38Z	21B	X01A, X01B, X01C		5v150.5	21B	X06A, X06B, X06C			
21A		W04A, W04B	21B	X01A, X01B, X01C			01	B03A, B03B, B06A, B06B, B07Z, B17A, B17B, B17C, B17D			
21B		X01A, X01B, X01C		BOP, KVT, UOP4			03	D13Z			
5v145.d		BOP, KVT, UOP4	5v146.0		BOP, KVT, UOP4		04	E02A, E02B, E02C			
	01	B03A, B03B, B06A, B06B, B07Z, B17A, B17B, B17C		03	D08A, D08B, D18Z, D22A, D22B, D30A, D30B		05	F21A, F21B, F21C			
	05	F13A, F21A, F21B		05	F13A		06	G10Z, G12A, G12B			
	06	G10Z, G12A, G12B		09	J03A, J03B, J04A, J04B, J08A, J08B, J08C, J11A, J11B, J11C, J16Z	5v150.6↔	07	H06A, H06B, H06C			
	08	I02A, I02B, I02C, I02D, I22A, I22B, I50Z		09	J03A, J03B, J04A, J04B, J08A, J08B, J08C, J11A, J11B, J11C, J16Z		08	I28A, I28B, I28C			
	09	J02A, J02B, J02C, J04A, J04B, J08A, J08B, J08C, J16Z, J21Z, J22A, J22B		09	J03A, J03B, J04A, J04B, J08A, J08B, J08C, J11A, J11B, J11C, J16Z		09	J11A, J11B, J11C			
	21A	W04A, W04B		02	C20A, C20B		10	K09A, K09B			
	21B	X01A, X01B, X01C		09	J11A, J11B, J11C		11	L09A, L09B, L09C, L09D, L38Z			
		BOP, KVT, UOP4		09	J11A, J11B, J11C		13	N11A, N11B			
		BOP, KVT, UOP4		09	J11A, J11B, J11C		21A	W04A, W04B			
	BOP, KVT, UOP4	09	J11A, J11B, J11C		21B	X06A, X06B, X06C					
	BOP, KVT, UOP4	09	J11A, J11B, J11C		01	B03A, B03B, B06A, B06B, B07Z, B17A, B17B, B17C, B17D					
	BOP, KVT, UOP4	09	J11A, J11B, J11C		03	D13Z					
	BOP, KVT, UOP4	09	J11A, J11B, J11C		04	E02A, E02B, E02C					
	BOP, KVT, UOP4	09	J11A, J11B, J11C		05	F21A, F21B, F21C					
	BOP, KVT, UOP4	09	J11A, J11B, J11C		06	G10Z, G12A, G12B					
	BOP, KVT, UOP4	09	J11A, J11B, J11C		07	H06A, H06B, H06C					
	BOP, KVT, UOP4	09	J11A, J11B, J11C		08	I28A, I28B, I28C					
	BOP, KVT, UOP4	09	J11A, J11B, J11C		09	J11A, J11B, J11C					
	BOP, KVT, UOP4	09	J11A, J11B, J11C		10	K09A, K09B					
	BOP, KVT, UOP4	09	J11A, J11B, J11C		11	L09A, L09B, L09C, L09D, L38Z					
	BOP, KVT, UOP4	09	J11A, J11B, J11C		13	N11A, N11B					
	BOP, KVT, UOP4	09	J11A, J11B, J11C		21A	W04A, W04B					
	BOP, KVT, UOP4	09	J11A, J11B, J11C		21B	X06A, X06B, X06C					



ZZV	MDC	DRG	ZZV	MDC	DRG	ZZV	MDC	DRG
5v150.7↔	01	B03A, B03B, B06A, B06B, B07Z, B17A, B17B, B17C, B17D	5v150.b	01	B03A, B03B, B06A, B06B, B07Z, B17A, B17B, B17C, B17D	5v150.f↔	01	B03A, B03B, B06A, B06B, B07Z, B17A, B17B, B17C, B17D
	03	D13Z		03	D13Z		03	D13Z
	04	E02A, E02B, E02C		04	E02A, E02B, E02C		04	E02A, E02B, E02C
	05	F21A, F21B, F21C		05	F21A, F21B, F21C		05	F21A, F21B, F21C
	06	G10Z, G12A, G12B		06	G10Z, G12A, G12B		06	G10Z, G12A, G12B
	07	H06A, H06B, H06C		07	H06A, H06B, H06C		07	H06A, H06B, H06C
	08	I28A, I28B, I28C		08	I28A, I28B, I28C		08	I28A, I28B, I28C
	09	J11A, J11B, J11C		09	J11A, J11B, J11C		09	J11A, J11B, J11C
	10	K09A, K09B		10	K09A, K09B		10	K09A, K09B, K09C
	11	L09A, L09B, L09C, L09D, L38Z		11	L09A, L09B, L09C, L09D, L38Z		11	L09A, L09B, L09C, L09D, L38Z
	13	N11A, N11B		13	N11A, N11B		13	N11A, N11B
	21A	W04A, W04B		21A	W04A, W04B		21A	W04A, W04B
	21B	X06A, X06B, X06C		21B	X06A, X06B, X06C		21B	X06A, X06B, X06C
5v150.8↔	01	B03A, B03B, B06A, B06B, B07Z, B17A, B17B, B17C, B17D	5v150.c	01	B03A, B03B, B06A, B06B, B07Z, B17A, B17B, B17C, B17D	5v150.g↔	01	B03A, B03B, B06A, B06B, B07Z, B17A, B17B, B17C, B17D
	03	D13Z		03	D13Z		03	D13Z
	04	E02A, E02B, E02C		04	E02A, E02B, E02C		04	E02A, E02B, E02C
	05	F21A, F21B, F21C		05	F21A, F21B, F21C		05	F21A, F21B, F21C
	06	G10Z, G12A, G12B		06	G10Z, G12A, G12B		06	G10Z, G12A, G12B
	07	H06A, H06B, H06C		07	H06A, H06B, H06C		07	H06A, H06B, H06C
	08	I28A, I28B, I28C		08	I28A, I28B, I28C		08	I28A, I28B, I28C
	09	J11A, J11B, J11C		09	J11A, J11B, J11C		09	J11A, J11B, J11C
	10	K09A, K09B		10	K09A, K09B		10	K09A, K09B, K09C
	11	L09A, L09B, L09C, L09D, L38Z		11	L09A, L09B, L09C, L09D, L38Z		11	L09A, L09B, L09C, L09D, L38Z
	13	N11A, N11B		12	M06Z, M09A, M09B, M38Z		13	N11A, N11B
	21A	W04A, W04B		13	N11A, N11B		21A	W04A, W04B
	21B	X06A, X06B, X06C		21A	W04A, W04B		21B	X06A, X06B, X06C
5v150.9↔	01	B03A, B03B, B06A, B06B, B07Z, B17A, B17B, B17C, B17D	5v150.d	01	B03A, B03B, B06A, B06B, B07Z, B17A, B17B, B17C, B17D	5v150.x	01	B03A, B03B, B06A, B06B, B07Z, B17A, B17B, B17C, B17D
	03	D13Z		03	D13Z		03	D13Z
	04	E02A, E02B, E02C		04	E02A, E02B, E02C		04	E02A, E02B, E02C
	05	F21A, F21B, F21C		05	F21A, F21B, F21C		05	F21A, F21B, F21C
	06	G10Z, G12A, G12B		06	G10Z, G12A, G12B		06	G10Z, G12A, G12B
	07	H06A, H06B, H06C		07	H06A, H06B, H06C		07	H06A, H06B, H06C
	08	I28A, I28B, I28C		08	I28A, I28B, I28C		08	I28A, I28B, I28C
	09	J22A, J22B		09	J11A, J11B, J11C		09	J11A, J11B, J11C
	10	K09A, K09B		10	K09A, K09B		10	K09A, K09B
	11	L09A, L09B, L09C, L09D, L38Z		10	K09A, K09B		11	L09A, L09B, L09C, L09D, L38Z
	13	N11A, N11B		11	L09A, L09B, L09C, L09D, L38Z		13	N11A, N11B
	21A	W04A, W04B		13	N11A, N11B		21A	W04A, W04B
	21B	X06A, X06B, X06C		21A	W04A, W04B		21B	X06A, X06B, X06C
5v150.a	01	B03A, B03B, B06A, B06B, B07Z, B17A, B17B, B17C, B17D	5v150.e↔	01	B03A, B03B, B06A, B06B, B07Z, B17A, B17B, B17C, B17D	5v151.0	01	B03A, B03B, B06A, B06B, B07Z, B17A, B17B, B17C, B17D
	03	D13Z		03	D13Z		03	D13Z
	04	E02A, E02B, E02C		03	D13Z		04	E02A, E02B, E02C
	05	F21A, F21B, F21C		04	E02A, E02B, E02C		05	F13A, F21A, F21B, F21C
	06	G10Z, G12A, G12B		05	F21A, F21B, F21C		06	G10Z, G12A, G12B
	07	H06A, H06B, H06C		06	G10Z, G12A, G12B		07	H06A, H06B, H06C
	08	I28A, I28B, I28C		07	H06A, H06B, H06C		08	I12A, I12B, I12C, I28A, I28B
	09	J11A, J11B, J11C		08	I28A, I28B, I28C		09	J03A, J03B, J04A, J04B, J08A, J08B, J08C, J16Z, J21Z, J22A, J22B
	10	K09A, K09B		09	J11A, J11B, J11C		10	K09A, K09B
	11	L09A, L09B, L09C, L09D, L38Z		10	K09A, K09B, K09C		11	L09A, L09B, L09C, L09D, L38Z
	13	N11A, N11B		11	L09A, L09B, L09C, L09D, L38Z		13	N11A, N11B
	21A	W04A, W04B		13	N11A, N11B		21A	W04A, W04B
	21B	X06A, X06B, X06C		21A	W04A, W04B		21B	X06A, X06B, X06C
		21B	X06A, X06B, X06C					

ZZV	MDC	DRG	ZZV	MDC	DRG	ZZV	MDC	DRG
5v151.4	01	B03A, B03B, B06A, B06B, B07Z, B17A, B17B, B17C, B17D	5v151.7↔	01	B03A, B03B, B06A, B06B, B07Z, B17A, B17B, B17C, B17D	5v151.a	01	B03A, B03B, B06A, B06B, B07Z, B17A, B17B, B17C, B17D
	02	C14Z		03	D13Z		03	D13Z
	03	D13Z		04	E02A, E02B, E02C		04	E02A, E02B, E02C
	04	E02A, E02B, E02C		05	F13A, F21A, F21B, F21C		05	F13A, F21A, F21B, F21C
	05	F13A, F21A, F21B, F21C		06	G10Z, G12A, G12B		06	G10Z, G12A, G12B
	06	G10Z, G12A, G12B		07	H06A, H06B, H06C		07	H06A, H06B, H06C
	07	H06A, H06B, H06C		08	I12A, I12B, I12C, I28A, I28B		08	I12A, I12B, I12C, I28A, I28B
	08	I12A, I12B, I12C, I28A, I28B		09	J03A, J03B, J04A, J04B, J08A, J08B, J08C, J16Z, J21Z, J22A, J22B		09	J03A, J03B, J04A, J04B, J08A, J08B, J08C, J16Z, J21Z, J22A, J22B
	09	J03A, J03B, J04A, J04B, J08A, J08B, J08C, J16Z, J21Z, J22A, J22B		10	K09A, K09B		10	K09A, K09B
	10	K09A, K09B		11	L09A, L09B, L09C, L09D, L38Z		11	L09A, L09B, L09C, L09D, L38Z
	11	L09A, L09B, L09C, L09D, L38Z		13	N11A, N11B		13	N11A, N11B
	13	N11A, N11B		21A	W04A, W04B		21A	W04A, W04B
	21A	W04A, W04B		21B	X06A, X06B, X06C		21B	X06A, X06B, X06C
21B	X06A, X06B, X06C	5v151.8↔	01	B03A, B03B, B06A, B06B, B07Z, B17A, B17B, B17C, B17D	5v151.b	01	B03A, B03B, B06A, B06B, B07Z, B17A, B17B, B17C, B17D	
5v151.5	01		B03A, B03B, B06A, B06B, B07Z, B17A, B17B, B17C, B17D	03		D13Z	03	D13Z
	03		D13Z	04		E02A, E02B, E02C	04	E02A, E02B, E02C
	04		E02A, E02B, E02C	05		F13A, F21A, F21B, F21C	05	F13A, F21A, F21B, F21C
	05		F13A, F21A, F21B, F21C	06		G10Z, G12A, G12B	06	G10Z, G12A, G12B
	06		G10Z, G12A, G12B	07		H06A, H06B, H06C	07	H06A, H06B, H06C
	07		H06A, H06B, H06C	08		I12A, I12B, I12C, I28A, I28B	08	I12A, I12B, I12C, I28A, I28B
	08		I12A, I12B, I12C, I28A, I28B	09		J03A, J03B, J04A, J04B, J08A, J08B, J08C, J16Z, J21Z, J22A, J22B	09	J03A, J03B, J04A, J04B, J08A, J08B, J08C, J16Z, J21Z, J22A, J22B
	09		J03A, J03B, J04A, J04B, J08A, J08B, J08C, J16Z, J21Z, J22A, J22B	10		K09A, K09B	10	K09A, K09B
	10		K09A, K09B	11		L09A, L09B, L09C, L09D, L38Z	11	L09A, L09B, L09C, L09D, L38Z
	11		L09A, L09B, L09C, L09D, L38Z	13		N11A, N11B	13	N11A, N11B
	13		N11A, N11B	21A		W04A, W04B	21A	W04A, W04B
	21A		W04A, W04B	21B		X06A, X06B, X06C	21B	X06A, X06B, X06C
	21B	X06A, X06B, X06C	5v151.9↔	01	B03A, B03B, B06A, B06B, B07Z, B17A, B17B, B17C, B17D	5v151.c	01	B03A, B03B, B06A, B06B, B07Z, B17A, B17B, B17C, B17D
5v151.6↔	01	B03A, B03B, B06A, B06B, B07Z, B17A, B17B, B17C, B17D		03	D13Z		03	D13Z
	03	D13Z		04	E02A, E02B, E02C		04	E02A, E02B, E02C
	04	E02A, E02B, E02C		05	F13A, F21A, F21B, F21C		05	F13A, F21A, F21B, F21C
	05	F13A, F21A, F21B, F21C		06	G10Z, G12A, G12B		06	G10Z, G12A, G12B
	06	G10Z, G12A, G12B		07	H06A, H06B, H06C		07	H06A, H06B, H06C
	07	H06A, H06B, H06C		08	I12A, I12B, I12C, I28A, I28B		08	I12A, I12B, I12C, I28A, I28B
	08	I12A, I12B, I12C, I28A, I28B		09	J03A, J03B, J04A, J04B, J08A, J08B, J08C, J16Z, J21Z, J22A, J22B		09	J03A, J03B, J04A, J04B, J08A, J08B, J08C, J16Z, J21Z, J22A, J22B
	09	J03A, J03B, J04A, J04B, J08A, J08B, J08C, J16Z, J21Z, J22A, J22B		10	K09A, K09B		10	K09A, K09B
	10	K09A, K09B		11	L09A, L09B, L09C, L09D, L38Z		11	L09A, L09B, L09C, L09D, L38Z
	11	L09A, L09B, L09C, L09D, L38Z		13	N11A, N11B		12	M06Z, M09A, M09B, M38Z
	13	N11A, N11B		21A	W04A, W04B		13	N11A, N11B
	21A	W04A, W04B		21B	X06A, X06B, X06C		21A	W04A, W04B
	21B	X06A, X06B, X06C			21B	X06A, X06B, X06C		

VYK

ZZV	MDC	DRG	ZZV	MDC	DRG	ZZV	MDC	DRG
5v151.d	01	B03A, B03B, B06A, B06B, B07Z, B17A, B17B, B17C, B17D	5v151.g↔	01	B03A, B03B, B06A, B06B, B07Z, B17A, B17B, B17C, B17D	5v152.4	01	B03A, B03B, B06A, B06B, B07Z, B17A, B17B, B17C
	03	D13Z		03	D13Z		02	C14Z
	04	E02A, E02B, E02C		04	E02A, E02B, E02C		03	D13Z
	05	F13A, F21A, F21B, F21C		05	F13A, F21A, F21B, F21C, F27A, F27B, F27C		04	E02A, E02B, E02C
	06	G10Z, G12A, G12B		06	G10Z, G12A, G12B		05	F13A, F21A, F21B, F21C
	07	H06A, H06B, H06C		07	H06A, H06B, H06C		06	G10Z, G12A, G12B
	08	I12A, I12B, I12C, I28A, I28B		08	I12A, I12B, I12C, I28A, I28B		07	H06A, H06B, H06C
	09	J03A, J03B, J04A, J04B, J08A, J08B, J08C, J16Z, J21Z, J22A, J22B		09	J03A, J03B, J04A, J04B, J08A, J08B, J08C, J16Z, J21Z, J22A, J22B		08	I12A, I12B, I12C, I28A, I28B
	10	K09A, K09B		10	K01Z		09	J03A, J03B, J04A, J04B, J08A, J08B, J08C, J16Z, J21Z, J22A, J22B
	11	L09A, L09B, L09C, L09D, L38Z		11	L09A, L09B, L09C, L09D, L38Z		10	K09A, K09B
	13	N11A, N11B		13	N11A, N11B		11	L09A, L09B, L09C, L09D, L38Z
	21A	W04A, W04B		21A	W04A, W04B		13	N11A, N11B
	21B	X06A, X06B, X06C		21B	X06A, X06B, X06C		21A	W04A, W04B
	5v151.e↔	01		B03A, B03B, B06A, B06B, B07Z, B17A, B17B, B17C, B17D	5v151.x		01	B03A, B03B, B06A, B06B, B07Z, B17A, B17B, B17C, B17D
03		D13Z	03	D13Z		03	D13Z	
04		E02A, E02B, E02C	04	E02A, E02B, E02C		04	E02A, E02B, E02C	
05		F13A, F21A, F21B, F21C, F27A, F27B, F27C	05	F13A, F21A, F21B, F21C		05	F13A, F21A, F21B, F21C	
06		G10Z, G12A, G12B	06	G10Z, G12A, G12B		06	G10Z, G12A, G12B	
07		H06A, H06B, H06C	07	H06A, H06B, H06C		07	H06A, H06B, H06C	
08		I12A, I12B, I12C, I28A, I28B	08	I12A, I12B, I12C, I28A, I28B		08	I12A, I12B, I12C, I28A, I28B	
09		J03A, J03B, J04A, J04B, J08A, J08B, J08C, J16Z, J21Z, J22A, J22B	09	J03A, J03B, J04A, J04B, J08A, J08B, J08C, J16Z, J21Z, J22A, J22B		09	J03A, J03B, J04A, J04B, J08A, J08B, J08C, J16Z, J21Z, J22A, J22B	
10		K01Z	10	K09A, K09B		10	K09A, K09B	
11		L09A, L09B, L09C, L09D, L38Z	11	L09A, L09B, L09C, L09D, L38Z		11	L09A, L09B, L09C, L09D, L38Z	
13		N11A, N11B	13	N11A, N11B		13	N11A, N11B	
21A		W04A, W04B	21A	W04A, W04B		21A	W04A, W04B	
21B		X06A, X06B, X06C	21B	X06A, X06B, X06C		21B	X06A, X06B, X06C	
5v151.f↔		01	B03A, B03B, B06A, B06B, B07Z, B17A, B17B, B17C, B17D	5v152.0		01	B03A, B03B, B06A, B06B, B07Z, B17A, B17B, B17C	5v152.6↔
	03	D13Z	03		D13Z	03	D13Z	
	04	E02A, E02B, E02C	04		E02A, E02B, E02C	04	E02A, E02B, E02C	
	05	F13A, F21A, F21B, F21C, F27A, F27B, F27C	05		F13A, F21A, F21B, F21C	05	F13A, F21A, F21B, F21C	
	06	G10Z, G12A, G12B	06		G10Z, G12A, G12B	06	G10Z, G12A, G12B	
	07	H06A, H06B, H06C	07		H06A, H06B, H06C	07	H06A, H06B, H06C	
	08	I12A, I12B, I12C, I28A, I28B	08		I12A, I12B, I12C, I28A, I28B	08	I12A, I12B, I12C, I28A, I28B	
	09	J03A, J03B, J04A, J04B, J08A, J08B, J08C, J16Z, J21Z, J22A, J22B	09		J03A, J03B, J04A, J04B, J08A, J08B, J08C, J16Z, J21Z, J22A, J22B	09	J03A, J03B, J04A, J04B, J08A, J08B, J08C, J16Z, J21Z, J22A, J22B	
	10	K01Z	10		K09A, K09B	10	K09A, K09B	
	11	L09A, L09B, L09C, L09D, L38Z	11		L09A, L09B, L09C, L09D, L38Z	11	L09A, L09B, L09C, L09D, L38Z	
	13	N11A, N11B	13		N11A, N11B	13	N11A, N11B	
	21A	W04A, W04B	21A		W04A, W04B	21A	W04A, W04B	
	21B	X06A, X06B, X06C	21B		X06A, X06B, X06C	21B	X06A, X06B, X06C	
	5v152.7↔	01	B03A, B03B, B06A, B06B, B07Z, B17A, B17B, B17C		5v152.1	01	B03A, B03B, B06A, B06B, B07Z, B17A, B17B, B17C	
03		D13Z	03	D13Z		03	D13Z	
04		E02A, E02B, E02C	04	E02A, E02B, E02C		04	E02A, E02B, E02C	
05		F13A, F21A, F21B, F21C, F27A, F27B, F27C	05	F13A, F21A, F21B, F21C		05	F13A, F21A, F21B, F21C	
06		G10Z, G12A, G12B	06	G10Z, G12A, G12B		06	G10Z, G12A, G12B	
07		H06A, H06B, H06C	07	H06A, H06B, H06C		07	H06A, H06B, H06C	
08		I12A, I12B, I12C, I28A, I28B	08	I12A, I12B, I12C, I28A, I28B		08	I12A, I12B, I12C, I28A, I28B	
09		J03A, J03B, J04A, J04B, J08A, J08B, J08C, J16Z, J21Z, J22A, J22B	09	J03A, J03B, J04A, J04B, J08A, J08B, J08C, J16Z, J21Z, J22A, J22B		09	J03A, J03B, J04A, J04B, J08A, J08B, J08C, J16Z, J21Z, J22A, J22B	
10		K09A, K09B	10	K09A, K09B		10	K09A, K09B	
11		L09A, L09B, L09C, L09D, L38Z	11	L09A, L09B, L09C, L09D, L38Z		11	L09A, L09B, L09C, L09D, L38Z	
13		N11A, N11B	13	N11A, N11B		13	N11A, N11B	
21A		W04A, W04B	21A	W04A, W04B		21A	W04A, W04B	
21B		X06A, X06B, X06C	21B	X06A, X06B, X06C		21B	X06A, X06B, X06C	

VYK

ZZV	MDC	DRG	ZZV	MDC	DRG	ZZV	MDC	DRG
5v152.8↔	01	B03A, B03B, B06A, B06B, B07Z, B17A, B17B, B17C	5v152.c	01	B03A, B03B, B06A, B06B, B07Z, B17A, B17B, B17C	5v152.f↔	01	B03A, B03B, B06A, B06B, B07Z, B17A, B17B, B17C
	03	D13Z		03	D13Z		03	D13Z
	04	E02A, E02B, E02C		04	E02A, E02B, E02C		04	E02A, E02B, E02C
	05	F13A, F21A, F21B, F21C		05	F13A, F21A, F21B, F21C		05	F13A, F21A, F21B, F21C, F27A, F27B, F27C
	06	G10Z, G12A, G12B		06	G10Z, G12A, G12B		06	G10Z, G12A, G12B
	07	H06A, H06B, H06C		07	H06A, H06B, H06C		07	H06A, H06B, H06C
	08	I12A, I12B, I12C, I28A, I28B		08	I12A, I12B, I12C, I28A, I28B		08	I12A, I12B, I12C, I28A, I28B
	09	J03A, J03B, J04A, J04B, J08A, J08B, J08C, J16Z, J21Z, J22A, J22B		09	J03A, J03B, J04A, J04B, J08A, J08B, J08C, J16Z, J21Z, J22A, J22B		09	J03A, J03B, J04A, J04B, J08A, J08B, J08C, J16Z, J21Z, J22A, J22B
	10	K09A, K09B		10	K09A, K09B		10	K01Z
	11	L09A, L09B, L09C, L09D, L38Z		11	L09A, L09B, L09C, L09D, L38Z		11	L09A, L09B, L09C, L09D, L38Z
	13	N11A, N11B		12	M06Z, M09A, M09B, M38Z		13	N11A, N11B
	21A	W04A, W04B		13	N11A, N11B		21A	W04A, W04B
	21B	X06A, X06B, X06C		21A	W04A, W04B		21A	W04A, W04B
5v152.9↔	01	B03A, B03B, B06A, B06B, B07Z, B17A, B17B, B17C	5v152.d	01	B03A, B03B, B06A, B06B, B07Z, B17A, B17B, B17C	5v152.g↔	01	B03A, B03B, B06A, B06B, B07Z, B17A, B17B, B17C
	03	D13Z		03	D13Z		03	D13Z
	04	E02A, E02B, E02C		04	E02A, E02B, E02C		04	E02A, E02B, E02C
	05	F13A, F21A, F21B, F21C		05	F13A, F21A, F21B, F21C		05	F13A, F21A, F21B, F21C, F27A, F27B, F27C
	06	G10Z, G12A, G12B		06	G10Z, G12A, G12B		06	G10Z, G12A, G12B
	07	H06A, H06B, H06C		07	H06A, H06B, H06C		07	H06A, H06B, H06C
	08	I12A, I12B, I12C, I28A, I28B		08	I12A, I12B, I12C, I28A, I28B		08	I12A, I12B, I12C, I28A, I28B
	09	J03A, J03B, J04A, J04B, J08A, J08B, J08C, J16Z, J21Z, J22A, J22B		09	J03A, J03B, J04A, J04B, J08A, J08B, J08C, J16Z, J21Z, J22A, J22B		09	J03A, J03B, J04A, J04B, J08A, J08B, J08C, J16Z, J21Z, J22A, J22B
	10	K09A, K09B		10	K09A, K09B		10	K01Z
	11	L09A, L09B, L09C, L09D, L38Z		11	L09A, L09B, L09C, L09D, L38Z		11	L09A, L09B, L09C, L09D, L38Z
	13	N11A, N11B		13	N11A, N11B		13	N11A, N11B
	21A	W04A, W04B		21A	W04A, W04B		21A	W04A, W04B
	21B	X06A, X06B, X06C		21B	X06A, X06B, X06C		21B	X06A, X06B, X06C
5v152.a	01	B03A, B03B, B06A, B06B, B07Z, B17A, B17B, B17C	5v152.e↔	01	B03A, B03B, B06A, B06B, B07Z, B17A, B17B, B17C	5v152.x	01	B03A, B03B, B06A, B06B, B07Z, B17A, B17B, B17C
	03	D13Z		03	D13Z		03	D13Z
	04	E02A, E02B, E02C		04	E02A, E02B, E02C		04	E02A, E02B, E02C
	05	F13A, F21A, F21B, F21C		05	F13A, F21A, F21B, F21C, F27A, F27B, F27C		05	F13A, F21A, F21B, F21C
	06	G10Z, G12A, G12B		06	G10Z, G12A, G12B		06	G10Z, G12A, G12B
	07	H06A, H06B, H06C		07	H06A, H06B, H06C		07	H06A, H06B, H06C
	08	I12A, I12B, I12C, I28A, I28B		08	I12A, I12B, I12C, I28A, I28B		08	I12A, I12B, I12C, I28A, I28B
	09	J03A, J03B, J04A, J04B, J08A, J08B, J08C, J16Z, J21Z, J22A, J22B		09	J03A, J03B, J04A, J04B, J08A, J08B, J08C, J16Z, J21Z, J22A, J22B		09	J03A, J03B, J04A, J04B, J08A, J08B, J08C, J16Z, J21Z, J22A, J22B
	10	K09A, K09B		10	K01Z		10	K09A, K09B
	11	L09A, L09B, L09C, L09D, L38Z		11	L09A, L09B, L09C, L09D, L38Z		11	L09A, L09B, L09C, L09D, L38Z
	13	N11A, N11B		13	N11A, N11B		13	N11A, N11B
	21A	W04A, W04B		21A	W04A, W04B		21A	W04A, W04B
	21B	X06A, X06B, X06C		21B	X06A, X06B, X06C		21B	X06A, X06B, X06C
5v152.b	01	B03A, B03B, B06A, B06B, B07Z, B17A, B17B, B17C	5v152.f↔	01	B03A, B03B, B06A, B06B, B07Z, B17A, B17B, B17C	5v153	01	B03A, B03B, B06A, B06B, B07Z, B17A, B17B, B17C, B17D
	03	D13Z		03	D13Z		03	D13Z
	04	E02A, E02B, E02C		04	E02A, E02B, E02C		04	E02A, E02B, E02C
	05	F13A, F21A, F21B, F21C		05	F13A, F21A, F21B, F21C		05	F21A, F21B, F21C
	06	G10Z, G12A, G12B		06	G10Z, G12A, G12B		06	G10Z, G12A, G12B
	07	H06A, H06B, H06C		07	H06A, H06B, H06C		07	H06A, H06B, H06C
	08	I12A, I12B, I12C, I28A, I28B		08	I12A, I12B, I12C, I28A, I28B		08	I28A, I28B
	09	J03A, J03B, J04A, J04B, J08A, J08B, J08C, J16Z, J21Z, J22A, J22B		09	J03A, J03B, J04A, J04B, J08A, J08B, J08C, J16Z, J21Z, J22A, J22B		09	J11A, J11B
	10	K09A, K09B		10	K09A, K09B		10	K09A, K09B
	11	L09A, L09B, L09C, L09D, L38Z		11	L09A, L09B, L09C, L09D, L38Z		11	L09A, L09B, L09C, L09D, L38Z
	13	N11A, N11B		13	N11A, N11B		13	N11A, N11B
	21A	W04A, W04B		21A	W04A, W04B		21A	W04A, W04B
	21B	X06A, X06B, X06C		21B	X06A, X06B, X06C		21B	X06A, X06B, X06C



ZZV	MDC	DRG	ZZV	MDC	DRG	ZZV	MDC	DRG	
5v15x.x	01	B03A, B03B, B06A, B06B, B07Z, B17A, B17B, B17C, B17D	5v193		BOP, KVT, UOP4	5v210.7↔		BOP, KVT, UOP4	
	03	D13Z		09	J03A, J03B, J04A, J04B, J08A, J08B, J08C, J09A, J09B, J16Z		01	B03A, B03B, B06A, B06B, B07Z, B17A, B17B, B17C	
	04	E02A, E02B, E02C		21A	W04A, W04B		03	D12A, D12B	
	05	F21A, F21B, F21C		21B	X06A, X06B, X06C		05	F13A, F21A, F21B, F21C, F27A, F27B, F27C	
	06	G10Z, G12A, G12B		5v194†	09		J09A, J09B	08	I12A, I12B, I12C
	07	H06A, H06B, H06C		5v201.1†	05		F13A	09	J02A, J02B, J02C, J04A, J04B, J08A, J08B, J08C, J16Z, J21Z, J22A, J22B
	08	I28A, I28B		5v210.0			BOP, KVT, UOP4	10	K01Z
	09	J11A, J11B			01		B03A, B03B, B06A, B06B, B07Z, B17A, B17B, B17C	21A	W04A, W04B
	10	K09A, K09B			03		D12A, D12B	21B	X04Z, X05A, X05B, X06A, X06B, X06C
	11	L09A, L09B, L09C, L09D, L38Z			05		F13A, F21A, F21B, F21C, F27A, F27B, F27C		BOP, KVT, UOP4
	13	N11A, N11B			08		I12A, I12B, I12C	5v210.8↔	
21A	W04A, W04B		09	J02A, J02B, J02C, J04A, J04B, J08A, J08B, J08C, J16Z, J21Z, J22A, J22B	01	B03A, B03B, B06A, B06B, B07Z, B17A, B17B, B17C			
21B	X06A, X06B, X06C		10	K01Z	03	D12A, D12B			
5v171↔		BOP, KVT, UOP4		21A	W04A, W04B	05	F13A, F21A, F21B, F21C, F27A, F27B, F27C		
	08	I32A, I32B, I32C, I32D, I32E, I32F, I32G		21B	X04Z, X05A, X05B, X06A, X06B, X06C	08	I12A, I12B, I12C		
	09	J03A, J03B, J04A, J04B, J08A, J08B, J08C, J11A, J11B, J11C, J16Z		5v210.4		09	J02A, J02B, J02C, J04A, J04B, J08A, J08B, J08C, J16Z, J21Z, J22A, J22B		
21A	W04A, W04B		01	B03A, B03B, B06A, B06B, B07Z, B17A, B17B, B17C	10	K01Z			
21B	X05A, X05B		03	D12A, D12B	21A	W04A, W04B			
5v173↔		BOP, KVT, UOP4	05	F13A, F21A, F21B, F21C, F27A, F27B, F27C	21B	X04Z, X05A, X05B, X06A, X06B, X06C			
	08	I32A, I32B, I32C, I32D, I32E, I32F, I32G	08	I12A, I12B, I12C		BOP, KVT, UOP4			
	09	J03A, J03B, J04A, J04B, J08A, J08B, J08C, J11A, J11B, J11C, J16Z	09	J02A, J02B, J02C, J04A, J04B, J08A, J08B, J08C, J16Z, J21Z, J22A, J22B	5v210.9↔				
21A	W04A, W04B		10	K01Z	01	B03A, B03B, B06A, B06B, B07Z, B17A, B17B, B17C			
21B	X05A, X05B		21A	W04A, W04B	03	D12A, D12B			
5v177↔		BOP, KVT, UOP4	21B	X04Z, X05A, X05B, X06A, X06B, X06C	05	F13A, F21A, F21B, F21C, F27A, F27B, F27C			
	08	I32A, I32B, I32C, I32D, I32E, I32F	5v210.5		08	I12A, I12B, I12C			
	09	J03A, J03B, J04A, J04B, J08A, J08B, J08C, J11A, J11B, J11C, J16Z	01	B03A, B03B, B06A, B06B, B07Z, B17A, B17B, B17C	09	J02A, J02B, J02C, J04A, J04B, J08A, J08B, J08C, J16Z, J21Z, J22A, J22B			
21A	W04A, W04B		03	D12A, D12B	10	K01Z			
21B	X05A, X05B		05	F13A, F21A, F21B, F21C, F27A, F27B, F27C	21A	W04A, W04B			
5v178↔		BOP, KVT, UOP4	08	I12A, I12B, I12C	21B	X04Z, X05A, X05B, X06A, X06B, X06C			
	08	I32A, I32B, I32C, I32D, I32E, I32F	09	J02A, J02B, J02C, J04A, J04B, J08A, J08B, J08C, J16Z, J21Z, J22A, J22B	5v210.a				
	09	J03A, J03B, J04A, J04B, J08A, J08B, J08C, J11A, J11B, J11C, J16Z	10	K01Z	01	B03A, B03B, B06A, B06B, B07Z, B17A, B17B, B17C			
21A	W04A, W04B		21A	W04A, W04B	03	D12A, D12B			
21B	X05A, X05B		21B	X04Z, X05A, X05B, X06A, X06B, X06C	05	F13A, F21A, F21B, F21C, F27A, F27B, F27C			
5v179↔		BOP, KVT, UOP4	5v210.6↔		08	I12A, I12B, I12C			
	08	I32A, I32B, I32C, I32D, I32E, I32F	01	B03A, B03B, B06A, B06B, B07Z, B17A, B17B, B17C	09	J02A, J02B, J02C, J04A, J04B, J08A, J08B, J08C, J16Z, J21Z, J22A, J22B			
	09	J03A, J03B, J04A, J04B, J08A, J08B, J08C, J11A, J11B, J11C, J16Z	03	D12A, D12B	10	K01Z			
21A	W04A, W04B		05	F13A, F21A, F21B, F21C, F27A, F27B, F27C	21A	W04A, W04B			
21B	X05A, X05B		08	I12A, I12B, I12C	21B	X04Z, X05A, X05B, X06A, X06B, X06C			
5v191		BOP, KVT, UOP4	09	J02A, J02B, J02C, J04A, J04B, J08A, J08B, J08C, J16Z, J21Z, J22A, J22B	5v210.b				
	09	J03A, J03B, J04A, J04B, J08A, J08B, J08C, J09A, J09B, J16Z	10	K01Z	01	B03A, B03B, B06A, B06B, B07Z, B17A, B17B, B17C			
	21A	W04A, W04B	21A	W04A, W04B	03	D12A, D12B			
21B	X06A, X06B, X06C		21B	X04Z, X05A, X05B, X06A, X06B, X06C	05	F13A, F21A, F21B, F21C, F27A, F27B, F27C			
5v192		BOP, KVT, UOP4			08	I12A, I12B, I12C			
	09	J03A, J03B, J04A, J04B, J08A, J08B, J08C, J09A, J09B, J16Z			09	J02A, J02B, J02C, J04A, J04B, J08A, J08B, J08C, J16Z, J21Z, J22A, J22B			
	21A	W04A, W04B			10	K01Z			
21B	X06A, X06B, X06C			21A	W04A, W04B				
					21B	X04Z, X05A, X05B, X06A, X06B, X06C			

VYK

ZZV	MDC	DRG	ZZV	MDC	DRG	ZZV	MDC	DRG			
5v212.c		BOP, KVT, UOP4	5v212.x		BOP, KVT, UOP4	5v220.6↔		BOP, KVT, UOP4			
	01	B03A, B03B, B06A, B06B, B07Z, B17A, B17B, B17C		01	B03A, B03B, B06A, B06B, B07Z, B17A, B17B, B17C		01	B03A, B03B, B06A, B06B, B07Z, B17A, B17B, B17C			
	03	D12A, D12B		03	D12A, D12B		05	F13A, F21A, F21B, F28A			
	05	F13A, F21A, F21B, F21C, F27A, F27B, F27C		05	F13A, F21A, F21B, F21C, F27A, F27B, F27C		08	I02A, I02B, I02C, I02D, I22A, I22B, I50Z			
	08	I12A, I12B, I12C		08	I12A, I12B, I12C		09	J02A, J02B, J02C, J04A, J04B, J08A, J08B, J08C, J16Z, J21Z, J22A, J22B			
	09	J02A, J02B, J02C, J04A, J04B, J08A, J08B, J08C, J16Z, J21Z, J22A, J22B		09	J02A, J02B, J02C, J04A, J04B, J08A, J08B, J08C, J16Z, J21Z, J22A, J22B		21A	W04A, W04B			
	10	K01Z		10	K01Z		21B	X01A, X01B, X01C			
	21A	W04A, W04B		21A	W04A, W04B			BOP, KVT, UOP4			
	21B	X04Z, X05A, X05B, X06A, X06B, X06C		21B	X04Z, X05A, X05B, X06A, X06B, X06C		01	B03A, B03B, B06A, B06B, B07Z, B17A, B17B, B17C			
	5v212.d			BOP, KVT, UOP4	5v21x.x			BOP, KVT, UOP4	05	F13A, F21A, F21B, F28A	
		01		B03A, B03B, B06A, B06B, B07Z, B17A, B17B, B17C			01	B03A, B03B, B06A, B06B, B07Z, B17A, B17B, B17C	08	I02A, I02B, I02C, I02D, I22A, I22B, I50Z	
		03		D12A, D12B			03	D12A, D12B	09	J02A, J02B, J02C, J04A, J04B, J08A, J08B, J08C, J16Z, J21Z, J22A, J22B	
05		F13A, F21A, F21B, F21C, F27A, F27B, F27C	05	F13A, F21A, F21B, F21C, F27A, F27B, F27C		21A	W04A, W04B				
08		I12A, I12B, I12C	09	J02A, J02B, J02C, J04A, J04B, J08A, J08B, J08C, J16Z, J21Z, J22A, J22B		21B	X01A, X01B, X01C				
09		J02A, J02B, J02C, J04A, J04B, J08A, J08B, J08C, J16Z, J21Z, J22A, J22B	10	K01Z			BOP, KVT, UOP4				
10		K01Z	21A	W04A, W04B		01	B03A, B03B, B06A, B06B, B07Z, B17A, B17B, B17C				
21A		W04A, W04B	21B	X04Z, X05A, X05B, X06A, X06B, X06C		05	F13A, F21A, F21B, F28A				
21B		X04Z, X05A, X05B, X06A, X06B, X06C		BOP, KVT, UOP4		08	I02A, I02B, I02C, I02D, I22A, I22B, I32A, I32B, I32C, I32D, I32E, I32F, I50Z				
5v212.e↔			BOP, KVT, UOP4	5v220.0			BOP, KVT, UOP4	09	J02A, J02B, J02C, J04A, J04B, J08A, J08B, J08C, J16Z, J21Z, J22A, J22B		
		01	B03A, B03B, B06A, B06B, B07Z, B17A, B17B, B17C			03	D08A, D08B, D18Z, D22A, D22B, D30A, D30B	21A	W04A, W04B		
		03	D12A, D12B			05	F13A, F28A	21B	X01A, X01B, X01C		
	05	F13A, F21A, F21B, F21C, F27A, F27B, F27C	09		J03A, J03B, J04A, J04B, J08A, J08B, J08C, J10A, J10B, J16Z		BOP, KVT, UOP4				
	08	I12A, I12B, I12C	21A		W04A, W04B	01	B03A, B03B, B06A, B06B, B07Z, B17A, B17B, B17C				
	09	J02A, J02B, J02C, J04A, J04B, J08A, J08B, J08C, J16Z, J21Z, J22A, J22B	21B		X06A, X06B, X06C	05	F13A, F21A, F21B, F28A				
	10	K01Z			BOP, KVT, UOP4	08	I12A, I12B, I12C, I32A, I32B, I32C, I32D, I32E, I32F				
	21A	W04A, W04B	01		B03A, B03B, B06A, B06B, B07Z, B17A, B17B, B17C	09	J03A, J03B, J04A, J04B, J08A, J08B, J08C, J16Z, J21Z, J22A, J22B				
	21B	X04Z, X05A, X05B, X06A, X06B, X06C	02		C20A, C20B	21A	W04A, W04B				
	5v212.f↔		BOP, KVT, UOP4		5v220.4		BOP, KVT, UOP4	5v220.9↔		BOP, KVT, UOP4	
		01	B03A, B03B, B06A, B06B, B07Z, B17A, B17B, B17C			01	B03A, B03B, B06A, B06B, B07Z, B17A, B17B, B17C		01	B03A, B03B, B06A, B06B, B07Z, B17A, B17B, B17C	
		03	D12A, D12B			02	C20A, C20B		05	F13A, F21A, F21B, F28A	
05		F13A, F21A, F21B, F21C, F27A, F27B, F27C	03	D18Z, D28Z, D29Z		08	I02A, I02B, I02C, I02D, I22A, I22B, I50Z				
08		I12A, I12B, I12C	05	F13A, F21A, F21B, F28A		09	J02A, J02B, J02C, J04A, J04B, J08A, J08B, J08C, J16Z, J21Z, J22A, J22B				
09		J02A, J02B, J02C, J04A, J04B, J08A, J08B, J08C, J16Z, J21Z, J22A, J22B	08	I02A, I02B, I02C, I02D, I22A, I22B, I50Z		21A	W04A, W04B				
10		K01Z	09	J02A, J02B, J02C, J04A, J04B, J08A, J08B, J08C, J16Z, J21Z, J22A, J22B		21B	X01A, X01B, X01C				
21A		W04A, W04B	21A	W04A, W04B			BOP, KVT, UOP4				
21B		X04Z, X05A, X05B, X06A, X06B, X06C	21B	X01A, X01B, X01C		01	B03A, B03B, B06A, B06B, B07Z, B17A, B17B, B17C				
5v212.g↔			BOP, KVT, UOP4	5v220.5			BOP, KVT, UOP4		5v220.a		BOP, KVT, UOP4
		01	B03A, B03B, B06A, B06B, B07Z, B17A, B17B, B17C			01	B03A, B03B, B06A, B06B, B07Z, B17A, B17B, B17C			01	B03A, B03B, B06A, B06B, B07Z, B17A, B17B, B17C
		03	D12A, D12B			03	D18Z, D28Z, D29Z			05	F13A, F21A, F21B, F28A
	05	F13A, F21A, F21B, F21C, F27A, F27B, F27C	05		F13A, F21A, F21B, F28A	08	I02A, I02B, I02C, I02D, I22A, I22B, I50Z				
	08	I12A, I12B, I12C	06		G10Z, G12A, G12B	09	J02A, J02B, J02C, J04A, J04B, J08A, J08B, J08C, J16Z, J21Z, J22A, J22B				
	09	J02A, J02B, J02C, J04A, J04B, J08A, J08B, J08C, J16Z, J21Z, J22A, J22B	08		I28A, I28B	21A	W04A, W04B				
	10	K01Z	09		J02A, J02B, J02C, J04A, J04B, J08A, J08B, J08C, J16Z, J21Z, J22A, J22B	21B	X01A, X01B, X01C				
	21A	W04A, W04B	21A		W04A, W04B		BOP, KVT, UOP4				
	21B	X04Z, X05A, X05B, X06A, X06B, X06C	21B		X01A, X01B, X01C	01	B03A, B03B, B06A, B06B, B07Z, B17A, B17B, B17C				
	5v212.h↔		BOP, KVT, UOP4		5v220.6↔		BOP, KVT, UOP4	5v220.b			BOP, KVT, UOP4
		01	B03A, B03B, B06A, B06B, B07Z, B17A, B17B, B17C			01	B03A, B03B, B06A, B06B, B07Z, B17A, B17B, B17C			01	B03A, B03B, B06A, B06B, B07Z, B17A, B17B, B17C
		03	D12A, D12B			03	D12A, D12B			05	F13A, F21A, F21B, F28A
05		F13A, F21A, F21B, F21C, F27A, F27B, F27C	05	F13A, F21A, F21B, F21C, F27A, F27B, F27C		06	G10Z, G12A, G12B				
08		I12A, I12B, I12C	08	I12A, I12B, I12C		08	I02A, I02B, I02C, I02D, I22A, I22B, I50Z				
09		J02A, J02B, J02C, J04A, J04B, J08A, J08B, J08C, J16Z, J21Z, J22A, J22B	09	J02A, J02B, J02C, J04A, J04B, J08A, J08B, J08C, J16Z, J21Z, J22A, J22B		09	J02A, J02B, J02C, J04A, J04B, J08A, J08B, J08C, J16Z, J21Z, J22A, J22B				
10		K01Z	10	K01Z		21A	W04A, W04B				
21A		W04A, W04B	21A	W04A, W04B		21B	X01A, X01B, X01C				
21B		X04Z, X05A, X05B, X06A, X06B, X06C	21B	X01A, X01B, X01C			BOP, KVT, UOP4				

ZZV	MDC	DRG	ZZV	MDC	DRG	ZZV	MDC	DRG			
5v220.c		BOP, KVT, UOP4	5v220.x↔		BOP, KVT, UOP4	5v221.8↔		BOP, KVT, UOP4			
	01	B03A, B03B, B06A, B06B, B07Z, B17A, B17B, B17C		01	B03A, B03B, B06A, B06B, B07Z, B17A, B17B, B17C		01	B03A, B03B, B06A, B06B, B07Z, B17A, B17B, B17C			
	05	F13A, F21A, F21B, F28A		05	F13A, F21A, F21B, F28A		05	F13A, F21A, F21B, F28A			
	06	G10Z, G12A, G12B		08	I02A, I02B, I02C, I02D, I22A, I22B, I32A, I32B, I32C, I32D, I32E, I32F, I50Z		08	I02A, I02B, I02C, I02D, I22A, I22B, I32A, I32B, I32C, I32D, I32E, I32F, I50Z			
	08	I02A, I02B, I02C, I02D, I22A, I22B, I50Z		09	J02A, J02B, J02C, J04A, J04B, J08A, J08B, J08C, J16Z, J21Z, J22A, J22B		09	J02A, J02B, J02C, J04A, J04B, J08A, J08B, J08C, J16Z, J21Z, J22A, J22B			
	09	J02A, J02B, J02C, J04A, J04B, J08A, J08B, J08C, J16Z, J21Z, J22A, J22B		21A	W04A, W04B		21A	W04A, W04B			
	10	K09A, K09B		21B	X01A, X01B, X01C		21B	X01A, X01B, X01C			
	12	M04A, M04B, M04C, M04D, M37Z, M38Z			BOP, KVT, UOP4			BOP, KVT, UOP4			
	21A	W04A, W04B		01	B03A, B03B, B06A, B06B, B07Z, B17A, B17B, B17C		01	B03A, B03B, B06A, B06B, B07Z, B17A, B17B, B17C			
	21B	X01A, X01B, X01C		03	D18Z, D28Z, D29Z		05	F13A, F21A, F21B, F28A			
	5v220.d			BOP, KVT, UOP4	5v221.0			BOP, KVT, UOP4	5v221.9↔		BOP, KVT, UOP4
		01		B03A, B03B, B06A, B06B, B07Z, B17A, B17B, B17C			01	B03A, B03B, B06A, B06B, B07Z, B17A, B17B, B17C		01	B03A, B03B, B06A, B06B, B07Z, B17A, B17B, B17C
05		F13A, F21A, F21B, F28A	03	D18Z, D28Z, D29Z		05	F13A, F21A, F21B, F28A				
06		G10Z, G12A, G12B	05	F13A, F21A, F21B, F28A		08	I12A, I12B, I12C, I32A, I32B, I32C, I32D, I32E, I32F				
08		I02A, I02B, I02C, I02D, I22A, I22B, I50Z	09	J02A, J02B, J02C, J04A, J04B, J08A, J08B, J08C, J16Z, J21Z, J22A, J22B		09	J02A, J02B, J02C, J04A, J04B, J08A, J08B, J08C, J16Z, J21Z, J22A, J22B				
09		J02A, J02B, J02C, J04A, J04B, J08A, J08B, J08C, J16Z, J21Z, J22A, J22B	21A	W04A, W04B		21A	W04A, W04B				
21A		W04A, W04B	21B	X01A, X01B, X01C		21B	X01A, X01B, X01C				
21B		X01A, X01B, X01C		BOP, KVT, UOP4			BOP, KVT, UOP4				
5v220.e↔			BOP, KVT, UOP4	5v221.4			BOP, KVT, UOP4	5v221.a			BOP, KVT, UOP4
		01	B03A, B03B, B06A, B06B, B07Z, B17A, B17B, B17C			01	B03A, B03B, B06A, B06B, B07Z, B17A, B17B, B17C			01	B03A, B03B, B06A, B06B, B07Z, B17A, B17B, B17C
		05	F13A, F21A, F21B, F27A, F27B, F27C, F28A			02	C20A, C20B			05	F13A, F21A, F21B, F28A
		08	I02A, I02B, I02C, I02D, I22A, I22B, I50Z			03	D18Z, D28Z, D29Z			06	G10Z, G12A, G12B
	09	J02A, J02B, J02C, J04A, J04B, J08A, J08B, J08C, J16Z, J21Z, J22A, J22B	05		F13A, F21A, F21B, F28A	08	I02A, I02B, I02C, I02D, I22A, I22B, I50Z				
	21A	W04A, W04B	08		I02A, I02B, I02C, I02D, I22A, I22B, I50Z	09	J02A, J02B, J02C, J04A, J04B, J08A, J08B, J08C, J16Z, J21Z, J22A, J22B				
	21B	X01A, X01B, X01C	09		J02A, J02B, J02C, J04A, J04B, J08A, J08B, J08C, J16Z, J21Z, J22A, J22B	21A	W04A, W04B				
	5v220.f↔		BOP, KVT, UOP4		5v221.5		BOP, KVT, UOP4		5v221.b		BOP, KVT, UOP4
		01	B03A, B03B, B06A, B06B, B07Z, B17A, B17B, B17C			01	B03A, B03B, B06A, B06B, B07Z, B17A, B17B, B17C			01	B03A, B03B, B06A, B06B, B07Z, B17A, B17B, B17C
		05	F13A, F21A, F21B, F27A, F27B, F27C, F28A			03	D18Z, D28Z, D29Z			05	F13A, F21A, F21B, F28A
		08	I02A, I02B, I02C, I02D, I22A, I22B, I50Z			05	F13A, F21A, F21B, F28A			06	G10Z, G12A, G12B
		09	J02A, J02B, J02C, J04A, J04B, J08A, J08B, J08C, J16Z, J21Z, J22A, J22B			08	I02A, I02B, I02C, I02D, I22A, I22B, I50Z			08	I02A, I02B, I02C, I02D, I22A, I22B, I50Z
10		K01Z	09	J02A, J02B, J02C, J04A, J04B, J08A, J08B, J08C, J16Z, J21Z, J22A, J22B		09	J02A, J02B, J02C, J04A, J04B, J08A, J08B, J08C, J16Z, J21Z, J22A, J22B				
21A		W04A, W04B	21A	W04A, W04B		21A	W04A, W04B				
21B		X01A, X01B, X01C	21B	X01A, X01B, X01C		21B	X01A, X01B, X01C				
5v220.g↔			BOP, KVT, UOP4	5v221.6↔			BOP, KVT, UOP4	5v221.c			BOP, KVT, UOP4
		01	B03A, B03B, B06A, B06B, B07Z, B17A, B17B, B17C			01	B03A, B03B, B06A, B06B, B07Z, B17A, B17B, B17C			01	B03A, B03B, B06A, B06B, B07Z, B17A, B17B, B17C
		05	F13A, F21A, F21B, F27A, F27B, F27C, F28A			05	F13A, F21A, F21B, F28A			05	F13A, F21A, F21B, F28A
		08	I02A, I02B, I02C, I02D, I12A, I12B, I12C, I22A, I22B, I50Z			08	I02A, I02B, I02C, I02D, I22A, I22B, I50Z			06	G10Z, G12A, G12B
	09	J02A, J02B, J02C, J04A, J04B, J08A, J08B, J08C, J16Z, J21Z, J22A, J22B	09		J02A, J02B, J02C, J04A, J04B, J08A, J08B, J08C, J16Z, J21Z, J22A, J22B	08	I02A, I02B, I02C, I02D, I22A, I22B, I50Z				
	10	K01Z	21A		W04A, W04B	09	J02A, J02B, J02C, J04A, J04B, J08A, J08B, J08C, J16Z, J21Z, J22A, J22B				
	21A	W04A, W04B	21B		X01A, X01B, X01C	21A	W04A, W04B				
	21B	X01A, X01B, X01C			BOP, KVT, UOP4	21B	X01A, X01B, X01C				
	5v220.h↔		BOP, KVT, UOP4		5v221.7↔		BOP, KVT, UOP4		5v221.d		BOP, KVT, UOP4
		01	B03A, B03B, B06A, B06B, B07Z, B17A, B17B, B17C			01	B03A, B03B, B06A, B06B, B07Z, B17A, B17B, B17C			01	B03A, B03B, B06A, B06B, B07Z, B17A, B17B, B17C
		05	F13A, F21A, F21B, F27A, F27B, F27C, F28A			05	F13A, F21A, F21B, F28A			05	F13A, F21A, F21B, F28A
		08	I02A, I02B, I02C, I02D, I12A, I12B, I12C, I22A, I22B, I50Z			08	I02A, I02B, I02C, I02D, I22A, I22B, I50Z			06	G10Z, G12A, G12B
09		J02A, J02B, J02C, J04A, J04B, J08A, J08B, J08C, J16Z, J21Z, J22A, J22B	09	J02A, J02B, J02C, J04A, J04B, J08A, J08B, J08C, J16Z, J21Z, J22A, J22B		08	I02A, I02B, I02C, I02D, I22A, I22B, I50Z				
10		K01Z	21A	W04A, W04B		09	J02A, J02B, J02C, J04A, J04B, J08A, J08B, J08C, J16Z, J21Z, J22A, J22B				
21A		W04A, W04B	21B	X01A, X01B, X01C		21A	W04A, W04B				
21B		X01A, X01B, X01C		BOP, KVT, UOP4		21B	X01A, X01B, X01C				

VYK

ZZV	MDC	DRG	ZZV	MDC	DRG	ZZV	MDC	DRG			
5v221.e↔		BOP, KVT, UOP4	5v222.4		BOP, KVT, UOP4	5v222.a		BOP, KVT, UOP4			
	01	B03A, B03B, B06A, B06B, B07Z, B17A, B17B, B17C		01	B03A, B03B, B06A, B06B, B07Z, B17A, B17B, B17C		01	B03A, B03B, B06A, B06B, B07Z, B17A, B17B, B17C			
	05	F13A, F21A, F21B, F27A, F27B, F27C, F28A		02	C20A, C20B		05	F13A, F21A, F21B, F21C			
	08	I02A, I02B, I02C, I02D, I22A, I22B, I50Z		03	D12A, D12B		06	G10Z, G12A, G12B			
	09	J02A, J02B, J02C, J04A, J04B, J08A, J08B, J08C, J16Z, J21Z, J22A, J22B		05	F13A, F21A, F21B, F21C		08	I02A, I02B, I02C, I02D, I22A, I22B, I50Z			
	10	K01Z		08	I02A, I02B, I02C, I02D, I22A, I22B, I50Z		09	J02A, J02B, J02C, J04A, J04B, J08A, J08B, J08C, J16Z, J21Z, J22A, J22B			
	21A	W04A, W04B		09	J02A, J02B, J02C, J04A, J04B, J08A, J08B, J08C, J16Z, J21Z, J22A, J22B		21A	W04A, W04B			
	21B	X01A, X01B, X01C		21A	W04A, W04B		21B	X01A, X01B, X01C			
	5v221.f↔			BOP, KVT, UOP4	5v222.5			BOP, KVT, UOP4	5v222.b		BOP, KVT, UOP4
		01		B03A, B03B, B06A, B06B, B07Z, B17A, B17B, B17C			01	B03A, B03B, B06A, B06B, B07Z, B17A, B17B, B17C		01	B03A, B03B, B06A, B06B, B07Z, B17A, B17B, B17C
		05		F13A, F21A, F21B, F27A, F27B, F27C, F28A			03	D12A, D12B		05	F13A, F21A, F21B, F21C
08		I02A, I02B, I02C, I02D, I22A, I22B, I50Z	05	F13A, F21A, F21B, F21C		06	G10Z, G12A, G12B				
09		J02A, J02B, J02C, J04A, J04B, J08A, J08B, J08C, J16Z, J21Z, J22A, J22B	06	G10Z, G12A, G12B		08	I02A, I02B, I02C, I02D, I22A, I22B, I50Z				
10		K01Z	08	I28A, I28B		09	J02A, J02B, J02C, J04A, J04B, J08A, J08B, J08C, J16Z, J21Z, J22A, J22B				
21A		W04A, W04B	09	J02A, J02B, J02C, J04A, J04B, J08A, J08B, J08C, J16Z, J21Z, J22A, J22B		21A	W04A, W04B				
21B		X01A, X01B, X01C	21A	W04A, W04B		21B	X01A, X01B, X01C				
5v221.g↔			BOP, KVT, UOP4	5v222.6↔			BOP, KVT, UOP4	5v222.c			BOP, KVT, UOP4
		01	B03A, B03B, B06A, B06B, B07Z, B17A, B17B, B17C			01	B03A, B03B, B06A, B06B, B07Z, B17A, B17B, B17C			01	B03A, B03B, B06A, B06B, B07Z, B17A, B17B, B17C
		05	F13A, F21A, F21B, F27A, F27B, F27C, F28A			05	F13A, F21A, F21B, F21C			05	F13A, F21A, F21B, F21C
	08	I02A, I02B, I02C, I02D, I12A, I12B, I12C, I22A, I22B, I50Z	08		I02A, I02B, I02C, I02D, I22A, I22B, I50Z	06	G10Z, G12A, G12B				
	09	J02A, J02B, J02C, J04A, J04B, J08A, J08B, J08C, J16Z, J21Z, J22A, J22B	09		J02A, J02B, J02C, J04A, J04B, J08A, J08B, J08C, J16Z, J21Z, J22A, J22B	08	I02A, I02B, I02C, I02D, I22A, I22B, I50Z				
	10	K01Z	21A		W04A, W04B	09	J02A, J02B, J02C, J04A, J04B, J08A, J08B, J08C, J16Z, J21Z, J22A, J22B				
	21A	W04A, W04B	21B		X01A, X01B, X01C	10	K09A, K09B				
	21B	X01A, X01B, X01C	5v222.7↔			BOP, KVT, UOP4	12		M04A, M04B, M04C, M04D, M37Z, M38Z		
	5v221.x↔				BOP, KVT, UOP4	01	B03A, B03B, B06A, B06B, B07Z, B17A, B17B, B17C		21A	W04A, W04B	
		01			B03A, B03B, B06A, B06B, B07Z, B17A, B17B, B17C	05	F13A, F21A, F21B, F21C		21B	X01A, X01B, X01C	
		05			F13A, F21A, F21B, F28A	08	I02A, I02B, I02C, I02D, I22A, I22B, I50Z			BOP, KVT, UOP4	
08		I02A, I02B, I02C, I02D, I22A, I22B, I32A, I32B, I32C, I32D, I32E, I32F, I50Z		09	J02A, J02B, J02C, J04A, J04B, J08A, J08B, J08C, J16Z, J21Z, J22A, J22B	01	B03A, B03B, B06A, B06B, B07Z, B17A, B17B, B17C				
09		J02A, J02B, J02C, J04A, J04B, J08A, J08B, J08C, J16Z, J21Z, J22A, J22B		21A	W04A, W04B	05	F13A, F21A, F21B, F21C				
21A		W04A, W04B		21B	X01A, X01B, X01C	06	G10Z, G12A, G12B				
21B		X01A, X01B, X01C		5v222.8↔		BOP, KVT, UOP4	08	I02A, I02B, I02C, I02D, I22A, I22B, I50Z			
5v222.0					BOP, KVT, UOP4	01	B03A, B03B, B06A, B06B, B07Z, B17A, B17B, B17C	09	J02A, J02B, J02C, J04A, J04B, J08A, J08B, J08C, J16Z, J21Z, J22A, J22B		
		03			D08A, D08B, D18Z, D22A, D22B, D30A, D30B	05	F13A, F21A, F21B, F21C	21A	W04A, W04B		
		05			F13A	08	I02A, I02B, I02C, I02D, I22A, I22B, I32A, I32B, I32C, I32D, I32E, I32F, I50Z	21B	X01A, X01B, X01C		
		09	J03A, J03B, J04A, J04B, J08A, J08B, J08C, J10A, J10B, J16Z		09	J02A, J02B, J02C, J04A, J04B, J08A, J08B, J08C, J16Z, J21Z, J22A, J22B		BOP, KVT, UOP4			
	21A	W04A, W04B	21A		W04A, W04B	01	B03A, B03B, B06A, B06B, B07Z, B17A, B17B, B17C				
	21B	X06A, X06B, X06C	21B		X01A, X01B, X01C	05	F13A, F21A, F21B, F21C, F27A, F27B, F27C				
	5v222.1		BOP, KVT, UOP4		5v222.9↔		BOP, KVT, UOP4	5v222.e↔		BOP, KVT, UOP4	
		01	B03A, B03B, B06A, B06B, B07Z, B17A, B17B, B17C			01	B03A, B03B, B06A, B06B, B07Z, B17A, B17B, B17C		01	B03A, B03B, B06A, B06B, B07Z, B17A, B17B, B17C	
		05	F13A, F21A, F21B, F21C			05	F13A, F21A, F21B, F21C		05	F13A, F21A, F21B, F21C, F27A, F27B, F27C	
		08	I02A, I02B, I02C, I02D, I22A, I22B, I32A, I32B, I32C, I32D, I32E, I32F, I50Z			08	I12A, I12B, I12C, I32A, I32B, I32C, I32D, I32E, I32F		08	I02A, I02B, I02C, I02D, I22A, I22B, I50Z	
		09	J03A, J03B, J04A, J04B, J08A, J08B, J08C, J16Z, J21Z, J22A, J22B	09		J03A, J03B, J04A, J04B, J08A, J08B, J08C, J16Z, J21Z, J22A, J22B	09		J02A, J02B, J02C, J04A, J04B, J08A, J08B, J08C, J16Z, J21Z, J22A, J22B		
21A		W04A, W04B	21A	W04A, W04B		10	K01Z				
21B		X01A, X01B, X01C	21A	W04A, W04B		21A	W04A, W04B				
5v222.2			BOP, KVT, UOP4	5v222.0			BOP, KVT, UOP4		5v222.f↔		BOP, KVT, UOP4
		01	B03A, B03B, B06A, B06B, B07Z, B17A, B17B, B17C			01	B03A, B03B, B06A, B06B, B07Z, B17A, B17B, B17C			01	B03A, B03B, B06A, B06B, B07Z, B17A, B17B, B17C
		05	F13A, F21A, F21B, F21C			05	F13A, F21A, F21B, F21C			05	F13A, F21A, F21B, F21C, F27A, F27B, F27C
		08	I02A, I02B, I02C, I02D, I22A, I22B, I32A, I32B, I32C, I32D, I32E, I32F			08	I12A, I12B, I12C, I32A, I32B, I32C, I32D, I32E, I32F			08	I02A, I02B, I02C, I02D, I22A, I22B, I50Z
	09	J03A, J03B, J04A, J04B, J08A, J08B, J08C, J16Z, J21Z, J22A, J22B	09		J03A, J03B, J04A, J04B, J08A, J08B, J08C, J16Z, J21Z, J22A, J22B	09	J02A, J02B, J02C, J04A, J04B, J08A, J08B, J08C, J16Z, J21Z, J22A, J22B				
	21A	W04A, W04B	21A		W04A, W04B	10	K01Z				
	21B	X01A, X01B, X01C	21A		W04A, W04B	21A	W04A, W04B				
	5v222.3		BOP, KVT, UOP4		5v222.1		BOP, KVT, UOP4	5v222.g↔			BOP, KVT, UOP4
		01	B03A, B03B, B06A, B06B, B07Z, B17A, B17B, B17C			01	B03A, B03B, B06A, B06B, B07Z, B17A, B17B, B17C			01	B03A, B03B, B06A, B06B, B07Z, B17A, B17B, B17C
		05	F13A, F21A, F21B, F21C			05	F13A, F21A, F21B, F21C			05	F13A, F21A, F21B, F21C, F27A, F27B, F27C
		08	I02A, I02B, I02C, I02D, I22A, I22B, I32A, I32B, I32C, I32D, I32E, I32F			08	I12A, I12B, I12C, I32A, I32B, I32C, I32D, I32E, I32F			08	I02A, I02B, I02C, I02D, I22A, I22B, I50Z
09		J03A, J03B, J04A, J04B, J08A, J08B, J08C, J16Z, J21Z, J22A, J22B	09	J03A, J03B, J04A, J04B, J08A, J08B, J08C, J16Z, J21Z, J22A, J22B		09	J02A, J02B, J02C, J04A, J04B, J08A, J08B, J08C, J16Z, J21Z, J22A, J22B				
21A		W04A, W04B	21A	W04A, W04B		10	K01Z				
21B		X01A, X01B, X01C	21A	W04A, W04B		21A	W04A, W04B				

ZZV	MDC	DRG	ZZV	MDC	DRG	ZZV	MDC	DRG
5v222.f↔		BOP, KVT, UOP4	5v224.4		BOP, KVT, UOP4	5v224.9↔		BOP, KVT, UOP4
01		B03A, B03B, B06A, B06B, B07Z, B17A, B17B, B17C	01		B03A, B03B, B06A, B06B, B07Z, B17A, B17B, B17C	01		B03A, B03B, B06A, B06B, B07Z, B17A, B17B, B17C
05		F13A, F21A, F21B, F21C, F27A, F27B, F27C	02		C20A, C20B	05		F13A, F21A, F21B, F28A
08		I02A, I02B, I02C, I02D, I22A, I22B, I50Z	03		D18Z, D25A, D25B, D25C, D25D	08		I12A, I12B, I12C, I32A, I32B, I32C, I32D, I32E, I32F
09		J02A, J02B, J02C, J04A, J04B, J08A, J08B, J08C, J16Z, J21Z, J22A, J22B	05		F13A, F21A, F21B, F28A	09		J02A, J02B, J02C, J04A, J04B, J08A, J08B, J08C, J16Z, J21Z, J22A, J22B
10		K01Z	08		I02A, I02B, I02C, I02D, I12A, I12B, I12C, I22A, I50Z	21A		W04A, W04B
21A		W04A, W04B	09		J02A, J02B, J02C, J04A, J04B, J08A, J08B, J08C, J16Z, J21Z, J22A, J22B	21B		X01A, X01B
21B		X01A, X01B, X01C	21A		W04A, W04B	5v224.a		BOP, KVT, UOP4
5v222.g↔		BOP, KVT, UOP4	21B		X01A, X01B	01		B03A, B03B, B06A, B06B, B07Z, B17A, B17B, B17C
01		B03A, B03B, B06A, B06B, B07Z, B17A, B17B, B17C	5v224.5		BOP, KVT, UOP4	05		F13A, F21A, F21B, F28A
05		F13A, F21A, F21B, F21C, F27A, F27B, F27C	01		B03A, B03B, B06A, B06B, B07Z, B17A, B17B, B17C	06		G10Z, G12A, G12B
08		I02A, I02B, I02C, I02D, I12A, I12B, I12C, I22A, I22B, I50Z	03		D18Z, D25A, D25B, D25C, D25D	08		I02A, I02B, I02C, I02D, I12A, I12B, I12C, I22A, I50Z
09		J02A, J02B, J02C, J04A, J04B, J08A, J08B, J08C, J16Z, J21Z, J22A, J22B	05		F13A, F21A, F21B, F28A	09		J02A, J02B, J02C, J04A, J04B, J08A, J08B, J08C, J16Z, J21Z, J22A, J22B
10		K01Z	08		I02A, I02B, I02C, I02D, I12A, I12B, I12C, I22A, I50Z	21A		W04A, W04B
21A		W04A, W04B	09		J02A, J02B, J02C, J04A, J04B, J08A, J08B, J08C, J16Z, J21Z, J22A, J22B	21B		X01A, X01B
21B		X01A, X01B, X01C	21A		W04A, W04B	5v224.b		BOP, KVT, UOP4
5v222.x↔		BOP, KVT, UOP4	21B		X01A, X01B	01		B03A, B03B, B06A, B06B, B07Z, B17A, B17B, B17C
01		B03A, B03B, B06A, B06B, B07Z, B17A, B17B, B17C	5v224.6↔		BOP, KVT, UOP4	05		F13A, F21A, F21B, F28A
05		F13A, F21A, F21B, F21C	01		B03A, B03B, B06A, B06B, B07Z, B17A, B17B, B17C	06		G10Z, G12A, G12B
08		I02A, I02B, I02C, I02D, I22A, I22B, I32A, I32B, I32C, I32D, I32E, I32F, I50Z	05		F13A, F21A, F21B, F28A	08		I02A, I02B, I02C, I02D, I12A, I12B, I12C, I22A, I50Z
09		J02A, J02B, J02C, J04A, J04B, J08A, J08B, J08C, J16Z, J21Z, J22A, J22B	08		I02A, I02B, I02C, I02D, I12A, I12B, I12C, I22A, I50Z	09		J02A, J02B, J02C, J04A, J04B, J08A, J08B, J08C, J16Z, J21Z, J22A, J22B
21A		W04A, W04B	09		J02A, J02B, J02C, J04A, J04B, J08A, J08B, J08C, J16Z, J21Z, J22A, J22B	21A		W04A, W04B
21B		X01A, X01B, X01C	21A		W04A, W04B	21B		X01A, X01B
5v223.0‡		J11A, J11B	21B		X01A, X01B	5v224.c		BOP, KVT, UOP4
5v223.4‡		C20A, C20B	5v224.7↔		BOP, KVT, UOP4	01		B03A, B03B, B06A, B06B, B07Z, B17A, B17B, B17C
5v223.5‡		J11A, J11B	01		B03A, B03B, B06A, B06B, B07Z, B17A, B17B, B17C	05		F13A, F21A, F21B, F28A
5v223.6‡↔		J11A, J11B	05		F13A, F21A, F21B, F28A	06		G10Z, G12A, G12B
5v223.7‡↔		J11A, J11B	08		I02A, I02B, I02C, I02D, I12A, I12B, I12C, I22A, I50Z	08		I02A, I02B, I02C, I02D, I12A, I12B, I12C, I22A, I50Z
5v223.8‡↔		J11A, J11B	09		J02A, J02B, J02C, J04A, J04B, J08A, J08B, J08C, J16Z, J21Z, J22A, J22B	09		J02A, J02B, J02C, J04A, J04B, J08A, J08B, J08C, J16Z, J21Z, J22A, J22B
5v223.9‡↔		J11A, J11B	09		J02A, J02B, J02C, J04A, J04B, J08A, J08B, J08C, J16Z, J21Z, J22A, J22B	21A		W04A, W04B
5v223.a‡		J11A, J11B	21A		W04A, W04B	21B		X01A, X01B
5v223.b‡		J11A, J11B	21B		X01A, X01B	5v224.d		BOP, KVT, UOP4
5v223.c‡		J11A, J11B	5v224.8↔		BOP, KVT, UOP4	01		B03A, B03B, B06A, B06B, B07Z, B17A, B17B, B17C
5v223.d‡		J11A, J11B	01		B03A, B03B, B06A, B06B, B07Z, B17A, B17B, B17C	05		F13A, F21A, F21B, F28A
5v223.e‡↔		J11A, J11B	05		F13A, F21A, F21B, F28A	06		G10Z, G12A, G12B
5v223.f‡↔		J11A, J11B	08		I02A, I02B, I02C, I02D, I12A, I12B, I12C, I22A, I32A, I32B, I32C, I32D, I32E, I32F, I50Z	08		I02A, I02B, I02C, I02D, I12A, I12B, I12C, I22A, I50Z
5v223.g‡↔		J11A, J11B	09		J02A, J02B, J02C, J04A, J04B, J08A, J08B, J08C, J16Z, J21Z, J22A, J22B	09		J02A, J02B, J02C, J04A, J04B, J08A, J08B, J08C, J16Z, J21Z, J22A, J22B
5v223.x‡		J11A, J11B	21A		W04A, W04B	21A		W04A, W04B
5v224.0		BOP, KVT, UOP4	21B		X01A, X01B	21B		X01A, X01B
01		B03A, B03B, B06A, B06B, B07Z, B17A, B17B, B17C						
03		D18Z, D25A, D25B, D25C, D25D						
05		F13A, F21A, F21B, F28A						
08		I12A, I12B, I12C						
09		J02A, J02B, J02C, J04A, J04B, J08A, J08B, J08C, J16Z, J21Z, J22A, J22B						
21A		W04A, W04B						
21B		X01A, X01B						

ZZV	MDC	DRG	ZZV	MDC	DRG	ZZV	MDC	DRG		
5v224.e↔		BOP, KVT, UOP4	5v225.4		BOP, KVT, UOP4	5v225.9↔		BOP, KVT, UOP4		
	01	B03A, B03B, B06A, B06B, B07Z, B17A, B17B, B17C		01	B03A, B03B, B06A, B06B, B07Z, B17A, B17B, B17C		01	B03A, B03B, B06A, B06B, B07Z, B17A, B17B, B17C		
	05	F13A, F21A, F21B, F27A, F27B, F27C, F28A		02	C20A, C20B		05	F13A, F21A, F21B, F28A		
	08	I02A, I02B, I02C, I02D, I12A, I12B, I12C, I22A, I50Z		03	D18Z, D25A, D25B, D25C, D25D		08	I12A, I12B, I12C, I32A, I32B, I32C, I32D, I32E, I32F		
	09	J02A, J02B, J02C, J04A, J04B, J08A, J08B, J08C, J16Z, J21Z, J22A, J22B		05	F13A, F21A, F21B, F28A		09	J02A, J02B, J02C, J04A, J04B, J08A, J08B, J08C, J16Z, J21Z, J22A, J22B		
	10	K01Z		08	I02A, I02B, I02C, I02D, I12A, I12B, I12C, I22A, I50Z		21A	W04A, W04B		
	21A	W04A, W04B		09	J02A, J02B, J02C, J04A, J04B, J08A, J08B, J08C, J16Z, J21Z, J22A, J22B		21B	X01A, X01B		
	21B	X01A, X01B		21A	W04A, W04B		5v225.a		BOP, KVT, UOP4	
	5v224.f↔			BOP, KVT, UOP4	21B			X01A, X01B	01	B03A, B03B, B06A, B06B, B07Z, B17A, B17B, B17C
		01		B03A, B03B, B06A, B06B, B07Z, B17A, B17B, B17C	5v225.5			BOP, KVT, UOP4	05	F13A, F21A, F21B, F28A
		05		F13A, F21A, F21B, F27A, F27B, F27C, F28A			01	B03A, B03B, B06A, B06B, B07Z, B17A, B17B, B17C	06	G10Z, G12A, G12B
08		I02A, I02B, I02C, I02D, I12A, I12B, I12C, I22A, I50Z	03	D18Z, D25A, D25B, D25C, D25D		08	I02A, I02B, I02C, I02D, I12A, I12B, I12C, I22A, I50Z			
09		J02A, J02B, J02C, J04A, J04B, J08A, J08B, J08C, J16Z, J21Z, J22A, J22B	05	F13A, F21A, F21B, F28A		09	J02A, J02B, J02C, J04A, J04B, J08A, J08B, J08C, J16Z, J21Z, J22A, J22B			
10		K01Z	08	I02A, I02B, I02C, I02D, I12A, I12B, I12C, I22A, I50Z		21A	W04A, W04B			
21A		W04A, W04B	09	J02A, J02B, J02C, J04A, J04B, J08A, J08B, J08C, J16Z, J21Z, J22A, J22B		21B	X01A, X01B			
21B		X01A, X01B	21A	W04A, W04B		5v225.b		BOP, KVT, UOP4		
5v224.g↔			BOP, KVT, UOP4	21B			X01A, X01B	01	B03A, B03B, B06A, B06B, B07Z, B17A, B17B, B17C	
		01	B03A, B03B, B06A, B06B, B07Z, B17A, B17B, B17C	5v225.6↔			BOP, KVT, UOP4	05	F13A, F21A, F21B, F28A	
		05	F13A, F21A, F21B, F27A, F27B, F27C, F28A			01	B03A, B03B, B06A, B06B, B07Z, B17A, B17B, B17C	06	G10Z, G12A, G12B	
	08	I02A, I02B, I02C, I02D, I12A, I12B, I12C, I22A, I50Z	05			F13A, F21A, F21B, F28A	08	I02A, I02B, I02C, I02D, I12A, I12B, I12C, I22A, I50Z		
	09	J02A, J02B, J02C, J04A, J04B, J08A, J08B, J08C, J16Z, J21Z, J22A, J22B	08		I02A, I02B, I02C, I02D, I12A, I12B, I12C, I22A, I50Z	09	J02A, J02B, J02C, J04A, J04B, J08A, J08B, J08C, J16Z, J21Z, J22A, J22B			
	10	K01Z	09		J02A, J02B, J02C, J04A, J04B, J08A, J08B, J08C, J16Z, J21Z, J22A, J22B	21A	W04A, W04B			
	21A	W04A, W04B	21A		W04A, W04B	21B	X01A, X01B			
	21B	X01A, X01B	21B		X01A, X01B	5v225.c		BOP, KVT, UOP4		
	5v224.x↔		BOP, KVT, UOP4		5v225.7↔			BOP, KVT, UOP4	01	B03A, B03B, B06A, B06B, B07Z, B17A, B17B, B17C
		01	B03A, B03B, B06A, B06B, B07Z, B17A, B17B, B17C			01	B03A, B03B, B06A, B06B, B07Z, B17A, B17B, B17C	05	F13A, F21A, F21B, F28A	
		05	F13A, F21A, F21B, F27A, F27B, F27C, F28A			05	F13A, F21A, F21B, F28A	06	G10Z, G12A, G12B	
08		I02A, I02B, I02C, I02D, I12A, I12B, I12C, I22A, I32A, I32B, I32C, I32D, I32E, I32F, I50Z	08			I02A, I02B, I02C, I02D, I12A, I12B, I12C, I22A, I50Z	08	I02A, I02B, I02C, I02D, I12A, I12B, I12C, I22A, I50Z		
09		J02A, J02B, J02C, J04A, J04B, J08A, J08B, J08C, J16Z, J21Z, J22A, J22B	09	J02A, J02B, J02C, J04A, J04B, J08A, J08B, J08C, J16Z, J21Z, J22A, J22B		09	J02A, J02B, J02C, J04A, J04B, J08A, J08B, J08C, J16Z, J21Z, J22A, J22B			
10		K01Z	21A	W04A, W04B		21A	W04A, W04B			
21A		W04A, W04B	21B	X01A, X01B		21B	X01A, X01B			
21B		X01A, X01B	5v225.8↔			BOP, KVT, UOP4	5v225.d		BOP, KVT, UOP4	
5v225.0				BOP, KVT, UOP4		01		B03A, B03B, B06A, B06B, B07Z, B17A, B17B, B17C	01	B03A, B03B, B06A, B06B, B07Z, B17A, B17B, B17C
		01	B03A, B03B, B06A, B06B, B07Z, B17A, B17B, B17C	05		F13A, F21A, F21B, F28A	05	F13A, F21A, F21B, F28A		
		03	D18Z, D25A, D25B, D25C, D25D	08		I02A, I02B, I02C, I02D, I12A, I12B, I12C, I22A, I32A, I32B, I32C, I32D, I32E, I32F, I50Z	06	G10Z, G12A, G12B		
	05	F13A, F21A, F21B, F28A	09	J02A, J02B, J02C, J04A, J04B, J08A, J08B, J08C, J16Z, J21Z, J22A, J22B	08	I02A, I02B, I02C, I02D, I12A, I12B, I12C, I22A, I50Z				
	08	I12A, I12B, I12C	21A	W04A, W04B	09	J02A, J02B, J02C, J04A, J04B, J08A, J08B, J08C, J16Z, J21Z, J22A, J22B				
	09	J02A, J02B, J02C, J04A, J04B, J08A, J08B, J08C, J16Z, J21Z, J22A, J22B	21B	X01A, X01B	21A	W04A, W04B				
	21A	W04A, W04B			21B	X01A, X01B				
	21B	X01A, X01B								

VYK

ZZV	MDC	DRG	ZZV	MDC	DRG	ZZV	MDC	DRG			
5v225.e↔		BOP, KVT, UOP4	5v226.4		BOP, KVT, UOP4	5v226.a		BOP, KVT, UOP4			
	01	B03A, B03B, B06A, B06B, B07Z, B17A, B17B, B17C		01	B03A, B03B, B06A, B06B, B07Z, B17A, B17B, B17C		01	B03A, B03B, B06A, B06B, B07Z, B17A, B17B, B17C			
	05	F13A, F21A, F21B, F27A, F27B, F27C, F28A		02	C20A, C20B		05	F13A, F21A, F21B, F28A			
	08	I02A, I02B, I02C, I02D, I12A, I12B, I12C, I22A, I50Z		03	D12A, D12B		06	G10Z, G12A, G12B			
	09	J02A, J02B, J02C, J04A, J04B, J08A, J08B, J08C, J16Z, J21Z, J22A, J22B		05	F13A, F21A, F21B, F28A		08	I02A, I02B, I02C, I02D, I12A, I12B, I12C, I22A, I50Z			
	10	K01Z		08	I02A, I02B, I02C, I02D, I12A, I12B, I12C, I22A, I50Z		09	J02A, J02B, J02C, J04A, J04B, J08A, J08B, J08C, J16Z, J21Z, J22A, J22B			
	21A	W04A, W04B		09	J02A, J02B, J02C, J04A, J04B, J08A, J08B, J08C, J16Z, J21Z, J22A, J22B		21A	W04A, W04B			
	21B	X01A, X01B		21A	W04A, W04B		21B	X01A, X01B			
	5v225.f↔			BOP, KVT, UOP4	5v226.5			BOP, KVT, UOP4	5v226.b		BOP, KVT, UOP4
		01		B03A, B03B, B06A, B06B, B07Z, B17A, B17B, B17C			01	B03A, B03B, B06A, B06B, B07Z, B17A, B17B, B17C		01	B03A, B03B, B06A, B06B, B07Z, B17A, B17B, B17C
		05		F13A, F21A, F21B, F27A, F27B, F27C, F28A			03	D12A, D12B		05	F13A, F21A, F21B, F28A
		08		I02A, I02B, I02C, I02D, I12A, I12B, I12C, I22A, I50Z			05	F13A, F21A, F21B, F28A		06	G10Z, G12A, G12B
		09		J02A, J02B, J02C, J04A, J04B, J08A, J08B, J08C, J16Z, J21Z, J22A, J22B			06	G10Z, G12A, G12B		08	I02A, I02B, I02C, I02D, I12A, I12B, I12C, I22A, I50Z
		10		K01Z			08	I12A, I12B, I12C, I28A, I28B		09	J02A, J02B, J02C, J04A, J04B, J08A, J08B, J08C, J16Z, J21Z, J22A, J22B
21A		W04A, W04B	09	J02A, J02B, J02C, J04A, J04B, J08A, J08B, J08C, J16Z, J21Z, J22A, J22B		21A	W04A, W04B				
21B		X01A, X01B	21A	W04A, W04B		21B	X01A, X01B				
5v225.g↔			BOP, KVT, UOP4	5v226.6↔			BOP, KVT, UOP4	5v226.c			BOP, KVT, UOP4
		01	B03A, B03B, B06A, B06B, B07Z, B17A, B17B, B17C			01	B03A, B03B, B06A, B06B, B07Z, B17A, B17B, B17C			01	B03A, B03B, B06A, B06B, B07Z, B17A, B17B, B17C
		05	F13A, F21A, F21B, F27A, F27B, F27C, F28A			05	F13A, F21A, F21B, F28A			05	F13A, F21A, F21B, F28A
		08	I02A, I02B, I02C, I02D, I12A, I12B, I12C, I22A, I50Z			08	I02A, I02B, I02C, I02D, I12A, I12B, I12C, I22A, I50Z			06	G10Z, G12A, G12B
		09	J02A, J02B, J02C, J04A, J04B, J08A, J08B, J08C, J16Z, J21Z, J22A, J22B			09	J02A, J02B, J02C, J04A, J04B, J08A, J08B, J08C, J16Z, J21Z, J22A, J22B			08	I02A, I02B, I02C, I02D, I12A, I12B, I12C, I22A, I50Z
		10	K01Z			21A	W04A, W04B			09	J02A, J02B, J02C, J04A, J04B, J08A, J08B, J08C, J16Z, J21Z, J22A, J22B
	21A	W04A, W04B	21B		X01A, X01B	10	K09A, K09B				
	21B	X01A, X01B	5v226.7↔			BOP, KVT, UOP4	12		M04A, M04B, M04C, M04D, M37Z, M38Z		
	5v225.x↔				BOP, KVT, UOP4	01	B03A, B03B, B06A, B06B, B07Z, B17A, B17B, B17C		21A	W04A, W04B	
		01	B03A, B03B, B06A, B06B, B07Z, B17A, B17B, B17C		05	F13A, F21A, F21B, F28A	21B		X01A, X01B		
		05	F13A, F21A, F21B, F28A		08	I02A, I02B, I02C, I02D, I12A, I12B, I12C, I22A, I50Z	5v226.d			BOP, KVT, UOP4	
		08	I02A, I02B, I02C, I02D, I12A, I12B, I12C, I22A, I32A, I32B, I32C, I32D, I32E, I32F, I50Z		09	J02A, J02B, J02C, J04A, J04B, J08A, J08B, J08C, J16Z, J21Z, J22A, J22B			01	B03A, B03B, B06A, B06B, B07Z, B17A, B17B, B17C	
		09	J02A, J02B, J02C, J04A, J04B, J08A, J08B, J08C, J16Z, J21Z, J22A, J22B		21A	W04A, W04B			05	F13A, F21A, F21B, F28A	
		21A	W04A, W04B		21B	X01A, X01B			06	G10Z, G12A, G12B	
21B		X01A, X01B	5v226.8↔		BOP, KVT, UOP4	08		I02A, I02B, I02C, I02D, I12A, I12B, I12C, I22A, I50Z			
5v226.0				BOP, KVT, UOP4	01	B03A, B03B, B06A, B06B, B07Z, B17A, B17B, B17C		09	J02A, J02B, J02C, J04A, J04B, J08A, J08B, J08C, J16Z, J21Z, J22A, J22B		
		03	D08A, D08B, D18Z, D22A, D22B, D30A, D30B	05	F13A, F21A, F21B, F28A	21A		W04A, W04B			
		05	F13A, F28A	08	I02A, I02B, I02C, I02D, I12A, I12B, I12C, I22A, I32A, I32B, I32C, I32D, I32E, I32F, I50Z	21B		X01A, X01B			
		08	I12A, I12B, I12C	09	J02A, J02B, J02C, J04A, J04B, J08A, J08B, J08C, J16Z, J21Z, J22A, J22B	5v226.e↔			BOP, KVT, UOP4		
		09	J03A, J03B, J04A, J04B, J08A, J08B, J08C, J10A, J10B, J16Z	21A	W04A, W04B			01	B03A, B03B, B06A, B06B, B07Z, B17A, B17B, B17C		
		21A	W04A, W04B	21B	X01A, X01B			05	F13A, F21A, F21B, F27A, F27B, F27C, F28A		
		21B	X01A, X01B, X06A, X06B, X06C	5v226.9↔				BOP, KVT, UOP4	08	I02A, I02B, I02C, I02D, I12A, I12B, I12C, I22A, I50Z	
	5v226.4		BOP, KVT, UOP4		01			B03A, B03B, B06A, B06B, B07Z, B17A, B17B, B17C	09	J02A, J02B, J02C, J04A, J04B, J08A, J08B, J08C, J16Z, J21Z, J22A, J22B	
		01	B03A, B03B, B06A, B06B, B07Z, B17A, B17B, B17C	05	F13A, F21A, F21B, F28A			21A	W04A, W04B		
		05	F13A, F21A, F21B, F28A	08	I12A, I12B, I12C, I32A, I32B, I32C, I32D, I32E, I32F		21B	X01A, X01B			
		08	I02A, I02B, I02C, I02D, I12A, I12B, I12C, I22A, I50Z	09	J03A, J03B, J04A, J04B, J08A, J08B, J08C, J16Z, J21Z, J22A, J22B						
		09	J02A, J02B, J02C, J04A, J04B, J08A, J08B, J08C, J16Z, J21Z, J22A, J22B	21A	W04A, W04B						
		21A	W04A, W04B	21B	X01A, X01B						

ZZV	MDC	DRG	ZZV	MDC	DRG	ZZV	MDC	DRG						
5v226.f↔		BOP, KVT, UOP4	5v228.g↔	09	J11A, J11B	5v22a.7↔		BOP, KVT, UOP4						
	01	B03A, B03B, B06A, B06B, B07Z, B17A, B17B, B17C		09	J11A, J11B		01	B03A, B03B, B06A, B06B, B07Z, B17A, B17B, B17C						
	05	F13A, F21A, F21B, F27A, F27B, F27C, F28A		09	J11A, J11B		05	F13A, F21A, F21B, F21C						
	08	I02A, I02B, I02C, I02D, I12A, I12B, I12C, I22A, I50Z		02	C20A, C20B		08	I02A, I02B, I02C, I02D, I22A, I22B, I50Z						
	09	J02A, J02B, J02C, J04A, J04B, J08A, J08B, J08C, J16Z, J21Z, J22A, J22B		09	J11A, J11B		09	J02A, J02B, J02C, J04A, J04B, J08A, J08B, J08C, J16Z, J21Z, J22A, J22B						
	10	K01Z		09	J11A, J11B		21A	W04A, W04B						
	21A	W04A, W04B		09	J11A, J11B		21B	X01A, X01B, X01C						
	21B	X01A, X01B		09	J11A, J11B		01	BOP, KVT, UOP4						
	5v226.g↔			BOP, KVT, UOP4	09		J11A, J11B	05	B03A, B03B, B06A, B06B, B07Z, B17A, B17B, B17C					
		01		B03A, B03B, B06A, B06B, B07Z, B17A, B17B, B17C	09		J11A, J11B	08	F13A, F21A, F21B, F21C					
		05		F13A, F21A, F21B, F27A, F27B, F27C, F28A	09		J11A, J11B	08	I02A, I02B, I02C, I02D, I22A, I22B, I32A, I32B, I32C, I32D, I32E, I32F, I50Z					
		08		I02A, I02B, I02C, I02D, I12A, I12B, I12C, I22A, I50Z	09		J11A, J11B	09	J02A, J02B, J02C, J04A, J04B, J08A, J08B, J08C, J16Z, J21Z, J22A, J22B					
		09		J02A, J02B, J02C, J04A, J04B, J08A, J08B, J08C, J16Z, J21Z, J22A, J22B	09		J11A, J11B	21A	W04A, W04B					
		10		K01Z	09		J11A, J11B	21B	X01A, X01B, X01C					
		21A		W04A, W04B	09		J11A, J11B	01	BOP, KVT, UOP4					
		21B		X01A, X01B	09		J11A, J11B	01	B03A, B03B, B06A, B06B, B07Z, B17A, B17B, B17C					
		5v226.x↔			BOP, KVT, UOP4		21A	W04A, W04B	05	F13A, F21A, F21B, F21C				
				01	B03A, B03B, B06A, B06B, B07Z, B17A, B17B, B17C		21B	X01A, X01B, X01C	08	I12A, I12B, I12C, I32A, I32B, I32C, I32D, I32E, I32F				
	05			F13A, F21A, F21B, F28A	01		BOP, KVT, UOP4	09	J02A, J02B, J02C, J04A, J04B, J08A, J08B, J08C, J16Z, J21Z, J22A, J22B					
	08			I02A, I02B, I02C, I02D, I12A, I12B, I12C, I22A, I32A, I32B, I32C, I32D, I32E, I32F, I50Z	02		C20A, C20B	21A	W04A, W04B					
09	J02A, J02B, J02C, J04A, J04B, J08A, J08B, J08C, J16Z, J21Z, J22A, J22B		03	D12A	21B	X01A, X01B, X01C								
21A	W04A, W04B		05	F13A, F21A, F21B, F21C	01	BOP, KVT, UOP4								
21B	X01A, X01B		08	I02A, I02B, I02C, I02D, I22A, I22B, I50Z	01	B03A, B03B, B06A, B06B, B07Z, B17A, B17B, B17C								
5v227.0‡	09		J11A, J11B	09	J02A, J02B, J02C, J04A, J04B, J08A, J08B, J08C, J16Z, J21Z, J22A, J22B	05	F13A, F21A, F21B, F21C							
	5v227.4‡		02	C20A, C20B	21A	W04A, W04B	06	G10Z, G12A, G12B						
			09	J11A, J11B	21B	X01A, X01B, X01C	08	I02A, I02B, I02C, I02D, I22A, I22B, I50Z						
		5v227.5‡	09	J11A, J11B	01	BOP, KVT, UOP4	09	J02A, J02B, J02C, J04A, J04B, J08A, J08B, J08C, J16Z, J21Z, J22A, J22B						
			5v227.6↔	09	J11A, J11B	03	D12A	21A	W04A, W04B					
				5v227.7↔	09	J11A, J11B	05	F13A, F21A, F21B, F21C	21B	X01A, X01B, X01C				
					5v227.8↔	09	J11A, J11B	08	I02A, I02B, I02C, I02D, I22A, I22B, I50Z	01	BOP, KVT, UOP4			
						5v227.9↔	08	I32A, I32B, I32C, I32D	09	J02A, J02B, J02C, J04A, J04B, J08A, J08B, J08C, J16Z, J21Z, J22A, J22B	05	F13A, F21A, F21B, F21C		
							09	J11A, J11B	21A	W04A, W04B	06	G10Z, G12A, G12B		
							21B	X01A, X01B	21B	X01A, X01B, X01C	08	I02A, I02B, I02C, I02D, I22A, I22B, I50Z		
5v227.a‡							09	J11A, J11B	01	BOP, KVT, UOP4	09	J02A, J02B, J02C, J04A, J04B, J08A, J08B, J08C, J16Z, J21Z, J22A, J22B		
	5v227.b‡						09	J11A, J11B	03	D12A	21A	W04A, W04B		
							5v227.c‡	09	J11A, J11B	05	F13A, F21A, F21B, F21C	21B	X01A, X01B, X01C	
		5v227.d‡						09	J11A, J11B	08	I02A, I02B, I02C, I02D, I22A, I22B, I50Z	01	BOP, KVT, UOP4	
			5v227.e↔					09	J11A, J11B	09	J02A, J02B, J02C, J04A, J04B, J08A, J08B, J08C, J16Z, J21Z, J22A, J22B	05	F13A, F21A, F21B, F21C	
				5v227.ft↔				09	J11A, J11B	21A	W04A, W04B	06	G10Z, G12A, G12B	
					5v227.g↔			09	J11A, J11B	21B	X01A, X01B, X01C	08	I02A, I02B, I02C, I02D, I22A, I22B, I50Z	
						5v227.x‡		09	J11A, J11B	01	BOP, KVT, UOP4	09	J02A, J02B, J02C, J04A, J04B, J08A, J08B, J08C, J16Z, J21Z, J22A, J22B	
								5v228.0‡	09	J11A, J11B	03	D12A	21A	W04A, W04B
									5v228.4‡	02	C20A, C20B	05	F13A, F21A, F21B, F21C	21B
09										J11A, J11B	08	I02A, I02B, I02C, I02D, I22A, I22B, I50Z	01	BOP, KVT, UOP4
5v228.5‡	09									J11A, J11B	09	J02A, J02B, J02C, J04A, J04B, J08A, J08B, J08C, J16Z, J21Z, J22A, J22B	05	F13A, F21A, F21B, F21C
	5v228.6↔						09			J11A, J11B	21A	W04A, W04B	06	G10Z, G12A, G12B
		5v228.7↔					09			J11A, J11B	21B	X01A, X01B, X01C	08	I02A, I02B, I02C, I02D, I22A, I22B, I50Z
			5v228.8↔				09			J11A, J11B	01	BOP, KVT, UOP4	09	J02A, J02B, J02C, J04A, J04B, J08A, J08B, J08C, J16Z, J21Z, J22A, J22B
				5v228.9↔			09			J11A, J11B	03	D12A	21A	W04A, W04B
					5v228.a‡		09			J11A, J11B	05	F13A, F21A, F21B, F21C	21B	X01A, X01B, X01C
						5v228.b‡	09			J11A, J11B	08	I02A, I02B, I02C, I02D, I22A, I22B, I50Z	01	BOP, KVT, UOP4
							5v228.c‡	09		J11A, J11B	09	J02A, J02B, J02C, J04A, J04B, J08A, J08B, J08C, J16Z, J21Z, J22A, J22B	05	F13A, F21A, F21B, F21C
								5v228.d‡	09	J11A, J11B	21A	W04A, W04B	06	G10Z, G12A, G12B
									5v228.e↔	09	J11A, J11B	21B	X01A, X01B, X01C	08
5v228.ft↔										09	J11A, J11B	01	BOP, KVT, UOP4	09

VYK

ZZV	MDC	DRG	ZZV	MDC	DRG	ZZV	MDC	DRG
5v22b.g↔		BOP, KVT, UOP4	5v230.4		BOP, KVT, UOP4	5v230.9↔		BOP, KVT, UOP4
	01	B03A, B03B, B06A, B06B, B07Z, B17A, B17B, B17C		01	B03A, B03B, B06A, B06B, B07Z, B17A, B17B, B17C		01	B03A, B03B, B06A, B06B, B07Z, B17A, B17B, B17C
	05	F13A, F21A, F21B		02	C20A, C20B		05	F13A, F21A, F21B, F21C
	08	I02A, I02B, I02C, I02D, I12A, I12B, I12C, I22A, I22B, I50Z		03	D12A, D12B		08	I12A, I12B, I12C, I32A, I32B, I32C, I32D, I32E, I32F
	09	J02A, J02B, J02C, J04A, J04B, J08A, J08B, J08C, J16Z, J21Z, J22A, J22B		05	F13A, F21A, F21B, F21C		09	J03A, J03B, J04A, J04B, J08A, J08B, J08C, J16Z, J21Z, J22A, J22B
	21A	W04A, W04B		08	I02A, I02B, I02C, I02D, I22A, I22B, I50Z		21A	W04A, W04B
	21B	X01A, X01B, X01C		09	J02A, J02B, J02C, J04A, J04B, J08A, J08B, J08C, J16Z, J21Z, J22A, J22B		21B	X01A, X01B, X01C
5v22b.x↔		BOP, KVT, UOP4		21A	W04A, W04B	5v230.a		BOP, KVT, UOP4
	01	B03A, B03B, B06A, B06B, B07Z, B17A, B17B, B17C		21B	X01A, X01B, X01C		01	B03A, B03B, B06A, B06B, B07Z, B17A, B17B, B17C
	05	F13A, F21A, F21B	5v230.5		BOP, KVT, UOP4		05	F13A, F21A, F21B, F21C
	08	I02A, I02B, I02C, I02D, I12A, I12B, I12C, I22A, I22B, I32A, I32B, I32C, I32D, I32E, I32F, I50Z		01	B03A, B03B, B06A, B06B, B07Z, B17A, B17B, B17C		06	G10Z, G12A, G12B
	09	J02A, J02B, J02C, J04A, J04B, J08A, J08B, J08C, J16Z, J21Z, J22A, J22B		03	D12A, D12B		08	I02A, I02B, I02C, I02D, I22A, I22B, I50Z
	21A	W04A, W04B		05	F13A, F21A, F21B, F21C, F27A, F27B, F27C		09	J02A, J02B, J02C, J04A, J04B, J08A, J08B, J08C, J16Z, J21Z, J22A, J22B
	21B	X01A, X01B, X01C		06	G10Z, G12A, G12B		21A	W04A, W04B
5v22c.0‡	09	J11A, J11B		08	I28A, I28B		21B	X01A, X01B, X01C
5v22c.4‡	02	C20A, C20B		09	J02A, J02B, J02C, J04A, J04B, J08A, J08B, J08C, J16Z, J21Z, J22A, J22B	5v230.b		BOP, KVT, UOP4
	09	J11A, J11B		10	K01Z		01	B03A, B03B, B06A, B06B, B07Z, B17A, B17B, B17C
5v22c.5‡	09	J11A, J11B		21A	W04A, W04B		05	F13A, F21A, F21B, F21C
5v22c.6‡↔	09	J11A, J11B		21B	X01A, X01B, X01C		06	G10Z, G12A, G12B
5v22c.7‡↔	09	J11A, J11B	5v230.6↔		BOP, KVT, UOP4		08	I02A, I02B, I02C, I02D, I22A, I22B, I32A, I32B, I32C, I32D, I32E, I32F, I50Z
5v22c.8‡↔	09	J11A, J11B		01	B03A, B03B, B06A, B06B, B07Z, B17A, B17B, B17C		09	J02A, J02B, J02C, J04A, J04B, J08A, J08B, J08C, J16Z, J21Z, J22A, J22B
5v22c.9‡↔	09	J11A, J11B		05	F13A, F21A, F21B, F21C		21A	W04A, W04B
5v22c.a‡	09	J11A, J11B		08	I02A, I02B, I02C, I02D, I22A, I22B, I50Z		21B	X01A, X01B, X01C
5v22c.b‡	09	J11A, J11B		09	J02A, J02B, J02C, J04A, J04B, J08A, J08B, J08C, J16Z, J21Z, J22A, J22B	5v230.c		BOP, KVT, UOP4
5v22c.c‡	09	J11A, J11B		21A	W04A, W04B		01	B03A, B03B, B06A, B06B, B07Z, B17A, B17B, B17C
5v22c.d‡	09	J11A, J11B		21B	X01A, X01B, X01C		05	F13A, F21A, F21B, F21C
5v22c.e‡↔	09	J11A, J11B		21A	W04A, W04B		06	G10Z, G12A, G12B
5v22c.f‡↔	09	J11A, J11B		21B	X01A, X01B, X01C		08	I02A, I02B, I02C, I02D, I22A, I22B, I50Z
5v22c.g‡↔	09	J11A, J11B	5v230.7↔		BOP, KVT, UOP4		09	J02A, J02B, J02C, J04A, J04B, J08A, J08B, J08C, J16Z, J21Z, J22A, J22B
5v22c.x‡	09	J11A, J11B		01	B03A, B03B, B06A, B06B, B07Z, B17A, B17B, B17C		10	K09A, K09B
5v22d.0‡	09	J11A, J11B		05	F13A, F21A, F21B, F21C		12	M04A, M04B, M04C, M04D, M37Z, M38Z
5v22d.4‡	02	C20A, C20B		08	I02A, I02B, I02C, I02D, I22A, I22B, I50Z		21A	W04A, W04B
	09	J11A, J11B		09	J02A, J02B, J02C, J04A, J04B, J08A, J08B, J08C, J16Z, J21Z, J22A, J22B	5v230.d		BOP, KVT, UOP4
5v22d.5‡	09	J11A, J11B		21A	W04A, W04B		01	B03A, B03B, B06A, B06B, B07Z, B17A, B17B, B17C
5v22d.6‡↔	09	J11A, J11B		21B	X01A, X01B, X01C		05	F13A, F21A, F21B, F21C
5v22d.7‡↔	09	J11A, J11B	5v230.8↔		BOP, KVT, UOP4		06	G10Z, G12A, G12B
5v22d.8‡↔	09	J11A, J11B		01	B03A, B03B, B06A, B06B, B07Z, B17A, B17B, B17C		08	I02A, I02B, I02C, I02D, I22A, I22B, I50Z
5v22d.9‡↔	09	J11A, J11B		05	F13A, F21A, F21B, F21C		09	J02A, J02B, J02C, J04A, J04B, J08A, J08B, J08C, J16Z, J21Z, J22A, J22B
5v22d.a‡	09	J11A, J11B		08	I02A, I02B, I02C, I02D, I22A, I22B, I32A, I32B, I32C, I32D, I32E, I32F, I50Z		21A	W04A, W04B
5v22d.b‡	09	J11A, J11B		09	J02A, J02B, J02C, J04A, J04B, J08A, J08B, J08C, J16Z, J21Z, J22A, J22B		21B	X01A, X01B, X01C
5v22d.c‡	09	J11A, J11B		21A	W04A, W04B		01	BOP, KVT, UOP4
5v22d.d‡	09	J11A, J11B		21B	X01A, X01B, X01C		05	F13A, F21A, F21B, F21C
5v22d.e‡↔	09	J11A, J11B		01	B03A, B03B, B06A, B06B, B07Z, B17A, B17B, B17C		06	G10Z, G12A, G12B
5v22d.f‡↔	09	J11A, J11B		05	F13A, F21A, F21B, F21C		08	I02A, I02B, I02C, I02D, I22A, I22B, I50Z
5v22d.g‡↔	09	J11A, J11B		08	I02A, I02B, I02C, I02D, I22A, I22B, I32A, I32B, I32C, I32D, I32E, I32F, I50Z		09	J02A, J02B, J02C, J04A, J04B, J08A, J08B, J08C, J16Z, J21Z, J22A, J22B
5v22d.x‡	09	J11A, J11B		09	J02A, J02B, J02C, J04A, J04B, J08A, J08B, J08C, J16Z, J21Z, J22A, J22B		21A	W04A, W04B
5v22e‡	09	J11A, J11B		21A	W04A, W04B		21B	X01A, X01B, X01C
5v22x.x‡	09	J11A, J11B		21B	X01A, X01B, X01C			
5v230.0		BOP, KVT, UOP4						
	03	D18Z, D28Z, D29Z						
	05	F13A						
	09	J03A, J03B, J04A, J04B, J08A, J08B, J08C, J11A, J11B, J11C, J16Z						
	21A	W04A, W04B						
	21B	X06A, X06B, X06C						



ZZV	MDC	DRG	ZZV	MDC	DRG	ZZV	MDC	DRG			
5v230.e↔		BOP, KVT, UOP4	5v231.4		BOP, KVT, UOP4	5v231.9↔		BOP, KVT, UOP4			
	01	B03A, B03B, B06A, B06B, B07Z, B17A, B17B, B17C		01	B03A, B03B, B06A, B06B, B07Z, B17A, B17B, B17C		01	B03A, B03B, B06A, B06B, B07Z, B17A, B17B, B17C			
	05	F13A, F21A, F21B, F21C, F27A, F27B, F27C		02	C20A, C20B		05	F13A, F21A, F21B			
	08	I02A, I02B, I02C, I02D, I22A, I22B, I50Z		03	D12A, D12B		08	I12A, I12B, I12C, I32A, I32B, I32C, I32D, I32E, I32F			
	09	J02A, J02B, J02C, J04A, J04B, J08A, J08B, J08C, J16Z, J21Z, J22A, J22B		05	F13A, F21A, F21B		09	J03A, J03B, J04A, J04B, J08A, J08B, J08C, J16Z, J21Z, J22A, J22B			
	10	K01Z		08	I02A, I02B, I02C, I02D, I22A, I22B, I50Z		21A	W04A, W04B			
	21A	W04A, W04B		09	J02A, J02B, J02C, J04A, J04B, J08A, J08B, J08C, J16Z, J21Z, J22A, J22B		21B	X01A, X01B, X01C			
	21B	X01A, X01B, X01C		21A	W04A, W04B		5v231.a		BOP, KVT, UOP4		
	5v230.f↔			BOP, KVT, UOP4	5v231.5				BOP, KVT, UOP4	01	B03A, B03B, B06A, B06B, B07Z, B17A, B17B, B17C
		01		B03A, B03B, B06A, B06B, B07Z, B17A, B17B, B17C				01	B03A, B03B, B06A, B06B, B07Z, B17A, B17B, B17C	05	F13A, F21A, F21B
05		F13A, F21A, F21B, F21C, F27A, F27B, F27C	03	D12A, D12B		06		G10Z, G12A, G12B			
08		I02A, I02B, I02C, I02D, I22A, I22B, I50Z	05	F13A, F21A, F21B, F27A, F27B, F27C		08		I02A, I02B, I02C, I02D, I22A, I22B, I50Z			
09		J02A, J02B, J02C, J04A, J04B, J08A, J08B, J08C, J16Z, J21Z, J22A, J22B	06	G10Z, G12A, G12B		09		J02A, J02B, J02C, J04A, J04B, J08A, J08B, J08C, J16Z, J21Z, J22A, J22B			
10		K01Z	08	I28A, I28B		21A		W04A, W04B			
21A		W04A, W04B	09	J02A, J02B, J02C, J04A, J04B, J08A, J08B, J08C, J16Z, J21Z, J22A, J22B		21B		X01A, X01B, X01C			
21B		X01A, X01B, X01C	10	K01Z		5v231.b			BOP, KVT, UOP4		
5v230.g↔			BOP, KVT, UOP4	5v231.6↔					BOP, KVT, UOP4	01	B03A, B03B, B06A, B06B, B07Z, B17A, B17B, B17C
		01	B03A, B03B, B06A, B06B, B07Z, B17A, B17B, B17C				01	B03A, B03B, B06A, B06B, B07Z, B17A, B17B, B17C	05	F13A, F21A, F21B	
	05	F13A, F21A, F21B, F21C, F27A, F27B, F27C	05		F13A, F21A, F21B		06	G10Z, G12A, G12B			
	08	I02A, I02B, I02C, I02D, I12A, I12B, I12C, I22A, I22B, I50Z	08		I02A, I02B, I02C, I02D, I22A, I22B, I50Z		08	I02A, I02B, I02C, I02D, I22A, I22B, I32A, I32B, I32C, I32D, I32E, I32F, I50Z			
	09	J02A, J02B, J02C, J04A, J04B, J08A, J08B, J08C, J16Z, J21Z, J22A, J22B	09		J02A, J02B, J02C, J04A, J04B, J08A, J08B, J08C, J16Z, J21Z, J22A, J22B		09	J02A, J02B, J02C, J04A, J04B, J08A, J08B, J08C, J16Z, J21Z, J22A, J22B			
	10	K01Z	21A		W04A, W04B		21A	W04A, W04B			
	21A	W04A, W04B	21B		X01A, X01B, X01C		21B	X01A, X01B, X01C			
	21B	X01A, X01B, X01C	5v231.7↔				BOP, KVT, UOP4	5v231.c		BOP, KVT, UOP4	
	5v230.x↔				BOP, KVT, UOP4		5v231.8↔			BOP, KVT, UOP4	01
		01			B03A, B03B, B06A, B06B, B07Z, B17A, B17B, B17C	01			B03A, B03B, B06A, B06B, B07Z, B17A, B17B, B17C	05	F13A, F21A, F21B
05		F13A, F21A, F21B, F21C		05	F13A, F21A, F21B	06			G10Z, G12A, G12B		
08		I02A, I02B, I02C, I02D, I22A, I22B, I32A, I32B, I32C, I32D, I32E, I32F, I50Z		08	I02A, I02B, I02C, I02D, I22A, I22B, I50Z	08			I02A, I02B, I02C, I02D, I22A, I22B, I50Z		
09		J02A, J02B, J02C, J04A, J04B, J08A, J08B, J08C, J16Z, J21Z, J22A, J22B		09	J02A, J02B, J02C, J04A, J04B, J08A, J08B, J08C, J16Z, J21Z, J22A, J22B	09			J02A, J02B, J02C, J04A, J04B, J08A, J08B, J08C, J16Z, J21Z, J22A, J22B		
10		K09A, K09B		21A	W04A, W04B	10			K09A, K09B		
21A		W04A, W04B		21B	X01A, X01B, X01C	12			M04A, M04B, M04C, M04D, M37Z, M38Z		
21B		X01A, X01B, X01C		5v231.d		BOP, KVT, UOP4			21A	W04A, W04B	
5v231.0					BOP, KVT, UOP4	5v231.8↔				BOP, KVT, UOP4	21B
		03	D18Z, D28Z, D29Z		01			B03A, B03B, B06A, B06B, B07Z, B17A, B17B, B17C	01	B03A, B03B, B06A, B06B, B07Z, B17A, B17B, B17C	
	05	F13A	05		F13A, F21A, F21B		05	F13A, F21A, F21B			
	09	J03A, J03B, J04A, J04B, J08A, J08B, J08C, J11A, J11B, J16Z	08		I02A, I02B, I02C, I02D, I22A, I22B, I32A, I32B, I32C, I32D, I32E, I32F, I50Z		06	G10Z, G12A, G12B			
	21A	W04A, W04B	09		J02A, J02B, J02C, J04A, J04B, J08A, J08B, J08C, J16Z, J21Z, J22A, J22B		08	I02A, I02B, I02C, I02D, I22A, I22B, I50Z			
	21B	X06A, X06B, X06C	21A		W04A, W04B		09	J02A, J02B, J02C, J04A, J04B, J08A, J08B, J08C, J16Z, J21Z, J22A, J22B			
			21B		X01A, X01B, X01C		21A	W04A, W04B			
							21B	X01A, X01B, X01C			

VYK

Príloha B: Index Výkon-MDC-DRG

ZZV	MDC	DRG	ZZV	MDC	DRG	ZZV	MDC	DRG		
5v231.e↔		BOP, KVT, UOP4	5v232.4		BOP, KVT, UOP4	5v232.9↔		BOP, KVT, UOP4		
	01	B03A, B03B, B06A, B06B, B07Z, B17A, B17B, B17C		01	B03A, B03B, B06A, B06B, B07Z, B17A, B17B, B17C		01	B03A, B03B, B06A, B06B, B07Z, B17A, B17B, B17C		
	05	F13A, F21A, F21B, F27A, F27B, F27C		02	C20A, C20B		05	F13A, F21A, F21B		
	08	I02A, I02B, I02C, I02D, I22A, I22B, I50Z		03	D12A, D12B		08	I12A, I12B, I12C, I32A, I32B, I32C, I32D, I32E, I32F		
	09	J02A, J02B, J02C, J04A, J04B, J08A, J08B, J08C, J16Z, J21Z, J22A, J22B		05	F13A, F21A, F21B		09	J03A, J03B, J04A, J04B, J08A, J08B, J08C, J16Z, J21Z, J22A, J22B		
	10	K01Z		08	I02A, I02B, I02C, I02D, I22A, I22B, I50Z		21A	W04A, W04B		
	21A	W04A, W04B		09	J02A, J02B, J02C, J04A, J04B, J08A, J08B, J08C, J16Z, J21Z, J22A, J22B		21B	X01A, X01B, X01C		
	21B	X01A, X01B, X01C		21A	W04A, W04B		5v232.a	BOP, KVT, UOP4		
	5v231.f↔			BOP, KVT, UOP4	5v232.5				BOP, KVT, UOP4	01
		01		B03A, B03B, B06A, B06B, B07Z, B17A, B17B, B17C			01	B03A, B03B, B06A, B06B, B07Z, B17A, B17B, B17C	05	F13A, F21A, F21B
05		F13A, F21A, F21B, F27A, F27B, F27C	03	D12A, D12B		06	G10Z, G12A, G12B			
08		I02A, I02B, I02C, I02D, I22A, I22B, I50Z	05	F13A, F21A, F21B, F27A, F27B, F27C		08	I02A, I02B, I02C, I02D, I22A, I22B, I50Z			
09		J02A, J02B, J02C, J04A, J04B, J08A, J08B, J08C, J16Z, J21Z, J22A, J22B	06	G10Z, G12A, G12B		09	J02A, J02B, J02C, J04A, J04B, J08A, J08B, J08C, J16Z, J21Z, J22A, J22B			
10		K01Z	08	I28A, I28B		21A	W04A, W04B			
21A		W04A, W04B	09	J02A, J02B, J02C, J04A, J04B, J08A, J08B, J08C, J16Z, J21Z, J22A, J22B		21B	X01A, X01B, X01C			
21B		X01A, X01B, X01C	10	K01Z		5v232.b	BOP, KVT, UOP4			
5v231.g↔			BOP, KVT, UOP4	5v232.6↔				BOP, KVT, UOP4	01	B03A, B03B, B06A, B06B, B07Z, B17A, B17B, B17C
		01	B03A, B03B, B06A, B06B, B07Z, B17A, B17B, B17C			01	B03A, B03B, B06A, B06B, B07Z, B17A, B17B, B17C	05	F13A, F21A, F21B	
	05	F13A, F21A, F21B, F27A, F27B, F27C	05		F13A, F21A, F21B	06	G10Z, G12A, G12B			
	08	I02A, I02B, I02C, I02D, I12A, I12B, I12C, I22A, I22B, I50Z	08		I02A, I02B, I02C, I02D, I22A, I22B, I50Z	08	I02A, I02B, I02C, I02D, I22A, I22B, I32A, I32B, I32C, I32D, I32E, I32F, I50Z			
	09	J02A, J02B, J02C, J04A, J04B, J08A, J08B, J08C, J16Z, J21Z, J22A, J22B	08		I02A, I02B, I02C, I02D, I22A, I22B, I50Z	09	J02A, J02B, J02C, J04A, J04B, J08A, J08B, J08C, J16Z, J21Z, J22A, J22B			
	10	K01Z	09		J02A, J02B, J02C, J04A, J04B, J08A, J08B, J08C, J16Z, J21Z, J22A, J22B	21A	W04A, W04B			
	21A	W04A, W04B	21A		W04A, W04B	21B	X01A, X01B, X01C			
	21B	X01A, X01B, X01C	21B		X01A, X01B, X01C	5v232.c	BOP, KVT, UOP4			
	5v231.x↔		BOP, KVT, UOP4		5v232.7↔			BOP, KVT, UOP4	01	B03A, B03B, B06A, B06B, B07Z, B17A, B17B, B17C
		01	B03A, B03B, B06A, B06B, B07Z, B17A, B17B, B17C			01	B03A, B03B, B06A, B06B, B07Z, B17A, B17B, B17C	05	F13A, F21A, F21B	
05		F13A, F21A, F21B	05	F13A, F21A, F21B		06	G10Z, G12A, G12B			
08		I02A, I02B, I02C, I02D, I22A, I22B, I32A, I32B, I32C, I32D, I32E, I32F, I50Z	08	I02A, I02B, I02C, I02D, I22A, I22B, I50Z		08	I02A, I02B, I02C, I02D, I22A, I22B, I50Z			
09		J02A, J02B, J02C, J04A, J04B, J08A, J08B, J08C, J16Z, J21Z, J22A, J22B	08	I02A, I02B, I02C, I02D, I22A, I22B, I50Z		09	J02A, J02B, J02C, J04A, J04B, J08A, J08B, J08C, J16Z, J21Z, J22A, J22B			
10		K01Z	09	J02A, J02B, J02C, J04A, J04B, J08A, J08B, J08C, J16Z, J21Z, J22A, J22B		10	K09A, K09B			
21A		W04A, W04B	21A	W04A, W04B		12	M04A, M04B, M04C, M04D, M37Z, M38Z			
21B		X01A, X01B, X01C	21B	X01A, X01B, X01C		21A	W04A, W04B			
5v232.0			BOP, KVT, UOP4	5v232.8↔			BOP, KVT, UOP4	21B	X01A, X01B, X01C	
		03	D18Z, D28Z, D29Z			01	B03A, B03B, B06A, B06B, B07Z, B17A, B17B, B17C	5v232.d	BOP, KVT, UOP4	
	05	F13A	05		F13A, F21A, F21B	01	B03A, B03B, B06A, B06B, B07Z, B17A, B17B, B17C			
	09	J03A, J03B, J04A, J04B, J08A, J08B, J08C, J11A, J11B, J16Z	08		I02A, I02B, I02C, I02D, I22A, I22B, I32A, I32B, I32C, I32D, I32E, I32F, I50Z	05	F13A, F21A, F21B			
	21A	W04A, W04B	09		J02A, J02B, J02C, J04A, J04B, J08A, J08B, J08C, J16Z, J21Z, J22A, J22B	06	G10Z, G12A, G12B			
	21B	X06A, X06B, X06C	21A		W04A, W04B	08	I02A, I02B, I02C, I02D, I22A, I22B, I50Z			
			21B		X01A, X01B, X01C	09	J02A, J02B, J02C, J04A, J04B, J08A, J08B, J08C, J16Z, J21Z, J22A, J22B			
						21A	W04A, W04B			
						21B	X01A, X01B, X01C			

VYK

ZZV	MDC	DRG	ZZV	MDC	DRG	ZZV	MDC	DRG			
5v233.f↔		BOP, KVT, UOP4	5v234.5		BOP, KVT, UOP4	5v234.b		BOP, KVT, UOP4			
	01	B03A, B03B, B06A, B06B, B07Z, B17A, B17B, B17C		01	B03A, B03B, B06A, B06B, B07Z, B17A, B17B, B17C		01	B03A, B03B, B06A, B06B, B07Z, B17A, B17B, B17C			
	05	F13A, F21A, F21B, F21C, F27A, F27B, F27C		03	D12A, D12B		05	F13A, F21A, F21B, F21C			
	08	I02A, I02B, I02C, I02D, I22A, I22B, I50Z		05	F13A, F21A, F21B, F21C, F27A, F27B, F27C		06	G10Z, G12A, G12B			
	09	J02A, J02B, J02C, J04A, J04B, J08A, J08B, J08C, J16Z, J21Z, J22A, J22B		06	G10Z, G12A, G12B		08	I02A, I02B, I02C, I02D, I22A, I22B, I50Z			
	10	K01Z		08	I28A, I28B		09	J02A, J02B, J02C, J04A, J04B, J08A, J08B, J08C, J16Z, J21Z, J22A, J22B			
	21A	W04A, W04B		09	J02A, J02B, J02C, J04A, J04B, J08A, J08B, J08C, J16Z, J21Z, J22A, J22B		09	J02A, J02B, J02C, J04A, J04B, J08A, J08B, J08C, J16Z, J21Z, J22A, J22B			
	21B	X01A, X01B, X01C		10	K01Z		21A	W04A, W04B			
	5v233.g↔			BOP, KVT, UOP4	5v234.6↔			BOP, KVT, UOP4	5v234.c		BOP, KVT, UOP4
		01		B03A, B03B, B06A, B06B, B07Z, B17A, B17B, B17C			01	B03A, B03B, B06A, B06B, B07Z, B17A, B17B, B17C		01	B03A, B03B, B06A, B06B, B07Z, B17A, B17B, B17C
		05		F13A, F21A, F21B, F21C, F27A, F27B, F27C			05	F13A, F21A, F21B, F21C		05	F13A, F21A, F21B, F21C
08		I02A, I02B, I02C, I02D, I12A, I12B, I12C, I22A, I22B, I50Z	05	F13A, F21A, F21B, F21C		06	G10Z, G12A, G12B				
09		J02A, J02B, J02C, J04A, J04B, J08A, J08B, J08C, J16Z, J21Z, J22A, J22B	08	I02A, I02B, I02C, I02D, I22A, I22B, I50Z		08	I02A, I02B, I02C, I02D, I22A, I22B, I50Z				
10		K01Z	09	J02A, J02B, J02C, J04A, J04B, J08A, J08B, J08C, J16Z, J21Z, J22A, J22B		09	J02A, J02B, J02C, J04A, J04B, J08A, J08B, J08C, J16Z, J21Z, J22A, J22B				
21A		W04A, W04B	21A	W04A, W04B		10	K09A, K09B				
21B		X01A, X01B, X01C	21B	X01A, X01B, X01C		12	M04A, M04B, M04C, M04D, M37Z, M38Z				
5v233.x↔			BOP, KVT, UOP4	5v234.7↔			BOP, KVT, UOP4	5v234.d			BOP, KVT, UOP4
		01	B03A, B03B, B06A, B06B, B07Z, B17A, B17B, B17C			01	B03A, B03B, B06A, B06B, B07Z, B17A, B17B, B17C			01	B03A, B03B, B06A, B06B, B07Z, B17A, B17B, B17C
		05	F13A, F21A, F21B, F21C			05	F13A, F21A, F21B, F21C			05	F13A, F21A, F21B, F21C
	08	I02A, I02B, I02C, I02D, I22A, I22B, I32A, I32B, I32C, I32D, I32E, I32F, I50Z	08		I02A, I02B, I02C, I02D, I22A, I22B, I50Z	06	G10Z, G12A, G12B				
	09	J02A, J02B, J02C, J04A, J04B, J08A, J08B, J08C, J16Z, J21Z, J22A, J22B	09		J02A, J02B, J02C, J04A, J04B, J08A, J08B, J08C, J16Z, J21Z, J22A, J22B	08	I02A, I02B, I02C, I02D, I22A, I22B, I50Z				
	21A	W04A, W04B	21A		W04A, W04B	09	J02A, J02B, J02C, J04A, J04B, J08A, J08B, J08C, J16Z, J21Z, J22A, J22B				
	21B	X01A, X01B, X01C	21B		X01A, X01B, X01C	21A	W04A, W04B				
	5v234.0		BOP, KVT, UOP4		5v234.8↔		BOP, KVT, UOP4		5v234.e↔		BOP, KVT, UOP4
		03	D18Z, D28Z, D29Z			01	B03A, B03B, B06A, B06B, B07Z, B17A, B17B, B17C			01	B03A, B03B, B06A, B06B, B07Z, B17A, B17B, B17C
		05	F13A			05	F13A, F21A, F21B, F21C			05	F13A, F21A, F21B, F21C
		09	J03A, J03B, J04A, J04B, J08A, J08B, J08C, J11A, J11B, J16Z			08	I02A, I02B, I02C, I02D, I22A, I22B, I32A, I32B, I32C, I32D, I32E, I32F, I50Z			08	I02A, I02B, I02C, I02D, I22A, I22B, I50Z
21A		W04A, W04B	09	J02A, J02B, J02C, J04A, J04B, J08A, J08B, J08C, J16Z, J21Z, J22A, J22B		09	J02A, J02B, J02C, J04A, J04B, J08A, J08B, J08C, J16Z, J21Z, J22A, J22B				
21B		X06A, X06B, X06C	21A	W04A, W04B		21A	W04A, W04B				
5v234.4			BOP, KVT, UOP4	5v234.9↔			BOP, KVT, UOP4	5v234.f↔			BOP, KVT, UOP4
		01	B03A, B03B, B06A, B06B, B07Z, B17A, B17B, B17C			01	B03A, B03B, B06A, B06B, B07Z, B17A, B17B, B17C			01	B03A, B03B, B06A, B06B, B07Z, B17A, B17B, B17C
		02	C20A, C20B			05	F13A, F21A, F21B, F21C			05	F13A, F21A, F21B, F21C, F27A, F27B, F27C
		03	D12A, D12B			08	I12A, I12B, I12C, I32A, I32B, I32C, I32D, I32E, I32F			08	I02A, I02B, I02C, I02D, I22A, I22B, I50Z
		05	F13A, F21A, F21B, F21C			09	J03A, J03B, J04A, J04B, J08A, J08B, J08C, J16Z, J21Z, J22A, J22B			09	J02A, J02B, J02C, J04A, J04B, J08A, J08B, J08C, J16Z, J21Z, J22A, J22B
	08	I02A, I02B, I02C, I02D, I22A, I22B, I50Z	21A		W04A, W04B	10	K01Z				
	09	J02A, J02B, J02C, J04A, J04B, J08A, J08B, J08C, J16Z, J21Z, J22A, J22B	21B		X01A, X01B, X01C	21A	W04A, W04B				
	21A	W04A, W04B	5v234.a			BOP, KVT, UOP4	21B		X01A, X01B, X01C		
	21B	X01A, X01B, X01C			01	B03A, B03B, B06A, B06B, B07Z, B17A, B17B, B17C	09		J02A, J02B, J02C, J04A, J04B, J08A, J08B, J08C, J16Z, J21Z, J22A, J22B		
					05	F13A, F21A, F21B, F21C	10		K01Z		
					06	G10Z, G12A, G12B	21A		W04A, W04B		
		08	I02A, I02B, I02C, I02D, I22A, I22B, I50Z	21B	X01A, X01B, X01C						
		09	J02A, J02B, J02C, J04A, J04B, J08A, J08B, J08C, J16Z, J21Z, J22A, J22B								
		21A	W04A, W04B								
		21B	X01A, X01B, X01C								

VYK

ZZV	MDC	DRG	ZZV	MDC	DRG	ZZV	MDC	DRG			
5v234.g↔		BOP, KVT, UOP4	5v235.6↔		BOP, KVT, UOP4	5v235.b		BOP, KVT, UOP4			
	01	B03A, B03B, B06A, B06B, B07Z, B17A, B17B, B17C		01	B03A, B03B, B06A, B06B, B07Z, B17A, B17B, B17C		01	B03A, B03B, B06A, B06B, B07Z, B17A, B17B, B17C			
	05	F13A, F21A, F21B, F21C, F27A, F27B, F27C		05	F13A, F21A, F21B		05	F13A, F21A, F21B			
	08	I02A, I02B, I02C, I02D, I12A, I12B, I12C, I22A, I22B, I50Z		08	I02A, I02B, I02C, I02D, I12A, I12B, I12C, I22A, I22B, I50Z		06	G10Z, G12A, G12B			
	09	J02A, J02B, J02C, J04A, J04B, J08A, J08B, J08C, J16Z, J21Z, J22A, J22B		09	J02A, J02B, J02C, J04A, J04B, J08A, J08B, J08C, J16Z, J21Z, J22A, J22B		08	I02A, I02B, I02C, I02D, I12A, I12B, I12C, I22A, I22B, I50Z			
	10	K01Z		21A	W04A, W04B		09	J02A, J02B, J02C, J04A, J04B, J08A, J08B, J08C, J16Z, J21Z, J22A, J22B			
	21A	W04A, W04B		21B	X01A, X01B		21A	W04A, W04B			
	21B	X01A, X01B, X01C			BOP, KVT, UOP4		21B	X01A, X01B			
	5v234.x↔			BOP, KVT, UOP4	5v235.7↔			BOP, KVT, UOP4	5v235.c		BOP, KVT, UOP4
		01		B03A, B03B, B06A, B06B, B07Z, B17A, B17B, B17C			01	B03A, B03B, B06A, B06B, B07Z, B17A, B17B, B17C		01	B03A, B03B, B06A, B06B, B07Z, B17A, B17B, B17C
05		F13A, F21A, F21B, F21C	05	F13A, F21A, F21B		05	F13A, F21A, F21B				
08		I02A, I02B, I02C, I02D, I22A, I22B, I32A, I32B, I32C, I32D, I32E, I32F, I32G, I32H, I50Z	08	I02A, I02B, I02C, I02D, I12A, I12B, I12C, I22A, I22B, I32A, I32B, I32C, I32D, I32E, I32F, I50Z		06	G10Z, G12A, G12B				
09		J02A, J02B, J02C, J04A, J04B, J08A, J08B, J08C, J16Z, J21Z, J22A, J22B	09	J02A, J02B, J02C, J04A, J04B, J08A, J08B, J08C, J16Z, J21Z, J22A, J22B		08	I02A, I02B, I02C, I02D, I12A, I12B, I12C, I22A, I22B, I50Z				
21A		W04A, W04B	21A	W04A, W04B		09	J02A, J02B, J02C, J04A, J04B, J08A, J08B, J08C, J16Z, J21Z, J22A, J22B				
21B		X01A, X01B, X01C	21B	X01A, X01B		21A	W04A, W04B				
5v235.0			BOP, KVT, UOP4	5v235.8↔			BOP, KVT, UOP4	5v235.d			BOP, KVT, UOP4
		03	D18Z, D25A, D25B, D25C, D25D			01	B03A, B03B, B06A, B06B, B07Z, B17A, B17B, B17C			01	B03A, B03B, B06A, B06B, B07Z, B17A, B17B, B17C
		05	F13A			05	F13A, F21A, F21B			05	F13A, F21A, F21B
	08	I12A, I12B, I12C	08		I02A, I02B, I02C, I02D, I12A, I12B, I12C, I22A, I22B, I32A, I32B, I32C, I32D, I32E, I32F, I50Z	06	G10Z, G12A, G12B				
	09	J03A, J03B, J04A, J04B, J08A, J08B, J08C, J11A, J11B, J11C, J16Z	09		J02A, J02B, J02C, J04A, J04B, J08A, J08B, J08C, J16Z, J21Z, J22A, J22B	08	I02A, I02B, I02C, I02D, I12A, I12B, I12C, I22A, I22B, I50Z				
	21A	W04A, W04B	21A		W04A, W04B	09	J02A, J02B, J02C, J04A, J04B, J08A, J08B, J08C, J16Z, J21Z, J22A, J22B				
	21B	X01A, X01B, X06A, X06B, X06C	21B		X01A, X01B	21A	W04A, W04B				
	5v235.4		BOP, KVT, UOP4		5v235.9↔		BOP, KVT, UOP4		5v235.e↔		BOP, KVT, UOP4
		01	B03A, B03B, B06A, B06B, B07Z, B17A, B17B, B17C			01	B03A, B03B, B06A, B06B, B07Z, B17A, B17B, B17C			01	B03A, B03B, B06A, B06B, B07Z, B17A, B17B, B17C
		02	C20A, C20B			05	F13A, F21A, F21B			05	F13A, F21A, F21B, F27A, F27B, F27C
03		D12A, D12B	08	I12A, I12B, I12C, I32A, I32B, I32C, I32D, I32E, I32F		08	I02A, I02B, I02C, I02D, I12A, I12B, I12C, I22A, I22B, I50Z				
05		F13A, F21A, F21B	09	J02A, J02B, J02C, J04A, J04B, J08A, J08B, J08C, J16Z, J21Z, J22A, J22B		09	J02A, J02B, J02C, J04A, J04B, J08A, J08B, J08C, J16Z, J21Z, J22A, J22B				
08		I02A, I02B, I02C, I02D, I12A, I12B, I12C, I22A, I22B, I32A, I32B, I32C, I32D, I50Z	21A	W04A, W04B		10	K01Z				
09		J02A, J02B, J02C, J04A, J04B, J08A, J08B, J08C, J16Z, J21Z, J22A, J22B	21B	X01A, X01B		21A	W04A, W04B				
21A		W04A, W04B	5v235.a			BOP, KVT, UOP4	21B	X01A, X01B			
21B		X01A, X01B		01		B03A, B03B, B06A, B06B, B07Z, B17A, B17B, B17C	5v235.f↔			BOP, KVT, UOP4	
5v235.5				BOP, KVT, UOP4		05		F13A, F21A, F21B		01	B03A, B03B, B06A, B06B, B07Z, B17A, B17B, B17C
	01	B03A, B03B, B06A, B06B, B07Z, B17A, B17B, B17C		06	G10Z, G12A, G12B	05		F13A, F21A, F21B, F27A, F27B, F27C			
	03	D12A, D12B		08	I02A, I02B, I02C, I02D, I12A, I12B, I12C, I22A, I22B, I50Z	08		I02A, I02B, I02C, I02D, I12A, I12B, I12C, I22A, I22B, I50Z			
	05	F13A, F21A, F21B		09	J02A, J02B, J02C, J04A, J04B, J08A, J08B, J08C, J16Z, J21Z, J22A, J22B	09		J02A, J02B, J02C, J04A, J04B, J08A, J08B, J08C, J16Z, J21Z, J22A, J22B			
	08	I02A, I02B, I02C, I02D, I12A, I12B, I12C, I22A, I22B, I50Z		21A	W04A, W04B	10		K01Z			
	09	J02A, J02B, J02C, J04A, J04B, J08A, J08B, J08C, J16Z, J21Z, J22A, J22B		21B	X01A, X01B	21A		W04A, W04B			
	21A	W04A, W04B			BOP, KVT, UOP4	21B		X01A, X01B			
	21B	X01A, X01B									

VYK

ZZV	MDC	DRG	ZZV	MDC	DRG	ZZV	MDC	DRG
5v235.g↔		BOP, KVT, UOP4	5v236.6↔		BOP, KVT, UOP4	5v236.b		BOP, KVT, UOP4
	01	B03A, B03B, B06A, B06B, B07Z, B17A, B17B, B17C		01	B03A, B03B, B06A, B06B, B07Z, B17A, B17B, B17C		01	B03A, B03B, B06A, B06B, B07Z, B17A, B17B, B17C
	05	F13A, F21A, F21B, F27A, F27B, F27C		05	F13A, F21A, F21B		05	F13A, F21A, F21B
	08	I02A, I02B, I02C, I02D, I12A, I12B, I12C, I22A, I22B, I32A, I32B, I32C, I32D, I50Z		08	I02A, I02B, I02C, I02D, I12A, I12B, I12C, I22A, I22B, I50Z		06	G10Z, G12A, G12B
	09	J02A, J02B, J02C, J04A, J04B, J08A, J08B, J08C, J16Z, J21Z, J22A, J22B		09	J02A, J02B, J04A, J04B, J08A, J08B, J08C, J16Z, J21Z, J22A, J22B		08	I02A, I02B, I02C, I02D, I12A, I12B, I12C, I22A, I22B, I50Z
	10	K01Z		21A	W04A, W04B		09	J02A, J02B, J04A, J04B, J08A, J08B, J08C, J16Z, J21Z, J22A, J22B
	21A	W04A, W04B	5v236.7↔		BOP, KVT, UOP4		13	N11A
	21B	X01A, X01B		01	B03A, B03B, B06A, B06B, B07Z, B17A, B17B, B17C	5v236.c	21A	W04A, W04B
5v235.x↔		BOP, KVT, UOP4		05	F13A, F21A, F21B		21B	X01A, X01B
	01	B03A, B03B, B06A, B06B, B07Z, B17A, B17B, B17C		08	I02A, I02B, I02C, I02D, I12A, I12B, I12C, I22A, I22B, I32A, I32B, I32C, I32D, I32E, I32F, I50Z		01	B03A, B03B, B06A, B06B, B07Z, B17A, B17B, B17C
	05	F13A, F21A, F21B		09	J02A, J02B, J04A, J04B, J08A, J08B, J08C, J16Z, J21Z, J22A, J22B		05	F13A, F21A, F21B
	08	I02A, I02B, I02C, I02D, I12A, I12B, I12C, I22A, I22B, I32A, I32B, I32C, I32D, I32E, I32F, I50Z		21A	W04A, W04B		06	G10Z, G12A, G12B
	09	J02A, J02B, J02C, J04A, J04B, J08A, J08B, J08C, J16Z, J21Z, J22A, J22B		21B	X01A, X01B		08	I02A, I02B, I02C, I02D, I12A, I12B, I12C, I22A, I22B, I50Z
	21A	W04A, W04B	5v236.8↔		BOP, KVT, UOP4		09	J02A, J02B, J04A, J04B, J08A, J08B, J08C, J16Z, J21Z, J22A, J22B
	21B	X01A, X01B		01	B03A, B03B, B06A, B06B, B07Z, B17A, B17B, B17C	5v236.d	13	N11A
5v236.0		BOP, KVT, UOP4		05	F13A, F21A, F21B		21A	W04A, W04B
	03	D18Z, D25A, D25B, D25C, D25D		08	I02A, I02B, I02C, I02D, I12A, I12B, I12C, I22A, I22B, I32A, I32B, I32C, I32D, I32E, I32F, I50Z		21B	X01A, X01B
	05	F13A		09	J02A, J02B, J04A, J04B, J08A, J08B, J08C, J16Z, J21Z, J22A, J22B		01	BOP, KVT, UOP4
	08	I12A, I12B, I12C		21A	W04A, W04B		01	B03A, B03B, B06A, B06B, B07Z, B17A, B17B, B17C
	09	J03A, J03B, J04A, J04B, J08A, J08B, J08C, J11A, J11B, J16Z		21B	X01A, X01B		05	F13A, F21A, F21B
	21A	W04A, W04B	5v236.9↔		BOP, KVT, UOP4		06	G10Z, G12A, G12B
	21B	X01A, X01B, X06A, X06B, X06C		01	B03A, B03B, B06A, B06B, B07Z, B17A, B17B, B17C		08	I02A, I02B, I02C, I02D, I12A, I12B, I12C, I22A, I22B, I50Z
5v236.4		BOP, KVT, UOP4		05	F13A, F21A, F21B	5v236.e↔	09	J02A, J02B, J04A, J04B, J08A, J08B, J08C, J16Z, J21Z, J22A, J22B
	01	B03A, B03B, B06A, B06B, B07Z, B17A, B17B, B17C		08	I12A, I12B, I12C, I32A, I32B, I32C, I32D, I32E, I32F		13	N11A
	02	C20A, C20B		09	J02A, J02B, J04A, J04B, J08A, J08B, J08C, J16Z, J21Z, J22A, J22B		21A	W04A, W04B
	03	D12A, D12B		21A	W04A, W04B		21B	X01A, X01B
	05	F13A, F21A, F21B		21B	X01A, X01B		01	BOP, KVT, UOP4
	08	I02A, I02B, I02C, I02D, I12A, I12B, I12C, I22A, I22B, I50Z	5v236.a		BOP, KVT, UOP4		01	B03A, B03B, B06A, B06B, B07Z, B17A, B17B, B17C
	09	J02A, J02B, J04A, J04B, J08A, J08B, J08C, J16Z, J21Z, J22A		01	B03A, B03B, B06A, B06B, B07Z, B17A, B17B, B17C		05	F13A, F21A, F21B
	21A	W04A, W04B		05	F13A, F21A, F21B		08	I02A, I02B, I02C, I02D, I12A, I12B, I12C, I22A, I22B, I50Z
	21B	X01A, X01B		06	G10Z, G12A, G12B	5v236.f↔	08	I02A, I02B, I02C, I02D, I12A, I12B, I12C, I22A, I22B, I50Z
5v236.5		BOP, KVT, UOP4		08	I02A, I02B, I02C, I02D, I12A, I12B, I12C, I22A, I22B, I50Z		09	J02A, J02B, J04A, J04B, J08A, J08B, J08C, J16Z, J21Z, J22A, J22B
	01	B03A, B03B, B06A, B06B, B07Z, B17A, B17B, B17C		09	J02A, J02B, J04A, J04B, J08A, J08B, J08C, J16Z, J21Z, J22A, J22B		10	K01Z
	03	D12A		21A	W04A, W04B		21A	W04A, W04B
	05	F13A, F21A, F21B		21B	X01A, X01B		21B	X01A, X01B
	08	I02A, I02B, I02C, I02D, I12A, I12B, I12C, I22A, I22B, I50Z		01	B03A, B03B, B06A, B06B, B07Z, B17A, B17B, B17C		01	BOP, KVT, UOP4
	09	J02A, J02B, J04A, J04B, J08A, J08B, J08C, J16Z, J21Z, J22A, J22B		05	F13A, F21A, F21B		01	B03A, B03B, B06A, B06B, B07Z, B17A, B17B, B17C
	21A	W04A, W04B		08	I02A, I02B, I02C, I02D, I12A, I12B, I12C, I22A, I22B, I50Z		05	F13A, F21A, F21B, F27A, F27B, F27C
	21B	X01A, X01B		09	J02A, J02B, J04A, J04B, J08A, J08B, J08C, J16Z, J21Z, J22A, J22B		08	I02A, I02B, I02C, I02D, I12A, I12B, I12C, I22A, I22B, I50Z

VYK

ZZV	MDC	DRG	ZZV	MDC	DRG	ZZV	MDC	DRG	
5v236.g↔		BOP, KVT, UOP4	5v237.6↔		BOP, KVT, UOP4	5v237.c		BOP, KVT, UOP4	
	01	B03A, B03B, B06A, B06B, B07Z, B17A, B17B, B17C		01	B03A, B03B, B06A, B06B, B07Z, B17A, B17B, B17C		01	B03A, B03B, B06A, B06B, B07Z, B17A, B17B, B17C	
	05	F13A, F21A, F21B, F27A, F27B, F27C		05	F13A, F21A, F21B		05	F13A, F21A, F21B	
	08	I02A, I02B, I02C, I02D, I12A, I12B, I12C, I22A, I22B, I50Z		08	I02A, I02B, I02C, I02D, I12A, I12B, I12C, I22A, I50Z		06	G10Z, G12A, G12B	
	09	J02A, J02B, J04A, J04B, J08A, J08B, J08C, J16Z, J21Z, J22A, J22B		09	J02A, J02B, J04A, J04B, J08A, J08B, J08C, J16Z, J21Z, J22A, J22B		08	I02A, I02B, I02C, I02D, I12A, I12B, I12C, I22A, I50Z	
	10	K01Z		21A	W04A, W04B		09	J02A, J02B, J04A, J04B, J08A, J08B, J08C, J16Z, J21Z, J22A, J22B	
	21A	W04A, W04B		21B	X01A, X01B		13	N11A	
	21B	X01A, X01B		5v237.7↔			21A	W04A, W04B	
	5v236.x↔			BOP, KVT, UOP4	01		B03A, B03B, B06A, B06B, B07Z, B17A, B17B, B17C	21B	X01A, X01B
		01		B03A, B03B, B06A, B06B, B07Z, B17A, B17B, B17C	05		F13A, F21A, F21B	5v237.d	
05		F13A, F21A, F21B	08	I02A, I02B, I02C, I02D, I12A, I12B, I12C, I22A, I32A, I32B, I32C, I32D, I32E, I32F, I50Z	01	B03A, B03B, B06A, B06B, B07Z, B17A, B17B, B17C			
08		I02A, I02B, I02C, I02D, I12A, I12B, I12C, I22A, I22B, I32A, I32B, I32C, I32D, I32E, I32F, I50Z	09	J02A, J02B, J04A, J04B, J08A, J08B, J08C, J16Z, J21Z, J22A, J22B	05	F13A, F21A, F21B			
09		J02A, J02B, J04A, J04B, J08A, J08B, J08C, J16Z, J21Z, J22A, J22B	21A	W04A, W04B	06	G10Z, G12A, G12B			
21A		W04A, W04B	21B	X01A, X01B	08	I02A, I02B, I02C, I02D, I12A, I12B, I12C, I22A, I50Z			
21B		X01A, X01B	5v237.8↔		09	J02A, J02B, J04A, J04B, J08A, J08B, J08C, J16Z, J21Z, J22A, J22B			
5v237.0			BOP, KVT, UOP4	01	B03A, B03B, B06A, B06B, B07Z, B17A, B17B, B17C	13	N11A		
		03	D18Z, D25A, D25B, D25C, D25D	05	F13A, F21A, F21B	21A	W04A, W04B		
		05	F13A	08	I02A, I02B, I02C, I02D, I12A, I12B, I12C, I22A, I32A, I32B, I32C, I32D, I32E, I32F, I50Z	21B	X01A, X01B		
	08	I12A, I12B, I12C	09	J02A, J02B, J04A, J04B, J08A, J08B, J08C, J16Z, J21Z, J22A, J22B	5v237.e↔		BOP, KVT, UOP4		
	09	J03A, J03B, J04A, J04B, J08A, J08B, J08C, J11A, J11B, J16Z	21A	W04A, W04B	01	B03A, B03B, B06A, B06B, B07Z, B17A, B17B, B17C			
	21A	W04A, W04B	21B	X01A, X01B	05	F13A, F21A, F21B, F27A, F27B, F27C			
	21B	X01A, X01B, X06A, X06B, X06C	5v237.9↔		08	I02A, I02B, I02C, I02D, I12A, I12B, I12C, I22A, I50Z			
	5v237.4		BOP, KVT, UOP4	01	B03A, B03B, B06A, B06B, B07Z, B17A, B17B, B17C	09	J02A, J02B, J04A, J04B, J08A, J08B, J08C, J16Z, J21Z, J22A, J22B		
		01	B03A, B03B, B06A, B06B, B07Z, B17A, B17B, B17C	05	F13A, F21A, F21B	10	K01Z		
		02	C20A, C20B	08	I12A, I12B, I12C, I32A, I32B, I32C, I32D, I32E, I32F	21A	W04A, W04B		
03		D12A, D12B	09	J02A, J02B, J04A, J04B, J08A, J08B, J08C, J16Z, J21Z, J22A, J22B	21B	X01A, X01B			
05		F13A, F21A, F21B	21A	W04A, W04B	5v237.f↔		BOP, KVT, UOP4		
08		I02A, I02B, I02C, I02D, I12A, I12B, I12C, I22A, I50Z	21B	X01A, X01B	01	B03A, B03B, B06A, B06B, B07Z, B17A, B17B, B17C			
09		J02A, J02B, J04A, J04B, J08A, J08B, J08C, J16Z, J21Z, J22A, J22B	5v237.a		05	F13A, F21A, F21B, F27A, F27B, F27C			
21A		W04A, W04B	01	B03A, B03B, B06A, B06B, B07Z, B17A, B17B, B17C	08	I02A, I02B, I02C, I02D, I12A, I12B, I12C, I22A, I50Z			
21B		X01A, X01B	05	F13A, F21A, F21B	09	J02A, J02B, J04A, J04B, J08A, J08B, J08C, J16Z, J21Z, J22A, J22B			
5v237.5			BOP, KVT, UOP4	06	G10Z, G12A, G12B	10	K01Z		
	01	B03A, B03B, B06A, B06B, B07Z, B17A, B17B, B17C	08	I02A, I02B, I02C, I02D, I12A, I12B, I12C, I22A, I50Z	21A	W04A, W04B			
	03	D12A, D12B	09	J02A, J02B, J04A, J04B, J08A, J08B, J08C, J16Z, J21Z, J22A, J22B	21B	X01A, X01B			
	05	F13A, F21A, F21B	21A	W04A, W04B	5v237.g↔		BOP, KVT, UOP4		
	08	I02A, I02B, I02C, I02D, I12A, I12B, I12C, I22A, I50Z	21B	X01A, X01B	01	B03A, B03B, B06A, B06B, B07Z, B17A, B17B, B17C			
	09	J02A, J02B, J04A, J04B, J08A, J08B, J08C, J16Z, J21Z, J22A, J22B	5v237.b		05	F13A, F21A, F21B, F27A, F27B, F27C			
	21A	W04A, W04B	01	B03A, B03B, B06A, B06B, B07Z, B17A, B17B, B17C	08	I02A, I02B, I02C, I02D, I12A, I12B, I12C, I22A, I50Z			
	21B	X01A, X01B	05	F13A, F21A, F21B	09	J02A, J02B, J04A, J04B, J08A, J08B, J08C, J16Z, J21Z, J22A, J22B			
			BOP, KVT, UOP4	06	G10Z, G12A, G12B	10	K01Z		
		01	B03A, B03B, B06A, B06B, B07Z, B17A, B17B, B17C	08	I02A, I02B, I02C, I02D, I12A, I12B, I12C, I22A, I50Z	21A	W04A, W04B		
03		D12A, D12B	09	J02A, J02B, J04A, J04B, J08A, J08B, J08C, J16Z, J21Z, J22A, J22B	21B	X01A, X01B			
05		F13A, F21A, F21B	13	N11A					
08		I02A, I02B, I02C, I02D, I12A, I12B, I12C, I22A, I50Z	21A	W04A, W04B					
09		J02A, J02B, J04A, J04B, J08A, J08B, J08C, J16Z, J21Z, J22A, J22B	21B	X01A, X01B					
21A		W04A, W04B							
21B		X01A, X01B							



ZZV	MDC	DRG	ZZV	MDC	DRG	ZZV	MDC	DRG			
5v237.x↔		BOP, KVT, UOP4	5v238.8↔		BOP, KVT, UOP4	5v238.d		BOP, KVT, UOP4			
	01	B03A, B03B, B06A, B06B, B07Z, B17A, B17B, B17C		01	B03A, B03B, B06A, B06B, B07Z, B17A, B17B, B17C		01	B03A, B03B, B06A, B06B, B07Z, B17A, B17B, B17C			
	05	F13A, F21A, F21B		05	F13A, F21A, F21B		05	F13A, F21A, F21B			
	08	I02A, I02B, I02C, I02D, I12A, I12B, I12C, I22A, I32A, I32B, I32C, I32D, I32E, I32F, I50Z		08	I02A, I02B, I02C, I02D, I12A, I12B, I12C, I22A, I32A, I32B, I32C, I32D, I32E, I32F, I50Z		06	G10Z, G12A, G12B			
	09	J02A, J02B, J04A, J04B, J08A, J08B, J08C, J16Z, J21Z, J22A, J22B		09	J02A, J02B, J04A, J04B, J08A, J08B, J08C, J16Z, J21Z, J22A, J22B		08	I02A, I02B, I02C, I02D, I12A, I12B, I12C, I22A, I50Z			
	21A	W04A, W04B		21A	W04A, W04B		09	J02A, J02B, J04A, J04B, J08A, J08B, J08C, J16Z, J21Z, J22A, J22B			
	21B	X01A, X01B		21B	X01A, X01B		13	N11A			
	5v238.0			BOP, KVT, UOP4	5v238.9↔			BOP, KVT, UOP4	5v238.e↔		BOP, KVT, UOP4
		03		D18Z, D25A, D25B, D25C, D25D			01	B03A, B03B, B06A, B06B, B07Z, B17A, B17B, B17C		01	B03A, B03B, B06A, B06B, B07Z, B17A, B17B, B17C
		05		F13A			05	F13A, F21A, F21B		05	F13A, F21A, F21B, F27A, F27B, F27C
08		I12A, I12B, I12C	08	I12A, I12B, I12C, I32A, I32B, I32C, I32D, I32E, I32F		08	I02A, I02B, I02C, I02D, I12A, I12B, I12C, I22A, I50Z				
09		J03A, J03B, J04A, J04B, J08A, J08B, J08C, J11A, J11B, J16Z	09	J02A, J02B, J03A, J03B, J04A, J04B, J08A, J08B, J08C, J16Z, J21Z, J22A, J22B		09	J02A, J02B, J04A, J04B, J08A, J08B, J08C, J16Z, J21Z, J22A, J22B				
21A		W04A, W04B	21A	W04A, W04B		10	K01Z				
21B		X01A, X01B, X06A, X06B, X06C	21B	X01A, X01B		21A	W04A, W04B				
5v238.4			BOP, KVT, UOP4	5v238.a			BOP, KVT, UOP4	5v238.f↔			BOP, KVT, UOP4
		01	B03A, B03B, B06A, B06B, B07Z, B17A, B17B, B17C			01	B03A, B03B, B06A, B06B, B07Z, B17A, B17B, B17C			01	B03A, B03B, B06A, B06B, B07Z, B17A, B17B, B17C
		02	C20A, C20B			05	F13A, F21A, F21B			05	F13A, F21A, F21B, F27A, F27B, F27C
	03	D12A, D12B	06		G10Z, G12A, G12B	08	I02A, I02B, I02C, I02D, I12A, I12B, I12C, I22A, I50Z				
	05	F13A, F21A, F21B	08		I02A, I02B, I02C, I02D, I12A, I12B, I12C, I22A, I50Z	09	J02A, J02B, J04A, J04B, J08A, J08B, J08C, J16Z, J21Z, J22A, J22B				
	08	I02A, I02B, I02C, I02D, I12A, I12B, I12C, I22A, I50Z	09		J02A, J02B, J04A, J04B, J08A, J08B, J08C, J16Z, J21Z, J22A, J22B	09	J02A, J02B, J04A, J04B, J08A, J08B, J08C, J16Z, J21Z, J22A, J22B				
	09	J02A, J02B, J04A, J04B, J08A, J08B, J08C, J16Z, J21Z, J22A, J22B	21A		W04A, W04B	10	K01Z				
	21A	W04A, W04B	21B		X01A, X01B	21A	W04A, W04B				
	21B	X01A, X01B	21B		X01A, X01B	21B	X01A, X01B				
	5v238.5		BOP, KVT, UOP4		5v238.b		BOP, KVT, UOP4		5v238.g↔		BOP, KVT, UOP4
01		B03A, B03B, B06A, B06B, B07Z, B17A, B17B, B17C	01	B03A, B03B, B06A, B06B, B07Z, B17A, B17B, B17C		01	B03A, B03B, B06A, B06B, B07Z, B17A, B17B, B17C				
03		D12A, D12B	05	F13A, F21A, F21B		05	F13A, F21A, F21B, F27A, F27B, F27C				
05		F13A, F21A, F21B	06	G10Z, G12A, G12B		08	I02A, I02B, I02C, I02D, I12A, I12B, I12C, I22A, I50Z				
08		I02A, I02B, I02C, I02D, I12A, I12B, I12C, I22A, I50Z	08	I02A, I02B, I02C, I02D, I12A, I12B, I12C, I22A, I50Z		08	I02A, I02B, I02C, I02D, I12A, I12B, I12C, I22A, I50Z				
09		J02A, J02B, J04A, J04B, J08A, J08B, J08C, J16Z, J21Z, J22A, J22B	09	J02A, J02B, J04A, J04B, J08A, J08B, J08C, J16Z, J21Z, J22A, J22B		09	J02A, J02B, J04A, J04B, J08A, J08B, J08C, J16Z, J21Z, J22A, J22B				
21A		W04A, W04B	13	N11A		09	J02A, J02B, J04A, J04B, J08A, J08B, J08C, J16Z, J21Z, J22A, J22B				
21B		X01A, X01B	21A	W04A, W04B		10	K01Z				
5v238.6↔			BOP, KVT, UOP4	5v238.c			BOP, KVT, UOP4	5v238.x↔			BOP, KVT, UOP4
		01	B03A, B03B, B06A, B06B, B07Z, B17A, B17B, B17C			01	B03A, B03B, B06A, B06B, B07Z, B17A, B17B, B17C			01	B03A, B03B, B06A, B06B, B07Z, B17A, B17B, B17C
	05	F13A, F21A, F21B	05		F13A, F21A, F21B	05	F13A, F21A, F21B				
	08	I02A, I02B, I02C, I02D, I12A, I12B, I12C, I22A, I50Z	06		G10Z, G12A, G12B	08	I02A, I02B, I02C, I02D, I12A, I12B, I12C, I22A, I50Z				
	09	J02A, J02B, J04A, J04B, J08A, J08B, J08C, J16Z, J21Z, J22A, J22B	08		I02A, I02B, I02C, I02D, I12A, I12B, I12C, I22A, I50Z	08	I02A, I02B, I02C, I02D, I12A, I12B, I12C, I22A, I32A, I32B, I32C, I32D, I32E, I32F, I50Z				
	21A	W04A, W04B	09		J02A, J02B, J04A, J04B, J08A, J08B, J08C, J16Z, J21Z, J22A, J22B	09	J02A, J02B, J04A, J04B, J08A, J08B, J08C, J16Z, J21Z, J22A, J22B				
	21B	X01A, X01B	13		N11A	21A	W04A, W04B				
	5v238.7↔		BOP, KVT, UOP4		5v238.7↔		BOP, KVT, UOP4		5v238.7↔		BOP, KVT, UOP4
		01	B03A, B03B, B06A, B06B, B07Z, B17A, B17B, B17C			01	B03A, B03B, B06A, B06B, B07Z, B17A, B17B, B17C			01	B03A, B03B, B06A, B06B, B07Z, B17A, B17B, B17C
		05	F13A, F21A, F21B			05	F13A, F21A, F21B			05	F13A, F21A, F21B
08		I02A, I02B, I02C, I02D, I12A, I12B, I12C, I22A, I50Z	06	G10Z, G12A, G12B		08	I02A, I02B, I02C, I02D, I12A, I12B, I12C, I22A, I50Z				
09		J02A, J02B, J04A, J04B, J08A, J08B, J08C, J16Z, J21Z, J22A, J22B	08	I02A, I02B, I02C, I02D, I12A, I12B, I12C, I22A, I50Z		09	J02A, J02B, J04A, J04B, J08A, J08B, J08C, J16Z, J21Z, J22A, J22B				
21A		W04A, W04B	09	J02A, J02B, J04A, J04B, J08A, J08B, J08C, J16Z, J21Z, J22A, J22B		21A	W04A, W04B				
21B		X01A, X01B	13	N11A		21B	X01A, X01B				

Príloha B: Index Výkon-MDC-DRG

ZZV	MDC	DRG	ZZV	MDC	DRG	ZZV	MDC	DRG
5v23a.0		BOP, KVT, UOP4	5v23a.9↔		BOP, KVT, UOP4	5v23a.e↔		BOP, KVT, UOP4
	03	D18Z, D28Z, D29Z		01	B03A, B03B, B06A, B06B, B07Z, B17A, B17B, B17C		01	B03A, B03B, B06A, B06B, B07Z, B17A, B17B, B17C
	05	F13A		05	F13A, F21A, F21B, F21C		05	F13A, F21A, F21B, F21C, F27A, F27B, F27C
	09	J03A, J03B, J04A, J04B, J08A, J08B, J08C, J11A, J11B, J16Z		08	I12A, I12B, I12C, I32A, I32B, I32C, I32D, I32E, I32F		08	I02A, I02B, I02C, I02D, I22A, I22B, I50Z
	21A	W04A, W04B		09	J03A, J03B, J04A, J04B, J08A, J08B, J08C, J16Z, J21Z, J22A, J22B		09	J02A, J02B, J02C, J04A, J04B, J08A, J08B, J08C, J16Z, J21Z, J22A, J22B
5v23a.4	21B	X06A, X06B, X06C	5v23a.a	21A	W04A, W04B	5v23a.f↔	21A	W04A, W04B
		BOP, KVT, UOP4		21B	X01A, X01B, X01C		21B	X01A, X01B, X01C
	01	B03A, B03B, B06A, B06B, B07Z, B17A, B17B, B17C		01	B03A, B03B, B06A, B06B, B07Z, B17A, B17B, B17C		01	B03A, B03B, B06A, B06B, B07Z, B17A, B17B, B17C
	02	C20A, C20B		05	F13A, F21A, F21B, F21C		05	F13A, F21A, F21B, F21C, F27A, F27B, F27C
	03	D12A, D12B		06	G10Z, G12A, G12B		08	I02A, I02B, I02C, I02D, I22A, I22B, I50Z
5v23a.5	05	F13A, F21A, F21B, F21C	5v23a.b	08	I02A, I02B, I02C, I02D, I22A, I22B, I50Z	5v23a.g↔	08	I02A, I02B, I02C, I02D, I22A, I22B, I50Z
	08	I02A, I02B, I02C, I02D, I22A, I22B, I50Z		09	J02A, J02B, J02C, J04A, J04B, J08A, J08B, J08C, J16Z, J21Z, J22A, J22B		09	J02A, J02B, J02C, J04A, J04B, J08A, J08B, J08C, J16Z, J21Z, J22A, J22B
	09	J02A, J02B, J02C, J04A, J04B, J08A, J08B, J08C, J16Z, J21Z, J22A, J22B		21A	W04A, W04B		10	K01Z
	21A	W04A, W04B		21B	X01A, X01B, X01C		21A	W04A, W04B
	21B	X01A, X01B, X01C		01	B03A, B03B, B06A, B06B, B07Z, B17A, B17B, B17C		21B	X01A, X01B, X01C
5v23a.6↔		BOP, KVT, UOP4	5v23a.c		BOP, KVT, UOP4	5v23a.x↔		BOP, KVT, UOP4
	01	B03A, B03B, B06A, B06B, B07Z, B17A, B17B, B17C		01	B03A, B03B, B06A, B06B, B07Z, B17A, B17B, B17C		01	B03A, B03B, B06A, B06B, B07Z, B17A, B17B, B17C
	05	F13A, F21A, F21B, F21C		05	F13A, F21A, F21B, F21C		05	F13A, F21A, F21B, F21C
	08	I02A, I02B, I02C, I02D, I22A, I22B, I50Z		06	G10Z, G12A, G12B		08	I02A, I02B, I02C, I02D, I22A, I22B, I50Z
	09	J02A, J02B, J02C, J04A, J04B, J08A, J08B, J08C, J16Z, J21Z, J22A, J22B		08	I02A, I02B, I02C, I02D, I22A, I22B, I50Z		08	I02A, I02B, I02C, I02D, I22A, I22B, I32A, I32B, I32C, I32D, I32E, I32F, I50Z
5v23a.7↔	21A	W04A, W04B	5v23a.d	09	J02A, J02B, J02C, J04A, J04B, J08A, J08B, J08C, J16Z, J21Z, J22A, J22B	5v23b.0	09	J02A, J02B, J02C, J04A, J04B, J08A, J08B, J08C, J16Z, J21Z, J22A, J22B
	21B	X01A, X01B, X01C		10	K09A, K09B		09	J02A, J02B, J02C, J04A, J04B, J08A, J08B, J08C, J16Z, J21Z, J22A, J22B
		BOP, KVT, UOP4		12	M04A, M04B, M04C, M04D, M37Z, M38Z		21A	W04A, W04B
	01	B03A, B03B, B06A, B06B, B07Z, B17A, B17B, B17C		21A	W04A, W04B		21B	X01A, X01B, X01C
	05	F13A, F21A, F21B, F21C		21B	X01A, X01B, X01C		03	D18Z, D25A, D25B, D25C, D25D
5v23a.8↔	08	I02A, I02B, I02C, I02D, I22A, I22B, I50Z	5v23a.e↔	01	B03A, B03B, B06A, B06B, B07Z, B17A, B17B, B17C	5v23b.0	05	F13A
	09	J02A, J02B, J02C, J04A, J04B, J08A, J08B, J08C, J16Z, J21Z, J22A, J22B		05	F13A, F21A, F21B, F21C		08	I12A, I12B, I12C
	21A	W04A, W04B		06	G10Z, G12A, G12B		09	J03A, J03B, J04A, J04B, J08A, J08B, J08C, J11A, J16Z
	21B	X01A, X01B, X01C		08	I02A, I02B, I02C, I02D, I22A, I22B, I50Z		21A	W04A, W04B
		BOP, KVT, UOP4		09	J02A, J02B, J02C, J04A, J04B, J08A, J08B, J08C, J16Z, J21Z, J22A, J22B		21B	X01A, X01B, X06A, X06B, X06C
	BOP, KVT, UOP4		BOP, KVT, UOP4		BOP, KVT, UOP4		BOP, KVT, UOP4	
	B03A, B03B, B06A, B06B, B07Z, B17A, B17B, B17C		B03A, B03B, B06A, B06B, B07Z, B17A, B17B, B17C		B03A, B03B, B06A, B06B, B07Z, B17A, B17B, B17C		B03A, B03B, B06A, B06B, B07Z, B17A, B17B, B17C	
	F13A, F21A, F21B, F21C		F13A, F21A, F21B, F21C		F13A, F21A, F21B, F21C		F13A, F21A, F21B, F21C	
	I02A, I02B, I02C, I02D, I22A, I22B, I32A, I32B, I32C, I32D, I32E, I32F, I50Z		I02A, I02B, I02C, I02D, I22A, I22B, I50Z		I02A, I02B, I02C, I02D, I22A, I22B, I50Z		I02A, I02B, I02C, I02D, I22A, I22B, I50Z	
	J02A, J02B, J02C, J04A, J04B, J08A, J08B, J08C, J16Z, J21Z, J22A, J22B		J02A, J02B, J02C, J04A, J04B, J08A, J08B, J08C, J16Z, J21Z, J22A, J22B		J02A, J02B, J02C, J04A, J04B, J08A, J08B, J08C, J16Z, J21Z, J22A, J22B		J02A, J02B, J02C, J04A, J04B, J08A, J08B, J08C, J16Z, J21Z, J22A, J22B	
	W04A, W04B		W04A, W04B		W04A, W04B		W04A, W04B	
	X01A, X01B, X01C		X01A, X01B, X01C		X01A, X01B, X01C		X01A, X01B, X01C	



ZZV	MDC	DRG	ZZV	MDC	DRG	ZZV	MDC	DRG			
5v250.0		KOP, KOPV	5v250.9↔		KOP, KOPV	5v250.g↔		KOP, KOPV			
	03	D02A, D02B, D18Z, D24A, D24B		06	G33Z		06	G33Z			
	06	G33Z		07	H33Z, H38Z		07	H33Z, H38Z			
	07	H33Z, H38Z		08	I32A, I32B, I32C, I32D, I32E, I32F, I34Z		08	I02A, I02B, I02C, I02D, I22A, I32A, I32B, I32C, I32D, I34Z, I50Z			
	08	I32A, I32B, I32C, I32D		09	J01Z, J02A, J02B		09	J01Z, J02A, J02B			
	09	J01Z, J02A, J02B		11	L33Z		11	L33Z			
	11	L33Z		21B	X01A, X01B, X33Z		21B	X01A, X01B, X33Z			
	21B	X01A, X01B, X33Z		Pre	A07A		Pre	A07A			
	Pre	A07A		5v250.a			KOP, KOPV	5v250.x↔		KOP, KOPV	
	5v250.4				KOP, KOPV		06		G33Z	06	G33Z
		02			C20A, C20B		07		H33Z, H38Z	07	H33Z, H38Z
		03			D02A, D02B, D18Z, D24A, D24B		08		I02A, I02B, I02C, I02D, I22A, I32A, I32B, I32C, I32D, I34Z, I50Z	08	I02A, I02B, I02C, I02D, I22A, I32A, I32B, I32C, I32D, I32E, I32F, I34Z, I50Z
06		G33Z	09		J01Z, J02A, J02B	09	J01Z, J02A, J02B				
07		H33Z, H38Z	11		L33Z	11	L33Z				
08		I02A, I02B, I02C, I02D, I22A, I32A, I32B, I32C, I32D, I34Z, I50Z	21B		X01A, X01B, X33Z	21B	X01A, X01B, X33Z				
09		J01Z, J02A, J02B	Pre		A07A	Pre	A07A				
11		L33Z	5v250.b			KOP, KOPV	5v251.0			BOP, KVT, UOP4	
21B		X01A, X01B, X33Z			06	G33Z			03	D02A, D02B, D18Z, D24A, D24B	
Pre		A07A			07	H33Z, H38Z			05	F13A	
5v250.5					KOP, KOPV	08			I02A, I02B, I02C, I02D, I22A, I32A, I32B, I32C, I32D, I34Z, I50Z	08	I12A, I12B, I12C
		03		D02A, D02B, D18Z, D24A, D24B	09	J01Z, J02A, J02B		09	J03A, J03B, J04A, J04B, J08A, J08B, J08C, J11A, J11B, J16Z		
	06	G33Z		11	L33Z	21A		W04A, W04B			
	07	H33Z, H38Z		21B	X01A, X01B, X33Z	21B		X01A, X01B, X06A, X06B, X06C			
	08	I02A, I02B, I02C, I02D, I22A, I32A, I32B, I32C, I32D, I34Z, I50Z		Pre	A07A	5v251.4			BOP, KVT, UOP4		
	09	J01Z, J02A, J02B		06	G33Z			01	B03A, B03B, B06A, B06B, B07Z, B17A, B17B, B17C		
	11	L33Z		07	H33Z, H38Z			02	C20A, C20B		
	21B	X01A, X01B, X33Z		08	I02A, I02B, I02C, I02D, I22A, I32A, I32B, I32C, I32D, I34Z, I50Z			03	D02A, D02B, D18Z, D24A, D24B		
	Pre	A07A		09	J01Z, J02A, J02B			05	F13A, F21A, F21B		
	5v250.6↔		KOP, KOPV	11	L33Z		08	I02A, I02B, I02C, I02D, I12A, I12B, I12C, I22A, I50Z			
		06	G33Z	21B	X01A, X01B, X33Z		09	J02A, J02B, J04A, J04B, J08A, J08B, J08C, J16Z, J21Z, J22A, J22B			
		07	H33Z, H38Z	Pre	A07A		21A	W04A, W04B			
08		I02A, I02B, I02C, I02D, I22A, I32A, I32B, I32C, I32D, I34Z, I50Z	5v250.c		KOP, KOPV		21B	X01A, X01B			
09		J01Z, J02A, J02B		06	G33Z		5v251.5		BOP, KVT, UOP4		
11		L33Z		07	H33Z, H38Z			01	B03A, B03B, B06A, B06B, B07Z, B17A, B17B, B17C		
21B		X01A, X01B, X33Z		08	I02A, I02B, I02C, I02D, I22A, I32A, I32B, I32C, I32D, I34Z, I50Z			03	D02A, D02B, D18Z, D24A, D24B		
Pre		A07A		09	J01Z, J02A, J02B	05		F13A, F21A, F21B			
5v250.7↔				KOP, KOPV	11	L33Z		08	I02A, I02B, I02C, I02D, I12A, I12B, I12C, I22A, I50Z		
		06		G33Z	21B	X01A, X01B, X33Z		09	J02A, J02B, J04A, J04B, J08A, J08B, J08C, J16Z, J21Z, J22A, J22B		
		07		H33Z, H38Z	Pre	A07A		21A	W04A, W04B		
		08		I02A, I02B, I02C, I02D, I22A, I32A, I32B, I32C, I32D, I34Z, I50Z	5v250.d			KOP, KOPV	21B	X01A, X01B	
	09	J01Z, J02A, J02B		06		G33Z		5v251.6↔		BOP, KVT, UOP4	
	11	L33Z		07		H33Z, H38Z			01	B03A, B03B, B06A, B06B, B07Z, B17A, B17B, B17C	
	21B	X01A, X01B, X33Z		08		I02A, I02B, I02C, I02D, I22A, I32A, I32B, I32C, I32D, I34Z, I50Z			05	F13A, F21A, F21B	
	Pre	A07A	09	J01Z, J02A, J02B		08			I02A, I02B, I02C, I02D, I12A, I12B, I12C, I22A, I50Z		
	5v250.8↔		KOP, KOPV	11		L33Z	09		J02A, J02B, J04A, J04B, J08A, J08B, J08C, J16Z, J21Z, J22A, J22B		
		06	G33Z	21B		X01A, X01B, X33Z	21A		W04A, W04B		
		07	H33Z, H38Z	Pre		A07A	21B		X01A, X01B		
		08	I02A, I02B, I02C, I02D, I22A, I32A, I32B, I32C, I32D, I32E, I32F, I34Z, I50Z	5v250.e↔			KOP, KOPV		5v251.6↔		BOP, KVT, UOP4
09		J01Z, J02A, J02B	06			G33Z	01			B03A, B03B, B06A, B06B, B07Z, B17A, B17B, B17C	
11		L33Z	07			H33Z, H38Z	05			F13A, F21A, F21B	
21B		X01A, X01B, X33Z	08			I02A, I02B, I02C, I02D, I22A, I32A, I32B, I32C, I32D, I34Z, I50Z	08			I02A, I02B, I02C, I02D, I12A, I12B, I12C, I22A, I50Z	
Pre		A07A	09		J01Z, J02A, J02B	09	J02A, J02B, J04A, J04B, J08A, J08B, J08C, J16Z, J21Z, J22A, J22B				
5v250.f↔			KOP, KOPV		11	L33Z	21A	W04A, W04B			
		06	G33Z		21B	X01A, X01B, X33Z	21B	X01A, X01B			
		07	H33Z, H38Z		Pre	A07A	5v251.6↔			BOP, KVT, UOP4	
		08	I02A, I02B, I02C, I02D, I22A, I32A, I32B, I32C, I32D, I32E, I32F, I34Z, I50Z		5v250.f↔			KOP, KOPV		01	B03A, B03B, B06A, B06B, B07Z, B17A, B17B, B17C
	09	J01Z, J02A, J02B	06			G33Z		05		F13A, F21A, F21B	
	11	L33Z	07			H33Z, H38Z		08		I02A, I02B, I02C, I02D, I12A, I12B, I12C, I22A, I50Z	
	21B	X01A, X01B, X33Z	08			I02A, I02B, I02C, I02D, I22A, I32A, I32B, I32C, I32D, I34Z, I50Z		09		J02A, J02B, J04A, J04B, J08A, J08B, J08C, J16Z, J21Z, J22A, J22B	
	Pre	A07A	09	J01Z, J02A, J02B		21A		W04A, W04B			
			11	L33Z		21B		X01A, X01B			
			21B	X01A, X01B, X33Z							
			Pre	A07A							

VYK

Príloha B: Index Výkon-MDC-DRG

ZZV	MDC	DRG	ZZV	MDC	DRG	ZZV	MDC	DRG			
5v251.7↔		BOP, KVT, UOP4	5v251.d		BOP, KVT, UOP4	5v252.0		BOP, KVT, UOP4			
	01	B03A, B03B, B06A, B06B, B07Z, B17A, B17B, B17C		01	B03A, B03B, B06A, B06B, B07Z, B17A, B17B, B17C		03	D02A, D02B, D18Z, D24A, D24B			
	05	F13A, F21A, F21B		05	F13A, F21A, F21B		05	F13A			
	08	I02A, I02B, I02C, I02D, I12A, I12B, I12C, I22A, I50Z		06	G10Z, G12A, G12B		08	I12A, I12B, I12C			
	09	J02A, J02B, J04A, J04B, J08A, J08B, J08C, J16Z, J21Z, J22A, J22B		08	I02A, I02B, I02C, I02D, I12A, I12B, I12C, I22A, I50Z		09	J03A, J03B, J04A, J04B, J08A, J08B, J08C, J11A, J11B, J16Z			
	21A	W04A, W04B		09	J02A, J02B, J04A, J04B, J08A, J08B, J08C, J16Z, J21Z, J22A, J22B		21A	W04A, W04B			
	21B	X01A, X01B		21A	W04A, W04B		21B	X01A, X01B, X06A, X06B, X06C			
	5v251.8↔			BOP, KVT, UOP4	5v251.e↔			BOP, KVT, UOP4	5v252.4		BOP, KVT, UOP4
		01		B03A, B03B, B06A, B06B, B07Z, B17A, B17B, B17C			01	B03A, B03B, B06A, B06B, B07Z, B17A, B17B, B17C		01	B03A, B03B, B06A, B06B, B07Z, B17A, B17B, B17C
		05		F13A, F21A, F21B			05	F13A, F21A, F21B, F27A, F27B, F27C		02	C20A, C20B
08		I02A, I02B, I02C, I02D, I12A, I12B, I12C, I22A, I32A, I32B, I32C, I32D, I32E, I32F, I50Z	08	I02A, I02B, I02C, I02D, I12A, I12B, I12C, I22A, I50Z		03	D02A, D02B, D18Z, D24A, D24B				
09		J02A, J02B, J04A, J04B, J08A, J08B, J08C, J16Z, J21Z, J22A, J22B	09	J02A, J02B, J04A, J04B, J08A, J08B, J08C, J16Z, J21Z, J22A, J22B		05	F13A, F21A, F21B				
21A		W04A, W04B	10	K01Z		08	I02A, I02B, I02C, I02D, I12A, I12B, I12C, I22A, I50Z				
21B		X01A, X01B	21A	W04A, W04B		09	J02A, J02B, J04A, J04B, J08A, J08B, J08C, J16Z, J21Z, J22A, J22B				
5v251.9↔			BOP, KVT, UOP4	5v251.f↔			BOP, KVT, UOP4	5v252.5			BOP, KVT, UOP4
		01	B03A, B03B, B06A, B06B, B07Z, B17A, B17B, B17C			01	B03A, B03B, B06A, B06B, B07Z, B17A, B17B, B17C			01	B03A, B03B, B06A, B06B, B07Z, B17A, B17B, B17C
		05	F13A, F21A, F21B			05	F13A, F21A, F21B, F27A, F27B, F27C			03	D02A, D02B, D18Z, D24A, D24B
	08	I12A, I12B, I12C, I32A, I32B, I32C, I32D, I32E, I32F	08		I02A, I02B, I02C, I02D, I12A, I12B, I12C, I22A, I50Z	05	F13A, F21A, F21B				
	09	J02A, J02B, J04A, J04B, J08A, J08B, J08C, J16Z, J21Z, J22A, J22B	09		J02A, J02B, J04A, J04B, J08A, J08B, J08C, J16Z, J21Z, J22A, J22B	08	I02A, I02B, I02C, I02D, I12A, I12B, I12C, I22A, I50Z				
	21A	W04A, W04B	10		K01Z	09	J02A, J02B, J04A, J04B, J08A, J08B, J08C, J16Z, J21Z, J22A, J22B				
	21B	X01A, X01B	21A		W04A, W04B	21A	W04A, W04B				
	5v251.a		BOP, KVT, UOP4		5v251.g↔		BOP, KVT, UOP4		5v252.6↔		BOP, KVT, UOP4
		01	B03A, B03B, B06A, B06B, B07Z, B17A, B17B, B17C			01	B03A, B03B, B06A, B06B, B07Z, B17A, B17B, B17C			01	B03A, B03B, B06A, B06B, B07Z, B17A, B17B, B17C
		05	F13A, F21A, F21B			05	F13A, F21A, F21B, F27A, F27B, F27C			05	F13A, F21A, F21B
06		G10Z, G12A, G12B	08	I02A, I02B, I02C, I02D, I12A, I12B, I12C, I22A, I50Z		08	I02A, I02B, I02C, I02D, I12A, I12B, I12C, I22A, I50Z				
08		I02A, I02B, I02C, I02D, I12A, I12B, I12C, I22A, I50Z	09	J02A, J02B, J04A, J04B, J08A, J08B, J08C, J16Z, J21Z, J22A, J22B		09	J02A, J02B, J04A, J04B, J08A, J08B, J08C, J16Z, J21Z, J22A, J22B				
09		J02A, J02B, J04A, J04B, J08A, J08B, J08C, J16Z, J21Z, J22A, J22B	10	K01Z		09	J02A, J02B, J04A, J04B, J08A, J08B, J08C, J16Z, J21Z, J22A, J22B				
21A		W04A, W04B	21A	W04A, W04B		21A	W04A, W04B				
21B		X01A, X01B	21B	X01A, X01B		21B	X01A, X01B				
5v251.b			BOP, KVT, UOP4	5v251.x↔			BOP, KVT, UOP4	5v252.7↔			BOP, KVT, UOP4
		01	B03A, B03B, B06A, B06B, B07Z, B17A, B17B, B17C			01	B03A, B03B, B06A, B06B, B07Z, B17A, B17B, B17C			01	B03A, B03B, B06A, B06B, B07Z, B17A, B17B, B17C
	05	F13A, F21A, F21B	05		F13A, F21A, F21B	05	F13A, F21A, F21B				
	06	G10Z, G12A, G12B	08		I02A, I02B, I02C, I02D, I12A, I12B, I12C, I22A, I32A, I32B, I32C, I32D, I32E, I32F, I50Z	08	I02A, I02B, I02C, I02D, I12A, I12B, I12C, I22A, I50Z				
	08	I02A, I02B, I02C, I02D, I12A, I12B, I12C, I22A, I50Z	09		J02A, J02B, J04A, J04B, J08A, J08B, J08C, J16Z, J21Z, J22A, J22B	09	J02A, J02B, J04A, J04B, J08A, J08B, J08C, J16Z, J21Z, J22A, J22B				
	09	J02A, J02B, J04A, J04B, J08A, J08B, J08C, J16Z, J21Z, J22A, J22B	21A		W04A, W04B	09	J02A, J02B, J04A, J04B, J08A, J08B, J08C, J16Z, J21Z, J22A, J22B				
	21A	W04A, W04B	21A		W04A, W04B	21A	W04A, W04B				
	21B	X01A, X01B	21B		X01A, X01B	21B	X01A, X01B				
	5v251.c		BOP, KVT, UOP4								
		01	B03A, B03B, B06A, B06B, B07Z, B17A, B17B, B17C								
05		F13A, F21A, F21B									
06		G10Z, G12A, G12B									
08		I02A, I02B, I02C, I02D, I12A, I12B, I12C, I22A, I50Z									
09		J02A, J02B, J04A, J04B, J08A, J08B, J08C, J16Z, J21Z, J22A, J22B									
21A		W04A, W04B									
21B		X01A, X01B									

VYK

ZZV	MDC	DRG	ZZV	MDC	DRG	ZZV	MDC	DRG
5v252.8↔		BOP, KVT, UOP4	5v252.e↔		BOP, KVT, UOP4	5v260.4		BOP, KVT, UOP4
	01	B03A, B03B, B06A, B06B, B07Z, B17A, B17B, B17C		01	B03A, B03B, B06A, B06B, B07Z, B17A, B17B, B17C		01	B03A, B03B, B06A, B06B, B07Z, B17A, B17B, B17C
	05	F13A, F21A, F21B		05	F13A, F21A, F21B, F27A, F27B, F27C		02	C20A, C20B
	08	I02A, I02B, I02C, I02D, I12A, I12B, I12C, I22A, I32A, I32B, I32C, I32D, I32E, I32F, I50Z		08	I02A, I02B, I02C, I02D, I12A, I12B, I12C, I22A, I50Z		03	D12A
	09	J02A, J02B, J04A, J04B, J08A, J08B, J08C, J16Z, J21Z, J22A, J22B		09	J02A, J02B, J04A, J04B, J08A, J08B, J08C, J16Z, J21Z, J22A, J22B		05	F13A, F21A, F21B
	21A	W04A, W04B		10	K01Z		08	I02A, I02B, I02C, I02D, I12A, I12B, I12C, I22A, I50Z
	21B	X01A, X01B		21A	W04A, W04B		09	J02A, J02B, J04A, J04B, J08A, J08B, J16Z, J21Z, J22A, J22B
				21B	X01A, X01B		21A	W04A, W04B
							21B	X01A, X01B
5v252.9↔		BOP, KVT, UOP4	5v252.f↔		BOP, KVT, UOP4	5v260.5		BOP, KVT, UOP4
	01	B03A, B03B, B06A, B06B, B07Z, B17A, B17B, B17C		01	B03A, B03B, B06A, B06B, B07Z, B17A, B17B, B17C		01	B03A, B03B, B06A, B06B, B07Z, B17A, B17B, B17C
	05	F13A, F21A, F21B		05	F13A, F21A, F21B, F27A, F27B, F27C		03	D12A
	08	I12A, I12B, I12C, I32A, I32B, I32C, I32D, I32E, I32F		08	I02A, I02B, I02C, I02D, I12A, I12B, I12C, I22A, I50Z		05	F13A, F21A, F21B
	09	J02A, J02B, J04A, J04B, J08A, J08B, J08C, J16Z, J21Z, J22A, J22B		09	J02A, J02B, J04A, J04B, J08A, J08B, J08C, J16Z, J21Z, J22A, J22B		08	I02A, I02B, I02C, I02D, I12A, I12B, I12C, I22A, I50Z
	21A	W04A, W04B		10	K01Z		09	J02A, J02B, J04A, J04B, J08A, J08B, J16Z, J21Z, J22A, J22B
	21B	X01A, X01B		21A	W04A, W04B		21A	W04A, W04B
				21B	X01A, X01B		21B	X01A, X01B
5v252.a		BOP, KVT, UOP4	5v252.g↔		BOP, KVT, UOP4	5v260.6↔		BOP, KVT, UOP4
	01	B03A, B03B, B06A, B06B, B07Z, B17A, B17B, B17C		01	B03A, B03B, B06A, B06B, B07Z, B17A, B17B, B17C		01	B03A, B03B, B06A, B06B, B07Z, B17A, B17B, B17C
	05	F13A, F21A, F21B		05	F13A, F21A, F21B, F27A, F27B, F27C		05	F13A, F21A, F21B
	06	G10Z, G12A, G12B		08	I02A, I02B, I02C, I02D, I12A, I12B, I12C, I22A, I50Z		08	I02A, I02B, I02C, I02D, I12A, I12B, I12C, I22A, I50Z
	08	I02A, I02B, I02C, I02D, I12A, I12B, I12C, I22A, I50Z		09	J02A, J02B, J04A, J04B, J08A, J08B, J08C, J16Z, J21Z, J22A, J22B		09	J02A, J02B, J04A, J04B, J08A, J08B, J16Z, J21Z, J22A, J22B
	09	J02A, J02B, J04A, J04B, J08A, J08B, J08C, J16Z, J21Z, J22A, J22B		10	K01Z		21A	W04A, W04B
	21A	W04A, W04B		21A	W04A, W04B		21B	X01A, X01B
	21B	X01A, X01B						
5v252.b		BOP, KVT, UOP4	5v252.x↔		BOP, KVT, UOP4	5v260.7↔		BOP, KVT, UOP4
	01	B03A, B03B, B06A, B06B, B07Z, B17A, B17B, B17C		01	B03A, B03B, B06A, B06B, B07Z, B17A, B17B, B17C		01	B03A, B03B, B06A, B06B, B07Z, B17A, B17B, B17C
	05	F13A, F21A, F21B		05	F13A, F21A, F21B		05	F13A, F21A, F21B
	06	G10Z, G12A, G12B		08	I02A, I02B, I02C, I02D, I12A, I12B, I12C, I22A, I50Z		08	I02A, I02B, I02C, I02D, I12A, I12B, I12C, I22A, I50Z
	08	I02A, I02B, I02C, I02D, I12A, I12B, I12C, I22A, I50Z		08	I02A, I02B, I02C, I02D, I12A, I12B, I12C, I22A, I32A, I32B, I32C, I32D, I32E, I32F, I50Z		09	J02A, J02B, J04A, J04B, J08A, J08B, J16Z, J21Z, J22A, J22B
	09	J02A, J02B, J04A, J04B, J08A, J08B, J08C, J16Z, J21Z, J22A, J22B		09	J02A, J02B, J04A, J04B, J08A, J08B, J08C, J16Z, J21Z, J22A, J22B		21A	W04A, W04B
	21A	W04A, W04B		09	J02A, J02B, J04A, J04B, J08A, J08B, J08C, J16Z, J21Z, J22A, J22B		21B	X01A, X01B
	21B	X01A, X01B		21A	W04A, W04B			
				21B	X01A, X01B			
5v252.c		BOP, KVT, UOP4	5v260.0		BOP, KVT, UOP4	5v260.8↔		BOP, KVT, UOP4
	01	B03A, B03B, B06A, B06B, B07Z, B17A, B17B, B17C		03	D18Z, D25A, D25B, D25C, D25D		01	B03A, B03B, B06A, B06B, B07Z, B17A, B17B, B17C
	05	F13A, F21A, F21B		05	F13A		05	F13A, F21A, F21B
	06	G10Z, G12A, G12B		08	I12A, I12B, I12C		08	I02A, I02B, I02C, I02D, I12A, I12B, I12C, I22A, I32A, I32B, I32C, I32D, I32E, I32F, I50Z
	08	I02A, I02B, I02C, I02D, I12A, I12B, I12C, I22A, I50Z		09	J03A, J03B, J04A, J04B, J08A, J08B, J11A, J11B, J16Z		09	J02A, J02B, J04A, J04B, J08A, J08B, J16Z, J21Z, J22A, J22B
	09	J02A, J02B, J04A, J04B, J08A, J08B, J08C, J16Z, J21Z, J22A, J22B		09	J03A, J03B, J04A, J04B, J08A, J08B, J11A, J11B, J16Z		21A	W04A, W04B
	21A	W04A, W04B		21A	W04A, W04B		21B	X01A, X01B
	21B	X01A, X01B		21B	X01A, X01B, X06A, X06B, X06C			
5v252.d		BOP, KVT, UOP4			5v260.9↔		BOP, KVT, UOP4	
	01	B03A, B03B, B06A, B06B, B07Z, B17A, B17B, B17C				01	B03A, B03B, B06A, B06B, B07Z, B17A, B17B, B17C	
	05	F13A, F21A, F21B				05	F13A, F21A, F21B	
	06	G10Z, G12A, G12B				08	I12A, I12B, I12C, I32A, I32B, I32C, I32D, I32E, I32F	
	08	I02A, I02B, I02C, I02D, I12A, I12B, I12C, I22A, I50Z				09	J02A, J02B, J04A, J04B, J08A, J08B, J16Z, J21Z, J22A, J22B	
	09	J02A, J02B, J04A, J04B, J08A, J08B, J08C, J16Z, J21Z, J22A, J22B				21A	W04A, W04B	
	21A	W04A, W04B				21B	X01A, X01B	
	21B	X01A, X01B						

VYK

ZZV	MDC	DRG	ZZV	MDC	DRG	ZZV	MDC	DRG			
5v260.a		BOP, KVT, UOP4	5v260.f↔		BOP, KVT, UOP4	5v261.5		BOP, KVT, UOP4			
	01	B03A, B03B, B06A, B06B, B07Z, B17A, B17B, B17C		01	B03A, B03B, B06A, B06B, B07Z, B17A, B17B, B17C		01	B03A, B03B, B06A, B06B, B07Z, B17A, B17B, B17C			
	05	F13A, F21A, F21B		05	F13A, F21A, F21B, F27A, F27B, F27C		03	D12A			
	06	G10Z, G12A, G12B		08	I02A, I02B, I02C, I02D, I12A, I12B, I12C, I22A, I50Z		05	F13A, F21A, F21B			
	08	I02A, I02B, I02C, I02D, I12A, I12B, I12C, I22A, I50Z		09	J02A, J02B, J04A, J04B, J08A, J08B, J16Z, J21Z, J22A, J22B		08	I02A, I02B, I02C, I02D, I12A, I12B, I12C, I22A, I50Z			
	09	J02A, J02B, J04A, J04B, J08A, J08B, J16Z, J21Z, J22A, J22B		10	K01Z		09	J02A, J02B, J04A, J04B, J08A, J08B, J16Z, J21Z, J22A, J22B			
	21A	W04A, W04B		21A	W04A, W04B		21A	W04A, W04B			
	21B	X01A, X01B		21B	X01A, X01B		21B	X01A, X01B, X33Z			
	5v260.b			BOP, KVT, UOP4	5v260.g↔			BOP, KVT, UOP4	5v261.6↔		BOP, KVT, UOP4
		01		B03A, B03B, B06A, B06B, B07Z, B17A, B17B, B17C			01	B03A, B03B, B06A, B06B, B07Z, B17A, B17B, B17C		01	B03A, B03B, B06A, B06B, B07Z, B17A, B17B, B17C
05		F13A, F21A, F21B	05	F13A, F21A, F21B, F27A, F27B, F27C		05	F13A, F21A, F21B				
06		G10Z, G12A, G12B	08	I02A, I02B, I02C, I02D, I12A, I12B, I12C, I22A, I50Z		08	I02A, I02B, I02C, I02D, I12A, I12B, I12C, I22A, I50Z				
08		I02A, I02B, I02C, I02D, I12A, I12B, I12C, I22A, I50Z	09	J02A, J02B, J04A, J04B, J08A, J08B, J16Z, J21Z, J22A, J22B		09	J02A, J02B, J04A, J04B, J08A, J08B, J16Z, J21Z, J22A, J22B				
09		J02A, J02B, J04A, J04B, J08A, J08B, J16Z, J21Z, J22A, J22B	10	K01Z		21A	W04A, W04B				
21A		W04A, W04B	21A	W04A, W04B		21B	X01A, X01B, X33Z				
21B		X01A, X01B	21B	X01A, X01B			BOP, KVT, UOP4				
5v260.c			BOP, KVT, UOP4	5v260.x↔			BOP, KVT, UOP4	5v261.7↔			BOP, KVT, UOP4
		01	B03A, B03B, B06A, B06B, B07Z, B17A, B17B, B17C			01	B03A, B03B, B06A, B06B, B07Z, B17A, B17B, B17C			01	B03A, B03B, B06A, B06B, B07Z, B17A, B17B, B17C
	05	F13A, F21A, F21B	05		F13A, F21A, F21B	05	F13A, F21A, F21B				
	06	G10Z, G12A, G12B	08		I02A, I02B, I02C, I02D, I12A, I12B, I12C, I22A, I50Z	08	I02A, I02B, I02C, I02D, I12A, I12B, I12C, I22A, I50Z				
	08	I02A, I02B, I02C, I02D, I12A, I12B, I12C, I22A, I50Z	09		J02A, J02B, J04A, J04B, J08A, J08B, J16Z, J21Z, J22A, J22B	09	J02A, J02B, J04A, J04B, J08A, J08B, J16Z, J21Z, J22A, J22B				
	09	J02A, J02B, J04A, J04B, J08A, J08B, J16Z, J21Z, J22A, J22B	09		J02A, J02B, J04A, J04B, J08A, J08B, J16Z, J21Z, J22A, J22B	21A	W04A, W04B				
	10	K09A, K09B	21A		W04A, W04B	21B	X01A, X01B, X33Z				
	12	M04A, M04B, M04C, M04D, M37Z, M38Z	21B		X01A, X01B		BOP, KVT, UOP4				
	21A	W04A, W04B	21B		X01A, X01B	01	B03A, B03B, B06A, B06B, B07Z, B17A, B17B, B17C				
	21B	X01A, X01B	21B		X01A, X01B	05	F13A, F21A, F21B				
5v260.d		BOP, KVT, UOP4	5v261.0		BOP, KVT, UOP4	5v261.8↔		BOP, KVT, UOP4			
	01	B03A, B03B, B06A, B06B, B07Z, B17A, B17B, B17C		03	D18Z, D25A, D25B, D25C, D25D		08	I02A, I02B, I02C, I02D, I12A, I12B, I12C, I22A, I32A, I32B, I32C, I32D, I32E, I32F, I50Z			
	05	F13A, F21A, F21B		05	F13A		09	J02A, J02B, J04A, J04B, J08A, J08B, J16Z, J21Z, J22A, J22B			
	06	G10Z, G12A, G12B		08	I12A, I12B, I12C		21A	W04A, W04B			
	08	I02A, I02B, I02C, I02D, I12A, I12B, I12C, I22A, I50Z		09	J03A, J03B, J04A, J04B, J08A, J08B, J10A, J10B, J16Z		21B	X01A, X01B, X33Z			
	09	J02A, J02B, J04A, J04B, J08A, J08B, J16Z, J21Z, J22A, J22B		21A	W04A, W04B			BOP, KVT, UOP4			
	21A	W04A, W04B		21B	X01A, X01B, X06A, X06B, X06C, X33Z		01	B03A, B03B, B06A, B06B, B07Z, B17A, B17B, B17C			
	21B	X01A, X01B		21B	X01A, X01B		05	F13A, F21A, F21B			
	5v260.e↔			BOP, KVT, UOP4	5v261.4			BOP, KVT, UOP4	5v261.9↔		BOP, KVT, UOP4
		01		B03A, B03B, B06A, B06B, B07Z, B17A, B17B, B17C			01	B03A, B03B, B06A, B06B, B07Z, B17A, B17B, B17C		01	B03A, B03B, B06A, B06B, B07Z, B17A, B17B, B17C
05		F13A, F21A, F21B, F27A, F27B, F27C	02	C20A, C20B		05	F13A, F21A, F21B				
08		I02A, I02B, I02C, I02D, I12A, I12B, I12C, I22A, I50Z	03	D12A		08	I12A, I12B, I12C, I32A, I32B, I32C, I32D, I32E, I32F				
09		J02A, J02B, J04A, J04B, J08A, J08B, J16Z, J21Z, J22A, J22B	05	F13A, F21A, F21B		09	J02A, J02B, J04A, J04B, J08A, J08B, J16Z, J21Z, J22A, J22B				
10		K01Z	08	I02A, I02B, I02C, I02D, I12A, I12B, I12C, I22A, I50Z		21A	W04A, W04B				
21A		W04A, W04B	09	J02A, J02B, J04A, J04B, J08A, J08B, J16Z, J21Z, J22A, J22B		21B	X01A, X01B, X33Z				
21B		X01A, X01B	21A	W04A, W04B			BOP, KVT, UOP4				
5v260.f↔			BOP, KVT, UOP4	5v261.6↔			BOP, KVT, UOP4	5v261.a			BOP, KVT, UOP4
		01	B03A, B03B, B06A, B06B, B07Z, B17A, B17B, B17C			01	B03A, B03B, B06A, B06B, B07Z, B17A, B17B, B17C			01	B03A, B03B, B06A, B06B, B07Z, B17A, B17B, B17C
	05	F13A, F21A, F21B	05		F13A, F21A, F21B	05	F13A, F21A, F21B				
	06	G10Z, G12A, G12B	08		I02A, I02B, I02C, I02D, I12A, I12B, I12C, I22A, I50Z	06	G10Z, G12A, G12B				
	08	I02A, I02B, I02C, I02D, I12A, I12B, I12C, I22A, I50Z	09		J02A, J02B, J04A, J04B, J08A, J08B, J16Z, J21Z, J22A, J22B	08	I02A, I02B, I02C, I02D, I12A, I12B, I12C, I22A, I50Z				
	09	J02A, J02B, J04A, J04B, J08A, J08B, J16Z, J21Z, J22A, J22B	21A		W04A, W04B	09	J02A, J02B, J04A, J04B, J08A, J08B, J16Z, J21Z, J22A, J22B				
	21A	W04A, W04B	21B		X01A, X01B, X33Z	21A	W04A, W04B				
	21B	X01A, X01B				21B	X01A, X01B, X33Z				

VYK

ZZV	MDC	DRG	ZZV	MDC	DRG	ZZV	MDC	DRG			
5v261.b		BOP, KVT, UOP4	5v261.g↔		BOP, KVT, UOP4	5v262.6↔		BOP, KVT, UOP4			
	01	B03A, B03B, B06A, B06B, B07Z, B17A, B17B, B17C		01	B03A, B03B, B06A, B06B, B07Z, B17A, B17B, B17C		01	B03A, B03B, B06A, B06B, B07Z, B17A, B17B, B17C			
	05	F13A, F21A, F21B		05	F13A, F21A, F21B, F27A, F27B, F27C		05	F13A, F21A, F21B			
	06	G10Z, G12A, G12B		08	I02A, I02B, I02C, I02D, I12A, I12B, I12C, I22A, I50Z		08	I02A, I02B, I02C, I02D, I12A, I12B, I12C, I22A, I50Z			
	08	I02A, I02B, I02C, I02D, I12A, I12B, I12C, I22A, I50Z		09	J02A, J02B, J04A, J04B, J08A, J08B, J16Z, J21Z, J22A, J22B		09	J02A, J02B, J04A, J04B, J08A, J08B, J16Z, J21Z, J22A, J22B			
	09	J02A, J02B, J04A, J04B, J08A, J08B, J16Z, J21Z, J22A, J22B		10	K01Z		21A	W04A, W04B			
	21A	W04A, W04B		21A	W04A, W04B		21B	X01A, X01B, X33Z			
	21B	X01A, X01B, X33Z		21B	X01A, X01B, X33Z			BOP, KVT, UOP4			
	5v261.c			BOP, KVT, UOP4	5v261.x↔			BOP, KVT, UOP4	5v262.7↔		BOP, KVT, UOP4
		01		B03A, B03B, B06A, B06B, B07Z, B17A, B17B, B17C			01	B03A, B03B, B06A, B06B, B07Z, B17A, B17B, B17C		01	B03A, B03B, B06A, B06B, B07Z, B17A, B17B, B17C
		05		F13A, F21A, F21B			05	F13A, F21A, F21B		05	F13A, F21A, F21B
06		G10Z, G12A, G12B	08	I02A, I02B, I02C, I02D, I12A, I12B, I12C, I22A, I32A, I32B, I32C, I32D, I32E, I32F, I50Z		08	I02A, I02B, I02C, I02D, I12A, I12B, I12C, I22A, I50Z				
08		I02A, I02B, I02C, I02D, I12A, I12B, I12C, I22A, I50Z	09	J02A, J02B, J04A, J04B, J08A, J08B, J16Z, J21Z, J22A, J22B		09	J02A, J02B, J04A, J04B, J08A, J08B, J16Z, J21Z, J22A, J22B				
09		J02A, J02B, J04A, J04B, J08A, J08B, J16Z, J21Z, J22A, J22B	21A	W04A, W04B		21A	W04A, W04B				
10		K09A, K09B	21B	X01A, X01B, X33Z		21B	X01A, X01B, X33Z				
12		M04A, M04B, M04C, M04D, M37Z, M38Z					BOP, KVT, UOP4				
21A		W04A, W04B	03	D02A, D02B, D18Z, D24A, D24B		01	B03A, B03B, B06A, B06B, B07Z, B17A, B17B, B17C				
21B		X01A, X01B, X33Z	05	F13A		05	F13A, F21A, F21B				
5v261.d			BOP, KVT, UOP4	5v262.0			BOP, KVT, UOP4	5v262.8↔			BOP, KVT, UOP4
	01	B03A, B03B, B06A, B06B, B07Z, B17A, B17B, B17C	08		I12A, I12B, I12C	08	I02A, I02B, I02C, I02D, I12A, I12B, I12C, I22A, I32A, I32B, I32C, I32D, I32E, I32F, I50Z				
	05	F13A, F21A, F21B	09		J03A, J03B, J04A, J04B, J08A, J08B, J11A, J11B, J16Z	09	J02A, J02B, J04A, J04B, J08A, J08B, J16Z, J21Z, J22A, J22B				
	06	G10Z, G12A, G12B	21A		W04A, W04B	21A	W04A, W04B				
	08	I02A, I02B, I02C, I02D, I12A, I12B, I12C, I22A, I50Z	21B		X01A, X01B, X06A, X06B, X06C, X33Z	21B	X01A, X01B, X33Z				
	09	J02A, J02B, J04A, J04B, J08A, J08B, J16Z, J21Z, J22A, J22B	22		Y01Z, Y03A, Y03B	01	B03A, B03B, B06A, B06B, B07Z, B17A, B17B, B17C				
	21A	W04A, W04B			BOP, KVT, UOP4	05	F13A, F21A, F21B				
	21B	X01A, X01B, X33Z	01		B03A, B03B, B06A, B06B, B07Z, B17A, B17B, B17C	08	I12A, I12B, I12C, I32A, I32B, I32C, I32D, I32E, I32F				
	5v261.e↔		BOP, KVT, UOP4		5v262.4		BOP, KVT, UOP4		5v262.9↔		BOP, KVT, UOP4
		01	B03A, B03B, B06A, B06B, B07Z, B17A, B17B, B17C			02	C20A, C20B			01	B03A, B03B, B06A, B06B, B07Z, B17A, B17B, B17C
		05	F13A, F21A, F21B, F27A, F27B, F27C			03	D12A			05	F13A, F21A, F21B
08		I02A, I02B, I02C, I02D, I12A, I12B, I12C, I22A, I50Z	05	F13A, F21A, F21B		08	I12A, I12B, I12C, I32A, I32B, I32C, I32D, I32E, I32F				
09		J02A, J02B, J04A, J04B, J08A, J08B, J16Z, J21Z, J22A, J22B	08	I02A, I02B, I02C, I02D, I12A, I12B, I12C, I22A, I50Z		09	J02A, J02B, J04A, J04B, J08A, J08B, J16Z, J21Z, J22A, J22B				
10		K01Z	09	J02A, J02B, J04A, J04B, J08A, J08B, J16Z, J21Z, J22A, J22B		21A	W04A, W04B				
21A		W04A, W04B	21A	W04A, W04B		21B	X01A, X01B, X33Z				
21B		X01A, X01B, X33Z	21B	X01A, X01B, X33Z			BOP, KVT, UOP4				
5v261.f↔			BOP, KVT, UOP4	5v262.5			BOP, KVT, UOP4	5v262.a			BOP, KVT, UOP4
		01	B03A, B03B, B06A, B06B, B07Z, B17A, B17B, B17C			01	B03A, B03B, B06A, B06B, B07Z, B17A, B17B, B17C			01	B03A, B03B, B06A, B06B, B07Z, B17A, B17B, B17C
		05	F13A, F21A, F21B, F27A, F27B, F27C			03	D12A			05	F13A, F21A, F21B
	08	I02A, I02B, I02C, I02D, I12A, I12B, I12C, I22A, I50Z	05		F13A, F21A, F21B	08	G10Z, G12A, G12B				
	09	J02A, J02B, J04A, J04B, J08A, J08B, J16Z, J21Z, J22A, J22B	08		I02A, I02B, I02C, I02D, I12A, I12B, I12C, I22A, I50Z	08	I02A, I02B, I02C, I02D, I12A, I12B, I12C, I22A, I50Z				
	10	K01Z	09		J02A, J02B, J04A, J04B, J08A, J08B, J16Z, J21Z, J22A, J22B	09	J02A, J02B, J04A, J04B, J08A, J08B, J16Z, J21Z, J22A, J22B				
	21A	W04A, W04B	21A		W04A, W04B	21A	W04A, W04B				
	21B	X01A, X01B, X33Z	21B		X01A, X01B, X33Z	21B	X01A, X01B, X33Z				
	5v261.g↔		BOP, KVT, UOP4		5v262.6↔		BOP, KVT, UOP4		5v262.b		BOP, KVT, UOP4
		01	B03A, B03B, B06A, B06B, B07Z, B17A, B17B, B17C			01	B03A, B03B, B06A, B06B, B07Z, B17A, B17B, B17C			01	B03A, B03B, B06A, B06B, B07Z, B17A, B17B, B17C
		05	F13A, F21A, F21B			05	F13A, F21A, F21B			05	F13A, F21A, F21B
06		G10Z, G12A, G12B	08	I02A, I02B, I02C, I02D, I12A, I12B, I12C, I22A, I50Z		06	G10Z, G12A, G12B				
08		I02A, I02B, I02C, I02D, I12A, I12B, I12C, I22A, I50Z	09	J02A, J02B, J04A, J04B, J08A, J08B, J16Z, J21Z, J22A, J22B		08	I02A, I02B, I02C, I02D, I12A, I12B, I12C, I22A, I50Z				
09		J02A, J02B, J04A, J04B, J08A, J08B, J16Z, J21Z, J22A, J22B	21A	W04A, W04B		09	J02A, J02B, J04A, J04B, J08A, J08B, J16Z, J21Z, J22A, J22B				
21A		W04A, W04B	21B	X01A, X01B, X33Z		21A	W04A, W04B				
21B		X01A, X01B, X33Z				21B	X01A, X01B, X33Z				

VYK

ZZV	MDC	DRG	ZZV	MDC	DRG	ZZV	MDC	DRG			
5v262.c		BOP, KVT, UOP4	5v262.x↔		BOP, KVT, UOP4	5v263.8↔		BOP, KVT, UOP4			
	01	B03A, B03B, B06A, B06B, B07Z, B17A, B17B, B17C		01	B03A, B03B, B06A, B06B, B07Z, B17A, B17B, B17C		01	B03A, B03B, B06A, B06B, B07Z, B17A, B17B, B17C			
	05	F13A, F21A, F21B		05	F13A, F21A, F21B		05	F13A, F21A, F21B			
	06	G10Z, G12A, G12B		08	I02A, I02B, I02C, I02D, I12A, I12B, I12C, I22A, I32A, I32B, I32C, I32D, I32E, I32F, I50Z		08	I02A, I02B, I02C, I02D, I12A, I12B, I12C, I22A, I32A, I32B, I32C, I32D, I32E, I32F, I50Z			
	08	I02A, I02B, I02C, I02D, I12A, I12B, I12C, I22A, I50Z		09	J02A, J02B, J04A, J04B, J08A, J08B, J16Z, J21Z, J22A, J22B		09	J02A, J02B, J04A, J04B, J08A, J08B, J16Z, J21Z, J22A, J22B			
	09	J02A, J02B, J04A, J04B, J08A, J08B, J16Z, J21Z, J22A, J22B		21A	W04A, W04B		21A	W04A, W04B			
	10	K09A, K09B		21B	X01A, X01B, X33Z		21B	X01A, X01B, X33Z			
	12	M04A, M04B, M04C, M04D, M37Z, M38Z		5v263.0	BOP, KVT, UOP4		5v263.9↔	BOP, KVT, UOP4			
	21A	W04A, W04B		03	D02A, D02B, D18Z, D24A, D24B		01	B03A, B03B, B06A, B06B, B07Z, B17A, B17B, B17C			
	21B	X01A, X01B, X33Z		05	F13A		05	F13A, F21A, F21B			
	5v262.d			BOP, KVT, UOP4	5v263.4			BOP, KVT, UOP4	5v263.a		BOP, KVT, UOP4
		01		B03A, B03B, B06A, B06B, B07Z, B17A, B17B, B17C			01	B03A, B03B, B06A, B06B, B07Z, B17A, B17B, B17C		01	B03A, B03B, B06A, B06B, B07Z, B17A, B17B, B17C
05		F13A, F21A, F21B	02	C20A, C20B		05	F13A, F21A, F21B				
06		G10Z, G12A, G12B	03	D12A		06	G10Z, G12A, G12B				
08		I02A, I02B, I02C, I02D, I12A, I12B, I12C, I22A, I50Z	05	F13A, F21A, F21B		08	I02A, I02B, I02C, I02D, I12A, I12B, I12C, I22A, I50Z				
09		J02A, J02B, J04A, J04B, J08A, J08B, J16Z, J21Z, J22A, J22B	08	I02A, I02B, I02C, I02D, I12A, I12B, I12C, I22A, I50Z		09	J02A, J02B, J04A, J04B, J08A, J08B, J16Z, J21Z, J22A, J22B				
21A		W04A, W04B	09	J02A, J02B, J04A, J04B, J08A, J08B, J16Z, J21Z, J22A, J22B		21A	W04A, W04B				
21B		X01A, X01B, X33Z	21A	W04A, W04B		21B	X01A, X01B, X33Z				
5v262.e↔			BOP, KVT, UOP4	5v263.5			BOP, KVT, UOP4	5v263.b			BOP, KVT, UOP4
		01	B03A, B03B, B06A, B06B, B07Z, B17A, B17B, B17C			01	B03A, B03B, B06A, B06B, B07Z, B17A, B17B, B17C			01	B03A, B03B, B06A, B06B, B07Z, B17A, B17B, B17C
		05	F13A, F21A, F21B, F27A, F27B, F27C			03	D12A			05	F13A, F21A, F21B
		08	I02A, I02B, I02C, I02D, I12A, I12B, I12C, I22A, I50Z			05	F13A, F21A, F21B			06	G10Z, G12A, G12B
	09	J02A, J02B, J04A, J04B, J08A, J08B, J16Z, J21Z, J22A, J22B	08		I02A, I02B, I02C, I02D, I12A, I12B, I12C, I22A, I50Z	08	I02A, I02B, I02C, I02D, I12A, I12B, I12C, I22A, I50Z				
	10	K01Z	09		J02A, J02B, J04A, J04B, J08A, J08B, J16Z, J21Z, J22A, J22B	09	J02A, J02B, J04A, J04B, J08A, J08B, J16Z, J21Z, J22A, J22B				
	21A	W04A, W04B	21A		W04A, W04B	21A	W04A, W04B				
	21B	X01A, X01B, X33Z	21B		X01A, X01B, X33Z	21B	X01A, X01B, X33Z				
	5v262.f↔		BOP, KVT, UOP4		5v263.6↔		BOP, KVT, UOP4		5v263.c		BOP, KVT, UOP4
		01	B03A, B03B, B06A, B06B, B07Z, B17A, B17B, B17C			01	B03A, B03B, B06A, B06B, B07Z, B17A, B17B, B17C			01	B03A, B03B, B06A, B06B, B07Z, B17A, B17B, B17C
		05	F13A, F21A, F21B, F27A, F27B, F27C			05	F13A, F21A, F21B			05	F13A, F21A, F21B
		08	I02A, I02B, I02C, I02D, I12A, I12B, I12C, I22A, I50Z			08	I02A, I02B, I02C, I02D, I12A, I12B, I12C, I22A, I50Z			06	G10Z, G12A, G12B
09		J02A, J02B, J04A, J04B, J08A, J08B, J16Z, J21Z, J22A, J22B	08	I02A, I02B, I02C, I02D, I12A, I12B, I12C, I22A, I50Z		08	I02A, I02B, I02C, I02D, I12A, I12B, I12C, I22A, I50Z				
10		K01Z	09	J02A, J02B, J04A, J04B, J08A, J08B, J16Z, J21Z, J22A, J22B		09	J02A, J02B, J04A, J04B, J08A, J08B, J16Z, J21Z, J22A, J22B				
21A		W04A, W04B	21A	W04A, W04B		21A	W04A, W04B				
21B		X01A, X01B, X33Z	21B	X01A, X01B, X33Z		21B	X01A, X01B, X33Z				
5v262.g↔			BOP, KVT, UOP4	5v263.7↔			BOP, KVT, UOP4				BOP, KVT, UOP4
		01	B03A, B03B, B06A, B06B, B07Z, B17A, B17B, B17C			01	B03A, B03B, B06A, B06B, B07Z, B17A, B17B, B17C			01	B03A, B03B, B06A, B06B, B07Z, B17A, B17B, B17C
		05	F13A, F21A, F21B, F27A, F27B, F27C			05	F13A, F21A, F21B			05	F13A, F21A, F21B
		08	I02A, I02B, I02C, I02D, I12A, I12B, I12C, I22A, I50Z			08	I02A, I02B, I02C, I02D, I12A, I12B, I12C, I22A, I50Z			06	G10Z, G12A, G12B
	09	J02A, J02B, J04A, J04B, J08A, J08B, J16Z, J21Z, J22A, J22B	08		I02A, I02B, I02C, I02D, I12A, I12B, I12C, I22A, I50Z	08	I02A, I02B, I02C, I02D, I12A, I12B, I12C, I22A, I50Z				
	10	K01Z	09		J02A, J02B, J04A, J04B, J08A, J08B, J16Z, J21Z, J22A, J22B	09	J02A, J02B, J04A, J04B, J08A, J08B, J16Z, J21Z, J22A, J22B				
	21A	W04A, W04B	21A		W04A, W04B	10	K09A, K09B				
	21B	X01A, X01B, X33Z	21B		X01A, X01B, X33Z	12	M04A, M04B, M04C, M04D, M37Z, M38Z				
			01		B03A, B03B, B06A, B06B, B07Z, B17A, B17B, B17C	21A	W04A, W04B				
			05		F13A, F21A, F21B	21B	X01A, X01B, X33Z				
			08		I02A, I02B, I02C, I02D, I12A, I12B, I12C, I22A, I50Z						
			09		J02A, J02B, J04A, J04B, J08A, J08B, J16Z, J21Z, J22A, J22B						

VYK

ZZV	MDC	DRG	ZZV	MDC	DRG	ZZV	MDC	DRG
5v263.d		BOP, KVT, UOP4	5v26x.x↔		BOP, KVT, UOP4	5v270.a		BOP, KVT, UOP4
	01	B03A, B03B, B06A, B06B, B07Z, B17A, B17B, B17C		01	B03A, B03B, B06A, B06B, B07Z, B17A, B17B, B17C		05	F13A
	05	F13A, F21A, F21B		05	F13A, F21A, F21B		09	J03A, J03B, J04A, J04B, J08A, J08B, J08C, J10A, J10B, J16Z
	06	G10Z, G12A, G12B		08	I02A, I02B, I02C, I02D, I22A, I32A, I32B, I32C, I32D, I32E, I32F, I50Z		21A	W04A, W04B
	08	I02A, I02B, I02C, I02D, I12A, I12B, I12C, I22A, I50Z		09	J02A, J02B, J02C, J04A, J04B, J08A, J08B, J16Z, J21Z, J22A, J22B		21B	X06A, X06B, X06C
	09	J02A, J02B, J04A, J04B, J08A, J08B, J16Z, J21Z, J22A, J22B		21A	W04A, W04B		5v270.b	BOP, KVT, UOP4
	21A	W04A, W04B		21A	W04A, W04B		05	F13A
	21B	X01A, X01B, X33Z		21B	X01A, X01B		09	J03A, J03B, J04A, J04B, J08A, J08B, J08C, J10A, J10B, J16Z
		BOP, KVT, UOP4		5v270.0	BOP, KVT, UOP4		21A	W04A, W04B
		BOP, KVT, UOP4			D12A, D12B		21B	X06A, X06B, X06C
5v263.e↔	01	B03A, B03B, B06A, B06B, B07Z, B17A, B17B, B17C	03	D12A, D12B	5v270.c		BOP, KVT, UOP4	
	05	F13A, F21A, F21B, F27A, F27B, F27C	05	F13A		05	F13A	
	08	I02A, I02B, I02C, I02D, I12A, I12B, I12C, I22A, I50Z	09	J03A, J03B, J04A, J04B, J08A, J08B, J08C, J10A, J10B, J16Z		09	J03A, J03B, J04A, J04B, J08A, J08B, J08C, J10A, J10B, J16Z	
	09	J02A, J02B, J04A, J04B, J08A, J08B, J16Z, J21Z, J22A, J22B	21A	W04A, W04B		21A	W04A, W04B	
	10	K01Z	21B	X06A, X06B, X06C		21B	X04Z, X06A, X06B, X06C	
	21A	W04A, W04B	5v270.4	BOP, KVT, UOP4		5v270.d	BOP, KVT, UOP4	
	21B	X01A, X01B, X33Z	03	D12A, D12B		05	F13A	
		BOP, KVT, UOP4	05	F13A		09	J03A, J03B, J04A, J04B, J08A, J08B, J08C, J10A, J10B, J16Z	
		BOP, KVT, UOP4	09	J03A, J03B, J04A, J04B, J08A, J08B, J08C, J10A, J10B, J16Z		21A	W04A, W04B	
		BOP, KVT, UOP4	21A	W04A, W04B		21B	X04Z, X06A, X06B, X06C	
5v263.f↔	01	B03A, B03B, B06A, B06B, B07Z, B17A, B17B, B17C	21B	X06A, X06B, X06C	5v270.e↔		BOP, KVT, UOP4	
	05	F13A, F21A, F21B, F27A, F27B, F27C	5v270.5	BOP, KVT, UOP4		05	F13A	
	08	I02A, I02B, I02C, I02D, I12A, I12B, I12C, I22A, I50Z	03	D12A, D12B		09	J03A, J03B, J04A, J04B, J08A, J08B, J08C, J10A, J10B, J16Z	
	09	J02A, J02B, J04A, J04B, J08A, J08B, J16Z, J21Z, J22A, J22B	05	F13A		21A	W04A, W04B	
	10	K01Z	09	J03A, J03B, J04A, J04B, J08A, J08B, J08C, J10A, J10B, J16Z		21B	X04Z, X06A, X06B, X06C	
	21A	W04A, W04B	21A	W04A, W04B		5v270.f↔	BOP, KVT, UOP4	
	21B	X01A, X01B, X33Z	21B	X06A, X06B, X06C		05	F13A	
		BOP, KVT, UOP4	5v270.6↔	BOP, KVT, UOP4		09	J03A, J03B, J04A, J04B, J08A, J08B, J08C, J10A, J10B, J16Z	
		BOP, KVT, UOP4		F13A		21A	W04A, W04B	
		BOP, KVT, UOP4		J03A, J03B, J04A, J04B, J08A, J08B, J08C, J10A, J10B, J16Z		21B	X04Z, X06A, X06B, X06C	
5v263.g↔	01	B03A, B03B, B06A, B06B, B07Z, B17A, B17B, B17C	09	J03A, J03B, J04A, J04B, J08A, J08B, J08C, J10A, J10B, J16Z	5v270.g↔		BOP, KVT, UOP4	
	05	F13A, F21A, F21B, F27A, F27B, F27C	21A	W04A, W04B		05	F13A	
	08	I02A, I02B, I02C, I02D, I12A, I12B, I12C, I22A, I50Z	21B	X06A, X06B, X06C		09	J03A, J03B, J04A, J04B, J08A, J08B, J08C, J10A, J10B, J16Z	
	09	J02A, J02B, J04A, J04B, J08A, J08B, J16Z, J21Z, J22A, J22B	5v270.7↔	BOP, KVT, UOP4		21A	W04A, W04B	
	10	K01Z	05	F13A		21B	X04Z, X06A, X06B, X06C	
	21A	W04A, W04B	09	J03A, J03B, J04A, J04B, J08A, J08B, J08C, J10A, J10B, J16Z		5v270.x	BOP, KVT, UOP4	
	21B	X01A, X01B, X33Z	21A	W04A, W04B		05	F13A	
		BOP, KVT, UOP4	21B	X06A, X06B, X06C		09	J03A, J03B, J04A, J04B, J08A, J08B, J08C, J10A, J10B, J16Z	
		BOP, KVT, UOP4	5v270.8↔	BOP, KVT, UOP4		21A	W04A, W04B	
		BOP, KVT, UOP4		F13A		21B	X06A, X06B, X06C	
5v263.x↔	01	B03A, B03B, B06A, B06B, B07Z, B17A, B17B, B17C	05	F13A	5v271		BOP, KVT, UOP4	
	05	F13A, F21A, F21B	09	J03A, J03B, J04A, J04B, J08A, J08B, J08C, J10A, J10B, J16Z		05	F13A	
	08	I02A, I02B, I02C, I02D, I12A, I12B, I12C, I22A, I32A, I32B, I32C, I32D, I32E, I32F, I50Z	21A	W04A, W04B		09	J03A, J03B, J04A, J04B, J08A, J08B, J08C, J10A, J10B, J16Z	
	09	J02A, J02B, J04A, J04B, J08A, J08B, J16Z, J21Z, J22A, J22B	21B	X05A, X05B, X06A, X06B, X06C		21A	W04A, W04B	
	21A	W04A, W04B	5v270.9↔	BOP, KVT, UOP4		21B	X06A, X06B, X06C	
	21B	X01A, X01B, X33Z	05	F13A		5v270.x	BOP, KVT, UOP4	
		BOP, KVT, UOP4	09	J03A, J03B, J04A, J04B, J08A, J08B, J08C, J10A, J10B, J16Z		05	F13A	
		BOP, KVT, UOP4	21A	W04A, W04B		09	J03A, J03B, J04A, J04B, J08A, J08B, J08C, J10A, J10B, J16Z	
		BOP, KVT, UOP4	21B	X05A, X05B, X06A, X06B, X06C		21A	W04A, W04B	
		BOP, KVT, UOP4	21B	X06A, X06B, X06C		21B	X06A, X06B, X06C	

VYK

ZZV	MDC	DRG	ZZV	MDC	DRG	ZZV	MDC	DRG			
5v276.9↔		BOP, KVT, UOP4	5v276.e↔		BOP, KVT, UOP4	5v282	03	D08A, D08B, D18Z, D22A, D22B, D30A, D30B			
	01	B03A, B03B, B06A, B06B, B07Z, B17A, B17B, B17C		01	B03A, B03B, B06A, B06B, B07Z, B17A, B17B, B17C		05	F13A			
	05	F13A, F21A, F21B, F21C		05	F13A, F21A, F21B, F21C, F27A, F27B, F27C		09	J03A, J03B, J04A, J04B, J08A, J08B, J08C, J10A, J10B, J16Z			
	08	I12A, I12B, I12C, I32A, I32B, I32C, I32D, I32E, I32F		08	I02A, I02B, I02C, I02D, I12A, I12B, I12C, I22A, I50Z		21A	W04A, W04B			
	09	J02A, J02B, J02C, J04A, J04B, J08A, J08B, J08C, J16Z, J21Z, J22A, J22B		09	J02A, J02B, J02C, J04A, J04B, J08A, J08B, J08C, J16Z, J21Z, J22A, J22B		21B	X06A, X06B, X06C			
	21A	W04A, W04B		10	K01Z		22	Y01Z, Y03A, Y03B			
	21B	X01A, X01B		21A	W04A, W04B		5v283	BOP, KVT, UOP4			
	5v276.a			BOP, KVT, UOP4	21B			X01A, X01B	03	D08A, D08B, D18Z, D22A, D22B, D30A, D30B	
		01		B03A, B03B, B06A, B06B, B07Z, B17A, B17B, B17C	5v276.f↔				05	F13A	
		05		F13A, F21A, F21B, F21C				01	BOP, KVT, UOP4	09	J03A, J03B, J04A, J04B, J08A, J08B, J08C, J10A, J10B, J16Z
		06		G10Z, G12A, G12B				01	B03A, B03B, B06A, B06B, B07Z, B17A, B17B, B17C	21A	W04A, W04B
		08		I02A, I02B, I02C, I02D, I12A, I12B, I12C, I22A, I50Z				05	F13A, F21A, F21B, F21C, F27A, F27B, F27C	21B	X06A, X06B, X06C
09		J02A, J02B, J02C, J04A, J04B, J08A, J08B, J08C, J16Z, J21Z, J22A, J22B	08	I02A, I02B, I02C, I02D, I12A, I12B, I12C, I22A, I50Z		22		Y01Z, Y03A, Y03B			
21A		W04A, W04B	09	J02A, J02B, J02C, J04A, J04B, J08A, J08B, J08C, J16Z, J21Z, J22A, J22B		5v290.0		BOP, KVT, UOP4			
21B		X01A, X01B	10	K01Z				01	B03A, B03B, B06A, B06B, B07Z, B17A, B17B, B17C		
5v276.b			BOP, KVT, UOP4	21A				W04A, W04B	03	D12A	
		01	B03A, B03B, B06A, B06B, B07Z, B17A, B17B, B17C	21B				X01A, X01B	05	F21A, F21B, F21C	
		05	F13A, F21A, F21B, F21C	5v276.g↔					09	J02A, J02B, J02C, J04A, J04B, J08A, J08B, J08C, J16Z, J21Z, J22A, J22B	
		06	G10Z, G12A, G12B				01	BOP, KVT, UOP4	21A	W04A, W04B	
	08	I02A, I02B, I02C, I02D, I12A, I12B, I12C, I22A, I50Z	01				B03A, B03B, B06A, B06B, B07Z, B17A, B17B, B17C	21B	X01A, X01B, X01C		
	09	J02A, J02B, J02C, J04A, J04B, J08A, J08B, J08C, J16Z, J21Z, J22A, J22B	05		F13A, F21A, F21B, F21C, F27A, F27B, F27C		22	Y01Z, Y02A, Y02B, Y02C			
	21A	W04A, W04B	08		I02A, I02B, I02C, I02D, I12A, I12B, I12C, I22A, I50Z		5v290.5	BOP, KVT, UOP4			
	21B	X01A, X01B	09		J02A, J02B, J02C, J04A, J04B, J08A, J08B, J08C, J16Z, J21Z, J22A, J22B			01	B03A, B03B, B06A, B06B, B07Z, B17A, B17B, B17C		
	5v276.c		BOP, KVT, UOP4		10			K01Z	03	D12A	
		01	B03A, B03B, B06A, B06B, B07Z, B17A, B17B, B17C		21A			W04A, W04B	05	F21A, F21B, F21C	
		05	F13A, F21A, F21B, F21C		21B	X01A, X01B		08	I02A, I02B, I02C, I02D, I22A, I22B, I50Z		
		06	G10Z, G12A, G12B		5v276.x↔			09	J02A, J02B, J02C, J04A, J04B, J08A, J08B, J08C, J16Z, J21Z, J22A, J22B		
08		I02A, I02B, I02C, I02D, I12A, I12B, I12C, I22A, I50Z	01			BOP, KVT, UOP4		21A	W04A, W04B		
09		J02A, J02B, J02C, J04A, J04B, J08A, J08B, J08C, J16Z, J21Z, J22A, J22B	01			B03A, B03B, B06A, B06B, B07Z, B17A, B17B, B17C		21B	X01A, X01B, X01C		
21A		W04A, W04B	05	F13A, F21A, F21B, F21C		22		Y01Z, Y02A, Y02B, Y02C			
21B		X01A, X01B	08	I02A, I02B, I02C, I02D, I12A, I12B, I12C, I22A, I32A, I32B, I32C, I32D, I32E, I32F, I50Z		5v290.6↔		BOP, KVT, UOP4			
5v276.d			BOP, KVT, UOP4	09				J02A, J02B, J02C, J04A, J04B, J08A, J08B, J08C, J16Z, J21Z, J22A, J22B	01	B03A, B03B, B06A, B06B, B07Z, B17A, B17B, B17C	
		01	B03A, B03B, B06A, B06B, B07Z, B17A, B17B, B17C	21A				W04A, W04B	05	F21A, F21B, F21C	
		03	D12A, D12B	21B			X01A, X01B	08	I02A, I02B, I02C, I02D, I22A, I22B, I50Z		
		05	F13A, F21A, F21B, F21C	5v27x.x				09	J02A, J02B, J02C, J04A, J04B, J08A, J08B, J08C, J16Z, J21Z, J22A, J22B		
	06	G10Z, G12A, G12B	05				F13A	21A	W04A, W04B		
	08	I02A, I02B, I02C, I02D, I12A, I12B, I12C, I22A, I50Z	08				I12A, I12B, I12C	21B	X01A, X01B, X01C		
	09	J02A, J02B, J02C, J04A, J04B, J08A, J08B, J08C, J16Z, J21Z, J22A, J22B	09				J03A, J03B, J04A, J04B, J08A, J08B, J08C, J10A, J10B, J16Z	22	Y01Z, Y02A, Y02B, Y02C		
	21A	W04A, W04B	21A		W04A, W04B		5v290.7↔	BOP, KVT, UOP4			
	21B	X01A, X01B	21B		X06A, X06B, X06C			01	B03A, B03B, B06A, B06B, B07Z, B17A, B17B, B17C		
	5v276.e↔		BOP, KVT, UOP4		5v281				05	F21A, F21B, F21C	
		01	B03A, B03B, B06A, B06B, B07Z, B17A, B17B, B17C					03	D08A, D08B, D18Z, D22A, D22B, D30A, D30B	08	I02A, I02B, I02C, I02D, I22A, I22B, I50Z
		05	F13A, F21A, F21B, F21C			05		F13A	09	J02A, J02B, J02C, J04A, J04B, J08A, J08B, J08C, J16Z, J21Z, J22A, J22B	
08		I02A, I02B, I02C, I02D, I12A, I12B, I12C, I22A, I50Z	09			J03A, J03B, J04A, J04B, J08A, J08B, J08C, J10A, J10B, J16Z		21A	W04A, W04B		
09		J02A, J02B, J02C, J04A, J04B, J08A, J08B, J08C, J16Z, J21Z, J22A, J22B	21A			W04A, W04B		21B	X01A, X01B, X01C		
21A		W04A, W04B	21B			X06A, X06B, X06C		22	Y01Z, Y02A, Y02B, Y02C		
21B		X01A, X01B	22	Y01Z, Y03A, Y03B							

ZZV	MDC	DRG	ZZV	MDC	DRG	ZZV	MDC	DRG			
5v290.8↔		BOP, KVT, UOP4	5v290.d		BOP, KVT, UOP4	5v292.0		BOP, KVT, UOP4			
	01	B03A, B03B, B06A, B06B, B07Z, B17A, B17B, B17C		01	B03A, B03B, B06A, B06B, B07Z, B17A, B17B, B17C		01	B03A, B03B, B06A, B06B, B07Z, B17A, B17B, B17C			
	05	F21A, F21B, F21C		05	F21A, F21B, F21C		03	D12A			
	08	I02A, I02B, I02C, I02D, I22A, I22B, I32A, I32B, I32C, I32D, I32E, I32F, I50Z		06	G10Z, G12A, G12B		05	F13A, F21A, F21B, F21C			
	09	J02A, J02B, J02C, J04A, J04B, J08A, J08B, J08C, J16Z, J21Z, J22A, J22B		08	I02A, I02B, I02C, I02D, I22A, I22B, I50Z		09	J02A, J02B, J02C, J04A, J04B, J08A, J08B, J08C, J16Z, J21Z, J22A, J22B			
	21A	W04A, W04B		09	J02A, J02B, J02C, J04A, J04B, J08A, J08B, J08C, J16Z, J21Z, J22A, J22B		21A	W04A, W04B			
	21B	X01A, X01B, X01C		21A	W04A, W04B		21B	X01A, X01B, X01C			
	22	Y01Z, Y02A, Y02B, Y02C		21B	X01A, X01B, X01C		21B	X01A, X01B, X01C			
	5v290.9↔			BOP, KVT, UOP4	5v290.e↔			BOP, KVT, UOP4	5v292.4		BOP, KVT, UOP4
		01		B03A, B03B, B06A, B06B, B07Z, B17A, B17B, B17C			01	B03A, B03B, B06A, B06B, B07Z, B17A, B17B, B17C		01	B03A, B03B, B06A, B06B, B07Z, B17A, B17B, B17C
05		F21A, F21B, F21C	05	F21A, F21B, F21C, F27A, F27B, F27C		03	D12A				
08		I32A, I32B, I32C, I32D, I32E, I32F	08	I02A, I02B, I02C, I02D, I22A, I22B, I50Z		05	F13A, F21A, F21B, F21C				
09		J02A, J02B, J02C, J04A, J04B, J08A, J08B, J08C, J16Z, J21Z, J22A, J22B	09	J02A, J02B, J02C, J04A, J04B, J08A, J08B, J08C, J16Z, J21Z, J22A, J22B		08	I02A, I02B, I02C, I02D, I22A, I22B, I50Z				
21A		W04A, W04B	09	J02A, J02B, J02C, J04A, J04B, J08A, J08B, J08C, J16Z, J21Z, J22A, J22B		09	J02A, J02B, J02C, J04A, J04B, J08A, J08B, J08C, J16Z, J21Z, J22A, J22B				
21B		X01A, X01B, X01C	10	K01Z		21A	W04A, W04B				
22		Y01Z, Y02A, Y02B, Y02C	21A	W04A, W04B		21B	X01A, X01B, X01C				
5v290.a			BOP, KVT, UOP4	5v290.f↔			BOP, KVT, UOP4	5v292.5			BOP, KVT, UOP4
		01	B03A, B03B, B06A, B06B, B07Z, B17A, B17B, B17C			01	B03A, B03B, B06A, B06B, B07Z, B17A, B17B, B17C			01	B03A, B03B, B06A, B06B, B07Z, B17A, B17B, B17C
	05	F21A, F21B, F21C	05		F21A, F21B, F21C, F27A, F27B, F27C	03	D12A				
	06	G10Z, G12A, G12B	08		I02A, I02B, I02C, I02D, I22A, I22B, I50Z	05	F13A, F21A, F21B, F21C				
	08	I02A, I02B, I02C, I02D, I22A, I22B, I50Z	08		I02A, I02B, I02C, I02D, I22A, I22B, I50Z	08	I02A, I02B, I02C, I02D, I22A, I22B, I50Z				
	09	J02A, J02B, J02C, J04A, J04B, J08A, J08B, J08C, J16Z, J21Z, J22A, J22B	09		J02A, J02B, J02C, J04A, J04B, J08A, J08B, J08C, J16Z, J21Z, J22A, J22B	09	J02A, J02B, J02C, J04A, J04B, J08A, J08B, J08C, J16Z, J21Z, J22A, J22B				
	21A	W04A, W04B	09		J02A, J02B, J02C, J04A, J04B, J08A, J08B, J08C, J16Z, J21Z, J22A, J22B	21A	W04A, W04B				
	21B	X01A, X01B, X01C	10		K01Z	21B	X01A, X01B, X01C				
	22	Y01Z, Y02A, Y02B, Y02C	21A		W04A, W04B	21B	X01A, X01B, X01C				
	5v290.b		BOP, KVT, UOP4		5v290.g↔		BOP, KVT, UOP4		5v292.6↔		BOP, KVT, UOP4
01		B03A, B03B, B06A, B06B, B07Z, B17A, B17B, B17C	01	B03A, B03B, B06A, B06B, B07Z, B17A, B17B, B17C		01	B03A, B03B, B06A, B06B, B07Z, B17A, B17B, B17C				
05		F21A, F21B, F21C	05	F21A, F21B, F21C, F27A, F27B, F27C		03	D12A				
06		G10Z, G12A, G12B	08	I02A, I02B, I02C, I02D, I22A, I22B, I50Z		05	F13A, F21A, F21B, F21C				
08		I02A, I02B, I02C, I02D, I22A, I22B, I50Z	08	I02A, I02B, I02C, I02D, I22A, I22B, I50Z		06	G10Z, G12A, G12B				
09		J02A, J02B, J02C, J04A, J04B, J08A, J08B, J08C, J16Z, J21Z, J22A, J22B	09	J02A, J02B, J02C, J04A, J04B, J08A, J08B, J08C, J16Z, J21Z, J22A, J22B		08	I02A, I02B, I02C, I02D, I22A, I22B, I32A, I32B, I32C, I32D, I32E, I32F, I50Z				
21A		W04A, W04B	09	J02A, J02B, J02C, J04A, J04B, J08A, J08B, J08C, J16Z, J21Z, J22A, J22B		09	J02A, J02B, J02C, J04A, J04B, J08A, J08B, J08C, J16Z, J21Z, J22A, J22B				
21B		X01A, X01B, X01C	10	K01Z		21A	W04A, W04B				
22		Y01Z, Y02A, Y02B, Y02C	21A	W04A, W04B		21B	X01A, X01B, X01C				
5v290.c			BOP, KVT, UOP4	5v290.x↔			BOP, KVT, UOP4	5v292.7↔			BOP, KVT, UOP4
	01	B03A, B03B, B06A, B06B, B07Z, B17A, B17B, B17C	01		B03A, B03B, B06A, B06B, B07Z, B17A, B17B, B17C	01	B03A, B03B, B06A, B06B, B07Z, B17A, B17B, B17C				
	05	F21A, F21B, F21C	05		F21A, F21B, F21C	03	D12A				
	06	G10Z, G12A, G12B	08		I02A, I02B, I02C, I02D, I22A, I22B, I50Z	05	F13A, F21A, F21B, F21C				
	08	I02A, I02B, I02C, I02D, I22A, I22B, I50Z	08		I02A, I02B, I02C, I02D, I22A, I22B, I32A, I32B, I32C, I32D, I32E, I32F, I50Z	08	I02A, I02B, I02C, I02D, I22A, I22B, I32A, I32B, I32C, I32D, I32E, I32F, I50Z				
	09	J02A, J02B, J02C, J04A, J04B, J08A, J08B, J08C, J16Z, J21Z, J22A, J22B	09		J02A, J02B, J02C, J04A, J04B, J08A, J08B, J08C, J16Z, J21Z, J22A, J22B	09	J02A, J02B, J02C, J04A, J04B, J08A, J08B, J08C, J16Z, J21Z, J22A, J22B				
	21A	W04A, W04B	09		J02A, J02B, J02C, J04A, J04B, J08A, J08B, J08C, J16Z, J21Z, J22A, J22B	21A	W04A, W04B				
	21B	X01A, X01B, X01C	10		K01Z	21B	X01A, X01B, X01C				
	22	Y01Z, Y02A, Y02B, Y02C	21A		W04A, W04B	21B	X01A, X01B, X01C				
			21B		X01A, X01B, X01C						
		22	Y01Z, Y02A, Y02B, Y02C								

VYK

ZZV	MDC	DRG	ZZV	MDC	DRG	ZZV	MDC	DRG			
5v292.8↔		BOP, KVT, UOP4	5v292.d		BOP, KVT, UOP4	5v292.x↔		BOP, KVT, UOP4			
	01	B03A, B03B, B06A, B06B, B07Z, B17A, B17B, B17C		01	B03A, B03B, B06A, B06B, B07Z, B17A, B17B, B17C		01	B03A, B03B, B06A, B06B, B07Z, B17A, B17B, B17C			
	05	F13A, F21A, F21B, F21C		05	F13A, F21A, F21B, F21C, F27A, F27B, F27C		03	D12A			
	08	I02A, I02B, I02C, I02D, I22A, I22B, I32A, I32B, I32C, I32D, I32E, I32F, I50Z		06	G10Z, G12A, G12B		05	F13A, F21A, F21B, F21C, F27A, F27B, F27C			
	09	J02A, J02B, J02C, J04A, J04B, J08A, J08B, J08C, J16Z, J21Z, J22A, J22B		08	I02A, I02B, I02C, I02D, I22A, I22B, I32A, I32B, I32C, I32D, I32E, I32F, I50Z		06	G10Z, G12A, G12B			
	21A	W04A, W04B		09	J02A, J02B, J02C, J04A, J04B, J08A, J08B, J08C, J16Z, J21Z, J22A, J22B		08	I02A, I02B, I02C, I02D, I22A, I22B, I32A, I32B, I32C, I32D, I32E, I32F, I50Z			
	21B	X01A, X01B, X01C		10	K01Z		09	J02A, J02B, J02C, J04A, J04B, J08A, J08B, J08C, J16Z, J21Z, J22A, J22B			
	5v292.9↔			BOP, KVT, UOP4	5v292.e↔			BOP, KVT, UOP4	5v294‡ 5v295		BOP, KVT, UOP4
		01		B03A, B03B, B06A, B06B, B07Z, B17A, B17B, B17C			01	B03A, B03B, B06A, B06B, B07Z, B17A, B17B, B17C		09	J11A, J11B
		05		F13A, F21A, F21B, F21C			05	F13A, F21A, F21B, F21C, F27A, F27B, F27C		01	B03A, B03B, B06A, B06B, B07Z, B17A, B17B, B17C, B17D
08		I32A, I32B, I32C, I32D, I32E, I32F	06	G10Z, G12A, G12B		03	D13Z				
09		J02A, J02B, J02C, J04A, J04B, J08A, J08B, J08C, J16Z, J21Z, J22A, J22B	08	I02A, I02B, I02C, I02D, I22A, I22B, I32A, I32B, I32C, I32D, I32E, I32F, I50Z		04	E02A, E02B, E02C				
21A		W04A, W04B	09	J02A, J02B, J02C, J04A, J04B, J08A, J08B, J08C, J16Z, J21Z, J22A, J22B		05	F21A, F21B, F21C				
21B		X01A, X01B, X01C	10	K01Z		06	G10Z, G12A, G12B				
5v292.a			BOP, KVT, UOP4	5v292.f↔			BOP, KVT, UOP4	5v296‡ 5v297.0↔			BOP, KVT, UOP4
		01	B03A, B03B, B06A, B06B, B07Z, B17A, B17B, B17C			01	B03A, B03B, B06A, B06B, B07Z, B17A, B17B, B17C			01	B03A, B03B, B06A, B06B, B07Z, B17A, B17B, B17C
		03	D12A			05	F13A, F21A, F21B, F21C, F27A, F27B, F27C			05	F13A, F21A, F21B, F21C, F27A, F27B, F27C
	05	F13A, F21A, F21B, F21C, F27A, F27B, F27C	08		I02A, I02B, I02C, I02D, I22A, I22B, I50Z	08	I02A, I02B, I02C, I02D, I12A, I12B, I12C, I22A, I22B, I32A, I32B, I32C, I32D, I50Z				
	06	G10Z, G12A, G12B	09		J02A, J02B, J02C, J04A, J04B, J08A, J08B, J08C, J16Z, J21Z, J22A, J22B	09	J02A, J02B, J02C, J04A, J04B, J08A, J08B, J08C, J16Z, J21Z, J22A, J22B				
	08	I02A, I02B, I02C, I02D, I22A, I22B, I32A, I32B, I32C, I32D, I32E, I32F, I50Z	10		K01Z	10	K01Z				
	09	J02A, J02B, J02C, J04A, J04B, J08A, J08B, J08C, J16Z, J21Z, J22A, J22B	21A		W04A, W04B	21A	W04A, W04B				
	10	K01Z	21B		X01A, X01B, X01C	21B	X06A, X06B, X06C				
	21A	W04A, W04B	5v292.g↔			BOP, KVT, UOP4	5v297.1			BOP, KVT, UOP4	
	21B	X01A, X01B, X01C			01	B03A, B03B, B06A, B06B, B07Z, B17A, B17B, B17C			01	B03A, B03B, B06A, B06B, B07Z, B17A, B17B, B17C	
5v292.b		BOP, KVT, UOP4		5v292.h↔		BOP, KVT, UOP4		5v297.1		BOP, KVT, UOP4	
	01	B03A, B03B, B06A, B06B, B07Z, B17A, B17B, B17C			01	B03A, B03B, B06A, B06B, B07Z, B17A, B17B, B17C			01	B03A, B03B, B06A, B06B, B07Z, B17A, B17B, B17C	
	03	D12A			05	F13A, F21A, F21B, F21C, F27A, F27B, F27C			05	F13A, F21A, F21B, F21C, F27A, F27B, F27C	
	05	F13A, F21A, F21B, F21C, F27A, F27B, F27C			08	I02A, I02B, I02C, I02D, I22A, I22B, I50Z			08	I02A, I02B, I02C, I02D, I12A, I12B, I12C, I22A, I22B, I32A, I32B, I32C, I32D, I50Z	
	06	G10Z, G12A, G12B			09	J02A, J02B, J02C, J04A, J04B, J08A, J08B, J08C, J16Z, J21Z, J22A, J22B			09	J02A, J02B, J02C, J04A, J04B, J08A, J08B, J08C, J16Z, J21Z, J22A, J22B	
	08	I02A, I02B, I02C, I02D, I22A, I22B, I32A, I32B, I32C, I32D, I32E, I32F, I50Z			10	K01Z			10	K01Z	
	09	J02A, J02B, J02C, J04A, J04B, J08A, J08B, J08C, J16Z, J21Z, J22A, J22B			21A	W04A, W04B			21A	W04A, W04B	
	10	K01Z			21B	X01A, X01B, X01C			21B	X01A, X01B	
	21A	W04A, W04B	5v292.c			BOP, KVT, UOP4	5v297.1			BOP, KVT, UOP4	
	21B	X01A, X01B, X01C			01	B03A, B03B, B06A, B06B, B07Z, B17A, B17B, B17C			01	B03A, B03B, B06A, B06B, B07Z, B17A, B17B, B17C	
5v292.c		BOP, KVT, UOP4		5v292.i↔		BOP, KVT, UOP4		5v297.1		BOP, KVT, UOP4	
	01	B03A, B03B, B06A, B06B, B07Z, B17A, B17B, B17C			01	B03A, B03B, B06A, B06B, B07Z, B17A, B17B, B17C			01	B03A, B03B, B06A, B06B, B07Z, B17A, B17B, B17C	
	05	F13A, F21A, F21B, F21C			05	F13A, F21A, F21B, F21C, F27A, F27B, F27C			05	F13A, F21A, F21B, F21C, F27A, F27B, F27C	
	06	G10Z, G12A, G12B			08	I02A, I02B, I02C, I02D, I22A, I22B, I50Z			06	G10Z, G12A, G12B	
	08	I02A, I02B, I02C, I02D, I22A, I22B, I50Z			09	J02A, J02B, J02C, J04A, J04B, J08A, J08B, J08C, J16Z, J21Z, J22A, J22B			08	I02A, I02B, I02C, I02D, I12A, I12B, I12C, I22A, I22B, I50Z	
	09	J02A, J02B, J02C, J04A, J04B, J08A, J08B, J08C, J16Z, J21Z, J22A, J22B			10	K01Z			09	J02A, J02B, J02C, J04A, J04B, J08A, J08B, J08C, J16Z, J21Z, J22A, J22B	
	21A	W04A, W04B			21A	W04A, W04B			21A	W04A, W04B	
	21B	X01A, X01B, X01C			21B	X01A, X01B, X01C			21B	X01A, X01B	

ZZV	MDC	DRG	ZZV	MDC	DRG	ZZV	MDC	DRG			
5v297.2		BOP, KVT, UOP4	5v400.6↔		BOP, KVT, UOP4	5v400.f↔		BOP, KVT, UOP4			
	01	B03A, B03B, B06A, B06B, B07Z, B17A, B17B, B17C		09	J03A, J03B, J04A, J04B, J08A, J08B, J08C, J10A, J10B, J16Z		09	J03A, J03B, J04A, J04B, J08A, J08B, J08C, J10A, J10B, J16Z			
	05	F13A, F21A, F21B, F21C		10	K07Z		10	K07Z			
	06	G10Z, G12A, G12B		21A	W04A, W04B		21A	W04A, W04B			
	08	I02A, I02B, I02C, I02D, I12A, I12B, I12C, I22A, I22B, I50Z		21B	X06A, X06B, X06C		21B	X04Z, X06A, X06B, X06C			
	09	J02A, J02B, J02C, J04A, J04B, J08A, J08B, J08C, J16Z, J21Z, J22A, J22B		5v400.7↔			5v400.g↔				
	21A	W04A, W04B		09	BOP, KVT, UOP4		09	BOP, KVT, UOP4			
	21B	X01A, X01B		09	J03A, J03B, J04A, J04B, J08A, J08B, J08C, J10A, J10B, J16Z		09	J03A, J03B, J04A, J04B, J08A, J08B, J08C, J10A, J10B, J16Z			
	5v297.3			BOP, KVT, UOP4	5v400.8↔			BOP, KVT, UOP4	5v400.x		BOP, KVT, UOP4
		01		B03A, B03B, B06A, B06B, B07Z, B17A, B17B, B17C			09	J03A, J03B, J04A, J04B, J08A, J08B, J08C, J10A, J10B, J16Z		09	J03A, J03B, J04A, J04B, J08A, J08B, J08C, J10A, J10B, J16Z
05		F13A, F21A, F21B, F21C	10	K07Z		10	K07Z				
06		G10Z, G12A, G12B	21A	W04A, W04B		21A	W04A, W04B				
08		I02A, I02B, I02C, I02D, I12A, I12B, I12C, I22A, I22B, I32A, I32B, I32C, I32D, I32E, I32F, I50Z	21B	X05A, X05B, X06A, X06B, X06C		21B	X06A, X06B, X06C				
09		J02A, J02B, J02C, J04A, J04B, J08A, J08B, J08C, J16Z, J21Z, J22A, J22B	5v400.9↔			5v401.0					
21A		W04A, W04B	09	BOP, KVT, UOP4		09	BOP, KVT, UOP4				
21B		X01A, X01B	09	J03A, J03B, J04A, J04B, J08A, J08B, J08C, J10A, J10B, J16Z		09	J03A, J03B, J04A, J04B, J08A, J08B, J08C, J10A, J10B, J16Z				
5v297.x			BOP, KVT, UOP4	5v400.a			BOP, KVT, UOP4	5v401.4			BOP, KVT, UOP4
		01	B03A, B03B, B06A, B06B, B07Z, B17A, B17B, B17C			09	J03A, J03B, J04A, J04B, J08A, J08B, J08C, J10A, J10B, J16Z			09	J03A, J03B, J04A, J04B, J08A, J08B, J08C, J10A, J10B, J16Z
	05	F13A, F21A, F21B, F21C	10		K07Z	10	K07Z				
	08	I02A, I02B, I02C, I02D, I12A, I12B, I12C, I22A, I22B, I32A, I32B, I32C, I32D, I32E, I32F, I50Z	21A		W04A, W04B	21A	W04A, W04B				
	09	J02A, J02B, J02C, J04A, J04B, J08A, J08B, J08C, J16Z, J21Z, J22A, J22B	21B		X06A, X06B, X06C	21B	X06A, X06B, X06C				
	21A	W04A, W04B	5v400.b			5v401.5					
	21B	X01A, X01B	09		BOP, KVT, UOP4	09	BOP, KVT, UOP4				
	5v400.0		BOP, KVT, UOP4		5v400.b		BOP, KVT, UOP4		5v401.6↔		BOP, KVT, UOP4
		01	B03A, B03B, B06A, B06B, B07Z, B17A, B17B, B17C			09	J03A, J03B, J04A, J04B, J08A, J08B, J08C, J10A, J10B, J16Z			09	J03A, J03B, J04A, J04B, J08A, J08B, J08C, J10A, J10B, J16Z
		03	D08A, D08B, D18Z, D22A, D22B, D30A, D30B			10	K07Z			10	K07Z
09		J03A, J03B, J04A, J04B, J08A, J08B, J08C, J11A, J11B, J16Z	21A	W04A, W04B		21A	W04A, W04B				
5v400.4			BOP, KVT, UOP4	5v400.c			BOP, KVT, UOP4	5v401.7↔			BOP, KVT, UOP4
		01	B03A, B03B, B06A, B06B, B07Z, B17A, B17B, B17C			09	J03A, J03B, J04A, J04B, J08A, J08B, J08C, J10A, J10B, J16Z			09	J03A, J03B, J04A, J04B, J08A, J08B, J08C, J10A, J10B, J16Z
		03	D12A			10	K07Z			10	K07Z
		09	J03A, J03B, J04A, J04B, J08A, J08B, J08C, J10A, J10B, J16Z			21A	W04A, W04B			21A	W04A, W04B
		10	K09A, K09B			21B	X04Z, X06A, X06B, X06C			21B	X06A, X06B, X06C
		21A	W04A, W04B			5v400.d				5v401.8↔	
	21B	X06A, X06B, X06C	09		BOP, KVT, UOP4	09	BOP, KVT, UOP4				
	5v400.5		BOP, KVT, UOP4		5v400.d		BOP, KVT, UOP4		5v401.8↔		BOP, KVT, UOP4
		03	D12A			09	J03A, J03B, J04A, J04B, J08A, J08B, J08C, J10A, J10B, J16Z			09	J03A, J03B, J04A, J04B, J08A, J08B, J08C, J10A, J10B, J16Z
		09	J03A, J03B, J04A, J04B, J08A, J08B, J08C, J10A, J10B, J16Z			10	K07Z			10	K07Z
10		K09A, K09B	21A	W04A, W04B		21A	W04A, W04B				
21A		W04A, W04B	21B	X04Z, X06A, X06B, X06C		21B	X06A, X06B, X06C				
21B		X06A, X06B, X06C	5v400.e↔			5v401.8↔					
5v400.5			BOP, KVT, UOP4	5v400.e↔			BOP, KVT, UOP4	5v401.8↔			BOP, KVT, UOP4
		03	D12A			09	J03A, J03B, J04A, J04B, J08A, J08B, J08C, J10A, J10B, J16Z			09	J03A, J03B, J04A, J04B, J08A, J08B, J08C, J10A, J10B, J16Z
		09	J03A, J03B, J04A, J04B, J08A, J08B, J08C, J10A, J10B, J16Z			10	K07Z			10	K07Z
		10	K09A, K09B			21A	W04A, W04B			21A	W04A, W04B
	21A	W04A, W04B	21B		X04Z, X06A, X06B, X06C	21B	X05A, X05B, X06A, X06B, X06C				
	21B	X06A, X06B, X06C	21B		X04Z, X06A, X06B, X06C						

VYK

ZZV	MDC	DRG	ZZV	MDC	DRG	ZZV	MDC	DRG
5v401.9↔		BOP, KVT, UOP4	5v401.x		BOP, KVT, UOP4	5v402.b		BOP, KVT, UOP4
	09	J03A, J03B, J04A, J04B, J08A, J08B, J08C, J10A, J10B, J16Z		09	J03A, J03B, J04A, J04B, J08A, J08B, J08C, J10A, J10B, J16Z		09	J03A, J03B, J04A, J04B, J08A, J08B, J08C, J10A, J10B, J16Z
	10	K07Z		10	K07Z		10	K07Z
	21A	W04A, W04B		21A	W04A, W04B		21A	W04A, W04B
	21B	X06A, X06B, X06A, X06B, X06C		21B	X06A, X06B, X06C		21B	X06A, X06B, X06C
5v401.a		BOP, KVT, UOP4	5v402.0		BOP, KVT, UOP4	5v402.c		BOP, KVT, UOP4
	09	J03A, J03B, J04A, J04B, J08A, J08B, J08C, J10A, J10B, J16Z		09	J03A, J03B, J04A, J04B, J08A, J08B, J08C, J10A, J10B, J16Z		09	J03A, J03B, J04A, J04B, J08A, J08B, J08C, J10A, J10B, J16Z
	10	K07Z		10	K07Z		10	K07Z
	21A	W04A, W04B		21A	W04A, W04B		21A	W04A, W04B
	21B	X06A, X06B, X06C		21B	X06A, X06B, X06C		21B	X04Z, X06A, X06B, X06C
5v401.b		BOP, KVT, UOP4	5v402.4		BOP, KVT, UOP4	5v402.d		BOP, KVT, UOP4
	09	J03A, J03B, J04A, J04B, J08A, J08B, J08C, J10A, J10B, J16Z		09	J03A, J03B, J04A, J04B, J08A, J08B, J08C, J10A, J10B, J16Z		09	J03A, J03B, J04A, J04B, J08A, J08B, J08C, J10A, J10B, J16Z
	10	K07Z		10	K07Z		10	K07Z
	21A	W04A, W04B		21A	W04A, W04B		21A	W04A, W04B
	21B	X06A, X06B, X06C		21B	X06A, X06B, X06C		21B	X04Z, X06A, X06B, X06C
5v401.c		BOP, KVT, UOP4	5v402.5		BOP, KVT, UOP4	5v402.e↔		BOP, KVT, UOP4
	09	J03A, J03B, J04A, J04B, J08A, J08B, J08C, J10A, J10B, J16Z		09	J03A, J03B, J04A, J04B, J08A, J08B, J08C, J10A, J10B, J16Z		09	J03A, J03B, J04A, J04B, J08A, J08B, J08C, J10A, J10B, J16Z
	10	K07Z		10	K07Z		10	K07Z
	21A	W04A, W04B		21A	W04A, W04B		21A	W04A, W04B
	21B	X04Z, X06A, X06B, X06C		21B	X06A, X06B, X06C		21B	X04Z, X06A, X06B, X06C
5v401.d		BOP, KVT, UOP4	5v402.6↔		BOP, KVT, UOP4	5v402.f↔		BOP, KVT, UOP4
	09	J03A, J03B, J04A, J04B, J08A, J08B, J08C, J10A, J10B, J16Z		09	J03A, J03B, J04A, J04B, J08A, J08B, J08C, J10A, J10B, J16Z		09	J03A, J03B, J04A, J04B, J08A, J08B, J08C, J10A, J10B, J16Z
	10	K07Z		10	K07Z		10	K07Z
	21A	W04A, W04B		21A	W04A, W04B		21A	W04A, W04B
	21B	X04Z, X06A, X06B, X06C		21B	X06A, X06B, X06C		21B	X04Z, X06A, X06B, X06C
5v401.e↔		BOP, KVT, UOP4	5v402.7↔		BOP, KVT, UOP4	5v402.g↔		BOP, KVT, UOP4
	09	J03A, J03B, J04A, J04B, J08A, J08B, J08C, J10A, J10B, J16Z		09	J03A, J03B, J04A, J04B, J08A, J08B, J08C, J10A, J10B, J16Z		09	J03A, J03B, J04A, J04B, J08A, J08B, J08C, J10A, J10B, J16Z
	10	K07Z		10	K07Z		10	K07Z
	21A	W04A, W04B		21A	W04A, W04B		21A	W04A, W04B
	21B	X04Z, X06A, X06B, X06C		21B	X06A, X06B, X06C		21B	X04Z, X06A, X06B, X06C
5v401.f↔		BOP, KVT, UOP4	5v402.8↔		BOP, KVT, UOP4	5v402.x		BOP, KVT, UOP4
	09	J03A, J03B, J04A, J04B, J08A, J08B, J08C, J10A, J10B, J16Z		09	J03A, J03B, J04A, J04B, J08A, J08B, J08C, J10A, J10B, J16Z		09	J03A, J03B, J04A, J04B, J08A, J08B, J08C, J10A, J10B, J16Z
	10	K07Z		10	K07Z		10	K07Z
	21A	W04A, W04B		21A	W04A, W04B		21A	W04A, W04B
	21B	X04Z, X06A, X06B, X06C		21B	X05A, X05B, X06A, X06B, X06C		21B	X06A, X06B, X06C
5v401.g↔		BOP, KVT, UOP4	5v402.9↔		BOP, KVT, UOP4	5v403		BOP, KVT, UOP4
	09	J03A, J03B, J04A, J04B, J08A, J08B, J08C, J10A, J10B, J16Z		09	J03A, J03B, J04A, J04B, J08A, J08B, J08C, J10A, J10B, J16Z		09	J03A, J03B, J04A, J04B, J08A, J08B, J08C, J10A, J10B, J16Z
	10	K07Z		10	K07Z		10	K07Z
	21A	W04A, W04B		21A	W04A, W04B		21A	W04A, W04B
	21B	X04Z, X06A, X06B, X06C		21B	X05A, X05B, X06A, X06B, X06C		21B	X06A, X06B, X06C
5v401.n		BOP, KVT, UOP4	5v402.a		BOP, KVT, UOP4	5v40x.x		BOP, KVT, UOP4
	09	J03A, J03B, J04A, J04B, J08A, J08B, J08C, J10A, J10B, J16Z		09	J03A, J03B, J04A, J04B, J08A, J08B, J08C, J10A, J10B, J16Z		03	D08A, D08B, D18Z, D22A, D22B, D30A, D30B
	10	K07Z		10	K07Z		09	J03A, J03B, J04A, J04B, J08A, J08B, J08C, J11A, J11B, J16Z
	21A	W04A, W04B		10	K07Z		09	J11A, J11B
	21B	X06A, X06B, X06C		21A	W04A, W04B		02	C14Z
				21B	X06A, X06B, X06C		09	J11A, J11B, J11C
							09	J11A, J11B
							09	J11A, J11B
							09	J11A, J11B
							09	J11A, J11B
							09	J11A, J11B



ZZV	MDC	DRG	ZZV	MDC	DRG	ZZV	MDC	DRG
5v420.a‡	09	J11A, J11B	5v425.c‡	06	G26Z	5v426.d		BOP, KVT, UOP4
5v420.b‡	09	J11A, J11B		09	J11A, J11B, J11C		06	G26Z
5v420.c‡	09	J11A, J11B		13	N09A, N09B		09	J03A, J03B, J04A, J04B, J08A, J08B, J08C, J10A, J10B, J16Z
5v420.d‡	09	J11A, J11B	5v425.d‡	06	G26Z		13	N09A, N09B
5v420.e‡↔	09	J11A, J11B		09	J11A, J11B, J11C		22	Y01Z, Y03A, Y03B
5v420.f‡↔	09	J11A, J11B		13	N09A, N09B	5v426.e↔		BOP, KVT, UOP4
5v420.g‡↔	09	J11A, J11B	5v425.e‡↔	09	J11A, J11B, J11C		09	J03A, J03B, J04A, J04B, J08A, J08B, J08C, J10A, J10B, J16Z
5v420.x‡	09	J11A, J11B	5v425.f‡↔	09	J11A, J11B, J11C		22	Y01Z, Y03A, Y03B
5v421.0‡	09	J11A, J11B	5v425.g‡↔	09	J11A, J11B, J11C		09	BOP, KVT, UOP4
5v421.4‡	02	C14Z	5v425.x‡	06	G26Z		22	Y01Z, Y03A, Y03B
	09	J11A, J11B		09	J11A, J11B, J11C	5v426.f↔		BOP, KVT, UOP4
5v421.5‡	09	J11A, J11B		13	N09A, N09B		09	J03A, J03B, J04A, J04B, J08A, J08B, J08C, J10A, J10B, J16Z
5v421.6‡↔	09	J11A, J11B	5v426.0		BOP, KVT, UOP4		22	Y01Z, Y03A, Y03B
5v421.7‡↔	09	J11A, J11B		09	J03A, J03B, J04A, J04B, J08A, J08B, J08C, J10A, J10B, J16Z	5v426.g↔		BOP, KVT, UOP4
5v421.8‡↔	09	J11A, J11B		22	Y01Z, Y03A, Y03B		09	J03A, J03B, J04A, J04B, J08A, J08B, J08C, J10A, J10B, J16Z
5v421.9‡↔	09	J11A, J11B	5v426.4		BOP, KVT, UOP4		22	Y01Z, Y03A, Y03B
5v421.a‡	09	J11A, J11B		02	C20A, C20B	5v426.g↔		BOP, KVT, UOP4
5v421.b‡	09	J11A, J11B		09	J03A, J03B, J04A, J04B, J08A, J08B, J08C, J10A, J10B, J16Z		09	J03A, J03B, J04A, J04B, J08A, J08B, J08C, J10A, J10B, J16Z
5v421.c‡	09	J11A, J11B		22	Y01Z, Y03A, Y03B	5v426.x		BOP, KVT, UOP4
5v421.d‡	09	J11A, J11B	5v426.5		BOP, KVT, UOP4		06	G26Z
5v421.e‡↔	09	J11A, J11B		09	J03A, J03B, J04A, J04B, J08A, J08B, J08C, J10A, J10B, J16Z		09	J03A, J03B, J04A, J04B, J08A, J08B, J08C, J10A, J10B, J16Z
5v421.f‡↔	09	J11A, J11B		22	Y01Z, Y03A, Y03B		13	N09A, N09B
5v421.g‡↔	09	J11A, J11B		22	Y01Z, Y03A, Y03B	5v427.0		BOP, KVT, UOP4
5v421.x‡	09	J11A, J11B	5v426.6↔		BOP, KVT, UOP4		09	J03A, J03B, J04A, J04B, J08A, J08B, J08C, J10A, J10B, J16Z
5v422.0‡	09	J11A, J11B		09	J03A, J03B, J04A, J04B, J08A, J08B, J08C, J10A, J10B, J16Z		22	Y01Z, Y03A, Y03B
5v422.4‡	02	C14Z		22	Y01Z, Y03A, Y03B	5v427.4		BOP, KVT, UOP4
	09	J11A, J11B, J11C	5v426.7↔		BOP, KVT, UOP4		02	C20A, C20B
5v422.5‡	09	J11A, J11B, J11C		09	J03A, J03B, J04A, J04B, J08A, J08B, J08C, J10A, J10B, J16Z		09	J03A, J03B, J04A, J04B, J08A, J08B, J08C, J10A, J10B, J16Z
5v422.6‡↔	09	J11A, J11B, J11C		22	Y01Z, Y03A, Y03B	5v427.4		BOP, KVT, UOP4
5v422.7‡↔	09	J11A, J11B, J11C	5v426.8↔		BOP, KVT, UOP4		09	J03A, J03B, J04A, J04B, J08A, J08B, J08C, J10A, J10B, J16Z
5v422.8‡↔	09	J11A, J11B, J11C		09	J03A, J03B, J04A, J04B, J08A, J08B, J08C, J10A, J10B, J16Z	5v427.5		BOP, KVT, UOP4
5v422.9‡↔	09	J11A, J11B, J11C		22	Y01Z, Y03A, Y03B		09	J03A, J03B, J04A, J04B, J08A, J08B, J08C, J10A, J10B, J16Z
5v422.a‡	09	J11A, J11B, J11C	5v426.9↔		BOP, KVT, UOP4		22	Y01Z, Y03A, Y03B
5v422.b‡	09	J11A, J11B, J11C		09	J03A, J03B, J04A, J04B, J08A, J08B, J08C, J10A, J10B, J16Z	5v427.6↔		BOP, KVT, UOP4
5v422.c‡	09	J11A, J11B, J11C		22	Y01Z, Y03A, Y03B		09	J03A, J03B, J04A, J04B, J08A, J08B, J08C, J10A, J10B, J16Z
5v422.d‡	09	J11A, J11B, J11C	5v426.a		BOP, KVT, UOP4		22	Y01Z, Y03A, Y03B
5v422.e‡↔	09	J11A, J11B, J11C		09	J03A, J03B, J04A, J04B, J08A, J08B, J08C, J10A, J10B, J16Z	5v427.7↔		BOP, KVT, UOP4
5v422.f‡↔	09	J11A, J11B, J11C		22	Y01Z, Y03A, Y03B		09	J03A, J03B, J04A, J04B, J08A, J08B, J08C, J10A, J10B, J16Z
5v422.g‡↔	09	J11A, J11B, J11C		09	J03A, J03B, J04A, J04B, J08A, J08B, J08C, J10A, J10B, J16Z	5v427.7↔		BOP, KVT, UOP4
5v422.x‡	09	J11A, J11B	5v426.b		BOP, KVT, UOP4		09	J03A, J03B, J04A, J04B, J08A, J08B, J08C, J10A, J10B, J16Z
5v423.4‡	02	C14Z		09	J03A, J03B, J04A, J04B, J08A, J08B, J08C, J10A, J10B, J16Z	5v427.8↔		BOP, KVT, UOP4
5v424.0‡	09	J11A, J11B, J11C	5v426.c		BOP, KVT, UOP4		09	J03A, J03B, J04A, J04B, J08A, J08B, J08C, J10A, J10B, J16Z
5v424.4‡	02	C14Z		06	G26Z	5v427.9↔		BOP, KVT, UOP4
	09	J11A, J11B, J11C		09	J03A, J03B, J04A, J04B, J08A, J08B, J08C, J10A, J10B, J16Z		09	J03A, J03B, J04A, J04B, J08A, J08B, J08C, J10A, J10B, J16Z
5v424.5‡	09	J11A, J11B		13	N09A, N09B	5v427.a		BOP, KVT, UOP4
5v424.6‡↔	09	J11A, J11B		22	Y01Z, Y03A, Y03B		09	J03A, J03B, J04A, J04B, J08A, J08B, J08C, J10A, J10B, J16Z
5v424.7‡↔	09	J11A, J11B		09	J03A, J03B, J04A, J04B, J08A, J08B, J08C, J10A, J10B, J16Z		22	Y01Z, Y03A, Y03B
5v424.8‡↔	09	J11A, J11B	5v426.a		BOP, KVT, UOP4		09	J03A, J03B, J04A, J04B, J08A, J08B, J08C, J10A, J10B, J16Z
5v424.9‡↔	09	J11A, J11B, J11C		22	Y01Z, Y03A, Y03B		22	Y01Z, Y03A, Y03B
5v424.a‡	09	J11A, J11B, J11C		09	J03A, J03B, J04A, J04B, J08A, J08B, J08C, J10A, J10B, J16Z		09	J03A, J03B, J04A, J04B, J08A, J08B, J08C, J10A, J10B, J16Z
5v424.b‡	09	J11A, J11B	5v426.b		BOP, KVT, UOP4		22	Y01Z, Y03A, Y03B
5v424.c‡	09	J11A, J11B		09	J03A, J03B, J04A, J04B, J08A, J08B, J08C, J10A, J10B, J16Z		09	J03A, J03B, J04A, J04B, J08A, J08B, J08C, J10A, J10B, J16Z
5v424.d‡	09	J11A, J11B		22	Y01Z, Y03A, Y03B		22	Y01Z, Y03A, Y03B
5v424.e‡↔	09	J11A, J11B	5v426.c		BOP, KVT, UOP4		09	J03A, J03B, J04A, J04B, J08A, J08B, J08C, J10A, J10B, J16Z
5v424.f‡↔	09	J11A, J11B		06	G26Z		22	Y01Z, Y03A, Y03B
5v424.g‡↔	09	J11A, J11B, J11C		09	J03A, J03B, J04A, J04B, J08A, J08B, J08C, J10A, J10B, J16Z		09	J03A, J03B, J04A, J04B, J08A, J08B, J08C, J10A, J10B, J16Z
5v424.x‡	09	J11A, J11B		13	N09A, N09B		22	Y01Z, Y03A, Y03B
5v425.0‡	09	J11A, J11B, J11C		22	Y01Z, Y03A, Y03B		09	J03A, J03B, J04A, J04B, J08A, J08B, J08C, J10A, J10B, J16Z
5v425.4‡	02	C14Z		09	J03A, J03B, J04A, J04B, J08A, J08B, J08C, J10A, J10B, J16Z		22	Y01Z, Y03A, Y03B
	09	J11A, J11B, J11C	5v425.5‡		J11A, J11B, J11C		09	J03A, J03B, J04A, J04B, J08A, J08B, J08C, J10A, J10B, J16Z
5v425.5‡	09	J11A, J11B, J11C		09	J03A, J03B, J04A, J04B, J08A, J08B, J08C, J10A, J10B, J16Z		22	Y01Z, Y03A, Y03B
5v425.6‡↔	09	J11A, J11B, J11C	5v425.6‡↔		J11A, J11B, J11C		09	J03A, J03B, J04A, J04B, J08A, J08B, J08C, J10A, J10B, J16Z
5v425.7‡↔	09	J11A, J11B, J11C		13	N09A, N09B		22	Y01Z, Y03A, Y03B
5v425.8‡↔	09	J11A, J11B, J11C		22	Y01Z, Y03A, Y03B		09	J03A, J03B, J04A, J04B, J08A, J08B, J08C, J10A, J10B, J16Z
5v425.9‡↔	09	J11A, J11B, J11C	5v425.a‡		J11A, J11B, J11C		22	Y01Z, Y03A, Y03B
5v425.a‡	09	J11A, J11B, J11C	5v425.b‡		J11A, J11B, J11C		09	J03A, J03B, J04A, J04B, J08A, J08B, J08C, J10A, J10B, J16Z
5v425.b‡	09	J11A, J11B, J11C		22	Y01Z, Y03A, Y03B		22	Y01Z, Y03A, Y03B

VYK

ZZV	MDC	DRG	ZZV	MDC	DRG	ZZV	MDC	DRG
5v427.b		BOP, KVT, UOP4	5v428.8↔		BOP, KVT, UOP4	5v42a.5		BOP, KVT, UOP4
	09	J03A, J03B, J04A, J04B, J08A, J08B, J08C, J10A, J10B, J16Z		09	J03A, J03B, J04A, J04B, J08A, J08B, J08C, J10A, J10B, J16Z		09	J03A, J03B, J04A, J04B, J08A, J08B, J08C, J10A, J10B, J16Z
	22	Y01Z, Y03A, Y03B		22	Y01Z, Y03A, Y03B		22	Y01Z, Y03A, Y03B
5v427.c		BOP, KVT, UOP4	5v428.9↔		BOP, KVT, UOP4	5v42a.6↔		BOP, KVT, UOP4
	06	G26Z		09	J03A, J03B, J04A, J04B, J08A, J08B, J08C, J10A, J10B, J16Z		09	J03A, J03B, J04A, J04B, J08A, J08B, J08C, J10A, J10B, J16Z
	09	J03A, J03B, J04A, J04B, J08A, J08B, J08C, J10A, J10B, J16Z		22	Y01Z, Y03A, Y03B		22	Y01Z, Y03A, Y03B
	13	N09A, N09B	5v428.a		BOP, KVT, UOP4	5v42a.7↔		BOP, KVT, UOP4
	22	Y01Z, Y03A, Y03B		09	J03A, J03B, J04A, J04B, J08A, J08B, J08C, J10A, J10B, J16Z		09	J03A, J03B, J04A, J04B, J08A, J08B, J08C, J10A, J10B, J16Z
5v427.d		BOP, KVT, UOP4		22	Y01Z, Y03A, Y03B		22	Y01Z, Y03A, Y03B
	06	G26Z	5v428.b		BOP, KVT, UOP4	5v42a.8↔		BOP, KVT, UOP4
	09	J03A, J03B, J04A, J04B, J08A, J08B, J08C, J10A, J10B, J16Z		09	J03A, J03B, J04A, J04B, J08A, J08B, J08C, J10A, J10B, J16Z		09	J03A, J03B, J04A, J04B, J08A, J08B, J08C, J10A, J10B, J16Z
	13	N09A, N09B		22	Y01Z, Y03A, Y03B		22	Y01Z, Y03A, Y03B
	22	Y01Z, Y03A, Y03B	5v428.c		BOP, KVT, UOP4	5v42a.9↔		BOP, KVT, UOP4
5v427.e↔		BOP, KVT, UOP4		06	G26Z		09	J03A, J03B, J04A, J04B, J08A, J08B, J08C, J10A, J10B, J16Z
	09	J03A, J03B, J04A, J04B, J08A, J08B, J08C, J10A, J10B, J16Z		09	J03A, J03B, J04A, J04B, J08A, J08B, J08C, J10A, J10B, J16Z		22	Y01Z, Y03A, Y03B
	22	Y01Z, Y03A, Y03B		13	N09A, N09B	5v42a.a		BOP, KVT, UOP4
5v427.f↔		BOP, KVT, UOP4		22	Y01Z, Y03A, Y03B		09	J03A, J03B, J04A, J04B, J08A, J08B, J08C, J10A, J10B, J16Z
	09	J03A, J03B, J04A, J04B, J08A, J08B, J08C, J10A, J10B, J16Z	5v428.d		BOP, KVT, UOP4		22	Y01Z, Y03A, Y03B
	22	Y01Z, Y03A, Y03B		06	G26Z		22	Y01Z, Y03A, Y03B
5v427.g↔		BOP, KVT, UOP4		09	J03A, J03B, J04A, J04B, J08A, J08B, J08C, J10A, J10B, J16Z	5v42a.b		BOP, KVT, UOP4
	09	J03A, J03B, J04A, J04B, J08A, J08B, J08C, J10A, J10B, J16Z		13	N09A, N09B		09	J03A, J03B, J04A, J04B, J08A, J08B, J08C, J10A, J10B, J16Z
	22	Y01Z, Y03A, Y03B		22	Y01Z, Y03A, Y03B		22	Y01Z, Y03A, Y03B
5v427.x		BOP, KVT, UOP4	5v428.e↔		BOP, KVT, UOP4	5v42a.c		BOP, KVT, UOP4
	06	G26Z		09	J03A, J03B, J04A, J04B, J08A, J08B, J08C, J10A, J10B, J16Z		06	G26Z
	09	J03A, J03B, J04A, J04B, J08A, J08B, J08C, J10A, J10B, J16Z		22	Y01Z, Y03A, Y03B		09	J03A, J03B, J04A, J04B, J08A, J08B, J08C, J10A, J10B, J16Z
	13	N09A, N09B	5v428.f↔		BOP, KVT, UOP4		13	N09A, N09B
	22	Y01Z, Y03A, Y03B		09	J03A, J03B, J04A, J04B, J08A, J08B, J08C, J10A, J10B, J16Z	5v42a.d		Y01Z, Y03A, Y03B
5v428.0		BOP, KVT, UOP4		22	Y01Z, Y03A, Y03B		06	G26Z
	09	J03A, J03B, J04A, J04B, J08A, J08B, J08C, J10A, J10B, J16Z	5v428.g↔		BOP, KVT, UOP4		09	J03A, J03B, J04A, J04B, J08A, J08B, J08C, J10A, J10B, J16Z
	22	Y01Z, Y03A, Y03B		09	J03A, J03B, J04A, J04B, J08A, J08B, J08C, J10A, J10B, J16Z		13	N09A, N09B
5v428.4		BOP, KVT, UOP4		22	Y01Z, Y03A, Y03B	5v42a.e↔		BOP, KVT, UOP4
	02	C20A, C20B	5v428.x		BOP, KVT, UOP4		09	J03A, J03B, J04A, J04B, J08A, J08B, J08C, J10A, J10B, J16Z
	09	J03A, J03B, J04A, J04B, J08A, J08B, J08C, J10A, J10B, J16Z		06	G26Z		22	Y01Z, Y03A, Y03B
	22	Y01Z, Y03A, Y03B		09	J03A, J03B, J04A, J04B, J08A, J08B, J08C, J10A, J10B, J16Z	5v42a.f↔		BOP, KVT, UOP4
5v428.5		BOP, KVT, UOP4		13	N09A, N09B		09	J03A, J03B, J04A, J04B, J08A, J08B, J08C, J10A, J10B, J16Z
	09	J03A, J03B, J04A, J04B, J08A, J08B, J08C, J10A, J10B, J16Z	5v429.4‡		C20A, C20B	5v42a.g↔		BOP, KVT, UOP4
	22	Y01Z, Y03A, Y03B	5v429.c‡		G26Z		09	J03A, J03B, J04A, J04B, J08A, J08B, J08C, J10A, J10B, J16Z
5v428.6↔		BOP, KVT, UOP4	5v429.d‡		G26Z		22	Y01Z, Y03A, Y03B
	09	J03A, J03B, J04A, J04B, J08A, J08B, J08C, J10A, J10B, J16Z	5v429.x‡		G26Z		09	J03A, J03B, J04A, J04B, J08A, J08B, J08C, J10A, J10B, J16Z
	22	Y01Z, Y03A, Y03B	5v42a.0		BOP, KVT, UOP4	5v42a.x		BOP, KVT, UOP4
5v428.7↔		BOP, KVT, UOP4		09	J03A, J03B, J04A, J04B, J08A, J08B, J08C, J10A, J10B, J16Z		06	G26Z
	09	J03A, J03B, J04A, J04B, J08A, J08B, J08C, J10A, J10B, J16Z	5v42a.4		BOP, KVT, UOP4		09	J03A, J03B, J04A, J04B, J08A, J08B, J08C, J10A, J10B, J16Z
	22	Y01Z, Y03A, Y03B		02	C20A, C20B		13	N09A, N09B
				09	J03A, J03B, J04A, J04B, J08A, J08B, J08C, J10A, J10B, J16Z		22	Y01Z, Y03A, Y03B



ZZV	MDC	DRG	ZZV	MDC	DRG	ZZV	MDC	DRG
5v42b.0		BOP, KVT, UOP4	5v42b.x		BOP, KVT, UOP4	5v443.g†↔	09	J11A, J11B, J11C
	09	J03A, J03B, J04A, J04B, J08A, J08B, J08C, J10A, J10B, J16Z		06	G26Z	5v443.x†	09	J11A, J11B, J11C
	22	Y01Z, Y03A, Y03B		09	J03A, J03B, J04A, J04B, J08A, J08B, J08C, J10A, J10B, J16Z	5v444.0		BOP, KVT, UOP4
5v42b.4		BOP, KVT, UOP4		13	N09A, N09B		09	J03A, J03B, J04A, J04B, J08A, J08B, J08C, J10A, J10B, J16Z
	02	C20A, C20B		22	Y01Z, Y03A, Y03B	5v444.4		BOP, KVT, UOP4
	09	J03A, J03B, J04A, J04B, J08A, J08B, J08C, J10A, J10B, J16Z	5v440.0†	09	J11A, J11B, J11C		02	C20A, C20B
	22	Y01Z, Y03A, Y03B	5v440.4†	02	C14Z		09	J03A, J03B, J04A, J04B, J08A, J08B, J08C, J10A, J10B, J16Z
5v42b.5		BOP, KVT, UOP4	5v440.5†	09	J11A, J11B, J11C	5v444.5		BOP, KVT, UOP4
	09	J03A, J03B, J04A, J04B, J08A, J08B, J08C, J10A, J10B, J16Z	5v440.6†↔	09	J11A, J11B, J11C		09	J03A, J03B, J04A, J04B, J08A, J08B, J08C, J10A, J10B, J16Z
	22	Y01Z, Y03A, Y03B	5v440.7†↔	09	J11A, J11B, J11C			BOP, KVT, UOP4
5v42b.6↔		BOP, KVT, UOP4	5v440.8†↔	09	J11A, J11B, J11C		09	J03A, J03B, J04A, J04B, J08A, J08B, J08C, J10A, J10B, J16Z
	09	J03A, J03B, J04A, J04B, J08A, J08B, J08C, J10A, J10B, J16Z	5v440.9†↔	09	J11A, J11B, J11C	5v444.6↔		BOP, KVT, UOP4
	22	Y01Z, Y03A, Y03B	5v440.a†	09	J11A, J11B, J11C		09	J03A, J03B, J04A, J04B, J08A, J08B, J08C, J10A, J10B, J16Z
5v42b.7↔		BOP, KVT, UOP4	5v440.b†	09	J11A, J11B, J11C			BOP, KVT, UOP4
	09	J03A, J03B, J04A, J04B, J08A, J08B, J08C, J10A, J10B, J16Z	5v440.c†	09	J11A, J11B, J11C	5v444.7↔		BOP, KVT, UOP4
	22	Y01Z, Y03A, Y03B	5v440.d†	09	J11A, J11B, J11C		09	J03A, J03B, J04A, J04B, J08A, J08B, J08C, J10A, J10B, J16Z
5v42b.8↔		BOP, KVT, UOP4	5v440.e†↔	09	J11A, J11B, J11C			BOP, KVT, UOP4
	09	J03A, J03B, J04A, J04B, J08A, J08B, J08C, J10A, J10B, J16Z	5v440.f†↔	09	J11A, J11B, J11C	5v444.8↔		BOP, KVT, UOP4
	22	Y01Z, Y03A, Y03B	5v440.g†↔	09	J11A, J11B, J11C		09	J03A, J03B, J04A, J04B, J08A, J08B, J08C, J10A, J10B, J16Z
5v42b.9↔		BOP, KVT, UOP4	5v440.x†	09	J11A, J11B, J11C			BOP, KVT, UOP4
	09	J03A, J03B, J04A, J04B, J08A, J08B, J08C, J10A, J10B, J16Z	5v441.0†	09	J11A, J11B, J11C	5v444.9↔		BOP, KVT, UOP4
	22	Y01Z, Y03A, Y03B	5v441.4†	02	C14Z		09	J03A, J03B, J04A, J04B, J08A, J08B, J08C, J10A, J10B, J16Z
5v42b.a		BOP, KVT, UOP4	5v441.5†	09	J11A, J11B, J11C			BOP, KVT, UOP4
	09	J03A, J03B, J04A, J04B, J08A, J08B, J08C, J10A, J10B, J16Z	5v441.6†↔	09	J11A, J11B, J11C	5v444.a		BOP, KVT, UOP4
	22	Y01Z, Y03A, Y03B	5v441.7†↔	09	J11A, J11B, J11C		09	J03A, J03B, J04A, J04B, J08A, J08B, J08C, J10A, J10B, J16Z
5v42b.b		BOP, KVT, UOP4	5v441.8†↔	09	J11A, J11B, J11C			BOP, KVT, UOP4
	09	J03A, J03B, J04A, J04B, J08A, J08B, J08C, J10A, J10B, J16Z	5v441.9†↔	09	J11A, J11B, J11C	5v444.b		BOP, KVT, UOP4
	22	Y01Z, Y03A, Y03B	5v441.a†	09	J11A, J11B, J11C		09	J03A, J03B, J04A, J04B, J08A, J08B, J08C, J10A, J10B, J16Z
5v42b.c		BOP, KVT, UOP4	5v441.b†	09	J11A, J11B, J11C			BOP, KVT, UOP4
	06	G26Z	5v441.c†	09	J11A, J11B, J11C	5v444.c		BOP, KVT, UOP4
	09	J03A, J03B, J04A, J04B, J08A, J08B, J08C, J10A, J10B, J16Z	5v441.d†	09	J11A, J11B, J11C		06	G26Z
	13	N09A, N09B	5v441.e†↔	09	J11A, J11B, J11C		09	J03A, J03B, J04A, J04B, J08A, J08B, J08C, J10A, J10B, J16Z
	22	Y01Z, Y03A, Y03B	5v441.f†↔	09	J11A, J11B, J11C		13	N09A, N09B
5v42b.d		BOP, KVT, UOP4	5v441.g†↔	09	J11A, J11B, J11C			BOP, KVT, UOP4
	06	G26Z	5v441.x†	09	J11A, J11B, J11C	5v444.d		BOP, KVT, UOP4
	09	J03A, J03B, J04A, J04B, J08A, J08B, J08C, J10A, J10B, J16Z	5v442.0†	09	J11A, J11B, J11C		06	G26Z
	13	N09A, N09B	5v442.4†	02	C14Z		09	J03A, J03B, J04A, J04B, J08A, J08B, J08C, J10A, J10B, J16Z
	22	Y01Z, Y03A, Y03B	5v442.5†	09	J11A, J11B, J11C		13	N09A, N09B
5v42b.e↔		BOP, KVT, UOP4	5v442.6†↔	09	J11A, J11B, J11C			BOP, KVT, UOP4
	09	J03A, J03B, J04A, J04B, J08A, J08B, J08C, J10A, J10B, J16Z	5v442.7†↔	09	J11A, J11B, J11C	5v444.e↔		BOP, KVT, UOP4
	22	Y01Z, Y03A, Y03B	5v442.8†↔	09	J11A, J11B, J11C		09	J03A, J03B, J04A, J04B, J08A, J08B, J08C, J10A, J10B, J16Z
5v42b.f↔		BOP, KVT, UOP4	5v442.9†↔	09	J11A, J11B, J11C			BOP, KVT, UOP4
	09	J03A, J03B, J04A, J04B, J08A, J08B, J08C, J10A, J10B, J16Z	5v442.a†	09	J11A, J11B, J11C	5v444.f↔		BOP, KVT, UOP4
	13	N09A, N09B	5v442.b†	09	J11A, J11B, J11C		09	J03A, J03B, J04A, J04B, J08A, J08B, J08C, J10A, J10B, J16Z
	22	Y01Z, Y03A, Y03B	5v442.c†	09	J11A, J11B, J11C			BOP, KVT, UOP4
5v42b.g↔		BOP, KVT, UOP4	5v442.d†	09	J11A, J11B, J11C	5v444.g↔		BOP, KVT, UOP4
	09	J03A, J03B, J04A, J04B, J08A, J08B, J08C, J10A, J10B, J16Z	5v442.e†↔	09	J11A, J11B, J11C		09	J03A, J03B, J04A, J04B, J08A, J08B, J08C, J10A, J10B, J16Z
	13	N09A, N09B	5v442.f†↔	09	J11A, J11B, J11C			BOP, KVT, UOP4
	22	Y01Z, Y03A, Y03B	5v442.g†↔	09	J11A, J11B, J11C	5v444.x		BOP, KVT, UOP4
	09	J03A, J03B, J04A, J04B, J08A, J08B, J08C, J10A, J10B, J16Z	5v442.x†	09	J11A, J11B, J11C		06	G26Z
	22	Y01Z, Y03A, Y03B	5v443.0†	09	J11A, J11B, J11C		09	J03A, J03B, J04A, J04B, J08A, J08B, J08C, J10A, J10B, J16Z
	09	J03A, J03B, J04A, J04B, J08A, J08B, J08C, J10A, J10B, J16Z	5v443.4†	02	C14Z		13	N09A, N09B
	22	Y01Z, Y03A, Y03B	5v443.5†	09	J11A, J11B, J11C			BOP, KVT, UOP4
	09	J03A, J03B, J04A, J04B, J08A, J08B, J08C, J10A, J10B, J16Z	5v443.6†↔	09	J11A, J11B, J11C		09	J03A, J03B, J04A, J04B, J08A, J08B, J08C, J10A, J10B, J16Z
	13	N09A, N09B	5v443.7†↔	09	J11A, J11B, J11C			BOP, KVT, UOP4
	22	Y01Z, Y03A, Y03B	5v443.8†↔	09	J11A, J11B, J11C		09	J03A, J03B, J04A, J04B, J08A, J08B, J08C, J10A, J10B, J16Z
	09	J03A, J03B, J04A, J04B, J08A, J08B, J08C, J10A, J10B, J16Z	5v443.9†↔	09	J11A, J11B, J11C			BOP, KVT, UOP4
	22	Y01Z, Y03A, Y03B	5v443.a†	09	J11A, J11B, J11C		06	G26Z
	09	J03A, J03B, J04A, J04B, J08A, J08B, J08C, J10A, J10B, J16Z	5v443.b†	09	J11A, J11B, J11C		09	J03A, J03B, J04A, J04B, J08A, J08B, J08C, J10A, J10B, J16Z
	13	N09A, N09B	5v443.c†	09	J11A, J11B, J11C			BOP, KVT, UOP4
	22	Y01Z, Y03A, Y03B	5v443.d†	09	J11A, J11B, J11C		13	N09A, N09B
	09	J03A, J03B, J04A, J04B, J08A, J08B, J08C, J10A, J10B, J16Z	5v443.e†↔	09	J11A, J11B, J11C			BOP, KVT, UOP4
	22	Y01Z, Y03A, Y03B	5v443.f†↔	09	J11A, J11B, J11C		09	J03A, J03B, J04A, J04B, J08A, J08B, J08C, J10A, J10B, J16Z

VYK

ZZV	MDC	DRG	ZZV	MDC	DRG	ZZV	MDC	DRG
5v448.a†	09	J11A, J11B	5v450.7↔		BOP, KVT, UOP4	5v450.d		BOP, KVT, UOP4
5v448.b†	09	J11A, J11B	01		B03A, B03B, B06A, B06B, B07Z, B17A, B17B, B17C	01		B03A, B03B, B06A, B06B, B07Z, B17A, B17B, B17C
5v448.c†	09	J11A, J11B	05		F13A, F21A, F21B, F21C	05		F13A, F21A, F21B, F21C
5v448.d†	09	J11A, J11B	08		I02A, I02B, I02C, I02D, I22A, I22B, I50Z	06		G10Z, G12A, G12B
5v448.e†↔	09	J11A, J11B	09		J02A, J02B, J02C, J04A, J04B, J08A, J08B, J08C, J16Z, J21Z, J22A, J22B	08		I02A, I02B, I02C, I02D, I22A, I22B, I50Z
5v448.f†↔	09	J11A, J11B	21A		W04A, W04B	09		J02A, J02B, J02C, J04A, J04B, J08A, J08B, J08C, J16Z, J21Z, J22A, J22B
5v448.g†↔	09	J11A, J11B	21B		X01A, X01B, X01C	21A		W04A, W04B
5v448.x†	09	J11A, J11B	5v450.8↔		BOP, KVT, UOP4	21B		X01A, X01B, X01C
5v449.0†	09	J11A, J11B	01		B03A, B03B, B06A, B06B, B07Z, B17A, B17B, B17C	5v450.e↔		BOP, KVT, UOP4
5v449.4†	02	C20A, C20B	05		F13A, F21A, F21B, F21C	01		B03A, B03B, B06A, B06B, B07Z, B17A, B17B, B17C
	09	J11A, J11B, J11C	08		I02A, I02B, I02C, I02D, I22A, I22B, I32A, I32B, I32C, I32D, I32E, I32F, I50Z	05		F13A, F21A, F21B, F21C
5v449.5†	09	J11A, J11B	09		J02A, J02B, J02C, J04A, J04B, J08A, J08B, J08C, J16Z, J21Z, J22A, J22B	08		I02A, I02B, I02C, I02D, I22A, I22B, I50Z
5v449.6†↔	09	J11A, J11B	21A		W04A, W04B	09		J02A, J02B, J02C, J04A, J04B, J08A, J08B, J08C, J16Z, J21Z, J22A, J22B
5v449.7†↔	09	J11A, J11B	21B		X01A, X01B, X01C	21A		W04A, W04B
5v449.8†↔	09	J11A, J11B	5v450.9↔		BOP, KVT, UOP4	21B		X01A, X01B, X01C
5v449.9†↔	09	J11A, J11B	01		B03A, B03B, B06A, B06B, B07Z, B17A, B17B, B17C	5v450.f↔		BOP, KVT, UOP4
5v449.a†	09	J11A, J11B	05		F13A, F21A, F21B, F21C	01		B03A, B03B, B06A, B06B, B07Z, B17A, B17B, B17C
5v449.b†	09	J11A, J11B	08		I12A, I12B, I12C, I32A, I32B, I32C, I32D, I32E, I32F	05		F13A, F21A, F21B, F21C
5v449.c†	09	J11A, J11B	09		J02A, J02B, J02C, J04A, J04B, J08A, J08B, J08C, J16Z, J21Z, J22A, J22B	08		I02A, I02B, I02C, I02D, I22A, I22B, I50Z
5v449.d†	09	J11A, J11B	21A		W04A, W04B	09		J02A, J02B, J02C, J04A, J04B, J08A, J08B, J08C, J16Z, J21Z, J22A, J22B
5v449.e†↔	09	J11A, J11B	21B		X01A, X01B, X01C	21A		W04A, W04B
5v449.f†↔	09	J11A, J11B	5v450.a		BOP, KVT, UOP4	21B		X01A, X01B, X01C
5v449.g†↔	09	J11A, J11B	01		B03A, B03B, B06A, B06B, B07Z, B17A, B17B, B17C	5v450.g↔		BOP, KVT, UOP4
5v449.x†	09	J11A, J11B	05		F13A, F21A, F21B, F21C	01		B03A, B03B, B06A, B06B, B07Z, B17A, B17B, B17C
5v450.0		BOP, KVT, UOP4	06		G10Z, G12A, G12B	05		F13A, F21A, F21B, F21C
	01	B03A, B03B, B06A, B06B, B07Z, B17A, B17B, B17C	08		I02A, I02B, I02C, I02D, I22A, I22B, I50Z	08		I02A, I02B, I02C, I02D, I12A, I12B, I12C, I22A, I22B, I50Z
	03	D12A	09		J02A, J02B, J02C, J04A, J04B, J08A, J08B, J08C, J16Z, J21Z, J22A, J22B	09		J02A, J02B, J02C, J04A, J04B, J08A, J08B, J08C, J16Z, J21Z, J22A, J22B
	05	F13A, F21A, F21B, F21C	21A		W04A, W04B	21A		W04A, W04B
	09	J02A, J02B, J02C, J04A, J04B, J08A, J08B, J08C, J16Z, J21Z, J22A, J22B	21B		X01A, X01B, X01C	21B		X01A, X01B, X01C
5v450.4		BOP, KVT, UOP4	5v450.b		BOP, KVT, UOP4	5v450.x↔		BOP, KVT, UOP4
	01	B03A, B03B, B06A, B06B, B07Z, B17A, B17B, B17C	01		B03A, B03B, B06A, B06B, B07Z, B17A, B17B, B17C	01		B03A, B03B, B06A, B06B, B07Z, B17A, B17B, B17C
	02	C20A, C20B	05		F13A, F21A, F21B, F21C	05		F13A, F21A, F21B, F21C
	03	D12A	06		G10Z, G12A, G12B	08		I02A, I02B, I02C, I02D, I22A, I22B, I50Z
	05	F13A, F21A, F21B, F21C	08		I02A, I02B, I02C, I02D, I22A, I22B, I50Z	09		J02A, J02B, J02C, J04A, J04B, J08A, J08B, J08C, J16Z, J21Z, J22A, J22B
	08	I02A, I02B, I02C, I02D, I22A, I22B, I50Z	09		J02A, J02B, J02C, J04A, J04B, J08A, J08B, J08C, J16Z, J21Z, J22A, J22B	21A		W04A, W04B
	09	J02A, J02B, J02C, J04A, J04B, J08A, J08B, J08C, J16Z, J21Z, J22A, J22B	21A		W04A, W04B	21B		X01A, X01B, X01C
	21A	W04A, W04B	21B		X01A, X01B, X01C	01		B03A, B03B, B06A, B06B, B07Z, B17A, B17B, B17C
5v450.5		BOP, KVT, UOP4	5v450.c		BOP, KVT, UOP4	5v451.0		BOP, KVT, UOP4
	01	B03A, B03B, B06A, B06B, B07Z, B17A, B17B, B17C	01		B03A, B03B, B06A, B06B, B07Z, B17A, B17B, B17C	01		B03A, B03B, B06A, B06B, B07Z, B17A, B17B, B17C
	03	D12A	05		F13A, F21A, F21B, F21C	05		F13A, F21A, F21B, F21C
	05	F13A, F21A, F21B, F21C	06		G10Z, G12A, G12B	08		I02A, I02B, I02C, I02D, I22A, I22B, I32A, I32B, I32C, I32D, I32E, I32F, I50Z
	08	I02A, I02B, I02C, I02D, I22A, I22B, I50Z	08		I02A, I02B, I02C, I02D, I22A, I22B, I50Z	09		J02A, J02B, J02C, J04A, J04B, J08A, J08B, J08C, J16Z, J21Z, J22A, J22B
	09	J02A, J02B, J02C, J04A, J04B, J08A, J08B, J08C, J16Z, J21Z, J22A, J22B	09		J02A, J02B, J02C, J04A, J04B, J08A, J08B, J08C, J16Z, J21Z, J22A, J22B	21A		W04A, W04B
	21A	W04A, W04B	21A		W04A, W04B	21B		X01A, X01B, X01C
	21B	X01A, X01B, X01C	21B		X01A, X01B, X01C	01		B03A, B03B, B06A, B06B, B07Z, B17A, B17B, B17C
5v450.6↔		BOP, KVT, UOP4	5v450.c		BOP, KVT, UOP4	05		F13A, F21A, F21B, F21C
	01	B03A, B03B, B06A, B06B, B07Z, B17A, B17B, B17C	01		B03A, B03B, B06A, B06B, B07Z, B17A, B17B, B17C	09		J02A, J02B, J02C, J04A, J04B, J08A, J08B, J08C, J16Z, J21Z, J22A, J22B
	05	F13A, F21A, F21B, F21C	05		F13A, F21A, F21B, F21C	21A		W04A, W04B
	08	I02A, I02B, I02C, I02D, I22A, I22B, I50Z	06		G10Z, G12A, G12B	21B		X01A, X01B, X01C
	09	J02A, J02B, J02C, J04A, J04B, J08A, J08B, J08C, J16Z, J21Z, J22A, J22B	08		I02A, I02B, I02C, I02D, I22A, I22B, I50Z			
	21A	W04A, W04B	09		J02A, J02B, J02C, J04A, J04B, J08A, J08B, J08C, J16Z, J21Z, J22A, J22B			
	21B	X01A, X01B, X01C	21A		W04A, W04B			
			21B		X01A, X01B, X01C			

Príloha B: Index Výkon-MDC-DRG

ZZV	MDC	DRG	ZZV	MDC	DRG	ZZV	MDC	DRG			
5v451.5		BOP, KVT, UOP4	5v451.b		BOP, KVT, UOP4	5v451.x↔		BOP, KVT, UOP4			
	01	B03A, B03B, B06A, B06B, B07Z, B17A, B17B, B17C		01	B03A, B03B, B06A, B06B, B07Z, B17A, B17B, B17C		01	B03A, B03B, B06A, B06B, B07Z, B17A, B17B, B17C			
	02	C20A, C20B		05	F13A, F21A, F21B, F21C		05	F13A, F21A, F21B, F21C			
	05	F13A, F21A, F21B, F21C		06	G10Z, G12A, G12B		08	I02A, I02B, I02C, I02D, I22A, I22B, I50Z			
	08	I02A, I02B, I02C, I02D, I22A, I22B, I50Z		08	I02A, I02B, I02C, I02D, I22A, I22B, I50Z		09	J02A, J02B, J02C, J04A, J04B, J08A, J08B, J08C, J16Z, J21Z, J22A, J22B			
	09	J02A, J02B, J02C, J04A, J04B, J08A, J08B, J08C, J16Z, J21Z, J22A, J22B		09	J02A, J02B, J02C, J04A, J04B, J08A, J08B, J08C, J16Z, J21Z, J22A, J22B		09	J02A, J02B, J02C, J04A, J04B, J08A, J08B, J08C, J16Z, J21Z, J22A, J22B			
	21A	W04A, W04B		21A	W04A, W04B		21A	W04A, W04B			
	21B	X01A, X01B, X01C		21B	X01A, X01B, X01C		21B	X01A, X01B, X01C			
	5v451.6↔			BOP, KVT, UOP4	5v451.c			BOP, KVT, UOP4	5v452.0		BOP, UOP4
		01		B03A, B03B, B06A, B06B, B07Z, B17A, B17B, B17C			01	B03A, B03B, B06A, B06B, B07Z, B17A, B17B, B17C		01	B03A, B03B, B06A, B06B, B07Z, B17A, B17B, B17C
05		F13A, F21A, F21B, F21C	05	F13A, F21A, F21B, F21C		03	D18Z, D28Z, D29Z				
08		I02A, I02B, I02C, I02D, I22A, I22B, I50Z	06	G10Z, G12A, G12B		05	F13A, F21A, F21B, F21C				
09		J02A, J02B, J02C, J04A, J04B, J08A, J08B, J08C, J16Z, J21Z, J22A, J22B	08	I02A, I02B, I02C, I02D, I22A, I22B, I50Z		09	J02A, J02B, J02C, J04A, J04B, J08A, J08B, J08C, J16Z, J21Z, J22A, J22B				
21A		W04A, W04B	09	J02A, J02B, J02C, J04A, J04B, J08A, J08B, J08C, J16Z, J21Z, J22A, J22B		21A	W04A, W04B				
21B		X01A, X01B, X01C	21A	W04A, W04B		21B	X01A, X01B, X01C				
5v451.7↔			BOP, KVT, UOP4	5v451.d			BOP, KVT, UOP4	5v452.4			BOP, UOP4
		01	B03A, B03B, B06A, B06B, B07Z, B17A, B17B, B17C			01	B03A, B03B, B06A, B06B, B07Z, B17A, B17B, B17C			01	B03A, B03B, B06A, B06B, B07Z, B17A, B17B, B17C
		05	F13A, F21A, F21B, F21C			05	F13A, F21A, F21B, F21C			02	C20A, C20B
	08	I02A, I02B, I02C, I02D, I22A, I22B, I50Z	06		G10Z, G12A, G12B	03	D18Z, D28Z, D29Z				
	09	J02A, J02B, J02C, J04A, J04B, J08A, J08B, J08C, J16Z, J21Z, J22A, J22B	08		I02A, I02B, I02C, I02D, I22A, I22B, I50Z	05	F13A, F21A, F21B, F21C				
	21A	W04A, W04B	09		J02A, J02B, J02C, J04A, J04B, J08A, J08B, J08C, J16Z, J21Z, J22A, J22B	08	I02A, I02B, I02C, I02D, I22A, I22B, I50Z				
	21B	X01A, X01B, X01C	21A		W04A, W04B	09	J02A, J02B, J02C, J04A, J04B, J08A, J08B, J08C, J16Z, J21Z, J22A, J22B				
	5v451.8↔		BOP, KVT, UOP4		5v451.e↔		BOP, KVT, UOP4		5v452.5		BOP, UOP4
		01	B03A, B03B, B06A, B06B, B07Z, B17A, B17B, B17C			01	B03A, B03B, B06A, B06B, B07Z, B17A, B17B, B17C			01	B03A, B03B, B06A, B06B, B07Z, B17A, B17B, B17C
		05	F13A, F21A, F21B, F21C			05	F13A, F21A, F21B, F21C			03	D18Z, D28Z, D29Z
08		I02A, I02B, I02C, I02D, I22A, I22B, I32A, I32B, I32C, I32D, I32E, I32F, I50Z	08	I02A, I02B, I02C, I02D, I22A, I22B, I50Z		05	F13A, F21A, F21B, F21C				
09		J02A, J02B, J02C, J04A, J04B, J08A, J08B, J08C, J16Z, J21Z, J22A, J22B	09	J02A, J02B, J02C, J04A, J04B, J08A, J08B, J08C, J16Z, J21Z, J22A, J22B		08	I02A, I02B, I02C, I02D, I22A, I22B, I50Z				
21A		W04A, W04B	21A	W04A, W04B		09	J02A, J02B, J02C, J04A, J04B, J08A, J08B, J08C, J16Z, J21Z, J22A, J22B				
21B		X01A, X01B, X01C	21A	W04A, W04B		21A	W04A, W04B				
5v451.9↔			BOP, KVT, UOP4	5v451.f↔			BOP, KVT, UOP4	5v452.6↔			BOP, UOP4
		01	B03A, B03B, B06A, B06B, B07Z, B17A, B17B, B17C			01	B03A, B03B, B06A, B06B, B07Z, B17A, B17B, B17C			01	B03A, B03B, B06A, B06B, B07Z, B17A, B17B, B17C
		05	F13A, F21A, F21B, F21C			05	F13A, F21A, F21B, F21C			05	F13A, F21A, F21B, F21C
	08	I12A, I12B, I12C, I32A, I32B, I32C, I32D, I32E, I32F	08		I02A, I02B, I02C, I02D, I22A, I22B, I50Z	08	I02A, I02B, I02C, I02D, I22A, I22B, I50Z				
	09	J02A, J02B, J02C, J04A, J04B, J08A, J08B, J08C, J16Z, J21Z, J22A, J22B	09		J02A, J02B, J02C, J04A, J04B, J08A, J08B, J08C, J16Z, J21Z, J22A, J22B	09	J02A, J02B, J02C, J04A, J04B, J08A, J08B, J08C, J16Z, J21Z, J22A, J22B				
	21A	W04A, W04B	21A		W04A, W04B	21A	W04A, W04B				
	21B	X01A, X01B, X01C	21B		X01A, X01B, X01C	21B	X01A, X01B, X01C				
	5v451.a		BOP, KVT, UOP4		5v451.g↔		BOP, KVT, UOP4		5v452.7↔		BOP, UOP4
		01	B03A, B03B, B06A, B06B, B07Z, B17A, B17B, B17C			01	B03A, B03B, B06A, B06B, B07Z, B17A, B17B, B17C			01	B03A, B03B, B06A, B06B, B07Z, B17A, B17B, B17C
		05	F13A, F21A, F21B, F21C			05	F13A, F21A, F21B, F21C			05	F13A, F21A, F21B, F21C
06		G10Z, G12A, G12B	08	I02A, I02B, I02C, I02D, I22A, I22B, I50Z		08	I02A, I02B, I02C, I02D, I22A, I22B, I50Z				
08		I02A, I02B, I02C, I02D, I22A, I22B, I50Z	08	I02A, I02B, I02C, I02D, I12A, I12B, I12C, I22A, I22B, I50Z		08	I02A, I02B, I02C, I02D, I22A, I22B, I50Z				
09		J02A, J02B, J02C, J04A, J04B, J08A, J08B, J08C, J16Z, J21Z, J22A, J22B	09	J02A, J02B, J02C, J04A, J04B, J08A, J08B, J08C, J16Z, J21Z, J22A, J22B		09	J02A, J02B, J02C, J04A, J04B, J08A, J08B, J08C, J16Z, J21Z, J22A, J22B				
21A		W04A, W04B	21A	W04A, W04B		21A	W04A, W04B				
21B		X01A, X01B, X01C	21B	X01A, X01B, X01C		21B	X01A, X01B, X01C				

VYK

ZZV	MDC	DRG	ZZV	MDC	DRG	ZZV	MDC	DRG
5v459.4		BOP, KVT, UOP4	5v459.9↔		BOP, KVT, UOP4	5v459.e↔		BOP, KVT, UOP4
	01	B03A, B03B, B06A, B06B, B07Z, B17A, B17B, B17C		01	B03A, B03B, B06A, B06B, B07Z, B17A, B17B, B17C		01	B03A, B03B, B06A, B06B, B07Z, B17A, B17B, B17C
	02	C20A, C20B		05	F13A, F21A, F21B		05	F13A, F21A, F21B, F27A, F27B, F27C
	03	D18Z, D25A, D25B, D25C, D25D		08	I12A, I12B, I12C, I32A, I32B, I32C, I32D, I32E, I32F		08	I02A, I02B, I02C, I02D, I12A, I12B, I12C, I22A, I22B, I50Z
	05	F13A, F21A, F21B		09	J02A, J02B, J02C, J04A, J04B, J08A, J08B, J08C, J16Z, J21Z, J22A, J22B		09	J02A, J02B, J02C, J04A, J04B, J08A, J08B, J08C, J16Z, J21Z, J22A, J22B
	08	I02A, I02B, I02C, I02D, I12A, I12B, I12C, I22A, I22B, I50Z		21A	W04A, W04B		10	K01Z
	09	J02A, J02B, J02C, J04A, J04B, J08A, J08B, J08C, J16Z, J21Z, J22A, J22B		21B	X01A, X01B, X01C		21A	W04A, W04B
	21A	W04A, W04B		01	B03A, B03B, B06A, B06B, B07Z, B17A, B17B, B17C		21B	X01A, X01B, X01C
	21B	X01A, X01B, X01C		05	F13A, F21A, F21B			BOP, KVT, UOP4
				06	G10Z, G12A, G12B			B03A, B03B, B06A, B06B, B07Z, B17A, B17B, B17C
5v459.5		BOP, KVT, UOP4	5v459.a		BOP, KVT, UOP4	5v459.f↔		BOP, KVT, UOP4
	01	B03A, B03B, B06A, B06B, B07Z, B17A, B17B, B17C		01	B03A, B03B, B06A, B06B, B07Z, B17A, B17B, B17C		01	B03A, B03B, B06A, B06B, B07Z, B17A, B17B, B17C
	03	D18Z, D25A, D25B, D25C, D25D		05	F13A, F21A, F21B		05	F13A, F21A, F21B, F27A, F27B, F27C
	05	F13A, F21A, F21B		08	I02A, I02B, I02C, I02D, I12A, I12B, I12C, I22A, I22B, I50Z		08	I02A, I02B, I02C, I02D, I12A, I12B, I12C, I22A, I22B, I50Z
	08	I02A, I02B, I02C, I02D, I12A, I12B, I12C, I22A, I22B, I50Z		09	J02A, J02B, J02C, J04A, J04B, J08A, J08B, J08C, J16Z, J21Z, J22A, J22B		09	J02A, J02B, J02C, J04A, J04B, J08A, J08B, J08C, J16Z, J21Z, J22A, J22B
	09	J02A, J02B, J02C, J04A, J04B, J08A, J08B, J08C, J16Z, J21Z, J22A, J22B		21A	W04A, W04B		10	K01Z
	21A	W04A, W04B		21B	X01A, X01B, X01C		21A	W04A, W04B
	21B	X01A, X01B, X01C		01	B03A, B03B, B06A, B06B, B07Z, B17A, B17B, B17C		21B	X01A, X01B, X01C
5v459.6↔		BOP, KVT, UOP4	5v459.b		BOP, KVT, UOP4	5v459.g↔		BOP, KVT, UOP4
	01	B03A, B03B, B06A, B06B, B07Z, B17A, B17B, B17C		01	B03A, B03B, B06A, B06B, B07Z, B17A, B17B, B17C		01	B03A, B03B, B06A, B06B, B07Z, B17A, B17B, B17C
	05	F13A, F21A, F21B		05	F13A, F21A, F21B		05	F13A, F21A, F21B, F27A, F27B, F27C
	08	I02A, I02B, I02C, I02D, I12A, I12B, I12C, I22A, I22B, I50Z		08	I02A, I02B, I02C, I02D, I12A, I12B, I12C, I22A, I22B, I50Z		08	I02A, I02B, I02C, I02D, I12A, I12B, I12C, I22A, I22B, I50Z
	09	J02A, J02B, J02C, J04A, J04B, J08A, J08B, J08C, J16Z, J21Z, J22A, J22B		09	J02A, J02B, J02C, J04A, J04B, J08A, J08B, J08C, J16Z, J21Z, J22A, J22B		09	J02A, J02B, J02C, J04A, J04B, J08A, J08B, J08C, J16Z, J21Z, J22A, J22B
	21A	W04A, W04B		21A	W04A, W04B		10	K01Z
	21B	X01A, X01B, X01C		21B	X01A, X01B, X01C		21A	W04A, W04B
				01	B03A, B03B, B06A, B06B, B07Z, B17A, B17B, B17C		21B	X01A, X01B, X01C
5v459.7↔		BOP, KVT, UOP4	5v459.c		BOP, KVT, UOP4	5v459.h↔		BOP, KVT, UOP4
	01	B03A, B03B, B06A, B06B, B07Z, B17A, B17B, B17C		01	B03A, B03B, B06A, B06B, B07Z, B17A, B17B, B17C		01	B03A, B03B, B06A, B06B, B07Z, B17A, B17B, B17C
	05	F13A, F21A, F21B		05	F13A, F21A, F21B, F27A, F27B, F27C		05	F13A, F21A, F21B
	08	I02A, I02B, I02C, I02D, I12A, I12B, I12C, I22A, I22B, I50Z		08	I02A, I02B, I02C, I02D, I12A, I12B, I12C, I22A, I22B, I50Z		08	I02A, I02B, I02C, I02D, I12A, I12B, I12C, I22A, I22B, I32A, I32B, I32C, I32D, I32E, I32F, I50Z
	09	J02A, J02B, J02C, J04A, J04B, J08A, J08B, J08C, J16Z, J21Z, J22A, J22B		09	J02A, J02B, J02C, J04A, J04B, J08A, J08B, J08C, J16Z, J21Z, J22A, J22B		09	J02A, J02B, J02C, J04A, J04B, J08A, J08B, J08C, J16Z, J21Z, J22A, J22B
	21A	W04A, W04B		10	K01Z		10	K01Z
	21B	X01A, X01B, X01C		21A	W04A, W04B		21A	W04A, W04B
				21B	X01A, X01B, X01C		21B	X01A, X01B, X01C
5v459.8↔		BOP, KVT, UOP4	5v459.d		BOP, KVT, UOP4	5v45a.1		BOP, KVT, UOP4
	01	B03A, B03B, B06A, B06B, B07Z, B17A, B17B, B17C		01	B03A, B03B, B06A, B06B, B07Z, B17A, B17B, B17C		01	B03A, B03B, B06A, B06B, B07Z, B17A, B17B, B17C
	05	F13A, F21A, F21B		05	F13A, F21A, F21B		05	F13A, F21A, F21B, F21C, F27A, F27B, F27C
	08	I02A, I02B, I02C, I02D, I12A, I12B, I12C, I22A, I22B, I32A, I32B, I32C, I32D, I32E, I32F, I50Z		08	I02A, I02B, I02C, I02D, I12A, I12B, I12C, I22A, I22B, I50Z		08	I02A, I02B, I02C, I02D, I12A, I12B, I12C, I22A, I22B, I32A, I32B, I32C, I32D, I50Z
	09	J02A, J02B, J02C, J04A, J04B, J08A, J08B, J08C, J16Z, J21Z, J22A, J22B		09	J02A, J02B, J02C, J04A, J04B, J08A, J08B, J08C, J16Z, J21Z, J22A, J22B		09	J02A, J02B, J02C, J04A, J04B, J08A, J08B, J08C, J16Z, J21Z, J22A, J22B
	21A	W04A, W04B		21A	W04A, W04B		10	K01Z
	21B	X01A, X01B, X01C		21B	X01A, X01B, X01C		21A	W04A, W04B
							21B	X01A, X01B

ZZV	MDC	DRG	ZZV	MDC	DRG	ZZV	MDC	DRG			
5v45a.2		BOP, KK11, KKI, KKII, KKP, KVT, UOP4	5v460.0↔		BOP, KVT, UOP4	5v464.0↔		BOP, KVT, UOP4			
	01	B03A, B03B, B06A, B06B, B07Z, B17A, B17B, B17C		08	I20A, I20B, I20C, I20D, I20E, I20F, I32A, I32B, I32C, I32D, I32E, I32F		08	I20A, I20B, I20C, I20D, I20E, I20F, I32A, I32B, I32C, I32D, I32E, I32F			
	05	F13A, F21A, F21B, F21C		09	J03A, J03B, J04A, J04B, J08A, J08B, J08C, J10A, J10B, J16Z		09	J03A, J03B, J04A, J04B, J08A, J08B, J08C, J10A, J10B, J16Z			
	06	G10Z, G12A, G12B		21A	W04A, W04B		21A	W04A, W04B			
	08	I02A, I02B, I02C, I02D, I12A, I12B, I12C, I22A, I22B, I50Z		21B	X05A, X05B		21B	X05A, X05B			
	09	J02A, J02B, J02C, J04A, J04B, J08A, J08B, J08C, J16Z, J21Z, J22A, J22B		5v460.x↔			5v464.1↔				
	21A	W04A, W04B		08	I20A, I20B, I20C, I20D, I20E, I20F, I32A, I32B, I32C, I32D, I32E, I32F		08	I20A, I20B, I20C, I20D, I32A, I32B, I32C, I32D, I32E, I32F			
	21B	X01A, X01B		09	J03A, J03B, J04A, J04B, J08A, J08B, J08C, J10A, J10B, J16Z		09	J03A, J03B, J04A, J04B, J08A, J08B, J08C, J10A, J10B, J16Z			
	5v45a.3			BOP, KVT, UOP4	5v461.0↔			BOP, KVT, UOP4	5v465↔		BOP, KVT, UOP4
		01		B03A, B03B, B06A, B06B, B07Z, B17A, B17B, B17C			08	I20A, I20B, I20C, I20D, I32A, I32B, I32C, I32D, I32E, I32F		08	I20A, I20B, I20C, I20D, I32A, I32B, I32C, I32D, I32E, I32F
05		F13A, F21A, F21B, F21C	09	J03A, J03B, J04A, J04B, J08A, J08B, J08C, J10A, J10B, J16Z		09	J03A, J03B, J04A, J04B, J08A, J08B, J08C, J10A, J10B, J16Z				
06		G10Z, G12A, G12B	21A	W04A, W04B		21A	W04A, W04B				
08		I02A, I02B, I02C, I02D, I12A, I12B, I12C, I22A, I22B, I50Z	21B	X05A, X05B		21B	X05A, X05B				
09		J02A, J02B, J02C, J04A, J04B, J08A, J08B, J08C, J16Z, J21Z, J22A, J22B	5v461.x↔			5v46x↔					
21A		W04A, W04B	08	I20A, I20B, I20C, I20D, I20E, I20F, I32A, I32B, I32C, I32D, I32E, I32F		08	I20A, I20B, I20C, I20D, I20E, I20F, I32A, I32B, I32C, I32D, I32E, I32F				
21B		X01A, X01B	09	J03A, J03B, J04A, J04B, J08A, J08B, J08C, J10A, J10B, J16Z		09	J03A, J03B, J04A, J04B, J08A, J08B, J08C, J10A, J10B, J16Z				
5v45a.4			BOP, KVT, UOP4	5v462.0↔			BOP, KVT, UOP4	5v470↔			BOP, KVT, UOP4
		01	B03A, B03B, B06A, B06B, B07Z, B17A, B17B, B17C			08	I20A, I20B, I20C, I20D, I20E, I20F, I32A, I32B, I32C, I32D, I32E, I32F			08	I20A, I20B, I20C, I20D, I20E, I20F, I32A, I32B, I32C, I32D, I32E, I32F
	05	F13A, F21A, F21B, F21C	09		J03A, J03B, J04A, J04B, J08A, J08B, J08C, J10A, J10B, J16Z	09	J03A, J03B, J04A, J04B, J08A, J08B, J08C, J10A, J10B, J16Z				
	06	G10Z, G12A, G12B	21A		W04A, W04B	21A	W04A, W04B				
	08	I02A, I02B, I02C, I02D, I12A, I12B, I12C, I22A, I22B, I32A, I32B, I32C, I32D, I32E, I32F, I50Z	21B		X05A, X05B	21B	X05A, X05B				
	09	J02A, J02B, J02C, J04A, J04B, J08A, J08B, J08C, J16Z, J21Z, J22A, J22B	5v462.1↔			5v471↔					
	21A	W04A, W04B	08		I20A, I20B, I20C, I20D, I32A, I32B, I32C, I32D, I32E, I32F	08	I20A, I20B, I20C, I20D, I32A, I32B, I32C, I32D, I32E, I32F				
	21B	X01A, X01B	09		J03A, J03B, J04A, J04B, J08A, J08B, J08C, J10A, J10B, J16Z	09	J03A, J03B, J04A, J04B, J08A, J08B, J08C, J10A, J10B, J16Z				
	5v45a.x		BOP, KVT, UOP4		5v462.x↔		BOP, KVT, UOP4		5v472↔		BOP, KVT, UOP4
		01	B03A, B03B, B06A, B06B, B07Z, B17A, B17B, B17C			08	I20A, I20B, I20C, I20D, I20E, I20F, I32A, I32B, I32C, I32D, I32E, I32F			08	I20A, I20B, I20C, I20D, I20E, I20F, I32A, I32B, I32C, I32D, I32E, I32F
05		F13A, F21A, F21B, F21C	09	J03A, J03B, J04A, J04B, J08A, J08B, J08C, J10A, J10B, J16Z		09	J03A, J03B, J04A, J04B, J08A, J08B, J08C, J10A, J10B, J16Z				
08		I02A, I02B, I02C, I02D, I12A, I12B, I12C, I22A, I22B, I32A, I32B, I32C, I32D, I32E, I32F, I50Z	21A	W04A, W04B		21A	W04A, W04B				
09		J02A, J02B, J02C, J04A, J04B, J08A, J08B, J08C, J16Z, J21Z, J22A, J22B	21B	X05A, X05B		21B	X05A, X05B				
21A		W04A, W04B	5v463↔			5v473↔					
21B		X01A, X01B	08	I20A, I20B, I20C, I20D, I20E, I20F, I32A, I32B, I32C, I32D, I32E, I32F		08	I20A, I20B, I20C, I20D, I32A, I32B, I32C, I32D, I32E, I32F				
5v45x.x↔			BOP, KVT, UOP4	5v463↔			BOP, KVT, UOP4	5v473↔			BOP, KVT, UOP4
		01	B03A, B03B, B06A, B06B, B07Z, B17A, B17B, B17C			08	I20A, I20B, I20C, I20D, I20E, I20F, I32A, I32B, I32C, I32D, I32E, I32F			08	I20A, I20B, I20C, I20D, I20E, I20F, I32A, I32B, I32C, I32D, I32E, I32F
		05	F13A, F21A, F21B, F21C			09	J03A, J03B, J04A, J04B, J08A, J08B, J08C, J10A, J10B, J16Z			09	J03A, J03B, J04A, J04B, J08A, J08B, J08C, J10A, J10B, J16Z
	08	I02A, I02B, I02C, I02D, I22A, I22B, I32A, I32B, I32C, I32D, I32E, I32F, I50Z	21A		W04A, W04B	21A	W04A, W04B				
	09	J02A, J02B, J02C, J04A, J04B, J08A, J08B, J08C, J16Z, J21Z, J22A, J22B	21B		X05A, X05B	21B	X05A, X05B				
	21A	W04A, W04B	08		I20A, I20B, I20C, I20D, I20E, I20F, I32A, I32B, I32C, I32D, I32E, I32F	08	I20A, I20B, I20C, I20D, I32A, I32B, I32C, I32D, I32E, I32F				
	21B	X01A, X01B, X01C	09		J03A, J03B, J04A, J04B, J08A, J08B, J08C, J10A, J10B, J16Z	09	J03A, J03B, J04A, J04B, J08A, J08B, J08C, J10A, J10B, J16Z				
			21A		W04A, W04B	21A	W04A, W04B				
			21B		X05A, X05B	21B	X05A, X05B				

VYK

ZZV	MDC	DRG	ZZV	MDC	DRG	ZZV	MDC	DRG
5v47x↔		BOP, KVT, UOP4	5v501.9↔		BOP, KVT, UOP4	5v502.g↔		BOP, KVT, UOP4
	08	I20A, I20B, I20C, I20D, I20E, I20F, I32A, I32B, I32C, I32D, I32E, I32F		09	J08A, J08B, J08C, J16Z, J21Z, J22A, J22B		09	J08A, J08B, J08C, J16Z, J21Z, J22A, J22B
				22	Y01Z, Y03A, Y03B		22	Y01Z, Y03A, Y03B
	09	J03A, J03B, J04A, J04B, J08A, J08B, J08C, J10A, J10B, J16Z	5v501.a		BOP, KVT, UOP4	5v503.6↔		BOP, KVT, UOP4
				09	J08A, J08B, J08C, J16Z, J21Z, J22A, J22B		09	J08A, J08B, J08C, J16Z, J21Z, J22A, J22B
	21A	W04A, W04B		22	Y01Z, Y03A, Y03B		22	Y01Z, Y03A, Y03B
	21B	X05A, X05B	5v501.b		BOP, KVT, UOP4	5v503.7↔		BOP, KVT, UOP4
5v500.5		BOP, KVT, UOP4		09	J08A, J08B, J08C, J16Z, J21Z, J22A, J22B		09	J08A, J08B, J08C, J16Z, J21Z, J22A, J22B
	09	J08A, J08B, J08C, J16Z, J21Z, J22A, J22B		22	Y01Z, Y03A, Y03B		22	Y01Z, Y03A, Y03B
	22	Y01Z, Y03A, Y03B	5v501.e↔		BOP, KVT, UOP4	5v503.8↔		BOP, KVT, UOP4
5v500.6↔		BOP, KVT, UOP4		09	J08A, J08B, J08C, J16Z, J21Z, J22A, J22B		09	J08A, J08B, J08C, J16Z, J21Z, J22A, J22B
	09	J08A, J08B, J08C, J16Z, J21Z, J22A, J22B		22	Y01Z, Y03A, Y03B		22	Y01Z, Y03A, Y03B
	22	Y01Z, Y03A, Y03B	5v501.f↔		BOP, KVT, UOP4	5v503.9↔		BOP, KVT, UOP4
5v500.7↔		BOP, KVT, UOP4		09	J08A, J08B, J08C, J16Z, J21Z, J22A, J22B		09	J08A, J08B, J08C, J16Z, J21Z, J22A, J22B
	09	J08A, J08B, J08C, J16Z, J21Z, J22A, J22B		22	Y01Z, Y03A, Y03B		22	Y01Z, Y03A, Y03B
	22	Y01Z, Y03A, Y03B	5v501.g↔		BOP, KVT, UOP4	5v503.c		BOP, KVT, UOP4
5v500.8↔		BOP, KVT, UOP4		09	J08A, J08B, J08C, J16Z, J21Z, J22A, J22B		09	J08A, J08B, J08C, J16Z, J21Z, J22A, J22B
	09	J08A, J08B, J08C, J16Z, J21Z, J22A, J22B		22	Y01Z, Y03A, Y03B		22	Y01Z, Y03A, Y03B
	22	Y01Z, Y03A, Y03B	5v501.j		BOP, KVT, UOP4	5v503.e↔		BOP, KVT, UOP4
5v500.9↔		BOP, KVT, UOP4		09	J08A, J08B, J08C, J16Z, J21Z, J22A, J22B		09	J08A, J08B, J08C, J16Z, J21Z, J22A, J22B
	09	J08A, J08B, J08C, J16Z, J21Z, J22A, J22B		22	Y01Z, Y03A, Y03B		22	Y01Z, Y03A, Y03B
	22	Y01Z, Y03A, Y03B	5v502.5		BOP, KVT, UOP4	5v503.f↔		BOP, KVT, UOP4
5v500.a		BOP, KVT, UOP4		09	J08A, J08B, J08C, J16Z, J21Z, J22A, J22B		09	J08A, J08B, J08C, J16Z, J21Z, J22A, J22B
	09	J08A, J08B, J08C, J16Z, J21Z, J22A, J22B		22	Y01Z, Y03A, Y03B		22	Y01Z, Y03A, Y03B
	22	Y01Z, Y03A, Y03B	5v502.6↔		BOP, KVT, UOP4	5v503.g↔		BOP, KVT, UOP4
5v500.b		BOP, KVT, UOP4		09	J08A, J08B, J08C, J16Z, J21Z, J22A, J22B		09	J08A, J08B, J08C, J16Z, J21Z, J22A, J22B
	09	J08A, J08B, J08C, J16Z, J21Z, J22A, J22B		22	Y01Z, Y03A, Y03B		22	Y01Z, Y03A, Y03B
	22	Y01Z, Y03A, Y03B	5v502.7↔		BOP, KVT, UOP4	5v503.k		BOP, KVT, UOP4
5v500.e↔		BOP, KVT, UOP4		09	J08A, J08B, J08C, J16Z, J21Z, J22A, J22B		09	J08A, J08B, J08C, J16Z, J21Z, J22A, J22B
	09	J08A, J08B, J08C, J16Z, J21Z, J22A, J22B		22	Y01Z, Y03A, Y03B		22	Y01Z, Y03A, Y03B
	22	Y01Z, Y03A, Y03B	5v502.8↔		BOP, KVT, UOP4	5v503.m		BOP, KVT, UOP4
5v500.f↔		BOP, KVT, UOP4		09	J08A, J08B, J08C, J16Z, J21Z, J22A, J22B		09	J08A, J08B, J08C, J16Z, J21Z, J22A, J22B
	09	J08A, J08B, J08C, J16Z, J21Z, J22A, J22B		22	Y01Z, Y03A, Y03B		22	Y01Z, Y03A, Y03B
	22	Y01Z, Y03A, Y03B	5v502.9↔		BOP, KVT, UOP4	5v50x.x		BOP, KVT, UOP4
5v500.g↔		BOP, KVT, UOP4		09	J08A, J08B, J08C, J16Z, J21Z, J22A, J22B		09	J08A, J08B, J08C, J16Z, J21Z, J22A, J22B
	09	J08A, J08B, J08C, J16Z, J21Z, J22A, J22B		22	Y01Z, Y03A, Y03B		22	Y01Z, Y03A, Y03B
	22	Y01Z, Y03A, Y03B	5v502.a		BOP, KVT, UOP4	5v511.0		BOP, KVT, UOP4
5v500.j		BOP, KVT, UOP4		09	J08A, J08B, J08C, J16Z, J21Z, J22A, J22B		05	F13A
	09	J08A, J08B, J08C, J16Z, J21Z, J22A, J22B		22	Y01Z, Y03A, Y03B		09	J08A, J08B, J08C, J16Z, J21Z, J22A, J22B
	22	Y01Z, Y03A, Y03B	5v502.b		BOP, KVT, UOP4		22	Y01Z, Y03A, Y03B
5v501.5		BOP, KVT, UOP4		09	J08A, J08B, J08C, J16Z, J21Z, J22A, J22B	5v511.1		BOP, KVT, UOP4
	09	J08A, J08B, J08C, J16Z, J21Z, J22A, J22B		22	Y01Z, Y03A, Y03B		05	F13A
	22	Y01Z, Y03A, Y03B	5v502.c		BOP, KVT, UOP4		09	J08A, J08B, J08C, J16Z, J21Z, J22A, J22B
5v501.6↔		BOP, KVT, UOP4		09	J08A, J08B, J08C, J16Z, J21Z, J22A, J22B		22	Y01Z, Y03A, Y03B
	09	J08A, J08B, J08C, J16Z, J21Z, J22A, J22B		22	Y01Z, Y03A, Y03B	5v511.2↔		BOP, KVT, UOP4
	22	Y01Z, Y03A, Y03B	5v502.e↔		BOP, KVT, UOP4		05	F13A
5v501.7↔		BOP, KVT, UOP4		09	J08A, J08B, J08C, J16Z, J21Z, J22A, J22B		09	J08A, J08B, J08C, J16Z, J21Z, J22A, J22B
	09	J08A, J08B, J08C, J16Z, J21Z, J22A, J22B		22	Y01Z, Y03A, Y03B		22	Y01Z, Y03A, Y03B
	22	Y01Z, Y03A, Y03B	5v502.f↔		BOP, KVT, UOP4	5v511.3↔		BOP, KVT, UOP4
5v501.8↔		BOP, KVT, UOP4		09	J08A, J08B, J08C, J16Z, J21Z, J22A, J22B		05	F13A
	09	J08A, J08B, J08C, J16Z, J21Z, J22A, J22B		22	Y01Z, Y03A, Y03B		09	J08A, J08B, J08C, J16Z, J21Z, J22A, J22B
	22	Y01Z, Y03A, Y03B					22	Y01Z, Y03A, Y03B

VYK

ZZV	MDC	DRG	ZZV	MDC	DRG	ZZV	MDC	DRG
5v511.4		BOP, KVT, UOP4	5v511.j		BOP, KVT, UOP4	5v512.a		BOP, KVT, UOP4
	05	F13A		05	F13A		05	F13A
	09	J08A, J08B, J08C, J16Z, J21Z, J22A, J22B		09	J08A, J08B, J08C, J16Z, J21Z, J22A, J22B		09	J08A, J08B, J08C, J16Z, J21Z, J22A, J22B
5v511.5	22	Y01Z, Y03A, Y03B	5v511.k	22	Y01Z, Y03A, Y03B	5v512.b	22	Y01Z, Y03A, Y03B
		BOP, KVT, UOP4			BOP, KVT, UOP4			BOP, KVT, UOP4
	05	F13A		05	F13A		05	F13A
5v511.6↔	09	J08A, J08B, J08C, J16Z, J21Z, J22A, J22B	5v511.m	09	J08A, J08B, J08C, J16Z, J21Z, J22A, J22B	5v512.c	09	J08A, J08B, J08C, J16Z, J21Z, J22A, J22B
	22	Y01Z, Y03A, Y03B		22	Y01Z, Y03A, Y03B		22	Y01Z, Y03A, Y03B
		BOP, KVT, UOP4			BOP, KVT, UOP4			BOP, KVT, UOP4
5v511.7↔	05	F13A	5v511.x	05	F13A	5v512.d	05	F13A
	09	J08A, J08B, J08C, J16Z, J21Z, J22A, J22B		09	J08A, J08B, J08C, J16Z, J21Z, J22A, J22B		09	J08A, J08B, J08C, J16Z, J21Z, J22A, J22B
	22	Y01Z, Y03A, Y03B		22	Y01Z, Y03A, Y03B		22	Y01Z, Y03A, Y03B
5v511.8↔		BOP, KVT, UOP4	5v512.0		BOP, KVT, UOP4	5v512.e↔		BOP, KVT, UOP4
	05	F13A		05	F13A		05	F13A
	09	J08A, J08B, J08C, J16Z, J21Z, J22A, J22B		09	J08A, J08B, J08C, J16Z, J21Z, J22A, J22B		09	J08A, J08B, J08C, J16Z, J21Z, J22A, J22B
5v511.9↔	22	Y01Z, Y03A, Y03B	5v512.1	22	Y01Z, Y03A, Y03B	5v512.f↔	22	Y01Z, Y03A, Y03B
		BOP, KVT, UOP4			BOP, KVT, UOP4			BOP, KVT, UOP4
	05	F13A		05	F13A		05	F13A
5v511.a	09	J08A, J08B, J08C, J16Z, J21Z, J22A, J22B	5v512.2↔	09	J08A, J08B, J08C, J16Z, J21Z, J22A, J22B	5v512.g↔	09	J08A, J08B, J08C, J16Z, J21Z, J22A, J22B
	22	Y01Z, Y03A, Y03B		22	Y01Z, Y03A, Y03B		22	Y01Z, Y03A, Y03B
		BOP, KVT, UOP4			BOP, KVT, UOP4			BOP, KVT, UOP4
5v511.b	05	F13A	5v512.3↔	05	F13A	5v512.h	05	F13A
	09	J08A, J08B, J08C, J16Z, J21Z, J22A, J22B		09	J08A, J08B, J08C, J16Z, J21Z, J22A, J22B		09	J08A, J08B, J08C, J16Z, J21Z, J22A, J22B
	22	Y01Z, Y03A, Y03B		22	Y01Z, Y03A, Y03B		22	Y01Z, Y03A, Y03B
5v511.c		BOP, KVT, UOP4	5v512.4		BOP, KVT, UOP4	5v512.j		BOP, KVT, UOP4
	05	F13A		05	F13A		05	F13A
	09	J08A, J08B, J08C, J16Z, J21Z, J22A, J22B		09	J08A, J08B, J08C, J16Z, J21Z, J22A, J22B		09	J08A, J08B, J08C, J16Z, J21Z, J22A, J22B
5v511.d	22	Y01Z, Y03A, Y03B	5v512.5	22	Y01Z, Y03A, Y03B	5v512.k	22	Y01Z, Y03A, Y03B
		BOP, KVT, UOP4			BOP, KVT, UOP4			BOP, KVT, UOP4
	05	F13A		05	F13A		05	F13A
5v511.e↔	09	J08A, J08B, J08C, J16Z, J21Z, J22A, J22B	5v512.6↔	09	J08A, J08B, J08C, J16Z, J21Z, J22A, J22B	5v512.m	09	J08A, J08B, J08C, J16Z, J21Z, J22A, J22B
	22	Y01Z, Y03A, Y03B		22	Y01Z, Y03A, Y03B		22	Y01Z, Y03A, Y03B
		BOP, KVT, UOP4			BOP, KVT, UOP4			BOP, KVT, UOP4
5v511.f↔	05	F13A	5v512.7↔	05	F13A	5v512.x	05	F13A
	09	J08A, J08B, J08C, J16Z, J21Z, J22A, J22B		09	J08A, J08B, J08C, J16Z, J21Z, J22A, J22B		09	J08A, J08B, J08C, J16Z, J21Z, J22A, J22B
	22	Y01Z, Y03A, Y03B		22	Y01Z, Y03A, Y03B		22	Y01Z, Y03A, Y03B
5v511.g↔		BOP, KVT, UOP4	5v512.8↔		BOP, KVT, UOP4	5v513.0		BOP, KVT, UOP4
	05	F13A		05	F13A		05	F13A
	09	J08A, J08B, J08C, J16Z, J21Z, J22A, J22B		09	J08A, J08B, J08C, J16Z, J21Z, J22A, J22B		09	J08A, J08B, J08C, J16Z, J21Z, J22A, J22B
5v511.h	22	Y01Z, Y03A, Y03B	5v512.9↔	22	Y01Z, Y03A, Y03B	5v513.1	22	Y01Z, Y03A, Y03B
		BOP, KVT, UOP4			BOP, KVT, UOP4			BOP, KVT, UOP4
	05	F13A		05	F13A		05	F13A
	09	J08A, J08B, J08C, J16Z, J21Z, J22A, J22B		09	J08A, J08B, J08C, J16Z, J21Z, J22A, J22B		09	J08A, J08B, J08C, J16Z, J21Z, J22A, J22B
	22	Y01Z, Y03A, Y03B		22	Y01Z, Y03A, Y03B		22	Y01Z, Y03A, Y03B
		BOP, KVT, UOP4			BOP, KVT, UOP4			BOP, KVT, UOP4



ZZV	MDC	DRG	ZZV	MDC	DRG	ZZV	MDC	DRG
5v522		BOP, KVT, UOP4	5v530.7↔		BOP, KVT, UOP4	5v530.f↔		BOP, KVT, UOP4
	05	F13A		05	F13A		05	F13A
	09	J08A, J08B, J08C, J16Z, J21Z, J22A, J22B		08	I02A, I02B, I02C, I02D, I22A, I22B, I50Z		08	I02A, I02B, I02C, I02D, I22A, I22B, I50Z
5v523	22	Y01Z, Y03A, Y03B		09	J08A, J08B, J08C, J16Z, J21Z, J22A, J22B		09	J08A, J08B, J08C, J16Z, J21Z, J22A, J22B
		BOP, KVT, UOP4		21B	X01A, X01B, X01C		21B	X01A, X01B, X01C
	05	F13A		22	Y01Z, Y02A, Y02B, Y02C		22	Y01Z, Y02A, Y02B, Y02C
	09	J08A, J08B, J08C, J16Z, J21Z, J22A, J22B	5v530.8↔		BOP, KVT, UOP4	5v530.g↔		BOP, KVT, UOP4
	22	Y01Z, Y03A, Y03B		05	F13A		05	F13A
5v52x		BOP, KVT, UOP4		08	I02A, I02B, I02C, I02D, I22A, I22B, I32A, I32B, I32C, I32D, I32E, I32F, I50Z		08	I02A, I02B, I02C, I02D, I22A, I22B, I50Z
	05	F13A		09	J08A, J08B, J08C, J16Z, J21Z, J22A, J22B		09	J08A, J08B, J08C, J16Z, J21Z, J22A, J22B
	09	J08A, J08B, J08C, J16Z, J21Z, J22A, J22B		21B	X01A, X01B, X01C		21B	X01A, X01B, X01C
	22	Y01Z, Y03A, Y03B		22	Y01Z, Y02A, Y02B, Y02C		22	Y01Z, Y02A, Y02B, Y02C
5v530.0		BOP, KVT, UOP4	5v530.9↔		BOP, KVT, UOP4	5v530.x↔		BOP, KVT, UOP4
	05	F13A		05	F13A		05	F13A
	09	J08A, J08B, J08C, J16Z, J21Z, J22A, J22B		08	I32A, I32B, I32C, I32D, I32E, I32F		08	I02A, I02B, I02C, I02D, I22A, I22B, I32A, I32B, I32C, I32D, I32E, I32F, I50Z
	22	Y01Z, Y02A, Y02B, Y02C		09	J08A, J08B, J08C, J16Z, J21Z, J22A, J22B		09	J08A, J08B, J08C, J16Z, J21Z, J22A, J22B
5v530.1		BOP, KVT, UOP4	5v530.a		BOP, KVT, UOP4	5v531.0		BOP, KVT, UOP4
	05	F13A		05	F13A		05	F13A
	08	I02A, I02B, I02C, I02D, I22A, I22B, I50Z		08	I02A, I02B, I02C, I02D, I22A, I22B, I50Z		09	J08A, J08B, J08C, J16Z, J21Z, J22A, J22B
	09	J08A, J08B, J08C, J16Z, J21Z, J22A, J22B		08	I02A, I02B, I02C, I02D, I22A, I22B, I50Z		09	J08A, J08B, J08C, J16Z, J21Z, J22A, J22B
	21B	X01A, X01B, X01C		09	J08A, J08B, J08C, J16Z, J21Z, J22A, J22B		21B	X01A, X01B, X01C
	22	Y01Z, Y02A, Y02B, Y02C		22	Y01Z, Y02A, Y02B, Y02C		22	Y01Z, Y02A, Y02B, Y02C
5v530.2↔		BOP, KVT, UOP4	5v530.b		BOP, KVT, UOP4	5v531.1		BOP, KVT, UOP4
	05	F13A		05	F13A		05	F13A
	08	I02A, I02B, I02C, I02D, I22A, I22B, I50Z		08	I02A, I02B, I02C, I02D, I22A, I22B, I50Z		08	I02A, I02B, I02C, I02D, I22A, I22B, I50Z
	09	J08A, J08B, J08C, J16Z, J21Z, J22A, J22B		09	J08A, J08B, J08C, J16Z, J21Z, J22A, J22B		09	J08A, J08B, J08C, J16Z, J21Z, J22A, J22B
	21B	X01A, X01B, X01C		08	I02A, I02B, I02C, I02D, I22A, I22B, I50Z		21B	X01A, X01B, X01C
	22	Y01Z, Y02A, Y02B, Y02C		09	J08A, J08B, J08C, J16Z, J21Z, J22A, J22B		22	Y01Z, Y02A, Y02B, Y02C
5v530.3↔		BOP, KVT, UOP4	5v530.c		BOP, KVT, UOP4	5v531.2↔		BOP, KVT, UOP4
	05	F13A		05	F13A		05	F13A
	08	I02A, I02B, I02C, I02D, I22A, I22B, I50Z		08	I02A, I02B, I02C, I02D, I22A, I22B, I50Z		08	I02A, I02B, I02C, I02D, I22A, I22B, I50Z
	09	J08A, J08B, J08C, J16Z, J21Z, J22A, J22B		08	I02A, I02B, I02C, I02D, I22A, I22B, I50Z		09	J08A, J08B, J08C, J16Z, J21Z, J22A, J22B
	21B	X01A, X01B, X01C		09	J08A, J08B, J08C, J16Z, J21Z, J22A, J22B		21B	X01A, X01B, X01C
	22	Y01Z, Y02A, Y02B, Y02C		21B	X01A, X01B, X01C		22	Y01Z, Y02A, Y02B, Y02C
5v530.4		BOP, KVT, UOP4	5v530.d		BOP, KVT, UOP4	5v531.3↔		BOP, KVT, UOP4
	05	F13A		05	F13A		05	F13A
	08	I02A, I02B, I02C, I02D, I22A, I22B, I50Z		08	I02A, I02B, I02C, I02D, I22A, I22B, I50Z		08	I02A, I02B, I02C, I02D, I22A, I22B, I50Z
	09	J08A, J08B, J08C, J16Z, J21Z, J22A, J22B		08	I02A, I02B, I02C, I02D, I22A, I22B, I50Z		09	J08A, J08B, J08C, J16Z, J21Z, J22A, J22B
	21B	X01A, X01B, X01C		09	J08A, J08B, J08C, J16Z, J21Z, J22A, J22B		21B	X01A, X01B, X01C
	22	Y01Z, Y02A, Y02B, Y02C		21B	X01A, X01B, X01C		22	Y01Z, Y02A, Y02B, Y02C
5v530.5		BOP, KVT, UOP4	5v530.e↔		BOP, KVT, UOP4	5v531.4		BOP, KVT, UOP4
	05	F13A		05	F13A		05	F13A
	08	I02A, I02B, I02C, I02D, I22A, I22B, I50Z		08	I02A, I02B, I02C, I02D, I22A, I22B, I50Z		08	I02A, I02B, I02C, I02D, I22A, I22B, I50Z
	09	J08A, J08B, J08C, J16Z, J21Z, J22A, J22B		08	I02A, I02B, I02C, I02D, I22A, I22B, I50Z		09	J08A, J08B, J08C, J16Z, J21Z, J22A, J22B
	21B	X01A, X01B, X01C		09	J08A, J08B, J08C, J16Z, J21Z, J22A, J22B		21B	X01A, X01B, X01C
	22	Y01Z, Y02A, Y02B, Y02C		21B	X01A, X01B, X01C		22	Y01Z, Y02A, Y02B, Y02C
5v530.6↔		BOP, KVT, UOP4		09	J08A, J08B, J08C, J16Z, J21Z, J22A, J22B	5v531.5		BOP, KVT, UOP4
	05	F13A		21B	X01A, X01B, X01C		05	F13A
	08	I02A, I02B, I02C, I02D, I22A, I22B, I50Z		22	Y01Z, Y02A, Y02B, Y02C		08	I02A, I02B, I02C, I02D, I22A, I22B, I50Z
	09	J08A, J08B, J08C, J16Z, J21Z, J22A, J22B					09	J08A, J08B, J08C, J16Z, J21Z, J22A, J22B
	21B	X01A, X01B, X01C					21B	X01A, X01B, X01C
	22	Y01Z, Y02A, Y02B, Y02C					22	Y01Z, Y02A, Y02B, Y02C



ZZV	MDC	DRG	ZZV	MDC	DRG	ZZV	MDC	DRG
5v534.2↔		BOP, KVT, UOP4	5v534.a		BOP, KVT, UOP4	5v535.1		BOP, KVT, UOP4
	05	F13A		05	F13A		05	F13A
	08	I02A, I02B, I02C, I02D, I22A, I22B, I50Z		08	I02A, I02B, I02C, I02D, I22A, I22B, I50Z		08	I02A, I02B, I02C, I02D, I22A, I22B, I50Z
	09	J08A, J08B, J08C, J16Z, J21Z, J22A, J22B		09	J08A, J08B, J08C, J16Z, J21Z, J22A, J22B		09	J08A, J08B, J08C, J16Z, J21Z, J22A, J22B
	21B	X01A, X01B, X01C		21B	X01A, X01B, X01C		21B	X01A, X01B, X01C
5v534.3↔	22	Y01Z, Y02A, Y02B, Y02C	5v534.b	22	Y01Z, Y02A, Y02B, Y02C	5v535.2↔	22	Y01Z, Y02A, Y02B, Y02C
		BOP, KVT, UOP4			BOP, KVT, UOP4			BOP, KVT, UOP4
	05	F13A		05	F13A		05	F13A
	08	I02A, I02B, I02C, I02D, I22A, I22B, I50Z		08	I02A, I02B, I02C, I02D, I22A, I22B, I50Z		08	I02A, I02B, I02C, I02D, I22A, I22B, I50Z
	09	J08A, J08B, J08C, J16Z, J21Z, J22A, J22B		09	J08A, J08B, J08C, J16Z, J21Z, J22A, J22B		09	J08A, J08B, J08C, J16Z, J21Z, J22A, J22B
5v534.4	21B	X01A, X01B, X01C	5v534.c	21B	X01A, X01B, X01C	5v535.3↔	21B	X01A, X01B, X01C
	22	Y01Z, Y02A, Y02B, Y02C		22	Y01Z, Y02A, Y02B, Y02C		22	Y01Z, Y02A, Y02B, Y02C
		BOP, KVT, UOP4			BOP, KVT, UOP4			BOP, KVT, UOP4
	05	F13A		05	F13A		05	F13A
	08	I02A, I02B, I02C, I02D, I22A, I22B, I50Z		08	I02A, I02B, I02C, I02D, I22A, I22B, I50Z		08	I02A, I02B, I02C, I02D, I22A, I22B, I50Z
5v534.5	09	J08A, J08B, J08C, J16Z, J21Z, J22A, J22B	5v534.d	09	J08A, J08B, J08C, J16Z, J21Z, J22A, J22B	5v535.4	09	J08A, J08B, J08C, J16Z, J21Z, J22A, J22B
	21B	X01A, X01B, X01C		21B	X01A, X01B, X01C		21B	X01A, X01B, X01C
	22	Y01Z, Y02A, Y02B, Y02C		22	Y01Z, Y02A, Y02B, Y02C		22	Y01Z, Y02A, Y02B, Y02C
		BOP, KVT, UOP4			BOP, KVT, UOP4			BOP, KVT, UOP4
	05	F13A		05	F13A		05	F13A
5v534.6↔	08	I02A, I02B, I02C, I02D, I22A, I22B, I50Z	5v534.e↔	08	I02A, I02B, I02C, I02D, I22A, I22B, I50Z	5v535.5	08	I02A, I02B, I02C, I02D, I22A, I22B, I50Z
	09	J08A, J08B, J08C, J16Z, J21Z, J22A, J22B		09	J08A, J08B, J08C, J16Z, J21Z, J22A, J22B		09	J08A, J08B, J08C, J16Z, J21Z, J22A, J22B
	21B	X01A, X01B, X01C		21B	X01A, X01B, X01C		21B	X01A, X01B, X01C
	22	Y01Z, Y02A, Y02B, Y02C		22	Y01Z, Y02A, Y02B, Y02C		22	Y01Z, Y02A, Y02B, Y02C
		BOP, KVT, UOP4			BOP, KVT, UOP4			BOP, KVT, UOP4
5v534.7↔	05	F13A	5v534.f↔	05	F13A	5v535.6↔	05	F13A
	08	I02A, I02B, I02C, I02D, I22A, I22B, I50Z		08	I02A, I02B, I02C, I02D, I22A, I22B, I50Z		08	I02A, I02B, I02C, I02D, I22A, I22B, I50Z
	09	J08A, J08B, J08C, J16Z, J21Z, J22A, J22B		09	J08A, J08B, J08C, J16Z, J21Z, J22A, J22B		09	J08A, J08B, J08C, J16Z, J21Z, J22A, J22B
	21B	X01A, X01B, X01C		21B	X01A, X01B, X01C		21B	X01A, X01B, X01C
	22	Y01Z, Y02A, Y02B, Y02C		22	Y01Z, Y02A, Y02B, Y02C		22	Y01Z, Y02A, Y02B, Y02C
5v534.8↔		BOP, KVT, UOP4	5v534.g↔		BOP, KVT, UOP4	5v535.7↔		BOP, KVT, UOP4
	05	F13A		05	F13A		05	F13A
	08	I02A, I02B, I02C, I02D, I22A, I22B, I32A, I32B, I32C, I32D, I32E, I32F, I50Z		08	I02A, I02B, I02C, I02D, I22A, I22B, I50Z		08	I02A, I02B, I02C, I02D, I22A, I22B, I50Z
	09	J08A, J08B, J08C, J16Z, J21Z, J22A, J22B		09	J08A, J08B, J08C, J16Z, J21Z, J22A, J22B		09	J08A, J08B, J08C, J16Z, J21Z, J22A, J22B
	21B	X01A, X01B, X01C		21B	X01A, X01B, X01C		21B	X01A, X01B, X01C
5v534.9↔	22	Y01Z, Y02A, Y02B, Y02C	5v534.x↔	22	Y01Z, Y02A, Y02B, Y02C	5v535.8↔	22	Y01Z, Y02A, Y02B, Y02C
		BOP, KVT, UOP4			BOP, KVT, UOP4			BOP, KVT, UOP4
	05	F13A		05	F13A		05	F13A
	08	I32A, I32B, I32C, I32D, I32E, I32F		08	I02A, I02B, I02C, I02D, I22A, I22B, I32A, I32B, I32C, I32D, I32E, I32F, I50Z		08	I02A, I02B, I02C, I02D, I22A, I22B, I50Z
	09	J08A, J08B, J08C, J16Z, J21Z, J22A, J22B		09	J08A, J08B, J08C, J16Z, J21Z, J22A, J22B		09	J08A, J08B, J08C, J16Z, J21Z, J22A, J22B
5v535.0	22	Y01Z, Y02A, Y02B, Y02C	5v535.0	21B	X01A, X01B, X01C	5v535.0	21B	X01A, X01B, X01C
		BOP, KVT, UOP4		22	Y01Z, Y02A, Y02B, Y02C		22	Y01Z, Y02A, Y02B, Y02C
	05	F13A		05	F13A		05	F13A
	09	J08A, J08B, J08C, J16Z, J21Z, J22A, J22B		09	J08A, J08B, J08C, J16Z, J21Z, J22A, J22B		09	J08A, J08B, J08C, J16Z, J21Z, J22A, J22B
	22	Y01Z, Y02A, Y02B, Y02C		22	Y01Z, Y02A, Y02B, Y02C		22	Y01Z, Y02A, Y02B, Y02C

VYK

ZZV	MDC	DRG	ZZV	MDC	DRG	ZZV	MDC	DRG
5v536.g↔		BOP, KVT, UOP4	5v537.7↔		BOP, KVT, UOP4	5v537.f↔		BOP, KVT, UOP4
	05	F13A		05	F13A		05	F13A
	08	I02A, I02B, I02C, I02D, I22A, I22B, I50Z		08	I02A, I02B, I02C, I02D, I22A, I22B, I50Z		08	I02A, I02B, I02C, I02D, I22A, I22B, I50Z
	09	J08A, J08B, J08C, J16Z, J21Z, J22A, J22B		09	J08A, J08B, J08C, J16Z, J21Z, J22A, J22B		09	J08A, J08B, J08C, J16Z, J21Z, J22A, J22B
	21B	X01A, X01B, X01C		21B	X01A, X01B, X01C		21B	X01A, X01B, X01C
5v536.x↔	22	Y01Z, Y02A, Y02B, Y02C	5v537.8↔	22	Y01Z, Y02A, Y02B, Y02C	5v537.g↔	22	Y01Z, Y02A, Y02B, Y02C
		BOP, KVT, UOP4			BOP, KVT, UOP4			BOP, KVT, UOP4
	05	F13A		05	F13A		05	F13A
	08	I02A, I02B, I02C, I02D, I22A, I22B, I32A, I32B, I32C, I32D, I32E, I32F, I50Z		08	I02A, I02B, I02C, I02D, I22A, I22B, I32A, I32B, I32C, I32D, I32E, I32F, I50Z		08	I02A, I02B, I02C, I02D, I22A, I22B, I50Z
	09	J08A, J08B, J08C, J16Z, J21Z, J22A, J22B		09	J08A, J08B, J08C, J16Z, J21Z, J22A, J22B		09	J08A, J08B, J08C, J16Z, J21Z, J22A, J22B
5v537.0	21B	X01A, X01B, X01C	5v537.9↔	21B	X01A, X01B, X01C	5v537.x↔	21B	X01A, X01B, X01C
	22	Y01Z, Y02A, Y02B, Y02C		22	Y01Z, Y02A, Y02B, Y02C		22	Y01Z, Y02A, Y02B, Y02C
		BOP, KVT, UOP4			BOP, KVT, UOP4			BOP, KVT, UOP4
	05	F13A		05	F13A		05	F13A
	08	I02A, I02B, I02C, I02D, I22A, I22B, I50Z		08	I32A, I32B, I32C, I32D, I32E, I32F		08	I02A, I02B, I02C, I02D, I22A, I22B, I32A, I32B, I32C, I32D, I32E, I32F, I50Z
5v537.1	09	J08A, J08B, J08C, J16Z, J21Z, J22A, J22B	5v537.a	09	J08A, J08B, J08C, J16Z, J21Z, J22A, J22B	5v538.0	09	J08A, J08B, J08C, J16Z, J21Z, J22A, J22B
	21B	X01A, X01B, X01C		22	Y01Z, Y02A, Y02B, Y02C		21B	X01A, X01B, X01C
	22	Y01Z, Y02A, Y02B, Y02C			BOP, KVT, UOP4		22	Y01Z, Y02A, Y02B, Y02C
		BOP, KVT, UOP4		05	F13A			BOP, KVT, UOP4
	05	F13A		08	I02A, I02B, I02C, I02D, I22A, I22B, I50Z		05	F13A
5v537.2↔	08	I02A, I02B, I02C, I02D, I22A, I22B, I50Z	5v537.b	08	I02A, I02B, I02C, I02D, I22A, I22B, I50Z	5v538.1	08	I02A, I02B, I02C, I02D, I22A, I22B, I50Z
	09	J08A, J08B, J08C, J16Z, J21Z, J22A, J22B		09	J08A, J08B, J08C, J16Z, J21Z, J22A, J22B		09	J08A, J08B, J08C, J16Z, J21Z, J22A, J22B
	21B	X01A, X01B, X01C		21B	X01A, X01B, X01C		21B	X01A, X01B, X01C
	22	Y01Z, Y02A, Y02B, Y02C		22	Y01Z, Y02A, Y02B, Y02C		22	Y01Z, Y02A, Y02B, Y02C
		BOP, KVT, UOP4			BOP, KVT, UOP4			BOP, KVT, UOP4
5v537.3↔	05	F13A	5v537.c	05	F13A	5v538.2↔	05	F13A
	08	I02A, I02B, I02C, I02D, I22A, I22B, I50Z		08	I02A, I02B, I02C, I02D, I22A, I22B, I50Z		08	I02A, I02B, I02C, I02D, I22A, I22B, I50Z
	09	J08A, J08B, J08C, J16Z, J21Z, J22A, J22B		09	J08A, J08B, J08C, J16Z, J21Z, J22A, J22B		09	J08A, J08B, J08C, J16Z, J21Z, J22A, J22B
	21B	X01A, X01B, X01C		21B	X01A, X01B, X01C		21B	X01A, X01B, X01C
	22	Y01Z, Y02A, Y02B, Y02C		22	Y01Z, Y02A, Y02B, Y02C		22	Y01Z, Y02A, Y02B, Y02C
5v537.4		BOP, KVT, UOP4	5v537.d		BOP, KVT, UOP4	5v538.3↔		BOP, KVT, UOP4
	05	F13A		05	F13A		05	F13A
	08	I02A, I02B, I02C, I02D, I22A, I22B, I50Z		08	I02A, I02B, I02C, I02D, I22A, I22B, I50Z		08	I02A, I02B, I02C, I02D, I22A, I22B, I50Z
	09	J08A, J08B, J08C, J16Z, J21Z, J22A, J22B		09	J08A, J08B, J08C, J16Z, J21Z, J22A, J22B		09	J08A, J08B, J08C, J16Z, J21Z, J22A, J22B
	21B	X01A, X01B, X01C		21B	X01A, X01B, X01C		21B	X01A, X01B, X01C
5v537.5	22	Y01Z, Y02A, Y02B, Y02C	5v537.e↔	22	Y01Z, Y02A, Y02B, Y02C	5v538.4	22	Y01Z, Y02A, Y02B, Y02C
		BOP, KVT, UOP4			BOP, KVT, UOP4			BOP, KVT, UOP4
	05	F13A		05	F13A		05	F13A
	08	I02A, I02B, I02C, I02D, I22A, I22B, I50Z		08	I02A, I02B, I02C, I02D, I22A, I22B, I50Z		08	I02A, I02B, I02C, I02D, I22A, I22B, I50Z
	09	J08A, J08B, J08C, J16Z, J21Z, J22A, J22B		09	J08A, J08B, J08C, J16Z, J21Z, J22A, J22B		09	J08A, J08B, J08C, J16Z, J21Z, J22A, J22B
5v537.6↔	21B	X01A, X01B, X01C	5v538.5	21B	X01A, X01B, X01C	5v538.5	21B	X01A, X01B, X01C
	22	Y01Z, Y02A, Y02B, Y02C		22	Y01Z, Y02A, Y02B, Y02C		22	Y01Z, Y02A, Y02B, Y02C
		BOP, KVT, UOP4			BOP, KVT, UOP4			BOP, KVT, UOP4
	05	F13A			BOP, KVT, UOP4		05	F13A
	08	I02A, I02B, I02C, I02D, I22A, I22B, I50Z			BOP, KVT, UOP4		08	I02A, I02B, I02C, I02D, I22A, I22B, I50Z
5v537.7↔	09	J08A, J08B, J08C, J16Z, J21Z, J22A, J22B		BOP, KVT, UOP4	09	J08A, J08B, J08C, J16Z, J21Z, J22A, J22B		
	21B	X01A, X01B, X01C		BOP, KVT, UOP4	21B	X01A, X01B, X01C		
	22	Y01Z, Y02A, Y02B, Y02C		BOP, KVT, UOP4	22	Y01Z, Y02A, Y02B, Y02C		
		BOP, KVT, UOP4		BOP, KVT, UOP4		BOP, KVT, UOP4		
	05	F13A		BOP, KVT, UOP4		BOP, KVT, UOP4		

ZZV	MDC	DRG	ZZV	MDC	DRG	ZZV	MDC	DRG
5v541.m		BOP, KVT, UOP4	5v543.9↔		BOP, KVT, UOP4	5v544.4		BOP, KVT, UOP4
	05	F13A		05	F13A		05	F13A
	09	J02A, J02B, J02C, J04A, J04B, J08A, J08B, J08C, J16Z, J21Z, J22A, J22B		09	J02A, J02B, J02C, J04A, J04B, J08A, J08B, J08C, J16Z, J21Z, J22A, J22B		09	J02A, J02B, J02C, J04A, J04B, J08A, J08B, J08C, J16Z, J21Z, J22A, J22B
5v541.x	22	Y01Z, Y03A, Y03B	5v543.a	22	Y01Z, Y03A, Y03B	5v544.5	22	Y01Z, Y03A, Y03B
		BOP, KVT, UOP4			BOP, KVT, UOP4			BOP, KVT, UOP4
	05	F13A		05	F13A		05	F13A
5v542.1	09	J02A, J02B, J02C, J04A, J04B, J08A, J08B, J08C, J16Z, J21Z, J22A, J22B	5v543.b	09	J02A, J02B, J02C, J04A, J04B, J08A, J08B, J08C, J16Z, J21Z, J22A, J22B	5v544.6↔	09	J02A, J02B, J02C, J04A, J04B, J08A, J08B, J08C, J16Z, J21Z, J22A, J22B
	22	Y01Z, Y03A, Y03B		22	Y01Z, Y03A, Y03B		22	Y01Z, Y03A, Y03B
		BOP, KVT, UOP4			BOP, KVT, UOP4			BOP, KVT, UOP4
5v542.2↔	05	F13A	5v543.c	05	F13A	5v544.7↔	05	F13A
	09	J02A, J02B, J02C, J04A, J04B, J08A, J08B, J08C, J16Z, J21Z, J22A, J22B		09	J02A, J02B, J02C, J04A, J04B, J08A, J08B, J08C, J16Z, J21Z, J22A, J22B		09	J02A, J02B, J02C, J04A, J04B, J08A, J08B, J08C, J16Z, J21Z, J22A, J22B
	22	Y01Z, Y03A, Y03B		22	Y01Z, Y03A, Y03B		22	Y01Z, Y03A, Y03B
5v542.h		BOP, KVT, UOP4	5v543.d		BOP, KVT, UOP4	5v544.8↔		BOP, KVT, UOP4
	05	F13A		05	F13A		05	F13A
	09	J02A, J02B, J02C, J04A, J04B, J08A, J08B, J08C, J16Z, J21Z, J22A, J22B		09	J02A, J02B, J02C, J04A, J04B, J08A, J08B, J08C, J16Z, J21Z, J22A, J22B		09	J02A, J02B, J02C, J04A, J04B, J08A, J08B, J08C, J16Z, J21Z, J22A, J22B
5v542.x	22	Y01Z, Y03A, Y03B	5v543.e↔	22	Y01Z, Y03A, Y03B	5v544.9↔	22	Y01Z, Y03A, Y03B
		BOP, KVT, UOP4			BOP, KVT, UOP4			BOP, KVT, UOP4
	05	F13A		05	F13A		05	F13A
5v543.4	09	J02A, J02B, J02C, J04A, J04B, J08A, J08B, J08C, J16Z, J21Z, J22A, J22B	5v543.f↔	09	J02A, J02B, J02C, J04A, J04B, J08A, J08B, J08C, J16Z, J21Z, J22A, J22B	5v544.a	09	J02A, J02B, J02C, J04A, J04B, J08A, J08B, J08C, J16Z, J21Z, J22A, J22B
	22	Y01Z, Y03A, Y03B		22	Y01Z, Y03A, Y03B		22	Y01Z, Y03A, Y03B
		BOP, KVT, UOP4			BOP, KVT, UOP4			BOP, KVT, UOP4
5v543.5	05	F13A	5v543.g↔	05	F13A	5v544.b	05	F13A
	09	J02A, J02B, J02C, J04A, J04B, J08A, J08B, J08C, J16Z, J21Z, J22A, J22B		09	J02A, J02B, J02C, J04A, J04B, J08A, J08B, J08C, J16Z, J21Z, J22A, J22B		09	J02A, J02B, J02C, J04A, J04B, J08A, J08B, J08C, J16Z, J21Z, J22A, J22B
	22	Y01Z, Y03A, Y03B		22	Y01Z, Y03A, Y03B		22	Y01Z, Y03A, Y03B
5v543.6↔		BOP, KVT, UOP4	5v543.h		BOP, KVT, UOP4	5v544.c		BOP, KVT, UOP4
	05	F13A		05	F13A		05	F13A
	09	J02A, J02B, J02C, J04A, J04B, J08A, J08B, J08C, J16Z, J21Z, J22A, J22B		09	J02A, J02B, J02C, J04A, J04B, J08A, J08B, J08C, J16Z, J21Z, J22A, J22B		09	J02A, J02B, J02C, J04A, J04B, J08A, J08B, J08C, J16Z, J21Z, J22A, J22B
5v543.7↔	22	Y01Z, Y03A, Y03B	5v543.j	22	Y01Z, Y03A, Y03B	5v544.d	22	Y01Z, Y03A, Y03B
		BOP, KVT, UOP4			BOP, KVT, UOP4			BOP, KVT, UOP4
	05	F13A		05	F13A		05	F13A
5v543.8↔	09	J02A, J02B, J02C, J04A, J04B, J08A, J08B, J08C, J16Z, J21Z, J22A, J22B	5v543.x	09	J02A, J02B, J02C, J04A, J04B, J08A, J08B, J08C, J16Z, J21Z, J22A, J22B	5v544.e↔	09	J02A, J02B, J02C, J04A, J04B, J08A, J08B, J08C, J16Z, J21Z, J22A, J22B
	22	Y01Z, Y03A, Y03B		22	Y01Z, Y03A, Y03B		22	Y01Z, Y03A, Y03B
		BOP, KVT, UOP4			BOP, KVT, UOP4			BOP, KVT, UOP4

ZZV	MDC	DRG	ZZV	MDC	DRG	ZZV	MDC	DRG
5v544.f↔		BOP, KVT, UOP4	5v545.8↔		BOP, KVT, UOP4	5v545.k		BOP, KVT, UOP4
	05	F13A		05	F13A		05	F13A
	09	J02A, J02B, J02C, J04A, J04B, J08A, J08B, J08C, J16Z, J21Z, J22A, J22B		09	J02A, J02B, J02C, J04A, J04B, J08A, J08B, J08C, J16Z, J21Z, J22A, J22B		09	J02A, J02B, J02C, J04A, J04B, J08A, J08B, J08C, J16Z, J21Z, J22A, J22B
5v544.g↔	22	Y01Z, Y03A, Y03B	5v545.9↔	22	Y01Z, Y03A, Y03B	5v545.m	22	Y01Z, Y03A, Y03B
		BOP, KVT, UOP4			BOP, KVT, UOP4			BOP, KVT, UOP4
	05	F13A		05	F13A		05	F13A
5v544.h	09	J02A, J02B, J02C, J04A, J04B, J08A, J08B, J08C, J16Z, J21Z, J22A, J22B	5v545.a	09	J02A, J02B, J02C, J04A, J04B, J08A, J08B, J08C, J16Z, J21Z, J22A, J22B	5v545.x	09	J02A, J02B, J02C, J04A, J04B, J08A, J08B, J08C, J16Z, J21Z, J22A, J22B
	22	Y01Z, Y03A, Y03B		22	Y01Z, Y03A, Y03B		22	Y01Z, Y03A, Y03B
		BOP, KVT, UOP4			BOP, KVT, UOP4			BOP, KVT, UOP4
5v544.j	05	F13A	5v545.b	05	F13A	5v54x	05	F13A
	09	J02A, J02B, J02C, J04A, J04B, J08A, J08B, J08C, J16Z, J21Z, J22A, J22B		09	J02A, J02B, J02C, J04A, J04B, J08A, J08B, J08C, J16Z, J21Z, J22A, J22B		09	J02A, J02B, J02C, J04A, J04B, J08A, J08B, J08C, J16Z, J21Z, J22A, J22B
	22	Y01Z, Y03A, Y03B		22	Y01Z, Y03A, Y03B		22	Y01Z, Y03A, Y03B
5v544.k		BOP, KVT, UOP4	5v545.c		BOP, KVT, UOP4	5v551.0		BOP, KVT, UOP4
	05	F13A		05	F13A		03	D08A, D08B, D18Z, D22A, D22B, D30A, D30B
	09	J02A, J02B, J02C, J04A, J04B, J08A, J08B, J08C, J16Z, J21Z, J22A, J22B		09	J02A, J02B, J02C, J04A, J04B, J08A, J08B, J08C, J16Z, J21Z, J22A, J22B		05	F13A
5v544.m	09	J02A, J02B, J02C, J04A, J04B, J08A, J08B, J08C, J16Z, J21Z, J22A, J22B	5v545.d	09	J02A, J02B, J02C, J04A, J04B, J08A, J08B, J08C, J16Z, J21Z, J22A, J22B	5v551.1	09	J03A, J03B, J04A, J04B, J08A, J08B, J08C, J10A, J10B, J16Z, J21Z, J22A, J22B
	22	Y01Z, Y03A, Y03B		22	Y01Z, Y03A, Y03B		21A	W04A, W04B
		BOP, KVT, UOP4			BOP, KVT, UOP4		21B	X06A, X06B, X06C
5v544.x	05	F13A	5v545.e↔	05	F13A	5v551.2↔	22	Y01Z, Y03A, Y03B
	09	J02A, J02B, J02C, J04A, J04B, J08A, J08B, J08C, J16Z, J21Z, J22A, J22B		09	J02A, J02B, J02C, J04A, J04B, J08A, J08B, J08C, J16Z, J21Z, J22A, J22B		05	F13A
	22	Y01Z, Y03A, Y03B		22	Y01Z, Y03A, Y03B		09	J08A, J08B, J08C, J16Z, J21Z, J22A, J22B
5v545.4		BOP, KVT, UOP4	5v545.f↔		BOP, KVT, UOP4	5v551.3↔	22	Y01Z, Y02A, Y02B, Y03A, Y03B
	05	F13A		05	F13A		05	F13A
	09	J02A, J02B, J02C, J04A, J04B, J08A, J08B, J08C, J16Z, J21Z, J22A, J22B		09	J02A, J02B, J02C, J04A, J04B, J08A, J08B, J08C, J16Z, J21Z, J22A, J22B		09	J08A, J08B, J08C, J16Z, J21Z, J22A, J22B
5v545.5	22	Y01Z, Y03A, Y03B	5v545.g↔	22	Y01Z, Y03A, Y03B	5v551.4	22	Y01Z, Y03A, Y03B
		BOP, KVT, UOP4			BOP, KVT, UOP4		05	F13A
	05	F13A		05	F13A		08	I02A, I02B, I02C, I02D, I22A, I22B, I50Z
5v545.6↔	09	J02A, J02B, J02C, J04A, J04B, J08A, J08B, J08C, J16Z, J21Z, J22A, J22B	5v545.h	09	J02A, J02B, J02C, J04A, J04B, J08A, J08B, J08C, J16Z, J21Z, J22A, J22B	5v551.5	09	J08A, J08B, J08C, J16Z, J21Z, J22A, J22B
	22	Y01Z, Y03A, Y03B		22	Y01Z, Y03A, Y03B		21B	X01A, X01B, X01C
		BOP, KVT, UOP4			BOP, KVT, UOP4		22	Y01Z, Y02A, Y02B, Y02C
5v545.7↔	05	F13A	5v545.j	05	F13A	5v551.5	05	F13A
	09	J02A, J02B, J02C, J04A, J04B, J08A, J08B, J08C, J16Z, J21Z, J22A, J22B		09	J02A, J02B, J02C, J04A, J04B, J08A, J08B, J08C, J16Z, J21Z, J22A, J22B		08	I02A, I02B, I02C, I02D, I22A, I22B, I50Z
	22	Y01Z, Y03A, Y03B		22	Y01Z, Y03A, Y03B		09	J08A, J08B, J08C, J16Z, J21Z, J22A, J22B
	BOP, KVT, UOP4		BOP, KVT, UOP4	21B	X01A, X01B, X01C			
						22	Y01Z, Y02A, Y02B, Y02C	

ZZV	MDC	DRG	ZZV	MDC	DRG	ZZV	MDC	DRG
5v552.9↔		BOP, KVT, UOP4	5v552.h		BOP, KVT, UOP4	5v553.3↔		BOP, KVT, UOP4
	05	F13A		05	F13A		02	C01A, C01B, C16Z, C20A, C20B
	08	I32A, I32B, I32C, I32D, I32E, I32F		08	I02A, I02B, I02C, I02D, I22A, I22B, I50Z		05	F13A
	09	J08A, J08B, J08C, J16Z, J21Z, J22A, J22B		09	J08A, J08B, J08C, J16Z, J21Z, J22A, J22B		08	I17Z
5v552.a	22	Y01Z, Y02A, Y02B, Y02C		21B	X01A, X01B, X01C		09	J03A, J03B, J04A, J04B, J08A, J08B, J08C, J10A, J10B, J16Z, J21Z, J22A, J22B
		BOP, KVT, UOP4	5v552.j		BOP, KVT, UOP4		10	K09A, K09B
	05	F13A		05	F13A		21A	W04A, W04B
	08	I02A, I02B, I02C, I02D, I22A, I22B, I50Z		08	I02A, I02B, I02C, I02D, I22A, I22B, I50Z		21B	X06A, X06B, X06C
	09	J08A, J08B, J08C, J16Z, J21Z, J22A, J22B		09	J08A, J08B, J08C, J16Z, J21Z, J22A, J22B	5v553.4‡	09	J11A, J11B
	21B	X01A, X01B, X01C		21B	X01A, X01B, X01C		22	Y01Z, Y02A, Y02B, Y02C
5v552.b	22	Y01Z, Y02A, Y02B, Y02C		22	Y01Z, Y02A, Y02B, Y02C	5v553.5‡	09	J11A, J11B
		BOP, KVT, UOP4	5v552.k		BOP, KVT, UOP4		22	Y01Z, Y02A, Y02B, Y02C
	05	F13A		05	F13A	5v553.6‡↔	09	J11A, J11B
	08	I02A, I02B, I02C, I02D, I22A, I22B, I50Z		09	J08A, J08B, J08C, J16Z, J21Z, J22A, J22B		22	Y01Z, Y02A, Y02B, Y02C
	09	J08A, J08B, J08C, J16Z, J21Z, J22A, J22B		10	K09A, K09B	5v553.7‡↔	09	J11A, J11B
	21B	X01A, X01B, X01C		12	M04A, M04B, M04C, M04D, M37Z, M38Z		22	Y01Z, Y02A, Y02B, Y02C
5v552.c	22	Y01Z, Y02A, Y02B, Y02C		21A	W04A, W04B	5v553.8‡↔	09	J11A, J11B
		BOP, KVT, UOP4		21B	X06A, X06B, X06C		22	Y01Z, Y02A, Y02B, Y02C
	05	F13A	5v552.m		BOP, KVT, UOP4	5v553.9‡↔	09	J11A, J11B
	09	J08A, J08B, J08C, J16Z, J21Z, J22A, J22B		05	F13A		22	Y01Z, Y02A, Y02B, Y02C
	10	K09A, K09B		08	I02A, I02B, I02C, I02D, I22A, I22B, I32A, I32B, I32C, I32D, I32E, I32F, I50Z	5v553.a‡	09	J11A, J11B
	12	M04A, M04B, M04C, M04D, M37Z, M38Z		09	J08A, J08B, J08C, J16Z, J21Z, J22A, J22B		22	Y01Z, Y02A, Y02B, Y02C
	21A	W04A, W04B		21B	X01A, X01B, X01C	5v553.b‡	09	J11A, J11B
	21B	X06A, X06B, X06C		22	Y01Z, Y02A, Y02B, Y02C		22	Y01Z, Y02A, Y02B, Y02C
	22	Y01Z, Y03A, Y03B		22	Y01Z, Y02A, Y02B, Y02C	5v553.c‡	09	J11A, J11B
5v552.d		BOP, KVT, UOP4		21B	X01A, X01B, X01C		22	Y01Z, Y02A, Y02B, Y02C
	05	F13A	5v552.x↔		BOP, KVT, UOP4	5v553.d‡	09	J11A, J11B
	08	I02A, I02B, I02C, I02D, I22A, I22B, I50Z		05	F13A		22	Y01Z, Y02A, Y02B, Y02C
	09	J08A, J08B, J08C, J16Z, J21Z, J22A, J22B		08	I02A, I02B, I02C, I02D, I22A, I22B, I32A, I32B, I32C, I32D, I32E, I32F, I50Z	5v553.e‡↔	09	J11A, J11B
	21B	X01A, X01B, X01C		09	J08A, J08B, J08C, J16Z, J21Z, J22A, J22B		22	Y01Z, Y02A, Y02B, Y02C
	22	Y01Z, Y02A, Y02B, Y02C		21B	X01A, X01B, X01C	5v553.f‡	09	J11A, J11B
5v552.e↔		BOP, KVT, UOP4		22	Y01Z, Y02A, Y02B, Y02C		22	Y01Z, Y02A, Y02B, Y02C
	05	F13A	5v553.0‡		J11A, J11B	5v553.g‡↔	09	J11A, J11B
	08	I02A, I02B, I02C, I02D, I22A, I22B, I50Z		22	Y01Z, Y03A, Y03B		22	Y01Z, Y02A, Y02B, Y02C
	09	J08A, J08B, J08C, J16Z, J21Z, J22A, J22B	5v553.1		BOP, KVT, UOP4	5v553.h‡	09	J11A, J11B
	21B	X01A, X01B, X01C		03	D09Z, D30A		22	Y01Z, Y02A, Y02B, Y02C
	22	Y01Z, Y02A, Y02B, Y02C		05	F13A	5v553.i‡	09	J11A, J11B
5v552.f↔		BOP, KVT, UOP4		08	I28A, I28B		22	Y01Z, Y02A, Y02B, Y02C
	05	F13A		09	J03A, J03B, J04A, J04B, J08A, J08B, J08C, J10A, J10B, J16Z, J21Z, J22A, J22B	5v553.k‡	09	J11A, J11B
	08	I02A, I02B, I02C, I02D, I22A, I22B, I50Z		21A	W04A, W04B		22	Y01Z, Y02A, Y02B, Y02C
	09	J08A, J08B, J08C, J16Z, J21Z, J22A, J22B		21B	X06A, X06B, X06C	5v553.m‡	09	J11A, J11B
	21B	X01A, X01B, X01C		22	Y01Z, Y02A, Y02B, Y03A, Y03B		22	Y01Z, Y02A, Y02B, Y02C
	22	Y01Z, Y02A, Y02B, Y02C		22	Y01Z, Y03A, Y03B	5v553.n‡	09	J11A, J11B
5v552.g↔		BOP, KVT, UOP4	5v553.2↔		BOP, KVT, UOP4		22	Y01Z, Y02A, Y02B, Y02C
	05	F13A		03	D09Z, D30A	5v554.0	06	KOP, KOPV
	08	I02A, I02B, I02C, I02D, I22A, I22B, I50Z		05	F13A		07	G33Z
	09	J08A, J08B, J08C, J16Z, J21Z, J22A, J22B		09	J03A, J03B, J04A, J04B, J08A, J08B, J08C, J10A, J10B, J16Z, J21Z, J22A, J22B		08	H33Z, H38Z
	21B	X01A, X01B, X01C		21A	W04A, W04B		08	I32A, I32B, I32C, I32D
	22	Y01Z, Y02A, Y02B, Y02C		21B	X06A, X06B, X06C		09	J01Z, J02A, J02B
		BOP, KVT, UOP4		22	Y01Z, Y02A, Y02B, Y03A, Y03B		11	L33Z
	05	F13A		22	Y01Z, Y03A, Y03B		21B	X01A, X01B, X01C, X33Z
	08	I02A, I02B, I02C, I02D, I22A, I22B, I50Z		21A	W04A, W04B		22	Y01Z, Y03A, Y03B
	09	J08A, J08B, J08C, J16Z, J21Z, J22A, J22B		21B	X06A, X06B, X06C	5v554.1	Pre	A07A
	21B	X01A, X01B, X01C		22	Y01Z, Y03A, Y03B		06	KOP, KOPV
	22	Y01Z, Y02A, Y02B, Y02C		21A	W04A, W04B		07	G33Z
		BOP, KVT, UOP4		21B	X06A, X06B, X06C		07	H33Z, H38Z
	05	F13A		22	Y01Z, Y03A, Y03B		08	I02A, I02B, I02C, I02D, I22A, I22B, I32A, I32B, I32C, I32D, I34Z, I50Z
	08	I02A, I02B, I02C, I02D, I22A, I22B, I50Z		21A	W04A, W04B		09	J01Z, J02A, J02B
	09	J08A, J08B, J08C, J16Z, J21Z, J22A, J22B		21B	X06A, X06B, X06C		11	L33Z
	21B	X01A, X01B, X01C		22	Y01Z, Y03A, Y03B		21B	X01A, X01B, X01C, X33Z
	22	Y01Z, Y02A, Y02B, Y02C		Pre	A07A		22	Y01Z, Y03A, Y03B
		BOP, KVT, UOP4		Pre	A07A		Pre	A07A

VYK

ZZV	MDC	DRG	ZZV	MDC	DRG	ZZV	MDC	DRG			
5v554.2↔		KOP, KOPV	5v554.8↔		KOP, KOPV	5v554.e↔		KOP, KOPV			
	06	G33Z		06	G33Z		06	G33Z			
	07	H33Z, H38Z		07	H33Z, H38Z		07	H33Z, H38Z			
	08	I02A, I02B, I02C, I02D, I22A, I22B, I32A, I32B, I32C, I32D, I34Z, I50Z		08	I02A, I02B, I02C, I02D, I22A, I22B, I32A, I32B, I32C, I32D, I32E, I32F, I34Z, I50Z		08	I02A, I02B, I02C, I02D, I22A, I22B, I32A, I32B, I32C, I32D, I34Z, I50Z			
	09	J01Z, J02A, J02B		09	J01Z, J02A, J02B		09	J01Z, J02A, J02B			
	11	L33Z		11	L33Z		11	L33Z			
	21B	X01A, X01B, X01C, X33Z		21B	X01A, X01B, X01C, X33Z		21B	X01A, X01B, X01C, X33Z			
	22	Y01Z, Y03A, Y03B		22	Y01Z, Y02A, Y02B, Y02C		22	Y01Z, Y02A, Y02B, Y02C			
	Pre	A07A		Pre	A07A		Pre	A07A			
	5v554.3↔			KOP, KOPV	5v554.9↔			KOP, KOPV	5v554.f↔		KOP, KOPV
		06		G33Z			06	G33Z		06	G33Z
07		H33Z, H38Z	07	H33Z, H38Z		07	H33Z, H38Z				
08		I02A, I02B, I02C, I02D, I22A, I22B, I32A, I32B, I32C, I32D, I34Z, I50Z	08	I32A, I32B, I32C, I32D, I32E, I32F, I34Z		08	I02A, I02B, I02C, I02D, I22A, I22B, I32A, I32B, I32C, I32D, I34Z, I50Z				
09		J01Z, J02A, J02B	09	J01Z, J02A, J02B		09	J01Z, J02A, J02B				
11		L33Z	11	L33Z		11	L33Z				
21B		X01A, X01B, X01C, X33Z	21B	X01A, X01B, X01C, X33Z		21B	X01A, X01B, X01C, X33Z				
22		Y01Z, Y03A, Y03B	22	Y01Z, Y02A, Y02B, Y02C		22	Y01Z, Y02A, Y02B, Y02C				
Pre		A07A	Pre	A07A		Pre	A07A				
5v554.4			KOP, KOPV	5v554.a			KOP, KOPV	5v554.g↔			KOP, KOPV
		06	G33Z			06	G33Z			06	G33Z
	07	H33Z, H38Z	07		H33Z, H38Z	07	H33Z, H38Z				
	08	I02A, I02B, I02C, I02D, I22A, I22B, I32A, I32B, I32C, I32D, I34Z, I50Z	08		I02A, I02B, I02C, I02D, I22A, I22B, I32A, I32B, I32C, I32D, I34Z, I50Z	08	I02A, I02B, I02C, I02D, I22A, I22B, I32A, I32B, I32C, I32D, I34Z, I50Z				
	09	J01Z, J02A, J02B	09		J01Z, J02A, J02B	09	J01Z, J02A, J02B				
	11	L33Z	11		L33Z	11	L33Z				
	21B	X01A, X01B, X01C, X33Z	21B		X01A, X01B, X01C, X33Z	21B	X01A, X01B, X01C, X33Z				
	22	Y01Z, Y02A, Y02B, Y02C	22		Y01Z, Y02A, Y02B, Y02C	22	Y01Z, Y02A, Y02B, Y02C				
	Pre	A07A	Pre		A07A	Pre	A07A				
	5v554.5		KOP, KOPV		5v554.b		KOP, KOPV		5v554.x↔		KOP, KOPV
		06	G33Z			06	G33Z			06	G33Z
07		H33Z, H38Z	07	H33Z, H38Z		07	H33Z, H38Z				
08		I02A, I02B, I02C, I02D, I22A, I22B, I32A, I32B, I32C, I32D, I34Z, I50Z	08	I02A, I02B, I02C, I02D, I22A, I22B, I32A, I32B, I32C, I32D, I34Z, I50Z		08	I02A, I02B, I02C, I02D, I22A, I22B, I32A, I32B, I32C, I32D, I32E, I32F, I34Z, I50Z				
09		J01Z, J02A, J02B	09	J01Z, J02A, J02B		09	J01Z, J02A, J02B				
11		L33Z	11	L33Z		11	L33Z				
21B		X01A, X01B, X01C, X33Z	21B	X01A, X01B, X01C, X33Z		21B	X01A, X01B, X01C, X33Z				
22		Y01Z, Y02A, Y02B, Y02C	22	Y01Z, Y02A, Y02B, Y02C		22	Y01Z, Y03A, Y03B				
Pre		A07A	Pre	A07A		Pre	A07A				
5v554.6↔			KOP, KOPV	5v554.c			KOP, KOPV	5v555.0			BOP, KVT, UOP4
		06	G33Z			06	G33Z			03	D18Z, D25A, D25B, D25C, D25D
	07	H33Z, H38Z	07		H33Z, H38Z	05	F13A				
	08	I02A, I02B, I02C, I02D, I22A, I22B, I32A, I32B, I32C, I32D, I34Z, I50Z	08		I02A, I02B, I02C, I02D, I22A, I22B, I32A, I32B, I32C, I32D, I34Z, I50Z	09	J03A, J03B, J04A, J04B, J08A, J08B, J08C, J11A, J11B, J16Z, J21Z, J22A, J22B				
	09	J01Z, J02A, J02B	09		J01Z, J02A, J02B	21A	W04A, W04B				
	11	L33Z	11		L33Z	21B	X06A, X06B, X06C				
	21B	X01A, X01B, X01C, X33Z	21B		X01A, X01B, X01C, X33Z	22	Y01Z, Y03A, Y03B				
	22	Y01Z, Y02A, Y02B, Y02C	Pre		A07A	Pre	A07A				
	Pre	A07A									
	5v554.7↔		KOP, KOPV		5v554.d		KOP, KOPV		5v555.1		BOP, KVT, UOP4
		06	G33Z			06	G33Z			03	D12A
07		H33Z, H38Z	07	H33Z, H38Z		05	F13A				
08		I02A, I02B, I02C, I02D, I22A, I22B, I32A, I32B, I32C, I32D, I34Z, I50Z	08	I02A, I02B, I02C, I02D, I22A, I22B, I32A, I32B, I32C, I32D, I34Z, I50Z		09	J02A, J02B, J02C, J04A, J04B, J08A, J08B, J08C, J11A, J16Z, J21Z, J22A, J22B				
09		J01Z, J02A, J02B	09	J01Z, J02A, J02B		21A	W04A, W04B				
11		L33Z	11	L33Z		21B	X01A, X01B, X01C				
21B		X01A, X01B, X01C, X33Z	21B	X01A, X01B, X01C, X33Z		22	Y01Z, Y02A, Y02B, Y03A, Y03B				
22		Y01Z, Y02A, Y02B, Y02C	Pre	A07A							
Pre		A07A									

ZZV	MDC	DRG	ZZV	MDC	DRG	ZZV	MDC	DRG			
5v555.2↔		BOP, KVT, UOP4	5v555.8↔		BOP, KVT, UOP4	5v555.e↔		BOP, KVT, UOP4			
	03	D12A		05	F13A		05	F13A			
	05	F13A		08	I02A, I02B, I02C, I02D, I22A, I22B, I32A, I32B, I32C, I32D, I32E, I32F, I50Z		08	I02A, I02B, I02C, I02D, I22A, I22B, I50Z			
	09	J02A, J02B, J02C, J04A, J04B, J08A, J08B, J08C, J16Z, J21Z, J22A, J22B		09	J02A, J02B, J02C, J04A, J04B, J08A, J08B, J08C, J16Z, J21Z, J22A, J22B		09	J02A, J02B, J02C, J04A, J04B, J08A, J08B, J08C, J16Z, J21Z, J22A, J22B			
	21A	W04A, W04B		21A	W04A, W04B		21A	W04A, W04B			
	21B	X01A, X01B, X01C		21B	X01A, X01B, X01C		21B	X01A, X01B, X01C			
	22	Y01Z, Y03A, Y03B		22	Y01Z, Y02A, Y02B, Y02C		22	Y01Z, Y02A, Y02B, Y02C			
	5v555.3↔			BOP, KVT, UOP4	5v555.9↔			BOP, KVT, UOP4	5v555.f↔		BOP, KVT, UOP4
		02		C01A, C01B, C16Z, C20A, C20B			05	F13A		05	F13A
		05		F13A			08	I32A, I32B, I32C, I32D, I32E, I32F		08	I02A, I02B, I02C, I02D, I22A, I22B, I50Z
08		I17Z	09	J02A, J02B, J02C, J04A, J04B, J08A, J08B, J08C, J16Z, J21Z, J22A, J22B		09	J02A, J02B, J02C, J04A, J04B, J08A, J08B, J08C, J16Z, J21Z, J22A, J22B				
09		J03A, J03B, J04A, J04B, J08A, J08B, J08C, J10A, J10B, J16Z, J21Z, J22A, J22B	21A	W04A, W04B		21A	W04A, W04B				
21A		W04A, W04B	21B	X01A, X01B, X01C		21B	X01A, X01B, X01C				
21B		X06A, X06B, X06C	22	Y01Z, Y02A, Y02B, Y02C		22	Y01Z, Y02A, Y02B, Y02C				
22		Y01Z, Y03A, Y03B	5v555.a			BOP, KVT, UOP4	5v555.g↔			BOP, KVT, UOP4	
5v555.4				BOP, KVT, UOP4		05		F13A		05	F13A
		03		D12A		08		I02A, I02B, I02C, I02D, I22A, I22B, I50Z		08	I02A, I02B, I02C, I02D, I22A, I22B, I50Z
	05	F13A		09	J02A, J02B, J02C, J04A, J04B, J08A, J08B, J08C, J16Z, J21Z, J22A, J22B	09		J02A, J02B, J02C, J04A, J04B, J08A, J08B, J08C, J16Z, J21Z, J22A, J22B			
	08	I02A, I02B, I02C, I02D, I22A, I22B, I50Z		21A	W04A, W04B	21A		W04A, W04B			
	09	J02A, J02B, J02C, J04A, J04B, J08A, J08B, J08C, J16Z, J21Z, J22A, J22B		21B	X01A, X01B, X01C	21B		X01A, X01B, X01C			
	21A	W04A, W04B		22	Y01Z, Y02A, Y02B, Y02C	22		Y01Z, Y02A, Y02B, Y02C			
	21B	X01A, X01B, X01C		5v555.b		BOP, KVT, UOP4		5v555.x↔		BOP, KVT, UOP4	
	21B	X06A, X06B, X06C			05	F13A			05	F13A	
	22	Y01Z, Y03A, Y03B			08	I02A, I02B, I02C, I02D, I22A, I22B, I50Z			08	I02A, I02B, I02C, I02D, I22A, I22B, I50Z	
	5v555.5		BOP, KVT, UOP4		09	J02A, J02B, J02C, J04A, J04B, J08A, J08B, J08C, J16Z, J21Z, J22A, J22B	09		J02A, J02B, J02C, J04A, J04B, J08A, J08B, J08C, J16Z, J21Z, J22A, J22B		
03		D12A	21A		W04A, W04B	21A	W04A, W04B				
05		F13A	21B		X01A, X01B, X01C	21B	X01A, X01B, X01C				
08		I02A, I02B, I02C, I02D, I22A, I22B, I50Z	22		Y01Z, Y02A, Y02B, Y02C	22	Y01Z, Y02A, Y02B, Y02C				
09		J02A, J02B, J02C, J04A, J04B, J08A, J08B, J08C, J16Z, J21Z, J22A, J22B	5v555.c			BOP, KVT, UOP4	5v556.0			BOP, KVT, UOP4	
21A		W04A, W04B			05	F13A			03	D02A, D02B, D18Z, D24A, D24B	
21B		X01A, X01B, X01C			08	I02A, I02B, I02C, I02D, I22A, I22B, I50Z			05	F13A	
22		Y01Z, Y02A, Y02B, Y02C		09	J02A, J02B, J02C, J04A, J04B, J08A, J08B, J08C, J16Z, J21Z, J22A, J22B	09		J03A, J03B, J04A, J04B, J08A, J08B, J08C, J11A, J11B, J16Z, J21Z, J22A, J22B			
5v555.6↔				BOP, KVT, UOP4	21A	W04A, W04B		21A	W04A, W04B		
		05		F13A	21B	X01A, X01B, X01C		21B	X01A, X01B, X01C		
	08	I02A, I02B, I02C, I02D, I22A, I22B, I50Z		22	Y01Z, Y03A, Y03B	22		Y01Z, Y03A, Y03B			
	09	J02A, J02B, J02C, J04A, J04B, J08A, J08B, J08C, J16Z, J21Z, J22A, J22B		5v555.d		BOP, KVT, UOP4		5v556.1		BOP, KVT, UOP4	
	21A	W04A, W04B			05	F13A			03	D12A	
	21B	X01A, X01B, X01C			08	I02A, I02B, I02C, I02D, I22A, I22B, I50Z			05	F13A	
	22	Y01Z, Y02A, Y02B, Y02C	09		J02A, J02B, J02C, J04A, J04B, J08A, J08B, J08C, J16Z, J21Z, J22A, J22B	09	J02A, J02B, J02C, J04A, J04B, J08A, J08B, J08C, J16Z, J21Z, J22A, J22B				
	5v555.7↔		BOP, KVT, UOP4		21A	W04A, W04B	21A		W04A, W04B		
		05	F13A		21B	X01A, X01B, X01C	21B		X01A, X01B, X01C		
		08	I02A, I02B, I02C, I02D, I22A, I22B, I50Z		22	Y01Z, Y03A, Y03B	22		Y01Z, Y02A, Y02B, Y03A, Y03B		
09		J02A, J02B, J02C, J04A, J04B, J08A, J08B, J08C, J16Z, J21Z, J22A, J22B	5v555.e↔			BOP, KVT, UOP4	5v555.e↔			BOP, KVT, UOP4	
21A		W04A, W04B			05	F13A			05	F13A	
21B		X01A, X01B, X01C			08	I02A, I02B, I02C, I02D, I22A, I22B, I50Z			08	I02A, I02B, I02C, I02D, I22A, I22B, I50Z	
22		Y01Z, Y02A, Y02B, Y02C		09	J02A, J02B, J02C, J04A, J04B, J08A, J08B, J08C, J16Z, J21Z, J22A, J22B	09		J02A, J02B, J02C, J04A, J04B, J08A, J08B, J08C, J16Z, J21Z, J22A, J22B			

VYK

ZZV	MDC	DRG	ZZV	MDC	DRG	ZZV	MDC	DRG
5v556.2↔		BOP, KVT, UOP4	5v556.8↔		BOP, KVT, UOP4	5v556.e↔		BOP, KVT, UOP4
	03	D12A		05	F13A		05	F13A
	05	F13A		08	I02A, I02B, I02C, I02D, I22A, I22B, I32A, I32B, I32C, I32D, I32E, I32F, I50Z		08	I02A, I02B, I02C, I02D, I22A, I22B, I50Z
	09	J02A, J02B, J02C, J04A, J04B, J08A, J08B, J08C, J16Z, J21Z, J22A, J22B		09	J02A, J02B, J02C, J04A, J04B, J08A, J08B, J08C, J16Z, J21Z, J22A, J22B		09	J02A, J02B, J02C, J04A, J04B, J08A, J08B, J08C, J16Z, J21Z, J22A, J22B
	21A	W04A, W04B		21A	W04A, W04B		21A	W04A, W04B
	21B	X01A, X01B, X01C		21B	X01A, X01B, X01C		21B	X01A, X01B, X01C
	22	Y01Z, Y03A, Y03B		22	Y01Z, Y02A, Y02B, Y02C		22	Y01Z, Y02A, Y02B, Y02C
		BOP, KVT, UOP4			BOP, KVT, UOP4			BOP, KVT, UOP4
		C01A, C01B, C16Z, C20A, C20B			BOP, KVT, UOP4			F13A
		F13A			F13A			I02A, I02B, I02C, I02D, I22A, I22B, I50Z
5v556.3↔		BOP, KVT, UOP4	5v556.9↔		BOP, KVT, UOP4	5v556.f↔		BOP, KVT, UOP4
	02	C01A, C01B, C16Z, C20A, C20B		05	F13A		05	F13A
	05	F13A		08	I32A, I32B, I32C, I32D, I32E, I32F		08	I02A, I02B, I02C, I02D, I22A, I22B, I50Z
	08	I17Z		09	J02A, J02B, J02C, J04A, J04B, J08A, J08B, J08C, J16Z, J21Z, J22A, J22B		09	J02A, J02B, J02C, J04A, J04B, J08A, J08B, J08C, J16Z, J21Z, J22A, J22B
	09	J03A, J03B, J04A, J04B, J08A, J08B, J08C, J10A, J10B, J16Z, J21Z, J22A, J22B		21A	W04A, W04B		21A	W04A, W04B
	10	K09A, K09B		21B	X01A, X01B, X01C		21B	X01A, X01B, X01C
	21A	W04A, W04B		22	Y01Z, Y02A, Y02B, Y02C		22	Y01Z, Y02A, Y02B, Y02C
	21B	X06A, X06B, X06C			BOP, KVT, UOP4			BOP, KVT, UOP4
	22	Y01Z, Y03A, Y03B			F13A			F13A
		BOP, KVT, UOP4			F13A			I02A, I02B, I02C, I02D, I22A, I22B, I50Z
5v556.4		BOP, KVT, UOP4	5v556.a		BOP, KVT, UOP4	5v556.g↔		BOP, KVT, UOP4
	03	D12A		05	F13A		05	F13A
	05	F13A		08	I02A, I02B, I02C, I02D, I22A, I22B, I50Z		08	I02A, I02B, I02C, I02D, I22A, I22B, I50Z
	08	I02A, I02B, I02C, I02D, I22A, I22B, I50Z		09	J02A, J02B, J02C, J04A, J04B, J08A, J08B, J08C, J16Z, J21Z, J22A, J22B		09	J02A, J02B, J02C, J04A, J04B, J08A, J08B, J08C, J16Z, J21Z, J22A, J22B
	09	J02A, J02B, J02C, J04A, J04B, J08A, J08B, J08C, J16Z, J21Z, J22A, J22B		21A	W04A, W04B		21A	W04A, W04B
	21A	W04A, W04B		21B	X01A, X01B, X01C		21B	X01A, X01B, X01C
	21B	X01A, X01B, X01C		22	Y01Z, Y02A, Y02B, Y02C		22	Y01Z, Y02A, Y02B, Y02C
	22	Y01Z, Y03A, Y03B			BOP, KVT, UOP4			BOP, KVT, UOP4
		BOP, KVT, UOP4			F13A			F13A
		D12A			F13A			I02A, I02B, I02C, I02D, I22A, I22B, I50Z
5v556.5		BOP, KVT, UOP4	5v556.b		BOP, KVT, UOP4	5v556.x↔		BOP, KVT, UOP4
	03	D12A		05	F13A		05	F13A
	05	F13A		08	I02A, I02B, I02C, I02D, I22A, I22B, I50Z		08	I02A, I02B, I02C, I02D, I22A, I22B, I32A, I32B, I32C, I32D, I32E, I32F, I50Z
	08	I02A, I02B, I02C, I02D, I22A, I22B, I50Z		09	J02A, J02B, J02C, J04A, J04B, J08A, J08B, J08C, J16Z, J21Z, J22A, J22B		09	J02A, J02B, J02C, J04A, J04B, J08A, J08B, J08C, J16Z, J21Z, J22A, J22B
	09	J02A, J02B, J02C, J04A, J04B, J08A, J08B, J08C, J16Z, J21Z, J22A, J22B		21A	W04A, W04B		21A	W04A, W04B
	21A	W04A, W04B		21B	X01A, X01B, X01C		21B	X01A, X01B, X01C
	21B	X01A, X01B, X01C		22	Y01Z, Y02A, Y02B, Y02C		22	Y01Z, Y02A, Y02B, Y02C
	22	Y01Z, Y02A, Y02B, Y02C			BOP, KVT, UOP4			BOP, KVT, UOP4
		BOP, KVT, UOP4			F13A			F13A
		D12A			F13A			I02A, I02B, I02C, I02D, I22A, I22B, I50Z
5v556.6↔		BOP, KVT, UOP4	5v556.c		BOP, KVT, UOP4	5v557.0‡		BOP, KVT, UOP4
	05	F13A		05	F13A		05	F13A
	08	I02A, I02B, I02C, I02D, I22A, I22B, I50Z		08	I02A, I02B, I02C, I02D, I22A, I22B, I50Z		08	I28A, I28B
	09	J02A, J02B, J02C, J04A, J04B, J08A, J08B, J08C, J16Z, J21Z, J22A, J22B		09	J02A, J02B, J02C, J04A, J04B, J08A, J08B, J08C, J16Z, J21Z, J22A, J22B		09	J02A, J02B, J02C, J04A, J04B, J08A, J08B, J08C, J10A, J10B, J16Z, J21Z, J22A, J22B
	21A	W04A, W04B		21A	W04A, W04B		21A	W04A, W04B
	21B	X01A, X01B, X01C		21B	X01A, X01B, X01C		21B	X01A, X01B, X01C
	22	Y01Z, Y02A, Y02B, Y02C		22	Y01Z, Y03A, Y03B		22	Y01Z, Y03A, Y03B
		BOP, KVT, UOP4			BOP, KVT, UOP4			BOP, KVT, UOP4
		F13A			F13A			D09Z, D30A
		I02A, I02B, I02C, I02D, I22A, I22B, I50Z			F13A			F13A
5v556.7↔		BOP, KVT, UOP4	5v556.d		BOP, KVT, UOP4	5v557.1		BOP, KVT, UOP4
	05	F13A		05	F13A		03	D09Z, D30A
	08	I02A, I02B, I02C, I02D, I22A, I22B, I50Z		08	I02A, I02B, I02C, I02D, I22A, I22B, I50Z		05	F13A
	09	J02A, J02B, J02C, J04A, J04B, J08A, J08B, J08C, J16Z, J21Z, J22A, J22B		09	J02A, J02B, J02C, J04A, J04B, J08A, J08B, J08C, J16Z, J21Z, J22A, J22B		08	I28A, I28B
	21A	W04A, W04B		21A	W04A, W04B		09	J03A, J03B, J04A, J04B, J08A, J08B, J08C, J10A, J10B, J16Z, J21Z, J22A, J22B
	21B	X01A, X01B, X01C		21B	X01A, X01B, X01C		21A	W04A, W04B
	22	Y01Z, Y02A, Y02B, Y02C		22	Y01Z, Y03A, Y03B		21B	X06A, X06B, X06C
		BOP, KVT, UOP4			BOP, KVT, UOP4		22	Y01Z, Y02A, Y02B, Y03A, Y03B
		F13A			F13A			BOP, KVT, UOP4
		I02A, I02B, I02C, I02D, I22A, I22B, I50Z			F13A			D09Z, D30A



ZZV	MDC	DRG	ZZV	MDC	DRG	ZZV	MDC	DRG
5v557.3↔		BOP, KVT, UOP4	5v558.3↔		BOP, KVT, UOP4	5v559.3↔		BOP, KVT, UOP4
	02	C01A, C01B, C16Z, C20A, C20B		02	C01A, C01B, C16Z, C20A, C20B		02	C01A, C01B, C16Z, C20A, C20B
	05	F13A		05	F13A		05	F13A
	08	I17Z		08	I17Z		08	I17Z
	09	J03A, J03B, J04A, J04B, J08A, J08B, J08C, J10A, J10B, J16Z, J21Z, J22A, J22B		09	J03A, J03B, J04A, J04B, J08A, J08B, J08C, J10A, J10B, J16Z, J21Z, J22A, J22B		09	J03A, J03B, J04A, J04B, J08A, J08B, J08C, J10A, J10B, J16Z, J21Z, J22A, J22B
	10	K09A, K09B		10	K09A, K09B		10	K09A, K09B
	21A	W04A, W04B		21A	W04A, W04B		21A	W04A, W04B
	21B	X06A, X06B, X06C		21B	X06A, X06B, X06C		21B	X06A, X06B, X06C
	22	Y01Z, Y03A, Y03B		22	Y01Z, Y02A, Y03A, Y03B		22	Y01Z, Y02A, Y03A, Y03B
5v557.4‡	09	J11A, J11B	5v558.4‡	09	J11A, J11B	5v559.4‡	09	J11A, J11B
	22	Y01Z, Y02A, Y02B, Y02C		22	Y01Z, Y02A, Y02B, Y02C		22	Y01Z, Y02A, Y02B, Y02C
5v557.5‡	09	J11A, J11B	5v558.5‡	09	J11A, J11B	5v559.5‡	09	J11A, J11B
	22	Y01Z, Y02A, Y02B, Y02C		22	Y01Z, Y02A, Y02B, Y02C		22	Y01Z, Y02A, Y02B, Y02C
5v557.6‡↔	09	J11A, J11B	5v558.6‡↔	09	J11A, J11B	5v559.6‡↔	09	J11A, J11B
	22	Y01Z, Y02A, Y02B, Y02C		22	Y01Z, Y02A, Y02B, Y02C		22	Y01Z, Y02A, Y02B, Y02C
5v557.7‡↔	09	J11A, J11B	5v558.7‡↔	09	J11A, J11B	5v559.7‡↔	09	J11A, J11B
	22	Y01Z, Y02A, Y02B, Y02C		22	Y01Z, Y02A, Y02B, Y02C		22	Y01Z, Y02A, Y02B, Y02C
5v557.8‡↔	09	J11A, J11B	5v558.8‡↔	09	J11A, J11B	5v559.8‡↔	09	J11A, J11B
	22	Y01Z, Y02A, Y02B, Y02C		22	Y01Z, Y02A, Y02B, Y02C		22	Y01Z, Y02A, Y02B, Y02C
5v557.9‡↔	09	J11A, J11B	5v558.9‡↔	09	J11A, J11B	5v559.9‡↔	09	J11A, J11B
	22	Y01Z, Y02A, Y02B, Y02C		22	Y01Z, Y02A, Y02B, Y02C		22	Y01Z, Y02A, Y02B, Y02C
5v557.a‡	09	J11A, J11B	5v558.a‡	09	J11A, J11B	5v559.a‡	09	J11A, J11B
	22	Y01Z, Y02A, Y02B, Y02C		22	Y01Z, Y02A, Y02B, Y02C		22	Y01Z, Y02A, Y02B, Y02C
5v557.b‡	09	J11A, J11B	5v558.b‡	09	J11A, J11B	5v559.b‡	09	J11A, J11B
	22	Y01Z, Y02A, Y02B, Y02C		22	Y01Z, Y02A, Y02B, Y02C		22	Y01Z, Y02A, Y02B, Y02C
5v557.c‡	09	J11A, J11B	5v558.c‡	09	J11A, J11B	5v559.c‡	09	J11A, J11B
	22	Y01Z, Y03A, Y03B		22	Y01Z, Y02A, Y03A, Y03B		22	Y01Z, Y02A, Y03A, Y03B
5v557.d‡	09	J11A, J11B	5v558.d‡	09	J11A, J11B	5v559.d‡	09	J11A, J11B
	22	Y01Z, Y02A, Y02B, Y02C		22	Y01Z, Y02A, Y02B, Y02C		22	Y01Z, Y02A, Y02B, Y02C
5v557.e‡↔	09	J11A, J11B	5v558.e‡↔	09	J11A, J11B	5v559.e‡↔	09	J11A, J11B
	22	Y01Z, Y02A, Y02B, Y02C		22	Y01Z, Y02A, Y02B, Y02C		22	Y01Z, Y02A, Y02B, Y02C
5v557.f‡↔	09	J11A, J11B	5v558.f‡↔	09	J11A, J11B	5v559.f‡↔	09	J11A, J11B
	22	Y01Z, Y02A, Y02B, Y02C		22	Y01Z, Y02A, Y02B, Y02C		22	Y01Z, Y02A, Y02B, Y02C
5v557.g‡↔	09	J11A, J11B	5v558.g‡↔	09	J11A, J11B	5v559.g‡↔	09	J11A, J11B
	22	Y01Z, Y02A, Y02B, Y02C		22	Y01Z, Y02A, Y02B, Y02C		22	Y01Z, Y02A, Y02B, Y02C
5v557.x‡	09	J11A, J11B	5v558.x‡	09	J11A, J11B	5v559.x‡	09	J11A, J11B
	22	Y01Z, Y02A, Y02B, Y02C		22	Y01Z, Y02A, Y02B, Y02C		22	Y01Z, Y02A, Y02B, Y02C
5v558.0‡	09	J11A, J11B	5v559.0‡	09	J11A, J11B	5v55a.0‡	09	J11A, J11B
	22	Y01Z, Y02A, Y03A, Y03B		22	Y01Z, Y02A, Y03A, Y03B		22	Y01Z, Y03A, Y03B
5v558.1		BOP, KVT, UOP4	5v559.1		BOP, KVT, UOP4	5v55a.1		BOP, KVT, UOP4
	03	D09Z, D30A		03	D09Z, D30A		03	D09Z, D30A
	05	F13A		05	F13A		05	F13A
	08	I28A, I28B		08	I28A, I28B		08	I28A, I28B
	09	J03A, J03B, J04A, J04B, J08A, J08B, J08C, J10A, J10B, J16Z, J21Z, J22A, J22B		09	J03A, J03B, J04A, J04B, J08A, J08B, J08C, J10A, J10B, J16Z, J21Z, J22A, J22B		09	J03A, J03B, J04A, J04B, J08A, J08B, J08C, J10A, J10B, J16Z, J21Z, J22A, J22B
	21A	W04A, W04B		21A	W04A, W04B		21A	W04A, W04B
	21B	X06A, X06B, X06C		21B	X06A, X06B, X06C		21B	X06A, X06B, X06C
	22	Y01Z, Y02A, Y03A, Y03B		22	Y01Z, Y02A, Y03A, Y03B		22	Y01Z, Y02A, Y02B, Y03A, Y03B
5v558.2↔		BOP, KVT, UOP4	5v559.2↔		BOP, KVT, UOP4	5v55a.2↔		BOP, KVT, UOP4
	03	D09Z, D30A		03	D09Z, D30A		03	D09Z, D30A
	05	F13A		05	F13A		05	F13A
	09	J03A, J03B, J04A, J04B, J08A, J08B, J08C, J10A, J10B, J16Z, J21Z, J22A, J22B		09	J03A, J03B, J04A, J04B, J08A, J08B, J08C, J10A, J10B, J16Z, J21Z, J22A, J22B		09	J03A, J03B, J04A, J04B, J08A, J08B, J08C, J10A, J10B, J16Z, J21Z, J22A, J22B
	21A	W04A, W04B		21A	W04A, W04B		21A	W04A, W04B
	21B	X06A, X06B, X06C		21B	X06A, X06B, X06C		21B	X06A, X06B, X06C
	22	Y01Z, Y02A, Y03A, Y03B		22	Y01Z, Y02A, Y03A, Y03B		22	Y01Z, Y03A, Y03B

VYK

ZZV	MDC	DRG	ZZV	MDC	DRG	ZZV	MDC	DRG
5v55a.3↔		BOP, KVT, UOP4	5v55b.3↔		BOP, KVT, UOP4	5v55c.3↔		BOP, KVT, UOP4
	02	C01A, C01B, C16Z, C20A, C20B		02	C01A, C01B, C16Z, C20A, C20B		02	C01A, C01B, C16Z, C20A, C20B
	05	F13A		05	F13A		05	F13A
	08	I17Z		08	I17Z		08	I17Z
	09	J03A, J03B, J04A, J04B, J08A, J08B, J08C, J10A, J10B, J16Z, J21Z, J22A, J22B		09	J03A, J03B, J04A, J04B, J08A, J08B, J08C, J10A, J10B, J16Z, J21Z, J22A, J22B		09	J03A, J03B, J04A, J04B, J08A, J08B, J08C, J10A, J10B, J16Z, J21Z, J22A, J22B
	10	K09A, K09B		10	K09A, K09B		10	K09A, K09B
	21A	W04A, W04B		21A	W04A, W04B		21A	W04A, W04B
	21B	X06A, X06B, X06C		21B	X06A, X06B, X06C		21B	X06A, X06B, X06C
	22	Y01Z, Y03A, Y03B		22	Y01Z, Y03A, Y03B		22	Y01Z, Y03A, Y03B
5v55a.4‡	09	J11A, J11B	5v55b.4‡	09	J11A, J11B	5v55c.4‡	09	J11A, J11B
	22	Y01Z, Y02A, Y02B, Y02C		22	Y01Z, Y02A, Y02B, Y02C		22	Y01Z, Y02A, Y02B, Y02C
5v55a.5‡	09	J11A, J11B	5v55b.5‡	09	J11A, J11B	5v55c.5‡	09	J11A, J11B
	22	Y01Z, Y02A, Y02B, Y02C		22	Y01Z, Y02A, Y02B, Y02C		22	Y01Z, Y02A, Y02B, Y02C
5v55a.6‡↔	09	J11A, J11B	5v55b.6‡↔	09	J11A, J11B	5v55c.6‡↔	09	J11A, J11B
	22	Y01Z, Y02A, Y02B, Y02C		22	Y01Z, Y02A, Y02B, Y02C		22	Y01Z, Y02A, Y02B, Y02C
5v55a.7‡↔	09	J11A, J11B	5v55b.7‡↔	09	J11A, J11B	5v55c.7‡↔	09	J11A, J11B
	22	Y01Z, Y02A, Y02B, Y02C		22	Y01Z, Y02A, Y02B, Y02C		22	Y01Z, Y02A, Y02B, Y02C
5v55a.8‡↔	09	J11A, J11B	5v55b.8‡↔	09	J11A, J11B	5v55c.8‡↔	09	J11A, J11B
	22	Y01Z, Y02A, Y02B, Y02C		22	Y01Z, Y02A, Y02B, Y02C		22	Y01Z, Y02A, Y02B, Y02C
5v55a.9‡↔	09	J11A, J11B	5v55b.9‡↔	09	J11A, J11B	5v55c.9‡↔	09	J11A, J11B
	22	Y01Z, Y02A, Y02B, Y02C		22	Y01Z, Y02A, Y02B, Y02C		22	Y01Z, Y02A, Y02B, Y02C
5v55a.a‡	09	J11A, J11B	5v55b.a‡	09	J11A, J11B	5v55c.a‡	09	J11A, J11B
	22	Y01Z, Y02A, Y02B, Y02C		22	Y01Z, Y02A, Y02B, Y02C		22	Y01Z, Y02A, Y02B, Y02C
5v55a.b‡	09	J11A, J11B	5v55b.b‡	09	J11A, J11B	5v55c.b‡	09	J11A, J11B
	22	Y01Z, Y02A, Y02B, Y02C		22	Y01Z, Y02A, Y02B, Y02C		22	Y01Z, Y02A, Y02B, Y02C
5v55a.c‡	09	J11A, J11B	5v55b.c‡	09	J11A, J11B	5v55c.c‡	09	J11A, J11B
	22	Y01Z, Y03A, Y03B		22	Y01Z, Y03A, Y03B		22	Y01Z, Y03A, Y03B
5v55a.d‡	09	J11A, J11B	5v55b.d‡	09	J11A, J11B	5v55c.d‡	09	J11A, J11B
	22	Y01Z, Y02A, Y02B, Y02C		22	Y01Z, Y02A, Y02B, Y02C		22	Y01Z, Y02A, Y02B, Y02C
5v55a.e‡↔	09	J11A, J11B	5v55b.e‡↔	09	J11A, J11B	5v55c.e‡↔	09	J11A, J11B
	22	Y01Z, Y02A, Y02B, Y02C		22	Y01Z, Y02A, Y02B, Y02C		22	Y01Z, Y02A, Y02B, Y02C
5v55a.f‡↔	09	J11A, J11B	5v55b.f‡↔	09	J11A, J11B	5v55c.f‡↔	09	J11A, J11B
	22	Y01Z, Y02A, Y02B, Y02C		22	Y01Z, Y02A, Y02B, Y02C		22	Y01Z, Y02A, Y02B, Y02C
5v55a.g‡↔	09	J11A, J11B	5v55b.g‡↔	09	J11A, J11B	5v55c.g‡↔	09	J11A, J11B
	22	Y01Z, Y02A, Y02B, Y02C		22	Y01Z, Y02A, Y02B, Y02C		22	Y01Z, Y02A, Y02B, Y02C
5v55a.x‡	09	J11A, J11B	5v55b.x‡	09	J11A, J11B	5v55c.x‡	09	J11A, J11B
	22	Y01Z, Y02A, Y02B, Y02C		22	Y01Z, Y02A, Y02B, Y02C		22	Y01Z, Y02A, Y02B, Y02C
5v55b.0‡	09	J11A, J11B	5v55c.0‡	09	J11A, J11B	5v55d.0‡	09	J11A, J11B
	22	Y01Z, Y03A, Y03B		22	Y01Z, Y03A, Y03B		22	Y01Z, Y03A, Y03B
5v55b.1		BOP, KVT, UOP4	5v55c.1		BOP, KVT, UOP4	5v55d.1		BOP, KVT, UOP4
	03	D09Z, D30A		03	D09Z, D30A		03	D09Z, D30A
	05	F13A		05	F13A		05	F13A
	08	I28A, I28B		08	I28A, I28B		08	I28A, I28B
	09	J03A, J03B, J04A, J04B, J08A, J08B, J08C, J10A, J10B, J16Z, J21Z, J22A, J22B		09	J03A, J03B, J04A, J04B, J08A, J08B, J08C, J10A, J10B, J16Z, J21Z, J22A, J22B		09	J03A, J03B, J04A, J04B, J08A, J08B, J08C, J10A, J10B, J16Z, J21Z, J22A, J22B
	21A	W04A, W04B		21A	W04A, W04B		21A	W04A, W04B
	21B	X06A, X06B, X06C		21B	X06A, X06B, X06C		21B	X06A, X06B, X06C
	22	Y01Z, Y02A, Y02B, Y03A, Y03B		22	Y01Z, Y02A, Y02B, Y03A, Y03B		22	Y01Z, Y02A, Y02B, Y03A, Y03B
5v55b.2↔		BOP, KVT, UOP4	5v55c.2↔		BOP, KVT, UOP4	5v55d.2↔		BOP, KVT, UOP4
	03	D09Z, D30A		03	D09Z, D30A		03	D09Z, D30A
	05	F13A		05	F13A		05	F13A
	09	J03A, J03B, J04A, J04B, J08A, J08B, J08C, J10A, J10B, J16Z, J21Z, J22A, J22B		09	J03A, J03B, J04A, J04B, J08A, J08B, J08C, J10A, J10B, J16Z, J21Z, J22A, J22B		09	J03A, J03B, J04A, J04B, J08A, J08B, J08C, J10A, J10B, J16Z, J21Z, J22A, J22B
	21A	W04A, W04B		21A	W04A, W04B		21A	W04A, W04B
	21B	X06A, X06B, X06C		21B	X06A, X06B, X06C		21B	X06A, X06B, X06C
	22	Y01Z, Y03A, Y03B		22	Y01Z, Y03A, Y03B		22	Y01Z, Y03A, Y03B

VYK

ZZV	MDC	DRG	ZZV	MDC	DRG	ZZV	MDC	DRG
5v55d.3↔		BOP, KVT, UOP4	5v560.2↔	03	BOP, KVT, UOP4	5v560.8↔	05	BOP, KVT, UOP4
	02	C01A, C01B, C16Z, C20A, C20B		05	D12A		08	F13A
	05	F13A		09	F13A		09	I02A, I02B, I02C, I02D, I22A, I22B, I32A, I32B, I32C, I32D, I32E, I32F, I50Z
	08	I17Z			J02A, J02B, J02C, J04A, J04B, J08A, J08B, J08C, J16Z, J21Z, J22A, J22B		09	J02A, J02B, J02C, J04A, J04B, J08A, J08B, J08C, J16Z, J21Z, J22A, J22B
	09	J03A, J03B, J04A, J04B, J08A, J08B, J08C, J10A, J10B, J16Z, J21Z, J22A, J22B		21A	W04A, W04B		21A	W04A, W04B
				21B	X01A, X01B, X01C		21B	X01A, X01B, X01C
				22	Y01Z, Y03A, Y03B		22	Y01Z, Y02A, Y02B, Y02C
					BOP, KVT, UOP4			BOP, KVT, UOP4
					C01A, C01B, C16Z, C20A, C20B			F13A
								I32A, I32B, I32C, I32D, I32E, I32F
5v55d.4‡	09	J11A, J11B	5v560.3↔	02	C01A, C01B, C16Z, C20A, C20B	5v560.9↔	05	F13A
	22	Y01Z, Y02A, Y02B, Y02C		05	F13A		08	I32A, I32B, I32C, I32D, I32E, I32F
5v55d.5‡	09	J11A, J11B	5v560.4	08	I17Z	5v560.a	09	J02A, J02B, J02C, J04A, J04B, J08A, J08B, J08C, J16Z, J21Z, J22A, J22B
	22	Y01Z, Y02A, Y02B, Y02C		09	J03A, J03B, J04A, J04B, J08A, J08B, J08C, J10A, J10B, J16Z, J21Z, J22A, J22B		21A	W04A, W04B
5v55d.6‡↔	09	J11A, J11B	5v560.5	10	K09A, K09B	5v560.b	21A	W04A, W04B
	22	Y01Z, Y02A, Y02B, Y02C		21A	W04A, W04B		21B	X01A, X01B, X01C
5v55d.7‡↔	09	J11A, J11B	5v560.6↔	21B	X06A, X06B, X06C	5v560.c	22	Y01Z, Y02A, Y02B, Y02C
	22	Y01Z, Y02A, Y02B, Y02C		22	Y01Z, Y03A, Y03B		05	F13A
5v55d.8‡↔	09	J11A, J11B	5v560.7↔		BOP, KVT, UOP4	5v560.d	08	I02A, I02B, I02C, I02D, I22A, I22B, I50Z
	22	Y01Z, Y02A, Y02B, Y02C		03	D12A		09	J02A, J02B, J02C, J04A, J04B, J08A, J08B, J08C, J16Z, J21Z, J22A, J22B
5v55d.9‡↔	09	J11A, J11B	5v560.8↔	05	F13A	5v560.e↔	09	J02A, J02B, J02C, J04A, J04B, J08A, J08B, J08C, J16Z, J21Z, J22A, J22B
	22	Y01Z, Y02A, Y02B, Y02C		08	I02A, I02B, I02C, I02D, I22A, I22B, I50Z		21A	W04A, W04B
5v55d.a‡	09	J11A, J11B	5v560.9↔	09	J02A, J02B, J02C, J04A, J04B, J08A, J08B, J08C, J16Z, J21Z, J22A, J22B	5v560.f↔	21A	W04A, W04B
	22	Y01Z, Y02A, Y02B, Y02C		21A	W04A, W04B		21B	X01A, X01B, X01C
5v55d.b‡	09	J11A, J11B	5v560.a	21B	X01A, X01B, X01C	5v560.g‡↔	22	Y01Z, Y02A, Y02B, Y02C
	22	Y01Z, Y02A, Y02B, Y02C		22	Y01Z, Y03A, Y03B		05	F13A
5v55d.c‡	09	J11A, J11B	5v560.b		BOP, KVT, UOP4	5v560.h↔	08	I02A, I02B, I02C, I02D, I22A, I22B, I50Z
	22	Y01Z, Y02A, Y02B, Y02C		03	D12A		09	J02A, J02B, J02C, J04A, J04B, J08A, J08B, J08C, J16Z, J21Z, J22A, J22B
5v55d.d‡	09	J11A, J11B	5v560.c	05	F13A	5v560.i↔	21A	W04A, W04B
	22	Y01Z, Y02A, Y02B, Y02C		08	I02A, I02B, I02C, I02D, I22A, I22B, I50Z		21B	X01A, X01B, X01C
5v55d.e‡↔	09	J11A, J11B	5v560.d	09	J02A, J02B, J02C, J04A, J04B, J08A, J08B, J08C, J16Z, J21Z, J22A, J22B	5v560.j↔	22	Y01Z, Y02A, Y02B, Y02C
	22	Y01Z, Y02A, Y02B, Y02C		21A	W04A, W04B		05	F13A
5v55d.f‡↔	09	J11A, J11B	5v560.e↔	21B	X01A, X01B, X01C	5v560.k↔	08	I02A, I02B, I02C, I02D, I22A, I22B, I50Z
	22	Y01Z, Y02A, Y02B, Y02C		22	Y01Z, Y02A, Y02B, Y02C		09	J02A, J02B, J02C, J04A, J04B, J08A, J08B, J08C, J16Z, J21Z, J22A, J22B
5v55d.g‡↔	09	J11A, J11B	5v560.f↔		BOP, KVT, UOP4	5v560.l↔	21A	W04A, W04B
	22	Y01Z, Y02A, Y02B, Y02C		05	F13A		21B	X01A, X01B, X01C
5v55d.x‡	09	J11A, J11B	5v560.g↔	08	I02A, I02B, I02C, I02D, I22A, I22B, I50Z	5v560.m↔	22	Y01Z, Y02A, Y02B, Y02C
	22	Y01Z, Y02A, Y02B, Y02C		09	J02A, J02B, J02C, J04A, J04B, J08A, J08B, J08C, J16Z, J21Z, J22A, J22B		05	F13A
5v560.0		BOP, KVT, UOP4	5v560.h↔	09	J02A, J02B, J02C, J04A, J04B, J08A, J08B, J08C, J16Z, J21Z, J22A, J22B	5v560.n↔	08	I02A, I02B, I02C, I02D, I22A, I22B, I50Z
	03	D18Z, D25A, D25B, D25C, D25D		21A	W04A, W04B		09	J02A, J02B, J02C, J04A, J04B, J08A, J08B, J08C, J16Z, J21Z, J22A, J22B
	05	F13A		21B	X01A, X01B, X01C		21A	W04A, W04B
	09	J03A, J03B, J04A, J04B, J08A, J08B, J08C, J11A, J11B, J16Z, J21Z, J22A, J22B		22	Y01Z, Y02A, Y02B, Y02C		21B	X01A, X01B, X01C
					BOP, KVT, UOP4		22	Y01Z, Y02A, Y02B, Y02C
					F13A			BOP, KVT, UOP4
					I02A, I02B, I02C, I02D, I22A, I22B, I50Z			F13A
					J02A, J02B, J02C, J04A, J04B, J08A, J08B, J08C, J16Z, J21Z, J22A, J22B			I02A, I02B, I02C, I02D, I22A, I22B, I50Z
					W04A, W04B			J02A, J02B, J02C, J04A, J04B, J08A, J08B, J08C, J16Z, J21Z, J22A, J22B
					X01A, X01B, X01C			W04A, W04B
5v560.1		BOP, KVT, UOP4	5v560.i↔	05	F13A	5v560.o↔	05	F13A
	03	D12A		08	I02A, I02B, I02C, I02D, I22A, I22B, I50Z		08	I02A, I02B, I02C, I02D, I22A, I22B, I50Z
	05	F13A		09	J02A, J02B, J02C, J04A, J04B, J08A, J08B, J08C, J16Z, J21Z, J22A, J22B		09	J02A, J02B, J02C, J04A, J04B, J08A, J08B, J08C, J16Z, J21Z, J22A, J22B
	09	J02A, J02B, J02C, J04A, J04B, J08A, J08B, J08C, J16Z, J21Z, J22A, J22B		21A	W04A, W04B		21A	W04A, W04B
				21B	X01A, X01B, X01C		21B	X01A, X01B, X01C
				22	Y01Z, Y02A, Y02B, Y02C		22	Y01Z, Y02A, Y02B, Y02C
					BOP, KVT, UOP4			BOP, KVT, UOP4
					F13A			F13A
					I02A, I02B, I02C, I02D, I22A, I22B, I50Z			I02A, I02B, I02C, I02D, I22A, I22B, I50Z
					J02A, J02B, J02C, J04A, J04B, J08A, J08B, J08C, J16Z, J21Z, J22A, J22B			J02A, J02B, J02C, J04A, J04B, J08A, J08B, J08C, J16Z, J21Z, J22A, J22B

VYK

ZZV	MDC	DRG	ZZV	MDC	DRG	ZZV	MDC	DRG			
5v560.f↔		BOP, KVT, UOP4	5v561.3↔		BOP, KVT, UOP4	5v561.9↔		BOP, KVT, UOP4			
	05	F13A		02	C01A, C01B, C16Z, C20A, C20B		05	F13A			
	08	I02A, I02B, I02C, I02D, I22A, I22B, I50Z		05	F13A		08	I32A, I32B, I32C, I32D, I32E, I32F			
	09	J02A, J02B, J02C, J04A, J04B, J08A, J08B, J08C, J16Z, J21Z, J22A, J22B		08	I17Z		09	J02A, J02B, J02C, J04A, J04B, J08A, J08B, J08C, J16Z, J21Z, J22A, J22B			
	21A	W04A, W04B		09	J03A, J03B, J04A, J04B, J08A, J08B, J08C, J10A, J10B, J16Z, J21Z, J22A, J22B		21A	W04A, W04B			
	21B	X01A, X01B, X01C		10	K09A, K09B		21B	X01A, X01B, X01C			
	22	Y01Z, Y02A, Y02B, Y02C		21A	W04A, W04B		22	Y01Z, Y02A, Y02B, Y02C			
	5v560.g↔			BOP, KVT, UOP4	5v561.4			BOP, KVT, UOP4	5v561.a		BOP, KVT, UOP4
		05		F13A			21B	X06A, X06B, X06C		05	F13A
		08		I02A, I02B, I02C, I02D, I22A, I22B, I50Z			22	Y01Z, Y03A, Y03B		08	I02A, I02B, I02C, I02D, I22A, I22B, I50Z
09		J02A, J02B, J02C, J04A, J04B, J08A, J08B, J08C, J16Z, J21Z, J22A, J22B	03	D12A		09	J02A, J02B, J02C, J04A, J04B, J08A, J08B, J08C, J16Z, J21Z, J22A, J22B				
21A		W04A, W04B	05	F13A		21A	W04A, W04B				
21B		X01A, X01B, X01C	08	I02A, I02B, I02C, I02D, I22A, I22B, I50Z		21B	X01A, X01B, X01C				
22		Y01Z, Y02A, Y02B, Y02C	09	J02A, J02B, J02C, J04A, J04B, J08A, J08B, J08C, J16Z, J21Z, J22A, J22B		22	Y01Z, Y02A, Y02B, Y02C				
5v560.x↔			BOP, KVT, UOP4	5v561.5			BOP, KVT, UOP4	5v561.b			BOP, KVT, UOP4
		05	F13A			21A	W04A, W04B			05	F13A
		08	I02A, I02B, I02C, I02D, I22A, I22B, I32A, I32B, I32C, I32D, I32E, I32F, I50Z			21B	X01A, X01B, X01C			08	I02A, I02B, I02C, I02D, I22A, I22B, I50Z
	09	J02A, J02B, J02C, J04A, J04B, J08A, J08B, J08C, J16Z, J21Z, J22A, J22B	22		Y01Z, Y02A, Y02B, Y02C	09	J02A, J02B, J02C, J04A, J04B, J08A, J08B, J08C, J16Z, J21Z, J22A, J22B				
	21A	W04A, W04B	03		D12A	21A	W04A, W04B				
	21B	X01A, X01B, X01C	05		F13A	21B	X01A, X01B, X01C				
	22	Y01Z, Y02A, Y02B, Y02C	08		I02A, I02B, I02C, I02D, I22A, I22B, I50Z	22	Y01Z, Y02A, Y02B, Y02C				
	5v561.0		BOP, KVT, UOP4		5v561.6↔		BOP, KVT, UOP4		5v561.c		BOP, KVT, UOP4
		03	D18Z, D25A, D25B, D25C, D25D			21A	W04A, W04B			05	F13A
		05	F13A			21B	X01A, X01B, X01C			08	I02A, I02B, I02C, I02D, I22A, I22B, I50Z
09		J03A, J03B, J04A, J04B, J08A, J08B, J08C, J11A, J11B, J16Z, J21Z, J22A, J22B	22	Y01Z, Y02A, Y02B, Y02C		09	J02A, J02B, J02C, J04A, J04B, J08A, J08B, J08C, J16Z, J21Z, J22A, J22B				
21A		W04A, W04B	05	F13A		21A	W04A, W04B				
21B		X06A, X06B, X06C	08	I02A, I02B, I02C, I02D, I22A, I22B, I50Z		21B	X01A, X01B, X01C				
22		Y01Z, Y03A, Y03B	09	J02A, J02B, J02C, J04A, J04B, J08A, J08B, J08C, J16Z, J21Z, J22A, J22B		22	Y01Z, Y02A, Y02B, Y02C				
5v561.1			BOP, KVT, UOP4	5v561.7↔			BOP, KVT, UOP4	5v561.d			BOP, KVT, UOP4
		03	D12A			21A	W04A, W04B			05	F13A
		05	F13A			21B	X01A, X01B, X01C			08	I02A, I02B, I02C, I02D, I22A, I22B, I50Z
	09	J02A, J02B, J02C, J04A, J04B, J08A, J08B, J08C, J16Z, J21Z, J22A, J22B	22		Y01Z, Y02A, Y02B, Y02C	09	J02A, J02B, J02C, J04A, J04B, J08A, J08B, J08C, J16Z, J21Z, J22A, J22B				
	21A	W04A, W04B	05		F13A	21A	W04A, W04B				
	21B	X01A, X01B, X01C	08		I02A, I02B, I02C, I02D, I22A, I22B, I50Z	21B	X01A, X01B, X01C				
	22	Y01Z, Y02A, Y02B, Y03A, Y03B	09		J02A, J02B, J02C, J04A, J04B, J08A, J08B, J08C, J16Z, J21Z, J22A, J22B	22	Y01Z, Y02A, Y02B, Y02C				
	5v561.2↔		BOP, KVT, UOP4		5v561.8↔		BOP, KVT, UOP4		5v561.e↔		BOP, KVT, UOP4
		03	D12A			21A	W04A, W04B			05	F13A
		05	F13A			21B	X01A, X01B, X01C			08	I02A, I02B, I02C, I02D, I22A, I22B, I50Z
09		J02A, J02B, J02C, J04A, J04B, J08A, J08B, J08C, J16Z, J21Z, J22A, J22B	22	Y01Z, Y02A, Y02B, Y02C		09	J02A, J02B, J02C, J04A, J04B, J08A, J08B, J08C, J16Z, J21Z, J22A, J22B				
21A		W04A, W04B	05	F13A		21A	W04A, W04B				
21B		X01A, X01B, X01C	08	I02A, I02B, I02C, I02D, I22A, I22B, I32A, I32B, I32C, I32D, I32E, I32F, I50Z		21B	X01A, X01B, X01C				
22		Y01Z, Y03A, Y03B	09	J02A, J02B, J02C, J04A, J04B, J08A, J08B, J08C, J16Z, J21Z, J22A, J22B		22	Y01Z, Y02A, Y02B, Y02C				
5v561.f↔			BOP, KVT, UOP4	5v561.f↔			BOP, KVT, UOP4	5v561.f↔			BOP, KVT, UOP4
		03	D12A			21A	W04A, W04B			05	F13A
		05	F13A			21B	X01A, X01B, X01C			08	I02A, I02B, I02C, I02D, I22A, I22B, I50Z
	09	J02A, J02B, J02C, J04A, J04B, J08A, J08B, J08C, J16Z, J21Z, J22A, J22B	22		Y01Z, Y02A, Y02B, Y02C	09	J02A, J02B, J02C, J04A, J04B, J08A, J08B, J08C, J16Z, J21Z, J22A, J22B				
	21A	W04A, W04B	05		F13A	21A	W04A, W04B				
	21B	X01A, X01B, X01C	08		I02A, I02B, I02C, I02D, I22A, I22B, I32A, I32B, I32C, I32D, I32E, I32F, I50Z	21B	X01A, X01B, X01C				
	22	Y01Z, Y03A, Y03B	09		J02A, J02B, J02C, J04A, J04B, J08A, J08B, J08C, J16Z, J21Z, J22A, J22B	22	Y01Z, Y02A, Y02B, Y02C				

VYK

ZZV	MDC	DRG	ZZV	MDC	DRG	ZZV	MDC	DRG
5v561.g↔		BOP, KVT, UOP4	5v562.4		BOP, KVT, UOP4	5v562.a		BOP, KVT, UOP4
	05	F13A		03	D12A		05	F13A
	08	I02A, I02B, I02C, I02D, I22A, I22B, I50Z		05	F13A		08	I02A, I02B, I02C, I02D, I22A, I22B, I50Z
	09	J02A, J02B, J02C, J04A, J04B, J08A, J08B, J08C, J16Z, J21Z, J22A, J22B		08	I02A, I02B, I02C, I02D, I22A, I22B, I50Z		09	J02A, J02B, J02C, J04A, J04B, J08A, J08B, J08C, J16Z, J21Z, J22A, J22B
	21A	W04A, W04B		09	J02A, J02B, J02C, J04A, J04B, J08A, J08B, J08C, J16Z, J21Z, J22A, J22B		21A	W04A, W04B
	21B	X01A, X01B, X01C		21A	W04A, W04B		21B	X01A, X01B, X01C
	22	Y01Z, Y02A, Y02B, Y02C		21B	X01A, X01B, X01C		22	Y01Z, Y02A, Y02B, Y02C
5v561.x↔		BOP, KVT, UOP4	5v562.5		BOP, KVT, UOP4	5v562.b		BOP, KVT, UOP4
	05	F13A		03	D12A		05	F13A
	08	I02A, I02B, I02C, I02D, I22A, I22B, I32A, I32B, I32C, I32D, I32E, I32F, I50Z		05	F13A		08	I02A, I02B, I02C, I02D, I22A, I22B, I50Z
	09	J02A, J02B, J02C, J04A, J04B, J08A, J08B, J08C, J16Z, J21Z, J22A, J22B		08	I02A, I02B, I02C, I02D, I22A, I22B, I50Z		09	J02A, J02B, J02C, J04A, J04B, J08A, J08B, J08C, J16Z, J21Z, J22A, J22B
	21A	W04A, W04B		09	J02A, J02B, J02C, J04A, J04B, J08A, J08B, J08C, J16Z, J21Z, J22A, J22B		21A	W04A, W04B
	21B	X01A, X01B, X01C		21A	W04A, W04B		21B	X01A, X01B, X01C
	22	Y01Z, Y02A, Y02B, Y02C		21B	X01A, X01B, X01C		22	Y01Z, Y02A, Y02B, Y02C
5v562.0		BOP, KVT, UOP4	5v562.6↔		BOP, KVT, UOP4	5v562.c		BOP, KVT, UOP4
	03	D18Z, D25A, D25B, D25C, D25D		03	D12A		05	F13A
	05	F13A		05	F13A		08	I02A, I02B, I02C, I02D, I22A, I22B, I50Z
	09	J03A, J03B, J04A, J04B, J08A, J08B, J08C, J11A, J11B, J16Z, J21Z, J22A, J22B		08	I02A, I02B, I02C, I02D, I22A, I22B, I50Z		09	J02A, J02B, J02C, J04A, J04B, J08A, J08B, J08C, J16Z, J21Z, J22A, J22B
	21A	W04A, W04B		09	J02A, J02B, J02C, J04A, J04B, J08A, J08B, J08C, J16Z, J21Z, J22A, J22B		21A	W04A, W04B
	21B	X06A, X06B, X06C		21A	W04A, W04B		21B	X01A, X01B, X01C
	22	Y01Z, Y03A, Y03B		21B	X01A, X01B, X01C		22	Y01Z, Y02A, Y02B, Y02C
5v562.1		BOP, KVT, UOP4	5v562.7↔		BOP, KVT, UOP4	5v562.d		BOP, KVT, UOP4
	03	D12A		03	D12A		05	F13A
	05	F13A		05	F13A		08	I02A, I02B, I02C, I02D, I22A, I22B, I50Z
	09	J02A, J02B, J02C, J04A, J04B, J08A, J08B, J08C, J16Z, J21Z, J22A, J22B		08	I02A, I02B, I02C, I02D, I22A, I22B, I50Z		09	J02A, J02B, J02C, J04A, J04B, J08A, J08B, J08C, J16Z, J21Z, J22A, J22B
	21A	W04A, W04B		09	J02A, J02B, J02C, J04A, J04B, J08A, J08B, J08C, J16Z, J21Z, J22A, J22B		21A	W04A, W04B
	21B	X01A, X01B, X01C		21A	W04A, W04B		21B	X01A, X01B, X01C
	22	Y01Z, Y02A, Y02B, Y03A, Y03B		21B	X01A, X01B, X01C		22	Y01Z, Y02A, Y02B, Y02C
5v562.2↔		BOP, KVT, UOP4	5v562.8↔		BOP, KVT, UOP4	5v562.e↔		BOP, KVT, UOP4
	03	D12A		03	D12A		05	F13A
	05	F13A		05	F13A		08	I02A, I02B, I02C, I02D, I22A, I22B, I50Z
	09	J02A, J02B, J02C, J04A, J04B, J08A, J08B, J08C, J16Z, J21Z, J22A, J22B		08	I02A, I02B, I02C, I02D, I22A, I22B, I50Z		09	J02A, J02B, J02C, J04A, J04B, J08A, J08B, J08C, J16Z, J21Z, J22A, J22B
	21A	W04A, W04B		09	J02A, J02B, J02C, J04A, J04B, J08A, J08B, J08C, J16Z, J21Z, J22A, J22B		21A	W04A, W04B
	21B	X01A, X01B, X01C		21A	W04A, W04B		21B	X01A, X01B, X01C
	22	Y01Z, Y03A, Y03B		21B	X01A, X01B, X01C		22	Y01Z, Y02A, Y02B, Y02C
5v562.3↔		BOP, KVT, UOP4	5v562.9↔		BOP, KVT, UOP4	5v562.f↔		BOP, KVT, UOP4
	02	C01A, C01B, C16Z, C20A, C20B		02	Y01Z, Y02A, Y02B, Y02C		05	F13A
	05	F13A		05	F13A		08	I02A, I02B, I02C, I02D, I22A, I22B, I50Z
	08	I17Z		08	I32A, I32B, I32C, I32D, I32E, I32F		09	J02A, J02B, J02C, J04A, J04B, J08A, J08B, J08C, J16Z, J21Z, J22A, J22B
	09	J03A, J03B, J04A, J04B, J08A, J08B, J08C, J10A, J10B, J16Z, J21Z, J22A, J22B		09	J02A, J02B, J02C, J04A, J04B, J08A, J08B, J08C, J16Z, J21Z, J22A, J22B		21A	W04A, W04B
	10	K09A, K09B		21A	W04A, W04B		21B	X01A, X01B, X01C
	21A	W04A, W04B		21B	X01A, X01B, X01C		22	Y01Z, Y02A, Y02B, Y02C
21B	X06A, X06B, X06C							
22	Y01Z, Y03A, Y03B							

VYK

ZZV	MDC	DRG	ZZV	MDC	DRG	ZZV	MDC	DRG					
5v564.0		BOP, KVT, UOP4	5v564.6↔		BOP, KVT, UOP4	5v564.c		BOP, KVT, UOP4					
	03	D18Z, D25A, D25B, D25C, D25D		05	F13A		05	F13A					
	05	F13A		08	I02A, I02B, I02C, I02D, I22A, I22B, I50Z		08	I02A, I02B, I02C, I02D, I22A, I22B, I50Z					
	09	J03A, J03B, J04A, J04B, J08A, J08B, J08C, J11A, J11B, J16Z, J21Z, J22A, J22B		09	J02A, J02B, J02C, J04A, J04B, J08A, J08B, J08C, J16Z, J21Z, J22A, J22B		09	J02A, J02B, J02C, J04A, J04B, J08A, J08B, J08C, J16Z, J21Z, J22A, J22B					
	21A	W04A, W04B		21A	W04A, W04B		21A	W04A, W04B					
	21B	X06A, X06B, X06C		21B	X01A, X01B, X01C		21B	X01A, X01B, X01C					
	22	Y01Z, Y03A, Y03B		22	Y01Z, Y02A, Y02B, Y02C		22	Y01Z, Y02A, Y02B, Y02C					
	5v564.1			BOP, KVT, UOP4	5v564.7↔			BOP, KVT, UOP4	5v564.d		BOP, KVT, UOP4		
		03		D12A			05	F13A		05	F13A		
		05		F13A			08	I02A, I02B, I02C, I02D, I22A, I22B, I50Z		08	I02A, I02B, I02C, I02D, I22A, I22B, I50Z		
09		J02A, J02B, J02C, J04A, J04B, J08A, J08B, J08C, J16Z, J21Z, J22A, J22B	09	J02A, J02B, J02C, J04A, J04B, J08A, J08B, J08C, J16Z, J21Z, J22A, J22B		09	J02A, J02B, J02C, J04A, J04B, J08A, J08B, J08C, J16Z, J21Z, J22A, J22B						
21A		W04A, W04B	21A	W04A, W04B		21A	W04A, W04B						
21B		X01A, X01B, X01C	21B	X01A, X01B, X01C		21B	X01A, X01B, X01C						
22		Y01Z, Y02A, Y02B, Y03A, Y03B	22	Y01Z, Y02A, Y02B, Y02C		22	Y01Z, Y02A, Y02B, Y02C						
5v564.2↔			BOP, KVT, UOP4	5v564.8↔			BOP, KVT, UOP4	5v564.e↔			BOP, KVT, UOP4		
		03	D12A			05	F13A			05	F13A		
		05	F13A			08	I02A, I02B, I02C, I02D, I22A, I22B, I32A, I32B, I32C, I32D, I32E, I32F, I50Z			08	I02A, I02B, I02C, I02D, I22A, I22B, I50Z		
	09	J02A, J02B, J02C, J04A, J04B, J08A, J08B, J08C, J16Z, J21Z, J22A, J22B	09		J02A, J02B, J02C, J04A, J04B, J08A, J08B, J08C, J16Z, J21Z, J22A, J22B	09	J02A, J02B, J02C, J04A, J04B, J08A, J08B, J08C, J16Z, J21Z, J22A, J22B						
	21A	W04A, W04B	21A		W04A, W04B	21A	W04A, W04B						
	21B	X01A, X01B, X01C	21B		X01A, X01B, X01C	21B	X01A, X01B, X01C						
	22	Y01Z, Y03A, Y03B	22		Y01Z, Y02A, Y02B, Y02C	22	Y01Z, Y02A, Y02B, Y02C						
	5v564.3↔		BOP, KVT, UOP4		5v564.9↔		BOP, KVT, UOP4		5v564.f↔		BOP, KVT, UOP4		
		02	C01A, C01B, C16Z, C20A, C20B			05	F13A			05	F13A		
		05	F13A			08	I32A, I32B, I32C, I32D, I32E, I32F			08	I02A, I02B, I02C, I02D, I22A, I22B, I50Z		
08		I17Z	09	J02A, J02B, J02C, J04A, J04B, J08A, J08B, J08C, J10A, J10B, J16Z, J21Z, J22A, J22B		09	J02A, J02B, J02C, J04A, J04B, J08A, J08B, J08C, J16Z, J21Z, J22A, J22B						
09		J03A, J03B, J04A, J04B, J08A, J08B, J08C, J10A, J10B, J16Z, J21Z, J22A, J22B	21A	W04A, W04B		21A	W04A, W04B						
10		K09A, K09B	21B	X01A, X01B, X01C		21B	X01A, X01B, X01C						
21A		W04A, W04B	22	Y01Z, Y02A, Y02B, Y02C		22	Y01Z, Y02A, Y02B, Y02C						
21B		X06A, X06B, X06C	5v564.a			BOP, KVT, UOP4	5v564.g↔			BOP, KVT, UOP4			
21B		X06A, X06B, X06C		05		F13A		05		F13A			
22		Y01Z, Y03A, Y03B		08		I02A, I02B, I02C, I02D, I22A, I22B, I50Z		08		I02A, I02B, I02C, I02D, I22A, I22B, I50Z			
5v564.4		BOP, KVT, UOP4		5v564.b		BOP, KVT, UOP4		5v564.x↔		BOP, KVT, UOP4			
	03	D12A			05	F13A			05	F13A			
	05	F13A			08	I02A, I02B, I02C, I02D, I22A, I22B, I50Z			08	I02A, I02B, I02C, I02D, I22A, I22B, I50Z			
	08	I02A, I02B, I02C, I02D, I22A, I22B, I50Z			09	J02A, J02B, J02C, J04A, J04B, J08A, J08B, J08C, J16Z, J21Z, J22A, J22B			09	J02A, J02B, J02C, J04A, J04B, J08A, J08B, J08C, J16Z, J21Z, J22A, J22B			
	09	J02A, J02B, J02C, J04A, J04B, J08A, J08B, J08C, J16Z, J21Z, J22A, J22B			21A	W04A, W04B			21A	W04A, W04B			
	21A	W04A, W04B			21B	X01A, X01B, X01C			21B	X01A, X01B, X01C			
	21B	X01A, X01B, X01C			22	Y01Z, Y02A, Y02B, Y02C			22	Y01Z, Y02A, Y02B, Y02C			
	22	Y01Z, Y02A, Y02B, Y02C	5v564.5			BOP, KVT, UOP4	5v564.y↔			BOP, KVT, UOP4			
	5v564.5				BOP, KVT, UOP4	5v564.5				BOP, KVT, UOP4	5v564.y↔		BOP, KVT, UOP4
		03			D12A				05	F13A		05	F13A
05		F13A		08	I02A, I02B, I02C, I02D, I22A, I22B, I50Z			08	I02A, I02B, I02C, I02D, I22A, I22B, I50Z				
08		I02A, I02B, I02C, I02D, I22A, I22B, I50Z		09	J02A, J02B, J02C, J04A, J04B, J08A, J08B, J08C, J16Z, J21Z, J22A, J22B			09	J02A, J02B, J02C, J04A, J04B, J08A, J08B, J08C, J16Z, J21Z, J22A, J22B				
09		J02A, J02B, J02C, J04A, J04B, J08A, J08B, J08C, J16Z, J21Z, J22A, J22B		21A	W04A, W04B			21A	W04A, W04B				
21A		W04A, W04B		21B	X01A, X01B, X01C			21B	X01A, X01B, X01C				
21B		X01A, X01B, X01C		22	Y01Z, Y02A, Y02B, Y02C			22	Y01Z, Y02A, Y02B, Y02C				
22		Y01Z, Y02A, Y02B, Y02C											

VYK

ZZV	MDC	DRG	ZZV	MDC	DRG	ZZV	MDC	DRG			
5v565.0		BOP, KVT, UOP4	5v565.6↔		BOP, KVT, UOP4	5v565.c		BOP, KVT, UOP4			
	03	D18Z, D25A, D25B, D25C, D25D		05	F13A		05	F13A			
	05	F13A		08	I02A, I02B, I02C, I02D, I22A, I22B, I50Z		08	I02A, I02B, I02C, I02D, I22A, I22B, I50Z			
	09	J03A, J03B, J04A, J04B, J08A, J08B, J08C, J11A, J11B, J16Z, J21Z, J22A, J22B		09	J02A, J02B, J02C, J04A, J04B, J08A, J08B, J08C, J16Z, J21Z, J22A, J22B		09	J02A, J02B, J02C, J04A, J04B, J08A, J08B, J08C, J16Z, J21Z, J22A, J22B			
	21A	W04A, W04B		21A	W04A, W04B		21A	W04A, W04B			
	21B	X06A, X06B, X06C		21B	X01A, X01B, X01C		21B	X01A, X01B, X01C			
	22	Y01Z, Y03A, Y03B		22	Y01Z, Y02A, Y02B, Y02C		22	Y01Z, Y03A, Y03B			
	5v565.1			BOP, KVT, UOP4	5v565.7↔			BOP, KVT, UOP4	5v565.d		BOP, KVT, UOP4
		03		D12A			05	F13A		05	F13A
		05		F13A			08	I02A, I02B, I02C, I02D, I22A, I22B, I50Z		08	I02A, I02B, I02C, I02D, I22A, I22B, I50Z
09		J02A, J02B, J02C, J04A, J04B, J08A, J08B, J08C, J16Z, J21Z, J22A, J22B	09	J02A, J02B, J02C, J04A, J04B, J08A, J08B, J08C, J16Z, J21Z, J22A, J22B		09	J02A, J02B, J02C, J04A, J04B, J08A, J08B, J08C, J16Z, J21Z, J22A, J22B				
21A		W04A, W04B	21A	W04A, W04B		21A	W04A, W04B				
21B		X01A, X01B, X01C	21B	X01A, X01B, X01C		21B	X01A, X01B, X01C				
22		Y01Z, Y02A, Y02B, Y03A, Y03B	22	Y01Z, Y02A, Y02B, Y02C		22	Y01Z, Y02A, Y02B, Y02C				
5v565.2↔			BOP, KVT, UOP4	5v565.8↔			BOP, KVT, UOP4	5v565.e↔			BOP, KVT, UOP4
		03	D12A			05	F13A			05	F13A
		05	F13A			08	I02A, I02B, I02C, I02D, I22A, I22B, I32A, I32B, I32C, I32D, I32E, I32F, I50Z			08	I02A, I02B, I02C, I02D, I22A, I22B, I50Z
	09	J02A, J02B, J02C, J04A, J04B, J08A, J08B, J08C, J16Z, J21Z, J22A, J22B	09		J02A, J02B, J02C, J04A, J04B, J08A, J08B, J08C, J16Z, J21Z, J22A, J22B	09	J02A, J02B, J02C, J04A, J04B, J08A, J08B, J08C, J16Z, J21Z, J22A, J22B				
	21A	W04A, W04B	21A		W04A, W04B	21A	W04A, W04B				
	21B	X01A, X01B, X01C	21B		X01A, X01B, X01C	21B	X01A, X01B, X01C				
	22	Y01Z, Y03A, Y03B	22		Y01Z, Y02A, Y02B, Y02C	22	Y01Z, Y02A, Y02B, Y02C				
	5v565.3↔		BOP, KVT, UOP4		5v565.9↔		BOP, KVT, UOP4		5v565.f↔		BOP, KVT, UOP4
		02	C01A, C01B, C16Z, C20A, C20B			05	F13A			05	F13A
		05	F13A			08	I32A, I32B, I32C, I32D, I32E, I32F			08	I02A, I02B, I02C, I02D, I22A, I22B, I50Z
08		I17Z	09	J02A, J02B, J02C, J04A, J04B, J08A, J08B, J08C, J16Z, J21Z, J22A, J22B		09	J02A, J02B, J02C, J04A, J04B, J08A, J08B, J08C, J16Z, J21Z, J22A, J22B				
09		J03A, J03B, J04A, J04B, J08A, J08B, J08C, J10A, J10B, J16Z, J21Z, J22A, J22B	09	J02A, J02B, J02C, J04A, J04B, J08A, J08B, J08C, J16Z, J21Z, J22A, J22B		21A	W04A, W04B				
10		K09A, K09B	21A	W04A, W04B		21B	X01A, X01B, X01C				
21A		W04A, W04B	21B	X01A, X01B, X01C		22	Y01Z, Y02A, Y02B, Y02C				
21B		X06A, X06B, X06C	22	Y01Z, Y02A, Y02B, Y02C		22	Y01Z, Y02A, Y02B, Y02C				
22		Y01Z, Y03A, Y03B	5v565.a			BOP, KVT, UOP4	5v565.g↔			BOP, KVT, UOP4	
5v565.4				BOP, KVT, UOP4		05		F13A		05	F13A
	03	D12A		08	I02A, I02B, I02C, I02D, I22A, I22B, I50Z	08		I02A, I02B, I02C, I02D, I22A, I22B, I50Z			
	05	F13A		09	J02A, J02B, J02C, J04A, J04B, J08A, J08B, J08C, J16Z, J21Z, J22A, J22B	09		J02A, J02B, J02C, J04A, J04B, J08A, J08B, J08C, J16Z, J21Z, J22A, J22B			
	08	I02A, I02B, I02C, I02D, I22A, I22B, I50Z		21A	W04A, W04B	21A		W04A, W04B			
	09	J02A, J02B, J02C, J04A, J04B, J08A, J08B, J08C, J16Z, J21Z, J22A, J22B		21B	X01A, X01B, X01C	21B		X01A, X01B, X01C			
	21A	W04A, W04B		22	Y01Z, Y02A, Y02B, Y02C	22		Y01Z, Y02A, Y02B, Y02C			
	21B	X01A, X01B, X01C		5v565.b		BOP, KVT, UOP4		5v565.x↔		BOP, KVT, UOP4	
	22	Y01Z, Y02A, Y02B, Y02C			05	F13A			05	F13A	
	5v565.5				BOP, KVT, UOP4	08			I02A, I02B, I02C, I02D, I22A, I22B, I50Z	08	I02A, I02B, I02C, I02D, I22A, I22B, I32A, I32B, I32C, I32D, I32E, I32F, I50Z
		03	D12A		09	J02A, J02B, J02C, J04A, J04B, J08A, J08B, J08C, J16Z, J21Z, J22A, J22B	09		J02A, J02B, J02C, J04A, J04B, J08A, J08B, J08C, J16Z, J21Z, J22A, J22B		
05		F13A	21A		W04A, W04B	21A	W04A, W04B				
08		I02A, I02B, I02C, I02D, I22A, I22B, I50Z	21B		X01A, X01B, X01C	21B	X01A, X01B, X01C				
09		J02A, J02B, J02C, J04A, J04B, J08A, J08B, J08C, J16Z, J21Z, J22A, J22B	22		Y01Z, Y02A, Y02B, Y02C	22	Y01Z, Y02A, Y02B, Y02C				
21A		W04A, W04B									
21B		X01A, X01B, X01C									
22		Y01Z, Y02A, Y02B, Y02C									



ZZV	MDC	DRG	ZZV	MDC	DRG	ZZV	MDC	DRG					
5v570.0		BOP, KVT, UOP4	5v570.6↔		BOP, KVT, UOP4	5v570.c		BOP, KVT, UOP4					
	03	D18Z, D25A, D25B, D25C, D25D		05	F13A		05	F13A					
	05	F13A		08	I02A, I02B, I02C, I02D, I22A, I22B, I50Z		08	I02A, I02B, I02C, I02D, I22A, I22B, I50Z					
	09	J03A, J03B, J04A, J04B, J08A, J08B, J08C, J11A, J11B, J16Z, J21Z, J22A, J22B		09	J02A, J02B, J02C, J04A, J04B, J08A, J08B, J08C, J16Z, J21Z, J22A, J22B		09	J02A, J02B, J02C, J04A, J04B, J08A, J08B, J08C, J16Z, J21Z, J22A, J22B					
	21A	W04A, W04B		21A	W04A, W04B		21A	W04A, W04B					
	21B	X06A, X06B, X06C		21B	X01A, X01B, X01C		21B	X01A, X01B, X01C					
	22	Y01Z, Y03A, Y03B		22	Y01Z, Y02A, Y02B, Y02C		22	Y01Z, Y03A, Y03B					
	5v570.1			BOP, KVT, UOP4	5v570.7↔			BOP, KVT, UOP4	5v570.d		BOP, KVT, UOP4		
		03		D12A			05	F13A		05	F13A		
		05		F13A			08	I02A, I02B, I02C, I02D, I22A, I22B, I50Z		08	I02A, I02B, I02C, I02D, I22A, I22B, I50Z		
09		J02A, J02B, J02C, J04A, J04B, J08A, J08B, J08C, J16Z, J21Z, J22A, J22B	09	J02A, J02B, J02C, J04A, J04B, J08A, J08B, J08C, J16Z, J21Z, J22A, J22B		09	J02A, J02B, J02C, J04A, J04B, J08A, J08B, J08C, J16Z, J21Z, J22A, J22B						
21A		W04A, W04B	21A	W04A, W04B		21A	W04A, W04B						
21B		X01A, X01B, X01C	21B	X01A, X01B, X01C		21B	X01A, X01B, X01C						
22		Y01Z, Y02A, Y02B, Y03A, Y03B	22	Y01Z, Y02A, Y02B, Y02C		22	Y01Z, Y02A, Y02B, Y02C						
5v570.2↔			BOP, KVT, UOP4	5v570.8↔			BOP, KVT, UOP4	5v570.e↔			BOP, KVT, UOP4		
		03	D12A			05	F13A			05	F13A		
		05	F13A			08	I02A, I02B, I02C, I02D, I22A, I22B, I32A, I32B, I32C, I32D, I32E, I32F, I50Z			08	I02A, I02B, I02C, I02D, I22A, I22B, I50Z		
	09	J02A, J02B, J02C, J04A, J04B, J08A, J08B, J08C, J16Z, J21Z, J22A, J22B	09		J02A, J02B, J02C, J04A, J04B, J08A, J08B, J08C, J16Z, J21Z, J22A, J22B	09	J02A, J02B, J02C, J04A, J04B, J08A, J08B, J08C, J16Z, J21Z, J22A, J22B						
	21A	W04A, W04B	21A		W04A, W04B	21A	W04A, W04B						
	21B	X01A, X01B, X01C	21B		X01A, X01B, X01C	21B	X01A, X01B, X01C						
	22	Y01Z, Y03A, Y03B	22		Y01Z, Y02A, Y02B, Y02C	22	Y01Z, Y02A, Y02B, Y02C						
	5v570.3↔		BOP, KVT, UOP4		5v570.9↔		BOP, KVT, UOP4		5v570.f↔		BOP, KVT, UOP4		
		02	C01A, C01B, C16Z, C20A, C20B			05	F13A			05	F13A		
		05	F13A			08	I32A, I32B, I32C, I32D, I32E, I32F			08	I02A, I02B, I02C, I02D, I22A, I22B, I50Z		
08		I17Z	09	J02A, J02B, J02C, J04A, J04B, J08A, J08B, J08C, J16Z, J21Z, J22A, J22B		09	J02A, J02B, J02C, J04A, J04B, J08A, J08B, J08C, J16Z, J21Z, J22A, J22B						
09		J03A, J03B, J04A, J04B, J08A, J08B, J08C, J10A, J10B, J16Z, J21Z, J22A, J22B	21A	W04A, W04B		21A	W04A, W04B						
10		K09A, K09B	21B	X01A, X01B, X01C		21B	X01A, X01B, X01C						
21A		W04A, W04B	22	Y01Z, Y02A, Y02B, Y02C		22	Y01Z, Y02A, Y02B, Y02C						
21B		X06A, X06B, X06C	5v570.a			BOP, KVT, UOP4	5v570.g↔			BOP, KVT, UOP4			
21B		X06A, X06B, X06C		05		F13A		05		F13A			
22		Y01Z, Y03A, Y03B		08		I02A, I02B, I02C, I02D, I22A, I22B, I50Z		08		I02A, I02B, I02C, I02D, I22A, I22B, I50Z			
5v570.4		BOP, KVT, UOP4		5v570.b		BOP, KVT, UOP4		5v570.h↔		BOP, KVT, UOP4			
	03	D12A			05	F13A			05	F13A			
	05	F13A			08	I02A, I02B, I02C, I02D, I22A, I22B, I50Z			08	I02A, I02B, I02C, I02D, I22A, I22B, I50Z			
	08	I02A, I02B, I02C, I02D, I22A, I22B, I50Z			09	J02A, J02B, J02C, J04A, J04B, J08A, J08B, J08C, J16Z, J21Z, J22A, J22B			09	J02A, J02B, J02C, J04A, J04B, J08A, J08B, J08C, J16Z, J21Z, J22A, J22B			
	09	J02A, J02B, J02C, J04A, J04B, J08A, J08B, J08C, J16Z, J21Z, J22A, J22B			21A	W04A, W04B			21A	W04A, W04B			
	21A	W04A, W04B			21B	X01A, X01B, X01C			21B	X01A, X01B, X01C			
	21B	X01A, X01B, X01C			22	Y01Z, Y02A, Y02B, Y02C			22	Y01Z, Y02A, Y02B, Y02C			
	22	Y01Z, Y02A, Y02B, Y02C	5v570.5			BOP, KVT, UOP4	5v570.i↔			BOP, KVT, UOP4			
	5v570.5				BOP, KVT, UOP4	5v570.5				BOP, KVT, UOP4	5v570.i↔		BOP, KVT, UOP4
		03			D12A				05	F13A		05	F13A
05		F13A		08	I02A, I02B, I02C, I02D, I22A, I22B, I50Z			08	I02A, I02B, I02C, I02D, I22A, I22B, I50Z				
08		I02A, I02B, I02C, I02D, I22A, I22B, I50Z		09	J02A, J02B, J02C, J04A, J04B, J08A, J08B, J08C, J16Z, J21Z, J22A, J22B			09	J02A, J02B, J02C, J04A, J04B, J08A, J08B, J08C, J16Z, J21Z, J22A, J22B				
09		J02A, J02B, J02C, J04A, J04B, J08A, J08B, J08C, J16Z, J21Z, J22A, J22B		21A	W04A, W04B			21A	W04A, W04B				
21A		W04A, W04B		21B	X01A, X01B, X01C			21B	X01A, X01B, X01C				
21B		X01A, X01B, X01C		22	Y01Z, Y02A, Y02B, Y02C			22	Y01Z, Y02A, Y02B, Y02C				
22		Y01Z, Y02A, Y02B, Y02C											

VYK

ZZV	MDC	DRG	ZZV	MDC	DRG	ZZV	MDC	DRG			
5v571.0		BOP, KVT, UOP4	5v571.6↔		BOP, KVT, UOP4	5v571.c		BOP, KVT, UOP4			
	03	D18Z, D25A, D25B, D25C, D25D		05	F13A		05	F13A			
	05	F13A		08	I02A, I02B, I02C, I02D, I22A, I22B, I50Z		08	I02A, I02B, I02C, I02D, I22A, I22B, I50Z			
	09	J03A, J03B, J04A, J04B, J08A, J08B, J08C, J11A, J11B, J16Z, J21Z, J22A, J22B		09	J02A, J02B, J02C, J04A, J04B, J08A, J08B, J08C, J16Z, J21Z, J22A, J22B		09	J02A, J02B, J02C, J04A, J04B, J08A, J08B, J08C, J16Z, J21Z, J22A, J22B			
	21A	W04A, W04B		21A	W04A, W04B		21A	W04A, W04B			
	21B	X06A, X06B, X06C		21B	X01A, X01B, X01C		21B	X01A, X01B, X01C			
	22	Y01Z, Y03A, Y03B		22	Y01Z, Y02A, Y02B, Y02C		22	Y01Z, Y03A, Y03B			
	5v571.1			BOP, KVT, UOP4	5v571.7↔			BOP, KVT, UOP4	5v571.d		BOP, KVT, UOP4
		03		D12A			05	F13A		05	F13A
		05		F13A			08	I02A, I02B, I02C, I02D, I22A, I22B, I50Z		08	I02A, I02B, I02C, I02D, I22A, I22B, I50Z
09		J02A, J02B, J02C, J04A, J04B, J08A, J08B, J08C, J16Z, J21Z, J22A, J22B	09	J02A, J02B, J02C, J04A, J04B, J08A, J08B, J08C, J16Z, J21Z, J22A, J22B		09	J02A, J02B, J02C, J04A, J04B, J08A, J08B, J08C, J16Z, J21Z, J22A, J22B				
21A		W04A, W04B	21A	W04A, W04B		21A	W04A, W04B				
21B		X01A, X01B, X01C	21B	X01A, X01B, X01C		21B	X01A, X01B, X01C				
5v571.2↔		BOP, KVT, UOP4	5v571.8↔		BOP, KVT, UOP4	5v571.e↔		BOP, KVT, UOP4			
	03	D12A		05	F13A		05	F13A			
	05	F13A		08	I02A, I02B, I02C, I02D, I22A, I22B, I32A, I32B, I32C, I32D, I32E, I32F, I50Z		08	I02A, I02B, I02C, I02D, I22A, I22B, I50Z			
	09	J02A, J02B, J02C, J04A, J04B, J08A, J08B, J08C, J16Z, J21Z, J22A, J22B		09	J02A, J02B, J02C, J04A, J04B, J08A, J08B, J08C, J16Z, J21Z, J22A, J22B		09	J02A, J02B, J02C, J04A, J04B, J08A, J08B, J08C, J16Z, J21Z, J22A, J22B			
	21A	W04A, W04B		21A	W04A, W04B		21A	W04A, W04B			
	21B	X01A, X01B, X01C		21B	X01A, X01B, X01C		21B	X01A, X01B, X01C			
	22	Y01Z, Y03A, Y03B		22	Y01Z, Y02A, Y02B, Y02C		22	Y01Z, Y02A, Y02B, Y02C			
	5v571.3↔			BOP, KVT, UOP4	5v571.9↔			BOP, KVT, UOP4	5v571.f↔		BOP, KVT, UOP4
		02		C01A, C01B, C16Z, C20A, C20B			05	F13A		05	F13A
		05		F13A			08	I32A, I32B, I32C, I32D, I32E, I32F		08	I02A, I02B, I02C, I02D, I22A, I22B, I50Z
08		I17Z	09	J02A, J02B, J02C, J04A, J04B, J08A, J08B, J08C, J16Z, J21Z, J22A, J22B		09	J02A, J02B, J02C, J04A, J04B, J08A, J08B, J08C, J16Z, J21Z, J22A, J22B				
09		J03A, J03B, J04A, J04B, J08A, J08B, J08C, J10A, J10B, J16Z, J21Z, J22A, J22B	09	J02A, J02B, J02C, J04A, J04B, J08A, J08B, J08C, J16Z, J21Z, J22A, J22B		21A	W04A, W04B				
10		K09A, K09B	21A	W04A, W04B		21A	W04A, W04B				
21A		W04A, W04B	21B	X01A, X01B, X01C		21B	X01A, X01B, X01C				
21B		X06A, X06B, X06C	22	Y01Z, Y02A, Y02B, Y02C		22	Y01Z, Y02A, Y02B, Y02C				
22		Y01Z, Y03A, Y03B	22	Y01Z, Y02A, Y02B, Y02C		22	Y01Z, Y02A, Y02B, Y02C				
5v571.4			BOP, KVT, UOP4	5v571.a			BOP, KVT, UOP4	5v571.g↔			BOP, KVT, UOP4
	03	D12A	05		F13A	05	F13A				
	05	F13A	08		I02A, I02B, I02C, I02D, I22A, I22B, I50Z	08	I02A, I02B, I02C, I02D, I22A, I22B, I50Z				
	08	I02A, I02B, I02C, I02D, I22A, I22B, I50Z	09		J02A, J02B, J02C, J04A, J04B, J08A, J08B, J08C, J16Z, J21Z, J22A, J22B	09	J02A, J02B, J02C, J04A, J04B, J08A, J08B, J08C, J16Z, J21Z, J22A, J22B				
	09	J02A, J02B, J02C, J04A, J04B, J08A, J08B, J08C, J16Z, J21Z, J22A, J22B	21A		W04A, W04B	21A	W04A, W04B				
	21A	W04A, W04B	21B		X01A, X01B, X01C	21B	X01A, X01B, X01C				
	21B	X01A, X01B, X01C	22		Y01Z, Y02A, Y02B, Y02C	22	Y01Z, Y02A, Y02B, Y02C				
	22	Y01Z, Y02A, Y02B, Y02C	22		Y01Z, Y02A, Y02B, Y02C	22	Y01Z, Y02A, Y02B, Y02C				
	5v571.5		BOP, KVT, UOP4		5v571.b		BOP, KVT, UOP4		5v571.x↔		BOP, KVT, UOP4
		03	D12A			05	F13A			05	F13A
05		F13A	08	I02A, I02B, I02C, I02D, I22A, I22B, I50Z		08	I02A, I02B, I02C, I02D, I22A, I22B, I32A, I32B, I32C, I32D, I32E, I32F, I50Z				
08		I02A, I02B, I02C, I02D, I22A, I22B, I50Z	09	J02A, J02B, J02C, J04A, J04B, J08A, J08B, J08C, J16Z, J21Z, J22A, J22B		09	J02A, J02B, J02C, J04A, J04B, J08A, J08B, J08C, J16Z, J21Z, J22A, J22B				
09		J02A, J02B, J02C, J04A, J04B, J08A, J08B, J08C, J16Z, J21Z, J22A, J22B	21A	W04A, W04B		21A	W04A, W04B				
21A		W04A, W04B	21B	X01A, X01B, X01C		21B	X01A, X01B, X01C				
21B		X01A, X01B, X01C	22	Y01Z, Y02A, Y02B, Y02C		22	Y01Z, Y02A, Y02B, Y02C				
22		Y01Z, Y02A, Y02B, Y02C	22	Y01Z, Y02A, Y02B, Y02C		22	Y01Z, Y02A, Y02B, Y02C				



ZZV	MDC	DRG	ZZV	MDC	DRG	ZZV	MDC	DRG			
5v572.0		BOP, KVT, UOP4	5v572.6↔	05	BOP, KVT, UOP4	5v572.c		BOP, KVT, UOP4			
	03	D02A, D02B, D18Z, D24A, D24B		08	F13A		05	F13A			
	05	F13A		08	I02A, I02B, I02C, I02D, I22A, I22B, I50Z		08	I02A, I02B, I02C, I02D, I22A, I22B, I50Z			
	09	J03A, J03B, J04A, J04B, J08A, J08B, J08C, J11A, J11B, J16Z, J21Z, J22A, J22B		09	J02A, J02B, J02C, J04A, J04B, J08A, J08B, J08C, J16Z, J21Z, J22A, J22B		09	J02A, J02B, J02C, J04A, J04B, J08A, J08B, J08C, J16Z, J21Z, J22A, J22B			
	21A	W04A, W04B		21A	W04A, W04B		21A	W04A, W04B			
	21B	X06A, X06B, X06C		21B	X01A, X01B, X01C		21B	X01A, X01B, X01C			
	22	Y01Z, Y03A, Y03B		22	Y01Z, Y02A, Y02B, Y02C		22	Y01Z, Y03A, Y03B			
	5v572.1			BOP, KVT, UOP4	5v572.7↔			BOP, KVT, UOP4	5v572.d		BOP, KVT, UOP4
		03		D12A			05	F13A		05	F13A
		05		F13A			08	I02A, I02B, I02C, I02D, I22A, I22B, I50Z		08	I02A, I02B, I02C, I02D, I22A, I22B, I50Z
09		J02A, J02B, J02C, J04A, J04B, J08A, J08B, J08C, J16Z, J21Z, J22A, J22B	09	J02A, J02B, J02C, J04A, J04B, J08A, J08B, J08C, J16Z, J21Z, J22A, J22B		09	J02A, J02B, J02C, J04A, J04B, J08A, J08B, J08C, J16Z, J21Z, J22A, J22B				
21A		W04A, W04B	21A	W04A, W04B		21A	W04A, W04B				
21B		X01A, X01B, X01C	21B	X01A, X01B, X01C		21B	X01A, X01B, X01C				
22		Y01Z, Y02A, Y02B, Y03A, Y03B	22	Y01Z, Y02A, Y02B, Y02C		22	Y01Z, Y02A, Y02B, Y02C				
5v572.2↔			BOP, KVT, UOP4	5v572.8↔			BOP, KVT, UOP4	5v572.e↔			BOP, KVT, UOP4
		03	D12A			05	F13A			05	F13A
		05	F13A			08	I02A, I02B, I02C, I02D, I22A, I22B, I32A, I32B, I32C, I32D, I32E, I32F, I50Z			08	I02A, I02B, I02C, I02D, I22A, I22B, I50Z
	09	J02A, J02B, J02C, J04A, J04B, J08A, J08B, J08C, J16Z, J21Z, J22A, J22B	09		J02A, J02B, J02C, J04A, J04B, J08A, J08B, J08C, J16Z, J21Z, J22A, J22B	09	J02A, J02B, J02C, J04A, J04B, J08A, J08B, J08C, J16Z, J21Z, J22A, J22B				
	21A	W04A, W04B	21A		W04A, W04B	21A	W04A, W04B				
	21B	X01A, X01B, X01C	21B		X01A, X01B, X01C	21B	X01A, X01B, X01C				
	22	Y01Z, Y03A, Y03B	22		Y01Z, Y02A, Y02B, Y02C	22	Y01Z, Y02A, Y02B, Y02C				
	5v572.3↔		BOP, KVT, UOP4		5v572.9↔		BOP, KVT, UOP4		5v572.f↔		BOP, KVT, UOP4
		02	C01A, C01B, C16Z, C20A, C20B			05	F13A			05	F13A
		05	F13A			08	I32A, I32B, I32C, I32D, I32E, I32F			08	I02A, I02B, I02C, I02D, I22A, I22B, I50Z
08		I17Z	09	J02A, J02B, J02C, J04A, J04B, J08A, J08B, J08C, J16Z, J21Z, J22A, J22B		09	J02A, J02B, J02C, J04A, J04B, J08A, J08B, J08C, J16Z, J21Z, J22A, J22B				
09		J03A, J03B, J04A, J04B, J08A, J08B, J08C, J10A, J10B, J16Z, J21Z, J22A, J22B	09	J02A, J02B, J02C, J04A, J04B, J08A, J08B, J08C, J16Z, J21Z, J22A, J22B		21A	W04A, W04B				
21A		K09A, K09B	21A	W04A, W04B		21A	W04A, W04B				
21B		W04A, W04B	21B	X01A, X01B, X01C		21B	X01A, X01B, X01C				
21B		X06A, X06B, X06C	22	Y01Z, Y02A, Y02B, Y02C		22	Y01Z, Y02A, Y02B, Y02C				
22		Y01Z, Y03A, Y03B	22	Y01Z, Y02A, Y02B, Y02C		22	Y01Z, Y02A, Y02B, Y02C				
5v572.4			BOP, KVT, UOP4	5v572.a			BOP, KVT, UOP4	5v572.g↔			BOP, KVT, UOP4
	03	D12A	05		F13A	05	F13A				
	05	F13A	08		I02A, I02B, I02C, I02D, I22A, I22B, I50Z	08	I02A, I02B, I02C, I02D, I22A, I22B, I50Z				
	08	I02A, I02B, I02C, I02D, I22A, I22B, I50Z	09		J02A, J02B, J02C, J04A, J04B, J08A, J08B, J08C, J16Z, J21Z, J22A, J22B	09	J02A, J02B, J02C, J04A, J04B, J08A, J08B, J08C, J16Z, J21Z, J22A, J22B				
	09	J02A, J02B, J02C, J04A, J04B, J08A, J08B, J08C, J16Z, J21Z, J22A, J22B	21A		W04A, W04B	21A	W04A, W04B				
	21A	W04A, W04B	21B		X01A, X01B, X01C	21B	X01A, X01B, X01C				
	21B	X01A, X01B, X01C	22		Y01Z, Y02A, Y02B, Y02C	22	Y01Z, Y02A, Y02B, Y02C				
	22	Y01Z, Y02A, Y02B, Y02C	22		Y01Z, Y02A, Y02B, Y02C	22	Y01Z, Y02A, Y02B, Y02C				
	5v572.5		BOP, KVT, UOP4		5v572.b		BOP, KVT, UOP4		5v572.x↔		BOP, KVT, UOP4
		03	D12A			05	F13A			05	F13A
05		F13A	08	I02A, I02B, I02C, I02D, I22A, I22B, I50Z		08	I02A, I02B, I02C, I02D, I22A, I22B, I32A, I32B, I32C, I32D, I32E, I32F, I50Z				
08		I02A, I02B, I02C, I02D, I22A, I22B, I50Z	09	J02A, J02B, J02C, J04A, J04B, J08A, J08B, J08C, J16Z, J21Z, J22A, J22B		09	J02A, J02B, J02C, J04A, J04B, J08A, J08B, J08C, J16Z, J21Z, J22A, J22B				
09		J02A, J02B, J02C, J04A, J04B, J08A, J08B, J08C, J16Z, J21Z, J22A, J22B	21A	W04A, W04B		21A	W04A, W04B				
21A		W04A, W04B	21B	X01A, X01B, X01C		21B	X01A, X01B, X01C				
21B		X01A, X01B, X01C	22	Y01Z, Y02A, Y02B, Y02C		22	Y01Z, Y02A, Y02B, Y02C				
22		Y01Z, Y02A, Y02B, Y02C	22	Y01Z, Y02A, Y02B, Y02C		22	Y01Z, Y02A, Y02B, Y02C				

VYK

ZZV	MDC	DRG	ZZV	MDC	DRG	ZZV	MDC	DRG
5v573.0		BOP, KVT, UOP4	5v573.6↔	05	BOP, KVT, UOP4	5v573.c		BOP, KVT, UOP4
	03	D02A, D02B, D18Z, D24A, D24B		08	F13A		05	F13A
	05	F13A		08	I02A, I02B, I02C, I02D, I22A, I22B, I50Z		08	I02A, I02B, I02C, I02D, I22A, I22B, I50Z
	09	J03A, J03B, J04A, J04B, J08A, J08B, J08C, J11A, J11B, J16Z, J21Z, J22A, J22B		09	J02A, J02B, J02C, J04A, J04B, J08A, J08B, J08C, J16Z, J21Z, J22A, J22B		09	J02A, J02B, J02C, J04A, J04B, J08A, J08B, J08C, J16Z, J21Z, J22A, J22B
	21A	W04A, W04B		21A	W04A, W04B		21A	W04A, W04B
21B	X06A, X06B, X06C	21B	X01A, X01B, X01C	21B	X01A, X01B, X01C			
22	Y01Z, Y03A, Y03B	22	Y01Z, Y02A, Y02B, Y02C	22	Y01Z, Y03A, Y03B			
5v573.1		BOP, KVT, UOP4	5v573.7↔		BOP, KVT, UOP4	5v573.d		BOP, KVT, UOP4
	03	D12A		05	F13A		05	F13A
	05	F13A		08	I02A, I02B, I02C, I02D, I22A, I22B, I50Z		08	I02A, I02B, I02C, I02D, I22A, I22B, I50Z
	09	J02A, J02B, J02C, J04A, J04B, J08A, J08B, J08C, J16Z, J21Z, J22A, J22B		09	J02A, J02B, J02C, J04A, J04B, J08A, J08B, J08C, J16Z, J21Z, J22A, J22B		09	J02A, J02B, J02C, J04A, J04B, J08A, J08B, J08C, J16Z, J21Z, J22A, J22B
	21A	W04A, W04B		21A	W04A, W04B		21A	W04A, W04B
21B	X01A, X01B, X01C	21B	X01A, X01B, X01C	21B	X01A, X01B, X01C			
22	Y01Z, Y02A, Y02B, Y03A, Y03B	22	Y01Z, Y02A, Y02B, Y02C	22	Y01Z, Y03A, Y03B			
5v573.2↔		BOP, KVT, UOP4	5v573.8↔		BOP, KVT, UOP4	5v573.e↔		BOP, KVT, UOP4
	03	D12A		05	F13A		05	F13A
	05	F13A		08	I02A, I02B, I02C, I02D, I22A, I22B, I32A, I32B, I32C, I32D, I32E, I32F, I50Z		08	I02A, I02B, I02C, I02D, I22A, I22B, I50Z
	09	J02A, J02B, J02C, J04A, J04B, J08A, J08B, J08C, J16Z, J21Z, J22A, J22B		09	J02A, J02B, J02C, J04A, J04B, J08A, J08B, J08C, J16Z, J21Z, J22A, J22B		09	J02A, J02B, J02C, J04A, J04B, J08A, J08B, J08C, J16Z, J21Z, J22A, J22B
	21A	W04A, W04B		21A	W04A, W04B		21A	W04A, W04B
21B	X01A, X01B, X01C	21B	X01A, X01B, X01C	21B	X01A, X01B, X01C			
22	Y01Z, Y03A, Y03B	22	Y01Z, Y02A, Y02B, Y02C	22	Y01Z, Y02A, Y02B, Y02C			
5v573.3↔		BOP, KVT, UOP4	5v573.9↔		BOP, KVT, UOP4	5v573.f↔		BOP, KVT, UOP4
	02	C01A, C01B, C16Z, C20A, C20B		05	F13A		05	F13A
	05	F13A		08	I32A, I32B, I32C, I32D, I32E, I32F		08	I02A, I02B, I02C, I02D, I22A, I22B, I50Z
	08	I17Z		09	J02A, J02B, J02C, J04A, J04B, J08A, J08B, J08C, J16Z, J21Z, J22A, J22B		09	J02A, J02B, J02C, J04A, J04B, J08A, J08B, J08C, J16Z, J21Z, J22A, J22B
	09	J03A, J03B, J04A, J04B, J08A, J08B, J08C, J10A, J10B, J16Z, J21Z, J22A, J22B		09	J02A, J02B, J02C, J04A, J04B, J08A, J08B, J08C, J16Z, J21Z, J22A, J22B		09	J02A, J02B, J02C, J04A, J04B, J08A, J08B, J08C, J16Z, J21Z, J22A, J22B
21A	K09A, K09B	21A	W04A, W04B	21A	W04A, W04B			
21B	W04A, W04B	21B	X01A, X01B, X01C	21B	X01A, X01B, X01C			
21B	X06A, X06B, X06C	22	Y01Z, Y02A, Y02B, Y02C	22	Y01Z, Y02A, Y02B, Y02C			
22	Y01Z, Y03A, Y03B	22	Y01Z, Y02A, Y02B, Y02C	22	Y01Z, Y02A, Y02B, Y02C			
5v573.4		BOP, KVT, UOP4	5v573.a		BOP, KVT, UOP4	5v573.g↔		BOP, KVT, UOP4
	03	D12A		05	F13A		05	F13A
	05	F13A		08	I02A, I02B, I02C, I02D, I22A, I22B, I50Z		08	I02A, I02B, I02C, I02D, I22A, I22B, I50Z
	08	I02A, I02B, I02C, I02D, I22A, I22B, I50Z		09	J02A, J02B, J02C, J04A, J04B, J08A, J08B, J08C, J16Z, J21Z, J22A, J22B		09	J02A, J02B, J02C, J04A, J04B, J08A, J08B, J08C, J16Z, J21Z, J22A, J22B
	09	J02A, J02B, J02C, J04A, J04B, J08A, J08B, J08C, J16Z, J21Z, J22A, J22B		09	J02A, J02B, J02C, J04A, J04B, J08A, J08B, J08C, J16Z, J21Z, J22A, J22B		09	J02A, J02B, J02C, J04A, J04B, J08A, J08B, J08C, J16Z, J21Z, J22A, J22B
21A	W04A, W04B	21A	W04A, W04B	21A	W04A, W04B			
21B	X01A, X01B, X01C	21B	X01A, X01B, X01C	21B	X01A, X01B, X01C			
22	Y01Z, Y02A, Y02B, Y02C	22	Y01Z, Y02A, Y02B, Y02C	22	Y01Z, Y02A, Y02B, Y02C			
5v573.5		BOP, KVT, UOP4	5v573.b		BOP, KVT, UOP4	5v573.x↔		BOP, KVT, UOP4
	03	D12A		05	F13A		05	F13A
	05	F13A		08	I02A, I02B, I02C, I02D, I22A, I22B, I50Z		08	I02A, I02B, I02C, I02D, I22A, I22B, I50Z
	08	I02A, I02B, I02C, I02D, I22A, I22B, I50Z		09	J02A, J02B, J02C, J04A, J04B, J08A, J08B, J08C, J16Z, J21Z, J22A, J22B		09	J02A, J02B, J02C, J04A, J04B, J08A, J08B, J08C, J16Z, J21Z, J22A, J22B
	09	J02A, J02B, J02C, J04A, J04B, J08A, J08B, J08C, J16Z, J21Z, J22A, J22B		09	J02A, J02B, J02C, J04A, J04B, J08A, J08B, J08C, J16Z, J21Z, J22A, J22B		09	J02A, J02B, J02C, J04A, J04B, J08A, J08B, J08C, J16Z, J21Z, J22A, J22B
21A	W04A, W04B	21A	W04A, W04B	21A	W04A, W04B			
21B	X01A, X01B, X01C	21B	X01A, X01B, X01C	21B	X01A, X01B, X01C			
22	Y01Z, Y02A, Y02B, Y02C	22	Y01Z, Y02A, Y02B, Y02C	22	Y01Z, Y02A, Y02B, Y02C			



ZZV	MDC	DRG	ZZV	MDC	DRG	ZZV	MDC	DRG		
5v580.3↔		BOP, KVT, UOP4	5v584.3↔		BOP, KVT, UOP4	5v584.9↔		BOP, KVT, UOP4		
	02	C01A, C01B, C16Z, C20A, C20B		03	D12A, D12B		05	F13A		
	05	F13A		05	F13A		08	I32A, I32B, I32C, I32D, I32E, I32F		
	08	I17Z		08	I02A, I02B, I02C, I02D, I22A, I22B, I50Z		09	J02A, J02B, J02C, J04A, J04B, J08A, J08B, J08C, J16Z, J21Z, J22A, J22B		
	09	J03A, J03B, J04A, J04B, J08A, J08B, J08C, J10A, J10B, J16Z, J21Z, J22A, J22B		09	J02A, J02B, J02C, J04A, J04B, J08A, J08B, J08C, J16Z, J21Z, J22A, J22B		21A	W04A, W04B		
	21A	W04A, W04B		21A	W04A, W04B		21B	X01A, X01B, X01C		
	21B	X06A, X06B, X06C		21B	X01A, X01B, X01C		22	Y01Z, Y02A, Y02B, Y02C		
	22	Y01Z, Y03A, Y03B		22	Y01Z, Y02A, Y02B, Y02C		5v584.a	BOP, KVT, UOP4		
	5v581.3↔			BOP, KVT, UOP4	5v584.4			BOP, KVT, UOP4	05	F13A
		02		C01A, C01B, C16Z, C20A, C20B			03	D12A, D12B	08	I02A, I02B, I02C, I02D, I22A, I22B, I50Z
		05		F13A			05	F13A	09	J02A, J02B, J02C, J04A, J04B, J08A, J08B, J08C, J16Z, J21Z, J22A, J22B
08		I17Z	08	I02A, I02B, I02C, I02D, I22A, I22B, I50Z		21A	W04A, W04B			
09		J03A, J03B, J04A, J04B, J08A, J08B, J08C, J10A, J10B, J16Z, J21Z, J22A, J22B	09	J02A, J02B, J02C, J04A, J04B, J08A, J08B, J08C, J16Z, J21Z, J22A, J22B		21B	X01A, X01B, X01C			
21A		W04A, W04B	21A	W04A, W04B		22	Y01Z, Y02A, Y02B, Y02C			
21B		X06A, X06B, X06C	21B	X01A, X01B, X01C		5v584.b	BOP, KVT, UOP4			
22		Y01Z, Y03A, Y03B	22	Y01Z, Y02A, Y02B, Y02C		05	F13A			
5v582.3↔			BOP, KVT, UOP4	5v584.5			BOP, KVT, UOP4	08	I02A, I02B, I02C, I02D, I22A, I22B, I50Z	
		02	C01A, C01B, C16Z, C20A, C20B			03	D12A, D12B	09	J02A, J02B, J02C, J04A, J04B, J08A, J08B, J08C, J16Z, J21Z, J22A, J22B	
		05	F13A			05	F13A	21A	W04A, W04B	
	08	I17Z	08		I02A, I02B, I02C, I02D, I22A, I22B, I50Z	21B	X01A, X01B, X01C			
	09	J03A, J03B, J04A, J04B, J08A, J08B, J08C, J10A, J10B, J16Z, J21Z, J22A, J22B	09		J02A, J02B, J02C, J04A, J04B, J08A, J08B, J08C, J16Z, J21Z, J22A, J22B	22	Y01Z, Y02A, Y02B, Y02C			
	21A	W04A, W04B	21B		X01A, X01B, X01C	5v584.c	BOP, KVT, UOP4			
	21B	X06A, X06B, X06C	22		Y01Z, Y02A, Y02B, Y02C	05	F13A			
	22	Y01Z, Y03A, Y03B	22		Y01Z, Y02A, Y02B, Y02C	08	I02A, I02B, I02C, I02D, I22A, I22B, I50Z			
	5v584.0		BOP, KVT, UOP4		5v584.6↔		BOP, KVT, UOP4	09	J02A, J02B, J02C, J04A, J04B, J08A, J08B, J08C, J16Z, J21Z, J22A, J22B	
		03	D12A, D12B			05	F13A	21A	W04A, W04B	
		05	F13A			08	I02A, I02B, I02C, I02D, I22A, I22B, I50Z	21B	X01A, X01B, X01C	
09		J02A, J02B, J02C, J04A, J04B, J08A, J08B, J08C, J16Z, J21Z, J22A, J22B	09	J02A, J02B, J02C, J04A, J04B, J08A, J08B, J08C, J16Z, J21Z, J22A, J22B		22	Y01Z, Y02A, Y02B, Y02C			
21A		W04A, W04B	21A	W04A, W04B		5v584.d	BOP, KVT, UOP4			
21B		X01A, X01B, X01C	21B	X01A, X01B, X01C		05	F13A			
22		Y01Z, Y02A, Y02B, Y02C	22	Y01Z, Y02A, Y02B, Y02C		08	I02A, I02B, I02C, I02D, I22A, I22B, I50Z			
5v584.1			BOP, KVT, UOP4	5v584.7↔			BOP, KVT, UOP4	09	J02A, J02B, J02C, J04A, J04B, J08A, J08B, J08C, J16Z, J21Z, J22A, J22B	
		03	D12A, D12B			05	F13A	21A	W04A, W04B	
		05	F13A			08	I02A, I02B, I02C, I02D, I22A, I22B, I50Z	21B	X01A, X01B, X01C	
		09	J02A, J02B, J02C, J04A, J04B, J08A, J08B, J08C, J16Z, J21Z, J22A, J22B			09	J02A, J02B, J02C, J04A, J04B, J08A, J08B, J08C, J16Z, J21Z, J22A, J22B	22	Y01Z, Y02A, Y02B, Y02C	
	21A	W04A, W04B	21A		W04A, W04B	5v584.e↔	BOP, KVT, UOP4			
	21B	X01A, X01B, X01C	21B		X01A, X01B, X01C	05	F13A			
	22	Y01Z, Y02A, Y02B, Y02C	22		Y01Z, Y02A, Y02B, Y02C	08	I02A, I02B, I02C, I02D, I22A, I22B, I50Z			
	5v584.2↔		BOP, KVT, UOP4		5v584.8↔		BOP, KVT, UOP4	09	J02A, J02B, J02C, J04A, J04B, J08A, J08B, J08C, J16Z, J21Z, J22A, J22B	
		03	D12A, D12B			05	F13A	21A	W04A, W04B	
		05	F13A			08	I02A, I02B, I02C, I02D, I22A, I22B, I32A, I32B, I32C, I32D, I32E, I32F, I50Z	21B	X01A, X01B, X01C	
		09	J02A, J02B, J02C, J04A, J04B, J08A, J08B, J08C, J16Z, J21Z, J22A, J22B			09	J02A, J02B, J02C, J04A, J04B, J08A, J08B, J08C, J16Z, J21Z, J22A, J22B	22	Y01Z, Y02A, Y02B, Y02C	
21A		W04A, W04B	21A	W04A, W04B		5v584.f↔	BOP, KVT, UOP4			
21B		X01A, X01B, X01C	21B	X01A, X01B, X01C		05	F13A			
22		Y01Z, Y02A, Y02B, Y02C	22	Y01Z, Y02A, Y02B, Y02C		08	I02A, I02B, I02C, I02D, I22A, I22B, I50Z			

Príloha B: Index Výkon-MDC-DRG

ZZV	MDC	DRG	ZZV	MDC	DRG	ZZV	MDC	DRG
5v584.g↔		BOP, KVT, UOP4	5v585.5		BOP, KVT, UOP4	5v585.b		BOP, KVT, UOP4
	05	F13A		03	D12A, D12B		05	F13A
	08	I02A, I02B, I02C, I02D, I22A, I22B, I50Z		05	F13A		08	I02A, I02B, I02C, I02D, I22A, I22B, I50Z
	09	J02A, J02B, J02C, J04A, J04B, J08A, J08B, J08C, J16Z, J21Z, J22A, J22B		08	I02A, I02B, I02C, I02D, I22A, I22B, I50Z		09	J02A, J02B, J02C, J04A, J04B, J08A, J08B, J08C, J16Z, J21Z, J22A, J22B
	21A	W04A, W04B		09	J02A, J02B, J02C, J04A, J04B, J08A, J08B, J08C, J16Z, J21Z, J22A, J22B		21A	W04A, W04B
	21B	X01A, X01B, X01C		21A	W04A, W04B		21B	X01A, X01B, X01C
	22	Y01Z, Y02A, Y02B, Y02C		21B	X01A, X01B, X01C		22	Y01Z, Y02A, Y02B, Y02C
5v584.x		BOP, KVT, UOP4	5v585.6↔		BOP, KVT, UOP4	5v585.c		BOP, KVT, UOP4
	05	F13A		05	F13A		05	F13A
	08	I02A, I02B, I02C, I02D, I22A, I22B, I50Z		05	F13A		08	I02A, I02B, I02C, I02D, I22A, I22B, I50Z
	09	J02A, J02B, J02C, J04A, J04B, J08A, J08B, J08C, J16Z, J21Z, J22A, J22B		08	I02A, I02B, I02C, I02D, I22A, I22B, I50Z		09	J02A, J02B, J02C, J04A, J04B, J08A, J08B, J08C, J16Z, J21Z, J22A, J22B
	21A	W04A, W04B		09	J02A, J02B, J02C, J04A, J04B, J08A, J08B, J08C, J16Z, J21Z, J22A, J22B		21A	W04A, W04B
	21B	X01A, X01B, X01C		21A	W04A, W04B		21B	X01A, X01B, X01C
	22	Y01Z, Y02A, Y02B, Y02C		21B	X01A, X01B, X01C		22	Y01Z, Y02A, Y02B, Y02C
5v585.0		BOP, KVT, UOP4	5v585.7↔		BOP, KVT, UOP4	5v585.d		BOP, KVT, UOP4
	03	D12A, D12B		05	F13A		05	F13A
	05	F13A		05	F13A		08	I02A, I02B, I02C, I02D, I22A, I22B, I50Z
	09	J02A, J02B, J02C, J04A, J04B, J08A, J08B, J08C, J16Z, J21Z, J22A, J22B		08	I02A, I02B, I02C, I02D, I22A, I22B, I50Z		09	J02A, J02B, J02C, J04A, J04B, J08A, J08B, J08C, J16Z, J21Z, J22A, J22B
	21A	W04A, W04B		09	J02A, J02B, J02C, J04A, J04B, J08A, J08B, J08C, J16Z, J21Z, J22A, J22B		21A	W04A, W04B
	21B	X01A, X01B, X01C		21A	W04A, W04B		21B	X01A, X01B, X01C
	22	Y01Z, Y02A, Y02B, Y02C		21B	X01A, X01B, X01C		22	Y01Z, Y02A, Y02B, Y02C
5v585.1		BOP, KVT, UOP4	5v585.8↔		BOP, KVT, UOP4	5v585.e↔		BOP, KVT, UOP4
	03	D12A, D12B		05	F13A		05	F13A
	05	F13A		05	F13A		08	I02A, I02B, I02C, I02D, I22A, I22B, I50Z
	09	J02A, J02B, J02C, J04A, J04B, J08A, J08B, J08C, J16Z, J21Z, J22A, J22B		08	I02A, I02B, I02C, I02D, I22A, I22B, I50Z		09	J02A, J02B, J02C, J04A, J04B, J08A, J08B, J08C, J16Z, J21Z, J22A, J22B
	21A	W04A, W04B		09	J02A, J02B, J02C, J04A, J04B, J08A, J08B, J08C, J16Z, J21Z, J22A, J22B		21A	W04A, W04B
	21B	X01A, X01B, X01C		21A	W04A, W04B		21B	X01A, X01B, X01C
	22	Y01Z, Y02A, Y02B, Y02C		21B	X01A, X01B, X01C		22	Y01Z, Y02A, Y02B, Y02C
5v585.2↔		BOP, KVT, UOP4	5v585.9↔		BOP, KVT, UOP4	5v585.f↔		BOP, KVT, UOP4
	03	D12A, D12B		05	F13A		05	F13A
	05	F13A		05	F13A		08	I02A, I02B, I02C, I02D, I22A, I22B, I50Z
	09	J02A, J02B, J02C, J04A, J04B, J08A, J08B, J08C, J16Z, J21Z, J22A, J22B		08	I32A, I32B, I32C, I32D, I32E, I32F, I50Z		09	J02A, J02B, J02C, J04A, J04B, J08A, J08B, J08C, J16Z, J21Z, J22A, J22B
	21A	W04A, W04B		09	J02A, J02B, J02C, J04A, J04B, J08A, J08B, J08C, J16Z, J21Z, J22A, J22B		21A	W04A, W04B
	21B	X01A, X01B, X01C		21A	W04A, W04B		21B	X01A, X01B, X01C
	22	Y01Z, Y02A, Y02B, Y02C		21B	X01A, X01B, X01C		22	Y01Z, Y02A, Y02B, Y02C
5v585.3↔		BOP, KVT, UOP4	5v585.a		BOP, KVT, UOP4	5v585.g↔		BOP, KVT, UOP4
	03	D12A, D12B		05	F13A		05	F13A
	05	F13A		05	F13A		08	I02A, I02B, I02C, I02D, I22A, I22B, I50Z
	08	I02A, I02B, I02C, I02D, I22A, I22B, I50Z		08	I02A, I02B, I02C, I02D, I22A, I22B, I50Z		09	J02A, J02B, J02C, J04A, J04B, J08A, J08B, J08C, J16Z, J21Z, J22A, J22B
	09	J02A, J02B, J02C, J04A, J04B, J08A, J08B, J08C, J16Z, J21Z, J22A, J22B		09	J02A, J02B, J02C, J04A, J04B, J08A, J08B, J08C, J16Z, J21Z, J22A, J22B		21A	W04A, W04B
	21A	W04A, W04B		21A	W04A, W04B		21B	X01A, X01B, X01C
	21B	X01A, X01B, X01C		21B	X01A, X01B, X01C		22	Y01Z, Y02A, Y02B, Y02C
5v585.4		BOP, KVT, UOP4						
	03	D12A, D12B						
	05	F13A						
	08	I02A, I02B, I02C, I02D, I22A, I22B, I50Z						
	09	J02A, J02B, J02C, J04A, J04B, J08A, J08B, J08C, J16Z, J21Z, J22A, J22B						
	21A	W04A, W04B						
	21B	X01A, X01B, X01C						
22	Y01Z, Y02A, Y02B, Y02C							



ZZV	MDC	DRG	ZZV	MDC	DRG	ZZV	MDC	DRG			
5v585.x↔		BOP, KVT, UOP4	5v586.5		BOP, KVT, UOP4	5v586.b		BOP, KVT, UOP4			
	05	F13A		03	D12A, D12B		05	F13A			
	08	I02A, I02B, I02C, I02D, I22A, I22B, I32A, I32B, I32C, I32D, I32E, I32F, I50Z		05	F13A		08	I02A, I02B, I02C, I02D, I22A, I22B, I50Z			
	09	J02A, J02B, J02C, J04A, J04B, J08A, J08B, J08C, J16Z, J21Z, J22A, J22B		08	I02A, I02B, I02C, I02D, I22A, I22B, I50Z		09	J02A, J02B, J02C, J04A, J04B, J08A, J08B, J08C, J16Z, J21Z, J22A, J22B			
	21A	W04A, W04B		09	J02A, J02B, J02C, J04A, J04B, J08A, J08B, J08C, J16Z, J21Z, J22A, J22B		21A	W04A, W04B			
	21B	X01A, X01B, X01C		21A	W04A, W04B		21B	X01A, X01B, X01C			
	22	Y01Z, Y02A, Y02B, Y02C		21B	X01A, X01B, X01C		22	Y01Z, Y02A, Y02B, Y02C			
	5v586.0			BOP, KVT, UOP4	5v586.6↔			BOP, KVT, UOP4	5v586.c		BOP, KVT, UOP4
		03		D12A, D12B			05	F13A		05	F13A
		05		F13A			08	I02A, I02B, I02C, I02D, I22A, I22B, I50Z		08	I02A, I02B, I02C, I02D, I22A, I22B, I50Z
09		J02A, J02B, J02C, J04A, J04B, J08A, J08B, J08C, J16Z, J21Z, J22A, J22B	09	J02A, J02B, J02C, J04A, J04B, J08A, J08B, J08C, J16Z, J21Z, J22A, J22B		09	J02A, J02B, J02C, J04A, J04B, J08A, J08B, J08C, J16Z, J21Z, J22A, J22B				
21A		W04A, W04B	21A	W04A, W04B		21A	W04A, W04B				
21B		X01A, X01B, X01C	21B	X01A, X01B, X01C		21B	X01A, X01B, X01C				
22		Y01Z, Y02A, Y02B, Y02C	22	Y01Z, Y02A, Y02B, Y02C		22	Y01Z, Y02A, Y02B, Y02C				
5v586.1			BOP, KVT, UOP4	5v586.7↔			BOP, KVT, UOP4	5v586.d			BOP, KVT, UOP4
		03	D12A, D12B			05	F13A			05	F13A
		05	F13A			08	I02A, I02B, I02C, I02D, I22A, I22B, I50Z			08	I02A, I02B, I02C, I02D, I22A, I22B, I50Z
	09	J02A, J02B, J02C, J04A, J04B, J08A, J08B, J08C, J16Z, J21Z, J22A, J22B	09		J02A, J02B, J02C, J04A, J04B, J08A, J08B, J08C, J16Z, J21Z, J22A, J22B	09	J02A, J02B, J02C, J04A, J04B, J08A, J08B, J08C, J16Z, J21Z, J22A, J22B				
	21A	W04A, W04B	21A		W04A, W04B	21A	W04A, W04B				
	21B	X01A, X01B, X01C	21B		X01A, X01B, X01C	21B	X01A, X01B, X01C				
	22	Y01Z, Y02A, Y02B, Y02C	22		Y01Z, Y02A, Y02B, Y02C	22	Y01Z, Y02A, Y02B, Y02C				
	5v586.2↔		BOP, KVT, UOP4		5v586.8↔		BOP, KVT, UOP4		5v586.e↔		BOP, KVT, UOP4
		03	D12A, D12B			05	F13A			05	F13A
		05	F13A			08	I02A, I02B, I02C, I02D, I22A, I22B, I50Z			08	I02A, I02B, I02C, I02D, I22A, I22B, I50Z
09		J02A, J02B, J02C, J04A, J04B, J08A, J08B, J08C, J16Z, J21Z, J22A, J22B	09	J02A, J02B, J02C, J04A, J04B, J08A, J08B, J08C, J16Z, J21Z, J22A, J22B		09	J02A, J02B, J02C, J04A, J04B, J08A, J08B, J08C, J16Z, J21Z, J22A, J22B				
21A		W04A, W04B	21A	W04A, W04B		21A	W04A, W04B				
21B		X01A, X01B, X01C	21B	X01A, X01B, X01C		21B	X01A, X01B, X01C				
22		Y01Z, Y02A, Y02B, Y02C	22	Y01Z, Y02A, Y02B, Y02C		22	Y01Z, Y02A, Y02B, Y02C				
5v586.3↔			BOP, KVT, UOP4	5v586.9↔			BOP, KVT, UOP4	5v586.f↔			BOP, KVT, UOP4
		03	D12A, D12B			05	F13A			05	F13A
		05	F13A			08	I32A, I32B, I32C, I32D, I32E, I32F			08	I02A, I02B, I02C, I02D, I22A, I22B, I50Z
	08	I02A, I02B, I02C, I02D, I22A, I22B, I50Z	09		J02A, J02B, J02C, J04A, J04B, J08A, J08B, J08C, J16Z, J21Z, J22A, J22B	09	J02A, J02B, J02C, J04A, J04B, J08A, J08B, J08C, J16Z, J21Z, J22A, J22B				
	09	J02A, J02B, J02C, J04A, J04B, J08A, J08B, J08C, J16Z, J21Z, J22A, J22B	21A		W04A, W04B	21A	W04A, W04B				
	21A	W04A, W04B	21B		X01A, X01B, X01C	21B	X01A, X01B, X01C				
	21B	X01A, X01B, X01C	22		Y01Z, Y02A, Y02B, Y02C	22	Y01Z, Y02A, Y02B, Y02C				
	22	Y01Z, Y02A, Y02B, Y02C	5v586.a			BOP, KVT, UOP4	5v586.g↔			BOP, KVT, UOP4	
	5v586.4				BOP, KVT, UOP4	05			F13A	05	F13A
		03			D12A, D12B	08			I02A, I02B, I02C, I02D, I22A, I22B, I50Z	08	I02A, I02B, I02C, I02D, I22A, I22B, I50Z
05		F13A		09	J02A, J02B, J02C, J04A, J04B, J08A, J08B, J08C, J16Z, J21Z, J22A, J22B	09		J02A, J02B, J02C, J04A, J04B, J08A, J08B, J08C, J16Z, J21Z, J22A, J22B			
08		I02A, I02B, I02C, I02D, I22A, I22B, I50Z		21A	W04A, W04B	21A		W04A, W04B			
09		J02A, J02B, J02C, J04A, J04B, J08A, J08B, J08C, J16Z, J21Z, J22A, J22B		21B	X01A, X01B, X01C	21B		X01A, X01B, X01C			
21A		W04A, W04B		22	Y01Z, Y02A, Y02B, Y02C	22		Y01Z, Y02A, Y02B, Y02C			
21B		X01A, X01B, X01C									
22		Y01Z, Y02A, Y02B, Y02C									

VYK

ZZV	MDC	DRG	ZZV	MDC	DRG	ZZV	MDC	DRG
5v591.7↔		BOP, KVT, UOP4	5v591.d		BOP, KVT, UOP4	5v611.20		BOP, KVT, UOP4
05		F13A	05		F13A	09		J03A, J03B, J04A, J04B, J08A, J08B, J08C, J10A, J10B, J16Z
08		I02A, I02B, I02C, I02D, I22A, I22B, I50Z	08		I02A, I02B, I02C, I02D, I22A, I22B, I50Z	10		K07Z
09		J02A, J02B, J02C, J04A, J04B, J08A, J08B, J08C, J16Z, J21Z, J22A, J22B	09		J02A, J02B, J02C, J04A, J04B, J08A, J08B, J08C, J16Z, J21Z, J22A, J22B	21A		W04A, W04B
21A		W04A, W04B	21A		W04A, W04B	21B		X06A, X06B, X06C
21B		X01A, X01B, X01C	21B		X01A, X01B, X01C	5v611.21		BOP, KVT, UOP4
22		Y01Z, Y03A, Y03B	22		Y01Z, Y03A, Y03B	09		J03A, J03B, J04A, J04B, J08A, J08B, J08C, J10A, J10B, J16Z
5v591.8↔		BOP, KVT, UOP4	5v591.e↔		BOP, KVT, UOP4	10		K07Z
05		F13A	05		F13A	21A		W04A, W04B
08		I02A, I02B, I02C, I02D, I22A, I22B, I32A, I32B, I32C, I32D, I32E, I32F, I50Z	08		I02A, I02B, I02C, I02D, I22A, I22B, I50Z	21B		X06A, X06B, X06C
09		J02A, J02B, J02C, J04A, J04B, J08A, J08B, J08C, J16Z, J21Z, J22A, J22B	09		J02A, J02B, J02C, J04A, J04B, J08A, J08B, J08C, J16Z, J21Z, J22A, J22B	5v611.30		BOP, KVT, UOP4
21A		W04A, W04B	21A		W04A, W04B	09		J03A, J03B, J04A, J04B, J08A, J08B, J08C, J10A, J10B, J16Z
21B		X01A, X01B, X01C	21B		X01A, X01B, X01C	10		K07Z
22		Y01Z, Y03A, Y03B	22		Y01Z, Y03A, Y03B	21A		W04A, W04B
5v591.9↔		BOP, KVT, UOP4	5v591.f↔		BOP, KVT, UOP4	21B		X06A, X06B, X06C
05		F13A	05		F13A	5v611.31		BOP, KVT, UOP4
08		I32A, I32B, I32C, I32D, I32E, I32F	08		I02A, I02B, I02C, I02D, I22A, I22B, I50Z	09		J03A, J03B, J04A, J04B, J08A, J08B, J08C, J10A, J10B, J16Z
09		J02A, J02B, J02C, J04A, J04B, J08A, J08B, J08C, J16Z, J21Z, J22A, J22B	09		J02A, J02B, J02C, J04A, J04B, J08A, J08B, J08C, J16Z, J21Z, J22A, J22B	10		K07Z
21A		W04A, W04B	21A		W04A, W04B	21A		W04A, W04B
21B		X01A, X01B, X01C	21B		X01A, X01B, X01C	21B		X06A, X06B, X06C
22		Y01Z, Y03A, Y03B	22		Y01Z, Y03A, Y03B	5v611.x0		BOP, KVT, UOP4
5v591.a		BOP, KVT, UOP4	5v591.g↔		BOP, KVT, UOP4	09		J03A, J03B, J04A, J04B, J08A, J08B, J08C, J10A, J10B, J16Z
05		F13A	05		F13A	10		K07Z
08		I02A, I02B, I02C, I02D, I22A, I22B, I50Z	08		I02A, I02B, I02C, I02D, I22A, I22B, I50Z	21A		W04A, W04B
09		J02A, J02B, J02C, J04A, J04B, J08A, J08B, J08C, J16Z, J21Z, J22A, J22B	09		J02A, J02B, J02C, J04A, J04B, J08A, J08B, J08C, J16Z, J21Z, J22A, J22B	21B		X06A, X06B, X06C
21A		W04A, W04B	21A		W04A, W04B	5v611.x1		BOP, KVT, UOP4
21B		X01A, X01B, X01C	21B		X01A, X01B, X01C	09		J03A, J03B, J04A, J04B, J08A, J08B, J08C, J10A, J10B, J16Z
22		Y01Z, Y03A, Y03B	22		Y01Z, Y03A, Y03B	10		K07Z
5v591.b		BOP, KVT, UOP4	5v591.x↔		BOP, KVT, UOP4	21A		W04A, W04B
05		F13A	05		F13A	21B		X06A, X06B, X06C
08		I02A, I02B, I02C, I02D, I22A, I22B, I50Z	08		I02A, I02B, I02C, I02D, I22A, I22B, I32A, I32B, I32C, I32D, I32E, I32F, I50Z	5v620.4		BOP, KVT, UOP4
09		J02A, J02B, J02C, J04A, J04B, J08A, J08B, J08C, J16Z, J21Z, J22A, J22B	09		J02A, J02B, J02C, J04A, J04B, J08A, J08B, J08C, J16Z, J21Z, J22A, J22B	01		B03A, B03B, B06A, B06B, B07Z, B17A, B17B, B17C
21A		W04A, W04B	21A		W04A, W04B	02		C20A, C20B
21B		X01A, X01B, X01C	21B		X01A, X01B, X01C	03		D18Z, D28Z, D29Z
22		Y01Z, Y03A, Y03B	22		Y01Z, Y03A, Y03B	05		F13A, F21A, F21B, F28A
5v591.c		BOP, KVT, UOP4	5v611.10		BOP, KVT, UOP4	08		I02A, I02B, I02C, I02D, I22A, I22B, I50Z
05		F13A	09		J03A, J03B, J04A, J04B, J08A, J08B, J08C, J10A, J10B, J16Z	09		J02A, J02B, J02C, J04A, J04B, J08A, J08B, J08C, J16Z, J21Z, J22A, J22B
08		I02A, I02B, I02C, I02D, I22A, I22B, I50Z	10		K07Z	21A		W04A, W04B
09		J02A, J02B, J02C, J04A, J04B, J08A, J08B, J08C, J16Z, J21Z, J22A, J22B	21A		W04A, W04B	21B		X01A, X01B, X01C
21A		W04A, W04B	21B		X06A, X06B, X06C	5v620.5		BOP, KVT, UOP4
21B		X01A, X01B, X01C	5v611.11		BOP, KVT, UOP4	01		B03A, B03B, B06A, B06B, B07Z, B17A, B17B, B17C
22		Y01Z, Y03A, Y03B	09		J03A, J03B, J04A, J04B, J08A, J08B, J08C, J10A, J10B, J16Z	03		D18Z, D28Z, D29Z
			10		K07Z	05		F13A, F21A, F21B, F28A
			21A		W04A, W04B	06		G10Z, G12A, G12B
			21B		X06A, X06B, X06C	08		I28A, I28B
						09		J02A, J02B, J02C, J04A, J04B, J08A, J08B, J08C, J16Z, J21Z, J22A, J22B
						21A		W04A, W04B
						21B		X01A, X01B, X01C

VYK

ZZV	MDC	DRG	ZZV	MDC	DRG	ZZV	MDC	DRG		
5v622.g↔		BOP, KVT, UOP4	5v623.9↔		BOP, KVT, UOP4	5v624.1		BOP, KVT, UOP4		
	01	B03A, B03B, B06A, B06B, B07Z, B17A, B17B, B17C		01	B03A, B03B, B06A, B06B, B07Z, B17A, B17B, B17C		01	B03A, B03B, B06A, B06B, B07Z, B17A, B17B, B17C		
	05	F13A, F21A, F21B, F27A, F27B, F27C, F28A		05	F13A, F21A, F21B, F28A		02	C20A, C20B		
	08	I02A, I02B, I02C, I02D, I12A, I12B, I12C, I22A, I22B, I50Z		08	I12A, I12B, I12C, I32A, I32B, I32C, I32D, I32E, I32F		03	D18Z, D28Z, D29Z		
	09	J02A, J02B, J02C, J04A, J04B, J08A, J08B, J08C, J16Z, J21Z, J22A, J22B		09	J03A, J03B, J04A, J04B, J08A, J08B, J08C, J16Z, J21Z, J22A, J22B		05	F13A, F21A, F21B, F28A		
	10	K01Z		21A	W04A, W04B		08	I02A, I02B, I02C, I02D, I22A, I22B, I50Z		
	21A	W04A, W04B		21B	X01A, X01B, X01C		09	J02A, J02B, J02C, J04A, J04B, J08A, J08B, J08C, J16Z, J21Z, J22A, J22B		
	21B	X01A, X01B, X01C		5v623.e↔			BOP, KVT, UOP4	21A	W04A, W04B	
	5v622.s↔				BOP, KVT, UOP4		01	B03A, B03B, B06A, B06B, B07Z, B17A, B17B, B17C	21B	X01A, X01B, X01C
		01			B03A, B03B, B06A, B06B, B07Z, B17A, B17B, B17C		05	F13A, F21A, F21B, F27A, F27B, F27C, F28A	5v624.4	
05		F13A, F21A, F21B, F28A	08		I02A, I02B, I02C, I02D, I22A, I22B, I50Z	01	B03A, B03B, B06A, B06B, B07Z, B17A, B17B, B17C			
08		I02A, I02B, I02C, I02D, I22A, I22B, I32A, I32B, I32C, I32D, I32E, I32F, I50Z	09		J02A, J02B, J02C, J04A, J04B, J08A, J08B, J08C, J16Z, J21Z, J22A, J22B	02	C20A, C20B			
09		J02A, J02B, J02C, J04A, J04B, J08A, J08B, J08C, J16Z, J21Z, J22A, J22B	10		K01Z	03	D18Z, D28Z, D29Z			
21A		W04A, W04B	21A		W04A, W04B	05	F13A, F21A, F21B, F28A			
21B		X01A, X01B, X01C	21B		X01A, X01B, X01C	08	I02A, I02B, I02C, I02D, I22A, I22B, I50Z			
5v622.x↔			BOP, KVT, UOP4		5v623.f↔		BOP, KVT, UOP4	09		J02A, J02B, J02C, J04A, J04B, J08A, J08B, J08C, J16Z, J21Z, J22A, J22B
		01	B03A, B03B, B06A, B06B, B07Z, B17A, B17B, B17C			01	B03A, B03B, B06A, B06B, B07Z, B17A, B17B, B17C	21A		W04A, W04B
		05	F13A, F21A, F21B, F28A	05		F13A, F21A, F21B, F27A, F27B, F27C, F28A	21B	X01A, X01B, X01C		
	08	I02A, I02B, I02C, I02D, I22A, I22B, I32A, I32B, I32C, I32D, I32E, I32F, I50Z	08	I02A, I02B, I02C, I02D, I22A, I22B, I50Z		5v624.5		BOP, KVT, UOP4		
	09	J02A, J02B, J02C, J04A, J04B, J08A, J08B, J08C, J16Z, J21Z, J22A, J22B	09	J02A, J02B, J02C, J04A, J04B, J08A, J08B, J08C, J16Z, J21Z, J22A, J22B			01	B03A, B03B, B06A, B06B, B07Z, B17A, B17B, B17C		
	21A	W04A, W04B	10	K01Z			03	D18Z, D28Z, D29Z		
	21B	X01A, X01B, X01C	21A	W04A, W04B			05	F13A, F21A, F21B, F28A		
	5v623.6↔		BOP, KVT, UOP4	5v623.g↔				BOP, KVT, UOP4	06	G10Z, G12A, G12B
		01	B03A, B03B, B06A, B06B, B07Z, B17A, B17B, B17C				01	B03A, B03B, B06A, B06B, B07Z, B17A, B17B, B17C	08	I28A, I28B
		05	F13A, F21A, F21B, F28A				05	F13A, F21A, F21B, F27A, F27B, F27C, F28A	09	J02A, J02B, J02C, J04A, J04B, J08A, J08B, J08C, J16Z, J21Z, J22A, J22B
08		I02A, I02B, I02C, I02D, I22A, I22B, I50Z	08		I02A, I02B, I02C, I02D, I12A, I12B, I12C, I22A, I22B, I50Z		21A	W04A, W04B		
09		J02A, J02B, J02C, J04A, J04B, J08A, J08B, J08C, J16Z, J21Z, J22A, J22B	09		J02A, J02B, J02C, J04A, J04B, J08A, J08B, J08C, J16Z, J21Z, J22A, J22B		21B	X01A, X01B, X01C		
21A		W04A, W04B	10		K01Z		5v624.6↔		BOP, KVT, UOP4	
21B		X01A, X01B, X01C	21A		W04A, W04B	01		B03A, B03B, B06A, B06B, B07Z, B17A, B17B, B17C		
5v623.7↔			BOP, KVT, UOP4		5v623.x↔			BOP, KVT, UOP4	05	F13A, F21A, F21B, F28A
		01	B03A, B03B, B06A, B06B, B07Z, B17A, B17B, B17C			01		B03A, B03B, B06A, B06B, B07Z, B17A, B17B, B17C	08	I02A, I02B, I02C, I02D, I22A, I22B, I50Z
		05	F13A, F21A, F21B, F28A			05		F13A, F21A, F21B, F28A	09	J02A, J02B, J02C, J04A, J04B, J08A, J08B, J08C, J16Z, J21Z, J22A, J22B
	08	I02A, I02B, I02C, I02D, I22A, I22B, I50Z	08	I02A, I02B, I02C, I02D, I22A, I22B, I32A, I32B, I32C, I32D, I32E, I32F, I50Z		21A		W04A, W04B		
	09	J02A, J02B, J02C, J04A, J04B, J08A, J08B, J08C, J16Z, J21Z, J22A, J22B	09	J02A, J02B, J02C, J04A, J04B, J08A, J08B, J08C, J16Z, J21Z, J22A, J22B		21B		X01A, X01B, X01C		
	21A	W04A, W04B	10	K01Z		5v624.7↔			BOP, KVT, UOP4	
	21B	X01A, X01B, X01C	21A	W04A, W04B				01	B03A, B03B, B06A, B06B, B07Z, B17A, B17B, B17C	
	5v623.8↔		BOP, KVT, UOP4	5v624.0					BOP, KVT, UOP4	05
		01	B03A, B03B, B06A, B06B, B07Z, B17A, B17B, B17C				01	B03A, B03B, B06A, B06B, B07Z, B17A, B17B, B17C	08	I02A, I02B, I02C, I02D, I22A, I22B, I50Z
		05	F13A, F21A, F21B, F28A				05	F13A, F21A, F21B, F28A	09	J02A, J02B, J02C, J04A, J04B, J08A, J08B, J08C, J16Z, J21Z, J22A, J22B
08		I02A, I02B, I02C, I02D, I22A, I22B, I32A, I32B, I32C, I32D, I32E, I32F, I50Z	08		I02A, I02B, I02C, I02D, I22A, I22B, I32A, I32B, I32C, I32D, I32E, I32F, I50Z		21A	W04A, W04B		
09		J02A, J02B, J02C, J04A, J04B, J08A, J08B, J08C, J16Z, J21Z, J22A, J22B	09		J02A, J02B, J02C, J04A, J04B, J08A, J08B, J08C, J16Z, J21Z, J22A, J22B		21B	X01A, X01B, X01C		
21A		W04A, W04B	21A		W04A, W04B					
21B		X01A, X01B, X01C	21B		X01A, X01B, X01C					

VYK

ZZV	MDC	DRG	ZZV	MDC	DRG	ZZV	MDC	DRG			
5v624.8↔		BOP, KVT, UOP4	5v624.d		BOP, KVT, UOP4	5v624.n↔		BOP, KVT, UOP4			
	01	B03A, B03B, B06A, B06B, B07Z, B17A, B17B, B17C		01	B03A, B03B, B06A, B06B, B07Z, B17A, B17B, B17C		01	B03A, B03B, B06A, B06B, B07Z, B17A, B17B, B17C			
	05	F13A, F21A, F21B, F28A		05	F13A, F21A, F21B, F28A		05	F13A, F21A, F21B, F28A			
	08	I02A, I02B, I02C, I02D, I22A, I22B, I32A, I32B, I32C, I32D, I32E, I32F, I50Z		06	G10Z, G12A, G12B		06	G10Z, G12A, G12B			
	09	J02A, J02B, J02C, J04A, J04B, J08A, J08B, J08C, J16Z, J21Z, J22A, J22B		08	I02A, I02B, I02C, I02D, I22A, I22B, I50Z		08	I02A, I02B, I02C, I02D, I22A, I22B, I50Z			
	21A	W04A, W04B		09	J02A, J02B, J02C, J04A, J04B, J08A, J08B, J08C, J16Z, J21Z, J22A, J22B		09	J02A, J02B, J02C, J04A, J04B, J08A, J08B, J08C, J16Z, J21Z, J22A, J22B			
	21B	X01A, X01B, X01C		21A	W04A, W04B		21A	W04A, W04B			
	5v624.9↔			BOP, KVT, UOP4	5v624.e↔			BOP, KVT, UOP4	5v624.p↔		BOP, KVT, UOP4
		01		B03A, B03B, B06A, B06B, B07Z, B17A, B17B, B17C			01	B03A, B03B, B06A, B06B, B07Z, B17A, B17B, B17C		01	B03A, B03B, B06A, B06B, B07Z, B17A, B17B, B17C
		05		F13A, F21A, F21B, F28A			05	F13A, F21A, F21B, F28A, F27B, F27C, F28A		05	F13A, F21A, F21B, F28A, F27B, F27C, F28A
08		I12A, I12B, I12C, I32A, I32B, I32C, I32D, I32E, I32F	08	I02A, I02B, I02C, I02D, I22A, I22B, I50Z		08	I02A, I02B, I02C, I02D, I22A, I22B, I32A, I32B, I32C, I32D, I32E, I32F, I50Z				
09		J03A, J03B, J04A, J04B, J08A, J08B, J08C, J16Z, J21Z, J22A, J22B	09	J02A, J02B, J02C, J04A, J04B, J08A, J08B, J08C, J16Z, J21Z, J22A, J22B		09	J02A, J02B, J02C, J04A, J04B, J08A, J08B, J08C, J16Z, J21Z, J22A, J22B				
21A		W04A, W04B	10	K01Z		21A	W04A, W04B				
21B		X01A, X01B, X01C	21A	W04A, W04B		21B	X01A, X01B, X01C				
5v624.a			BOP, KVT, UOP4	5v624.f↔			BOP, KVT, UOP4	5v624.r			BOP, KVT, UOP4
		01	B03A, B03B, B06A, B06B, B07Z, B17A, B17B, B17C			01	B03A, B03B, B06A, B06B, B07Z, B17A, B17B, B17C			01	B03A, B03B, B06A, B06B, B07Z, B17A, B17B, B17C
		05	F13A, F21A, F21B, F28A			05	F13A, F21A, F21B, F27A, F27B, F27C, F28A			02	C20A, C20B
	06	G10Z, G12A, G12B	08		I02A, I02B, I02C, I02D, I22A, I22B, I50Z	03	D18Z, D28Z, D29Z				
	08	I02A, I02B, I02C, I02D, I22A, I22B, I50Z	09		J02A, J02B, J02C, J04A, J04B, J08A, J08B, J08C, J16Z, J21Z, J22A, J22B	05	F13A, F21A, F21B, F28A				
	09	J02A, J02B, J02C, J04A, J04B, J08A, J08B, J08C, J16Z, J21Z, J22A, J22B	10		K01Z	08	I02A, I02B, I02C, I02D, I22A, I22B, I50Z				
	21A	W04A, W04B	21A		W04A, W04B	09	J02A, J02B, J02C, J04A, J04B, J08A, J08B, J08C, J16Z, J21Z, J22A, J22B				
	21B	X01A, X01B, X01C	21B		X01A, X01B, X01C	21A	W04A, W04B				
	5v624.b		BOP, KVT, UOP4		5v624.g↔		BOP, KVT, UOP4		5v624.s↔		BOP, KVT, UOP4
		01	B03A, B03B, B06A, B06B, B07Z, B17A, B17B, B17C			01	B03A, B03B, B06A, B06B, B07Z, B17A, B17B, B17C			01	B03A, B03B, B06A, B06B, B07Z, B17A, B17B, B17C
05		F13A, F21A, F21B, F28A	05	F13A, F21A, F21B, F27A, F27B, F27C, F28A		05	F13A, F21A, F21B, F28A				
06		G10Z, G12A, G12B	08	I02A, I02B, I02C, I02D, I12A, I12B, I12C, I22A, I22B, I50Z		08	I02A, I02B, I02C, I02D, I22A, I22B, I32A, I32B, I32C, I32D, I32E, I32F, I50Z				
08		I02A, I02B, I02C, I02D, I22A, I22B, I50Z	09	J02A, J02B, J02C, J04A, J04B, J08A, J08B, J08C, J16Z, J21Z, J22A, J22B		09	J02A, J02B, J02C, J04A, J04B, J08A, J08B, J08C, J16Z, J21Z, J22A, J22B				
09		J02A, J02B, J02C, J04A, J04B, J08A, J08B, J08C, J16Z, J21Z, J22A, J22B	10	K01Z		21A	W04A, W04B				
21A		W04A, W04B	21A	W04A, W04B		21B	X01A, X01B, X01C				
21B		X01A, X01B, X01C	21B	X01A, X01B, X01C		21B	X01A, X01B, X01C				
5v624.c			BOP, KVT, UOP4	5v624.h			BOP, KVT, UOP4	5v624.t↔			BOP, KVT, UOP4
		01	B03A, B03B, B06A, B06B, B07Z, B17A, B17B, B17C			01	B03A, B03B, B06A, B06B, B07Z, B17A, B17B, B17C			01	B03A, B03B, B06A, B06B, B07Z, B17A, B17B, B17C
	05	F13A, F21A, F21B, F28A	02		C20A, C20B	05	F13A, F21A, F21B, F28A				
	06	G10Z, G12A, G12B	03		D18Z, D28Z, D29Z	08	I02A, I02B, I02C, I02D, I22A, I22B, I32A, I32B, I32C, I32D, I32E, I32F, I50Z				
	08	I02A, I02B, I02C, I02D, I22A, I22B, I50Z	05		F13A, F21A, F21B, F28A	09	J02A, J02B, J02C, J04A, J04B, J08A, J08B, J08C, J16Z, J21Z, J22A, J22B				
	09	J02A, J02B, J02C, J04A, J04B, J08A, J08B, J08C, J16Z, J21Z, J22A, J22B	08		I02A, I02B, I02C, I02D, I22A, I22B, I50Z	21A	W04A, W04B				
	10	K09A, K09B	09		J02A, J02B, J02C, J04A, J04B, J08A, J08B, J08C, J16Z, J21Z, J22A, J22B	21B	X01A, X01B, X01C				
	12	M04A, M04B, M04C, M04D, M37Z, M38Z	21A		W04A, W04B						
	21A	W04A, W04B	21B		X01A, X01B, X01C						
	21B	X01A, X01B, X01C									

VYK

Príloha B: Index Výkon-MDC-DRG

ZZV	MDC	DRG	ZZV	MDC	DRG	ZZV	MDC	DRG			
5v624.u↔		BOP, KVT, UOP4	5v625.1		BOP, KVT, UOP4	5v625.8↔		BOP, KVT, UOP4			
	01	B03A, B03B, B06A, B06B, B07Z, B17A, B17B, B17C		01	B03A, B03B, B06A, B06B, B07Z, B17A, B17B, B17C		01	B03A, B03B, B06A, B06B, B07Z, B17A, B17B, B17C			
	05	F13A, F21A, F21B, F28A		02	C20A, C20B		05	F13A, F21A, F21B, F28A			
	08	I02A, I02B, I02C, I02D, I22A, I22B, I32A, I32B, I32C, I32D, I32E, I32F, I50Z		03	D18Z, D28Z, D29Z		08	I02A, I02B, I02C, I02D, I22A, I22B, I50Z			
	09	J02A, J02B, J02C, J04A, J04B, J08A, J08B, J08C, J16Z, J21Z, J22A, J22B		05	F13A, F21A, F21B, F28A		09	J02A, J02B, J02C, J04A, J04B, J08A, J08B, J08C, J16Z, J21Z, J22A, J22B			
	21A	W04A, W04B		08	I02A, I02B, I02C, I02D, I22A, I22B, I50Z		21A	W04A, W04B			
	21B	X01A, X01B, X01C		09	J02A, J02B, J02C, J04A, J04B, J08A, J08B, J08C, J16Z, J21Z, J22A, J22B		21B	X01A, X01B, X01C			
	5v624.v↔			BOP, KVT, UOP4	5v625.4			BOP, KVT, UOP4	5v625.9↔		BOP, KVT, UOP4
		01		B03A, B03B, B06A, B06B, B07Z, B17A, B17B, B17C			01	B03A, B03B, B06A, B06B, B07Z, B17A, B17B, B17C		01	B03A, B03B, B06A, B06B, B07Z, B17A, B17B, B17C
		05		F13A, F21A, F21B, F28A			02	C20A, C20B		05	F13A, F21A, F21B, F28A
08		I02A, I02B, I02C, I02D, I22A, I22B, I32A, I32B, I32C, I32D, I32E, I32F, I50Z	03	D18Z, D28Z, D29Z		08	I12A, I12B, I12C, I32A, I32B, I32C, I32D, I32E, I32F				
09		J02A, J02B, J02C, J04A, J04B, J08A, J08B, J08C, J16Z, J21Z, J22A, J22B	05	F13A, F21A, F21B, F28A		09	J03A, J03B, J04A, J04B, J08A, J08B, J08C, J16Z, J21Z, J22A, J22B				
21A		W04A, W04B	08	I02A, I02B, I02C, I02D, I22A, I22B, I50Z		21A	W04A, W04B				
21B		X01A, X01B, X01C	09	J02A, J02B, J02C, J04A, J04B, J08A, J08B, J08C, J16Z, J21Z, J22A, J22B		21B	X01A, X01B, X01C				
5v624.w↔			BOP, KVT, UOP4	5v625.5			BOP, KVT, UOP4	5v625.a			BOP, KVT, UOP4
		01	B03A, B03B, B06A, B06B, B07Z, B17A, B17B, B17C			21A	W04A, W04B			01	B03A, B03B, B06A, B06B, B07Z, B17A, B17B, B17C
		05	F13A, F21A, F21B, F28A			21B	X01A, X01B, X01C			05	F13A, F21A, F21B, F28A
	08	I02A, I02B, I02C, I02D, I22A, I22B, I32A, I32B, I32C, I32D, I32E, I32F, I50Z	01		B03A, B03B, B06A, B06B, B07Z, B17A, B17B, B17C	06	G10Z, G12A, G12B				
	09	J02A, J02B, J02C, J04A, J04B, J08A, J08B, J08C, J16Z, J21Z, J22A, J22B	03		D18Z, D28Z, D29Z	08	I02A, I02B, I02C, I02D, I22A, I22B, I50Z				
	21A	W04A, W04B	05		F13A, F21A, F21B, F28A	09	J02A, J02B, J02C, J04A, J04B, J08A, J08B, J08C, J16Z, J21Z, J22A, J22B				
	21B	X01A, X01B, X01C	06		G10Z, G12A, G12B	21A	W04A, W04B				
	5v624.x↔		BOP, KVT, UOP4		5v625.6↔		BOP, KVT, UOP4		5v625.b		BOP, KVT, UOP4
		01	B03A, B03B, B06A, B06B, B07Z, B17A, B17B, B17C			21A	W04A, W04B			01	B03A, B03B, B06A, B06B, B07Z, B17A, B17B, B17C
		05	F13A, F21A, F21B, F28A			21B	X01A, X01B, X01C			05	F13A, F21A, F21B, F28A
08		I02A, I02B, I02C, I02D, I22A, I22B, I32A, I32B, I32C, I32D, I32E, I32F, I50Z	01	B03A, B03B, B06A, B06B, B07Z, B17A, B17B, B17C		06	G10Z, G12A, G12B				
09		J02A, J02B, J02C, J04A, J04B, J08A, J08B, J08C, J16Z, J21Z, J22A, J22B	05	F13A, F21A, F21B, F28A		08	I02A, I02B, I02C, I02D, I22A, I22B, I50Z				
21A		W04A, W04B	08	I02A, I02B, I02C, I02D, I22A, I22B, I50Z		09	J02A, J02B, J02C, J04A, J04B, J08A, J08B, J08C, J16Z, J21Z, J22A, J22B				
21B		X01A, X01B, X01C	09	J02A, J02B, J02C, J04A, J04B, J08A, J08B, J08C, J16Z, J21Z, J22A, J22B		21A	W04A, W04B				
5v624.y			BOP, KVT, UOP4	5v625.7↔			BOP, KVT, UOP4	5v625.c			BOP, KVT, UOP4
		01	B03A, B03B, B06A, B06B, B07Z, B17A, B17B, B17C			21A	W04A, W04B			01	B03A, B03B, B06A, B06B, B07Z, B17A, B17B, B17C
		02	C20A, C20B			21B	X01A, X01B, X01C			05	F13A, F21A, F21B, F28A
	03	D18Z, D28Z, D29Z	01		B03A, B03B, B06A, B06B, B07Z, B17A, B17B, B17C	06	G10Z, G12A, G12B				
	05	F13A, F21A, F21B, F28A	05		F13A, F21A, F21B, F28A	08	I02A, I02B, I02C, I02D, I22A, I22B, I50Z				
	08	I02A, I02B, I02C, I02D, I22A, I22B, I50Z	08		I02A, I02B, I02C, I02D, I22A, I22B, I50Z	09	J02A, J02B, J02C, J04A, J04B, J08A, J08B, J08C, J16Z, J21Z, J22A, J22B				
	09	J02A, J02B, J02C, J04A, J04B, J08A, J08B, J08C, J16Z, J21Z, J22A, J22B	09		J02A, J02B, J02C, J04A, J04B, J08A, J08B, J08C, J16Z, J21Z, J22A, J22B	21A	W04A, W04B				
	21A	W04A, W04B	21A		W04A, W04B	21B	X01A, X01B, X01C				
	21B	X01A, X01B, X01C	21B		X01A, X01B, X01C	01	B03A, B03B, B06A, B06B, B07Z, B17A, B17B, B17C				
	5v625.0		BOP, KVT, UOP4				BOP, KVT, UOP4				BOP, KVT, UOP4
03		D08A, D08B, D18Z, D22A, D22B, D30A, D30B	01	B03A, B03B, B06A, B06B, B07Z, B17A, B17B, B17C		05	F13A, F21A, F21B, F28A				
05		F13A, F28A	05	F13A, F21A, F21B, F28A		06	G10Z, G12A, G12B				
09		J03A, J03B, J04A, J04B, J08A, J08B, J08C, J10A, J10B, J16Z	08	I02A, I02B, I02C, I02D, I22A, I22B, I50Z		08	I02A, I02B, I02C, I02D, I22A, I22B, I50Z				
21A		W04A, W04B	09	J02A, J02B, J02C, J04A, J04B, J08A, J08B, J08C, J16Z, J21Z, J22A, J22B		09	J02A, J02B, J02C, J04A, J04B, J08A, J08B, J08C, J16Z, J21Z, J22A, J22B				
21B		X06A, X06B, X06C	21A	W04A, W04B		10	K09A, K09B				
			21B	X01A, X01B, X01C		12	M04A, M04B, M04C, M04D, M37Z, M38Z				
						21A	W04A, W04B				
						21B	X01A, X01B, X01C				



ZZV	MDC	DRG	ZZV	MDC	DRG	ZZV	MDC	DRG			
5v625.d		BOP, KVT, UOP4	5v625.n↔		BOP, KVT, UOP4	5v625.t↔		BOP, KVT, UOP4			
	01	B03A, B03B, B06A, B06B, B07Z, B17A, B17B, B17C		01	B03A, B03B, B06A, B06B, B07Z, B17A, B17B, B17C		01	B03A, B03B, B06A, B06B, B07Z, B17A, B17B, B17C			
	05	F13A, F21A, F21B, F28A		05	F13A, F21A, F21B, F28A		05	F13A, F21A, F21B, F28A			
	06	G10Z, G12A, G12B		06	G10Z, G12A, G12B		08	I02A, I02B, I02C, I02D, I22A, I22B, I50Z			
	08	I02A, I02B, I02C, I02D, I22A, I22B, I50Z		08	I02A, I02B, I02C, I02D, I22A, I22B, I50Z		09	J02A, J02B, J02C, J04A, J04B, J08A, J08B, J08C, J16Z, J21Z, J22A, J22B			
	09	J02A, J02B, J02C, J04A, J04B, J08A, J08B, J08C, J16Z, J21Z, J22A, J22B		09	J02A, J02B, J02C, J04A, J04B, J08A, J08B, J08C, J16Z, J21Z, J22A, J22B		21A	W04A, W04B			
	21A	W04A, W04B		21A	W04A, W04B		21B	X01A, X01B, X01C			
	21B	X01A, X01B, X01C		21B	X01A, X01B, X01C			BOP, KVT, UOP4			
	5v625.e↔			BOP, KVT, UOP4	5v625.p↔			BOP, KVT, UOP4	5v625.u↔		BOP, KVT, UOP4
		01		B03A, B03B, B06A, B06B, B07Z, B17A, B17B, B17C			01	B03A, B03B, B06A, B06B, B07Z, B17A, B17B, B17C		01	B03A, B03B, B06A, B06B, B07Z, B17A, B17B, B17C
05		F13A, F21A, F21B, F27A, F27B, F27C, F28A	05	F13A, F21A, F21B, F28A		05	F13A, F21A, F21B, F28A				
08		I02A, I02B, I02C, I02D, I22A, I22B, I50Z	08	I02A, I02B, I02C, I02D, I22A, I22B, I32A, I32B, I32C, I32D, I32E, I32F, I50Z		08	I02A, I02B, I02C, I02D, I22A, I22B, I32A, I32B, I32C, I32D, I32E, I32F, I50Z				
09		J02A, J02B, J02C, J04A, J04B, J08A, J08B, J08C, J16Z, J21Z, J22A, J22B	09	J02A, J02B, J02C, J04A, J04B, J08A, J08B, J08C, J16Z, J21Z, J22A, J22B		09	J02A, J02B, J02C, J04A, J04B, J08A, J08B, J08C, J16Z, J21Z, J22A, J22B				
10		K01Z	21A	W04A, W04B		21A	W04A, W04B				
21A		W04A, W04B	21B	X01A, X01B, X01C		21B	X01A, X01B, X01C				
21B		X01A, X01B, X01C		BOP, KVT, UOP4			BOP, KVT, UOP4				
5v625.f↔			BOP, KVT, UOP4	5v625.q↔			BOP, KVT, UOP4	5v625.w↔			BOP, KVT, UOP4
		01	B03A, B03B, B06A, B06B, B07Z, B17A, B17B, B17C			01	B03A, B03B, B06A, B06B, B07Z, B17A, B17B, B17C			01	B03A, B03B, B06A, B06B, B07Z, B17A, B17B, B17C
	05	F13A, F21A, F21B, F27A, F27B, F27C, F28A	05		F13A, F21A, F21B, F28A	05	F13A, F21A, F21B, F28A				
	08	I02A, I02B, I02C, I02D, I22A, I22B, I50Z	08		I02A, I02B, I02C, I02D, I22A, I22B, I32A, I32B, I32C, I32D, I32E, I32F, I50Z	08	I02A, I02B, I02C, I02D, I22A, I22B, I32A, I32B, I32C, I32D, I32E, I32F, I50Z				
	09	J02A, J02B, J02C, J04A, J04B, J08A, J08B, J08C, J16Z, J21Z, J22A, J22B	09		J02A, J02B, J02C, J04A, J04B, J08A, J08B, J08C, J16Z, J21Z, J22A, J22B	09	J02A, J02B, J02C, J04A, J04B, J08A, J08B, J08C, J16Z, J21Z, J22A, J22B				
	10	K01Z	21A		W04A, W04B	21A	W04A, W04B				
	21A	W04A, W04B	21B		X01A, X01B, X01C	21B	X01A, X01B, X01C				
	21B	X01A, X01B, X01C			BOP, KVT, UOP4		BOP, KVT, UOP4				
	5v625.g↔		BOP, KVT, UOP4		5v625.r		BOP, KVT, UOP4		5v625.x↔		BOP, KVT, UOP4
		01	B03A, B03B, B06A, B06B, B07Z, B17A, B17B, B17C			01	B03A, B03B, B06A, B06B, B07Z, B17A, B17B, B17C			01	B03A, B03B, B06A, B06B, B07Z, B17A, B17B, B17C
05		F13A, F21A, F21B, F27A, F27B, F27C, F28A	02	C20A, C20B		05	F13A, F21A, F21B, F28A				
08		I02A, I02B, I02C, I02D, I12A, I12B, I12C, I22A, I22B, I50Z	03	D18Z, D28Z, D29Z		08	I02A, I02B, I02C, I02D, I22A, I22B, I32A, I32B, I32C, I32D, I32E, I32F, I50Z				
09		J02A, J02B, J02C, J04A, J04B, J08A, J08B, J08C, J16Z, J21Z, J22A, J22B	05	F13A, F21A, F21B, F28A		09	J02A, J02B, J02C, J04A, J04B, J08A, J08B, J08C, J16Z, J21Z, J22A, J22B				
10		K01Z	08	I02A, I02B, I02C, I02D, I22A, I22B, I50Z		21A	W04A, W04B				
21A		W04A, W04B	09	J02A, J02B, J02C, J04A, J04B, J08A, J08B, J08C, J16Z, J21Z, J22A, J22B		21B	X01A, X01B, X01C				
21B		X01A, X01B, X01C	21A	W04A, W04B			BOP, KVT, UOP4				
5v625.h			BOP, KVT, UOP4	5v625.s↔			BOP, KVT, UOP4	5v625.y			BOP, KVT, UOP4
		01	B03A, B03B, B06A, B06B, B07Z, B17A, B17B, B17C			01	B03A, B03B, B06A, B06B, B07Z, B17A, B17B, B17C			01	B03A, B03B, B06A, B06B, B07Z, B17A, B17B, B17C
	02	C20A, C20B	05		F13A, F21A, F21B, F28A	02	C20A, C20B				
	03	D18Z, D28Z, D29Z	08		I02A, I02B, I02C, I02D, I22A, I22B, I32A, I32B, I32C, I32D, I32E, I32F, I50Z	03	D18Z, D28Z, D29Z				
	05	F13A, F21A, F21B, F28A	09		J02A, J02B, J02C, J04A, J04B, J08A, J08B, J08C, J16Z, J21Z, J22A, J22B	05	F13A, F21A, F21B, F28A				
	08	I02A, I02B, I02C, I02D, I22A, I22B, I50Z	21A		W04A, W04B	08	I02A, I02B, I02C, I02D, I22A, I22B, I50Z				
	09	J02A, J02B, J02C, J04A, J04B, J08A, J08B, J08C, J16Z, J21Z, J22A, J22B	21B		X01A, X01B, X01C	09	J02A, J02B, J02C, J04A, J04B, J08A, J08B, J08C, J16Z, J21Z, J22A, J22B				
	21A	W04A, W04B			BOP, KVT, UOP4	21A	W04A, W04B				
	21B	X01A, X01B, X01C			BOP, KVT, UOP4	21B	X01A, X01B, X01C				

VYK

ZZV	MDC	DRG	ZZV	MDC	DRG	ZZV	MDC	DRG		
5v626.1		BOP, KVT, UOP4	5v626.8↔		BOP, KVT, UOP4	5v626.d		BOP, KVT, UOP4		
	01	B03A, B03B, B06A, B06B, B07Z, B17A, B17B, B17C		01	B03A, B03B, B06A, B06B, B07Z, B17A, B17B, B17C		01	B03A, B03B, B06A, B06B, B07Z, B17A, B17B, B17C		
	02	C20A, C20B		05	F13A, F21A, F21B, F28A		05	F13A, F21A, F21B, F28A		
	03	D18Z, D28Z, D29Z		08	I02A, I02B, I02C, I02D, I22A, I22B, I32A, I32B, I32C, I32D, I32E, I32F, I50Z		06	G10Z, G12A, G12B		
	05	F13A, F21A, F21B, F28A		09	J02A, J02B, J02C, J04A, J04B, J08A, J08B, J08C, J16Z, J21Z, J22A, J22B		08	I02A, I02B, I02C, I02D, I22A, I22B, I50Z		
	08	I02A, I02B, I02C, I02D, I22A, I22B, I50Z		21A	W04A, W04B		09	J02A, J02B, J02C, J04A, J04B, J08A, J08B, J08C, J16Z, J21Z, J22A, J22B		
	09	J02A, J02B, J02C, J04A, J04B, J08A, J08B, J08C, J16Z, J21Z, J22A, J22B		21B	X01A, X01B, X01C		21A	W04A, W04B		
	21A	W04A, W04B					21B	X01A, X01B, X01C		
	21B	X01A, X01B, X01C		5v626.9↔			BOP, KVT, UOP4	5v626.e↔		BOP, KVT, UOP4
	5v626.4				BOP, KVT, UOP4		01		B03A, B03B, B06A, B06B, B07Z, B17A, B17B, B17C	01
01		B03A, B03B, B06A, B06B, B07Z, B17A, B17B, B17C	05		F13A, F21A, F21B, F28A	05	F13A, F21A, F21B, F27A, F27B, F27C, F28A			
02		C20A, C20B	08		I12A, I12B, I12C, I32A, I32B, I32C, I32D, I32E, I32F	08	I02A, I02B, I02C, I02D, I22A, I22B, I50Z			
03		D18Z, D28Z, D29Z	09		J03A, J03B, J04A, J04B, J08A, J08B, J08C, J16Z, J21Z, J22A, J22B	09	J02A, J02B, J02C, J04A, J04B, J08A, J08B, J08C, J16Z, J21Z, J22A, J22B			
05		F13A, F21A, F21B, F28A	21A		W04A, W04B	09	J02A, J02B, J02C, J04A, J04B, J08A, J08B, J08C, J16Z, J21Z, J22A, J22B			
08		I02A, I02B, I02C, I02D, I22A, I22B, I50Z	21B		X01A, X01B, X01C	10	K01Z			
09		J02A, J02B, J02C, J04A, J04B, J08A, J08B, J08C, J16Z, J21Z, J22A, J22B				21A	W04A, W04B			
21A		W04A, W04B	01		B03A, B03B, B06A, B06B, B07Z, B17A, B17B, B17C	21B	X01A, X01B, X01C			
21B		X01A, X01B, X01C	5v626.a			BOP, KVT, UOP4	5v626.f↔			BOP, KVT, UOP4
5v626.5				BOP, KVT, UOP4	05	F13A, F21A, F21B, F28A		01	B03A, B03B, B06A, B06B, B07Z, B17A, B17B, B17C	
	01	B03A, B03B, B06A, B06B, B07Z, B17A, B17B, B17C		06	G10Z, G12A, G12B	05		F13A, F21A, F21B, F27A, F27B, F27C, F28A		
	03	D18Z, D28Z, D29Z		08	I02A, I02B, I02C, I02D, I22A, I22B, I50Z	08		I02A, I02B, I02C, I02D, I22A, I22B, I50Z		
	05	F13A, F21A, F21B, F28A		09	J02A, J02B, J02C, J04A, J04B, J08A, J08B, J08C, J16Z, J21Z, J22A, J22B	09		J02A, J02B, J02C, J04A, J04B, J08A, J08B, J08C, J16Z, J21Z, J22A, J22B		
	06	G10Z, G12A, G12B		21A	W04A, W04B	09		J02A, J02B, J02C, J04A, J04B, J08A, J08B, J08C, J16Z, J21Z, J22A, J22B		
	08	I28A, I28B		21B	X01A, X01B, X01C	10		K01Z		
	09	J02A, J02B, J02C, J04A, J04B, J08A, J08B, J08C, J16Z, J21Z, J22A, J22B				21A		W04A, W04B		
	21A	W04A, W04B		01	B03A, B03B, B06A, B06B, B07Z, B17A, B17B, B17C	21B		X01A, X01B, X01C		
	21B	X01A, X01B, X01C		5v626.b		BOP, KVT, UOP4		5v626.g↔		BOP, KVT, UOP4
	5v626.6↔		BOP, KVT, UOP4		05	F13A, F21A, F21B, F28A	01		B03A, B03B, B06A, B06B, B07Z, B17A, B17B, B17C	
01		B03A, B03B, B06A, B06B, B07Z, B17A, B17B, B17C	06		G10Z, G12A, G12B	05	F13A, F21A, F21B, F27A, F27B, F27C, F28A			
05		F13A, F21A, F21B, F28A	08		I02A, I02B, I02C, I02D, I22A, I22B, I50Z	08	I02A, I02B, I02C, I02D, I12A, I12B, I12C, I22A, I22B, I50Z			
08		I02A, I02B, I02C, I02D, I22A, I22B, I50Z	09		J02A, J02B, J02C, J04A, J04B, J08A, J08B, J08C, J16Z, J21Z, J22A, J22B	09	J02A, J02B, J02C, J04A, J04B, J08A, J08B, J08C, J16Z, J21Z, J22A, J22B			
09		J02A, J02B, J02C, J04A, J04B, J08A, J08B, J08C, J16Z, J21Z, J22A, J22B	21A		W04A, W04B	09	J02A, J02B, J02C, J04A, J04B, J08A, J08B, J08C, J16Z, J21Z, J22A, J22B			
21A		W04A, W04B	21B		X01A, X01B, X01C	10	K01Z			
21B		X01A, X01B, X01C				21A	W04A, W04B			
5v626.7↔			BOP, KVT, UOP4		01	B03A, B03B, B06A, B06B, B07Z, B17A, B17B, B17C	21B		X01A, X01B, X01C	
		01	B03A, B03B, B06A, B06B, B07Z, B17A, B17B, B17C		5v626.c		BOP, KVT, UOP4		5v626.h	
		05	F13A, F21A, F21B, F28A	05		F13A, F21A, F21B, F28A	01	B03A, B03B, B06A, B06B, B07Z, B17A, B17B, B17C		
	08	I02A, I02B, I02C, I02D, I22A, I22B, I50Z	06	G10Z, G12A, G12B		02	C20A, C20B			
	09	J02A, J02B, J02C, J04A, J04B, J08A, J08B, J08C, J16Z, J21Z, J22A, J22B	08	I02A, I02B, I02C, I02D, I22A, I22B, I50Z		03	D18Z, D28Z, D29Z			
	21A	W04A, W04B	09	J02A, J02B, J02C, J04A, J04B, J08A, J08B, J08C, J16Z, J21Z, J22A, J22B		05	F13A, F21A, F21B, F28A			
	21B	X01A, X01B, X01C	10	K09A, K09B		08	I02A, I02B, I02C, I02D, I22A, I22B, I50Z			
	5v626.8↔		BOP, KVT, UOP4	12		M04A, M04B, M04C, M04D, M37Z, M38Z	09	J02A, J02B, J02C, J04A, J04B, J08A, J08B, J08C, J16Z, J21Z, J22A, J22B		
		01	B03A, B03B, B06A, B06B, B07Z, B17A, B17B, B17C	21A		W04A, W04B	21A	W04A, W04B		
		05	F13A, F21A, F21B, F28A	21B		X01A, X01B, X01C	21B	X01A, X01B, X01C		
08		I02A, I02B, I02C, I02D, I22A, I22B, I50Z								
09		J02A, J02B, J02C, J04A, J04B, J08A, J08B, J08C, J16Z, J21Z, J22A, J22B								
21A		W04A, W04B								
21B		X01A, X01B, X01C								

ZZV	MDC	DRG	ZZV	MDC	DRG	ZZV	MDC	DRG			
5v627.8↔		BOP, KVT, UOP4	5v627.d		BOP, KVT, UOP4	5v627.n↔		BOP, KVT, UOP4			
	01	B03A, B03B, B06A, B06B, B07Z, B17A, B17B, B17C		01	B03A, B03B, B06A, B06B, B07Z, B17A, B17B, B17C		01	B03A, B03B, B06A, B06B, B07Z, B17A, B17B, B17C			
	05	F13A, F21A, F21B, F28A		05	F13A, F21A, F21B, F28A		05	F13A, F21A, F21B, F28A			
	08	I02A, I02B, I02C, I02D, I22A, I22B, I32A, I32B, I32C, I32D, I32E, I32F, I50Z		06	G10Z, G12A, G12B		06	G10Z, G12A, G12B			
	09	J02A, J02B, J02C, J04A, J04B, J08A, J08B, J08C, J16Z, J21Z, J22A, J22B		08	I02A, I02B, I02C, I02D, I22A, I22B, I50Z		08	I02A, I02B, I02C, I02D, I22A, I22B, I50Z			
	21A	W04A, W04B		09	J02A, J02B, J02C, J04A, J04B, J08A, J08B, J08C, J16Z, J21Z, J22A, J22B		09	J02A, J02B, J02C, J04A, J04B, J08A, J08B, J08C, J16Z, J21Z, J22A, J22B			
	21B	X01A, X01B, X01C		21A	W04A, W04B		21A	W04A, W04B			
	5v627.9↔			BOP, KVT, UOP4	5v627.e↔			BOP, KVT, UOP4	5v627.p↔		BOP, KVT, UOP4
		01		B03A, B03B, B06A, B06B, B07Z, B17A, B17B, B17C			01	B03A, B03B, B06A, B06B, B07Z, B17A, B17B, B17C		01	B03A, B03B, B06A, B06B, B07Z, B17A, B17B, B17C
		05		F13A, F21A, F21B, F28A			05	F13A, F21A, F21B, F27A, F27B, F27C, F28A		05	F13A, F21A, F21B, F28A
08		I12A, I12B, I12C, I32A, I32B, I32C, I32D, I32E, I32F	08	I02A, I02B, I02C, I02D, I22A, I22B, I50Z		08	I02A, I02B, I02C, I02D, I22A, I22B, I32A, I32B, I32C, I32D, I32E, I32F, I50Z				
09		J03A, J03B, J04A, J04B, J08A, J08B, J08C, J16Z, J21Z, J22A, J22B	09	J02A, J02B, J02C, J04A, J04B, J08A, J08B, J08C, J16Z, J21Z, J22A, J22B		09	J02A, J02B, J02C, J04A, J04B, J08A, J08B, J08C, J16Z, J21Z, J22A, J22B				
21A		W04A, W04B	10	K01Z		21A	W04A, W04B				
21B		X01A, X01B, X01C	21A	W04A, W04B		21B	X01A, X01B, X01C				
5v627.a			BOP, KVT, UOP4	5v627.f↔			BOP, KVT, UOP4	5v627.q↔			BOP, KVT, UOP4
		01	B03A, B03B, B06A, B06B, B07Z, B17A, B17B, B17C			01	B03A, B03B, B06A, B06B, B07Z, B17A, B17B, B17C			01	B03A, B03B, B06A, B06B, B07Z, B17A, B17B, B17C
		05	F13A, F21A, F21B, F28A			05	F13A, F21A, F21B, F27A, F27B, F27C, F28A			05	F13A, F21A, F21B, F28A
	06	G10Z, G12A, G12B	08		I02A, I02B, I02C, I02D, I22A, I22B, I50Z	08	I02A, I02B, I02C, I02D, I22A, I22B, I32A, I32B, I32C, I32D, I32E, I32F, I50Z				
	08	I02A, I02B, I02C, I02D, I22A, I22B, I50Z	09		J02A, J02B, J02C, J04A, J04B, J08A, J08B, J08C, J16Z, J21Z, J22A, J22B	09	J02A, J02B, J02C, J04A, J04B, J08A, J08B, J08C, J16Z, J21Z, J22A, J22B				
	09	J02A, J02B, J02C, J04A, J04B, J08A, J08B, J08C, J16Z, J21Z, J22A, J22B	09		J02A, J02B, J02C, J04A, J04B, J08A, J08B, J08C, J16Z, J21Z, J22A, J22B	21A	W04A, W04B				
	21A	W04A, W04B	10		K01Z	21B	X01A, X01B, X01C				
	21B	X01A, X01B, X01C	21A		W04A, W04B	5v627.r			BOP, KVT, UOP4		
	5v627.b		BOP, KVT, UOP4		5v627.g↔				BOP, KVT, UOP4	01	B03A, B03B, B06A, B06B, B07Z, B17A, B17B, B17C
		01	B03A, B03B, B06A, B06B, B07Z, B17A, B17B, B17C				01		B03A, B03B, B06A, B06B, B07Z, B17A, B17B, B17C	02	C20A, C20B
05		F13A, F21A, F21B, F28A	05	F13A, F21A, F21B, F27A, F27B, F27C, F28A			03	D18Z, D28Z, D29Z			
06		G10Z, G12A, G12B	08	I02A, I02B, I02C, I02D, I12A, I12B, I12C, I22A, I22B, I50Z			05	F13A, F21A, F21B, F28A			
08		I02A, I02B, I02C, I02D, I22A, I22B, I50Z	09	J02A, J02B, J02C, J04A, J04B, J08A, J08B, J08C, J16Z, J21Z, J22A, J22B			08	I02A, I02B, I02C, I02D, I22A, I22B, I50Z			
09		J02A, J02B, J02C, J04A, J04B, J08A, J08B, J08C, J16Z, J21Z, J22A, J22B	09	J02A, J02B, J02C, J04A, J04B, J08A, J08B, J08C, J16Z, J21Z, J22A, J22B			09	J02A, J02B, J02C, J04A, J04B, J08A, J08B, J08C, J16Z, J21Z, J22A, J22B			
21A		W04A, W04B	10	K01Z			21A	W04A, W04B			
21B		X01A, X01B, X01C	21A	W04A, W04B			21B	X01A, X01B, X01C			
5v627.c			BOP, KVT, UOP4	5v627.h				BOP, KVT, UOP4	5v627.s↔		BOP, KVT, UOP4
		01	B03A, B03B, B06A, B06B, B07Z, B17A, B17B, B17C			01	B03A, B03B, B06A, B06B, B07Z, B17A, B17B, B17C	01		B03A, B03B, B06A, B06B, B07Z, B17A, B17B, B17C	
	05	F13A, F21A, F21B, F28A	02		C20A, C20B	05	F13A, F21A, F21B, F28A				
	06	G10Z, G12A, G12B	03		D18Z, D28Z, D29Z	08	I02A, I02B, I02C, I02D, I22A, I22B, I32A, I32B, I32C, I32D, I32E, I32F, I50Z				
	08	I02A, I02B, I02C, I02D, I22A, I22B, I50Z	05		F13A, F21A, F21B, F28A	09	J02A, J02B, J02C, J04A, J04B, J08A, J08B, J08C, J16Z, J21Z, J22A, J22B				
	09	J02A, J02B, J02C, J04A, J04B, J08A, J08B, J08C, J16Z, J21Z, J22A, J22B	08		I02A, I02B, I02C, I02D, I22A, I22B, I50Z	21A	W04A, W04B				
	10	K09A, K09B	09		J02A, J02B, J02C, J04A, J04B, J08A, J08B, J08C, J16Z, J21Z, J22A, J22B	21B	X01A, X01B, X01C				
	12	M04A, M04B, M04C, M04D, M37Z, M38Z	21A		W04A, W04B						
	21A	W04A, W04B	21B		X01A, X01B, X01C						
	21B	X01A, X01B, X01C									

VYK

ZZV	MDC	DRG	ZZV	MDC	DRG	ZZV	MDC	DRG			
5v627.t↔		BOP, KVT, UOP4	5v62x.1		BOP, KVT, UOP4	5v62x.8↔		BOP, KVT, UOP4			
	01	B03A, B03B, B06A, B06B, B07Z, B17A, B17B, B17C		01	B03A, B03B, B06A, B06B, B07Z, B17A, B17B, B17C		01	B03A, B03B, B06A, B06B, B07Z, B17A, B17B, B17C			
	05	F13A, F21A, F21B, F28A		02	C20A, C20B		05	F13A, F21A, F21B, F28A			
	08	I02A, I02B, I02C, I02D, I22A, I22B, I32A, I32B, I32C, I32D, I32E, I32F, I50Z		03	D18Z, D28Z, D29Z		08	I02A, I02B, I02C, I02D, I22A, I22B, I50Z			
	09	J02A, J02B, J02C, J04A, J04B, J08A, J08B, J08C, J16Z, J21Z, J22A, J22B		05	F13A, F21A, F21B, F28A		09	J02A, J02B, J02C, J04A, J04B, J08A, J08B, J08C, J16Z, J21Z, J22A, J22B			
	21A	W04A, W04B		08	I02A, I02B, I02C, I02D, I22A, I22B, I50Z		21A	W04A, W04B			
	21B	X01A, X01B, X01C		09	J02A, J02B, J02C, J04A, J04B, J08A, J08B, J08C, J16Z, J21Z, J22A, J22B		21B	X01A, X01B, X01C			
	5v627.u↔			BOP, KVT, UOP4	5v62x.4			BOP, KVT, UOP4	5v62x.9↔		BOP, KVT, UOP4
		01		B03A, B03B, B06A, B06B, B07Z, B17A, B17B, B17C			01	B03A, B03B, B06A, B06B, B07Z, B17A, B17B, B17C		01	B03A, B03B, B06A, B06B, B07Z, B17A, B17B, B17C
		05		F13A, F21A, F21B, F28A			02	C20A, C20B		05	F13A, F21A, F21B, F28A
08		I02A, I02B, I02C, I02D, I22A, I22B, I32A, I32B, I32C, I32D, I32E, I32F, I50Z	03	D18Z, D28Z, D29Z		08	I12A, I12B, I12C, I32A, I32B, I32C, I32D, I32E, I32F				
09		J02A, J02B, J02C, J04A, J04B, J08A, J08B, J08C, J16Z, J21Z, J22A, J22B	05	F13A, F21A, F21B, F28A		09	J03A, J03B, J04A, J04B, J08A, J08B, J08C, J16Z, J21Z, J22A, J22B				
21A		W04A, W04B	08	I02A, I02B, I02C, I02D, I22A, I22B, I50Z		21A	W04A, W04B				
21B		X01A, X01B, X01C	09	J02A, J02B, J02C, J04A, J04B, J08A, J08B, J08C, J16Z, J21Z, J22A, J22B		21B	X01A, X01B, X01C				
5v627.w↔			BOP, KVT, UOP4	5v62x.5			BOP, KVT, UOP4	5v62x.a			BOP, KVT, UOP4
		01	B03A, B03B, B06A, B06B, B07Z, B17A, B17B, B17C			21A	W04A, W04B			01	B03A, B03B, B06A, B06B, B07Z, B17A, B17B, B17C
		05	F13A, F21A, F21B, F28A			21B	X01A, X01B, X01C			05	F13A, F21A, F21B, F28A
	08	I02A, I02B, I02C, I02D, I22A, I22B, I32A, I32B, I32C, I32D, I32E, I32F, I50Z	01		B03A, B03B, B06A, B06B, B07Z, B17A, B17B, B17C	06	G10Z, G12A, G12B				
	09	J02A, J02B, J02C, J04A, J04B, J08A, J08B, J08C, J16Z, J21Z, J22A, J22B	03		D18Z, D28Z, D29Z	08	I02A, I02B, I02C, I02D, I22A, I22B, I50Z				
	21A	W04A, W04B	05		F13A, F21A, F21B, F28A	09	J02A, J02B, J02C, J04A, J04B, J08A, J08B, J08C, J16Z, J21Z, J22A, J22B				
	21B	X01A, X01B, X01C	06		G10Z, G12A, G12B	21A	W04A, W04B				
	5v627.x↔		BOP, KVT, UOP4		5v62x.6↔		BOP, KVT, UOP4		5v62x.b		BOP, KVT, UOP4
		01	B03A, B03B, B06A, B06B, B07Z, B17A, B17B, B17C			21A	W04A, W04B			01	B03A, B03B, B06A, B06B, B07Z, B17A, B17B, B17C
		05	F13A, F21A, F21B, F28A			21B	X01A, X01B, X01C			05	F13A, F21A, F21B, F28A
08		I02A, I02B, I02C, I02D, I22A, I22B, I32A, I32B, I32C, I32D, I32E, I32F, I50Z	01	B03A, B03B, B06A, B06B, B07Z, B17A, B17B, B17C		06	G10Z, G12A, G12B				
09		J02A, J02B, J02C, J04A, J04B, J08A, J08B, J08C, J16Z, J21Z, J22A, J22B	05	F13A, F21A, F21B, F28A		08	I02A, I02B, I02C, I02D, I22A, I22B, I50Z				
21A		W04A, W04B	08	I02A, I02B, I02C, I02D, I22A, I22B, I50Z		09	J02A, J02B, J02C, J04A, J04B, J08A, J08B, J08C, J16Z, J21Z, J22A, J22B				
21B		X01A, X01B, X01C	09	J02A, J02B, J02C, J04A, J04B, J08A, J08B, J08C, J16Z, J21Z, J22A, J22B		21A	W04A, W04B				
5v627.y			BOP, KVT, UOP4	5v62x.7↔			BOP, KVT, UOP4	5v62x.c			BOP, KVT, UOP4
		01	B03A, B03B, B06A, B06B, B07Z, B17A, B17B, B17C			21A	W04A, W04B			01	B03A, B03B, B06A, B06B, B07Z, B17A, B17B, B17C
		02	C20A, C20B			21B	X01A, X01B, X01C			05	F13A, F21A, F21B, F28A
	03	D18Z, D28Z, D29Z	01		B03A, B03B, B06A, B06B, B07Z, B17A, B17B, B17C	06	G10Z, G12A, G12B				
	05	F13A, F21A, F21B, F28A	05		F13A, F21A, F21B, F28A	08	I02A, I02B, I02C, I02D, I22A, I22B, I50Z				
	08	I02A, I02B, I02C, I02D, I22A, I22B, I50Z	08		I02A, I02B, I02C, I02D, I22A, I22B, I50Z	09	J02A, J02B, J02C, J04A, J04B, J08A, J08B, J08C, J16Z, J21Z, J22A, J22B				
	09	J02A, J02B, J02C, J04A, J04B, J08A, J08B, J08C, J16Z, J21Z, J22A, J22B	09		J02A, J02B, J02C, J04A, J04B, J08A, J08B, J08C, J16Z, J21Z, J22A, J22B	21A	W04A, W04B				
	21A	W04A, W04B	21A		W04A, W04B	21B	X01A, X01B, X01C				
	21B	X01A, X01B, X01C	21B		X01A, X01B, X01C	01	B03A, B03B, B06A, B06B, B07Z, B17A, B17B, B17C				
	5v62x.0		BOP, KVT, UOP4		5v62x.8↔		BOP, KVT, UOP4		5v62x.d		BOP, KVT, UOP4
03		D08A, D08B, D18Z, D22A, D22B, D30A, D30B	01	B03A, B03B, B06A, B06B, B07Z, B17A, B17B, B17C		01	B03A, B03B, B06A, B06B, B07Z, B17A, B17B, B17C				
05		F13A, F28A	05	F13A, F21A, F21B, F28A		05	F13A, F21A, F21B, F28A				
09		J03A, J03B, J04A, J04B, J08A, J08B, J08C, J10A, J10B, J16Z	08	I02A, I02B, I02C, I02D, I22A, I22B, I50Z		06	G10Z, G12A, G12B				
21A		W04A, W04B	09	J02A, J02B, J02C, J04A, J04B, J08A, J08B, J08C, J16Z, J21Z, J22A, J22B		08	I02A, I02B, I02C, I02D, I22A, I22B, I50Z				
21B		X06A, X06B, X06C	21A	W04A, W04B		09	J02A, J02B, J02C, J04A, J04B, J08A, J08B, J08C, J16Z, J21Z, J22A, J22B				
			21B	X01A, X01B, X01C		10	K09A, K09B				
						12	M04A, M04B, M04C, M04D, M37Z, M38Z				
						21A	W04A, W04B				
						21B	X01A, X01B, X01C				

VYK

ZZV	MDC	DRG	ZZV	MDC	DRG	ZZV	MDC	DRG			
5v62x.d		BOP, KVT, UOP4	5v62x.n↔		BOP, KVT, UOP4	5v62x.u↔		BOP, KVT, UOP4			
	01	B03A, B03B, B06A, B06B, B07Z, B17A, B17B, B17C		01	B03A, B03B, B06A, B06B, B07Z, B17A, B17B, B17C		01	B03A, B03B, B06A, B06B, B07Z, B17A, B17B, B17C			
	05	F13A, F21A, F21B, F28A		05	F13A, F21A, F21B, F28A		05	F13A, F21A, F21B, F28A			
	06	G10Z, G12A, G12B		06	G10Z, G12A, G12B		08	I02A, I02B, I02C, I02D, I22A, I22B, I50Z			
	08	I02A, I02B, I02C, I02D, I22A, I22B, I50Z		08	I02A, I02B, I02C, I02D, I22A, I22B, I50Z		09	J02A, J02B, J02C, J04A, J04B, J08A, J08B, J08C, J16Z, J21Z, J22A, J22B			
	09	J02A, J02B, J02C, J04A, J04B, J08A, J08B, J08C, J16Z, J21Z, J22A, J22B		09	J02A, J02B, J02C, J04A, J04B, J08A, J08B, J08C, J16Z, J21Z, J22A, J22B		21A	W04A, W04B			
	21A	W04A, W04B		21A	W04A, W04B		21B	X01A, X01B, X01C			
	21B	X01A, X01B, X01C		21B	X01A, X01B, X01C			BOP, KVT, UOP4			
	5v62x.e↔			BOP, KVT, UOP4	5v62x.p↔			BOP, KVT, UOP4	5v62x.v↔		BOP, KVT, UOP4
		01		B03A, B03B, B06A, B06B, B07Z, B17A, B17B, B17C			01	B03A, B03B, B06A, B06B, B07Z, B17A, B17B, B17C		01	B03A, B03B, B06A, B06B, B07Z, B17A, B17B, B17C
05		F13A, F21A, F21B, F27A, F27B, F27C, F28A	05	F13A, F21A, F21B, F28A		05	F13A, F21A, F21B, F28A				
08		I02A, I02B, I02C, I02D, I22A, I22B, I50Z	08	I02A, I02B, I02C, I02D, I22A, I22B, I32A, I32B, I32C, I32D, I32E, I32F, I50Z		08	I02A, I02B, I02C, I02D, I22A, I22B, I32A, I32B, I32C, I32D, I32E, I32F, I50Z				
09		J02A, J02B, J02C, J04A, J04B, J08A, J08B, J08C, J16Z, J21Z, J22A, J22B	09	J02A, J02B, J02C, J04A, J04B, J08A, J08B, J08C, J16Z, J21Z, J22A, J22B		09	J02A, J02B, J02C, J04A, J04B, J08A, J08B, J08C, J16Z, J21Z, J22A, J22B				
10		K01Z	21A	W04A, W04B		21A	W04A, W04B				
21A		W04A, W04B	21B	X01A, X01B, X01C		21B	X01A, X01B, X01C				
21B		X01A, X01B, X01C		BOP, KVT, UOP4			BOP, KVT, UOP4				
5v62x.f↔			BOP, KVT, UOP4	5v62x.r			BOP, KVT, UOP4	5v62x.w↔			BOP, KVT, UOP4
		01	B03A, B03B, B06A, B06B, B07Z, B17A, B17B, B17C			01	B03A, B03B, B06A, B06B, B07Z, B17A, B17B, B17C			01	B03A, B03B, B06A, B06B, B07Z, B17A, B17B, B17C
	05	F13A, F21A, F21B, F27A, F27B, F27C, F28A	02		C20A, C20B	05	F13A, F21A, F21B, F28A				
	08	I02A, I02B, I02C, I02D, I22A, I22B, I50Z	03		D18Z, D28Z, D29Z	08	I02A, I02B, I02C, I02D, I22A, I22B, I32A, I32B, I32C, I32D, I32E, I32F, I50Z				
	09	J02A, J02B, J02C, J04A, J04B, J08A, J08B, J08C, J16Z, J21Z, J22A, J22B	05		F13A, F21A, F21B, F28A	09	J02A, J02B, J02C, J04A, J04B, J08A, J08B, J08C, J16Z, J21Z, J22A, J22B				
	10	K01Z	08		I02A, I02B, I02C, I02D, I22A, I22B, I50Z	21A	W04A, W04B				
	21A	W04A, W04B	09		J02A, J02B, J02C, J04A, J04B, J08A, J08B, J08C, J16Z, J21Z, J22A, J22B	21B	X01A, X01B, X01C				
	21B	X01A, X01B, X01C	21A		W04A, W04B		BOP, KVT, UOP4				
	5v62x.g↔		BOP, KVT, UOP4		5v62x.s↔		BOP, KVT, UOP4		5v62x.x↔		BOP, KVT, UOP4
		01	B03A, B03B, B06A, B06B, B07Z, B17A, B17B, B17C			01	B03A, B03B, B06A, B06B, B07Z, B17A, B17B, B17C			01	B03A, B03B, B06A, B06B, B07Z, B17A, B17B, B17C
05		F13A, F21A, F21B, F27A, F27B, F27C, F28A	05	F13A, F21A, F21B, F28A		05	F13A, F21A, F21B, F28A				
08		I02A, I02B, I02C, I02D, I12A, I12B, I12C, I22A, I22B, I50Z	08	I02A, I02B, I02C, I02D, I22A, I22B, I32A, I32B, I32C, I32D, I32E, I32F, I50Z		08	I02A, I02B, I02C, I02D, I22A, I22B, I32A, I32B, I32C, I32D, I32E, I32F, I50Z				
09		J02A, J02B, J02C, J04A, J04B, J08A, J08B, J08C, J16Z, J21Z, J22A, J22B	09	J02A, J02B, J02C, J04A, J04B, J08A, J08B, J08C, J16Z, J21Z, J22A, J22B		09	J02A, J02B, J02C, J04A, J04B, J08A, J08B, J08C, J16Z, J21Z, J22A, J22B				
10		K01Z	21A	W04A, W04B		21A	W04A, W04B				
21A		W04A, W04B	21B	X01A, X01B, X01C		21B	X01A, X01B, X01C				
21B		X01A, X01B, X01C		BOP, KVT, UOP4			BOP, KVT, UOP4				
5v62x.h			BOP, KVT, UOP4	5v62x.t↔			BOP, KVT, UOP4	5v62x.y			BOP, KVT, UOP4
		01	B03A, B03B, B06A, B06B, B07Z, B17A, B17B, B17C			01	B03A, B03B, B06A, B06B, B07Z, B17A, B17B, B17C			01	B03A, B03B, B06A, B06B, B07Z, B17A, B17B, B17C
	02	C20A, C20B	05		F13A, F21A, F21B, F28A	02	C20A, C20B				
	03	D18Z, D28Z, D29Z	08		I02A, I02B, I02C, I02D, I22A, I22B, I32A, I32B, I32C, I32D, I32E, I32F, I50Z	03	D18Z, D28Z, D29Z				
	05	F13A, F21A, F21B, F28A	09		J02A, J02B, J02C, J04A, J04B, J08A, J08B, J08C, J16Z, J21Z, J22A, J22B	05	F13A, F21A, F21B, F28A				
	08	I02A, I02B, I02C, I02D, I22A, I22B, I50Z	21A		W04A, W04B	08	I02A, I02B, I02C, I02D, I22A, I22B, I50Z				
	09	J02A, J02B, J02C, J04A, J04B, J08A, J08B, J08C, J16Z, J21Z, J22A, J22B	21B		X01A, X01B, X01C	09	J02A, J02B, J02C, J04A, J04B, J08A, J08B, J08C, J16Z, J21Z, J22A, J22B				
	21A	W04A, W04B			BOP, KVT, UOP4	21A	W04A, W04B				
	21B	X01A, X01B, X01C			BOP, KVT, UOP4	21B	X01A, X01B, X01C				

ZZV	MDC	DRG	ZZV	MDC	DRG	ZZV	MDC	DRG			
5v633.n↔		BOP, KVT, UOP4	5v633.t↔		BOP, KVT, UOP4	5v63x.0		BOP, KVT, UOP4			
	01	B03A, B03B, B06A, B06B, B07Z, B17A, B17B, B17C		01	B03A, B03B, B06A, B06B, B07Z, B17A, B17B, B17C		01	B03A, B03B, B06A, B06B, B07Z, B17A, B17B, B17C			
	05	F13A, F21A, F21B, F28A		05	F13A, F21A, F21B, F27A, F27B, F27C, F28A		03	D18Z, D25A, D25B, D25C, D25D			
	06	G10Z, G12A, G12B		08	I02A, I02B, I02C, I02D, I12A, I12B, I12C, I22A, I32A, I32B, I32C, I32D, I32E, I32F, I50Z		05	F13A, F21A, F21B, F28A			
	08	I02A, I02B, I02C, I02D, I12A, I12B, I12C, I22A, I50Z		09	J02A, J02B, J02C, J04A, J04B, J08A, J08B, J08C, J16Z, J21Z, J22A, J22B		08	I12A, I12B, I12C			
	09	J02A, J02B, J02C, J04A, J04B, J08A, J08B, J08C, J16Z, J21Z, J22A, J22B		10	K01Z		09	J02A, J02B, J02C, J04A, J04B, J08A, J08B, J08C, J16Z, J21Z, J22A, J22B			
	21A	W04A, W04B		21A	W04A, W04B		21A	W04A, W04B			
	21B	X01A, X01B		21B	X01A, X01B		21B	X01A, X01B			
	5v633.p↔			BOP, KVT, UOP4	5v633.u↔			BOP, KVT, UOP4	5v63x.1		BOP, KVT, UOP4
		01		B03A, B03B, B06A, B06B, B07Z, B17A, B17B, B17C			01	B03A, B03B, B06A, B06B, B07Z, B17A, B17B, B17C		01	B03A, B03B, B06A, B06B, B07Z, B17A, B17B, B17C
05		F13A, F21A, F21B, F27A, F27B, F27C, F28A	05	F13A, F21A, F21B, F27A, F27B, F27C, F28A		02	C20A, C20B				
08		I02A, I02B, I02C, I02D, I12A, I12B, I12C, I22A, I32A, I32B, I32C, I32D, I32E, I32F, I50Z	08	I02A, I02B, I02C, I02D, I12A, I12B, I12C, I22A, I32A, I32B, I32C, I32D, I32E, I32F, I50Z		03	D18Z, D25A, D25B, D25C, D25D				
09		J02A, J02B, J02C, J04A, J04B, J08A, J08B, J08C, J16Z, J21Z, J22A, J22B	09	J02A, J02B, J02C, J04A, J04B, J08A, J08B, J08C, J16Z, J21Z, J22A, J22B		05	F13A, F21A, F21B, F28A				
10		K01Z	10	K01Z		08	I02A, I02B, I02C, I02D, I12A, I12B, I12C, I22A, I50Z				
21A		W04A, W04B	10	K01Z		09	J02A, J02B, J02C, J04A, J04B, J08A, J08B, J08C, J16Z, J21Z, J22A, J22B				
21B		X01A, X01B	21A	W04A, W04B		21A	W04A, W04B				
5v633.q↔			BOP, KVT, UOP4	5v633.w↔			BOP, KVT, UOP4	5v63x.4			BOP, KVT, UOP4
		01	B03A, B03B, B06A, B06B, B07Z, B17A, B17B, B17C			01	B03A, B03B, B06A, B06B, B07Z, B17A, B17B, B17C			01	B03A, B03B, B06A, B06B, B07Z, B17A, B17B, B17C
	05	F13A, F21A, F21B, F27A, F27B, F27C, F28A	05		F13A, F21A, F21B, F27A, F27B, F27C, F28A	02	C20A, C20B				
	08	I02A, I02B, I02C, I02D, I12A, I12B, I12C, I22A, I32A, I32B, I32C, I32D, I32E, I32F, I50Z	08		I02A, I02B, I02C, I02D, I12A, I12B, I12C, I22A, I32A, I32B, I32C, I32D, I32E, I32F, I50Z	03	D18Z, D25A, D25B, D25C, D25D				
	09	J02A, J02B, J02C, J04A, J04B, J08A, J08B, J08C, J16Z, J21Z, J22A, J22B	09		J02A, J02B, J02C, J04A, J04B, J08A, J08B, J08C, J16Z, J21Z, J22A, J22B	05	F13A, F21A, F21B, F28A				
	10	K01Z	10		K01Z	08	I02A, I02B, I02C, I02D, I12A, I12B, I12C, I22A, I50Z				
	21A	W04A, W04B	10		K01Z	09	J02A, J02B, J02C, J04A, J04B, J08A, J08B, J08C, J16Z, J21Z, J22A, J22B				
	21B	X01A, X01B	21A		W04A, W04B	21A	W04A, W04B				
	5v633.r↔		BOP, KVT, UOP4		5v633.x↔		BOP, KVT, UOP4		5v63x.5		BOP, KVT, UOP4
		01	B03A, B03B, B06A, B06B, B07Z, B17A, B17B, B17C			01	B03A, B03B, B06A, B06B, B07Z, B17A, B17B, B17C			01	B03A, B03B, B06A, B06B, B07Z, B17A, B17B, B17C
05		F13A, F21A, F21B, F27A, F27B, F27C, F28A	05	F13A, F21A, F21B, F27A, F27B, F27C, F28A		03	D18Z, D25A, D25B, D25C, D25D				
08		I02A, I02B, I02C, I02D, I12A, I12B, I12C, I22A, I32A, I32B, I32C, I32D, I32E, I32F, I50Z	08	I02A, I02B, I02C, I02D, I12A, I12B, I12C, I22A, I32A, I32B, I32C, I32D, I32E, I32F, I50Z		05	F13A, F21A, F21B, F28A				
09		J02A, J02B, J02C, J04A, J04B, J08A, J08B, J08C, J16Z, J21Z, J22A, J22B	09	J02A, J02B, J02C, J04A, J04B, J08A, J08B, J08C, J16Z, J21Z, J22A, J22B		08	I02A, I02B, I02C, I02D, I12A, I12B, I12C, I22A, I50Z				
10		K01Z	10	K01Z		09	J02A, J02B, J02C, J04A, J04B, J08A, J08B, J08C, J16Z, J21Z, J22A, J22B				
21A		W04A, W04B	10	K01Z		21A	W04A, W04B				
21B		X01A, X01B	21A	W04A, W04B		21B	X01A, X01B				
5v633.s↔			BOP, KVT, UOP4	5v633.y			BOP, KVT, UOP4	5v63x.6↔			BOP, KVT, UOP4
		01	B03A, B03B, B06A, B06B, B07Z, B17A, B17B, B17C			01	B03A, B03B, B06A, B06B, B07Z, B17A, B17B, B17C			01	B03A, B03B, B06A, B06B, B07Z, B17A, B17B, B17C
	05	F13A, F21A, F21B, F27A, F27B, F27C, F28A	05		F13A, F21A, F21B, F27A, F27B, F27C, F28A	05	F13A, F21A, F21B, F28A				
	08	I02A, I02B, I02C, I02D, I12A, I12B, I12C, I22A, I32A, I32B, I32C, I32D, I32E, I32F, I50Z	08		I02A, I02B, I02C, I02D, I12A, I12B, I12C, I22A, I32A, I32B, I32C, I32D, I32E, I32F, I50Z	08	I02A, I02B, I02C, I02D, I12A, I12B, I12C, I22A, I50Z				
	09	J02A, J02B, J02C, J04A, J04B, J08A, J08B, J08C, J16Z, J21Z, J22A, J22B	09		J02A, J02B, J02C, J04A, J04B, J08A, J08B, J08C, J16Z, J21Z, J22A, J22B	09	J02A, J02B, J02C, J04A, J04B, J08A, J08B, J08C, J16Z, J21Z, J22A, J22B				
	10	K01Z	10		K01Z	21A	W04A, W04B				
	21A	W04A, W04B	10		K01Z	21B	X01A, X01B				
	21B	X01A, X01B	21A		W04A, W04B						
			21B		X01A, X01B						
			21B		X01A, X01B						

VYK

ZZV	MDC	DRG	ZZV	MDC	DRG	ZZV	MDC	DRG	
5v63x.t↔		BOP, KVT, UOP4	5z110.1‡	11	L20B	8c225	01	B12Z	
	01	B03A, B03B, B06A, B06B, B07Z, B17A, B17B, B17C	5z110.2‡	11	L20B	05	F01A, F01B, F01D, F05Z, F06C, F06D, F06E, F12A, F12B, F15Z, F24A, F24B, F36A, F36B, F52A, F52B, F56A, F56B, F58A, F58B		
	05	F13A, F21A, F21B, F27A, F27B, F27C, F28A	5z110.3‡	11	L20B	Pre	A13F		
	08	I02A, I02B, I02C, I02D, I12A, I12B, I12C, I22A, I32A, I32B, I32C, I32D, I32E, I32F, I50Z	5z110.4‡	11	L20B	8c22x	05	F01A, F01B, F01D, F15Z, F24A, F24B, F28A, F36A, F36B, F54Z, F59A, F59B	
	09	J02A, J02B, J02C, J04A, J04B, J08A, J08B, J08C, J16Z, J21Z, J22A, J22B	5z110.5‡	11	L20B	10	K09A, K09B		
	10	K01Z	5z110.6‡	11	L20B	8c320.1‡↔	11	L11Z, L19Z, L42A, L42B	
	21A	W04A, W04B	5z110.x‡	11	L20B	8c320.2‡↔	11	L11Z, L19Z, L42A, L42B	
	21B	X01A, X01B	5z112.4‡	05	F30Z, F42Z	8c322‡	07	H41A, H41B, H41C	
	5v63x.u↔		BOP, KVT, UOP4	5z113‡		KVT	8c323‡	11	L11Z, L19Z, L42A, L42B
		01	B03A, B03B, B06A, B06B, B07Z, B17A, B17B, B17C	5z121.21‡	Pre	A17A	8c324‡↔	11	L11Z, L19Z, L42A, L42B
		05	F13A, F21A, F21B, F27A, F27B, F27C, F28A	5z136.0‡	Pre	B61A	8d102‡	11	L42A
08		I02A, I02B, I02C, I02D, I12A, I12B, I12C, I22A, I32A, I32B, I32C, I32D, I32E, I32F, I50Z	5z136.1‡	Pre	B61A	8d103‡	11	L42A, L64A, L74Z	
09		J02A, J02B, J02C, J04A, J04B, J08A, J08B, J08C, J16Z, J21Z, J22A, J22B	5z136.2‡	Pre	B61A	8d104‡	11	L42A, L64A, L74Z	
10		K01Z	5z142‡	02	C10A	8d117‡	11	L42A	
21A		W04A, W04B	8a210.1‡	15	P66C, P67B, P67C	8d119‡	11	L42A	
21B		X01A, X01B	8a210.2‡	15	P66C, P67B, P67C	8d125‡	11	L42A	
5v63x.w↔			BOP, KVT, UOP4	8a210.3‡	15	P66C, P67B, P67C	8d210‡	15	P66C, P67B, P67C
		01	B03A, B03B, B06A, B06B, B07Z, B17A, B17B, B17C	8a220.1‡	15	P66C, P67B, P67C	8d220‡	07	H41A, H41B, H41C
		05	F13A, F21A, F21B, F27A, F27B, F27C, F28A	8a220.2‡	15	P66C, P67B, P67C	8d221‡	07	H41A, H41B, H41C
	08	I02A, I02B, I02C, I02D, I12A, I12B, I12C, I22A, I32A, I32B, I32C, I32D, I32E, I32F, I50Z	8a220.3‡	15	P66C, P67B, P67C	8d240.1‡	06	G40Z, G46A, G46B, G46C, G47Z, G50Z	
	09	J02A, J02B, J02C, J04A, J04B, J08A, J08B, J08C, J16Z, J21Z, J22A, J22B	8a973.2↔		BOP, KVT, UOP4	8d240.2‡	06	G40Z, G46A, G46B, G46C, G47Z, G50Z	
	10	K01Z	8a973.3↔	02	C01A, C01B, C10A, C10B, C10C, C16Z	8d241.1‡	06	G40Z, G46A, G46B, G46C, G47Z, G50Z	
	21A	W04A, W04B	8a973.4↔	02	C01A, C01B, C10A, C10B, C10C, C16Z	8d241.2‡	06	G40Z, G46A, G46B, G46C, G47Z, G50Z	
	21B	X01A, X01B			BOP, KVT, UOP4	8d242	07	H41A, H41B, H41C	
	5v63x.x↔		BOP, KVT, UOP4	8c104‡	06	G40Z, G48A, G48B, G48C	8d243	06	G03A, G10Z, G33Z, G38Z
		01	B03A, B03B, B06A, B06B, B07Z, B17A, B17B, B17C	8c105‡	06	G40Z, G46A, G46B, G46C, G47Z, G50Z	07	H02A, H02B, H33Z, H38Z	
		05	F13A, F21A, F21B, F27A, F27B, F27C, F28A	8c106‡	06	G40Z, G46A, G46B, G46C, G47Z, G50Z	11	L33Z	
08		I02A, I02B, I02C, I02D, I12A, I12B, I12C, I22A, I32A, I32B, I32C, I32D, I32E, I32F, I50Z	8c107‡	06	G40Z, G46A, G46B, G46C, G47Z, G50Z	17	R01A, R01B, R01C, R01D, R02Z, R12A, R12B, R12C		
09		J02A, J02B, J02C, J04A, J04B, J08A, J08B, J08C, J16Z, J21Z, J22A, J22B	8c108‡	06	G40Z, G46A, G46B, G46C, G47Z, G50Z	21A	W04A, W04B		
10		K01Z	8c109‡	06	G40Z, G48A, G48B, G48C	21B	X06A, X06B, X06C, X33Z		
21A		W04A, W04B	8c220.1	01	B12Z	23	Z01A		
21B		X01A, X01B		05	F01A, F01B, F01D, F05Z, F06C, F06D, F06E, F12A, F12B, F15Z, F24A, F24B, F36A, F36B, F52A, F52B, F56A, F56B, F58A, F58B	Pre	A07A		
5v63x.y			BOP, KVT, UOP4	8c220.x		A13F	8d245.1		BOP, KOP, KOPV, KVT, UOP4
		01	B03A, B03B, B06A, B06B, B07Z, B17A, B17B, B17C	8c221	01	B12Z	06	G15Z, G19A, G19B, G38Z	
		05	F13A, F21A, F21B, F27A, F27B, F27C, F28A		05	F01A, F01B, F01D, F05Z, F06C, F06D, F06E, F12A, F12B, F15Z, F24A, F24B, F36A, F36B, F52A, F52B, F56A, F56B, F58A, F58B	07	H06A, H06B, H06C, H33Z, H38Z	
	08	I02A, I02B, I02C, I02D, I12A, I12B, I12C, I22A, I32A, I32B, I32C, I32D, I32E, I32F, I50Z		Pre	A13F	11	L33Z		
	09	J02A, J02B, J02C, J04A, J04B, J08A, J08B, J08C, J16Z, J21Z, J22A, J22B		01	B12Z	23	Z01A		
	10	K01Z		05	F01A, F01B, F01D, F05Z, F06C, F06D, F06E, F12A, F12B, F15Z, F24A, F24B, F36A, F36B, F52A, F52B, F56A, F56B, F58A, F58B	Pre	A07A		
	21A	W04A, W04B		01	B12Z	8d245.2‡	06	G40Z, G46A, G46B, G46C, G47Z, G50Z	
	21B	X01A, X01B		05	F01A, F01B, F01D, F05Z, F06C, F06D, F06E, F12A, F12B, F15Z, F24A, F24B, F36A, F36B, F52A, F52B, F56A, F56B, F58A, F58B	8d301‡	06	G40Z, G46A, G46B, G46C, G47Z, G50Z	
	5z110.0‡		BOP, KVT, UOP4		Pre	A13F	8f100.11‡↔		KKI, KKP
		01	B03A, B03B, B06A, B06B, B07Z, B17A, B17B, B17C						
		02	C20A, C20B						

VYK

ZZV	MDC	DRG	ZZV	MDC	DRG	ZZV	MDC	DRG	
8f101.0		KKI, KKP	8f103.0		KKI, KKP	8f606.4		BOP, KVT, UOP4, VIAL	
	05	F21A, F21B, F21C		05	F21A, F21B, F21C		01	B02A, B02B, B02C, B02D, B20A, B20B, B20C, B20D, B20E, B39A, B39B	
	06	G10Z, G12A, G12B		06	G10Z, G12A, G12B		08	I08A, I08B, I08C, I08D, I08E, I08F, I10A, I10B, I10C, I10D, I10E	
	07	H12A, H12B		07	H12A, H12B		11	L09A, L38Z	
	11	L09A, L09B, L09C, L09D, L38Z		11	L09A, L09B, L09C, L09D, L38Z		17	R01A, R01B, R01C, R01D, R02Z, R12A, R12B, R12C	
	13	N11A, N11B		13	N11A, N11B		21A	W04A, W04B	
	17	R01A, R01B, R01C, R01D, R02Z, R12A, R12B, R12C		17	R01A, R01B, R01C, R01D, R02Z, R12A, R12B, R12C		21B	X06A, X06B, X06C	
	21A	W04A, W04B		21A	W04A, W04B				
	21B	X06A, X06B, X06C		21B	X06A, X06B, X06C				
	22	Y01Z, Y03A, Y03B		22	Y01Z, Y03A, Y03B				
8f101.1		KKI, KKP	8f103.1		KK11, KKI, KKII, KKP	8f608.40		BOP, KVT, UOP4	
	05	F21A, F21B, F21C		05	F21A, F21B, F21C		11	L18A, L18B, L19Z, L20A, L20B, L20C, L38Z	
	06	G10Z, G12A, G12B		06	G10Z, G12A, G12B		8f608.41	BOP, KVT, UOP4	
	07	H12A, H12B		07	H12A, H12B			11	L18A, L18B, L19Z, L20A, L20B, L20C, L38Z
	11	L09A, L09B, L09C, L09D, L38Z		10	K09A, K09B		8f608.42	BOP, KVT, UOP4	
	13	N11A, N11B		11	L09A, L09B, L09C, L09D, L38Z			11	L18A, L18B, L19Z, L20A, L20B, L20C, L38Z
	17	R01A, R01B, R01C, R01D, R02Z, R12A, R12B, R12C		13	N11A, N11B		8f608.50	BOP, KVT, UOP4	
	21A	W04A, W04B		17	R01A, R01B, R01C, R01D, R02Z, R12A, R12B, R12C			11	L18A, L18B, L19Z, L20A, L20B, L20C, L38Z
	21B	X06A, X06B, X06C		21A	W04A, W04B		8f608.51	BOP, KVT, UOP4	
	22	Y01Z, Y03A, Y03B		21B	X06A, X06B, X06C			11	L18A, L18B, L19Z, L20A, L20B, L20C, L38Z
8f101.2		KKI, KKP	8f103.2		KK11, KKI, KKII, KKP	8f608.52		BOP, KVT, UOP4	
	05	F21A, F21B, F21C		05	F21A, F21B, F21C		8f608.60	BOP, KVT, UOP4	
	06	G10Z, G12A, G12B		06	G10Z, G12A, G12B			11	L18A, L18B, L19Z, L20A, L20B, L20C, L38Z
	07	H12A, H12B		07	H12A, H12B		8f608.61	BOP, KVT, UOP4	
	11	L09A, L09B, L09C, L09D, L38Z		10	K09A, K09B			11	L18A, L18B, L19Z, L20A, L20B, L20C, L38Z
	13	N11A, N11B		11	L09A, L09B, L09C, L09D, L38Z		8f608.62	BOP, KVT, UOP4	
	17	R01A, R01B, R01C, R01D, R02Z, R12A, R12B, R12C		13	N11A, N11B			11	L18A, L18B, L19Z, L20A, L20B, L20C, L38Z
	21A	W04A, W04B		17	R01A, R01B, R01C, R01D, R02Z, R12A, R12B, R12C		8f608.66	BOP, KVT, UOP4	
	21B	X06A, X06B, X06C		21A	W04A, W04B			11	L18A, L18B, L19Z, L20A, L20B, L20C, L38Z
	22	Y01Z, Y03A, Y03B		21B	X06A, X06B, X06C		8f608.67	BOP, KVT, UOP4	
8f101.x		KKI, KKP	8f103.x		KK11, KKI, KKII, KKP	8f608.68			BOP, KVT, UOP4
	05	F21A, F21B, F21C		05	F21A, F21B, F21C		8f608.70	BOP, KVT, UOP4	
	06	G10Z, G12A, G12B		06	G10Z, G12A, G12B			11	L18A, L18B, L19Z, L20A, L20B, L20C, L38Z
	07	H12A, H12B		07	H12A, H12B		8f608.71	BOP, KVT, UOP4	
	11	L09A, L09B, L09C, L09D, L38Z		11	L09A, L09B, L09C, L09D, L38Z			11	L18A, L18B, L19Z, L20A, L20B, L20C, L38Z
	13	N11A, N11B		13	N11A, N11B		8f608.72	BOP, KVT, UOP4	
	17	R01A, R01B, R01C, R01D, R02Z, R12A, R12B, R12C		17	R01A, R01B, R01C, R01D, R02Z, R12A, R12B, R12C			11	L18A, L18B, L19Z, L20A, L20B, L20C, L38Z
	21A	W04A, W04B		21A	W04A, W04B		8f608.77	BOP, KVT, UOP4	
	21B	X06A, X06B, X06C		21B	X06A, X06B, X06C			11	L18A, L18B, L19Z, L20A, L20B, L20C, L38Z
	22	Y01Z, Y03A, Y03B		22	Y01Z, Y03A, Y03B		8f608.8	BOP, KVT, UOP4	
8f102.0↔		KKI, KKP	8f108.0↔		C01A, C01B, C13Z, C16Z	8g113			B03A, B03B, B06A, B06B, B07Z, B17A, B17B, B17C, B17D
	05	F21A, F21B, F21C		02	D12A, D12B		01	D13Z	
	06	G10Z, G12A, G12B		03	D06A, D06B, D06C		03	E02A, E02B, E02C	
	07	H12A, H12B		03	D12A, D12B		05	F13A, F21A, F21B, F21C	
	11	L09A, L09B, L09C, L09D, L38Z		02	C14Z		06	G10Z, G12A, G12B	
	13	N11A, N11B		02	W04A, W04B		07	H06A, H06B, H06C	
	17	R01A, R01B, R01C, R01D, R02Z, R12A, R12B, R12C		02	C01A, C01B, C15Z, C16Z		08	I12A, I12B, I12C, I28A, I28B	
	21A	W04A, W04B		10	K09A, K09B		09	J03A, J03B, J04A, J04B, J08A, J08B, J08C, J16Z, J21Z, J22A, J22B	
	21B	X06A, X06B, X06C		21A	W04A, W04B		10	K09A, K09B	
	22	Y01Z, Y03A, Y03B		21B	X06A, X06B, X06C		11	L09A, L09B, L09C, L09D, L38Z	
8f102.0↔		KKI, KKP	8f300.5↔		C01A, C01B, C13Z, C16Z	8f300.6↔		L09A, L09B, L09C, L09D, L38Z	
	05	F21A, F21B, F21C		02	D12A, D12B		8f304.0↔	11	N11A, N11B
	06	G10Z, G12A, G12B		03	D06A, D06B, D06C			21A	W04A, W04B
	07	H12A, H12B		13	N10Z		8f304.1↔	21B	X06A, X06B, X06C
	11	L09A, L09B, L09C, L09D, L38Z		02	C01A, C01B, C13Z, C16Z			8f306.0↔	13
	13	N11A, N11B		03	D12A, D12B		8f400.0↔		02
	17	R01A, R01B, R01C, R01D, R02Z, R12A, R12B, R12C		02	C14Z			8f403.0	03
	21A	W04A, W04B		21A	W04A, W04B		04		E02A, E02B, E02C
	21B	X06A, X06B, X06C		21B	X06A, X06B, X06C				
	22	Y01Z, Y03A, Y03B		22	Y01Z, Y03A, Y03B				

VYK

ZZV	MDC	DRG	ZZV	MDC	DRG	ZZV	MDC	DRG
8g114	01	B03A, B03B, B06A, B06B, B07Z, B17A, B17B, B17C, B17D	8g121.1	01	B03A, B03B, B06A, B06B, B07Z, B17A, B17B, B17C, B17D	8g121.4	01	B03A, B03B, B06A, B06B, B07Z, B17A, B17B, B17C, B17D
	03	D13Z		03	D13Z		03	D13Z
	04	E02A, E02B, E02C		04	E02A, E02B, E02C		04	E02A, E02B, E02C
	05	F13A, F21A, F21B, F21C		05	F13A, F21A, F21B, F21C		05	F13A, F21A, F21B, F21C
	06	G10Z, G12A, G12B		06	G10Z, G12A, G12B		06	G10Z, G12A, G12B
	07	H06A, H06B, H06C		07	H06A, H06B, H06C		07	H06A, H06B, H06C
	08	I12A, I12B, I12C, I28A, I28B		08	I12A, I12B, I12C, I28A, I28B		08	I12A, I12B, I12C, I28A, I28B
	09	J03A, J03B, J04A, J04B, J08A, J08B, J08C, J16Z, J21Z, J22A, J22B		09	J03A, J03B, J04A, J04B, J08A, J08B, J08C, J16Z, J21Z, J22A, J22B		09	J03A, J03B, J04A, J04B, J08A, J08B, J08C, J16Z, J21Z, J22A, J22B
	10	K09A, K09B		10	K09A, K09B		10	K09A, K09B
	11	L09A, L09B, L09C, L09D, L38Z		11	L09A, L09B, L09C, L09D, L38Z		11	L09A, L09B, L09C, L09D, L38Z
	13	N11A, N11B		13	N11A, N11B		13	N11A, N11B
	21A	W04A, W04B		21A	W04A, W04B		21A	W04A, W04B
	21B	X06A, X06B, X06C		21B	X06A, X06B, X06C		21B	X06A, X06B, X06C
8g115	01	B03A, B03B, B06A, B06B, B07Z, B17A, B17B, B17C, B17D	8g121.2	01	B03A, B03B, B06A, B06B, B07Z, B17A, B17B, B17C, B17D	8g121.5	01	B03A, B03B, B06A, B06B, B07Z, B17A, B17B, B17C, B17D
	03	D13Z		03	D13Z		03	D13Z
	04	E02A, E02B, E02C		04	E02A, E02B, E02C		04	E02A, E02B, E02C
	05	F13A, F21A, F21B, F21C		05	F13A, F21A, F21B, F21C		05	F13A, F21A, F21B, F21C
	06	G10Z, G12A, G12B		06	G10Z, G12A, G12B		06	G10Z, G12A, G12B
	07	H06A, H06B, H06C		07	H06A, H06B, H06C		07	H06A, H06B, H06C
	08	I12A, I12B, I12C, I28A, I28B		08	I12A, I12B, I12C, I28A, I28B		08	I12A, I12B, I12C, I28A, I28B
	09	J03A, J03B, J04A, J04B, J08A, J08B, J08C, J16Z, J21Z, J22A, J22B		09	J03A, J03B, J04A, J04B, J08A, J08B, J08C, J16Z, J21Z, J22A, J22B		09	J03A, J03B, J04A, J04B, J08A, J08B, J08C, J16Z, J21Z, J22A, J22B
	10	K09A, K09B		10	K09A, K09B		10	K09A, K09B
	11	L09A, L09B, L09C, L09D, L38Z		11	L09A, L09B, L09C, L09D, L38Z		11	L09A, L09B, L09C, L09D, L38Z
	13	N11A, N11B		13	N11A, N11B		13	N11A, N11B
	21A	W04A, W04B		21A	W04A, W04B		21A	W04A, W04B
	21B	X06A, X06B, X06C		21B	X06A, X06B, X06C		21B	X06A, X06B, X06C
8g121.0	01	B03A, B03B, B06A, B06B, B07Z, B17A, B17B, B17C, B17D	8g121.3	01	B03A, B03B, B06A, B06B, B07Z, B17A, B17B, B17C, B17D	8g210	01	B03A, B03B, B06A, B06B, B07Z, B17A, B17B, B17C, B17D
	03	D13Z		03	D13Z		03	D13Z
	04	E02A, E02B, E02C		04	E02A, E02B, E02C		04	E02A, E02B, E02C
	05	F13A, F21A, F21B, F21C		05	F13A, F21A, F21B, F21C		05	F21A, F21B, F21C
	06	G10Z, G12A, G12B		06	G10Z, G12A, G12B		06	G10Z, G12A, G12B
	07	H06A, H06B, H06C		07	H06A, H06B, H06C		07	H06A, H06B, H06C
	08	I12A, I12B, I12C, I28A, I28B		08	I12A, I12B, I12C, I28A, I28B		08	I28A, I28B
	09	J03A, J03B, J04A, J04B, J08A, J08B, J08C, J16Z, J21Z, J22A, J22B		09	J03A, J03B, J04A, J04B, J08A, J08B, J08C, J16Z, J21Z, J22A, J22B		09	J11A, J11B
	10	K09A, K09B		10	K09A, K09B		10	K09A, K09B
	11	L09A, L09B, L09C, L09D, L38Z		11	L09A, L09B, L09C, L09D, L38Z		11	L09A, L09B, L09C, L09D, L38Z
	13	N11A, N11B		13	N11A, N11B		13	N11A, N11B
	21A	W04A, W04B		21A	W04A, W04B		21A	W04A, W04B
	21B	X06A, X06B, X06C		21B	X06A, X06B, X06C		21B	X06A, X06B, X06C
				81105†	06	G40Z, G46A, G46B, G46C, G47Z		
				8m110		BOP, KK11, KKI, KKII, KKP, KVT, UOP4		
					01	B02A, B02B, B02C, B16Z, B39A, B39B		
					02	C02A, C02B, C16Z		
					03	D18Z, D20A, D20B		
					04	E08A, E08B, E08C		
					06	G15Z, G29A, G29B		
					07	H01A, H01B, H16Z		
					08	I54Z		
					09	J16Z, J18Z		
					10	K15A, K15B, K15C		
				11	L12Z			
				12	M10A, M10B, M60A			
				13	N16Z, N60A			
				17	R05Z, R06Z, R07A, R07B			

ZZV	MDC	DRG	ZZV	MDC	DRG	ZZV	MDC	DRG			
8m134.0		BOP, KK11, KKI, KKII, KKP, KVT, UOP4	8m140.1		BOP, KK11, KKI, KKII, KKP, KVT, UOP4	8m141.2		BOP, KK11, KKI, KKII, KKP, KVT, UOP4			
	01	B02A, B02B, B02C, B15Z, B16Z, B39A, B39B		01	B02A, B02B, B02C, B15Z, B16Z, B39A, B39B		01	B02A, B02B, B02C, B15Z, B16Z, B39A, B39B			
	02	C02A, C02B, C16Z		02	C02A, C02B, C16Z		02	C02A, C02B, C16Z			
	03	D18Z, D19Z, D20A, D20B		03	D18Z, D19Z, D20A, D20B		03	D18Z, D19Z, D20A, D20B			
	04	E08A, E08B, E08C		04	E08A, E08B, E08C		04	E08A, E08B, E08C			
	06	G15Z, G27A, G27B, G29A, G29B		06	G15Z, G27A, G27B, G29A, G29B		06	G15Z, G27A, G27B, G29A, G29B			
	07	H01A, H01B, H15Z, H16Z		07	H01A, H01B, H15Z, H16Z		07	H01A, H01B, H15Z, H16Z			
	08	I39Z, I54Z		08	I39Z, I54Z		08	I39Z, I54Z			
	09	J16Z, J17Z, J18Z		09	J16Z, J17Z, J18Z		09	J16Z, J17Z, J18Z			
	10	K15A, K15B, K15C		10	K15A, K15B, K15C		10	K15A, K15B, K15C			
	11	L12Z		11	L12Z		11	L12Z			
	12	M10A, M10B, M60A		12	M10A, M10B, M60A		12	M10A, M10B, M60A			
	13	N15Z, N16Z, N60A		13	N15Z, N16Z, N60A		13	N15Z, N16Z, N60A			
	17	R05Z, R06Z, R07A, R07B		17	R05Z, R06Z, R07A, R07B		17	R05Z, R06Z, R07A, R07B			
	8m134.1			BOP, KK11, KKI, KKII, KKP, KVT, UOP4	8m140.2			BOP, KK11, KKI, KKII, KKP, KVT, UOP4	8m143		BOP, KK11, KKI, KKII, KKP, KVT, UOP4
		01		B02A, B02B, B02C, B15Z, B16Z, B39A, B39B			01	B02A, B02B, B02C, B15Z, B16Z, B39A, B39B		01	B02A, B02B, B02C, B15Z, B16Z, B39A, B39B
		02		C02A, C02B, C16Z			02	C02A, C02B, C16Z		02	C02A, C02B, C16Z
03		D18Z, D19Z, D20A, D20B	03	D18Z, D19Z, D20A, D20B		03	D18Z, D19Z, D20A, D20B				
04		E08A, E08B, E08C	04	E08A, E08B, E08C		04	E08A, E08B, E08C				
06		G15Z, G27A, G27B, G29A, G29B	06	G15Z, G27A, G27B, G29A, G29B		06	G15Z, G27A, G27B, G29A, G29B				
07		H01A, H01B, H15Z, H16Z	07	H01A, H01B, H15Z, H16Z		07	H01A, H01B, H15Z, H16Z				
08		I39Z, I54Z	08	I39Z, I54Z		08	I39Z, I54Z				
09		J16Z, J17Z, J18Z	09	J16Z, J17Z, J18Z		09	J16Z, J17Z, J18Z				
10		K15A, K15B, K15C	10	K15A, K15B, K15C		10	K15A, K15B, K15C				
11		L12Z	11	L12Z		11	L12Z				
12		M10A, M10B, M60A	12	M10A, M10B, M60A		12	M10A, M10B, M60A				
13		N15Z, N16Z, N60A	13	N15Z, N16Z, N60A		13	N15Z, N16Z, N60A				
17		R05Z, R06Z, R07A, R07B	17	R05Z, R06Z, R07A, R07B		17	R05Z, R06Z, R07A, R07B				
8m134x			BOP, KK11, KKI, KKII, KKP, KVT, UOP4	8m141.1			BOP, KK11, KKI, KKII, KKP, KVT, UOP4	8m144			BOP, KK11, KKI, KKII, KKP, KVT, UOP4
		01	B02A, B02B, B02C, B15Z, B16Z, B39A, B39B			01	B02A, B02B, B02C, B15Z, B16Z, B39A, B39B			01	B02A, B02B, B02C, B15Z, B16Z, B39A, B39B
		02	C02A, C02B, C16Z			02	C02A, C02B, C16Z			02	C02A, C02B, C16Z
	03	D18Z, D19Z, D20A, D20B	03		D18Z, D19Z, D20A, D20B	03	D18Z, D19Z, D20A, D20B				
	04	E08A, E08B, E08C	04		E08A, E08B, E08C	04	E08A, E08B, E08C				
	06	G15Z, G27A, G27B, G29A, G29B	06		G15Z, G27A, G27B, G29A, G29B	06	G15Z, G27A, G27B, G29A, G29B				
	07	H01A, H01B, H15Z, H16Z	07		H01A, H01B, H15Z, H16Z	07	H01A, H01B, H15Z, H16Z				
	08	I39Z, I54Z	08		I39Z, I54Z	08	I39Z, I54Z				
	09	J16Z, J17Z, J18Z	09		J16Z, J17Z, J18Z	09	J16Z, J17Z, J18Z				
	10	K15A, K15B, K15C	10		K15A, K15B, K15C	10	K15A, K15B, K15C				
	11	L12Z	11		L12Z	11	L12Z				
	12	M10A, M10B, M60A	12		M10A, M10B, M60A	12	M10A, M10B, M60A				
	13	N15Z, N16Z, N60A	13		N15Z, N16Z, N60A	13	N15Z, N16Z, N60A				
	17	R05Z, R06Z, R07A, R07B	17		R05Z, R06Z, R07A, R07B	17	R05Z, R06Z, R07A, R07B				
			21A		W01A, W01B, W01C, W36Z	21A	W01A, W01B, W01C, W36Z				
			21B		X06A, X06B, X06C	21B	X06A, X06B, X06C				

ZZV	MDC	DRG	ZZV	MDC	DRG	ZZV	MDC	DRG			
8m145.0		BOP, KK11, KKI, KKII, KKP, KVT, UOP4	8m146		BOP, KK11, KKI, KKII, KKP, KVT, UOP4	8m14x		BOP, KK11, KKI, KKII, KKP, KVT, UOP4			
	01	B02A, B02B, B02C, B15Z, B16Z, B39A, B39B		01	B02A, B02B, B02C, B15Z, B16Z, B39A, B39B		01	B02A, B02B, B02C, B15Z, B16Z, B39A, B39B			
	02	C02A, C02B, C16Z		02	C02A, C02B, C16Z		02	C02A, C02B, C16Z			
	03	D18Z, D19Z, D20A, D20B		03	D18Z, D19Z, D20A, D20B		03	D18Z, D19Z, D20A, D20B			
	04	E08A, E08B, E08C		04	E08A, E08B, E08C		04	E08A, E08B, E08C			
	06	G15Z, G27A, G27B, G29A, G29B		06	G15Z, G27A, G27B, G29A, G29B		06	G15Z, G27A, G27B, G29A, G29B			
	07	H01A, H01B, H15Z, H16Z		07	H01A, H01B, H15Z, H16Z		07	H01A, H01B, H15Z, H16Z			
	08	I39Z, I54Z		08	I39Z, I54Z		08	I39Z, I54Z			
	09	J16Z, J17Z, J18Z		09	J16Z, J17Z, J18Z		09	J16Z, J17Z, J18Z			
	10	K15A, K15B, K15C		10	K15A, K15B, K15C		10	K15A, K15B, K15C			
	11	L12Z		11	L12Z		11	L12Z			
	12	M10A, M10B, M60A		12	M10A, M10B, M60A		12	M10A, M10B, M60A			
	13	N15Z, N16Z, N60A		13	N15Z, N16Z, N60A		13	N15Z, N16Z, N60A			
	17	R05Z, R06Z, R07A, R07B		17	R05Z, R06Z, R07A, R07B		17	R05Z, R06Z, R07A, R07B			
	21A	W01A, W01B, W01C, W36Z		21A	W01A, W01B, W01C, W36Z		8m150.00		BOP, KK11, KKI, KKII, KKP, KVT, UOP4		
	21B	X06A, X06B, X06C		21B	X06A, X06B, X06C			01	B02A, B02B, B02C, B15Z, B16Z, B39A, B39B		
	8m145.1			BOP, KK11, KKI, KKII, KKP, KVT, UOP4	8m147			BOP, KK11, KKI, KKII, KKP, KVT, UOP4	8m150.01		B02A, B02B, B02C, B15Z, B16Z, B39A, B39B
		01		B02A, B02B, B02C, B15Z, B16Z, B39A, B39B			01	B02A, B02B, B02C, B15Z, B16Z, B39A, B39B		02	C02A, C02B, C16Z
		02		C02A, C02B, C16Z			02	C02A, C02B, C16Z		03	D18Z, D19Z, D20A, D20B
		03		D18Z, D19Z, D20A, D20B			03	D18Z, D19Z, D20A, D20B		04	E08A, E08B, E08C
04		E08A, E08B, E08C	04	E08A, E08B, E08C		06	G15Z, G27A, G27B, G29A, G29B				
06		G15Z, G27A, G27B, G29A, G29B	06	G15Z, G27A, G27B, G29A, G29B		07	H01A, H01B, H15Z, H16Z				
07		H01A, H01B, H15Z, H16Z	07	H01A, H01B, H15Z, H16Z		08	I39Z, I54Z				
08		I39Z, I54Z	08	I39Z, I54Z		09	J16Z, J17Z, J18Z				
09		J16Z, J17Z, J18Z	09	J16Z, J17Z, J18Z		10	K15A, K15B, K15C				
10		K15A, K15B, K15C	10	K15A, K15B, K15C		11	L12Z				
11		L12Z	11	L12Z		12	M10A, M10B, M60A				
12		M10A, M10B, M60A	12	M10A, M10B, M60A		13	N15Z, N16Z, N60A				
13		N15Z, N16Z, N60A	13	N15Z, N16Z, N60A		17	R05Z, R06Z, R07A, R07B				
17		R05Z, R06Z, R07A, R07B	17	R05Z, R06Z, R07A, R07B			BOP, KK11, KKI, KKII, KKP, KVT, UOP4				
21A		W01A, W01B, W01C, W36Z	8m148			BOP, KK11, KKI, KKII, KKP, KVT, UOP4	01	B02A, B02B, B02C, B15Z, B16Z, B39A, B39B			
21B		X06A, X06B, X06C		02		C02A, C02B, C16Z	03	D18Z, D19Z, D20A, D20B			
8m145.2			BOP, KK11, KKI, KKII, KKP, KVT, UOP4	8m148			BOP, KK11, KKI, KKII, KKP, KVT, UOP4	8m150.10			E08A, E08B, E08C
		01	B02A, B02B, B02C, B15Z, B16Z, B39A, B39B			01	B02A, B02B, B02C, B15Z, B16Z, B39A, B39B			06	G15Z, G27A, G27B, G29A, G29B
		02	C02A, C02B, C16Z			02	C02A, C02B, C16Z			07	H01A, H01B, H15Z, H16Z
		03	D18Z, D19Z, D20A, D20B			03	D18Z, D19Z, D20A, D20B			08	I39Z, I54Z
	04	E08A, E08B, E08C	04		E08A, E08B, E08C	09	J16Z, J17Z, J18Z				
	06	G15Z, G27A, G27B, G29A, G29B	06		G15Z, G27A, G27B, G29A, G29B	10	K15A, K15B, K15C				
	07	H01A, H01B, H15Z, H16Z	07		H01A, H01B, H15Z, H16Z	11	L12Z				
	08	I39Z, I54Z	08		I39Z, I54Z	12	M10A, M10B, M60A				
	09	J16Z, J17Z, J18Z	09		J16Z, J17Z, J18Z	13	N15Z, N16Z, N60A				
	10	K15A, K15B, K15C	10		K15A, K15B, K15C	17	R05Z, R06Z, R07A, R07B				
	11	L12Z	11		L12Z		BOP, KK11, KKI, KKII, KKP, KVT, UOP4				
	12	M10A, M10B, M60A	12		M10A, M10B, M60A	01	B02A, B02B, B02C, B15Z, B16Z, B39A, B39B				
	13	N15Z, N16Z, N60A	13		N15Z, N16Z, N60A	02	C02A, C02B, C16Z				
	17	R05Z, R06Z, R07A, R07B	17		R05Z, R06Z, R07A, R07B	03	D18Z, D19Z, D20A, D20B				
	21A	W01A, W01B, W01C, W36Z				04	E08A, E08B, E08C				
	21B	X06A, X06B, X06C				06	G15Z, G27A, G27B, G29A, G29B				

ZZV	MDC	DRG	ZZV	MDC	DRG	ZZV	MDC	DRG			
8m150.11		BOP, KK11, KKI, KKII, KKP, KVT, UOP4	8m161.1		BOP, KK11, KKI, KKII, KKP, KVT, UOP4	8m162		BOP, KK11, KKI, KKII, KKP, KVT, UOP4			
	01	B02A, B02B, B02C, B15Z, B16Z, B39A, B39B		01	B02A, B02B, B02C, B16Z, B39A, B39B		01	B02A, B02B, B02C, B03A, B03B, B06A, B06B, B07Z, B16Z, B17A, B17B, B17C, B39A, B39B			
	02	C02A, C02B, C16Z		02	C02A, C02B, C16Z		02	C02A, C02B, C16Z			
	03	D18Z, D19Z, D20A, D20B		03	D18Z, D20A, D20B		03	D12A, D18Z, D20A, D20B			
	04	E08A, E08B, E08C		04	E08A, E08B, E08C		04	E03Z, E08A, E08B, E08C			
	06	G15Z, G27A, G27B, G29A, G29B		06	G15Z, G29A, G29B		05	F15Z, F24A, F24B, F36A, F36B, F52A, F52B, F56A, F56B			
	07	H01A, H01B, H15Z, H16Z		07	H01A, H01B, H16Z		06	G10Z, G12A, G12B, G15Z, G29A, G29B			
	08	I39Z, I54Z		08	I54Z		07	H01A, H01B, H16Z			
	09	J16Z, J17Z, J18Z		09	J16Z, J18Z		08	I54Z			
	10	K15A, K15B, K15C		10	K15A, K15B, K15C		09	J03A, J03B, J04A, J04B, J08A, J08B, J08C, J11A, J11B, J16Z, J18Z			
	11	L12Z		11	L12Z		10	K15A, K15B, K15C			
	12	M10A, M10B, M60A		12	M10A, M10B, M60A		11	L12Z			
	13	N15Z, N16Z, N60A		13	N09A, N14Z, N16Z		12	M10A, M10B, M60A			
	17	R05Z, R06Z, R07A, R07B		17	R05Z, R06Z, R07A, R07B		13	N09A, N14Z, N16Z			
	8m151			BOP, KK11, KKI, KKII, KKP, KVT, UOP4	8m161.2			BOP, KK11, KKI, KKII, KKP, KVT, UOP4	8m163.0		BOP, KK11, KKI, KKII, KKP, KVT, UOP4
		01		B02A, B02B, B02C, B15Z, B16Z, B39A, B39B			01	B02A, B02B, B02C, B16Z, B39A, B39B		01	B02A, B02B, B02C, B16Z, B39A, B39B
		02		C02A, C02B, C16Z			02	C02A, C02B, C16Z		02	C02A, C02B, C16Z
03		D18Z, D19Z, D20A, D20B	03	D18Z, D20A, D20B		03	D18Z, D20A, D20B				
04		E08A, E08B, E08C	04	E08A, E08B, E08C		04	E08A, E08B, E08C				
06		G15Z, G27A, G27B, G29A, G29B	06	G15Z, G29A, G29B		06	G15Z, G29A, G29B				
07		H01A, H01B, H15Z, H16Z	07	H01A, H01B, H16Z		07	H01A, H01B, H16Z				
08		I39Z, I54Z	08	I54Z		08	I54Z				
09		J16Z, J17Z, J18Z	09	J16Z, J18Z		09	J16Z, J18Z				
10		K15A, K15B, K15C	10	K15A, K15B, K15C		10	K15A, K15B, K15C				
11		L12Z	11	L12Z		11	L12Z				
12		M10A, M10B, M60A	12	M10A, M10B, M60A		12	M10A, M10B, M60A				
13		N15Z, N16Z, N60A	13	N09A, N14Z, N16Z		13	N09A, N14Z, N16Z				
17		R05Z, R06Z, R07A, R07B	17	R05Z, R06Z, R07A, R07B		17	R05Z, R06Z, R07A, R07B				
8m152			BOP, KK11, KKI, KKII, KKP, KVT, UOP4	8m161.x			BOP, KK11, KKI, KKII, KKP, KVT, UOP4	8m163.1			BOP, KK11, KKI, KKII, KKP, KVT, UOP4
		01	B02A, B02B, B02C, B15Z, B16Z, B39A, B39B			01	B02A, B02B, B02C, B03A, B03B, B06A, B06B, B07Z, B16Z, B17A, B17B, B17C, B39A, B39B			01	B02A, B02B, B02C, B16Z, B39A, B39B
		02	C02A, C02B, C16Z			02	C02A, C02B, C16Z			02	C02A, C02B, C16Z
	03	D18Z, D19Z, D20A, D20B	03		D12A, D18Z, D20A, D20B	03	D18Z, D20A, D20B				
	04	E08A, E08B, E08C	04		E03Z, E08A, E08B, E08C	04	E08A, E08B, E08C				
	06	G15Z, G27A, G27B, G29A, G29B	06		G10Z, G12A, G12B, G15Z, G29A, G29B	06	G15Z, G29A, G29B				
	07	H01A, H01B, H15Z, H16Z	07		H01A, H01B, H16Z	07	H01A, H01B, H16Z				
	08	I39Z, I54Z	08		I54Z	08	I54Z				
	09	J16Z, J17Z, J18Z	09		J03A, J03B, J04A, J04B, J08A, J08B, J08C, J11A, J11B, J16Z, J18Z	09	J16Z, J18Z				
	10	K15A, K15B, K15C	10		K15A, K15B, K15C	10	K15A, K15B, K15C				
	11	L12Z	11		L12Z	11	L12Z				
	12	M10A, M10B, M60A	12		M10A, M10B, M60A	12	M10A, M10B, M60A				
	13	N15Z, N16Z, N60A	13		N09A, N14Z, N16Z	13	N09A, N14Z, N16Z				
	17	R05Z, R06Z, R07A, R07B	17		R05Z, R06Z, R07A, R07B	17	R05Z, R06Z, R07A, R07B				
	8m161.0		BOP, KK11, KKI, KKII, KKP, KVT, UOP4								
		01	B02A, B02B, B02C, B16Z, B39A, B39B		21A	W04A, W04B					
		02	C02A, C02B, C16Z		21B	X04Z, X05A, X05B, X06A, X06B, X06C					
03		D18Z, D20A, D20B									
04		E08A, E08B, E08C									
06		G15Z, G29A, G29B									
07		H01A, H01B, H16Z									
08		I54Z									
09		J16Z, J18Z									
10		K15A, K15B, K15C									
11		L12Z									
12		M10A, M10B, M60A									
13		N09A, N14Z, N16Z									
17		R05Z, R06Z, R07A, R07B									

ZZV	MDC	DRG	ZZV	MDC	DRG	ZZV	MDC	DRG			
8m164.1		BOP, KK11, KKI, KKII, KKP, KVT, UOP4	8m165.01		BOP, KK11, KKI, KKII, KKP, KVT, UOP4	8m165.03		BOP, KK11, KKI, KKII, KKP, KVT, UOP4			
	01	B02A, B02B, B02C, B03A, B03B, B06A, B06B, B07Z, B16Z, B17A, B17B, B17C, B39A, B39B		01	B02A, B02B, B02C, B03A, B03B, B06A, B06B, B07Z, B16Z, B17A, B17B, B17C, B39A, B39B		01	B02A, B02B, B02C, B03A, B03B, B06A, B06B, B07Z, B16Z, B17A, B17B, B17C, B39A, B39B			
	02	C02A, C02B, C16Z		02	C02A, C02B, C16Z		02	C02A, C02B, C16Z			
	03	D12A, D18Z, D20A, D20B		03	D12A, D18Z, D20A, D20B		03	D12A, D18Z, D20A, D20B			
	04	E03Z, E08A, E08B, E08C		04	E03Z, E08A, E08B, E08C		04	E03Z, E08A, E08B, E08C			
	05	F15Z, F24A, F24B, F36A, F36B, F52A, F52B, F56A, F56B		06	G10Z, G12A, G12B, G15Z, G29A, G29B		06	G10Z, G12A, G12B, G15Z, G29A, G29B			
	06	G10Z, G12A, G12B, G15Z, G29A, G29B		07	H01A, H01B, H16Z		07	H01A, H01B, H16Z			
	07	H01A, H01B, H16Z		08	I54Z		08	I54Z			
	08	I54Z		09	J03A, J03B, J04A, J04B, J08A, J08B, J08C, J11A, J11B, J16Z, J18Z		09	J03A, J03B, J04A, J04B, J08A, J08B, J08C, J11A, J11B, J16Z, J18Z			
	09	J03A, J03B, J04A, J04B, J08A, J08B, J08C, J11A, J11B, J16Z, J18Z		10	K15A, K15B, K15C		10	K15A, K15B, K15C			
	10	K15A, K15B, K15C		11	L12Z		11	L12Z			
	11	L12Z		12	M10A, M10B, M60A		12	M10A, M10B, M60A			
	12	M10A, M10B, M60A		13	N09A, N14Z, N16Z		13	N09A, N14Z, N16Z			
	13	N09A, N14Z, N16Z		17	R05Z, R06Z, R07A, R07B		17	R05Z, R06Z, R07A, R07B			
	17	R05Z, R06Z, R07A, R07B		21A	W04A, W04B		21A	W04A, W04B			
	21A	W04A, W04B		21B	X04Z, X05A, X05B, X06A, X06B, X06C		21B	X04Z, X05A, X05B, X06A, X06B, X06C			
	21B	X04Z, X05A, X05B, X06A, X06B, X06C									
	8m164.2			BOP, KK11, KKI, KKII, KKP, KVT, UOP4	8m165.02			BOP, KK11, KKI, KKII, KKP, KVT, UOP4	8m165.0x		BOP, KK11, KKI, KKII, KKP, KVT, UOP4
		01		B02A, B02B, B02C, B03A, B03B, B06A, B06B, B07Z, B16Z, B17A, B17B, B17C, B39A, B39B			01	B02A, B02B, B02C, B03A, B03B, B06A, B06B, B07Z, B16Z, B17A, B17B, B17C, B39A, B39B		01	B02A, B02B, B02C, B03A, B03B, B06A, B06B, B07Z, B16Z, B17A, B17B, B17C, B39A, B39B
		02		C02A, C02B, C16Z			02	C02A, C02B, C16Z		02	C02A, C02B, C16Z
		03		D12A, D18Z, D20A, D20B			03	D12A, D18Z, D20A, D20B		03	D12A, D18Z, D20A, D20B
04		E03Z, E08A, E08B, E08C	04	E03Z, E08A, E08B, E08C		04	E03Z, E08A, E08B, E08C				
05		F15Z, F24A, F24B, F36A, F36B, F52A, F52B, F56A, F56B	06	G10Z, G12A, G12B, G15Z, G29A, G29B		06	G10Z, G12A, G12B, G15Z, G29A, G29B				
06		G10Z, G12A, G12B, G15Z, G29A, G29B	07	H01A, H01B, H16Z		07	H01A, H01B, H16Z				
07		H01A, H01B, H16Z	08	I54Z		08	I54Z				
08		I54Z	09	J03A, J03B, J04A, J04B, J08A, J08B, J08C, J11A, J11B, J16Z, J18Z		09	J03A, J03B, J04A, J04B, J08A, J08B, J08C, J11A, J11B, J16Z, J18Z				
09		J03A, J03B, J04A, J04B, J08A, J08B, J08C, J11A, J11B, J16Z, J18Z	10	K15A, K15B, K15C		10	K15A, K15B, K15C				
10		K15A, K15B, K15C	11	L12Z		11	L12Z				
11		L12Z	12	M10A, M10B, M60A		12	M10A, M10B, M60A				
12		M10A, M10B, M60A	13	N09A, N14Z, N16Z		13	N09A, N14Z, N16Z				
13		N09A, N14Z, N16Z	17	R05Z, R06Z, R07A, R07B		17	R05Z, R06Z, R07A, R07B				
17		R05Z, R06Z, R07A, R07B	21A	W04A, W04B		21A	W04A, W04B				
21A		W04A, W04B	21B	X04Z, X05A, X05B, X06A, X06B, X06C		21B	X04Z, X05A, X05B, X06A, X06B, X06C				
21B		X04Z, X05A, X05B, X06A, X06B, X06C									

VYK

ZZV	MDC	DRG	ZZV	MDC	DRG	ZZV	MDC	DRG			
8m165.11		BOP, KK11, KKI, KKII, KKP, KVT, UOP4	8m165.13		BOP, KK11, KKI, KKII, KKP, KVT, UOP4	8m165.21		BOP, KK11, KKI, KKII, KKP, KVT, UOP4			
	01	B02A, B02B, B02C, B03A, B03B, B06A, B06B, B07Z, B16Z, B17A, B17B, B17C, B39A, B39B		01	B02A, B02B, B02C, B03A, B03B, B06A, B06B, B07Z, B16Z, B17A, B17B, B17C, B39A, B39B		01	B02A, B02B, B02C, B03A, B03B, B06A, B06B, B07Z, B16Z, B17A, B17B, B17C, B39A, B39B			
	02	C02A, C02B, C16Z		02	C02A, C02B, C16Z		02	C02A, C02B, C16Z			
	03	D12A, D18Z, D20A, D20B		03	D12A, D18Z, D20A, D20B		03	D12A, D18Z, D20A, D20B			
	04	E03Z, E08A, E08B, E08C		04	E03Z, E08A, E08B, E08C		04	E03Z, E08A, E08B, E08C			
	06	G10Z, G12A, G12B, G15Z, G29A, G29B		06	G10Z, G12A, G12B, G15Z, G29A, G29B		06	G10Z, G12A, G12B, G15Z, G29A, G29B			
	07	H01A, H01B, H16Z		07	H01A, H01B, H16Z		07	H01A, H01B, H16Z			
	08	I54Z		08	I54Z		08	I54Z			
	09	J03A, J03B, J04A, J04B, J08A, J08B, J08C, J11A, J11B, J16Z, J18Z		09	J03A, J03B, J04A, J04B, J08A, J08B, J08C, J11A, J11B, J16Z, J18Z		09	J03A, J03B, J04A, J04B, J08A, J08B, J08C, J11A, J11B, J16Z, J18Z			
	10	K15A, K15B, K15C		10	K15A, K15B, K15C		10	K15A, K15B, K15C			
	11	L12Z		11	L12Z		11	L12Z			
	12	M10A, M10B, M60A		12	M10A, M10B, M60A		12	M10A, M10B, M60A			
	13	N09A, N14Z, N16Z		13	N09A, N14Z, N16Z		13	N09A, N14Z, N16Z			
	17	R05Z, R06Z, R07A, R07B		17	R05Z, R06Z, R07A, R07B		17	R05Z, R06Z, R07A, R07B			
	21A	W04A, W04B		21A	W04A, W04B		21A	W04A, W04B			
	21B	X04Z, X05A, X05B, X06A, X06B, X06C		21B	X04Z, X05A, X05B, X06A, X06B, X06C		21B	X04Z, X05A, X05B, X06A, X06B, X06C			
	8m165.12			BOP, KK11, KKI, KKII, KKP, KVT, UOP4	8m165.1x			BOP, KK11, KKI, KKII, KKP, KVT, UOP4	8m165.22		BOP, KK11, KKI, KKII, KKP, KVT, UOP4
		01		B02A, B02B, B02C, B03A, B03B, B06A, B06B, B07Z, B16Z, B17A, B17B, B17C, B39A, B39B			01	B02A, B02B, B02C, B03A, B03B, B06A, B06B, B07Z, B16Z, B17A, B17B, B17C, B39A, B39B		01	B02A, B02B, B02C, B03A, B03B, B06A, B06B, B07Z, B16Z, B17A, B17B, B17C, B39A, B39B
		02		C02A, C02B, C16Z			02	C02A, C02B, C16Z		02	C02A, C02B, C16Z
		03		D12A, D18Z, D20A, D20B			03	D12A, D18Z, D20A, D20B		03	D12A, D18Z, D20A, D20B
04		E03Z, E08A, E08B, E08C	04	E03Z, E08A, E08B, E08C		04	E03Z, E08A, E08B, E08C				
06		G10Z, G12A, G12B, G15Z, G29A, G29B	06	G10Z, G12A, G12B, G15Z, G29A, G29B		06	G10Z, G12A, G12B, G15Z, G29A, G29B				
07		H01A, H01B, H16Z	07	H01A, H01B, H16Z		07	H01A, H01B, H16Z				
08		I54Z	08	I54Z		08	I54Z				
09		J03A, J03B, J04A, J04B, J08A, J08B, J08C, J11A, J11B, J16Z, J18Z	09	J03A, J03B, J04A, J04B, J08A, J08B, J08C, J11A, J11B, J16Z, J18Z		09	J03A, J03B, J04A, J04B, J08A, J08B, J08C, J11A, J11B, J16Z, J18Z				
10		K15A, K15B, K15C	10	K15A, K15B, K15C		10	K15A, K15B, K15C				
11		L12Z	11	L12Z		11	L12Z				
12		M10A, M10B, M60A	12	M10A, M10B, M60A		12	M07Z, M10A, M10B, M60A				
13		N09A, N14Z, N16Z	13	N09A, N14Z, N16Z		13	N09A, N14Z, N16Z				
17		R05Z, R06Z, R07A, R07B	17	R05Z, R06Z, R07A, R07B		17	R05Z, R06Z, R07A, R07B				
21A		W04A, W04B	21A	W04A, W04B		21A	W04A, W04B				
21B		X04Z, X05A, X05B, X06A, X06B, X06C	21B	X04Z, X05A, X05B, X06A, X06B, X06C		21B	X04Z, X05A, X05B, X06A, X06B, X06C				
						8m166	BOP, KK11, KKI, KKII, KKP, KVT, UOP4				
						01	B02A, B02B, B02C, B16Z, B39A, B39B				
						02	C02A, C02B, C16Z				
						03	D18Z, D20A, D20B				
				04	E08A, E08B, E08C						
				06	G15Z, G29A, G29B						
				07	H01A, H01B, H16Z						
				08	I54Z						
				09	J16Z, J18Z						
				10	K15A, K15B, K15C						
				11	L12Z						
				12	M10A, M10B, M60A						
				13	N09A, N14Z, N16Z						
				17	R05Z, R06Z, R07A, R07B						

VYK

ZZV	MDC	DRG	ZZV	MDC	DRG	ZZV	MDC	DRG			
8m167		BOP, KK11, KKI, KKII, KKP, KVT, UOP4	8m170.1		BOP, KK11, KKI, KKII, KKP, KVT, UOP4	8m171.2		BOP, KK11, KKI, KKII, KKP, KVT, UOP4			
	01	B02A, B02B, B02C, B16Z, B39A, B39B		01	B02A, B02B, B02C, B16Z, B39A, B39B		01	B02A, B02B, B02C, B16Z, B39A, B39B			
	02	C02A, C02B, C16Z		02	C02A, C02B, C16Z		02	C02A, C02B, C16Z			
	03	D18Z, D20A, D20B		03	D18Z, D20A, D20B		03	D18Z, D20A, D20B			
	04	E08A, E08B, E08C		04	E08A, E08B, E08C		04	E08A, E08B, E08C			
	06	G15Z, G29A, G29B		06	G15Z, G29A, G29B		06	G15Z, G29A, G29B			
	07	H01A, H01B, H16Z		07	H01A, H01B, H16Z		07	H01A, H01B, H16Z			
	08	I54Z		08	I54Z		08	I54Z			
	09	J16Z, J18Z		09	J16Z, J18Z		09	J16Z, J18Z			
	10	K15A, K15B, K15C		10	K15A, K15B, K15C		10	K15A, K15B, K15C			
	11	L12Z		11	L12Z		11	L12Z			
	12	M10A, M10B, M60A		12	M10A, M10B, M60A		12	M10A, M10B, M60A			
	13	N09A, N14Z, N16Z		13	N16Z, N60A		13	N16Z, N60A			
	17	R05Z, R06Z, R07A, R07B		17	R05Z, R06Z, R07A, R07B		17	R05Z, R06Z, R07A, R07B			
	8m16x			BOP, KK11, KKI, KKII, KKP, KVT, UOP4	8m170.2			BOP, KK11, KKI, KKII, KKP, KVT, UOP4	8m171.3		BOP, KK11, KKI, KKII, KKP, KVT, UOP4
		01		B02A, B02B, B02C, B03A, B03B, B06A, B06B, B07Z, B16Z, B17A, B17B, B17C, B39A, B39B			01	B02A, B02B, B02C, B16Z, B39A, B39B		01	B02A, B02B, B02C, B16Z, B39A, B39B
		02		C02A, C02B, C16Z			02	C02A, C02B, C16Z		02	C02A, C02B, C16Z
03		D12A, D18Z, D20A, D20B	03	D18Z, D20A, D20B		03	D18Z, D20A, D20B				
04		E03Z, E08A, E08B, E08C	04	E08A, E08B, E08C		04	E08A, E08B, E08C				
06		G10Z, G12A, G12B, G15Z, G29A, G29B	06	G15Z, G29A, G29B		06	G15Z, G29A, G29B				
07		H01A, H01B, H16Z	07	H01A, H01B, H16Z		07	H01A, H01B, H16Z				
08		I54Z	08	I54Z		08	I54Z				
09		J03A, J03B, J04A, J04B, J08A, J08B, J08C, J11A, J11B, J16Z, J18Z	09	J16Z, J18Z		09	J16Z, J18Z				
10		K15A, K15B, K15C	10	K15A, K15B, K15C		10	K15A, K15B, K15C				
11		L12Z	11	L12Z		11	L12Z				
12		M10A, M10B, M60A	12	M10A, M10B, M60A		12	M10A, M10B, M60A				
13		N09A, N14Z, N16Z	13	N16Z, N60A		13	N16Z, N60A				
17		R05Z, R06Z, R07A, R07B	17	R05Z, R06Z, R07A, R07B		17	R05Z, R06Z, R07A, R07B				
21A		W04A, W04B									
21B		X04Z, X05A, X05B, X06A, X06B, X06C									
8m170.0			BOP, KK11, KKI, KKII, KKP, KVT, UOP4	8m170.x			BOP, KK11, KKI, KKII, KKP, KVT, UOP4	8m171.4			BOP, KK11, KKI, KKII, KKP, KVT, UOP4
	01	B02A, B02B, B02C, B16Z, B39A, B39B	01		B02A, B02B, B02C, B16Z, B39A, B39B	01	B02A, B02B, B02C, B16Z, B39A, B39B				
	02	C02A, C02B, C16Z	02		C02A, C02B, C16Z	02	C02A, C02B, C16Z				
	03	D18Z, D20A, D20B	03		D18Z, D20A, D20B	03	D18Z, D20A, D20B				
	04	E08A, E08B, E08C	04		E08A, E08B, E08C	04	E08A, E08B, E08C				
	06	G15Z, G29A, G29B	06		G15Z, G29A, G29B	06	G15Z, G29A, G29B				
	07	H01A, H01B, H16Z	07		H01A, H01B, H16Z	07	H01A, H01B, H16Z				
	08	I54Z	08		I54Z	08	I54Z				
	09	J16Z, J18Z	09		J16Z, J18Z	09	J16Z, J18Z				
	10	K15A, K15B, K15C	10		K15A, K15B, K15C	10	K15A, K15B, K15C				
	11	L12Z	11		L12Z	11	L12Z				
	12	M10A, M10B, M60A	12		M10A, M10B, M60A	12	M10A, M10B, M60A				
	13	N16Z, N60A	13		N16Z, N60A	13	N16Z, N60A				
	17	R05Z, R06Z, R07A, R07B	17		R05Z, R06Z, R07A, R07B	17	R05Z, R06Z, R07A, R07B				
	8m170.0		BOP, KK11, KKI, KKII, KKP, KVT, UOP4		8m171.1		BOP, KK11, KKI, KKII, KKP, KVT, UOP4		8m171.x		BOP, KK11, KKI, KKII, KKP, KVT, UOP4
		01	B02A, B02B, B02C, B16Z, B39A, B39B			01	B02A, B02B, B02C, B16Z, B39A, B39B			01	B02A, B02B, B02C, B16Z, B39A, B39B
		02	C02A, C02B, C16Z			02	C02A, C02B, C16Z			02	C02A, C02B, C16Z
03		D18Z, D20A, D20B	03	D18Z, D20A, D20B		03	D18Z, D20A, D20B				
04		E08A, E08B, E08C	04	E08A, E08B, E08C		04	E08A, E08B, E08C				
06		G15Z, G29A, G29B	06	G15Z, G29A, G29B		06	G15Z, G29A, G29B				
07		H01A, H01B, H16Z	07	H01A, H01B, H16Z		07	H01A, H01B, H16Z				
08		I54Z	08	I54Z		08	I54Z				
09		J16Z, J18Z	09	J16Z, J18Z		09	J16Z, J18Z				
10		K15A, K15B, K15C	10	K15A, K15B, K15C		10	K15A, K15B, K15C				
11		L12Z	11	L12Z		11	L12Z				
12		M10A, M10B, M60A	12	M10A, M10B, M60A		12	M10A, M10B, M60A				
13		N16Z, N60A	13	N16Z, N60A		13	N16Z, N60A				
17		R05Z, R06Z, R07A, R07B	17	R05Z, R06Z, R07A, R07B		17	R05Z, R06Z, R07A, R07B				

ZZV	MDC	DRG	ZZV	MDC	DRG	ZZV	MDC	DRG			
8m172.0		BOP, KK11, KKI, KKII, KKP, KVT, UOP4	8m172.21		BOP, KK11, KKI, KKII, KKP, KVT, UOP4	8m180.x		BOP, KK11, KKI, KKII, KVT, UOP4			
	01	B02A, B02B, B02C, B16Z, B39A, B39B		01	B02A, B02B, B02C, B16Z, B39A, B39B		01	B02A, B02B, B02C, B16Z, B39A, B39B			
	02	C02A, C02B, C16Z		02	C02A, C02B, C16Z		02	C02A, C02B, C16Z			
	03	D18Z, D20A, D20B		03	D18Z, D20A, D20B		03	D18Z, D20A, D20B			
	04	E08A, E08B, E08C		04	E08A, E08B, E08C		04	E08A, E08B, E08C			
	06	G15Z, G29A, G29B		06	G15Z, G29A, G29B		06	G15Z, G29A, G29B			
	07	H01A, H01B, H16Z		07	H01A, H01B, H16Z		07	H01A, H01B, H16Z			
	08	I54Z		08	I54Z		08	I54Z			
	09	J16Z, J18Z		09	J16Z, J18Z		09	J16Z, J18Z			
	10	K15A, K15B, K15C		10	K15A, K15B, K15C		10	K15A, K15B, K15C			
	11	L12Z		11	L12Z		11	L12Z			
	12	M10A, M10B, M60A		12	M10A, M10B, M60A		12	M10A, M10B, M60A			
	13	N16Z, N60A		13	N16Z, N60A		13	N16Z, N60A			
	17	R05Z, R06Z, R07A, R07B		17	R05Z, R06Z, R07A, R07B		17	R05Z, R06Z, R07A, R07B			
	8m172.10			BOP, KK11, KKI, KKII, KKP, KVT, UOP4	8m172.3			BOP, KK11, KKI, KKII, KKP, KVT, UOP4	8m181.0		BOP, KK11, KKI, KKII, KVT, UOP4
		01		B02A, B02B, B02C, B16Z, B39A, B39B			01	B02A, B02B, B02C, B16Z, B39A, B39B		01	B02A, B02B, B02C, B16Z, B39A, B39B
		02		C02A, C02B, C16Z			02	C02A, C02B, C16Z		02	C02A, C02B, C16Z
03		D18Z, D20A, D20B	03	D18Z, D20A, D20B		03	D18Z, D20A, D20B				
04		E08A, E08B, E08C	04	E08A, E08B, E08C		04	E08A, E08B, E08C				
06		G15Z, G29A, G29B	06	G15Z, G29A, G29B		06	G15Z, G29A, G29B				
07		H01A, H01B, H16Z	07	H01A, H01B, H16Z		07	H01A, H01B, H16Z				
08		I54Z	08	I54Z		08	I54Z				
09		J16Z, J18Z	09	J16Z, J18Z		09	J16Z, J18Z				
10		K15A, K15B, K15C	10	K15A, K15B, K15C		10	K15A, K15B, K15C				
11		L12Z	11	L12Z		11	L12Z				
12		M10A, M10B, M60A	12	M10A, M10B, M60A		12	M10A, M10B, M60A				
13		N16Z, N60A	13	N16Z, N60A		13	N16Z, N60A				
17		R05Z, R06Z, R07A, R07B	17	R05Z, R06Z, R07A, R07B		17	R05Z, R06Z, R07A, R07B				
8m172.11			BOP, KK11, KKI, KKII, KKP, KVT, UOP4	8m180.0			BOP, KK11, KKI, KKII, KVT, UOP4	8m181.1			BOP, KK11, KKI, KKII, KVT, UOP4
		01	B02A, B02B, B02C, B16Z, B39A, B39B			01	B02A, B02B, B02C, B16Z, B39A, B39B			01	B02A, B02B, B02C, B16Z, B39A, B39B
		02	C02A, C02B, C16Z			02	C02A, C02B, C16Z			02	C02A, C02B, C16Z
	03	D18Z, D20A, D20B	03		D18Z, D20A, D20B	03	D18Z, D20A, D20B				
	04	E08A, E08B, E08C	04		E08A, E08B, E08C	04	E08A, E08B, E08C				
	06	G15Z, G29A, G29B	06		G15Z, G29A, G29B	06	G15Z, G29A, G29B				
	07	H01A, H01B, H16Z	07		H01A, H01B, H16Z	07	H01A, H01B, H16Z				
	08	I54Z	08		I54Z	08	I54Z				
	09	J16Z, J18Z	09		J16Z, J18Z	09	J16Z, J18Z				
	10	K15A, K15B, K15C	10		K15A, K15B, K15C	10	K15A, K15B, K15C				
	11	L12Z	11		L12Z	11	L12Z				
	12	M10A, M10B, M60A	12		M10A, M10B, M60A	12	M10A, M10B, M60A				
	13	N16Z, N60A	13		N16Z, N60A	13	N16Z, N60A				
	17	R05Z, R06Z, R07A, R07B	17		R05Z, R06Z, R07A, R07B	17	R05Z, R06Z, R07A, R07B				
	8m172.20		BOP, KK11, KKI, KKII, KKP, KVT, UOP4		8m180.1		BOP, KK11, KKI, KKII, KVT, UOP4		8m181.x		BOP, KK11, KKI, KKII, KVT, UOP4
		01	B02A, B02B, B02C, B16Z, B39A, B39B			01	B02A, B02B, B02C, B16Z, B39A, B39B			01	B02A, B02B, B02C, B16Z, B39A, B39B
		02	C02A, C02B, C16Z			02	C02A, C02B, C16Z			02	C02A, C02B, C16Z
03		D18Z, D20A, D20B	03	D18Z, D20A, D20B		03	D18Z, D20A, D20B				
04		E08A, E08B, E08C	04	E08A, E08B, E08C		04	E08A, E08B, E08C				
06		G15Z, G29A, G29B	06	G15Z, G29A, G29B		06	G15Z, G29A, G29B				
07		H01A, H01B, H16Z	07	H01A, H01B, H16Z		07	H01A, H01B, H16Z				
08		I54Z	08	I54Z		08	I54Z				
09		J16Z, J18Z	09	J16Z, J18Z		09	J16Z, J18Z				
10		K15A, K15B, K15C	10	K15A, K15B, K15C		10	K15A, K15B, K15C				
11		L12Z	11	L12Z		11	L12Z				
12		M10A, M10B, M60A	12	M10A, M10B, M60A		12	M10A, M10B, M60A				
13		N16Z, N60A	13	N16Z, N60A		13	N16Z, N60A				
17		R05Z, R06Z, R07A, R07B	17	R05Z, R06Z, R07A, R07B		17	R05Z, R06Z, R07A, R07B				

ZZV	MDC	DRG	ZZV	MDC	DRG	ZZV	MDC	DRG		
8m183.1		BOP, KK11, KKI, KKII, KVT, UOP4	8m183.5		BOP, KK11, KKI, KKII, KVT, UOP4	8m301.x†		KK11, KKI, KKII, KKP		
	01	B02A, B02B, B02C, B16Z, B39A, B39B		01	B02A, B02B, B02C, B16Z, B39A, B39B		17	R60F, R63D, R63I		
	02	C02A, C02B, C16Z		02	C02A, C02B, C16Z	Pre	A42A			
	03	D18Z, D20A, D20B		03	D18Z, D20A, D20B	8m302.1†	17	R60C, R60D, R60E, R60F, R63D, R63E, R63H		
	04	E08A, E08B, E08C		04	E08A, E08B, E08C	Pre	A42A			
	06	G15Z, G29A, G29B		06	G15Z, G29A, G29B	8m302.2†	17	R60C, R60D, R60E, R60F, R63D, R63E, R63H		
	07	H01A, H01B, H16Z		07	H01A, H01B, H16Z	Pre	A42A			
	08	I54Z		08	I54Z	8m302.3†	17	R60C, R60D, R60E, R60F, R63D, R63E, R63H		
	09	J16Z, J18Z		09	J16Z, J18Z	Pre	A42A			
	10	K15A, K15B, K15C		10	K15A, K15B, K15C	8m302.4†	17	R60C, R60D, R60E, R60F, R63D, R63E, R63H		
	11	L12Z		11	L12Z	Pre	A42A			
	12	M10A, M10B, M60A		12	M10A, M10B, M60A	8m302.5†	17	R60C, R60D, R60E, R60F, R63D, R63E, R63H		
	13	N16Z, N60A		13	N16Z, N60A	Pre	A42A			
	17	R05Z, R06Z, R07A, R07B		17	R05Z, R06Z, R07A, R07B	8m302.6†	17	R60C, R60D, R60E, R60F, R63D, R63E, R63H		
	8m183.2			BOP, KK11, KKI, KKII, KVT, UOP4	8m183.7		BOP, KK11, KKI, KKII, KVT, UOP4	8m302.7†		R60C, R60D, R60E, R60F, R63D, R63E, R63H
		01		B02A, B02B, B02C, B16Z, B39A, B39B		01	B02A, B02B, B02C, B16Z, B39A, B39B		Pre	A42A
		02		C02A, C02B, C16Z		02	C02A, C02B, C16Z	8m302.8†	17	R60C, R60D, R60E, R60F, R63D, R63E, R63H
03		D18Z, D20A, D20B	03	D18Z, D20A, D20B		Pre	A42A			
04		E08A, E08B, E08C	04	E08A, E08B, E08C		8m302.9†	17	R60C, R60D, R60E, R60F, R63D, R63E, R63H		
06		G15Z, G29A, G29B	06	G15Z, G29A, G29B		Pre	A42A			
07		H01A, H01B, H16Z	07	H01A, H01B, H16Z		8m303.12†	17	R60C, R60D, R60E, R60F, R63D, R63E, R63H		
08		I54Z	08	I54Z		Pre	A42A			
09		J16Z, J18Z	09	J16Z, J18Z		8m303.13†	17	R60C, R60D, R60E, R60F, R63D, R63E, R63H		
10		K15A, K15B, K15C	10	K15A, K15B, K15C		Pre	A42A			
11		L12Z	11	L12Z		8m303.14†	17	R60C, R60D, R60E, R60F, R63D, R63E, R63H		
12		M10A, M10B, M60A	12	M10A, M10B, M60A		Pre	A42A			
13		N16Z, N60A	13	N16Z, N60A		8m303.15†	17	R60C, R60D, R60E, R60F, R63D, R63E, R63H		
17		R05Z, R06Z, R07A, R07B	17	R05Z, R06Z, R07A, R07B		Pre	A42A			
8m183.3			BOP, KK11, KKI, KKII, KVT, UOP4	8m183.x			BOP, KK11, KKI, KKII, KVT, UOP4	8m303.16†		KKP
		01	B02A, B02B, B02C, B16Z, B39A, B39B			01	B02A, B02B, B02C, B16Z, B39A, B39B		17	R60C, R60D, R60E, R60F, R63D, R63E, R63H
		02	C02A, C02B, C16Z			02	C02A, C02B, C16Z	Pre	A42A	
	03	D18Z, D20A, D20B	03		D18Z, D20A, D20B	8m303.17†	17	R60C, R60D, R60E, R60F, R63D, R63E, R63H		
	04	E08A, E08B, E08C	04		E08A, E08B, E08C	Pre	A42A			
	06	G15Z, G29A, G29B	06		G15Z, G29A, G29B	8m303.22†	17	R60C, R60D, R60E, R60F, R63D, R63E, R63H		
	07	H01A, H01B, H16Z	07		H01A, H01B, H16Z	Pre	A42A			
	08	I54Z	08		I54Z	8m303.23†	17	R60C, R60D, R60E, R60F, R63D, R63E, R63H		
	09	J16Z, J18Z	09		J16Z, J18Z	Pre	A42A			
	10	K15A, K15B, K15C	10		K15A, K15B, K15C	8m303.24†	17	R60C, R60D, R60E, R60F, R63D, R63E, R63H		
	11	L12Z	11		L12Z	Pre	A42A			
	12	M10A, M10B, M60A	12		M10A, M10B, M60A	8m303.25†	17	R60C, R60D, R60E, R60F, R63D, R63E, R63H		
	13	N16Z, N60A	13		N16Z, N60A	Pre	A42A			
	17	R05Z, R06Z, R07A, R07B	17		R05Z, R06Z, R07A, R07B	Pre	A42A			
	8m183.4		BOP, KK11, KKI, KKII, KVT, UOP4		8m301.0†		BOP, KK11, KKI, KKII, KKP	8m301.x†		KK11, KKI, KKII, KKP
		01	B02A, B02B, B02C, B16Z, B39A, B39B			17	R60F, R63D, R63I		17	R60F, R63D, R63I
		02	C02A, C02B, C16Z		Pre	A42A	Pre	A42A		
03		D18Z, D20A, D20B	8m301.1†	17	KK11, KKI, KKII, KKP	8m302.1†	17	R60C, R60D, R60E, R60F, R63D, R63E, R63H		
04		E08A, E08B, E08C	Pre	A42A	Pre	A42A				
06		G15Z, G29A, G29B	8m301.2†↔	17	KK11, KKI, KKII, KKP	8m302.2†	17	R60C, R60D, R60E, R60F, R63D, R63E, R63H		
07		H01A, H01B, H16Z	Pre	A42A	Pre	A42A				
08		I54Z	8m301.3†	17	KK11, KKI, KKII, KKP	8m302.3†	17	R60C, R60D, R60E, R60F, R63D, R63E, R63H		
09		J16Z, J18Z	Pre	A42A	Pre	A42A				
10		K15A, K15B, K15C	17	R60F, R63D, R63I	8m302.4†	17	R60C, R60D, R60E, R60F, R63D, R63E, R63H			
11		L12Z	Pre	A42A	Pre	A42A				
12		M10A, M10B, M60A	8m301.4†	17	KK11, KKI, KKII, KKP	8m302.5†	17	R60C, R60D, R60E, R60F, R63D, R63E, R63H		
13		N16Z, N60A	Pre	A42A	Pre	A42A				
17		R05Z, R06Z, R07A, R07B	8m301.5†↔	17	KK11, KKI, KKII, KKP	8m302.6†	17	R60C, R60D, R60E, R60F, R63D, R63E, R63H		
			Pre	A42A	Pre	A42A				
			8m301.6†	17	R60F, R63D, R63I	8m302.7†	17	R60C, R60D, R60E, R60F, R63D, R63E, R63H		
			Pre	A42A	Pre	A42A				
			8m301.6†	17	KK11, KKI, KKII, KKP	8m302.8†	17	R60C, R60D, R60E, R60F, R63D, R63E, R63H		
		Pre	A42A	Pre	A42A					

ZZV	MDC	DRG	ZZV	MDC	DRG	ZZV	MDC	DRG
8m303.26‡		KKP	8m303.55‡		KKP	8m303.84‡		KKP
	17	R60C, R60D, R60E, R60F, R63D, R63E, R63H		17	R60C, R60D, R60E, R60F, R63D, R63E, R63H		17	R60C, R60D, R60E, R60F, R63D, R63E, R63H
	Pre	A42A		Pre	A42A		Pre	A42A
8m303.27‡		KKP	8m303.56‡		KKP	8m303.85‡		KKP
	17	R60C, R60D, R60E, R60F, R63D, R63E, R63H		17	R60C, R60D, R60E, R60F, R63D, R63E, R63H		17	R60C, R60D, R60E, R60F, R63D, R63E, R63H
	Pre	A42A		Pre	A42A		Pre	A42A
8m303.32‡		KKP	8m303.57‡		KKP	8m303.86‡		KKP
	17	R60C, R60D, R60E, R60F, R63D, R63E, R63H		17	R60C, R60D, R60E, R60F, R63D, R63E, R63H		17	R60C, R60D, R60E, R60F, R63D, R63E, R63H
	Pre	A42A		Pre	A42A		Pre	A42A
8m303.33‡		KKP	8m303.62‡		KKP	8m303.87‡		KKP
	17	R60C, R60D, R60E, R60F, R63D, R63E, R63H		17	R60C, R60D, R60E, R60F, R63D, R63E, R63H		17	R60C, R60D, R60E, R60F, R63D, R63E, R63H
	Pre	A42A		Pre	A42A		Pre	A42A
8m303.34‡		KKP	8m303.63‡		KKP	8m303.92‡		KKP
	17	R60C, R60D, R60E, R60F, R63D, R63E, R63H		17	R60C, R60D, R60E, R60F, R63D, R63E, R63H		17	R60C, R60D, R60E, R60F, R63D, R63E, R63H
	Pre	A42A		Pre	A42A		Pre	A42A
8m303.35‡		KKP	8m303.64‡		KKP	8m303.93‡		KKP
	17	R60C, R60D, R60E, R60F, R63D, R63E, R63H		17	R60C, R60D, R60E, R60F, R63D, R63E, R63H		17	R60C, R60D, R60E, R60F, R63D, R63E, R63H
	Pre	A42A		Pre	A42A		Pre	A42A
8m303.36‡		KKP	8m303.65‡		KKP	8m303.94‡		KKP
	17	R60C, R60D, R60E, R60F, R63D, R63E, R63H		17	R60C, R60D, R60E, R60F, R63D, R63E, R63H		17	R60C, R60D, R60E, R60F, R63D, R63E, R63H
	Pre	A42A		Pre	A42A		Pre	A42A
8m303.37‡		KKP	8m303.66‡		KKP	8m303.95‡		KKP
	17	R60C, R60D, R60E, R60F, R63D, R63E, R63H		17	R60C, R60D, R60E, R60F, R63D, R63E, R63H		17	R60C, R60D, R60E, R60F, R63D, R63E, R63H
	Pre	A42A		Pre	A42A		Pre	A42A
8m303.42‡		KKP	8m303.67‡		KKP	8m303.96‡		KKP
	17	R60C, R60D, R60E, R60F, R63D, R63E, R63H		17	R60C, R60D, R60E, R60F, R63D, R63E, R63H		17	R60C, R60D, R60E, R60F, R63D, R63E, R63H
	Pre	A42A		Pre	A42A		Pre	A42A
8m303.43‡		KKP	8m303.72‡		KKP	8m303.97‡		KKP
	17	R60C, R60D, R60E, R60F, R63D, R63E, R63H		17	R60C, R60D, R60E, R60F, R63D, R63E, R63H		17	R60C, R60D, R60E, R60F, R63D, R63E, R63H
	Pre	A42A		Pre	A42A		Pre	A42A
8m303.44‡		KKP	8m303.73‡		KKP	8m304.1‡		KKP
	17	R60C, R60D, R60E, R60F, R63D, R63E, R63H		17	R60C, R60D, R60E, R60F, R63D, R63E, R63H		08	I65A
	Pre	A42A		Pre	A42A		12	M60B
8m303.45‡		KKP	8m303.74‡		KKP		17	R16Z, R60A, R60B, R60C, R60D, R60E, R61A, R63A, R63B, R63C, R63E, R63G
	17	R60C, R60D, R60E, R60F, R63D, R63E, R63H		17	R60C, R60D, R60E, R60F, R63D, R63E, R63H		Pre	A42A
	Pre	A42A		Pre	A42A	8m304.2‡		KKP
8m303.46‡		KKP	8m303.75‡		KKP		08	I65A
	17	R60C, R60D, R60E, R60F, R63D, R63E, R63H		17	R60C, R60D, R60E, R60F, R63D, R63E, R63H		12	M60B
	Pre	A42A		Pre	A42A		17	R16Z, R60A, R61A, R63A
8m303.47‡		KKP	8m303.76‡		KKP	8m305.0‡		KK11, KKII, KKP
	17	R60C, R60D, R60E, R60F, R63D, R63E, R63H		17	R60C, R60D, R60E, R60F, R63D, R63E, R63H		17	R60F, R63D, R63I
	Pre	A42A		Pre	A42A		Pre	A42A
8m303.52‡		KKP	8m303.77‡		KKP	8m305.1‡		KK11, KKII, KKP
	17	R60C, R60D, R60E, R60F, R63D, R63E, R63H		17	R60C, R60D, R60E, R60F, R63D, R63E, R63H		17	R60F, R63D, R63I
	Pre	A42A		Pre	A42A		Pre	A42A
8m303.53‡		KKP	8m303.82‡		KKP	8m305.x‡		KK11, KKII, KKP
	17	R60C, R60D, R60E, R60F, R63D, R63E, R63H		17	R60C, R60D, R60E, R60F, R63D, R63E, R63H		17	R60F, R63D, R63I
	Pre	A42A		Pre	A42A		Pre	A42A
8m303.54‡		KKP	8m303.83‡		KKP	8m311.0‡		KK11, KKI, KKII, KKP
	17	R60C, R60D, R60E, R60F, R63D, R63E, R63H		17	R60C, R60D, R60E, R60F, R63D, R63E, R63H		17	R60F, R63D, R63I
	Pre	A42A		Pre	A42A		Pre	A42A
	Pre	A42A		Pre	A42A	8m311.1‡		R60C, R60D, R60E, R60F, R63D, R63E, R63H
							Pre	A42A

ZZV	MDC	DRG	ZZV	MDC	DRG	ZZV	MDC	DRG			
8m400.0		BOP, KK11, KKI, KKII, KKP, KVT, UOP4	8m402.0		BOP, KK11, KKI, KKII, KKP, KVT, UOP4	8m412		BOP, KK11, KKI, KKII, KKP, KVT, UOP4			
	01	B02A, B02B, B02C, B16Z, B39A, B39B		01	B02A, B02B, B02C, B16Z, B39A, B39B		01	B02A, B02B, B02C, B16Z, B39A, B39B			
	02	C02A, C02B, C16Z		02	C02A, C02B, C16Z		02	C02A, C02B, C16Z			
	03	D18Z, D20A, D20B		03	D18Z, D20A, D20B		03	D18Z, D20A, D20B			
	04	E03Z, E08A, E08B, E08C		04	E03Z, E08A, E08B, E08C		04	E03Z, E08A, E08B, E08C			
	06	G15Z, G29A, G29B		06	G15Z, G29A, G29B		06	G15Z, G29A, G29B			
	07	H01A, H01B, H16Z		07	H01A, H01B, H16Z		07	H01A, H01B, H16Z			
	08	I54Z		08	I54Z		08	I54Z			
	09	J16Z, J18Z		09	J16Z, J18Z		09	J16Z, J18Z			
	10	K15A, K15B, K15C, K15D		10	K15A, K15B, K15C		10	K15A, K15B, K15C			
	11	L12Z		11	L12Z		11	L12Z			
	12	M10A, M10B, M60A		12	M10A, M10B, M60A		12	M10A, M10B, M60A			
	13	N16Z, N60A		13	N16Z, N60A		13	N16Z, N60A			
	17	R14Z		17	R14Z		17	R14Z			
	8m400.1			BOP, KK11, KKI, KKII, KKP, KVT, UOP4	8m402.1			BOP, KK11, KKI, KKII, KKP, KVT, UOP4	8m414.1		BOP, KK11, KKI, KKII, KKP, KVT, UOP4
		01		B02A, B02B, B02C, B16Z, B39A, B39B			01	B02A, B02B, B02C, B16Z, B39A, B39B		01	B02A, B02B, B02C, B16Z, B39A, B39B
		02		C02A, C02B, C16Z			02	C02A, C02B, C16Z		02	C02A, C02B, C16Z
03		D18Z, D20A, D20B	03	D18Z, D20A, D20B		03	D18Z, D20A, D20B				
04		E03Z, E08A, E08B, E08C	04	E03Z, E08A, E08B, E08C		04	E03Z, E08A, E08B, E08C				
06		G15Z, G29A, G29B	06	G15Z, G29A, G29B		06	G15Z, G29A, G29B				
07		H01A, H01B, H16Z	07	H01A, H01B, H16Z		07	H01A, H01B, H16Z				
08		I54Z	08	I54Z		08	I54Z				
09		J16Z, J18Z	09	J16Z, J18Z		09	J16Z, J18Z				
10		K15A, K15B, K15C	10	K15A, K15B, K15C		10	K15A, K15B, K15C				
11		L12Z	11	L12Z		11	L12Z				
12		M10A, M10B, M60A	12	M10A, M10B, M60A		12	M10A, M10B, M60A				
13		N16Z, N60A	13	N16Z, N60A		13	N16Z, N60A				
17		R14Z	17	R14Z		17	R14Z				
8m401.0			BOP, KK11, KKI, KKII, KKP, KVT, UOP4	8m403			BOP, KK11, KKI, KKII, KKP, KVT, UOP4	8m414.2			BOP, KK11, KKI, KKII, KKP, KVT, UOP4
		01	B02A, B02B, B02C, B16Z, B39A, B39B			01	B02A, B02B, B02C, B16Z, B39A, B39B			01	B02A, B02B, B02C, B16Z, B39A, B39B
		02	C02A, C02B, C16Z			02	C02A, C02B, C16Z			02	C02A, C02B, C16Z
	03	D18Z, D20A, D20B	03		D18Z, D20A, D20B	03	D18Z, D20A, D20B				
	04	E03Z, E08A, E08B, E08C	04		E03Z, E08A, E08B, E08C	04	E03Z, E08A, E08B, E08C				
	06	G15Z, G29A, G29B	06		G15Z, G29A, G29B	06	G15Z, G29A, G29B				
	07	H01A, H01B, H16Z	07		H01A, H01B, H16Z	07	H01A, H01B, H16Z				
	08	I54Z	08		I54Z	08	I54Z				
	09	J16Z, J18Z	09		J16Z, J18Z	09	J16Z, J18Z				
	10	K15A, K15B, K15C	10		K15A, K15B, K15C, K15D	10	K15A, K15B, K15C				
	11	L12Z	11		L12Z	11	L12Z				
	12	M10A, M10B, M60A	12		M10A, M10B, M60A	12	M10A, M10B, M60A				
	13	N16Z, N60A	13		N16Z, N60A	13	N16Z, N60A				
	17	R14Z	17		R14Z	17	R14Z				
	8m401.1		BOP, KK11, KKI, KKII, KKP, KVT, UOP4		8m411		BOP, KK11, KKI, KKII, KVT, UOP4		8m415		BOP, KK11, KKI, KKII, KKP, KVT, UOP4
		01	B02A, B02B, B02C, B16Z, B39A, B39B			01	B02A, B02B, B02C, B16Z, B39A, B39B			01	B02A, B02B, B02C, B16Z, B39A, B39B
		02	C02A, C02B, C16Z			02	C02A, C02B, C16Z			02	C02A, C02B, C16Z
03		D18Z, D20A, D20B	03	D18Z, D20A, D20B		03	D18Z, D20A, D20B				
04		E03Z, E08A, E08B, E08C	04	E03Z		04	E03Z, E08A, E08B, E08C				
06		G15Z, G29A, G29B	06	G15Z, G29A, G29B		06	G15Z, G29A, G29B				
07		H01A, H01B, H16Z	07	H01A, H01B, H16Z		07	H01A, H01B, H16Z				
08		I54Z	08	I54Z		08	I54Z				
09		J16Z, J18Z	09	J16Z, J18Z		09	J16Z, J18Z				
10		K15A, K15B, K15C	10	K15A, K15B, K15C		10	K15A, K15B, K15C				
11		L12Z	11	L12Z		11	L12Z				
12		M10A, M10B, M60A	12	M10A, M10B, M60A		12	M10A, M10B, M60A				
13		N16Z, N60A	13	N16Z, N60A		13	N16Z, N60A				
17		R14Z	17	R14Z		17	R14Z				

ZZV	MDC	DRG	ZZV	MDC	DRG	ZZV	MDC	DRG			
8m416.01		BOP, KK11, KKI, KKII, KKP, KVT, UOP4	8m416.3		BOP, KK11, KKI, KKII, KKP, KVT, UOP4	8m418.1		BOP, KK11, KKI, KKII, KKP, KVT, UOP4			
	01	B02A, B02B, B02C, B16Z, B39A, B39B		01	B02A, B02B, B02C, B16Z, B39A, B39B		01	B02A, B02B, B02C, B16Z, B39A, B39B			
	02	C02A, C02B, C16Z		02	C02A, C02B, C16Z		02	C02A, C02B, C16Z			
	03	D18Z, D20A, D20B		03	D18Z, D20A, D20B		03	D18Z, D20A, D20B			
	04	E03Z, E08A, E08B, E08C		04	E03Z, E08A, E08B, E08C		04	E03Z, E08A, E08B, E08C			
	06	G15Z, G29A, G29B		06	G15Z, G29A, G29B		06	G15Z, G29A, G29B			
	07	H01A, H01B, H16Z		07	H01A, H01B, H16Z		07	H01A, H01B, H16Z			
	08	I54Z		08	I54Z		08	I54Z			
	09	J16Z, J18Z		09	J16Z, J18Z		09	J16Z, J18Z			
	10	K15A, K15B, K15C		10	K15A, K15B, K15C		10	K15A, K15B, K15C			
	11	L12Z		11	L12Z		11	L12Z			
	12	M10A, M10B, M60A		12	M10A, M10B, M60A		12	M10A, M10B, M60A			
	13	N16Z, N60A		13	N16Z, N60A		13	N16Z, N60A			
	17	R14Z		17	R14Z		17	R14Z			
	8m416.02			BOP, KK11, KKI, KKII, KKP, KVT, UOP4	8m416.x			BOP, KK11, KKI, KKII, KKP, KVT, UOP4	8m418.2		BOP, KK11, KKI, KKII, KKP, KVT, UOP4
		01		B02A, B02B, B02C, B16Z, B39A, B39B			01	B02A, B02B, B02C, B16Z, B39A, B39B		01	B02A, B02B, B02C, B16Z, B39A, B39B
		02		C02A, C02B, C16Z			02	C02A, C02B, C16Z		02	C02A, C02B, C16Z
03		D18Z, D20A, D20B	03	D18Z, D20A, D20B		03	D18Z, D20A, D20B				
04		E03Z, E08A, E08B, E08C	04	E03Z, E08A, E08B, E08C		04	E03Z, E08A, E08B, E08C				
06		G15Z, G29A, G29B	06	G15Z, G29A, G29B		06	G15Z, G29A, G29B				
07		H01A, H01B, H16Z	07	H01A, H01B, H16Z		07	H01A, H01B, H16Z				
08		I54Z	08	I54Z		08	I54Z				
09		J16Z, J18Z	09	J16Z, J18Z		09	J16Z, J18Z				
10		K15A, K15B, K15C	10	K15A, K15B, K15C		10	K15A, K15B, K15C				
11		L12Z	11	L12Z		11	L12Z				
12		M10A, M10B, M60A	12	M10A, M10B, M60A		12	M10A, M10B, M60A				
13		N16Z, N60A	13	N16Z, N60A		13	N16Z, N60A				
17		R14Z	17	R14Z		17	R14Z				
8m416.1			BOP, KK11, KKI, KKII, KKP, KVT, UOP4	8m417			BOP, KK11, KKI, KKII, KKP, KVT, UOP4	8m418.30			BOP, KK11, KKI, KKII, KKP, KVT, UOP4
		01	B02A, B02B, B02C, B16Z, B39A, B39B			01	B02A, B02B, B02C, B16Z, B39A, B39B			01	B02A, B02B, B02C, B16Z, B39A, B39B
		02	C02A, C02B, C16Z			02	C02A, C02B, C16Z			02	C02A, C02B, C16Z
	03	D18Z, D20A, D20B	03		D18Z, D20A, D20B	03	D18Z, D20A, D20B				
	04	E03Z, E08A, E08B, E08C	04		E03Z, E08A, E08B, E08C	04	E03Z, E08A, E08B, E08C				
	06	G15Z, G29A, G29B	06		G15Z, G29A, G29B	06	G15Z, G29A, G29B				
	07	H01A, H01B, H16Z	07		H01A, H01B, H16Z	07	H01A, H01B, H16Z				
	08	I54Z	08		I54Z	08	I54Z				
	09	J16Z, J18Z	09		J16Z, J18Z	09	J16Z, J18Z				
	10	K15A, K15B, K15C	10		K15A, K15B, K15C	10	K15A, K15B, K15C				
	11	L12Z	11		L12Z	11	L12Z				
	12	M10A, M10B, M60A	12		M10A, M10B, M60A	12	M10A, M10B, M60A				
	13	N16Z, N60A	13		N16Z, N60A	13	N16Z, N60A				
	17	R14Z	17		R14Z	17	R14Z				
	8m416.2		BOP, KK11, KKI, KKII, KKP, KVT, UOP4		8m418.0		BOP, KK11, KKI, KKII, KKP, KVT, UOP4		8m418.31		BOP, KK11, KKI, KKII, KKP, KVT, UOP4
		01	B02A, B02B, B02C, B16Z, B39A, B39B			01	B02A, B02B, B02C, B16Z, B39A, B39B			01	B02A, B02B, B02C, B16Z, B39A, B39B
		02	C02A, C02B, C16Z			02	C02A, C02B, C16Z			02	C02A, C02B, C16Z
03		D18Z, D20A, D20B	03	D18Z, D20A, D20B		03	D18Z, D20A, D20B				
04		E03Z, E08A, E08B, E08C	04	E03Z, E08A, E08B, E08C		04	E03Z, E08A, E08B, E08C				
06		G15Z, G29A, G29B	06	G15Z, G29A, G29B		06	G15Z, G29A, G29B				
07		H01A, H01B, H16Z	07	H01A, H01B, H16Z		07	H01A, H01B, H16Z				
08		I54Z	08	I54Z		08	I54Z				
09		J16Z, J18Z	09	J16Z, J18Z		09	J16Z, J18Z				
10		K15A, K15B, K15C	10	K15A, K15B, K15C		10	K15A, K15B, K15C				
11		L12Z	11	L12Z		11	L12Z				
12		M10A, M10B, M60A	12	M10A, M10B, M60A		12	M10A, M10B, M60A				
13		N16Z, N60A	13	N16Z, N60A		13	N16Z, N60A				
17		R14Z	17	R14Z		17	R14Z				

ZZV	MDC	DRG	ZZV	MDC	DRG	ZZV	MDC	DRG
8m419		BOP, KK11, KKI, KKII, KKP, KVT, UOP4	8n123.1‡		VRH	8p101‡	15	P65A, P65B, P66A, P66B, P67A, P67B
	01	B02A, B02B, B02C, B16Z, B39A, B39B		01	B42A, B42B, B48Z	8p102.1‡	15	P65A, P65B, P66A, P66B, P67A, P67B
	02	C02A, C02B, C16Z	8n123.2‡		VRH	8p102.2‡	15	P65A, P65B, P66A, P66B, P67A, P67B
	03	D18Z, D20A, D20B		01	B42A, B42B, B48Z	8p102.a‡	15	P65A, P65B, P66A, P66B, P67A, P67B
	04	E03Z, E08A, E08B, E08C	8n123.3‡		VRH	8p102.b‡	15	P65A, P65B, P66A, P66B, P67A, P67B
	06	G15Z, G29A, G29B		01	B42A, B42B, B48Z	8p102.c‡	15	P65A, P65B, P66A, P66B, P67A, P67B
	07	H01A, H01B, H16Z	8n123.4‡		VRH	8p102.d‡	15	P65A, P65B, P66A, P66B, P67A, P67B
	08	I54Z		01	B42A, B42B, B48Z	8p102.e‡	15	P65A, P65B, P66A, P66B, P67A, P67B
	09	J16Z, J18Z	8n124.1‡		VRH	8p107‡	15	P65A, P65B, P66A, P66B, P67A, P67B
	10	K15A, K15B, K15C		01	B42A, B42B, B48Z	8p133‡	15	P65A, P65B, P66A, P66B, P67A, P67B
	11	L12Z	8n124.2‡		VRH	8p141‡	03	D15A, D15B, D18Z
	12	M10A, M10B, M60A		01	B42A, B42B, B48Z		04	E02A, E02B, E02C
	13	N16Z, N60A	8n124.3‡		VRH		21A	W01A, W01B, W01C, W36Z
	17	R14Z		01	B42A, B42B, B48Z	8q111‡		KK11, KKI, KKII, KKP
8m41a		BOP, KK11, KKI, KKII, KKP, KVT, UOP4	8n124.4‡		VRH		05	F62A
	01	B02A, B02B, B02C, B16Z, B39A, B39B		01	B42A, B42B, B48Z	8q121‡		KK11, KKI, KKII, KKP
	02	C02A, C02B, C16Z	8n124.3‡		VRH		05	F62A
	03	D18Z, D20A, D20B		01	B42A, B42B, B48Z	8q123‡		KK11, KKI, KKII, KKP
	04	E03Z, E08A, E08B, E08C	8n124.4‡		VRH		05	F62A
	06	G15Z, G29A, G29B		01	B42A, B42B, B48Z	8q124‡		KK11, KKI, KKII, KKP
	07	H01A, H01B, H16Z	8n125.1‡		VRH	8q902‡	15	P05A, P05B, P05C, P66A, P66B, P66C, P66D, P67A
	08	I54Z		01	B42A, B42B, B48Z			DIAL, KKI, KKP
	09	J16Z, J18Z	8n125.2‡		VRH	8r110‡		DIAL, KK11, KKI, KKII, KKP
	10	K15A, K15B, K15C		01	B42A, B42B, B48Z	8r113.0‡		DIAL, KK11, KKI, KKII, KKP
	11	L12Z	8n125.3‡		VRH	8r113.2‡	11	L02B, L09A, L09B, L38Z
	12	M10A, M10B, M60A		01	B42A, B42B, B48Z	8r113.3‡	11	L02B, L09A, L09B, L38Z
	13	N16Z, N60A	8n125.4‡		VRH	8r113.4‡	11	L02B, L09A, L09B, L38Z
	17	R14Z		01	B42A, B42B, B48Z	8r113.5‡	11	L02B, L09A, L09B, L38Z
8n100.2‡		GVRH	8n125.5‡		VRH	8r113.7‡	11	L02B, L09A, L09B, L38Z
8n100.3‡		GVRH		01	B42A, B42B, B48Z	8r113.8‡	11	L02B, L09A, L09B, L38Z
8n110.2‡		VRH	8n126.1‡		VRH	8r113.9‡	11	L02B, L09A, L09B, L38Z
	01	B11Z, B42A, B42B		01	B42A, B42B, B48Z	8r113.a‡	11	L02B, L09A, L09B, L38Z
8n110.3‡		VRH	8n126.2‡		VRH	8r113.b‡	11	L02B, L09A, L09B, L38Z
	01	B11Z, B42A, B42B		01	B42A, B42B, B48Z	8r113.c‡	11	L02B, L09A, L09B, L38Z
	08	I96Z	8n126.3‡		VRH	8r114.0‡		DIAL, KK11, KKI, KKII, KKP
8n110.4‡		VRH		01	B42A, B42B, B48Z	8r114.2‡	11	L02B, L09A, L09B, L38Z
	01	B11Z, B43Z	8n126.4‡		VRH	8r114.3‡	11	L02B, L09A, L09B, L38Z
	08	I96Z		01	B42A, B42B, B48Z	8r114.4‡	11	L02B, L09A, L09B, L38Z
8n110.5‡		VRH	8n202.1‡	15	P65C, P66C, P67B, P67C	8r114.5‡	11	L02B, L09A, L09B, L38Z
	01	B11Z, B43Z	8n202.2‡	15	P65C, P66C, P67B, P67C	8r114.7‡	11	L02B, L09A, L09B, L38Z
	08	I96Z	8n202.3‡	15	P65C, P66C, P67B, P67C	8r114.8‡	11	L02B, L09A, L09B, L38Z
8n110.6‡		VRH	8n202.4‡	15	P65C, P66C, P67B, P67C	8r114.9‡	11	L02B, L09A, L09B, L38Z
	01	B11Z, B43Z	8n202.5‡	15	P65C, P66C, P67B, P67C	8r114.a‡	11	L02B, L09A, L09B, L38Z
	08	I96Z	8n202.6‡	15	P65C, P66C, P67B, P67C	8r114.b‡	11	L02B, L09A, L09B, L38Z
8n121.1‡		VRH	8n202.7‡	15	P65C, P66C, P67B, P67C	8r114.c‡	11	L02B, L09A, L09B, L38Z
	01	B42A, B42B, B48Z	8n219.1‡	15	P65C, P66C, P67B, P67C	8r121.1‡		DIAL, KKI, KKP
8n121.2‡		VRH	8n219.2‡	15	P65C, P66C, P67B, P67C	8r121.2‡	11	L02B, L09A, L09B, L38Z
	01	B42A, B42B, B48Z	8n21d‡		KVT	8r122.1‡	11	L02B, L09A, L09B, L38Z
8n121.3‡		VRH	8p100.1‡	15	P65A, P65B, P66A, P66B, P67A, P67B	8r122.2‡	11	L02B, L09A, L09B, L38Z
	01	B42A, B42B, B48Z		15	P65A, P65B, P66A, P66B, P67A, P67B	8r123.1‡		DIAL, KKI, KKP
8n121.4‡		VRH	8p100.2‡	15	P65A, P65B, P66A, P66B, P67A, P67B	8r123.2‡	11	L02B, L09A, L09B, L38Z
	01	B42A, B42B, B48Z		15	P65A, P65B, P66A, P66B, P67A, P67B	8r123.3‡	11	DIAL, KKI, KKP
8n122.1‡		VRH	8p100.3‡	15	P65A, P65B, P66A, P66B, P67A, P67B			L02B, L09A, L09B, L38Z
	01	B42A, B42B, B48Z	8p100.4‡	15	P65A, P65B, P66A, P66B, P67A, P67B			L02B, L09A, L09B, L38Z
8n122.2‡		VRH		15	P65A, P65B, P66A, P66B, P67A, P67B			L02B, L09A, L09B, L38Z
	01	B42A, B42B, B48Z	8p100.5‡	15	P65A, P65B, P66A, P66B, P67A, P67B			L02B, L09A, L09B, L38Z
8n122.3‡		VRH						DIAL, KK11, KKI, KKII, KKP
	01	B42A, B42B, B48Z						DIAL, KK11, KKI, KKII, KKP
8n122.4‡		VRH						DIAL, KK11, KKI, KKII, KKP
	01	B42A, B42B, B48Z						DIAL, KK11, KKI, KKII, KKP
	08	I96Z						DIAL, KK11, KKI, KKII, KKP

ZZV	MDC	DRG	ZZV	MDC	DRG	ZZV	MDC	DRG
8r176.07‡		KK11, KKI, KKII, KKP	8r20a.5‡	15	P65C, P66C, P67B, P67C	8r22e.11	Pre	A04A, A04B, A04C, A04D, A09A, A18Z
8r176.08‡		KK11, KKI, KKII, KKP	8r20a.6‡	15	P65C, P66C, P67B, P67C	8r22f.00	Pre	A04A, A04B, A04C, A04D, A09A, A18Z
8r176.09‡		KK11, KKI, KKII, KKP	8r20a.7‡	15	P65C, P66C, P67B, P67C	8r22f.01	Pre	A04A, A04B, A04C, A04D, A09A, A18Z
8r176.0a‡		KK11, KKI, KKII, KKP	8r20a.8‡	15	P65C, P66C, P67B, P67C	8r22f.10	Pre	A04A, A04B, A04C, A04D, A09A, A18Z
8r176.0b‡		KK11, KKI, KKII, KKP	8r20a.9‡	15	P65C, P66C, P67B, P67C	8r22f.11	Pre	A04A, A04B, A04C, A04D, A09A, A18Z
8r176.0c‡		KK11, KKI, KKII, KKP	8r20a.a‡	15	P65C, P66C, P67B, P67C	8r24c.2‡		KK11, KKI, KKII, KKP
8r176.0d‡		KK11, KKI, KKII, KKP	8r20a.b‡	15	P65C, P66C, P67B, P67C	8r250.60‡	15	P65C, P66C, P67B, P67C
8r176.0e‡		KK11, KKI, KKII, KKP	8r20a.c‡	15	P65C, P66C, P67B, P67C	8r250.61‡	15	KK11, KKI, KKII, KKP
8r176.11‡		KK11, KKI, KKII, KKP	8r20b.1‡	15	P65C, P66C, P67B, P67C	8r250.62‡	15	P65C, P66C, P67B, P67C
8r176.12‡		KK11, KKI, KKII, KKP	8r20b.2‡	15	P65C, P66C, P67B, P67C	8r250.62‡	15	KK11, KKI, KKII, KKP
8r176.13‡		KK11, KKI, KKII, KKP	8r20b.3‡	15	P65C, P66C, P67B, P67C	8r250.70‡	15	P65C, P66C, P67B, P67C
8r176.14‡		KK11, KKI, KKII, KKP	8r20b.4‡	15	P65C, P66C, P67B, P67C	8r250.70‡	15	KK11, KKI, KKII, KKP
8r176.15‡		KK11, KKI, KKII, KKP	8r20b.5‡	15	P65C, P66C, P67B, P67C	8r250.71‡	15	P65C, P66C, P67B, P67C
8r176.16‡		KK11, KKI, KKII, KKP	8r20b.6‡	15	P65C, P66C, P67B, P67C	8r250.72‡	15	KK11, KKI, KKII, KKP
8r176.17‡		KK11, KKI, KKII, KKP	8r20b.7‡	15	P65C, P66C, P67B, P67C	8r250.72‡	15	KK11, KKI, KKII, KKP
8r176.18‡		KK11, KKI, KKII, KKP	8r20c.1‡	15	P65C, P66C, P67B, P67C	8r250.80‡	15	P65C, P66C, P67B, P67C
8r176.19‡		KK11, KKI, KKII, KKP	8r20c.2‡	15	P65C, P66C, P67B, P67C	8r250.81‡	15	KK11, KKI, KKII, KKP
8r176.1a‡		KK11, KKI, KKII, KKP	8r20c.3‡	15	P65C, P66C, P67B, P67C	8r250.82‡	15	KK11, KKI, KKII, KKP
8r176.1b‡		KK11, KKI, KKII, KKP	8r20c.4‡	15	P65C, P66C, P67B, P67C	8r250.82‡	15	KK11, KKI, KKII, KKP
8r176.1c‡		KK11, KKI, KKII, KKP	8r20c.5‡	15	P65C, P66C, P67B, P67C	8r250.90‡	15	P65C, P66C, P67B, P67C
8r176.1d‡		KK11, KKI, KKII, KKP	8r20c.6‡	15	P65C, P66C, P67B, P67C	8r250.90‡	15	KK11, KKI, KKII, KKP
8r176.1e‡		KK11, KKI, KKII, KKP	8r20c.7‡	15	P65C, P66C, P67B, P67C	8r250.91‡	15	KK11, KKI, KKII, KKP
8r176.21‡		KK11, KKI, KKII, KKP	8r20c.8‡	15	P65C, P66C, P67B, P67C	8r250.92‡	15	KK11, KKI, KKII, KKP
8r176.22‡		KK11, KKI, KKII, KKP	8r20c.9‡	15	P65C, P66C, P67B, P67C	8r250.a0‡	15	P65C, P66C, P67B, P67C
8r176.23‡		KK11, KKI, KKII, KKP	8r20c.a‡	15	P65C, P66C, P67B, P67C	8r250.a1‡	15	KK11, KKI, KKII, KKP
8r176.24‡		KK11, KKI, KKII, KKP	8r20c.b‡	15	P65C, P66C, P67B, P67C	8r250.a2‡	15	P65C, P66C, P67B, P67C
8r176.25‡		KK11, KKI, KKII, KKP	8r20c.c‡	15	P65C, P66C, P67B, P67C	8r250.a2‡	15	KK11, KKI, KKII, KKP
8r176.26‡		KK11, KKI, KKII, KKP	8r20c.d‡	15	P65C, P66C, P67B, P67C	8r250.b0‡	15	P65C, P66C, P67B, P67C
8r176.27‡		KK11, KKI, KKII, KKP	8r20c.e‡	15	P65C, P66C, P67B, P67C	8r250.b1‡	15	KK11, KKI, KKII, KKP
8r176.28‡		KK11, KKI, KKII, KKP	8r222.0	05	F96Z	8r250.c0‡	15	KK11, KKI, KKII, KKP
8r176.29‡		KK11, KKI, KKII, KKP	8r222.1	05	F96Z	8r250.c0‡	15	KK11, KKI, KKII, KKP
8r176.2a‡		KK11, KKI, KKII, KKP	8r222.2		BOP, KVT, UOP4	8r250.d0‡	15	P65C, P66C, P67B, P67C
8r176.2b‡		KK11, KKI, KKII, KKP		11	L06A, L06B	8r250.d1‡	15	KK11, KKI, KKII, KKP
8r176.2c‡		KK11, KKI, KKII, KKP		12	M06Z, M09A, M09B, M38Z	8r250.e0‡	15	P65C, P66C, P67B, P67C
8r176.2d‡		KK11, KKI, KKII, KKP		13	N13A, N13B	8r250.e1‡	15	P65C, P66C, P67B, P67C
8r176.2e‡		KK11, KKI, KKII, KKP	8r222.6‡	08	I64B	8r250.f0‡	15	KK11, KKI, KKII, KKP
8r176.31‡		KK11, KKI, KKII, KKP	8r22a.0	Pre	A09A, A11A, A13A, A15A, A15B, A15C, A15D, A18Z	8r250.f1‡	15	P65C, P66C, P67B, P67C
8r176.32‡		KK11, KKI, KKII, KKP	8r22a.1	Pre	A09A, A11A, A13A, A15A, A15C, A15D, A18Z	8r250.g0‡	15	KK11, KKI, KKII, KKP
8r176.33‡		KK11, KKI, KKII, KKP	8r22a.2	Pre	A09A, A11A, A13A, A15A, A15B, A15C, A15D, A18Z	8r250.g1‡	15	KK11, KKI, KKII, KKP
8r176.34‡		KK11, KKI, KKII, KKP	8r22a.3	Pre	A09A, A11A, A13A, A15A, A15C, A15D, A18Z	8r251.60‡	15	P65C, P66C, P67B, P67C
8r176.35‡		KK11, KKI, KKII, KKP	8r22b.00	Pre	A04A, A04B, A04C, A04D, A09A, A18Z	8r251.61‡	15	KK11, KKI, KKII, KKP
8r176.36‡		KK11, KKI, KKII, KKP	8r22b.02	Pre	A04A, A04B, A04C, A04D, A09A, A18Z			
8r176.37‡		KK11, KKI, KKII, KKP	8r22b.03	Pre	A04A, A04B, A04C, A04D, A09A, A18Z			
8r176.38‡		KK11, KKI, KKII, KKP	8r22b.10	Pre	A04A, A04B, A04C, A04D, A09A, A18Z			
8r176.39‡		KK11, KKI, KKII, KKP	8r22b.11	Pre	A04A, A04B, A04C, A04D, A09A, A18Z			
8r176.3a‡		KK11, KKI, KKII, KKP	8r22c.00	Pre	A04A, A04B, A04C, A04D, A09A, A18Z			
8r176.3b‡		KK11, KKI, KKII, KKP	8r22c.01	Pre	A04A, A04B, A04C, A04D, A09A, A18Z			
8r176.3c‡		KK11, KKI, KKII, KKP	8r22c.10	Pre	A04A, A04B, A04C, A04D, A09A, A18Z			
8r176.3d‡		KK11, KKI, KKII, KKP	8r22c.11	Pre	A04A, A04B, A04C, A04D, A09A, A18Z			
8r176.3e‡		KK11, KKI, KKII, KKP	8r22e.00	Pre	A04A, A04B, A04C, A04D, A09A, A18Z			
8r209.3‡	15	P65C, P66C, P67B, P67C	8r22e.02	Pre	A04A, A04B, A04C, A04D, A09A, A18Z			
8r209.4‡	15	P65C, P66C, P67B, P67C	8r22e.03	Pre	A04A, A04B, A04C, A04D, A09A, A18Z			
8r209.5‡	15	P65C, P66C, P67B, P67C	8r22e.10	Pre	A04A, A04B, A04C, A04D, A09A, A18Z			
8r209.6‡	15	P65C, P66C, P67B, P67C						
8r209.7‡	15	P65C, P66C, P67B, P67C						
8r209.8‡	15	P65C, P66C, P67B, P67C						
8r209.9‡	15	P65C, P66C, P67B, P67C						
8r209.a‡	15	P65C, P66C, P67B, P67C						
8r209.b‡	15	P65C, P66C, P67B, P67C						
8r209.c‡	15	P65C, P66C, P67B, P67C						
8r209.d‡	15	P65C, P66C, P67B, P67C						
8r209.e‡	15	P65C, P66C, P67B, P67C						
8r209.f‡	15	P65C, P66C, P67B, P67C						
8r209.g‡	15	P65C, P66C, P67B, P67C						
8r209.h‡	15	P65C, P66C, P67B, P67C						
8r20a.1‡	15	P65C, P66C, P67B, P67C						
8r20a.2‡	15	P65C, P66C, P67B, P67C						
8r20a.3‡	15	P65C, P66C, P67B, P67C						
8r20a.4‡	15	P65C, P66C, P67B, P67C						

ZZV	MDC	DRG	ZZV	MDC	DRG	ZZV	MDC	DRG
8r251.62‡		KK11, KKI, KKII, KKP	8r280.5‡		KK11, KKI, KKII, KKP	8r303.0a	05	F01A, F01B, F01D, F14A, F14B, F15Z, F24A, F24B, F28A, F36A, F36B, F54Z, F59A, F59B
8r251.70‡	15	P65C, P66C, P67B, P67C	8r280.6‡	15	P65C, P66C, P67B, P67C		06	G10Z, G12A, G12B
8r251.71‡	15	P65C, P66C, P67B, P67C	8r280.7‡	15	P65C, P66C, P67B, P67C	11	L09A, L09B, L09C, L09D, L38Z	
8r251.72‡	15	P65C, P66C, P67B, P67C	8r280.8‡	15	P65C, P66C, P67B, P67C	8r303.0b↔	05	F01A, F01B, F01D, F15Z, F24A, F24B, F28A, F36A, F36B, F54Z, F59A, F59B
8r251.80‡	15	P65C, P66C, P67B, P67C	8r280.9‡	15	P65C, P66C, P67B, P67C		10	K09A, K09B
8r251.81‡	15	P65C, P66C, P67B, P67C	8r280.a‡	15	P65C, P66C, P67B, P67C	8r303.0c↔	05	F01A, F01B, F01D, F15Z, F24A, F24B, F28A, F36A, F36B, F54Z, F59A, F59B
8r251.82‡	15	P65C, P66C, P67B, P67C	8r280.b‡	15	P65C, P66C, P67B, P67C		10	K09A, K09B
8r251.90‡	15	P65C, P66C, P67B, P67C	8r280.c‡	15	P65C, P66C, P67B, P67C	8r303.0d	05	F01A, F01B, F01D, F14A, F14B, F15Z, F24A, F24B, F28A, F36A, F36B, F54Z, F59A, F59B
8r251.91‡	15	P65C, P66C, P67B, P67C	8r303.00		BOP, KOP, UOP4		10	K09A, K09B
8r251.92‡	15	P65C, P66C, P67B, P67C		01	B02A, B02B, B02C, B02D, B20A, B20B, B20C, B20D, B20E, B20F, B39A, B39B	8r303.0e	05	F01A, F01B, F01D, F14A, F14B, F15Z, F24A, F24B, F28A, F36A, F36B, F54Z, F59A, F59B
8r251.a0‡	15	P65C, P66C, P67B, P67C		05	F01A, F01B, F01D, F14A, F14B, F15Z, F24A, F24B, F28A, F36A, F36B, F54Z, F59A, F59B		10	K09A, K09B
8r251.a1‡	15	P65C, P66C, P67B, P67C		21B	X33Z	8r303.0f	05	F01A, F01B, F01D, F14A, F14B, F15Z, F24A, F24B, F28A, F36A, F36B, F54Z, F59A, F59B
8r251.a2‡	15	P65C, P66C, P67B, P67C		23	Z01A		05	F01A, F01B, F01D, F14A, F14B, F15Z, F24A, F24B, F28A, F36A, F36B, F54Z, F59A, F59B
8r251.b0‡	15	P65C, P66C, P67B, P67C	8r303.01↔		BOP, KOP, UOP4		06	G10Z, G12A, G12B
8r251.b1‡	15	P65C, P66C, P67B, P67C		01	B02A, B02B, B02C, B02D, B20A, B20B, B20C, B20D, B20E, B20F, B39A, B39B	8r303.0g	05	F01A, F01B, F01D, F14A, F14B, F15Z, F24A, F24B, F28A, F36A, F36B, F54Z, F59A, F59B
8r251.b2‡	15	P65C, P66C, P67B, P67C		05	F01A, F01B, F01D, F14A, F14B, F15Z, F24A, F24B, F28A, F36A, F36B, F54Z, F59A, F59B		11	L09A, L09B, L09C, L09D, L38Z
8r251.c0‡	15	P65C, P66C, P67B, P67C		21B	X33Z	8r303.0x↔	05	F01A, F01B, F01D, F15Z, F24A, F24B, F28A, F36A, F36B, F54Z, F59A, F59B
8r251.c1‡	15	P65C, P66C, P67B, P67C		23	Z01A		01	B02A, B02B, B02C, B02D, B20A, B20B, B20C, B20D, B20E, B20F, B39A, B39B
8r251.c2‡	15	P65C, P66C, P67B, P67C	8r303.02↔	05	F01A, F01B, F01D, F15Z, F24A, F24B, F28A, F36A, F36B, F54Z, F59A, F59B	8r303.70		BOP, KOP, UOP4
8r251.d0‡	15	P65C, P66C, P67B, P67C		10	K09A, K09B		05	F01A, F01B, F01D, F14A, F14B, F15Z, F24A, F24B, F28A, F36A, F36B, F54Z, F59A, F59B
8r251.d1‡	15	P65C, P66C, P67B, P67C	8r303.03↔	05	F01A, F01B, F01D, F15Z, F24A, F24B, F28A, F36A, F36B, F54Z, F59A, F59B		09	J11A, J11B, J11C
8r251.d2‡	15	P65C, P66C, P67B, P67C		10	K09A, K09B		21A	W01A, W01B, W01C, W36Z
8r251.e0‡	15	P65C, P66C, P67B, P67C		11	L09A, L09B, L09C, L09D, L38Z	8r303.71↔	21B	X06A, X06B, X06C, X33Z
8r251.e1‡	15	P65C, P66C, P67B, P67C	8r303.04	05	F01A, F01B, F01D, F15Z, F19A, F19B, F19C, F24A, F24B, F36A, F36B		01	B04A, B04B, B04C, B04D
8r251.e2‡	15	P65C, P66C, P67B, P67C	8r303.05	05	F01A, F01B, F01D, F15Z, F19A, F19B, F19C, F24A, F24B, F36A, F36B		03	D12A
8r251.f0‡	15	P65C, P66C, P67B, P67C		05	F01A, F01B, F01D, F15Z, F19A, F19B, F19C, F24A, F24B, F36A, F36B		05	F01A, F01B, F01D, F14A, F14B, F15Z, F24A, F24B, F28A, F36A, F36B, F54Z, F59A, F59B
8r251.f1‡	15	P65C, P66C, P67B, P67C	8r303.06	05	F01A, F01B, F01D, F14A, F14B, F15Z, F24A, F24B, F28A, F36A, F36B, F54Z, F59A, F59B		09	J11A, J11B, J11C
8r251.f2‡	15	P65C, P66C, P67B, P67C	8r303.07	05	F01A, F01B, F01D, F14A, F14B, F15Z, F24A, F24B, F28A, F36A, F36B, F54Z, F59A, F59B	8r303.72↔	21A	W04A, W04B
8r251.g0‡	15	P65C, P66C, P67B, P67C		05	F01A, F01B, F01D, F15Z, F24A, F24B, F28A, F36A, F36B, F54Z, F59A, F59B		21B	X06A, X06B, X06C
8r251.g1‡	15	P65C, P66C, P67B, P67C	8r303.08↔	05	F01A, F01B, F01D, F15Z, F24A, F24B, F28A, F36A, F36B, F54Z, F59A, F59B		05	F01A, F01B, F01D, F14A, F14B, F15Z, F24A, F24B, F28A, F36A, F36B, F54Z, F59A, F59B
8r251.g2‡	15	P65C, P66C, P67B, P67C	8r303.09↔	05	F01A, F01B, F01D, F15Z, F24A, F24B, F28A, F36A, F36B, F54Z, F59A, F59B		09	J11A, J11B, J11C
8r263.7‡	15	P65C, P66C, P67B, P67C					10	K09A, K09B
8r280.1‡	15	P65C, P66C, P67B, P67C					21A	W04A, W04B
8r280.2‡	15	P65C, P66C, P67B, P67C					21B	X06A, X06B, X06C
8r280.3‡	15	P65C, P66C, P67B, P67C						
8r280.4‡	15	P65C, P66C, P67B, P67C						

VYK

ZZV	MDC	DRG	ZZV	MDC	DRG	ZZV	MDC	DRG	
8r303.73↔	05	F01A, F01B, F01D, F14A, F14B, F15Z, F24A, F24B, F28A, F36A, F36B, F54Z, F59A, F59B	8r303.7c↔	05	F01A, F01B, F01D, F14A, F14B, F15Z, F24A, F24B, F28A, F36A, F36B, F54Z, F59A, F59B	8r303.81		BOP, KOP, UOP4	
	09	J11A, J11B, J11C		09	J11A, J11B, J11C		01	B02A, B02B, B02C, B02D, B20A, B20B, B20C, B20D, B20E, B39A, B39B	
	10	K09A, K09B		10	K09A, K09B		05	F01A, F01B, F01D, F14A, F14B, F15Z, F24A, F24B, F28A, F36A, F36B, F54Z, F59A, F59B	
	21A	W04A, W04B		21A	W04A, W04B		10	K09A, K09B	
	21B	X06A, X06B, X06C		21B	X04Z		21B	X33Z	
8r303.74	05	F01A, F01B, F01D, F15Z, F19A, F19B, F19C, F24A, F24B, F36A, F36B	8r303.7d	01	B03A, B03B, B06A, B06B, B07Z, B17A, B17B, B17C	8r304.01	01	B12Z	
8r303.75	09	J11A, J11B, J11C	03	D12A	05	F01A, F01B, F01D, F14A, F14B, F15Z, F24A, F24B, F28A, F36A, F36B, F54Z, F59A, F59B	05	F01A, F01B, F01D, F12A, F12B, F15Z, F24A, F24B, F36A, F36B, F52A, F52B, F56A, F56B, F58A, F58B	
	05	F01A, F01B, F01D, F15Z, F19A, F19B, F19C, F24A, F24B, F36A, F36B	05	F01A, F01B, F01D, F14A, F14B, F15Z, F24A, F24B, F28A, F36A, F36B, F54Z, F59A, F59B	06	G10Z, G12A, G12B	Pre	A13F	
8r303.76	09	J11A, J11B, J11C	09	J11A, J11B, J11C	09	J11A, J11B, J11C	8r304.02	01	B12Z
	05	F01A, F01B, F01D, F15Z, F19A, F19B, F19C, F24A, F24B, F36A, F36B	10	K09A, K09B	10	K09A, K09B	05	F01A, F01B, F01D, F12A, F12B, F15Z, F24A, F24B, F36A, F36B, F52A, F52B, F56A, F56B, F58A, F58B	
8r303.77	09	J11A, J11B, J11C	11	L09A, L09B, L09C, L09D, L38Z	21A	W04A, W04B	Pre	A13F	
	05	F01A, F01B, F01D, F14A, F14B, F15Z, F24A, F24B, F28A, F36A, F36B, F54Z, F59A, F59B	21B	X04Z, X05A, X05B, X06A, X06B, X06C	21B	X04Z, X05A, X05B, X06A, X06B, X06C	8r304.10	01	B12Z
	09	J11A, J11B, J11C	8r303.7e	05	F01A, F01B, F01D, F14A, F14B, F15Z, F24A, F24B, F28A, F36A, F36B, F54Z, F59A, F59B	05	F01A, F01B, F01D, F05Z, F06C, F06D, F06E, F12A, F12B, F15Z, F19A, F19B, F19C, F24A, F24B, F36A, F36B, F56A, F56B		
8r303.78↔	05	F01A, F01B, F01D, F14A, F14B, F15Z, F24A, F24B, F28A, F36A, F36B, F54Z, F59A, F59B	8r303.7f	09	J11A, J11B, J11C	8r304.11	Pre	A13F	
	09	J11A, J11B, J11C		01	B03A, B03B, B06A, B06B, B07Z, B17A, B17B, B17C		01	B12Z	
	10	K09A, K09B	05	F01A, F01B, F01D, F14A, F14B, F15Z, F24A, F24B, F28A, F36A, F36B, F54Z, F59A, F59B	05	F01A, F01B, F01D, F05Z, F06C, F06D, F06E, F12A, F12B, F15Z, F19A, F19B, F19C, F24A, F24B, F36A, F36B, F56A, F56B			
	21A	W04A, W04B	09	J11A, J11B, J11C	8r304.12	01	B12Z		
8r303.79↔	21B	X06A, X06B, X06C	10	K09A, K09B	21A	W04A, W04B	05	F01A, F01B, F01D, F12A, F12B, F19A, F19B, F19C	
	05	F01A, F01B, F01D, F14A, F14B, F15Z, F24A, F24B, F28A, F36A, F36B, F54Z, F59A, F59B	21B	X06A, X06B, X06C	21B	X06A, X06B, X06C	Pre	A13F	
	06	G10Z, G12A, G12B	8r303.7g	05	F01A, F01B, F01D, F14A, F14B, F15Z, F24A, F24B, F28A, F36A, F36B, F54Z, F59A, F59B	8r304.13	01	B12Z	
	07	H06A, H06B	06	G10Z, G12A, G12B	06	G10Z, G12A, G12B	05	F01A, F01B, F01D, F12A, F12B, F19A, F19B, F19C	
	09	J11A, J11B, J11C	07	H06A, H06B	07	H06A, H06B	Pre	A13F	
	11	L09A, L09B, L09C, L09D, L38Z	09	J11A, J11B, J11C	09	J11A, J11B, J11C	01	B12Z	
	12	M06Z, M09A, M09B, M38Z	11	L09A, L09B, L09C, L09D, L38Z	11	L09A, L09B, L09C, L09D, L38Z	05	F01A, F01B, F01D, F12A, F12B, F19A, F19B, F19C	
	13	N04Z	12	M06Z, M09A, M09B, M38Z	12	M06Z, M09A, M09B, M38Z	Pre	A13F	
	21A	W04A, W04B	13	N04Z	13	N04Z	01	B12Z	
	21B	X06A, X06B, X06C	21A	W04A, W04B	21A	W04A, W04B	05	F01A, F01B, F01D, F12A, F12B, F19A, F19B, F19C	
	8r303.7a	05	F01A, F01B, F01D, F14A, F14B, F15Z, F24A, F24B, F28A, F36A, F36B, F54Z, F59A, F59B	21B	X06A, X06B, X06C	21B	X06A, X06B, X06C	Pre	A13F
		06	G10Z, G12A, G12B	8r303.7h	05	F01A, F01B, F01D, F14A, F14B, F15Z, F24A, F24B, F28A, F36A, F36B, F54Z, F59A, F59B	8r304.31	01	B12Z
		07	H06A, H06B	05	F01A, F01B, F01D, F14A, F14B, F15Z, F24A, F24B, F28A, F36A, F36B, F54Z, F59A, F59B	05	F01A, F01B, F01D, F12A, F12B, F15Z, F24A, F24B, F36A, F36B, F52A, F52B, F56A, F56B, F58A, F58B		
09		J11A, J11B, J11C	09	J11A, J11B, J11C	Pre	A13F			
11		L09A, L09B, L09C, L09D, L38Z	10	K09A, K09B	8r304.32	01	B12Z		
21A	W04A, W04B	21A	W04A, W04B	05	F01A, F01B, F01D, F12A, F12B, F15Z, F24A, F24B, F36A, F36B, F52A, F52B, F56A, F56B, F58A, F58B				
21B	X06A, X06B, X06C	21B	X04Z	Pre	A13F				
8r303.7b↔	05	F01A, F01B, F01D, F14A, F14B, F15Z, F24A, F24B, F28A, F36A, F36B, F54Z, F59A, F59B	8r303.7x↔	05	F01A, F01B, F01D, F14A, F14B, F15Z, F24A, F24B, F28A, F36A, F36B, F54Z, F59A, F59B	8r304.33	01	B12Z	
	09	J11A, J11B, J11C	09	J11A, J11B, J11C	05	F01A, F01B, F01D, F12A, F12B, F15Z, F24A, F24B, F36A, F36B, F52A, F52B, F56A, F56B, F58A, F58B			
	10	K09A, K09B	10	K09A, K09B	Pre	A13F			
	21A	W04A, W04B	21A	W04A, W04B	01	B12Z			
	21B	X04Z	21B	X04Z	05	F01A, F01B, F01D, F12A, F12B, F15Z, F24A, F24B, F36A, F36B, F52A, F52B, F56A, F56B, F58A, F58B			

ZZV	MDC	DRG	ZZV	MDC	DRG	ZZV	MDC	DRG
8r304.34	01	B12Z	8r304.51	04	E02A, E02B, E02C	8r304.72	04	E02A, E02B, E02C
	05	F01A, F01B, F01D, F12A, F12B, F15Z, F24A, F24B, F36A, F36B, F52A, F52B, F56A, F56B, F58A, F58B		05	F01A, F01B, F01D, F19A, F19B, F19C		05	F01A, F01B, F01D, F19A, F19B, F19C
	Pre	A13F		10	K09A, K09B		10	K09A, K09B
8r304.35	01	B12Z	8r304.52	Pre	A13F	8r304.73	Pre	A13F
	05	F01A, F01B, F01D, F12A, F12B, F15Z, F24A, F24B, F36A, F36B, F52A, F52B, F56A, F56B, F58A, F58B		04	E02A, E02B, E02C		05	F01A, F01B, F01D, F14A, F14B, F15Z, F19A, F19B, F19C, F24A, F24B, F36A, F36B, F54Z
	Pre	A13F		05	F01A, F01B, F01D, F19A, F19B, F19C		09	J03A, J03B, J04A, J04B, J08A, J08B, J08C, J11A, J11B, J16Z
8r304.36	01	B12Z	8r304.53	10	K09A, K09B	8r304.74	10	K09A, K09B
	05	F01A, F01B, F01D, F12A, F12B, F15Z, F24A, F24B, F36A, F36B, F52A, F52B, F56A, F56B, F58A, F58B		05	F01A, F01B, F01D, F14A, F14B, F15Z, F19A, F19B, F19C, F24A, F24B, F36A, F36B, F54Z		21A	W04A, W04B
	Pre	A13F		09	J03A, J03B, J04A, J04B, J08A, J08B, J08C, J11A, J11B, J16Z		21B	X06A, X06B, X06C
8r304.37	01	B12Z	8r304.54	10	K09A, K09B	8r304.75	05	F01A, F01B, F01D, F14A, F14B, F15Z, F19A, F19B, F19C, F24A, F24B, F36A, F36B, F54Z, F59A, F59B
	05	F01A, F01B, F01D, F12A, F12B, F15Z, F24A, F24B, F36A, F36B, F52A, F52B, F56A, F56B, F58A, F58B		21A	W04A, W04B		09	J03A, J03B, J04A, J04B, J08A, J08B, J08C, J11A, J11B, J16Z
	Pre	A13F		21B	X06A, X06B, X06C		10	K09A, K09B
8r304.41	01	B12Z	8r304.60	05	F01A, F01B, F01D, F14A, F14B, F15Z, F24A, F24B, F28A, F36A, F36B, F54Z, F59A, F59B	8r304.80	21A	W04A, W04B
	05	F01A, F01B, F01D, F12A, F12B, F15Z, F24A, F24B, F36A, F36B, F52A, F52B, F56A, F56B, F58A, F58B		04	E02A, E02B, E02C		21B	X06A, X06B, X06C
	Pre	A13F		05	F01A, F01B, F01D, F19A, F19B, F19C		04	E02A, E02B, E02C
8r304.42	01	B12Z	8r304.61	10	K09A, K09B	8r304.81	05	F01A, F01B, F01D, F19A, F19B, F19C
	05	F01A, F01B, F01D, F12A, F12B, F15Z, F24A, F24B, F36A, F36B, F52A, F52B, F56A, F56B, F58A, F58B		Pre	A13F		10	K09A, K09B
	Pre	A13F		04	E02A, E02B, E02C		Pre	A13F
8r304.43	01	B12Z	8r304.63	05	F01A, F01B, F01D, F19A, F19B, F19C	8r304.83	04	E02A, E02B, E02C
	05	F01A, F01B, F01D, F12A, F12B, F15Z, F24A, F24B, F36A, F36B, F52A, F52B, F56A, F56B, F58A, F58B		05	F01A, F01B, F01D, F14A, F14B, F15Z, F19A, F19B, F19C, F24A, F24B, F36A, F36B, F54Z		05	F01A, F01B, F01D, F19A, F19B, F19C
	Pre	A13F		09	J03A, J03B, J04A, J04B, J08A, J08B, J08C, J11A, J11B, J16Z		10	K09A, K09B
8r304.44	01	B12Z	8r304.64	10	K09A, K09B	8r304.84	Pre	A13F
	05	F01A, F01B, F01D, F12A, F12B, F15Z, F24A, F24B, F36A, F36B, F52A, F52B, F56A, F56B, F58A, F58B		21A	W04A, W04B		05	F01A, F01B, F01D, F14A, F14B, F15Z, F19A, F19B, F19C, F24A, F24B, F36A, F36B, F54Z
	Pre	A13F		21B	X06A, X06B, X06C		09	J03A, J03B, J04A, J04B, J08A, J08B, J08C, J11A, J11B, J16Z
8r304.45	01	B12Z	8r304.70	05	F01A, F01B, F01D, F14A, F14B, F15Z, F24A, F24B, F28A, F36A, F36B, F54Z, F59A, F59B	8r304.88	05	F01A, F01B, F01D, F14A, F14B, F15Z, F24A, F24B, F28A, F36A, F36B, F54Z, F59A, F59B
	05	F01A, F01B, F01D, F12A, F12B, F15Z, F24A, F24B, F36A, F36B, F52A, F52B, F56A, F56B, F58A, F58B		09	J03A, J03B, J04A, J04B, J08A, J08B, J08C, J11A, J11B, J16Z		09	J03A, J03B, J04A, J04B, J08A, J08B, J08C, J11A, J11B, J16Z
	Pre	A13F		10	K09A, K09B		10	K09A, K09B
8r304.46	01	B12Z	8r304.71	21A	W04A, W04B	8r304.91	21A	W04A, W04B
	05	F01A, F01B, F01D, F12A, F12B, F15Z, F24A, F24B, F36A, F36B, F52A, F52B, F56A, F56B, F58A, F58B		21B	X06A, X06B, X06C		21B	X06A, X06B, X06C
	Pre	A13F		04	E02A, E02B, E02C		05	F01A, F01B, F01D, F14A, F14B, F15Z, F24A, F24B, F28A, F36A, F36B, F54Z, F59A, F59B
8r304.47	01	B12Z	8r304.72	05	F01A, F01B, F01D, F19A, F19B, F19C	8r304.92	09	J03A, J03B, J04A, J04B, J08A, J08B, J08C, J11A, J11B, J16Z
	05	F01A, F01B, F01D, F12A, F12B, F15Z, F24A, F24B, F36A, F36B, F52A, F52B, F56A, F56B, F58A, F58B		10	K09A, K09B		10	K09A, K09B
	Pre	A13F		Pre	A13F		21A	W04A, W04B
8r304.50	04	E02A, E02B, E02C	8r304.73	04	E02A, E02B, E02C	8r304.93	21B	X06A, X06B, X06C
	05	F01A, F01B, F01D, F19A, F19B, F19C		05	F01A, F01B, F01D, F19A, F19B, F19C		05	F01A, F01B, F01D, F14A, F14B, F15Z, F24A, F24B, F28A, F36A, F36B, F54Z, F59A, F59B
	10	K09A, K09B		10	K09A, K09B		09	J03A, J03B, J04A, J04B, J08A, J08B, J08C, J11A, J11B, J16Z
Pre	A13F	Pre	A13F	Pre	A13F	10	K09A, K09B	

VYK

ZZV	MDC	DRG	ZZV	MDC	DRG	ZZV	MDC	DRG
8r304.85	05	F01A, F01B, F01D, F14A, F14B, F15Z, F19A, F19B, F19C, F24A, F24B, F36A, F36B, F54Z	8r305.24	04	E02A, E02B, E02C	8r305.46	04	E02A, E02B, E02C
	09	J03A, J03B, J04A, J04B, J08A, J08B, J08C, J11A, J11B, J16Z		05	F01A, F01B, F01D, F19A, F19B, F19C		05	F01A, F01B, F01D, F19A, F19B, F19C
	10	K09A, K09B		10	K09A, K09B		10	K09A, K09B
	21A	W04A, W04B		Pre	A13F		Pre	A13F
	21B	X06A, X06B, X06C	8r305.25	04	E02A, E02B, E02C	8r305.4x↔	04	E02A, E02B, E02C
8r304.a	04	E02A, E02B, E02C		05	F01A, F01B, F01D, F19A, F19B, F19C		05	F01A, F01B, F01D, F19A, F19B, F19C
	05	F01A, F01B, F01D, F19A, F19B, F19C		10	K09A, K09B		10	K09A, K09B
	10	K09A, K09B		Pre	A13F		Pre	A13F
	Pre	A13F	8r305.2x↔	04	E02A, E02B, E02C	8r306.01		BOP, KOP, KOPV, KVT, UOP4
8r304.d1	01	B12Z		05	F01A, F01B, F01D, F19A, F19B, F19C		01	B02A, B02B, B02C, B20A, B20B, B20C, B20D, B20E, B39A, B39B
	05	F01A, F01B, F01D, F12A, F12B, F15Z, F24A, F24B, F36A, F36B, F52A, F52B, F56A, F56B, F58A, F58B		10	K09A, K09B		05	F01A, F01B, F01D, F05Z, F07A, F07B, F08A, F08B, F08C, F08D, F08E, F28A, F42Z
	Pre	A13F		Pre	A13F		06	G33Z
8r304.d2	01	B12Z	8r305.30	04	E02A, E02B, E02C		07	H33Z, H38Z
	05	F01A, F01B, F01D, F12A, F12B, F15Z, F24A, F24B, F36A, F36B, F52A, F52B, F56A, F56B, F58A, F58B		05	F01A, F01B, F01D, F19A, F19B, F19C		11	L33Z
	Pre	A13F		10	K09A, K09B		21B	X33Z
8r304.e1	01	B12Z		Pre	A13F		23	Z01A
	05	F01A, F01B, F01D, F12A, F12B, F15Z, F24A, F24B, F36A, F36B, F52A, F52B, F56A, F56B, F58A, F58B	8r305.31↔	04	E02A, E02B, E02C		Pre	A07A
	Pre	A13F		05	F01A, F01B, F01D, F19A, F19B, F19C	8r306.02		BOP, KOP, KOPV, KVT, UOP4
8r304.e2	01	B12Z		10	K09A, K09B		01	B02A, B02B, B02C, B20A, B20B, B20C, B20D, B20E, B39A, B39B
	05	F01A, F01B, F01D, F12A, F12B, F15Z, F24A, F24B, F36A, F36B, F52A, F52B, F56A, F56B, F58A, F58B		Pre	A13F		05	F01A, F01B, F01D, F05Z, F07A, F07B, F08A, F08B, F08C, F08D, F08E, F28A, F42Z
	Pre	A13F	8r305.32	04	E02A, E02B, E02C		06	G33Z
8r305.12	04	E02A, E02B, E02C		05	F01A, F01B, F01D, F19A, F19B, F19C		07	H33Z, H38Z
	05	F01A, F01B, F01D, F19A, F19B, F19C		10	K09A, K09B		11	L33Z
	10	K09A, K09B		Pre	A13F		21B	X33Z
	Pre	A13F	8r305.33	04	E02A, E02B, E02C		23	Z01A
8r305.13	04	E02A, E02B, E02C		05	F01A, F01B, F01D, F19A, F19B, F19C		Pre	A07A
	05	F01A, F01B, F01D, F19A, F19B, F19C		10	K09A, K09B	8r306.03		BOP, KOP, KOPV, KVT, UOP4
	10	K09A, K09B		Pre	A13F		01	B02A, B02B, B02C, B20A, B20B, B20C, B20D, B20E, B39A, B39B
	Pre	A13F	8r305.3x↔	04	E02A, E02B, E02C		05	F01A, F01B, F01D, F05Z, F07A, F07B, F08A, F08B, F08C, F08D, F08E, F28A, F42Z
8r305.1x↔	04	E02A, E02B, E02C		05	F01A, F01B, F01D, F19A, F19B, F19C		06	G33Z
	05	F01A, F01B, F01D, F19A, F19B, F19C		10	K09A, K09B		07	H33Z, H38Z
	10	K09A, K09B		Pre	A13F		11	L33Z
	Pre	A13F	8r305.41↔	04	E02A, E02B, E02C		21B	X33Z
8r305.20	04	E02A, E02B, E02C		05	F01A, F01B, F01D, F19A, F19B, F19C		23	Z01A
	05	F01A, F01B, F01D, F19A, F19B, F19C		10	K09A, K09B		Pre	A07A
	10	K09A, K09B		Pre	A13F	8r306.04		BOP, KOP, KOPV, KVT, UOP4
	Pre	A13F	8r305.42	04	E02A, E02B, E02C		01	B02A, B02B, B02C, B20A, B20B, B20C, B20D, B20E, B39A, B39B
8r305.21↔	04	E02A, E02B, E02C		05	F01A, F01B, F01D, F19A, F19B, F19C		05	F01A, F01B, F01D, F05Z, F07A, F07B, F08A, F08B, F08C, F08D, F08E, F28A, F42Z
	05	F01A, F01B, F01D, F19A, F19B, F19C		10	K09A, K09B		06	G33Z
	10	K09A, K09B		Pre	A13F		07	H33Z, H38Z
	Pre	A13F		Pre	A13F		11	L33Z
8r305.23	04	E02A, E02B, E02C	8r305.44	04	E02A, E02B, E02C		21B	X33Z
	05	F01A, F01B, F01D, F19A, F19B, F19C		05	F01A, F01B, F01D, F19A, F19B, F19C		23	Z01A
	10	K09A, K09B		10	K09A, K09B		Pre	A07A
	Pre	A13F		Pre	A13F			
			8r305.45	04	E02A, E02B, E02C			
				05	F01A, F01B, F01D, F19A, F19B, F19C			
				10	K09A, K09B			
				Pre	A13F			



ZZV	MDC	DRG	ZZV	MDC	DRG	ZZV	MDC	DRG				
8r306.05		BOP, KOP, KOPV, KVT, UOP4	8r308.2	05	F01A, F01B, F01D, F14A, F14B, F15Z, F19A, F19B, F19C, F24A, F24B, F36A, F36B, F54Z	8r410	05	F01A, F01B, F01D, F14A, F14B, F15Z, F24A, F24B, F28A, F36A, F36B, F54Z, F59A, F59B				
	01	B02A, B02B, B02C, B20A, B20B, B20C, B20D, B20E, B39A, B39B		09	J03A, J03B, J04A, J04B, J08A, J08B, J08C, J11A, J11B, J16Z		06	G10Z, G12A, G12B				
	05	F01A, F01B, F01D, F05Z, F07A, F07B, F08A, F08B, F08C, F08D, F08E, F28A, F42Z		10	K09A, K09B		09	J03A, J03B, J04A, J04B, J08A, J08B, J08C, J11A, J11B, J16Z				
	06	G33Z		21A	W04A, W04B		10	K09A, K09B				
	07	H33Z, H38Z		21B	X06A, X06B, X06C		11	L09A, L09B, L09C, L09D, L38Z				
	11	L33Z		8r310	05		F01A, F01B, F01D, F15Z, F19A, F19B, F19C, F24A, F24B, F36A, F36B	21A	W04A, W04B			
	21B	X33Z			8r311.0		05	F01A, F01B, F01D, F15Z, F19A, F19B, F19C, F24A, F24B, F36A, F36B	21B	X06A, X06B, X06C		
	23	Z01A		8r311.1			05	F01A, F01B, F01D, F14A, F14B, F15Z, F24A, F24B, F28A, F36A, F36B, F54Z, F59A, F59B	8r411↔	BOP, UOP4		
	Pre	A07A			05		F01A, F01B, F01D, F14A, F14B, F15Z, F24A, F24B, F28A, F36A, F36B, F54Z, F59A, F59B	01		B04A, B04B, B04C, B04D		
	8r306.06			BOP, KOP, KOPV, KVT, UOP4	8r313.0		06	G10Z, G12A, G12B	8r412↔	05	F01A, F01B, F01D, F14A, F14B, F15Z, F24A, F24B, F28A, F36A, F36B, F54Z, F59A, F59B	
		01		B02A, B02B, B02C, B20A, B20B, B20C, B20D, B20E, B39A, B39B			11	L09A, L09B, L09C, L09D, L38Z		09	J03A, J03B, J04A, J04B, J08A, J08B, J08C, J11A, J11B, J16Z	
		05		F01A, F01B, F01D, F05Z, F07A, F07B, F08A, F08B, F08C, F08D, F08E, F28A, F42Z			8r313.1	01		B04A, B04B, B04C, B04D	10	K09A, K09B
		06		G33Z				05		F01A, F01B, F01D, F14A, F14B, F15Z, F24A, F24B, F28A, F36A, F36B, F54Z, F59A, F59B	21A	W04A, W04B
07		H33Z, H38Z	8r315	23		Z01A	21B	X06A, X06B, X06C				
11		L33Z		01		B12Z	8r413	05		F01A, F01B, F01D, F14A, F14B, F15Z, F19A, F19B, F19C, F24A, F24B, F36A, F36B, F54Z		
21B		X33Z	8r316	05		F01A, F01B, F01D, F12A, F12B, F15Z, F24A, F24B, F36A, F36B, F52A, F52B, F56A, F56B, F58A, F58B		09		J03A, J03B, J04A, J04B, J08A, J08B, J08C, J11A, J11B, J16Z		
23		Z01A		01		B12Z	10	K09A, K09B				
Pre		A07A	8r317	05		F01A, F01B, F01D, F12A, F12B, F15Z, F24A, F24B, F36A, F36B, F52A, F52B, F56A, F56B, F58A, F58B	21A	W04A, W04B				
8r306.0x				BOP, KOP, KOPV, KVT, UOP4		Pre	A13F	8r414.0		21B	X06A, X06B, X06C	
		01	B02A, B02B, B02C, B20A, B20B, B20C, B20D, B20E, B39A, B39B	05			F01A, F01B, F01D, F14A, F14B, F15Z, F24A, F24B, F36A, F36B, F52A, F52B, F56A, F56B, F58A, F58B			05	F01A, F01B, F01D, F15Z, F19A, F19B, F19C, F24A, F24B, F36A, F36B	
		05	F01A, F01B, F01D, F05Z, F07A, F07B, F08A, F08B, F08C, F08D, F08E, F28A, F42Z	8r318		Pre	A13F	8r414.1		05	F01A, F01B, F01D, F14A, F14B, F15Z, F24A, F24B, F28A, F36A, F36B, F54Z, F59A, F59B	
		06	G33Z			05	F01A, F01B, F01D, F14A, F14B, F15Z, F24A, F24B, F28A, F36A, F36B, F54Z, F59A, F59B			06	G10Z, G12A, G12B	
	07	H33Z, H38Z	8r319	06	G10Z, G12A, G12B	11	L09A, L09B, L09C, L09D, L38Z					
	11	L33Z		11	L09A, L09B, L09C, L09D, L38Z	8r415↔	05	F01A, F01B, F01D, F14A, F14B, F15Z, F24A, F24B, F28A, F36A, F36B, F54Z, F59A, F59B				
	21B	X33Z	8r31a	05	F01A, F01B, F01D, F14A, F14B, F15Z, F24A, F24B, F28A, F36A, F36B, F54Z, F59A, F59B		09	J03A, J03B, J04A, J04B, J08A, J08B, J08C, J11A, J11B, J16Z				
	23	Z01A		8r31b	05	F01A, F01B, F01D, F15Z, F24A, F24B, F28A, F36A, F36B, F54Z, F59A, F59B	10	K09A, K09B				
	Pre	A07A	05		F01A, F01B, F01D, F14A, F14B, F15Z, F24A, F24B, F28A, F36A, F36B, F54Z, F59A, F59B	21A	W04A, W04B					
	8r307.0	KKP	8r307.10	05	F01A, F01B, F01D, F05Z, F07A, F07B, F09A, F09B, F09C, F42Z	8r319	05	F01A, F01B, F01D, F14A, F14B, F15Z, F24A, F24B, F28A, F36A, F36B, F54Z, F59A, F59B				
		05							F01A, F01B, F01D, F05Z, F07A, F07B, F09A, F09B, F09C, F42Z			
		23							Z01A			
	8r307.10	KKP	8r307.11	05	F01A, F01B, F01D, F05Z, F07A, F07B, F09A, F09B, F09C, F42Z	8r319	05	F01A, F01B, F01D, F14A, F14B, F15Z, F24A, F24B, F28A, F36A, F36B, F54Z, F59A, F59B				
05		F01A, F01B, F01D, F05Z, F07A, F07B, F09A, F09B, F09C, F42Z										
23		Z01A										
8r307.11	KKP	8r308.1	05	F01A, F01B, F01D, F05Z, F07A, F07B, F09A, F09B, F09C, F42Z	8r319	05	F01A, F01B, F01D, F14A, F14B, F15Z, F24A, F24B, F28A, F36A, F36B, F54Z, F59A, F59B					
	05							F01A, F01B, F01D, F05Z, F07A, F07B, F09A, F09B, F09C, F42Z				
	23							Z01A				
8r308.1	KOP	8r308.1	05	F01A, F01B, F01D, F14A, F14B, F28A, F54Z, F59A, F59B	8r319	05	F01A, F01B, F01D, F14A, F14B, F15Z, F24A, F24B, F28A, F36A, F36B, F54Z, F59A, F59B					
	05							F01A, F01B, F01D, F14A, F14B, F28A, F54Z, F59A, F59B				
	06							G15Z, G19A, G19B, G38Z				
	07							H01A, H01B, H09A, H09B, H09C, H38Z				
23	Z01A											

VYK

ZZV	MDC	DRG	ZZV	MDC	DRG	ZZV	MDC	DRG						
8r416↔	05	F01A, F01B, F01D, F14A, F14B, F15Z, F24A, F24B, F28A, F36A, F36B, F54Z, F59A, F59B	8r421	04	BOP, KOP, KVT, UOP4	8r430.14	05	F01A, F01B, F01D, F14A, F14B, F15Z, F19A, F19B, F19C, F24A, F24B, F36A, F36B, F54Z						
		09			J03A, J03B, J04A, J04B, J08A, J08B, J08C, J11A, J11B, J16Z			05	F01A, F01B, F01D, F05Z, F07A, F07B, F08A, F08B, F08C, F08D, F08E, F27A, F28A, F36A, F42Z, F51A, F51B	09	J03A, J03B, J04A, J04B, J08A, J08B, J08C, J11A, J11B, J16Z			
					10				K09A, K09B		06	G36Z	10	K09A, K09B
	21A			W04A, W04B			08		I08A, I08B, I08C, I08D, I08E, I13A, I13B, I26Z			21A		W04A, W04B
				21B	X06A, X06B, X06C				11		L33Z		21B	X06A, X06B, X06C
	8r417				04		BOP, KOP, KVT, UOP4				8r424	21A		W36Z
				05			F01A, F01B, F01D, F05Z, F07A, F07B, F08A, F08B, F08C, F08D, F08E, F27A, F28A, F36A, F42Z, F51A, F51B		21B				X33Z	09
					06		G36Z					Pre	A06A, A07A, A09A, A11A, A13A	
		08		I08A, I08B, I08C, I08D, I08E, I13A, I13B, I26Z			05	BOP, KVT, UOP4	21A	W04A, W04B				
				11	L33Z			05		F01A, F01B, F01D, F05Z, F07A, F07B, F08A, F08B, F08C, F08D, F08E, F27A, F28A, F42Z		21B	X06A, X06B, X06C	
21A		W36Z	08		I08A, I08B, I08C, I08D, I08E, I13A, I13B	8r430.16	05		F01A, F01B, F01D, F14A, F14B, F15Z, F19A, F19B, F19C, F24A, F24B, F36A, F36B, F54Z					
		21B		X33Z	21B			X33Z	09	J03A, J03B, J04A, J04B, J08A, J08B, J08C, J11A, J11B, J16Z				
23			Z01A	23			Z01A	10		K09A, K09B				
		Pre	A06A, A07A, A09A, A11A, A13A		01		B12Z		21A	W04A, W04B				
8r41b			01	BOP, KOP, UOP4			8r427	05		F01A, F01B, F01D, F12A, F12B, F19A, F19B, F19C		8r430.17	05	F01A, F01B, F01D, F14A, F14B, F15Z, F24A, F24B, F28A, F36A, F36B, F54Z, F59A, F59B
	05	B02A, B02B, B02C, B20A, B20B, B20C, B20D, B20E, B39A, B39B		Pre	A13F				09	J03A, J03B, J04A, J04B, J08A, J08B, J08C, J11A, J11B, J16Z				
		05	F01A, F01B, F01D, F14A, F14B, F15Z, F24A, F24B, F28A, F36A, F36B, F54Z, F59A, F59B		01			BOP, KOP, UOP4		10	K09A, K09B			
	09		J03A, J03B, J04A, J04B, J08A, J08B, J08C, J11A, J11B, J16Z	05				B02A, B02B, B02C, B20A, B20B, B20C, B20D, B20E, B39A, B39B	21A		W04A, W04B			
		10	K09A, K09B		05			F01A, F01B, F01D, F14A, F14B, F15Z, F24A, F24B, F28A, F36A, F36B, F54Z, F59A, F59B		21B	X06A, X06B, X06C			
	21A		W04A, W04B	09				J03A, J03B, J04A, J04B, J08A, J08B, J08C, J11A, J11B, J16Z	8r430.18↔		05		F01A, F01B, F01D, F14A, F14B, F15Z, F24A, F24B, F28A, F36A, F36B, F54Z, F59A, F59B	
		21B	X06A, X06B, X06C, X33Z		10	K09A, K09B		09		J03A, J03B, J04A, J04B, J08A, J08B, J08C, J11A, J11B, J16Z				
	8r41c		01	B12Z		8r430.10				21B	X06A, X06B, X06C, X33Z		8r430.19↔	05
		05		F01A, F01B, F01D, F12A, F12B, F15Z, F24A, F24B, F36A, F36B, F52A, F52B, F56A, F56B, F58A, F58B	05			F01A, F01B, F01D, F14A, F14B, F15Z, F24A, F24B, F28A, F36A, F36B, F54Z, F59A, F59B			10			
			Pre	A13F				09		J03A, J03B, J04A, J04B, J08A, J08B, J08C, J11A, J11B, J16Z				21A
05		F01A, F01B, F01D, F14A, F14B, F15Z, F24A, F24B, F28A, F36A, F36B, F54Z, F59A, F59B		10	K09A, K09B		21B			X06A, X06B, X06C				
		09	J03A, J03B, J04A, J04B, J08A, J08B, J08C, J11A, J11B, J16Z		21A			W04A, W04B		8r430.19↔	05	F01A, F01B, F01D, F14A, F14B, F15Z, F24A, F24B, F28A, F36A, F36B, F54Z, F59A, F59B		
10			K09A, K09B	21B			X06A, X06B, X06C	09				J03A, J03B, J04A, J04B, J08A, J08B, J08C, J11A, J11B, J16Z		
		21A	W04A, W04B		05		F01A, F01B, F01D, F14A, F14B, F15Z, F24A, F24B, F28A, F36A, F36B, F54Z, F59A, F59B				10	K09A, K09B		
21B			X04Z, X06A, X06B, X06C	09			J03A, J03B, J04A, J04B, J08A, J08B, J08C, J11A, J11B, J16Z	21A				W04A, W04B		
		8r420	05		F01A, F01B, F01D, F14A, F14B, F15Z, F19A, F19B, F19C, F24A, F24B, F36A, F36B, F54Z		8r430.13↔		21B		X06A, X06B, X06C	8r430.19↔		05
09				J03A, J03B, J04A, J04B, J08A, J08B, J08C, J11A, J11B, J16Z	05			F01A, F01B, F01D, F14A, F14B, F15Z, F24A, F24B, F28A, F36A, F36B, F54Z, F59A, F59B			10			
	10		K09A, K09B	09		J03A, J03B, J04A, J04B, J08A, J08B, J08C, J11A, J11B, J16Z		21A	W04A, W04B					
21A			W04A, W04B		10	K09A, K09B			21B		X06A, X06B, X06C			
	21B		X06A, X06B, X06C	21A		W04A, W04B		21B			X05A, X05B, X06A, X06B, X06C			

VYK

ZZV	MDC	DRG	ZZV	MDC	DRG	ZZV	MDC	DRG			
8r430.1a	05	F01A, F01B, F01D, F14A, F14B, F15Z, F24A, F24B, F28A, F36A, F36B, F54Z, F59A, F59B	8r430.1g	05	F01A, F01B, F01D, F14A, F14B, F15Z, F24A, F24B, F28A, F36A, F36B, F54Z, F59A, F59B	8r430.1n↔		BOP, UOP4			
	06	G10Z, G12A, G12B		06	G10Z, G12A, G12B		01	B04A, B04B, B04C, B04D			
	09	J03A, J03B, J04A, J04B, J08A, J08B, J08C, J11A, J11B, J16Z		09	J03A, J03B, J04A, J04B, J08A, J08B, J08C, J11A, J11B, J16Z		05	F01A, F01B, F01D, F14A, F14B, F15Z, F24A, F24B, F28A, F36A, F36B, F54Z, F59A, F59B			
	10	K09A, K09B		10	K09A, K09B		09	J03A, J03B, J04A, J04B, J08A, J08B, J08C, J11A, J11B, J16Z			
	11	L09A, L09B, L09C, L09D, L38Z		11	L09A, L09B, L09C, L09D, L38Z		10	K09A, K09B			
	21A	W04A, W04B		21A	W04A, W04B		21A	W04A, W04B			
	21B	X06A, X06B, X06C		21B	X06A, X06B, X06C		21B	X06A, X06B, X06C			
	8r430.1b↔	05		F01A, F01B, F01D, F14A, F14B, F15Z, F24A, F24B, F28A, F36A, F36B, F54Z, F59A, F59B	8r430.1h↔			BOP, UOP4	8r430.1x↔	05	F01A, F01B, F01D, F14A, F14B, F15Z, F24A, F24B, F28A, F36A, F36B, F54Z, F59A, F59B
		09		J03A, J03B, J04A, J04B, J08A, J08B, J08C, J11A, J11B, J16Z			01	B04A, B04B, B04C, B04D		09	J03A, J03B, J04A, J04B, J08A, J08B, J08C, J11A, J11B, J16Z
		10		K09A, K09B			05	F01A, F01B, F01D, F14A, F14B, F15Z, F24A, F24B, F28A, F36A, F36B, F54Z, F59A, F59B		10	K09A, K09B
21A		W04A, W04B	09	J03A, J03B, J04A, J04B, J08A, J08B, J08C, J11A, J11B, J16Z		21A	W04A, W04B				
21B		X04Z, X06A, X06B, X06C	10	K09A, K09B		21B	X06A, X06B, X06C				
8r430.1c↔		05	F01A, F01B, F01D, F14A, F14B, F15Z, F24A, F24B, F28A, F36A, F36B, F54Z, F59A, F59B	8r430.1j↔			BOP, UOP4	8r430.20		01	B02A, B02B, B02C, B20A, B20B, B20C, B20D, B20E, B39A, B39B
	09	J03A, J03B, J04A, J04B, J08A, J08B, J08C, J11A, J11B, J16Z	01		B04A, B04B, B04C, B04D	05	F01A, F01B, F01D, F14A, F14B, F15Z, F24A, F24B, F28A, F36A, F36B, F54Z, F59A, F59B				
	10	K09A, K09B	05		F01A, F01B, F01D, F14A, F14B, F15Z, F24A, F24B, F28A, F36A, F36B, F54Z, F59A, F59B	09	J03A, J03B, J04A, J04B, J08A, J08B, J08C, J11A, J11B, J16Z				
	21A	W04A, W04B	09		J03A, J03B, J04A, J04B, J08A, J08B, J08C, J11A, J11B, J16Z	10	K09A, K09B				
	21B	X04Z, X06A, X06B, X06C	10		K09A, K09B	21A	W04A, W04B				
	8r430.1d	05	F01A, F01B, F01D, F14A, F14B, F15Z, F24A, F24B, F28A, F36A, F36B, F54Z, F59A, F59B		8r430.1k↔		BOP, UOP4		8r430.22↔	21B	X06A, X06B, X06C, X33Z
09		J03A, J03B, J04A, J04B, J08A, J08B, J08C, J11A, J11B, J16Z	01	B04A, B04B, B04C, B04D		05	F01A, F01B, F01D, F14A, F14B, F15Z, F24A, F24B, F28A, F36A, F36B, F54Z, F59A, F59B				
10		K09A, K09B	05	F01A, F01B, F01D, F14A, F14B, F15Z, F24A, F24B, F28A, F36A, F36B, F54Z, F59A, F59B		09	J03A, J03B, J04A, J04B, J08A, J08B, J08C, J11A, J11B, J16Z				
21A		W04A, W04B	09	J03A, J03B, J04A, J04B, J08A, J08B, J08C, J11A, J11B, J16Z		10	K09A, K09B				
21B		X04Z, X05A, X05B, X06A, X06B, X06C	10	K09A, K09B		21A	W04A, W04B				
8r430.1e		05	F01A, F01B, F01D, F14A, F14B, F15Z, F24A, F24B, F28A, F36A, F36B, F54Z, F59A, F59B	8r430.1m↔			BOP, UOP4	8r430.23↔		21B	X06A, X06B, X06C
	09	J03A, J03B, J04A, J04B, J08A, J08B, J08C, J11A, J11B, J16Z	01		B04A, B04B, B04C, B04D	05	F01A, F01B, F01D, F14A, F14B, F15Z, F24A, F24B, F28A, F36A, F36B, F54Z, F59A, F59B				
	10	K09A, K09B	05		F01A, F01B, F01D, F14A, F14B, F15Z, F24A, F24B, F28A, F36A, F36B, F54Z, F59A, F59B	09	J03A, J03B, J04A, J04B, J08A, J08B, J08C, J11A, J11B, J16Z				
	21A	W04A, W04B	09		J03A, J03B, J04A, J04B, J08A, J08B, J08C, J11A, J11B, J16Z	10	K09A, K09B				
	21B	X04Z, X05A, X05B, X06A, X06B, X06C	10		K09A, K09B	21A	W04A, W04B				
	8r430.1f	05	F01A, F01B, F01D, F14A, F14B, F15Z, F24A, F24B, F28A, F36A, F36B, F54Z, F59A, F59B		8r430.1n↔		BOP, UOP4		8r430.24	21B	X05A, X05B, X06A, X06B, X06C
09		J03A, J03B, J04A, J04B, J08A, J08B, J08C, J11A, J11B, J16Z	01	B04A, B04B, B04C, B04D		05	F01A, F01B, F01D, F14A, F14B, F15Z, F24A, F24B, F28A, F36A, F36B				
10		K09A, K09B	05	F01A, F01B, F01D, F14A, F14B, F15Z, F24A, F24B, F28A, F36A, F36B, F54Z, F59A, F59B		09	J03A, J03B, J04A, J04B, J08A, J08B, J08C, J11A, J11B, J16Z				
21A		W04A, W04B	09	J03A, J03B, J04A, J04B, J08A, J08B, J08C, J11A, J11B, J16Z		10	K09A, K09B				
21B		X04Z, X05A, X05B, X06A, X06B, X06C	10	K09A, K09B		21A	W04A, W04B				
			21B	X06A, X06B, X06C		21B	X06A, X06B, X06C				

VYK

ZZV	MDC	DRG	ZZV	MDC	DRG	ZZV	MDC	DRG
8r430.25	05	F01A, F01B, F01D, F15Z, F19A, F19B, F19C, F24A, F24B, F36A, F36B	8r430.2c↔	05	F01A, F01B, F01D, F14A, F14B, F15Z, F24A, F24B, F28A, F36A, F36B, F54Z, F59A, F59B	8r430.2j↔		BOP, UOP4
	09	J03A, J03B, J04A, J04B, J08A, J08B, J08C, J11A, J11B, J16Z		09	J03A, J03B, J04A, J04B, J08A, J08B, J08C, J11A, J11B, J16Z		01	B04A, B04B, B04C, B04D
	10	K09A, K09B		10	K09A, K09B		05	F01A, F01B, F01D, F14A, F14B, F15Z, F24A, F24B, F28A, F36A, F36B, F54Z, F59A, F59B
	21A	W04A, W04B		21A	W04A, W04B		09	J03A, J03B, J04A, J04B, J08A, J08B, J08C, J11A, J11B, J16Z
	21B	X06A, X06B, X06C		21B	X04Z, X06A, X06B, X06C		10	K09A, K09B
8r430.26	05	F01A, F01B, F01D, F15Z, F19A, F19B, F19C, F24A, F24B, F36A, F36B	8r430.2d	05	F01A, F01B, F01D, F14A, F14B, F15Z, F24A, F24B, F28A, F36A, F36B, F54Z, F59A, F59B	8r430.2k↔		BOP, UOP4
	09	J03A, J03B, J04A, J04B, J08A, J08B, J08C, J11A, J11B, J16Z		09	J03A, J03B, J04A, J04B, J08A, J08B, J08C, J11A, J11B, J16Z		01	B04A, B04B, B04C, B04D
	10	K09A, K09B		10	K09A, K09B		05	F01A, F01B, F01D, F14A, F14B, F15Z, F24A, F24B, F28A, F36A, F36B, F54Z, F59A, F59B
	21A	W04A, W04B		21A	W04A, W04B		09	J03A, J03B, J04A, J04B, J08A, J08B, J08C, J11A, J11B, J16Z
	21B	X06A, X06B, X06C		21B	X04Z, X05A, X05B, X06A, X06B, X06C		10	K09A, K09B
8r430.27	05	F01A, F01B, F01D, F14A, F14B, F15Z, F24A, F24B, F28A, F36A, F36B, F54Z, F59A, F59B	8r430.2e	05	F01A, F01B, F01D, F14A, F14B, F15Z, F24A, F24B, F28A, F36A, F36B, F54Z, F59A, F59B	8r430.2m↔		BOP, UOP4
	09	J03A, J03B, J04A, J04B, J08A, J08B, J08C, J11A, J11B, J16Z		09	J03A, J03B, J04A, J04B, J08A, J08B, J08C, J11A, J11B, J16Z		01	B04A, B04B, B04C, B04D
	10	K09A, K09B		10	K09A, K09B		05	F01A, F01B, F01D, F14A, F14B, F15Z, F24A, F24B, F28A, F36A, F36B, F54Z, F59A, F59B
	21A	W04A, W04B		21A	W04A, W04B		09	J03A, J03B, J04A, J04B, J08A, J08B, J08C, J11A, J11B, J16Z
	21B	X06A, X06B, X06C		21B	X04Z, X05A, X05B, X06A, X06B, X06C		10	K09A, K09B
8r430.28↔	05	F01A, F01B, F01D, F14A, F14B, F15Z, F24A, F24B, F28A, F36A, F36B, F54Z, F59A, F59B	8r430.2f	05	F01A, F01B, F01D, F14A, F14B, F15Z, F24A, F24B, F28A, F36A, F36B, F54Z, F59A, F59B	8r430.2n↔		BOP, UOP4
	09	J03A, J03B, J04A, J04B, J08A, J08B, J08C, J11A, J11B, J16Z		09	J03A, J03B, J04A, J04B, J08A, J08B, J08C, J11A, J11B, J16Z		01	B04A, B04B, B04C, B04D
	10	K09A, K09B		10	K09A, K09B		05	F01A, F01B, F01D, F14A, F14B, F15Z, F24A, F24B, F28A, F36A, F36B, F54Z, F59A, F59B
	21A	W04A, W04B		21A	W04A, W04B		09	J03A, J03B, J04A, J04B, J08A, J08B, J08C, J11A, J11B, J16Z
	21B	X06A, X06B, X06C		21B	X04Z, X05A, X05B, X06A, X06B, X06C		10	K09A, K09B
8r430.29↔	05	F01A, F01B, F01D, F14A, F14B, F15Z, F24A, F24B, F28A, F36A, F36B, F54Z, F59A, F59B	8r430.2g	05	F01A, F01B, F01D, F14A, F14B, F15Z, F24A, F24B, F28A, F36A, F36B, F54Z, F59A, F59B	8r430.2x↔		BOP, UOP4
	09	J03A, J03B, J04A, J04B, J08A, J08B, J08C, J11A, J11B, J16Z		06	G10Z, G12A, G12B		01	B04A, B04B, B04C, B04D
	10	K09A, K09B		09	J03A, J03B, J04A, J04B, J08A, J08B, J08C, J11A, J11B, J16Z		05	F01A, F01B, F01D, F14A, F14B, F15Z, F24A, F24B, F28A, F36A, F36B, F54Z, F59A, F59B
	21A	W04A, W04B		10	K09A, K09B		09	J03A, J03B, J04A, J04B, J08A, J08B, J08C, J11A, J11B, J16Z
	21B	X06A, X06B, X06C		11	L09A, L09B, L09C, L09D, L38Z		10	K09A, K09B
8r430.2a	05	F01A, F01B, F01D, F14A, F14B, F15Z, F24A, F24B, F28A, F36A, F36B, F54Z, F59A, F59B	8r430.2h↔	21A	W04A, W04B	8r430.2y↔		BOP, UOP4
	06	G10Z, G12A, G12B		21B	X06A, X06B, X06C		01	B04A, B04B, B04C, B04D
	09	J03A, J03B, J04A, J04B, J08A, J08B, J08C, J11A, J11B, J16Z		01	B04A, B04B, B04C, B04D		05	F01A, F01B, F01D, F14A, F14B, F15Z, F24A, F24B, F28A, F36A, F36B, F54Z, F59A, F59B
	10	K09A, K09B		05	F01A, F01B, F01D, F14A, F14B, F15Z, F24A, F24B, F28A, F36A, F36B, F54Z, F59A, F59B		09	J03A, J03B, J04A, J04B, J08A, J08B, J08C, J11A, J11B, J16Z
	11	L09A, L09B, L09C, L09D, L38Z		09	J03A, J03B, J04A, J04B, J08A, J08B, J08C, J11A, J11B, J16Z		10	K09A, K09B
8r430.2b↔	21A	W04A, W04B	8r430.2i↔	21A	W04A, W04B	8r430.2z↔		BOP, UOP4
	21B	X06A, X06B, X06C		21B	X06A, X06B, X06C		01	B04A, B04B, B04C, B04D
	05	F01A, F01B, F01D, F14A, F14B, F15Z, F24A, F24B, F28A, F36A, F36B, F54Z, F59A, F59B		01	B04A, B04B, B04C, B04D		05	F01A, F01B, F01D, F14A, F14B, F15Z, F24A, F24B, F28A, F36A, F36B, F54Z, F59A, F59B
	09	J03A, J03B, J04A, J04B, J08A, J08B, J08C, J11A, J11B, J16Z		05	F01A, F01B, F01D, F14A, F14B, F15Z, F24A, F24B, F28A, F36A, F36B, F54Z, F59A, F59B		09	J03A, J03B, J04A, J04B, J08A, J08B, J08C, J11A, J11B, J16Z
	10	K09A, K09B		09	J03A, J03B, J04A, J04B, J08A, J08B, J08C, J11A, J11B, J16Z		10	K09A, K09B
21A	W04A, W04B	10	K09A, K09B	21A	W04A, W04B			
21B	X04Z, X06A, X06B, X06C	21B	X06A, X06B, X06C	21B	X06A, X06B, X06C			

VYK

ZZV	MDC	DRG	ZZV	MDC	DRG	ZZV	MDC	DRG			
8r430.30		BOP, KOP, UOP4	8r430.37	05	F01A, F01B, F01D, F14A, F14B, F15Z, F24A, F24B, F28A, F36A, F36B, F54Z, F59A, F59B	8r430.3d	05	F01A, F01B, F01D, F14A, F14B, F15Z, F24A, F24B, F28A, F36A, F36B, F54Z, F59A, F59B			
	01	B02A, B02B, B02C, B20A, B20B, B20C, B20D, B20E, B39A, B39B		09	J03A, J03B, J04A, J04B, J08A, J08B, J08C, J11A, J11B, J16Z		09	J03A, J03B, J04A, J04B, J08A, J08B, J08C, J11A, J11B, J16Z			
	05	F01A, F01B, F01D, F14A, F14B, F15Z, F24A, F24B, F28A, F36A, F36B, F54Z, F59A, F59B		10	K09A, K09B		10	K09A, K09B			
	09	J03A, J03B, J04A, J04B, J08A, J08B, J08C, J11A, J11B, J16Z		21A	W04A, W04B		21A	W04A, W04B			
	10	K09A, K09B		21B	X06A, X06B, X06C		21B	X04Z, X05A, X05B, X06A, X06B, X06C			
	21A	W04A, W04B		8r430.38↔	05		F01A, F01B, F01D, F14A, F14B, F15Z, F24A, F24B, F28A, F36A, F36B, F54Z, F59A, F59B	8r430.3e	05	F01A, F01B, F01D, F14A, F14B, F15Z, F24A, F24B, F28A, F36A, F36B, F54Z, F59A, F59B	
	21B	X06A, X06B, X06C, X33Z			09		J03A, J03B, J04A, J04B, J08A, J08B, J08C, J11A, J11B, J16Z		09	J03A, J03B, J04A, J04B, J08A, J08B, J08C, J11A, J11B, J16Z	
	8r430.32↔	05			F01A, F01B, F01D, F14A, F14B, F15Z, F24A, F24B, F28A, F36A, F36B, F54Z, F59A, F59B		10		K09A, K09B	10	K09A, K09B
		09			J03A, J03B, J04A, J04B, J08A, J08B, J08C, J11A, J11B, J16Z		21A		W04A, W04B	21A	W04A, W04B
		10			K09A, K09B		21B		X06A, X06B, X06C	21B	X04Z, X05A, X05B, X06A, X06B, X06C
21A		W04A, W04B	8r430.39↔		05	F01A, F01B, F01D, F14A, F14B, F15Z, F24A, F24B, F28A, F36A, F36B, F54Z, F59A, F59B	8r430.3f		05	F01A, F01B, F01D, F14A, F14B, F15Z, F24A, F24B, F28A, F36A, F36B, F54Z, F59A, F59B	
21B		X06A, X06B, X06C			09	J03A, J03B, J04A, J04B, J08A, J08B, J08C, J11A, J11B, J16Z			09	J03A, J03B, J04A, J04B, J08A, J08B, J08C, J11A, J11B, J16Z	
8r430.33↔		05			F01A, F01B, F01D, F14A, F14B, F15Z, F24A, F24B, F28A, F36A, F36B, F54Z, F59A, F59B	10			K09A, K09B	10	K09A, K09B
		09			J03A, J03B, J04A, J04B, J08A, J08B, J08C, J11A, J11B, J16Z	21A			W04A, W04B	21A	W04A, W04B
		10			K09A, K09B	21B			X06A, X06B, X06C	21B	X04Z, X05A, X05B, X06A, X06B, X06C
		21A		W04A, W04B	8r430.3a	05		F01A, F01B, F01D, F14A, F14B, F15Z, F24A, F24B, F28A, F36A, F36B, F54Z, F59A, F59B	8r430.3g	05	F01A, F01B, F01D, F14A, F14B, F15Z, F24A, F24B, F28A, F36A, F36B, F54Z, F59A, F59B
		21B		X06A, X06B, X06C		06		G10Z, G12A, G12B		06	G10Z, G12A, G12B
	8r430.34	05		F01A, F01B, F01D, F15Z, F19A, F19B, F19C, F24A, F24B, F36A, F36B		09		J03A, J03B, J04A, J04B, J08A, J08B, J08C, J11A, J11B, J16Z		09	J03A, J03B, J04A, J04B, J08A, J08B, J08C, J11A, J11B, J16Z
		09		J03A, J03B, J04A, J04B, J08A, J08B, J08C, J11A, J11B, J16Z		10		K09A, K09B		10	K09A, K09B
		10		K09A, K09B		11		L09A, L09B, L09C, L09D, L38Z		11	L09A, L09B, L09C, L09D, L38Z
		21A	W04A, W04B	21A		W04A, W04B	21A	W04A, W04B			
		21B	X06A, X06B, X06C	21B		X06A, X06B, X06C	21B	X06A, X06B, X06C			
8r430.35		05	F01A, F01B, F01D, F15Z, F19A, F19B, F19C, F24A, F24B, F36A, F36B	8r430.3b↔		05	F01A, F01B, F01D, F14A, F14B, F15Z, F24A, F24B, F28A, F36A, F36B, F54Z, F59A, F59B	8r430.3h↔		BOP, UOP4	
		09	J03A, J03B, J04A, J04B, J08A, J08B, J08C, J11A, J11B, J16Z			09	J03A, J03B, J04A, J04B, J08A, J08B, J08C, J11A, J11B, J16Z			01	B04A, B04B, B04C, B04D
		10	K09A, K09B			10	K09A, K09B			05	F01A, F01B, F01D, F14A, F14B, F15Z, F24A, F24B, F28A, F36A, F36B, F54Z, F59A, F59B
		21A	W04A, W04B		21A	W04A, W04B	09		J03A, J03B, J04A, J04B, J08A, J08B, J08C, J11A, J11B, J16Z		
		21B	X06A, X06B, X06C		21B	X04Z, X06A, X06B, X06C	10		K09A, K09B		
	8r430.36	05	F01A, F01B, F01D, F15Z, F19A, F19B, F19C, F24A, F24B, F36A, F36B		8r430.3c↔	05	F01A, F01B, F01D, F14A, F14B, F15Z, F24A, F24B, F28A, F36A, F36B, F54Z, F59A, F59B		8r430.3j↔	BOP, UOP4	
		09	J03A, J03B, J04A, J04B, J08A, J08B, J08C, J11A, J11B, J16Z			09	J03A, J03B, J04A, J04B, J08A, J08B, J08C, J11A, J11B, J16Z			05	F01A, F01B, F01D, F14A, F14B, F15Z, F24A, F24B, F28A, F36A, F36B, F54Z, F59A, F59B
		10	K09A, K09B			10	K09A, K09B			09	J03A, J03B, J04A, J04B, J08A, J08B, J08C, J11A, J11B, J16Z
		21A	W04A, W04B			10	K09A, K09B			10	K09A, K09B
		21B	X06A, X06B, X06C			21A	W04A, W04B			21A	W04A, W04B
			21B	X04Z, X06A, X06B, X06C		21B	X06A, X06B, X06C				



ZZV	MDC	DRG	ZZV	MDC	DRG	ZZV	MDC	DRG						
8r430.3k↔		BOP, UOP4	8r430.43↔	05	F01A, F01B, F01D, F14A, F14B, F15Z, F24A, F24B, F28A, F36A, F36B, F54Z, F59A, F59B	8r430.4a	05	F01A, F01B, F01D, F14A, F14B, F15Z, F24A, F24B, F28A, F36A, F36B, F54Z, F59A, F59B						
	01	B04A, B04B, B04C, B04D		09	J03A, J03B, J04A, J04B, J08A, J08B, J08C, J11A, J11B, J16Z		06	G10Z, G12A, G12B						
	05	F01A, F01B, F01D, F14A, F14B, F15Z, F24A, F24B, F28A, F36A, F36B, F54Z, F59A, F59B		10	K09A, K09B		09	J03A, J03B, J04A, J04B, J08A, J08B, J08C, J11A, J11B, J16Z						
	09	J03A, J03B, J04A, J04B, J08A, J08B, J08C, J11A, J11B, J16Z		21A	W04A, W04B		10	K09A, K09B						
	10	K09A, K09B		21B	X05A, X05B, X06A, X06B, X06C		11	L09A, L09B, L09C, L09D, L38Z						
	21A	W04A, W04B		8r430.44	05		F01A, F01B, F01D, F15Z, F19A, F19B, F19C, F24A, F24B, F36A, F36B	8r430.4b↔	21A	W04A, W04B				
	21B	X06A, X06B, X06C			09		J03A, J03B, J04A, J04B, J08A, J08B, J08C, J11A, J11B, J16Z		21B	X06A, X06B, X06C				
	8r430.3m↔				BOP, UOP4		10		K09A, K09B	05	F01A, F01B, F01D, F14A, F14B, F15Z, F24A, F24B, F28A, F36A, F36B, F54Z, F59A, F59B			
		01			B04A, B04B, B04C, B04D		21A		W04A, W04B	09	J03A, J03B, J04A, J04B, J08A, J08B, J08C, J11A, J11B, J16Z			
		05			F01A, F01B, F01D, F14A, F14B, F15Z, F24A, F24B, F28A, F36A, F36B, F54Z, F59A, F59B		21B		X06A, X06B, X06C	10	K09A, K09B			
09		J03A, J03B, J04A, J04B, J08A, J08B, J08C, J11A, J11B, J16Z	8r430.45		05	F01A, F01B, F01D, F15Z, F19A, F19B, F19C, F24A, F24B, F36A, F36B	8r430.4c↔		21A	W04A, W04B				
10		K09A, K09B			09	J03A, J03B, J04A, J04B, J08A, J08B, J08C, J11A, J11B, J16Z			21B	X04Z, X06A, X06B, X06C				
21A		W04A, W04B			10	K09A, K09B			05	F01A, F01B, F01D, F14A, F14B, F15Z, F24A, F24B, F28A, F36A, F36B, F54Z, F59A, F59B				
21B		X06A, X06B, X06C			21A	W04A, W04B			09	J03A, J03B, J04A, J04B, J08A, J08B, J08C, J11A, J11B, J16Z				
8r430.3n↔					BOP, UOP4	8r430.46			05	F01A, F01B, F01D, F15Z, F19A, F19B, F19C, F24A, F24B, F36A, F36B	8r430.4d	05	F01A, F01B, F01D, F14A, F14B, F15Z, F24A, F24B, F28A, F36A, F36B, F54Z, F59A, F59B	
		01		B04A, B04B, B04C, B04D	09			J03A, J03B, J04A, J04B, J08A, J08B, J08C, J11A, J11B, J16Z	09	J03A, J03B, J04A, J04B, J08A, J08B, J08C, J11A, J11B, J16Z				
		05		F01A, F01B, F01D, F14A, F14B, F15Z, F24A, F24B, F28A, F36A, F36B, F54Z, F59A, F59B	10			K09A, K09B	10	K09A, K09B				
	09	J03A, J03B, J04A, J04B, J08A, J08B, J08C, J11A, J11B, J16Z		21A	W04A, W04B			21A	W04A, W04B					
	10	K09A, K09B		21B	X06A, X06B, X06C			21B	X04Z, X06A, X06B, X06C					
	21A	W04A, W04B		8r430.47	05			F01A, F01B, F01D, F14A, F14B, F15Z, F24A, F24B, F28A, F36A, F36B, F54Z, F59A, F59B	8r430.4e	05		F01A, F01B, F01D, F14A, F14B, F15Z, F24A, F24B, F28A, F36A, F36B, F54Z, F59A, F59B		
	21B	X06A, X06B, X06C	09		J03A, J03B, J04A, J04B, J08A, J08B, J08C, J11A, J11B, J16Z		09	J03A, J03B, J04A, J04B, J08A, J08B, J08C, J11A, J11B, J16Z						
	8r430.3x↔		BOP, UOP4		10		K09A, K09B	8r430.4f		05		F01A, F01B, F01D, F14A, F14B, F15Z, F24A, F24B, F28A, F36A, F36B, F54Z, F59A, F59B		
		05	F01A, F01B, F01D, F14A, F14B, F15Z, F24A, F24B, F28A, F36A, F36B, F54Z, F59A, F59B		21A		W04A, W04B			09		J03A, J03B, J04A, J04B, J08A, J08B, J08C, J11A, J11B, J16Z		
		09	J03A, J03B, J04A, J04B, J08A, J08B, J08C, J11A, J11B, J16Z		21B		X06A, X06B, X06C			10		K09A, K09B		
10		K09A, K09B	8r430.48↔		05	F01A, F01B, F01D, F14A, F14B, F15Z, F24A, F24B, F28A, F36A, F36B, F54Z, F59A, F59B	8r430.4f			21A	W04A, W04B			
21A		W04A, W04B			09	J03A, J03B, J04A, J04B, J08A, J08B, J08C, J11A, J11B, J16Z				21B	X04Z, X05A, X05B, X06A, X06B, X06C			
21B		X06A, X06B, X06C			10	K09A, K09B				05	F01A, F01B, F01D, F14A, F14B, F15Z, F24A, F24B, F28A, F36A, F36B, F54Z, F59A, F59B			
8r430.40					BOP, KOP, UOP4	21A				W04A, W04B	8r430.49↔	09	J03A, J03B, J04A, J04B, J08A, J08B, J08C, J11A, J11B, J16Z	
		01			B02A, B02B, B02C, B20A, B20B, B20C, B20D, B20E, B39A, B39B	21B				X06A, X06B, X06C		10	K09A, K09B	
		05		F01A, F01B, F01D, F14A, F14B, F15Z, F24A, F24B, F28A, F36A, F36B, F54Z, F59A, F59B	8r430.49↔	05			F01A, F01B, F01D, F14A, F14B, F15Z, F24A, F24B, F28A, F36A, F36B, F54Z, F59A, F59B	8r430.4f		21A	W04A, W04B	
		09		J03A, J03B, J04A, J04B, J08A, J08B, J08C, J11A, J11B, J16Z		09			J03A, J03B, J04A, J04B, J08A, J08B, J08C, J11A, J11B, J16Z			21B	X06A, X06B, X06C	
	10	K09A, K09B		10		K09A, K09B		8r430.4f	05			F01A, F01B, F01D, F14A, F14B, F15Z, F24A, F24B, F28A, F36A, F36B, F54Z, F59A, F59B		
	21A	W04A, W04B		21A		W04A, W04B			09			J03A, J03B, J04A, J04B, J08A, J08B, J08C, J11A, J11B, J16Z		
	21B	X06A, X06B, X06C, X33Z		21B		X06A, X06B, X06C			10			K09A, K09B		
	8r430.42↔		BOP, UOP4	8r430.49↔		05	F01A, F01B, F01D, F14A, F14B, F15Z, F24A, F24B, F28A, F36A, F36B, F54Z, F59A, F59B		8r430.4f			21A	W04A, W04B	
		05	F01A, F01B, F01D, F14A, F14B, F15Z, F24A, F24B, F28A, F36A, F36B, F54Z, F59A, F59B			09	J03A, J03B, J04A, J04B, J08A, J08B, J08C, J11A, J11B, J16Z					21B	X04Z, X05A, X05B, X06A, X06B, X06C	
		09	J03A, J03B, J04A, J04B, J08A, J08B, J08C, J11A, J11B, J16Z			10	K09A, K09B					8r430.4f	05	F01A, F01B, F01D, F14A, F14B, F15Z, F24A, F24B, F28A, F36A, F36B, F54Z, F59A, F59B
10		K09A, K09B	21A			W04A, W04B	09				J03A, J03B, J04A, J04B, J08A, J08B, J08C, J11A, J11B, J16Z			
21A		W04A, W04B	21B			X06A, X06B, X06C	10				K09A, K09B			
21B		X06A, X06B, X06C	8r430.49↔		05	F01A, F01B, F01D, F14A, F14B, F15Z, F24A, F24B, F28A, F36A, F36B, F54Z, F59A, F59B	8r430.4f			21A	W04A, W04B			
8r430.42↔					BOP, UOP4	09				J03A, J03B, J04A, J04B, J08A, J08B, J08C, J11A, J11B, J16Z	8r430.4f		21B	X06A, X06B, X06C
		05			F01A, F01B, F01D, F14A, F14B, F15Z, F24A, F24B, F28A, F36A, F36B, F54Z, F59A, F59B	10		K09A, K09B		8r430.4f			05	F01A, F01B, F01D, F14A, F14B, F15Z, F24A, F24B, F28A, F36A, F36B, F54Z, F59A, F59B
		09			J03A, J03B, J04A, J04B, J08A, J08B, J08C, J11A, J11B, J16Z	21A		W04A, W04B					09	J03A, J03B, J04A, J04B, J08A, J08B, J08C, J11A, J11B, J16Z
		10			K09A, K09B	21B		X06A, X06B, X06C					10	K09A, K09B
	21A	W04A, W04B		8r430.49↔	05	F01A, F01B, F01D, F14A, F14B, F15Z, F24A, F24B, F28A, F36A, F36B, F54Z, F59A, F59B		8r430.4f	21A				W04A, W04B	
	21B	X06A, X06B, X06C			09	J03A, J03B, J04A, J04B, J08A, J08B, J08C, J11A, J11B, J16Z			21B				X06A, X06B, X06C	



ZZV	MDC	DRG	ZZV	MDC	DRG	ZZV	MDC	DRG		
8r430.4g	05	F01A, F01B, F01D, F14A, F14B, F15Z, F24A, F24B, F28A, F36A, F36B, F54Z, F59A, F59B	8r430.4n↔	01	B0P, UOP4	8r430.55	05	F01A, F01B, F01D, F15Z, F19A, F19B, F19C, F24A, F24B, F36A, F36B		
		06			G10Z, G12A, G12B			05	F01A, F01B, F01D, F14A, F14B, F15Z, F24A, F24B, F28A, F36A, F36B, F54Z, F59A, F59B	09
	09	J03A, J03B, J04A, J04B, J08A, J08B, J08C, J11A, J11B, J16Z		09	J03A, J03B, J04A, J04B, J08A, J08B, J08C, J11A, J11B, J16Z		10	K09A, K09B		
	10	K09A, K09B		10	K09A, K09B		21A	W04A, W04B		
	11	L09A, L09B, L09C, L09D, L38Z		10	K09A, K09B		21B	X06A, X06B, X06C		
	21A	W04A, W04B		21A	W04A, W04B		8r430.56	05	F01A, F01B, F01D, F15Z, F19A, F19B, F19C, F24A, F24B, F36A, F36B	
	21B	X06A, X06B, X06C		21B	X06A, X06B, X06C				09	J03A, J03B, J04A, J04B, J08A, J08B, J08C, J11A, J11B, J16Z
	8r430.4h↔	BOP, UOP4		8r430.4x↔	05		F01A, F01B, F01D, F14A, F14B, F15Z, F24A, F24B, F28A, F36A, F36B, F54Z, F59A, F59B	8r430.50	05	F01A, F01B, F01D, F14A, F14B, F15Z, F24A, F24B, F28A, F36A, F36B, F54Z, F59A, F59B
							01			B04A, B04B, B04C, B04D
		05			F01A, F01B, F01D, F14A, F14B, F15Z, F24A, F24B, F28A, F36A, F36B, F54Z, F59A, F59B		10		K09A, K09B	
09		J03A, J03B, J04A, J04B, J08A, J08B, J08C, J11A, J11B, J16Z	21A		W04A, W04B					
10		K09A, K09B	21B		X06A, X06B, X06C					
21A		W04A, W04B	8r430.52↔		05	F01A, F01B, F01D, F14A, F14B, F15Z, F24A, F24B, F28A, F36A, F36B, F54Z, F59A, F59B				
21B		X06A, X06B, X06C				09	J03A, J03B, J04A, J04B, J08A, J08B, J08C, J11A, J11B, J16Z			
8r430.4j↔		BOP, UOP4	8r430.53↔		01	B02A, B02B, B02C, B20A, B20B, B20C, B20D, B20E, B39A, B39B	8r430.54		05	F01A, F01B, F01D, F15Z, F19A, F19B, F19C, F24A, F24B, F24B, F36A, F36B
						01				B04A, B04B, B04C, B04D
		05			F01A, F01B, F01D, F14A, F14B, F15Z, F24A, F24B, F28A, F36A, F36B, F54Z, F59A, F59B	10			K09A, K09B	
	09	J03A, J03B, J04A, J04B, J08A, J08B, J08C, J11A, J11B, J16Z		21A	W04A, W04B					
	10	K09A, K09B		21B	X05A, X05B, X06A, X06B, X06C					
	21A	W04A, W04B		8r430.55↔	05	F01A, F01B, F01D, F14A, F14B, F15Z, F24A, F24B, F28A, F36A, F36B, F54Z, F59A, F59B				
	21B	X06A, X06B, X06C				09		J03A, J03B, J04A, J04B, J08A, J08B, J08C, J11A, J11B, J16Z		
	8r430.4k↔	BOP, UOP4		8r430.56↔	05	F01A, F01B, F01D, F14A, F14B, F15Z, F24A, F24B, F28A, F36A, F36B, F54Z, F59A, F59B		8r430.57	05	F01A, F01B, F01D, F14A, F14B, F15Z, F24A, F24B, F28A, F36A, F36B, F54Z, F59A, F59B
						01				B04A, B04B, B04C, B04D
		05			F01A, F01B, F01D, F14A, F14B, F15Z, F24A, F24B, F28A, F36A, F36B, F54Z, F59A, F59B	10			K09A, K09B	
09		J03A, J03B, J04A, J04B, J08A, J08B, J08C, J11A, J11B, J16Z	21A		W04A, W04B					
10		K09A, K09B	21B		X06A, X06B, X06C					
21A		W04A, W04B	8r430.58↔		05	F01A, F01B, F01D, F14A, F14B, F15Z, F24A, F24B, F28A, F36A, F36B, F54Z, F59A, F59B				
21B		X06A, X06B, X06C				09	J03A, J03B, J04A, J04B, J08A, J08B, J08C, J11A, J11B, J16Z			
8r430.4m↔		BOP, UOP4	8r430.59↔		05	F01A, F01B, F01D, F14A, F14B, F15Z, F24A, F24B, F28A, F36A, F36B, F54Z, F59A, F59B	8r430.5a		05	F01A, F01B, F01D, F14A, F14B, F15Z, F24A, F24B, F28A, F36A, F36B, F54Z, F59A, F59B
						01				B04A, B04B, B04C, B04D
		05			F01A, F01B, F01D, F14A, F14B, F15Z, F24A, F24B, F28A, F36A, F36B, F54Z, F59A, F59B	09			J03A, J03B, J04A, J04B, J08A, J08B, J08C, J11A, J11B, J16Z	
	09	J03A, J03B, J04A, J04B, J08A, J08B, J08C, J11A, J11B, J16Z		10	K09A, K09B					
	10	K09A, K09B		11	L09A, L09B, L09C, L09D, L38Z					
	21A	W04A, W04B		21A	W04A, W04B					
	21B	X06A, X06B, X06C		21B	X06A, X06B, X06C					
	8r430.4n↔	BOP, UOP4		8r430.5b↔	05	F01A, F01B, F01D, F14A, F14B, F15Z, F24A, F24B, F28A, F36A, F36B, F54Z, F59A, F59B		8r430.5b↔	05	F01A, F01B, F01D, F14A, F14B, F15Z, F24A, F24B, F28A, F36A, F36B, F54Z, F59A, F59B
						01				B04A, B04B, B04C, B04D
		05			F01A, F01B, F01D, F14A, F14B, F15Z, F24A, F24B, F28A, F36A, F36B, F54Z, F59A, F59B	10			K09A, K09B	
09		J03A, J03B, J04A, J04B, J08A, J08B, J08C, J11A, J11B, J16Z	21A		W04A, W04B					
10		K09A, K09B	21B		X04Z, X06A, X06B, X06C					
21A		W04A, W04B								
21B		X06A, X06B, X06C								

VYK

ZZV	MDC	DRG	ZZV	MDC	DRG	ZZV	MDC	DRG			
8r430.67	05	F01A, F01B, F01D, F14A, F14B, F15Z, F24A, F24B, F28A, F36A, F36B, F54Z, F59A, F59B	8r430.6d	05	F01A, F01B, F01D, F14A, F14B, F15Z, F24A, F24B, F28A, F36A, F36B, F54Z, F59A, F59B	8r430.6k↔	01	B0P, U0P4			
		09			J03A, J03B, J04A, J04B, J08A, J08B, J08C, J11A, J11B, J16Z			09	J03A, J03B, J04A, J04B, J08A, J08B, J08C, J11A, J11B, J16Z	05	F01A, F01B, F01D, F14A, F14B, F15Z, F24A, F24B, F28A, F36A, F36B, F54Z, F59A, F59B
		10			K09A, K09B			10	K09A, K09B	09	J03A, J03B, J04A, J04B, J08A, J08B, J08C, J11A, J11B, J16Z
		21A			W04A, W04B			21A	W04A, W04B	10	K09A, K09B
		21B			X06A, X06B, X06C			21B	X04Z, X05A, X05B, X06A, X06B, X06C	21A	W04A, W04B
8r430.68↔	05	F01A, F01B, F01D, F14A, F14B, F15Z, F24A, F24B, F28A, F36A, F36B, F54Z, F59A, F59B	8r430.6e	05	F01A, F01B, F01D, F14A, F14B, F15Z, F24A, F24B, F28A, F36A, F36B, F54Z, F59A, F59B	8r430.6m↔	21B	X06A, X06B, X06C			
		09			J03A, J03B, J04A, J04B, J08A, J08B, J08C, J11A, J11B, J16Z			09	J03A, J03B, J04A, J04B, J08A, J08B, J08C, J11A, J11B, J16Z	01	B0P, U0P4
		10			K09A, K09B			10	K09A, K09B	05	F01A, F01B, F01D, F14A, F14B, F15Z, F24A, F24B, F28A, F36A, F36B, F54Z, F59A, F59B
		21A			W04A, W04B			21A	W04A, W04B	09	J03A, J03B, J04A, J04B, J08A, J08B, J08C, J11A, J11B, J16Z
		21B			X06A, X06B, X06C			21B	X04Z, X05A, X05B, X06A, X06B, X06C	10	K09A, K09B
8r430.69↔	05	F01A, F01B, F01D, F14A, F14B, F15Z, F24A, F24B, F28A, F36A, F36B, F54Z, F59A, F59B	8r430.6f	05	F01A, F01B, F01D, F14A, F14B, F15Z, F24A, F24B, F28A, F36A, F36B, F54Z, F59A, F59B	8r430.6n↔	21A	W04A, W04B			
		09			J03A, J03B, J04A, J04B, J08A, J08B, J08C, J11A, J11B, J16Z			09	J03A, J03B, J04A, J04B, J08A, J08B, J08C, J11A, J11B, J16Z	21B	X06A, X06B, X06C
		10			K09A, K09B			10	K09A, K09B	B0P, U0P4	
		21A			W04A, W04B			21A	W04A, W04B	01	B04A, B04B, B04C, B04D
		21B			X06A, X06B, X06C			21B	X04Z, X05A, X05B, X06A, X06B, X06C	05	F01A, F01B, F01D, F14A, F14B, F15Z, F24A, F24B, F28A, F36A, F36B, F54Z, F59A, F59B
8r430.6a	05	F01A, F01B, F01D, F14A, F14B, F15Z, F24A, F24B, F28A, F36A, F36B, F54Z, F59A, F59B	8r430.6g	05	F01A, F01B, F01D, F14A, F14B, F15Z, F24A, F24B, F28A, F36A, F36B, F54Z, F59A, F59B	8r430.6x↔	09	J03A, J03B, J04A, J04B, J08A, J08B, J08C, J11A, J11B, J16Z			
		06			G10Z, G12A, G12B			06	G10Z, G12A, G12B	10	K09A, K09B
		09			J03A, J03B, J04A, J04B, J08A, J08B, J08C, J11A, J11B, J16Z			09	J03A, J03B, J04A, J04B, J08A, J08B, J08C, J11A, J11B, J16Z	21A	W04A, W04B
		10			K09A, K09B			10	K09A, K09B	21B	X06A, X06B, X06C
		11			L09A, L09B, L09C, L09D, L38Z			11	L09A, L09B, L09C, L09D, L38Z	05	F01A, F01B, F01D, F14A, F14B, F15Z, F24A, F24B, F28A, F36A, F36B, F54Z, F59A, F59B
8r430.6b↔	05	F01A, F01B, F01D, F14A, F14B, F15Z, F24A, F24B, F28A, F36A, F36B, F54Z, F59A, F59B	8r430.6h↔	01	B04A, B04B, B04C, B04D	8r431.10	01	B02A, B02B, B02C, B20A, B20B, B20C, B20D, B20E, B39A, B39B			
		09			J03A, J03B, J04A, J04B, J08A, J08B, J08C, J11A, J11B, J16Z			05	F01A, F01B, F01D, F14A, F14B, F15Z, F24A, F24B, F28A, F36A, F36B, F54Z, F59A, F59B		
		10			K09A, K09B			09	J03A, J03B, J04A, J04B, J08A, J08B, J08C, J11A, J11B, J16Z	09	J03A, J03B, J04A, J04B, J08A, J08B, J08C, J11A, J11B, J16Z
		21A			W04A, W04B			10	K09A, K09B	10	K09A, K09B
		21B			X04Z, X06A, X06B, X06C			21B	X06A, X06B, X06C	21A	W04A, W04B
8r430.6c↔	05	F01A, F01B, F01D, F14A, F14B, F15Z, F24A, F24B, F28A, F36A, F36B, F54Z, F59A, F59B	8r430.6j↔	01	B04A, B04B, B04C, B04D	8r431.12↔	05	F01A, F01B, F01D, F14A, F14B, F15Z, F24A, F24B, F28A, F36A, F36B, F54Z, F59A, F59B			
		09			J03A, J03B, J04A, J04B, J08A, J08B, J08C, J11A, J11B, J16Z			05	F01A, F01B, F01D, F14A, F14B, F15Z, F24A, F24B, F28A, F36A, F36B, F54Z, F59A, F59B		
		10			K09A, K09B			09	J03A, J03B, J04A, J04B, J08A, J08B, J08C, J11A, J11B, J16Z	09	J03A, J03B, J04A, J04B, J08A, J08B, J08C, J11A, J11B, J16Z
		21A			W04A, W04B			10	K09A, K09B	10	K09A, K09B
		21B			X04Z, X06A, X06B, X06C			21B	X06A, X06B, X06C	21A	W04A, W04B

VYK

Príloha B: Index Výkon-MDC-DRG

ZZV	MDC	DRG	ZZV	MDC	DRG	ZZV	MDC	DRG
8r431.13↔	05	F01A, F01B, F01D, F14A, F14B, F15Z, F24A, F24B, F28A, F36A, F36B, F54Z, F59A, F59B	8r431.1a	05	F01A, F01B, F01D, F14A, F14B, F15Z, F24A, F24B, F28A, F36A, F36B, F54Z, F59A, F59B	8r431.1g	05	F01A, F01B, F01D, F14A, F14B, F15Z, F24A, F24B, F28A, F36A, F36B, F54Z, F59A, F59B
	09	J03A, J03B, J04A, J04B, J08A, J08B, J08C, J11A, J11B, J16Z		06	G10Z, G12A, G12B		06	G10Z, G12A, G12B
	10	K09A, K09B		09	J03A, J03B, J04A, J04B, J08A, J08B, J08C, J11A, J11B, J16Z		09	J03A, J03B, J04A, J04B, J08A, J08B, J08C, J11A, J11B, J16Z
	21A	W04A, W04B		10	K09A, K09B		10	K09A, K09B
	21B	X05A, X05B, X06A, X06B, X06C		11	L09A, L09B, L09C, L09D, L38Z		11	L09A, L09B, L09C, L09D, L38Z
8r431.14	05	F01A, F01B, F01D, F15Z, F19A, F19B, F19C, F24A, F24B, F36A, F36B	8r431.1b↔	21A	W04A, W04B	8r431.1h↔	21A	W04A, W04B
	09	J03A, J03B, J04A, J04B, J08A, J08B, J08C, J11A, J11B, J16Z		21B	X06A, X06B, X06C		21B	X06A, X06B, X06C
	10	K09A, K09B		05	F01A, F01B, F01D, F14A, F14B, F15Z, F24A, F24B, F28A, F36A, F36B, F54Z, F59A, F59B		01	B04A, B04B, B04C, B04D
	21A	W04A, W04B		09	J03A, J03B, J04A, J04B, J08A, J08B, J08C, J11A, J11B, J16Z		05	F01A, F01B, F01D, F14A, F14B, F15Z, F24A, F24B, F28A, F36A, F36B, F54Z, F59A, F59B
	21B	X06A, X06B, X06C		10	K09A, K09B		09	J03A, J03B, J04A, J04B, J08A, J08B, J08C, J11A, J11B, J16Z
8r431.15	05	F01A, F01B, F01D, F15Z, F19A, F19B, F19C, F24A, F24B, F36A, F36B	8r431.1c↔	21A	W04A, W04B	8r431.1j↔	10	K09A, K09B
	09	J03A, J03B, J04A, J04B, J08A, J08B, J08C, J11A, J11B, J16Z		21B	X04Z, X06A, X06B, X06C		21A	W04A, W04B
	10	K09A, K09B		05	F01A, F01B, F01D, F14A, F14B, F15Z, F24A, F24B, F28A, F36A, F36B, F54Z, F59A, F59B		21B	X06A, X06B, X06C
	21A	W04A, W04B		09	J03A, J03B, J04A, J04B, J08A, J08B, J08C, J11A, J11B, J16Z		BOP, UOP4	
	21B	X06A, X06B, X06C		10	K09A, K09B		01	B04A, B04B, B04C, B04D
8r431.16	05	F01A, F01B, F01D, F15Z, F19A, F19B, F19C, F24A, F24B, F36A, F36B	8r431.1d	21A	W04A, W04B	8r431.1k↔	05	F01A, F01B, F01D, F14A, F14B, F15Z, F24A, F24B, F28A, F36A, F36B, F54Z, F59A, F59B
	09	J03A, J03B, J04A, J04B, J08A, J08B, J08C, J11A, J11B, J16Z		21B	X04Z, X06A, X06B, X06C		09	J03A, J03B, J04A, J04B, J08A, J08B, J08C, J11A, J11B, J16Z
	10	K09A, K09B		05	F01A, F01B, F01D, F14A, F14B, F15Z, F24A, F24B, F28A, F36A, F36B, F54Z, F59A, F59B		10	K09A, K09B
	21A	W04A, W04B		09	J03A, J03B, J04A, J04B, J08A, J08B, J08C, J11A, J11B, J16Z		21A	W04A, W04B
	21B	X06A, X06B, X06C		10	K09A, K09B		21B	X06A, X06B, X06C
8r431.17	05	F01A, F01B, F01D, F14A, F14B, F15Z, F24A, F24B, F28A, F36A, F36B, F54Z, F59A, F59B	8r431.1e	09	J03A, J03B, J04A, J04B, J08A, J08B, J08C, J11A, J11B, J16Z	8r431.1m↔	01	B04A, B04B, B04C, B04D
	09	J03A, J03B, J04A, J04B, J08A, J08B, J08C, J11A, J11B, J16Z		10	K09A, K09B		05	F01A, F01B, F01D, F14A, F14B, F15Z, F24A, F24B, F28A, F36A, F36B, F54Z, F59A, F59B
	10	K09A, K09B		21A	W04A, W04B		09	J03A, J03B, J04A, J04B, J08A, J08B, J08C, J11A, J11B, J16Z
	21A	W04A, W04B		21B	X04Z, X05A, X05B, X06A, X06B, X06C		10	K09A, K09B
	21B	X06A, X06B, X06C		05	F01A, F01B, F01D, F14A, F14B, F15Z, F24A, F24B, F28A, F36A, F36B, F54Z, F59A, F59B		21A	W04A, W04B
8r431.18↔	05	F01A, F01B, F01D, F14A, F14B, F15Z, F24A, F24B, F28A, F36A, F36B, F54Z, F59A, F59B	8r431.1f	09	J03A, J03B, J04A, J04B, J08A, J08B, J08C, J11A, J11B, J16Z	8r431.1n↔	21B	X06A, X06B, X06C
	09	J03A, J03B, J04A, J04B, J08A, J08B, J08C, J11A, J11B, J16Z		05	F01A, F01B, F01D, F14A, F14B, F15Z, F24A, F24B, F28A, F36A, F36B, F54Z, F59A, F59B		01	B04A, B04B, B04C, B04D
	10	K09A, K09B		09	J03A, J03B, J04A, J04B, J08A, J08B, J08C, J11A, J11B, J16Z		05	F01A, F01B, F01D, F14A, F14B, F15Z, F24A, F24B, F28A, F36A, F36B, F54Z, F59A, F59B
	21A	W04A, W04B		10	K09A, K09B		09	J03A, J03B, J04A, J04B, J08A, J08B, J08C, J11A, J11B, J16Z
	21B	X06A, X06B, X06C		21A	W04A, W04B		10	K09A, K09B
8r431.19↔	05	F01A, F01B, F01D, F14A, F14B, F15Z, F24A, F24B, F28A, F36A, F36B, F54Z, F59A, F59B		21B	X04Z, X05A, X05B, X06A, X06B, X06C		21B	X06A, X06B, X06C
	09	J03A, J03B, J04A, J04B, J08A, J08B, J08C, J11A, J11B, J16Z		05	F01A, F01B, F01D, F14A, F14B, F15Z, F24A, F24B, F28A, F36A, F36B, F54Z, F59A, F59B		01	B04A, B04B, B04C, B04D
	10	K09A, K09B		09	J03A, J03B, J04A, J04B, J08A, J08B, J08C, J11A, J11B, J16Z		05	F01A, F01B, F01D, F14A, F14B, F15Z, F24A, F24B, F28A, F36A, F36B, F54Z, F59A, F59B
	21A	W04A, W04B		10	K09A, K09B		09	J03A, J03B, J04A, J04B, J08A, J08B, J08C, J11A, J11B, J16Z
	21B	X06A, X06B, X06C		21A	W04A, W04B		10	K09A, K09B

VYK

ZZV	MDC	DRG	ZZV	MDC	DRG	ZZV	MDC	DRG			
8r431.1n↔		BOP, UOP4	8r431.25	05	F01A, F01B, F01D, F15Z, F19A, F19B, F19C, F24A, F24B, F36A, F36B	8r431.2c↔	05	F01A, F01B, F01D, F14A, F14B, F15Z, F24A, F24B, F28A, F36A, F36B, F54Z, F59A, F59B			
	01	B04A, B04B, B04C, B04D		09	J03A, J03B, J04A, J04B, J08A, J08B, J08C, J11A, J11B, J16Z		09	J03A, J03B, J04A, J04B, J08A, J08B, J08C, J11A, J11B, J16Z			
	05	F01A, F01B, F01D, F14A, F14B, F15Z, F24A, F24B, F28A, F36A, F36B, F54Z, F59A, F59B		10	K09A, K09B		10	K09A, K09B			
	09	J03A, J03B, J04A, J04B, J08A, J08B, J08C, J11A, J11B, J16Z		21A	W04A, W04B		10	K09A, K09B			
	10	K09A, K09B		21B	X06A, X06B, X06C		21A	W04A, W04B			
	21A	W04A, W04B		05	F01A, F01B, F01D, F15Z, F19A, F19B, F19C, F24A, F24B, F36A, F36B		21B	X04Z, X06A, X06B, X06C			
	21B	X06A, X06B, X06C		09	J03A, J03B, J04A, J04B, J08A, J08B, J08C, J11A, J11B, J16Z		05	F01A, F01B, F01D, F14A, F14B, F15Z, F24A, F24B, F28A, F36A, F36B, F54Z, F59A, F59B			
	8r431.1x↔	05		F01A, F01B, F01D, F14A, F14B, F15Z, F24A, F24B, F28A, F36A, F36B, F54Z, F59A, F59B	8r431.26		05	F01A, F01B, F01D, F14A, F14B, F15Z, F24A, F24B, F28A, F36A, F36B, F54Z, F59A, F59B	8r431.2d	05	F01A, F01B, F01D, F14A, F14B, F15Z, F24A, F24B, F28A, F36A, F36B, F54Z, F59A, F59B
		09		J03A, J03B, J04A, J04B, J08A, J08B, J08C, J11A, J11B, J16Z			09	J03A, J03B, J04A, J04B, J08A, J08B, J08C, J11A, J11B, J16Z		09	J03A, J03B, J04A, J04B, J08A, J08B, J08C, J11A, J11B, J16Z
		10		K09A, K09B			10	K09A, K09B		10	K09A, K09B
21A		W04A, W04B	21A	W04A, W04B		21A	W04A, W04B				
21B		X06A, X06B, X06C	21B	X06A, X06B, X06C		21B	X04Z, X05A, X05B, X06A, X06B, X06C				
8r431.20			BOP, KOP, UOP4	8r431.27		05	F01A, F01B, F01D, F14A, F14B, F15Z, F24A, F24B, F28A, F36A, F36B, F54Z, F59A, F59B	8r431.2e		05	F01A, F01B, F01D, F14A, F14B, F15Z, F24A, F24B, F28A, F36A, F36B, F54Z, F59A, F59B
		01	B02A, B02B, B02C, B20A, B20B, B20C, B20D, B20E, B39A, B39B			09	J03A, J03B, J04A, J04B, J08A, J08B, J08C, J11A, J11B, J16Z			09	J03A, J03B, J04A, J04B, J08A, J08B, J08C, J11A, J11B, J16Z
		05	F01A, F01B, F01D, F14A, F14B, F15Z, F24A, F24B, F28A, F36A, F36B, F54Z, F59A, F59B			10	K09A, K09B			10	K09A, K09B
		09	J03A, J03B, J04A, J04B, J08A, J08B, J08C, J11A, J11B, J16Z			21A	W04A, W04B			21A	W04A, W04B
		10	K09A, K09B			21B	X06A, X06B, X06C			21B	X04Z, X05A, X05B, X06A, X06B, X06C
	21A	W04A, W04B	05		F01A, F01B, F01D, F14A, F14B, F15Z, F24A, F24B, F28A, F36A, F36B, F54Z, F59A, F59B	05	F01A, F01B, F01D, F14A, F14B, F15Z, F24A, F24B, F28A, F36A, F36B, F54Z, F59A, F59B				
	21B	X06A, X06B, X06C	09		J03A, J03B, J04A, J04B, J08A, J08B, J08C, J11A, J11B, J16Z	09	J03A, J03B, J04A, J04B, J08A, J08B, J08C, J11A, J11B, J16Z				
	8r431.22↔	05	F01A, F01B, F01D, F14A, F14B, F15Z, F24A, F24B, F28A, F36A, F36B, F54Z, F59A, F59B		8r431.28↔	05	F01A, F01B, F01D, F14A, F14B, F15Z, F24A, F24B, F28A, F36A, F36B, F54Z, F59A, F59B		8r431.2f	05	F01A, F01B, F01D, F14A, F14B, F15Z, F24A, F24B, F28A, F36A, F36B, F54Z, F59A, F59B
		09	J03A, J03B, J04A, J04B, J08A, J08B, J08C, J11A, J11B, J16Z			09	J03A, J03B, J04A, J04B, J08A, J08B, J08C, J11A, J11B, J16Z			09	J03A, J03B, J04A, J04B, J08A, J08B, J08C, J11A, J11B, J16Z
		10	K09A, K09B			10	K09A, K09B			10	K09A, K09B
21A		W04A, W04B	21A	W04A, W04B		21A	W04A, W04B				
21B		X06A, X06B, X06C	21B	X06A, X06B, X06C		21B	X04Z, X05A, X05B, X06A, X06B, X06C				
8r431.23↔		05	F01A, F01B, F01D, F14A, F14B, F15Z, F24A, F24B, F28A, F36A, F36B, F54Z, F59A, F59B	8r431.29↔		05	F01A, F01B, F01D, F14A, F14B, F15Z, F24A, F24B, F28A, F36A, F36B, F54Z, F59A, F59B	8r431.2g		05	F01A, F01B, F01D, F14A, F14B, F15Z, F24A, F24B, F28A, F36A, F36B, F54Z, F59A, F59B
		09	J03A, J03B, J04A, J04B, J08A, J08B, J08C, J11A, J11B, J16Z			09	J03A, J03B, J04A, J04B, J08A, J08B, J08C, J11A, J11B, J16Z			06	G10Z, G12A, G12B
		10	K09A, K09B			10	K09A, K09B			09	J03A, J03B, J04A, J04B, J08A, J08B, J08C, J11A, J11B, J16Z
		21A	W04A, W04B			06	G10Z, G12A, G12B			10	K09A, K09B
		21B	X05A, X05B, X06A, X06B, X06C			09	J03A, J03B, J04A, J04B, J08A, J08B, J08C, J11A, J11B, J16Z			11	L09A, L09B, L09C, L09D, L38Z
	8r431.24	05	F01A, F01B, F01D, F15Z, F19A, F19B, F19C, F24A, F24B, F36A, F36B		8r431.2a	05	F01A, F01B, F01D, F14A, F14B, F15Z, F24A, F24B, F28A, F36A, F36B, F54Z, F59A, F59B		8r431.2h↔		BOP, UOP4
		09	J03A, J03B, J04A, J04B, J08A, J08B, J08C, J11A, J11B, J16Z			06	G10Z, G12A, G12B			01	B04A, B04B, B04C, B04D
		10	K09A, K09B			09	J03A, J03B, J04A, J04B, J08A, J08B, J08C, J11A, J11B, J16Z			05	F01A, F01B, F01D, F14A, F14B, F15Z, F24A, F24B, F28A, F36A, F36B, F54Z, F59A, F59B
		21A	W04A, W04B			10	K09A, K09B			09	J03A, J03B, J04A, J04B, J08A, J08B, J08C, J11A, J11B, J16Z
		21B	X06A, X06B, X06C			11	L09A, L09B, L09C, L09D, L38Z			10	K09A, K09B
8r431.2b↔		05	F01A, F01B, F01D, F14A, F14B, F15Z, F24A, F24B, F28A, F36A, F36B, F54Z, F59A, F59B	8r431.2b↔		05	F01A, F01B, F01D, F14A, F14B, F15Z, F24A, F24B, F28A, F36A, F36B, F54Z, F59A, F59B	8r431.2h↔		01	B04A, B04B, B04C, B04D
		09	J03A, J03B, J04A, J04B, J08A, J08B, J08C, J11A, J11B, J16Z			09	J03A, J03B, J04A, J04B, J08A, J08B, J08C, J11A, J11B, J16Z			05	F01A, F01B, F01D, F14A, F14B, F15Z, F24A, F24B, F28A, F36A, F36B, F54Z, F59A, F59B
		10	K09A, K09B			10	K09A, K09B			09	J03A, J03B, J04A, J04B, J08A, J08B, J08C, J11A, J11B, J16Z
		21A	W04A, W04B			11	L09A, L09B, L09C, L09D, L38Z			10	K09A, K09B
		21B	X06A, X06B, X06C			21A	W04A, W04B			21A	W04A, W04B
			21B		X06A, X06B, X06C	21B	X06A, X06B, X06C				
			05		F01A, F01B, F01D, F14A, F14B, F15Z, F24A, F24B, F28A, F36A, F36B, F54Z, F59A, F59B	01	B04A, B04B, B04C, B04D				
			09		J03A, J03B, J04A, J04B, J08A, J08B, J08C, J11A, J11B, J16Z	05	F01A, F01B, F01D, F14A, F14B, F15Z, F24A, F24B, F28A, F36A, F36B, F54Z, F59A, F59B				
			10		K09A, K09B	09	J03A, J03B, J04A, J04B, J08A, J08B, J08C, J11A, J11B, J16Z				
			21A		W04A, W04B	10	K09A, K09B				
		21B	X04Z, X06A, X06B, X06C	21A	W04A, W04B						
				21B	X06A, X06B, X06C						

ZZV	MDC	DRG	ZZV	MDC	DRG	ZZV	MDC	DRG			
8r431.2j↔		BOP, UOP4	8r431.30		BOP, KOP, UOP4	8r431.37	05	F01A, F01B, F01D, F14A, F14B, F15Z, F24A, F24B, F28A, F36A, F36B, F54Z, F59A, F59B			
	01	B04A, B04B, B04C, B04D		01	B02A, B02B, B02C, B20A, B20B, B20C, B20D, B20E, B39A, B39B		09	J03A, J03B, J04A, J04B, J08A, J08B, J08C, J11A, J11B, J16Z			
	05	F01A, F01B, F01D, F14A, F14B, F15Z, F24A, F24B, F28A, F36A, F36B, F54Z, F59A, F59B		05	F01A, F01B, F01D, F14A, F14B, F15Z, F24A, F24B, F28A, F36A, F36B, F54Z, F59A, F59B		10	K09A, K09B			
	09	J03A, J03B, J04A, J04B, J08A, J08B, J08C, J11A, J11B, J16Z		09	J03A, J03B, J04A, J04B, J08A, J08B, J08C, J11A, J11B, J16Z		21A	W04A, W04B			
	10	K09A, K09B		10	K09A, K09B		21B	X06A, X06B, X06C			
	21A	W04A, W04B		21A	W04A, W04B		8r431.38↔	05	F01A, F01B, F01D, F14A, F14B, F15Z, F24A, F24B, F28A, F36A, F36B, F54Z, F59A, F59B		
	21B	X06A, X06B, X06C		21B	X06A, X06B, X06C, X33Z			09	J03A, J03B, J04A, J04B, J08A, J08B, J08C, J11A, J11B, J16Z		
	8r431.2k↔			BOP, UOP4	8r431.32↔				F01A, F01B, F01D, F14A, F14B, F15Z, F24A, F24B, F28A, F36A, F36B, F54Z, F59A, F59B	10	K09A, K09B
		01		B04A, B04B, B04C, B04D				05	F01A, F01B, F01D, F14A, F14B, F15Z, F24A, F24B, F28A, F36A, F36B, F54Z, F59A, F59B	21A	W04A, W04B
		05		F01A, F01B, F01D, F14A, F14B, F15Z, F24A, F24B, F28A, F36A, F36B, F54Z, F59A, F59B				09	J03A, J03B, J04A, J04B, J08A, J08B, J08C, J11A, J11B, J16Z	21B	X06A, X06B, X06C
09		J03A, J03B, J04A, J04B, J08A, J08B, J08C, J11A, J11B, J16Z	09	J03A, J03B, J04A, J04B, J08A, J08B, J08C, J11A, J11B, J16Z		8r431.39↔	05	F01A, F01B, F01D, F14A, F14B, F15Z, F24A, F24B, F28A, F36A, F36B, F54Z, F59A, F59B			
10		K09A, K09B	10	K09A, K09B			09	J03A, J03B, J04A, J04B, J08A, J08B, J08C, J11A, J11B, J16Z			
21A		W04A, W04B	21A	W04A, W04B			10	K09A, K09B			
21B		X06A, X06B, X06C	21B	X06A, X06B, X06C			21A	W04A, W04B			
8r431.2m↔			BOP, UOP4	8r431.33↔				F01A, F01B, F01D, F14A, F14B, F15Z, F24A, F24B, F28A, F36A, F36B, F54Z, F59A, F59B	21B	X06A, X06B, X06C	
		01	B04A, B04B, B04C, B04D			05	F01A, F01B, F01D, F14A, F14B, F15Z, F24A, F24B, F28A, F36A, F36B, F54Z, F59A, F59B	8r431.3a	05	F01A, F01B, F01D, F14A, F14B, F15Z, F24A, F24B, F28A, F36A, F36B, F54Z, F59A, F59B	
		05	F01A, F01B, F01D, F14A, F14B, F15Z, F24A, F24B, F28A, F36A, F36B, F54Z, F59A, F59B			09	J03A, J03B, J04A, J04B, J08A, J08B, J08C, J11A, J11B, J16Z		06	G10Z, G12A, G12B	
	09	J03A, J03B, J04A, J04B, J08A, J08B, J08C, J11A, J11B, J16Z	09		J03A, J03B, J04A, J04B, J08A, J08B, J08C, J11A, J11B, J16Z	09	J03A, J03B, J04A, J04B, J08A, J08B, J08C, J11A, J11B, J16Z				
	10	K09A, K09B	10		K09A, K09B	10	K09A, K09B				
	21A	W04A, W04B	21A		W04A, W04B	11	L09A, L09B, L09C, L09D, L38Z				
	21B	X06A, X06B, X06C	21B		X05A, X05B, X06A, X06B, X06C	21A	W04A, W04B				
	8r431.2n↔		BOP, UOP4		8r431.34		F01A, F01B, F01D, F15Z, F19A, F19B, F19C, F24A, F24B, F36A, F36B	21B	X06A, X06B, X06C		
		01	B04A, B04B, B04C, B04D			05	F01A, F01B, F01D, F15Z, F19A, F19B, F19C, F24A, F24B, F36A, F36B	8r431.3b↔	05	F01A, F01B, F01D, F14A, F14B, F15Z, F24A, F24B, F28A, F36A, F36B, F54Z, F59A, F59B	
		05	F01A, F01B, F01D, F14A, F14B, F15Z, F24A, F24B, F28A, F36A, F36B, F54Z, F59A, F59B			09	J03A, J03B, J04A, J04B, J08A, J08B, J08C, J11A, J11B, J16Z		09	J03A, J03B, J04A, J04B, J08A, J08B, J08C, J11A, J11B, J16Z	
09		J03A, J03B, J04A, J04B, J08A, J08B, J08C, J11A, J11B, J16Z	10	K09A, K09B		10	K09A, K09B				
10		K09A, K09B	21A	W04A, W04B		21A	W04A, W04B				
21A		W04A, W04B	21B	X06A, X06B, X06C		21B	X04Z, X06A, X06B, X06C				
21B		X06A, X06B, X06C	8r431.35			F01A, F01B, F01D, F15Z, F19A, F19B, F19C, F24A, F24B, F36A, F36B	8r431.3c↔	05	F01A, F01B, F01D, F14A, F14B, F15Z, F24A, F24B, F28A, F36A, F36B, F54Z, F59A, F59B		
8r431.2x↔				BOP, UOP4		05		F01A, F01B, F01D, F15Z, F19A, F19B, F19C, F24A, F24B, F36A, F36B	09	J03A, J03B, J04A, J04B, J08A, J08B, J08C, J11A, J11B, J16Z	
		01		B04A, B04B, B04C, B04D		09		J03A, J03B, J04A, J04B, J08A, J08B, J08C, J11A, J11B, J16Z	10	K09A, K09B	
		05		F01A, F01B, F01D, F14A, F14B, F15Z, F24A, F24B, F28A, F36A, F36B, F54Z, F59A, F59B		10		K09A, K09B	21A	W04A, W04B	
	09	J03A, J03B, J04A, J04B, J08A, J08B, J08C, J11A, J11B, J16Z		21A	W04A, W04B	21B		X06A, X06B, X06C			
	10	K09A, K09B		8r431.36		F01A, F01B, F01D, F15Z, F19A, F19B, F19C, F24A, F24B, F36A, F36B		05	F01A, F01B, F01D, F14A, F14B, F15Z, F24A, F24B, F28A, F36A, F36B, F54Z, F59A, F59B		
	21A	W04A, W04B			05	F01A, F01B, F01D, F15Z, F19A, F19B, F19C, F24A, F24B, F36A, F36B		09	J03A, J03B, J04A, J04B, J08A, J08B, J08C, J11A, J11B, J16Z		
	21B	X06A, X06B, X06C			09	J03A, J03B, J04A, J04B, J08A, J08B, J08C, J11A, J11B, J16Z		10	K09A, K09B		
	8r431.2x↔				BOP, UOP4	09		J03A, J03B, J04A, J04B, J08A, J08B, J08C, J11A, J11B, J16Z	21A	W04A, W04B	
		01			B04A, B04B, B04C, B04D	10		K09A, K09B	21A	W04A, W04B	
		05	F01A, F01B, F01D, F14A, F14B, F15Z, F24A, F24B, F28A, F36A, F36B, F54Z, F59A, F59B		21A	W04A, W04B	21B	X04Z, X06A, X06B, X06C			
09		J03A, J03B, J04A, J04B, J08A, J08B, J08C, J11A, J11B, J16Z	21B		X06A, X06B, X06C						
10		K09A, K09B									
21A		W04A, W04B									
21B		X06A, X06B, X06C									

VYK

ZZV	MDC	DRG	ZZV	MDC	DRG	ZZV	MDC	DRG
8r431.3d	05	F01A, F01B, F01D, F14A, F14B, F15Z, F24A, F24B, F28A, F36A, F36B, F54Z, F59A, F59B	8r431.3k↔	01	B0P, UOP4	8r431.43↔	05	F01A, F01B, F01D, F14A, F14B, F15Z, F24A, F24B, F28A, F36A, F36B, F54Z, F59A, F59B
		09			J03A, J03B, J04A, J04B, J08A, J08B, J08C, J11A, J11B, J16Z			09
	10	K09A, K09B		10	J03A, J03B, J04A, J04B, J08A, J08B, J08C, J11A, J11B, J16Z		10	K09A, K09B
	21A	W04A, W04B		21A	W04A, W04B		21A	W04A, W04B
	21B	X04Z, X05A, X05B, X06A, X06B, X06C		21B	X06A, X06B, X06C		21B	X05A, X05B, X06A, X06B, X06C
8r431.3e	05	F01A, F01B, F01D, F14A, F14B, F15Z, F24A, F24B, F28A, F36A, F36B, F54Z, F59A, F59B	8r431.3m↔	01	B0P, UOP4	8r431.44	05	F01A, F01B, F01D, F15Z, F19A, F19B, F19C, F24A, F24B, F36A, F36B
		09			J03A, J03B, J04A, J04B, J08A, J08B, J08C, J11A, J11B, J16Z			09
	10	K09A, K09B		10	J03A, J03B, J04A, J04B, J08A, J08B, J08C, J11A, J11B, J16Z		10	K09A, K09B
	21A	W04A, W04B		21A	W04A, W04B		21A	W04A, W04B
	21B	X04Z, X05A, X05B, X06A, X06B, X06C		21B	X06A, X06B, X06C		21B	X06A, X06B, X06C
8r431.3f	05	F01A, F01B, F01D, F14A, F14B, F15Z, F24A, F24B, F28A, F36A, F36B, F54Z, F59A, F59B	8r431.3n↔	01	B0P, UOP4	8r431.45	05	F01A, F01B, F01D, F15Z, F19A, F19B, F19C, F24A, F24B, F36A, F36B
		09			J03A, J03B, J04A, J04B, J08A, J08B, J08C, J11A, J11B, J16Z			09
	10	K09A, K09B		10	J03A, J03B, J04A, J04B, J08A, J08B, J08C, J11A, J11B, J16Z		10	K09A, K09B
	21A	W04A, W04B		21A	W04A, W04B		21A	W04A, W04B
	21B	X04Z, X05A, X05B, X06A, X06B, X06C		21B	X06A, X06B, X06C		21B	X06A, X06B, X06C
8r431.3g	05	F01A, F01B, F01D, F14A, F14B, F15Z, F24A, F24B, F28A, F36A, F36B, F54Z, F59A, F59B	8r431.3x↔	01	B04A, B04B, B04C, B04D	8r431.46	05	F01A, F01B, F01D, F15Z, F19A, F19B, F19C, F24A, F24B, F36A, F36B
		09			J03A, J03B, J04A, J04B, J08A, J08B, J08C, J11A, J11B, J16Z			09
	10	K09A, K09B		10	J03A, J03B, J04A, J04B, J08A, J08B, J08C, J11A, J11B, J16Z		10	K09A, K09B
	21A	W04A, W04B		21A	W04A, W04B		21A	W04A, W04B
	21B	X06A, X06B, X06C		21B	X06A, X06B, X06C		21B	X06A, X06B, X06C
8r431.3h↔	06	G10Z, G12A, G12B	8r431.40	05	F01A, F01B, F01D, F14A, F14B, F15Z, F24A, F24B, F28A, F36A, F36B, F54Z, F59A, F59B	8r431.47	05	F01A, F01B, F01D, F14A, F14B, F15Z, F24A, F24B, F28A, F36A, F36B, F54Z, F59A, F59B
		09			J03A, J03B, J04A, J04B, J08A, J08B, J08C, J11A, J11B, J16Z			09
	10	K09A, K09B		10	J03A, J03B, J04A, J04B, J08A, J08B, J08C, J11A, J11B, J16Z		10	K09A, K09B
	11	L09A, L09B, L09C, L09D, L38Z		11	L09A, L09B, L09C, L09D, L38Z		11	L09A, L09B, L09C, L09D, L38Z
	21A	W04A, W04B		21A	W04A, W04B		21A	W04A, W04B
8r431.3i↔	01	B0P, UOP4	8r431.42↔	01	B02A, B02B, B02C, B20A, B20B, B20C, B20D, B20E, B39A, B39B	8r431.48↔	05	F01A, F01B, F01D, F14A, F14B, F15Z, F24A, F24B, F28A, F36A, F36B, F54Z, F59A, F59B
		05			F01A, F01B, F01D, F14A, F14B, F15Z, F24A, F24B, F28A, F36A, F36B, F54Z, F59A, F59B			05
	09	J03A, J03B, J04A, J04B, J08A, J08B, J08C, J11A, J11B, J16Z		09	J03A, J03B, J04A, J04B, J08A, J08B, J08C, J11A, J11B, J16Z		09	J03A, J03B, J04A, J04B, J08A, J08B, J08C, J11A, J11B, J16Z
	10	K09A, K09B		10	J03A, J03B, J04A, J04B, J08A, J08B, J08C, J11A, J11B, J16Z		10	K09A, K09B
	21A	W04A, W04B		21A	W04A, W04B		21A	W04A, W04B
8r431.3j↔	01	B0P, UOP4	8r431.49↔	05	F01A, F01B, F01D, F14A, F14B, F15Z, F24A, F24B, F28A, F36A, F36B, F54Z, F59A, F59B	8r431.49↔	05	F01A, F01B, F01D, F14A, F14B, F15Z, F24A, F24B, F28A, F36A, F36B, F54Z, F59A, F59B
		05			F01A, F01B, F01D, F14A, F14B, F15Z, F24A, F24B, F28A, F36A, F36B, F54Z, F59A, F59B			05
	09	J03A, J03B, J04A, J04B, J08A, J08B, J08C, J11A, J11B, J16Z		09	J03A, J03B, J04A, J04B, J08A, J08B, J08C, J11A, J11B, J16Z		09	J03A, J03B, J04A, J04B, J08A, J08B, J08C, J11A, J11B, J16Z
	10	K09A, K09B		10	J03A, J03B, J04A, J04B, J08A, J08B, J08C, J11A, J11B, J16Z		10	K09A, K09B
	21A	W04A, W04B		21A	W04A, W04B		21A	W04A, W04B
21B	X06A, X06B, X06C	21B	X06A, X06B, X06C	21B	X06A, X06B, X06C			

VYK

ZZV	MDC	DRG	ZZV	MDC	DRG	ZZV	MDC	DRG			
8r431.4a	05	F01A, F01B, F01D, F14A, F14B, F15Z, F24A, F24B, F28A, F36A, F36B, F54Z, F59A, F59B	8r431.4g	05	F01A, F01B, F01D, F14A, F14B, F15Z, F24A, F24B, F28A, F36A, F36B, F54Z, F59A, F59B	8r431.4n↔		BOP, UOP4			
		G10Z, G12A, G12B			06			G10Z, G12A, G12B	01	B04A, B04B, B04C, B04D	
	09	J03A, J03B, J04A, J04B, J08A, J08B, J08C, J11A, J11B, J16Z		09	J03A, J03B, J04A, J04B, J08A, J08B, J08C, J11A, J11B, J16Z		05	F01A, F01B, F01D, F14A, F14B, F15Z, F24A, F24B, F28A, F36A, F36B, F54Z, F59A, F59B			
	10	K09A, K09B		10	K09A, K09B		09	J03A, J03B, J04A, J04B, J08A, J08B, J08C, J11A, J11B, J16Z			
	11	L09A, L09B, L09C, L09D, L38Z		11	L09A, L09B, L09C, L09D, L38Z		10	K09A, K09B			
	21A	W04A, W04B		21A	W04A, W04B		21A	W04A, W04B			
	21B	X06A, X06B, X06C		21B	X06A, X06B, X06C		21B	X06A, X06B, X06C			
	8r431.4b↔	05		F01A, F01B, F01D, F14A, F14B, F15Z, F24A, F24B, F28A, F36A, F36B, F54Z, F59A, F59B	8r431.4h↔		01	B04A, B04B, B04C, B04D	8r431.4x↔	05	F01A, F01B, F01D, F14A, F14B, F15Z, F24A, F24B, F28A, F36A, F36B, F54Z, F59A, F59B
				05				F01A, F01B, F01D, F14A, F14B, F15Z, F24A, F24B, F28A, F36A, F36B, F54Z, F59A, F59B			09
		09		J03A, J03B, J04A, J04B, J08A, J08B, J08C, J11A, J11B, J16Z			09	J03A, J03B, J04A, J04B, J08A, J08B, J08C, J11A, J11B, J16Z		10	K09A, K09B
10		K09A, K09B	10	K09A, K09B		21A	W04A, W04B				
21A		W04A, W04B	10	K09A, K09B		21B	X06A, X06B, X06C				
21B		X04Z, X06A, X06B, X06C	21A	W04A, W04B		8r431.50	01	BOP, KOP, UOP4			
8r431.4c↔		05	F01A, F01B, F01D, F14A, F14B, F15Z, F24A, F24B, F28A, F36A, F36B, F54Z, F59A, F59B	8r431.4j↔				01		B04A, B04B, B04C, B04D	05
			09				J03A, J03B, J04A, J04B, J08A, J08B, J08C, J11A, J11B, J16Z			05	
		10	K09A, K09B				09	J03A, J03B, J04A, J04B, J08A, J08B, J08C, J11A, J11B, J16Z		09	J03A, J03B, J04A, J04B, J08A, J08B, J08C, J11A, J11B, J16Z
		21A	W04A, W04B				10	K09A, K09B		10	K09A, K09B
	21B	X04Z, X06A, X06B, X06C	21A		W04A, W04B		21A	W04A, W04B			
	8r431.4d	05	F01A, F01B, F01D, F14A, F14B, F15Z, F24A, F24B, F28A, F36A, F36B, F54Z, F59A, F59B		8r431.4k↔		01	B04A, B04B, B04C, B04D	8r431.52↔	05	F01A, F01B, F01D, F14A, F14B, F15Z, F24A, F24B, F28A, F36A, F36B, F54Z, F59A, F59B
			09					J03A, J03B, J04A, J04B, J08A, J08B, J08C, J11A, J11B, J16Z			05
		10	K09A, K09B				09	J03A, J03B, J04A, J04B, J08A, J08B, J08C, J11A, J11B, J16Z		09	J03A, J03B, J04A, J04B, J08A, J08B, J08C, J11A, J11B, J16Z
		21A	W04A, W04B				10	K09A, K09B		10	K09A, K09B
		21B	X04Z, X05A, X05B, X06A, X06B, X06C			21A	W04A, W04B	21A		W04A, W04B	
8r431.4e		05	F01A, F01B, F01D, F14A, F14B, F15Z, F24A, F24B, F28A, F36A, F36B, F54Z, F59A, F59B	8r431.4m↔		01	B04A, B04B, B04C, B04D	8r431.53↔		05	F01A, F01B, F01D, F14A, F14B, F15Z, F24A, F24B, F28A, F36A, F36B, F54Z, F59A, F59B
			09				J03A, J03B, J04A, J04B, J08A, J08B, J08C, J11A, J11B, J16Z				05
		10	K09A, K09B			09	J03A, J03B, J04A, J04B, J08A, J08B, J08C, J11A, J11B, J16Z			09	J03A, J03B, J04A, J04B, J08A, J08B, J08C, J11A, J11B, J16Z
		21A	W04A, W04B			10	K09A, K09B			10	K09A, K09B
		21B	X04Z, X05A, X05B, X06A, X06B, X06C			21A	W04A, W04B			21A	W04A, W04B
	8r431.4f	05	F01A, F01B, F01D, F14A, F14B, F15Z, F24A, F24B, F28A, F36A, F36B, F54Z, F59A, F59B		8r431.54	01	B04A, B04B, B04C, B04D		8r431.54	05	F01A, F01B, F01D, F15Z, F19A, F19B, F19C, F24A, F24B, F36A, F36B
			09				J03A, J03B, J04A, J04B, J08A, J08B, J08C, J11A, J11B, J16Z				05
		10	K09A, K09B			09	J03A, J03B, J04A, J04B, J08A, J08B, J08C, J11A, J11B, J16Z			09	J03A, J03B, J04A, J04B, J08A, J08B, J08C, J11A, J11B, J16Z
		21A	W04A, W04B			10	K09A, K09B			10	K09A, K09B
		21B	X04Z, X05A, X05B, X06A, X06B, X06C			21A	W04A, W04B			21A	W04A, W04B
8r431.4f		05	F01A, F01B, F01D, F14A, F14B, F15Z, F24A, F24B, F28A, F36A, F36B, F54Z, F59A, F59B	8r431.54		01	B04A, B04B, B04C, B04D	8r431.54		05	F01A, F01B, F01D, F15Z, F19A, F19B, F19C, F24A, F24B, F36A, F36B
			09				J03A, J03B, J04A, J04B, J08A, J08B, J08C, J11A, J11B, J16Z				05
		10	K09A, K09B			09	J03A, J03B, J04A, J04B, J08A, J08B, J08C, J11A, J11B, J16Z			09	J03A, J03B, J04A, J04B, J08A, J08B, J08C, J11A, J11B, J16Z
		21A	W04A, W04B			10	K09A, K09B			10	K09A, K09B
		21B	X04Z, X05A, X05B, X06A, X06B, X06C			21A	W04A, W04B			21A	W04A, W04B

VYK

ZZV	MDC	DRG	ZZV	MDC	DRG	ZZV	MDC	DRG		
8r431.55	05	F01A, F01B, F01D, F15Z, F19A, F19B, F19C, F24A, F24B, F36A, F36B	8r431.5c↔	05	F01A, F01B, F01D, F14A, F14B, F15Z, F24A, F24B, F28A, F36A, F36B, F54Z, F59A, F59B	8r431.5j↔		BOP, UOP4		
	09	J03A, J03B, J04A, J04B, J08A, J08B, J08C, J11A, J11B, J16Z		09	J03A, J03B, J04A, J04B, J08A, J08B, J08C, J11A, J11B, J16Z		01	B04A, B04B, B04C, B04D		
	10	K09A, K09B		10	K09A, K09B		05	F01A, F01B, F01D, F14A, F14B, F15Z, F24A, F24B, F28A, F36A, F36B, F54Z, F59A, F59B		
	21A	W04A, W04B		21A	W04A, W04B		09	J03A, J03B, J04A, J04B, J08A, J08B, J08C, J11A, J11B, J16Z		
	21B	X06A, X06B, X06C		21B	X04Z, X06A, X06B, X06C		10	K09A, K09B		
8r431.56	05	F01A, F01B, F01D, F15Z, F19A, F19B, F19C, F24A, F24B, F36A, F36B	8r431.5d	05	F01A, F01B, F01D, F14A, F14B, F15Z, F24A, F24B, F28A, F36A, F36B, F54Z, F59A, F59B	8r431.5k↔	21A	W04A, W04B		
	09	J03A, J03B, J04A, J04B, J08A, J08B, J08C, J11A, J11B, J16Z		09	J03A, J03B, J04A, J04B, J08A, J08B, J08C, J11A, J11B, J16Z		21B	X06A, X06B, X06C		
	10	K09A, K09B		10	K09A, K09B			BOP, UOP4		
	21A	W04A, W04B		21A	W04A, W04B		01	B04A, B04B, B04C, B04D		
	21B	X06A, X06B, X06C		21B	X04Z, X05A, X05B, X06A, X06B, X06C		05	F01A, F01B, F01D, F14A, F14B, F15Z, F24A, F24B, F28A, F36A, F36B, F54Z, F59A, F59B		
8r431.57	05	F01A, F01B, F01D, F14A, F14B, F15Z, F24A, F24B, F28A, F36A, F36B, F54Z, F59A, F59B	8r431.5e	05	F01A, F01B, F01D, F14A, F14B, F15Z, F24A, F24B, F28A, F36A, F36B, F54Z, F59A, F59B	8r431.5m↔	09	J03A, J03B, J04A, J04B, J08A, J08B, J08C, J11A, J11B, J16Z		
	09	J03A, J03B, J04A, J04B, J08A, J08B, J08C, J11A, J11B, J16Z		09	J03A, J03B, J04A, J04B, J08A, J08B, J08C, J11A, J11B, J16Z		10	K09A, K09B		
	10	K09A, K09B		10	K09A, K09B		21A	W04A, W04B		
	21A	W04A, W04B		21A	W04A, W04B		21B	X06A, X06B, X06C		
	21B	X06A, X06B, X06C		21B	X04Z, X05A, X05B, X06A, X06B, X06C			BOP, UOP4		
8r431.58↔	05	F01A, F01B, F01D, F14A, F14B, F15Z, F24A, F24B, F28A, F36A, F36B, F54Z, F59A, F59B	8r431.5f	05	F01A, F01B, F01D, F14A, F14B, F15Z, F24A, F24B, F28A, F36A, F36B, F54Z, F59A, F59B	8r431.5n↔	01	B04A, B04B, B04C, B04D		
	09	J03A, J03B, J04A, J04B, J08A, J08B, J08C, J11A, J11B, J16Z		09	J03A, J03B, J04A, J04B, J08A, J08B, J08C, J11A, J11B, J16Z		05	F01A, F01B, F01D, F14A, F14B, F15Z, F24A, F24B, F28A, F36A, F36B, F54Z, F59A, F59B		
	10	K09A, K09B		10	K09A, K09B		09	J03A, J03B, J04A, J04B, J08A, J08B, J08C, J11A, J11B, J16Z		
	21A	W04A, W04B		21A	W04A, W04B		10	K09A, K09B		
	21B	X06A, X06B, X06C		21B	X04Z, X05A, X05B, X06A, X06B, X06C		21A	W04A, W04B		
8r431.59↔	05	F01A, F01B, F01D, F14A, F14B, F15Z, F24A, F24B, F28A, F36A, F36B, F54Z, F59A, F59B	8r431.5g	05	F01A, F01B, F01D, F14A, F14B, F15Z, F24A, F24B, F28A, F36A, F36B, F54Z, F59A, F59B	8r431.5x↔	21B	X06A, X06B, X06C		
	09	J03A, J03B, J04A, J04B, J08A, J08B, J08C, J11A, J11B, J16Z		09	J03A, J03B, J04A, J04B, J08A, J08B, J08C, J11A, J11B, J16Z		01	B04A, B04B, B04C, B04D		
	10	K09A, K09B		10	K09A, K09B		05	F01A, F01B, F01D, F14A, F14B, F15Z, F24A, F24B, F28A, F36A, F36B, F54Z, F59A, F59B		
	21A	W04A, W04B		11	L09A, L09B, L09C, L09D, L38Z		09	J03A, J03B, J04A, J04B, J08A, J08B, J08C, J11A, J11B, J16Z		
	21B	X06A, X06B, X06C		21A	W04A, W04B		10	K09A, K09B		
8r431.5a	05	F01A, F01B, F01D, F14A, F14B, F15Z, F24A, F24B, F28A, F36A, F36B, F54Z, F59A, F59B	8r431.5h↔	05	F01A, F01B, F01D, F14A, F14B, F15Z, F24A, F24B, F28A, F36A, F36B, F54Z, F59A, F59B	8r431.5x↔	21A	W04A, W04B		
	06	G10Z, G12A, G12B		06	G10Z, G12A, G12B		21B	X06A, X06B, X06C		
	09	J03A, J03B, J04A, J04B, J08A, J08B, J08C, J11A, J11B, J16Z		09	J03A, J03B, J04A, J04B, J08A, J08B, J08C, J11A, J11B, J16Z		05	F01A, F01B, F01D, F14A, F14B, F15Z, F24A, F24B, F28A, F36A, F36B, F54Z, F59A, F59B		
	10	K09A, K09B		10	K09A, K09B		09	J03A, J03B, J04A, J04B, J08A, J08B, J08C, J11A, J11B, J16Z		
	11	L09A, L09B, L09C, L09D, L38Z		21A	W04A, W04B		10	K09A, K09B		
8r431.5b↔	21A	W04A, W04B	8r431.5h↔	21B	X06A, X06B, X06C	8r431.5x↔	21A	W04A, W04B		
	21B	X06A, X06B, X06C		01	B04A, B04B, B04C, B04D		21B	X06A, X06B, X06C		
	05	F01A, F01B, F01D, F14A, F14B, F15Z, F24A, F24B, F28A, F36A, F36B, F54Z, F59A, F59B		05	F01A, F01B, F01D, F14A, F14B, F15Z, F24A, F24B, F28A, F36A, F36B, F54Z, F59A, F59B					
	09	J03A, J03B, J04A, J04B, J08A, J08B, J08C, J11A, J11B, J16Z		09	J03A, J03B, J04A, J04B, J08A, J08B, J08C, J11A, J11B, J16Z					
	10	K09A, K09B		10	K09A, K09B					
8r431.5b↔	21A	W04A, W04B	8r431.5h↔	21A	W04A, W04B	8r431.5x↔				
	21B	X04Z, X06A, X06B, X06C		21B	X06A, X06B, X06C					

VYK

ZZV	MDC	DRG	ZZV	MDC	DRG	ZZV	MDC	DRG		
8r431.60	01	BOP, KOP, UOP4	8r431.67	05	F01A, F01B, F01D, F14A, F14B, F15Z, F24A, F24B, F28A, F36A, F36B, F54Z, F59A, F59B	8r431.6d	05	F01A, F01B, F01D, F14A, F14B, F15Z, F24A, F24B, F28A, F36A, F36B, F54Z, F59A, F59B		
		05			F01A, F01B, F01D, F14A, F14B, F15Z, F24A, F24B, F28A, F36A, F36B, F54Z, F59A, F59B			09	J03A, J03B, J04A, J04B, J08A, J08B, J08C, J11A, J11B, J16Z	09
	09	J03A, J03B, J04A, J04B, J08A, J08B, J08C, J11A, J11B, J16Z		10	K09A, K09B		10	K09A, K09B		
	10	K09A, K09B		21A	W04A, W04B		21A	W04A, W04B		
	21B	X06A, X06B, X06C, X33Z		21B	X06A, X06B, X06C		21B	X04Z, X05A, X05B, X06A, X06B, X06C		
8r431.62↔	05	F01A, F01B, F01D, F14A, F14B, F15Z, F24A, F24B, F28A, F36A, F36B, F54Z, F59A, F59B	8r431.68↔	05	F01A, F01B, F01D, F14A, F14B, F15Z, F24A, F24B, F28A, F36A, F36B, F54Z, F59A, F59B	8r431.6e	05	F01A, F01B, F01D, F14A, F14B, F15Z, F24A, F24B, F28A, F36A, F36B, F54Z, F59A, F59B		
		09			J03A, J03B, J04A, J04B, J08A, J08B, J08C, J11A, J11B, J16Z			09	J03A, J03B, J04A, J04B, J08A, J08B, J08C, J11A, J11B, J16Z	
	10	K09A, K09B		10	K09A, K09B		10	K09A, K09B		
	21A	W04A, W04B		21A	W04A, W04B		21A	W04A, W04B		
	21B	X06A, X06B, X06C		21B	X06A, X06B, X06C		21B	X04Z, X05A, X05B, X06A, X06B, X06C		
8r431.63↔	05	F01A, F01B, F01D, F14A, F14B, F15Z, F24A, F24B, F28A, F36A, F36B, F54Z, F59A, F59B	8r431.69↔	05	F01A, F01B, F01D, F14A, F14B, F15Z, F24A, F24B, F28A, F36A, F36B, F54Z, F59A, F59B	8r431.6f	05	F01A, F01B, F01D, F14A, F14B, F15Z, F24A, F24B, F28A, F36A, F36B, F54Z, F59A, F59B		
		09			J03A, J03B, J04A, J04B, J08A, J08B, J08C, J11A, J11B, J16Z			09	J03A, J03B, J04A, J04B, J08A, J08B, J08C, J11A, J11B, J16Z	
	10	K09A, K09B		10	K09A, K09B		10	K09A, K09B		
	21A	W04A, W04B		21A	W04A, W04B		21A	W04A, W04B		
	21B	X06A, X06B, X06C		21B	X06A, X06B, X06C		21B	X04Z, X05A, X05B, X06A, X06B, X06C		
8r431.64	05	F01A, F01B, F01D, F15Z, F19A, F19B, F19C, F24A, F24B, F36A, F36B	8r431.6a	05	F01A, F01B, F01D, F14A, F14B, F15Z, F24A, F24B, F28A, F36A, F36B, F54Z, F59A, F59B	8r431.6g	05	F01A, F01B, F01D, F14A, F14B, F15Z, F24A, F24B, F28A, F36A, F36B, F54Z, F59A, F59B		
		09			J03A, J03B, J04A, J04B, J08A, J08B, J08C, J11A, J11B, J16Z			06	G10Z, G12A, G12B	06
	10	K09A, K09B		09	J03A, J03B, J04A, J04B, J08A, J08B, J08C, J11A, J11B, J16Z		09	J03A, J03B, J04A, J04B, J08A, J08B, J08C, J11A, J11B, J16Z		
	21A	W04A, W04B		10	K09A, K09B		10	K09A, K09B		
	21B	X06A, X06B, X06C		11	L09A, L09B, L09C, L09D, L38Z		11	L09A, L09B, L09C, L09D, L38Z		
8r431.65	05	F01A, F01B, F01D, F15Z, F19A, F19B, F19C, F24A, F24B, F36A, F36B	8r431.6b↔	05	F01A, F01B, F01D, F14A, F14B, F15Z, F24A, F24B, F28A, F36A, F36B, F54Z, F59A, F59B	8r431.6h↔	21A	W04A, W04B		
		09			J03A, J03B, J04A, J04B, J08A, J08B, J08C, J11A, J11B, J16Z			21B	X06A, X06B, X06C	21A
	10	K09A, K09B		21B	X06A, X06B, X06C		21B	X06A, X06B, X06C		
	21A	W04A, W04B		21B	X06A, X06B, X06C		21B	X06A, X06B, X06C		
	21B	X06A, X06B, X06C		21B	X06A, X06B, X06C		21B	X06A, X06B, X06C		
8r431.66	05	F01A, F01B, F01D, F15Z, F19A, F19B, F19C, F24A, F24B, F36A, F36B	8r431.6c↔	05	F01A, F01B, F01D, F14A, F14B, F15Z, F24A, F24B, F28A, F36A, F36B, F54Z, F59A, F59B	8r431.6j↔	01	BOP, UOP4		
		09			J03A, J03B, J04A, J04B, J08A, J08B, J08C, J11A, J11B, J16Z			05	F01A, F01B, F01D, F14A, F14B, F15Z, F24A, F24B, F28A, F36A, F36B, F54Z, F59A, F59B	05
	10	K09A, K09B		09	J03A, J03B, J04A, J04B, J08A, J08B, J08C, J11A, J11B, J16Z		10	K09A, K09B	09	J03A, J03B, J04A, J04B, J08A, J08B, J08C, J11A, J11B, J16Z
	21A	W04A, W04B		10	K09A, K09B		10	K09A, K09B	10	K09A, K09B
	21B	X06A, X06B, X06C		21A	W04A, W04B		21A	W04A, W04B	21A	W04A, W04B

ZZV	MDC	DRG	ZZV	MDC	DRG	ZZV	MDC	DRG					
8r432.1g	05	F01A, F01B, F01D, F14A, F14B, F15Z, F24A, F24B, F28A, F36A, F36B, F54Z, F59A, F59B	8r432.1n↔	01	BOP, UOP4	8r432.25	05	F01A, F01B, F01D, F15Z, F19A, F19B, F19C, F24A, F24B, F36A, F36B					
		06			G10Z, G12A, G12B			05	F01A, F01B, F01D, F14A, F14B, F15Z, F24A, F24B, F28A, F36A, F36B, F54Z, F59A, F59B	09	J03A, J03B, J04A, J04B, J08A, J08B, J08C, J11A, J11B, J16Z		
	09	J03A, J03B, J04A, J04B, J08A, J08B, J08C, J11A, J11B, J16Z		09	J03A, J03B, J04A, J04B, J08A, J08B, J08C, J11A, J11B, J16Z		10	K09A, K09B					
	10	K09A, K09B		10	K09A, K09B		21A	W04A, W04B					
	11	L09A, L09B, L09C, L09D, L38Z		21A	W04A, W04B		21B	X06A, X06B, X06C					
	21A	W04A, W04B		8r432.1x↔	05		F01A, F01B, F01D, F14A, F14B, F15Z, F24A, F24B, F28A, F36A, F36B, F54Z, F59A, F59B	8r432.26	05	F01A, F01B, F01D, F15Z, F19A, F19B, F19C, F24A, F24B, F36A, F36B			
	21B	X06A, X06B, X06C					09			J03A, J03B, J04A, J04B, J08A, J08B, J08C, J11A, J11B, J16Z	09	J03A, J03B, J04A, J04B, J08A, J08B, J08C, J11A, J11B, J16Z	
	8r432.1h↔	01		B04A, B04B, B04C, B04D	8r432.20		01		B02A, B02B, B02C, B02D, B20A, B20B, B20C, B20D, B20E, B39A, B39B	8r432.27	05	F01A, F01B, F01D, F14A, F14B, F15Z, F24A, F24B, F28A, F36A, F36B, F54Z, F59A, F59B	
				05					F01A, F01B, F01D, F14A, F14B, F15Z, F24A, F24B, F28A, F36A, F36B, F54Z, F59A, F59B			09	J03A, J03B, J04A, J04B, J08A, J08B, J08C, J11A, J11B, J16Z
		09		J03A, J03B, J04A, J04B, J08A, J08B, J08C, J11A, J11B, J16Z			10		K09A, K09B		10	K09A, K09B	
		10		K09A, K09B			21A		W04A, W04B		21A	W04A, W04B	
21A		W04A, W04B	21B	X06A, X06B, X06C		21B	X06A, X06B, X06C						
21B		X06A, X06B, X06C	8r432.22↔	05		F01A, F01B, F01D, F14A, F14B, F15Z, F24A, F24B, F28A, F36A, F36B, F54Z, F59A, F59B	8r432.28↔		05		F01A, F01B, F01D, F14A, F14B, F15Z, F24A, F24B, F28A, F36A, F36B, F54Z, F59A, F59B		
8r432.1j↔		01				B04A, B04B, B04C, B04D					8r432.23↔	01	BOP, KOP, UOP4
			05	F01A, F01B, F01D, F14A, F14B, F15Z, F24A, F24B, F28A, F36A, F36B, F54Z, F59A, F59B		09			J03A, J03B, J04A, J04B, J08A, J08B, J08C, J11A, J11B, J16Z				09
		09	J03A, J03B, J04A, J04B, J08A, J08B, J08C, J11A, J11B, J16Z	10		K09A, K09B			10			K09A, K09B	
		10	K09A, K09B	21A		W04A, W04B		21A	W04A, W04B				
		21A	W04A, W04B	21B		X06A, X06B, X06C		21B	X06A, X06B, X06C				
	21B	X06A, X06B, X06C	8r432.24	05	F01A, F01B, F01D, F14A, F14B, F15Z, F24A, F24B, F28A, F36A, F36B, F54Z, F59A, F59B	8r432.2a		05	F01A, F01B, F01D, F14A, F14B, F15Z, F24A, F24B, F28A, F36A, F36B, F54Z, F59A, F59B				
	8r432.1k↔	01			B04A, B04B, B04C, B04D				8r432.2b↔	09		J03A, J03B, J04A, J04B, J08A, J08B, J08C, J11A, J11B, J16Z	8r432.2b↔
			05	F01A, F01B, F01D, F14A, F14B, F15Z, F24A, F24B, F28A, F36A, F36B, F54Z, F59A, F59B	06			G10Z, G12A, G12B				09	
		09	J03A, J03B, J04A, J04B, J08A, J08B, J08C, J11A, J11B, J16Z	10	K09A, K09B			10		K09A, K09B			
		10	K09A, K09B	21A	W04A, W04B			11		L09A, L09B, L09C, L09D, L38Z			
		21A	W04A, W04B	8r432.24	05		F01A, F01B, F01D, F15Z, F19A, F19B, F19C, F24A, F24B, F36A, F36B	21A		W04A, W04B			
21B		X06A, X06B, X06C	09				J03A, J03B, J04A, J04B, J08A, J08B, J08C, J11A, J11B, J16Z	21B		X06A, X06B, X06C			
8r432.1m↔		01	B04A, B04B, B04C, B04D	8r432.24	09		J03A, J03B, J04A, J04B, J08A, J08B, J08C, J11A, J11B, J16Z	8r432.2b↔		05	F01A, F01B, F01D, F14A, F14B, F15Z, F24A, F24B, F28A, F36A, F36B, F54Z, F59A, F59B		
			05				F01A, F01B, F01D, F14A, F14B, F15Z, F24A, F24B, F28A, F36A, F36B, F54Z, F59A, F59B				09	J03A, J03B, J04A, J04B, J08A, J08B, J08C, J11A, J11B, J16Z	
		09	J03A, J03B, J04A, J04B, J08A, J08B, J08C, J11A, J11B, J16Z		10		K09A, K09B			10	K09A, K09B		
		10	K09A, K09B		21A		W04A, W04B			21A	W04A, W04B		
		21A	W04A, W04B		21B	X06A, X06B, X06C	21B			X04Z, X06A, X06B, X06C			
	21B	X06A, X06B, X06C											

VYK

ZZV	MDC	DRG	ZZV	MDC	DRG	ZZV	MDC	DRG									
8r432.2c↔	05	F01A, F01B, F01D, F14A, F14B, F15Z, F24A, F24B, F28A, F36A, F36B, F54Z, F59A, F59B	8r432.2j↔	01	BOP, UOP4	8r432.30	01	BOP, KOP, UOP4									
		09			J03A, J03B, J04A, J04B, J08A, J08B, J08C, J11A, J11B, J16Z			05	B04A, B04B, B04C, B04D	05	B02A, B02B, B02C, B02D, B20A, B20B, B20C, B20D, B20E, B39A, B39B						
					10				K09A, K09B		09	J03A, J03B, J04A, J04B, J08A, J08B, J08C, J11A, J11B, J16Z	09	J03A, J03B, J04A, J04B, J08A, J08B, J08C, J11A, J11B, J16Z			
	21A			W04A, W04B			21A		W04A, W04B								
				21B	X04Z, X06A, X06B, X06C				21B		X06A, X06B, X06C	21B	X06A, X06B, X06C				
	8r432.2d				05		F01A, F01B, F01D, F14A, F14B, F15Z, F24A, F24B, F28A, F36A, F36B, F54Z, F59A, F59B				8r432.2k↔		01	BOP, UOP4	8r432.32↔	05	F01A, F01B, F01D, F14A, F14B, F15Z, F24A, F24B, F28A, F36A, F36B, F54Z, F59A, F59B
							09							J03A, J03B, J04A, J04B, J08A, J08B, J08C, J11A, J11B, J16Z			05
				10					K09A, K09B			09		J03A, J03B, J04A, J04B, J08A, J08B, J08C, J11A, J11B, J16Z			
		21A			W04A, W04B			21A	W04A, W04B								
				21B	X04Z, X05A, X05B, X06A, X06B, X06C				21B	X06A, X06B, X06C		21B	X06A, X06B, X06C				
8r432.2e		05	F01A, F01B, F01D, F14A, F14B, F15Z, F24A, F24B, F28A, F36A, F36B, F54Z, F59A, F59B		8r432.2m↔	01		BOP, UOP4		8r432.33↔			05	F01A, F01B, F01D, F14A, F14B, F15Z, F24A, F24B, F28A, F36A, F36B, F54Z, F59A, F59B			
			09					J03A, J03B, J04A, J04B, J08A, J08B, J08C, J11A, J11B, J16Z						05		B04A, B04B, B04C, B04D	
				10				K09A, K09B	09			J03A, J03B, J04A, J04B, J08A, J08B, J08C, J11A, J11B, J16Z				09	
		21A				W04A, W04B	21A	W04A, W04B									
				21B		X04Z, X05A, X05B, X06A, X06B, X06C		21B	X06A, X06B, X06C			21B	X06A, X06B, X06C				
	8r432.2f	05				F01A, F01B, F01D, F14A, F14B, F15Z, F24A, F24B, F28A, F36A, F36B, F54Z, F59A, F59B	8r432.2n↔		01		BOP, UOP4		8r432.34		05	F01A, F01B, F01D, F14A, F14B, F15Z, F24A, F24B, F28A, F36A, F36B	
						09					J03A, J03B, J04A, J04B, J08A, J08B, J08C, J11A, J11B, J16Z					05	B04A, B04B, B04C, B04D
				10				K09A, K09B			09	J03A, J03B, J04A, J04B, J08A, J08B, J08C, J11A, J11B, J16Z					09
		21A	W04A, W04B					21A	W04A, W04B								
			21B	X04Z, X05A, X05B, X06A, X06B, X06C					21B		X06A, X06B, X06C	21B		X06A, X06B, X06C			
8r432.2g		05		F01A, F01B, F01D, F14A, F14B, F15Z, F24A, F24B, F28A, F36A, F36B, F54Z, F59A, F59B	8r432.2x↔			01		BOP, UOP4	8r432.35			05	F01A, F01B, F01D, F15Z, F19A, F19B, F19C, F24A, F24B, F36A, F36B		
				06						G10Z, G12A, G12B					05		B04A, B04B, B04C, B04D
			09						J03A, J03B, J04A, J04B, J08A, J08B, J08C, J11A, J11B, J16Z	09		J03A, J03B, J04A, J04B, J08A, J08B, J08C, J11A, J11B, J16Z					09
		10				K09A, K09B		09	J03A, J03B, J04A, J04B, J08A, J08B, J08C, J11A, J11B, J16Z			09		J03A, J03B, J04A, J04B, J08A, J08B, J08C, J11A, J11B, J16Z			
			11			L09A, L09B, L09C, L09D, L38Z			09	J03A, J03B, J04A, J04B, J08A, J08B, J08C, J11A, J11B, J16Z				09		J03A, J03B, J04A, J04B, J08A, J08B, J08C, J11A, J11B, J16Z	
	21A	W04A, W04B				09	J03A, J03B, J04A, J04B, J08A, J08B, J08C, J11A, J11B, J16Z	09		J03A, J03B, J04A, J04B, J08A, J08B, J08C, J11A, J11B, J16Z							
		21B					X06A, X06B, X06C			09		J03A, J03B, J04A, J04B, J08A, J08B, J08C, J11A, J11B, J16Z	09			J03A, J03B, J04A, J04B, J08A, J08B, J08C, J11A, J11B, J16Z	
			8r432.2h↔				01		B04A, B04B, B04C, B04D			8r432.36		05		F01A, F01B, F01D, F15Z, F19A, F19B, F19C, F24A, F24B, F36A, F36B	
	05			F01A, F01B, F01D, F14A, F14B, F15Z, F24A, F24B, F28A, F36A, F36B, F54Z, F59A, F59B		09		J03A, J03B, J04A, J04B, J08A, J08B, J08C, J11A, J11B, J16Z	09						J03A, J03B, J04A, J04B, J08A, J08B, J08C, J11A, J11B, J16Z		
		09		J03A, J03B, J04A, J04B, J08A, J08B, J08C, J11A, J11B, J16Z				09		J03A, J03B, J04A, J04B, J08A, J08B, J08C, J11A, J11B, J16Z			09		J03A, J03B, J04A, J04B, J08A, J08B, J08C, J11A, J11B, J16Z		
10				K09A, K09B	09		J03A, J03B, J04A, J04B, J08A, J08B, J08C, J11A, J11B, J16Z			09	J03A, J03B, J04A, J04B, J08A, J08B, J08C, J11A, J11B, J16Z						
		21A		W04A, W04B			09	J03A, J03B, J04A, J04B, J08A, J08B, J08C, J11A, J11B, J16Z			09		J03A, J03B, J04A, J04B, J08A, J08B, J08C, J11A, J11B, J16Z				
21B				X06A, X06B, X06C	09			J03A, J03B, J04A, J04B, J08A, J08B, J08C, J11A, J11B, J16Z		09			J03A, J03B, J04A, J04B, J08A, J08B, J08C, J11A, J11B, J16Z				



ZZV	MDC	DRG	ZZV	MDC	DRG	ZZV	MDC	DRG
8r432.43↔	05	F01A, F01B, F01D, F14A, F14B, F15Z, F24A, F24B, F28A, F36A, F36B, F54Z, F59A, F59B	8r432.4a	05	F01A, F01B, F01D, F14A, F14B, F15Z, F24A, F24B, F28A, F36A, F36B, F54Z, F59A, F59B	8r432.4g	05	F01A, F01B, F01D, F14A, F14B, F15Z, F24A, F24B, F28A, F36A, F36B, F54Z, F59A, F59B
	09	J03A, J03B, J04A, J04B, J08A, J08B, J08C, J11A, J11B, J16Z		06	G10Z, G12A, G12B		06	G10Z, G12A, G12B
	10	K09A, K09B		09	J03A, J03B, J04A, J04B, J08A, J08B, J08C, J11A, J11B, J16Z		09	J03A, J03B, J04A, J04B, J08A, J08B, J08C, J11A, J11B, J16Z
	21A	W04A, W04B		10	K09A, K09B		10	K09A, K09B
	21B	X05A, X05B, X06A, X06B, X06C		11	L09A, L09B, L09C, L09D, L38Z		11	L09A, L09B, L09C, L09D, L38Z
8r432.44	05	F01A, F01B, F01D, F15Z, F19A, F19B, F19C, F24A, F24B, F36A, F36B	8r432.4b↔	21A	W04A, W04B	8r432.4h↔	21A	W04A, W04B
	09	J03A, J03B, J04A, J04B, J08A, J08B, J08C, J11A, J11B, J16Z		21B	X06A, X06B, X06C		21B	X06A, X06B, X06C
	10	K09A, K09B		05	F01A, F01B, F01D, F14A, F14B, F15Z, F24A, F24B, F28A, F36A, F36B, F54Z, F59A, F59B		01	B04A, B04B, B04C, B04D
	21A	W04A, W04B		09	J03A, J03B, J04A, J04B, J08A, J08B, J08C, J11A, J11B, J16Z		05	F01A, F01B, F01D, F14A, F14B, F15Z, F24A, F24B, F28A, F36A, F36B, F54Z, F59A, F59B
	21B	X06A, X06B, X06C		10	K09A, K09B		09	J03A, J03B, J04A, J04B, J08A, J08B, J08C, J11A, J11B, J16Z
8r432.45	05	F01A, F01B, F01D, F15Z, F19A, F19B, F19C, F24A, F24B, F36A, F36B	8r432.4c↔	21A	W04A, W04B	8r432.4j↔	10	K09A, K09B
	09	J03A, J03B, J04A, J04B, J08A, J08B, J08C, J11A, J11B, J16Z		21B	X04Z, X06A, X06B, X06C		21A	W04A, W04B
	10	K09A, K09B		05	F01A, F01B, F01D, F14A, F14B, F15Z, F24A, F24B, F28A, F36A, F36B, F54Z, F59A, F59B		21B	X06A, X06B, X06C
	21A	W04A, W04B		09	J03A, J03B, J04A, J04B, J08A, J08B, J08C, J11A, J11B, J16Z		BOP, UOP4	BOP, UOP4
	21B	X06A, X06B, X06C		10	K09A, K09B		01	B04A, B04B, B04C, B04D
8r432.46	05	F01A, F01B, F01D, F15Z, F19A, F19B, F19C, F24A, F24B, F36A, F36B	8r432.4d	21A	W04A, W04B	8r432.4k↔	05	F01A, F01B, F01D, F14A, F14B, F15Z, F24A, F24B, F28A, F36A, F36B, F54Z, F59A, F59B
	09	J03A, J03B, J04A, J04B, J08A, J08B, J08C, J11A, J11B, J16Z		21B	X04Z, X06A, X06B, X06C		09	J03A, J03B, J04A, J04B, J08A, J08B, J08C, J11A, J11B, J16Z
	10	K09A, K09B		05	F01A, F01B, F01D, F14A, F14B, F15Z, F24A, F24B, F28A, F36A, F36B, F54Z, F59A, F59B		10	K09A, K09B
	21A	W04A, W04B		09	J03A, J03B, J04A, J04B, J08A, J08B, J08C, J11A, J11B, J16Z		21A	W04A, W04B
	21B	X06A, X06B, X06C		10	K09A, K09B		21B	X06A, X06B, X06C
8r432.47	05	F01A, F01B, F01D, F14A, F14B, F15Z, F24A, F24B, F28A, F36A, F36B, F54Z, F59A, F59B	8r432.4e	09	J03A, J03B, J04A, J04B, J08A, J08B, J08C, J11A, J11B, J16Z	8r432.4m↔	01	B04A, B04B, B04C, B04D
	09	J03A, J03B, J04A, J04B, J08A, J08B, J08C, J11A, J11B, J16Z		10	K09A, K09B		05	F01A, F01B, F01D, F14A, F14B, F15Z, F24A, F24B, F28A, F36A, F36B, F54Z, F59A, F59B
	10	K09A, K09B		21A	W04A, W04B		09	J03A, J03B, J04A, J04B, J08A, J08B, J08C, J11A, J11B, J16Z
	21A	W04A, W04B		21B	X04Z, X05A, X05B, X06A, X06B, X06C		10	K09A, K09B
	21B	X06A, X06B, X06C		05	F01A, F01B, F01D, F14A, F14B, F15Z, F24A, F24B, F28A, F36A, F36B, F54Z, F59A, F59B		21A	W04A, W04B
8r432.48↔	05	F01A, F01B, F01D, F14A, F14B, F15Z, F24A, F24B, F28A, F36A, F36B, F54Z, F59A, F59B	8r432.4f	09	J03A, J03B, J04A, J04B, J08A, J08B, J08C, J11A, J11B, J16Z	8r432.4m↔	21B	X06A, X06B, X06C
	09	J03A, J03B, J04A, J04B, J08A, J08B, J08C, J11A, J11B, J16Z		10	K09A, K09B		01	B04A, B04B, B04C, B04D
	10	K09A, K09B		21A	W04A, W04B		05	F01A, F01B, F01D, F14A, F14B, F15Z, F24A, F24B, F28A, F36A, F36B, F54Z, F59A, F59B
	21A	W04A, W04B		21B	X04Z, X05A, X05B, X06A, X06B, X06C		09	J03A, J03B, J04A, J04B, J08A, J08B, J08C, J11A, J11B, J16Z
	21B	X06A, X06B, X06C		05	F01A, F01B, F01D, F14A, F14B, F15Z, F24A, F24B, F28A, F36A, F36B, F54Z, F59A, F59B		10	K09A, K09B
8r432.49↔	05	F01A, F01B, F01D, F14A, F14B, F15Z, F24A, F24B, F28A, F36A, F36B, F54Z, F59A, F59B	8r432.4f	09	J03A, J03B, J04A, J04B, J08A, J08B, J08C, J11A, J11B, J16Z	8r432.4m↔	21A	W04A, W04B
	09	J03A, J03B, J04A, J04B, J08A, J08B, J08C, J11A, J11B, J16Z		10	K09A, K09B		21B	X06A, X06B, X06C
	10	K09A, K09B		21A	W04A, W04B			
	21A	W04A, W04B		21B	X04Z, X05A, X05B, X06A, X06B, X06C			
	21B	X06A, X06B, X06C						

VYK

ZZV	MDC	DRG	ZZV	MDC	DRG	ZZV	MDC	DRG			
8r432.4n↔		BOP, UOP4	8r432.55	05	F01A, F01B, F01D, F15Z, F19A, F19B, F19C, F24A, F24B, F36A, F36B	8r432.5c↔	05	F01A, F01B, F01D, F14A, F14B, F15Z, F24A, F24B, F28A, F36A, F36B, F54Z, F59A, F59B			
	01	B04A, B04B, B04C, B04D		09	J03A, J03B, J04A, J04B, J08A, J08B, J08C, J11A, J11B, J16Z		09	J03A, J03B, J04A, J04B, J08A, J08B, J08C, J11A, J11B, J16Z			
	05	F01A, F01B, F01D, F14A, F14B, F15Z, F24A, F24B, F28A, F36A, F36B, F54Z, F59A, F59B		10	K09A, K09B		10	K09A, K09B			
	09	J03A, J03B, J04A, J04B, J08A, J08B, J08C, J11A, J11B, J16Z		21A	W04A, W04B		21A	W04A, W04B			
	10	K09A, K09B		21B	X06A, X06B, X06C		21A	W04A, W04B			
	21A	W04A, W04B		8r432.56	05		F01A, F01B, F01D, F15Z, F19A, F19B, F19C, F24A, F24B, F36A, F36B	21B	X04Z, X06A, X06B, X06C		
	21B	X06A, X06B, X06C			09		J03A, J03B, J04A, J04B, J08A, J08B, J08C, J11A, J11B, J16Z	8r432.5d	05	F01A, F01B, F01D, F14A, F14B, F15Z, F24A, F24B, F28A, F36A, F36B, F54Z, F59A, F59B	
	8r432.4x↔	05			F01A, F01B, F01D, F14A, F14B, F15Z, F24A, F24B, F28A, F36A, F36B, F54Z, F59A, F59B		10		K09A, K09B	09	J03A, J03B, J04A, J04B, J08A, J08B, J08C, J11A, J11B, J16Z
		09			J03A, J03B, J04A, J04B, J08A, J08B, J08C, J11A, J11B, J16Z		21A		W04A, W04B	10	K09A, K09B
		10			K09A, K09B		21B		X06A, X06B, X06C	21A	W04A, W04B
21A		W04A, W04B	8r432.57		05	F01A, F01B, F01D, F14A, F14B, F15Z, F24A, F24B, F28A, F36A, F36B, F54Z, F59A, F59B	21B		X04Z, X05A, X05B, X06A, X06B, X06C		
21B		X06A, X06B, X06C			09	J03A, J03B, J04A, J04B, J08A, J08B, J08C, J11A, J11B, J16Z	8r432.5e		05	F01A, F01B, F01D, F14A, F14B, F15Z, F24A, F24B, F28A, F36A, F36B, F54Z, F59A, F59B	
8r432.50		BOP, KOP, UOP4			10	K09A, K09B			09	J03A, J03B, J04A, J04B, J08A, J08B, J08C, J11A, J11B, J16Z	
		01			B02A, B02B, B02C, B02D, B20A, B20B, B20C, B20D, B20E, B39A, B39B	21A			W04A, W04B	10	K09A, K09B
		05			F01A, F01B, F01D, F14A, F14B, F15Z, F24A, F24B, F28A, F36A, F36B, F54Z, F59A, F59B	21B			X06A, X06B, X06C	21A	W04A, W04B
		09		J03A, J03B, J04A, J04B, J08A, J08B, J08C, J11A, J11B, J16Z	8r432.58↔	05			F01A, F01B, F01D, F14A, F14B, F15Z, F24A, F24B, F28A, F36A, F36B, F54Z, F59A, F59B	21B	X04Z, X05A, X05B, X06A, X06B, X06C
		10		K09A, K09B		09		J03A, J03B, J04A, J04B, J08A, J08B, J08C, J11A, J11B, J16Z	8r432.5f	05	F01A, F01B, F01D, F14A, F14B, F15Z, F24A, F24B, F28A, F36A, F36B, F54Z, F59A, F59B
	21A	W04A, W04B		10		K09A, K09B		09		J03A, J03B, J04A, J04B, J08A, J08B, J08C, J11A, J11B, J16Z	
	21B	X06A, X06B, X06C, X33Z		21A		W04A, W04B		10		K09A, K09B	
	8r432.52↔	05		F01A, F01B, F01D, F14A, F14B, F15Z, F24A, F24B, F28A, F36A, F36B, F54Z, F59A, F59B		21B		X06A, X06B, X06C		21A	W04A, W04B
		09	J03A, J03B, J04A, J04B, J08A, J08B, J08C, J11A, J11B, J16Z	8r432.59↔		05		F01A, F01B, F01D, F14A, F14B, F15Z, F24A, F24B, F28A, F36A, F36B, F54Z, F59A, F59B		21B	X04Z, X05A, X05B, X06A, X06B, X06C
		10	K09A, K09B			09	J03A, J03B, J04A, J04B, J08A, J08B, J08C, J11A, J11B, J16Z	8r432.5g		05	F01A, F01B, F01D, F14A, F14B, F15Z, F24A, F24B, F28A, F36A, F36B, F54Z, F59A, F59B
21A		W04A, W04B	10			K09A, K09B	06			G10Z, G12A, G12B	
21B		X06A, X06B, X06C	21A			W04A, W04B	09			J03A, J03B, J04A, J04B, J08A, J08B, J08C, J11A, J11B, J16Z	
8r432.53↔		05	F01A, F01B, F01D, F14A, F14B, F15Z, F24A, F24B, F28A, F36A, F36B, F54Z, F59A, F59B			8r432.5a	05			F01A, F01B, F01D, F14A, F14B, F15Z, F24A, F24B, F28A, F36A, F36B, F54Z, F59A, F59B	10
		09	J03A, J03B, J04A, J04B, J08A, J08B, J08C, J11A, J11B, J16Z		06		G10Z, G12A, G12B			11	L09A, L09B, L09C, L09D, L38Z
		10	K09A, K09B		09		J03A, J03B, J04A, J04B, J08A, J08B, J08C, J11A, J11B, J16Z		21A	W04A, W04B	
		21A	W04A, W04B		10		K09A, K09B		21B	X06A, X06B, X06C	
		21B	X05A, X05B, X06A, X06B, X06C		11		L09A, L09B, L09C, L09D, L38Z		8r432.5b↔	05	F01A, F01B, F01D, F14A, F14B, F15Z, F24A, F24B, F28A, F36A, F36B, F54Z, F59A, F59B
	8r432.54	05	F01A, F01B, F01D, F15Z, F19A, F19B, F19C, F24A, F24B, F36A, F36B		8r432.5b↔		05			F01A, F01B, F01D, F14A, F14B, F15Z, F24A, F24B, F28A, F36A, F36B, F54Z, F59A, F59B	09
		09	J03A, J03B, J04A, J04B, J08A, J08B, J08C, J11A, J11B, J16Z	09			J03A, J03B, J04A, J04B, J08A, J08B, J08C, J11A, J11B, J16Z			10	K09A, K09B
		10	K09A, K09B	10			K09A, K09B	21A		W04A, W04B	
		21A	W04A, W04B	21A			W04A, W04B	21B		X06A, X06B, X06C	
		21B	X06A, X06B, X06C	21B			X04Z, X06A, X06B, X06C	8r432.5h↔		BOP, UOP4	
8r432.54		05	F01A, F01B, F01D, F15Z, F19A, F19B, F19C, F24A, F24B, F36A, F36B	8r432.5b↔		09	J03A, J03B, J04A, J04B, J08A, J08B, J08C, J11A, J11B, J16Z			01	B04A, B04B, B04C, B04D
		09	J03A, J03B, J04A, J04B, J08A, J08B, J08C, J11A, J11B, J16Z			10	K09A, K09B			05	F01A, F01B, F01D, F14A, F14B, F15Z, F24A, F24B, F28A, F36A, F36B, F54Z, F59A, F59B
		10	K09A, K09B			21A	W04A, W04B			09	J03A, J03B, J04A, J04B, J08A, J08B, J08C, J11A, J11B, J16Z
		21A	W04A, W04B			21B	X06A, X06B, X06C			10	K09A, K09B
		21B	X06A, X06B, X06C			21B	X04Z, X06A, X06B, X06C		21A	W04A, W04B	

ZZV	MDC	DRG	ZZV	MDC	DRG	ZZV	MDC	DRG			
8r432.5j↔		BOP, UOP4	8r432.60		BOP, KOP, UOP4	8r432.67	05	F01A, F01B, F01D, F14A, F14B, F15Z, F24A, F24B, F28A, F36A, F36B, F54Z, F59A, F59B			
	01	B04A, B04B, B04C, B04D		01	B02A, B02B, B02C, B02D, B20A, B20B, B20C, B20D, B20E, B39A, B39B		09	J03A, J03B, J04A, J04B, J08A, J08B, J08C, J11A, J11B, J16Z			
	05	F01A, F01B, F01D, F14A, F14B, F15Z, F24A, F24B, F28A, F36A, F36B, F54Z, F59A, F59B		05	F01A, F01B, F01D, F14A, F14B, F15Z, F24A, F24B, F28A, F36A, F36B, F54Z, F59A, F59B		10	K09A, K09B			
	09	J03A, J03B, J04A, J04B, J08A, J08B, J08C, J11A, J11B, J16Z		09	J03A, J03B, J04A, J04B, J08A, J08B, J08C, J11A, J11B, J16Z		21A	W04A, W04B			
	10	K09A, K09B		10	K09A, K09B		21B	X06A, X06B, X06C			
	21A	W04A, W04B		21A	W04A, W04B		8r432.68↔	05	F01A, F01B, F01D, F14A, F14B, F15Z, F24A, F24B, F28A, F36A, F36B, F54Z, F59A, F59B		
	21B	X06A, X06B, X06C		21B	X06A, X06B, X06C, X33Z			09	J03A, J03B, J04A, J04B, J08A, J08B, J08C, J11A, J11B, J16Z		
	8r432.5k↔			BOP, UOP4	8r432.62↔				F01A, F01B, F01D, F14A, F14B, F15Z, F24A, F24B, F28A, F36A, F36B, F54Z, F59A, F59B	10	K09A, K09B
		01		B04A, B04B, B04C, B04D				05	F01A, F01B, F01D, F14A, F14B, F15Z, F24A, F24B, F28A, F36A, F36B, F54Z, F59A, F59B	21A	W04A, W04B
		05		F01A, F01B, F01D, F14A, F14B, F15Z, F24A, F24B, F28A, F36A, F36B, F54Z, F59A, F59B				09	J03A, J03B, J04A, J04B, J08A, J08B, J08C, J11A, J11B, J16Z	21B	X06A, X06B, X06C
09		J03A, J03B, J04A, J04B, J08A, J08B, J08C, J11A, J11B, J16Z	10	K09A, K09B		8r432.69↔	05	F01A, F01B, F01D, F14A, F14B, F15Z, F24A, F24B, F28A, F36A, F36B, F54Z, F59A, F59B			
10		K09A, K09B	10	K09A, K09B			09	J03A, J03B, J04A, J04B, J08A, J08B, J08C, J11A, J11B, J16Z			
21A		W04A, W04B	21A	W04A, W04B			10	K09A, K09B			
21B		X06A, X06B, X06C	21B	X06A, X06B, X06C			21A	W04A, W04B			
8r432.5m↔			BOP, UOP4	8r432.63↔				F01A, F01B, F01D, F14A, F14B, F15Z, F24A, F24B, F28A, F36A, F36B, F54Z, F59A, F59B	21B	X06A, X06B, X06C	
		01	B04A, B04B, B04C, B04D			05	F01A, F01B, F01D, F14A, F14B, F15Z, F24A, F24B, F28A, F36A, F36B, F54Z, F59A, F59B	8r432.6a	05	F01A, F01B, F01D, F14A, F14B, F15Z, F24A, F24B, F28A, F36A, F36B, F54Z, F59A, F59B	
		05	F01A, F01B, F01D, F14A, F14B, F15Z, F24A, F24B, F28A, F36A, F36B, F54Z, F59A, F59B			09	J03A, J03B, J04A, J04B, J08A, J08B, J08C, J11A, J11B, J16Z		06	G10Z, G12A, G12B	
	09	J03A, J03B, J04A, J04B, J08A, J08B, J08C, J11A, J11B, J16Z	10		K09A, K09B	09	J03A, J03B, J04A, J04B, J08A, J08B, J08C, J11A, J11B, J16Z				
	10	K09A, K09B	21A		W04A, W04B	10	K09A, K09B				
	21A	W04A, W04B	21B		X05A, X05B, X06A, X06B, X06C	11	L09A, L09B, L09C, L09D, L38Z				
	21B	X06A, X06B, X06C	8r432.64		05	F01A, F01B, F01D, F15Z, F19A, F19B, F19C, F24A, F24B, F36A, F36B	21A	W04A, W04B			
	8r432.5n↔				BOP, UOP4	8r432.65		F01A, F01B, F01D, F15Z, F19A, F19B, F19C, F24A, F24B, F36A, F36B	21B	X06A, X06B, X06C	
		01			B04A, B04B, B04C, B04D		05	F01A, F01B, F01D, F15Z, F19A, F19B, F19C, F24A, F24B, F36A, F36B	8r432.6b↔	05	F01A, F01B, F01D, F14A, F14B, F15Z, F24A, F24B, F28A, F36A, F36B, F54Z, F59A, F59B
		05			F01A, F01B, F01D, F14A, F14B, F15Z, F24A, F24B, F28A, F36A, F36B, F54Z, F59A, F59B		09	J03A, J03B, J04A, J04B, J08A, J08B, J08C, J11A, J11B, J16Z		09	J03A, J03B, J04A, J04B, J08A, J08B, J08C, J11A, J11B, J16Z
09		J03A, J03B, J04A, J04B, J08A, J08B, J08C, J11A, J11B, J16Z		10	K09A, K09B		10	K09A, K09B			
10		K09A, K09B	21A	W04A, W04B	21A		W04A, W04B				
21A		W04A, W04B	21B	X06A, X06B, X06C	21B		X04Z				
21B		X06A, X06B, X06C	8r432.66	05	F01A, F01B, F01D, F15Z, F19A, F19B, F19C, F24A, F24B, F36A, F36B		8r432.6c↔	05	F01A, F01B, F01D, F14A, F14B, F15Z, F24A, F24B, F28A, F36A, F36B, F54Z, F59A, F59B		
8r432.5x↔				BOP, UOP4	8r432.66				F01A, F01B, F01D, F15Z, F19A, F19B, F19C, F24A, F24B, F36A, F36B	09	J03A, J03B, J04A, J04B, J08A, J08B, J08C, J11A, J11B, J16Z
		01		B04A, B04B, B04C, B04D				05	F01A, F01B, F01D, F15Z, F19A, F19B, F19C, F24A, F24B, F36A, F36B	10	K09A, K09B
		05		F01A, F01B, F01D, F14A, F14B, F15Z, F24A, F24B, F28A, F36A, F36B, F54Z, F59A, F59B				09	J03A, J03B, J04A, J04B, J08A, J08B, J08C, J11A, J11B, J16Z	21A	W04A, W04B
	09	J03A, J03B, J04A, J04B, J08A, J08B, J08C, J11A, J11B, J16Z		10		K09A, K09B		21A	W04A, W04B		
	10	K09A, K09B	21A	W04A, W04B		21B	X04Z				
	21A	W04A, W04B	21B	X06A, X06B, X06C		05	F01A, F01B, F01D, F14A, F14B, F15Z, F24A, F24B, F28A, F36A, F36B, F54Z, F59A, F59B				
	21B	X06A, X06B, X06C	10	K09A, K09B		09	J03A, J03B, J04A, J04B, J08A, J08B, J08C, J11A, J11B, J16Z				
			21A	W04A, W04B		10	K09A, K09B				
			21B	X06A, X06B, X06C		21A	W04A, W04B				
			21B	X06A, X06B, X06C		21B	X04Z, X06A, X06B, X06C				



ZZV	MDC	DRG	ZZV	MDC	DRG	ZZV	MDC	DRG
8r432.6d	05	F01A, F01B, F01D, F14A, F14B, F15Z, F24A, F24B, F28A, F36A, F36B, F54Z, F59A, F59B	8r432.6k↔		BOP, UOP4	8r433.13↔	05	F01A, F01B, F01D, F14A, F14B, F15Z, F24A, F24B, F28A, F36A, F36B, F54Z, F59A, F59B
	09	J03A, J03B, J04A, J04B, J08A, J08B, J08C, J11A, J11B, J16Z		01	B04A, B04B, B04C, B04D		09	J03A, J03B, J04A, J04B, J08A, J08B, J08C, J11A, J11B, J16Z
	10	K09A, K09B		05	F01A, F01B, F01D, F14A, F14B, F15Z, F24A, F24B, F28A, F36A, F36B, F54Z, F59A, F59B		10	K09A, K09B
	21A	W04A, W04B		09	J03A, J03B, J04A, J04B, J08A, J08B, J08C, J11A, J11B, J16Z		21A	W04A, W04B
	21B	X04Z, X05A, X05B, X06A, X06B, X06C		10	K09A, K09B		21B	X05A, X05B, X06A, X06B, X06C
8r432.6e	05	F01A, F01B, F01D, F14A, F14B, F15Z, F24A, F24B, F28A, F36A, F36B, F54Z, F59A, F59B	8r432.6m↔		BOP, UOP4	8r433.14	05	F01A, F01B, F01D, F14A, F14B, F15Z, F19A, F19B, F19C, F24A, F24B, F36A, F36B, F54Z
	09	J03A, J03B, J04A, J04B, J08A, J08B, J08C, J11A, J11B, J16Z		01	B04A, B04B, B04C, B04D		09	J03A, J03B, J04A, J04B, J08A, J08B, J08C, J11A, J11B, J16Z
	10	K09A, K09B		05	F01A, F01B, F01D, F14A, F14B, F15Z, F24A, F24B, F28A, F36A, F36B, F54Z, F59A, F59B		10	K09A, K09B
	21A	W04A, W04B		09	J03A, J03B, J04A, J04B, J08A, J08B, J08C, J11A, J11B, J16Z		21A	W04A, W04B
	21B	X04Z, X05A, X05B, X06A, X06B, X06C		10	K09A, K09B		21B	X06A, X06B, X06C
8r432.6f	05	F01A, F01B, F01D, F14A, F14B, F15Z, F24A, F24B, F28A, F36A, F36B, F54Z, F59A, F59B	8r432.6n↔		BOP, UOP4	8r433.15	05	F01A, F01B, F01D, F14A, F14B, F15Z, F19A, F19B, F19C, F24A, F24B, F36A, F36B, F54Z
	09	J03A, J03B, J04A, J04B, J08A, J08B, J08C, J11A, J11B, J16Z		01	B04A, B04B, B04C, B04D		09	J03A, J03B, J04A, J04B, J08A, J08B, J08C, J11A, J11B, J16Z
	10	K09A, K09B		05	F01A, F01B, F01D, F14A, F14B, F15Z, F24A, F24B, F28A, F36A, F36B, F54Z, F59A, F59B		10	K09A, K09B
	21A	W04A, W04B		09	J03A, J03B, J04A, J04B, J08A, J08B, J08C, J11A, J11B, J16Z		21A	W04A, W04B
	21B	X04Z, X05A, X05B, X06A, X06B, X06C		10	K09A, K09B		21B	X06A, X06B, X06C
8r432.6g	05	F01A, F01B, F01D, F14A, F14B, F15Z, F24A, F24B, F28A, F36A, F36B, F54Z, F59A, F59B	8r432.6x↔		BOP, UOP4	8r433.16	05	F01A, F01B, F01D, F14A, F14B, F15Z, F19A, F19B, F19C, F24A, F24B, F36A, F36B, F54Z
	06	G10Z, G12A, G12B		01	B04A, B04B, B04C, B04D		09	J03A, J03B, J04A, J04B, J08A, J08B, J08C, J11A, J11B, J16Z
	09	J03A, J03B, J04A, J04B, J08A, J08B, J08C, J11A, J11B, J16Z		05	F01A, F01B, F01D, F14A, F14B, F15Z, F24A, F24B, F28A, F36A, F36B, F54Z, F59A, F59B		10	K09A, K09B
	10	K09A, K09B		09	J03A, J03B, J04A, J04B, J08A, J08B, J08C, J11A, J11B, J16Z		21A	W04A, W04B
	11	L09A, L09B, L09C, L09D, L38Z		10	K09A, K09B		21B	X06A, X06B, X06C
8r432.6h↔	21A	W04A, W04B	8r433.10		BOP, KOP, UOP4	8r433.17	05	F01A, F01B, F01D, F14A, F14B, F15Z, F24A, F24B, F28A, F36A, F36B, F54Z, F59A, F59B
	21B	X06A, X06B, X06C		01	B02A, B02B, B02C, B02D, B20A, B20B, B20C, B20D, B20E, B39A, B39B		09	J03A, J03B, J04A, J04B, J08A, J08B, J08C, J11A, J11B, J16Z
	01	B04A, B04B, B04C, B04D		05	F01A, F01B, F01D, F14A, F14B, F15Z, F24A, F24B, F28A, F36A, F36B, F54Z, F59A, F59B		10	K09A, K09B
	05	F01A, F01B, F01D, F14A, F14B, F15Z, F24A, F24B, F28A, F36A, F36B, F54Z, F59A, F59B		09	J03A, J03B, J04A, J04B, J08A, J08B, J08C, J11A, J11B, J16Z		21A	W04A, W04B
	09	J03A, J03B, J04A, J04B, J08A, J08B, J08C, J11A, J11B, J16Z		10	K09A, K09B		21B	X06A, X06B, X06C
8r432.6j↔	01	B04A, B04B, B04C, B04D	8r433.12↔		BOP, UOP4	8r433.18↔	05	F01A, F01B, F01D, F14A, F14B, F15Z, F24A, F24B, F28A, F36A, F36B, F54Z, F59A, F59B
	05	F01A, F01B, F01D, F14A, F14B, F15Z, F24A, F24B, F28A, F36A, F36B, F54Z, F59A, F59B		01	B02A, B02B, B02C, B02D, B20A, B20B, B20C, B20D, B20E, B39A, B39B		09	J03A, J03B, J04A, J04B, J08A, J08B, J08C, J11A, J11B, J16Z
	09	J03A, J03B, J04A, J04B, J08A, J08B, J08C, J11A, J11B, J16Z		05	F01A, F01B, F01D, F14A, F14B, F15Z, F24A, F24B, F28A, F36A, F36B, F54Z, F59A, F59B		10	K09A, K09B
	10	K09A, K09B		09	J03A, J03B, J04A, J04B, J08A, J08B, J08C, J11A, J11B, J16Z		21A	W04A, W04B
	21A	W04A, W04B		10	K09A, K09B		21B	X06A, X06B, X06C
8r432.6k↔	21B	X06A, X06B, X06C	8r433.19↔		BOP, UOP4	8r433.19↔	05	F01A, F01B, F01D, F14A, F14B, F15Z, F24A, F24B, F28A, F36A, F36B, F54Z, F59A, F59B
	01	B04A, B04B, B04C, B04D		05	F01A, F01B, F01D, F14A, F14B, F15Z, F24A, F24B, F28A, F36A, F36B, F54Z, F59A, F59B		09	J03A, J03B, J04A, J04B, J08A, J08B, J08C, J11A, J11B, J16Z
	05	F01A, F01B, F01D, F14A, F14B, F15Z, F24A, F24B, F28A, F36A, F36B, F54Z, F59A, F59B		09	J03A, J03B, J04A, J04B, J08A, J08B, J08C, J11A, J11B, J16Z		10	K09A, K09B
	09	J03A, J03B, J04A, J04B, J08A, J08B, J08C, J11A, J11B, J16Z		10	K09A, K09B		21A	W04A, W04B
	10	K09A, K09B		21A	W04A, W04B		21B	X06A, X06B, X06C



ZZV	MDC	DRG	ZZV	MDC	DRG	ZZV	MDC	DRG
8r433.25	05	F01A, F01B, F01D, F15Z, F19A, F19B, F19C, F24A, F24B, F36A, F36B	8r433.2c↔	05	F01A, F01B, F01D, F14A, F14B, F15Z, F24A, F24B, F28A, F36A, F36B, F54Z, F59A, F59B	8r433.2j↔		BOP, UOP4
	09	J03A, J03B, J04A, J04B, J08A, J08B, J08C, J11A, J11B, J16Z		09	J03A, J03B, J04A, J04B, J08A, J08B, J08C, J11A, J11B, J16Z		01	B04A, B04B, B04C, B04D
	10	K09A, K09B		10	K09A, K09B		05	F01A, F01B, F01D, F14A, F14B, F15Z, F24A, F24B, F28A, F36A, F36B, F54Z, F59A, F59B
	21A	W04A, W04B		21A	W04A, W04B		09	J03A, J03B, J04A, J04B, J08A, J08B, J08C, J11A, J11B, J16Z
	21B	X06A, X06B, X06C		21B	X04Z, X06A, X06B, X06C		10	K09A, K09B
8r433.26	05	F01A, F01B, F01D, F15Z, F19A, F19B, F19C, F24A, F24B, F36A, F36B	8r433.2d	05	F01A, F01B, F01D, F14A, F14B, F15Z, F24A, F24B, F28A, F36A, F36B, F54Z, F59A, F59B	8r433.2k↔		BOP, UOP4
	09	J03A, J03B, J04A, J04B, J08A, J08B, J08C, J11A, J11B, J16Z		09	J03A, J03B, J04A, J04B, J08A, J08B, J08C, J11A, J11B, J16Z		01	B04A, B04B, B04C, B04D
	10	K09A, K09B		10	K09A, K09B		05	F01A, F01B, F01D, F14A, F14B, F15Z, F24A, F24B, F28A, F36A, F36B, F54Z, F59A, F59B
	21A	W04A, W04B		21A	W04A, W04B		09	J03A, J03B, J04A, J04B, J08A, J08B, J08C, J11A, J11B, J16Z
	21B	X06A, X06B, X06C		21B	X04Z, X05A, X05B, X06A, X06B, X06C		10	K09A, K09B
8r433.27	05	F01A, F01B, F01D, F14A, F14B, F15Z, F24A, F24B, F28A, F36A, F36B, F54Z, F59A, F59B	8r433.2e	05	F01A, F01B, F01D, F14A, F14B, F15Z, F24A, F24B, F28A, F36A, F36B, F54Z, F59A, F59B	8r433.2m↔		BOP, UOP4
	09	J03A, J03B, J04A, J04B, J08A, J08B, J08C, J11A, J11B, J16Z		09	J03A, J03B, J04A, J04B, J08A, J08B, J08C, J11A, J11B, J16Z		01	B04A, B04B, B04C, B04D
	10	K09A, K09B		10	K09A, K09B		05	F01A, F01B, F01D, F14A, F14B, F15Z, F24A, F24B, F28A, F36A, F36B, F54Z, F59A, F59B
	21A	W04A, W04B		21A	W04A, W04B		09	J03A, J03B, J04A, J04B, J08A, J08B, J08C, J11A, J11B, J16Z
	21B	X06A, X06B, X06C		21B	X04Z, X05A, X05B, X06A, X06B, X06C		10	K09A, K09B
8r433.28↔	05	F01A, F01B, F01D, F14A, F14B, F15Z, F24A, F24B, F28A, F36A, F36B, F54Z, F59A, F59B	8r433.2f	05	F01A, F01B, F01D, F14A, F14B, F15Z, F24A, F24B, F28A, F36A, F36B, F54Z, F59A, F59B	8r433.2n↔		BOP, UOP4
	09	J03A, J03B, J04A, J04B, J08A, J08B, J08C, J11A, J11B, J16Z		09	J03A, J03B, J04A, J04B, J08A, J08B, J08C, J11A, J11B, J16Z		01	B04A, B04B, B04C, B04D
	10	K09A, K09B		10	K09A, K09B		05	F01A, F01B, F01D, F14A, F14B, F15Z, F24A, F24B, F28A, F36A, F36B, F54Z, F59A, F59B
	21A	W04A, W04B		21A	W04A, W04B		09	J03A, J03B, J04A, J04B, J08A, J08B, J08C, J11A, J11B, J16Z
	21B	X06A, X06B, X06C		21B	X04Z, X05A, X05B, X06A, X06B, X06C		10	K09A, K09B
8r433.29↔	05	F01A, F01B, F01D, F14A, F14B, F15Z, F24A, F24B, F28A, F36A, F36B, F54Z, F59A, F59B	8r433.2g	05	F01A, F01B, F01D, F14A, F14B, F15Z, F24A, F24B, F28A, F36A, F36B, F54Z, F59A, F59B	8r433.2x↔		BOP, UOP4
	09	J03A, J03B, J04A, J04B, J08A, J08B, J08C, J11A, J11B, J16Z		06	G10Z, G12A, G12B		01	B04A, B04B, B04C, B04D
	10	K09A, K09B		09	J03A, J03B, J04A, J04B, J08A, J08B, J08C, J11A, J11B, J16Z		05	F01A, F01B, F01D, F14A, F14B, F15Z, F24A, F24B, F28A, F36A, F36B, F54Z, F59A, F59B
	21A	W04A, W04B		10	K09A, K09B		09	J03A, J03B, J04A, J04B, J08A, J08B, J08C, J11A, J11B, J16Z
	21B	X06A, X06B, X06C		11	L09A, L09B, L09C, L09D, L38Z		10	K09A, K09B
8r433.2a	05	F01A, F01B, F01D, F14A, F14B, F15Z, F24A, F24B, F28A, F36A, F36B, F54Z, F59A, F59B	8r433.2h↔	21A	W04A, W04B	8r433.2y↔		BOP, UOP4
	06	G10Z, G12A, G12B		21B	X06A, X06B, X06C		01	B04A, B04B, B04C, B04D
	09	J03A, J03B, J04A, J04B, J08A, J08B, J08C, J11A, J11B, J16Z		01	B04A, B04B, B04C, B04D		05	F01A, F01B, F01D, F14A, F14B, F15Z, F24A, F24B, F28A, F36A, F36B, F54Z, F59A, F59B
	10	K09A, K09B		05	F01A, F01B, F01D, F14A, F14B, F15Z, F24A, F24B, F28A, F36A, F36B, F54Z, F59A, F59B		09	J03A, J03B, J04A, J04B, J08A, J08B, J08C, J11A, J11B, J16Z
	11	L09A, L09B, L09C, L09D, L38Z		09	J03A, J03B, J04A, J04B, J08A, J08B, J08C, J11A, J11B, J16Z		10	K09A, K09B
8r433.2b↔	21A	W04A, W04B	8r433.2i↔	21A	W04A, W04B	8r433.2z↔		BOP, UOP4
	21B	X06A, X06B, X06C		21B	X06A, X06B, X06C		01	B04A, B04B, B04C, B04D
	05	F01A, F01B, F01D, F14A, F14B, F15Z, F24A, F24B, F28A, F36A, F36B, F54Z, F59A, F59B		01	B04A, B04B, B04C, B04D		05	F01A, F01B, F01D, F14A, F14B, F15Z, F24A, F24B, F28A, F36A, F36B, F54Z, F59A, F59B
	09	J03A, J03B, J04A, J04B, J08A, J08B, J08C, J11A, J11B, J16Z		05	F01A, F01B, F01D, F14A, F14B, F15Z, F24A, F24B, F28A, F36A, F36B, F54Z, F59A, F59B		09	J03A, J03B, J04A, J04B, J08A, J08B, J08C, J11A, J11B, J16Z
	10	K09A, K09B		09	J03A, J03B, J04A, J04B, J08A, J08B, J08C, J11A, J11B, J16Z		10	K09A, K09B
8r433.2b↔	21A	W04A, W04B	8r433.2j↔	21A	W04A, W04B	8r433.2aa↔		BOP, UOP4
	21B	X04Z, X06A, X06B, X06C		21B	X06A, X06B, X06C		01	B04A, B04B, B04C, B04D
				05	F01A, F01B, F01D, F14A, F14B, F15Z, F24A, F24B, F28A, F36A, F36B, F54Z, F59A, F59B			

VYK

ZZV	MDC	DRG	ZZV	MDC	DRG	ZZV	MDC	DRG			
8r433.30		BOP, KOP, UOP4	8r433.37	05	F01A, F01B, F01D, F14A, F14B, F15Z, F24A, F24B, F28A, F36A, F36B, F54Z, F59A, F59B	8r433.3d	05	F01A, F01B, F01D, F14A, F14B, F15Z, F24A, F24B, F28A, F36A, F36B, F54Z, F59A, F59B			
	01	B02A, B02B, B02C, B02D, B20A, B20B, B20C, B20D, B20E, B39A, B39B		09	J03A, J03B, J04A, J04B, J08A, J08B, J08C, J11A, J11B, J16Z		09	J03A, J03B, J04A, J04B, J08A, J08B, J08C, J11A, J11B, J16Z			
	05	F01A, F01B, F01D, F14A, F14B, F15Z, F24A, F24B, F28A, F36A, F36B, F54Z, F59A, F59B		10	K09A, K09B		10	K09A, K09B			
	09	J03A, J03B, J04A, J04B, J08A, J08B, J08C, J11A, J11B, J16Z		21A	W04A, W04B		21A	W04A, W04B			
	10	K09A, K09B		21B	X06A, X06B, X06C		21B	X04Z, X05A, X05B, X06A, X06B, X06C			
	21A	W04A, W04B		8r433.38↔	05		F01A, F01B, F01D, F14A, F14B, F15Z, F24A, F24B, F28A, F36A, F36B, F54Z, F59A, F59B	8r433.3e	05	F01A, F01B, F01D, F14A, F14B, F15Z, F24A, F24B, F28A, F36A, F36B, F54Z, F59A, F59B	
	21B	X06A, X06B, X06C, X33Z			09		J03A, J03B, J04A, J04B, J08A, J08B, J08C, J11A, J11B, J16Z		09	J03A, J03B, J04A, J04B, J08A, J08B, J08C, J11A, J11B, J16Z	
	8r433.32↔	05			F01A, F01B, F01D, F14A, F14B, F15Z, F24A, F24B, F28A, F36A, F36B, F54Z, F59A, F59B		10		K09A, K09B	10	K09A, K09B
		09			J03A, J03B, J04A, J04B, J08A, J08B, J08C, J11A, J11B, J16Z		21A		W04A, W04B	21A	W04A, W04B
		10			K09A, K09B		21B		X06A, X06B, X06C	21B	X04Z, X05A, X05B, X06A, X06B, X06C
21A		W04A, W04B	8r433.39↔		05	F01A, F01B, F01D, F14A, F14B, F15Z, F24A, F24B, F28A, F36A, F36B, F54Z, F59A, F59B	8r433.3f		05	F01A, F01B, F01D, F14A, F14B, F15Z, F24A, F24B, F28A, F36A, F36B, F54Z, F59A, F59B	
21B		X06A, X06B, X06C			09	J03A, J03B, J04A, J04B, J08A, J08B, J08C, J11A, J11B, J16Z			09	J03A, J03B, J04A, J04B, J08A, J08B, J08C, J11A, J11B, J16Z	
8r433.33↔		05			F01A, F01B, F01D, F14A, F14B, F15Z, F24A, F24B, F28A, F36A, F36B, F54Z, F59A, F59B	10			K09A, K09B	10	K09A, K09B
		09			J03A, J03B, J04A, J04B, J08A, J08B, J08C, J11A, J11B, J16Z	21A			W04A, W04B	21A	W04A, W04B
		10			K09A, K09B	21B			X06A, X06B, X06C	21B	X04Z, X05A, X05B, X06A, X06B, X06C
		21A		W04A, W04B	8r433.3a	05		F01A, F01B, F01D, F14A, F14B, F15Z, F24A, F24B, F28A, F36A, F36B, F54Z, F59A, F59B	8r433.3g	05	F01A, F01B, F01D, F14A, F14B, F15Z, F24A, F24B, F28A, F36A, F36B, F54Z, F59A, F59B
		21B		X06A, X06B, X06C		06		G10Z, G12A, G12B		06	G10Z, G12A, G12B
	8r433.34	05		F01A, F01B, F01D, F15Z, F19A, F19B, F19C, F24A, F24B, F36A, F36B		09		J03A, J03B, J04A, J04B, J08A, J08B, J08C, J11A, J11B, J16Z		09	J03A, J03B, J04A, J04B, J08A, J08B, J08C, J11A, J11B, J16Z
		09		J03A, J03B, J04A, J04B, J08A, J08B, J08C, J11A, J11B, J16Z		10		K09A, K09B		10	K09A, K09B
		10		K09A, K09B		11		L09A, L09B, L09C, L09D, L38Z		11	L09A, L09B, L09C, L09D, L38Z
		21A	W04A, W04B	21A		W04A, W04B	21A	W04A, W04B			
		21B	X06A, X06B, X06C	21B		X06A, X06B, X06C	21B	X06A, X06B, X06C			
8r433.35		05	F01A, F01B, F01D, F15Z, F19A, F19B, F19C, F24A, F24B, F36A, F36B	8r433.3b↔		05	F01A, F01B, F01D, F14A, F14B, F15Z, F24A, F24B, F28A, F36A, F36B, F54Z, F59A, F59B	8r433.3h↔		BOP, UOP4	
		09	J03A, J03B, J04A, J04B, J08A, J08B, J08C, J11A, J11B, J16Z			09	J03A, J03B, J04A, J04B, J08A, J08B, J08C, J11A, J11B, J16Z			01	B04A, B04B, B04C, B04D
		10	K09A, K09B			10	K09A, K09B			05	F01A, F01B, F01D, F14A, F14B, F15Z, F24A, F24B, F28A, F36A, F36B, F54Z, F59A, F59B
		21A	W04A, W04B		21A	W04A, W04B	09		J03A, J03B, J04A, J04B, J08A, J08B, J08C, J11A, J11B, J16Z		
		21B	X06A, X06B, X06C		21B	X04Z, X06A, X06B, X06C	10		K09A, K09B		
	8r433.36	05	F01A, F01B, F01D, F15Z, F19A, F19B, F19C, F24A, F24B, F36A, F36B		8r433.3c↔	05	F01A, F01B, F01D, F14A, F14B, F15Z, F24A, F24B, F28A, F36A, F36B, F54Z, F59A, F59B		8r433.3j↔	BOP, UOP4	
		09	J03A, J03B, J04A, J04B, J08A, J08B, J08C, J11A, J11B, J16Z			09	J03A, J03B, J04A, J04B, J08A, J08B, J08C, J11A, J11B, J16Z			01	B04A, B04B, B04C, B04D
		10	K09A, K09B			10	K09A, K09B			05	F01A, F01B, F01D, F14A, F14B, F15Z, F24A, F24B, F28A, F36A, F36B, F54Z, F59A, F59B
		21A	W04A, W04B			21A	W04A, W04B			09	J03A, J03B, J04A, J04B, J08A, J08B, J08C, J11A, J11B, J16Z
		21B	X06A, X06B, X06C			21B	X04Z, X06A, X06B, X06C			10	K09A, K09B

VYK

ZZV	MDC	DRG	ZZV	MDC	DRG	ZZV	MDC	DRG									
8r433.4g	05	F01A, F01B, F01D, F14A, F14B, F15Z, F24A, F24B, F28A, F36A, F36B, F54Z, F59A, F59B	8r433.4n↔	01	B0P, UOP4	8r433.55	05	F01A, F01B, F01D, F15Z, F19A, F19B, F19C, F24A, F24B, F36A, F36B									
		06			G10Z, G12A, G12B			09	J03A, J03B, J04A, J04B, J08A, J08B, J08C, J11A, J11B, J16Z								
	09	J03A, J03B, J04A, J04B, J08A, J08B, J08C, J11A, J11B, J16Z		09	J03A, J03B, J04A, J04B, J08A, J08B, J08C, J11A, J11B, J16Z		10	K09A, K09B									
	10	K09A, K09B		10	K09A, K09B		21A	W04A, W04B									
	11	L09A, L09B, L09C, L09D, L38Z		10	K09A, K09B		21B	X06A, X06B, X06C									
	21A	W04A, W04B		21A	W04A, W04B		8r433.56	05	F01A, F01B, F01D, F15Z, F19A, F19B, F19C, F24A, F24B, F36A, F36B								
	21B	X06A, X06B, X06C		21B	X06A, X06B, X06C				09	J03A, J03B, J04A, J04B, J08A, J08B, J08C, J11A, J11B, J16Z							
	8r433.4h↔	BOP, UOP4		01	8r433.4x↔		05	F01A, F01B, F01D, F14A, F14B, F15Z, F24A, F24B, F28A, F36A, F36B, F54Z, F59A, F59B	8r433.57	05	F01A, F01B, F01D, F14A, F14B, F15Z, F24A, F24B, F28A, F36A, F36B, F54Z, F59A, F59B						
								05			F01A, F01B, F01D, F14A, F14B, F15Z, F24A, F24B, F28A, F36A, F36B, F54Z, F59A, F59B	10	K09A, K09B				
								09			J03A, J03B, J04A, J04B, J08A, J08B, J08C, J11A, J11B, J16Z	21A	W04A, W04B				
10			K09A, K09B			21B		X06A, X06B, X06C									
21A			W04A, W04B			8r433.50		01			B0P, KOP, UOP4	09	J03A, J03B, J04A, J04B, J08A, J08B, J08C, J11A, J11B, J16Z				
21B			X06A, X06B, X06C								21B		X06A, X06B, X06C				
8r433.4j↔			BOP, UOP4			01		8r433.50			05	F01A, F01B, F01D, F14A, F14B, F15Z, F24A, F24B, F28A, F36A, F36B, F54Z, F59A, F59B	8r433.58↔	05	F01A, F01B, F01D, F14A, F14B, F15Z, F24A, F24B, F28A, F36A, F36B, F54Z, F59A, F59B		
												05			F01A, F01B, F01D, F14A, F14B, F15Z, F24A, F24B, F28A, F36A, F36B, F54Z, F59A, F59B	09	J03A, J03B, J04A, J04B, J08A, J08B, J08C, J11A, J11B, J16Z
												09			J03A, J03B, J04A, J04B, J08A, J08B, J08C, J11A, J11B, J16Z	10	K09A, K09B
												10			K09A, K09B	21A	W04A, W04B
	21A	W04A, W04B		21B	X06A, X06B, X06C												
	21B	X06A, X06B, X06C		8r433.52↔	05		F01A, F01B, F01D, F14A, F14B, F15Z, F24A, F24B, F28A, F36A, F36B, F54Z, F59A, F59B		8r433.59↔	05		F01A, F01B, F01D, F14A, F14B, F15Z, F24A, F24B, F28A, F36A, F36B, F54Z, F59A, F59B					
	8r433.4k↔	BOP, UOP4					01					8r433.52↔			09	J03A, J03B, J04A, J04B, J08A, J08B, J08C, J11A, J11B, J16Z	8r433.59↔
				05	F01A, F01B, F01D, F14A, F14B, F15Z, F24A, F24B, F28A, F36A, F36B, F54Z, F59A, F59B				10	K09A, K09B							
				09	J03A, J03B, J04A, J04B, J08A, J08B, J08C, J11A, J11B, J16Z				21A	W04A, W04B							
				10	K09A, K09B				21B	X06A, X06B, X06C							
21A			W04A, W04B	8r433.53↔	05	F01A, F01B, F01D, F14A, F14B, F15Z, F24A, F24B, F28A, F36A, F36B, F54Z, F59A, F59B		8r433.5a	05	F01A, F01B, F01D, F14A, F14B, F15Z, F24A, F24B, F28A, F36A, F36B, F54Z, F59A, F59B							
21B			X06A, X06B, X06C			09				J03A, J03B, J04A, J04B, J08A, J08B, J08C, J11A, J11B, J16Z	06		G10Z, G12A, G12B				
8r433.4m↔			BOP, UOP4	01	8r433.53↔	09		J03A, J03B, J04A, J04B, J08A, J08B, J08C, J11A, J11B, J16Z	8r433.5a	09	J03A, J03B, J04A, J04B, J08A, J08B, J08C, J11A, J11B, J16Z						
								05			F01A, F01B, F01D, F14A, F14B, F15Z, F24A, F24B, F28A, F36A, F36B, F54Z, F59A, F59B		10	K09A, K09B			
								09			J03A, J03B, J04A, J04B, J08A, J08B, J08C, J11A, J11B, J16Z		21A	W04A, W04B			
								10			K09A, K09B		21B	X06A, X06B, X06C			
	21A	W04A, W04B					8r433.54	05			F01A, F01B, F01D, F15Z, F19A, F19B, F19C, F24A, F24B, F36A, F36B	11	L09A, L09B, L09C, L09D, L38Z				
	21B	X06A, X06B, X06C									09		J03A, J03B, J04A, J04B, J08A, J08B, J08C, J11A, J11B, J16Z	21A	W04A, W04B		
	8r433.4m↔	BOP, UOP4					01	8r433.54			09	J03A, J03B, J04A, J04B, J08A, J08B, J08C, J11A, J11B, J16Z	8r433.5b↔	05	F01A, F01B, F01D, F14A, F14B, F15Z, F24A, F24B, F28A, F36A, F36B, F54Z, F59A, F59B		
												05			F01A, F01B, F01D, F14A, F14B, F15Z, F24A, F24B, F28A, F36A, F36B, F54Z, F59A, F59B	09	J03A, J03B, J04A, J04B, J08A, J08B, J08C, J11A, J11B, J16Z
												09			J03A, J03B, J04A, J04B, J08A, J08B, J08C, J11A, J11B, J16Z	10	K09A, K09B
												10			K09A, K09B	21A	W04A, W04B
21A			W04A, W04B	21B	X06A, X06B, X06C												
21B			X06A, X06B, X06C	8r433.54	05	F01A, F01B, F01D, F15Z, F19A, F19B, F19C, F24A, F24B, F36A, F36B			09	J03A, J03B, J04A, J04B, J08A, J08B, J08C, J11A, J11B, J16Z							
8r433.4m↔			BOP, UOP4			01				8r433.54		09			J03A, J03B, J04A, J04B, J08A, J08B, J08C, J11A, J11B, J16Z	8r433.5b↔	10
				05	F01A, F01B, F01D, F14A, F14B, F15Z, F24A, F24B, F28A, F36A, F36B, F54Z, F59A, F59B				21A						W04A, W04B		
				09	J03A, J03B, J04A, J04B, J08A, J08B, J08C, J11A, J11B, J16Z				21B						X06A, X06B, X06C		
				10	K09A, K09B				8r433.54						05		
	21A	W04A, W04B		10	K09A, K09B												
	21B	X06A, X06B, X06C		21A	W04A, W04B		21B	X04Z, X06A, X06B, X06C									

VYK

ZZV	MDC	DRG	ZZV	MDC	DRG	ZZV	MDC	DRG			
8r433.5c↔	05	F01A, F01B, F01D, F14A, F14B, F15Z, F24A, F24B, F28A, F36A, F36B, F54Z, F59A, F59B	8r433.5j↔	01	BOP, UOP4	8r433.60	01	BOP, KOP, UOP4			
		09			J03A, J03B, J04A, J04B, J08A, J08B, J08C, J11A, J11B, J16Z			05	B04A, B04B, B04C, B04D	05	B02A, B02B, B02C, B02D, B20A, B20B, B20C, B20D, B20E, B39A, B39B
					10			K09A, K09B	09	F01A, F01B, F01D, F14A, F14B, F15Z, F24A, F24B, F28A, F36A, F36B, F54Z, F59A, F59B	09
	21A	W04A, W04B		10			J03A, J03B, J04A, J04B, J08A, J08B, J08C, J11A, J11B, J16Z	09	J03A, J03B, J04A, J04B, J08A, J08B, J08C, J11A, J11B, J16Z		
	21B	X04Z, X06A, X06B, X06C		21A	W04A, W04B		21B	X06A, X06B, X06C	10	K09A, K09B	
8r433.5d	05	F01A, F01B, F01D, F14A, F14B, F15Z, F24A, F24B, F28A, F36A, F36B, F54Z, F59A, F59B	8r433.5k↔	01	BOP, UOP4	8r433.62↔	05	F01A, F01B, F01D, F14A, F14B, F15Z, F24A, F24B, F28A, F36A, F36B, F54Z, F59A, F59B			
		09			J03A, J03B, J04A, J04B, J08A, J08B, J08C, J11A, J11B, J16Z			05	B04A, B04B, B04C, B04D	09	J03A, J03B, J04A, J04B, J08A, J08B, J08C, J11A, J11B, J16Z
					10			K09A, K09B	09	F01A, F01B, F01D, F14A, F14B, F15Z, F24A, F24B, F28A, F36A, F36B, F54Z, F59A, F59B	09
	21A	W04A, W04B		10			J03A, J03B, J04A, J04B, J08A, J08B, J08C, J11A, J11B, J16Z	10	K09A, K09B		
	21B	X04Z, X05A, X05B, X06A, X06B, X06C		21A	W04A, W04B		21B	X06A, X06B, X06C	21A	W04A, W04B	
8r433.5e	05	F01A, F01B, F01D, F14A, F14B, F15Z, F24A, F24B, F28A, F36A, F36B, F54Z, F59A, F59B	8r433.5m↔	01	BOP, UOP4	8r433.63↔	05	F01A, F01B, F01D, F14A, F14B, F15Z, F24A, F24B, F28A, F36A, F36B, F54Z, F59A, F59B			
		09			J03A, J03B, J04A, J04B, J08A, J08B, J08C, J11A, J11B, J16Z			05	B04A, B04B, B04C, B04D	09	J03A, J03B, J04A, J04B, J08A, J08B, J08C, J11A, J11B, J16Z
					10			K09A, K09B	09	F01A, F01B, F01D, F14A, F14B, F15Z, F24A, F24B, F28A, F36A, F36B, F54Z, F59A, F59B	09
	21A	W04A, W04B		10			J03A, J03B, J04A, J04B, J08A, J08B, J08C, J11A, J11B, J16Z	10	K09A, K09B		
	21B	X04Z, X05A, X05B, X06A, X06B, X06C		21A	W04A, W04B		21B	X06A, X06B, X06C	21B	X06A, X06B, X06C	
8r433.5f	05	F01A, F01B, F01D, F14A, F14B, F15Z, F24A, F24B, F28A, F36A, F36B, F54Z, F59A, F59B	8r433.5n↔	01	BOP, UOP4	8r433.64	05	F01A, F01B, F01D, F14A, F14B, F15Z, F24A, F24B, F28A, F36A, F36B			
		09			J03A, J03B, J04A, J04B, J08A, J08B, J08C, J11A, J11B, J16Z			05	B04A, B04B, B04C, B04D	09	J03A, J03B, J04A, J04B, J08A, J08B, J08C, J11A, J11B, J16Z
					10			K09A, K09B	09	F01A, F01B, F01D, F14A, F14B, F15Z, F24A, F24B, F28A, F36A, F36B, F54Z, F59A, F59B	09
	21A	W04A, W04B		10			J03A, J03B, J04A, J04B, J08A, J08B, J08C, J11A, J11B, J16Z	10	K09A, K09B		
	21B	X04Z, X05A, X05B, X06A, X06B, X06C		21A	W04A, W04B		21B	X06A, X06B, X06C	21A	W04A, W04B	
8r433.5g	05	F01A, F01B, F01D, F14A, F14B, F15Z, F24A, F24B, F28A, F36A, F36B, F54Z, F59A, F59B	8r433.5x↔	01	BOP, UOP4	8r433.65	05	F01A, F01B, F01D, F15Z, F19A, F19B, F19C, F24A, F24B, F36A, F36B			
		06			G10Z, G12A, G12B			05	B04A, B04B, B04C, B04D	09	J03A, J03B, J04A, J04B, J08A, J08B, J08C, J11A, J11B, J16Z
					09			J03A, J03B, J04A, J04B, J08A, J08B, J08C, J11A, J11B, J16Z	09	F01A, F01B, F01D, F14A, F14B, F15Z, F24A, F24B, F28A, F36A, F36B, F54Z, F59A, F59B	09
	10	K09A, K09B		10			J03A, J03B, J04A, J04B, J08A, J08B, J08C, J11A, J11B, J16Z	10	K09A, K09B		
	11	L09A, L09B, L09C, L09D, L38Z		21A	W04A, W04B		21B	X06A, X06B, X06C	21A	W04A, W04B	
8r433.5h↔	05	F01A, F01B, F01D, F14A, F14B, F15Z, F24A, F24B, F28A, F36A, F36B, F54Z, F59A, F59B	8r433.5y↔	01	BOP, UOP4	8r433.66	05	F01A, F01B, F01D, F15Z, F19A, F19B, F19C, F24A, F24B, F36A, F36B			
		09			J03A, J03B, J04A, J04B, J08A, J08B, J08C, J11A, J11B, J16Z			05	B04A, B04B, B04C, B04D	09	J03A, J03B, J04A, J04B, J08A, J08B, J08C, J11A, J11B, J16Z
					10			K09A, K09B	09	F01A, F01B, F01D, F14A, F14B, F15Z, F24A, F24B, F28A, F36A, F36B, F54Z, F59A, F59B	09
	21A	W04A, W04B		10			J03A, J03B, J04A, J04B, J08A, J08B, J08C, J11A, J11B, J16Z	10	K09A, K09B		
	21B	X06A, X06B, X06C		21A	W04A, W04B		21B	X06A, X06B, X06C	21A	W04A, W04B	

ZZV	MDC	DRG	ZZV	MDC	DRG	ZZV	MDC	DRG			
8r433.67	05	F01A, F01B, F01D, F14A, F14B, F15Z, F24A, F24B, F28A, F36A, F36B, F54Z, F59A, F59B	8r433.6d	05	F01A, F01B, F01D, F14A, F14B, F15Z, F24A, F24B, F28A, F36A, F36B, F54Z, F59A, F59B	8r433.6k↔	01	B0P, UOP4			
		09			J03A, J03B, J04A, J04B, J08A, J08B, J08C, J11A, J11B, J16Z			09	J03A, J03B, J04A, J04B, J08A, J08B, J08C, J11A, J11B, J16Z	05	F01A, F01B, F01D, F14A, F14B, F15Z, F24A, F24B, F28A, F36A, F36B, F54Z, F59A, F59B
		10			K09A, K09B			10	K09A, K09B	09	J03A, J03B, J04A, J04B, J08A, J08B, J08C, J11A, J11B, J16Z
		21A			W04A, W04B			21A	W04A, W04B	10	K09A, K09B
		21B			X06A, X06B, X06C			21B	X04Z, X05A, X05B, X06A, X06B, X06C	21A	W04A, W04B
8r433.68↔	05	F01A, F01B, F01D, F14A, F14B, F15Z, F24A, F24B, F28A, F36A, F36B, F54Z, F59A, F59B	8r433.6e	05	F01A, F01B, F01D, F14A, F14B, F15Z, F24A, F24B, F28A, F36A, F36B, F54Z, F59A, F59B	8r433.6m↔	21B	X06A, X06B, X06C			
		09			J03A, J03B, J04A, J04B, J08A, J08B, J08C, J11A, J11B, J16Z			09	J03A, J03B, J04A, J04B, J08A, J08B, J08C, J11A, J11B, J16Z	01	B0P, UOP4
		10			K09A, K09B			10	K09A, K09B	05	F01A, F01B, F01D, F14A, F14B, F15Z, F24A, F24B, F28A, F36A, F36B, F54Z, F59A, F59B
		21A			W04A, W04B			21A	W04A, W04B	09	J03A, J03B, J04A, J04B, J08A, J08B, J08C, J11A, J11B, J16Z
		21B			X06A, X06B, X06C			21B	X04Z, X05A, X05B, X06A, X06B, X06C	10	K09A, K09B
8r433.69↔	05	F01A, F01B, F01D, F14A, F14B, F15Z, F24A, F24B, F28A, F36A, F36B, F54Z, F59A, F59B	8r433.6f	05	F01A, F01B, F01D, F14A, F14B, F15Z, F24A, F24B, F28A, F36A, F36B, F54Z, F59A, F59B	8r433.6n↔	21A	W04A, W04B			
		09			J03A, J03B, J04A, J04B, J08A, J08B, J08C, J11A, J11B, J16Z			09	J03A, J03B, J04A, J04B, J08A, J08B, J08C, J11A, J11B, J16Z	21B	X06A, X06B, X06C
		10			K09A, K09B			10	K09A, K09B	B0P, UOP4	
		21A			W04A, W04B			21A	W04A, W04B	01	B04A, B04B, B04C, B04D
		21B			X06A, X06B, X06C			21B	X04Z, X05A, X05B, X06A, X06B, X06C	05	F01A, F01B, F01D, F14A, F14B, F15Z, F24A, F24B, F28A, F36A, F36B, F54Z, F59A, F59B
8r433.6a	05	F01A, F01B, F01D, F14A, F14B, F15Z, F24A, F24B, F28A, F36A, F36B, F54Z, F59A, F59B	8r433.6g	05	F01A, F01B, F01D, F14A, F14B, F15Z, F24A, F24B, F28A, F36A, F36B, F54Z, F59A, F59B	8r433.6x↔	09	J03A, J03B, J04A, J04B, J08A, J08B, J08C, J11A, J11B, J16Z			
		06			G10Z, G12A, G12B			06	G10Z, G12A, G12B	10	K09A, K09B
		09			J03A, J03B, J04A, J04B, J08A, J08B, J08C, J11A, J11B, J16Z			09	J03A, J03B, J04A, J04B, J08A, J08B, J08C, J11A, J11B, J16Z	21A	W04A, W04B
		10			K09A, K09B			10	K09A, K09B	21B	X06A, X06B, X06C
		11			L09A, L09B, L09C, L09D, L38Z			11	L09A, L09B, L09C, L09D, L38Z	05	F01A, F01B, F01D, F14A, F14B, F15Z, F24A, F24B, F28A, F36A, F36B, F54Z, F59A, F59B
8r433.6b↔	05	F01A, F01B, F01D, F14A, F14B, F15Z, F24A, F24B, F28A, F36A, F36B, F54Z, F59A, F59B	8r433.6h↔	01	B04A, B04B, B04C, B04D	8r434.00	01	B02A, B02B, B02C, B02D, B20A, B20B, B20C, B20D, B20E, B39A, B39B			
		09			J03A, J03B, J04A, J04B, J08A, J08B, J08C, J11A, J11B, J16Z			05	F01A, F01B, F01D, F14A, F14B, F15Z, F24A, F24B, F28A, F36A, F36B, F54Z, F59A, F59B	05	F01A, F01B, F01D, F14A, F14B, F15Z, F24A, F24B, F28A, F36A, F36B, F54Z, F59A, F59B
		10			K09A, K09B			09	J03A, J03B, J04A, J04B, J08A, J08B, J08C, J11A, J11B, J16Z	09	J03A, J03B, J04A, J04B, J08A, J08B, J08C, J11A, J11B, J16Z
		21A			W04A, W04B			10	K09A, K09B	10	K09A, K09B
		21B			X04Z, X06A, X06B, X06C			21A	W04A, W04B	21A	W04A, W04B
8r433.6c↔	05	F01A, F01B, F01D, F14A, F14B, F15Z, F24A, F24B, F28A, F36A, F36B, F54Z, F59A, F59B	8r433.6j↔	01	B04A, B04B, B04C, B04D	8r434.02↔	05	F01A, F01B, F01D, F14A, F14B, F15Z, F24A, F24B, F28A, F36A, F36B, F54Z, F59A, F59B			
		09			J03A, J03B, J04A, J04B, J08A, J08B, J08C, J11A, J11B, J16Z			05	F01A, F01B, F01D, F14A, F14B, F15Z, F24A, F24B, F28A, F36A, F36B, F54Z, F59A, F59B	09	J03A, J03B, J04A, J04B, J08A, J08B, J08C, J11A, J11B, J16Z
		10			K09A, K09B			09	J03A, J03B, J04A, J04B, J08A, J08B, J08C, J11A, J11B, J16Z	10	K09A, K09B
		21A			W04A, W04B			10	K09A, K09B	21A	W04A, W04B
		21B			X04Z, X06A, X06B, X06C			21B	X06A, X06B, X06C	21B	X06A, X06B, X06C

VYK

ZZV	MDC	DRG	ZZV	MDC	DRG	ZZV	MDC	DRG
8r434.03↔	05	F01A, F01B, F01D, F14A, F14B, F15Z, F24A, F24B, F28A, F36A, F36B, F54Z, F59A, F59B	8r434.0a	05	F01A, F01B, F01D, F14A, F14B, F15Z, F24A, F24B, F28A, F36A, F36B, F54Z, F59A, F59B	8r434.0g	05	F01A, F01B, F01D, F14A, F14B, F15Z, F24A, F24B, F28A, F36A, F36B, F54Z, F59A, F59B
	09	J03A, J03B, J04A, J04B, J08A, J08B, J08C, J11A, J11B, J16Z		06	G10Z, G12A, G12B		06	G10Z, G12A, G12B
	10	K09A, K09B		09	J03A, J03B, J04A, J04B, J08A, J08B, J08C, J11A, J11B, J16Z		09	J03A, J03B, J04A, J04B, J08A, J08B, J08C, J11A, J11B, J16Z
	21A	W04A, W04B		10	K09A, K09B		10	K09A, K09B
	21B	X05A, X05B, X06A, X06B, X06C		11	L09A, L09B, L09C, L09D, L38Z		11	L09A, L09B, L09C, L09D, L38Z
8r434.04	05	F01A, F01B, F01D, F14A, F14B, F15Z, F19A, F19B, F19C, F24A, F24B, F36A, F36B, F54Z	8r434.0b↔	21A	W04A, W04B	8r434.0h↔	21A	W04A, W04B
	09	J03A, J03B, J04A, J04B, J08A, J08B, J08C, J11A, J11B, J16Z		21B	X06A, X06B, X06C		21B	X06A, X06B, X06C
	10	K09A, K09B		05	F01A, F01B, F01D, F14A, F14B, F15Z, F24A, F24B, F28A, F36A, F36B, F54Z, F59A, F59B		01	B04A, B04B, B04C, B04D
	21A	W04A, W04B		09	J03A, J03B, J04A, J04B, J08A, J08B, J08C, J11A, J11B, J16Z		05	F01A, F01B, F01D, F14A, F14B, F15Z, F24A, F24B, F28A, F36A, F36B, F54Z, F59A, F59B
	21B	X06A, X06B, X06C		10	K09A, K09B		09	J03A, J03B, J04A, J04B, J08A, J08B, J08C, J11A, J11B, J16Z
8r434.05	05	F01A, F01B, F01D, F14A, F14B, F15Z, F19A, F19B, F19C, F24A, F24B, F36A, F36B, F54Z	8r434.0c↔	21A	W04A, W04B	8r434.0j↔	10	K09A, K09B
	09	J03A, J03B, J04A, J04B, J08A, J08B, J08C, J11A, J11B, J16Z		21B	X04Z, X06A, X06B, X06C		21A	W04A, W04B
	10	K09A, K09B		05	F01A, F01B, F01D, F14A, F14B, F15Z, F24A, F24B, F28A, F36A, F36B, F54Z, F59A, F59B		21B	X06A, X06B, X06C
	21A	W04A, W04B		09	J03A, J03B, J04A, J04B, J08A, J08B, J08C, J11A, J11B, J16Z		BOP, UOP4	
	21B	X06A, X06B, X06C		10	K09A, K09B		01	B04A, B04B, B04C, B04D
8r434.06	05	F01A, F01B, F01D, F14A, F14B, F15Z, F19A, F19B, F19C, F24A, F24B, F36A, F36B, F54Z	8r434.0d	21A	W04A, W04B	8r434.0k↔	05	F01A, F01B, F01D, F14A, F14B, F15Z, F24A, F24B, F28A, F36A, F36B, F54Z, F59A, F59B
	09	J03A, J03B, J04A, J04B, J08A, J08B, J08C, J11A, J11B, J16Z		21B	X04Z, X06A, X06B, X06C		09	J03A, J03B, J04A, J04B, J08A, J08B, J08C, J11A, J11B, J16Z
	10	K09A, K09B		05	F01A, F01B, F01D, F14A, F14B, F15Z, F24A, F24B, F28A, F36A, F36B, F54Z, F59A, F59B		10	K09A, K09B
	21A	W04A, W04B		09	J03A, J03B, J04A, J04B, J08A, J08B, J08C, J11A, J11B, J16Z		21A	W04A, W04B
	21B	X06A, X06B, X06C		10	K09A, K09B		21B	X06A, X06B, X06C
8r434.07	05	F01A, F01B, F01D, F14A, F14B, F15Z, F24A, F24B, F28A, F36A, F36B, F54Z, F59A, F59B	8r434.0e	21A	W04A, W04B	8r434.0m↔	BOP, UOP4	
	09	J03A, J03B, J04A, J04B, J08A, J08B, J08C, J11A, J11B, J16Z		21B	X04Z, X05A, X05B, X06A, X06B, X06C		01	B04A, B04B, B04C, B04D
	10	K09A, K09B		05	F01A, F01B, F01D, F14A, F14B, F15Z, F24A, F24B, F28A, F36A, F36B, F54Z, F59A, F59B		05	F01A, F01B, F01D, F14A, F14B, F15Z, F24A, F24B, F28A, F36A, F36B, F54Z, F59A, F59B
	21A	W04A, W04B		09	J03A, J03B, J04A, J04B, J08A, J08B, J08C, J11A, J11B, J16Z		09	J03A, J03B, J04A, J04B, J08A, J08B, J08C, J11A, J11B, J16Z
	21B	X06A, X06B, X06C		10	K09A, K09B		10	K09A, K09B
8r434.08↔	05	F01A, F01B, F01D, F14A, F14B, F15Z, F24A, F24B, F28A, F36A, F36B, F54Z, F59A, F59B	8r434.0f	21A	W04A, W04B	8r434.0n↔	21A	W04A, W04B
	09	J03A, J03B, J04A, J04B, J08A, J08B, J08C, J11A, J11B, J16Z		21B	X04Z, X05A, X05B, X06A, X06B, X06C		05	F01A, F01B, F01D, F14A, F14B, F15Z, F24A, F24B, F28A, F36A, F36B, F54Z, F59A, F59B
	10	K09A, K09B		05	F01A, F01B, F01D, F14A, F14B, F15Z, F24A, F24B, F28A, F36A, F36B, F54Z, F59A, F59B		09	J03A, J03B, J04A, J04B, J08A, J08B, J08C, J11A, J11B, J16Z
	21A	W04A, W04B		09	J03A, J03B, J04A, J04B, J08A, J08B, J08C, J11A, J11B, J16Z		10	K09A, K09B
	21B	X06A, X06B, X06C		10	K09A, K09B		21A	W04A, W04B
8r434.09↔	05	F01A, F01B, F01D, F14A, F14B, F15Z, F24A, F24B, F28A, F36A, F36B, F54Z, F59A, F59B	8r434.0g	21B	X04Z, X05A, X05B, X06A, X06B, X06C	8r434.0o↔	21B	X06A, X06B, X06C
	09	J03A, J03B, J04A, J04B, J08A, J08B, J08C, J11A, J11B, J16Z		05	F01A, F01B, F01D, F14A, F14B, F15Z, F24A, F24B, F28A, F36A, F36B, F54Z, F59A, F59B		01	B04A, B04B, B04C, B04D
	10	K09A, K09B		09	J03A, J03B, J04A, J04B, J08A, J08B, J08C, J11A, J11B, J16Z		05	F01A, F01B, F01D, F14A, F14B, F15Z, F24A, F24B, F28A, F36A, F36B, F54Z, F59A, F59B
	21A	W04A, W04B		10	K09A, K09B		09	J03A, J03B, J04A, J04B, J08A, J08B, J08C, J11A, J11B, J16Z
	21B	X06A, X06B, X06C		21A	W04A, W04B		10	K09A, K09B

VYK

ZZV	MDC	DRG	ZZV	MDC	DRG	ZZV	MDC	DRG			
8r434.0n↔		BOP, UOP4	8r434.15	05	F01A, F01B, F01D, F14A, F14B, F15Z, F19A, F19B, F19C, F24A, F24B, F36A, F36B, F54Z	8r434.1b↔	05	F01A, F01B, F01D, F14A, F14B, F15Z, F24A, F24B, F28A, F36A, F36B, F54Z, F59A, F59B			
	01	B04A, B04B, B04C, B04D		09	J03A, J03B, J04A, J04B, J08A, J08B, J08C, J11A, J11B, J16Z		09	J03A, J03B, J04A, J04B, J08A, J08B, J08C, J11A, J11B, J16Z			
	05	F01A, F01B, F01D, F14A, F14B, F15Z, F24A, F24B, F28A, F36A, F36B, F54Z, F59A, F59B		10	K09A, K09B		10	K09A, K09B			
	09	J03A, J03B, J04A, J04B, J08A, J08B, J08C, J11A, J11B, J16Z		21A	W04A, W04B		21A	W04A, W04B			
	10	K09A, K09B		21B	X06A, X06B, X06C		21B	X04Z, X06A, X06B, X06C			
	21A	W04A, W04B		8r434.16	05		F01A, F01B, F01D, F14A, F14B, F15Z, F19A, F19B, F19C, F24A, F24B, F36A, F36B, F54Z	8r434.1c↔	05	F01A, F01B, F01D, F14A, F14B, F15Z, F24A, F24B, F28A, F36A, F36B, F54Z, F59A, F59B	
	21B	X06A, X06B, X06C			09		J03A, J03B, J04A, J04B, J08A, J08B, J08C, J11A, J11B, J16Z		09	J03A, J03B, J04A, J04B, J08A, J08B, J08C, J11A, J11B, J16Z	
	8r434.0x↔	05			F01A, F01B, F01D, F14A, F14B, F15Z, F24A, F24B, F28A, F36A, F36B, F54Z, F59A, F59B		10		K09A, K09B	10	K09A, K09B
		09			J03A, J03B, J04A, J04B, J08A, J08B, J08C, J11A, J11B, J16Z		21A		W04A, W04B	21A	W04A, W04B
		10			K09A, K09B		21B		X06A, X06B, X06C	21B	X04Z, X06A, X06B, X06C
21A		W04A, W04B	8r434.17	05	F01A, F01B, F01D, F14A, F14B, F15Z, F24A, F24B, F28A, F36A, F36B, F54Z, F59A, F59B	8r434.1d	05	F01A, F01B, F01D, F14A, F14B, F15Z, F24A, F24B, F28A, F36A, F36B, F54Z, F59A, F59B			
21B	X06A, X06B, X06C	09		J03A, J03B, J04A, J04B, J08A, J08B, J08C, J11A, J11B, J16Z	09		J03A, J03B, J04A, J04B, J08A, J08B, J08C, J11A, J11B, J16Z				
8r434.10	BOP, KOP, UOP4	10		K09A, K09B	10		K09A, K09B				
	01	B02A, B02B, B02C, B02D, B20A, B20B, B20C, B20D, B20E, B39A, B39B		21A	W04A, W04B		21A	W04A, W04B			
	05	F01A, F01B, F01D, F14A, F14B, F15Z, F24A, F24B, F28A, F36A, F36B, F54Z, F59A, F59B		21B	X06A, X06B, X06C		21B	X04Z, X05A, X05B, X06A, X06B, X06C			
	09	J03A, J03B, J04A, J04B, J08A, J08B, J08C, J11A, J11B, J16Z	8r434.18↔	05	F01A, F01B, F01D, F14A, F14B, F15Z, F24A, F24B, F28A, F36A, F36B, F54Z, F59A, F59B	8r434.1e	05	F01A, F01B, F01D, F14A, F14B, F15Z, F24A, F24B, F28A, F36A, F36B, F54Z, F59A, F59B			
10	K09A, K09B	09		J03A, J03B, J04A, J04B, J08A, J08B, J08C, J11A, J11B, J16Z	09		J03A, J03B, J04A, J04B, J08A, J08B, J08C, J11A, J11B, J16Z				
21A	W04A, W04B	10		K09A, K09B	10		K09A, K09B				
21B	X06A, X06B, X06C, X33Z	21A		W04A, W04B	21A		W04A, W04B				
8r434.12↔	05	F01A, F01B, F01D, F14A, F14B, F15Z, F24A, F24B, F28A, F36A, F36B, F54Z, F59A, F59B		21B	X06A, X06B, X06C		21B	X04Z, X05A, X05B, X06A, X06B, X06C			
	09	J03A, J03B, J04A, J04B, J08A, J08B, J08C, J11A, J11B, J16Z	8r434.19↔	05	F01A, F01B, F01D, F14A, F14B, F15Z, F24A, F24B, F28A, F36A, F36B, F54Z, F59A, F59B	8r434.1f	05	F01A, F01B, F01D, F14A, F14B, F15Z, F24A, F24B, F28A, F36A, F36B, F54Z, F59A, F59B			
	10	K09A, K09B		09	J03A, J03B, J04A, J04B, J08A, J08B, J08C, J11A, J11B, J16Z		09	J03A, J03B, J04A, J04B, J08A, J08B, J08C, J11A, J11B, J16Z			
	21A	W04A, W04B		10	K09A, K09B		10	K09A, K09B			
21B	X06A, X06B, X06C	21A		W04A, W04B	21A		W04A, W04B				
8r434.13↔	05	F01A, F01B, F01D, F14A, F14B, F15Z, F24A, F24B, F28A, F36A, F36B, F54Z, F59A, F59B		21B	X06A, X06B, X06C		21B	X04Z, X05A, X05B, X06A, X06B, X06C			
	09	J03A, J03B, J04A, J04B, J08A, J08B, J08C, J11A, J11B, J16Z	8r434.1a	05	F01A, F01B, F01D, F14A, F14B, F15Z, F24A, F24B, F28A, F36A, F36B, F54Z, F59A, F59B	8r434.1g	05	F01A, F01B, F01D, F14A, F14B, F15Z, F24A, F24B, F28A, F36A, F36B, F54Z, F59A, F59B			
	10	K09A, K09B		06	G10Z, G12A, G12B		06	G10Z, G12A, G12B			
	21A	W04A, W04B		09	J03A, J03B, J04A, J04B, J08A, J08B, J08C, J11A, J11B, J16Z		09	J03A, J03B, J04A, J04B, J08A, J08B, J08C, J11A, J11B, J16Z			
21B	X05A, X05B, X06A, X06B, X06C	10		K09A, K09B	10		K09A, K09B				
8r434.14	05	F01A, F01B, F01D, F14A, F14B, F15Z, F19A, F19B, F19C, F24A, F24B, F36A, F36B, F54Z		11	L09A, L09B, L09C, L09D, L38Z		11	L09A, L09B, L09C, L09D, L38Z			
	09	J03A, J03B, J04A, J04B, J08A, J08B, J08C, J11A, J11B, J16Z	21A	W04A, W04B	10	K09A, K09B					
	10	K09A, K09B	21B	X06A, X06B, X06C	11	L09A, L09B, L09C, L09D, L38Z					
	21A	W04A, W04B			21A	W04A, W04B					
	21B	X06A, X06B, X06C			21B	X06A, X06B, X06C					

VYK

ZZV	MDC	DRG	ZZV	MDC	DRG	ZZV	MDC	DRG
8r435.0d	05	F01A, F01B, F01D, F14A, F14B, F15Z, F24A, F24B, F28A, F36A, F36B, F54Z, F59A, F59B	8r435.0k↔	01	B0P, UOP4	8r435.13↔	05	F01A, F01B, F01D, F14A, F14B, F15Z, F24A, F24B, F28A, F36A, F36B, F54Z, F59A, F59B
		09			J03A, J03B, J04A, J04B, J08A, J08B, J08C, J11A, J11B, J16Z			09
	10	K09A, K09B		10	K09A, K09B		10	K09A, K09B
	21A	W04A, W04B		21A	W04A, W04B		21A	W04A, W04B
	21B	X04Z, X05A, X05B, X06A, X06B, X06C		21B	X06A, X06B, X06C		21B	X06A, X06B, X06C
	8r435.0e	05		F01A, F01B, F01D, F14A, F14B, F15Z, F24A, F24B, F28A, F36A, F36B, F54Z, F59A, F59B	8r435.0m↔		01	B0P, UOP4
09			J03A, J03B, J04A, J04B, J08A, J08B, J08C, J11A, J11B, J16Z	09		J03A, J03B, J04A, J04B, J08A, J08B, J08C, J11A, J11B, J16Z		
10		K09A, K09B	10	K09A, K09B		10	K09A, K09B	
21A		W04A, W04B	21A	W04A, W04B		21A	W04A, W04B	
21B		X04Z, X05A, X05B, X06A, X06B, X06C	21B	X06A, X06B, X06C		21B	X06A, X06B, X06C	
8r435.0f		05	F01A, F01B, F01D, F14A, F14B, F15Z, F24A, F24B, F28A, F36A, F36B, F54Z, F59A, F59B	8r435.0n↔		01	B0P, UOP4	8r435.15
	09		J03A, J03B, J04A, J04B, J08A, J08B, J08C, J11A, J11B, J16Z		09		J03A, J03B, J04A, J04B, J08A, J08B, J08C, J11A, J11B, J16Z	
	10	K09A, K09B	10		K09A, K09B	10	K09A, K09B	
	21A	W04A, W04B	21A		W04A, W04B	21A	W04A, W04B	
	21B	X04Z, X05A, X05B, X06A, X06B, X06C	21B		X06A, X06B, X06C	21B	X06A, X06B, X06C	
	8r435.0g	05	F01A, F01B, F01D, F14A, F14B, F15Z, F24A, F24B, F28A, F36A, F36B, F54Z, F59A, F59B		8r435.0x↔	01	B04A, B04B, B04C, B04D	
06			G10Z, G12A, G12B	06			G10Z, G12A, G12B	
09		J03A, J03B, J04A, J04B, J08A, J08B, J08C, J11A, J11B, J16Z	09	J03A, J03B, J04A, J04B, J08A, J08B, J08C, J11A, J11B, J16Z				
10		K09A, K09B	10	K09A, K09B		10	K09A, K09B	
11		L09A, L09B, L09C, L09D, L38Z	11	L09A, L09B, L09C, L09D, L38Z				
21A		W04A, W04B	21A	W04A, W04B		21A	W04A, W04B	
8r435.0h↔	01	B04A, B04B, B04C, B04D	8r435.10	01	B02A, B02B, B02C, B02D, B20A, B20B, B20C, B20D, B20E, B39A, B39B	8r435.17	05	F01A, F01B, F01D, F14A, F14B, F15Z, F24A, F24B, F28A, F36A, F36B, F54Z, F59A, F59B
		05			F01A, F01B, F01D, F14A, F14B, F15Z, F24A, F24B, F28A, F36A, F36B, F54Z, F59A, F59B			05
	09	J03A, J03B, J04A, J04B, J08A, J08B, J08C, J11A, J11B, J16Z		09	J03A, J03B, J04A, J04B, J08A, J08B, J08C, J11A, J11B, J16Z			
	10	K09A, K09B		10	K09A, K09B		10	K09A, K09B
	21A	W04A, W04B		21A	W04A, W04B		21A	W04A, W04B
	21B	X06A, X06B, X06C		21B	X06A, X06B, X06C		21B	X06A, X06B, X06C
8r435.0j↔	01	B0P, UOP4	8r435.12↔	01	B0P, KOP, UOP4	8r435.18↔	05	F01A, F01B, F01D, F14A, F14B, F15Z, F24A, F24B, F28A, F36A, F36B, F54Z, F59A, F59B
		05			F01A, F01B, F01D, F14A, F14B, F15Z, F24A, F24B, F28A, F36A, F36B, F54Z, F59A, F59B			05
	09	J03A, J03B, J04A, J04B, J08A, J08B, J08C, J11A, J11B, J16Z		09	J03A, J03B, J04A, J04B, J08A, J08B, J08C, J11A, J11B, J16Z			
	10	K09A, K09B		10	K09A, K09B		10	K09A, K09B
	21A	W04A, W04B		21A	W04A, W04B		21A	W04A, W04B
	21B	X06A, X06B, X06C		21B	X06A, X06B, X06C		21B	X06A, X06B, X06C
8r435.0k↔	01	B04A, B04B, B04C, B04D	8r435.13↔	01	B02A, B02B, B02C, B02D, B20A, B20B, B20C, B20D, B20E, B39A, B39B	8r435.19↔	05	F01A, F01B, F01D, F14A, F14B, F15Z, F24A, F24B, F28A, F36A, F36B, F54Z, F59A, F59B
		05			F01A, F01B, F01D, F14A, F14B, F15Z, F24A, F24B, F28A, F36A, F36B, F54Z, F59A, F59B			05
	09	J03A, J03B, J04A, J04B, J08A, J08B, J08C, J11A, J11B, J16Z		09	J03A, J03B, J04A, J04B, J08A, J08B, J08C, J11A, J11B, J16Z			
	10	K09A, K09B		10	K09A, K09B		10	K09A, K09B
	21A	W04A, W04B		21A	W04A, W04B		21A	W04A, W04B
	21B	X06A, X06B, X06C		21B	X06A, X06B, X06C		21B	X06A, X06B, X06C

ZZV	MDC	DRG	ZZV	MDC	DRG	ZZV	MDC	DRG	
8r436.5f	05	F01A, F01B, F01D, F15Z, F19A, F19B, F19C, F24A, F24B, F36A, F36B	8r510		BOP, KOP, UOP4	8r516	05	F01A, F01B, F01D, F14A, F14B, F15Z, F24A, F24B, F28A, F36A, F36B, F54Z, F59A, F59B	
	09	J03A, J03B, J04A, J04B, J08A, J08B, J08C, J11A, J11B, J16Z		01	B02A, B02B, B02C, B02D, B20A, B20B, B20C, B20D, B20E, B20F, B39A, B39B		09	J11A, J11B, J11C	
	10	K09A, K09B		05	F01A, F01B, F01D, F14A, F14B, F15Z, F24A, F24B, F28A, F36A, F36B, F54Z, F59A, F59B		10	K09A, K09B	
	21A	W04A, W04B		09	J11A, J11B, J11C		21A	W04A, W04B	
	21B	X06A, X06B, X06C		21A	W01A, W01B, W01C, W36Z		21B	X06A, X06B, X06C	
8r437.6a	05	F01A, F01B, F01D, F14A, F14B, F15Z, F19A, F19B, F19C, F24A, F24B, F36A, F36B, F54Z	8r511	21B	X06A, X06B, X06C, X33Z	8r517	01	B03A, B03B, B06A, B06B, B07Z, B17A, B17B, B17C	
	09	J03A, J03B, J04A, J04B, J08A, J08B, J08C, J11A, J11B, J16Z		01	B02A, B02B, B02C, B02D, B20A, B20B, B20C, B20D, B20E, B20F, B39A, B39B		05	F01A, F01B, F01D, F14A, F14B, F15Z, F24A, F24B, F28A, F36A, F36B, F54Z, F59A, F59B	
	10	K09A, K09B		05	F01A, F01B, F01D, F14A, F14B, F15Z, F24A, F24B, F28A, F36A, F36B, F54Z, F59A, F59B		09	J11A, J11B, J11C	
	21A	W04A, W04B		09	J11A, J11B, J11C		10	K09A, K09B	
	21B	X06A, X06B, X06C		21A	W01A, W01B, W01C, W36Z		21A	W04A, W04B	
8r437.6b	05	F01A, F01B, F01D, F15Z, F19A, F19B, F19C, F24A, F24B, F36A, F36B	8r512	21B	X06A, X06B, X06C, X33Z	8r518	21B	X06A, X06B, X06C	
	09	J03A, J03B, J04A, J04B, J08A, J08B, J08C, J11A, J11B, J16Z		01	BOP, KOP, UOP4		05	F01A, F01B, F01D, F14A, F14B, F15Z, F24A, F24B, F28A, F36A, F36B, F54Z, F59A, F59B	
	10	K09A, K09B		01	B02A, B02B, B02C, B02D, B20A, B20B, B20C, B20D, B20E, B20F, B39A, B39B		06	G10Z, G12A, G12B	
	21A	W04A, W04B		05	F01A, F01B, F01D, F14A, F14B, F15Z, F24A, F24B, F28A, F36A, F36B, F54Z, F59A, F59B		07	H06A, H06B	
	21B	X06A, X06B, X06C		09	J11A, J11B, J11C		09	J11A, J11B, J11C	
8r438.6c	05	F01A, F01B, F01D, F14A, F14B, F15Z, F19A, F19B, F19C, F24A, F24B, F36A, F36B, F54Z	8r513	21A	W01A, W01B, W01C, W36Z	8r519	11	L09A, L09B, L09C, L09D, L38Z	
	09	J03A, J03B, J04A, J04B, J08A, J08B, J08C, J11A, J11B, J16Z		21B	X06A, X06B, X06C, X33Z		21A	W04A, W04B	
	10	K09A, K09B		01	BOP, UOP4		21B	X06A, X06B, X06C	
	21A	W04A, W04B		03	D12A		05	F01A, F01B, F01D, F14A, F14B, F15Z, F24A, F24B, F28A, F36A, F36B, F54Z, F59A, F59B	
	21B	X06A, X06B, X06C		05	F01A, F01B, F01D, F14A, F14B, F15Z, F24A, F24B, F28A, F36A, F36B, F54Z, F59A, F59B		09	J11A, J11B, J11C	
8r438.6d	05	F01A, F01B, F01D, F15Z, F19A, F19B, F19C, F24A, F24B, F36A, F36B	8r514	09	J11A, J11B, J11C	8r51a	01	B04A, B04B, B04C, B04D	
	09	J03A, J03B, J04A, J04B, J08A, J08B, J08C, J11A, J11B, J16Z		21A	W04A, W04B		03	D12A	
	10	K09A, K09B		21B	X06A, X06B, X06C		05	F01A, F01B, F01D, F14A, F14B, F15Z, F24A, F24B, F28A, F36A, F36B, F54Z, F59A, F59B	
	21A	W04A, W04B		05	F01A, F01B, F01D, F14A, F14B, F15Z, F24A, F24B, F28A, F36A, F36B, F54Z, F59A, F59B		09	J11A, J11B, J11C	
	21B	X06A, X06B, X06C		06	G10Z, G12A, G12B		21A	W04A, W04B	
8r439.6e	05	F01A, F01B, F01D, F14A, F14B, F15Z, F19A, F19B, F19C, F24A, F24B, F36A, F36B, F54Z	8r515	07	H06A, H06B	8r520.01‡	07	H06B	
	09	J03A, J03B, J04A, J04B, J08A, J08B, J08C, J11A, J11B, J16Z		09	J11A, J11B, J11C		8r520.02‡	07	H06B
	10	K09A, K09B		11	L09A, L09B, L09C, L09D, L38Z		8r520.03‡	07	H06B
	21A	W04A, W04B		21A	W04A, W04B		8r520.04‡	07	H06B
	21B	X06A, X06B, X06C		21B	X06A, X06B, X06C		8r520.3‡	07	H06B
8r439.6f	05	F01A, F01B, F01D, F15Z, F19A, F19B, F19C, F24A, F24B, F36A, F36B	8r515	05	F01A, F01B, F01D, F14A, F14B, F15Z, F24A, F24B, F28A, F36A, F36B, F54Z, F59A, F59B	8r610.00		BOP, KVT, UOP4	
	09	J03A, J03B, J04A, J04B, J08A, J08B, J08C, J11A, J11B, J16Z		06	G10Z, G12A, G12B	05	F01A, F01B, F01D, F12A, F12B, F50A, F50B, F50C, F50D		
	10	K09A, K09B		07	H06A, H06B	8r610.03		BOP, KVT, UOP4	
	21A	W04A, W04B		09	J11A, J11B, J11C	05	F01A, F01B, F01D, F12A, F12B, F50A, F50B, F50C, F50D		
	21B	X06A, X06B, X06C		11	L09A, L09B, L09C, L09D, L38Z	8r610.04		BOP, KVT, UOP4	
		12	M06Z, M09A, M09B, M38Z	05	F01A, F01B, F01D, F12A, F12B, F50A, F50B, F50C, F50D				
		13	N04Z	8r610.05		BOP, KVT, UOP4			
		21A	W04A, W04B	05	F01A, F01B, F01D, F12A, F12B, F50A, F50B, F50C, F50D				
		21B	X06A, X06B, X06C						

VYK

ZZV	MDC	DRG	ZZV	MDC	DRG	ZZV	MDC	DRG
8r610.06		BOP, KVT, UOP4	8r611.04		BOP, KVT, UOP4	8r717.1		KOP, KOPV
	05	F01A, F01B, F01D, F12A, F12B, F50A, F50B, F50C, F50D		05	F01A, F01B, F01D, F12A, F12B, F50A, F50B, F50C, F50D		05	F05Z, F07A, F07B, F42Z
8r610.07		BOP, KVT, UOP4	8r611.05		BOP, KVT, UOP4		06	G33Z
	05	F01A, F01B, F01D, F12A, F12B, F50A, F50B, F50C, F50D		05	F01A, F01B, F01D, F12A, F12B, F50A, F50B, F50C, F50D		07	H33Z, H38Z
8r610.08		BOP, KVT, UOP4	8r611.06		BOP, KVT, UOP4	8r717.2		L33Z
	05	F01A, F01B, F01D, F12A, F12B, F50A, F50B, F50C, F50D		05	F01A, F01B, F01D, F12A, F12B, F50A, F50B, F50C, F50D		Pre	A07A
8r610.10		BOP, KVT, UOP4	8r611.07		BOP, KVT, UOP4		05	F05Z, F07A, F07B, F42Z
	05	F01A, F01B, F01D, F12A, F12B, F50A, F50B, F50C, F50D		05	F01A, F01B, F01D, F12A, F12B, F50A, F50B, F50C, F50D		06	G33Z
8r610.13		BOP, KVT, UOP4	8r612.00		BOP, KVT, UOP4	8r717.3		H33Z, H38Z
	05	F01A, F01B, F01D, F12A, F12B, F50A, F50B, F50C, F50D		05	F01A, F01B, F01D, F12A, F12B, F50A, F50B, F50C, F50D		11	L33Z
8r610.14		BOP, KVT, UOP4	8r612.03		BOP, KVT, UOP4		Pre	A07A
	05	F01A, F01B, F01D, F12A, F12B, F50A, F50B, F50C, F50D		05	F01A, F01B, F01D, F12A, F12B, F50A, F50B, F50C, F50D	8r717.4		KOP, KOPV
8r610.15		BOP, KVT, UOP4	8r612.04		BOP, KVT, UOP4		05	F03B, F05Z, F07A, F07B, F42Z
	05	F01A, F01B, F01D, F12A, F12B, F50A, F50B, F50C, F50D		05	F01A, F01B, F01D, F12A, F12B, F50A, F50B, F50C, F50D		06	G33Z
8r610.16		BOP, KVT, UOP4	8r612.05		BOP, KVT, UOP4	8r717.x		H33Z, H38Z
	05	F01A, F01B, F01D, F12A, F12B, F50A, F50B, F50C, F50D		05	F01A, F01B, F01D, F12A, F12B, F50A, F50B, F50C, F50D		11	L33Z
8r610.17		BOP, KVT, UOP4	8r612.06		BOP, KVT, UOP4		Pre	A07A
	05	F01A, F01B, F01D, F12A, F12B, F50A, F50B, F50C, F50D		05	F01A, F01B, F01D, F12A, F12B, F50A, F50B, F50C, F50D		05	KOP, KOPV
8r610.30		BOP, KVT, UOP4	8r612.07		BOP, KVT, UOP4	8r722.3		F05Z, F07A, F07B, F42Z
	05	F01A, F01B, F01D, F12A, F12B, F50A, F50B, F50C, F50D		05	F01A, F01B, F01D, F12A, F12B, F50A, F50B, F50C, F50D		06	G33Z
8r610.31		BOP, KVT, UOP4	8r61b		F01A, F01B, F01D, F14A, F14B, F15Z, F24A, F24B, F28A, F36A, F36B, F54Z, F59A, F59B	8r730		H33Z, H38Z
	05	F01A, F01B, F01D, F12A, F12B, F50A, F50B, F50C, F50D		06	G10Z, G12A, G12B		11	L33Z
8r610.32		BOP, KVT, UOP4		11	L09A, L09B, L09C, L09D, L38Z		Pre	A07A
	05	F01A, F01B, F01D, F12A, F12B, F50A, F50B, F50C, F50D	8r61c		BOP, KVT, UOP4	8r731.0		KKP
8r610.33		BOP, KVT, UOP4		05	F01A, F01B, F01D, F12A, F12B, F50A, F50B, F50C, F50D		05	F01A, F01B, F01D, F05Z, F07A, F07B, F09A, F09B, F09C, F42Z
	05	F01A, F01B, F01D, F12A, F12B, F50A, F50B, F50C, F50D	8r61x		BOP, KVT, UOP4		23	Z01A
8r610.34		BOP, KVT, UOP4		05	F01A, F01B, F01D, F12A, F12B, F50A, F50B, F50C, F50D	8r731.1		BOP, UOP4
	05	F01A, F01B, F01D, F12A, F12B, F50A, F50B, F50C, F50D	8r690.00‡		F50A, F50C		01	B04A, B04B, B04C, B04D
8r610.35		BOP, KVT, UOP4	8r690.01‡		F50A, F50C		05	F01A, F01B, F01D, F14A, F14B, F15Z, F24A, F24B, F28A, F36A, F36B, F54Z, F59A, F59B
	05	F01A, F01B, F01D, F12A, F12B, F50A, F50B, F50C, F50D	8r690.02‡		F50A, F50C		10	K09A, K09B
8r611.00		BOP, KVT, UOP4	8r716		KKP		10	BOP, UOP4
	05	F01A, F01B, F01D, F12A, F12B, F50A, F50B, F50C, F50D		05	F01A, F01B, F01D, F05Z, F07A, F07B, F09A, F09B, F09C, F42Z	8r731.2		B04A, B04B, B04C, B04D
8r611.03		BOP, KVT, UOP4		23	Z01A		01	F01A, F01B, F01D, F14A, F14B, F15Z, F24A, F24B, F28A, F36A, F36B, F54Z, F59A, F59B
	05	F01A, F01B, F01D, F12A, F12B, F50A, F50B, F50C, F50D	8r717.0		KOP, KOPV		05	F01A, F01B, F01D, F14A, F14B, F15Z, F24A, F24B, F28A, F36A, F36B, F54Z, F59A, F59B
				05	F05Z, F07A, F07B, F42Z		10	K09A, K09B
				06	G33Z	8r732		F01A, F01B, F01D, F14A, F14B, F15Z, F24A, F24B, F28A, F36A, F36B, F54Z, F59A, F59B
				07	H33Z, H38Z		05	F01A, F01B, F01D, F14A, F14B, F15Z, F24A, F24B, F28A, F36A, F36B, F54Z, F59A, F59B
				11	L33Z		10	K09A, K09B
				Pre	A07A		10	K09A, K09B

ZZV	MDC	DRG	ZZV	MDC	DRG	ZZV	MDC	DRG
8r741.0	01	B02A, B02B, B02C, B02D, B20A, B20B, B20C, B20D, B20E, B39A, B39B	8r914.4	01	B12Z	8r925		BOP, KOP, KOPV, KVT, UOP4
	05	F01A, F01B, F01D, F14A, F14B, F15Z, F24A, F24B, F28A, F36A, F36B, F54Z, F59A, F59B		05	F12A, F12B, F95A, F95B		04	E05A, E05B, E05C, E08A, E08B, E08C
	09	J11A, J11B, J11C		15	P02A, P02B, P02C		05	F01A, F01B, F01D, F05Z, F07A, F07B, F09A, F09B, F09C, F30Z, F42Z
8r741.1	21A	W01A, W01B, W01C, W36Z	8r914.6	01	B12Z		06	G15Z, G19A, G19B, G33Z, G38Z
	01	B03A, B03B, B06A, B06B, B07Z, B17A, B17B, B17C		05	F01A, F01B, F01D, F12A, F12B, F19A		07	H33Z, H38Z
	05	F01A, F01B, F01D, F14A, F14B, F15Z, F24A, F24B, F28A, F36A, F36B, F54Z, F59A, F59B	8r914.7	01	B12Z		08	I08A, I08B, I08C, I08D, I08E, I13A, I13B
	09	J11A, J11B, J11C		05	F01A, F01B, F01D, F12A, F12B, F19A		11	L09A, L33Z, L38Z
8r741.2	01	B03A, B03B, B06A, B06B, B07Z, B17A, B17B, B17C	8r915.01	05	F01A, F01B, F01D, F14A, F14B, F15Z, F24A, F24B, F28A, F36A, F36B, F54Z, F59A, F59B		15	P02A, P02B, P02C
	05	F01A, F01B, F01D, F14A, F14B, F15Z, F24A, F24B, F28A, F36A, F36B, F54Z, F59A, F59B		10	K09A, K09B		21A	W04A, W04B
	09	J11A, J11B, J11C	8r915.02	05	F01A, F01B, F01D, F14A, F14B, F15Z, F24A, F24B, F28A, F36A, F36B, F54Z, F59A, F59B		21B	X06A, X06B, X06C, X33Z
8r741.5	05	F01A, F01B, F01D, F14A, F14B, F15Z, F24A, F24B, F28A, F36A, F36B, F54Z, F59A, F59B	8r915.0x	05	F01A, F01B, F01D, F14A, F14B, F15Z, F24A, F24B, F28A, F36A, F36B, F54Z, F59A, F59B	8r926	01	B12Z
	06	G10Z, G12A, G12B		10	K09A, K09B		05	F01A, F01B, F01D, F12A, F12B, F19A, F19B, F19C
	07	H06A, H06B, H06C	8r915.10	05	F01A, F01B, F01D, F14A, F14B, F15Z, F24A, F24B, F28A, F36A, F36B, F54Z, F59A, F59B		Pre	A13F
	09	J11A, J11B, J11C		10	K09A, K09B	8r928	01	B12Z
	11	L09A, L09B, L09C, L09D, L38Z	8r915.11	05	F01A, F01B, F01D, F14A, F14B, F15Z, F24A, F24B, F28A, F36A, F36B, F54Z, F59A, F59B		05	F01A, F01B, F01D, F05Z, F06C, F06D, F06E, F12A, F12B, F15Z, F24A, F24B, F36A, F36B, F52A, F52B, F56A, F56B, F58A, F58B
	21A	W04A, W04B		10	K09A, K09B		Pre	A13F
	21B	X06A, X06B, X06C	8r915.1x	05	F01A, F01B, F01D, F14A, F14B, F15Z, F24A, F24B, F28A, F36A, F36B, F54Z, F59A, F59B	8r929	01	B12Z
8r750†	Pre	A09E, A11F, A13F		10	K09A, K09B		05	F01A, F01B, F01D, F05Z, F06C, F06D, F06E, F12A, F12B, F15Z, F24A, F24B, F36A, F36B, F52A, F52B, F56A, F56B, F58A, F58B
8r751.00†	Pre	A09E, A11F, A13F	8r915.x	05	F01A, F01B, F01D, F14A, F14B, F15Z, F24A, F24B, F28A, F36A, F36B, F54Z, F59A, F59B		Pre	A13F
8r751.01†	Pre	A09E, A11F, A13F		10	K09A, K09B	8r930	01	B12Z
8r751.02†	Pre	A09E, A11F, A13F		05	F01A, F01B, F01D, F14A, F14B, F15Z, F24A, F24B, F28A, F36A, F36B, F54Z, F59A, F59B		05	F01A, F01B, F01D, F05Z, F06C, F06D, F06E, F12A, F12B, F15Z, F24A, F24B, F36A, F36B, F52A, F52B, F56A, F56B, F58A, F58B
8r751.20†	Pre	A09E, A11F, A13F	8r915.1x	05	F01A, F01B, F01D, F14A, F14B, F15Z, F24A, F24B, F28A, F36A, F36B, F54Z, F59A, F59B		Pre	A13F
8r751.21†	Pre	A09E, A11F, A13F		10	K09A, K09B	8r931	05	F01A, F01B, F01D, F15Z, F24A, F24B, F28A, F36A, F36B, F54Z, F59A, F59B
8r751.22†	Pre	A09E, A11F, A13F	8r915.x	05	F01A, F01B, F01D, F14A, F14B, F15Z, F24A, F24B, F28A, F36A, F36B, F54Z, F59A, F59B		10	K09A, K09B
8r751.23†	Pre	A09E, A11F, A13F		10	K09A, K09B	8r932	01	B12Z
8r751.24†	Pre	A09E, A11F, A13F		05	F01A, F01B, F01D, F14A, F14B, F15Z, F24A, F24B, F28A, F36A, F36B, F54Z, F59A, F59B		05	F01A, F01B, F01D, F12A, F12B, F15Z, F24A, F24B, F36A, F36B, F52A, F52B, F56A, F56B, F58A, F58B
8r751.25†	Pre	A09E, A11F, A13F	8r917.0	05	F01A, F01B, F01D, F15Z, F24A, F24B, F28A, F36A, F36B, F54Z, F59A, F59B		Pre	A13F
8r751.30†	Pre	A09E, A11F, A13F		10	K09A, K09B	8r938†	01	B04C
8r751.31†	Pre	A09E, A11F, A13F	8r917.1	05	F01A, F01B, F01D, F15Z, F24A, F24B, F28A, F36A, F36B, F54Z, F59A, F59B	8r939	05	F59A
8r751.32†	Pre	A09E, A11F, A13F		10	K09A, K09B	8r980	01	B12Z
8r752	05	F01A, F01B, F01D, F14A, F14B, F15Z, F24A, F24B, F28A, F36A, F36B, F54Z, F56A, F56B, F59A, F59B	8r917.2	05	F01A, F01B, F01D, F15Z, F24A, F24B, F28A, F36A, F36B, F54Z, F59A, F59B		05	F01A, F01B, F01D, F05Z, F06C, F06D, F06E, F12A, F12B, F15Z, F24A, F24B, F36A, F36B, F52A, F52B, F56A, F56B, F58A, F58B
8r914.0	01	B12Z		10	K09A, K09B		Pre	A13F
	05	F12A, F12B, F95A, F95B	8r917.1	05	F01A, F01B, F01D, F15Z, F24A, F24B, F28A, F36A, F36B, F54Z, F59A, F59B		01	B04C
	15	P02A, P02B, P02C		10	K09A, K09B		05	F59A
	Pre	A13F	8r917.2	05	F01A, F01B, F01D, F15Z, F24A, F24B, F28A, F36A, F36B, F54Z, F59A, F59B		01	B12Z
8r914.1	01	B12Z		10	K09A, K09B		05	F01A, F01B, F01D, F05Z, F06C, F06D, F06E, F12A, F12B, F15Z, F24A, F24B, F36A, F36B, F52A, F52B, F56A, F56B, F58A, F58B
	05	F12A, F12B, F95A, F95B	8r918	05	F01A, F01B, F01D, F14A, F14B, F15Z, F24A, F24B, F28A, F36A, F36B, F54Z, F59A, F59B		Pre	A13F
	15	P02A, P02B, P02C		10	K09A, K09B	8t250†	01	B47Z
	Pre	A13F		04	E02A, E02B, E02C		08	I42Z
8r914.20	01	B12Z	8r921	05	F01A, F01B, F01D, F14A, F14B, F15Z, F24A, F24B, F28A, F36A, F36B, F54Z, F59A, F59B		19	U42Z
	05	F12A, F12B, F95A, F95B		10	K09A, K09B		23	Z44Z
	15	P02A, P02B, P02C		05	F01A, F01B, F01D, F14A, F14B, F28A, F54Z, F59A, F59B	8t910†	05	F49A, F49D
	Pre	A13F		14	962Z, O02A, O02B		06	G40Z, G46A, G46B, G48A, G48B, G48C
8r914.21	01	B12Z		21A	W04A, W04B			
	05	F12A, F12B, F95A, F95B		21B	X06A, X06B, X06C			
	15	P02A, P02B, P02C						
	Pre	A13F						

VYK

Príloha B: Index Výkon-MDC-DRG

ZZV	MDC	DRG	ZZV	MDC	DRG	ZZV	MDC	DRG
8t911‡	05	F49A, F49D	8v131‡	01	B02A, B02B, B02C, B02D, B20A, B20B, B20D, B70B	8v1a4.1‡	04	E77B
	06	G40Z, G46A, G46B, G48A, G48B, G48C	8v132‡	01	B02A, B02B, B02C, B02D, B20A, B20B, B20D, B70B		05	F77Z
8t914‡	05	F49A, F49D					06	G77Z
	06	G40Z, G46A, G46B, G48A, G48B, G48C	8v133‡	01	B02A, B02B, B02C, B02D, B20A, B20B, B20D, B70B		09	J77Z
8u103		KK11, KKI, KKII, KKP	8v151.2‡	01	B49Z		10	K25Z, K77Z
	01	B09A, B09B	8v151.3‡	01	B49Z	8v1a4.2‡	11	L63A
	17	R01A, R01B, R01C, R01D, R02Z, R12A, R12B, R12C	8v161.1‡	01	B39A, B39B, B39C, B42A, B44A, B44C, B69B, B69C, B70A, B70B, B70C, B70D, B70G		18B	T77Z
	21A	W04A, W04B					04	E77B
	21B	X06A, X06B, X06C	8v161.2‡	01	B39A, B39B, B42A, B44A, B44C, B69A, B70A, B70B, B70G		05	F77Z
8u104		KK11, KKI, KKII, KKP					06	G77Z
	01	B09A, B09B					09	J77Z
	17	R01A, R01B, R01C, R01D, R02Z, R12A, R12B, R12C					10	K25Z, K77Z
	21A	W04A, W04B	8v162.0‡	01	B69C, B70C, B70D, B70G		11	L63A
	21B	X06A, X06B, X06C	8v162.1‡	01	B69C, B70C, B70D, B70G		18B	T77Z
8u105		KK11, KKI, KKII, KKP	8v163.0‡	01	B69C, B70C, B70G	8v224.0‡		PTX
	01	B09A, B09B	8v163.1‡	01	B69C, B70C, B70G	8v224.1‡		PTX
	17	R01A, R01B, R01C, R01D, R02Z, R12A, R12B, R12C	8v172.1‡	08	I97Z	8v224.2‡		PTX
	21A	W04A, W04B	8v172.2‡	08	I97Z	8v224.3‡		PTX
	21B	X06A, X06B, X06C	8v173.1‡	08	I97Z	8v224.4‡		PTX
8u106		KK11, KKI, KKII, KKP	8v173.2‡	08	I97Z	8v224.5‡		PTX
	01	B09A, B09B	8v181.01‡	10	K60A	8v224.6‡		PTX
	17	R01A, R01B, R01C, R01D, R02Z, R12A, R12B, R12C	8v181.02‡	10	K60A	8v224.x‡		PTX
	21A	W04A, W04B	8v181.03‡	10	K60A	8v225.0‡		PTX
	21B	X06A, X06B, X06C	8v181.1‡	10	K60A	8v225.1‡		PTX
8u110‡	01	B76C, B76D, B76E	8v181.2‡	10	K60A	8v225.2‡		PTX
8u130‡		KK11, KKI, KKII, KKP	8v181.3‡	10	K60A	8v225.3‡		PTX
8u133.0‡		KK11, KKI, KKII, KKP	8v192‡	01	B71A, B71B	8v225.4‡		PTX
8u133.1‡		KK11, KKI, KKII, KKP	8v193‡	01	B71A, B71B	8v225.5‡		PTX
8u161‡	01	B02A, B02B, B02C, B20B	8v194‡	01	B71A, B71B	8v225.x‡		PTX
8u162‡	01	B02A, B02B, B02C, B20B				8v226.0‡		PTX
8u163‡	01	B02A, B02B, B02C, B20B	8v1a2.1‡	04	E77B	8v226.1‡		PTX
8u901.1		BOP, KOP, KVT, UOP4				8v226.2‡		PTX
	01	B09A, B09B				8v226.3‡		PTX
	08	I15A, I15B				8v226.4‡		PTX
	17	R01A, R01B, R01C, R01D, R02Z, R12A, R12B, R12C				8v226.5‡		PTX
	21A	W01A, W01B, W01C, W36Z	8v1a2.2‡	05	F77Z	8v226.6‡		PTX
8u901.2		BOP, KOP, KVT, UOP4				8v226.x‡		PTX
	01	B09A, B09B				8v314‡		S553
	08	I15A, I15B				8v315‡		S553
	17	R01A, R01B, R01C, R01D, R02Z, R12A, R12B, R12C					17	R36Z
	21A	W01A, W01B, W01C, W36Z					21A	W36Z
8u901.3		BOP, KOP, KVT, UOP4	8v1a3.1‡	04	E77B	8v316‡		S1105, S553
	01	B09A, B09B				8v317‡		S1105, S553
	08	I15A, I15B					Pre	A09D
	17	R01A, R01B, R01C, R01D, R02Z, R12A, R12B, R12C				8v318‡		S1105, S553
	21A	W01A, W01B, W01C, W36Z					01	B36A
8u904‡	06	G40Z, G46A, G46B, G46C, G47Z, G50Z				8v319‡		Pre A09D, A11A, A13A, A36A
8u906‡		KK11, KKI, KKII, KKP	8v1a3.2‡	04	E77B		01	B36A
	05	F62A				8v31a‡		Pre A09D, A11A, A13A, A36A
8v111‡	01	B76A					01	B36A
8v112‡	01	B76A					Pre	A07C, A09C, A11A, A13A, A36A
8v113‡	01	B76A				8v31b‡		S1105, S553
8v121.0‡	Pre	B61A, B61B					01	B36A
8v121.1‡	Pre	B61A, B61B					Pre	A07C, A09C, A11A, A13A, A36A
8v121.2‡	Pre	B61A, B61B						S1105, S553
8v121.3‡	Pre	B61A, B61B				8v31c‡		01
8v122.2‡	Pre	B61A, B61B					01	B36A
8v122.3‡	Pre	B61A, B61B					Pre	A07C, A09C, A11A, A13A, A36A
8v122.4‡	Pre	B61A, B61B				8v31d‡		01
								Pre

VYK

ZZV	MDC	DRG	ZZV	MDC	DRG	ZZV	MDC	DRG	
8v31e†		S1105, S553	8v31n†		S1105, S553	8v32k†	04	E40A, E77A	
	01	B36A		01	B36A		06	G01Z	
	Pre	A06A, A07A, A07C, A09A, A09B, A09C, A11A, A13A, A36A		Pre	A06A, A07A, A07C, A09A, A09B, A09C, A11A, A13A, A36A		8v32l†	04	E40A, E77A
8v31f†		S1105, S553	8v322†	04	E40A, E77A	8v32m†	04	E40A, E77A	
	01	B36A		8v323†	04		E40A, E77A	06	G01Z
	Pre	A06A, A07A, A07C, A09A, A09B, A09C, A11A, A13A, A36A			8v324†		04	E40A, E77A	8v32n†
8v31g†		S1105, S553	8v325†	06		G01Z	8v32o†	04	
	01	B36A		04	E40A, E77A	06		G01Z	
	Pre	A06A, A07A, A07C, A09A, A09B, A09C, A11A, A13A, A36A	8v326†	06	G01Z	8v32p†	04	E40A, E77A	
8v31h†		S1105, S553		8v327†	04		E40A, E77A	8v32q†	04
	01	B36A	06		G01Z	06	G01Z		
	Pre	A06A, A07A, A07C, A09A, A09B, A09C, A11A, A13A, A36A	8v328†	04	E40A, E77A	8v412†	20	V40Z	
8v31j†		S1105, S553		8v329†	06		G01Z	8v413†	20
	01	B36A	04		E40A, E77A	8v414†	20		V40Z
	Pre	A06A, A07A, A07C, A09A, A09B, A09C, A11A, A13A, A36A	8v32a†	06	G01Z		8z211†	09	J11A, J11B
8v31k†		S1105, S553		8v32b†	04	E40A, E77A		91515	13
	01	B36A	06		G01Z	91516	13		N11A, N11B
	Pre	A06A, A07A, A07C, A09A, A09B, A09C, A11A, A13A, A36A	8v32c†	04	E40A, E77A		91518	13	N11A, N11B
8v31l†		S1105, S553		8v32d†	06	G01Z		91519	13
	01	B36A	04		E40A, E77A	91520	13		N01A, N01B, N01C, N01D, N01E, N02A, N02B, N02C, N03A, N03B, N07Z, N25Z, N38Z
	Pre	A06A, A07A, A07C, A09A, A09B, A09C, A11A, A13A, A36A	8v32e†	06	G01Z		91521	13	N11A, N11B
8v31m†		S1105, S553		8v32f†	04	E40A, E77A		91522†	13
	01	B36A	06		G01Z	99700†	01		B46Z
	Pre	A06A, A07A, A07C, A09A, A09B, A09C, A11A, A13A, A36A	8v32g†	04	E40A, E77A		99701†	19	U41Z
8v31n†		S1105, S553		8v32h†	06	G01Z		99701†	19
	01	B36A	04		E40A, E77A				
	Pre	A06A, A07A, A07C, A09A, A09B, A09C, A11A, A13A, A36A	06	G01Z					
8v31o†		S1105, S553	8v32j†	04	E40A, E77A				
	01	B36A		06	G01Z				
	Pre	A06A, A07A, A07C, A09A, A09B, A09C, A11A, A13A, A36A							

VYK

Globálne tabuľky výkonov

Tabuľky výkonov používané vo viacerých MDC

Všetky OP výkony

Všetky OP výkony

MDC	DRG
01	B03A, B03B
05	F13A
10	K25Z
12	M60B, M60C
13	N60B
14	O01A, O01B, O01C, O01D, O01E, O01F, O01G, O01H, O04A, O04B
15	P01Z, P03A, P03B, P03C, P04A, P04B, P04C, P05A, P05B, P05C, P06A, P06B, P06C, P61A, P61C, P62A

MDC	DRG
16	Q02A, Q02B, Q02C
17	R03Z, R04A, R04B, R11A, R11B, R11C, R13Z, R14Z, R16Z
18A	S01Z
18B	T01A, T01B, T01C
21A	W05Z
23	Z01A, Z01B

Prehľad funkcií

Tento prehľad obsahuje zoznam funkcií s uvedením DRG, v ktorých sú tieto funkcie používané. Presná definícia funkcií vrátane prislúchajúcich zoznamov kódov sa nachádza na konci zväzku 4 Definičnej príručky

Určité OP-výkony [BOP]

MDC	DRG
01	B11Z, B36A, B36B, B39A, B39B, B39C
05	F29Z, F36A, F36B, F43B
06	G14Z, G38Z

MDC	DRG
08	I34Z, I96Z
14	O05A, O05B
Pre	A11A, A11C, A11E, A13A, A13B, A13C, A13E, A13G

Komplexné OP-výkony [KOP]

MDC	DRG
06	G10Z, G12A
07	H06A
08	I02A, I02B, I02C
11	L09A, L38Z
17	R01A, R01C, R02Z, R12B

MDC	DRG
18B	T01A
21B	X01A, X01B, X06B
22	Y02A, Y02B
Pre	A06A, A06B, A07A, A07B, A07C, A09A, A09B, A09C, A11A, A11B, A11D, A13A, A13B, A13D, B61A

Komplikujúce konštelácie I [KKI]

MDC	DRG
01	B02A, B02B, B02C, B02D, B39A, B66A
04	E01A, E62A, E62B
05	F03A, F05Z, F06A, F06C, F07A, F08A, F09A, F14A, F14B, F15Z, F36A, F36B, F42Z, F43B, F61A
07	H06A, H07A
08	I02A, I02B, I02C, I02D, I22A, I22B
14	O01A, O01B, O01C, O01D, O01F, O02A
17	R61A

MDC	DRG
18B	T01A, T60A, T60B, T60C, T61A
21A	W01A, W01B, W01C, W02A, W04A
21B	X01A
22	Y02A, Y02B
23	Z01A
Pre	A36A, A36B

Dialýza [DIAL]

MDC	DRG
05	F49A, F49D, F62A
06	G67A, G67B
07	H06A

MDC	DRG
11	L60A, L60B, L60C, L71Z
17	R60B, R60C, R60D, R60E, R62A, R63B, R63C, R63D, R63F
22	Y02A, Y02B

Polytrauma [PTR]

MDC	DRG
Pre	A06A, A06B, A07A, A07B, A07C, A09A, A09B, A09C

MDC	DRG
-----	-----

Výkon na viacerých lokalizáciach [VIAL]

MDC	DRG
08	I02A, I02B, I02C, I02D, I08A, I08B, I08C, I08D, I08E, I13A, I13B, I22A, I22B
21A	W01A, W01B, W01C, W02A, W04A

MDC	DRG
21B	X01A

Intenzívna komplexná ZS > 1104 bodov [S1105]**MDC DRG**

01	B36A, B36B
05	F36A
06	G36Z

MDC DRG

17	R36Z
21A	W36Z
Pre	A11E, A13A, A13B, A13C, A13G

Intenzívna komplexná ZS > 552 bodov [S553]**MDC DRG**

01	B36A, B36B
04	E36Z
05	F36A, F36B
07	H36Z
08	I26Z

MDC DRG

11	L36Z
18B	T36Z
22	Y02A, Y02B
Pre	A13E, A13G, A36A, A36B

Geriatrická včasná rehabilitačná ZS [GFK]**MDC DRG**

01	B44A, B44B, B44C, B44D
04	E42Z
05	F48Z
06	G14Z, G38Z, G52Z
07	H44Z

MDC DRG

08	I34Z, I41Z
09	J44Z
10	K01Z, K44Z
11	L44Z
19	U40Z

Včasná rehabilitácia [VRH]**MDC DRG**

04	E41Z
05	F29Z, F45Z
06	G51Z
08	I40Z

MDC DRG

10	K01Z, K43Z
21A	W01A, W05Z, W40Z
Pre	A43Z

Komplexné OP-výkony vo viacerých dňoch [KOPV]**MDC DRG**

01	B01Z
03	D33Z
05	F06A, F06B
07	H33Z, H38Z

MDC DRG

10	K33Z
13	N33Z
15	P03A, P03B, P04A, P04B, P05A, P05B, P06A

Určité OP-výkony v štyroch dňoch [UOP4]**MDC DRG**

22	Y02A
----	------

MDC DRG**Predtransplantačná hospitalizácia [PTX]****MDC DRG**

04	E37Z
05	F37Z

MDC DRG

07	H37Z
----	------

Ťažké problémy u novorodencov [TPN]**MDC DRG**

15	P65A, P65B, P66A, P66B, P67A, P67B
----	------------------------------------

MDC DRG

Viacere ťažké problémy u novorodencov [VTPN]**MDC DRG**

15 P03A, P03B, P04A, P04B, P05A, P05B, P05C, P06A, P06B, P65A, P66A, P66B, P66C, P66D, P67A

MDC DRG**Komplikujúce konštelácie pred-MDC [KKP]****MDC DRG**

Pre A07B, A09B, A09C, A11A, A11B, A11C, A11E, A13A, A13B, A13C, A13E, A13G

MDC DRG**Komplikujúce konštelácie II [KKII]****MDC DRG**06 G03A, G16A, G19A, G38Z, G40Z, G46A, G46B, G46C, G48A, G48B, G48C
07 H38Z, H78Z**MDC DRG**12 M38Z
13 N01A, N38Z**Komplikujúce konštelácie MDC 11 [KK11]****MDC DRG**

11 L38Z

MDC DRG**Komplexná vákuová terapia [KVT]****MDC DRG**06 G35Z
08 I02B, I98Z**MDC DRG**09 J35Z
21A W01A, W01B, W01C**Multiviscerálny výkon [MVV]****MDC DRG**06 G37Z, G38Z
11 L02A, L02B, L02C, L37Z, L38Z**MDC DRG**

13 N01B, N38Z

Bez úmrtia alebo preloženia [Not EP]**MDC DRG**

Pre A13C, A13E

MDC DRG**Exitus alebo preloženie [EP]****MDC DRG**

15 P60A, P60B, P60C

MDC DRG

Príloha C

Prítomnosť CC, vyradenie CC, stanovenie CCL a PCCL

C.1 Úvod

Prítomnosť komplikácií a/alebo komorbidít (CC) môže zdravotnú starostlivosť komplikovať, čo môže byť spojené s vyššími nákladmi. Preto je pre klasifikáciu DRG dôležité ich prítomnosť identifikovať a vziať do úvahy.

Komplikácie a/alebo komorbidity (CC) CC- kódy komplikácií a/alebo komorbidít reprezentujú vedľajšie diagnózy, ktoré spravidla vedú k významnej vyššej spotrebe zdrojov

Táto príloha sa zaoberá komplikáciami a komorbiditami (CC) a postupmi, ktorými Grouper priradí k jednotlivým záznamom hodnotu PCCL. Ku kódom označeným znakom šifrovaným sa nepriradí žiadna hodnota CCL pri prepustení na vlastnú vôľu bez odporu lekárov.

C.2 Komplikácie a komorbidity

Vo verzii SK-DRG Systém 2022 sú v tejto prílohe vymenované kódy diagnóz posudzované ako CC pre všetky prípady okrem neonatologickej starostlivosti.

Kód diagnózy môže stratiť svoj status CC, (i) keď je v úzkej súvislosti s hlavnou diagnózou hospitalizačného prípadu, alebo (ii) keď sa ten istý kód už nachádza na inom mieste v tom istom zázname.

Vo verzii SK-DRG Systém 2022 majú aj iné faktory, ako napr. pohlavie pacientov alebo príčina prepustenia, vplyv na CC status kódu diagnózy. Zoznam CC, ktorý tvorí prívlastky tejto prílohy, obsahuje všetky CC a tomu zodpovedajúce CCL.

C.3 Stupeň komplikácií a komorbidít (CCL) a stupeň klinickej závažnosti prípadu (PCCL)

Stupeň závažnosti komplikácií a/alebo komorbidít (CCL) sú stupne, ktoré sú priradené ku všetkým vedľajším diagnózam. Ich hodnota môže byť medzi 0 až 4 pri operačných a neonatologických hospitalizačných prípadoch a 0 až 3 pri hospitalizačných prípadoch v medicínskom segmente. V rôznych základných-DRG môžu nadobúdať tie isté diagnózy rôzne hodnoty CCL. Napríklad diagnóza J96.00 Akútna respiračná insuficiencia, inde neklasifikovaná: typ1[hypoxická] v základnej-DRG B70 Apoplexia má hodnotu CCL 2, zatiaľ čo v základnej-DRG B71 Ochorenia mozgových nervov a periférnych nervov má hodnotu CCL 3.

Aká hodnota CCL bude skutočne priradená k diagnóze závisí od toho, či ide pri danom kóde o platnú CC a či je vo vzťahu k základnej-DRG záznamu považovaná za ľahkú, stredne ťažkú, ťažkú alebo veľmi ťažkú CC.

Možné hodnoty pre CCL sú definované nasledovne:

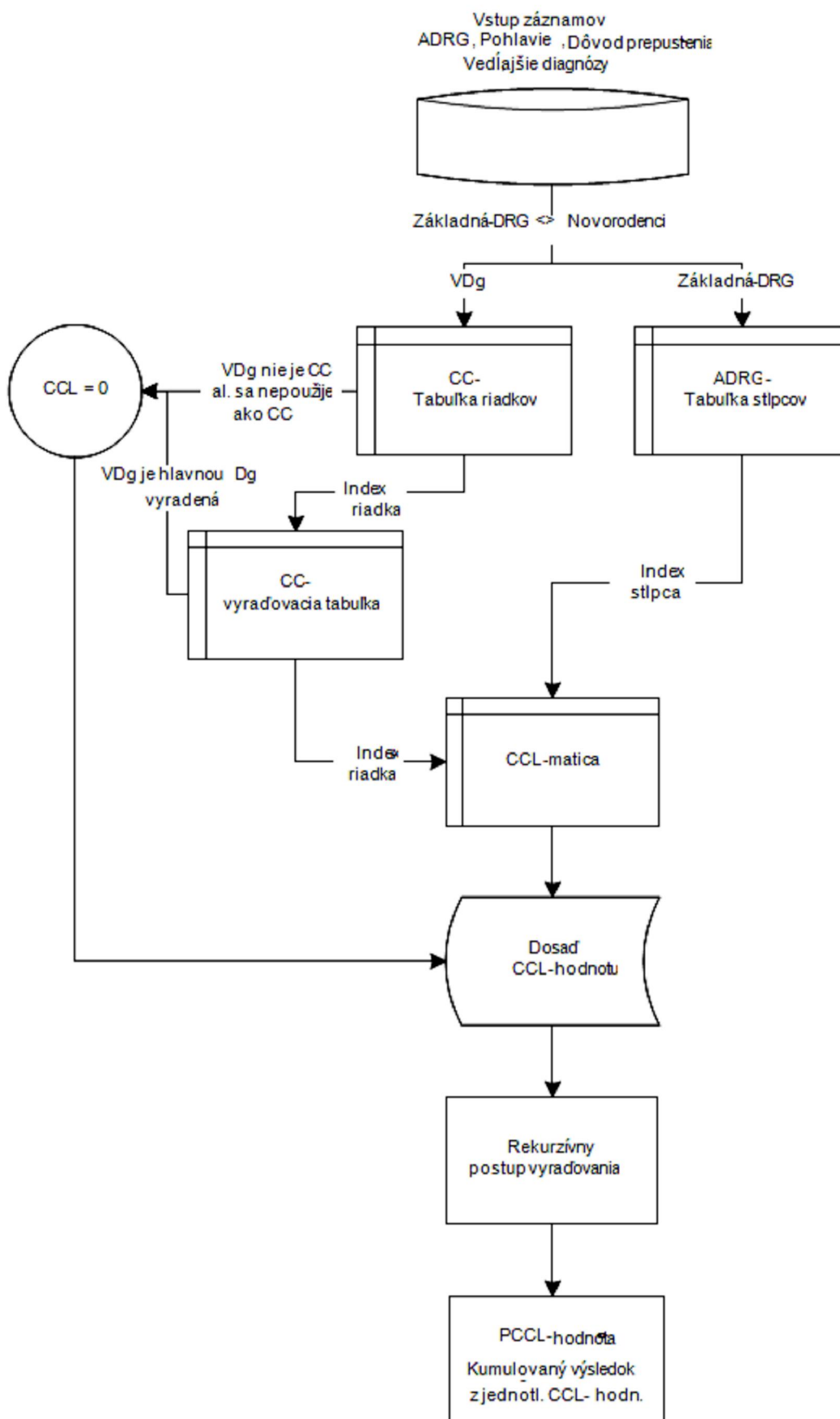
CCL = 0	Kód nie je žiadnou komplikáciou alebo komorbídou, alebo kód označuje komplikáciu alebo komorbídu úzko zviazanú s hlavnou diagnózou alebo ten istý kód je už obsiahnutý v zázname na inom mieste
CCL = 1	Hodnota vyjadruje ľahkú CC
CCL = 2	Hodnota vyjadruje stredne ťažkú CC
CCL = 3	Hodnota vyjadruje ťažkú CC
CCL = 4	Hodnota vyjadruje veľmi ťažkú CC

Grouper priraďuje každej diagnóze v zázname hodnotu CCL automaticky, avšak pri novorodencoch a v prípadoch mimo novorodencov používa odlišné postupy. V prípadoch, v ktorých nejde o novorodencov, postupuje Grouper nasledovne:

1. Grouper identifikuje základnú-DRG, ktorej hospitalizačný prípad prislúcha.
2. Grouper overuje, či základná-DRG obsahuje diagnózy Polytrauma (základná-DRG W01-61) alebo HIV (základná-DRG S01-65). Nakoľko diagnóza Trauma je zahrnutá do MDC 21, nie je vedľajšia diagnóza Trauma rozpoznávaná ako CC a jej CCL hodnota je 0. Podobne sa postupuje aj pri diagnózach HIV v MDC 18.
3. Grouper overuje, či diagnóza nie je duplikátom hlavnej diagnózy alebo uľ predtým spracovanej inej vedľajšej diagnózy. Pokiaľ je, priradí sa kódu CCL hodnota 0.
4. Grouper overuje, či kód vzhľadom na úzky vzťah k hlavnej diagnóze nemá byť ako CC vyradený. Pokiaľ je tomu tak, CC má hodnotu 0.
5. Grouper na základe čísla základnej-DRG určí číslo stupňa z ADRG-tabuľky stupňov. Ak je toto priradené číslo nula, obdrží príslušný kód pre CC hodnotu 0.
6. Grouper s prihliadnutím na faktory pohlavie pacienta a/alebo dôvod prepustenia určí z CC-tabuľky riadkov číslo riadku.
7. Grouper určí hodnotu CCL podľa CCL-Matice pomocou čísla riadku a stupňa.

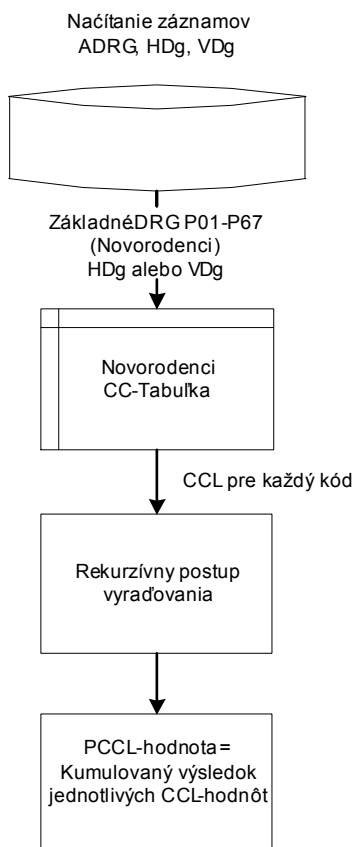
Obrázok 1 zobrazuje postupnosť krokov pri priraďovaní hodnôt CCL okrem prípadov novorodencov. (Pozn: hoci Grouper určuje CCL hodnoty aj v týchto prípadoch, nepoužíva ich ku kalkulácii PCCL.)

OBRÁZOK C.1 Postup pre určenie PCCL pre prípady okrem novorodencov



Pre hospitalizačné prípady novorodencov - t.zn. prípady priradené k základnej-DRG P01-P67 - sú poufívané iné postupy. V-etyky kódy diagnóz sú tu poufíté ako ved aj-ie diagnózy. Details k hodnotám CC a PCCL sú uvádzané pod a samostatnej tabu ky CC pre novorodencov. Diagnózy, ktoré sa v tejto tabu ke nenachádzajú, majú nulovú hodnotu CC. Obrázok . 2 poskytuje preh ad o postupnosti jednotlivých krokov v prira ovaní hodnôt CC u novorodencov [Pozn.: Hodnoty CCL a PCCL stanovené pre novorodencov neslúfia k zara ovaniu do DRG-skupín. Hospitalizačné prípady novorodencov sú zara ované do DRG na základe zoznamu vážnych problémov prostredníctvom MDC 15 (pozri zväzok 2)].

OBRÁZOK C.2 Postup pre určenie PCCL u novorodencov



Stupeň klinickej závažnosti prípadu (PCCL): PCCL je stupeň klinickej komplexnosti prípadu – je vyjadrením miery kumulatívneho efektu CC každého hospitalizačného prípadu. Stanovuje sa komplexným postupom tak, aby sa zabránilo viacnásobnému zhodnoteniu podobných „obtiazí“. PCCL môže nadobúdať nasledovné hodnoty:

- 0 = žiadne CC
- 1 = ľahké CC
- 2 = stredne ťažké CC
- 3 = ťažké CC
- 4 = veľmi ťažké CC

Potom, ako bola ku každej diagnóze záznamu stanovená hodnota CCL (nezávisle na tom, či ide o novorodencov alebo iný hospitalizačný prípad), zotriedi Grouper zostupne pod a hodnoty CCL v-etyky ved aj-ie diagnózy a spustí proces vyradovania. V tomto procese, ktorý zabezpečuje vyradenie nesignifikantných diagnóz a zohľadnenie podobných diagnóz iba jedenkrát, je každá diagnóza v poradí posudzovaná tak, akoby bola hlavnou diagnózou. To znamená, že každá diagnóza je jedna po druhej posudzovaná ako štvrtá diagnóza a status CC iných diagnóz je posudzovaný vo vzahu k tejto štvrtácej diagnóze. Výsledkom procesu je, že niektoré ved aj-ie diagnózy sú ako CC vyradené (hodnota CCL= nula).

Je potrebné si uvedomiť, že Grouperom vymedzené hodnoty CCL sú tie, ktoré boli priradené pred procesom vyraďovania.

Na konci rekurzívneho postupu vyraďovania vypočíta Grouper pomocou vzorca na základe zostávajúcich hodnôt CCL hodnotu PCCL.

Vzorec pre výpočet PCCL

Pokiaľ je {CCL(i)} zotriedený zoznam CCL hodnôt po ukončení vyraďovacieho postupu, je vzorec na výpočet PCCL nasledovný:

$$PCCL = \begin{cases} 0 & \text{v prípade, že neexistujú žiadne VD} \\ 4 & \text{ak } x > 4 \\ x & \text{vo všetkých iných prípadoch} \end{cases}$$

$$\text{Pričom } x = \text{round} \left\{ \frac{\ln \left\{ \sum_{i=k}^{\infty} CCL(i) * \exp(-\alpha * (i-k)) \right\}}{\ln(3/\alpha) / 4} \right\}$$

Parameter $\alpha = 0,4$

$k = 1$ pre základné-DRG P01 - P67, $k = 2$ pre všetky ostatné základné-DRG

Tento algoritmus vyvinul Dr. Xichuan (Mark) Zhang v rámci CCL Refinement projektu.

Nasledujúca tabuľka obsahuje hodnoty pre PCCL, ktoré vzniknú pri rozličných kombináciách CCL-hodnôt.

TABUĽKA C.1 Kombinácie CCL-hodnôt k dosiahnutiu PCCL od 1 do 4

PCCL	CCL1	CCL2	CCL3	CCL4	CCL5	CCL6
4	4	3				
3	4	2				
3	4	1	1			
3	3	3				
3	3	2	2			
3	3	2	1	1		
3	2	2	2	2		
3	2	2	2	1	1	1
3	4					
3	4	1				
3	3	2				
3	3	2	1			
3	2	2				
3	2	2	2			
2	2	2				
2	2	1				
2	3					
2	1	1	1	1	1	
1	2					
1	1	1				
0	1					

ICD	Text	OP. CCL	Med. CCL	ICD	Text	OP. CCL	Med. CCL
A01.0	Brušný týfus	4	4	A16.2	TBC pľúc, bez úd.o	3,4	3,4
A01.1	Paratýfus A	4	4		bakter.molek.biolog./hist.potvrdená		
A01.2	Paratýfus B	4	4	A16.3	TBC vnútrohr.lymf.uzl.bez úd.o	3,4	3
A01.3	Paratýfus C	4	4		bakter.molek.biolog./hist.pot.		
A01.4	Paratýfus, bližšie neurčený	4	4	A16.4	TBC hrt., priedušn.a prieduš.bez úd.o	3,4	3
A02.0	Salmonelová enteritída	2,4	2,4		bakt.mol-bio./hist.pot.		
A02.1	Salmonelová sepsa	2,4	2,4	A16.5	TBC pleuritída, bez úd.o	3,4	3
A02.2	Lokalizovaná salmonelová infekcia	4	4		bakter.molek.biolog./hist.pot.		
A02.8	Iná salmonelová infekcia, bližšie určená	4	4	A16.6	Latentná tuberkulózna infekcia	3,4	3
A02.9	Salmonelová infekcia, bližšie neurčená	4	4	A16.7	Prim.TBC dých.súst., bez úd.o	3,4	3,4
A03.0	Šigelóza zapríčinená Shigella dysenteriae	4	4		bakter.molek.biolog./hist.pot.		
A03.1	Šigelóza zapríčinená Shigella flexneri	4	4	A16.8	Iná TBC dých.súst., bez úd.o	3,4	3
A03.2	Šigelóza zapríčinená Shigella boydii	4	4		bakter.molek.biolog./hist.pot.		
A03.3	Šigelóza zapríčinená Shigella sonnei	4	4	A16.9	TBC dých.súst., bez úd.o	3,4	3,4
A03.8	Iná šigelóza	4	4		bakter.molek.biolog./hist.pot., b.n		
A03.9	Šigelóza, bližšie neurčená	4	4	A17.0	Tuberkulózna meningitída (G01*)	3,4	3,4
A04.0	Infekcia zapríčinená enteropatogénnou Escherichia coli	4	4	A17.1	Meningový tuberkulóm (G07*)	3,4	3,4
				A17.8	Iná tuberkulóza nervovej sústavy	3,4	3,4
A04.1	Infekcia zapríčinená enterotoxikogénnou Escherichia coli	4	4	A17.9	Tuberkulóza nervovej sústavy, bližšie neurčená	3,4	3,4
				A18.0	Tuberkulóza kostí a kĺbov	2	2
A04.2	Infekcia zapríčinená enteroinvazívnou Escherichia coli	4	4	A18.1	Tuberkulóza močovopohlavnej sústavy	2,3,4	2,3
				A18.2	Tuberkulózna periférna lymfadenopatia	2,3,4	1,2,3
A04.3	Infekcia zapríčinená enterohemoragickou Escherichia coli	3,4	3,4	A18.3	TBC čriev, peritonea a mezenteriových lymfatických uzlín	3,4	3
				A18.5	Tuberkulóza oka	2,3,4	2,4
A04.4	Iné črevné infekcie zapríčinené Escherichia coli	4	4	A18.6	Tuberkulóza ucha	2	2
				A18.7	Tuberkulóza nadobličiek (E35.1*)	2	1,2
A04.5	Enteritída zapríčinená kamylobakterom	4	4	A18.8	Tuberkulóza iných bližšie určených orgánov	2	2
A04.6	Enteritída zapríčinená Yersinia enterocolitica	4	4	A19.0	Akútna miliárna TBC na jedinom	3,4	3
A04.7	Enterokolitída zapríčinená Clostridium difficile	2,3,4	1,2,3,4		blíž.urč.mieste		
A04.81	Enteritída zapríčinená Arcobacter spp.	4	4	A19.1	Akútna miliárna tuberkulóza na viacerých miestach	3,4	3
A04.89	Iná baktériová črevná infekcia, bližšie určená	4	4				
A04.9	Baktériová črevná infekcia, bližšie neurčená	2	2	A19.2	Akútna miliárna tuberkulóza, bližšie neurčená	3,4	3
A05.0	Potravinová otrava zapríčinená stafylokokmi	4	4	A19.8	Iná miliárna tuberkulóza	3,4	3
A05.1	Botulizmus	4	4	A19.9	Miliárna tuberkulóza, bližšie neurčená	3,4	3
A05.2	Potravinová otrava zapríčinená Clostridium perfringens	4	4	A26.0	Kožný eryzipeloid	4	4
				A26.7	Eryzipelotrixová sepsa	4	4
A05.3	Potravinová otrava zapríčinená Vibrio parahaemolyticus	4	4	A26.8	Iná forma eryzipeloidu	4	4
A07.1	Giardióza [lambliaza]	2	2	A26.9	Bližšie neurčený eryzipeloid	4	4
A07.3	Izosporiáza	2	2	A27.0	Leptospiróza zapríčinená Leptospira icterohaemorrhagiae	4	4
A08.0	Rotavírusová enteritída	1,2	2				
A08.1	Akútna gastroenteritída zapríčinená norovírusom [Norwalk]	1,2,3,4	1,2,3	A27.8	Iná forma leptospirózy	4	4
				A27.9	Leptospiróza, bližšie neurčená	4	4
A08.5	Iné, bližšie určené črevné infekcie	4	4	A28.0	Pasteurelóza	4	4
A09.0	Iná a blíž.neurč.gastroenteritída a kolitída infečného pôvodu	1,2,4	2,4	A28.1	Choroba z mačacieho škrabnutia	4	4
				A28.2	Extraintestinálna yersinióza	4	4
A15.0	TBC pľúc, potvrd.mikros.vyš.spúta s a bez dôk.kultiv./mol-biol.	3,4	3,4	A28.8	Iná baktériová	4	4
					zoonóza, blíž.určená, nezatriedená inde		
A15.1	Tuberkulóza pľúc, potvrdená len kultivačne	3,4	3,4	A28.9	Baktériová zoonóza, bližšie neurčená	4	4
A15.2	Tuberkulóza pľúc, potvrdená histologicky	3,4	3,4	A31.0	Pľúcna mykobakteriáza	3,4	3
A15.3	TBC pľúc, potvrdená inými a blíž.nurč.metódami	3,4	3,4	A31.80	Diseminovaná atypická mykobakteriáza	3,4	3
				A32.0	Kožná listerióza	4	4
A15.4	TBC vnútrohrud.lymf.uzlín, potvrd.bakter.molek.biolog./hist.	3,4	3	A32.1	Listerióva meningitída a meningoencefalitída	3,4	3,4
				A32.7	Listerióva sepsa	3,4	3,4
A15.5	TBC hrtana priedušnice a prieduš.potv.bakt.molek.biolog./hist.	3,4	3	A32.8	Iná forma listeriózy	4	4
				A32.9	Listerióza, bližšie neurčená	4	4
A15.6	TBC pleuritída, potvedná bakteriol.molek.biolog./hist.	3,4	3	A33	Tetanus novorodencov	4	4
				A34	Tetanus počas gravidity, pôrodu a v šestonedelí	2	2
A15.7	Primárna TBC dých.org.potv.bakt.molek.biolog./hist.	3,4	3,4				
				A35	Iný tetanus	3,4	3,4
A15.8	Iná TBC dých.org.potvredná bakter.molek.biolog./hist.	3,4	3	A37.0	Pertussis zapríčinený Bordetella pertussis	4	4
				A37.1	Pertussis zapríčinený Bordetella parapertussis	4	4
A15.9	TBC dých.súst.potvrdená bakter.molek.biolog./hist., b.n	3,4	3,4				
				A37.8	Pertussis zapríčinený iným druhom bordetely	4	4
A16.0	TBC pľúc, bakter.molek.biolog.a hist.negat.	3,4	3,4	A37.9	Pertussis, bližšie neurčený	4	4
A16.1	TBC pľúc, bez vyk.bakter.molek.biolog.a hist.vyš.	3,4	3,4	A39.0	Meningokoková meningitída (G01*)	3,4	3,4
				A39.1	Waterhouseov-Friderichsenov syndróm (E35.1*)	3,4	3,4

ICD	Text	OP. CCL	Med. CCL	ICD	Text	OP. CCL	Med. CCL
A39.2	Akútna meningokoková sepsa	3,4	3,4	A74.82	Chlamýdiová myokarditída	4	4
A39.3	Chronická meningokoková sepsa	3,4	3,4	A74.83	Chlamýdiová endokarditída	4	4
A39.4	Meningokoková sepsa, bližšie neurčená	3,4	3,4	A74.84	Chlamýdiová artritída	4	4
A39.5	Meningokokové ochorenie srdca	1,2,3,4	1,2,4	A74.89	Iná chlamýdiová choroba	4	4
A39.8	Iná meningokoková infekcia	3,4	3	A81.1	Subakútna sklerotizujúca panencefalitída	2,3,4	1,2,3,4
A39.9	Meningokoková infekcia, bližšie neurčená	3,4	3	A81.2	Progresívna multifokálna leukoencefalopatia	2,3	1,2,3
A40.0	Sepsa zapríčinená streptokokom zo skupiny A	3,4	1,3,4	A84.1	Streptokoková kliešťová encefalitída	2,3	1,2,3
A40.1	Sepsa zapríčinená streptokokom zo skupiny B	3,4	1,3	A85.0	Enterovírusová encefalitída (G05.1*)	2,3	1,2,3
A40.2	Sepsa zapríčinená streptokokom zo skupiny D	3,4	1,3,4	A85.8	Iná vírusová encefalitída, bližšie určená	2,3	1,2,3
A40.3	Sepsa zapríčinená Streptococcus pneumoniae	3,4	1,3,4	A86	Vírusová encefalitída, bližšie neurčená	2,3,4	1,2,3,4
A40.81	Sepsa zapríčinená streptokokom zo skupiny C	3,4	1,3	A87.0	Enterovírusová meningitída (G02.0*)	2,3	1,2,3
A40.89	Iná streptokoková sepsa	3,4	1,3	A89	Vírusová infekcia CNS, bližšie neurč.	4	4
A40.9	Sepsa zapríčinená streptokokmi, bližšie neurčená	3,4	1,3	A96.0	Hemoragická horúčka zapríčinená vírusom Junin	4	4
A41.0	Sepsa zapríčinená Staphylococcus aureus	3,4	1,3	A96.1	Hemoragická horúčka zapríčinená vírusom Machupo	4	4
A41.1	Sepsa zapríčinená iným bližšie určeným stafylokokom	3,4	1,3	A96.2	Horúčka Lassa	4	4
A41.2	Sepsa zapríčinená bližšie neurčeným stafylokokom	3,4	1,3	A96.8	Iná arenavírusová hemoragická horúčka	4	4
A41.3	Sepsa zapríčinená Haemophilus influenzae	3,4	1,3,4	A96.9	Arenavírusová hemoragická horúčka, bližšie neurčená	4	4
A41.4	Sepsa zapríčinená anaeróbnou baktériou	3,4	1,3	A98.3	Choroba zapríčinená vírusom Marburg	4	4
A41.51	Sepsa zapríčinená Escherichia coli [E. coli]	3,4	1,3	A98.5	Hemoragická horúčka s renálnym syndrómom	3,4	2,3,4
A41.52	Sepsa zapríčinená pseudomonas	3,4	1,3,4	B00.0	Herpetický ekzém	4	4
A41.53	Sepsa zapríč. multirezistentnou gramnegat. baktériou	3,4	1,3,4	B00.1	Herpetická vezikulárna dermatitída	2,4	2,4
A41.58	Sepsa zapríčinená inou gramnegatívnou baktériou	3,4	1,3,4	B00.2	Herpetická gingivostomatitída a tonzilofaryngitída	4	4
A41.81	Sepsa zapríč. multirezistentnou grampozit. baktériou	3,4	1,3	B00.3	Herpetická meningitída (G02.0*)	3,4	3,4
A41.89	Iná sepsa, bližšie určená	3,4	1,3	B00.4	Herpetická encefalitída (G05.1*)	3,4	3,4
A41.9	Sepsa, bližšie neurčená	3,4	1,3	B00.5	Očná infekcia herpetickým vírusom	4	4
A42.0	Pľúcna aktinomykóza	3,4	3	B00.7	Diseminovaná herpetická choroba	2,3,4	3,4
A42.1	Brušná aktinomykóza	3,4	3	B00.8	Iná forma herpetickej infekcie	2,4	2,4
A42.7	Aktinomykotická sepsa	3,4	3	B00.9	Herpetická infekcia, bližšie neurčená	4	4
A43.0	Pľúcna nokardióza	3,4	3	B01.0	Varicelová meningitída (G02.0*)	2,4	2,4
A48.0	Plynná gangréna	3,4	3,4	B01.1	Varicelová encefalitída (G05.1*)	3,4	3,4
A48.1	Legionelóza s pneumóniou [Legionárska choroba]	3,4	3,4	B01.2	Varicelový zápal pľúc (J17.1*)	3,4	3,4
A48.2	Legionelóza bez pneumónie [Pontiacka horúčka]	3,4	3,4	B01.8	Varicela s inými komplikáciami	2,4	2,4
A48.3	Syndróm toxického šoku	3,4	3	B01.9	Varicela bez komplikácií	2,4	2,4
A49.0	Stafylokoková infekcia bez bližšieho určenia miesta	3,4	3	B02.0	Zosterová encefalitída (G05.1*)	3,4	3,4
A49.1	Streptokoková infekcia bez bližšieho určenia miesta	3,4	3	B02.1	Zosterová meningitída (G02.0*)	3,4	3,4
A49.2	Infekcia haemophilus influenzae na b.n.m.	3,4	3	B02.2	Zoster s postihnutím iných častí nervovej sústavy	3,4	3,4
A50.0	Včasný vrodený syfilis, symptomatický	4	4	B02.3	Zosterová choroba oka	4	4
A50.1	Včasný vrodený syfilis, latentný	4	4	B02.7	Diseminovaný zoster	2,4	2,4
A50.2	Včasný vrodený syfilis, bližšie neurčený	4	4	B02.8	Zoster s inými komplikáciami	2,4	2,4
A50.3	Neskorá vrodená syfilitická okulopatia	4	4	B02.9	Zoster bez komplikácií	4	4
A50.4	Neskorý vrodený neurosyfilis [Juvenilný neurosyfilis]	3,4	3,4	B05.0	Osýpky komplikované encefalitídou (G05.1*)	3,4	3,4
A52.0	Kardiovaskulárny syfilis	1,2,3	1,2	B05.1	Osýpky komplikované meningitídou (G05.1*)	2,4	2,4
A52.1	Neurosyfilis, symptomatický	2,3	1,2,3	B05.2	Osýpky komplikované pneumóniou (J17.1*)	3,4	3,4
A52.2	Neurosyfilis, asymptomatický	3,4	3	B05.3	Osýpky komplikované zápalom stredného ucha	2,4	2,4
A52.3	Neurosyfilis, bližšie neurčený	2,3	1,2,3	B05.4	Osýpky s črevnými komplikáciami	2,4	2,4
A54.0	Gonok. inf. dol. časti moč.-pohl. súst. bez abs. uretr./preds. žliaz	2	2	B05.8	Osýpky s inými komplikáciami	2,4	2,4
A54.1	Gonok. inf. dol. časti moč.-pohl. súst. s abs. uretr. a preds. žliaz	2	2	B06.0	Ružienka s nervovými komplikáciami	2,4	2,4
A54.2	Gonok. pelveoperitonitída a iná gonokok. moč.-pohl. infekcia	2	2	B06.8	Ružienka s inými komplikáciami	2,4	2,4
A71.1	Trachóm, aktívne štádium	4	4	B08.5	Enterovírusová vezikulárna faryngitída	4	4
A74.81	Chlamýdiová dilatčná kardiomyopatia	4	4	B15.0	Akútna hepatitída A s pečeňovou kómou	4	4
				B15.9	Akútna hepatitída A bez pečeňovej kómy	4	4
				B16.0	Akútna hepatit. B s Delta vírusom (koinfekcia), s pečeň. kómou	1,2,3,4	1,2,3,4
				B16.1	Akútna hepatit. B s Delta vírusom (koinfekcia), bez pečeň. kómy	1,2,3,4	1,2,3,4
				B16.2	Akútna hepatit. B bez Delta vírusu, s pečeňovou kómou	1,2,3,4	1,2,3,4
				B16.9	Akútna hepatit. B bez Delta vírusu, bez pečeňovej kómy	1,2,3,4	1,2,3,4
				B17.0	Akútna Delta-vírus. (super)infekcia nosiča vírusu hepatit. B	1,2,3,4	1,2,3,4
				B17.1	Akútna hepatitída C	1,2,3,4	1,2,3,4

ICD	Text	OP. CCL	Med. CCL	ICD	Text	OP. CCL	Med. CCL
B17.2	Akútna hepatitída E	1,2,3,4	1,2,3,4	B27.0	Mononukleóza zapríčinená gamma - Herpes vírusom	4	4
B17.8	Iná akútna vírusová hepatitída, bližšie určená	1,2,3,4	1,2,3,4	B27.1	Cytomegalovírusová mononukleóza	4	4
B17.9	Akútna vírusová hepatitída, bližšie neurčená	1,2,3,4	1,2,3,4	B27.8	Iná infekčná mononukleóza	4	4
B18.0	Chronická hepatitída B s Delta vírusom	1,2,3,4	1,2,4	B27.9	Infekčná mononukleóza, bližšie neurčená	4	4
B18.1	Chronická hepatitída B bez Delta vírusu	1,2,3,4	1,2,4	B30.1	Konjunktivitída zapríčinená adenovírusom (H13.1*)	4	4
B18.2	Chronická hepatitída C	1,2,3,4	1,2,4	B30.3	Akútna epidemická hemorag. konjunktivitída (enterovír.)	4	4
B18.8	Iná chronická vírusová hepatitída	1,2,3,4	1,2,4	B33.2	Vírusová karditída	4	4
B18.9	Chronická vírusová hepatitída, bližšie neurčená	1,2,3,4	1,2,4	B34.0	Adenovírusová infekcia bez bližšieho určenia miesta	4	4
B19.0	Vírusová hepatit. s pečeňovou kómou, bliž. neurč.	1,2,3,4	1,2,3,4	B37.0	Kandidová stomatitída	2,3	2,3
B19.9	Vírusová hepatit. bez pečeňovej kómy, bliž. neurč.	1,2,3,4	1,2,3,4	B37.1	Pľúcna kandidóza	3,4	3,4
B20.0	Choroba HIV následnými mykobakteriovými infekciami	1,2,3,4	1,2,3,4	B37.4	Kandidóza iných častí močovopohlavnej sústavy	2,4	2,4
B20.1	Choroba HIV následnými inými bakteriovými infekciami	1,2,3,4	1,2,3,4	B37.5	Kandidová meningitída(G02.1*)	3,4	3,4
B20.2	Choroba HIV následnými cytomegalovírusovou chorobou	1,2,3,4	1,2,3,4	B37.6	Kandidová endokarditída(I39.8*)	3,4	3,4
B20.3	Choroba HIV následnými do inými vírusovými infekciami	1,2,3,4	1,2,3,4	B37.7	Kandidová sepsa	3,4	3
B20.4	Choroba HIV s následnými kandidózami	1,2,3,4	1,2,3,4	B37.81	Kandidová ezofagitída	2,4	2,3,4
B20.5	Choroba HIV s následnými inými mykózami	1,2,3,4	1,2,3,4	B37.88	Kandidóza na iných miestach	3,4	2,3
B20.6	Choroba HIV s následnou pneumocystovou pneumóniou	1,2,3,4	1,2,3,4	B38.0	Akútna kokcidioidomykóza pľúc	3,4	3,4
B20.7	Choroba HIV s následnými viacpočetnými infekciami	1,2,3,4	1,2,3,4	B38.1	Chronická kokcidioidomykóza pľúc	3,4	3,4
B20.8	Choroba HIV následnými iných. infekčnými a parazit. chorobami	1,2,3,4	1,2,3,4	B38.2	Kokcidioidomykóza pľúc, bližšie neurčená	3,4	3,4
B20.9	Choroba HIV následnými infekčnými/paraz. chor. bliž. neurč.	1,2,3,4	1,2,3,4	B38.3	Kokcidioidomykóza kože	4	4
B21.0	Choroba HIV s následným Kaposiho sarkómom	1,2,3,4	1,2,3,4	B38.4	Kokcidioidomykotická meningitída (G02.1*)	3,4	3,4
B21.1	Choroba HIV s následným Burkittovým lymfómom	1,2,3,4	1,2,3,4	B38.7	Diseminovaná kokcidioidomykóza	3,4	3,4
B21.2	Choroba HIV násled. inými typmi ne Hodgkinovho lymfómu	1,2,3,4	1,2,3,4	B38.8	Iná forma kokcidioidomykózy	3,4	3,4
B21.3	Choroba HIV násled. inými zhub. nád. lymf. krvotv. a príb. tkan.	1,2,3,4	1,2,3,4	B38.9	Kokcidioidomykóza, bližšie neurčená	2	2
B21.7	Choroba HIV násled. viacpočetnými zhub. nádormi	1,2,3,4	1,2,3,4	B39.0	Akútna histoplazmóza pľúc zapríč. Histoplasma capsulatum	2,4	2,4
B21.8	Choroba HIV s následnými inými zhubnými nádormi	1,2,3,4	1,2,3,4	B39.1	Chronická histoplazmóza pľúc zapríč. Histoplasma capsulatum	2,4	2,4
B21.9	Choroba HIV následnými zhubnými nádormi, bliž. neur.	1,2,3,4	1,2,3,4	B39.2	Histoplazmóza pľúc zapríč. Histoplasma capsulatum, bliž. neurč.	2,4	2,4
B22.0	Choroba HIV s následnou encefalopatiou	1,2,3,4	1,2,3,4	B39.3	Diseminovaná histoplazmóza zapríč. Histoplasma capsulatum	2	2
B22.1	Choroba HIV s násled. lymfoidnou intersticiál. pneumoniídou	1,2,3,4	1,2,3,4	B39.4	Histoplazmóza zapríč. Histoplasma capsulatum, bliž. neurč.	2	2
B22.2	Choroba HIV s následným syndrómom celkového upadania	1,2,3,4	1,2,3,4	B39.5	Histoplazmóza zapríčinená Histoplasma duboisii	2	2
B22.7	Choroba HIV s následnými rozličnými chorobami zatried. inde	1,2,3,4	1,2,3,4	B39.9	Histoplazmóza, bližšie neurčená	2	2
B23.0	Syndróm akútnej infekcie HIV	1,2,3,4	1,2,3,4	B40.0	Akútna blastomykóza pľúc	2,4	2,4
B23.8	Choroba HIV s inými následnými, bliž. urč. stavmi	1,2,3,4	1,2,3,4	B40.1	Chronická blastomykóza pľúc	2,4	2,4
B24	Choroba HIV, bližšie neurčená	1,2,3,4	1,2,3,4	B40.2	Blastomykóza pľúc, bližšie neurčená	2,4	2,4
B25.0	Cytomegalovírusová pneumónia(J17.1*)	3,4	3,4	B40.3	Blastomykóza kože	2,4	2,4
B25.1	Cytomegalovírusová hepatitída(K77.0*)	3,4	3,4	B40.7	Diseminovaná blastomykóza	2,4	2,4
B25.2	Cytomegalovírusová pankreatitída(K87.1*)	3,4	3,4	B40.8	Iná forma blastomykózy	2,4	2,4
B25.80	Cytomegalovírusová infekcia tráviacej trubice	3,4	3,4	B40.9	Blastomykóza, bližšie neurčená	2,4	2,4
B25.88	Iná cytomegalovírusová choroba	3,4	3,4	B41.0	Parakokcidioidomykóza pľúc	2,4	2,4
B25.9	Cytomegalovírusová choroba, bližšie neurčená	3,4	3,4	B41.7	Diseminovaná parakokcidioidomykóza	2,4	2,4
B26.0	Parotitická orchitída(N51.1*)	2,4	2,4	B41.8	Iná forma parakokcidioidomykózy	2,4	2,4
B26.1	Parotitická meningitída(G02.0*)	3,4	3,4	B41.9	Parakokcidioidomykóza, bližšie neurčená	2,4	2,4
B26.2	Parotitická encefalitída(G05.1*)	3,4	3,4	B44.0	Invazívna aspergilóza pľúc	3,4	3,4
B26.3	Parotitická pankreatitída(K87.1*)	2,3,4	2,4	B44.1	Iná aspergilóza pľúc	3,4	3,4
B26.8	Parotitída s inými komplikáciami	2,4	2,4	B44.2	Aspergilóza tonzíl	3,4	3,4
				B44.7	Diseminovaná aspergilóza	3,4	3,4
				B44.8	Iná forma aspergilózy	3,4	3,4
				B44.9	Aspergilóza, bližšie neurčená	3,4	3,4
				B45.0	Kryptokokóza pľúc	3,4	3,4
				B45.1	Kryptokokóza mozgu	3,4	3,4
				B45.2	Kryptokokóza kože	3,4	3,4
				B45.3	Kryptokokóza kostí	3,4	3,4
				B45.7	Diseminovaná kryptokokóza	3,4	3,4
				B45.8	Iná forma kryptokokózy	3,4	3,4
				B45.9	Kryptokokóza, bližšie neurčená	3,4	3,4
				B46.0	Mukormykóza pľúc	2,4	2,4
				B46.1	Rinocerebrálna mukormykóza	2,4	2,4

ICD	Text	OP. CCL	Med. CCL	ICD	Text	OP. CCL	Med. CCL
B46.2	Mukormykóza tráviacej trubice	2,4	2,4	B95.5	Streptokok,blíž.neurč.,ako príčina chorôb zatried.inde	1,2	1,2
B46.3	Mukormykóza kože	2,4	2,4	B95.6	Staphylococcus aureus ako príčina chorôb zatried.inde	1,2	1,2
B46.4	Diseminovaná mukormykóza	2,4	2,4	B95.7	Iný stafylokok ako príčina chorôb zatriedených inde	1,2	1,2
B46.5	Mukormykóza,blížšie neurčená	2,4	2,4	B95.8	Stafylokok,blíž.neurč.,ako príčina chorôb zatried.inde	1,2	1,2
B46.8	Iná zygomykóza	2,4	2,4	B96.3	Haemophilus a Moraxella ako príčina chorôb zatried.inde	3,4	3
B46.9	Zygomykóza,blížšie neurčená	2,4	2,4	B96.5	Pseudomonas a iná neferment.baktéria ako príč.chorôb.z.i.	2,3,4	2,3
B47.0	Eumycetóm	3,4	3,4	B97.0	Adenovírus ako príčina chorôb zatriedených inde	4	4
B47.1	Aktinomycetóm	3,4	3,4	B97.1	Enterovírus ako príčina chorôb zatriedených inde	4	4
B48.2	Allescheriáza	2,4	2,4	C00.0	Zhubný nádor vonkajšej hornej pery	4	4
B48.7	Mykóza zapríčinená oportunistickým patogénom	3,4	3,4	C00.1	Zhubný nádor vonkajšej dolnej pery	4	4
B50.0	Malária zapríč. Plasmodium falciparum s mozgov.kompl.	4	4	C00.2	Zhubný nádor vonkajšej pery,blížšie neurčený	4	4
B50.8	Iná ťažká a kompl.malária zapríč.Plasmodium falciparum	4	4	C00.3	Zhubný nádor vnútornej strany hornej pery	4	4
B50.9	Malária zapríčinená Plasmodium falciparum,b.n.	4	4	C00.4	Zhubný nádor vnútornej strany dolnej pery	4	4
B51.0	Malária zapríčinená Plasmodium vivax s ruptúrou sleziny	4	4	C00.5	Zhubný nádor vnútornej strany pery,blíž.neurč.	4	4
B51.8	Malária zapríčinená Plasmodium vivax s i.kompl.	4	4	C00.6	Zhubný nádor spojky perí	4	4
B51.9	Malária zapríčinená Plasmodium vivax bez kompl.	4	4	C00.8	Zhubný nádor pery presahujúci viaceré oblasti	4	4
B52.0	Malária zapríčinená Plasmodium malariae s nefropatiou	4	4	C00.9	Zhubný nádor pery,blížšie neurčený	4	4
B52.8	Malária zapríčinená Plasmodium malariae s i.kompl.	4	4	C01	Zhubný nádor koreňa jazyka	4	4
B52.9	Malária zapríčinená Plasmodium malariae bez kompl.	4	4	C02.0	Zhubný nádor chrbtovej strany jazyka	4	4
B53.0	Malária zapríčinená Plasmodium ovale	4	4	C02.1	Zhubný nádor okraja jazyka	4	4
B53.1	Malária zapríčinená opičimi plazmódiami	4	4	C02.2	Zhubný nádor spodnej strany jazyka	4	4
B53.8	Iná parazitologicky potvrdená malária,nezatriedená.inde	4	4	C02.3	Zhubný nádor predných dvoch tretín jazyka, blíž.neurč.časť	4	4
B54	Malária,blížšie neurčená	4	4	C02.8	Zhubný nádor jazyka presahujúci viaceré oblasti	4	4
B57.0	Akútna Chagasova choroba s postihnutím srdca	1,2,3	1,2	C02.9	Zhubný nádor jazyka,blížšie neurčený	4	4
B57.2	Chagasova choroba(chronická)s postihnutím srdca	1,2,3	1,2	C03.0	Zhubný nádor horného ťasna	4	4
B58.0	Toxoplazmová okulopatia	1,2,3,4	1,2,4	C03.1	Zhubný nádor dolného ťasna	4	4
B58.1	Toxoplazmová hepatitída (K77.0*)	1,2,3,4	1,2,3,4	C03.9	Zhubný nádor ťasna,blížšie neurčený	4	4
B58.2	Toxoplazmová meningoencefalitída(G05.2*)	3,4	3,4	C04.0	Zhubný nádor prednej časti ústnej spodiny	4	4
B58.3	Toxoplazmóza pľúc(J17.3*)	3,4	3,4	C04.1	Zhubný nádor bočnej časti ústnej spodiny	4	4
B58.8	Toxoplazmóza s postihnutím iných orgánov	2,4	2,4	C04.8	Zhub.nádor ústnej spodiny presah.viaceré obl.	4	4
B58.9	Toxoplazmóza,blížšie neurčená	4	4	C04.9	Zhubný nádor ústnej spodiny,blížšie neurčený	4	4
B59	Pneumocystóza (J17.3*)	3,4	3,4	C05.0	Zhubný nádor tvrdého podnebia	4	4
B60.0	Babezióza	2	2	C05.1	Zhubný nádor mäkkého podnebia	4	4
B60.1	Akantamebóza	2	2	C05.2	Zhubný nádor uvuly	4	4
B60.2	Naeglerióza	2	2	C05.8	Zhubný nádor podnebia presahujúci viaceré oblasti	4	4
B60.8	Iná protozoárna choroba,blížšie určená	2	2	C05.9	Zhubný nádor podnebia,blížšie neurčený	4	4
B78.0	Črevná strongyloidóza	2	2	C06.0	Zhubný nádor sliznice líca	4	4
B78.1	Kožná strongyloidóza	2	2	C06.1	Zhubný nádor vestibulum oris	4	4
B78.7	Diseminovaná strongyloidóza	2	2	C06.2	Zhubný nádor retromolárnej časti úst	4	4
B78.9	Strongyloidóza,blížšie neurčená	2	2	C06.8	Zhubný nádor iných a blíž.neurč.častí.úst,presah.viaceré obl.	4	4
B79	Trichuridóza	2	2	C06.9	Zhubný nádor úst,blížšie neurčený	4	4
B90.0	Následky tuberkulózy centrálnej nervovej sústavy	1,2	2	C07	Zhubný nádor príušnej žľazy	4	4
B90.1	Následky tuberkulózy močovopohlavnej sústavy	2,3,4	2,3	C08.0	Zhubný nádor submandibulárnej slinnej žľazy	4	4
B90.9	Následky respiračnej a blíž.nerč.TBC	2	2	C08.1	Zhubný nádor sublingválnej slinnej žľazy	4	4
B91	Následky poliomyelitídy	1,2	2	C08.8	Zhubný nádor veľkých slinných žliaz,presah.viac.obl.	4	4
B95.2	Streptokok skupiny D ako príčina chorôb zatried.inde	1,2	1,2	C08.9	Zhubný nádor veľkej slinnej žľazy,blížšie neurčený	4	4
B95.3	Streptococcus pneumoniae ako príčina chorôb zatried.inde	1,2	1,2	C09.0	Zhubný nádor fossa tonsillaris	4	4
B95.42	Streptokok skupiny G ako príčina chorôb zatried.inde	1,2	1,2	C09.1	Zhubný nádor podnebného oblúka(predná časť)(zadná časť)	4	4
B95.48	Iný streptokok,blíž.urč.ako príčina chorôb zatried.inde	1,2	1,2	C09.8	Zhubný nádor mandle presahujúci viaceré oblasti	4	4
				C10.0	Zhubný nádor vallecula epiglottica	4	4

ICD	Text	OP. CCL	Med. CCL	ICD	Text	OP. CCL	Med. CCL
C10.1	Zhubný nádor prednej plochy epiglottis	4	4	C21.1	Zhubný nádor análneho kanála	1,2,3,4	1,2,4
C10.2	Zhubný nádor bočnej steny orofaryngu	4	4	C21.2	Zhubný nádor kloakovej oblasti	1,2,3,4	1,2,4
C10.3	Zhubný nádor zadnej steny orofaryngu	4	4	C21.8	Zhubný nádor rekta, anusu a análneho kanála presah. viac.obl.	1,2,3,4	1,2,4
C10.4	Zhubný nádor branchiálneho rázštetu	4	4	C22.0	Hepatocelulárny karcinóm	1,2,3,4	1,2,4
C10.8	Zhubný nádor orofaryngu presahujúci viaceré oblasti	4	4	C22.1	Karcinóm vnútropečeňových žľazových ciest	1,2,3,4	1,2,4
C10.9	Zhubný nádor orofaryngu, bližšie neurčený	4	4	C22.2	Hepatoblastóm	1,2,3,4	1,2,4
C11.0	Zhubný nádor hornej steny nazofaryngu	4	4	C22.3	Angiosarkóm pečene	1,2,3,4	1,2,4
C11.1	Zhubný nádor zadnej steny nazofaryngu	4	4	C22.4	Iný sarkóm pečene	1,2,3,4	1,2,4
C11.2	Zhubný nádor bočnej steny nazofaryngu	4	4	C22.7	Iný karcinóm pečene, bližšie určený	1,2,3,4	1,2,4
C11.3	Zhubný nádor prednej steny nazofaryngu	4	4	C22.9	Zhubný nádor pečene, bližšie neurčený	1,2,3,4	1,2,4
C11.8	Zhubný nádor nosohltana presah. viac.obl.	4	4	C23	Zhubný nádor žľazníka	1,2,3,4	1,2,4
C11.9	Zhubný nádor nazofaryngu, bližšie neurčený	4	4	C24.0	Zhubný nádor mimopečeňových žľazových ciest	1,2,3,4	1,2,4
C12	Zhubný nádor recessus piriformis	4	4	C24.1	Zhubný nádor ampulla Vateri	1,2,3,4	1,2,4
C13.0	Zhubný nádor regio postcricoidea	4	4	C24.8	Zhubný nádor žľazových ciest presah. viac.obl.	1,2,3,4	1,2,4
C13.1	Zhubný nádor hypofaryngovej strany aryepiglotickej krkvy	4	4	C24.9	Zhubný nádor žľazových ciest, bližšie neurčený	1,2,3,4	1,2,4
C13.2	Zhubný nádor zadnej steny hypofaryngu	4	4	C25.0	Zhubný nádor hlavy podžalúdkovej žľazy	1,2,3,4	1,2,4
C13.8	Zhubný nádor hypofaryngu presah. viac. obl.	4	4	C25.1	Zhubný nádor tela podžalúdkovej žľazy	1,2,3,4	1,2,4
C13.9	Zhubný nádor hypofaryngu, bližšie neurčený	4	4	C25.2	Zhubný nádor chvosta podžalúdkovej žľazy	1,2,3,4	1,2,4
C14.0	Zhubný nádor faryngu, bližšie neurčený	4	4	C25.3	Zhubný nádor vývodu podžalúdkovej žľazy	1,2,3,4	1,2,4
C14.2	Zhubný nádor Waldeyerovho lymfatického okruhu	4	4	C25.4	Zhubný nádor endokrínnej časti podžalúdkovej žľazy	1,2,3,4	1,2,4
C14.8	Zhub. nádor pery, ústnej dutiny a hltana presah. viac.obl.	4	4	C25.7	Zhubný nádor iných častí podžalúdkovej žľazy	1,2,3,4	1,2,4
C15.0	Zhubný nádor krčnej časti pažeráka	1,2,3,4	1,2,4	C25.8	Zhubný nádor podžalúdkovej žľazy presah. viac.obl.	1,2,3,4	1,2,4
C15.1	Zhubný nádor hrudníkovej časti pažeráka	1,2,3,4	1,2,4	C25.9	Zhubný nádor podžalúdkovej žľazy, bližšie neurčený	1,2,3,4	1,2,4
C15.2	Zhubný nádor brušnej časti pažeráka	1,2,3,4	1,2,4	C26.0	Zhubný nádor bliž. neurč. časti črevného traktu	4	4
C15.3	Zhubný nádor hornej tretiny pažeráka	1,2,3,4	1,2,4	C26.1	Zhubný nádor sleziny	4	4
C15.4	Zhubný nádor strednej tretiny pažeráka	1,2,3,4	1,2,4	C26.8	Zhubný nádor tráviacej sústavy presah. viac.obl.	1,2,3,4	1,2,4
C15.5	Zhubný nádor dolnej tretiny pažeráka	1,2,3,4	1,2,4	C26.9	Zhubný nádor na nepresne určenom mieste tráviacej súst.	4	4
C15.8	Zhubný nádor pažeráka presahujúci viaceré oblasti	1,2,3,4	1,2,4	C30.0	Zhubný nádor nosovej dutiny	4	4
C15.9	Zhubný nádor pažeráka, bližšie neurčený	1,2,3,4	1,2,4	C30.1	Zhubný nádor stredného ucha	4	4
C16.0	Zhubný nádor kardie	1,2,3,4	1,2,4	C31.0	Zhubný nádor čelustnej dutiny	4	4
C16.1	Zhubný nádor fundu žalúdka	1,2,3,4	1,2,4	C31.1	Zhubný nádor čuchovej dutiny	4	4
C16.2	Zhubný nádor tela žalúdka	1,2,3,4	1,2,4	C31.2	Zhubný nádor čelovej dutiny	4	4
C16.3	Zhubný nádor antra pyloru	1,2,3,4	1,2,4	C31.3	Zhubný nádor dutiny klínovej kosti	4	4
C16.4	Zhubný nádor pyloru	1,2,3,4	1,2,4	C31.8	Zhubný nádor prinosovej dutiny presah. viac.obl.	4	4
C16.5	Zhub. nádor malej kurvatúry žalúdka, bliž. neurč.	1,2,3,4	1,2,4	C31.9	Zhubný nádor bližšie neurčenej prinosovej dutiny	4	4
C16.6	Zhub. nádor veľkej kurvatúry žalúdka, bliž. neurč.	1,2,3,4	1,2,4	C32.0	Zhubný nádor glottis	4	4
C16.8	Zhubný nádor žalúdka presahujúci viaceré oblasti	1,2,3,4	1,2,4	C32.1	Zhubný nádor supraglottis	4	4
C16.9	Zhubný nádor žalúdka, bližšie neurčený	1,2,3,4	1,2,4	C32.2	Zhubný nádor subglottis	4	4
C17.0	Zhubný nádor dvanástnika	1,2,3,4	1,2,4	C32.3	Zhubný nádor hrtanovej chrupky	4	4
C17.1	Zhubný nádor jejúna	1,2,3,4	1,2,4	C32.8	Zhubný nádor hrtana presahujúci viaceré oblasti	4	4
C17.2	Zhubný nádor ilea	1,2,3,4	1,2,4	C32.9	Zhubný nádor hrtana, bližšie neurčený	4	4
C17.3	Zhubný nádor Meckelovho divertikula	1,2,3,4	1,2,4	C33	Zhubný nádor priedušnice	1,2,3,4	1,2,4
C17.8	Zhubný nádor tenkého čreva presah. viac.obl.	1,2,3,4	1,2,4	C34.0	Zhubný nádor hlavnej priedušky	1,2,3,4	1,2,4
C17.9	Zhubný nádor tenkého čreva, bližšie neurčený	1,2,3,4	1,2,4	C34.1	Zhubný nádor priedušky alebo pľúc v hornom laloku	1,2,3,4	1,2,4
C18.0	Zhubný nádor slepého čreva	1,2,3,4	1,2,4	C34.2	Zhubný nádor priedušky alebo pľúc v strednom laloku	1,2,3,4	1,2,4
C18.1	Zhubný nádor červovitého prívesku slepého čreva	1,2,3,4	1,2,4	C34.3	Zhubný nádor priedušky alebo pľúc v dolnom laloku	1,2,3,4	1,2,4
C18.2	Zhubný nádor vzostupnej časti hrubého čreva	1,2,3,4	1,2,4	C34.8	Zhubný nádor priedušky alebo pľúc, presah. viac.obl.	1,2,3,4	1,2,4
C18.3	Zhubný nádor pečeňového ohybu hrubého čreva	1,2,3,4	1,2,4	C34.9	Zhubný nádor priedušky alebo pľúc, bližšie neurčený	1,2,3,4	1,2,4
C18.4	Zhubný nádor priečnej časti hrubého čreva	1,2,3,4	1,2,4	C37	Zhubný nádor týmusu	1,2,3,4	1,2,4
C18.5	Zhubný nádor slezinového ohybu hrubého čreva	1,2,3,4	1,2,4	C38.0	Zhubný nádor srdca	1,2,3,4	1,2,4
C18.6	Zhubný nádor zostupnej časti hrubého čreva	1,2,3,4	1,2,4	C38.1	Zhubný nádor predného mediastína	1,2,3,4	1,2,4
C18.7	Zhubný nádor esovitej časti hrubého čreva	1,2,3,4	1,2,4	C38.2	Zhubný nádor zadného mediastína	1,2,3,4	1,2,4
C18.8	Zhubný nádor hrubého čreva presah. viac.obl.	1,2,3,4	1,2,4				
C18.9	Zhubný nádor hrubého čreva, bližšie neurčený	1,2,3,4	1,2,4				
C19	Zhubný nádor rektosigmoidového spojenia hrubého čreva	1,2,3,4	1,2,4				
C20	Zhubný nádor konečníka	1,2,3,4	1,2,4				
C21.0	Zhubný nádor anusu, bližšie neurčený	1,2,3,4	1,2,4				

ICD	Text	OP. CCL	Med. CCL	ICD	Text	OP. CCL	Med. CCL
C38.3	Zhubný nádor bližšie neurčenej časti mediastína	1,2,3,4	1,2,4	C44.8	Zhubný nádor kože presahujúci viaceré oblasti	4	4
C38.4	Zhubný nádor pohrudnice	1,2,3,4	1,2,4	C44.9	Zhubný nádor kože, bližšie neurčený	4	4
C38.8	Zhubný nádor srdca, mediastína a pohrudnice presah. viac. obl.	1,2,3,4	1,2,4	C45.0	Mezotelióm pohrudnice	1,2,3,4	1,2,4
C39.0	Zhubný nádor bliž. neurč. časti horných dýchacích ciest	4	4	C45.1	Mezotelióm pobrušnice	1,2,3,4	1,2,4
C39.8	Zhubný nádor dých. a vnútrohrud. orgánov presah. viac. obl.	4	4	C45.2	Mezotelióm osrdcovníka	1,2,3,4	1,2,4
C39.9	Zhubný nádor na nepres. urč. miestach dýchacej sústavy	4	4	C45.7	Mezotelióm na inom mieste	2,3,4	1,2,3,4
C40.0	Zhubný nádor kosti a kĺb. chrupky lopatky a dlhých kostí HK	1,2,3,4	1,2,3,4	C45.9	Mezotelióm, bližšie neurčený	2,3,4	1,2,3,4
C40.1	Zhubný nádor kosti a kĺbovej chrupky krátkych kostí HK	1,2,3,4	1,2,3,4	C46.3	Kaposiho sarkóm lymfatických uzlín	1,2,3	1,2
C40.2	Zhubný nádor kosti a kĺbovej chrupky dlhých kostí DK	1,2,3,4	1,2,3,4	C46.8	Kaposiho sarkóm viacerých orgánov	2	2
C40.3	Zhubný nádor kosti a kĺbovej chrupky krátkych kostí DK	1,2,3,4	1,2,3,4	C47.0	Zhubný nádor periférnych nervov hlavy, tváre a krku	4	4
C40.8	Zhubný nádor kosti a kĺb. chrupky končatín, presah. viac. obl.	1,2,3,4	1,2,3,4	C47.1	Zhubný nádor periférnych nervov HK vrátane pleca	4	4
C40.9	Zhubný nádor kosti a kĺbovej chrupky končatiny, bliž. neurč.	4	4	C47.2	Zhubný nádor periférnych nervov DK vrátane bedra	4	4
C41.01	Zhubný nádor kosti a kĺbovej chrupky v kraniofaciálnej obl.	1,2,3,4	1,2,3	C47.3	Zhubný nádor periférnych nervov hrudníka	4	4
C41.02	Zhubný nádor kosti a kĺbovej chrupky v maxilofaciálnej obl.	1,2,3,4	1,2,3	C47.4	Zhubný nádor periférnych nervov brucha	4	4
C41.1	Zhubný nádor kosti a kĺbovej chrupky dolnej čeluste(sánky)	1,2,3,4	1,2,3,4	C47.5	Zhubný nádor periférnych nervov panvy	4	4
C41.2	Zhubný nádor kosti a kĺbovej chrupky chrbtice	1,2,3,4	1,2,3,4	C47.6	Zhubný nádor periférnych nervov trupu, bliž. neurč.	4	4
C41.30	Zhubný nádor kosti a kĺbovej chrupky rebra	1,2,3,4	1,2,3,4	C47.8	Zhub. nádor perifér. nerv. a autonóm. nerv. súst. presah. viac. obl.	4	4
C41.31	Zhubný nádor kosti a kĺbovej chrupky hrudnej kosti	1,2,3,4	1,2,3,4	C47.9	Zhubný nádor perifér. nervov a autonóm. nerv. súst., bliž. neurč.	4	4
C41.32	Zhubný nádor kosti a kĺbovej chrupky kľúčnej kosti	1,2,3,4	1,2,3,4	C48.0	Zhubný nádor retroperitonea	4	4
C41.4	Zhubný nádor kosti a kĺbovej chrupky panvovej kosti	1,2,3,4	1,2,3,4	C48.1	Zhubný nádor pobrušnice, bližšie určenej časti	4	4
C41.8	Zhubný nádor kosti a kĺbovej chrupky presah. viac. obl.	1,2,3,4	1,2,3,4	C48.2	Zhubný nádor pobrušnice, bližšie neurčenej časti	4	4
C41.9	Zhubný nádor kosti a kĺbovej chrupky, bliž. neurč.	4	4	C48.8	Zhubný nádor retroperitonea a pobrušnice presah. viac. obl.	4	4
C43.0	Maligny melanóm pery	4	4	C49.0	Zhubný nádor spojivového a mäkk. tkaniva hlavy, tváre a krku	4	4
C43.1	Maligny melanóm mihalnice vrátane očného kútika	4	4	C49.1	Zhubný nádor spojivového a mäkk. tkaniva HK vrátane pleca	4	4
C43.2	Maligny melanóm ucha a vonkajšieho zvukovodu	4	4	C49.2	Zhubný nádor spojivového a mäkk. tkaniva DK vrátane bedra	4	4
C43.3	Maligny melanóm inej a bliž. neurč. časti tváre	4	4	C49.3	Zhubný nádor spojivového a mäkkého tkaniva hrudníka	4	4
C43.4	Maligny melanóm vlasatej časti hlavy a krku	4	4	C49.4	Zhubný nádor spojivového a mäkkého tkaniva brucha	4	4
C43.5	Maligny melanóm trupu	4	4	C49.5	Zhubný nádor spojivového a mäkkého tkaniva malej panvy	4	4
C43.6	Maligny melanóm hornej končatiny vrátane pleca	4	4	C49.6	Zhubný nádor spojivového a mäkkého tkaniva trupu, bliž. neurč.	4	4
C43.7	Maligny melanóm dolnej končatiny vrátane bedra	4	4	C49.8	Zhub. nádor spojiv. a mäkk. tkan., presah. viac. obl.	4	4
C43.8	Maligny melanóm presahujúci viaceré oblasti	4	4	C49.9	Zhub. nádor spojiv. a mäkk. tkan., b. n.	4	4
C43.9	Maligny melanóm kože, bližšie neurčený	4	4	C50.0	Zhubný nádor prsníkovej bradavky a dvorčeka	2,3,4	2,4
C44.0	Iný zhubný nádor kože pery	4	4	C50.1	Zhubný nádor strednej časti prsníka	4	4
C44.1	Iný zhubný nádor kože mihalnice vrátane očného kútika	4	4	C50.2	Zhubný nádor horného vnútorného kvadrantu prsníka	4	4
C44.2	Iný zhubný nádor kože ucha a vonkajšieho zvukovodu	4	4	C50.3	Zhubný nádor dolného vnútorného kvadrantu prsníka	4	4
C44.3	Iný zhubný nádor kože iných a bliž. neurč. časti tváre	4	4	C50.4	Zhubný nádor horného vonkajšieho kvadrantu prsníka	4	4
C44.4	Iný zhubný nádor kože vlasatej časti hlavy a krku	4	4	C50.5	Zhubný nádor dolného vonkajšieho kvadrantu prsníka	4	4
C44.5	Iný zhubný nádor kože trupu	4	4	C50.6	Zhubný nádor axilárnej časti prsníka	4	4
C44.6	Zhubný nádor kože hornej končatiny vrátane pleca	4	4	C50.8	Zhubný nádor prsníka presahujúci viaceré oblasti	4	4
C44.7	Zhubný nádor kože dolnej končatiny vrátane bedra	4	4	C50.9	Zhubný nádor prsníka, bližšie neurčený	4	4
				C51.0	Zhubný nádor veľkého pysku	4	4
				C51.1	Zhubný nádor malého pysku	4	4
				C51.2	Zhubný nádor klitoris	4	4
				C51.8	Zhubný nádor vulvy presahujúci viaceré oblasti	4	4
				C51.9	Zhubný nádor vulvy, bližšie neurčený	4	4

ICD	Text	OP. CCL	Med. CCL	ICD	Text	OP. CCL	Med. CCL
C52	Zhubný nádor pošvy	4	4	C68.9	Zhubný nádor bližšie neurčených močových orgánov	4	4
C53.0	Zhubný nádor endocervixu maternice	4	4	C69.0	Zhubný nádor spojovky	4	4
C53.1	Zhubný nádor exocervixu maternice	4	4	C69.1	Zhubný nádor rohovky	4	4
C53.8	Zhubný nádor krčka maternice presah.viac.obl.	4	4	C69.2	Zhubný nádor sietnice	4	4
C53.9	Zhubný nádor krčka maternice, bližšie neurčený	4	4	C69.3	Zhubný nádor cievovky	4	4
C54.0	Zhubný nádor istmu maternice	4	4	C69.4	Zhubný nádor vráskovca	4	4
C54.1	Zhubný nádor endometria	4	4	C69.5	Zhubný nádor sliznej žľazy a nosovoslzného kanála	4	4
C54.2	Zhubný nádor myometria	4	4	C69.6	Zhubný nádor očnice	4	4
C54.3	Zhubný nádor dna maternice	4	4	C69.8	Zhub.nádor oka a očných adnexov presah.viac.obl.	4	4
C54.8	Zhub.nádor tela maternice presah.viac.obl.	4	4	C69.9	Zhubný nádor oka, bližšie neurčený	4	4
C54.9	Zhubný nádor tela maternice, bližšie neurčený	4	4	C70.0	Zhubný nádor mozgovomiechových obalov: mozog	1,2,3,4	1,2,3,4
C55	Zhubný nádor bližšie neurčenej časti maternice	4	4	C70.1	Zhubný nádor mozgovomiechových obalov: miecha	1,2,3,4	1,2,3,4
C56	Zhubný nádor vaječníka	4	4	C70.9	Zhubný nádor mozgovomiechových obalov, bližšie neurčený	1,2,3,4	1,2,3,4
C57.0	Zhubný nádor vajíčkovodu	4	4	C71.0	Zhubný nádor mozgu okrem lalokov a komôr	1,2,3,4	1,2,3,4
C57.1	Zhubný nádor širokého väzu maternice	4	4	C71.1	Zhubný nádor čelového laloka mozgu	1,2,3,4	1,2,3,4
C57.2	Zhubný nádor oblého väzu maternice	4	4	C71.2	Zhubný nádor spánkového laloka mozgu	1,2,3,4	1,2,3,4
C57.3	Zhubný nádor parametria	4	4	C71.3	Zhubný nádor temenného laloka mozgu	1,2,3,4	1,2,3,4
C57.4	Zhubný nádor adnexov maternice, bližšie neurčený	4	4	C71.4	Zhubný nádor záhlavového laloka mozgu	1,2,3,4	1,2,3,4
C57.7	Zhubný nádor iných ženských pohlavných orgánov, bliž. urč.	4	4	C71.5	Zhubný nádor mozgovej komory mozgu	1,2,3,4	1,2,3,4
C57.8	Zhubný nádor ženských pohlavných orgánov, presah.viac.obl.	4	4	C71.6	Zhubný nádor mozočka	1,2,3,4	1,2,3,4
C57.9	Zhubný nádor ženského pohlavného orgánu, bliž. neurč.	4	4	C71.7	Zhubný nádor mozgového kmeňa	1,2,3,4	1,2,3,4
C60.0	Zhubný nádor predkožky penisu	4	4	C71.8	Zhubný nádor mozgu presahujúci viaceré oblasti	1,2,3,4	1,2,3,4
C60.1	Zhubný nádor žalúda penisu	4	4	C71.9	Zhubný nádor mozgu, bližšie neurčený	1,2,3,4	1,2,3,4
C60.2	Zhubný nádor tela penisu	4	4	C72.0	Zhubný nádor miechy	1,2,3,4	1,2,3,4
C60.8	Zhubný nádor penisu presahujúci viaceré oblasti	4	4	C72.1	Zhubný nádor cauda equina	1,2,3,4	1,2,3,4
C60.9	Zhubný nádor penisu, bližšie neurčený	4	4	C72.2	Zhubný nádor čuchového nervu[nn.olfactorii]	1,2,3,4	1,2,3,4
C62.0	Zhubný nádor nezostúpeného semenníka	4	4	C72.3	Zhubný nádor zrakového nervu[n.opticus]	1,2,3,4	1,2,3,4
C62.1	Zhubný nádor zostúpeného semenníka	4	4	C72.4	Zhubný nádor sluchového nervu	1,2,3,4	1,2,3,4
C62.9	Zhubný nádor semenníka, bližšie neurčený	4	4	C72.5	Zhubný nádor iných a bliž. neurč. hlavových nervov	1,2,3,4	1,2,3,4
C63.0	Zhubný nádor nadsemenníka	4	4	C72.8	Zhubný nádor, lézia presahujúca mozog a iné časti CNS	1,2,3,4	1,2,3,4
C63.1	Zhubný nádor semenného povrazca	4	4	C72.9	Zhubný nádor centrálnej nervovej sústavy, bližšie neurčený	4	4
C63.2	Zhubný nádor mieška	4	4	C73	Zhubný nádor štítnej žľazy	4	4
C63.7	Zhubný nádor iných mužských pohlavných orgánov, bliž. urč.	4	4	C74.0	Zhubný nádor kôry nadobličky	4	4
C63.8	Zhubný nádor mužských pohlavných orgánov presah.viac.obl.	4	4	C74.1	Zhubný nádor drene nadobličky	4	4
C63.9	Zhubný nádor mužského pohlavného orgánu, bliž. neurč.	4	4	C74.9	Zhubný nádor nadobličky, bližšie neurčený	4	4
C64	Zhubný nádor obličky okrem obličkovej panvičky	2,4	2,4	C75.0	Zhubný nádor prištítnej žľazy	4	4
C65	Zhubný nádor obličkovej panvičky	2,4	2,4	C75.1	Zhubný nádor podmozgovej žľazy	4	4
C66	Zhubný nádor močovodu	2,4	2,4	C75.2	Zhubný nádor kraniofaryngového vývodu	4	4
C67.0	Zhubný nádor trigonum močového mechúra	4	4	C75.3	Zhubný nádor epifýzy	4	4
C67.1	Zhubný nádor klenby močového mechúra	4	4	C75.4	Zhubný nádor glomus caroticum	4	4
C67.2	Zhubný nádor bočnej steny močového mechúra	4	4	C75.5	Zhubný nádor glomus aorticum a iných paraganglií	4	4
C67.3	Zhubný nádor prednej steny močového mechúra	4	4	C75.8	Zhubný nádor s postih.viacerých žliaz, bliž. neurč.	4	4
C67.4	Zhubný nádor zadnej steny močového mechúra	4	4	C75.9	Zhubný nádor žliaz s vnútorným vylučovaním, bliž. neurč.	4	4
C67.5	Zhubný nádor krčka močového mechúra	4	4	C76.0	Zhubný nádor na i.a nepres.urč.miestach hlavy, tváre a krku	4	4
C67.6	Zhubný nádor ústia močovodu	4	4	C76.1	Zhubný nádor na iných a nepres.urč.miestach hrudníka	4	4
C67.7	Zhubný nádor urachu	4	4	C76.2	Zhubný nádor na iných a nepres.urč.miestach brucha	4	4
C67.8	Zhubný nádor močového mechúra, presah.viac.obl.	4	4	C76.3	Zhubný nádor na iných a nepres.urč.miestach panvy	4	4
C67.9	Zhubný nádor močového mechúra, bližšie neurčený	4	4	C76.4	Zhubný nádor na iných a nepres.urč.miestach HK	4	4
C68.0	Zhubný nádor močovej rúry	4	4	C76.5	Zhubný nádor na iných a nepres.urč.miestach DK	4	4
C68.1	Zhubný nádor parauretrálnej žľazy	4	4				
C68.8	Zhubný nádor močových orgánov presah.viac.obl.	4	4				

ICD	Text	OP. CCL	Med. CCL	ICD	Text	OP. CCL	Med. CCL
C76.7	Zhubný nádor na iných a nepresne určených miestach	4	4	C81.9	Hodgkinov lymfóm, bližšie neurčený	1,2,3,4	1,2,4
C76.8	Zhubný nádor na iných a nepres. urč. miestach, presah. viac. obl.	4	4	C82.0	Folikulový lymfóm, štádium I	1,2,3,4	1,2,4
C77.0	Sekundár. a bliž. neu. zhub. nádor lymf. uzliny hlavy, tváre a krku	1,2,3,4	1,2,3,4	C82.1	Folikulový lymfóm, štádium II	1,2,3,4	1,2,4
C77.1	Sekundárny a bliž. neu. zhub. nádor vnútrohrud. lymf. uzliny	1,2,4	1,2,4	C82.2	Folikulový lymfóm, štádium III, bližšie neurčený	1,2,3,4	1,2,4
C77.2	Sekundárny a bliž. neu. zhub. nádor vnútrobruš. lymf. uzliny	1,2,4	1,2,4	C82.3	Folikulový lymfóm, štádium IIIa	1,2,3,4	1,2,4
C77.3	Sekundárny a bliž. neu. zhub. nádor lymf. uzliny pazuchy a HK	1,2,4	1,2,4	C82.4	Folikulový lymfóm, štádium IIIb	1,2,3,4	1,2,4
C77.4	Sekundárny a bliž. neu. zhub. nádor lymf. uzliny slabiny a DK	1,2,4	1,2,4	C82.5	Difúzny lymfóm folikulového centra	1,2,3,4	1,2,4
C77.5	Sekundárny a bliž. neu. zhub. nádor vnútropanv. lymf. uzliny	1,2,4	1,2,4	C82.6	Kožný lymfóm folikulového centra	1,2,3,4	1,2,4
C77.8	Sekundárny a bliž. neu. zhub. nádor lymf. uzliny viac. obl.	1,2,4	1,2,4	C82.7	Iný typ folikulového lymfómu	1,2,3,4	1,2,4
C77.9	Sekundárny a bliž. neu. zhub. nádor bliž. neurč. lymf. uzlín	1,2,4	1,2,4	C82.9	Folikulový lymfóm, bližšie neurčený	1,2,3,4	1,2,4
C78.0	Sekundárny zhubný nádor pľúc	2,3,4	1,2,3,4	C83.0	Malobunkový lymfóm z B-buniek	1,2,3,4	1,2,4
C78.1	Sekundárny zhubný nádor mediastína	2,3,4	1,2,3,4	C83.1	Lymfóm z plášťových buniek	1,2,3,4	1,2,4
C78.2	Sekundárny zhubný nádor pohrudnice	1,2,3,4	1,2,3,4	C83.3	Difúzny veľkobunkový lymfóm z B-buniek	1,2,3,4	1,2,4
C78.3	Sekundárny zhubný nádor iných a bliž. neurč. dýchacích orgánov	1,2,3,4	1,2,4	C83.5	Lymfoblastový lymfóm	1,2,3,4	1,2,4
C78.4	Sekundárny zhubný nádor tenkého čreva	1,2,3,4	1,2,4	C83.7	Burkittov lymfóm	1,2,3,4	1,2,4
C78.5	Sekundárny zhubný nádor hrubého čreva a konečníka	1,2,3,4	1,2,4	C83.8	Iný nefolikulový lymfóm	1,2,3,4	1,2,4
C78.6	Sekundárny zhubný nádor retroperitonea a pobrušnice	1,2,3,4	1,2,4	C83.9	Nefolikulový lymfóm, bližšie neurčený	1,2,3,4	1,2,4
C78.7	Sekundárny zhubný nádor pečene a vnútropečeň. žlč. vodovodov	1,2,3,4	1,2,4	C84.0	Mycosis fungoides	1,2,3,4	1,2,4
C78.8	Sekundárny zhubný nádor i. a bliž. neurč. tráviacich orgánov	1,2,3,4	1,2,4	C84.1	Sézaryho choroba	1,2,3,4	1,2,4
C79.0	Sekundárny zhubný nádor obličky a obličkovej panvičky	1,2,3,4	1,2,3,4	C84.4	Periférny lymfóm z T-buniek, nezatriedený	1,2,3,4	1,2,4
C79.1	Sekundárny zhubný nádor moč. mechúra a i. a b. neurč. moč. org.	1,2,3,4	1,2,4	C84.5	Iný lymfóm zo zreých T/NK-buniek	1,2,3,4	1,2,4
C79.2	Sekundárny zhubný nádor kože	2,3,4	2,4	C84.6	Anaplastický veľkobunkový lymfóm, ALK- pozitívny	1,2,3,4	1,2,4
C79.3	Sekundárny zhubný nádor mozgu a mozgových plien	1,2,3,4	1,2,4	C84.7	Anaplastický veľkobunkový lymfóm, ALK- negatívny	1,2,3,4	1,2,4
C79.4	Sekundárny zhubný nádor i. a bliž. neu. častí nervov. súst.	1,2,3,4	1,2,4	C84.8	Kožný lymfóm z T-buniek, bližšie neurčený	1,2,3,4	1,2,4
C79.5	Sekundárny zhubný nádor kosti a kostnej drene	1,2,3,4	1,2,3,4	C84.9	Lymfóm zo zreých T/NK-buniek, bližšie neurčený	1,2,3,4	1,2,4
C79.6	Sekundárny zhubný nádor vaječníka	3,4	3,4	C85.1	Lymfóm z B-buniek, bližšie neurčený	1,2,3,4	1,2,4
C79.7	Sekundárny zhubný nádor nadobličky	1,2,3,4	1,2,3,4	C85.2	Mediastinálny (týmusový) veľkobunkový lymfóm z B-buniek	1,2,3,4	1,2,4
C79.81	Sekundárny zhubný nádor prsníka	2,3,4	2,4	C85.7	Iný bližšie určený typ non-Hodgkinovho lymfómu	1,2,3,4	1,2,4
C79.82	Sekundárny zhubný nádor pohlavných orgánov	3,4	3,4	C85.9	Non-Hodgkinov lymfóm, bližšie neurčený	1,2,3,4	1,2,4
C79.83	Sekundárny zhubný nádor perikardu	1,2,3,4	1,2,4	C86.0	Extranodálny lymfóm z NK/T- buniek, nosový typ	1,2,3,4	1,2,4
C79.84	Iné sekundárne zhubné nádory srdca	1,2,3,4	1,2,4	C86.1	Hepatosplenický lymfóm z T-buniek	1,2,3,4	1,2,4
C79.88	Sekundárny zhubný nádor na iných bliž. urč. miestach	1,2,3,4	1,2,4	C86.2	Enteropatický (intestinálny) lymfóm z T-buniek	1,2,3,4	1,2,4
C79.9	Sekundárny zhubný nádor bez bliž. urč. miesta	1,2,3,4	1,2	C86.3	Podkožný panikulitída podobný lymfóm z T-buniek	1,2,3,4	1,2,4
C80.0	Zhubný nádor, bliž. neznámej primárnej lokalizácie, tak označený	1,2,3,4	1,2	C86.4	Blastový lymfóm z NK-buniek	1,2,3,4	1,2,4
C80.9	Zhubný nádor, bližšie neurčenej primárnej lokalizácie	1,2,3,4	1,2	C86.5	Angioimunoblastový lymfóm z T-buniek	1,2,3,4	1,2,4
C81.0	Nodulárny Hodgkinov lymfóm s prevahou lymfocytov	1,2,3,4	1,2,4	C86.6	Primárna kožná CD30-pozitívna lymfoprolif. chor. z T-buniek	1,2,3,4	1,2,4
C81.1	Klasický Hodgkinov lymfóm s nodulárnou sklerózou	1,2,3,4	1,2,4	C88.00	Waldenströmova makroglobulinémia, bez komplet. remisie	1,2,3,4	1,2,4
C81.2	Klasický Hodgkinov lymfóm so zmiešanou celularitou	1,2,3,4	1,2,4	C88.01	Waldenströmova makroglobulinémia, v komplet. remisie	1,2,3,4	1,2,4
C81.3	Klasický Hodgkinov lymfóm chudobný na lymfocyty	1,2,3,4	1,2,4	C88.20	Iná choroba ťažkých reťazcov, bez komplet. rem.	4	4
C81.4	Klasický Hodgkinov lymfóm bohatý na lymfocyty	1,2,3,4	1,2,4	C88.21	Iná choroba ťažkých reťazcov, v kompletnej remisii	4	4
C81.7	Iný klasický Hodgkinov lymfóm	1,2,3,4	1,2,4	C88.30	Imunoproliferatívna choroba tenkého čreva, bez komplet. rem.	1,2,3,4	1,2,4
				C88.31	Imunoproliferatívna choroba tenkého čreva, v komplet. remisii	1,2,3,4	1,2,4
				C88.40	Extranod. lymf. z B-bun. marginál. zóny lymf. tka. sliz. bez kompl. r.	1,2,3,4	1,2,4
				C88.41	Extranod. lymf. z B-bun. marginál. zóny lymf. tka. sliz., v kompl. r.	1,2,3,4	1,2,4
				C88.70	Iná zhubná imunoproliferatívna choroba, bez komplet. rem.	1,2,3,4	1,2,4
				C88.71	Iná zhubná imunoproliferatívna choroba, v komplet. rem.	1,2,3,4	1,2,4
				C88.90	Zhubná imunoproliferatívna choroba, bliž. neurč., bez kompl. rem.	1,2,3,4	1,2,4
				C88.91	Zhubná imunoproliferatívna choroba, bliž. neurč., v kompl. rem.	1,2,3,4	1,2,4

ICD	Text	OP. CCL	Med. CCL	ICD	Text	OP. CCL	Med. CCL
C90.00	Mnohopočetný myelóm,bez kompletnej remisie	1,2,3,4	1,2,4	C92.60	Akútna myeloická leukémia s 11q23 abnormal.,bez komplet.rem.	1,2,3,4	1,2,3,4
C90.01	Mnohopočetný myelóm,v kompletnej remisii	1,2,3,4	1,2,4	C92.61	Akútna myeloická leukémia s 11q23 abnormal.,v komplet.rem.	1,2,3,4	1,2,3,4
C90.10	Plazmocytová leukémia,bez kompletnej remisie	1,2,3,4	1,2,4	C92.70	Iná myeloická leukémia,bez kompletnej remisie	1,2,3,4	1,2,4
C90.11	Plazmocytová leukémia,v kompletnej remisii	1,2,3,4	1,2,4	C92.71	Iná myeloická leukémia,v kompletnej remisii	1,2,3,4	1,2,4
C90.20	Extramedulárny plazmocytóm,bez kompletnej remisie	1,2,3,4	1,2,4	C92.80	Akútna myeloická leukém.s multilinéár.dyspl.,bez komplet.rem.	1,2,3,4	1,2,3,4
C90.21	Extramedulárny plazmocytóm,v kompletnej remisii	1,2,3,4	1,2,4	C92.81	Akútna myeloická leukém.s multilinéár.dyspl.,v komplet.rem.	1,2,3,4	1,2,3,4
C90.30	Solitárny plazmocytóm,bez kompletnej remisie	1,2,3,4	1,2,4	C92.90	Myeloická leukémia bliž.neurč.,bez kompl.remisie	1,2,3,4	1,2,4
C90.31	Solitárny plazmocytóm,v kompletnej remisii	1,2,3,4	1,2,4	C92.91	Myeloická leukémia bliž.neurč.,v kompl.remisii	1,2,3,4	1,2,4
C91.00	Akútna lymfoblastová leukémia,bez komplet.remisie	1,2,3,4	1,2,3,4	C93.00	Akút.monoblastová/monocytová leukémia,bez komplet.remisie	1,2,3,4	1,2,3,4
C91.01	Akútna lymfoblastová leukémia,v kompl.remisii	1,2,3,4	1,2,3,4	C93.01	Akút.monoblastová/monocytová leukémia,v kompl.rem.	1,2,3,4	1,2,3,4
C91.10	Chronická lymfatická leukémia,bez komplet.remisie	1,2,3,4	1,2,4	C93.10	Chronická myelomonocytová leukémia bez.komplet.remisie	1,2,3,4	1,2,4
C91.11	Chronická lymfatická leukémia,v kompletnej remisii	1,2,3,4	1,2,4	C93.11	Chronická myelomonocytová leukémia,v kompl.rem.	1,2,3,4	1,2,4
C91.30	Prolymfocytová leukémia z B-buniek,bez komplet.remisie	1,2,3,4	1,2,4	C93.30	Juvenilná myelomonocytová leukémia,bez kompl.rem.	1,2,3,4	1,2,4
C91.31	Prolymfocytová leukémia z B-buniek,v kompl.remisii	1,2,3,4	1,2,4	C93.31	Juvenilná myelomonocytová leukémia,v kompl.rem.	1,2,3,4	1,2,4
C91.40	Vlasatobunková leukémia,bez kompletnej remisie	1,2,3,4	1,2,4	C93.70	Iná monocytová leukémia,bez kompletnej remisie	1,2,3,4	1,2,4
C91.41	Vlasatobunková leukémia,v kompletnej remisii	1,2,3,4	1,2,4	C93.71	Iná monocytová leukémia,v kompletnej remisii	1,2,3,4	1,2,4
C91.50	Leukém./lymf.z dos.T-buniek spoj.s infek.HTLV-1,b.kompl.rem.	1,2,3,4	1,2,4	C93.90	Monocytová leukémia,bliž.neurč.,bez kompl.rem.	1,2,3,4	1,2,4
C91.51	Leukém./lymf.z dos.T-buniek spoj.s infek.HTLV-1,v kompl.rem.	1,2,3,4	1,2,4	C93.91	Monocytová leukémia,bliž.neurč.,v kompl.rem.	1,2,3,4	1,2,4
C91.60	Prolymfocytová leukémia z T-buniek,bez kompl.rem.	1,2,3,4	1,2,4	C94.00	Akútna erytroleukémia,bez kompletnej remisie	1,2,3,4	1,2,3,4
C91.61	Prolymfocytová leukémia z T-buniek,v kompl.rem.	1,2,3,4	1,2,4	C94.01	Akútna erytroleukémia,v kompletnej remisii	1,2,3,4	1,2,3,4
C91.70	Iná lymfatická leukémia,bez kompletnej remisie	1,2,3,4	1,2,4	C94.20	Akútna megakaryoblastová leukémia,bez kompl.rem.	1,2,3,4	1,2,4
C91.71	Iná lymfatická leukémia,v kompletnej remisii	1,2,3,4	1,2,4	C94.21	Akútna megakaryoblastová leukémia,v kompl.rem.	1,2,3,4	1,2,4
C91.80	Leukémia zo zreých B-buniek Burkittovho typu,bez kompl.rem.	1,2,3,4	1,2,3,4	C94.30	Mastocytová leukémia,bez kompletnej remisie	1,2,3,4	1,2,4
C91.81	Leukémia zo zreých B-buniek Burkittovho typu,v kompl.rem.	1,2,3,4	1,2,3,4	C94.31	Mastocytová leukémia,v kompletnej remisii	1,2,3,4	1,2,4
C91.90	Lymfatická leukémia,bliž.neurč.,bez kompl.rem.	1,2,3,4	1,2,4	C94.40	Akút.panmyelóza s myelofibrózou,bez kompl.rem.	1,2,3,4	1,2,4
C91.91	Lymfatická leukémia,bliž.neurč.,v kompl.rem.	1,2,3,4	1,2,4	C94.41	Akút.panmyelóza s myelofibrózou,v kompl.rem.	1,2,3,4	1,2,4
C92.00	Akútna myeloblastová leukémia (AML),bez kompl.rem.	1,2,3,4	1,2,3,4	C94.60	Myelodyspl.a myeloprolif.choroba.,bez kompl.rem.,i.n.	4	4
C92.01	Akútna myeloblastová leukémia (AML),v kompl.rem.	1,2,3,4	1,2,3,4	C94.61	Myelodyspl.a myeloprolif.choroba.,v kompl.rem.,inde.nezat.	4	4
C92.10	Chronická myeloická leukémia BCR/ABL-pozit.,b.komplet.rem.	1,2,3,4	1,2,4	C94.70	Iná bližšie určená leukémia,bez kompletnej remisie	1,2,3,4	1,2,4
C92.11	Chronická myeloická leukémia BCR/ABL-pozit.,v komplet.rem.	1,2,3,4	1,2,4	C94.71	Iná bližšie určená leukémia,v kompletnej remisii	1,2,3,4	1,2,4
C92.20	Atypická chron.myeloická leuk.,BCR/ABL-neg.,b.komplet.rem.	1,2,3,4	1,2,4	C95.00	Akútna leukémia bliž.neurč.bunkového typu,bez kompl.rem.	1,2,3,4	1,2,3,4
C92.21	Atypická chron.myeloická leuk. BCR/ABL-neg.,v komplet.rem.	1,2,3,4	1,2,4	C95.01	Akútna leukémia bliž.neurč.bunkového typu,v kompl.rem.	1,2,3,4	1,2,3,4
C92.30	Myelosarkóm,bez kompletnej remisie	1,2,3,4	1,2,4	C95.10	Chronická leukémia bliž.neurč.bunkového typu,bez kompl.rem.	1,2,3	1,2
C92.31	Myelosarkóm,v kompletnej remisii	1,2,3,4	1,2,4	C95.11	Chronická leukémia bliž.neurč.bunkového typu,v kompl.rem.	1,2,3	1,2
C92.40	Akútna promyelocytová leukémia,bez kompl.rem.	1,2,3,4	1,2,3,4	C95.70	Iná leukémia bliž.neurč.bunkového typu,bez kompl.rem.	1,2,3,4	1,2,4
C92.41	Akútna promyelocytová leukémia,v kompl.rem.	1,2,3,4	1,2,3,4	C95.71	Iná leukémia bliž.neurč.bunkového typu,v kompl.rem.	1,2,3,4	1,2,4
C92.50	Akútna myelomonocytová leukémia,b.komplet.rem.	1,2,3,4	1,2,3,4	C95.90	Leukémia,bližšie neurčená,bez kompletnej remisie	1,2,3,4	1,2,4
C92.51	Akútna myelomonocytová leukémia,v kompl.rem.	1,2,3,4	1,2,3,4				

ICD	Text	OP. CCL	Med. CCL	ICD	Text	OP. CCL	Med. CCL
C95.91	Leukémia, bližšie neurčená, v kompletnej remisii	1,2,3,4	1,2,4	D16.2	Nezhubný nádor dlhých kostí DK	4	4
C96.0	Multifokálna a multisyst. histiocytóza z Langerhansových bun.	1,2,3,4	1,2,4	D16.3	Nezhubný nádor krátkych kostí DK	4	4
C96.2	Zhubný mastocytový nádor	1,2,3,4	1,2,4	D16.41	Nezhubný nádor kosti a klb. chrupky, kraniofaciálna obl.	4	4
C96.4	Sarkóm z dendritických buniek (akcesórnych buniek)	1,2,3,4	1,2,4	D16.42	Nezhubný nádor kosti a klb. chrupky, maxilofaciálna obl.	4	4
C96.7	Iný bliž. ur. zhub. nád. lymf., hematopoetic. a príbuz. tkan.	1,2,3,4	1,2,4	D16.5	Nezhubný nádor kostí dolnej čeľuste	4	4
C96.8	Histiocytový sarkóm	1,2,3,4	1,2,4	D16.6	Nezhubný nádor chrbtice	4	4
C96.9	Zhubný nádor lymf., hematopoetického a príbuz. tkan., bliž. n.	1,2,3,4	1,2,4	D16.70	Nezhubný nádor kosti a kĺbovej chrupky rebier	4	4
C97	Zhubné nádory s primárnym výskytom na roz. m.	1,2,3,4	1,2,4	D16.71	Nezhubný nádor kosti a kĺbovej chrupky hrudnej kosti	4	4
D10.0	Nezhubný nádor pery	4	4	D16.72	Nezhubný nádor kosti a kĺbovej chrupky kľúčnej kosti	4	4
D10.1	Nezhubný nádor jazyka	4	4	D16.8	Nezhubný nádor panv. kostí, križ. kosti a kostrče	4	4
D10.2	Nezhubný nádor spodiny úst	4	4	D16.9	Nezhubný nádor kosti a kĺbovej chrupky, bliž. neurč.	4	4
D10.3	Nezhubný nádor inej a bližšie neurčenej časti úst	4	4	D18.00	Hemangióm bez bližšieho určenia miesta	4	4
D10.5	Nezhubný nádor inej časti orofaryngu	4	4	D18.10	Lymfangióm - hygroma colli cysticum	4	4
D10.6	Nezhubný nádor nazofaryngu	4	4	D18.11	Lymfangióm axily	4	4
D10.7	Nezhubný nádor hypofaryngu	4	4	D18.12	Lymfangióm ingvíny	4	4
D10.9	Nezhubný nádor faryngu, bližšie neurčený	4	4	D18.13	Lymfangióm retroperitonea	4	4
D11.0	Nezhubný nádor príušnej žľazy	4	4	D18.18	Lymfangióm na inom mieste	4	4
D11.7	Nezhubný nádor inej veľkej slinnej žľazy	4	4	D18.19	Lymfangióm bez bližšieho určenia miesta	4	4
D11.9	Nezhubný nádor bliž. neurč. veľkej slinnej žľazy	4	4	D19.0	Nezhubný nádor mezotelového tkaniva pohrudnice	4	4
D12.0	Nezhubný nádor slepého čreva	4	4	D19.1	Nezhubný nádor mezotelového tkaniva pobrušnice	4	4
D12.1	Nezhubný nádor červovitého privesku slepého čreva	4	4	D19.7	Nezhubný nádor mezotelového tkaniva na inom mieste	4	4
D12.2	Nezhubný nádor vzostupnej časti hrubého čreva	4	4	D19.9	Nezhubný nádor mezotelového tkaniva, bliž. neurč.	4	4
D12.3	Nezhubný nádor priečnej časti hrubého čreva	4	4	D20.0	Nezhubný nádor retroperitonea	4	4
D12.4	Nezhubný nádor zostupnej časti hrubého čreva	4	4	D20.1	Nezhubný nádor pobrušnice	4	4
D12.5	Nezhubný nádor esovitej časti hrubého čreva	4	4	D21.0	Nezhubný nádor spojiv. a iného mäkk. tkan. hlavy, tváre a krku	4	4
D12.6	Nezhubný nádor hrubého čreva, bližšie neurčený	4	4	D21.1	Nezhubný nádor spojiv. a iného mäkk. tkan. HK vrátane pleca	4	4
D12.7	Nezhubný nádor rektosigmoidového spojenia	4	4	D21.2	Nezhubný nádor spojiv. a iného mäkk. tkan. DK vrátane bedra	4	4
D12.8	Nezhubný nádor konečníka	4	4	D21.3	Nezhubný nádor spojiv. a iného mäkk. tkaniva hrudníka	4	4
D12.9	Nezhubný nádor anusu a análneho kanála	4	4	D21.4	Nezhubný nádor spojiv. a iného mäkk. tkaniva brucha	4	4
D13.0	Nezhubný nádor pažeráka	4	4	D21.5	Nezhubný nádor spojiv. a iného mäkk. tkaniva panvy	4	4
D13.1	Nezhubný nádor žalúdka	4	4	D21.6	Nezhubný nádor spojiv. a iného mäkk. tkaniva trupu, bliž. neurč.	4	4
D13.2	Nezhubný nádor dvanástnika	4	4	D21.9	Nezhubný nádor spojiv. a iného mäkk. tkaniva, bliž. neurč.	4	4
D13.3	Nezhubný nádor iných a bliž. neurč. častí tenkého čreva	4	4	D24	Nezhubný nádor prsníka	4	4
D13.4	Nezhubný nádor pečene	4	4	D25.0	Submukózný leiomyóm maternice	4	4
D13.5	Nezhubný nádor extrahepatálnych žľazových ciest	4	4	D25.1	Intramurálny leiomyóm maternice	4	4
D13.6	Nezhubný nádor podžalúdkovej žľazy	4	4	D25.2	Subserózný leiomyóm maternice	4	4
D13.7	Nezhubný nádor endokrinného pankreasu	4	4	D25.9	Leiomyóm maternice, bližšie neurčený	4	4
D13.9	Nezhubný nádor na neurčenom mieste tráviacej súst.	4	4	D26.0	Iný nezhubný nádor krčka maternice	4	4
D14.0	Nezhubný nádor stred. ucha, nos. dutiny a prinos. dutín	4	4	D26.1	Iný nezhubný nádor tela maternice	4	4
D14.1	Nezhubný nádor hrtana	4	4	D26.9	Iný nezhubný nádor maternice, bližšie neurčený	4	4
D14.2	Nezhubný nádor priedušnice	4	4	D27	Nezhubný nádor vaječníka	4	4
D14.3	Nezhubný nádor priedušky a pľúc	4	4	D28.0	Nezhubný nádor vulvy	4	4
D14.4	Nezhubný nádor dýchacej sústavy, bližšie neurčený	4	4	D28.1	Nezhubný nádor pošvy	4	4
D15.0	Nezhubný nádor týmusu	4	4	D28.2	Nezhubný nádor vajíčkovodov a väzov maternice	4	4
D15.1	Nezhubný nádor srdca	4	4	D28.7	Nezhubný nádor iných bliž. urč. ženských pohlav. org.	4	4
D15.2	Nezhubný nádor mediastína	4	4	D28.9	Nezhubný nádor bliž. neurč. ženských pohlav. org.	4	4
D15.7	Nezhubný nádor iných určených vnútrohrod. org.	4	4				
D15.9	Nezhubný nádor vnútrohrod. orgánov, bliž. neurč.	4	4				
D16.0	Nezhub. nádor lopatky a dlhých kostí HK	4	4				
D16.1	Nezhubný nádor krátkych kostí HK	4	4				

ICD	Text	OP. CCL	Med. CCL	ICD	Text	OP. CCL	Med. CCL
D29.0	Nezhubný nádor penisu	4	4	D37.4	Nádor s neurčitým/neznám.správaním:hrubé črevo	4	4
D29.1	Nezhubný nádor prostaty	4	4	D37.5	Nádor s neurčitým/neznám.správaním:konečník	4	4
D29.2	Nezhubný nádor semenníka	4	4	D37.6	Nádor s neurčitým/neznám.správaním:pečeň,žlčník,žlčové cesty	4	4
D29.3	Nezhubný nádor nadsemenníka	4	4	D37.70	Nádor s neurčitým/neznám.správaním:pankreas	4	4
D29.4	Nezhubný nádor mieška (skróta)	4	4	D37.78	Nádor s neurčitým/neznám.správaním:iný tráv.org.	4	4
D29.7	Nezhubný nádor iných mužských pohlavných orgánov	4	4	D37.9	Nádor s neurčitým/neznám.správaním:.,bliž.neurč.tráv.org.	4	4
D29.9	Nezhubný nádor bliž.neurč.mužských pohlav.org.	4	4	D38.0	Nádor s neurčitým/neznám.správaním:hrtan	4	4
D30.0	Nezhubný nádor obličky	4	4	D38.1	Nádor s neurčitým/neznám.správaním:priedušn.,prieduška,plúca	4	4
D30.1	Nezhubný nádor obličkovej panvičky	4	4	D38.2	Nádor s neurčitým/neznám.správaním:pohrudnica	4	4
D30.2	Nezhubný nádor močovodu	4	4	D38.3	Nádor s neurčitým/neznám.správaním:mediastínium	4	4
D30.3	Nezhubný nádor močového mechúra	4	4	D38.4	Nádor s neurčitým/neznám.správaním:týmus	4	4
D30.4	Nezhubný nádor močovej rúry	4	4	D38.5	Nádor s neurčitým/neznám.správaním:iný dých.org.	4	4
D30.7	Nezhubný nádor iných močových orgánov	4	4	D38.6	Nádor s neurčitým/neznám.správaním:bliž.neurč.dých.org.	4	4
D30.9	Nezhubný nádor močového orgánu,bližšie neurčeného	4	4	D39.0	Nádor s neurčitým/neznám.správaním:maternica	4	4
D31.0	Nezhubný nádor spojovky	4	4	D39.1	Nádor s neurčitým/neznám.správaním:vaječník	4	4
D31.1	Nezhubný nádor rohovky	4	4	D39.2	Nádor s neurčitým/neznám.správaním:placenta	4	4
D31.2	Nezhubný nádor sietnice	4	4	D39.7	Nádor s neurčitým/neznám.správaním:i.žen.pohl.org.	4	4
D31.3	Nezhubný nádor cievovky	4	4	D39.9	Nádor s neurčitým/neznám.správaním:bliž.neurč.žen.pohl.org.	4	4
D31.4	Nezhubný nádor vráskovca	4	4	D40.0	Nádor s neurčitým/neznám.správaním:predstojnica (prostata)	4	4
D31.5	Nezhubný nádor slznej žľazy a nosovoslného kanála	4	4	D40.1	Nádor s neurčitým/neznám.správaním:semenník	4	4
D31.6	Nezhubný nádor očnice,bližšie neurčený	4	4	D40.7	Nádor s neurčitým/neznám.správaním:i.muž.pohl.org.	4	4
D31.9	Nezhubný nádor oka,bližšie neurčený	4	4	D40.9	Nádor s neurčitým/neznám.správaním:bliž.neurč.muž.pohl.org.	4	4
D32.0	Nezhubný nádor mozgovomiechových obalov: mozog	4	4	D41.0	Nádor s neurčitým/neznám.správaním:oblička	4	4
D32.1	Nezhubný nádor mozgovomiechových obalov: miecha	4	4	D41.1	Nádor s neurčitým/neznám.správaním:obličková panvička	4	4
D32.9	Nezhubný nádor mozgovomiechových plien,bliž.neurč.	4	4	D41.2	Nádor s neurčitým/neznám.správaním:močovod	4	4
D33.0	Nezhubný nádor mozgu: supratentoriálne	4	4	D41.3	Nádor s neurčitým/neznám.správaním:močová rúra	4	4
D33.1	Nezhubný nádor mozgu: infratentoriálne	4	4	D41.4	Nádor s neurčitým/neznám.správaním:močový mechúr	4	4
D33.2	Nezhubný nádor mozgu,bližšie neurčený	4	4	D41.7	Nádor s neurčitým/neznám.správaním:i.moč.org.	4	4
D33.3	Nezhubný nádor hlavových nervov	4	4	D41.9	Nádor s neurčitým/neznám.správaním:bliž.neurč.moč.org.	4	4
D33.4	Nezhubný nádor miechy	4	4	D42.0	Nádor s neurč./neznám.správaním:mozgovomiech.obaly:mozog	4	4
D33.7	Nezhubný nádor iných,bliž.urč.častí CNS	4	4				
D33.9	Nezhubný nádor CNS,bližšie neurčený	4	4				
D34	Nezhubný nádor štítnej žľazy	4	4				
D35.0	Nezhubný nádor nadobličky	4	4				
D35.1	Nezhubný nádor prištítnej žľazy	4	4				
D35.2	Nezhubný nádor podmozgovej žľazy	4	4				
D35.3	Nezhubný nádor kraniofaryngového vývodu	4	4				
D35.4	Nezhubný nádor epifýzy	4	4				
D35.5	Nezhubný nádor glomus caroticum	4	4				
D35.6	Nezhubný nádor glomus aorticum a iných paraganglií	4	4				
D35.7	Nezhubný nádor iných,bliž.urč.žliaz s vnút.vylučovaním	4	4				
D35.8	Nezhubný nádor viacerých žliaz s vnútorným vylučovaním	4	4				
D35.9	Nezhubný nádor žľazy s vnút.vylučovaním,bliž.neurč.	4	4				
D36.0	Nezhubný nádor lymfatických uzlín	4	4				
D36.1	Nezhubný nádor periférnych nervov a autonóm.nerv.sústavy	4	4				
D36.7	Nezhubný nádor na iných,bližšie určených miestach	4	4				
D36.9	Nezhubný nádor bez bližšieho určenia miesta	4	4				
D37.0	Nádor pery,ústnej dutiny a hltana s neurč./nezn.správ.	4	4				
D37.1	Nádor s neurčitým alebo neznámym správaním: žalúdok	4	4				
D37.2	Nádor s neurčitým/neznám.správaním:tenké črevo	4	4				
D37.3	Nádor s neurčitým/neznám.správaním:červovitý privesok	4	4				

ICD	Text	OP. CCL	Med. CCL	ICD	Text	OP. CCL	Med. CCL
D42.1	Nádor s neurč./neznám.správaním:mozgovomiech.obaly:miecha	4	4	D47.7	Iný bliž.urč.nádor lymf.,krvotv.a príb.tk.s neu./nez.správ.	4	4
D42.9	Nádor s neurčitým/neznám.správaním:mozgovomiech.obaly b.n.	4	4	D47.9	Nádor lymf.,krvotv.a príbuz.tk.s neu./nezn.správ.,b.n.	4	4
D43.0	Nád.Nádor s neurč./neznám.správaním:mozg-supratentriálne	4	4	D48.0	Nádor s neurčitým/neznám.správ.kosť a kĺbová chrupka	4	4
D43.1	Nádor s neurčitým/neznám.správaním:mozog - infratentoriálne	4	4	D48.1	Nádor s neurčitým/neznám.správ.spojivové a i.mäkké tkanivo	4	4
D43.2	Nádor s neurčitým/neznám.správaním:mozog,bliž.neurč.	4	4	D48.2	Nádor s neurčitým/neznám.správ.perif.nervy a auton.nerv.súst.	4	4
D43.3	Nádor s neurčitým/neznám.správaním:hlavové nervy	4	4	D48.3	Nádor s neurčitým/neznám.správ.retropitoneum	4	4
D43.4	Nádor s neurčitým/neznám.správaním:miecha	4	4	D48.4	Nádor s neurčitým/neznám.správ.pobrušnica	4	4
D43.7	Nádor s neurčitým/neznám.správaním:i.časť CNS	4	4	D48.5	Nádor s neurčitým/neznám.správ.koža	4	4
D43.9	Nádor s neurčitým/neznám.správaním:CNS,časť bliž.neurč.	4	4	D48.6	Nádor s neurčitým/neznám.správ.prsník	4	4
D44.0	Nádor s neurčitým/neznám.správaním:štítna žľaza	4	4	D48.7	Nádor s neurčitým/neznám.správ.iné bliž.urč.miesto	4	4
D44.1	Nádor s neurčitým/neznám.správaním:nadoblička	4	4	D48.9	Nádor s neurčitým/neznám.správ.,bliž.neurč.	4	4
D44.2	Nádor s neurčitým/neznám.správaním:príštítna žľaza	4	4	D50.0	Anémia z nedostatku železa pri chronických stratách krvi(D50.0)	1,2,3	1,2
D44.3	Nádor s neurčitým/neznám.správaním:podmozg.žľaza	4	4	D50.1	Sideropenická dysfágia	2,3	1,2,3
D44.4	Nádor s neurčitým/neznám.správaním:raniofaryngový vývod	4	4	D50.8	Iná anémia z nedostatku železa	1,2,3	1,2
D44.5	Nádor s neurčitým/neznámym správaním:epifýza	4	4	D50.9	Bližšie neurčená anémia z nedostatku železa	1,2,3	1,2
D44.6	Nádor s neurčitým/neznám.správaním:glomus caroticum	4	4	D52.0	Anémia z nedostatku kyseliny listovej v potrave	2,3	1,2,3
D44.7	Nádor s neurč./neznám.správ.:glomus aorticum a i.paragangliá	4	4	D52.1	Anémia z nedostatku kyseliny listovej zapríč.liekmí	2,3	1,2,3
D44.8	Nádor s neurčitým/neznám.správaním:viac.endokrinné žľazy	2	1,2	D52.8	Iná anémia z nedostatku kyseliny listovej	2,3	1,2,3
D44.9	Nádor s neurčitým/neznám.správaním:bliž.n.žľaza s vnút.vyluč.	4	4	D52.9	Anémia z nedostatku kyseliny listovej,bliž.neurč.	2,3	1,2,3
D45	Polycythaemia vera	4	4	D53.0	Anémia z nedostatku bielkovín	2,3	1,2,3
D46.0	Refraktérna anémia bez prstencových sideroblastov,potvrđ.	4	4	D53.1	Iná megaloblastová anémia,nezatriedená inde	2,3	1,2,3
D46.1	Refraktérna anémia s prstencovými sideroblastmi	4	4	D53.2	Skorbutová anémia	2,3	1,2,3
D46.2	Refraktérna anémia s veľkým množstvom blastov	1,2,3,4	1,2,4	D53.8	Iná bližšie určená nutričná anémia	2,3	1,2,3
D46.4	Refraktérna anémia,bližšie neurčená	4	4	D53.9	Bližšie neurčená nutričná anémia	2,3	1,2,3
D46.5	Refraktérna anémia s dyspláziou viacerých línií	4	4	D55.0	Anémia zapríč.nedost.aktiv.glukóza-6-fosfát-dehydrogenázy	4	4
D46.6	Myelodysplastický synd.s izolovanou chromozóm.anom.del (5q)	4	4	D55.1	Anémia zapríč.inou poruchou metabolizmu glutatiónu	4	4
D46.7	Iný myelodysplastický syndróm	4	4	D56.0	Alfa-talasémia	2,3	1,2,3
D46.9	Myelodysplastický syndróm,bližšie neurčený	4	4	D56.1	Beta-talasémia	2,3	1,2,3
D47.0	Histiocytový a mastocytový nádor s neurč./neznám.správ.	4	4	D56.2	Delta-beta-talasémia	2,3	1,2,3
D47.1	Chronická myeloproliferatívna choroba	4	4	D56.3	Talasemická črta	2,3	1,2,3
D47.2	Monoklonová gamapatia nejasného významu (MGUS)	4	4	D56.4	Dedičné pretrvávanie fetálneho hemoglobínu	2,3	1,2,3
D47.3	Esenciálna(hemoragická)trombocytémia	4	4	D56.8	Iná talasémia	2,3	1,2,3
D47.4	Osteomyelofibróza	4	4	D56.9	Talasémia,bližšie neurčená	2,3	1,2,3
D47.5	Chron.eozinofilová leukémia (hypereozinofilový synd.)	4	4	D57.0	Kosáčikovitá anémia s krízou	2,3,4	1,2,3,4
				D57.1	Kosáčikovitá anémia bez krízy	2,3	1,2,3
				D57.2	Zdvojená heterozygotná kosáčikovitá choroba	2,3	1,2,3
				D57.8	Iná kosáčikovitá porucha	2,3	1,2,3
				D58.9	Dedičná hemolytická anémia,bližšie neurčená	2,3	1,2,3
				D59.0	Autoimunitná hemolytická anémia zapríčinená liekmí	2,3	1,2,3
				D59.1	Iná autoimunitná hemolytická anémia	2,3	1,2,3
				D59.2	Neautoimunitná hemolytická anémia zapr.liek.	2,3	1,2,3
				D59.3	Hemolyticko-uremický syndróm	2,3,4	1,2,3,4
				D59.4	Iná neautoimunitná hemolytická anémia	2,3	1,2,3
				D59.5	Paroxysmálna nočná hemoglobinúria	2,3	1,2,3
				D59.6	Hemoglobinúria zapríč.hemolýzou z iných vonk.pričin	2,3	1,2,3
				D59.8	Iná získaná hemolytická anémia	2,3	1,2,3
				D59.9	Získaná hemolytická anémia,bližšie neurčená	2,3	1,2,3
				D60.0	Chronická získaná čistá aplázia červených krviniek	2,3,4	1,2,3,4
				D60.1	Prechodná získaná čistá aplázia červených krviniek	2,3,4	1,2,3,4
				D60.8	Iná získaná čistá aplázia červených krviniek	2,3,4	1,2,3,4

ICD	Text	OP. CCL	Med. CCL	ICD	Text	OP. CCL	Med. CCL
D60.9	Získaná čistá aplázia červených krviniek, bližšie neurčená	2,3,4	1,2,3,4	D70.11	Agranulocytóz a neutrop.zapr.liek.s krit.f.10 do 20 dní	2,3,4	1,2,3,4
D61.0	Vrodená aplastická anémia	2,3,4	1,2,3,4	D70.12	Agranulocytóz a neutrop.zapr.liek.s krit.f.20 a viac dní	2,3,4	1,2,3,4
D61.10	Aplastická anémia zapríčinená cytostatickou liečbou	2,3,4	1,2,3,4	D70.13	Agranulocytóz a neutrop.zapr.liek.s krit.f.4 do7 dní	2,3,4	1,2,3,4
D61.18	Iná aplastická anémia zapríčinená liekmi	2,3,4	1,2,3,4	D70.14	Agranulocytóz a neutrop.zapr.liek.s krit.f.7 do10 dní	2,3,4	1,2,3,4
D61.19	Aplastická anémia zapríčinená liekmi, bližšie neurčená	2,3,4	1,2,3,4	D70.18	Agranulocytóz a neutrop.zapr.liek.s i.priebehom	2,3,4	1,2,3,4
D61.2	Aplastická anémia z iných vonkajších príčin	2,3,4	1,2,3,4	D70.19	Agranulocytóz a neutrop.zapr.liek., b.n.	2,3,4	1,2,3,4
D61.3	Idiopatická aplastická anémia	2,3,4	1,2,3,4	D70.3	Iná agranulocytóza	2,3,4	1,2,3,4
D61.8	Iná aplastická anémia, bližšie určená	2,3,4	1,2,3,4	D70.5	Cyklická neutropénia	2,3,4	1,2,3,4
D61.9	Aplastická anémia, bližšie neurčená	2,3,4	1,2,3,4	D70.6	Iná neutropénia	2,3,4	1,2,3,4
D62	Akútna posthemoragická anémia	1,2,3,4	1,2	D70.7	Neutropénia, bližšie neurčená	2,3,4	1,2,3,4
D63.0	Anémia pri nádorových chorobách	1,2,3,4	1,2	D71	Funkčná porucha polymorfonukleárných neutrofilov	2,3,4	1,2,3
D64.0	Dedičná sideroplastová [sideroachrestická] anémia	2,3,4	1,2,3,4	D73.1	Hypersplenizmus	2	2
D64.1	Sekundárna sideroplastová anémia zapríč. ochorením	2,3,4	1,2,3,4	D73.3	Absces sleziny	2	2
D64.2	Sekundárna sideroplastová anémia zapríč.liekmi toxic.lát.	2,3,4	1,2,3,4	D73.5	Infarkt sleziny	2	2
D64.3	Iná sideroplastová [sideroachrestická] anémia	2,3,4	1,2,3,4	D80.0	Dedičná hypogamaglobulinémia	2,3,4	1,2,3,4
D65.0	Získaná afibrinogenémia	2,3	1,2,3	D80.2	Selektívny nedostatok imunoglobulínu A [IgA]	4	4
D65.1	Diseminovaná intravaskulárna koagulácia [DIK, DIC]	2,3	1,2,3	D80.3	Selektívny nedostatok podtried imunoglobulínu G(IgG)	2,3,4	1,2,3,4
D65.2	Získané fibrinolytické krvácanie	2,3	1,2,3	D80.4	Selektívny nedostatok imunoglobulínu M[IgM]	2,3,4	1,2,3,4
D65.9	Defibrinačný syndróm, bližšie neurčený	2,3	1,2,3	D80.5	Imunodeficit so zvýšeným imunoglobulínu M [IgM]	2,3,4	1,2,3,4
D66	Dedičný nedostatok faktora VIII	2,3,4	1,2,3,4	D80.6	Deficit protil.s takmer norm.imunoglob./s hyperimunog.	2,3,4	1,2,3
D67	Dedičný nedostatok faktora IX	2,3,4	1,2,3,4	D80.7	Prechodná hypogamaglobulinémia v detstve	2,3,4	1,2,3
D68.0	Von Willebrandova choroba	2,3,4	1,2,3,4	D80.8	Iný imunodeficit s prevahou nedostatku protilátok	2,3,4	1,2,3
D68.1	Dedičný nedostatok faktora XI	2,3,4	1,2,3,4	D80.9	Imunodef. bliž. neurč s prevahou nedostatku protilátok	2,3,4	1,2,3
D68.2	Dedičný nedostatok iných koagulačných faktorov	2,3,4	1,2,3,4	D81.0	Ťažký komb.imunodef.(SCID)s retikulovou dysgenézou	2,3,4	1,2,3,4
D68.30	Stav krvácanosti zapríčinený antikoagulantami	1,2,3,4	1,2,3,4	D81.1	Ťažký komb.imunodef.(SCID)s malým počtom T-bun.a B-buniek	2,3,4	1,2,3,4
D68.31	Stav krvácanosti zapríč.zvýš.protilátok proti faktoru VIII	2,3,4	1,2,3,4	D81.2	Ťažký komb.imunodef.(SCID)s malým/norm.počtom B-buniek	2,3,4	1,2,3,4
D68.32	Stav krvác.zapr.zvýš.plazma.konc.protil.proti i.fak.zráž.krvi	2,3,4	1,2,3,4	D81.3	Deficit adenoindezaminázy [ADA]	4	4
D68.38	Iný stav krvác.zapr.i.a b.n.protilátkami	2,3,4	1,2,3,4	D81.4	Nezelofov syndróm	2,3,4	1,2,3,4
D68.4	Získaný nedostatok koagulačného faktora	1,2,3	1,2,3	D81.5	Nedostatok purín nukleozid-fosforylázy [PNP]	4	4
D68.5	Primárny trombofilný stav (trombofília)	2,3	1,2,3	D81.6	Deficit hlavného komplexu histokompatibility I.triedy	2,3,4	1,2,3,4
D68.6	Iný trombofilný stav (trombofília)	2,3	1,2,3	D81.7	Deficit hlavného komplexu histokompatibility II.triedy	2,3,4	1,2,3,4
D68.8	Iná porucha zrážanlivosti krvi, bližšie určená	1,2,3	1,2,3	D81.8	Iný kombinovaný imunodeficit	2,3,4	1,2,3,4
D68.9	Porucha zrážanlivosti krvi, bližšie neurčená	1,2,3	1,2,3	D81.9	Kombinovaný imunodeficit, bližšie neurčený	2,3,4	1,2,3,4
D69.0	Alergická purpura	2,3	1,2,3	D82.0	Wiskottov-Aldrichov syndróm	2,3,4	1,2,3,4
D69.1	Kvalitatívna porucha doštičiek	2,3	1,2,3	D82.1	Di Georgeov syndróm	2,3,4	1,2,3,4
D69.2	Iná netrombocytopenická purpura	2,3	1,2,3	D82.2	Imunodeficit spojený s disproporčným malým vzrastom	2,3,4	1,2,3
D69.3	Idiopatická trombocytopenická purpura	2,3	1,2,3	D82.3	Imunodef.spoj.s vrod.defektnou odpov.na EBV	2,3,4	1,2,3
D69.40	Iná primárna trombocytopenia, nereag.na transf.lieč.	2,3	1,2,3	D82.4	Syndróm nadbytku imunoglobulínu E [IgE]	2,3,4	1,2,3
D69.41	Iná primárna trombocytopenia, reag.na transf.lieč.	2,3	1,2,3	D82.8	Imunodef.spojený s i.ťažkými poruchami, b.u.	2,3,4	1,2,3
D69.52	Trombocytopenia indukovaná heparínom, typ I	2,3	1,2,3	D82.9	Imunodef.spojený s ťažkou poruchou, b.n.	2,3,4	1,2,3
D69.53	Trombocytopenia zapríčinená heparínom, typ II	2,3	1,2,3	D83.0	Bežný premen.imunodef.s prev.abnor.v počte a funkcii B-buniek	2,3,4	1,2,3,4
D69.57	Iná sekundárna trombocytopenia, označ. ako refrakt.na transf.lieč.	2,3	1,2,3	D83.1	Bežný premen.imunodeficit s prevaž.poruch.imunoreg.T-buniek	2,3,4	1,2,3,4
D69.58	Iná sekundárna trombocytopenia, neozn. ako refrakt.na transf.lieč.	2,3	1,2,3	D83.2	Bežný premen.imunodeficit s autoproti.proti B-/T-bunkám	2,3,4	1,2,3,4
D69.59	Sekundárna trombocytopenia, bližšie neurčená	2,3	1,2,3	D83.8	Iný bežný premenlivý imunodeficit	2,3,4	1,2,3,4
D69.60	Trombocytopenia, bliž. neu. označ. ako nereag.na transf.lieč.	2,3	1,2,3	D83.9	Bežný premenlivý imunodeficit, bližšie neurčený	2,3,4	1,2,3,4
D69.61	Trombocytopenia, bliž. neu. neozn. ako nereag.na transf.lieč.	2,3	1,2,3	D84.0	Porucha lymfocytového funkčného antigénu 1 [LFA-1]	2,3,4	1,2,3
D69.8	Iný stav krvácanosti, bližšie určený	2,3	1,2,3				
D69.9	Stav krvácanosti, bližšie neurčený	2,3,4	1,2,3,4				
D70.0	Vrodená agranulocytóza a neutropénia	2,3,4	1,2,3,4				
D70.10	Agranulocytóza a neutrop.zapr.liek.s krit.f.do 4 dni	2,3,4	1,2,3,4				

ICD	Text	OP. CCL	Med. CCL	ICD	Text	OP. CCL	Med. CCL
D84.1	Porucha komplementového systému	2,3,4	1,2,3	E11.50	DM 2.typus: perif.cievnyimi kompl.,kompenz.	2,3,4	2,3
D84.8	Iný imunodeficit, bližšie určený	2,3,4	1,2,3	E11.51	DM 2.typus: perif.cievnyimi kompl.,dekomp.	2,3,4	2,3
D84.9	Imunodeficit, bližšie neurčený	2,3,4	1,2,3	E11.60	DM 2.typus: s i. bliž. urč. kompl., kompenz.	1,2	1,2,3
D86.0	Sarkoidóza pľúc	2	2	E11.61	DM 2.typus: s i. bliž. urč. kompl., dekomp.	1,2	1,2,3
D86.1	Sarkoidóza lymfatických uzlín	2	2	E11.72	DM 2.typus: s i. mnohopočet. kompl., kompenz.	1,2	2,3
D86.2	Sarkoidóza pľúc so sarkoidózou lymfatických uzlín	2	2	E11.73	DM 2.typus: s i. mnohopočet. kompl., dekomp.	1,2	2,3
D86.3	Sarkoidóza kože	2	2	E11.74	DM 2.typus: s mnohopočet. kompl., so synd. diab. nohy, kompenz.	1,2	2,3
D86.8	Sarkoidóza na iných a viacerých miestach	2	2	E11.75	DM 2.typus: s mnohopočet. kompl., so synd. diab. nohy, dekomp.	1,2	2,3
D86.9	Sarkoidóza, bližšie neurčená	2	2	E11.80	DM 2.typus: s bliž. neurč. kompl., kompenz.	1,2	1,2,3
D89.0	Polyklonálna hypermaglobulinémia	4	4	E11.81	DM 2.typus: s bliž. neurč. kompl., dekomp.	1,2	1,2,3
D89.1	Kryoglobulinémia	4	4	E11.91	DM 2.typus: bez kompl., dekomp.	1,2	1,2,3
E00.0	Vrodený syndróm z nedostatku jódu, neurologický typ	4	4	E12.01	DM spojený s podvýž.: s kómou, dekomp.	2	2,3
E00.1	Vrodený syndróm z nedostatku jódu, myxedémový typ	4	4	E12.11	DM spojený s podvýž.: s ketoacidózou, dekomp.	2	2,3
E00.2	Vrodený syndróm z nedostatku jódu, zmiešaný typ	4	4	E12.20	DM spojený s podvýž.: s obličk. kompl., kompenz.	2,3,4	1,2
E00.9	Vrodený syndróm z nedostatku jódu, bližšie neurčený	4	4	E12.21	DM spojený s podvýž.: s obličk. kompl., dekomp.	2,3,4	1,2
E01.8	Iná chor. ŠŽ spojená s nedost. jódu a pridruž. stavy	4	4	E12.30	DM spojený s podvýž.: s očnými kompl., kompenz.	1,2,3,4	1,2
E02	Subklinická hypotyreóza z nedostatku jódu	4	4	E12.31	DM spojený s podvýž.: s očnými kompl., dekomp.	1,2,3,4	1,2
E03.0	Vrodená hypotyreóza s difúznou strumou	4	4	E12.40	DM spojený s podvýž.: s nervovými kompl., kompenz.	2	2
E03.1	Vrodená hypotyreóza bez strumy	4	4	E12.41	DM spojený s podvýž.: s nervovými kompl., dekomp.	2	2
E03.5	Myxedémová kóma	3,4	3,4	E12.50	DM spojený s podvýž.: s perif.ciev. kompl., kompenz.	2,3,4	2,3
E05.0	Hypertyreóza s difúznou strumou	2	1,2	E12.51	DM spojený s podvýž.: s perif.ciev. kompl., dekomp.	2,3,4	2,3
E05.1	Hypertyreóza s jedným toxickým tyreoidálnym uzlom	2	1,2	E12.60	DM spojený s podvýž.: s i. b. u. kompl., kompenz.	2	2,3
E05.2	Hypertyreóza s toxickou viacuzlovou strumou	2	1,2	E12.61	DM spojený s podvýž.: s i. b. u. kompl., dekomp.	2	2,3
E05.3	Hypertyreóza zapríč. ektopickým tkan. ŠŽ	2	1,2	E12.72	DM spojený s podvýž.: s viac. kompl., kompenz.	2	2,3
E05.4	Hypertyreóza zapríč. umelo (hyperthyreosis factitia)	2	1,2	E12.73	DM spojený s podvýž.: s viac. kompl., dekomp.	2	2,3
E05.5	Tyreotoxická kríza	2	1,2	E12.74	DM spo. s pod.: s viac. kompl., so synd. diab. nohy, kompenz.	2	2,3
E06.0	Akútna tyreoiditída	4	4	E12.75	DM spo. s pod.: s viac. kompl., so synd. diab. nohy, dekomp.	2	2,3
E06.4	Tyreoiditída zapríčinená liekom	4	4	E12.80	DM spojený s podvýž.: s bliž. neu. kompl., kompenz.	2	2,3
E07.1	Dyshormonogénna struma (hrvol)	4	4	E12.81	DM spojený s podvýž.: s bliž. neu. kompl., dekomp.	2	2,3
E10.01	Diabetes mellitus 1. typu: s kómou, dekompenzovaný	2	2,3	E12.90	DM spojený s podvýž.: bez kompl., kompenz.	2	2,3
E10.11	DM 1. typu: s ketoacidózou, dekomp.	2	2,3	E12.91	DM spojený s podvýž.: bez kompl., dekomp.	2	2,3
E10.20	DM 1. typu: s obličk. kompl., kompenz.	2,3,4	1,2	E13.01	Iný DM, bliž. ur.: s kómou, dekomp.	2	2,3
E10.21	DM 1. typu: s obličk. kompl., dekomp.	2,3,4	1,2	E13.11	Iný DM, bliž. ur.: s ketoacidózou, dekomp.	2	2,3
E10.30	DM 1. typu: s očnými kompl., kompenz.	1,2,3,4	1,2	E13.20	Iný DM, bliž. ur.: s obličk. kompl., kompez.	2,3,4	1,2
E10.31	DM 1. typu: s očnými kompl., dekomp.	1,2,3,4	1,2	E13.21	Iný DM, bliž. ur.: s obličk. kompl., dekomp.	2,3,4	1,2
E10.40	DM 1. typu: s nervovými kompl., kompenz.	2	2	E13.30	Iný DM, bliž. ur.: s očnými kompl., kompenz.	1,2,3,4	1,2
E10.41	DM 1. typu: s nervovými kompl., dekomp.	2	2	E13.31	Iný DM, bliž. ur.: s očnými kompl., dekomp.	1,2,3,4	1,2
E10.50	DM 1. typu: s perif.cievnyimi kompl., kompenz.	2,3,4	2,3	E13.40	Iný DM, bliž. ur.: s nervovými kompl., kompenz.	2	2
E10.51	DM 1. typu: s perif.cievnyimi kompl., dekomp.	2,3,4	2,3	E13.41	Iný DM, bliž. ur.: s nervovými kompl., dekomp.	2	2
E10.60	DM 1. typu: s i. bliž. ur. kompl., kompenz.	2	2,3	E13.50	Iný DM, bliž. ur.: s perif.cievnyimi kompl., kompenz.	2,3,4	2,3
E10.61	DM 1. typu: s i. bliž. ur. kompl., dekomp.	2	2,3	E13.51	Iný DM, bliž. ur.: s perif.cievnyimi kompl., dekomp.	2,3,4	2,3
E10.72	DM 1. typu: s i. mnohopočet. kompl., kompenz.	2	2,3	E13.60	Iný DM, bliž. ur.: s i. bliž. ur. kompl., kompenz.	2	2,3
E10.73	DM 1. typu: s i. mnohopočet. kompl., dekomp.	2	2,3	E13.61	Iný DM, bliž. ur.: s i. bliž. ur. kompl., dekomp.	2	2,3
E10.74	DM 1. typu: s mnohopočet. kompl., so synd. diab. nohy, kompenz.	2	2,3	E13.72	Iný DM, bliž. ur.: s i. mnohopočet. kompl., kompenz.	2	2,3
E10.75	DM 1. typu: s mnohopočet. kompl., so synd. diab. nohy, dekomp.	2	2,3	E13.73	Iný DM, bliž. ur.: s i. mnohopočet. kompl., dekomp.	2	2,3
E10.80	DM 1. typu: s bliž. neu. kompl., kompenz.	2	2,3	E13.74	Iný DM, bliž. ur.: s mnohop. kompl., so synd. diab. nohy, kompenz.	2	2,3
E10.81	DM 1. typu: s bliž. neu. kompl., dekomp.	2	2,3				
E10.90	DM 1. typu: bez kompl., kompenz.	2	2,3				
E10.91	DM 1. typu: bez kompl., dekomp.	2	2,3				
E11.01	DM 2. typu: s kómou, dekompenzovaný	1,2	2,3				
E11.11	DM 2. typu: s ketoacidózou, dekomp.	1,2	2,3				
E11.20	DM 2. typu: s obličk. kompl., kompenz.	1,2,3,4	1,2				
E11.21	DM 2. typu: s obličk. kompl., dekomp.	1,2,3,4	1,2				
E11.30	DM 2. typu: s očnými kompl., kompenz.	1,2,3,4	1,2				
E11.31	DM 2. typu: s očnými kompl., dekomp.	1,2,3,4	1,2				
E11.40	DM 2. typu: s nervovými kompl., kompenz.	1,2	2				
E11.41	DM 2. typu: s nervovými kompl., dekomp.	1,2	2				

ICD	Text	OP. CCL	Med. CCL	ICD	Text	OP. CCL	Med. CCL
E13.75	Iný DM,blíž.ur.:s mnohop.kompl.,so synd.diabet.nohy,dekomp.	2	2,3	E42	Marantický kvašiorkor	2,3,4	2,3
E13.80	Iný DM,blíž.ur.:s blíž.neurč.kompl.,kompenz.	2	2,3	E43	Ťažká proteínovo-energetická podvýživa,b.n.	2,3,4	2,3
E13.81	Iný DM,blíž.ur.:s blíž.neurč.kompl.,dekomp.	2	2,3	E44.0	Proteínovo-energetická podvýživa stredného stupňa	2,3,4	2,3
E13.90	Iný DM,blížšie určený:bez kompl.,kompenz.	2	2,3	E44.1	Proteínovo-energetická podvýživa mierneho stupňa	2,3,4	2,3
E13.91	Iný DM,blížšie určený:bez kompl.,dekomp.	2	2,3	E45	Zaostávanie vo výv.v dôsl.proteínovo-energet.podvýživy	2,3,4	2,3
E14.30	DM,blíž.neu.:s očnými kompl.,kompenz.	1,2,3,4	1,2	E46	Proteínovo-energetická podvýživa,blížšie neurčená	1,2,3,4	1,2,3
E14.31	DM,blíž.neu.:s očnými kompl.,dekomp.	1,2,3,4	1,2	E53.8	Nedost.iného blíž.urč.vit.skupiny B	1,2,3,4	1,2,3
E14.60	DM,blíž.neu.:s i.blíž.ur.kompl.,kompenz.	1,2	1,2,3	E56.1	Nedostatok vitamínu K	2,3,4	2,3
E14.61	DM,blíž.neu.:s i.blíž.ur.kompl.,dekomp.	1,2	1,2,3	E61.1	Nedostatok železa	2,3,4	2,3
E14.72	DM,blíž.neu.:s i.mnohopočet.kompl.,kompenz.	1,2	2,3	E61.7	Nedostatok viacerých stopových prvkov	2,3,4	2,3
E14.73	DM,blíž.neu.:s mnohopočet.kompl.,dekomp.	1,2	2,3	E63.0	Nedostatok esenciálnych mastných kyselín	2,3,4	2,3
E14.74	DM,blíž.neu.:s mnohop.kompl.,so synd.diab.nohy,kompenz.	1,2	2,3	E64.0	Následky proteínovo-energetickej podvýživy	2,3,4	2,3
E14.75	DM,blíž.neu.:s mnohop.kompl.,so synd.diab.nohy,dekomp.	1,2	2,3	E64.1	Následky nedostatku vitamínu A	2,3,4	2,3
E15	Nediabetická hypoglykemická kóma	2,3,4	2,3,4	E64.2	Následky nedostatku vitamínu C	2,3,4	2,3
E20.0	Idiopatická hypoparatyreóza	2,4	1,2,4	E64.8	Následky iných nedostatkov vo výžive	2,3,4	2,3
E20.1	Pseudohypoparatyreóza	2,3,4	2,3	E64.9	Následky blížšie neurčených nedostatkov vo výžive	2,3,4	2,3
E20.8	Iná hypoparatyreóza	2,4	1,2,4	E70.0	Klasická fenylketonúria	4	4
E20.9	Hypoparatyreóza,blížšie neurčená	2,4	1,2,4	E70.1	Iná hyperfenylalaninémia	4	4
E21.0	Primárna hyperparatyreóza	2	1,2	E70.2	Porucha metabolizmu tyrozínu	4	4
E21.1	Sekundárna hyperparatyreóza,nezatriedená inde	2	1,2	E70.3	Albinizmus	4	4
E21.2	Iná hyperparatyreóza	2	1,2	E70.8	Iná porucha metabolizmu aromatických aminokyselín	4	4
E21.3	Hyperparatyreóza,blížšie neurčená	2	1,2	E70.9	Porucha metaboliz. aromatic. aminokyselín,b.n.	4	4
E23.0	Hypopituitarizmus	2	1,2	E71.0	Choroba javorového sirupu [Leucinóza]	4	4
E23.2	Diabetes insipidus	2,4	1,2,4	E71.1	Iná porucha metabolizmu aminokysel. rozve.refazcom	4	4
E24.0	Centrálny Cushingov syndróm	2	1,2	E71.2	Porucha metab.aminokyselín s rozve.refazcom,b.n.	4	4
E24.1	Nelsonov syndróm	2	1,2	E72.0	Porucha transportu aminokyselín	4	4
E24.2	Cushingov syndróm zapríčinený liekom	2	1,2	E72.1	Porucha metabolizmu aminokyselín obsahujúcich síru	4	4
E24.3	Ektopický ACTH-syndróm	2	1,2	E72.2	Porucha metabolického cyklu močoviny	4	4
E24.4	Pseudo-Cushingov syndróm zapríčinený alkoholom	2	1,2	E72.3	Porucha metabolizmu lyzínu a hydroxylyzínu	4	4
E24.8	Iný Cushingov syndróm	2	1,2	E72.4	Porucha metabolizmu ornitínu	4	4
E24.9	Cushingov syndróm,blížšie neurčený	2	1,2	E72.5	Porucha metabolizmu glycínu	4	4
E25.00	Adrenogenit.por.,typ 3(nedost.21-hydrox.) ,klas.for.	4	4	E72.8	Iná porucha metabol.aminokyselín,blíž.určená	4	4
E25.01	Adrenogenit.por.,typ 3(nedost.21-hydrox.) ,for.s nesk.nás.	4	4	E72.9	Porucha metabolizmu aminokyselín,blížšie neurčená	4	4
E25.08	Iná vrod.adrenogenitálna por.spoj.s nedost.enz.	4	4	E74.0	Choroba z nahromadenia glykogénu (glykogenóza)	4	4
E25.09	Vrod.adrenogenitálna por.spoj.s nedost.enz.,b.n.	4	4	E74.1	Porucha metabolizmu fruktózy	4	4
E25.8	Iná adrenogenitálna porucha	4	4	E74.2	Porucha metabolizmu galaktózy	4	4
E25.9	Adrenogenitálna porucha,blížšie neurčená	4	4	E76.0	Mukopolysacharidóza,typ I	4	4
E27.0	Iná hyperfunkcia kôry nadobličiek	2,4	1,2,4	E76.1	Mukopolysacharidóza,typ II	4	4
E27.1	Prim.nedostatočnosť kôry nadoblič. (Addisonova chor.)	2,4	1,2,4	E76.2	Iná mukopolysacharidóza	4	4
E27.2	Addisonova kríza	2,4	1,2,4	E76.3	Mukopolysacharidóza,blížšie neurčená	4	4
E27.3	Nedostatočnosť kôry nadobličiek zapríčinená liekmi	2,4	1,2,4	E76.8	Iná porucha metabolizmu glykozaminoglykánu	4	4
E27.4	Iná a blíž.neu.nedostatočnosť kôry nadobličiek	2,4	1,2,4	E76.9	Porucha metabol.glykozaminoglykánu,b.n.	4	4
E27.5	Hyperfunkcia drene nadobličiek	2,4	1,2,4	E78.6	Nedostatok lipoproteínov	4	4
E27.8	Iná choroba nadobličiek,blížšie určená	4	4	E78.9	Porucha metabolizmu lipoproteínov,blížšie neurčená	4	4
E29.0	Hyperfunkcia semenníkov	4	4	E79.0	Hyperurikémia bez znakov zápal.artritídy/tofovej dny	4	4
E31.0	Autoimunitná polyglandulárna insuficiencia	2	1,2	E79.1	Leschov-Nyhanov syndróm	4	4
E31.1	Polyglandulárna hyperfunkcia	2	1,2	E79.8	Iná porucha metabolizmu purínu a pyrimidínu	4	4
E31.8	Iná polyglandulárna dysfunkcia	2	1,2	E79.9	Porucha metabol.purínu a pyrimidínu,b.n.	4	4
E31.9	Polyglandulárna dysfunkcia,blížšie neurčená	2	1,2	E80.0	Dedičná erythropoetická porfýria	4	4
E32.1	Absces týmusu	2,3,4	1,2,3,4	E80.1	Porphyria cutanea tarda	4	4
E34.0	Karcinoidový syndróm	2	1,2	E80.2	Iná porfýria	4	4
E34.3	Nízky vzrast, nezatriedený inde	4	4	E83.0	Porucha metabolizmu medi	4	4
E35.1	Choroba štítnej žľazy pri chorobách zatriedených inde	4	4	E84.0	Cystická fibróza s pľúcnymi prejavmi	2,3,4	2,4
E40	Kvašiorkor	2,3,4	2,3	E84.1	Cystická fibróza s črevnými prejavmi	2,4	2,3,4
E41	Nutričný marasmus	2,3,4	2,3				

ICD	Text	OP. CCL	Med. CCL	ICD	Text	OP. CCL	Med. CCL
E84.80	Cystická fibróza s pľúcnyimi a črevnými prejavmi	2,3,4	2,4	F10.8	Iná porucha psychiky a správania zapríč.úživ.alkoholu	1,2	1,2
E84.87	Cystická fibróza s inými mnohopočetnými prejavmi	2,3,4	2,4	F11.0	Porucha psych.a správ.zaprič.úživ.opiát.:akút.intox.	2	1,2
E84.88	Cystická fibróza s inými prejavmi	2,3,4	2,4	F11.1	Porucha psych.a správ.zaprič.úživ.opiát.:škod.úživ.	2	1,2
E84.9	Cystická fibróza,blížšie neurčená	2,3,4	2,4	F11.2	Porucha psych.a správ.zaprič.úživ.opiát.:synd.závisl.	2	1,2
E87.0	Hyperosmolalita a hypernatriémia	1,2,3	2,3	F11.3	Porucha psych.a správ.zaprič.úživ.opiát.:abstin.synd.	2	2
E87.1	Hypoosmolalita a hyponatriémia	1,2		F11.4	Porucha psych.a správ.zaprič.úživ.opiát.:ab.synd.s delír.	2	2
E87.4	Zmiešaná porucha acidobázickej rovnováhy	1,2		F11.5	Porucha psych.a správ.zaprič.úživ.opiát.:psych.porucha	2	2
E87.5	Hyperkaliémia	1	1	F11.6	Porucha psych.a správ.zaprič.úživ.opiát.:amne.synd.	2	2
E87.6	Hypokaliémia	1,2	1	F11.7	Porucha psych.a správ.zaprič.úživ.opiát.:rez.a nesk.psych.p.	2	2
E88.1	Lipodystrofia,nezatriedená inde	4	4	F11.8	Iná porucha psych.a správ.zaprič.úživ.opiátov	2	2
E88.3	Syndróm z rozpadu nádoru (tumor lysis syndrome)	3,4	3	F11.9	Porucha psych.a správ.zapr.úživ.opiát.,b.n.	2	2
E89.1	Hypoinzulinémia po lekárskom výkone	2,3,4	2,3	F12.3	Porucha psych.a správ.zaprič.úživ.kanab.:abstin.synd.	2	2
E89.2	Hypoparatyreóza po lekárskom výkone	2,4	1,2,4	F12.4	Porucha psych.a správ.zaprič.úživ.kanab.:ab.synd.s delír.	2	2
E89.6	Hypofunkcia kôry nadoblič./drene nadoblič.po lek.výkone	2,4	1,2,4	F12.5	Porucha psych.a správ.zaprič.úživ.kanab.:psych.porucha	2	2
F00.0	Demencia pri Alzheimerovej chor.so skorým začiat.(typ 2)	2,3,4	1,2,3	F12.6	Porucha psych.a správ.zaprič.úživ.kanab.:amne.synd.	2	2
F00.1	Demencia pri Alzheimerovej chor.s neskorým začiat.(typ 1)	2,3,4	1,2,3	F12.7	Porucha psych.a správ.zaprič.úživ.kanab.:rez.a nesk.psych.p.	2	2
F00.2	Demencia pri Alzheimerovej chor.,atypická/zmiešaná forma	2,3,4	1,2,3	F12.8	Iná porucha psych.a správ.,zaprič.úživ.kanabinooidov	2	2
F00.9	Demencia pri Alzheimerovej chorobe,b.n.	2,3,4	1,2,3	F12.9	Porucha psych.a správ.,zaprič.úživ.kanab.,b.n.	2	2
F01.0	Vaskulárna demencia,blížšie začiatkom	2,3,4	1,2,3	F13.0	Porucha psych.a správ.zaprič.úživ.sedat./hypno.:akút.intox.	2	1,2
F01.1	Mnohoinfarktová demencia	2,3,4	1,2,3	F13.1	Porucha psych.a správ.zaprič.úživ.sedat./hypno.:škod.úživ.	2	1,2
F01.2	Subkortikálna vaskulárna demencia	2,3,4	1,2,3	F13.2	Porucha psych.a správ.zaprič.úživ.sedat./hypno.:synd.závisl.	2	1,2
F01.3	Zmiešaná kortikálna a subkortikálna vaskul.demencia	2,3,4	1,2,3	F13.3	Porucha psych.a správ.zaprič.úživ.sedat./hypno.:abstin.synd.	2	2
F01.8	Iná vaskulárna demencia	2,3,4	1,2,3	F13.4	Porucha psych.a správ.zapr.úživ.sedat./hypno.:ab.synd.s delír.	2	2
F01.9	Vaskulárna demencia,blížšie neurčená	2,3,4	1,2,3	F13.5	Porucha psych.a správ.zaprič.úživ.sedat./hypno.:psych.poruch a	2	2
F02.0	Demencia pri Pickovej chorobe (G31.0†)	2,3,4	1,2,3	F13.6	Porucha psych.a správ.zaprič.úživ.sedat./hypno.:amne.synd.	2	2
F02.1	Demencia pri Creutzfeldtovej-Jakobovej chorobe	2,3,4	1,2,3	F13.7	Porucha psych.a správ.zapri.úživ.sed./hyp.:rez.a nesk.psych.p.	2	2
F02.2	Demencia pri Huntingtonovej chorobe (G10†)	2,3,4	1,2,3	F13.8	Iná Porucha psych.a správ ,zapr.úživ.sedat./hypno	2	2
F02.3	Demencia pri Parkinsonovej chorobe (G20.-†)	2,3,4	1,2,3	F13.9	Porucha psych.a správ.zapr.úživ.sedat./hypno.,b.n.	2	2
F02.4	Demencia pri chorobe HIV (B22†)	2,3,4	1,2,3,4	F14.0	Porucha psych.a správ.zapr.úživ.kokai.:akút.intox.	2	1,2
F04	Org.amnestický synd.,nezaprič.alkoh./i.psychoakt.lát.	2,3,4	1,2,3	F14.1	Porucha psych.a správ.zaprič.úživ.kokai.:škod.úživ.	2	1,2
F05.0	Delírium bez demencie	2,3,4	1,2,3	F14.2	Porucha psych.a správ.zaprič.úživ.kokai.:synd.závisl.	2	1,2
F05.1	Delírium pri demencii	2,3,4	1,2,3	F14.3	Porucha psych.a správ.zaprič.úživ.kokai.:bstin.synd.	2	2
F05.8	Iné delírium	2,3,4	1,2,3	F14.4	Porucha psych.a správ.zaprič.úživ.kokai.:ab.synd.s delír.	2	2
F05.9	Delírium,blížšie neurčené	2,3,4	1,2,3	F14.5	Porucha psych.a správ.zaprič.úživ.kokai.:psych.porucha	2	2
F06.0	Organická halucinóza	2,3,4	1,2,3	F14.6	Porucha psych.a správ.zaprič.úživ.kokai.:amne.synd.	2	2
F06.1	Organická katatonická porucha	2,3,4	1,2,3				
F06.2	Organická porucha s bludmi [podobná schizofrénií]	2,3,4	1,2,3				
F06.3	Organická afektívna porucha	2,3,4	1,2,3				
F06.4	Organická úzkostná porucha	2,3,4	1,2,3				
F06.5	Organická disociatívna porucha	2,3,4	1,2,3				
F06.6	Emočná labilita [asténia] na organickom podklade	2,3,4	1,2,3				
F07.0	Porucha osobnosti na organickom podklade	2,3,4	1,2,3				
F10.1	Porucha psych.a správ.zaprič.úživ.alkoholu:škod.úživ.	1,2	1,2				
F10.2	Porucha psych.a správ.zaprič.úživ.alkoholu:ynd.závisl.	1,2	1,2				
F10.3	Porucha psych.a správ.zaprič.úživ.alkoholu:abstin.synd.	1,2	1,2				
F10.4	Porucha psych.a správ.zaprič.úživ.alkoholu:ab.synd.s delír.	2,3,4	1,2,3				
F10.5	Porucha psych.a správ.zaprič.úživ.alkoholu:psych.por.	1,2	1,2				
F10.6	Porucha psych.a správ.zaprič.úživ.alkoholu:amne.synd.	2,3,4	1,2,3				
F10.7	Porucha psych.a správ.zaprič.úživ.alkoh.:rez.a nesk.psych.p.	1,2	1,2				

ICD	Text	OP. CCL	Med. CCL	ICD	Text	OP. CCL	Med. CCL
F14.7	Porucha psych.a správ.zaprič.užív.kokaí.:rez.a nesk.psych.p.	2	2	F19.3	Porucha psych.a správ.zaprič.uží.drog,i.psych.l.:abstin.synd.	2	2
F14.8	Iná porucha psychiky a správ.zaprič.užív.kokaínu	2	2	F19.4	Porucha psych.a správ.zapri.uží.drog,i.psych.l.:abs.synd.s del	2	2
F14.9	Porucha psych.a správ.zaprič.užív.kokaí.,bliž.neurč.	2	2	F19.5	Porucha psych.a správ.zapri.uží.drog,i.psych.l.:psych.porucha	2	2
F15.0	Porucha psych.a správ.zaprič.užív.i.stim.vr.kof.:akút.intox.	2	1,2	F19.6	Porucha psych.a správ.zaprič.uží.drog,i.psych.l.:amne. synd.	2	2
F15.1	Porucha psych.a správ.zaprič.užív.i.stim.vr.kof.:škod.užív.	2	1,2	F19.7	Porucha psych.a správ.zapr.už.dro,i.psych.l.:rez./nes.psych.p.	2	2
F15.2	Porucha psych.a správ.zaprič.užív.i.stim.vr.kof.:synd.závisl.	2	1,2	F19.8	Iná porucha psych.a správ.zaprič.užív.v.drog,i.psych.l.	2	2
F15.3	Porucha psych.a správ.zaprič.užív.i.stim.vr.kof.:abstin.synd.	2	2	F19.9	Porucha psych.a správ.zaprič.užív.v.drog,i.psych.l.,b.n.	2	2
F15.4	Porucha psych.a správ.zapri.užív.i.stim.vr.kof.:ab.synd.s del.	2	2	F20.0	Paranoidná schizofrénia	2	2
F15.5	Porucha psych.a správ.zapri.užív.i.stim.vr.kof.:psych.porucha	2	2	F20.1	Hebefrénna schizofrénia	2	2
F15.6	Porucha psych.a správ.zaprič.užív.i.stim.vr.kof.:amne.synd.	2	2	F20.2	Katatonická schizofrénia	2	2
F15.7	Porucha psych.a správ.zapr.uží.i.stim.vr.kof.:rez./nesk.psy.p.	2	2	F20.3	Nediferencovaná schizofrénia	2	2
F15.8	Iná porucha psych.a správ.zaprič.užív.i.stim.vr.kof.	2	2	F20.5	Reziduálna schizofrénia	2	2
F15.9	Porucha psych.a správ.zaprič.užív.i.stimul.vrát.kof.,b.n.	2	2	F20.6	Jednoduchá schizofrénia	2	2
F16.0	Porucha psych.a správ.zaprič.užív.haluc.:akút.intox.	2	1,2	F20.8	Iná schizofrénia	2	2
F16.1	Porucha psych.a správ.zaprič.užív.haluc.:škod.užív.	2	1,2	F20.9	Schizofrénia, bližšie neurčená	2	2
F16.2	Porucha psych.a správ.zaprič.užív.haluc.:synd.závisl.	2	1,2	F23.0	Akút.polymorfná psychotická por.bez prízn.schizofrénie	2	2
F16.3	Porucha psych.a správ.zaprič.užív.haluc.:abstin.synd.	2	2	F23.1	Akút.polymorfná psychotická por.s prízn.schizofrénie	2	2
F16.4	Porucha psych.a správ.zaprič.užív.haluc.:ab.synd.s del.	2	2	F23.2	Akútna psychotická porucha podobná schizofrénii	2	2
F16.5	Porucha psych.a správ.zap.užív.haluc.:psych.porucha	2	2	F23.3	Iné akútne psychotické poruchy s prevahou bludov	2	2
F16.6	Porucha psych.a správ.zaprič.užív.haluc.:amne.synd.	2	2	F23.8	Iné akútne a prechodné psychotické poruchy	2	2
F16.7	Porucha psych.a správ.zaprič.užív.haluc.:rez.a nesk.psy.p.	2	2	F23.9	Akút.psychotická por.a prech.psychotická por.,b.n.	2	2
F16.8	Iná porucha psych.a správ.zaprič.užív.haluc.	2	2	F25.0	Schizoafektívna porucha,manický typ	2	2
F16.9	Porucha psych.a správ.zaprič.užív.haluc.,b.n.	2	2	F25.1	Schizoafektívna porucha,depresívny typ	2	2
F18.0	Porucha psych.a správ.zaprič.užív.prch.rozp.:akút.intox.	2	1,2	F25.2	Schizoafektívna porucha,zmiešaný typ	2	2
F18.1	Porucha psych.a správ.zaprič.užív.prch.rozp.:škod.užív.	2	1,2	F25.8	Iná schizoafektívna porucha	2	2
F18.2	Porucha psych.a správ.zaprič.užív.prch.rozp.:synd.závisl.	2	1,2	F25.9	Schizoafektívna porucha, bližšie neurčená	2	2
F18.3	Porucha psych.a správ.zaprič.užív.prch.rozp.:abstin.synd.	2	2	F29	Neorganická psychóza,bližšie neurčená	2	2
F18.4	Porucha psych.a správ.zaprič.užív.prch.rozp.:abs.synd.s del.	2	2	F30.0	Hypománia	2	2
F18.5	Porucha psych.a správ.zaprič.užív.prch.rozp.:psych.porucha	2	2	F30.1	Mánia bez psychotických príznakov	2	2
F18.6	Porucha psych.a správ.zaprič.užív.prch.rozp.:amne.synd.	2	2	F30.2	Mánia s psychotickými príznakmi	2	2
F18.7	Porucha psych.a správ.zapr.uží.prch.rozp.:rezid./nesk.psych.p.	2	2	F30.8	Iná manická epizóda	2	2
F18.8	Iná porucha psych.a správ.zaprič.užív.prchav.rozpúš.	2	2	F30.9	Manická epizóda, bližšie neurčená	2	2
F18.9	Porucha psych.a správ.zaprič.užív.prchav.rozpúš.,b.n.	2	2	F31.0	Bipolárna afekt.porucha,terajš.hypomanická epizóda	2	2
F19.0	Porucha psych.a správ.zaprič.uží.drog,i.psych.l.:akút.intox.	2	1,2	F31.1	Bipolárna afekt.porucha,terajš.manic.epiz.bez psychot.príz.	2	2
F19.1	Porucha psych.a správ.zaprič.uží.drog,i.psych.l.:škod.užív.	2	1,2	F31.2	Bipolárna afekt.porucha,terajš.manic.epiz.s psychot.príz.	2	2
F19.2	Porucha psych.a správ.zaprič.uží.drog,i.psych.l.:synd.závisl.	2	1,2	F31.4	Bipolárna afekt.porucha,terajš.epiz.ťaž.depre. b.psych.príz.	2	2
				F31.5	Bipolárna afekt.porucha,terajš.epiz.ťaž.depre.s psych.príz.	2	2
				F31.6	Bipolárna afekt.porucha,terajš.zmiešaná epizóda	2	2
				F31.8	Iná bipolárna afektívna porucha	2	2
				F31.9	Bipolárna afektívna porucha,bližšie neurčená	2	2
				F32.2	Epizóda ťažkej depresie bez psychotických príznakov	2	2
				F32.3	Epizóda ťažkej depresie s psychotickými príznakmi	2	2
				F33.2	Recidivujúca depres.porucha,terajš.ťaž.epiz.bez psychot.príz.	2	2
				F33.3	Recidivujúca depres.porucha,terajš.ťaž.epiz.s psychot.príz.	2	2
				F33.8	Iná recidivujúca depresívna porucha	2	2

ICD	Text	OP. CCL	Med. CCL	ICD	Text	OP. CCL	Med. CCL
F33.9	Recidivujúca depresívna porucha, bližšie neurčená	2	2	G14	Postpoliomyelitický syndróm	1,2	2
F50.0	Mentálna anorexia	1,2	1,2	G20.00	Parkinson.chor.bez obm./s min.obm.,bez mot.fluktuácie	2,3	1,2,3
F50.1	Atypická mentálna anorexia	1,2	1,2	G20.01	Parkinson.chor.bez obm./s min.obm.,s mot.fluktuáciou	2,3	1,2,3
F50.2	Mentálna bulímia	1,2	1,2	G20.10	Parkinson.chor.s mier.až str.ťaž.obm.,b.mot.fluktuácie	2,3	1,2,3
F50.3	Atypická mentálna bulímia	1,2	1,2	G20.11	Parkinson.chor.s mier.až str.ťaž.pbm.,s mot.fluktuáciou	2,3	1,2,3
F50.4	Prejedanie spojené s inými psychickými poruchami	1,2	1,2	G20.20	Parkinson.chor.s veľmi ťaž.obm.,bez mot.fluktuácie	2,3	1,2,3
F50.8	Iná porucha príjmu potravy	1,2	1,2	G20.21	Parkinson.chor.s veľmi ťaž.obm.,s motoric.fluktuáciou	2,3	1,2,3
F50.9	Porucha príjmu potravy, bližšie neurčená	1,2	1,2	G20.90	Parkinson.chor.bliž.neu.,bez motoric.fluktuácie	2,3	1,2,3
F84.0	Detský autizmus	1,2	1,2	G20.91	Parkinson.chor.bliž.neu.,s motoric.fluktuáciou	2,3	1,2,3
F84.1	Atypický autizmus	1,2	1,2	G35.0	Roztrúsená skleróza, prvá manifestácia	2	2
F84.2	Rettov syndróm	2,3	1,2,3	G35.10	SM s relaps-remitujúcim priebeh.,bez prejav.relapsu/progr.	2	2
F84.3	Iná detská dezintegračná porucha	1,2	1,2	G35.11	SM s relaps-remitujúcim priebeh.,s prejav.relapsu/progr.	2	2
F84.4	Hyperakt.por.spojená s duševnou zaost.a stereot.pohybmi	1,2	1,2	G35.20	SM s primár.progresívnym priebeh.,bez prejav.relapsu/progr.	2	2
F84.5	Aspergerov syndróm	1,2	1,2	G35.21	SM s primár.progresívnym priebeh.,s prejav.relapsu/progr.	2	2
F84.8	Iná pervazívna vývinová porucha	1,2	1,2	G35.30	SM so sekund.progresívnym priebeh.,bez prejav.relapsu/progr.	2	2
F84.9	Pervazívna vývinová porucha, bližšie neurčená	1,2	1,2	G35.31	SM so sekund.progresívnym priebeh.,s prejav.elapsu/progr.	2	2
F98.2	Porucha príjmu potravy v ranom detstve	1,2	1,2	G35.9	Roztrúsená skleróza, bližšie neurčená	2	2
G00.0	Meningitída zapríčinená Haemophilus influenzae	3,4	3,4	G40.3	Generalizovaná idiopatická epilepsia a epileptický syndróm	1,2,3,4	1,2
G00.1	Pneumokoková meningitída	3,4	3,4	G40.6	Záchvaty grand mal, bliž. neurč. so záchv./bez záchv. petit mal	1,2,3,4	1,2
G00.2	Streptokoková meningitída	3,4	3,4	G41.0	Status epilepticus grand mal	1,2,3,4	1,2
G00.3	Stafylokokoková meningitída	3,4	3,4	G41.1	Status epilepticus petit mal	1,2,3,4	1,2
G00.8	Iná baktériová meningitída	3,4	3,4	G41.2	Komplexný čiastkový epileptický stav	1,2,3,4	1,2
G00.9	Baktériová meningitída, bližšie neurčená	3,4	3,4	G41.8	Iný status epilepticus	1,2,3,4	1,2
G01	Meningitída pri baktériových chorobách zatried.inde	3,4	3,4	G41.9	Status epilepticus, bližšie neurčený	1,2,3,4	1,2
G02.0	Meningitída pri vírusových chorobách zatried.inde	3,4	3,4	G46.3	Syndróm cievného postihnutia mozgového kmeňa	3,4	2,3
G02.1	Meningitída pri mykózach zatriedených inde	3,4	3,4	G46.4	Syndróm cievného postihnutia mozočka	3,4	2,3
G02.8	Meningitída pri iných bliž.urč.infekč.a parazit.chor.z.i.	3,4	3,4	G52.7	Porucha viacerých hlavových nervov	4	4
G03.0	Nehnisová meningitída	3,4	3,4	G53.1	Obnra viac.hlavových nervov pri inf.a paraz.chor.z.i	4	4
G03.1	Chronická meningitída	3,4	3,4	G53.2	Obnra viacerých hlav.nervov pri sarkoidóze	4	4
G03.2	Benigna recidivujúca meningitída [Mollaretova]	3,4	3,4	G53.3	Obnra viacerých hlav.nervov pri nád.chor.	4	4
G03.8	Meningitída zapríčinená inými bliž.urč.příčinami	3,4	3,4	G54.1	Poškodenie plexus lumbosacralis	4	4
G03.9	Meningitída, bližšie neurčená	3,4	3,4	G55.1	Kompresia nerv.koreňov a spletí pri pošk.medzistav.plat.	4	4
G04.0	Akútna diseminovaná encefalitída	3,4	3	G55.2	Kompresia nerv.koreňov a spletí pri spondylóze	4	4
G04.1	Tropická spastická paraplégia	3,4	3	G61.0	Guillainov-Barrého syndróm	2	2
G04.2	Baktériová meningoencefalitída a meningoencefalitída, n.i.	3,4	3	G70.0	Myasthenia gravis	2,3,4	1,2,3,4
G04.8	Iná encefalitída, myelitída a encefalomyelitída	3,4	3	G70.2	Vrodená a vývinová myasténia	2,3,4	1,2,3,4
G04.9	Encefalitída, myelit.a encefalomyelit., b.n.	3,4	3	G70.8	Iná myoneurálna porucha, bližšie určená	4	4
G05.0	Encefalitída, myelitída a encefalomyelit.pri bakt.chor.z.i.	3,4	3,4	G71.0	Svalová dystrofia	2,3,4	1,2,3,4
G05.1	Encefalitída, myelitída a encefalomyelit.pri vír.chor.z.i.	3,4	3,4	G71.1	Myotonická porucha	4	4
G05.2	Encefalitída, myelit.a encefalomy.pri i.inf.a paraz.chor.z.i.	3,4	3,4	G71.2	Vrodená myopatia	2,3,4	1,2,3,4
G05.8	Encefalitída, myelitída a encefalomyelit.pri i.chor.z.i.	3,4	3,4	G71.3	Mitochondriová myopatia, nezatriedená inde	2,3	1,2,3
G06.0	Intrakraniálny absces a granulóm	3,4	3,4	G71.8	Iná primárna choroba svalov	2,3	1,2,3
G06.1	Intraspinalný absces a granulóm	3,4	3,4	G71.9	Primárna choroba svalov, bližšie neurčená	2,3,4	1,2,3,4
G06.2	Extradurálny a subdurálny absces, bližšie neurčený	3,4	3,4	G72.0	Myopatia zapríčinená liekmi	3,4	3
G07	Intrakran.a intrasp.in.absces a granulóm pri chor.z.i.	3,4	3,4	G72.1	Alkoholová myopatia	3,4	3
G08	Intrakran.a intrasp.in.flebitída a tromboflebitída	1,2,4	2,4	G72.2	Myopatia zapríčinená inými toxickými látkami	3,4	3
G12.0	Detská spinálna svalová atrofia, typ I	2,3,4	1,2,3,4	G72.4	Zápalová myopatia, nezatriedená inde	2,3	1,2,3
G12.1	Iná zdedená spinálna svalová atrofia	2,3,4	1,2,3,4	G73.0	Myastenický syndróm pri endokrinných chorobách	2,3	1,2,3
G12.2	Choroba motorického neurónu	2,3	1,2,3				
G12.8	Iná spinálna svalová atrofia a príbuzný syndróm	2,3,4	1,2,3,4				
G12.9	Spinálna svalová atrofia, bližšie neurčená	2,3,4	1,2,3,4				

ICD	Text	OP. CCL	Med. CCL	ICD	Text	OP. CCL	Med. CCL
G73.1	Eatonov-Lambertov myastenický syndróm (C00-D48†)	2,3	1,2,3	G82.41	Spast.tetrap.a tetrapl.akút.nekomp.prieč.poš.miechy	2,4	2,3
G73.2	Iný myastenický synd. pri nádorovej chor.	2,3	1,2,3		neur.pôv.		
G73.3	Myastenický syndróm pri iných chor.z.i.	2,3	1,2,3	G82.42	Spast.tetrap.a tetrapl.chron.komplet.prieč.poš.miechy	2,4	2,3,4
G73.6	Myopatia pri metabolických chorobách	3,4	3	G82.43	Spast.tetrap.a tetrapl.chron.nekomplet.prieč.poš.miechy	2,4	2,3
G80.0	Spastická tetraplegická detská mozgová obrna	2,4	2,3	G82.49	Spastická tetraparéza a tetraplégia,blíž.neurč.	2,4	2,3,4
G80.1	Spastická diplegická detská mozgová obrna	2,4	2,3	G82.50	Tetrapa.a tetrapl.b.n.akút.komplet.prieč.poš.miechy	2,4	2,3,4
G80.2	Spastická hemiplegická detská mozgová obrna	2,4	2,3		neur.pôv.		
G80.3	Dyskinetická detská mozgová obrna	2,4	2,3	G82.51	Tetrapa.a tetrapl.b.n.akút.nekompl..prieč.poš.miechy	2,4	2,3
G80.4	Ataktická detská mozgová obrna	2,4	2,3		netr.pôv.		
G80.8	Iná detská mozgová obrna	2,4	2,3	G82.52	Tetrapar.a tetrapl.b.n.chron.komplet.prieč.poš.miechy	2,4	2,3,4
G80.9	Detská mozgová obrna,blížšie neurčená	2,4	2,3	G82.53	Tetrapar.a tetrapl.b.n.chron.nekomplet.prieč.poš.miechy	2,4	2,3
G81.0	Chabá hemiparéza a hemiplégia	2,3	1,2,3	G82.59	Tetraparéza a tetraplégia, blížšie neurčená	2,4	2,3,4
G81.1	Spastická hemiparéza a hemiplégia	2,3	1,2,3	G83.0	Diparéza a diplégia horných končatín	2,3,4	1,2,3,4
G81.9	Hemiparéza a hemiplégia,blížšie neurčená	2,3	1,2,3	G83.1	Monoparéza a monoplégia dolnej končatiny	4	4
G82.00	Chabá parapar.a parapl.,ak.komplet.prieč.poš.miechy n.pôv.	2,4	2,3	G83.2	Monoparéza a monoplégia hornej končatiny	4	4
G82.01	Chabá parapar.parapl.akút.nekompet.prieč.poš.miechy n.pôv.	2,4	2,3	G83.3	Monoparéza a monoplégia,blížšie neurčená	4	4
G82.02	Chabá parapar.a parapl.,chron.komplet.prieč.pošk.miechy	2,4	2,3	G83.40	Syndróm cauda equina,kompletný	2,3,4	1,2,3,4
G82.03	Chabá parapar.a parapl.,chron.nekomplet.prieč.pošk.miechy	2,4	2,3	G83.41	Syndróm cauda equina,nekompletný	2,3,4	1,2,3,4
G82.09	Chabá paraparéza a paraplégia,blížšie neurčená	2,4	2,3	G83.49	Syndróm cauda equina,blížšie neurčený	2,3,4	1,2,3,4
G82.10	Spast.parapar.a parapl.,ak.komplet.prieč.poš.miechy neur.pôv.	2,4	2,3	G83.80	Locked-in syndróm	2,3	1,2,3
G82.11	Spast.parapar.a parapl.ak.nekomplet.prieč.poš.miechy neur.pôv.	2,4	2,3	G83.88	Iný paralytický syndróm,blížšie určený	2,3	1,2,3
G82.12	Spast.parapar.a parapl.,chron.komplet.prieč.pošk.miechy	2,4	2,3	G91.1	Obštrukčný hydrocefalus	2,3,4	1,2,3,4
G82.13	Spast.parapar.a parapl.,chron.nekomplet.prieč.pošk.miechy	2,4	2,3	G91.20	Idiopatický normotenzný hydrocefalus	2,3,4	1,2,3,4
G82.19	Spastická paraparéza a paraplégia,blížšie neurčená	2,4	2,3	G91.21	Sekundárny normotenzný hydrocefalus	2,3,4	1,2,3,4
G82.20	Parapar.a parapl.b.n.akút.komplet.prieč.poš.miechy neur.pôv.	2,4	2,3	G91.29	Normotenzný hydrocefalus,blížšie neurčený	2,3,4	1,2,3,4
G82.21	Parapar.a parapl.b.n.akút.nekomplet.prieč.poš.miechy neur.pôv.	2,4	2,3	G91.3	Pouúrazový hydrocefalus,blížšie neurčený	2,3,4	1,2,3,4
G82.22	Parapar.a parapl.blíž.neu.chron.komplet.prieč.poš.miechy	2,4	2,3	G91.8	Iný hydrocefalus	2,3,4	1,2,3,4
G82.23	Parapar.a parapl.blíž.neu.chron.nekomplet.prieč.poš.miechy	2,4	2,3	G91.9	Hydrocefalus,blížšie neurčený	2,3,4	1,2,3,4
G82.29	Paraparéza a paraplégia,blížšie neurčená	2,4	2,3	G92	Toxická encefalopatia	3,4	3
G82.30	Chabá tetrap.a tetrapl.akút.komplet.prieč.poš.miechy neur.pôv.	2,4	2,3,4	G93.1	Anoxické poškodenie mozgu,nezatriedené inde	2,3	1,2,3
G82.31	Chabá tetrap.a tetrapl.akút.nekompl.prieč.poš.miechy neur.pôv.	2,4	2,3	G94.0	Hydrocefalus pri infekčných a parazitových chor.z.i	2,3,4	1,2,3,4
G82.32	Chabá tetrap.a tetrapl.chron.komplet.prieč.poš.miechy	2,4	2,3,4	G94.1	Hydrocefalus pri nádorovej chorobe (C00-D48†)	2,3,4	1,2,3,4
G82.33	Chabá tetrap.a tetrapl.chron.nekomplet.prieč.poš.miechy	2,4	2,3	G94.2	Hydrocefalus pri iných chorobách zatriedených inde	2,3,4	1,2,3,4
G82.39	Chabá tetraparéza a tetraplégia, blížšie neurčená	2,4	2,3,4	G95.1	Cievna myelopatia	4	4
G82.40	Spast.tetrap.a tetrapl.akút.komplet.prieč.poš.miechy neur.pôv.	2,4	2,3,4	G95.2	Kompresia miechy,blížšie neurčená	4	4
				G95.9	Choroba miechy,blížšie neurčená	4	4
				G96.0	Presakovanie mozgovomiechového moku	1,3,4	3,4
				G97.0	Presakovanie mozgovomiechového moku po spinálnej punkcii	1,3,4	1,3,4
				G97.1	Iná reakcia na spinálnu a lumbálnu punkciu	1,3,4	1,3
				G97.2	Vnútroľbovová hypotenzia po komorovom skrate	1,2,3	1,2
				G97.80	Pooperačná likvorea	3,4	3
				H13.3	Očný pemfigoid (L12.-†)	4	4
				H16.8	Iná keratitída	4	4
				H19.1	Herpetická keratitída a keratokonjunktivitída (B00.5†)	4	4
				H19.2	Keratitída a keratokonjunkt.pri i.infekč.a parazit.chor.z.i.	4	4
				H32.0	Chorioretinitída pri infekčných a parazit.chorobách z.i.	4	4
				H47.1	Opuch papily zrakového nervu,blížšie neurčený	1,2	2
				H58.0	Anomálie funkcie zrenice pri chor.z.i.	4	4
				H59.0	Afacká bulózna keratopatia po operácii katarakty	2,3,4	2,3
				H60.1	Flegmóna vonkajšieho ucha	2	2

ICD	Text	OP. CCL	Med. CCL	ICD	Text	OP. CCL	Med. CCL
H62.1	Zápal vonkajšieho ucha pri vírusových chor.z.i.	4	4	I21.2	Akútny transmuralny IM na i.miestach	3,4	2,3
H66.0	Akútny hnisový zápal stredného ucha	4	4	I21.3	Akútny transmuralny IM bez bliž.urč.miesta	3,4	2,3
H95.0	Recidivujúci cholesteatóm v dutine po mastoidektómii	2	2	I21.4	Akútny subendokardiálny infarkt myokardu	3,4	2,3
H95.1	Iná choroba po mastoidektómii	2	2	I21.9	Akútny infarkt myokardu, bližšie neurčený	3,4	2,3
H95.8	Iná choroba ucha a hlávkového výbežku	2	2	I23.0	Hemoperikard ako akútna komplikácia po akútnom IM	2,3,4	3
H95.9	Choroba ucha a hlávkového výbežku po lek.výk.,b.n.	2	2	I23.1	Defekt predsieň.septa ako akútna komplikácia po akútnom IM	1,2,3	1,2
I05.0	Mitrálna stenóza	2,3	2,3	I23.2	Defekt komorovej priehradky ako akútna komplikácia po akút. IM	1,2,3	1,2
I05.1	Reumatická mitrálna insuficiencia	2,3	2,3	I23.3	Ruptúra srdc.steny bez hemoperik.ako akútna kompl.po akút.IM	1,2,3	1,2
I05.2	Mitrálna stenóza s insuficienciou	2,3	2,3	I23.4	Ruptúra chordae tendineae ako akútna kompl.po akút.IM	2,3	2,3
I05.8	Iná choroba mitrálnej chlopne	2,3	2,3	I23.5	Ruptúra papilárneho svalu ako akútna kompl.po akút.IM	2,3	2,3
I06.0	Reumatická aortálna stenóza	2,3	2,3	I23.6	Trombóza predsieň.preds.uška a komory ako ak.kompl.po ak.IM	1,2,3	1,2
I06.1	Reumatická aortálna insuficiencia	2,3	2,3	I23.8	Iná akútna komplikácia po akútnom infarkte myokardu	1,2,3	1,2
I06.2	Reumatická aortálna stenóza s insuficienciou	2,3	2,3	I24.0	Koronárna trombóza, ktorá nevedla k IM	2	2,3
I06.8	Iná reumatická choroba aortálnej chlopne	2,3	2,3	I24.1	Poinfarktový syndróm	1,2,3	1,2
I07.0	Trikuspidálna stenóza	2,3	2,3	I24.8	Iná forma akútnej ischemickej choroby srdca	2	2,3
I07.1	Trikuspidálna insuficiencia	1,2,3	1,2,3	I26.0	Pľúcna embólia s prejavmi akútneho cor pulmonale	3,4	2,3,4
I07.2	Trikuspidálna stenóza s insuficienciou	2,3	2,3	I26.9	Pľúcna embólia bez prejavov akútneho cor pulmonale	3,4	2,3,4
I07.8	Iná choroba trikuspidálnej chlopne	2,3	2,3	I27.0	Primárna pľúcna hypertenzia	1,2,3,4	1,2,4
I08.0	Kombinovaná choroba mitrálnej a aortálnej chlopne	2,3	2,3	I27.1	Srdcová choroba pri kyfoskolióze	4	4
I08.1	Súčasná choroba mitrálnej a trikuspid.chlopne	1,2,3	1,2,3	I27.20	Pľúcna hypertenzia pri chron.tromboembol.chor.	4	4
I08.2	Súčasná choroba aortálnej a trikuspid.hlopne	2,3	2,3	I27.28	Iná bližšie určená sekundárna pľúcna hypertenzia	4	4
I08.3	Súčasná choroba mitrálnej,aortál.a trikuspidál.chlopne	2,3	2,3	I27.8	Iné srdcovopľúcne choroby, bližšie určené	4	4
I08.8	Iná choroba viacerých chlopní	2,3	2,3	I27.9	Srdcovopľúcna choroba, bližšie neurčená	4	4
I08.9	Choroba viacerých chlopní, bližšie neurčená	1,2,3	1,2,3	I30.0	Akútna nešpecifická idiopatická perikarditída	1,2,3,4	1,2,4
I09.0	Reumatická myokarditída	1,2,3	1,2	I30.1	Infekčná perikarditída	2,3,4	3,4
I09.1	Reumatická choroba endokardu	2,3	2,3	I30.8	Iná forma akútnej perikarditídy	2,3,4	3,4
I09.8	Iná reumatická choroba srdca, bližšie určená	1,2,3	1,2	I30.9	Akútna perikarditída, bližšie neurčená	1,2,3,4	1,2,4
I11.00	Hyperten.chor.srdca s kong.srdc.zlyh.bez prej.hypert.kríz.	1,2	1,2,3	I31.0	Chronická adhezívna perikarditída	2,3,4	3
I11.01	Hyperten.chor.srdca s kong.srdc.zlyh.s hypert.kríz.	1,2	1,2,3	I31.1	Chronická konstriktívna perikarditída	2,3,4	3
I12.00	Hypertenzná chor.oblič.s obličk.zlyh.bez prej.hypert.krízy	4	4	I31.2	Hemoperikard, nezatriedený inde	2,3,4	3,4
I12.01	Hypertenzná chor.oblič.s obličk.zlyh.s prej.hypert.krízy	4	4	I31.3	Perikardový výpotok (nezápalový)	1,2,3,4	1,2,4
I12.90	Hypertenzná chor.oblič.bez obličk.zlyh.bez prej.hypert.krízy	4	4	I31.8	Iná choroba perikardu, bližšie určená	4	4
I12.91	Hypertenzná chor.oblič.bez obličk.zlyh.s prej.hypert.krízy	4	4	I31.9	Choroba perikardu, bližšie neurčená	4	4
I13.00	Hypert.chor.srd.a oblič.s kong.srdc.zlyh.,b.hyper.kríz.	1,2	2,3	I32.0	Perikarditída pri bakt.chor.z.i.	1,2,3,4	1,2,4
I13.01	Hypert.chor.srd.a oblič.s kong.srdc.zlyh.,s hyper.kríz.	1,2	2,3	I32.1	Perikarditída pri i.infekč.a parazit.chor.z.i.	1,2,3,4	1,2,4
I13.20	Hypert.chor.srdca a oblič.s kong.srdc.a obl.zlyh.bez hyp.kríz.	1,2	2,3	I32.8	Perikarditída pri iných chorobách zatriedených inde	1,2,3,4	1,2,4
I13.21	Hypert.chor.srdca a oblič.s kong.srdc.a obl.zlyh.s hyp.kríz.	1,2	2,3	I33.0	Akútna a subakútna infekčná endokarditída	3,4	3,4
I15.00	Renovaskulárna artér.hypertenzia bez hypert.krízy	4	4	I33.9	Akútna endokarditída, bližšie neurčená	3,4	3,4
I15.01	Renovaskulárna artér.hypertenzia s hypert.krízou	4	4	I34.1	Prolaps mitrálnej chlopne	2,3	2,3
I15.10	Sekundár.artér.hypert.zapr.i.chor.oblič.bez hypert.krízy	4	4	I34.2	Nereumatická mitrálna stenóza	1	1
I15.11	Sekundár.artér.hypert.zapr.i.chor.oblič.s hypert.krízou	4	4	I34.80	Nereumatická mitrálna stenóza a insuficiencia	1,2	1,2
I20.0	Nestabilná angina pectoris	2	2,3	I35.0	Aortálna stenóza	2,3	2,3
I20.1	Angina pectoris s dokázaným kľčom vencovitých tepien	2	2,3	I35.2	Aortálna stenóza s aortálnou insuficienciou	2,3	2,3
I21.0	Akútny transmuralny infarkt myokardu prednej steny	3,4	2,3	I36.0	Nereumatická trikuspidálna stenóza	2,3	2,3
I21.1	Akútny transmuralny infarkt myokardu spodnej steny	3,4	2,3	I36.1	Nereumatická trikuspidálna insuficiencia	2,3	2,3
				I36.2	Nereumatická trikuspidálna stenóza a insuficiencia	2,3	2,3
				I36.8	Iná nereumatická choroba trikuspidálnej chlopne	2,3	2,3
				I37.0	Pulmonálna stenóza	2,3	2,3
				I37.1	Pulmonálna insuficiencia	2,3	2,3
				I37.2	Pulmonálna stenóza a insuficiencia	2,3	2,3
				I37.8	Iná choroba pulmonálnej chlopne	2,3	2,3
				I39.0	Choroba mitrál.chlopne pri chorobách zatried.i.	2,3,4	2,3,4

ICD	Text	OP. CCL	Med. CCL	ICD	Text	OP. CCL	Med. CCL
139.1	Choroba aortál.chlopne pri chorobách zatried.i.	2,3,4	2,3,4	148.9	Fibrilácia a flater predsieni,blížšie neurčené	4	4
139.2	Choroba trikuspid.chlopne pri chorobách zatried.i.	2,3,4	2,3,4	149.0	Flater komôr a fibrilácia komôr	2,3,4	1,2,3,4
139.3	Choroba pulmonál.chlopne pri chorobách zatried.i.	2,3,4	2,3,4	150.00	Primárne zlyhávanie pravej komory	2,3,4	1,2,3,4
139.4	Choroba viacerých chlopní pri chorobách.zatried.i.	2,3,4	2,3,4	150.01	Sekundárne zlyhávanie pravej komory	2,3,4	1,2,3,4
139.8	Endokarditída n.chlopne pri chor.z.i.	4	4	150.11	Zlyhávanie ľavej komory: bez ťažkostí	4	4
140.0	Infekčná myokarditída	1,2,3,4	1,2,4	150.12	Zlyhávanie ľavej komory,s ťažkosťami pri veľkom zaťažení	4	4
140.1	Izolovaná myokarditída	1,2,3	1,2	150.13	Zlyhávanie ľavej komory,s ťažkosťami pri malom zaťažení	2,3,4	1,2,3,4
140.8	Iná akútna myokarditída	1,2,3	1,2	150.14	Zlyhávanie ľavej komory,s ťažkosťami v pokoji	2,3,4	2,3,4
140.9	Akútna myokarditída, bližšie neurčená	1,2,3,4	1,2,4	150.19	Zlyhávanie ľavej komory,blížšie neurčené	4	4
141.0	Myokarditída pri bakteriálnych chor.z.i.	1,2,3,4	1,2,4	150.9	Zlyhávanie srdca,blížšie neurčené	4	4
141.1	Myokarditída pri vírusových chor.z.i.	1,2,3,4	1,2,4	151.0	Získaný defekt srdcovej priehradky	1,2,3	1,2
141.2	Myokarditída pri i.infekč.a parazit.chorobách zatried.i.	1,2,3,4	1,2,4	151.1	Ruptúra chordae tendineae,nezatriedená inde	1,2,3,4	2,3,4
141.8	Myokarditída pri iných chorobách zatriedených inde	1,2,3,4	1,2,4	151.2	Ruptúra papilárneho svalu,nezatriedená inde	1,2,3,4	2,3,4
142.0	Dilatačná kardiomyopatia	1,2,3	1,2	151.3	Vnútroštrcová trombóza,nezatriedená inde	1,2,3	1,2
142.1	Obštrukčná hypertrofická kardiomyopatia	1,2,3	1,2	151.4	Myokarditída,blížšie neurčená	4	4
142.2	Iná hypertrofická kardiomyopatia	1,2,3	1,2	151.5	Degenerácia myokardu	4	4
142.3	Endomyokardová(eozinofilná)choroba	1,2,3	1,2	151.6	Srdcovocievna choroba,blížšie neurčená	4	4
142.4	Endokardová fibroelastóza	1,2,3	1,2	160.0	Subarachnoidálne krvácanie z karotického sifónu a bifurkácie	3,4	2,3,4
142.5	Iná reštrikčná kardiomyopatia	1,2,3	1,2	160.1	Subarachnoidálne krvácanie z a.cerebri media	3,4	2,3,4
142.6	Alkoholová kardiomyopatia	1,2,3	1,2	160.2	Subarachnoidálne krvácanie z a.communicans anterior	3,4	2,3,4
142.7	Kardiomyopatia zapríč.liekmi a inými vpk.faktormi	1,2,3	1,2	160.3	Subarachnoidálne krvácanie z a.communicans posterior	3,4	2,3,4
142.80	Arytmogénna pravokomorová kardiomyopatia [ARVCM]	1,2,3	1,2	160.4	Subarachnoidálne krvácanie z a.basilaris	3,4	2,3,4
142.88	Iná kardiomyopatia	1,2,3	1,2	160.5	Subarachnoidálne krvácanie z a.vertebralis	3,4	2,3,4
142.9	Kardiomyopatia,blížšie neurčená	1,2,3	1,2	160.6	Subarachnoidálne krvácanie z i.intrakraniálnych tep.	3,4	2,3,4
143.0	Kardiomyopatia pri infekč.a parazit.chorobách zatried.i.	1,2,3	1,2	160.7	Subarachnoidálne krvácanie z intrakraniálnej tepny,b.n.	3,4	2,3,4
143.1	Kardiomyopatia pri metabolických chorobách	2,3,4	3,4	160.8	Iné subarachnoidálne krvácanie	3,4	2,3,4
143.2	Kardiomyopatia pri poruchách výživy	2,3,4	3,4	160.9	Subarachnoidálne krvácanie,blížšie neurčené	3,4	2,3,4
143.8	Kardiomyopatia pri iných chorobách zatried.i.	1,2,3	1,2	161.0	Vnútroštrcové krvácanie do mozg.hemisféry,subkortikálne	3,4	2,3,4
144.0	Atrioventrikulárna blokáda 1. stupňa	4	4	161.1	Vnútroštrcové krvácanie do hemisféry,kortikálne	3,4	2,3,4
144.1	Atrioventrikulárna blokáda 2. stupňa	2,3,4	1,2,3,4	161.2	Vnútroštrcové krvácanie do hemisféry,blížšie neurčené	3,4	2,3,4
144.2	Atrioventrikulárna blokáda 3. stupňa	2,3,4	1,2,3,4	161.3	Vnútroštrcové krvácanie do mozgového kmeňa	3,4	2,3,4
144.3	Iná a bližšie neurčená atrioventrikulárna blokáda	4	4	161.4	Vnútroštrcové krvácanie do mozočka (cerebela)	3,4	2,3,4
144.4	Ľavá predná fascikulárna blokáda	4	4	161.5	Vnútroštrcové krvácanie do mozgového (intraventrik.)krvácanie	3,4	2,3,4
144.5	Ľavá zadná fascikulárna blokáda	4	4	161.6	Vnútroštrcové krvácanie na viacerých miestach	3,4	2,3,4
144.6	Iná a bližšie neurčená fascikulárna blokáda	4	4	161.8	Iné vnútroštrcové krvácanie	3,4	2,3,4
144.7	Blokáda ľavého ramienka,blížšie neurčená	4	4	161.9	Vnútroštrcové krvácanie,blížšie neurčené	3,4	2,3,4
145.0	Pravá fascikulárna blokáda	4	4	162.00	Subdurálne krvácanie (neúrazové),akútne	3,4	2,3,4
145.1	Iná a bližšie neurčená blokáda pravého ramienka	4	4	162.01	Subdurálne krvácanie (neúrazové),subakútne	3,4	2,3,4
145.2	Bifascikulárna blokáda	4	4	162.02	Subdurálne krvácanie (neúrazové),chronické	3,4	2,3,4
145.3	Trifascikulárna blokáda	2,3,4	1,2,3,4	162.09	Subdurálne krvácanie (neúrazové),blížšie neurčené	3,4	2,3,4
145.4	Nešpecifická intraventrikulárna blokáda	4	4	162.1	Neúrazové extradurálne krvácanie	3,4	2,3,4
145.5	Iná bližšie určená srdcová blokáda	2,3,4	1,2,3,4	162.9	Intrakraniálne krvácanie(neúrazové),b.n.	3,4	2,3,4
145.6	Syndróm preexcitácie	2,3,4	1,2,3,4	163.0	Mozgový infarkt,zapríč.trombózou prív.mozg.tep.	3,4	2,3,4
145.8	Iné poruchy vedenia srdcových vzruchov,b.u.	2,3,4	2,3,4	163.1	Mozgový infarkt,zapríč.embolizáciou prív.mozg.tep.	3,4	2,3,4
145.9	Porucha vedenia srdcových vzruchov,b.n.	2,3,4	1,2,3,4	163.2	Mozgový infarkt,zapríč.blíž.n.záverom/zúž.prívod.mozg.tep.	3,4	2,3,4
146.0	Zastavenie srdca s úspešnou resuscitáciou	2,3,4	1,2,3,4	163.3	Mozgový infarkt,zapríč.trombózou mozg.tep.	3,4	2,3,4
146.1	Náhla srdcová smrť, takto opísaná	4	4	163.4	Mozgový infarkt,zapríč.embóliou mozg.tep.	3,4	2,3,4
146.8	Zlyhanie srdca	4	4				
146.9	Zastavenie srdca,blížšie neurčené	4	4				
147.1	Supraventrikulárna tachykardia	2,3,4	2,3,4				
147.2	Komorová tachykardia	2,3,4	1,2,3,4				
147.9	Paroxyzmálna tachykardia,blížšie neurčená	2,3,4	1,2,3,4				
148.0	Fibrilácia predsieni,paroxyzmálna	4	4				
148.1	Fibrilácia predsieni,perzistentná	4	4				
148.2	Fibrilácia predsieni,permanetná	4	4				
148.3	Flater predsieni,typický	4	4				
148.4	Flater predsieni,atypický	4	4				

ICD	Text	OP. CCL	Med. CCL	ICD	Text	OP. CCL	Med. CCL
163.5	Mozgový infarkt,zaprič.b.n.uzáverom/zúž.mozg.tep.	3,4	2,3,4	171.8	Aneurizma aorty bez bliž.urč.miesta,s ruptúrou	3,4	3,4
163.6	Mozgový infarkt,zaprič.nehnis.mozg.žilovou trombózou	1,2,4	2,4	171.9	Aneurizma aorty bez bliž.urč.miesta,bez prejavov ruptúry	4	4
163.8	Iný mozgový infarkt	3,4	2,3,4	172.0	Aneurizma a disekcia krčnej tepny	3,4	3
163.9	Mozgový infarkt,bližšie neurčený	1,2,4	2,4	173.0	Raynaudov syndróm	1,2	1,2
164	Cievna mozgová príhoda bliž.neurč.ako krvácanie/infarkt	3,4	1,2,3	173.8	Iné choroby periférnych ciev,bližšie určené	4	4
165.0	Uzáver a zúženie a.vertebralis	2,3,4	1,2,3,4	173.9	Choroba periférnych ciev,bližšie neurčená	4	4
165.1	Uzáver a zúženie a.basilaris	2,3,4	1,2,3,4	174.0	Embólia a trombóza brušnej aorty	2,3,4	2,3,4
165.2	Uzáver a zúženie a.carotis	1,2,3,4	2,3,4	174.1	Embólia a trombóza i.a bliž.ne.častí aorty	2,3,4	2,3,4
165.3	Uzáver a zúženie viac.prívod.mozgových tepien,obojsstranne	2,3,4	1,2,3,4	174.2	Embólia a trombóza tepien horných končatín	2,3,4	2,3,4
165.8	Uzáver a zúženie iných prívodných mozgových tepien	4	4	174.3	Embólia a trombóza tepien dolných končatín	2,3,4	2,3,4
165.9	Uzáver a zúženie bliž.neur.prívodnej mozgovej tepny	4	4	174.4	Embólia a trombóza tepien končatín,b.n.	2,3,4	2,3,4
166.0	Uzáver a zúženie a.cerebri media	2,3,4	2,3,4	174.5	Embólia a trombóza a.iliaca	2,3,4	2,3,4
166.1	Uzáver a zúženie a.cerebri anterior	2,3,4	2,3,4	174.8	Embólia a trombóza iných tepien	2,3,4	2,3,4
166.2	Uzáver a zúženie a.cerebri posterior	2,3,4	2,3,4	174.9	Embólia a trombóza bližšie neurčenej tepny	2,3,4	2,3,4
166.3	Uzáver a zúženie mozočkových tepien	2,3,4	2,3,4	177.2	Ruptúra tepny	4	4
166.4	Uzáver a zúženie viac.mozgových tepien,obojsstranne	2,3,4	2,3,4	177.5	Nekróza tepny	4	4
166.8	Uzáver a zúženie inej mozgovej tepny	2,3,4	2,3,4	179.0	Aneurizma aorty pri chorobách zatriedených inde	4	4
166.9	Uzáver a zúženie bližšie neurčenej mozgovej tepny	4	4	179.2	Periférna angiopatia pri chor.z.i.	4	4
167.0	Disekcia mozgovej tepny	1,2	1,2	180.0	Trombóza,flebitída a tromboflebit.povrch.žil DK	1,2,3,4	1,2,3
167.10	Získaná mozgová aneurizma	4	4	180.1	Trombóza,flebitída a tromboflebitída v. femoralis	2,3,4	1,2,3,4
167.11	Získaná mozgová artériovenózna fistula	3,4	2,3,4	180.2	Trombóza,flebitída a tromboflebit.i.hĺbkových žil DK	2,3,4	1,2,3,4
167.4	Hypertenzná encefalopatia	2	1,2	180.3	Trombóza,flebitída a tromboflebit. DK, b.n.	2,3,4	1,2,3
167.5	Syndróm moyamoya	1,2	2	181	Trombóza v. portae	1,2,3,4	1,2,3,4
167.6	Nehnisová trombóza intrakraniálneho žilového systému	1,2,4	2,4	182.0	Buddov-Chiariho syndróm	1,2,3,4	1,2,3,4
167.7	Mozgová arteritída,nezatriedená inde	1,2,3,4	1,2	182.1	Migrujúca tromboflebitída	2,3,4	2,3
167.80	Vazospazmy pri subarachnoidálnom krvácaní	3,4	2,3	182.2	Embólia a trombóza v.cava	2,3,4	2,3,4
168.1	Mozgová arteritída pri infekč.a parazit.chorobách z.i.	1,2,3,4	1,2	182.3	Embólia a trombóza obličkovej žily	2,3,4	1,2,4
168.2	Mozgová arteritída pri iných chorobách .zatried.i.	1,2,3,4	1,2	182.8	Embólia a trombóza iných bližšie určených žil	2,3,4	2,3
169.0	Následky subarachnoidálneho krvácania	1,2,3,4	1,2,3	182.9	Embólia a trombóza bližšie neurčenej žily	1,2,4	1,2
169.1	Následky vnútromozgového krvácania	1,2,3,4	1,2,3	183.0	Varixy dolných končatín s vredom	1,2,3	1,2
169.2	Následky iného neúrazového intrakraniálneho krvácania	1,2,3,4	1,2,3	183.2	Varixy dolných končatín s vredom a zápalom	1,2,3	1,2
169.3	Následky mozgového infarktu	1,2,3,4	1,2,3	185.0	Varixy pažeráka s krvácaním	1,2,3,4	2,3,4
170.23	Ateroskleróza končat.tep.s postih.panvy a DK,s ulceráciami	1,2,3,4	1,2,3	189.1	Lymfangitída	4	4
170.24	Ateroskleróza končat.tep.s postih.panvy a DK,s gangrén.	1,2,3,4	1,2,3	189.8	Iné neinfekčné chor.lymfatických ciev a lymfát.uzlín,b.u.	4	4
171.00	Disekcia aorty bez bliž.urč.miesta bez prej.ruptúry	3,4	3,4	197.0	Postkardiotomický syndróm	1,2,3,4	1,2,4
171.01	Disekcia hrudníkovej aorty,bez prejavov ruptúry	3,4	3,4	197.1	Iná funkčná porucha po operácii srdca	1,2,3,4	1,2,4
171.02	Disekcia brušnej aorty,bez prejavov ruptúry	3,4	3,4	197.8	Iná komplikácia obeh.súst.po lekár.výkone,n.i.	1,2,3,4	1,2,3
171.03	Disekcia hrudník.-bruš.aorty,bez prejav.ruptúry	3,4	3,4	197.9	Komplikácia obeh.súst.po lekár. výkone,b.n.	1,2,3	1,2
171.04	Disekcia aorty bez bliž.urč.miesta,s ruptúrou	3,4	3,4	198.0	Kardiovaskulárny syfilis	4	4
171.05	Disekcia hrudníkovej aorty,s ruptúrou	3,4	3,4	198.1	Porucha obeh.súst.pri iných infekč.a parazit.chor.z.i.	4	4
171.06	Disekcia brušnej aorty,s ruptúrou	3,4	3,4	198.2	Varixy pažeráka a žalúdka pri chorobách zatried.i.bez krvác.	3,4	1,2,3
171.07	Disekcia hrudníkovo-brušnej aorty,s ruptúrou	3,4	3,4	198.3	Varixy pažeráka a žalúdka pri choribách zatried.i.s krvác.	3,4	1,3
171.1	Aneurizma hrudníkovej aorty,s ruptúrou	3,4	3,4	J01.0	Akútny zápal čelustnej dutiny	2	2
171.2	Aneurizma hrudníkovej aorty,bez prejavov ruptúry	4	4	J01.1	Akútny zápal čelovej dutiny	2	2
171.3	Aneurizma brušnej aorty,s ruptúrou	3,4	3,4	J01.2	Akútny zápal čuchovej dutiny	2	2
171.4	Aneurizma brušnej aorty,bez prejavov ruptúry	4	4	J01.3	Akútny zápal klinovitej dutiny	2	2
171.5	Aneurizma hrudníkovo-brušnej aorty,s ruptúrou	3,4	3,4	J01.4	Akútna pansinusitída	2	2
171.6	Aneurizma hrudník.-bruš.aorty,bez údajov o ruptúre	4	4	J01.8	Iný akútny zápal prinosových dutín	2	2
				J01.9	Zápal prinosových dutín,bližšie neurčený	2	2
				J05.0	Akútny obštrukčný zápal hrtana[krup]	2	2
				J05.1	Akútny zápal hrtanovej príklopky[epiglottitída]	2	2
				J09	Chríпка zaprič.určitým identifikov.vírusom chrípky	2,3,4	1,2,3,4
				J10.0	Chríпка zaprič.i.identifikov.vírus.chrípky so zápalom pľúc	2,3,4	1,2,3,4
				J10.1	Chríпка zaprič.i.identifikov.vírus.chrípky s i.respir.prejav.	2,4	2,4
				J10.8	Chríпка zaprič.i.identifikov.vírus.chrípky s i.prej.	4	4

ICD	Text	OP. CCL	Med. CCL	ICD	Text	OP. CCL	Med. CCL
J11.0	Chríпка zaprič.neidentifovan.vírusom so zápalom pľúc	2,3,4	1,2,3,4	J38.01	Jednostranná čiastočná obma hlasiviek a hrtana	2	2
J11.1	Chríпка zaprič.neidentifovan.vírusom s i.respir.prejav.	2,4	2,4	J38.02	Jednostranná kompletná obma hlasiviek a hrtana	2,4	2,4
J11.8	Chríпка zaprič.neidentifovan.vírusom s i.prejavmi	4	4	J38.03	Obojstranná čiastočná obma hlasiviek a hrtana	2,4	2,4
J12.0	Zápal pľúc zapríčinený adenovírusom	4	4	J38.4	Opuch hrtana	2	2
J12.1	Zápal pľúc zaprič.respiračným syncyciálnym vírusom	4	4	J38.6	Stenóza hrtana	4	4
J12.2	Zápal pľúc zapríčinený vírusom parainfluenzy	4	4	J38.7	Iná choroba hrtana	4	4
J12.3	Zápal pľúc zapríčinený ľudským metapneumovírusom	4	4	J39.0	Retrofaryngový a parafaryngový absces	2,4	2,4
J12.8	Iný vírusový zápal pľúc	4	4	J41.1	Hlienovohnisová chronická bronchitída	1,2,3	1,2,3
J12.9	Vírusový zápal pľúc,blížšie neurčený	4	4	J41.8	Zmiešaná jednod.a hlienovohnis.chron.bronchitída	1,2,3	1,2,3
J13	Zápal pľúc zapríčinený Streptococcus pneumoniae	2,3,4	1,2,3,4	J42	Chronická bronchitída,blížšie neurčená	1	1
J14	Zápal pľúc zapríčinený Haemophilus influenzae	2,3,4	1,2,3,4	J43.0	MacLeodov syndróm	2,3	1,2,3
J15.0	Zápal pľúc zapríčinený Klebsiella pneumoniae	3,4	3,4	J43.1	Panlobulárny emfyzém	2,3	1,2,3
J15.1	Zápal pľúc zapríčinený pseudomonas	3,4	3,4	J43.2	Centrilobulárny emfyzém	2,3	1,2,3
J15.2	Zápal pľúc zapríčinený stafylokokom	3,4	3,4	J43.8	Iný emfyzém	2,3	1,2,3
J15.3	Zápal pľúc zapríčinený streptokokom skupiny B	2,3,4	1,2,3,4	J43.9	Emfyzém, blížšie neurčený	1,2,3	1,2,3
J15.4	Zápal pľúc zapríčinený iným streptokokom	2,3,4	1,2,3,4	J44.00	CHOCHP s akútnou infekc.dolných DC,FEV1 < 35 % prís.hodn.	1,2,3	1,2,3
J15.5	Zápal pľúc zapríčinený Escherichia coli	3,4	3,4	J44.01	CHOCHP s ak.infekc.dolných DC,FEV1 >= 35 < 50 %prís.h.	1,2,3	1,2,3
J15.6	Zápal pľúc,zapr.i.aeróbnou gramnegat.baktériou	3,4	3,4	J44.02	CHOCHP s ak.infek.dol.DC,FEV1 >= 50 % a < 70 % prís.hodn.	1,2,3	1,2,3
J15.7	Zápal pľúc zapríčinený Mycoplasma pneumoniae	2,3,4	1,2,3,4	J44.03	CHOCHP s ak.infek.dolných DC,FEV1 >= 70 % prís.hodn.	1,2	1,2
J15.8	Iný baktériový zápal pľúc	3,4	3,4	J44.09	CHOCHP s akútnou infekc.dolných DC,hodn.FEV1 blíž.neurč.	1,2	1,2
J15.9	Baktériový zápal pľúc,blížšie neurčený	2,3,4	1,2,3,4	J44.10	CHOCHP s akút.exacer.chor.blíž.neurč.FEV1<35 % prís.hodn.	1,2,3	1,2,3
J16.0	Zápal pľúc zapríčinený chlamýdiami	2,3,4	1,2,3,4	J44.11	CHOCHP s ak.exacer.chor.bl.neu.FEV1 >= 35% a <50 %prís.h.	1,2,3	1,2,3
J16.8	Zápal pľúc zaprič.iným blíž.urč.infekčným organ.	2,3,4	1,2,3,4	J44.12	CHOCHP s ak.exacer.chor.bl.neu.FEV1>= 50 % a <70 %prís.h.	1,2,3	1,2,3
J17.0	Zápal pľúc pri baktériových chorobách z.i.	3,4	3,4	J44.13	CHOCHP s ak.exacer.chor.blíž.neurč.FEV1 >= 70 % prísluš.h.	1,2	1,2
J17.1	Zápal pľúc pri vírusových chorobách z.i.	3,4	3,4	J44.19	CHOCHP s ak.exacer.chor.blíž.neurč.,hodnota FEV1 b.n.	1,2	1,2
J17.2	Zápal pľúc pri mykózach zatriedených inde	3,4	3,4	J44.80	Iná CHOCHP,blíž.urč.FEV1 < 35 % prís.hodnoty	1,2,3	1,2,3
J17.3	Zápal pľúc pri parazitových chorobách	3,4	3,4	J44.81	Iná CHOCHP,blíž.urč.FEV1 >= 35 % a < 50 % prís.hodnoty	1,2,3	1,2,3
J17.8	Zápal pľúc pri iných chorobách zatriedených inde	4	4	J46	Status asthmaticus	2	1,2
J18.0	Bronchopneumónia,blížšie neurčená	2,3,4	1,2,3,4	J47	Bronchiectázie	2,3	1,2,3
J18.1	Lobárny zápal pľúc,blížšie neurčený	2,3,4	1,2,3,4	J67.0	Farmárske pľúca	2	2
J18.2	Hypostatický zápal pľúc,blížšie neurčený	2,3,4	2,3	J67.1	Bagasóza	2	2
J18.8	Iný zápal pľúc,zaprič.blíž.neurč.organizmom	2,3,4	1,2,3,4	J67.2	Pľúcna choroba chovateľov vtákov	2	2
J18.9	Zápal pľúc,blížšie neurčený	2,3,4	1,2,3,4	J67.3	Suberóza	2	2
J20.0	Akútna bronchitída zaprič.Mycoplasma pneumoniae	2	1,2	J67.4	Sladovnícke pľúca	2	2
J20.1	Akútna bronchitída zaprič.Haemophilus influenzae	2	1,2	J67.5	Pľúcna choroba pestovateľov húb	2	2
J20.2	Akútna bronchitída zapríčinená streptokokom	2	1,2	J67.6	Pľúcna choroba lúpačov javorovej kôry	2	2
J20.3	Akútna bronchitída zapríčinená vírusom Coxsackie	2	1,2	J67.7	Pľúcna choroba zaprič.ventilačnými a zvlhčovacími zariadeniami	2	2
J20.4	Akút.bronchitída zaprič.vírusom parainfluenzy	2	1,2	J67.8	Alergická alveolitída zaprič.i.organickým prachom	2	2
J20.5	Akút.bronchitída zaprič.respirač.syncyciálnym vírusom	2	1,2	J67.9	Alergická alveolitída zaprič.blíž.neurč.organickým prachom	2	2
J20.6	Akútna bronchitída zapríčinená rinovírusom	2	1,2	J68.0	Bronchit.a pneumonit.,zaprič.chem.,plyn.,dym.a výpar.	2,3	1,2
J20.7	Akútna bronchitída zapríčinená vírusom ECHO	2	1,2	J68.1	Akútny pľúcny edém,zaprič.chemikál.plyn.dym.a výparmi	2,3,4	2,3
J20.8	Akút.bronchitída zaprič.iným.blíž.urč.organ.	2	1,2	J69.0	Zápal pľúc,zaprič.vdýchnutím potravy a zvratkov	3,4	3,4
J20.9	Akútna bronchitída,blížšie neurčená	2	1,2	J69.1	Zápal pľúc,zapričinený olejmi a esenciami	3,4	3,4
J21.0	Akútna bronchiolitída zaprič.respirač.syncyciálnym vírusom	4	4	J69.8	Zápal pľúc,zaprič.i.tuhými látkami a tekutinami	3,4	3,4
J21.1	Akútna bronchiolitída zaprič.ludským metapneumovírusom	4	4	J70.0	Akútne pľúcne prejavy zapríčinené žiarením	2,3	1,2
J21.8	Akútna bronchiolitída zaprič.i.blíž.urč.organ.	4	4				
J21.9	Akútna bronchiolitída,blížšie neurčená	4	4				
J36	Peritonzilárny absces	2	2				
J38.00	Obma hlasiviek a hrtana, blížšie neurčená	2,4	2,4				

CCL

ICD	Text	OP. CCL	Med. CCL	ICD	Text	OP. CCL	Med. CCL
J70.1	Chronické a iné pľúcne prejavy zapríčinené žiarením	2	2	K12.22	Submandib.absces s rozšír.do mediast.,parafaryn./cerv.pries.	2,3	2,3
J70.2	Akútna pľúcna intersticiálna choroba zapríč.liekmi	2,3	1,2	K12.23	Absces líca	2,3	2,3
J70.3	Chronická pľúcna intersticiálna choroba zapríč.liekmi	2,3	1,2	K12.28	Iná flegmóna a absces úst	2,3	2,3
J70.4	Pľúcna intersticiálna choroba zapríč.liekmi,b.n.	2,3	1,2	K12.29	Flegmóna a absces úst,blížšie neurčený	2,3	2,3
J80	Syndróm respiračnej tiesne [ARDS]	1,2	1,2	K22.2	Nepriechodnosť pažeráka	4	4
J81	Pľúcny opuch	2,3,4	2,3	K22.3	Prederavenie pažeráka	2,4	2,3,4
J84.0	Alveolové a parietoalveolové stavy	2	2	K22.4	Dyskinéza pažeráka	4	4
J84.1	Iná choroba interstícia pľúc s fibrózou	2	2	K22.6	Malloryho-Weissovo syndróm	1,2,3,4	2,3
J84.8	Iná choroba interstícia pľúc,blížšie určená	2	2	K23.0	Tuberkulóza pažeráka (A18.8†)	2,4	2,3
J84.9	Choroba interstícia pľúc,blížšie neurčená	2	2	K25.0	Vred žalúdka,akútny s krvácaním	1,2,3,4	2,3
J85.0	Gangréna a nekróza pľúc	3,4	3,4	K25.1	Vred žalúdka,akútny s perforáciou	2,3,4	2
J85.1	Absces pľúc so zápalom pľúc	3,4	3,4	K25.2	Vred žalúdka,akútny s krvácaním a perforáciou	1,2,3,4	2,3
J85.2	Absces pľúc bez zápalu pľúc	3,4	3,4	K25.4	Vred žalúdka,chron./bliž.neurč.s krvácaním	1,2,3,4	2,3
J85.3	Absces mediastína	3,4	3,4	K25.5	Vred žalúdka,chron./bliž.neurč.s perforáciou	2,3,4	2
J86.0	Pytorax s fistulou	3,4	3,4	K25.6	Vred žalúdka,chron./bliž.neurč.s krvác.a perfor.	1,2,3,4	2,3
J86.9	Pytorax bez fistuly	3,4	3,4	K26.0	Vred dvanástnika,akútny s krvácaním	1,2,3,4	2,3
J90	Pohrudnicový výpotok,nezatriedený inde	1,2,3,4	1,2,3,4	K26.1	Vred dvanástnika,akútny s perforáciou	2,3,4	2
J91	Pohrudnicový výpotok pri chor.z.i.	2,3,4	1,2,3,4	K26.2	Vred dvanástnika,akútny s krvácaním a perforáciou	1,2,3,4	2,3
J93.0	Spontánny tenzný pneumotorax	2,3,4	2,3	K26.4	Vred dvanástnika,chron./bliž.neurč.s krvácaním	1,2,3,4	2,3
J93.1	Iný spontánny pneumotorax	2,3,4	2,3	K26.5	Vred dvanástnika,chron./bliž.neurč.s perforáciou	2,3,4	2
J93.8	Iný pneumotorax	2,3,4	2,3	K26.6	Vred dvanástnika,chron./bliž.neurč.s krvác.a perfor.	1,2,3,4	2,3
J93.9	Pneumotorax,blížšie neurčený	2,3,4	2,3	K27.0	Peptický vred bez bliž.urč.miesta,akút.s krvácaním	1,2,3,4	2,3
J94.0	Chylózný pohrudnicový výpotok	2,3,4	2,3,4	K27.1	Peptický vred bez bliž.urč.miesta,akút.s perforáciou	2,3,4	2
J94.1	Fibrotorax	2,3,4	1,2,3	K27.2	Peptický vred bez bliž.urč.miesta,akút.s krvác.a perfor.	1,2,3,4	2,3
J94.2	Hemotorax	2,3,4	2,3,4	K27.4	Peptický vred bez bliž.urč.m.,chron./bli.neu.s krvác.a perfor.	1,2,3,4	2,3
J94.8	Iná choroba pohrudnice,blížšie určená	4	4	K27.5	Peptický vred bez bliž.urč.miesta,chron./bliž.neurč.s perfor.	2,3,4	2
J94.9	Choroba pohrudnice,blížšie neurčená	4	4	K27.6	Peptický vred bez bliž.urč.m.,chron./bli.neu.s krvác.a perfor.	1,2,3,4	2,3
J95.0	Porucha funkcie tracheostómie	3,4	1,3,4	K28.0	Peptický vred jejúna, akútny s krvácaním	1,2,3,4	2,3
J95.1	Akútna pulmonálna insuficien.po hrudnikovej operácii	2,3,4	2,3	K28.1	Peptický vred jejúna, akútny s perforáciou	2,3,4	2
J95.2	Akútna pulmonálna insuficien.po mimohrudník.chir.výkone	2,3,4	2,3	K28.2	Peptický vred jejúna,akútny s krvácaním a perforáciou	1,2,3,4	2,3
J95.3	Chronická pulmonálna insuficien.po chir.výkone	2,3,4	2,3	K28.4	Peptický vred jejúna,chron./bliž.neurč.s krvácaním	1,2,3,4	2,3
J95.4	Mendelsonov syndróm	3,4	1,3	K28.5	Peptický vred jejúna,chron./bliž.neurč.s perforáciou	2,3,4	2
J95.5	Subglotická stenóza po chirurgickom výkone	3,4	1,3	K28.6	Peptický vred jejúna,chron./bliž.neurč.s krvác.a perfor.	1,2,3,4	2,3
J95.80	Iatrogénny pneumotorax	3,4	1,3,4	K29.0	Akútna hemoragická gastritída	1,2,3,4	2,3
J95.81	Stenóza priedušnice po lekárskom výkone	3,4	1,3	K31.0	Akútna dilatácia žalúdka	2,4	2,3
J95.88	Iná porucha dýchacích orgánov po lekárskom výkone	3,4	1,3	K31.1	Hypertrofická pylorostenóza dospelých	2,3,4	2
J96.00	Akútna respirač.insuficien.n.i.,typ I(hypoxém.)	2,3,4	1,2,3	K31.5	Nepriechodnosť dvanástnika	2,3,4	2
J96.01	Akútna respirač.insuficien.n.i.,typ II (hypoxém.-hyperkap.typ)	2,3,4	1,2,3	K31.6	Fistula žalúdka a dvanástnika	2,4	2,3,4
J96.09	Akútna respirač.insuficien.n.i.,typ bliž.neurč.	2,3,4	1,2,3	K31.82	Angiodysplázia žalúdka a dvanástnika s prejavmi krvác.	1,2,3,4	2,3
J96.10	Chronická respirač.insuficien.,nezat.i.,typ I (hypoxém.)	2,3,4	1,2,3	K35.2	Akútna apendicitída s generalizovanou peritonitídou	3,4	3,4
J96.11	Chronická respirač.insuficien.,n.i.,typ II (hypoxém.-hyperkap.)	2,3,4	1,2,3	K35.30	Akútna apendicitída s lokaliz.peritonitídou,bez perfor./rupt.	2,4	2,3,4
J96.19	Chronická respirač.insuficien.,nezat.i.,typ bliž.neurč.	2,3,4	1,2,3	K35.31	Akút.apendicitída s lokaliz.peritonitídou,s perfor./ruptúrou	3,4	3,4
J98.1	Kolaps pľúc	3,4	1,3	K35.32	Akútna apendicitída s abscesom pobrušnice	2,4	2,3,4
J98.2	Intersticiálny emfyzém	2,3,4	2,3	K35.8	Akútna apendicitída,blížšie neurčená	2,4	2,3,4
J98.50	Mediastinitída	2,3,4	1,2,3	K37	Apendicitída,blížšie neurčená	4	4
J99.0	Reumatoidná choroba pľúc (M05.1-†)	2	2	K40.00	Obojstran.slabin.prietrž s obšt.bez gang.neozn.ako recid.	2,4	2,3,4
J99.1	Choroba dýchac.súst.pri i.difúzných chor.spojiv.tkan.	2	2				
J99.8	Choroba dýchac.súst.pri iných chorobách z.i.	2	2				
K07.1	Anomálie polohy čelustí oproti lebkovej spodine	4	4				
K07.8	Iné dentofaciálne anomálie	4	4				
K11.3	Absces slinnej žľazy	2	2				
K11.4	Fistula slinnej žľazy	2	2				
K12.20	Flegmóna ústnej spodiny	2,3	2,3				
K12.21	Submandib.absces bez rozšír.do mediast.,parafaryn./cerv.pries.	2,3	2,3				

ICD	Text	OP. CCL	Med. CCL	ICD	Text	OP. CCL	Med. CCL
K40.01	Obojstranná slabin.prietrž s obšt.bez gang.recidiv.	2,4	2,3,4	K57.33	Divertikulitída hrubého čreva bez perfor./absc.s krvác.	1,2,3,4	2,3
K40.10	Obojstranná slabinová prietrž s gang.neozn.ako recidiv.	2,4	2,3,4	K57.40	Divertik.tenk.-hrub.čreva s perfor.a absc.bez prej.krv.	2,4	2,3
K40.11	Obojstranná slabinová prietrž s gang.recidivujúca	2,4	2,3,4	K57.41	Divertikulóza tenk.-hrub.čreva s perfor.absc.a krvác.	1,2,3,4	2,3
K40.30	Jednostr./neurč.slab.prietrž s obšt.bez gang.neozn.ako recid.	2,4	2,3,4	K57.42	Divertikulitída tenk.-hrub.čreva s perfor.a absc.bez prej.krv.	2,4	2,3
K40.31	Jednostr./neurč.slab.prietrž s obšt.bez gang.recid.	2,4	2,3,4	K57.43	Divertikulitída tenk.-hrub.čreva s perfor.absc.a krvác.	1,2,3,4	2,3
K40.40	Jednostran./neurč.slab.prietrž s gang.neozn.ako recid.	2,4	2,3,4	K57.51	Divertikulóza tenk.-hrub.čreva bez perfor./absc.s krvác.	1,2,3,4	2,3
K40.41	Jednostran./neurč.slab.prietrž s gang.recid.	2,4	2,3,4	K57.53	Divertikulitída tenk.-hrub.čreva bez perfor./absc.s krvác	1,2,3,4	2,3
K41.0	Obojstranná stehnová prietrž s obšt.bez gang.	2,4	2,3,4	K57.80	Divertikulóza čreva,časť bliž.ne.s perfor.a absc.bez prej.krv.	2,4	2,3
K41.1	Obojstranná stehnová prietrž s gangrénou	2,4	2,3,4	K57.81	Divertikulóza čreva,časť bliž.neurč.s perfor.absc.a krvác.	1,2,3,4	2,3
K41.3	Jednostran./bliž.neu.stehno.prietrž s obšt.bez gang.	2,4	2,3,4	K57.82	Divertikulitída čreva,časť bliž.ne.s perf.a absc.bez prej.krv.	2,4	2,3
K41.4	Jednostran./bliž.neu.stehno.prietrž s gang.	2,4	2,3,4	K57.83	Divertikulitída čreva,časť bliž.neurč.s perfor.absc.a krvác.	1,2,3,4	2,3
K42.0	Pupková prietrž s obštrukciou bez gangrény	2,4	2,3,4	K57.91	Divertikulóza čreva,časť bliž.neurč.bez perfor./absc.s krvác.	1,2,3,4	2,3
K42.1	Pupková prietrž s gangrénou	2,4	2,3,4	K57.93	Divertikulitída čreva,časť bliž.neur.bez perfor./absc.s krv.	1,2,3,4	2,3
K43.0	Prietrž v jazve s obštrukciou bez gangrény	2,4	2,3,4	K59.3	Megakolon,nezatriedený inde	4	4
K43.1	Prietrž v jazve s gangrénou	2,4	2,3,4	K61.0	Análny absces	2,4	2,3,4
K43.3	Parastomická prietrž s obštrukciou bez gangrény	2,4	2,3,4	K61.1	Rektálny absces	2,4	2,3,4
K43.4	Parastomická prietrž s gangrénou	2,4	2,3,4	K61.2	Anorektálny absces	2,4	2,3,4
K44.0	Bránicová prietrž s obštrukciou bez gangrény	2,4	2,3,4	K61.3	Ischiorektálny absces	2,4	2,3,4
K44.1	Bránicová prietrž s gangrénou	2,4	2,3,4	K61.4	Vnútrošfinkterový absces	2,4	2,3,4
K45.0	Iná brušná prietrž,bliž.urč.s obštruk.bez gangrény	2,4	2,3	K62.2	Prolaps anusu	4	4
K45.1	Iná brušná prietrž,bližšie určená s gangrénou	2,4	2,3,4	K62.3	Prolaps konečníka	4	4
K46.0	Brušná prietrž,bliž.neurč.s obštruk.bez gangrény	2,4	2,3	K62.4	Stenóza anusu a konečníka	4	4
K46.1	Brušná prietrž,bližšie neurčená s gangrénou	2,4	2,3,4	K62.5	Krvácanie z anusu a konečníka	1,2,3,4	2,3
K52.0	Gastroenteritída a kolitída zapríč.radiáciou (postradiač.)	2,4	2,3	K63.0	Absces čreva	2,4	2,3,4
K52.1	Toxická gastroenteritída a kolitída	2,4	2,3,4	K63.1	Perforácia čreva (neúrazová)	3,4	3,4
K55.0	Akútna cievna choroba čreva	3,4	3,4	K63.2	Fistula čreva	4	4
K55.21	Angiodysplázia hrubého čreva,bez prejavov krvác.	4	4	K63.3	Vred čreva	4	4
K55.22	Angiodysplázia hrubého čreva,s krvácaním	1,2,3,4	2,3	K65.0	Akútny zápal pobrušnice	3,4	3,4
K55.82	Angiodysplázia tenkého čreva,s krvácaním	1,2,3,4	2,3	K65.8	Iný zápal pobrušnice	3,4	3,4
K56.0	Paralytický ileus	2,3,4	2,3,4	K65.9	Zápal pobrušnice,bližšie neurčený	3,4	3,4
K56.1	Invaginácia	2,3,4	2,3,4	K66.0	Pobrušnicové zrasty	4	4
K56.2	Volvulus	2,3,4	2,3,4	K66.1	Hemoperitoneum	2,4	2,3,4
K56.3	Ileus zapríčinený žľčovým kameňom	2,3,4	2,3	K66.8	Iné choroby pobrušnice,bližšie určené	4	4
K56.4	Iná obturácia čreva	2,3,4	2,3,4	K67.0	Zápal pobrušnice,zapríčinený chlamýdiami (A74.8†)	3,4	3,4
K56.5	Črevné adhézie[zrasty] s nepriechodnosťou	2,3,4	2,3	K67.1	Gonokokový zápal pobrušnice (A54.8†)	3,4	3,4
K56.6	Iný a bližšie neurčený mechanický ileus	2,3,4	2,3,4	K67.2	Syfilitický zápal pobrušnice (A52.7†)	3,4	3
K56.7	Ileus,bližšie neurčený	2,3,4	2,3,4	K67.3	Tuberkulózný zápal pobrušnice (A18.3†)	3,4	3,4
K57.00	Divertikulóza tenkého čreva s perfor.a absc.,bez prej.krv.	2,4	2,3	K67.8	Iná choroba pobrušnice pri infekč.chor.z.i.	3,4	3,4
K57.01	Divertikulóza tenkého čreva s perfor.abscesom a krvác.	1,2,3,4	2,3	K70.2	Alkoholová fibróza a skleróza pečene	2,3	2
K57.02	Divertikulitída tenkého čreva s perfor.a absc.bez.prej.krvác.	2,4	2,3	K70.3	Alkoholová cirhóza pečene	2,3	1,2
K57.03	Divertikulitída tenkého čreva s perfor.absc.a krvácaním	1,2,3,4	2,3	K70.4	Alkoholové zlyhávanie pečene	2,3	2
K57.11	Divertikulóza tenkého čreva bez perfor.a absc.s krvác.	1,2,3,4	2,3	K71.0	Toxická choroba pečene s cholestázou	1,2,3,4	1,2,3,4
K57.13	Divertikulitída tenkého čreva bez perfor.a absc.s krvác.	1,2,3,4	2,3	K71.1	Toxická choroba pečene s pečeňovou nekrózou	1,2,3,4	1,2,3,4
K57.21	Divertikulóza hrubého čreva s perfor.absc.a krvácaním	1,2,3,4	2,3	K71.2	Toxická choroba pečene s akútnou hepatitídou	1,2,3,4	1,2,3,4
K57.23	Divertikulitída hrubého čreva s perfor.absc.a krvác.	1,2,3,4	2,3	K71.3	Toxická chor.pečene s chronick.perzistujúcou hepatitídou	1,2,3,4	1,2,3,4
K57.31	Divertikulóza hrubého čreva bez perfor./absc.s krv.	1,2,3,4	2,3	K71.4	Toxická chor.pečene s chronick.lobulárnou hepatitídou	1,2,3,4	1,2,3,4
				K71.5	Toxická choroba pečene s chron.aktívnou hepatitídou	1,2,3,4	1,2,3,4
				K71.6	Toxická choroba pečene s hepatitídou,n.i.	1,2,3,4	1,2,3,4
				K71.7	Toxická choroba pečene s fibrózou a cirhózou pečene	2,3,4	2,4

ICD	Text	OP. CCL	Med. CCL	ICD	Text	OP. CCL	Med. CCL
K71.8	Toxická choroba pečene s inými poruchami pečene	1,2,3,4	1,2,3,4	K80.80	Iná cholelitiáza,bez prejavov obšt. žlč.ciest	2,3,4	2,3
K71.9	Toxická choroba pečene,blížšie neurčená	1,2,3,4	1,2,4	K80.81	Iná cholelitiáza,s obštrukciou žlčových ciest	2,3,4	2,3
K72.0	Akútne a subakútne pečeňové zlyhávajúce	1,2,3,4	1,2,3,4	K81.0	Akútna cholecystitída	2,3,4	2,3
K72.1	Chronické pečeňové zlyhávajúce	1,2,3,4	1,2,3	K82.0	Obštrukcia žlčníka	2,3,4	2,3
K72.71	Pečeňová encefalopatia,1.stupeň	1,2,3,4	1,2	K82.1	Hydrops žlčníka	2,3,4	2,3
K72.72	Pečeňová encefalopatia,2.stupeň	1,2,3,4	1,2,3	K82.2	Perforácia žlčníka	2,3,4	2,3
K72.73	Pečeňová encefalopatia,3.stupeň	1,2,3,4	1,2,3	K82.3	Fistula žlčníka	2,3,4	2,3
K72.74	Pečeňová encefalopatia,4.stupeň	1,2,3,4	1,2,3	K83.0	Zápal žlčových ciest	2,3,4	2,3
K72.79	Pečeňová encefalopatia neurčeného stupňa	1,2,3,4	1,2	K83.2	Perforácia žlčových ciest	2,3,4	2,3
K72.9	Pečeňové zlyhávajúce,blížšie neurčené	1,2,3,4	1,2,3	K83.3	Fistula žlčových ciest	2,3,4	2,3
K73.1	Chronická lobulárna hepatitída, nezatriedená inde	1,2,3,4	1,2,3	K85.00	Idiopatická akútna pankreatitída,bez org.kompl.	2,3	2
K73.2	Chronická aktívna hepatitída,nezatriedená inde	1,2,3,4	1,2,3	K85.01	Idiopatická akútna pankreatitída,s org.kompl.	2,3	2
K73.8	Iná chronická hepatitída,nezatriedená inde	1,2,3,4	1,2,3	K85.10	Akútna biliárna pankreatitída,bez org.kompl.	2,3	2
K74.0	Fibróza pečene	2,3,4	2,4	K85.11	Akútna biliárna pankreatitída,s org.kompl.	2,3	2
K74.2	Fibróza pečene so sklerózou pečene	2,3,4	2,4	K85.20	Akút.pankreatitída zapr.alkoholom,bez org.kompl.	2,3	2
K74.3	Primárna biliárna cirhóza	2,3,4	2,4	K85.21	Akút.pankreatitída zapr.alkoholom,s org.kompl.	2,3	2
K74.4	Sekundárna biliárna cirhóza	2,3,4	2,4	K85.30	Akútna pankreatitída zaprič.liekom,bez org.kompl.	2,3	2
K74.5	Biliárna cirhóza,blížšie neurčená	2,3,4	2,4	K85.31	Akútna pankreatitída zaprič.liekom,s org.kompl.	2,3	2
K74.6	Iná a blížšie neurčená cirhóza pečene	1,2,3,4	1,2,4	K85.80	Iná akútna pankreatitída,bez orgánovej komplikácie	2,3	2
K75.0	Absces pečene	1,2,3,4	1,2,3,4	K85.81	Iná akútna pankreatitída,s orgánovou komplikáciou	2,3	2
K75.1	Flebitída vrátnice (v. portae)	1,2,3,4	1,2,3,4	K85.90	Akútna pankreatitída,blíž.neurč.bez org.kompl.	2,3	2
K75.2	Nešpecifická reaktívna hepatitída	1,2,3,4	1,2,3,4	K85.91	Akútna pankreatitída,blíž.neurč.s org.kompl.	2,3	2
K75.3	Granulomatózna hepatitída,nezatriedená inde	1,2,3,4	1,2,3,4	K86.0	Chronická pankreatitída zapríčinená alkoholom	2,3	1,2
K75.4	Autoimunitná hepatitída	1,2,3,4	1,2,3,4	K86.1	Iná chronická pankreatitída	2,3	1,2
K75.8	Iná zápalová choroba pečene,blížšie určená	1,2,3,4	1,2,3,4	K86.2	Cysta pankreasu	2,3	2
K75.9	Zápalová choroba pečene,blížšie neurčená	1,2,3,4	1,2,3,4	K86.3	Pseudocysta pankreasu	2,3	2
K76.0	Stukovatenie pečene, nezatriedené inde	4	4	K90.2	Syndróm slepej slučky,nezatriedený inde	4	4
K76.2	Centrálne hemoragická nekróza pečene	1,2,3,4	1,2,3,4	K90.3	Pankreatická steatorea	4	4
K76.3	Infarkt pečene	1,2,3,4	1,2,3,4	K91.1	Syndrómy po operácii žalúdka	4	4
K76.4	Pelióza pečene	1,2,3,4	1,2,3,4	K91.2	Malabsorpcia po chirurgickom výkone,n.i.	2,4	2,3
K76.5	Venoocluzívna choroba pečene(Stuartov-Brasov syndróm)	1,2,3,4	1,2,3	K91.3	Mechanická črevná nepriechodnosť po chir.výk.	2,3,4	3
K76.6	Portálna hypertenzia	4	4	K91.4	Porucha funkcie kolostómie a enterostómie	1,2	1
K76.7	Hepatorenálny syndróm	1,2,3,4	1,2,3,4	K91.80	Generalizovaná mukozitída pri imunokompromitácii	3,4	3
K77.0	Pečeňová porucha pri infekč./parazit.chor.z.i.	1,2,3,4	1,2,3,4	K91.88	Iná porucha tráviacej súst.po lekář.výkone,n.i.	1,2	1
K77.11	Postihnutie pečene pri akút.chor.štetu proti host.GvH,1.štád.	1,2,3,4	1,2,3,4	K92.0	Hemateméza	1,2,3,4	2,3
K77.12	Postihnutie pečene pri akút.chor.štetu proti host.GvH,2.štád.	1,2,3,4	1,2,3,4	K92.1	Meléna	1,2,3,4	2,3
K77.13	Postihnutie pečene pri akút.chor.štetu proti host.GvH,3.štád.	1,2,3,4	1,2,3,4	K92.2	Gastrointestinálne krvácanie,blížšie neurčené	1,2,3,4	2,3
K77.14	Postihnutie pečene pri akút.chor.štetu proti host.GvH,4.štád.	1,2,3,4	1,2,3,4	K93.0	TBC čriev,pobrušnice a lymfatických uzlín mezenteria	2,4	2,3
K77.8	Pečeňová porucha pri iných chorobáchz.i.	1,2,3,4	1,2,3,4	K93.1	Megakolon pri Chagasovej chorobe (B57.3†)	4	4
K80.00	Kameň žlčníka s akút.cholecystitídou,bez prej.obštr.žlč.ciest	2,3,4	2,3	L00.0	Synd.obar.kože zaprič.stafylok.s postih.men.ako 30% povrch.t.	4	4
K80.01	Kameň žlčníka s akút.cholecystitídou,s obštr.žlč.ciest	2,3,4	2,3	L00.1	Synd.obarenej kože zaprič.stafylok.s postih.30%p.t.a viac	4	4
K80.10	Kameň žlčníka s i.cholecystitídou,bez prej.obštr.žlč. ciest	2,3,4	2,3	L01.0	Kontaktné impetigo akejkol.lok.zaprič.ktorýmkol.organiz.	2,3,4	2,3
K80.11	Kameň žlčníka s i.cholecystitídou,s obštr.žlč.ciest	2,3,4	2,3	L01.1	Sekundárna impetiginizácia inej choroby kože	2,3,4	2,3
K80.21	Kameň žlčníka bez cholecystitídou,s obštr.žlč.ciest	2,3,4	2,3	L03.10	Flegmóna hornej končatiny	2,3,4	2,3
K80.30	Kameň žlč.výv.s cholecystitídou,bez prej.obštr.žlč. ciest	2,3,4	2,3	L03.11	Flegmóna dolnej končatiny	2,3,4	2,3
K80.31	Kameň žlč.výv.s cholecystitídou,s obštr.žlč.ciest	2,3,4	2,3	L03.2	Flegmóna tváre	2,3,4	2,3
K80.40	Kameň žlč.výv.s cholecystitídou,bez prej.obštr.žlč.ciest	2,3,4	2,3	L03.3	Flegmóna trupu	2,3,4	2,3
K80.41	Kameň žlč.výv.s cholecystitídou,s obštr.žlč.ciest	2,3,4	2,3	L03.8	Flegmóna na inom mieste	2,3,4	2,3
K80.41	Kameň žlč.výv.s cholecystitídou,s obštr.žlč.ciest	2,3,4	2,3	L03.9	Flegmóna,blížšie neurčená	2,3,4	2,3
K80.50	Kameň žlč.výv.bez cholan./cholecyst. bez prej.obštr.žlč.ciest	2,3,4	2,3	L05.0	Pilonidálna cysta s abscesom	2,3,4	2,3
K80.51	Kameň žlč.výv.bez cholangit./cholecyst.s obš.žlč.ciest	2,3,4	2,3	L10.0	Pemphigus vulgaris	2	2
				L10.1	Pemphigus vegetans	2	2
				L10.2	Pemphigus foliaceus	2,4	2,4
				L10.3	Brazílsky pemfigus [fogo selvagem]	2	2

ICD	Text	OP. CCL	Med. CCL	ICD	Text	OP. CCL	Med. CCL
L10.4	Pemphigus erythematosus	2	2	L89.38	Dekubitus 4.stupňa: Iná oblasť dolnej končatiny	3,4	2,3
L10.5	Pemfigus, zapríčinený liekom	2	2	L89.39	Dekubitus 4.stupňa: Bližšie neurčené miesto	3,4	2,3
L10.8	Iný pemfigus	2	2	L94.4	Gottronov syndróm	1,2	1,2
L10.9	Pemfigus, bližšie neurčený	2	2	L98.3	Eozinofilná celulitída(Wellsov syndróm)	2,3,4	2,3
L11.8	Iná akantolytická dermatóza,bližšie určená	4	4	M00.00	Artritída a polyartrit.zaprič.stafylo. na viac.m.	2,4	2,4
L11.9	Akantolytická dermatóza,bližšie neurčená	4	4	M00.01	Artritída a polyartrit.zaprič.stafylok.v obl.pleca	2,4	2,4
L12.0	Pluzgierový(bulózny)pemfigoid	2,4	2,4	M00.02	Artritída a polyartrit.zaprič.stafylok.v obl.nadlaktia	2,4	2,4
L12.1	Jazvový pemfigoid	2	2	M00.03	Artritída a polyartrit.zaprič.stafylok.v obl.predlak.	2,4	2,4
L12.2	Chronická pluzgierová(bulózna)choroba detského veku	2	2	M00.04	Artritída a polyartrit.zaprič.stafylok.v obl.ruky	2,4	2,4
L12.3	Získaná pluzgierová (bulózna) epidermolýza	2,4	2,4	M00.05	Artritída a polyartrit.zaprič.stafylok.panv.obl.a stehna	2,4	2,4
L12.8	Iný pemfigoid	2,4	2,4	M00.06	Artritída a polyartrit.zaprič.stafylok.v obl.predkol.	2,4	2,4
L12.9	Pemfigoid,bližšie neurčený	2,4	2,4	M00.07	Artritída a polyartrit.zaprič.stafylok.v obl.čl.a nohy	2,4	2,4
L13.0	Herpetiformná dermatitída(dermatitis herpetiformis)	4	4	M00.08	Artritída a polyartrit.zaprič.stafylok.na i.mieste	2,4	2,4
L13.1	Dermatitis pustulosa subcornealis	4	4	M00.09	Artritída a polyartrit.zaprič.stafylok.na n.mieste	2,4	2,4
L13.8	Iné pluzgierové(bulózne)dermatózy,bližšie určené	4	4	M00.10	Artritída a polyartrit.zaprič.pneumok.,na viac.m.	2,4	2,4
L14	Pluzgierová dermatóza pri choroba zatried.i.	4	4	M00.11	Artritída a polyartrit.zaprič.pneumok.v obl.pleca	2,4	2,4
L40.1	Generalizovaná pustulová psoriáza	4	4	M00.12	Artritída a polyartrit.zaprič.pneumok.v obl.nadlaktia	2,4	2,4
L40.5	Artropatická psoriáza (M07.0-M07.3*, M09.0-*)	1,2	1,2	M00.13	Artritída a polyartrit.zaprič.pneumok.v obl.predlak.	2,4	2,4
L44.4	Detská papulárna akrodermatitída(Giannotti-Crosti synd.)	2	2	M00.14	Artritída a polyartrit.zaprič.pneumok.v obl.ruky	2,4	2,4
L51.0	Nepľuzgierový multiformný erytém	4	4	M00.15	Artritída a polyartrit.zaprič.pneumok.panv.obl.a stehna	2,4	2,4
L51.1	Pluzgierový multiformný erytém	4	4	M00.16	Artritída a polyartrit.zaprič.pneumok.v obl.predkol.	2,4	2,4
L51.20	Toxická nekrolýza epidermy s postih.men.ako 30%povrchu t.	4	4	M00.17	Artritída a polyartrit.zaprič.pneumok.v obl.čl.a nohy	2,4	2,4
L51.21	Toxická nekrolýza epidermy s postih.30%povrch.tela a viac	4	4	M00.18	Artritída a polyartrit.zaprič.pneumok.na i.mieste	2,4	2,4
L51.8	Iný multiformný erytém	4	4	M00.19	Artritída a polyartrit.zaprič.pneumok.na n.mieste	2,4	2,4
L51.9	Multiformný erytém,bližšie neurčený	4	4	M00.20	Artritída a polyartrit.zaprič.i.streptok.na viac.m.	2,4	2,4
L53.0	Toxický erytém	2	2	M00.21	Artritída a polyartrit.zaprič.i.streptok.v obl.pleca	2,4	2,4
L53.1	Erythema annulare centrifugum	2	2	M00.22	Artritída a polyartrit.zaprič.i.streptok.v obl.nadlaktia	2,4	2,4
L53.2	Erythema marginatum	2	2	M00.23	Artritída a polyartrit.zaprič.i.streptok.v obl.predlak.	2,4	2,4
L53.3	Iný chronický obrazcový erytém	2	2	M00.24	Artritída a polyartrit.zaprič.i.streptok.v obl.ruky	2,4	2,4
L74.4	Anhidróza	4	4	M00.25	Artritída a polyartrit.zaprič.i.streptok.panv.obl.a stehna	2,4	2,4
L89.10	Dekubitus 2.stupňa: Hlava	3,4	2,3	M00.26	Artritída a polyartrit.zaprič.i.streptok.v obl.predkol.	2,4	2,4
L89.11	Dekubitus 2.stupňa: Horná končatina	3,4	2,3	M00.27	Artritída a polyartrit.zaprič.i.streptok.v obl.čl.a nohy	2,4	2,4
L89.12	Dekubitus 2.stupňa: Třířový výbežok	3,4	2,3	M00.28	Artritída a polyartrit.zaprič.i.streptok.na i.mieste	2,4	2,4
L89.13	Dekubitus 2.stupňa: Lopata bedrovej kosti	3,4	2,3	M00.29	Artritída a polyartrit.zaprič.i.streptok.na n.mieste	2,4	2,4
L89.14	Dekubitus 2.stupňa: Křířžová oblasť	3,4	2,3	M00.80	Artritída a polyartrit.zaprič.i.bliř.urč.baktér.viac.mies.	4	4
L89.15	Dekubitus 2.stupňa: Sedacia oblasť	3,4	2,3	M00.81	Artritída a polyartrit.zaprič.i.bliř.urč.baktér.v obl.pleca	4	4
L89.16	Dekubitus 2.stupňa: Trochanter	3,4	2,3	M00.82	Artritída a polyartrit. zapr.i.bliř.urč.baktér.v obl.nadlaktia	4	4
L89.17	Dekubitus 2.stupňa: Páta	3,4	2,3	M00.83	Artritída a polyartrit. zapr.i.bliř.urč.baktér.v obl.predlak.	4	4
L89.18	Dekubitus 2.stupňa: Iná oblasť dolnej končatiny	3,4	2,3	M00.84	Artritída a polyartrit.zapr.i.bliř.urč.baktér.v obl.ruky	4	4
L89.19	Dekubitus 2 stupňa: Bliřšie neurčené miesto	3,4	2,3				
L89.20	Dekubitus 3.stupňa: Hlava	3,4	2,3				
L89.21	Dekubitus 3.stupňa: Horná končatina	3,4	2,3				
L89.22	Dekubitus 3.stupňa: Třířový výbežok	3,4	2,3				
L89.23	Dekubitus 3.stupňa: Lopata bedrovej kosti	3,4	2,3				
L89.24	Dekubitus 3.stupňa: Křířžová oblasť	3,4	2,3				
L89.25	Dekubitus 3.stupňa: Sedacia oblasť	3,4	2,3				
L89.26	Dekubitus 3.stupňa: Trochanter	3,4	2,3				
L89.27	Dekubitus 3.stupňa: Páta	3,4	2,3				
L89.28	Dekubitus 3.stupňa: Iná oblasť dolnej končatiny	3,4	2,3				
L89.29	Dekubitus 3.stupňa: Bliřšie neurčené miesto	3,4	2,3				
L89.30	Dekubitus 4.stupňa: Hlava	3,4	2,3				
L89.31	Dekubitus 4.stupňa: Horná končatina	3,4	2,3				
L89.32	Dekubitus 4.stupňa: Třířový výbežok	3,4	2,3				
L89.33	Dekubitus 4.stupňa: Lopata bedrovej kosti	3,4	2,3				
L89.34	Dekubitus 4.stupňa: Křířžová oblasť	3,4	2,3				
L89.35	Dekubitus 4.stupňa: Sedacia oblasť	3,4	2,3				
L89.36	Dekubitus 4.stupňa: Trochanter	3,4	2,3				
L89.37	Dekubitus 4.stupňa: Páta	3,4	2,3				

ICD	Text	OP. CCL	Med. CCL	ICD	Text	OP. CCL	Med. CCL
M00.85	Artritída a polyartrit.zapr.i.bliž.urč.baktér.panv.obl.a steh.	4	4	M01.60	Artritída pri mykózach na viac.m.	2,4	2,4
M00.86	Artritída a polyartrit.zapr.i.bliž.urč.baktér.v obl.predkol.	4	4	M01.61	Artritída pri mykózach v obl.pleca	2,4	2,4
M00.87	Artritída a polyartrit.zapr.i.bliž.urč.baktér.v obl.čl.a nohy	4	4	M01.62	Artritída pri mykózach v obl.nadlaktia	2,4	2,4
M00.88	Artritída a polyartrit. zapr.i.bliž.urč.baktér.na i.mieste	4	4	M01.63	Artritída pri mykózach v obl. predlak.	2,4	2,4
M00.89	Artritída a polyartrit.zapr.i.bliž.urč.baktér.mies.bliž.urč.	4	4	M01.64	Artritída pri mykózach v obl.ruky	2,4	2,4
M00.90	Pyogénna artritída,bliž.neurč.na viac.miestach	2,4	2	M01.65	Artritída pri mykózach panv.obl.a stehna	2,4	2,4
M00.91	Pyogénna artritída,bliž.neurč.v obl.pleca	2,4	2	M01.66	Artritída pri mykózach v obl.predkol.	2,4	2,4
M00.92	Pyogénna artritída,bliž.neurč.v obl.nadlaktia	2,4	2	M01.67	Artritída pri mykózach v obl.čl. a nohy	2,4	2,4
M00.93	Pyogénna artritída,bliž.neurč.v obl.predlak.	2,4	2	M01.68	Artritída pri mykózach na i.mieste	2,4	2,4
M00.94	Pyogénna artritída,bliž.neurč.v obl.ruky	2,4	2	M01.69	Artritída pri mykózach na.mieste	2,4	2,4
M00.95	Pyogénna artritída,bliž.neurč.v panv.obl.a stehna	2,4	2	M05.00	Feltyho syndróm na viacerých miestach	1,2	1,2
M00.96	Pyogénna artritída,bliž.neurč.v obl.predkol.	2,4	2	M05.01	Feltyho syndróm v obl.pleca	1,2	1,2
M00.97	Pyogénna artritída,bliž.neurč.v obl.čl.a nohy	2,4	2	M05.02	Feltyho syndróm nadlaktia	1,2	1,2
M00.98	Pyogénna artritída,bliž.neurč.na i.mieste	2,4	2	M05.03	Feltyho syndróm predlak.	1,2	1,2
M00.99	Pyogénna artritída,bliž.neurč.,miesto bliž.neurč.	2,4	2	M05.04	Feltyho syndróm ruky	1,2	1,2
M01.00	Artritída zaprič.meningok.na viac.m.	2,4	2,4	M05.05	Feltyho syndróm panv.obl.a stehna	1,2	1,2
M01.01	Artritída zaprič.meningok.v obl.pleca	2,4	2,4	M05.06	Feltyho syndróm predkol.	1,2	1,2
M01.02	Artritída zaprič.meningok.v obl. nadlaktia	2,4	2,4	M05.07	Feltyho syndróm čl.a nohy	1,2	1,2
M01.03	Artritída zaprič.meningok.v obl.predlak.	2,4	2,4	M05.08	Feltyho syndróm na i.mieste	1,2	1,2
M01.04	Artritída zaprič.meningok.v obl.ruky	2,4	2,4	M05.09	Feltyho syndróm,miesto bližšie neurčené	1,2	1,2
M01.05	Artritída zaprič.meningok.panv.obl.a stehna	2,4	2,4	M05.20	Reumat.artritída s vaskulitídou,na viac.m.	1,2	1,2
M01.06	Artritída zaprič.meningok.v obl.predkol.	2,4	2,4	M05.21	Reumat.artritída s vaskulitídou,v obl.pleca	1,2	1,2
M01.07	Artritída zaprič.meningok.v obl.čl.a nohy	2,4	2,4	M05.22	Reumat.artritída s vaskulitídou,v obl.nadlaktia	1,2	1,2
M01.08	Artritída zaprič.meningok.na i.mieste	2,4	2,4	M05.23	Reumat.artritída s vaskulitídou,v obl.predlak.	1,2	1,2
M01.09	Artritída zaprič.meningok.na n. mieste	2,4	2,4	M05.24	Reumat.artritída s vaskulitídou,v obl.ruky	1,2	1,2
M01.10	Tuberkulózna artritída na viac.m.	4	4	M05.25	Reumat.artritída s vaskulitídou,v obl.panv.a stehna	1,2	1,2
M01.11	TBC artritída v obl.pleca	4	4	M05.26	Reumat.artritída s vaskulitídou,v obl.predkol.	1,2	1,2
M01.12	TBC artritída nadlaktia	4	4	M05.27	Reumat.artritída s vaskulitídou,v obl.čl.a nohy	1,2	1,2
M01.13	TBC artritída predlak.	4	4	M05.28	Reumat.artritída s vaskulitídou,na i.mieste	1,2	1,2
M01.14	TBC artritída ruky	4	4	M05.29	Reumat.artritída s vaskulitídou,miesto bliž.neurč.	1,2	1,2
M01.15	TBC artritída panv.obl.a stehna	4	4	M05.30	Reumatoidná artritída s postih.i.org.a súst.,na viac.miest.	1,2	1,2
M01.16	TBC artritída predkol.	4	4	M05.31	Reumatoidná artritída s postih.i.org.a súst.,v obl.pleca	1,2	1,2
M01.17	TBC artritída čl.a nohy	4	4	M05.32	Reumatoidná artritída s postih.i.org.a súst.,v obl.nadlaktia	1,2	1,2
M01.18	TBC artritída na i.mieste	4	4	M05.33	Reumatoidná artritída s postih.i.org.a súst.,v obl.predlak.	1,2	1,2
M01.19	Tuberkulózna artritída na n.mieste	4	4	M05.34	Reumatoidná artritída s postih.i.org.a súst.,v obl.ruky	1,2	1,2
M01.30	Artritída pri i.baktér.chor.zatried.i.na viac.m.	4	4	M05.35	Reumat.artritída s postih.i.org.a súst.,v obl.panv.a steh.	1,2	1,2
M01.31	Artritída pri i.baktér.chor.zatried.i.obl.pleca	4	4	M05.36	Reumatoidná artritída s postih.i.org.a súst.,v obl.predkol.	1,2	1,2
M01.32	Artritída pri i.baktér.chor.zatried.i.v obl.nadlaktia	4	4	M05.37	Reumatoidná artritída s postih.i.org.a súst.,v obl.čl.a nohy	1,2	1,2
M01.33	Artritída pri i.baktér.chor.zatried.i.v obl.predlak.	4	4	M05.38	Reumatoidná artritída s postih.i.org.a súst.,na i.mieste	1,2	1,2
M01.34	Artritída pri i.baktér.chor.zatried.i.v obl.ruky	4	4	M05.39	Reumatoidná artritída s postih.i.org.a súst.,miesto b.n.	1,2	1,2
M01.35	Artritída pri i.baktér.chor.zatried.i.panv.obl.a stehna	4	4	M06.10	Stillova chor.dospelých s postih.kíbov na viac.miestach	1,2	1,2
M01.36	Artritída pri i.baktér.chor.zatried.i.v obl.predkol.	4	4	M06.11	Stillova chor.dospelých s postih.kíbov v pleca	1,2	1,2
M01.37	Artritída pri i.baktér.chor.zatried.i.v obl.čl.a nohy	4	4	M06.12	Stillova chor.dospelých s postih.kíbov nadlaktia	1,2	1,2
M01.38	Artritída pri i.baktér.chor.zatried.i.na i.mieste	4	4	M06.13	Stillova chor.dospelých s postih.kíbov predlak.	1,2	1,2
M01.39	Artritída pri i.baktér.chor.zatried.i.miesto bližš.neurč.	4	4	M06.14	Stillova chor.dospelých s postih.kíbov ruky	1,2	1,2
M01.40	Artritída pri ružienke na viac.m.	4	4	M06.15	Stillova chor.dospelých s postih.kíbov panvy a stehna	1,2	1,2
M01.41	Artritída pri ružienke v obl.pleca.	4	4	M06.16	Stillova chor.dospelých s postih.kíbov predkol.	1,2	1,2
M01.42	Artritída pri ružienke v obl.nadlaktia	4	4	M06.17	Stillova chor.dospelých s postih.kíbov čl.a nohy	1,2	1,2
M01.43	Artritída pri ružienke v obl.predlak.	4	4	M06.18	Stillova chor.dospelých s postih.kíbov na i.mieste	1,2	1,2
M01.44	Artritída pri ružienke v obl.ruky	4	4	M06.19	Stillova chor.dospelých s postih.kíbov na n.mieste	1,2	1,2
M01.45	Artritída pri ružienke panv.obl.a stehna	4	4	M07.04	Distálna psoriatická artritída ruky	1,2	1,2
M01.46	Artritída pri ružienke v obl.predkol.	4	4				
M01.47	Artritída pri ružienke v obl.čl.a nohy	4	4				
M01.48	Artritída pri ružienke na i.mieste	4	4				
M01.49	Artritída pri ružienken na n. mieste	4	4				

ICD	Text	OP. CCL	Med. CCL	ICD	Text	OP. CCL	Med. CCL
M07.07	Distálna psoriatická artritída čl.a nohy	1,2	1,2	M08.04	Juvenilná reumatoid.artritída dospelých v obl.ruky	1,2	1,2
M07.09	Distálna psoriatická artritída na n.mieste	1,2	1,2	M08.05	Juvenilná reumatoid.artritída dospelých v obl.panvy a stehna	1,2	1,2
M07.10	Arthritis mutilans, na viacerých miestach (L40.5†)	1,2	1,2	M08.06	Juvenilná reumatoid.artritída dospelých v obl.predkol.	1,2	1,2
M07.11	Arthritis mutilans v obl.pleca	1,2	1,2	M08.07	Juvenilná reumatoid.artritída dospelých v obl.čl.a nohy	1,2	1,2
M07.12	Arthritis mutilans v obl.nadlaktia	1,2	1,2	M08.08	Juvenilná reumatoid.artritída dospelých na i.mieste	1,2	1,2
M07.13	Arthritis mutilans v obl. predlak.	1,2	1,2	M08.09	Juvenilná reumatoid.artritída dospelých,miesto bliž.neurč.	1,2	1,2
M07.14	Arthritis mutilans v obl.ruky	1,2	1,2	M08.10	Juven.ankylozujúca spondylitída na viac.miestach	1,2	1,2
M07.15	Arthritis mutilans panv.obl.a stehna	1,2	1,2	M08.11	Juven.ankylozujúca spondylitída v obl.pleca	1,2	1,2
M07.16	Arthritis mutilans v obl.predkol.	1,2	1,2	M08.12	Juven.ankylozujúca spondylitída nadlaktia	1,2	1,2
M07.17	Arthritis mutilans v obl.čl.a nohy	1,2	1,2	M08.13	Juven.ankylozujúca spondylitída predlak.	1,2	1,2
M07.18	Arthritis mutilans na i.mieste	1,2	1,2	M08.14	Juven.ankylozujúca spondylitída ruky	1,2	1,2
M07.19	Arthritis mutilans na n.mieste	1,2	1,2	M08.15	Juven.ankylozujúca spondylitída panv.obl.a stehna	1,2	1,2
M07.2	Psoriatická spondylitída (L40.5†)	1,2	1,2	M08.16	Juven.ankylozujúca spondylitída predkol.	1,2	1,2
M07.30	Iná psoriatická artritídana viac.m.	1,2	1,2	M08.17	Juven.ankylozujúca spondylitída čl.a nohy	1,2	1,2
M07.31	Iná psoriatická artritídav obl.pleca	1,2	1,2	M08.18	Juven.ankylozujúca spondylitída na i.mieste	1,2	1,2
M07.32	Iná psoriatická artritídav obl.nadlaktia	1,2	1,2	M08.19	Juven.ankylozujúca spondylitída na n.mieste	1,2	1,2
M07.33	Iná psoriatická artritídav obl.predlak.	1,2	1,2	M08.20	Juven.chron.artritída so systém.začiat.,na v.miest.	1,2	1,2
M07.34	Iná psoriatická artritídav obl.ruky	1,2	1,2	M08.21	Juven.chron.artritída so systém.začiat.,v obl.pleca	1,2	1,2
M07.35	Iná psoriatická artritídav obl.panv.a stehna	1,2	1,2	M08.22	Juven.chron.artritída so systém.začiat.,v o.nadlaktia	1,2	1,2
M07.36	Iná psoriatická artritídav obl.predkol.	1,2	1,2	M08.23	Juven.chron.artritída so systém.začiat.,v o.predlak.	1,2	1,2
M07.37	Iná psoriatická artritídav obl.čl.a nohy	1,2	1,2	M08.24	Juven.chron.artritída so systém.začiat.,v o.ruky	1,2	1,2
M07.38	Iná psoriatická artritídana i.mieste	1,2	1,2	M08.25	Juven.chron.artritída so systém.začiat.,v o.panvy a stehna	1,2	1,2
M07.39	Iná psoriatická artritídana n.mieste	1,2	1,2	M08.26	Juven.chron.artritída so systém.začiat.,v o.predkol.	1,2	1,2
M07.40	Artritída pri Crohn.chor. s postih.kĺbov na viac.m.	1,2	1,2	M08.27	Juven.chron.artritída so systém.začiat.,v o.čl.a nohy	1,2	1,2
M07.41	Artritída pri Crohn.chor.s postih.kĺbov v obl.pleca	1,2	1,2	M08.28	Juven.chron.artritída so systém.začiat.,na i.mieste	1,2	1,2
M07.42	Artritída pri Crohn.chor.s postih.kĺbov nadlaktia	1,2	1,2	M08.29	Juven.chron.artritída so systém.začiat.,na n.mieste	1,2	1,2
M07.43	Artritída pri Crohn.chor.s postih.kĺbov predlak.	1,2	1,2	M08.3	Juven.chron.artritída (séronegatívna),polyartikulárna forma	1,2	1,2
M07.44	Artritída pri Crohn.chor.s postih.kĺbov ruky	1,2	1,2	M08.40	Juven.chron.artritída,oligoart.forma,s postih.na viac.m.	1,2	1,2
M07.45	Artritída pri Crohn.chor.s postih.kĺbov panvy a stehna	1,2	1,2	M08.41	Juven.chron.artritída,oligoart.forma,s postih.v obl.pleca	1,2	1,2
M07.46	Artritída pri Crohn.chor.s postih.kĺbov predkol.	1,2	1,2	M08.42	Juven.chron.artritída,oligoart.forma,s postih.nadlaktia	1,2	1,2
M07.47	Artritída pri Crohn.chor.s postih.kĺbov čl.a nohy	1,2	1,2	M08.43	Juven.chron.artritída,oligoart.forma,s postih.predlak.	1,2	1,2
M07.48	Artritída pri Crohn.chor.s postih.kĺbov na i.mieste	1,2	1,2	M08.44	Juven.chron.artritída,oligoart.forma,s postih.ruky	1,2	1,2
M07.49	Artritída pri Crohn.chor.s postih.kĺbov na n.mieste	1,2	1,2	M08.45	Juven.chron.artritída,oligoart.forma,s postih.pan.a stehna	1,2	1,2
M07.50	Artritída pri ulcer.kolitíde s postih.kĺbov na viac.m.	1,2	1,2	M08.46	Juven.chron.artritída,oligoart.forma,s postih.predkol.	1,2	1,2
M07.51	Artritída pri ulcer.kolitíde s postih.kĺbov v obl.pleca	1,2	1,2	M08.47	Juven.chron.artritída,oligoart.forma,s postih.čl.a nohy	1,2	1,2
M07.52	Artritída pri ulcer.kolitíde s postih.kĺbov nadlaktia	1,2	1,2	M08.48	Juven.chron.artritída,oligoart.forma,s postih.na i.mieste	1,2	1,2
M07.53	Artritída pri ulcer.kolitíde s postih.kĺbov predlak.	1,2	1,2	M08.49	Juven.chron.artritída,oligoart.forma,s postih.na n.mieste	1,2	1,2
M07.54	Artritída pri ulcer.kolitíde s postih.kĺbov ruky	1,2	1,2	M08.70	Juven.artritída s vaskulit.s postih.kĺb.na viac.m.	1,2	1,2
M07.55	Artritída pri ulcer.kolitíde s postih.kĺbov pan.a stehna	1,2	1,2	M08.71	Juven.artritída s vaskulit.s postih.kĺb.v obl.pleca	1,2	1,2
M07.56	Artritída pri ulcer.kolitíde s postih.kĺbov predkol.	1,2	1,2				
M07.57	Artritída pri ulcer.kolitíde s postih.kĺbov čl.a nohy	1,2	1,2				
M07.58	Artritída pri ulcer.kolitíde s postih.kĺbov na i.mieste	1,2	1,2				
M07.59	Artritída pri ulcer.kolitíde s postih.kĺbov na n.mieste	1,2	1,2				
M08.00	Juvenilná reumatoid.artritída dospelých na viac.m.	1,2	1,2				
M08.01	Juvenilná reumatoid.artritída dospelých v obl.pleca	1,2	1,2				
M08.02	Juvenilná reumatoid.artritída dospelých v obl.nadlaktia	1,2	1,2				
M08.03	Juvenilná reumatoid.artritída dospelých v obl.predlak.	1,2	1,2				

ICD	Text	OP. CCL	Med. CCL	ICD	Text	OP. CCL	Med. CCL
M08.72	Juven.artritída s vaskulit.s postih.kíb.v obl.nadlaktia	1,2	1,2	M09.17	Juven.artritída pri Crohn.chor.,s postih.kíb.čl.a nohy	1,2	1,2
M08.73	Juven.artritída s vaskulit.s postih.kíb.v obl.predlak.	1,2	1,2	M09.18	Juven.artritída pri Crohn.chor.,s postih.kíb.na i.mieste	1,2	1,2
M08.74	Juven.artritída s vaskulit.s postih.kíb.v obl.ruky	1,2	1,2	M09.19	Juven.artritída pri Crohn.chor.,s postih.kíb.na n.mieste	1,2	1,2
M08.75	Juven.artritída s vaskulit.s postih.kíb.v obl.panvy a stehna	1,2	1,2	M09.20	Juven.artritída pri ulcer.kolitíde,s postih.kíb.na viac.m.	1,2	1,2
M08.76	Juven.artritída s vaskulit.s postih.kíb.v obl.predkol.	1,2	1,2	M09.21	Juven.artritída pri ulcer.kolitíde,s postih.kíb.v obl.pleca	1,2	1,2
M08.77	Juven.artritída s vaskulit.s postih.kíb.v obl.čl.a nohy	1,2	1,2	M09.22	Juven.artritída pri ulcer.kolitíde,s postih.kíb.nadlaktia	1,2	1,2
M08.78	Juven.artritída s vaskulit.s postih.kíb.na i.mieste	1,2	1,2	M09.23	Juven.artritída pri ulcer.kolitíde,s postih.kíb.predlak.	1,2	1,2
M08.79	Juven.artritída s vaskulit.s postih.kíb.,miesto bliž.neurč.	1,2	1,2	M09.24	Juven.artritída pri ulcer.kolitíde,s postih.kíb.ruky	1,2	1,2
M08.80	Iná juvenilná artritída na viacerých miestach	1,2	1,2	M09.25	Juven.artritída pri ulcer.kolit.,s post.kíb.panvy a stehna	1,2	1,2
M08.81	Iná juvenilná artritída v obl.pleca	1,2	1,2	M09.26	Juven.artritída pri ulcer.kolitíde,s postih.kíb.predkol.	1,2	1,2
M08.82	Iná juvenilná artritída nadlaktia	1,2	1,2	M09.27	Juven.artritída pri ulcer.kolitíde,s postih.kíb.čl.a nohy	1,2	1,2
M08.83	Iná juvenilná artritída predlak.	1,2	1,2	M09.28	Juven.artritída pri ulcer.kolitíde,s postih.kíb.na i.mieste	1,2	1,2
M08.84	Iná juvenilná artritída ruky	1,2	1,2	M09.29	Juven.artritída pri ulcer.kolitíde,s postih.kíb.na n.mieste	1,2	1,2
M08.85	Iná juvenilná artritída panv.obl.a stehna	1,2	1,2	M09.80	Juven.artritída pri i.chor.zatr.i.s postih.kíb.na viac.m.	1,2	1,2
M08.86	Iná juvenilná artritída predkol.	1,2	1,2	M09.81	Juven.artritída pri i.chor.zatr.i.s postih.kíb.v obl.pleca	1,2	1,2
M08.87	Iná juvenilná artritída čl.a nohy	1,2	1,2	M09.82	Juven.artritída pri i.chor.zatr.i.s postih.kíb.nadlaktia	1,2	1,2
M08.88	Iná juvenilná artritída na i.mieste	1,2	1,2	M09.83	Juven.artritída pri i.chor.zatr.i.s postih.kíb.predlak.	1,2	1,2
M08.89	Iná juvenilná artritída,miesto bližšie neurčené	1,2	1,2	M09.84	Juven.artritída pri i.chor.zatr.i.s postih.kíb.ruky	1,2	1,2
M08.90	Juven.artritída,bliž.neurč.na viac.m.	1,2	1,2	M09.85	Juven.artritída pri i.chor.zatr.i.s postih.kíb.panvy a stehna	1,2	1,2
M08.91	Juven.artritída,bliž.neurč.v obl.pleca	1,2	1,2	M09.86	Juven.artritída pri i.chor.zatr.i.s postih.kíb.predkol.	1,2	1,2
M08.92	Juven.artritída,bliž.neurč.v obl.nadlaktia	1,2	1,2	M09.87	Juven.artritída pri i.chor.zatr.i.s postih.kíb.čl.a nohy	1,2	1,2
M08.93	Juven.artritída,bliž.neurč.v obl.predlak.	1,2	1,2	M09.88	Juven.artritída pri i.chor.zatr.i.s postih.kíb.na i.mieste	1,2	1,2
M08.94	Juven.artritída,bliž.neurč.v obl.ruky	1,2	1,2	M09.89	Juven.artritída pri i.chor.zatr.i.s postih.kíb.,m.bliž.neurč.	1,2	1,2
M08.95	Juven.artritída,bliž.neurč.panv.obl.a stehna	1,2	1,2	M10.10	Dna zapríčinená olovom, na viacerých miestach	4	4
M08.96	Juven.artritída,bliž.neurč.v obl.predkol.	1,2	1,2	M10.11	Dna zapríč. olovom,v obl.pleca	4	4
M08.97	Juven.artritída,bliž.neurč.v obl.čl.a nohy	1,2	1,2	M10.12	Dna zapríč. olovom,v obl.nadlaktia	4	4
M08.98	Juven.artritída,bliž.neurč.na i.mieste	1,2	1,2	M10.13	Dna zapríč. olovom,v obl.predlak.	4	4
M08.99	Juven.artritída,bliž.neurč.,miesto bliž.neurč.	1,2	1,2	M10.14	Dna zapríč. olovom,v obl.ruky	4	4
M09.00	Juven.artritída pri psoriáze,s postih.kíb.na viac.m.	1,2	1,2	M10.15	Dna zapríč. olovom,v obl.panvy a stehna	4	4
M09.01	Juven.artritída pri psoriáze,s postih.kíb.v obl.pleca	1,2	1,2	M10.16	Dna zapríč. olovom,v obl.predkol.	4	4
M09.02	Juven.artritída pri psoriáze,s postih.kíb.nadlaktia	1,2	1,2	M10.17	Dna zapríč. olovom,v obl.čl.a nohy	4	4
M09.03	Juven.artritída pri psoriáze,s postih.kíb.predlak.	1,2	1,2	M10.18	Dna zapríč. olovom na i.mieste	4	4
M09.04	Juven.artritída pri psoriáze,s postih.kíb.ruky	1,2	1,2	M10.19	Dna zapríčinená olovom,miesto bliž.neurč.	4	4
M09.05	Juven.artritída pri psoriáze,s postih.kíb.panvy a stehna	1,2	1,2	M10.20	Dna zapríčinená liekmi, na viacerých miestach	4	4
M09.06	Juven.artritída pri psoriáze,s postih.kíb.predkol.	1,2	1,2	M10.21	Dna zapríč.liekmi,v obl.pleca	4	4
M09.07	Juven.artritída pri psoriáze,s postih.kíb.čl.a nohy	1,2	1,2	M10.22	Dna zapríč.liekmi,v obl.nadlaktia	4	4
M09.08	Juven.artritída pri psoriáze,s postih.kíb.na i.mieste	1,2	1,2	M10.23	Dna zapríč.liekmi,v obl.predlak.	4	4
M09.09	Juven.artritída pri psoriáze,s postih.kíb.na n.mieste	1,2	1,2	M10.24	Dna zapríč.liekmi,v obl.ruky	4	4
M09.10	Juven.artritída pri Crohn.chor.,s postih.kíb.na viac.m.	1,2	1,2	M10.25	Dna zapríč.liekmi,v obl.panvy a stehna	4	4
M09.11	Juven.artritída pri Crohn.chor.,s postih.kíb.v obl.pleca	1,2	1,2	M10.26	Dna zapríč.liekmi,v obl.predkol.	4	4
M09.12	Juven.artritída pri Crohn.chor.,s postih.kíb.nadlaktia	1,2	1,2	M10.27	Dna zapríč.liekmi,v obl.čl. a nohy	4	4
M09.13	Juven.artritída pri Crohn.chor.,s postih.kíb.predlak.	1,2	1,2	M10.28	Dna zapríč.liekmi,na i.mieste	4	4
M09.14	Juven.artritída pri Crohn.chor.,s postih.kíb.ruky	1,2	1,2	M10.29	Dna zapríčinená liekmi, miesto bližšie neurčené	4	4
M09.15	Juven.artritída pri Crohn.chor.,s postih.kíb.panvy a stehna	1,2	1,2	M14.8	Artropatia pri i.bliž.urč.chorobách zatried.i	4	4
M09.16	Juven.artritída pri Crohn.chor.,s postih.kíb.predkol.	1,2	1,2	M30.0	Polyarthritis nodosa	1,2	1,2

ICD	Text	OP. CCL	Med. CCL	ICD	Text	OP. CCL	Med. CCL
M30.1	Polyarteritída s postihnutím pľúc	1,2	1,2	M48.47	Únavová zlomenina stavca v drienkovokřížovej oblasti	2,3,4	1,2,3,4
M30.2	Juvenilná polyarteritída	1,2	1,2	M48.48	Únavová zlomenina stavca v križ.a križovokostřč.obl.	2,3,4	1,2,3,4
M30.8	Iné choroby príbuzné polyarteritis nodosa	1,2	1,2	M48.49	Únavová zlomenina stavca: oblasť bližšie neurčená	2,3,4	1,2,3,4
M31.0	Hypersenzitívna vaskulitída	1,2	1,2	M48.50	Kompresia tela stavca na v.miest. chrbt.,nezatr.inde	2,3,4	1,2,3,4
M31.1	Trombotická mikroangiopatia	1,2	1,2	M48.51	Kompresia tela stavca v okcip.-atl.-axiál.obl.,nezatr.inde	2,3,4	1,2,3,4
M31.2	Letálny granulóm strednej čiary	2,3,4	1,2,3	M48.52	Kompresia tela stavca v krčnej obl.,nezatr.inde	2,3,4	1,2,3,4
M31.3	Wegenerova granulomatóza	1,2	1,2	M48.53	Kompresia tela stavca v krč.hrud.obl.,nezatr.inde	2,3,4	1,2,3,4
M31.4	Syndróm aortálneho oblúka [Takayasu syndrom]	1,2	1,2	M48.54	Kompresia tela stavca v hrud.obl.,nezatr.inde	2,3,4	1,2,3,4
M31.5	Obrovskobunková arteritída s polymyalgia rheumatica	1,2	1,2	M48.55	Kompresia tela stavca v hrud.driek.obl.,nezatr.inde	2,3,4	1,2,3,4
M31.6	Iná obrovskobunková arteritída	1,2	1,2	M48.56	Kompresia tela stavca v driek.obl.,nezatr.inde	2,3,4	1,2,3,4
M31.7	Mikroskopická polyangiitída	1,2	1,2	M48.57	Kompresia tela stavca v driek.križ.obl.,nezatr.inde	2,3,4	1,2,3,4
M31.8	Iná nekrotizujúca vaskulopatia,bližšie určená	1,2	1,2	M48.58	Kompresia tela stavca v križ.a križ.kostřč.obl.,nezatr.inde	2,3,4	1,2,3,4
M31.9	Nekrotizujúca vaskulopatia,bližšie neurčená	1,2	1,2	M48.59	Kompresia tela stavca : oblasť bliž.neurč.,nezatr.inde.	2,3,4	1,2,3,4
M32.0	Lupus erythematosus, zapríčinený liekmi	1,2,4	1,2,4	M49.50	Kompresia tela stavca pri chorobe zatried.i.,na viac.m.chrbt.	2,3,4	1,2,3,4
M32.1	Systémový lupus erythematosus s postih.org./systémov	1,2,4	1,2,4	M49.51	Kompresia tela stavca pri chorobe zatr.i.,okcip.-atl.axiál.o.	2,3,4	1,2,3,4
M32.8	Iná forma systémového lupus erythematosus	1,2,4	1,2,4	M49.52	Kompresia tela stavca pri chorobe zatr.i.,v krčnej obl.	2,3,4	1,2,3,4
M32.9	Systémový lupus erythematosus,bližšie neurčený	1,2,4	1,2,4	M49.53	Kompresia tela stavca pri chorobe zatr.i.,v krčnohrud.obl.	2,3,4	1,2,3,4
M33.0	Juvenilná dermatomyozitída	1,2	1,2	M49.54	Kompresia tela stavca pri chorobe zatr.i.,v hrudník.obl.	2,3,4	1,2,3,4
M33.1	Iná dermatomyozitída	1,2	1,2	M49.55	Kompresia tela stavca pri chor.zatr.i.,v hrudník.driek.obl.	2,3,4	1,2,3,4
M33.2	Polymyozitída	1,2	1,2	M49.56	Kompresia tela stavca pri chorobe zatr.i.,v driekovej obl.	2,3,4	1,2,3,4
M33.9	Dermatopolymyozitída,bližšie neurčená	1,2	1,2	M49.57	Kompresia tela stavca pri chorobe zatr.i.,v driek.križ.obl.	2,3,4	1,2,3,4
M34.0	Progressívna systémová skleróza	1,2	1,2	M49.58	Kompresia tela stavca pri chor.zatr.i.,križ.a križ.kostřč.obl.	2,3,4	1,2,3,4
M34.1	Syndróm CR(E)ST	1,2	1,2	M49.59	Kompresia tela stavca pri chor.zatr.i.:oblasť bliž.neurč.	2,3,4	1,2,3,4
M34.2	Systémová skleróza,zapríčinená liekmi/chemickými lát.	1,2	1,2	M60.00	Infekčná myozitída na viacerých miestach	2	2
M34.8	Iná forma systémovej sklerózy	1,2	1,2	M60.01	Inf.myozitída v obl.pleca	2	2
M34.9	Systémová skleróza,bližšie neurčená	1,2	1,2	M60.02	Infekčná myozitída nadlaktia	2	2
M35.1	Iné prekrývajúce sa syndrómy	1,2	1,2	M60.03	Infekčná myozitída predlak.	2	2
M35.4	Difúzna (eozinofilná) fasciitída	2	2	M60.04	Infekčná myozitída ruky	2	2
M35.5	Multifokálna fibroskleróza	1,2	1,2	M60.05	Infekčná myozitída panv.obl.a stehna	2	2
M35.8	Iné systémové postihnutie spojiva,bližšie určené	1,2	1,2	M60.06	Infekčná myozitída predkol.	2	2
M36.0	Dermatomyozitída – polymyozitída pri nádorovej chorobe	1,2	1,2	M60.07	Infekčná myozitída čl.a nohy	2	2
M36.1	Artropatia pri nádorovej chorobe	4	4	M60.08	Infekčná myozitída na i.mieste	2	2
M36.2	Hemofilická artropatia	4	4	M60.09	Infekčná myozitída,miesto bližšie neurčené	2	2
M36.3	Artropatia pri i.chorobách krvi zatried.i.	4	4	M62.00	Diastáza svalu na viacerých miestach	2	2
M36.8	Systémové choroba spojiva pri i.chorobách zatried.i.	4	4	M62.01	Diastáza svalu v obl.pleca	2	2
M46.20	Osteomyelitída stavca na viac.m.chrbt.	4	4	M62.02	Diastáza svalu nadlaktia	2	2
M46.21	Osteomyelitída stavca v okcip.-atl.-axiál. obl.	4	4	M62.03	Diastáza svalu predlak.	2	2
M46.22	Osteomyelitída stavca v krčnej oblasti	4	4	M62.04	Diastáza svalu ruky	2	2
M46.23	Osteomyelitída stavca v krčnohrudníkovej oblasti	4	4	M62.05	Diastáza svalu panv.obl.a stehna	2	2
M46.24	Osteomyelitída stavca v hrudníkovej oblasti	4	4	M62.06	Diastáza svalu predkolena	2	2
M46.25	Osteomyelitída stavca v hrudníkovodriekovej oblasti	4	4	M62.07	Diastáza svalu čl.a nohy	2	2
M46.26	Osteomyelitída stavca v driekovej oblasti	4	4	M62.08	Diastáza svalu na i.mieste	2	2
M46.27	Osteomyelitída stavca v drienkovokřížovej oblasti	4	4	M62.09	Diastáza svalu,miesto bližšie neurčené	2	2
M46.28	Osteomyelitída stavca v križ.a križovokostřč.obl.	4	4	M62.10	Iné roztrhnutie svalu (neúrazové) na viac.m.	2	2
M46.29	Osteomyelitída stavca v: oblasť bližšie neurčená	4	4	M62.11	Iné roztrhnutie svalu (neúraz.)v obl.pleca	2	2
M48.40	Únavová zlomenina stavca na viac.m.chrbt.	2,3,4	1,2,3,4	M62.12	Iné roztrhnutie svalu (neúraz.)v obl.nadlaktia	2	2
M48.41	Únavová zlomenina stavca v okcip.atl.axiál.obl.	2,3,4	1,2,3,4	M62.13	Iné roztrhnutie svalu (neúraz.)v obl.predlak.	2	2
M48.42	Únavová zlomenina stavca v krčnej oblasti	2,3,4	1,2,3,4	M62.14	Iné roztrhnutie svalu (neúraz.)v obl.ruky	2	2
M48.43	Únavová zlomenina stavca v krčnohrudníkovej oblasti	2,3,4	1,2,3,4				
M48.44	Únavová zlomenina stavca v hrudníkovej oblasti	2,3,4	1,2,3,4				
M48.45	Únavová zlomenina stavca v hrudníkovodriek.obl.	2,3,4	1,2,3,4				
M48.46	Únavová zlomenina stavca v driekovej oblasti	2,3,4	1,2,3,4				

ICD	Text	OP. CCL	Med. CCL	ICD	Text	OP. CCL	Med. CCL
M62.15	Iné roztrhnutie svalu (neúraz.)v obl.panvy a stehna	2	2	M62.86	Iné choroby svalov,blíž.urč.v obl.predkol.	2	2
M62.16	Iné roztrhnutie svalu (neúraz.)v obl.predkol.	2	2	M62.87	Iné choroby svalov,blíž.urč.v obl.čl.a nohy	2	2
M62.17	Iné roztrhnutie svalu (neúraz.)v obl.čl. a nohy	2	2	M62.88	Iné choroby svalov,blíž.urč.na i.mieste	2	2
M62.18	Iné roztrhnutie svalu (neúraz.)na i.mieste	2	2	M63.00	Myozitída pri bakteriovej chorobe zatried.i.na viac.m.	2	2
M62.19	Iné roztrhnutie svalu (neúrazové),miesto blíž.neurč.	2	2	M63.01	Myozitída pri bakteriovej chorobe zatried.i.v obl.pleca	2	2
M62.20	Ischemický infarkt svalu na viac.m.	2	2	M63.02	Myozitída pri bakteriovej chorobe zatried.i.v obl.nadlaktia	2	2
M62.21	Ischemický infarkt svalu v obl.pleca	2	2	M63.03	Myozitída pri bakteriovej chorobe zatried.i.v obl.predlak.	2	2
M62.22	Ischemický infarkt svalu nadlaktia	2	2	M63.04	Myozitída pri bakteriovej chorobe zatried.i.v obl.ruky	2	2
M62.23	Ischemický infarkt svalu predlak.	2	2	M63.05	Myozitída pri bakteriovej chor.zatried.i.v obl.panvy a stehna	2	2
M62.24	Ischemický infarkt svalu ruky	2	2	M63.06	Myozitída pri bakteriovej chorobe zatried.i.v obl.predkol.	2	2
M62.25	Ischemický infarkt svalu panv.obl.a stehna	2	2	M63.07	Myozitída pri bakteriovej chorobe zatried.i.v obl.čl.a nohy	2	2
M62.26	Ischemický infarkt svalu predkol.	2	2	M63.08	Myozitída pri bakteriovej chorobe zatried.i.na i.mieste	2	2
M62.27	Ischemický infarkt svalu na i.mieste	2	2	M63.09	Myozitída pri bakteriovej chorobe zatried.i.,miesto blíž.neurč	2	2
M62.28	Ischemický infarkt svalu na n.mieste	2	2	M63.10	Myozitída pri prvoko.a parazit.infek.zatried.i.na viac.m.	2	2
M62.29	Ischemický infarkt svalu na n.mieste	2	2	M63.11	Myozitída pri prvoko.a parazit.infek.zatried.i.v obl.pleca	2	2
M62.30	Syndróm nehybnosti (paraplegický) na viac.m.	2	2	M63.12	Myozitída pri prvoko.a parazit.infek.zatried.i.v obl.nadlaktia	2	2
M62.31	Syndróm nehybnosti (paraplegický)v obl.pleca	2	2	M63.13	Myozitída pri prvoko.a parazit.infek.zatried.i.v obl.predlak.	2	2
M62.32	Syndróm nehybnosti (paraplegický)v obl.nadlaktia	2	2	M63.14	Myozitída pri prvoko.a parazit.infek.zatried.i.v obl.ruky	2	2
M62.33	Syndróm nehybnosti (paraplegický)v obl.predlak.	2	2	M63.15	Myozitída pri prvoko.a parazit.infek.zatr.i.v obl.pan.a steh.	2	2
M62.34	Syndróm nehybnosti (paraplegický)v obl.ruky	2	2	M63.16	Myozitída pri prvoko.a parazit.infek.zatried.i.v obl.predkol.	2	2
M62.35	Syndróm nehybnosti (paraplegický)v obl.panvy a stehna	2	2	M63.17	Myozitída pri prvoko.a parazit.infek.zatried.i.v obl.čl.a nohy	2	2
M62.36	Syndróm nehybnosti (paraplegický)v obl.predkol.	2	2	M63.18	Myozitída pri prvoko.a parazit.infek.zatried.i.na i.mieste	2	2
M62.37	Syndróm nehybnosti (paraplegický)v obl.čl.a nohy	2	2	M63.19	Myozitída pri prvoko.a parazit.infek.zatr.i,miesto blíž.neurč.	2	2
M62.38	Syndróm nehybnosti (paraplegický)na i.mieste	2	2	M63.20	Myozitída pri inej infek.chorobe zatried.i.na viac.m.	2	2
M62.39	Syndróm nehybnosti (paraplegický),miesto blíž.neurč.	2	2	M63.21	Myozitída pri inej infek.chorobe zatried.i.v obl.pleca	2	2
M62.40	Kontraktúra svalu na viacerých miestach	2	2	M63.22	Myozitída pri inej infek.chorobe zatried.i.v obl.nadlaktia	2	2
M62.41	Kontraktúra svalu v obl.pleca	2	2	M63.23	Myozitída pri inej infek.chorobe zatried.i.v obl.predlak.	2	2
M62.42	Kontraktúra svalu nadlaktia	2	2	M63.24	Myozitída pri inej infek.chorobe zatried.i.v obl.ruky	2	2
M62.43	Kontraktúra svalu predlak.	2	2	M63.25	Myozitída pri inej infek.chorobe zatried.i.v obl.pan.a stehna	2	2
M62.44	Kontraktúra svalu ruky	2	2	M63.26	Myozitída pri inej infek.chorobe zatried.i.v obl.predkol.	2	2
M62.45	Kontraktúra svalu panv.obl.a stehna	2	2	M63.27	Myozitída pri inej infek.chorobe zatried.i.v obl.čl.a nohy	2	2
M62.46	Kontraktúra svalu predkol.	2	2	M63.28	Myozitída pri inej infek.chorobe zatried.i.na i.mieste	2	2
M62.47	Kontraktúra svalu čl.a nohy	2	2	M63.29	Myozitída pri inej infek.chorobe zatried.i.,miesto blíž.neurč.	2	2
M62.48	Kontraktúra svalu na i.mieste	2	2	M63.30	Myozitída pri sarkoidóze na viac.m.	2	2
M62.49	Kontraktúra svalu,miesto blížšie neurčené	2	2	M63.31	Myozitída pri sarkoidóze,v obl.pleca	2	2
M62.50	Zmenšenie a atrofia svalu,nezatr.i.na viac.m.	2	2	M63.32	Myozitída pri sarkoidóze,v obl.nadlaktia	2	2
M62.51	Zmenšenie a atrofia svalu,nezatr.i.v obl.pleca	2	2	M63.33	Myozitída pri sarkoidóze,v obl.predlak.	2	2
M62.52	Zmenšenie a atrofia svalu,nezatr.i.v obl.nadlaktia	2	2	M63.34	Myozitída pri sarkoidóze,v obl.ruky	2	2
M62.53	Zmenšenie a atrofia svalu,nezatr.i.v obl.predlak.	2	2	M63.35	Myozitída pri sarkoidóze,v obl.panv.a stehna	2	2
M62.54	Zmenšenie a atrofia svalu,nezatr.i.v obl.ruky	2	2	M63.36	Myozitída pri sarkoidóze,v obl.predkol.	2	2
M62.55	Zmenšenie a atrofia svalu,nezatr.i.v obl.panvy a stehna	2	2				
M62.56	Zmenšenie a atrofia svalu,nezatr.i.v obl.predkol.	2	2				
M62.57	Zmenšenie a atrofia svalu,nezatr.i.v obl.čl.a nohy	2	2				
M62.58	Zmenšenie a atrofia svalu,nezatr.i.na i.mieste	2	2				
M62.59	Zmenšenie a atrofia svalu,nezatr.i.,miesto blíž.neurč.	2	2				
M62.80	Iné choroby svalov,blíž.urč.na viac.m.	2	2				
M62.81	Iné choroby svalov,blíž.urč.v obl.pleca	2	2				
M62.82	Iné choroby svalov,blíž.urč.v obl.nadlaktia	2	2				
M62.83	Iné choroby svalov,blíž.urč.v obl.predlak.	2	2				
M62.84	Iné choroby svalov,blíž.urč.v obl.ruky	2	2				
M62.85	Iné choroby svalov,blíž.urč.v obl.panvy a stehna	2	2				

ICD	Text	OP. CCL	Med. CCL	ICD	Text	OP. CCL	Med. CCL
M63.37	Myozitída pri sarkoidóze, v obl. čl. a nohy	2	2	M84.30	Únavová zlomenina, nezatr. i. na viac. m.	2,3,4	1,2,3,4
M63.38	Myozitída pri sarkoidóze, na i. mieste	2	2	M84.31	Únavová zlomenina, nezatr. i. v obl. pleca	2,3,4	1,2,3,4
M63.39	Myozitída pri sarkoidóze, miesto bliž. neurč.	2	2	M84.32	Únavová zlomenina, nezatr. i. v obl. nadlaktia	2,3,4	1,2,3,4
M63.80	Iné choroby svalov pri chor. zatried. i. na viac. m.	2	2	M84.33	Únavová zlomenina, nezatr. i. v obl. predlak.	2,3,4	1,2,3,4
M63.81	Iné choroby svalov pri chor. zatried. i. v obl. pleca	2	2	M84.34	Únavová zlomenina, nezatr. i. v obl. ruky	2,3,4	1,2,3,4
M63.82	Iné choroby svalov pri chor. zatried. i. v obl. nadlaktia	2	2	M84.35	Únavová zlomenina, nezatr. i. v obl. panvy a stehna	2,3,4	1,2,3,4
M63.83	Iné choroby svalov pri chor. zatried. i. v obl. predlak.	2	2	M84.36	Únavová zlomenina, nezatr. i. v obl. predkol.	2,3,4	1,2,3,4
M63.84	Iné choroby svalov pri chor. zatried. i. v obl. ruky	2	2	M84.37	Únavová zlomenina, nezatr. i. v obl. čl. a nohy	2,3,4	1,2,3,4
M63.85	Iné choroby svalov pri chor. zatried. i. v obl. pan. a stehna	2	2	M84.38	Únavová zlomenina, nezatr. i. na i. mieste	2,3,4	1,2,3,4
M63.86	Iné choroby svalov pri chor. zatried. i. v obl. predkol.	2	2	M84.39	Únavová zlomenina, nezatr. i., miesto bliž. neurč.	2,3,4	1,2,3,4
M63.87	Iné choroby svalov pri chor. zatried. i. v obl. čl. a nohy	2	2	M84.40	Patologická zlomenina, nezatr. i. na viac. m.	2,3,4	1,2,3,4
M63.88	Iné choroby svalov pri chor. zatried. i. na i. mieste	2	2	M84.41	Patologická zlomenina, nezatr. i. v obl. pleca	2,3,4	1,2,3,4
M63.89	Iné choroby svalov pri chor. zatried. i., miesto bliž. neurč.	2	2	M84.42	Patologická zlomenina, nezatr. i. v obl. nadlaktia	2,3,4	1,2,3,4
M73.00	Gonokoková burzitída na viacerých miestach (A54.4†)	4	4	M84.43	Patologická zlomenina, nezatr. i. v obl. predlak.	2,3,4	1,2,3,4
M73.01	Gonokokov burzitída v obl. pleca	4	4	M84.44	Patologická zlomenina, nezatr. i. v obl. ruky	2,3,4	1,2,3,4
M73.02	Gonokokov burzitída nadlaktia	4	4	M84.45	Patologická zlomenina, nezatr. i. v obl. panv. obl. a stehna	2,3,4	1,2,3,4
M73.03	Gonokokov burzitída predlak.	4	4	M84.46	Patologická zlomenina, nezatr. i. v obl. predkol.	2,3,4	1,2,3,4
M73.04	Gonokokov burzitída ruky	4	4	M84.47	Patologická zlomenina, nezatr. i. v obl. čl. a nohy	2,3,4	1,2,3,4
M73.05	Gonokokov burzitída panv. obl. a stehna	4	4	M84.48	Patologická zlomenina, nezatr. i. na i. mieste	2,3,4	1,2,3,4
M73.06	Gonokokov burzitída predkol.	4	4	M84.49	Patologická zlomenina, nezatr. i., miesto bliž. neurč.	2,3,4	1,2,3,4
M73.07	Gonokokov burzitída čl. a nohy	4	4	M86.00	Akútna hematogénna osteomyelitída na viac. m.	2,3,4	2,4
M73.08	Gonokokov burzitída na i. mieste	4	4	M86.01	Akútna hematogénna osteomyelitída v obl. pleca	2,3,4	2,4
M73.09	Gonokokov burzitída, miesto bliž. neurč.	4	4	M86.02	Akútna hematogénna osteomyelitída nadlaktia	2,3,4	2,4
M84.00	Zle zahojená zlomenina na viacerých miestach	2,3	2	M86.03	Akútna hematogénna osteomyelitída predlak.	2,3,4	2,4
M84.01	Zle zahojená zlomenina v obl. pleca	2,3	2	M86.04	Akútna hematogénna osteomyelitída ruky	2,3,4	2,4
M84.02	Zle zahojená zlomenina nadlaktia	2,3	2	M86.05	Akútna hematogénna osteomyelitída panv. obl. a stehna	2,3,4	2,4
M84.03	Zle zahojená zlomenina predlak.	2,3	2	M86.06	Akútna hematogénna osteomyelitída predkol.	2,3,4	2,4
M84.04	Zle zahojená zlomenina ruky	2,3	2	M86.07	Akútna hematogénna osteomyelitída čl. a nohy	2,3,4	2,4
M84.05	Zle zahojená zlomenina panv. obl. a stehna	2,3	2	M86.08	Akútna hematogénna osteomyelitída na i. mieste	2,3,4	2,4
M84.06	Zle zahojená zlomenina predkol.	2,3	2	M86.09	Akútna hematogénna osteomyelitída, miesto bliž. neurč.	2,3,4	2,4
M84.07	Zle zahojená zlomenina čl. a nohy	2,3	2	M86.10	Iná akútna osteomyelitída na viacerých miestach	2,3,4	2,4
M84.08	Zle zahojená zlomenina na i. mieste	2,3	2	M86.11	Iná akútna osteomyelitída v obl. pleca	2,3,4	2,4
M84.09	Zle zahojená zlomenina, miesto bliž. neurč.	2,3	2	M86.12	Iná akútna osteomyelitída nadlaktia	2,3,4	2,4
M84.10	Pseudoartróza po zlomenine na viacerých miestach	2,3	2	M86.13	Iná akútna osteomyelitída predlakútna	2,3,4	2,4
M84.11	Pseudoartróza po zlomenine v obl. pleca	2,3	2	M86.14	Iná akútna osteomyelitída ruky	2,3,4	2,4
M84.12	Pseudoartróza po zlomenine nadlaktia	2,3	2	M86.15	Iná akútna osteomyelitída panv. obl. a stehna	2,3,4	2,4
M84.13	Pseudoartróza po zlomenine predlak.	2,3	2	M86.16	Iná akútna osteomyelitída predkol.	2,3,4	2,4
M84.14	Pseudoartróza po zlomenine ruky	2,3	2	M86.17	Iná akútna osteomyelitída l. a nohy	2,3,4	2,4
M84.15	Pseudoartróza po zlomenine panv. obl. a stehna	2,3	2	M86.18	Iná akútna osteomyelitída na i. mieste	2,3,4	2,4
M84.16	Pseudoartróza po zlomenine predkol.	2,3	2	M86.19	Iná akútna osteomyelitída, miesto bliž. neurč.	2,3,4	2,4
M84.17	Pseudoartróza po zlomenine čl. a nohy	2,3	2	M86.20	Subakútna osteomyelitída na viacerých miestach	2,3,4	2,4
M84.18	Pseudoartróza po zlomenine na i. mieste	2,3	2	M86.21	Subakútna osteomyelitída v obl. pleca	2,3,4	2,4
M84.19	Pseudoartróza po zlomenine, miesto bliž. neurč.	2,3	2	M86.22	Subakútna osteomyelitída nadlaktia	2,3,4	2,4
M84.20	Predĺžené hojenie zlomeniny na viacerých miestach	2,3	2	M86.23	Subakútna osteomyelitída predlak.	2,3,4	2,4
M84.21	Predĺžené zahojenie zlomeniny v obl. pleca	2,3	2	M86.24	Subakútna osteomyelitída ruky	2,3,4	2,4
M84.22	Predĺžené zahojenie zlomeniny nadlaktia	2,3	2	M86.25	Subakútna osteomyelitída panv. obl. a stehna	2,3,4	2,4
M84.23	Predĺžené zahojenie zlomeniny predlak.	2,3	2	M86.26	Subakútna osteomyelitída predkol.	2,3,4	2,4
M84.24	Predĺžené zahojenie zlomeniny ruky	2,3	2	M86.27	Subakútna osteomyelitída čl. a nohy	2,3,4	2,4
M84.25	Predĺžené zahojenie zlomeniny panv. obl. a stehna	2,3	2	M86.28	Subakútna osteomyelitída na i. mieste	2,3,4	2,4
M84.26	Predĺžené zahojenie zlomeniny predkol.	2,3	2	M86.29	Subakútna osteomyelitída, miesto bliž. neurč.	2,3,4	2,4
M84.27	Predĺžené zahojenie zlomeniny čl. a nohy	2,3	2	M86.30	Chron. multifokálna osteomyelitída na viac. m.	2,3,4	2,4
M84.28	Predĺžené zahojenie zlomeniny na i. mieste	2,3	2	M86.31	Chron. multifokálna osteomyelitída v obl. pleca	2,3,4	2,4
M84.29	Predĺžené zahojenie zlomeniny na n. mieste	2,3	2	M86.32	Chron. multifokálna osteomyelitída nadlaktia	2,3,4	2,4
				M86.33	Chron. multifokálna osteomyelitída predlak.	2,3,4	2,4
				M86.34	Chron. multifokálna osteomyelitída ruky	2,3,4	2,4

ICD	Text	OP. CCL	Med. CCL	ICD	Text	OP. CCL	Med. CCL
M86.35	Chron.multifokálna osteomyelitída panv.obl.a stehna	2,3,4	2,4	M86.96	Osteomyelitída,blíž.neurč.v obl.predkol.	4	4
M86.36	Chron.multifokálna osteomyelitída predkol.	2,3,4	2,4	M86.97	Osteomyelitída,blíž.neurč.v obl.čl.a nohy	4	4
M86.37	Chron.multifokálna osteomyelitída čl.a nohy	2,3,4	2,4	M86.98	Osteomyelitída,blíž.neurč.na i.mieste	4	4
M86.38	Chron.multifokálna osteomyelitída na i.mieste	2,3,4	2,4	M86.99	Osteomyelitída,blíž.neurč.n.miesto blíž.neurč.	4	4
M86.39	Chron.multifokálna osteomyelitída,miesto blíž.neurč.	2,3,4	2,4	M87.02	Idiopat.aseptická nekróza kosti nadlaktia	4	4
M86.40	Chronická osteomyelitída s fistulou na viac.m.	2,3,4	2,4	M87.05	Idiopat.aseptická nekróza kosti panv.obl.a stehna	4	4
M86.41	Chronická osteomyelitída s fistulou v obl.pleca	2,3,4	2,4	M87.06	Idiopat.aseptická nekróza kosti predkol.	4	4
M86.42	Chronická osteomyelitída s fistulou nadlaktia	2,3,4	2,4	M87.07	Idiopat.aseptická nekróza kosti čl.a nohy	4	4
M86.43	Chronická osteomyelitída s fistulou predlak.	2,3,4	2,4	M87.09	Idiopat.aseptická nekróza kosti ,miesto blíž.neurč.	4	4
M86.44	Chronická osteomyelitída s fistulou ruky	2,3,4	2,4	M87.10	Osteonekróza zaprič.liekmi,na viac.m.	4	4
M86.45	Chronická osteomyelitída s fistulou panv.obl.a stehna	2,3,4	2,4	M87.11	Osteonekróza zaprič.liekmi,v obl.pleca	4	4
M86.46	Chronická osteomyelitída s fistulou predkol.	2,3,4	2,4	M87.12	Osteonekróza zaprič.liekmi,v obl.nadlaktia	4	4
M86.47	Chronická osteomyelitída s fistulou čl.a nohy	2,3,4	2,4	M87.13	Osteonekróza zaprič.liekmi,v obl.predlak.	4	4
M86.48	Chronická osteomyelitída s fistulou na i.mieste	2,3,4	2,4	M87.14	Osteonekróza zaprič.liekmi,v obl.pleca	4	4
M86.49	Chronická osteomyelitída s fistulou,miesto blíž.neurč.	2,3,4	2,4	M87.15	Osteonekróza zaprič.liekmi,panv.obl.a stehna	4	4
M86.50	Iná chronická hematogénna osteomyelit.na viac.m.	2,3,4	2,4	M87.16	Osteonekróza zaprič.liekmi,v obl.predkol.	4	4
M86.51	Iná chronická hematogénna osteomyelit.v obl.pleca	2,3,4	2,4	M87.17	Osteonekróza zaprič.liekmi,v obl.čl.a nohy	4	4
M86.52	Iná chronická hematogénna osteomyelit.nadlaktia	2,3,4	2,4	M87.18	Osteonekróza zaprič.liekmi,na i.mieste	4	4
M86.53	Iná chronická hematogénna osteomyelit.predlak.	2,3,4	2,4	M87.19	Osteonekróza zaprič.liekmi,miesto blíž.neurč.	4	4
M86.54	Iná chronická hematogénna osteomyelit.ruky	2,3,4	2,4	M87.20	Osteonekróza zaprič.predchádz.úrazom,na viac.m.	4	4
M86.55	Iná chronická hematogénna osteomyelit.panv.obl.a stehna	2,3,4	2,4	M87.21	Osteonekróza zaprič.predchádz.úrazom,v obl.pleca	4	4
M86.56	Iná chronická hematogénna osteomyelit.predkol.	2,3,4	2,4	M87.22	Osteonekróza zaprič.predchádz.úrazom,nadlaktia	4	4
M86.57	Iná chronická hematogénna osteomyelit.čl.a nohy	2,3,4	2,4	M87.23	Osteonekróza zaprič.predchádz.úrazom,predlak.	4	4
M86.58	Iná chronická hematogénna osteomyelit.na i.mieste	2,3,4	2,4	M87.24	Osteonekróza zaprič.predchádz.úrazom,ruky	4	4
M86.59	Iná chronická hematogénna osteomyelit.,miesto blíž.neurč.	2,3,4	2,4	M87.25	Osteonekróza zaprič.predchádz.úrazom,panv.obl.a stehna	4	4
M86.60	Iná chronická osteomyelitída na viacerých miestach	4	4	M87.26	Osteonekróza zaprič.predchádz.úrazom,predkol.	4	4
M86.61	Iná chronická osteomyelitída v obl.pleca	4	4	M87.27	Osteonekróza zaprič.predchádz.úrazom,čl.a nohy	4	4
M86.62	Iná chronická osteomyelitída nadlaktia	4	4	M87.28	Osteonekróza zaprič.predchádz.úrazom,na i.mieste	4	4
M86.63	Iná chronická osteomyelitída predlak.	4	4	M87.29	Osteonekróza zaprič.predchádz.úrazom,miesto blíž.neurč.	4	4
M86.64	Iná chronická osteomyelitída ruky	4	4	M87.30	Iná sekundárna osteonekróza na viacerých miestach	4	4
M86.65	Iná chronická osteomyelitída panv.obl.a stehna	4	4	M87.31	Iná sekundárna osteonekróza v obl.pleca	4	4
M86.66	Iná chronická osteomyelitída predkol.	4	4	M87.32	Iná sekundárna osteonekróza nadlaktia	4	4
M86.67	Iná chronická osteomyelitída čl.a nohy	4	4	M87.33	Iná sekundárna osteonekróza predlak.	4	4
M86.68	Iná chronická osteomyelitída na i.mieste	4	4	M87.34	Iná sekundárna osteonekróza ruky	4	4
M86.69	Iná chronická osteomyelitída,miesto blíž.neurč.	4	4	M87.35	Iná sekundárna osteonekróza panv.obl.a stehna	4	4
M86.80	Iná osteomyelitída na viacerých miestach	4	4	M87.36	Iná sekundárna osteonekróza predkol.	4	4
M86.81	Iná osteomyelitída v obl.pleca	4	4	M87.37	Iná sekundárna osteonekróza čl.a nohy	4	4
M86.82	Iná osteomyelitída nadlaktia	4	4	M87.38	Iná sekundárna osteonekróza na i.mieste	4	4
M86.83	Iná osteomyelitída predlak.	4	4	M87.39	Iná sekundárna osteonekróza,miesto blíž.neurč.	4	4
M86.84	Iná osteomyelitída ruky	4	4	M87.80	Iná osteonekróza na viacerých miestach	4	4
M86.85	Iná osteomyelitída panv.obl.a stehna	4	4	M87.81	Iná osteonekróza v obl.pleca	4	4
M86.86	Iná osteomyelitída predkol.	4	4	M87.82	Iná osteonekróza nadlaktia	4	4
M86.87	Iná osteomyelitída čl.a nohy	4	4	M87.83	Iná osteonekróza predlak.	4	4
M86.88	Iná osteomyelitída na i.mieste	4	4	M87.84	Iná osteonekróza ruky	4	4
M86.89	Iná osteomyelitída,miesto blíž.neurč.	4	4	M87.85	Iná osteonekróza panv.obl.a stehna	4	4
M86.90	Osteomyelitída,blíž.neurč.na viac.m.	4	4	M87.86	Iná osteonekróza predkol.	4	4
M86.91	Osteomyelitída,blíž.neurč.v obl.pleca	4	4	M87.87	Iná osteonekróza čl.a nohy	4	4
M86.92	Osteomyelitída,blíž.neurč.v obl.nadlaktia	4	4	M87.88	Iná osteonekróza na i.mieste	4	4
M86.93	Osteomyelitída,blíž.neurč.v obl.predlak.	4	4	M87.89	Iná osteonekróza,miesto bližšie neurčené	4	4
M86.94	Osteomyelitída,blíž.neurč.v obl.ruky	4	4	M87.90	Osteonekróza,blíž.neurč.na viac.m.	4	4
M86.95	Osteomyelitída,blíž.neurč.panv.obl.a stehna	4	4	M87.91	Osteonekróza,blíž.neurč.v obl.pleca	4	4
				M87.92	Osteonekróza,blíž.neurč.v obl.nadlaktia	4	4
				M87.93	Osteonekróza,blíž.neurč.v obl.predlak.	4	4
				M87.94	Osteonekróza,blíž.neurč.v obl.ruky	4	4
				M87.95	Osteonekróza,blíž.neurč.panv.obl.a stehna	4	4

ICD	Text	OP. CCL	Med. CCL	ICD	Text	OP. CCL	Med. CCL
M87.96	Osteonekróza,blíž.neurč.v obl.predkol.	4	4	M90.40	Osteonekróza zapríč.hemoglobinopatiou,na viac.m.(D50-D64†)	2,4	2
M87.97	Osteonekróza,blíž.neurč.v obl.čl.a nohy	4	4	M90.41	Osteonekróza zapríč.hemoglobinopat.v obl.pleca	2,4	2
M87.98	Osteonekróza,blíž.neurč.na i.mieste	4	4	M90.42	Osteonekróza zapríč.hemoglobinopat.v obl.nadlaktia	2,4	2
M87.99	Osteonekróza,blíž.neurč.,miesto blíž.neur.	4	4	M90.43	Osteonekróza zapríč.hemoglobinopat.v obl.predlak.	2,4	2
M90.00	Tuberkulóza kosti na viacerých miestach (A18.0†)	2,4	2,4	M90.44	Osteonekróza zapríč.hemoglobinopat.v obl.ruky	2,4	2
M90.01	TBC kosti v obl.pleca	2,4	2,4	M90.45	Osteonekróza zapríč.hemoglobinopat.v obl.panvy a stehna	2,4	2
M90.02	TBC kosti nadlaktia	2,4	2,4	M90.46	Osteonekróza zapríč.hemoglobinopat.v obl.predkol.	2,4	2
M90.03	TBC kosti predlak.	2,4	2,4	M90.47	Osteonekróza zapríč.hemoglobinopat.v obl.čl.a nohy	2,4	2
M90.04	TBC kosti ruky	2,4	2,4	M90.48	Osteonekróza zapríč.hemoglobinopat.,na i.mieste	2,4	2
M90.05	TBC kosti panv.obl.a stehna	2,4	2,4	M90.49	Osteonekróza zapríč.hemoglobinopat.,miesto blíž.neurč.	2,4	2
M90.06	TBC kosti predkol.	2,4	2,4	M90.60	Deform.osteodystrofia pri nádoroch,na viac.m.	2,4	2
M90.07	TBC kosti čl.a nohy	2,4	2,4	M90.61	Deform.osteodystrofia pri nádoroch,v obl.pleca	2,4	2
M90.08	TBC kosti na i.mieste	2,4	2,4	M90.62	Deform.osteodystrofia pri nádoroch,v obl.nadlaktia	2,4	2
M90.09	Tuberkulóza kosti,miesto bližšie neurčené (A18.0†)	2,4	2,4	M90.63	Deform.osteodystrofia pri nádoroch,v obl.predlak.	2,4	2
M90.10	Periostitída pri i.infekč.chor.zatried.i.na viac.m.	2,4	2,4	M90.64	Deform.osteodystrofia pri nádoroch,v obl.ruky	2,4	2
M90.11	Periostitída pri i.infekč.chor.zatried.i.v obl.pleca	2,4	2,4	M90.65	Deform.osteodystrofia pri nádoroch,v obl.panvy a stehna	2,4	2
M90.12	Periostitída pri i.infekč.chor.zatried.i.v obl.nadlaktia	2,4	2,4	M90.66	Deform.osteodystrofia pri nádoroch,v obl.predkol.	2,4	2
M90.13	Periostitída pri i.infekč.chor.zatried.i.v obl.predlak.	2,4	2,4	M90.67	Deform.osteodystrofia pri nádoroch,v obl.čl.a nohy	2,4	2
M90.14	Periostitída pri i.infekč.chor.zatried.i.v obl.ruky	2,4	2,4	M90.68	Deform.osteodystrofia pri nádoroch,na i.mieste	2,4	2
M90.15	Periostitída pri i.infekč.chor.zatried.i.v obl.panvy a stehna	2,4	2,4	M90.69	Deform.osteodystrofia pri nádoroch,miesto blíž.neurč.	2,4	2
M90.16	Periostitída pri i.infekč.chor.zatried.i.v obl.predkol.	2,4	2,4	M90.70	Zlomenina kosti pri nádore,na viac.m.t.	2,3,4	1,2,3,4
M90.17	Periostitída pri i.infekč.chor.zatried.i.v obl.čl.a nohy	2,4	2,4	M90.71	Zlomenina kosti pri nádore,v obl.pleca	2,3,4	1,2,3,4
M90.18	Periostitída pri i.infekč.chor.zatried.i.na i.mieste	2,4	2,4	M90.72	Zlomenina kosti pri nádore,v obl.nadlaktia	2,3,4	1,2,3,4
M90.19	Periostitída pri i.infekč.chor.zatried.i.,miesto blíž.neurč.	2,4	2,4	M90.73	Zlomenina kosti pri nádore,v obl.predlak.	2,3,4	1,2,3,4
M90.20	Osteopatia pri i.infekč.chor.zatried.i.na viac.m.	2,4	2,4	M90.74	Zlomenina kosti pri nádore,v obl.ruky	2,3,4	1,2,3,4
M90.21	Osteopatia pri i.infekč.chor.zatried.i.v obl.pleca	2,4	2,4	M90.75	Zlomenina kosti pri nádore,v obl.panvy a stehna	2,3,4	1,2,3,4
M90.22	Osteopatia pri i.infekč.chor.zatried.i.v obl.nadlaktia	2,4	2,4	M90.76	Zlomenina kosti pri nádore,v obl.predkol.	2,3,4	1,2,3,4
M90.23	Osteopatia pri i.infekč.chor.zatried.i.v obl.predlak.	2,4	2,4	M90.77	Zlomenina kosti pri nádore,v obl.čl.a nohy	2,3,4	1,2,3,4
M90.24	Osteopatia pri i.infekč.chor.zatried.i.v obl.ruky	2,4	2,4	M90.78	Zlomenina kosti pri nádore,na i.mieste	2,3,4	1,2,3,4
M90.25	Osteopatia pri i.infekč.chor.zatried.i.v obl.panvy a stehna	2,4	2,4	M90.79	Zlomenina kosti pri nádore,miesto blíž.neurč.	2,3,4	1,2,3,4
M90.26	Osteopatia pri i.infekč.chor.zatried.i.v obl.predkol.	2,4	2,4	M96.0	Pseudoartróza po fúzii alebo artrodéze	2,3	2
M90.27	Osteopatia pri i.infekč.chor.zatried.i. obl.čl.a nohy	2,4	2,4	M96.6	Zlomen.kosti po vlož.ortop.impl.,kĺb.protézy/kostnej platničky	2,3,4	2,3,4
M90.28	Osteopatia pri i.infekč.chor.zatried.i.na i.mieste	2,4	2,4	M96.80	Elektívne ponechané otvor.sternum po chirurg.výk.na hrudníku	2,3,4	2,3,4
M90.29	Osteopatia pri i.infekč.chor.zatried.i.miasto blíž.neurč.	2,4	2,4	M96.81	Nestabilný hrudný kôš po chir.výk. na hrudníku	2,3,4	2,3,4
M90.30	Osteonekróza pri kesónovej chor.na viac.m.	2,4	2	M96.88	Iná choroba sústavy sval.a kostí po lek.výk.	2,3,4	2,3,4
M90.31	Osteonekróza pri kesónovej chor.v obl.pleca	2,4	2	M96.9	Choroba svalovej a kostrovej sústavy po lekář.výk.blíž.neurč.	2,3,4	2,4
M90.32	Osteonekróza pri kesónovej chor.v obl.nadlaktia	2,4	2	N00.0	Akútny nefritický syndróm:malé abnormality glomerulov	2,3,4	2,3
M90.33	Osteonekróza pri kesónovej chor.v obl.predlak.	2,4	2	N00.1	Akútny nefritický synd.:fok.a segm.lézie glomerulov	2,3,4	2,3
M90.34	Osteonekróza pri kesónovej chor.v obl.ruky	2,4	2	N00.2	Akútny nefritický synd.:dif.membránová glomerulonefrit.	2,3,4	2,3
M90.35	Osteonekróza pri kesónovej chor.v obl.panvy a stehna	2,4	2	N00.3	Akútny nefritický synd.:dif.mezangioprolif.glomerulonefrit.	2,3,4	2,3
M90.36	Osteonekróza pri kesónovej chor.v obl.predkol.	2,4	2	N00.4	Akútny nefritický synd.:dif.endokap.prolif.glomerulonefrit.	2,3,4	2,3
M90.37	Osteonekróza pri kesónovej chor.v obl.čl.a nohy	2,4	2				
M90.38	Osteonekróza pri kesónovej chor.na i.mieste	2,4	2				
M90.39	Osteonekróza pri kesónovej chor.miasto blíž.neurč.	2,4	2				

ICD	Text	OP. CCL	Med. CCL	ICD	Text	OP. CCL	Med. CCL
N00.5	Akútny nefritický synd.:dif.mezangiokap.glomerulonefrit.	2,3,4	2,3	N08.3	Glomerul.choroba pri DM	4	4
N00.6	Akútny nefritický synd.:chor.denzných depozitov	2,3,4	2,3	N10	Akútna tubulointersticiálna nefritída	2,3,4	2,3,4
N00.7	Akútny nefritický synd.:dif.glomerulonefrit.s výrastkami	2,3,4	2,3	N12	Tubulointersticiálna nefritída,n.ako akút./chron.	2,3,4	2,3
N00.8	Akútny nefritický synd.: iné morfológické zmeny	2,3,4	2,3	N13.0	Hydronefróza s obštrukciou pyeloureterového prechodu	2,3,4	1,2,3
N00.9	Akútny nefritický synd.:morfol.zmena,blíž.neurč.	2,3,4	2,3	N13.1	Hydronefróza so striktúrou močovodu,n.i.	2,3,4	1,2,3
N01.0	Rýchlo progred.nefritický synd.:malé abn.glomerulov	2,3,4	2,3	N13.2	Hydronefróza pri obštrukcii kameňom obličky a močovodu	2,3,4	1,2,3
N01.1	Rýchlo progred.nefrit.synd.:fok.a segm.lézie glomer.	2,3,4	2,3	N13.3	Iná a bližšie neurčená hydronefróza	2,3,4	1,2,3
N01.2	Rýchlo progred.nefrit.ynd.:dif.membránová glom.nefrit.	2,3,4	2,3	N13.4	Hydroureter	2,3,4	1,2,3
N01.3	Rýchlo progred.nefrit.synd.:dif.mezangioprolif glom.nefrit.	2,3,4	2,3	N13.5	Zalomenie a striktúra močovodu bez hydronefrózy	4	4
N01.4	Rýchlo progred.nefrit.synd.:dif.endokap.prolif.glom.nefrit.	2,3,4	2,3	N13.6	Pyonefros	2,3,4	1,2,3
N01.5	Rýchlo progred.nefrit.synd.:dif.mezangiokap.glomerulonefrit.	2,3,4	2,3	N13.8	Iná obštrukčná a refluxová uropatia	4	4
N01.6	Rýchlo progred.nefritický synd.:chor.denzných depozitov	2,3,4	2,3	N13.9	Obštrukčná a refluxová uropatia, bližšie neurčená	2,4	1,2,4
N01.7	Rýchlo progred.nefritický synd.:dif.glomerulonefrit.s výras.	2,3,4	2,3	N15.10	Absces obličky	2,3,4	2,3,4
N01.8	Rýchlo progred.nefritický synd.:i.morfol.zemny	2,3,4	2,3	N15.11	Perinefritický absces	2,3,4	2,3,4
N01.9	Rýchlo progred.nefritický synd.:morfol.zmena,b.n.	2,3,4	2,3	N17.0	Akútne zlyhanie obličiek s tubulovou nekrózou	2,3,4	2,3,4
N02.0	Recid.a pretrv.hematúria:malé abn.glomerulov	2,3	2,3	N17.1	Akútne zlyhanie obličiek s akútnou kortikálnou nekrózou	2,3,4	2,3,4
N02.1	Recid.a pretrv.hematúria:fok.a segm.lézie glomerulov	2,3	2,3	N17.2	Akútne zlyhanie obličiek s dreňovou nekrózou	2,3,4	2,3,4
N02.2	Recid.a pretrv.hematúria:dif.membránová glomerulonefrit.	2,3	2,3	N17.8	Iné akútne zlyhanie obličiek	2,3,4	2,3,4
N02.3	Recid.a pretrv.hematúria:dif.mezangioprolif glomerulonefrit.	2,3	2,3	N17.9	Akútne zlyhanie obličiek,blížšie neurčené	2,3,4	2,3,4
N02.4	Recid.a pretrv.hematúria:dif.endokap.prolif glomerulonefrit.	2,3	2,3	N18.1	Chronická choroba obličiek,1.štádium	1,2,4	1,2,3,4
N02.5	Recid.a pretrv.hematúria:dif.mezangiokap glomerulonefrit.	2,3	2,3	N18.2	Chronická choroba obličiek,2.štádium	1,2,4	1,2,3,4
N02.6	Recid.a pretrv.hematúria:chor.denzných depozitov	2,3	2,3	N18.3	Chronická choroba obličiek,3.štádium	1,2,3,4	1,2,3,4
N02.7	Recid.a pretrv.hematúria:dif.glomerulonefrit.s výrastkami	2,3	2,3	N18.4	Chronická choroba obličiek,4.štádium	2,3,4	2,3,4
N02.8	Recid.a pretrv.hematúria:iné morfol.zmeny	2,3	2,3	N18.5	Chronická choroba obličiek,5.štádium	2,3,4	2,3
N02.9	Recid.a pretrv.hematúria:morfol.zmena,blíž.neurč.	2,3	2,3	N18.80	Jednostranná chronická porucha funkcie obličky	1,2,4	1,2,3,4
N03.6	Chron.nefritický synd.:chor.denzných depozitov	2,3,4	1,2,4	N18.89	Iná chronická choroba obličiek,štádium,b.n.	4	4
N04.0	Nefrotický syndróm:malé abnormality glomerulov	2,3,4	2,3,4	N18.9	Chronická choroba obličiek,blížšie neurčená	4	4
N04.1	Nefrotický synd.:fok.a segm.lézie glomerulov	2,3,4	1,2,4	N19	Zlyhanie obličiek,blížšie neurčené	4	4
N04.2	Nefrotický synd.:dif.membránová glomerulonefrit.	2,3,4	1,2,4	N20.0	Konkrement obličky	4	4
N04.3	Nefrotický synd.:dif.mezangioprolif.glomerulonefrit.	2,3,4	2,3,4	N20.1	Konkrement močovodu	2,3,4	1,2,3
N04.4	Nefrotický synd.:dif.endokap.prolif.glomerulonefrit.	2,3,4	2,3,4	N20.2	Konkrement obličky s konkrementom močovodu	4	4
N04.5	Nefrotický synd.:dif.mezangiokap.glomerulonefrit.	2,3,4	2,3,4	N25.1	Nefrogénny diabetes insipidus	4	4
N04.6	Nefrotický syndróm: choroba denzných depozitov	2,3,4	2,3,4	N28.0	Ischémia a infarkt obličky	4	4
N04.7	Nefrotický synd.:dif.glomerulonefrit.s výrastkami	2,3,4	1,2,4	N30.0	Akútna cystitída	1	1
N04.8	Nefrotický syndróm: iné morfológické zmeny	2,3,4	1,2,4	N30.1	Intersticiálna cystitída (chronická)	2,3,4	2,3
N04.9	Nefrotický synd.:morfol.zmena,blíž.neurč.	2,3,4	1,2,4	N30.4	Postradiačná cystitída	2,3,4	1,2
				N31.2	Atonický neurogénny močový mechúr,nezatr.i.	2,3,4	1,2
				N32.0	Obštrukcia krčka močového mechúra	2,3,4	1,2
				N32.1	Vezikointestinálna fistula	2,3,4	2,3,4
				N32.2	Fistula močového mechúra,nezatriedená inde	2,3,4	2,3,4
				N32.3	Divertikul močového mechúra	4	4
				N32.4	Ruptúra močového mechúra,neúrazová	2,3,4	2,3,4
				N33.0	Tuberkulózná cystitída (A18.1†)	2,3,4	2,3
				N33.8	Choroba močového mechúra pri iných chor.z.i	2,3,4	2,3
				N34.0	Absces močovej rúry	2,3,4	2,3,4
				N35.0	Pouúrazová striktúra uretry	2	2
				N35.8	Iná striktúra uretry	4	4
				N36.0	Fistula uretry	4	4
				N36.1	Divertikul uretry	4	4
				N39.3	Stresová inkontinencia moču	1	1
				N39.40	Reflexná inkontinencia moču	1	1
				N39.41	Inkontinencia moču z pretekania	1	1
				N39.42	Nutková inkontinencia moču	1	1
				N39.43	Extrauretrálna inkontinencia moču	1	1
				N39.47	Recidivujúca inkontinencia moču	1	1
				N39.48	Iná inkontinencia moču,blížšie určená	1	1
				N41.0	Akútna prostatitída	2	2
				N41.2	Absces prostaty	2	2

ICD	Text	OP. CCL	Med. CCL	ICD	Text	OP. CCL	Med. CCL
N41.3	Prostacystitída	2	2	O08.2	Embólia po potrate,mimomat.grav.a grav.s molou hydratídosa	2	2
N42.1	Kongescia a krvácanie z prostaty	1,2	1,2	O08.3	Šok po potrate,mimomat.grav.a grav.s molou hydratídosa	2	2
N43.1	Infikovaná hydrokéla	2,4	2,4	O08.4	Zlyháv.obličiek po potrate,mimomat.grav.a grav.s mal hydati.	2	2
N44.0	Torzia semenníka	4	4	O08.5	Metabické poruchy po potrate,mimomat.gr.a gr.s mal.hydati.	2	2
N44.1	Torzia hidatídy [Morgagni]	4	4	O08.6	Pošk.panv.org.a tk.potr,mimomat.gr.a grav.s malou hydati.	2	2
N45.0	Orchitída,epididymitída a epididymoorchitída s abscesom	2,4	2,4	O08.7	Iné žil.kompl.po potrate,mimomat.grav.a grav.s malou hydati.	2	2
N63	Hrčka v prsníku,blížšie neurčená	1,2	2	O08.8	Iné kompl.po potrate,mimomat.grav.a grav.s molou hydratíd.	2	2
N70.0	Akútna salpingitída a ooforitída	2	2	O08.9	Kompl.po potrate,mimomat.grav.a grav.s molou hydratíd.b.n.	2	2
N71.0	Akútna zápalová choroba maternice	2	2	O11	Pred.exi.art.hypert.,kompl.grav.,pôr.a šest.,s nas.preek.	2	2
N73.0	Akútna parametritída a panvová celulitída	2	2	O13	Gestačná artér.hypert.bez významnej proteinúrie	2	2
N73.3	Akútna pelveoperitonitída u žien	2	2	O14.0	Mierna a stredne ťažká preeklampsia	2	2
N73.5	Pelveoperitonitída u žien,blížšie neurčená	2	2	O14.1	Ťažká preeklampsia	2	2
N74.0	Tuberkulózna infekcia krčka maternice (A18.1†)	2	2	O14.2	Syndróm HELLP	2	2
N74.1	Tuberkulózny zápal ženských panvov.org.	2	2	O14.9	Preeklampsia,blížšie neurčená	2	2
N75.1	Absces Bartholinovej žľazy	2	2	O15.0	Eklampsia v gravidite	2	2
N76.4	Absces vulvy	2,4	2,4	O15.1	Eklampsia pri pôrode	2	2
N82.0	Vezikovaginálna fistula	4	4	O15.2	Eklampsia v šestonedelí	2	2
N82.1	Iná fistula medzi ženskými moč.a pohlav.oránmi	4	4	O15.9	Eklampsia,časovo blížšie neurčená	2	2
N82.2	Fistula medzi pošvou a tenkým črevom	2,4	2,3,4	O20.0	Hrozaci potrat (abortus imminens)	2	2
N82.3	Fistula medzi pošvou a hrubým črevom	2,4	2,3,4	O20.8	Iné krvácanie vo včasnej gravidite	2	2
N82.4	Iná fistula medzi ženskými pohlav.org.a črevom	2,4	2,3,4	O20.9	Krvácanie vo včasnej gravidite,blížšie neurčené	2	2
N82.5	Fistula medzi ženskými pohlavnými orgánmi a kožou	4	4	O22.2	Povrchová tromboflebitída v gravidite	2	2
N82.8	Iná fistula ženských pohlavných orgánov	4	4	O22.3	Hĺbková flebotrombóza v gravidite	2	2
N82.9	Fistula ženských pohlavných orgánov,blíž.neurč.	4	4	O22.5	Trombóza mozgových žíl v gravidite	2	2
N83.5	Torzia vaječníka, topky vaječníka a vajíčkovodu	4	4	O23.0	Infekcia obličiek v gravidite	2	2
N83.7	Hematóm širokého väzu maternice	1,2	1	O23.1	Infekcia močového mechúra v gravidite	2	2
N98.0	Infekcia spojená s umelým oplodením	2,3,4	2,3	O23.2	Infekcia močovej rúry v gravidite	2	2
N98.2	Komplikácie pri pokuse zaviesť oplod.vajičko po oplod.in vitro	2,3,4	2,3	O23.3	Infekcia iných častí močovej sústavy v gravidite	2	2
N98.3	Komplikácie pri pokuse zaviesť embryo pri prenose embrya	2,3,4	2,3	O23.4	Infekcia moč.sústavy v gravidite,b.n.	2	2
N98.8	Iné komplikácie spojené s umelým oplodením	2,3,4	2,3	O23.5	Infekcia pohlavných orgánov v gravidite	2	2
N98.9	Komplikácie spojené s umelým oplodením,b.n.	2,3,4	2,3	O23.9	Iná a blíž.neu.infekcia močovopohl.org.v grav.	2	2
N99.1	Striktúra uretry po lekárskom výkone	4	4	O24.0	DM v gravidite predtým existuj.DM,typ 1	1,2	1,2
N99.3	Prolaps pošvovej klenby po hysterektómii	1,2	1	O24.1	DM v gravidite predtým existuj.DM,typ 2	1,2	1,2
O03.0	Spont.potrat:nekomplet.potrat,kompl.infekc.po hl.a panv.org.	2	2	O24.2	DM v gravidite predtým existuj.DM súvis.s podvýživou	1,2	1,2
O03.1	Spont.potrat:nekomplet.potrat,kompl.oneskor./nadmer.krvác.	2	2	O24.3	DM v gravidite predtým existuj.DM,b.n.	1,2	1,2
O03.2	Spont.potrat:nekomplet.potrat,komplikovaný embóliou	2	2	O24.4	Diabetes mellitus so vznikom v gravidite	1,2	1,2
O03.3	Spont.potrat:nekomplet.potrat s i.a blíž.neurč.kompl.	2	2	O24.9	Diabetes mellitus v gravidite,blížšie neurčený	1,2	1,2
O03.4	Spont.potrat:nekomplet.potrat bez kompl.	2	2	O26.6	Choroba pečene v gravidite,pri pôrode a v šestonedelí	2	2
O03.5	Spont.potrat:komplet./blíž.n.potrat,kompl.inf.p ohl.a panv.org.	2	2	O29.0	Plúcne komplikácie anestézie v gravidite	2	2
O03.6	Spont.potrat:komplet./blíž.n.potrat,kompl.oneskor./nadm.krvác.	2	2	O29.1	Srdcové komplikácie anestézie v gravidite	2	2
O03.7	Spont.potrat:komplet./blíž.neurč.potrat,kompl.embóliou	2	2	O29.2	Komplikácie v CNS v spoj.s anestéziou v gavidite	2	2
O03.8	Spont.potrat:komplet./blíž.neurč.potrat s i.a blíž.neur.kompl.	2	2	O29.3	Toxická reakcia na lokálnu anestéziu v gravidite	2	2
O03.9	Spont.potrat:komplet./blíž.n.eurč.potrat bez kompl.	2	2	O29.4	Bolesť hlavy,po spinál.a epidurál.anest.v grav.	2	2
O08.0	Infekcia pohlav.a panv.org.po potrate,mimomat.gr.a gr.s MH	2	2	O29.5	Iná komplikácia spinál.a epidurál.anestézie v grav.	2	2
O08.1	Onesk./nadm.krvác.po potr,mimomat.gr.a grav.s malou hydati.	2	2	O29.6	Neúspešná alebo sťažnená intubácia v gravidite	2	2
				O29.8	Iné komplikácie anestézie v gravidite	2	2
				O29.9	Komplikácia anestézie v gravidite,blížšie neurčená	2	2
				O44.00	Nízko uložená placenta bez krvácania	1,2	2
				O44.01	Placenta praevia bez krvácania	1,2	2

ICD	Text	OP. CCL	Med. CCL	ICD	Text	OP. CCL	Med. CCL
O44.10	Nízko uložená placenta s prebiehajúcim krvácaním	1,2	2	O89.9	Kompl.anestézie v šestonedelí,b.n.	2	2
O44.11	Placenta praevia s prebiehajúcim krvácaním	1,2	2	O90.1	Dehiscencia pôrodnicej rany hrádze	2	2
O45.0	Predčasné odlupovanie placenty s poruchou koagulácie	2	2	O90.3	Kardiomyopatia v šestonedelí	2	2
O46.0	Krvácanie pred pôrodom s poruchou zrážanlivosti	2	2	O90.4	Akútne poškodenie obličiek po pôrode	2	2
O46.8	Iné krvácanie pred pôrodom	2	2	O98.0	TBC,kompl.graviditu,pôrod a šestonedelie	2	2
O46.9	Krvácanie pred pôrodom, bližšie neurčené	2	2	O99.0	Anémia,komplikujúca graviditu,pôrod a šestonedelie	2	2
O47.0	Falošná pôr.činnosť pred ukonč.37.týž.gravidity	2	2	O99.4	Choroba obeh.súst.kompl.grav.pôrod a šeston.	2	2
O67.0	Krvácanie pri pôrode s poruchou koagulácie	2	2	P01.6	Poškodenie plodu a novorodenca smrťou matky	3	3
O67.8	Iné krvácanie pri pôrode	1,2	2	P07.00	Novorodenec s pôrod.hmotnosť.menej ako 500 gr.	2,3,4	1,2,3
O67.9	Krvácanie pri pôrode,bližšie neurčené	1,2	2	P07.01	Novorodenec s pôrod.hmotnosť.od 500 do 750 gr.	2,3,4	1,2,3
O71.0	Ruptúra matrice pred začiatkom pôrodnej činnosti	2	2	P07.02	Novorodenec s pôrod.hmotnosť.od 750 do 1000 gr.	2,3,4	1,2,3
O71.1	Ruptúra matrice počas pôrodnej činnosti	2	2	P07.2	Novorodenec s extrémnou nezrelosťou	2,3,4	1,2,3
O72.3	Poruchy zrážanlivosti krvi po pôrode	2	2	P10.0	Subdurálne kvácanie zapríč.poran.pri pôrode	4	4
O74.0	Aspiračná pneumónia zapríč.anestéziou počas pôr.č. a pôrodu	2	2	P10.1	Mozgové krvácanie zapríčinené poranením pri pôrode	4	4
O74.1	Iné pľúcne kompl.anestézie počas pôrod čin.a pôrodu	2	2	P10.2	Vnútrokomorové kvácanie zapríč.poran.pri pôrode	4	4
O74.2	Srdcové kompl.anestézie počas pôrod.chin.a pôrodu	2	2	P10.3	Subarachnoidálne kvácanie zapríč.poran.pri pôrode	4	4
O74.3	Komplik.CNS s spojení s anestéziou počas pôrod čin.	2	2	P10.4	Roztrhnutie tentória zapríč.poran.pri pôrode	4	4
O74.4	Toxická reakcia na lokálnu anestéziu počas pôr.čin.a pôrodu	2	2	P10.8	Iné vnútroleb.poran.a kvácania zapríč.poran.pri pôrode	4	4
O74.5	Bolesť hlavy,zapr.spinál.a epidurál.anest.počas pôr.čin.a pôr.	2	2	P10.9	Bliž.neur.vnútroleb.poran.a kvácanie zapríč.poran. pri pôrode	4	4
O74.6	Iné kompl.spinál.a epidurál.anestézie počas pôr.čin.a pôrodu	2	2	P11.1	Iné poškodenie mozgu,zapříč.poran.pri pôrode,b.u.	4	4
O74.7	Neúspešná/sťažená intubácia počas pôr.čin.a pôrodu	2	2	P11.2	Bliž.neur.poškodenie mozgu,zapříč.poran.pri pôrode	4	4
O74.8	Iné komplik.anestézie počas pôr.čin.a pôrodu	2	2	P11.50	Pôrodné poran.chrbtice a miechy s akút. ochmutím	2,4	2,3
O74.9	Komplik.anestézie počas pôr.čin.a pôrodu,b.n.	2	2	P11.51	Pôrodné poran.chrbtice a miechy s chron.ochmutím	2,4	2,3
O75.1	Šok počas pôrodnej činnosti,po nej a po pôrode	2	2	P11.59	Pôrodné poran.chrbtice a miechy,b.n.	2,4	2,3
O75.3	Iná infekcia počas pôrodnej činnosti	2	2	P15.6	Nekróza podkožného tuku,zapříč.poran. ri pôrode	4	4
O85	Puerperálna sepsa	2	2	P21.0	Ťažká pôrodná asfyxia	1,2	2
O86.0	Infekcia pôrodnicej operačnej rany	2	2	P22.0	Synd.respiračnej tiesne novorod.	4	4
O86.1	Iná infekcia pohlavných orgánov po pôrode	2	2	P23.0	Vrodený zápal pľúc,zapříčinený vírusom	4	4
O86.3	Iná infekcia močovopohlavnej sústavy po pôrode	2	2	P23.1	Vrodený zápal pľúc,zapříčinený chlamýdiou	4	4
O86.8	Iná puerperálna infekcia,bližšie určená	2	2	P23.2	Vrodený zápal pľúc,zapříčinený stafylokokom	4	4
O87.0	Povrchová tromboflebitída v šestonedelí	2	2	P23.3	Vrodený zápal pľúc,zapr.streptok.skupiny B	4	4
O87.1	Hĺbková žilová trombóza (flebotrombóza) v šestonedelí	2	2	P23.4	Vrodený zápal pľúc,zapříčinený Escherichia coli	4	4
O87.3	Trombóza mozgových žíl v šestonedelí	2	2	P23.5	Vrodený zápal pľúc,zapříčinený pseudomonas	4	4
O88.0	Vzduchová embólia v gestačnom období	2	2	P23.6	Vrodený zápal pľúc,zapříčinený inou baktériou	4	4
O88.1	Embólia plodovou vodou	2	2	P23.8	Vrodený zápal pľúc,zapříčinený iným organizmom	4	4
O88.20	Tromboembólia pľúc v gestačnom období	2	2	P23.9	Vrodený zápal pľúc,bližšie neurčený	4	4
O88.28	Iná tromboembólia v gestačnom období	2	2	P24.0	Novorodenecká aspirácia smolky	4	4
O88.3	Pyemická a septická embólia v gestačnom období	2	2	P24.1	Novorodenecká aspirácia plodovej vody a hlienu	4	4
O88.8	Iná embólia v gestačnom období	2	2	P24.2	Novorodenecká aspirácia krvi	4	4
O89.0	Pľúcne komplikácie anestézie v šestonedelí	2	2	P24.3	Novorod.aspirácia mlieka a regurgitovanej potravy	4	4
O89.1	Srdcové komplikácie anestézie v šestonedelí	2	2	P24.8	Iný novorodenecký syndróm z aspirácie	4	4
O89.2	Komplikácie CNS v spojení s anestéziou v šestonedelí	2	2	P24.9	Novorodenecký syndróm z aspirácie,bližšie neurčený	4	4
O89.3	Toxická reakcia na lokálnu anestéziu v šestonedelí	2	2	P25.0	Interstic.emfyzém so vznikom v perinatálnom obd.	4	4
O89.4	Bolesť hlavy,zapříč.spinál.a epidurál.anest.v šeston.	2	2	P25.1	Pneumotorax so vznikom v perinatálnom období	4	4
O89.5	Iné kompl.spin.a epid.anestézie v šeston.	2	2				
O89.6	Neúspešná alebo sťažená intubácia v šestonedelí	2	2				
O89.8	Iné komplikácie anestézie v šestonedelí	2	2				

ICD	Text	OP. CCL	Med. CCL	ICD	Text	OP. CCL	Med. CCL
P25.2	Pneumomediastínium so vznikom v perinatálnom období	4	4	P59.2	Novorod.žltáčka z iného a bliž.neurč.pošk.pečeňových buniek	1,2,3,4	1,2,3,4
P25.3	Pneumoperikard so vznikom v perinatálnom období	4	4	P60	Diseminovaná intravaskulárna koagul.plodu a novorod.	2,3,4	1,2,3,4
P25.8	Iné stavy súvis.s interstic.emfyz.so vznik.v perinat.obd.	4	4	P61.0	Prechodná novorodenecká trombocytopenia	2,3,4	1,2,3,4
P26.0	Tracheobronchiálne krvácanie so vznik.v perinat.obd.	4	4	P61.6	Iná prechodná novorodenecká porucha zrážania	2,3	1,2,3
P26.1	Masívne pľúcne krvác.so vznikom v perinat.obd.	4	4	P70.2	Diabetes mellitus u novorodenca	2,4	2,3,4
P26.8	Iné pľúcne krvác.so vznikom v perinat.období	4	4	P70.3	Iatrogénna hypoglykémia u novorodenca	2,3	2
P26.9	Pľúcne krvác.so vznik.v perinat.období.b.n.	4	4	P70.4	Iná hypoglykémia u novorodenca	2,3	2
P27.0	Wilsonov-Mikityho syndróm	2,3,4	2,4	P71.0	Hypokalciémia z kravského mlieka u novorodenca	2,3,4	2,3
P27.1	Bronchopulmonálna dysplázia so vznik.v perin.obd.	2,3,4	2,4	P71.1	Iná hypokalciémia u novorodenca	2,3,4	2,3
P27.8	Iná chronická respirač.chor.so vznik.v perinatál.obd.	2,3,4	2,4	P71.2	Hypomagneziémia u novorodenca	2,3,4	2,3
P27.9	Bliž.neurč.chron.respirač.choroba so vznikom v perinat.období	2,3,4	2,4	P71.3	Novorod.tetania bez nedost.kalcia/magnézia	2,3,4	2,3
P35.0	Rubeolová embryopatia	2,4	2,4	P71.4	Prechodná hypoparatyreóza u novorodenca	2,3,4	2,3
P35.1	Vrodená cytomegalovírusová infekcia	2,4	2,4	P71.8	Iná prech.porucha metabol.vápnika a horčička u novorod.	2,3,4	2,3
P35.2	Vrodená infekcia vírusom herpes simplex	2,4	2,4	P71.9	Prechodná porucha metabol.vápnika a horčička u novorod.,b.n.	2,3,4	2,3
P35.3	Vrodená vírusová hepatitída	1,2,3,4	1,2,3,4	P72.0	Struma u novorodenca,nezatriedená inde	2,3,4	2,3
P35.8	Iná vrodená vírusová choroba	2,4	2,4	P72.1	Prechodná hypertyreóza u novorodenca	4	4
P35.9	Vrodená vírusová choroba,bližšie neurčená	2,4	2,4	P74.0	Neskorá metabolická acidóza u novorodenca	2,3,4	2,3
P36.0	Sepsa u novorod.zapríč.sterpt.zo skupiny B	4	4	P74.1	Dehydratácia u novorodenca	2,3,4	2,3
P36.1	Sepsa u novorod.zapríč.i.a b.n.sterpt.	4	4	P74.2	Porucha rovnováhy sodíka u novorodenca	2,3,4	2,3
P36.2	Sepsa u novorod.zapríč.staphylococcus aureus	4	4	P74.3	Porucha rovnováhy draslíka u novorodenca	2,3,4	2,3
P36.3	Sepsa u novorod.zapríč.i.a bliž.neurč.stafylokokom	4	4	P74.4	Iná prechodná elektrolytová porucha u novorodenca	2,3,4	2,3
P36.4	Sepsa u novorodenca,zapríčinená escherichia coli	4	4	P76.2	Črevná nepriechod.zapríč.zahusteným mliekom	2,3,4	2,3
P36.5	Sepsa u novorod.zapríč.anaeróbnym mikroorganizmom	4	4	P77	Nekrotizujúca enterokolitída plodu a novorodenca	2,4	2,3,4
P36.8	Iná baktériová sepsa u novorodenca	4	4	P78.0	Perinatálna perforácia čreva	4	4
P36.9	Baktériová sepsa u novorodenca,bližšie neurčená	4	4	P78.1	Iná novorodenecká peritonitída	4	4
P37.0	Vrodená tuberkulóza	4	4	P83.0	Sclerema neonatorum	4	4
P37.1	Vrodená toxoplazmóza	4	4	P83.2	Hydrops plodu, nezapríčinený hemolytickou chorobou	4	4
P37.2	Novorodenecká (diseminovaná) listerióza	4	4	P90	Krče [konvulzie] u novorodenca	1,2,3,4	1,2,4
P37.3	Vrodená malária plasmodium falciparum	4	4	P91.3	Mozgová dráždivosť novorodencov	1,2	2
P37.4	Iná vrodená malária	4	4	P91.5	Kóma u novorodenca	3,4	3
P37.8	Iná vrodená infekčná a parazit.choroba,b.u.	4	4	P92.0	Vracanie u novorodenca	1,2	1,2,3
P37.9	Vrod.infekčná/parazitová choroba,b.n.	4	4	P92.1	Regurgitácia a ruminácia u novorodenca	2,3,4	2,3
P52.0	Vnútrokomorové(neúraz.)krvác.plodu a novorod.1.st.	4	4	P92.2	Pomalý príjem potravy u novorodenca	1,2	1,2,3
P52.1	Vnútrokomorové(neúraz.)krvác.plodu a novorod.2.st.	4	4	P92.3	Podvýživa (znižený príjem potravy) u novorodenca	2,3,4	2,3
P52.2	Vnútrokomorové(neúraz.)krvác.plodu a novorod.3.st.	2,3,4	1,2,3,4	P92.4	Nadmerná výživa u novorodenca	2,3,4	2,3
P52.3	Vnútrokomorové(neúraz.)krvác.plodu a novorod.,b.n.	4	4	P92.5	Problém s dojčením u novorodenca	2,3,4	2,3
P52.5	Subarachnoidálne (neúraz.)krvác.plodu a novorod.	4	4	P94.0	Prechodná myasthenia gravis u novorodenca	2,3,4	1,2,3,4
P53	Hemoragická choroba plodu a novorodenca	2,3,4	1,2,3,4	P96.1	Abstin.synd.u novorod.matky uživ.návyk.látky a drogy	4	4
P54.4	Krvácanie do nadobličky u novorodenca	4	4	P96.2	Abstin.synd.novorod.pri lieč.podávaní liečiv	4	4
P55.0	Rh izoimunitácia plodu a novorodenca	2,3	1,2,3	Q00.0	Anencefália	3,4	3,4
P55.1	ABO izoimunitácia plodu a novorodenca	2,3	1,2,3	Q00.1	Kraniorachischíza	3,4	3,4
P55.8	Iná hemolytická choroba plodu a novorodenca	2,3	1,2,3	Q00.2	Iniencefália	3,4	3,4
P55.9	Hemolytická chor.plodu a novorod.,b.n.	2,3	1,2,3	Q01.0	Čelová encefalokéla	3,4	3,4
P56.0	Hydrops plodu v dôsledku izoimunitácie	4	4	Q01.1	Nosovočelová encefalokéla	3,4	3,4
P56.9	Hydrops plodu v dôsl.i.a b.n.hemolytickej chor.	4	4	Q01.2	Okcipitálna encefalokéla	3,4	3,4
P57.0	Jadrový ikterus v dôsledku izoimunitácie	4	4	Q01.8	Encefalokéla na inom mieste	3,4	3,4
P57.8	Iný jadrový ikterus,bližšie určený	4	4	Q01.9	Encefalokéla,bližšie neurčená	4	4
P57.9	Jadrový ikterus,bližšie neurčený	4	4	Q02	Mikrocefália	3,4	3
P59.1	Syndróm hustej žlče	1,2,3,4	1,2,3,4	Q03.0	Chyby mozgového mokovodu	3,4	3,4
				Q03.1	Atrézia prístredného a boč.otvoru štvrtej komory	3,4	3,4
				Q03.8	Iný vrodený hydrocefalus	2,3,4	1,2,3,4
				Q03.9	Vrodený hydrocefalus, bližšie neurčený	2,3,4	1,2,3,4
				Q04.0	Vrodená chyba corpus callosum	3,4	3,4
				Q04.1	Arinencefália	3,4	3,4
				Q04.2	Holoprocencefália	3,4	3,4
				Q04.3	Iná redukčná deformita mozgu	3,4	3,4

ICD	Text	OP. CCL	Med. CCL	ICD	Text	OP. CCL	Med. CCL
Q04.4	Septooptická dysplázia	3,4	3,4	Q20.2	Dvojvýtoková ľavá komora	3,4	3,4
Q04.5	Megalencefália	3,4	3,4	Q20.3	Nezhodné [diskordantné] komorovotepné spojenie	3,4	3,4
Q04.6	Vrodená cysta mozgu	3,4	3,4	Q20.4	Dvojvýtoková komora	3,4	3,4
Q04.8	Iná vrodená chyba mozgu, bližšie určená	4	4	Q20.5	Nezhodné (diskordantné) predsieňovokomorové spojenie	3,4	3,4
Q05.0	Krčná spina bifida s hydrocefalom	3,4	3,4	Q20.6	Súmernosť [izomerizmus] predsieňových ušík	3,4	3
Q05.1	Hrudníková spina bifida s hydrocefalom	3,4	3,4	Q20.8	Iná vrodená chyba srdcových dutín a ich spojení	3,4	3
Q05.2	Drieková spina bifida s hydrocefalom	3,4	3,4	Q20.9	Vrod.chyba srdcových dutín a ich spojení, b.n.	3,4	3
Q05.3	Krížová spina bifida s hydrocefalom	3,4	3,4	Q21.0	Defekt medzikomorovej priehradky	3,4	3
Q05.4	Spina bifida s hydrocefalom, b.n.	3,4	3,4	Q21.1	Defekt predsieňovej priehradky	4	4
Q05.5	Krčná spina bifida bez hydrocefalu	3,4	3,4	Q21.2	Defekt predsieňovo-komorovej priehradky	3,4	3,4
Q05.6	Hrudníková spina bifida bez hydrocefalu	3,4	3,4	Q21.3	Fallotova tetralógia	3,4	3,4
Q05.7	Drieková spina bifida bez hydrocefalu	3,4	3,4	Q21.4	Defekt aortapulmonálneho septa	3,4	3,4
Q05.8	Krížová spina bifida bez hydrocefalu	3,4	3,4	Q21.80	Fallotova pentalógia	3,4	3
Q05.9	Spina bifida (rázštep chrbtice), bližšie neurčená	1,2,4	2,4	Q21.88	Iná vrodená chyba srdcových priehradiek	3,4	3
Q06.0	Amyélie	3,4	3,4	Q22.0	Atrézia pulmonálnej chlopne	3,4	3,4
Q06.1	Hypoplázia a dysplázia miechy	3,4	3,4	Q22.1	Vrodené zúženie pulmonálnej chlopne	3,4	3,4
Q06.2	Diastematomyélie	3,4	3,4	Q22.2	Vrodená pulmonálna insuficiencia	1,2,3	1,2
Q06.3	Iná vrodená chyba konského chvosta (cauda equina)	3,4	3,4	Q22.3	Iná vrodená chyba pulmonálnej chlopne	1,2,3	1,2
Q06.4	Hydromyélie	3,4	3,4	Q22.4	Vrodená trikuspidálna stenóza	1,2,3,4	1,2,4
Q06.8	Iná vrodená chyba miechy, bližšie určená	3,4	3,4	Q22.5	Ebsteinova anomália	2,3,4	2,3,4
Q07.0	Arnoldov-Chiariho syndróm	3,4	3,4	Q22.6	Hypoplastický pravokomorový syndróm	3,4	3,4
Q07.8	Iná vrodená chyba nervovej sústavy, bližšie určená	3,4	3	Q22.8	Iná vrodená chyba trikuspidálnej chlopne	1,2,3,4	1,2,4
Q10.0	Vrodená ptóza	3	3	Q22.9	Vrod.chyba trikuspidálnej chlopne, b.n.	1,2,3,4	1,2,4
Q10.1	Vrodené ekotropium	3	3	Q23.0	Vrodená aortálna stenóza	3,4	3,4
Q10.2	Vrodené entropium	3	3	Q23.1	Vrodená aortálna insuficiencia	1,2,3,4	1,2,4
Q10.3	Iná vrodená chyba mihalnice	3	3	Q23.2	Vrodená mitrálna stenóza	1,2,3,4	1,2,4
Q10.6	Iná vrodená chyba slzných orgánov	3	3	Q23.3	Vrodená mitrálna insuficiencia	1,2,3,4	1,2,4
Q10.7	Vrodená chyba očnice	3	3	Q23.4	Hypoplastický ľavokomorový syndróm	3,4	3,4
Q11.0	Cystická očná guľa	3,4	3	Q23.8	Iná vrodená chyba aortálnej a mitrálnej chlopne	1,2,3,4	1,2,4
Q11.1	Iný anoftalmus	3,4	3	Q23.9	Vrod.hyba aortálnej a mitrálnej chlopne, b.n.	1,2,3,4	1,2,4
Q11.2	Mikroftalmus	3,4	3	Q24.0	Dextrokardia	3,4	3
Q11.3	Makroftalmus	3,4	3	Q24.1	Levokardia	3,4	3
Q12.0	Vrodený sivý zákal (katarakta)	3	3	Q24.2	Cor triatriatum (trojpredsieňové srdce)	3,4	3,4
Q12.1	Vrodená dislokácia šošovky	3	3	Q24.3	Infundibulárna stenóza pľúcnice	3,4	3,4
Q12.2	Kolobóm šošovky	3	3	Q24.4	Vrodená subaortálna stenóza	1,2,3,4	1,2,4
Q12.3	Vrodená afakia	3	3	Q24.5	Chyba koronárnych ciev	4	4
Q12.4	Sférofakia	3	3	Q24.6	Vrodená srdcová blokáda	3,4	3,4
Q12.8	Iná vrodená chyba šošovky	3	3	Q24.8	Iná vrodená chyba srdca, bližšie určená	4	4
Q12.9	Vrodená chyba šošovky, bližšie neurčená	3	3	Q25.0	Otvorený tepnový spoj [Ductus arteriosus patens]	3,4	3
Q13.0	Kolobóm dúhovky	3	3	Q25.1	Koarktácia aorty	3,4	3,4
Q13.1	Chýbanie dúhovky	3	3	Q25.2	Atrézia aorty	3,4	3,4
Q13.2	Iná vrodená chyba dúhovky	3	3	Q25.3	Stenóza aorty	1,2,3,4	1,2,4
Q13.3	Vrodený zákal rohovky	3	3	Q25.5	Atrézia pľúcnej tepny	3,4	3
Q13.4	Iná vrodená chyba rohovky	3	3	Q25.6	Stenóza pľúcnej tepny	3,4	3
Q13.5	Belasá skléra	3	3	Q25.7	Iná vrodená chyba pľúcnej tepny	3,4	3
Q13.8	Iná vrodená chyba predného segmentu oka	3	3	Q26.0	Vrodená stenóza dutej žily	3,4	3
Q14.0	Vrodená chyba sklovca	3	3	Q26.1	Pretrvávajúca ľavá horná dutá žila	3,4	3
Q14.1	Vrodená chyba sietnice	3	3	Q26.2	Kompletný anomálny návrat pľúcnych žíl	3,4	3,4
Q14.2	Vrodená chyba terča zrkovitého nervu	3	3	Q26.3	Čiastočný anomálny návrat pľúcnych žíl	3,4	3,4
Q14.3	Vrodená chyba cievovky	3	3	Q26.4	Anomálny návrat pľúcnych žíl, bližšie neurčený	3,4	3
Q14.8	Iná vrodená chyba zadného segmentu oka	3	3	Q26.5	Anomálny návrat v. portae	3,4	3
Q15.0	Vrodený glaukóm	4	4	Q26.6	Fistula medzi v. portae a a.hepatica	3,4	3
Q15.8	Iná vrodená chyba oka, bližšie určená	3	3	Q27.0	Vrodené chýbanie a hypoplázia pupkovej tepny	3,4	3
Q16.0	Vrodené chýbanie ušnice	3	3	Q28.00	Vrod.artériovenózna aneuryzma precerebrálnych ciev	3,4	3,4
Q16.1	Vrod.chýbanie, atrézia a striktúra (vonkajšieho) zvukovodu	3	3	Q28.01	Vrodená artériovenózna fistula precerebrálnych ciev	3,4	3,4
Q16.2	Chýbanie sluchovej [Eustachovej] trubice (vrodené)	3	3	Q28.08	Iná vrod.artériovenózna chyba precerebrálnych ciev	3,4	3,4
Q16.3	Vrodená chyba sluchových kostičiek	3	3	Q28.09	Vrod.artériovenózna chyba precerebrálnych ciev, b.n.	4	4
Q16.4	Iná vrodená chyba stredného ucha	3	3				
Q16.5	Vrodená chyba vnútorného ucha	3	3				
Q16.9	Vrod.chyba ucha, zapríč.zhoršenie sluchu, b.n.	3	3				
Q20.0	Spoločný tepnový kmeň [truncus arteriosus communis]	3,4	3,4				
Q20.1	Dvojvýtoková pravá komora	3,4	3,4				

ICD	Text	OP. CCL	Med. CCL	ICD	Text	OP. CCL	Med. CCL
Q28.10	Vrodená aneuryzma precerebrálnych ciev	3,4	3,4	Q39.3	Vrodené zúženie (stenóza alebo striktúra) pažeráka	4	4
Q28.11	Vrodená fistula precerebrálnych ciev	3,4	3,4	Q39.4	Pažeráková membrána	2,4	2,3,4
Q28.18	Iná vrodená chyba precerebrálnych ciev	3,4	3,4	Q39.5	Vrodené rozšírenie pažeráka	3	3
Q28.19	Vrod.chyba precerebrálnych ciev,b.n.	4	4	Q39.6	Divertikul pažeráka (vrodený)	3	3
Q28.20	Vrodená artériovenózna aneuryzma cerebrálnych ciev	3,4	3,4	Q39.8	Iná vrodená chyba pažeráka	3	3
Q28.21	Vrodená artériovenózna fistula cerebrálnych ciev	3,4	3,4	Q40.0	Vrodená hypertrofická pylorostenóza	3,4	3
Q28.28	Iná vrodená artériovenózna chyba cerebrálnych ciev	3,4	3,4	Q40.1	Vrodená hiátová hernia	3	3
Q28.29	Vrod.artériovenózna malformácia cerebrálnych ciev,b.n.	4	4	Q41.0	Vrodené chýbanie,atrézia a stenóza dvanástnika	3,4	3,4
Q28.30	Vrodená aneuryzma cerebrálnych ciev	3,4	3,4	Q41.1	Vrodené chýbanie,atrézia a stenóza jejúna	3,4	3,4
Q28.31	Vrodená fistula cerebrálnych ciev	3,4	3,4	Q41.2	Vrodené chýbanie,atrézia a stenóza ilea	3,4	3,4
Q28.38	Iná vrodená chyba cerebrálnych ciev	4	4	Q41.8	Vrod.chýbanie,atrézia a stenóza blíž.urč.častí ten.čreva	3,4	3,4
Q28.39	Vrodená chyba cerebrálnych ciev, bližšie neurčená	4	4	Q41.9	Vrod.chýbanie,atrézia a stenóza ten.čreva b.n.č.	4	4
Q28.80	Iná vrodená aneuryzma	3	3	Q42.0	Vrod.chýbanie,atrézia a stenóza konečníka s fistulou	3,4	3,4
Q28.81	Iná vrodená fistula obehovej sústavy	3	3	Q42.1	Vrod.chýbanie,atrézia a stenóza konečníka bez fistuly	3,4	3,4
Q28.88	Iná vrodená chyba obehovej sústavy,bližšie určená	3	3	Q42.2	Vrod.chýbanie,atrézia a stenóza anusu s fistulou	3,4	3,4
Q30.0	Atrézia choán	4	4	Q42.3	Vrod.chýbanie,atrézia a stenóza anusu bez fistuly	3,4	3,4
Q31.0	Diafragma hrtana	3,4	3,4	Q42.8	Vrod.chýbanie,atrézia a stenóza č.hrub.čreva	3,4	3,4
Q31.1	Vrodená subglotická stenóza	3,4	3,4	Q42.9	Vrod.chýbanie,atrézia a stenóza blíž.neurč.č.hrub.čreva	3,4	3,4
Q31.2	Hypoplázia hrtana	3,4	3,4	Q43.0	Meckelov divertikul	4	4
Q31.3	Laryngokéla	3,4	3,4	Q43.1	Hirschprungova choroba	3,4	3,4
Q31.5	Vrodená laryngomalácia	3,4	3,4	Q43.2	Iná vrodená porucha funkcie hrubého čreva	4	4
Q31.8	Iná vrodená chyba hrtana	3,4	3,4	Q43.3	Vrodená chyba fixácie čriev	4	4
Q31.9	Vrodená chyba hrtana,bližšie neurčená	4	4	Q43.40	Zdvojenie tenkého čreva	3,4	3
Q32.0	Vrodená tracheomalácia	3,4	3,4	Q43.41	Zdvojenie hrubého čreva	3,4	3
Q32.1	Iná vrodená chyba priedušnice	3,4	3,4	Q43.42	Zdvojenie rekta	3,4	3
Q32.2	Vrodená malácia priedušky	3,4	3,4	Q43.49	Zdvojenie čreva,bližšie neurčené	3	3
Q32.3	Vrodené zúženie priedušky	3,4	3,4	Q43.5	Ektopický anus	3,4	3
Q32.4	Iná vrodená chyba priedušiek	3,4	3,4	Q43.6	Vrodená fistula rekta a anusu	3,4	3
Q33.0	Vrodené cystické pľúca	3,4	3,4	Q43.7	Pretrvávajúca kloaka	3,4	3
Q33.1	Prídavný lalok pľúc	3,4	3	Q43.8	Iná vrodená chyba čreva,bližšie určená	3	3
Q33.2	Sekvestrácia pľúc	3,4	3,4	Q43.9	Vrodená chyba čreva,bližšie neurčená	3	3
Q33.3	Nevyvinutie pľúc	3,4	3,4	Q44.0	Agenéza,aplázia a hypoplázia žľáz	3,4	3
Q33.4	Vrodené bronchiektázie	3,4	3,4	Q44.2	Atrézia žľazových ciest	3,4	3,4
Q33.5	Ektopické tkanivo v pľúcach	3,4	3	Q44.3	Vrodené stenóza alebo striktúra žľazových ciest	3,4	3,4
Q33.6	Hypoplázia a dysplázia pľúc	3,4	3,4	Q44.4	Cysta žľazovodu	3,4	3
Q33.8	Iná vrodená chyba pľúc	3,4	3	Q44.5	Iná vrodená chyba žľazových ciest	2,3,4	2,3
Q35.1	Rázštep tvrdého podnebia	3,4	3	Q44.6	Cystická choroba pečene	3,4	3,4
Q35.3	Rázštep mäkkého podnebia	3	3	Q45.0	Agenéza,aplázia a hypoplázia podžalúdkovej žľazy	3,4	3,4
Q35.5	Rázštep tvrdého podnebia s rázštep.mäkk.podn.	3,4	3	Q45.1	Prstencová podžalúdková žľaza[pancreas anulare]	4	4
Q35.7	Rázštep čapika [uvuly]	3	3	Q45.2	Vrodená cysta podžalúdkovej žľazy	4	4
Q35.9	Rázštep podnebia,bližšie neurčený	3	3	Q45.3	Iná vrodená chyba podžalúdkovej žľazy a jej vývodu	4	4
Q36.0	Obojstranný rázštep pery	3	3	Q50.0	Vrodené chýbanie vaječníka	3,4	3
Q36.1	Stredový rázštep pery	3	3	Q50.2	Vrodená torzia vaječníka	3,4	3
Q36.9	Jednostranný rázštep pery	3	3	Q51.0	Agenéza a aplázia maternice	3,4	3
Q37.0	Rázštep tvrd.podnebia s obojstr.rázštep.pery	3,4	3,4	Q51.1	Dvojité maternica s dvoj.krčkom a dvoj.pošvou	3,4	3
Q37.1	Rázštep tvrd.podnebia s jednostr.rázštep.pery	3,4	3,4	Q51.2	Iné zdvojenie maternice	3,4	3
Q37.2	Rázštep mäkk.podnebia s obojstr.rázštep.pery	3,4	3,4	Q51.5	Agenéza a aplázia krčka maternice	3,4	3
Q37.3	Rázštep mäkk.podnebia s jednostr.rázštep.pery	3,4	3,4	Q51.7	Vrod. fistula medzi maternicou,tráviacim a moč.traktom	3,4	3
Q37.4	Rázštep tvrd.a mäk.podnebia s obojstr.rázštep.pery	3,4	3,4	Q52.0	Vrodené chýbanie pošvy	3,4	3
Q37.5	Rázštep tvrd.a mäk.podnebia s jednostr.rázštep.pery	3,4	3,4	Q52.1	Zdvojenie pošvy	3,4	3
Q37.8	Rázštep podnebia s obojstr.rázštep.pery,b.n.	4	4	Q52.2	Vrodená fistula medzi konečníkom a pošvou	3,4	3
Q37.9	Rázštep podnebia s jednostr.rázštep.pery,b.n.	4	4	Q54.0	Hypospádia žalúda [balanická]	3,4	3
Q38.7	Vačok hltana (faryngový pouch)	4	4	Q54.1	Hypospádia penisu [penilná]	3,4	3
Q39.0	Atrézia pažeráka bez fistuly	3,4	3,4	Q54.2	Hypospádia penisu a skróta [penoskrotálna]	3,4	3
Q39.1	Atrézia pažeráka s fistulou medzi priedušn.a pažerákom	3,4	3,4				
Q39.2	Vrod.fistula m.priedušn.a pažerákom bez atrézie	3,4	3,4				

ICD	Text	OP. CCL	Med. CCL	ICD	Text	OP. CCL	Med. CCL
Q54.3	Hypospádia perineálna	3,4	3	Q71.8	Iný redukčný defekt hornej končatiny (končatín)	3,4	3
Q55.0	Chýbanie a aplázia semenníka	3,4	3	Q71.9	Redukčný defekt hornej končatiny, bližšie neurčený	3	3
Q55.1	Hypoplázia semenníka a mieška	3,4	3	Q72.0	Vrod. kompletne chýbanie DK (končatín)	3,4	3
Q55.3	Atrézia semenovodu	3,4	3	Q72.1	Vrod. chýbanie stehna a predkolenia s prítomnou nohou	3,4	3
Q55.4	Iná vrod. chyba semenov., nadsemen., semen. vač. a prostaty	3,4	3	Q72.2	Vrodené chýbanie predkolenia a nohy	3,4	3
Q55.5	Vrodené chýbanie a aplázia penisu	3,4	3	Q72.3	Vrodené chýbanie nohy a prstov	3,4	3
Q55.6	Iná vrodená chyba penisu	3,4	3	Q72.4	Skrátenie stehnovej kosti	3,4	3
Q56.0	Hermafroditizmus, nezatriedený inde	3,4	3,4	Q72.5	Skrátenie pištaly	3,4	3
Q56.1	Mužský pseudohermafroditizmus, nezatriedený inde	3,4	3,4	Q72.6	Skrátenie ihlice	3,4	3
Q56.2	Ženský pseudohermafroditizmus, nezatriedený inde	3,4	3,4	Q72.7	Rázštep nohy	3,4	3
Q56.3	Pseudohermafroditizmus, bližšie neurčený	3,4	3,4	Q72.8	Iný redukčný defekt dolnej končatiny (končatín)	3,4	3
Q56.4	Neurčité pohlavie, bližšie neurčené	3,4	3,4	Q74.3	Arthrogryposis multiplex congenita	3,4	3
Q60.0	Jednostranná agenéza obličky	4	4	Q75.0	Kraniosynostóza	3,4	3,4
Q60.1	Obojstranná agenéza obličky	3,4	3,4	Q75.1	Kraniofaciálna dyzostóza	3,4	3,4
Q60.2	Agénéza obličky, bližšie neurčená	4	4	Q75.2	Hypertelorizmus	3,4	3,4
Q60.3	Jednostranná hypoplázia obličky	4	4	Q75.3	Makrocefália	3,4	3,4
Q60.4	Obojstranná hypoplázia obličky	4	4	Q75.4	Mandibulofaciálna dyzostóza	3,4	3,4
Q60.5	Hypoplázia obličky, bližšie neurčená	4	4	Q75.5	Okulomandibulárna dyzostóza	3,4	3,4
Q60.6	Potterovej syndróm	3,4	3,4	Q75.8	Iná vrod. chyba kostí lebky a tvárových kostí, b.u.	3,4	3,4
Q61.0	Vrodená samostatná (solitárna) cysta obličky	3	3	Q75.9	Vrod. chyba kostí lebky a tvárových kostí, b.n.	4	4
Q61.1	Polycystické obličky, autozomálne recesívne	3,4	3,4	Q76.1	Klippel-Feilov syndróm	3,4	3,4
Q61.2	Polycystické obličky, autozomálne dominantné	3,4	3	Q76.3	Vrodená skolióza zapríčinená vrodenou chybou kostí	3,4	3
Q61.3	Polycystické obličky, bližšie neurčené	3	3	Q76.4	Iná vrodená chyba chrčtice bez skoliózy	3	3
Q61.4	Dyslázia obličiek	3	3	Q77.0	Achondrogenéza	3,4	3,4
Q61.5	Medulárna cystická oblička	3	3	Q77.1	Letálny nanizmus	3,4	3,4
Q61.8	Iná cystická choroba obličiek	3	3	Q77.2	Syndróm krátkeho rebra	3,4	3,4
Q61.9	Cystická choroba obličiek, bližšie neurčená	3	3	Q77.3	Chondrodysplasia punctata	3,4	3,4
Q62.0	Vrodená hydronefроза	3,4	3	Q77.4	Achondroplázia	3,4	3,4
Q62.1	Atrézia a vrodená stenóza močovodu	3,4	3	Q77.5	Diastrofická dysplázia	3,4	3,4
Q62.2	Vrodený megaureter	3,4	3	Q77.6	Chondroektodermálna dysplázia	3,4	3,4
Q62.3	Iná obštrukčná chyba obličkovej panvičky a močovodu	3,4	3	Q77.7	Spondyloepifýzová dysplázia	3,4	3,4
Q62.4	Agénéza močovodu	3,4	3	Q77.8	Iná osteochondrodyspl. s por. rastu dlhých kostí a chrčt.	3,4	3,4
Q62.7	Vrodený veziko-uretero-renálny reflux	3,4	3	Q77.9	Osteochondrodyspl. s por. rastu dlhých kostí a chrčt., b.n.	4	4
Q64.0	Epispádia	3,4	3	Q78.0	Osteogenesis imperfecta	3,4	3,4
Q64.1	Exstrofia močového mechúra	3,4	3,4	Q78.1	Polyostotická fibrózna dysplázia	3,4	3,4
Q64.2	Vrodená zadná chlopňa močovej rúry	4	4	Q78.2	Osteopetróza	3,4	3,4
Q64.3	Iná atrézia a stenóza močovej rúry a krčka moč. mech.	4	4	Q78.3	Progresívna diafýzová dysplázia	3,4	3,4
Q64.4	Chyba urachu [prvomočovodu]	3,4	3	Q78.4	Enchondromatóza	3,4	3,4
Q64.5	Vrodené chýbanie mechúra a močovej rúry	3,4	3	Q78.5	Metafýzová dysplázia	3,4	3
Q64.6	Vrodený divertikul mechúra	3	3	Q78.6	Mnohopočetné vrodené exostózy	3,4	3,4
Q64.7	Iná vrodená chyba močového mechúra a močovej rúry	3	3	Q78.8	Iná osteochondrodysplázia, bližšie určená	3,4	3
Q65.0	Jednostranné vrodené vyklbenie bedra	3,4	3	Q78.9	Osteochondrodysplázia, bližšie neurčená	4	4
Q65.1	Obojstranné vrodené vyklbenie bedra	3,4	3	Q79.0	Vrodená diafragmatická hernia (bránicová prietrž)	3,4	3,4
Q65.2	Vrodené vyklbenie bedra, bližšie neurčené	3	3	Q79.1	Iná vrodená chyba bránice	3,4	3,4
Q65.3	Jednostranná vrodená subluxácia bedra	3,4	3	Q79.2	Exomfalus	3,4	3,4
Q65.4	Obojstranná vrodená subluxácia bedra	3,4	3	Q79.3	Gastroschiza	3,4	3,4
Q65.5	Vrodená subluxácia bedra, bližšie neurčená	3	3	Q79.4	Agénéza brušných svalov [Prune belly syndróm]	3,4	3,4
Q65.6	Nestabilné bedro	3,4	3	Q79.5	Iná vrodená chyba brušnej steny	4	4
Q67.2	Dolichocefália	3,4	3	Q79.6	Ehlersov-Danlosov syndróm	3,4	3,4
Q67.3	Plagiocefália	3,4	3	Q79.8	Iná vrodená chyba svalov a kostí	3,4	3
Q67.5	Vrodená deformita chrčtice	3	3	Q80.0	Ichthyosis vulgaris	4	4
Q68.2	Vrodená deformita kolena	3	3	Q80.1	Ichtyóza viazaná na chromozóm X	4	4
Q71.0	Vrod. kompletne chýbanie HK (končatín)	3,4	3	Q80.2	Lamelárna ichtyóza	4	4
Q71.1	Vrod. chýbanie ramena a predlaktia s prítomnosťou ruky	3,4	3	Q80.3	Vrodená bulózne ichtyoziformná erythrodermia	4	4
Q71.2	Vrodené chýbanie predlaktia a ruky	3,4	3	Q80.4	Ichthyosis congenita gravis [Harlekinfetus]	4	4
Q71.3	Vrodené chýbanie ruky a prsta (prstov)	3,4	3	Q80.8	Iná vrodená ichtyóza	4	4
Q71.4	Pozdĺžny redukčný defekt vretenovitej kosti (radius)	3,4	3	Q80.9	Vrodená ichtyóza, bližšie neurčená	4	4
Q71.5	Skrátenie laktovej kosti	3,4	3	Q81.0	Jednoduchá bulózne epidermolýza	3,4	3
Q71.6	Klepetovitá ruka	3,4	3				

ICD	Text	OP. CCL	Med. CCL	ICD	Text	OP. CCL	Med. CCL
Q81.1	Letálna bulózna epidermolýza	3,4	3	Q93.9	Delécia autozómov, bližšie neurčená	4	4
Q81.2	Dystrofická bulózna epidermolýza	3,4	3	Q95.0	Vyvážená translokácia a inercia u normálneho jednotlivca	3,4	3
Q81.8	Iná bulózna epidermolýza	3,4	3	Q95.1	Chromozómová inverzia u normálneho jednotlivca	3,4	3
Q82.0	Dedičný lymfedém	3	3	Q95.2	Vyváž. autozóm. prestavba u abnormál. jednotlivca	3,4	3,4
Q82.4	Ektodermálna dysplázia (anhidrotická)	4	4	Q95.3	Vyváž. prest. medzi pohlav. a autozóm. chromoz. u abn. jednotlivca	3,4	3,4
Q85.0	Neurofibromatóza (benígna)	3,4	3,4	Q95.4	Jednotlivec s nadpočetným (marker) heterochromatínom	3,4	3,4
Q85.1	Tuberózna skleróza	3,4	3,4	Q95.5	Jednotlivec s fragilnými miestami na autozómoch	3,4	3,4
Q85.8	Iná fakomatóza, nezatriedená inde	3,4	3,4	Q95.8	Iné vyváž. prestavba a štrukt. markery (abn. chromozómy)	3,4	3,4
Q85.9	Fakomatóza, bližšie neurčená	4	4	Q95.9	Vyváž. prestavba a štrukt. marker (abn. gén) ,b.n.	4	4
Q86.0	Alkoholový syndróm plodu (dysmorfický)	3,4	3	Q96.0	Karyotyp 45,X	3,4	3
Q86.1	Hydantoínový syndróm plodu	3,4	3,4	Q96.1	Karyotyp 46,X izo (Xq)	3,4	3
Q86.2	Dysmorfizmus, zapríčinený warfarínom	3,4	3,4	Q96.2	Karyotyp 46,X s pat. pohl. chrom., s výnimkou izo (Xq)	3,4	3
Q86.8	Iný syndróm vrod. chýb zapríč. známymi vonk. príčinami	3,4	3,4	Q96.3	Mozaicizmus, 45,X/46, XX alebo XY	3,4	3
Q87.0	Syndróm vrod. chýb postih. najmä výzor tváre	3,4	3,4	Q96.4	Mozaicizmus, 45,X/i. bunková línia (e)s pat. pohl. chromoz.	3,4	3
Q87.1	Syndróm vrod. chýb spojený najmä s nízkym vzrastom	3,4	3,4	Q96.8	Iný variant Turnerovho syndrómu	3,4	3
Q87.2	Syndrómy vrozených chýb zahŕňajúce najmä končatiny	3,4	3,4	Q96.9	Turnerov syndróm, bližšie neurčený	3	3
Q87.3	Syndróm vrod. chýb zahŕňajúci skorý nadmerný rast	3,4	3,4	Q97.0	Karyotyp 47,XXX	3,4	3
Q87.4	Marfanov syndróm	3,4	3,4	Q97.1	Ženský fenotyp s viac ako troma chromozómami X	3,4	3
Q87.5	Iné syndrómy vrozených chýb s inými zmenami kostí	3,4	3,4	Q97.2	Mozaicizmus, línie s rozličným počtom X chromozómov	3,4	3
Q87.8	Iné syndróm vrozených chýb, nezat. inde., b.u.	3,4	3,4	Q97.3	Ženský fenotyp s karyotypom 46, XY	3,4	3
Q89.0	Vrozená chyba sleziny	3	3	Q97.8	Iná abnormál. pohlav. chromoz. so žensk. fenotypom, b.u.	3,4	3
Q89.1	Vrozená chyba nadobličiek	4	4	Q97.9	Abnormalita pohlav. chromoz. so žensk. fenotypom, b.n.	3	3
Q89.3	Obrátená poloha (situs inversus)	3	3	Q98.0	Klinefelterov syndróm karyotyp 47,XXY	3,4	3
Q89.4	Spojené (zrastené) dvojčatá	3,4	3,4	Q98.1	Klinefelterov syndróm. muž. fenotyp s viac ako dvoma chromoz. X	3,4	3
Q89.7	Mnohopočetné vrozené chyby, nezatriedené inde	4	4	Q98.2	Klinefelterov syndróm muž. fenotyp s karyotypom 46,XX	3,4	3
Q89.8	Iná vrozená chyba, bližšie určená	4	4	Q98.3	Iný mužský fenotyp s karyotypom 46,XX	3,4	3
Q90.0	Trizómia 21, meiotická nondisjunkcia	3,4	3,4	Q98.4	Klinefelterov syndróm, bližšie neurčený	3	3
Q90.1	Trizómia 21, mozaicizmus (mitotická nondisjunkcia)	3,4	3,4	Q98.5	Karyotyp 47, XYY	3,4	3
Q90.2	Trizómia 21, translokácia	3,4	3,4	Q98.6	Mužský fenotyp so štruktúrnou abnormal. pohl. chromoz.	3,4	3
Q90.9	Downov syndróm, bližšie neurčený	3,4	3,4	Q98.7	Mužský fenotyp s mozaicizmom pohlavných chromozómov	3,4	3
Q91.0	Trizómia 18, meiotická nondisjunkcia	3,4	3,4	Q98.8	Iná abnorml. pohlav. chromoz. s mužsk. fenotypom, b.u.	3,4	3
Q91.1	Trizómia 18, mozaicizmus (mitotická nondisjunkcia)	3,4	3,4	Q98.9	Abnormalita pohlav. chromoz. s mužsk. fenotypom, b.n.	3	3
Q91.2	Trizómia 18, translokácia	3,4	3,4	Q99.0	Chiméra 46,XX/46,XY	3,4	3,4
Q91.3	Edwardsov syndróm, bližšie neurčený	3,4	3,4	Q99.1	Pravý hermafrodit 46,XX	3,4	3,4
Q91.4	Trizómia 13, meiotická nondisjunkcia	3,4	3,4	Q99.2	Fragilný chromozóm X	3,4	3,4
Q91.5	Trizómia 13, mozaicizmus (mitotická nondisjunkcia)	3,4	3,4	Q99.8	Iná chromozómová abnormalita, bližšie určená	3,4	3
Q91.6	Trizómia 13, translokácia	3,4	3,4	R02	Gangréna, nezatriedená inde	4	4
Q91.7	Patauov syndróm, bližšie neurčený	3,4	3,4	R04.2	Hemoptýza	1,2	1,2
Q92.0	Kompletná chromoz. trizómia, meiotická nondisjunkcia	3,4	3,4	R04.8	Krvácanie z iných miest v dýchacích cestách	1,2	1,2
Q92.1	Kompletná chromoz. trizómia, mozaicizmus	3,4	3,4	R04.9	Krvácanie z dýchacích ciest, bližšie neurčené	1,2	1,2
Q92.2	Veľká čiastočná trizómia	3,4	3,4	R09.2	Zastavenie dýchania	3,4	1,3
Q92.3	Malá čiastočná trizómia	3,4	3,4	R15	Inkontinencia stolice	1	1
Q92.4	Duplikácie viditeľné iba v prometafáze	3,4	3,4	R16.2	Hepatomegália so splenomegáliou, nezatriedená inde	4	4
Q92.5	Duplikácie s inou komplexnou prestavbou	3,4	3,4	R18	Ascites	1,2,3	1,2,3
Q92.6	Nadpočetné (marker) chromozómy	3,4	3,4	R29.0	Tetania	2,3,4	2,3
Q92.7	Triploidia a polyploidia	3,4	3,4	R31	Hematúria, bližšie neurčená	1,2	1,2
Q92.8	Iná trizómia a čiast. trizómia autozómov, n.i.	3,4	3,4	R40.2	Kóma, bližšie neurčená	3,4	3,4
Q92.9	Trizómia a čiastočná trizómia autozómov, b.n.	4	4	R47.0	Dysfázia a afázia	1	1
Q93.0	Kompletná chromoz. monozómia, meiotická nondisjunkcia	3,4	3,4				
Q93.1	Kompletná chromoz. monozómia, mozaicizmus	3,4	3,4				
Q93.2	Prsteňovitý alebo dicentrický chromozóm	3,4	3,4				
Q93.3	Delécia krátkeho ramena chromozómu 4	3,4	3,4				
Q93.4	Delécia krátkeho ramena chromozómu 5	3,4	3,4				
Q93.5	Iná delécia časti chromozómu	3,4	3,4				
Q93.6	Delécia viditeľná iba v prometafáze	3,4	3,4				
Q93.7	Delécia s inou komplexnou prestavbou	3,4	3,4				
Q93.8	Iná delécia autozómov	3,4	3,4				

ICD	Text	OP. CCL	Med. CCL	ICD	Text	OP. CCL	Med. CCL
R47.1	Dysartria a anartria	1,2	1,2	S05.6	Penetrujúca rana očnej gule bez cudzieho telesa	4	4
R47.8	Iná a bližšie neurčená porucha reči	1	1	S05.7	Avulzia (vytrhnutie) oka	1,2,3,4	1,2,4
R56.0	Febrilné krčce	1,2	1,2	S05.8	Iné poranenie oka a očnice	1,2,3,4	1,2,4
R56.8	Iné krčce, bližšie neurčené	1	1	S06.0	Otras mozgu	4	4
R57.0	Kardiogénny šok	2,3,4	2,3	S06.1	Pourazový opuch mozgu	2,3,4	2,4
R57.1	Hypovolemický šok	3,4	3	S06.20	Difúzne poranenie mozgu a mozočka, bližšie neurčené	2,3,4	2,4
R57.2	Septický šok	3,4	3	S06.21	Difúzne pomliaždenie mozgu	2,3,4	2,4
R57.8	Iný šok	3,4	2,3	S06.22	Difúzne pomliaždenie mozočka	2,3,4	2,4
R57.9	Šok, bližšie neurčený	2,3,4	2,3	S06.23	Viacere vnútro mozgové a mozočkové hematómy	2,3,4	2,4
R58	Krvácanie, nezatriedené inde	1,2,3	1,2	S06.28	Iné difúzne poranenie mozgu a mozočka	2,3,4	2,4
R63.3	Ťažkosti s výživou a nesprávne usmerňovanie výživy	1,2	1,2	S06.30	Ložiskové poranenie mozgu a mozočká, bližšie neurčené	2,3,4	2,4
R64	Kachexia (vycivenosť)	1,2,3	1,2,3	S06.31	Ložiskové pomliaždenie mozgu	2,3,4	2,4
R65.0	SIRS infekčného pôvodu bez orgánového zlyh.	3,4	1,3	S06.32	Ložiskové pomliaždenie mozočka	2,3,4	2,4
R65.1	SIRS infekčnej genézy s orgánovým zlyh.	3,4	1,3	S06.33	Ložiskový hematóm mozgu	2,3,4	2,4
R65.2	SIRS neinfekčnej genézy bez orgánového zlyh.	3,4	1,3	S06.34	Ložiskový hematóm mozočka	2,3,4	2,4
R65.3	SIRS neinfekčnej genézy s orgánovým zlyh.	3,4	1,3	S06.38	Iné ložiskové poranenie mozgu a mozočka	2,3,4	2,4
R65.9	Syndróm systémovej zápalovej odpovede (SIRS), bliž. neurč.	3,4	1,3	S06.4	Epidurálne krvácanie	2,3,4	2,4
R82.0	Chylúria	2,3	2,3	S06.5	Subdurálne krvácanie po úraze	2,3,4	2,4
R82.1	Myoglobinúria	2,3,4	2,3	S06.6	Subarachnoidálne krvácanie po úraze	2,3,4	2,4
S01.35	Otvorená rana ucha: sluchová trubica	4	4	S06.70	Bezvedomie pri poranení lebky a mozgu, menej ako 30 min.	1,2,4	1,2,4
S01.36	Otvorená rana ucha: sluchové kostičky	4	4	S06.71	Bezvedomie pri poranení lebky a mozgu, 30 min. až 24 hod.	2,3,4	2,4
S01.37	Otvorená rana ucha: bubienok	4	4	S06.72	Bezvedom. s poran. lebky a mozgu, viac ako 24 h, návrat pôv. st. v.	2,3,4	2,4
S01.38	Otvorená rana: vnútorné ucho	4	4	S06.73	Bezvedom., poranenie leb. a mozgu, viac ako 24 hod., bez náv. p. s. v.	2,3,4	2
S01.39	Otvorená rana ucha: iné a viaceré časti ucha a sluch. štruktúr	4	4	S06.79	Bezvedomie pri poranení lebky a mozgu bliž. neurčeného trvania	1,2,4	1,2,4
S01.50	Otvorená rana pery a ústnej dutiny: ústa, bl. neurč. časti	4	4	S06.8	Iné vnútrolebkové poranenie	2,3,4	2,4
S01.52	Otvorená rana pery a ústnej dutiny: sliznica líca	4	4	S06.9	Vnútrolebkové poranenie, bližšie neurčené	4	4
S01.53	Otvorená rana pery a ústnej dutiny: ďasná	4	4	S07.0	Drvivé poranenie tváre	2,3,4	2,4
S01.54	Otvorená rana pery a ústnej dutiny: jazyk a ústna spodina	4	4	S07.1	Drvivé poranenie lebky	2,3,4	2,4
S01.55	Otvorená rana pery a ústnej dutiny: podnebie	4	4	S07.8	Drvivé poranenie iných častí hlavy	2,3,4	2,4
S01.59	Otvorená rana pery a úst. dut.: iné, viaceré časti pier, úst. dut.	4	4	S07.9	Drvivé poranenie hlavy, časť bližšie neurčená	2,3,4	2,4
S02.0	Zlomenina lebkovej klenby	2,3,4	2,4	S08.8	Úrazová amputácia inej časti hlavy	2,3	2
S02.1	Zlomenina spodiny lebky	2,3,4	2,4	S09.0	Poranenie cievy hlavy, nezatriedené inde	2,3	2
S02.2	Zlomenina nosových kostí	4	4	S09.2	Úrazové roztrhnutie ušného bubienka	4	4
S02.3	Zlomenina spodiny očnice	1,2,3,4	1,2,4	S09.9	Poranenie hlavy, bližšie neurčené	4	4
S02.4	Zlomenina jarmovej kosti a homej čeluste	2,3,4	2,3,4	S11.01	Otvorená rana hrtana	2,4	2,4
S02.60	Zlomenina sánky: bližšie neurčená časť	2,3,4	2,3,4	S11.02	Otvorená rana krčnej časti priehradnice	2,3,4	2,4
S02.61	Zlomenina sánky: processus condylaris	2,3,4	2,3,4	S11.1	Otvorená rana postihujúca štítnu žľazu	4	4
S02.62	Zlomenina sánky: subkondylová	2,3,4	2,3,4	S11.21	Otvorená rana hltana	4	4
S02.63	Zlomenina sánky: processus coronoideus	2,3,4	2,3,4	S11.22	Otvorená rana krčnej časti pažeráka	4	4
S02.64	Zlomenina sánky: ramus mandibulae, bližšie neurčený	2,3,4	2,3,4	S12.0	Zlomenina 1. krčného stavca	2,3,4	2,4
S02.65	Zlomenina sánky: angulus mandibulae	2,3,4	2,3,4	S12.1	Zlomenina 2. krčného stavca	2,3,4	2,4
S02.66	Zlomenina sánky: symphysis mandibulae	2,3,4	2,3,4	S12.21	Zlomenina 3. krčného stavca	2,3,4	2,4
S02.67	Zlomenina sánky: pars alveolaris	2,3,4	2,3,4	S12.22	Zlomenina 4. krčného stavca	2,3,4	2,4
S02.68	Zlom. sánky: corpus mandibulae, iné a bližšie neurčené časti	2,3,4	2,3,4	S12.23	Zlomenina 5. krčného stavca	2,3,4	2,4
S02.69	Zlomenina sánky: viaceré časti	2,3,4	2,3,4	S12.24	Zlomenina 6. krčného stavca	2,3,4	2,4
S02.7	Viacere zlomeniny lebky a tvárových kostí	2,3	2	S12.25	Zlomenina 7. krčného stavca	2,3,4	2,4
S02.8	Zlomenina inej kosti lebky a tváre	2,3	2	S12.7	Viacere zlomeniny krčnej chrčtice	2,3,4	2,4
S02.9	Zlomenina kosti lebky a tváre, bližšie neurčená časť	1,2,3	1,2	S12.8	Zlomenina iných častí krku	2,4	2,4
S05.2	Tržná rana, roztrhnutie oka s prolapsom/stratou vnútrooč. tk.	1,2,3,4	1,2,4	S12.9	Zlomenina krku, bližšie neurčenej časti	2,4	2,4
S05.3	Tržná rana oka bez prolapsu al. straty vnútroočného tkaniva	1,2,3,4	1,2,4	S13.0	Úrazové natrhnutie krčnej medzistavcovej platničky	2,3,4	2,4
S05.4	Penetrujúca rana očnice s cudzím telesom/bez cudzieho telesa	1,2,3,4	1,2,4	S13.10	Vykĺbenie krčného stavca v bližšie neurčenej úrovni	2,3,4	2,4
S05.5	Penetrujúca rana očnej gule s cudzím telesom	4	4	S13.11	Vykĺbenie krčného stavca v úrovni C1/C2	2,3,4	2,4
				S13.12	Vykĺbenie krčného stavca v úrovni C2/C3	2,3,4	2,4
				S13.13	Vykĺbenie krčného stavca v úrovni C3/C4	2,3,4	2,4
				S13.14	Vykĺbenie krčného stavca v úrovni C4/C5	2,3,4	2,4
				S13.15	Vykĺbenie krčného stavca v úrovni C5/C6	2,3,4	2,4
				S13.16	Vykĺbenie krčného stavca v úrovni C6/C7	2,3,4	2,4

ICD	Text	OP. CCL	Med. CCL	ICD	Text	OP. CCL	Med. CCL
S13.17	Vykĺbenie krčného stavca v úrovni C7/Th1	2,3,4	2,4	S22.1	Viacere zlomeniny hrudníkovej chrbtice	2,3,4	2,4
S13.18	Vykĺbenie krčného stavca v inej úrovni	2,3,4	2,4	S22.2	Zlomenina mostíka (sterna)	2,3,4	2,4
S13.2	Vykĺbenie inej a bližšie neurčenej časti krku	2,3,4	2,4	S22.40	Sériová zlomenina rebier, bližšie neurčená	2,3,4	2,4
S13.3	Viacere vykĺbenia v oblasti krku	2,3,4	2,4	S22.41	Sériová zlomenina rebier s postihnutím prvého rebra	2,3,4	2,4
S14.0	Otras a opuch krčnej miechy	2,4	2,3,4	S22.42	Sériová zlomenina rebier s postihnutím dvoch rebier	2,3,4	2
S14.10	Poranenie krčnej miechy, bližšie neurčené	2,4	2,3,4	S22.43	Sériová zlomenina rebier s postihnutím troch rebier	2,3,4	2
S14.11	Kompletné priečne poranenie krčnej miechy	2,4	2,3,4	S22.44	Sériová zlomenina rebier s postihnutím štyroch a viac rebier	2,3,4	2,4
S14.12	Poranenie centr. časti krč. miechy (nekompletné prieč. poranenie)	2,4	2,3,4	S22.5	Instabilný (vlajúci) hrudník	2,3,4	2,4
S14.13	Iné nekompletné priečne poranenie krčnej miechy	2,4	2,3,4	S23.0	Úrazové natrhnutie hrudníkovej medzistavcovej platničky	4	4
S14.2	Poranenie krčného nervového koreňa	2,4	2,4	S23.10	Vykĺbenie hrudníkoveho stavca v bližšie neurčenej úrovni	4	4
S14.3	Poranenie plexus brachialis	2,4	2,4	S23.11	Vykĺbenie hrudníkoveho stavca v úrovni Th1/Th2 a Th2/Th3	4	4
S14.5	Poranenie nervov krčného sympatika	4	4	S23.12	Vykĺbenie hrudníkoveho stavca v úrovni Th3/Th4 a Th4/Th5	4	4
S14.70	Funkčná úroveň pri poranení krčnej miechy: bližšie neurčená	2,4	2,3,4	S23.13	Vykĺbenie hrudníkoveho stavca v úrovni Th5/Th6 a Th6/Th7	4	4
S14.71	Funkčná úroveň pri poranení krčnej miechy: C1	2,4	2,3,4	S23.14	Vykĺbenie hrudníkoveho stavca v úrovni Th7/Th8 a Th8/Th9	4	4
S14.72	Funkčná úroveň pri poranení krčnej miechy: C2	2,4	2,3,4	S23.15	Vykĺbenie hrudníkoveho stavca v úrovni Th9/Th10 a Th10/Th11	4	4
S14.73	Funkčná úroveň pri poranení krčnej miechy: C3	2,4	2,3,4	S23.16	Vykĺbenie hrudníkoveho stavca v úrovni Th11/Th12	4	4
S14.74	Funkčná úroveň pri poranení krčnej miechy: C4	2,4	2,3,4	S23.17	Vykĺbenie hrudníkoveho stavca v úrovni Th12/L1	4	4
S14.75	Funkčná úroveň pri poranení krčnej miechy: C5	2,4	2,3,4	S24.0	Otras a opuch hrudníkovej miechy	2,4	2,3,4
S14.76	Funkčná úroveň pri poranení krčnej miechy: C6	2,4	2,3,4	S24.10	Poranenie hrudníkovej miechy, bližšie neurčené	2,4	2,3,4
S14.77	Funkčná úroveň pri poranení krčnej miechy: C7	2,4	2,3,4	S24.11	Kompletné priečne poranenie hrudníkovej miechy	2,4	2,3,4
S14.78	Funkčná úroveň pri poranení krčnej miechy: C8	2,4	2,3,4	S24.12	Nekompletné priečne poranenie hrudníkovej miechy	2,4	2,3,4
S15.00	Poranenie a. carotis, časť bližšie neurčená	2,3,4	2,4	S24.2	Poranenie hrudníkoveho nervového koreňa	2,4	2,4
S15.01	Poranenie a. carotis communis	2,3,4	2,4	S24.4	Poranenie nervov hrudníkoveho sympatika	4	4
S15.02	Poranenie a. carotis externa	2,3,4	2,4	S24.70	Funkčná výška pri poranení hrudníkovej miechy: úroveň b.n.	2,4	2,3,4
S15.03	Poranenie a. carotis interna	2,3,4	2,4	S24.71	Funkčná výška pri poranení hrudníkovej miechy: Th1	2,4	2,3,4
S15.1	Poranenie a. vertebrales	2,3	2	S24.72	Funkčná výška pri poranení hrudníkovej miechy: Th2/Th3	2,4	2,3,4
S15.2	Poranenie v. jugularis externa	2,3	2	S24.73	Funkčná výška pri poranení hrudníkovej miechy: Th4/Th5	2,4	2,3,4
S15.3	Poranenie v. jugularis interna	2,3,4	2,4	S24.74	Funkčná výška pri poranení hrudníkovej miechy: Th6/Th7	2,4	2,3,4
S15.7	Poranenie viacerých krvných ciev v úrovni krku	2,3	2	S24.75	Funkčná výška pri poranení hrudníkovej miechy: Th8/Th9	2,4	2,3,4
S15.8	Poranenie iných krvných ciev v úrovni krku	2,3	2	S24.76	Funkčná výška pri poranení hrudníkovej miechy: Th10/Th11	2,4	2,3,4
S15.9	Poranenie krvných ciev v úrovni krku, bližšie neurčených	2,3	2	S24.77	Funkčná výška pri poranení hrudníkovej miechy: Th12	2,4	2,3,4
S17.0	Drvivé poranenie hrtana a priedušnice	2,3,4	2,4	S25.0	Poranenie hrudníkovej aorty	2,3,4	2,4
S17.8	Drvivé poranenie inej časti krku	2,3,4	2,4	S25.1	Poranenie truncus brachiocephalicus alebo a. subclavia	2,3,4	2,4
S17.9	Drvivé poranenie bližšie neurčenej časti krku	2,3,4	2,4	S25.2	Poranenie hornej dutej žily	2,3,4	2,4
S21.1	Otvorená rana prednej steny hrudníka	4	4	S25.3	Poran. v. innominata (v. brachiocephalica) alebo v. subclavia	2,3,4	2,4
S21.2	Otvorená rana zadnej steny hrudníka	4	4	S25.4	Poranenie pľúcnych krvných ciev	2,3	2
S21.7	Viacere otvorené rany steny hrudníka	4	4	S25.7	Poranenie viacerých krvných ciev hrudníka	2,3	2
S21.80	Otvor. rana i. časti hrudníka, b.n.	4	4	S26.0	Poran. srdca so zakrvác. do osrdcovník. vaku	1,2,3,4	1,2,4
S21.83	Otvor. rana každej č. hrud. v spojení s vnútrohrud. por.	4	4	S26.81	Pomliaždenie srdca	1,2,3,4	1,2,4
S21.87	Poškodenie mäk. č. I. st. pri otvor. zlomeninách, vykĺben. na hrud.	4	4	S26.82	Tržné poranenie srdca bez otvorenia srdcovej dutiny	1,2,3,4	1,2,4
S21.88	Poškodenie mäk. č. II. st. pri otvor. zlomeninách, vykĺben. na hrud.	4	4	S26.83	Tržné poranenie srdca s otvorením srdcovej dutiny	1,2,3,4	1,2,4
S21.89	Poškodenie mäk. č. III. st. pri otvor. zlomeninách, vykĺben. na hrud.	4	4	S26.88	Iné poranenia srdca	4	4
S21.9	Otvorená rana hrudníka, bližšie neurčenej časti	4	4				
S22.00	Zlomenina hrudníkoveho stavca, úroveň bližšie neurčená	2,3,4	2,4				
S22.01	Zlomenina hrudníkoveho stavca Th1 a Th2	2,3,4	2,4				
S22.02	Zlomenina hrudníkoveho stavca Th3 a Th4	2,3,4	2,4				
S22.03	Zlomenina hrudníkoveho stavca Th5 a Th6	2,3,4	2,4				
S22.04	Zlomenina hrudníkoveho stavca Th7 a Th8	2,3,4	2,4				
S22.05	Zlomenina hrudníkoveho stavca Th9 a Th10	2,3,4	2,4				
S22.06	Zlomenina hrudníkoveho stavca Th11 a Th12	2,3,4	2,4				

ICD	Text	OP. CCL	Med. CCL	ICD	Text	OP. CCL	Med. CCL
S26.9	Poranenie srdca, bližšie neurčené	1,2,3,4	1,2,4	S34.5	Poranenie nervov driek.a križ.sympatika.a panvov.sympat.n.	4	4
S27.0	Úrazový pneumotorax	2,3,4	2,3,4	S34.70	Funkčná úroveň pri poranení driekovokrižovej miechy: b.ne.	2,4	2,3,4
S27.1	Úrazový hemotorax	2,3,4	2,3,4	S34.71	Funkčná úroveň pri poranení driekovokrižovej miechy: L1	2,4	2,3,4
S27.2	Úrazový hemopneumotorax	2,3,4	2,3,4	S34.72	Funkčná úroveň pri poranení driekovokrižovej miechy: L2	2,4	2,3,4
S27.32	Tržné poranenie pľúc	2,3,4	2,4	S34.73	Funkčná úroveň pri poranení driekovokrižovej miechy: L3	2,4	2,3,4
S27.38	Iné a bližšie neurčené poranenie pľúc	4	4	S34.74	Funkčná úroveň pri poranení driekovokrižovej miechy: L4	2,4	2,3,4
S27.4	Poranenie priedušky	2,3,4	2,4	S34.75	Funkčná úroveň pri poranení driekovokrižovej miechy: L5	2,4	2,3,4
S27.5	Poranenie priedušnice v oblasti hrudníka	2,3,4	1,2,4	S34.76	Funkčná úroveň pri poranení driekovokrižovej miechy: S1	2,4	2,3,4
S27.6	Poranenie pohrudnice	2,3,4	1,2,4	S34.77	Funkčná úroveň pri poranení driekovokrižovej miechy: S2 – S5	2,4	2,3,4
S27.7	Viacere poranenia vnútrohrudníkových orgánov	4	4	S35.0	Poranenie brušnej aorty	2,3,4	2,4
S27.81	Poranenie bránice	4	4	S35.1	Poranenie dolnej dutej žily	2,3,4	2,4
S27.82	Poranenie ductus thoracicus	2,3,4	1,2,4	S35.2	Poranenie truncus coeliacus alebo a.mesenterica	2,3,4	2,4
S27.83	Poranenie hrudnej časti pažeráka	2,4	2,3,4	S35.3	Poranenie v. portae alebo v. lienalis	2,3,4	2,4
S27.84	Poranenie dojčenskej žľazy [týmusu]	2,3,4	1,2,4	S35.4	Poranenie krvných ciev obličky	2,3,4	2,4
S27.88	Poran.iných b.u.vnútrohrud.org.a štruktúr	4	4	S35.5	Poranenie iliakálnych krvných ciev	2,3,4	2,4
S27.9	Poran.vnútrohrudníkového orgánu,b.n.	4	4	S35.7	Poranenie viacerých krvných ciev brucha,drieku a panvy	2,3,4	2,4
S28.0	Rozdrvený hrudník	2,3,4	2,4	S35.8	Poranenie iných krvných ciev brucha,drieku a panvy	4	4
S28.1	Úrazová amputácia časti hrudníka	2,3,4	2,4	S35.9	Poranenie bl.neurč.krvnej cievy v úrovni brucha,drieku a panvy	4	4
S31.0	Otvorená rana drieku a panvy	4	4	S36.00	Poranenie slezinybližšie neurčené	2,3,4	1,2,3
S31.1	Otvorená rana brušnej steny	4	4	S36.01	Hematóm sleziny	2,3,4	1,2,3,4
S31.3	Otvorená rana skróta a semenníkov	4	4	S36.02	Roztrhnutie puzdra sleziny,bez väčších trhlín parenchýmu	2,3,4	1,2,3,4
S31.7	Viacere otvorené rany brucha, drieku a panvy	4	4	S36.03	Tržné poranenie sleziny vrátane parenchýmu	2,3,4	1,2,3,4
S31.80	Otvorená rana inej a bližšie neurčenej časti brucha	4	4	S36.04	Masívna ruptúra parenchýmu sleziny	2,3,4	1,2,3
S31.83	Otvor.rana(kaž.č.brucha,drieku,panvy)spoj.s vnútrobruš.poran.	4	4	S36.08	Iné poranenie sleziny	2,3,4	1,2,3
S31.87	Poškodenie mäč.č.I.st.pri otv.zlom.,vyklb.driek.chrbtice,panvy	4	4	S36.10	Poranenie pečene,bližšie neurčené	1,2,3,4	1,2,3,4
S31.88	Poškoden.mäč.č.II.st.pri otv.zlom.,vyklb.driek.chrbtice,panvy	4	4	S36.11	Pomliaždenie a hematóm pečene	1,2,3,4	1,2,3,4
S31.89	Poškoden.mäč.č.III.st.pri otv.zlom.,vyklb.driek.chrbtice,panvy	4	4	S36.12	Tržné poranenie pečene,bližšie neurčené	1,2,3,4	1,2,3,4
S32.00	Zlomenina driekového stavca,úroveň bližšie neurčená	2,3,4	2,4	S36.13	Lahké tržné poranenie pečene	1,2,3,4	1,2,3,4
S32.01	Zlomenina driekového stavca L1	2,3,4	2,4	S36.14	Stredne ťažké poranenie pečene	1,2,3,4	1,2,3,4
S32.02	Zlomenina driekového stavca L2	2,3,4	2,4	S36.15	Ťažké tržné poranenie pečene	1,2,3,4	1,2,3,4
S32.03	Zlomenina driekového stavca L3	2,3,4	2,4	S36.16	Iné poranenie pečene	1,2,3,4	1,2,3,4
S32.04	Zlomenina driekového stavca L4	2,3,4	2,4	S36.17	Poranenie žľčníka	2,3,4	2,3,4
S32.05	Zlomenina driekového stavca L5	2,3,4	2,4	S36.18	Poranenie žľčových ciest	2,3,4	2,3,4
S32.1	Zlomenina križovej kosti	2,3,4	2,4	S36.40	Poranenie tenkého čreva,časť bližšie neurčená	4	4
S32.2	Zlomenina kostrče	2,3,4	2,4	S36.50	Poranenie hrubého čreva,časť bližšie neurčená	4	4
S32.4	Zlomenina acetabula	3,4	2,3	S36.52	Poranenie colon transversum	4	4
S32.5	Zlomenina os pubis	3,4	2,3	S36.53	Poranenie colon descendens	4	4
S32.82	Zlomenina driekovej chrbtice a križovej kosti,bl.neurč.časť	2,3,4	2,4	S36.59	Poranenie iných a viacerých častí hrubého čreva	4	4
S32.83	Zlomenina panvy,bližšie neurčená časť	2,3	2	S36.6	Poranenie konečníka	4	4
S32.89	Zlomenina iných a viacerých častí panvy	3,4	2,3,4	S36.7	Poranenie viacerých vnútrobrušných orgánov	4	4
S33.0	Úrazové natrhnutie driekovej medzistavcovej platničky	4	4	S36.81	Poranenie pobrušnice	2,4	2,3,4
S33.10	Vyklb.driek.stavca,úroveň b.n.	4	4	S36.83	Poranenie retroperitonea	2,3,4	2,3,4
S33.11	Vyklbenie driekového stavca L1/L2	4	4	S36.88	Poranenie iných vnútrobrušných orgánov	2,4	2,3
S33.12	Vyklbenie driekového stavca L2/L3	4	4	S36.9	Poranenie bližšie neurčeného vnútrobrušného orgánu	2,4	2,3
S33.13	Vyklbenie driekového stavca L3/L4	4	4	S37.00	Poranenie obličky,bližšie neurčené	2,3,4	1,2
S33.14	Vyklbenie driekového stavca L4/L5	4	4	S37.01	Pomliaždenie a hematóm obličky	2,3,4	1,2
S33.15	Vyklbenie driekového stavca L5/S1	4	4	S37.02	Tržné poranenie obličky	2,3,4	1,2,4
S34.0	Otras a opuch driekovej časti miechy	2,4	2,3,4	S37.03	Kompletná ruptúra parenchýmu obličky	2,3,4	1,2
S34.10	Kompletné priečne poranenie driekovej časti miechy	2,4	2,3,4	S37.1	Poranenie močovodu	2,3,4	2,3,4
S34.11	Nekompletné priečne poranenie driekovej časti miechy	2,4	2,3,4	S37.20	Poranenie močového mechúra,bližšie neurčené	2,3,4	2,3
S34.18	Iné poranenie driekovej časti miechy	2,4	2,3,4				
S34.2	Poranenie driekového a križového nervového koreňa	2,4	2,4				
S34.30	Kompletný úrazový syndróm cauda equina	2,4	2,3,4				
S34.31	Nekompletný úrazový syndróm cauda equina	2,4	2,3,4				
S34.38	Iné a bližšie neurčené poranenie cauda equina	2,4	2,3,4				
S34.4	Poranenie plexus lumbosacralis	2,4	2,4				

ICD	Text	OP. CCL	Med. CCL	ICD	Text	OP. CCL	Med. CCL
S37.21	Pomliaždenie močového mechúra	2,3,4	2,3	S65.1	Poranenie a.radialis v úrovni zápastia a ruky	4	4
S37.22	Roztrhnutie močového mechúra	2,3,4	2,3	S65.2	Poranenie ciev povrchového dlaňového oblúka	4	4
S37.28	Iné poranenie močového mechúra	2,3,4	2,3	S65.3	Poranenie ciev hĺbkového dlaňového oblúka	4	4
S37.30	Poranenie močovej rúry, bližšie neurčené	2,3,4	2,3	S65.4	Poranenie krvnej cievy (ciev) palca	4	4
S37.31	Poranenie močovej rúry, pars membranacea	2,3,4	2,3	S65.5	Poranenie krvnej cievy (ciev) iného prsta ruky	4	4
S37.32	Poranenie močovej rúry, pars spongiosa	2,3,4	2,3	S65.7	Poranenie viacerých krvných ciev v úrov. zápäs.a ruky	4	4
S37.33	Poranenie močovej rúry, pars prostatica	2,3,4	2,3	S65.8	Poranenie i.krvnej cievy v úrov.zápäs.a ruky	4	4
S37.38	Poranenie močovej rúry, iná časť	2,3,4	2,3	S65.9	Poranenie bliž.neurč.krvnej cievy v úrov.zápása ruky	4	4
S37.4	Poranenie vaječníka	1,2	1	S67.0	Drvivé poran.palca a iného prsta/prstov ruky	4	4
S37.5	Poranenie vajčkovodu	1,2	1	S67.8	Drvivé poran.i.a bliž.neurč.časti zápäs.a ruky	4	4
S37.6	Poranenie matrice	1,2	1	S68.3	Kombinovaná úraz.amput.(č.)prsta (prstov)s i.č.zápäs.a ruky	2,3	2
S37.7	Poranenie viacerých panvových orgánov	1,2	1,2	S68.4	Úrazová amputácia ruky v úrovni zápastia	2,3	2
S37.81	Poranenie nadobličky	1,2	1	S68.8	Úrazová amputácia inej časti zápastia a ruky	2,3	2
S37.82	Poranenie prostaty	1,2	1,2	S68.9	Úraz.amput.zápäs.a ruky v b.n.úr.	2,3	2
S37.83	Poranenie semenného vďaka	1,2	1,2	S70.1	Pomliaždenie stehna	4	4
S37.84	Poranenie semenovodu	1,2	1,2	S72.00	Zlomenina krčka stehn.kosti, časť b.n.	2,3,4	2,3
S37.9	Poranenie bližšie neurčeného panvového orgánu	1,2	1	S72.01	Zlomenina krčka stehnovej kosti, intrakapsulárna	2,3,4	2,3
S38.0	Drvivé poranenie vonkajších pohlavných orgánov	4	4	S72.02	Zlomenina krčka stehn.kosti, prox.epifýza (rozp.epifýzy)	2,3,4	2,3
S38.1	Drvivé poranenie iných a bl.neurč.častí brucha, drieku a panvy	4	4	S72.03	Zlomenina krčka stehnovej kosti, subkapitálna	2,3,4	2,3
S38.3	Úrazová amputácia iných a bl.neurč.častí brucha, drieku a panvy	4	4	S72.04	Zlomenina krčka stehnovej kosti, mediocervikálna	2,3,4	2,3
S39.6	Poranenie vnútrobruš.orgánov s poranením panvových orgánov	1,2	1,2	S72.05	Zlomenina krčka stehnovej kosti, báza	2,3,4	2,3
S39.7	Viaceré poranenia brucha, drieku a panvy	2,3	2	S72.08	Zlomenina krčka stehnovej kosti, iná časť	2,3,4	2,3
S42.21	Zlomenina horného konca ramennej kosti, hlava	4	4	S72.10	Zlomenina stehnovej kosti, trochanterová, b.n.	2,3,4	2,3
S42.22	Zlomenina hor.konca ramennej kosti, collum chirurgicum	2,3	2	S72.11	Zlomenina stehnovej kosti, intertrochanterová	2,3,4	2,3
S42.23	Zlomenina hor.konca ramennej kosti, collum anatomicum	2,3	2	S72.2	Subtrochanterová zlomenina	2,3,4	2,3
S42.29	Zlomenina hor.konca ramennej kosti, iné a mnohopoč.časti	4	4	S72.3	Zlomenina diafýzy stehnovej kosti	2,3,4	2,3
S45.0	Poranenie a.axillaris	4	4	S72.40	Zlomen.dolného konca stehn.kosti, č.b.n.	2,3,4	2,3
S45.1	Poranenie a.brachialis	4	4	S72.41	Zlomen.dolné.konca stehn.kosti, condylus (lateralis)(medialis)	2,3,4	2,3
S45.2	Poranenie v.axillaris a v.brachialis	4	4	S72.42	Zlomen.dolného konca stehn.kosti, epifýza (rozpustenie epifýzy)	2,3,4	2,3
S45.3	Poranenie povrchovej žily v úrovni pleca a ramena	4	4	S72.43	Zlomen.dolného konca stehn.kosti, suprakondylová	2,3,4	2,3
S45.7	Poranenie viacerých krvných ciev v úrovni pleca a ramena	4	4	S72.44	Zlomen.dolného konca stehn.kosti, interkondylová	2,3,4	2,3
S45.8	Poranenie iných krvných ciev v úrovni pleca a ramena	4	4	S72.8	Zlomenina inej časti stehnovej kosti	2,3,4	2,3
S45.9	Poranenie bliž.neurč.krvnej cievy v úrovni pleca a ramena	4	4	S72.9	Zlomenina stehnovej kosti, časť bližšie neurčená	2,3,4	2,3
S47	Drvivé poranenie pleca a ramena	4	4	S75.0	Poranenie a.femoralis	2,3	2
S48.0	Úrazová amputácia v plecovom kĺbe	2,3	2	S75.7	Poranenie viacerých krvných ciev v úrovni bedra a stehna	4	4
S48.1	Úrazová amputácia v úrovni medzi plec a lakťom	2,3	2	S75.8	Poranenie iných krvných ciev v úrovni bedra a stehna	4	4
S48.9	Úrazová amputácia v obl.pleca a ram., úroveň b.n.	2,3	2	S75.9	Poran.enie bliž.neurč.krvných ciev v úrovni bedra a stehna	4	4
S55.0	Poranenie a.ulnaris v úrovni predlaktia	4	4	S77.0	Drvivé poranenie bedra	4	4
S55.1	Poranenie a.radialis v úrovni predlaktia	4	4	S77.1	Drvivé poranenie stehna	4	4
S55.2	Poranenie žily v úrovni predlaktia	4	4	S77.2	Drvivé poranenie bedra a stehna	4	4
S55.7	Poranenie viac.krvných ciev v úrovni predlak.	4	4	S78.0	Úrazová amputácia v bedrovom kĺbe	2,3	2
S55.8	Poranenie iných krvných ciev v úrovni predlaktia	4	4	S78.1	Úrazová amputácia v úrovni medzi bedrom a kolenom	2,3	2
S55.9	Poranenie bliž.neurč.krvnej cievy v úrovni predlak.	4	4	S78.9	Úrazová amput.bedra a stehna v b.n.úrovni	2,3	2
S57.0	Drvivé poranenie lakťa	4	4	S82.11	Zlomenina hor.konca pišťaly, so zlom.ihlice (každá č.)	4	4
S57.8	Drvivé poranenie iných častí predlaktia	4	4	S82.41	Zlomenina ihlice, izolovaná, horný koniec	4	4
S57.9	Drvivé poranenie predlaktia, bliž.neurč.časti	4	4	S85.1	Poranenie (pred.)(zad.)pišťal.tepny	4	4
S58.0	Úrazová amputácia v lakti	2,3	2	S85.2	Poranenie ihlicovej tepny [a.peronea]	4	4
S58.1	Úrazová amputácia medzi lakťom a zápästím	2,3	2	S85.7	Poranenie viac.krv. ciev v úrov.predkol.	4	4
S58.9	Úraz.amput.predlak., úroveň b.n.	2,3	2	S85.9	Poranenie bliž.neurč.krv.cievy v úrov.predkol.	4	4
S62.8	Zlomenina iných.a bliž.neurč.častí zápäs.a ruky	4	4	S87.0	Drvivé poranenie kolena	4	4
S65.0	Poranenie a.ulnaris v úrovni zápastia a ruky	4	4	S87.8	Drvivé poranenie i.a bliž.neurč.časti predkol.	4	4
				S88.0	Úrazová amputácia v úrovni kolena	2,3	2

ICD	Text	OP. CCL	Med. CCL	ICD	Text	OP. CCL	Med. CCL
S88.1	Úrazová amputácia v úrovni medzi kolenom a členkom	2,3	2	T09.1	Otvorená rana trupu v bližšie neurčenej úrovni	4	4
S88.9	Úrazová amputácia predkol.v bliž.neurč.úrovni	2,3	2	T09.3	Poranenie miechy v bližšie neurčenej úrovni	2,4	2,3,4
S95.0	Poranenie a.dorsalis pedis	4	4	T09.4	Poran.bliž.neurč.nervu,miech.koreňa a nerv.spleti trupu	2,4	2,4
S95.1	Poranenie a.plantaris pedis	4	4	T09.6	Úrazová amputácia trupu v bližšie neurčenej úrovni	4	4
S95.2	Poranenie v. dorsalis pedis	4	4	T11.4	Poranenie bliž.neurč.cievky HK,v bliž.neurč.úrovni	4	4
S95.7	Poranenie viac.krných .ciev v úrov.členka a nohy	4	4	T11.6	Úrazová amputácia HK,v bliž.neurč.úrovni	2,3	2
S95.8	Poranenie inej krvnej cievy v úrovni členka a nohy	4	4	T13.4	Poranenie bliž.neurč.krv.cievky DK,v bliž.neurč.úrovni	4	4
S95.9	Poranenie bliž.neurč.krvnej cievy v úrov.členka a nohy	4	4	T13.6	Úrazová amputácia DK,v bliž.neurč.úrovni	2,3	2
S97.0	Drvivé poranenie členka	4	4	T14.5	Poranenie krvnej cievy (ciev):oblasť bliž.neurč.tela	4	4
S97.1	Drvivé poranenie prsta (prstov) nohy	4	4	T14.7	Drvivé poran.a úraz.amput..oblasť bliž.neurč.tela	4	4
S97.8	Drvivé poranenie inej časti členka a nohy	4	4	T20.3	Popálenina hlavy a krku 3. stupňa	4	4
S98.0	Úrazová amputácia nohy v úrovni členka	2,3	2	T20.7	Poleptanie hlavy a krku 3. stupňa	4	4
S98.3	Úrazová amputácia inej časti nohy	2,3	2	T21.30	Popálenina trupu 3. stupňa,časť bližšie neurčená	4	4
S98.4	Úrazová amputácia nohy v bližšie neurčenej úrovni	2,3	2	T21.31	Popálenina trupu 3. stupňa,prsník	4	4
T02.00	Zlomeniny postih.hlavu aj krk,zatv./bez b.u.	2,3,4	2,4	T21.32	Popál.trupu 3.st.,stena hrud.s výn.prsníka a bradavky	4	4
T02.01	Zlomeniny postihujúce hlavu aj krk, otvorené	2,3,4	2,4	T21.33	Popálenina trupu 3. stupňa,brušná stena	4	4
T02.11	Zlom.postih.hrud.-driek.križ.obl./hrud.aj panv.,otvor.	4	4	T21.34	Popál.trupu 3.st.,chrbát	4	4
T02.40	Zlomeniny postih.viac.obl.oboch HK,zatv./bez b.u.	4	4	T21.35	Popálenina trupu 3. stupňa,vonkajšie genitálie	4	4
T02.41	Zlomeniny postih.viac.obl.oboch HK,otvor.	4	4	T21.39	Popálenina trupu 3. stupňa,iná časť	4	4
T02.50	Zlomeniny viac.obl.oboch DK,zatv./bez b.u.	4	4	T21.70	Poleptanie trupu 3.stupňa,časť bližšie neurčená	4	4
T02.51	Zlomeniny viac.obl.oboch DK,otvor.	4	4	T21.71	Poleptanie trupu 3.stupňa,prsník	4	4
T02.60	Zlomeniny postih viac.obl.Hk a DK,zatv./bez b.u.	4	4	T21.72	Polept.trupu 3.st.,stena hrud.s výn.prsníka a bradavky	4	4
T02.61	Zlomeniny viac.obl.HK,DK,otvor.	4	4	T21.73	Poleptanie trupu 3 stupňa,brušná stena	4	4
T02.70	Zlomen.postih.hrud.driek.končat./hrud.panv.k onč.zatv./bez b.u.	4	4	T21.74	Poleptanie trupu 3.stupňa,chrbát	4	4
T02.71	Zlomen.postih.hrud.s driek.a konč./hrud.s panv.a konč.,otvor.	4	4	T21.75	Poleptanie trupu 3.stupňa,vonkajšie genitálie	4	4
T04.0	Drvivé poranenie postihujúce hlavu aj krk	2,3,4	2,4	T21.79	Poleptanie trupu 3.stupňa,iná časť	4	4
T04.1	Drvivé poran.postih.hrud.aj brucho,hrud.aj driek,hrud.aj panvu	4	4	T22.30	Popál.pleca a HK okr.zápäs.a ruky,3.st.,časť bliž.neurč.	4	4
T04.2	Drvivé poran.postih.viac.obl.HK	4	4	T22.31	Popál.pleca a HK okr.zápäs.a ruky,3.st.,lak.a predlak.	4	4
T04.3	Drvivé poran.postih.viac.obl.DK	4	4	T22.32	Popál.pleca a HK okr.zápäs.a ruky,3.st.,ram.a plece	4	4
T04.4	Drvivé poran.postih.viac.obl.HK.aj DK	2,3,4	2,4	T22.33	Popál.pleca a HK okr.zápäs.a ruky,3.st.,podpazušie	4	4
T04.7	Drv.por.pos.hr.,bru.a konč./hr.,drie.a konč./hr.,pan.a kon.	2,3,4	2,4	T22.70	Polept.pleca a HK okr.zápäs.a ruky,3.st.,časť bliž.neurč.	4	4
T04.8	Drvivé poran.postih.i.komb.telesných obl.	2,3,4	2,4	T22.71	Polept.pleca a HK okr.zápäs.a ruky,3.st.,lak.a predlak.	4	4
T04.9	Viaceré drvivé poranenia,bližšie neurčené	2,3,4	2,4	T22.72	Polept.pleca a HK okr.zápäs.a ruky,3.st.,ram.a ple.	4	4
T05.0	Úrazová amputácia oboch rúk	2,3	2	T22.73	Polept.pleca a HK okr.zápäs.a ruky,3.st.,podpazušie	4	4
T05.1	Úrazová amput.jednej ruky a druhej HK (okr.ruky)	2,3	2	T23.3	Popálenina zápästia a ruky 3.stupňa	4	4
T05.2	Úrazová amput.oboch HK (ktorákoľvek úr.)	2,3	2	T23.7	Poleptanie zápästia a ruky 3.stupňa	4	4
T05.3	Úrazová amputácia oboch nôh	2,3	2	T24.3	Popál.bedra a DK okr.čl.a nohy 3.st.	4	4
T05.4	Úrazová amput.jednej nohy a druhej DK (okr.nohy)	2,3	2	T24.7	Polept.bedra a DK okr.čl.a nohy 3.st.	4	4
T05.5	Úrazová amput.oboch DK	2,3	2	T25.3	Popálenina členka a nohy 3.stupňa	4	4
T05.6	Úrazová amput.HK.aj DKv akejkoľvek komb.	2,3	2	T25.7	Poleptanie členka a nohy 3.stupňa	4	4
T05.8	Úrazová amput.post.i.komb.telesných obl.	4	4	T26.0	Popálenina mihalnice a okolia oka	4	4
T06.0	Poran.mozg.a hlav.nerv.komb.s por.nerv.a miechy v úr.krku	2,4	2,3,4	T26.1	Popálenina rohovky a spojovkového vaku	4	4
T06.1	Poran.nervov a miechy postih.i.viac.telesné obl.	2,4	2,3,4	T26.2	Popál.s následnou rupt.a deštruk.očnej gule	4	4
T06.3	Poranenie krvných ciev postihujúce viaceré oblasti	4	4	T26.3	Popálenina iných častí oka a očných adnexov	4	4
T06.5	Poran.vnútrohrud.aj vnútrobruš.org./vn-hrud.aj panv.org.	2,3	2	T26.4	Popál.b.n.časti oka a oč.adnexov	4	4
T08.0	Zlomenina chrčtice v bliž.neuč.úrovni,zatvor./bez b.u.	2,3,4	2,4	T26.5	Poleptanie mihalnice a okolia oka	4	4
T08.1	Zlomenina chrčtice v bliž.neurč.úrovni,otvorená	2,3,4	2,4	T26.6	Poleptanie rohovky a spojovkového vaku	4	4
				T26.7	Polept.s následnou rupt. a deštruk.očnej gule	4	4
				T26.8	Poleptanie iných častí oka a očných adnexov	4	4

ICD	Text	OP. CCL	Med. CCL	ICD	Text	OP. CCL	Med. CCL
T26.9	Poleptanie blíž.neurč.časti oka a očnýchadnexov	4	4	T31.88	Popál.80-89%povr.tela,80-89%popál.3.st.	4	4
T27.0	Popálenina hrtana a priedušnice	4	4	T31.90	Popál.90 a viac%povr.tela,<ako10 %/b.n.č.-popál.3.st.	4	4
T27.1	Popálenina hrtana a priedušnice s pľúcami	3,4	3,4	T31.91	Popál.90 a viac%povr.tela,10-19%popál.3.st.	4	4
T27.2	Popálenina iných častí dýchacích ciest	4	4	T31.92	Popál.90 a viac%povr.tela,20-29%popál.3.st.	4	4
T27.3	Popálenina bližšie neurčenej časti dýchacích ciest	4	4	T31.93	Popál.90 a viac%povr. tela,30-39%popál.3.st.	4	4
T27.4	Poleptanie hrtana a priedušnice	4	4	T31.94	Popál.90 a viac%povr.tela,40-49%popál.3.st.	4	4
T27.5	Poleptanie hrtana a priedušnice s pľúcami	3,4	3,4	T31.95	Popál.90 a viac%povr.tela,50-59%popál.3.st.	4	4
T27.6	Poleptanie iných častí dýchacích ciest	4	4	T31.96	Popál.90 a viac%povr.tela,60-69%popál.3.st.	4	4
T27.7	Poleptanie bližšie neurčenej časti dýchacích ciest	4	4	T31.97	Popál.90 a viac%povr.tela,70-79%popál.3.st.	4	4
T28.0	Popálenina úst a hltana	4	4	T31.98	Popál.90 a viac%povr.tela,80-89%popál.3.st.	4	4
T28.1	Popálenina pažeráka	4	4	T31.99	Popál.90 a viac%povr.tela,90 %/viac popál.3.st.	4	4
T28.2	Popálenina iných častí tráviacej sústavy	4	4	T32.22	Polept.20-29%povr.tela,20-29%polept.3.st.	4	4
T28.3	Popálenina vnútorných močovopohlavných orgánov	4	4	T32.32	Polept.30-39%povr.tela,20-29%polept.3.st.	4	4
T28.4	Popálenina iných a blíž.neurč.vnút.or.g.	4	4	T32.33	Polept.30-39%povr.tela,30-39%polept.3.st.	4	4
T28.5	Poleptanie úst a hltana	4	4	T32.42	Polept.40-49%povr.tela,20-29%polept.3.st.	4	4
T28.6	Poleptanie pažeráka	4	4	T32.43	Polept.40-49%povr.tela,30-39%polept.3.st.	4	4
T28.7	Poleptanie iných častí tráviacej sústavy	4	4	T32.44	Polept.40-49%povr.tela,40-49%polept.3.st.	4	4
T28.8	Poleptanie vnútorných močovopohlavných orgánov	4	4	T32.50	Polept.50-59%povr.tela,<ako10 %/b.n.č.-polept.3.st.	4	4
T28.9	Poleptanie iných a blíž.neurč.vnút.or.g.	4	4	T32.51	Polept.50-59%povr.tela,10-19%polept.3.st.	4	4
T29.0	Popálenina viac.obl.tela blíž.neurč.stupňa	4	4	T32.52	Polept.50-59%povr.tela,20-29%polept.3.st.	4	4
T29.3	Popál.viac.obl.tela,uvedený najmen.raz 3.st.	4	4	T32.53	Polept.50-59%povr.tela,30-39%polept.3.st.	4	4
T29.4	Polept.viac.častí tela blíž.neurč.stupňa	4	4	T32.54	Polept.50-59%povr.tela,40-49%polept.3.st.	4	4
T29.7	Polept.viac.častí tela,uvedený najmen.raz 3.st.	4	4	T32.55	Polept.50-59%povr.tela,50-59%polept.3.st.	4	4
T31.22	Popál.20-29%povr.tela,20-29%popál.3.st.	4	4	T32.60	Polept.60-69%povr.tela,<ako10 %/b.n.č.-polept.3.st.	4	4
T31.32	Popál.30-39%povr.tela,20-29%popál.3.st.	4	4	T32.61	Polept.60-69%povr.tela,10-19%polept.3.st.	4	4
T31.33	Popál.30-39%povr.tela,30-39%popál.3.st.	4	4	T32.62	Polept.60-69%povr.tela,20-29%polept.3.st.	4	4
T31.42	Popál.40-49%povr.tela,20-29%popál.3.st.	4	4	T32.63	Polept.60-69%povr.tela,30-39%polept.3.st.	4	4
T31.43	Popál.40-49%povr.tela,30-39%popál.3.st.	4	4	T32.64	Polept.60-69%povr.tela,40-49%polept.3.st.	4	4
T31.44	Popál.40-49%povr.tela,40-49%popál.3.st.	4	4	T32.65	Polept.60-69%povr.tela,50-59%polept.3.st.	4	4
T31.50	Popál.50-59%povr.tela,<ako10 %/b.n.č.-popál.3.st.	4	4	T32.66	Polept.60-69%povr.tela,60-69%polept.3.st.	4	4
T31.51	Popál.50-59%povr.tela,10-19%popál.3.st.	4	4	T32.70	Polept.70-79%povr.tela,<ako10 %/b.n.č.-polept.3.st.	4	4
T31.52	Popál.50-59%povr.tela,20-29%popál.3.st.	4	4	T32.71	Polept.70-79%povr.tela,10-19%polept.3.st.	4	4
T31.53	Popál.50-59%povr.tela,30-39%popál.3.st.	4	4	T32.72	Polept.70-79%povr.tela,20-29%polept.3.st.	4	4
T31.54	Popál.50-59%povr.tela,40-49%popál.3.st.	4	4	T32.73	Polept.70-79%povr.tela,30-39%polept.3.st.	4	4
T31.55	Popál.50-59%povr.tela,50-59%popál.3.st.	4	4	T32.74	Polept.70-79%povr.tela,40-49%polept.3.st.	4	4
T31.60	Popál.60-69%povr.tela,<ako10 %/b.n.č.-popál.3.st.	4	4	T32.75	Polept.70-79%povr.tela,50-59%polept.3.st.	4	4
T31.61	Popál.60-69%povr.tela,10-19%popál.3.st.	4	4	T32.76	Polept.70-79%povr.tela,60-69%polept.3.st.	4	4
T31.62	Popál.60-69%povr.tela,20-29%popál.3.st.	4	4	T32.77	Polept.70-79%povr.tela,70-79%polept.3.st.	4	4
T31.63	Popál.60-69%povr.tela,30-39%popál.3.st.	4	4	T32.80	Polept.80-89%povr.tela,<ako10 %/b.n.č.-polept.3.st.	4	4
T31.64	Popál.60-69%povr.tela,40-49%popál.3.st.	4	4	T32.81	Polept.80-89%povr.tela,10-19%polept.3.st.	4	4
T31.65	Popál.60-69%povr.tela,50-59%popál.3.st.	4	4	T32.82	Polept.80-89%povr.tela,20-29%polept.3.st.	4	4
T31.66	Popál.60-69%povr.tela,60-69%popál.3.st.	4	4	T32.83	Polept.80-89%povr.tela,30-39%polept.3.st.	4	4
T31.70	Popál.70-79%povr.tela,<ako10 %/b.n.č.-popál.3.st.	4	4	T32.84	Polept.80-89%povr.tela,40-49%polept.3.st.	4	4
T31.71	Popál.70-79%povr.tela,10-19%popál.3.st.	4	4	T32.85	Polept.80-89%povr.tela,50-59%polept.3.st.	4	4
T31.72	Popál.70-79%povr.tela,20-29%popál.3.st.	4	4	T32.86	Polept.80-89%povr.tela,60-69%polept.3.st.	4	4
T31.73	Popál.70-79%povr.tela,30-39%popál.3.st.	4	4	T32.87	Polept.80-89%povr.tela,70-79%polept.3.st.	4	4
T31.74	Popál.70-79%povr.tela,40-49%popál.3.st.	4	4	T32.88	Polept.80-89%povr.tela,80-89%polept.3.st.	4	4
T31.75	Popál.70-79%povr.tela,50-59%popál.3.st.	4	4	T32.90	Polept.90 a viac%povr.tela,<ako10 %/b.n.č.-polept.3.st.	4	4
T31.76	Popál.70-79%povr.tela,60-69%popál.3.st.	4	4	T32.91	Polept.90 a viac%povr.tela,10-19%polept.3.st.	4	4
T31.77	Popál.70-79%povr.tela,70-79%popál.3.st.	4	4	T32.92	Polept.90 a viac%povr.tela,20-29%polept.3.st.	4	4
T31.80	Popál.80-89%povr.tela,<ako10 %/b.n.č.-popál.3.st.	4	4	T32.93	Polept.90 a viac%povr.tela,30-39%polept.3.st.	4	4
T31.81	Popál.80-89%povr.tela,10-19%popál.3.st.	4	4	T32.94	Polept.90 a viac%povr.tela,40-49%polept.3.st.	4	4
T31.82	Popál.80-89%povr.tela,20-29%popál.3.st.	4	4	T32.95	Polept.90 a viac%povr.tela,50-59%polept.3.st.	4	4
T31.83	Popál.80-89%povr.tela,30-39%popál.3.st.	4	4	T32.96	Polept.90 a viac%povr.tela,60-69%polept.3.st.	4	4
T31.84	Popál.80-89%povr.tela,40-49%popál.3.st.	4	4	T32.97	Polept.90 a viac%povr.tela,70-79%polept.3.st.	4	4
T31.85	Popál.80-89%povr.tela,50-59%popál.3.st.	4	4				
T31.86	Popál.80-89%povr.tela,60-69%popál.3.st.	4	4				
T31.87	Popál.80-89%povr.tela,70-79%popál.3.st.	4	4				

CCL

ICD	Text	OP. CCL	Med. CCL	ICD	Text	OP. CCL	Med. CCL
T32.98	Polept.90 a viac%povr.tela,80-89%polept.3.st.	4	4	T38.6	Otr.antigonadotrop.,antiestrogén.,antiandrogé n.,n.i.	4	4
T32.99	Polept.90 a viac%povr.tela,90% a viac polept.3.st.	4	4	T38.7	Otrava androgénmi a príbuznými anabolikami	4	4
T33.0	Povrchová omrzlina hlavy	4	4	T38.8	Otrava i.a bliž.neurč.hormónmi a ich syntetickými náhradami	4	4
T33.1	Povrchová omrzlina krku	4	4	T38.9	Otrava i.a bliž.neurč.antagonistami hormónov	4	4
T33.2	Povrchová omrzlina hrudníka	4	4	T39.0	Otrava salicylátmi	4	4
T33.3	Povrchová omrzlina brušnej steny, drieku a panvy	4	4	T39.1	Otrava derivátmi 4-aminofenolu	4	4
T33.4	Povrchová omrzlina hornej končatiny	4	4	T39.2	Otrava pyrazolónovými derivátmi	4	4
T33.5	Povrchová omrzlina zápästia a ruky	4	4	T39.3	Otrava inými nesteroidovými antiflogistikami	4	4
T33.6	Povrchová omrzlina bedra a stehna	4	4	T39.4	Otrava antireumatikami, nezatriedenými inde	4	4
T33.7	Povrchová omrzlina kolena a predkolenia	4	4	T39.8	Otrava i.neoploid.analget.a antipyret.,n.i.	4	4
T33.8	Povrchová omrzlina členka a nohy	4	4	T39.9	Otrava neoploid.analget.antipyr.a antireumatik.,b.n.	4	4
T33.9	Povrch.omrzlina na i.a b.n.miestach	4	4	T40.0	Otrava opióm	4	4
T34.0	Omrzlina s nekrózou tkaniva hlavy	4	4	T40.1	Otrava heroínom	4	4
T34.1	Omrzlina s nekrózou tkaniva krku	4	4	T40.2	Otrava inými opioidmi	4	4
T34.2	Omrzlina s nekrózou tkaniva hrudníka	4	4	T40.3	Otrava metadónom	4	4
T34.3	Omrzl.s nekroz.tkaniva brušnej steny,drieku a panvy	4	4	T40.4	Otrava inými syntetickými opiátmi	4	4
T34.4	Omrzlina s nekrózou tkaniva hornej končatiny	4	4	T40.5	Otrava kokainom	4	4
T34.5	Omrzlina s nekrózou tkaniva zápästia a ruky	4	4	T40.6	Otrava inými a bližšie neurčenými opiátmi	4	4
T34.6	Omrzlina s nekrózou tkaniva bedra a stehna	4	4	T40.7	Otrava derivátmi cannabis	4	4
T34.7	Omrzlina s nekrózou tkaniva kolena a predkolenia	4	4	T40.8	Otrava lysergidom [LSD]	4	4
T34.8	Omrzlina s nekrózou tkaniva členka a nohy	4	4	T40.9	Otrava i.a b.n.psychodysleptikami (halucinogénmi)	4	4
T34.9	Omrzlina s nekroz.tkan.na i.a bliž.neurč.miestach	4	4	T41.0	Otrava inhalačnými anestetikami	4	4
T35.0	Povrchová omrzlina postihujúca viaceré časti tela	4	4	T41.1	Otrava intravenóznymi anestetikami	4	4
T35.1	Omrzl.s tkanivovou nekroz.post.viac.č.tela	4	4	T41.2	Otrava i.a bliž.neurč.celkovými anestetikami	4	4
T35.2	Omrzlina hlavy a krku, bližšie neurčená	4	4	T41.3	Otrava lokálnymi anestetikami	4	4
T35.3	Omrzl.hrud.,brucha,drieku a panvy b.n.	4	4	T41.4	Otrava anestetikami,bližšie neurčenými	4	4
T35.4	Omrzlina hornej končatiny,bližšie neurčená	4	4	T41.5	Otrava liečebnými plynmi	4	4
T35.5	Omrzlina dolnej končatiny,bližšie neurčená	4	4	T42.0	Otrava derivátmi hydantoínu	4	4
T35.6	Omrzlina postihujúcv viac.časti tela,b.n.	4	4	T42.1	Otrava iminostilbénmi	4	4
T35.7	Omrzlina bliž.neurč.časti tela,b.n.	4	4	T42.2	Otrava sukcinimidmi a oxazolidínmi	4	4
T36.0	Otrava penicilínmi	4	4	T42.3	Otrava barbiturátmi	4	4
T36.1	Otrava cefalosp.a i.betalaktámovými ATB	4	4	T42.4	Otrava benzodiazepínmi	4	4
T36.2	Otrava liekmi zo skupiny chloramfenikolu	4	4	T42.5	Otrava zmiešanými antiepilept.,n.i.	4	4
T36.3	Otrava makrolidmi	4	4	T42.6	Otrava i.antiepilept.,sedatívami a hypnotikami	4	4
T36.4	Otrava tetracyklínmi	4	4	T42.7	Otrava antiepileptik.sedatív.a hypnotik.,b.n.	4	4
T36.5	Otrava aminoglykozidmi	4	4	T42.8	Otrava antiparkins.a i.centrálnymi myorelax.	4	4
T36.6	Otrava rifamycínmi	4	4	T43.0	Otrava tricyklickými a tetracyklickými antidepresívami	4	4
T36.7	Otrava pro.-plesň.ATB používanými systémovo	4	4	T43.1	Otrava.antidep.mi skup.inhib.monoaminoxidázy	4	4
T36.8	Otrava inými celkovo účinkujúcimi antibiotikami	4	4	T43.2	Otrava inými a bližšie neurčenými antidepresívami	4	4
T36.9	Otrava.celk.účink.ATB,b.n.	4	4	T43.3	Otrava fenotiazínovými antipsychotikami a neuroleptikami	4	4
T37.0	Otrava sulfonamidmi	4	4	T43.4	Otrava butyrofenónovými a tioxanténovými neuroleptikami	4	4
T37.1	Otrava antimykobaktériovými liekmi	4	4	T43.5	Otrava i.a bliž.neurč.antipsychotikami a neuroleptikami	4	4
T37.2	Otrava antimalarikami a liek.účink.na i.krv.prvky	4	4	T43.6	Otrava psychostimulanciami s nebezpečenstvom návyku	4	4
T37.3	Otrava inými antiprotozoárnymi liekmi	4	4	T43.8	Otrava i.psychotropnými látkami,n.i.	4	4
T37.4	Otrava antihelmintikami	4	4	T43.9	Otrava psychotropnou látkou,bližšie neurčenou	4	4
T37.5	Otrava protivírusovými liekmi	4	4	T44.0	Otrava inhibítormi cholinesterázy	4	4
T37.8	Otrava i.bliž.urč.celk.účink.protiinf.a antiparaz.liekmi	4	4	T44.1	Otrava i.parasympatikomimetikami (cholínergikami)	4	4
T37.9	Otrava celk.účink.protiinf.a antiparaz.liekmi,b.n.	4	4	T44.2	Otrava liekmi blok.gangliá,n.i.	4	4
T38.0	Otrava glukokortikoidmi a ich syntetickými analógmi	4	4	T44.3	Otrava i.parasympatikolytikami a spazmolytikami,n.i.	4	4
T38.1	Otrava hormónmi štítnej žľazy a ich náhradami	4	4	T44.4	Otrava agonistami prevaž.alfa-adrenorec.,n.i.	4	4
T38.2	Otrava tyreostatikami	4	4	T44.5	Otrava agonistami prevaž.beta-adrenorec.,n.i.	4	4
T38.3	Otrava inzulínom a orálnymi antidiabetikami	4	4	T44.6	Otrava antagon.alfa-adrenorec.,n.i.	4	4
T38.4	Otrava orálnymi kontraceptívami	4	4	T44.7	Otrava antagon.beta-adrenorec.,n.i.	4	4
T38.5	Otrava inými estrogénmi a progesterónmi	4	4	T44.8	Otrava prostr.,úč.cent.a blok.adrenergý neurón,n.i.	4	4

ICD	Text	OP. CCL	Med. CCL	ICD	Text	OP. CCL	Med. CCL
T44.9	Otrava i.a blíž.neurč.liekmi,účink.prim.na auton.nervov.súst.	4	4	T49.8	Otrava inými prostriedkami na miestne použitie	4	4
T45.0	Otrava antialergikami a antiemetikami	4	4	T49.9	Otrava prostried.na miestne použ.,b.n.	4	4
T45.1	Otrava antineoplastickými a imunosupresívnymi liekmi	4	4	T50.0	Otrava mineralokortikoidmi a ich antagonistami	4	4
T45.2	Otrava vitamínmi, nezatriedenými inde	4	4	T50.1	Otrava slučkovými diuretikami	4	4
T45.3	Otrava enzýmami, nezatriedenými inde	4	4	T50.2	Otrava inhib.karboanhydrázy,benzotiadiazid.a.i.diuret	4	4
T45.4	Otrava železom a jeho zlúčeninami	4	4	T50.3	Otrava prostr.ovplyvň.elektrolyt.energat.a vodnú rovnov.	4	4
T45.5	Otrava antikoagulanciami	4	4	T50.4	Otrava liekmi,ovplyvň.metaboliz.kys.močovej	4	4
T45.6	Otrava liekmi, ovplyvňujúcimi fibrinolýzu	4	4	T50.5	Otrava liekmi,znižuj.chuť do jedenia (anorektiká)	4	4
T45.7	Otrava antagon.antikoagulancii,vit.K a i.koagulanciami	4	4	T50.6	Otrava antidótami a chelátujúcimi prostr.,n.i.	4	4
T45.8	Otrava i.prostr.,účink.najmä celk.a na zložky krvi	4	4	T50.7	Otrava analeptikami a antagon.opioidových rec.	4	4
T45.9	Otrava blíž.neurč.prostr.účink.najmä celk.a na zložky krvi	4	4	T50.8	Otrava diagnostickými prostriedkami	4	4
T46.0	Otrava srdcovými glykozidmi a liečiv.s pod.účink.	4	4	T50.9	Otrava i.a blíž.neurč.liekmi,liečivami a biolog.látkami	4	4
T46.1	Otrava kalciovými antagonistami	4	4	T51.0	Toxický účinok etanolu	4	4
T46.2	Otrava inými antiarytmikami, nezatriedenými inde	4	4	T51.1	Toxický účinok metanolu	4	4
T46.3	Otrava koronárnymi vazodilatanciami,n.i.	4	4	T51.2	Toxický účinok 2-propanolu	4	4
T46.4	Otrava inhibítormi enzýmu,konvertujúceho angiotenzín	4	4	T51.3	Otrava zmesou vyšších alkoh.,vznik.pri alkoh.kvasení	4	4
T46.5	Otrava i.antihypertenzívami,n.i.	4	4	T51.8	Toxický účinok iných alkoholov	4	4
T46.6	Otrava hypolipidemikami a pr.artériosklerotickými liek.	4	4	T51.9	Toxický účinok alkoholu,blížšie neurčeného	4	4
T46.7	Otrava periférnymi vazodilatanciami	4	4	T52.0	Toxický účinok výrobkov z ropy	4	4
T46.8	Otrava antivarikóznymi liek. vr.sklerotizujúcich látok	4	4	T52.1	Toxický účinok benzénu	4	4
T46.9	Otrava i.a blíž.neurč.prostr.účink.najmä na obehovú súst.	4	4	T52.2	Toxický účinok homológov benzénu	4	4
T47.0	Otrava antagonistami histamínových H2-receptorov	4	4	T52.3	Toxický účinok glykolov	4	4
T47.1	Otrava i.antacidami a liek,tlmiacimi žal.sekr.	4	4	T52.4	Toxický účinok ketónov	4	4
T47.2	Otrava dráždivými (stimulujúcimi) preháňadlami	4	4	T52.8	Toxický účinok iných organických rozpúšťadiel	4	4
T47.3	Otrava salinickými a osmotickými preháňadlami	4	4	T52.9	Toxický účinok org.rozpúšť.,b.n.	4	4
T47.4	Otrava inými preháňadlami	4	4	T53.0	Toxický účinok karbónetetrachloridu	4	4
T47.5	Otrava digestívami	4	4	T53.1	Toxický účinok chloroformu	4	4
T47.6	Otrava liekmi proti hnačke	4	4	T53.2	Toxický účinok trichlóretylénu	4	4
T47.7	Otrava emetikami	4	4	T53.3	Toxický účinok tetrachlóretylénu	4	4
T47.8	Otrava i.prostr.,účink.najmä na tráv.súst.	4	4	T53.4	Toxický účinok dichlómetánu	4	4
T47.9	Otrava blíž.neurč.liekom,účinkuj.najmä na tráv.súst.	4	4	T53.5	Toxický účinok chlórfluórokarbónov	4	4
T48.0	Otrava oxytocikami	4	4	T53.6	Toxický účin.i.halog.derivátov alif.uhľov.	4	4
T48.1	Otrava relaxanciami kostr.svalov	4	4	T53.7	Toxický účin.i.halog.derivátov arom.uhľov.	4	4
T48.2	Otrava i.a blíž.neurč.prostr.účink.najmä na svaly	4	4	T53.9	Toxický účin.halog.derivátov alif.a arom.uhľov.,n.u.	4	4
T48.3	Otrava antitusikami	4	4	T54.0	Toxický účinok fenolu a homológov fenolu	4	4
T48.4	Otrava expektoranciami	4	4	T54.1	Toxický účinok inej leptavej organickej zlúčeniny	4	4
T48.5	Otrava liekmi proti prechladnutiu	4	4	T54.2	Toxický účinok leptavej kys.a lát.podobnej kysel.	4	4
T48.6	Otrava antiastmatikami,nezatriedenými inde	4	4	T54.3	Toxický účinok leptavého lúhu a látky podobnej lúhom	4	4
T48.7	Otrava i.a blíž.neurč.prostr.účink.najmä na dýchaciu súst.	4	4	T54.9	Toxický účinok leptavej látky,blížšie neurčenej	4	4
T49.0	Otrava pr.plesň.,protiinf.a protizáp.liek.s mies.ú.,n.i.	4	4	T55	Toxický účinok mydla a detergencia	4	4
T49.1	Otrava antipruriginózami	4	4	T56.0	Toxický účinok olova a jeho zlúčenín	4	4
T49.2	Otrava lokálnymi adstringenciami a detergenciami	4	4	T56.1	Toxický účinok ortuti a jej zlúčenín	4	4
T49.3	Otrava emolienkami,demulcenciami a ochrannými prostr.	4	4	T56.2	Toxický účinok chrómu a jeho zlúčenín	4	4
T49.4	Otrava keratolyt.,keratoplast.a i.liek.a prípr.na oš.vla.	4	4	T56.3	Toxický účinok kadmia a jeho zlúčenín	4	4
T49.5	Otrava liekmi a prípravkami používanými v oftalmológii	4	4	T56.4	Toxický účinok medi a jej zlúčenín	4	4
T49.6	Otrava liek.a prípravkami používanými v ORL	4	4	T56.5	Toxický účinok zinku a jeho zlúčenín	4	4
T49.7	Otrava zubnými liekmi na miestne použitie	4	4	T56.6	Toxický účinok cínu a jeho zlúčenín	4	4
				T56.7	Toxický účinok berýlia a jeho zlúčenín	4	4
				T56.8	Toxický účinok iného kovu	4	4
				T56.9	Toxický účinok blížšie neurčeného kovu	4	4
				T57.0	Toxický účinok arzénu a jeho zlúčenín	4	4
				T57.1	Toxický účinok fosforu a jeho zlúčenín	4	4
				T57.2	Toxický účinok mangánu a jeho zlúčenín	4	4
				T57.3	Toxický účinok kyanovodíku	4	4
				T57.8	Toxický účinok i.anorganickej látky,b.u.	4	4

CCL

ICD	Text	OP. CCL	Med. CCL	ICD	Text	OP. CCL	Med. CCL
T57.9	Toxický účinok bližšie neurčenej anorganickej látky	4	4	T81.1	Šok počas výkonu alebo po výkone, nezatriedený inde	2,3,4	1,2,3
T58	Toxický účinok oxidu uhoľnatého (CO)	4	4	T81.2	Náhodné naštiepenie a natrhnutie poč.výkonu, n.i.	2,3,4	1,2,3
T59.0	Toxický účinok oxidu dusíka	4	4	T81.3	Rozpad operačnej rany, nezatriedený inde	1,2,3,4	1,2,3,4
T59.1	Toxický účinok oxidu siričitého	4	4	T81.5	Cudz. teleso náhodne ponech.v tel.dutine/oper.rane po výk.	2,3,4	1,2,3,4
T59.2	Toxický účinok formaldehydu	4	4	T81.6	Akút.reakcia na cudziu látku, ponech.náhodne poč.výk.	2,3,4	1,2,3,4
T59.3	Toxický účinok slzotvorného plynu	4	4	T81.7	Cievna komplikácia po výkone, nezatriedená inde	1	1
T59.4	Toxický účinok plynného chlóru	4	4	T81.8	Iná komplikácia výkonu, nezatriedená inde	1	1
T59.5	Toxický účinok plynného fluóru a fluorovodíka	4	4	T82.0	Mechanická komplik.zapríč.srdc.chlop.protézou	2,3,4	2,3,4
T59.6	Toxický účinok sírovodíka	4	4	T82.1	Mechanická komplik.zapríč.srdc.elektronickou pomôc.	2,3,4	2,3,4
T59.7	Toxický účinok oxidu uhličitého	4	4	T82.2	Mechanická komplik.zapríč.obch.venc.tepny a chlop.náhr.	1,2,3,4	1,2,4
T59.8	Toxický účinok iného plynu, dymu a výparov, b.u.	4	4	T82.3	Mechanická komplik.zapríč.i.cievnym transpl.	1,2,3,4	1,2,4
T59.9	Toxický účinok plynu, dymu a výparov, b.n.	4	4	T82.4	Mechanická komplik.zapríč.cievnym dialyzačným katétrom	2,3,4	3,4
T60.0	Toxický úč.organofosfátového a karbamátového insekticídu	4	4	T82.5	Mechanická komplik.zapríč.i.srdc.a ciev.pom.a impl.	1,2,3,4	1,2,4
T60.1	Toxický účinok halogénovaného insekticídu	4	4	T82.6	Infekcia a zápal.reakcia zapríč.srdc.chlop.protézou	2,3,4	3,4
T60.2	Toxický účinok iného insekticídu	4	4	T82.7	Infekcia a zápal.reak.zapr.i.srdc.a ciev.prot.,impl.a transpl.	2,3,4	3,4
T60.3	Toxický účinok herbicídu a fungicídu	4	4	T82.8	Iná kompl.zapr.srdc.a ciev.prot.,impl.a transpl.,b.u.	1,2,3,4	1,2,4
T60.4	Toxický účinok rodenticídu	4	4	T82.9	Kompl.zapríč.srdc.a ciev.protézou,impl.a transpl.,b.n.	4	4
T60.8	Toxický účinok iného pesticídu	4	4	T83.0	Mechanická komplik.zapríč.moč.katétrom	4	4
T60.9	Toxický účinok bližšie neurčeného pesticídu	4	4	T83.1	Mechanická komplik.zapríč.i.moč.pomôc.a impl.	4	4
T63.0	Toxický účinok hadieho jedu	4	4	T83.2	Mechanická komplik.zapríč.transpl.moč.org.	2,3,4	1,2,4
T63.1	Toxický účinok jedu iných plazov	4	4	T83.4	Mechanická komplik.zapríč.i.prot.,impl.a transpl.v pohl.súst.	4	4
T63.2	Toxický účinok jedu škorpióna	4	4	T83.5	Infekcia a zápal.reak.zapríč.proté.impl.a transpl.v moč.súst.	1,4	1,4
T63.3	Toxický účinok jedu pavúka	4	4	T83.6	Infekcia a zápal.reak.zapríč.proté.impl.a transpl.v pohl.súst	1,4	1,4
T63.4	Toxický účinok jedu iných článkonožcov	4	4	T83.8	Iná kompl.zapríč.proté.impl.a transpl.v moč-pohl.súst.	4	4
T63.5	Toxický účinok kontaktu s rybou	4	4	T83.9	Bliž.neu.kompl.zapríč.proté.,impl.a transp.v moč-pohl.súst.	4	4
T63.6	Toxický účinok kontaktu s inými morským živočíchom	4	4	T84.0	Mechanická komplik.zapríč.kĺbovou endoprotézou	2,3,4	2,3,4
T63.8	Toxický účinok kontaktu s iným jedovatým živočíchom	4	4	T84.1	Mechanická komplik.zapríč.pomôc.na vnút.fixáciu kostí konč.	1,2,3,4	2,3,4
T63.9	Toxický účinok kont.s jedovatým živoč.,b.n.	4	4	T84.2	Mechanická komplik.zapríč.pomôc.na vnút.fixáciu i.kostí	1,2,3,4	2,3,4
T64	Toxický účinok aflatoxínu a i.mykotoxínov,znečis.potravu	4	4	T84.3	Mechanická komplik.zapríč.i.kostnou pomôc.,impl.a transpl.	2,3,4	2,3,4
T65.0	Toxický účinok kyanidu	4	4	T84.4	Mechanická komplik.zapríč.i.vnút.ortop.pomôc.,impl.a transpl.	2,3,4	2,3,4
T65.1	Toxický účinok strychnínu a jeho solí	4	4	T84.5	Infekcia a zápal.reak.zapríč.kĺbovou endoprot.	2,3,4	2,3,4
T65.2	Toxický účinok tabaku a nikotínu	4	4	T84.6	Infekcia a zápal.reak.zapríč.vnút.kostnou fixačnou pomôc.	2,3,4	2,3,4
T65.3	Tox.úč.nitroderiv.a aminoderiv.benzénu a jeho homológov	4	4	T84.7	Infekcia a zápal.reak.zapríč.i.ortop.endoprot.,impl.a štepom	2,3,4	2,3,4
T65.4	Toxický účinok karbóndisulfidu	4	4	T84.8	Iná kompl.zapríč.ortop.endoprot.impl.a štepom	1,2,3,4	2,3,4
T65.5	Toxický účinok nitroglycerínu a i.nitrokyselín a esterov	4	4	T84.9	Bliž.neu.kompl.vnút.ortoped.protet.pomôc.,impl.a štepu	1,2,3,4	2,3,4
T65.6	Toxický účinok náterov a farieb, n.i.	4	4	T85.0	Mechanická komplik.zapríč.vnútrolebkovou komor.skratkou	3,4	3,4
T65.8	Toxický účinok inej bližšie určenej látky	4	4				
T65.9	Toxický účinok bližšie neurčenej látky	4	4				
T67.0	Tepelný a snečný úpal	4	4				
T67.1	Synkopa z horúčavy	4	4				
T71	Zadusenie	4	4				
T73.1	Účinky smádu	4	4				
T75.4	Účinok elektrického prúdu	4	4				
T79.0	Vzduchová embólia (poúrazová)	1,3,4	2,3,4				
T79.1	Tuková embólia (poúrazová)	1,3,4	2,3,4				
T79.2	Poúrazové druhotné a opakované krvácanie	1,2,4	1,2				
T79.3	Poúrazová infekcia rany, nezatriedená inde	1,2,3,4	2,3				
T79.4	Úrazový šok	1,2,4	1,2				
T79.5	Úrazová anúria	1,3,4	2,3				
T79.6	Poúrazová ischémia svalu	4	4				
T79.7	Poúrazový podkožný emfyzém	1,2,3,4	2,3,4				
T80.0	Vzduchová embólia po infúzii, transf. a liečebnej injekcii	3,4	2,3,4				
T80.3	Reakcia zapríčinená inkompatibilitou v systéme ABO	2,3	1,2,3				
T80.4	Reakcia zapríčinená inkompatibilitou v systéme Rh	2,3	1,2,3				
T80.5	Anafylaktický šok, zapríčinený sérom	2	2				
T80.6	Iná reakcia na sérum	2	2				
T81.0	Krvácanie a hematóm, komplikujúci výk., n.i.	1	1				

ICD	Text	OP. CCL	Med. CCL	ICD	Text	OP. CCL	Med. CCL
T85.1	Mechanická komplik.zapríč. implant. elekton. stim. nerv. súst.	3,4	3,4	T88.1	Iná komplikácia po imunizácii, nezatriedená inde	4	4
T85.2	Mechanická komplik.zapríč.vnútroočnou šošovkou	1,2,3,4	1,2,4	T88.2	Šok,zapríčený anestéziou	2,4	1,2
T85.3	Mechanická komplik.zapríč.i.očnou protét.pom.,impl.a transpl.	1,2,3,4	1,2,4	T88.3	Maligna hypertermia zapríčinená anestéziou	2,3,4	2,3,4
T85.4	Mechanická komplik.zapríč.prot./impl.prsníka	1,2,4	2,4	T88.4	Nevydarená alebo ťažká intubácia	4	4
T85.5	Mechanická komplik.zapríč.gastroint.prot.,impl.a transpl.	2,3,4	2,3,4	T88.6	Anafyl.šok ako nežiad.úč.spr.ind.a spr.pod.lieku/lieč.	2	2
T85.6	Mechanická komplik.zap.i.gastroint.prot.impl.a transpl.,b.u.	2,3,4	2,3,4	T91.3	Neskoré následky poranenia miechy	2,4	2,3
T85.71	Inf.a zápal.reak.zapr.katétrom na peritoneálnu dialýzu	2,3,4	1,2,4	U60.1	Klinické kategórie choroby HIV: kategória A	3,4	3
T85.78	Inf.a zápal.reak.zapr.i.vnúť.prot.,impl./transpl.	2,3,4	2,3,4	U60.2	Klinické kategórie choroby HIV: kategória B	3,4	3
T85.81	Iná kompl.zapr.vnúť.prot.,impl./transpl.,v nerv.súst.	1,2,4	2,4	U60.3	Klinické kategórie choroby HIV: kategória C	3,4	3
T85.82	Kapsulová fibróza prsníka,zapr.prot./impl.prsníka	2,3,4	2,3,4	U61.1	Počet pomocných T-buniek pri chorobe HIV	3,4	3
T85.88	Iná kompl.zapr.vnúť.prot.,impl./transpl.,n.i.	1,2,4	2,4	U61.2	Počet pomocných T-buniek pri chorobe HIV	3,4	3
T85.9	Kompl.zapr.vnúť.prot.,impl./transpl.,b.n.	4	4	U61.3	Počet pomocných T-buniek pri chorobe HIV	3,4	3
T86.00	Zlyha.transpl.krv.kmeň.buniek	3,4	3	U80.0	Staph.aur.rez.na OXA,glp.ATB,chin.,streptogr./oxazolid.	1,3,4	1,2,3
T86.01	Akút.choroba graft versus host[GVHD]:1.a 2.st.	3,4	3	U80.1	Str.pn.rez.na PNC,OXA,makrolid.ATB,oxazolid./streptogr.	3,4	3
T86.02	Akút.choroba graft versus host[GVHD]:3.a 4.st.	3,4	3	U80.2	Ent.faecalis rez.na glp.ATB,oxazolid.streptogr./v.úr.amg.rez.	1,2,3,4	1,2,3
T86.03	Chron.choroba graft versus host,ohraničená forma	3,4	3	U80.3	Ent.faecium rez.na glp.ATB,oxazolid.,streptogr./v.úr.amg.rez.	2,3	1,2,3
T86.04	Chron.choroba graft versus host,rozšírená forma	3,4	3	U80.4	Esch.klebs.prot.rez.chin.karbap.amik./dok.rez.vš.btl.ATB	3,4	1,2,3
T86.09	Choroba graft versus host [GVHD]: bližšie neurčená	3,4	3	U80.5	Enterobacter,citrobacter a serratia rez.-karbap.,chin./amik.	2,3	1,2,3
T86.10	Akútne zhoršenie funkcie transplantovanej obličky	3,4	3,4	U80.6	Ps.aer.a i.non-ferm.p.rez.karbap.chin.amik.ceft./pip.s tazob.	3,4	2,3
T86.11	Chron.zhoršenie funkcie transpl.obličky	3,4	3,4	U80.7	Burkh.a stenotroph.rez.-chin.,amik.,ceft.,pip.s tazob./CTM	3,4	3
T86.12	Predĺžené prijatie funkcie transplantátu	3,4	3,4	U82.0	Myc.tbc s rez.pr.jed./viac.antituberk.prv.radu	2,3	1,2,3
T86.19	Iná a bliž.neurč.por.funkcie,zlyh.a odvrh.zlyháv.odvrh.transpl.obličky	3,4	3,4	U82.1	Multirezistentná tuberkulóza [MDR-TB]	2,3	1,2,3
T86.2	Zlyhávajúce a odvrhnutie transplantovaného srdca	3,4	3,4	U82.2	Atyp.mykobakt./nocardia s rez.na jed./viac.liek.prv.radu	2,3	1,2,3
T86.3	Zlyhávajúce a odvrhnutie súčasne transpl.srdca a pľúc	3,4	3,4	U83	Kandida s rezistenciou na flukonazol/vorikonazol	1,2,3,4	1,2,3
T86.40	Akútne zhoršenie funkcie transplantovanej pečene	3,4	3,4	U84	Herpesvírusy s rezistenciou na virostatiká	2,3	1,2,3
T86.41	Chronické zhoršenie funkcie transplantovanej pečene	3,4	3,4	U85	Vírus HIV s rezistenciou na virostatiká/inhib.proteináz	3,4	3
T86.49	Iná a bliž.neurč.por.funkcie,zlyh. a odvrh.transpl.pečene	3,4	3,4	U99.01	Inkontinencia moču, 2. stupeň	1	1
T86.50	Porucha prekrvenia transplantovanej kože	2,3,4	2,3,4	U99.02	Inkontinencia moču a stolice, 3. stupeň, trvalá	1	1
T86.51	Nekróza transplantovanej kože	2,3,4	2,3,4	U99.03	Inkont.moču a stolice, 3. stupeň, trvalá a nezvratná	1	1
T86.52	Strata kožného transplantátu	2,3,4	2,3,4	Z43.0	Ošetrovanie tracheostómie	2,3	1,2
T86.59	Iná a bliž.neurč.por.funkcie,zlyh.a odvrh.transpl.kože	2,3,4	2,3,4	Z76.8	Osoba,ktorá vyhlád.zdrav.služby za i,b.u.okolností	3	3
T86.81	Zlyhanie a odvrhnutie transplantovaných pľúc	3,4	3,4	Z90.3	Získané chýbanie časti žalúdka	4	4
T86.82	Zlyhanie a odvrhnutie transplantovaného pankreasu	3,4	3,4	Z90.0	Stav s predtým vytvorenou tracheostómiou	2,3	1,2
T86.88	Zlyh.a odvrhnutie i.transpl.orgánu a tkan.	3,4	3,4	Z90.1	Stav po transplantácii obličky	3,4	2,3
T86.9	Zlyhávajúce a odvrhnutie b.n.orgánu a tkan.	2,3,4	2,3,4	Z90.2	Stav po transplantácii srdca	3,4	2,3
T87.0	Kompl.súvisiaca so znovupripojením (č.)HK	2,3	2,3	Z90.3	Stav po transplantácii pľúc	3,4	2,3
T87.1	Kompl.súvisiaca so znovupripojením (č.)DK	2,3	2,3	Z90.4	Stav po transplantácii srdca a pľúc	3,4	2,3
T87.2	Komplikácia inej znovupripojenej časti tela	2,3	2,3	Z94.80	Stav po traspl.krvotv.(kmeň.)bun.,bez súč.imunosupr.	3,4	2,3
T87.4	Infekcia kýtľa po amputácii	2,3,4	3	Z94.81	Stav po traspl.krvotv.(kmeň.)bun.,so súč.imunosupr.	3,4	2,3
T87.5	Nekróza kýtľa po amputácii	3,4	3	Z94.82	Stav po transplantácii pankreasu	3,4	2,3
T88.0	Infekcia po imunizácii	3,4	3	Z94.83	Stav po transplantácii obličky a pankreasu	3,4	2,3
				Z94.88	Stav po transplantácii iného orgánu alebo tkaniva	3,4	2,3

Príloha D

Overovanie demografických a klinických údajov

D.1 Úvod

Pred priradením prípadu k MDC kategórii overuje Grouper na základe demografických a klinických údajov platnosť jednotlivých premenných. Keď sa v procese spracovania zistia určité závažné inkonzistencie alebo neplatné údaje, v dôsledku čoho nie je možné zaradiť prípad do filadnej MDC/DRG je výsledkom zaradenia jedna z troch DRG skupín: 960Z, 961Z alebo 963Z.

V nasledujúcej časti tejto prílohy sú uvedené bližšie informácie k jednotlivým premenným.

D.2 Prípustné hodnoty pre demografické premenné

Premenná	Prípustné hodnoty	Poznámka
Dĺžka o-etrovacej doby v dňoch	Prípustné hodnoty: 1-9999	V prípade platnosti vypočítanej hodnoty a aj zadanej hodnoty sa berie do úvahy nižšia hodnota
Pohlavie	N, 0 nezistené M, 1 mužské F, 2 ženské	
Vek v dňoch	Prípustné hodnoty: 1 ó 364/5 dní	Ak je možné vypočítať vek z údajov o narodení a z dátumu prijatia, berie grouper do úvahy vypočítanú hodnotu veku. Ak táto nemôže byť vypočítaná a neexistuje ani zadaná hodnota veku, je hospitalizačný prípad zaradený do DRG 960Z.
Vek v rokoch	Prípustné hodnoty: 0 ó 124 rokov	
Hmotnosť pri prijatí	hodnoty: 250 až 19999	Tento údaj sa overuje, ak je pacient mladší ako 1 rok. Ak je pole prázdne alebo má hodnotu NULL, použije sa pre ďalšie spracovanie hodnota 2500 gramov.
Dĺžka UPV	Prípustné hodnoty: 1-9999	
Druh prijatia	1 odporúčenie lekárom 2 akútny príjem 4 pôrod/narodenie novorodenca 5 preloženie z inej nemocnice, o-etrovacia doba v prekladajúcej nemocnici \times 24 hod. 6 preloženie z inej nemocnice, o-etrovacia doba v prekladajúcej nemocnici $<$ 24 hod. 9 doprovod (sprevádzajúca osoba)	
Dôvod prijatia	1 ústavná zdravotná starostlivosť 4 pôrod/narodenie novorodenca 5 opätovné prijatie kvôli komplikáciám 6 príjem do nemocnice na odber orgánov	
Dôvod prepustenia	1 hospitalizácia riadne ukončená, pacient prepustený domov 2 prepustenie do ústavu sociálnej starostlivosti, hospicu 4 preloženie do inej nemocnice 5 hospitalizácia ukončená bez súhlasu lekára 6 zomrel a bol pitvaný 7 zomrel a nebol pitvaný 10 preloženie do rehabilitačného zariadenia 11 prepustenie do domácej o-etrovateľskej starostlivosti 12 preloženie na psychiatrickú liečbu do inej nemocnice 13 preloženie v rámci nemocnice na non-DRG oddelenie (s iným úhradovým mechanizmom)	

D.3 Prípustné hodnoty pre klinické premenné

Gruper overuje platnosť v-etských diagnóz a výkonov nielen vo vzahu k íselníkom MKCH-10-SK a ZZV-DRG ale aj vo vzahu k veku a pohlaviu pacienta. Okrem toho sa overuje, či je diagnóza povolená ako hlavná diagnóza (pozri pravidlá kódovania v systéme DRG).

Premenná	Prípustné hodnoty	Poznámka
Diagnózy (MKCH-10-SK)	Platný terminálny kód z MKCH-10-SK-2021	Viacnásobne zadaná rovnaká diagnóza sa ignoruje. Za platný terminálny kód sa považuje kód pod a MKCH, ktorý ufl nemá definované al-ie lenenie.
Zdravotné výkony (ZZV-DRG)	Platný terminálny kód zo ZZV-DRG-2021	

D.4 Konflikty klinických premenných s vekom

Platnosť klinických premenných sa overuje alej v súvislosti s vekom pacienta. K tomuto ú elu sa rozli-ujú vekové kategórie, definované kritériami uvedenými v nasledovnej tabu ke. Tieto kategórie slúžia výlu ne pre ú ely DRG. V st pci špoznámkaô sú vymenované ozna enia tabuliek, ktoré sú pouflité v zara ovacom algoritme pre overenie prípadného konfliktu klinickej premennej s vekom.

Kategória	Vek	Poznámky
Doj a	1 de ó 364/5 dní	Diagnózy - D.4a
Malé die a	< 2 roky	Diagnózy - D.4b
Die a	< 10 rokov	Diagnózy - D.4c
Deti a dorast	< 19 rokov	Diagnózy - D.4d
šPost-neonatalô	> 27 dní	Diagnózy - D.4e
Star-í ako doj a	× 1 rok	Diagnózy - D.4f
Puberta	8-19 rokov	Diagnózy - D.4g
Plodný vek	12-55 rokov	Diagnózy - D.4h, Výkony D.4i
Dospelý	× 15 rokov	Diagnózy - D.4j
šZrelô dospelý	× 30 rokov	Diagnózy - D.4k

D.5 Konflikty klinických premenných s pohlavím

Platnosť vykázaných klinických údajov je overovaná v zara ovacom algoritme aj v kontexte pohlavia pacienta. Tabu ky D.5a-d obsahujú diagnózy a zdravotné výkony, ktoré môflu by vykonávané iba u pacientov s príslu-ným pohlavím.

D.4a Konflikt s vekom: Dojča

Kód	Popis	Kód	Popis
A33	Tetanus novorodencov	P10.3	Subarachnoidálne kvácanie zapríč.poran.pri pôrode
P00.0	Pošk.plodu a novorodneca artériovou hypertenziou matky	P10.4	Roztrhnutie tentória zapríč.poran.pri pôrode
P00.1	Pošk.plodu a novorod.chor.obličiek a moč.ciest matky	P10.8	Iné vnútroľeb.poran.a kvácania zapríč.poran.pri pôrode
P00.2	Pošk.plodu a novorod.infekč.a parazit.chorobami matky	P10.9	Bliž.neur.vnútroľeb.poran.a kvácanie zapríč.poran. pri pôrode
P00.3	Pošk.plodu a novorod.i.obehov.a dých.chorobami matky	P11.0	Mozgový opuch,zapríčinény poranením pri pôrode
P00.4	Pošk.plodu a novorod.poruchami výživy matky	P11.1	Iné poškodenie mozgu,zapríč.poran.pri pôrode,b.u.
P00.5	Poškodenie plodu a novorodenca poranením matky	P11.2	Bliž.neur.poškodenie mozgu,zapríč.poran.pri pôrode
P00.6	Pošk.plodu a novorodenca chir.výkonom u matky	P11.3	Pôrodné poranenie tvárového nervu
P00.7	Pošk.plodu a novorodenca .iným.lekár.výkon.u matky,n.i.	P11.4	Pôrodné poranenie iných hlavových nervov
P00.8	Poškodenie plodu a novorodenca inými stavmi matky	P11.50	Pôrodné poran.chrbtice a miechy s akút. ochrnutím
P00.9	Poškodenie plodu a novorodenca bliž.neurč.stavmi matky	P11.51	Pôrodné poran.chrbtice a miechy s chron.ochrnutím
P01.0	Poškodenie plodu a novorod.insuficienciou krčka maternice	P11.59	Pôrodné poran.chrbtice a miechy,b.n.
P01.1	Poškodenie plodu a novorod.predčasným puknutím blán	P11.9	Pôrodné poranenie centrálnej nervovej sústavy,b.n.
P01.2	Poškodenie plodu a novorodenca oligohydranniómom	P12.0	Zakrvácanie pod okosticu lebky,zapríč.poran.pri pôrode
P01.3	Poškodenie plodu a novorodenca polyhydranniómom	P12.1	Pôrodný nádor záhlavia,zapríč.poranením pri pôrode
P01.4	Poškodenie plodu a novorodenca ektopickou graviditou	P12.2	Epikraniál.subaponeurotické krvác.,zapríč.poran.pri pôrode
P01.5	Poškodenie plodu a novorodenca viacpočetnou graviditou	P12.3	Podliatina vlas.časti hlavy zapríč.poranením pri pôrode
P01.6	Poškodenie plodu a novorodenca smrťou matky	P12.4	Poranenie vlasovej časti hlavy novorod.,zapríč.monitor.
P01.7	Pošk.plodu a novor.nepřavid.naliehaním pred začiat.pôrodu	P12.8	Iné pôrodné poranenia vlasatej časti hlavy
P01.8	Pošk.plodu a novorod..i.materskými komplik.gravidity	P12.9	Pôrodné poranenia vlasatej časti hlavy,b.n.
P01.9	Pošk.plodu a novorod.materskými kompl.gravidity b.n.	P13.0	Zlomenina lebky zapríčinená poranením pri pôrode
P02.0	Poškodenie plodu a novorodenca vcestnou placentou	P13.1	Iné pôrodné poranenia lebky
P02.1	Pošk.plodu a novorod.i.form.odlúpenia placenty a krvác.	P13.2	Pôrodné poranenie stehnovej kosti
P02.2	Pošk.plodu a novorod.i.a b.n.morf.a funkč.abn.placenty	P13.3	Pôrodné poranenie iných dlhých kostí
P02.3	Pošk.plodu a novorod.placentovými transfúznymi synd.	P13.4	Zlomenina kľúčnej kosti,zapríč.poranením pri pôrode
P02.4	Pošk.plodu a novorod.vykĺznutým pupočníkom	P13.8	Pôrodné poranenie iných častí kostry
P02.5	Pošk.plodu a novorod.i.stlačením pupočníka	P13.9	Pôrodné poranenie kostry,bližšie neurčené
P02.6	Pošk.plodu a novorod.i.a bliž.neurč.stavmi pupoč.	P14.0	Erbovo ochrnutie zapríčinené poranením pri pôrode
P02.7	Poškodenie plodu a novorodenca chorioamnionitídou	P14.1	Klumpkeovej ochrnutie zapríč.poranením pri pôrode
P02.8	Poškodenie plodu a novorod.i.abnrmalit.blán	P14.2	Ochrnutie bránicového nervu zapríč.poran.pri pôr.
P02.9	Poškodenie plodu a novorod.bliž.neurč.abnormalit.blán	P14.3	Iné poranenie plexus brachialis pri pôrode
P03.0	Pošk.plodu a novorod.pôr.panvov.koncom a extrakciou	P14.8	Pôrodné poranenie i.častí perif.nervovj sústavy
P03.1	Pošk.plod a nov.i.nepr.nalie.,drž.tela,pol.,disp.,poč.pôr.čin.	P14.9	Pôrodné poranenie perif.nervovj.sústavy ,b.n.
P03.2	Poškodenie plodu a novorodenca kliešťovým pôrodom	P15.0	Pôrodné poranenie pečene
P03.3	Pošk.plodu a novorod.plodu pôr.vákuovým extraktorom	P15.1	Pôrodné poranenie sleziny
P03.4	Pošk.plodu a novorod.pôr.cisárskym rezom	P15.2	Poranenie kývača hlavy,zapríč.poran.pri pôrode
P03.5	Poškodenie plodu a novorodenca náhlým pôrodom	P15.3	Pôrodné poranenie oka
P03.6	Pošk.plodu a novorod.abn.maternicovými kontrakciami	P15.4	Pôrodné poranenie tváre
P03.8	Pošk.plodu a novorod.i.bliž.urč.kompl.pôr.činn.a pôrodu	P15.5	Pôrodné poranenie vonkajších genitálií
P03.9	Pošk.plodu a novorod.kompl.pôr.činn.a pôrodu,b.n.	P15.6	Nekróza podkožného tuku,zapríč.poran. ri pôrode
P04.0	Pošk.plodu a novorod.anest.,analg.m.v grav.poč.pôr.čin.a pôr.	P15.8	Iné pôrodné poranenie,bližšie určené
P04.1	Poškodenie plodu a novorodenca inou liečbou matky	P15.9	Pôrodné poranenie,bližšie neurčené
P04.2	Pošk.plodu a novorod.užív.tabaku matkou	P20.0	Vnútroľeb.hypoxia zaznamen.po prvýkrát pred zač.pôr.čin.
P04.3	Pošk.plodu a novorod.užív.alkoholu matkou	P20.1	Vnútroľeb.hypoxia zaznamen.po prvýkrát.poč.pôr.čin.a pôrodu
P04.4	Pošk.plodu a novorod.užív.návykových liekov a drog matkou	P20.9	Vnútroľeb.hypoxia, bližšie neurčená
P04.5	Pošk.plodu a novorod.chem.lát.z potravy matky	P21.0	Ťažká pôrodná asfyxia
P04.6	Pošk.plodu a novorod.pri vyst.matky chem.lát.zo živ.prostr.	P21.1	Ľahká a stredná pôrodná asfyxia
P04.8	Pošk.plodu a novorod.i.škodl.vplyvmi pôsob.na matku	P21.9	Pôrodná asfyxia,bližšie neurčená
P04.9	Pošk.plodu a novorod.škodl.vplyvom pôsob.na matku,b.n.	P22.0	Synd.respiračnej tiesne novorod.
P05.0	Plod priveľmi ľahký na svoj gestačný vek	P22.1	Prechodná tachypnea novorodenca
P05.1	Plod priveľmi malý na svoj gestačný vek	P22.8	Iná respiračná tieseň novorodenca
P05.2	Podvýž.plo.bez uv.,či ide o p./lah./p.malý plo.na svoj ges.vek	P22.9	Respiračná tieseň novorodenca,bližšie neurčená
P05.9	Pomalý rast plodu,bližšie neurčený	P23.0	Vrodený zápal pľúc,zapríčinény vírusom
P07.00	Novorodenec s pôrod.hmotnosť.menej ako 500 gr.	P23.1	Vrodený zápal pľúc,zapríčinény chlamýdiou
P07.01	Novorodenec s pôrod.hmotnosť.od 500 do 750 gr.	P23.2	Vrodený zápal pľúc,zapríčinény stafylokokom
P07.02	Novorodenec s pôrod.hmotnosť.od 750 do 1000 gr.	P23.3	Vrodený zápal pľúc,zapr.streptok.skupiny B
P07.10	Novorodenec s pôrod.hmotnosť.od 1000 do 1250 gr.	P23.4	Vrodený zápal pľúc,zapríčinény Escherichia coli
P07.11	Novorodenec s pôrod.hmotnosť.od 1250 do 1500 gr.	P23.5	Vrodený zápal pľúc,zapríčinény pseudomonas
P07.12	Novorodenec s pôrod.hmotnosť.od 1500 do 2500 gr.	P23.6	Vrodený zápal pľúc,zapríčinény inou baktériou
P07.2	Novorodenec s extrémnou nezrelosťou	P23.8	Vrodený zápal pľúc,zapríčinény iným organizmom
P07.3	Iný predčasne narodený novorodenec	P23.9	Vrodený zápal pľúc,bližšie neurčený
P08.0	Výnimočne veľký novorodenec	P24.0	Novorodenecká aspirácia smolky
P08.1	Iný novorodenec priveľmi ťažký vzhľ.na dĺžku gravidity	P24.1	Novorodenecká aspirácia plodovej vody a hlienu
P08.2	Prenáš.novorod.ktorý nie je priveľmi ťaž.vzhľ.na dĺž.grav.	P24.2	Novorodenecká aspirácia krvi
P10.0	Subdurálne kvácanie zapríč.poran.pri pôrode	P24.3	Novorod.aspirácia mlieka a regurgitovanej potravy
P10.1	Mozgové kvácanie zapríčinené poranením pri pôrode	P24.8	Iný novorodenecký syndróm z aspirácie
P10.2	Vnútrokomorové kvácanie zapríč.poran.pri pôrode	P24.9	Novorodenecký syndróm z aspirácie,bližšie neurčený

Kód	Popis	Kód	Popis
P25.0	Interstic.emfyzém so vznikom v perinatálnom obd.	P52.6	Mozočkové(neúraz.)krvác. a krvác.do zad.jamy plodu a nov.
P25.1	Pneumotorax so vznikom v perinatálnom období	P52.8	Iné vnútrolebkové (neúraz.)krvác.plodu a novorod.
P25.2	Pneumomediastínium so vznikom v perinatálnom období	P52.9	Vnútrolebkové (neúraz.)krvác.plodu a novorod.,b.n.
P25.3	Pneumoperikard so vznikom v perinatálnom období	P53	Hemoragická choroba plodu a novorodenca
P25.8	Iné stavy súvis.s interstic.emfyz.so vznik.v perinat.obd.	P54.0	Hemateméza u novorodenca
P26.0	Tracheobronchiálne krvácanie so vznik.v perinat.obd.	P54.1	Meléna u novorodenca
P26.1	Masívne pľúcne krvác.so vznikom v perinat.obd.	P54.2	Krvácanie z konečníka u novorodenca
P26.8	Iné pľúcne krvác.so vznikom v perinat.obd	P54.3	Iné gastrointestinálne krvácanie u novorodenca
P26.9	Pľúcne krvác.so vznik.v perinat.období.b.n.	P54.4	Krvácanie do nadobličky u novorodenca
P27.0	Wilsonov-Mikityho syndróm	P54.5	Kožné krvácanie u novorodenca
P27.1	Bronchopulmonálna dysplázia so vznik.v perin.obd.	P54.6	Pošvové krvácanie u novorodenca
P27.8	Iná chronická respirač.chor.so vznik.v perinatál.obd.	P54.8	Iné bližšie určené krvácanie novorodenca
P27.9	Bliž.neurč.chron.respirač.choroba so vznikom v perinat.období	P54.9	Krvácanie novorodenca, bližšie neurčené
P28.0	Primárna atelektáza novorodenca	P55.0	Rh izoimunizácia plodu a novorodenca
P28.1	Iná a bližšie neurčená atelektáza novorodenca	P55.1	ABO izoimunizácia plodu a novorodenca
P28.2	Záchvaty cyanózy novorodenca	P55.8	Iná hemolytická choroba plodu a novorodenca
P28.3	Primárne spánkové apnoe novorodenca	P55.9	Hemolytická chor.plodu a novorod.,b.n.
P28.4	Iné apnoe novorodenca	P56.0	Hydrops plodu v dôsledku izoimunizácie
P28.5	Respiračné zlyhanie novorodenca	P56.9	Hydrops plodu v dôsl.i.a b.n.hemolytickej chor.
P28.8	Iná porucha dýchania novorodenca,bližšie určená	P57.0	Jadrový ikterus v dôsledku izoimunizácie
P28.9	Porucha dýchania novorodenca,bližšie neurčená	P57.8	Iný jadrový ikterus,bližšie určený
P29.0	Srdcové zlyhávanie u novorodenca	P57.9	Jadrový ikterus,bližšie neurčený
P29.1	Porucha srdcového rytmu u novorodenca	P58.0	Novorodenecká žltáčka zapríčinená podliatinami
P29.2	Arteriálna hypertenzia u novorodenca	P58.1	Novorodenecká žltáčka zapríčinená krvácaním
P29.3	Pretrvávajúci fetálny obeh	P58.2	Novorodenecká žltáčka zapríčinená infekciou
P29.4	Prechodná ischémia myokardu u novorodenca	P58.3	Novorodenecká žltáčka zapríčinená polycytémiou
P29.8	Iná srdcovocievna porucha so vznik. v perinat.obd.	P58.4	Novorod.žltáčka zapríč.liek/tox.,prenes.z matky/pod.nov.
P29.9	Srdcovocievna porucha so vznik.v perinat.obd.,b.n.	P58.5	Novorod.žltáčka zapríč.prehltnutím materskej krvi
P36.0	Sepsa u novorod.zaprič.sterpt.zo skupiny B	P58.8	Novorod.žltáčka zaprič.i.bliž.urč.nadmernou hemolýzou
P36.1	Sepsa u novorod.zaprič.i.a b.n.sterpt.	P58.9	Novorod.žltáčka zaprič.nadmernou hemolýzou,b.n.
P36.2	Sepsa u novorod.zaprič.staphylococcus aureus	P59.0	Novorod.žltáčka súvisiaca s predč.pôrodom
P36.3	Sepsa u novorod.zaprič.i.a bliž.neiřc.stafylokokom	P59.1	Syndróm hustej žlče
P36.4	Sepsa u novorodenca,zapričinená escherichia coli	P59.2	Novorod.žltáčka z iného a bliž.neurč.pošk.pečeňových buniek
P36.5	Sepsa u novorod.zaprič.anaeróbnym mikroorganizmom	P59.3	Novorod.žltáčka z inhibítorov materského mlieka
P36.8	Iná baktériová sepsa u novorodenca	P59.8	Novorod.žltáčka z iných bliž.urč.príčin
P36.9	Baktériová sepsa u novorodenca,bližšie neurčená	P59.9	Novorodenecká žltáčka,bližšie neurčená
P37.0	Vrodená tuberkulóza	P60	Diseminovaná intravaskulárna koagul.plodu a novorod.
P37.1	Vrodená toxoplazmóza	P61.0	Prechodná novorodenecká trombocytópénia
P37.2	Novorodenecká (diseminovaná) listerióza	P61.1	Novorodenecká polycytémia
P37.3	Vrodená malária plasmodium falciparum	P61.2	Anémia nedonosných
P37.4	Iná vrodená malária	P61.3	Vrodená anémia z fetálnej straty krvi
P37.5	Kandidóza u novorodenca	P61.4	Iná vrodená anémia,nezatriedené inde
P37.8	Iná vrodená infekčná a parazit.choroba,b.u.	P61.5	Prechodná novorodenecká neutropénia
P37.9	Vrod.infekčná/parazitová choroba,b.n.	P61.6	Iná prechodná novorodenecká porucha zrážania
P38	Omfalítida u novorod.bez krvác./s miernym krvác.	P61.8	Iná perinatálna hematologická porucha,b.u.
P39.0	Novorodenecká infekčná mastitída (zápal prsníkov)	P61.9	Perinatálna hematologická porucha, bližšie neurčená
P39.1	Novorodenecká konjunktivitída a dakryocystitída	P70.0	Syndróm dieťaťa matky s gestačným diabetes mellitus
P39.2	Intraamniotická infekcia plodu, nezatriedená inde	P70.1	Syndróm dieťaťa matky s diabetes mellitus
P39.3	Novorodenecká infekcia močovej sústavy	P70.2	Diabetes mellitus u novorodenca
P39.4	Novorodenecká kožná infekcia	P70.3	Iatrogénna hypoglykémia u novorodenca
P39.8	Iná bliž.urč.infekcia špecifická pre perinat.obdobie	P70.4	Iná hypoglykémia u novorodenca
P39.9	Infekcia špecifická pre perinatálnom obd.,b.n.	P70.8	Iná prech.porucha metab.sacharidov plodu a novorod.
P50.0	Fetálna strata krvi pri vasa praevia (vcestných cievach)	P70.9	Prech.porucha metabol.sacharidov plodu a novorod.,b.n.
P50.1	Fetálna strata krvi z roztrhnutého pupočníka	P71.0	Hypokalcémia z kravského mlieka u novorodenca
P50.2	Fetálna strata krvi z placenty	P71.1	Iná hypokalcémia u novorodenca
P50.3	Krvácanie do dvojčaťa (fetofetálne)	P71.2	Hypomagneziémia u novorodenca
P50.4	Krvácanie do obehu matky	P71.3	Novorod.tetania bez nedost.kalcia/magnézia
P50.5	Fetálna strata krvi z prerez.pupoč.druhého dvojčaťa	P71.4	Prechodná hypoparatyreóza u novorodenca
P50.8	Iná fetálna strata krvi	P71.8	Iná prech.porucha metabol.vápnika a horčika u novorod.
P50.9	Fetálna strata krvi, bližšie neurčená	P71.9	Prechodná porucha metabol.vápnika a horčika u novorod.,b.n.
P51.0	Masívne krvácanie z pupočníka novorodenca	P72.0	Struma u novorodenca,nezatriedená inde
P51.8	Iné krvácanie z pupočníka novorodenca	P72.1	Prechodná hypertyreóza u novorodenca
P51.9	Krvácanie z pupočníka novorodenca,bližšie neurčené	P72.2	Iná prech.porucha funkcie štítnej žľazy u novorod.,n.i.
P52.0	Vnútrokomorové(neúraz.)krvác.plodu a novorod.1.st.	P72.8	Iná prechod.endokrinná porucha u novorod.,b.u.
P52.1	Vnútrokomorové(neúraz.)krvác.plodu a novorod.2.st.	P72.9	Prech.endokrinná por.u novorod.,b.n.
P52.2	Vnútrokomorové(neúraz.)krvác.plodu a novorod.3.st.	P74.0	Neskorá metabolická acidóza u novorodenca
P52.3	Vnútrokomorové(neúraz.)krvác.plodu a novorod.,b.n.	P74.1	Dehydratácia u novorodenca
P52.4	Mozgové (neúrazové) krvácanie plodu a novorodenca	P74.2	Porucha rovnováhy sodíka u novorodenca
P52.5	Subarachnoidálne (neúraz.)krvác.plodu a novorod.	P74.3	Porucha rovnováhy draslíka u novorodenca

Kód	Popis	Kód	Popis
P74.4	Iná prechodná elektrolytová porucha u novorodenca	P91.5	Kóma u novorodenca
P74.5	Prechodná tyrozinémia u novorodenca	P91.6	Hypoxicko-ischemická encefalopatia u novorodenca
P74.8	Iná prechodná metabolická porucha u novorodenca	P91.80	Locked-in syndróm a apalický syndróm novorodenca
P74.9	Prechodná metabol.porucha u novorod.,b.n.	P91.88	Iná porucha mozgovej funkcie novorod.,b.u.
P75	Choroby tráviacej sústavy plodu a novorodenca	P91.9	Mozgová porucha u novorodenca, bližšie neurčená
P76.0	Syndróm mekóniovej zátky	P92.0	Vracanie u novorodenca
P76.1	Prechodný ileus u novorodenca	P92.1	Regurgitácia a ruminácia u novorodenca
P76.2	Črevná nepriechod.zapríč.zahusteným mliekom	P92.2	Pomalý príjem potravy u novorodenca
P76.8	Iná črevná nepriechod.u novorod.,b.u.	P92.3	Podvýživa (znižený príjem potravy) u novorodenca
P76.9	Črevná nepriechod.u novorod.,b.n.	P92.4	Nadmerná výživa u novorodenca
P77	Nekrotizujúca enterokolitída plodu a novorodenca	P92.5	Problém s dojčením u novorodenca
P78.0	Perinatálna perforácia čreva	P92.8	Iný problém s výživou (kŕmením) u novorodenca
P78.1	Iná novorodenecká peritonitída	P92.9	Prob.s výživou u novorod.,b.n.
P78.2	Novorod.hemateméza a meléna zapr.prehlt.mater.krvi	P93	Reakcia na lieky a intox.liekmí podanými plodu a novorod.
P78.3	Neinfekčná novorodenecká hnačka	P94.0	Prechodná myasthenia gravis u novorodenca
P78.8	Iná perinatálna porucha tráviacej sústavy,b.u.	P94.1	Vrodená svalová hypertónia
P78.9	Perinatálna porucha tráviaceho systému,b.n.	P94.2	Vrodená svalová hypotónia
P80.0	Syndróm poškodenia chladom (podchladenia) u novorod.	P94.8	Iná porucha svalového tonusu u novorodenca
P80.8	Iná hypotermia u novorodenca	P94.9	Porucha svalového tonusu u novorod.,b.n.
P80.9	Hypotermia u novorodenca, bližšie neurčená	P95	Smrť plodu z bližšie neurčenej príčiny
P81.0	Hypertermia u novorodenca z prehriateho prostredia	P96.0	Vrodené zlyhávanie obličiek
P81.8	Iná porucha regulácie telesnej teploty u novorod.,b.u.	P96.1	Abstin.synd.u novorod.matky užív.návyk.látky a drogy
P81.9	Porucha regulácie telesnej teploty u novorod.,b.n.	P96.2	Abstin.synd.novorod.pri lieč.podávaní liečiv
P83.0	Sclerema neonatorum	P96.3	Široké lebkové švy u novorodenca
P83.1	Novorodenecký toxický erytém	P96.4	Ukončenie gravidity ako príč.pošk.plodu a novorod.
P83.2	Hydrops plodu, nezapríčený hemolytickou chorobou	P96.5	Kompl.vnútromat.výkon,nez.i.,ako príč.pat.stav.plodu a nov.
P83.3	Iný opuch špecifický pre plod a novorod.,b.n.	P96.8	Iná porucha so začiatkom v perinat.obd.,b.u.
P83.4	Zdurenie prsných žliaz u novorodenca	P96.9	Porucha so začiatkom v perinat.obd.,b.n.
P83.5	Kongenitálna hydrokéla	Q86.0	Alkoholový syndróm plodu (dysmorfický)
P83.6	Pupkový polyp u novorodenca	Z38.0	Jedno dieťa, narodené v nemocnici
P83.8	Iná choroba kože špecifická pre plod a novorod.,b.u.	Z38.1	Jedno dieťa, narodené mimo nemocnice
P83.9	Porucha kože špecifická pre plod a novorod.,b.n.	Z38.2	Jedno dieťa, miesto narodenia bližšie neurčené
P90	Krčce [konvulzie] u novorodenca	Z38.3	Dvojčatá, narodené v nemocnici
P91.0	Mozgová ischémia u novorodenca	Z38.4	Dvojčatá, narodené mimo nemocnice
P91.1	Získaná periventriculárna cysta u novorodenca	Z38.5	Dvojčatá, miesto narodenia bližšie neurčené
P91.2	Mozgová leukomalácia u novorodenca	Z38.6	Deti z i.viacnásobnej gravid.,narodené v nemocnici
P91.3	Mozgová dráždivosť novorodencov	Z38.7	Deti z i.viacnásobnej gravid.narodené mimo nemocnice
P91.4	Mozgový útlm novorodencov	Z38.8	Deti z i.viacnásobnej gravid.,b.n.miesto narodenia

D.4b Konflikt s vekom: Malé dieťa

Kód	Popis	Kód	Popis
Q89.4	Spojené (zrastené) dvojčatá	R95.0	Syndróm náhlej smrti dojčťa [SIDS] so zmienkou o pitve
R06.80	Akútna život ohrozujúca príhoda v dojčenskom veku	R95.9	Syndróm náhlej smrti dojčťa [SIDS] bez zmienky o pitve

D.4c Konflikt s vekom: Dieťa

Kód	Popis	Kód	Popis
E30.1	Predčasná puberta	R68.1	Nešpecifické priz.charakter.pre dojčenský vek

D.4d Konflikt s vekom: Deti a dorast

Kód	Popis	Kód	Popis
E55.0	Aktívna rachitída	M09.03	Juven.artritída pri psoriáze,s postih.kĺb.predlak.
G93.7	Reyeov syndróm	M09.04	Juven.artritída pri psoriáze,s postih.kĺb.ruky
L21.1	Seboroická dermatitída detského veku	M09.05	Juven.artritída pri psoriáze,s postih.kĺb.panvy a stehna
M08.00	Juvenilná reumatoid.artritída dospelých na viac.m.	M09.06	Juven.artritída pri psoriáze,s postih.kĺb.predkol.
M08.01	Juvenilná reumatoid.artritída dospelých v obl.pleca	M09.07	Juven.artritída pri psoriáze,s postih.kĺb.čl.a nohy
M08.02	Juvenilná reumatoid.artritída dospelých v obl.nadlaktia	M09.08	Juven.artritída pri psoriáze,s postih.kĺb.na i.mieste
M08.03	Juvenilná reumatoid.artritída dospelých v obl.predlak.	M09.09	Juven.artritída pri psoriáze,s postih.kĺb.na n.mieste
M08.04	Juvenilná reumatoid.artritída dospelých v obl.ruky	M09.10	Juven.artritída pri Crohn.chor.,s postih.kĺb.na viac.m.
M08.05	Juvenilná reumatoid.artritída dospelých v obl.panvy a stehna	M09.11	Juven.artritída pri Crohn.chor.,s postih.kĺb.v obl.pleca
M08.06	Juvenilná reumatoid.artritída dospelých v obl.predkol.	M09.12	Juven.artritída pri Crohn.chor.,s postih.kĺb.nadlaktia
M08.07	Juvenilná reumatoid.artritída dospelých v obl.čl.a nohy	M09.13	Juven.artritída pri Crohn.chor.,s postih.kĺb.predlak.
M08.08	Juvenilná reumatoid.artritída dospelých na i.mieste	M09.14	Juven.artritída pri Crohn.chor.,s postih.kĺb.ruky
M08.09	Juvenilná reumatoid.artritída dospelých,miesto bliž.neurč.	M09.15	Juven.artritída pri Crohn.chor.,s postih.kĺb.panvy a stehna
M08.10	Juven.ankylozujúca spondylitída na viac.miestach	M09.16	Juven.artritída pri Crohn.chor.,s postih.kĺb.predkol.
M08.11	Juven.ankylozujúca spondylitída v obl.pleca	M09.17	Juven.artritída pri Crohn.chor.,s postih.kĺb.čl.a nohy
M08.12	Juven.ankylozujúca spondylitída nadlaktia	M09.18	Juven.artritída pri Crohn.chor.,s postih.kĺb.na i.mieste
M08.13	Juven.ankylozujúca spondylitída predlak.	M09.19	Juven.artritída pri Crohn.chor.,s postih.kĺb.na n.mieste
M08.14	Juven.ankylozujúca spondylitída ruky	M09.20	Juven.artritída pri ulcer.kolitíde,s postih.kĺb.na viac.m.
M08.15	Juven.ankylozujúca spondylitída panv.obl.a stehna	M09.21	Juven.artritída pri ulcer.kolitíde,s postih.kĺb.v obl.pleca
M08.16	Juven.ankylozujúca spondylitída predkol.	M09.22	Juven.artritída pri ulcer.kolitíde,s postih.kĺb.nadlaktia
M08.17	Juven.ankylozujúca spondylitída čl.a nohy	M09.23	Juven.artritída pri ulcer.kolitíde,s postih.kĺb.predlak.
M08.18	Juven.ankylozujúca spondylitída na i.mieste	M09.24	Juven.artritída pri ulcer.kolitíde,s postih.kĺb.ruky
M08.19	Juven.ankylozujúca spondylitída na n.mieste	M09.25	Juven.artritída pri ulcer.kolit.,s post.kĺb.panvy a stehna
M08.20	Juven.chron.artritída so systém.začiat.,na v.miast.	M09.26	Juven.artritída pri ulcer.kolitíde,s postih.kĺb.predkol.
M08.21	Juven.chron.artritída so systém.začiat.,v obl.pleca	M09.27	Juven.artritída pri ulcer.kolitíde,s postih.kĺb.čl. a nohy
M08.22	Juven.chron.artritída so systém.začiat.,v o.nadlaktia	M09.28	Juven.artritída pri ulcer.kolitíde,s postih.kĺb.na i.mieste
M08.23	Juven.chron.artritída so systém.začiat.,v o.predlak.	M09.29	Juven.artritída pri ulcer.kolitíde,s postih.kĺb.na n.mieste
M08.24	Juven.chron.artritída so systém.začiat.,v o.ruky	M09.80	Juven.artritída pri i.chor.zatr.i.s postih.kĺb.na viac.m.
M08.25	Juven.chron.artritída so systém.začiat.,v o.panvy a stehna	M09.81	Juven.artritída pri i.chor.zatr.i.s postih.kĺb.v obl.pleca
M08.26	Juven.chron.artritída so systém.začiat.,v o.predkol.	M09.82	Juven.artritída pri i.chor.zatr.i.s postih.kĺb.nadlaktia
M08.27	Juven.chron.artritída so systém.začiat.,v o.čl.a nohy	M09.83	Juven.artritída pri i.chor.zatr.i.s postih.kĺb.predlak.
M08.28	Juven.chron.artritída so systém.začiat.,na i.mieste	M09.84	Juven.artritída pri i.chor.zatr.i.s postih.kĺb.ruky
M08.29	Juven.chron.artritída so systém.začiat.,na n.mieste	M09.85	Juven.artritída pri i.chor.zatr.i.s postih.kĺb.panvy a stehna
M08.3	Juven.chron.artritída (séronegatívna),polyartikulárna forma	M09.86	Juven.artritída pri i.chor.zatr.i.s postih.kĺb.predkol.
M08.40	Juven.chron.artritída,oligoart.forma,s postih.na viac.m.	M09.87	Juven.artritída pri i.chor.zatr.i.s postih.kĺb.čl.a nohy
M08.41	Juven.chron.artritída,oligoart.forma,s postih.v obl.pleca	M09.88	Juven.artritída pri i.chor.zatr.i.s postih.kĺb.na i.mieste
M08.42	Juven.chron.artritída,oligoart.forma,s postih.nadlaktia	M09.89	Juven.artritída pri i.chor.zatr.i.s postih.kĺb.,m.bliž.neurč.
M08.43	Juven.chron.artritída,oligoart.forma,s postih.predlak.	M30.2	Juvenilná polyarteritída
M08.44	Juven.chron.artritída,oligoart.forma,s postih.ruky	M33.0	Juvenilná dermatomyozitída
M08.45	Juven.chron.artritída,oligoart.forma,s postih.pan.a stehna	M41.10	Juvenilná idiopat.skolióza na viac.m.chrbtice
M08.46	Juven.chron.artritída,oligoart.forma,s postih.predkol.	M41.11	Juvenilná idiopat.skolióza okcip.-atlanto.-axiál.oblasti
M08.47	Juven.chron.artritída,oligoart.forma,s postih.čl.a nohy	M41.12	Juvenilná idiopat.skolióza krčnej oblasti
M08.48	Juven.chron.artritída,oligoart.forma,s postih.na i.mieste	M41.13	Juvenilná idiopat.skolióza krčnohrudnej oblasti
M08.49	Juven.chron.artritída,oligoart.forma,s postih.na n.mieste	M41.14	Juvenilná idiopat.skolióza hrudníkovej oblasti
M08.80	Iná juvenilná artritída na viacerých miestach	M41.15	Juvenilná idiopat.skolióza hrudníkovodriekovej oblasti
M08.81	Iná juvenilná artritída v obl.pleca	M41.16	Juvenilná idiopat.skolióza driekovej oblasti
M08.82	Iná juvenilná artritída nadlaktia	M41.17	Juvenilná idiopat.skolióza driekovokrížovej oblasti
M08.83	Iná juvenilná artritída predlak.	M41.18	Juvenilná idiopat.skolióza krížovej a krížovokostrč.oblasti
M08.84	Iná juvenilná artritída ruky	M41.19	Juvenilná idiopat.skolióza:oblasť bliž.neurč.
M08.85	Iná juvenilná artritída panv.obl.a stehna	M42.00	Juvenilna osteochondróza chrbtice na viac.m.
M08.86	Iná juvenilná artritída predkol.	M42.01	Juvenilna osteochondróza chrbtice v okcip.-atlanto.-axiál.obl.
M08.87	Iná juvenilná artritída čl.a nohy	M42.02	Juvenilná osteochondróza chrbtice v krčnej oblasti
M08.88	Iná juvenilná artritída na i.mieste	M42.03	Juvenilná osteochondróza chrbtice v krčnohrudníkovej obl.
M08.89	Iná juvenilná artritída,miesto bližšie neurčené	M42.04	Juvenilná osteochondróza chrbtice v hrudníkovej obl.
M08.90	Juven.artritída,bliž.neurč.na viac.m.	M42.05	Juvenilná osteochondróza chrbtice v hrudník-driekovej obl.
M08.91	Juven.artritída,bliž.neurč.v obl.pleca	M42.06	Juvenilná osteochondróza chrbtice v driekovej obl.
M08.92	Juven.artritída,bliž.neurč.v obl.nadlaktia	M42.07	Juvenilná osteochondróza chrbtice v driek.-krížovej obl.
M08.93	Juven.artritída,bliž.neurč.v obl.predlak.	M42.08	Juvenilná osteochondróza chrbt.v kríž.a krížovokostrč.obl.
M08.94	Juven.artritída,bliž.neurč.v obl.ruky	M42.09	Juvenilná osteochondróza chrbtice:oblasť bliž.neurč.
M08.95	Juven.artritída,bliž.neurč.panv.obl.a stehna	M89.10	Zastavenie rastu v epifýze,na viacerých miestach
M08.96	Juven.artritída,bliž.neurč.v obl.predkol.	M89.11	Zastavenie rastu v epifýze,v obl.pleca
M08.97	Juven.artritída,bliž.neurč.v obl.čl.a nohy	M89.12	Zastavenie rastu v epifýze,v obl.nadlaktia
M08.98	Juven.artritída,bliž.neurč.na i.mieste	M89.13	Zastavenie rastu v epifýze,v obl.predlak.
M08.99	Juven.artritída,bliž.neurč.,miesto bliž.neurč.	M89.14	Zastavenie rastu v epifýze,v obl.ruky
M09.00	Juven.artritída pri psoriáze,s postih.kĺb.na viac.m.	M89.15	Zastavenie rastu v epifýze,v obl.panv.a stehna
M09.01	Juven.artritída pri psoriáze,s postih.kĺb.v obl.pleca	M89.16	Zastavenie rastu v epifýze,v obl.predkol.
M09.02	Juven.artritída pri psoriáze,s postih.kĺb.nadlaktia	M89.17	Zastavenie rastu v epifýze,v obl.čl.a nohy

Kód	Popis	Kód	Popis
M89.18	Zastavenie rastu v epifýze, na i. mieste	M91.8	Iná juvenilná osteochondróza bedra a panvy
M89.19	Zastavenie rastu v epifýze, miesto bliž. neurč.	M91.9	Juvenilná osteochond. bedra a panvy, b.n.
M89.20	Iné poruchy vývinu a rastu kosti na viac.m.	M92.0	Juvenilná osteochondróza ramennej kosti
M89.21	Iné poruchy vývinu a rastu kosti v obl.pleca	M92.1	Juvenilná osteochondróza vretennej a lakt'ovej kosti
M89.22	Iné poruchy vývinu a rastu kosti nadlaktia	M92.2	Juvenilná osteochondróza ruky
M89.23	Iné poruchy vývinu a rastu kosti predlak.	M92.3	Iná juvenilná osteochondróza hornej končatiny
M89.24	Iné poruchy vývinu a rastu kosti ruky	M92.4	Juvenilná osteochondróza pately
M89.25	Iné poruchy vývinu a rastu kosti panv.obl.a stehna	M92.5	Juvenilná osteochondróza píštalý a ihlice
M89.26	Iné poruchy vývinu a rastu kosti predkol.	M92.6	Juvenilná osteochondróza priehlavku
M89.27	Iné poruchy vývinu a rastu kosti čl.a nohy	M92.7	Juvenilná osteochondróza predpriehlavku (metatarzu)
M89.28	Iné poruchy vývinu a rastu kosti na i. mieste	M92.8	Iná juvenilná osteochondróza, bližšie určená
M89.29	Iné poruchy vývinu a rastu kosti, miesto bliž. neurč.	M92.9	Juvenilná osteochondróza, bližšie neurčená
M91.0	Juvenilná osteochondróza panvy	R62.0	Oneskorené dosiahnutie očakáv. stupňa.fyziol.vývinu
M91.1	Juvenilná osteochond.hlavice steh.kosti	R62.8	Iné zaostávanie v očakávanom fyziologickom vývine
M91.2	Coxa plana	R62.9	Zaostávanie v očakávanom normálnom fyziol.vývine, b.n.
M91.3	Pseudokoxalgia		

D.4e Konflikt s vekom: Post-neonatal

Kód	Popis	Kód	Popis
E12.01	DM spojený s podvýž.:s kórou ,dekomp.	E14.60	DM,bliž.neu.:s i.bliž.ur.kompl.,kompenz.
E12.11	DM spojený s podvýž.:s ketoacidózou,dekomp.	E14.61	DM,bliž.neu.:s i.bliž.ur.kompl.,dekomp.
E12.20	DM spojený s podvýž.:s obličk.kompl.,kompenz.	E14.72	DM,bliž.neu.:s i.mnohopočet.kompl.,kompenz.
E12.21	DM spojený s podvýž.:s obličk.kompl.,dekomp.	E14.73	DM,bliž.neu.:s mnohopočet.kompl.,dekomp.
E12.30	DM spojený s podvýž.:s očnými kompl.,kompenz.	E14.74	DM,bliž.neu.:s mnohop.kompl.,so synd.diab.nohy,kompenz.
E12.31	DM spojený s podvýž.:s očnými kompl.,dekomp.	E14.75	DM,bliž.neu.:s mnohop.kompl.,so synd.diab.nohy,dekomp.
E12.40	DM spojený s podvýž.:s nervovými kompl.,kompenz.	E14.80	DM,bliž.neu.:s bliž.neu.kompl.,kompenz.
E12.41	DM spojený s podvýž.:s nervovými kompl.,dekomp.	E14.81	DM,bliž.neu.:s bliž.neu.kompl.,dekomp.
E12.50	DM spojený s podvýž.:s perif.ciev. kompl.,kompenz.	E14.90	DM,bliž.neu.:bez kompl.,kompenz.
E12.51	DM spojený s podvýž.:s perif.ciev. kompl.,dekomp.	E14.91	DM,bliž.neu.:bez kompl.,dekomp.
E12.60	DM spojený s podvýž.:s i.b.u.kompl.,kompenz.	E56.1	Nedostatok vitamínu K
E12.61	DM spojený s podvýž.:s i.b.u.kompl.,dekomp.	E63.0	Nedostatok esenciálnych mastných kyselín
E12.72	DM spojený s podvýž.:s viac.kompl.,kompenz.	E63.1	Nedost.vo výžive v dôsl.nerov. v zložení potravy
E12.73	DM spojený s podvýž.:s viac.kompl.,dekomp.	E63.8	Iný nedostatok vo výžive,bližšie určený
E12.74	DM spo.s pod.:s viac.kompl.,so synd.diab.nohy,kompenz.	E63.9	Nedostatok vo výžive,bližšie neurčený
E12.75	DM spo.s pod.:s viac.kompl.,so synd.diab.nohy,dekomp.	E64.0	Následky proteínovo-energetickej podvýživy
E12.80	DM spojený s podvýž.:s bliž.neu.kompl.,kompenz.	E64.1	Následky nedostatku vitamínu A
E12.81	DM spojený s podvýž.:s bliž.neu.kompl.,dekomp.	E64.2	Následky nedostatku vitamínu C
E12.90	DM spojený s podvýž.:bez kompl.,kompenz.	E64.3	Následky rachitídy
E12.91	DM spojený s podvýž.:bez kompl.,dekomp.	E64.8	Následky iných nedostatkov vo výžive
E13.01	Iný DM,bliž.ur.:s kórou,dekomp.	E64.9	Následky bližšie neurčených nedostatkov vo výžive
E13.11	Iný DM,bliž.ur.:s ketoacidózou,dekomp.	E65	Lokalizovaná obezita
E13.20	Iný DM,bliž.ur.:s obličk.kompl.,kompez.	E66.00	Obezita zapr.nadm.ener.prij.,BMI:od 30 do men.ako 35
E13.21	Iný DM,bliž.ur.:s obličk.kompl.,dekomp.	E66.01	Obezita zapr.nadm.ener.prij.,BMI:od 35 do men.ako 40
E13.30	Iný DM,bliž.ur.:s očnými kompl.,kompenz.	E66.02	Obezita zapr.nadm.ener.prij.,BMI:40 a viac
E13.31	Iný DM,bliž.ur.:s očnými kompl.,dekomp.	E66.09	Obezita zapr.nadm.ener.prij.,BMI:neurčený
E13.40	Iný DM,bliž.ur.:s nervovými kompl.,kompenz.	E66.10	Obezita zapr.liek.,BMI:od 30 do men.ako 35
E13.41	Iný DM,bliž.ur.:s nervovými kompl.,dekomp.	E66.11	Obezita zapr.liek.,BMI:od 35 do men.ako 40
E13.50	Iný DM,bliž.ur.:s perif.cievnyimi kompl.,kompenz.	E66.12	Obezita zapríčinená liekmi,BMI:40 a viac
E13.51	Iný DM,bliž.ur.:s perif.cievnyimi kompl.,dekomp.	E66.19	Obezita zapríčinená liekmi,BMI:neurčený
E13.60	Iný DM,bliž.ur.:s i.bliž.ur.kompl.,kompenz.	E66.20	Extr.obezita s alveol.hypovent.,BMI:od 30 do men.ako 35
E13.61	Iný DM,bliž.ur.:s i.bliž.ur.kompl.,dekomp.	E66.21	Extr.obezita s alveol.hypovent.,BMI:od 35 do men.ako 40
E13.72	Iný DM,bliž.ur.:s i.mnohopočet.kompl.,kompenz.	E66.22	Extr.obezita s alveol.hypovent.,BMI:40 a viac
E13.73	Iný DM,bliž.ur.:s i.mnohopočet.kompl.,dekomp.	E66.29	Extr.obezita s alveol.hypovent.,BMI:;b.n.
E13.74	Iný DM,bliž.ur.:s mnohop.kompl.,so synd.diab.nohy,kompenz.	E66.80	Iná obezita,BMI:od 30 do menej ako 35
E13.75	Iný DM,bliž.ur.:s mnohop.kompl.,so synd.diabet.nohy,dekomp.	E66.81	Iná obezita,BMI:od 35 do menej ako 40
E13.80	Iný DM,bliž.ur.:s bliž.neurč.kompl.,kompenz.	E66.82	Iná obezita,BMI:40 a viac
E13.81	Iný DM,bliž.ur.:s bliž.neurč.kompl.,dekomp.	E66.89	Iná obezita,BMI:neurčený
E13.90	Iný DM,bližšie určený:bez kompl.,kompenz.	E66.90	Obezita,bliž.neu.,BMI:od 30 do men.ako 35
E13.91	Iný DM,bližšie určený:bez kompl.,dekomp.	E66.91	Obezita,bliž.neu.,BMI:od 35 do men.ako 40
E14.01	DM,bliž.neu.:s kórou,dekomp.	E66.92	Obezita,bližšie neurčená, BMI:40 a viac
E14.11	DM,bliž.neu.:s ketoacidózou,dekomp.	E66.99	Obezita,bližšie neurčená, BMI:neurčený
E14.20	DM,bliž.neu.:s obličk.kompl.,kompenz.	E67.0	Hypervitaminóza A
E14.21	DM,bliž.neu.:s obličk.kompl.,dekomp.	E67.1	Hyperkarotenémia
E14.30	DM,bliž.neu.:s očnými kompl.,kompenz.	E67.2	Syndróm nadbytku vitamínu B6
E14.31	DM,bliž.neu.:s očnými kompl.,dekomp.	E67.3	Hypervitaminóza D
E14.40	DM,bliž.neu.:s nervovými kompl.,kompenz.	E67.8	Iná bližšie určená nadmerná výživa
E14.41	DM,bliž.neu.:s nervovými kompl.,dekomp.	E68	Následok nadmernej výživy
E14.50	DM,bliž.neu.:s perif.ciev.kompl.,kompenz.	K92.1	Meléna
E14.51	DM,bliž.neu.:s perif.ciev.kompl.,dekomp.		

D.4f Konflikt s vekom: Starší ako dojča

Kód	Popis	Kód	Popis
A50.3	Neskorá vrodená syfilitická okulopatia	J44.12	CHOCHP s ak.exacer.chor.bl.neu.FEV1 >= 50 % a < 70 % prís.h.
A50.4	Neskorý vrodenný neurosyfilis [Juvenilný neurosyfilis]	J44.13	CHOCHP s ak.exacer.chor.bliž.neurč.FEV1 >= 70 % prísluš.h.
A50.5	Iný neskorý vrodenný syfilis, symptomatický	J44.19	CHOCHP s ak.exacer.chor.bliž.neurč., hodnota FEV1 b.n.
A50.6	Neskorý vrodenný syfilis, latentný	J44.80	Iná CHOCHP, bliž.urč.FEV1 < 35 % prís.hodnoty
A50.7	Neskorý vrodenný syfilis, bližšie neurčený	J44.81	Iná CHOCHP, bliž.urč.FEV1 >= 35 % a < 50 % prís.hodnoty
B94.0	Následky trachómu	J44.82	Iná CHOCHP, bliž.urč.FEV1 >= 50 % a < 70 % prís.hodnoty
B94.1	Následky vírusovej encefalitídy	J44.83	Iná CHOCHP, bliž.urč.FEV1 >= 70 % prís.hodnoty
B94.2	Následky vírusovej hepatitídy	J44.89	Iná CHOCHP, bliž.urč.hodnota FEV1 bliž.neurč.
B94.8	Následky iných, bliž.urč.infekčných a parazitových chorôb	K00.0	Anodoncia
B94.9	Následky bliž.neurč.infekčných/parazitových chorôb	K00.1	Nadpočetné zuby
F80.0	Špecifická porucha artikulácie	K00.2	Abnormalita veľkosti a tvaru zubov
F80.1	Expresívna porucha reči	K00.3	Škvrité zuby
F80.20	Porucha sluchového vnímania a spracovania	K00.4	Porucha tvorby zubov
F80.28	Iná perceptívna porucha reči	K00.5	Dedičná porucha zubnej štruktúry, nezatriedená inde
F80.3	Získaná afázia s epilepsiou (Landauov-Kleffnerov syndróm)	K00.6	Porucha prerazovania zubov
F80.8	Iná vývinová porucha reči a jazyka	K00.7	Syndróm rastu chrupu
F80.9	Vývinová porucha reči a jazyka, bližšie neurčená	K00.8	Iná porucha zubného vývinu
F81.0	Špecifická porucha čítania	K00.9	Porucha zubného vývinu, bližšie neurčená
F81.1	Špecifická porucha hláskovania	K01.0	Neprezerané zuby
F81.2	Špecifická porucha aritmetických schopností	K01.1	Vrastené zuby
F81.3	Zmiešaná porucha školských zručností	K02.0	Kaz ohraničený na sklovinu
F81.8	Iná vývinová porucha školských zručností	K02.1	Kaz dentínu
F81.9	Vývinová porucha školských zručností, b.n.	K02.2	Kaz cementu
F82.0	Špecifická porucha vývinu hrubej motoriky	K02.3	Zastavený zubný kaz
F82.1	Špecifická porucha vývinu jemnej motoriky a grafomotoriky	K02.4	Odontoklázia
F82.2	Špecifická porucha vývinu ústnej motoriky	K02.5	Zubný kaz s obnažením drene
F82.9	Špecifická porucha vývinu motorických funkcií, b.n.	K02.8	Iný zubný kaz
F83	Zmiešaná špecifická vývinová porucha	K02.9	Zubný kaz, bližšie neurčený
F88	Iná porucha psychického vývinu	K03.0	Nadmerné obrusovanie zubov
F89	Porucha psychického vývinu, bližšie neurčená	K03.1	Abrázia zubov
H40.0	Podозrenie na glaukóm	K03.2	Erózia zubov
H40.1	Primárny glaukóm s otvoreným uhlom	K03.3	Patologická resorpcia zubov
H40.2	Primárny glaukóm so zatvoreným uhlom	K03.4	Hypercementóza
H40.3	Sekundárny glaukóm po poranení oka	K03.5	Ankylóza zubov
H40.4	Sekundárny glaukóm po zápale oka	K03.6	Usadeniny [povlaky] na zuboch
H40.5	Sekundárny glaukóm pri iných chorobách	K03.7	Farebné zmeny tvrdých zubných tkanív po prerezaní zubov
H40.6	Sekundárny glaukóm zapríčinený liekmi	K03.8	Iné choroby tvrdých tkanív zubov, bližšie určené
H40.8	Iný glaukóm	K03.9	Choroby tvrdých tkanív zubov, bližšie neurčené
H40.9	Glaukóm, bližšie neurčený	K04.0	Zápal zubnej drene
H42.0	Glaukóm pri endokrin., nutričných a metabol.chor.z.i.	K04.1	Nekróza zubnej drene
H42.8	Glaukóm pri iných chorobách zatriedených inde	K04.2	Degenerácia zubnej drene
I09.0	Reumatická myokarditída	K04.3	Abnormálna tvorba tvrdého tkaniva v zubnej dreni
I09.1	Reumatická choroba endokardu bliž.neurč.chlopne	K04.4	Akútna apikálna periodontitída dreňového pôvodu
I09.2	Chronická reumatická perikarditída	K04.5	Chronická apikálna periodontitída
I09.8	Iná reumatická choroba srdca, bližšie určená	K04.6	Periapikálny absces s fistulou
I09.9	Reumatická choroba srdca, bližšie neurčená	K04.7	Periapikálny absces bez fistuly
I26.0	Pľúcna embólia s prejavmi akútneho cor pulmonale	K04.8	Radikulárna cysta
I27.0	Primárna pľúcna hypertenzia	K04.9	Iná a bliž.neurč.choroba zubnej drene a periapikálnych tkan.
I27.1	Srdcová choroba pri kyfoskolióze	K05.0	Akútny zápal ďasien
J37.0	Chronický zápal hrtana	K05.1	Chronický zápal ďasien
J37.1	Chronický zápal hrtana a priedušnice	K05.2	Akútna parodontitída
J41.0	Jednoduchá chronická bronchitída	K05.3	Chronická parodontitída
J41.1	Hlienovohnisová chronická bronchitída	K05.4	Parodontóza
J41.8	Zmiešaná jednod.a hlienovohnis.chron.bronchitída	K05.5	Iná choroba parodontu
J42	Chronická bronchitída, bližšie neurčená	K05.6	Choroba parodontu, bližšie neurčená
J43.0	MacLeodov syndróm	K06.0	Atrofia ďasien
J43.1	Panlobulárny emfyzém	K06.1	Hypertrofia ďasien
J43.2	Centrilobulárny emfyzém	K06.2	Pošk.ďasien a bezzubého alveol.hrebeňa, zapr.traumou
J43.8	Iný emfyzém	K06.8	Iná choroba ďasien a bezzubého alveol.hrebeňa, b.u.
J43.9	Emfyzém, bližšie neurčený	K06.9	Choroba ďasien a bezzubého alveol.hrebeňa, b.n.
J44.00	CHOCHP s akútnou infekc.dolných DC, FEV1 < 35 % prís.hodn.	K07.0	Väčšie anomálie veľkosti čelustí
J44.01	CHOCHP s ak.infekc.dolných DC, FEV1 >= 35 < 50 % prís.h.	K07.1	Anomálie polohy čelustí oproti lebkovej spodine
J44.02	CHOCHP s ak.infek.dol.DC, FEV1 >= 50 % a < 70 % prís.hodn.	K07.2	Anomálie vzájomnej polohy zubných oblúkov
J44.03	CHOCHP s ak.infek.dolných DC, FEV1 >= 70 % prís.hodn.	K07.3	Anomálie postavenia zubov
J44.09	CHOCHP s akútnou infekc.dolných DC, hodn.FEV1 bliž.neurč.	K07.4	Chybný zhryz, bližšie neurčený
J44.10	CHOCHP s akút.exacer.chor.bliž.neurč.FEV1 < 35 % prís.hodn.	K07.5	Dentofaciálne funkčné abnormality
J44.11	CHOCHP s ak.exacer.chor.bl.neu.FEV1 >= 35 % a < 50 % prís.h.	K07.6	Choroba temporomandibulárneho kĺbu

Kód	Popis	Kód	Popis
K07.8	Iné dentofaciálne anomálie	N01.5	Rýchlo progred.nefrit.synd.:dif.mezangiokap.glomerulonefrit.
K07.9	Dentofaciálna anomália,blížšie neurčená	N01.6	Rýchlo progred.nefritický synd.:chor.denzných depozitov
K08.0	Exfoliácia zubov zapríčinená systémovou chorobou	N01.7	Rýchlo progred.nefritický synd.:dif.glomerulonefrit.s výras.
K08.1	Strata zubov zapríč. úrazom,extrakci./lokál.chor.parodontu	N01.8	Rýchlo progred.nefritický synd.:i.morfol.zemny
K08.2	Atrofia bezzubého alveolového hrebeňa	N01.9	Rýchlo progred.nefritický synd.:morfol.zmena,b.n.
K08.3	Retinovaný zubný koreň[radix relicta]	N03.0	Chron.nefritický syndróm:malé abn.glomerulov
K08.81	Patologická zlomenina zuba	N03.1	Chron.nefritický synd.:fok.a segm.lézie glomerulov
K08.88	Iné choroba zubov a podporných štruktúr,b.u.	N03.2	Chron.nefritický synd.:dif.membránová glomerulonefrit.
K08.9	Choroba zubov a podporných štruktúr,b.n.	N03.3	Chron.nefritický synd.:dif.mezangioprolif.glomerulonefrit.
K22.0	Achalázia kardie	N03.4	Chron.nefritický synd.:dif.endokap.prolif.glomerulonefrit.
K22.2	Nepriechodnosť pažeráka	N03.5	Chron.nefritický synd.:dif.mezangiokap.glomerulonefrit.
K22.9	Choroba pažeráka,blížšie neurčená	N03.6	Chron.nefritický synd.:chor.denzných depozitov
K73.0	Chronická perzistujúca hepatitída,n.i.	N03.7	Chron.nefritický synd.:dif.glomerulonefrit.s výrastkami
K73.1	Chronická lobulárna hepatitída, nezatriedená inde	N03.8	Chron.nefritický synd.:i.morfol.zmeny
K73.2	Chronická aktívna hepatitída,nezatriedená inde	N03.9	Chron.nefritický synd.:morfol.zmena,blíž.neurč.
K73.8	Iná chronická hepatitída,nezatriedená inde	N18.1	Chronická choroba obličiek,1.štádium
K73.9	Chronická hepatitída,blížšie neurčená	N18.2	Chronická choroba obličiek,2.štádium
K76.0	Stukovatenie pečene, nezatriedené inde	N18.3	Chronická choroba obličiek,3.štádium
N01.0	Rýchlo progred.nefritický synd.:malé abn.glomerulov	N18.4	Chronická choroba obličiek,4.štádium
N01.1	Rýchlo progred.nefrit.synd.:fok.a segm.lézie glomer.	N18.80	Jednostranná chronická porucha funkcie obličky
N01.2	Rýchlo progred.nefrit.ynd.:dif.membránová glom.nefrit.	N18.89	Iná chronická choroba obličiek,štádium,b.n.
N01.3	Rýchlo progred.nefrit.synd.:dif.mezangioprolif glom.nefrit.	N18.9	Chronická choroba obličiek,blížšie neurčená
N01.4	Rýchlo progred.nefrit.synd.:dif.endokap.prolif.glom.nefrit.	N19	Zlyhanie obličiek,blížšie neurčené

D.4g Konflikt s vekom: Puberta

Kód	Popis	Kód	Popis
E30.8	Iná porucha puberty	M35.2	Behçetova choroba
E30.9	Porucha puberty, bližšie neurčená	N92.2	Nadmerná menštruácia v puberte

D.4g

D.4h Konflikt s vekom: Diagnózy v plodnom veku

Kód	Popis	Kód	Popis
A34	Tetanus počas gravidity,pôrodu a v šestonedelí	O03.6	Spont.potrat:komplet./bliž.n.potrat,kompl.oneskor./nadm.krvác.
C58	Zhubný nádor placenty	O03.7	Spont.potrat:komplet./bliž.neurč.potrat,kompl.embóliou
F53.0	Mierna duševná porucha a por.správ.v šestonedelí,nezat.inde	O03.8	Spont.potrat:komplet./bliž.neurč.potrat s i.a bliž.neur.kompl.
F53.1	Ťažká duševná porucha a por.správ.v šestonedelí,nezat.inde	O03.9	Spont.potrat:komplet./bliž.n.eurč.potrat bez kompl.
F53.8	Iná duševná porucha a por.správ.v šestonedelí,nezat.inde	O04.0	Lek.potrat:nekomplet.potrat,kompl.infek.pohlav.a panv.org.
F53.9	Duševná porucha v šestonedelí,bližšie neurčená	O04.1	Lek.potrat:nekomplet.potrat,kompl.oneskor./nadmer.krvác.
M83.00	Osteomalácia v šestonedelí na viacerých miestach	O04.2	Lek.potrat:nekomplet.potrat,komplikovaný embóliou
M83.01	Osteomalácia v šestonedelí v obl.pleca	O04.3	Lek.potrat:nekomplet.potrat s i.a bliž.neurč.kompl.
M83.02	Osteomalácia v šestonedelí v obl.nadlaktia	O04.4	Lekársky potrat:nekompletný potrat bez komplikácií
M83.03	Osteomalácia v šestonedelí v obl.predlak.	O04.5	Lek.potrat:komplet./bliž.neu.potrat,kompl.inf.pohl.a panv.org.
M83.04	Osteomalácia v šestonedelí v obl.ruky	O04.6	Lek.potrat:komplet./bliž.n.potrat,kompl.oneskor./nadmer.krvác.
M83.05	Osteomalácia v šestonedelí v obl.panv.obl.a stehna	O04.7	Lek.potrat:komplet./bliž.neurč.potrat,kompl.embóliou
M83.06	Osteomalácia v šestonedelí v obl.predkol.	O04.8	Lek.potrat:komplet./bliž.neur.potrat s i.a b.n.kompl.
M83.07	Osteomalácia v šestonedelí v obl.čl.a nohy	O04.9	Lek.potrat:komplet./bliž.neur.potrat bez kompl.
M83.08	Osteomalácia v šestonedelí na i.mieste	O05.0	Iný potrat:nekomplet.potrat,kompl.inf.pohl.a panv.org.
M83.09	Osteomalácia v šestonedelí,miesto bliž.neurč.	O05.1	Iný potrat:nekomplet.potrat,kompl.oneskor./nadmer.krvác.
N91.0	Primárna amenorea	O05.2	Iný potrat:nekomplet.potrat,kompl.embóliou
N91.1	Sekundárna amenorea	O05.3	Iný potrat:nekomplet.potrat s i.a bliž.neurč.kompl.
N91.2	Amenorea,bližšie neurčená	O05.4	Iný potrat: nekompletný potrat bez komplikácií
N91.3	Primárna oligomenorea	O05.5	Iný potrat:komplet./bliž.neu.potrat,kompl.inf.pohl.a panv.org.
N91.4	Sekundárna oligomenorea	O05.6	Iný potrat:komplet./bliž.n.potrat,kompl.oneskor./nadmer.krvác.
N91.5	Oligomenorea,bližšie neurčená	O05.7	Iný potrat:komplet./bliž.neurč.potrat,kompl.embóliou
N92.0	Nadmerná/častá menštruácia s pravidelným cyklom	O05.8	Iný potrat:komplet./bliž.neurč.potrat s i.a b.n.kompl.
N92.1	Nadmerná/častá menštruácia s nepravidelným cyklom	O05.9	Iný potrat:komplet./bliž.neurč.potrat bez kompl.
N92.3	Ovulačné krvácanie	O06.0	Potrat,bliž.neurč:nekomplet.potrat,kompl.inf.pohl.a panv.org.
N92.4	Nadmerné krvácanie v premenopauze	O06.1	Potrat,bliž.neu.:nekomplet.potrat,kompl.oneskor./nadmer.krvác.
N92.5	Iná nepravidelná menštruácia,bližšie určená	O06.2	Potrat,bliž.neurč:nekomplet.potrat,kompl.embóliou
N92.6	Nepravidelná menštruácia,bližšie neurčená	O06.3	Potrat,bliž.neurč:nekomplet.potrat s i.a b.n.kompl.
N94.0	Ovulačná bolesť (Mittelschmerz)	O06.4	Potrat,bliž.neurč:neúplný potrat bez kompl.
N94.1	Dyspareunia	O06.5	Potrat,bliž.n.:komplet./bliž.n.potrat,kompl.inf.pohl.a panv.org.
N94.2	Vaginizmus	O06.6	Potrat,bliž.n.:komplet./bliž.n.potrat,kompl.oneskor./nadmer.krvác.
N94.3	Predmenštruačný syndróm	O06.7	Potrat,bliž.neurč:komplet./bliž.neurč.potrat,kompl.embóliou
N94.4	Primárna dysmenorea	O06.8	Potrat,bliž.neurč:komplet./bliž.neurč.potrat s i.a b.n.kompl.
N94.5	Sekundárna dysmenorea	O06.9	Potrat,bliž.neurč:komplet./bliž.neurč.potrat bez kompl.
N94.6	Dysmenorea,bližšie neurčená	O07.0	Neúsp.lek.pokus o potrat,kompl.inf.pohl.a panv.org.
N96	Sklon k habituálnemu potrácaniu	O07.1	Neúsp.lek.pokus o potrat,kompl.oneskor./nadmer.krvác.
N97.0	Ženská neplodnosť spojená s anovuláciou	O07.2	Neúsp.lek.pokus o potrat,kompl.embóliou
N97.1	Ženská neplodnosť tubárneho pôvodu	O07.3	Neúsp.lek.pokus o potrat s i.a bliž.neur.kompl.
N97.2	Ženská neplodnosť maternicového pôvodu	O07.4	Neúspešný lekársky pokus o potrat bez komplikácií
N97.3	Ženská neplodnosť krčkového pôvodu	O07.5	Iný a bliž.neu.neúsp.pokus o potrat,kompl.inf.pohl.a panv.org.
N97.4	Ženská neplodnosť spojená s mužskými faktormi	O07.6	Iný a bliž.neu.neúsp.pokus o potrat,kompl.oneskor./nadm.krvác.
N97.8	Ženská neplodnosť iného pôvodu	O07.7	Iný a bliž.neurč.neúsp.pokus o potrat,kompl.embóliou
N97.9	Ženská neplodnosť,bližšie neurčená	O07.8	Iný a bliž.neurč.neúsp.pokus o potrat s i.a b.n.kompl.
N98.0	Infekcia spojená s umelým oplodnením	O07.9	Iný a bliž.neurč.neúsp.pokus o potrat bez kompl.
N98.1	Hyperstimulácia vaječníkov	O08.0	Infekcia pohlav.a panv.org.po potrate,mimomat.gr.a gr.s MH
N98.2	Komplikácie pri pokuse zaviesť oplod.vajičko po oplod.in vitro	O08.1	Onesk./nadm.krvác.po potrat,mimomat.gr.a grav.s malou hydati.
N98.3	Komplikácie pri pokuse zaviesť embryo pri prenose embrya	O08.2	Embólia po potrate,mimomat.grav.a grav.s molou hydratidosou
N98.8	Iné komplikácie spojené s umelým oplodnením	O08.3	Šok po potrate,mimomat.grav.a grav.s molou hydratidosou
N98.9	Komplikácie spojené s umelým oplodnením,b.n.	O08.4	Zlyháv.obličiek po potrate,mimomat.grav.a grav.s mal hydati.
O00.0	Abdominálna gravidita	O08.5	Metabické poruchy po potrate,mimomat.gr.a gr.s mal hydati.
O00.1	Tubárna gravidita	O08.6	Pošk.panv.org.a tk.po potrat,mimomat.gr.a grav.s malou hydati.
O00.2	Ováriová gravidita	O08.7	Iné žil.kompl.po potrate,mimomat.grav.a grav.s malou hydati.
O00.8	Iná mimomaternicová gravidita	O08.8	Iné kompl.po potrate,mimomat.grav.a grav.s molou hydratid.
O00.9	Mimomaternicová gravidita,bližšie neurčená	O08.9	Kompl.po potrate,mimomat.grav.a grav.s molou hydratid.b.n.
O01.0	Klasická mola hydratidosou	O09.0	Trvanie gravidity menej ako 5 ukončených týždňov
O01.1	Nekompletná a parciálna mola hydratidosou	O09.1	Trvanie gravidity od začat.5 po ukonč.13.týždeň
O01.9	Mola hydratidosou,bližšie neurčená	O09.2	Trvanie gravidity od začat.14.po ukonč.19.týž.
O02.0	Poškodené plodové vajce a nehydaticová mola	O09.3	Trvanie gravidity od začat.20.po ukonč.25.týž.
O02.1	Missed abortion (zadržaný potrat)	O09.4	Trvanie gravidity od začat.26.po ukonč.33.týž.
O02.8	Iný abnormálny výtvor počatia,bližšie určený	O09.5	Trvanie gravidity od začat.34.po ukonč.36.týž.
O02.9	Abnormálny výtvor počatia,bližšie neurčený	O09.9	Artériová hypertenzia matky,bližšie neurčená
O03.0	Spont.potrat:nekomplet.potrat,kompl.infek.pohl.a panv.org.	O10.0	Predt.exist.prim.artér.hypert.,kompl.grav.,pôr.a šeston.
O03.1	Spont.potrat:nekomplet.potrat,kompl.oneskor./nadmer.krvác.	O10.1	Predt.exist.hypert.chor.srdca,kompl.grav.,pôr.a šeston.
O03.2	Spont.potrat:nekomplet.potrat,komplikovaný embóliou	O10.2	Predt.exist.hypert.chor.oblič.,kompl.grav.,pôr.a šeston.
O03.3	Spont.potrat:nekomplet.potrat s i.a bliž.neurč.kompl.	O10.3	Predt.exi.hypert.chor.srd.a oblič.,kompl.grav.,pôr.a šest.
O03.4	Spont.potrat:nekomplet.potrat bez kompl.	O10.4	Predt.exist.sek.artér.hypert.,kompl.grav.,pôr.a šeston.
O03.5	Spont.potrat:komplet./bliž.n.potrat,kompl.inf.pohl.a panv.org.	O10.9	Predt.exist.artér.hypert.,kompl.grav.,pôr.a šeston.,b.n.

Kód	Popis	Kód	Popis
O11	Pred.exi.art.hypert.,kompl.grav.,pôr.a šest.,s nas.preek.	O29.4	Bolesť hlavy,po spinál.a epidurál.anest.v grav.
O12.0	Gestačné opuchy	O29.5	Iná komplikácia spinál.a epidurál.anestézie v grav.
O12.1	Gestačná proteinúria	O29.6	Neúspešná alebo sťažená intubácia v gravidite
O12.2	Gestačné opuchy s proteinúriou	O29.8	Iné komplikácie anestézie v gravidite
O13	Gestačná artér.hypert.bez významnej proteinúrie	O29.9	Komplikácia anestézie v gravidite,blížšie neurčená
O14.0	Mierna a stredne ťažká preeklampsia	O30.0	Gravidita s dvojčatami
O14.1	Ťažká preeklampsia	O30.1	Gravidita s trojčatami
O14.2	Syndróm HELLP	O30.2	Gravidita so štvorčatami
O14.9	Preeklampsia,blížšie neurčená	O30.8	Iná viacplodová gravidita
O15.0	Eklampsia v gravidite	O30.9	Viacplodová gravidita,blížšie neurčená
O15.1	Eklampsia pri pôrode	O31.0	Fetus papyraceus
O15.2	Eklampsia v šestonedelí	O31.1	Pokračujúca gravidita po potrate jedného/viac.plodov
O15.9	Eklampsia,časovo blížšie neurčená	O31.2	Pokračujúca gravidita po vnútromat.smrťi jedného/viac.plodov
O16	Arteriálna hypertenzia matky,blížšie neurčená	O31.8	Iná kompl.špecifická pre viacplodovú graviditu
O20.0	Hrozíaci potrat (abortus imminens)	O32.0	Starostlivosť o matku pre nestabilnú polohu plodu
O20.8	Iné krvácanie vočasnej gravidite	O32.1	Starostl.o matku pre naliehanie plodu panv.koncom
O20.9	Krvácanie vočasnej gravidite,blížšie neurčené	O32.2	Starostl.o matku pre priečna a šikmá polohu plodu
O21.0	Hyperemesis gravidarum mierneho stupňa	O32.3	Star.o mat.pre tvár.a čel.polohu plod.a pri nalieh.plod.brad.
O21.1	Hyperemesis gravidarum s poruchou vnút.prostredia	O32.4	Star.o matku pre veľká hlavička plodu v termíne
O21.2	Neskoré vracanie v gravidite	O32.5	Star.o mat.pre viacplod.grav.s nespr.nalieh.a nespr.poloh.plod
O21.8	Iné vracanie,komplikujúce graviditu	O32.6	Star.o matku pre súčasné nespráv.nalieh.a nespráv.poloh.plodu
O21.9	Vracanie počas gravidity,blížšie neurčené	O32.8	Star.o matku pre iné nespr.naliehanie/nespr.poloha plodu
O22.0	Variety dolných končatín v gravidite	O32.9	Star.o matku pre iné nepravid.naliehanie/nespr.polo.plodu,b.n.
O22.1	Variety pohlavných orgánov v gravidite	O33.0	Star.o mat.pre nepomer medzi plodom a panv.,zapr.def.panv.k.
O22.2	Povrchová tromboflebitída v gravidite	O33.1	Star.o mat.pre nepomer medzi plod.a panv.zapr.celk.zúž.panva
O22.3	Hĺbková flebotrombóza v gravidite	O33.2	Star.o mat.pre nepomer medzi plod.a panv.zapr.zúž.panv.vch.
O22.4	Hemoroidy v gravidite	O33.3	Star.o mat.pre nepomer medzi plod.a panv.zapr.zúž.panv.vých.
O22.5	Trombóza mozgových žíl v gravidite	O33.4	Star.o mat.pre nep.medzi plod.a panv.,zapr.rozl.pr.matka/plod
O22.8	Iné žilové choroby ako komplikácie v gravidite	O33.5	Star.o matku pre nepom.medzi plod.a panv.,zapr.vezvy.vel.plod.
O22.9	Žilová choroba ako komplikácia v gravidite,b.n.	O33.6	Star.o matku pre nepom.medzi plod.a panv.,zapr.hydrocefus pl.
O23.0	Infekcia obličiek v gravidite	O33.7	Star.o mat. pre nepom.medzi plod.a panv.,zapr.i.abnormal.pl.
O23.1	Infekcia močového mechúra v gravidite	O33.8	Star.o matku pre nepom.medzi plod.a panv.z i.príčin
O23.2	Infekcia močovej rúry v gravidite	O33.9	Star.o matku pre nepom.medzi plod.a panvou,b.n.
O23.3	Infekcia iných častí močovej sústavy v gravidite	O34.0	Starostlivosť o matku pre vrodenú chybu maternice
O23.4	Infekcia moč.sústavy v gravidite,b.n.	O34.1	Starostlivosť o matku pre nádor tela maternice
O23.5	Infekcia pohlavných orgánov v gravidite	O34.2	Star.o matku jazvu na maternici po predchádz.chir.výk.
O23.9	Iná a blíž.neu.infekcia močovopohl.org.v grav.	O34.30	Star.o matku pri dlž.kčka mater.p.10 mm/pri insuf.pot.vag.USG
O24.0	DM v gravidite predtým existuj.DM,typ 1	O34.31	Starostlivosť o matku pri prolapse plodového vaku
O24.1	DM v gravidite predtým existuj.DM,typ 2	O34.38	Star.o matku pri i.insuficiencii krčka maternice
O24.2	DM v gravidite predtým existuj.DM súvis.s podvýživou	O34.39	Star.o matku pri b.n.insuficiencii krčka maternice
O24.3	DM v gravidite predtým existuj.DM,b.n.	O34.4	Star.o matku pre iné abnor.krčka maternice
O24.4	Diabetes mellitus so vznikom v gravidite	O34.5	Star.o matku pre Iné abnor.gravidnej maternice
O24.9	Diabetes mellitus v gravidite,blížšie neurčený	O34.6	Starostlivosť o matku pre abnormalitu pošvy
O25	Podvýživa v gravidite	O34.7	Star.o matku pre abnor.vulvy a hrádze
O26.0	Nadmerný hmotnostný prírastok v gravidite	O34.8	Star.o matku pre i.abnormal.panv.org.
O26.1	Malý hmotnostný prírastok v gravidite	O34.9	Star.o matku pre abnormal.panv.org.,b.n.
O26.2	Starost.o gravidnú ženu pri habituálnom potrácení	O35.0	Star.o matku pre(susp.)výv.chybu CNS plodu
O26.3	Ponechané vnútromat.antikoncepčné teliesko v grav.	O35.1	Star.o matku pre(susp.)chromozómovú anomáliu plodu
O26.4	Herpes gestationis	O35.2	Star.o matku pre(susp.)dedičnú chorobu plodu
O26.5	Syndróm arteriovej hypotenzie matky	O35.3	Star.o matku pre(susp.)pošk.plodu vír.chor.matky
O26.6	Choroba pečene v gravidite,pri pôrode a v šestonedelí	O35.4	Star.o matku pre(susp.)pošk.plodu alkoholom
O26.7	Sublux.symphysis ossis pubis v grav.,pri pôrode a v šeston.	O35.5	Star.o matku pre(susp.)pošk.plodu liekom/drogou
O26.81	Choroba obličiek súvisiaca s graviditou	O35.6	Star.o matku pre(susp.)pošk.plodu žiarením
O26.82	Syndróm karpálneho tunela počas gravidity	O35.7	Star.o matku pre(susp.)pošk.plodu iným lekár.výkon.
O26.83	Periférna neuritída počas gravidity	O35.8	Star.o matku-inú (susp.)abn.a (susp.)pošk.plodu
O26.88	Iné stavy súvisiace s graviditou,blížšie určené	O35.9	Star.o matku pre(susp.)b.n.abn.a (susp.)pošk.plodu
O26.9	Stav súvisiaci s graviditou,blížšie neurčený	O36.0	Star.o matku pre izoimunizáciu v systéme Rh
O28.0	Abnorm.hematol.nález v prenatal.skríningu matky	O36.1	Starostlivosť o matku pre inú izoimunizáciu
O28.1	Abnorm.biochem.nález v prenatal.skríningu matky	O36.2	Starostlivosť o matku pre fetálny hydrops
O28.2	Abnorm.cytolog.nález v prenatal.skríningu matky	O36.3	Starostlivosť o matku pre príznaky hypoxie plodu
O28.3	Abnorm.UZV nález v prenatal.skríningu matky	O36.4	Star.o matku pre vnútromaternicovú smrť plodu
O28.4	Abnorm.rádiolog.nález v prenatal.skríningu matky	O36.5	Starostlivosť o matku pre zníženú hmotnosť plodu
O28.5	Abnorm.chromoz.a genetic.nález v prenatal.skríningu matky	O36.6	Starostlivosť o matku pre nadmernú hmotnosť plodu
O28.8	Iný abnormálny nález v prenatal.skríningu matky	O36.7	Starost.o matku pre abdom.grav.so živým plodu
O28.9	Abnorm.nález v prenatal.skríningu matky,b.n.	O36.8	Starost.o matku pre i.problémy plodu,b.u.
O29.0	Pľúcne komplikácie anestézie v gravidite	O36.9	Starost.o matku pre problémy plodu,b.n.
O29.1	Srdcové komplikácie anestézie v gravidite	O40	Polyhydramnion
O29.2	Komplikácie v CNS v spoj.s anestéziou v gravidite	O41.0	Oligohydramnion
O29.3	Toxická reakcia na lokálnu anestéziu v gravidite	O41.1	Infekcia plodového vaku a plodových obalov

Kód	Popis	Kód	Popis
O41.8	Iné poruchy plodovej vody a obalov, bližšie určené	O66.9	Nepokračujúci pôrod, bližšie neurčený
O41.9	Poruchy plodovej vody a obalov, bližšie neurčené	O67.0	Krvácanie pri pôrode s poruchou koagulácie
O42.0	Predčasné puknutie plod.obalov, zač.pôr.čin.do 24hod.	O67.8	Iné krvácanie pri pôrode
O42.11	Predčasné puknutie plod.obalov, zač.pôr.činn.po 1-7dňoch	O67.9	Krvácanie pri pôrode, bližšie neurčené
O42.12	Predčasné puknutie plod.obalov, zač.pôr.činn.po viac ako 7d.	O68.0	Kompl.pôrod.čin.a pôrodu pre abn.srd.frekv.plodu
O42.2	Predčasné puknutie plod.obalov, pôrododdialený liečbou	O68.1	Kompl.pôrod.čin.a pôrodu pre mekónium v plod.vode
O42.9	Predčasné pukn. plod.obalov, b.n.	O68.2	Kompl.pôrod.čin.a pôrodu pre abn.srdc.fr.plod.s mekón.v plod.v.
O43.0	Syndróm placentárnej transfúzie	O68.3	Kompl.pôrod.čin.a pôrodu pre biochem.dôkaz distresu plodu
O43.1	Malformácia placenty	O68.8	Kompl.pôrod.čin.a pôrodu pre iný dôkaz distresu plodu
O43.20	Placenta accreta	O68.9	Kompl.pôrod.čin.a pôrodu pre distres plodu, b.n.
O43.21	Placenta increta alebo placenta percreta	O69.0	Kompl.pôr.čin.a pôr.pre prolaps pupočin.
O43.8	Iná porucha placenty	O69.1	Kompl.pôr.čin.a pôr.pre ovin.pupočn.ok.krku, s kompr.krku
O43.9	Porucha placenty, bližšie neurčená	O69.2	Kompl.pôr.čin.a pôr.pre i.zapletenie pupočin., s kompr.
O44.00	Nízko uložená placenta bez krvácania	O69.3	Kompl.pôr.čin.a pôr.pre krátky pupočník
O44.01	Placenta praevia bez krvácania	O69.4	Kompl.pôr.čin.a pôr.pre vcestné cievy
O44.10	Nízko uložená placenta s prebiehajúcim krvácaním	O69.5	Kompl.pôr.čin.a pôr.pre pošk.ciev pupočin.
O44.11	Placenta praevia s prebiehajúcim krvácaním	O69.8	Kompl.pôr.čin.a pôr.pre i.por.pupočin.
O45.0	Predčasné odlupovanie placenty s poruchou koagulácie	O69.9	Kompl.pôr.č.a pôr.pre poruchu pupoč., b.n.
O45.8	Iné predčasné odlupovanie placenty	O70.0	Natrhnutie hrádze 1.stupňa pri pôrode
O45.9	Predčasné odlupovanie placenty, bližšie neurčené	O70.1	Natrhnutie hrádze 2.stupňa pri pôrode
O46.0	Krvácanie pred pôrodom s poruchou zrážanlivosti	O70.2	Natrhnutie hrádze 3.stupňa pri pôrode
O46.8	Iné krvácanie pred pôrodom	O70.3	Natrhnutie hrádze 4.stupňa pri pôrode
O46.9	Krvácanie pred pôrodom, bližšie neurčené	O70.9	Natrhnutie hrádze pri pôrode, bližšie neurčené
O47.0	Falošná pôr.činnosť pred ukonč. 37.týž.gravidity	O71.0	Ruptúra maternice pred začiatkom pôrodnej činnosti
O47.1	Falošná pôr.činnosť po ukonč. 37.týž.gravidity a neskôr	O71.1	Ruptúra maternice počas pôrodnej činnosti
O47.9	Falošná pôrodná činnosť, bližšie neurčená	O71.2	Inverzia maternice po pôrode
O48	Predĺžená gravidita	O71.3	Natrhnutie krčka maternice pri pôrode
O60.0	Predčasná pôrodná činnosť bez pôrodu	O71.4	Samostatná vysoká lacerácia pošvy pri pôrode
O60.1	Predčasná pôrodná činnosť s predčasným pôrodom	O71.5	Iné poranenie panvových orgánov pri pôrode
O60.2	Predčasná pôrodná činnosť s pôrodom v termíne	O71.6	Poškodenie panvových kĺbov a väzov pri pôrode
O60.3	Predčasný pôrod bez spontánnej pôrodnej činnosti	O71.7	Hematóm panvy pri pôrode
O61.0	Neúspešná lieková indukcia pôrodnej činnosti	O71.8	Iné poranenie pri pôrode, bližšie určené
O61.1	Neúspešná inštrumentálna indukcia pôrodnej činnosti	O71.9	Poranenie pri pôrode, bližšie neurčené
O61.8	Iná neúspešná indukcia pôrodnej činnosti	O72.0	Krvácanie v 3.pôrodnej dobe
O61.9	Neúspešná indukcia pôrod.činnosti, b.n.	O72.1	Iné krvácanie bezprostredne po pôrode
O62.0	Primárne slabá pôrodná činnosť	O72.2	Oneskorené a sekundárne krvácanie po pôrode
O62.1	Sekundárne slabá pôrodná činnosť	O72.3	Poruchy zrážanlivosti krvi po pôrode
O62.2	Iná slabá pôrodná činnosť	O73.0	Zadržanie placenty bez krvácania
O62.3	Náhly pôrod (partus praecipitatus)	O73.1	Zadržanie častí placenty a blán bez krvácania
O62.4	Hyperton., nekoord.a predĺžené kontrakcie maternice	O74.0	Aspiračná pneumónia zaprič.anestéziou počas pôr.č. a pôrodu
O62.8	Iná porucha pôrodnej činnosti	O74.1	Iné pľúcne kompl.anestézie počas pôrod.čin.a pôrodu
O62.9	Porucha pôrodnej činnosti, bližšie neurčená	O74.2	Srdcové kompl.anestézie počas pôrod.čin.a pôrodu
O63.0	Predĺžená prvá pôrodná doba	O74.3	Komplik.CNS s spojením s anestéziou počas pôrod.čin.
O63.1	Predĺžená druhá pôrodná doba	O74.4	Toxická reakcia na lokálnu anestéziu počas pôr.čin.a pôrodu
O63.2	Oneskorený pôrod druhého dvojčaťa, trojčaťa atď.	O74.5	Bolesť hlavy, zapr.spinál.a epidurál.anest. počas pôr.čin.a pôr.
O63.9	Predĺžený pôrod, bližšie neurčený	O74.6	Iné kompl.spinál.a epidurál.anestézie počas pôr.čin.a pôrodu
O64.0	Nepokračujúci pôrod, zaprič.neúplnou rotáciou hlavičky plodu	O74.7	Neúspešná/sťažená intubácia počas pôr.čin.a pôrodu
O64.1	Nepokračujúci pôrod, zaprič.polohou panvovým koncom	O74.8	Iné komplik.anestézie počas pôr.čin.a pôrodu
O64.2	Nepokračujúci pôrod, zaprič.tvárovou polohou	O74.9	Komplik.anestézie počas pôr.čin.a pôrodu, b.n.
O64.3	Nepokračujúci pôrod, zaprič.čelovou polohou	O75.0	Distres matky počas pôrodnej činnosti a pôrodu
O64.4	Nepokračujúci pôrod, zaprič.naliehaním plecka	O75.1	Šok počas pôrodnej činnosti, po nej a po pôrode
O64.5	Nepokračujúci pôrod, zaprič.komb.por.naliehania plodu	O75.2	Horúčka počas pôrodu, nezatriedená inde
O64.8	Nepokračujúci pôrod, zaprič.i.nespr.pol.a naliehaním plodu	O75.3	Iná infekcia počas pôrodnej činnosti
O64.9	Nepokračujúci pôrod, zaprič.nespr.pol.a naliehaním plodu, b.n.	O75.4	Iná komplikácia pôrodných operácií a výkonov
O65.0	Nepokračujúci pôrod, zaprič.deformovanou panvou	O75.5	Protrahovaný pôrod po umelom pretrhnutí plodových blán
O65.1	Nepokračujúci pôrod, zaprič.celkovo zúženou panvou	O75.6	Protrahovaný pôrod po spont./bliž.neurč.puknutí plod.blán
O65.2	Nepokračujúci pôrod, zaprič.zúžením panvového vchodu	O75.7	Vaginálny pôrod po predchádzajúcom cisárskom reze
O65.3	Nepokrač. pôr.zapr.zúž.panv.vých.a kontr.stred.časti.panv.dut.	O75.8	Iná komplikácie pôrod.činn.a pôrodu, b.u.
O65.4	Nepokračujúci pôrod, zaprič.nepom.medzi plod.a panv., b.n.	O75.9	Komplikácia pôrod.činn.a pôrodu, b.n.
O65.5	Nepokračujúci pôrod, zaprič.abn.panv.org.matky	O80.0	Spontánny pôrod jedného plodu záhlavím
O65.8	Nepokračujúci pôrod, zaprič.i.abn.panvy matky	O80.1	Spontánny pôrod jedného plodu panvovým koncom
O65.9	Nepokračujúci pôrod, zaprič.abnor.panvy matky, b.n.	O80.8	Iný spontánny pôrod jedného plodu
O66.0	Nepokračujúci pôrod, zaprič.dystokiou plecka plodu	O80.9	Spontánny pôrod jedného plodu, bližšie neurčený
O66.1	Komplikác.pôrodu, zaprič.zakliesnením dvojčiat	O81.0	Pôrod jedného plodu východovými kliešťami
O66.2	Nepokrač. pôrod, zaprič.nezvyčajne veľkým plodom	O81.1	Pôrod jedného plodu strednými kliešťami
O66.3	Nepokrač. pôrod, zaprič.inými.abnormalitami plodu	O81.2	Pôrod jedného plodu stred.kliešťami s rotáciou hlavičky
O66.4	Neúspešný pokus o pôrod, bližšie neurčený	O81.3	Iný pôrod jedného plodu kliešťami, bližšie neurčený
O66.5	Neúspeš.použ.vákuového extraktora/klieští, b.n.	O81.4	Pôrod jedného plodu vákuovým extraktorom
O66.8	Iný nepokračujúci pôrod, bližšie určený	O81.5	Pôrod jedného plodu s použ.kombi.klieští a vákuo.extrak.

Kód	Popis	Kód	Popis
O82.0	Pôrod jedného plodu elektívnym cisárskym rezom	O92.50	Zastavenie laktácie, bez ťažkostí pri priložení
O82.1	Pôrod jedného plodu naliehavým cisárskym rezom	O92.51	Zastavenie laktácie, s ťažkosťami pri priložení
O82.2	Pôrod jedného plodu cisárskym rezom s hysterektómiou	O92.60	Galaktorea, bez ťažkostí pri priložení
O82.8	Iný pôrod jedného plodu cisárskym rezom	O92.61	Galaktorea, s ťažkosťami pri priložení
O82.9	Pôrod cisárskym rezom, bližšie neurčený	O92.70	Iná a bliž. neurč. porucha laktácie, bez ťažk. pri priložení
O83.0	Extrakcia plodu pri polohe panvovým koncom	O92.71	Iná a bliž. neurč. porucha laktácie, s ťažk. pri priložení
O83.1	Iné vedenie pôrodu jedného plodu pri polohe panvo. koncom	O94	Následky kompl. gravidity, pôrodu a šestonedelia
O83.2	Iné operačné vedenie pôrodu jedného plodu	O95	Smrť v gravidite z bližšie neurčenej príčiny
O83.3	Pôrod živého plodu pri brušnej gravidite	O96.0	Smrť z priam. pôr. príč., kt. nast. po 42 d., ale m. ako 1. r. od pôr.
O83.4	Zmenšovacie operácie na uľahčenie pôrodu jedného plodu	O96.1	Smrť z nepriam. pôr. príč., kt. nast. po 42 d., -men. ako 1. r. od pôr.
O83.8	Iné vedenie pôrodu jedného plodu, bližšie určené	O96.9	Smrť z bliž. ne. pôr. príč., kt. nastala po 42 d., m. ako 1. r. od pôr.
O83.9	Vedenie pôrodu jedného plodu, bližšie neurčené	O97.0	Smrť z následkov priamej pôrodnickej príčiny
O84.0	Pôrody pri viacplodovej gravidite, všetky spontánne	O97.1	Smrť z následkov nepriamej pôrodnickej príčiny
O84.1	Pôrody pri viacplod. grav. všetky kliešť. a vákuumextrak.	O97.9	Smrť z následkov b. n. pôrod. príčiny
O84.2	Pôrody pri viacplod. grav. všetky cisárskym rezom	O98.0	TBC, kompl. graviditu, pôrod a šestonedelie
O84.8	Iné pôrody pri viacplodovej gravidite	O98.1	Syfilis, kompl. graviditu, pôrod a šestonedelie
O84.9	Pôrody pri viacplodovej gravidite, bližšie neurčené	O98.2	Kvapavka, kompl. graviditu, pôrod a šestonedelie
O85	Puerperálna sepsa	O98.3	Iná infcia s prevaž. pohl. spôs. pren., kompl. grav., pôr. a šesto.
O86.0	Infekcia pôrodnickej operačnej rany	O98.4	Vír. hepatitída, kompl. grav., pôrod a šeston.
O86.1	Iná infekcia pohlavných orgánov po pôrode	O98.5	Iná vírus. choroba, kompl. grav., pôrod a šeston.
O86.2	Infekcia močových orgánov po pôrode	O98.6	Prvoková choroba, kompl. grav. pôrod a šeston.
O86.3	Iná infekcia močovopohlavnej sústavy po pôrode	O98.7	Choroba HIV, kompl. graviditu, pôrod a šestonedelie
O86.4	Horúčka neznámeho pôvodu po pôrode	O98.8	Iná infekč. a parazit. chor. matky, kompl. grav. pôrod a šeston.
O86.8	Iná puerperálna infekcia, bližšie určená	O98.9	Infekč. a parazit. chor. matky, kompl. grav. pôrod a šeston. b. n.
O87.0	Povrchová tromboflebitída v šestonedelí	O99.0	Anémia, komplikujúca graviditu, pôrod a šestonedelie
O87.1	Hĺbková žilová trombóza (flebotrombóza) v šestonedelí	O99.1	Iné chor. krvi a krvotv., urč. por. imun., kompl. grav. pôr. šesto.
O87.2	Hemoroidy v šestonedelí	O99.2	Endokrin. nutričné a metabol. chor. kompl. grav. pôr. a šesto.
O87.3	Trombóza mozgových žíl v šestonedelí	O99.3	Duševná choroba a chor. nervov. súst. kompl. grav. pôr. a šesto.
O87.8	Iné žilové choroby ako komplikácie v šestonedelí	O99.4	Choroba obeh. súst. kompl. grav. pôrod a šeston.
O87.9	Žilová chor. ako komplikácia v šestonedelí, b. n.	O99.5	Choroba dých. súst. kompl. grav. pôrod a šeston.
O88.0	Vzduchová embólia v gestačnom období	O99.6	Choroba tráv. súst. kompl. grav. pôrod a šeston.
O88.1	Embólia plodovou vodou	O99.7	Choroba kože a podkož. tkan. kompl. grav. pôrod a šeston.
O88.20	Tromboembólia pľúc v gestačnom období	O99.8	Iné choroby a stavy komplikujúci grav. pôrod a šeston. b. u.
O88.28	Iná tromboembólia v gestačnom období	T83.3	Mechanická komplik. zaprič. vnútromat. antikoncepc. pomoc.
O88.3	Pyemická a septická embólia v gestačnom období	Z30.1	Zavedenie (vnútmater.) antikoncepc. teleska
O88.8	Iná embólia v gestačnom období	Z32.0	Gravidita, (ešte) nepotvrdená
O89.0	Pľúcne komplikácie anestézie v šestonedelí	Z32.1	Potvrdená gravidita
O89.1	Srdcové komplikácie anestézie v šestonedelí	Z34.0	Dohľad nad normálnou prvou graviditou
O89.2	Komplikácie CNS v spojení s anestéziou v šestonedelí	Z34.8	Dohľad nad inou normálnou graviditou
O89.3	Toxická reakcia na lokálnu anestéziu v šestonedelí	Z34.9	Dohľad nad normálnou graviditou, bližšie neurčenou
O89.4	Bolesť hlavy, zaprič. spinál. a epidurál. anest. v šeston.	Z35.0	Dohľad nad graviditou s anamnézou neplodnosti
O89.5	Iné kompl. spin. a epid. anestézie v šeston.	Z35.1	Dohľad nad graviditou s anamnézou potratu
O89.6	Neúspešná alebo sťažaná intubácia v šestonedelí	Z35.2	Dohľad nad gravid. s i. nepriaznivou pôr. anamnézou
O89.8	Iné komplikácie anestézie v šestonedelí	Z35.3	Dohľad nad gravid. s anamnézou nedost. prenatálnej star.
O89.9	Kompl. anestézie v šestonedelí, b. n.	Z35.4	Dohľad nad graviditou mnohorodičky
O90.0	Dehiscencia rany po cisárskom reze	Z35.5	Dohľad nad staršou prvorodičkou
O90.1	Dehiscencia pôrodnickej rany hrádze	Z35.6	Dohľad nad veľmi mladou prvorodičkou
O90.2	Hematóm pôrodnickej rany	Z35.7	Dohľad nad rizik. gravid. v dôsledku sociál. problem.
O90.3	Kardiomyopatia v šestonedelí	Z35.8	Dohľad nad inou rizikovou graviditou
O90.4	Akútne poškodenie obličiek po pôrode	Z35.9	Dohľad nad rizikovou graviditou, bližšie neurčenou
O90.5	Zápal štítnej žľazy po pôrode	Z36.0	Prenatálny skrining chromozómových anomálií
O90.8	Iná komplikácia šestonedelia, nezatriedená inde	Z36.1	Prenatál. skrin. na zvýšenú hodnotu alfafetoproteínu
O90.9	Komplikácia šestonedelia, bližšie neurčená	Z36.2	Iný prenatálny skrining, založený na amniocentéze
O91.00	Infekcie bradavky v súvis. s pôr. bez ťažk. pri priložení	Z36.3	Prenatál. skrin. malformácií UZV a i. fyzik. metódami
O91.01	Infekcie bradavky v súvis. s pôr. s ťažk. pri priložení	Z36.4	Prenatál. skrin. spomalenia rastu plodu UZV a i. fyzik. met.
O91.10	Abces prsníka v súvis. s pôr. bez ťažk. pri priložení	Z36.5	Prenatálny skrining izoimunizácie
O91.11	Abces prsníka v súvis. s pôr. s ťažk. pri priložení	Z36.8	Iný prenatálny skrining
O91.20	Nehnisová mastitída v súvis. s pôr. bez ťažk. pri priložení	Z36.9	Prenatálny skrining, bližšie neurčený
O91.21	Nehnisová mastitída v súvis. s pôr. s ťažk. pri priložení	Z37.0	Jedno dieťa, živonarodené
O92.00	Retrakcia bradavky v súvis. s pôr. bez ťažk. pri priložení	Z37.1	Jedno dieťa, mŕtvonarodené
O92.01	Retrakcia bradavky v súvis. s pôr. s ťažk. pri priložení	Z37.2	Dvojčatá, živonarodené
O92.10	Trhlínka bradavky v súvis. s pôr. bez ťažk. pri priložení	Z37.3	Dvojčatá, jedno živonarodené, jedno mŕtvonarodené
O92.11	Trhlínka bradavky v súvis. s pôr. s ťažk. pri priložení	Z37.4	Dvojčatá, mŕtvonarodené
O92.20	Iná a bliž. neurč. chor. prsní. v súvis. s pôr. bez ťažk. pri prilož.	Z37.5	Iný viacpočetný pôrod, všetky deti živonarodené
O92.21	Iná a bliž. neurč. chor. prsníka v súvis. s pôr. s ťažk. pri prilož.	Z37.6	Iný viacpočetný pôrod, niektoré deti živonarodené
O92.30	Agalakcia, bez ťažkostí pri priložení	Z37.7	Iný viacpočetný pôrod, všetky deti mŕtvonarodené
O92.31	Agalakcia, s ťažkosťami pri priložení	Z37.9	Výsledok pôrodu, bližšie neurčený
O92.40	Hypogalakcia, bez ťažkostí pri priložení	Z39.0	Starostlivosť a vyšetrenie matky ihneď po pôrode
O92.41	Hypogalakcia, s ťažkosťami pri priložení		

Kód	Popis	Kód	Popis
Z39.1	Starostlivosť a vyšetrenie matky počas laktácie	Z64.0	Problémy súvisiace s nechcenou graviditou
Z39.2	Ďalšie bežné sledovanie matky po pôrode		

D.4i Konflikt s vekom: Výkony v plodnom veku

Kód	Popis	Kód	Popis
5r111‡	Asistovaný pôrod pomocou inštrumentov	5r334.0↔	Parc.salpingektómia s rekonštr.:lpt.
5r112‡	Asist.pôrod koncom panv.s mauálnymi hmatmi	5r334.1↔	Parc.salpingektómia s rekonštr.:lsk.
5r113‡	Kombinov.pôrod pomocou inštrumentov a špec.úchytov	5r334.4↔	Parc.salpingektómia s rek.:vag.lsk.as.
5r114‡	Vedenie pôrodu koncom panv.pri viacplod.grav.	5r334.6↔	Parc.salpingektómia s rek.:konv.z vag.-otv.chir.
5r11x‡	Iný spont.a vag.OP pôrod pri polohe koncom panv.	5r334.7↔	Parc.salpingektómia s rek.:vag.
5r121‡	Pôrod pomocou východových klieští	5r334.x↔	Parc.salpingektómia s rekonštr.:iná
5r122‡	Pôrod pomocou stredových klieští	5r335.0↔	Totál.salpingektómia:lpt.
5r12x‡	Pôrod pomocou klieští:iný	5r335.1↔	Totál.salpingektómia:vag.lsk.as.
5r131‡	Ukonč.pôr.pri polohe KP manuál.extrakciu plodu	5r335.4↔	Totál.salpingektómia:lsk.
5r132‡	Ukončenie pôr.pri polohe KP inštrum.extrakciu pl.	5r335.6↔	Totál.salpingektómia:konv.z vag.-otv.chir.
5r133‡	Ukonč.pôr.pri polohe KP manuál.a inštrum.extrak.plodu	5r335.7↔	Totál.salpingektómia:vag.
5r13x‡	Ukončenie pôr.pri polohe KP inou extrakciu plodu	5r335.x↔	Totál.salpingektómia:ost.
5r141‡	Ukončenie pôr.vákuumextrakciu z panv.východu	5r336.0	Lokál.medikam.liečba pri tubárnej gravid:lpt.
5r142‡	Ukončenie pôr.vákuumextrakciu z panv.hlbiny	5r336.1	Lok.medikam.liečba pri tubár.gravid:vag.lsk.asist
5r14x‡	Ukončenie pôrodu vákuumextrakciu:ost.	5r336.4	Lok.medikam.liečba pri tuba.gravidite:lsk.
5r211‡	Vnúť.obrat plodu vnút.hmatmi bez extrakcie	5r336.6	Lok.medikam.liečba pri tuba.grav:konv.z vag.-otv.chir.
5r212‡	Kombinovaný obrat plodu bez extrakcie	5r336.7	Lokál.medikam.liečba pri tuba.gravid:vag.
5r213‡	Obrat plodu s extrakciu bez ďalších kompl.	5r336.x	Lok.medikam.liečba pri tubárnej grav:ost.
5r214‡	Obrat plodu s extrakciu kliešťami	5r339	Operácia extrauterinnej gravidity:ost.
5r215‡	Rotácia hlavičky pomocou klieští	5r341	Odstránenie extrauter.embrya:otv.chir.
5r216‡	Obrat plodu s extrakciu pri iných kompl.	5r342	Odstr.extrauterinneho embrya:lsk.
5r217‡	Obrat na druhom dvojčati	5r343	Odstr.extrauterinneho embrya kuldoskopiu
5r221‡	Neúspešný kliešťový pôrod	5r34x	Iné odstránenie extrauterinneho embrya
5r222‡	Neúspešná extrakcia vákuovou pumpou	5r411‡	Intrauterinná transfúzia plodu
5r223‡	Neúspešné vnútorné otočenie	5r412‡	Intrauterinná infúzia plodu
5r224‡	Neúspešné kombinované otočenie	5r413	Intrauterinná laserová terapia plodu
5r231‡	Embryotómia	5r414‡	Výmena plodovej vody
5r232‡	Deštrukcia plodu	5r415‡	Vysokofrekv.ablácia nádor.buniek a/alebo ciev placenty
5r233‡	Dekapitácia	5r416‡	Zavedenie shuntu u plodu intrauterinne
5r234‡	Iné zmenšovacie operácie na plode	5r417‡	Intrauterinná terapia plodu drenážou
5r235	Amniotómia	5r418‡	Medikament.intrauterinná terapia plodu
5r311.1	Primárny cisársky rez	5r421‡	Terap.amniocentéza s násl.amnioinfúziou
5r311.2	Sekundárny cisársky rez	5r422‡	Terapeutická amniocentéza s kordocentézou
5r312.1	Primárny Misgav-Ladach cisársky rez	5r423‡	Terapeutická amniocentéza za účelom fetocídy
5r312.2	Sekundárny Misgav-Ladach cisársky rez	5r491	Segment.resekcia polycystic.pľúc plodu
5r314	Cisársky rez extraperitoneálne	5r492	Intrauterinná OP plodu postihnutého VVCH
5r315.1	Primárny cisársky rez supracervikálny	5r493‡	Intraamniálna inj.apl.medikament.k ukonč.gravidity
5r315.2	Cisársky rez supracervikálny	5r911	Sutúra ruptúry alebo nástrihu hrádze
5r316.1	Primár.korporálny cisársky rez pozdĺžnou incíziou	5r912	Sutúra ruptúry alebo nástrihu krčka maternice
5r316.2	Sekundár.korporálny cisársky rez pozdĺžnou incíziou	5r913‡	Sutúra ruptúry alebo nástrihu pošvy
5r317.1	Primárny cisársky rez korporálny T-incíziou	5r914.1‡	Ošetrovanie ruptúry I.stupňa
5r317.2	Sekundárny SC korporálny T-incíziou	5r914.2‡	Ošetrovanie ruptúry II.stupňa
5r321.1	Primárny cisársky rez a sterilizácia	5r914.3‡	Ošetrovanie ruptúry III.stupňa
5r321.2	Sekundárny cisársky rez a sterilizácia	5r914.4‡	Ošetrovanie ruptúry IV.stupňa
5r322.1	Primárny cisársky rez s následnou HYE s adnexektómiou	5r921‡	Revízia dutiny maternice po pôrode
5r322.2	Sekundárny cisársky rez s násled.HYE s adnexektómiou	5r922‡	Revízia dutiny maternice po spontán.potraste
5r323.1	Primárny cisársky rez s následnou hysterektómiou	5r923‡	Manuálne vybavenie zadržanej placenty
5r323.2	Sekundárny cisársky rez s následnou hysterektómiou	5r924	Inštrumentálne vybavenie zadržanej placenty
5r331.0↔	Salpingotómia: otv.chir.	5r925‡	Iné vybavenie zadržanej placenty
5r331.1↔	Salpingotómia:vag.s lsk.asist.	5r931	Rekonštrukcia močového mechúra a utery
5r331.4↔	Salpingotómia:lsk.	5r932‡	Rekonštrukcia konečníka a análneho zvierača
5r331.6↔	Salpingotómia:konv.z vag.-otv.chir.	5r991	Kyretáž pre ukončenie tehotnosti
5r331.7↔	Salpingotómia:vag.	91110	Intenzív.oše.st.o rodičku pri prekotnom pôrode
5r331.x↔	Salpingotómia:ost.	91111	Intenz.oše.st.o rodičku-I.doba pôrod.pri fyziol.pôrode
5r332.0↔	Salpingotómia s rekonštr.:otv.chir.	91112	Intenz.oše.st.o rodičku-II.doba pôrod.pri fyz.pôrode
5r332.1↔	Salpingotómia s rekonštrukciou:lpt.	91113	Intenz.oše.st.o rodičku-III.doba pôrod.pri fyz.pôrode
5r332.4↔	Salpingotómia s rekonštrukciou:lsk.	91114	Apl.metód nefarmakol.tlmenia bolesti v I.dobe pôrodnej
5r332.6↔	Salpingotómia s rekonštr.:konv.z vag.-otv.chir.	91121	Uvoľnenie dolného pólu plodového vajca
5r332.7↔	Salpingotómia s rekonštrukciou:vag.	91127	Sledovanie a vedenie rizikového pôrodu
5r332.x↔	Salpingotómia s rekonštr.:ost.	91515	Transfer embrya
5r333.0↔	Parciálna salpingektómia:otv.chir.	91516	Zavedenie zmrazeného embrya
5r333.1↔	Parc.salpingektómia:vag.lsk.as.	91518	Inseminácia umelá cerviko-vaginálna
5r333.4↔	Parc.salpingektómia:lsk.	91519	Inseminácia umelá intrakavitálna alebo intratubárna
5r333.6↔	Parc.salpingektómia:konv.z vag.-otv.chir.	91520	V.asist.reprod.s odber.oocytov k in vitro fertili.b.pren.embryí
5r333.7↔	Parc.salpingektómia:vag.	91521	Výkon asist.reprodukcie komplexný cyklus s prenosom embryí
5r333.x↔	Parc.salpingektómia:ost.	91522‡	Asistovaná fertilizácia

D.4j Konflikt s vekom: Dospelý

Kód	Popis	Kód	Popis
A51.0	Primárny genitálny syfilis	G30.9	Alzheimerova choroba, bližšie neurčená
A51.1	Primárny análny syfilis	G31.0	Ohraničená atrofia mozgu
A51.2	Primárny syfilis na inom mieste	G31.1	Starecká degenerácia mozgu, nezatriedená inde
A51.3	Sekundárny syfilis kože a slizníc	G31.2	Degenerácia nervovej sústavy zapríčinená alkoholom
A51.4	Iná forma sekundárneho syfilisu	G31.81	Mitochondriová cytopatia
A51.5	Včasný syfilis, latentný	G31.82	Demencia s Lewyho telieskami
A51.9	Včasný syfilis, bližšie neurčený	G31.88	Iná degeneratívna choroba nervovej súst., bliž. urč.
A52.0	Kardiovaskulárny syfilis	G31.9	Degeneratívna choroba nervovej súst., bliž. neurč.
A52.1	Neurosyfilis, symptomatický	G32.0	Subak. kombinovaná degenerácia miechy pri chor. z. i.
A52.2	Neurosyfilis, asymptomatický	G32.8	Iná bliž. urč. degeneratívna chor. nervovej súst. pri chor. z. i.
A52.3	Neurosyfilis, bližšie neurčený	G35.0	Roztrúsená skleróza, prvá manifestácia
A52.7	Neskorý syfilis, symptomatický, iná forma	G35.10	SM s relaps-remitujúcim priebeh., bez prejav. relapsu/progr.
A52.8	Neskorý syfilis, latentný	G35.11	SM s relaps-remitujúcim priebeh., s prejav. relapsu/progr.
A52.9	Neskorý syfilis, bližšie neurčený	G35.20	SM s primár. progresívnym priebeh., bez prejav. relapsu/progr.
A53.0	Latentný syfilis, bliž. neurč. ako včasný/neskorý	G35.21	SM s primár. progresívnym priebeh., s prejav. relapsu/progr.
A53.9	Syfilis, bližšie neurčený	G35.30	SM so sekund. progresívnym priebeh., bez prejav. relapsu/progr.
A54.0	Gonok. inf. dol. časti moč.-pohl. súst. bez abs. uretr./preds. žliaz	G35.31	SM so sekund. progresívnym priebeh., s prejav. relapsu/progr.
A54.1	Gonok. inf. dol. časti moč.-pohl. súst. s abs. uretr. a preds. žliaz	G35.9	Roztrúsená skleróza, bližšie neurčená
A54.2	Gonok. pelveoperitonitída a iná gonokok. moč.-pohl. infekcia	I10.00	Benígna primárna artér. hypert. bez hypertenznej krízy
A54.3	Gonokoková infekcia oka	I10.01	Benígna primárna artér. hypert. s prej. hypertenznej krízy
A54.4	Gonokoková infekcia svalovo-kostrovej sústavy	I10.10	Maligna prim. artér. hypert. bez prej. hypert. krízy
A54.5	Gonokoková faryngitída	I10.11	Maligna prim. artér. hypert. s prej. hypert. krízy
A54.6	Gonokoková infekcia anusu a rekta	I10.90	Primárna artér. hypert. bliž. neu. bez prej. hypert. krízy
A54.8	Iná gonokoková infekcia	I10.91	Primárna artér. hypert. bliž. neu. s prej. hypert. krízy
A54.9	Gonokoková infekcia, bližšie neurčená	I11.00	Hyperten. chor. srdca s kong. srdc. zlyh. bez prej. hypert. kríz.
A55	Lymphogranuloma venereum (chlamýdiový)	I11.01	Hyperten. chor. srdca s kong. srdc. zlyh. s hypert. kríz.
A56.0	Chlamýdiová infekcia dolných častí moč.-pohlav. súst.	I11.90	Hyperten. chor. srdca bez kongest. srdc. zlyh. bez hypert. kríz.
A56.1	Chlamýdiová infekcia panvovej pobrušnice a moč.-pohlav. org.	I11.91	Hyperten. chor. srdca bez kongest. srdc. zlyh. s hypert. kríz.
A56.2	Chlamýdiová infekcia moč.-pohlav. súst., bliž. neurč.	I13.00	Hypert. chor. srd. a oblič. s kong. srdc. zlyh., b. hyper. kríz.
A56.3	Chlamýdiová infekcia anusu a rekta	I13.01	Hypert. chor. srd. a oblič. s kong. srdc. zlyh., s hyper. kríz.
A56.4	Chlamýdiová infekcia faryngu	I13.10	Hypert. chor. srd. a oblič. s oblič. zlyh., bez hypert. kríz.
A56.8	Pohlavne prenosná chlamýdiová infekcia na iných miestach	I13.11	Hypert. chor. srd. a oblič. s oblič. zlyh., s hypert. kríz.
A57	Mäkký vred [ulcus molle]	I13.20	Hypert. chor. srdca a oblič. s kong. srdc. a obl. zlyh. bez hyp. kríz.
A58	Granuloma venereum (inguinale)	I13.21	Hypert. chor. srdca a oblič. s kong. srdc. a obl. zlyh. s hyp. kríz.
A59.0	Urogenitálna trichomonóza	I13.90	Hypertenzná chor. srdca a oblič. bez prej. hypert. krízy, b. n.
A59.8	Trichomonóza na iných miestach	I13.91	Hypertenzná chor. srdca a oblič. bliž. neu. s prej. hypert. rízy
A59.9	Trichomonóza, bližšie neurčená	I15.20	Sekundár. artér. hypert., zapr. endokr. chor. bez hypert. kríz.
A60.0	Infekcia genitálií a moč.-pohlav. súst. herpetickým vírusom	I15.21	Sekundár. artér. hypert., zapr. endokr. chor. s hypert. kríz.
A60.1	Infekcia perianálnej kože a rekta, zapríč. herpetickým vírusom	I15.80	Iná sekundárna artér. hypert. bez prej. hypert. krízy
A60.9	Anogenitálna infekcia zapríč. herpetickým vírusom, bliž. neurč.	I15.81	Iná sekundárna artér. hypert. s prej. hypert. krízy
A63.0	Anogenitálne (venerické) bradavice	I15.90	Sekundárna artér. hypert. bliž. neu. bez prej. hypert. krízy
A63.8	Iná prevažne pohlavne prenosná choroba, bliž. urč.	I15.91	Sekundárna artér. hypert. bliž. neu. s prej. hypert. krízy
A64	Pohlavne prenosná choroba, bližšie neurčená	I20.0	Nestabilná angina pectoris
B91	Následky poliomyelitídy	I20.1	Angina pectoris s dokázaným kľčom vencovitých tepien
F01.0	Vaskulárna demencia s akútnym začiatkom	I20.8	Iná forma angina pectoris
F01.1	Mnohoinfarktová demencia	I20.9	Angina pectoris, bližšie neurčená
F01.2	Subkortikálna vaskulárna demencia	I21.0	Akútny transmuralný infarkt myokardu prednej steny
F01.3	Zmiešaná kortikálna a subkortikálna vaskul. demencia	I21.1	Akútny transmuralný infarkt myokardu spodnej steny
F01.8	Iná vaskulárna demencia	I21.2	Akútny transmuralný IM na i. miestach
F01.9	Vaskulárna demencia, bližšie neurčená	I21.3	Akútny transmuralný IM bez bliž. urč. miesta
F03	Demencia, bližšie neurčená	I21.4	Akútny subendokardiálny infarkt myokardu
G12.2	Choroba motorického neurónu	I21.9	Akútny infarkt myokardu, bližšie neurčený
G14	Postpoliomyelitický syndróm	I22.0	Ďalší infarkt myokardu prednej steny
G20.00	Parkinson. chor. bez obm./s min. obm., bez mot. fluktuácie	I22.1	Ďalší infarkt myokardu spodnej steny
G20.01	Parkinson. chor. bez obm./s min. obm., s mot. fluktuáciou	I22.8	Ďalší infarkt myokardu na inom mieste
G20.10	Parkinson. chor. s mier. až str. ťaž. obm., b. mot. fluktuácie	I22.9	Ďalší infarkt myokardu bez bližšieho určenia miesta
G20.11	Parkinson. chor. s mier. až str. ťaž. pbm., s mot. fluktuáciou	I23.0	Hemoperikard ako akútna komplikácia po akútnom IM
G20.20	Parkinson. chor. s veľmi ťaž. obm., bez mot. fluktuácie	I23.1	Defekt predsieň. septa ako akútna komplikácia po akútnom IM
G20.21	Parkinson. chor. s veľmi ťaž. obm., s motoric. fluktuáciou	I23.2	Defekt komorovej priehradky ako akútna komplikácia po akút. IM
G20.90	Parkinson. chor. bliž. neu., bez motoric. fluktuácie	I23.3	Ruptúra srdc. steny bez hemoperik. ako akútna kompl. po akút. IM
G20.91	Parkinson. chor. bliž. neu., s motoric. fluktuáciou	I23.4	Ruptúra chordae tendineae ako akútna kompl. po akút. IM
G25.80	Periodické pohyby nôh v spánku	I23.5	Ruptúra papilárneho svalu ako akútna kompl. po akút. IM
G25.81	Syndróm nepokojných nôh	I23.6	Trombóza predsieň. preds. uška a komory ako ak. kompl. po ak. IM
G25.88	Iná extrapyramídová porucha a por. hybnosti, bliž. urč.	I23.8	Iná akútna komplikácia po akútnom infarkte myokardu
G25.9	Extrapyramídová porucha a por. hybnosti, bliž. neurč.	I24.0	Koronárna trombóza, ktorá nevedla k IM
G26	Extrapyramídové porucha a por. hybnosti pri chor. zatried. inde	I24.8	Iná forma akútnej ischemickej choroby srdca
G30.8	Iná Alzheimerova choroba (F00.2*)		

Kód	Popis	Kód	Popis
I24.9	Akútna ischemická choroba srdca, bližšie neurčená	J80	Syndróm respiračnej tiesne [ARDS]
I25.0	Aterosklerotická srdcovocievna choroba, takto označená	J84.0	Alveolové a parietoalveolové stavy
I25.10	Aterosklerotická chor. srdca, bez hemodynam. závažných stenóz	J84.1	Iná choroba interstícia pľúc s fibrózou
I25.11	Aterosklerotická chor. srdca, jednocievne postihnutie	J84.8	Iná choroba interstícia pľúc, bližšie určená
I25.12	Aterosklerotická chor. srdca, dvojcievne postihnutie	J84.9	Choroba interstícia pľúc, bližšie neurčená
I25.13	Aterosklerotická chor. srdca, trojcievne postihnutie	K25.0	Vred žalúdka, akútny s krvácaním
I25.14	Aterosklerotická chor. srdca, stenóza ľavého hlavného kmeňa	K25.1	Vred žalúdka, akútny s perforáciou
I25.15	Aterosklerotická choroba srdca so stenózou bajpasu	K25.2	Vred žalúdka, akútny s krvácaním a perforáciou
I25.16	Aterosklerotická choroba srdca so stenózou stentu	K25.3	Vred žalúdka, akútny bez krvácania alebo perforácie
I25.19	Aterosklerotická choroba srdca, bližšie neurčená	K25.4	Vred žalúdka, chron./bliž. neurč. s krvácaním
I25.20	Starý infarkt myokardu, od 29 dní až po 4 mesiace	K25.5	Vred žalúdka, chron./bliž. neurč. s perforáciou
I25.21	Starý infarkt myokardu, od 4 mesiacov až po 1 rok	K25.6	Vred žalúdka, chron./bliž. neurč. s krvác. a perfor.
I25.22	Starý infarkt myokardu, od 1 roka vyššie	K25.7	Vred žalúdka, chron. bez krvácania/perforácie
I25.29	Starý infarkt myokardu, bližšie neurčený	K25.9	Vred žalúdka, bliž. neurč. ako akút./chron. bez krvác./perfor.
I25.3	Aneurizma (steny) srdca	K26.0	Vred dvanástnika, akútny s krvácaním
I25.4	Aneurizma vencovitej tepny	K26.1	Vred dvanástnika, akútny s perforáciou
I25.5	Ischemická kardiomyopatia	K26.2	Vred dvanástnika, akútny s krvácaním a perforáciou
I25.6	Nebolestivá (tichá) ischemia myokardu	K26.3	Vred dvanástnika, akútny bez krvácania alebo perforácie
I25.8	Iná forma chronickej ischemickej choroby srdca	K26.4	Vred dvanástnika, chron./bliž. neurč. s krvácaním
I25.9	Chronická ischemická choroba srdca, b.n.	K26.5	Vred dvanástnika, chron./bliž. neurč. s perforáciou
I70.0	Ateroskleróza aorty	K26.6	Vred dvanástnika, chron./bliž. neurč. s krvác. a perfor.
I70.1	Ateroskleróza obojčkovitej tepny	K26.7	Vred dvanástnika, chron. bez krvác./perfor.
I70.20	Ateroskleróza i. a bliž. neu. končat. tepien	K26.9	Vred dvanástnika, bliž. neurč. ako akút./chron. bez krvác./perfor.
I70.21	Ateroskle. končat. tep. s postih. panvy a DK, s isch. bolesť. po záf.	K27.0	Peptický vred bez bliž. urč. miesta, akút. s krvácaním
I70.22	Ateroskleróza končat. tep. s postih. panvy a DK, s bolesť. v pokoji	K27.1	Peptický vred bez bliž. urč. miesta, akút. s perforáciou
I70.23	Ateroskleróza končat. tep. s postih. panvy a DK, s ulceráciami	K27.2	Peptický vred bez bliž. urč. miesta, akút. s krvác. a perfor.
I70.24	Ateroskleróza končat. tep. s postih. panvy a DK, s gangrén.	K27.3	Peptický vred bez bliž. urč. miesta, akút. bez krvác./perfor.
I70.25	Ateroskleróza končat. tep. s postih. pleca a HK, všetky štádiá	K27.4	Peptický vred bez bliž. urč. m., chron./bli. neu. s krvác. a perfor.
I70.8	Ateroskleróza iných tepien	K27.5	Peptický vred bez bliž. urč. miesta, chron./bliž. neurč. s perfor.
I70.9	Generalizovaná a bližšie neurčená ateroskleróza	K27.6	Peptický vred bez bliž. urč. m., chron./bli. neu. s krvác. a perfor.
I83.0	Varixy dolných končatín s vredom	K27.7	Peptický vred bez bliž. urč. miesta, chron. bez krvác./perfor.
I83.1	Varixy dolných končatín so zápalom	K27.9	Pept. vred bez bliž. urč. m. b. n. ako akút./chro., bez krvác./perf.
I83.2	Varixy dolných končatín s vredom a zápalom	K28.0	Peptický vred jejuná, akútny s krvácaním
I83.9	Varixy dolných končatín bez vredu alebo zápalu	K28.1	Peptický vred jejuná, akútny s perforáciou
I97.2	Postmastektomický lymfedém	K28.2	Peptický vred jejuná, akútny s krvácaním a perforáciou
I98.2	Varixy pažeráka a žalúdka pri chorobách zatried. i. bez krvác.	K28.3	Peptický vred jejuná, akútny bez krvácania/perforácie
I98.3	Varixy pažeráka a žalúdka pri chorobách zatried. i. s krvác.	K28.4	Peptický vred jejuná, chron./bliž. neurč. s krvácaním
J44.90	CHOCHP, bliž. neurč. FEV1 < 35 % prís. hodnoty	K28.5	Peptický vred jejuná, chron./bliž. neurč. s perforáciou
J44.91	CHOCHP, bliž. neurč. FEV1 >= 35 % a < 50 % prís. hodn.	K28.6	Peptický vred jejuná, chron./bliž. neurč. s krvác. a perfor.
J44.92	CHOCHP, bliž. neurč. FEV1 >= 50 % a < 70 % prís. hodn.	K28.7	Peptický vred jejuná, chron. bez krvác./perfor.
J44.93	CHOCHP, bliž. neurč. FEV1 >= 70 % príslušnej hodnoty	K28.9	Pept. vred jejuná, bliž. neu. ako akút./chron., bez krvác./perfor.
J44.99	CHOCHP, bliž. neurč., hodnota FEV1 bliž. neurč.	K64.0	Hemoroidy 1. stupňa
J60	Pneumokonióza baníkov uhoľných baní	K64.1	Hemoroidy 2. stupňa
J61	Pneumokonióza zapr. azbestom a i. anorg. vláknami	K64.2	Hemoroidy 3. stupňa
J62.0	Pneumokonióza zapríčinená prachom mastenca (talkom)	K64.3	Hemoroidy 4. stupňa
J62.8	Pneumokonióza zapríč. i. prachom obsahujúcim kremeň	K64.4	Reziduálne hemoroidálne kožné protuberancie
J63.0	Aluminóza (pľúc)	K64.5	Perianálna žilová trombóza
J63.1	Bauxitová fibróza (pľúc)	K64.8	Iné hemoroidy, bližšie určené
J63.2	Berylióza	K64.9	Hemoroidy, bližšie neurčené
J63.3	Grafitová fibróza (pľúc)	K70.0	Alkoholová tuková choroba pečene
J63.4	Sideróza	K70.1	Alkoholová hepatitída
J63.5	Stanóza	K70.2	Alkoholová fibróza a skleróza pečene
J63.8	Pneumokonióza zapríč. i. bliž. urč. anorganickými prachmi	K70.3	Alkoholová cirhóza pečene
J64	Pneumokonióza, bližšie neurčená	K70.4	Alkoholové zlyhávanie pečene
J65	Pneumokonióza združená s tuberkulózou	K70.9	Alkoholová choroba pečene, bližšie neurčená
J66.0	Bysinóza	K80.00	Kameň žlčníka s akút. cholecystitídou, bez prej. obštr. žlč. ciest
J66.1	Choroba spracovateľov ľanu	K80.01	Kameň žlčníka s akút. cholecystitídou, s obštr. žlč. ciest
J66.2	Kanabinóza	K80.10	Kameň žlčníka s i. cholecystitídou, bez prej. obštr. žlč. ciest
J66.8	Choroba dých. ciest, zapríč. i. bliž. urč. organickým prachom	K80.11	Kameň žlčníka s i. cholecystitídou, s obštr. žlč. ciest
J67.0	Farmárske pľúca	K80.20	Kameň žlčníka bez cholecystitídou, bez prej. obštr. žlč. ciest
J67.1	Bagasóza	K80.21	Kameň žlčníka bez cholecystitídou, s obštr. žlč. ciest
J67.2	Pľúcna choroba chovateľov vtákov	K80.30	Kameň žlč. výv. s cholecystitídou, bez prej. obštr. žlč. ciest
J67.3	Suberóza	K80.31	Kameň žlč. výv. s cholecystitídou, s obštr. žlč. ciest
J67.4	Sladovnícke pľúca	K80.40	Kameň žlč. výv. s cholecystitídou, bez prej. obštr. žlč. ciest
J67.5	Pľúcna choroba pestovateľov húb	K80.41	Kameň žlč. výv. s cholecystitídou, s obštr. žlč. ciest
J67.6	Pľúcna choroba lípačov javorovej kôry	K80.50	Kameň žlč. výv. bez chol. /cholecyst. bez prej. obštr. žlč. ciest
J67.7	Pľúcna choroba zapríč. ventilačnými a zvlhčovacími zariadeniami	K80.51	Kameň žlč. výv. bez chol. /cholecyst. s obš. žlč. ciest
J67.8	Alergická alveolitída zapríč. i. organickým prachom	K80.80	Iná cholelitiáza, bez prejavov obštr. žlč. ciest
J67.9	Alergická alveolitída zapríč. bliž. neurč. organickým prachom	K80.81	Iná cholelitiáza, s obštr. žlč. ciest

Kód	Popis	Kód	Popis
K81.0	Akútna cholecystitída	M05.29	Reumat.artritída s vaskulitídou,miesto bliž.neurč.
K81.1	Chronická cholecystitída	M05.30	Reumatoidná artritída s postih.i.org.a súst.,na viac.miest.
K81.8	Iná cholecystitída	M05.31	Reumatoidná artritída s postih.i.org.a súst.,v obl.pleca
K81.9	Cholecystitída,bližšie neurčená	M05.32	Reumatoidná artritída s postih.i.org.a súst.,v obl.nadlaktia
K82.0	Obštrukcia žlčníka	M05.33	Reumatoidná artritída s postih.i.org.a súst.,v obl.predlak.
K82.1	Hydrops žlčníka	M05.34	Reumatoidná artritída s postih.i.org.a súst.,v obl.ruky
K82.2	Perforácia žlčníka	M05.35	Reumat.artritída s postih.i.org.a súst.,v obl.panv.a steh.
K82.3	Fistula žlčníka	M05.36	Reumatoidná artritída s postih.i.org.a súst.,v obl.predkol.
K82.4	Cholesterolóza žlčníka	M05.37	Reumatoidná artritída s postih.i.org.a súst.,v obl.čl.a nohy
K82.8	Iná choroba žlčníka,bližšie určená	M05.38	Reumatoidná artritída s postih.i.org.a súst.,na i.mieste
K82.9	Choroba žlčníka,bližšie neurčená	M05.39	Reumatoidná artritída s postih.i.org.a súst.,miesto b.n.
K83.0	Zápal žlčových ciest	M05.80	Iná séropozitívna reumatoid.artritída na viac.m.
K83.1	Obštrukcia žlčových ciest	M05.81	Iná séropozitívna reumatoid.artritída v obl.pleca
K83.2	Perforácia žlčových ciest	M05.82	Iná séropozitívna reumatoid.artritída v obl.nadlaktia
K83.3	Fistula žlčových ciest	M05.83	Iná séropozitívna reumatoid.artritída v obl.predlak.
K83.4	Spazmus Oddiho zvierača	M05.84	Iná séropozitívna reumatoid.artritída v obl.ruky
K83.5	Žlčová cysta	M05.85	Iná séropozitívna reumatoid.artritída v obl.panv.o.a stehna
K83.8	Iná choroba žlčových ciest,bližšie určená	M05.86	Iná séropozitívna reumatoid.artritída v obl.predkol.
K83.9	Choroba žlčových ciest,bližšie neurčená	M05.87	Iná séropozitívna reumatoid.artritída v obl.čl.a nohy
K85.00	Idiopatická akútna pankreatitída,bez org.kompl.	M05.88	Iná séropozitívna reumatoid.artritída na i.mieste
K85.01	Idiopatická akútna pankreatitída,s org.kompl.	M05.89	Iná séropozitívna reumatoid.artritída miesto b.n.
K85.10	Akútna biliárna pankreatitída,bez org.kompl.	M05.90	Séropoz.reumatoid.artritída,bliž.neurč.na viac.m.
K85.11	Akútna biliárna pankreatitída,s org.kompl.	M05.91	Séropoz.reumatoid.artritída,bliž.neurč.v obl.pleca
K85.20	Akút.pankreatitída zapr.alkoholom,bez org.kompl.	M05.92	Séropoz.reumatoid.artritída,bliž.neurč.v obl.nadlaktia
K85.21	Akút.pankreatitída zapr.alkoholom,s org.kompl.	M05.93	Séropoz.reumatoid.artritída,bliž.neurč.v obl.predlak.
K85.30	Akútna pankreatitída zaprič.liekom,bez org.kompl.	M05.94	Séropoz.reumatoid.artritída,bliž.neurč.v obl.ruky
K85.31	Akútna pankreatitída zaprič.liekom,s org.kompl.	M05.95	Séropoz.reumatoid.artritída,bliž.neurč.v obl.panv.a stehna
K85.80	Iná akútna pankreatitída,bez orgánovej komplikácie	M05.96	Séropoz.reumatoid.artritída,bliž.neurč.v obl.predkol.
K85.81	Iná akútna pankreatitída,s orgánovou komplikáciou	M05.97	Séropoz.reumatoid.artritída,bliž.neurč.v obl.čl.a nohy
K85.90	Akútna pankreatitída,bliž.neurč.bez org.kompl.	M05.98	Séropoz.reumatoid.artritída,bliž.neurč.na i.mieste,b.n.
K85.91	Akútna pankreatitída,bliž.neurč.s org.kompl.	M05.99	Séropoz.reumatoid.artritída,bliž.neurč.,miesto bliž.neurč.
K86.0	Chronická pankreatitída zapríčinená alkoholom	M06.00	Séronegat.reumatoid.artritída,na viac.m.
K86.1	Iná chronická pankreatitída	M06.01	Séronegat.reumatoid.artritída,v obl.pleca
K86.2	Cysta pankreasu	M06.02	Séronegat.reumatoid.artritída,v obl.nadlaktia
K86.3	Pseudocysta pankreasu	M06.03	Séronegat.reumatoid.artritída,v obl.predlak.
K86.8	Iná choroba podžalúdkovej žľazy,bližšie určená	M06.04	Séronegat.reumatoid.artritída,v obl.ruky
K86.9	Choroba podžalúdkovej žľazy,bližšie neurčená	M06.05	Séronegat.reumatoid.artritída,v obl.panv.a stehna
K87.0	Choroba žlčníka a žlč.ciest pri chor.z.i.	M06.06	Séronegat.reumatoid.artritída,v obl.predkol.
K87.1	Choroby pankreasu pri chorobách zatriedených inde	M06.07	Séronegat.reumatoid.artritída,v obl.čl.a nohy
K91.5	Postcholecystektomický syndróm	M06.08	Séronegat.reumatoid.artritída,na i.mieste
M02.30	Reiterova choroba na viacerých miestach	M06.09	Séronegat.reumatoid.artritída,miesto b.n.
M02.31	Reiterova choroba v obl.pleca	M06.10	Stillova chor.dospelých s postih.kĺbov na viac.miestach
M02.32	Reiterova choroba v obl.nadlaktia	M06.11	Stillova chor.dospelých s postih.kĺbov v pleca
M02.33	Reiterova choroba v obl.predlak.	M06.12	Stillova chor.dospelých s postih.kĺbov nadlaktia
M02.34	Reiterova choroba v obl.ruky	M06.13	Stillova chor.dospelých s postih.kĺbov predlak.
M02.35	Reiterova choroba v obl.panv.a stehna	M06.14	Stillova chor.dospelých s postih.kĺbov ruky
M02.36	Reiterova choroba v obl.predkol.	M06.15	Stillova chor.dospelých s postih.Kĺbov panvy a stehna
M02.37	Reiterova choroba v obl.čl.a nohy	M06.16	Stillova chor.dospelých s postih.kĺbov predkol.
M02.38	Reiterova choroba na i.mieste	M06.17	Stillova chor.dospelých s postih.kĺbov čl.a nohy
M02.39	Reiterova choroba,miesto bliž.neurč.	M06.18	Stillova chor.dospelých s postih.kĺbov na i.mieste
M05.10	Séropoz.reumat.artritída s pľúc.prej.,na viac.m.	M06.19	Stillova chor.dospelých s postih.kĺbov na n.mieste
M05.11	Séropoz.reumat.artritída s pľúc.prej.,v obl.pleca	M06.80	Iná reumatoid.artritída,bliž.urč.na viac.m.
M05.12	Séropoz.reumat.artritída s pľúc.prej.,v obl.nadlaktia	M06.81	Iná reumatoid.artritída,bliž.urč.v obl.pleca
M05.13	Séropoz.reumat.artritída s pľúc.prej.,v obl.predlak.	M06.82	Iná reumatoid.artritída,bliž.urč.v obl.nadlaktia
M05.14	Séropoz.reumat.artritída s pľúc.prej.,v obl.ruky	M06.83	Iná reumatoid.artritída,bliž.urč.v obl.predlak.
M05.15	Séropoz.reumat.artritída s pľúc.prej.,v obl.panv.a steh.	M06.84	Iná reumatoid.artritída,bliž.urč.v obl.ruky
M05.16	Séropoz.reumat.artritída s pľúc.prej.,v obl.predkol.	M06.85	Iná reumatoid.artritída,bliž.urč.v obl.panv.a stehna
M05.17	Séropoz.reumat.artritída s pľúc.prej.,v obl.čl.a nohy	M06.86	Iná reumatoid.artritída,bliž.urč.v obl. predkol.,
M05.18	Séropoz.reumat.artritída s pľúc.prej.,v obl.na i.mieste	M06.87	Iná reumatoid.artritída,bliž.urč.v obl.čl.a nohy
M05.19	Séropoz.reumat.artritída s pľúc.prej.,miesto b.n.	M06.88	Iná reumatoid.artritída,bliž.urč.v obl.na i.mieste
M05.20	Reumat.artritída s vaskulitídou,na viac.m.	M06.89	Iná reumatoid.artritída,bliž.urč.,miesto bliž.neurč.
M05.21	Reumat.artritída s vaskulitídou,v obl.pleca	M06.90	Reumatoid.artritída,bliž.neurč.na viac.m.
M05.22	Reumat.artritída s vaskulitídou,v obl.nadlaktia	M06.91	Reumatoid.artritída,bliž.neurč.v obl.pleca
M05.23	Reumat.artritída s vaskulitídou,v obl.predlak.	M06.92	Reumatoid.artritída,bliž.neurč.v obl.nadlaktia
M05.24	Reumat.artritída s vaskulitídou,v obl.ruky	M06.93	Reumatoid.artritída,bliž.neurč.v obl. predlak.
M05.25	Reumat.artritída s vaskulitídou,v obl.panv.a stehna	M06.94	Reumatoid.artritída,bliž.neurč.v obl.ruky
M05.26	Reumat.artritída s vaskulitídou,v obl.predkol.	M06.95	Reumatoid.artritída,bliž.neurč.panv.obl.a stehna
M05.27	Reumat.artritída s vaskulitídou,v obl.čl.a nohy	M06.96	Reumatoid.artritída,bliž.neurč. v obl.predkol.
M05.28	Reumat.artritída s vaskulitídou,na i.mieste	M06.97	Reumatoid.artritída,bliž.neurč.v obl.čl.a nohy

Kód	Popis	Kód	Popis
M06.98	Reumatoid.artritída,blíž.neurč.na i.mieste	M15.1	Heberdenove uzly (s artropatiou)
M06.99	Reumatoid.artritída,blíž.neurč.,miesto blíž.neurč.	M15.2	Bouchardove uzly (s artropatiou)
M07.00	Distálna psoriatická artritída na viac.miestach	M15.3	Sekundárna mnohopočetná artróza
M07.04	Distálna psoriatická artritída ruky	M15.4	Erozívna (osteo-)artróza
M07.07	Distálna psoriatická artritída čl.a nohy	M15.8	Iná polyartróza
M07.09	Distálna psoriatická artritída na n.mieste	M15.9	Polyartróza,blížšie neurčená
M07.10	Arthritis mutilans, na viacerých miestach (L40.5†)	M30.0	Polyarteriitis nodosa
M07.11	Arthritis mutilans v obl.pleca	M31.5	Obrovskobunková artritída s polymyalgia rheumatica
M07.12	Arthritis mutilans v obl.nadlaktia	M31.7	Mikroskopická polyangiitída
M07.13	Arthritis mutilans v obl. predlak.	M33.1	Iná dermatomyozitída
M07.14	Arthritis mutilans v obl.ruky	M35.3	Polymyalgia rheumatica
M07.15	Arthritis mutilans panv.obl.a stehna	M42.10	Osteochondróza chrbtice v dospelosti na v.miest.
M07.16	Arthritis mutilans v obl.predkol.	M42.11	Osteochondróza chrbt.v dosp.v okcip.-atlanto.-axiál.obl.
M07.17	Arthritis mutilans v obl.čl.a nohy	M42.12	Osteochondróza chrbtice v dospelosti v krčnej obl.
M07.18	Arthritis mutilans na i.mieste	M42.13	Osteochondróza chrbtice v dospel.v krčnohrudník.obl.
M07.19	Arthritis mutilans na n.mieste	M42.14	Osteochondróza chrbtice v dospel.v hrudník.obl.
M07.2	Psoriatická spondylitída (L40.5†)	M42.15	Osteochondróza chrbtice v dospel.v hrudník-driek.obl.
M07.30	Iná psoriatická artritída na viac.m.	M42.16	Osteochondróza chrbtice v dospel.v driekovej obl.
M07.31	Iná psoriatická artritídav obl.pleca	M42.17	Osteochondróza chrbtice v dospel.v driekovokríž.obl.
M07.32	Iná psoriatická artritídav obl.nadlaktia	M42.18	Osteochondróza chrbtice v dospel.v kríž.a krížovokostř.obl.
M07.33	Iná psoriatická artritídav obl.predlak.	M42.19	Osteochondróza chrbt.ice v dospel.:oblasť blíž.neurč.
M07.34	Iná psoriatická artritídav obl.ruky	M45.00	Ankylozujúca spondylitída na viac.m.chrbt.
M07.35	Iná psoriatická artritídav obl.panv.a stehna	M45.01	Ankylozujúca spondylitída okcip.-atl.-axiál.obl.
M07.36	Iná psoriatická artritídav obl.predkol.	M45.02	Ankylozujúca spondylitída krčnej oblasti
M07.37	Iná psoriatická artritídav obl.čl.a nohy	M45.03	Ankylozujúca spondylitída krčnohrudníkovej oblasti
M07.38	Iná psoriatická artritída na i.mieste	M45.04	Ankylozujúca spondylitída hrudníkovej oblasti
M07.39	Iná psoriatická artritída na n.mieste	M45.05	Ankylozujúca spondylitída hrudníkovodriek.obl.
M07.40	Artritída pri Crohn.chor. s postih.kĺbov na viac.m.	M45.06	Ankylozujúca spondylitída driekovej oblasti
M07.41	Artritída pri Crohn.chor.s postih.kĺbov v obl.pleca	M45.07	Ankylozujúca spondylitída driekovokrížovej oblasti
M07.42	Artritída pri Crohn.chor.s postih.kĺbov nadlaktia	M45.08	Ankylozujúca spondylitída kríž.a krížovokostř.obl.
M07.43	Artritída pri Crohn.chor.s postih.kĺbov predlak.	M45.09	Ankylozujúca spondylitída:oblasť blížšie neurčená
M07.44	Artritída pri Crohn.chor.s postih.kĺbov ruky	M48.00	Stenóza spinálneho kanála na viac.m.chrbt.
M07.45	Artritída pri Crohn.chor.s postih.kĺbov panvy a stehna	M48.01	Stenóza spinálneho kanála v okcip.-atl.-axiál.obl.
M07.46	Artritída pri Crohn.chor.s postih.kĺbov predkol.	M48.02	Stenóza spinálneho kanála v krčnej oblasti
M07.47	Artritída pri Crohn.chor.s postih.kĺbov čl.a nohy	M48.03	Stenóza spinálneho kanála v krčnohrudník.obl.
M07.48	Artritída pri Crohn.chor.s postih.kĺbov na i.mieste	M48.04	Stenóza spinálneho kanála v hrudníkovej oblasti
M07.49	Artritída pri Crohn.chor.s postih.kĺbov na n.mieste	M48.05	Stenóza spinálneho kanála v hrudníkovodriek. obl.
M07.50	Artritída pri ulcer.kolitíde s postih.kĺbov na viac.m.	M48.06	Stenóza spinálneho kanála v driekovej oblasti
M07.51	Artritída pri ulcer.kolitíde s postih.kĺbov v obl.pleca	M48.07	Stenóza spinálneho kanála v driekovokríž. obl.
M07.52	Artritída pri ulcer.kolitíde s postih.kĺbov nadlaktia	M48.08	Stenóza spinálneho kanála v kríž.a krížovokostř.obl.
M07.53	Artritída pri ulcer.kolitíde s postih.kĺbov predlak.	M48.09	Stenóza spinálneho kanála:oblasť blížšie neurčená
M07.54	Artritída pri ulcer.kolitíde s postih.kĺbov ruky	M50.1	Poškodenie krčnej medzistav.plat.s radikulopatiou
M07.55	Artritída pri ulcer.kolitíde s postih.kĺbov pan.a stehna	M50.2	Iná dislokácia krčnej medzistavcovej platničky
M07.56	Artritída pri ulcer.kolitíde s postih.kĺbov predkol.	M50.3	Iná degenerácia krčnej medzistavcovej platničky
M07.57	Artritída pri ulcer.kolitíde s postih.kĺbov čl.a nohy	M50.8	Iné poškodenie krčnej medzistavcovej platničky
M07.58	Artritída pri ulcer.kolitíde s postih.kĺbov na i.mieste	M50.9	Poškodenie krčnej medzistav.platničky,blíž.neurč.
M07.59	Artritída pri ulcer.kolitíde s postih.kĺbov na n.mieste	M51.0	Poškodenie driekov a i.medzistavcových platnič.s myelopatiou
M07.60	Iná enteropatická artritída na viacerých miestach	M51.1	Poškodenie driekov a i.medzistavc.platnič.s radikulopatiou
M07.61	Iná enteropatická artritída obl.pleca	M51.2	Iná dislokácia medzistavcovej platničky,b.u.
M07.62	Iná enteropatická artritída nadlaktia	M51.3	Iná degenerácia medzistavcovej platničky,b.u.
M07.63	Iná enteropatická artritída predlak.	M51.4	Schmorlove uzly
M07.64	Iná enteropatická artritída ruky	M51.8	Iná poškodenie medzistavcovej platničky,b.u.
M07.65	Iná enteropatická artritída panv.obl.a stehna	M51.9	Poškodenie medzistavcovej platničky,b.n.
M07.66	Iná enteropatická artritída predkol.	M72.0	Fibromatóza palm.aponeurózy (Dupuytrenova kontraktúra)
M07.67	Iná enteropatická artritída čl.a nohy	M75.0	Adhezívna kapsulitída pleca
M07.68	Iná enteropatická artritída na i.mieste	M75.1	Syndróm manžety rotátorov
M07.69	Iná enteropatická artritída,miesto blíž.neurč.	M75.3	Vápenatejúca tendinitída pleca
M08.70	Juven.artritída s vaskulit.s postih.kĺb.na viac.m.	M75.4	Syndróm narazeného ramena
M08.71	Juven.artritída s vaskulit.s postih.kĺb.v obl.pleca	M80.10	Postovariektom.osteopor.s pat.zlomeninou na viac.m.
M08.72	Juven.artritída s vaskulit.s postih.kĺb.v obl.nadlaktia	M80.11	Postovariektom.osteopor.s pat.zlomeninou v obl.pleca
M08.73	Juven.artritída s vaskulit.s postih.kĺb.v obl.predlak.	M80.12	Postovariektom.osteopor.s pat.zlomeninou nadlaktia
M08.74	Juven.artritída s vaskulit.s postih.kĺb.v obl.ruky	M80.13	Postovariektom.osteopor.s pat.zlomeninou predlak.
M08.75	Juven.artritída s vaskulit.s postih.kĺb.v obl.panvy a stehna	M80.14	Postovariektom.osteopor.s pat.zlomeninou ruky
M08.76	Juven.artritída s vaskulit.s postih.kĺb.v obl.predkol.	M80.15	Postovariektom.osteopor.s pat.zlome. panv.obl.a stehna
M08.77	Juven.artritída s vaskulit.s postih.kĺb.v obl.čl.a nohy	M80.16	Postovariektom.osteopor.s pat.zlomeninou predkol.
M08.78	Juven.artritída s vaskulit.s postih.kĺb.na i.mieste	M80.17	Postovariektom.osteopor.s pat.zlomeninou čl.a nohy
M08.79	Juven.artritída s vaskulit.s postih.kĺb.,miesto blíž.neurč.	M80.18	Postovariektom.osteopor.s pat.zlomeninou na i.mieste
M14.0	Dnová artropatia,zaprič.enzým.defektmi a i.dedič.poruchami	M80.19	Postovariektom.osteopor.s pat.zlomeninou,miesto blíž.neurč.
M15.0	Primárna generalizovaná (osteo-)artróza	M80.50	Idiopat.osteoporóza s pat.zlomeninou na viac.m.

Kód	Popis	Kód	Popis
M80.51	Idiopatická osteoporóza s pat.zlomeninou v obl.pleca	M83.80	Iná osteomalácia v dospelosti na viacerých miestach
M80.52	Idiopatická osteoporóza s pat.zlomeninou nadlaktia	M83.81	Iná osteomalácia v dospelosti v obl.pleca
M80.53	Idiopatická osteoporóza s pat.zlomeninou predlak.	M83.82	Iná osteomalácia v dospelosti v obl.nadlaktia
M80.54	Idiopatická osteoporóza s pat.zlomeninou ruky	M83.83	Iná osteomalácia v dospelosti v obl.predlak.
M80.55	Idiopatická osteoporóza s pat.zlomeninou panv.obl.a stehna	M83.84	Iná osteomalácia v dospelosti v obl.ruky
M80.56	Idiopatická osteoporóza s pat.zlomeninou predkol.	M83.85	Iná osteomalácia v dospelosti, bliž. neurč. v obl.pleca
M80.57	Idiopatická osteoporóza s pat.zlomeninou čl.a nohy	M83.86	Iná osteomalácia v dospelosti v obl.predkol.
M80.58	Idiopatická osteoporóza s pat.zlomeninou na i.mieste	M83.87	Iná osteomalácia v dospelosti v obl.čl.a nohy
M80.59	Idiopatická osteoporóza s pat.zlomeninou, miesto bliž. neurč.	M83.88	Iná osteomalácia v dospelosti na i.mieste
M81.10	Postvariektomická osteopor. na viac.m.	M83.89	Iná osteomalácia v dospelosti, miesto bliž. neurč.
M81.11	Postvariektomická osteopor. v obl.pleca	M83.90	Osteomalácia v dospelosti, bliž. neurč. na viac.miest.
M81.12	Postvariektomická osteopor. nadlaktia	M83.91	Osteomalácia v dospelosti, bliž. neurč. v obl.pleca
M81.13	Postvariektomická osteopor. predlak.	M83.92	Osteomalácia v dospelosti, bliž. neurč. v obl.nadlaktia
M81.14	Postvariektomická osteopor. ruky	M83.93	Osteomalácia v dospelosti, bliž. neurč. v obl.predlak.
M81.15	Postvariektomická osteopor. panv.obl.a stehna	M83.94	Osteomalácia v dospelosti, bliž. neurč. v obl.ruky
M81.16	Postvariektomická osteopor. predkol.	M83.95	Osteomalácia v dospelosti, bliž. neurč. v obl.a stehna
M81.17	Postvariektomická osteopor. čl.a nohy	M83.96	Osteomalácia v dospelosti, bliž. neurč. v obl.predkol.
M81.18	Postvariektomická osteopor. na i.mieste	M83.97	Osteomalácia v dospelosti, bliž. neurč. v obl.čl.a nohy
M81.19	Postvariektomická osteopor., miesto bliž. neurč.	M83.98	Osteomalácia v dospelosti, bliž. neurč. na i.mieste
M81.50	Idiopatická osteoporóza na viacerých miestach	M83.99	Osteomalácia v dospelosti, miesto bliž. neurč.
M81.51	Idiopatická osteoporóza v obl.pleca	M88.0	Deformujúca osteodystrofia [Pagetova choroba] lebky
M81.52	Idiopatická osteoporóza nadlaktia	M88.80	Deformujúca osteodystrofia i.kostí, na viac.miest.
M81.53	Idiopatická osteoporóza predlak.	M88.81	Deformujúca osteodystrofia i.kostí, v obl.pleca
M81.54	Idiopatická osteoporóza ruky	M88.82	Deformujúca osteodystrofia i.kostí, v obl.nadlaktia
M81.55	Idiopatická osteoporóza panv.obl.a stehna	M88.83	Deformujúca osteodystrofia i.kostí, v obl.predlak.
M81.56	Idiopatická osteoporóza predkol.	M88.84	Deformujúca osteodystrofia i.kostí, v obl.ruky
M81.57	Idiopatická osteoporóza čl.a nohy	M88.85	Deformujúca osteodystrofia i.kostí, panv.obl.a stehna
M81.58	Idiopatická osteoporóza na i.mieste	M88.86	Deformujúca osteodystrofia i.kostí, v obl.predkol.
M81.59	Idiopatická osteoporóza, miesto bliž. neurč.	M88.87	Deformujúca osteodystrofia i.kostí, v obl.čl.a nohy
M83.20	Osteomalácia v dospel. zaprič. malabsorpciou, na viacer. miest.	M88.88	Deformujúca osteodystrofia i.kostí, na i.mieste
M83.21	Osteomalácia v dospelosti zaprič. malabsorpciou v obl.pleca	M88.89	Deformujúca osteodystrofia i.kostí, miesto bliž. neurč.
M83.22	Osteomalácia v dosp. zaprič. malabsorpciou, v obl.nadlaktia	M88.90	Deformujúca osteodystrofia, bliž. neur. na viac.m.
M83.23	Osteomalácia v dosp. zaprič. malabsorpciou, v obl.predlak.	M88.91	Deformujúca osteodystrofia, bliž. neur. v obl.pleca
M83.24	Osteomalácia v dosp. zaprič. malabsorpciou, v obl.ruky	M88.92	Deformujúca osteodystrofia, bliž. neur. v obl.nadlaktia
M83.25	Osteomalácia v dosp. zaprič. malabsorpciou, v obl.pan. a stehna	M88.93	Deformujúca osteodystrofia, bliž. neur. v obl.predlak.
M83.26	Osteomalácia v dosp. zaprič. malabsorpciou, v obl.predkol.	M88.94	Deformujúca osteodystrofia, bliž. neur. v obl.ruky
M83.27	Osteomalácia v dosp. zaprič. malabsorpciou, v obl.čl.a nohy	M88.95	Deformujúca osteodystrofia, bliž. neur. panv.obl.a stehna
M83.28	Osteomalácia v dosp. zaprič. malabsorpciou, na i.mieste	M88.96	Deformujúca osteodystrofia, bliž. neur. v obl.predkol.,
M83.29	Osteomalácia v dosp. zaprič. malabsorpciou, miesto bliž. neurč.	M88.97	Deformujúca osteodystrofia, bliž. neur. v obl.čl.a nohy
M83.30	Osteomalácia dospelých zaprič. podvýživou, na viac.m.	M88.98	Deformujúca osteodystrofia, bliž. neur. na i.mieste
M83.31	Osteomalácia dospelých zaprič. podvýživou, v obl.pleca	M88.99	Deformujúca osteodystrofia, bliž. neur., miesto bliž. neurč.
M83.32	Osteomalácia dospelých zaprič. podvýživou, v obl.nadlaktia	M93.1	Kienböckova choroba dospelých
M83.33	Osteomalácia dospelých zaprič. podvýživou, v obl.predlak.	M96.1	Postlaminektomický syndróm, nezatriedený inde
M83.34	Osteomalácia dospelých zaprič. podvýživou, v obl.ruky	M96.3	Kyfóza po laminektómii
M83.35	Osteomalácia dospel. zaprič. podvýživou, v obl.panvy a stehna	N14.0	Nefropatia zapríčinená analgetikami
M83.36	Osteomalácia dospelých zaprič. podvýživou, v obl.predkol.	N18.5	Chronická choroba obličiek, 5.štádium
M83.37	Osteomalácia dospelých zaprič. podvýživou, v obl.čl.a nohy	N34.1	Zápal močovej rúry, bližšie neučený
M83.38	Osteomalácia dospelých zaprič. podvýživou, na i.mieste	N34.2	Iný zápal močovej rúry
M83.39	Osteomalácia dospelých zaprič. podvýživou, miesto bliž. neurč.	N39.3	Stresová inkontinencia moču
M83.40	Hliniková kostná choroba na viacerých miestach	N41.0	Akútna prostatitída
M83.41	Hliniková kostná choroba v obl.pleca	N46	Mužská neplodnosť
M83.42	Hliniková kostná choroba nadlaktia	N48.4	Impotencia organického pôvodu
M83.43	Hliniková kostná choroba predlak.	N60.0	Solitárna cysta prsníka
M83.44	Hliniková kostná choroba ruky	N60.1	Difúzna cystická mastopatia
M83.45	Hliniková kostná choroba panv.obl.a stehna	N60.2	Fibroadenóza prsníka
M83.46	Hliniková kostná choroba predkol.	N60.3	Fibroskleróza prsníka
M83.47	Hliniková kostná choroba čl.a nohy	N60.4	Rozšírenie mliekovodu prsníka
M83.48	Hliniková kostná choroba na i.mieste	N60.8	Iná benígna dysplázia prsníka
M83.49	Hliniková kostná choroba, miesto bliž. neurč.	N60.9	Benígna dysplázia prsníka, bližšie neurčená
M83.50	Iná osteomalácia v dospelosti zapr.liekmi, na viac.m.	N64.3	Galaktorea bez súvislosti s pôrodom
M83.51	Iná osteomalácia v dospelosti zapr.liekmi v obl.pleca	N70.1	Chronická salpingitída a ooforitída
M83.52	Iná osteomalácia v dospelosti zapr.liekmi v obl.nadlaktia	N71.1	Chronická zápalová choroba matrice
M83.53	Iná osteomalácia v dospelosti zapr.liekmi v obl.predlak.	N72	Zápalová choroba krčka matrice
M83.54	Iná osteomalácia v dospelosti zapr.liekmi v obl.ruky	N73.1	Chronická parametritída a panvová celulitída
M83.55	Iná osteomalácia v dospelosti zapr.liek. v obl.pan.a stehna	N73.4	Chronická pelveoperitonitída u žien
M83.56	Iná osteomalácia v dospelosti zapr.liekmi v obl.predkol.	N80.0	Endometrióza matrice
M83.57	Iná osteomalácia v dospelosti zapr.liekmi v obl.čl.a nohy	N80.1	Endometrióza vaječníka
M83.58	Iná osteomalácia v dospelosti zapr.liekmi na i.mieste	N80.2	Endometrióza vajíčkovodu
M83.59	Iná osteomalácia v dospelosti zapr.liekmi, miestol bliž. neurč.	N80.3	Endometrióza panvového peritonea

Príloha D: Overovania klinických a demografických údajov

Kód	Popis	Kód	Popis
N80.4	Endometrióza rektovaginálneho septa a pošvy	N81.4	Uterovaginálny prolaps, bližšie neurčený
N80.5	Endometrióza čreva	N81.5	Pošvová enterokéla
N80.6	Endometrióza v kožnej jazve	N81.6	Rektokéla
N80.8	Iná endometrióza	N81.8	Iný prolaps pohlavných orgánov u ženy
N80.9	Endometrióza, bližšie neurčená	N81.9	Prolaps pohlavných orgánov u ženy, bližšie neurčený
N81.0	Uretrokéla u ženy	N99.2	Adhézie pošvy po chirurgickom výkone
N81.1	Cystokéla	N99.3	Prolaps pošvovej klenby po hysterektómii
N81.2	Nekompletný uterovaginálny prolaps	R86.1	Abn.nález vo vzorkách z muž.pohl.org.:abn.hodn.hormón.
N81.3	Kompletný uterovaginálny prolaps		

D.4k Konflikt s vekom: Dospelý v zrelom veku

Kód	Popis	Kód	Popis
B90.0	Následky tuberkulózy centrálnej nervovej sústavy	M81.08	Postmenopauzálna osteopor.na i.mieste
B90.1	Následky tuberkulózy močovopohlavnej sústavy	M81.09	Postmenopauzálna osteoporóza,miesto bliž.neurč.
B90.2	Následky tuberkulózy kostí a kĺbov	M83.10	Starecká osteomalácia na viacerých miestach
B90.8	Následky tuberkulózy iných orgánov	M83.11	Starecká osteomalácia v obl.pleca
B90.9	Následky respiračnej a bliž.nerč.TBC	M83.12	Starecká osteomalácia nadlaktia
B92	Následky lepry	M83.13	Starecká osteomalácia predlak.
C61	Zhubný nádor prostaty	M83.14	Starecká osteomalácia ruky
G30.1	Alzheimerova choroba s neskorým začiatkom (F00.1*)	M83.15	Starecká osteomalácia panv.obl.a stehna
H25.0	Začínajúca senilná katarakta	M83.16	Starecká osteomalácia predkol.
H25.1	Senilná katarakta nukleárna[fakoskleróm]	M83.17	Starecká osteomalácia čl.a nohy
H25.2	Senilná katarakta, Morgagniho typ	M83.18	Starecká osteomalácia na i.mieste
H25.8	Iná senilná katarakta	M83.19	Starecká osteomalácia, miesto bližšie neurčené
H25.9	Senilná katarakta,bližšie neurčená	N40	Hyperplázia prostaty
M80.00	Postmenopauz.osteopor.s patol.zlomeninou na viac.m.	N41.1	Chronická prostatitída
M80.01	Postmenopauz.osteopor.s patol.zlomeninou v obl.pleca	N41.2	Absces prostaty
M80.02	Postmenopauz.osteopor.s patol.zlomeninou nadlaktia	N41.3	Prostatocystitída
M80.03	Postmenopauz.osteopor.s patol.zlomeninou predlak.	N41.8	Iná zápalová choroba prostaty
M80.04	Postmenopauz.osteopor.s patol.lomeninou ruky	N41.9	Zápalová choroba prostaty,bližšie neurčená
M80.05	Postmenopauz.osteopor.s patol.zlomeninou panv.obl.a stehna	N42.0	Konkrement prostaty
M80.06	Postmenopauz.osteopor.s patol.zlomeninou predkol.	N42.1	Kongescia a krvácanie z prostaty
M80.07	Postmenopauz.osteopor.s patol.zlomeninou čl.a nohy	N42.2	Atrofia prostaty
M80.08	Postmenopauz.osteopor.s patol.zlomeninou na i.mieste	N42.8	Iná choroba prostaty,bližšie určená
M80.09	Postmenopauz.osteopor.s patol.zlomeninou,miesto bliž.neurč.	N42.9	Choroba prostaty,bližšie neurčená
M81.00	Postmenopauzálna osteoporóza na viacerých miestach	N51.0	Choroby prostaty pri chorobách zatriedených inde
M81.01	Postmenopauzálna osteopor.v obl.pleca	N95.0	Pomenopauzové krvácanie
M81.02	Postmenopauzálna osteopor.nadlaktia	N95.1	Menopauzové a klimakterické poruchy
M81.03	Postmenopauzálna osteopor.predlak.	N95.2	Pomenopauzová atrofická vaginitída
M81.04	Postmenopauzálna osteopor.ruky	N95.3	Poruchy spojené s arteficiálnou menopauzou
M81.05	Postmenopauzálna osteopor.panv.obl.a stehna	N95.8	Iná menopauzové a perimenopauzové poruchy,b.u.
M81.06	Postmenopauzálna osteopor.predkol.	N95.9	Menopauzové a perimenopauzové poruchy,b.n.
M81.07	Postmenopauzálna osteopor.čl.a nohy	R54	Senilita

D.5a Konflikt s pohlavím: Choroby ženy

Kód	Popis	Kód	Popis
A34	Tetanus počas gravidity,pôrodu a v šestonedelí	F52.6	Neorganická dyspareunia
B37.3	Kandidóza vulvy a pošvy(N77.1*)	F53.0	Mierna duševná porucha a por.správ.v šestonedelí,nezat.inde
C51.0	Zhubný nádor veľkého pysku	F53.1	Ťažká duševná porucha a por.správ.v šestonedelí,nezat.inde
C51.1	Zhubný nádor malého pysku	F53.8	Iná duševná porucha a por.správ.v šestonedelí,nezat.inde
C51.2	Zhubný nádor klitorisu	F53.9	Duševná porucha v šestonedelí,bližšie neurčená
C51.8	Zhubný nádor vulvy presahujúci viaceré oblasti	I86.3	Varixy vulvy
C51.9	Zhubný nádor vulvy,bližšie neurčený	I97.2	Postmastektomický lymfédém
C52	Zhubný nádor pošvy	L29.2	Svrbenie vulvy
C53.0	Zhubný nádor endocervixu maternice	L70.5	Acne excoriée des jeunes filles
C53.1	Zhubný nádor exocervixu maternice	M80.00	Postmenopauz.osteopor.s patol.zlomeninou na viac.m.
C53.8	Zhubný nádor krčka maternice presah.viac.obl.	M80.01	Postmenopauz.osteopor.s patol.zlomeninou v obl.pleca
C53.9	Zhubný nádor krčka maternice,bližšie neurčený	M80.02	Postmenopauz.osteopor.s patol.zlomeninou nadlaktia
C54.0	Zhubný nádor istmu maternice	M80.03	Postmenopauz.osteopor.s patol.zlomeninou predlak.
C54.1	Zhubný nádor endometria	M80.04	Postmenopauz.osteopor.s patol.lomeninou ruky
C54.2	Zhubný nádor myometria	M80.05	Postmenopauz.osteopor.s patol.zlomeninou panv.obl.a stehna
C54.3	Zhubný nádor dna maternice	M80.06	Postmenopauz.osteopor.s patol.zlomeninou predkol.
C54.8	Zhub.nádor tela maternice presah.viac.obl.	M80.07	Postmenopauz.osteopor.s patol.zlomeninou čl.a nohy
C54.9	Zhubný nádor tela maternice,bližšie neurčený	M80.08	Postmenopauz.osteopor.s patol.zlomeninou na i.mieste
C55	Zhubný nádor bližšie neurčenej časti maternice	M80.09	Postmenopauz.osteopor.s patol.zlomeninou,miesto bliž.neurč.
C56	Zhubný nádor vaječníka	M80.10	Postovariektom.osteopor.s pat.zlomeninou na viac.m.
C57.0	Zhubný nádor vajíčkovodu	M80.11	Postovariektom.osteopor.s pat.zlomeninou v obl.pleca
C57.1	Zhubný nádor širokého väzu maternice	M80.12	Postovariektom.osteopor.s pat.zlomeninou nadlaktia
C57.2	Zhubný nádor oblého väzu maternice	M80.13	Postovariektom.osteopor.s pat.zlomeninou predlak.
C57.3	Zhubný nádor parametria	M80.14	Postovariektom.osteopor.s pat.zlomeninou ruky
C57.4	Zhubný nádor adnexov maternice,bližšie neurčený	M80.15	Postovariektom.osteopor.s pat.zlome. panv.obl.a stehna
C57.7	Zhubný nádor iných ženských pohlavných orgánov,bliž.urč.	M80.16	Postovariektom.osteopor.s pat.zlomeninou predkol.
C57.8	Zhubný nádor ženských.pohlavných orgánov,presah.viac.obl.	M80.17	Postovariektom.osteopor.s pat.zlomeninou čl.a nohy
C57.9	Zhubný nádor ženského pohlavného orgánu,bliž.neurč.	M80.18	Postovariektom.osteopor.s pat.zlomeninou na i.mieste
C58	Zhubný nádor placenty	M80.19	Postovariektom.osteopor.s pat.zlomeninou,miesto bliž.neurč.
C79.6	Sekundárny zhubný nádor vaječníka	M81.00	Postmenopauzálna osteoporóza na viacerých miestach
D06.0	Karcinóm in situ endocervixu	M81.01	Postmenopauzálna osteopor.v obl.pleca
D06.1	Karcinóm in situ exocervixu	M81.02	Postmenopauzálna osteopor.nadlaktia
D06.7	Karcinóm in situ inej časti krčka maternice	M81.03	Postmenopauzálna osteopor.predlak.
D06.9	Karcinóm in situ krčka maternice,bližšie neurčený	M81.04	Postmenopauzálna osteopor.ruky
D07.0	Karcinóm in situ endometria	M81.05	Postmenopauzálna osteopor.panv.obl.a stehna
D07.1	Karcinóm in situ vulvy	M81.06	Postmenopauzálna osteopor.predkol.
D07.2	Karcinóm in situ pošvy	M81.07	Postmenopauzálna osteopor.čl.a nohy
D07.3	Karcinóm in situ iných bliž.neurč.ženských pohlav.org.	M81.08	Postmenopauzálna osteopor.na i.mieste
D24	Nezhubný nádor prsníka	M81.09	Postmenopauzálna osteoporóza,miesto bliž.neurč.
D25.0	Submukózný leiomyóm maternice	M81.10	Postovariektomická osteopor.na viac.m.
D25.1	Intramurálny leiomyóm maternice	M81.11	Postovariektomická osteopor.v obl.pleca
D25.2	Subserózný leiomyóm maternice	M81.12	Postovariektomická osteopor.nadlaktia
D25.9	Leiomyóm maternice,bližšie neurčený	M81.13	Postovariektomická osteopor.predlak.
D26.0	Iný nezhubný nádor krčka maternice	M81.14	Postovariektomická osteopor.ruky
D26.1	Iný nezhubný nádor tela maternice	M81.15	Postovariektomická osteopor.panv.obl.a stehna
D26.7	Iný nezhubný nádor iných častí maternice	M81.16	Postovariektomická osteopor.predkol.
D26.9	Iný nezhubný nádor maternice,bližšie neurčený	M81.17	Postovariektomická osteopor.čl.a nohy
D27	Nezhubný nádor vaječníka	M81.18	Postovariektomická osteopor.na i.mieste
D28.0	Nezhubný nádor vulvy	M81.19	Postovariektomická osteopor.,miesto bliž.neurč.
D28.1	Nezhubný nádor pošvy	M83.00	Osteomalácia v šestonedelí na viacerých miestach
D28.2	Nezhubný nádor vajíčkovodov a väzov maternice	M83.01	Osteomalácia v šestonedelí v obl.pleca
D28.7	Nezhubný nádor iných bliž.urč.ženských pohlav.org.	M83.02	Osteomalácia v šestonedelí v obl.nadlaktia
D28.9	Nezhubný nádor bliž.neurč.ženských pohlav.org.	M83.03	Osteomalácia v šestonedelí v obl.predlak.
D39.0	Nádor s neurčitým/nezným.správaním:maternica	M83.04	Osteomalácia v šestonedelí v obl.ruky
D39.1	Nádor s neurčitým/nezným.správaním:vaječník	M83.05	Osteomalácia v šestonedelí v obl.panv.obl.a stehna
D39.2	Nádor s neurčitým/nezným.správaním:placenta	M83.06	Osteomalácia v šestonedelí v obl.predkol.
D39.7	Nádor s neurčitým/nezným.správaním:i.žen.pohl.org.	M83.07	Osteomalácia v šestonedelí v obl.čl.a nohy
D39.9	Nádor s neurčitým/nezným.správaním:bliž.neurč.žen.pohl.org.	M83.08	Osteomalácia v šestonedelí na i.mieste
D48.6	Nádor s neurčitým/nezným.správ.prsník	M83.09	Osteomalácia v šestonedelí,miesto bliž.neurč.
E28.0	Porucha funkcie vaječníkov s nadbytkom estrogénov	N60.1	Difúzna cystická mastopatia
E28.1	Porucha funkcie vaječníkov s nadbytkom androgénov	N60.2	Fibroadenóza prsníka
E28.2	Syndróm polycystických ovárií	N60.3	Fibroskleróza prsníka
E28.3	Primárna nedostatočnosť vaječníkov	N60.4	Rozšírenie mliekovodu prsníka
E28.8	Iná porucha funkcie vaječníkov	N60.8	Iná benígna dysplázia prsníka
E28.9	Porucha funkcie vaječníkov,bližšie neurčená	N60.9	Benígna dysplázia prsníka,bližšie neurčená
E89.4	Zlyhanie vaječníkov po lekárskom výkone	N64.0	Fisúra a fistula bradavky
F52.5	Neorganický vaginizmus	N64.1	Tuková nekróza prsníka

Kód	Popis	Kód	Popis
N64.2	Atrofia prsníka	N83.2	Iná a bližšie neurčená cysta vaječníkov
N64.3	Galaktorea bez súvislosti s pôrodom	N83.3	Získaná atrofia vaječníka a vajíčkovodu
N64.4	Mastodýnia	N83.4	Prolaps a hernia vaječníka a vajíčkovodu
N70.0	Akútna salpingitída a ooforitída	N83.5	Torzia vaječníka, topky vaječníka a vajíčkovodu
N70.1	Chronická salpingitída a ooforitída	N83.6	Hematosalpinx
N70.9	Salpingitída a ooforitída, bližšie neurčená	N83.7	Hematóm širokého väzu maternice
N71.0	Akútna zápalová choroba maternice	N83.8	Iné nežápal.zmeny vaječníka, vajíčkovodu a šir.väzu maternice
N71.1	Chronická zápalová choroba maternice	N83.9	Nezápal.zmeny vaječníka, vajíčkov.a šir.väzu maternice, b.n.
N71.9	Zápalová choroba maternice, bližšie neurčená	N84.0	Polyp tela maternice
N72	Zápalová choroba krčka maternice	N84.1	Polyp krčka maternice
N73.0	Akútna parametritída a panvová celulitída	N84.2	Polyp pošvy
N73.1	Chronická parametritída a panvová celulitída	N84.3	Polyp vulvy
N73.2	Parametritída a panvová celulitída, b.n.	N84.8	Polyp iných častí ženských pohlavných orgánov
N73.3	Akútna pelveoperitonitída u žien	N84.9	Polyp ženských pohlavných orgánov, bližšie neurčený
N73.4	Chronická pelveoperitonitída u žien	N85.0	Glandulárna hyperplázia endometria
N73.5	Pelveoperitonitída u žien, bližšie neurčená	N85.1	Adenomatózna hyperplázia endometria
N73.6	Panvové peritoneálne adhézie u žien	N85.2	Hypertrofia maternice
N73.8	Iné zápalové choroby ženských panvov.orgánov, b.u.	N85.3	Subinvolúcia maternice
N73.9	Zápalová choroba ženských panvov.orgánov, b.n.	N85.4	Malpozícia maternice
N74.0	Tuberkulózná infekcia krčka maternice (A18.1†)	N85.5	Inverzia maternice
N74.1	Tuberkulózný zápal ženských panvov.org.	N85.6	Vnútromaternicové zrasty
N74.2	Syfilitický zápal ženských panvov.org.	N85.7	Hematometra
N74.3	Gonokokový zápal ženských panvov.org.	N85.8	Iná nežápalová choroba maternice, bližšie určená
N74.4	Chlamýdiový zápal ženských panvových orgánov	N85.9	Nezápalová choroba maternice, bližšie neurčená
N74.8	Zápalová choroba ženských panvov.org.pri i.chor.z.i.	N86	Erózia a ektropium krčka maternice
N75.0	Cysta Bartholinovej žľazy	N87.0	Ľahká dysplázia krčka maternice
N75.1	Absces Bartholinovej žľazy	N87.1	Stredná dysplázia krčka maternice
N75.8	Iné choroby Bartholinovej žľazy	N87.2	Ťažká dysplázia krčka maternice, nezatriedená inde
N75.9	Choroba Bartholinovej žľazy, bližšie neurčená	N87.9	Dysplázia krčka maternice, bližšie neurčená
N76.0	Akútna vaginitída	N88.0	Leukoplakia krčka maternice
N76.1	Subakútna a chronická vaginitída	N88.1	Stará lacerácia krčka maternice
N76.2	Akútna vulvitída	N88.2	Striktúra a stenóza krčka maternice
N76.3	Subakútna a chronická vulvitída	N88.3	Inkompetencia krčka maternice
N76.4	Absces vulvy	N88.4	Hypertrofické predĺženie krčka maternice
N76.5	Ulcerácia pošvy	N88.8	Iná nežápalová choroba krčka maternice, b.u.
N76.6	Ulcerácia vulvy	N88.9	Nezápalová choroba krčka maternice, b.n.
N76.80	Fournierova gangréna u ženy	N89.0	Ľahká dysplázia pošvy
N76.88	Iné zápaly pošvy a vulvy, bližšie určené	N89.1	Stredne pokročilá dysplázia pošvy
N77.0	Ulcerácia vulvy pri infek./parazit.chor.z.i.	N89.2	Ťažká dysplázia pošvy, nezatriedená inde
N77.1	Vaginitída, vulvitída a vulvovaginit.pri infek./paraz.chor.z.i.	N89.3	Dysplázia pošvy, bližšie neurčená
N77.8	Vulvovaginálna ulcerácia a zápal pri iných chorobách z.i.	N89.4	Leukoplakia pošvy
N80.0	Endometrióza maternice	N89.5	Striktúra a atrézia pošvy
N80.1	Endometrióza vaječníka	N89.6	Tesný prstenec hymenu
N80.2	Endometrióza vajíčkovodu	N89.7	Hematokolpos
N80.3	Endometrióza panvového peritonea	N89.8	Iná nežápalová choroba pošvy, bližšie určená
N80.4	Endometrióza rektovaginálneho septa a pošvy	N89.9	Nezápalová choroba pošvy, bližšie neurčená
N80.5	Endometrióza čreva	N90.0	Ľahká dysplázia vulvy
N80.6	Endometrióza v kožnej jazve	N90.1	Stredne ťažká dysplázia vulvy
N80.8	Iná endometrióza	N90.2	Ťažká dysplázia vulvy, nezatriedená inde
N80.9	Endometrióza, bližšie neurčená	N90.3	Dysplázia vulvy, bližšie neurčená
N81.0	Uretrokéla u ženy	N90.4	Leukoplakia vulvy
N81.1	Cystokéla	N90.5	Atrofia vulvy
N81.2	Nekompletný uterovaginálny prolaps	N90.6	Hypertrofia vulvy
N81.3	Kompletný uterovaginálny prolaps	N90.7	Cysta vulvy
N81.4	Uterovaginálny prolaps, bližšie neurčený	N90.8	Iná nežápalová choroba vulvy a hrádze, b.u.
N81.5	Pošvová enterokéla	N90.9	Nezápalová choroba vulvy a hrádze, bližšie neurčená
N81.6	Rektokéla	N91.0	Primárna amenorea
N81.8	Iný prolaps pohlavných orgánov u ženy	N91.1	Sekundárna amenorea
N81.9	Prolaps pohlavných orgánov u ženy, bližšie neurčený	N91.2	Amenorea, bližšie neurčená
N82.0	Vezikovaginálna fistula	N91.3	Primárna oligomenorea
N82.1	Iná fistula medzi ženskými moč.a pohlav.oránmi	N91.4	Sekundárna oligomenorea
N82.2	Fistula medzi pošvou a tenkým črevom	N91.5	Oligomenorea, bližšie neurčená
N82.3	Fistula medzi pošvou a hrubým črevom	N92.0	Nadmerná/častá menštruácia s pravidelným cyklom
N82.4	Iná fistula medzi ženskými pohlav.org.a črevom	N92.1	Nadmerná/častá menštruácia s nepravidelným cyklom
N82.5	Fistula medzi ženskými pohlavnými orgánmi a kožou	N92.2	Nadmerná menštruácia v puberte
N82.8	Iná fistula ženských pohlavných orgánov	N92.3	Ovulačné krvácanie
N82.9	Fistula ženských pohlavných orgánov, bliž. neurč.	N92.4	Nadmerné krvácanie v premenopauze
N83.0	Folikulová cysta vaječníka	N92.5	Iná nepravidelná menštruácia, bližšie určená
N83.1	Luteálna cysta	N92.6	Nepravidelná menštruácia, bližšie neurčená

Kód	Popis	Kód	Popis
N93.0	Postkoitálne a kontaktné krvácanie	O05.3	Iný potrat:nekomplet.potrat s i.a bliž.neurč.kompl.
N93.8	Iné abnormálne krvác.z maternice/pošvy,b.u.	O05.4	Iný potrat: nekompletný potrat bez komplikácií
N93.9	Abnormál.krvácanie z maternice/pošvy,b.n.	O05.5	Iný potrat:komplet./bliž.neu.potrat,kompl.inf.pohl.a panv.org.
N94.0	Ovulačná bolesť (Mittelschmerz)	O05.6	Iný potrat:komplet./bliž.n.potrat,kompl.oneskor./nadmer.krvác.
N94.1	Dyspareunia	O05.7	Iný potrat:komplet./bliž.neurč.potrat,kompl.embóliou
N94.2	Vaginizmus	O05.8	Iný potrat:komplet./bliž.neurč.potrat s i.a b.n.kompl.
N94.3	Predmenštruačný syndróm	O05.9	Iný potrat:komplet./bliž.neurč.potrat bez kompl.
N94.4	Primárna dysmenorea	O06.0	Potrat,bliž.neurč:nekomplet.potrat,kompl.inf.pohl.a panv.org.
N94.5	Sekundárna dysmenorea	O06.1	Potrat,bliž.neu.:nekomplet.potrat,kompl.oneskor./nadmer.krvác.
N94.6	Dysmenorea,bližšie neurčená	O06.2	Potrat,bliž.neurč:nekomplet.potrat,kompl.embóliou
N94.8	Iná odchýlka spoj.so žensk.pohlav.org.a menštruač.cyklom,b.u.	O06.3	Potrat,bliž.neurč:nekomplet.potrat s i.a b.n.kompl.
N94.9	Odchýlka spoj.so žensk.pohlav.org.a menštruač.cyklom,b.n.	O06.4	Potrat,bliž.neurč:neúplný potrat bez kompl.
N95.0	Pomenopauzové krvácanie	O06.5	Potrat,bliž.n.:komplet./bliž.n.pot.kompl.inf.pohl.a panv.org.
N95.1	Menopauzové a klimakterické poruchy	O06.6	Potrat,bliž.n.:komplet./bli.n.pot.kompl.oneskor./nadmer.krvác.
N95.2	Pomenopauzová atrofická vaginitída	O06.7	Potrat,bliž.neurč:komplet./bliž.neurč.potrat,kompl.embóliou
N95.3	Poruchy spojené s arteficiálnou menopauzou	O06.8	Potrat,bliž.neurč:komplet./bliž.neurč.potrat s i.a b.n.kompl.
N95.8	Iná menopauzové a perimenopauzové poruchy,b.u.	O06.9	Potrat,bliž.neurč:komplet./bliž.neurč.potrat bez kompl.
N95.9	Menopauzové a perimenopauzové poruchy,b.n.	O07.0	Neúsp.lek.pokus o potrat,kompl.inf.pohl.a panv.org.
N96	Sklon k habituálnemu potrácaniu	O07.1	Neúsp.lek.pokus o potrat,kompl.oneskor./nadmer.krvác.
N97.0	Ženská neplodnosť spojená s anovuláciou	O07.2	Neúsp.lek.pokus o potrat,kompl.embóliou
N97.1	Ženská neplodnosť tubárneho pôvodu	O07.3	Neúsp.lek.pokus o potrat s i.a bliž.neur.kompl.
N97.2	Ženská neplodnosť maternicového pôvodu	O07.4	Neúspešný lekársky pokus o potrat bez komplikácií
N97.3	Ženská neplodnosť krčkového pôvodu	O07.5	Iný a bliž.neu.neús.pokus o potrat,kompl.inf.pohl.a panv.org.
N97.4	Ženská neplodnosť spojená s mužskými faktormi	O07.6	Iný a bliž.neu.neús.pokus o potrat,kompl.oneskor./nadm.krvác.
N97.8	Ženská neplodnosť iného pôvodu	O07.7	Iný a bliž.neurč.neús.pokus o potrat,kompl.embóliou
N97.9	Ženská neplodnosť,bližšie neurčená	O07.8	Iný a bliž.neurč.neús.pokus o potrat s i.a b.n.kompl.
N98.0	Infekcia spojená s umelým oplodnením	O07.9	Iný a bliž.neurč.neús.pokus o potrat bez kompl.
N98.1	Hyperstimulácia vaječníkov	O08.0	Infekcia pohlav.a panv.org.po potrate,mimomat.gr.a gr.s MH
N98.2	Komplikácie pri pokuse zaviesť oplod.vajíčko po oplod.in vitro	O08.1	Onesk./nadm.krvác.po potr,mimomat.gr.a grav.s malou hydati.
N98.3	Komplikácie pri pokuse zaviesť embryu pri prenose embrya	O08.2	Embólia po potrate,mimomat.grav.a grav.s molou hydratidosa
N98.8	Iné komplikácie spojené s umelým oplodnením	O08.3	Šok po potrate,mimomat.grav.a grav.s molou hydratidosa
N98.9	Komplikácie spojené s umelým oplodnením,b.n.	O08.4	Zlyháv.obličiek po potrate,mimomat.grav.a grav.s mal hydati.
N99.2	Adhézie pošvy po chirurgickom výkone	O08.5	Metabické poruchy po potrate,mimomat.gr.a gr.s mal.hydati.
N99.3	Prolaps pošvovej klenby po hysterektómii	O08.6	Pošk.panv.org.a tk.po potr,mimomat.gr.a grav.s malou hydati.
O00.0	Abdominálna gravidita	O08.7	Iné žil.kompl.po potrate,mimomat.grav.a grav.s malou hydati.
O00.1	Tubárna gravidita	O08.8	Iné kompl.po potrate,mimomat.grav.a grav.s molou hydratid.
O00.2	Ováriová gravidita	O08.9	Kompl.po potrate,mimomat.grav.a grav.s molou hydratid.b.n.
O00.8	Iná mimomaternicová gravidita	O09.0	Trvanie gravidity menej ako 5 ukončených týždňov
O00.9	Mimomaternicová gravidita,bližšie neurčená	O09.1	Trvanie gravidity od začat.5 po ukonč.13.týždeň
O01.0	Klasická mola hydratidosa	O09.2	Trvanie gravidity od začat.14.po ukonč.19.týž.
O01.1	Nekompletná a parciálna mola hydratidosa	O09.3	Trvanie gravidity od začat.20.po ukonč.25.týž.
O01.9	Mola hydratidosa,bližšie neurčená	O09.4	Trvanie gravidity od začat.26.po ukonč.33.týž.
O02.0	Poškodené plodové vajce a nehydátidová mola	O09.5	Trvanie gravidity od začat.34.po ukonč.36.týž.
O02.1	Missed abortion (zadržaný potrat)	O09.9	Arteriálna hypertenzia matky,bližšie neurčená
O02.8	Iný abnormálny výtvor počatia,bližšie určený	O10.0	Predt.exist.prim.artér.hypert.,kompl.grav.,pôr.a šeston.
O02.9	Abnormálny výtvor počatia,bližšie neurčený	O10.1	Predt.exist.hypert.chor.srdca,kompl.grav.,pôr.a šeston.
O03.0	Spont.potrat:nekomplet.potrat,kompl.infekc.pohl.a panv.org.	O10.2	Predt.exist.hypert.chor.oblič.,kompl.grav.,pôr.a šeston.
O03.1	Spont.potrat:nekomplet.potrat,kompl.oneskor./nadmer.krvác.	O10.3	Predt.exi.hypert.chor.srd.a oblič.,kompl.grav.,pôr.a šest.
O03.2	Spont.potrat:nekomplet.potrat,komplikovaný embóliou	O10.4	Predt.exist.sek.artér.hypert.,kompl.grav.,pôr.a šeston.
O03.3	Spont.potrat:nekomplet.potrat s i.a bliž.neurč.kompl.	O10.9	Predt.exist.artér.hypert.,kompl.grav.,pôr.a šeston.,b.n.
O03.4	Spont.potrat:nekomplet.potrat bez kompl.	O11	Predt.exi.art.hypert.,kompl.grav.,pôr.a šest.,s nas.preek.
O03.5	Spont.potrat:komplet./bliž.n.potrat,kompl.inf.pohl.a panv.org.	O12.0	Gestačné opuchy
O03.6	Spont.potrat:komplet./bliž.n.potrat,kompl.oneskor./nadm.krvác.	O12.1	Gestačná proteinúria
O03.7	Spont.potrat:komplet./bliž.neurč.potrat,kompl.embóliou	O12.2	Gestačné opuchy s proteinúriou
O03.8	Spont.potrat:komplet./bliž.neurč.potrat s i.a bliž.neur.kompl.	O13	Gestačná artér.hypert.bez významnej proteinúrie
O03.9	Spont.potrat:komplet./bliž.n.eurč.potrat bez kompl.	O14.0	Mierna a stredne ťažká preeklampsia
O04.0	Lek.potrat:nekomplet.potrat,kompl.infek.pohlav.a panv.org.	O14.1	Ťažká preeklampsia
O04.1	Lek.potrat:nekomplet.potrat,kompl.oneskor./nadmer.krvác.	O14.2	Syndróm HELLP
O04.2	Lek.potrat:nekomplet.potrat,komplikovaný embóliou	O14.9	Preeklampsia,bližšie neurčená
O04.3	Lek.potrat:nekomplet.potrat s i.a bliž.neurč.kompl.	O15.0	Eklampsia v gravidite
O04.4	Lekársky potrat:nekompletný potrat bez komplikácií	O15.1	Eklampsia pri pôrode
O04.5	Lek.potrat:komplet./bliž.neu.potrat,kompl.inf.pohl.a panv.org.	O15.2	Eklampsia v šestonedelí
O04.6	Lek.potrat:komplet./bliž.n.potrat,kompl.oneskor./nadmer.krvác.	O15.9	Eklampsia,časovo bližšie neurčená
O04.7	Lek.potrat:komplet./bliž.neurč.potrat,kompl.embóliou	O16	Arteriálna hypertenzia matky,bližšie neurčená
O04.8	Lek.potrat:komplet./bliž.neur.potrat s i.a b.n.kompl.	O20.0	Hroziaci potrat (abortus imminens)
O04.9	Lek.potrat:komplet./bliž.neur.potrat bez kompl.	O20.8	Iné krvácanie vočasnej gravidite
O05.0	Iný potrat:nekomplet.potrat,kompl.inf.pohl.a panv.org.	O20.9	Krvácanie vočasnej gravidite,bližšie neurčené
O05.1	Iný potrat:nekomplet.potrat,kompl.oneskor./nadmer.krvác.	O21.0	Hyperemesis gravidarum mierneho stupňa
O05.2	Iný potrat:nekomplet.potrat,kompl.embóliou	O21.1	Hyperemesis gravidarum s poruchou vnút.prostredia

Kód	Popis	Kód	Popis
O21.2	Neskoré vracanie v gravidite	O32.5	Star.o mat.pre viacplod.grav.s nespr.nalieh.a nespr.poloh.plod
O21.8	Iné vracanie,komplikujúce graviditu	O32.6	Star.o matku pre súčasné nespráv.nalieh.a nespráv.poloh.plodu
O21.9	Vracanie počas gravidity,blížšie neurčené	O32.8	Star.o matku pre iné nespr.naliehanie/nespr.poloha plodu
O22.0	Varixy dolných končatín v gravidite	O32.9	Star.o matku pre iné nepravid.naliehanie/nespr.polo.plodu,b.n.
O22.1	Varixy pohlavných orgánov v gravidite	O33.0	Star.o mat.pre nepomer medzi plodom a panv.,zapr.def.panv.k.
O22.2	Povrchová tromboflebitída v gravidite	O33.1	Star.o mat.pre nepomer medzi plod.a panv.zapr.celk.zúž.panva
O22.3	Hĺbková flebotrombóza v gravidite	O33.2	Star.o mat.pre nepomer medzi plod.a panv.zapr.zúž.panv.vch.
O22.4	Hemoroidy v gravidite	O33.3	Star.o mat.pre nepomer medzi plod.a panv.zapr.zúž.panv.vých.
O22.5	Trombóza mozgových žíl v gravidite	O33.4	Star.o mat.pre nep.medzi plod.a panv.,zapr.rozl.pr.matka/plod
O22.8	Iné žilové choroby ako komplikácie v gravidite	O33.5	Star.o matku pre nepom.medzi plod.a panv.,zapr.nezvy.vef.plod.
O22.9	Žilová choroba ako komplikácia v gravidite,b.n.	O33.6	Star.o matku pre nepom.medzi plod.a panv.,zapr.hydrocefus pl.
O23.0	Infekcia obličiek v gravidite	O33.7	Star.o mat. pre nepom.medzi plod.a panv.,zapr.i.abnormal.pl.
O23.1	Infekcia močového mechúra v gravidite	O33.8	Star.o matku pre nepom.medzi plod.a panv.z i.pričín
O23.2	Infekcia močovej rúry v gravidite	O33.9	Star.o matku pre nepom.medzi plod.a panvou,b.n.
O23.3	Infekcia iných častí močovej sústavy v gravidite	O34.0	Starostlivosť o matku pre vrodenú chybu maternice
O23.4	Infekcia moč.sústavy v gravidite,b.n.	O34.1	Starostlivosť o matku pre nádor tela maternice
O23.5	Infekcia pohlavných orgánov v gravidite	O34.2	Star.o matku jazvu na maternici po predchádz.chir.výk.
O23.9	Iná a blíž.neu.infekcia močovopohl.org.v grav.	O34.30	Star.o matku pri dĺž.kčka mater.p.10 mm/pri insuf.pot.vag.USG
O24.0	DM v gravidite predtým existuj.DM,typ 1	O34.31	Starostlivosť o matku pri prolapse plodového vaku
O24.1	DM v gravidite predtým existuj.DM,typ 2	O34.38	Star.o matku pri i.insuficiencii krčka maternice
O24.2	DM v gravidite predtým existuj.DM súvis.s podvýživou	O34.39	Star.o matku pri b.n.insuficiencii krčka maternice
O24.3	DM v gravidite predtým existuj.DM,b.n.	O34.4	Star.o matku pre iné abnor.krčka maternice
O24.4	Diabetes mellitus so vznikom v gravidite	O34.5	Star.o matku pre Iné abnor.gravidnej maternice
O24.9	Diabetes mellitus v gravidite,blížšie neurčený	O34.6	Starostlivosť o matku pre abnormalitu pošvy
O25	Podvýživa v gravidite	O34.7	Star.o matku pre abnor.vulvy a hrádze
O26.0	Nadmerný hmotnostný prírastok v gravidite	O34.8	Star.o matku pre i.abnormal.panv.org.
O26.1	Malý hmotnostný prírastok v gravidite	O34.9	Star.o matku pre abnormal.panv.org.,b.n.
O26.2	Starost.o gravidnú ženu pri habituálnom potrácaní	O35.0	Star.o matku pre(susp.)výv.chybu CNS plodu
O26.3	Ponechané vnútromat.antikoncepčné teliesko v grav.	O35.1	Star.o matku pre(susp.)chromozómovú anomáliu plodu
O26.4	Herpes gestationis	O35.2	Star.o matku pre(susp.)dedičnú chorobu plodu
O26.5	Syndróm arteriovej hypotenzie matky	O35.3	Star.o matku pre(susp.)pošk.plodu vír.chor.matky
O26.6	Choroba pečene v gravidite,pri pôrode a v šestonedeli	O35.4	Star.o matku pre(susp.)pošk.plodu alkoholom
O26.7	Sublux.symphysis ossis pubis v grav.,pri pôrode a v šeston.	O35.5	Star.o matku pre(susp.)pošk.plodu liekom/drogou
O26.81	Choroba obličiek súvisiaca s graviditou	O35.6	Star.o matku pre(susp.)pošk.plodu žiarením
O26.82	Syndróm karpálneho tunela počas gravidity	O35.7	Star.o matku pre(susp.)pošk.plodu iným lekář.výkon.
O26.83	Periférna neuritída počas gravidity	O35.8	Star.o matku-inú (susp.)abn.a (susp.)pošk.plodu
O26.88	Iné stavy súvisiace s graviditou,blížšie určené	O35.9	Star.o matku pre(susp.)b.n.abn.a (susp.)pošk.plodu
O26.9	Stav súvisiaci s graviditou,blížšie neurčený	O36.0	Star.o matku pre izoimunizáciu v systéme Rh
O28.0	Abnorm.hematol.nález v prenatal.skríningu matky	O36.1	Starostlivosť o matku pre inú izoimunizáciu
O28.1	Abnorm.biochem.nález v prenatal.skríningu matky	O36.2	Starostlivosť o matku pre fetálny hydrops
O28.2	Abnorm.cytolog.nález v prenatal.skríningu matky	O36.3	Starostlivosť o matku pre príznaky hypoxie plodu
O28.3	Abnorm.UZV nález v prenatal.skríningu matky	O36.4	Star.o matku pre vnútromaternicovú smrť plodu
O28.4	Abnorm.rádiolog.nález v prenatal.skríningu matky	O36.5	Starostlivosť o matku pre zníženú hmotnosť plodu
O28.5	Abnorm.chromoz.a genetic.nález v prenatal.skríningu matky	O36.6	Starostlivosť o matku pre nadmernú hmotnosť plodu
O28.8	Iný abnormálny nález v prenatal.skríningu matky	O36.7	Starost.o matku pre abdom.grav.so živým plodu
O28.9	Abnorm.nález v prenatal.skríningu matky,b.n.	O36.8	Starost.o matku pre i.problémy plodu,b.u.
O29.0	Pľúcne komplikácie anestézie v gravidite	O36.9	Starost.o matku pre problémy plodu,b.n.
O29.1	Srdcové komplikácie anestézie v gravidite	O40	Polyhydramnion
O29.2	Komplikácie v CNS v spoj.s anestéziou v gravidite	O41.0	Oligohydramnion
O29.3	Toxická reakcia na lokálnu anestéziu v gravidite	O41.1	Infekcia plodového vaku a plodových obalov
O29.4	Bolesť hlavy,po spinál.a epidurál.anest.v grav.	O41.8	Iné poruchy plodovej vody a obalov,blížšie určené
O29.5	Iná komplikácia spinál.a epidurál.anestézie v grav.	O41.9	Poruchy plodovej vody a obalov,blížšie neurčené
O29.6	Neúspešná alebo sťažená intubácia v gravidite	O42.0	Predčasné puknutie plod.obalov,zač.pôr.čin.do 24hod.
O29.8	Iné komplikácie anestézie v gravidite	O42.11	Predčasné puknutie plod.obalov,zač.pôr.činn.po 1-7dňoch
O29.9	Komplikácia anestézie v gravidite,blížšie neurčená	O42.12	Predčasné puknutie plod.obalov,zač.pôr.činn.po viac ako 7d.
O30.0	Gravidita s dvojčatami	O42.2	Predčasné puknutie plod.obalov,pôrododďaleny liečbou
O30.1	Gravidita s trojčatami	O42.9	Predčasné pukn. plod.obalov,b.n.
O30.2	Gravidita so štvorčatami	O43.0	Syndróm placentárnej transfúzie
O30.8	Iná viacplodová gravidita	O43.1	Malfarmácia placenty
O30.9	Viacplodová gravidita,blížšie neurčená	O43.20	Placenta accreta
O31.0	Fetus papyraceus	O43.21	Placenta increta alebo placenta percreta
O31.1	Pokračujúca gravidita po potrate jedného/viac.plodov	O43.8	Iná porucha placenty
O31.2	Pokračujúca gravidita po vnútromat.smrti jedného/viac.plodov	O43.9	Porucha placenty,blížšie neurčená
O31.8	Iná kompl.špecifická pre viacplodovú graviditu	O44.00	Nízko uložená placenta bez krvácania
O32.0	Starostlivosť o matku pre nestabilnú polohu plodu	O44.01	Placenta praevia bez krvácania
O32.1	Starostl.o matku pre naliehanie plodu panv.koncom	O44.10	Nízko uložená placenta s prebiehajúcim krvácaním
O32.2	Starostl.o matku pre priečna a šikmá polohu plodu	O44.11	Placenta praevia s prebiehajúcim krvácaním
O32.3	Star.o mat.pre tvár.a čel.polohu plod.a pri nalieh.plod.brad.	O45.0	Predčasné odlupovanie placenty s poruchou koagulácie
O32.4	Star.o matku pre veľká hlavička plodu v termine	O45.8	Iné predčasné odlupovanie placenty

Kód	Popis	Kód	Popis
O45.9	Predčasné odlupovanie placenty, bližšie neurčené	O70.1	Natrhnutie hrádze 2. stupňa pri pôrode
O46.0	Krvácanie pred pôrodom s poruchou zrážanlivosti	O70.2	Natrhnutie hrádze 3. stupňa pri pôrode
O46.8	Iné krvácanie pred pôrodom	O70.3	Natrhnutie hrádze 4. stupňa pri pôrode
O46.9	Krvácanie pred pôrodom, bližšie neurčené	O70.9	Natrhnutie hrádze pri pôrode, bližšie neurčené
O47.0	Falošná pôr. činnosť pred ukonč. 37. týž. gravidity	O71.0	Ruptúra maternice pred začiatkom pôrodnej činnosti
O47.1	Falošná pôr. činnosť po ukonč. 37. týž. gravidity a neskôr	O71.1	Ruptúra maternice počas pôrodnej činnosti
O47.9	Falošná pôrodná činnosť, bližšie neurčená	O71.2	Inverzia maternice po pôrode
O48	Predĺžená gravidita	O71.3	Natrhnutie krčka maternice pri pôrode
O60.0	Predčasná pôrodná činnosť bez pôrodu	O71.4	Samostatná vysoká lacerácia pošvy pri pôrode
O60.1	Predčasná pôrodná činnosť s predčasným pôrodom	O71.5	Iné poranenie panvových orgánov pri pôrode
O60.2	Predčasná pôrodná činnosť s pôrodom v termíne	O71.6	Poškodenie panvových kĺbov a väzov pri pôrode
O60.3	Predčasný pôrod bez spontánnej pôrodnej činnosti	O71.7	Hematóm panvy pri pôrode
O61.0	Neúspešná lieková indukcia pôrodnej činnosti	O71.8	Iné poranenie pri pôrode, bližšie určené
O61.1	Neúspešná inštrumentálna indukcia pôrodnej činnosti	O71.9	Poranenie pri pôrode, bližšie neurčené
O61.8	Iná neúspešná indukcia pôrodnej činnosti	O72.0	Krvácanie v 3. pôrodnej dobe
O61.9	Neúspešná indukcia pôrod. činnosti, b.n.	O72.1	Iné krvácanie bezprostredne po pôrode
O62.0	Primárne slabá pôrodná činnosť	O72.2	Oneskorené a sekundárne krvácanie po pôrode
O62.1	Sekundárne slabá pôrodná činnosť	O72.3	Poruchy zrážanlivosti krvi po pôrode
O62.2	Iná slabá pôrodná činnosť	O73.0	Zadržanie placenty bez krvácania
O62.3	Náhly pôrod (partus praecipitatus)	O73.1	Zadržanie častí placenty a blán bez krvácania
O62.4	Hyperton., nekoord. a predĺžené kontrakcie maternice	O74.0	Aspiračná pneumónia zapríč. anestéziou počas pôr. č. a pôrodu
O62.8	Iná porucha pôrodnej činnosti	O74.1	Iné pľúcne kompl. anestézie počas pôrod. čin. a pôrodu
O62.9	Porucha pôrodnej činnosti, bližšie neurčená	O74.2	Srdcové kompl. anestézie počas pôrod. čin. a pôrodu
O63.0	Predĺžená prvá pôrodná doba	O74.3	Komplik. CNS s spojením s anestéziou počas pôrod. čin.
O63.1	Predĺžená druhá pôrodná doba	O74.4	Toxická reakcia na lokálnu anestéziu počas pôrod. čin. a pôrodu
O63.2	Oneskorený pôrod druhého dvojčata, trojčata atď.	O74.5	Bolesť hlavy, zapr. spinál. a epidurál. anest. počas pôrod. čin. a pôrod.
O63.9	Predĺžený pôrod, bližšie neurčený	O74.6	Iné kompl. spinál. a epidurál. anestézie počas pôrod. čin. a pôrodu
O64.0	Nepokračujúci pôrod, zapríč. neúplnou rotáciou hlavičky plodu	O74.7	Neúspešná/sťažená intubácia počas pôrod. čin. a pôrodu
O64.1	Nepokračujúci pôrod, zapríč. polohou panvovým koncom	O74.8	Iné komplik. anestézie počas pôrod. čin. a pôrodu
O64.2	Nepokračujúci pôrod, zapríč. tvárovou polohou	O74.9	Komplik. anestézie počas pôrod. čin. a pôrodu, b.n.
O64.3	Nepokračujúci pôrod, zapríč. čelovou polohou	O75.0	Distres matky počas pôrodnej činnosti a pôrodu
O64.4	Nepokračujúci pôrod, zapríč. naliehaním pliecka	O75.1	Šok počas pôrodnej činnosti, po nej a po pôrode
O64.5	Nepokračujúci pôrod, zapríč. komb. por. naliehania plodu	O75.2	Horúčka počas pôrodu, nezatriedená inde
O64.8	Nepokračujúci pôrod, zapríč. i. nespr. pol. a naliehaním plodu	O75.3	Iná infekcia počas pôrodnej činnosti
O64.9	Nepokračujúci pôrod, zapríč. nespr. pol. a naliehaním plodu, b.n.	O75.4	Iná komplikácia pôrodných operácií a výkonov
O65.0	Nepokračujúci pôrod, zapríč. deformovanou panvou	O75.5	Protrahovaný pôrod po umelom pretrhnutí plodových blán
O65.1	Nepokračujúci pôrod, zapríč. celkovo zúženou panvou	O75.6	Protrahovaný pôrod po spont./bliž. neurč. puknutí plod. blán
O65.2	Nepokračujúci pôrod, zapríč. zúžením panvového vchodu	O75.7	Vaginálny pôrod po predchádzajúcom cisárskom reze
O65.3	Nepokrač. pôr. zapr. zúž. panv. vých. a kontr. stred. časti. panv. dut.	O75.8	Iná komplikácie pôrod. činn. a pôrodu, b.u.
O65.4	Nepokračujúci pôrod, zapríč. nepom. medzi plod. a panv., b.n.	O75.9	Komplikácia pôrod. činn. a pôrodu, b.n.
O65.5	Nepokračujúci pôrod, zapríč. abn. panv. org. matky	O80.0	Spontánny pôrod jedného plodu záhlavím
O65.8	Nepokračujúci pôrod, zapríč. i. abn. panvy matky	O80.1	Spontánny pôrod jedného plodu panvovým koncom
O65.9	Nepokračujúci pôrod, zapríč. abnor. panvy matky, b.n.	O80.8	Iný spontánny pôrod jedného plodu
O66.0	Nepokračujúci pôrod, zapríč. dystokiu pliecka plodu	O80.9	Spontánny pôrod jedného plodu, bližšie neurčený
O66.1	Komplikác. pôrodu, zapríč. zakliesnením dvojčiat	O81.0	Pôrod jedného plodu východovými kliešťami
O66.2	Nepokrač. pôrod, zapríč. nezvyčajne veľkým plodom	O81.1	Pôrod jedného plodu strednými kliešťami
O66.3	Nepokrač. pôrod, zapríč. inými. abnormalitami plodu	O81.2	Pôrod jedného plodu stred. kliešťami s rotáciou hlavičky
O66.4	Neúspešný pokus o pôrod, bližšie neurčený	O81.3	Iný pôrod jedného plodu kliešťami, bližšie neurčený
O66.5	Neúspeš. použ. vákuového extraktora/kliešti, b.n.	O81.4	Pôrod jedného plodu vákuovým extraktorom
O66.8	Iný nepokračujúci pôrod, bližšie určený	O81.5	Pôrod jedného plodu s použ. kombi. kliešti a vákuo. ekstrak.
O66.9	Nepokračujúci pôrod, bližšie neurčený	O82.0	Pôrod jedného plodu elektívnym cisárskym rezom
O67.0	Krvácanie pri pôrode s poruchou koagulácie	O82.1	Pôrod jedného plodu naliehavým cisárskym rezom
O67.8	Iné krvácanie pri pôrode	O82.2	Pôrod jedného plodu cisárskym rezom s hysterektómiou
O67.9	Krvácanie pri pôrode, bližšie neurčené	O82.8	Iný pôrod jedného plodu cisárskym rezom
O68.0	Kompl. pôrod. čin. a pôrodu pre abn. srd. frekv. plodu	O82.9	Pôrod cisárskym rezom, bližšie neurčený
O68.1	Kompl. pôrod. čin. a pôrodu pre mekónium v plod. vode	O83.0	Extrakcia plodu pri polohe panvovým koncom
O68.2	Kompl. pôrod. čin. a pôrodu pre abn. srdc. fr. plod. s mekón. v plod. v.	O83.1	Iné vedenie pôrodu jedného plodu pri polohe panvo. koncom
O68.3	Kompl. pôrod. čin. a pôrodu pre biochem. dôkaz distresu plodu	O83.2	Iné operačné vedenie pôrodu jedného plodu
O68.8	Kompl. pôrod. čin. a pôrodu pre iný dôkaz distresu plodu	O83.3	Pôrod živého plodu pri brušnej gravidite
O68.9	Kompl. pôrod. čin. a pôrodu pre distres plodu, b.n.	O83.4	Zmenšovacie operácie na uľahčenie pôrodu jedného plodu
O69.0	Kompl. pôr. čin. a pôr. pre prolaps pupočin.	O83.8	Iné vedenie pôrodu jedného plodu, bližšie určené
O69.1	Kompl. pôr. čin. a pôr. pre ovin. pupočin. ok. krku, s kompr. krku	O83.9	Vedenie pôrodu jedného plodu, bližšie neurčené
O69.2	Kompl. pôr. čin. a pôr. pre i. zapletenie pupočin., s kompr.	O84.0	Pôrody pri viacplodovej gravidite, všetky spontánne
O69.3	Kompl. pôr. čin. a pôr. pre krátky pupočník	O84.1	Pôrody pri viacplod. grav. všetky kliešť. a vákuumextrak.
O69.4	Kompl. pôr. čin. a pôr. pre vcestné cievy	O84.2	Pôrody pri viacplod. grav. všetky cisárskym rezom
O69.5	Kompl. pôr. čin. a pôr. pre pošk. ciev pupočin.	O84.8	Iné pôrody pri viacplodovej gravidite
O69.8	Kompl. pôr. čin. a pôr. pre i. por. pupočin.	O84.9	Pôrody pri viacplodovej gravidite, bližšie neurčené
O69.9	Kompl. pôr. č. a pôr. pre poruchu pupoč., b.n.	O85	Puerperálna sepsa
O70.0	Natrhnutie hrádze 1. stupňa pri pôrode	O86.0	Infekcia pôrodnickej operačnej rany

Kód	Popis	Kód	Popis
O86.1	Iná infekcia pohlavných orgánov po pôrode	O98.5	Iná vírus.choroba,kompl.grav.,pôrod a šeston.
O86.2	Infekcia močových orgánov po pôrode	O98.6	Prvoková choroba,kompl.grav.pôrod a šeston.
O86.3	Iná infekcia močovopohlavnej sústavy po pôrode	O98.7	Choroba HIV,kompl. graviditu,pôrod a šestonedelie
O86.4	Horúčka neznámeho pôvodu po pôrode	O98.8	Iná infekč.a parazit.chor.matky,kompl.grav.pôrod a šeston.
O86.8	Iná puerperálna infekcia,blížšie určená	O98.9	Infekč.a parazit.chor.matky,kompl.grav.pôrod a šeston. b.n.
O87.0	Povrchová tromboflebitída v šestonedelí	O99.0	Anémia,komplikujúca graviditu,pôrod a šestonedelie
O87.1	Hĺbková žilová trombóza (flebotrombóza) v šestonedelí	O99.1	Iné chor.krví a krvotv.,urč.por.imun.,kompl.grav.pôr.šesto.
O87.2	Hemoroidy v šestonedelí	O99.2	Endokrin.nutričné a metabol.chor.kompl.grav.pôr.a šesto.
O87.3	Trombóza mozgových žíl v šestonedelí	O99.3	Duševná choroba a chor.nervov.súst.kompl.grav.pôr.a šesto.
O87.8	Iné žilové choroby ako komplikácie v šestonedelí	O99.4	Choroba obeh.súst.kompl.grav.pôrod a šeston.
O87.9	Žilová chor.ako komplikácia v šestonedelí,b.n.	O99.5	Choroba dých.súst.kompl.grav.pôrod a šeston.
O88.0	Vzduchová embólia v gestačnom období	O99.6	Choroba tráv.súst.kompl.grav.pôrod a šeston.
O88.1	Embólia plodovou vodou	O99.7	Choroba kože a podkož.tkan.kompl.grav.pôrod a šeston.
O88.20	Tromboembólia pľúc v gestačnom období	O99.8	Iné choroby a stavy komplikujúci grav.pôrod a šeston.b.u.
O88.28	Iná tromboembólia v gestačnom období	P54.6	Pošťové krvácanie u novorodenca
O88.3	Pyemická a septická embólia v gestačnom období	Q50.0	Vrodené chýbanie vaječníka
O88.8	Iná embólia v gestačnom období	Q50.1	Vývinová (dysontogenetická) cysta vaječníka
O89.0	Pľúcne komplikácie anestézie v šestonedelí	Q50.2	Vrodená torzia vaječníka
O89.1	Srdcové komplikácie anestézie v šestonedelí	Q50.3	Iná vrodená chyba vaječníka
O89.2	Komplikácie CNS v spojení s anestéziou v šestonedelí	Q50.4	Embryonálna cysta vajíčkovodu
O89.3	Toxická reakcia na lokálnu anestéziu v šestonedelí	Q50.5	Embryonálna cysta šir.väzu maternice
O89.4	Bolesť hlavy,zapríč.spinál.a epidurál.anest.v šeston.	Q50.6	Iná vrodená chyba vajíčkovodu a širokého väzu
O89.5	Iné kompl.spin.a epid.anestézie v šeston.	Q51.0	Agenéza a aplázia maternice
O89.6	Neúspešná alebo sťažená intubácia v šestonedelí	Q51.1	Dvojité maternica s dvoj.krčkom a dvoj.pošvou
O89.8	Iné komplikácie anestézie v šestonedelí	Q51.2	Iné zdvojenie maternice
O89.9	Kompl.anestézie v šestonedelí,b.n.	Q51.3	Dvojrohá maternica[uterus bicornis]
O90.0	Dehiscencia rany po cisárskom reze	Q51.4	Jednorohá maternica[uterus unicornis]
O90.1	Dehiscencia pôrodnicej rany hrádze	Q51.5	Agenéza a aplázia krčka maternice
O90.2	Hematóm pôrodnicej rany	Q51.6	Embryonálna cysta krčka maternice
O90.3	Kardiomyopatia v šestonedelí	Q51.7	Vrod. fistula medzi maternicou,a trávicim a moč.traktom
O90.4	Akútne poškodenie obličiek po pôrode	Q51.8	Iná vrodená chyba maternice a krčka maternice
O90.5	Zápal štítnej žľazy po pôrode	Q51.9	Vrod.chyba maternice a krčka maternice,b.n.
O90.8	Iná komplikácia šestonedelia,nezatriedená inde	Q52.0	Vrodené chýbanie pošvy
O90.9	Komplikácia šestonedelia,blížšie neurčená	Q52.1	Zdvojenie pošvy
O91.00	Infekcie bradavky v súvis.s pôr.bez ťažk.pri priložení	Q52.2	Vrodená fistula medzi konečníkom a pošvou
O91.01	Infekcie bradavky v súvis.s pôr.s ťažk.pri priložení	Q52.3	Neperforovaný hymen
O91.10	Abces prsníka v súvis.s pôr.bez ťažk.pri priložení	Q52.4	Iná vrodená chyba pošvy
O91.11	Abces prsníka v súvis.s pôr.s ťažk.pri priložení	Q52.5	Fúzia pyskov
O91.20	Nehnisová mastitída v súvis.s pôr.bez ťažk.pri priložení	Q52.6	Vrodená chyba klitorisu
O91.21	Nehnisová mastitída v súvis.s pôr.s ťažk.pri priložení	Q52.7	Iná vrodená chyba vulvy
O92.00	Retrakcia bradavky v súvis.s pôr.bez ťažk.pri priložení	Q52.8	Iná vrod.chyba ženských pohlav.org.,b.u.
O92.01	Retrakcia bradavky v súvis.s pôr.s ťažk.pri priložení	Q52.9	Vrodená chyba ženských pohlav.org.,b.n.
O92.10	Trhlínka bradavky v súvis.s pôr.bez ťažk.pri priložení	R87.0	Abn.nález vo vzorkách zo žen.pohl.org.:abn.hlad.enzymov
O92.11	Trhlínka bradavky v súvis.s pôr.s ťažk.pri priložení	R87.1	Abn.nález vo vzorkách zo žen.pohl.org.:abn.hlad.hormónov
O92.20	Iná a blíž.neurč.chor.prsní.v súvis.s pôr.bez ťažk.pri prilož.	R87.2	Abn.nález vo vzor.zo žen.pohl.org.abn.hlad.liek.,biol.akt.lát.
O92.21	Iná a blíž.neurč.chor.prsníka v súvis.s pôr.s ťažk.pri prilož.	R87.3	Abn.nález vo vzor.zo žen.pohl.org.abn.hlad.látok nemed.povahy
O92.30	Agalakcia,bez ťažkostí pri priložení	R87.4	Abn.nález vo vzorkách zo žen.pohl.org.:abn.imun.nález
O92.31	Agalakcia,s ťažkosťami pri priložení	R87.5	Abn.nález vo vzorkách zo žen.pohl.org.:abn.mikrob.nález
O92.40	Hypogalakcia,bez ťažkostí pri priložení	R87.60	Abnormál.skvamózne bunky neznámej signifikancie (ASCUS)
O92.41	Hypogalakcia,s ťažkosťami pri priložení	R87.61	Abnormálne skvamózne bunky vysokého stupňa (ASC-H)
O92.50	Zastavenie laktácie,bez ťažkostí pri priložení	R87.62	Skvamózna intraepiteliálna lézia nízkeho stupňa (L-SIL)
O92.51	Zastavenie laktácie,s ťažkosťami pri priložení	R87.63	Skvamózna intraepiteliálna lézia vysokého stupňa (H-SIL)
O92.60	Galaktorea,bez ťažkostí pri priložení	R87.64	Cytologický dôkaz malignity zo steru krčka maternice
O92.61	Galaktorea,s ťažkosťami pri priložení	R87.65	Chýbajúce žľazové bunky transformačnej zóny
O92.70	Iná a blíž.neurč.porucha laktácie,bez ťažk.pri priložení	R87.66	Iný abnormálny cytologický nález
O92.71	Iná a blíž.neurč.porucha laktácie,s ťažk.pri priložení	R87.67	Nešpecifikovaný abnormálny cytologický nález
O94	Následky kompl.gravidity,pôrodu a šestonedelia	R87.7	Abn.nález vo vzorkách zo žen.pohl.org.:abn.hist.nález
O95	Smrť v gravidite z blížšie neurčenej príčiny	R87.8	Abn.nález vo vzorkách zo žen.pohl.org.:iný abn.nález
O96.0	Smrť z priam.pôr.príč.,kt.nast.po 42 d.,ale m.ako 1.r.od pôr.	R87.9	Abn.nález vo vzorkách zo žen.pohl.org.:b.n.abn.nález
O96.1	Smrť z nepriam.pôr.príč.,kt.nast.po 42 d.,-men.ako 1.r.od pôr.	R92	Abnorm.nález pri diag.zobrazení prsníka
O96.9	Smrť z blíž.ne.pôr.príč.,kt.nastala po42 d.,m.ako 1.r.od pôr.	S20.0	Pomliaždenie prsníka
O97.0	Smrť z následkov priamej pôrodnicej príčiny	S20.10	Iné a bl.neurč.povrch.poranenia prsníka:druh poranen.bl.neurč.
O97.1	Smrť z následkov nepriamej pôrodnicej príčiny	S20.11	Iné a bl.neurč.povrch.poranenia prsníka:odrenina
O97.9	Smrť z následkov b.n. pôrod.príčiny	S20.12	Iné a bl.neurč.povrch.poranenia prsníka:tvorba pľuzg.(neterm.)
O98.0	TBC,kompl.graviditu,pôrod a šestonedelie	S20.13	Iné a b.n.povrch.poranenia prsníka:uštip.hmyz,vpich(nejed.)
O98.1	Syfilis,kompl.graviditu,pôrod a šestonedelie	S20.14	Iné a b.n.povrch.poranenia prsníka:povrch.cudz.telesá(úlomky)
O98.2	Kvapavka,kompl.graviditu,pôrod a šestonedelie	S20.18	Iné a blížšie neurčené povrchové poranenia prsníka:iné
O98.3	Iná infcia s prevaž.pohl.spôs.pren.,kompl.grav.,pôr.a šesto.	S21.0	Otvorená rana prsníka
O98.4	Vír.hepatitída,kompl.grav.,pôrod a šeston.	S31.4	Otvorená rana pošvy a vulvy

Kód	Popis	Kód	Popis
S37.4	Poranenie vaječníka	Z35.9	Dohľad nad rizikovou graviditou, bližšie neurčenou
S37.5	Poranenie vajíčkovodu	Z36.0	Prenatálny skrining chromozómových anomálií
S37.6	Poranenie maternice	Z36.1	Prenatál.skrin.na zvýšenú hodnotu alfafetoproteínu
T19.2	Cudzie teleso vo vulve a pošve	Z36.2	Iný prenatálny skrining, založený na amniocentéze
T19.3	Cudzie teleso v maternici (ktorejkoľvek časti)	Z36.3	Prenatál.skrin. malformácií UZV a i.fyzik.metódami
T21.01	Popálenina trupu bližšie neurčeného stupňa,prsňik	Z36.4	Prenatál.skrin. spomalenia rastu plodu UZV a i.fyzik.met.
T21.11	Popálenina trupu 1. stupňa,prsňik	Z36.5	Prenatálny skrining izoimunizácie
T21.31	Popálenina trupu 3. stupňa,prsňik	Z36.8	Iný prenatálny skrining
T21.41	Poleptanie trupu bližšie neurčeného stupňa, prsňik	Z36.9	Prenatálny skrining, bližšie neurčený
T21.51	Poleptanie trupu 1.stupňa,prsňik	Z37.0	Jedno dieťa, živonarodené
T21.71	Poleptanie trupu 3.stupňa,prsňik	Z37.1	Jedno dieťa, mŕtvonarodené
T83.3	Mechanická komplik.zaprič.vnútromat.antikoncepčnou pomôc.	Z37.2	Dvojčatá, živonarodené
Z01.4	Gynekologické vyšetrenie (celkové) (rutinné)	Z37.3	Dvojčatá, jedno živonarodené, jedno mŕtvonarodené
Z30.1	Zavedenie (vnútmater.) antikoncepčného telieska	Z37.4	Dvojčatá, mŕtvonarodené
Z31.1	Umelé oplodnenie	Z37.5	Iný viacpočetný pôrod, všetky deti živonarodené
Z31.2	Oplodnenie in vitro	Z37.6	Iný viacpočetný pôrod, niektoré deti živonarodené
Z32.0	Gravidita, (ešte) nepotvrdená	Z37.7	Iný viacpočetný pôrod, všetky deti mŕtvonarodené
Z32.1	Potvrdená gravidita	Z37.9	Výsledok pôrodu, bližšie neurčený
Z34.0	Dohľad nad normálnou prvou graviditou	Z39.0	Starostlivosť a vyšetrenie matky ihneď po pôrode
Z34.8	Dohľad nad inou normálnou graviditou	Z39.1	Starostlivosť a vyšetrenie matky počas laktácie
Z34.9	Dohľad nad normálnou graviditou, bližšie neurčenou	Z39.2	Ďalšie bežné sledovanie matky po pôrode
Z35.0	Dohľad nad graviditou s anamnézou neplodnosti	Z40.00	Profylaktický chir.výk.pre ohrozenie zhub.nád.prsníka
Z35.1	Dohľad nad graviditou s anamnézou potratu	Z40.01	Profylaktický chir.výk.pre ohrozenie zhub.nád.vaječ.
Z35.2	Dohľad nad gravid.s i.nepriaznivou pôr.anamnézou	Z43.7	Ošetrovanie umelo vytvorenej pošvy
Z35.3	Dohľad nad gravid.s anamnézou nedost.prenatálnej star.	Z44.3	Skúšanie a prispôsobovanie vonk.protézy prsníka
Z35.4	Dohľad nad graviditou mnohorodičky	Z64.0	Problémy súvisiace s nechcenou graviditou
Z35.5	Dohľad nad staršou prvorodičkou	Z80.3	Zhubný nádor prsníka v rodinnej anamnéze
Z35.6	Dohľad nad veľmi mladou prvorodičkou	Z87.5	Kompl.gravidity,pôr.a šestonedelia v osob.anam.
Z35.7	Dohľad nad rizik. gravid.v dôsledku sociál.problem.	Z90.1	Získané chýbanie prsníka (prsňikov)
Z35.8	Dohľad nad inou rizikovou graviditou		

D.5b Konflikt s pohlavím: Výkony u ženy

Kód	Popis	Kód	Popis
12q10.0↔	Perkutánná (ihl.) biopsia vaječníkov	5q001.8↔	Enukleácia ovariálnej cysty:robot.
12q10.1↔	Perkutánná (ihl.) biopsia tuba uterina	5q002.0	Excízia peritoneálnej endometriózy:lpt.
12q10.2	Perkutánná (ihl.) biopsia maternice	5q002.1	Excízia peritoneál.endometriózy:vag.lsk.asist.
12q10.3↔	Perkutánná (ihl.) biopsia záves.aparátu maternice	5q002.4	Excízia peritoneálnej endometriózy:lsk.
12q10.4	Perkutánná (ihl.) biopsia pošvy	5q002.8	Excízia peritoneálnej endometriózy:robot.
12q10.5	Perkutánná (ihl.) biopsia vulvy	5q003	Resek.rektovag.septa pri infiltr.endometrióze
12q10.6	Perkutánná (ihl.) biopsia perinea žens.pohl.org.	5q010.0↔	Parciálna resekcia vaječníka:lpt.
12q10.x↔	Perkutánná (ihl.) biopsia ženských pohl.org.,ostatné	5q010.4↔	Parciálna resekcia vaječníka:lsk.
12q11.0	Biopsia endometria bez incízie, dg.mikrokyretáž	5q010.8↔	Parciálna resekcia vaječníka:robot.
12q11.1	Biopsia endometria bez incízie, aspiračná kyretáž	5q011.0↔	Ovarektómia po predch.parc.resekcii:lpt.
12q11.2	Biopsia endometria bez incízie, frakcion.kyretáž	5q011.4↔	Ovarektómia po predch.parc.resekcii:lsk.
12q11.x	Biopsia endometria bez incízie, ostatné	5q011.8↔	Ovarektómia po predch.parc.resekcii:robot.
12q12.0	Biopsia krčka maternice bez incízie,abrázia	5q012.0	Ovarektómia, laparotomicky
12q12.x	Biopsia krčka maternice bez incízie,ostatné	5q012.1↔	Ovarektómia:vag.lsk.asist.
12q20.1‡	Biopsia bez incí.chorio.klkov gravid.mat.,transvagin.zobr.m.	5q012.4↔	Ovarektómia:lsk.
12q20.2‡	Biopsia bez incíz.plodu gravid.mater.s použ.zobr.metód	5q012.7↔	Ovarektómia:vag.
12q20.3‡	Biopsia bez incí.umbilik.ciev gravid.mater.zobr.m.(kordocent.)	5q013.0↔	Rad.ovarektómia [sek.debulking-cytorredukcia]:lpt.
12q20.x‡↔	Biopsia bez incíz.gravid.mater.s použ.zobr.metód,ostatné	5q013.4↔	Rad.ovarektómia [sek.debulking-cytorredukcia]:lsk.
12q23.0↔	Perkutánná biopsia vaječníkov s použ.zobraz.metód	5q013.8↔	Rad.ovarektómia [sek.debulking-cytorredukcia]:rob.
12q23.1↔	Perkutánná biopsia tuba uterina s použ.zobraz.metód	5q014.0↔	Radikálna ovarektómia:lpt.
12q23.2	Perkutánná biopsia maternice s použ.zobraz.metód	5q014.4↔	Radikálna ovarektómia:lsk.
12q23.3↔	Perkut.biopsia záves.ap.maternice s použ.zobraz.metód	5q014.8↔	Radikálna ovarektómia:robot.
12q23.4	Perkutánná biopsia pošvy s použ.zobraz.metód	5q030.0↔	Salpingoovariolýza:lpt.
12q23.5	Perkutánná biopsia vulvy s použ.zobraz.metód	5q030.4↔	Salpingoovariolýza:lsk.
12q23.6	Perkut.biopsia perinea žen.pohl.org.s použ.zobraz.m.	5q030.8↔	Salpingoovariolýza:robot.
12q23.x↔	Perkutánná biops.žen.pohl.org.s použ.zobr.metód,ostatné	5q031.0↔	Adnexektómia:lpt.
13q00.0↔	Biopsia s incíziou vaječníkov	5q031.4↔	Adnexektómia:lsk.
13q00.1↔	Biopsia s incíziou tuby uterina	5q031.5↔	Adnexektómia:konv.z endoskopie na otv.ch.
13q01.0↔	Biopsia s incíziou závesného aparátu maternice	5q031.7↔	Adnexektómia:vaginálne
13q01.1	Biopsia s incíziou tela maternice	5q031.8↔	Adnexektómia:robot.
13q01.2	Biopsia s incíziou krčka maternice	5q042.0↔	Transpozícia vaječníkov:lpt.
13q02	Biopsia s incíziou pošvy	5q042.4↔	Transpozícia vaječníkov:lsk.
13q03	Biopsia s incíziou vulvy	5q043.0↔	Transpozícia vaječníkov súč.s iným výk:lpt.
13q04	Biopsia s incíziou ženského perinea	5q043.4↔	Transpozícia vaječníkov súč.s iným výk:lsk.
13q05	Vagináln.biopsia s incíziou Douglasovho priestoru	5q043.8↔	Transpozícia vaječníkov súč.s iným výk:robot.
13q0x	Biopsia s incíziou ostat.ženských pohlavných orgánov	5q090.0↔	Parovariálna cystektómia:lpt.
3131a	Endosonografia ženských pohlavných orgánov	5q090.1↔	Parovariálna cystektómia:s lsk.asist.
5o31a.0	Jednoduchá cystektómia u ženy:otv.chir.	5q090.4↔	Parovariálna cystektómia:lsk.
5o31a.4	Jednoduchá cystektómia u ženy:lsk.	5q090.8↔	Parovariálna cystektómia:robot.
5o31a.x	Jednoduchá cystektómia u ženy:iný spôsob	5q101.0↔	Salpingektómia:lpt.
5o31b.0	Rad.cystektómia bez uretrektómie u ženy:otv.chir.	5q101.4↔	Salpingektómia:lsk.
5o31b.4	Rad.cystektómia bez uretrektómie u ženy:lsk.	5q101.8↔	Salpingektómia:robot.
5o31b.x	Rad.cystektómia bez uretrektómie u ženy:iný spôsob	5q110.0	Uzáver tuby pre sterilizáciu:lpt.
5o31d.0	Rad.cystektómia s uretrektómiou u ženy:otv.chir.	5q110.3	Uzáver tuby pre sterilizáciu:hsk.
5o31d.4	Radikálna cystektómia s uretrektómiou,žena:lsk.	5q110.4	Uzáver tuby pre sterilizáciu laparoskopicky
5o31d.x	Radikálna cystektómia s uretrektómiou,žena:ost.	5q110.7	Uzáver tuby pre sterilizáciu:vag.
5o40c	Plastická rekostrukcia ženskej epispadie	5q120.0↔	Narezanie vajíčkovodu:lpt.
5o40d	Plastická rekonštr.ženskej hypospadie	5q120.4↔	Narezanie vajíčkovodu:lsk.
5o41c	Jednoduchá uretrektómia u ženy ako samostat.výkon	5q120.8↔	Narezanie vajíčkovodu:robot.
5o41d	Radikálna uretrektómia u ženy ako samostat.výkon	5q130.0↔	Neostómia:lpt.
5o930.1	Transvag.závesná OP s použ.autolog.m:plastika levátorov	5q130.4↔	Neostómia:lsk.
5o930.2	Transvag.závesná OP s pou.autolog.m:pubokolokocygeál.pl	5q130.8↔	Neostómia:robot.
5o930.3	Transvag.závesná OP s použ.autolog.m:fasciová závesná OP	5q131.0↔	Fimbrioplastika:lpt.
5o930.x	Transvag.závesná OP s použ.autolog.m:ost.	5q131.4↔	Fimbrioplastika:lsk.
5o931.1	Transvag.závesná OP dury s použ.alogen.m	5q131.8↔	Fimbrioplastika:robot.
5o931.2	Transvag.závesná OP fascie s použ.alogen.m	5q132.0	Reanastomóza:lpt.
5o931.x	Transvag.závesná OP s použ.alogen.m:ost.	5q132.4	Reanastomóza:lsk.
5o932.1	Transvag.závesná OP s použitím alopl.mat:TVT/TOT	5q132.8	Reanastomóza:robot.
5o932.x	Transvag.závesná OP s použitím alopl.mat:iné	5q133↔	Rekonštrukcia vajíčkovodu:lpt.
5o93x	Transvaginálna závesná operácia:iná	5q140↔	Pertubácia terapeutická
5o955	Uretrocystolýza u ženy	5q141↔	Rekanalizácia vajíčkovodov pod hysterosk.kontrolou
5o961	Uretrokolposuspenzia	5q142↔	Rekanalizácia vajíčkovodov pod skiaskop.kontr.
5o962	Uretrokolposuspenzia s laterálnou fixáciou pošvy	5q210	Konizácia krčka maternice
5q001.0↔	Enukleácia ovariálnej cysty:lpt.	5q211	Elektrokonizácia krčka maternice
5q001.1↔	Enukleácia ovariálnej cysty:vag.lsk.asist.	5q212	Laserová konizácia krčka maternice
5q001.2	Enukleácia ovariálnej cysty, vaginálne	5q213	Kryonizácia krčka maternice
5q001.4↔	Enukleácia ovariálnej cysty:lsk.	5q220	Excízia z krčka maternice

Kód	Popis	Kód	Popis
5q221.0	Rad.trachelektómia a detekcia sentin.LU:lpt.	5q594	Intrauterinná aspirácia u virgo
5q221.1	Rad.trachelektómia a det.sent.in.LU:vag.lsk.asist.	5q595	Elektrodiatermokoag./kryochir.zásah v obl.krčka maternice
5q221.4	Rad.trachelektómia a detekcia sentin.LU:lsk.	5q597.0	Ventrosuspenzia maternice:lpt.
5q221.7	Rad.trachelektómia a detekcia sentin.LU:vag.	5q597.4	Ventrosuspenzia maternice:lsk.
5q223	Amputácia krčka maternice	5q597.7	Ventrosuspenzia maternice:vag.
5q230	Serkláž krčka maternice rôznymi technikami	5q597.8	Ventrosuspenzia maternice:robot.
5q231.0	Abdominálna serkláž:lpt.	5q598‡	Operačná hysteroskopia elektrochirurgiou
5q231.4	Abdominálna serkláž:lsk.	5q610	Hymenotómia,hymenektómia
5q291	Tracheloplastika	5q620.1	Excízia z pošvy
5q292	Odstránenie serkláže	5q620.2	Exstirpácia nádoru pošvy
5q401.0	Odstránenie myómov maternice:abd.	5q621	Kryonizácia v oblasti pošvy alebo vulvy
5q401.1	Odstránenie myómov maternice kombinovane	5q630	Kolpokleisis
5q401.4	Odstránenie myómov maternice:lsk.	5q632	Semikolpokleisis
5q401.7	Odstránenie myómov maternice:vag.	5q633.0	Parciálna kolpektómia:abdominálne
5q401.8	Odstr.mýomov maternice:roboticky	5q633.7	Čiastočná kolpektómia:vaginálne
5q402.2	Dilatácia a kyretáž:vag.s hysteroskop.asist.	5q634.0	Totálna kolpektómia:abdominálne
5q402.7	Dilatácia a kyretáž:vaginálne kyretou	5q634.7	Totálna kolpektómia:vaginálne
5q403	Deštrukcia endometria:termoabláciou	5q640	Predná vaginálna plastika s plastikou panvového dna
5q404.0	Odstránenie endometriu techn.strippingu:lpt.	5q641	Zadná vaginálna plastika s plastikou panvového dna
5q404.4	Odstránenie endometriu techn.strippingu:lsk.	5q642	Vaginál.plastika s elev.maternice s plast.panv.dna,vaginál.
5q404.8	Odstránenie endometriu techn.Strippingu:rob.	5q650.4	Neoplastika pošvy,laparoskopicky
5q405.0	Pelvicná exenterácia:lpt.	5q650.7	Neoplastika pošvy,vaginálne
5q405.4	Pelvicná exenterácia:lsk.	5q651	Excízia kongenitálneho [vrod.]septu pošvy
5q405.8	Pelvicná exenterácia:robot.	5q652	Vaginálna operácia pri aplázii pošvy
5q410.0	Trachelektómia:lpt.	5q653	Vag.OP pri neúplnom zdvojení vnút.rodidiel
5q410.4	Trachelektómia:lsk.	5q654	Plastika vaginálneho vchodu
5q410.7	Trachelektómia:vag.	5q690	Fistulektómia a plastika
5q420	Hemihysterektómia	5q691	Kolpost.intersex.malf.,Prader IV.aV.s uz.sin-vag./uretrov.fist
5q426.10	Subt.simplex.HYE(b.odstr.vaječnika/vaječnikov),abdomin.	5q692	Kolpost.pri intersex.malf.,Prader IV. a V.,plast.pošv.vchodu
5q426.14	Subt.simplex.HYE(b.odstr.vaječnika/vaječnikov),lsk	5q693	Kolpostómia pri parc.aplázii distálnej č.pošvy
5q426.18	Subt.simplex.HYE(b.odstr.vaječnika/vaječnikov),robot.	5q710	Incízia Bartolínskej žľazy
5q426.20	Subtotál.HYE s odstr.vaječnika/vaječnikov,abdominálne	5q711	Marsupializácia Bartolínskej žľazy
5q426.24	Subtotál.HYE s odstr.vaječnika/vaječnikov,laparoskopicky	5q712	Exstirpácia Bartolínskej žľazy
5q426.28	Subtotál.HYE s odstr.vaječnika/vaječnikov,roboticky	5q720.1	Excízia vulvy
5q426.30	HYE simpl.(b.odstr.vaječnika/vaječnikov),abdominálne	5q720.2	Extirpácia nádoru vulvy
5q426.31	HYE simpl.(b.odstr.vaječnika/vaječnikov),kombi.s lsk asist.	5q721	Elektrodiatermok.al.kryochir.zásah v obl.pošvy/vulvy
5q426.34	HYE simpl.(b.odstr.vaječnika/vaječnikov),laparoskopicky	5q722	Resekcia malého pysku
5q426.37	HYE simpl.(b.odstr.vaječnika/vaječnikov),vagin.bez plastiky	5q730	Resekcia klitorisu
5q426.38	HYE simpl.(b.odstr.vaječnika/vaječnikov),roboticky	5q731	Klitoridektómia
5q427.10	HYE s odstr.vaječnika/vaječnikov,laparotomicky	5q732	Klitoridektómia s neoplastikou malých pyskov
5q427.11	HYE s odstr.vaječnika/vaječnikov,kombinovaná	5q740	Jednoduchá vulvektómia
5q427.14	HYE s odstr.vaječnika/vaječnikov,laparoskopicky	5q741	Radikálna vulvektómia (predná, zadná)
5q427.17	HYE s odstr.vaječnika/vaječnikov,vaginálne	5q742	Skinning vulvektómia
5q427.18	HYE s odstr.vaječnika/vaječnikov,roboticky	5q743	Hemivulvektómia
5q427.21	Vaginálna hysterektómia s prednou pošvovou plastikou	5q750	Labioplastika
5q427.22	Vaginálna hysterektómia so zadnou pošvovou plastikou	5q751	Chir.ošetr.úrazu vonk.rodidiel u dieťaťa
5q428.00	Radik.HYE s odstr.vaječnika/vaječnikov,abdominálne	5q752	Chir.ošetr.úrazu vonk.rodidiel a pošvy u dieťaťa
5q428.04	Radik.HYE s odstr.vaječnika/vaječnikov,laparoskopicky	5q790	Operácia synechií vulvy
5q428.07	Radik.HYE s odstr.vaječnika/vaječnikov,vaginálne	5r111‡	Asistovaný pôrod pomocou inštrumentov
5q428.08	Radik.HYE s odstr.vaječnika/vaječnikov,roboticky	5r112‡	Asist.pôrod koncom panv.s mauálnymi hmatmi
5q428.10	Rad.HYE s odstr.vaječ/vaječnikov,abdomin.a detekt.sentin.LU	5r113‡	Kombinov.pôrod pomocou inštrumentov a špec.úchytov
5q428.20	Radik.HYE s transpozíciou vaječnikov,abdominálne	5r114‡	Vedenie pôrodu koncom panv.pri viacplod.grav.
5q428.24	Radik.HYE s transpozíciou vaječnikov,laparoskopicky	5r11x‡	Iný spont.a vag.OP pôrod pri polohe koncom panv.
5q428.27	Radik.HYE s transpozíciou vaječnikov,vaginálne	5r121‡	Pôrod pomocou východových klieští
5q428.28	Radik.HYE s transpozíciou vaječnikov,roboticky	5r122‡	Pôrod pomocou stredových klieští
5q428.30	Radik.HYE s transpoz.vaječnikov,abdominálne a detekt.sent.LU	5r12x‡	Pôrod pomocou klieští:iný
5q428.34	Radik.HYE s transpozíciou vaječnikov,lsk a detekt.sent.LU	5r131‡	Ukonč.pôr.pri polohe KP manuál.extrakciou plodu
5q428.37	Radik.HYE s transpozíciou vaječnikov,vagin. a detekt.sent.LU	5r132‡	Ukončenie pôr.pri polohe KP inštrum.extrakciou pl.
5q428.38	Radik.HYE s transpozíciou vaječnikov,robot.a detekt.sent.LU	5r133‡	Ukonč.pôr.pri polohe KP manuál.a inštrum.extrak.plodu
5q501	Frakcionovaná kyretáž vákuom aspiračnou kyretou	5r13x‡	Ukončenie pôr.pri polohe KP inou extrakciou plodu
5q502	Frakcionovaná kyretáž.vaginálnou kyretou	5r141‡	Ukončenie pôr.vákuumextrakciou z panv.východu
5q520	Radikálna parametrektómia	5r142‡	Ukončenie pôr.vákuumextrakciou z panv.hlbiny
5q530.0	Rekonštrukčná OP VVCH maternice:lpt.	5r14x‡	Ukončenie pôrodu vákuumextrakciou:ost.
5q530.3	Rekonštrukčná OP VVCH maternice:hysterosk.	5r211‡	Vnút.obrat plodu vnút.hmatmi bez extrakcie
5q530.4	Rekonštrukčná OP VVCH maternice:lsk.	5r212‡	Kombinovaný obrat plodu bez extrakcie
5q530.8	Rekonštrukčná OP VVCH maternice:robot.	5r213‡	Obrat plodu s extrakciou bez ďalších kompl.
5q590	Odstránenie intrauterinného telieska	5r214‡	Obrat plodu s extrakciou kliešťami
5q591	Odstránenie intrauterinného telieska [IUD] háčikom	5r215‡	Rotácia hlavičky pomocou klieští
5q593	Kyretáž vákuovou kyretou	5r216‡	Obrat plodu s extrakciou pri iných kompl.

Kód	Popis	Kód	Popis
5r217‡	Obrat na druhom dvojčati	5r343	Odstr.extraterinneho embrya kuldoskopioi
5r221‡	Neúspešný kliešťový pôrod	5r34x	Iné odstránenie extraterinneho embrya
5r222‡	Neúspešná extrakcia vákuovou pumpou	5r411‡	Intrauterinná transfúzia plodu
5r223‡	Neúspešné vnútorné otočenie	5r412‡	Intrauterinná infúzia plodu
5r224‡	Neúspešné kombinované otočenie	5r413	Intrauterinná laserová terapia plodu
5r231‡	Embryotómia	5r414‡	Výmena plodovej vody
5r232‡	Deštrukcia plodu	5r415‡	Vysokofrekv.ablácia nádor.buniek a/alebo ciev placenty
5r233‡	Dekapitácia	5r416‡	Zavedenie shuntu u plodu intrauterinne
5r234‡	Iné zmenšovacie operácie na plode	5r417‡	Intrauterinná terapia plodu drenážou
5r235	Amniotómia	5r418‡	Medikament.intrauterinná terapia plodu
5r311.1	Primárny cisársky rez	5r421‡	Terap.amniocentéza s násl.amniocentézou
5r311.2	Sekundárny cisársky rez	5r422‡	Terapeutická amniocentéza s kordocentézou
5r312.1	Primárny Misgav-Ladach cisársky rez	5r423‡	Terapeutická amniocentéza za účelom fetocidy
5r312.2	Sekundárny Misgav-Ladach cisársky rez	5r491	Segment.resekcia polycystic.plúc plodu
5r314	Cisársky rez extraperitoneálne	5r492	Intrauterinná OP plodu postihnutého VVCH
5r315.1	Primárny cisársky rez supracervikálny	5r493‡	Intraamniálna inj.apl.medikament.k ukonč.gravidity
5r315.2	Cisársky rez supracervikálny	5r911	Sutúra ruptúry alebo nástrihu hrádze
5r316.1	Primár.korporálny cisársky rez pozdĺžnou incíziou	5r912	Sutúra ruptúry alebo nástrihu krčka maternice
5r316.2	Sekundár.korporálny cisársky rez pozdĺžnou incíziou	5r913‡	Sutúra ruptúry alebo nástrihu pošvy
5r317.1	Primárny cisársky rez korporálny T-incíziou	5r914.1‡	Ošetrovanie ruptúry I.stupňa
5r317.2	Sekundárny SC korporálny T-incíziou	5r914.2‡	Ošetrovanie ruptúry II.stupňa
5r321.1	Primárny cisársky rez a sterilizácia	5r914.3‡	Ošetrovanie ruptúry III.stupňa
5r321.2	Sekundárny cisársky rez a sterilizácia	5r914.4‡	Ošetrovanie ruptúry IV.stupňa
5r322.1	Primárny cisársky rez s následnou HYE s adnexektómiou	5r921‡	Revízia dutiny maternice po pôrode
5r322.2	Sekundárny cisársky rez s násled.HYE s adnexektómiou	5r922‡	Revízia dutiny maternice po spontán.potraste
5r323.1	Primárny cisársky rez s následnou hysterektómiou	5r923‡	Manuálne vybavenie zadržanej placenty
5r323.2	Sekundárny cisársky rez s následnou hysterektómiou	5r924	Inštrumentálne vybavenie zadržanej placenty
5r331.0↔	Salpingotómia: otv.chir.	5r925‡	Iné vybavenie zadržanej placenty
5r331.1↔	Salpingotómia:vag.s lsk.asist.	5r931	Rekonštrukcia močového mechúra a utery
5r331.4↔	Salpingotómia:lsk.	5r932‡	Rekonštrukcia konečníka a análneho zvierača
5r331.6↔	Salpingotómia:konv.z vag.-otv.chir.	5r991	Kyretáž pre ukončenie tehotnosti
5r331.7↔	Salpingotómia:vag.	5u210.1↔	Korekcia asymetrie prsníka vložení implantátu
5r331.x↔	Salpingotómia:ost.	5u210.2↔	Korekcia asymetrie prsníka vložení implantát-expandéru
5r332.0↔	Salpingotómia s rekonštr:otv.chir.	5u211.3↔	Rekonštrukcia prsníka muskulokutánnym lalokom
5r332.1↔	Salpingotómia s rekonštrukciou:lpt.	5u214.1↔	Redukč.mamoplastika pre hypertrof.lahk.a sred.závaž.st.
5r332.4↔	Salpingotómia s rekonštrukciou:lsk.	5u214.2↔	Redukčná mamoplastika s transplantáciou areoly
5r332.6↔	Salpingotómia s rekonštr:konv.z vag.-otv.chir.	5u216.1↔	Zväčšenie prsníka vložení implantátu
5r332.7↔	Salpingotómia s rekonštrukciou:vag.	5u217.0↔	Mastopexia
5r332.x↔	Salpingotómia s rekonštr:ost.	5u217.1↔	Mastopexia s vložení prsníkových implantátov
5r333.0↔	Parciálna salpingektómia:otv.chir.	5u220.1↔	Výmena protetického implantátu prsníka
5r333.1↔	Parc.salpingektómia:vag.lsk.as.	5u220.2↔	Výmena expandér-implantátu prsníka
5r333.4↔	Parc.salpingektómia:lsk.	5u220.3↔	Výmena expandér-implantátu za implantát prsníka
5r333.6↔	Parc.salpingektómia:konv.z vag.-otv.chir.	5u221.x↔	Odstránenie protetického materiálu z prsníka,ost.
5r333.7↔	Parc.salpingektómia:vag.	5u223.1↔	Revízia implantátu prsníka s výmenou
5r333.x↔	Parc.salpingektómia:ost.	5u224↔	Operačná revízia periprotetickej kapsuly prsníka
5r334.0↔	Parc.salpingektómia s rekonštr:lpt.	8c160	Hysteroskop.odstránenie cudzieho telesa z maternice
5r334.1↔	Parc.salpingektómia s rekonštr:lsk.	8c260	Odstránenie cudzieho telesa z pošvy dieťaťa
5r334.4↔	Parc.salpingektómia s rek:vag.lsk.as.	8f108.2‡↔	Terap.katetri.a kanyl.vajčkovodu cez hysterosk.pristup
5r334.6↔	Parc.salpingektómia s rek:konv.z vag.-otv.chir.	8f306.0↔	Perkutánná terapeutická punkcia a aspirácia vaječníka
5r334.7↔	Parc.salpingektómia s rek:vag.	8f306.1	Perkutánná terapeutická punkcia a aspirácia maternice
5r334.x↔	Parc.salpingektómia s rekonštr:iná	8f306.x↔	Perkut.terapeut.punkcia a aspirácia žens.pohlav.org, ost
5r335.0↔	Totál.salpingektómia:lpt.	91110	Intenziv.oše.st.o rodičku pri prekotnom pôrode
5r335.1↔	Totál.salpingektómia:vag.lsk.as.	91111	Intenz.oše.st.o rodičku-I.doba pôrod.pri fyziol.pôrode
5r335.4↔	Totál.salpingektómia:lsk.	91112	Intenz.oše.st.o rodičku-II.doba pôrod.pri fyz.pôrode
5r335.6↔	Totál.salpingektómia:konv.z vag.-otv.chir.	91113	Intenz.oše.st.o rodičku-III.doba pôrod.pri fyz.pôrode
5r335.7↔	Totál.salpingektómia:vag.	91114	Apl.metód nefarmakol.tlmenia bolesti v I.dobe pôrodnej
5r335.x↔	Totál.salpingektómia:ost.	91121	Uvoľnenie dolného pólu plodového vajca
5r336.0	Lokál.medikam.liečba pri tubárnej gravid:lpt.	91127	Sledovanie a vedenie rizikového pôrodu
5r336.1	Lok.medikam.liečba pri tubár.gravid:vag.lsk.asist	91515	Transfer embrya
5r336.4	Lok.medikam.liečba pri tuba.gravidite:lsk.	91516	Zavedenie zmrazeného embrya
5r336.6	Lok.medikam.liečba pri tuba.grav:konv.z vag.-otv.chir.	91518	Inseminácia umelá cerviko-vaginálna
5r336.7	Lokál.medikam.liečba pri tuba.gravid:vag.	91519	Inseminácia umelá intrakavitálna alebo intratubárna
5r336.x	Lok.medikam.liečba pri tubárnej grav:ost.	91520	V.asist.reprod.s odber.oocytov k in vitro fertili.b.pren.embryi
5r339	Operácia extraterinnej gravidity:ost.	91521	Výkon asist.reprodukcie komplexný cyklus s prenosom embryi
5r341	Odstránenie extrater.embrya:otv.chir.	91522‡	Asistovaná fertilizácia
5r342	Odstr.extraterinneho embrya:lsk.		

D.5c Konflikt s pohlavím: Choroby muža

Kód	Popis	Kód	Popis
B26.0	Parotitická orchitída(N51.1*)	N48.0	Leukoplakia penisu
C60.0	Zhubný nádor predkožky penisu	N48.1	Balanopostitída
C60.1	Zhubný nádor žaluďa penisu	N48.2	Iná zápalová choroba penisu
C60.2	Zhubný nádor tela penisu	N48.30	Nízkoprietokový priapizmus
C60.8	Zhubný nádor penisu presahujúci viaceré oblasti	N48.31	Vysokoprietokový priapizmus
C60.9	Zhubný nádor penisu,blížšie neurčený	N48.38	Iný priapizmus
C61	Zhubný nádor prostaty	N48.39	Priapizmus,blížšie neurčený
C62.0	Zhubný nádor nezostúpeného semenníka	N48.4	Impotencia organického pôvodu
C62.1	Zhubný nádor zostúpeného semenníka	N48.5	Vred penisu
C62.9	Zhubný nádor semenníka,blížšie neurčený	N48.6	Induratio penis plastica (balanitis xerotica obliterans)
C63.0	Zhubný nádor nadsemenníka	N48.8	Iné choroby penisu,blížšie určené
C63.1	Zhubný nádor semenného povrazca	N48.9	Choroba penisu,blížšie neurčená
C63.2	Zhubný nádor mieška	N49.0	Zápalová choroba semenných mechúrikov
C63.7	Zhubný nádor iných mužských pohlavných orgánov,blíž.urč.	N49.1	Zápal.chor.semen.povrazca,semenník.pošv.obalu a semenov.
C63.8	Zhubný nádor mužských pohlavných orgánov presah.viac.obl.	N49.2	Zápalová choroba mieška
C63.9	Zhubný nádor mužského pohlavného orgánu,blíž.neurč.	N49.80	Fournierova gangréna u muža
D07.4	Karcinóm in situ penisu	N49.88	Zápalová choroba i.blíž.urč.mužských pohlav.org.
D07.5	Karcinóm in situ prostaty	N49.9	Zápalová choroba blíž.neu.mužských pohlav.org.
D07.6	Karcinóm in situ iných a blíž.neurč.mužských pohlav.org.	N50.0	Atrofia semenníka
D17.6	Nezhubný lipomatózny nádor semenného povrazca	N50.1	Cievne choroby mužských pohlavných orgánov
D29.0	Nezhubný nádor penisu	N50.8	Iné choroby mužských pohlavných org.,b.u.
D29.1	Nezhubný nádor prostaty	N50.9	Choroby mužských pohlavných org.,b.n.
D29.2	Nezhubný nádor semenníka	N51.0	Choroby prostaty pri chorobách zatriedených inde
D29.3	Nezhubný nádor nadsemenníka	N51.1	Choroby semenníka a nadsemenníka pri chor.z.i.
D29.4	Nezhubný nádor mieška (skróta)	N51.2	Balanitída pri chorobách zatriedených inde
D29.7	Nezhubný nádor iných mužských pohlavných orgánov	N51.8	Iné choroby mužských pohlav.org.pri chorobách.z.i.
D29.9	Nezhubný nádor blíž.neurč.mužských pohlav.org.	Q53.0	Ektopický semenník
D40.0	Nádor s neurčitým/nezná.m.správaním:predstojnica (prostata)	Q53.1	Jednostranne nezostúpený semenník
D40.1	Nádor s neurčitým/nezná.m.správaním:semenník	Q53.2	Obojstranne nezostúpený semenník
D40.7	Nádor s neurčitým/nezná.m.správaním:i.muž.pohl.org.	Q53.9	Nezostúpený semenník,blížšie neurčený
D40.9	Nádor s neurčitým/nezná.m.správaním:blíž.neurč.muž.pohl.org.	Q54.0	Hypospádia žaluďa [balanická]
E29.0	Hyperfunkcia semenníkov	Q54.1	Hypospádia penisu [penilná]
E29.1	Hypofunkcia semenníkov	Q54.2	Hypospádia penisu a skróta [penoskrotálna]
E29.8	Iná porucha funkcie semenníkov	Q54.3	Hypospádia perineálna
E29.9	Porucha funkcie semenníkov,blížšie neurčená	Q54.4	Vrodené ventrálné ohnutie penisu [vrodená chordea]
E89.5	Hypofunkcia semenníkov po lekárskom výkone	Q54.8	Iná hypospádia
F52.4	Predčasná ejakulácia	Q54.9	Hypospádia, blížšie neurčená
I86.1	Varixy skróta	Q55.0	Chýbanie a aplázia semenníka
L29.1	Svrbenie skróta	Q55.1	Hypoplázia semenníka a mieška
N36.3	Prolaps sliznice uretry	Q55.2	Iná vrodená chyba semenníka a mieška
N40	Hyperplázia prostaty	Q55.3	Atrézia semenovodu
N41.0	Akútna prostatitída	Q55.4	Iná vrod.chyba semenov.,nadsemen.,semen.vač.a prostaty
N41.1	Chronická prostatitída	Q55.5	Vrodené chýbanie a aplázia penisu
N41.2	Absces prostaty	Q55.6	Iná vrodená chyba penisu
N41.3	Prostatocystitída	Q55.8	Iná vrod.chyba mužských pohlav.org.,b.u.
N41.8	Iná zápalová choroba prostaty	Q55.9	Vrod.chyba mužských pohlav.org.,b.n.
N41.9	Zápalová choroba prostaty,blížšie neurčená	R86.0	Abn.nález vo vzorkách z muž.pohl.org.:abn.hodn.enzým.
N42.0	Konkrement prostaty	R86.1	Abn.nález vo vzorkách z muž.pohl.org.:abn.hodn.hormón.
N42.1	Kongescia a krvácanie z prostaty	R86.2	Abn.nález vo vzor.z muž.pohl.org.abn.hodn.liek.a biol.akt.lát.
N42.2	Atrofia prostaty	R86.3	Abn.nález vo vzorkách z muž.pohl.org.:abn.hodn.lát.nemed.p.
N42.3	Dysplázia prostaty	R86.4	Abn.nález vo vzorkách z muž.pohl.org.:abn.imun.nález
N42.8	Iná choroba prostaty,blížšie určená	R86.5	Abn.nález vo vzorkách z muž.pohl.org.:abn.mikrob.nález
N42.9	Choroba prostaty,blížšie neurčená	R86.6	Abn.nález vo vzorkách z muž.pohl.org.:abn.cytol.nález
N43.0	Encystovaná hydrokéla	R86.7	Abn.nález vo vzorkách z muž.pohl.org.:abn.hist.nález
N43.1	Infikovaná hydrokéla	R86.8	Abn.nález vo vzorkách z muž.pohl.org.:iný abn.nález
N43.2	Iná hydrokéla	R86.9	Abn.nález vo vzorkách z muž.pohl.org.:b.n.abn.nález
N43.3	Hydrokéla,blížšie neurčená	S31.2	Otvorená rana penisu
N43.4	Spermatokéla	S31.3	Otvorená rana skróta a semenníkov
N44.0	Torzia semenníka	S37.32	Poranenie močovej rúry,pars spongiosa
N44.1	Torzia hidatídy [Morgagni]	S37.33	Poranenie močovej rúry,pars prostatica
N45.0	Orchitída,epididymitída a epididymoorchitída s abscesom	S37.82	Poranenie prostaty
N45.9	Orchitída,epididymitída a epididymoorchitída bez abscesu	S37.83	Poranenie semenného vâčka
N46	Mužská neplodnosť	S37.84	Poranenie semenovodu
N47	Hyperplastická predkožka,fimóza a parafimóza		

D.5d Konflikt s pohlavím: Výkony u muža

Kód	Popis	Kód	Popis
12o20.1	Perkutánná biopsia prostaty s použ.zobraz.metód	5o31c.4	Rad.cystektómia bez uretrekt.,šetr.nerv-ciev.zv.,žena:lsk.
12o20.2↔	Perkutánná biopsia vesiculae seminales s použ.zobraz.m.	5o31c.x	Rad.cystektómia bez uretrektómie,šetr.nerv-ciev.zv.,žena:ost.
12o20.3	Perkutánná biopsia penisu s použ.zobraz.metód	5o400	Rekonštr.prostat/membranóz.časti moč.rúry po poran.
12o20.4‡↔	Perkutánná biopsia semenníka s použ.zobraz.metód	5o401	Uzavretie uretrostómie
12o20.5↔	Perkutánná biopsia nadsemenníka s použ.zobraz.metód	5o40a.1	1-dobá plast.rekonštr.moč.rúry s použ.kože predkožky
12o20.6↔	Perkutánná biopsia ductus defer.s použ.zobraz.m.	5o40a.2	1-dobá plast.rekonštr.moč.rúry s použ.kože penisu
12o20.7↔	Perkutánná biopsia funiculus spermat.s použ.zobraz.m.	5o40b.1	2-dobá plast.rekonštr.moč.rúry:1.doba s použ.kože predkožky
12o20.8	Perk.biops.moč.sys.a muž.pohl.org.zobr.m.:pre urč.št.ch.	5o40b.2	2-dobá plast.rekonštr.moč.rúry:1.doba s použ.kože penisu
12o21	Perkut.biopsia perivezikál.tk. s použ.zobraz.m.	5o413	Jednoduchá uretrektómia u muža ako samostat.výkon
12o22	Perkut.biopsia peripostat.tk. s použ.zobraz.m.	5o414	Radikálna uretrektómia u muža ako samostat.výkon
12p10.1	Perkutánná (ihlová) biopsia prostaty	5o49b	Posunutie vonkajšieho ústia moč.rú.a glanduloplastika
12p10.2↔	Perkutánná (ihlová) biopsia vesiculae seminales	5o49c	Duckettova plastika
12p10.3	Perkutánná (ihlová) biopsia penisu	5p111.t	Incízia prostaty, transuretrálne
12p10.4‡↔	Perkutánná (ihlová) biopsia semenníkov	5p111.x	Incízia prostaty, ostatné
12p10.5↔	Perkutánná (ihlová) biopsia nadsemenníkov	5p112	Incízia periprostatického tkaniva bez drenáže
12p10.6↔	Perkutánná (ihlová) biopsia ductus deferens	5p113	Incízia a drenáž periprostatického tkaniva
12p10.7↔	Perkutánná (ihlová) biopsia funiculus spermaticus	5p114	Incízia abscesu prostaty transuretrálna
12p10.8	Perkutánná (ihlová) biopsia skrota	5p115	Drenáž abscesu prostaty transrektálne
12p10.9	Perkut.(ihl.) biopsia perinea mužs.pohl.org.	5p116	Excízia periprostatického tkaniva
12p10.x↔	Perkut.(ihl.) biopsia mužs.pohl.org.,ost.	5p11x	Incízia prostaty,Incízia/excízia periprostatického tk:ost.
12p30.01	Ihl.biopsia prostaty transrektál.,menej ako 20 vzoriek	5p121.1	Prostatektómia:suprapubicky-transvezikálne,lpt.
12p30.02	Ihl.biopsia prostaty transrektál., 20 a viac vzoriek	5p121.2	Prostatektómia retropubicky:laparotomicky
12p30.2	Biopsia prostaty transrektálne,aspiračne	5p121.3	Prostatektómia retropubicky:laparoskopicky
12p30.3↔	Biopsia vesiculae seminales transrektálne	5p121.4	Prostatektómia transperineálne:lpt.
12p30.x↔	Biopsia mužs.pohl.org.transrektálne,ostatné	5p121.x	Prostatektómia:ost.
13p00.0	Biopsia s incíziou prostaty	5p122.2	Rad.prostatektómia bez reg.LNE:retropubicky
13p00.1	Biopsia s incíziou periprostatického tkaniva	5p122.3	Rad.prostatektómia bez reg.LNE:perineálne
13p01.0	Biopsia s incíziou glans penis	5p122.4	Radikál.prostatektómia bez reg.LNE:lsk.
13p01.1	Biopsia s incíziou tela penisu	5p122.8	Rad.prostatektómia bez reg.LNE:rob.
13p02.0↔	Biopsia s incíziou semenníkov	5p123.2	Rad.prostatekt.b.reg.LNE,šetr.nervovociev.zv:retropub
13p02.1↔	Biopsia s incíziou epididymis	5p123.3	Rad.prostatekt.b.reg.lymfadenekt,šetr.nerv-ciev.zv:perineál
13p02.2↔	Biopsia s incíziou ductus deferens	5p123.4	Rad.prostatektómia bez reg.LNE,šetrenie nervovociev.zv:lsk.
13p02.3↔	Biopsia s incíziou vesiculae seminalis	5p123.8	Rad.prostatekt.bez reg.LNE,šetrenie nervovociev.zv:robot.
13p02.4↔	Biopsia s incíziou funiculus spermaticus	5p124.2	Rad.prostatektómia s regionál.LNE:retropubicky
13p03	Biopsia s incíziou mužského perinea	5p124.3	Rad.prostatekt.s reg.lymfadenek:perineál,lsk.lymfadenekt
15p10.0↔	Dg.punkcia a aspirácia semenníka	5p124.4	Radikál.prostatektómia s reg.LNE:lsk.
15p10.1↔	Dg.punkcia a aspirácia nadsemenníka	5p124.8	Rad.prostatektómia s reg.LNE:robot.
15p10.2↔	Dg.punkcia a aspirácia hydrokély	5p125.2	Rad.prostatekt.s reg.LNE,šetr.nervovociev.zv:retropub
15p10.3↔	Dg.punkcia a aspirácia spermatokély	5p125.3	Rad.prostatekt.s r.LNE,šet.n-c.zv:perin,lsk.lymfadenekt
15p10.4	Dg.punkcia a aspirácia prostaty	5p125.4	Rad.prostatektómia s reg.LNE,šetrenie nervovociev.zv:lsk.
15p10.5↔	Dg.punkcia a aspirácia semenných mechúrikov	5p125.5	Rad.prostatektómia s reg.LNE,šetrenie nervovociev.zv:rob.
15p10.x↔	Ostatné dg.punkcie a aspirácie mužs.pohl.orgánov	5p126.2	Radik. prostatekt.s rozšir.LNE:retropubicky
31317.1	Endosonografia mužských pohlav.orgánov,transrektálne	5p126.3	Radik.prostatekt.s rozš.LNE:perineál.a lsk.lymfadenekt.
31317.2‡	Endosonografia mužských pohlav.orgánov,transuretrálne	5p126.4	Radik. prostatekt. s rozšir.lymfadenekt:laparoskopicky
5b323.1↔	Laparotomická adrenalectómia u muža	5p126.8	Radik. prostatekt. s rozš.lymfadenekt: roboticky
5b323.2↔	Lumbotomická adrenalectómia u muža	5p127.2	Radik.prostatekt.s rozš.LNE,šetr.nerv-ciev.zváz:retropub
5b323.4↔	Laparoskopická adrenalectómia u muža	5p127.3	Rad.prostatekt.s rozš.LNE,šetr.nerv-c.zváz:perineál.a lsk.LNE
5b323.x↔	Adrenalectómia u muža, ostatné	5p127.4	Radik.prostatekt.s rozš.LNE,šetr.nerv-ciev.zváz:lsk.
5n810.1↔	Uzavr.inguin.her.bez plast:s res.steny hydrokély	5p127.5	Radik.prostatekt.s rozš.LNE,šetr.nerv-ciev.zváz:robot.
5n810.2↔	Uzavr.inguin.her.bez plas:s funikulol.a dislok.semenníka	5p12x	Iná radikálna prostatektómia
5n815.1↔	Uzavr.inguin.her.pri recidíve s plast.s funikulo-orchidolýzou	5p131	Transrektál.a perkutánná termodeštrukcia tkaniva prostaty
5o311.0	Jednoduchá cystektómia u muža:otv.chir.	5p132	Transrektál.a perkutánná deštrukcia tkaniva prostaty UZV
5o311.4	Jednoduchá cystektómia u muža:lsk.	5p133	Transrekt.a perkut.deštrukcia tk.prostaty nosičmi zariadenia
5o311.x	Jednoduchá cystektómia u muža:ostatné	5p134	Aplikácia rádiových zrn do prostaty
5o312.0	Radik.cystektómia u muža bez uretrektóm:otv.chir	5p135	Kryodeštrukcia tkaniva prostaty
5o312.4	Radikálna cystektómia u muža bez uretrektómie:lsk.	5p136	Mikrovlnná deštrukcia prostaty
5o312.x	Radik.cystektómia u muža bez uretrektómie:ost.	5p13x	Transrektálna a perkutánná deštr.tk.prostaty:ost.
5o313.0	Rad.cystekt.b.uretrekt,šetr.nerv-ciev.zv,zach.pot.muža:o.chir	5p140.1	Transuretr.endores.tk.prostaty:elektrores.TURP
5o313.4	Rad.cystekt.b.uretrekt,šetr.nerv-ciev.zv,zach.pot.,muž:lsk.	5p140.2	Transuretr.endores.tk.prost:elektrores s epicystostóm.trok.
5o313.x	Rad.cystekt.b.uretrekt.,šetr.nerv-ciev.zv,zach.pot.,muž:ost.	5p141	Transuretrálna endoresekcia tk.prostaty:kryoablácia
5o314.0	Rad.cystektómia s uretrektómiou,muž:otv.chir.	5p142	Transuretr.endores.tk.prostaty:termores/termodešt.
5o314.4	Rad.cystektómia s uretrektómiou,muž:lsk.	5p143.1	Transuretr.endores.tk.prostaty:intersticiál.laser.deštr
5o314.x	Rad.cystektómia s uretrektómiou,muž:ost.	5p143.2	Transuretrál.endoresekcia tk.prostaty:viz.kontr.las.ab [VLAP]
5o315.0	Eviscerácia malej panvy u muža:otv.chir.	5p143.3	Transuretr.endores.tk.prostaty:laser.vaporizácia prostaty
5o315.4	Eviscerácia malej panvy u muža:lsk.	5p143.x	Transuretrálna endoresekcia tk.prostaty:laserová deštr:iná
5o315.x	Eviscerácia malej panvy u muža:ostatné	5p144	Transur.endores.tk.prostaty:transuretr.ihl.abl.tk.prost[TUNA]
5o31c.0	Rad.cystektómia bez uretrekt.,šetr.nerv-ciev.zv.,žena:otv.ch.	5p145	Transur.endores.tk.prostaty:elektrická vaporizácia

Kód	Popis	Kód	Popis
5p146	Transur.endores.tk.prostaty:bipolár.resekcia(enukleácia)	5p404↔	Operácia hydrokély testis
5p14x	Transuretrálna endoresekcia tk.prostaty:ost.	5p40x↔	Oper.th.varikokély a hydrokély semenného povrazca:ost
5p151↔	Incizia na semenných mechúrikoch	5p411↔	Excizia cysty v oblasti nadsemenníka
5p152↔	Excizia na semenných mechúrikoch	5p412↔	Excizia spermatokély v obl.nadsemenníka
5p153↔	Exstirpácia na semenných mechúrikoch	5p413↔	Excizia Morgan.hydatídy v obl.nadsemenníka
5p15x↔	Operácie na semenných mechúrikoch:ost.	5p41x↔	Excizia v oblasti nadsemenníka,ost.
5p190.1	Ošetrovanie krvácania na prostate:laparotom.	5p421↔	Parciálna epididymektómia
5p190.t	Ošetrovanie krvácania na prostate:transuretrál.	5p422↔	Totálna epididymektómia
5p191	Rekonštrukcia prostaty po poranení	5p42x↔	Epididymektómia, ostatné
5p192	Dilatácia prostatickej močovej rúry	5p431↔	Sutúra semenného povrazca po poranení
5p193	Zavedenie stentu do prostatickej močovej rúry	5p432↔	Plastická rekonštrukcia semenného povrazca
5p194	Výmena stentu v prostatickej močovej rúre	5p433‡↔	Detorkv.semen.povrazca pri torzii,vrát.kontrat.orchidopex
5p195‡	Odstránenie stentu z prostatickej močovej rúry	5p434‡↔	Detorzia testis manuálne
5p196	Iné operácie na prostate:revízia	5p43x‡↔	Rekonštrukcia semenného povrazca:ost.
5p197	Zavedenie prostatickej endoprotézy	5p451↔	Sklerotizácia semenovodu
5p198‡	Odstránenie prostatickej endoprotézy	5p452↔	Ligatúra semenovodu
5p19x‡	Iné operácie na prostate:ost	5p453↔	Resekcia semenovodu [vazoresekcia]
5p201	Excizia fistuly skróta	5p45x↔	Deštrukcia,ligatúra a resekcia semenovodu:ost.
5p20x	Iná excizia a deštr.chor.tk.skróta	5p461↔	Sutúra semenovodu a nadsemenníka po poranení
5p211	Parciálna resekcia chorého tkaniva skróta	5p462↔	Vazovazostómia
5p212	Radikálna resekcia chorého tkaniva skróta	5p463↔	Epididymovazostómia
5p221	Operácia skróta pre úraz	5p464↔	Tubulovazostómia
5p230	Incizia skróta a tunica vaginalis testis:bez d.zásahov	5p465↔	Vytvorenie umelej spermatokély
5p231	Incizia skróta a tunica vaginalis testis:drenáž	5p46x↔	Rekonštrukcia semenovodu a nadsemenníka:ost.
5p233	Incizia skróta a tunica vaginalis testis:odstr.cudz.t.	5p491↔	Incizia rozrušenia zrastov, epididymotómia
5p23x	Incizia skróta a tunica vaginalis testis:iná	5p492↔	Incizia rozrušenia zrastov spermatického povrazca
5p240	Sutúra skróta a tunica vaginalis testis po poranení	5p493↔	Adheziolýza semenného povrazca
5p241	Plastická rekonštrukcia skróta a tunica vaginalis testis	5p494↔	Odber tkaniva nadsemenníka v prípr.pred umel.oplodnením
5p242	Vytvor.a rekonštrukcia skróta a tunica vaginalis testis	5p49x↔	Iné OP na semen.povrazci,nadsemeníku a semenovode:ost
5p24x	Plastická rekonštr.skróta a tunica vaginalis testis:ost.	5p501	Frenulotómia predkožky
5p301.0↔	Orchiektómia bez epididymektómie:inguin.retencia semenn	5p502	Dorzálne preťatie predkožky
5p301.2↔	Orchiektómia bez epididymektómie:skrotálne	5p503	Cirkumcizia
5p302.0↔	Orchiektómia s epididymektómiou:inguin.reten.semenníka	5p504	Frenuloplastika a plastika predkožky
5p302.2↔	Orchiektómia s epididymektómiou:skrotálne	5p505.1	Krvavá repozícia na predkožke pre parafimózu v celk.anestézii
5p303.1↔	Abdominálna retencia semenníka:lpt.	5p505.2	Nekrvavá repoz. na predkožke pre parafimózu v CA
5p303.4↔	Abdominálna retencia semenníka:lsk.	5p506	Uvoľn.prepučiálnych zrastov na predkožke[synechiolýza]
5p304↔	"Rad.orchiekt,epididymekt.a odstránením"spermatic cord""	5p509	Operácie na predkožke:ost.
5p305.0↔	Odstr.zostávajúceho semenníka:inguinálne	5p511	Lok.excizia chor.tk.penisu
5p305.2↔	Odstr.zostávajúceho semenníka:skrotálne	5p512	Lok.deštrukcia chor.tk.penisu
5p306↔	Orchiektómia u novorod.pre intrauter.torziiu testis:inguinál.	5p51x	Lok.excizia a deštr.chor.tk.penisu:ost.
5p30x↔	Orchiektómia:ost.	5p521	Čiastočná amputácia penisu
5p311↔	Orchidopexia s funikulolýzou	5p522	Totálna amputácia penisu
5p312↔	Orchidopexia skrotálne	5p523	Emaskulinizácia penisu
5p31x↔	Orchidopexia:ost.	5p530	Sutúra penisu pri poranení
5p320.1↔	Oper.premies.abd.ulož.semenníka bez mikrovask.anast:lpt.	5p531	Narovnanie tela penisu
5p320.4↔	Oper.premiestn.abd.ulož.sem.bez mikrovaskul.anastom:lsk.	5p532	Plast.rekonštrukcia penisu pri zmene pohlavia
5p321.1↔	OP premiestn.abdomin.ulož.sem.s mikrovaskul.anast:lpt.	5p533	Úprava penoskrotálnej transpozície
5p321.4↔	OP premiestn.abd.ulož.sem.s mikrovaskulárnou anast:lsk.	5p534	Operácia zanoreného penisu
5p32x↔	OP premiestnenie abdominál.uloženého semenníka:ost.	5p535	Operácia zlomeniny penisu
5p341‡↔	Implantácia protézy semenníka	5p536	Preťatie ligamentum suspensorium penis
5p342‡↔	Výmena protézy semenníka	5p537	Operácie pri induratio penis plastica
5p343‡↔	Odstránenie protézy semenníka	5p53x	Plastická rekonštrukcia penisu:ost.
5p34x‡↔	Implantácia,výmena a odstr.protézy semenníka:ost.	5p541	Plast.rek.epispád,muž:narovnanie tela penisu a chordektóm
5p351↔	Sutúra semeníka po poranení	5p542	Plast.rek.episp.muž:uvoľ.kaver.tel,ventr.transpoz.moč.rúry
5p35x↔	Rekonštrukcia semeníka:ost.	5p543.0	Plast.rekonštr.epispádie,muž:vytv.moč.rúry pou.kože predkož
5p391.0	Explorácia pri kryptorchizme:inguin.	5p543.1	Plast.rekonštr.epispádie,muž:vytv.moč.rúry pou.kože penisu
5p391.1↔	Explorácia pri kryptorchizme:lpt.	5p543.2	Plast.rekonštr.epispádie,muž:vytv.moč.rúry pou.bukál.slizn.
5p391.4	Explorácia pri kryptorchizme:lsk.	5p543.3	Plast.rekonštr.epispád,muž:vytv.moč.rúry pou.slizn.m.mech
5p391.x	Explorácia pri kryptorchizme:ost	5p543.x	Plast.rekonštr.epispádie,muž:vytv.moč.rúry:ost.
5p392↔	Odobratie tk.semenníka v príprave umel.oplodnenia	5p54x	Plastická rekonštrukcia epispádie u muža:ost
5p393↔	Incizia semeníka	5p551	Plast.rekonštr.hypospádie,muž:meatoglandulárna plast.
5p394↔	Excizia a deštrukcia chorého tkaniva semenníka	5p552	Plast.rek.hyposp.muž:narovnanie tela pen,chordekt
5p39x‡↔	Iné operácie na semeníku:ost	5p553.0	Plast.rekonštr.hypospádie,muž:vytv.moč.rúry:s kože predkožky
5p401.2↔	Sklerotizácia testikulárnej žily:skrotálne	5p553.1	Plast.rekonštr.hypospádie,muž:vytv.moč.rúry:s kože penisu
5p402.0↔	Resekcia testikulárnej žily a testikulárnej tepny:inguin	5p553.2	Pl.rekonštr.hypospádie,muž:vytv.moč.rúry:transpl.bukál.sl
5p402.1↔	Resekcia testikulárnej žily a testikulárnej tepny:otv.mikrochir	5p553.3	Pl.rekonštr.hypospád,muž:vytv.moč.rúry:transpl.sl.m.mech
5p402.3↔	Resekcia testikulárnej žily a testikulárnej tepny:lumb	5p553.x	Plast.rekonštr.hypospádie,muž:vytv.moč.rúry:iné
5p402.4↔	Resekcia testikulárnej žily a testikulárnej tepny:lsk.	5p554	King-Duplay plastika
5p403↔	OP hydrokély semenn.povrazca	5p555	Plastická rekonštr.hypospádie u muža:sekundárny výkon

Kód	Popis	Kód	Popis
5p556	Mathieau plastika	5p598	Odstránenie penilnej protézy
5p55x	Plastická rekonštr.hyospádie u muža:ost.	5p599	Replantácia na penise
5p590	Incizia na penise	5p59x	Iné operácie na penise:ost.
5p591	Adheziolyza na penise	5p5a0	OP na zmenu pohlavia:zo ženy na muža
5p592	Uzavretie venózneho úniku penisu	5p5a1	OP na zmenu pohlavia:z muža na ženu
5p593	Revaskularizač.OP na penise	5q293	Vaporizácia laserová
5p594	Shuntové OP kavemóz.telesách penisu	5u115.0↔	Operácia gynekomastie bez liposukcie
5p595.1	Implantácia semirigidnej penilnej protézy	5u115.1↔	Operácia gynekomastie s liposukciou
5p595.2	Implantácia hydraulickej penilnej protézy	8f305.0↔	Perkutánná terapeutická punkcia a aspirácia hydrokély
5p595.x	Implantácia penilnej protézy,ost.	8f305.1↔	Perkutánná terapeutická punkcia a aspirácia spermatokély
5p596	Revízia penilnej protézy	8f305.2	Perkutánná terapeutická punkcia a aspirácia prostaty
5p597.1	Výmena penilnej protézy na semirigidnu protézu	8f305.3↔	Perkut.terapeut.punkcia a aspirácia semenných mechúrikov
5p597.2	Výmena penilnej protézy na hydraulickú protézu	8f305.x↔	Perkut.terapeut.punkcia a aspirácia mužs.pohlav.org.,ost
5p597.x	Výmena penilnej protézy, ostatné		

D.6 Status groupera

Na konci zaraďovania hospitalizačného prípadu sa priradí každému hospitalizačnému prípadu tzv. status groupera (alež GST). Ak nie je možné zaradiť prípad do DRG skupiny na základe chýbajúcich alebo neplatných informácií, je hospitalizačný prípad zaradený do DRG 960Z *Nezaradíte né do skupín*.

Blíži-e údaje k jednotlivým hodnotám GST sa nachádzajú v nasledovnej tabu ke.

Kód	Popis	Poznámky
00	Normálne zaradenie	
01	Neplatná alebo chýbajúca hlavná diagnóza	
02	Diagnóza nie je prípustná ako hlavná diagnóza	Ak sa napr. ako hlavná diagnóza uvedie diagnóza začínajúca na V, W, X, Y Zoznam neprípustných hlavných diagnóz je uvedený v tabu ke D.7
04	neplatný vek	Ak nie je možné stanoviť vek pacienta v platnom rozsahu
05	neplatné pohlavie	
06	neplatný dôvod prijatia, prepustenia, druh prijatia	
07	neplatná hmotnosť pri prijatí	Ak je vek pacienta < 1rok, hlavná diagnóza je novorodenecká a hodnota premennej hmotnosť pri prijatí je neplatná
08	neplatná o-etrovaciu dobu	Ak o-etrovaciu dobu nie je možné z údajov vypočítať

D.7 Nepripustná hlavná diagnóza

Kód	Popis	Kód	Popis
A63.0	Anogenitálne (venerické) bradavice	F02.0	Demencia pri Pickovej chorobe (G31.0†)
B23.0	Syndróm akútnej infekcie HIV	F02.1	Demencia pri Creutzfeldtovej-Jakobovej chorobe
B90.0	Následky tuberkulózy centrálnej nervovej sústavy	F02.2	Demencia pri Huntingtonovej chorobe (G10†)
B90.1	Následky tuberkulózy močovopohlavnej sústavy	F02.3	Demencia pri Parkinsonovej chorobe (G20.-†)
B90.2	Následky tuberkulózy kostí a kĺbov	F02.4	Demencia pri chorobe HIV (B22†)
B90.8	Následky tuberkulózy iných orgánov	F02.8	Demencia pri i.bliž.urč.chorobách z.i.
B90.9	Následky respiračnej a bliž.nerč.TBC	G01	Meningitída pri bakteriálnych chorobách zatried.inde
B91	Následky poliomyelitídy	G02.0	Meningitída pri vírusových chorobách zatried.inde
B92	Následky lepy	G02.1	Meningitída pri mykózach zatriedených inde
B94.0	Následky trachómu	G02.8	Meningitída pri iných bliž.urč.infekč.a parazit.chor.z.i.
B94.1	Následky vírusovej encefalitídy	G05.0	Encefalitída,myelitída a encefalomyelit.pri bakt.chor.z.i.
B94.2	Následky vírusovej hepatitídy	G05.1	Encefalitída,myelitída a encefalomyelit.pri vír.chor.z.i.
B94.8	Následky iných.bliž.urč.infekčných a parazitových chorôb	G05.2	Encefalitída,myelit.a encefalomy.pri i.inf.a paraz.chor.z.i.
B94.9	Následky bliž.neurč.infekčných/parazitových chorôb	G05.8	Encefalitída,myelitída a encefalomyelit.pri i.chor.z.i.
B95.0	Streptokok skupiny A ako príčina chorôb zatried.inde	G07	Intrakran.a intrasp.in.absces a granulóm pri chor.z.i.
B95.1	Streptokok skupiny B ako príčina chorôb zatried.inde	G09	Následky zápalových chorôb centrálnej nerv.sústavy
B95.2	Streptokok skupiny D ako príčina chorôb zatried.inde	G13.0	Paraneoplastická neuromyopatia a neuropatia
B95.3	Streptococcus pneumoniae ako príčina chorôb zatried.inde	G13.1	Iná systémová atrofia post.najmä CNS pri nádor.chor.
B95.41	Streptokok skupiny C ako príčina chorôb zatried.inde	G13.2	Systémová atrofia post.najmä CNS pri myxedéme
B95.42	Streptokok skupiny G ako príčina chorôb zatried.inde	G13.8	Systémová atrofia post.najmä CNS pri i.chor.z.i.
B95.48	Iný streptokok,bliž.urč.ako príčina chorôb zatried.inde	G14	Postpoliomyelitický syndróm
B95.5	Streptokok,bliž.neurč.,ako príčina chorôb zatried.inde	G22	Parkinsonov syndróm pri chorobách zatriedených inde
B95.6	Staphylococcus aureus ako príčina chorôb zatried.inde	G26	Extrapyramídové porucha a por.hybnosti pri chor.zatried.inde
B95.7	Iný stafylokok ako príčina chorôb zatriedených inde	G31.1	Starecká degenerácia mozgu,nezatriedená inde
B95.8	Stafylokok,bliž.neurč.,ako príčina chorôb zatried.inde	G32.0	Subak.kombinovaná degenerácia miechy pri chor.z.i.
B95.90	Iný grampozit.aerób.mikroorganiz.bliž.urč.,ako príč.chor.z.i.	G32.8	Iná bliž.urč.degeneratívna chor.nervovej súst.pri chor.z.i.
B95.91	Iný grampozit.aerób.nesporul.mikroorg.bl.ur.ako príč.chor.z.i	G46.0	Syndróm strednej mozgovej tepny
B96.0	Mykoplasma a ureaplasma ako príčina chorôb zatried.inde	G46.1	Syndróm prednej mozgovej tepny
B96.2	Escherichia coli a iné Enterobact.ako príčina.chor.zatried.i.	G46.2	Syndróm zadnej mozgovej tepny
B96.3	Haemophilus a Moraxella ako príčina chorôb zatried.inde	G46.3	Syndróm cievného postihnutia mozgového kmeňa
B96.5	Pseudomonas a iná neferment.baktéria ako príč.chorôb.z.i.	G46.4	Syndróm cievného postihnutia mozočka
B96.6	Bacteroides fragilis a i.gramneg.anaerób.bak.príč.chor.z.i.	G46.5	Čistý motorický lakunárny syndróm
B96.7	Clostridium perfringens a i.grampoz.anaer.bakt.príč.chor.z.i.	G46.6	Čistý senzorický lakunárny syndróm
B96.8	Iná baktéria,bliž.urč.,ako príčina chorôb zatriedených inde	G46.7	Iný lakunárny syndróm
B97.0	Adenovírus ako príčina chorôb zatriedených inde	G46.8	Iný cievný mozgový syndróm pri cievných mozgov.chorobách
B97.1	Enterovírus ako príčina chorôb zatriedených inde	G53.0	Neuralgia po herpes zoster (B02.2†)
B97.2	Koronavírus ako príčina chorôb zatriedených inde	G53.1	Obrna viac.hlavových nervov pri inf.a paraz.chor.z.i
B97.3	Retrovírus ako príčina chorôb zatriedených inde	G53.2	Obrna viacerých hlav.nervov pri sarkoidóze
B97.4	Respiračný syncytiálny vírus ako príč.chorôb zatried.i.	G53.3	Obrna viacerých hlav.nervov pri nád.chor.
B97.5	Reovírus ako príčina chorôb zatriedených inde	G53.8	Iná choroba hlav.nervu pri iných chorobách z.i.
B97.6	Parvovírus ako príčina chorôb zatriedených inde	G55.0	Kompresia nerv.koreňov a spletí pri nád.chor.
B97.7	Papilomavírus ako príčina chorôb zatriedených inde	G55.1	Kompresia nerv.koreňov a spletí pri pošk.medzistav.plat.
B97.8	Iný vírus ako príčina chorôb zatriedených inde	G55.2	Kompresia nerv.koreňov a spletí pri spondylóze
B98.0	Helicobacter pylori ako príčina chorôb zatried.inde	G55.3	Kompresia nerv.koreňov a spletí pri i.dorzopatiách
B98.1	Vibrio vulnificus ako príčina chorôb.zatried.inde	G55.8	Kompresia nerv.koreňov a spletí pri i.chor.z.i.
C94.8	Blastová kríza pri chronickej myeloidkej leukémii (CML)	G59.0	Diabetická mononeuropatia
C95.8	Leukémia refraktérna na štandardnú indukčnú liečbu	G59.8	Iná mononeuropatia pri chorobách zatriedených inde
C97	Zhubné nádory s primárnym výskytom na roz.m.	G63.0	Polyneuropatia pri inf.a paraz.chor.z.i.
D63.0	Anémia pri nádorových chorobách	G63.1	Polyneuropatia pri nádorovej chorobe(C00-D48†)
D63.8	Anémia pri iných chron.chobách zatried.inde	G63.2	Diabetická polyneuropatia
D77	Iné poruchy krvi a krvotv.org.pri chor.z.i.	G63.3	Polyneuropatia pri iných endokrin.a metabol.chorobách
E35.0	Endokrinná porucha, bližšie neurčená	G63.4	Polyneuropatia pri nedostatku vo výžive (E40-E64†)
E35.1	Choroba štítnej žľazy pri chorobách zatriedených inde	G63.5	Polyneuropatia pri systémových chor.spojiva
E35.8	Choroba nadobličiek pri chorobách zatriedených inde	G63.6	Polyneuropatia pri iných svalovokostr.chorobách
E64.0	Následky proteínovo-energetickej podvýživy	G63.8	Polyneuropatia pri iných chorobách.z.i.
E64.1	Následky nedostatku vitamínu A	G73.0	Myastenický syndróm pri endokrinných chorobách
E64.2	Následky nedostatku vitamínu C	G73.1	Eatonov-Lambertov myastenický syndróm (C00-D48†)
E64.3	Následky rachitídy	G73.2	Iný myastenický synd. pri nádorovej chor.
E64.8	Následky iných nedostatkov vo výžive	G73.3	Myastenický syndróm pri iných chor.z.i.
E64.9	Následky bližšie neurčených nedostatkov vo výžive	G73.4	Myopatia pri infekčných a parazitových chor.z.i.
E68	Následok nadmernej výživy	G73.5	Myopatia pri endokrinných chorobách
E87.7	Preťaženie tekutinou	G73.6	Myopatia pri metabolických chorobách
E90	Nutričná a metab.por.pri chor.z.i.	G73.7	Myopatia pri iných chorobách zatriedených inde
F00.0	Demencia pri Alzheimerovej chor.so skorým začiat.(typ 2)	G82.60	Funkčná úroveň pri poškodení miechy: C1 – C3
F00.1	Demencia pri Alzheimerovej chor.s neskorým začiat.(typ 1)	G82.61	Funkčná úroveň pri poškodení miechy: C4 – C5
F00.2	Demencia pri Alzheimerovej chor.,atypická/zmiešaná forma	G82.62	Funkčná úroveň pri poškodení miechy: C6 – C8
F00.9	Demencia pri Alzheimerovej chorobe,b.n.	G82.63	Funkčná úroveň pri poškodení miechy: Th1 – Th6

Kód	Popis	Kód	Popis
G82.64	Funkčná úroveň pri poškodení miechy: Th7 – Th10	I25.29	Starý infarkt myokardu, bližšie neurčený
G82.65	Funkčná úroveň pri poškodení miechy: Th11 – L1	I32.0	Perikarditída pri bakt.chor.z.i.
G82.66	Funkčná úroveň pri poškodení miechy: L2 – S1	I32.1	Perikarditída pri i.infekč.a parazit.chor.z.i.
G82.67	Funkčná úroveň pri poškodení miechy: S2 – S5	I32.8	Perikarditída pri iných chorobách zatriedených inde
G82.69	Funkčná úroveň pri poškod.miechy bliž.neur.	I39.0	Choroba mitrál.chlopne pri chorobách zatried.i.
G94.0	Hydrocefalus pri infekčných a parazitových chor.z.i	I39.1	Choroba aortál.chlopne pri chorobách zatried.i.
G94.1	Hydrocefalus pri nádorovej chorobe (C00-D48†)	I39.2	Choroba trikuspid.chlopne pri chorobách zatried.i.
G94.2	Hydrocefalus pri iných chorobách zatriedených inde	I39.3	Choroba pulmoná.chlopne pri chorobách zatried.i.
G94.8	Iná choroba mozgu pri chorobách zatriedených inde,b.u.	I39.4	Choroba viacerých chlopni pri chorobách.zatried.i.
G99.0	Autonómna neuropatia pri endokrin.a metabol.chorobách	I39.8	Endokarditída n.chlopne pri chor.z.i.
G99.1	Iná choroba autonómnej nervovej súst.pri iných chor.z.i.	I41.0	Myokarditída pri baktériových chor.z.i.
G99.2	Myelopatia pri chorobách zatriedených inde	I41.1	Myokarditída pri vírusových chor.z.i.
G99.8	Iná choroba nervovej súst.pri chorobách zatried.i.,b.u.	I41.2	Myokarditída pri i.infekč.a parazit.chorobách zatried.i.
H03.0	Parazitové zamorenie mihalnice pri chor.zatried.i.	I41.8	Myokarditída pri iných chorobách zatriedených inde
H03.1	Postihnutie mihalnice pri iných infekčných chor.zatried.i.	I43.0	Kardiomyopatia pri infekč.a parazit.chorobách zatried.i.
H03.8	Postihnutie mihalnice pri iných chorobách zatried.i.	I43.1	Kardiomyopatia pri metabolických chorobách
H06.0	Choroba slzných orgánov pri chorobách z.i.	I43.2	Kardiomyopatia pri poruchách výživy
H06.1	Parazitové zamorenie očnice pri chorách z.i.	I43.8	Kardiomyopatia pri iných chorobách zatried.i.
H06.2	Exoftalmus pri poruche funkcie štítnej žľazy (E05.-†)	I52.0	Iná choroba srdca pri baktériových chor.z.i.
H06.3	Iná choroba očnice pri chorobách zatriedených inde	I52.1	Iná choroba srdca pri i.infekč.a parazit.chor.z.i.
H13.0	Filáriová infekcia spojivky (B74.-†)	I52.8	Iná choroba srdca pri iných chor.z.i.
H13.1	Konjunktivitída pri infekčných a parazit.chor.z.i.	I67.80	Vazospazmy pri subarachnoidálnom krvácaní
H13.2	Konjunktivitída pri iných chorobách zatried.i.	I68.0	Mozgová amyloidová angiopatia
H13.3	Očný pemfigoid (L12.-†)	I68.1	Mozgová arteritída pri infekč.a parazit.chorobách z.i.
H13.8	Iná choroba spojivky pri chorobách zatried.i.	I68.2	Mozgová arteritída pri iných chorobách .zatried.i.
H19.0	Skleritída a episkleritída pri chorobách zatried.i.	I68.8	Iná cievna choroba mozgu pri chorobách zatried.i.
H19.1	Herpetická keratitída a keratokonjunktivitída (B00.5†)	I69.0	Následky subarachnoidálneho krvácania
H19.2	Keratitída a keratokonjunkt.pri i.infekč.a parazit.chor.z.i.	I69.1	Následky vnútromozgového krvácania
H19.3	Keratitída a keratokonjunkt.pri iných chorob.zatried.i.	I69.2	Následky iného neúrazového intrakraniálneho krvácania
H19.8	Iná choroba očného bielka a rohovky pri chorách z.i.	I69.3	Následky mozgového infarktu
H22.0	Iridocyklitída pri inf.a paraz.chor.z.i.	I69.4	Následky cievnej mozg.prihody bliž.neu.ako krvác./infarkt
H22.1	Iridocyklitída pri iných chorobách zatried.i.	I69.8	Následky iných a bliž.neu.cievnych chor.mozgu
H22.8	Iná choroba dúhovky a vráskovca pri chor.z.i.	I79.0	Aneurizma aorty pri chorobách zatriedených inde
H28.0	Diabetická katarakta (E10-E14, štvrtá pozícia .3†)	I79.1	Aortitída pri chorobách zatriedených inde
H28.1	Zákal šošovky pri i.endokrin.,nutričných a metabol.chor.	I79.2	Periférna angiopatia pri chor.z.i.
H28.2	Zákal šošovky pri iných chorobách zatriedených inde	I79.8	Iná choroba tepien,tepničiek a vlásočnic pri chor.,z.i.
H28.8	Iná choroba šošovky pri chorobách zatriedených inde	I98.0	Kardiovaskulárny syfílís
H32.0	Chorioretinitída pri infekčných a parazit.chorobách z.i.	I98.1	Porucha obeh.súst.pri iných infekč.a parazit.chor.z.i.
H32.8	Iná choroba cievovky a sietnice pri chorobách z.i.	I98.2	Varixy pažeráka a žalúdka pri chorobách zatried.i.bez krvác.
H36.0	Diabetická retinopatia	I98.3	Varixy pažeráka a žalúdka pri chorobách zatried.i.s krvác.
H36.8	Iná choroba sietnice pri chor.z.i.	I98.8	Iná bliž.urč.porucha obehovej súst.pri chorobách.z.i.
H42.0	Glaukóm pri endokrin.,nutričných a metabol.chor.z.i.	J17.0	Zápal pľúc pri baktériových chorobách z.i.
H42.8	Glaukóm pri iných chorobách zatriedených inde	J17.1	Zápal pľúc pri vírusových chorobách z.i.
H45.0	Krvácanie do sklovca pri chorobách z.i.	J17.2	Zápal pľúc pri mykózach zatriedených inde
H45.1	Endoftalmitída pri chorobách zatriedených inde	J17.3	Zápal pľúc pri parazitových chorobách
H45.8	Iná choroba sklovca a očnej gule pri chor.z.i.	J17.8	Zápal pľúc pri iných chorobách zatriedených inde
H48.0	Atrofia zrakového nervu pri chorách z.i.	J91	Pohrudnicový výpotok pri chor.z.i.
H48.1	Retrolbulárna neuritída pri chorobách z.i.	J99.0	Reumatoidná choroba pľúc (M05.1-†)
H48.8	Iná choroba zrakového nervu a zrak.dráh pri chor.z.i.	J99.1	Choroba dýchac.súst.pri i.difúzných chor.spojiv.tkan.
H58.0	Anomálie funkcie zrenice pri chor.z.i.	J99.8	Choroba dýchac.súst.pri iných chorobách z.i.
H58.1	Poruchy videnia pri chorobách zatriedených inde	K23.0	Tuberkulóza pažeráka (A18.8†)
H58.8	Iná choroba oka a jeho adnexov,bliž.urč. pri chor.z.i.	K23.1	Megaezofág pri Chagasovej chorobe (B57.3†)
H62.0	Zápal vonkajšieho ucha pri baktériov.chor.z.i.	K23.8	Choroba pažeráka pri i.chorobe,z.i.
H62.1	Zápal vonkajšieho ucha pri vírusových chor.z.i.	K67.0	Zápal pobrušnice,zapričinený chlamýdiami (A74.8†)
H62.2	Zápal vonkajšieho ucha pri mykózach z.i.	K67.1	Gonokokový zápal pobrušnice (A54.8†)
H62.3	Zápal vonkajšieho ucha pri iných infekč.a parazit.chor.z.i.	K67.2	Syfilitický zápal pobrušnice (A52.7†)
H62.4	Zápal vonkajšieho ucha pri iných chorobách z.i.	K67.3	Tuberkulózný zápal pobrušnice (A18.3†)
H62.8	Iná choroba vonkajšieho ucha pri chorobách z.i.	K67.8	Iná choroba pobrušnice pri infekč.chor.z.i.
H67.0	Zápal stredného ucha pri baktér.chor.z.i.	K72.71	Pečeňová encefalopatia,1.stupeň
H67.1	Zápal stredného ucha pri vírus.chor.z.i.	K72.72	Pečeňová encefalopatia,2.stupeň
H67.8	Zápal stredného ucha pri iných chor.z.i.	K72.73	Pečeňová encefalopatia,3.stupeň
H75.0	Mastoiditída pri infekč.a parazit.chorobách z.i.	K72.74	Pečeňová encefalopatia,4.stupeň
H75.8	Iná choroba sred.ucha a hlávk.výbež.,bliž.urč.,pri chor.z.i.	K72.79	Pečeňová encefalopatia neurčeného stupňa
H82	Závratový syndróm pri chorobách zatriedených inde	K77.0	Pečeňová porucha pri infekč./parazit.chor.z.i.
H94.0	Zápal sluch.nervu pri infekč.a parazit.chor.z.i.	K77.11	Postihnutie pečene pri akút.chor.štetu proti host.GvH,1.štád.
H94.8	Iná bliž.urč.choroba ucha pri chorobách zatried.i.	K77.12	Postihnutie pečene pri akút.chor.štetu proti host.GvH,2.štád.
I25.20	Starý infarkt myokardu,od 29 dní až po 4 mesiace	K77.13	Postihnutie pečene pri akút.chor.štetu proti host.GvH,3.štád.
I25.21	Starý infarkt myokardu,od 4 mesiacov až po 1 rok	K77.14	Postihnutie pečene pri akút.chor.štetu proti host.GvH,4.štád.
I25.22	Starý infarkt myokardu,od 1 roka vyššie	K77.8	Pečeňová porucha pri iných chorobách.z.i.

Kód	Popis	Kód	Popis
K87.0	Choroba žľazníka a žľaz. ciest pri chor.z.i.	M01.47	Artritída pri ružienke v obl.čl.a nohy
K87.1	Choroby pankreasu pri chorobách zatriedených inde	M01.48	Artritída pri ružienke na i.mieste
K93.0	TBC čriev,pobrušnice a lymfatických uzlín mezenteria	M01.49	Artritída pri ružienkena n. mieste
K93.1	Megakolon pri Chagasovej chorobe (B57.3†)	M01.50	Artritída pri i.vírus.chor.zatried.i.na viac.m.
K93.21	Postihnutie tráv.trub.pri akút.chor.štetu proti host.GvH,1.št.	M01.51	Artritída pri i.vírus.chor.zatried.i.v obl.pleca
K93.22	Postihnutie tráv.trub.pri akút.chor.štetu proti host.GvH,2.št.	M01.52	Artritída pri i.vírus.chor.zatried.i.v obl.nadlaktia
K93.23	Postihnutie tráv.trub.pri akút.chor.štetu proti host.GvH,3.št.	M01.53	Artritída pri i.vírus.chor.zatried.i.v obl.predlak.
K93.24	Postihnutie tráv.trub.pri akút.chor.štetu proti host.GvH,4.št.	M01.54	Artritída pri i.vírus.chor.zatried.i.v obl.ruky
K93.8	Choroby i.tráviacich org.,b.u.,pri chorobách z.i.	M01.55	Artritída pri i.vírus.chor.zatried.i.panv.obl.a stehna
L14	Pluzgierová dermatóza pri choroba zatried.i.	M01.56	Artritída pri i.vírus.chor.zatried.i.v obl.predkol.
L45	Papuloskvamózna choroba kože pri chor.z.i.	M01.57	Artritída pri i.vírus.chor.zatried.i.v obl.čl.a nohy
L54.0	Erythema marginatum pri akútnej reumatickej horúčke	M01.58	Artritída pri i.vírus.chor.zatried.i.na i.mieste
L54.8	Erytém pri iných chorobách zatriedených inde	M01.59	Artritída pri i.vírus.chor.zatried.i.miesto bliž.neurč.
L62.0	Nechty tvaru hod.sklička pri pachydermoperiostóze	M01.60	Artritída pri mykózach na viac.m.
L62.8	Choroba nechtov pri inej chorobe zatriedenej inde	M01.61	Artritída pri mykózach v obl.pleca
L86	Keratoderma pri chorobách zatriedených inde	M01.62	Artritída pri mykózach v obl.nadlaktia
L99.0	Amyloidóza kože (E85.-†)	M01.63	Artritída pri mykózach v obl. predlak.
L99.11	Postih.kože pri akút.chor.štetu proti hostit.GvHD:1.štád.	M01.64	Artritída pri mykózach v obl.ruky
L99.12	Postih.kože pri akút.chor.štetu proti hostit.GvHD:2.štád.	M01.65	Artritída pri mykózach panv.obl.a stehna
L99.13	Postih.kože pri akút.chor.štetu proti hostit.GvHD:3.štád.	M01.66	Artritída pri mykózach v obl.predkol.
L99.14	Postih.kože pri akút.chor.štetu proti hostit.GvHD:4.štád.	M01.67	Artritída pri mykózach v obl.čl. a nohy
L99.8	Iná choroba kože a podkožného tkaniva pri chor.zatried.i,b.u.	M01.68	Artritída pri mykózach na i.mieste
M01.00	Artritída zapríč.meningok.na viac.m.	M01.69	Artritída pri mykózach na mieste
M01.01	Artritída zapríč.meningok.v obl.pleca	M01.80	Artritída pri i.infekč.a parazit.chor.zatried.i.na viac.m.
M01.02	Artritída zapríč.meningok.v obl. nadlaktia	M01.81	Artritída pri i.infekč.a parazit.chor.zatried.i.v obl.pleca
M01.03	Artritída zapríč.meningok.v obl.predlak.	M01.82	Artritída pri i.infekč.a parazit.chor.zat.i.v obl.nadlaktia
M01.04	Artritída zapríč.meningok.v obl.ruky	M01.83	Artritída pri i.infekč.a parazit.chor.zatried.i.v obl.predlak.
M01.05	Artritída zapríč.meningok.panv.obl.a stehna	M01.84	Artritída pri i.infekč.a parazit.chor.zatried.i.v obl.ruky
M01.06	Artritída zapríč.meningok.v obl.predkol.	M01.85	Artritída pri i.inf.a parazit.chor.zatr.i.panv.obl.a stehna
M01.07	Artritída zapríč.meningok.v obl.čl.a nohy	M01.86	Artritída pri i.infekč.a parazit.chor.zatried.i.v obl.predkol.
M01.08	Artritída zapríč.meningok.na i.mieste	M01.87	Artritída pri i.infekč.a parazit.chor.zat.i.v obl.čl.a nohy
M01.09	Artritída zapríč.meningok.na n. mieste	M01.88	Artritída pri i.infekč.a parazit.chor.zatried.i.na i.mieste
M01.10	Tuberkulózna artritída na viac.m.	M01.89	Artritída pri i.infekč.a parazit.chor.zat.i.,m.bliž.neurč.
M01.11	TBC artritída v obl.pleca	M03.00	Artritída po meningokok.inf.na viac.m.
M01.12	TBC artritída nadlaktia	M03.01	Artritída po meningokok.inf.v obl.pleca
M01.13	TBC artritída predlak.	M03.02	Artritída po meningokok.inf.v obl.nadlaktia
M01.14	TBC artritída ruky	M03.03	Artritída po meningokok.inf.v obl.predlak.
M01.15	TBC artritída panv.obl.a stehna	M03.04	Artritída po meningokok.inf.v obl.ruk
M01.16	TBC artritída predkol.	M03.05	Artritída po meningokok.inf.v obl.panvy a stehna
M01.17	TBC artritída čl.a nohy	M03.06	Artritída po meningokok.inf.v obl.predkol.
M01.18	TBC artritída na i.mieste	M03.07	Artritída po meningokok.inf.v obl.čl.a nohy
M01.19	Tuberkulózna artritída na n.mieste	M03.08	Artritída po meningokok.inf.na i.mieste
M01.20	Artritída pri Lymsej chorobe na viac.m.	M03.09	Artritída po meningokok.inf.na n.mieste
M01.21	Artritída pri Lymsej chorobe v obl.pleca	M03.10	Poinfekčná artritída pri syfilise na viac.miastach
M01.22	Artritída pri Lymsej chorobe v obl.nadlaktiaze	M03.11	Poinfekčná artritída pri syfilise v obl.pleca
M01.23	Artritída pri Lymsej chorobe v obl.predlak.	M03.12	Poinfekčná artritída pri syfilise v obl.nadlaktia
M01.24	Artritída pri Lymsej chorobe v obl.ruky	M03.13	Poinfekčná artritída pri syfilise v obl.predlak.
M01.25	Artritída pri Lymsej chorobe panv.obl.a stehna	M03.14	Poinfekčná artritída pri syfilise v obl.ruky
M01.26	Artritída pri Lymsej chorobe v obl.predkol.	M03.15	Poinfekčná artritída pri syfilise v obl.panvy a stehna
M01.27	Artritída pri Lymsej chorobe v obl.čl.a nohy	M03.16	Poinfekčná artritída pri syfilise v obl.predkol.
M01.28	Artritída pri Lymsej chorobe na i.mieste	M03.17	Poinfekčná artritída pri syfilise v obl.čl. a nohy
M01.29	Artritída pri Lymsej chorobe miesto bližšie	M03.18	Poinfekčná artritída pri syfilise na i.mieste
M01.30	Artritída pri i.baktér.chor.zatried.i.na viac.m.	M03.19	Poinfekčná artritída pri syfilise miesto bliž.neurč.
M01.31	Artritída pri i.baktér.chor.zatried.i.obl.pleca	M03.20	Iné poinfek.artritída pri chor.zat.i.na viac.m
M01.32	Artritída pri i.baktér.chor.zatried.i.v obl.nadlaktia	M03.21	Iné poinfek.artritída pri chor.zat.i.v obl.pleca
M01.33	Artritída pri i.baktér.chor.zatried.i.v obl.predlak.	M03.22	Iné poinfek.artritída pri chor.zat.i.v obl.nadlaktia
M01.34	Artritída pri i.baktér.chor.zatried.i.v obl.ruky	M03.23	Iné poinfek.artritída pri chor.zat.i.v obl.predlak.
M01.35	Artritída pri i.baktér.chor.zatried.i.panv.obl.a stehna	M03.24	Iné poinfek.artritída pri chor.zat.i.v obl.ruky
M01.36	Artritída pri i.baktér.chor.zatried.i.v obl.predkol.	M03.25	Iné poinfek.artritída pri chor.zat.i.v obl.panv.a stehna.
M01.37	Artritída pri i.baktér.chor.zatried.i.v obl.čl.a nohy	M03.26	Iné poinfek.artritída pri chor.zat.i.v obl.predkol.
M01.38	Artritída pri i.baktér.chor.zatried.i.na i.mieste	M03.27	Iné poinfek.artritída pri chor.zat.i.v obl.čl.a nohy
M01.39	Artritída pri i.baktér.chor.zatried.i.miesto bližš.neurč.	M03.28	Iné poinfek.artritída pri chor.zat.i.na i.mieste
M01.40	Artritída pri ružienke na viac.m.	M03.29	Iné poinfek.artritída pri chor.zat.i.,miesto bliž.neurč.
M01.41	Artritída pri ružienke v obl.pleca.	M03.60	Reaktívna artritída pri i.chorobách z.i.,na viac.m.
M01.42	Artritída pri ružienke v obl.nadlaktia	M03.61	Reaktívna artritída pri i.chorobách z.i.v obl.pleca
M01.43	Artritída pri ružienke v obl.predlak.	M03.62	Reaktívna artritída pri i.chorobách z.i.v obl.nadlaktia
M01.44	Artritída pri ružienke v obl.ruky	M03.63	Reaktívna artritída pri i.chorobách z.i.v obl.predlak.
M01.45	Artritída pri ružienke panv.obl.a stehna	M03.64	Reaktívna artritída pri i.chorobách z.i.v obl.ruky
M01.46	Artritída pri ružienke v obl.predkol.	M03.65	Reaktívna artritída pri i.chorobách z.i.v obl.panv.a stehna

Kód	Popis	Kód	Popis
M03.66	Reaktívna artritída pri i.chorobách z.i.v obl.predkol.	M09.10	Juven.artritída pri Crohn.chor.,s postih.kĺb.na viac.m.
M03.67	Reaktívna artritída pri i.chorobách z.i.v obl.čl.a nohy	M09.11	Juven.artritída pri Crohn.chor.,s postih.kĺb.v obl.pleca
M03.68	Reaktívna artritída pri i.chorobách z.i.na i.mieste	M09.12	Juven.artritída pri Crohn.chor.,s postih.kĺb.nadlaktia
M03.69	Reaktívna artritída pri i.chorobách z.i.miesto bliž.neurč.	M09.13	Juven.artritída pri Crohn.chor.,s postih.kĺb.predlak.
M07.00	Distálna psoriatická artritída na viac.miestach	M09.14	Juven.artritída pri Crohn.chor.,s postih.kĺb.ruky
M07.04	Distálna psoriatická artritída ruky	M09.15	Juven.artritída pri Crohn.chor.,s postih.kĺb.panvy a stehna
M07.07	Distálna psoriatická artritída čl.a nohy	M09.16	Juven.artritída pri Crohn.chor.,s postih.kĺb.predkol.
M07.09	Distálna psoriatická artritída na n.mieste	M09.17	Juven.artritída pri Crohn.chor.,s postih.kĺb.čl.a nohy
M07.10	Arthritis mutilans, na viacerých miestach (L40.5†)	M09.18	Juven.artritída pri Crohn.chor.,s postih.kĺb.na i.mieste
M07.11	Arthritis mutilans v obl.pleca	M09.19	Juven.artritída pri Crohn.chor.,s postih.kĺb.na n.mieste
M07.12	Arthritis mutilans v obl.nadlaktia	M09.20	Juven.artritída pri ulcer.kolitíde,s postih.kĺb.na viac.m.
M07.13	Arthritis mutilans v obl. predlak.	M09.21	Juven.artritída pri ulcer.kolitíde,s postih.kĺb.v obl.pleca
M07.14	Arthritis mutilans v obl.ruky	M09.22	Juven.artritída pri ulcer.kolitíde,s postih.kĺb.nadlaktia
M07.15	Arthritis mutilans panv.obl.a stehna	M09.23	Juven.artritída pri ulcer.kolitíde,s postih.kĺb.predlak.
M07.16	Arthritis mutilans v obl.predkol.	M09.24	Juven.artritída pri ulcer.kolitíde,s postih.kĺb.ruky
M07.17	Arthritis mutilans v obl.čl.a nohy	M09.25	Juven.artritída pri ulcer.kolit.,s post.kĺb.panvy a stehna
M07.18	Arthritis mutilans na i.mieste	M09.26	Juven.artritída pri ulcer.kolitíde,s postih.kĺb.predkol.
M07.19	Arthritis mutilans na n.mieste	M09.27	Juven.artritída pri ulcer.kolitíde,s postih.kĺb.čl. a nohy
M07.2	Psoriatická spondylitída (L40.5†)	M09.28	Juven.artritída pri ulcer.kolitíde,s postih.kĺb.na i.mieste
M07.30	Iná psoriatická artritídana viac.m.	M09.29	Juven.artritída pri ulcer.kolitíde,s postih.kĺb.na n.mieste
M07.31	Iná psoriatická artritídav obl.pleca	M09.80	Juven.artritída pri i.chor.zatr.i.s postih.kĺb.na viac.m.
M07.32	Iná psoriatická artritídav obl.nadlaktia	M09.81	Juven.artritída pri i.chor.zatr.i.s postih.kĺb.v obl.pleca
M07.33	Iná psoriatická artritídav obl.predlak.	M09.82	Juven.artritída pri i.chor.zatr.i.s postih.kĺb.nadlaktia
M07.34	Iná psoriatická artritídav obl.ruky	M09.83	Juven.artritída pri i.chor.zatr.i.s postih.kĺb.predlak.
M07.35	Iná psoriatická artritídav obl.panv.a stehna	M09.84	Juven.artritída pri i.chor.zatr.i.s postih.kĺb.ruky
M07.36	Iná psoriatická artritídav obl.predkol.	M09.85	Juven.artritída pri i.chor.zatr.i.s postih.kĺb.panvy a stehna
M07.37	Iná psoriatická artritídav obl.čl.a nohy	M09.86	Juven.artritída pri i.chor.zatr.i.s postih.kĺb.predkol.
M07.38	Iná psoriatická artritídana i.mieste	M09.87	Juven.artritída pri i.chor.zatr.i.s postih.kĺb.čl.a nohy
M07.39	Iná psoriatická artritídana n.mieste	M09.88	Juven.artritída pri i.chor.zatr.i.s postih.kĺb.na i.mieste
M07.40	Artritída pri Crohn.chor. s postih.kĺbov na viac.m.	M09.89	Juven.artritída pri i.chor.zatr.i.s postih.kĺb.,m.bliž.neurč.
M07.41	Artritída pri Crohn.chor.s postih.kĺbov v obl.pleca	M14.0	Dnová artropatia,zaprič.eným.defekmi a i.dedič.poruchami
M07.42	Artritída pri Crohn.chor.s postih.kĺbov nadlaktia	M14.1	Kryštálová artropat.pri i.metabolic.poruchách z.i.
M07.43	Artritída pri Crohn.chor.s postih.kĺbov predlak.	M14.2	Diabetická artropatia (E10-E14, štvrtá pozícia .6†)
M07.44	Artritída pri Crohn.chor.s postih.kĺbov ruky	M14.3	Multicentrická retikulohistiocytóza (E78.8†)
M07.45	Artritída pri Crohn.chor.s postih.kĺbov panvy a stehna	M14.4	Artropatia pri amyloidóze (E85.-†)
M07.46	Artritída pri Crohn.chor.s postih.kĺbov predkol.	M14.5	Artropatia pri i.endokrín.nutričných a metabol.chorobách
M07.47	Artritída pri Crohn.chor.s postih.kĺbov čl.a nohy	M14.6	Neuropatická artropatia
M07.48	Artritída pri Crohn.chor.s postih.kĺbov na i.mieste	M14.8	Artropatia pri i.bliž.urč.chorobách zatried.i.
M07.49	Artritída pri Crohn.chor.s postih.kĺbov na n.mieste	M36.0	Dermatomyozitída – polymyozitída pri nádorovej chorobe
M07.50	Artritída pri ulcer.kolitíde s postih.kĺbov na viac.m.	M36.1	Artropatia pri nádorovej chorobe
M07.51	Artritída pri ulcer.kolitíde s postih.kĺbov v obl.pleca	M36.2	Hemofilická artropatia
M07.52	Artritída pri ulcer.kolitíde s postih.kĺbov nadlaktia	M36.3	Artropatia pri i.chorobách krvi zatried.i.
M07.53	Artritída pri ulcer.kolitíde s postih.kĺbov predlak.	M36.4	Artropatia pri hypersenzitívnych reakciách zatried.i.
M07.54	Artritída pri ulcer.kolitíde s postih.kĺbov ruky	M36.8	Systémové choroba spojiva pri i.chorobách zatried.i.
M07.55	Artritída pri ulcer.kolitíde s postih.kĺbov pan.a stehna	M49.00	Tuberkulóza chrbtice na viacerých miestach
M07.56	Artritída pri ulcer.kolitíde s postih.kĺbov predkol.	M49.01	TBC chrbtice v okcip.-atl.-axiál.obl.
M07.57	Artritída pri ulcer.kolitíde s postih.kĺbov čl.a nohy	M49.02	Tuberkulóza chrbtice v krčnej oblasti (A18.0†)
M07.58	Artritída pri ulcer.kolitíde s postih.kĺbov na i.mieste	M49.03	TBC chrbtice v krčnohrudnikovej oblasti
M07.59	Artritída pri ulcer.kolitíde s postih.kĺbov na n.mieste	M49.04	Tuberkulóza chrbtice v hrudnikovej oblasti (A18.0†)
M07.60	Iná enteropatická artritída na viacerých miestach	M49.05	TBC chrbtice v hrudnikovodriekovej oblasti
M07.61	Iná enteropatická artritída obl.pleca	M49.06	Tuberkulóza chrbtice v driekovej oblasti (A18.0†)
M07.62	Iná enteropatická artritída nadlaktia	M49.07	TBC chrbtice v driekovokřížovej oblasti
M07.63	Iná enteropatická artritída predlak.	M49.08	TBC chrbtice v križ.a križovokostrč.oblasti
M07.64	Iná enteropatická artritída ruky	M49.09	Tuberkulóza v neurčenej oblasti chrbtice (A18.0†)
M07.65	Iná enteropatická artritída panv.obl.a stehna	M49.10	Brucelová spondylitída na viac.m.chrbt.
M07.66	Iná enteropatická artritída predkol.	M49.11	Brucelová spondylitída v okcip.-atl.-axiál.obl.
M07.67	Iná enteropatická artritída čl.a nohy	M49.12	Brucelová spondylitída v krčnej oblasti (A23.-†)
M07.68	Iná enteropatická artritída na i.mieste	M49.13	Brucelová spondylitída v krčnohrudník.oblasti
M07.69	Iná enteropatická artritída,miesto bliž.neurč.	M49.14	Brucelová spondylitída v hrudnikovej oblasti
M09.00	Juven.artritída pri psoriáze,s postih.kĺb.na viac m.	M49.15	Brucelová spondylitída v hrudnikovodriek.oblasti
M09.01	Juven.artritída pri psoriáze,s postih.kĺb.v obl.pleca	M49.16	Brucelová spondylitída v driekovej oblasti (A23.-†)
M09.02	Juven.artritída pri psoriáze,s postih.kĺb.nadlaktia	M49.17	Brucelová spondylitída v driekovokřížovej oblasti
M09.03	Juven.artritída pri psoriáze,s postih.kĺb.predlak.	M49.18	Brucelová spondylitída v križ.a križovokostrč.oblasti
M09.04	Juven.artritída pri psoriáze,s postih.kĺb.ruky	M49.19	Brucelová spondylitída v b.n.obl.
M09.05	Juven.artritída pri psoriáze,s postih.kĺb.panvy a stehna	M49.20	Enterobaktériová spondylitída na viac.m.chrbtice
M09.06	Juven.artritída pri psoriáze,s postih.kĺb.predkol.	M49.21	Enterobaktériová spondylitída v okcip.-atl.-axiál.-obl.
M09.07	Juven.artritída pri psoriáze,s postih.kĺb.čl.a nohy	M49.22	Enterobaktériová spondylitída v krčnej oblasti
M09.08	Juven.artritída pri psoriáze,s postih.kĺb.na i.mieste	M49.23	Enterobaktériová spondylitída v krčnohrud.oblasti
M09.09	Juven.artritída pri psoriáze,s postih.kĺb.na n.mieste	M49.24	Enterobaktériová spondylitída v hrudník.oblasti

Kód	Popis	Kód	Popis
M49.25	Enterobaktériová spondylitída v hrudníkovodriek.oblasti	M63.24	Myozitída pri inej infek.chorobe zatried.i.v obl.ruky
M49.26	Enterobaktériová spondylitída v driekovej oblasti	M63.25	Myozitída pri inej infek.chorobe zatried.i.v obl.pan.a stehna
M49.27	Enterobaktériová spondylitída v driekovokríž.oblasti	M63.26	Myozitída pri inej infek.chorobe zatried.i.v obl.predkol.
M49.28	Enterobaktériová spondylitída v križ.a križovokostrč.oblasti	M63.27	Myozitída pri inej infek.chorobe zatried.i.v obl.čl.a nohy
M49.29	Enterobaktériová spondylitída vneurčenej oblasti	M63.28	Myozitída pri inej infek.chorobe zatried.i.na i.mieste
M49.30	Spondylopat.pri i.inf/paraz.chor.zatried.i.na viac.m.chrbt.	M63.29	Myozitída pri inej infek.chorobe zatried.i.,miesto bliž.neurč.
M49.31	Spondylopat.pri i.inf/paraz.chor.zatried.i.v ok.-atl.-ax.-o.	M63.30	Myozitída pri sarkoidóze na viac.m.
M49.32	Spondylopat.pri i.inf/paraz.chor.zatried.i.v krčnej obl.	M63.31	Myozitída pri sarkoidóze,v obl.pleca
M49.33	Spondylopat.pri i.inf/paraz.chor.zatried.i.v krč.hrud.obl.	M63.32	Myozitída pri sarkoidóze,v obl.nadlaktia
M49.34	Spondylopat.pri i.inf/paraz.chor.zatried.i.v hrud.obl.	M63.33	Myozitída pri sarkoidóze,v obl.predlak.
M49.35	Spondylopat.pri i.inf/paraz.chor.zatried.i.v hrud.driek.obl.	M63.34	Myozitída pri sarkoidóze,v obl.ruky
M49.36	Spondylopat.pri i.inf/paraz.chor.zatried.i.v driek.obl.	M63.35	Myozitída pri sarkoidóze,v obl.pan.v.a stehna
M49.37	Spondylopat.pri i.inf/paraz.chor.zatried.i.v driek.križ.obl	M63.36	Myozitída pri sarkoidóze,v obl.predkol.
M49.38	Spondylopat.pri i.inf/paraz.chor.z.i.v križ.a križ.kostrč.obl.	M63.37	Myozitída pri sarkoidóze,v obl.čl. a nohy
M49.39	Spondylopat.pri i.inf/paraz.chor.zatried.i.oblasť bliž.neurč.	M63.38	Myozitída pri sarkoidóze,na i.mieste
M49.40	Neuropatická spondylopatia na viac.m.chrbt.	M63.39	Myozitída pri sarkoidóze,miesto bliž.neurč.
M49.41	Neuropatická spondylopatia v okcip.-atl.-axiál.obl.	M63.80	Iné choroby svalov pri chor.zatried.i.na viac.m.
M49.42	Neuropatická spondylopatia v krčnej oblasti	M63.81	Iné choroby svalov pri chor.zatried.i.v obl.pleca
M49.43	Neuropatická spondylopatia v krčnohrud. obl.	M63.82	Iné choroby svalov pri chor.zatried.i.v obl.nadlaktia
M49.44	Neuropatická spondylopatia v hrudníkovej oblasti	M63.83	Iné choroby svalov pri chor.zatried.i.v obl.predlak.
M49.45	Neuropatická spondylopatia v hrudníkovodriek.obl.	M63.84	Iné choroby svalov pri chor.zatried.i.v obl.ruky
M49.46	Neuropatická spondylopatia v driekovej oblasti	M63.85	Iné choroby svalov pri chor.zatried.i.v obl.pan.a stehna
M49.47	Neuropatická spondylopatia v driekovokríž.j obl.	M63.86	Iné choroby svalov pri chor.zatried.i.v obl.predkol.
M49.48	Neuropatická spondylopatia v križ.a križovokostrč.obl.	M63.87	Iné choroby svalov pri chor.zatried.i.v obl.čl.a nohy
M49.49	Neuropatická spondylopatia v neurčenej oblasti chrbtice	M63.88	Iné choroby svalov pri chor.zatried.i.na i.mieste
M49.50	Kompresia tela stavca pri chorobe zatried.i.,na viac.m.chrbt.	M63.89	Iné choroby svalov pri chor.zatried.i.,miesto bliž.neurč.
M49.51	Kompresia tela stavca pri chorobe zatr.i.,okcip.-atl.axiál.o.	M68.00	Synovit.a tendosynovit.pri baktér.chor.zatried.i.na viac.m.
M49.52	Kompresia tela stavca pri chorobe zatr.i.,v krčnej obl.	M68.01	Synovit.a tendosynovit.pri baktér.chor.zatried.i.v obl.pleca
M49.53	Kompresia tela stavca pri chorobe zatr.i.,v krčnohrud.obl.	M68.02	Synovit.a tendosynovit.pri baktér.chor.zat.i.v obl.nadlaktia
M49.54	Kompresia tela stavca pri chorobe zatr.i.,v hrudník.obl.	M68.03	Synovit.a tendosynovit.pri baktér.chor.zat.i.v obl.predlak.
M49.55	Kompresia tela stavca pri chor.zatr.i.,v hrudník.driek.obl.	M68.04	Synovit.a tendosynovit.pri baktér.chor.zatried.i.v obl.ruky
M49.56	Kompresia tela stavca pri chorobe zatr.i.,v driekovej obl.	M68.05	Synovit.a tendosynovit.pri baktér.chor.zat.i.v obl.pan.a steh.
M49.57	Kompresia tela stavca pri chorobe zatr.i.,v driek.križ.obl.	M68.06	Synovit.a tendosynovit.pri baktér.chor.zat.i.v obl.predkol.
M49.58	Kompresia tela stavca pri chor.zatr.i.,križ.a križ.kostrč.obl.	M68.07	Synovit.a tendosynovit.pri baktér.chor.zat.i.v obl.čl.a nohy
M49.59	Kompresia tela stavca pri chor.zatr.i.:oblasť bliž.neurč.	M68.08	Synovit.a tendosynovit.pri baktér.chor.zatried.i.na i.mieste
M49.80	Spondylopatia pri i.chorobe zatried.i.na viac.m.chrbt.	M68.09	Synovit.a tendosynovit.pri baktér.chor.zatried.i.na n.mieste
M49.81	Spondylopatia pri i.chorobe zatried.i.v okcip.atl.axiál.obl.	M68.80	Iná chor.synov.blany a šliach pri chor.zatried.i.na viac.m.
M49.82	Spondylopatia pri i.chorobe zatried.i.v krčnej obl.	M68.81	Iná chor.synov.blany a šliach pri chor.zatried.i.v obl.pleca
M49.83	Spondylopatia pri i.chorobe zatried.i.v krč.hrud.obl.	M68.82	Iná chor.synov.blany a šliach pri chor.zatried.i.obl.nadlaktia
M49.84	Spondylopatia pri i.chorobe zatried.i.v hrud.obl.	M68.83	Iná chor.synov.blany a šliach pri chor.zatr.i.v obl.predlak.
M49.85	Spondylopatia pri i.chorobe zatried.i.v hrud.driek.obl.	M68.84	Iná chor.synov.blany a šliach pri chor.zatr.i.v obl.ruky
M49.86	Spondylopatia pri i.chorobe zatried.i.v driek.obl.	M68.85	Iná chor.synov.blany a šliach pri chor.zatr.i.v.o.pan.a steh.
M49.87	Spondylopatia pri i.chorobe zatried.i.v driek.križ.obl.	M68.86	Iná chor.synov.blany a šliach pri chor.zatr.i.obl.predkol.
M49.88	Spondylopatia pri i.chorobe zatr.i.v križ.a križ.kostrč.obl.	M68.87	Iná chor.synov.blany a šliach pri chor.zatr.i.obl.čl. a nohy
M49.89	Spondylopatia pri i.chorobe.zatried.i.v neurč.oblasti	M68.88	Iná chor.synov.blany a šliach pri chor.zatried.i.v inej obl.
M63.00	Myozitída pri baktériovej chorobe zatried.i.na viac.m.	M68.89	Iná chor.synov.blany a šliach pri chor.zatr.i.,m.bliž.neurč.
M63.01	Myozitída pri baktériovej chorobe zatried.i.v obl.pleca	M73.00	Gonokoková burzitída na viacerých miestach (A54.4†)
M63.02	Myozitída pri baktériovej chorobe zatried.i.v obl.nadlaktia	M73.01	Gonokokov burzitída v obl.pleca
M63.03	Myozitída pri baktériovej chorobe zatried.i.v obl.predlak.	M73.02	Gonokokov burzitída nadlaktia
M63.04	Myozitída pri baktériovej chorobe zatried.i.v obl.ruky	M73.03	Gonokokov burzitída predlak.
M63.05	Myozitída pri baktériovej chor.zatried.i.v obl.panvy a stehna	M73.04	Gonokokov burzitída ruky
M63.06	Myozitída pri baktériovej chorobe zatried.i.v obl.predkol.	M73.05	Gonokokov burzitída panv.obl.a stehna
M63.07	Myozitída pri baktériovej chorobe zatried.i.v obl.čl.a nohy	M73.06	Gonokokov burzitída predkol.
M63.08	Myozitída pri baktériovej chorobe zatried.i.na i.mieste	M73.07	Gonokokov burzitída čl.a nohy
M63.09	Myozitída pri baktériovej chorobe zatried.i.,miesto bliž.neurč	M73.08	Gonokokov burzitída na i.mieste
M63.10	Myozitída pri prvoko.a parazit.infek.zatried.i.na viac.m.	M73.09	Gonokokov burzitída,miesto bliž.neurč.
M63.11	Myozitída pri prvoko.a parazit.infek.zatried.i.v obl.pleca	M73.10	Syfilitická burzitída na viac.m.
M63.12	Myozitída pri prvoko.a parazit.infek.zatried.i.v obl.nadlaktia	M73.11	Syfilitická burzitída v obl.pleca
M63.13	Myozitída pri prvoko.a parazit.infek.zatried.i.v obl.predlak.	M73.12	Syfilitická burzitída nadlaktia
M63.14	Myozitída pri prvoko.a parazit.infek.zatried.i.v obl.ruky	M73.13	Syfilitická burzitída predlak.
M63.15	Myozitída pri prvoko.a parazit.infek.zatr.i.v obl.pan.a steh.	M73.14	Syfilitická burzitída ruky
M63.16	Myozitída pri prvoko.a parazit.infek.zatried.i.v obl.predkol.	M73.15	Syfilitická burzitída panv.obl.a stehna
M63.17	Myozitída pri prvoko.a parazit.infek.zatried.i.v obl.čl.a nohy	M73.16	Syfilitická burzitída predkol.
M63.18	Myozitída pri prvoko.a parazit.infek.zatried.i.na i.mieste	M73.17	Syfilitická burzitída čl.a nohy
M63.19	Myozitída pri prvoko.a parazit.infek.zatr.i.,miesto bliž.neurč.	M73.18	Syfilitická burzitída na i.mieste
M63.20	Myozitída pri inej infek.chorobe zatried.i.na viac.m.	M73.19	Syfilitická burzitída ,miesto bliž.neurč.
M63.21	Myozitída pri inej infek.chorobe zatried.i.v obl.pleca	M73.80	Iné choroby mäk.tkan.pri chor.zatried.i.na v.miast
M63.22	Myozitída pri inej infek.chorobe zatried.i.v obl.nadlaktia	M73.81	Iné choroby mäk.tkan.pri chor.zatried.i.v obl.pleca
M63.23	Myozitída pri inej infek.chorobe zatried.i.v obl.predlak.	M73.82	Iné choroby mäk.tkan.pri chor.zatried.i.v obl.nadlaktia

Kód	Popis	Kód	Popis
M73.83	Iné choroby mäk.tkan.pri chor.zatried.i.v obl.predlak.	M90.32	Osteonekróza pri kesónovej chor.v obl.nadlaktia
M73.84	Iné choroby mäk.tkan.pri chor.zatried.i.v obl.ruky	M90.33	Osteonekróza pri kesónovej chor.v obl.predlak.
M73.85	Iné choroby mäk.tkan.pri chor.zatried.i.v obl.panvy a stehna	M90.34	Osteonekróza pri kesónovej chor.v obl.ruky
M73.86	Iné choroby mäk.tkan.pri chor.zatried.i.v obl.predkol.	M90.35	Osteonekróza pri kesónovej chor.v obl.panvy a stehna
M73.87	Iné choroby mäk.tkan.pri chor.zatried.i.v obl.čl.a nohy	M90.36	Osteonekróza pri kesónovej chor.v obl.predkol.
M73.88	Iné choroby mäk.tkan.pri chor.zatried.i.na i.mieste	M90.37	Osteonekróza pri kesónovej chor.v obl.čl.a nohy
M73.89	Iné choroby mäk.tkan.pri chor.zatried.i.,miesto bliž.neurč.	M90.38	Osteonekróza pri kesónovej chor.na i.mieste
M82.00	Osteoporóza pri mnohopoč.myelóme na viac.m.	M90.39	Osteonekróza pri kesónovej chor.miesto bliž.neurč.
M82.01	Osteoporóza pri mnohopoč.myelóme v obl.pleca	M90.40	Osteonekróza zaprič.hemoglobinopatiou,na viac.m.(D50-D64†)
M82.02	Osteoporóza pri mnohopoč.myelóme v obl.nadlaktia	M90.41	Osteonekróza zaprič.hemoglobinopat.v obl.pleca
M82.03	Osteoporóza pri mnohopoč.myelóme v obl.predlak.	M90.42	Osteonekróza zaprič.hemoglobinopat.v obl.nadlaktia
M82.04	Osteoporóza pri mnohopoč.myelóme v obl.ruky	M90.43	Osteonekróza zaprič.hemoglobinopat.v obl.predlak.
M82.05	Osteoporóza pri mnohopoč.myelóme v obl.panvy a stehna	M90.44	Osteonekróza zaprič.hemoglobinopat.v obl.ruky
M82.06	Osteoporóza pri mnohopoč.myelóme v obl.predkol.	M90.45	Osteonekróza zaprič.hemoglobinopat.v obl.panvy a stehna
M82.07	Osteoporóza pri mnohopoč.myelóme v obl.čl.a nohy	M90.46	Osteonekróza zaprič.hemoglobinopat.v obl.predkol.
M82.08	Osteoporóza pri mnohopoč.myelóme na i.mieste	M90.47	Osteonekróza zaprič.hemoglobinopat.v obl.čl.a nohy
M82.09	Osteoporóza pri mnohopoč.myelóme,miesto bliž.neurč.	M90.48	Osteonekróza zaprič.hemoglobinopat.,na i.mieste
M82.10	Osteoporóza pri chor.žliaz s vnútor.vyluč.na viac.m.	M90.49	Osteonekróza zaprič.hemoglobinopat.,miesto bliž.neurč.
M82.11	Osteoporóza pri chor.žliaz s vnútor.vyluč.v obl.pleca	M90.50	Osteonekróza pri.iných chor.zatried.i.na viac.m.
M82.12	Osteoporóza pri chor.žliaz s vnútor.vyluč.v obl.nadlaktia	M90.51	Osteonekróza pri.iných chor.zatried.i.v obl.pleca
M82.13	Osteoporóza pri chor.žliaz s vnútor.vyluč.v obl.predlak.	M90.52	Osteonekróza pri.iných chor.zatried.i.v obl.nadlaktia
M82.14	Osteoporóza pri chor.žliaz s vnútor.vyluč.v obl.ruky	M90.53	Osteonekróza pri.iných chor.zatried.i.v obl.predlak.
M82.15	Osteoporóza pri chor.žliaz s vnútor.vyluč.v obl.a stehn.	M90.54	Osteonekróza pri.iných chor.zatried.i.v obl.ruky
M82.16	Osteoporóza pri chor.žliaz s vnútor.vyluč.v obl.predko.	M90.55	Osteonekróza pri.iných chor.zatried.i.v obl.panvy a stehna
M82.17	Osteoporóza pri chor.žliaz s vnútor.vyluč.v obl.čl.a nohy	M90.56	Osteonekróza pri.iných chor.zatried.i.v obl.predkol.
M82.18	Osteoporóza pri chor.žliaz s vnútor.vyluč.na inom.m.	M90.57	Osteonekróza pri.iných chor.zatried.i.v obl.čl.a nohy
M82.19	Osteoporóza pri chor.žliaz s vnútor.vyluč.,miesto bliž.neurč.	M90.58	Osteonekróza pri.iných chor.zatried.i.na i.mieste
M82.80	Osteoporóza pri iných chor.zatried.i.na viac.m.	M90.59	Osteonekróza pri.iných chor.zatried.i.miasto bliž.neurč.
M82.81	Osteoporóza pri iných chor.zatried.i.v obl.pleca	M90.60	Deform.osteodystrofia pri nádoroch,na viac.m.
M82.82	Osteoporóza pri iných chor.zatried.i.v obl.nadlaktia	M90.61	Deform.osteodystrofia pri nádoroch,v obl.pleca
M82.83	Osteoporóza pri iných chor.zatried.i.v obl.predlak.	M90.62	Deform.osteodystrofia pri nádoroch,v obl.nadlaktia
M82.84	Osteoporóza pri iných chor.zatried.i.v obl.ruky	M90.63	Deform.osteodystrofia pri nádoroch,v obl.predlak.
M82.85	Osteoporóza pri iných chor.zatried.i.v obl.panvy a stehna	M90.64	Deform.osteodystrofia pri nádoroch,v obl.ruky
M82.86	Osteoporóza pri iných chor.zatried.i.v obl.predkol.	M90.65	Deform.osteodystrofia pri nádoroch,v obl.panvy a stehna
M82.87	Osteoporóza pri iných chor.zatried.i. obl.čl.a nohy	M90.66	Deform.osteodystrofia pri nádoroch,v obl.predkol.
M82.88	Osteoporóza pri iných chor.zatried.i.na i.mieste	M90.67	Deform.osteodystrofia pri nádoroch,v obl.čl.a nohy
M82.89	Osteoporóza pri iných chor.zatried.i.,miesto bliž.neurč.	M90.68	Deform.osteodystrofia pri nádoroch,na i.mieste
M90.00	Tuberkulóza kosti na viacerých miestach (A18.0†)	M90.69	Deform.osteodystrofia pri nádoroch,miesto bliž.neurč.
M90.01	TBC kosti v obl.pleca	M90.70	Zlomenina kosti pri nádore,na viac.m.t.
M90.02	TBC kosti nadlaktia	M90.71	Zlomenina kosti pri nádore,v obl.pleca
M90.03	TBC kosti predlak.	M90.72	Zlomenina kosti pri nádore,v obl.nadlaktia
M90.04	TBC kosti ruky	M90.73	Zlomenina kosti pri nádore,v obl.predlak.
M90.05	TBC kosti panv.obl.a stehna	M90.74	Zlomenina kosti pri nádore,v obl.ruky
M90.06	TBC kosti predkol.	M90.75	Zlomenina kosti pri nádore,v obl.panvy a stehna
M90.07	TBC kosti čl.a nohy	M90.76	Zlomenina kosti pri nádore,v obl.predkol.
M90.08	TBC kosti na i.mieste	M90.77	Zlomenina kosti pri nádore,v obl.čl.a nohy
M90.09	Tuberkulóza kosti,miesto bližšie neurčené (A18.0†)	M90.78	Zlomenina kosti pri nádore,na i.mieste
M90.10	Periostitída pri i.infekč.chor.zatried.i.na viac.m.	M90.79	Zlomenina kosti pri nádore,miesto bliž.neurč.
M90.11	Periostitída pri i.infekč.chor.zatried.i.v obl.pleca	M90.80	Osteopatia pri i.chor.zatried.i.na viac.m.
M90.12	Periostitída pri i.infekč.chor.zatried.i.v obl.nadlaktia	M90.81	Osteopatia pri i.chor.zatried.i.v obl.pleca
M90.13	Periostitída pri i.infekč.chor.zatried.i.v obl.predlak.	M90.82	Osteopatia pri i.chor.zatried.i.v obl.nadlaktia
M90.14	Periostitída pri i.infekč.chor.zatried.i.v obl.ruky	M90.83	Osteopatia pri i.chor.zatried.i.v obl.predlak.
M90.15	Periostitída pri i.infekč.chor.zatried.i.v obl.panvy a stehna	M90.84	Osteopatia pri i.chor.zatried.i. obl.ruky
M90.16	Periostitída pri i.infekč.chor.zatried.i.v obl.predkol.	M90.85	Osteopatia pri i.chor.zatried.i.v obl.panvy a stehna
M90.17	Periostitída pri i.infekč.chor.zatried.i.v obl.čl.a nohy	M90.86	Osteopatia pri i.chor.zatried.i.v obl.predkol.
M90.18	Periostitída pri i.infekč.chor.zatried.i.na i.mieste	M90.87	Osteopatia pri i.chor.zatried.i.v obl.čl.a nohy
M90.19	Periostitída pri i.infekč.chor.zatried.i.,miesto bliž.neurč.	M90.88	Osteopatia pri i.chor.zatried.i.na i.mieste
M90.20	Osteopatia pri i.infekč.chor.zatried.i.na viac.m.	M90.89	Osteopatia pri i.chor.zatried.i.miasto bliž.neurč.
M90.21	Osteopatia pri i.infekč.chor.zatried.i.v obl.pleca	M99.00	Segmentová a somatická dysfun.obl.hlavy
M90.22	Osteopatia pri i.infekč.chor.zatried.i.v obl.nadlaktia	M99.01	Segmentová a somatická dysfun.krčnej obl.
M90.23	Osteopatia pri i.infekč.chor.zatried.i.v obl.predlak.	M99.02	Segmentová a somatická dysfun.hrud.obl.
M90.24	Osteopatia pri i.infekč.chor.zatried.i.v obl.ruky	M99.03	Segmentová a somatická dysfun.v driek.obl.
M90.25	Osteopatia pri i.infekč.chor.zatried.i.v obl.panvy a stehna	M99.04	Segmentová a somatická dysfun.kríž.obl.
M90.26	Osteopatia pri i.infekč.chor.zatried.i.v obl.predkol.	M99.05	Segmentová a somatická dysfun.panv.obl.
M90.27	Osteopatia pri i.infekč.chor.zatried.i. obl.čl.a nohy	M99.06	Segmentová a somatická dysfunkcia DK
M90.28	Osteopatia pri i.infekč.chor.zatried.i.na i.mieste	M99.07	Segmentová a somatická dysfunkcia HK
M90.29	Osteopatia pri i.infekč.chor.zatried.i.miasto bliž.neurč.	M99.08	Segmentová a somatická dysf.hrudného koša
M90.30	Osteonekróza pri kesónovej chor.na viac.m.	M99.09	Segmentová a somatická dysf.v bruchu a na i.m
M90.31	Osteonekróza pri kesónovej chor.v obl.pleca	M99.10	Subluxačný komplex stavcov obl.hlavy

Kód	Popis	Kód	Popis
M99.11	Subluxačný komplex stavcov krčnej obl.	N16.2	Tubulointersticiálna chor.oblič.pri chor.krvi a por.imun.syst.
M99.12	Subluxačný komplex stavcov hrud.obl.	N16.3	Tubulointersticiálna chor.oblič.pri metabol.chor.
M99.13	Subluxačný komplex stavcov driek.obl.	N16.4	Tubulointersticiálna chor.oblič.pri systém.chor.spojiva
M99.14	Subluxačný komplex stavcov kríž.obl.	N16.5	Tubulointersticiálna chor.oblič.pri odvrh.transplantátu
M99.19	Subluxačný komplex stavcov v bruchu a na i.m.	N16.8	Tubulointersticiálna chor.oblič.pri iných chor.z.i.
M99.20	Subluxačná stenóza spin.kanála obl.hlavy	N22.0	Močový konkrement pri schistosomóze (bilharzióze)
M99.21	Subluxačná stenóza spin.kanála krčnej obl.	N22.8	Konkrement močovej sústavy pri iných chor.zatried.i.
M99.22	Subluxačná stenóza spin.kanála hrud.obl.	N29.0	Neskorý syfilis obličiek (A52.7†)
M99.23	Subluxačná stenóza spin.kanála driek.obl.	N29.1	Iná choroba obličiek a močovodov pri inf.a paraz.chor.z.i.
M99.24	Subluxačná stenóza spin.kanála kríž.obl.	N29.8	Iné choroba obličiek a močovodov pri i.chor.z.i.
M99.29	Subluxačná stenóza spin.kanála v bruchu a na i.m.	N33.0	Tuberkulózná cystitída (A18.1†)
M99.30	Kostná stenóza spin.kanála obl.hlavy	N33.8	Choroba močového mechúra pri iných chor.z.i
M99.31	Kostná stenóza spin.kanála krčnej obl.	N37.0	Uretritída pri chorobách zatriedených inde
M99.32	Kostná stenóza spin.kanála hrud.obl.	N37.8	Iná choroba močovej trubice pri chorobách z.i.
M99.33	Kostná stenóza spin.kanála driek.obl.	N39.47	Recidivujúca inkontinencia moču
M99.34	Kostná stenóza spin.kanála kríž.obl.	N51.0	Choroby prostaty pri chorobách zatriedených inde
M99.39	Kostná stenóza spin.kanála v bruchu a na i.m.	N51.1	Choroby semenníka a nadsemenníka pri chor.z.i.
M99.40	Stenóza spinál.kanála spoj.tkan.v obl.hlavy	N51.2	Balanitída pri chorobách zatriedených inde
M99.41	Stenóza spinál.kanála spoj.tkan.v krčnej obl.	N51.8	Iné choroby mužských pohlav.org.pri chorobách.z.i.
M99.42	Stenóza spinál.kanála spoj.tkan.v hrud.obl.	N74.0	Tuberkulózná infekcia krčka maternice (A18.1†)
M99.43	Stenóza spinál.kanála spoj.tkan.v driek.obl.	N74.1	Tuberkulózný zápal ženských panvov.org.
M99.44	Stenóza spinál.kanála spoj.tkan.v kríž.obl.	N74.2	Syfilitický zápal ženských panvov.org.
M99.49	Stenóza spinál.kanála spoj.tkan.v bruchu a na i.m.	N74.3	Gonokokový zápal ženských panvov.org.
M99.50	Stenóza spinál.kanála medzistav.platnič.v obl.hlavy	N74.4	Chlamýdiový zápal ženských panvových orgánov
M99.51	Stenóza spinál.kanála medzistav.platnič.v krčnej obl.	N74.8	Zápalová choroba ženských panvov.org.pri i.chor.z.i.
M99.52	Stenóza spinál.kanála medzistav.platnič.v hrud.obl.	N77.0	Ulcerácia vulvy pri infek./parazit.chor.z.i.
M99.53	Stenóza spinál.kanála medzistav.platnič.v driek.obl.	N77.1	Vaginitída,vulvitída a vulvovaginit.pri infik./paraz.chor.z.i.
M99.59	Stenóza spinál.kanála m-stav.platnič.v bruchu a na i.m.	N77.8	Vulvovaginálna ulcerácia a zápal pri iných chorobách z.i.
M99.60	Kostná/subluxačná sten.medzistav.otv.v obl.hlavy	O09.0	Trvanie gravidity menej ako 5 ukončených týždňov
M99.61	Kostná/subluxačná sten.medzistav.otv.v krčnej obl.	O09.1	Trvanie gravidity od začat.5 po ukonč.13.týždeň
M99.62	Kostná/subluxačná sten.medzistav.otv.v hrud.obl.	O09.2	Trvanie gravidity od začat.14.po ukonč.19.týž.
M99.63	Kostná/subluxačná sten.medzistav.otv.v driek.obl.	O09.3	Trvanie gravidity od začat.20.po ukonč.25.týž.
M99.64	Kostná/subluxačná sten.medzistav.otv.v kríž.obl.	O09.4	Trvanie gravidity od začat.26.po ukonč.33.týž.
M99.69	Kostná/subluxačná sten.medzistav.otv.v bruchu a na i.m.	O09.5	Trvanie gravidity od začat.34.po ukonč.36.týž.
M99.70	Stenóz.medzistav.otv.spoj.tkan./medzistav.platnič.v obl.hlavy	O09.6	Trvanie gravidity od začat.37.po ukonč.41.týž.
M99.71	Stenóz.medzistav.otv.spoj.tkan./medzistav.platnič.v krčn.obl.	O09.7	Trvanie gravidity viac ako 41 ukončených týždňov
M99.72	Stenóz.medzistav.otv.spoj.tkan./medzistav.platnič.v hrud.obl.	O09.9	Arteriová hypertenzia matky,blížšie neurčená
M99.73	Stenóz.medzistav.otv.spoj.tkan./medzistav.platnič.v driek.obl.	O47.9	Falošná pôrodná činnosť,blížšie neurčená
M99.74	Stenóza medzistav.otvor.spoj.tkan./medzistav.plat.v kríž.obl.	O94	Následky kompl.gravidity,pôrodu a šestonedelia
M99.79	Sten.medzistav.otv.spoj.tkan./medzistav.platn.,obl.brucha.a i.m.	O95	Smrť v gravidite z blížšie neurčenej príčiny
M99.80	Iná biomechanická porucha funkcie v obl.hlavy	O96.0	Smrť z priam.pôr.príč.,kt.nast.po 42 d.,ale m.ako 1.r.od pôr.
M99.81	Iná biomechanická porucha funkcie v krčnej obl.	O96.1	Smrť z nepriam.pôr.príč.,kt.nast.po 42 d.,-men.ako 1.r.od pôr.
M99.82	Iná biomechanická porucha funkcie v hrud.obl.	O96.9	Smrť z blíž.ne.pôr.príč.,kt.nastala po42 d.,m.ako 1.r.od pôr.
M99.83	Iná biomechanická porucha funkcie v driek.obl.	O97.0	Smrť z následkov priamej pôrodnickej príčiny
M99.84	Iná biomechanická porucha funkcie v kríž.obl.	O97.1	Smrť z následkov nepriamej pôrodnickej príčiny
M99.85	Iná biomechanická porucha funkcie v panv.obl.	O97.9	Smrť z následkov b.n. pôrod.príčiny
M99.86	Iná biomechanická porucha funkcie v obl.DK	P75	Choroby tráviacej sústavy plodu a novorodenca
M99.87	Iná biomechanická porucha funkcie v obl.HK	P95	Smrť plodu z blížšie neurčenej príčiny
M99.88	Iná biomechanická porucha funkcie v obl.hrud. koša	P96.4	Ukončenie gravidity ako prič.pošk.plodu a novorod.
M99.89	Iná biomechanická porucha funkcie v obl.brucha.a i.m.	Q87.0	Syndróm vrod.chýb postih.najmä výzor tváre
M99.90	Biomechanická porucha funkcie,blíž.neurč.v obl.hlavy	Q87.1	Syndróm vrod.chýb spojený najmä s nízkym vzrastom
M99.91	Biomechanická porucha funkcie,blíž.neurč.v krčnej obl.	Q87.2	Syndrómy vrod.chýb zahŕňajúce najmä končatiny
M99.92	Biomechanická porucha funkcie,blíž.neurč.v hrud.obl.	Q87.3	Syndróm vrod.chýb zahŕňajúci skorý nadmerný rast
M99.93	Biomechanická porucha funkcie,blíž.neurč.v driek.obl.	Q87.5	Iné syndrómy vrod.chýb s inými zmenami kostí
M99.94	Biomechanická porucha funkcie,blíž.neurč.v kríž.obl.	Q87.8	Iné syndrómy vrod.chýb,nezat.inde.,b.u.
M99.95	Biomechanická porucha funkcie,blíž.neurč.v panv.obl.	R65.0	SIRS infekčného pôvodu bez orgánového zlyh.
M99.96	Biomechanická porucha funkcie,blíž.neurč.v obl.DK,b.n.	R65.1	SIRS infekčnej genézy s orgánovým zlyh.
M99.97	Biomechanická porucha funkcie,blíž.neurč.v obl.HK,b.n.	R65.2	SIRS neinfekčnej genézy bez orgánového zlyh.
M99.98	Biomechanická porucha funkcie,blíž.neurč.v obl.hrud.koša	R65.3	SIRS neinfekčnej genézy s orgánovým zlyh.
M99.99	Biomechanická porucha funkcie,blíž.neurč.v brucha a na i.m.	R65.9	Syndróm systémovej zápalovej odpovede (SIRS),blíž.neurč.
N08.0	Glomerulová chor.pri infekč./parazit.chor.z.i.	R69	Neznáme a blížšie neurčené príčiny chorobnosti
N08.1	Glomerulová choroba pri nádorových chorobách	R75	Laboratórny dôkaz vírusu ľudskej imunodeficiencie (HIV)
N08.2	Glomerul.chor.pri chorobách krvi a poruch.imunit.systému	R78.0	Nález alkoholu v krvi
N08.3	Glomerul.choroba pri DM	R96.0	Náhla smrť
N08.4	Glomerul.choroba pri i.endokrin.,nutričnej a metabol.chor.	R96.1	Smrť,ktorá nastala za men.ako 24hod.od zač.prízn.,ináč nevysv.
N08.5	Glomerul.chor.pri systémovej chorobe spojiva	R98	Smrť bez svedkov
N08.8	Glomerulová choroba pri iných.chorobách zatried.i.	R99	Iná nepresne určená a neurčená príčina smrti
N16.0	Tubulointersticiálna chor.pri infekč./parazit.chor.zatried.i.	S01.83	Otvor.rana(obl.hlavy)v spojení s intrakraniál.poranením
N16.1	Tubulointersticiálna chor.pri nádor.chor.	S01.84	Poškod.mäkkých častí I.st.pri zatvor.zlom.,vyklbení na hlavu

Kód	Popis	Kód	Popis
S01.85	Poškod.mäkkých častí II.st.pri zatvor.zlom.,vyklbení na hlavě	S61.85	Pošk.mäk.č.II.st.pri zatvor.zlom./vyklb.zápäs.a ruky
S01.86	Poškod.mäkkých častí III.st.pri zatvor.zlom.,vyklbení na hlavě	S61.86	Pošk.mäk.č.III.st.pri zatvor.zlom./vyklb.zápäs.a ruky
S01.87	Poškod.mäkkých častí I.st.pri otvor.zlom.,vyklbení na hlavě	S61.87	Pošk.mäk.č.I.st.pri otvor.zlom./vyklb.zápäs.a ruky
S01.88	Poškod.mäkkých častí II.st.pri otvor.zlom.,vyklbení na hlavě	S61.88	Pošk.mäk.č.II.st.pri otvor.zlom./vyklb.zápäs.a ruky
S01.89	Poškod.mäkkých častí III.st.pri otvor.zlom.,vyklbení na hlavě	S61.89	Pošk.mäk.č.III.st.pri otvor.zlom./vyklb.zápäs.a ruky
S06.70	Bezvedomie pri poranení lebky a mozgu,menej.ako 30 min.	S71.84	Pošk.mäk.č.I.st.pri zatvor.zlom./vyklb.bedra a stehna
S06.71	Bezvedomie pri poranení lebky a mozgu,30 min.až 24hod.	S71.85	Pošk.mäk.č.II.st.pri zatvor.zlom./vyklb.bedra a stehna
S06.72	Bezvedom.s poran.lebky a mozgu,viac ako24 h,návrat pôv.st.v.	S71.86	Pošk.mäk.č.III.st.pri zatvor.zlom./vyklb.bedra a stehna
S06.73	Bezvedom.,poranení leb.a mozgu,viac ako24hod.,bez návr.p.s.v.	S71.87	Pošk.mäk.č.I.st.pri otvor.zlom./vyklb.bedra a stehna
		S71.88	Pošk.mäk.č.II.st.pri otvor.zlom./vyklb.bedra a stehna
S06.79	Bezvedomie pri poranení lebky a mozgu blíž.neurčeného trvania	S71.89	Pošk.mäk.č.III.st.pri otvor.zlom./vyklb.bedra a stehna
S11.84	Poškodenie mäč.I.st.pri zatvor.zlomenine,vyklbení na krku	S81.84	Poškodenie mäč.I.st.pri zatv.zlomenine,vyklbení predkolenia
S11.85	Poškodenie mäč.II.st.pri zatvor.zlomenine,vyklbení na krku	S81.85	Pošk.mäk.č.II.st.pri zatvor.zlom./vyklb.predkol.
S11.86	Poškodenie mäč.III.st.pri zatvor.zlom./vyklb.na krku	S81.86	Pošk.mäk.č.III.st.pri zatvor.zlom./vyklb.predkol.
S11.87	Poškodenie mäkkých č.I.st.pri otvor.zlomenine,vyklbení na krku	S81.87	Pošk.mäk.č.I.st.pri otvor.zlom./vyklb.predkol.
S11.88	Poškodenie mäč.II.st.pri otvor.zlomenine,vyklbení na krku	S81.88	Pošk.mäk.č.II.st.pri otvor.zlom./vyklb.predkol.
S11.89	Poškodenie mäč.III.st.pri otvor.zlomenine,vyklbení na krku	S81.89	Pošk.mäk.č.III.st.pri otvor.zlom./vyklb.predkol.
S14.70	Funkčná úroveň pri poranení krčnej miechy:blížšie neurčená	S91.84	Poškodenie mäč.I.st.pri zatvor.zlom./vyklb.nohy
S14.71	Funkčná úroveň pri poranení krčnej miechy: C1	S91.85	Poškodenie mäč.II.st.pri zatvor.zlom./vyklb.nohy
S14.72	Funkčná úroveň pri poranení krčnej miechy: C2	S91.86	Poškodenie mäč.III.st.pri zatvor.zlom./vyklb.nohy
S14.73	Funkčná úroveň pri poranení krčnej miechy: C3	S91.87	Poškodenie mäč.I.st.pri otvor.zlom./vyklb.nohy
S14.74	Funkčná úroveň pri poranení krčnej miechy: C4	S91.88	Poškodenie mäč.II.st.pri otvor.zlom./vyklb.nohy
S14.75	Funkčná úroveň pri poranení krčnej miechy: C5	S91.89	Poškodenie mäč.III.st.pri otvor.zlom./vyklb.nohy
S14.76	Funkčná úroveň pri poranení krčnej miechy: C6	T31.00	Popál.postih.men.ako10 %povrch.tela b.n.podiel popál.3.st
S14.77	Funkčná úroveň pri poranení krčnej miechy: C7	T31.10	Popál.10-19%povr.tela,<ako10 %/b.n.č.-popál.3.st.
S14.78	Funkčná úroveň pri poranení krčnej miechy: C8	T31.11	Popál.10-19%povr.tela,10-19%popál.3.st.
S21.83	Otvor.rana každej č.hrud.v spojení s vnútrohrud.por.	T31.20	Popál.20-29%povr.tela,<ako10 %/b.n.č.-popál.3.st.
S21.84	Poškodenie mäč.I.st.pri zatvor.zlomeninách,vyklben.na hrud.	T31.21	Popál.20-29%povr.tela,10-19%popál.3.st.
S21.85	Poškodenie mäč.II.st.pri zatvor.zlomeninách,vyklben.na hrud.	T31.22	Popál.20-29%povr.tela,20-29%popál.3.st.
S21.86	Poškodenie mäč.III.st.pri zatvor.zlomeninách,vyklben.na hrud.	T31.30	Popál.30-39%povr.tela,<ako10 %/b.n.č.-popál.3.st.
S21.87	Poškodenie mäč.I.st.pri otvor.zlomeninách,vyklben.na hrud.	T31.31	Popál.30-39%povr.tela,10-19%popál.3.st.
S21.88	Poškodenie mäč.II.st.pri otvor.zlomeninách,vyklben.na hrud.	T31.32	Popál.30-39%povr.tela,20-29%popál.3.st.
S21.89	Poškodenie mäč.III.st.pri otvor.zlomeninách,vyklben.na hrud.	T31.33	Popál.30-39%povr.tela,30-39%popál.3.st.
S24.70	Funkčná výška pri poranení hrudíkovej miechy: úroveň b.n.	T31.40	Popál.40-49%povr.tela,<ako10 %/b.n.č.-popál.3.st.
S24.71	Funkčná výška pri poranení hrudníkovej miechy:Th1	T31.41	Popál.40-49%povr.tela,10-19%popál.3.st.
S24.72	Funkčná výška pri poranení hrudíkovej miechy:Th2/Th3	T31.42	Popál.40-49%povr.tela,20-29%popál.3.st.
S24.73	Funkčná výška pri poranení hrudíkovej miechy:Th4/Th5	T31.43	Popál.40-49%povr.tela,30-39%popál.3.st.
S24.74	Funkčná výška pri poranení hrudíkovej miechy:Th6/Th7	T31.44	Popál.40-49%povr.tela,40-49%popál.3.st.
S24.75	Funkčná výška pri poranení hrudíkovej miechy:Th8/Th9	T31.50	Popál.50-59%povr.tela,<ako10 %/b.n.č.-popál.3.st.
S24.76	Funkčná výška pri poranení hrudíkovej miechy:Th10/Th11	T31.51	Popál.50-59%povr.tela,10-19%popál.3.st.
S24.77	Funkčná výška pri poranení hrudníkovej miechy:Th12	T31.52	Popál.50-59%povr.tela,20-29%popál.3.st.
S31.83	Otvor.rana(kaž.č.brucha,drieku,panvy)spoj.s vnútrobruš.poran.	T31.53	Popál.50-59%povr.tela,30-39%popál.3.st.
S31.84	Poškodenie mäč.I.st.pri zatv.zlom.vyklb.driek.chrbtice,panvy	T31.54	Popál.50-59%povr.tela,40-49%popál.3.st.
S31.85	Poškoden.mäk.č.II.st.pri zatv.zlom.,vyklb.driek.chrbtice,panvy	T31.55	Popál.50-59%povr.tela,50-59%popál.3.st.
S31.86	Poškoden.mäk.č.III.st.pri zatv.zlom,vyklb.driek.chrbtice,panvy	T31.60	Popál.60-69%povr.tela,<ako10 %/b.n.č.-popál.3.st.
S31.87	Poškodenie mäč.I.st.pri otv.zlom.,vyklb.driek.chrbtice,panvy	T31.61	Popál.60-69%povr.tela,10-19%popál.3.st.
S31.88	Poškoden.mäk.č.II.st.pri otv.zlom.,vyklb.driek.chrbtice,panvy	T31.62	Popál.60-69%povr.tela,20-29%popál.3.st.
S31.89	Poškoden.mäk.č.III.st.pri otv.zlom.,vyklb.driek.chrbtice,panvy	T31.63	Popál.60-69%povr.tela,30-39%popál.3.st.
S34.70	Funkčná úroveň pri poranení driekovokřížovej miechy: b.ne.	T31.64	Popál.60-69%povr.tela,40-49%popál.3.st.
S34.71	Funkčná úroveň pri poranení driekovokřížovej miechy: L1	T31.65	Popál.60-69%povr.tela,50-59%popál.3.st.
S34.72	Funkčná úroveň pri poranení driekovokřížovej miechy: L2	T31.66	Popál.60-69%povr.tela,60-69%popál.3.st.
S34.73	Funkčná úroveň pri poranení driekovokřížovej miechy: L3	T31.70	Popál.70-79%povr.tela,<ako10 %/b.n.č.-popál.3.st.
S34.74	Funkčná úroveň pri poranení driekovokřížovej miechy: L4	T31.71	Popál.70-79%povr.tela,10-19%popál.3.st.
S34.75	Funkčná úroveň pri poranení driekovokřížovej miechy: L5	T31.72	Popál.70-79%povr.tela,20-29%popál.3.st.
S34.76	Funkčná úroveň pri poranení driekovokřížovej miechy: S1	T31.73	Popál.70-79%povr.tela,30-39%popál.3.st.
S34.77	Funkčná úroveň pri poranení driekovokřížovej miechy: S2 – S5	T31.74	Popál.70-79%povr.tela,40-49%popál.3.st.
S41.84	Poškodenie mäč.I.st.pri zatvor.zlomenine,vyklbení ramena	T31.75	Popál.70-79%povr.tela,50-59%popál.3.st.
S41.85	Poškodenie mäč.II.st.pri zatvor.zlomenine,vyklbení ramena	T31.76	Popál.70-79%povr.tela,60-69%popál.3.st.
S41.86	Poškodenie mäč.III.st.pri zatvor.zlomenine,vyklbení ramena	T31.77	Popál.70-79%povr.tela,70-79%popál.3.st.
S41.87	Poškodenie mäč.I.st.pri otvor.zlomenine,vyklbení ramena	T31.80	Popál.80-89%povr.tela,<ako10 %/b.n.č.-popál.3.st.
S41.88	Poškodenie mäč.II.st.pri otvor.zlomenine,vyklbení ramena	T31.81	Popál.80-89%povr.tela,10-19%popál.3.st.
S41.89	Poškodenie mäč.III.st.pri otvor.zlomenine,vyklbení ramena	T31.82	Popál.80-89%povr.tela,20-29%popál.3.st.
S51.84	Poškodenie mäč.I.st.pri zatvor.zlomenine,vyklb.predlaktia	T31.83	Popál.80-89%povr.tela,30-39%popál.3.st.
S51.85	Poškodenie mäč.II.st.pri zatvor.zlom./vyklb.predlak.	T31.84	Popál.80-89%povr.tela,40-49%popál.3.st.
S51.86	Poškodenie mäč.III.st.pri zatvor.zlom./vyklb.predlak.	T31.85	Popál.80-89%povr.tela,50-59%popál.3.st.
S51.87	Poškodenie mäč.I.st.pri otvor.zlom./vyklb.predlak.	T31.86	Popál.80-89%povr.tela,60-69%popál.3.st.
S51.88	Poškodenie mäč.II.st.pri otvor.zlom./vyklb.predlak.	T31.87	Popál.80-89%povr.tela,70-79%popál.3.st.
S51.89	Poškodenie mäč.III.st.pri otvor.zlom./vyklb.predlak.	T31.88	Popál.80-89%povr.tela,80-89%popál.3.st.
S61.84	Pošk.mäk.č.I.st.pri zatvor.zlom./vyklb.zápäs.a ruky	T31.90	Popál.90 a viac%povr.tela,<ako10 %/b.n.č.-popál.3.st.

Kód	Popis	Kód	Popis
T31.91	Popál.90 a viac%povr.tela,10-19%popál.3.st.	T74.9	Syndróm,zapríč.zlým zaobchádzaním,b.n.
T31.92	Popál.90 a viac%povr.tela,20-29%popál.3.st.	T90.0	Neskoré následky povrchového poranenia hlavy
T31.93	Popál.90 a viac%povr. tela,30-39%popál.3.st.	T90.1	Neskoré následky otvorenej rany hlavy
T31.94	Popál.90 a viac%povr.tela,40-49%popál.3.st.	T90.2	Neskoré následky zlomeniny lebky a tvárových kostí
T31.95	Popál.90 a viac%povr.tela,50-59%popál.3.st.	T90.3	Neskoré následky poranenia hlavových nervov
T31.96	Popál.90 a viac%povr.tela,60-69%popál.3.st.	T90.4	Neskoré následky poranenia oka a očné
T31.97	Popál.90 a viac%povr.tela,70-79%popál.3.st.	T90.5	Neskoré následky vnútrolebkového poranenia
T31.98	Popál.90 a viac%povr.tela,80-89%popál.3.st.	T90.8	Neskoré následky iného bliž.urč.poranenia hlavy
T31.99	Popál.90 a viac%povr.tela,90 %/viac popál.3.st.	T90.9	Neskoré následky bližšie neurčeného poranenia hlavy
T32.00	Polept.<ako10%povr.tela,<ako10 %/b.n.č.-polept.3.st.	T91.0	Neskoré násl.povrch.ho poran.a otvor.rany krku a trupu
T32.10	Polept.10-19%povr.tela,<ako10 %/b.n.č.-polept.3.st.	T91.1	Neskoré následky zlomeniny chrčtice
T32.11	Polept.10-19%povr.tela,10-19%polept.3.st.	T91.2	Neskoré následky inej zlomeniny hrudníka a panvy
T32.20	Polept.20-29%povr.tela,<ako10 %/b.n.č.-polept.3.st.	T91.3	Neskoré následky poranenia miechy
T32.21	Polept.20-29%povr.tela,10-19%polept.3.st.	T91.4	Neskoré následky poranenia vnútrohrud.org.
T32.22	Polept.20-29%povr.tela,20-29%polept.3.st.	T91.5	Neskoré následky poran.vnútrobruš. a panv.org.
T32.30	Polept.30-39%povr.tela,<ako10 %/b.n.č.-polept.3.st.	T91.8	Neskoré následky i.bliž.urč.poran.krku a trupu
T32.31	Polept.30-39%povr.tela,10-19%polept.3.st.	T91.9	Neskoré následky bliž.neurč.poran.krku a trupu
T32.32	Polept.30-39%povr.tela,20-29%polept.3.st.	T92.0	Neskoré následky otvorenej rany hornej končatiny
T32.33	Polept.30-39%povr.tela,30-39%polept.3.st.	T92.1	Neskoré následky zlomeniny ramena
T32.40	Polept.40-49%povr.tela,<ako10 %/b.n.č.-polept.3.st.	T92.2	Neskoré následky zlomeniny v úrovni zápastia a ruky
T32.41	Polept.40-49%povr.tela,10-19%polept.3.st.	T92.3	Nesk.následky vyklbenia.vyvr.t.a natiah.HK
T32.42	Polept.40-49%povr.tela,20-29%polept.3.st.	T92.4	Neskoré následky poranenia nervu hornej končatiny
T32.43	Polept.40-49%povr.tela,30-39%polept.3.st.	T92.5	Neskoré následky poran.svalu a šľachy HK
T32.44	Polept.40-49%povr.tela,40-49%polept.3.st.	T92.6	Neskoré následky drvivého poran.a úraz.amput. HK
T32.50	Polept.50-59%povr.tela,<ako10 %/b.n.č.-polept.3.st.	T92.8	Neskoré následky i.bliž.urč.por.HK
T32.51	Polept.50-59%povr.tela,10-19%polept.3.st.	T92.9	Neskoré následky bliž.neurč.poran.HK
T32.52	Polept.50-59%povr.tela,20-29%polept.3.st.	T93.0	Neskoré následky otvorenej rany dolnej končatiny
T32.53	Polept.50-59%povr.tela,30-39%polept.3.st.	T93.1	Neskoré následky zlomeniny stehnovej kosti
T32.54	Polept.50-59%povr.tela,40-49%polept.3.st.	T93.2	Neskoré následky inej zlomeniny dolnej končatiny
T32.55	Polept.50-59%povr.tela,50-59%polept.3.st.	T93.3	Nesk.následky vyklb.vyvr.t.a natiah.DK
T32.60	Polept.60-69%povr.tela,<ako10 %/b.n.č.-polept.3.st.	T93.4	Neskoré následky poranenia nervu dolnej končatiny
T32.61	Polept.60-69%povr.tela,10-19%polept.3.st.	T93.5	Neskoré následky poran.svalu a šľachy DK
T32.62	Polept.60-69%povr.tela,20-29%polept.3.st.	T93.6	Neskoré následky drvivého poran.a úraz.amput. DK
T32.63	Polept.60-69%povr.tela,30-39%polept.3.st.	T93.8	Neskoré následky i.bliž.urč.poranenia DK
T32.64	Polept.60-69%povr.tela,40-49%polept.3.st.	T93.9	Neskoré následky bliž.neurč.poranenia DK
T32.65	Polept.60-69%povr.tela,50-59%polept.3.st.	T94.0	Neskoré následky poranenia viacerej oblasti tela
T32.66	Polept.60-69%povr.tela,60-69%polept.3.st.	T94.1	Neskoré následky poranenia:oblast' bliž.neurč.tela
T32.70	Polept.70-79%povr.tela,<ako10 %/b.n.č.-polept.3.st.	T95.0	Neskoré následky popál.,polept.a omrzliny hlavy a krku
T32.71	Polept.70-79%povr.tela,10-19%polept.3.st.	T95.1	Neskoré následky popál.,polept.a omrzliny trupu
T32.72	Polept.70-79%povr.tela,20-29%polept.3.st.	T95.2	Neskoré následky popál.,polept.a omrzliny HK
T32.73	Polept.70-79%povr.tela,30-39%polept.3.st.	T95.3	Neskoré následky popál.,polept.a omrzliny DK
T32.74	Polept.70-79%povr.tela,40-49%polept.3.st.	T95.4	Neskoré násl.popál.a polept.zatr.iba p.rozs.postih.povr.tela
T32.75	Polept.70-79%povr.tela,50-59%polept.3.st.	T95.8	Neskoré následky i.bliž.urč.popál.,polept.a omrzliny
T32.76	Polept.70-79%povr.tela,60-69%polept.3.st.	T95.9	Neskoré následky bliž.neurč.popál.,polept.a omrzliny
T32.77	Polept.70-79%povr.tela,70-79%polept.3.st.	T96	Neskoré následky otravy liekmi,l.a biol.akt.lát.
T32.80	Polept.80-89%povr.tela,<ako10 %/b.n.č.-polept.3.st.	T97	Neskoré následky tox.úč.lát.používanej najmä mimo lekárstva
T32.81	Polept.80-89%povr.tela,10-19%polept.3.st.	T98.0	Neskoré násl.úč.cudz.telesa vniknutého prirodz.m otvorom
T32.82	Polept.80-89%povr.tela,20-29%polept.3.st.	T98.1	Neskoré následky i.a bliž.neurč.účinkov vonk.príčin
T32.83	Polept.80-89%povr.tela,30-39%polept.3.st.	T98.2	Neskoré následky niektorých včasných kompl.úrazov
T32.84	Polept.80-89%povr.tela,40-49%polept.3.st.	T98.3	Neskoré následky komplikácií chir.výkonu a lekář.star.,n.i.
T32.85	Polept.80-89%povr.tela,50-59%polept.3.st.	U06.0	Nepokrytý kód U06.0
T32.86	Polept.80-89%povr.tela,60-69%polept.3.st.	U06.1	Nepokrytý kód U06.1
T32.87	Polept.80-89%povr.tela,70-79%polept.3.st.	U06.2	Nepokrytý kód U06.2
T32.88	Polept.80-89%povr.tela,80-89%polept.3.st.	U06.3	Nepokrytý kód U06.3
T32.90	Polept.90 a viac%povr.tela,<ako10 %/b.n.č.-polept.3.st.	U06.4	Nepokrytý kód U06.4
T32.91	Polept.90 a viac%povr.tela,10-19%polept.3.st.	U06.5	Nepokrytý kód U06.5
T32.92	Polept.90 a viac%povr.tela,20-29%polept.3.st.	U06.6	Nepokrytý kód U06.6
T32.93	Polept.90 a viac%povr.tela,30-39%polept.3.st.	U06.7	Nepokrytý kód U06.7
T32.94	Polept.90 a viac%povr.tela,40-49%polept.3.st.	U06.8	Nepokrytý kód U06.8
T32.95	Polept.90 a viac%povr.tela,50-59%polept.3.st.	U06.9	Choroba zapríčinená vírusom Zika, bližšie neurčená
T32.96	Polept.90 a viac%povr.tela,60-69%polept.3.st.	U07.0	Nepokrytý kód U07.0
T32.97	Polept.90 a viac%povr.tela,70-79%polept.3.st.	U07.1	Potvrdená infekcia COVID-19
T32.98	Polept.90 a viac%povr.tela,80-89%polept.3.st.	U07.2	Podозrenie z infekcie COVID-19
T32.99	Polept.90 a viac%povr.tela,90% a viac polept.3.st.	U07.3	Nepokrytý kód U07.3
T74.0	Zanedbanie alebo opustenie	U07.4	Nepokrytý kód U07.4
T74.1	Fyzické zneužitie	U07.5	Nepokrytý kód U07.5
T74.2	Pohlavné zneužitie	U07.6	Nepokrytý kód U07.6
T74.3	Psychické zneužitie	U07.7	Nepokrytý kód U07.7
T74.8	Iný syndróm,zapríčený zlým zaobchádzaním	U07.8	Nepokrytý kód U07.8

Kód	Popis	Kód	Popis
U07.9	Nepokrytý kód U07.9	U99.10	Liečba inkretínovými injekčnými mimitikami
U50.00	Nijaké/min.obm.pohyb.funkcií,Barthelovej index100b.	U99.2	Nepokrytý kód U99.2
U50.01	Nijaké/min.obm.pohyb.funkcií,mot.FIM 85-91b.	U99.3	Nepokrytý kód U99.3
U50.10	Ľahké obm.pohyb.funkcií,Barthelovej index80-95b.	U99.4	Nepokrytý kód U99.4
U50.11	Ľahké obm.pohyb.funkcií,mot.FIM 69-84b.	U99.5	Nepokrytý kód U99.5
U50.20	Stredné obm.pohyb.funkcií,Barthelovej index60-75b.	U99.6	Nepokrytý kód U99.6
U50.21	Stredné obm.pohyb.funkcií,mot.FIM 59-68b.	U99.7	Nepokrytý kód U99.7
U50.30	Stredne ťažké obm.pohyb.funkcií,Barthelovej index40-55b.	U99.8	Nepokrytý kód U99.8
U50.31	Stredne ťažké obm.pohyb.funkcií,mot.FIM 43-58b.	U99.9	Nepokrytý kód U99.9
U50.40	Ťažké obm.pohyb.funkcií,Barthelovej index20-35b.	Z00.0	Všeobecné lekárske vyšetrenie
U50.41	Ťažké obm.pohyb.funkcií,mot.FIM 31-42b.	Z00.1	Rutinné vyšetrenie zdravotného stavu dieťaťa
U50.50	Veľmi ťažké obm.pohyb.funkcií,Barthelovej index0-15b.	Z00.2	Vyšetrenie v období rýchleho rastu v detstve
U50.51	Veľmi ťažké obm.pohyb.funkcií,mot.FIM 13-30b.	Z00.3	Vyšetrenie vývinu dospievajúceho
U51.00	Nijaké/min.obm.kogn.funkcií,rozš.Barthelovej index70-90b.	Z00.4	Všeobecné psychiatrické vyšetrenie,n.i.
U51.01	Nijaké/min.obm.kogn.funkcií,kognitívny FIM 30-35b.	Z00.6	Vyšetrenie na porovn.a kontrolu v rámci klin.výsk.progr.
U51.02	Nijaké/min.obm.kogn.funkcií,MMSE 24-30b.	Z00.8	Iné všeobecné vyšetrenie
U51.10	Stredné obm.kogn.funkcií,rozš.Barthelovej index20-65b.	Z01.6	Rádiologické vyšetrenie, nezatriedené inde
U51.11	Stredné obm.kogn.funkcií,kogn.IM 11-29b.	Z01.7	Laboratórne vyšetrenie
U51.12	Stredné obm.kogn.funkcií,MMSE 17-23b.	Z01.9	Špeciálne vyšetrenie, bližšie neurčené
U51.20	Ťažké obm.kogn.funkcií,rozš.Barthelovej index0-15b.	Z04.9	Vyš.a pozor. z bliž.neu.dôvodov
U51.21	Ťažké obm.kogn.funkcií,kogn. FIM 5-10b.	Z21	Bezprízn.stav inf.HIV (vír.ludského imunodef.)
U51.22	Ťažké obm.kogn.funkcií,MMSE 0 – 16 bodov	Z32.0	Gravidita, (ešte) nepotvrdená
U52.0	Barthelovej index pri včasnej rhb.31 a viacb.	Z32.1	Potvrdená gravidita
U52.1	Barthelovej index pri včasnej rhb.-75 až 30b.	Z33	Gravidita ako vedľajší nález
U52.2	Barthelovej indexpri včasnej rhb.-200 až-76b.	Z34.0	Dohľad nad normálnou prvou graviditou
U52.3	Barthelovej indexpri včasnej rhb.men.ako-200b.	Z34.8	Dohľad nad inou normálnou graviditou
U55.10	Vyk.zápis do zozn.čak.na transpl.srdca,b.ozn.st./vys.nalieh.	Z34.9	Dohľad nad normálnou graviditou, bližšie neurčenou
U55.11	Vyk.zápis do zozn.čak.na transpl.srdca,označ.st.nalieh.	Z35.0	Dohľad nad graviditou s anamnézou neplodnosti
U55.12	Vyk.zápis do zozn.čak.na transpl.srdca,čak.st.vys.nalieh.	Z35.1	Dohľad nad graviditou s anamnézou potratu
U55.20	Vyk.zápis do zozn.čak.na transpl.pľúc,b.ozn.st./vys.nal.	Z35.2	Dohľad nad gravid.s i.nepriaznivou pôr.anamnézou
U55.21	Vyk.zápis do zozn.čak.na transpl.pľúc,označ.st.nal.	Z35.3	Dohľad nad gravid.s anamnézou nedostat.prenatálnej star.
U55.22	Vyk.zápis do zozn.čak.na transpl.pľúc,označ.st.vys.nal.	Z35.4	Dohľad nad graviditou mnohorodičky
U55.30	Vyk.záp.do zozn.čak.na transpl.srdca a pľ.,b.ozn.st./vys.nal.	Z35.5	Dohľad nad staršou prvoroďičkou
U55.31	Vyk.zápis do zozn.čak.na transpl.srdca a pľúc,označ.st.nal.	Z35.6	Dohľad nad veľmi mladou prvoroďičkou
U55.32	Vyk.zápis do zozn.čak.na transpl.srdca a pľ.,označ.vys.nal.	Z35.7	Dohľad nad rizik. gravid.v dôsledku sociál.problem.
U60.1	Klinické kategórie choroby HIV: kategória A	Z35.8	Dohľad nad inou rizikovou graviditou
U60.2	Klinické kategórie choroby HIV: kategória B	Z35.9	Dohľad nad rizikovou graviditou, bližšie neurčenou
U60.3	Klinické kategórie choroby HIV: kategória C	Z37.0	Jedno dieťa, živonarodené
U60.9	Klinické kategórie choroby HIV, bližšie neurčené	Z37.1	Jedno dieťa, mŕtvonarodené
U61.1	Počet pomocných T-buniek pri chorobe HIV	Z37.2	Dvojčatá, živonarodené
U61.2	Počet pomocných T-buniek pri chorobe HIV	Z37.3	Dvojčatá, jedno živonarodené, jedno mŕtvonarodené
U61.3	Počet pomocných T-buniek pri chorobe HIV	Z37.4	Dvojčatá, mŕtvonarodené
U61.9	Počet (CD4+-) pomocných T-buniek pri chorobe HIV	Z37.5	Iný viacpočetný pôrod, všetky deti živonarodené
U69.00	Sek.klas.za ú.ext.kontr.kv.:záp.pl.dosp.,z.i.,zisk.v nem.	Z37.6	Iný viacpočetný pôrod, niektoré deti živonarodené
U69.10	Sek.klas.,o.adm.ú.:chor.z.i.-podozr.,med.neind.est.op.	Z37.7	Iný viacpočetný pôrod, všetky deti mŕtvonarodené
U69.20	Sek.klas.na o.epid.ú.:chripka A/H1N1,pandémia 2009	Z37.9	Výsledok pôrodu, bližšie neurčený
U69.21	Sek.klas.na o.epid.ú.:chripka A/H5N1,epidémia	Z44.8	Skúšanie a prispôs.i.vonk.protet.pom.
U80.0	Staph.aer.rez.na OXA,glp.ATB,chin.,streptogr./oxazolid.	Z44.9	Skúšanie a prispôs.b.n.vonk.protet.pom.
U80.1	Str.pn.rez.na PNC,OXA,makrolid.ATB,oxazolid./streptogr.	Z47.0	Násled.star.,zahŕň.odstr.kostnej dlahy/i.vnúť.fix.pom.
U80.2	Ent.faecalis rez.na glp.ATB,oxazolid.streptogr./v.úr.amg.rez.	Z49.2	Iná dialýza
U80.3	Ent.faecium rez.na glp.ATB,oxazolid.,streptogr./v.úr.amg.rez.	Z50.0	Rehabilitácia pri chorobách srdca
U80.4	Esch.klebs.prot.rez.chin.karbab.amik./dok.rez.vš.btl.ATB	Z50.1	Iná fyzikálna liečba
U80.5	Enterobacter,citrobacter a serratia rez.-karbab.,chin./amik.	Z50.2	Rehabilitácia pri alkoholizme
U80.6	Ps.aer.a i.non-ferm.p.rez.karbab.chin.amik.ceft./pip.s tazob./CTM	Z50.3	Rehabilitácia pri liek./drog.j závislosti
U80.7	Burkh.a stenotroph.rez.-chin.,amik.,ceft.,pip.s tazob./CTM	Z50.4	Psychoterapia, nezatriedená inde
U81	Pôvodca s mutirezistenciou na antibiotiká	Z50.5	Logopedická liečba (liečba porúch hlasu, reči)
U82.0	Myc.tbc s rez.pr.jed./viac.antituberk.prv.radu	Z50.6	Ortopedické cvičenia
U82.1	Multirezistentná tuberkulóza [MDR-TB]	Z50.7	Pracovná liečba a rehabilitácia, nezatriedená inde
U82.2	Atyp.mykobakt./nocardia s rez.na jed./viac.liek.prv.radu	Z50.8	Starostlivosť, zahŕňajúca iné rehabilitačné výkony
U83	Kandida s rezistenciou na flukonazol/vorikonazol	Z50.9	Starostlivosť,zahŕň.ehabilitačné výk. b.n.
U84	Herpesvírus s rezistenciou na virostatiká	Z51.0	Liečebná rádioterapia
U85	Vírus HIV s rezistenciou na virostatiká/inhib.proteináz	Z51.1	Cykus chemoterapie pre zhubný nádor
U99.04	Trvalá a nezvratná kolostómia	Z51.2	Iná chemoterapia
U99.05	Trvalá a nezvratná ileostómia	Z51.3	Transfúzia krvi bez uvedenia diagnózy
U99.06	Trvalá a nezvratná urostómia	Z51.5	Paliatívna starostlivosť
U99.07	Intenzifikovaný inzulínový režim	Z51.81	Aferéza
U99.08	Konvenčný inzulínový režim	Z51.82	Komb.liečba zhubného nád.žiarením a chemoterapiou
U99.09	Liečba perorálnymi antidiabetikami a diétou	Z52.00	Darca plnej krvi
U99.1	Nepokrytý kód U99.1	Z54.0	Rekonvalescencia po operačnom výkone

Kód	Popis	Kód	Popis
Z54.1	Rekonvalescencia po rádioterapii	Z61.9	Negatívna udalosť v detstve, bližšie neurčená
Z54.2	Rekonvalescencia po chemoterapii	Z62.0	Nedostatočný rodičovský dozor a kontrola
Z54.3	Rekonvalescencia po psychoterapii	Z62.1	Nadmerná rodičovská ochrana
Z54.4	Rekonvalescencia po liečbe zlomeniny	Z62.2	Ústavná výchova
Z54.7	Rekonvalescencia po kombinovanej liečbe	Z62.3	Nepriateľstvo voči dieťaťu, dieťa ako obeť baránok
Z54.8	Rekonvalescencia po inej liečbe	Z62.4	Emočné zanedbávanie dieťaťa
Z54.9	Rekonvalescencia po bližšie neurčenej liečbe	Z62.5	Iné problémy súvisiace so zanedbávaním výchovy
Z55.0	Negramotnosť a nízky stupeň gramotnosti	Z62.6	Nepřim. rodič.nátlak a iné abnor.spôsoby výchovy
Z55.1	Nedostupné a nedosiahnuteľné školské vzdelanie	Z62.8	Iné bližšie určené problémy súvisiace s výchovou
Z55.2	Nezvládnutie skúšok	Z62.9	Problém súvisiaci s výchovou, bližšie neurčený
Z55.3	Zlý prospech v škole	Z63.0	Problémy vo vzťahu medzi manželmi alebo partnermi
Z55.4	Zlá prispôs.pri vyuč.a konflikty s učiteľmi a spolužiakmi	Z63.1	Problémy vo vzťahu s rodičmi a svokrovcami
Z55.8	Iné problémy súvis.so vzdelávaním a gramotnosťou	Z63.2	Neprimeraná rodinná podpora
Z55.9	Problémy súvis.so vzdel.a gramotnosťou, bliž.neu.	Z63.3	Neprítomnosť člena rodiny
Z56.0	Nezamestnanosť, bližšie neurčená	Z63.4	Zmiznutie a smrť člena rodiny
Z56.1	Zmena zamestnania	Z63.5	Rozpadnutie rodiny odlúčením a rozvodom
Z56.2	Hrozba straty zamestnania	Z63.6	Príbuzný odkazáný na domácu starostlivosť
Z56.3	Stresujúci pracovný režim	Z63.7	Iné stres.život.udal.postih.rodinu a domácnosť
Z56.4	Konflikt s nadriadeným a spolupracovníkmi	Z63.8	Iné bliž.ur.probl.úvis.so skup.prim.star.
Z56.5	Nevhodná práca	Z63.9	Problémy súvis.so skup.prim.star.,b.n.
Z56.6	Iné fyzické a duševné vypätie v súvislosti s prácou	Z64.0	Problémy súvisiace s nechcenou graviditou
Z56.7	Iné a bliž.neu.problémy súvisiace so zamestnaním	Z64.8	Iné kont.prílež.vo vzťahu k urč.psychosoc.okol.
Z57.0	Profesionálne vystavenie hluku	Z70.0	Poradenstvo súvisiace s pohlavným postojom
Z57.1	Profesionálne vystavenie žiareniu (radiácii)	Z70.1	Porad.súvis.s pac.pohla.správaním a orientáciou
Z57.2	Profesionálne vystavenie prachu	Z70.2	Porad.súvis.s pohl.správ. a orient.tretej osoby
Z57.3	Profes.vystav.ným znečisťujúcim látkam v ovzduší	Z70.3	Porad.súvis.s komb.probl.pohla.postoja, správ. a orient.
Z57.4	Profes.vystav.toxickým látkam v poľnohospodárstve	Z70.8	Iné sexuologické poradenstvo
Z57.5	Profes.vystav.toxickým látkam v i.priemys.odvetviach	Z70.9	Sexuologické poradenstvo, bližšie neurčené
Z57.6	Profesionálne vystavenie extrémnej teploty	Z72.0	Problémy v súvislosti s užívaním tabaku
Z57.7	Profesionálne vystavenie vibráciám	Z72.1	Problémy v súvislosti s užívaním alkoholu
Z57.8	Profesionálne vystavenie iným rizikovým faktorom	Z72.2	Problémy v súvislosti s užívaním návykových látok
Z57.9	Profes.vystav.bliž.neu.rizikovému faktoru	Z75.0	Zdravotné služby nedostupné v domácom prostredí
Z58.0	Vystavenie hluku	Z75.1	Osoba čakajúca inde na prijatie do vhodného zariadenia
Z58.1	Vystavenie znečistenému ovzdušiu	Z75.2	Čakacia doba na vyšetrenie a liečbu
Z58.2	Vystavenie znečistenej vode	Z75.3	Nedostupnosť a neprístupnosť zdravotníckych služieb
Z58.3	Vystavenie znečistenej pôde	Z75.4	Nedostupnosť a neprístupnosť iných pomocných služieb
Z58.4	Vystavenie žiareniu	Z75.5	Starostlivosť počas dovolenky
Z58.5	Vystavenie inému znečisteniu	Z75.60	Vykonaná reg.na org.transpl.b.vys.st.nalieh.:oblička
Z58.6	Nedostatočné zásobovanie pitnou vodou	Z75.64	Vykon.reg.na org.transpl.b.vys.st.nalieh.:oblička-pankr.
Z58.7	Vystavenie tabakovému dymu	Z75.65	Vykonaná reg.na org.transpl.b.vys.st.nalieh.:pankreas
Z58.8	Iné problémy súvisiace so životným prostredím	Z75.66	Vykonaná reg.na org.transpl.b.vys.st.nalieh.:tenké črevo
Z58.9	Problém súvis.so životným prostredím,b.n.	Z75.67	Vykonaná reg.na org.transpl.b.vys.st.nalieh.:pečeň
Z59.0	Bezdomovstvo	Z75.68	Vykonaná reg.na org.transpl.b.vys.st.nalieh.:iný orgán
Z59.1	Neprimerané bývanie	Z75.69	Vykonaná reg.na org.transpl.b.vys.st.nalieh.:b.n.orgán
Z59.2	Nezhody so susedmi, nájomníkmi a vlastníkom	Z75.70	Vykonaná reg.na org.transpl.s.vys.st.nalieh.:oblička
Z59.3	Problémy súvisiace s bývaním v ubytovacom zariadení	Z75.74	Vykon. reg.na org.transpl.s.vys.st.nalieh.:oblička-pankr.
Z59.4	Nedostatok primeranej potravy	Z75.75	Vykonaná reg.na org.transpl.s.vys.st.nalieh.:pankreas
Z59.5	Extrémna chudoba	Z75.76	Vykonaná reg.na org.transpl.s.vys.st.nalieh.:tenké črevo
Z59.6	Nízky príjem	Z75.77	Vykonaná reg.na org.transpl.s.vys.st.nalieh.:pečeň
Z59.7	Nedostatočné soc.poistenie a soc.starostlivosť	Z75.78	Vykonaná reg.na org.transpl.s.vys.st.nalieh.:iný orgán
Z59.8	Iné problémy súvis.s bývaním a ekonomickou situáciou	Z75.79	Vykonaná reg.na org.transpl.s.vys.st.nalieh.:b.n.orgán
Z59.9	Problém súvis.s bývaním a ekonomickou situáciou,b.n.	Z75.8	Iné prob.súvis.s možn.zdrav.star./s i.zdrav.opaterou
Z60.0	Problémy s prispôbením sa zmenám životného cyklu	Z75.9	Bliž.neu.prob.súvis.s možn.zdrav.star./s i.zdrav.opaterou
Z60.1	Atypická rodičovská situácia	Z76.3	Zdravá osoba sprevádzajúca chorého
Z60.2	Osamelo žijúca osoba	Z76.5	Simulant (vedomá simulácia)
Z60.3	Ťažkosti s kultúrou asimiláciou	Z85.0	Zhubný nádor tráviacich orgánov v osobnej anamnéze
Z60.4	Sociálne vylúčenie a odvrhnutie	Z85.1	Zhub.nád.priedušn.,priedušiek a pľúc v osob.anam.
Z60.5	Terč diskriminácie a perzekúcie	Z85.2	Zhub.nád.i.dých.a vnútrohrod.org.v osob.anam.
Z60.8	Iné problémy súvisiace so sociálnym prostredím	Z85.3	Zhubný nádor prsníka v osobnej anamnéze
Z60.9	Problém súvis.so soc.prostredím,b.n.	Z85.4	Zhubný nádor pohlavných orgánov v osobnej anamnéze
Z61.0	Strata láskyplného vzťahu v detstve	Z85.5	Zhubný nádor močovej sústavy v osobnej anamnéze
Z61.1	Premiestnenie z domova v detstve	Z85.6	Leukémia v osobnej anamnéze
Z61.2	Zmena rodinných vzťahov v detstve	Z85.7	Iné zhub.nád.lymf.,krvotv.a príbuz.tkan.v osob.anam.
Z61.3	Udalosti vedúce k strate sebaúcty v detstve	Z85.8	Zhub.nád.i.org./systémov v osob.anam.
Z61.4	Probl.súvis.s údaj.pohl.zneuž.dieť.os.z okr.prim.star.	Z85.9	Zhubný nádor v osobnej anamnéze, bližšie neurčený
Z61.5	Probl.súvis.s údaj.pohl.zneuž.dieť.os.mimo okr.prim.star.	Z86.0	Iné nádory v osobnej anamnéze
Z61.6	Problémy súvisiace s údajným fyzickým zneužitím dieťaťa	Z86.1	Infekčné a parazitové choroby v osobnej anamnéze
Z61.7	Osobná desivá skúsenosť v detstve	Z86.2	Chor.krvii/krvotv.org.a niekt.por.,týk.sa imun.v osb.anam.
Z61.8	Iné negatívne udalosti v detstve	Z86.3	Endokrinné,nutričné a metab.chor.v os.anam.

Kód	Popis	Kód	Popis
Z86.4	Abúzus psychoaktívnych látok v osobnej anamnéze	Z93.3	Stav s predtým vytvorenou kolostómiou
Z86.5	Iné poruchy psychiky a správania v osobnej anamnéze	Z93.4	Stav s predtým umelo vytvor. výstením gastrointest. súst.
Z86.6	Choroba nervového systému a zmysl.org. v os. anam.	Z93.5	Stav s predtým vytvorenou cystostómiou
Z86.7	Choroby obehovej sústavy v osobnej anamnéze	Z93.6	Stav s predtým vytvor. i. umelým výstením moč. súst.
Z87.0	Choroby dýchacej sústavy v osobnej anamnéze	Z93.80	Stav s predtým vytvorenou hrudníkovou stómiou
Z87.1	Choroby tráviacich orgánov v osobnej anamnéze	Z93.88	Stav s predtým umelo vytvoreným iným výstením
Z87.2	Choroby kože a podkožného tkaniva v osob. anam.	Z93.9	Stav s predtým umelo vytvor. výstením, b.n.
Z87.3	Choroba sval. a kostr. súst. a spojiv. tkan. v osob. anam.	Z94.0	Stav po transplantácii obličky
Z87.4	Choroby močovopohlavnej sústavy v osobnej anamnéze	Z94.1	Stav po transplantácii srdca
Z87.5	Kompl. gravidity, pôr. a šestonedelia v osob. anam.	Z94.2	Stav po transplantácii pľúc
Z87.6	Niektoré patolog. stavy v perinat. obd. v osob. anam.	Z94.3	Stav po transplantácii srdca a pľúc
Z87.7	Vrod. chyby, defor. a chrom. anomálie v osob. anam.	Z94.4	Stav po transplantácii pečene
Z87.8	Iné bližšie určené choroby v osobnej anamnéze	Z94.5	Stav po transplantácii kože
Z88.0	Alergia na penicilín v osobnej anamnéze	Z94.6	Stav po transplantácii kosti
Z88.1	Alergia na iné antibiotiká v osobnej anamnéze	Z94.7	Stav po transplantácii rohovky
Z88.2	Alergia na sulfonamidy v osobnej anamnéze	Z94.80	Stav po traspl. krvotv. (kmeň.) bun., bez súč. imunosupr.
Z88.3	Alergia na iné protiinfekčné lieky v osob. anam.	Z94.81	Stav po traspl. krvotv. (kmeň.) bun., so súč. imunosupr.
Z88.4	Alergia na anestetiká v osobnej anamnéze	Z94.82	Stav po transplantácii pankreasu
Z88.5	Alergia na opiáty v osobnej anamnéze	Z94.83	Stav po transplantácii obličky a pankreasu
Z88.6	Alergia na analgetiká v osobnej anamnéze	Z94.88	Stav po transplantácii iného orgánu alebo tkaniva
Z88.7	Alergia na sérum a vakcínu v osobnej anamnéze	Z94.9	Stav po traspl. orgánu/tkan. b.n.
Z88.8	Alergia na i. liek., lieč. a biol. aktív. lát. v osob. anam.	Z95.0	Stav po implantácii kardiostimulátora
Z88.9	Alergia na b.n. liek., lieč. a biol. aktív. lát. v osob. anam.	Z95.1	Stav po implantácii aortokoron. bajpasu pomocou štepu
Z89.0	Získané chýbanie prsta (prstov, vr. palca), jednostranné	Z95.2	Stav po implantácii protetickej srdcovej chlopne
Z89.1	Získané chýbanie ruky a zápästia	Z95.3	Stav po implantácii xenogénnej srdcovej chlopne
Z89.2	Získané chýbanie hornej končatiny nad zápästím	Z95.4	Stav po implantácii inej náhrady srdcovej chlopne
Z89.3	Získané chýbanie oboch HK na akejkoľvek úr.	Z95.5	Stav po implantácii koron. angioplastického impl. a štepu
Z89.4	Získané chýbanie nohy a členka	Z95.80	Stav po implantácii systému podporujúceho srdce
Z89.5	Získané chýbanie DK v úr. kol./pod kol., jednostranné	Z95.81	Stav po implantácii cievneho permanentného katétra
Z89.6	Získané chýbanie DK nad kol., jednostranné	Z95.88	Stav po implant. i. srdc./ciev. implantátov/transplantátov
Z89.7	Získané chýbanie oboch DK (kt. kol. úr., okr. prstov)	Z95.9	Stav po implant. srd./ciev. implantátu/štepu, b.n.
Z89.8	Získané chýbanie HK a DK (kt. kol. úr.)	Z96.0	Stav po implantácii močovopohlavných implantátov
Z89.9	Získané chýbanie končatiny, bližšie neurčené	Z96.1	Stav po implantácii vnútroočnej šošovky
Z90.0	Získané chýbanie časti hlavy a krku	Z96.2	Stav po implant. ušných a audiologických implantátov
Z90.1	Získané chýbanie prsníka (prsníkov)	Z96.3	Stav po implantácii umelého hrtana
Z90.2	Získané chýbanie (časti) pľúc	Z96.4	Stav po implantácii endokrinného implantátu
Z90.3	Získané chýbanie časti žalúdka	Z96.5	Stav po implant. implantátov zub. koreňa/sánk. implantátov
Z90.4	Získané chýbanie iných častí tráviacej sústavy	Z96.6	Stav po implant. ortopedických kĺbových implantátov
Z90.5	Získané chýbanie obličky	Z96.7	Stav po implant. i. kostného a šľachového implantátu
Z90.6	Získané chýbanie iných orgánov močovej sústavy	Z96.80	Stav po implantácii bronchového stentu
Z90.7	Získané chýbanie pohlavného orgánu (orgánov)	Z96.81	Stav po implantácii tracheového stentu
Z90.8	Získané chýbanie iných orgánov	Z96.88	Stav po implant. iných, bliž. úr. funkč. implantátov
Z91.0	Alergia na i. lát. ako liek. a biol. lát. v osob. anam.	Z96.9	Stav po implant. funkč. implantátov b.n.
Z91.1	Nedodržiavanie lieč. a lieč. ho režimu v os. anam.	Z97.1	Stav po rekonštrukcii umelej konč. (kompl./čiasť.)
Z91.8	Iné bliž. úr. rizikové faktory, n.i.	Z97.8	Stav po implantácii iných bližšie určených pomôcok
Z92.1	Dlhodobé (súčasné) užívanie antikoagulancií v osob. anam.	Z98.0	Stav po vytvorení črevného bajpasu alebo anastomózy
Z92.2	Dlhodobé (súčasné) užívanie i. liekov v osob. anam.	Z98.1	Artrodéza
Z92.3	Rádioterapia v osobnej anamnéze	Z98.2	Stav po implantácii pom. na drenáž mozgovomiechového moku
Z92.4	Veľký chir. výk. v osob. anam., n.i.	Z98.8	Iné bližšie určené pooperačné stavy
Z92.6	Chemoterapia pre zhubný nádor v osobnej anamnéze	Z99.0	Závislosť od aspirátora
Z92.8	Iná liečba v osobnej anamnéze	Z99.1	Závislosť od respirátora
Z92.9	Liečba v osobnej anamnéze, bližšie neurčená	Z99.2	Závislosť od obličkovej dialýzy
Z93.0	Stav s predtým vytvorenou tracheostómiou	Z99.3	Závislosť od invalidného vozíka
Z93.1	Stav s predtým vytvorenou gastrostómiou	Z99.8	Závislosť od i. pomocných prístrojov/pomôcok
Z93.2	Stav s predtým vytvorenou ileostómiou	Z99.9	Závislosť od pomocného prístroja/pom., b.n.

Slovník pojmov

Australian Refined Diagnosis Related Groups (AR-DRG)

Druhý národný DRG-klasifikačný systém v Austrálii, vyvíjaný spoločnosťou Commonwealth Department of Health and Family Services.

Dátum prijatia

Dátum prijatia pacienta do nemocnice.

Diagnosis Related Group (DRG)

Skupiny súvisiacich diagnóz, do ktorých sú zaradené prípady s klinickou a nákladovou podobnosťou.

DRG-klasifikačný systém

Je klasifikačný systém, zaraďujúci pacientov do najhomogénnejších skupín vo vzťahu k spotrebe zdrojov nemocnice a to podľa medicínskych a ďalších kritérií.

Funkcie

Funkcie sú zaraďovacie algoritmy, prípadne kódy diagnóz alebo výkonov, ktoré sa používajú vo viacerých MDC alebo základných DRG v rámci MDC.

German Diagnosis Related Groups (G-DRG)

Nemecký DRG-klasifikačný systém, vyvíjaný spoločnosťou Institut für das Entgeltsystem im Krankenhaus GmbH (InEK GmbH).

Grouper

Grouper (gruper) je SW-nástroj (počítačový program), ktorý zabezpečuje zaradenie hospitalizačného prípadu do konkrétnej DRG.

Hlavná diagnostická kategória (MDC)

Je založená na podobnosti prípadov predovšetkým z hľadiska orgánových systémov, prípadne etiológie ochorenia, ktorého liečba je naviazaná na špeciálnu medicínsku odbornosť.

Hlavná diagnóza (HDg)

Je diagnóza, ktorá bola analýzou stanovená ako hlavná príčina vedúca k hospitalizácii pacienta.

Hmotnosť pri prijatí

Hmotnosť v čase prijatia do nemocnice pre deti vo veku menej ako 1 rok.

Chybové a ostatné DRG

Záznam údajov o hospitalizácii s klinicky netypickými alebo neplatnými informáciami sa zaraďuje do chybovej alebo ostatnej DRG.

Jeden ošetrovací deň

Jeden ošetrovací deň je definovaný ako deň prijatia na hospitalizáciu v kalendárny deň a prepustenie v ten istý kalendárny deň alebo v nasledujúci kalendárny deň.

Komorbidity

Je súasný výskyt dvoch alebo viacerých chorobných procesov bez vzájomného vzťahu, ktoré boli prítomné pri prijatí.

Komplikácia

Je chorobný proces (alebo udalosť), objaviaci sa počas ochorenia (po prijatí), ktorý však nie je esenciálnou súčasťou tohto ochorenia, aj keď z tohto ochorenia môže vychádzať alebo môže mať nezávislé príčiny.

Komplikácia a/alebo komorbidity (CC)

Komplikácie a komorbidity sú vedľajšie diagnózy, ktoré spravidla vedú k signifikantnej vyššej spotrebe zdrojov.

Neoperačný výkon (nie-OP-výkon)

Výkon, ktorý je v rámci niektorých MDC signifikantný pre zatriedenie hospitalizačného prípadu. Neoperačné výkony v zmysle SK-DRG môžu byť aj výkony, ktoré sa prevádzkujú na operačných sálach.

Operačný, iný a medicínsky segment

MDC sú rozdelené maximálne do troch rozličných segmentov (operačný, iný, a medicínsky). Zaradenie prípadu do segmentu sa riadi podľa vykonania alebo nevykonania OP-výkonu a nie-OP-výkonu.

Operačný výkon (OP-výkon)

Výkon, ktorý je signifikantný v rámci kompletnej systematiky SK-DRG.

Ošetrovací deň (OD)

Ošetrovací deň pacienta sa vypočíta ako rozdiel medzi dátumom prepustenia z nemocnice a dátumom prijatia do nemocnice. Dni na priepustke vrátane dňa, kedy pacient na priepustku odchádza, sa do ošetrovacej doby nezapočítavajú. Pri prijatí a prepustení v ten istý kalendárny deň je ošetrovací deň jeden deň.

Slovak Diagnosis Related Groups (SK-DRG)

Slovenský DRG-klasifikačný systém. Ďalšie informácie k SK-DRG sa nachádzajú v časti Úvod, zväzok 1.

Stupeň klinickej obtiažnosti prípadu (PCCL)

Je miera kumulatívneho efektu komplikácií a komorbidity vypočítavaná samostatne pre každý hospitalizačný prípad.

Stupeň závažnosti komplikácií a komorbidít (CCL)

Stupeň závažnosti komplikácií a komorbidít sa pride ujú v-etkým ved aj-ím diagnózam. Hodnoty CCL môžu by 0 aľ 4 pre prípady s operáciami a pre novorodencov.

V ostatných prípadoch môžu by hodnoty CCL 0 aľ 3.

Hodnoty znaenajú:

1= ahká komplikácia alebo komorbidita,

2=stredne afká komplikácia alebo komorbidita,

3= afká komplikácia alebo komorbidita,

4=ve mi afká komplikácia alebo komorbidita.

Vedľajšia diagnóza (VDg)

Je ochorenie alebo poruchy (diagnóza), ktoré sa vyskytujú sú asne s hlavnou diagnózou alebo sa vyvinuli po as hospitalizácie.

Základná DRG (ADRG)

Jedna alebo viaceré DRG, ktoré sú definované vľdy rovnakým zoznamom diagnóz a výkonov. DRG v rámci jednej základnej DRG sa rozli-ujú spotrebou zdrojov a sú lenené na základe rozli ných faktorov ako napr. komplikujúce diagnózy/výkony, vek a/alebo stupe klinickej obtiaľnosti prípadu (PCCL).

<http://www.udzs-sk.sk/drg-klasifikacny-system>